

Parts Catalogue

T1104SP / T954SP



제 작 일	2014.
작 성	
검 토	
승 인	

TM 동양물산 기계사업부

Printed : 2014 Version : A

Part number of this book: 1871 950 001 0

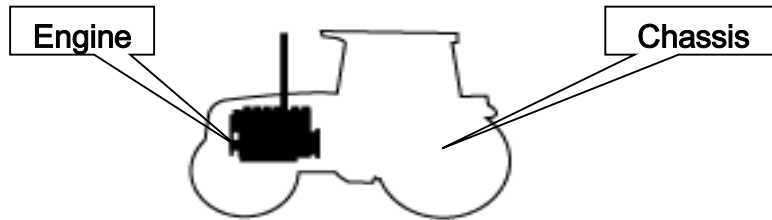
Important tips of Parts Catalogue

We thank you for your purchasing our product, manufactured under strict quality control, by gathering plenty of experiences and new technology, designed for a comfort and pleasant work.

1. Part Composition

This catalogue deals with engine and chassis.

Detailed classifications are listed in the following page.



2. For locating parts easily, Please Note:

A. If you know the assembly where the part is used.

-Refer to the relevant figure from the identifying group symbol illustration,

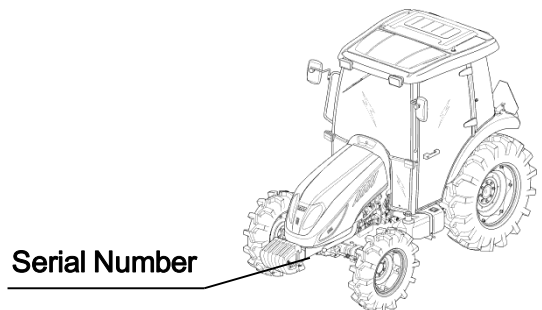
-Locate the relevant chapter

-Refer to the particular chapter desired.

3. For ordering parts

To obtain spare parts please contact your nearest dealer and give him the details listed below.

- ① Tractor Model : Tractor T1054SP
- ② Tractor Serial Number : H00001
- ③ Part Number : 18711032000
- ④ Description : Air cleaner V9
- ⑤ Quantity required: 1



4. For ordering PARTS CATALOGUE

This is Priced item and one is to order the same on part No. 18719500010

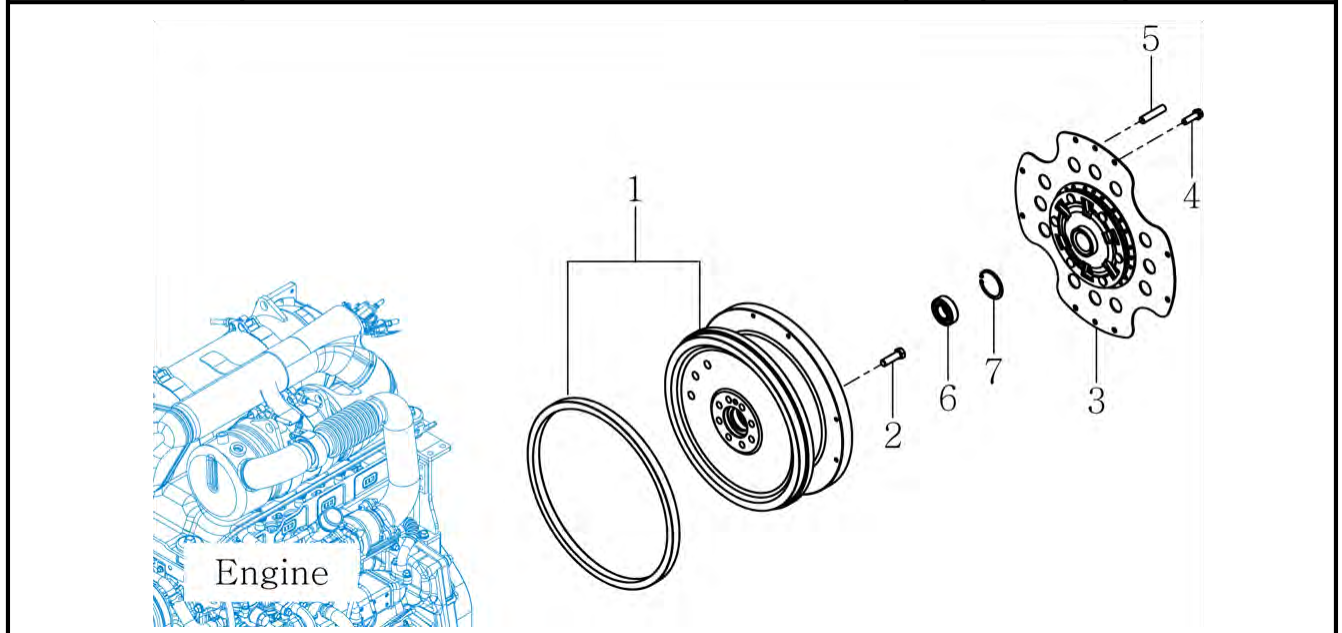
This supersedes all our editions.

Note) When replacing parts, please use original spare parts to be sure of the performance and the longer life of the product

※ The information in this catalogue may at any time be modified without a prior notice for the improvement of performance, please consult our spare parts dept. for the detailed inquiry.

5. How to use parts catalogue

FIG 301 2	DAMPER FLANGE ASSY 3	P1 4	Year 5	
			2014	



NOTE	13
------	--

FIG 301 2 T1054SP / T954SP	DAMPER FLANGE ASSY 3	P1 4	YEAR 5	
			2014	

KEY NO.	PART NO.	DESCRIPTION	SPEC.	QTY.		REPAIR	EFFECTIVE DATE	REMARKS
				T1054SP	T954SP			
301 001	18711020100	FLYWHEEL ASSY		1	1			
301 002	18711210011	FLYWHEEL BOLT M12X55XP1.5		8	8			
301 003	19021202303	DAMPER FLANGE ASSY , 365		1	1			
301 004	V2173608020	BOLT , HEX/S	M8X16	8	8			
6 301 005	7 V5211008016	PIN , PARALLELB 8	8x16 9	2	2	10	11	12
301 006	V60000205	BEARING , BALL 8		1	1	10	11	12
301 007	V7051400520	C-RING , HOLE		1	1			14

NOTE	13
------	--

① Group Indication : Indicate the relevant location of the part with a symbol illustration.

② Figure Number: Indicate the relevant section of the machine with a figure number.

③ Section Name : Indicate the section name of the machine

④ Section Page : Page number of the section in this catalogue.

⑤ Date : Show the Year of the section made or updated

⑥ Key number : Indicating number of each parts in the illustration.

⑦ Part Number : Unique part number maintained in our system

The part number starting with V or M means it is TYM s standard part

The alphabet at the end of part number means the status of material or the color of paint

Legend : M:Machining, DG:Dark Gray, BR:Bright Red, SW:Summer White, PB:Pure Black, GB:Glossy Black, SR:Super Red, MS:Metallic Silver DD:Heat proof Black, TY: Tangerine Yellow etc.

⑧ Description : Description of a part, Abbreviation means as follows.

- Indicate the mixture condition of a part

ASSY : Assembly with a mixture of several parts, so can be broke up retaining their original form

COMP : Assembly with a mixture of several parts, but can not be broke up retaining their original form

SUB : mean the same as ASSY but used in lower level in aid.

SET : Part consist of ASSY, COMP, and part(s) as a group

- Indicate the location of a part

LH: Left, RH: Right, FR: Front, RR: Rear, UPR: Upper, LOW: Lower

⑨ Type : Type of the standard items like bolt or nut

⑩ Quantity : Total quantity of the part referred to in the page.

Symbol below indicate options. So, show the quantity of each option.

Note) AR means as requested quantity.

⑪ Repair Parts consumption frequency class: indicate the level of a part in aid of stocking spares, anticipating the service requirements.

A :Fast moving part(frequently required)

B :Medium moving part (sometimes required)

C :Slow moving part(rarely required)

⑫ Modification :

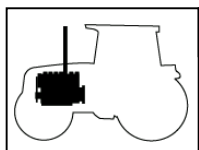
Year/Month~ : From which the change starts

~ Year/Month : To which the part installed

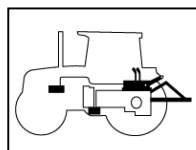
⑬ Notes : explain some reference data

⑭ Remark : indicate reference data or abbreviation in the content.

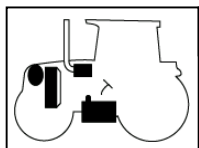
ENGINEERING GROUP INDEX



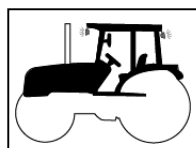
1 ENGINE



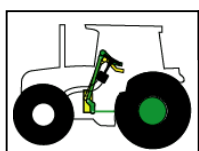
6 HYDRAULICS & 3-POINT LINK



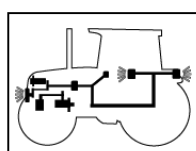
2 ENGINE ACCESSORIES & CONTROL



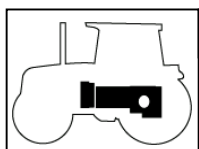
7 SHEET METAL & CABIN



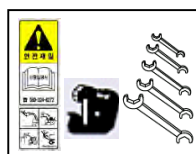
3 CLUTCH, BRAKE, STEERING



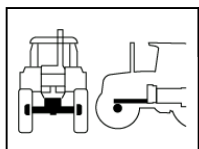
8 ELECTRICALS & HARNESS



4 TRANSMISSION & REAR AXLE



9 WEIGHT, LABEL, TOOLS



5 FRONT AXLE, SUPPORTER & DRIVE SHAFT

067 020	12305180020
077 036	12403160020
036 005	13022250030
037 010	13022250131
041 005	13022250232
046 002	13022250333

10 NUMERICAL INDEX

CONTENTS

ENGINE

1 ENGINE

FIG 101 CYLINDER BLOCK ASSY	04
FIG 102 FLYWHEEL HOUSING	06
FIG 103 OIL SEAL HOLDER	08
FIG 104 RETURN HOSE	10
FIG 105 CRANKSHAFT ASSY	12
FIG 106 CONNECTING ROD ASSY	14
FIG 107 PISTON ASSY	16
FIG 108 CRANKSHAFT PULLEY	18
FIG 109 CYLINDER HEAD ASSY	20
FIG 110 CYLINDER HEAD COVER ASSY	22
FIG 111 EXHAUST VALVE INLET	24
FIG 112 ROCKER ARM SHAFT ASSY	26
FIG 113 PUSHROD	28
FIG 114 CAMSHAFT ASSY	30
FIG 115 IDLE GEAR ASSY	32
FIG 116 LUBRICATION PUMP	34
FIG 117 ENGINE OIL FILTER ASSY	36
FIG 118 OIL PAN	38
FIG 119 THERMOSTAT HOUSING ASSY	40
FIG 120 WATER PUMP ASSY	42
FIG 121 FAN MOUNTING BRACKET	44
FIG 122 EXHAUST MANIFOLD ASSY	46
FIG 123 INTAKE MANIFOLD	48
FIG 124 TURBO CHARGER ASSY	50
FIG 125 INTAKE STAKE	52
FIG 126 INJECTOR	54
FIG 127 COMMON RAIL	56
FIG 128 FUEL INJECTION PUMP ASSY	58
FIG 129 ECU	60
FIG 130 INJECTION PUMP DRIVE GEAR	62
FIG 131 FUEL TUBE ASSY	64
FIG 132 FUEL FILTER ASSY	66
FIG 133 EXHAUST FILTERING MUFFLER	68

FIG 134 EGR VALVE -----	70
FIG 135 ALTERNATOR BRACKET -----	72
FIG 136 LIFTING HOOK -----	74
FIG 137 ALTERNATOR -----	76
FIG 138 STARTER -----	78
FIG 139 AIR HEATER ASSY -----	80
FIG 140 SENSOR ASSY -----	82
FIG 141 ENGINE HARNESS ASSY -----	84
FIG 142 PTO ASSY -----	86
FIG 143 MOUNTING BRACKET -----	88

CHASSIS

2 ENGINE ACCESSORIES & CONTROL

FIG 201 AIR CLEANER	94
FIG 202 RADIATOR	96
FIG 203 EXHAUST PIPE	100
FIG 205 FUEL TANK & FUEL LINES	102-01
FIG 206 CABLE, THROTTLE & ACCELERATOR ASSY	104
FIG 207 INTERCOOLER	106

3 CLUTCH, BRAKE, STEERING

FIG 301 DAMPER FLANGE ASSY	112
FIG 302 CASE SUB ASSY, BRAKE	114
FIG 303A BRAKE PIPES	116
FIG 303B BRAKE	118
FIG 304 FRONT WHEEL	120
FIG 305 REAR WHEEL	122
FIG 306 STEERING WHEEL ASSY	124
FIG 307 POWER STEERING VALVE	126
FIG 308 POWER STEERING CYLINDER	128
FIG 309 SUB CLUTCH PEDAL	130
FIG 310 HAND BRAKE SUB	132

4 TRANSMISSION & REAR AXLE

FIG 401 CASE SUB, RR TRANSMISSION	138
FIG 402A METAL SUB ASSY, PINION	140
FIG 402B DIFF ASSY, RR	142
FIG 403 SUB CHANGE GEARS	144
FIG 404 SUB CHANGE LEVER	146
FIG 405 4WD DRIVE GEARS	148

FIG 406 HOUSING, RR AXLE -----	150
FIG 407 540, 750,1000 PTO CASE -----	152
FIG 408A SHAFT, PTO -----	154
FIG 408B PTO CLUTCH ASSY -----	156
FIG 409 METAL SUB ASSY -----	158
FIG 410 CASE, MID TRANSMISSION -----	160
FIG 411 MAIN CHANGE GEARS -----	162
FIG 412 MAIN CHANGE LEVER -----	164
FIG 413 PARKING BRAKE -----	166
FIG 414 POWER SHUTTLE GEAR -----	168
FIG 415 POWER SHIFT GEAR -----	170
FIG 416 CASE, FR TRANSMISSION -----	172

5 FRONT AXLE,SUPPORTER & DRIVE SHAFT

FIG 501 FRONT AXLE SUPPORTER -----	178
FIG 502 FRONT DRIVE SHAFT -----	180
FIG 503 FRONT AXLE HOUSING -----	184
FIG 504 FRONT DIFFERENTIAL GEARS -----	186
FIG 505 FRONT GEAR CASE (1) -----	188
FIG 506 FRONT GEAR CASE (2) -----	190
FIG 507 FRONT GEAR CASE (3) -----	192
FIG 508 MUD GUARD ASSY -----	194

6 HYDRAULICS & 3P-LINK

FIG 601A VALVE SUB, SHIFT -----	200
FIG 601B VALVE SUB, MAIN -----	202
FIG 602 DRAWBAR ASSY -----	204
FIG 603A FILTER SUB, SUCTION -----	206
FIG 603B GEAR PUMP ASSY -----	208

FIG 604 CASE, CYLINDER -----	210
FIG 605 ARM SUB, LIFT -----	212
FIG 606 MAIN CONTROL VALVE SUB -----	214
FIG 607A AUX VALVE & FILTER SUB -----	216
FIG 607B LEVER SUB, AUX -----	218
FIG 608A HITCH & 3-POINT LINK -----	220
FIG 608B LOWER LINK & LIFT ROD -----	222
FIG 609 HYDRAULIC PIPE & HOSES -----	224
FIG 610 JOYSTICK -----	226

7 SHEET METAL & CABIN

FIG 701 FRONT FRAME SUB -----	232
FIG 702 FRAME, HOOD -----	234
FIG 703 HOOD -----	236
FIG 704 STEP & BOOTS -----	238
FIG 705 FRONT & REAR MOUNTING -----	240
FIG 706 SEAT & MAT -----	242
FIG 708 DOOR-LH -----	244
FIG 709 DOOR-RH -----	246
FIG 710 FRAME COMP & FRONT GLASS -----	248
FIG 711 SIDE GLASS -----	250
FIG 712 REAR GLASS -----	252
FIG 713 SUB FENDER & COVER -----	254
FIG 714 REARVIEW MIRRORS -----	256
FIG 715 HEATER & AIR-CON (1) -----	258
FIG 716 HEATER & AIR-CON (2) -----	260
FIG 717 ROOF -----	262
FIG 718 CABIN INTERIOR -----	264
FIG 719 DASHCOVER -----	266
FIG 720 TANK ASSY, WASH -----	268
FIG 721 ROOM MIRROR ASSY -----	270
FIG 722 COVER-FENDER&JOYSTICK LEVER -----	272

8**ELECTRICALS & HARNESS**

FIG 801 BATTERY & MOUNTING	278
FIG 802 ELECTRIC SYSTEM (1)	280
FIG 803 ELECTRIC SYSTEM (2)	282
FIG 804 ELECTRIC SYSTEM (3)	284
FIG 805 ELECTRIC SYSTEM (4)	286
FIG 806 ELECTRIC SYSTEM (5)	288
FIG 807 ELECTRIC SYSTEM (5)	290

9**WEIGHT, LABEL& TOOLS**

FIG 901 TOOL & ACCESSORY	296
FIG 903A LABEL	298
FIG 903B LABEL	300

10**NUMERICAL INDEX**

ENGINE	305
CHASSIS	308

ENGINE

1 ENGINE

FIG 101	CYLINDER BLOCK ASSY	04
FIG 102	FLYWHEEL HOUSING	06
FIG 103	OIL SEAL HOLDER	08
FIG 104	RETURN HOSE	10
FIG 105	CRANKSHAFT ASSY	12
FIG 106	CONNECTING ROD ASSY	14
FIG 107	PISTON ASSY	16
FIG 108	CRANKSHAFT PULLEY	18
FIG 109	CYLINDER HEAD ASSY	20
FIG 110	CYLINDER HEAD COVER ASSY	22
FIG 111	EXHAUST VALVE INLET	24
FIG 112	ROCKER ARM SHAFT ASSY	26
FIG 113	PUSHROD	28
FIG 114	CAMSHAFT ASSY	30
FIG 115	IDLE GEAR ASSY	32
FIG 116	LUBRICATION PUMP	34
FIG 117	ENGINE OIL FILTER ASSY	36
FIG 118	OIL PAN	38
FIG 119	THERMOSTAT HOUSING ASSY	40
FIG 120	WATER PUMP ASSY	42
FIG 121	FAN MOUNTING BRACKET	44
FIG 122	EXHAUST MANIFOLD ASSY	46
FIG 123	INTAKE MANIFOLD	48
FIG 124	TURBO CHARGER ASSY	50
FIG 125	INTAKE STAKE	52
FIG 126	INJECTOR	54
FIG 127	COMMON RAIL	56
FIG 128	FUEL INJECTION PUMP ASSY	58
FIG 129	ECU	60
FIG 130	INJECTION PUMP DRIVE GEAR	62
FIG 131	FUEL TUBE ASSY	64
FIG 132	FUEL FILTER ASSY	66
FIG 133	EXHAUST FILTERING MUFFLER	68

FIG 134 EGR VALVE -----	70
FIG 135 ALTERNATOR BRACKET -----	72
FIG 136 LIFTING HOOK -----	74
FIG 137 ALTERNATOR -----	76
FIG 138 STARTER -----	78
FIG 139 AIR HEATER ASSY -----	80
FIG 140 SENSOR ASSY -----	82
FIG 141 ENGINE HARNESS ASSY -----	84
FIG 142 PTO ASSY -----	86
FIG 143 MOUNTING BRACKET -----	88

CHASSIS

2

ENGINE ACCESSORIES & CONTROL

FIG 201 AIR CLEANER	94
FIG 202 RADIATOR	96
FIG 203 EXHAUST PIPE	100
FIG 205 FUEL TANK & FUEL LINES	102-01
FIG 206 CABLE, THROTTLE & ACCELERATOR ASSY	104
FIG 207 INTERCOOLER	106

3**CLUTCH, BRAKE, STEERING**

FIG 301 DAMPER FLANGE ASSY -----	112
FIG 302 CASE SUB ASSY, BRAKE -----	114
FIG 303A BRAKE PIPES -----	116
FIG 303B BRAKE -----	118
FIG 304 FRONT WHEEL -----	120
FIG 305 REAR WHEEL -----	122
FIG 306 STEERING WHEEL ASSY -----	124
FIG 307 POWER STEERING VALVE -----	126
FIG 308 POWER STEERING CYLINDER -----	128
FIG 309 SUB CLUTCH PEDAL -----	130
FIG 310 HAND BRAKE SUB -----	132

4**TRANSMISSION & REAR AXLE**

FIG 401 CASE SUB, RR TRANSMISSION -----	138
FIG 402A METAL SUB ASSY, PINION -----	140
FIG 402B DIFF ASSY, RR -----	142
FIG 403 SUB CHANGE GEARS -----	144
FIG 404 SUB CHANGE LEVER -----	146
FIG 405 4WD DRIVE GEARS -----	148
FIG 406 HOUSING, RR AXLE -----	150
FIG 407 540, 750,1000 PTO CASE -----	152
FIG 408A SHAFT, PTO -----	154
FIG 408B PTO CLUTCH ASSY -----	156
FIG 409 METAL SUB ASSY -----	158
FIG 410 CASE, MID TRANSMISSION -----	160
FIG 411 MAIN CHANGE GEARS -----	162
FIG 412 MAIN CHANGE LEVER -----	164
FIG 413 PARKING BRAKE -----	166
FIG 414 POWER SHUTTLE GEAR -----	168
FIG 415 POWER SHIFT GEAR -----	170
FIG 416 CASE, FR TRANSMISSION -----	172

5**FRONT AXLE,SUPPORTER & DRIVE SHAFT**

FIG 501	FRONT AXLE SUPPORTER	-----	178
FIG 502	FRONT DRIVE SHAFT	-----	180
FIG 503	FRONT AXLE HOUSING	-----	184
FIG 504	FRONT DIFFERENTIAL GEARS	-----	186
FIG 505	FRONT GEAR CASE (1)	-----	188
FIG 506	FRONT GEAR CASE (2)	-----	190
FIG 507	FRONT GEAR CASE (3)	-----	192
FIG 508	MUD GUARD ASSY	-----	194

6**HYDRAULICS & 3P-LINK**

FIG 601A VALVE SUB, SHIFT	200
FIG 601B VALVE SUB, MAIN	202
FIG 602 DRAWBAR ASSY	204
FIG 603A FILTER SUB, SUCTION	206
FIG 603B GEAR PUMP ASSY	208
FIG 604 CASE, CYLINDER	210
FIG 605 ARM SUB, LIFT	212
FIG 606 MAIN CONTROL VALVE SUB	214
FIG 607A AUX VALVE & FILTER SUB	216
FIG 607B LEVER SUB, AUX	218
FIG 608A HITCH & 3-POINT LINK	220
FIG 608B LOWER LINK & LIFT ROD	222
FIG 609 HYDRAULIC PIPE & HOSES	224
FIG 610 JOYSTICK	226

FIG 701 FRONT FRAME SUB	232
FIG 702 FRAME, HOOD	234
FIG 703 HOOD	236
FIG 704 STEP & BOOTS	238
FIG 705 FRONT & REAR MOUNTING	240
FIG 706 SEAT & MAT	242
FIG 708 DOOR-LH	244
FIG 709 DOOR-RH	246
FIG 710 FRAME COMP & FRONT GLASS	248
FIG 711 SIDE GLASS	250
FIG 712 REAR GLASS	252
FIG 713 SUB FENDER & COVER	254
FIG 714 REARVIEW MIRRORS	256
FIG 715 HEATER & AIR-CON (1)	258
FIG 716 HEATER & AIR-CON (2)	260
FIG 717 ROOF	262
FIG 718 CABIN INTERIOR	264
FIG 719 DASHCOVER	266
FIG 720 TANK ASSY, WASH	268
FIG 721 ROOM MIRROR ASSY	270
FIG 722 COVER-FENDER&JOYSTICK LEVER	272

8**ELECTRICALS & HARNESS**

FIG 801	BATTERY & MOUNTING	-----278
FIG 802	ELECTRIC SYSTEM (1)	-----280
FIG 803	ELECTRIC SYSTEM (2)	-----282
FIG 804	ELECTRIC SYSTEM (3)	-----284
FIG 805	ELECTRIC SYSTEM (4)	-----286
FIG 806	ELECTRIC SYSTEM (5)	-----288
FIG 807	ELECTRIC SYSTEM (5)	-----290

9 WEIGHT, LABEL& TOOLS

FIG 901 TOOL & ACCESSORY -----296
FIG 903A LABEL -----298
FIG 903B LABEL -----300

10 NUMERICAL INDEX

ENGINE 305
CHASSIS 308

FIG 101

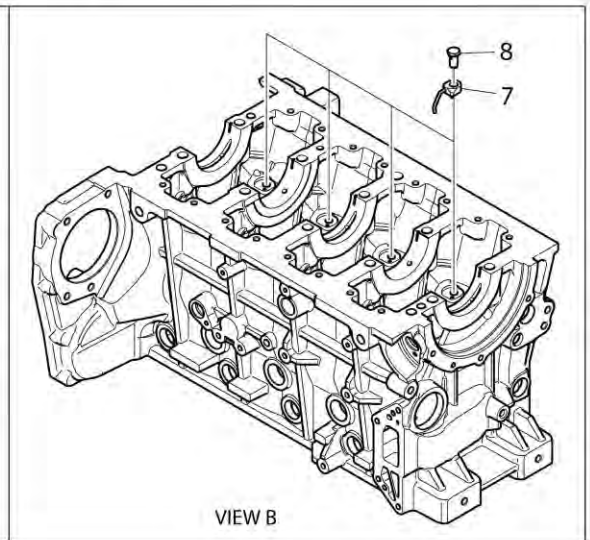
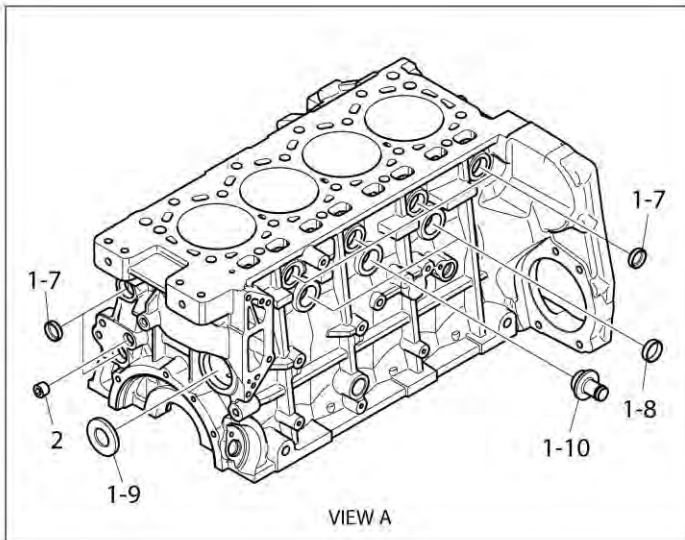
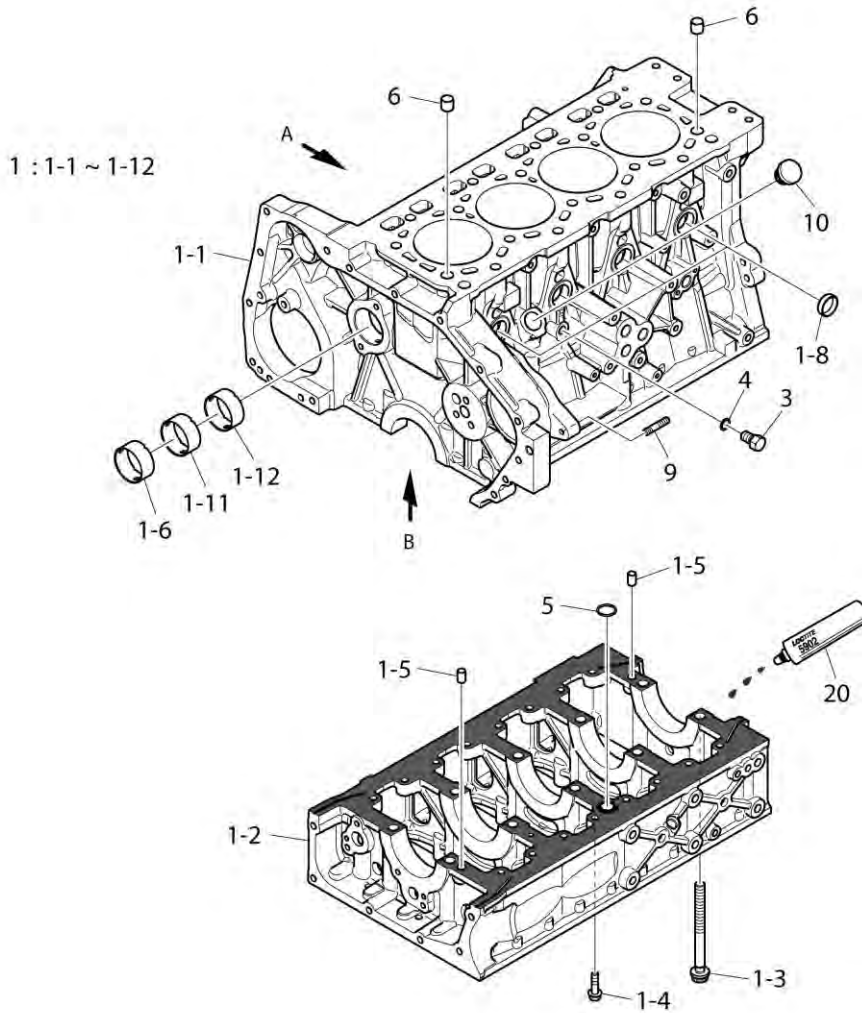
T1104SP / T954SP

CYLINDER BLOCK ASSY

P1

YEAR

2014



NOTE

FIG 102

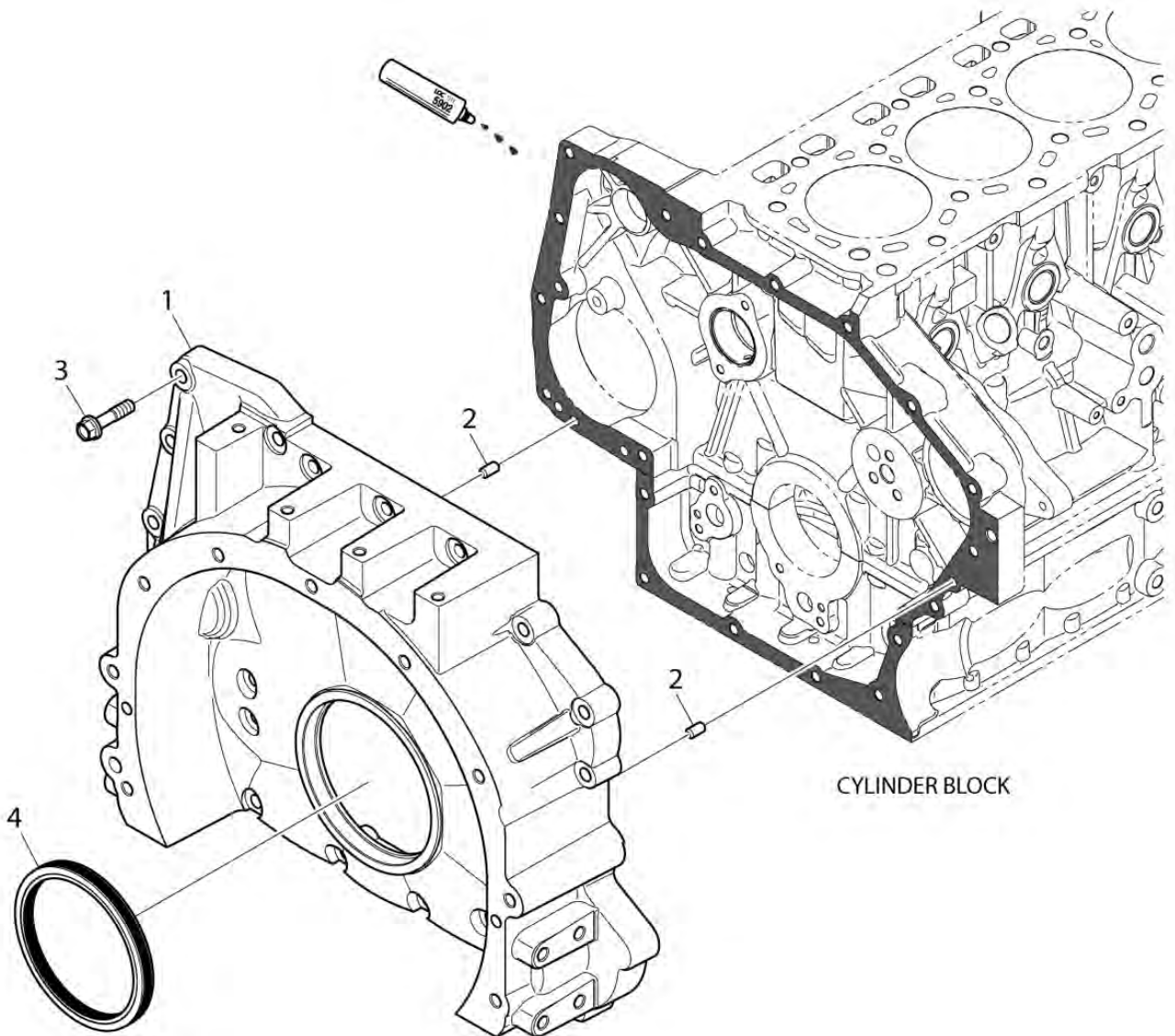
T1104SP / T954SP

FLYWHEEL HOUSING

P1

YEAR

2014



NOTE

FIG 103

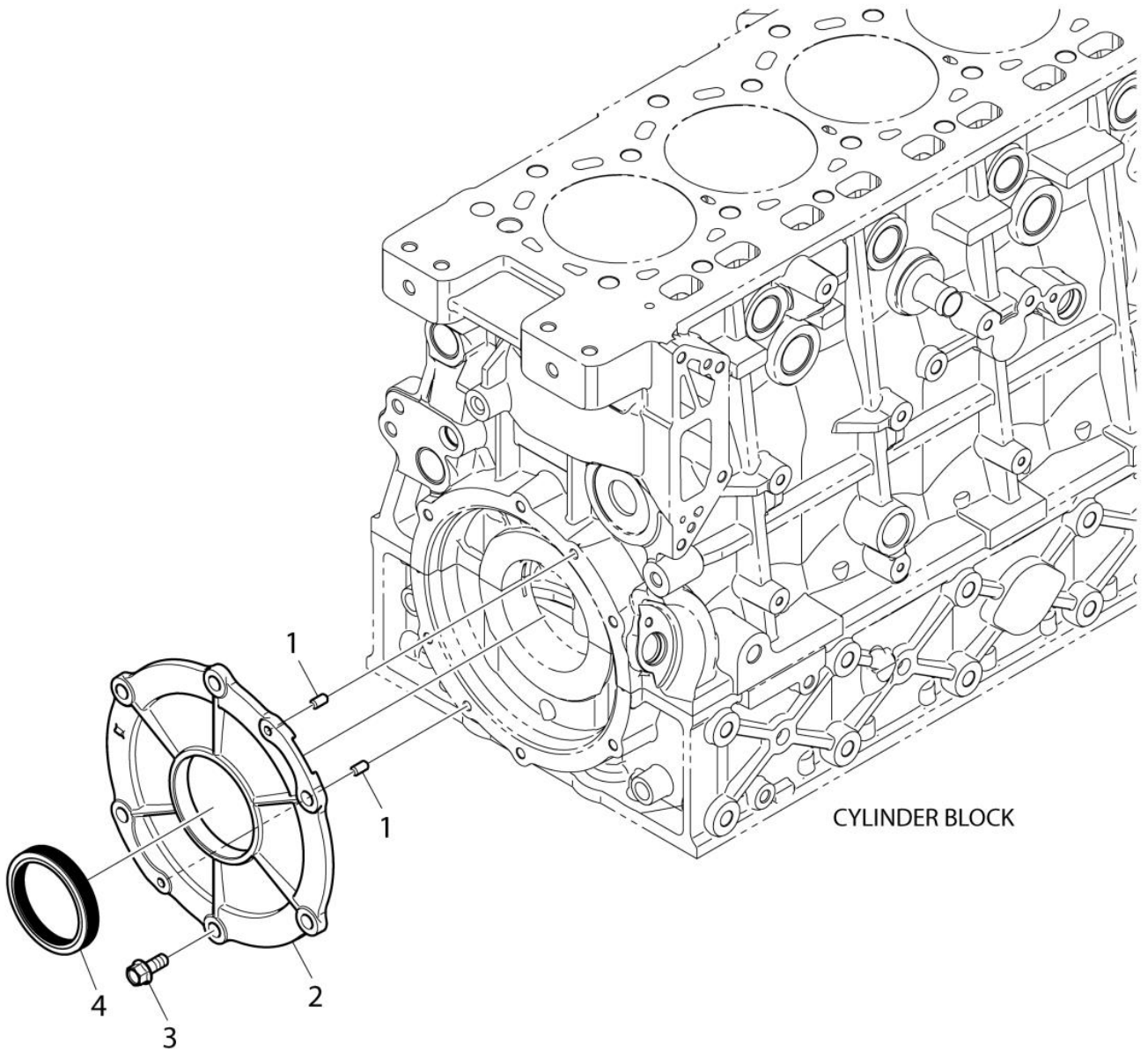
T1104SP / T954SP

OIL SEAL HOLDER

P1

YEAR

2014



NOTE

FIG 104

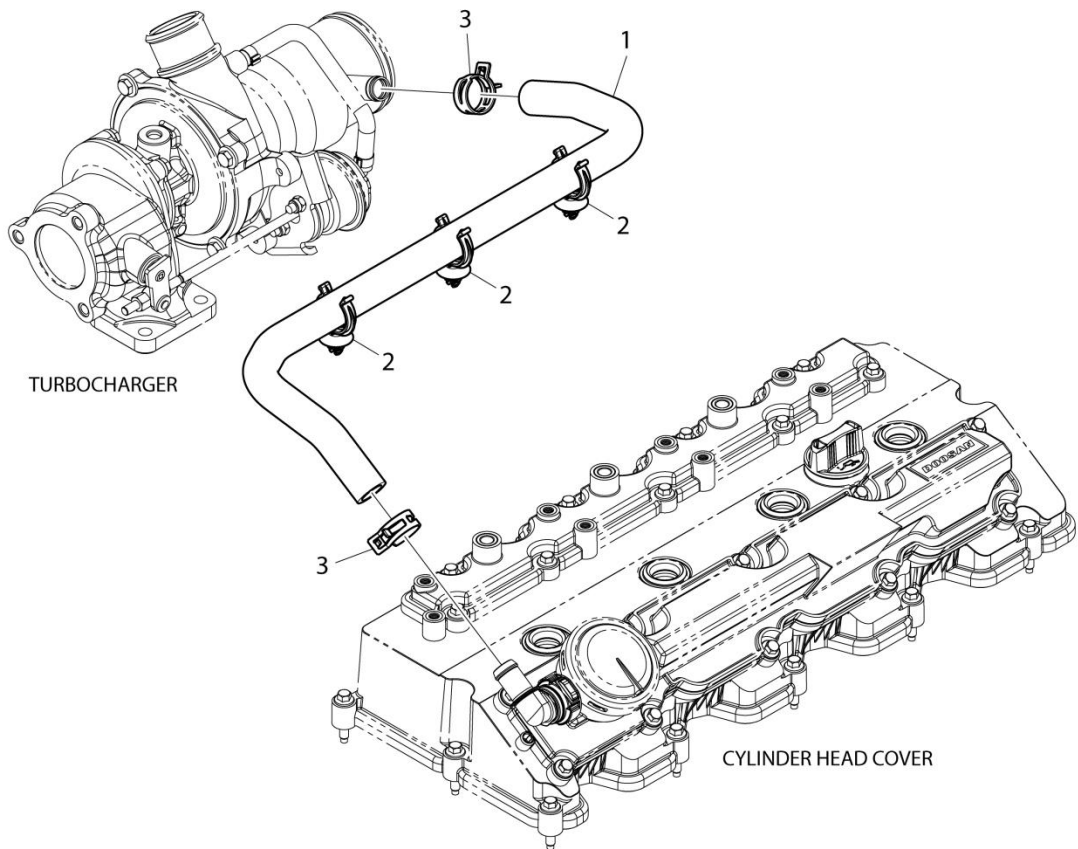
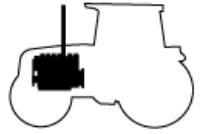
T1104SP / T954SP

RETURN HOSE

P1

YEAR

2014



NOTE

FIG 105

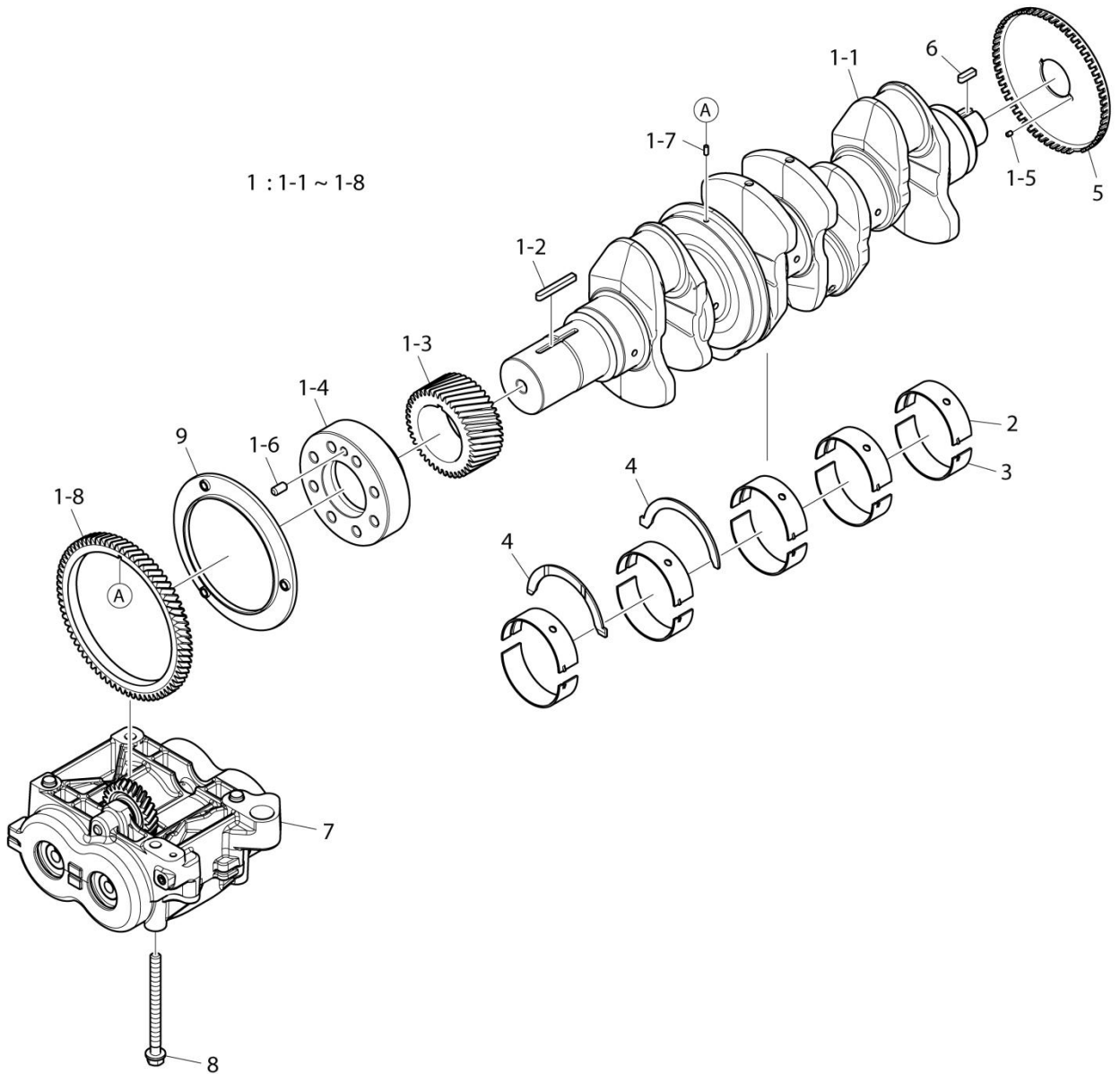
T1104SP / T954SP

CRANKSHAFT ASSY

P1

YEAR

2014



NOTE

FIG 106

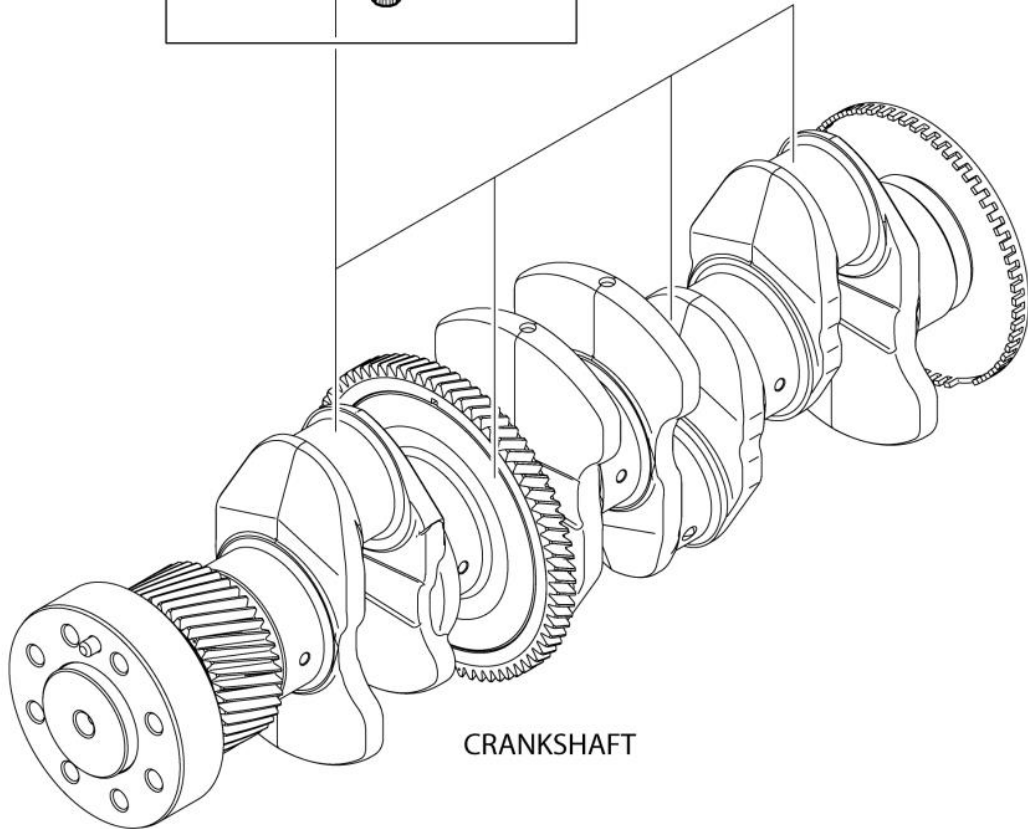
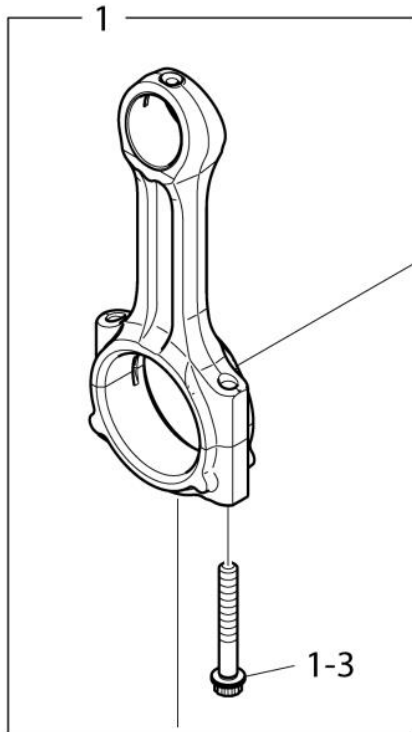
T1104SP / T954SP

CONNECTING ROD ASSY

P1

YEAR

2014



NOTE

FIG 107

T1104SP / T954SP

PISTON ASSY

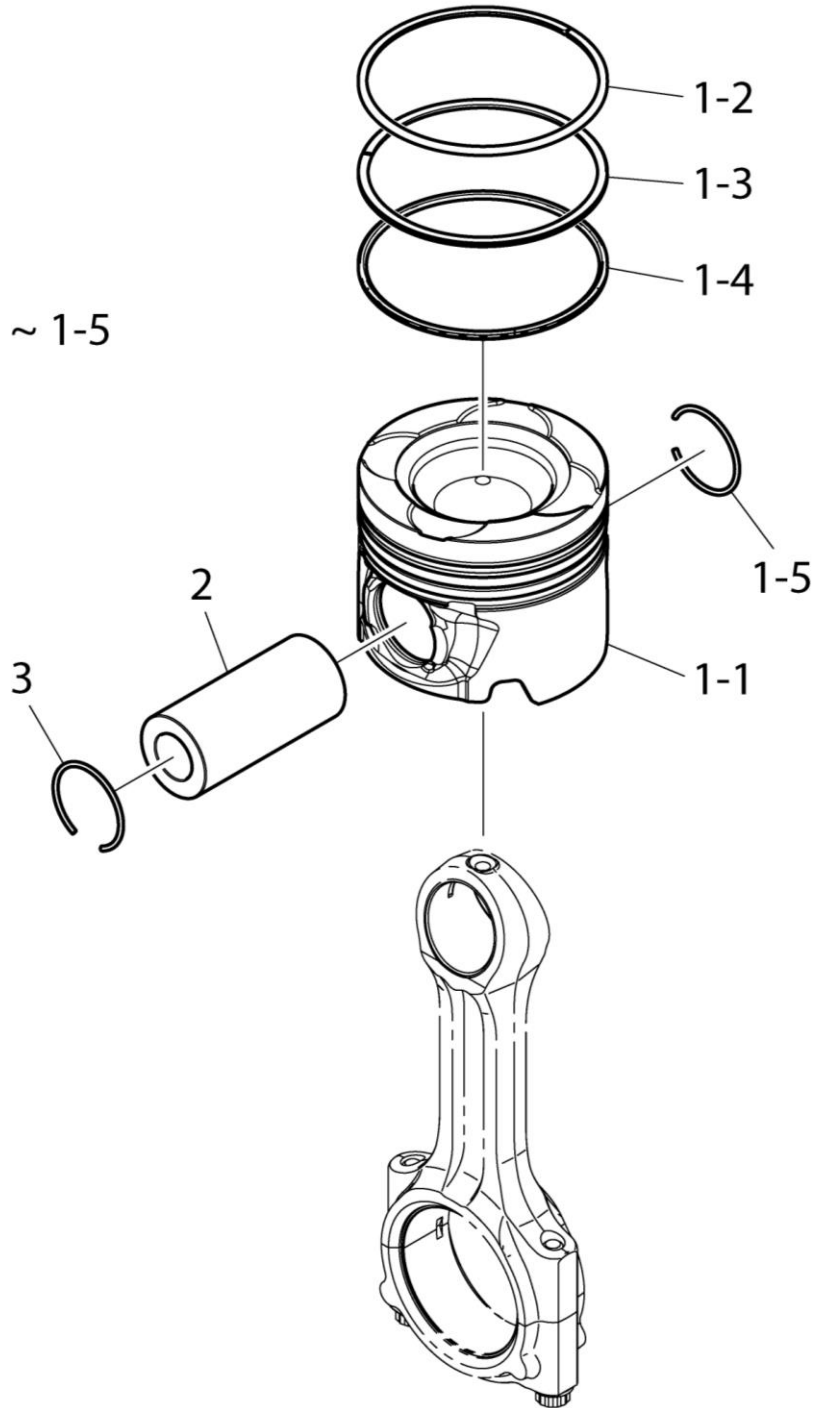
P1

YEAR

2014



1 : 1-1 ~ 1-5



CONNECTING ROD

NOTE

FIG 108

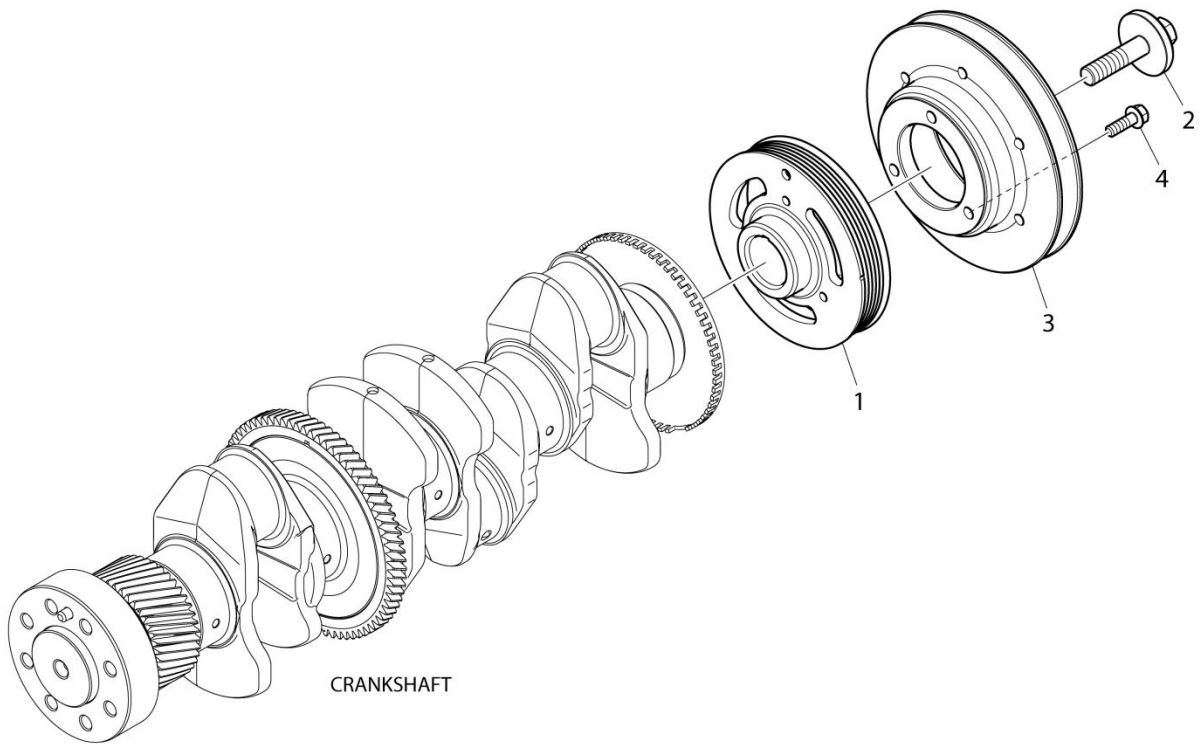
T1104SP / T954SP

CRANKSHAFT PULLEY

P1

YEAR

2014



NOTE

FIG 109

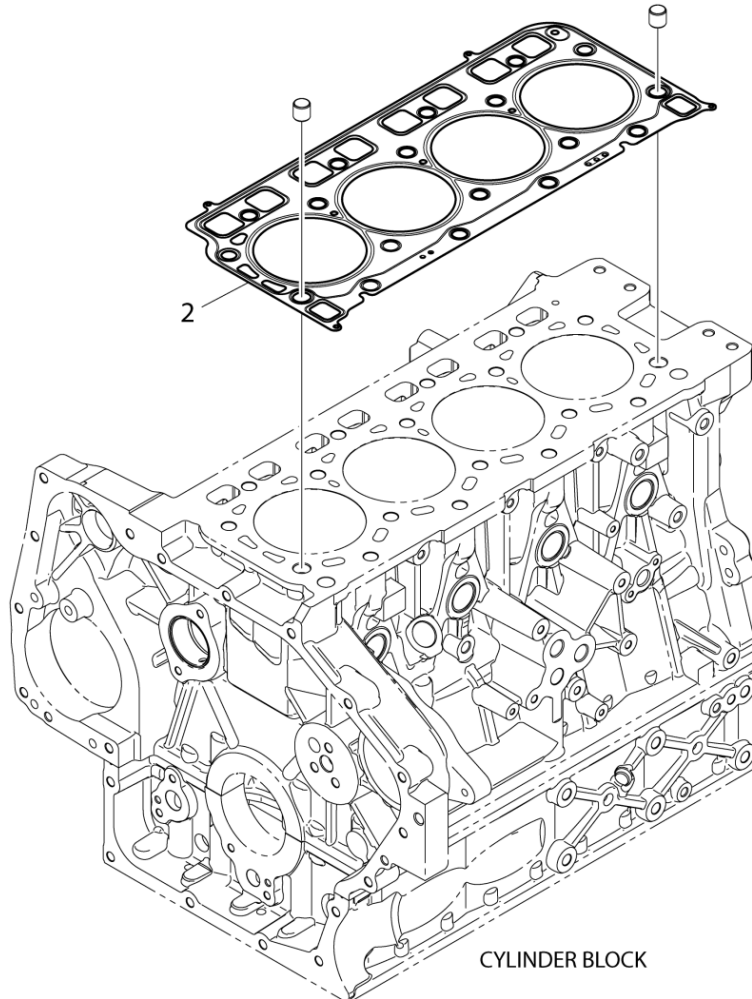
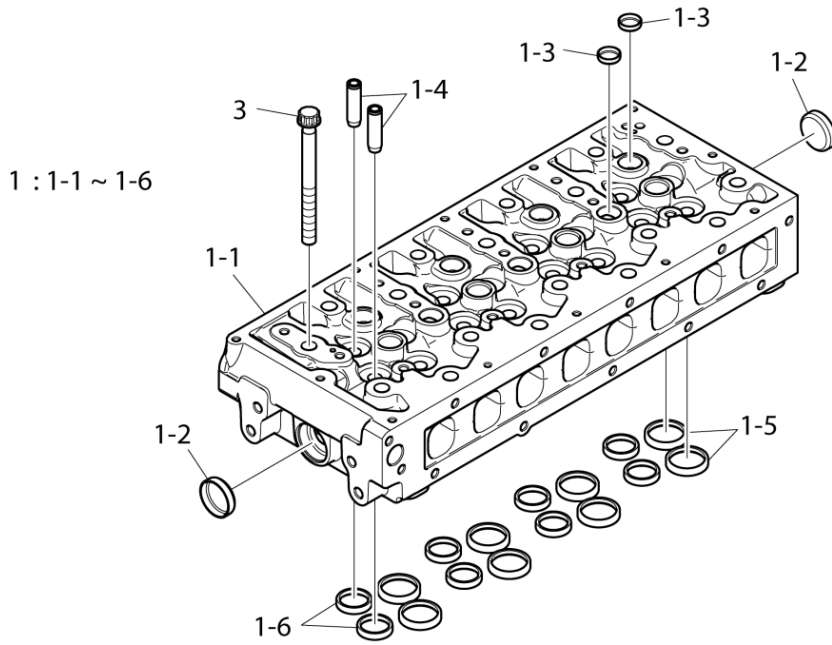
T1104SP / T954SP

CYLINDER HEAD ASSY

P1

YEAR

2014



NOTE

FIG 110

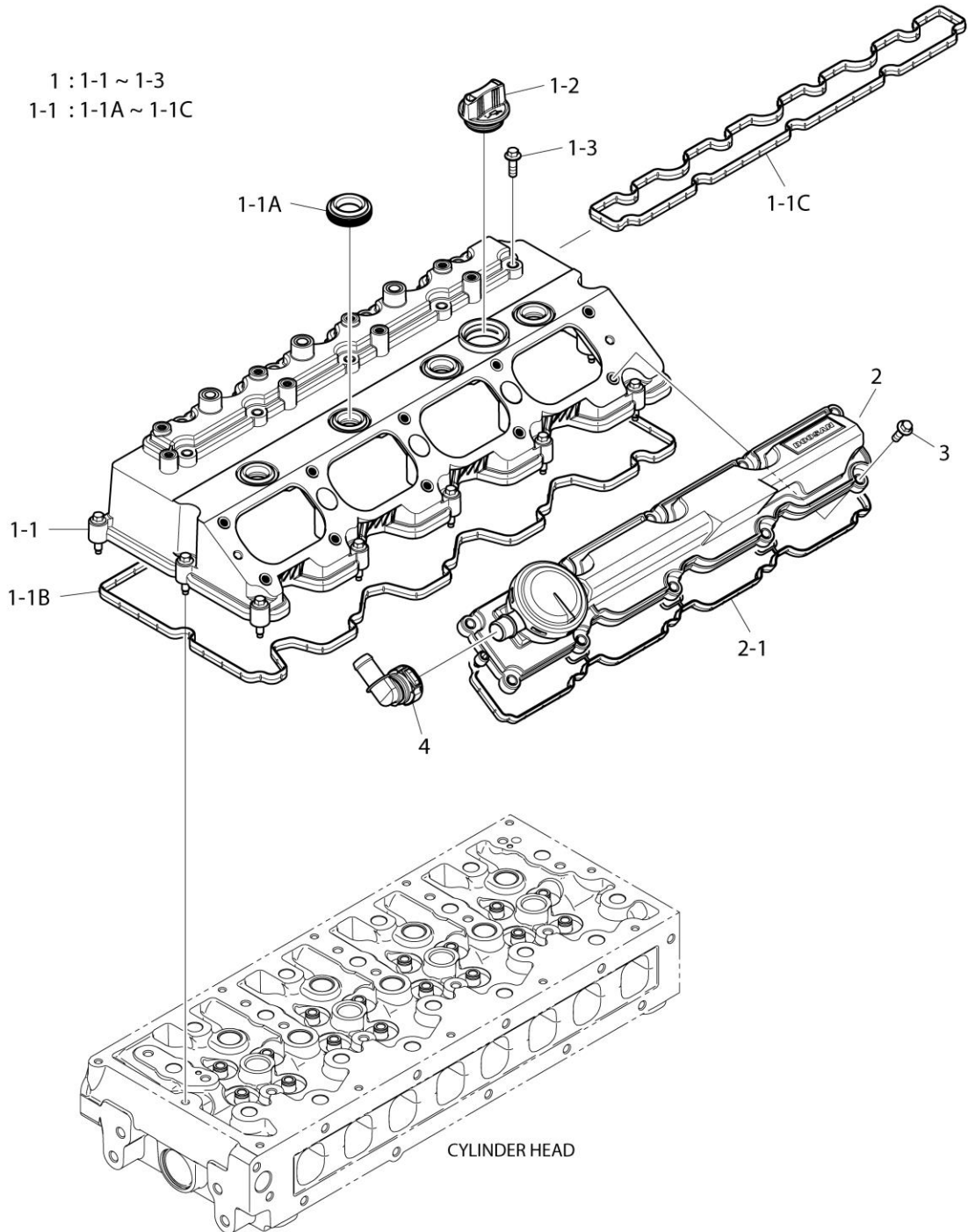
T1104SP / T954SP

CYLINDER HEAD COVER ASSY

P1

YEAR

2014



NOTE

FIG 111

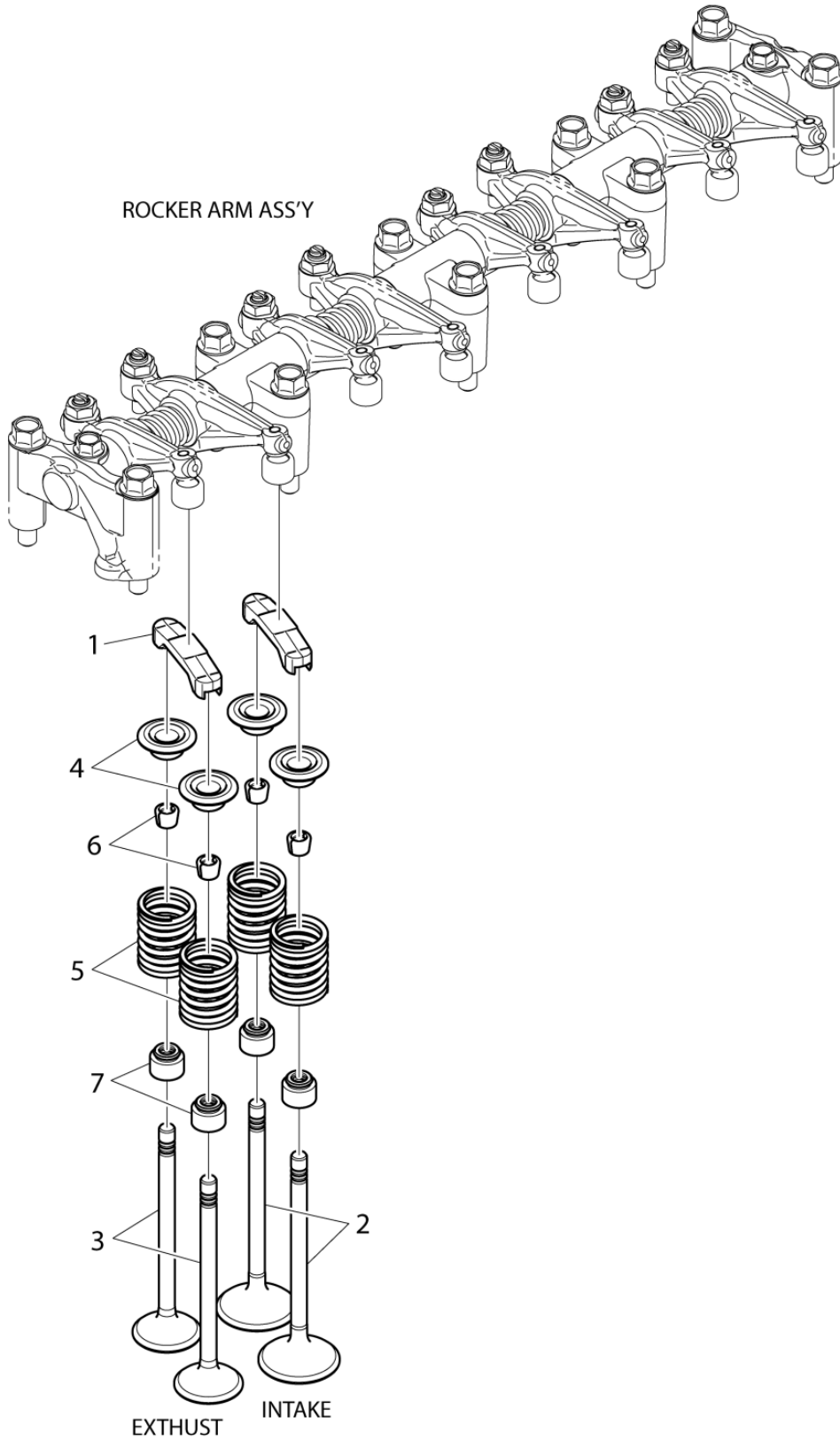
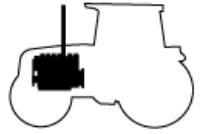
T1104SP / T954SP

EXHAUST VALVE INLET

P1

YEAR

2014



NOTE

FIG 113

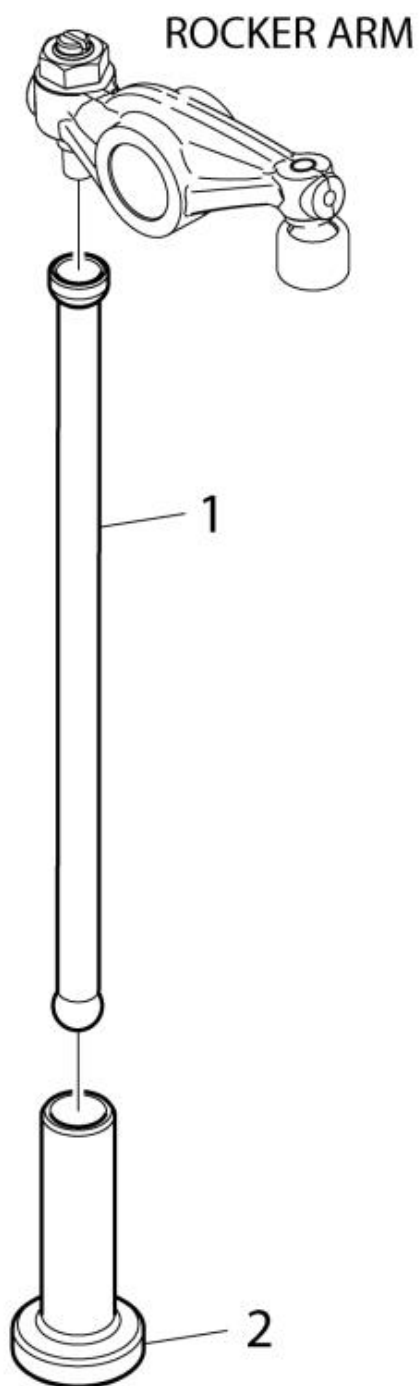
T1104SP / T954SP

PUSHROD

P1

YEAR

2014



NOTE

FIG 114

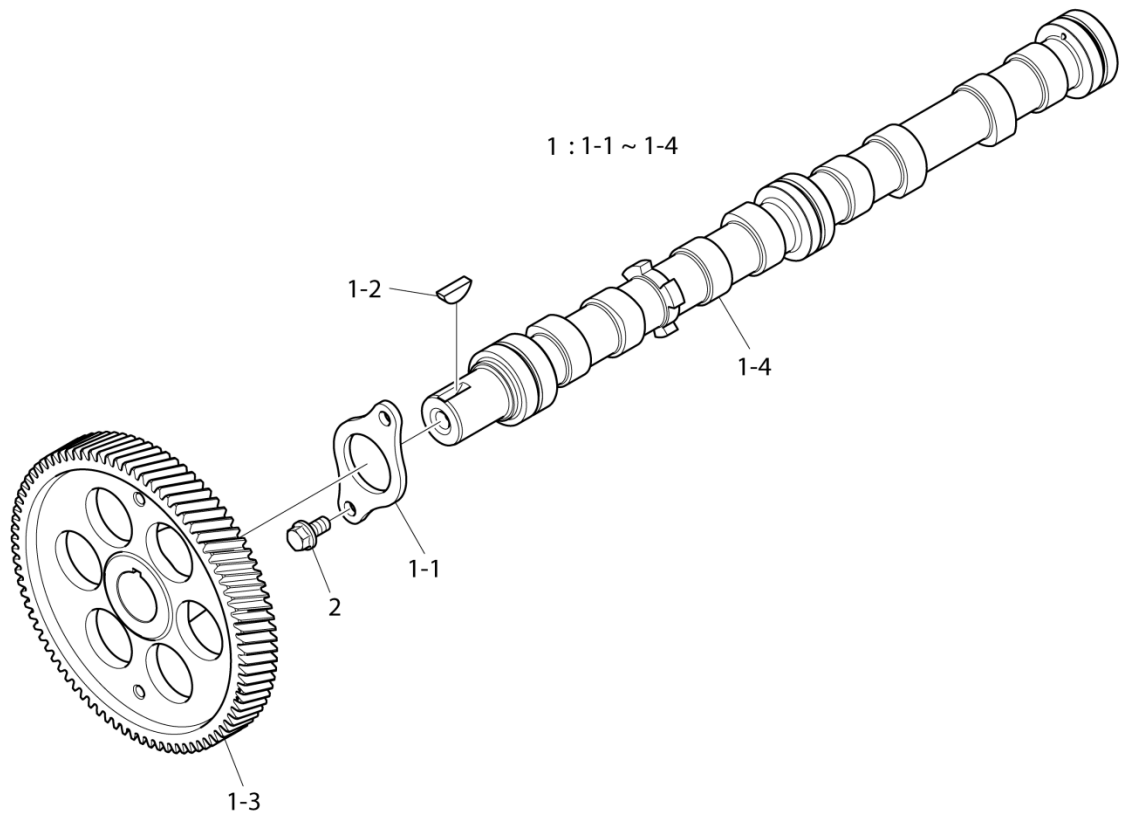
T1104SP / T954SP

CAMSHAFT ASSY

P1

YEAR

2014



NOTE

FIG 115

T1104SP / T954SP

IDLE GEAR ASSY

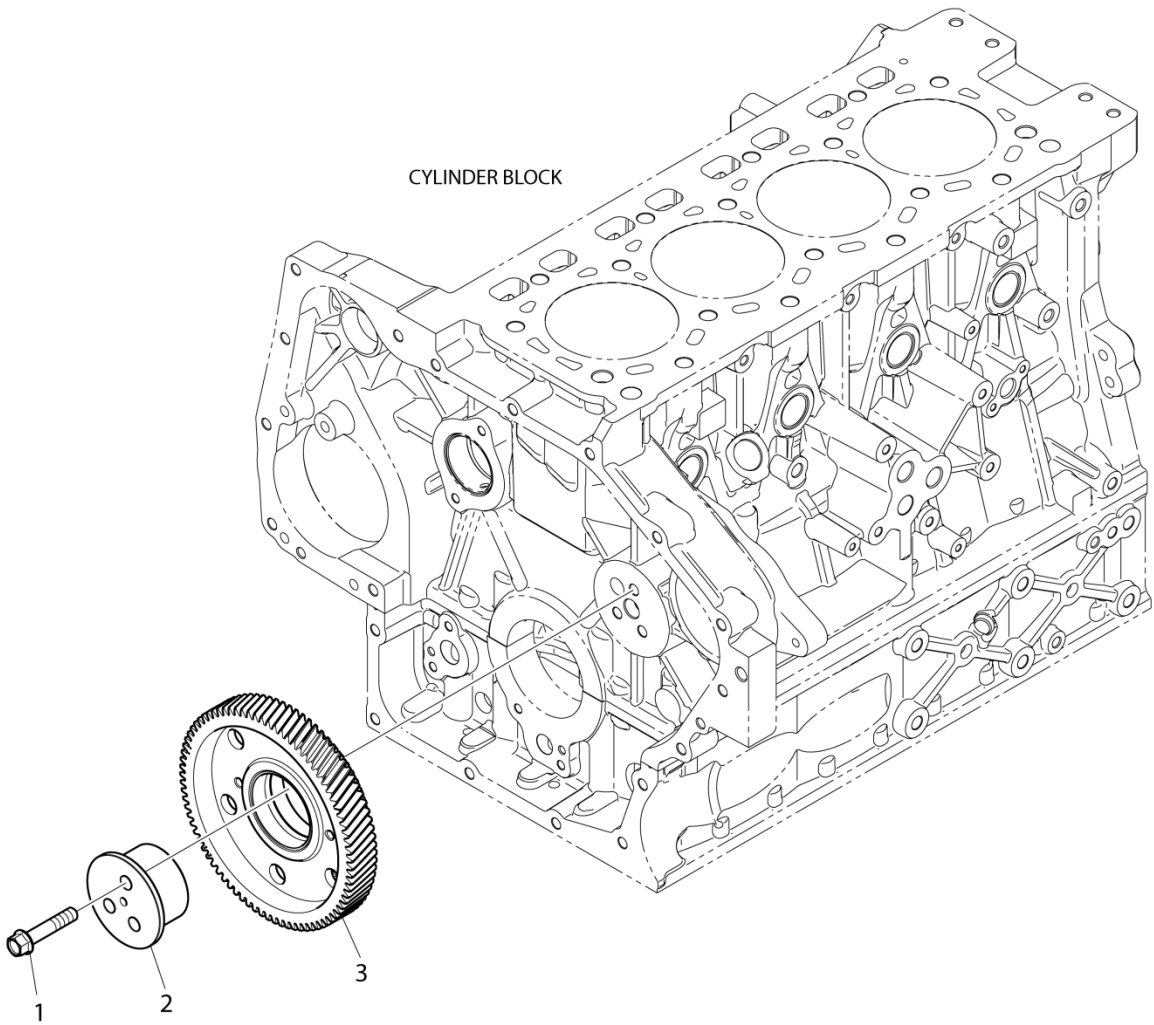
P1

YEAR

2014



CYLINDER BLOCK



NOTE

FIG 116

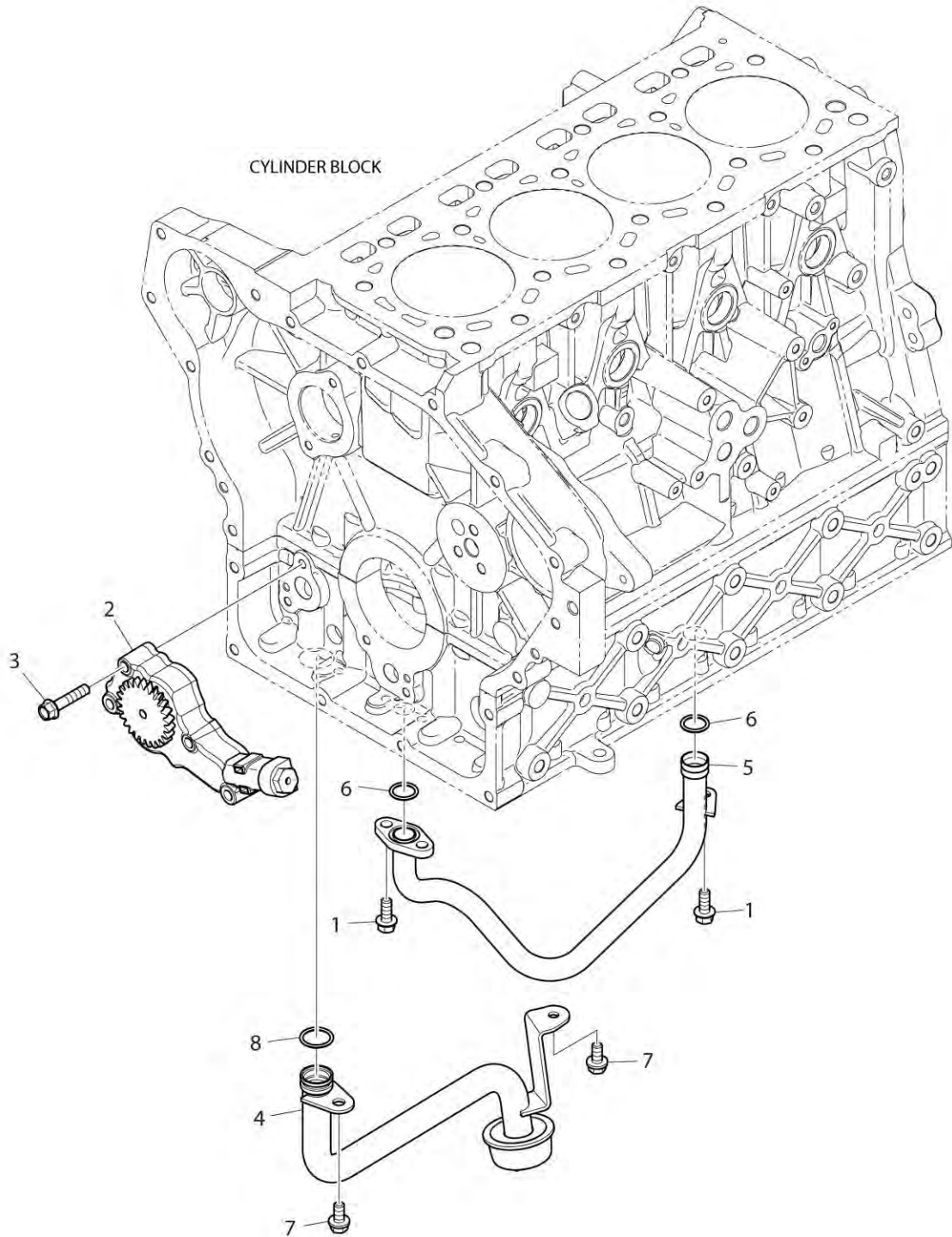
T1104SP / T954SP

LUBRICATION PUMP

P1

YEAR

2014



NOTE

FIG 117

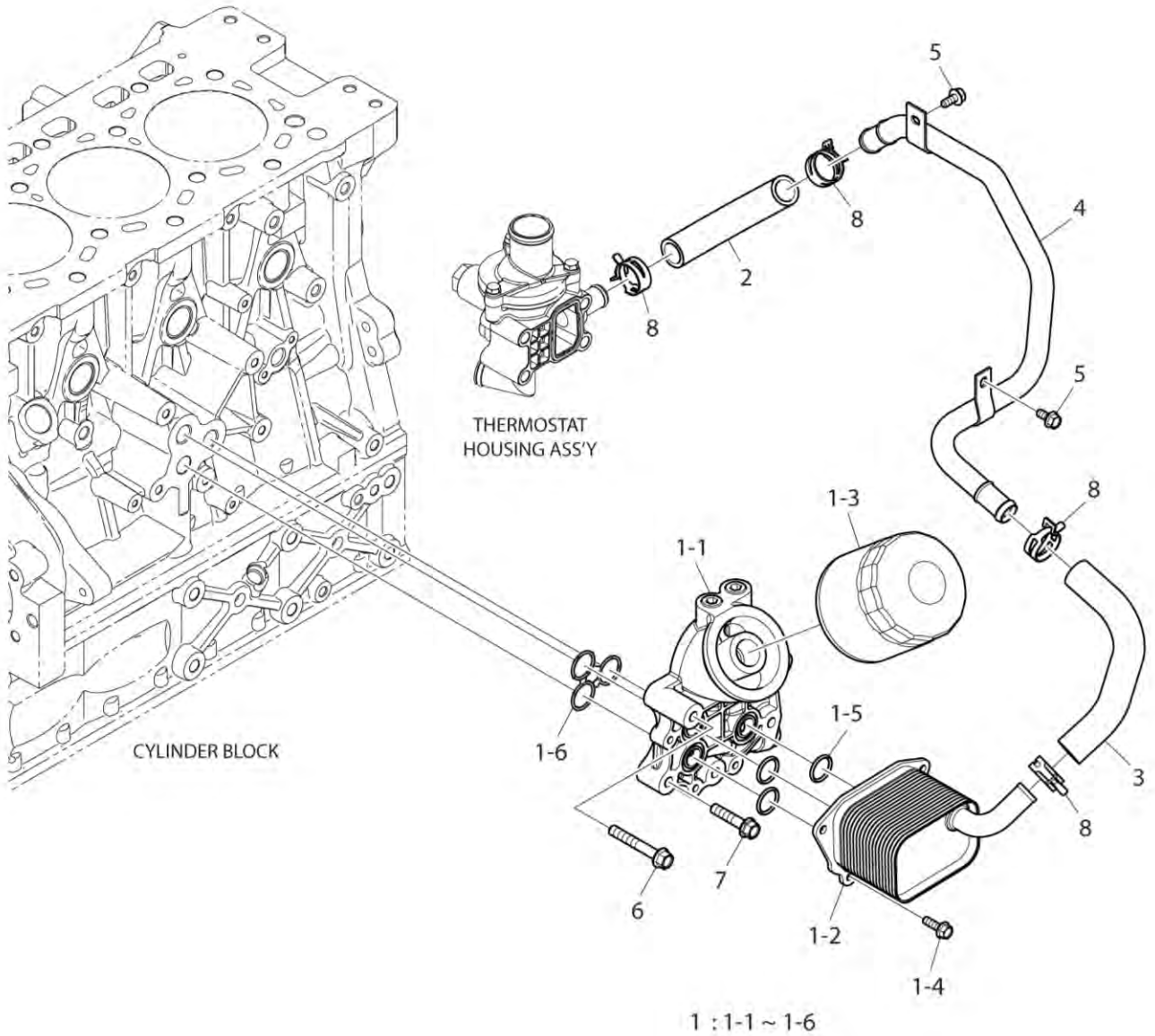
T1104SP / T954SP

ENGINE OIL FILTER ASSY

P1

YEAR

2014



NOTE

FIG 118

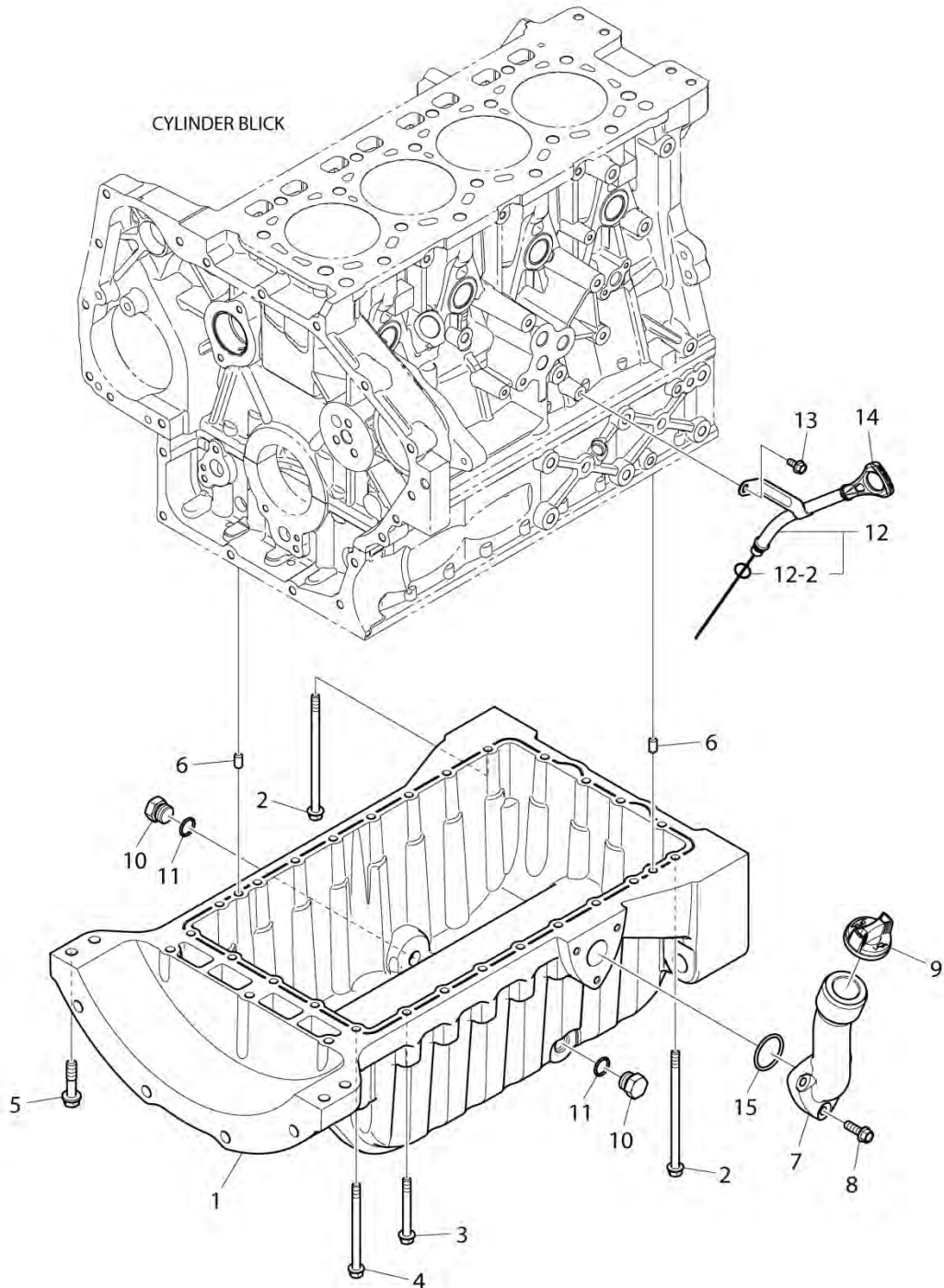
T1104SP / T954SP

OIL PAN

P1

YEAR

2014



NOTE

FIG 119

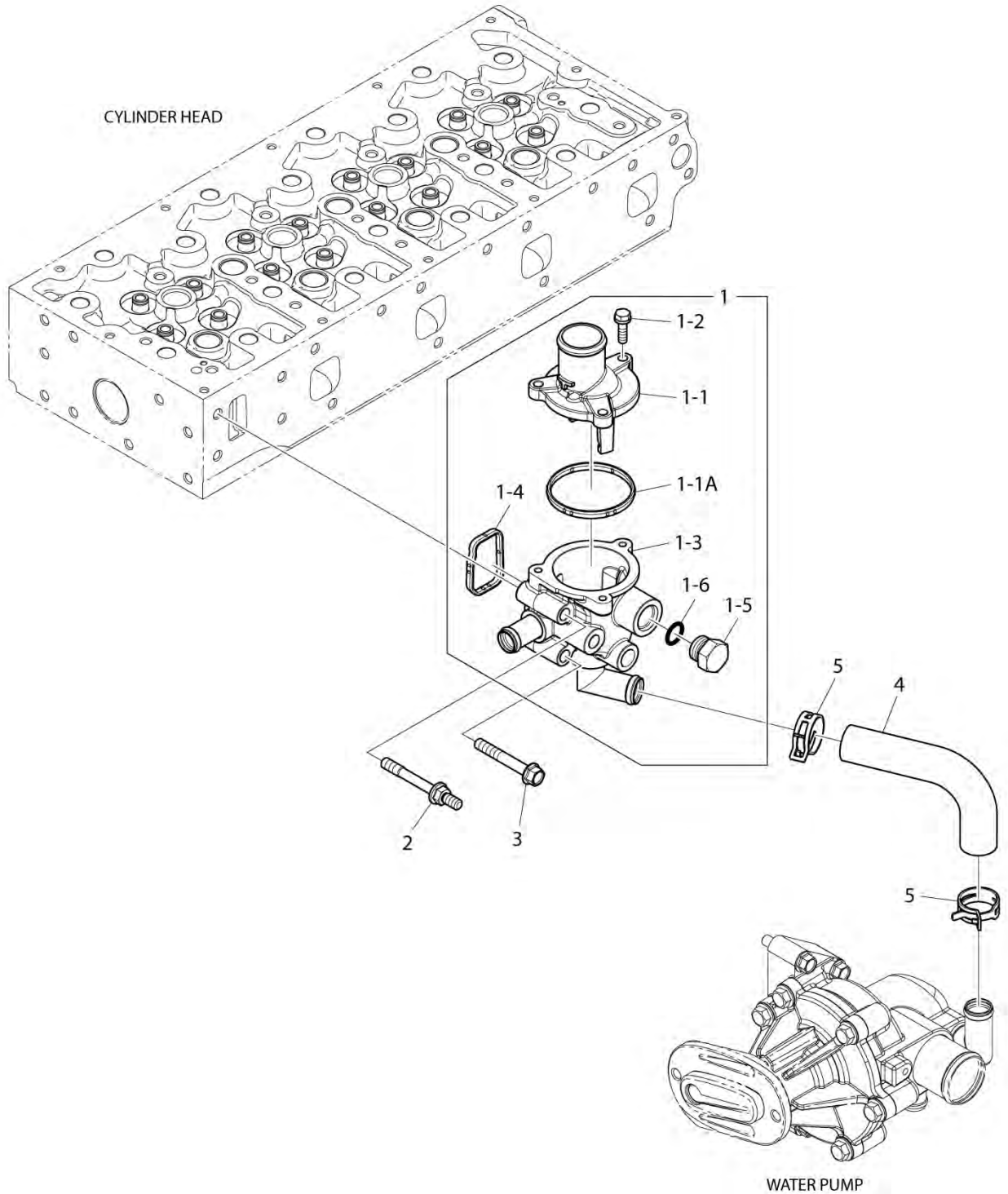
THERMOSTAT HOUSING ASSY

T1104SP / T954SP

P1

YEAR

2014



NOTE

FIG 120

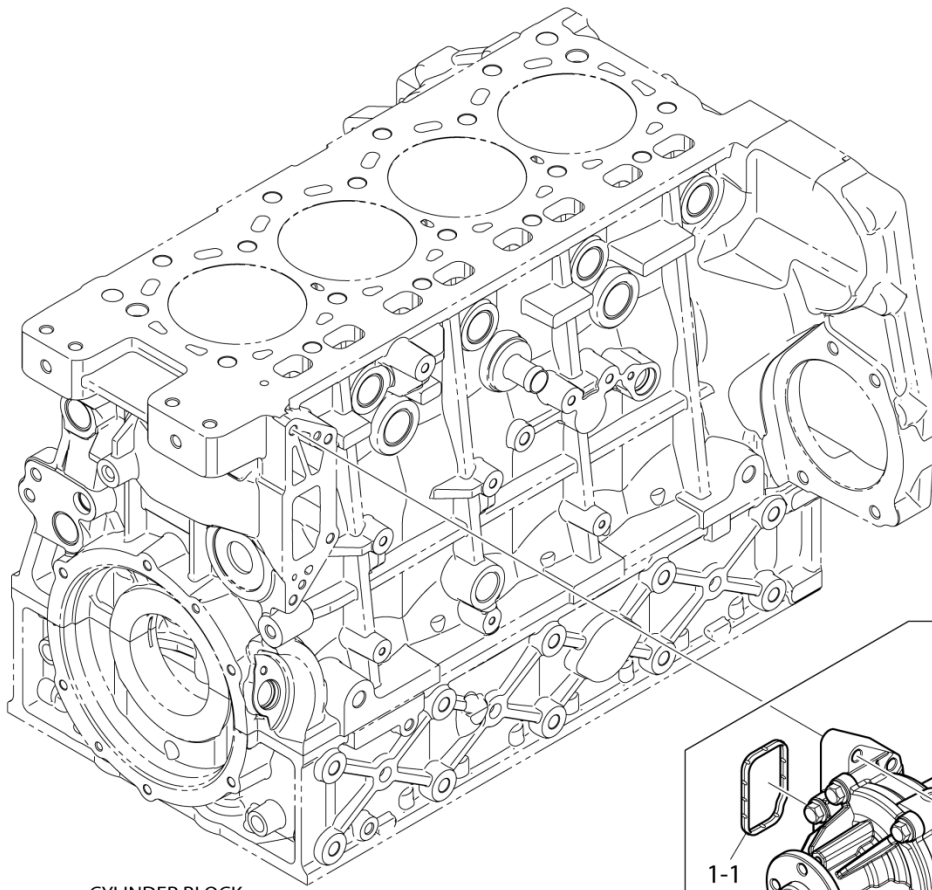
T1104SP / T954SP

WATER PUMP ASSY

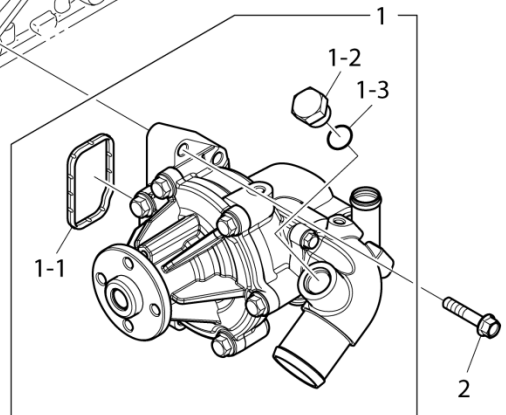
P1

YEAR

2014



CYLINDER BLOCK



NOTE

FIG 121

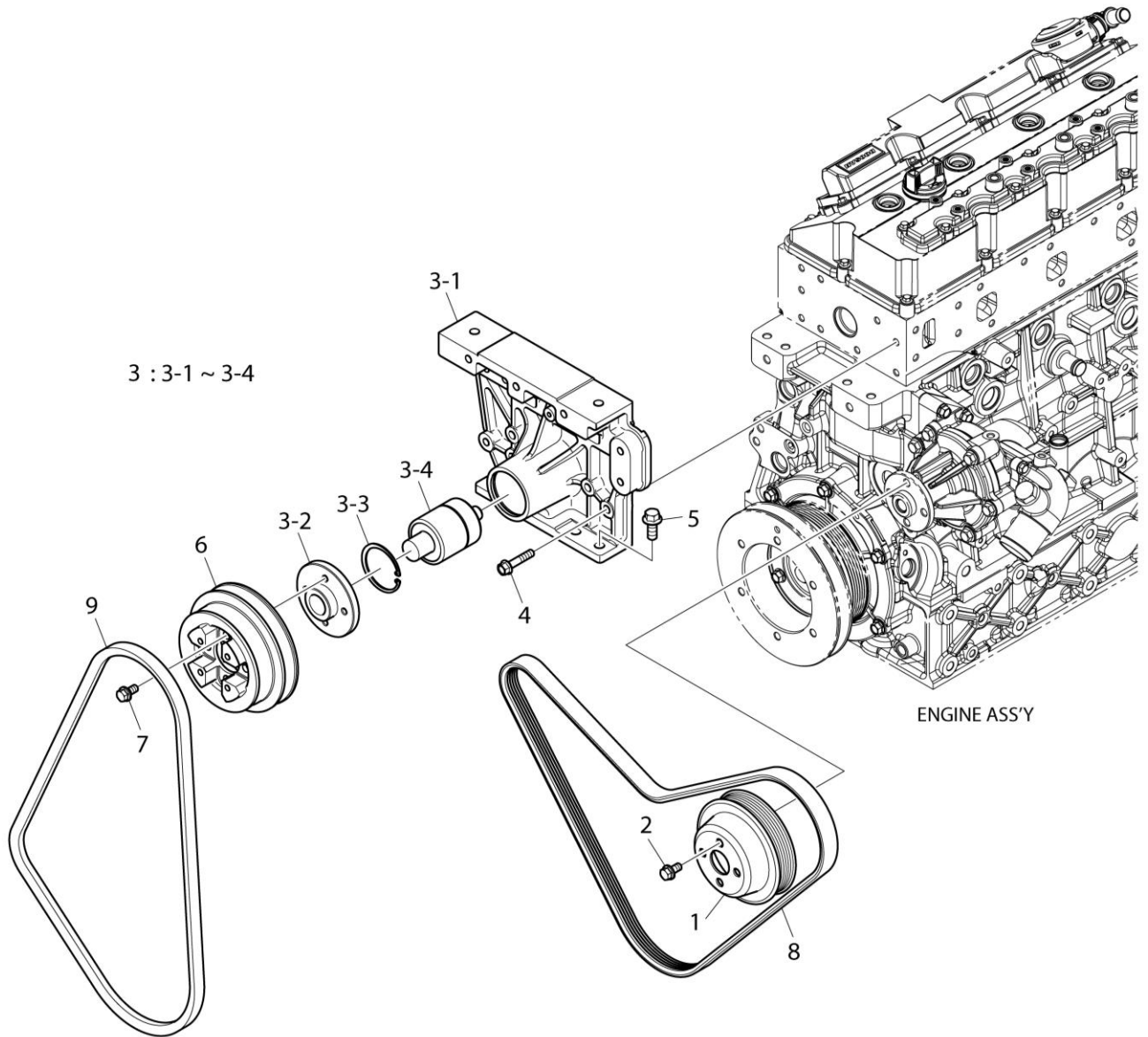
T1104SP / T954SP

FAN MOUNTING BRACKET

P1

YEAR

2014



NOTE

FIG 122

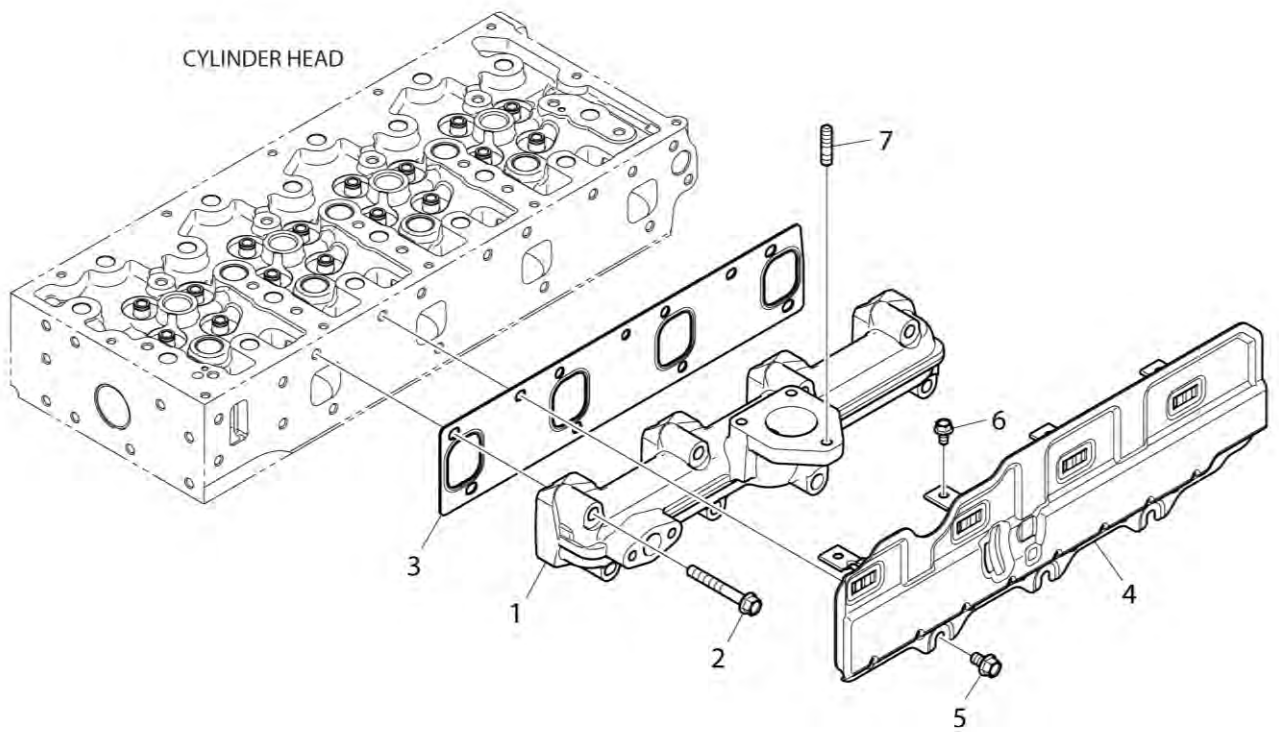
T1104SP / T954SP

EXHAUST MANIFOLD ASSY

P1

YEAR

2014



NOTE

FIG 123

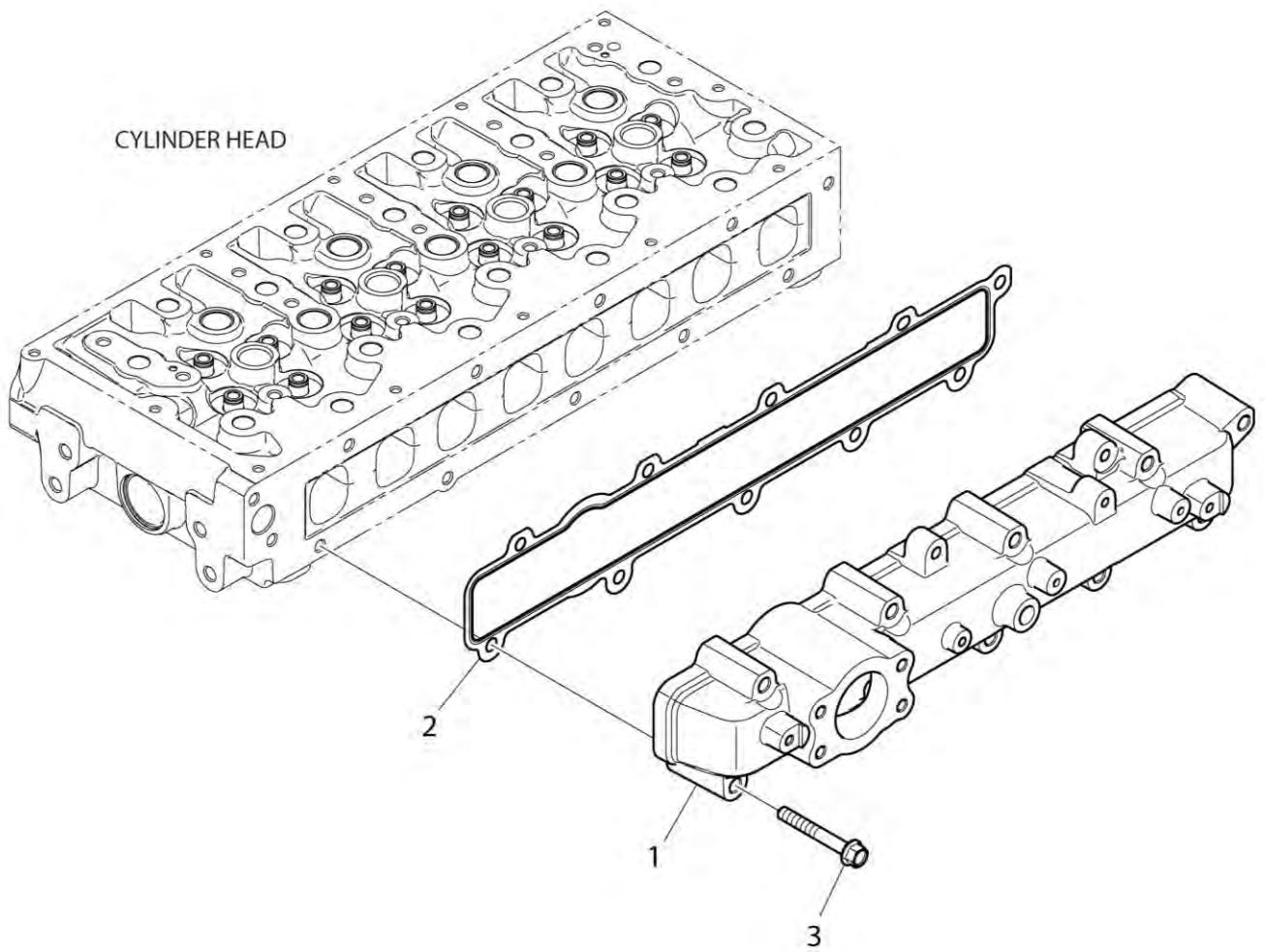
T1104SP / T954SP

INTAKE MANIFOLD

P1

YEAR

2014



NOTE

FIG 124

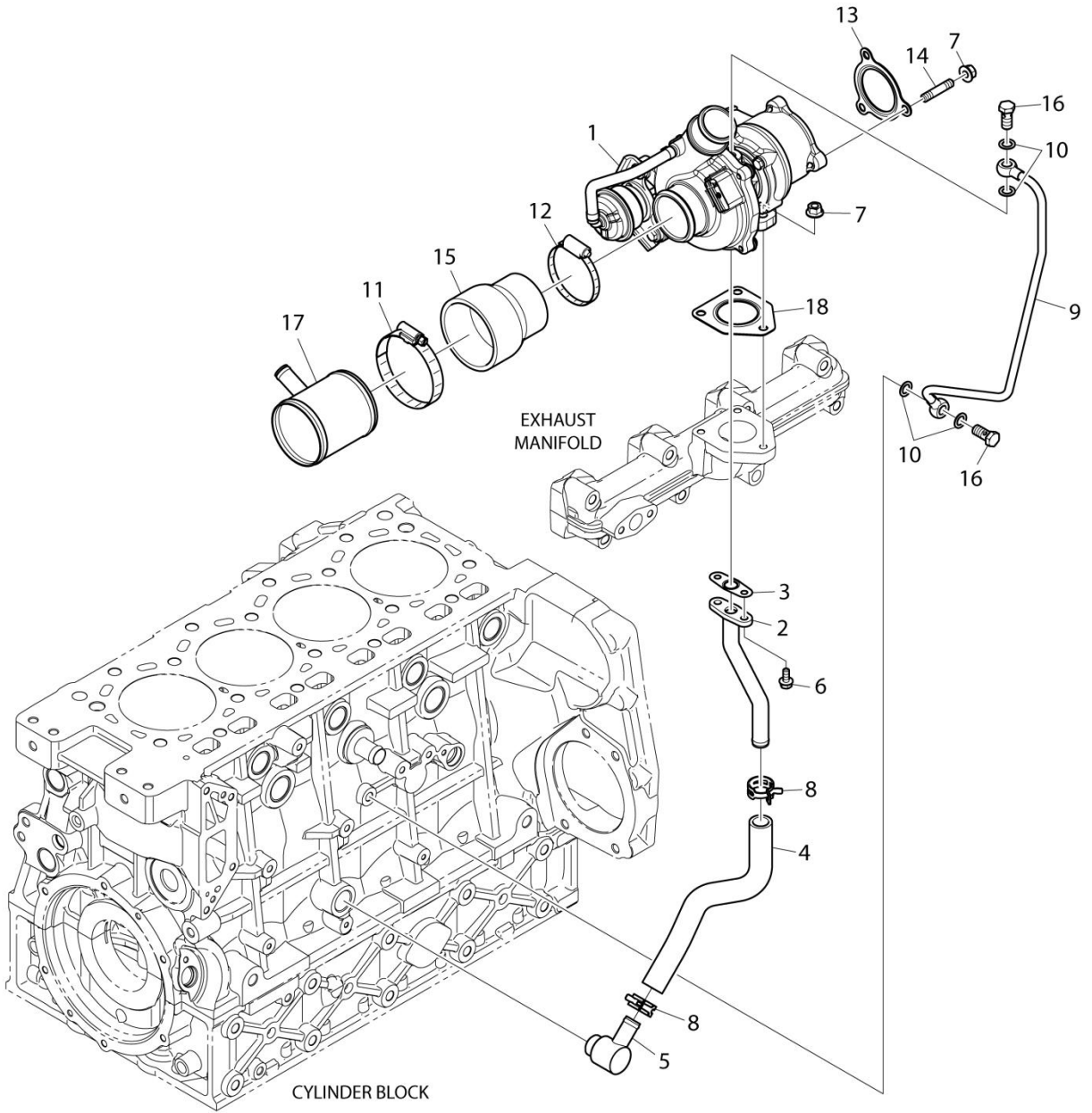
T1104SP / T954SP

TURBO CHARGER ASSY

P1

YEAR

2014



NOTE

FIG 125

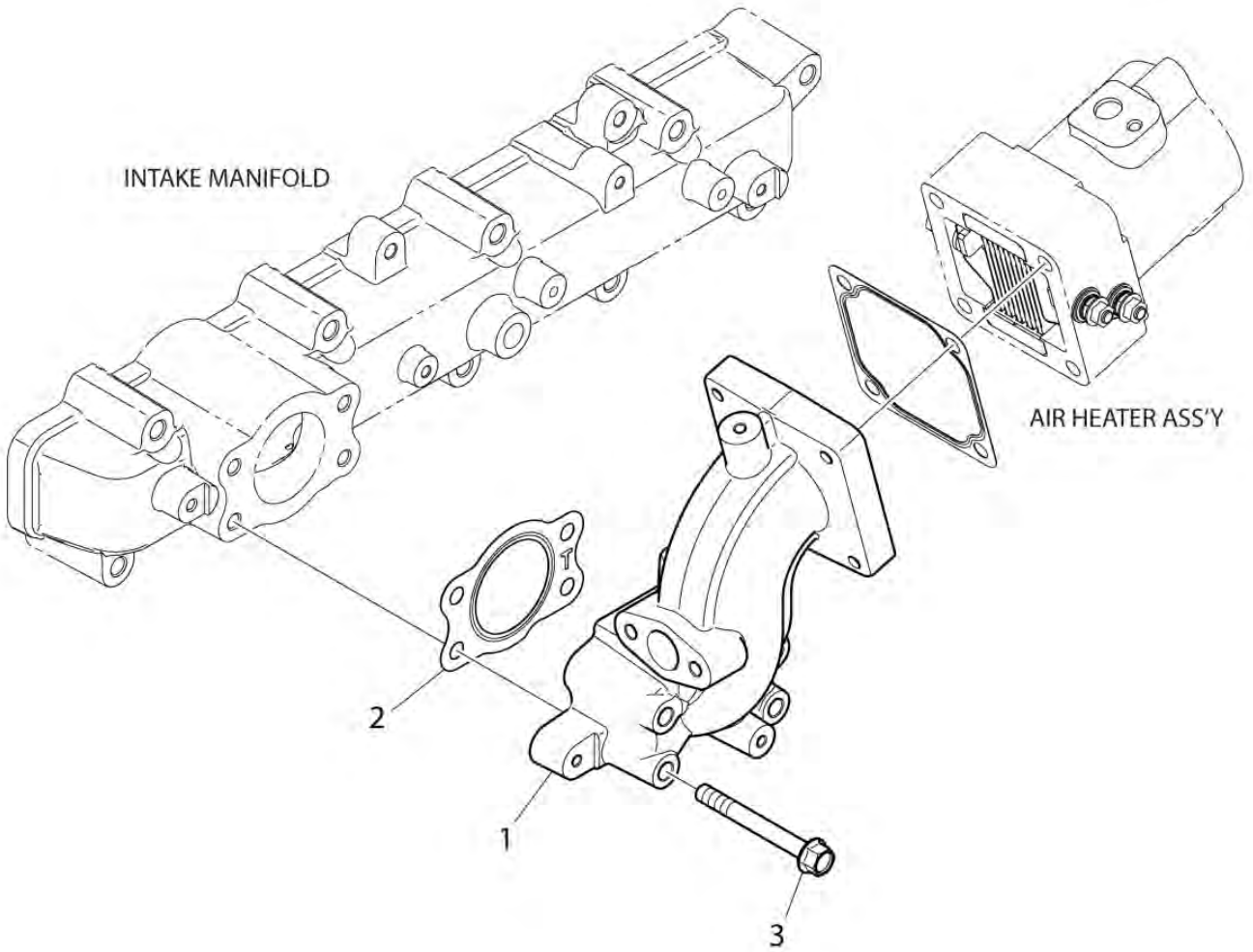
T1104SP / T954SP

INTAKE STAKE

P1

YEAR

2014



INTAKE MANIFOLD

AIR HEATER ASS'Y

2

1

3

NOTE

FIG 126

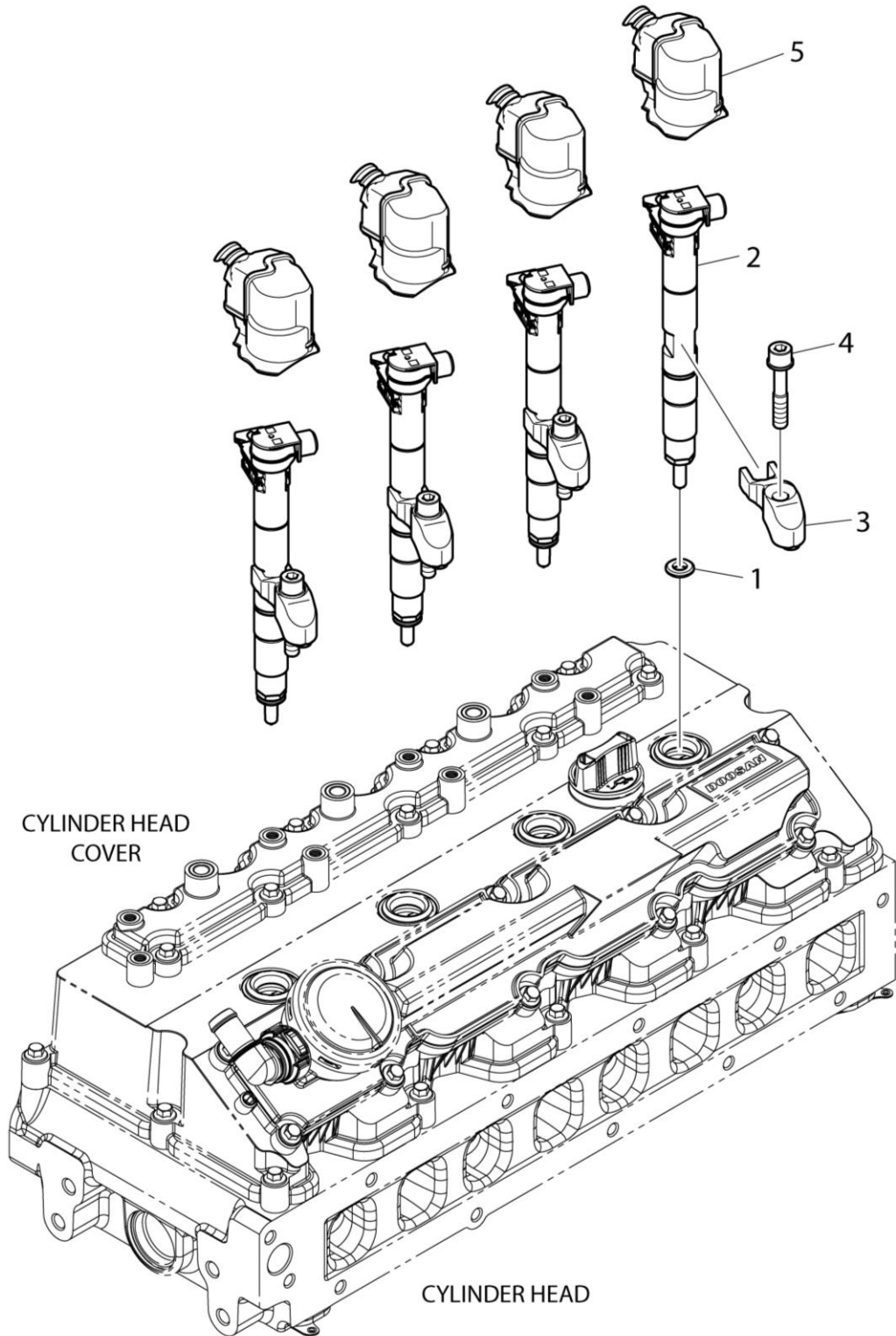
T1104SP / T954SP

INJECTOR

P1

YEAR

2014



NOTE

FIG 127

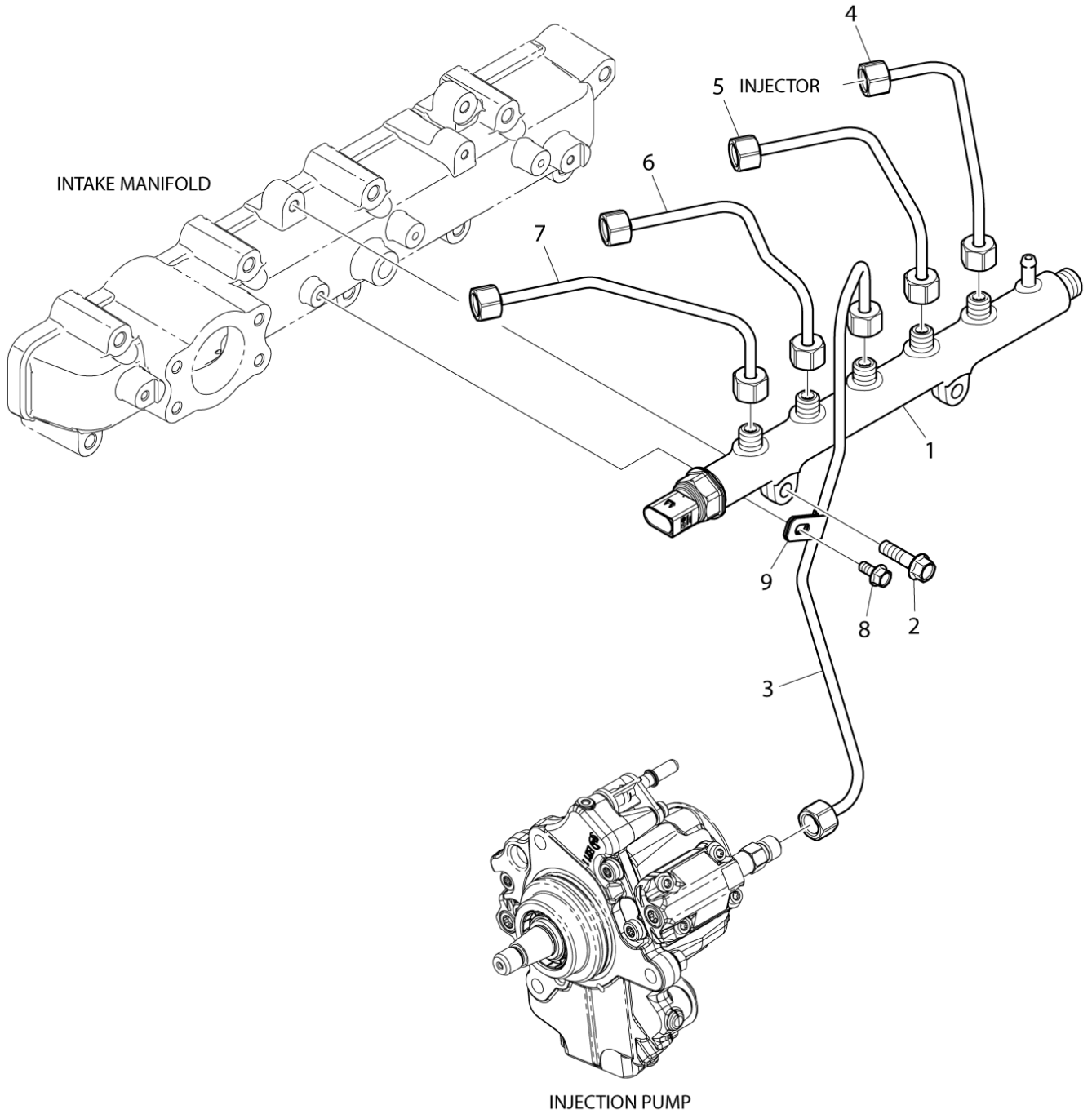
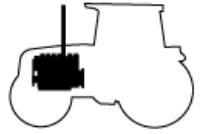
T1104SP / T954SP

COMMON RAIL

P1

YEAR

2014



NOTE

FIG 128

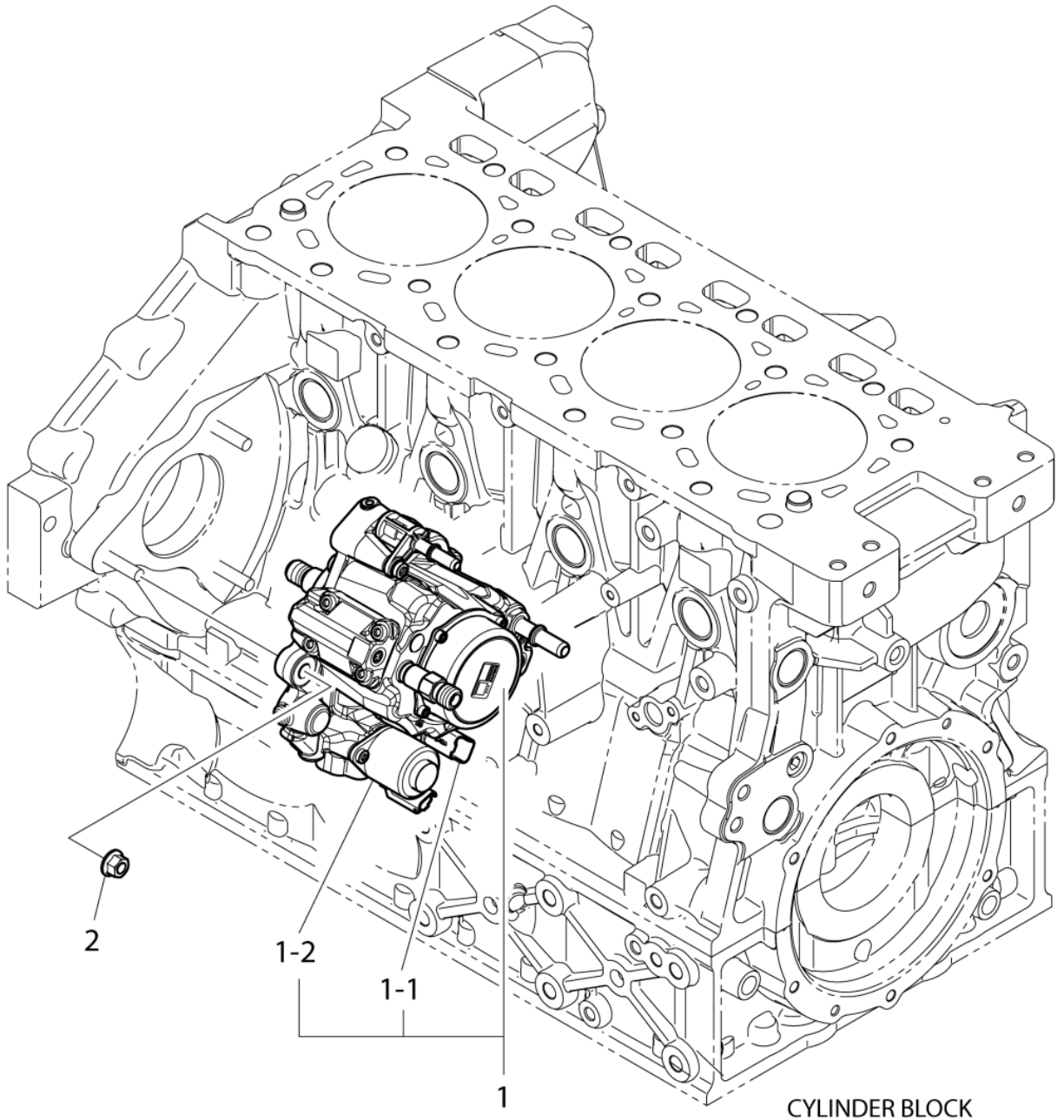
T1104SP / T954SP

FUEL INJECTION PUMP ASSY

P1

YEAR

2014



NOTE

FIG 129

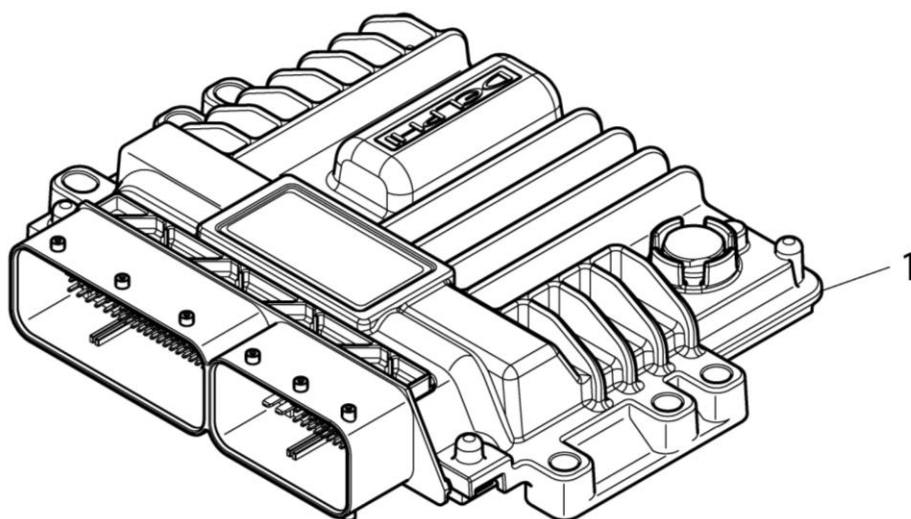
T1104SP / T954SP

ECU

P1

YEAR

2014



NOTE

FIG 130

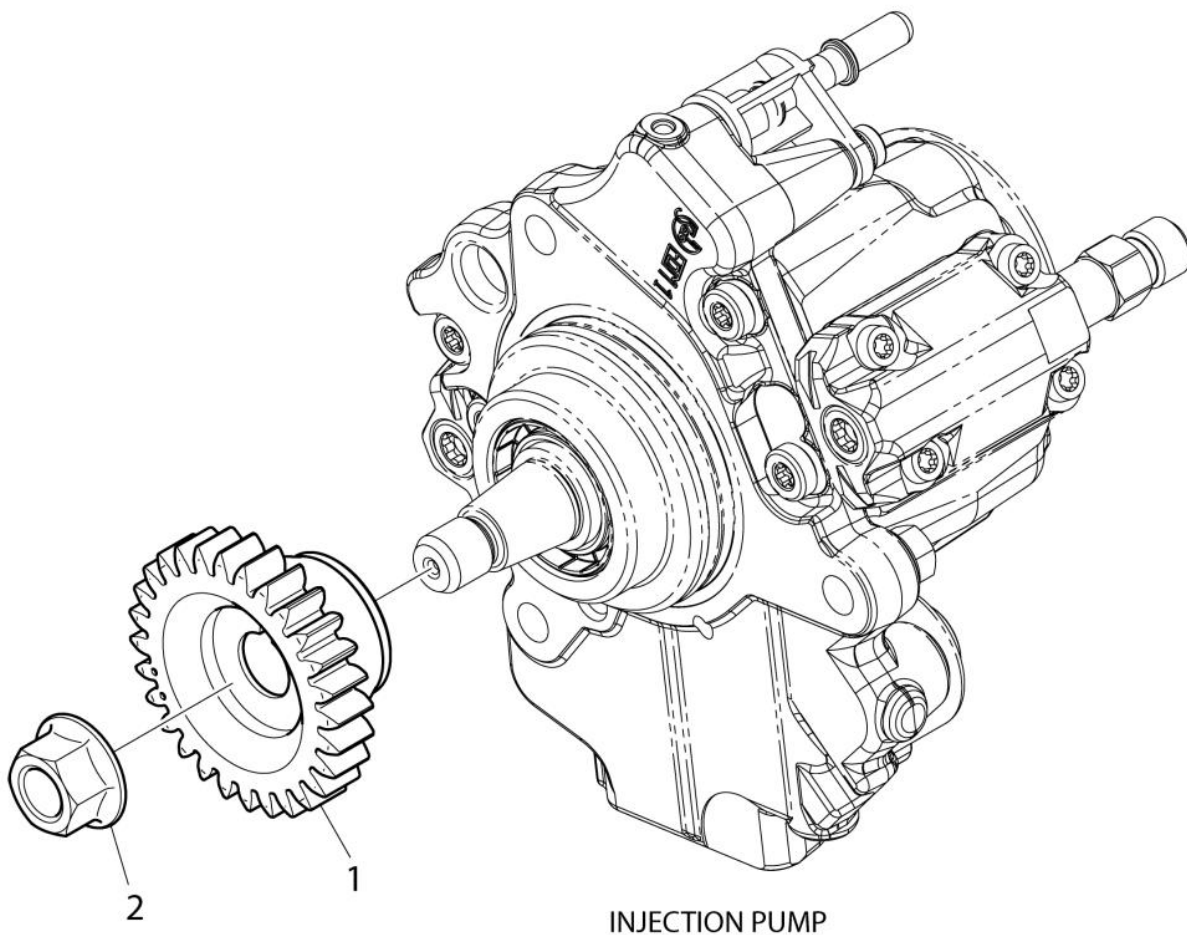
T1104SP / T954SP

INJECTION PUMP DRIVE GEAR

P1

YEAR

2014



NOTE

FIG 131

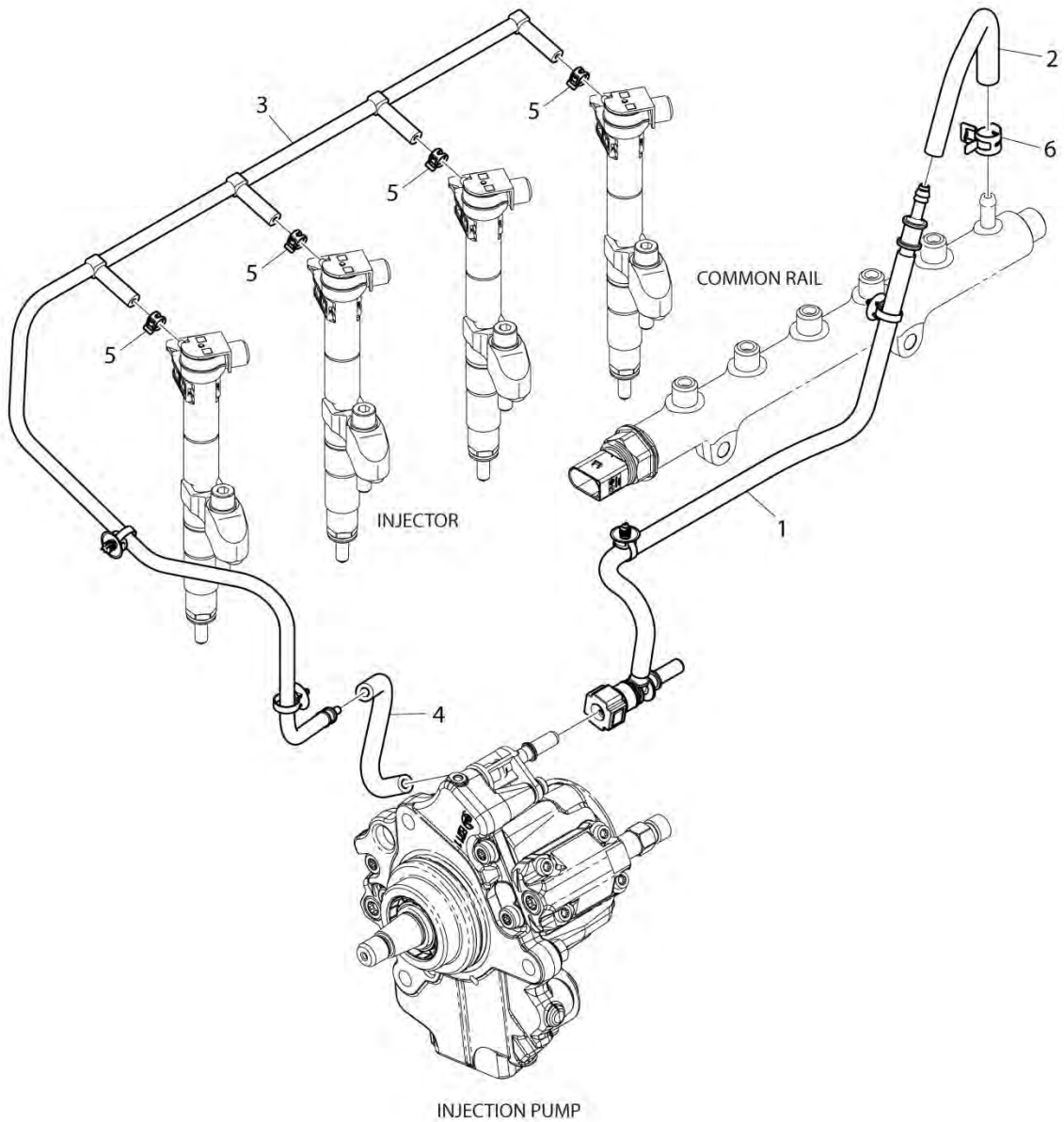
T1104SP / T954SP

FUEL TUBE ASSY

P1

YEAR

2014



NOTE

FIG 132

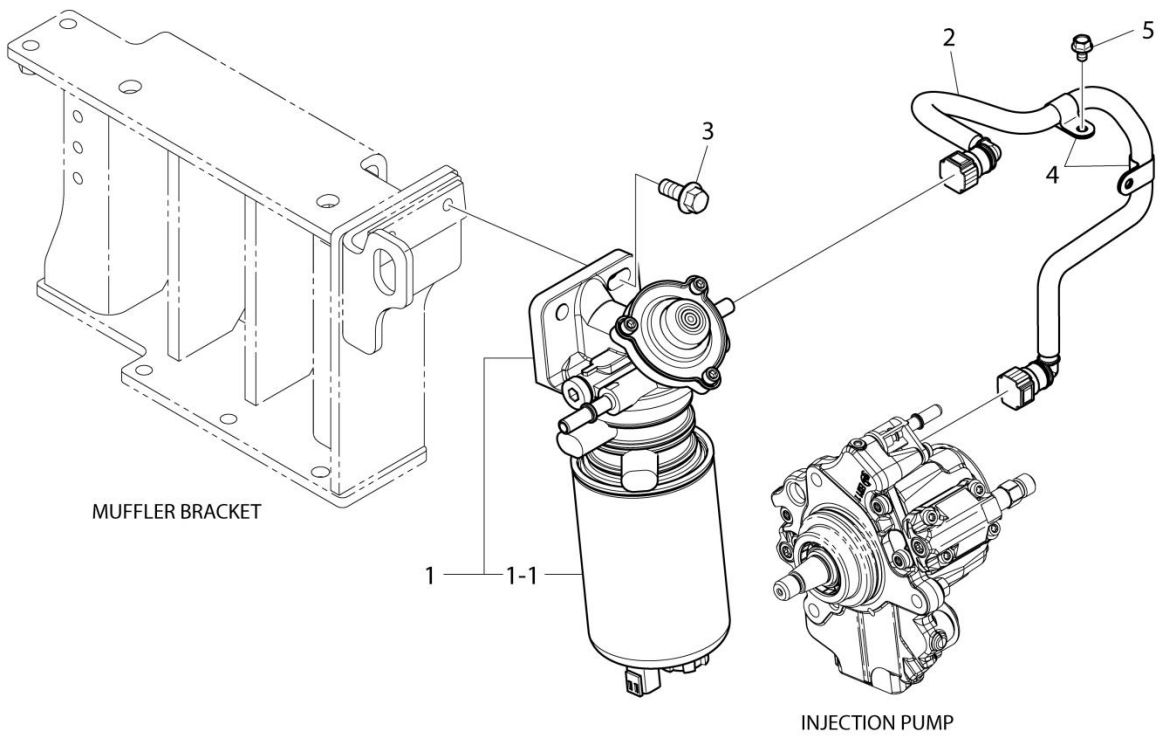
T1104SP / T954SP

FUEL FILTER ASSY

P1

YEAR

2014



NOTE

FIG 133

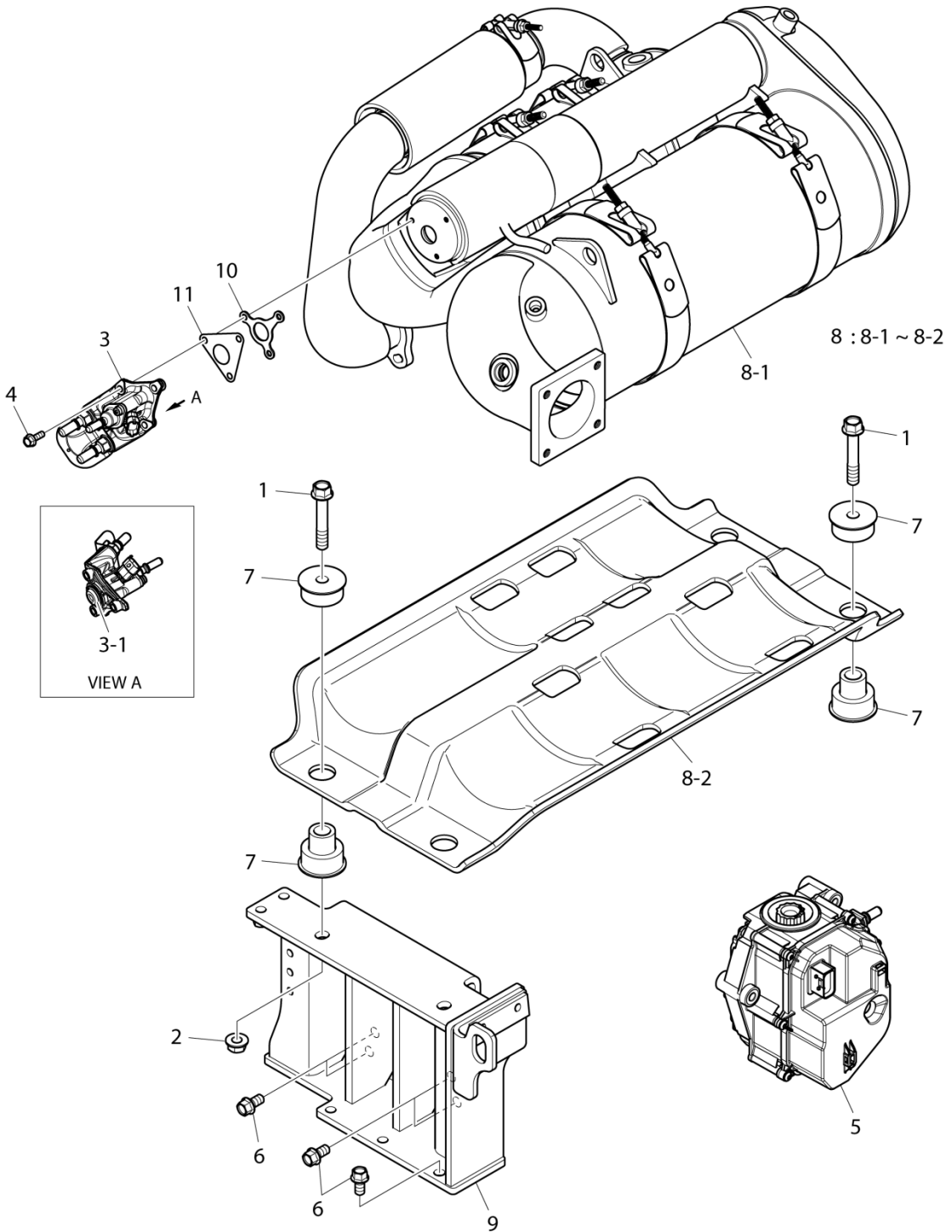
EXHAUST FILTERING MUFFLER

T1104SP / T954SP

P1

YEAR

2014



NOTE

FIG 134

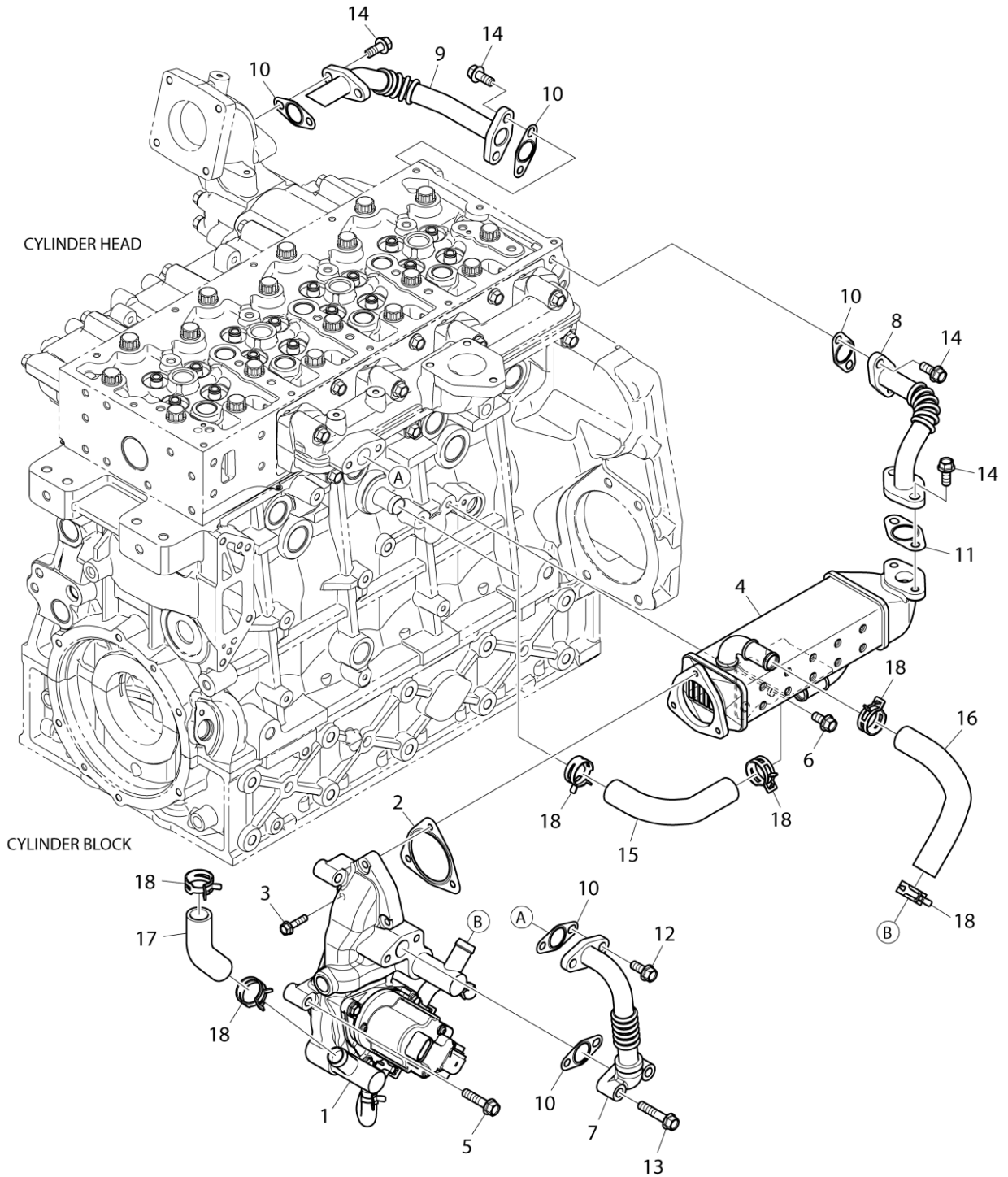
T1104SP / T954SP

EGR VALVE

P1

YEAR

2014



NOTE

FIG 135

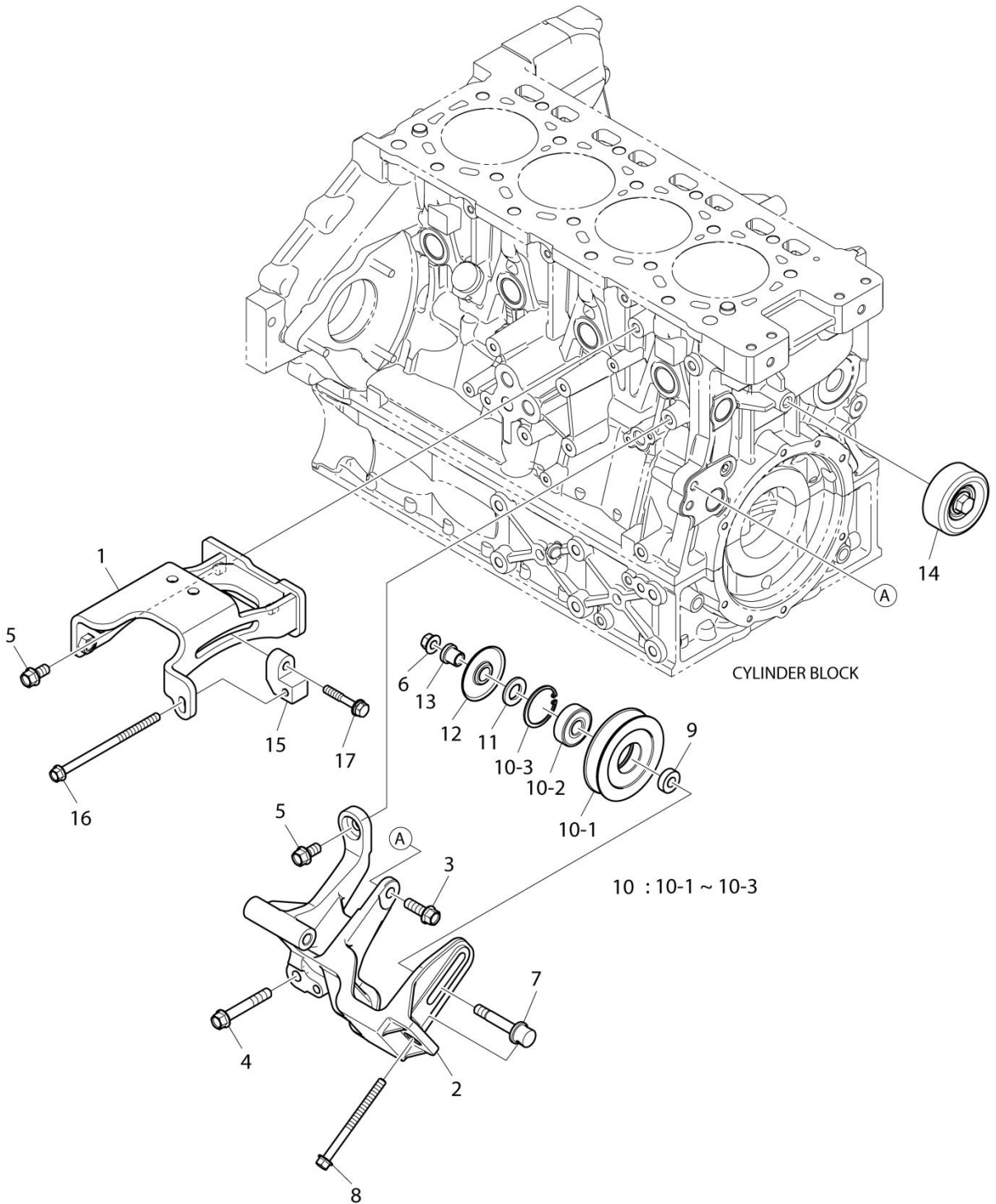
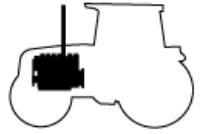
T1104SP / T954SP

ALTERNATOR BRACKET

P1

YEAR

2014



NOTE

FIG 136

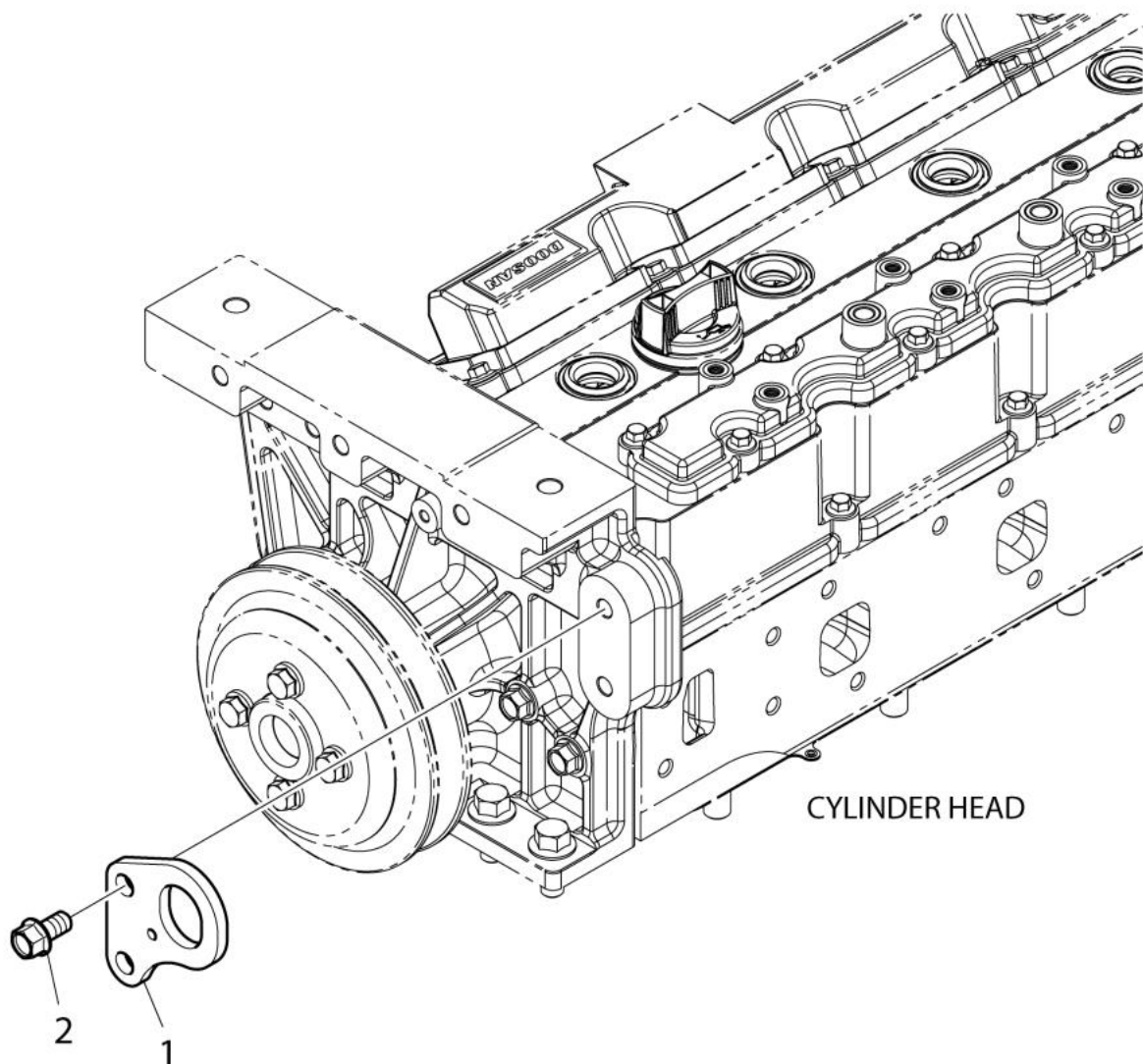
T1104SP / T954SP

LIFTING HOOK

P1

YEAR

2014



NOTE

FIG 137

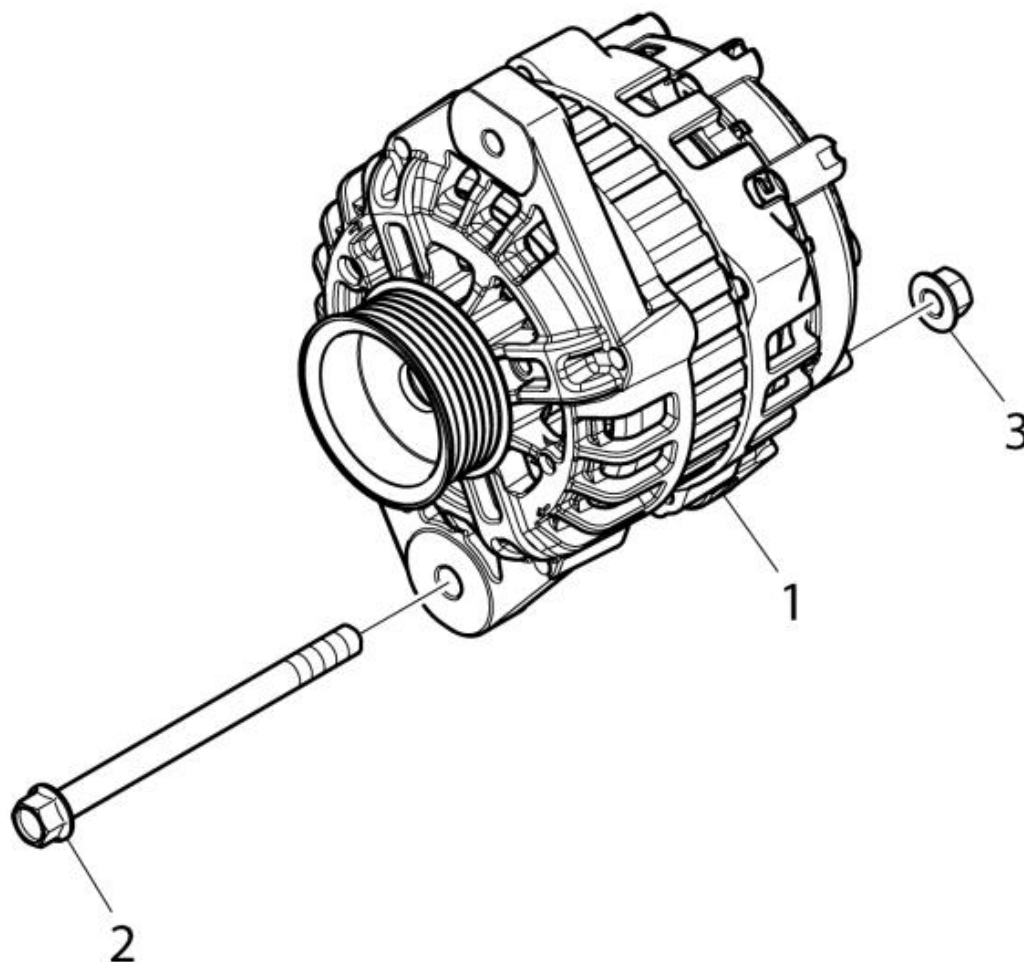
T1104SP / T954SP

ALTERNATOR

P1

YEAR

2014



NOTE

FIG 138

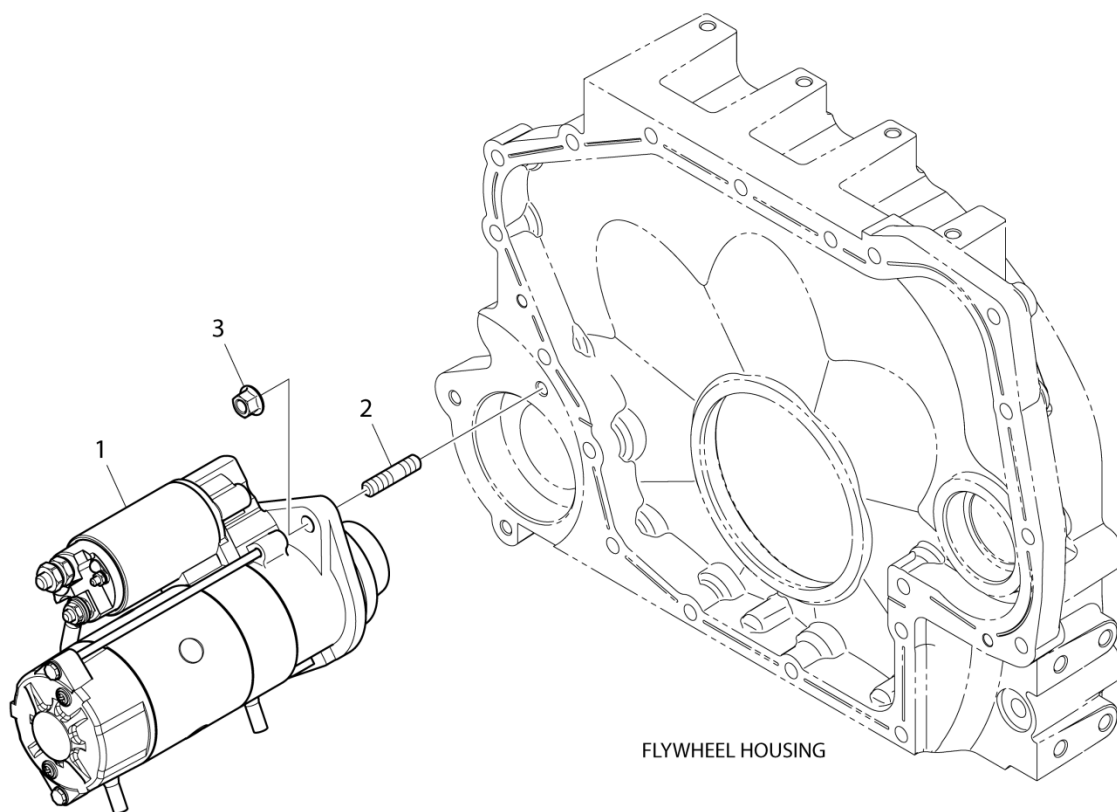
T1104SP / T954SP

STARTER

P1

YEAR

2014



NOTE

FIG 139

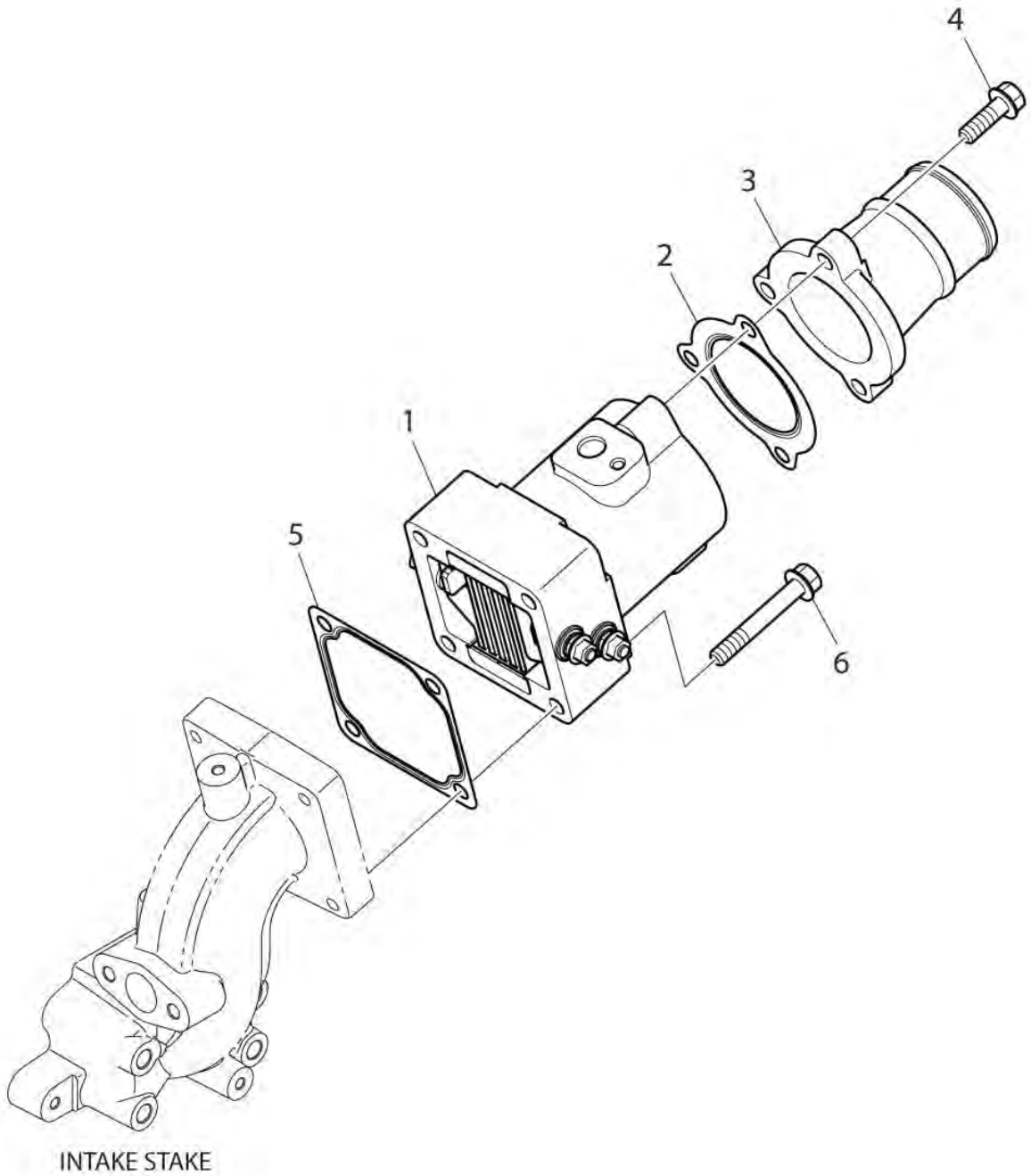
T1104SP / T954SP

AIR HEATER ASSY

P1

YEAR

2014



NOTE

FIG 140

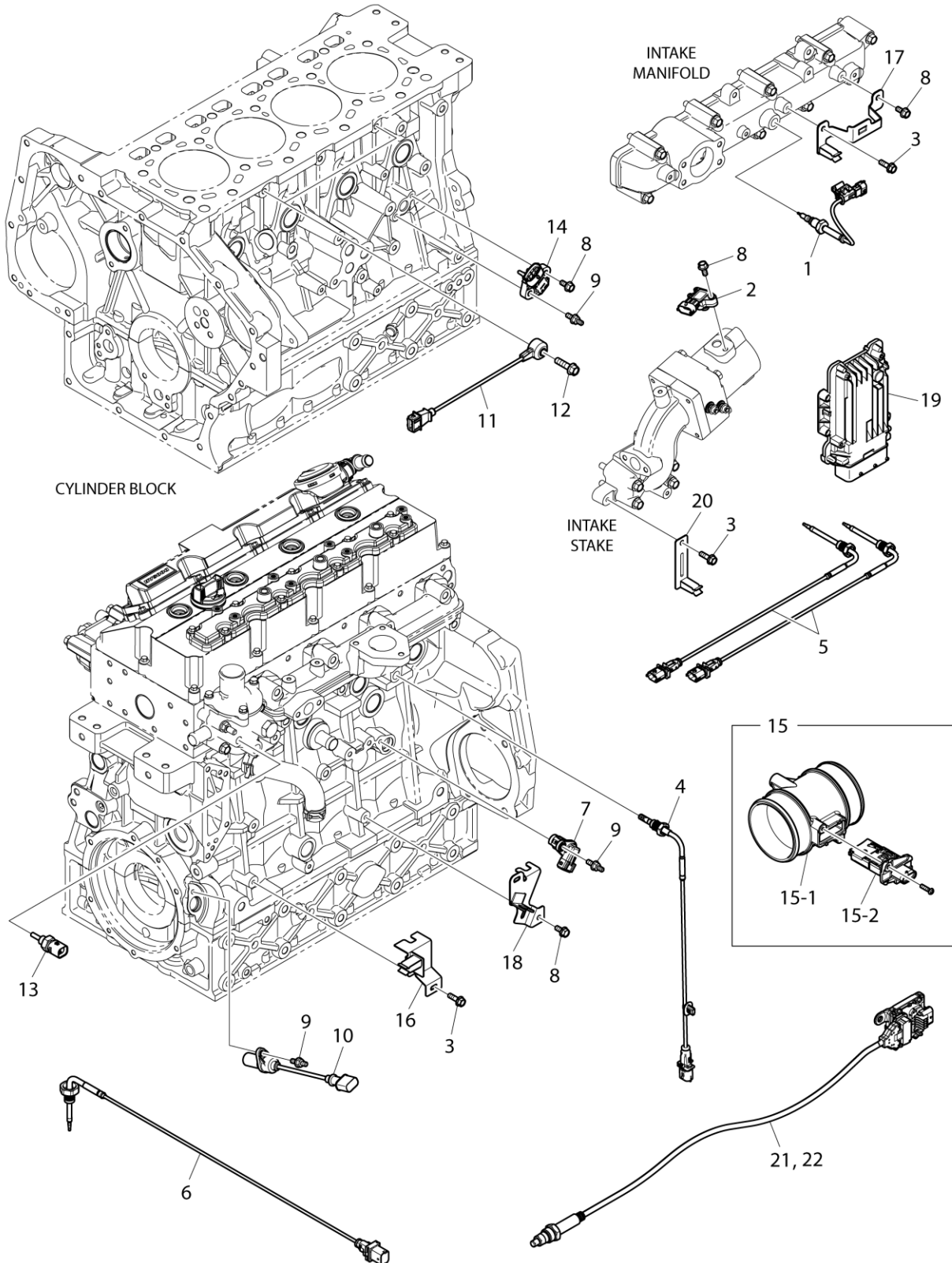
T1104SP / T954SP

SENSOR ASSY

P1

YEAR

2014



NOTE

FIG 141

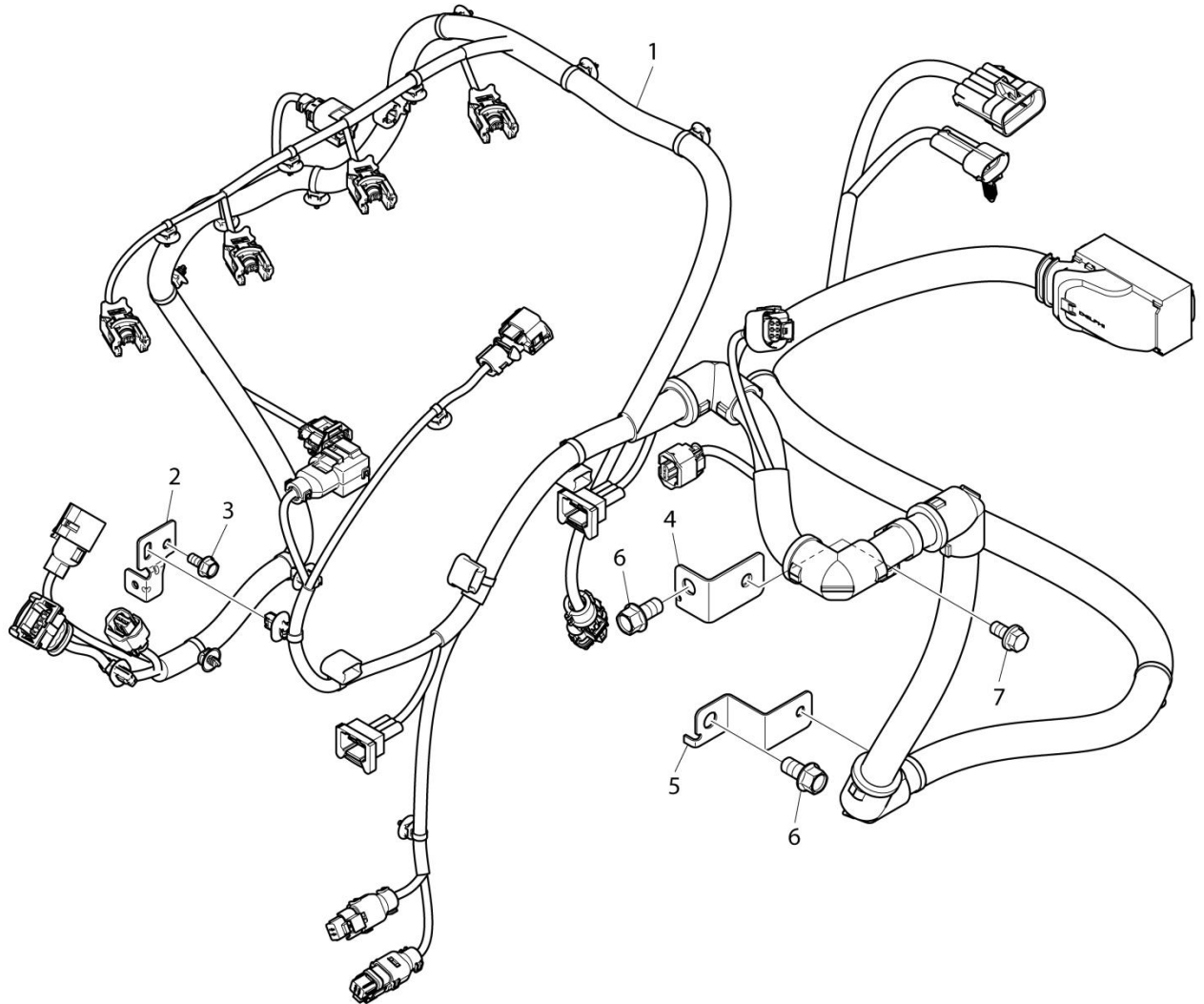
T1104SP / T954SP

ENGINE HARNESS ASSY

P1

YEAR

2014



NOTE

FIG 142

T1104SP / T954SP

PTO ASSY

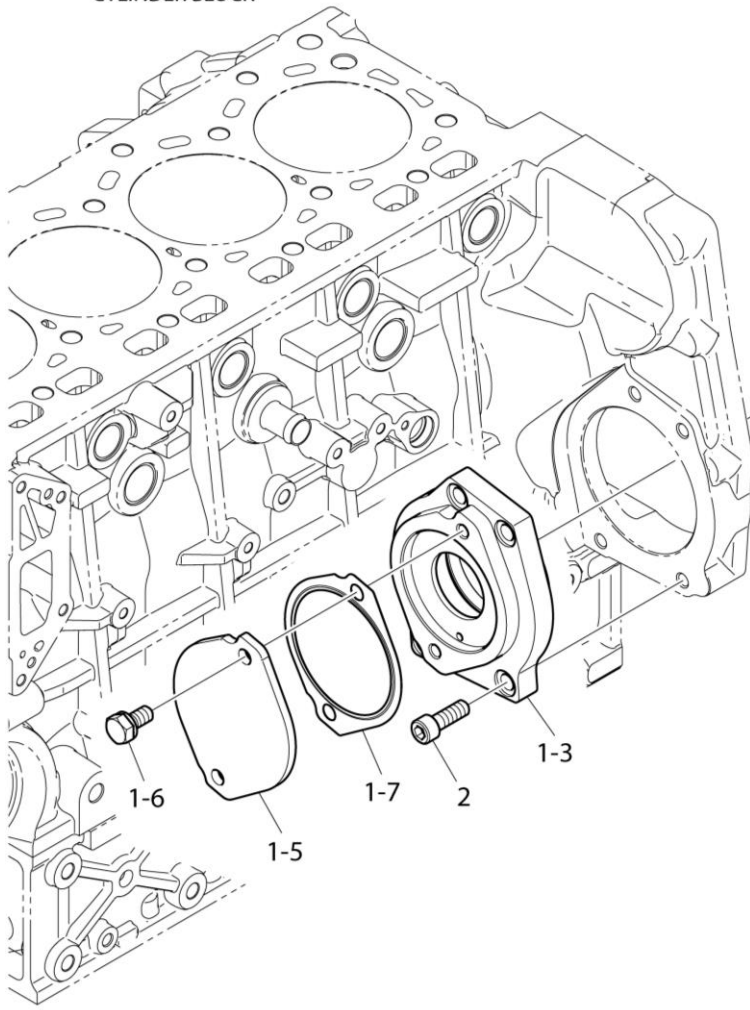
P1

YEAR

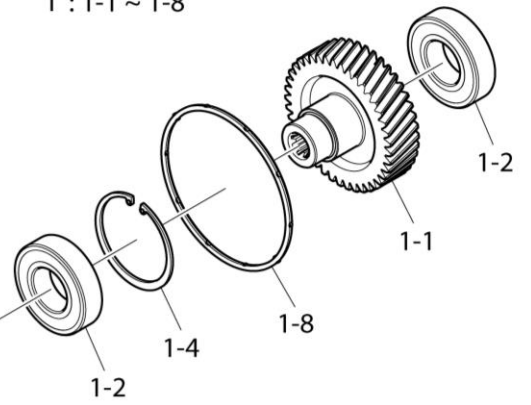
2014



CYLINDER BLOCK



1 : 1-1 ~ 1-8



NOTE

FIG 143

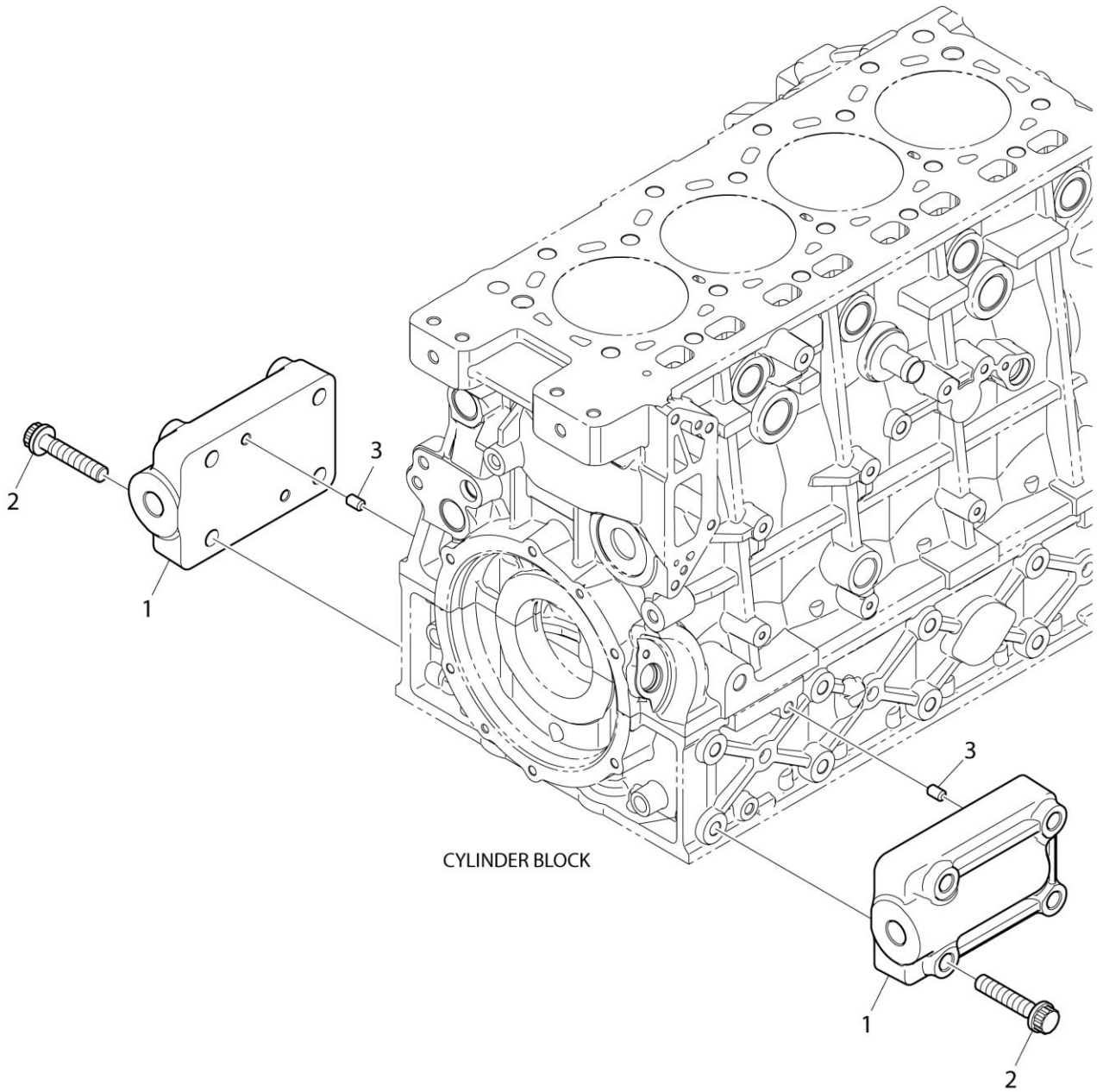
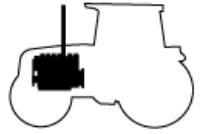
T1104SP / T954SP

MOUNTING BRACKET

P1

YEAR

2014



NOTE

FIG 201

AIR CLEANER

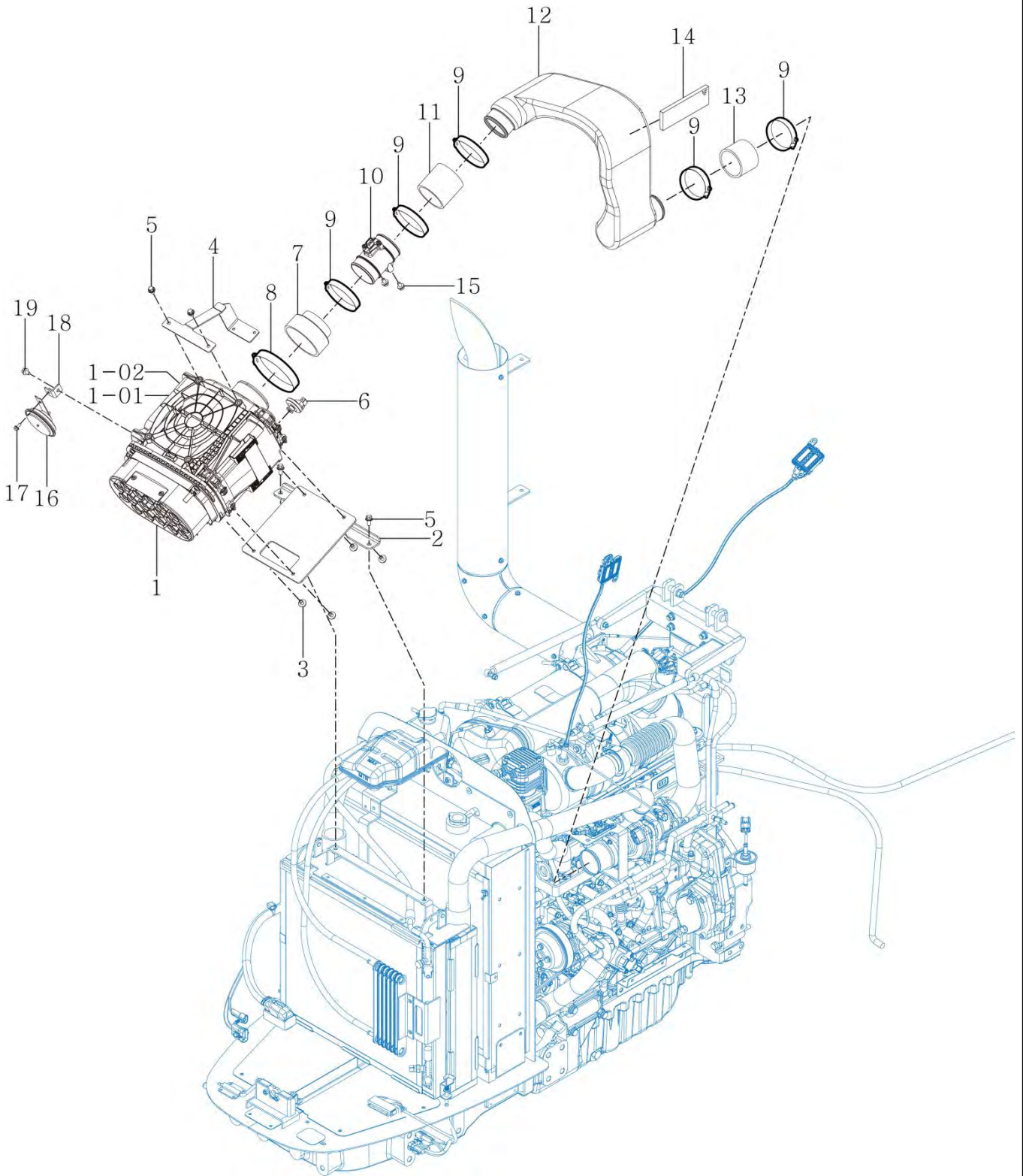
P1

YEAR

2014



T1104SP / T954SP



NOTE

FIG 202

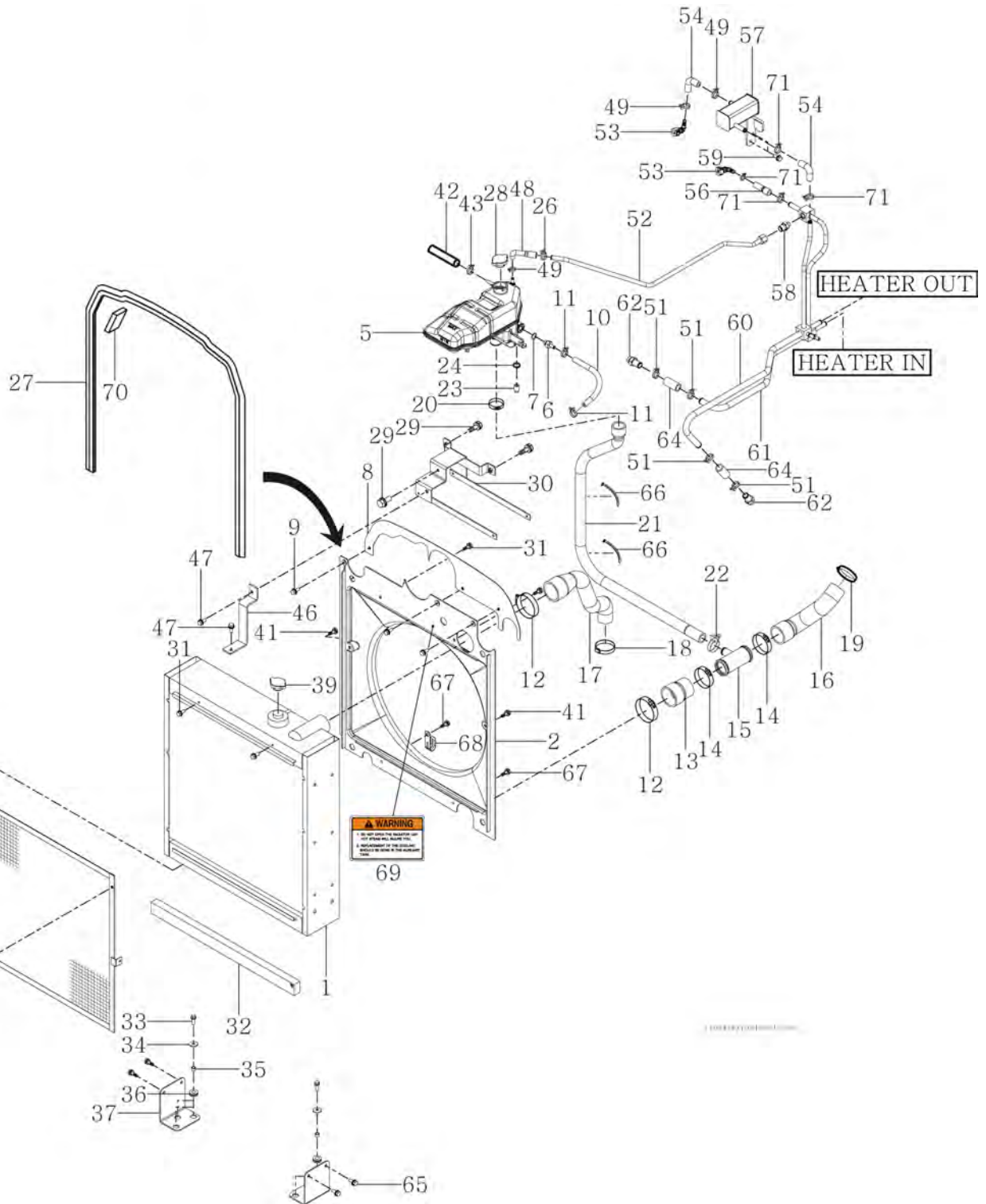
RADIATOR

T1104SP / T954SP

P1

YEAR

2014



NOTE

FIG 202

RADIATOR

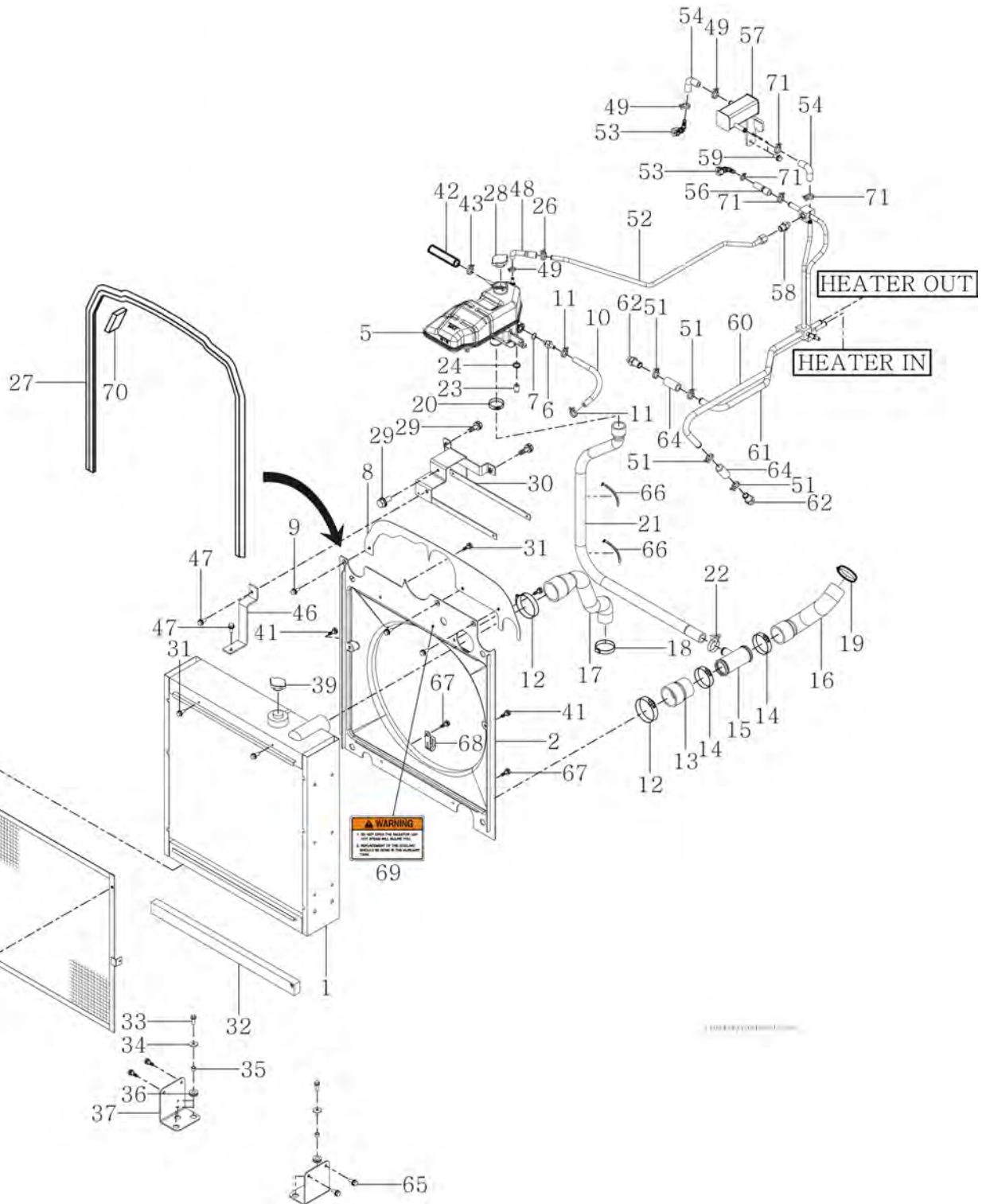
P2

YEAR

2014



T1104SP / T954SP



NOTE

FIG 203

EXHAUST PIPE

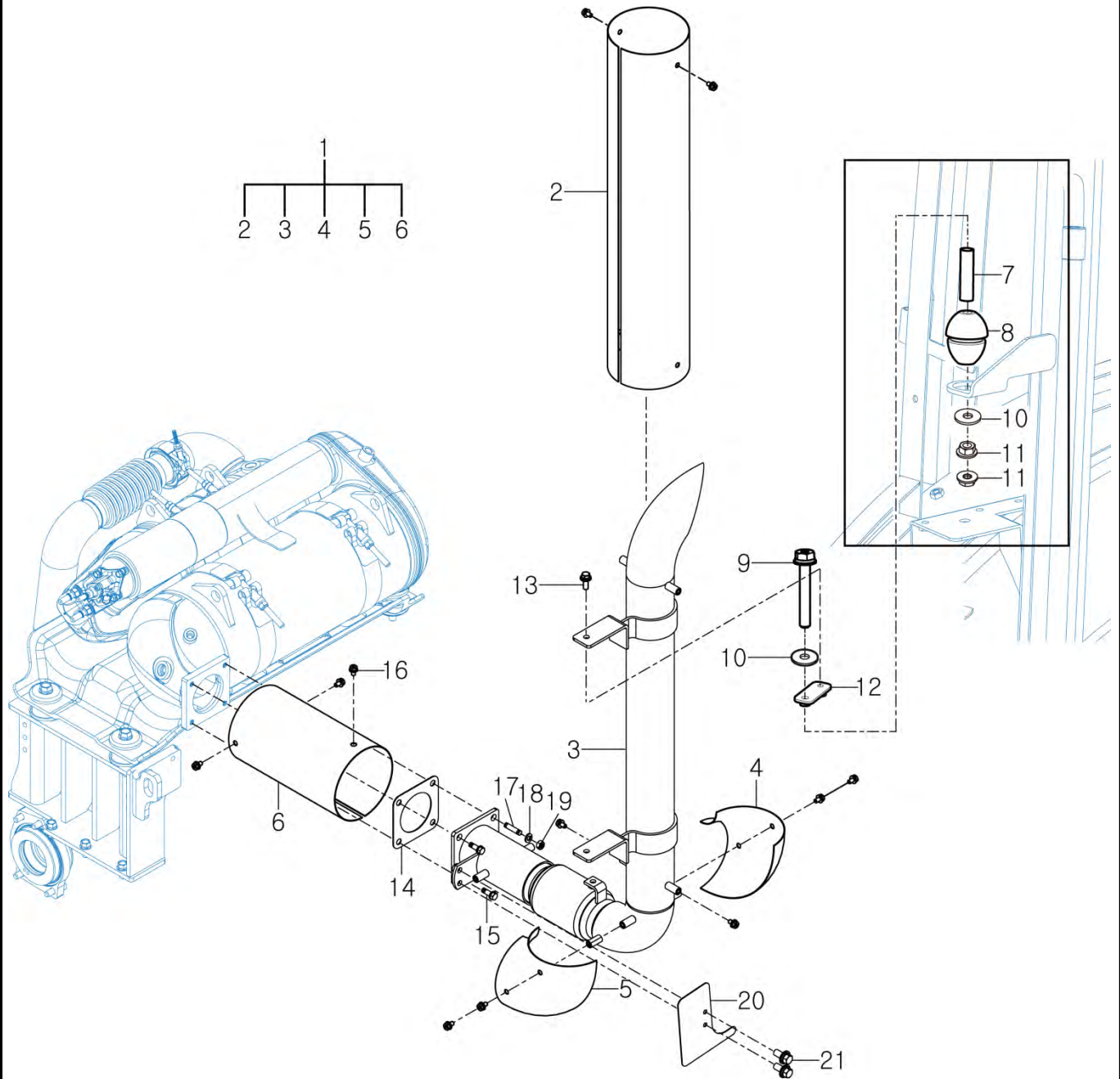
P1

YEAR

2014



T1104SP / T954SP



T1104SP/T954SP-U-203

NOTE

FIG 205

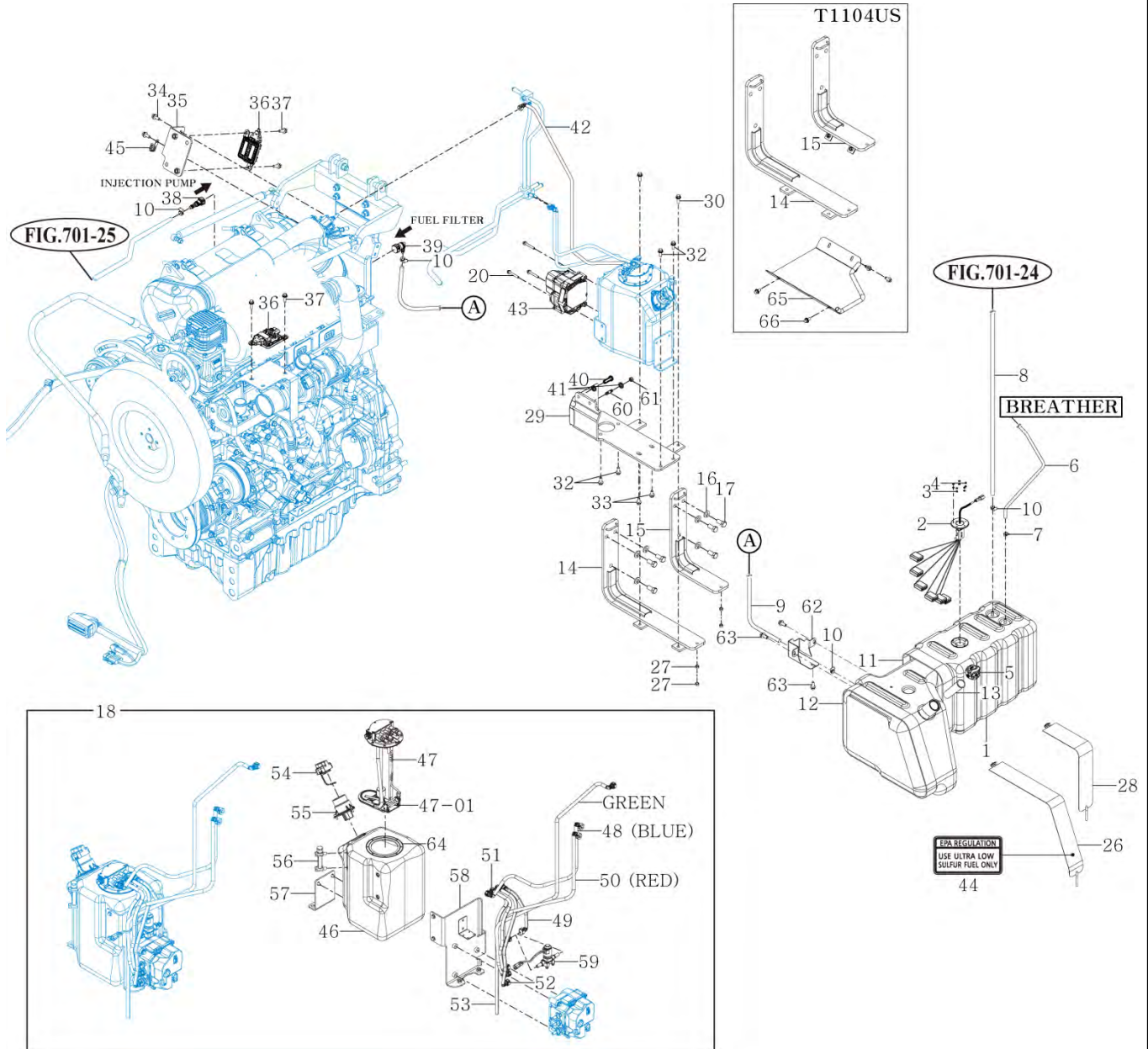
FUEL TANK & FUEL LINES

T1104SP / T954SP

P1

YEAR

2014



NOTE

FIG 205

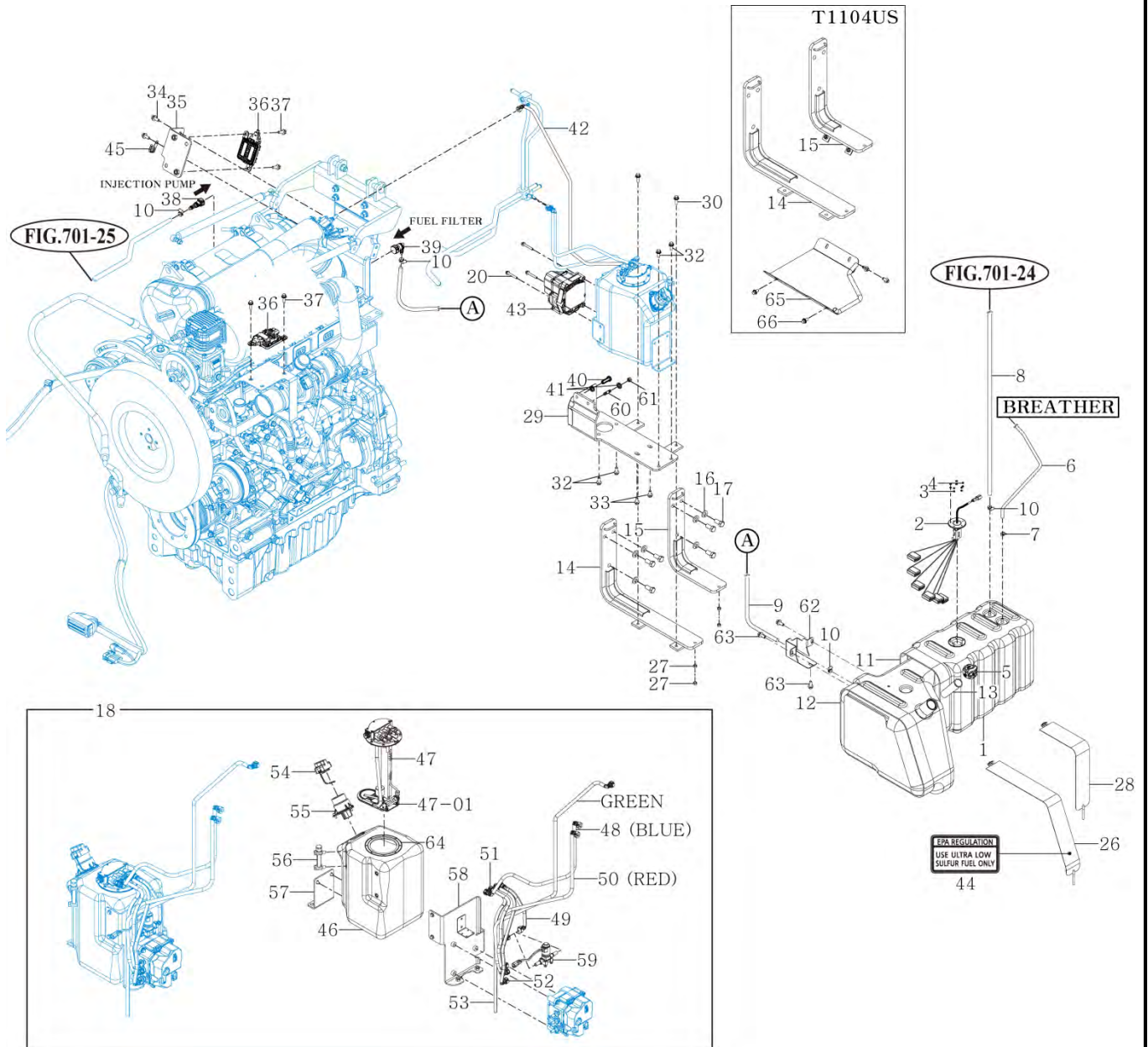
FUEL TANK & FUEL LINES

T1104SP / T954SP

P2

YEAR

2014



NOTE

FIG 206

CABLE, THROTTLE & ACCELERATOR ASSY

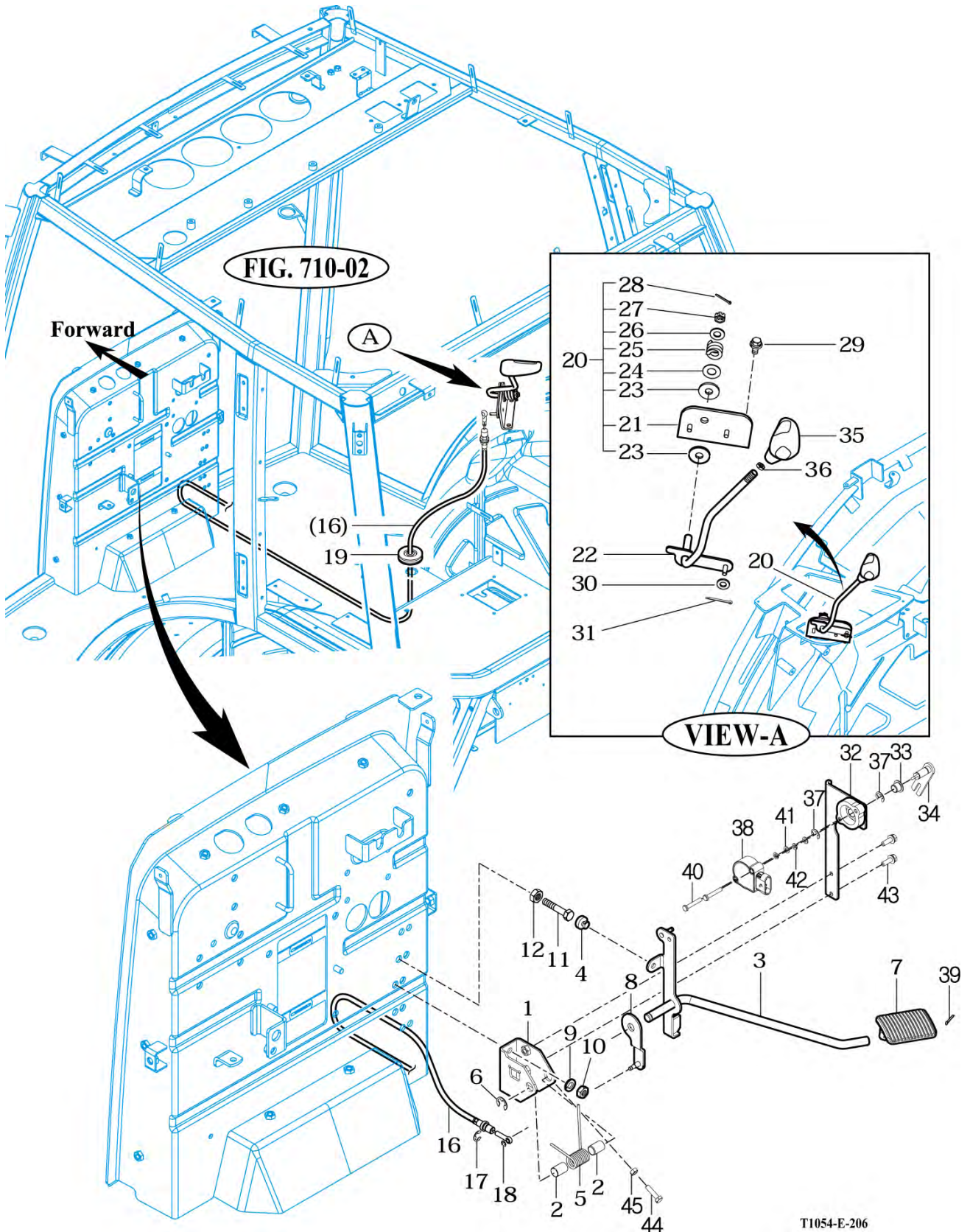
P1

YEAR

2014



T1104SP / T954SP



T1054-E-206

NOTE

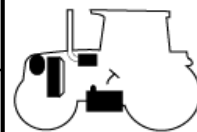
FIG 207

INTERCOOLER

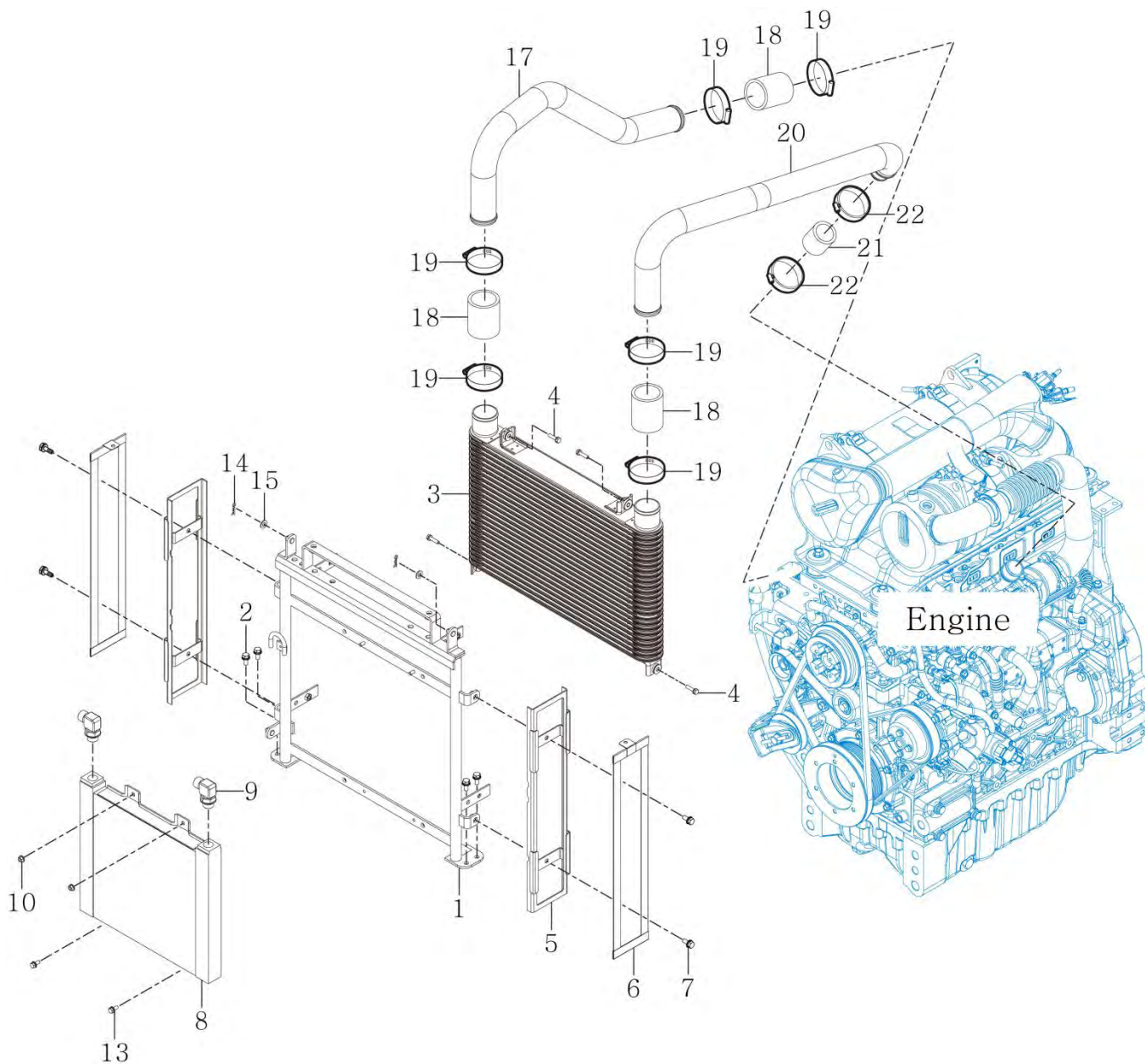
P1

YEAR

2014



T1104SP / T954SP



NOTE

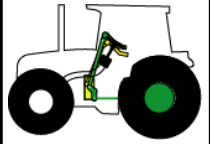
FIG 301

DAMPER FLANGE ASSY

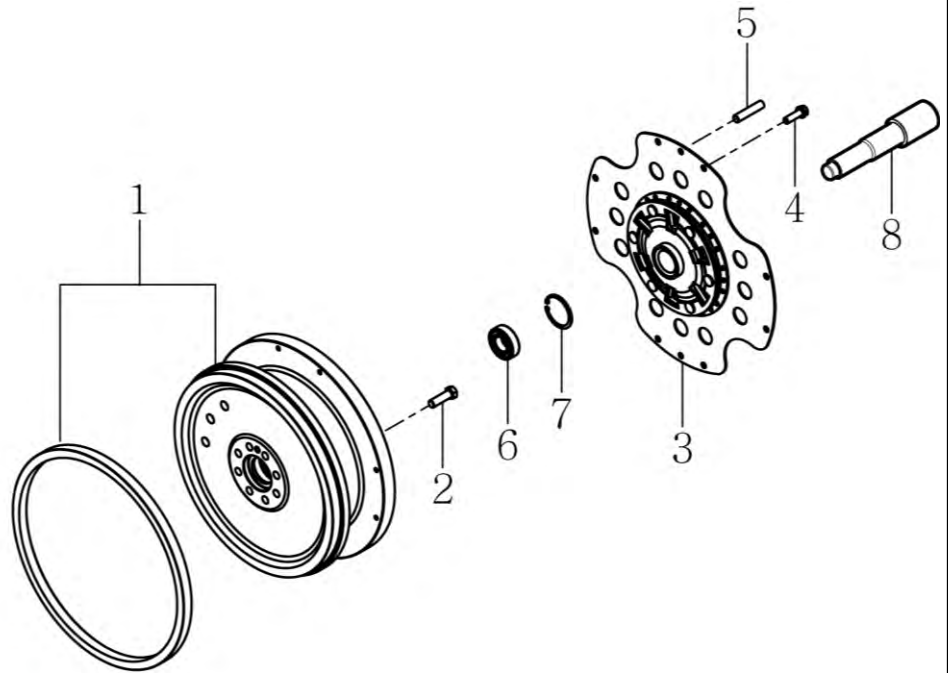
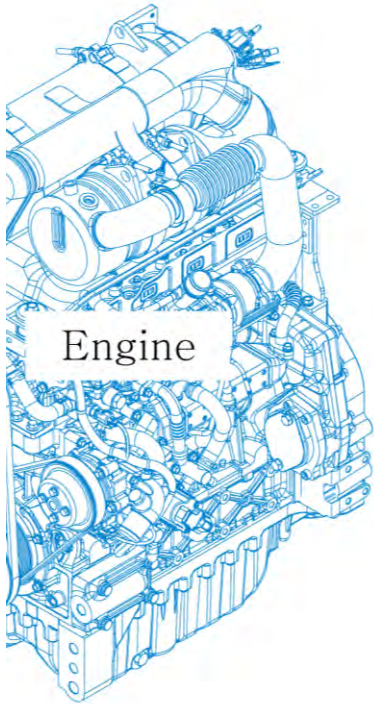
P1

YEAR

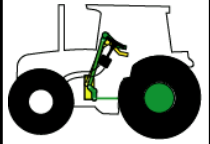
2014



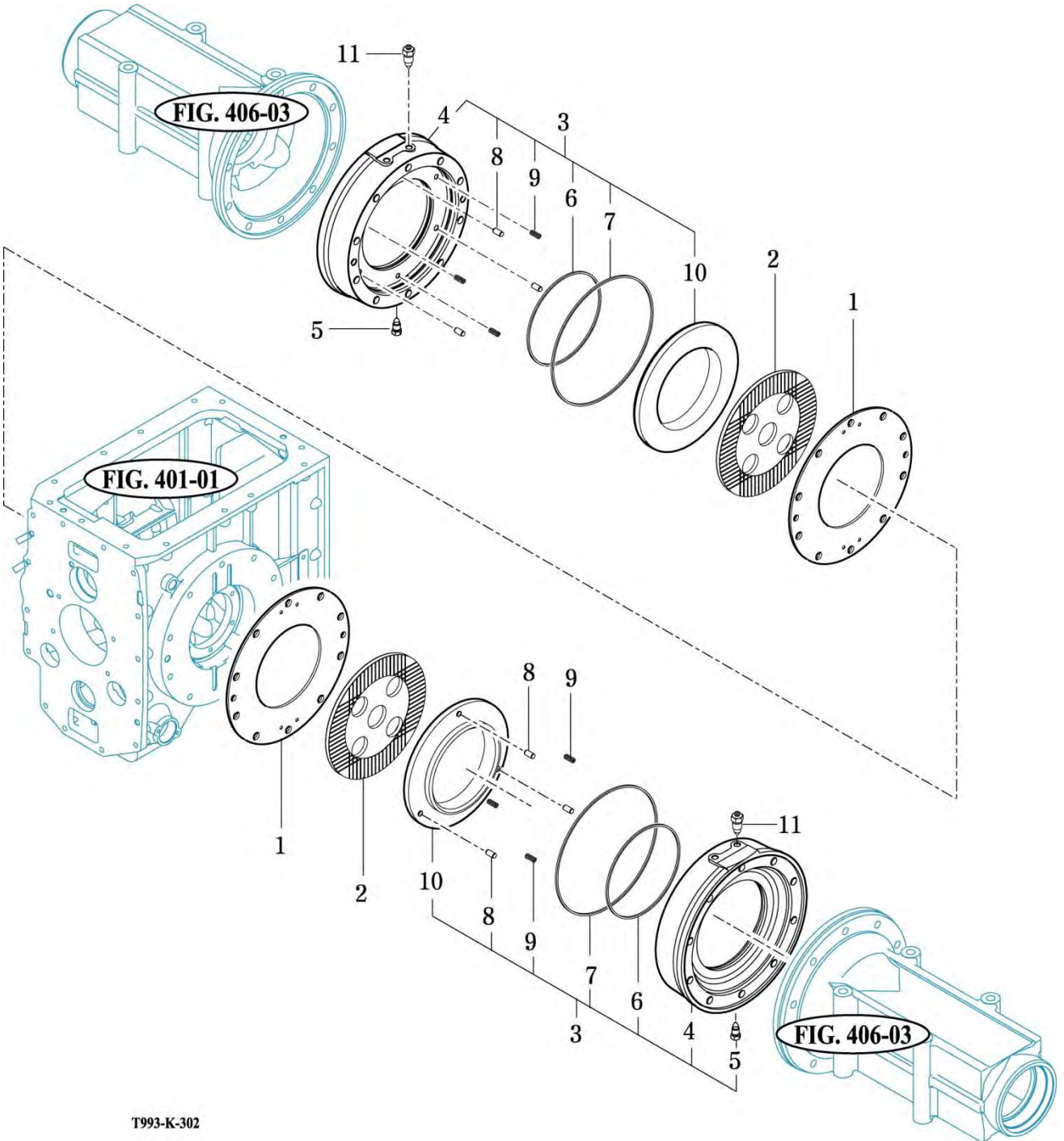
T1104SP / T954SP



NOTE



T1104SP / T954SP



T993-K-302

NOTE

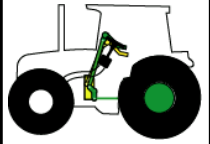
FIG 303A

BRAKE PIPES

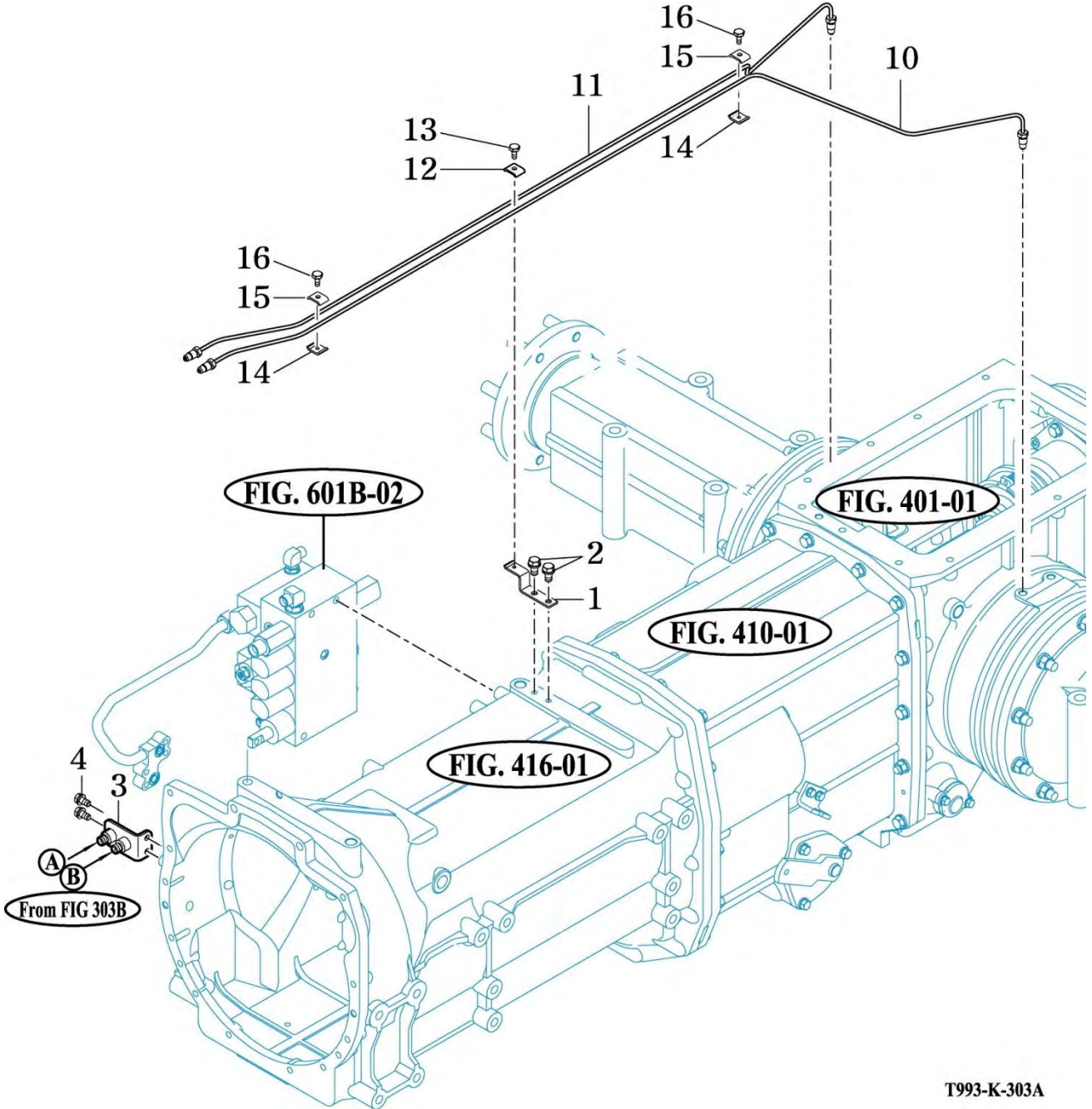
P1

YEAR

2014



T1104SP / T954SP



NOTE

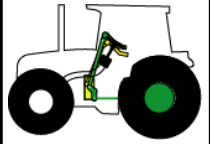
FIG 303B

BRAKE

P1

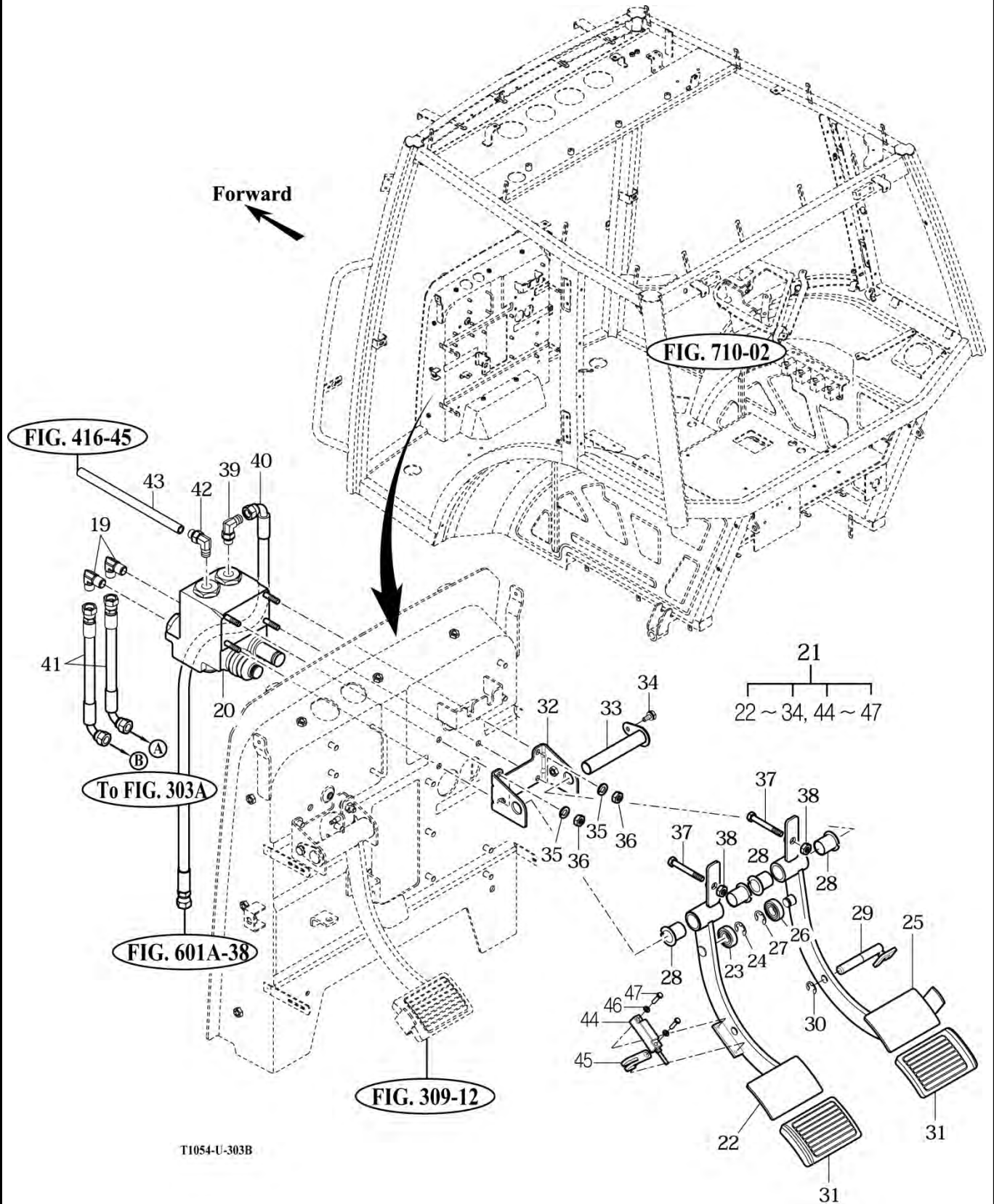
YEAR

2014



T1104SP / T954SP

Forward



T1054-U-303B

NOTE

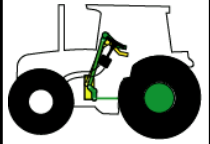
FIG 304

FRONT WHEEL

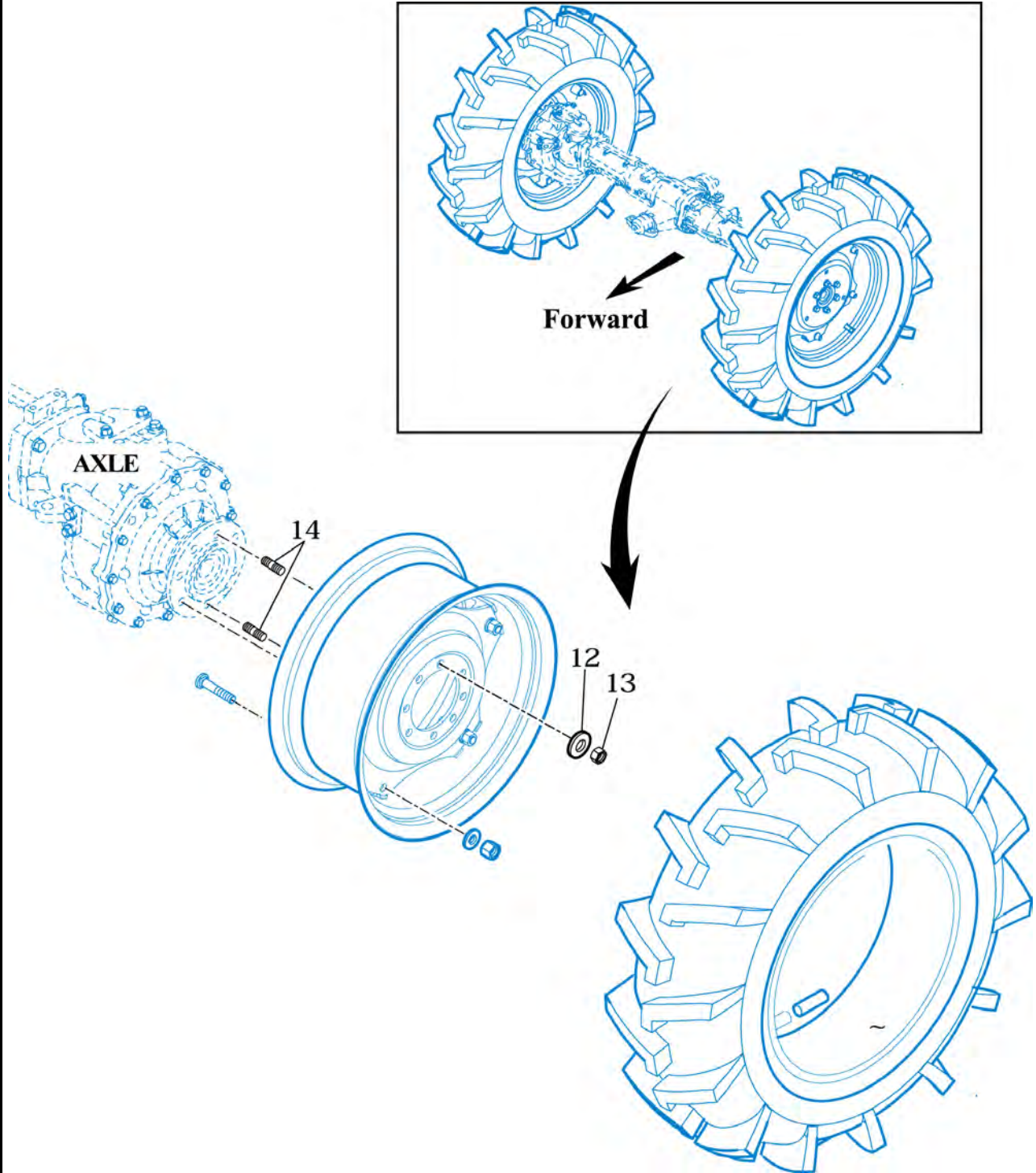
P1

YEAR

2014



T1104SP / T954SP



NOTE

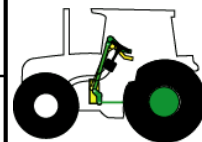
FIG 305

REAR WHEEL

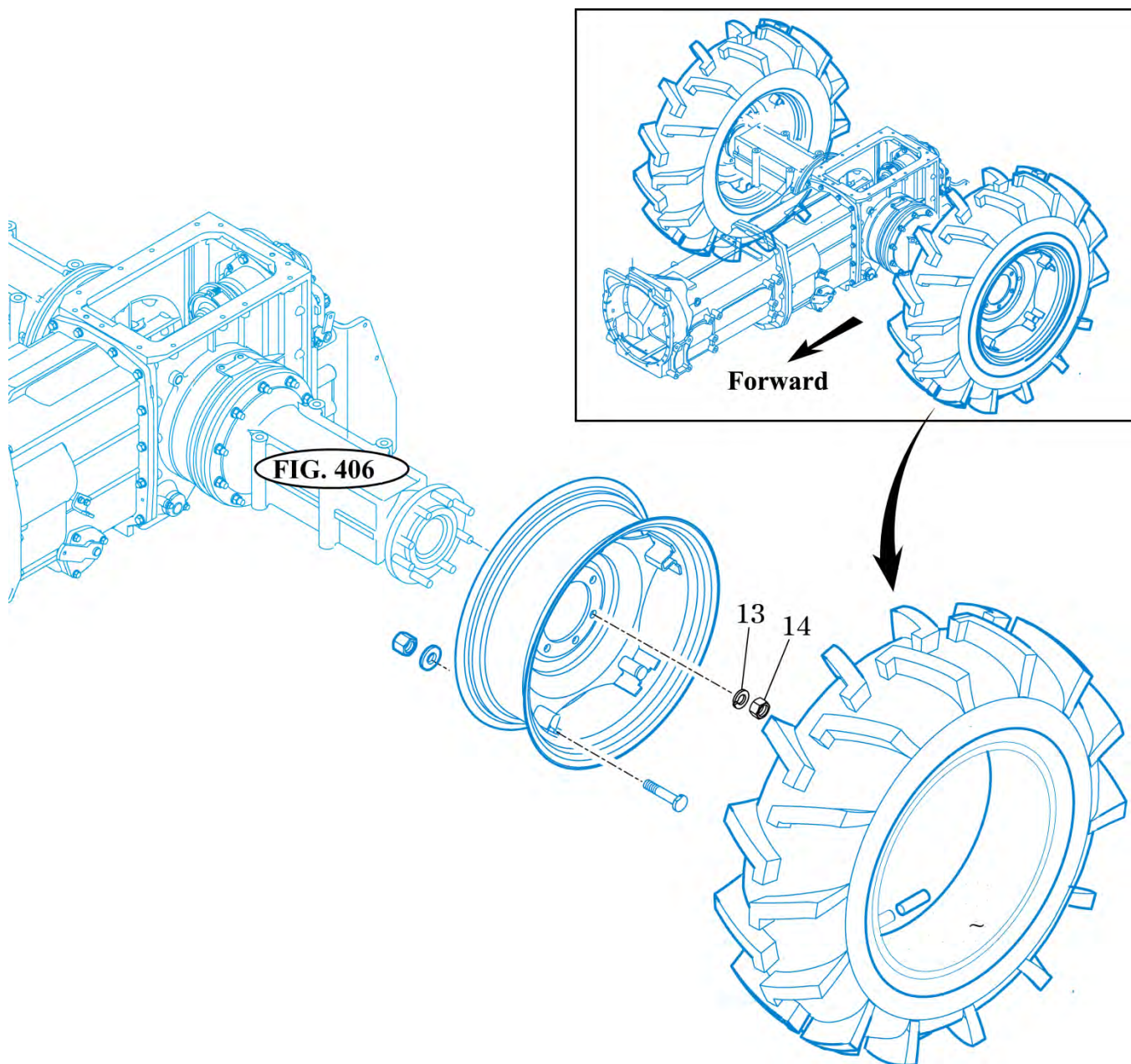
P1

YEAR

2014



T1104SP / T954SP



NOTE

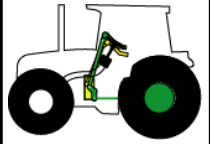
FIG 306

STEERING WHEEL ASSY

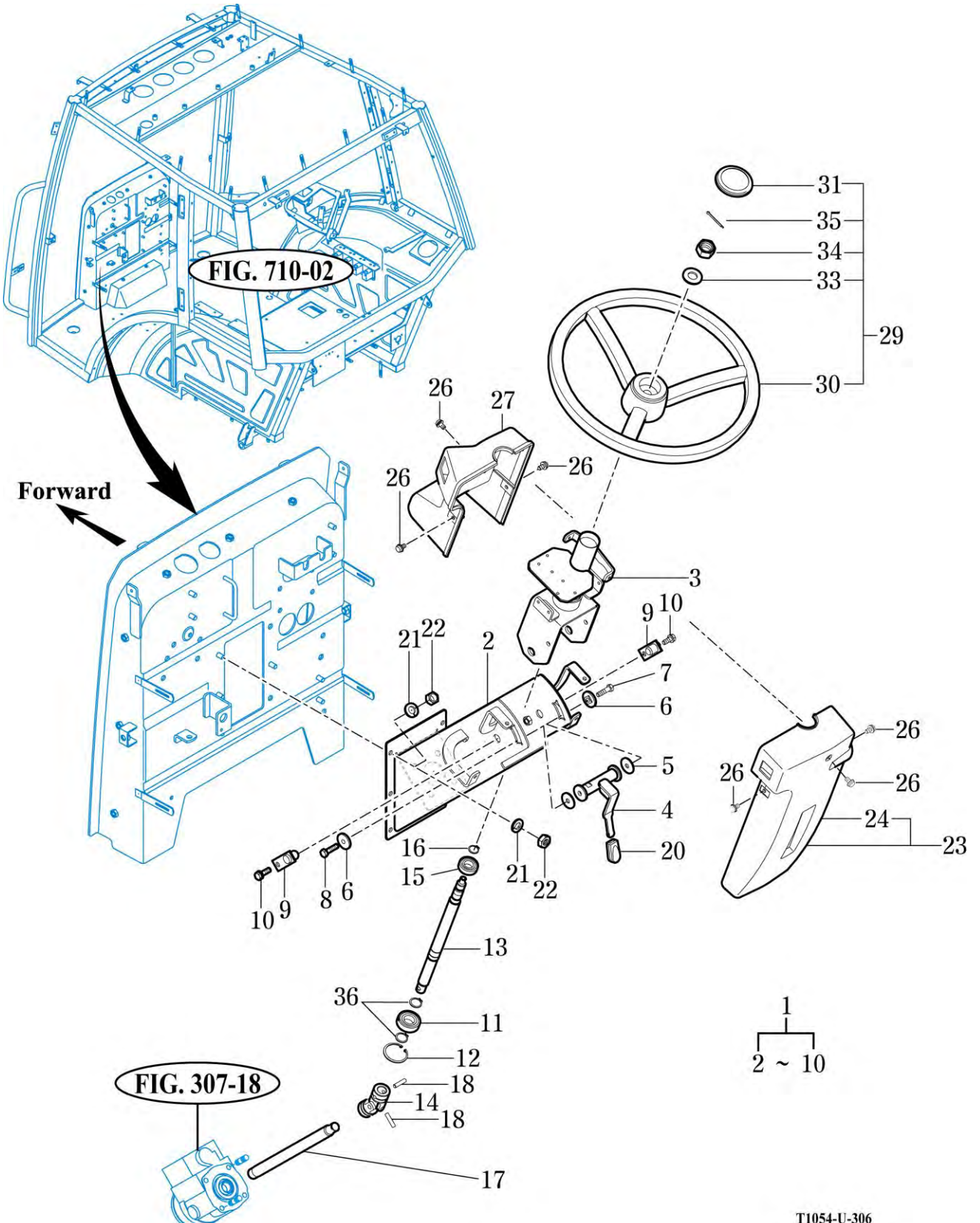
P1

YEAR

2014



T1104SP / T954SP



T11054-U-306

NOTE

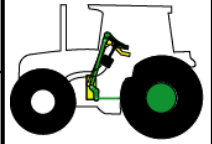
FIG 307

POWER STEERING VALVE

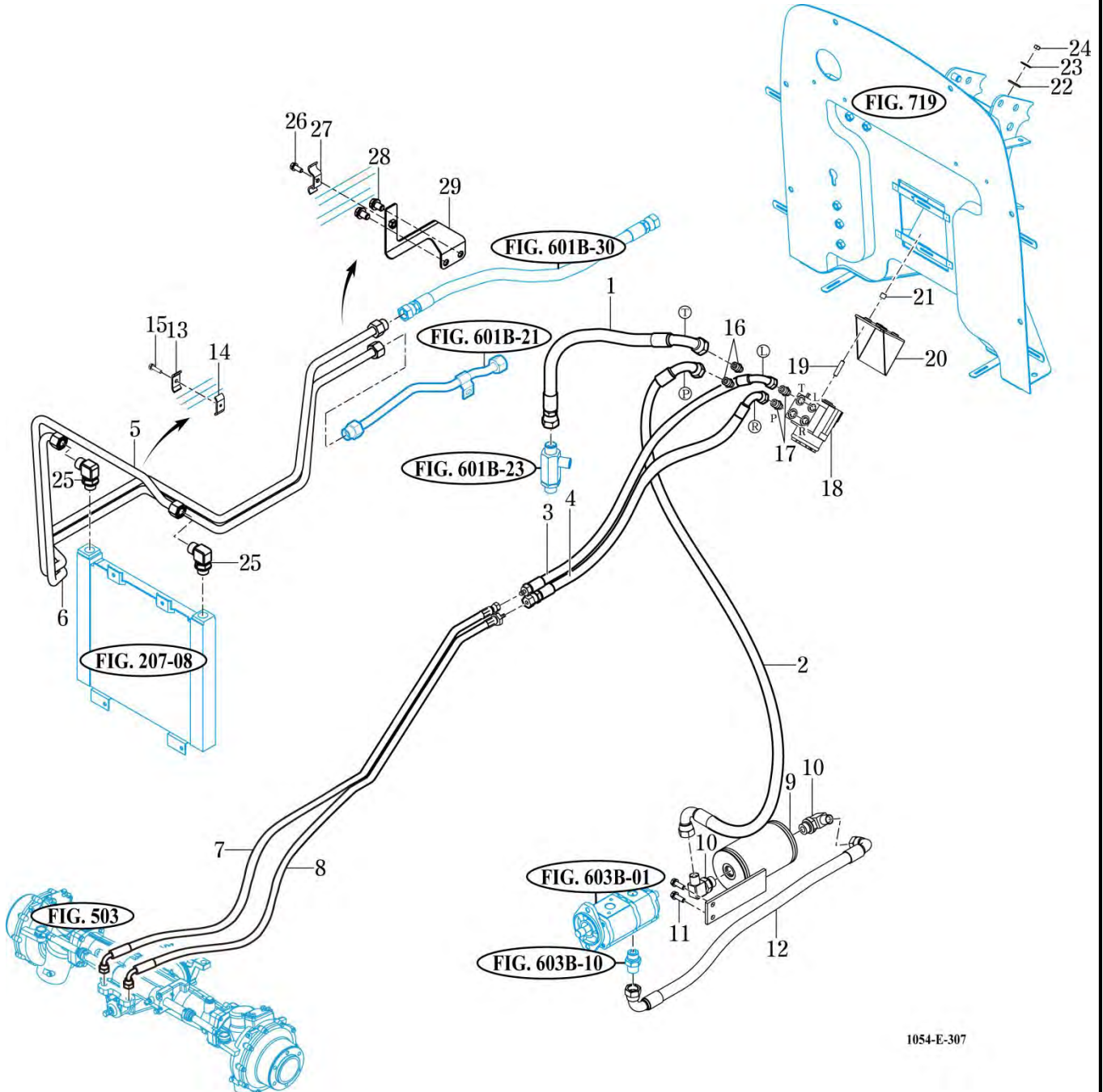
P1

YEAR

2014



T1104SP / T954SP



1054-E-307

NOTE

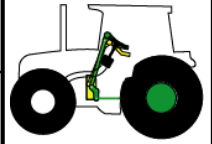
FIG 308

POWER STEERING CYLINDER

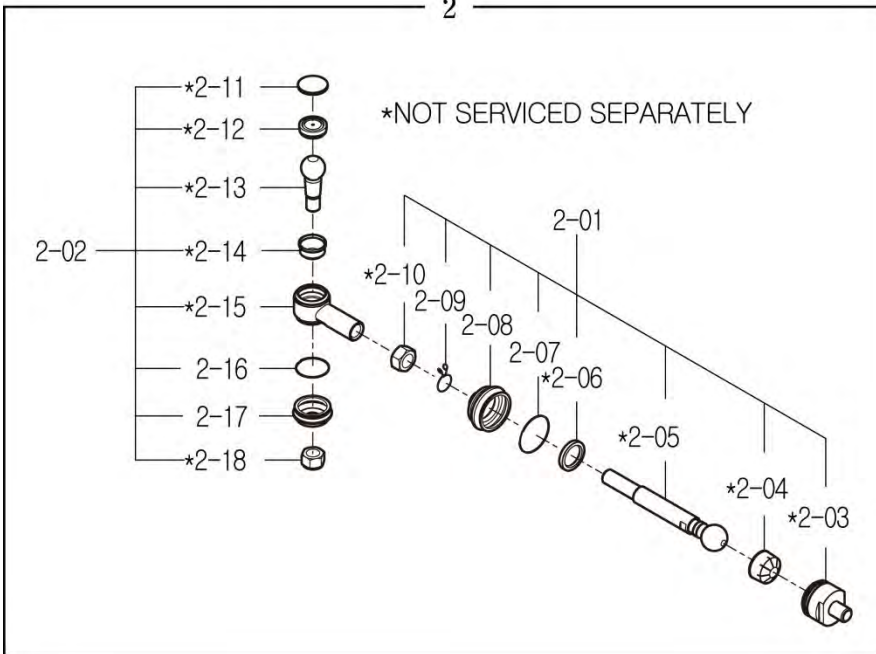
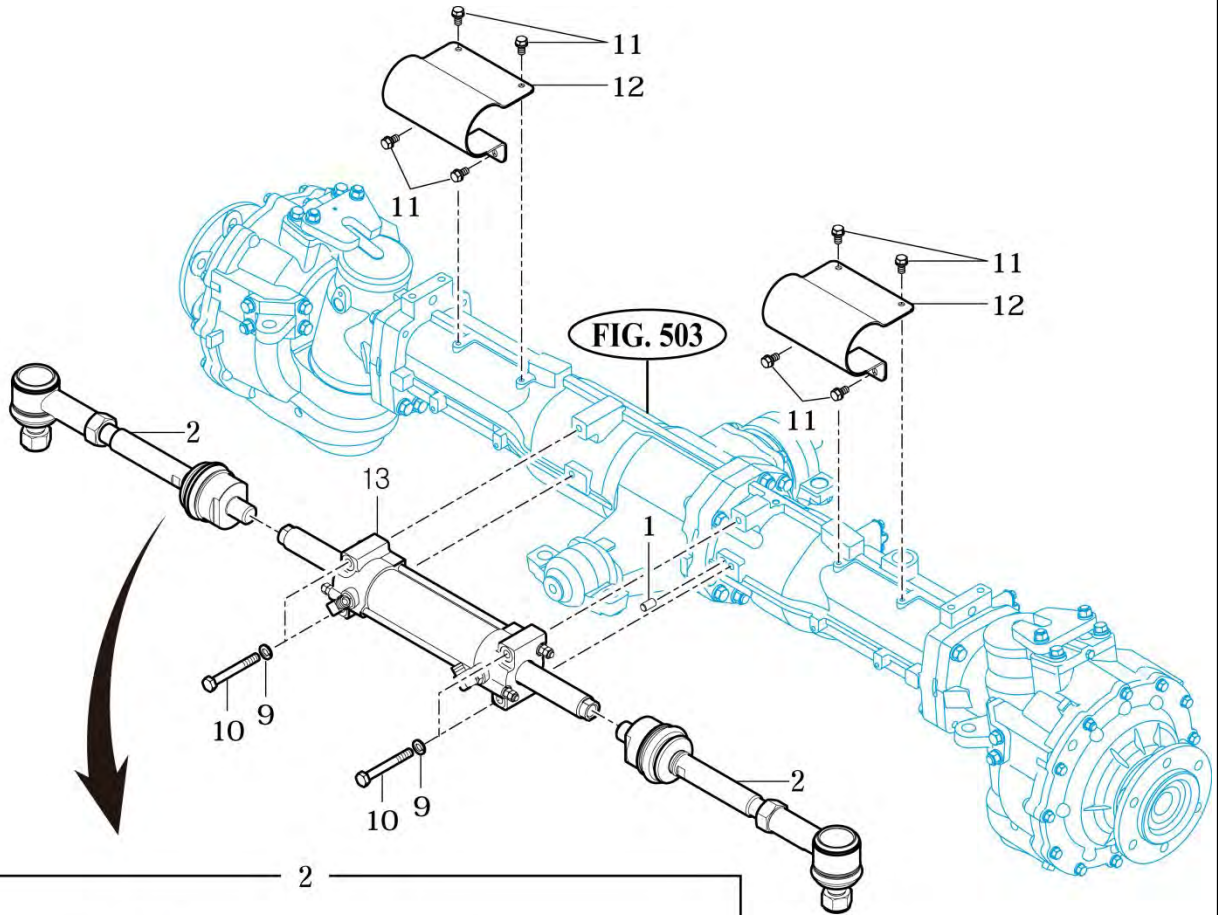
P1

YEAR

2014



T1104SP / T954SP



TX1003/903-K-308

NOTE

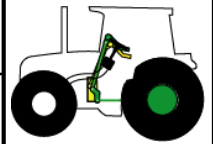
FIG 309

SUB CLUTCH PEDAL

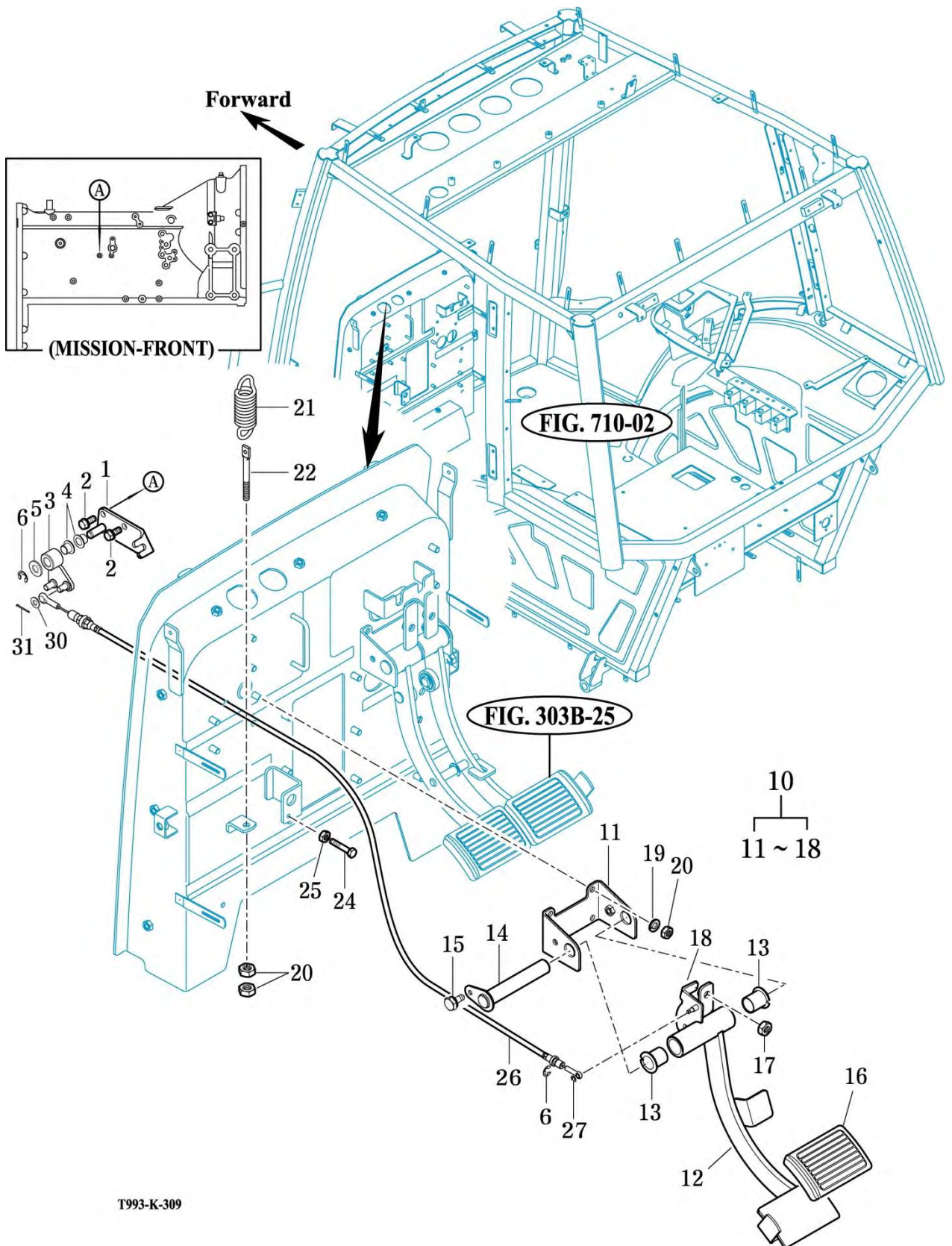
P1

YEAR

2014



T1104SP / T954SP



T993-K-309

NOTE

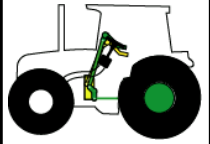
FIG 310

HAND BRAKE SUB

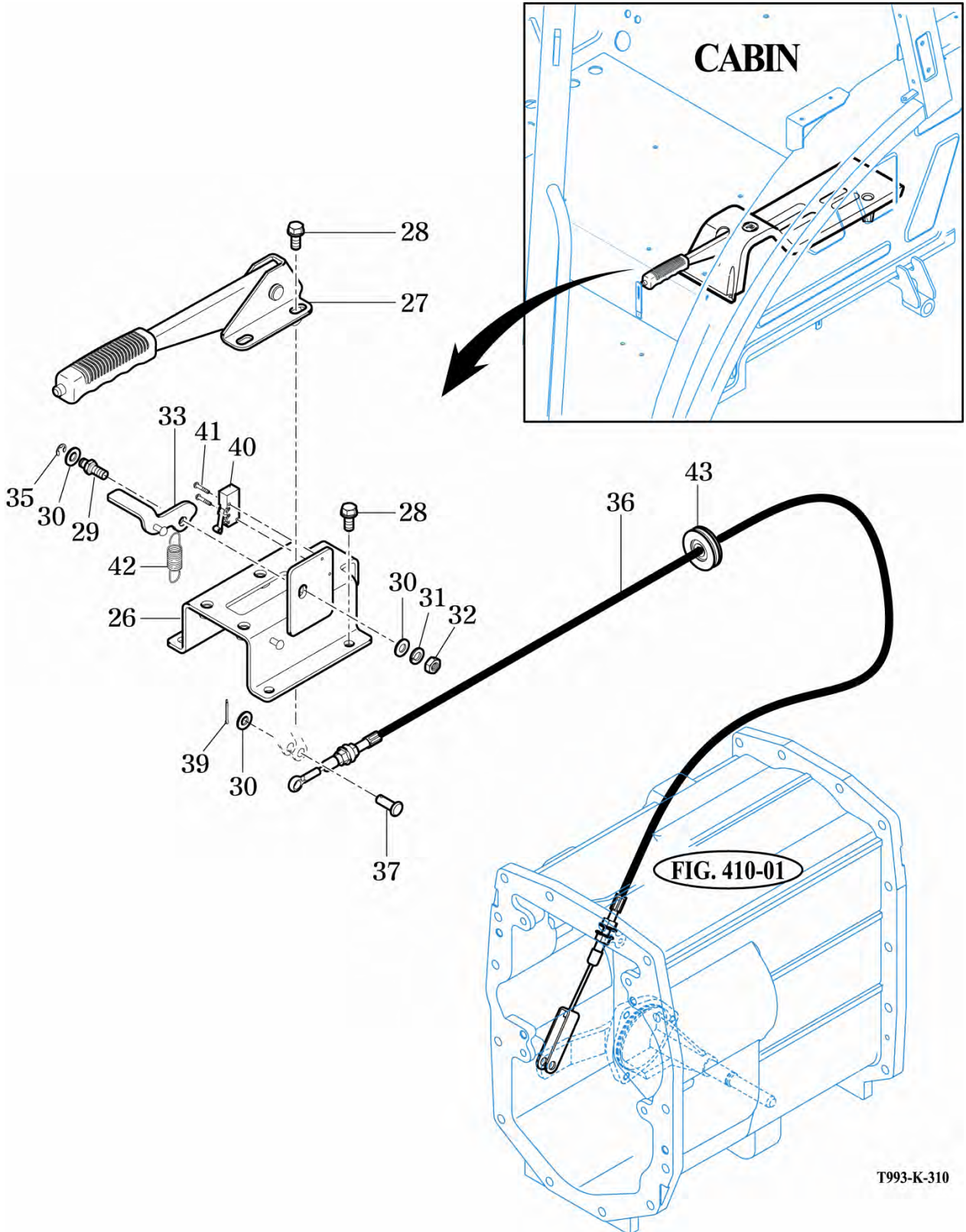
P1

YEAR

2014



T1104SP / T954SP



T993-K-310

NOTE

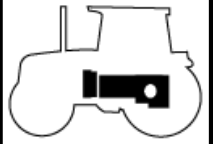
FIG 401

CASE SUB, RR TRANSMISSION

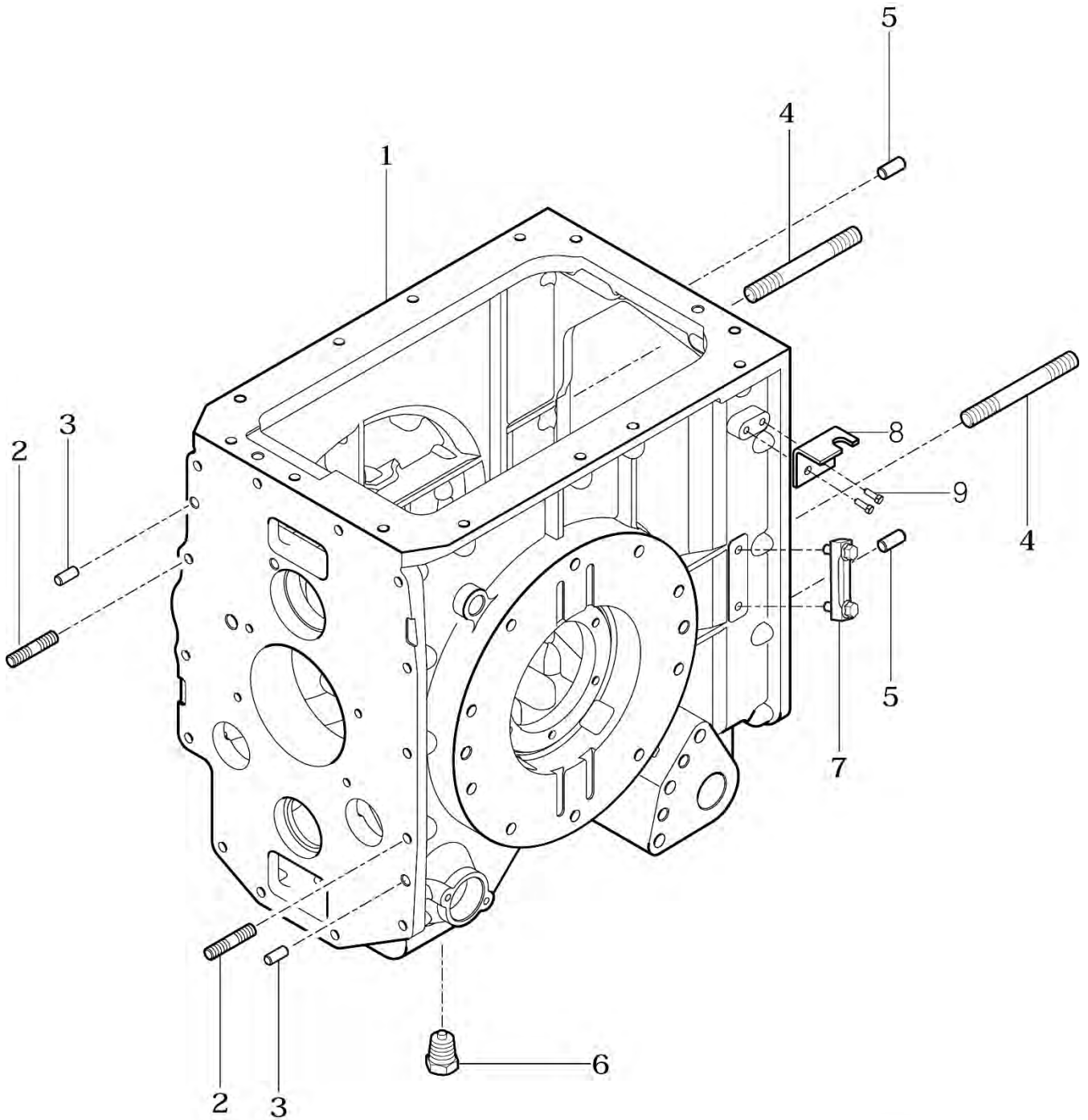
P1

YEAR

2014



T1104SP / T954SP



T1104SP/T954SP-401

NOTE

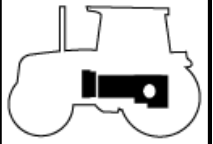
FIG 402A

METAL SUB ASSY, PINION

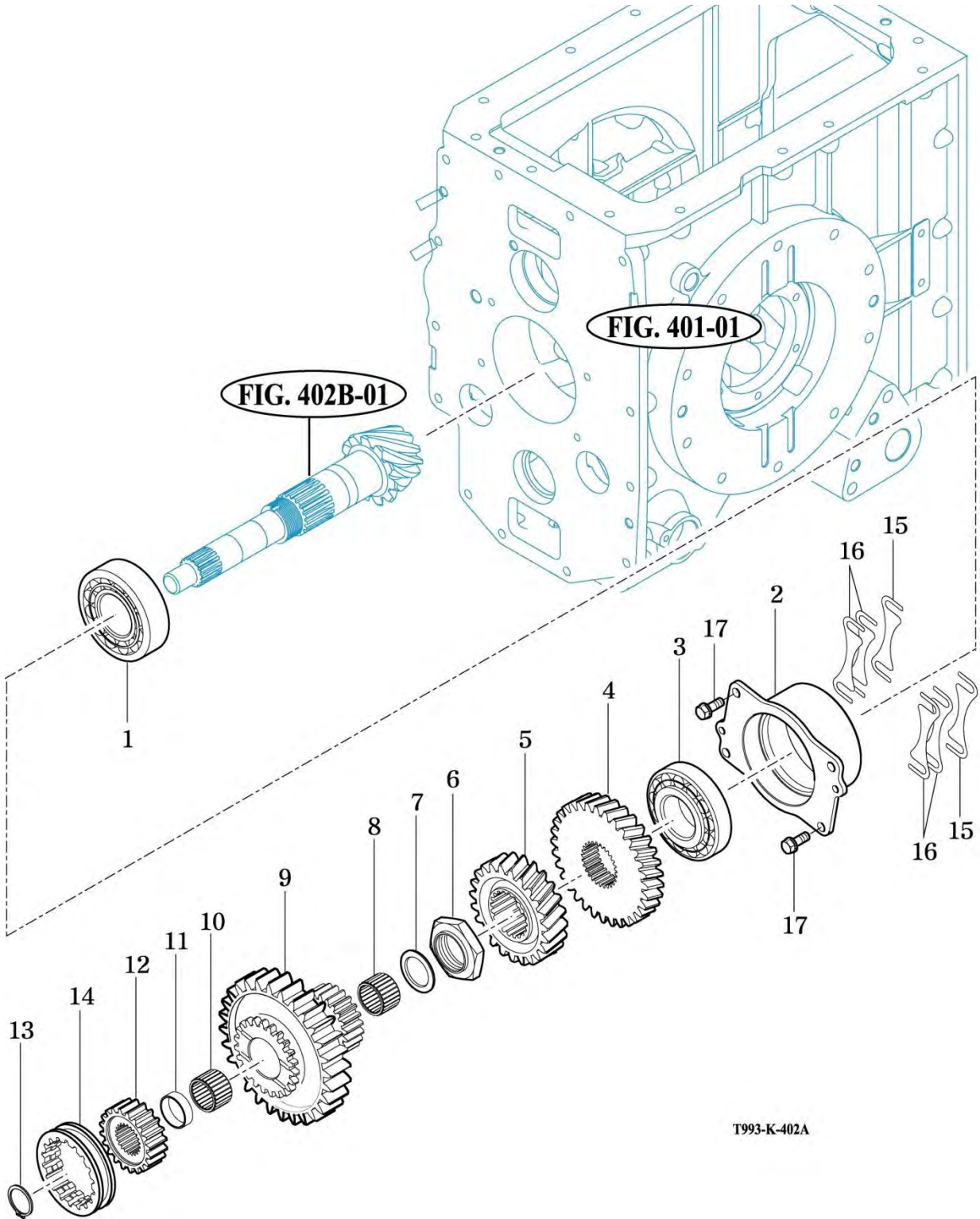
P1

YEAR

2014



T1104SP / T954SP



T993-K-402A

NOTE

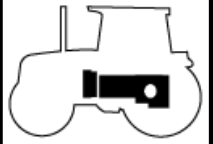
FIG 402B

DIFF ASSY, RR

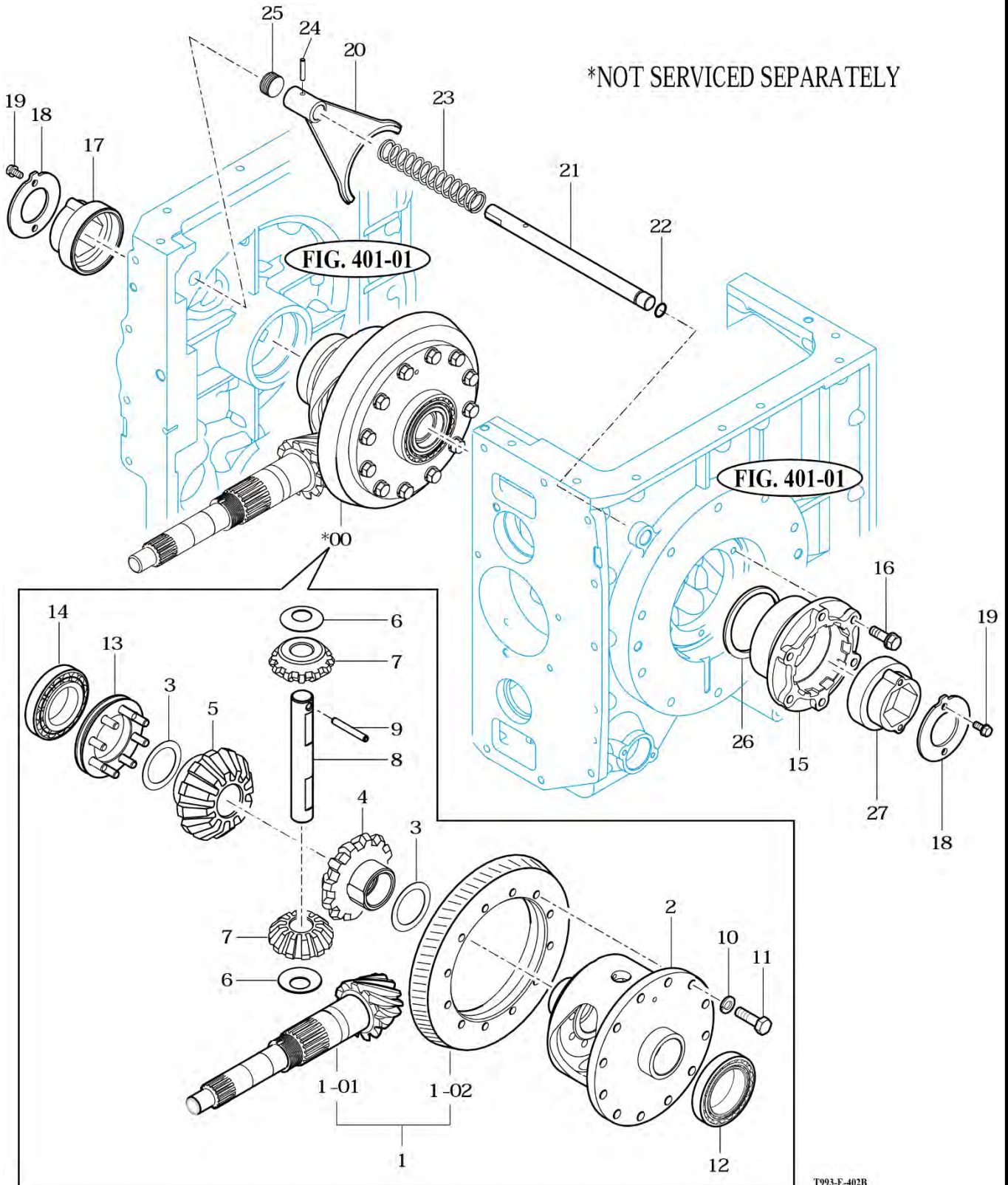
P1

YEAR

2014



T1104SP / T954SP



NOTE

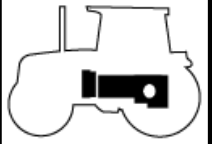
FIG 403

SUB CHANGE GEARS

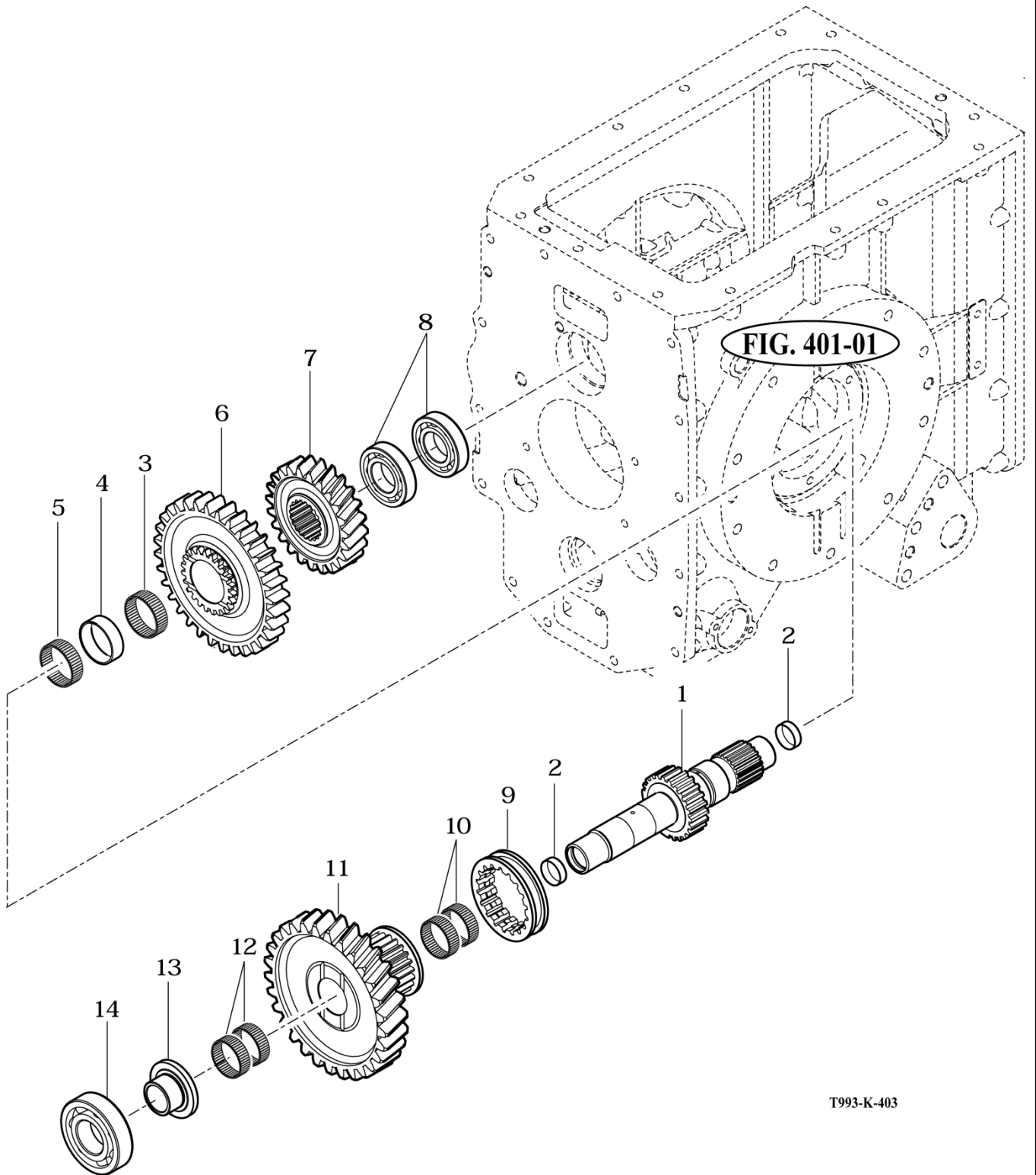
P1

YEAR

2014



T1104SP / T954SP



T993-K-403

NOTE

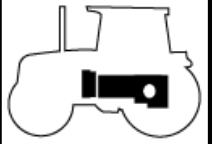
FIG 404

SUB CHANGE LEVER

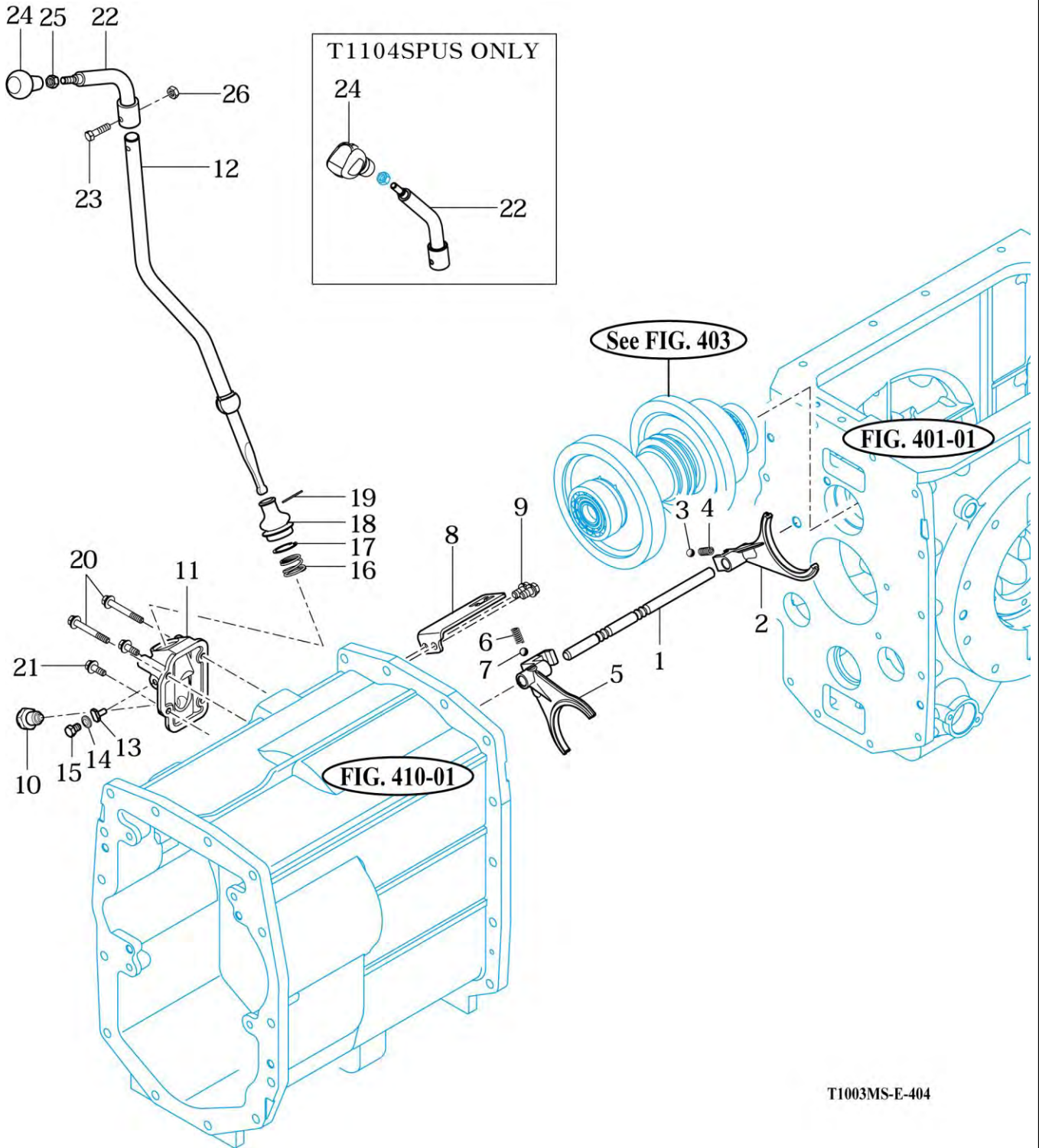
P1

YEAR

2014



T1104SP / T954SP



T1003MS-E-404

NOTE

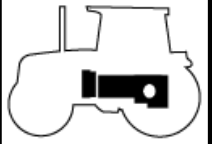
FIG 405

4WD DRIVE GEARS

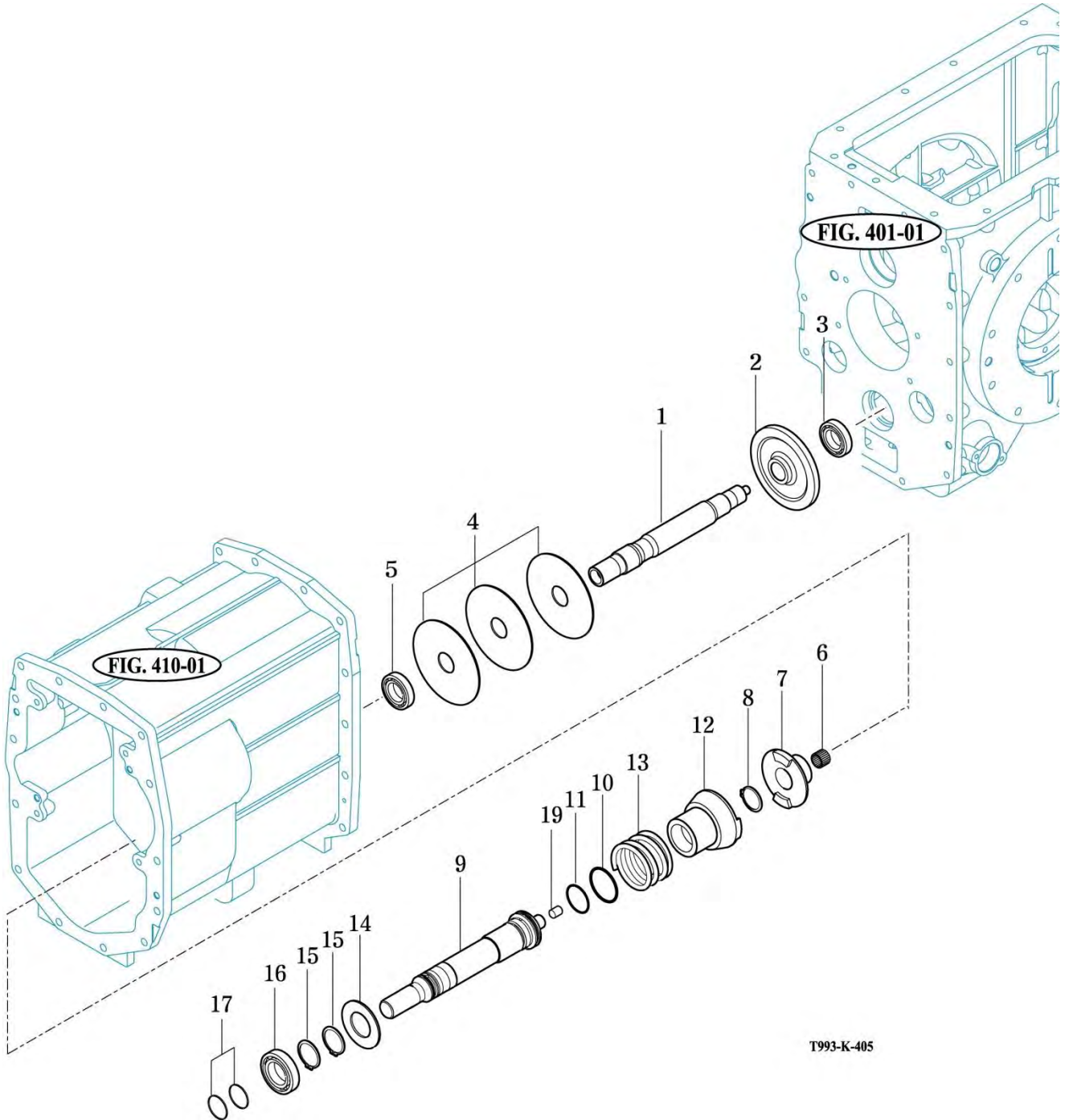
P1

YEAR

2014



T1104SP / T954SP



NOTE

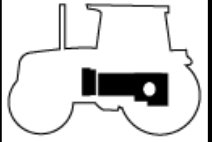
FIG 406

HOUSING, RR AXLE

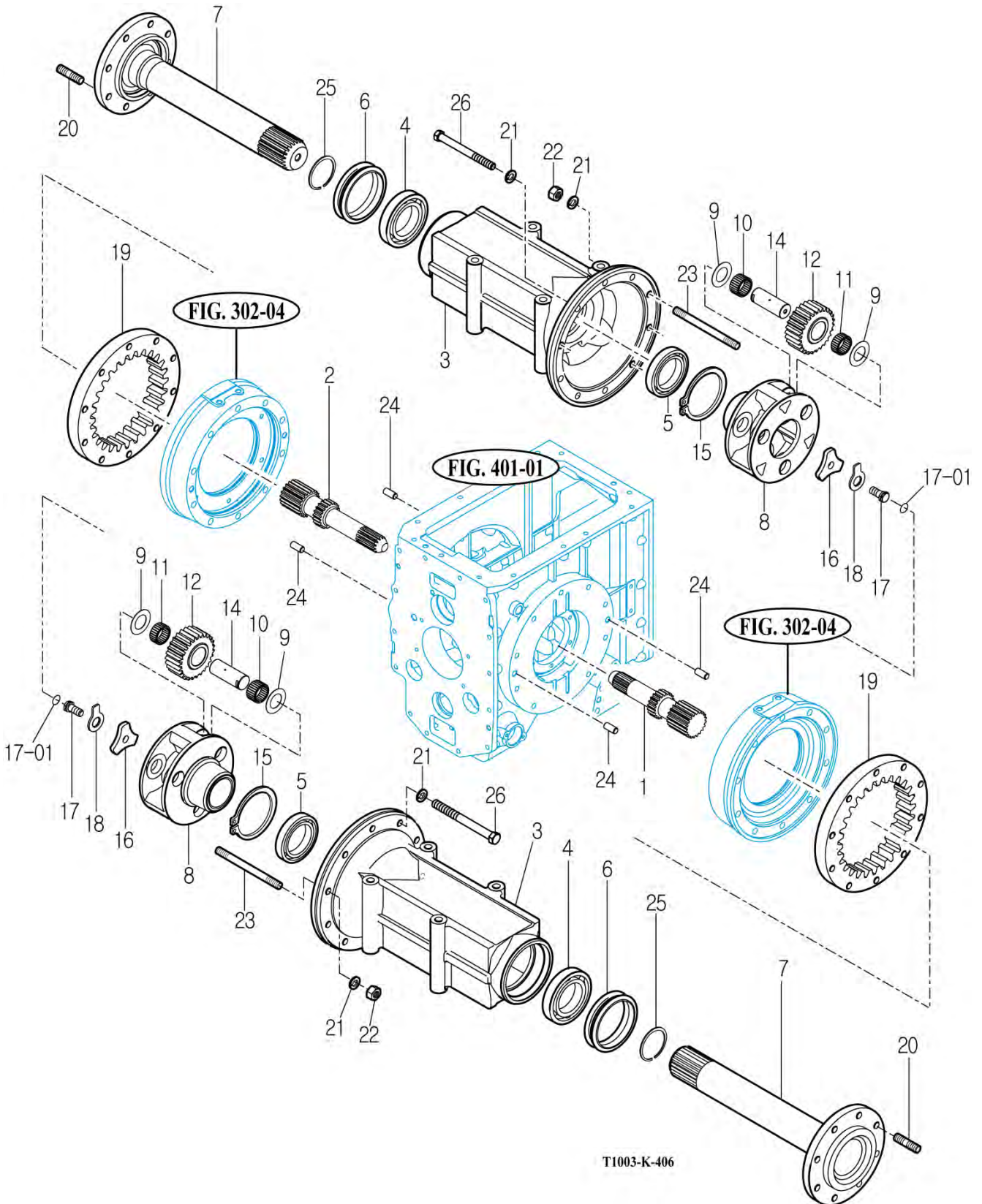
P1

YEAR

2014



T1104SP / T954SP



T1003-K-406

NOTE

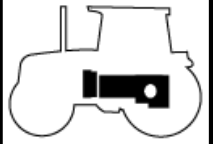
FIG 407

540,750,1000 PTO CASE

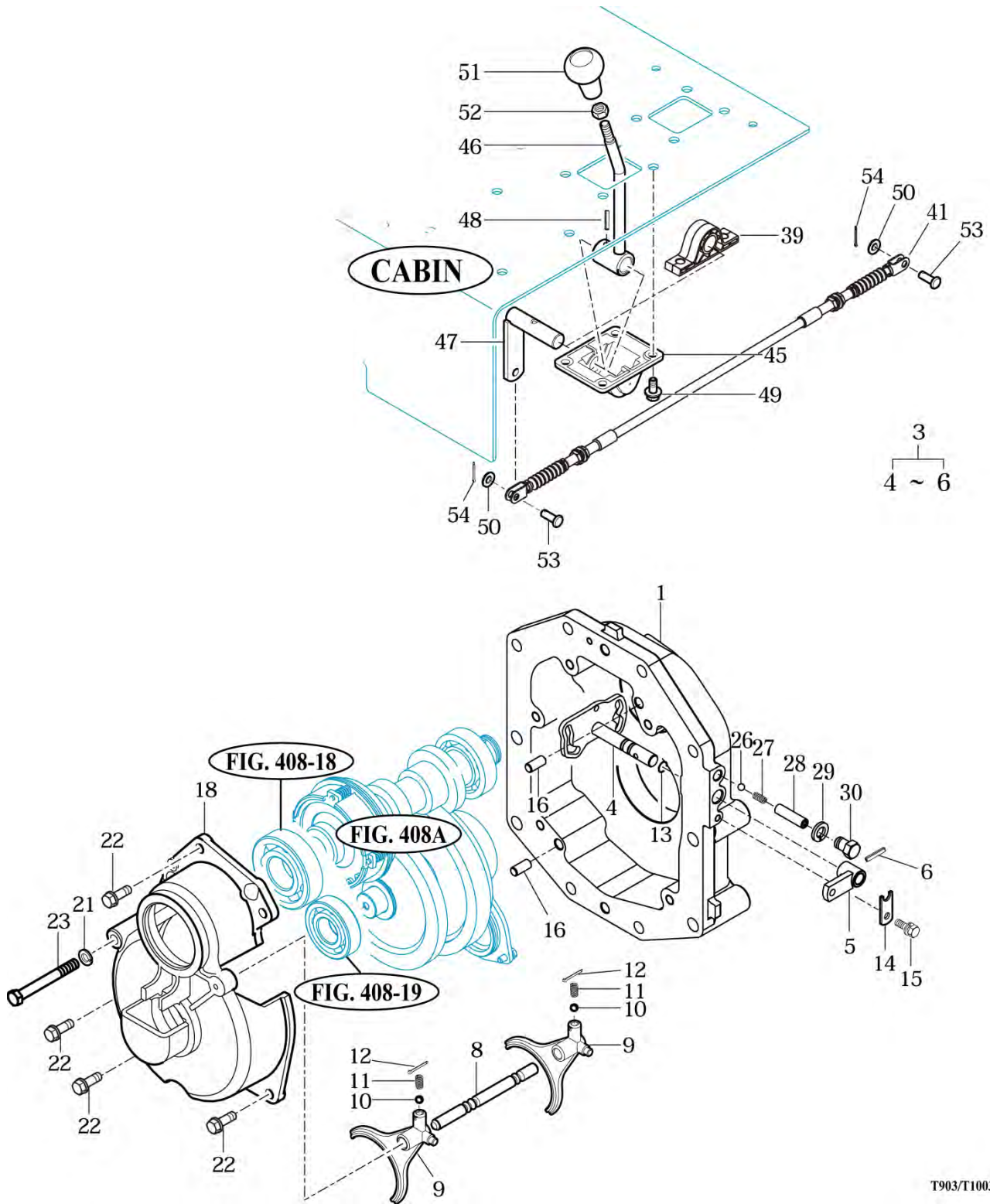
P1

YEAR

2014



T1104SP / T954SP



T903/T1003-K-407

NOTE

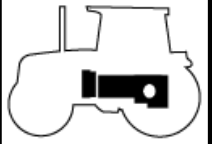
FIG 408A

SHAFT, PTO

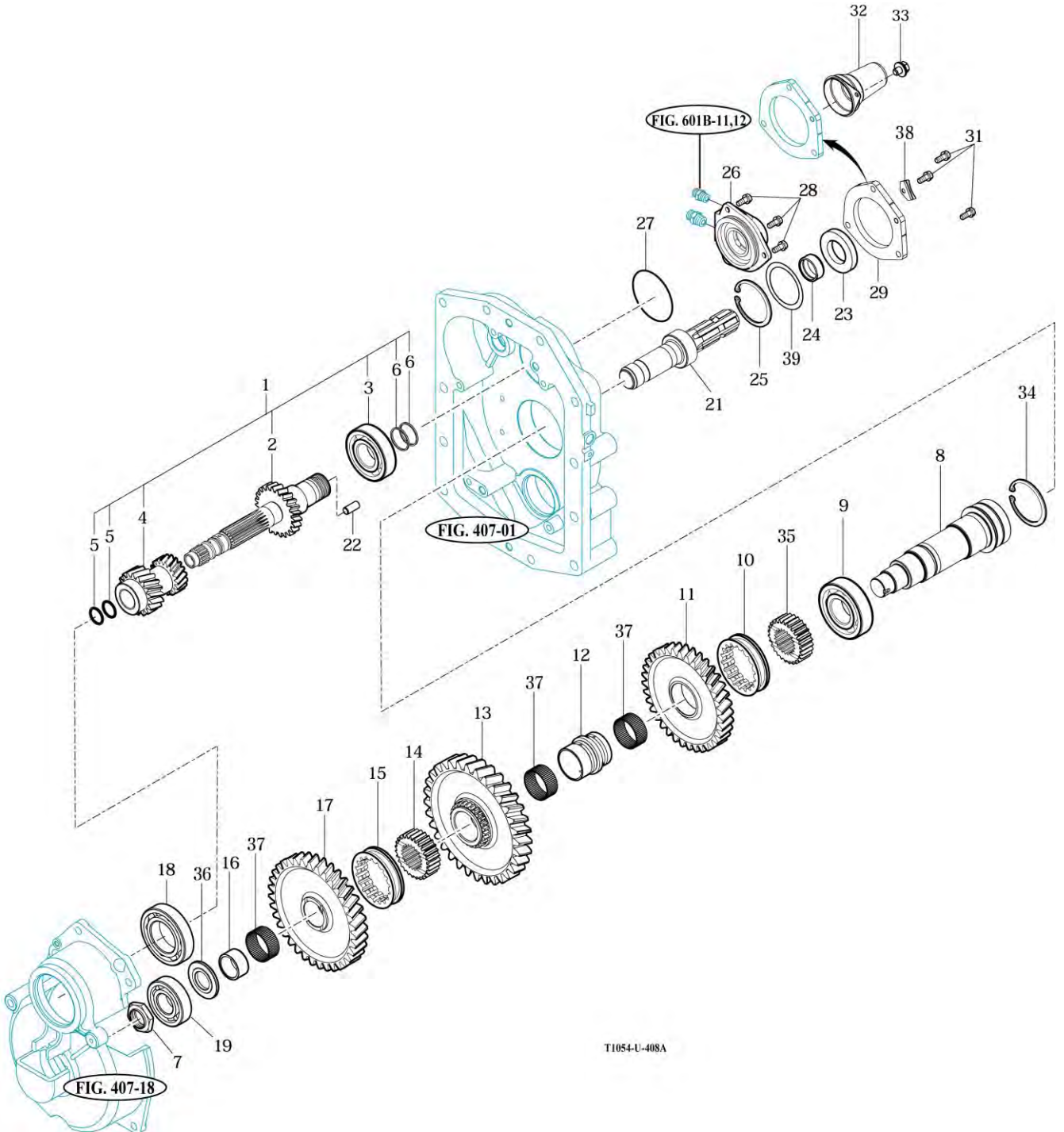
P1

YEAR

2014



T1104SP / T954SP



T1054-U-408A

NOTE

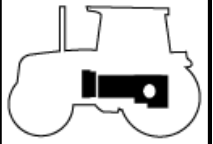
FIG 408B

PTO CLUTCH ASSY

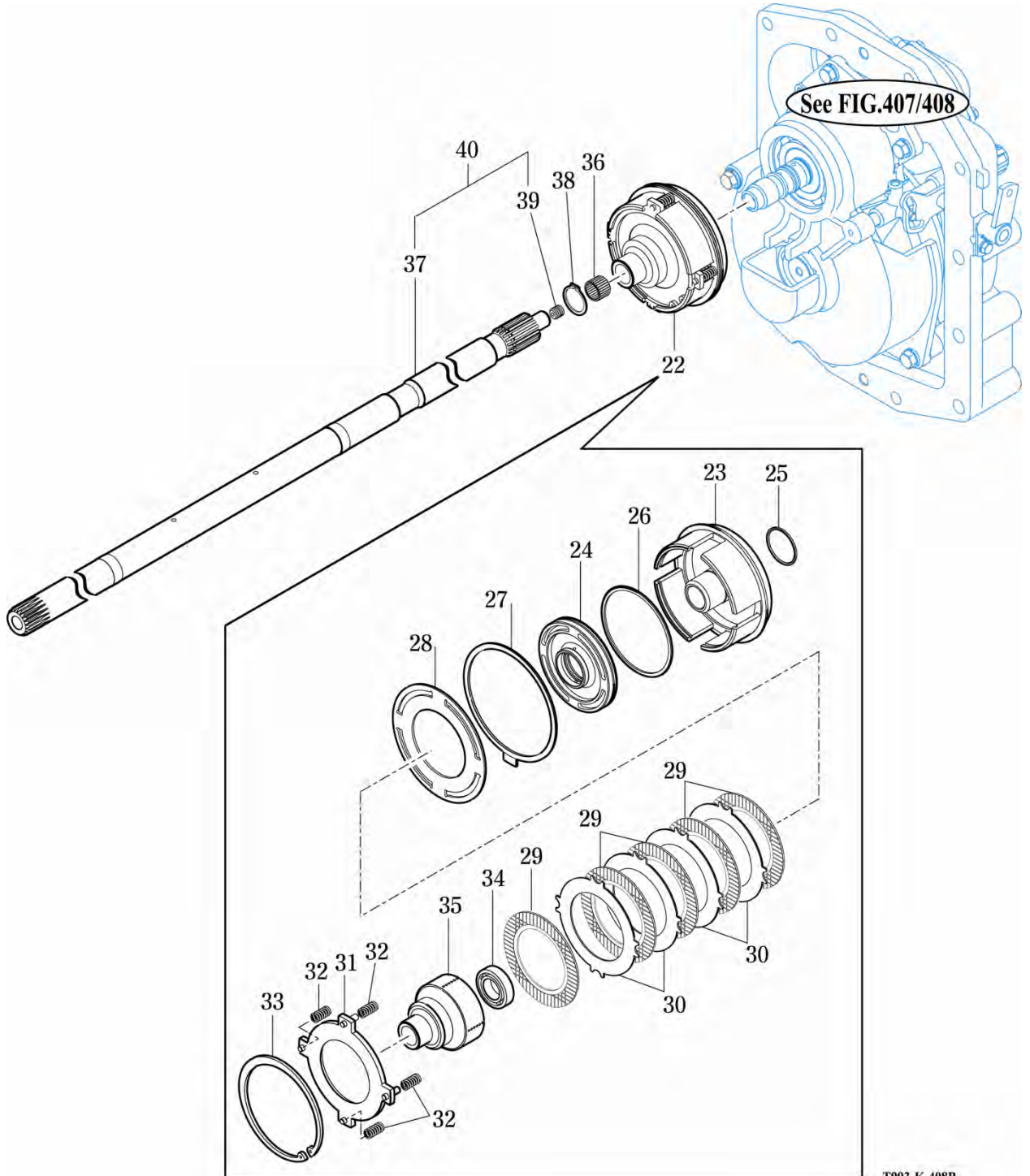
P1

YEAR

2014



T1104SP / T954SP



T993-K-408B

NOTE

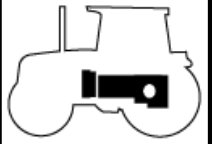
FIG 409

METAL SUB ASSY

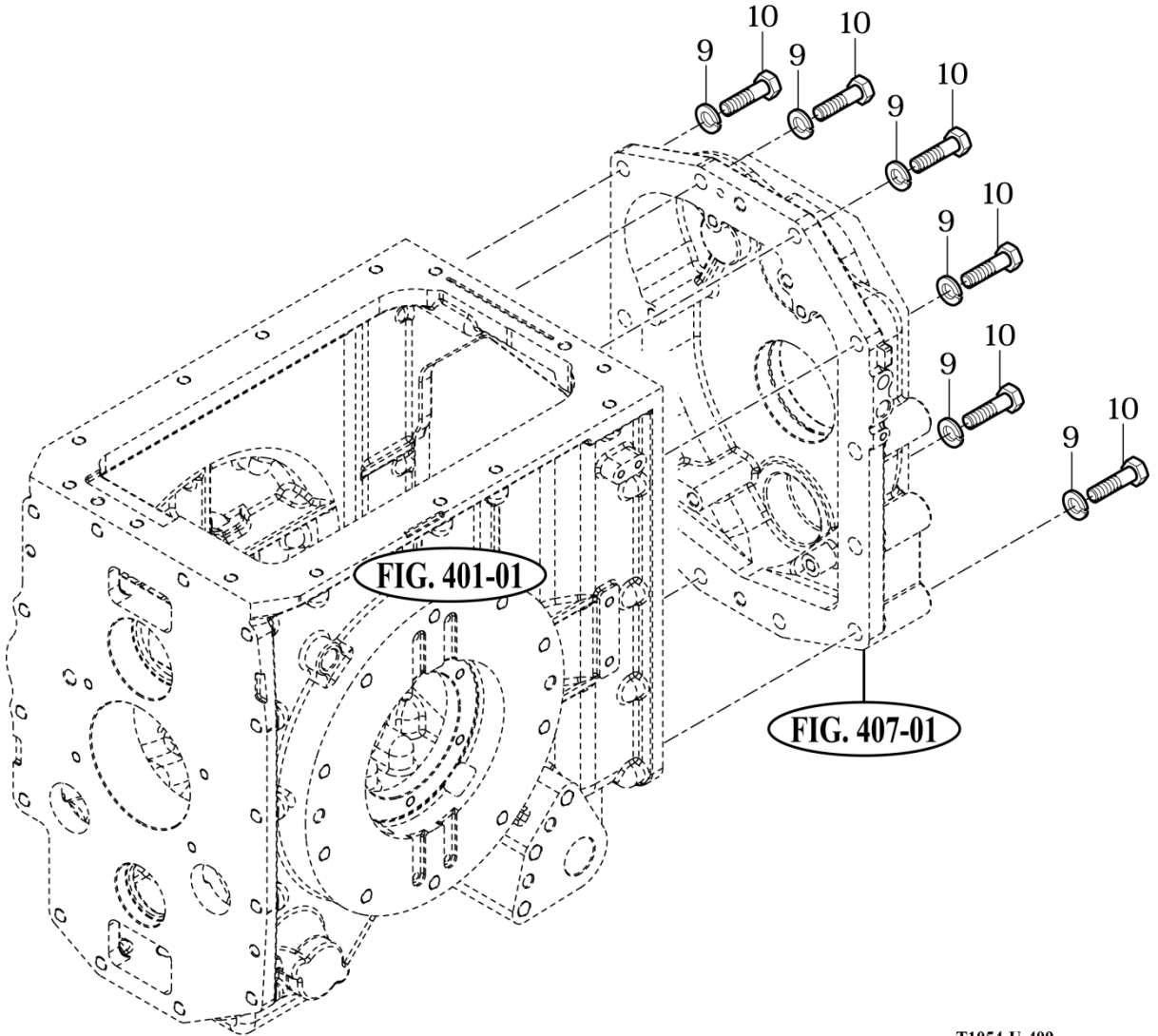
P1

YEAR

2014



T1104SP / T954SP



T1054-U-409

NOTE

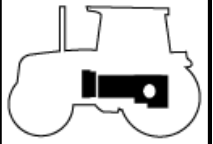
FIG 410

CASE, MID TRANSMISSION

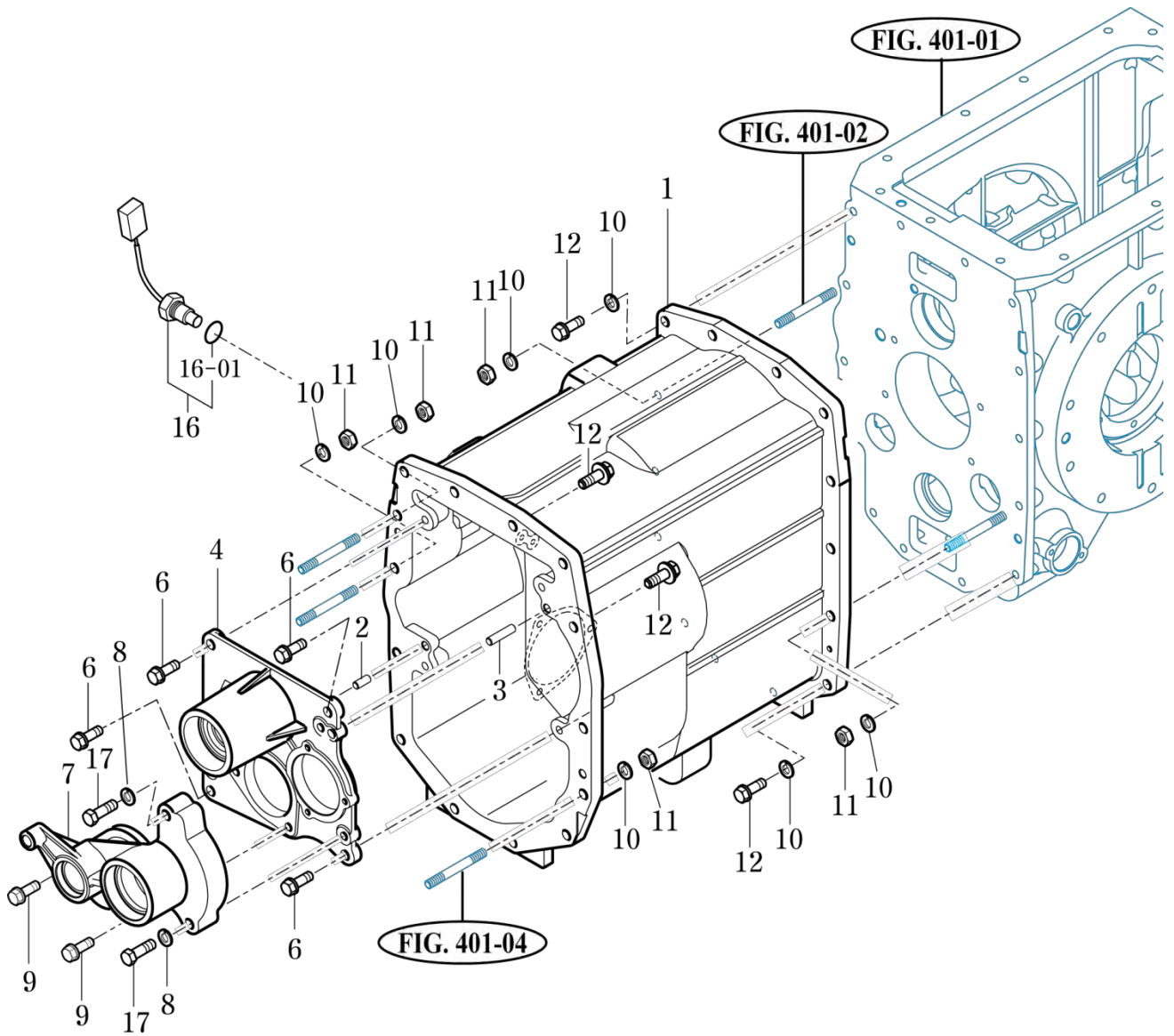
P1

YEAR

2014



T1104SP / T954SP



T993-K-410

NOTE

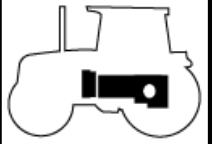
FIG 411

MAIN CHANGE GEARS

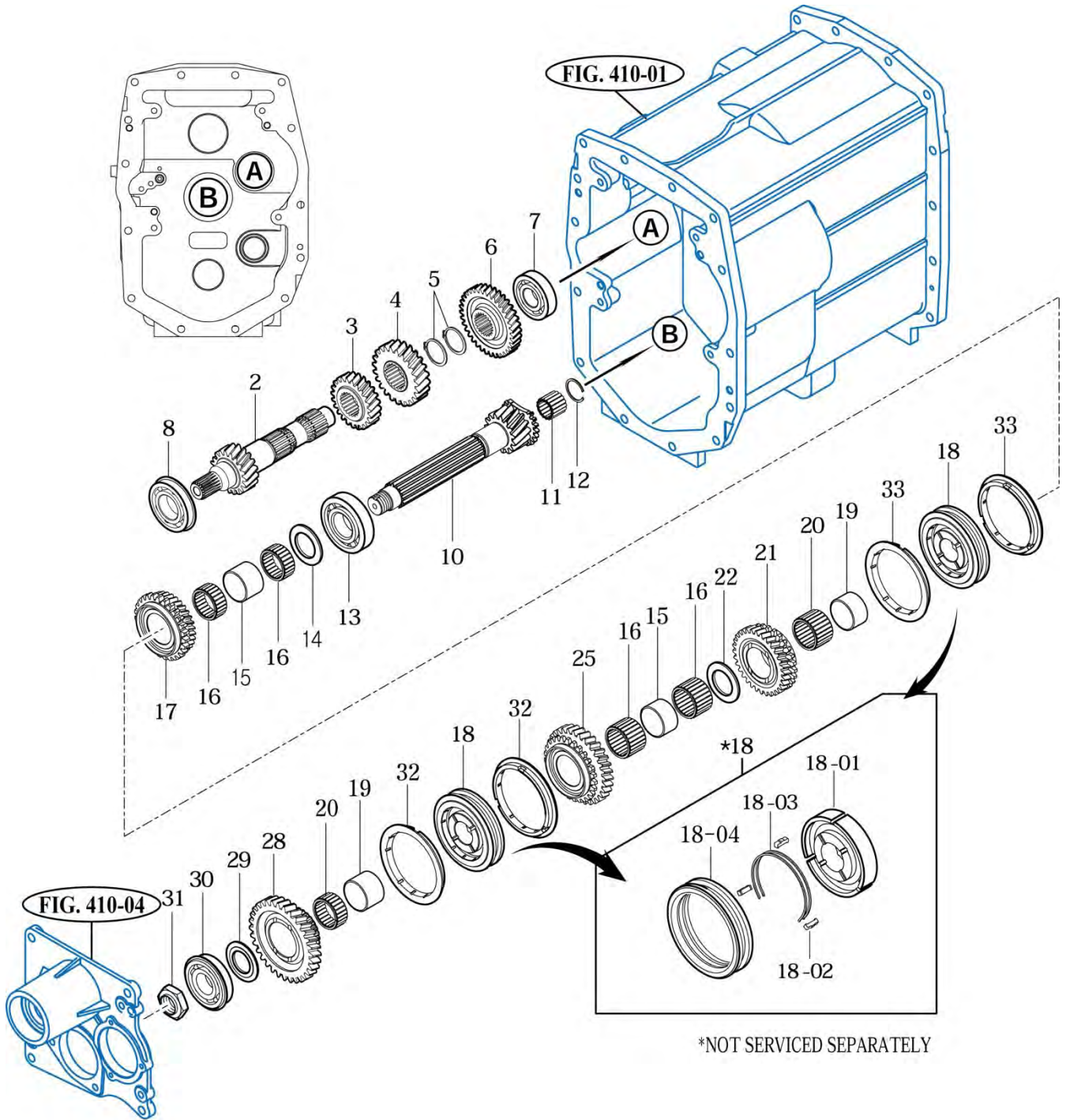
P1

YEAR

2014



T1104SP / T954SP



T993-K-411

NOTE

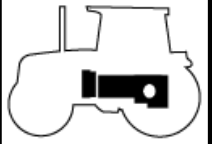
FIG 412

MAIN CHANGE LEVER

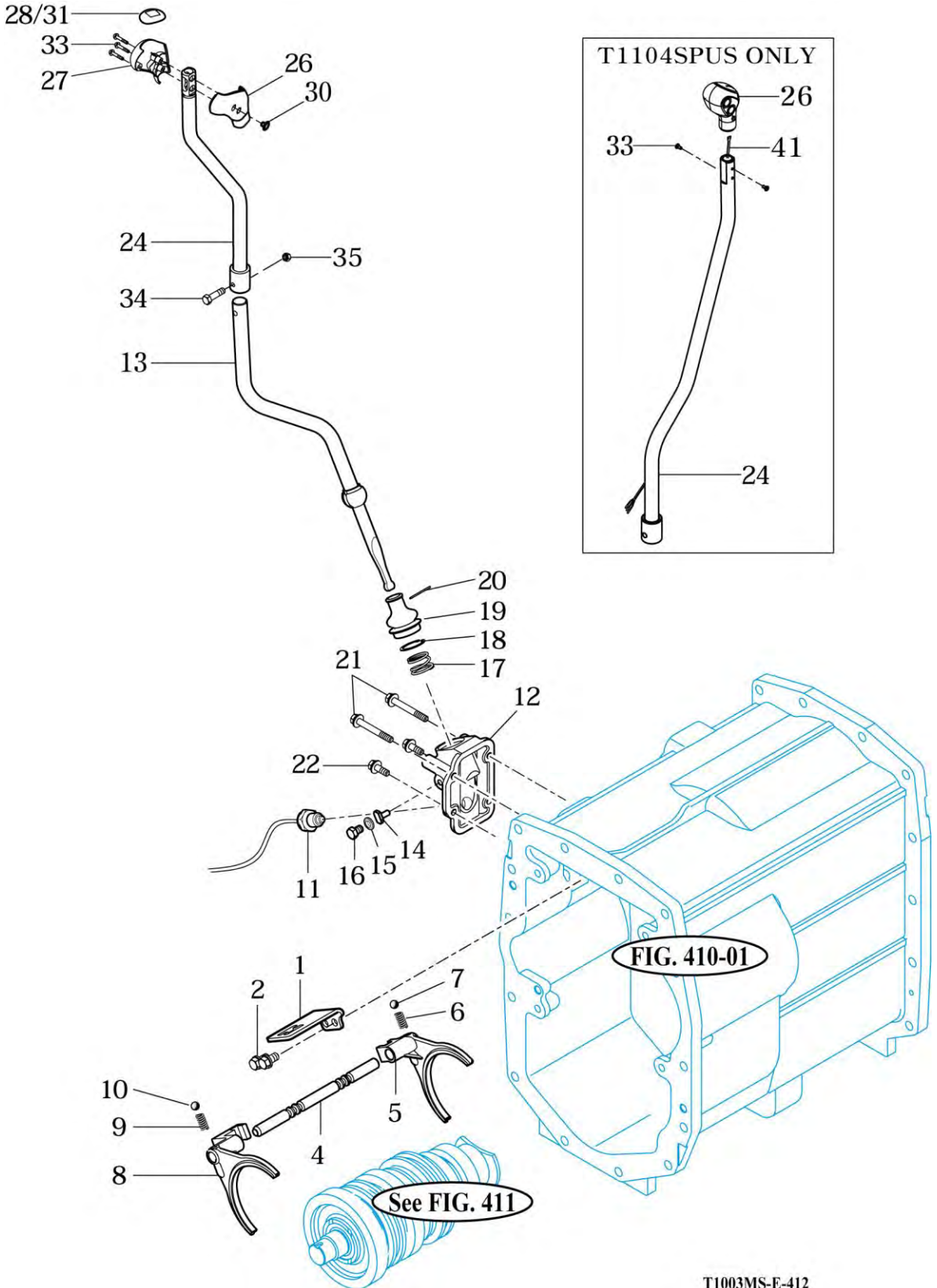
P1

YEAR

2014



T1104SP / T954SP



NOTE

T1003MS-E-412

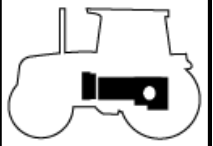
FIG 413

PARKING BRAKE

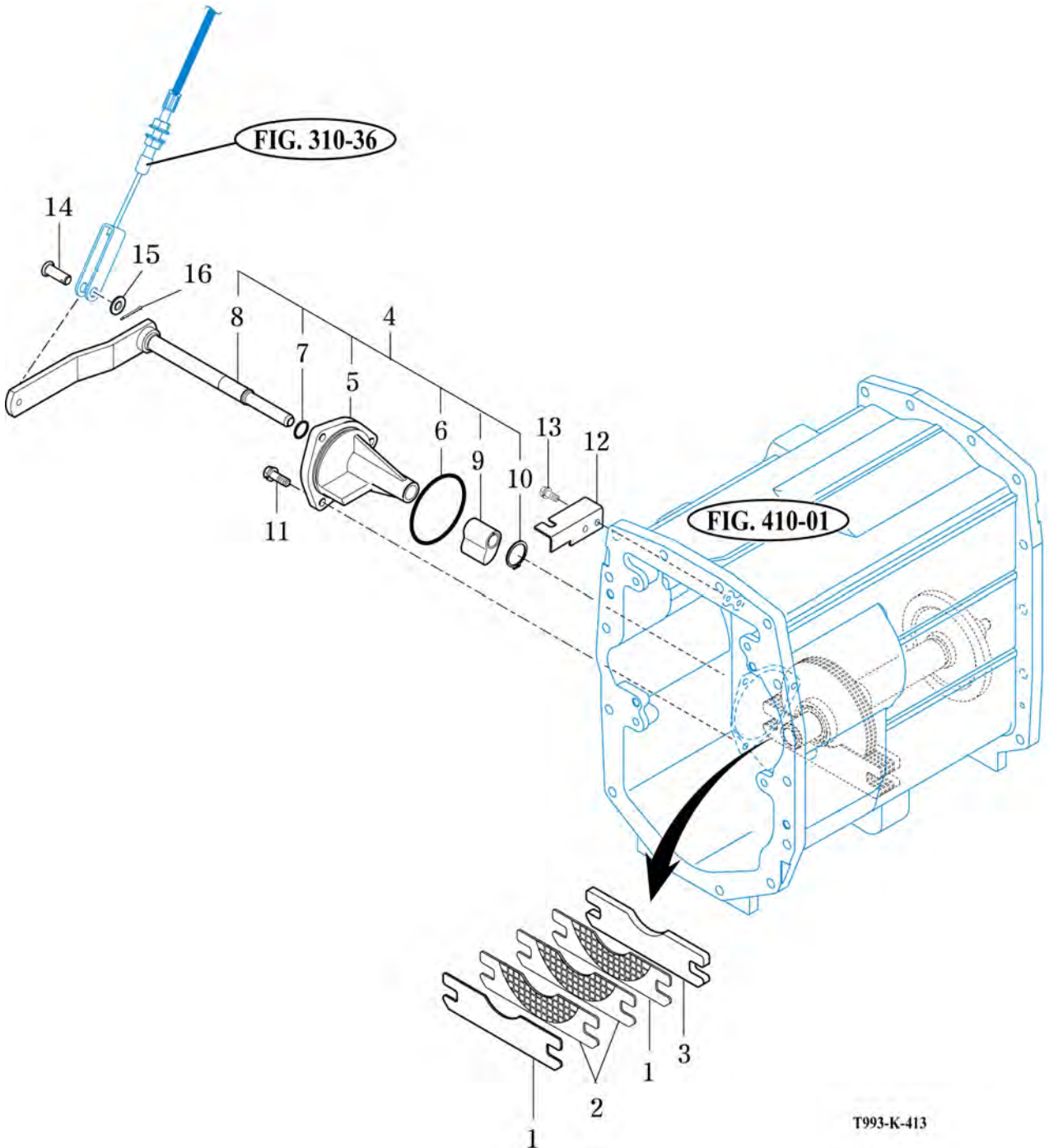
P1

YEAR

2014



T1104SP / T954SP



T993-K-413

NOTE

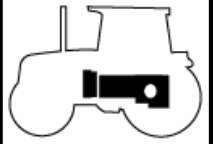
FIG 414

POWER SHUTTLE GEAR

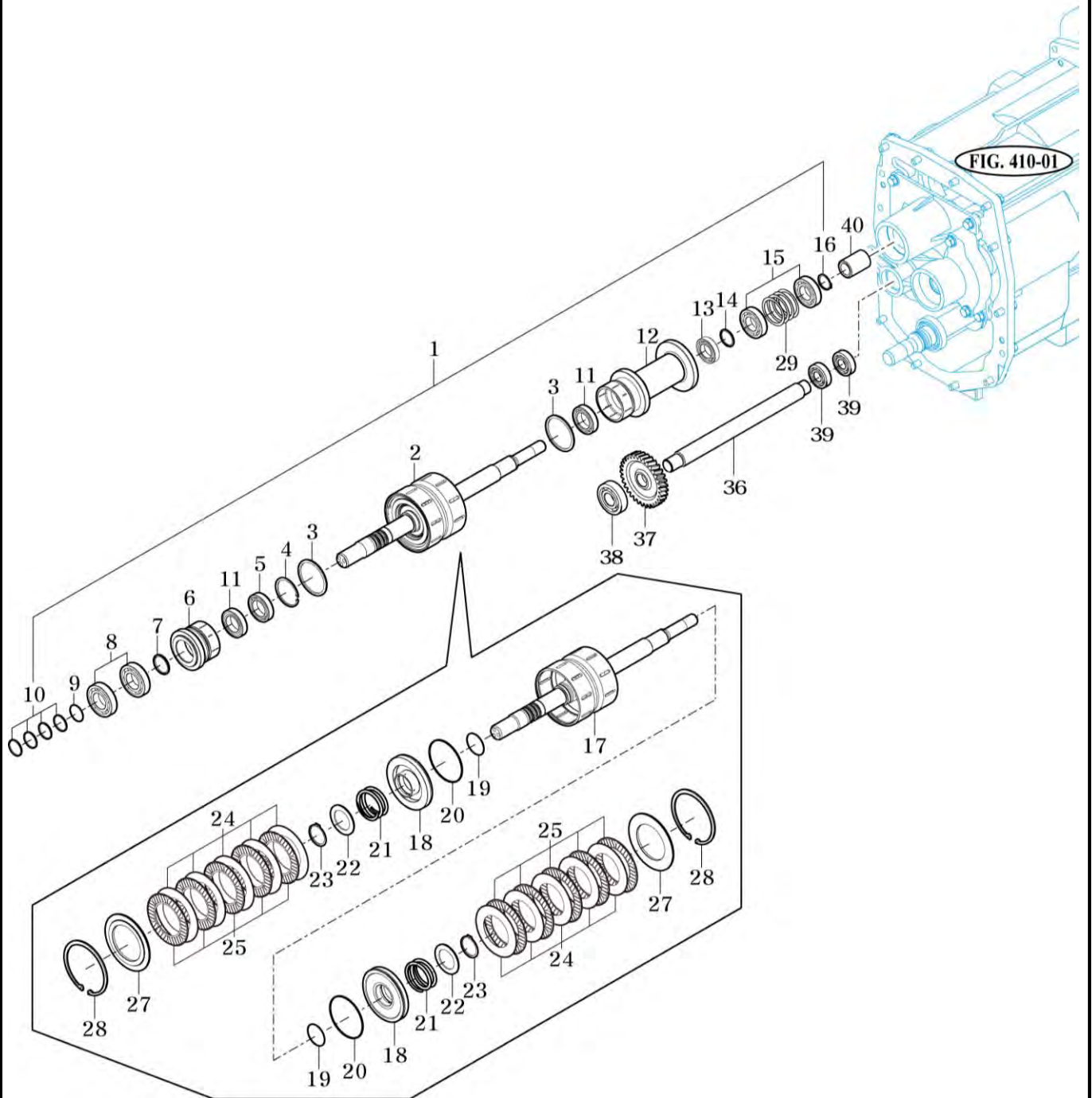
P1

YEAR

2014



T1104SP / T954SP



NOTE

FIG 415

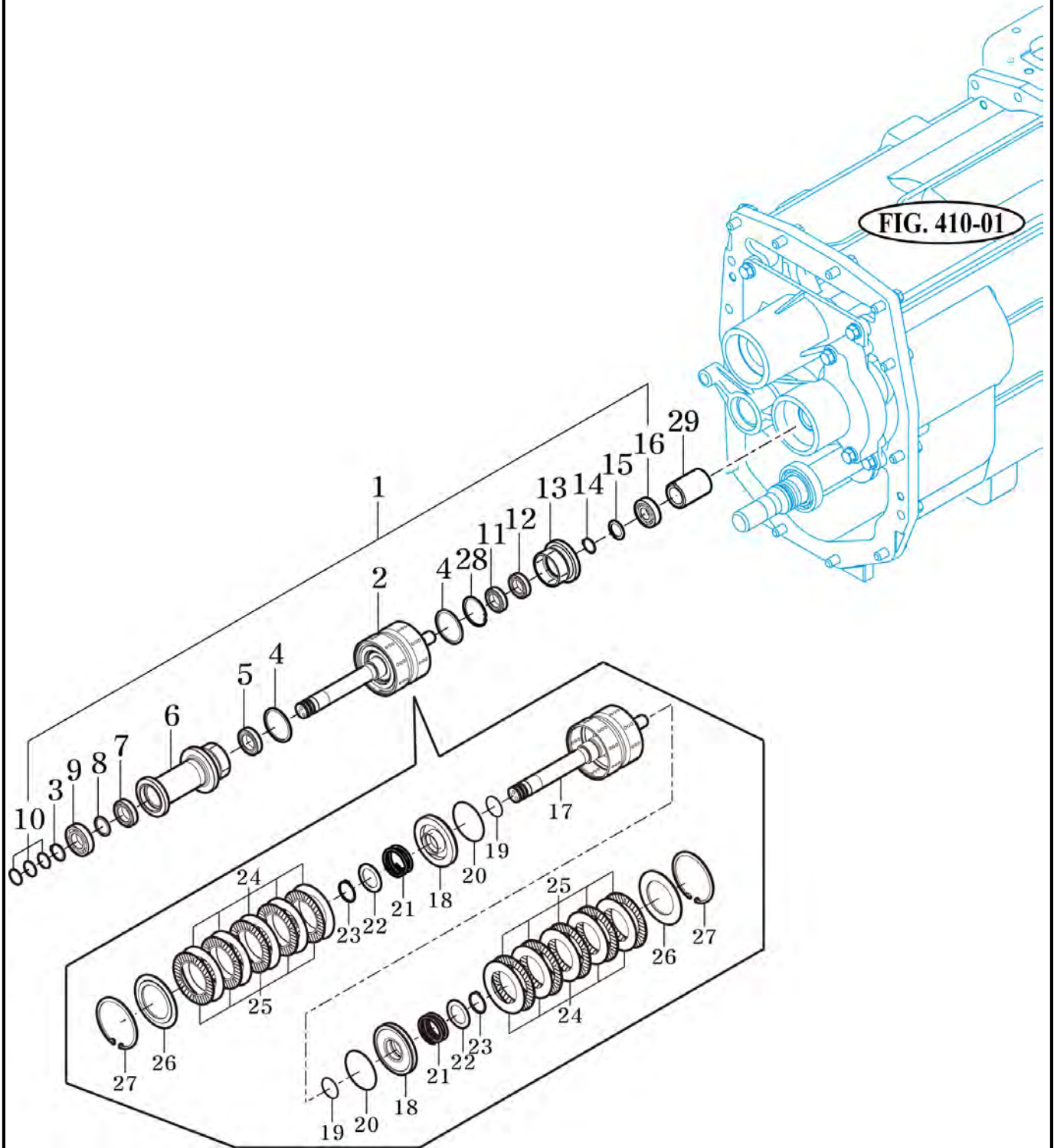
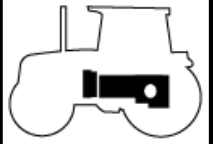
POWER SHIFT GEAR

T1104SP / T954SP

P1

YEAR

2014



NOTE

FIG 501

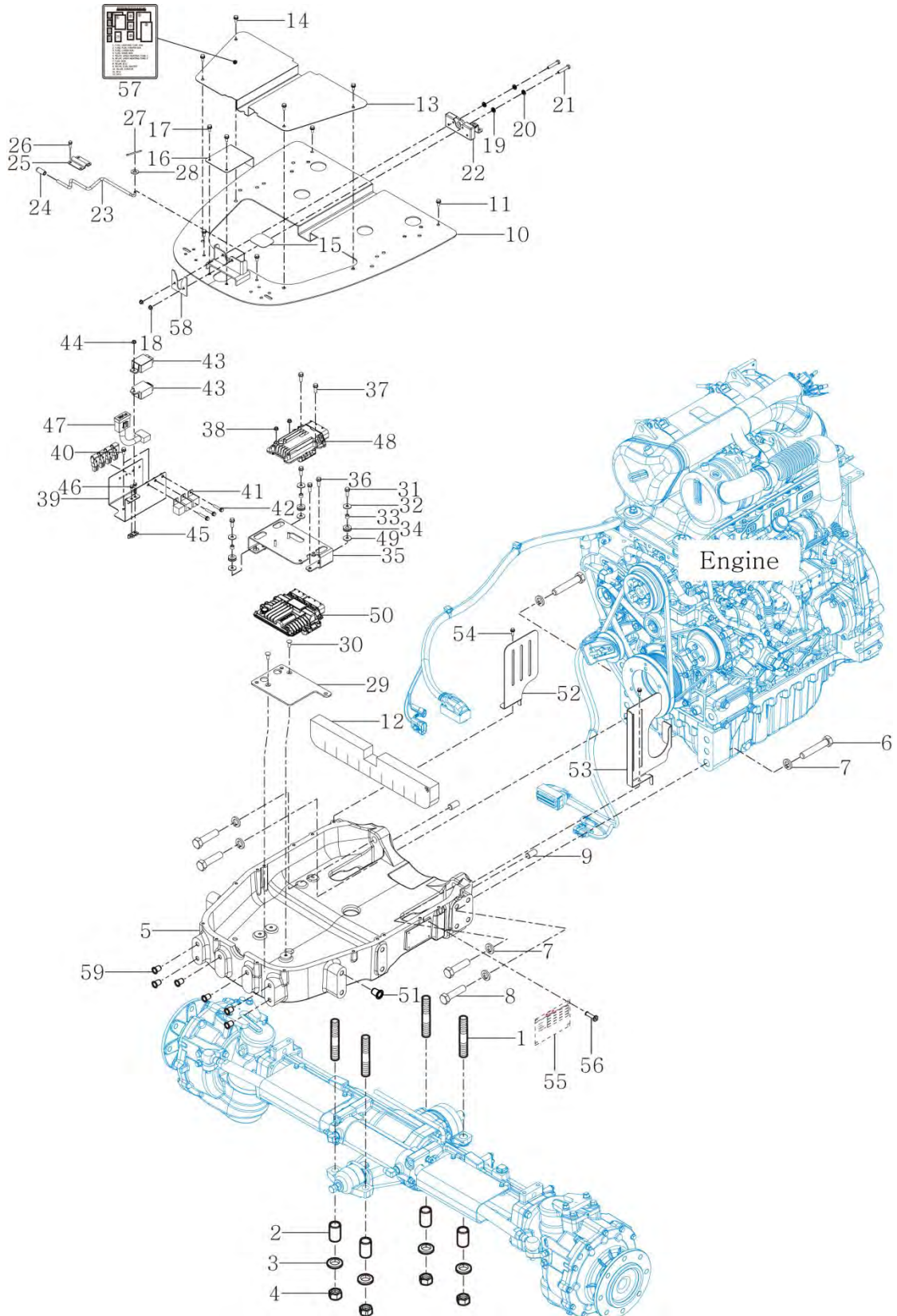
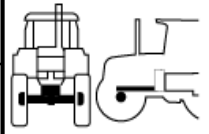
FRONT AXLE SUPPORTER

T1104SP / T954SP

P1

YEAR

2014



NOTE

FIG 501

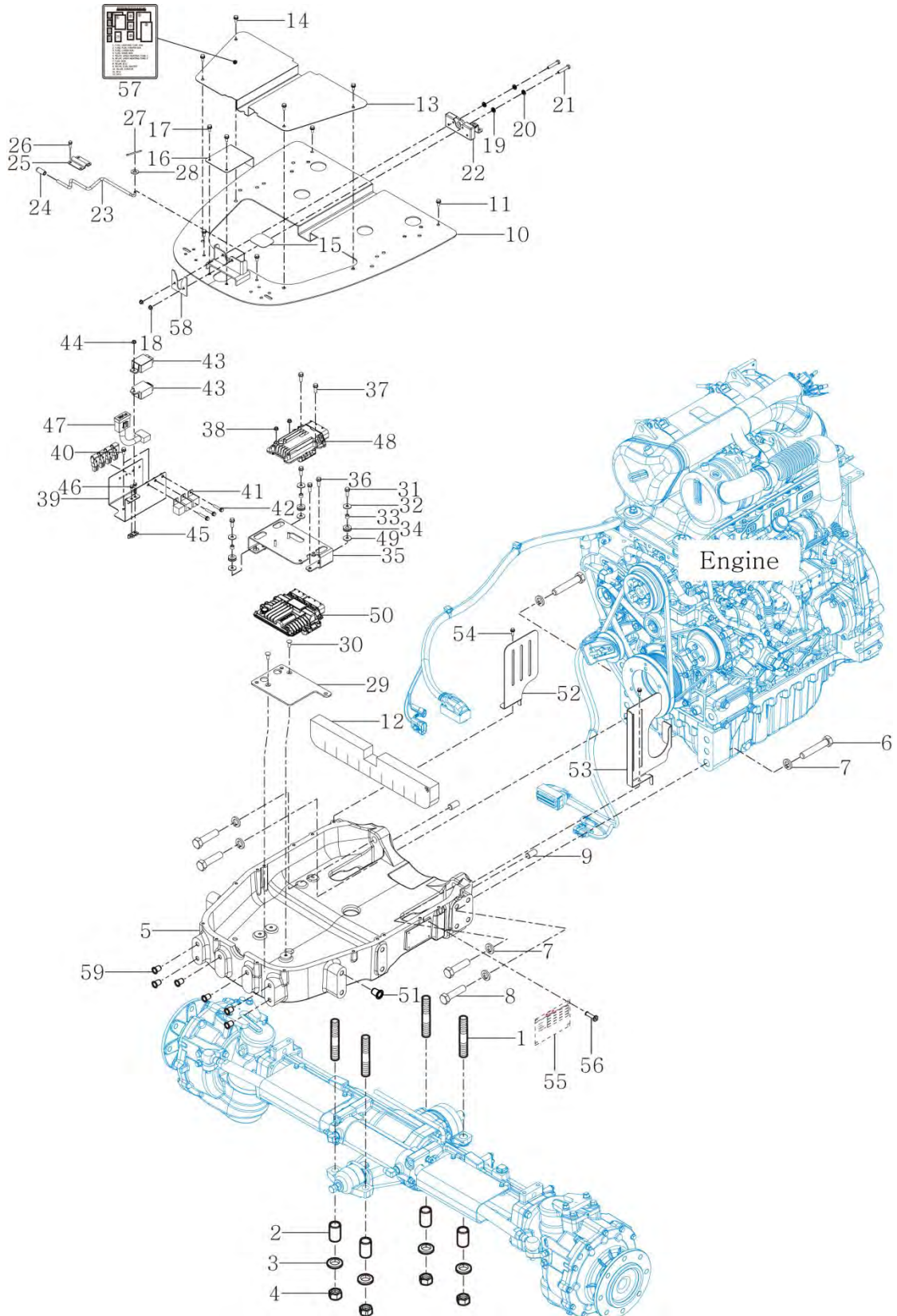
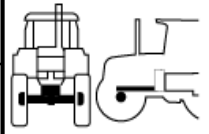
FRONT AXLE SUPPORTER

T1104SP / T954SP

P2

YEAR

2014



NOTE

FIG 502

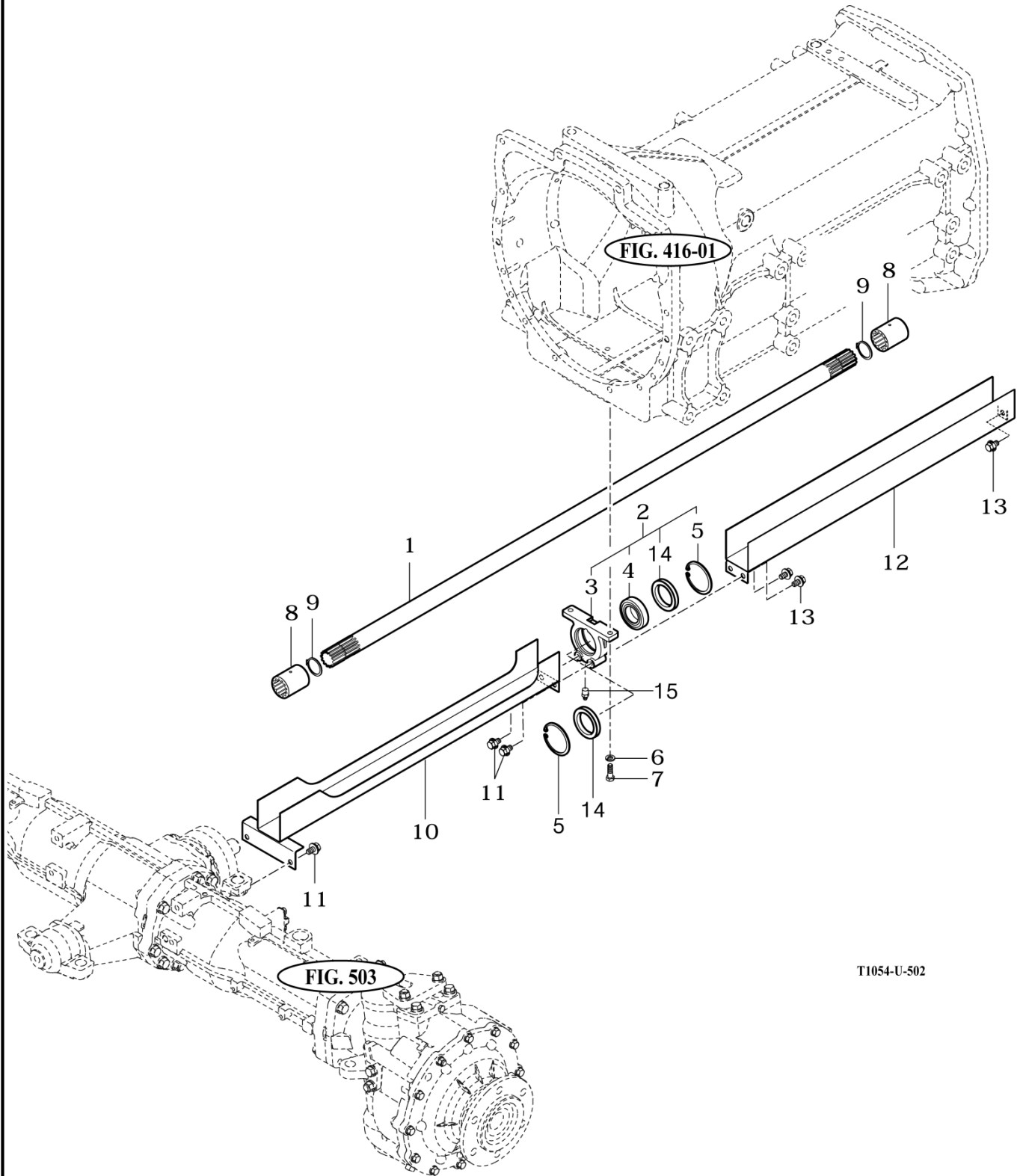
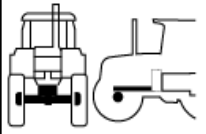
FRONT DRIVE SHAFT

T1104SP / T954SP

P1

YEAR

2014



T1054-U-502

NOTE

FIG 503

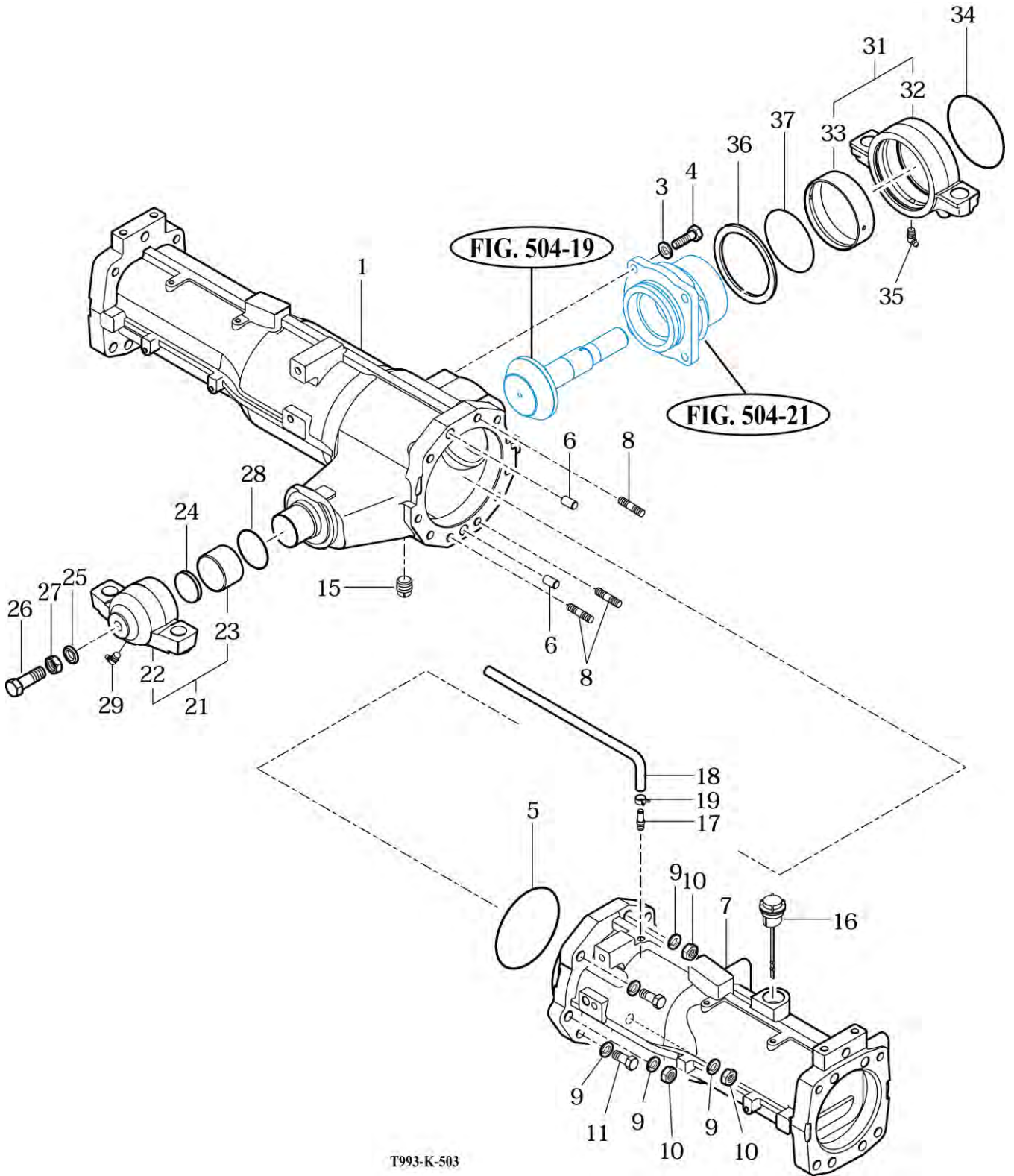
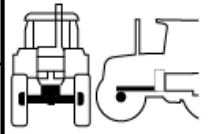
FRONT AXLE HOUSING

T1104SP / T954SP

P1

YEAR

2014



T993-K-503

NOTE

FIG 504

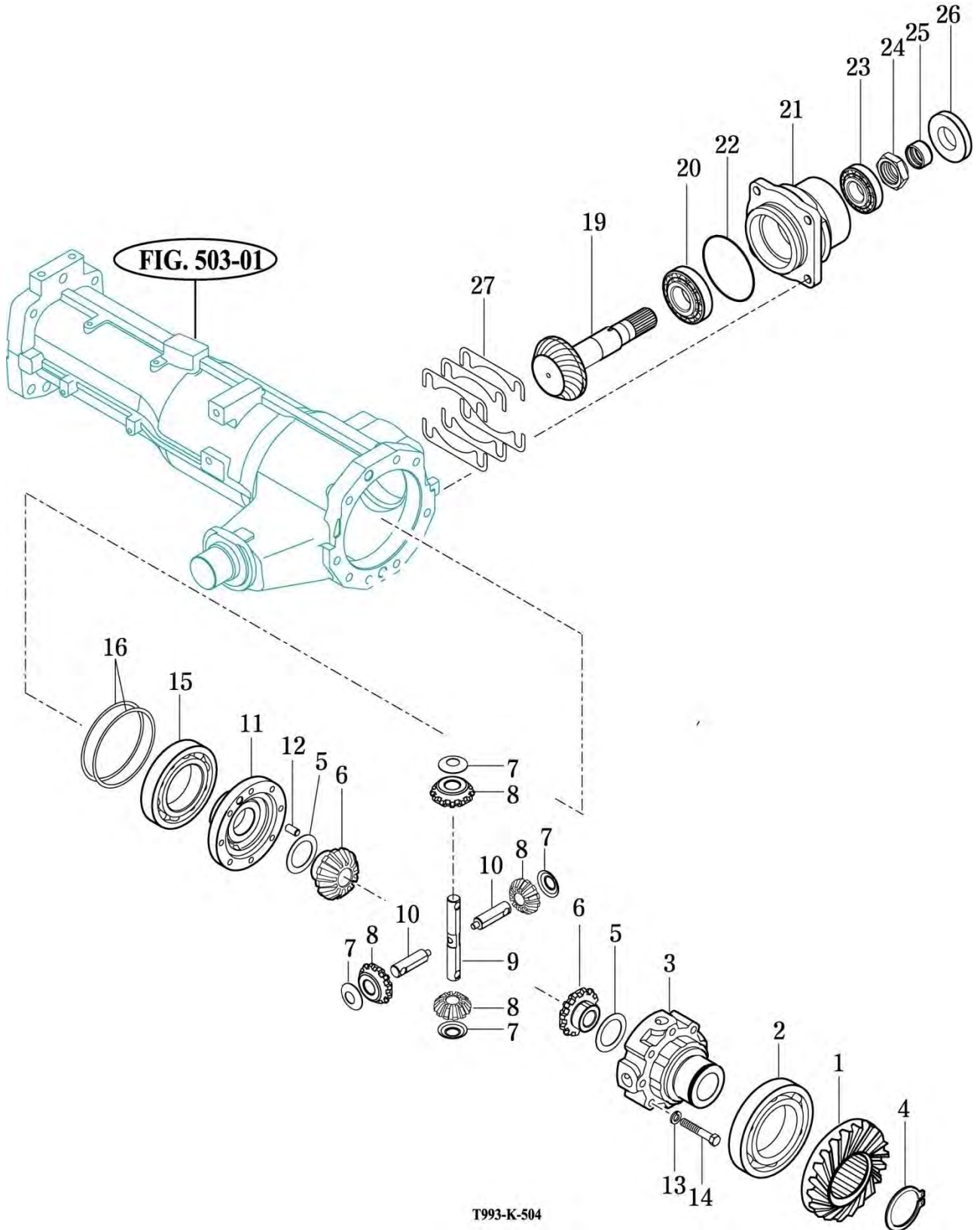
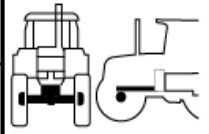
FRONT DIFFERENTIAL GEARS

T1104SP / T954SP

P1

YEAR

2014



T993-K-504

NOTE

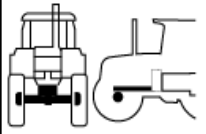
FIG 505

FRONT GEAR CASE (1)

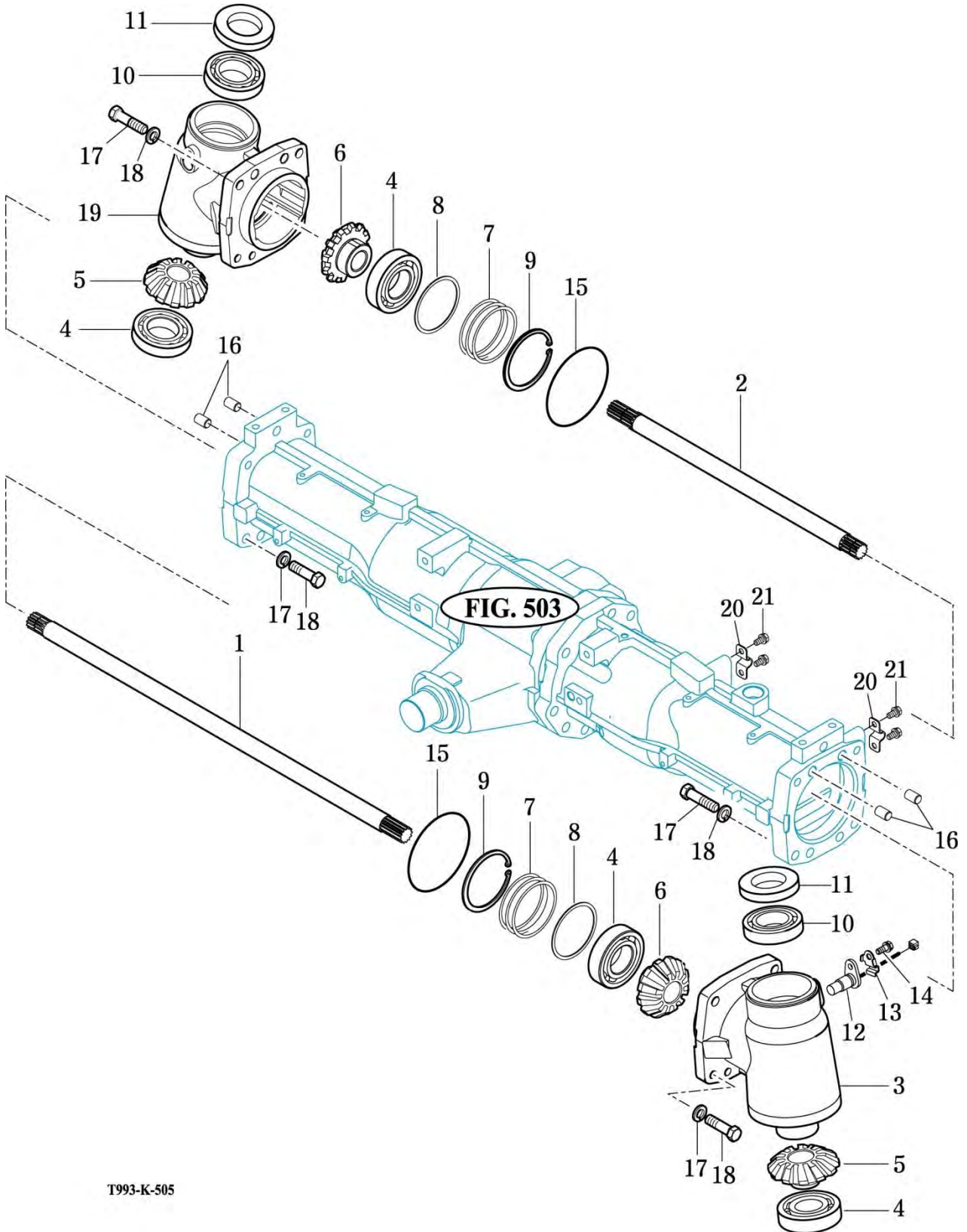
P1

YEAR

2014



T1104SP / T954SP



T993-K-505

NOTE

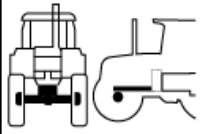
FIG 506

FRONT GEAR CASE (2)

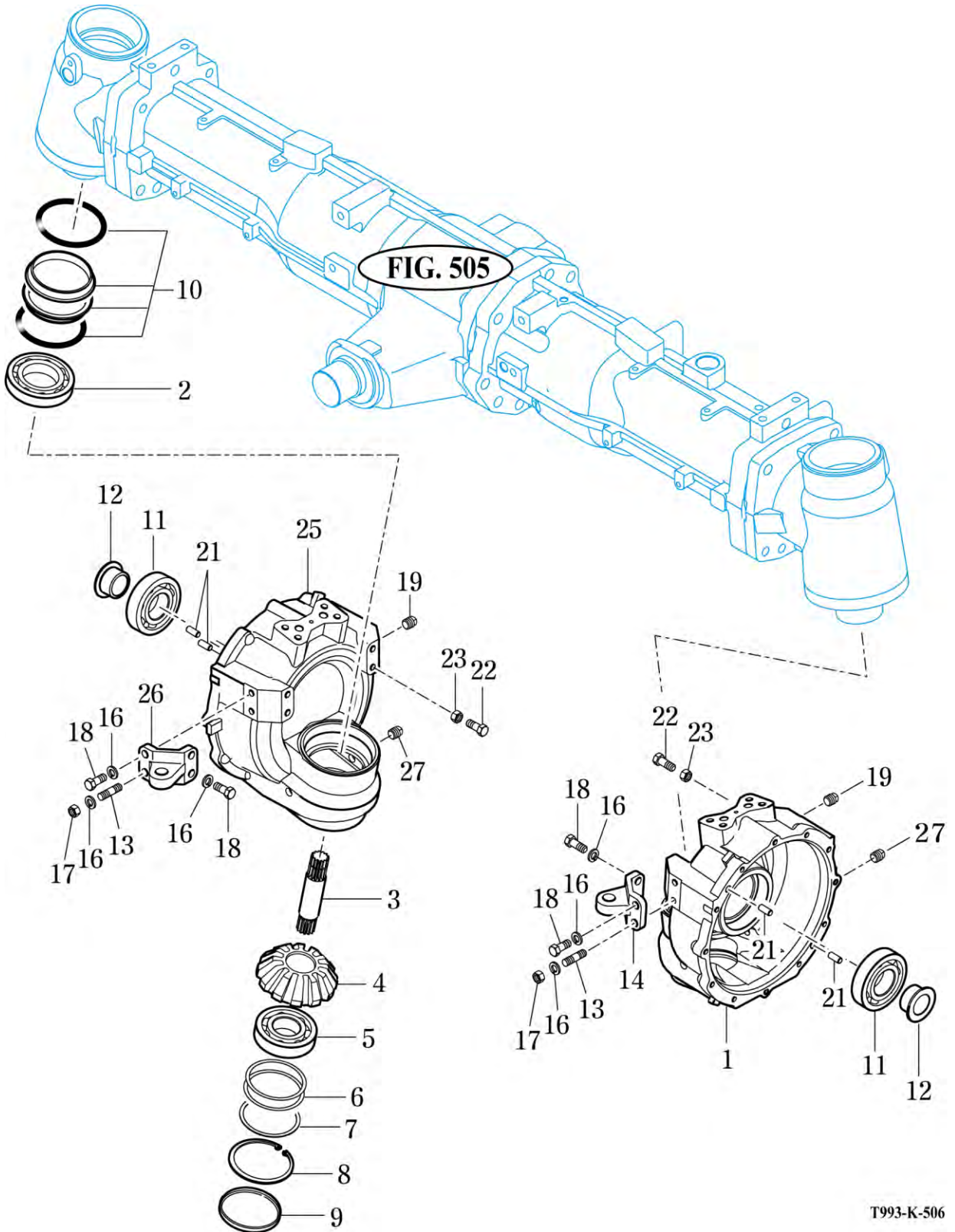
P1

YEAR

2014



T1104SP / T954SP



T993-K-506

NOTE

FIG 507

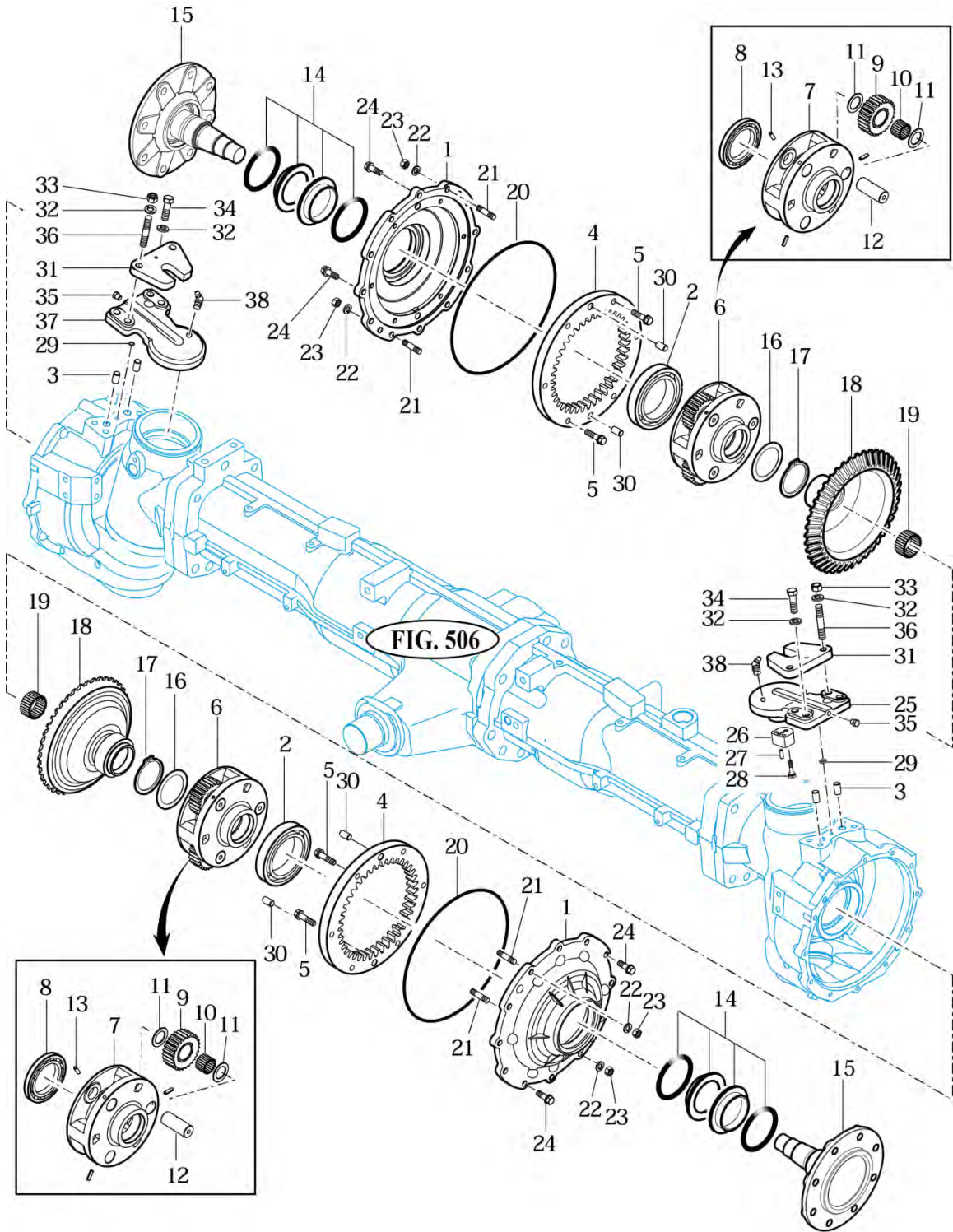
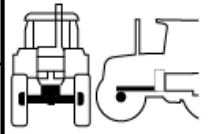
FRONT GEAR CASE (3)

T1104SP / T954SP

P1

YEAR

2014



T953-K-507

NOTE

FIG 508

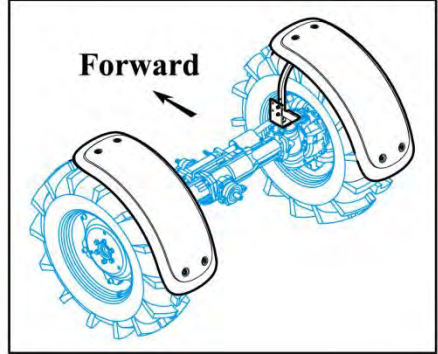
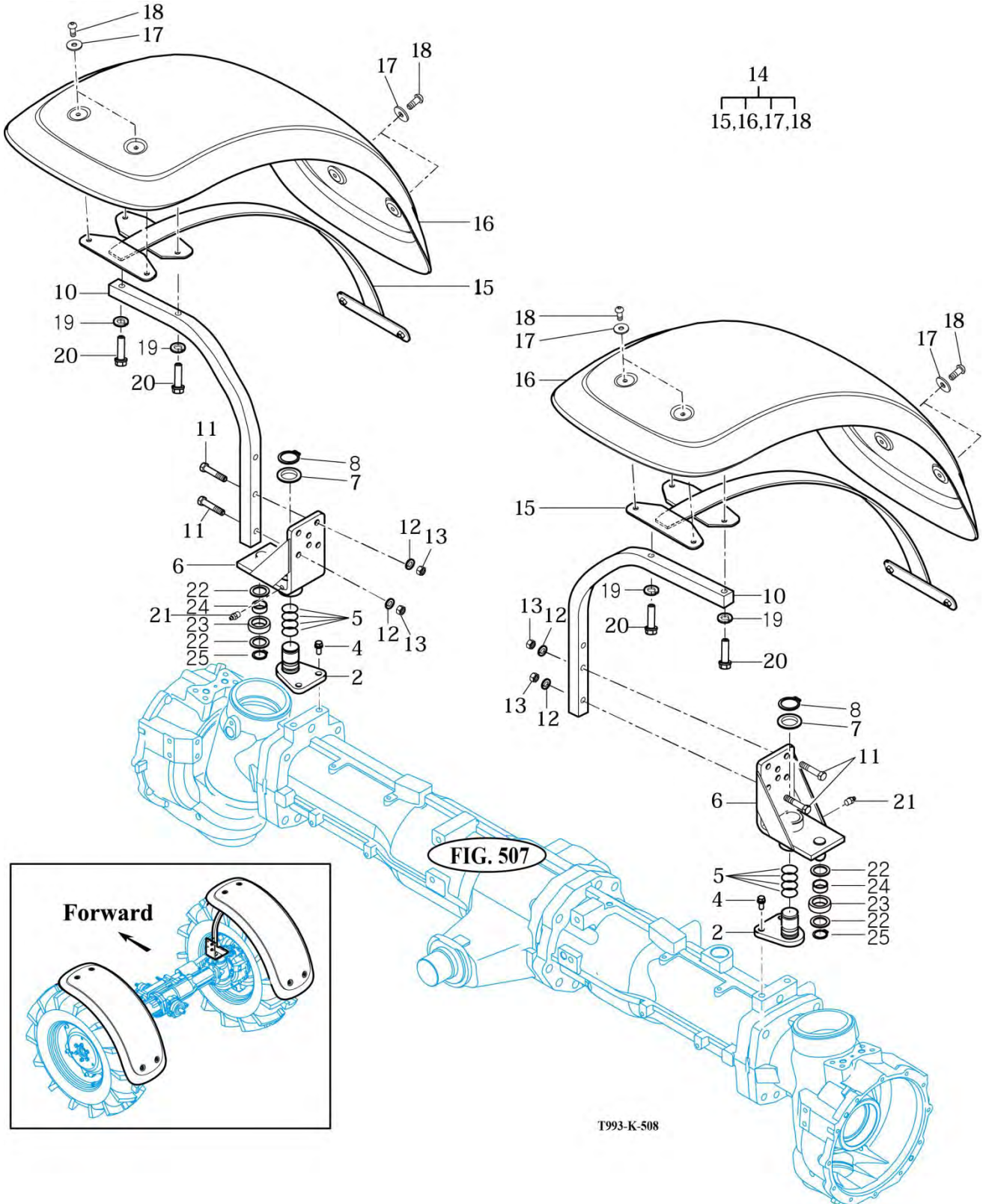
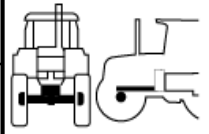
MUD GUARD ASSY

T1104SP / T954SP

P1

YEAR

2014



T993-K-508

NOTE

FIG 601A

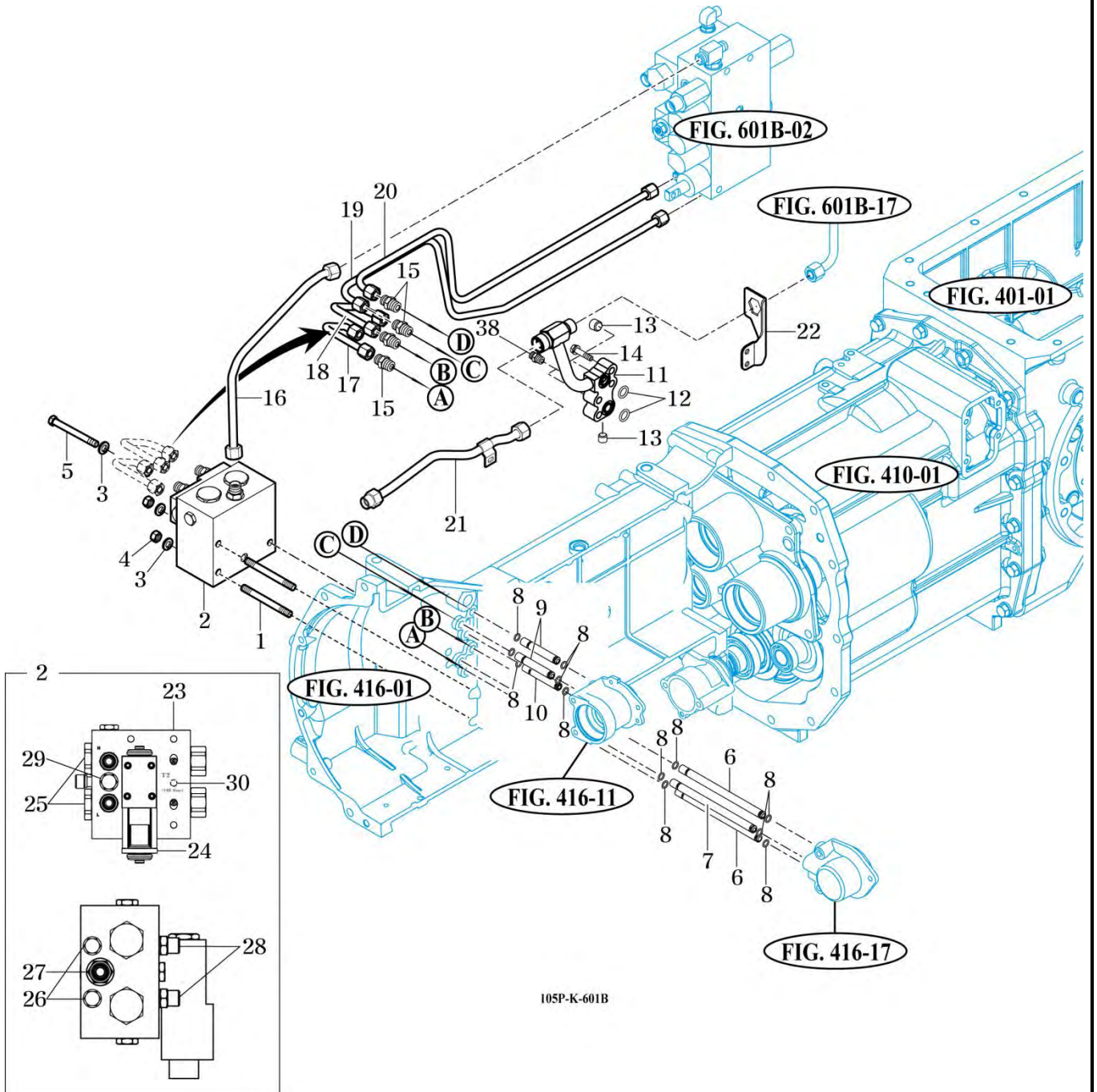
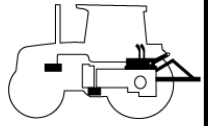
VALVE SUB, SHIFT

T1104SP / T954SP

P1

YEAR

2014



105P-K-601B

NOTE

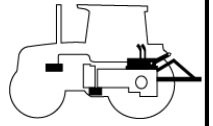
FIG 601B

VALVE SUB , MAIN

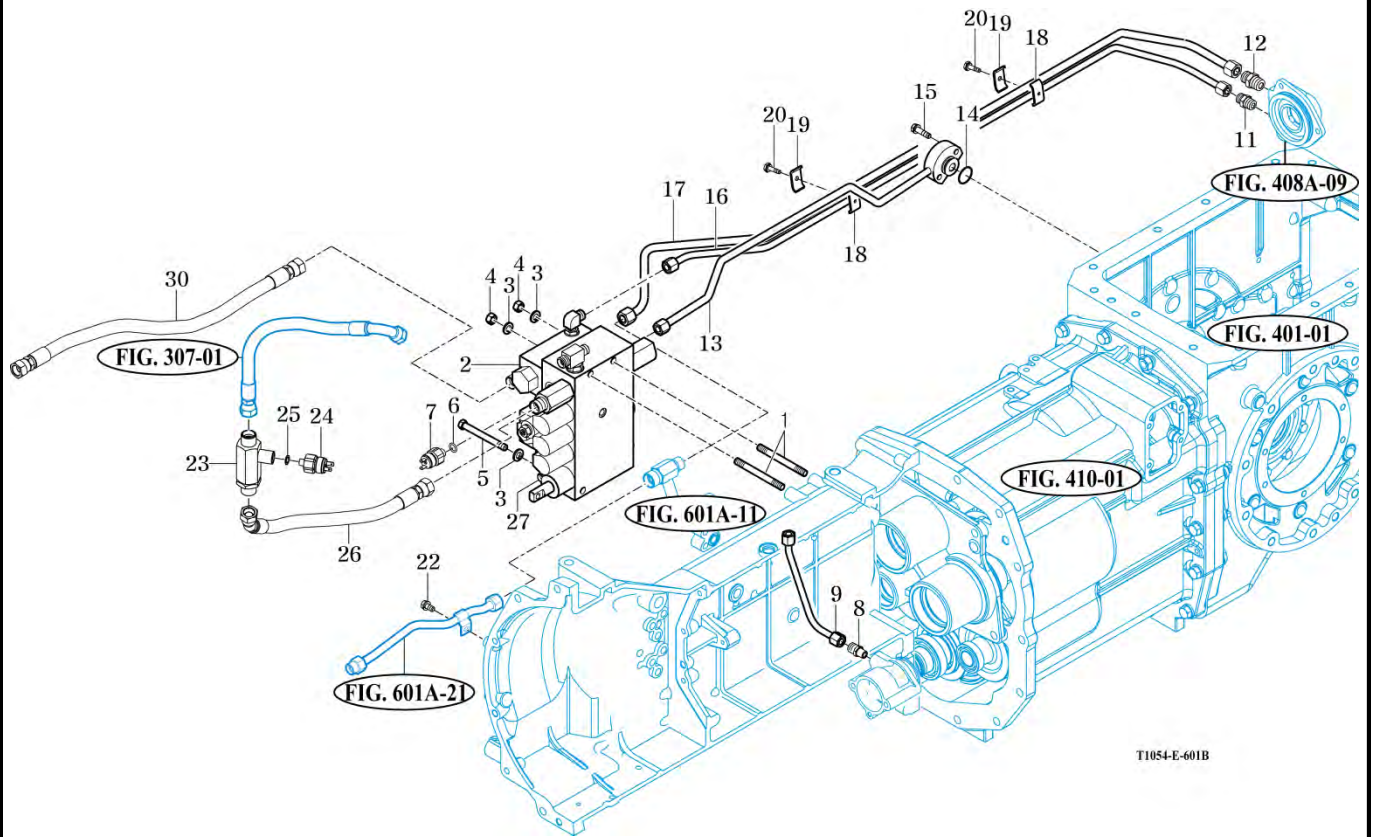
P1

YEAR

2014



T1104SP / T954SP



NOTE

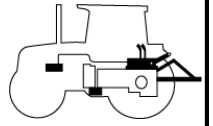
FIG 602

DRAWBAR ASSY

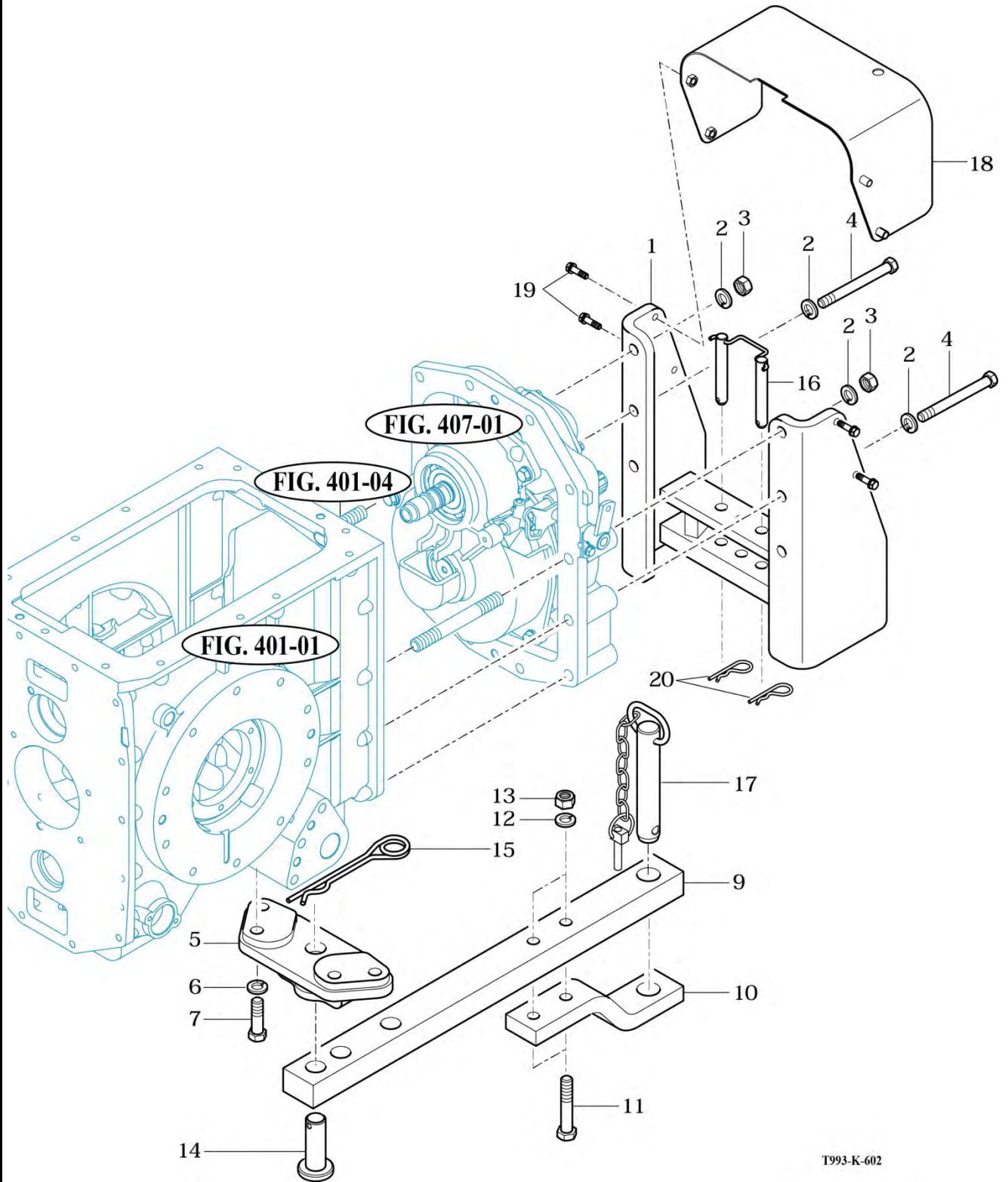
P1

YEAR

2014



T1104SP / T954SP



T993-K-602

NOTE

FIG 603A

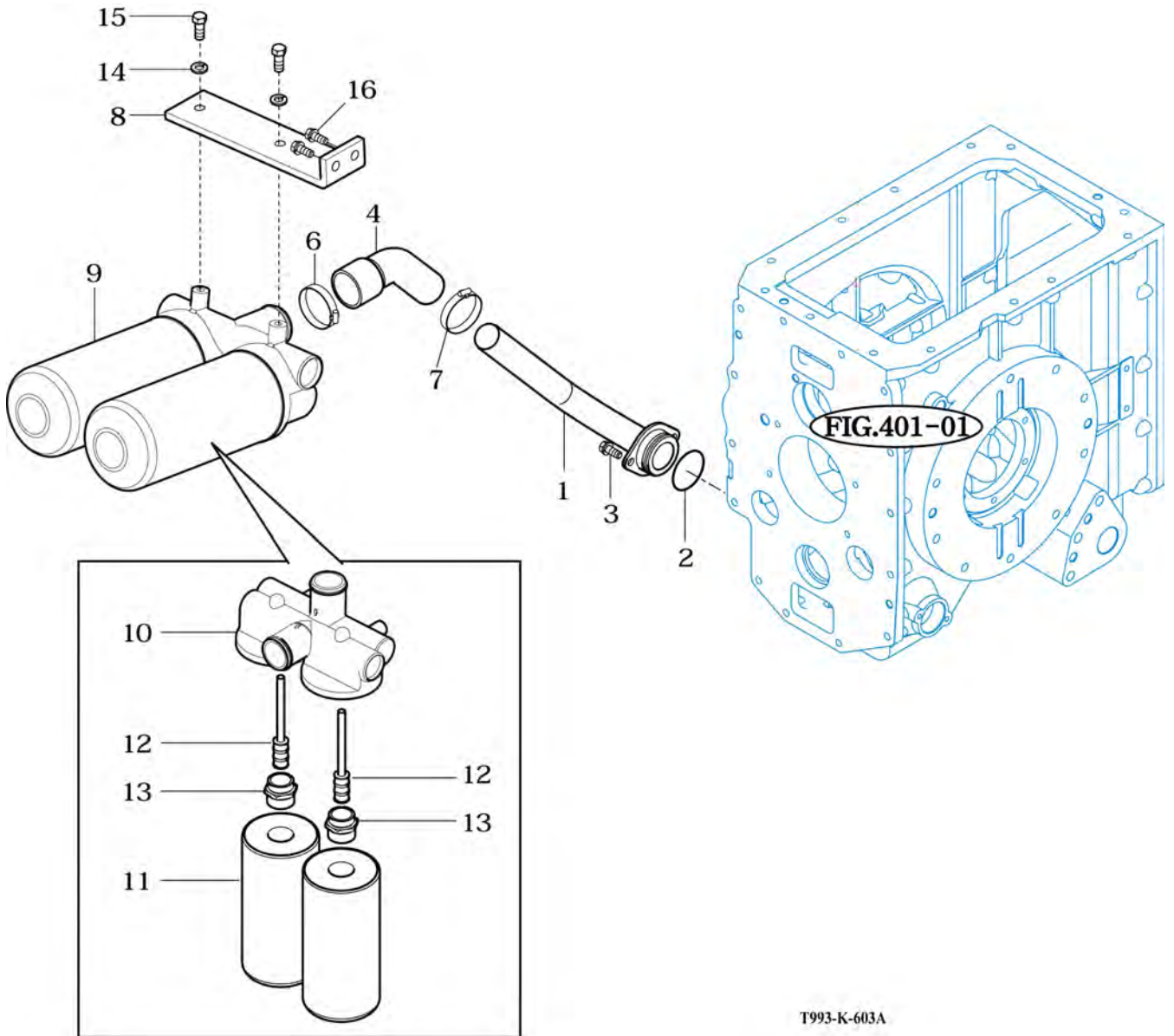
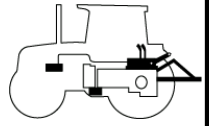
FILTER SUB, SUCTION

T1104SP / T954SP

P1

YEAR

2014



NOTE

FIG 603B

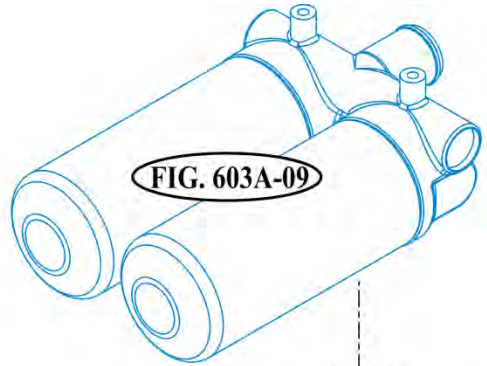
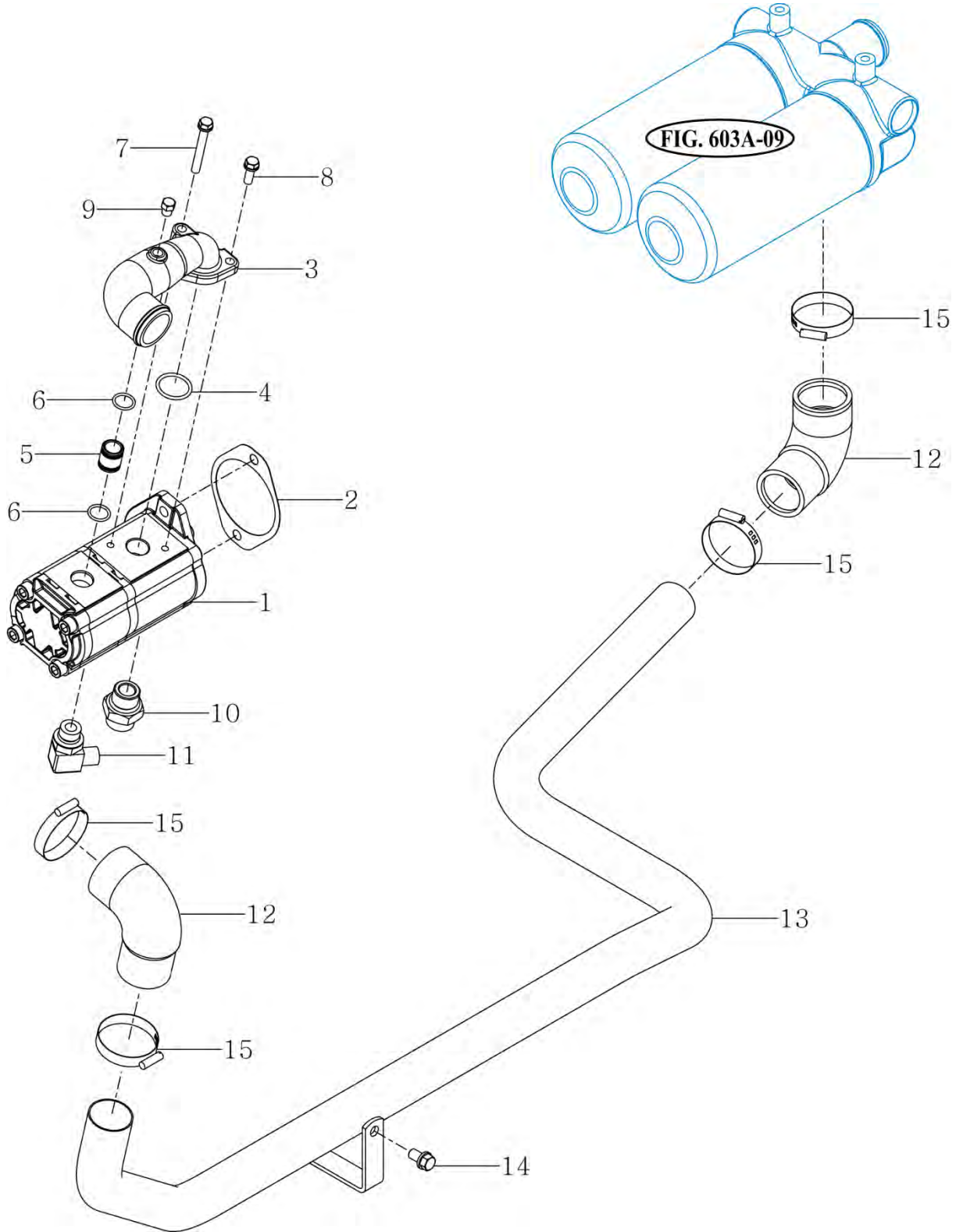
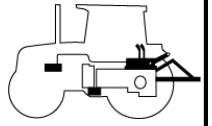
GEAR PUMP ASSY

T1104SP / T954SP

P1

YEAR

2014



NOTE

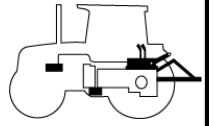
FIG 604

CASE , CYLINDER

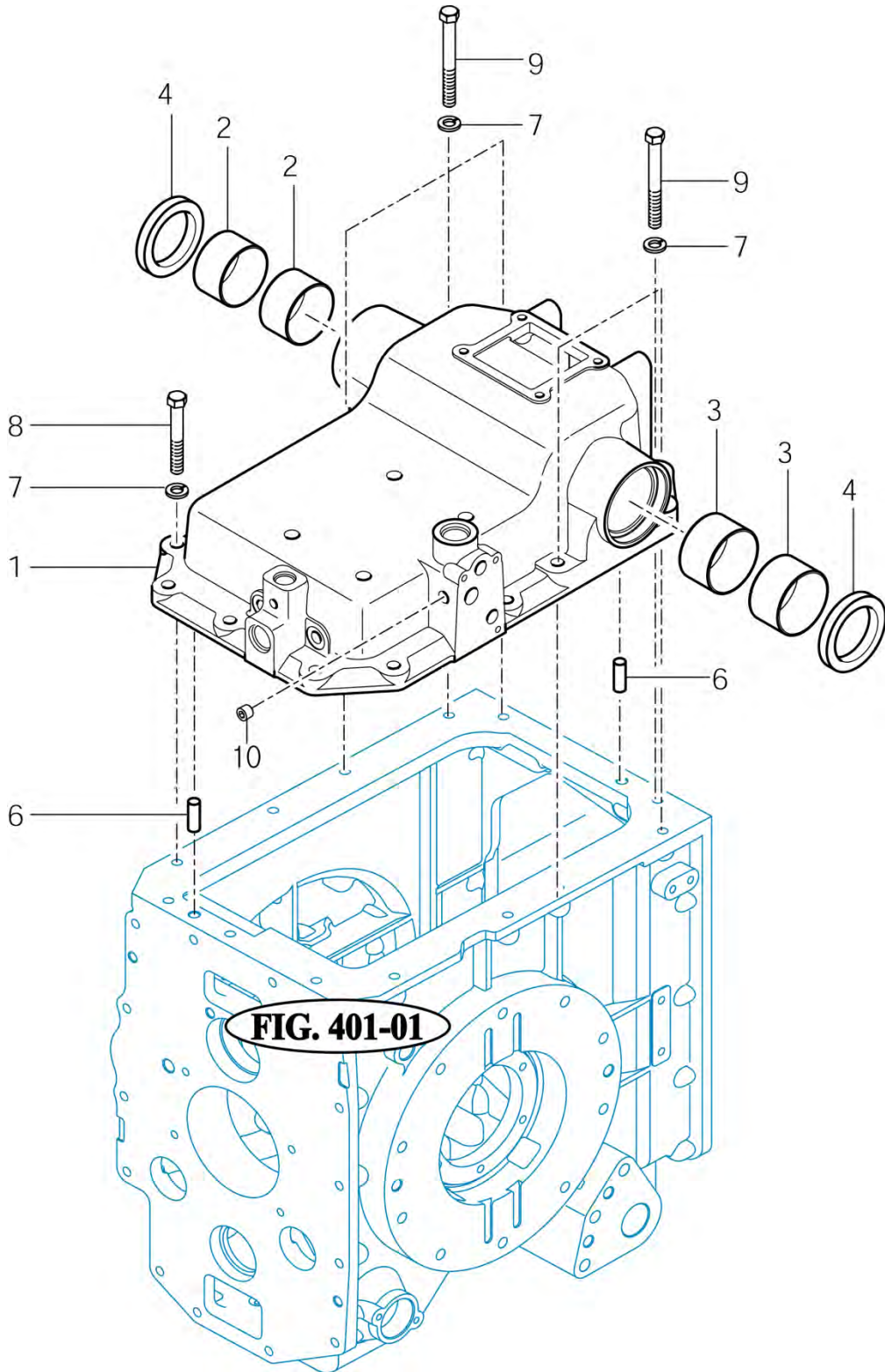
P1

YEAR

2014



T1104SP / T954SP



NOTE

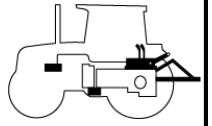
FIG 605

ARM SUB, LIFT

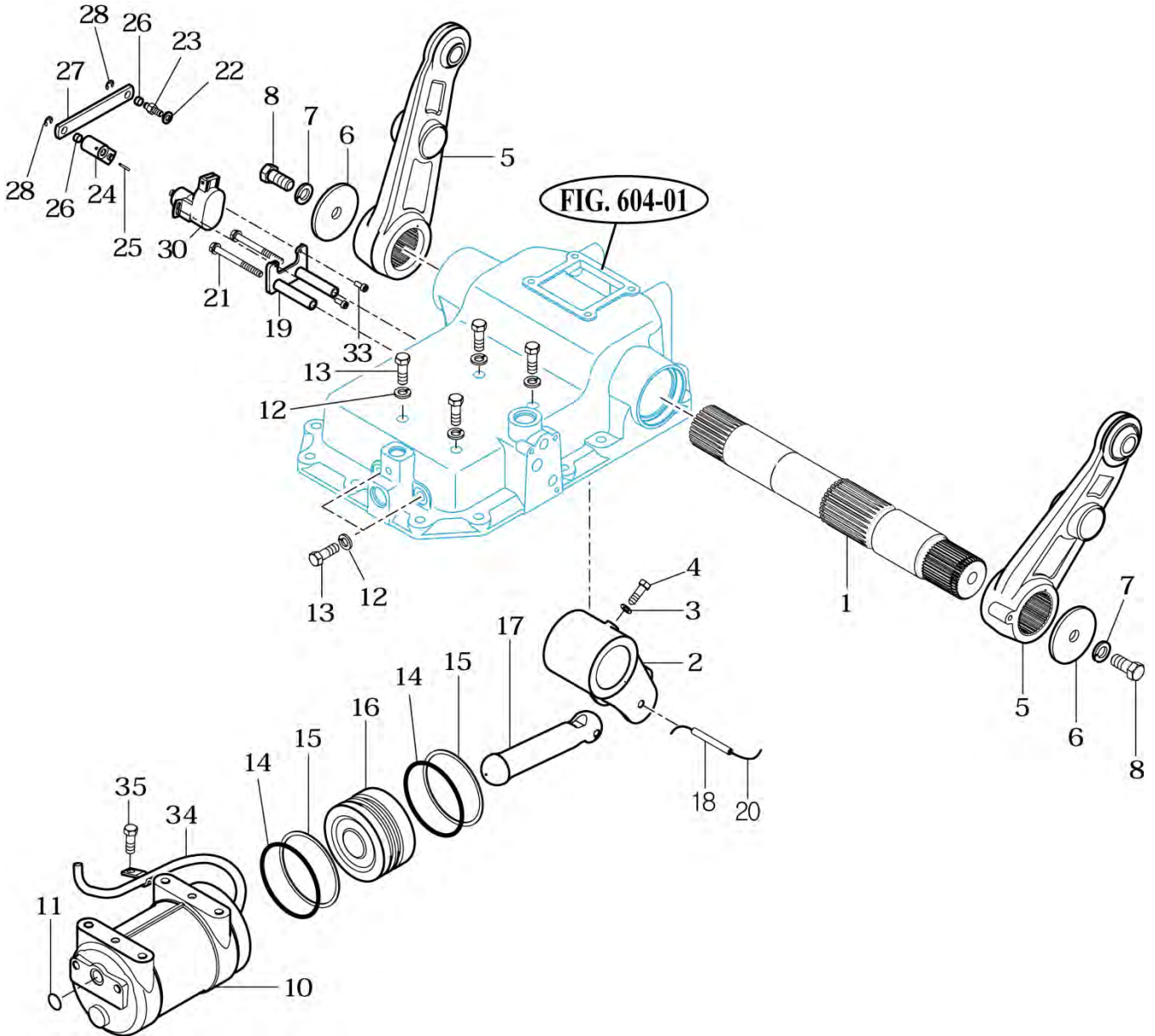
P1

YEAR

2014



T1104SP / T954SP



NOTE

FIG 606

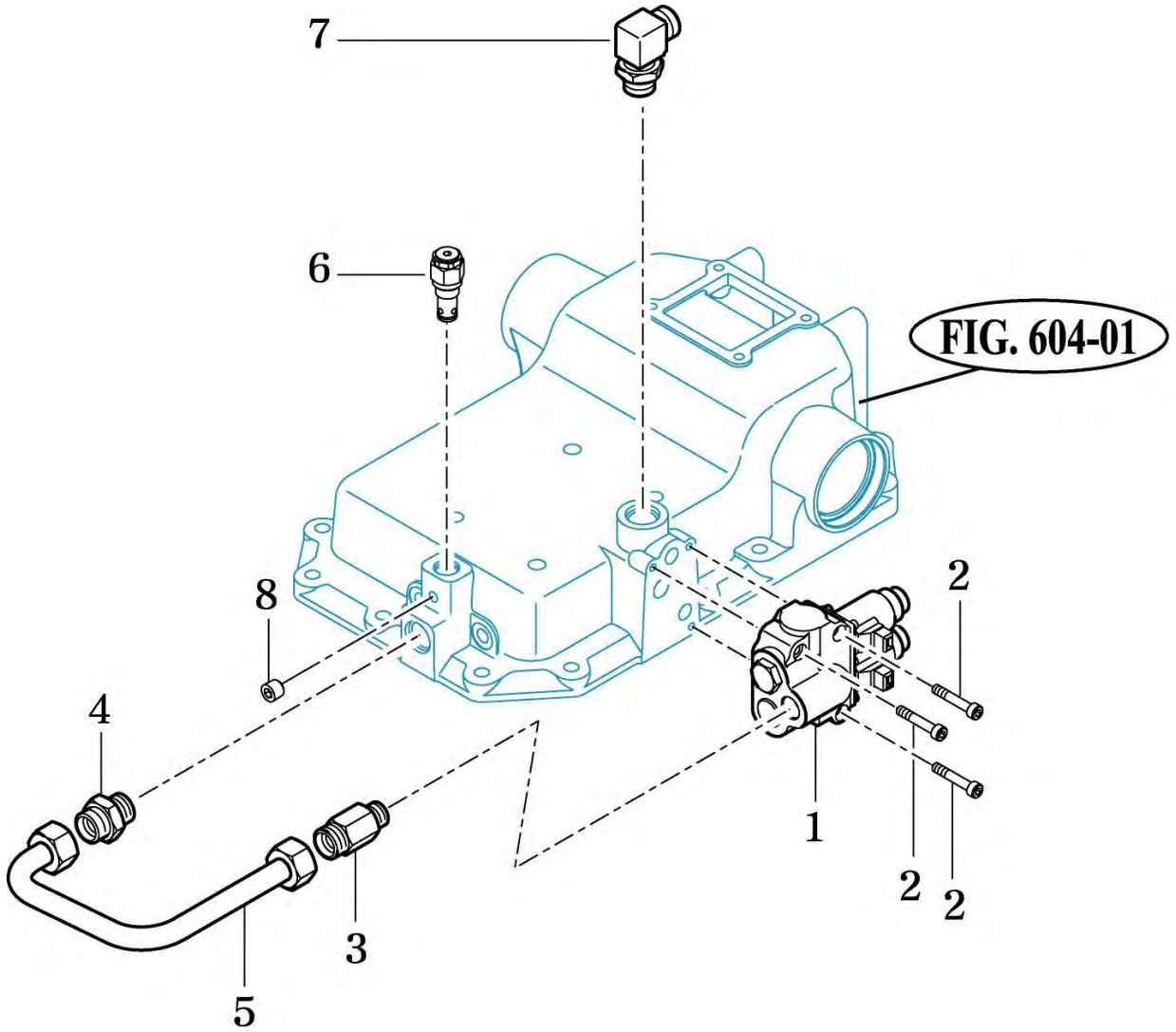
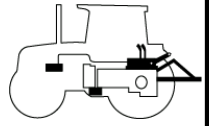
MAIN CONTROL VALVE SUB

T1104SP / T954SP

P1

YEAR

2014



T993-K-606

NOTE

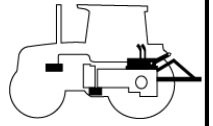
FIG 607A

AUX VALVE & FILTER SUB

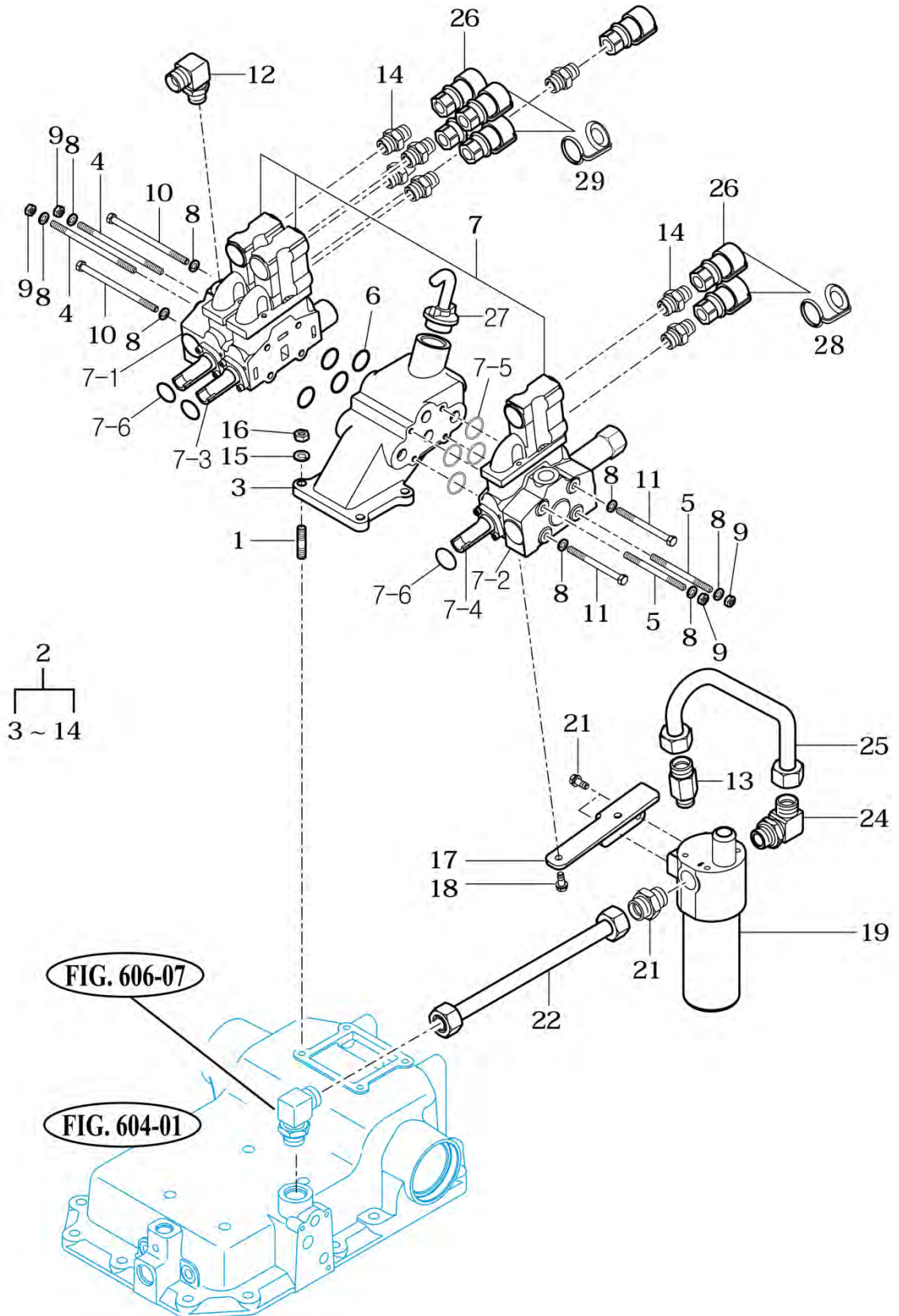
P1

YEAR

2014



T1104SP / T954SP



NOTE

FIG 607B

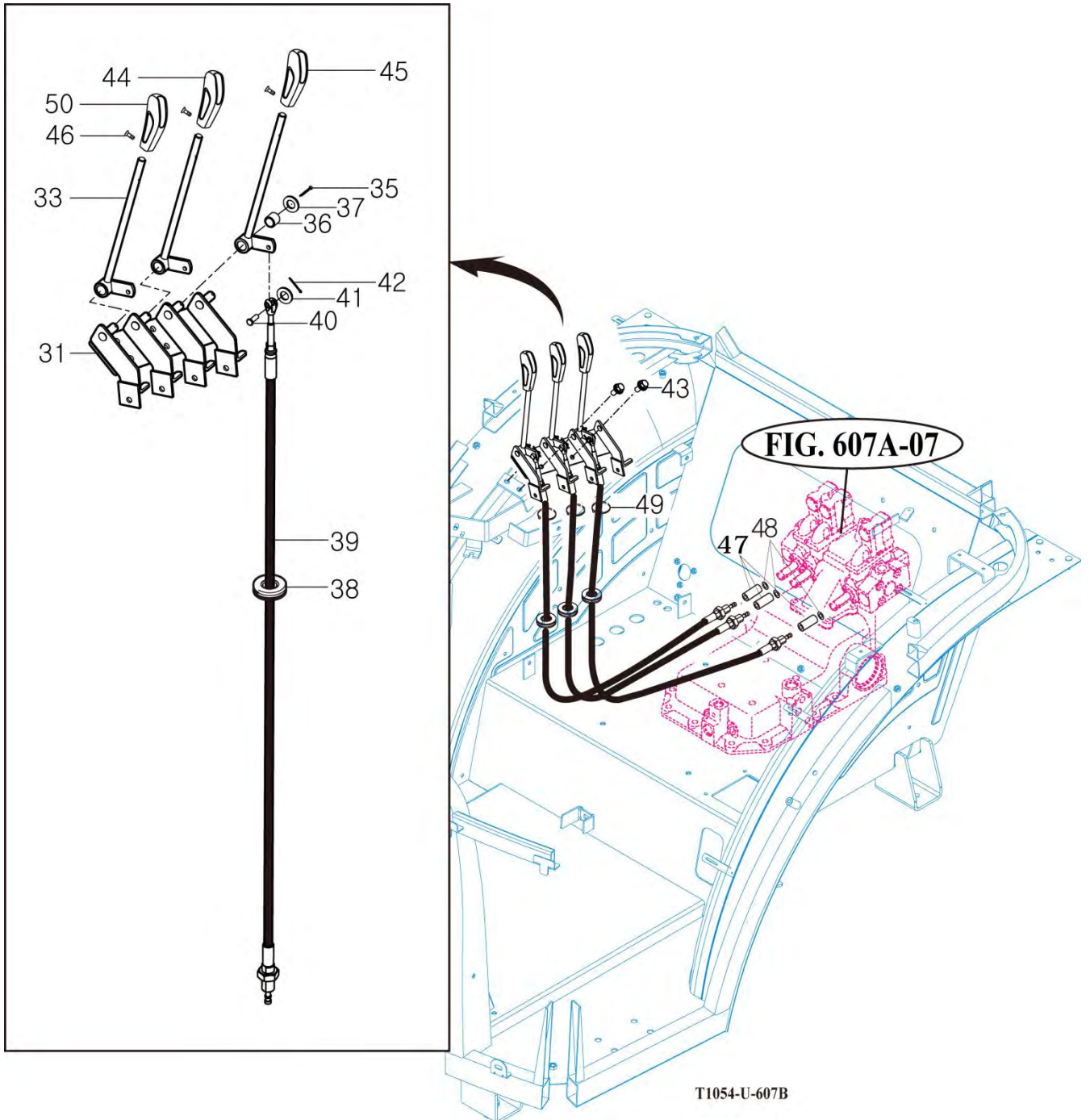
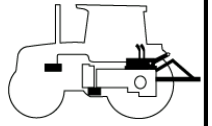
LEVER SUB, AUX

T1104SP / T954SP

P1

YEAR

2014



T1054-U-607B

NOTE

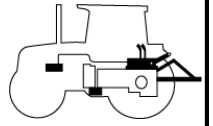
FIG 608A

HITCH & 3-POINT LINK

P1

YEAR

2014



T1104SP / T954SP

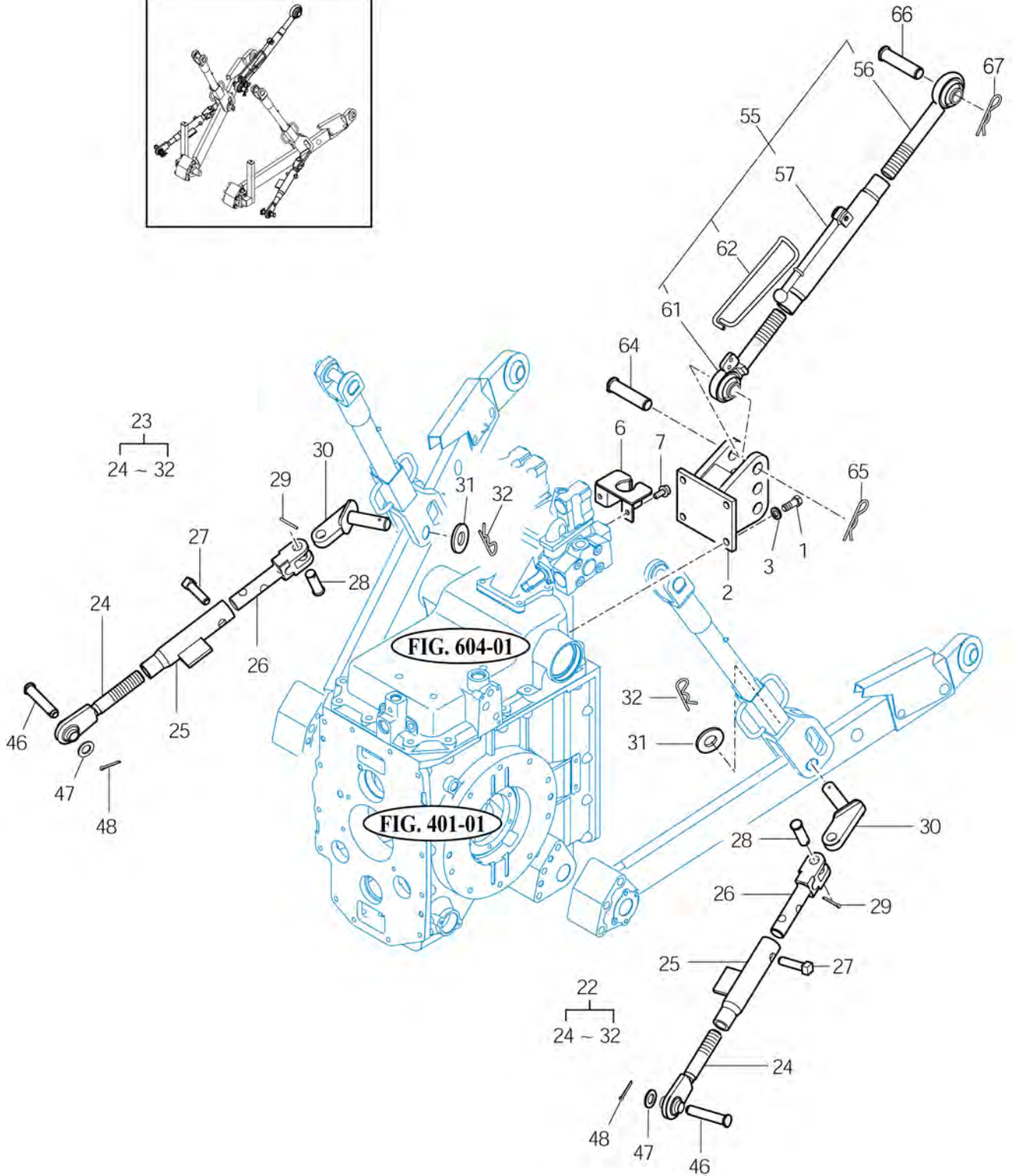
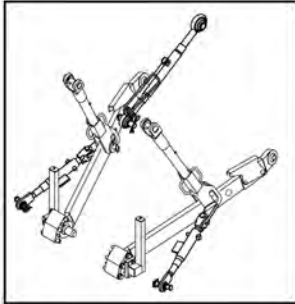


FIG. 604-01

FIG. 401-01

NOTE

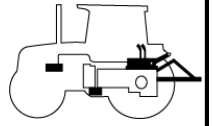
FIG 608B

LOWER LINK & LIFT ROD

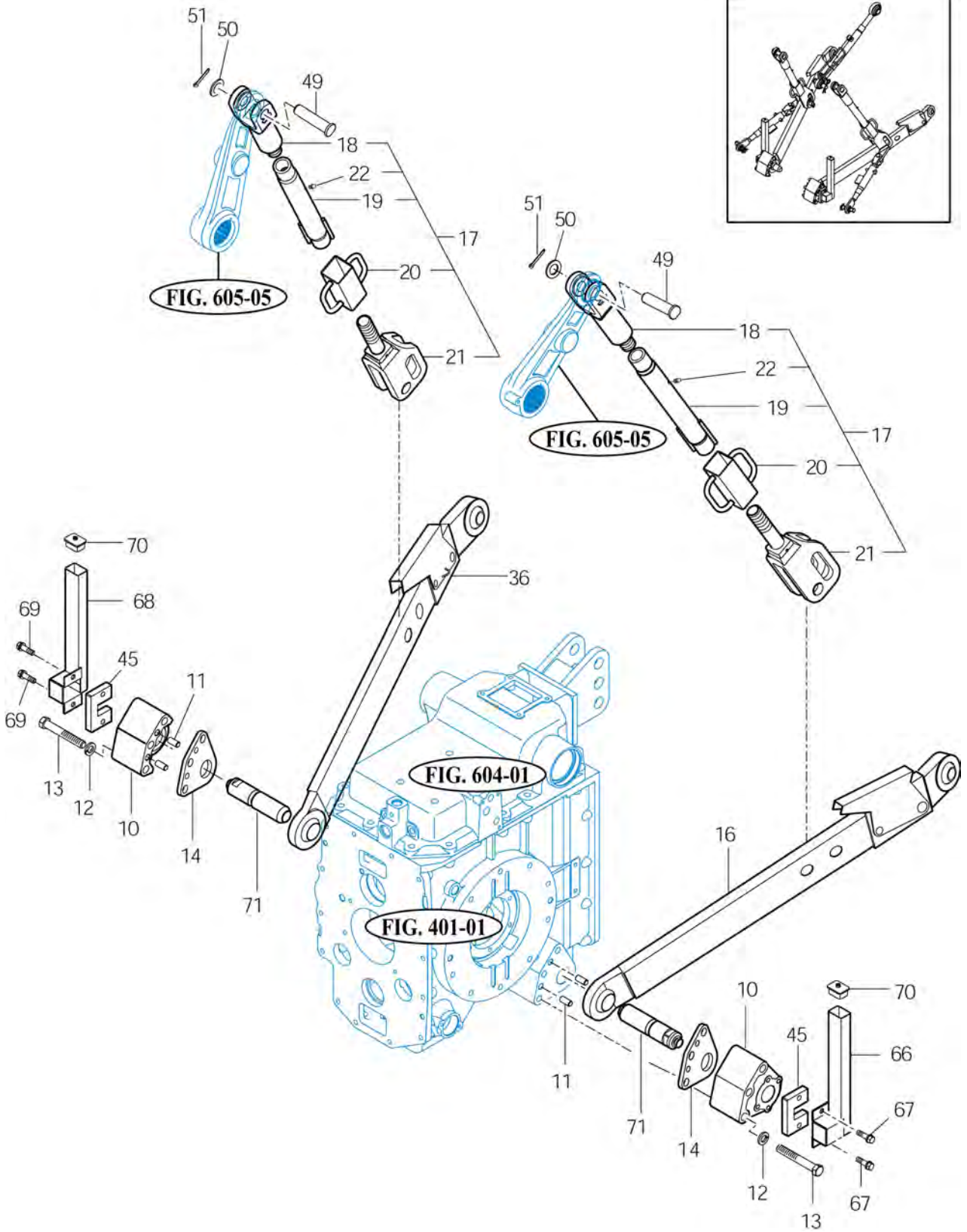
P1

YEAR

2014



T1104SP / T954SP



NOTE

FIG 609

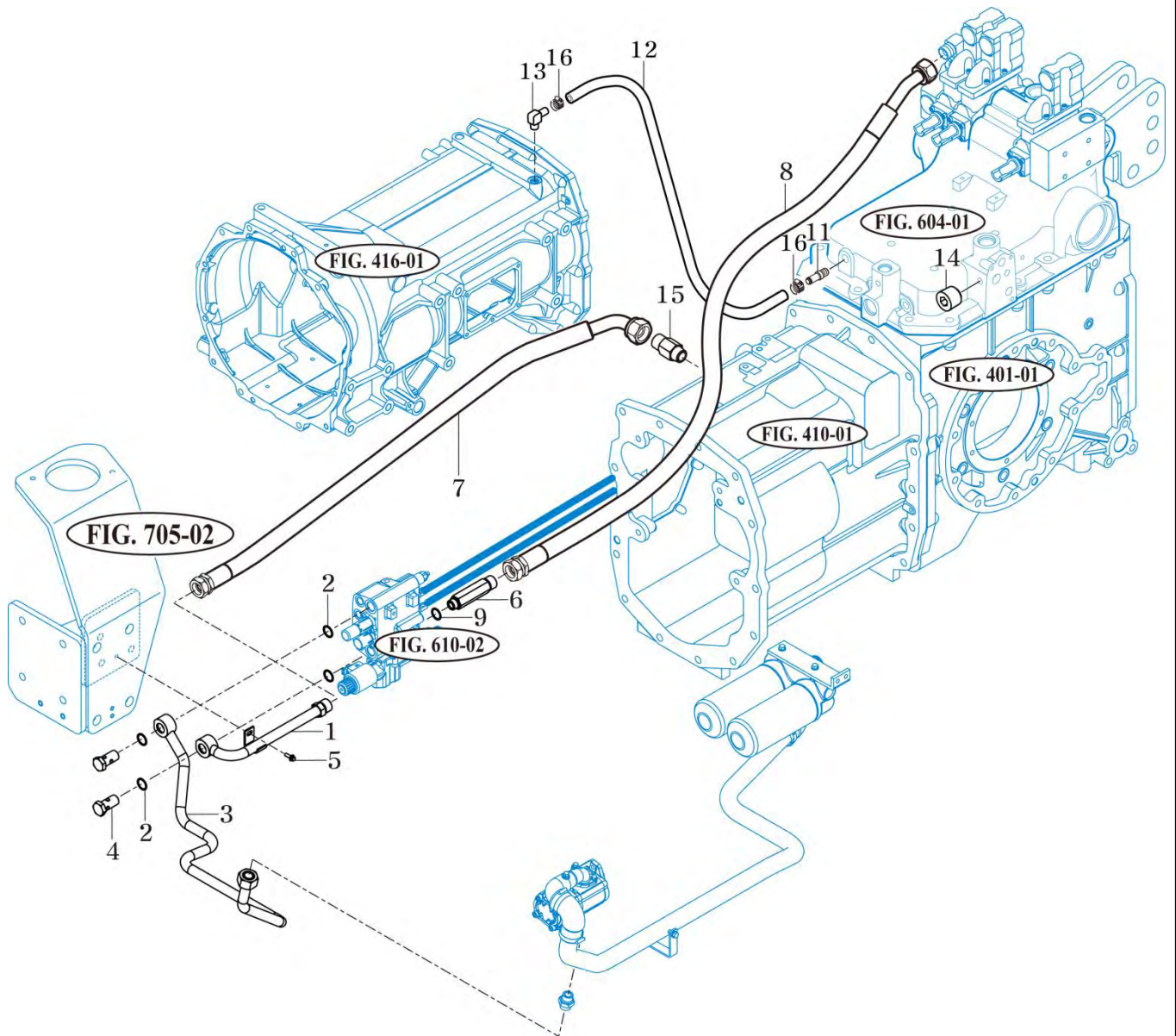
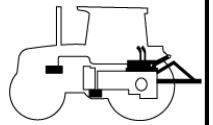
HYDRAULIC PIPE & HOSES

T1104SP / T954SP

P1

YEAR

2014



NOTE

FIG 609

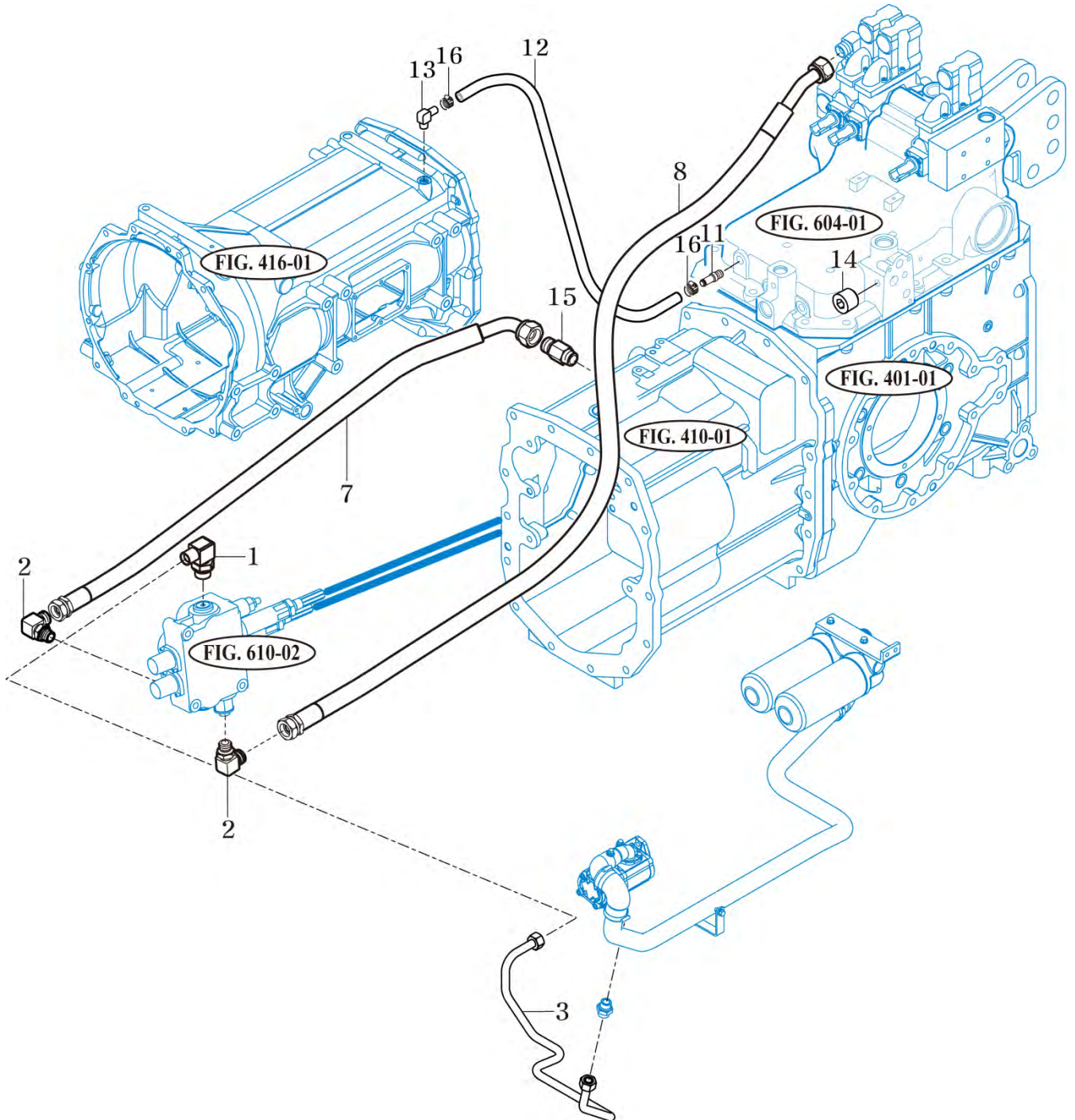
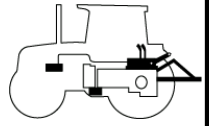
HYDRAULIC PIPE & HOSES

T1104SP / T954SP

P1

YEAR

2014



NOTE

FIG 610

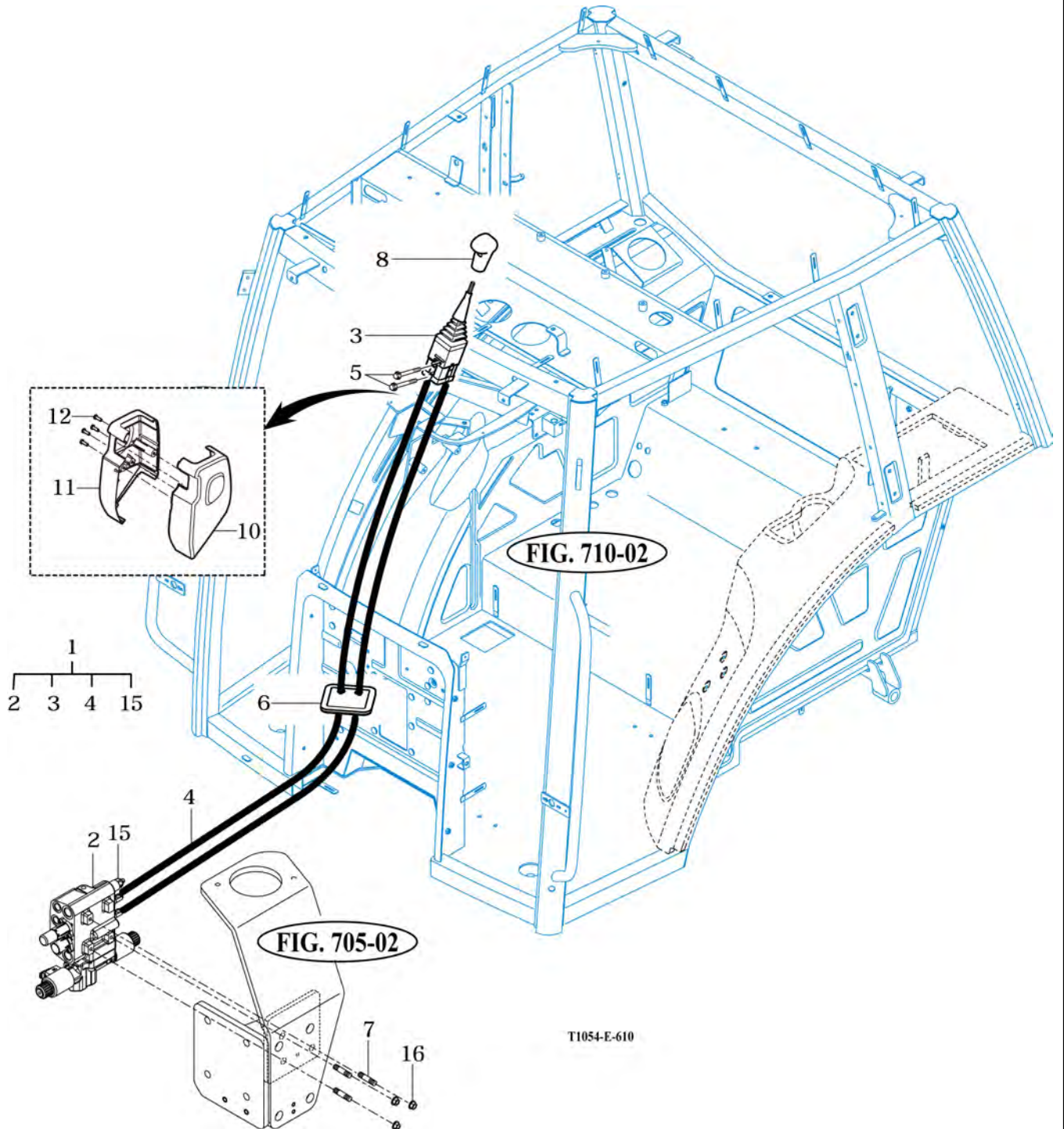
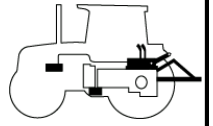
JOYSTICK

T1104SP / T954SP

P1

YEAR

2014



NOTE

FIG 610

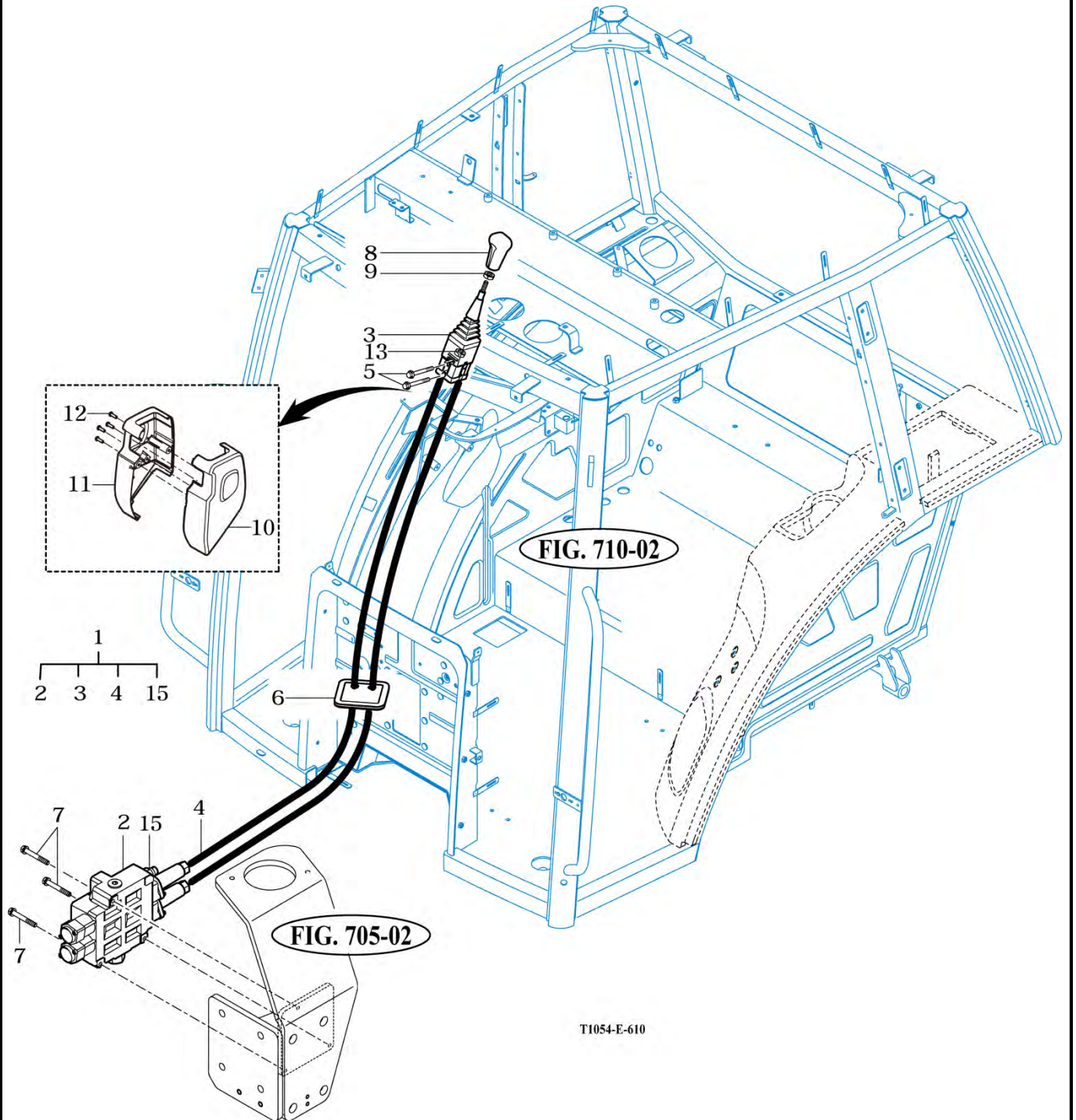
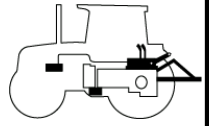
JOYSTICK

T1104SP / T954SP

P1

YEAR

2014



T1054-E-610

NOTE

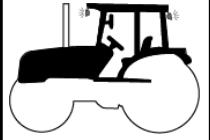
FIG 701

FRONT FRAME SUB

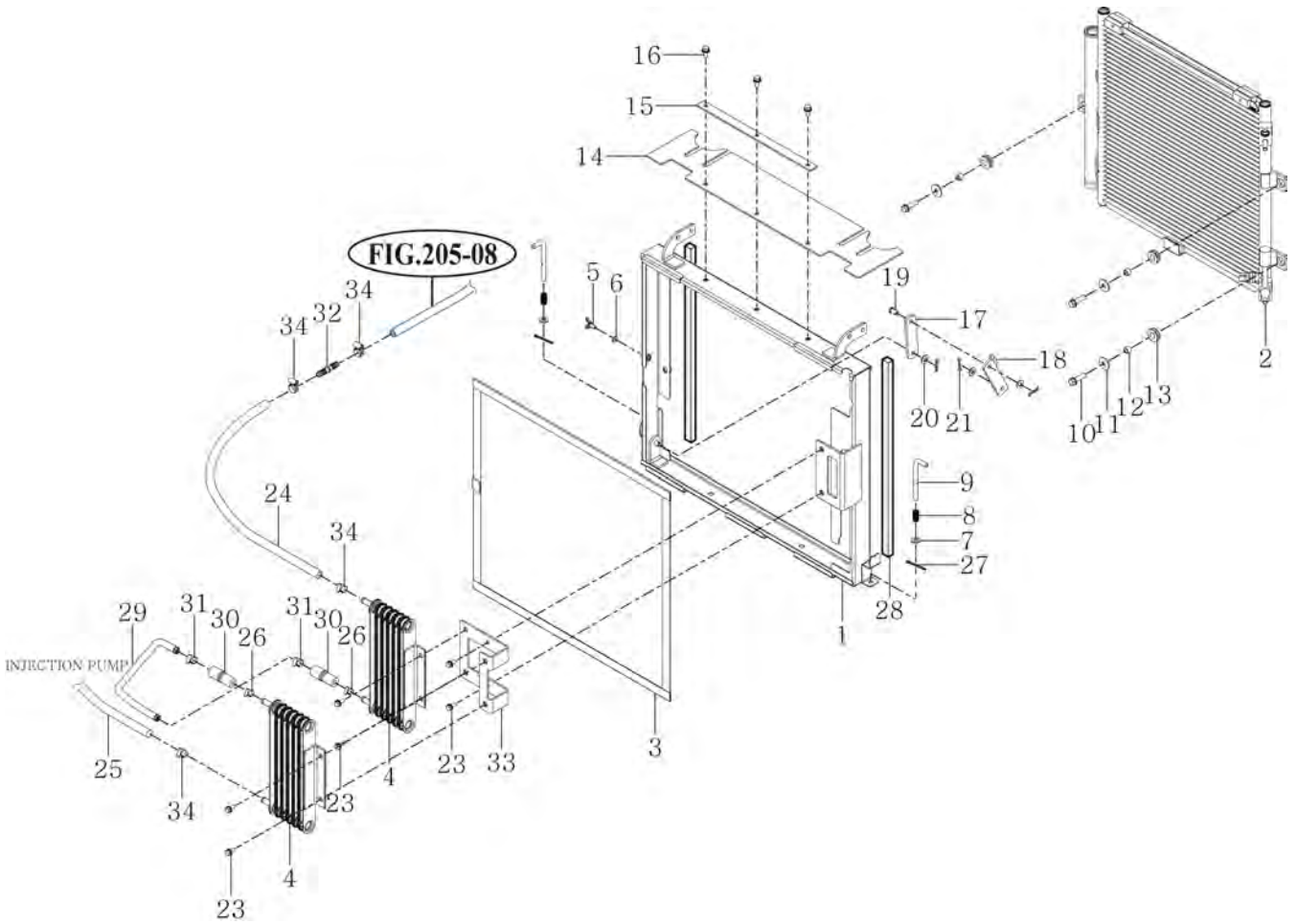
P1

YEAR

2014



T1104SP / T954SP



NOTE

FIG 702

FRAME , HOOD

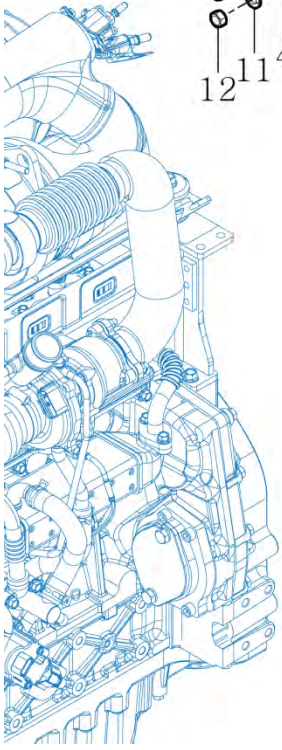
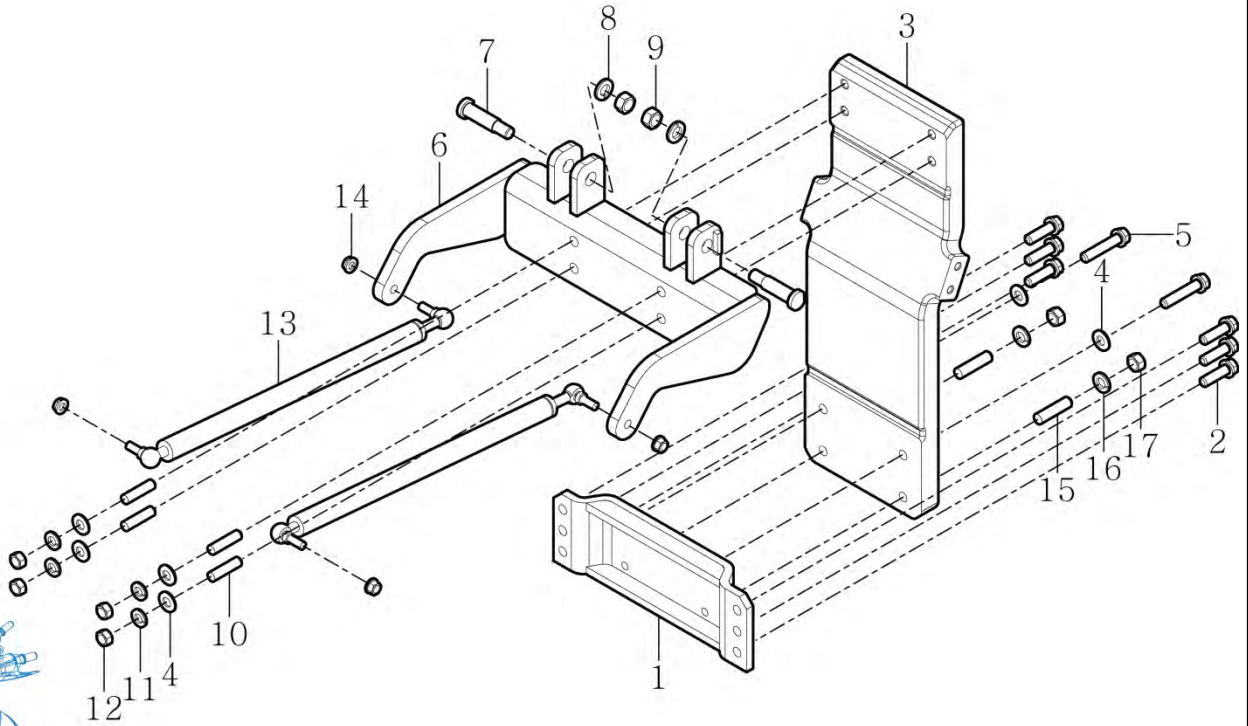
P1

YEAR

2014



T1104SP / T954SP



NOTE

FIG 703

HOOD

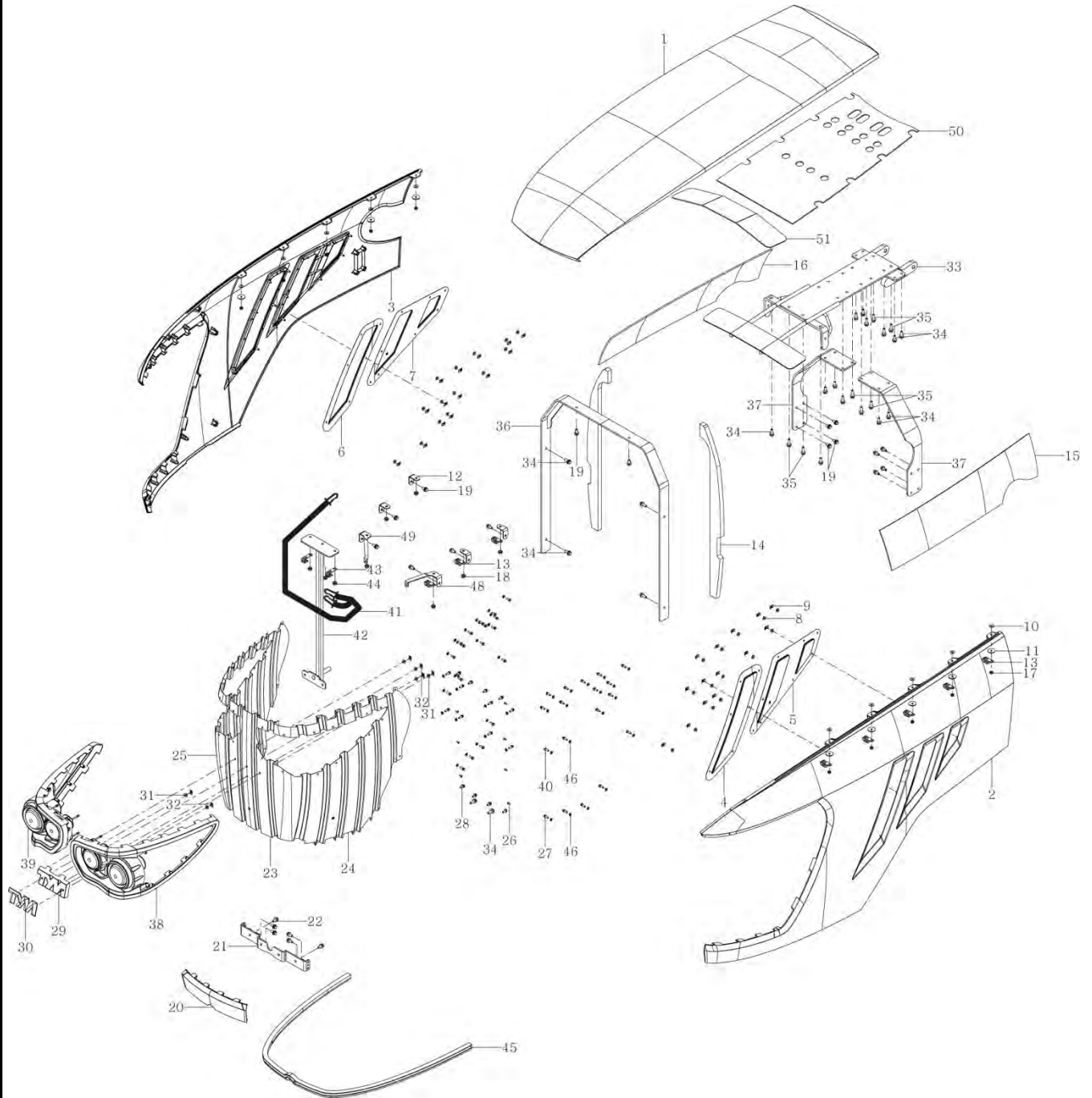
P1

YEAR

2014



T1104SP / T954SP



NOTE

FIG 703

HOOD

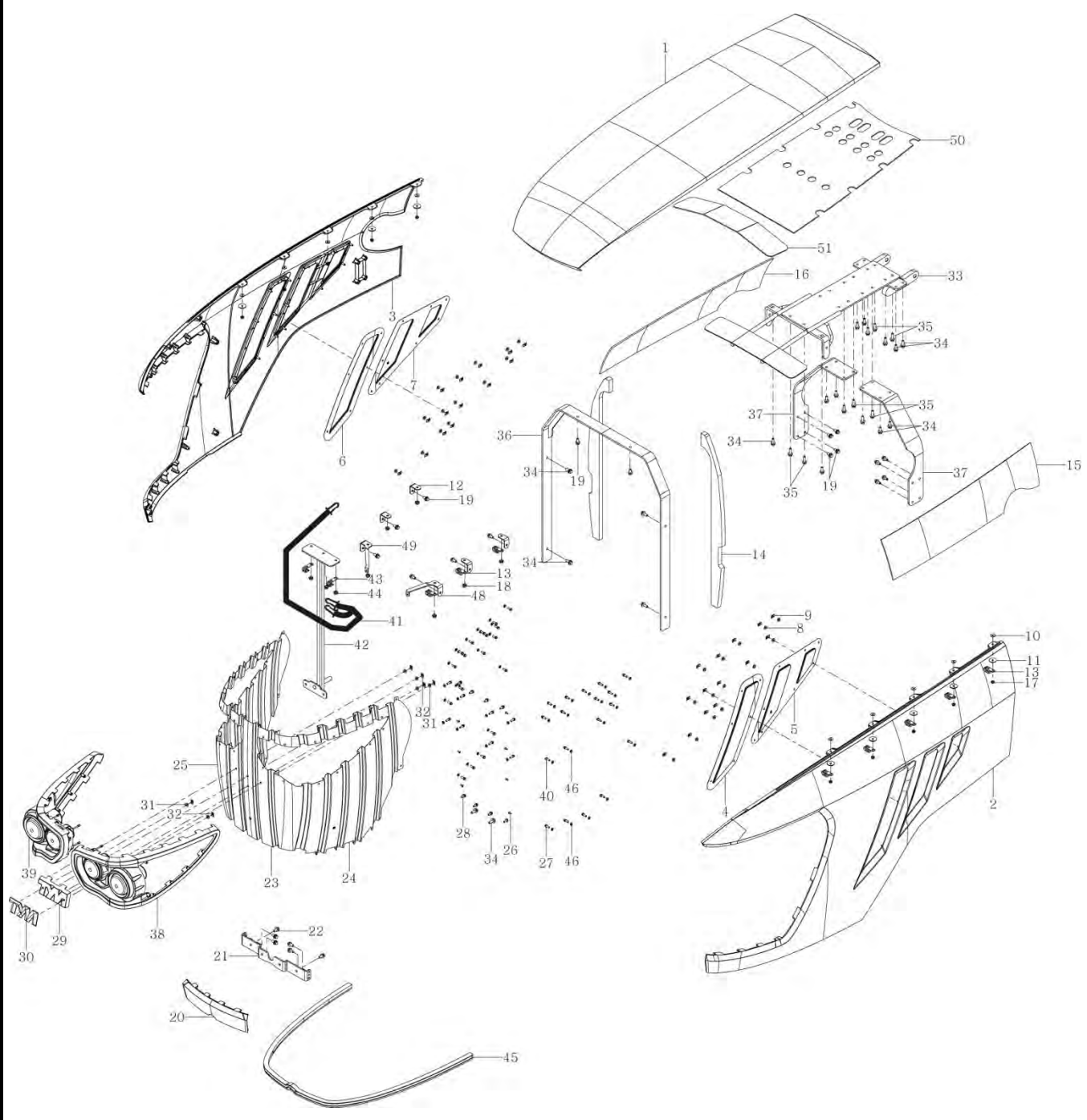
P2

YEAR

2014



T1104SP / T954SP



NOTE

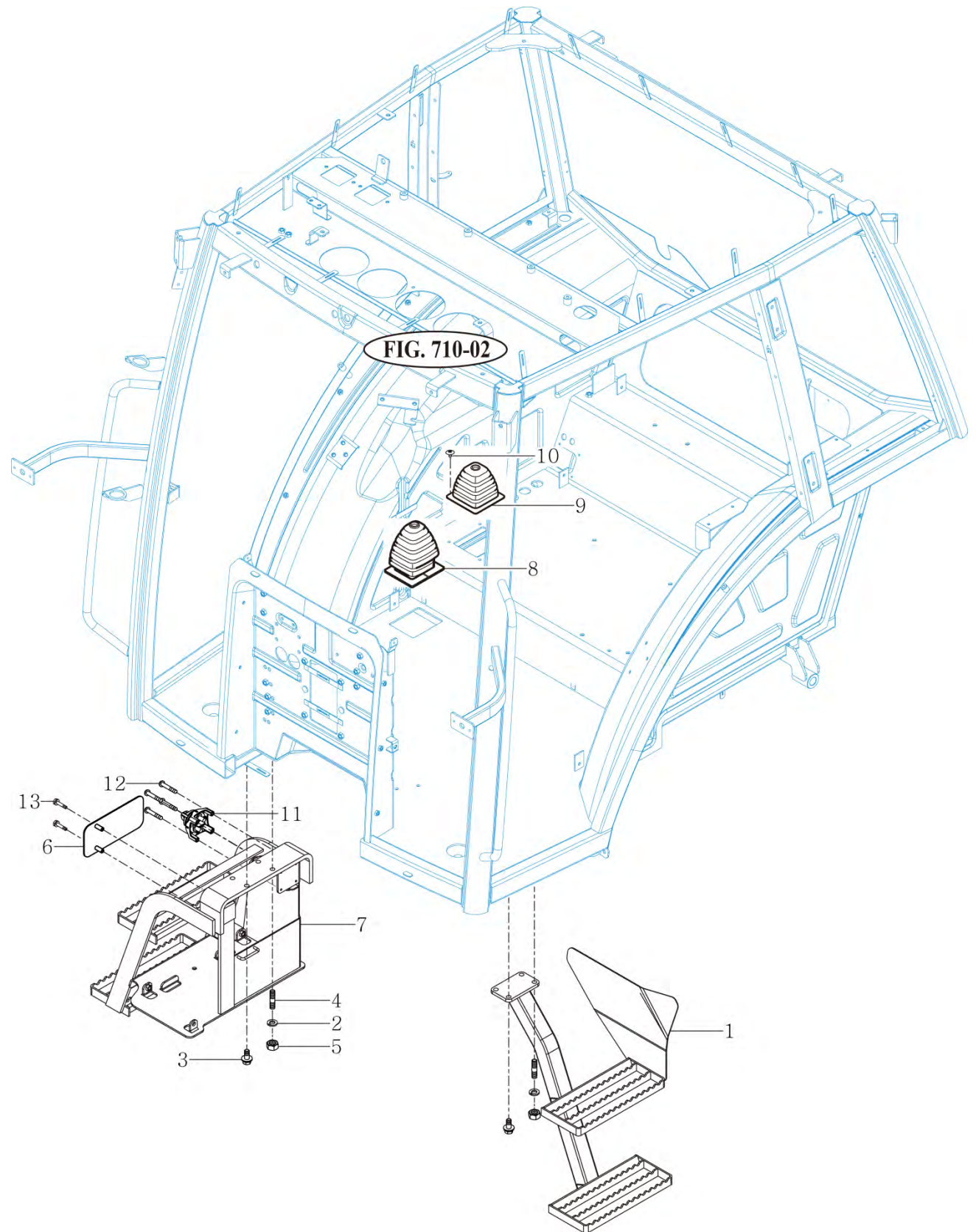
FIG 704

STEP & BOOTS

P1

YEAR

2014



NOTE

FIG 705

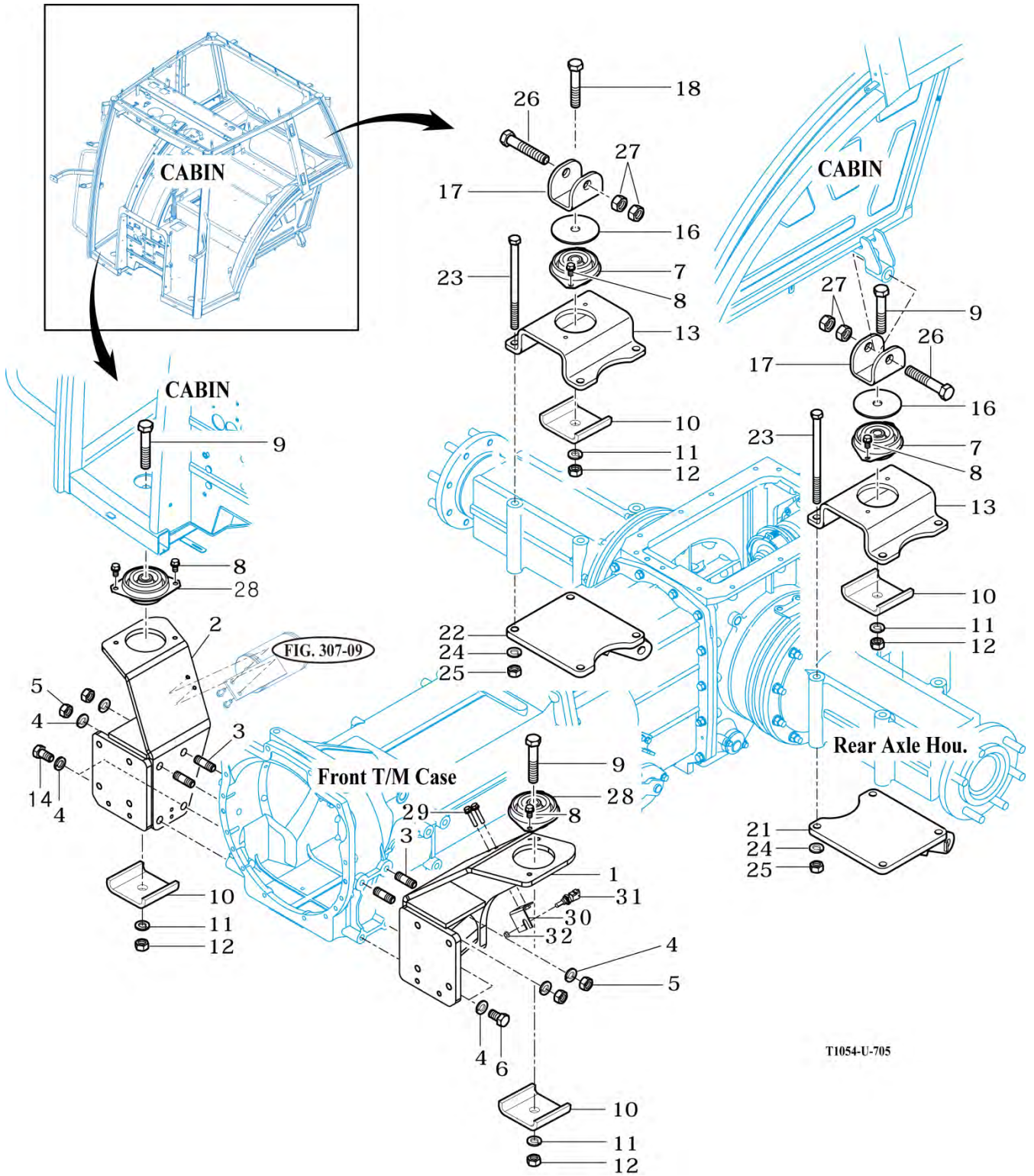
FRONT & REAR MOUNTING

T1104SP / T954SP

P1

YEAR

2014



T1054-U-705

NOTE

FIG 706

SEAT & MAT

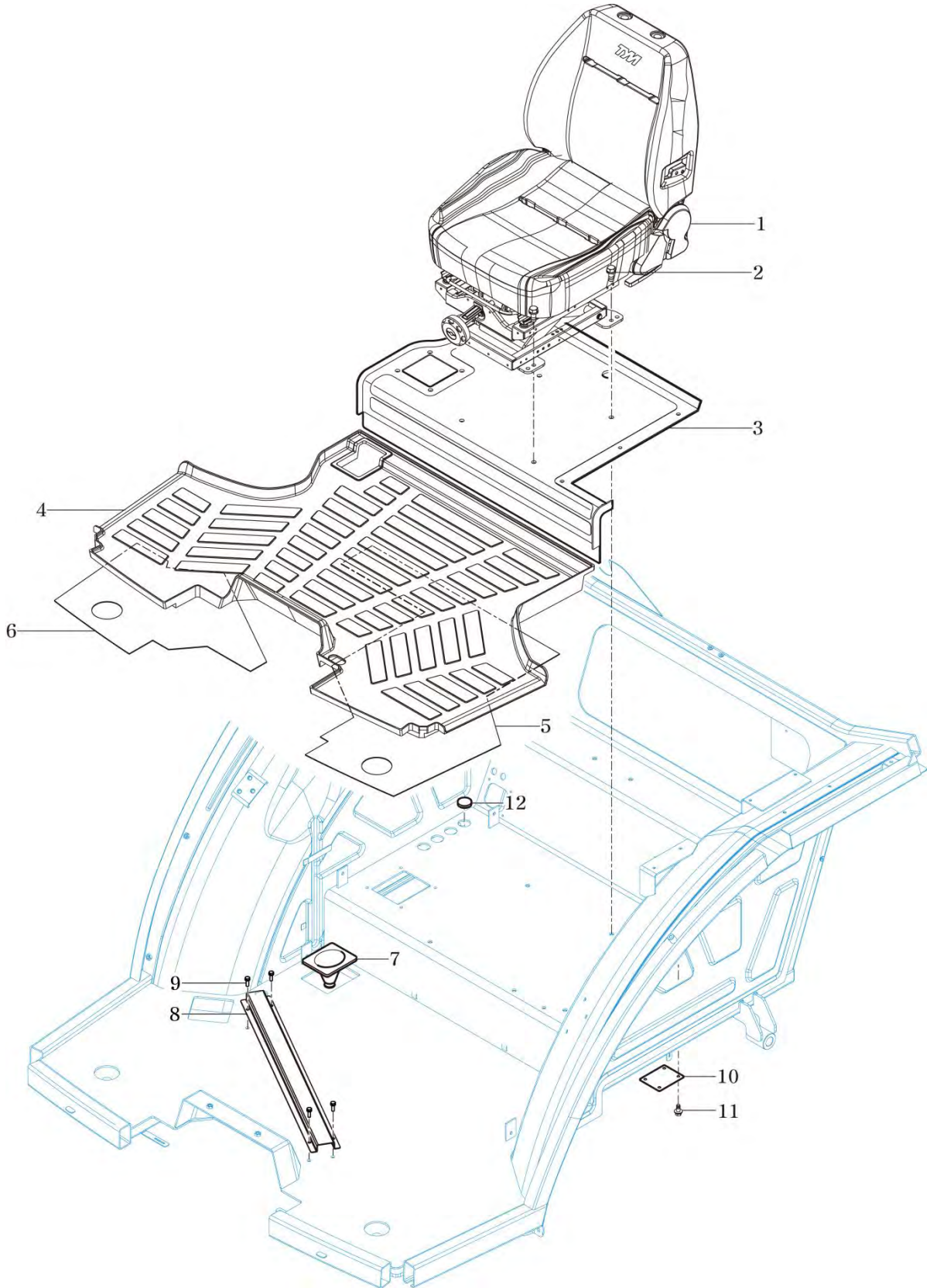
P1

YEAR

2014



T1104SP / T954SP



NOTE

FIG 708

DOOR-LH

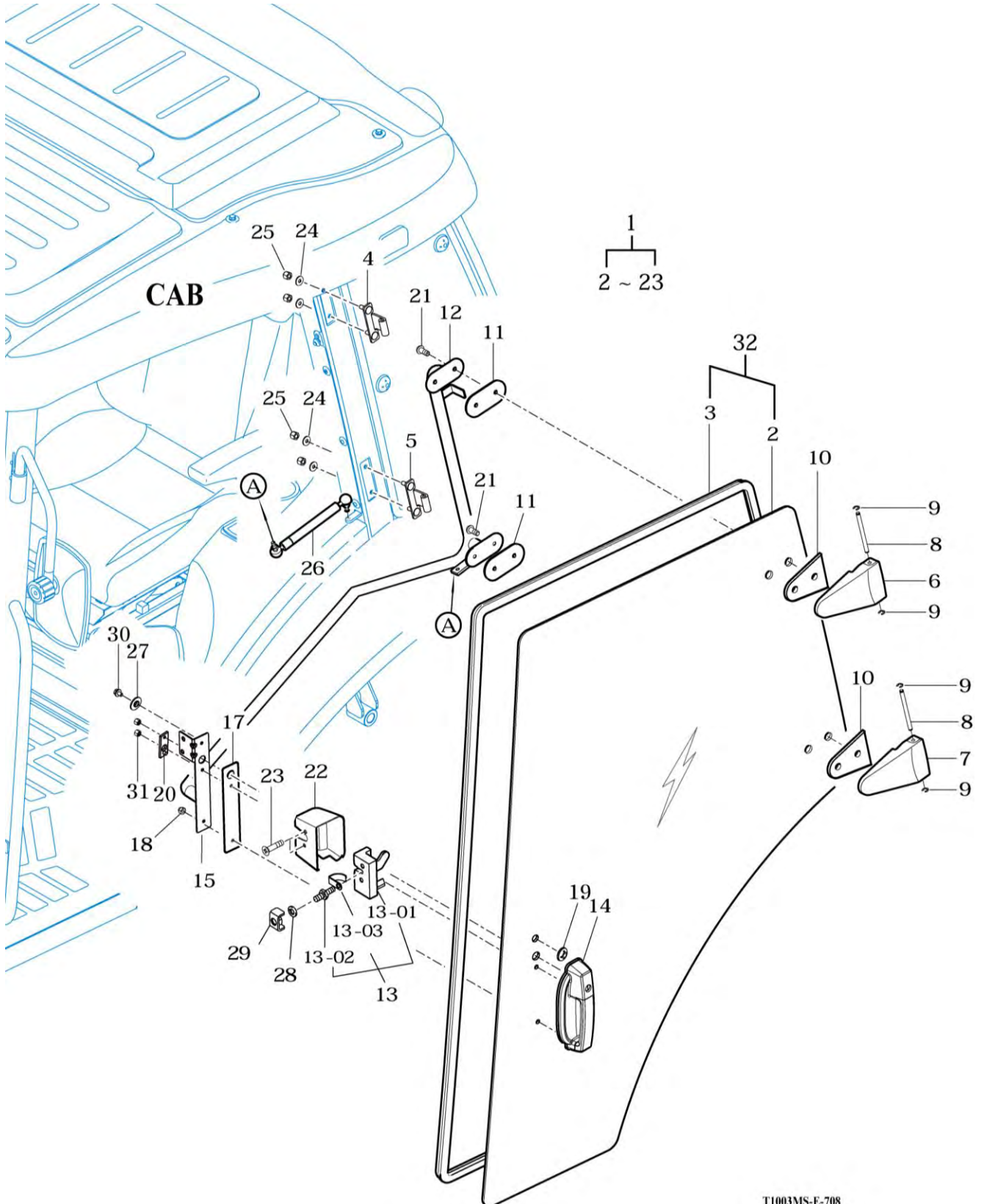
P1

YEAR

2014



T1104SP / T954SP



T1003MS-E-708

NOTE

FIG 708

DOOR-LH

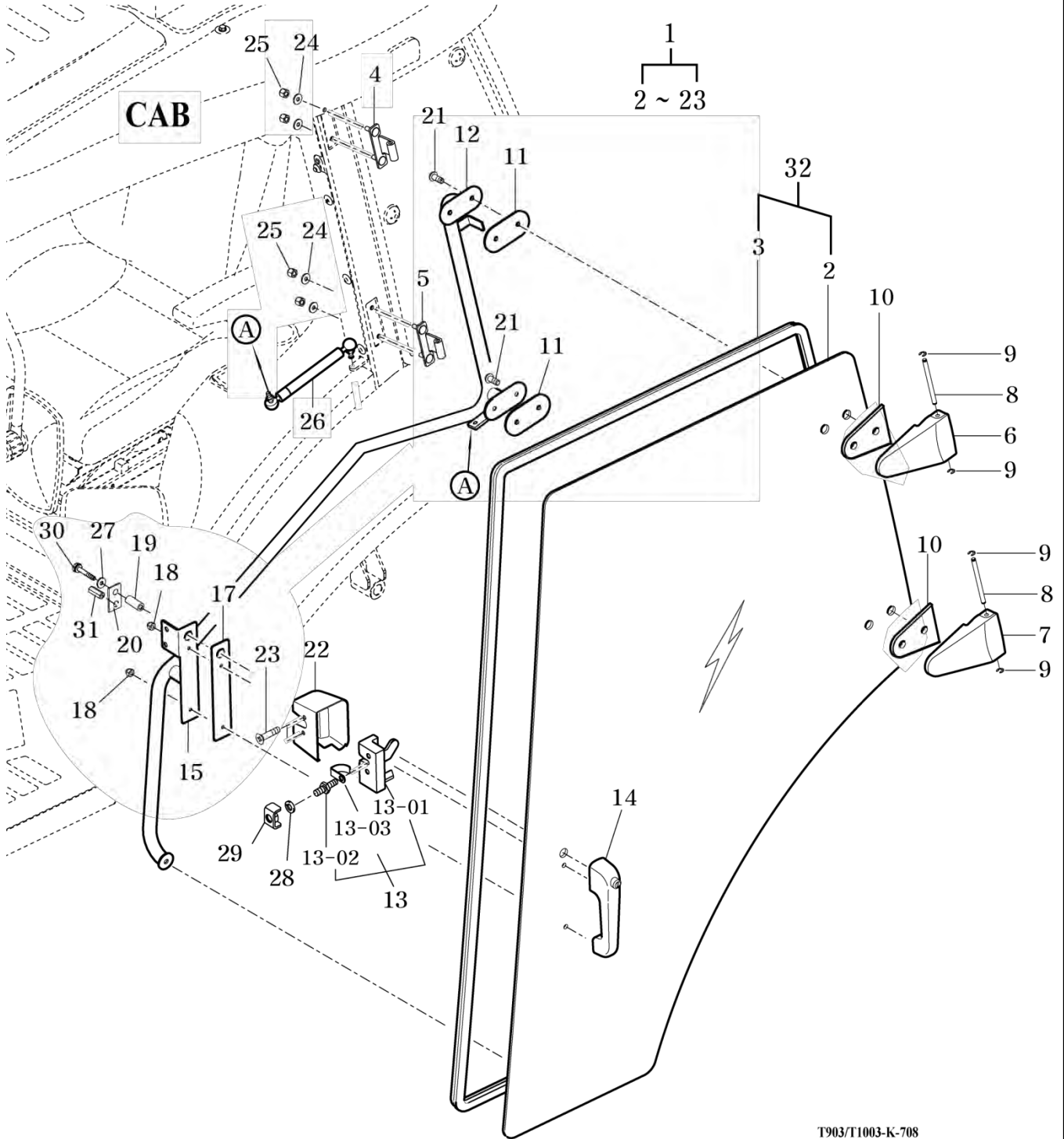
P1

YEAR

2014



T1104SP / T954SP



T903/T1003-K-708

NOTE

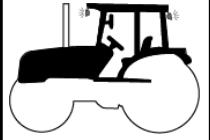
FIG 709

DOOR-RH

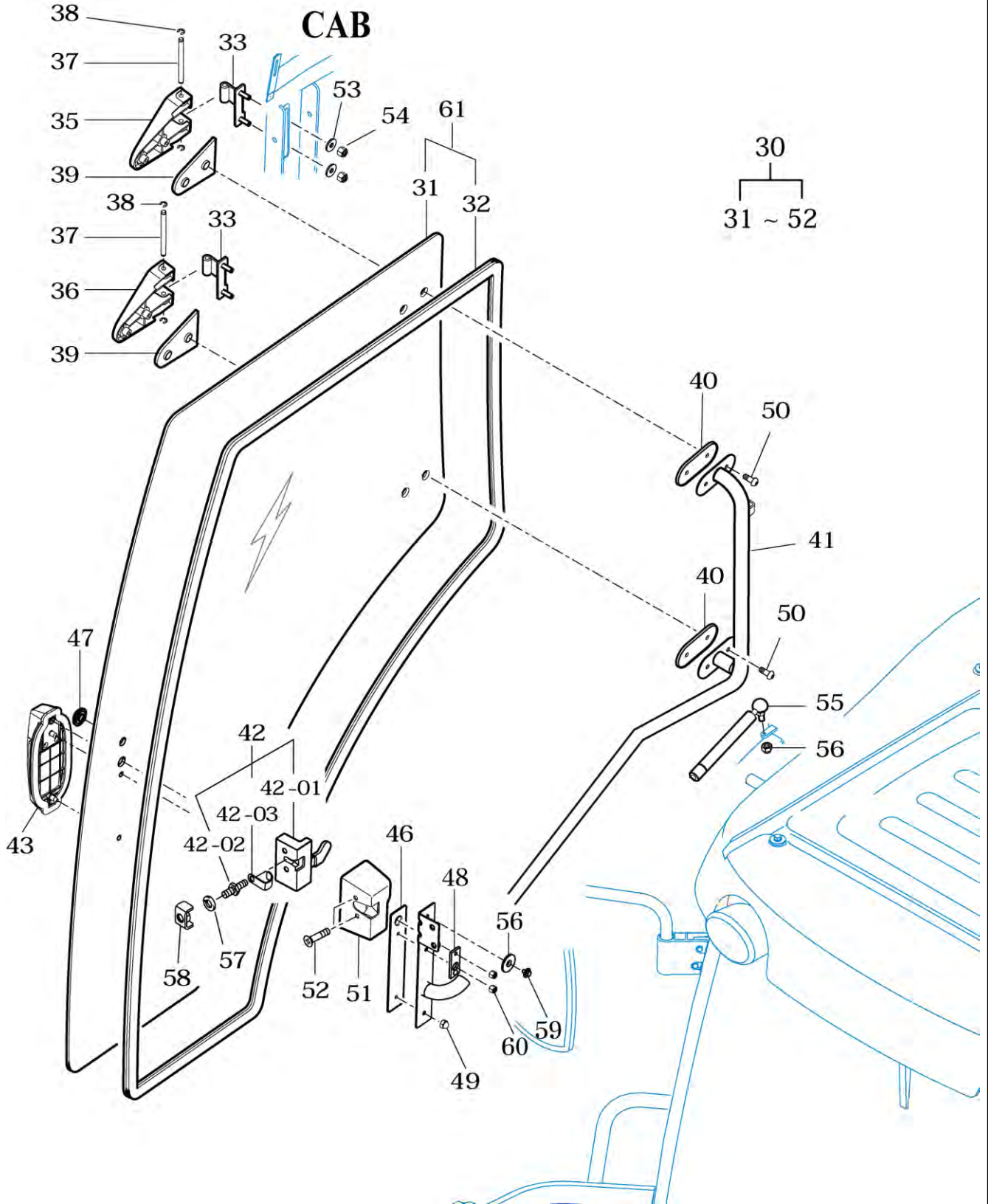
P2

YEAR

2014



T1104SP / T954SP



NOTE

FIG 709

DOOR-RH

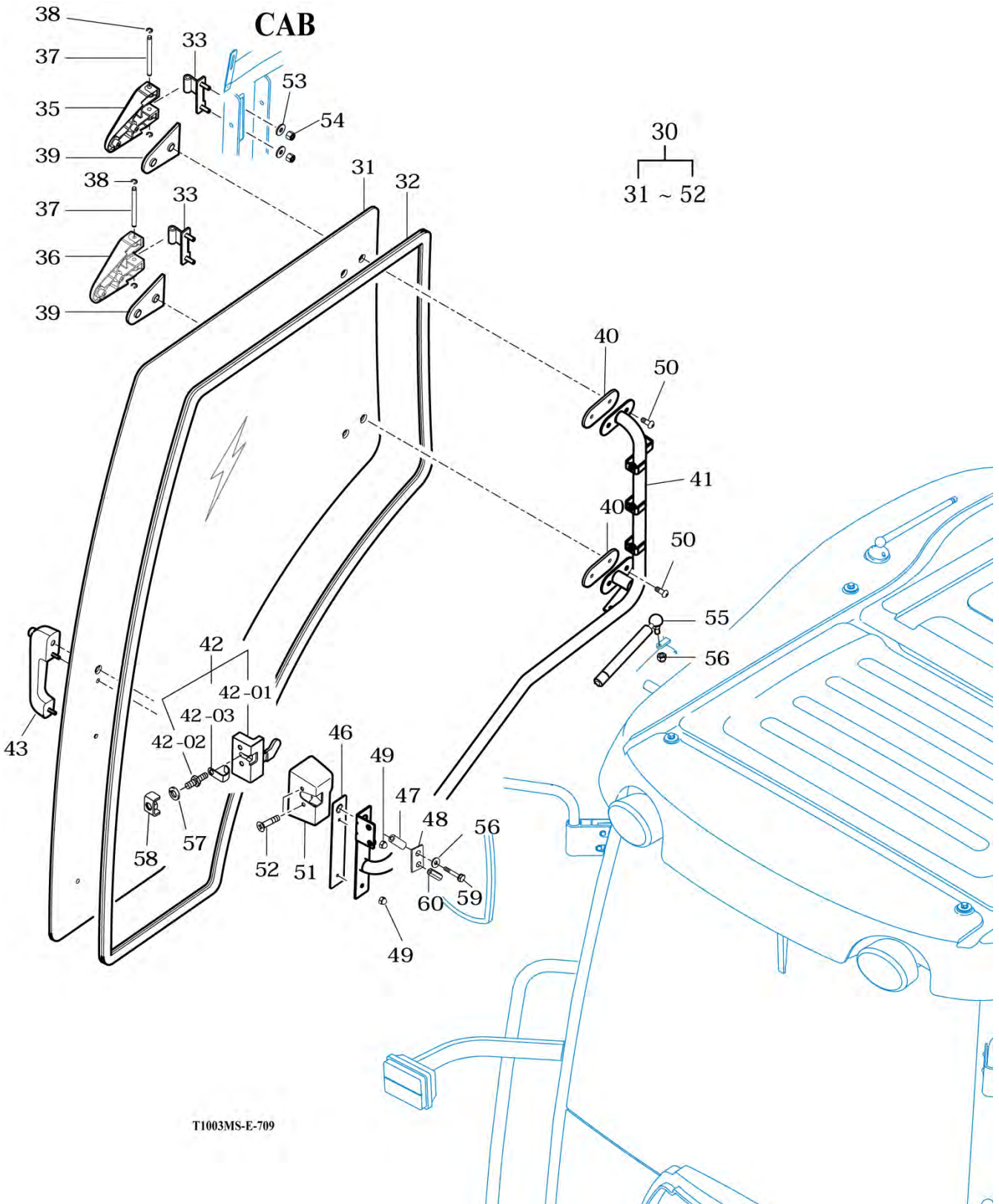
P2

YEAR

2014



T1104SP / T954SP



T1003MS-E-709

NOTE

FIG 710

FRAME COMP & FRONT GLASS

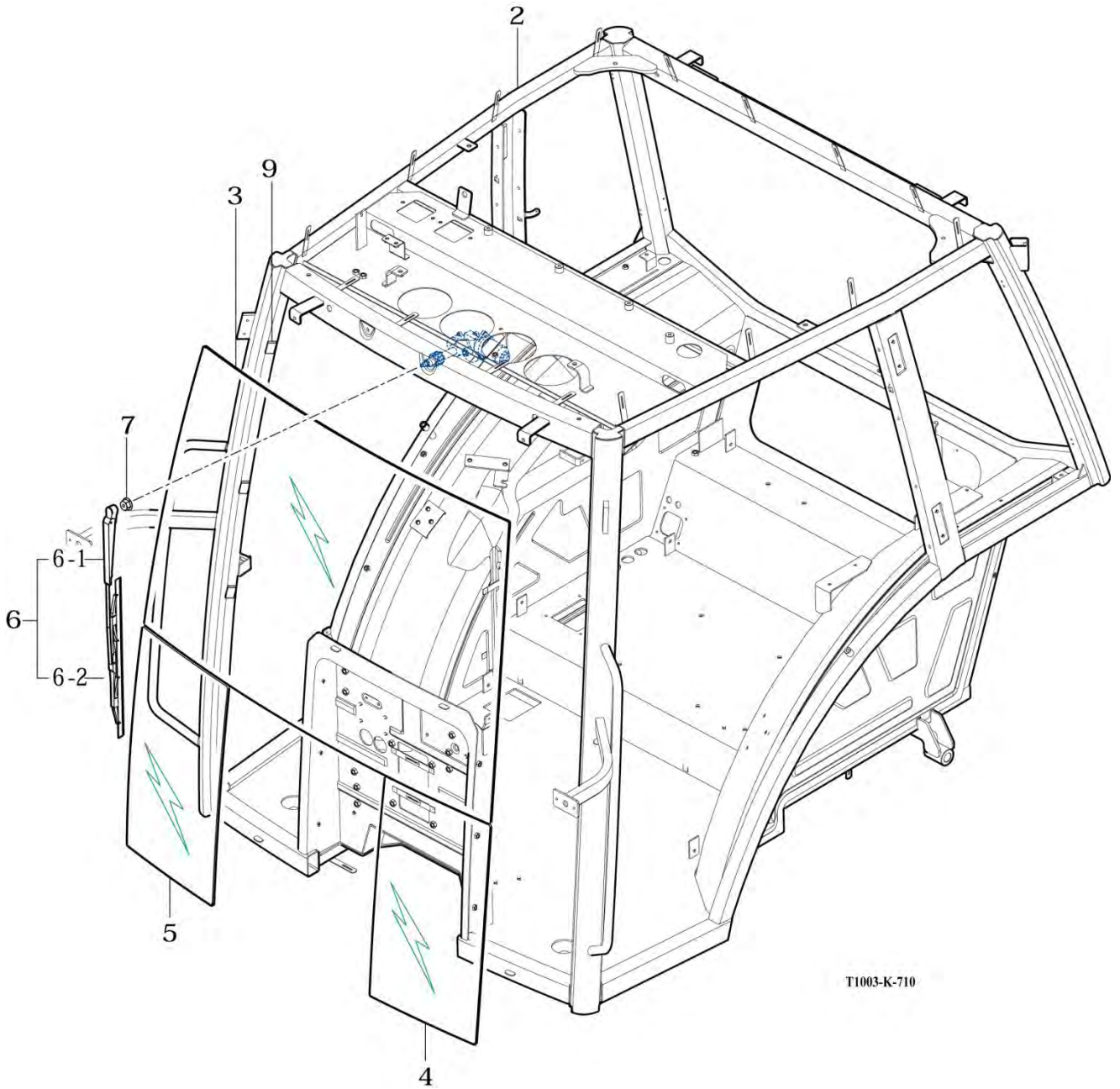
P1

YEAR

2014



T1104SP / T954SP



T1003-K-710

NOTE

FIG 711

SIDE GLASS

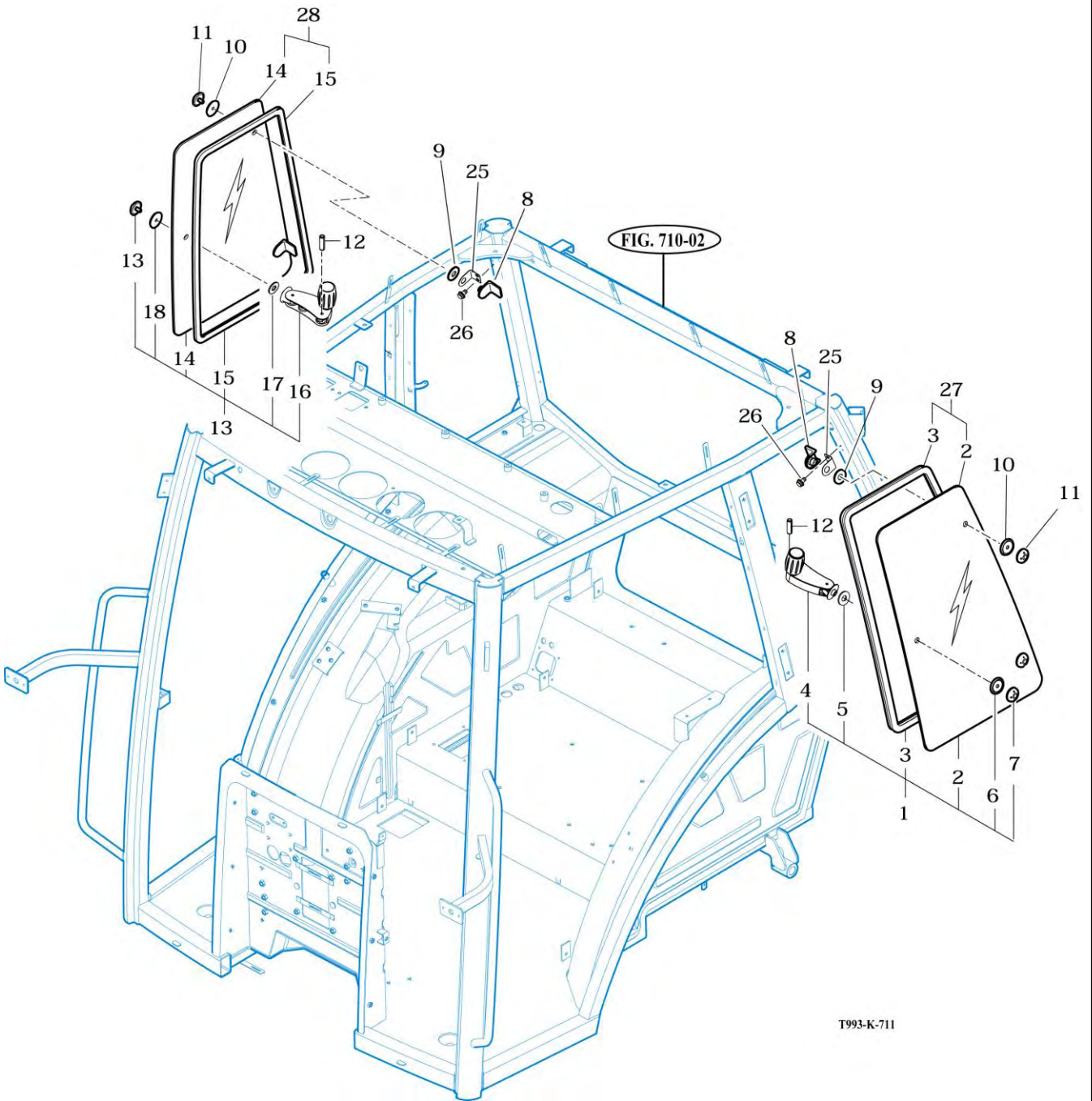
P1

YEAR

2014



T1104SP / T954SP



T993-K-711

NOTE

FIG 712

REAR GLASS

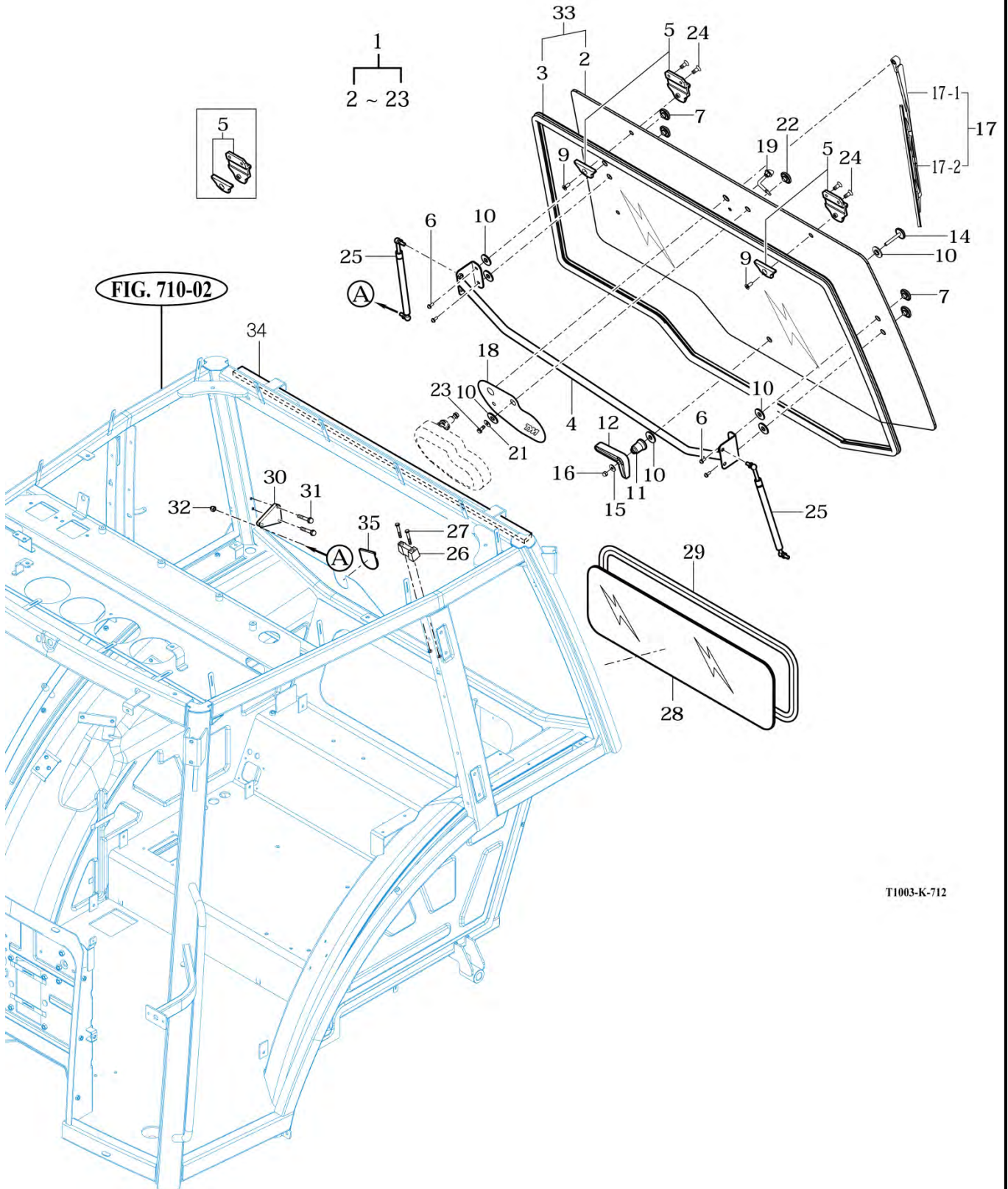
P1

YEAR

2014



T1104SP / T954SP



T1003-K-712

NOTE

FIG 713

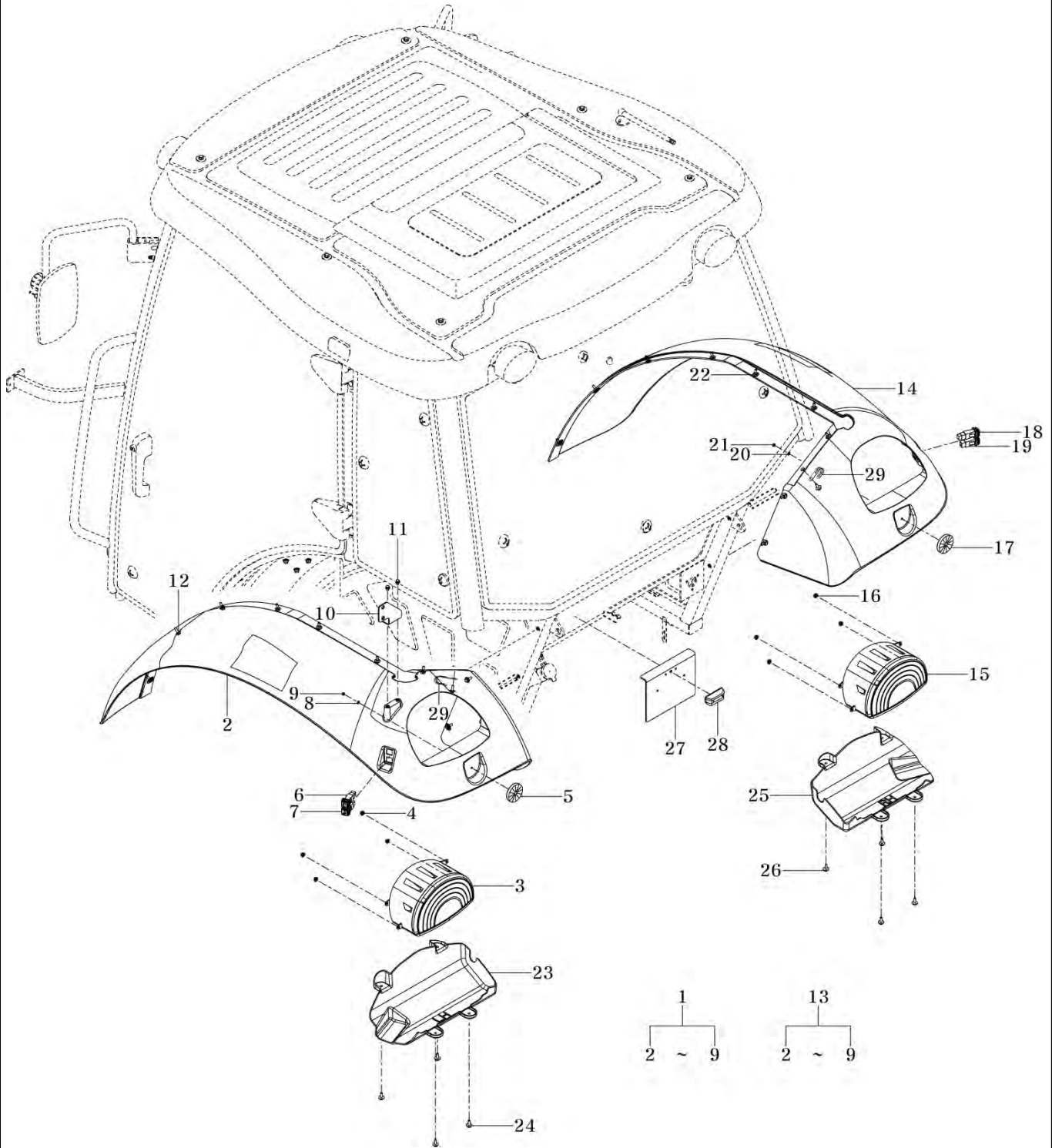
SUB FENDER & COVER

T1104SP / T954SP

P1

YEAR

2014



NOTE

FIG 714

REARVIEW MIRRORS

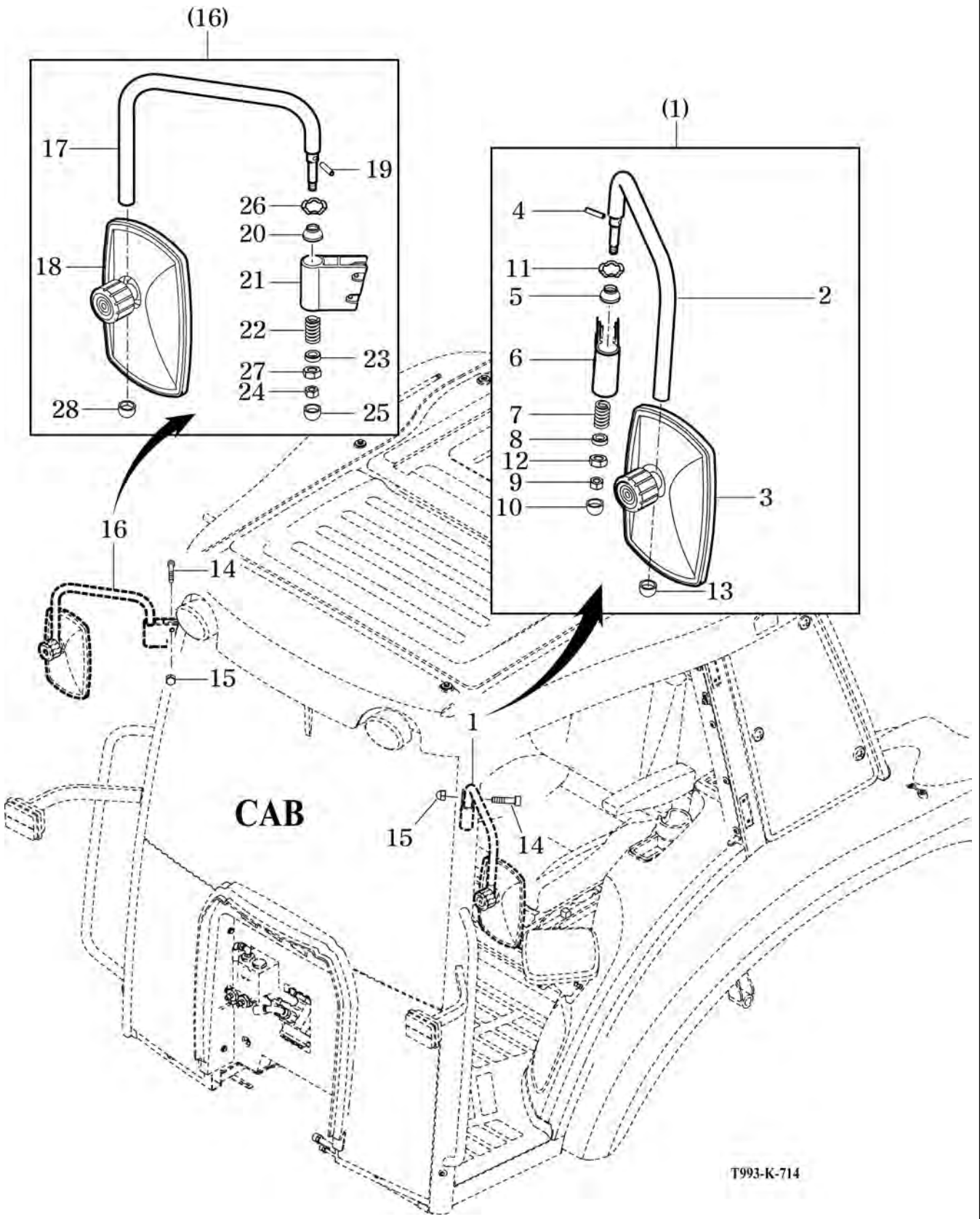
P1

YEAR

2014



T1104SP / T954SP



T993-K-714

NOTE

FIG 715

HEATER & AIR-CON (1)

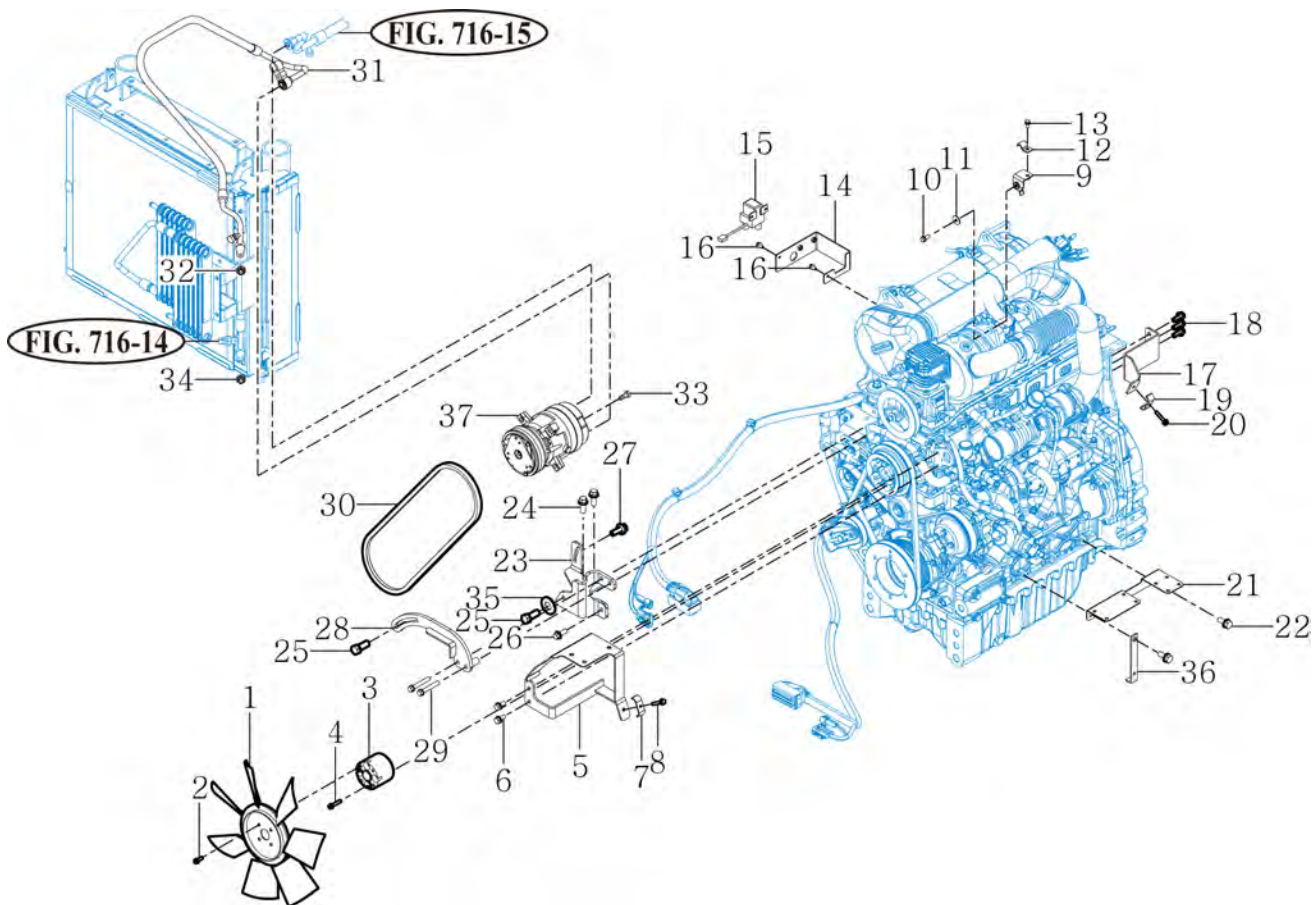
P1

YEAR

2014



T1104SP / T954SP



NOTE

FIG 716

HEATER & AIR-CON (2)

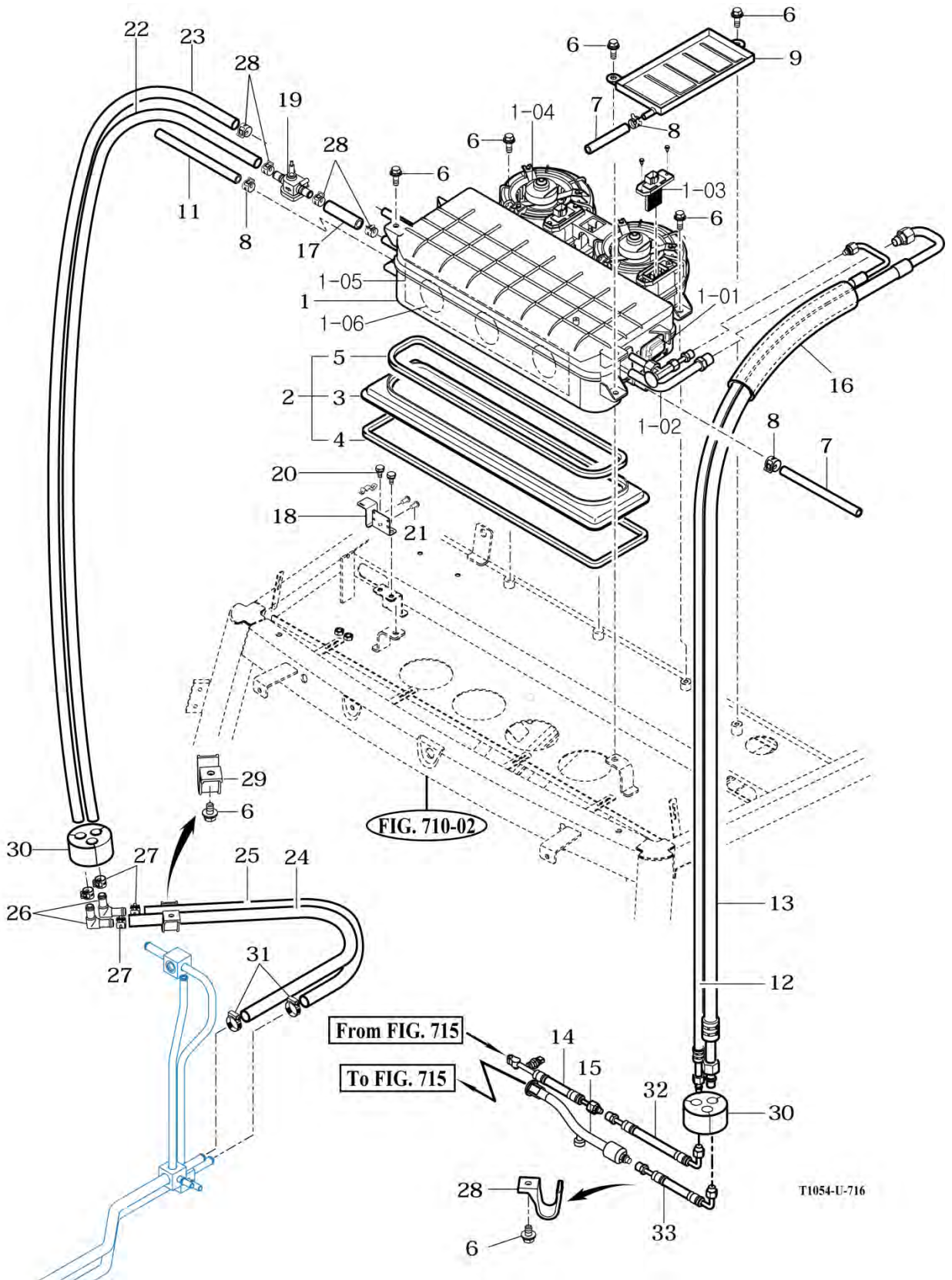
P1

YEAR

2014



T1104SP / T954SP



NOTE

FIG 717

ROOF

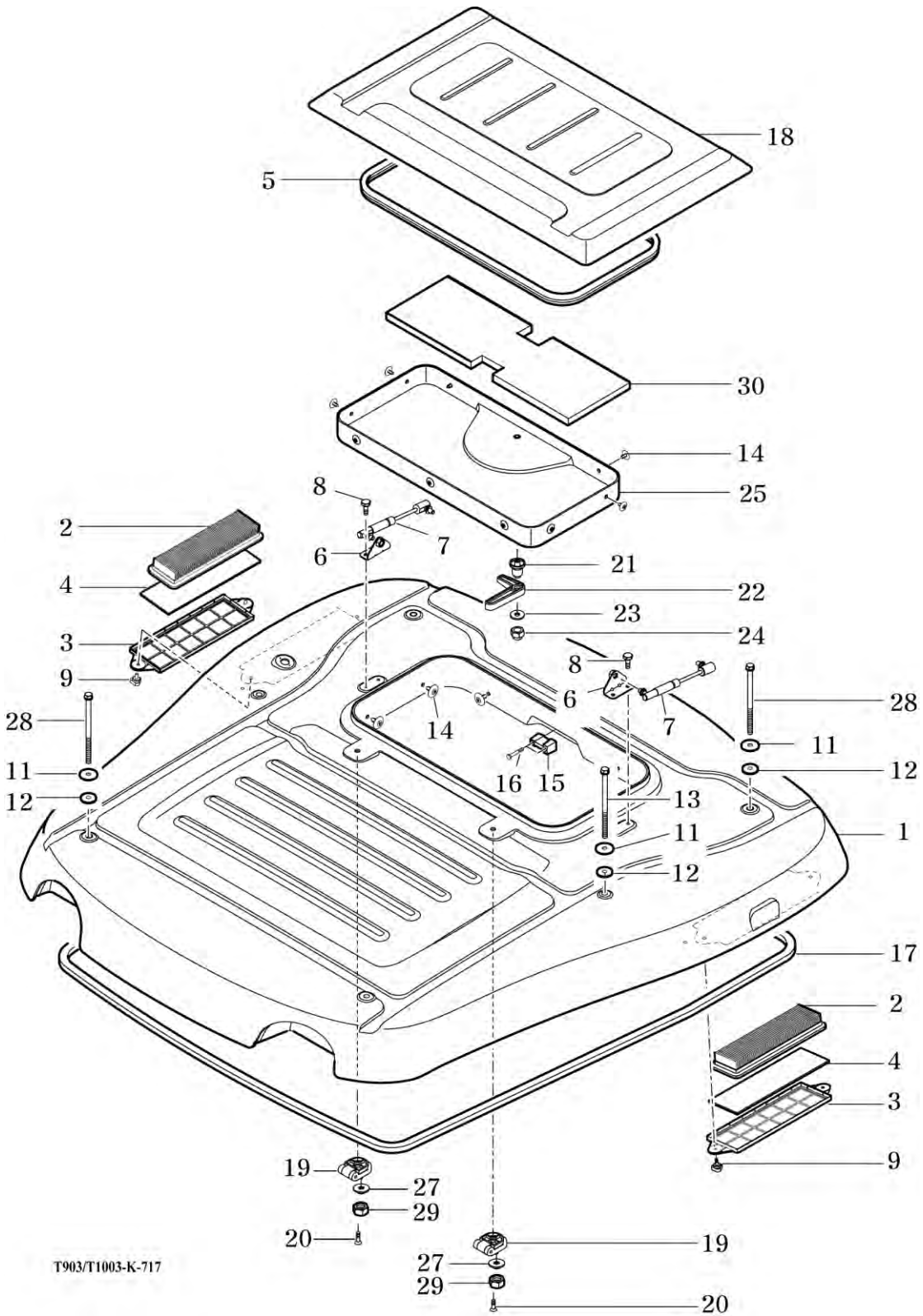
P1

YEAR

2014



T1104SP / T954SP



T903/T1003-K-717

NOTE

FIG 718

CABIN INTERIOR

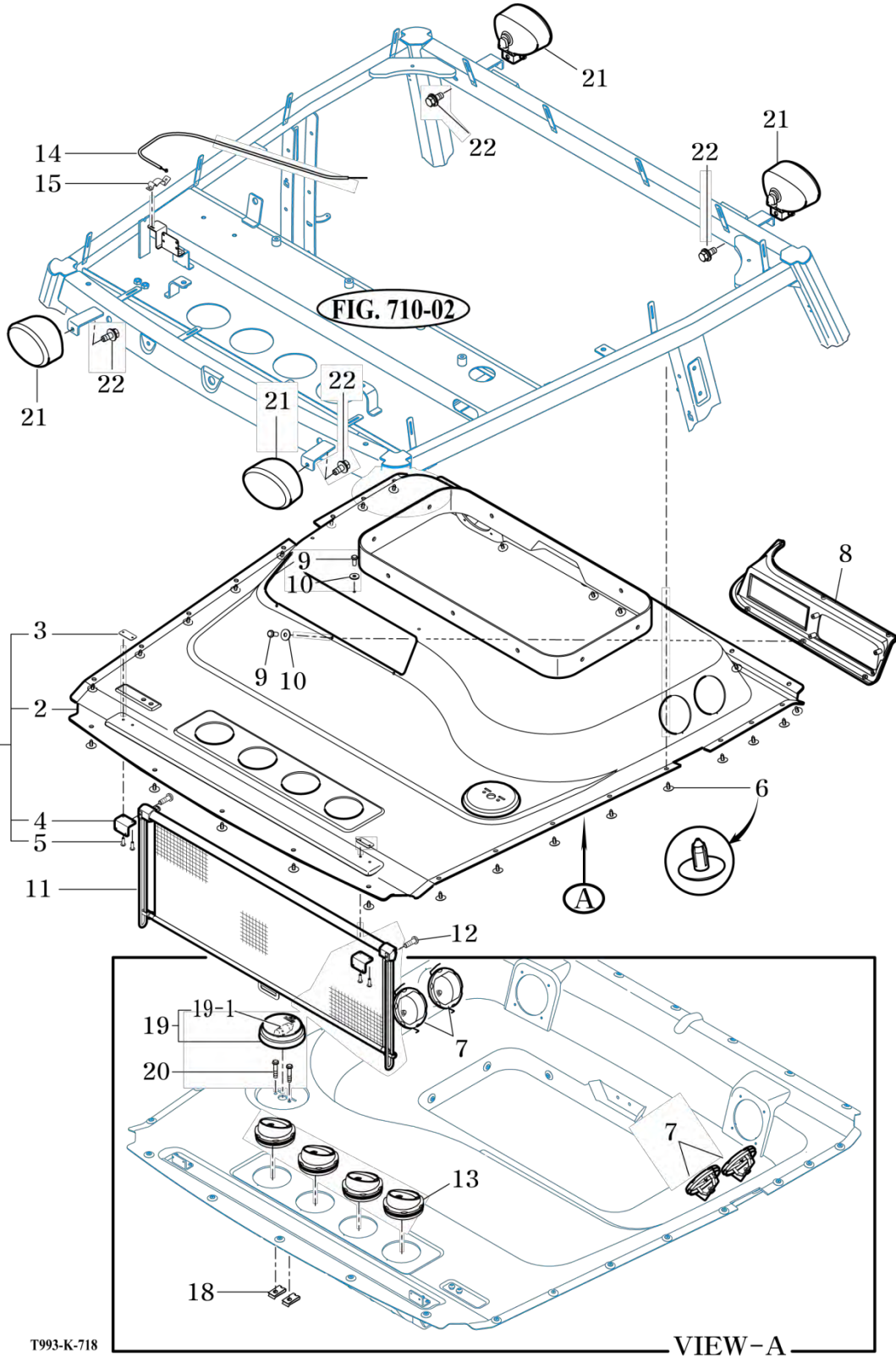
P1

YEAR

2014



T1104SP / T954SP



T993-K-718

VIEW-A

NOTE

FIG 719

DASHCOVER

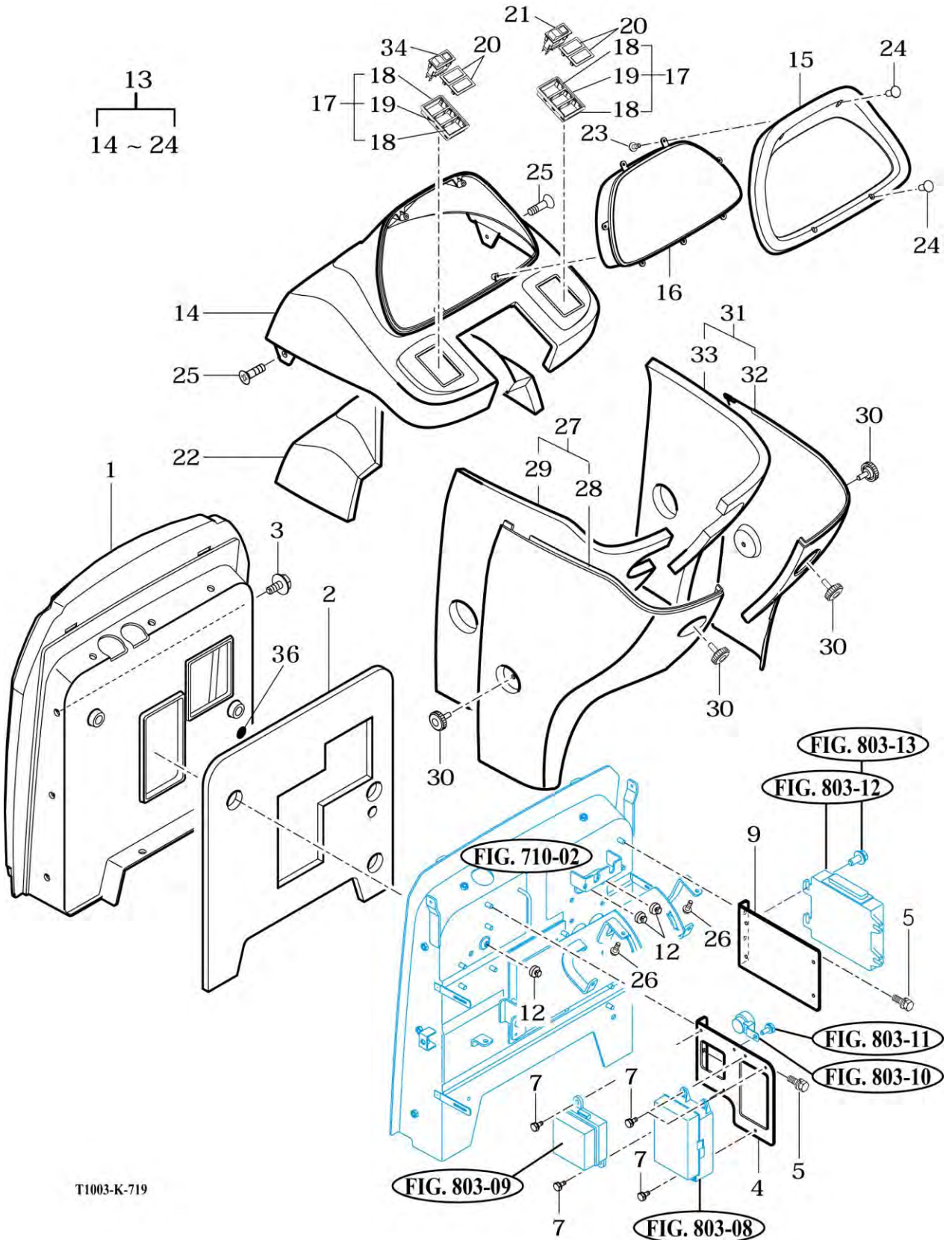
P1

YEAR

2014



T1104SP / T954SP



T1003-K-719

NOTE

FIG 720

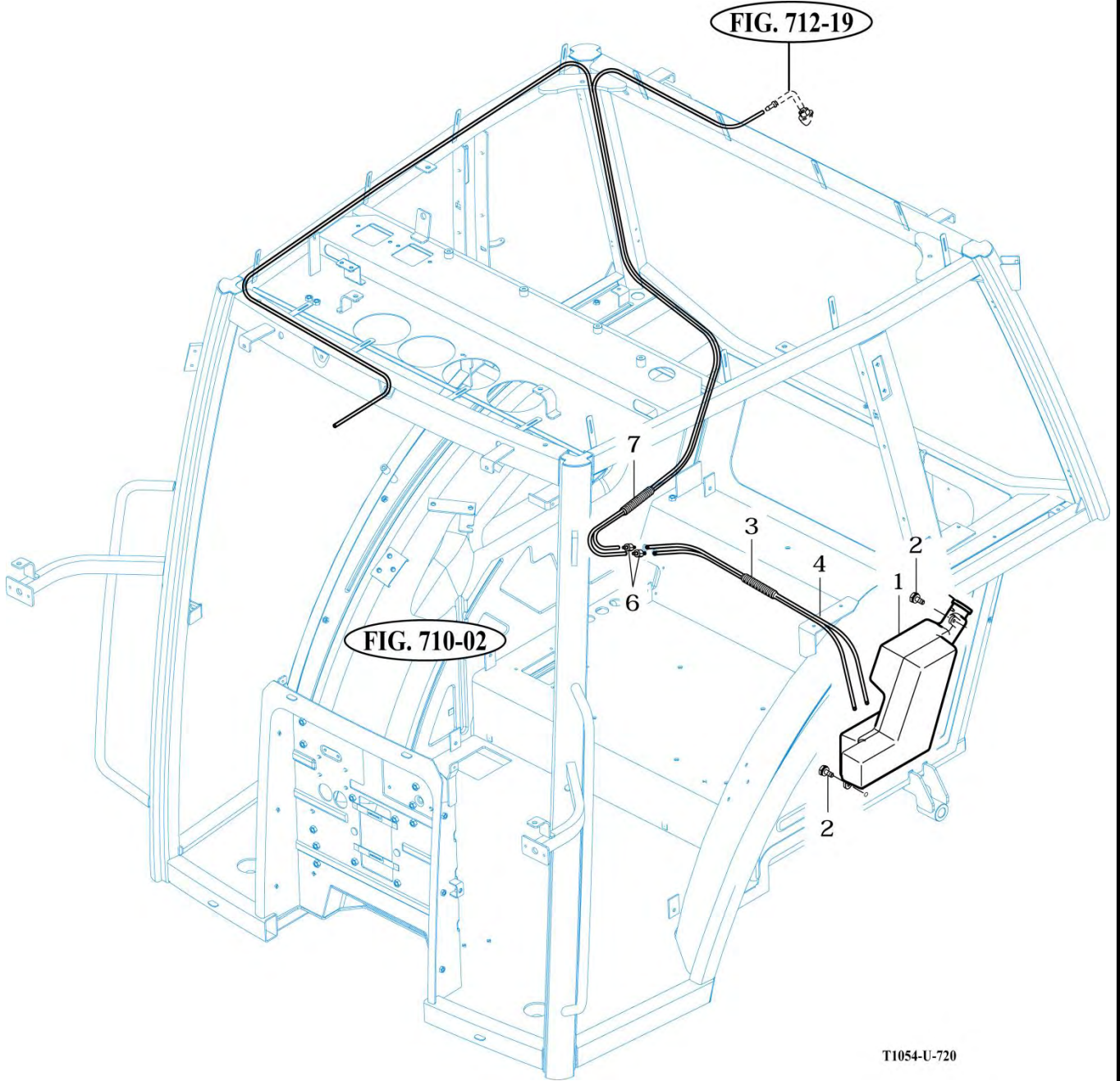
TANK ASSY , WASH

T1104SP / T954SP

P1

YEAR

2014



T1054-U-720

NOTE

FIG 721

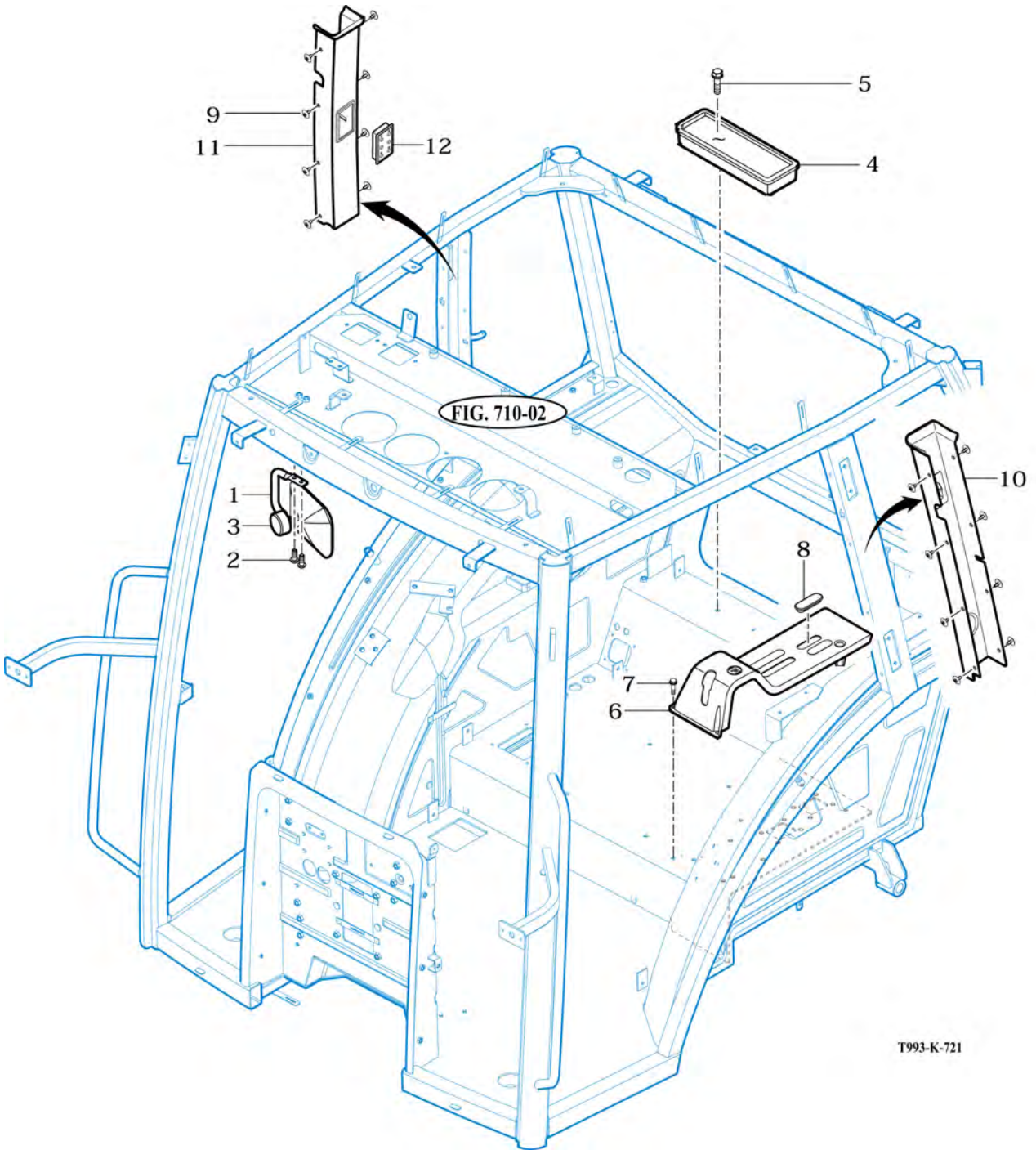
ROOM MIRROR ASSY

T1104SP / T954SP

P1

YEAR

2014



T993-K-721

NOTE

FIG 722

COVER-FENDER JOYSTICK LEVER

&

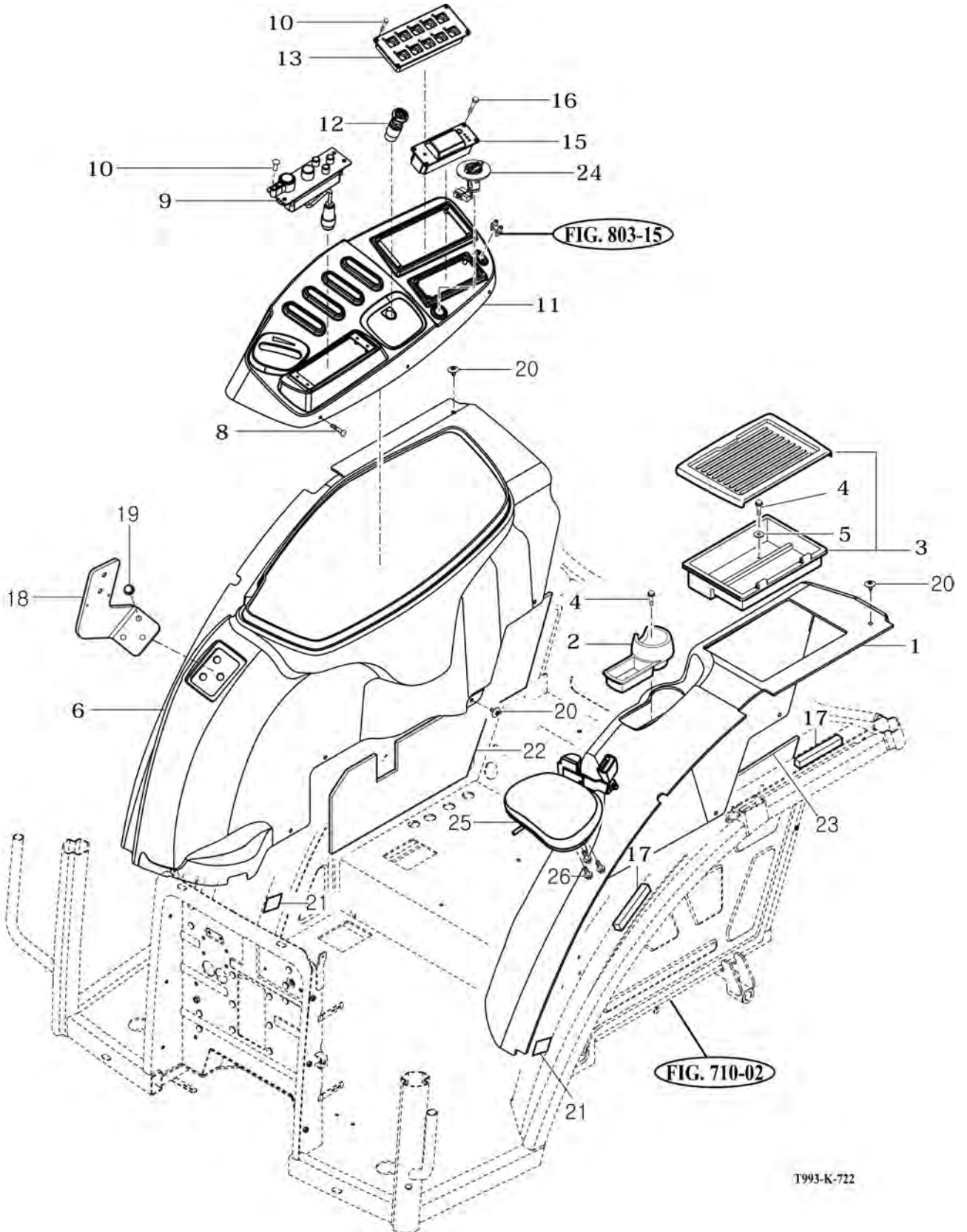
P1

YEAR

2014



T1104SP / T954SP



T993-K-722

NOTE

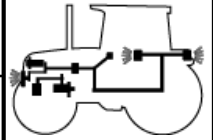
FIG 802

ELECTRIC SYSTEM (1)

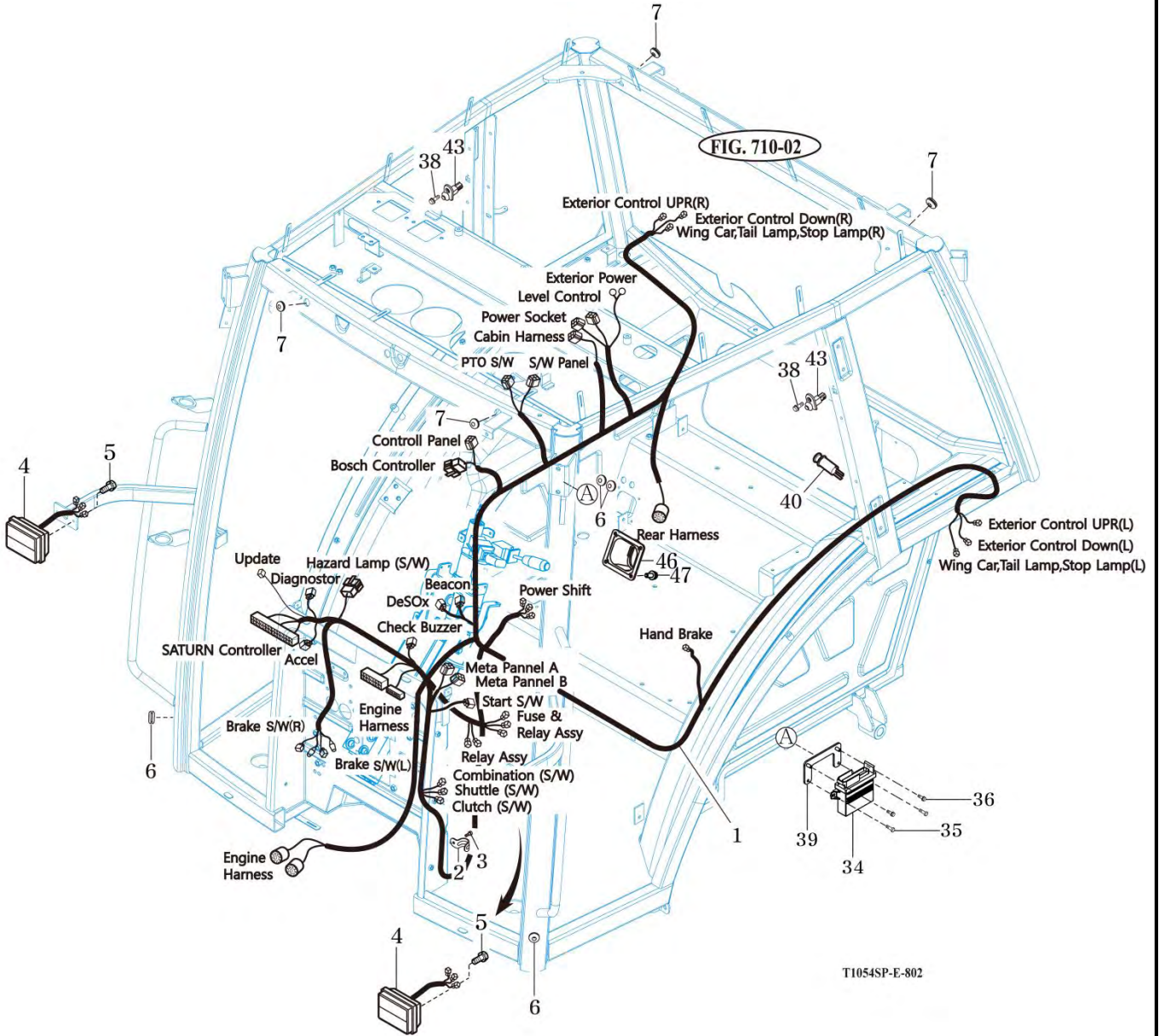
P1

YEAR

2014



T1104SP / T954SP



NOTE

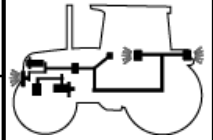
FIG 803

ELECTRIC SYSTEM (2)

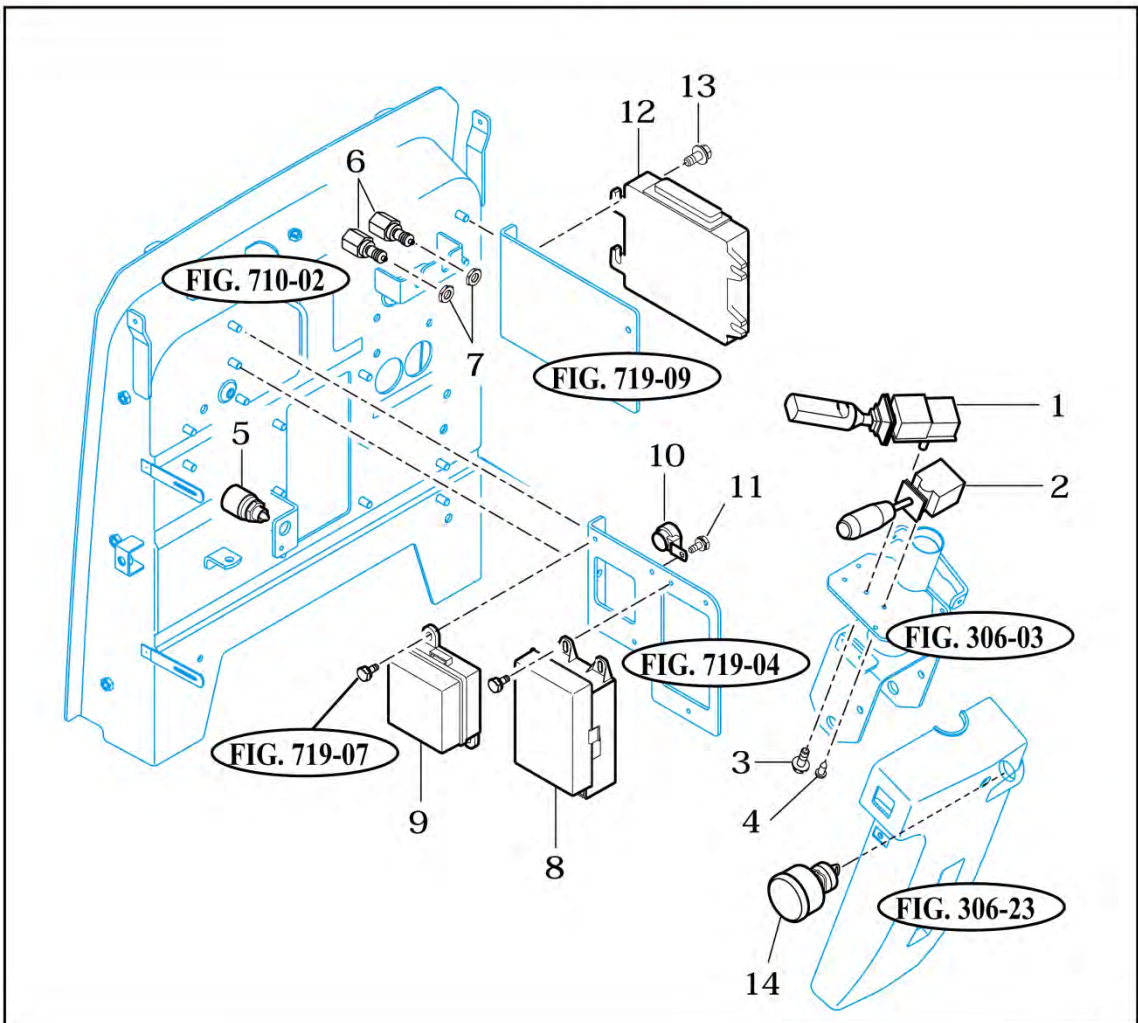
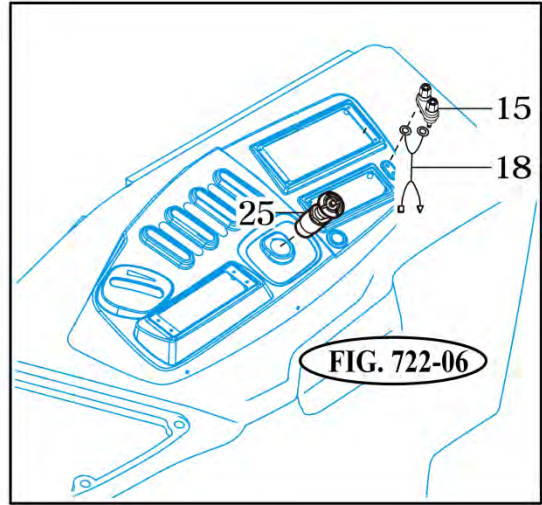
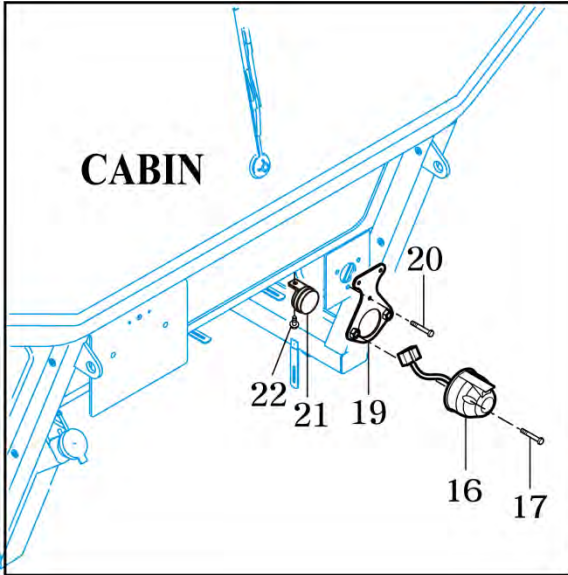
P1

YEAR

2014



T1104SP / T954SP



T1054-E-804

NOTE

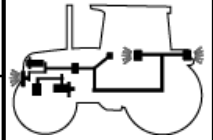
FIG 804

ELECTRIC SYSTEM (3)

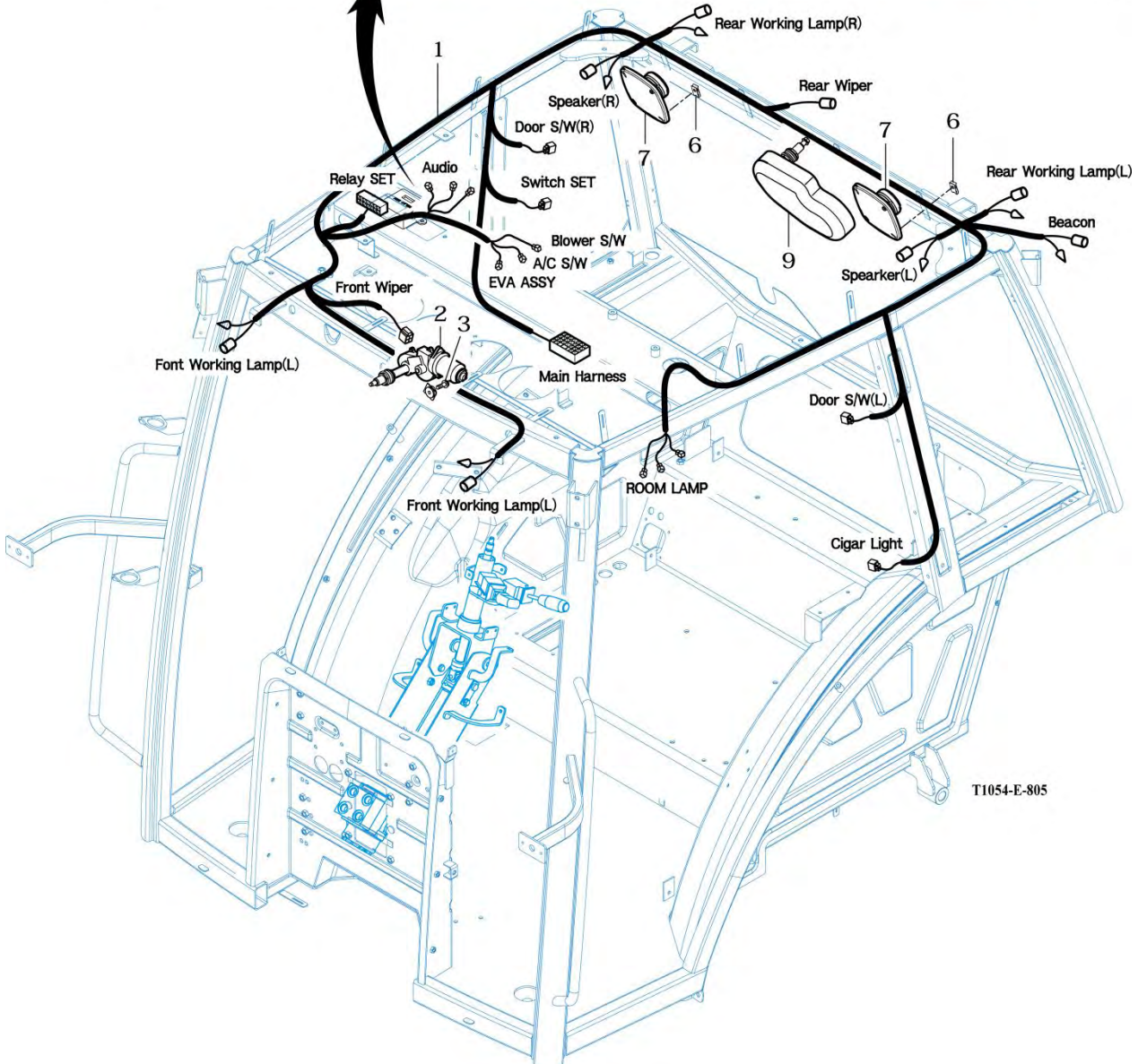
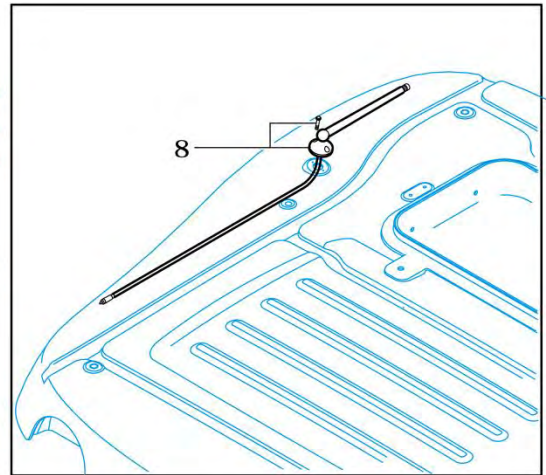
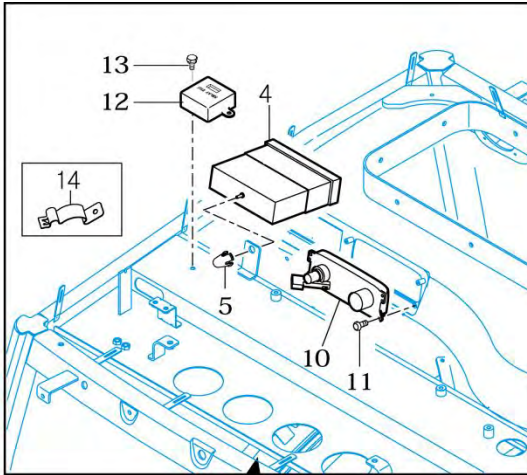
P1

YEAR

2014



T1104SP / T954SP



T1054-E-805

NOTE

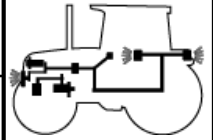
FIG 805

ELECTRIC SYSTEM (4)

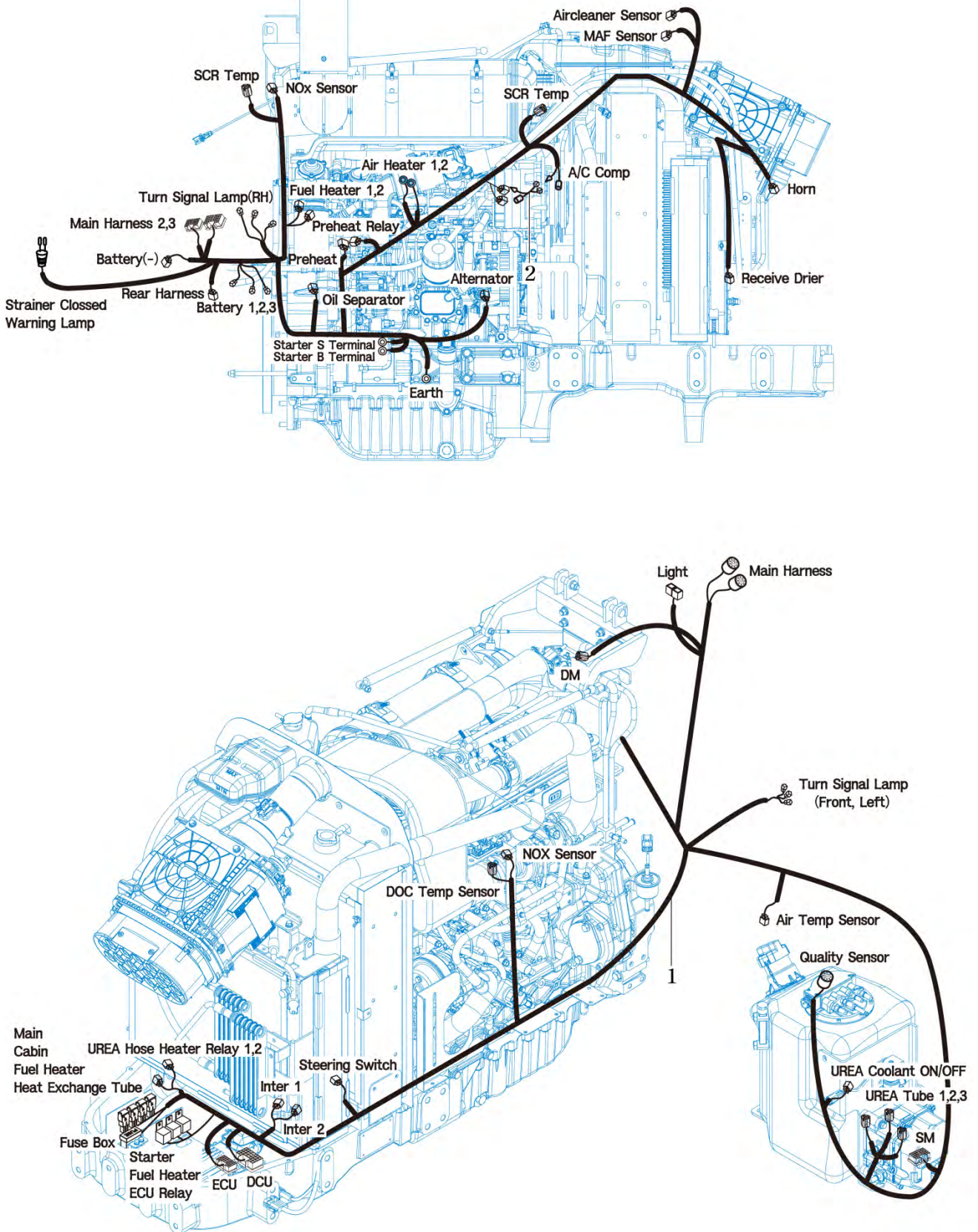
P1

YEAR

2014



T1104SP / T954SP



NOTE

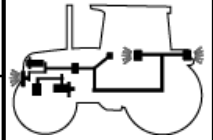
FIG 806

ELECTRIC SYSTEM (5)

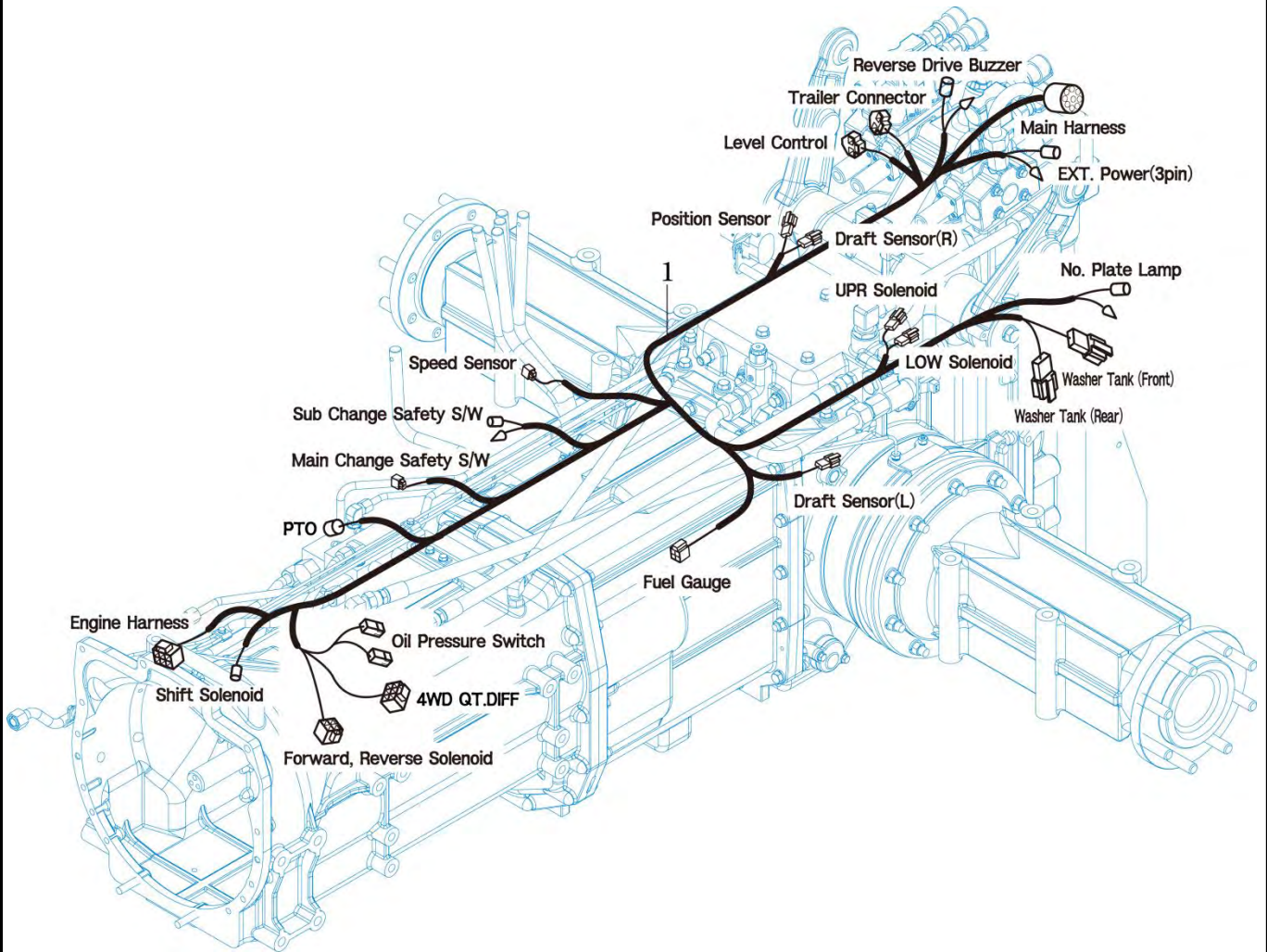
P1

YEAR

2014



T1104SP / T954SP



NOTE

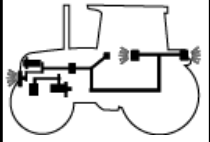
FIG 807

ELECTRIC SYSTEM (6)

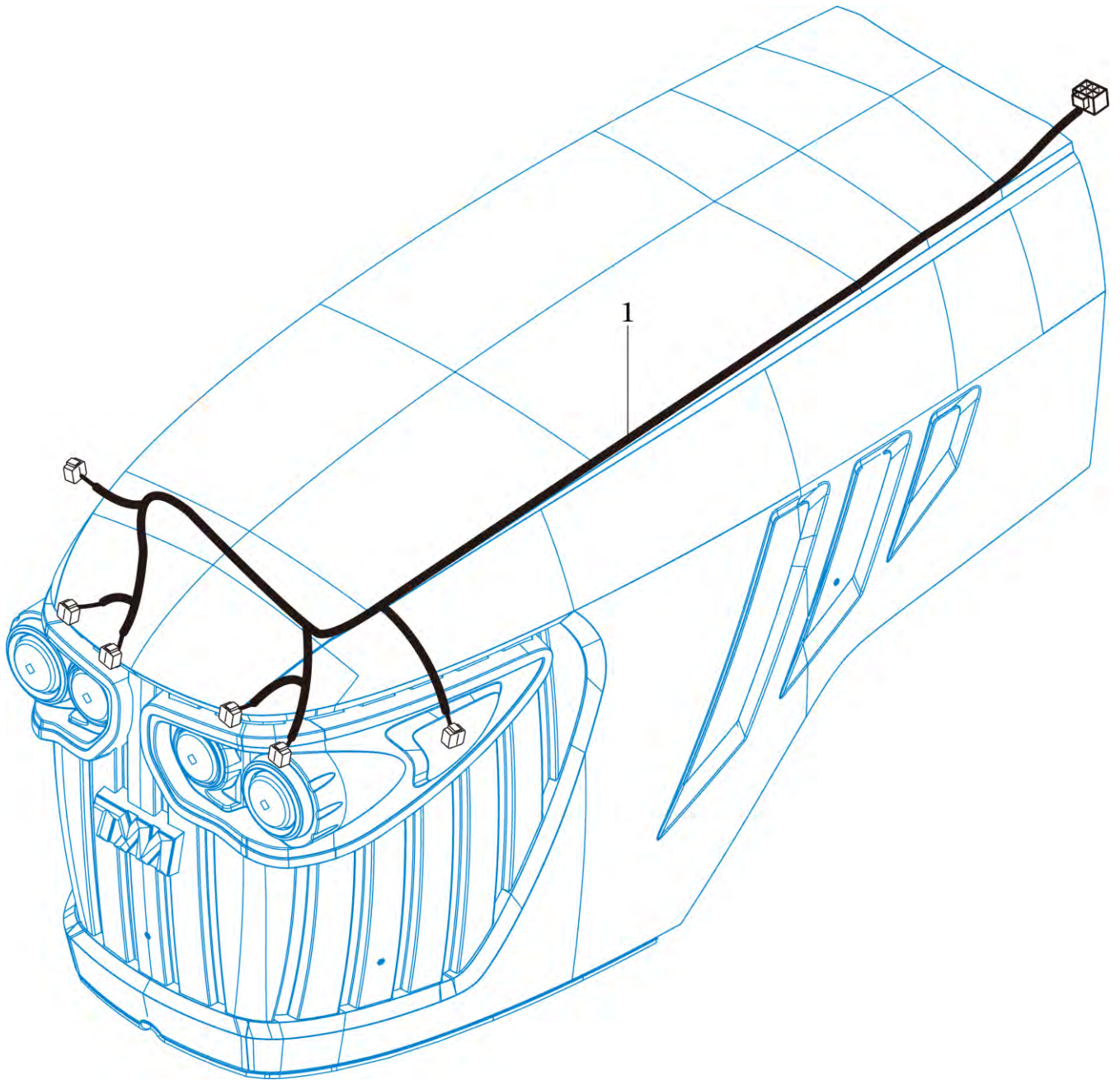
P1

YEAR

2014



T1104SP / T954SP



NOTE

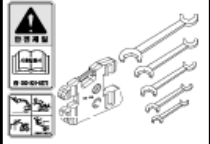
FIG 901

TOOL & ACCESSORY

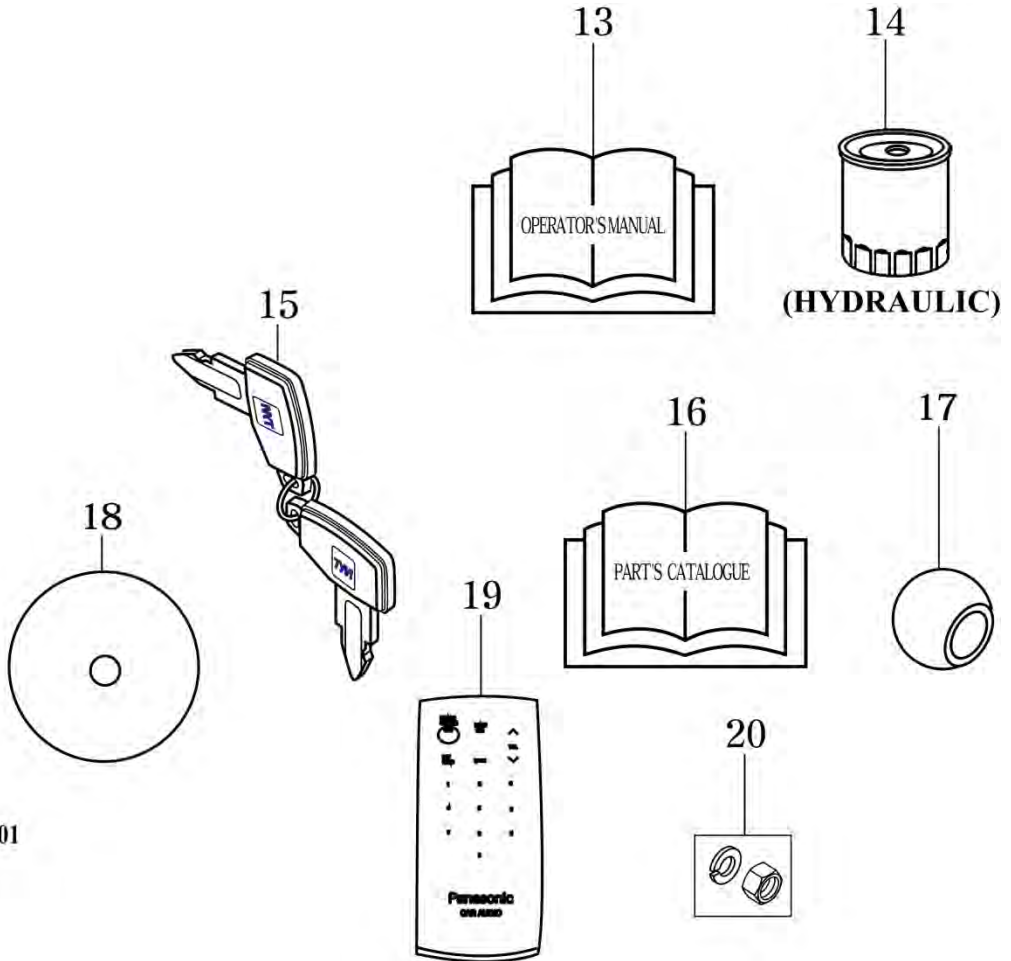
P1

YEAR

2014



T1104SP / T954SP



T1054-U-901

NOTE

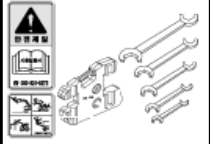
FIG 903B

LABEL

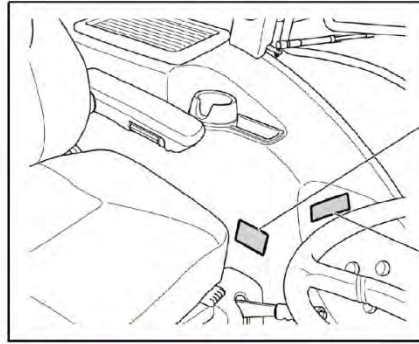
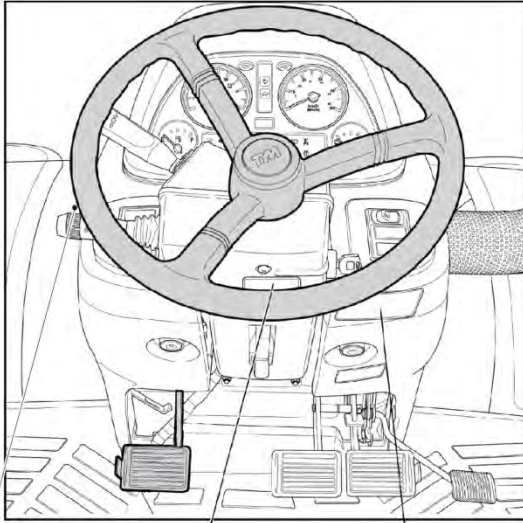
P1

YEAR

2014



T1104SP / T954SP



WARNING

Always apply the park brake when parking. Failure to do so can cause accidents and damages.

1

DANGER

Do not ride except operator.

2

DANGER

Rotating driveline contact can cause death. KEEP AWAY! Keep all drive line. Tractor and equipment shields in place during operation.

3

WARNING

Attach implements and trailers to the tractor only using the prescribed drawbar or hitch.

4



WARNING

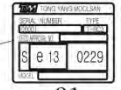
Do not adjust the tilt handle when traveling.

5

WARNING

Brake pedals must always be locked together when travelling on the highway. This will ensure uniform braking and provides maximum stopping ability sharp turns must only be made at SLOW speeds.

6



REPLACEMENT TIME

If part of green in indicator be changed red. change filter element.

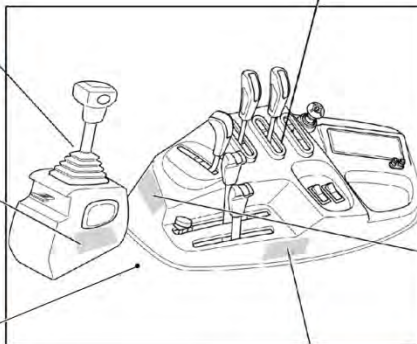
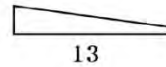
10



WARNING

Do not use the accelerator lever except working on the field.

9

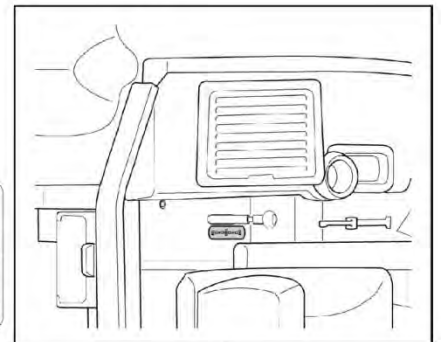


WARNING

LOCK ← UNLOCK
LOCK BUTTEN

Push the button to lock position with joystick lever is neutral whenever the implement is not operation.

14



WARNING

Always set the knob to lock when:
1. Traveling on the road
2. Replacing blades on an implement
3. Making adjustment to an implement
Sudden dropping of an implement can cause serious injury or death

19

WARNING

Do not use the sub shift lever at "H" position when driving backward.

16



NOTE