

# Parts Catalogue

## T394SH



**TYM** [www.tym.co.kr](http://www.tym.co.kr)  
**TONGYANG MOOLSAN CO., LTD.**

Printed : 2016 /09 Version  
Part number of this book :1234 912 003 0

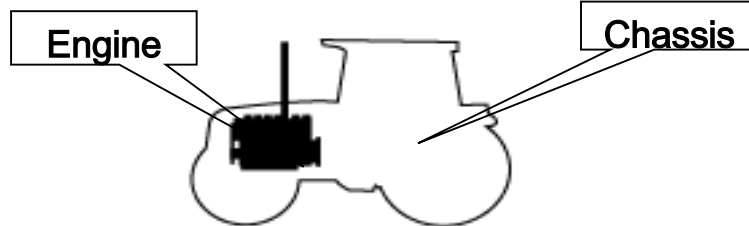
# Important tips of Parts Catalogue

We thank you for your purchasing our product, manufactured under strict quality control, by gathering plenty of experiences and new technology, designed for a comfort and pleasant work.

## 1. Part Composition

This catalogue deals with engine and chassis.

Detailed classifications are listed in the following page.



## 2. For locating parts easily, Please Note:

A. If you know the assembly where the part is used.

-Refer to the relevant figure from the identifying group symbol illustration,

-Locate the relevant chapter

-Refer to the particular chapter desired.

## 3. For ordering parts

To obtain spare parts please contact your nearest dealer and give him the details listed below.

- ① Tractor Model : Tractor
- ② Tractor Serial Number : W050000
- ③ Part Number : 16001032000
- ④ Description : Air cleaner assembly
- ⑤ Quantity required: 1



Serial Number

## 4. For ordering PARTS CATALOGUE

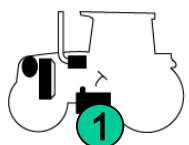
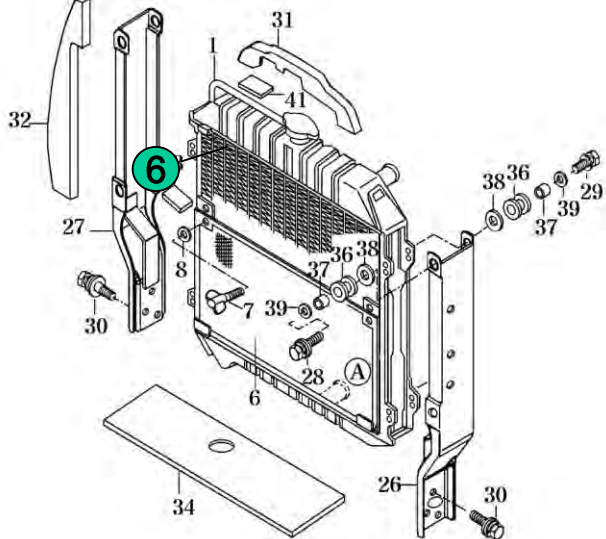
This is Priced item and one is to order the same on part No. 13219400020

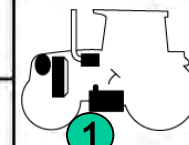
This supersedes all our editions.

Note) When replacing parts, please use original spare parts to be sure of the performance and the longer life of the product

※ The information in this catalogue may at any time be modified without a prior notice for the improvement of performance, please consult our spare parts dept. for the detailed inquiry.

## 5. How to use parts catalogue

<b>FIG 021</b> <span style="border: 1px solid black; border-radius: 50%; padding: 2px;">2</span>	<span style="border: 1px solid black; border-radius: 50%; padding: 2px;">3</span> <b>RADIATOR</b>	<b>P</b> <span style="border: 1px solid black; border-radius: 50%; padding: 2px;">4</span>	Year <span style="border: 1px solid black; border-radius: 50%; padding: 2px;">5</span> 2016	 <span style="border: 1px solid black; border-radius: 50%; padding: 2px;">1</span>
				
NOTE	<span style="border: 1px solid black; border-radius: 50%; padding: 2px;">13</span>			

<b>FIG 021</b> <span style="border: 1px solid black; border-radius: 50%; padding: 2px;">2</span>	<span style="border: 1px solid black; border-radius: 50%; padding: 2px;">3</span> <b>RADIATOR</b>	<b>P1</b> <span style="border: 1px solid black; border-radius: 50%; padding: 2px;">4</span>	Year <span style="border: 1px solid black; border-radius: 50%; padding: 2px;">5</span> 2016	 <span style="border: 1px solid black; border-radius: 50%; padding: 2px;">1</span>			
KEY NO	PART NO	PART NAME	SPEC	QTY	REPAIR	E/G SERIAL NO	REMARKS
023 001	14571042001	RADIATOR SET		1			
023 002	14571042101	RADIATOR SET		1			
023 003	14571042171	SHROUD		1			
<span style="border: 1px solid black; border-radius: 50%; padding: 2px;">6</span> 023 006	<span style="border: 1px solid black; border-radius: 50%; padding: 2px;">7</span> 14571042001HB	NET COMP <span style="border: 1px solid black; border-radius: 50%; padding: 2px;">8</span>					
023 007	V27 0012	BOLT, WING	M6X12 <span style="border: 1px solid black; border-radius: 50%; padding: 2px;">9</span>	<span style="border: 1px solid black; border-radius: 50%; padding: 2px;">10</span>	<span style="border: 1px solid black; border-radius: 50%; padding: 2px;">11</span>	<span style="border: 1px solid black; border-radius: 50%; padding: 2px;">12</span>	<span style="border: 1px solid black; border-radius: 50%; padding: 2px;">14</span>
NOTE	<span style="border: 1px solid black; border-radius: 50%; padding: 2px;">13</span>						

① Group Indication : Indicate the relevant location of the part with a symbol illustration.

② Figure Number: Indicate the relevant section of the machine with a figure number.

③ Section Name : Indicate the section name of the machine

④ Section Page : Page number of the section in this catalogue.

⑤ Date : Show the Year of the section made or updated

⑥ Key number : Indicating number of each parts in the illustration.

⑦ TYM Part Number : Unique part number maintained in our system

The part number starting with V or W means it is TYM s standard part

The alphabet at the end of part number means the status of material or the color of paint

Legend : M:Machining, DG:Dark Gray, BR:Bright Red, SW:Summer White,  
DD:Heat proof Black, PB:Pure Black, TY: Tangerine Yellow,  
GB:Glossy Black, JY:JCB Yellow, MS:JCB Silver etc.

⑧ JCB Part Number : Unique part number maintained in JCB

⑨ Description : Description of a part, Abbreviation means as follows.

- Indicate the mixture condition of a part

ASSY : Assembly with a mixture of several parts, so can be broke up retaining their original form

COMP : Assembly with a mixture of several parts, but can not be broke up retaining their original form

SUB : mean the same as ASSY but used in lower level in aid.

SET : Part consist of ASSY, COMP, and part(s) as a group

- Indicate the location of a part

LH : Left, RH : Right, FR : Front, RR : Rear, UPR : Upper, LOW : Lower

⑩ Type : Type of the standard items like bolt or nut

⑪ Quantity : Total quantity of the part referred to in the page.

Symbol below indicate options. So, show the quantity of each option.

Note) AR means as requested quantity.

⑫ Repair Parts consumption frequency class: indicate the level of a part in aid of stocking spares, anticipating the service requirements.

A :Fast moving part (frequently required)

B :Medium moving part (sometimes required)

C :Slow moving part (rarely required)

⑬ Modification :

Year/Month~ : From which the change starts

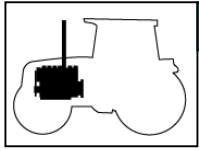
~Year/Month : To which the part installed

⑭ Notes : explain some reference data

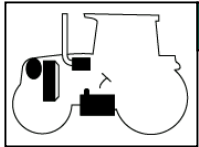
⑮ Remark : indicate reference data or abbreviation in the content.



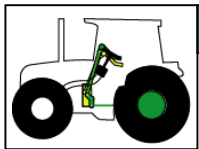
# ENGINEERING GROUP INDEX



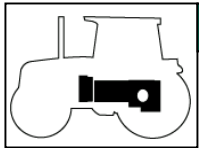
**1** ENGINE



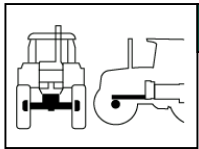
**2** ENGINE ACCESSORIES & CONTROL



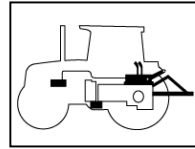
**3** CLUTCH, BRAKE, STEERING



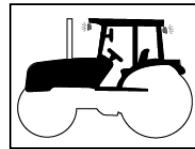
**4** TRANSMISSION & REAR AXLE



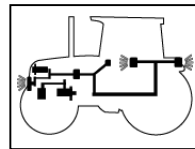
**5** FRONT AXLE, SUPPORTER & DRIVE SHAFT



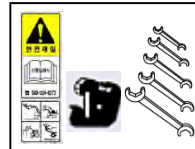
**6** HYDRAULICS & 3-POINT LINK



**7** SHEET METAL & CABIN



**8** ELECTRICALS & HARNESS



**9** WEIGHT, LABEL, TOOLS

067 020	12305180020
077 036	12403160020
036 005	13022250030
037 010	13022250131
041 005	13022250232
046 002	13022250333

**10** NUMERICAL INDEX

# CONTENTS

## ENGINE

### 1 ENGINE

FIG 101 CYLINDER BLOCK-----	04
FIG 102 GEAR HOUSING-----	06
FIG 103 FLYWHEEL HOUSING & OIL SUMP-----	08
FIG 104 CYLINDER HEAD & BONNET-----	10
FIG 105 SUCTION MANIFOLD-----	14
FIG 106 EXHAUST MANIFOLD-----	16
FIG 107 DIESEL PARTICULATE FILTER(DPF)-----	18
FIG 108 CAMSHAFT & DRIVING GEAR-----	20
FIG 109 CRANKSHAFT & PISTON-----	22
FIG 110 LUB.OIL SYSTEM-----	24
FIG 111 COOLING WATER SYSTEM-----	26
FIG 112 FUEL SUPPLY PUMP-----	28
FIG 113 FUEL INJECTION VALVE-----	30
FIG 114 FUEL PIPE-----	32
FIG 115 STARTER MOTOR-----	34
FIG 116 GENERATOR-----	36
FIG 117 ELECTRONIC CONTROL UNIT(ECU)-----	38
FIG 118 ELECTRIC PARTS-----	40

# CHASSIS

## 2 ENGINE ACCESSORIES & CONTROL

FIG 201 AIR CLEANER-----	48
FIG 202 RADIATOR-----	50
FIG 203 MUFFLER-----	52
FIG 204 FUEL TANK & HOSE -----	54
FIG 205 OIL COOLER-----	56

## 3 CLUTCH,BRAKE,STEERING

FIG 301 FLYWHEEL & CLUTCH-----	62
FIG 302 BRAKE PEDAL-----	64
FIG 303 BRAKE-----	66
FIG 304 FRONT WHEEL MOUNTING-----	68
FIG 305 REAR WHEEL MOUNTING-----	70
FIG 306 STEERING WHEEL & DASH COVER-----	72
FIG 307 STEERING VALVE & TILT-----	74
FIG 308 STEERING CYLINDER-----	76

## 4 TRANSMISSION & REAR AXLE

FIG 401 TRANSMISSION FRONT CASE-----	82
FIG 402 HST-----	84
FIG 403 MID CASE-----	86
FIG 404 4WD DRIVE GEAR-----	88
FIG 405 INPUT GEAR-----	90
FIG 406 SUB CHANGE GEARS-----	92

FIG 407 PINION GEARS-----	94
FIG 408 P.T.O DRIVE SHAFT-----	96
FIG 409 P.T.O CHANGE GEARS-----	98
FIG 410 DIFF LOCK-----	100
FIG 411 TRANSMISSION REAR CASE-----	102
FIG 412 REAR AXLE HOUSINGS(1)-----	104
FIG 413 REAR AXLE HOUSINGS(2)-----	106
FIG 414 MID P.T.O GEARS-----	108
FIG 415 SUB CHANGE LEVER-----	110
FIG 416 FORWARD & REVERSE CONTROL LINKAGE-----	112
FIG 417 CRUISE CONTROL KIT(OPTION)-----	114
FIG 418 4WD CHANGE LEVER-----	116

## 5 FRONT AXLE

FIG 501 FRONT AXLE BRACKET -----	122
FIG 502 FRONT DIFFERENTIAL GEARS -----	124
FIG 503 FRONT AXLE HOUSING-----	126
FIG 504 FRONT GEAR CASE (1)-----	128
FIG 505 FRONT GEAR CASE (2)-----	130

## 6 HYDRAULICS & 3-POINT LINK

FIG 601 GEAR PUMP-----	136
FIG 602 CYLINDER CASE -----	138
FIG 603 LIFT ARM-----	140
FIG 604 CYLINDER-----	142
FIG 605 POSITION LINK(1)-----	144
FIG 606 POSITION LINK(2)-----	146
FIG 607 CONTROL VALVE-----	148
FIG 608 POSITION LEVER-----	150
FIG 609 HYDRAULIC PIPE(1)-----	152
FIG 610 HYDRAULIC PIPE(2)-----	154
FIG 611 EXTERIOR HYD.VALVE-----	156
FIG 611-1 VALVE Kit-----	158
FIG 612 3-POINT LINK-----	160
FIG 613 HITCH & COVER-----	162

**7****SHEET METAL & CABIN**

FIG 701 HOOD (1)-----	168
FIG 702 HOOD (2)-----	170
FIG 704 FENDER & REAR FRAME-----	172
FIG 705 DASHPANEL-----	174
FIG 706 SEAT & MAT -----	176
FIG 707 DOOR -----	178
FIG 708 FRONT GLASS -----	182
FIG 709 REAR GLASS -----	184
FIG 710 SUB FENDER & COVER -----	186
FIG 711 MIRROR -----	188
FIG 712 HEATER & AIR-CON -----	190
FIG 713 FENDER COVER -----	194
FIG 714 ROOF -----	196
FIG 715 CABIN INTERIOR -----	198

**8****ELECTRICALS & HARNESS**

FIG 801 BATTERY & MOUNTING-----	204
FIG 802 LIGHTS-----	206
FIG 803 INSTRUMENT PANEL-----	208
FIG 804 ELECTRIC SYSTEM-----	210
FIG 805 HARNESS (1)-----	212
FIG 806 HARNESS (2)-----	214

**9****WEIGHT,LABEL,TOOLS**

FIG 901 TOOL & ACCESSORY-----	220
FIG 902 LABEL-----	222
FIG 903 WEIGHT-----	226

**10****NUMERICAL INDEX**

ENGINE-----	231
CHASSIS-----	235

# ENGINE

1

## ENGINE

FIG 101 CYLINDER BLOCK-----	04
FIG 102 GEAR HOUSING-----	06
FIG 103 FLYWHEEL HOUSING & OIL SUMP-----	08
FIG 104 CYLINDER HEAD & BONNET-----	10
FIG 105 SUCTION MANIFOLD-----	14
FIG 106 EXHAUST MANIFOLD-----	16
FIG 107 DIESEL PARTICULATE FILTER(DPF)-----	18
FIG 108 CAMSHAFT & DRIVING GEAR-----	20
FIG 109 CRANKSHAFT & PISTON-----	22
FIG 110 LUB.OIL SYSTEM-----	24
FIG 111 COOLING WATER SYSTEM-----	26
FIG 112 FUEL SUPPLY PUMP-----	28
FIG 113 FUEL INJECTION VALVE-----	30
FIG 114 FUEL PIPE-----	32
FIG 115 STARTER MOTOR-----	34
FIG 116 GENERATOR-----	36
FIG 117 ELECTRONIC CONTROL UNIT(ECU)-----	38
FIG 118 ELECTRIC PARTS-----	40

# CHASSIS

## 2 ENGINE ACCESSORIES & CONTROL

FIG 201 AIR CLEANER-----	48
FIG 202 RADIATOR-----	50
FIG 203 MUFFLER-----	52
FIG 204 FUEL TANK & HOSE -----	54
FIG 205 OIL COOLER-----	56



**3****CLUTCH,BRAKE,STEERING**

FIG 301 FLYWHEEL & CLUTCH-----	62
FIG 302 BRAKE PEDAL-----	64
FIG 303 BRAKE-----	66
FIG 304 FRONT WHEEL MOUNTING-----	68
FIG 305 REAR WHEEL MOUNTING-----	70
FIG 306 STEERING WHEEL & DASH COVER-----	72
FIG 307 STEERING VALVE & TILT-----	74
FIG 308 STEERING CYLINDER-----	76

**4****TRANSMISSION & REAR AXLE**

FIG 401 TRANSMISSION FRONT CASE-----	82
FIG 402 HST-----	84
FIG 403 MID CASE-----	86
FIG 404 4WD DRIVE GEAR-----	88
FIG 405 INPUT GEAR-----	90
FIG 406 SUB CHANGE GEARS-----	92
FIG 407 PINION GEARS-----	94
FIG 408 P.T.O DRIVE SHAFT-----	96
FIG 409 P.T.O CHANGE GEARS-----	98
FIG 410 DIFF LOCK-----	100
FIG 411 TRANSMISSION REAR CASE-----	102
FIG 412 REAR AXLE HOUSINGS(1)-----	104
FIG 413 REAR AXLE HOUSINGS(2)-----	106
FIG 414 MID P.T.O GEARS-----	108
FIG 415 SUB CHANGE LEVER-----	110
FIG 416 FORWARD & REVERSE CONTROL LINKAGE-----	112
FIG 417 CRUISE CONTROL KIT(OPTION)-----	114
FIG 418 4WD CHANGE LEVER-----	116

**5** FRONT AXLE

FIG 501 FRONT AXLE BRACKET -----122  
FIG 502 FRONT DIFFERENTIAL GEARS -----124  
FIG 503 FRONT AXLE HOUSING-----126  
FIG 504 FRONT GEAR CASE (1)-----128  
FIG 505 FRONT GEAR CASE (2)-----130

## **6** HYDRAULICS & 3-POINT LINK

FIG 601 GEAR PUMP-----	136
FIG 602 CYLINDER CASE -----	138
FIG 603 LIFT ARM-----	140
FIG 604 CYLINDER-----	142
FIG 605 POSITION LINK(1)-----	144
FIG 606 POSITION LINK(2)-----	146
FIG 607 CONTROL VALVE-----	148
FIG 608 POSITION LEVER-----	150
FIG 609 HYDRAULIC PIPE(1)-----	152
FIG 610 HYDRAULIC PIPE(2)-----	154
FIG 611 EXTERIOR HYD.VALVE-----	156
FIG 611-1 VALVE Kit-----	158
FIG 612 3-POINT LINK-----	160
FIG 613 HITCH & COVER-----	162

FIG 701 HOOD (1)-----	168
FIG 702 HOOD (2)-----	170
FIG 704 FENDER & REAR FRAME-----	172
FIG 705 DASHPANEL-----	174
FIG 706 SEAT & MAT -----	176
FIG 707 DOOR -----	178
FIG 708 FRONT GLASS -----	182
FIG 709 REAR GLASS -----	184
FIG 710 SUB FENDER & COVER -----	186
FIG 711 MIRROR -----	188
FIG 712 HEATER & AIR-CON -----	190
FIG 713 FENDER COVER -----	194
FIG 714 ROOF -----	196
FIG 715 CABIN INTERIOR -----	198

**8****ELECTRICALS & HARNESS**

FIG 801 BATTERY & MOUNTING-----	204
FIG 802 LIGHTS-----	206
FIG 803 INSTRUMENT PANEL-----	208
FIG 804 ELECTRIC SYSTEM-----	210
FIG 805 HARNESS (1)-----	212
FIG 806 HARNESS (2)-----	214

**9**

**WEIGHT,LABEL,TOOLS**

**FIG 901 TOOL & ACCESSORY-----220**  
**FIG 902 LABEL-----222**  
**FIG 903 WEIGHT-----226**



**10**

**NUMERICAL INDEX**

**ENGINE-----231**  
**CHASSIS-----235**

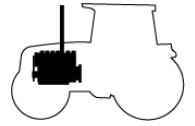
FIG 101

CYLINDER BLOCK

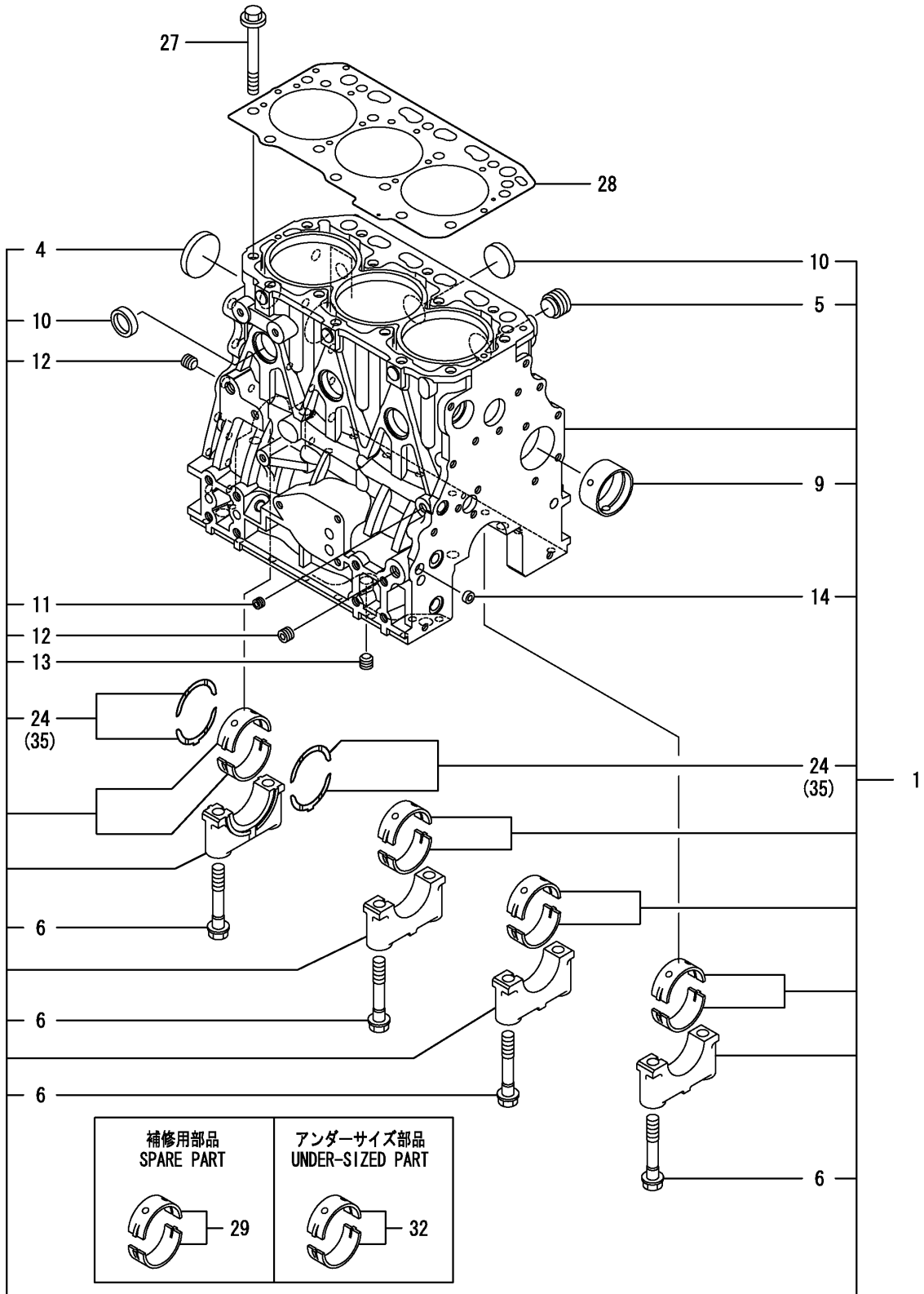
P1

Year

2016



T394



NOTE



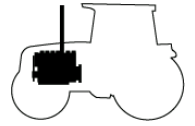
FIG 102

GEAR HOUSING

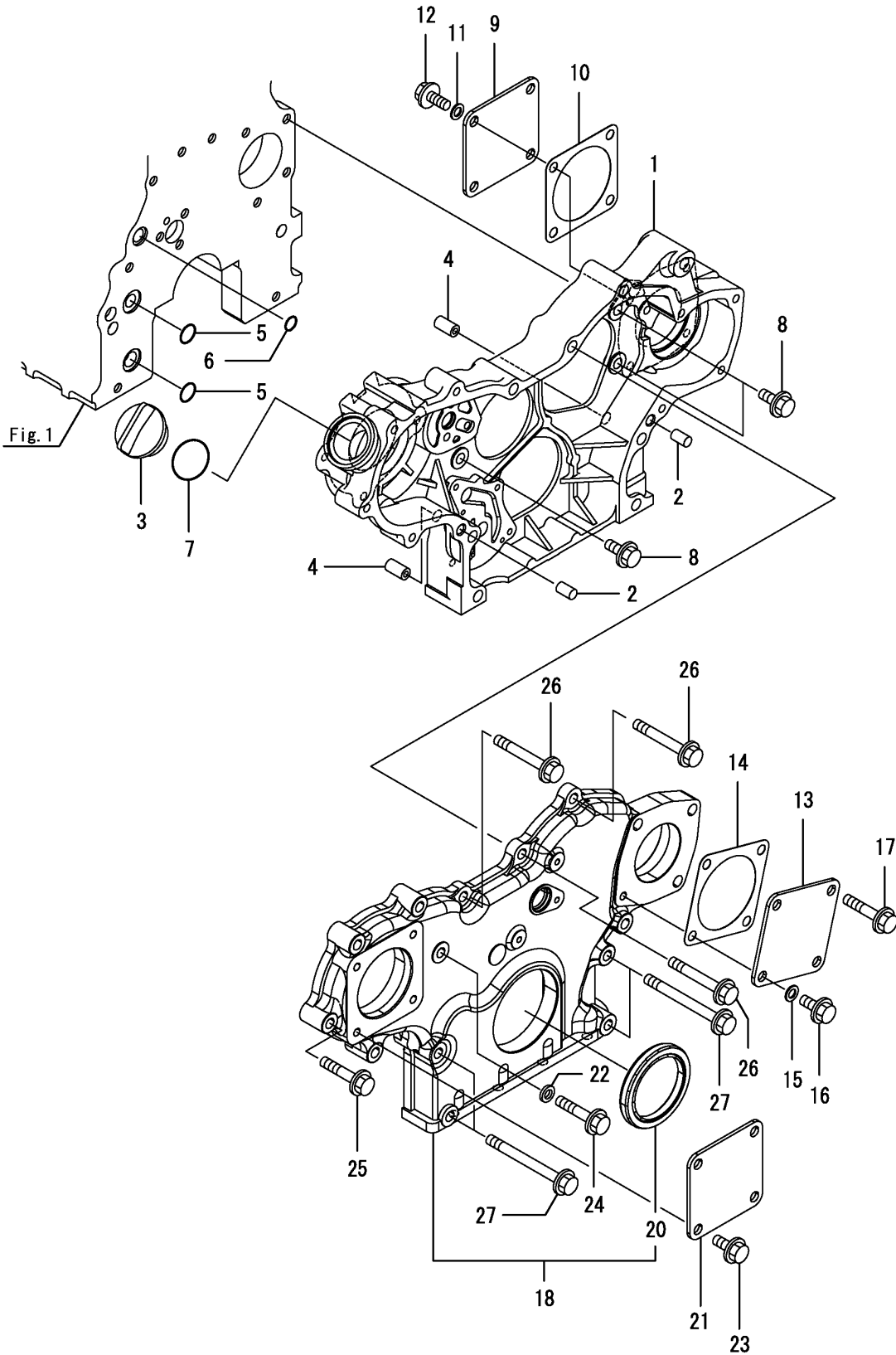
P1

Year

2016



T394



NOTE



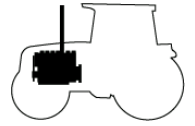
FIG 103

# FLYWHEEL HOUSING & OIL SUMP

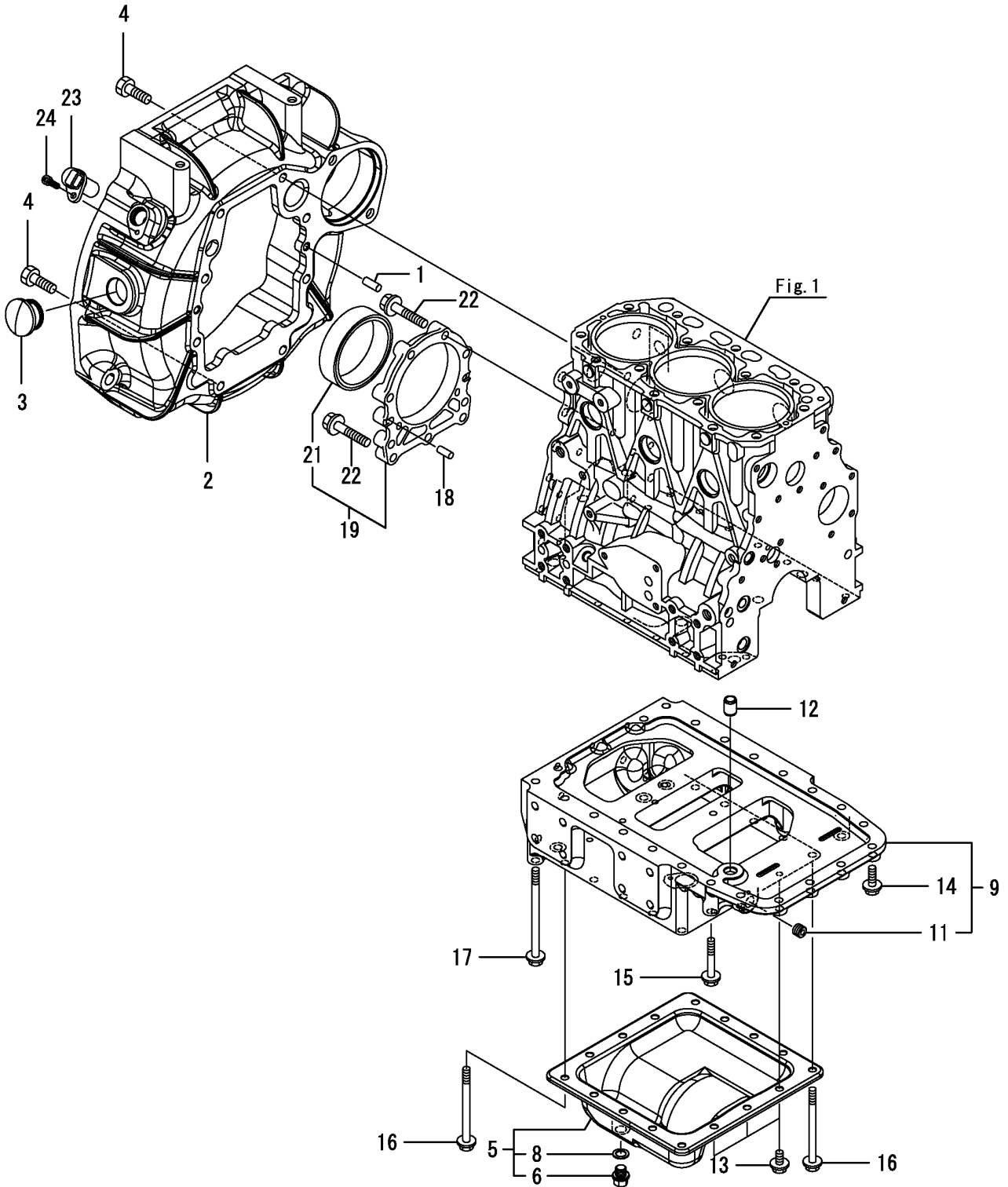
P1

Year

2016



T394



NOTE





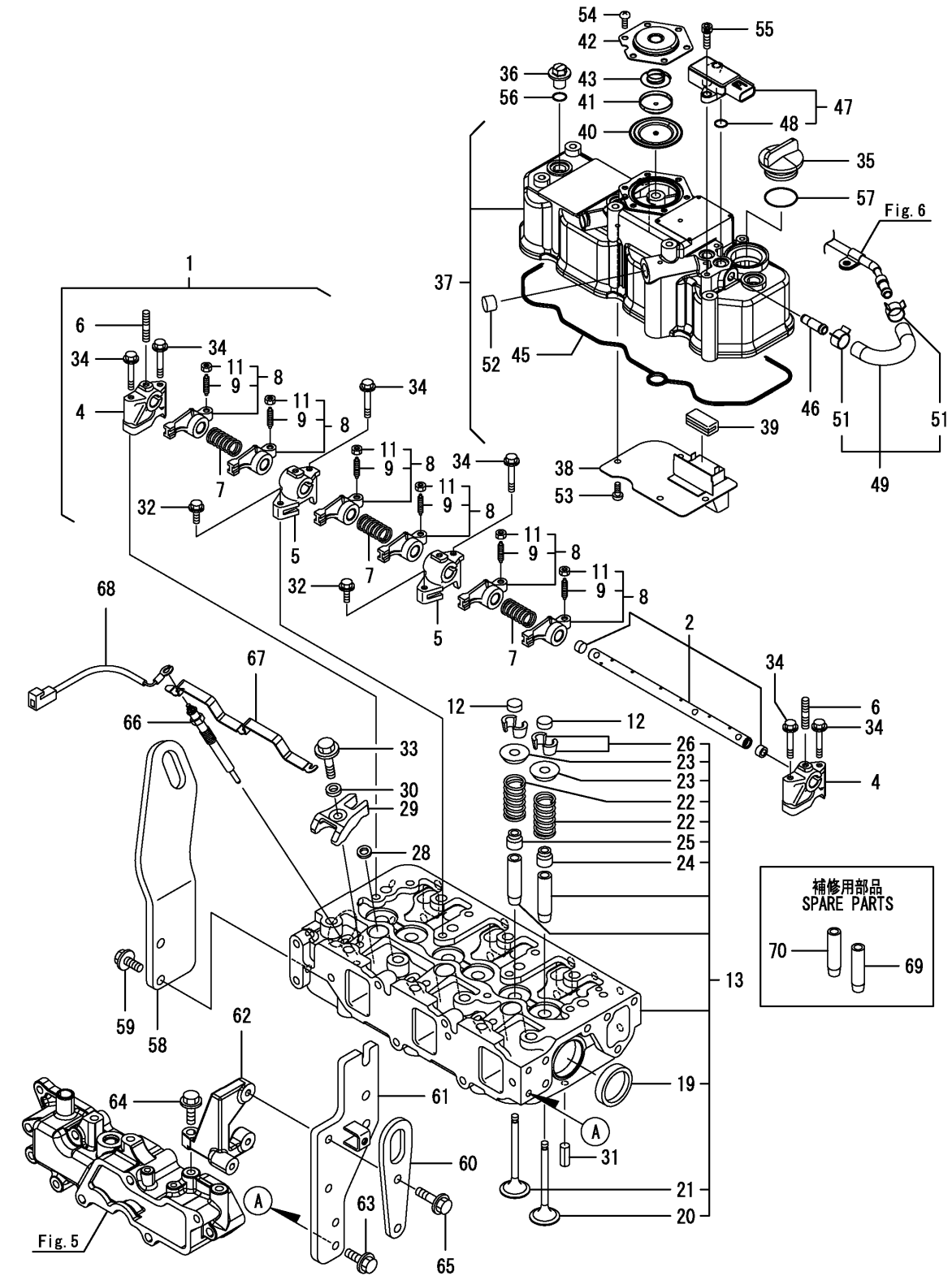
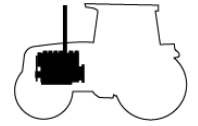
# FIG 104

# CYLINDER HEAD & BONNET

P1

Year

2016



補修用部品  
SPARE PARTS

70 — 69

NOTE

FIG 104		CYLINDER HEAD & BONNET			P1	Year	
T394						2016	
KEY NO.	PART NO.	DESCRIPTION	SPEC.	QTY. T394	REPAIR	ENG.SERIAL NO	REMARKS
104	1	129004-11241	SHAFT ASSY, ROCKER	1			
104	2	129004-11251	SHAFT, ROCKER ARM	1			
104	4	119802-11260	SUPPORT, ROCKER ARM	2			
104	5	119802-11270	SUPPORT, ROCKER ARM	2			
104	6	119802-11280	BOLT, STUD	3			
104	7	129150-11280	SPRING, ROCKER	3			
104	8	129004-11650	ARM ASSY, ROCKER	6			
104	9	129150-11230	SCREW, VALVE ADJUST	6			
104	11	129150-11750	NUT, M8	6			
104	12	129150-11370	CAP, VALVE	6			
104	13	129A00-11710	HEAD ASSY, CYLINDER	1			
104	19	27241-400000	PLUG, 40	2			
104	20	129005-11100	VALVE, SUCTION	3			
104	21	129100-11112	VALVE, EXHAUST	3			
104	22	129795-11120	SPRING, VALVE	6			
104	23	129795-11180	RETAINER, SPRING	6			
104	24	124460-11340	SEAL, VALVE STEM	3			
104	25	129A00-11340	SEAL, VALVE STEM	3			
104	26	27310-080001	COTTER, 8	6			
104	28	129978-11871	GASKET, INJECTOR	3			
104	29	129A00-11900	RETAINER, INJECTOR	3			
104	30	120270-54410	WASHER, INJECTOR	3			
104	31	22351-060012	PIN, SPRING 6.0X12	2			
104	32	26106-080252	BOLT, M8X 25 PLATED	2			
104	33	26106-080352	BOLT, M8X 35 PLATED	3			
104	34	26106-080502	BOLT, M8X 50 PLATED	6			
104	35	124160-01751	CAP, FILLER	1			
104	36	124160-11360	KNOB	3			
104	37	129A00-11360	BONNET ASSY	1			
104	38	129004-03010	PLATE, BAFFLE	1			
104	39	129150-03070	BAFFLE, BREATHER	1			
104	40	123907-03100	DIAPHRAGM	1			
104	41	123907-03110	PLATE	1			
104	42	123907-03120	PLATE, BREATHER	1			
104	43	123907-03140	SPRING, DIAPHRAGM	1			
104	45	129A00-11310	GASKET, BONNET	1			
104	46	129A00-11330	JOINT	1			
104	47	129978-12700	SENSOR,PRESSURE	1			
104	48	129A00-12780	O-RING,PRES SENSOR	2			
104	49	129A00-13360	HOSE ASSY, PRES EXH	1			
104	51	129A00-13380	CLIP, HOSE 14	2			
104	52	119640-61400	PLUG	1			
104	53	22857-500100	SCREW, 5X10	4			
104	54	22857-500100	SCREW, 5X10	6			
104	55	26450-060162	BOLT, M6X 16	2			
104	56	24311-000120	O-RING, 1AP12.0	3			
104	57	24311-000320	O-RING, 1AP32.0	1			
104	58	129A00-07900	LIFTER, ENGINE	1			
<b>NOTE</b>							

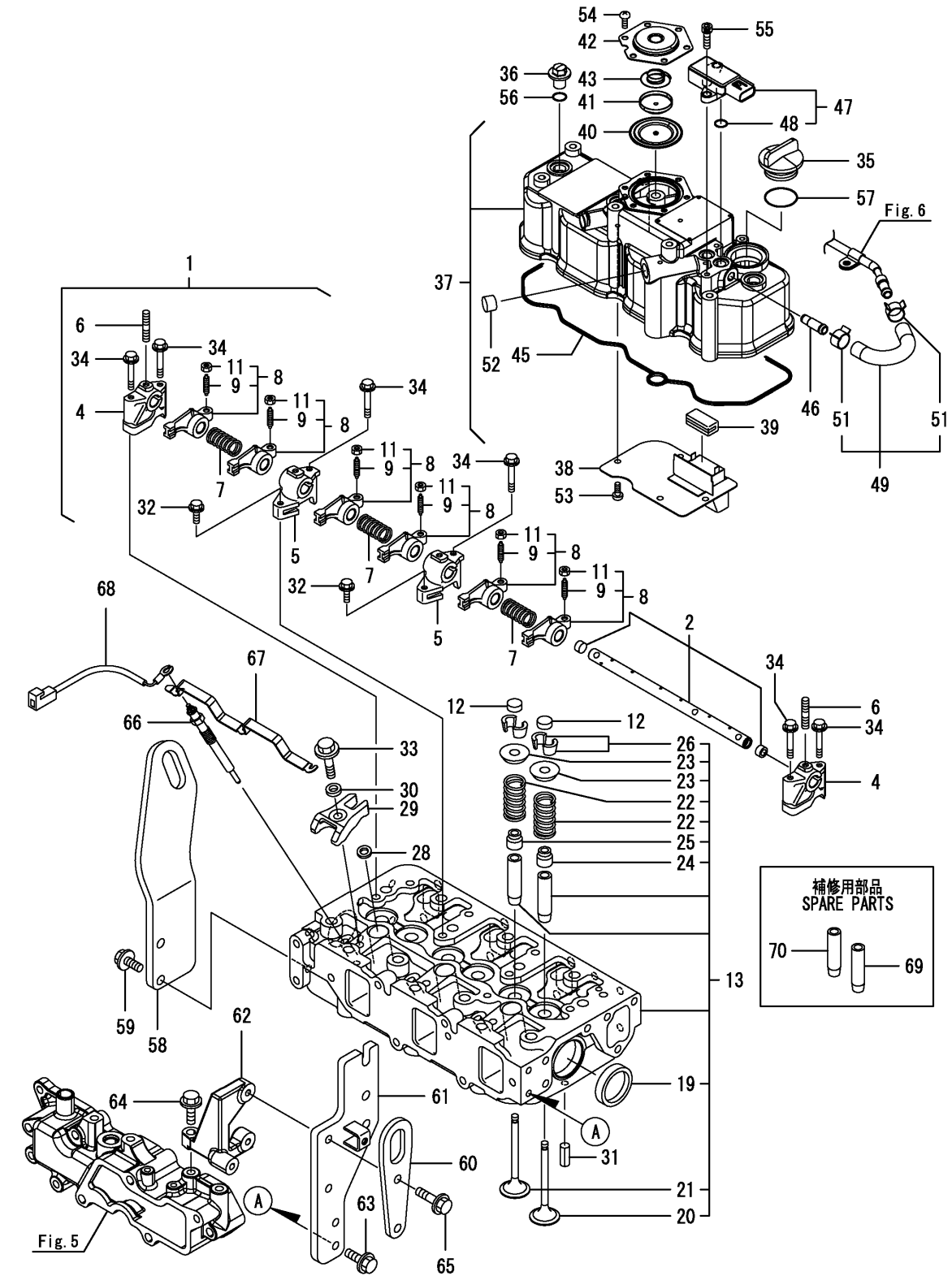
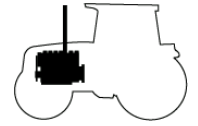
# FIG 104

# CYLINDER HEAD & BONNET

P2

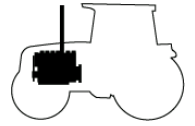
Year

2016

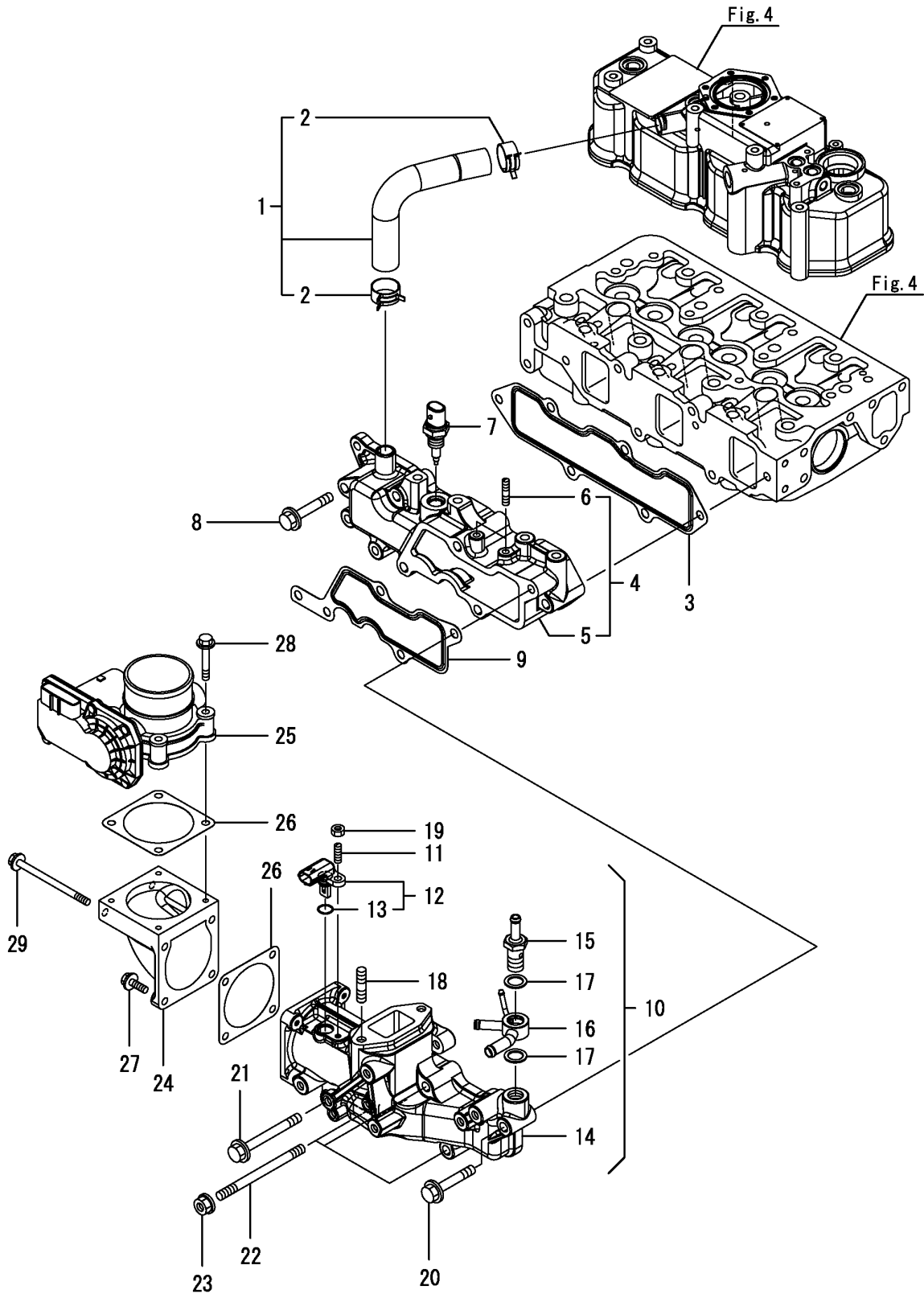


NOTE





T394



NOTE



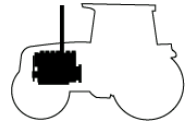
# FIG 106

# EXHAUST MANIFOLD

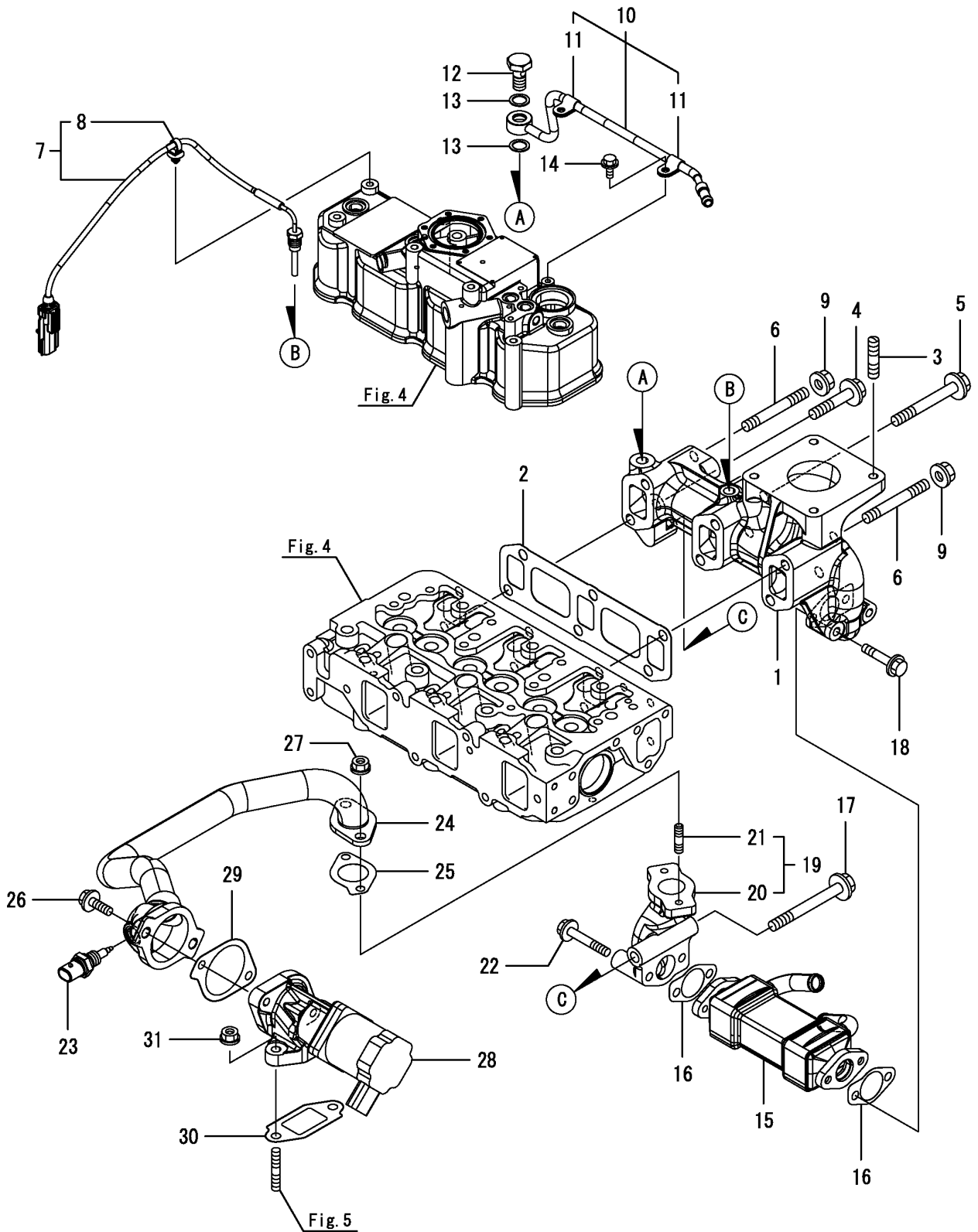
P1

Year

2016



T394



NOTE





FIG 107

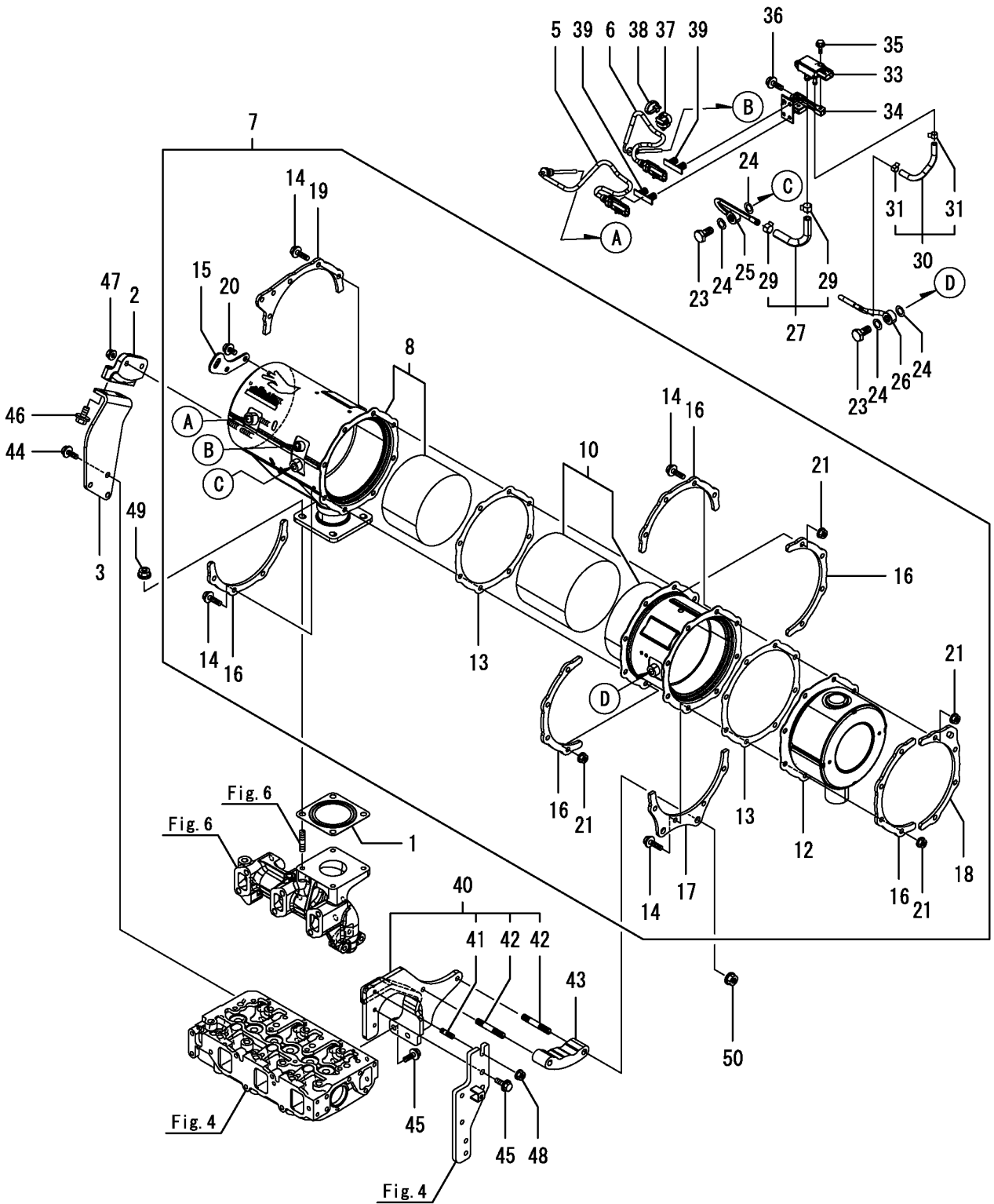
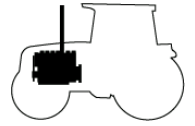
T394

# DIESEL PARTICULATE FILTER(DEF)

P1

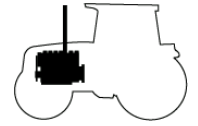
Year

2016

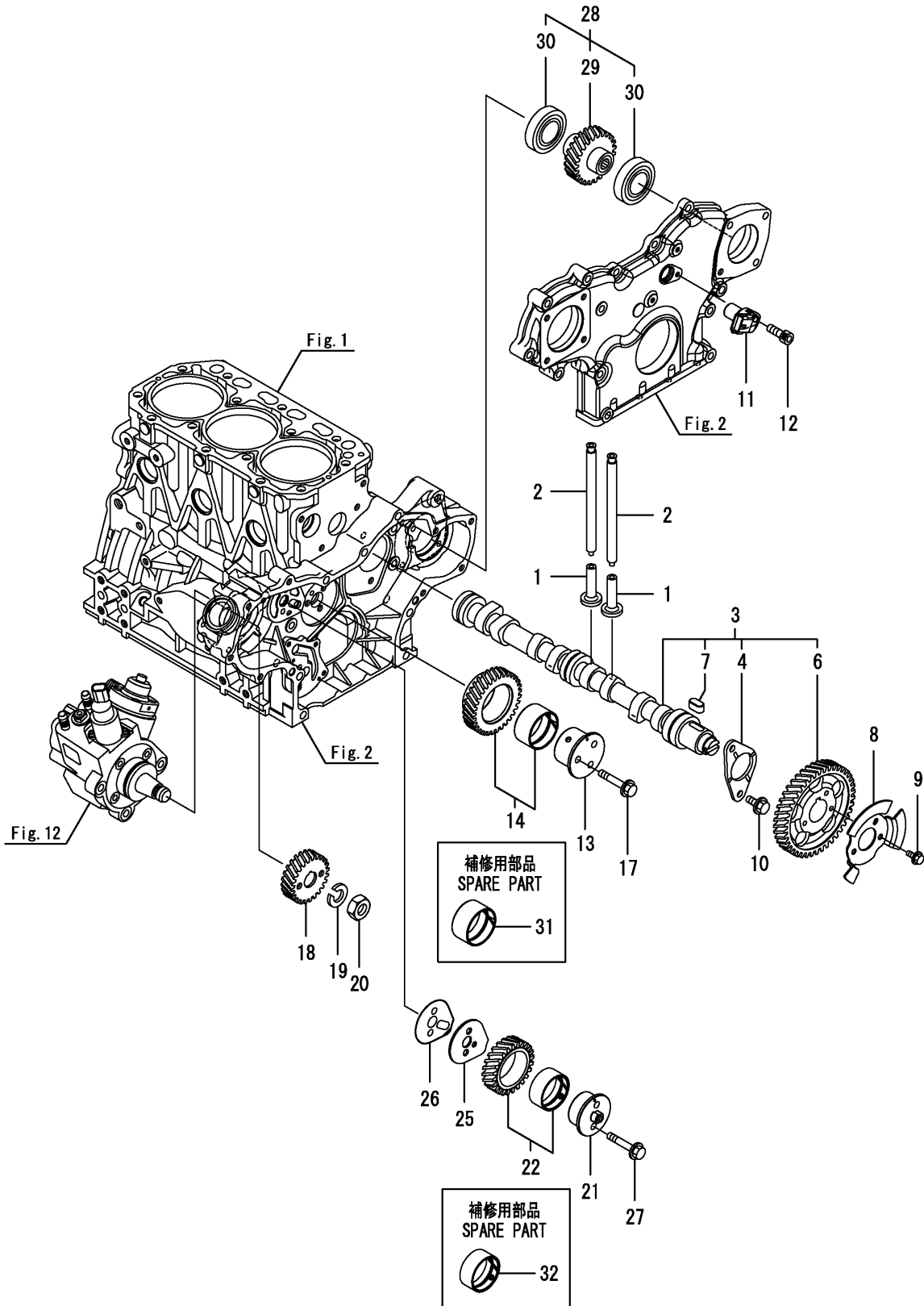


NOTE





T394



NOTE



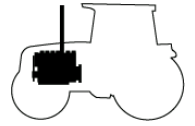
FIG 109

CRANKSHAFT & PISTON

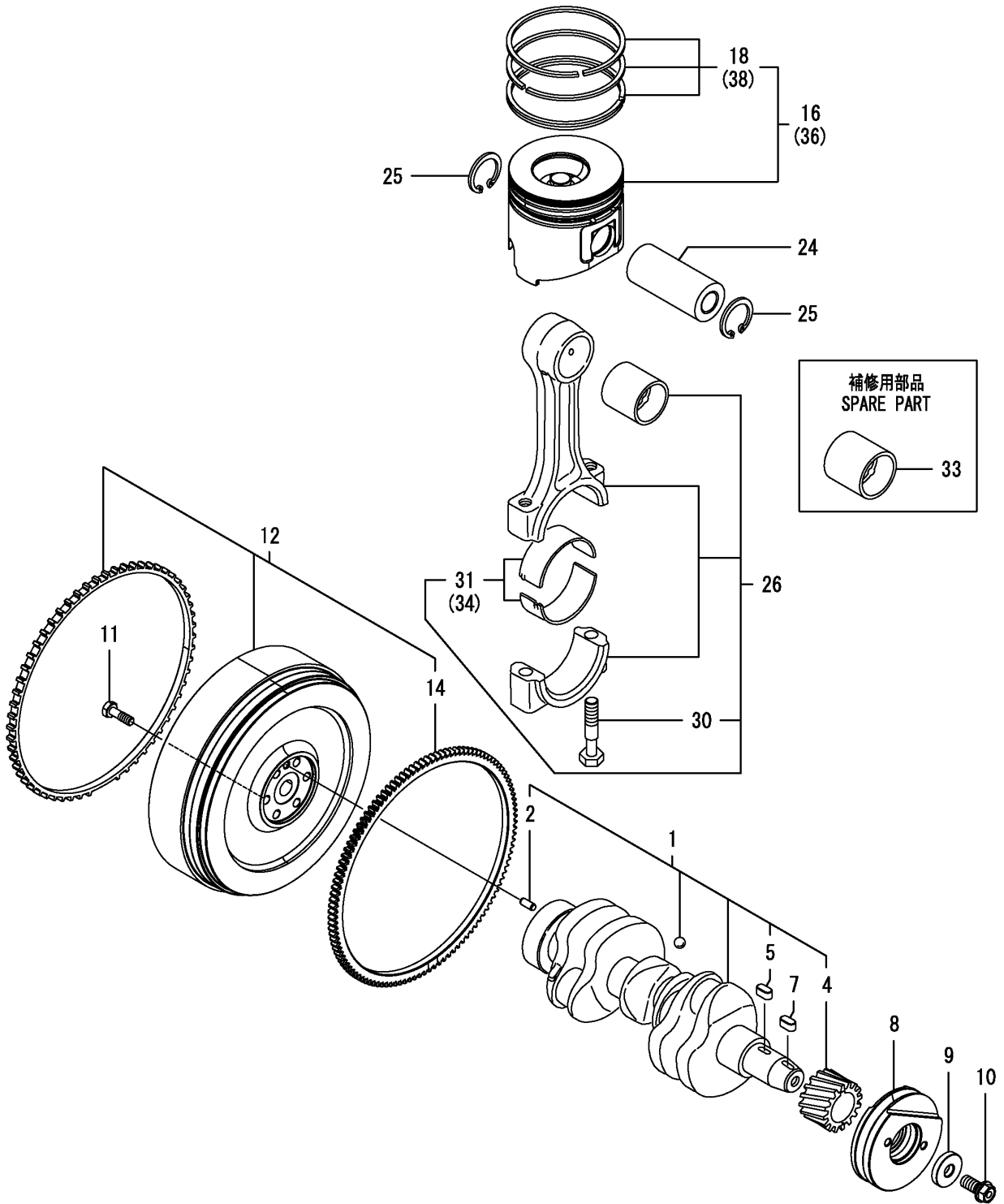
P1

Year

2016



T394



NOTE



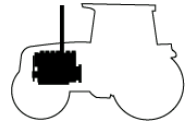
FIG 110

LUB. OIL SYSTEM

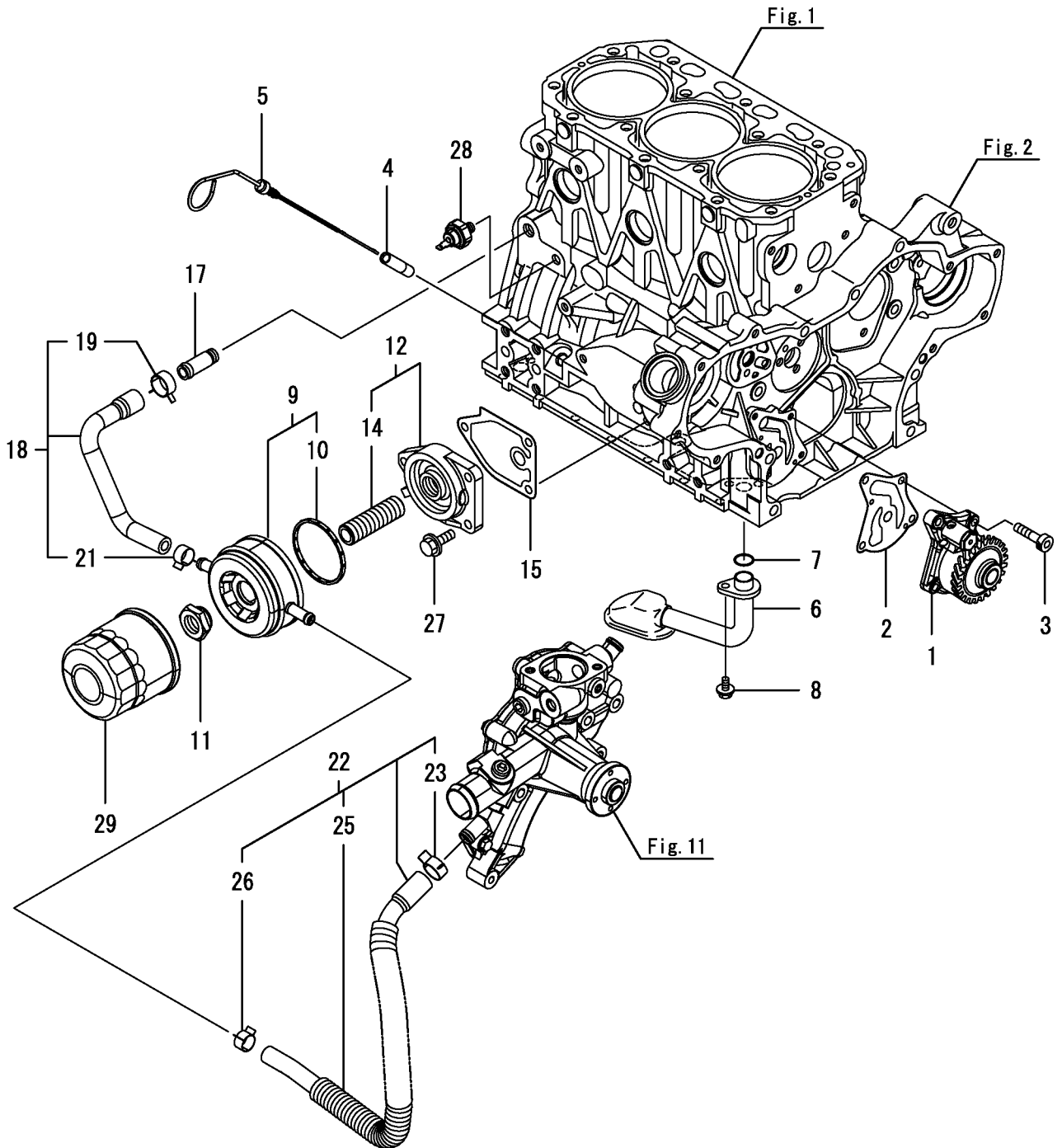
P1

Year

2016



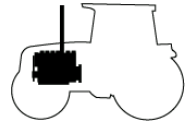
T394



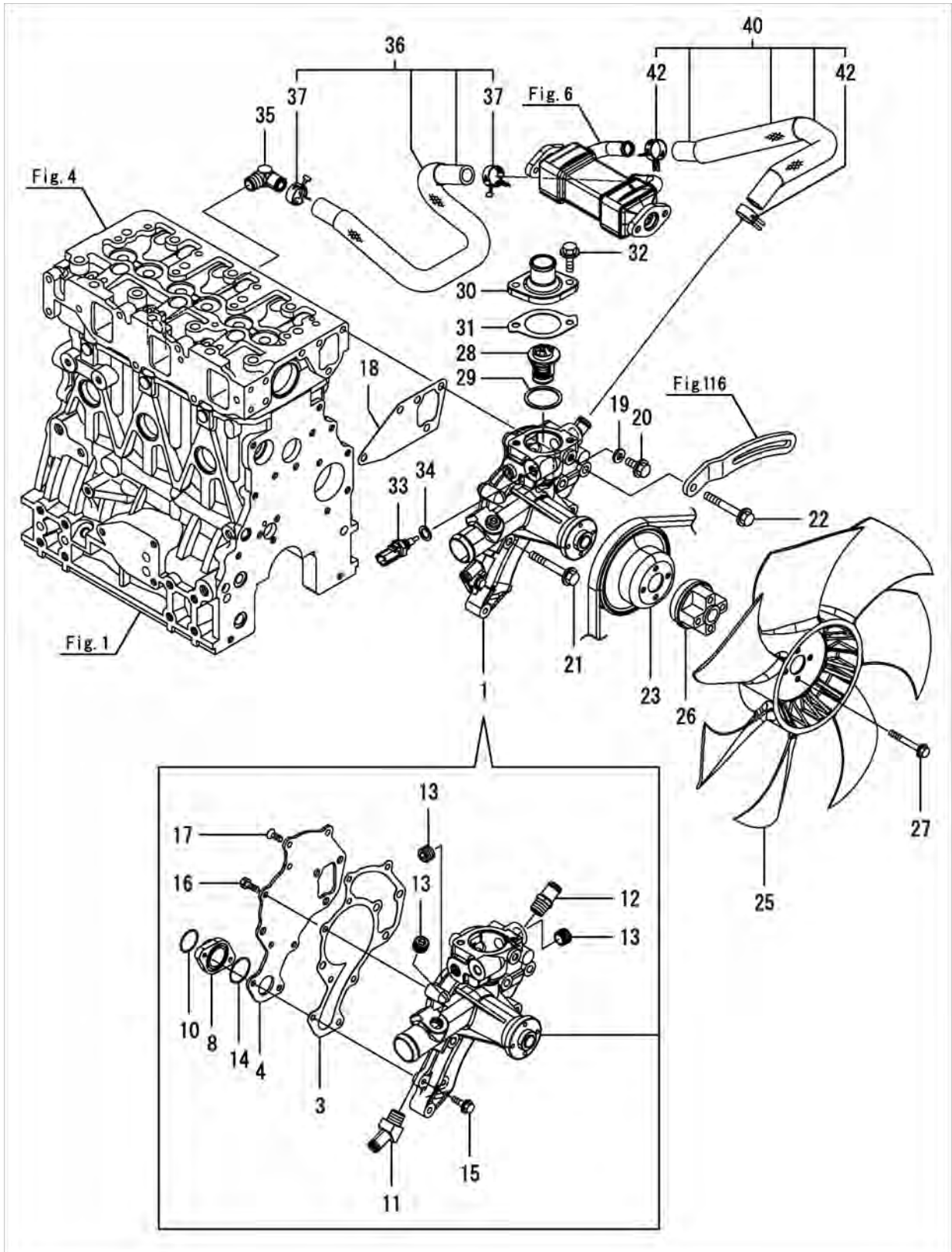
NOTE







T394



NOTE



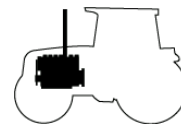
FIG 112

FUEL SUPPLY PUMP

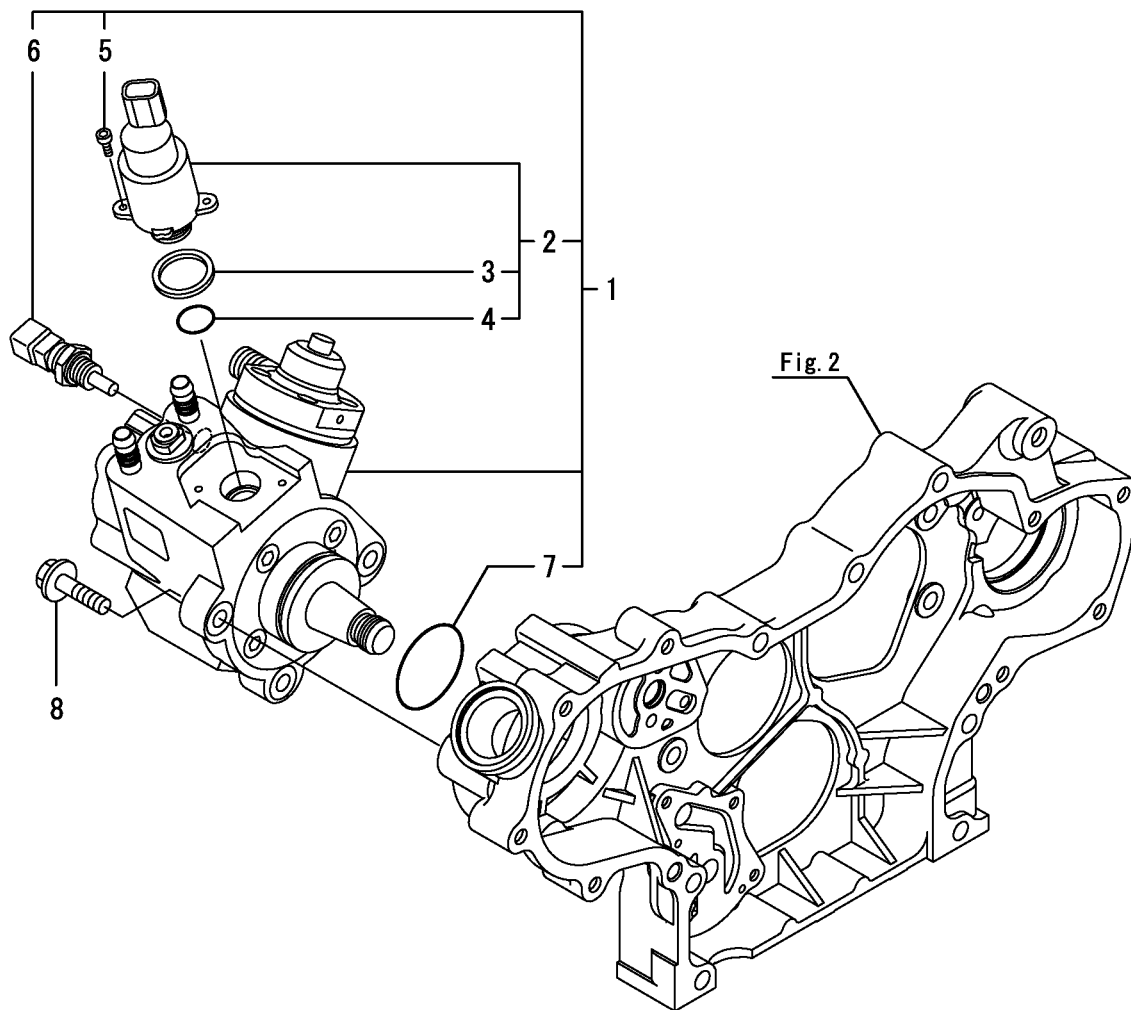
P1

Year

2016



T394



NOTE



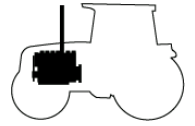
FIG 113

FUEL INJECTION VALVE

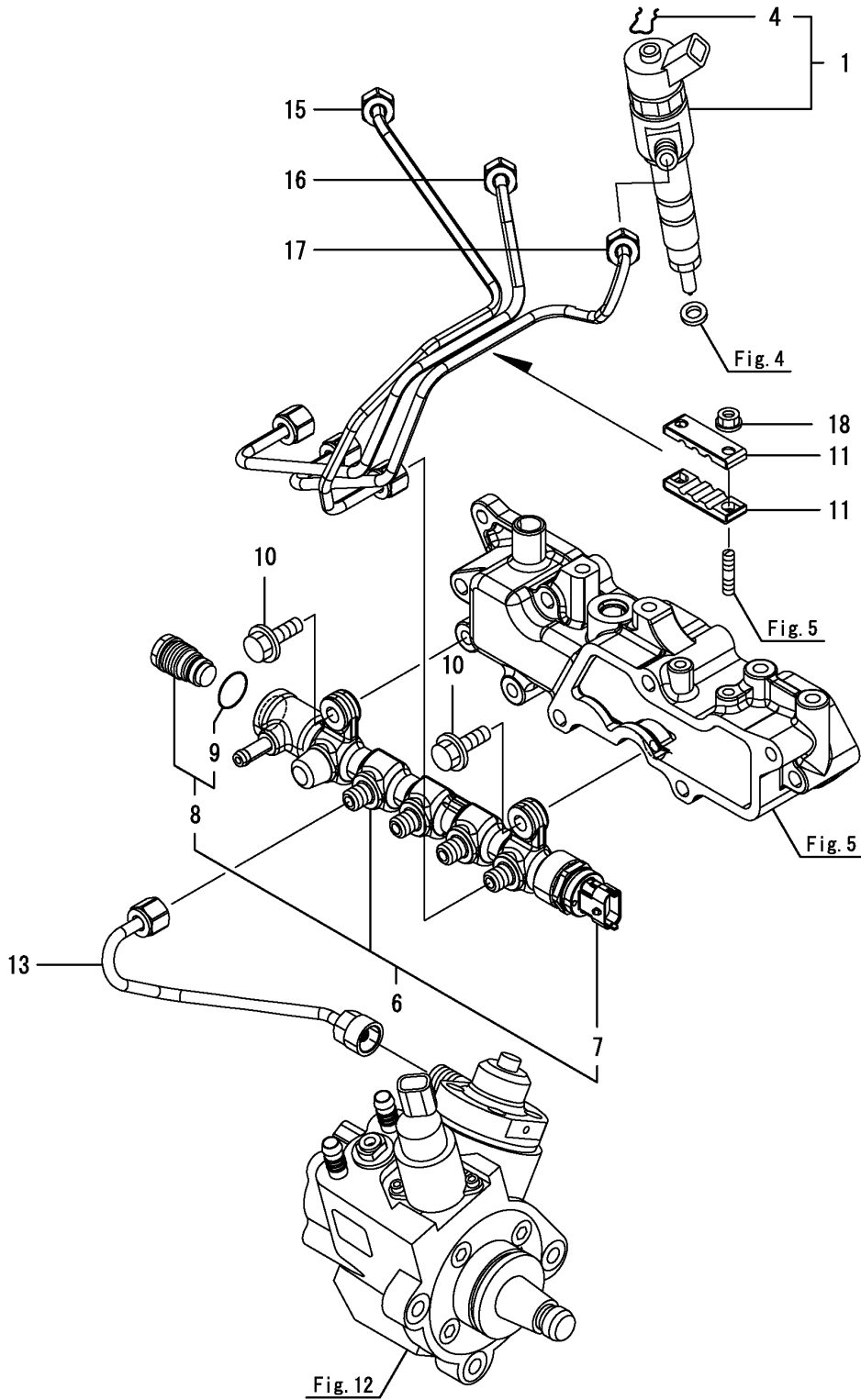
P1

Year

2016



T394



NOTE



# FIG 114

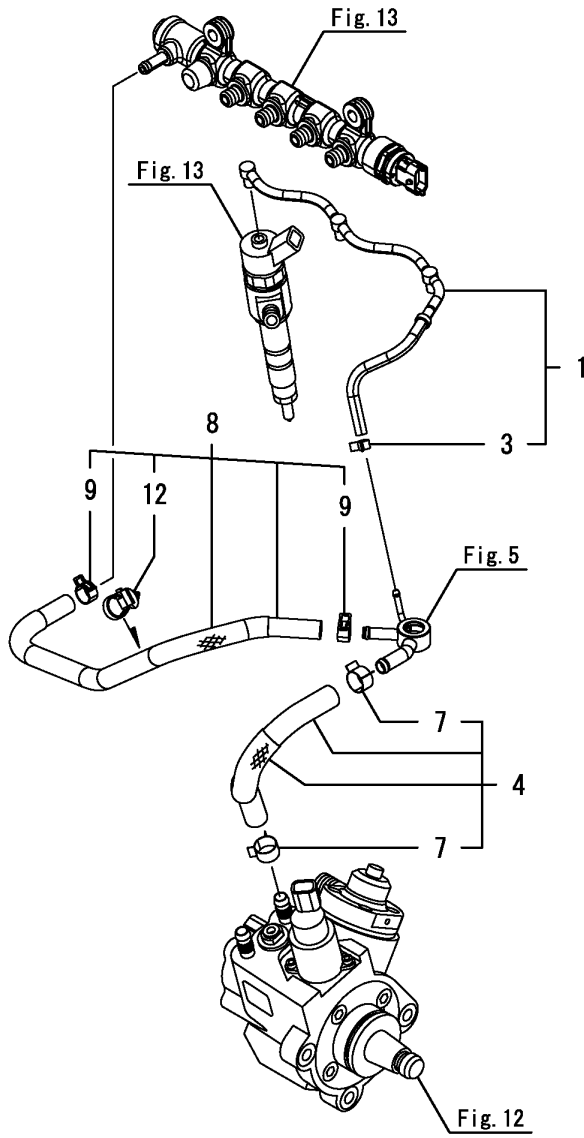
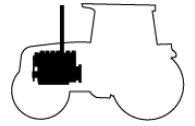
# FUEL PIPE

T394

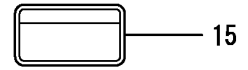
P1

Year

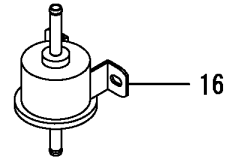
2016



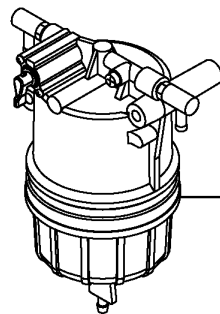
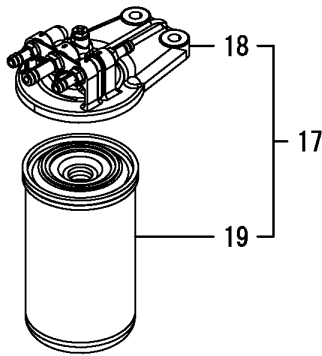
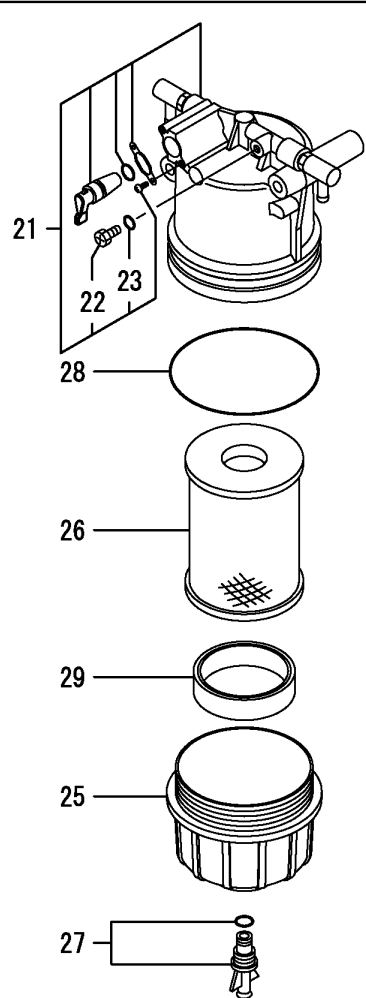
## 同梱品 LOOSE PARTS



15



16



NOTE





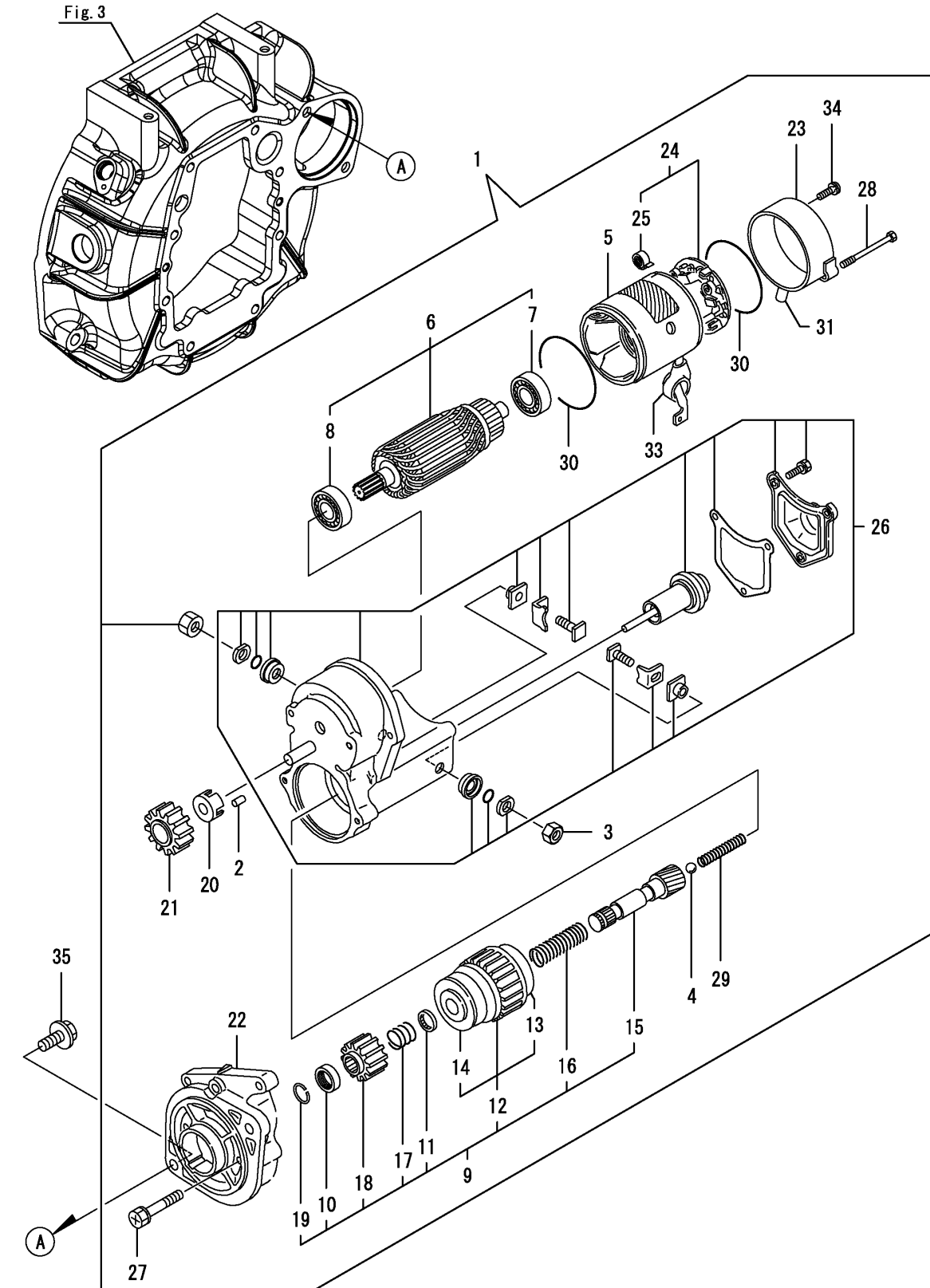
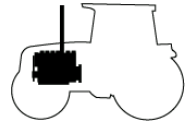
# FIG 115

# STARTER MOTOR

P1

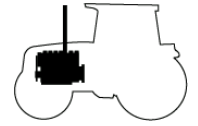
Year

2016

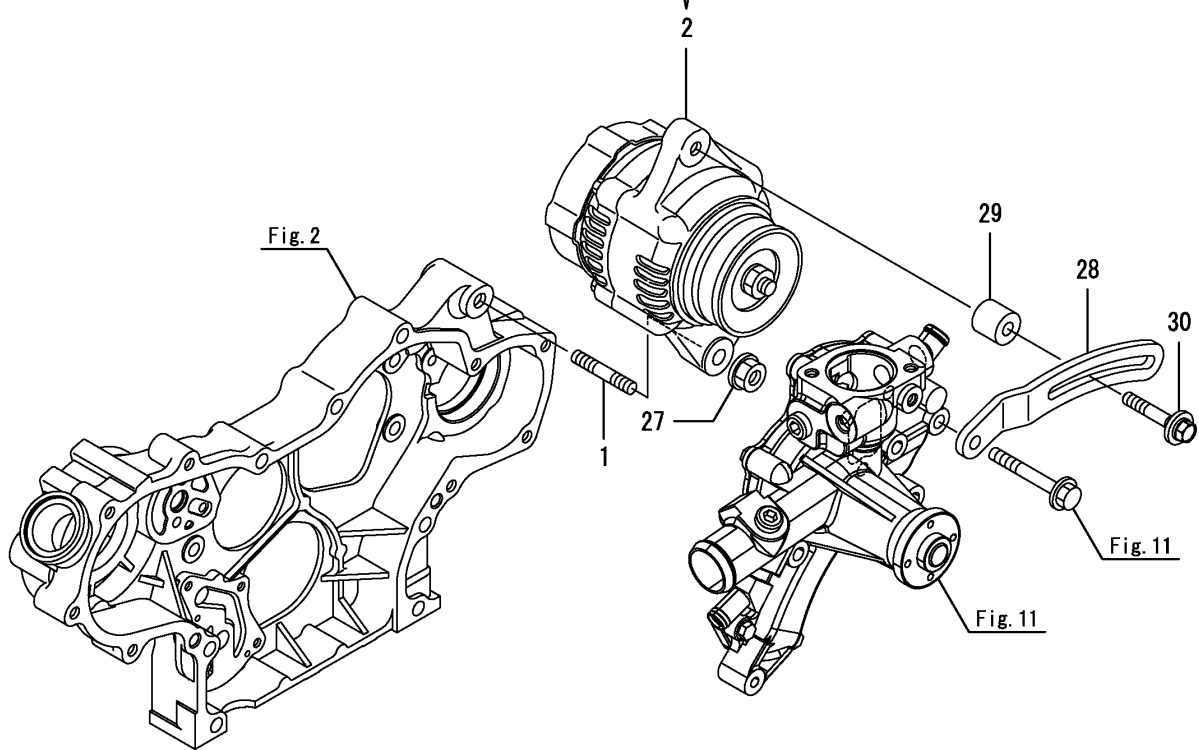
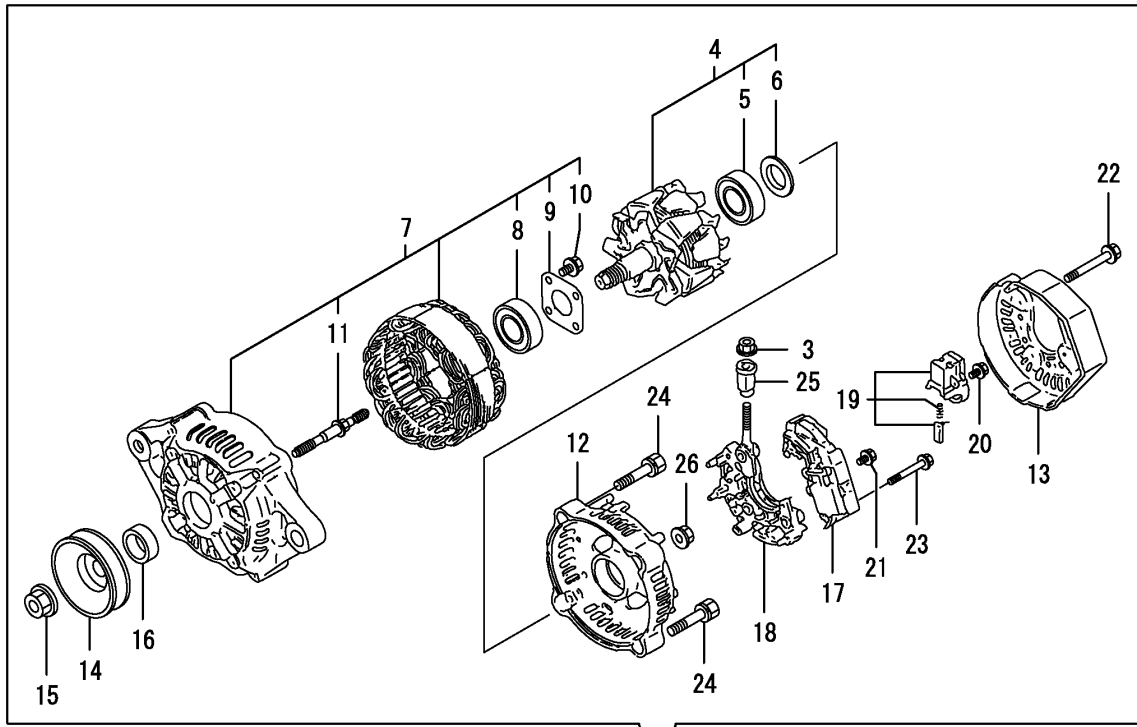


NOTE





T394



NOTE



FIG 117

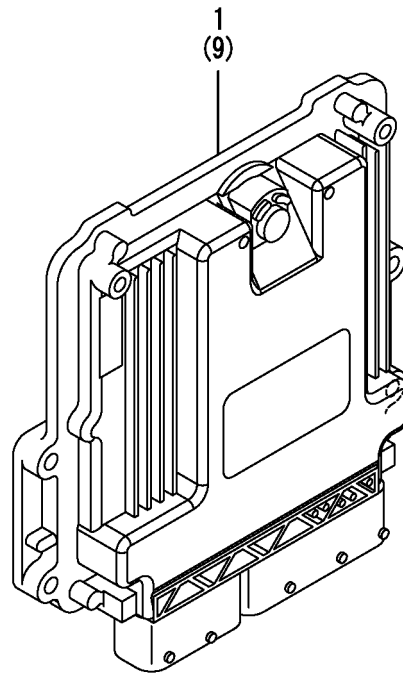
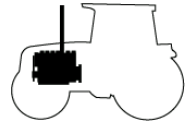
T394

# ELECTRONIC CONTROL UNIT(ECU)

P1

Year

2016



NOTE



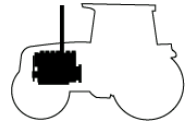
# FIG 118

# ELECTRIC PARTS

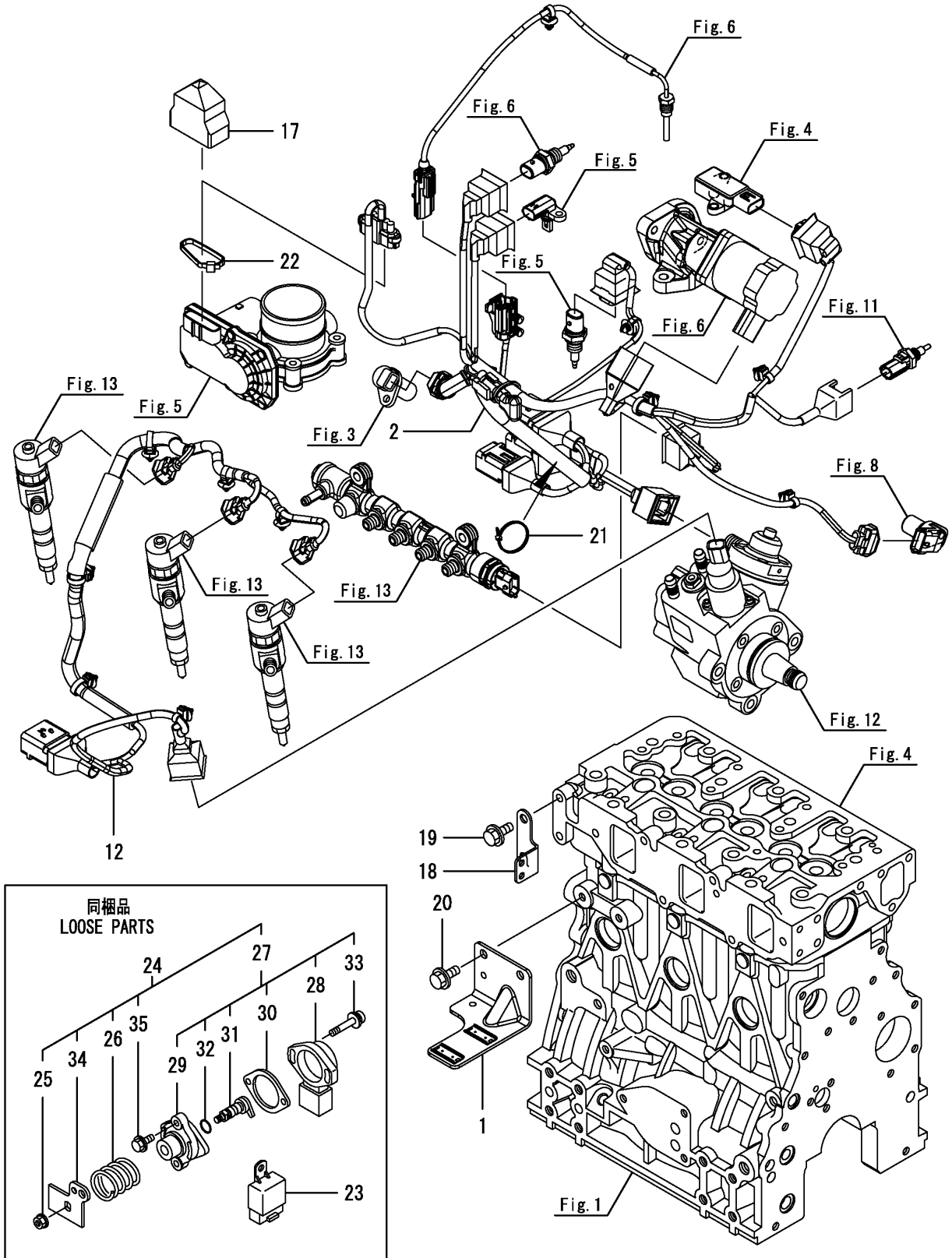
P1

Year

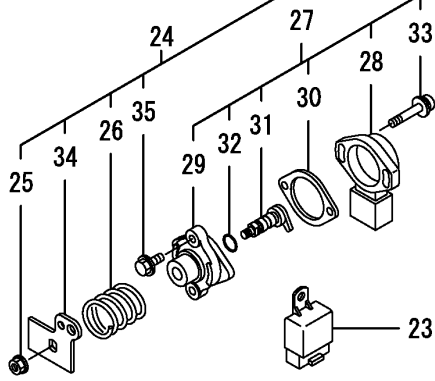
2016



T394



同梱品  
LOOSE PARTS



NOTE





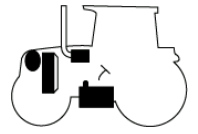
FIG 201

AIR CLEANER

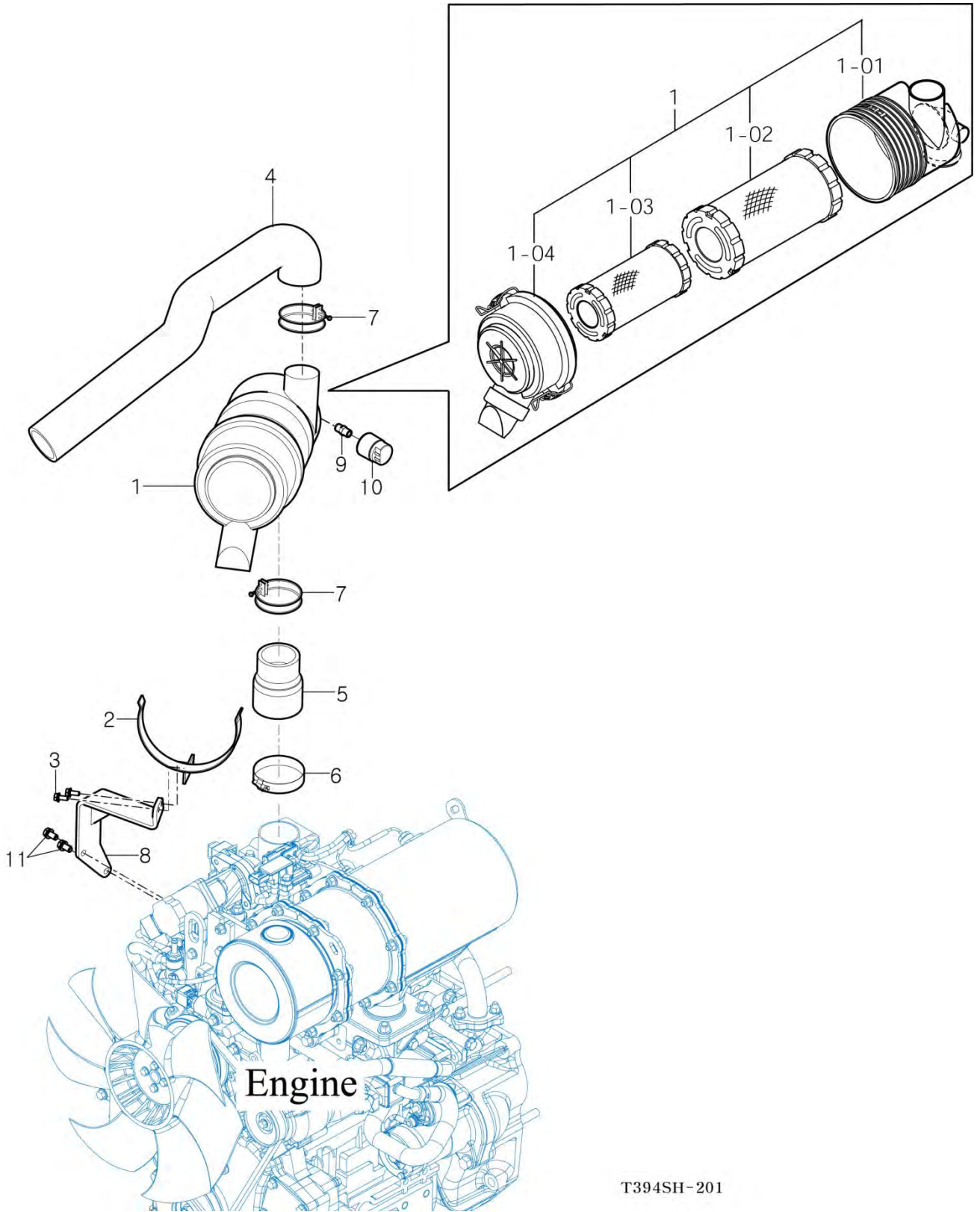
P1

Year

2016



T394SH



T394SH-201

NOTE

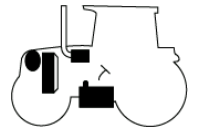
FIG 202

RADIATOR

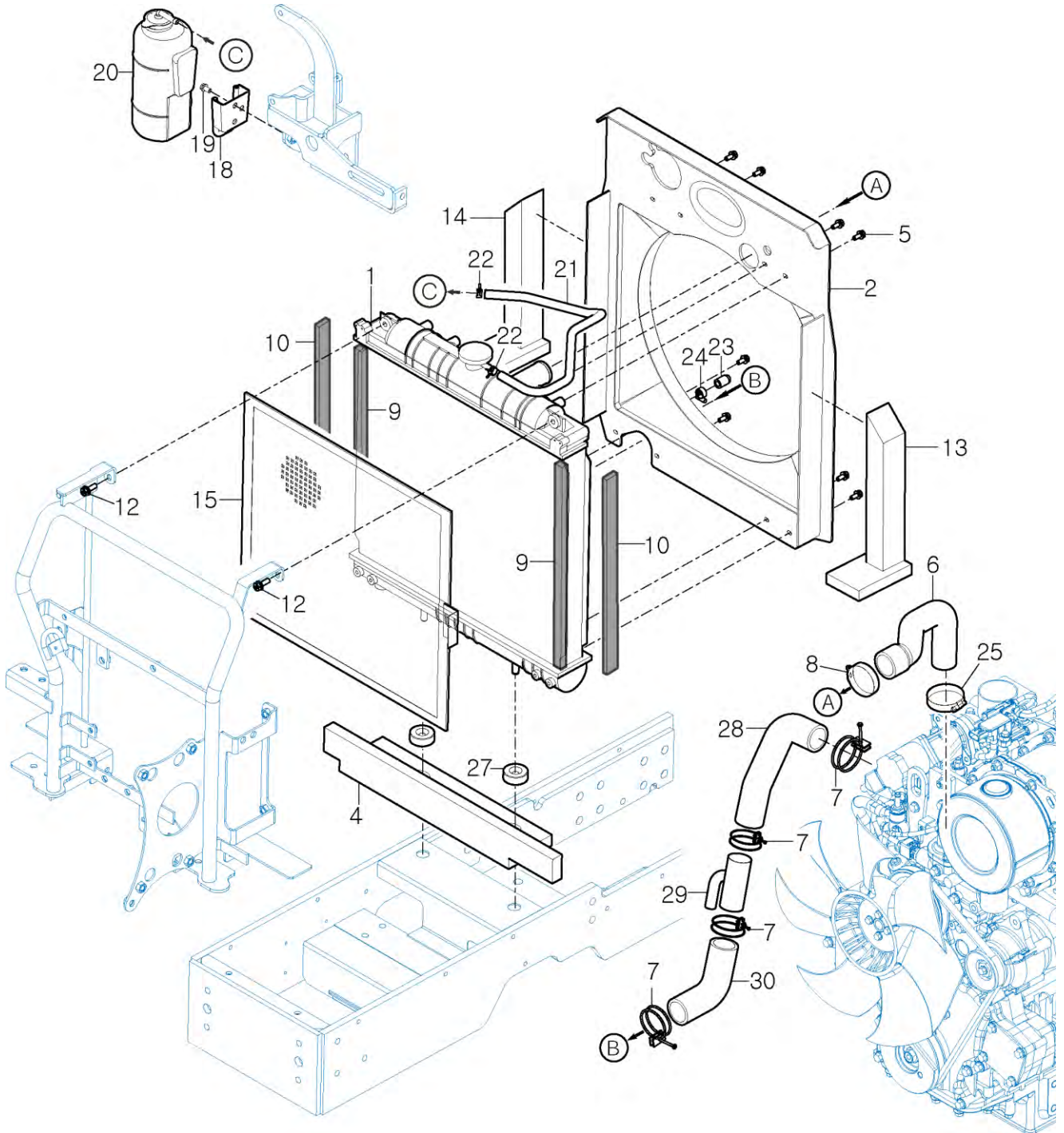
P1

Year

2016



T394SH



NOTE

FIG 203

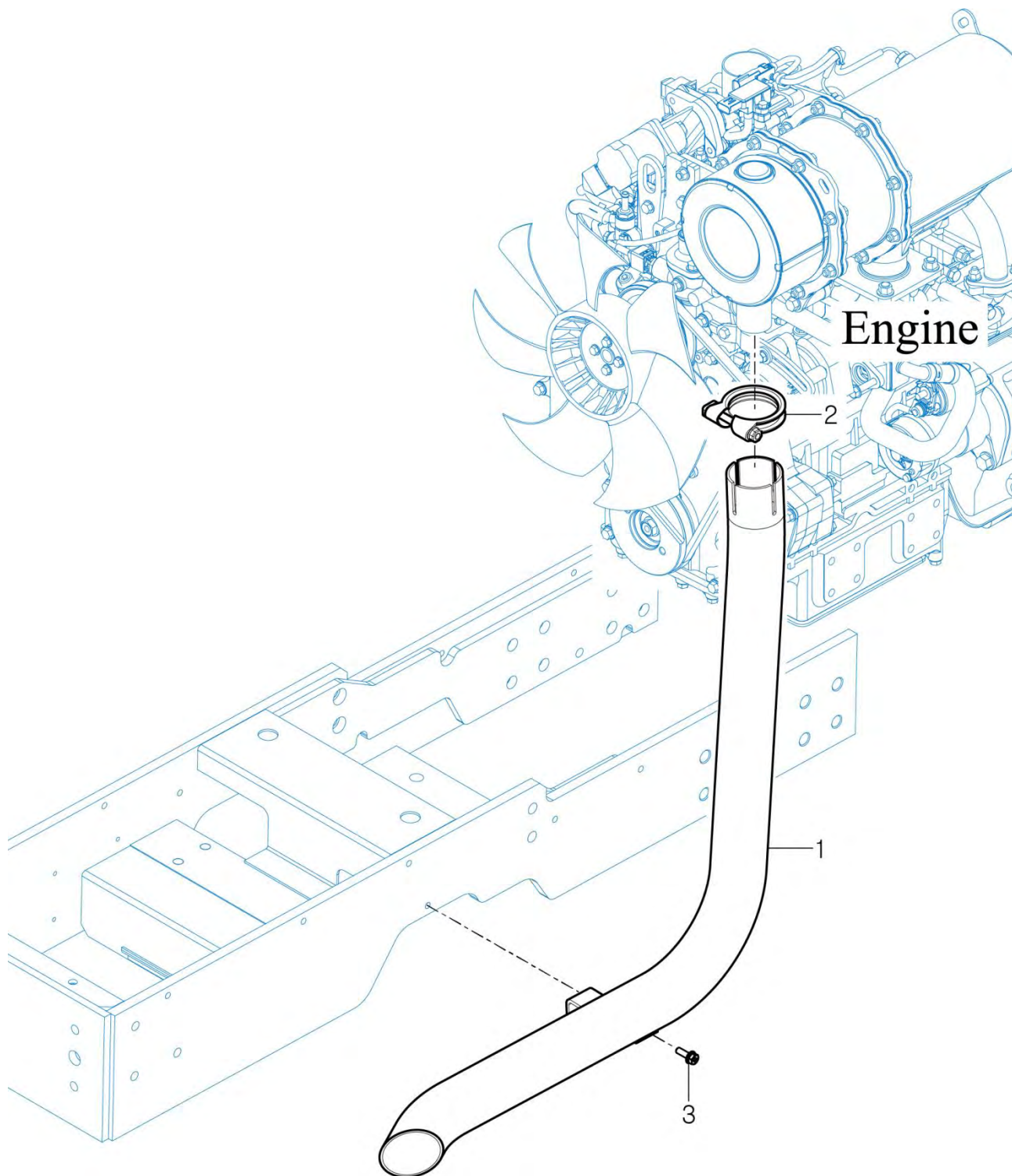
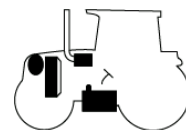
T394SH

# MUFFLER

P1

Year

2016



NOTE



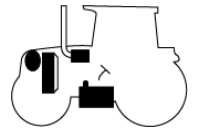
FIG 204

# FUEL TANK & HOSE

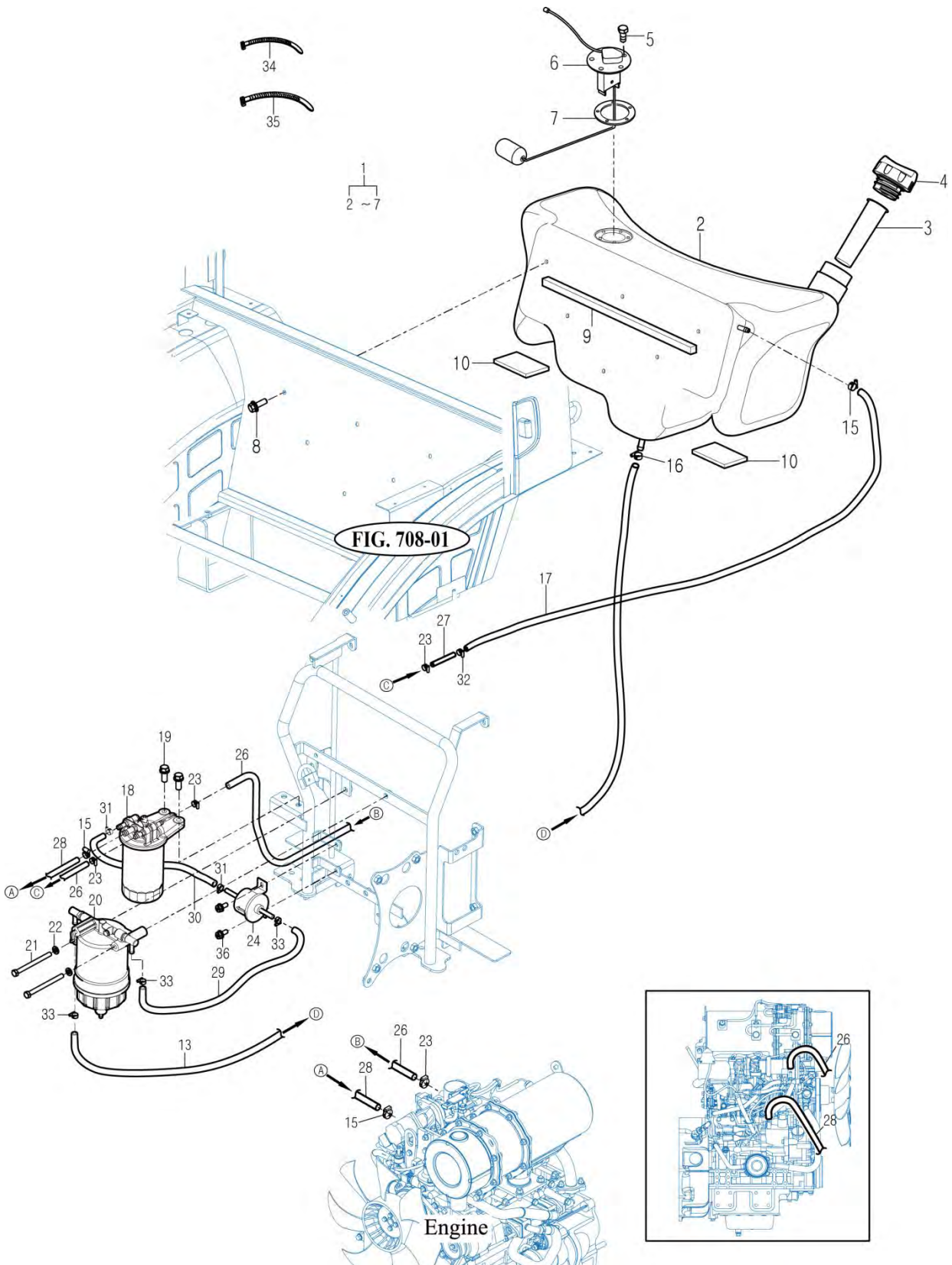
P1

Year

2016



T394SH



NOTE

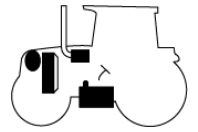
FIG 205

# OIL COOLER

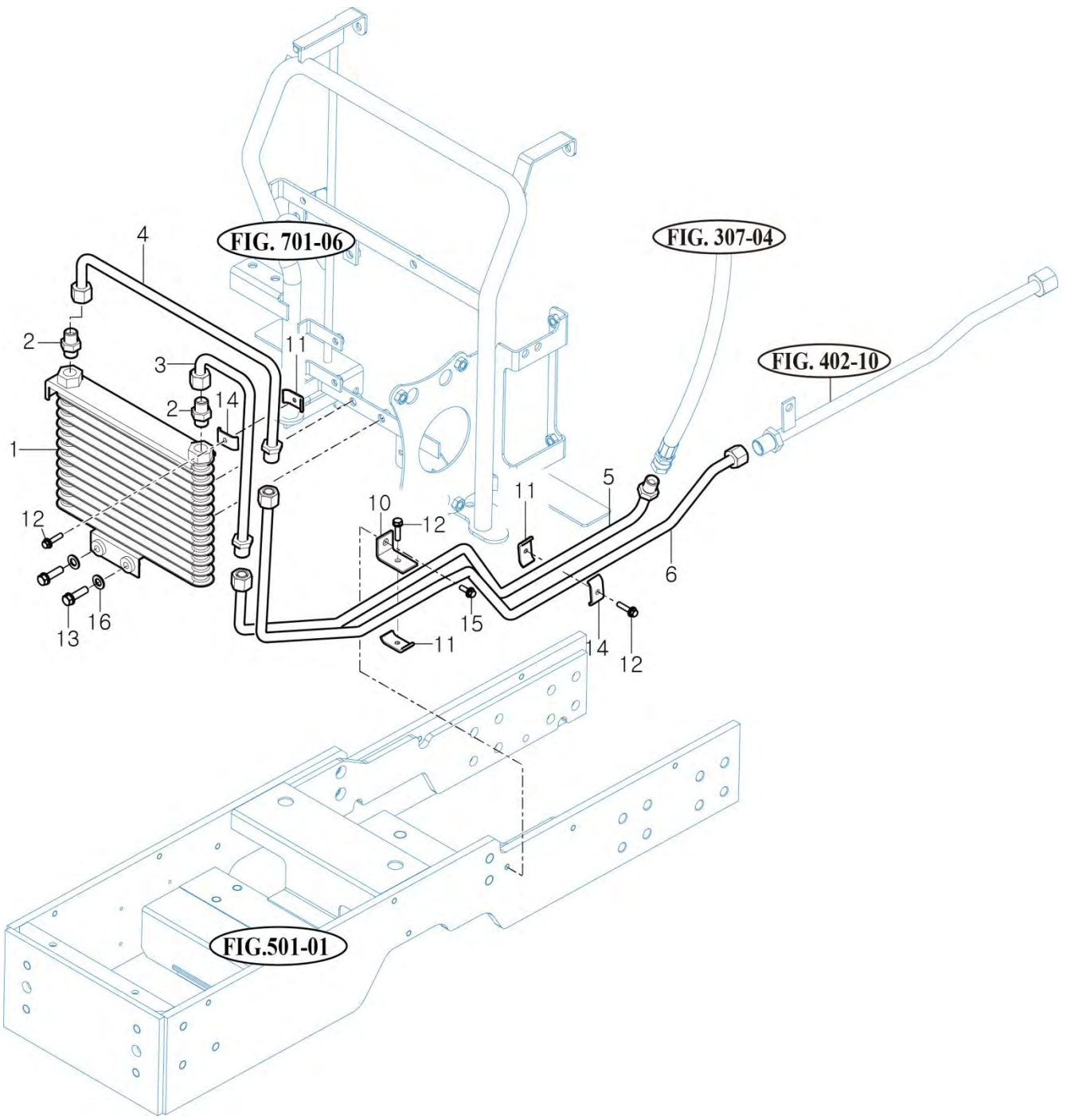
P1

Year

2016



T394SH



NOTE

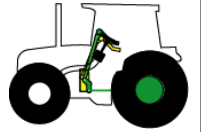
FIG 301

# FLYWHEEL & CLUTCH

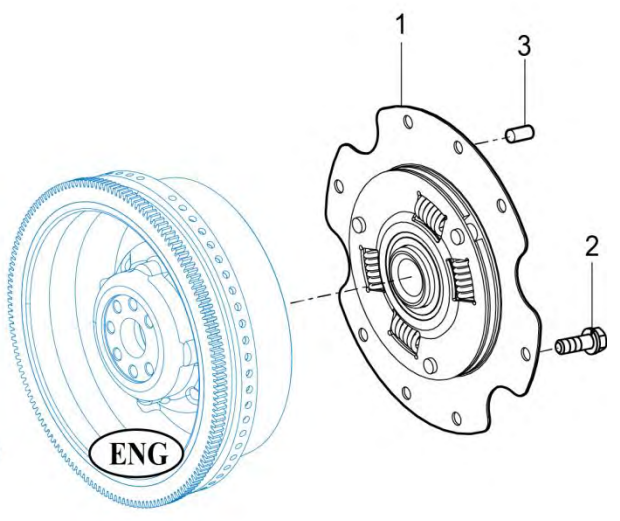
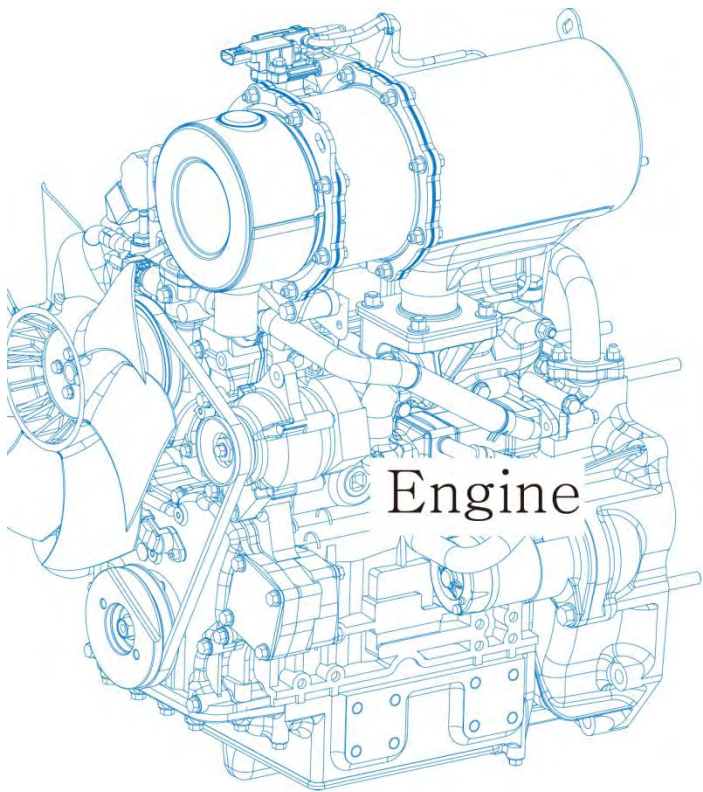
P1

Year

2016



T394SH



T384NH-E-301

NOTE



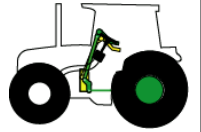
# FIG 302

# BRAKE PEDAL

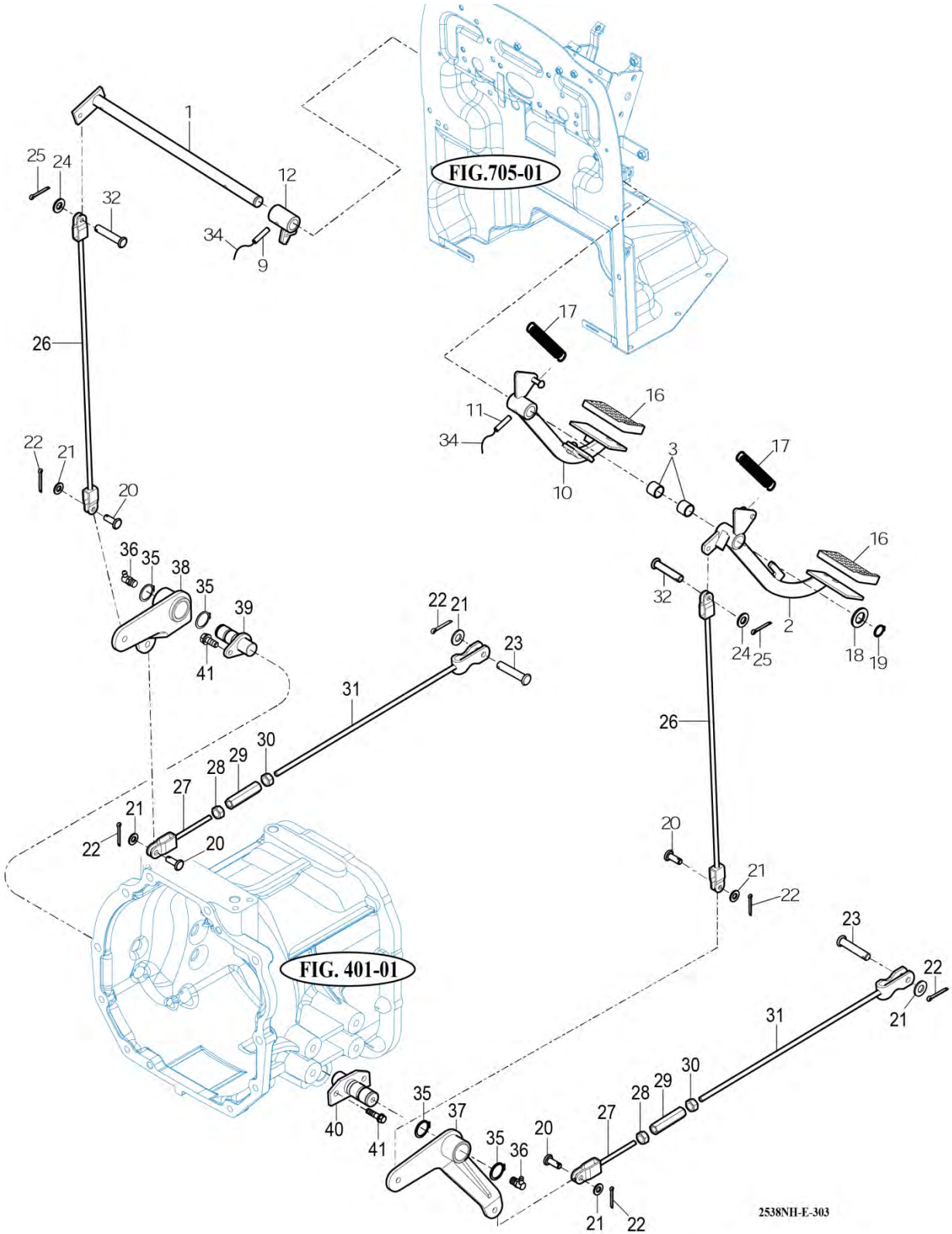
P1

Year

2016



T394SH



NOTE

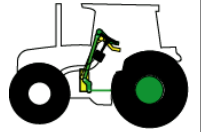
# FIG 303

# BRAKE

P1

Year

2016



T394SH

FIG. 413-01

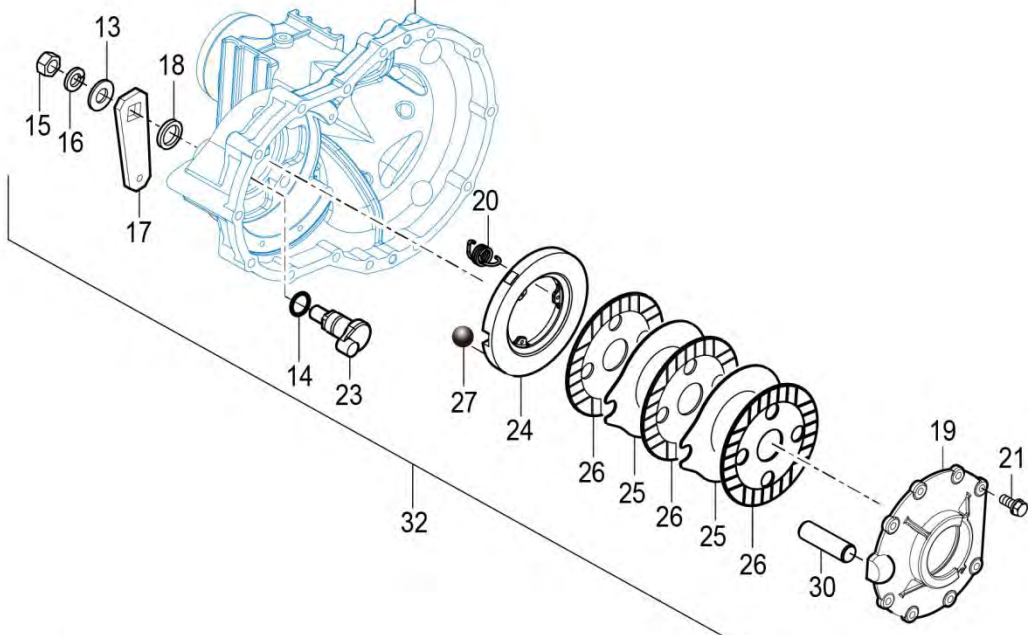
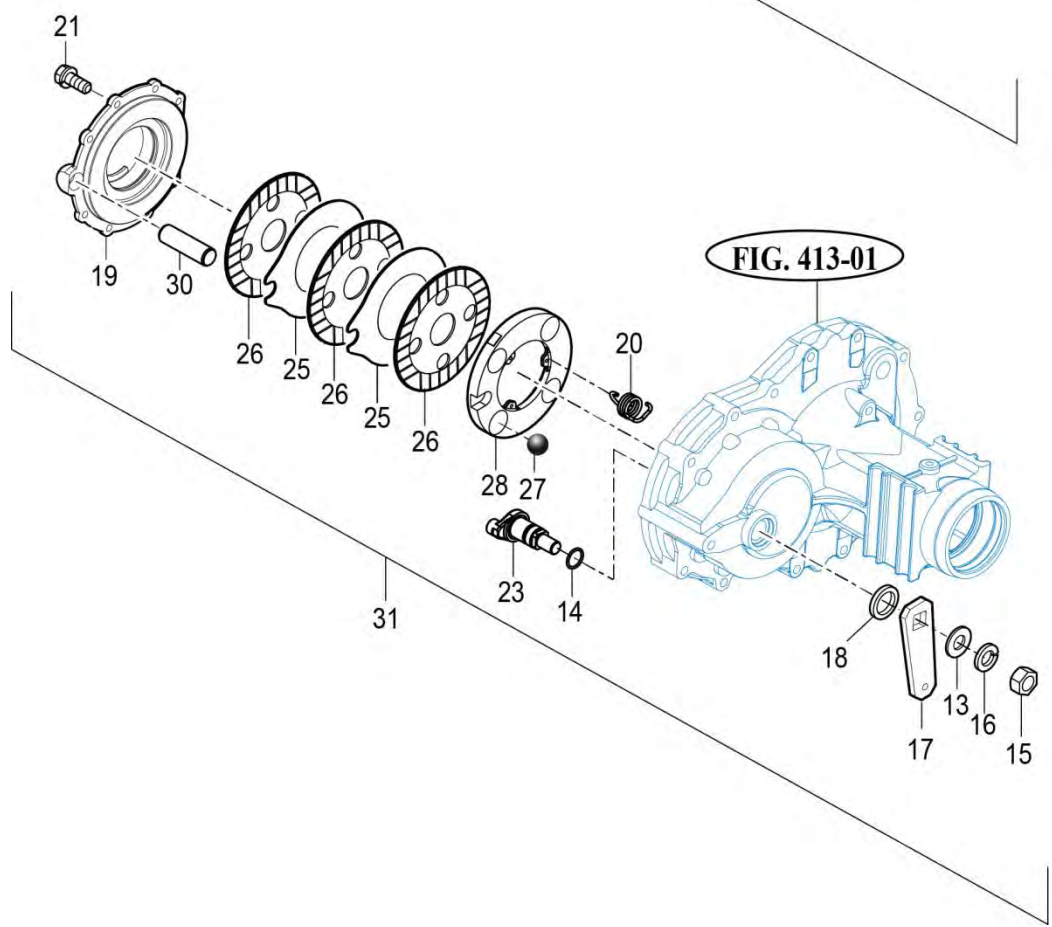


FIG. 413-01



NOTE



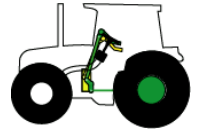
FIG 304

FRONT WHEEL MOUNTING

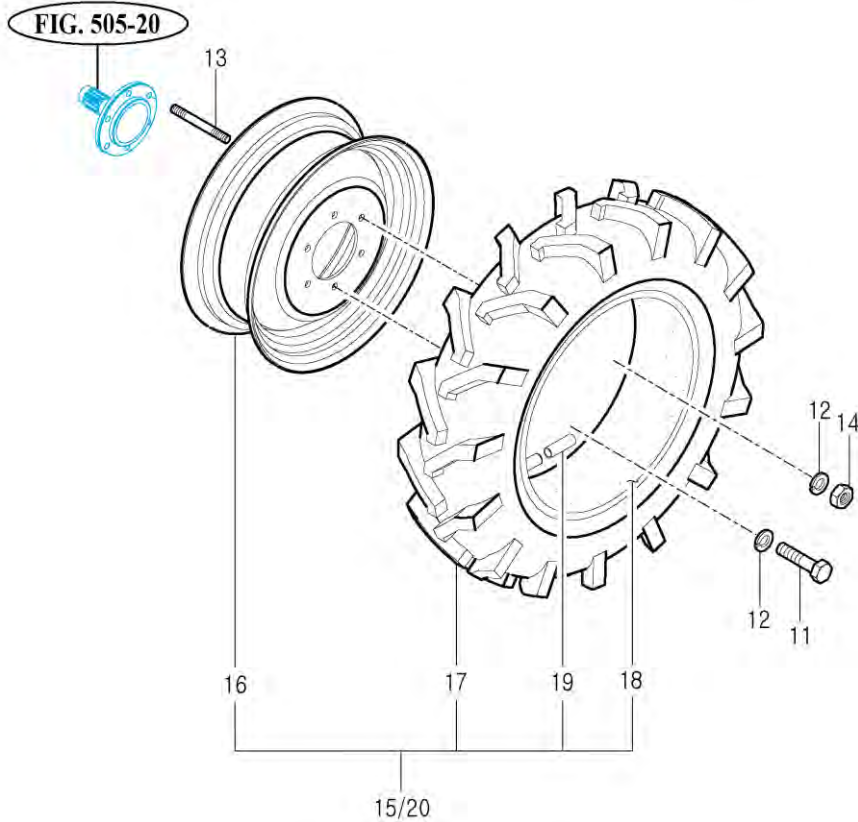
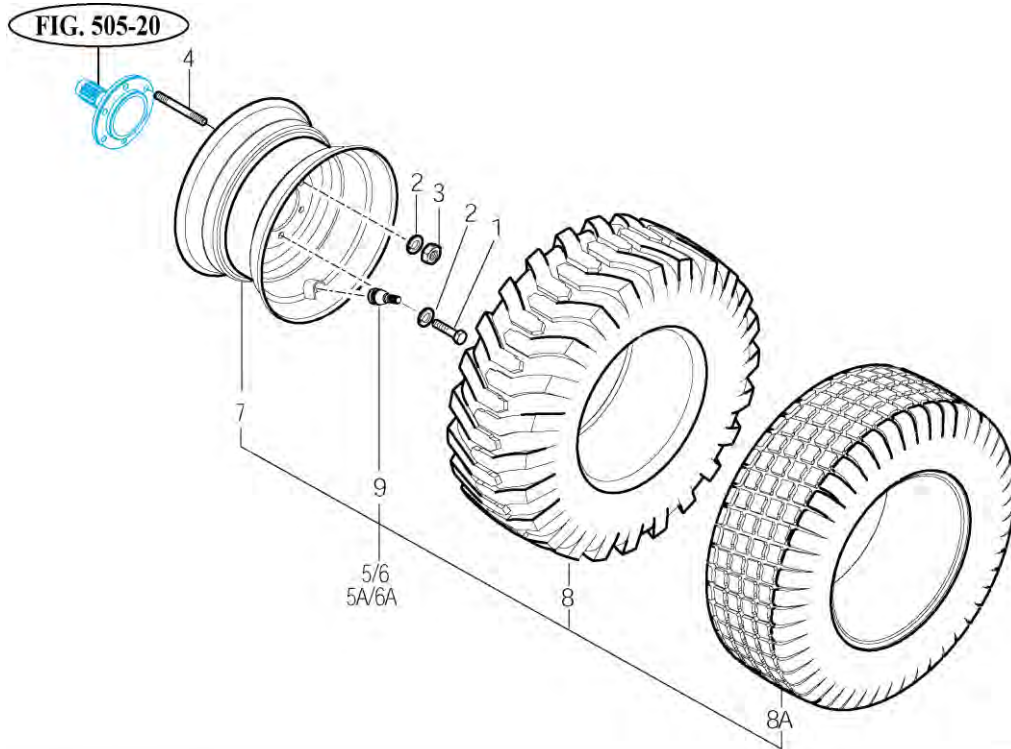
P1

Year

2016



T394SH



T384-E-304

NOTE

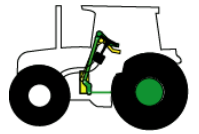
FIG 305

REAR WHEEL MOUNTING

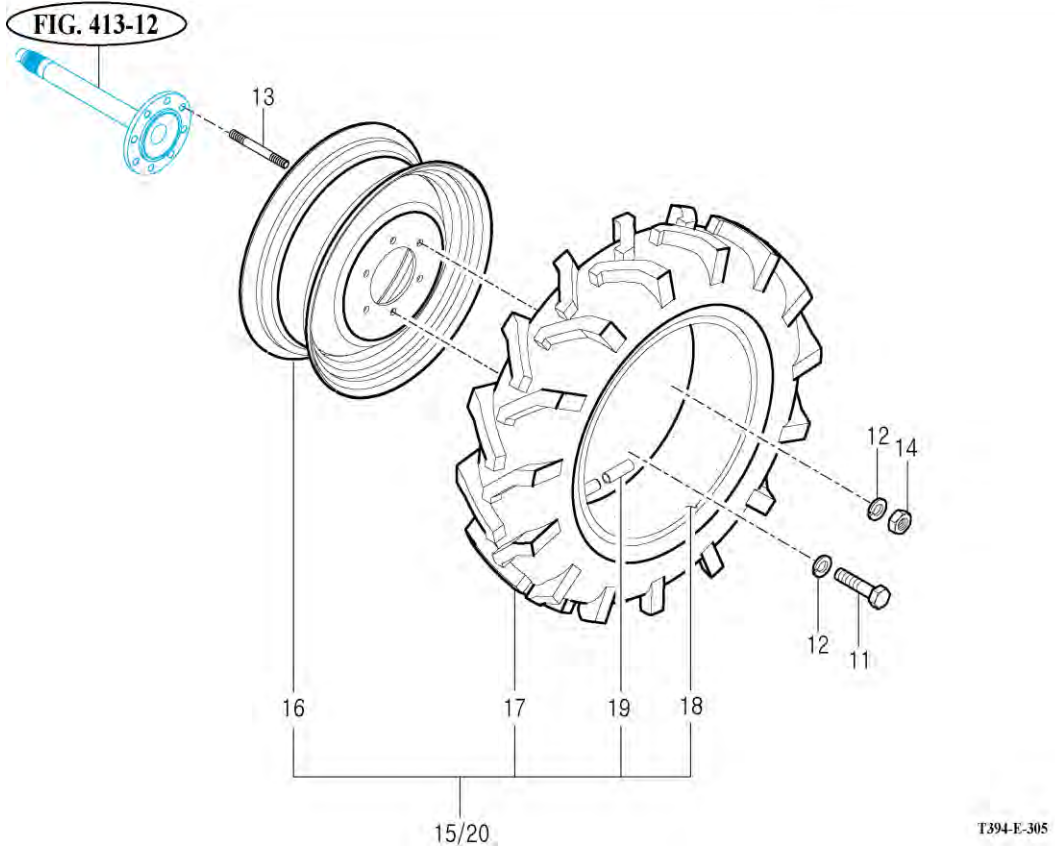
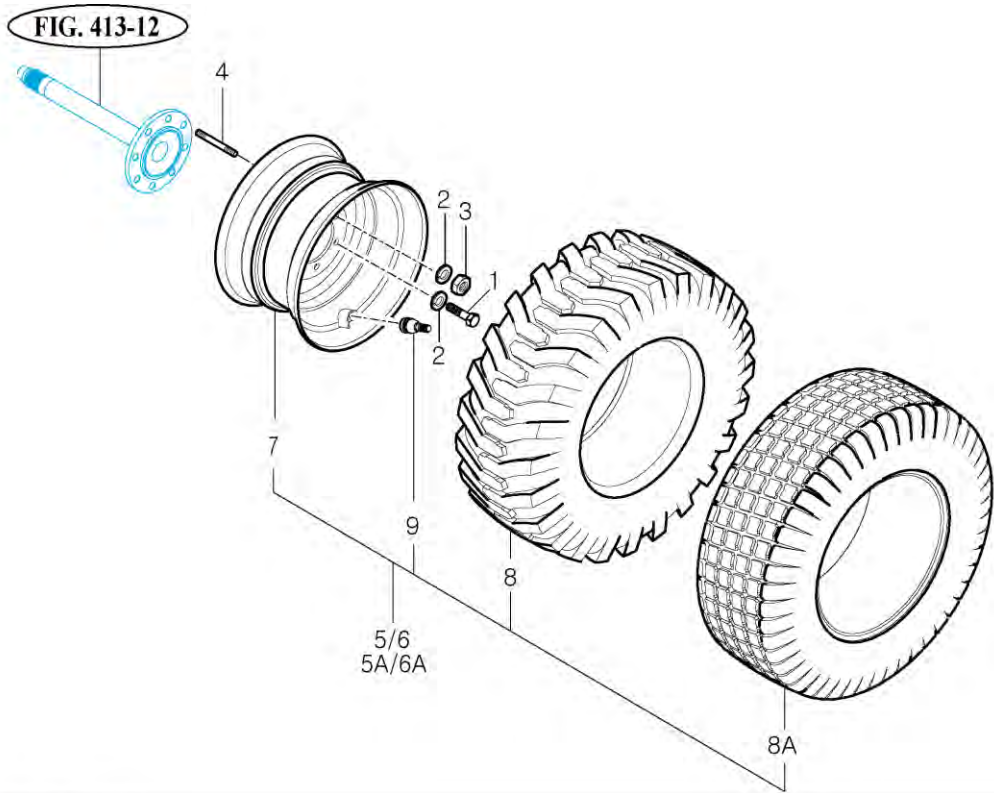
P1

Year

2016



T394SH



T394-E-305

NOTE

FIG 306

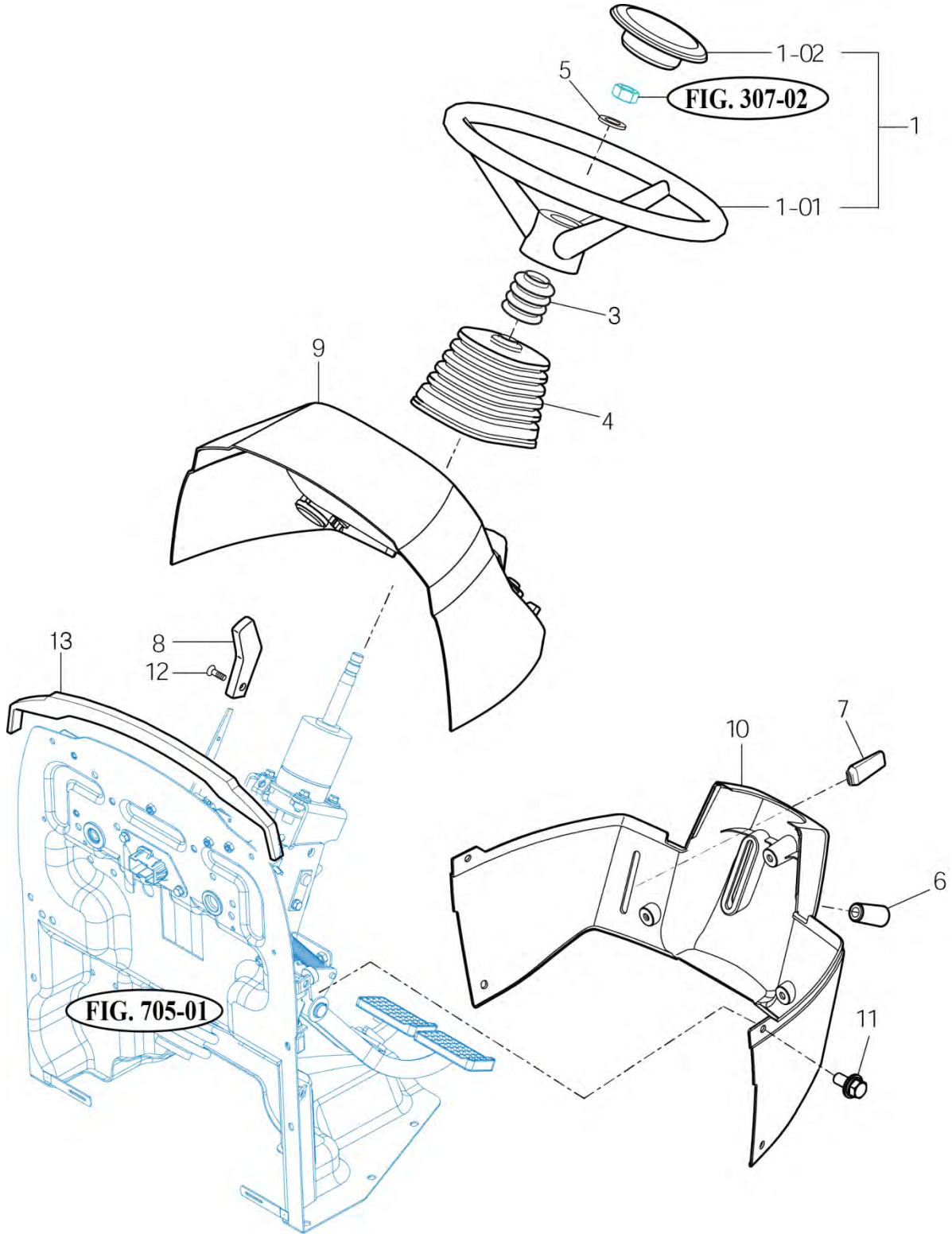
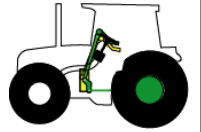
T394SH

# STEERING WHEEL & DASH COVER

P1

Year

2016



T394SH-E-306

NOTE

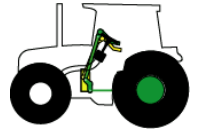
FIG 307

STEERING VALVE & TILT

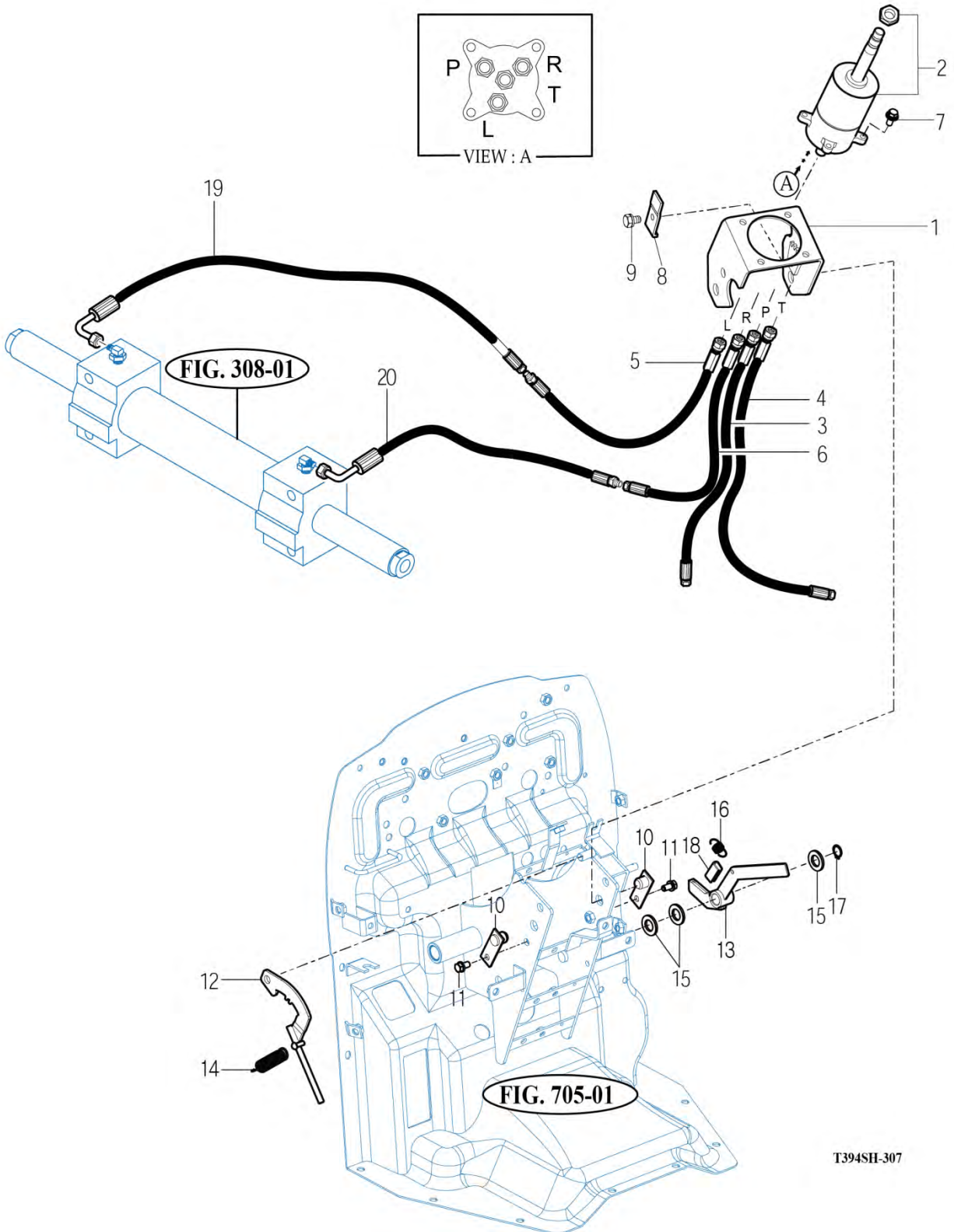
P1

Year

2016



T394SH



T394SH-307

NOTE



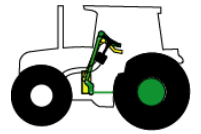
# FIG 308

# STEERING CYLINDER

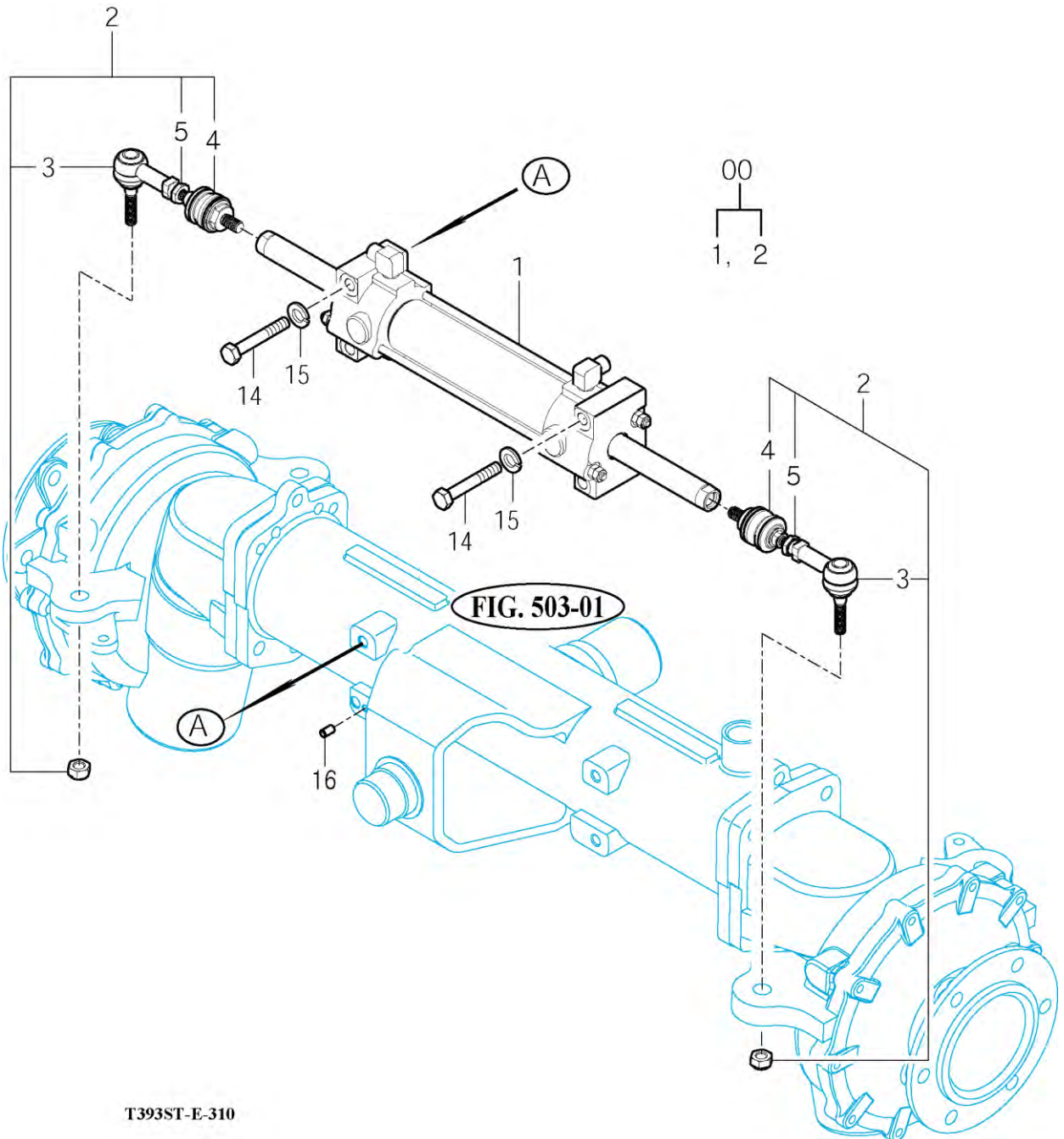
P1

Year

2016



T394SH



T393ST-E-310

NOTE

FIG 401

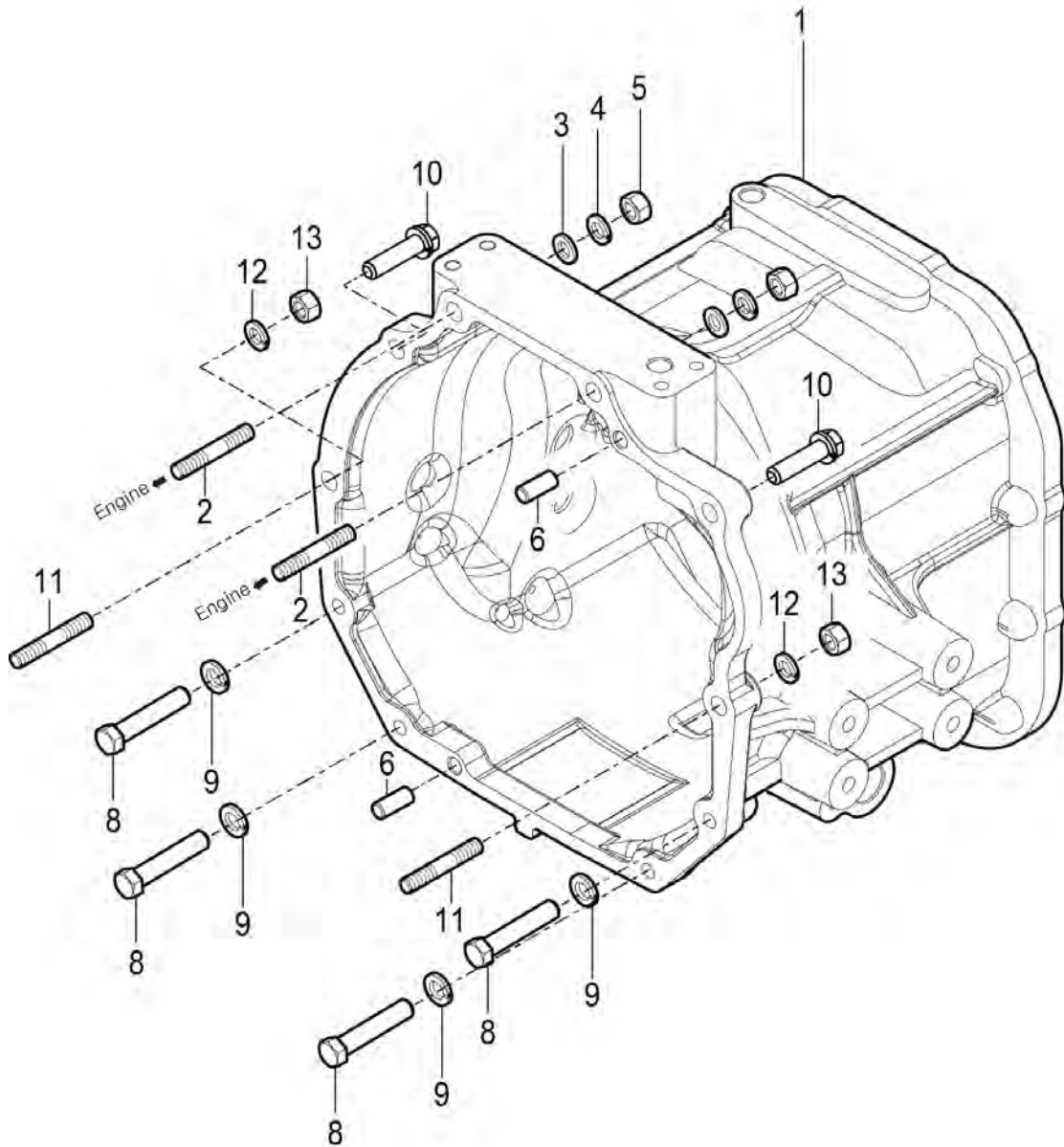
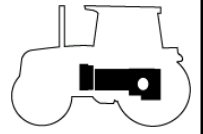
T394SH

# TRANSMISSION FRONT CASE

P1

Year

2016



T384NH-E-401

NOTE

FIG 402

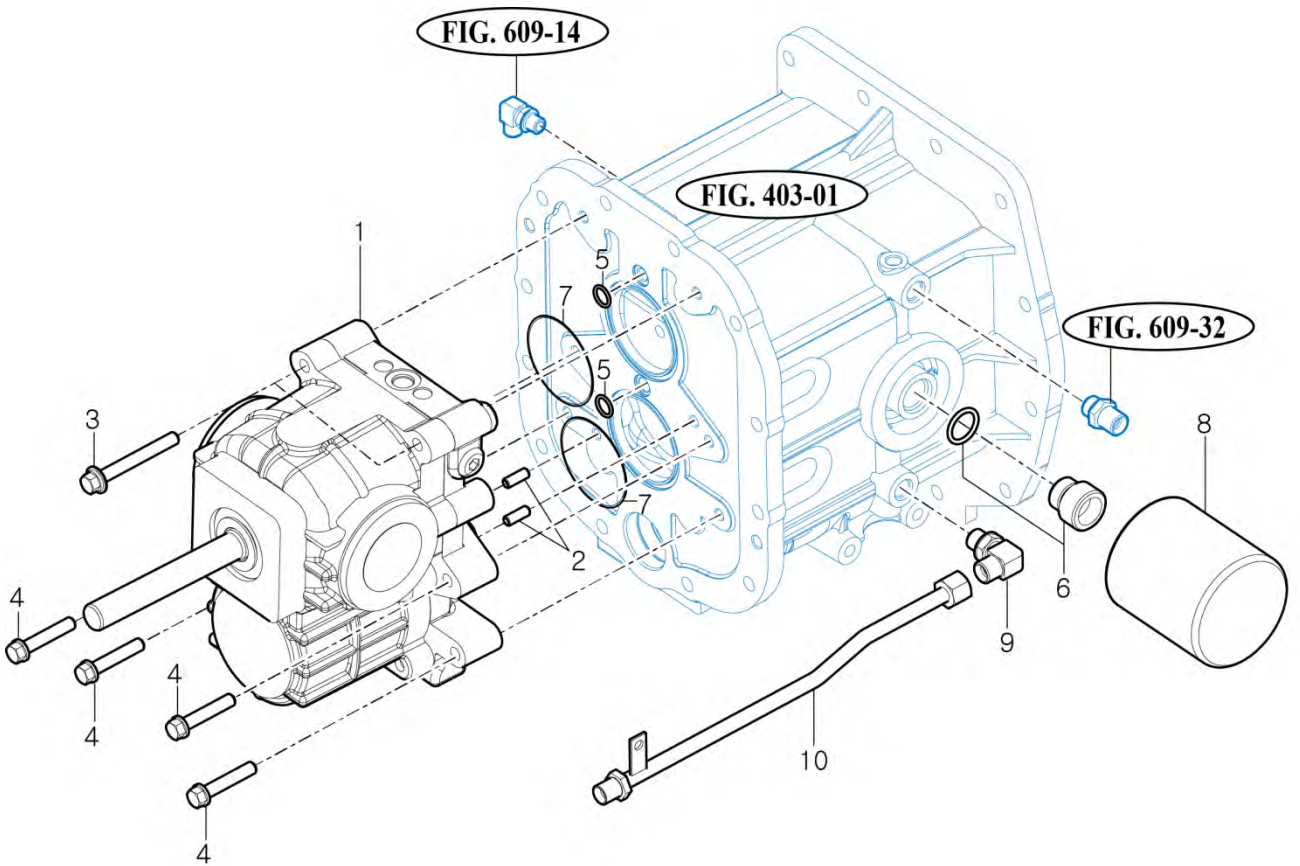
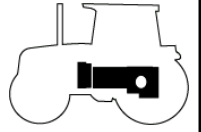
T394SH

HST

P1

Year

2016



NOTE

FIG 403

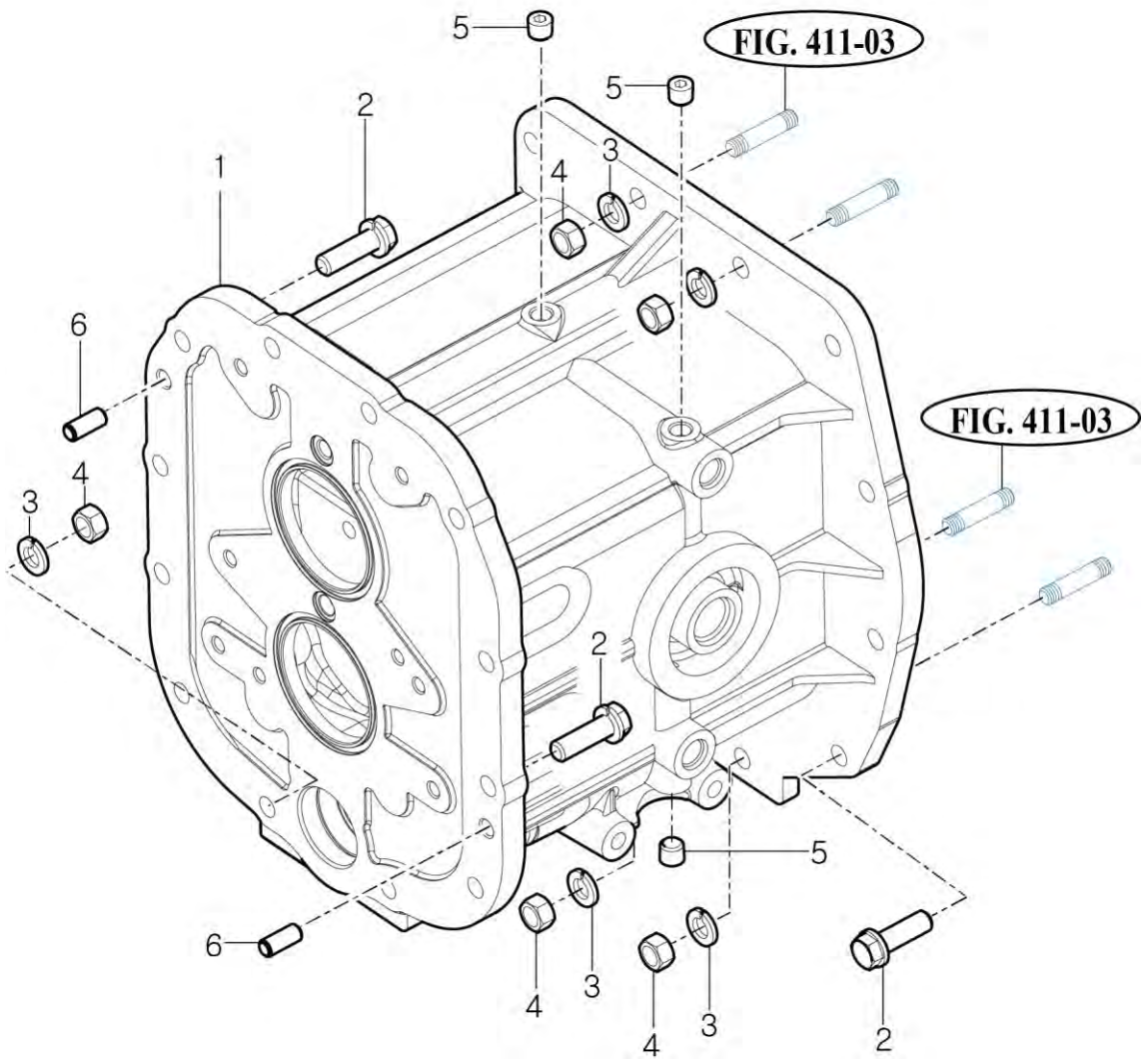
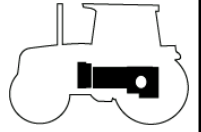
T394SH

# MID CASE

P1

Year

2016



NOTE



FIG 404

T394SH

# 4WD DRIVE GEAR

P1

Year

2016

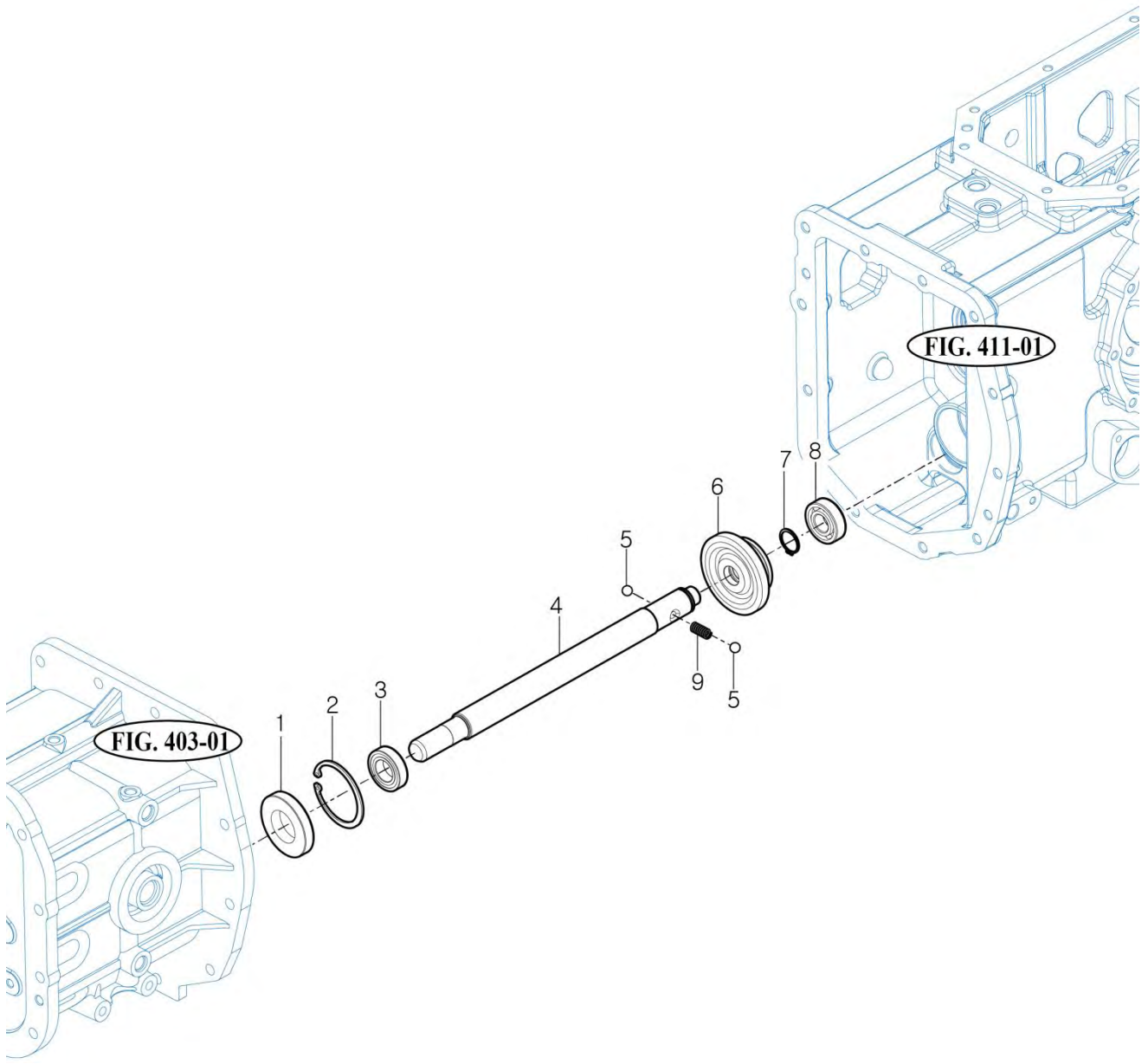
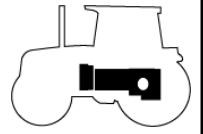


FIG. 403-01

FIG. 411-01

NOTE

FIG 405

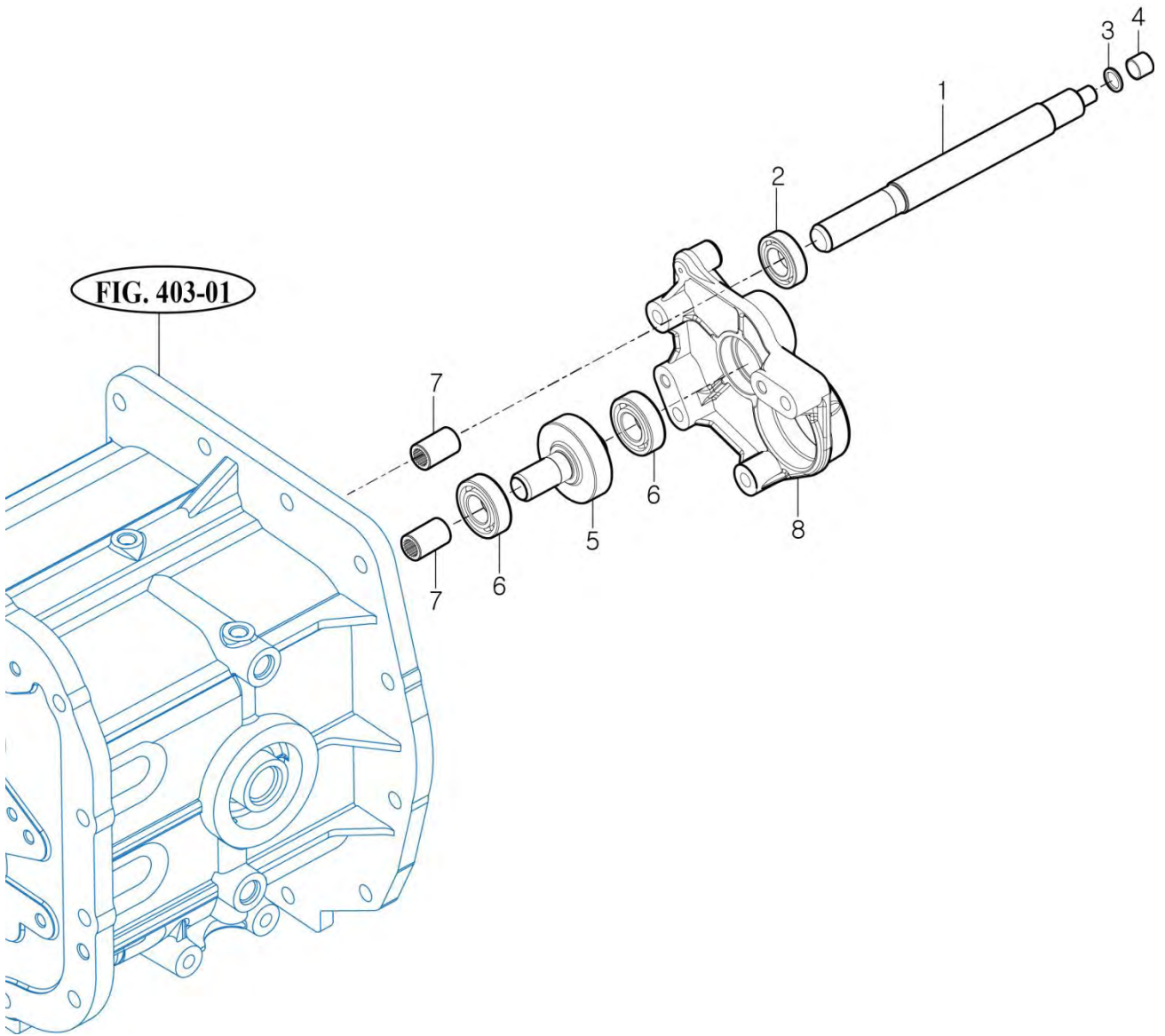
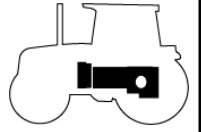
T394SH

# INPUT GEAR

P1

Year

2016



NOTE

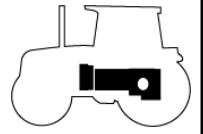
FIG 406

SUB CHANGE GEARS

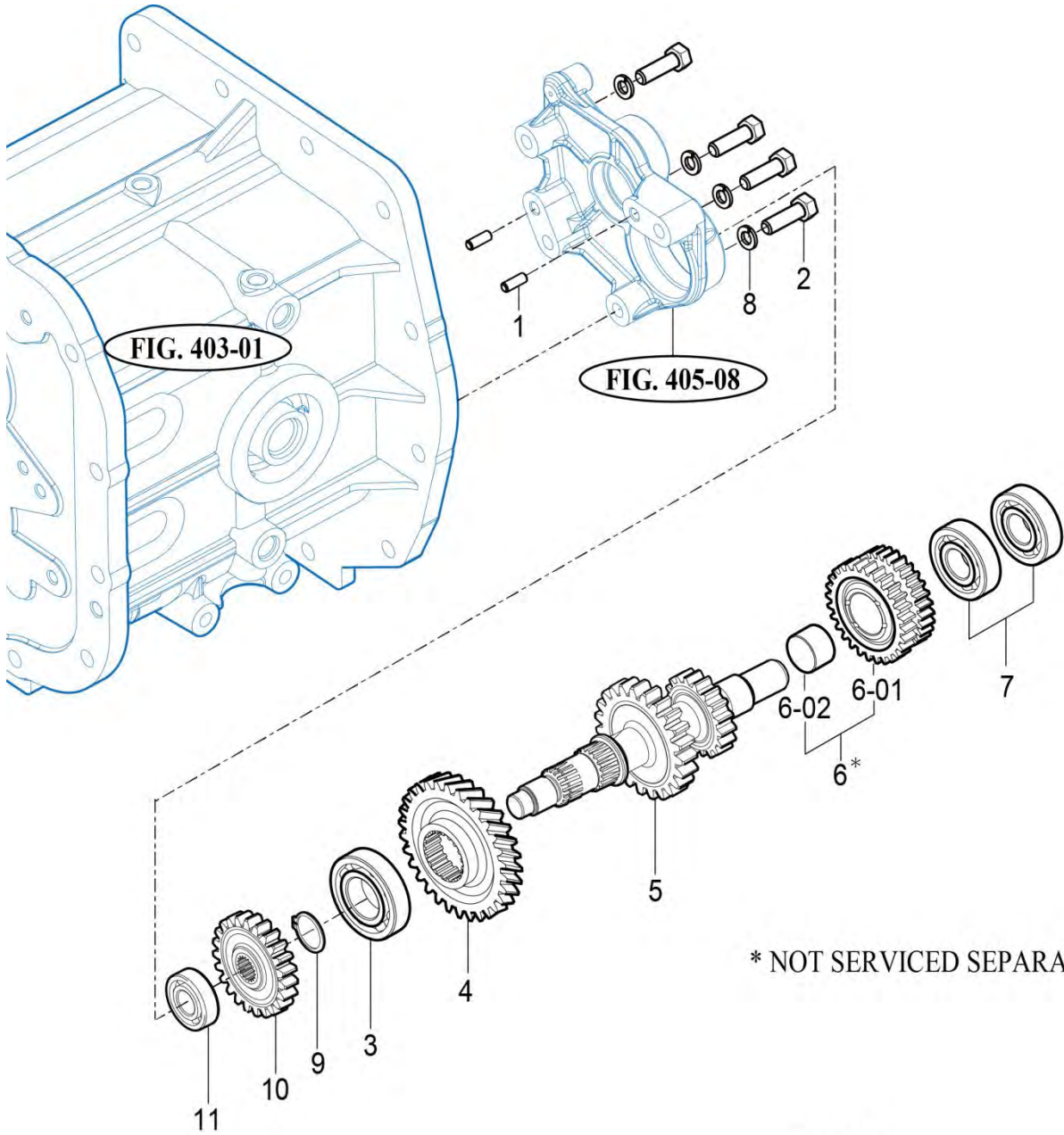
P1

Year

2016



T394SH



\* NOT SERVICED SEPARATELY

2538NH-E-406

NOTE

# FIG 407

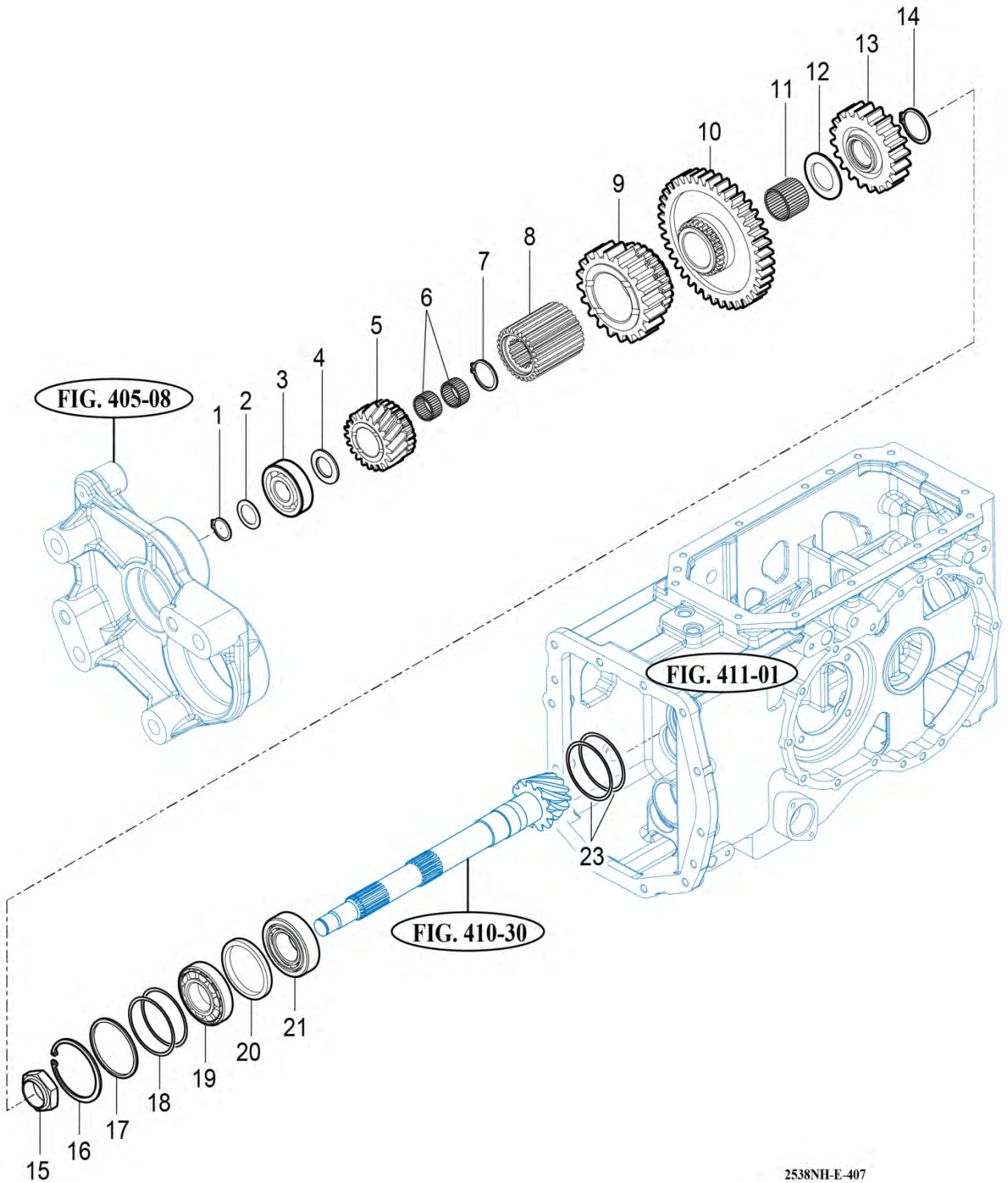
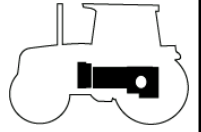
T394SH

# PINION GEARS

P1

Year

2016



2538NH-E-407

NOTE



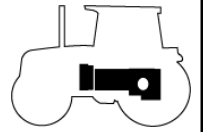
FIG 408

P.T.O DRIVE SHAFT

P1

Year

2016



T394SH

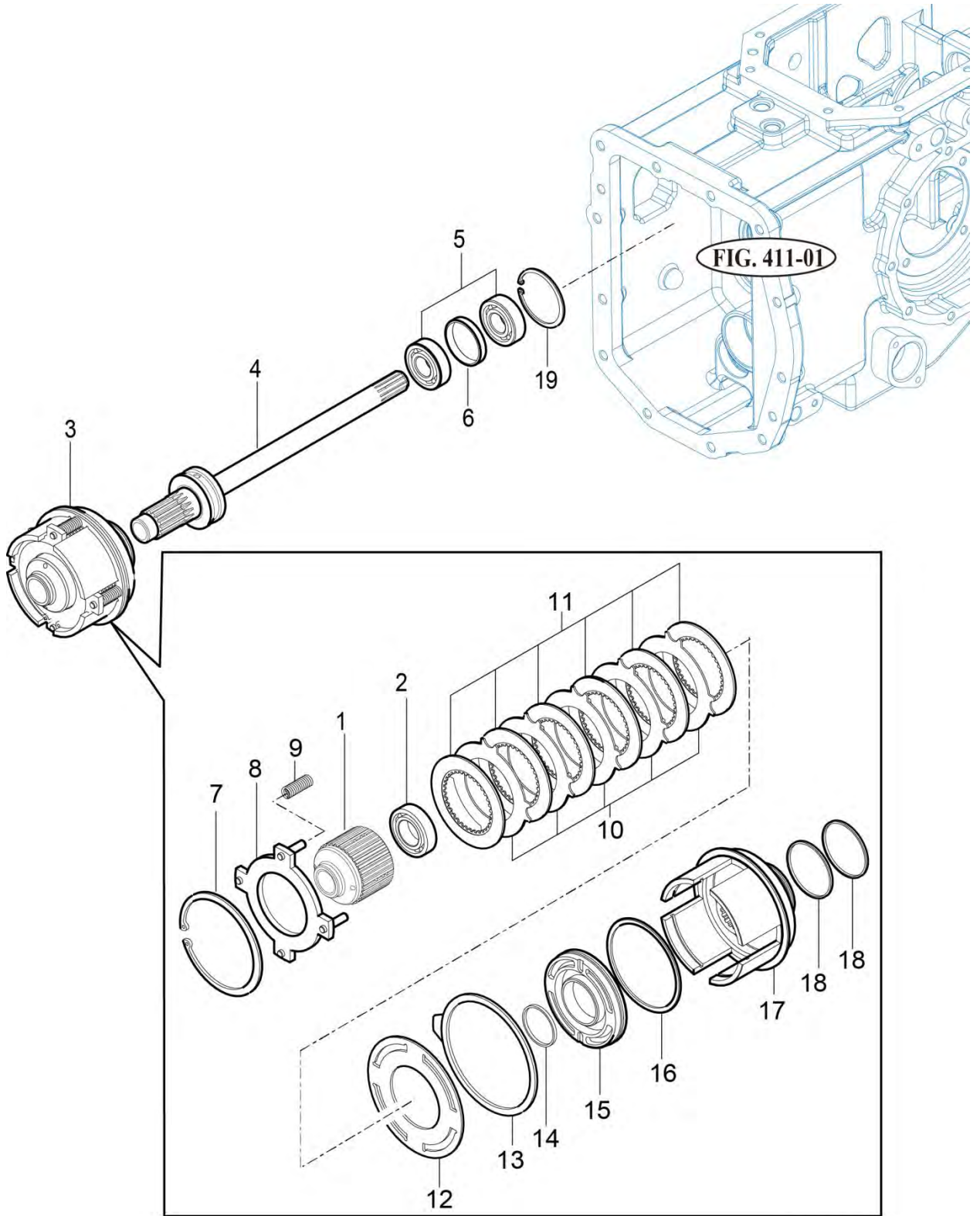


FIG. 411-01

T303/353NC-E-408

NOTE

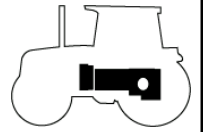
# FIG 409

# P.T.O CHANGE GEARS

P1

Year

2016



T394SH

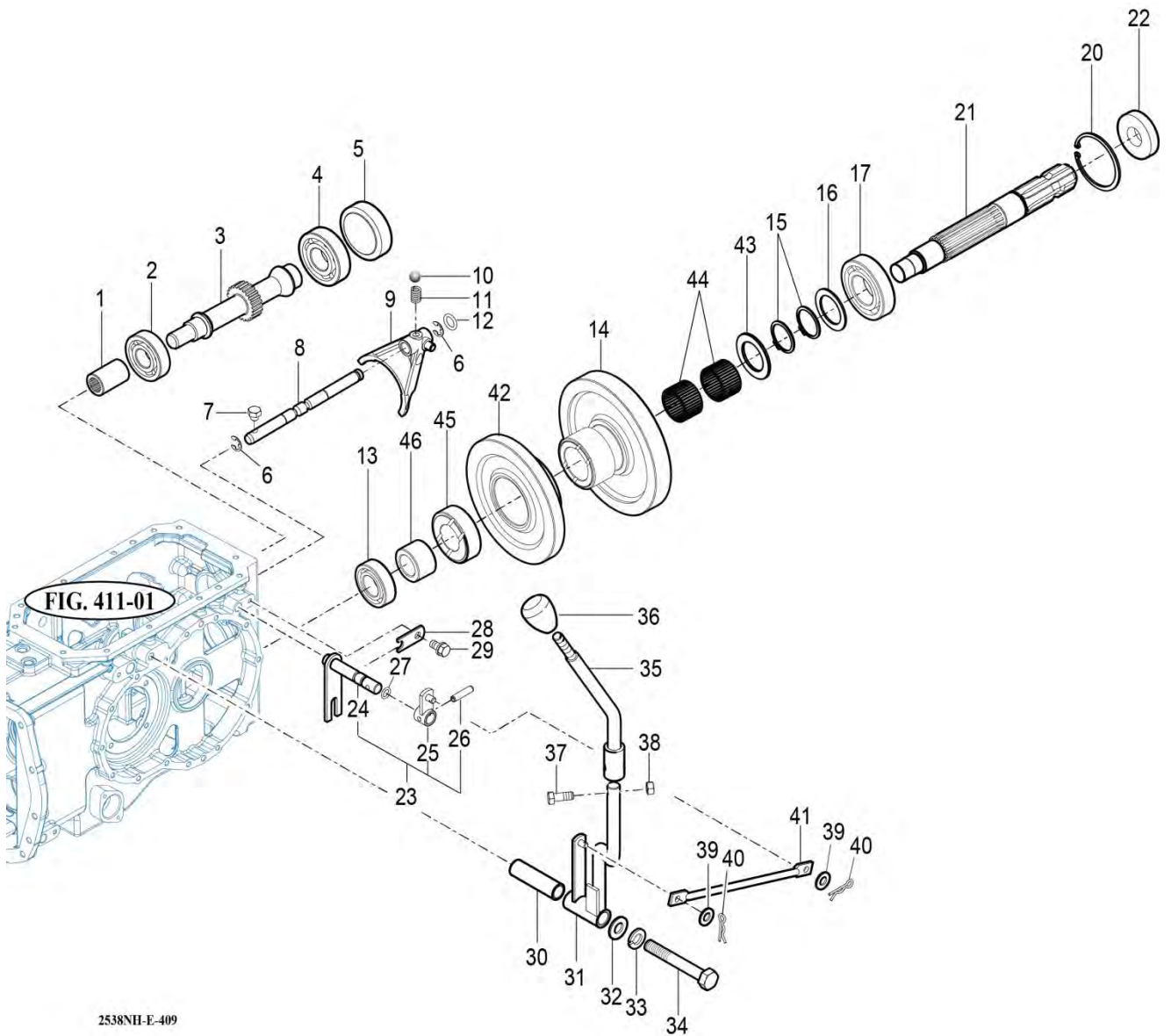


FIG. 411-01

2538NH-E-409

NOTE

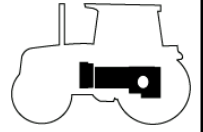
# FIG 410

# DIFF LOCK

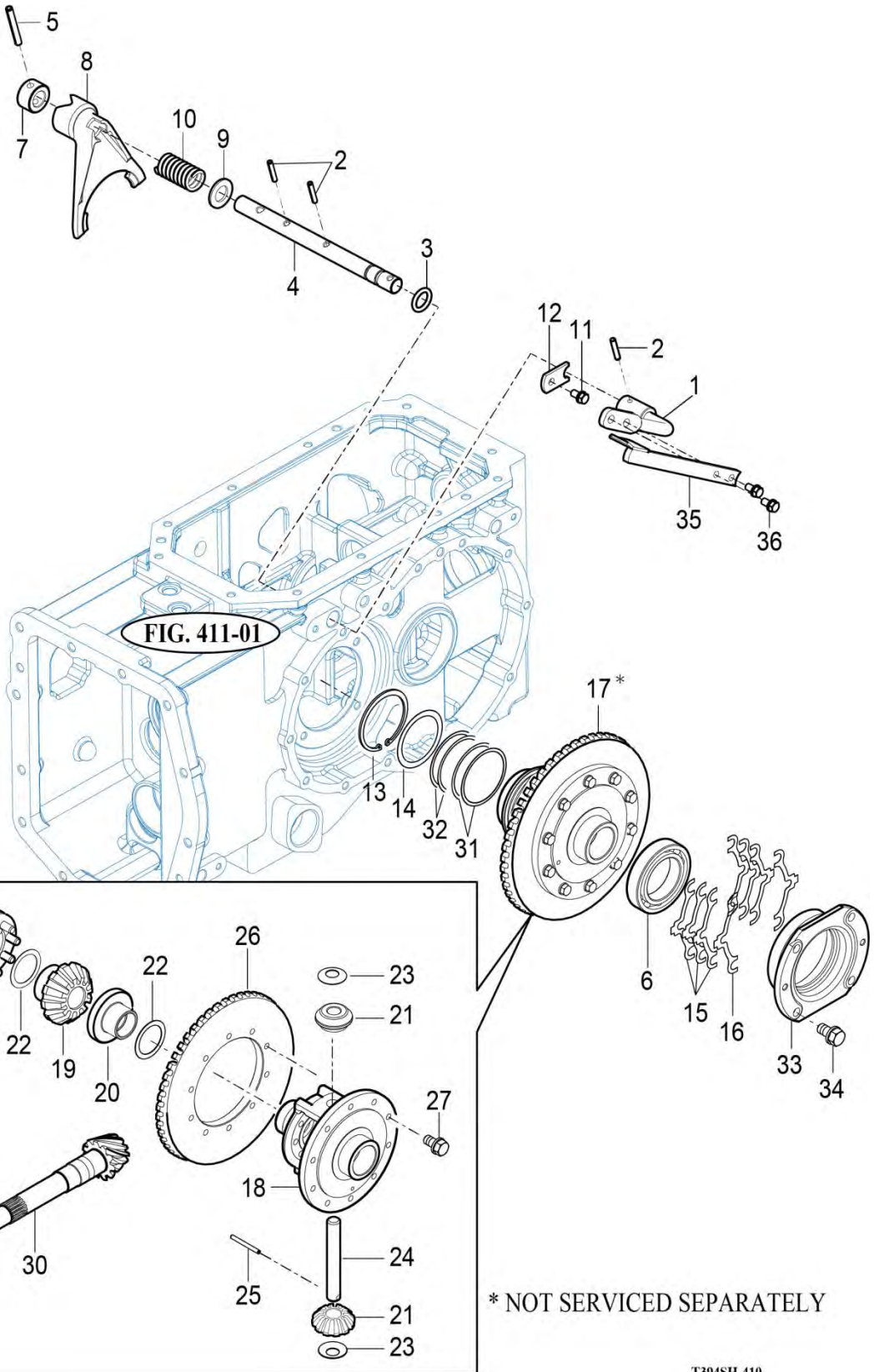
P1

Year

2016



T394SH



\* NOT SERVICED SEPARATELY

T394SH-410

NOTE

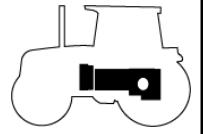
FIG 411

# TRANSMISSION REAR CASE

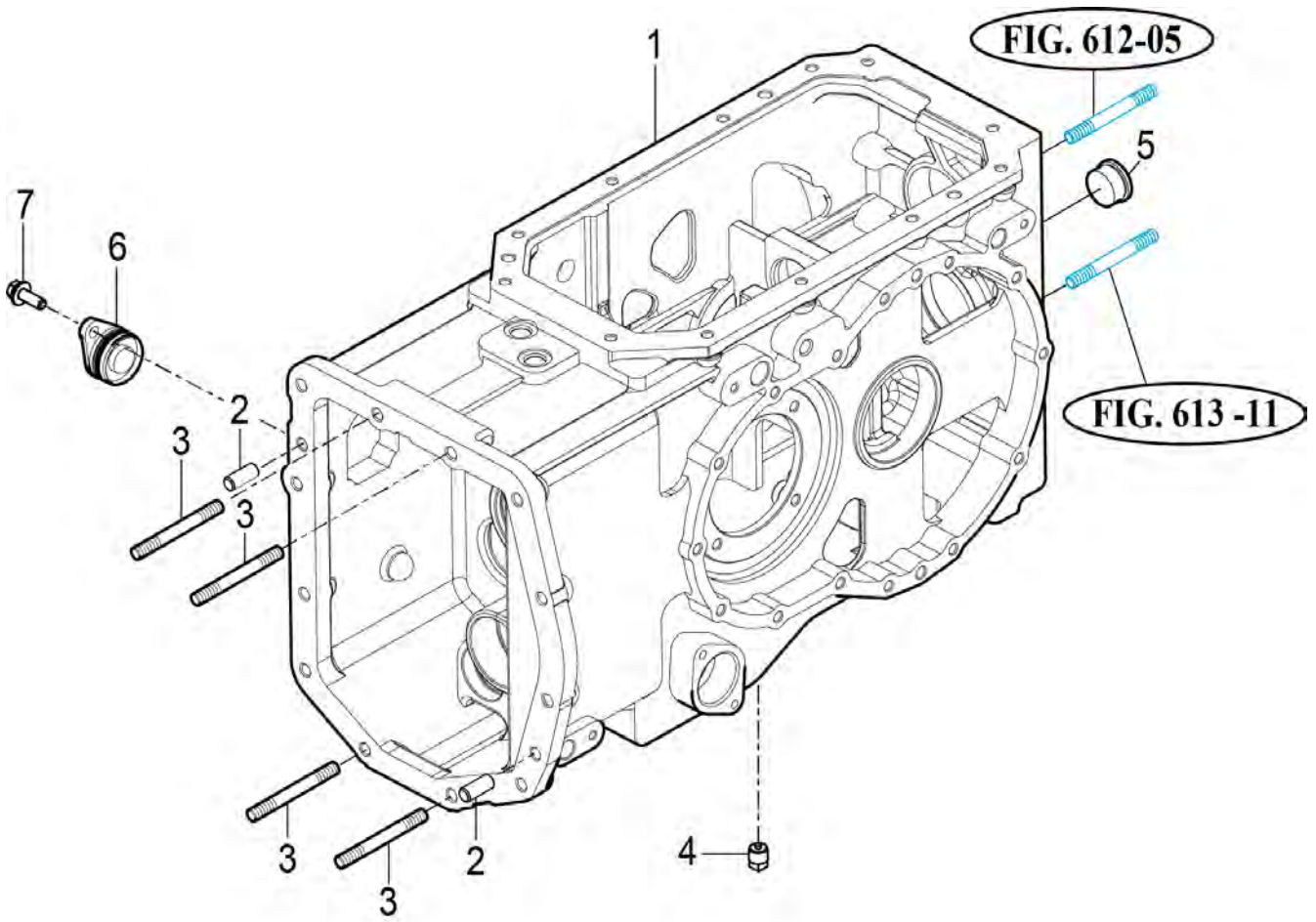
P1

Year

2016



T394SH



T394NH-E-411

NOTE



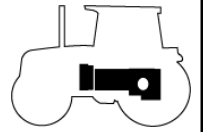
FIG 412

REAR AXLE HOUSINGS (1)

P1

Year

2016



T394SH

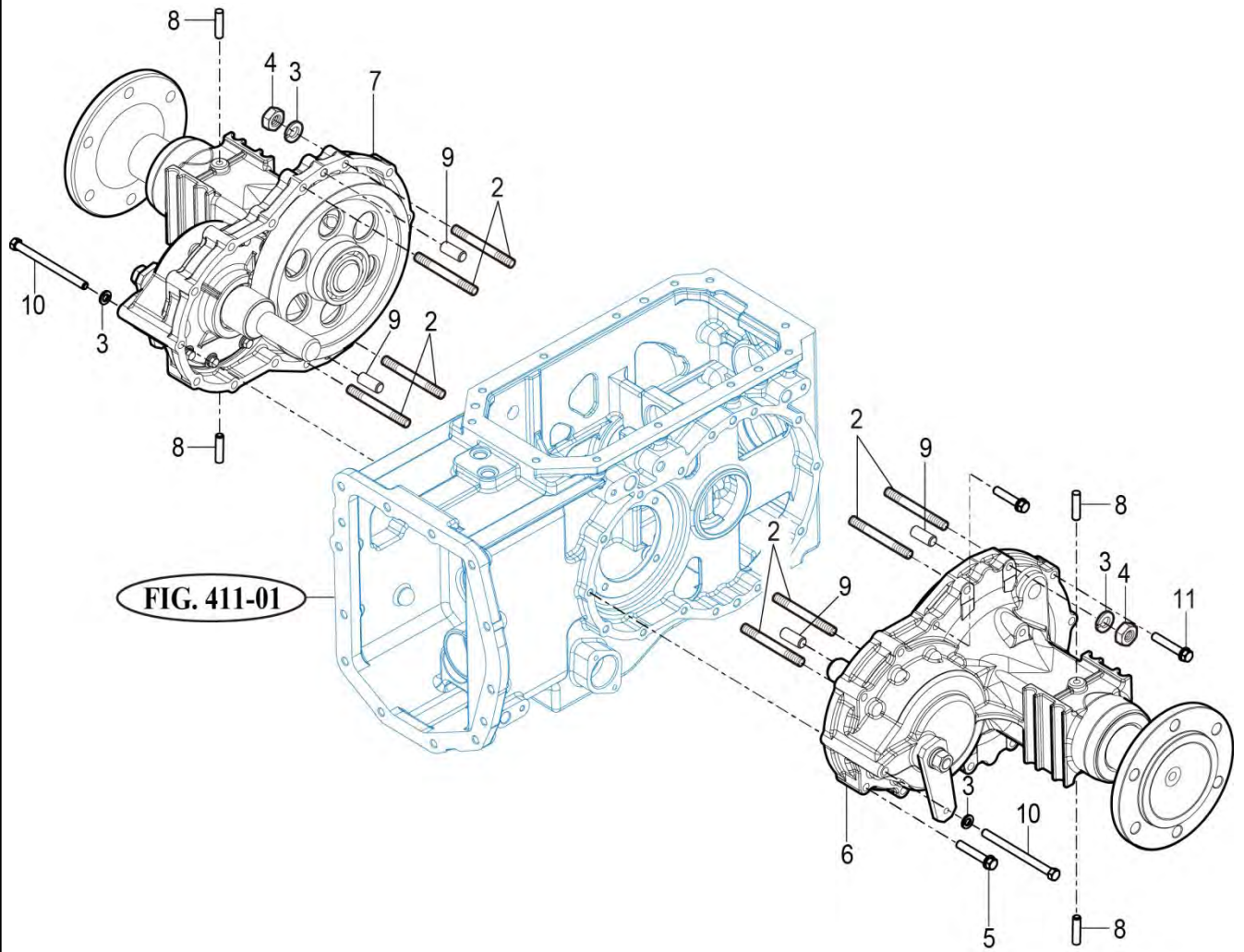


FIG. 411-01

2538NH-E-412

NOTE

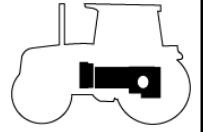
# FIG 413

# REAR AXLE HOUSINGS (2)

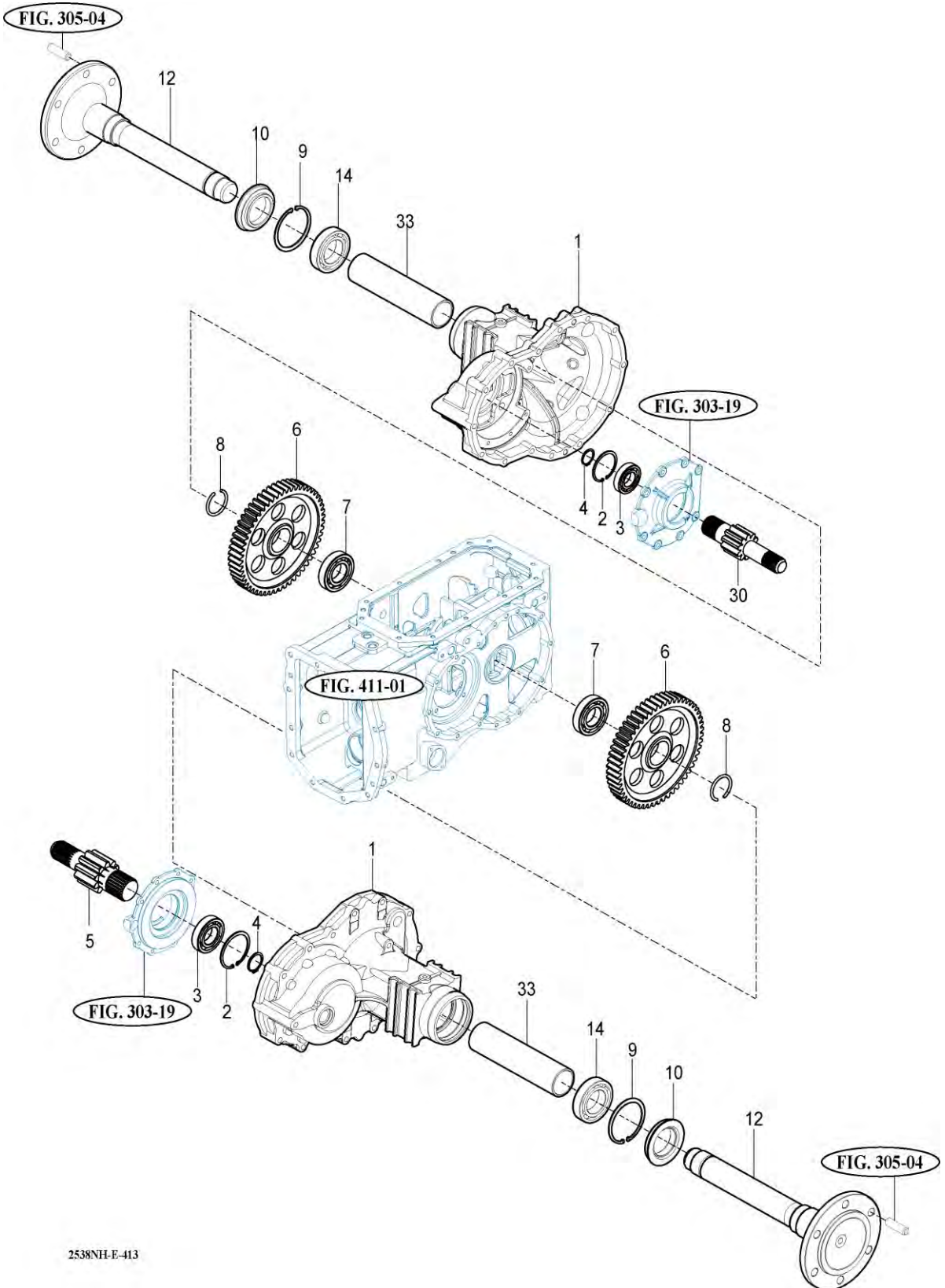
P1

Year

2016



T394SH



2538N1E-413

NOTE

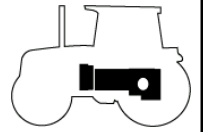
# FIG 414

# MID P.T.O GEARS

P1

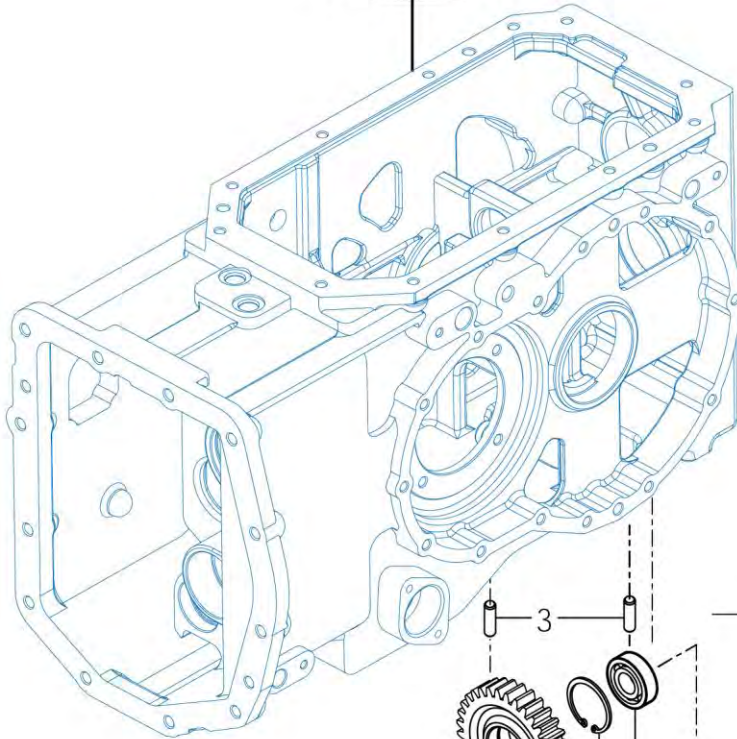
Year

2016

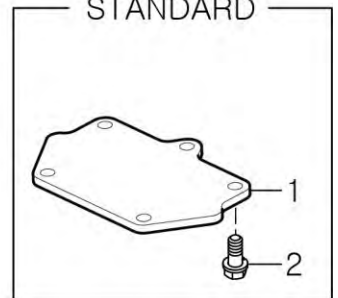


T394SH

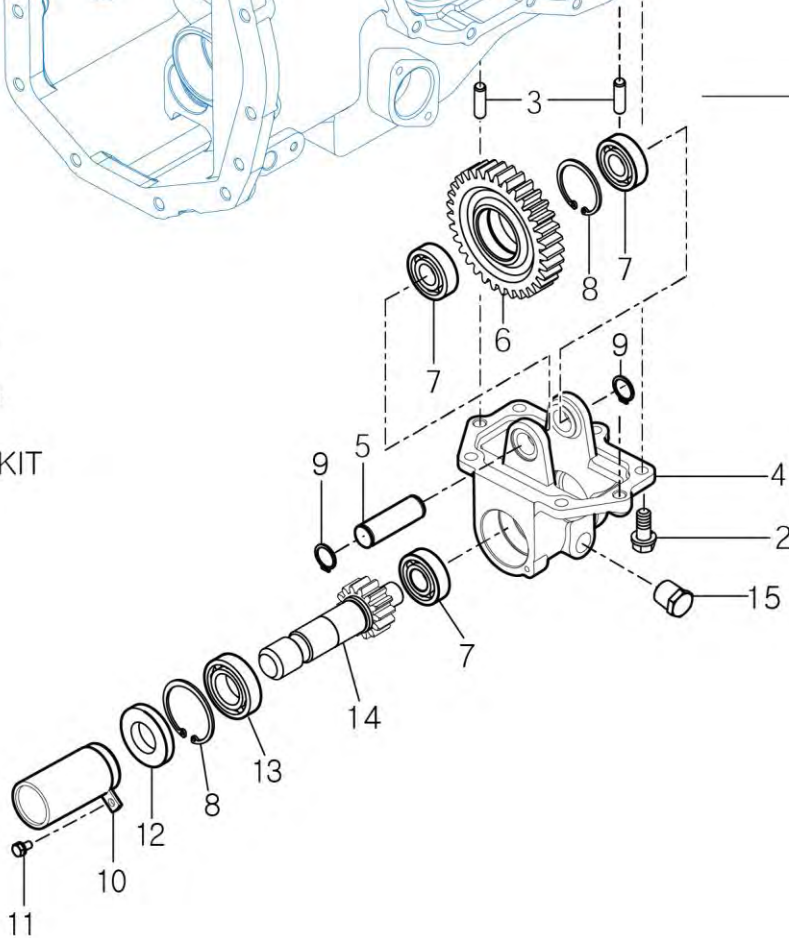
FIG. 411-01



STANDARD



16  
4 ~ 15  
OPTION KIT



2538NH-E-414

NOTE

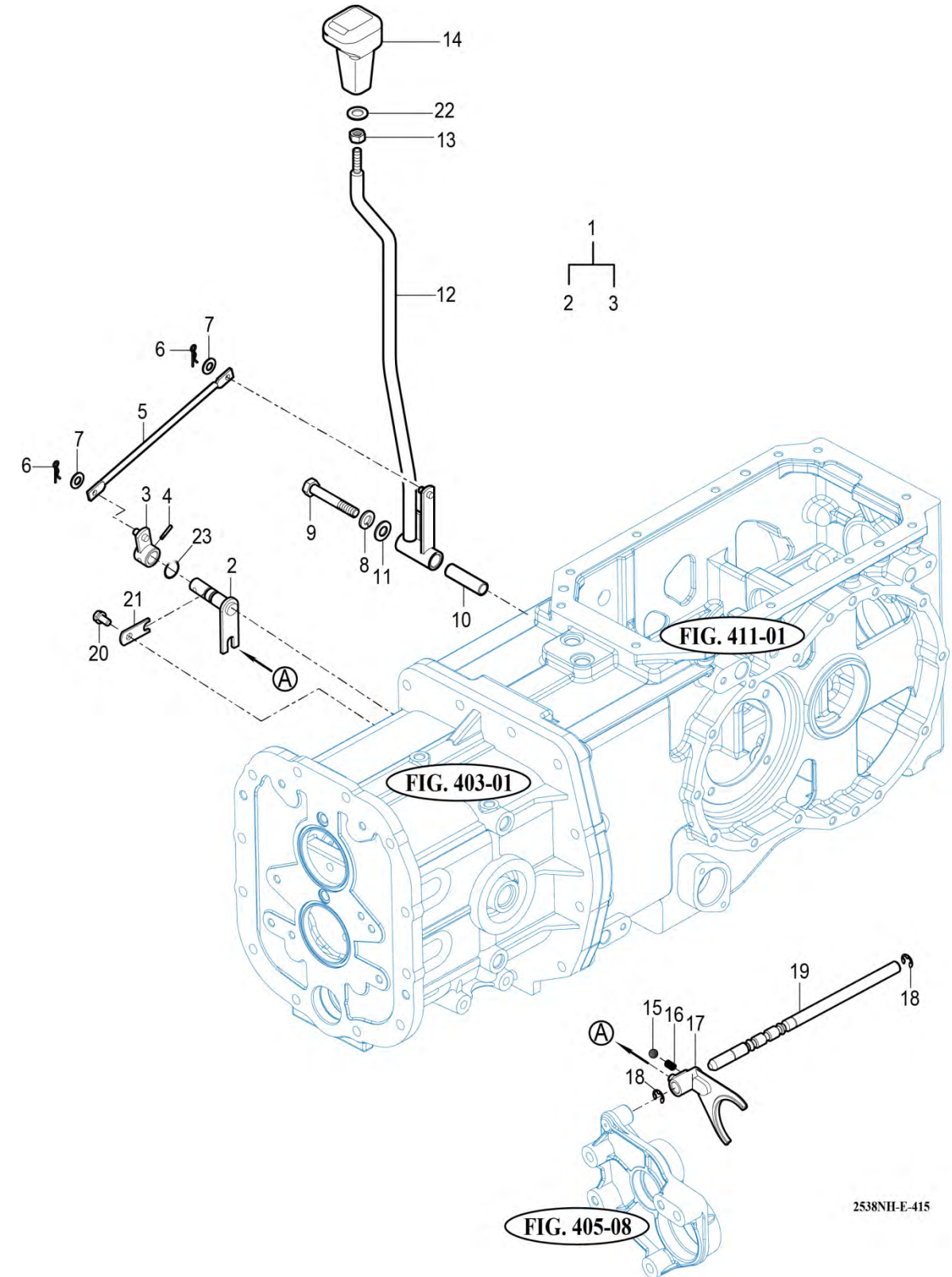
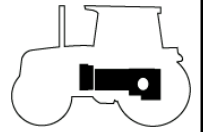
FIG 415

SUB CHANGE LEVER

P1

Year

2016



NOTE



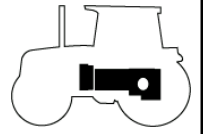
FIG 416

# FORWARD & REVERSE CONTROL LINKAGE

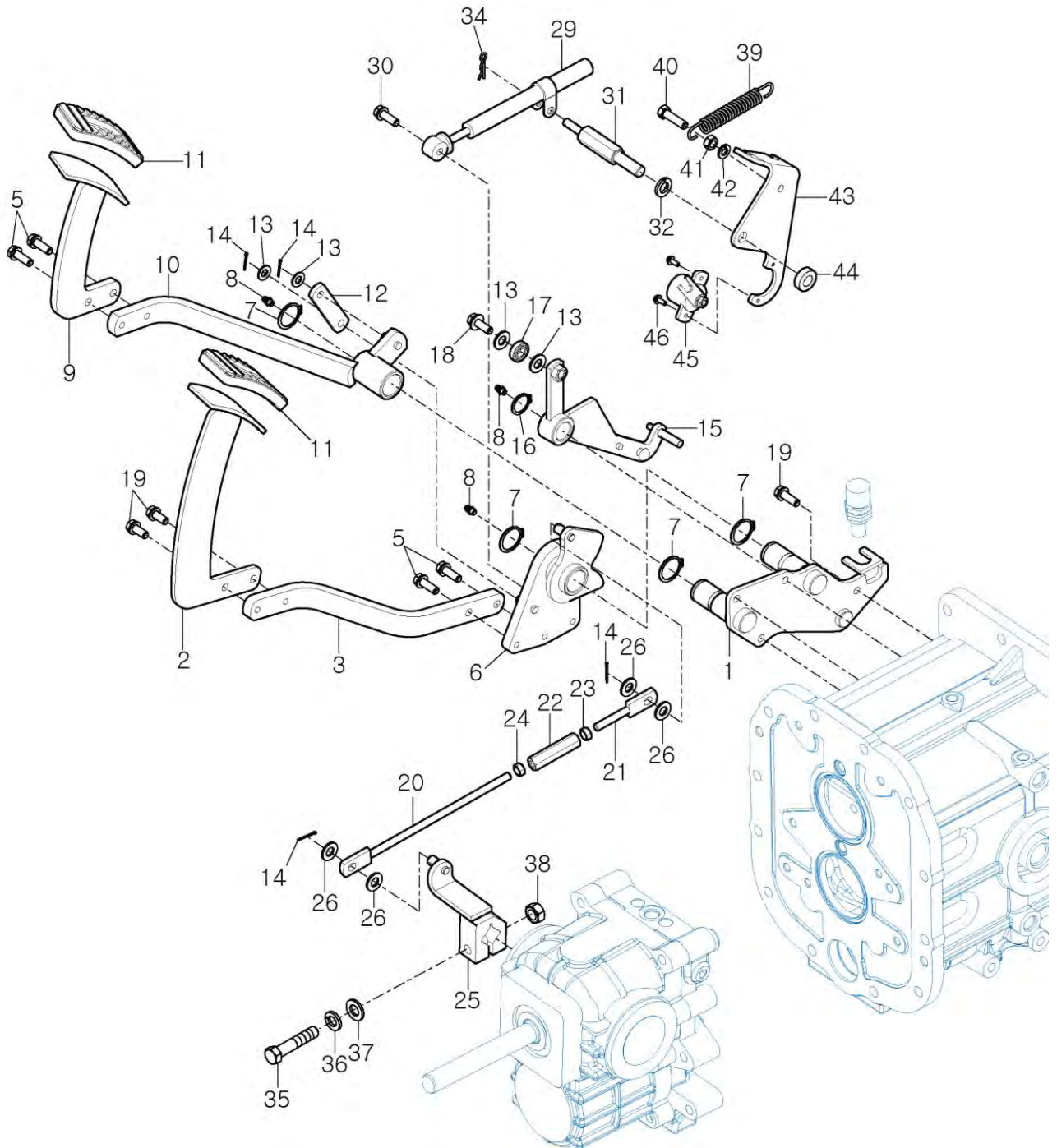
P1

Year

2016



T394SH



NOTE

FIG 417

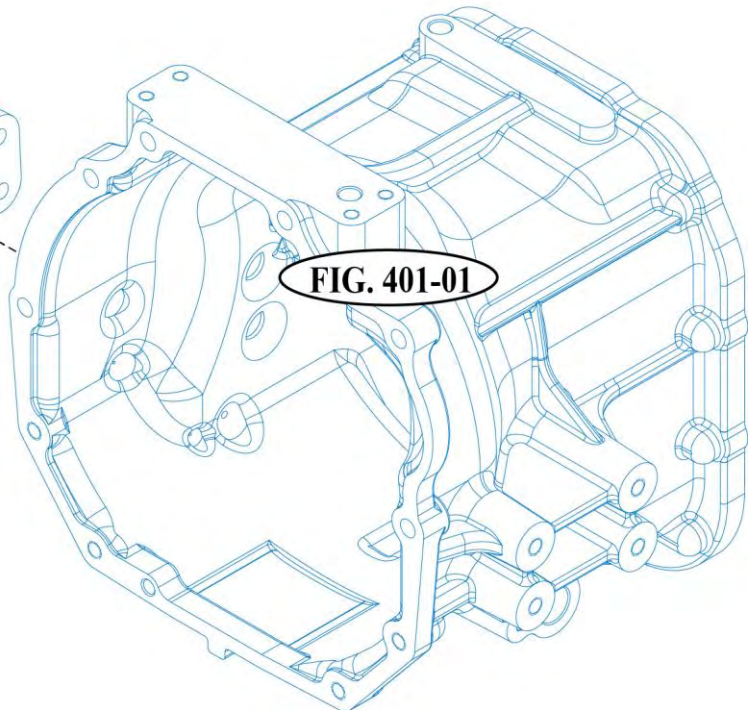
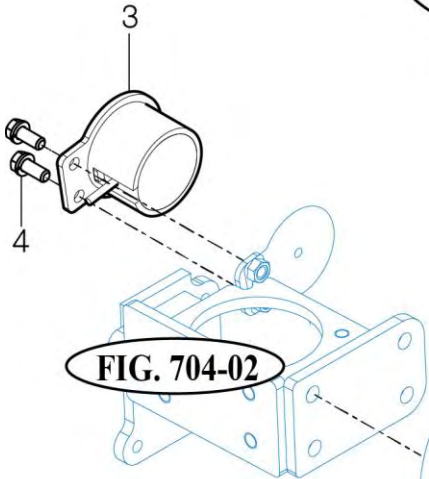
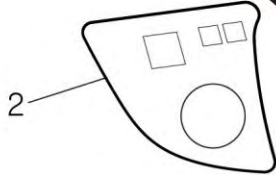
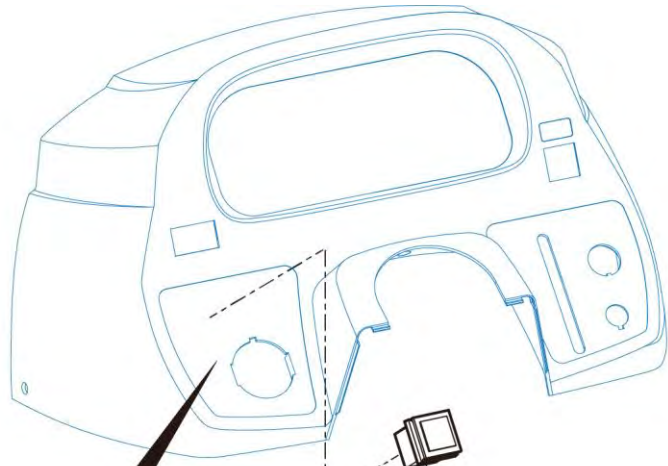
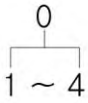
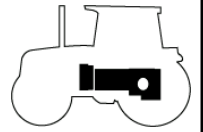
T394SH

# CRUISE CONTROL KIT (OPTION)

P1

Year

2016



NOTE

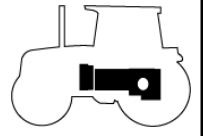
FIG 418

4WD CHANGE LEVER

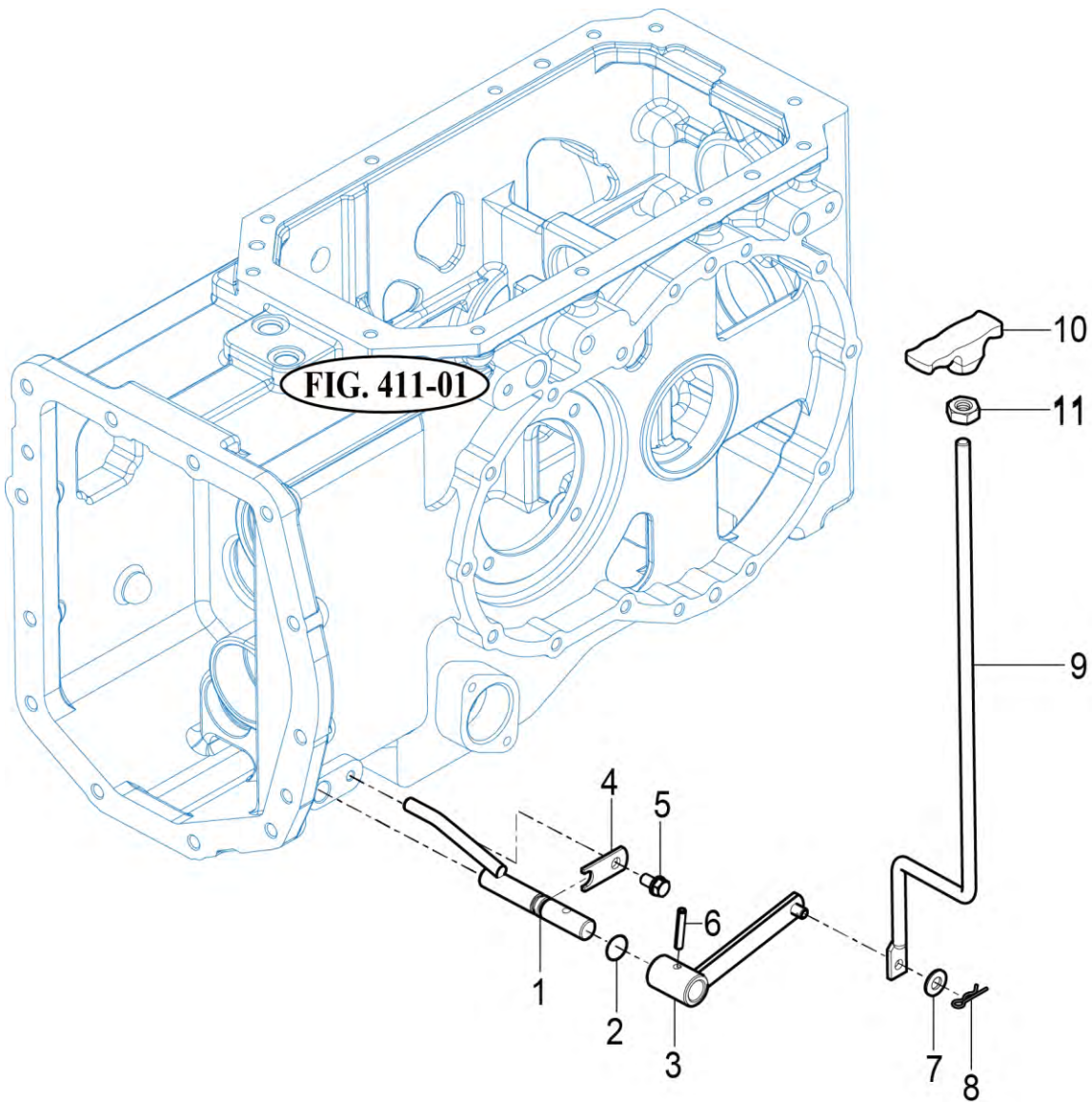
P1

Year

2016



T394SH



2538NH-K-418

NOTE



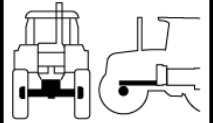
FIG 501

# FRONT AXLE BRACKET

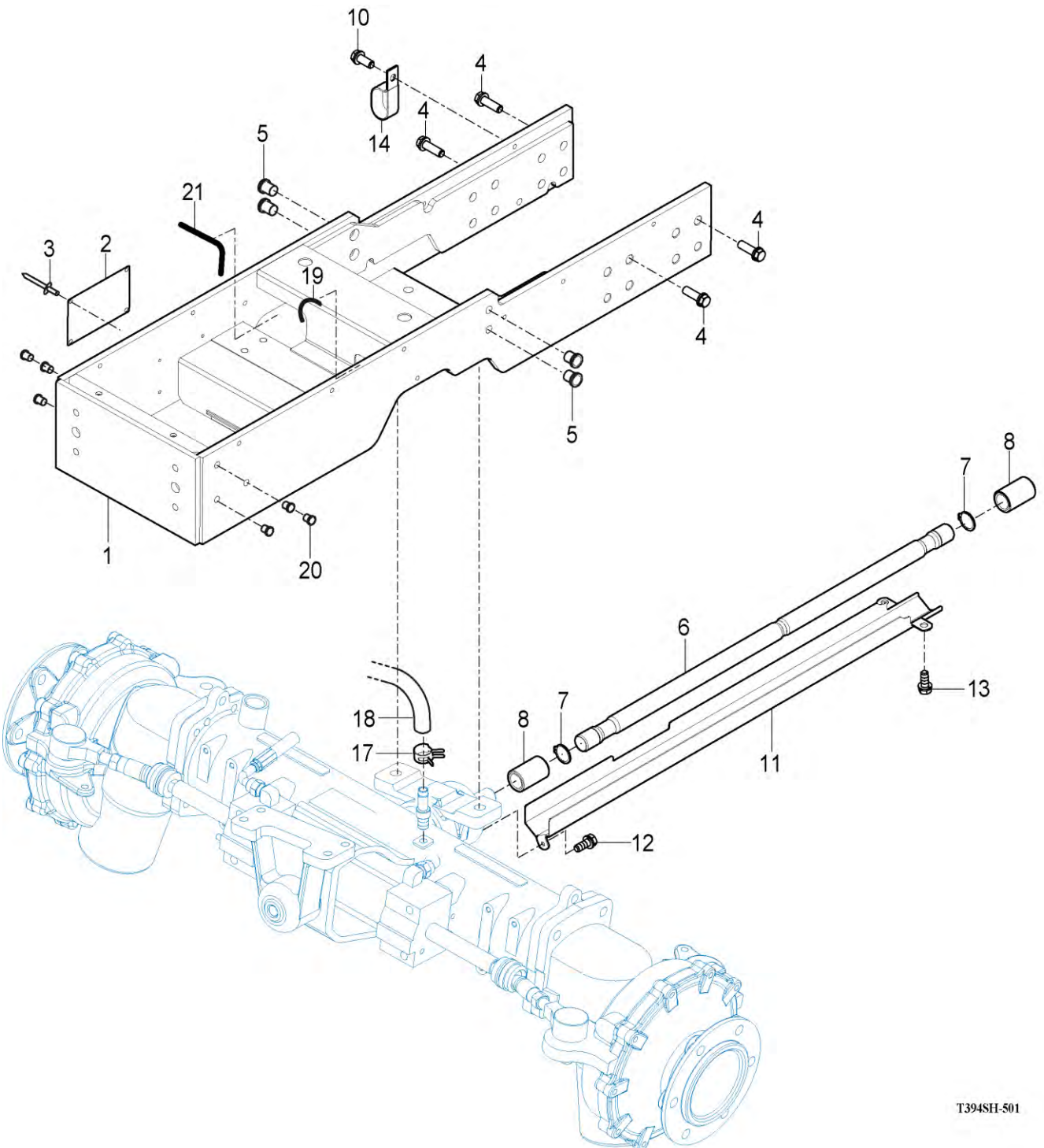
P1

Year

2016



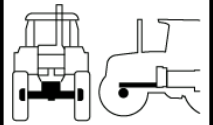
T394SH



T394SH-501

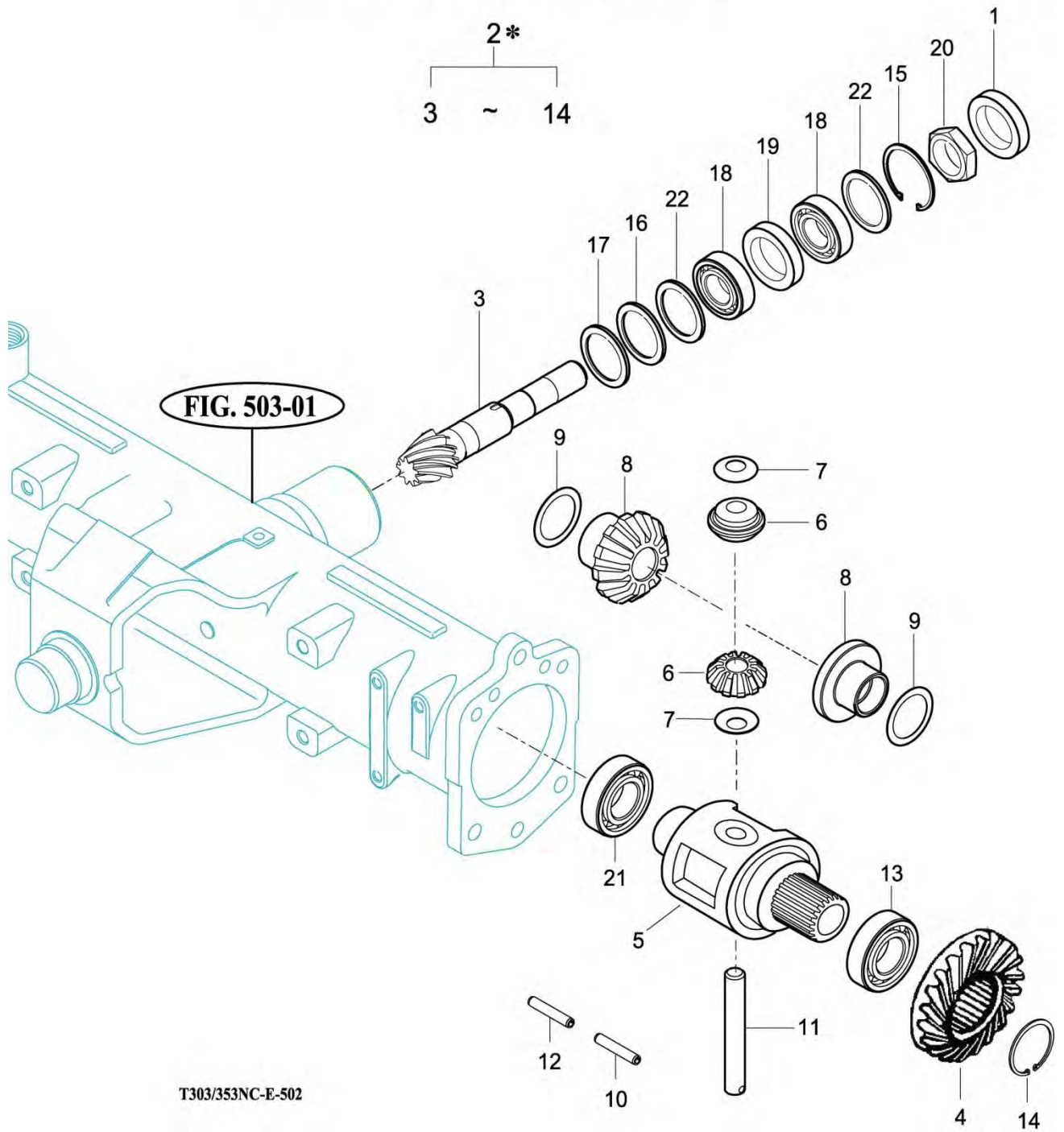
NOTE





T394SH

\* NOT SERVICED SEPARATELY



T303/353NC-E-502

NOTE

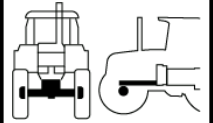
# FIG 503

# FRONT AXLE HOUSING

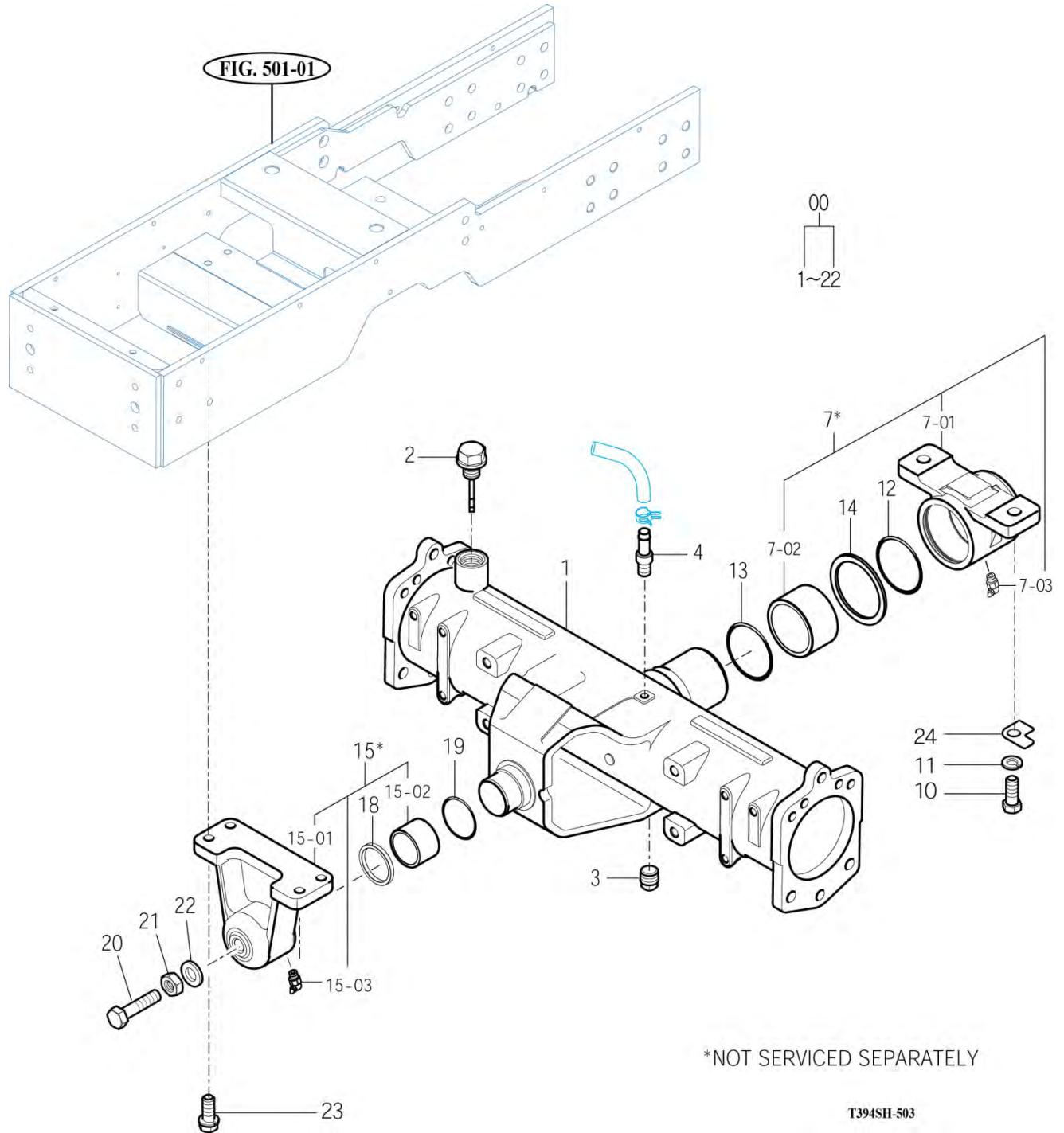
P1

Year

2016



T394SH



T394SH-503

NOTE

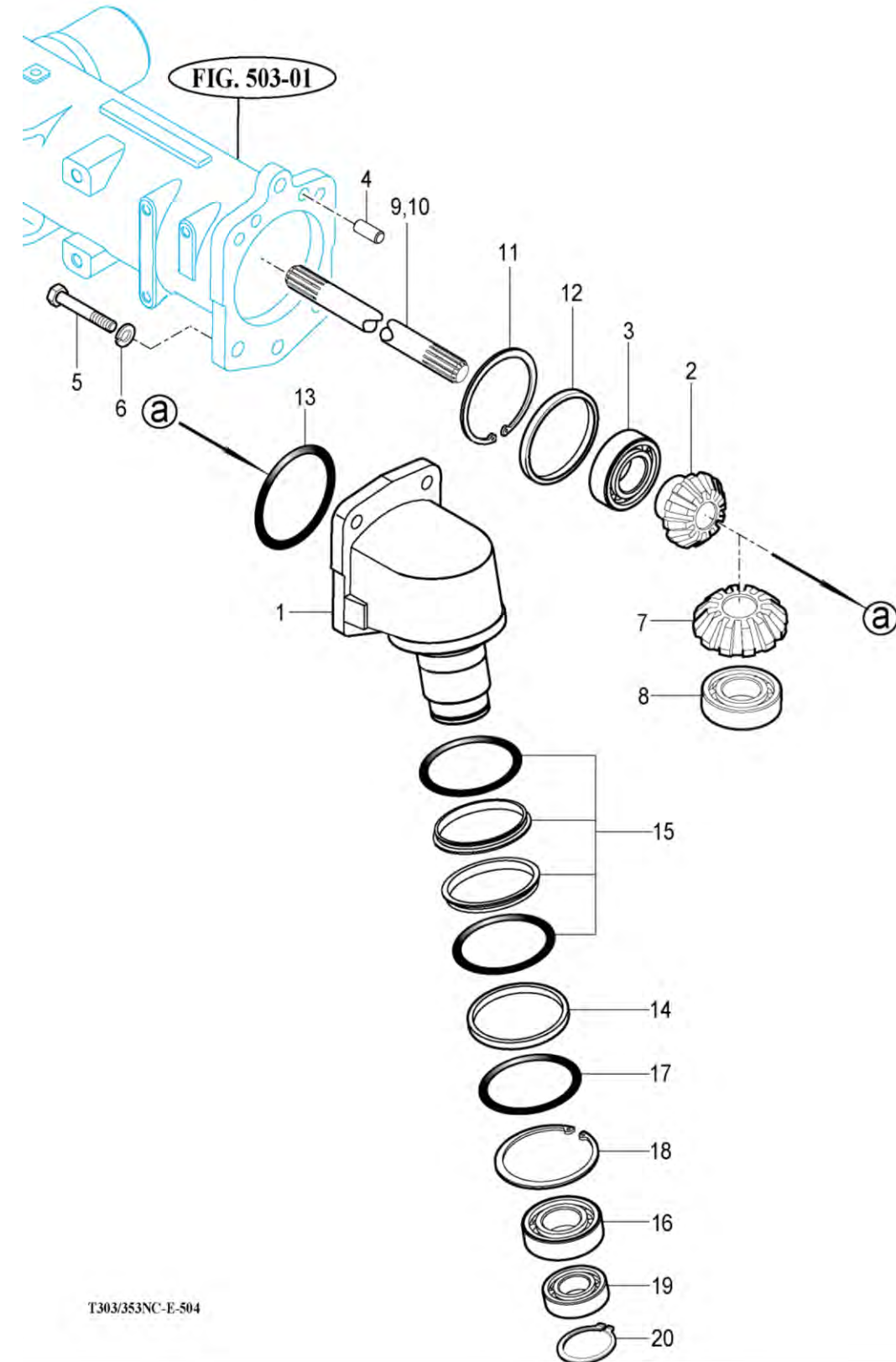
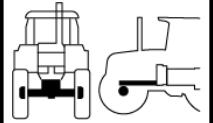
FIG 504

FRONT GEAR CASE (1)

P1

Year

2016



T303/353NC-E-504

NOTE

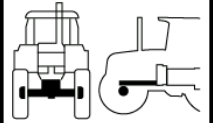
FIG 505

FRONT GEAR CASE (2)

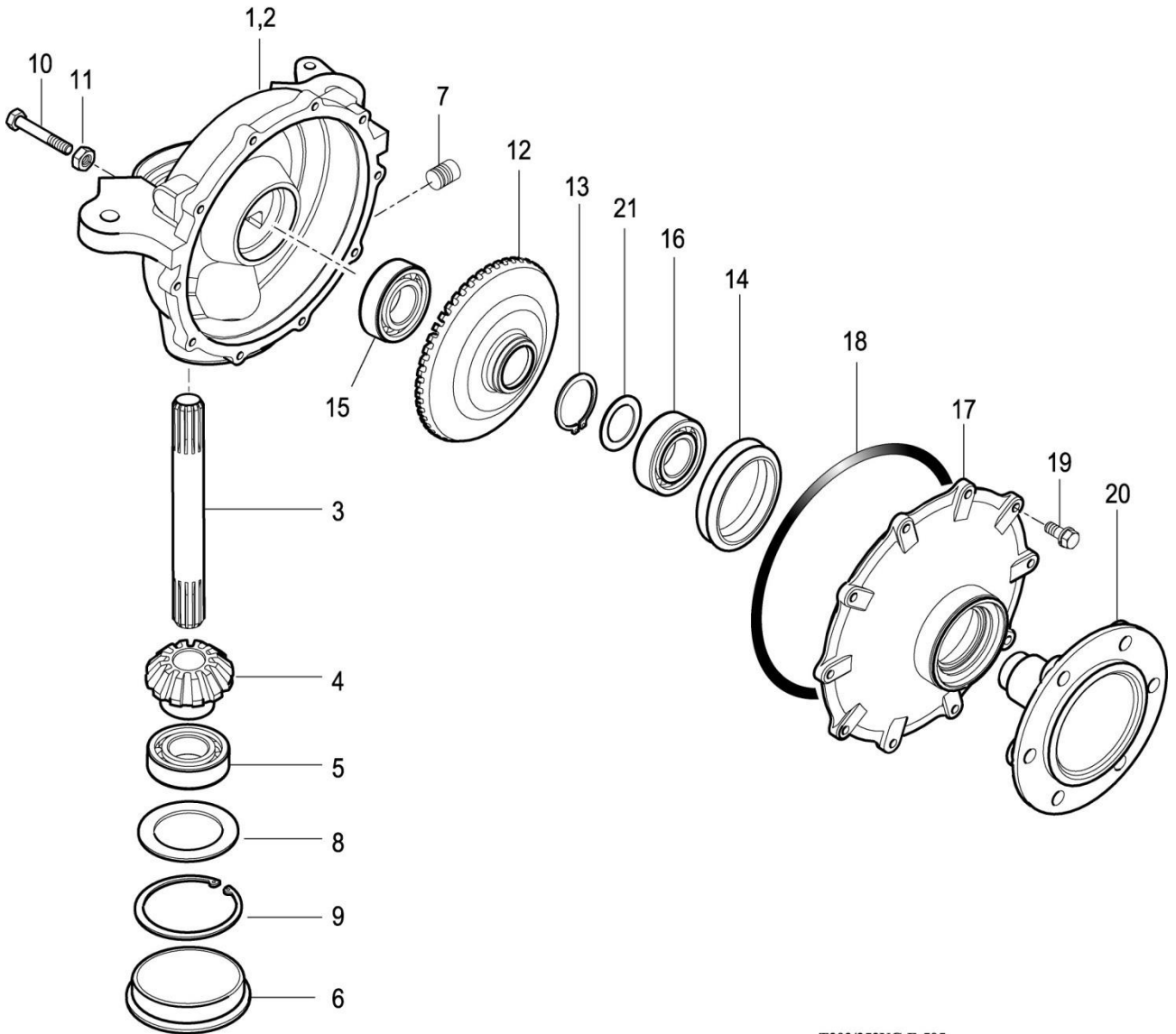
P1

Year

2016



T394SH



T303/353NC-E-505

NOTE



FIG 601

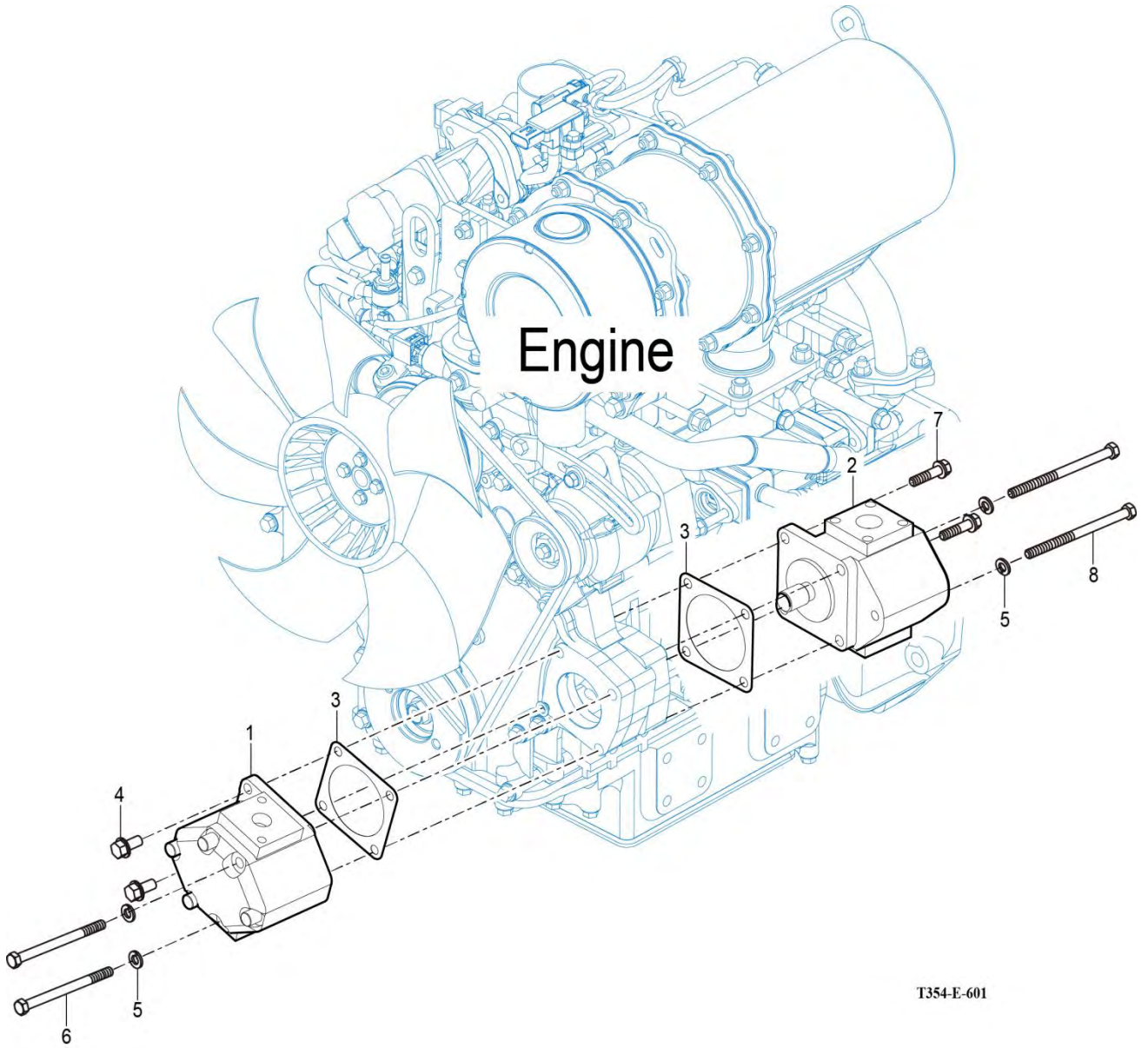
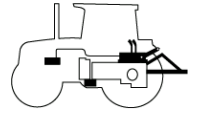
T394SH

# GEAR PUMP

P1

Year

2016



T354-E-601

NOTE

FIG 602

T394SH

CYLINDER CASE

P1

Year

2016

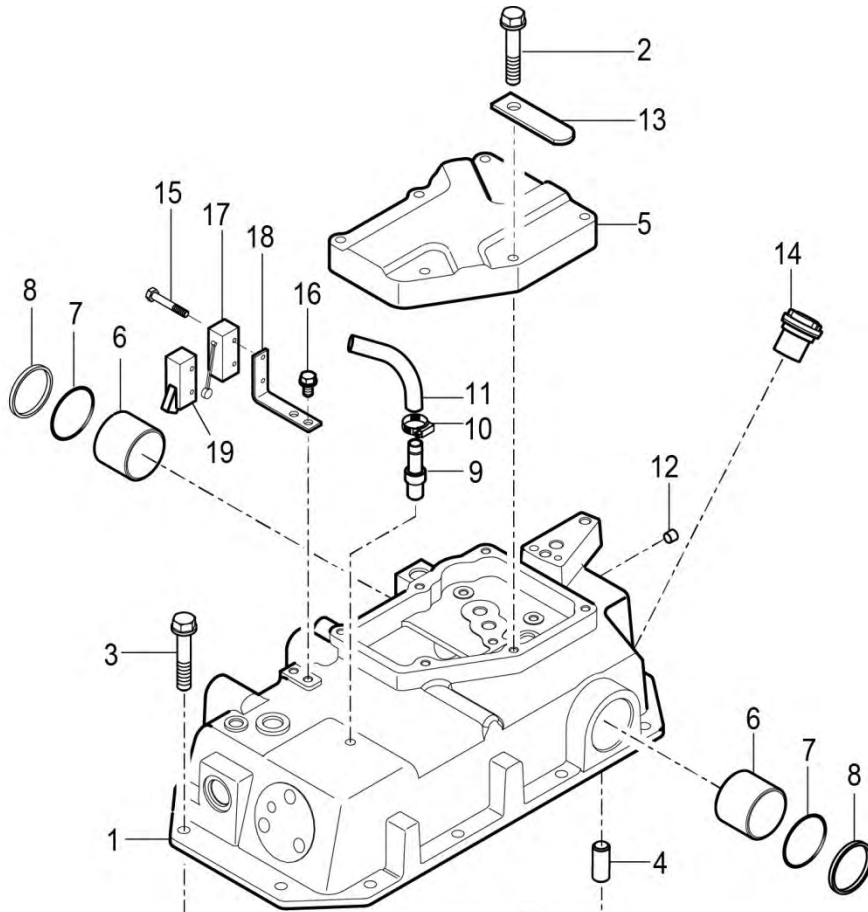
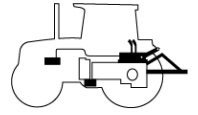
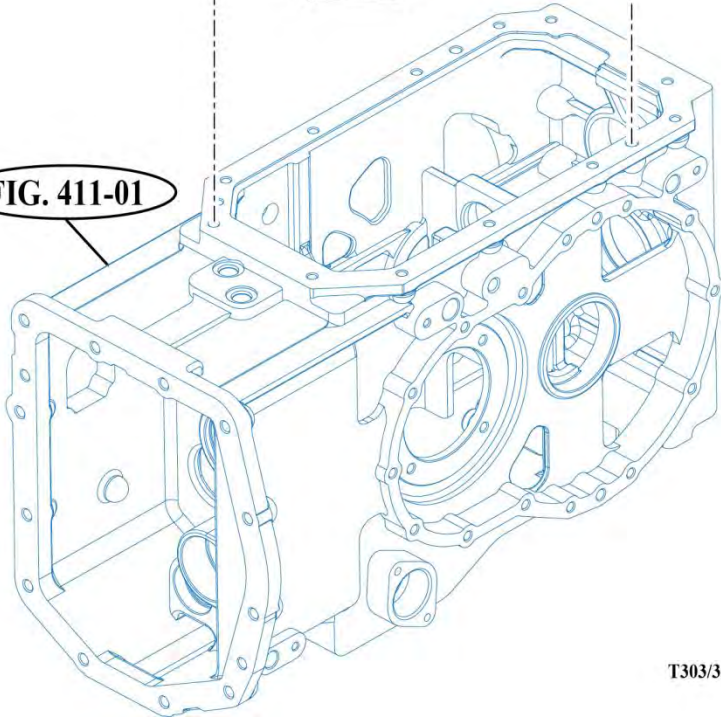


FIG. 411-01



T303/353NC-E-602

NOTE

FIG 603

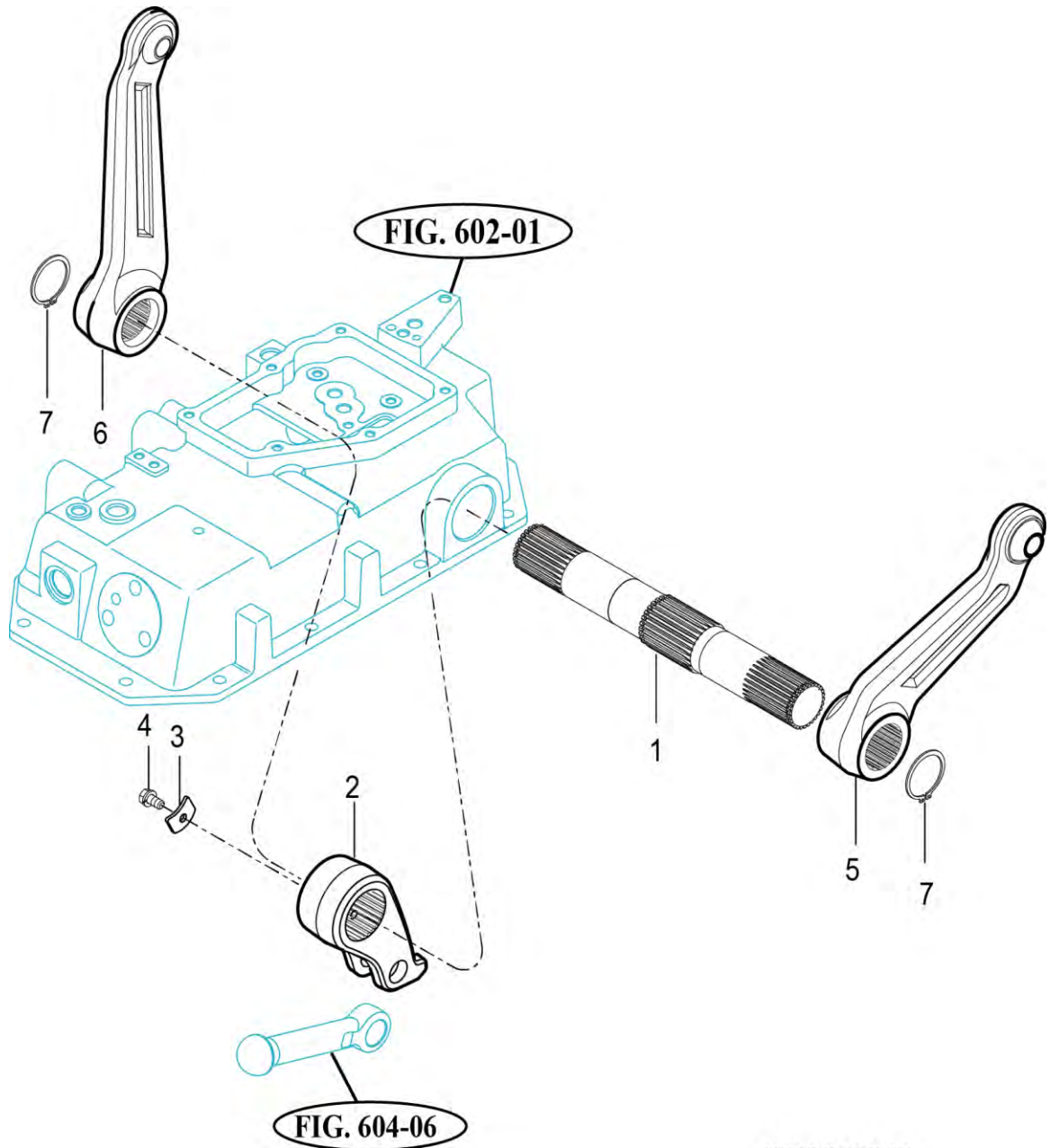
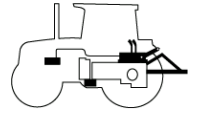
T394SH

# LIFT ARM

P1

Year

2016



T303/353NC-E-603

NOTE



FIG 604

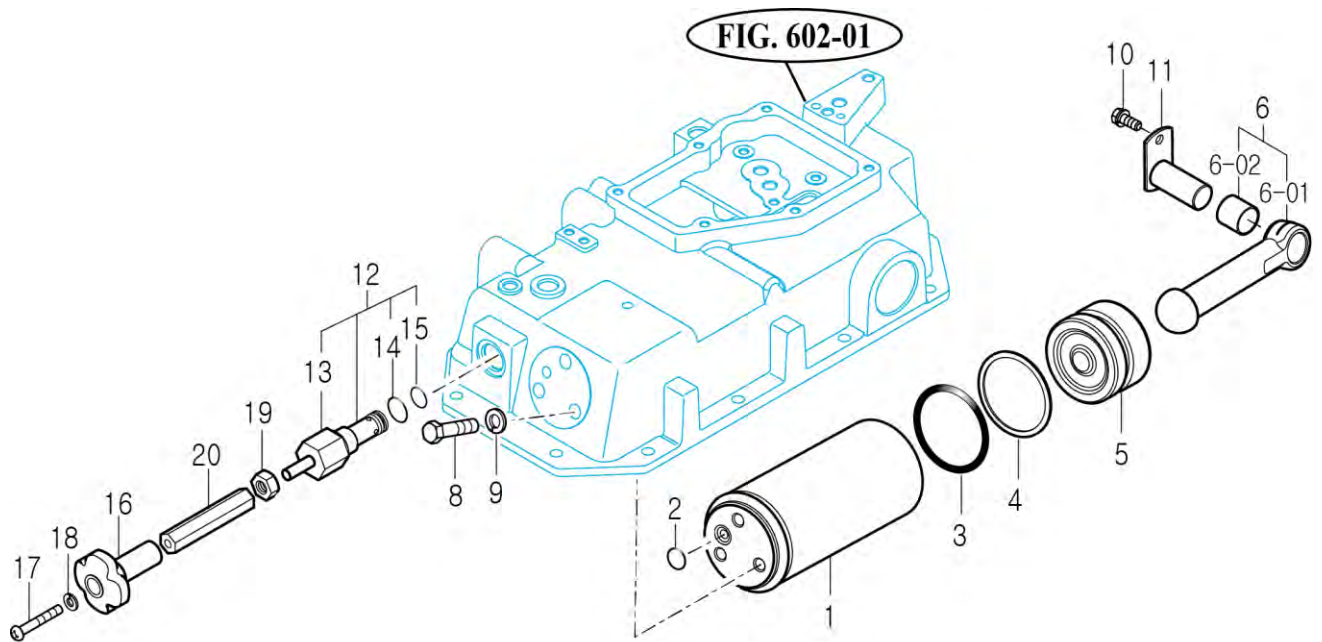
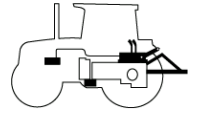
T394SH

# CYLINDER

P1

Year

2016



T303/353NC-E-604

NOTE

FIG 605

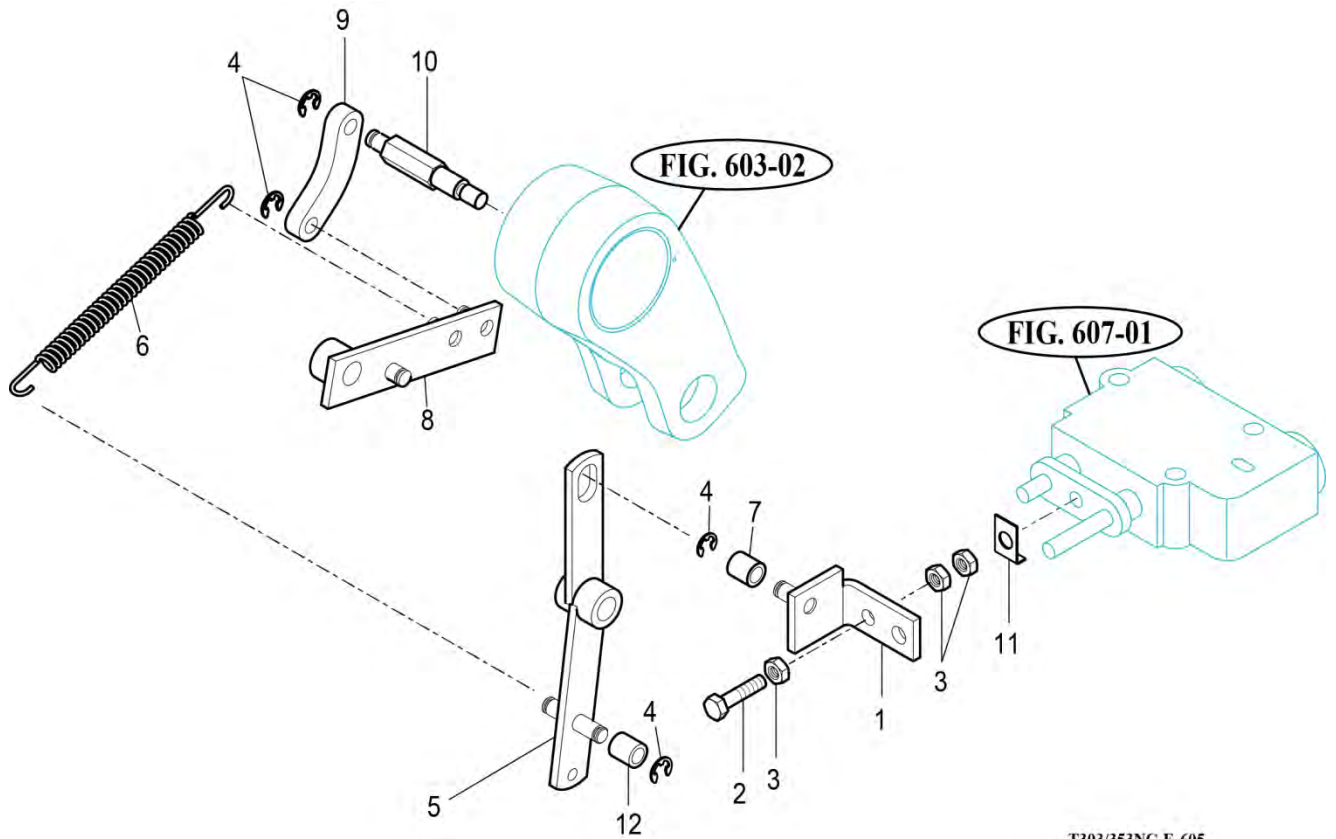
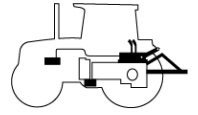
T394SH

POSITION LINK (1)

P1

Year

2016



T303/353NC-E-605

NOTE

FIG 606

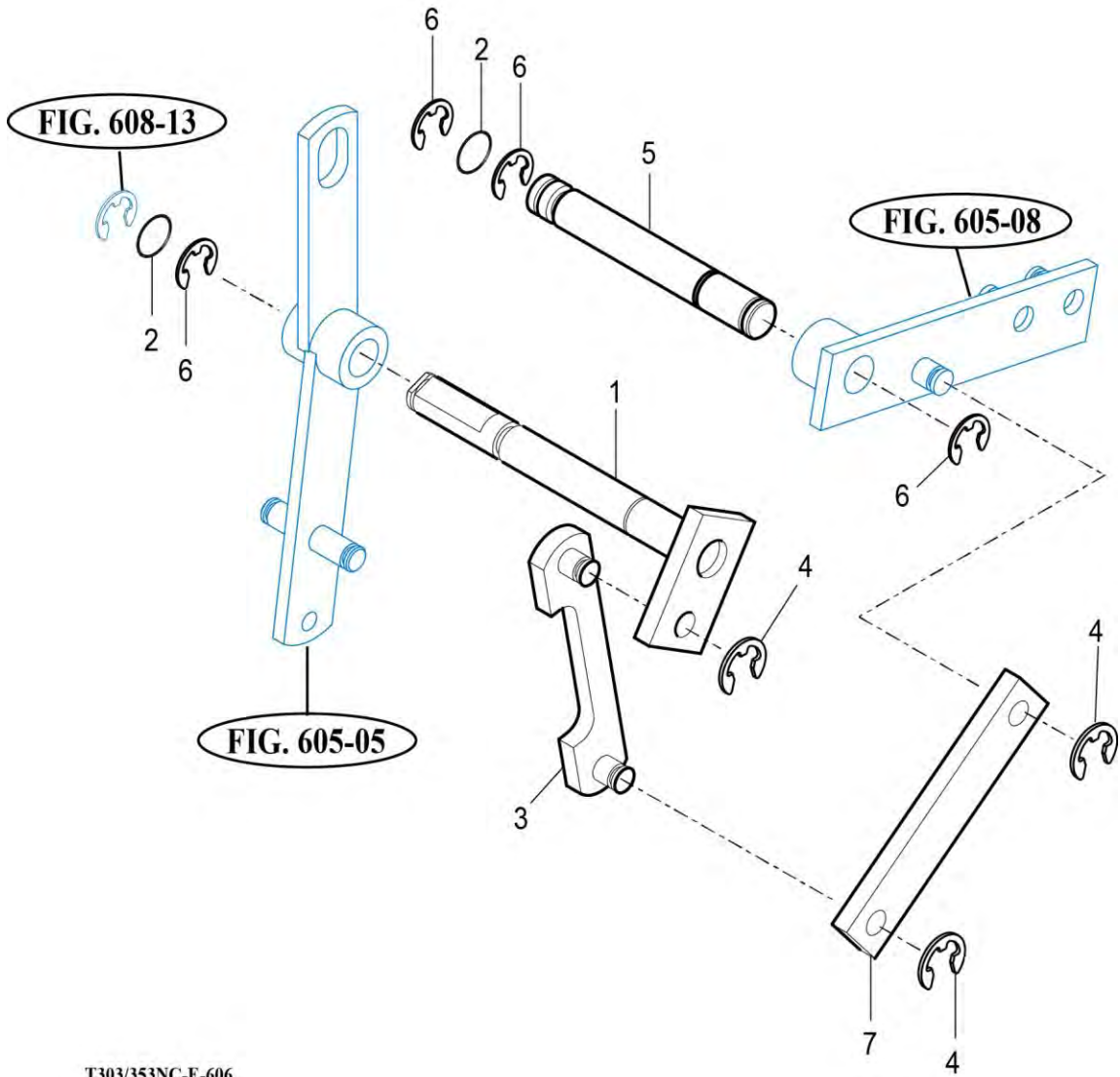
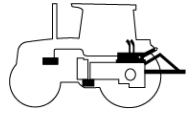
T394SH

# POSITION LINK (2)

P1

Year

2016



T303/353NC-E-606

NOTE

FIG 607

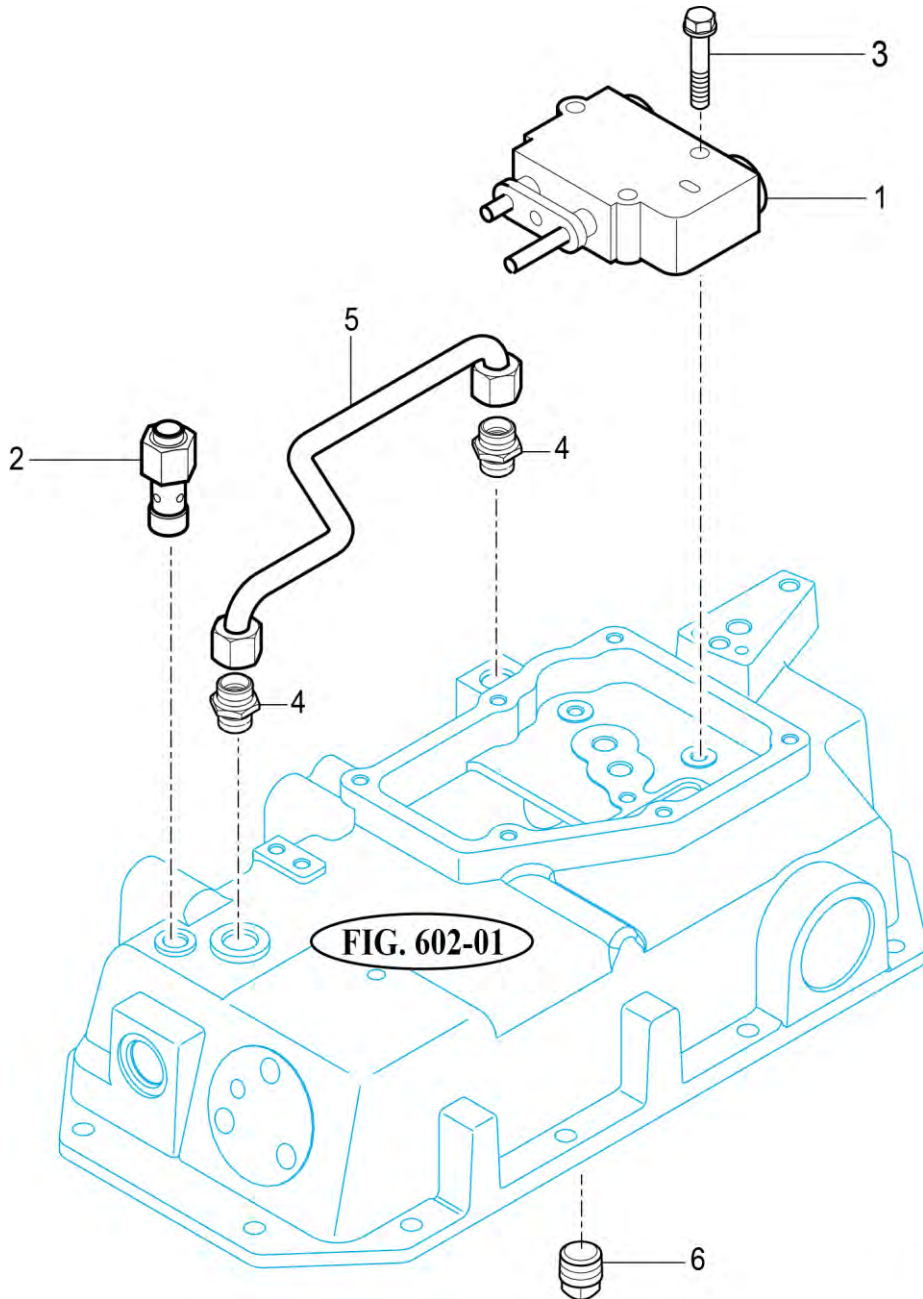
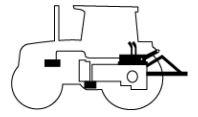
T394SH

# CONTROL VALVE

P1

Year

2016



NOTE

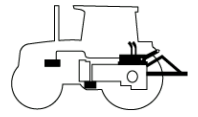
FIG 608

# POSITION LEVER

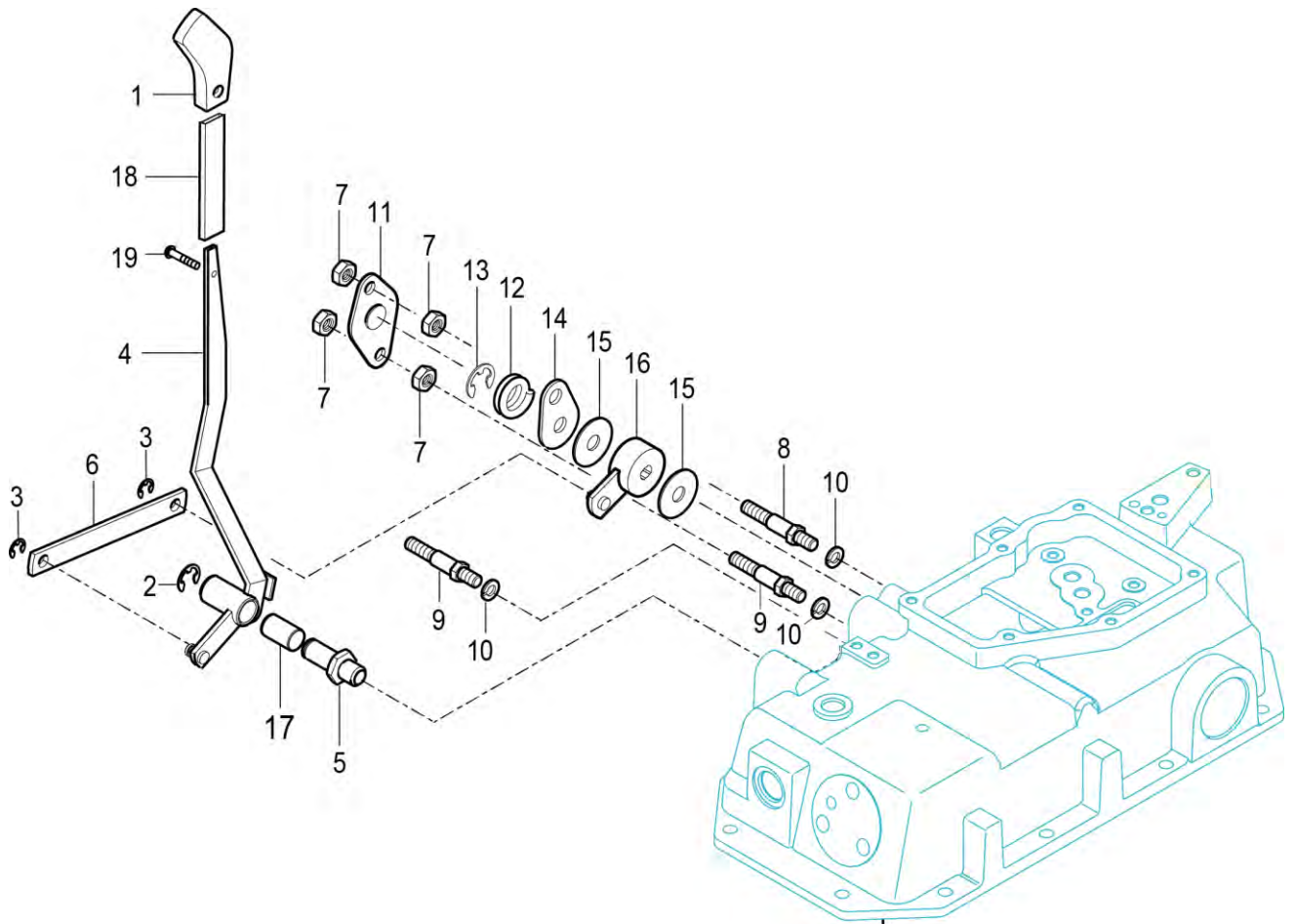
P2

Year

2016



T394SH



T303/353NC-E-608

FIG. 602-01

NOTE



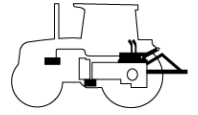
FIG 609

HYDRAULIC PIPE (1)

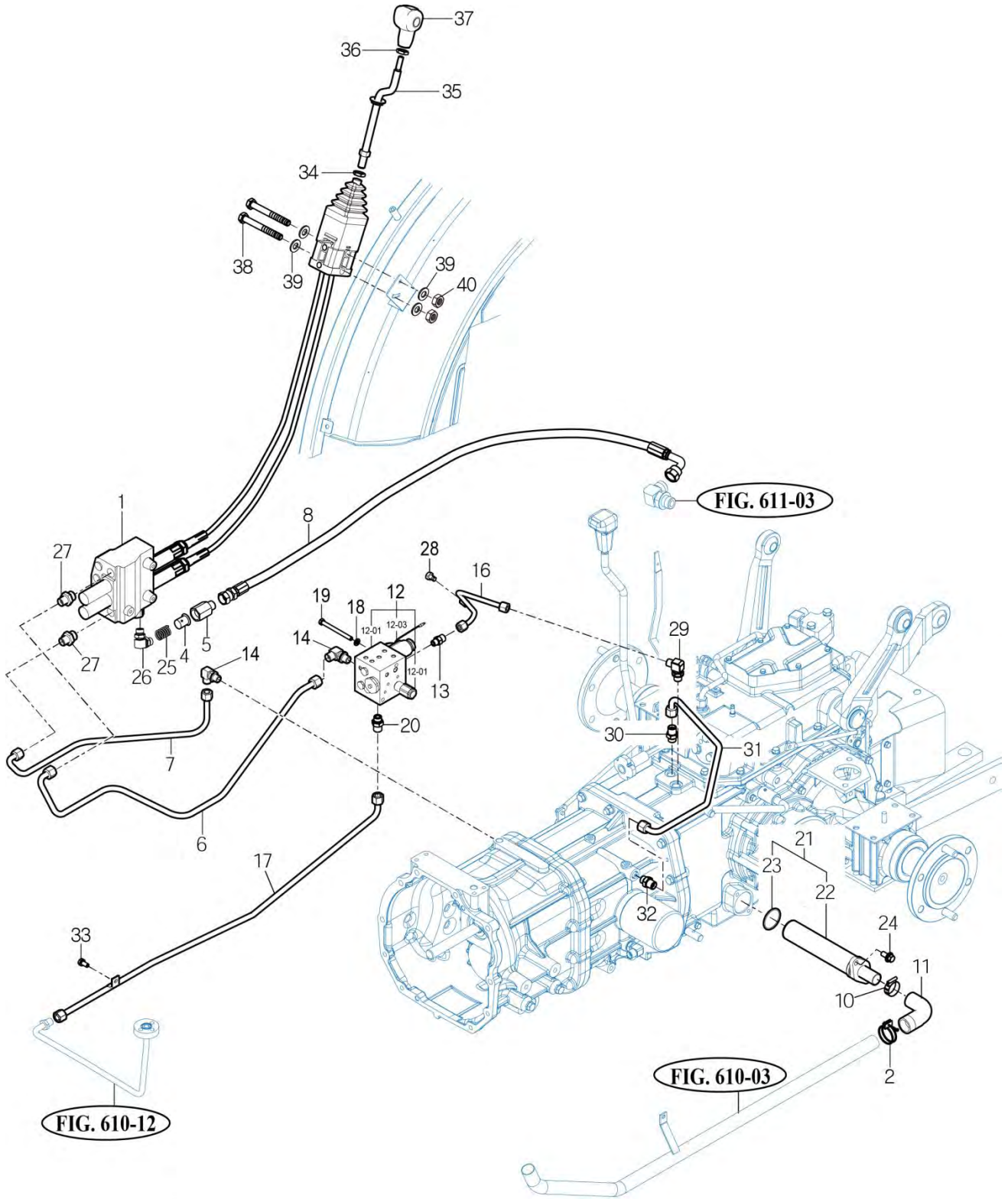
P1

Year

2016



T394SH



NOTE

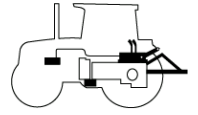
FIG 610

HYDRAULIC PIPE (2)

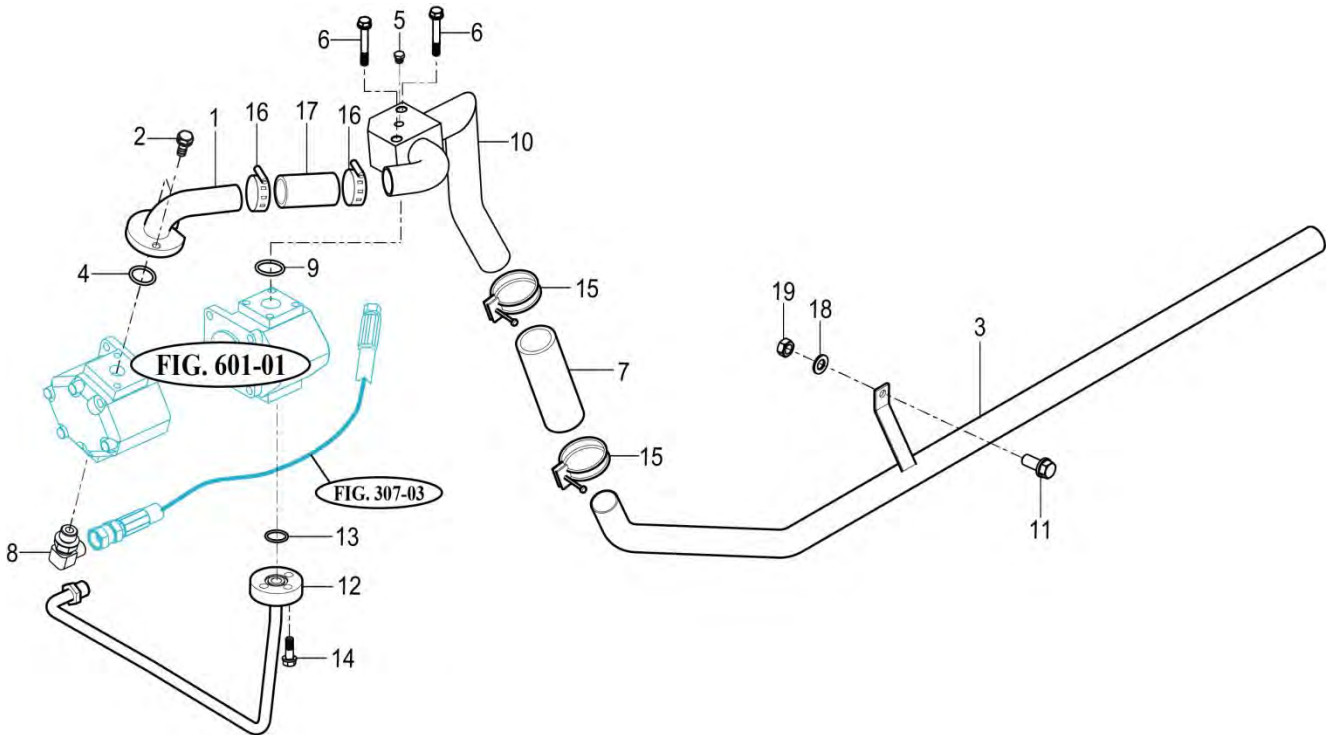
P1

Year

2016



T394SH



T394-E-606

NOTE



FIG 611

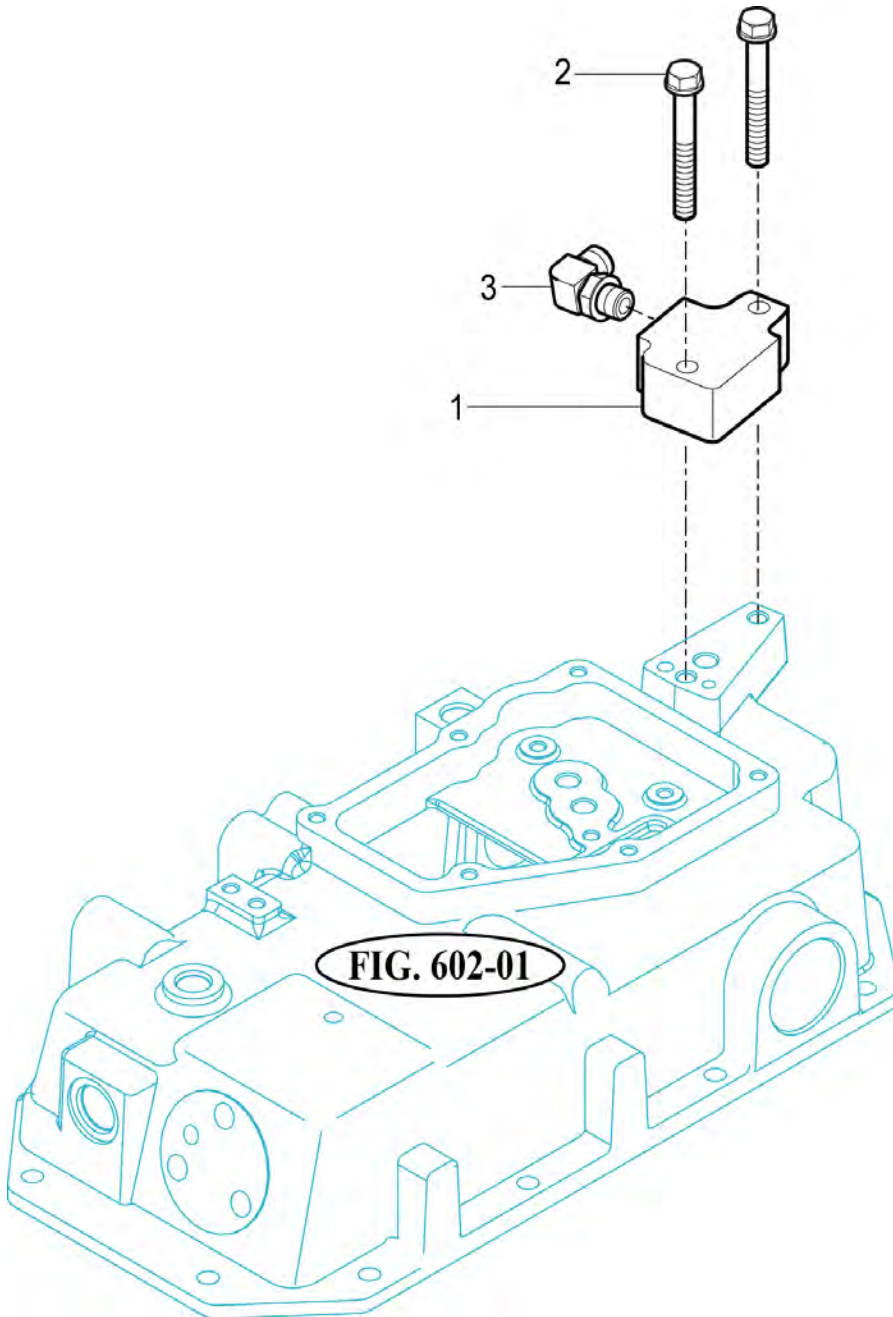
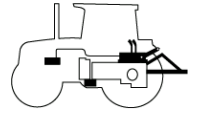
T394SH

# EXTERIOR HYD. VALVE

P1

Year

2016



T303/353NC-E-611

NOTE

FIG 611-1

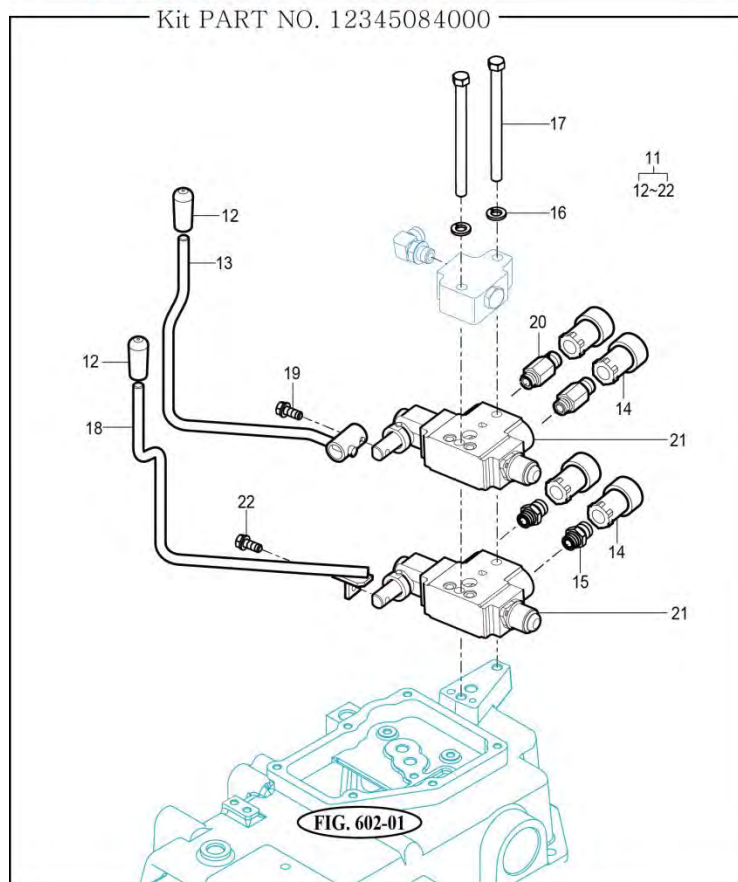
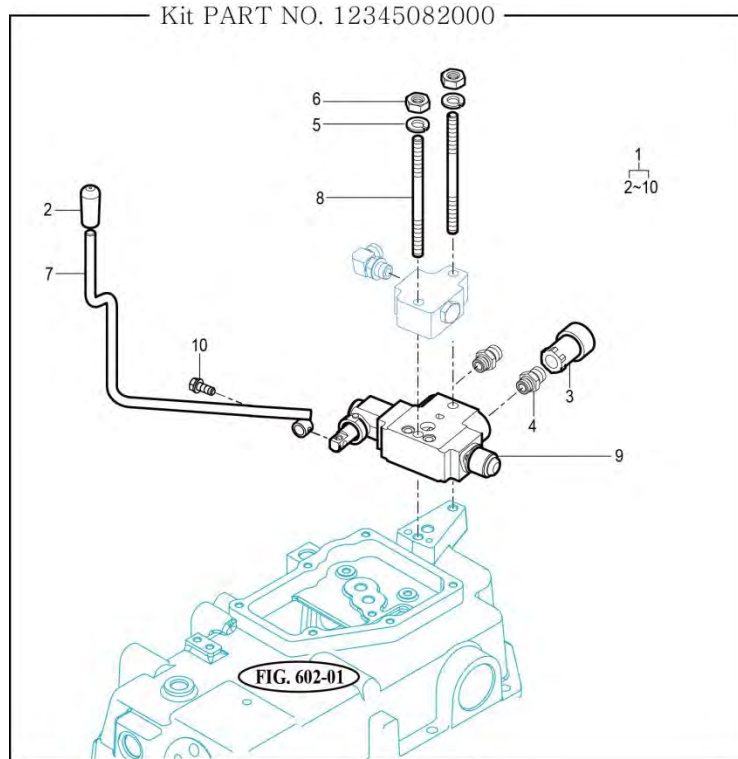
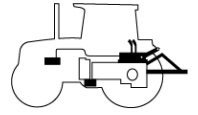
T394SH

# VALVE Kit

P1

Year

2016



NOTE

# FIG 612

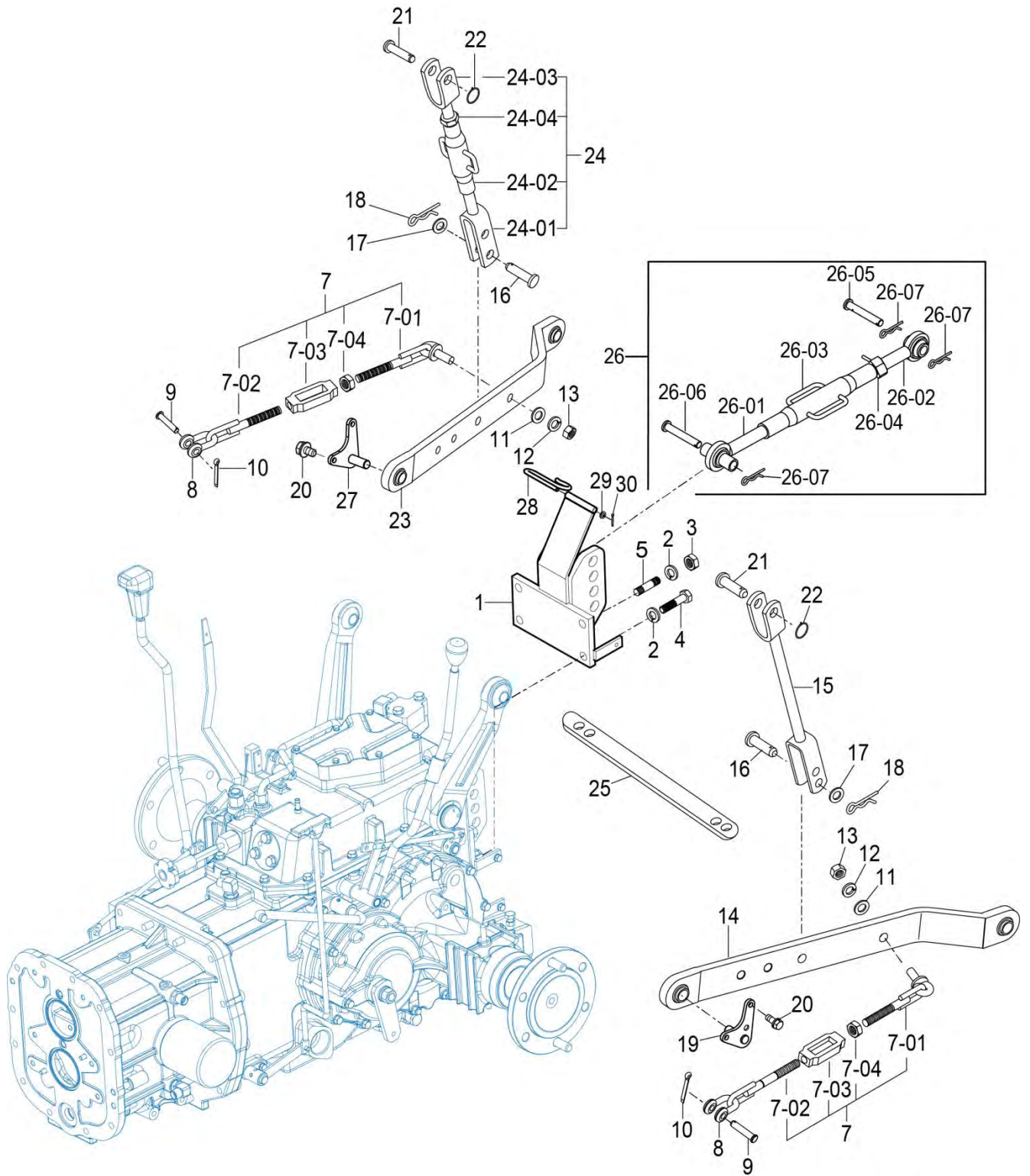
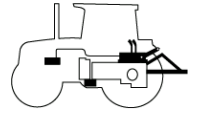
T394SH

# 3-POINT LINK

P1

Year

2016



T394SH-K-612

NOTE

FIG 613

T394SH

HITCH & COVER

P1

Year

2016

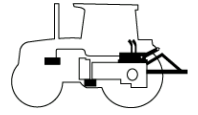
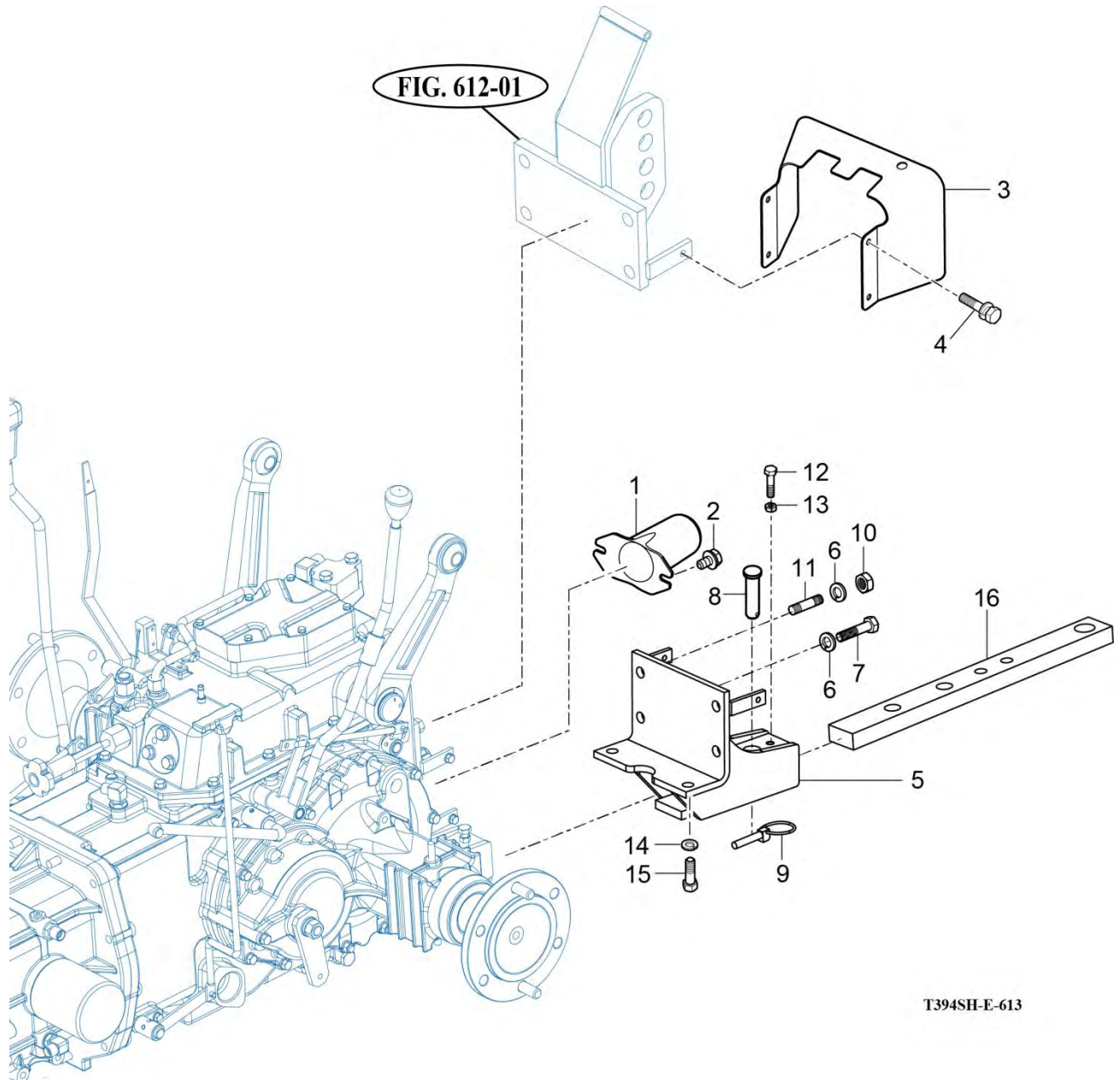


FIG. 612-01



T394SH-E-613

NOTE



FIG 701

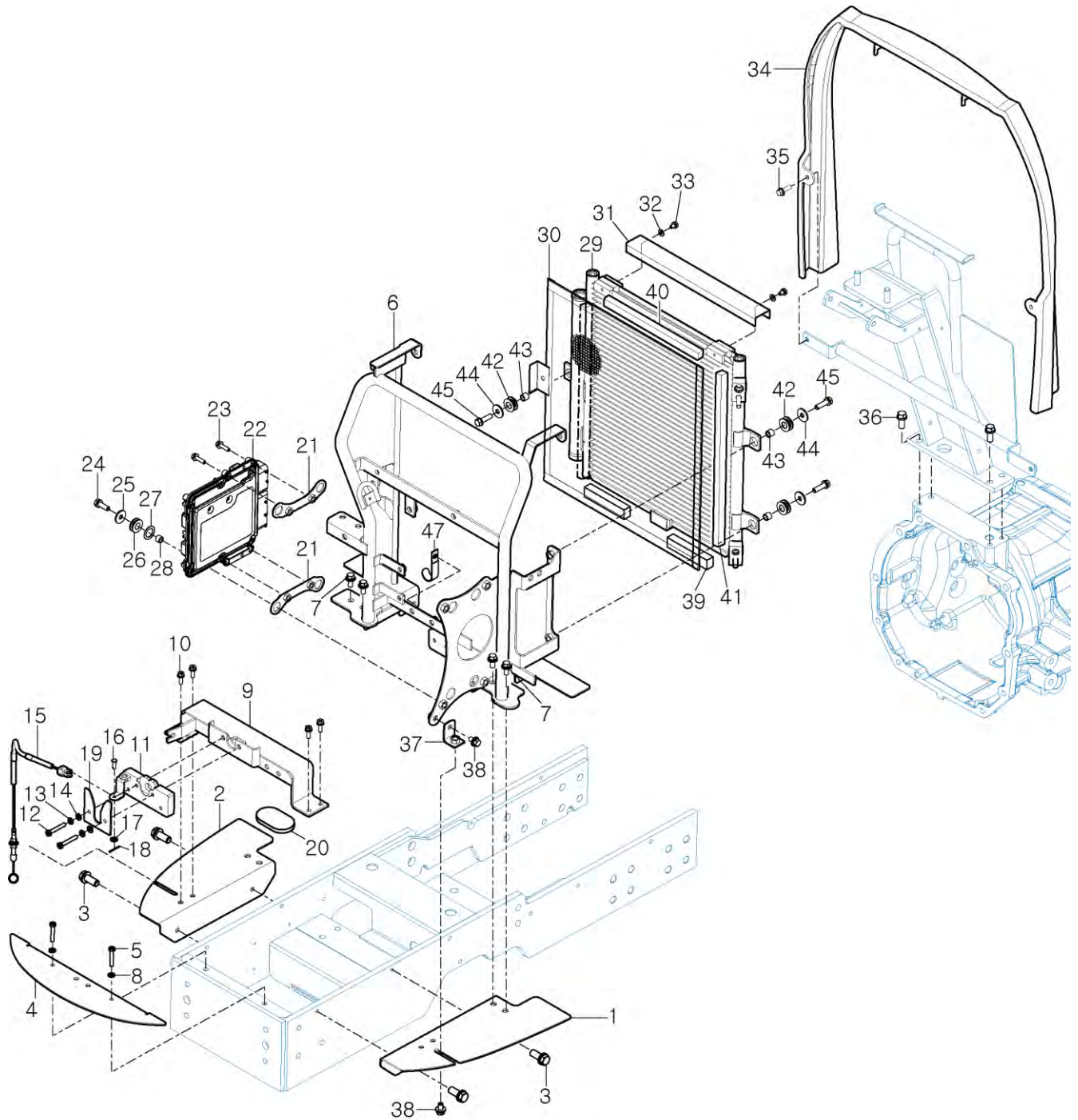
T394SH

# HOOD (1)

P1

Year

2016



NOTE

FIG 702

# HOOD (2)

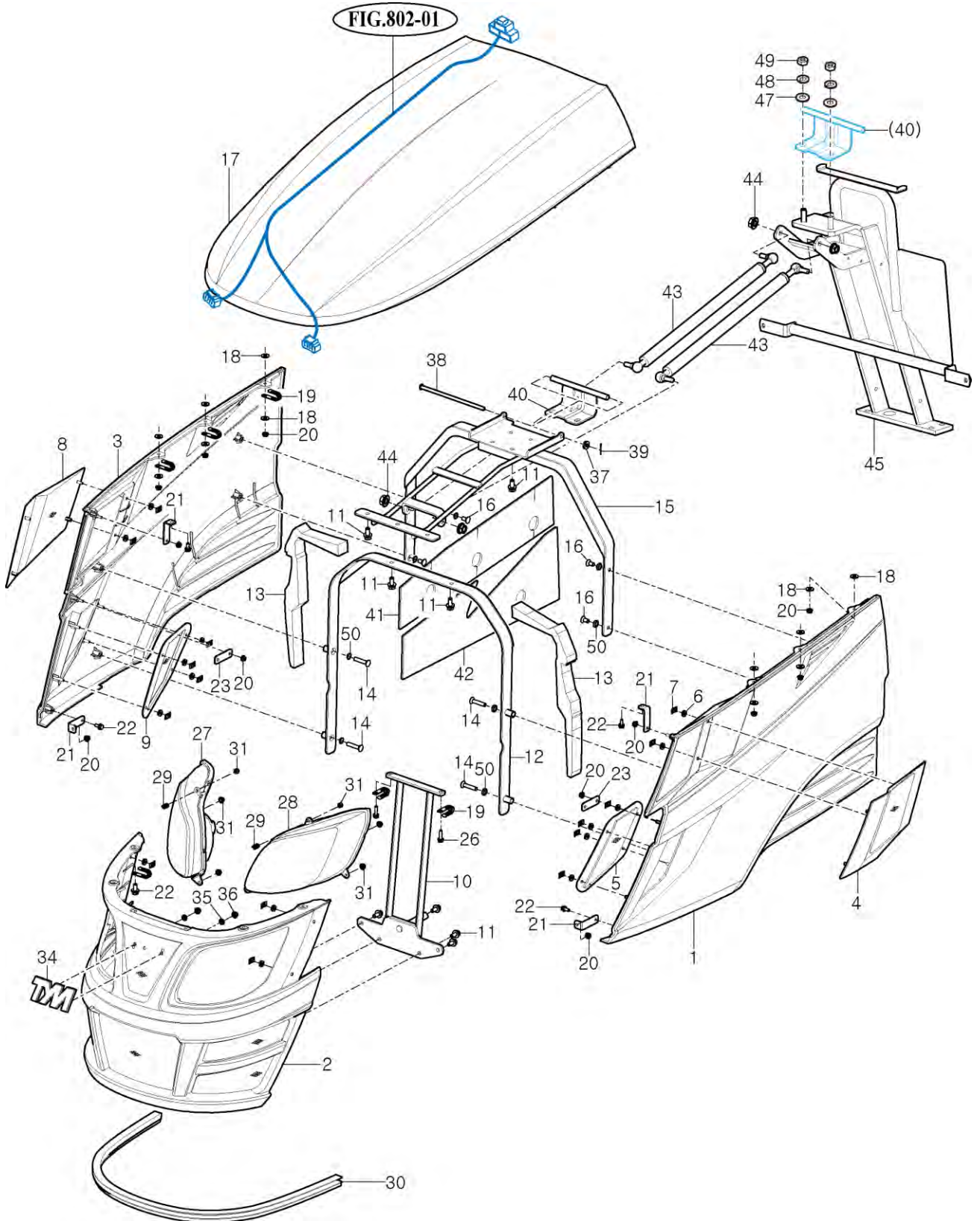
P1

Year

2016



T394SH



NOTE

# FIG 704

# FRONT & REAR MOUNTING

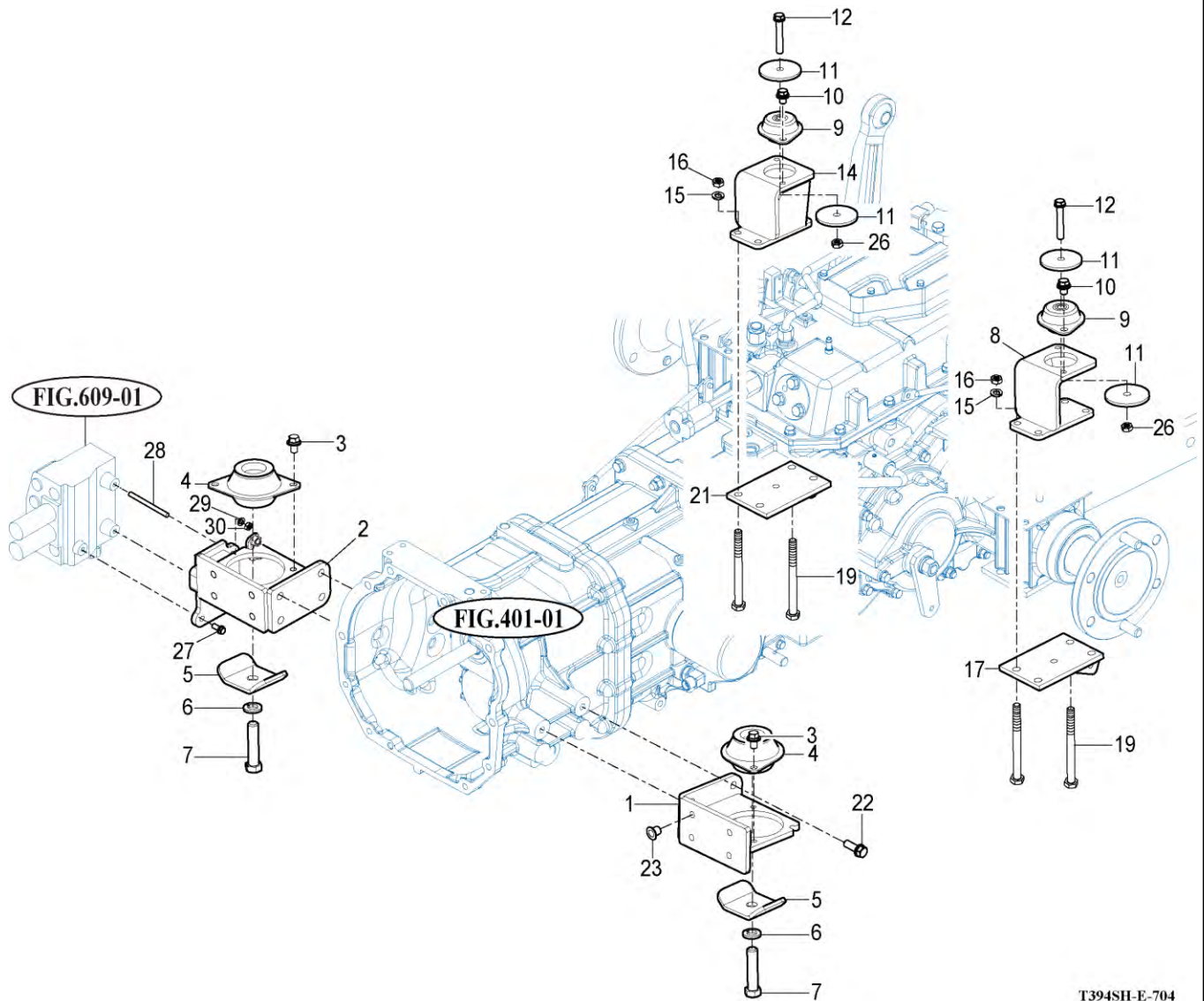
P1

Year

2016



T394SH



T394SH-E-704

NOTE



FIG 705

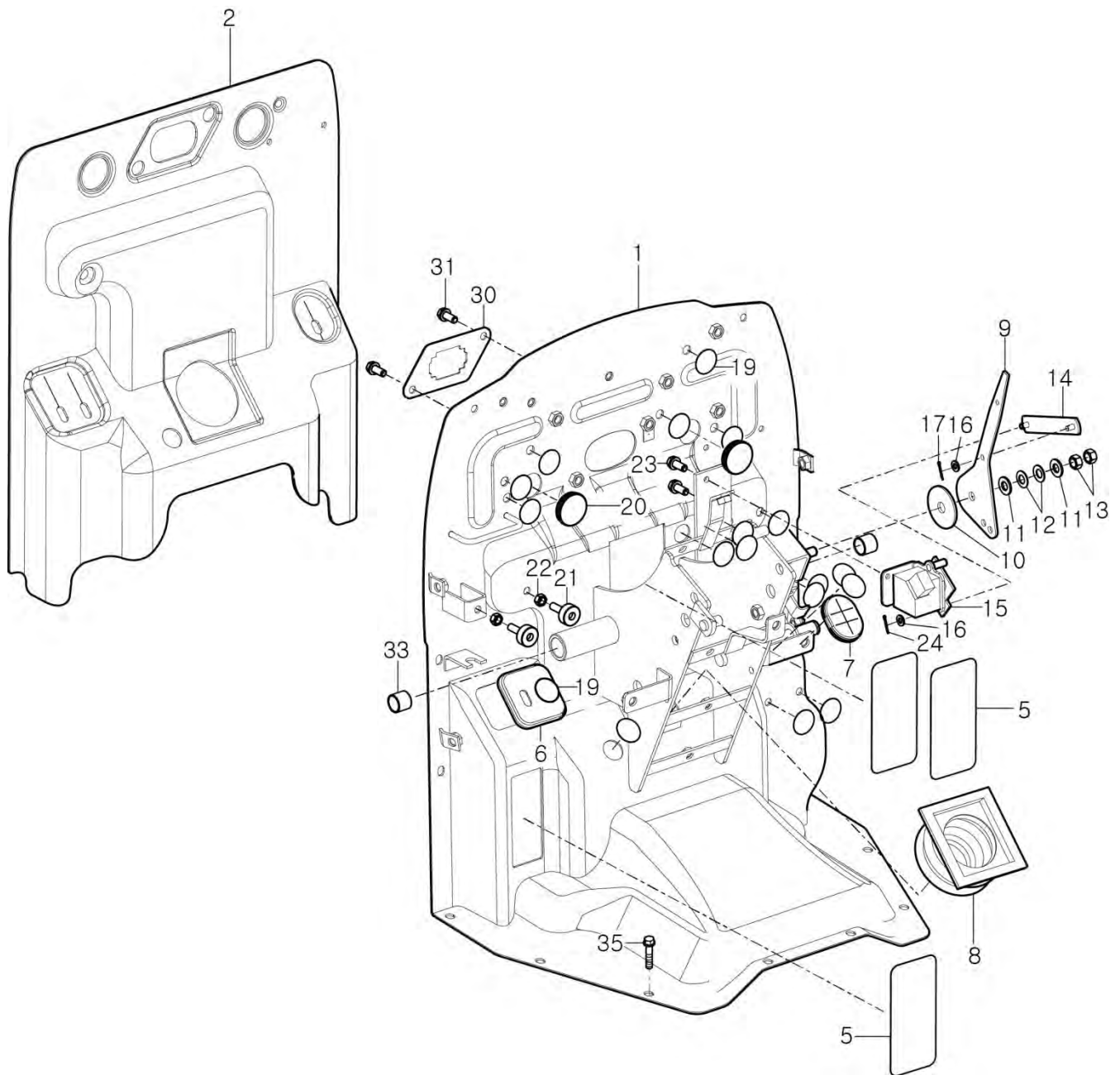
T394SH

DASHBOARD

P1

Year

2016



NOTE

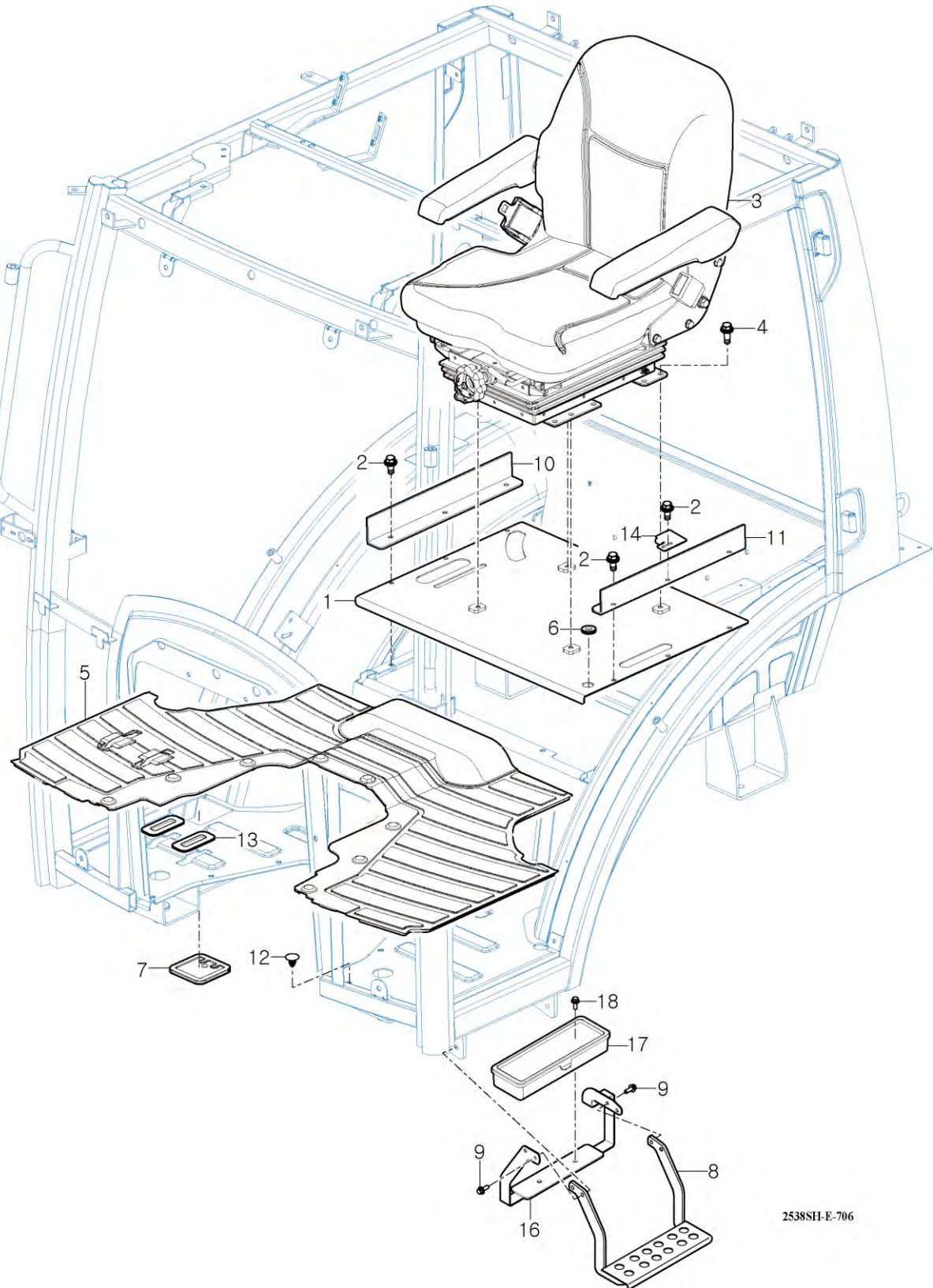
FIG 706

SEAT & MAT

P1

Year

2016



2538SH-E-706

NOTE

FIG 707

DOOR

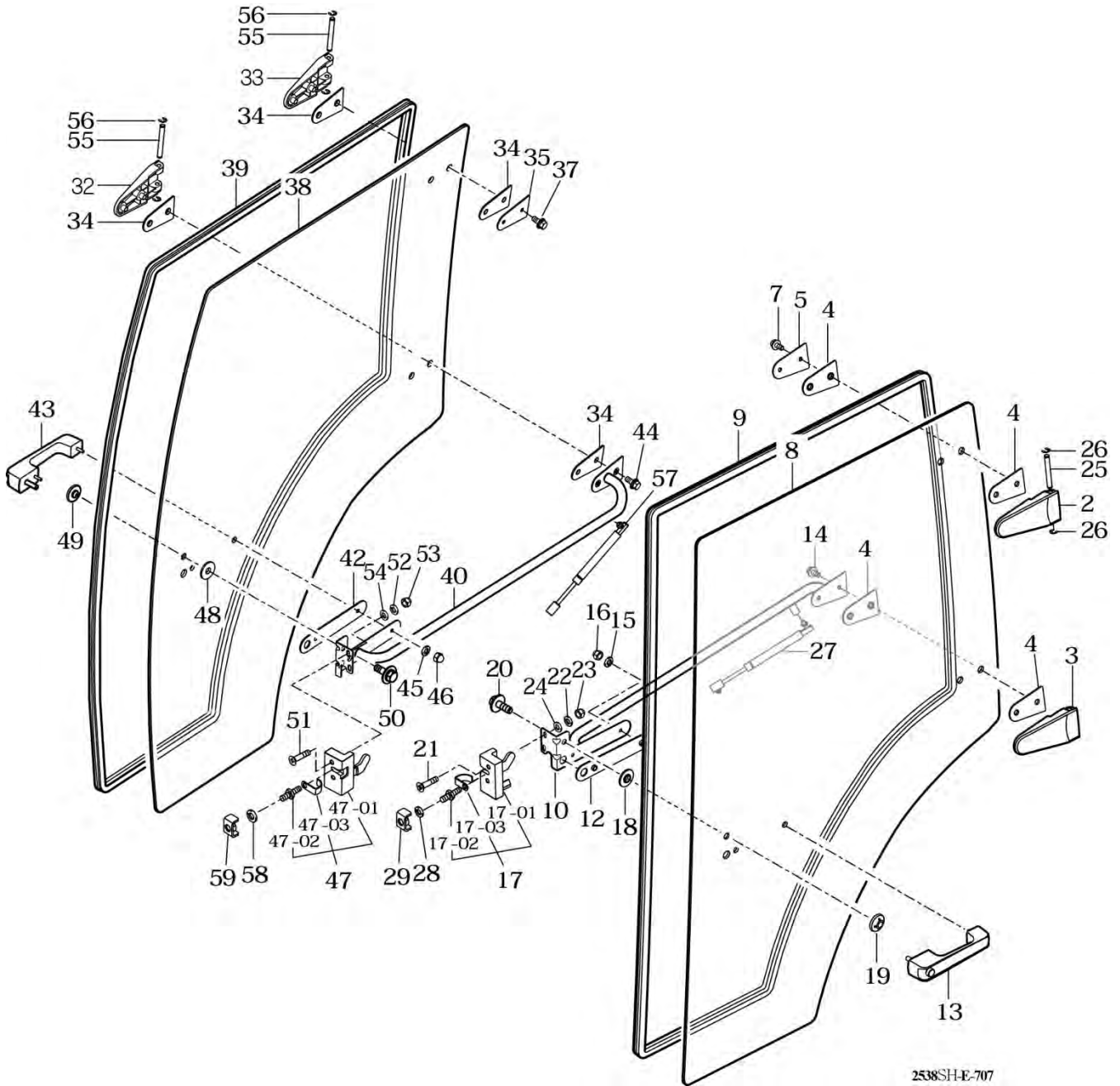
P1

Year

2016



T394SH



2538SH-E-707

NOTE



FIG 707

DOOR

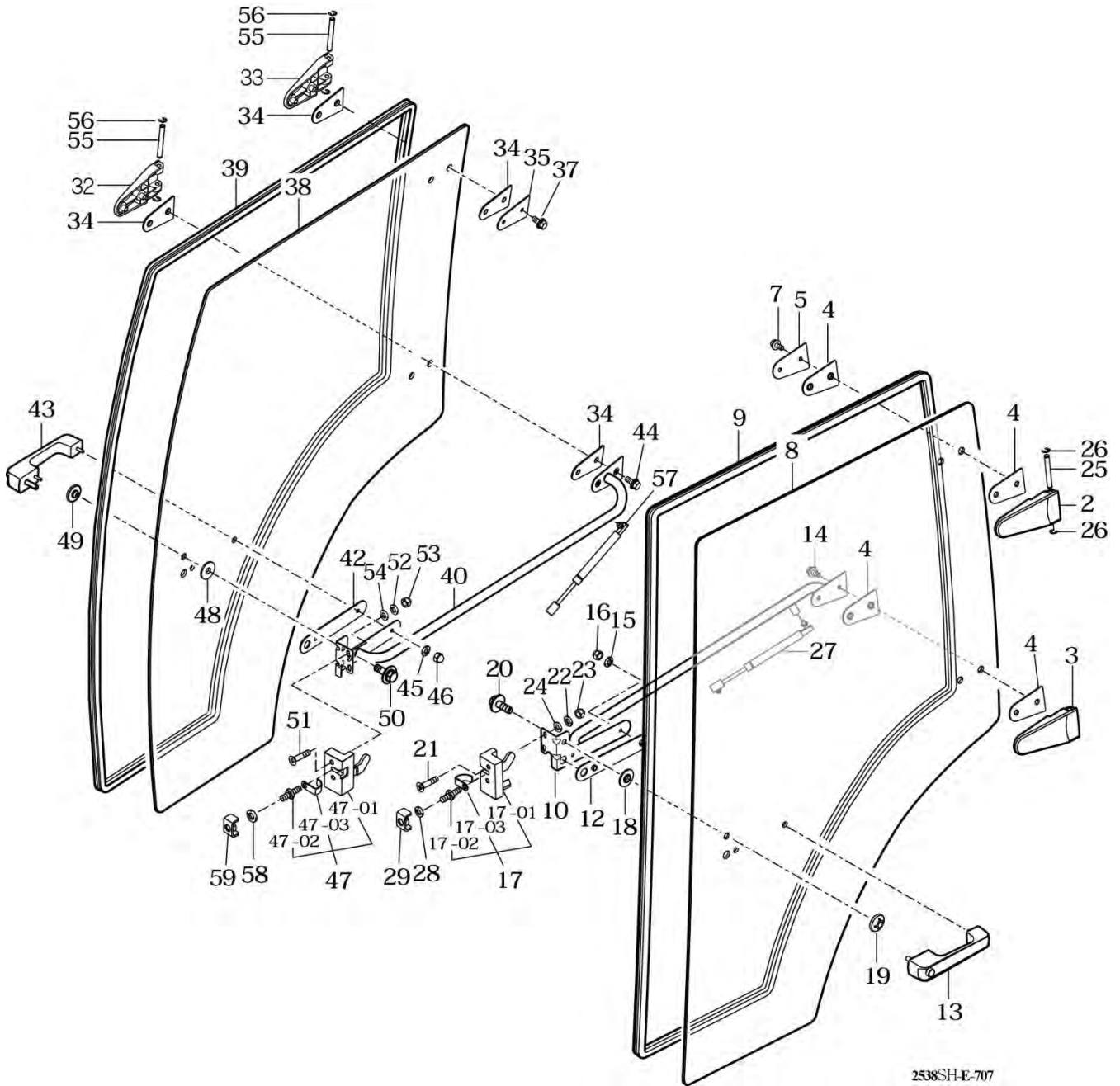
P2

Year

2016



T394SH



2538SH-E-707

NOTE

FIG 708

# FRONT GLASS

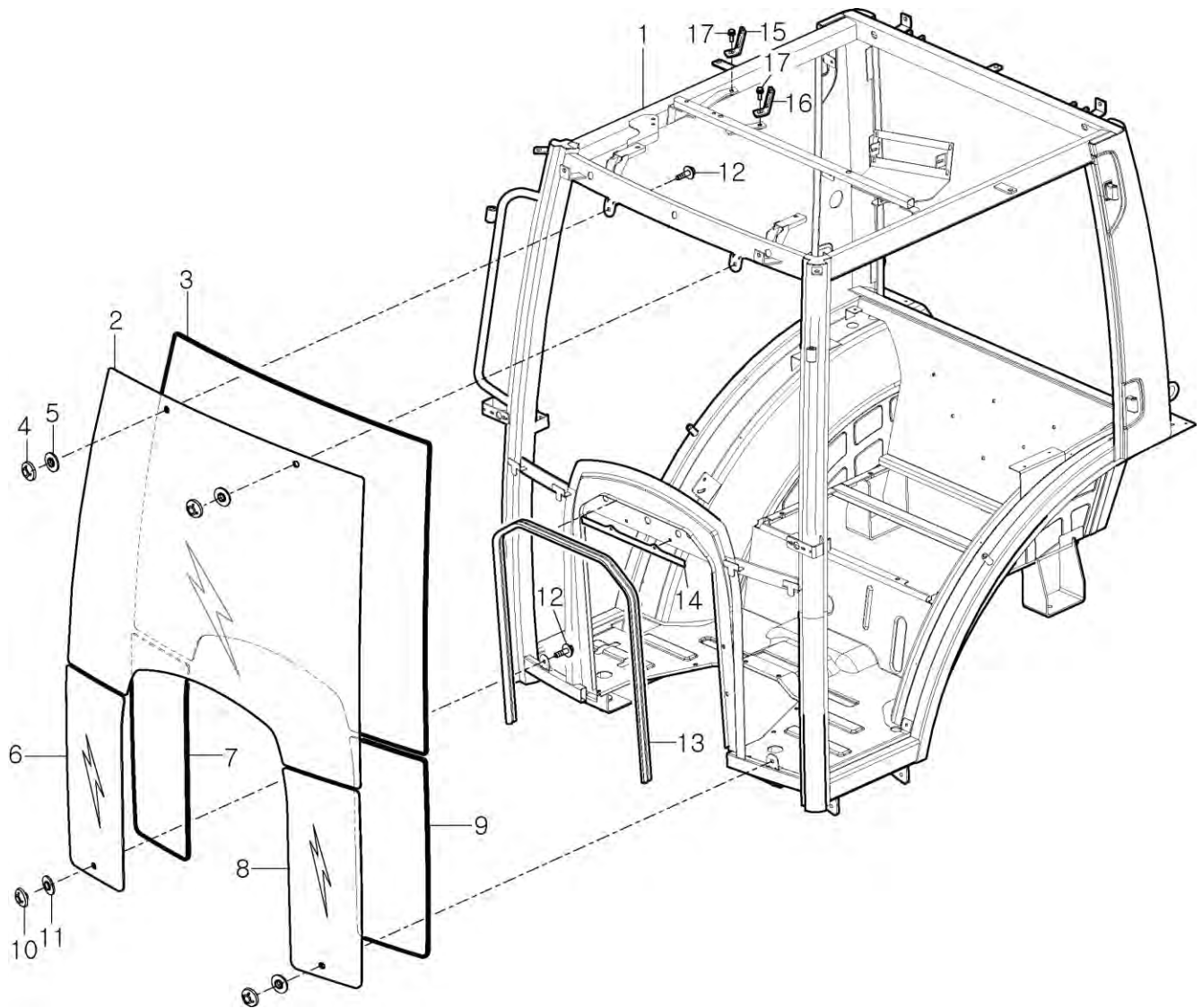
P1

Year

2016



T394SH



NOTE





# FIG 710

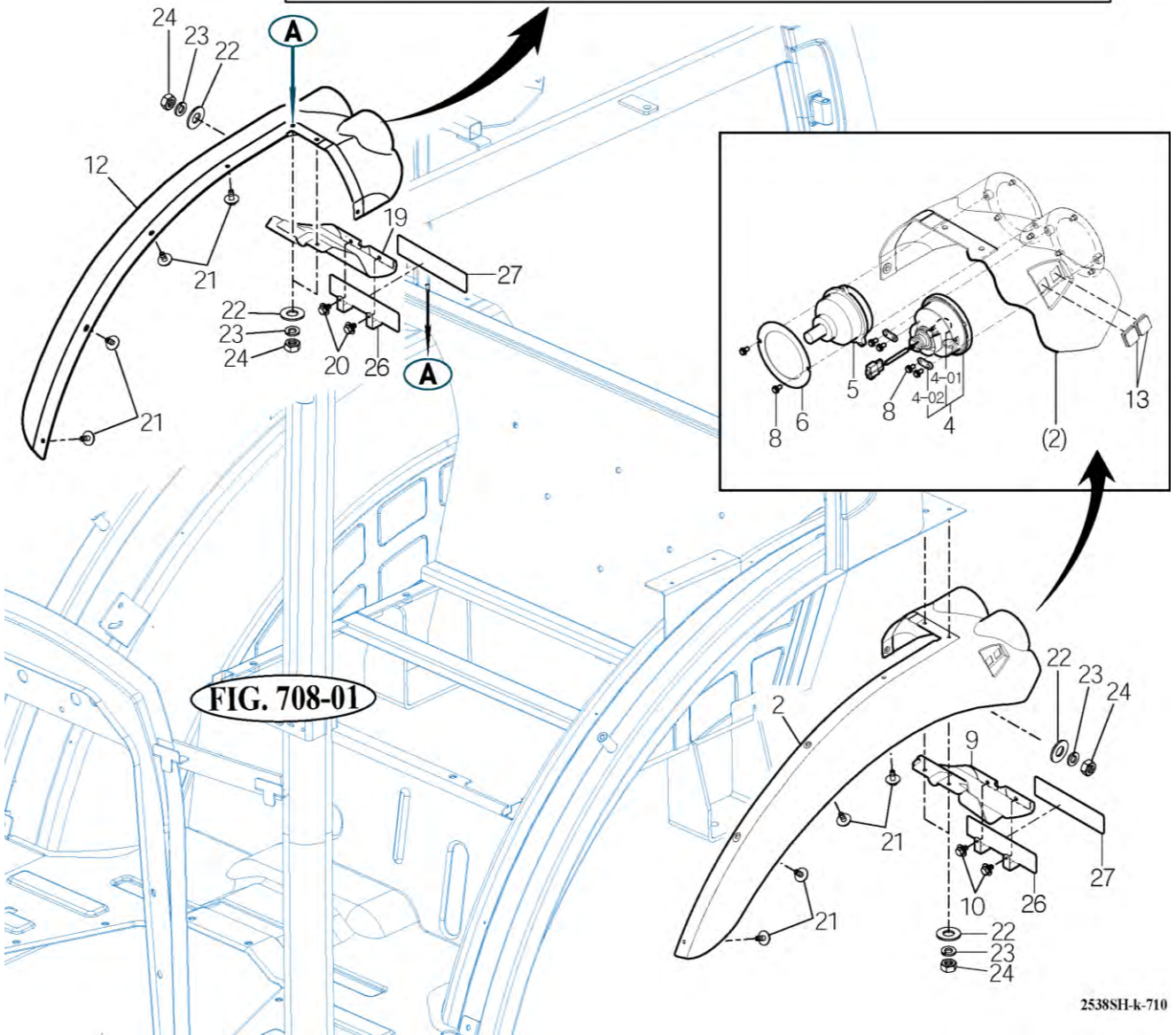
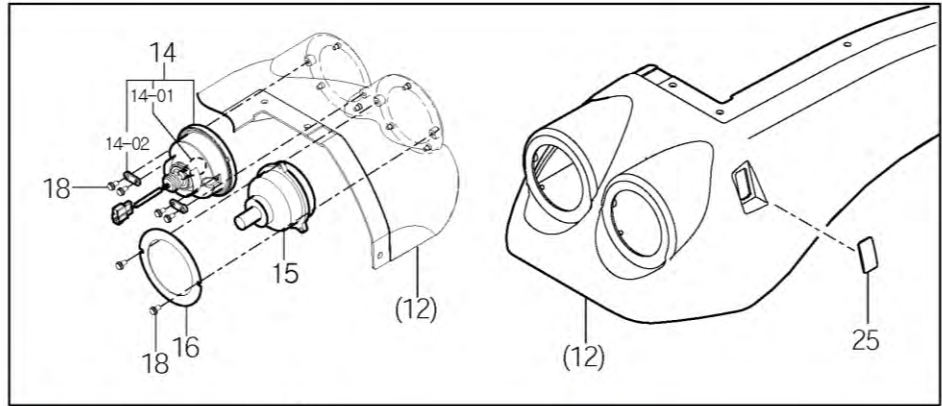
T394SH

# SUB FENDER & COVER

P1

Year

2016



**FIG. 708-01**

2538SH-k-710

NOTE



# FIG 711

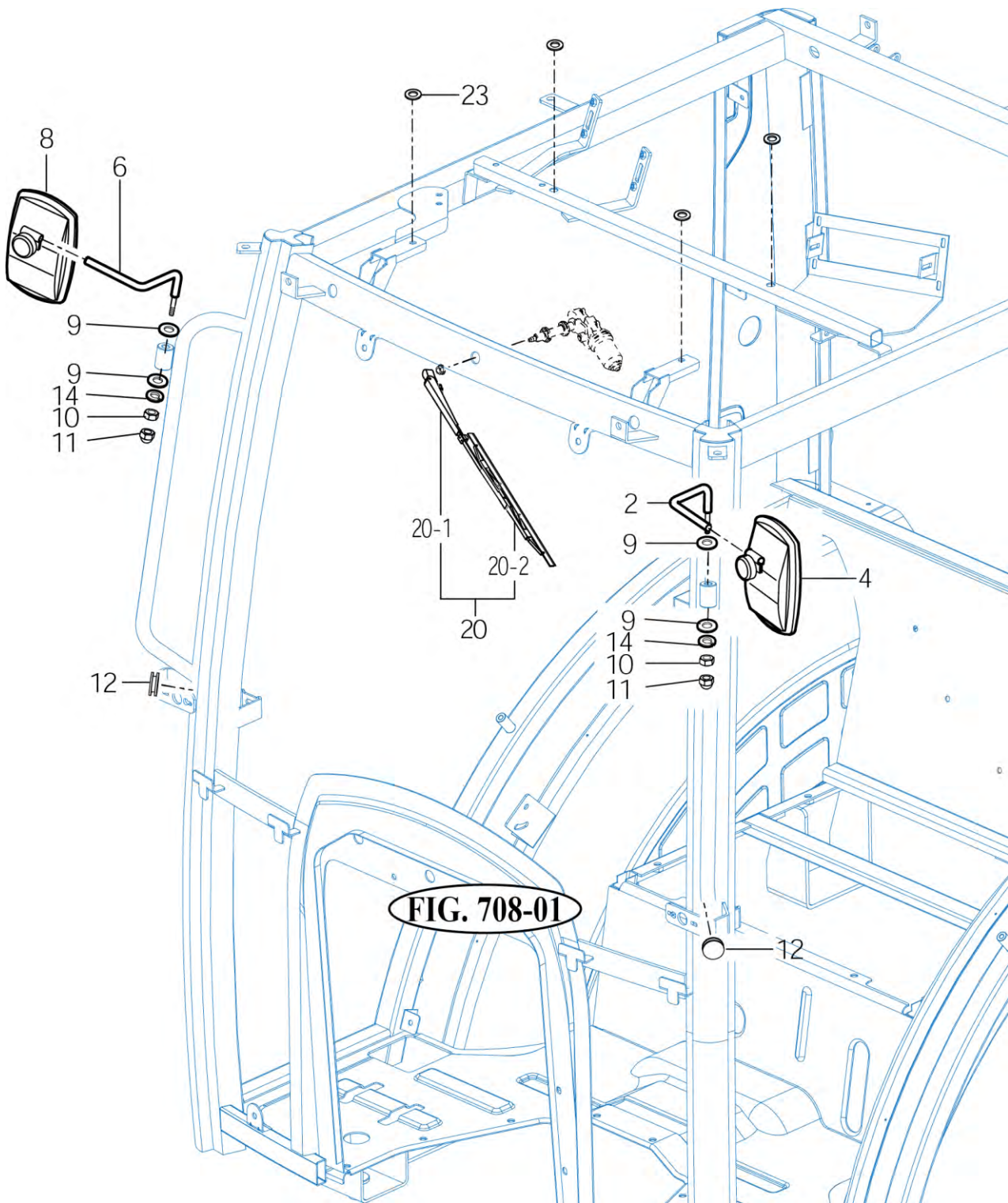
T394SH

# MIRROR

P1

Year

2016



NOTE

# FIG 712

# HEATER & AIR-CON

P1

Year

2016



T394SH

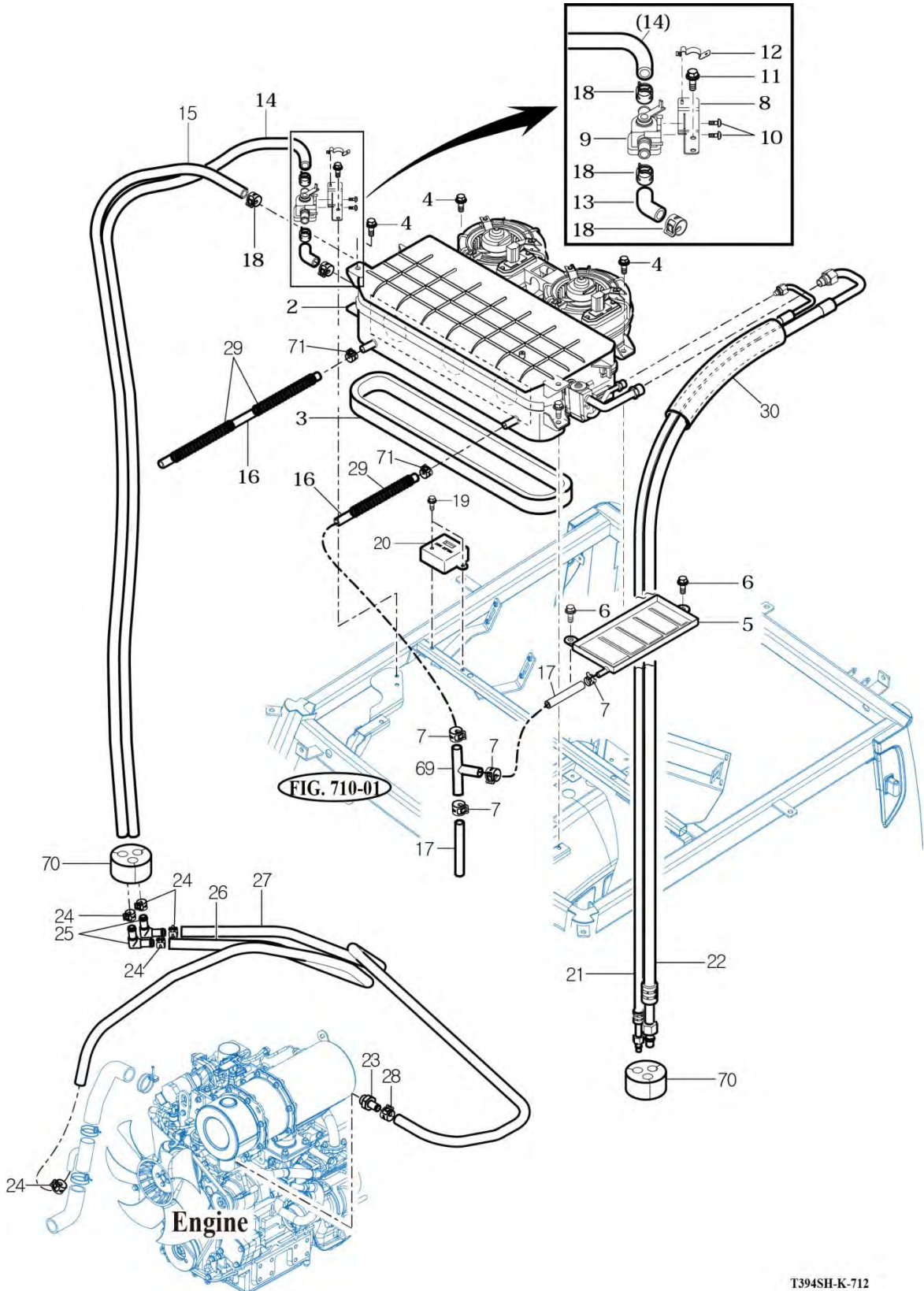


FIG. 710-01

Engine

T394SH-K-712

NOTE



FIG 712

HEATER & AIR-CON

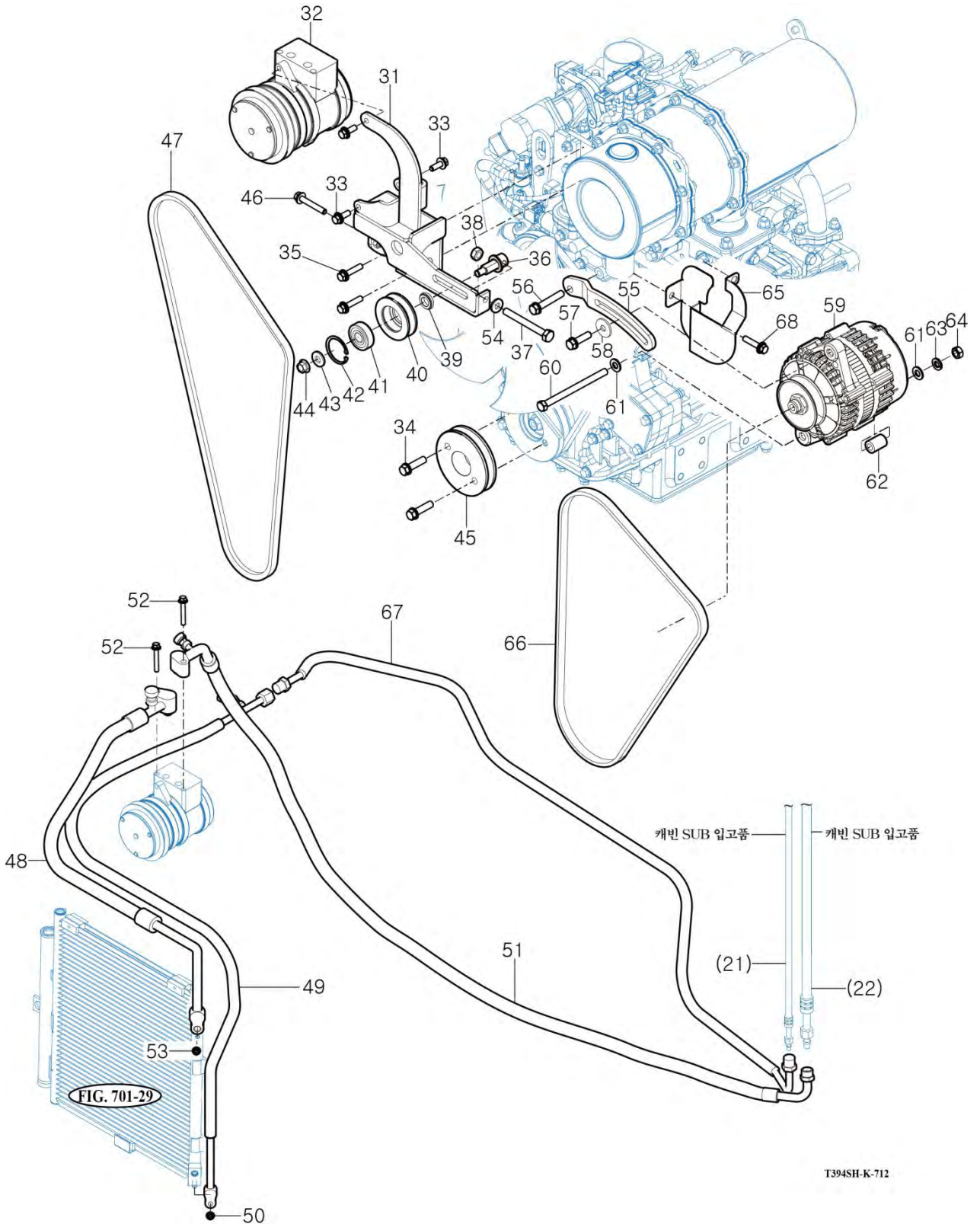
P2

Year

2016



T394SH



T394SH-K-712

NOTE

FIG 713

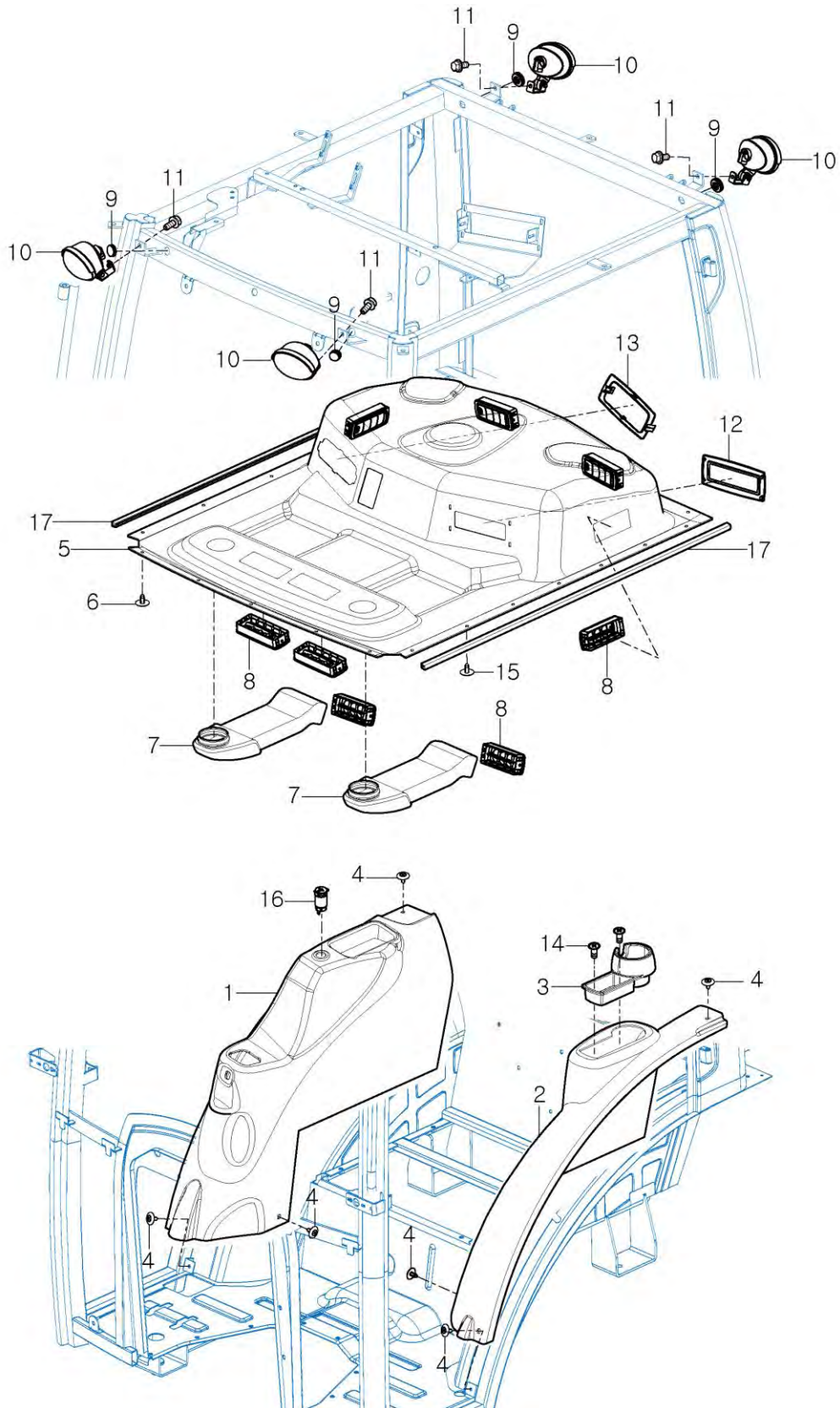
T394SH

# FENDER COVER

P1

Year

2016



NOTE

FIG 714

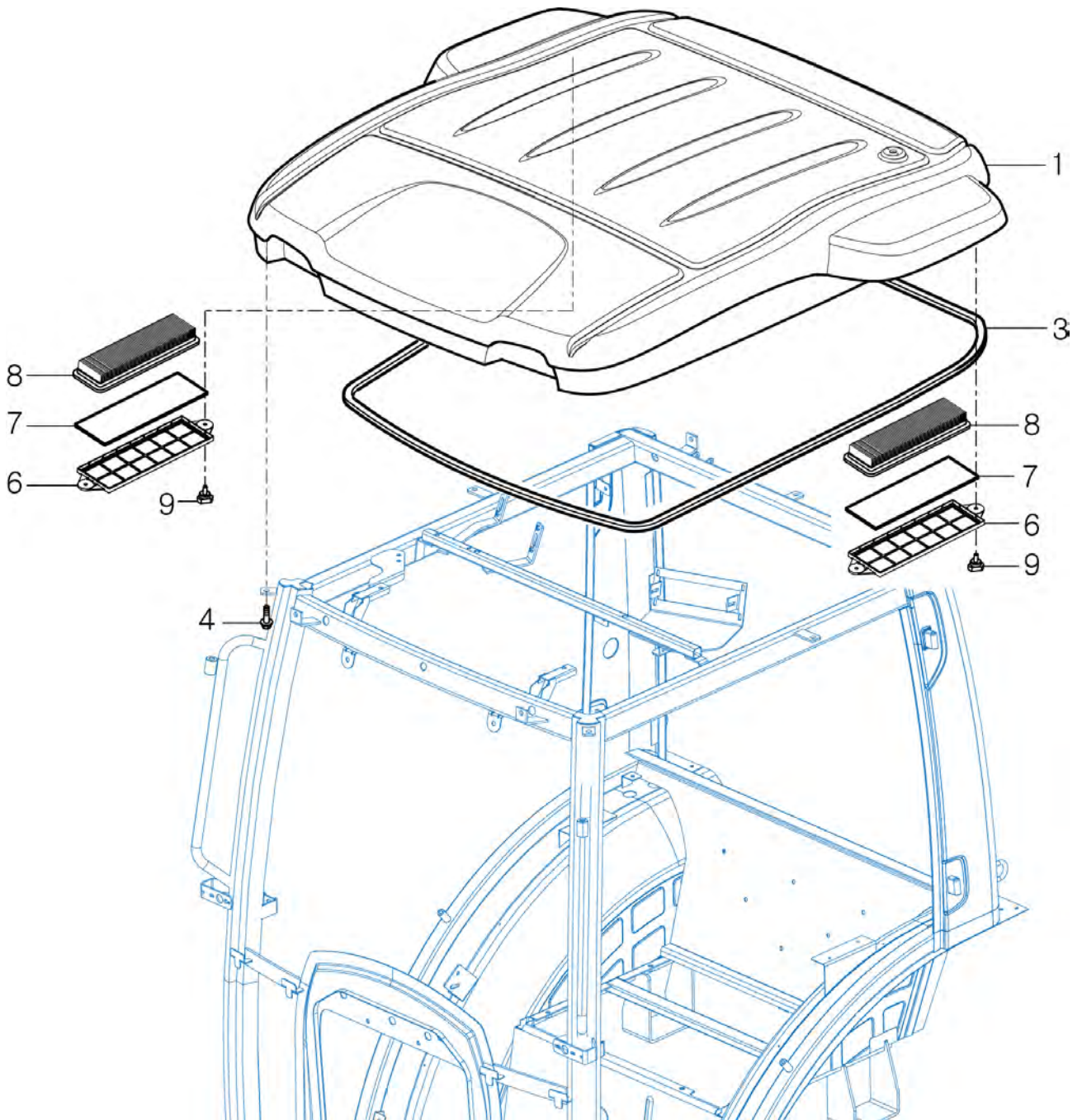
T394SH

ROOF

P1

Year

2016



NOTE



FIG 715

# CABIN INTERIOR

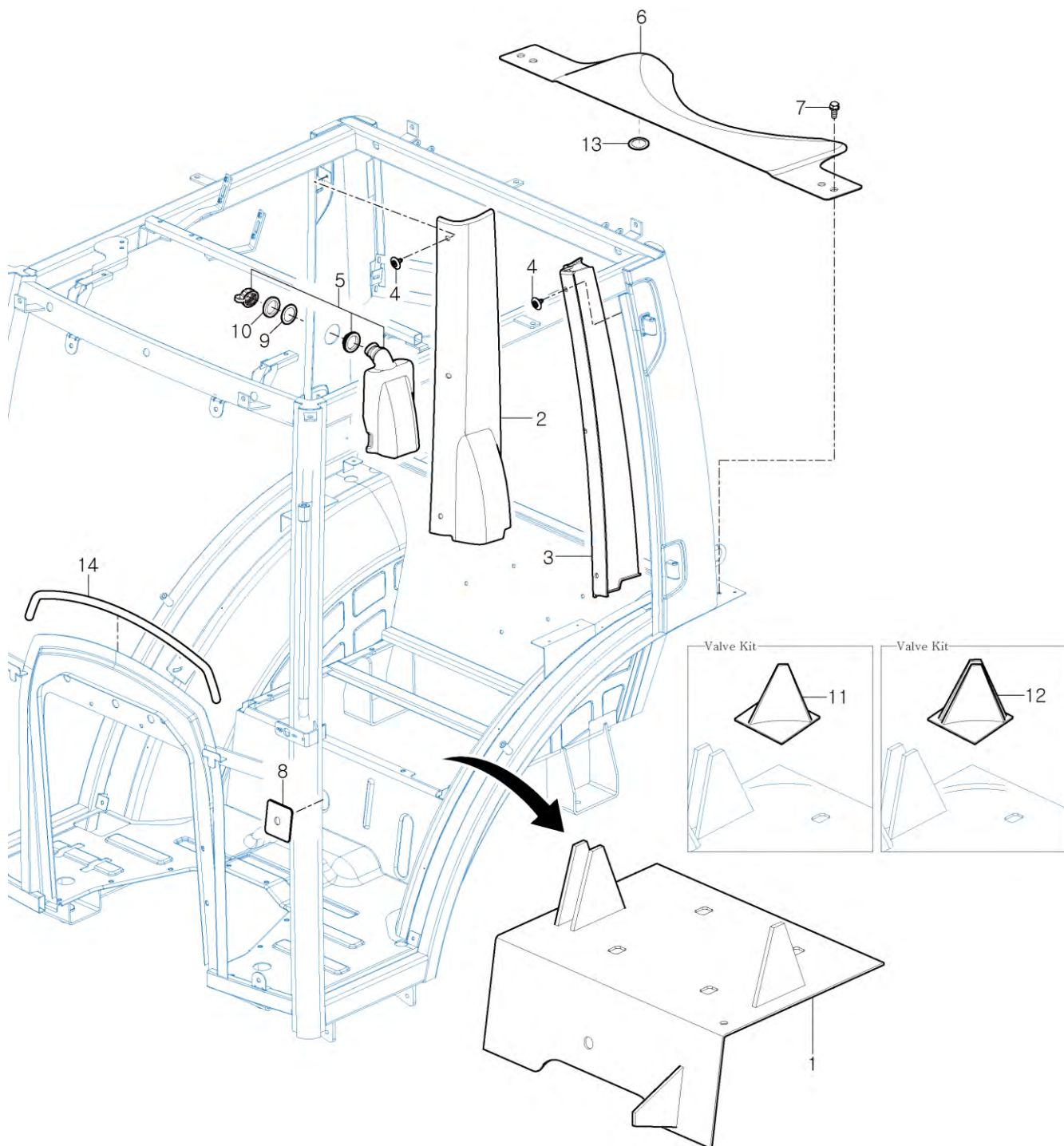
P1

Year

2016



T394SH



NOTE



FIG 801

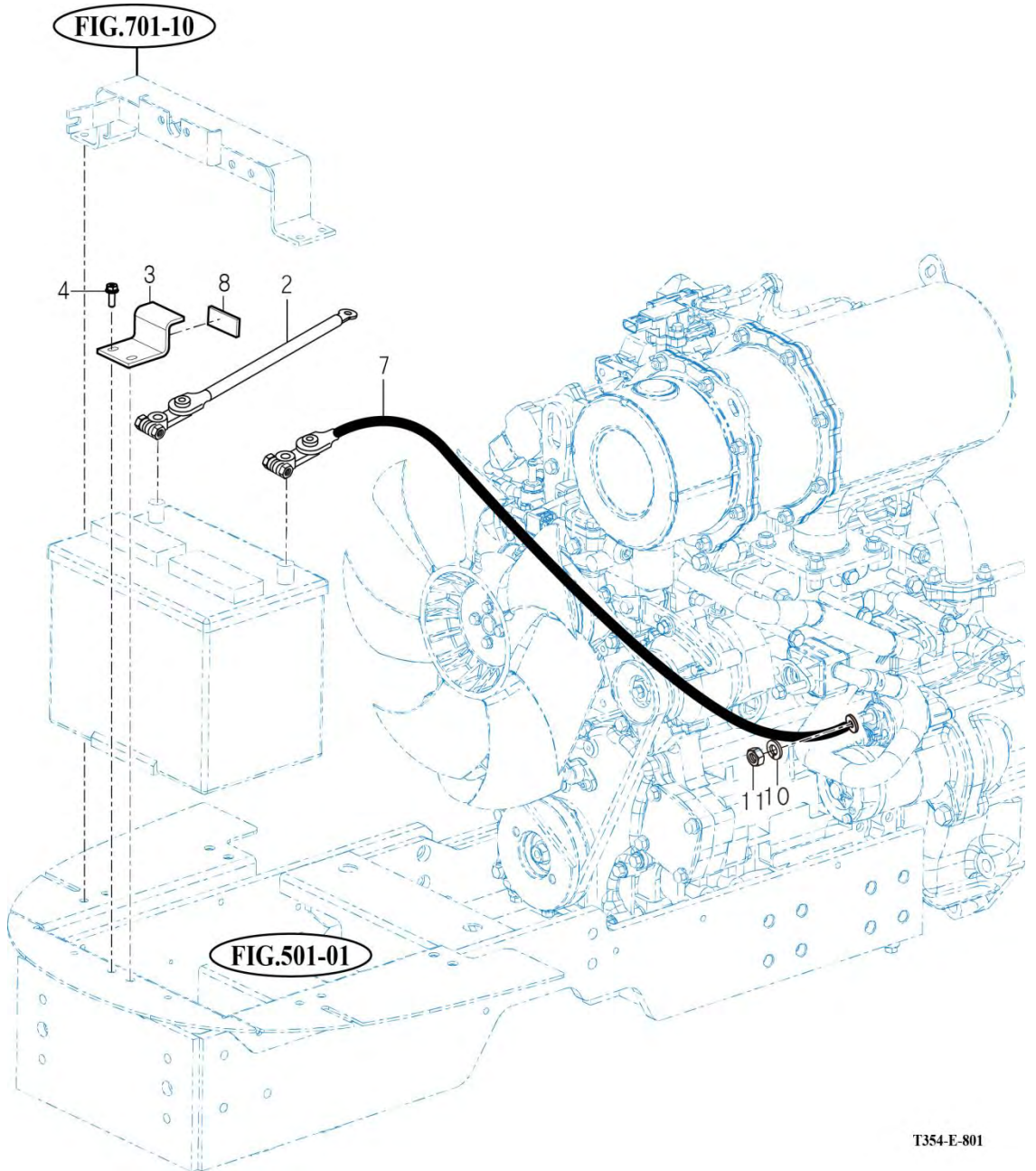
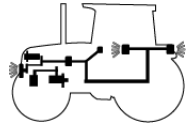
T394SH

BATTERY & MOUNTING

P1

Year

2016



T354-E-801

NOTE

FIG 802

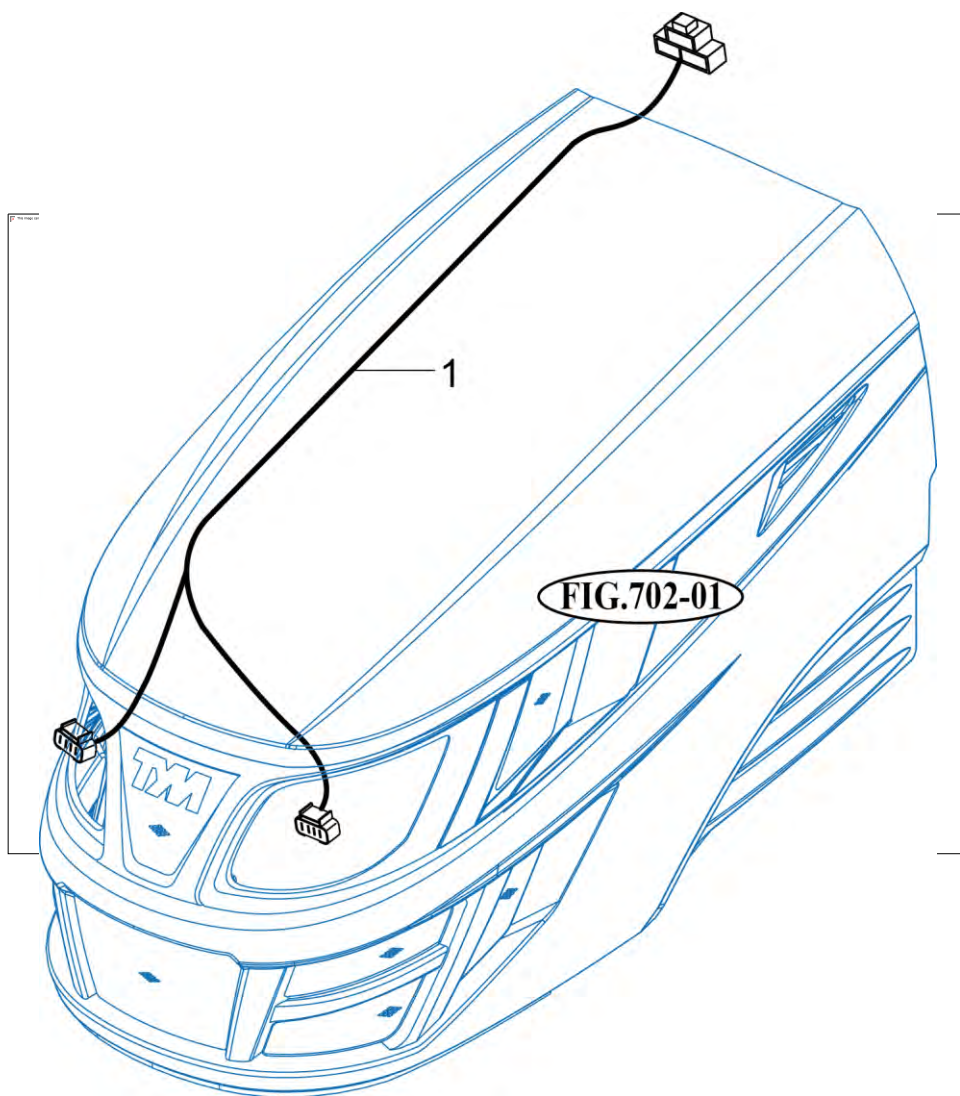
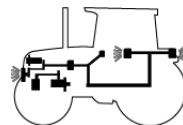
T394SH

LIGHTS

P1

Year

2016



NOTE

# FIG 803

T394SH

# INSTRUMENT PANEL

P1

Year

2016

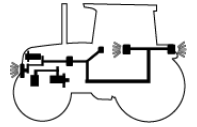
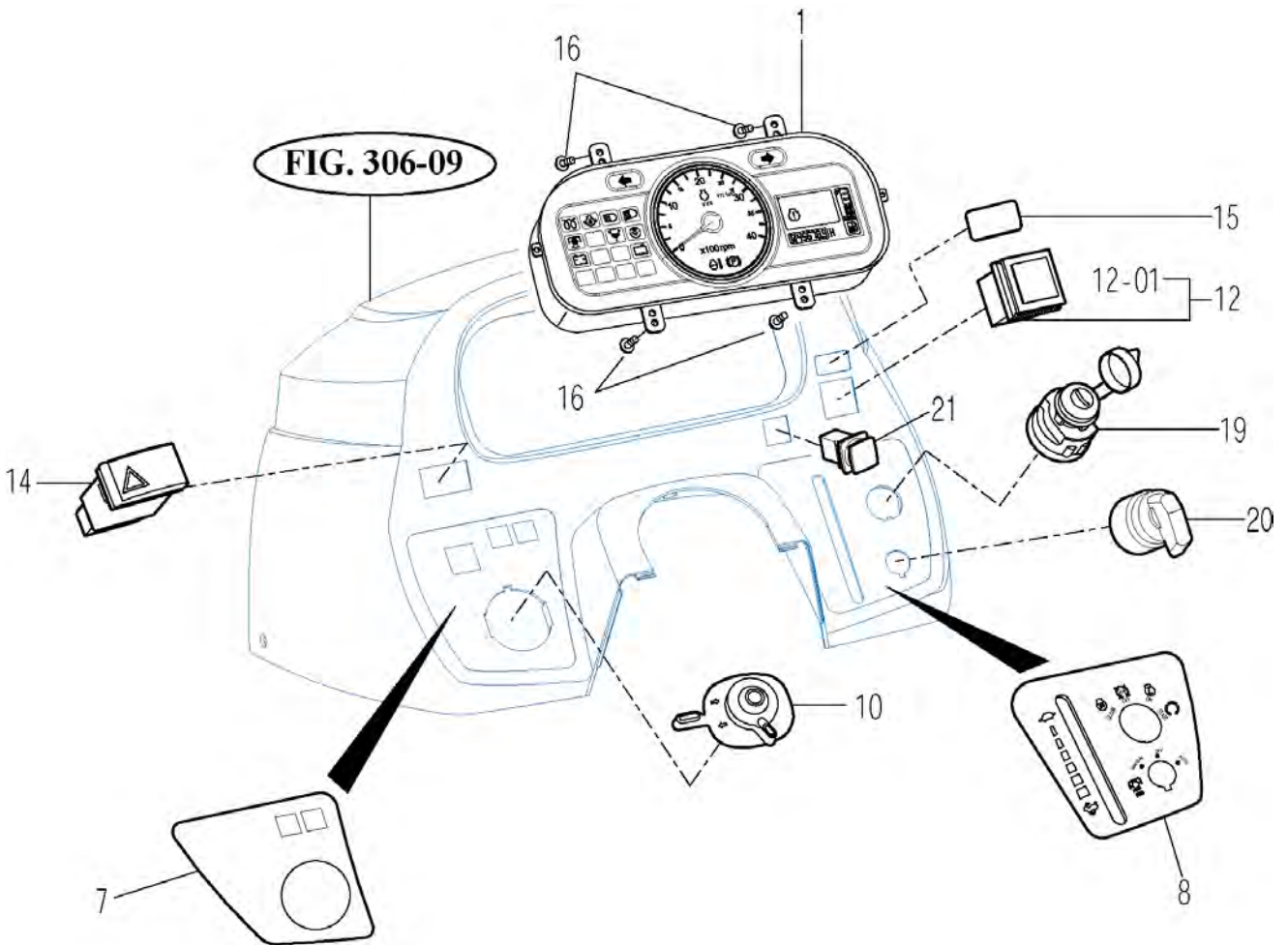


FIG. 306-09



T394SH-E-803

NOTE

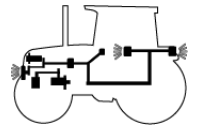
# FIG 804

# ELECTRIC SYSTEM

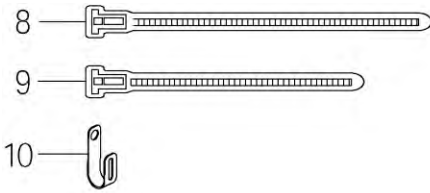
P1

Year

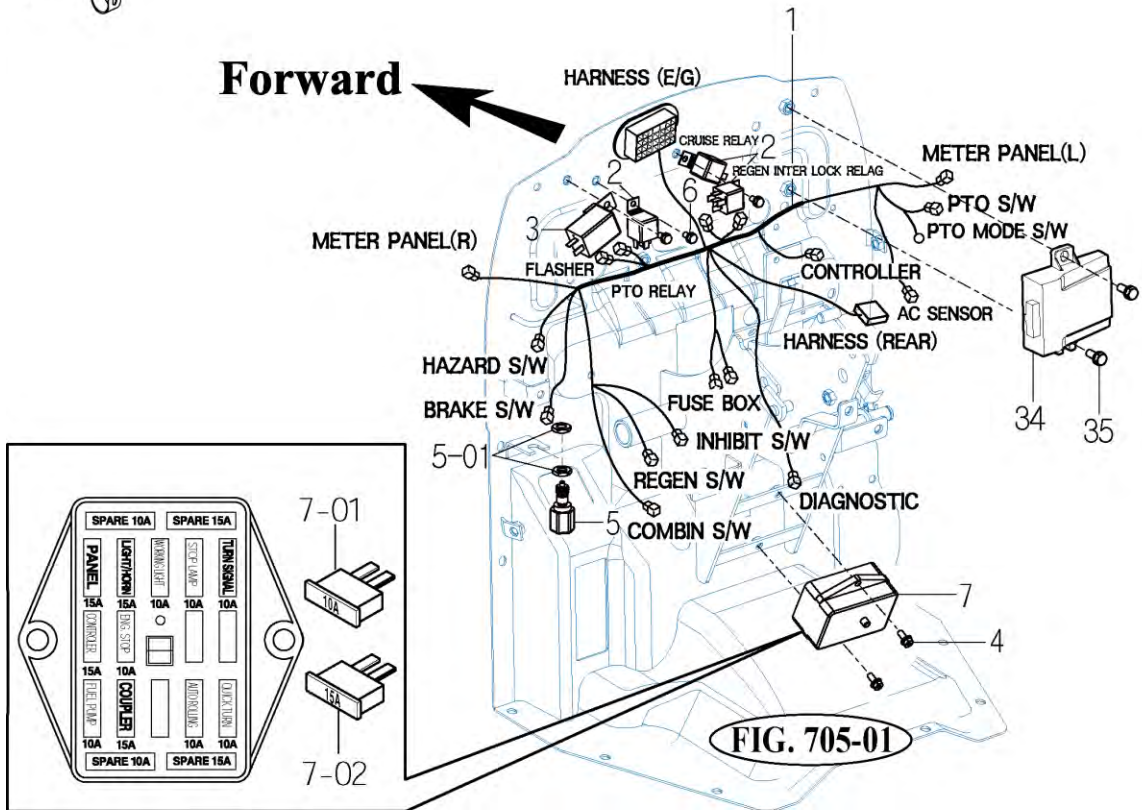
2016



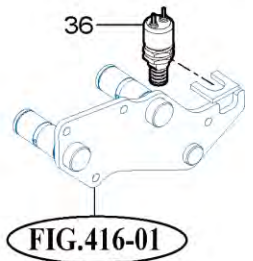
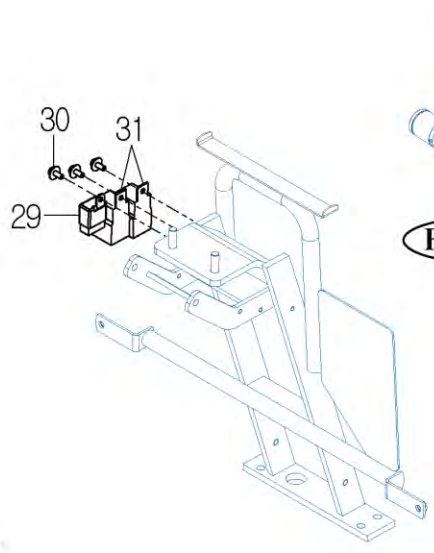
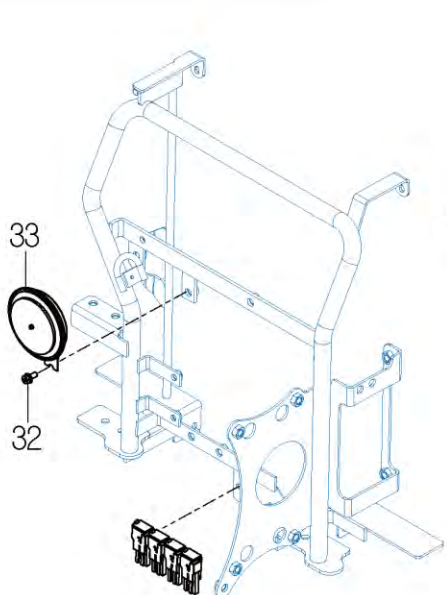
T394SH



**Forward** ←



**FIG. 705-01**



**FIG. 416-01**

T394SH-E-804

NOTE



FIG 805

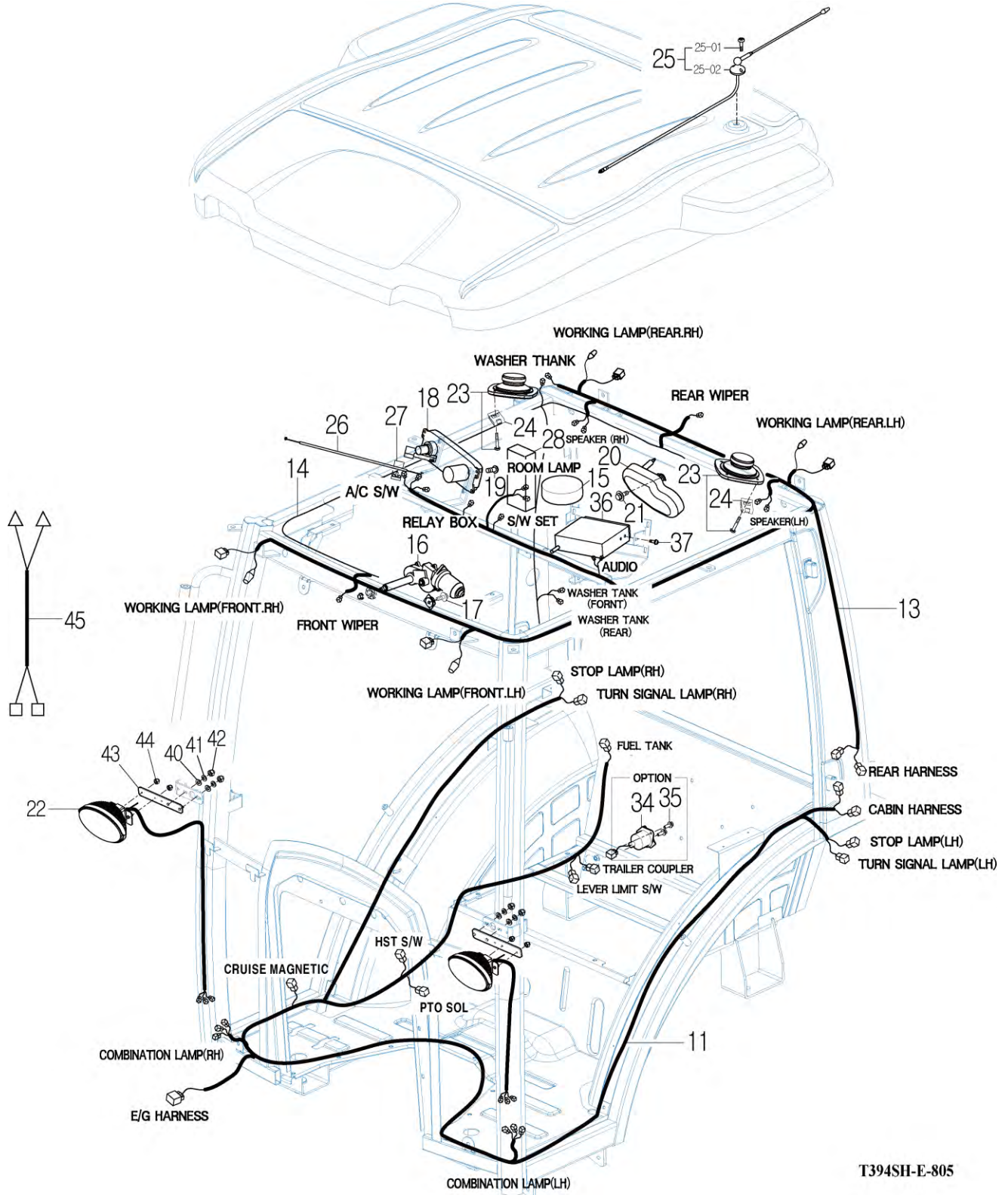
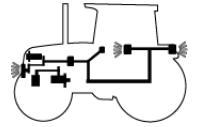
HARNESS (1)

T394SH

P1

Year

2016



T394SH-E-805

NOTE

FIG 806

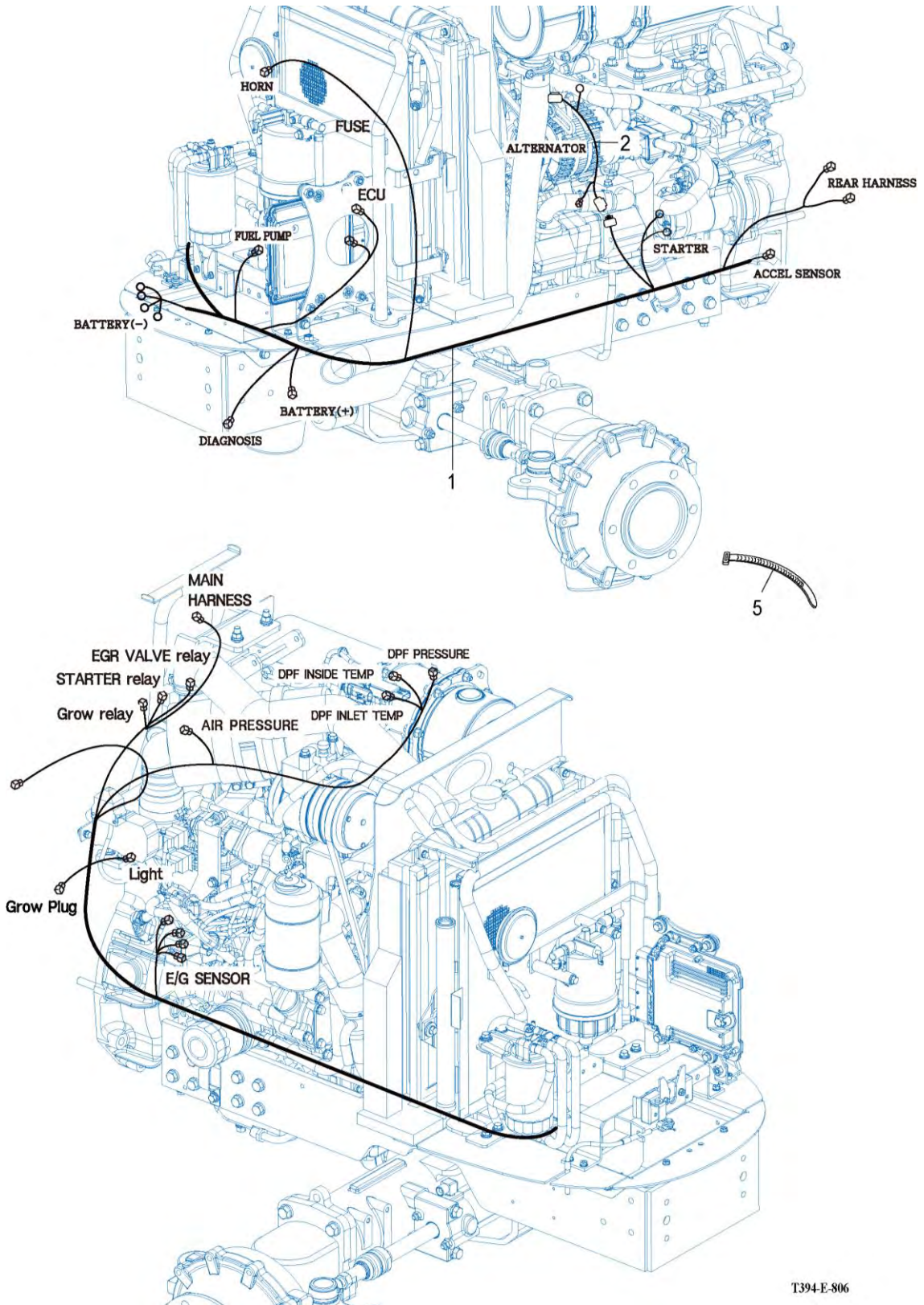
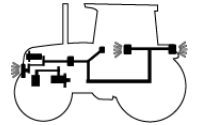
T394SH

HARNESS (2)

P1

Year

2016



T394-E-806

NOTE



FIG 901

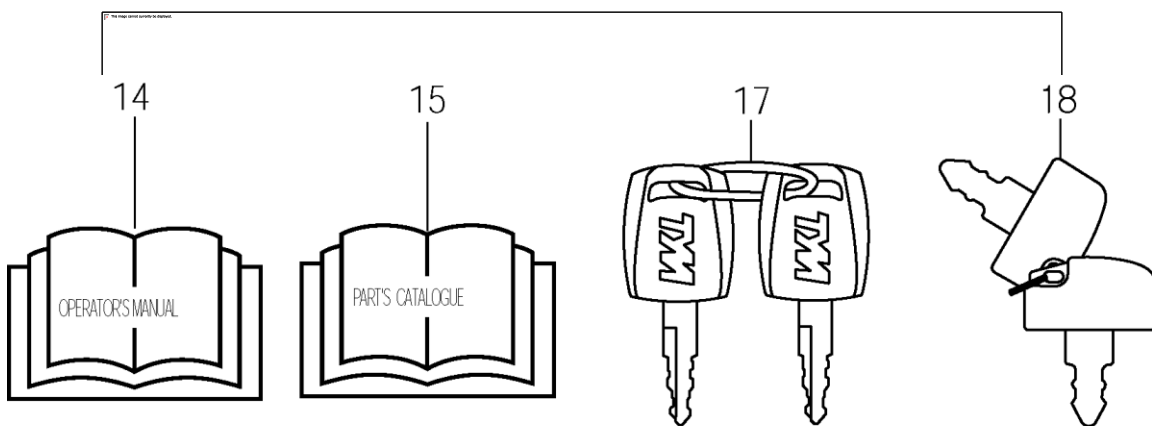
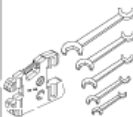
T394SH

TOOL & ACCESSORY

P1

Year

2016



2538SH-E-901

NOTE

FIG 902

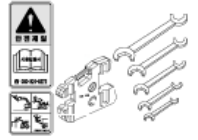
T394SH

LABEL

P2

Year

2016



**WARNING**

Do not refuel the tractor while smoking or near naked flame or sparks. always stop engine before refueling tractors. 1200-910-020-0

15

**WARNING**

Work in ventilated Area. 1200-910-020-0

11

**DANGER**

Do not ride except operator. 1200-910-020-0

12



**CAUTION**

Do not touch while the system is hot. It cause serious burns. 1200-910-020-0

5



29



20



28



2



21



46

**WARNING**

Do not use the sub shift lever at "H" position when driving backward. 1200-910-020-0

10



40

**WARNING**

Stay clear of raised Boom and bucket. 1200-910-020-0

42

**WARNING**

Always fasten Your seat belt. 1200-910-020-0

13

**WARNING**

Do not remove radiator cap while engine is hot. Hot steam will injure you. 1200-910-020-0

7



**WARNING**

Never use the diff-lock at high speed or on the road as this can cause rollover and injury. 1200-910-020-0

16



19

**CAUTION**

Keep hands and clothing away from rotating fan and belts to prevent serious injury. 1200-910-020-0

6

**WARNING**

Always set the knob to lock when:  
1. Travelling on the road.  
2. Replacing blades on an implement  
3. Making adjustment to an implement  
Sudden dropping of an implement can cause serious injury or death. 1200-910-020-0

33

NOTE

FIG 902

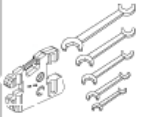
T394SH

LABEL

P2

Year

2016



**WARNING**

Always apply the park brake when parking. Failure to do so can cause accidents and damages. 1200-910-022-0

**WARNING**

Do not use the accelerator lever except working on the field. 1200-910-021-0

**OPERATION**

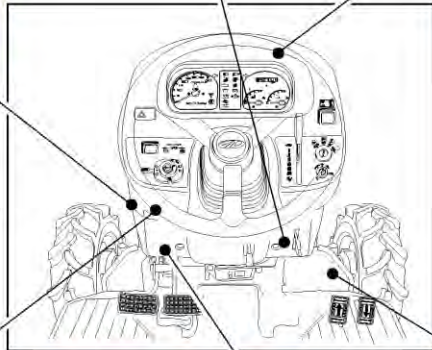
**TO PROJECT YOUR ENGINE:**

1. To activate the regeneration function manually if the engine has warning lamp and regeneration time is illuminated, refer to the Operator's Manual.
2. For the regeneration process, refer to the Operator's Manual.
3. Press this switch to stop automatic regeneration only.
4. Do not press this switch frequently to prevent from engine damage running.

For further details, consult your Operator's Manual or your local dealer. 1200-910-022-0

**Operator's manual**

1200-910-023-0



**WARNING**

- Start engine only from operators seat. If safety start switch is by passed engine can start with transmission in gear.
- Do not connect or short across terminal on starter solenoid.
- Attach booster cables as shown on battery decal and operators manual.

Starting in gear causing runaway can result in serious injury.

This cab structure was tested in accordance with OECD Standard Code7 (Equivalent to AS 1686.1) for use on TYM USA tractor model T394, T393 with a maximum (GVW) of 1650KG. Manufactured by JIN-HEUNG, KOREA 124-904-904-0

**DANGER**

Start only from seat in park or neutral. Starting in gear kills.

**WARNING**

Do not adjust the tilt handle when traveling. 1200-910-028-0

**WARNING**

Brake pedals must always be locked together when traveling on the highway. This will ensure uniform braking and provide maximum stopping ability sharp turns must only be made at slow speeds. 1200-910-027-0

1786-910-017-0

**EPA REGULATION**

USE ULTRA LOW SULFUR FUEL ONLY

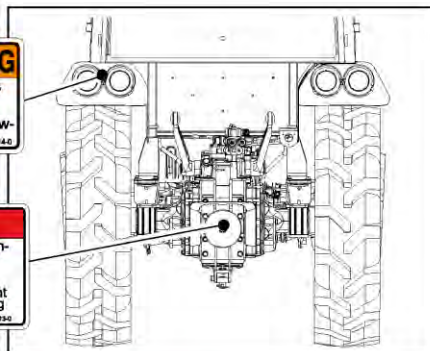
T394

HST

TM

**WARNING**

Attach implements and trailers to the tractor only using the prescribed drawbar or hitch. 1200-910-014-0



**DANGER**

Rotating driveline contact can cause death. KEEP AWAY! Keep all drive lines, Tractor and equipment shields in place during operation. 1200-910-013-0

**DANGER**

Periodic ventilation should be made to avoid suffocation while heating and air conditioning is used. Sleeping in the cab is prohibited. 1200-910-011-0

**Inner/Outer air Ventilation**

- When grills of rear and both sides are opened, inner air will ventilate in.
- For effective use, open it when operate heater or air conditioner and close when ventilate fresh air. 1200-904-120-1

**WARNING**

Push the button to lock position with joystick lever is neutral whenever the implement is not operation. 1786-910-025-0

NOTE

FIG 903

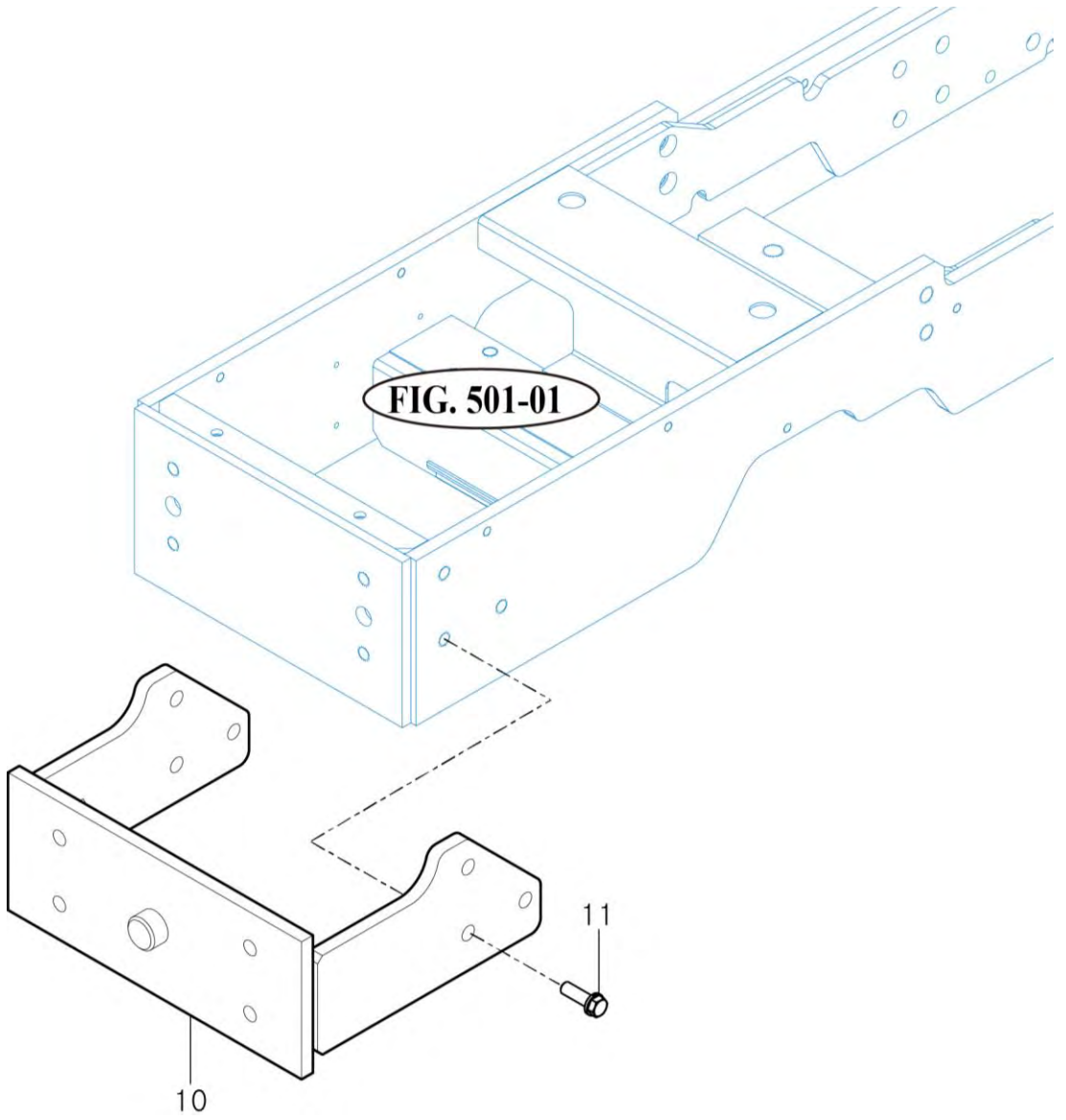
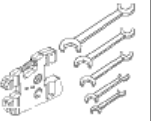
T394SH

WEIGHT

P1

Year

2016



NOTE



KEY NO.	PART NO.
101 1	129A00-01560
101 4	129001-01250
101 5	171051-01921
101 6	129150-02020
101 9	129795-02412
101 10	27241-300000
101 11	124060-01050
101 12	124160-01910
101 13	124160-01910
101 14	27241-120000
101 24	129150-02931
101 27	129150-01200
101 28	129A00-01331
101 29	129001-02931
101 32	129150-02871
101 35	129150-02941
102 1	129C00-01500
102 2	129100-01580
102 3	124160-01751
102 4	129795-01950
102 5	119609-32040
102 6	119624-32040
102 7	24311-000320
102 8	26106-080162
102 9	124240-01871
102 10	129C26-01890
102 11	22190-080002
102 12	26106-080162
102 13	124240-01871
102 14	129C26-01890
102 15	22190-080002
102 16	26106-080142
102 17	26106-080352
102 18	129C00-01550
102 20	119934-01800
102 21	124240-01871
102 22	22190-080002
102 23	26106-080162
102 24	26106-080352
102 25	26106-080402
102 26	26106-080602
102 27	26106-080852
103 1	129100-01580
103 2	129A26-01600
103 3	119620-01750
103 4	26206-100252
103 5	129052-01551
103 6	129054-01640
103 8	22190-120002
103 9	129052-01692

KEY NO.	PART NO.
103 11	124160-01910
103 12	129555-01750
103 13	26106-080122
103 14	26106-080252
103 15	26106-080502
103 16	26106-081002
103 17	26106-081202
103 18	129100-01580
103 19	129100-01640
103 21	129795-01780
103 22	129486-01670
103 23	129A00-21710
103 24	26450-060162
104 1	129004-11241
104 2	129004-11251
104 4	119802-11260
104 5	119802-11270
104 6	119802-11280
104 7	129150-11280
104 8	129004-11650
104 9	129150-11230
104 11	129150-11750
104 12	129150-11370
104 13	129A00-11710
104 19	27241-400000
104 20	129005-11100
104 21	129100-11112
104 22	129795-11120
104 23	129795-11180
104 24	124460-11340
104 25	129A00-11340
104 26	27310-080001
104 28	129978-11871
104 29	129A00-11900
104 30	120270-54410
104 31	22351-060012
104 32	26106-080252
104 33	26106-080352
104 34	26106-080502
104 35	124160-01751
104 36	124160-11360
104 37	129A00-11360
104 38	129004-03010
104 39	129150-03070
104 40	123907-03100
104 41	123907-03110
104 42	123907-03120
104 43	123907-03140
104 45	129A00-11310
104 46	129A00-11330

KEY NO.	PART NO.
104 47	129978-12700
104 48	129A00-12780
104 49	129A00-13360
104 51	129A00-13380
104 52	119640-61400
104 53	22857-500100
104 54	22857-500100
104 55	26450-060162
104 56	24311-000120
104 57	24311-000320
104 58	129A00-07900
104 59	26106-080202
104 60	129A01-07900
104 61	129A01-16810
105 1	129005-03080
105 2	129410-03990
105 3	129A00-12110
105 4	129A00-12150
105 5	129A00-12100
105 6	26216-060202
105 7	129A00-12720
105 8	26106-080502
105 9	129A00-12810
105 10	129A00-12851
105 11	119660-01570
105 12	129A00-12711
105 13	129A00-12790
105 14	129A00-12830
105 15	129A00-59110
105 16	129A00-59120
105 17	22190-140002
105 18	26216-080302
105 19	26716-060002
105 20	26106-080502
105 21	26106-080752
105 22	26216-081052
105 23	26306-080002
105 24	129A00-12820
105 25	129A00-12900
105 26	129A00-12910
105 27	26106-060202
105 28	26106-060402
105 29	26106-060902
106 1	129A00-13100
106 2	129A00-13110
106 3	123900-13130
106 4	129A01-13601
106 5	129F01-13630
106 6	129A01-13700
106 7	129A00-13770



KEY NO.	PART NO.
106 8	129A00-91200
106 9	26306-100002
106 10	129A00-13300
106 11	23297-080061
106 12	129A00-13350
106 13	23414-120000
106 14	26106-060122
106 15	129A00-13400
106 16	129A00-13410
106 17	129F01-13600
106 18	129E00-13620
106 19	129A00-13851
106 20	129A00-13861
106 21	129418-18320
106 22	26106-080502
106 23	129A00-13751
106 24	129A00-13800
106 25	129927-13810
106 26	26106-080252
106 27	26306-080002
106 28	129A00-13901
106 29	129A00-13910
106 30	129A00-13920
106 31	26306-080002
107 1	128300-13230
107 2	129A00-16820
107 3	129A00-16830
107 5	129C00-13940
107 6	129C00-13950
107 7	129A26-16000
107 8	129A00-16210
107 10	129A00-16410
107 12	129A00-16500
107 13	129A00-16600
107 14	129A00-16610
107 15	129C01-16690
107 16	129A00-16700
107 17	129A00-16720
107 18	129A00-16740
107 19	129A00-16750
107 20	26106-080142
107 21	26306-080002
107 23	129A00-13350
107 24	129A00-17311
107 25	129A00-17330
107 26	129A00-17360
107 27	129A00-17610
107 29	129A00-17520
107 30	129A00-17670
107 31	129A00-17570

KEY NO.	PART NO.
107 33	129978-17700
107 34	129A00-17780
107 35	26106-060162
107 36	26106-080202
107 37	129A00-91200
107 38	129C00-91200
107 39	129A00-91430
107 40	129A26-17360
107 41	26216-080202
107 42	26216-100552
107 43	129A23-17370
107 44	26106-080162
107 45	26106-080202
107 46	26106-100202
107 47	26306-080002
107 48	26306-080002
107 49	26306-100002
107 50	26306-100002
108 1	129150-14200
108 2	129150-14400
108 3	129A00-14580
108 4	129150-02450
108 6	129A00-14100
108 7	22512-070140
108 8	129A00-14700
108 9	26106-060102
108 10	26106-080142
108 11	129A00-14710
108 12	26450-060162
108 13	129A00-25050
108 14	129A00-25110
108 17	26106-080452
108 18	129A00-25900
108 19	22217-180000
108 20	26776-180002
108 21	129A00-25060
108 22	129A00-25120
108 25	129A00-25200
108 26	129A00-25210
108 27	26106-080402
108 28	129A26-26000
108 29	129555-26201
108 30	24105-060064
108 31	119802-25071
108 32	129A00-25080
109 1	129008-21000
109 2	129100-01580
109 4	119803-21200
109 5	22512-070140
109 7	22512-070140

KEY NO.	PART NO.
109 8	129055-21650
109 9	129795-21661
109 10	121850-21680
109 11	121111-21501
109 12	129A26-21580
109 14	119865-21600
109 16	129C00-22080
109 18	129A00-22500
109 24	129202-22300
109 25	22252-000260
109 26	729402-23100
109 30	121550-23200
109 31	129150-23601
109 33	129100-23910
109 34	129150-23611
109 36	129C00-22900
109 38	129A00-22950
110 1	129A00-32000
110 2	129486-32020
110 3	26450-060252
110 4	121520-34810
110 5	129263-34811
110 6	129052-35090
110 7	24311-000160
110 8	26106-060122
110 9	129508-33031
110 10	129508-33060
110 11	129417-33111
110 12	129006-35100
110 14	129417-35150
110 15	129150-35111
110 17	129122-44480
110 18	129508-49030
110 19	171008-03990
110 21	23080-015000
110 22	129006-49040
110 23	171008-03990
110 25	129642-49180
110 26	23080-015000
110 27	26106-080202
110 28	119761-39450
110 29	129150-35153
111 1	129A33-42001
111 3	129150-42059
111 4	129263-42120
111 8	129150-42301
111 10	129054-42320
111 11	129055-49300
111 12	129928-49420
111 13	129916-49740

KEY NO.	PART NO.
111 14	24358-240310
111 15	26106-060202

KEY NO.	PART NO.
114 7	23080-015000
114 8	129A00-59030

KEY NO.	PART NO.
115 34	129129-77460
115 35	26106-120252

111	16	26116-060162
111	17	26577-060162
111	18	129486-42050
111	19	23414-080000
111	20	26106-080122
111	21	26106-080552
111	22	26106-080602
111	23	129403-42380
111	24	25132-004000
111	25	129655-44740
111	26	129030-44760
111	27	26106-060502
111	28	129155-49801
111	29	129150-49811
111	30	129350-49530
111	31	129795-49551
111	32	26106-080222
111	33	129927-44900
111	34	22190-120002
111	35	129051-49310
111	36	129A23-49610
111	37	129960-03990
111	40	129A23-49640
111	42	129960-03990
112	1	129A00-51000
112	2	129A00-51100
112	3	129A00-51110
112	4	129A00-51120
112	5	129A00-51130
112	6	129A00-51200
112	7	129A00-51900
112	8	26106-080302
113	1	129A00-53100
113	4	129A00-53200
113	6	129A00-57000
113	7	129A00-57100
113	8	129A00-57200
113	9	129A00-57210
113	10	26106-080252
113	11	123372-59100
113	13	129A00-59700
113	15	129A00-59810
113	16	129A00-59820
113	17	129A00-59830
113	18	26366-060002
114	1	129A23-59500
114	3	23080-007000
114	4	129A00-59020

114	9	114270-59010
114	12	129A00-91200
114	15	114110-07761
114	16	129612-52100
114	17	129A00-55600
114	18	129A00-55610
114	19	129A00-55800
114	20	129E22-55700
114	21	129E00-55710
114	22	129A00-55750
114	23	129A00-55760
114	25	129A00-55720
114	26	129A00-55730
114	27	129242-55740
114	28	129A00-55740
114	29	129A00-55770
115	1	129407-77010
115	2	X0283060061
115	3	X9490561370
115	4	X9491200240
115	5	129407-77210
115	6	129407-77220
115	7	129129-77230
115	8	129129-77240
115	9	129407-77250
115	10	X0280210230
115	11	X0283270140
115	12	129407-77390
115	13	129129-77440
115	14	129129-77450
115	15	129129-77400
115	16	129129-77410
115	17	X9491703371
115	18	129129-77420
115	19	129129-77430
115	20	129129-77260
115	21	129129-77270
115	22	129407-77280
115	23	129407-77290
115	24	129407-77300
115	25	X9491730461
115	26	129407-77310
115	27	129129-77320
115	28	129407-77330
115	29	129129-77340
115	30	129129-77350
115	31	129129-77362
115	33	129129-77380

116	1	129795-01900
116	2	129052-77220
116	3	X9490561001
116	4	129052-77380
116	5	123501-79240
116	6	119620-79250
116	7	129052-77422
116	8	119620-79200
116	9	119620-79210
116	10	119620-79220
116	11	119620-79230
116	12	128401-77440
116	13	128401-77450
116	14	119620-77461
116	15	119620-77471
116	16	119620-77490
116	17	119620-77710
116	18	129052-79260
116	19	129052-79270
116	20	119620-79290
116	21	119620-79300
116	22	119620-79310
116	23	119620-79320
116	24	119620-79330
116	25	119620-79340
116	26	119620-79350
116	27	26306-100002
116	28	129602-77310
116	29	124732-77340
116	30	129972-77341
117	1	129A26-75040
117	9	129A00-75910
118	1	129A00-77930
118	2	129A00-91222
118	12	129A00-91231
118	17	129A00-91451
118	18	129A00-91600
118	19	26106-080122
118	20	26106-080122
118	21	29621-100000
118	22	29621-200000
118	23	172B02-17150
118	24	129938-77800
118	25	194990-22130
118	26	119060-61990
118	27	129054-77800
118	28	185100-50070
118	29	129054-77811