

T754SMEU1

Parts Catalog

목 차

1. Engine PART NO. EG

FIG 00 EG	7
FIG 01 0512 4184, 0512 4259, 0512 4281, 0512 4051	9
FIG 02 0512 4368	11
FIG 05 0512 4036, 0512 4130, 0512 4238, 0512 4321	13
FIG 06 0512 4003	15
FIG 07 0512 4005	17
FIG 08 0512 4312, 0512 4050, 0512 4246	19
FIG 09 0512 4044, 0512 4320	21
FIG 10 0512 4284	23
FIG 11 0512 4004, 0512 4045, 0512 4046	25
FIG 14 0512 4027	27
FIG 15 0512 4120, 0506 4400, 0512 4000	29
FIG 16 0512 4261	31
FIG 17 0512 4052	33
FIG 19 0512 4047	35
FIG 20 0512 4224	37
FIG 21 0512 4009, 0512 4008, 0512 4299	39
FIG 22 0512 4345, 0512 4392	41
FIG 27 0511 8909	43
FIG 37 0512 4331	45
FIG 38 0512 4055	47
FIG 41 0512 4143, 0512 4058, 0512 4097, 0512 4257	49
FIG 43 0512 4384	51
FIG 44 0512 4062, 0512 4256, 0512 4393, 0512 4400	53
FIG 48-1 0511 7723, 0512 4011, 0512 4098, 0512 4127, 0512 4292	55
FIG 48-2 0512 4128, 0512 4293, 0512 4334, 0512 4338, 0512 4343	57
FIG 51 0512 4060, 0512 4104, 0512 4300, 0512 4329	59
FIG 63 0512 4010	61
FIG 83 0512 4176, 0512 4180, 0512 4251, 0512 4337, 0512 4339, 0512	63
FIG 90 0512 4355	65

2. Engine Accessories PART NO. T2

FIG 201 AIR CLEANER	68
---------------------	----

FIG 202 RADIATOR	70
FIG 203 MUFFLER & EXHAUST PIPE	72
FIG 204 FUEL TANK	75
FIG 205 FUEL FILTER & FUEL PUMP	77

3. Clutch/Brake/Steering PART NO. T3

FIG 301 CLUTCH	80
FIG 302 CLUTCH PEDAL	82
FIG 303 BRAKE PEDAL & LINK	85
FIG 304 FRONT WHEEL	87
FIG 305 REAR WHEEL	89
FIG 306 POWER STEERING WHEEL	91
FIG 307 POWER STEERING VALVE	93
FIG 308 POWER STEERING CYLINDER	95
FIG 309 HAND BRAKE & BRAKE	97
FIG 310 CLUTCH CONTROL	99

4. Transmission PART NO. T4

FIG 401 CASE , RR TRANSMISSION	102
FIG 402 SUB CHANGE GEARS	104
FIG 403 REAR DIFFERENTIAL GEARS	106
FIG 404 P.T.O CHANGE GEARS	108
FIG 405 P.T.O CHANGE SHIFTER	110
FIG 406 HOUSING , RR AXLE	112
FIG 407 P.T.O DRIVE SHAFT	114
FIG 408 CREEP CHANGE	116
FIG 409 INPUT & COUNTER GEARS	118
FIG 410 CHANGE GEARS	120
FIG 411 REVERSE GEARS	122
FIG 412 MAIN CHANGE LEVER	124
FIG 413 SUB CHANGE LEVER	126
FIG 414 TRANSMISSION MID CASE	128
FIG 415 SUB CHANGE SHIFTER	130
FIG 416 4WD CHANGE LEVER	132
FIG 417 TRANSMISSION FRONT CASE	134
FIG 418-2(EU) DRIVE GEARS(EU)	136

5. Front Axle PART NO. T5

FIG 501 FRONT AXLE SUPPORT	139
FIG 502 FRONT DRIVE SHAFT	141
FIG 503 FRONT AXLE HOUSING	143
FIG 504 FRONT DIFFERENTIAL GEARS	145
FIG 505 FRONT GEAR CASE (1)	147
FIG 506 FRONT GEAR CASE (2)	149
FIG 507 FRONT GEAR CASE (3)	151

6. Hydraulic/3P-Link PART NO. T6

FIG 601 CYLINDER CASE	154
FIG 602 LIFT ARM	156
FIG 603 CYLINDER	158
FIG 604 POSITION LINK	160
FIG 605 CONTROL VALVE	162
FIG 606 DRAFT LINK	164
FIG 607 POSITION & DRAFT LEVER	166
FIG 608 EXTERIOR HYD. VALVE	169
FIG 609 HYDRAULIC PIPE	171
FIG 610 JOYSTICK	173
FIG 611 HITCH & 3-POINT LINK	175
FIG 611-2 HITCH & 3-POINT LINK	178
FIG 612 LOWER LINK & LIFT ROD	181
FIG 613-2(EU) HYDRAULIC HOSE(EU)	183

7. Sheet Metal & Cabin PART NO. T7

FIG 701 HOOD	186
FIG 702 FRONT FRAME	188
FIG 703 SIDE SUPPORT & FRAME HOOD	190
FIG 704 LEVER COVER & STEP	193
FIG 705 FRONT & REAR MOUNTING	195
FIG 706 SEAT & MAT	197
FIG 709 DOOR	199
FIG 710 FRONT GLASS	202

FIG 711 SIDE GLASS	204
FIG 712 REAR GLASS	206
FIG 713 SUB FENDER & COVER	208
FIG 714 MIRROR	210
FIG 715 HEATER & AIR-CON	212
FIG 715-2 HEATER & AIR-CON	214
FIG 716 FENDER COVER	216
FIG 717 ROOF	218
FIG 718 CABIN INTERIOR	220

8. Electrical System PART NO. T8

FIG 801 BATTERY & MOUNTING	223
FIG 802 HARNESS	225
FIG 803 LIGHT & BACK LAMP	227
FIG 804 INSTRUMENT PANEL	229
FIG 805 ELECTRIC SYSTEM (1)	231
FIG 806 ELECTRIC SYSTEM (2)	233

9. Label/Option PART NO. T9

FIG 901 TOOL & ACCESSORY	236
FIG 902(EU) WEIGHT	238
FIG 903 LABEL	240

1. Engine PART NO. EG

FIG 00 EG	7
FIG 01 0512 4184, 0512 4259, 0512 4281, 0512 4051	9
FIG 02 0512 4368	11
FIG 05 0512 4036, 0512 4130, 0512 4238, 0512 4321	13
FIG 06 0512 4003	15
FIG 07 0512 4005	17
FIG 08 0512 4312, 0512 4050, 0512 4246	19
FIG 09 0512 4044, 0512 4320	21
FIG 10 0512 4284	23
FIG 11 0512 4004, 0512 4045, 0512 4046	25
FIG 14 0512 4027	27
FIG 15 0512 4120, 0506 4400, 0512 4000	29
FIG 16 0512 4261	31
FIG 17 0512 4052	33
FIG 19 0512 4047	35
FIG 20 0512 4224	37
FIG 21 0512 4009, 0512 4008, 0512 4299	39
FIG 22 0512 4345, 0512 4392	41
FIG 27 0511 8909	43
FIG 37 0512 4331	45
FIG 38 0512 4055	47
FIG 41 0512 4143, 0512 4058, 0512 4097, 0512 4257	49
FIG 43 0512 4384	51
FIG 44 0512 4062, 0512 4256, 0512 4393, 0512 4400	53
FIG 48-1 0511 7723, 0512 4011, 0512 4098, 0512 4127, 0512 4292	55
FIG 48-2 0512 4128, 0512 4293, 0512 4334, 0512 4338, 0512 4343	57
FIG 51 0512 4060, 0512 4104, 0512 4300, 0512 4329	59
FIG 63 0512 4010	61
FIG 83 0512 4176, 0512 4180, 0512 4251, 0512 4337, 0512 4339, 0512	63
FIG 90 0512 4355	65

FIG 00 T754SMEU1	EG	년/월 Year/Month 2022-12
---------------------	----	------------------------------

--	--

NOTE	
------	--

FIG 01

0512 4184, 0512 4259, 0512 4281, 0512 4051

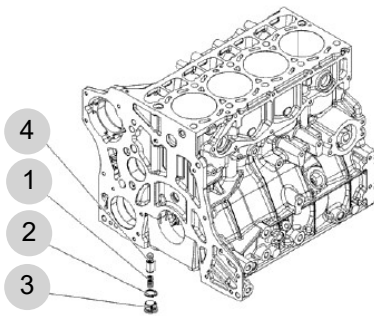
년/월
Year/Month

2022-12

T754SMEU1

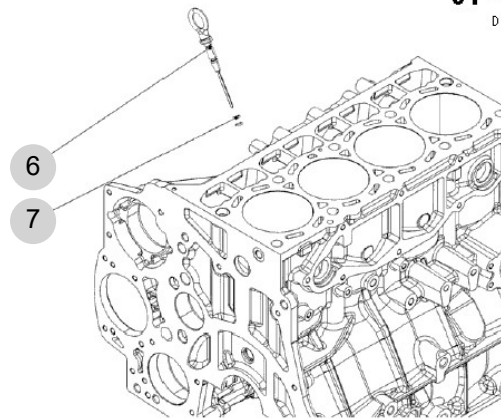
01 - 0512 4051

PRESSURESTAT



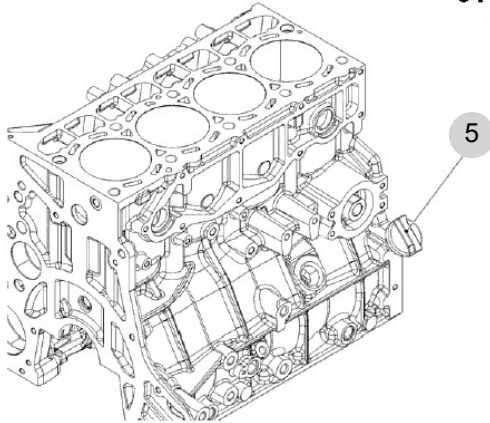
01 - 0512 4259

DIPSTICK



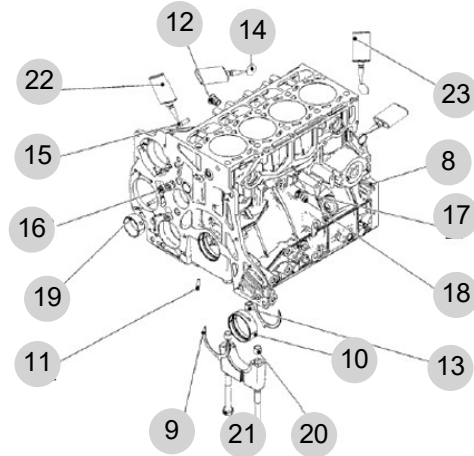
01 - 0512 4184

FILLER CAP



01 - 0512 4281

CRANKCASE



NOTE

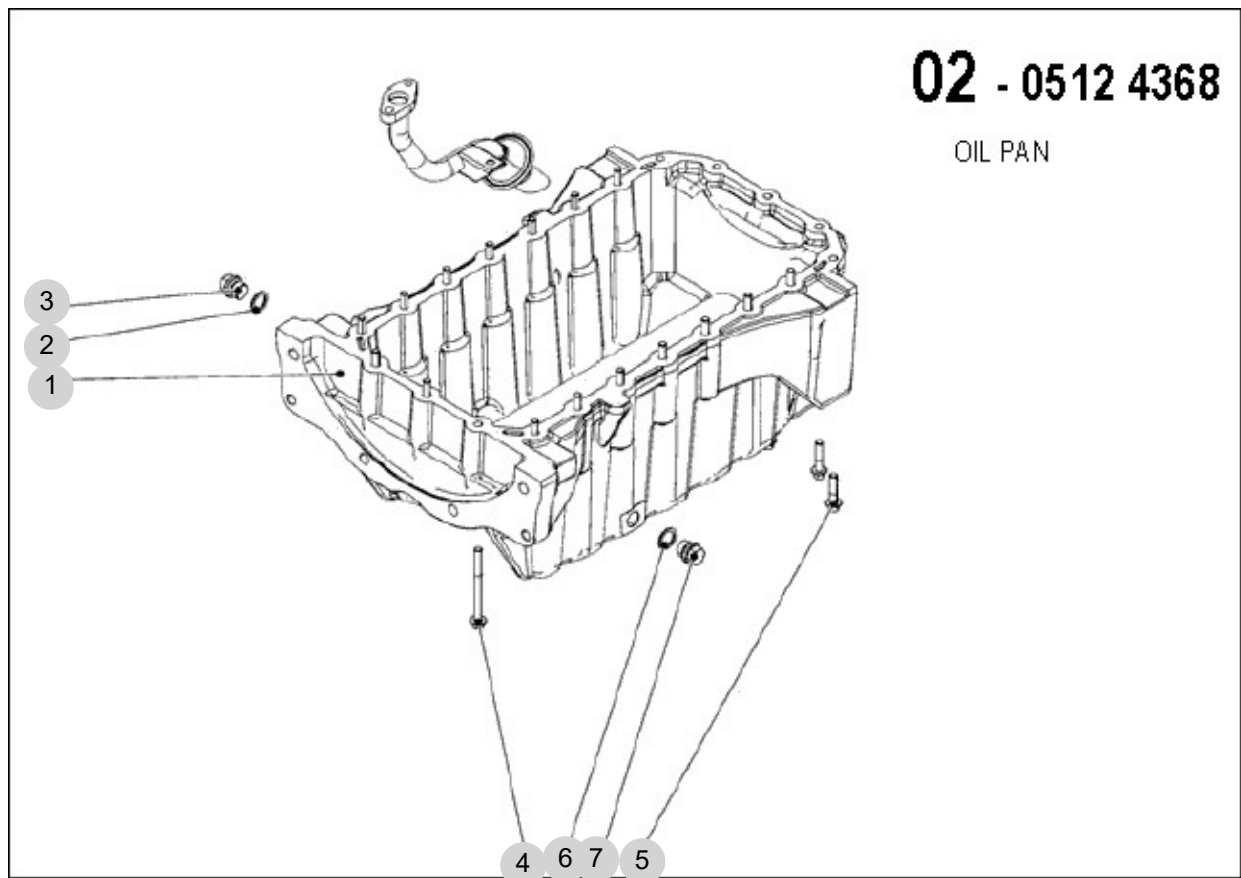
FIG 02

0512 4368

년/월
Year/Month

2022-12

T75SMEU1



NOTE

FIG 05

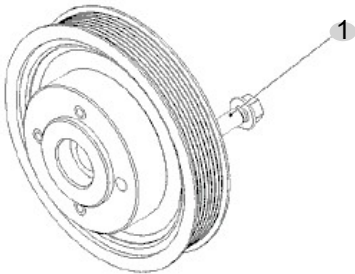
T754SMEU1

0512 4036, 0512 4130, 0512 4238, 0512 4321

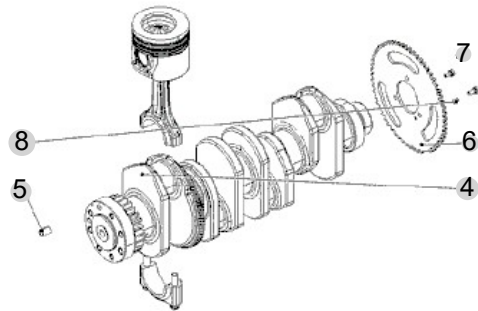
년/월
Year/Month

2022-12

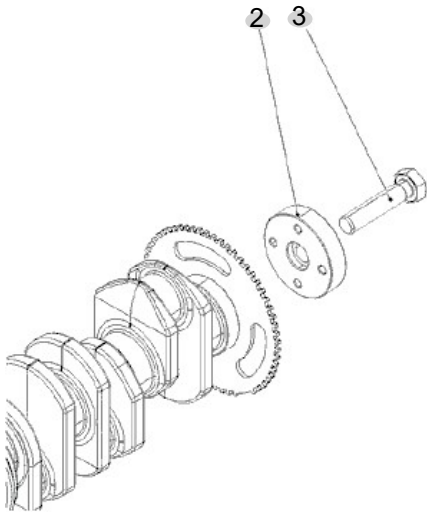
05 - 0512 4036
FASTENINGS



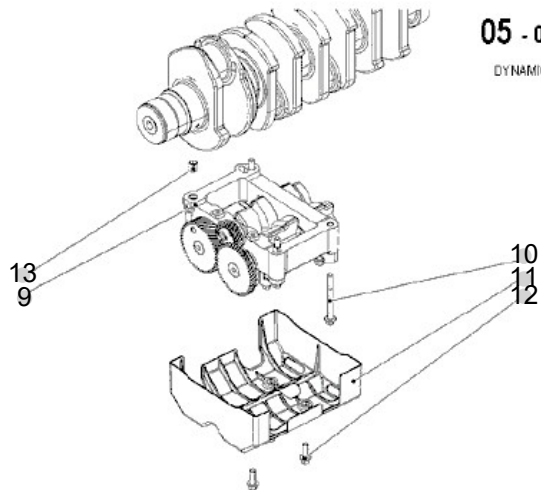
05 - 0512 4238
CRANKSHAFT



05 - 0512 4130
CRANKSHAFT ACCESS.



05 - 0512 4321
DYNAMIC BALANCER



NOTE

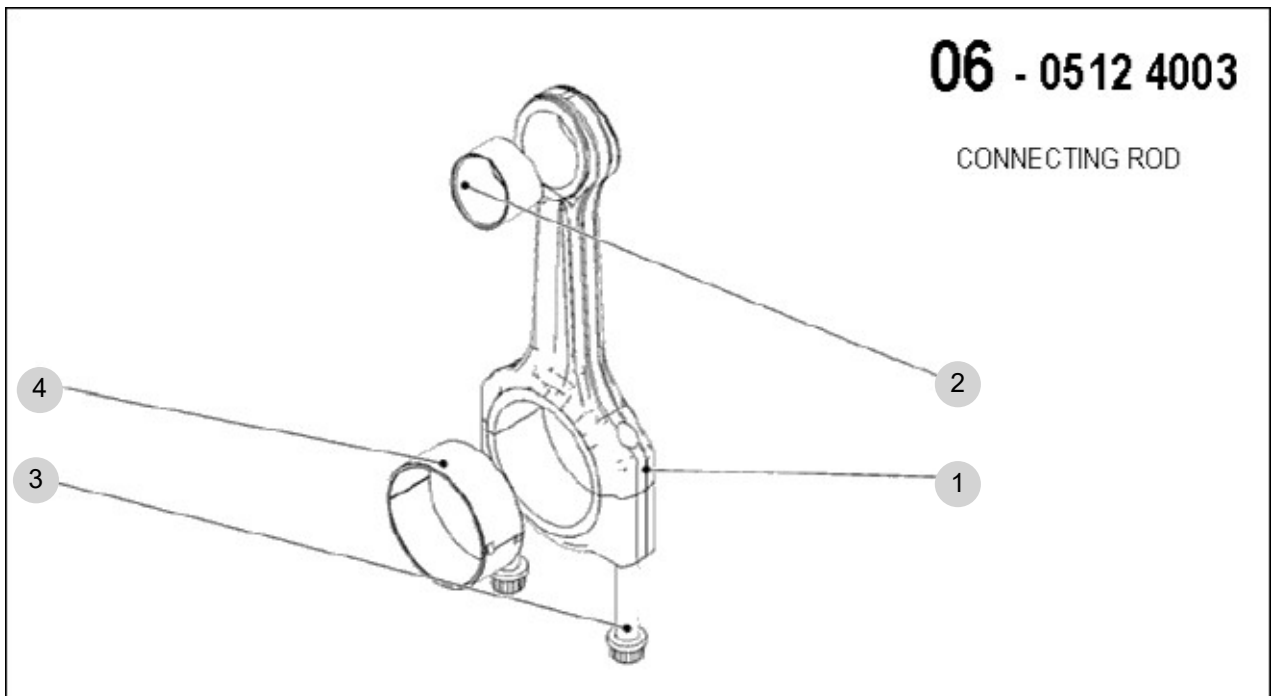
FIG 06

0512 4003

년/월
Year/Month

2022-12

T754SMEU1



NOTE

FIG 06 T754SMEU1		0512 4003					년/월 Year/Month	
							2022-12	
KEY NO	PART NO	DESCRIPTION	SPEC	QTY	REPAIR	EFFECTIVE DATE	REMARKS	
06	1	0413 2010	CONNECTING ROD	1				
06	2	0413 2007	SMALL END BEARING	1				
06	3	0428 6942	BIG END BOLT	2				
06	4	0413 2075	BEARING SHELL	1				
06	950	0413 3404	BEARING SHELL	1				
06	951	0413 3405	BEARING SHELL	1				
NOTE								

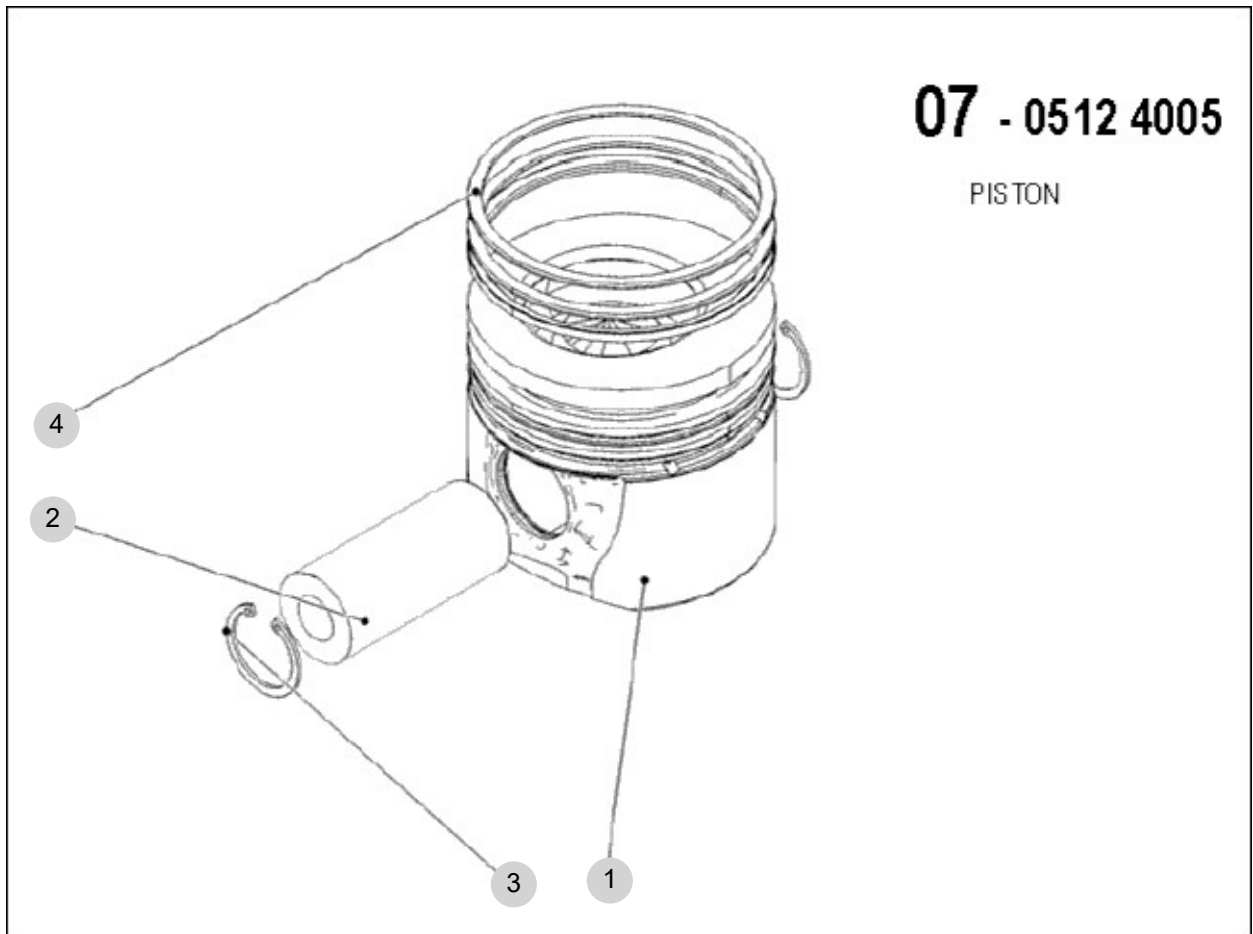
FIG 07

0512 4005

년/월
Year/Month

2022-12

T754SMEU1



NOTE

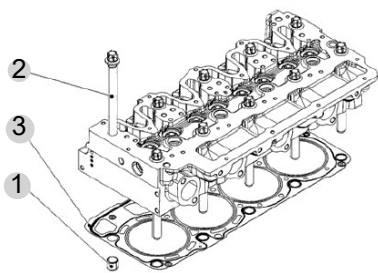
FIG 08

0512 4312, 0512 4050, 0512 4246

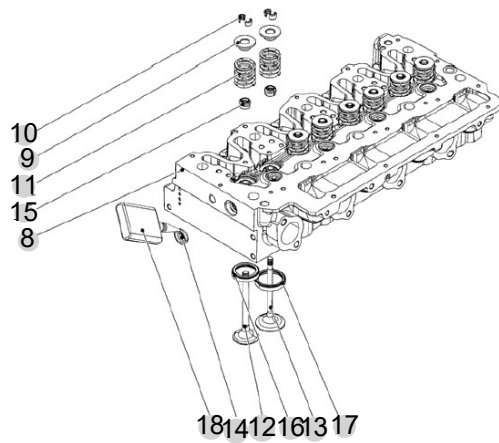
년/월
Year/Month

2022-12

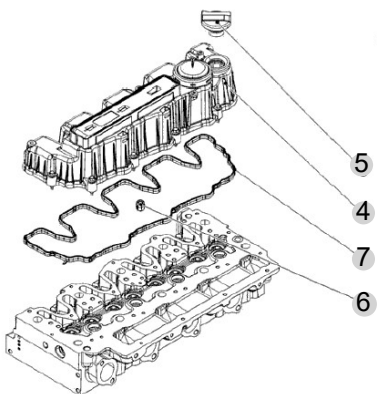
T754SMEU1



08 - 0512 4050
FASTENINGS



08 - 0512 4312
CYLINDER HEAD



08 - 0512 4246
VALVE MECHAN COVER

NOTE

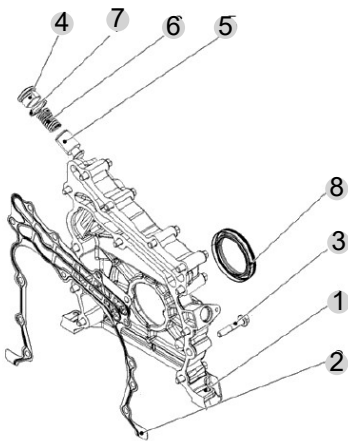
FIG 09

0512 4044, 0512 4320

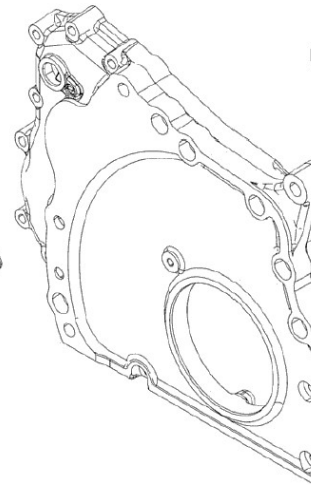
년/월
Year/Month

2022-12

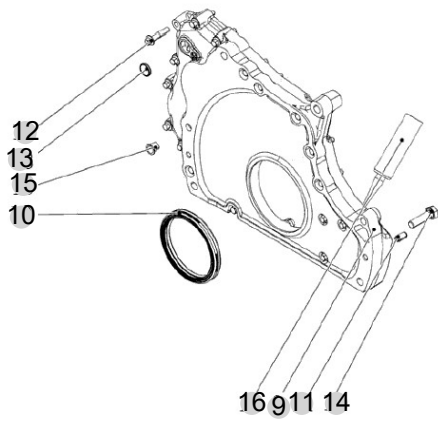
T754SMEU1



09 - 0512 4044
FRONT COVER



09 - 0512 4406
SEALING RING



09 - 0512 4320
GEARCASE

NOTE

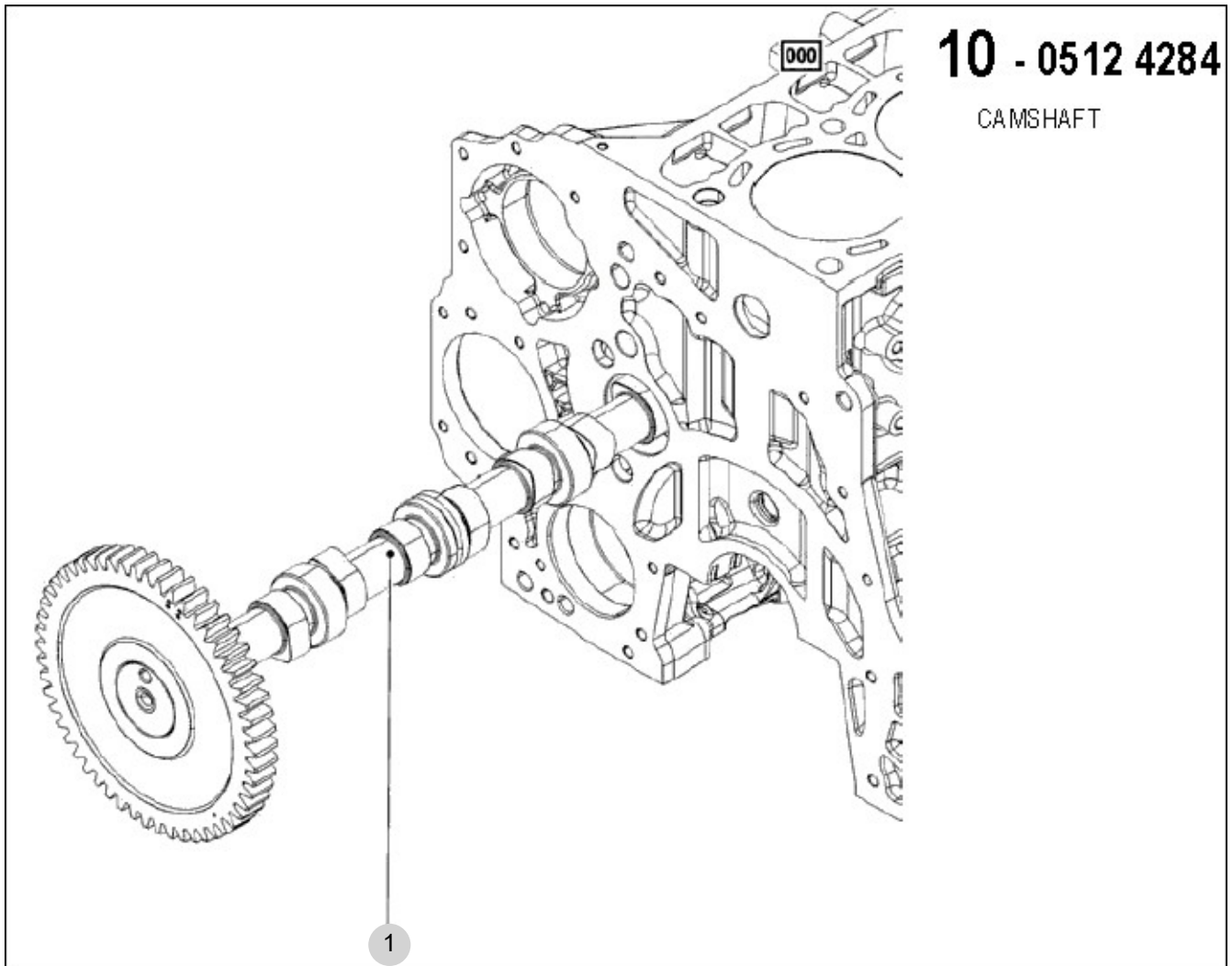
FIG 10

0512 4284

년/월
Year/Month

2022-12

T754SMEU1



NOTE

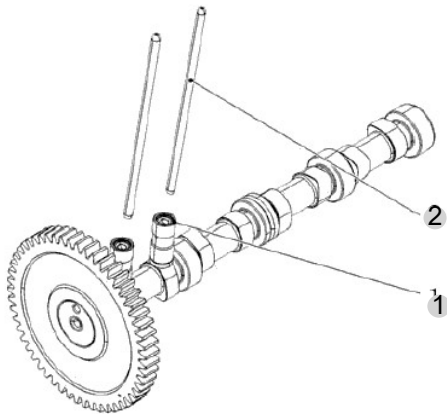
FIG 11

0512 4004, 0512 4045, 0512 4046

년/월
Year/Month

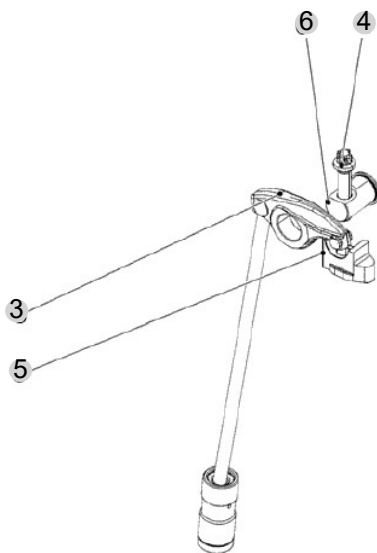
2022-12

T754SMEU1



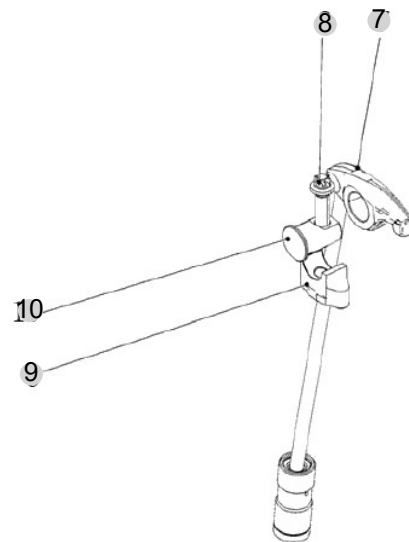
11 - 0512 4004

VALVE DRIVE



11 - 0512 4045

ROCKER ARM OUTLET



11 - 0512 4046

ROCKER ARM INLET

NOTE

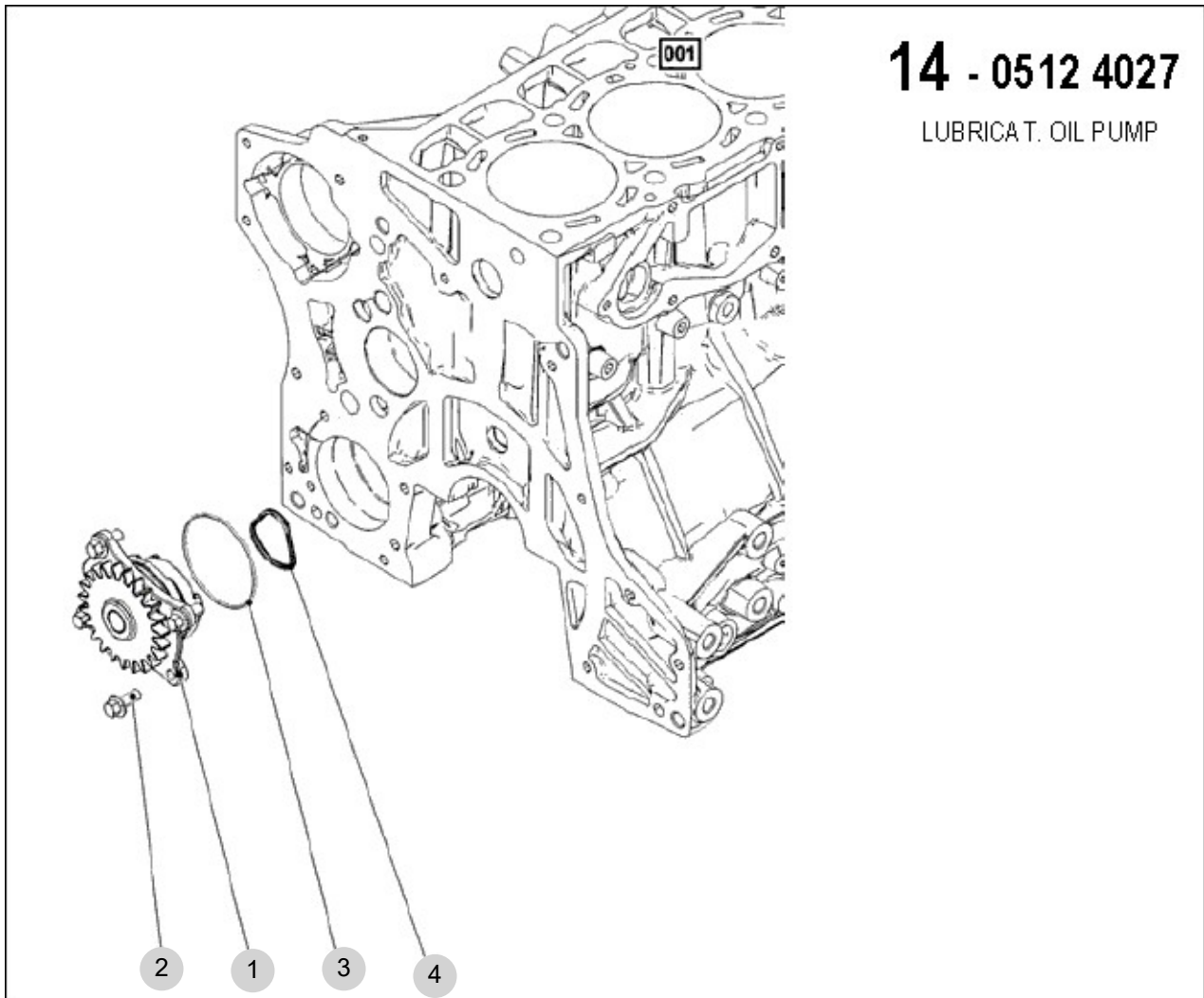
FIG 14

0512 4027

년/월
Year/Month

2022-12

T754SMEU1



NOTE

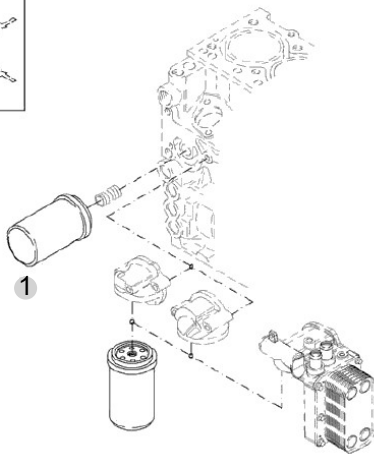
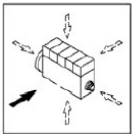
FIG 15

T754SMEU1

0512 4120, 0506 4400, 0512 4000

년/월
Year/Month

2022-12

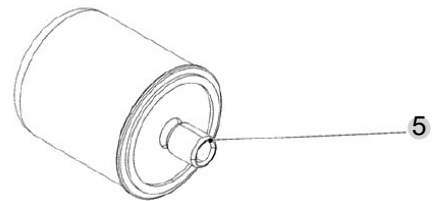


15 - 0506 4400

LUBRIC. OIL FILTER

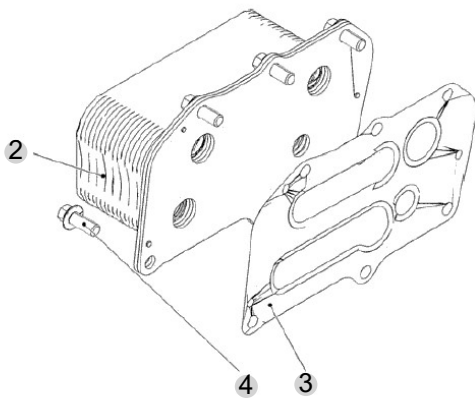
15 - 0512 4120

OIL FILTER ASSY



15 - 0512 4000

OIL COOLER



NOTE

FIG 16

T754SMEU1

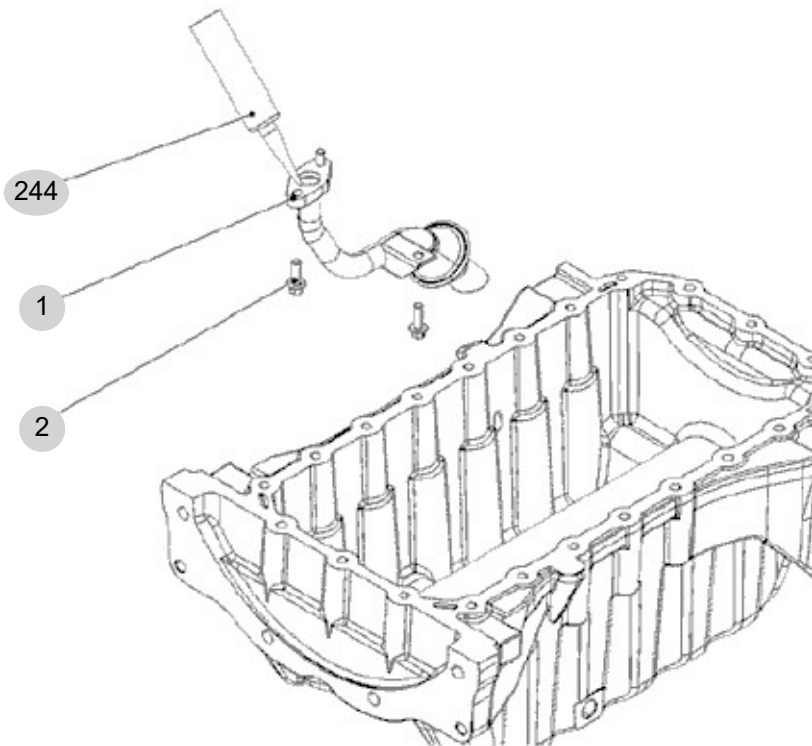
0512 4261

년/월
Year/Month

2022-12

16 - 0512 4261

OIL SUCTION PIPE



NOTE

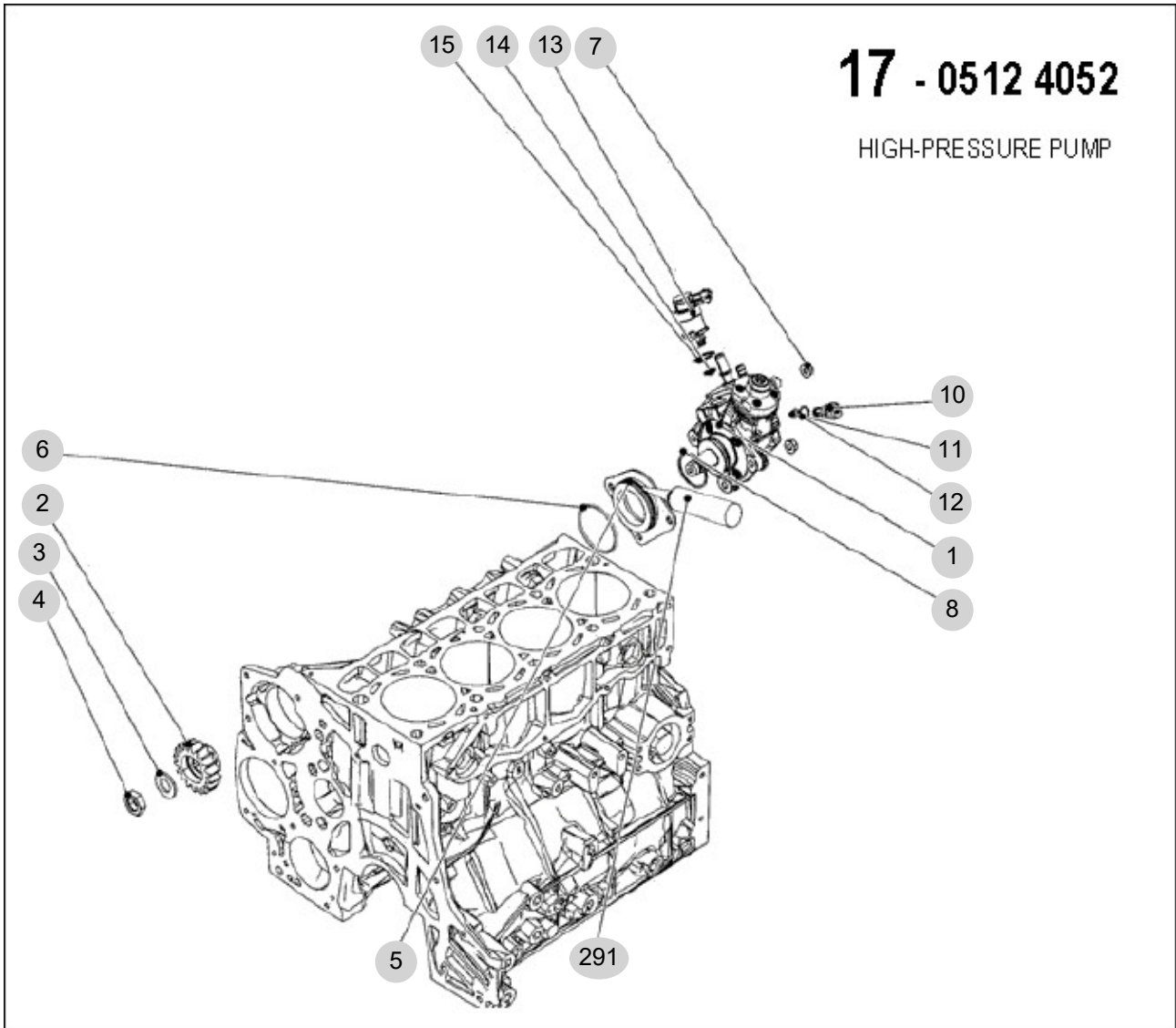
FIG 17

0512 4052

년/월
Year/Month

2022-12

T754SMEU1



NOTE

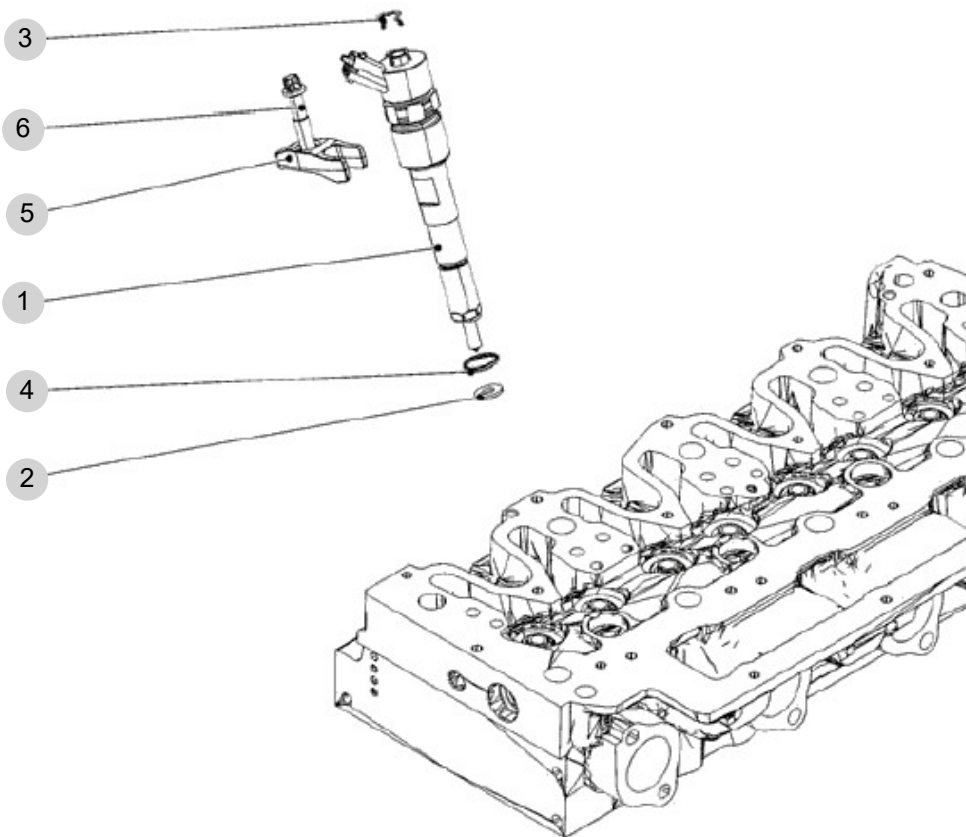
FIG 19

0512 4047

년/월
Year/Month

2022-12

T754SMEU1



19 - 0512 4047

FUEL INJECTOR

NOTE

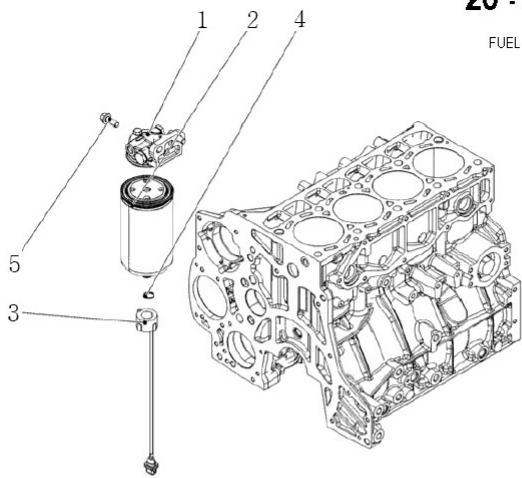
FIG 20

0512 4224

년/월
Year/Month

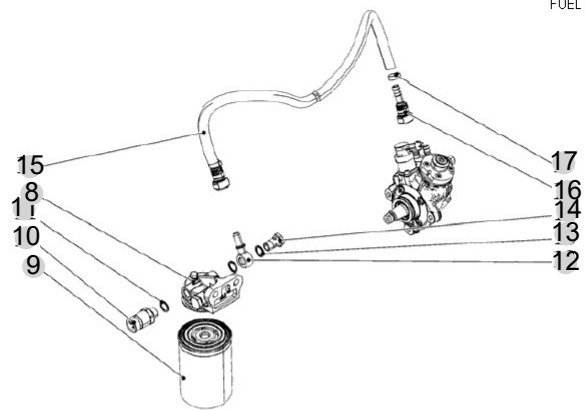
2022-12

T754SMEU1



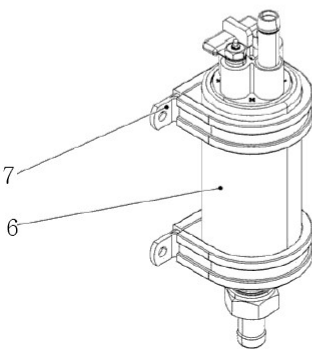
20 - 0512 4064

FUEL PREFILTER



20 - 0512 4224

FUEL FILTER



20 - 0512 4140

FUEL SUPPLY PUMP

NOTE

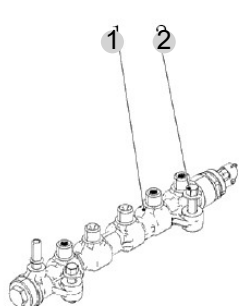
FIG 21

0512 4009, 0512 4008, 0512 4299

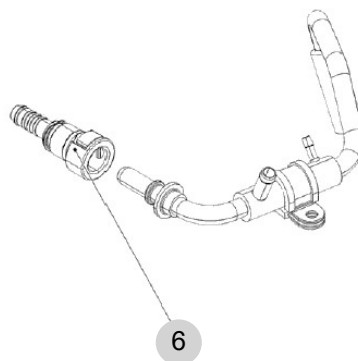
년/월
Year/Month

T754SMEU1

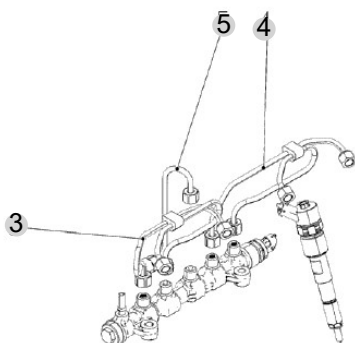
2022-12



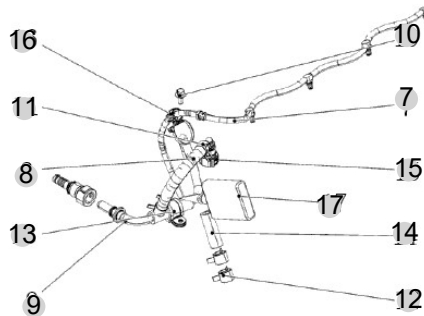
21 - 0512 4008
RAIL



21 - 0512 4286
QUICK-CLUTCH COUP.



21 - 0512 4009
HIGH PRESSURE PIPE



21 - 0512 4299
FUEL LINE

NOTE

FIG 21 T754SMEU1		0512 4009, 0512 4008, 0512 4299					년/월 Year/Month	
							2022-12	
KEY NO	PART NO	DESCRIPTION	SPEC	QTY	REPAIR	EFFECTIVE DATE	REMARKS	
21	1	0412 4946	RAIL	1				
21	2	0118 1432	HEXAGON BOLT	2				
21	950	0429 7148	REPAIR KIT	1				
21	951	0101 6496	MULTI-PURP. GREASE	1				
21	952	0451 2091	O-RING	1				
21	3	0413 2040	FUEL LINE	1				
21	4	0413 2041	FUEL LINE	1				
21	5	0413 2042	FUEL LINE	1				
21	6	01183053-	QUICK-CLUTCH/COUP	1				
21	7	0413 0594	FUEL LEAKAGE PIPE	1				
21	8	0413 2045	FUEL HOSE	1				
21	9	0413 2196	MANIFOLD	1				
21	10	0118 1442	HEXAGON BOLT	1				
21	11	0114 8669	SPRING BAND CLAMP	2				
21	12	0114 9019	SPRING BAND CLAMP	2				
21	13	0117 6229	PIPE CLAMP	1				
21	14	0118 3410	RUBBER HOSE	1				
21	15	0412 3319	PLUG-IN CONNECTOR	1				
21	16	0421 7899	WIRE FASTENER	1				
21	17	0100 8420	MOUNTING DEVICE	1				
NOTE								

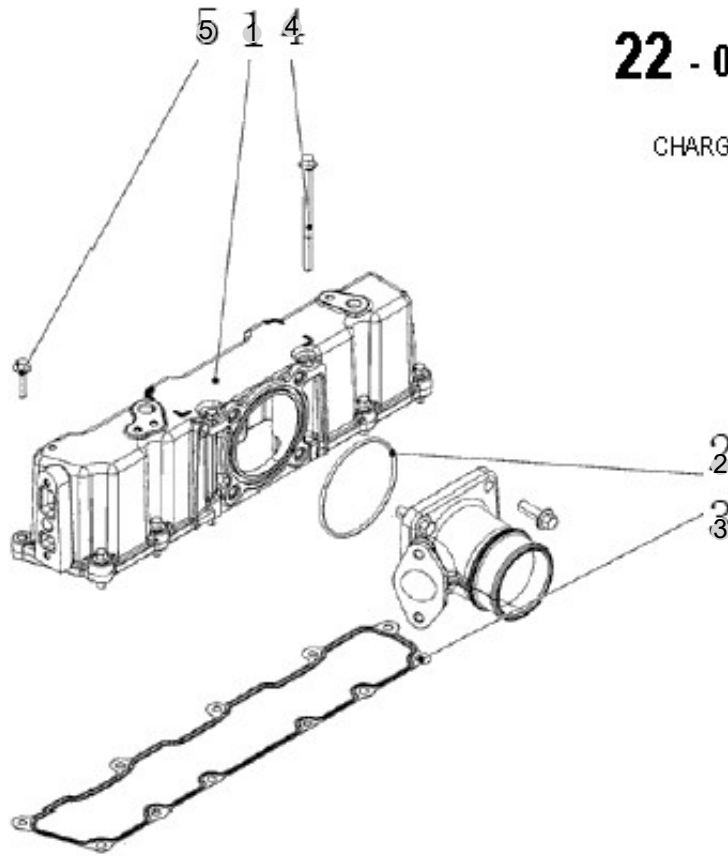
FIG 22

0512 4345, 0512 4392

년/월
Year/Month

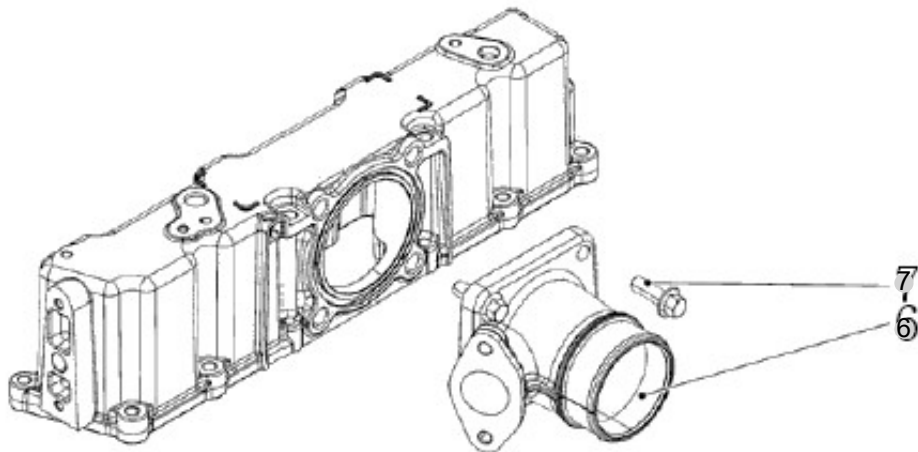
2022-12

T754SMEU1



22 - 0512 4392

CHARGE AIR ELBOW



NOTE

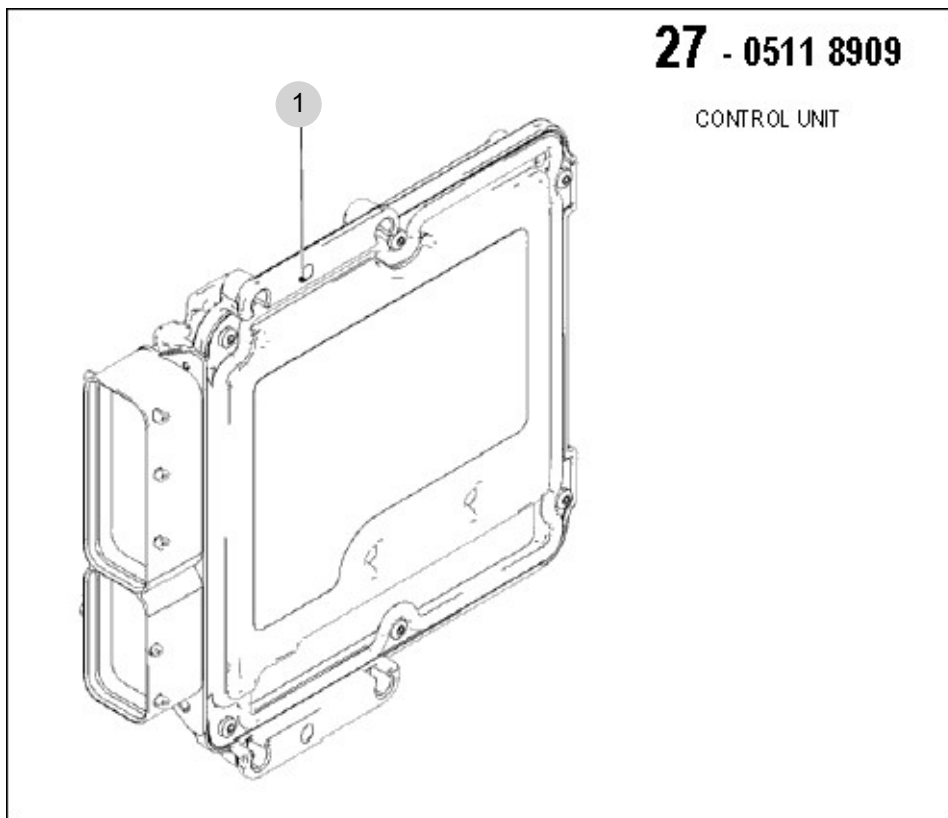
FIG 27

0511 8909

년/월
Year/Month

2022-12

T754SMEU1



NOTE

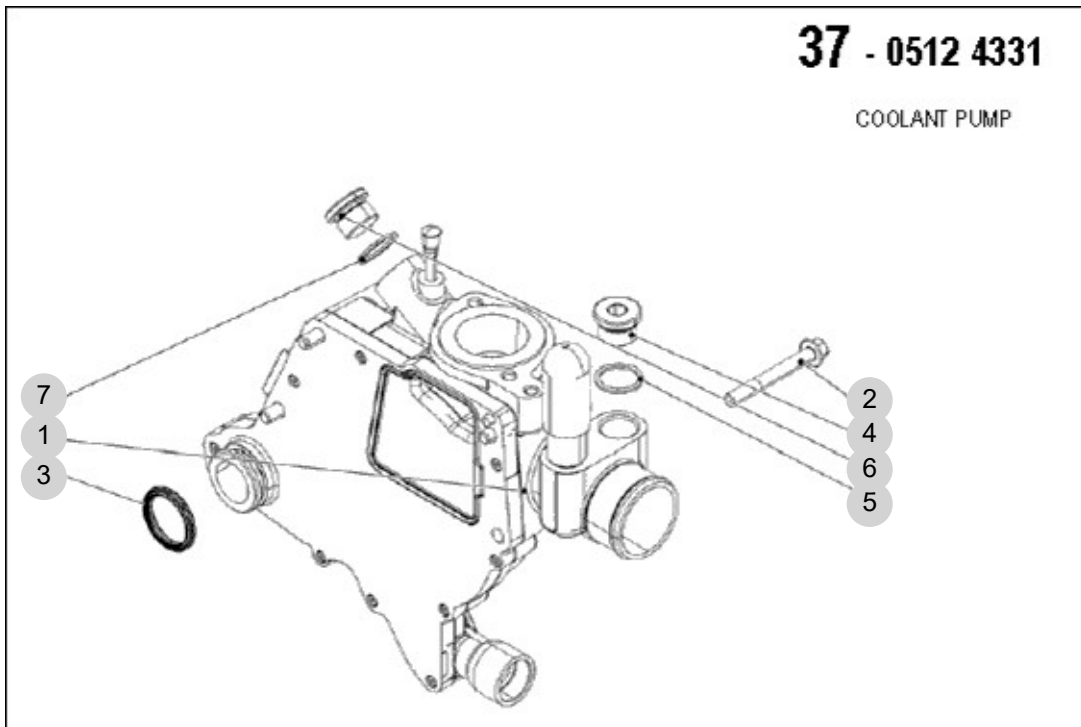
FIG 37

0512 4331

년/월
Year/Month

2022-12

T754SMEU1



NOTE

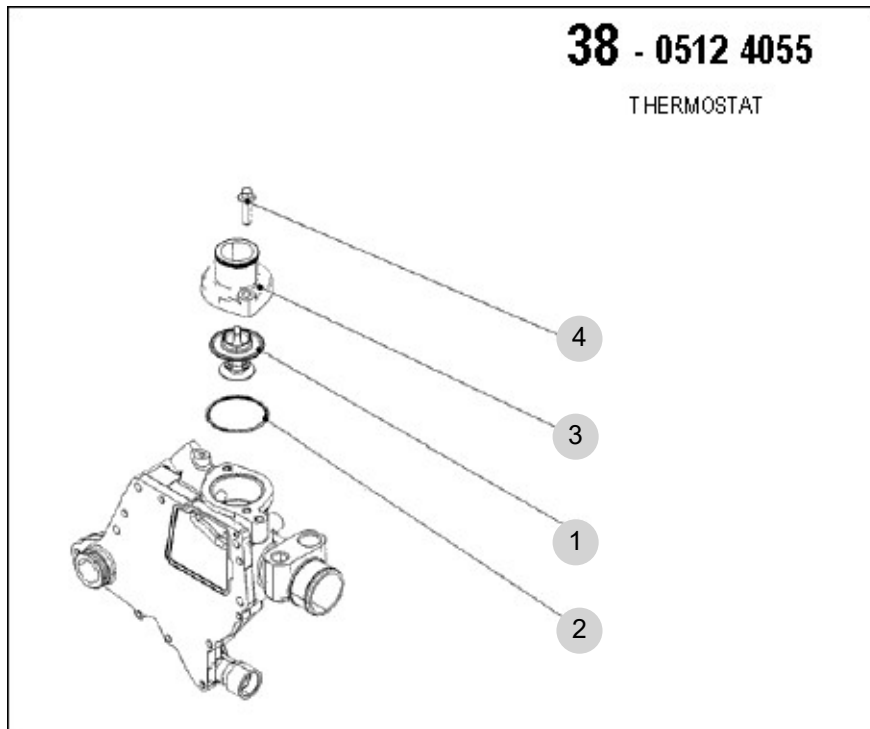
FIG 38

0512 4055

년/월
Year/Month

2022-12

T754SMEU1



NOTE

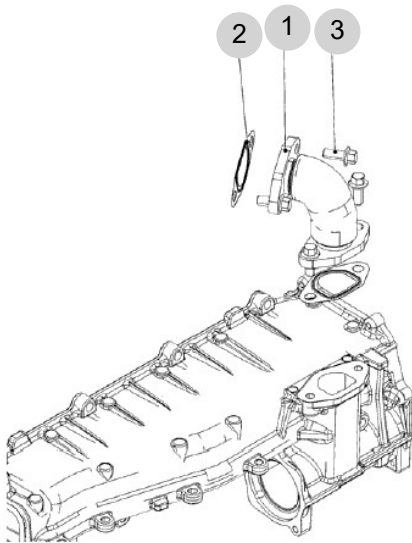
FIG 41

0512 4143, 0512 4058, 0512 4097, 0512 4257

년/월
Year/Month

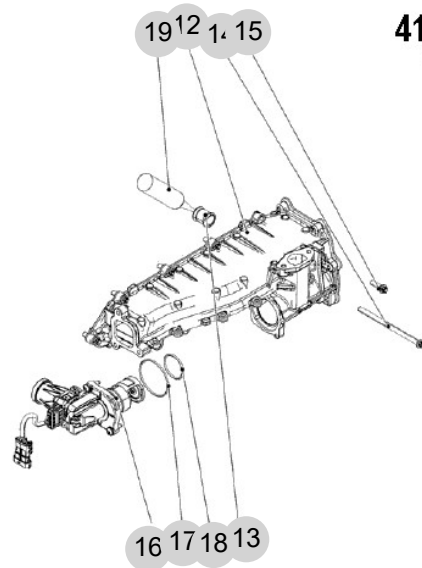
2022-12

T754SMEU1



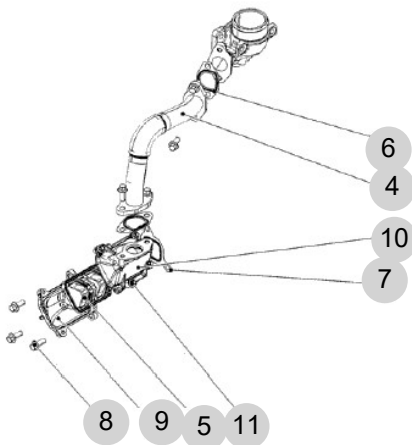
41 - 0512 4058

PIPELINE/LEAD



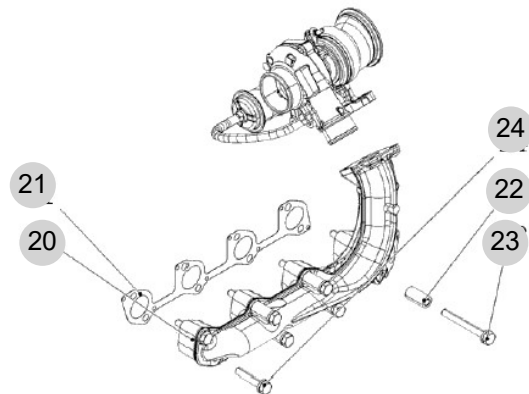
41 - 0512 4143

EGR-MODULE



41 - 0512 4097

PIPELINE/LEAD



41 - 0512 4257

EXHAUST MANIFOLD

NOTE

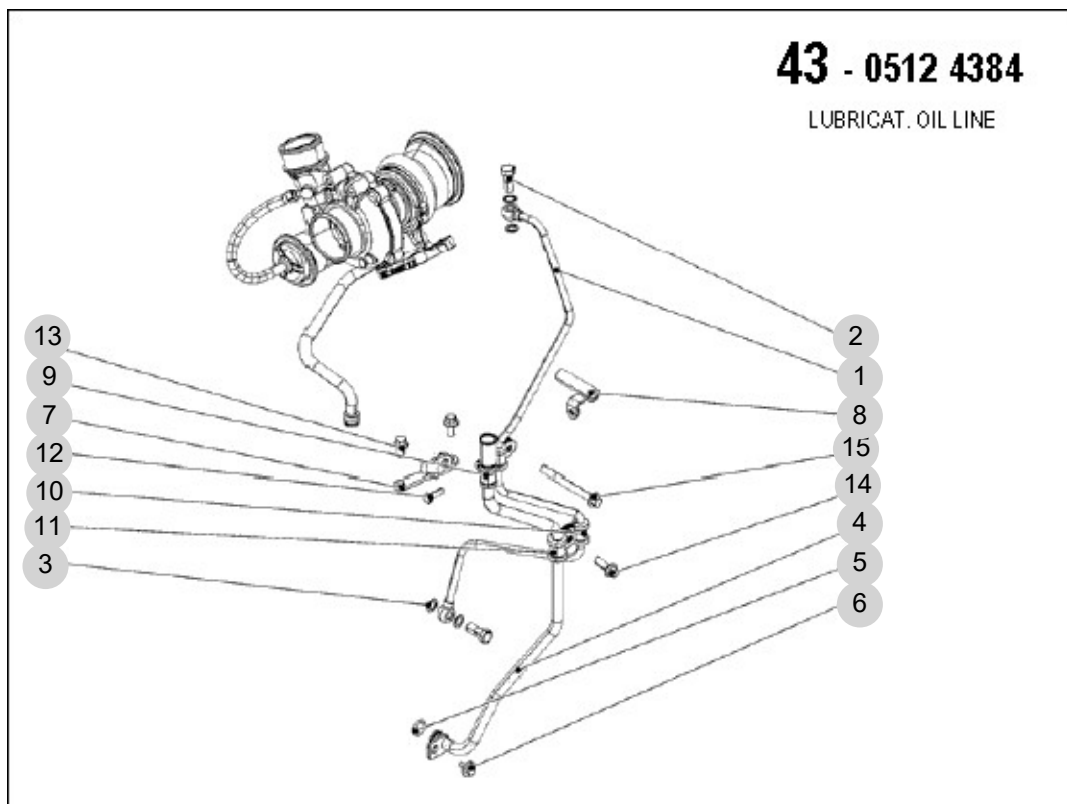
FIG 43

0512 4384

년/월
Year/Month

2022-12

T754SMEU1



NOTE

FIG 44

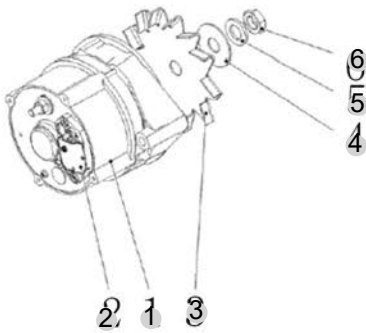
0512 4062, 0512 4256, 0512 4393, 0512 4400

년/월
Year/Month

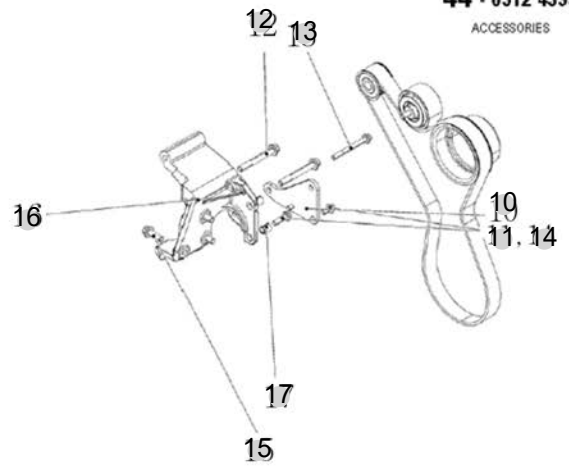
2022-12

T754SMEU1

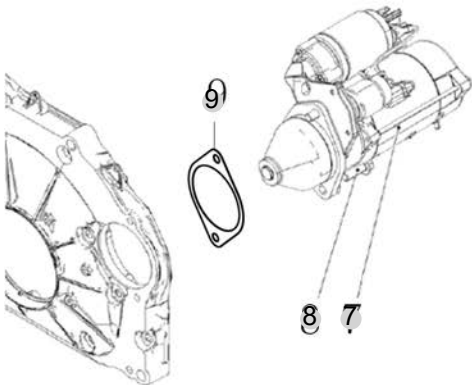
44 - 0512 4062
GENERATOR



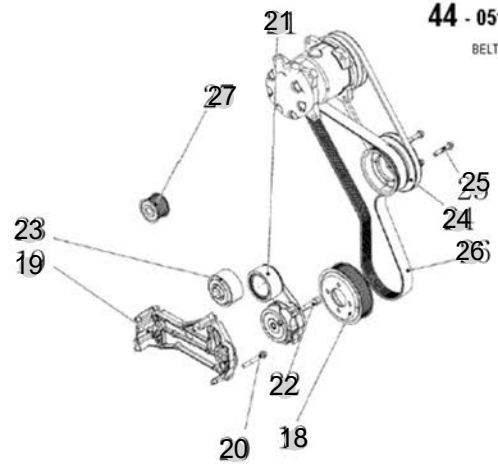
44 - 0512 4393
ACCESSORIES



44 - 0512 4256
STARTER



44 - 0512 4400
BELT DRIVE



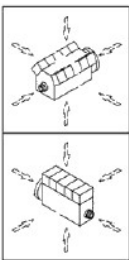
NOTE

FIG 48-1

0511 7723, 0512 4011, 0512 4098, 0512 4127,
0512 4292

년/월
Year/Month

2022-12



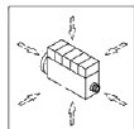
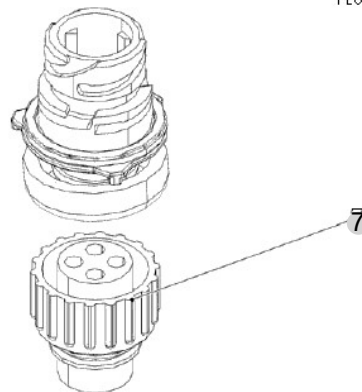
48 - 0511 7723

ATTACHMENT PLUG



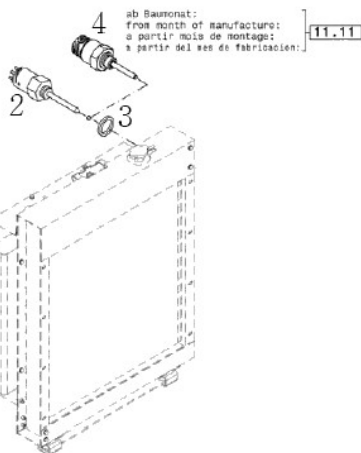
48 - 0512 4098

PLUG-IN CONNECTOR



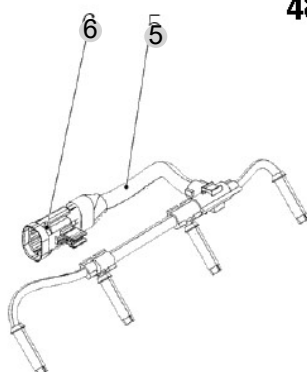
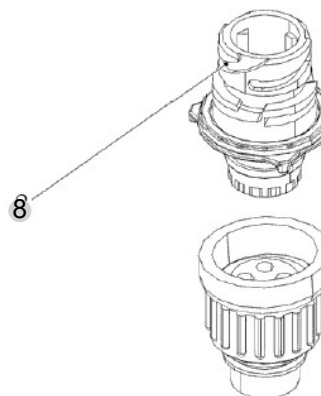
48 - 0511 8568

LEVEL SWITCH



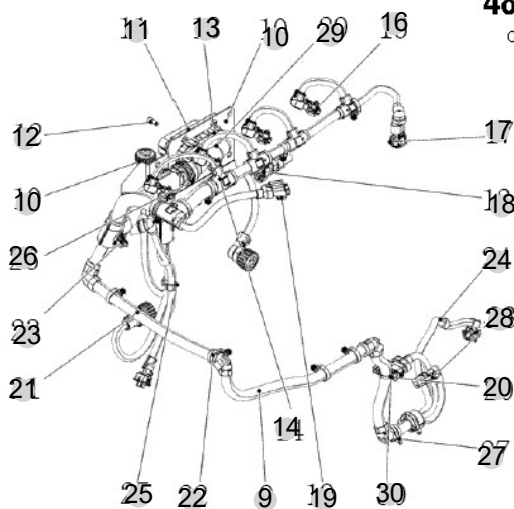
48 - 0512 4127

PLUG-IN CONNECTOR



48 - 0512 4011

CABLE HARNESS



48 - 0512 4292

CABLE HARNESS

NOTE

FIG 48-2

0512 4128, 0512 4293, 0512 4334, 0512 4338,
0512 4343

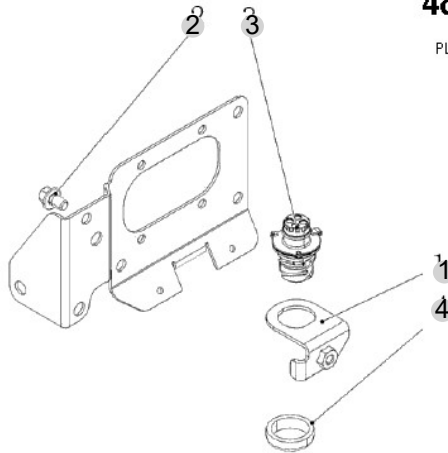
년/월
Year/Month

2022-12

T754SMEU1

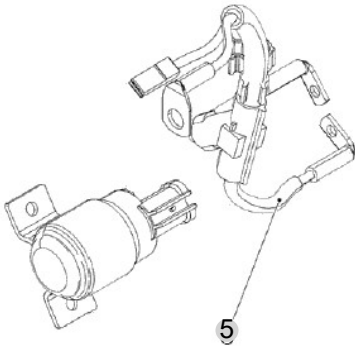
48 - 0512 4128

PLUG-IN CONNECTOR



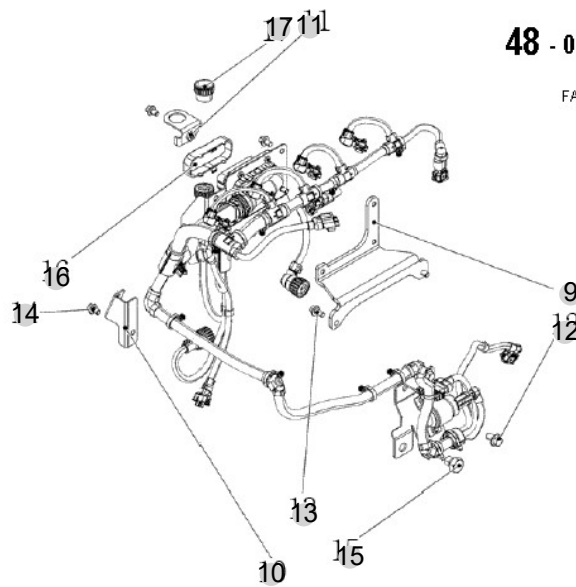
48 - 0512 4293

CONNECTING PIPE



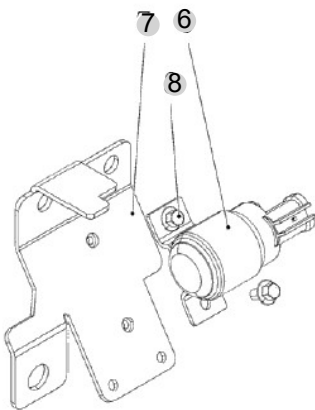
48 - 0512 4338

FASTENINGS



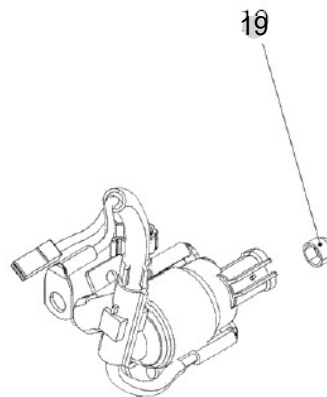
48 - 0512 4334

RELAY



48 - 0512 4343

PROTECTING CAP



NOTE

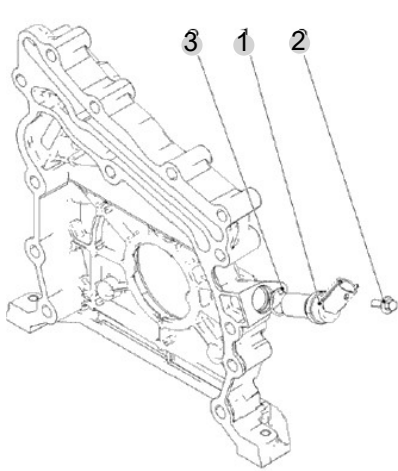
FIG 51

0512 4060, 0512 4104, 0512 4300, 0512 4329

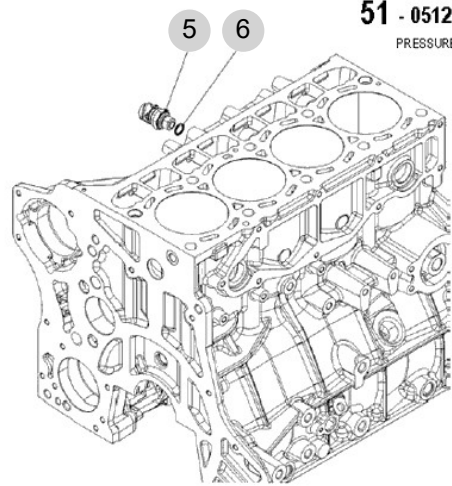
년/월
Year/Month

2022-12

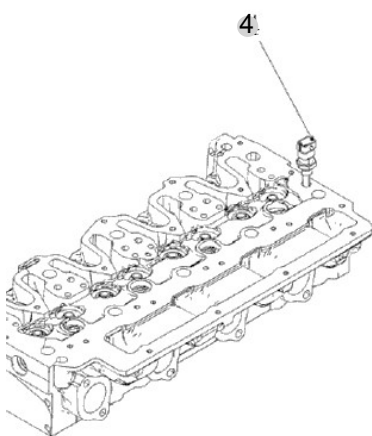
T754SMEU1



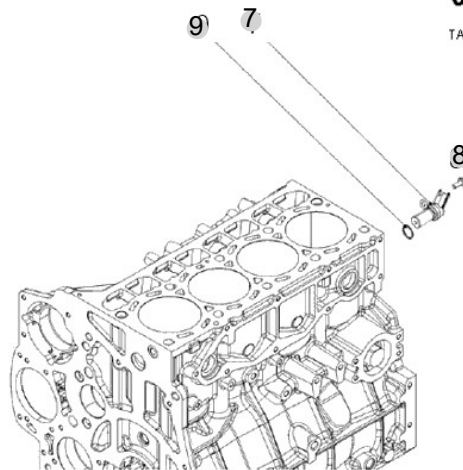
51 - 0512 4060
TACHO-GENERATOR



51 - 0512 4105
PRESSURE SENSOR

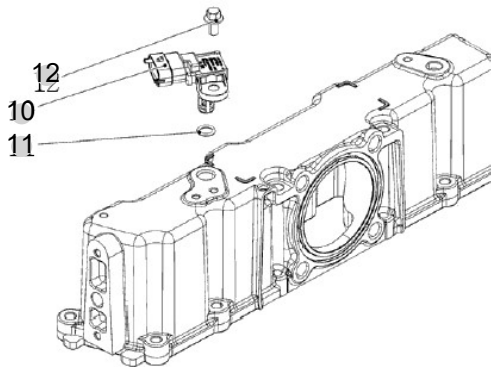


51 - 0512 4104
TEMPER.TRANSMITTER



51 - 0512 4300
TACHO-GENERATOR

51 - 0512 4329
SENSOR



NOTE

FIG 63

0512 4010

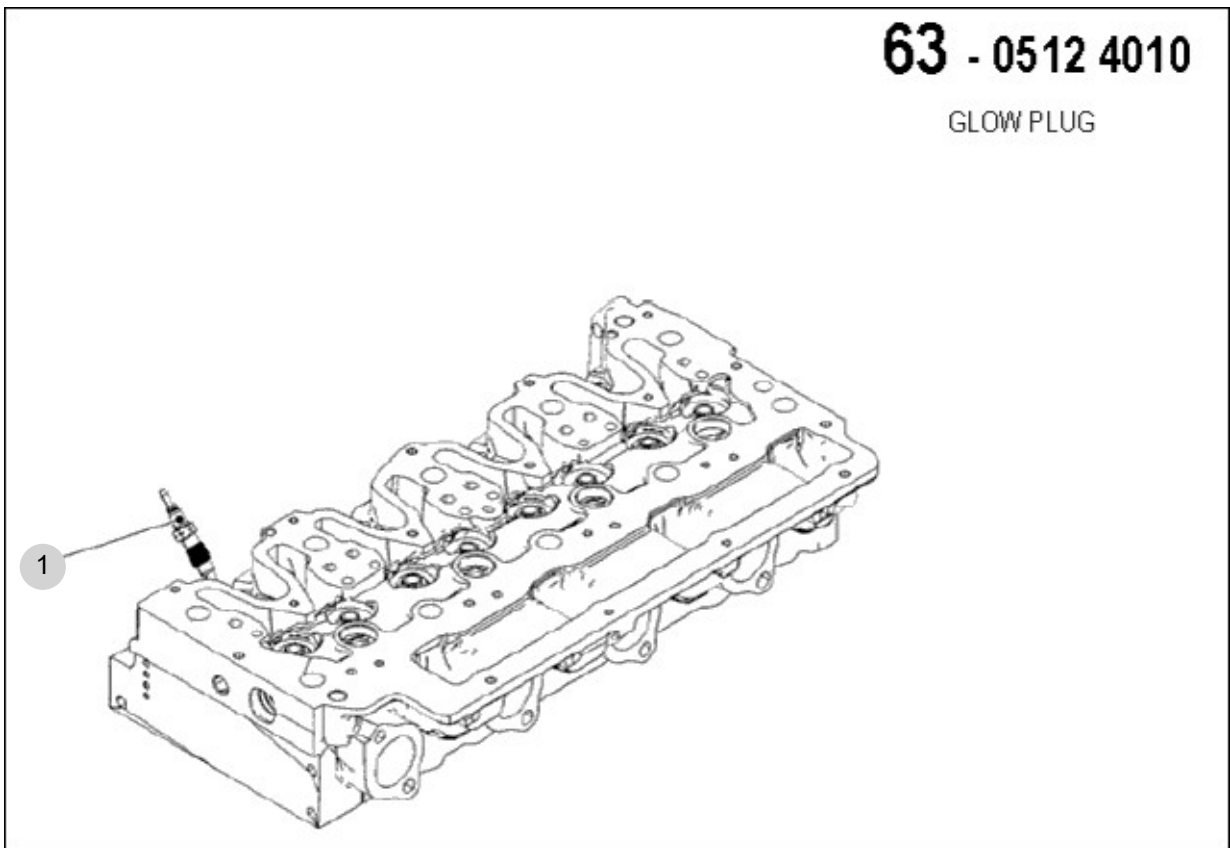
년/월
Year/Month

T754SMEU1

2022-12

63 - 0512 4010

GLOW PLUG



NOTE

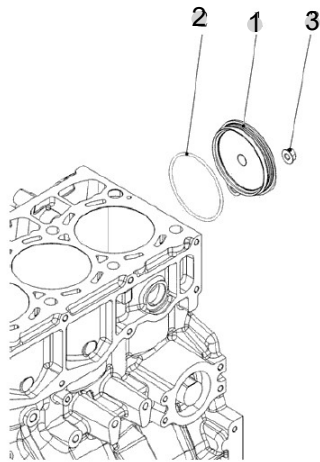
FIG 83

T754SMEU1

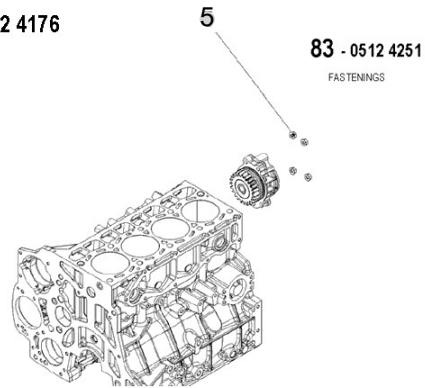
0512 4176, 0512 4180, 0512 4251, 0512 4337,
0512 4339, 0512

년/월
Year/Month

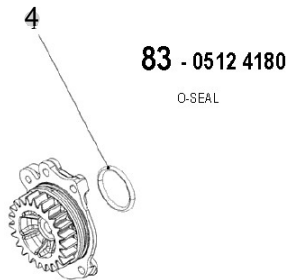
2022-12



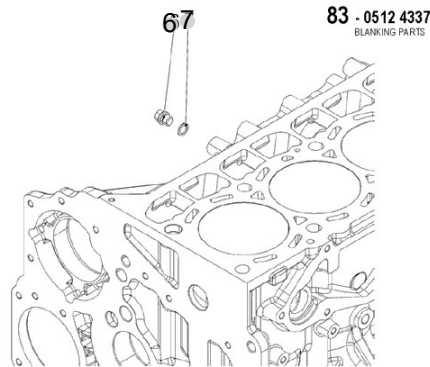
83 - 0512 4176
COVER



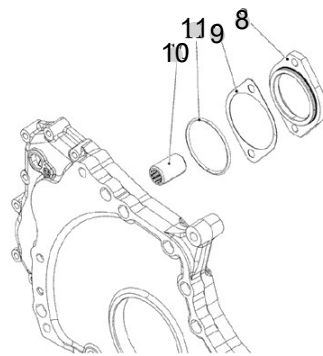
83 - 0512 4251
FASTENINGS



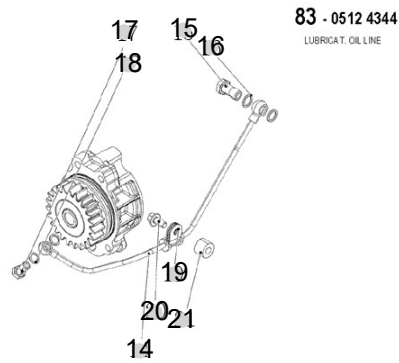
83 - 0512 4180
O-SEAL



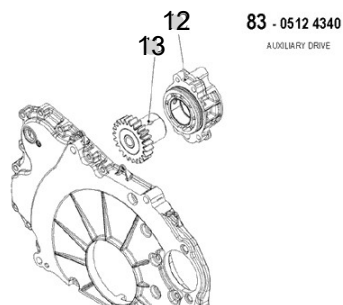
83 - 0512 4337
BLANKING PARTS



83 - 0512 4339
ADAPTERFLANSCH



83 - 0512 4344
LUBRICAT. OIL LINE



83 - 0512 4340
AUXILIARY DRIVE

NOTE

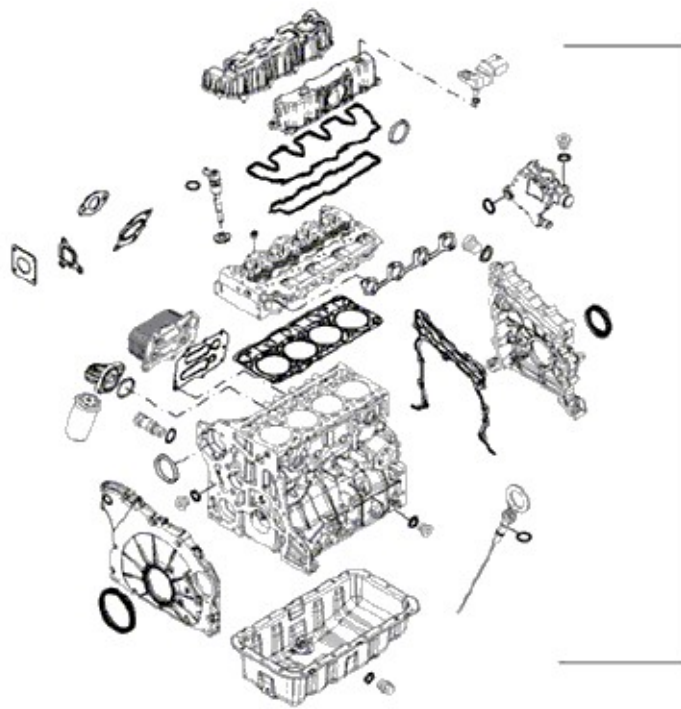
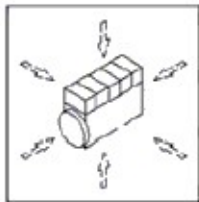
FIG 90

0512 4355

년/월
Year/Month

2022-12

T754SMEU1



90 - 0512 4355

GASKET SET

1

NOTE

2. Engine Accessories PART NO. T2

FIG 201 AIR CLEANER	68
FIG 202 RADIATOR	70
FIG 203 MUFFLER & EXHAUST PIPE	72
FIG 204 FUEL TANK	75
FIG 205 FUEL FILTER & FUEL PUMP	77

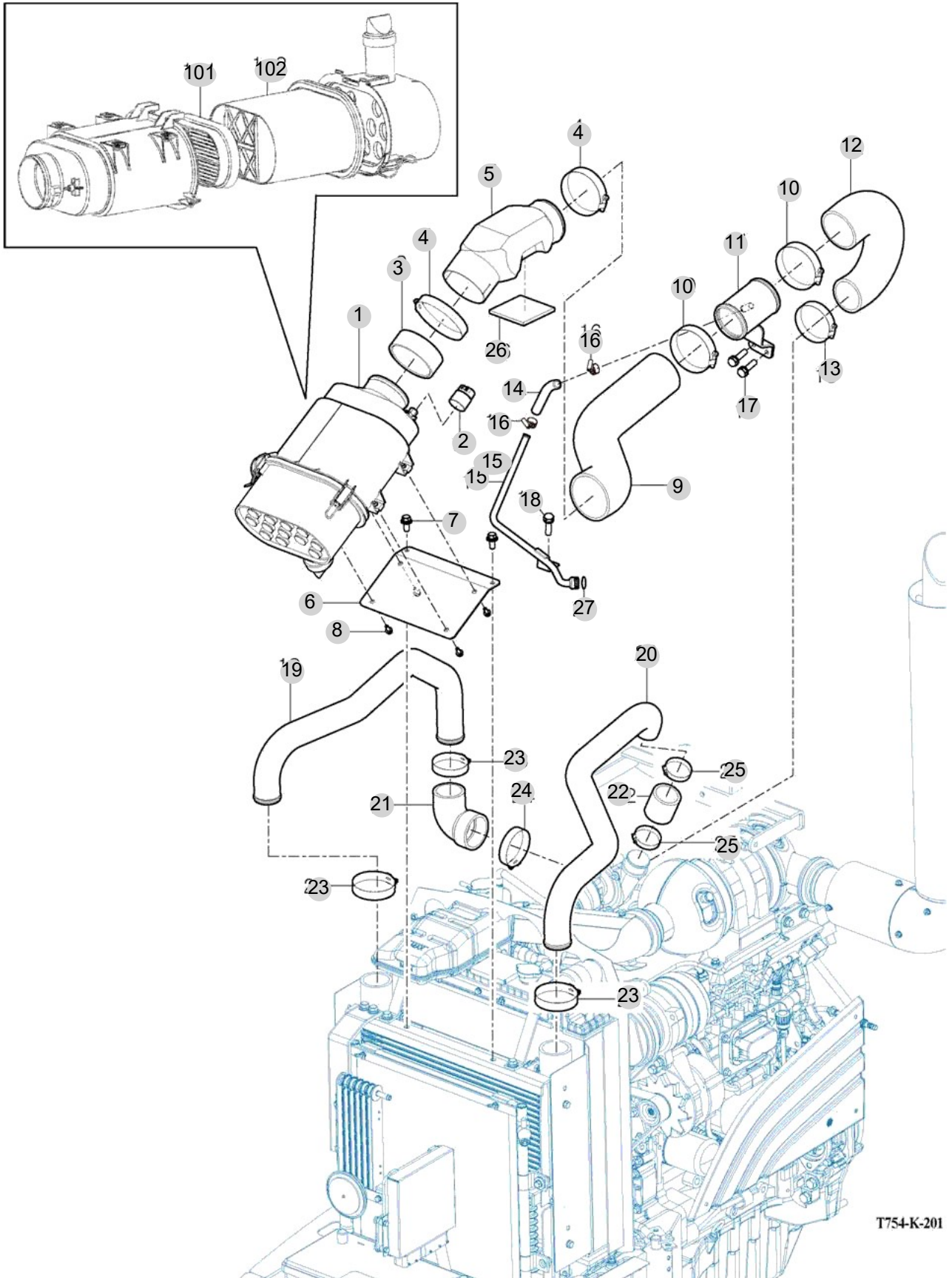
FIG 201

AIR CLEANER

년/월
Year/Month

2022-12

T754SMEU1



NOTE

FIG 201 T754SMEU1	AIR CLEANER	년/월 Year/Month 2022-12
-----------------------------	--------------------	----------------------------------

KEY NO		PART NO	DESCRIPTION	SPEC	QTY	REPAIR	EFFECTIVE DATE	REMARKS
201	1	10031032000	AIR CLEANER ASSY , PSD080020	1X1X1	1			
201	101	10031032020	FILTER ASSEMBLY , P600975	1X1X1	1			
201	102	10031032050	ELEMENT , AIR CLEANER	1X1X1	1			
201	2	18021032100	INDICATOR , REX770050 5KPa		1			
201	3	18021130030	PACKING , GASKET D89		1			
201	4	10031021100	HOSE CLIP , TORRO 90-110/12 W3 WF	D=101	2			
201	5	18021030030	INLET PIPE		1			
201	6	10031032200GB	BRACKET COMP , AIR CLEANER		1			
201	7	V2183608020	BOLT , HEX/SP	M8X20	2			
201	8	V2113606020	BOLT , HEX /S	M6X20	4			
201	9	18021030011	HOSE , AIR INLET A		1			
201	10	10031020900	HOSE CLIP , TORRO 70-90/12 W3 WF	D=101	2			
201	11	18021045500	JOINT PIPE COMP		1			
201	12	18021030020	HOSE , AIR INLET B		1			
201	13	10031020800	HOSE CLIP , TORRO 60-80/12 W3 WF	D=101	1			
201	14	18021024241	BREATHER HOSE 105		1			
201	15	18021045601GB	BREATHER PIPE COMP		1			
201	16	18027090250	BAND CLAMP 25 EMBO TYPE		2			
201	17	V2183608016	BOLT , HEX/SP	M8X16	2			
201	18	V2123606016	BOLT , HEX /SP	M6X16	1			
201	19	18021045201	PIPE COMP , CAC OUTLET		1			
201	20	18021045101	CAC PIPE , INLET		1			
201	21	18021045400	HOSE , CAC ELBOW		1			
201	22	18021045300	HOSE , REDUCER ID50.8x63.5		1			
201	23	10031020700	HOSE CLIP , TORRO 50-70/12 W3 WF	1X1X1	3			
201	24	10031020800	HOSE CLIP , TORRO 60-80/12 W3 WF	D=101	1			
201	25	10031020600	HOSE CLIP , TORRO 40-60/12 W3 WF	1X1X1	2			
201	26	10031040020	INSULATOR , RADIATOR	T=10	1			
201	27	V7201024018	O-RING , P	P18	1			

NOTE

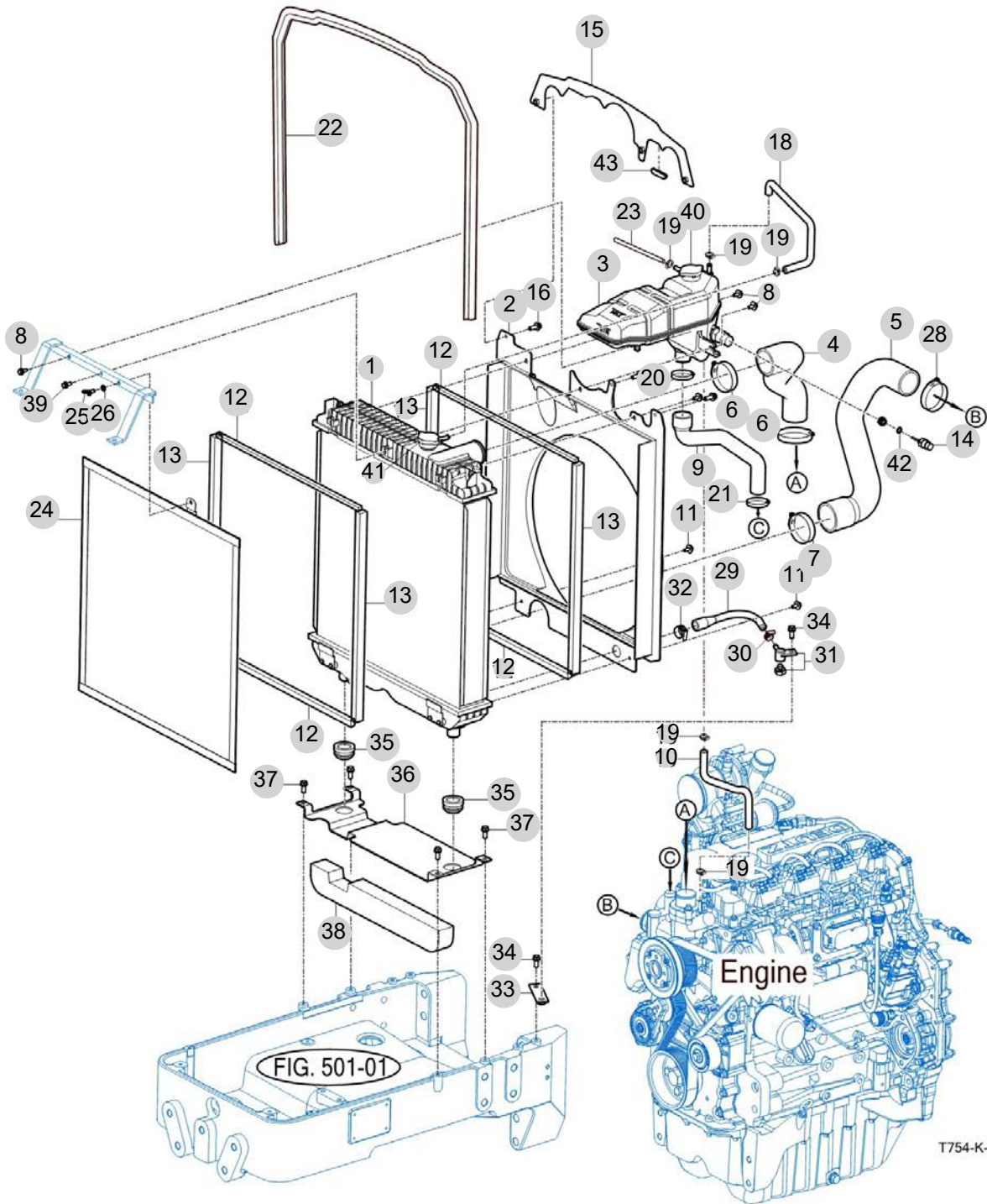
FIG 202

RADIATOR

년/월
Year/Month

2022-12

T754SMEU1



NOTE

FIG 202 T754SMEU1		RADIATOR					년/월 Year/Month	
							2022-12	
KEY NO	PART NO	DESCRIPTION	SPEC	QTY	REPAIR	EFFECTIVE DATE	REMARKS	
202	1	18021042500	RADIATOR ASSY		1			
202	2	18021042201	SHROUD		1			
202	3	18021041002	RESERVE TANK		1			
202	3	18021041003	RESERVOIR TANK		1			
202	4	18021040010	HOSE , RADIATOR INLET		1			
202	5	18021040020	HOSE , RADIATOR/OUTLET		1			
202	6	18027090600	BAND CLAMP 60 EMBO TYPE		2			
202	7	18027090700	BAND CLAMP 70 EMBO TYPE		1			
202	8	V2193606025	BOLT , HEX/SPL	M6X25	3			
202	9	18021040030	HOSE ID22		1			
202	10	18028200081	HOSE 290		1			
202	11	V2193606016	BOLT , HEX/SPL	M6X16	3			
202	12	16601042340	SPONGE , 495		4			
202	13	10011042360	SPONGE , 20X15	20X15X490	4			
202	14	04218100	LEVEL SWITCH		1			
202	15	18021042300GB	PLATE COMP , SEAL C		1			
202	16	V2123606016	BOLT , HEX /SP	M6X16	3			
202	18	18021040041	HOSE RD TANK		1			
202	19	18027090160	BAND CLAMP 16 EMBO TYPE	1X1X1	5			
202	20	18027090500	BAND CLAMP 50 EMBO TYPE		1			
202	21	18027090400	BAND CLAMP 40 EMBO TYPE		1			
202	22	10031040320	INSULATOR		1			
202	23	18021040050	HOSE , BREATHER 500		1			
202	24	17811042300GB	NET COMP , RADIATOR		1			
202	25	V2712606012	BOLT , WING	M6X12	1			
202	26	V4111600060	WASHER , PLAIN	M6	1			
202	28	18027090600	BAND CLAMP 60 EMBO TYPE		1			
202	29	19021040091	HOSE(210)	1X1X1	1			
202	30	37481850030	BAND CLAMP 18		1			
202	30	18027090160	BAND CLAMP 16 EMBO TYPE		1			
202	31	15231041000	CONNECTOR		1			
202	32	37681850160	BAND CLAMP 25		1			
202	32	18027090250	BAND CLAMP 25 EMBO TYPE		1			
202	33	16991041100GB	PLATE COMP , CONNECTOR	1X1X1	1			
202	34	V2183608025	BOLT , HEX/SP	M8X25	1			
202	35	19021040020	CUSHION RADIATOR	1X1X1	2			
202	36	17131142100GB	SUPPORT , RADIATOR	480X150X38.5	1			
202	37	V2183608020	BOLT , HEX/SP	M8X20	4			
202	38	18021040500	INSULATOR , RADIATOR		1			
202	39	V2323606016	BOLT , C/R HEX/SP	M6X16	1			
202	40	13011042110	CAP 0.9bar	1X1X1	1			
202	41	18021042110	CAP ASSY OKPa		1			
202	42	1148836	SEALING RING		1			
202	42	01148836	SEALING RING		1			
202	43	36806060040	INSULATOR , 30	1X1X1	1			
NOTE								

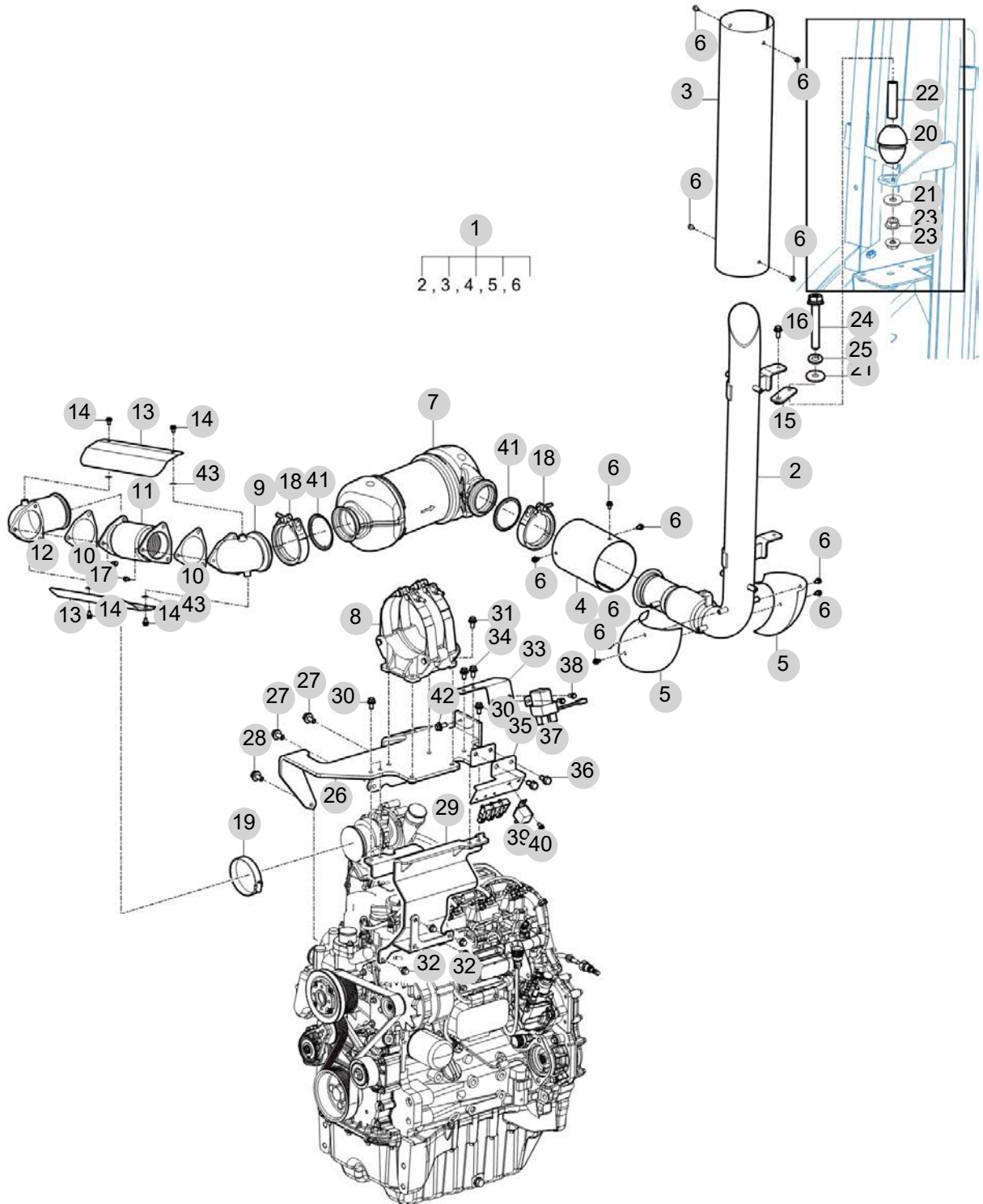
FIG 203

MUFFLER & EXHAUST PIPE

년/월
Year/Month

2022-12

T754SMEU1



NOTE

FIG 203 T754SMEU1		MUFFLER & EXHAUST PIPE					년/월 Year/Month	
							2022-12	
KEY NO	PART NO	DESCRIPTION	SPEC	QTY	REPAIR	EFFECTIVE DATE	REMARKS	
203	1	18021061001	EXHAUST PIPE ASSY			1		
203	2	18021061102DD	PIPE COMP			1		
203	3	18021061213GB	COVER , UPPER			1		
203	4	18021061221GB	COVER , LOWER			1		
203	5	18501133300GB	COVER, ELBOW			2		
203	6	V2327006012	BOLT , C/R HEX/SP			11		
203	7	04603915	CATALYST ax rd 90(DOC)			1		
203	7	04605726	CATALYST ax rd 90(DOC)			1		
203	8	04604243	BRACKET (DOC MOUNT)			1		
203	8	04605741	BRACKET (DOC MOUNT)			1		
203	9	18021061600DD	ELBOW / DOC			1		
203	10	18021061800	GASKET , BELLOWS			2		
203	11	18021061700DD	BELLOWS COMP			1		
203	12	18021061500DD	ELBOW / TC			1		
203	13	18021062100DD	PLATE , INSULATOR			2		
203	13	18021062400DD	PLATE COMP , INSULATION			1		
203	14	V2123606016	BOLT , HEX /SP	M6X16		4		
203	15	18021061900GB	CONNECTOR COMP			1		
203	16	V2183608020	BOLT , HEX/SP	M8X20		1		
203	17	V2173608020	BOLT , HEX/S	M8X20		6		
203	18	04603585	CLIP			1		
203	18	04607110	CLIP			2		
203	19	04602018	CLIP			1		
203	20	18501058010	RUBBER, VIBRATION	1X1X1		2		
203	21	35605033020	WASHER , WIRE WITHDRAWAL	T=1.6		4		
203	22	18501058020	SPACER	1X1X1		2		
203	23	V3802600060	NUT , HEX FLANGE	M6		4		
203	24	V2053606080	BOLT , HEX C/R	M6X80		2		
203	25	V4011600060	WASHER , SPRING	M6X12		2		
203	26	18021051502GB	BRACKET COMP , DOC			1		
203	26	18021051503GB	BRACKET COMP , DOC			1		
203	27	V2183608025	BOLT , HEX/SP			6		
203	27	V2183608025	BOLT , HEX/SP	M8X25		2		
203	28	V2183608025	BOLT , HEX/SP	M8X25		1		
203	29	18021052500GB	BRACKET COMP , DOC SIDE			1		
203	30	V2183608030	BOLT , HEX/SP	M8X30		4		
203	31	V2183608035	BOLT , HEX/SP	M8X35		4		
203	32	V2183608020	BOLT , HEX/SP	M8X20		5		
203	33	18021051601GB	BKT COMP , GLOW RELAY			1		
203	34	V2183608025	BOLT , HEX/SP	M8X25		2		
203	35	18021052101GB	BKT COMP , FUSE			1		
203	36	V2183608025	BOLT , HEX/SP	M8X25		2		
203	37	10036802800	RELAY ASSY , GLOW			1		
203	38	V2123606016	BOLT , HEX /SP	M6X16		2		
203	39	11616212900	RELAY 5P			1		
NOTE								

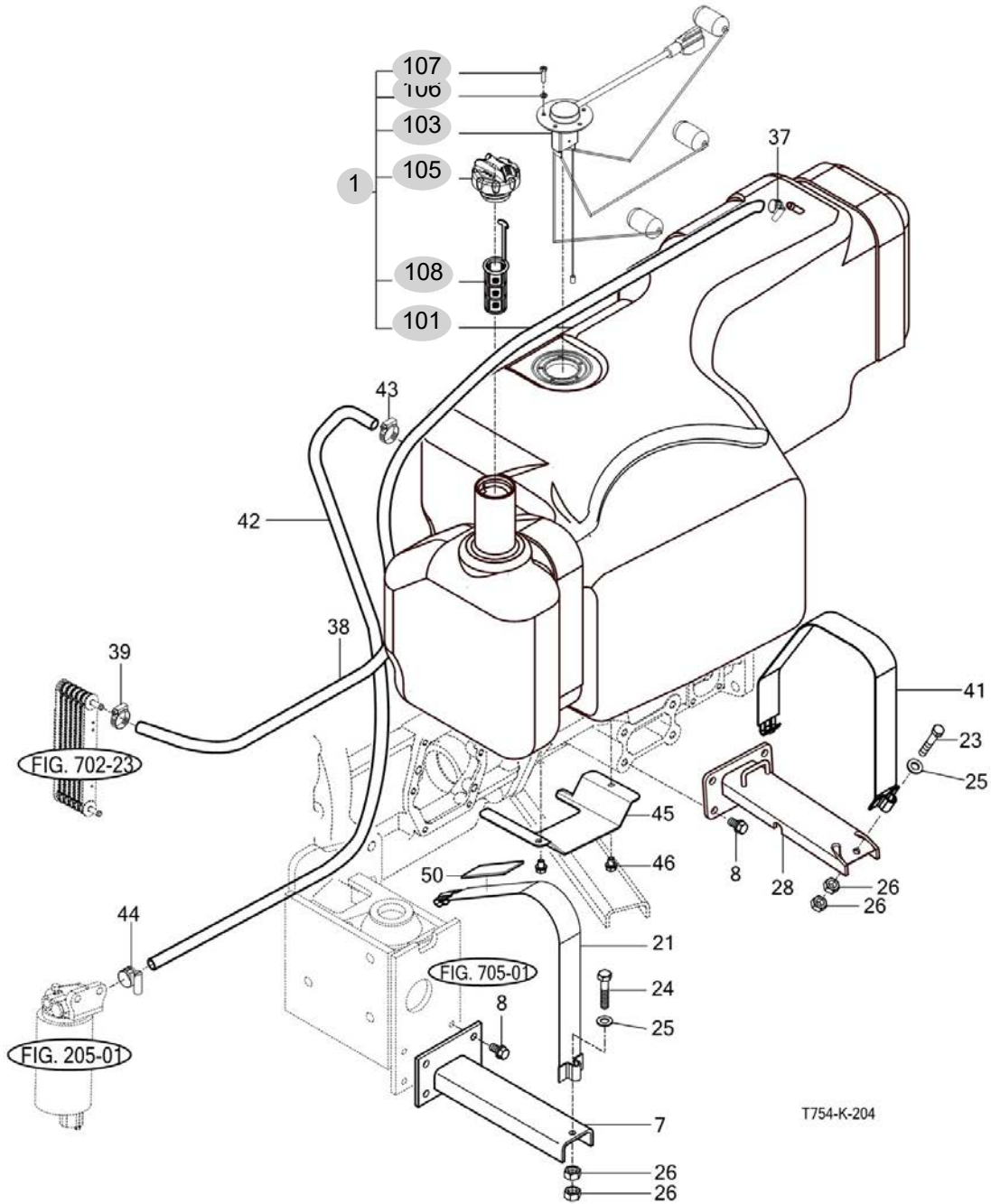
FIG 204

FUEL TANK

년/월
Year/Month

2022-12

T754SMEU1



T754-K-204

NOTE

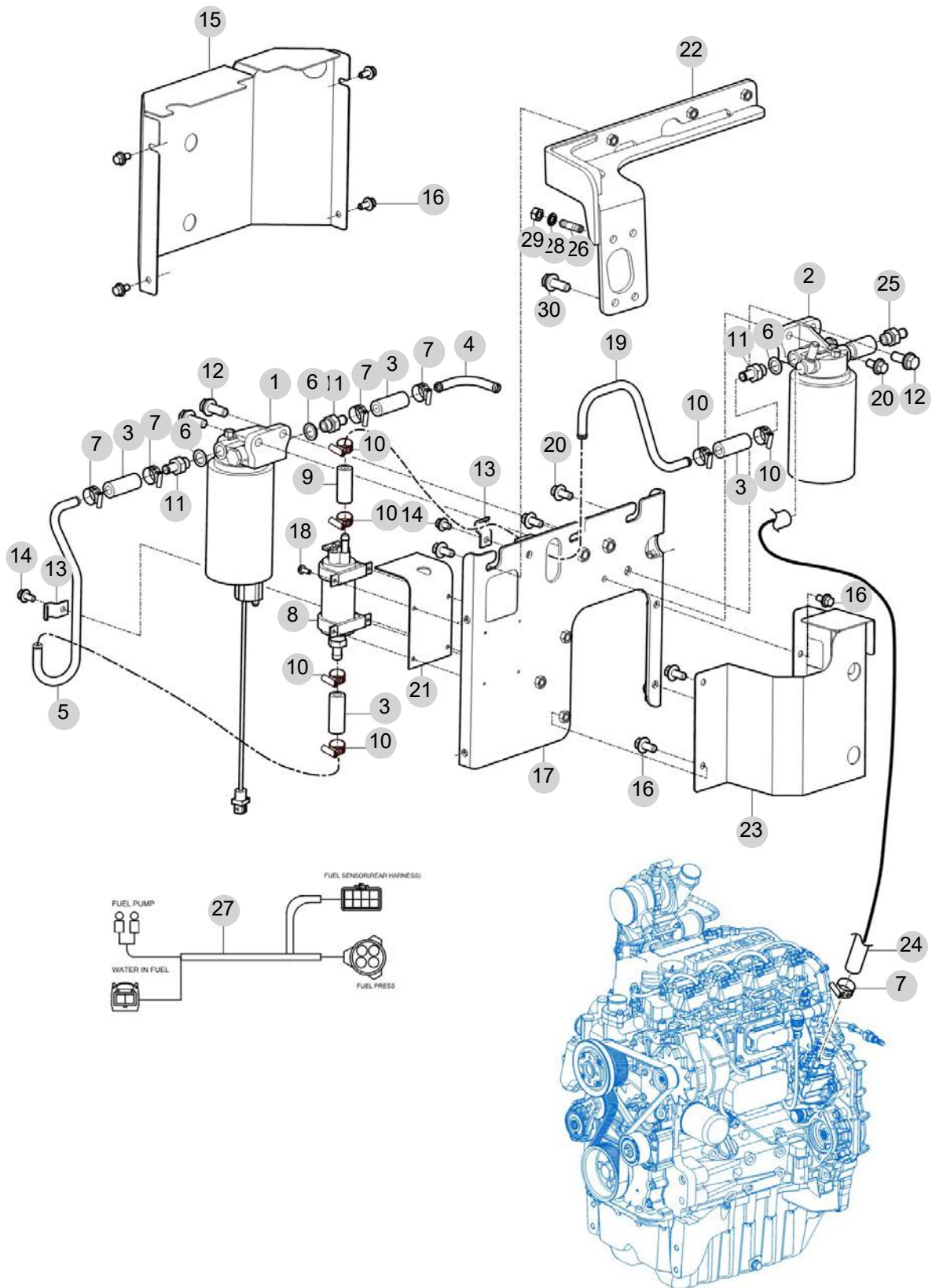
FIG 205

FUEL FILTER & FUEL PUMP

년/월
Year/Month

2022-12

T754SMEU1



NOTE

FIG 205 T754SMEU1	FUEL FILTER & FUEL PUMP	년/월 Year/Month
		2022-12

KEY NO	PART NO	DESCRIPTION	SPEC	QTY	REPAIR	EFFECTIVE DATE	REMARKS
205	1	04123591	FUEL FILTER				
205	2	04131517	FILTER , FUEL/MAIN				
205	3	18021024220	FUEL CONNECTION HOSE , B				
205	4	18021024280	ELBOW , FUEL PIPE				
205	5	18021024271	PIPE , FUEL SUCTION				
205	6	16582630521	WASHER , 16X24X1,5	LLA-TP-8X1/8			
205	7	18027090250	BAND CLAMP 25 EMBO TYPE				
205	8	04128101	FUEL SUPPLY PUMP				
205	9	18021064410	FUEL HOSE , FKM 60				
205	10	18027090250	BAND CLAMP 25 EMBO TYPE				
205	11	18021060101	NIPPLE , M16(FUEL)				
205	12	V2183610035	BOLT , HEX/SP	M10X35			
205	13	18021024290	CLAMP , PIPE D12				
205	14	V2183608016	BOLT , HEX/SP	M8X16			
205	15	18021051901GB	COVER , FUEL PREFILTER				
205	16	V2183608020	BOLT , HEX/SP	M8X20			
205	17	18021051802GB	BRACKET COMP , FUEL FILTER				
205	18	V1222604012	SCREW , C/R PAN/SP	M4X12			
205	19	18021024300	PIPE , FUEL OUTLET				
205	20	V2183610025	BOLT , HEX/SP	M10X25			
205	21	18021071300	RUBBER PLATE				
205	22	17821071100GB	HANGER COMP , FUEL FILTER				
205	23	18021072100GB	COVER COMP , MAIN FUEL FILTER				
205	24	04125595	HOSE ASSEMBLY LONG 1500MM				
205	25	04213842	PRESSURE SENSOR				
205	26	V2514412040	BOLT , STUD/2	M12X40			
205	27	18026802601	HARNESS ASSY, FUEL SENSOR				
205	28	V4011600120	WASHER , SPRING	M12			
205	29	V3043600120	NUT , HEX/2	M12			
205	30	V2173612035	BOLT , HEX/S	M12X35			

NOTE

3. Clutch/Brake/Steering PART NO. T3

FIG 301 CLUTCH	80
FIG 302 CLUTCH PEDAL	82
FIG 303 BRAKE PEDAL & LINK	85
FIG 304 FRONT WHEEL	87
FIG 305 REAR WHEEL	89
FIG 306 POWER STEERING WHEEL	91
FIG 307 POWER STEERING VALVE	93
FIG 308 POWER STEERING CYLINDER	95
FIG 309 HAND BRAKE & BRAKE	97
FIG 310 CLUTCH CONTROL	99

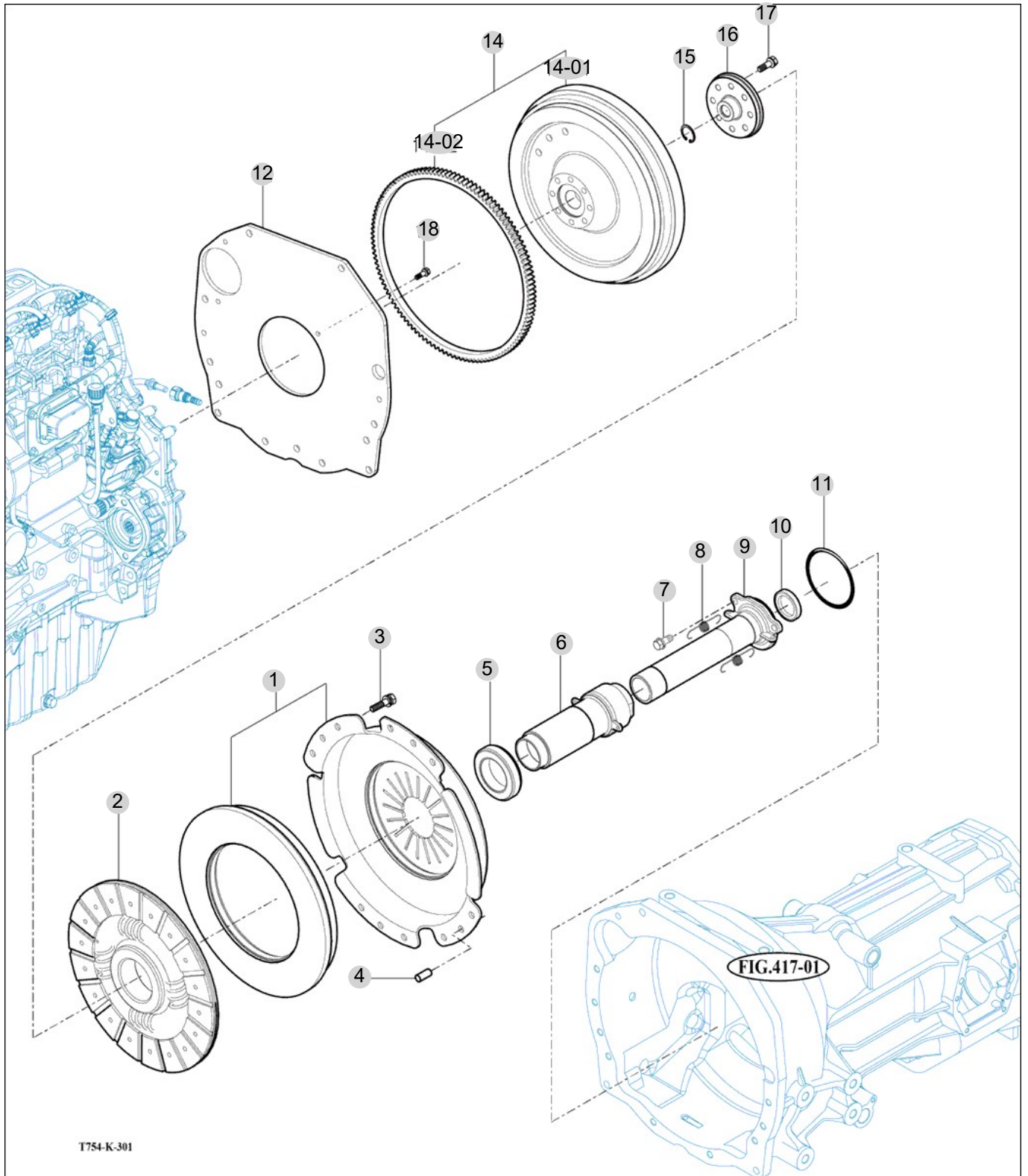
FIG 301

CLUTCH

년/월
Year/Month

2022-12

T754SMEU1



NOTE

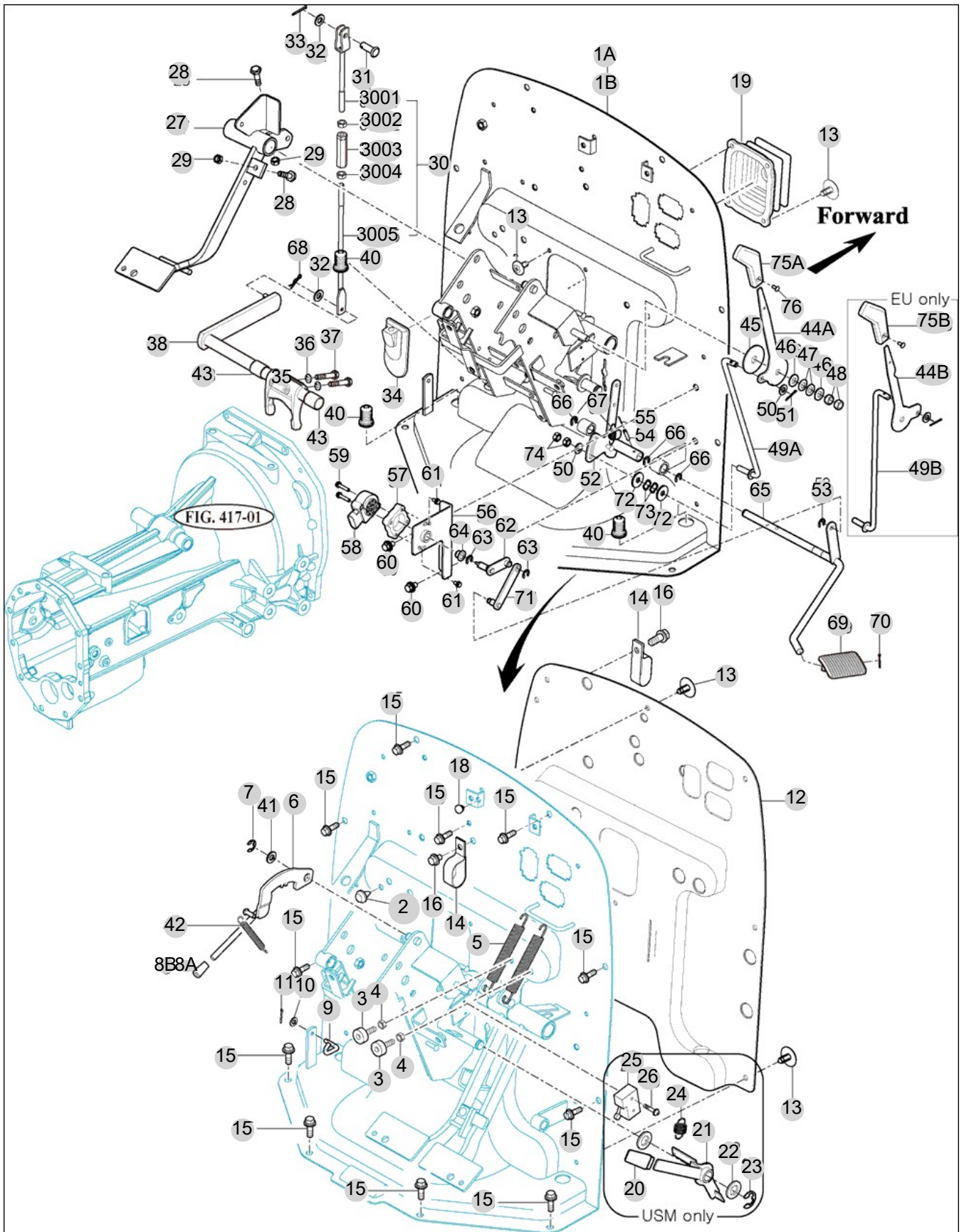
FIG 302

CLUTCH PEDAL

년/월
Year/Month

2022-12

T754SMEU1



NOTE

FIG 302 T754SMEU1		CLUTCH PEDAL					년/월 Year/Month	
							2022-12	
KEY NO	PART NO	DESCRIPTION	SPEC	QTY	REPAIR	EFFECTIVE DATE	REMARKS	
302	1B	18026304201GB	DASH PANEL COMP			1		
302	1B	18096304200GB	DASH PANEL COMP			1		
302	2	14326160020	RUBBER , CUSHION	1X1X1		1		
302	3	14216020051	RUBBER , CUSHION B	1X1X1		2		
302	4	V3043600080	NUT , HEX/2	M8		2		
302	5	14041200080	RETURN SPRING , CLUTCH	HL2000공용		2		
302	6	14724042401GB	LEVER COMP , TILT	1X1X1		1		
302	7	V7081400090	E-RING	9		1		
302	8B	14445070030	GRIP , LEVER			1		
302	9	15441230050	ROD	D=5.25 5.3		1		
302	10	V4111600060	WASHER , PLAIN	M6		1		
302	11	V5001920020	PIN , SPLIT	2X20		1		
302	12	18027071991	INSULATOR,DASH			1		
302	13	17686040020	RIVET SET , black	SV625		13		
302	14	14441010161	CLAMP , RADIATOR HOSE	1X1X1		2		
302	15	V2183608016	BOLT , HEX/SP	M8X16		10		
302	16	V2183608020	BOLT , HEX/SP	M8X20		2		
302	18	15276040020	CLIP , TRIM	1X1X1		2		
302	19	19996300010	BOOT,STEERING/HOSE	T=1.5		1		
302	27	18011334102GB	PEDAL COMP , CLUTCH			1		
302	27	18011334103GB	PEDAL COMP , CLUTCH			1		
302	28	V2013608030	BOLT , HEX	M8X30		2		
302	29	V3043600080	NUT , HEX/2	M8		2		
302	30	18011330001GB	ROD SUB , CLUTCH			1		
302	30	18011330001	ROD SUB , CLUTCH			1		
302	30	18011330001	ROD SUB , CLUTCH			1		
302	3001	18011333600	ROD COMP , L	1X1X1		1		
302	3002	V3042600080	NUT , HEX/2	M8		1		
302	3003	17701220020	TURNBUCKLE , M8 L72			1		
302	3004	15601320073	NUT , HEX LH	"2종,M8"		1		
302	3005	18011333201	ROD COMP , R			1		
302	31	14322420010	PIN	D=8		1		
302	32	V4111600100	WASHER , PLAIN	M10		2		
302	33	V5001925020	PIN D2.5x20	2.5X20		1		
302	34	14546301230	INSULATOR , CLUTCH PEDAL	1X1X1		1		
302	35	18011300010M	FORK , RELEASE			1		
302	36	V4011600080	WASHER , SPRING	M8		2		
302	37	16791300020	BOLT , FORK/RELEASE			2		
302	38	18011302000	BAR SET	W16.5X9.75		1		
302	40	14521160090	BOOT , BRAKE ROD	1X1X1		2		
302	41	V4111600120	WASHER , PLAIN	M12		1		
302	42	16001200080	RETURN SPRING , BRAKE	1X1X1		1		
302	43	14521302150	BUSH , BAR COMP	1X1X1		2		
302	44B	19991162111	PLATE , THROTTLE LEVER			1		
302	44B	18181162110	PLATE , THROTTLE LEVER			1		
NOTE								

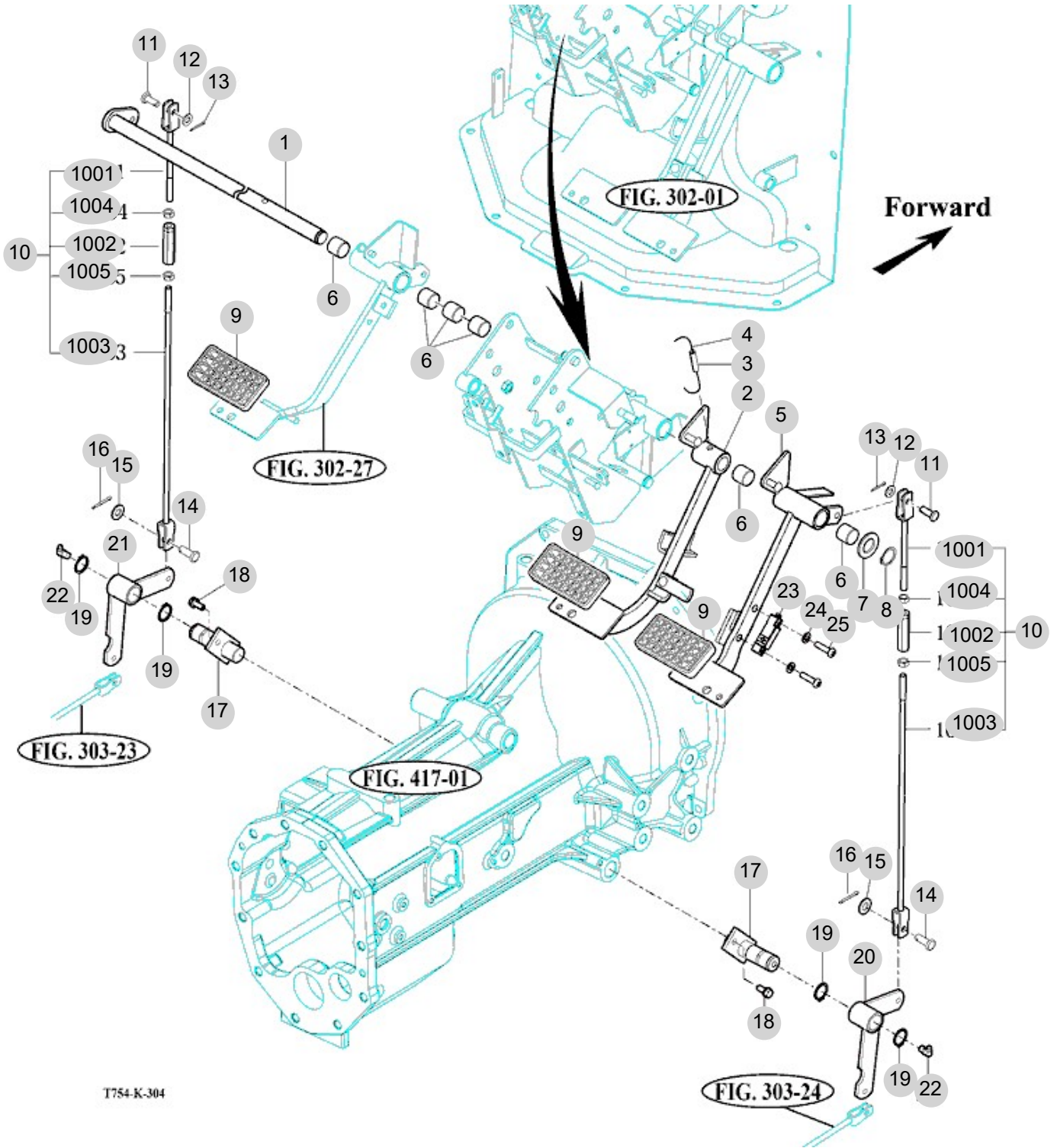
FIG 303

BRAKE PEDAL & LINK

년/월
Year/Month

2022-12

T754SMEU1



NOTE

FIG 303 T754SMEU1	BRAKE PEDAL & LINK	년/월 Year/Month
		2022-12

KEY NO	PART NO	DESCRIPTION	SPEC	QTY	REPAIR	EFFECTIVE DATE	REMARKS
303	1	19993292101GB	ARM COMP,BRAKE	513*67*32	1		
303	2	17133142200GB	PEDAL COMP,LH/BRAKE	1X1X1	1		
303	3	V5801408036	PIN , SPRING	8X36	1		
303	4	V5901010150	WIRE , STEEL	1.0X150	1		
303	5	17133292300GB	PEDAL COMP , RH BRAKE	360*130*125	1		
303	6	36707030080	BUSH , 20X23X20	1X1X1	6		
303	7	V4111600200	WASHER , PLAIN	M20	1		
303	8	V7041400200	C-RING , SHAFT	20	1		
303	9	13153280050	PAD	1X1X1	3		
303	10	18011333500GB	ROD SUB , BRAKE		2		
303	10	18011333500	ROD SUB,BRAKE	1X1X1	2		
303	10	18011333500	ROD SUB,BRAKE		2		
303	1001	14521333600	ROD COMP.L	1X1X1	2		
303	1002	17701220020	TURNBUCKLE , M8 L72		2		
303	1003	18011333700	ROD COMP , R	1X1X1	2		
303	1004	V3042600080	NUT , HEX/2	M8	2		
303	1005	15601320073	NUT , HEX LH	"2종,M8"	2		
303	11	14322420010	PIN	D=8	2		
303	12	V4111600080	WASHER , PLAIN	M8	2		
303	13	V5001925020	PIN D2.5x20	2.5X20	2		
303	14	14322420010	PIN	D=8	2		
303	15	V4111600080	WASHER , PLAIN	M8	2		
303	16	V5001925020	PIN D2.5x20	2.5X20	2		
303	17	10013102100	PIN COMP , BRAKE	1X1X1	2		
303	18	V2183608020	BOLT , HEX/SP	M8X20	4		
303	19	V7041400250	C-RING , SHAFT	25	4		
303	20	10013102304GB	ARM COMP(RH), BRAKE		1		
303	21	10013102204GB	ARM COMP(LH), BRAKE		1		
303	22	V7641500000	NIPPLE , GREASE/C-PT	B-PT1/9	2		
303	23	16606742301	SWITCH ASSY . LIMIT		1		
303	24	V4111600050	WASHER , PLAIN	M5	2		
303	25	V1112605030	SCREW , C/R PAN	M5X30	2		

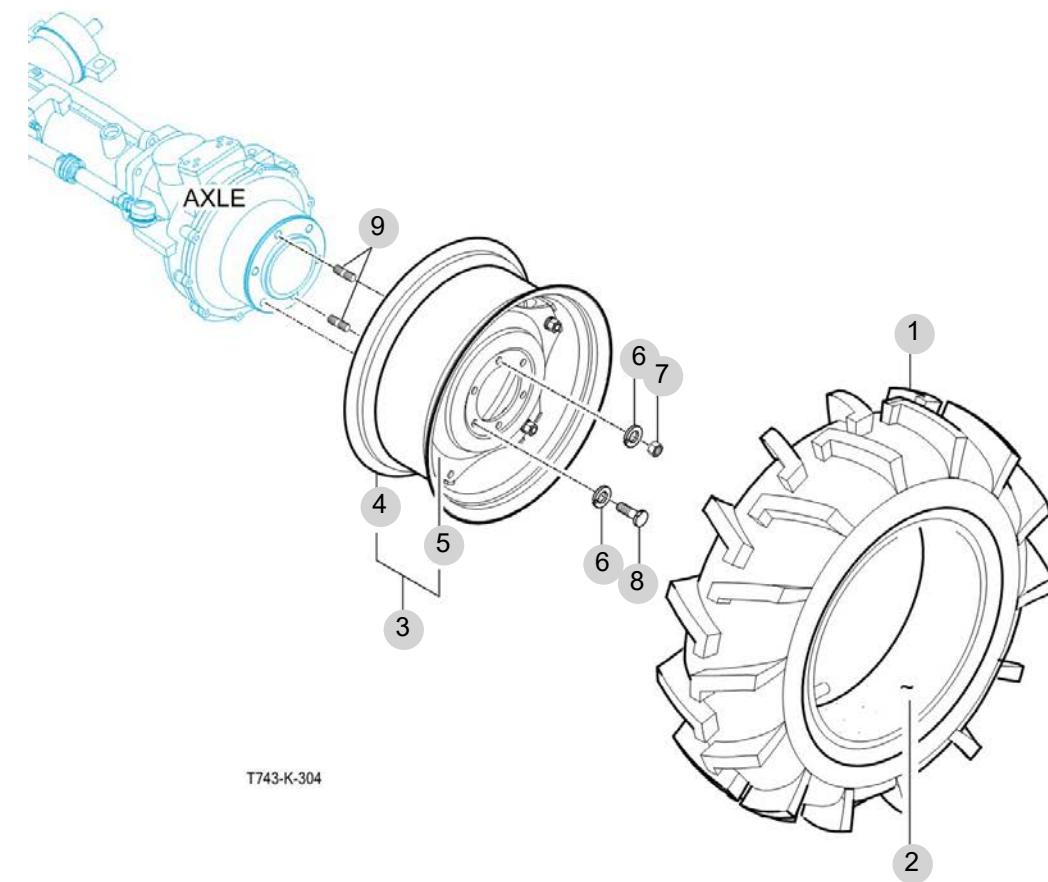
NOTE	
-------------	--

FIG 304

FRONT WHEEL

년/월
Year/Month

2022-12



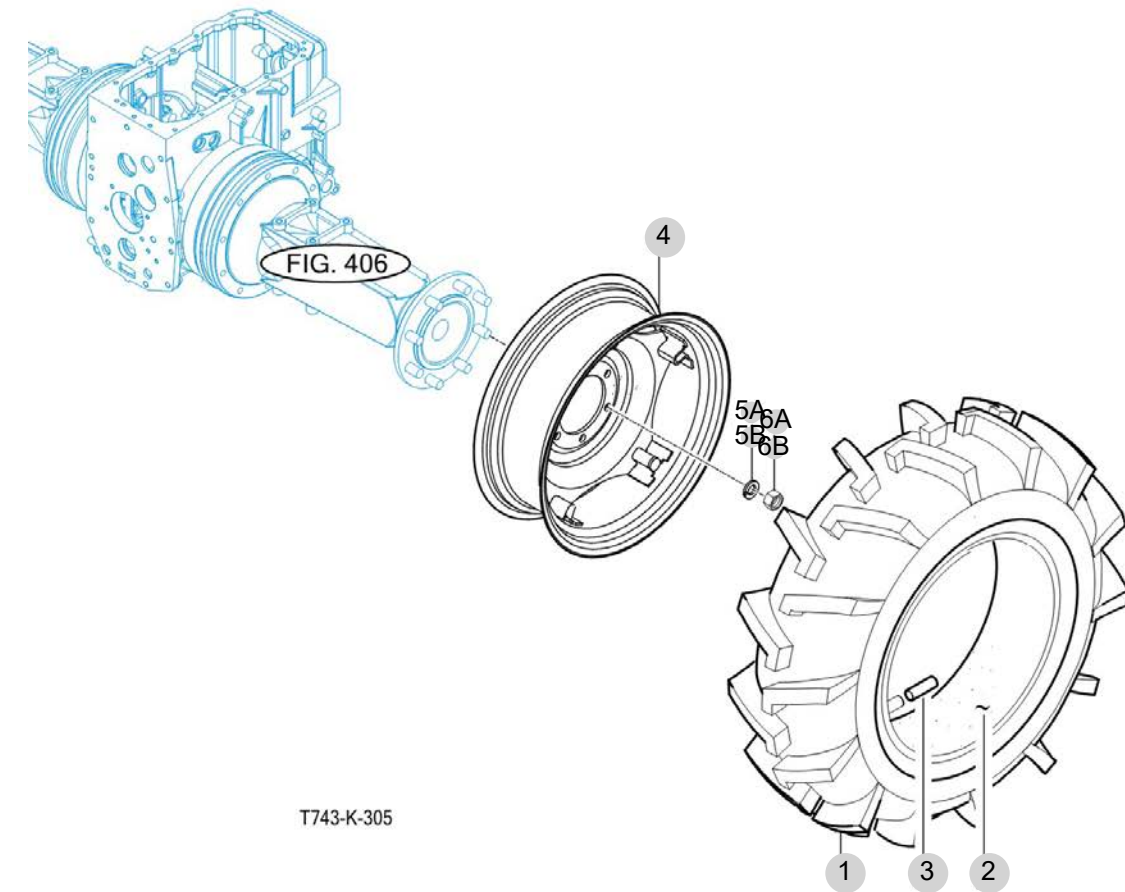
NOTE

FIG 305

REAR WHEEL

년/월
Year/Month

2022-12



NOTE

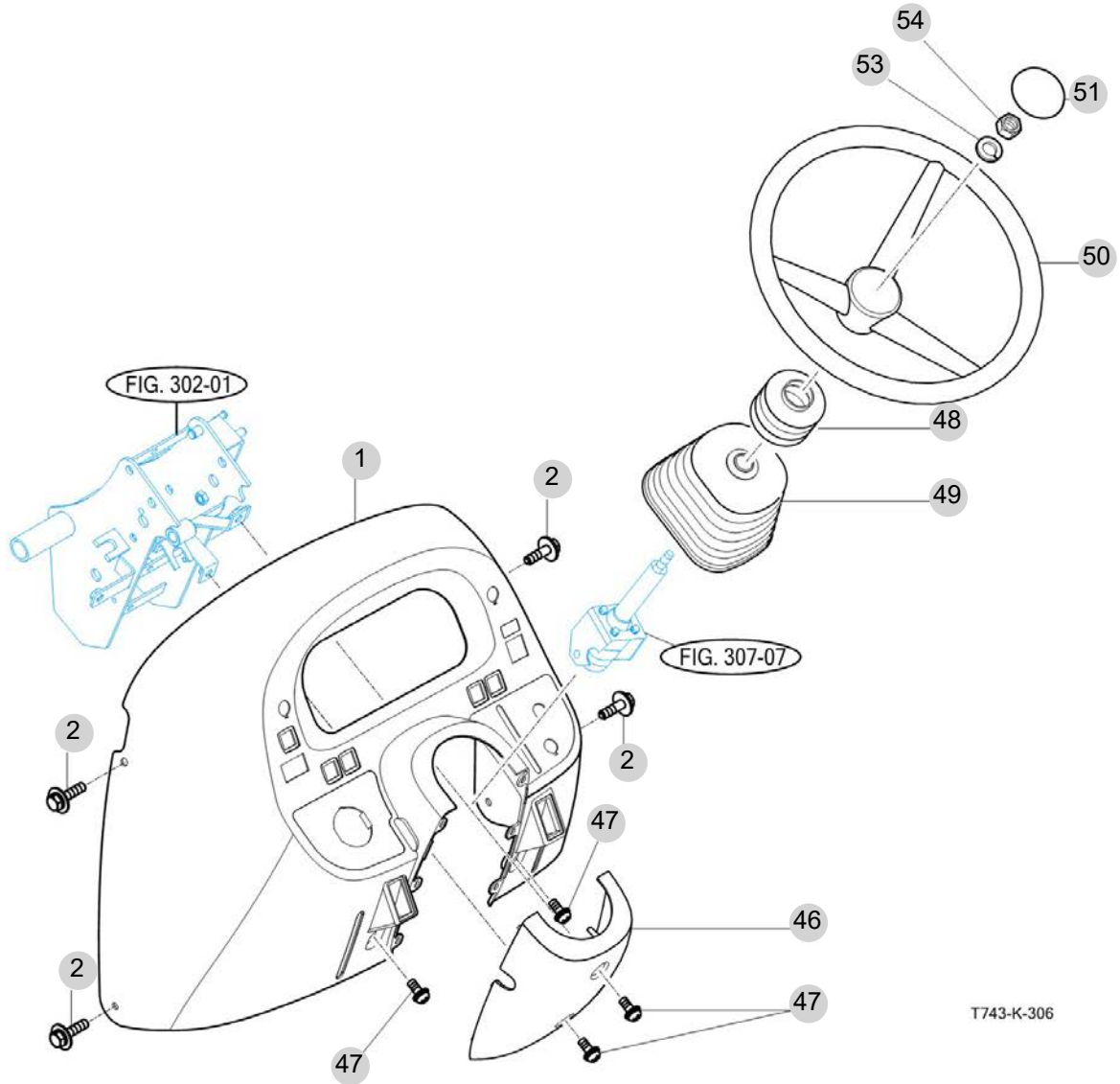
FIG 306

POWER STEERING WHEEL

년/월
Year/Month

2022-12

T754SMEU1



T743-K-306

NOTE

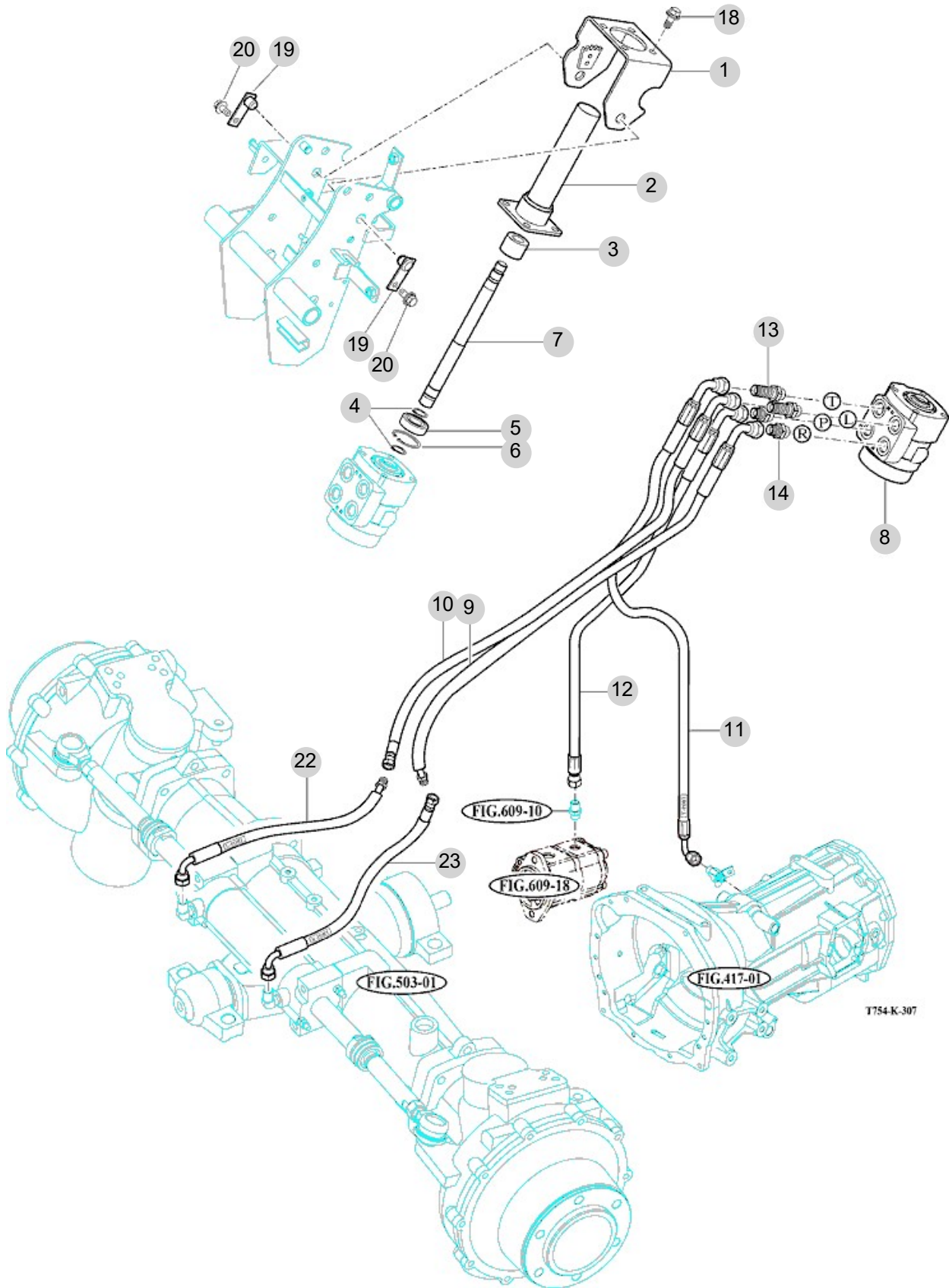
FIG 307

POWER STEERING VALVE

년/월
Year/Month

2022-12

T754SMEU1



NOTE

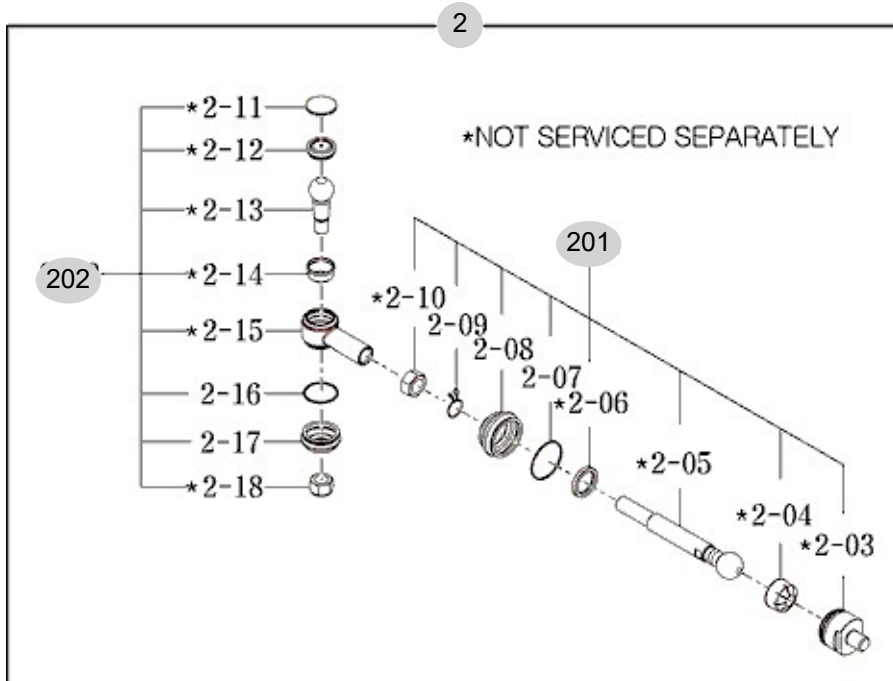
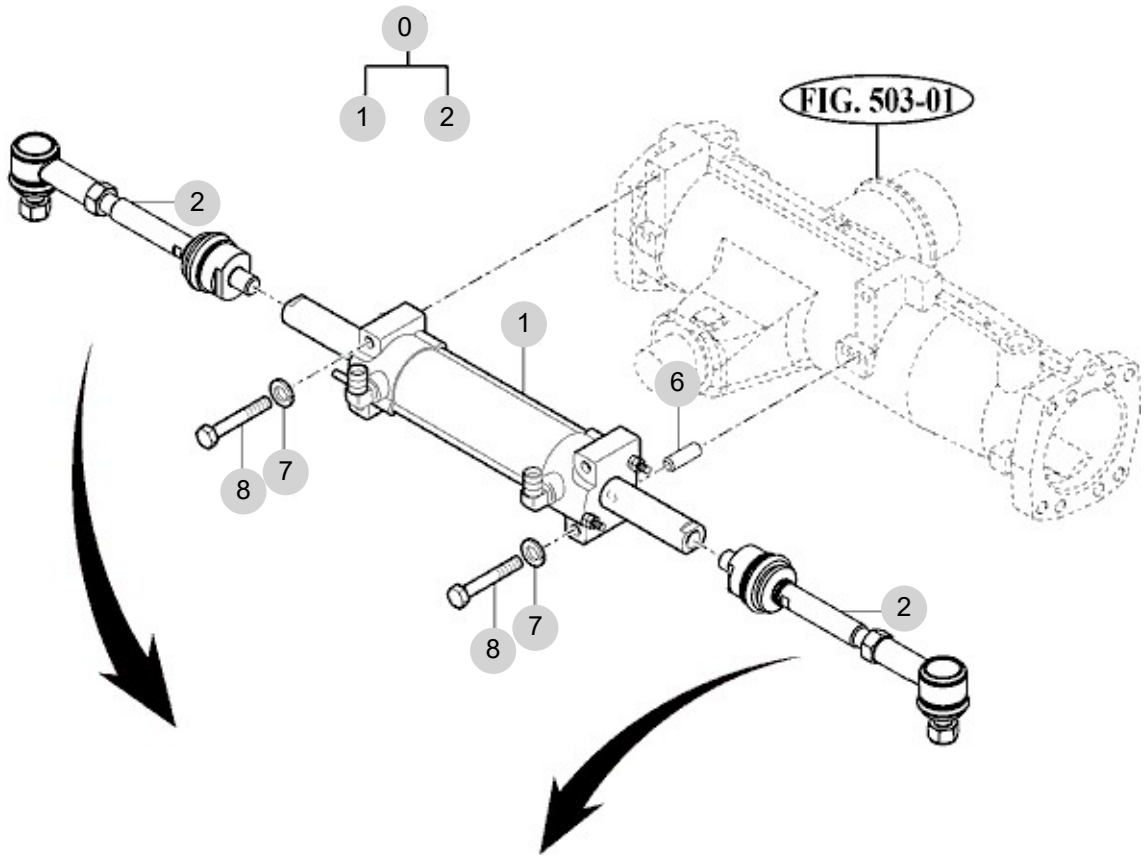
FIG 308

POWER STEERING CYLINDER

년/월
Year/Month

2022-12

T754SMEU1



TX553/653/703-K-309

NOTE

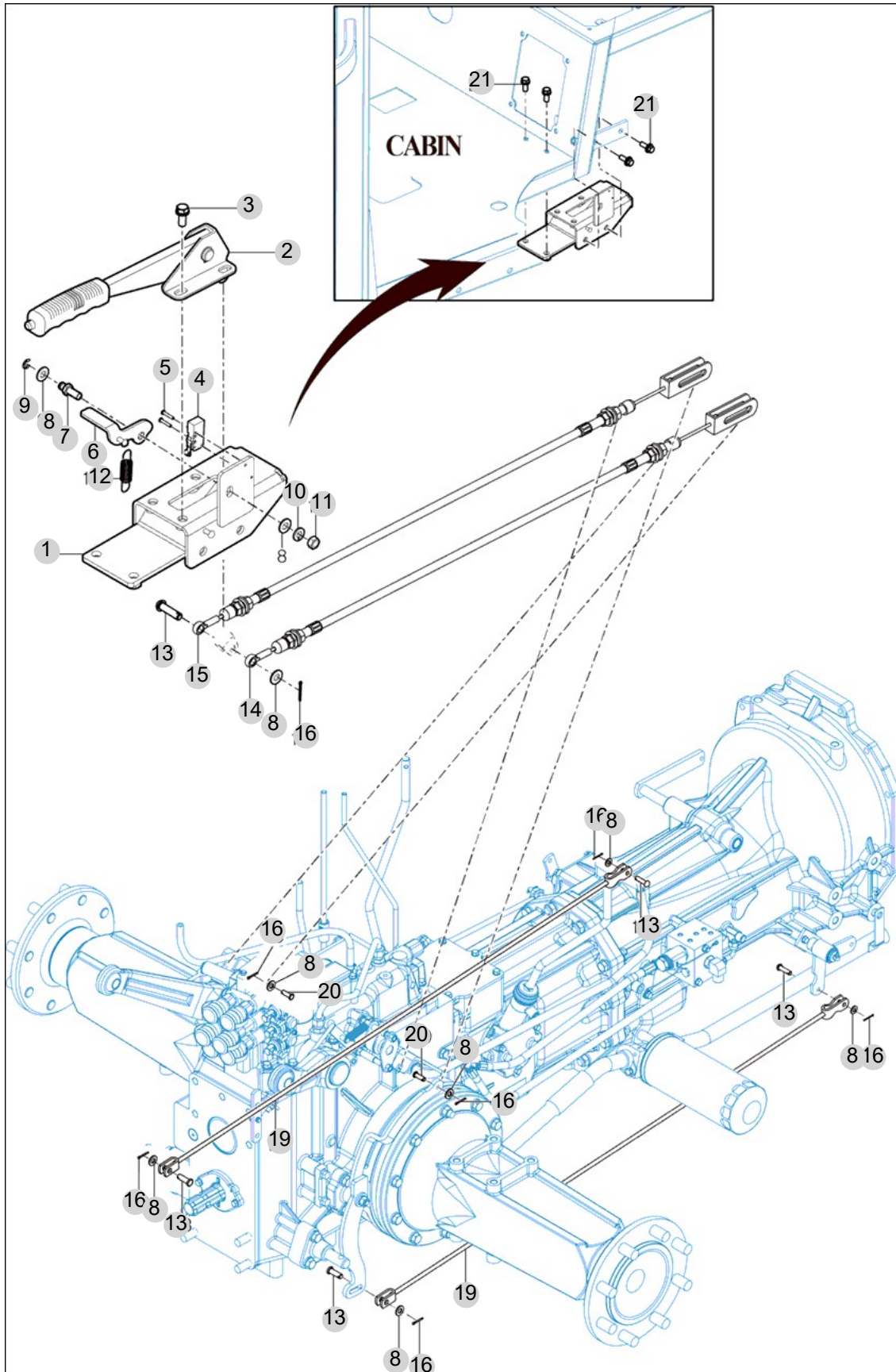
FIG 309

HAND BRAKE & BRAKE

년/월
Year/Month

2022-12

T754SMEU1



NOTE

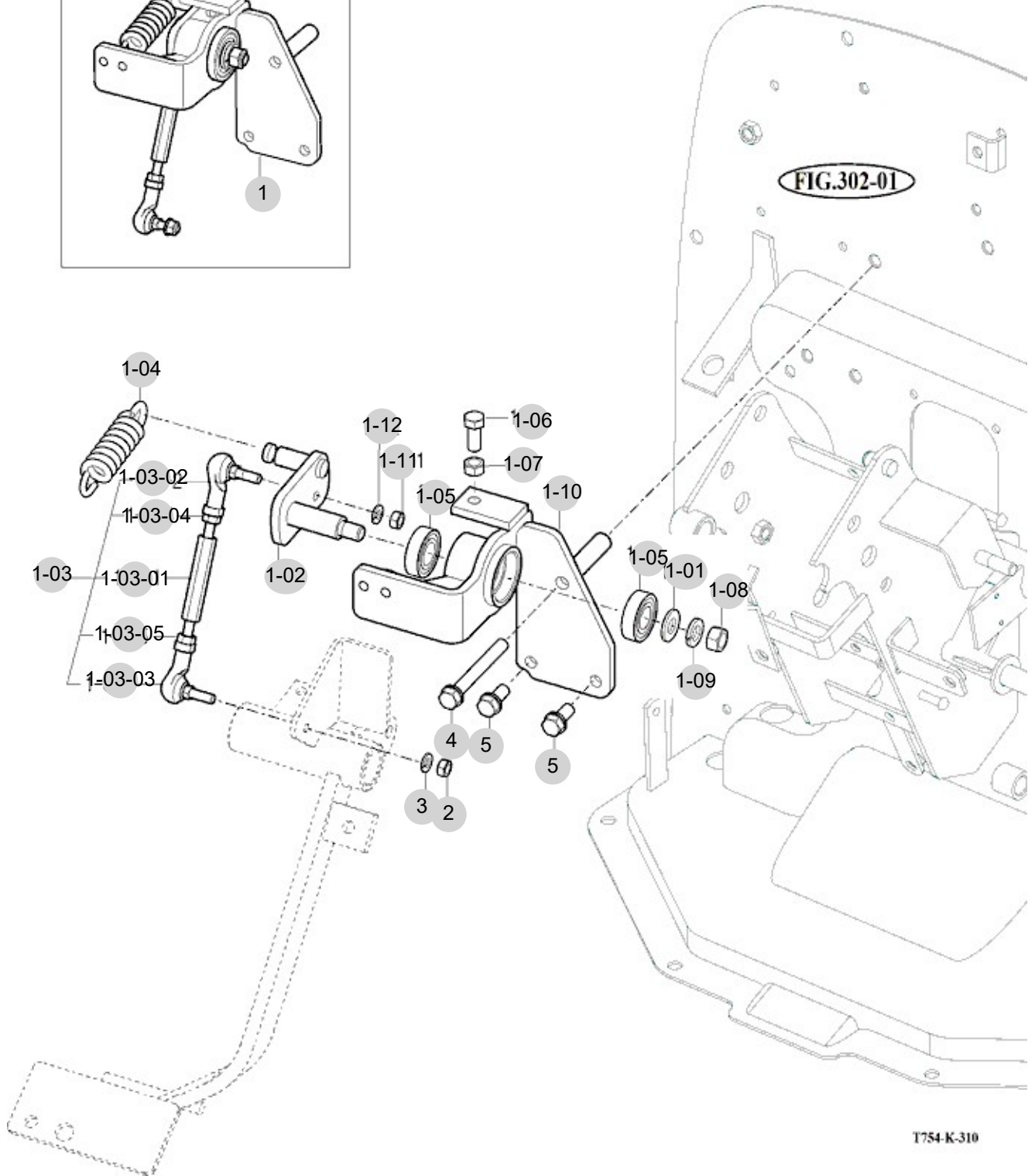
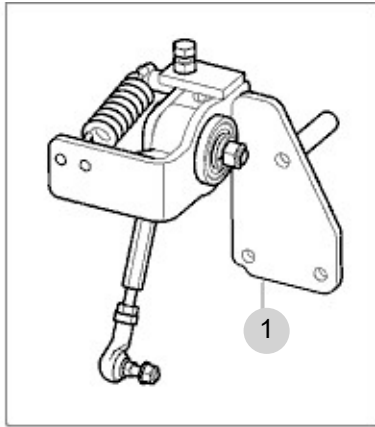
FIG 310

CLUTCH CONTROL

년/월
Year/Month

2022-12

T754SMEU1



NOTE

4. Transmission PART NO. T4

FIG 401 CASE , RR TRANSMISSION	102
FIG 402 SUB CHANGE GEARS	104
FIG 403 REAR DIFFERENTIAL GEARS	106
FIG 404 P.T.O CHANGE GEARS	108
FIG 405 P.T.O CHANGE SHIFTER	110
FIG 406 HOUSING , RR AXLE	112
FIG 407 P.T.O DRIVE SHAFT	114
FIG 408 CREEP CHANGE	116
FIG 409 INPUT & COUNTER GEARS	118
FIG 410 CHANGE GEARS	120
FIG 411 REVERSE GEARS	122
FIG 412 MAIN CHANGE LEVER	124
FIG 413 SUB CHANGE LEVER	126
FIG 414 TRANSMISSION MID CASE	128
FIG 415 SUB CHANGE SHIFTER	130
FIG 416 4WD CHANGE LEVER	132
FIG 417 TRANSMISSION FRONT CASE	134
FIG 418-2(EU) DRIVE GEARS(EU)	136

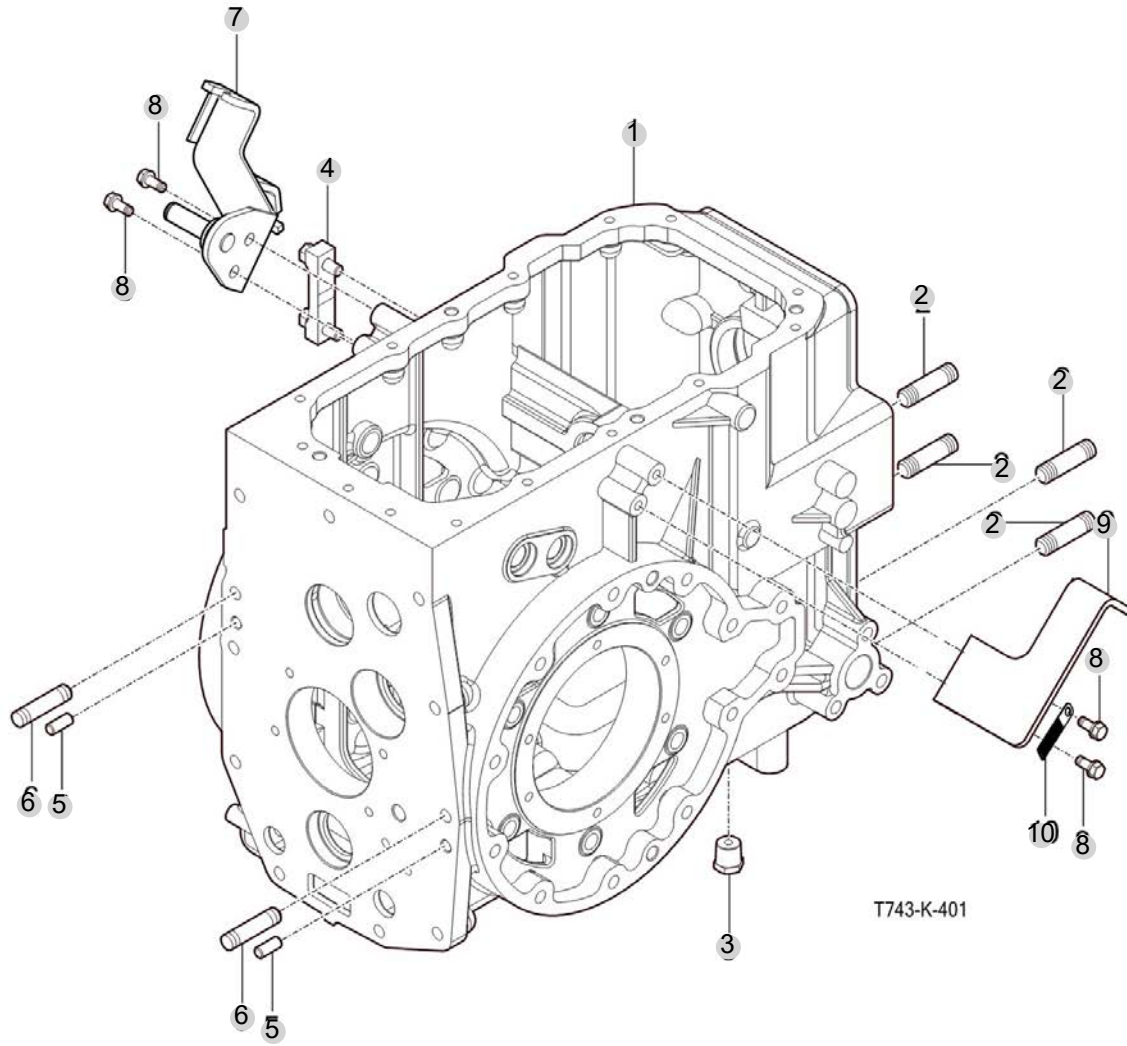
FIG 401

CASE , RR TRANSMISSION

년/월
Year/Month

2022-12

T754SMEU1



T743-K-401

NOTE

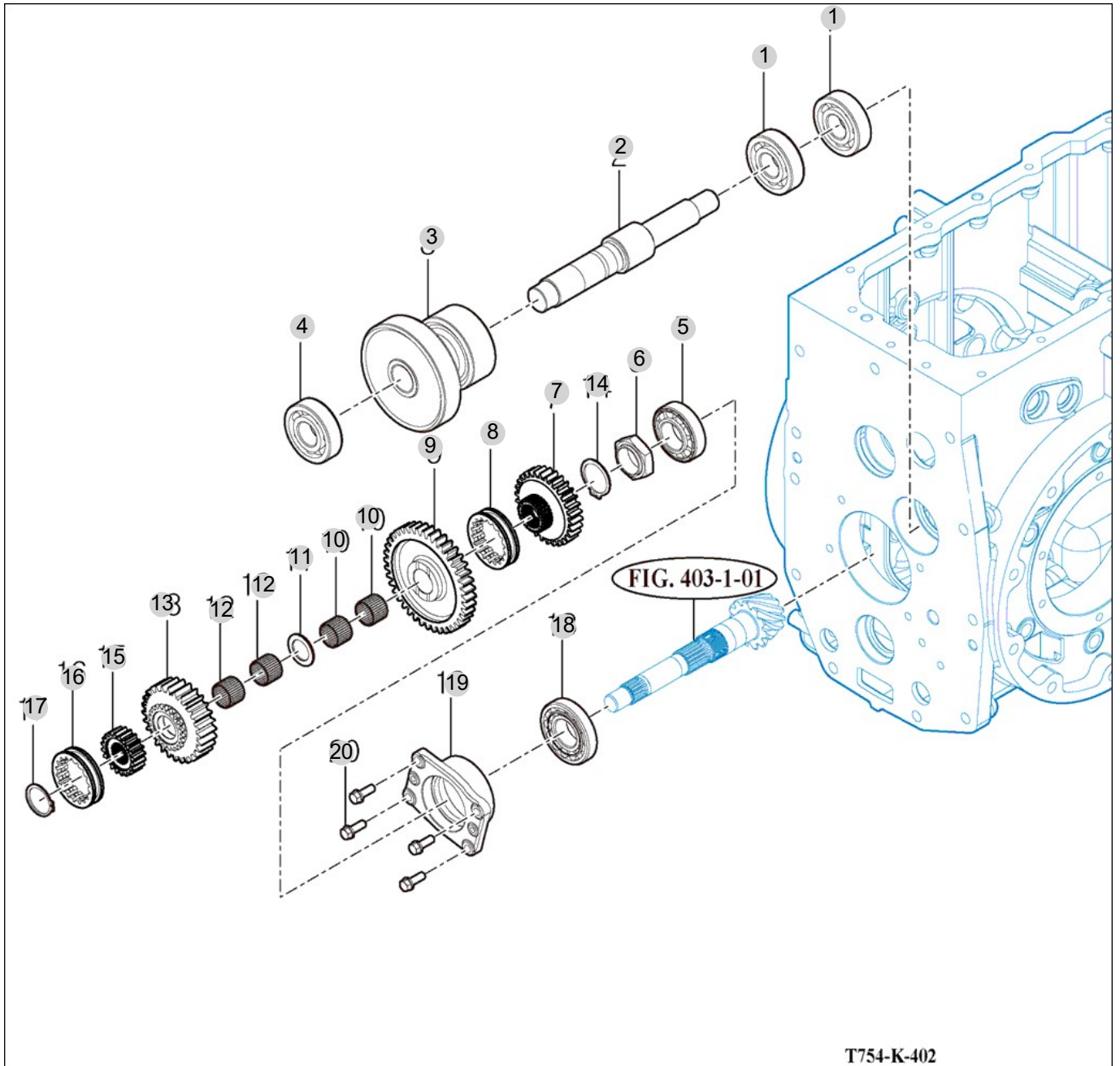
FIG 402

SUB CHANGE GEARS

년/월
Year/Month

2022-12

T754SMEU1



T754-K-402

NOTE

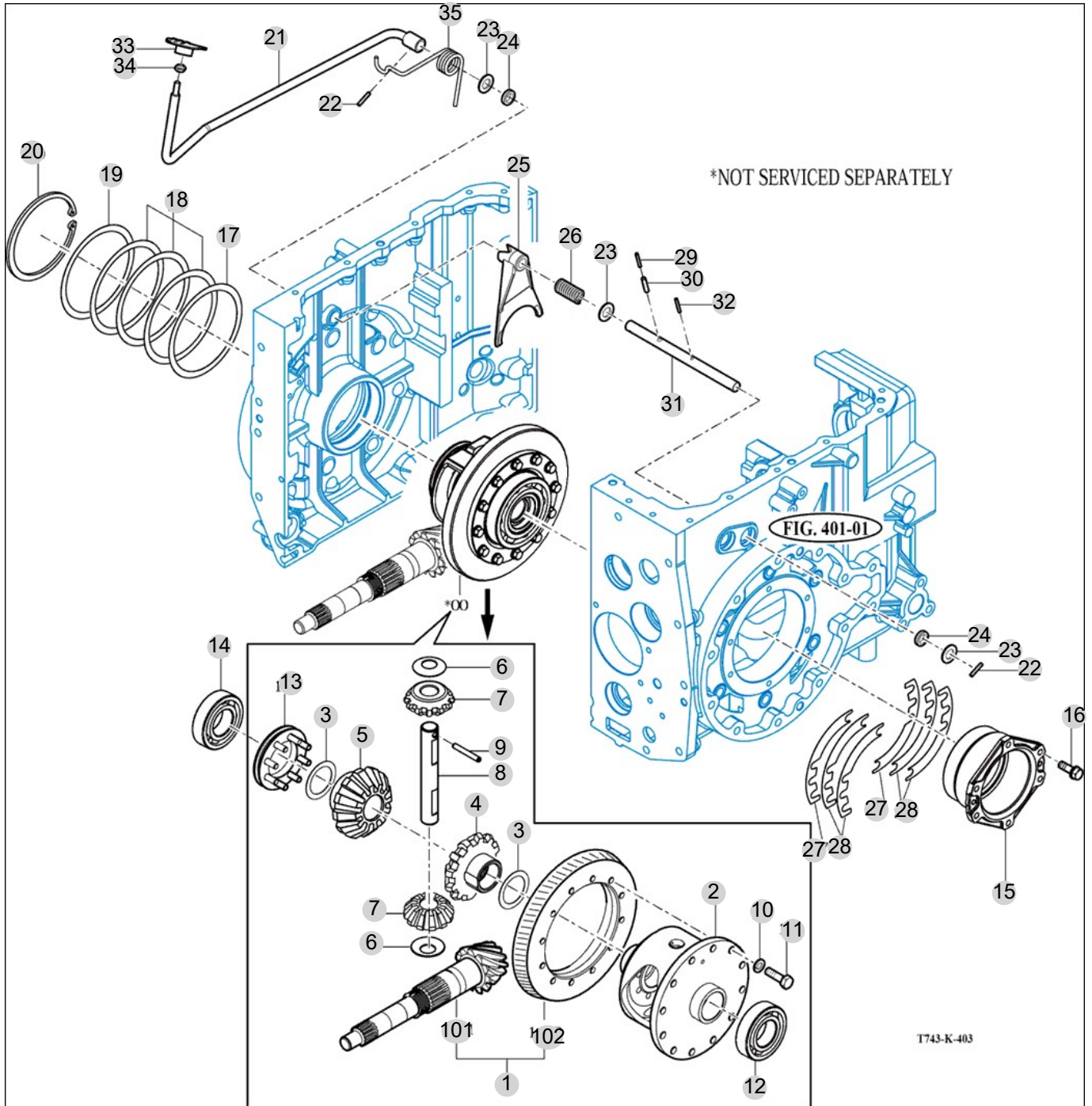
FIG 403

REAR DIFFERENTIAL GEARS

년/월
Year/Month

2022-12

T754SMEU1



NOTE

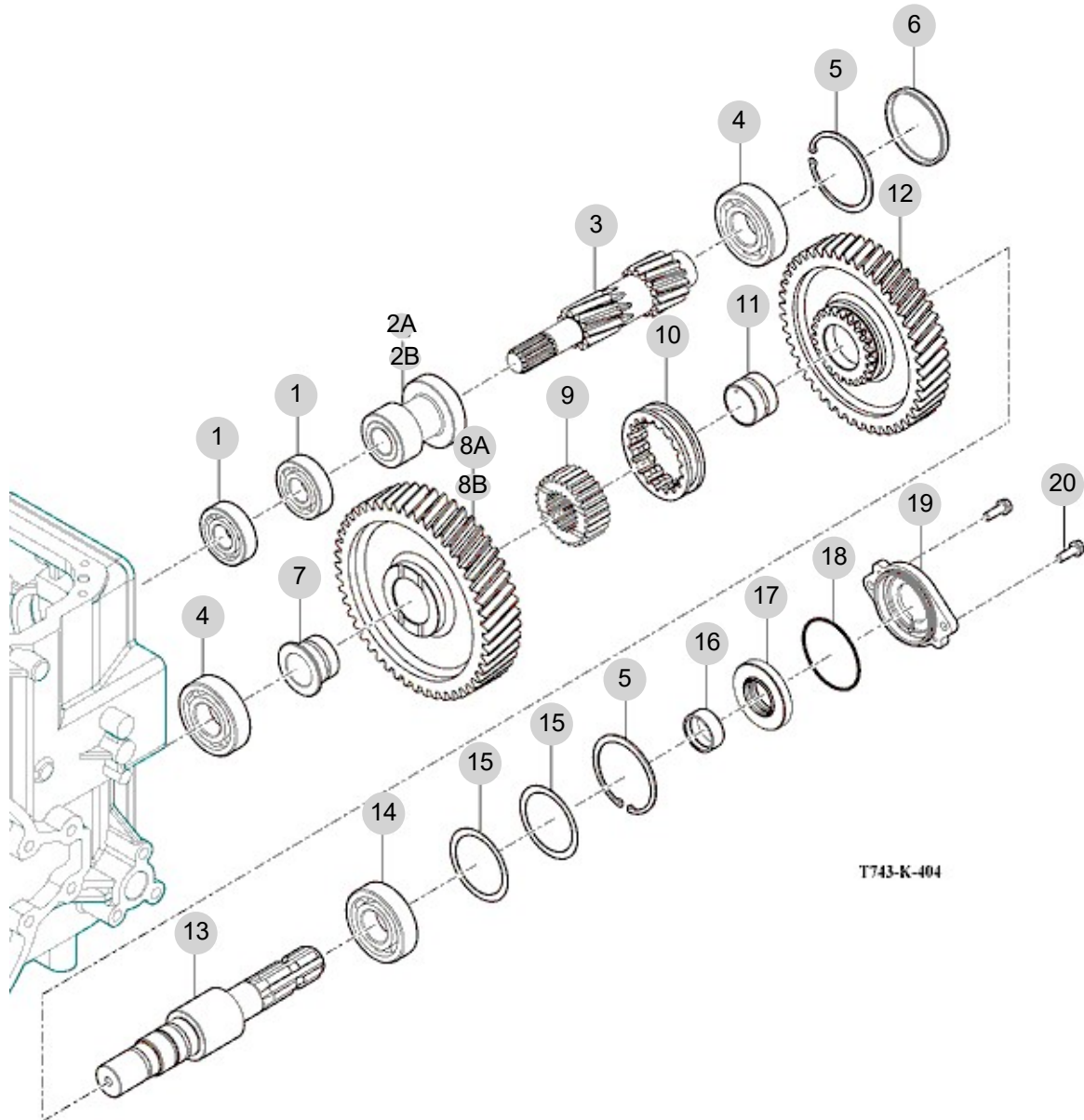
FIG 404

P.T.O CHANGE GEARS

년/월
Year/Month

2022-12

T754SMEU1



NOTE

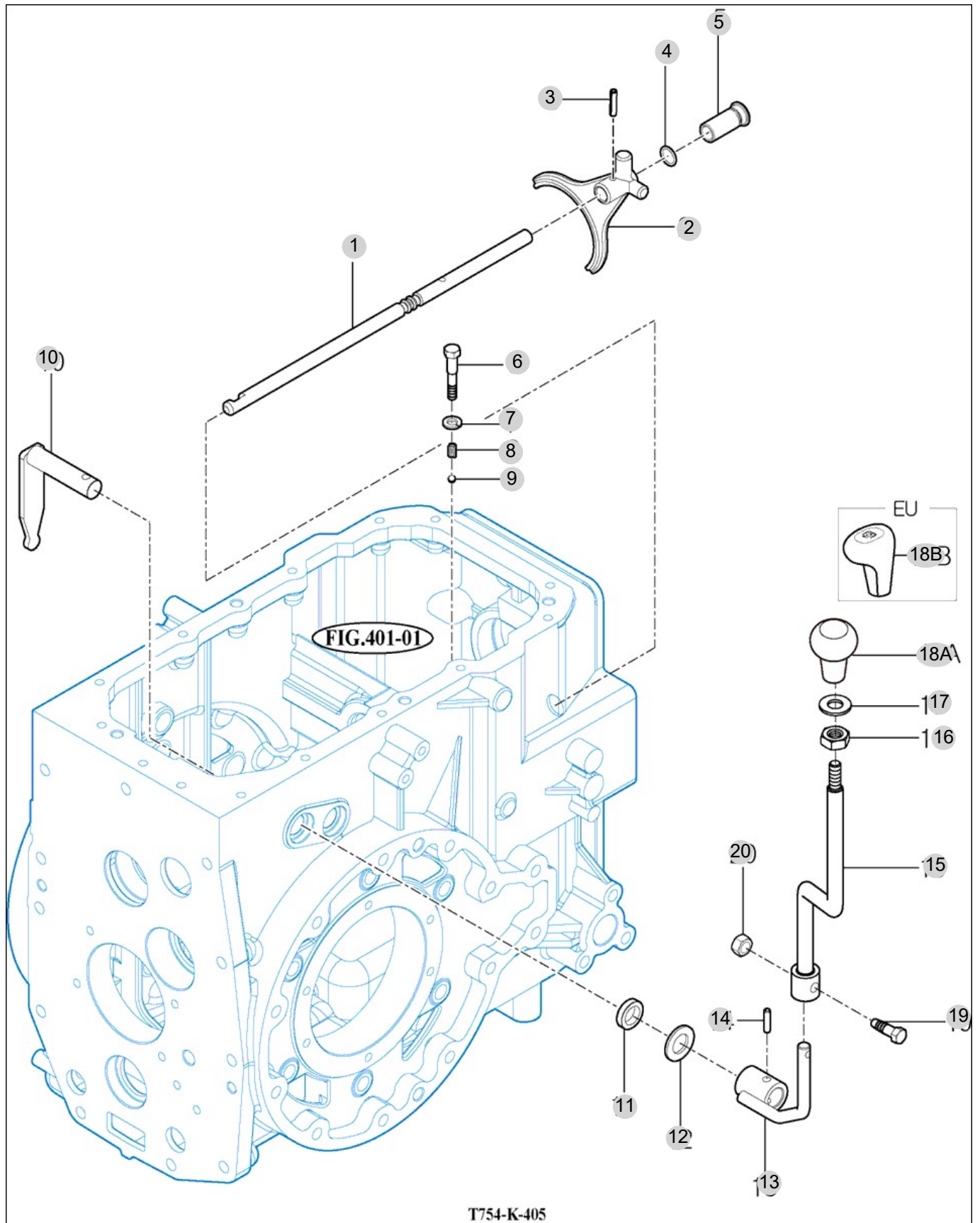
FIG 405

P.T.O CHANGE SHIFTER

년/월
Year/Month

2022-12

T754SMEU1



NOTE

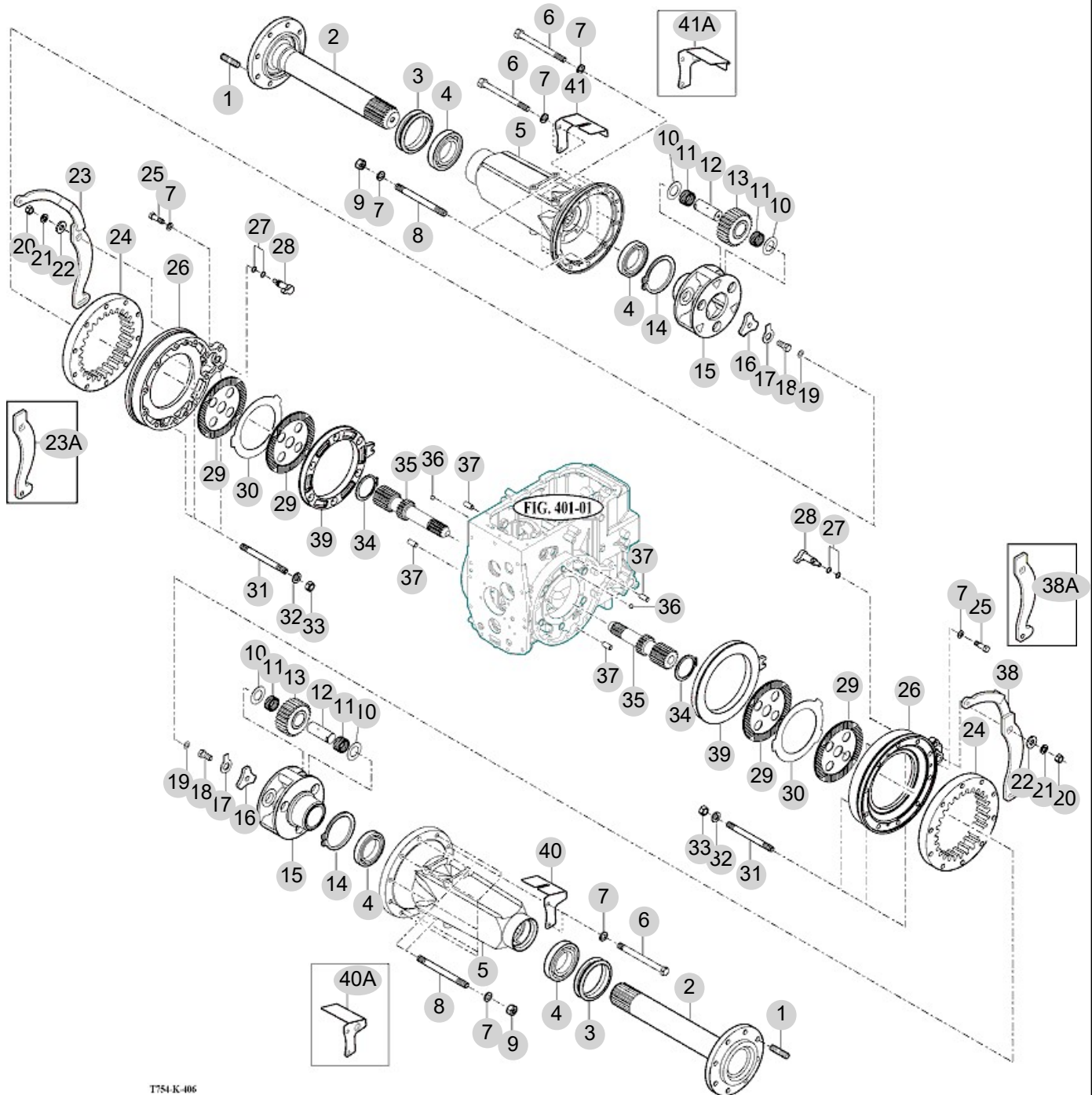
FIG 406

HOUSING , RR AXLE

년/월
Year/Month

2022-12

T754SMEU1



T754-K-406

NOTE

FIG 406 T754SMEU1		HOUSING , RR AXLE					년/월 Year/Month	
							2022-12	
KEY NO	PART NO	DESCRIPTION	SPEC	QTY	REPAIR	EFFECTIVE DATE	REMARKS	
406	1	17973040050	BOLT , STUD	D=22	16			
406	2	10012450022	SHAFT, RR WHEEL	1X1X1	2			
406	3	17973041000	SEAL ASSY , MECHANICAL	1X1X1	2			
406	4	V6321132012	BEARING , TAPER-ROLLER(32012J)	32012DJ	4			
406	5	10012450013M	AXLE HOUSING, RR	1X1X1	2			
406	6	V2014614125	BOLT , HEX	M14X125	16			
406	7	V4011600140	WASHER , SPRING	M14	24			
406	8	V2514414130	BOLT , STUD/2	M14X130	4			
406	9	V3043600140	NUT , HEX/2	M14	4			
406	10	10012470040	COLLAR , 31X58X1	T=1.0	12			
406	11	V6544304220	BEARING , NEEDLE.ROLLER-K304220	KT304220	12			
406	12	10012470061	PIN30X83	1X1X1	6			
406	13	10012470051	GEAR , SPUR 25T	1X1X1	6			
406	14	V7041401250	C-RING , SHAFT	125	2			
406	15	10012470031M	CARRIER , PLANET	1X1X1	2			
406	16	19022470070	WASHER , STOP	T=10.0	2			
406	17	19022470081	STOPPER	T=4.0	2			
406	18	10012470070	BOLT, HEX FINE	HEX=24	2			
406	19	V7201024022	O-RING , P	P22	2			
406	20	V3043600120	NUT , HEX/2	M12	2			
406	21	V4011600120	WASHER , SPRING	M12	2			
406	22	14723270061	WASHER , 13X30X4	T=4.0	2			
406	23	18013273200	ARM COMP(RH) , BRAKE	9T	1			
406	24	10012470021	GEAR , RING65T	1X1X1	2			
406	25	V2013614045	BOLT , HEX	M14X45	4			
406	26	10012480031M	CASE, BRAKE	1X1X1	2			
406	27	V7201024018	O-RING , P	P18	4			
406	28	10012480040M	CAM , BRAKE	1X1X1	2			
406	29	10012482100	PLATE COMP.DISC	1X1X1	4			
406	30	10012480020	PLATE , SEPARATE	T=3.2	2			
406	31	V2513408080	BOLT , STUD/2	M8X80	6			
406	32	V4011600080	WASHER , SPRING	M8	6			
406	33	V3042600080	NUT , HEX/2	M8	6			
406	34	V7041400650	C-RING , SHAFT	65	2			
406	35	10012470010	GEAR , SPUR13T	1X1X1	2			
406	36	V6802000019	BALL , STEEL	19/32	12			
406	37	V5201012025	PIN , PARALLEL/A	12X25	4			
406	38	18013273100	ARM COMP(LH) , BRAKE	9T	1			
406	39	10012480011M	METAL, BRAKE	1X1X1	2			
406	40	18023272100	COVER COMP , LH BRAKE		1			
406	41	18023272200	COVER COMP , RH BRAKE		1			
NOTE								

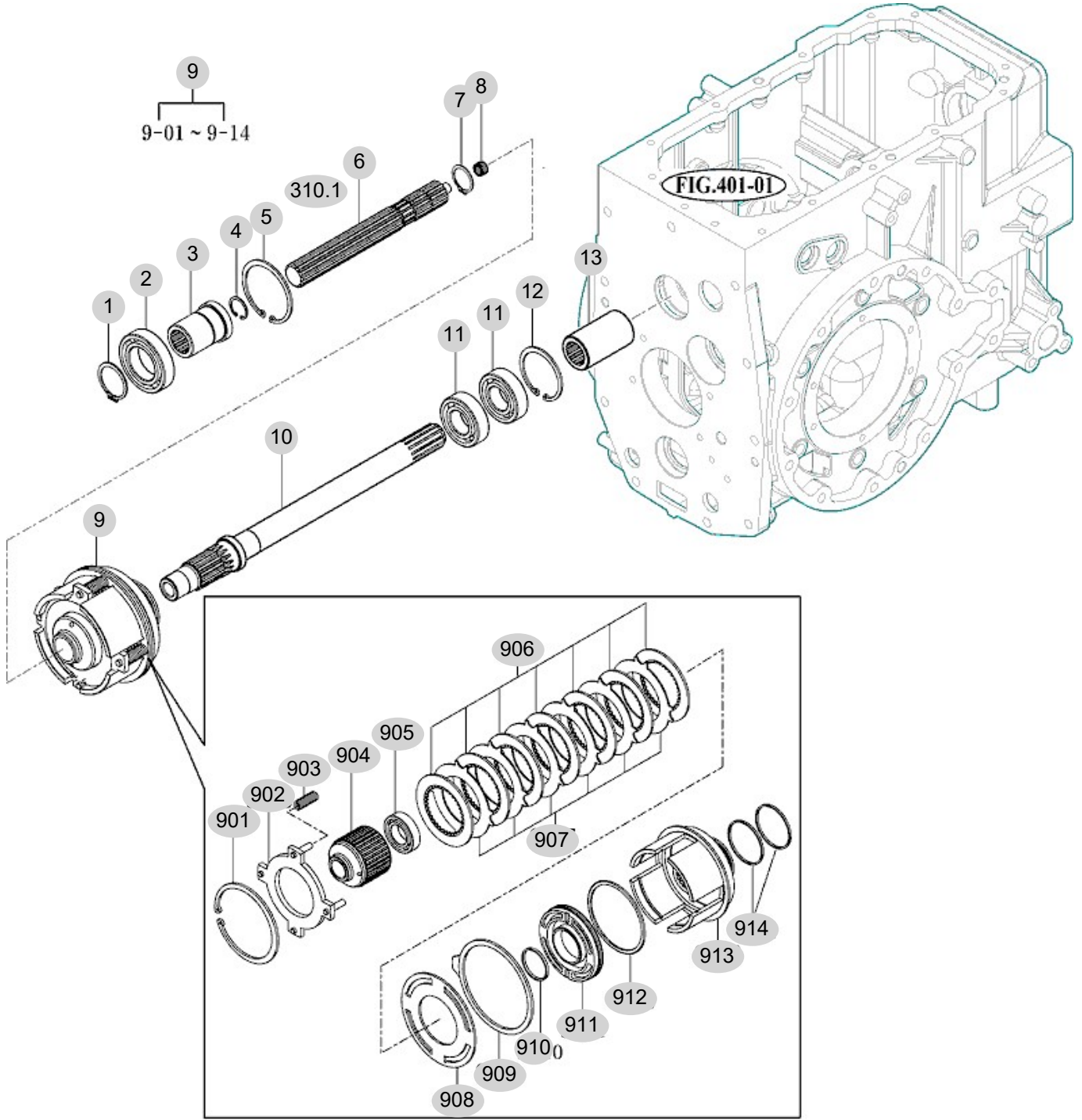
FIG 407

P.T.O DRIVE SHAFT

년/월
Year/Month

2022-12

T754SMEU1



T743-K-407

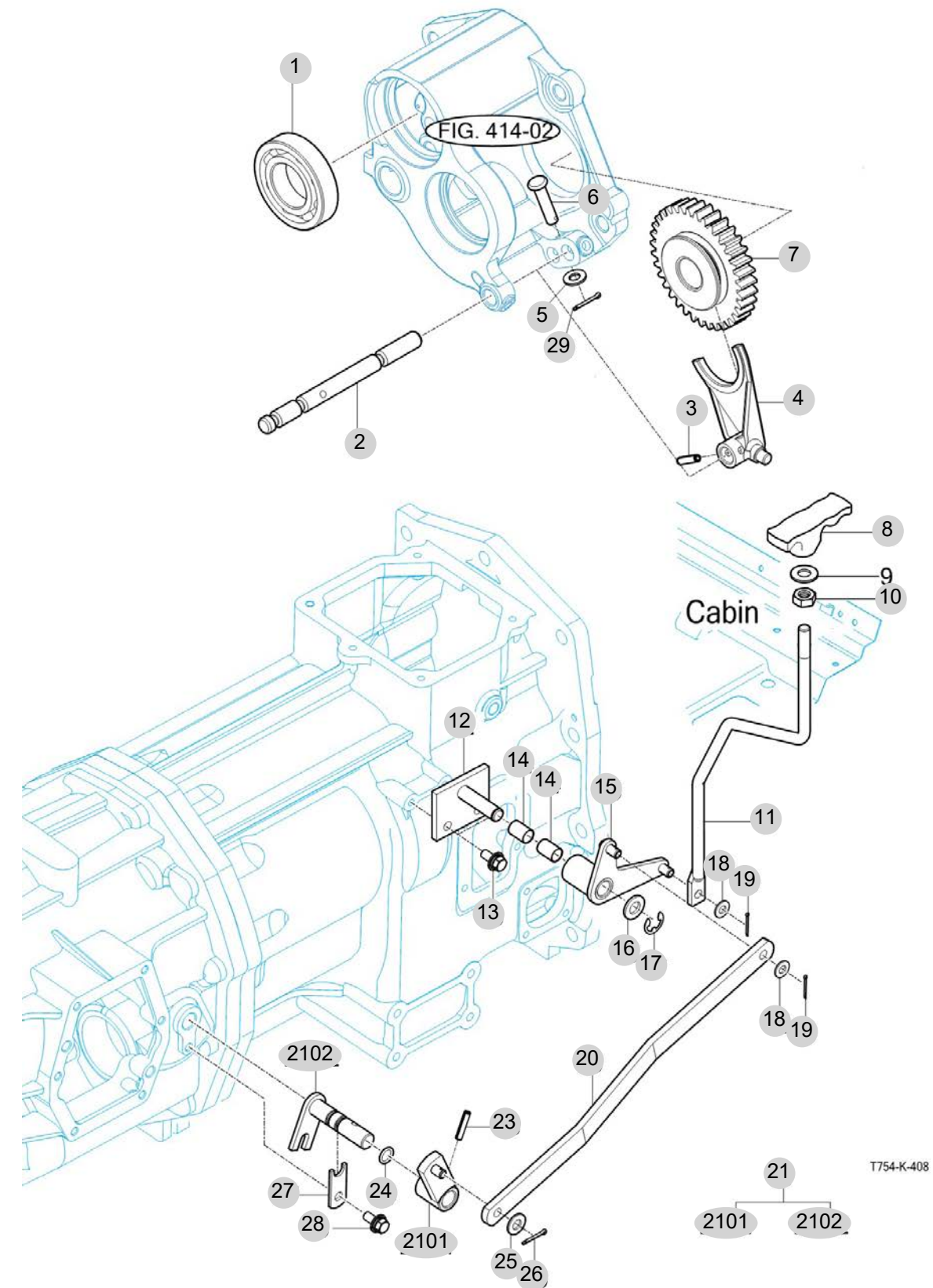
NOTE

FIG 408

CREEP CHANGE

년/월
Year/Month

2022-12



NOTE

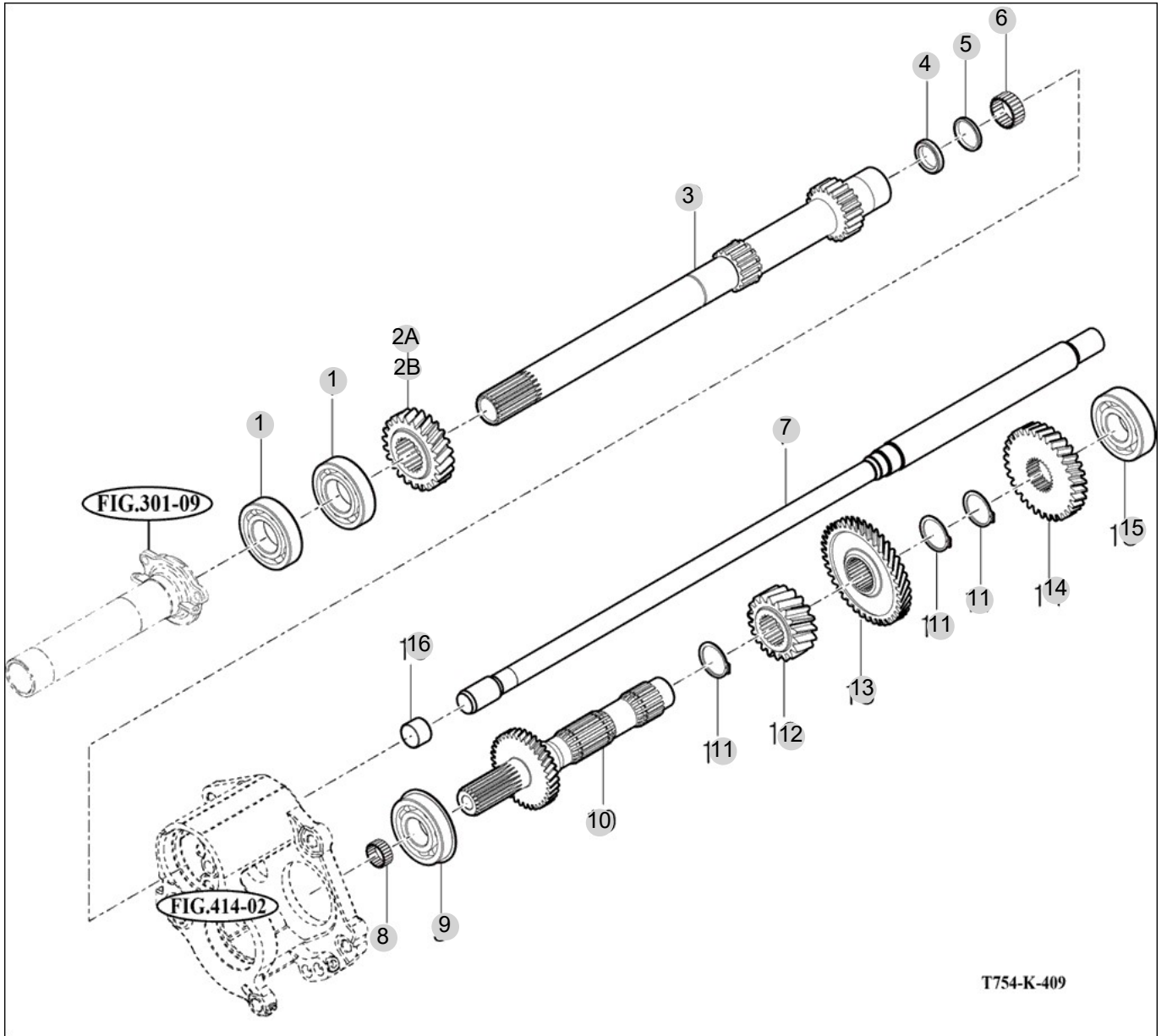
FIG 409

INPUT & COUNTER GEARS

년/월
Year/Month

2022-12

T754SMEU1



NOTE

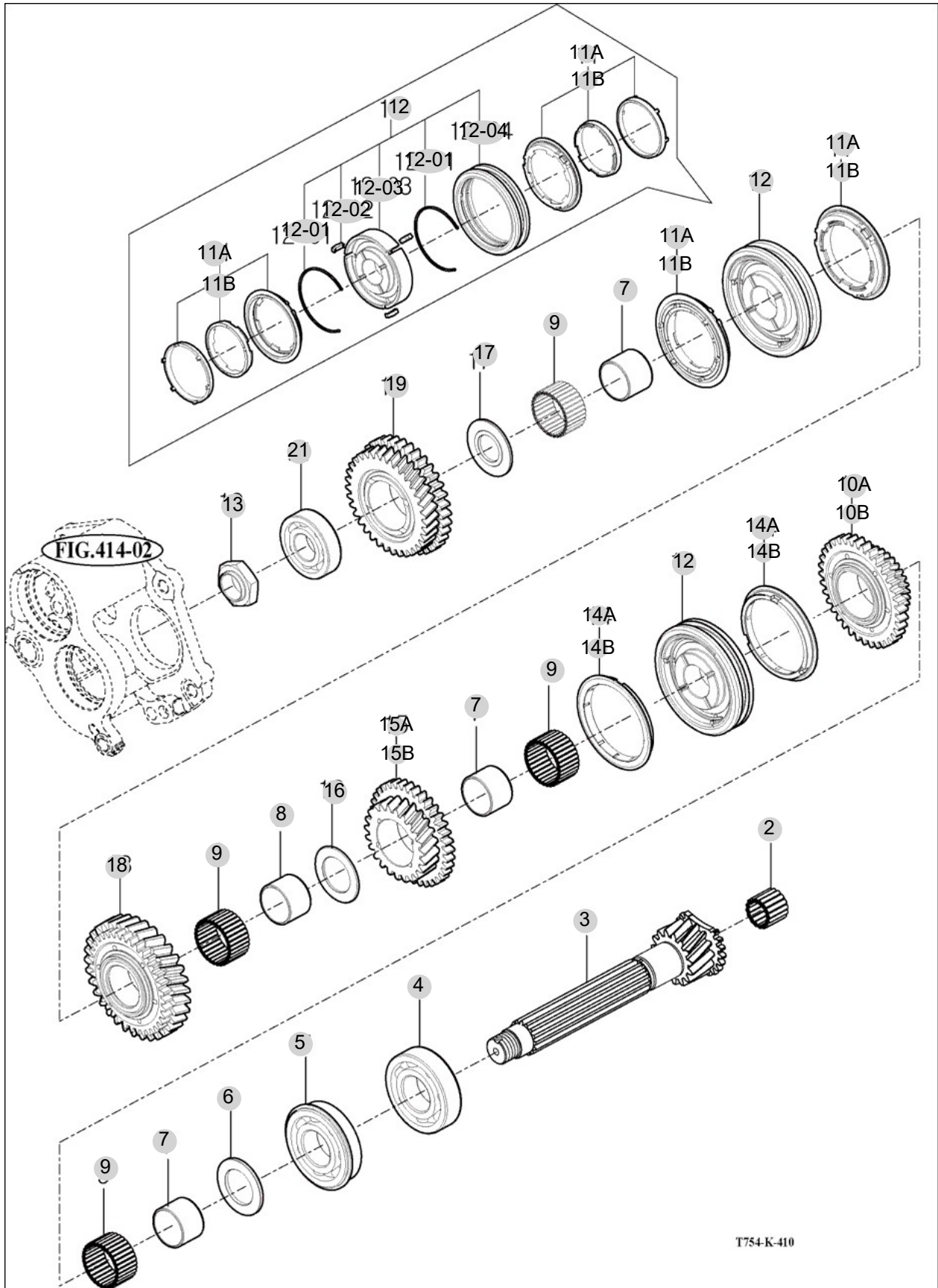
FIG 410

CHANGE GEARS

년/월
Year/Month

2022-12

T754SMEU1



NOTE

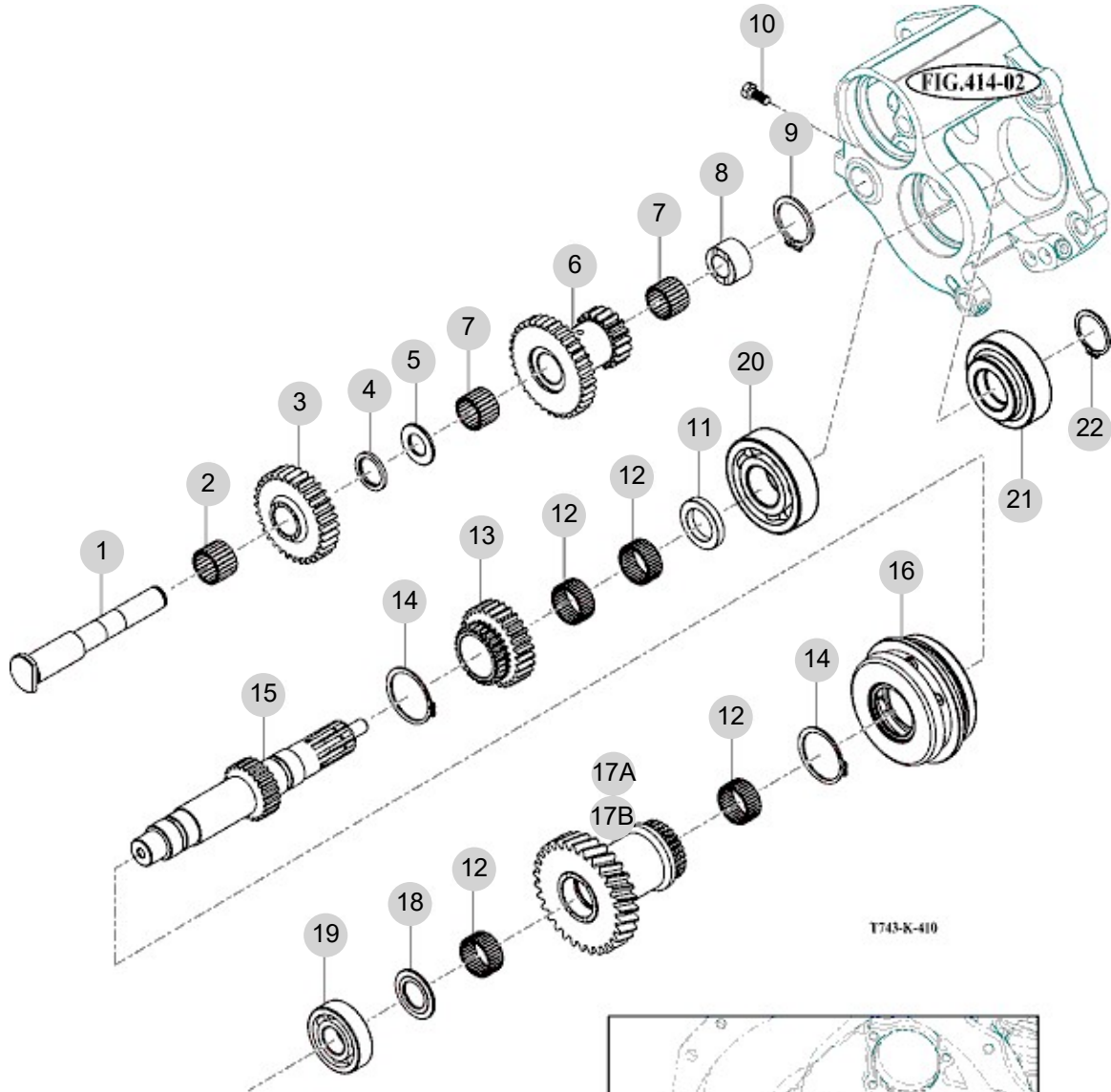
FIG 411

REVERSE GEARS

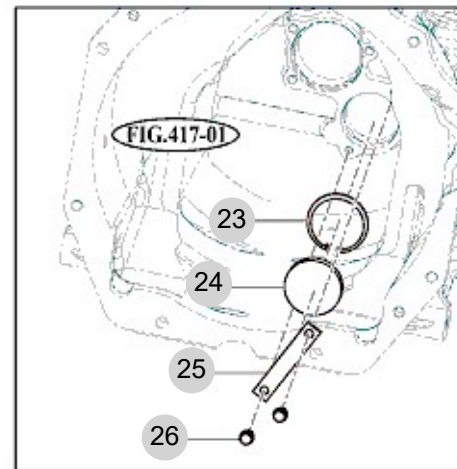
년/월
Year/Month

2022-12

T754SMEU1



T743-K-410



NOTE

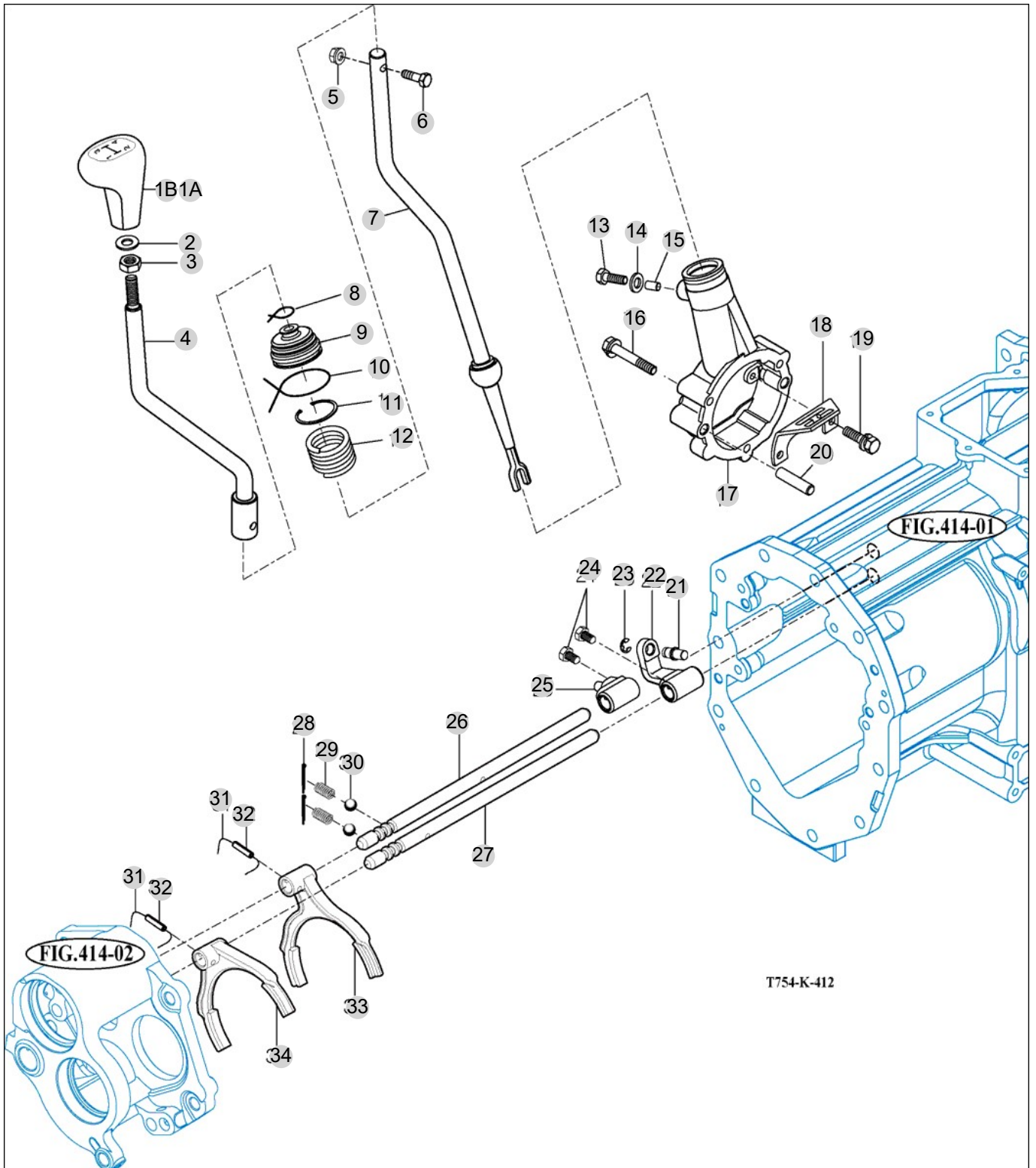
FIG 412

MAIN CHANGE LEVER

년/월
Year/Month

2022-12

T754SMEU1



T754-K-412

NOTE

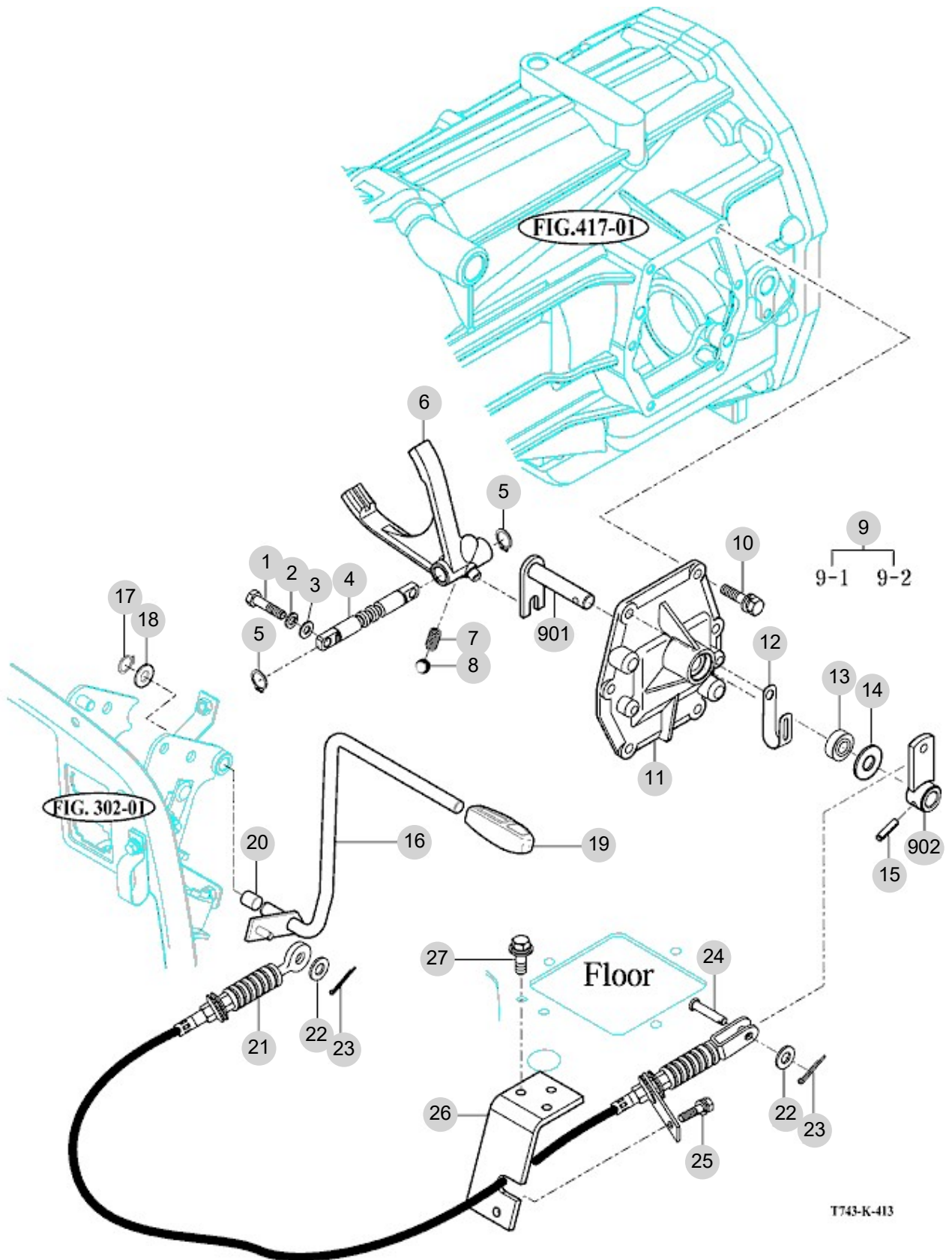
FIG 413

SUB CHANGE LEVER

년/월
Year/Month

2022-12

T754SMEU1



NOTE

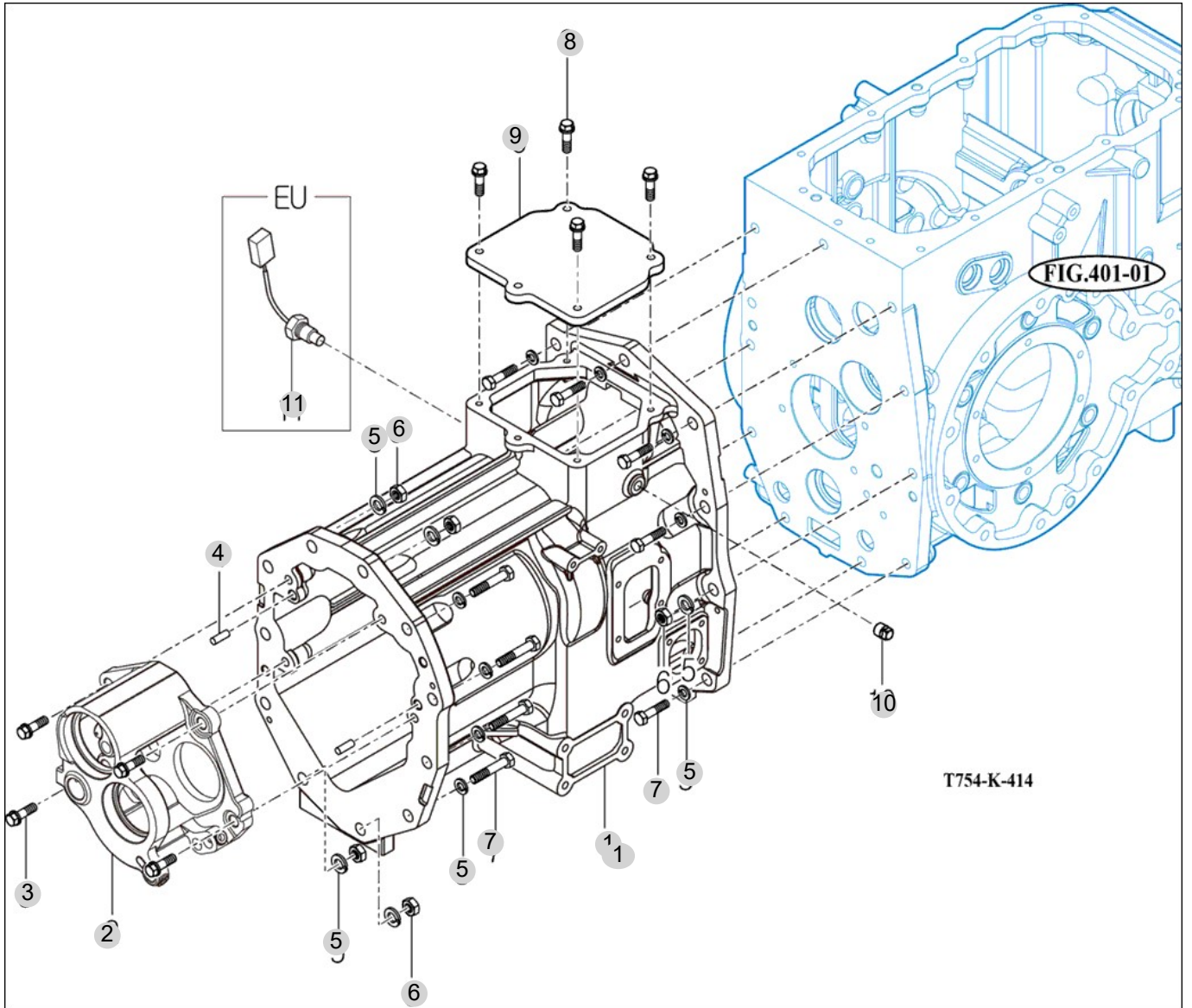
FIG 414

TRANSMISSION MID CASE

년/월
Year/Month

2022-12

T754SMEU1



NOTE

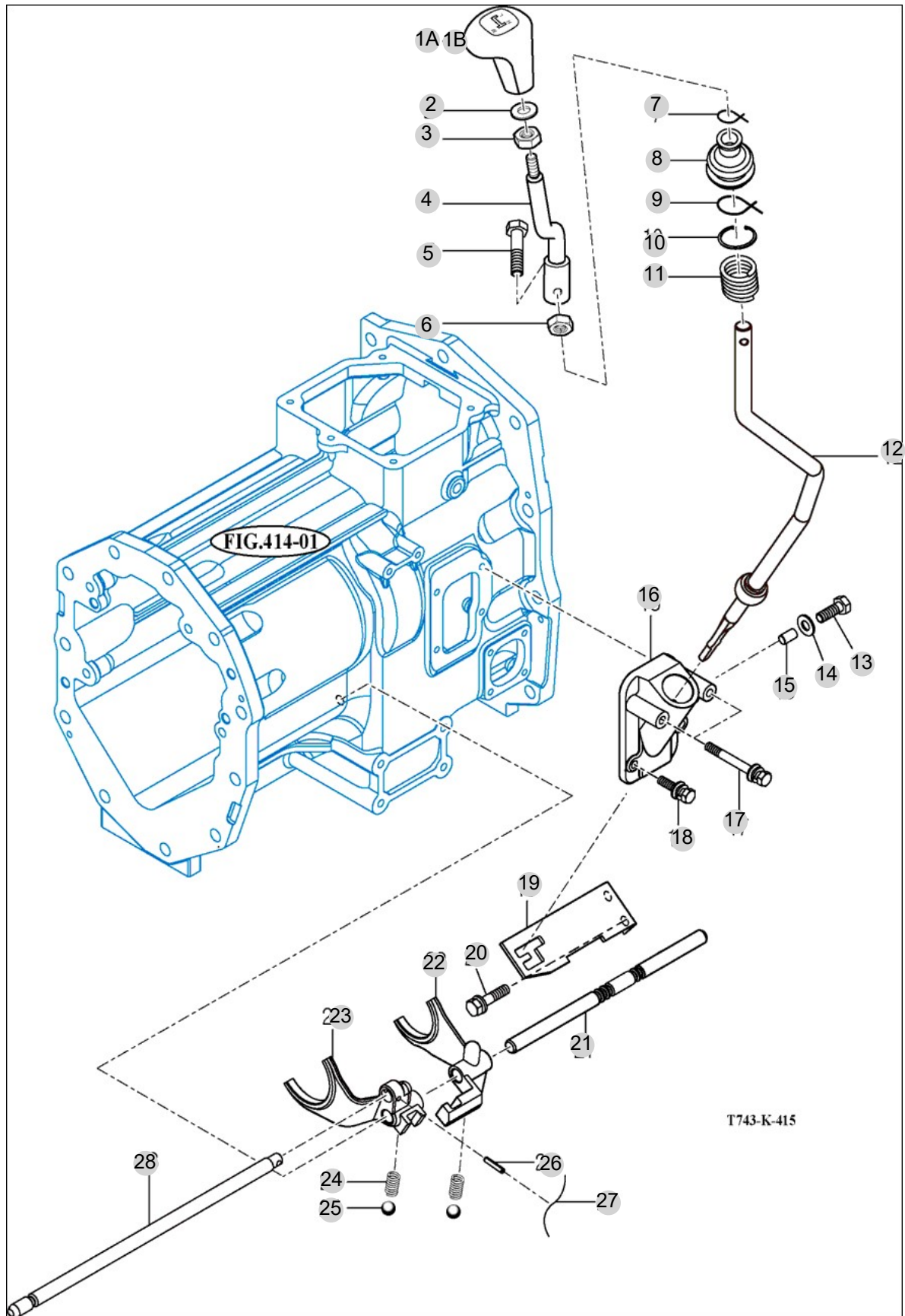
FIG 415

SUB CHANGE SHIFTER

년/월
Year/Month

2022-12

T754SMEU1



NOTE

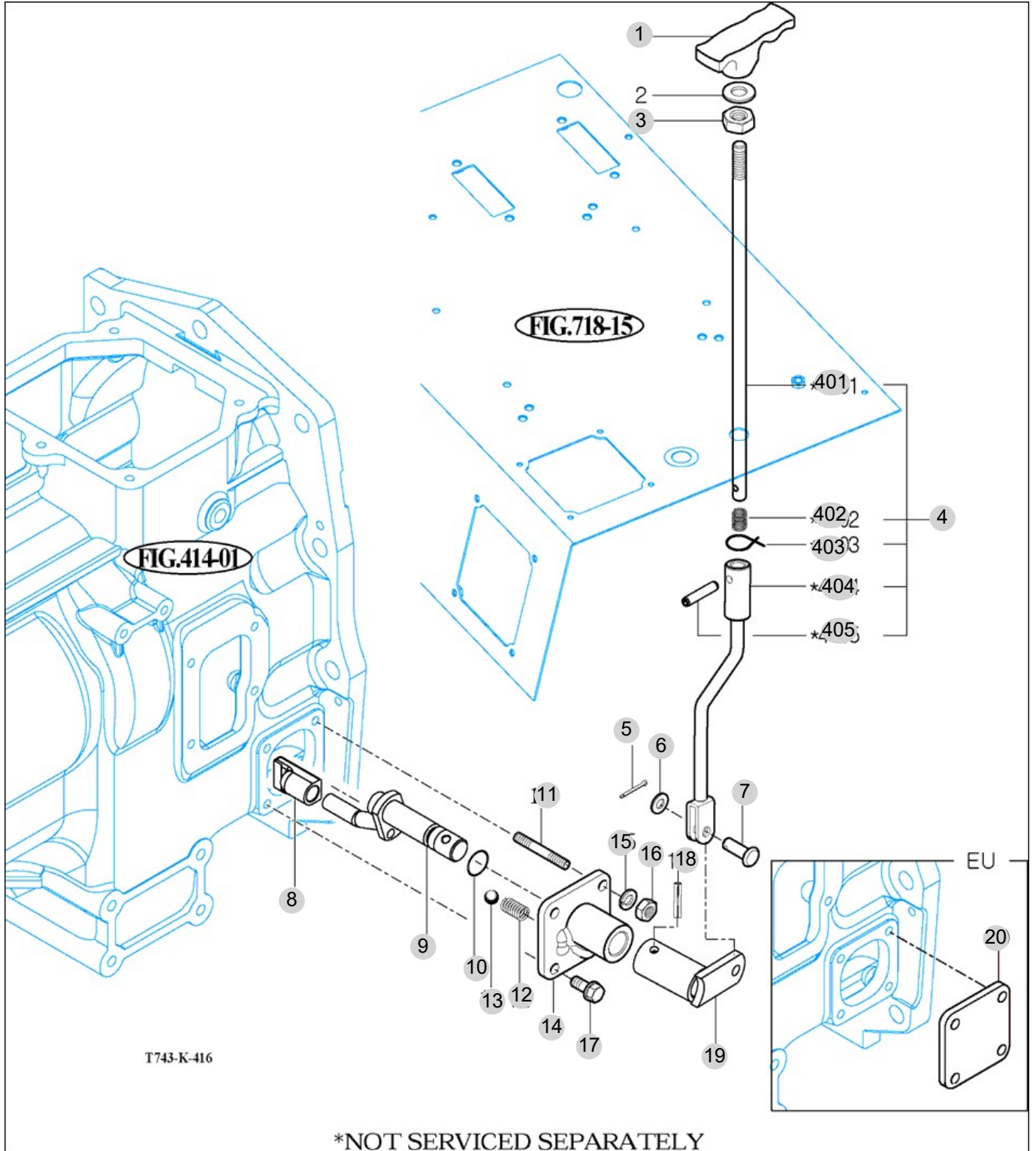
FIG 416

4WD CHANGE LEVER

년/월
Year/Month

2022-12

T754SMEU1



NOTE

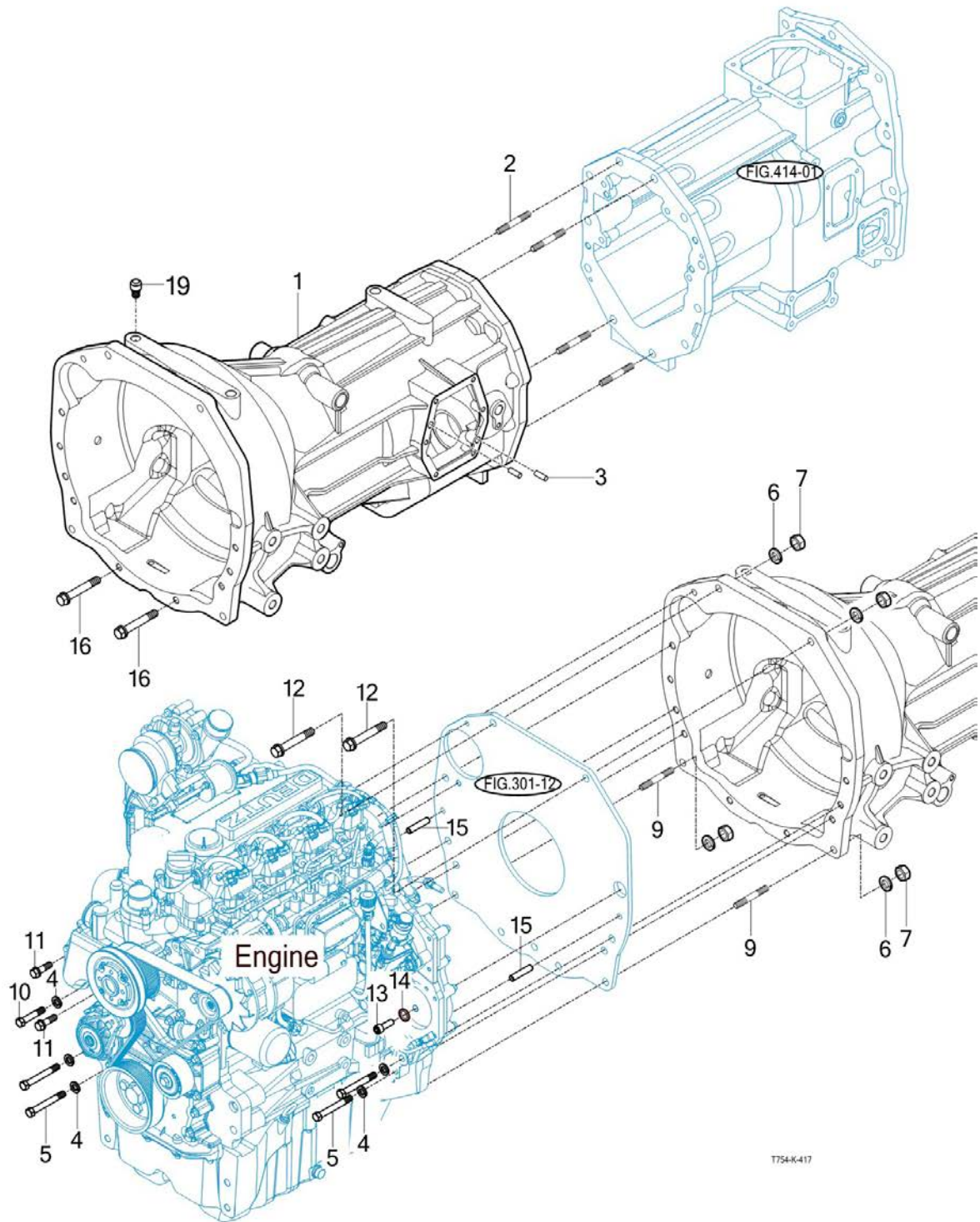
FIG 417

TRANSMISSION FRONT CASE

년/월
Year/Month

2022-12

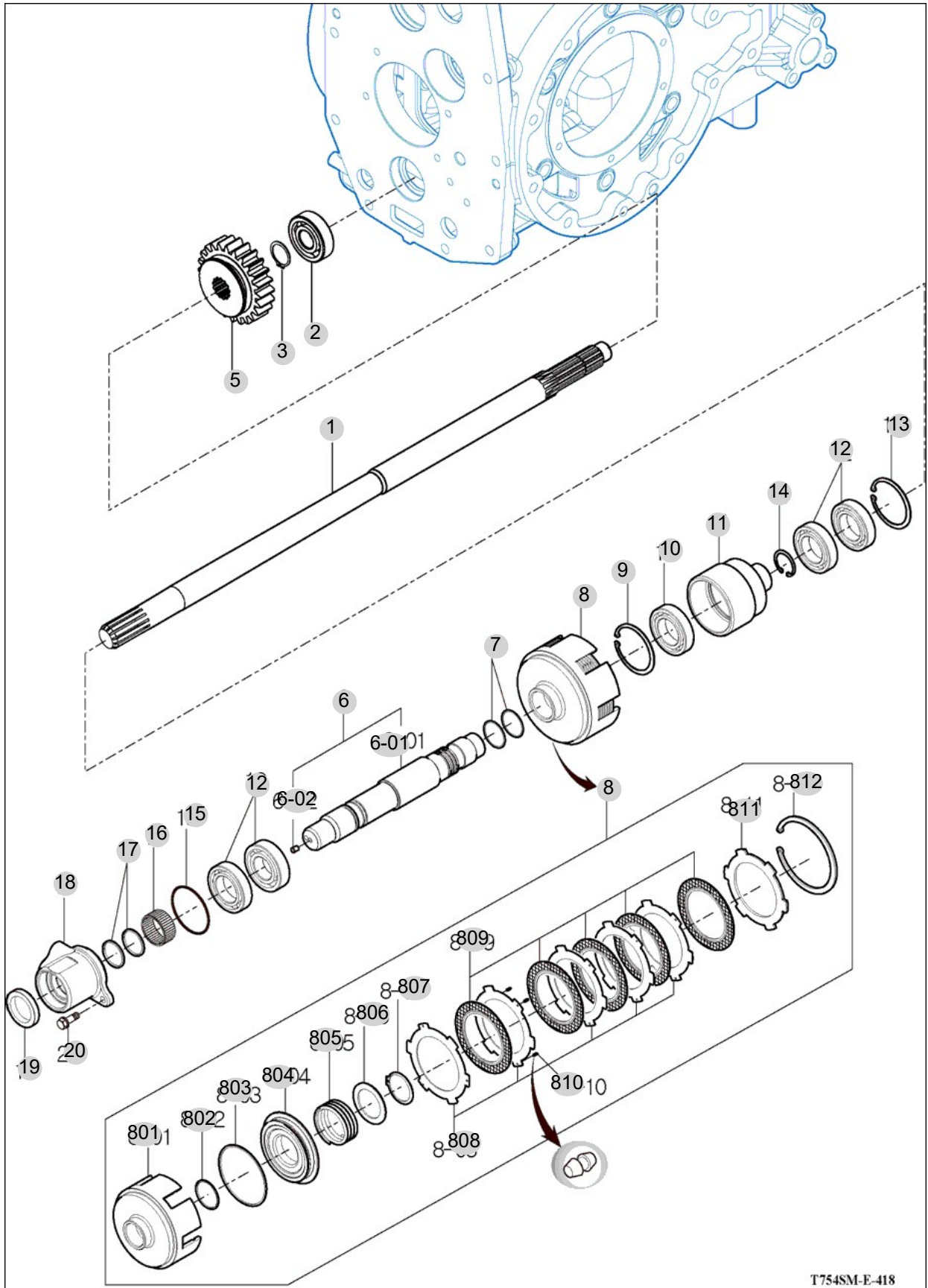
T754SMEU1



T754-K417

NOTE

T754SMEU1



NOTE

5. Front Axle PART NO. T5

FIG 501 FRONT AXLE SUPPORT	139
FIG 502 FRONT DRIVE SHAFT	141
FIG 503 FRONT AXLE HOUSING	143
FIG 504 FRONT DIFFERENTIAL GEARS	145
FIG 505 FRONT GEAR CASE (1)	147
FIG 506 FRONT GEAR CASE (2)	149
FIG 507 FRONT GEAR CASE (3)	151

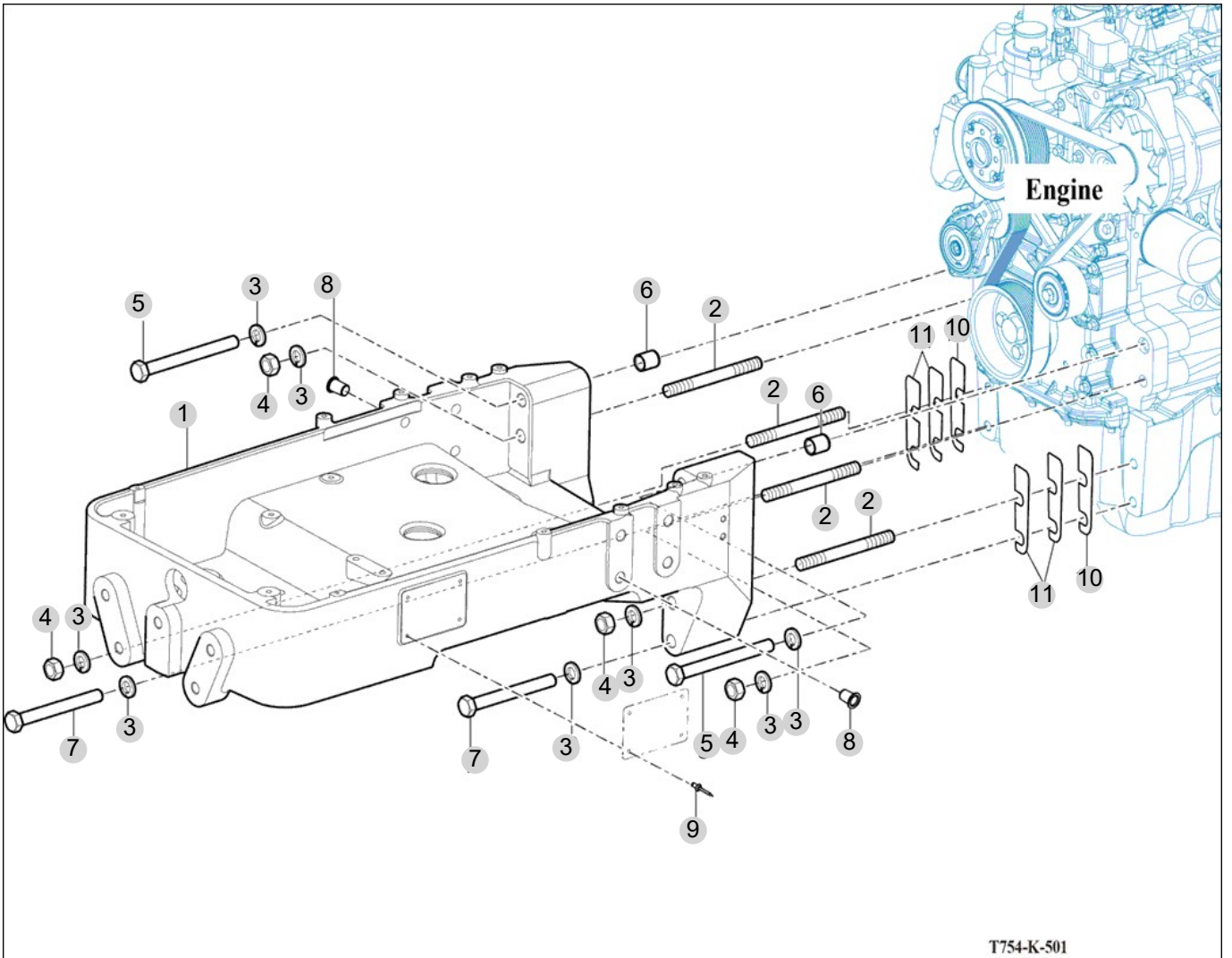
FIG 501

FRONT AXLE SUPPORT

년/월
Year/Month

2022-12

T754SMEU1



T754-K-501

NOTE

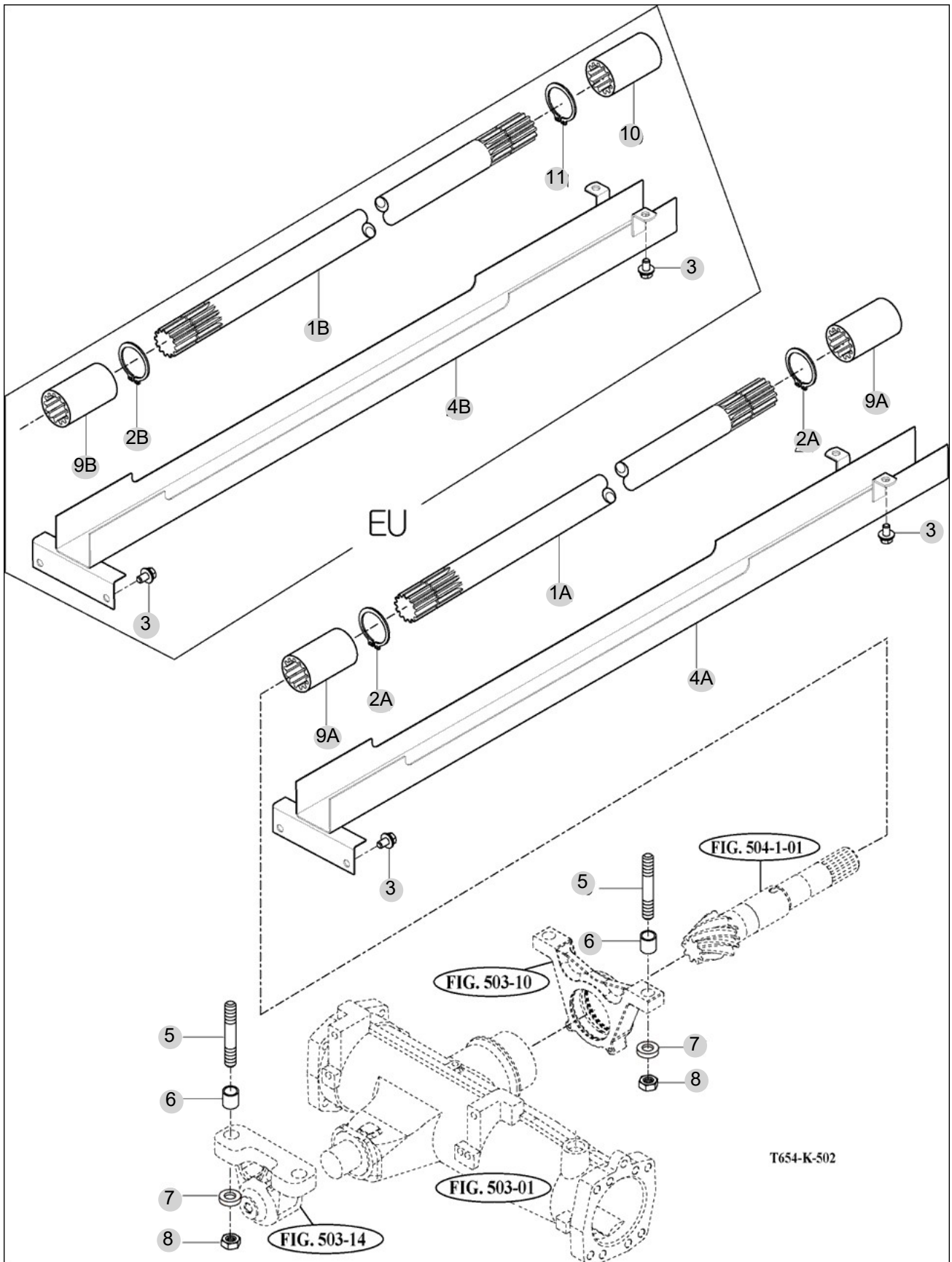
FIG 502

FRONT DRIVE SHAFT

년/월
Year/Month

2022-12

T754SMEU1



NOTE

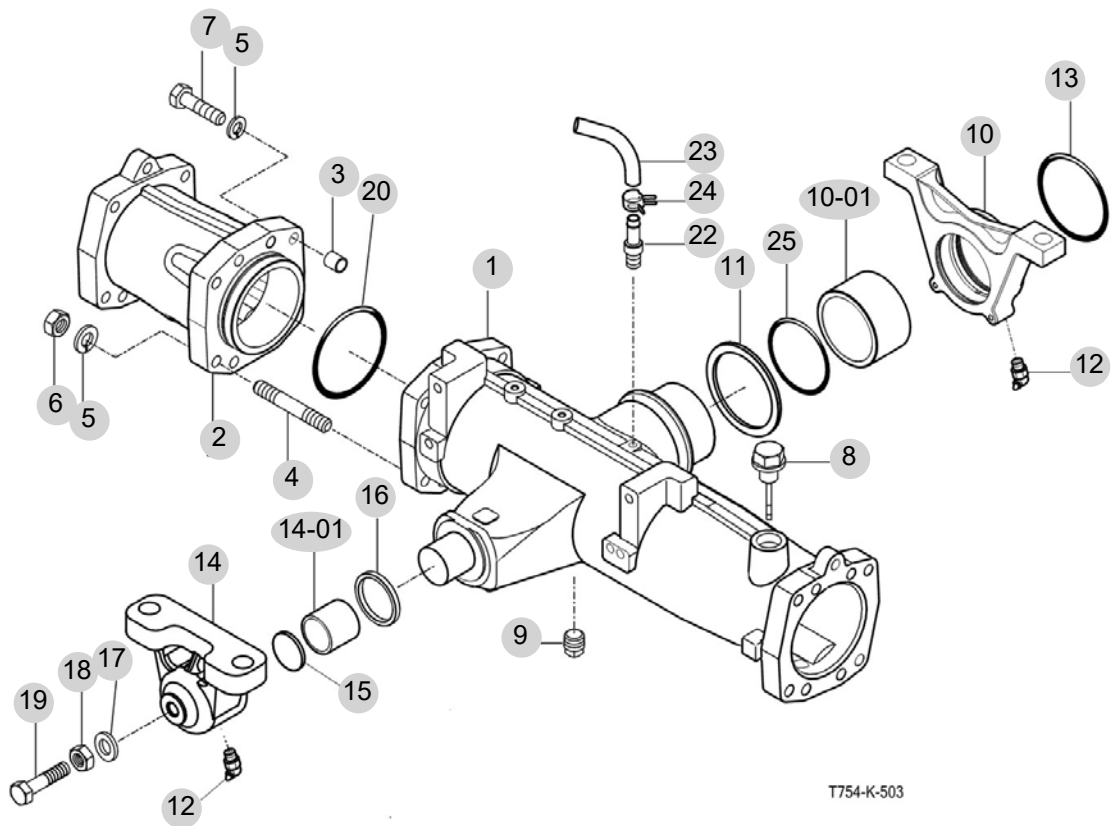
FIG 503

FRONT AXLE HOUSING

년/월
Year/Month

2022-12

T754SMEU1



T754-K-503

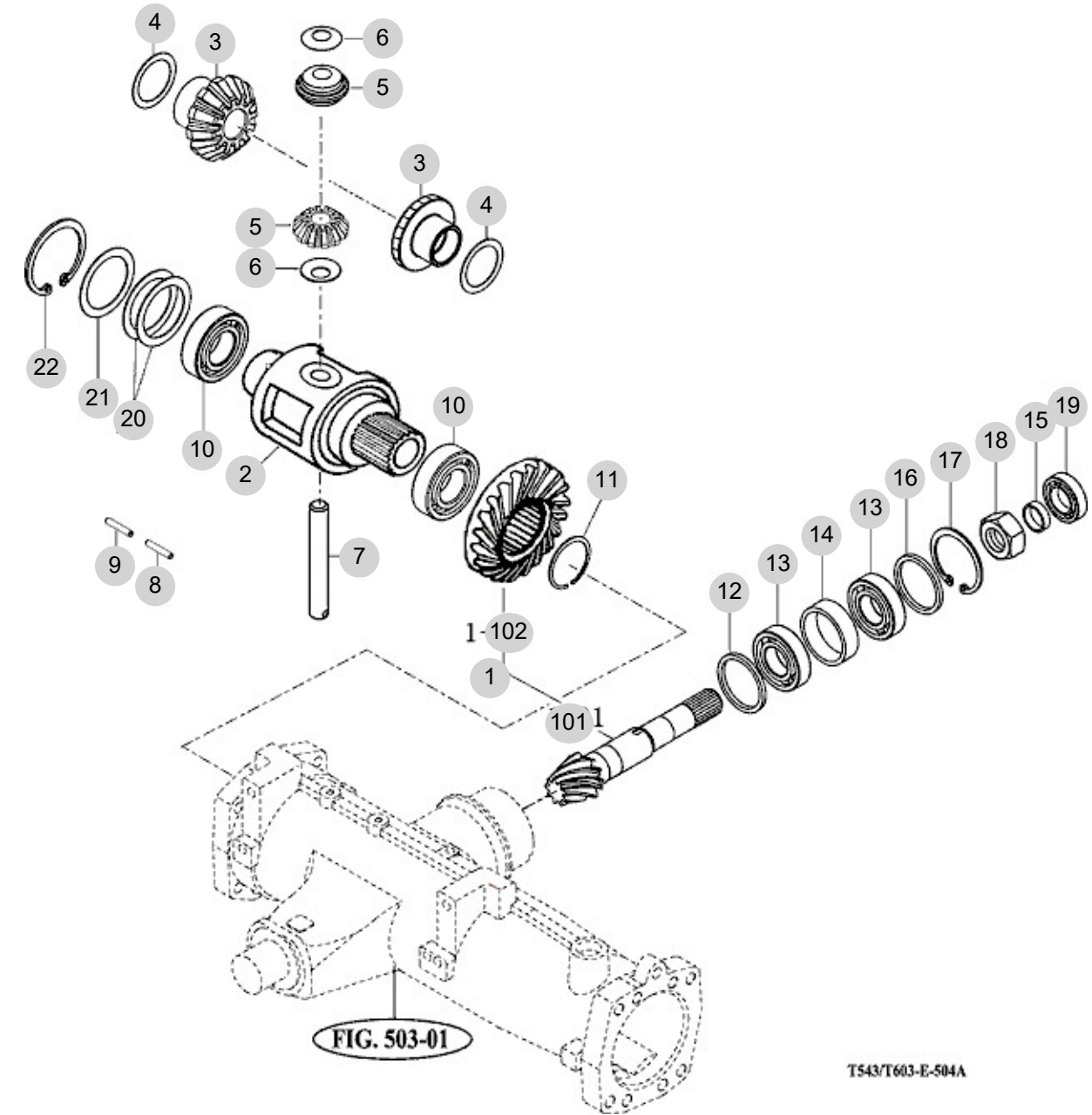
NOTE

FIG 504

FRONT DIFFERENTIAL GEARS

년/월
Year/Month

2022-12



NOTE

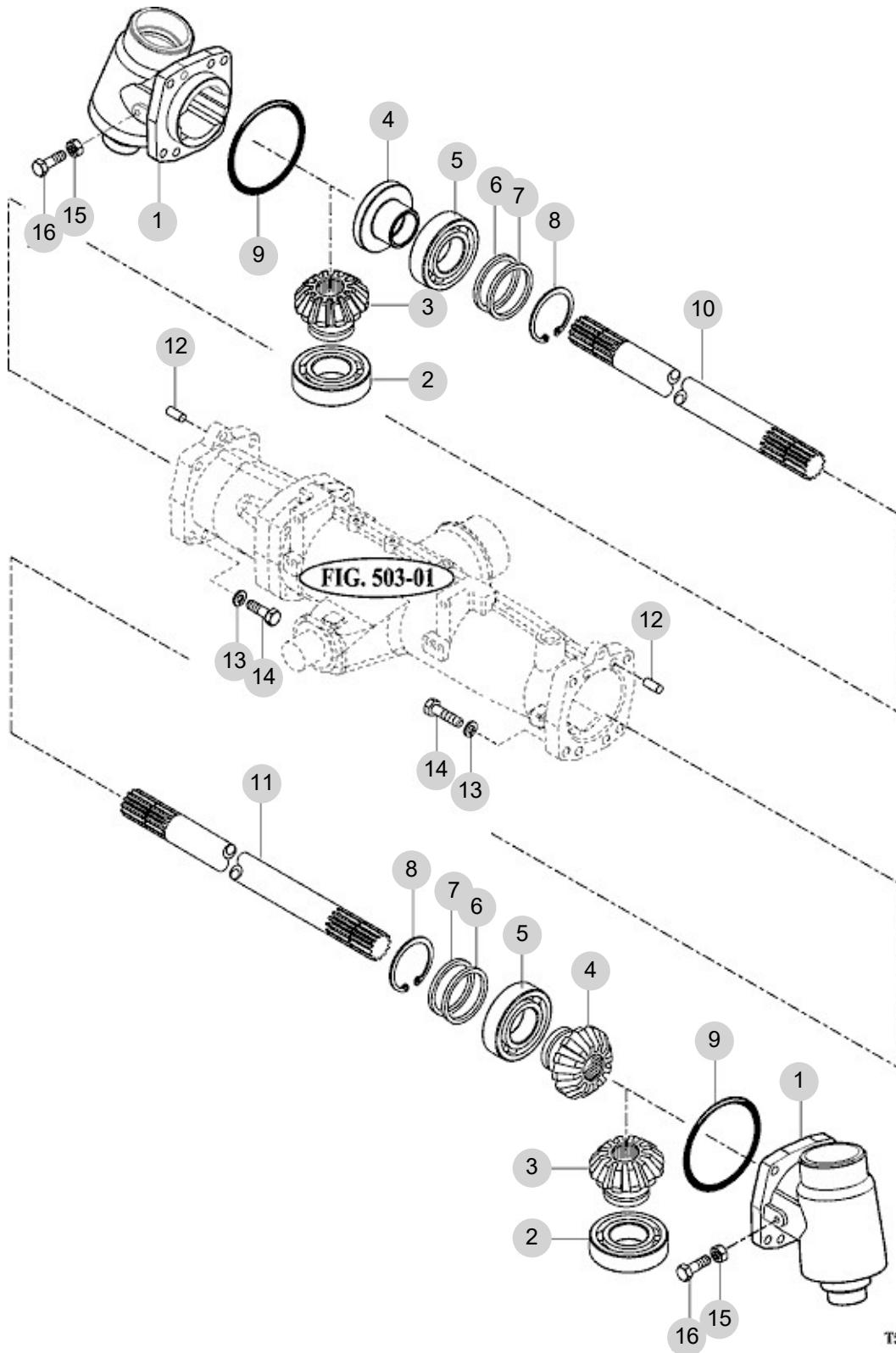
FIG 505

FRONT GEAR CASE (1)

년/월
Year/Month

2022-12

T754SMEU1



T543/T603-E-505A

NOTE

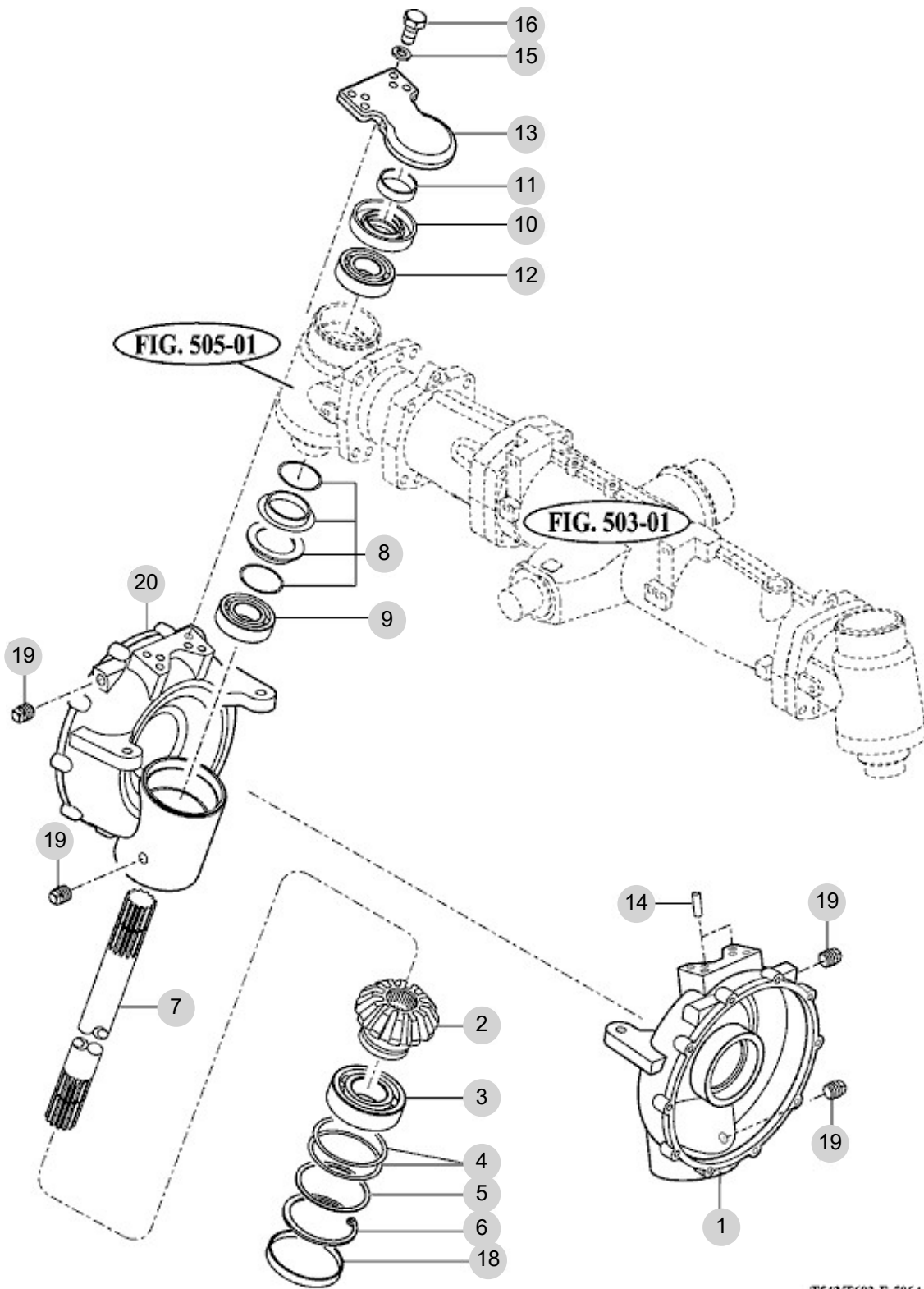
FIG 506

T754SMEU1

FRONT GEAR CASE (2)

년/월
Year/Month

2022-12



T543/T603-E-506A

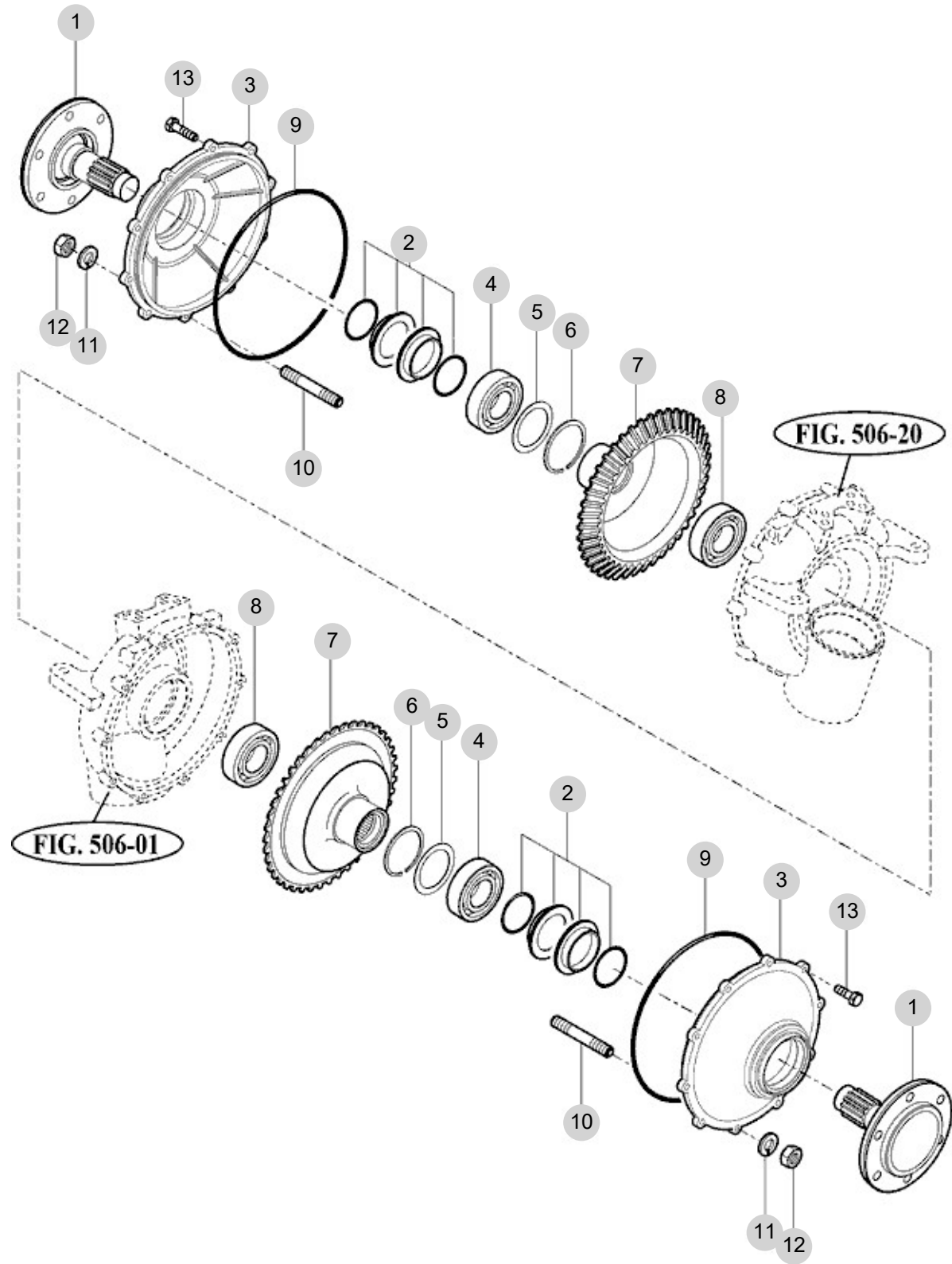
NOTE

FIG 507

FRONT GEAR CASE (3)

년/월
Year/Month

2022-12



T754-E-507

NOTE

6. Hydraulic/3P-Link PART NO. T6

FIG 601 CYLINDER CASE	154
FIG 602 LIFT ARM	156
FIG 603 CYLINDER	158
FIG 604 POSITION LINK	160
FIG 605 CONTROL VALVE	162
FIG 606 DRAFT LINK	164
FIG 607 POSITION & DRAFT LEVER	166
FIG 608 EXTERIOR HYD. VALVE	169
FIG 609 HYDRAULIC PIPE	171
FIG 610 JOYSTICK	173
FIG 611 HITCH & 3-POINT LINK	175
FIG 611-2 HITCH & 3-POINT LINK	178
FIG 612 LOWER LINK & LIFT ROD	181
FIG 613-2(EU) HYDRAULIC HOSE(EU)	183

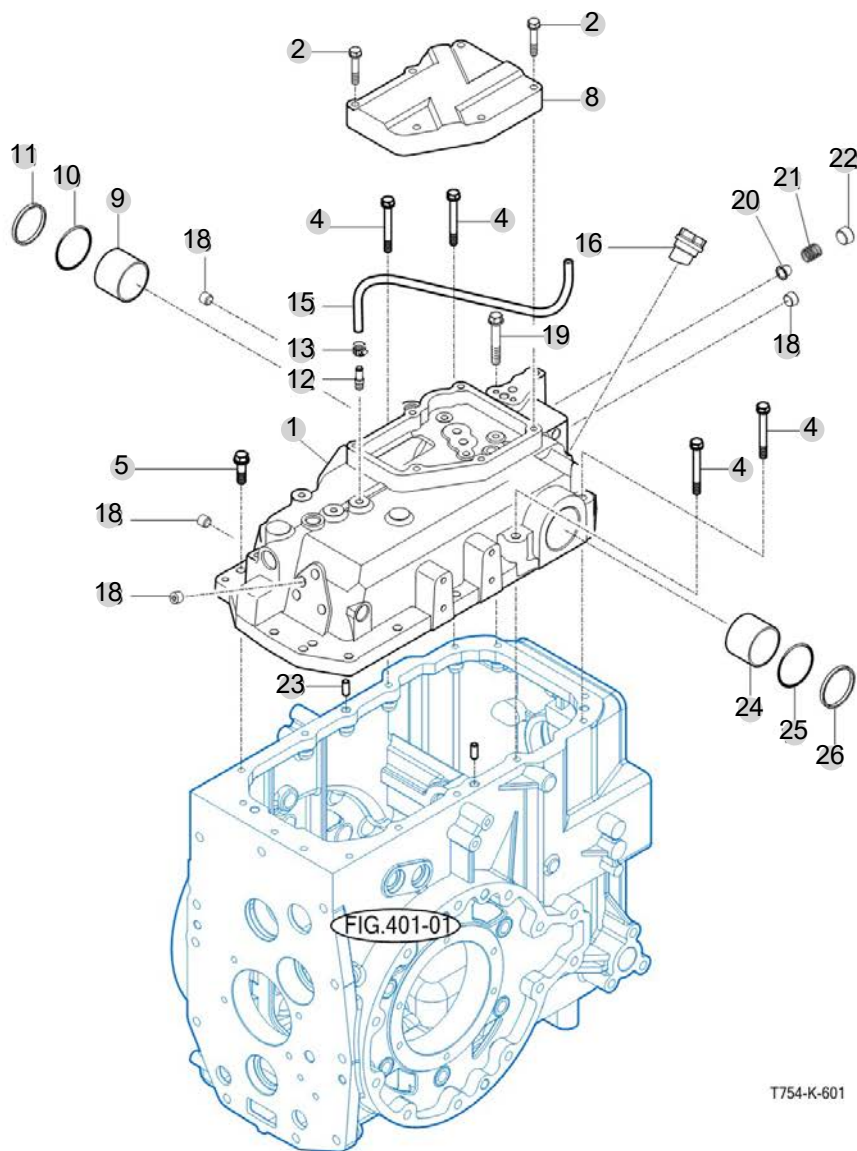
FIG 601

CYLINDER CASE

년/월
Year/Month

2022-12

T754SMEU1



NOTE

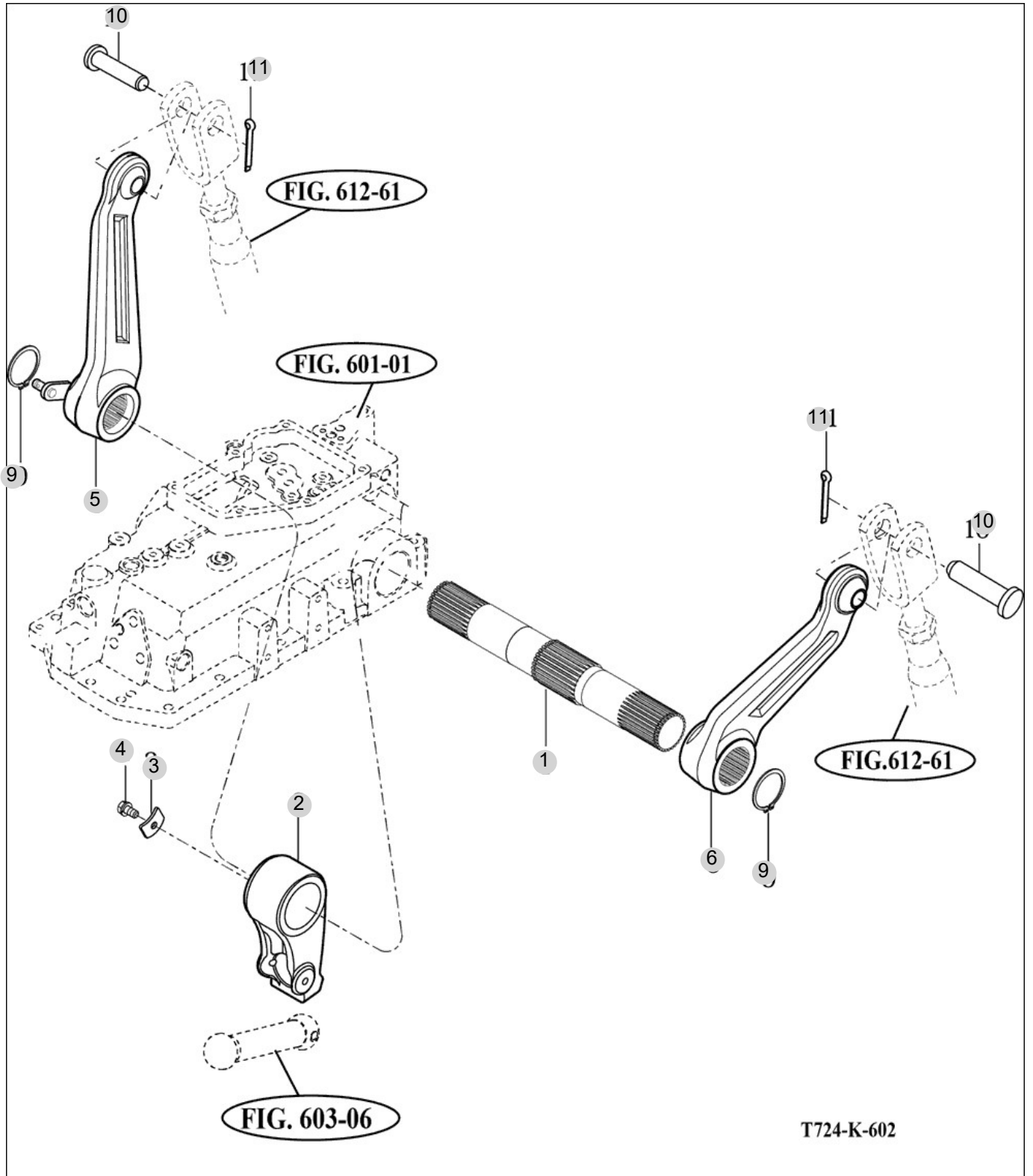
FIG 602

LIFT ARM

년/월
Year/Month

2022-12

T754SMEU1



NOTE

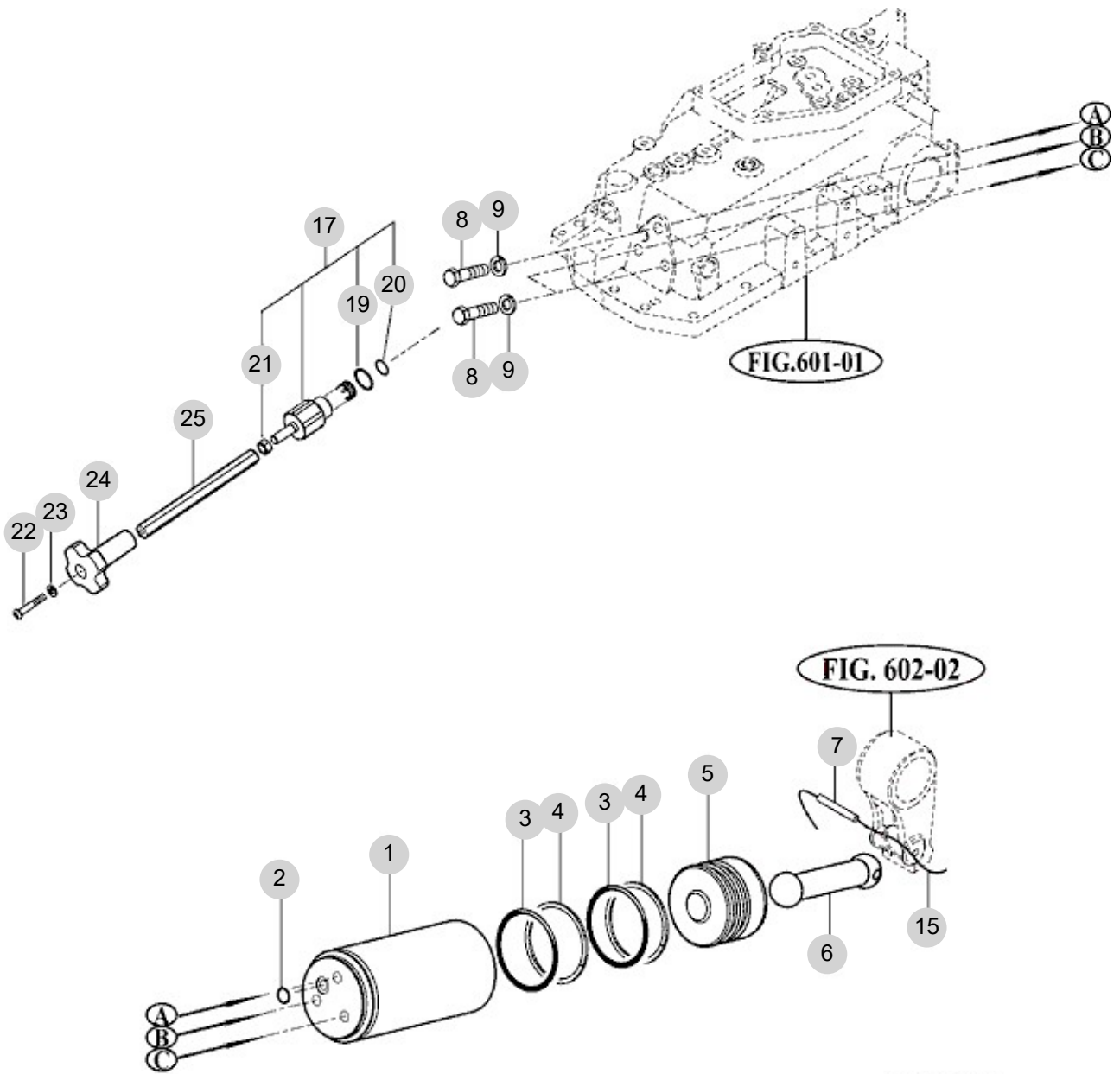
FIG 603

CYLINDER

년/월
Year/Month

2022-12

T754SMEU1



NOTE

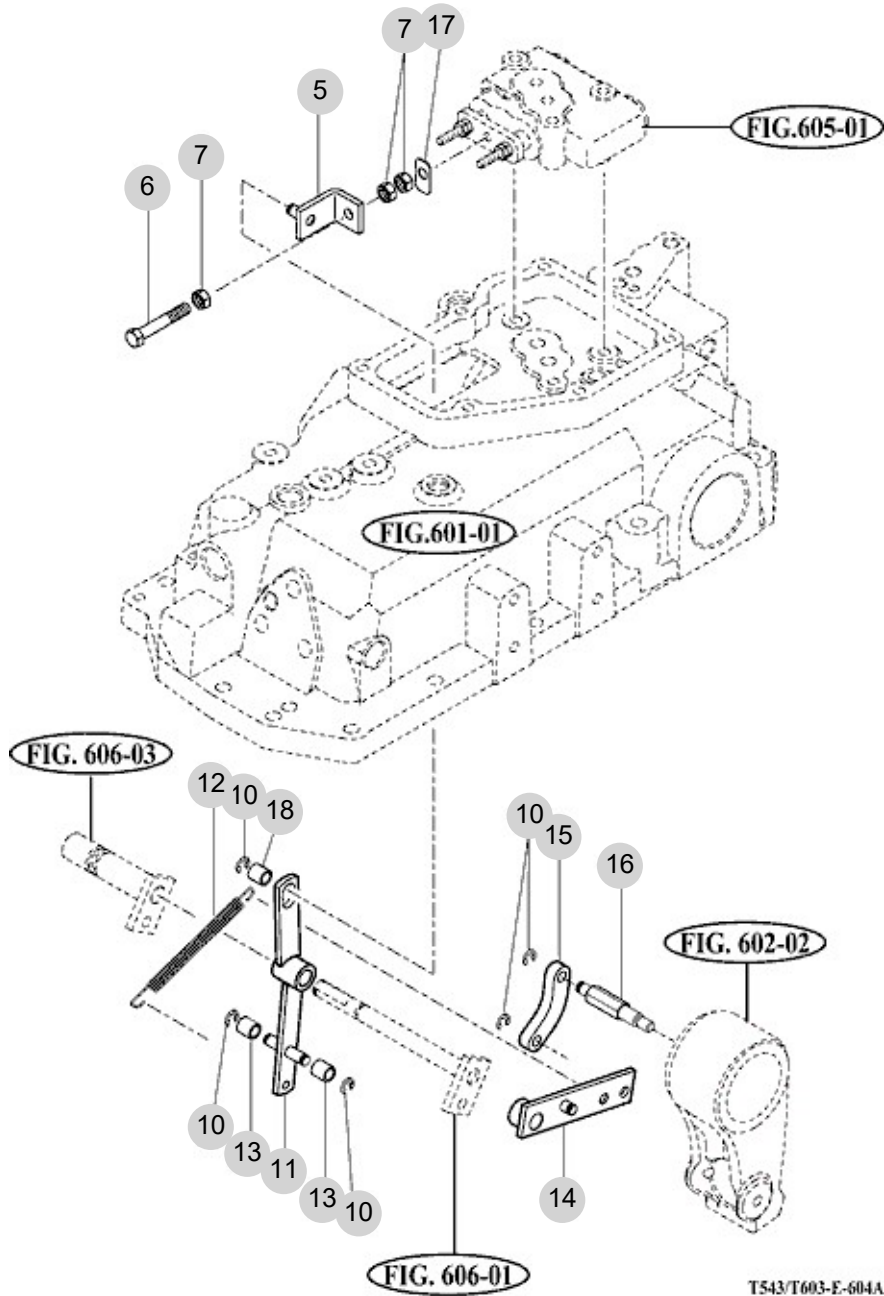
FIG 604

POSITION LINK

년/월
Year/Month

2022-12

T754SMEU1



T543/T603-E-604A

NOTE

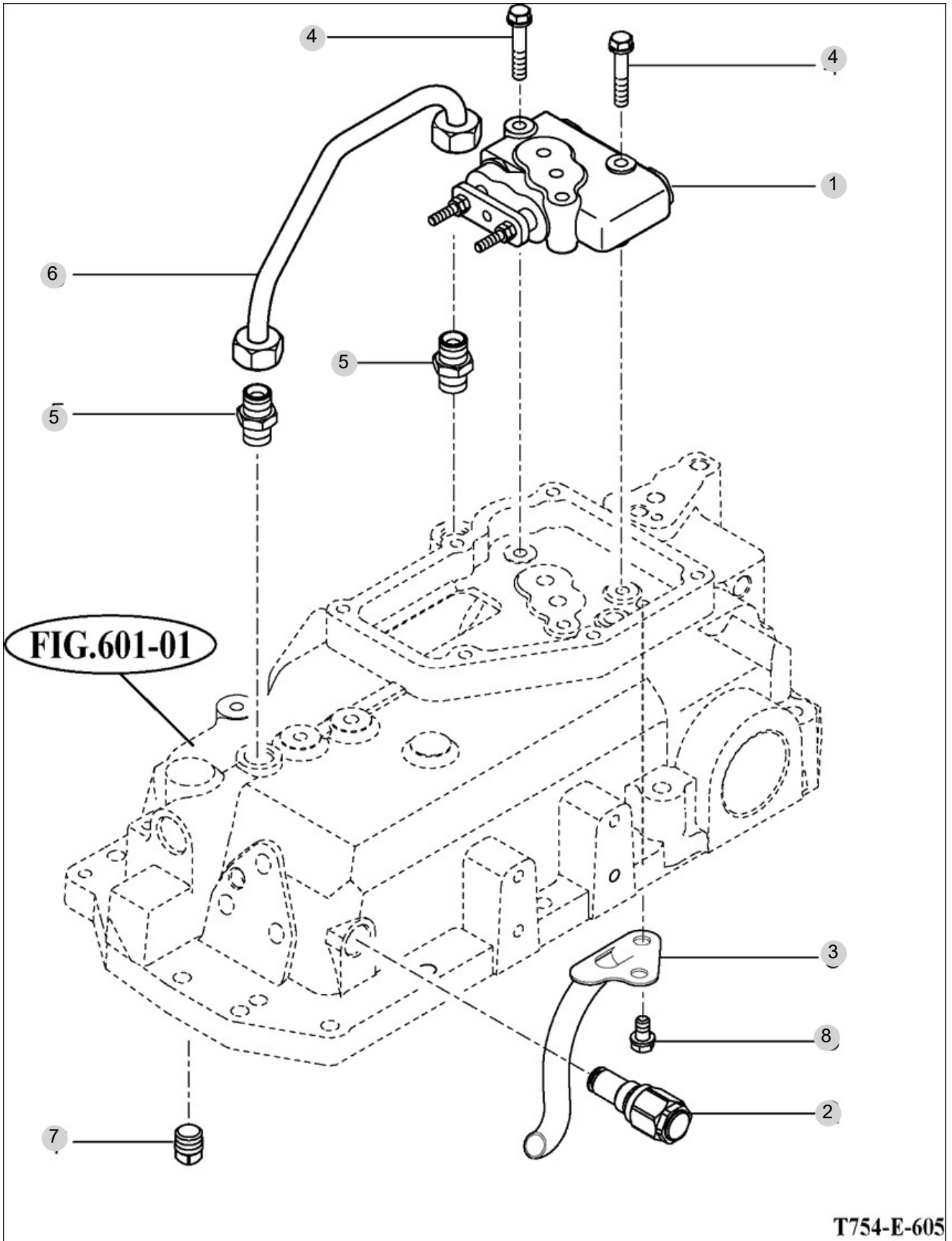
FIG 605

CONTROL VALVE

년/월
Year/Month

2022-12

T754SMEU1



NOTE

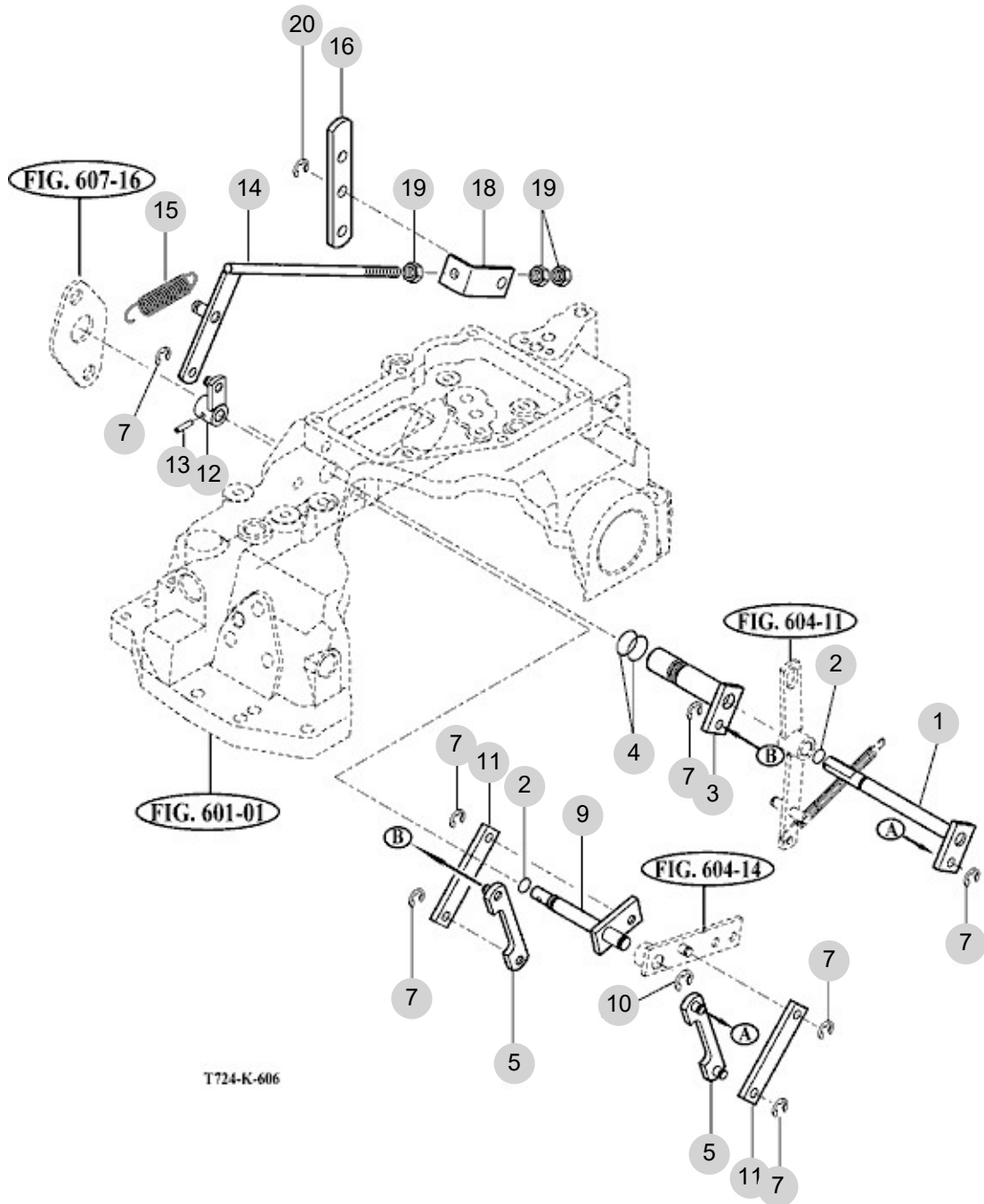
FIG 606

DRAFT LINK

년/월
Year/Month

2022-12

T754SMEU1



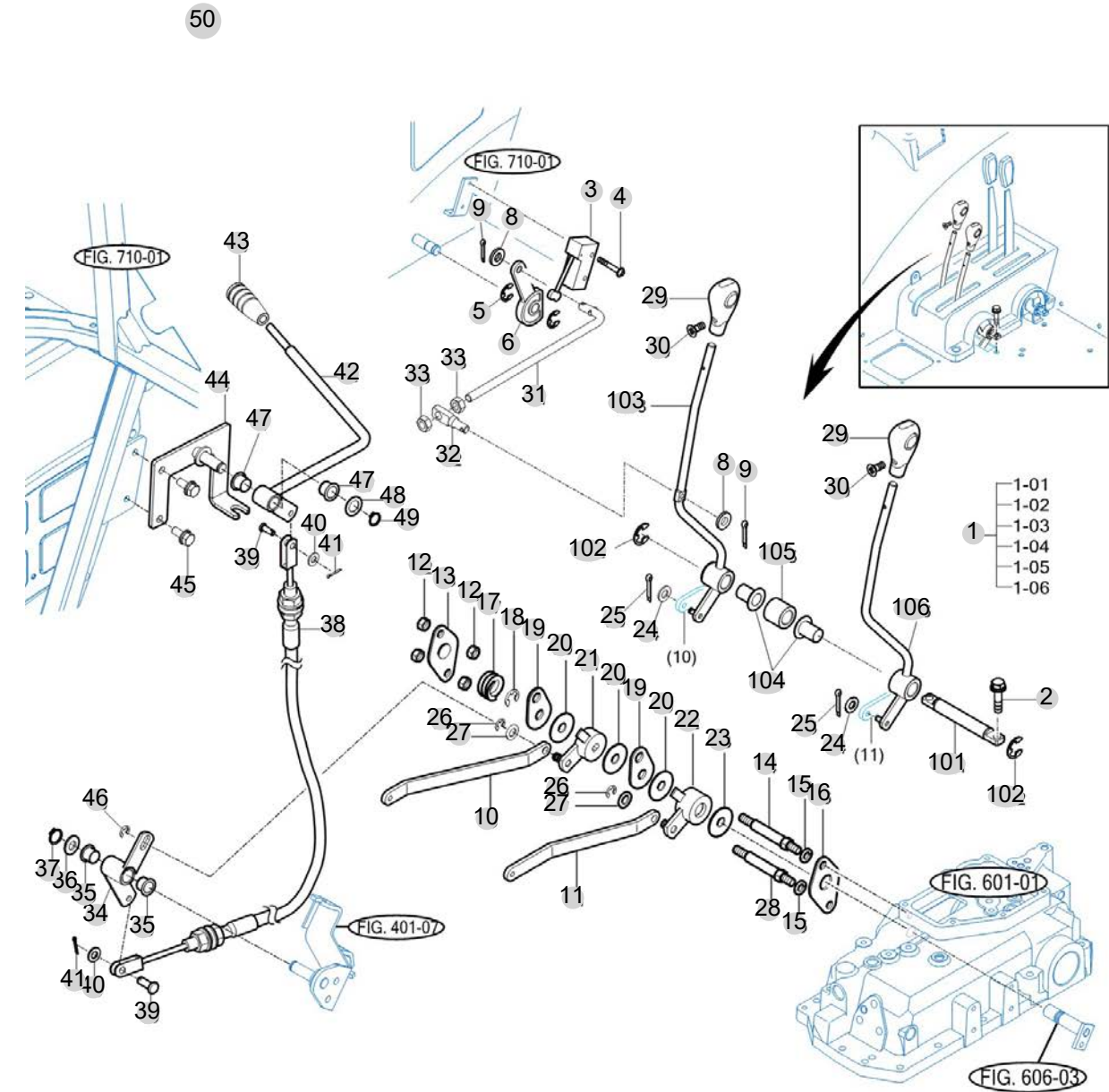
NOTE

FIG 607

POSITION & DRAFT LEVER

년/월
Year/Month

2022-12



T754-K-607

NOTE

FIG 607 T754SMEU1		POSITION & DRAFT LEVER					년/월 Year/Month	
							2022-12	
KEY NO	PART NO	DESCRIPTION	SPEC	QTY	REPAIR	EFFECTIVE DATE	REMARKS	
607	1	19997092101	REVER SUB , POSITION/DRAFT	1X1X1	1			
607	101	14527092110	SHAFT	D=16	1			
607	102	V7081400150	E-RING	15	2			
607	103	19997092201GB	LEVER COMP , POSITION	400*50*100	1			
607	104	14527092120	BUSH, NYLON/16X18X27	1X1X1	2			
607	105	14527092251	COLLER , SPACE	D=30	1			
607	106	19997092301GB	LEVER COMP , DRAFT	400*50*100	1			
607	2	V2183608020	BOLT , HEX/SP	M8X20	2			
607	3	16606742301	SWITCH ASSY . LIMIT		1			
607	4	V1222604025	SCREW , C/R PAN/SP	M4X25	2			
607	5	V7081400080	E-RING	8	2			
607	6	14527090020	CAM , SENSER	1X1X1	1			
607	8	V4111600060	WASHER , PLAIN	M6	2			
607	9	V5001920020	PIN , SPLIT	2X20	2			
607	10	18015070120	PLATE , POSITION	19X6T	1			
607	11	18015070140	PLATE , DRAFTER	19X6T	1			
607	12	V3043600100	NUT , HEX/2	M10	4			
607	13	17995070140	PLATE , C	3.2T	1			
607	14	17995070150	BOLT , SUPPORT	H14X108.9	1			
607	15	V4011600100	WASHER , SPRING	M10	2			
607	16	17995070170	PLATE , D	3.2TX90X50	1			
607	17	17995070180	SPRING	33X23	1			
607	18	V7081400120	E-RING	12	1			
607	19	17995070200	PLATE , A	3.2TX40X62	2			
607	20	17995070211	PLATE , FRICTION	13X40X2T	3			
607	21	14525070221	ARM COMP , POSITION	1X1X1	1			
607	22	14525070230	ARM COMP , DRAFT LEVER		1			
607	23	17995070241	PLATE , FRICTION	21*40*2T	1			
607	24	V4111600060	WASHER , PLAIN	M6	2			
607	25	V5001920020	PIN , SPLIT	2X20	2			
607	26	V7081400080	E-RING	8	2			
607	27	V4111600100	WASHER , PLAIN	M10	2			
607	28	17995070340	BOLT , SUPPORT		1			
607	29	19027592011	KNOB , AUX LEVER	1X1X1	2			
607	30	V1122804012	SCREW , C/R FLAT	M4X12	2			
607	31	19997090010	ROD,SWITCH	6*150*28	1			
607	32	19997090210	PIN , POSITION ROD	10.6*32*8	1			
607	33	V3002600060	NUT , HEX/1	M6	2			
607	34	18025070500GB	ARM COMP , AUX POSITION		1			
607	35	15602870024	BUSH , 16X24X15		2			
607	36	36212110030	WASHER , TENSION ARM	T=1.6	2			
607	37	V7041400160	C-RING , SHAFT	16	2			
607	38	18175070700	CABLE, EXTERNAL POSITION ASSY		1			
607	39	14322420010	PIN	D=8	2			
607	40	V4111600080	WASHER , PLAIN	M8	2			
NOTE								

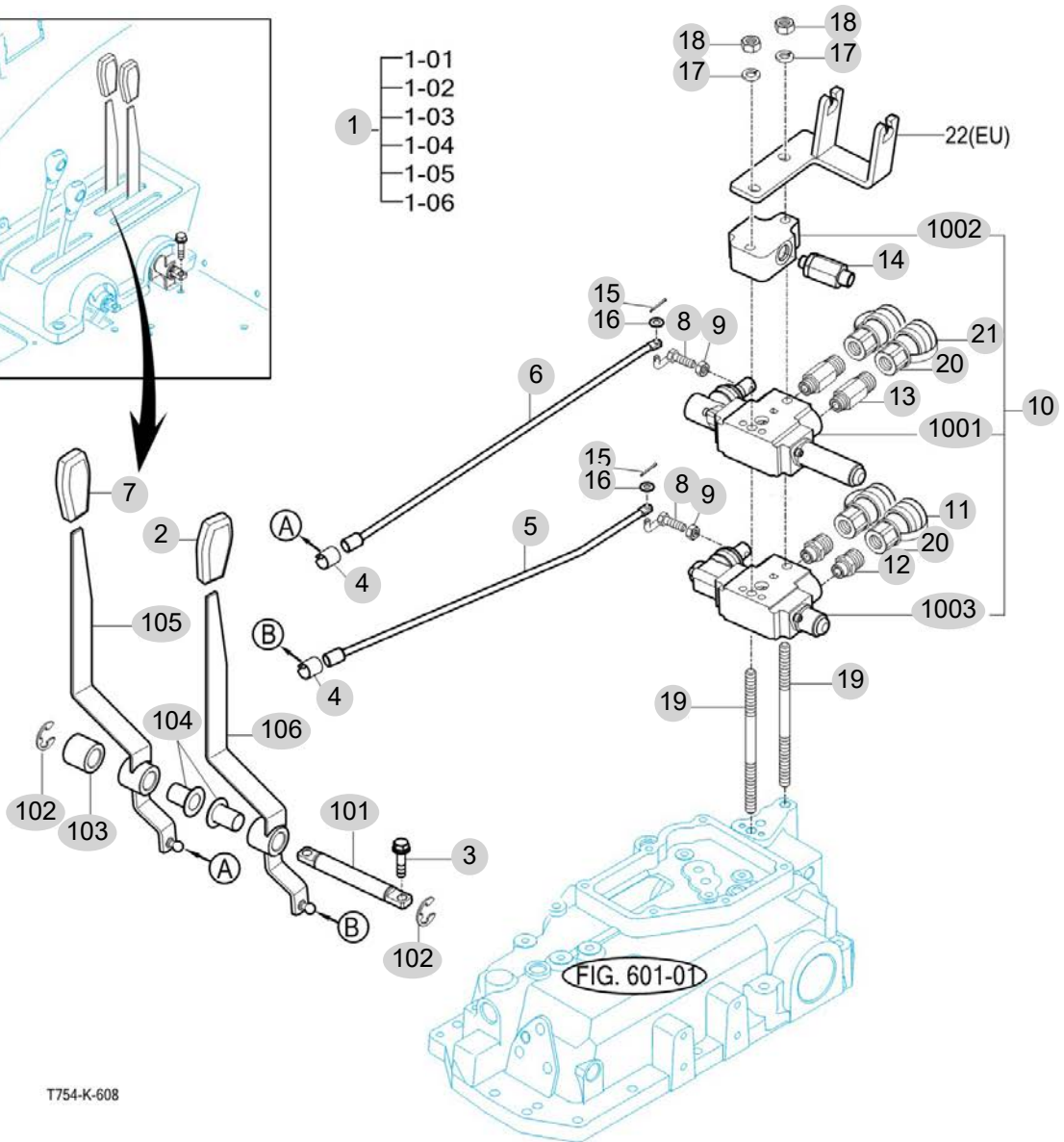
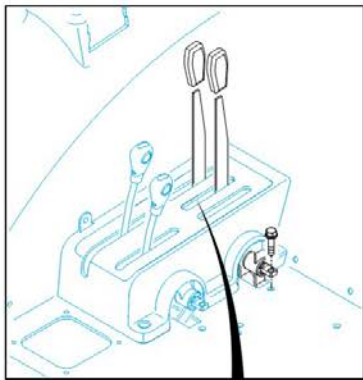
FIG 608

EXTERIOR HYD. VALVE

년/월
Year/Month

2022-12

T754SMEU1



T754-K-608

NOTE

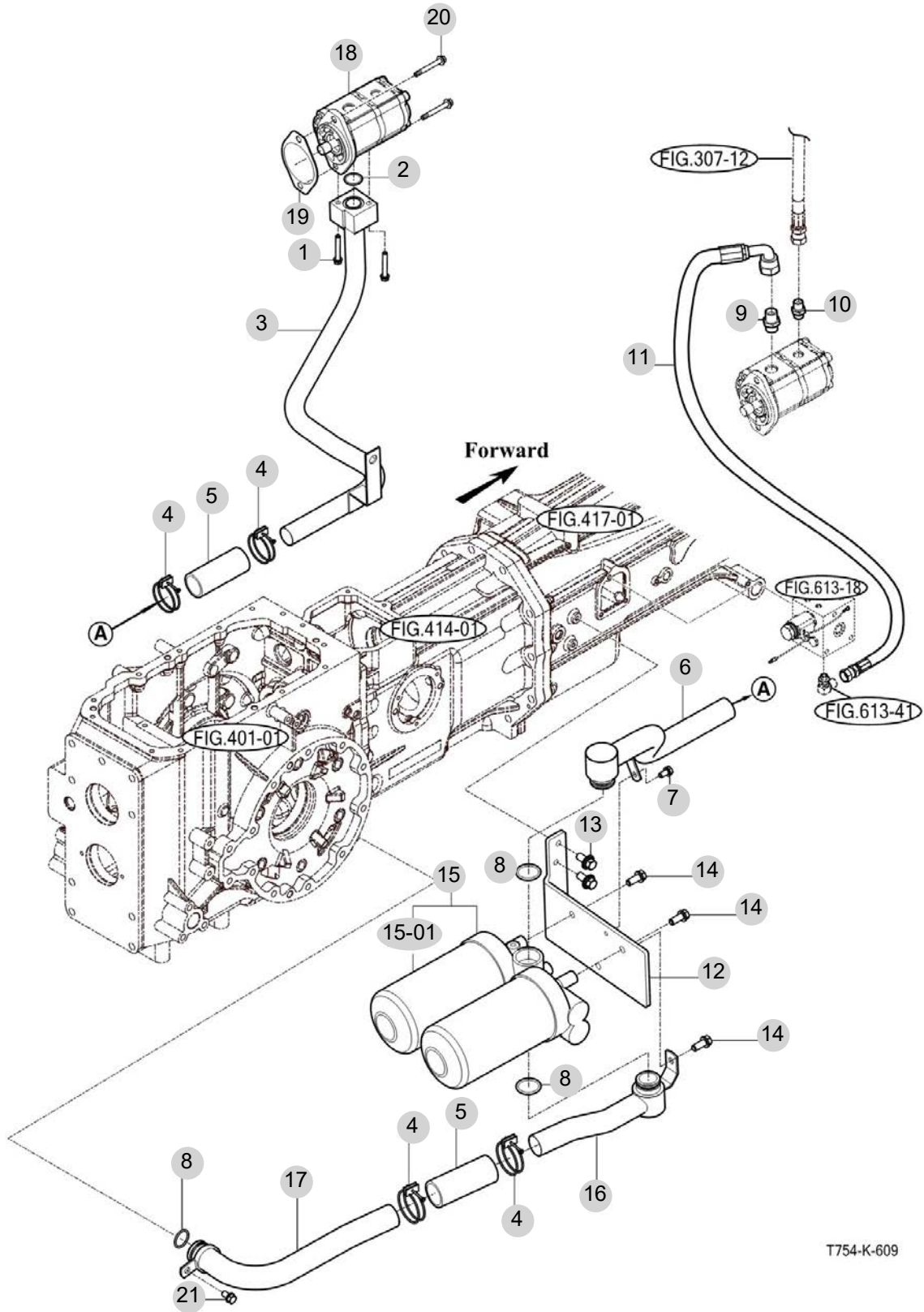
FIG 609

HYDRAULIC PIPE

년/월
Year/Month

2022-12

T754SMEU1



T754-K-609

NOTE

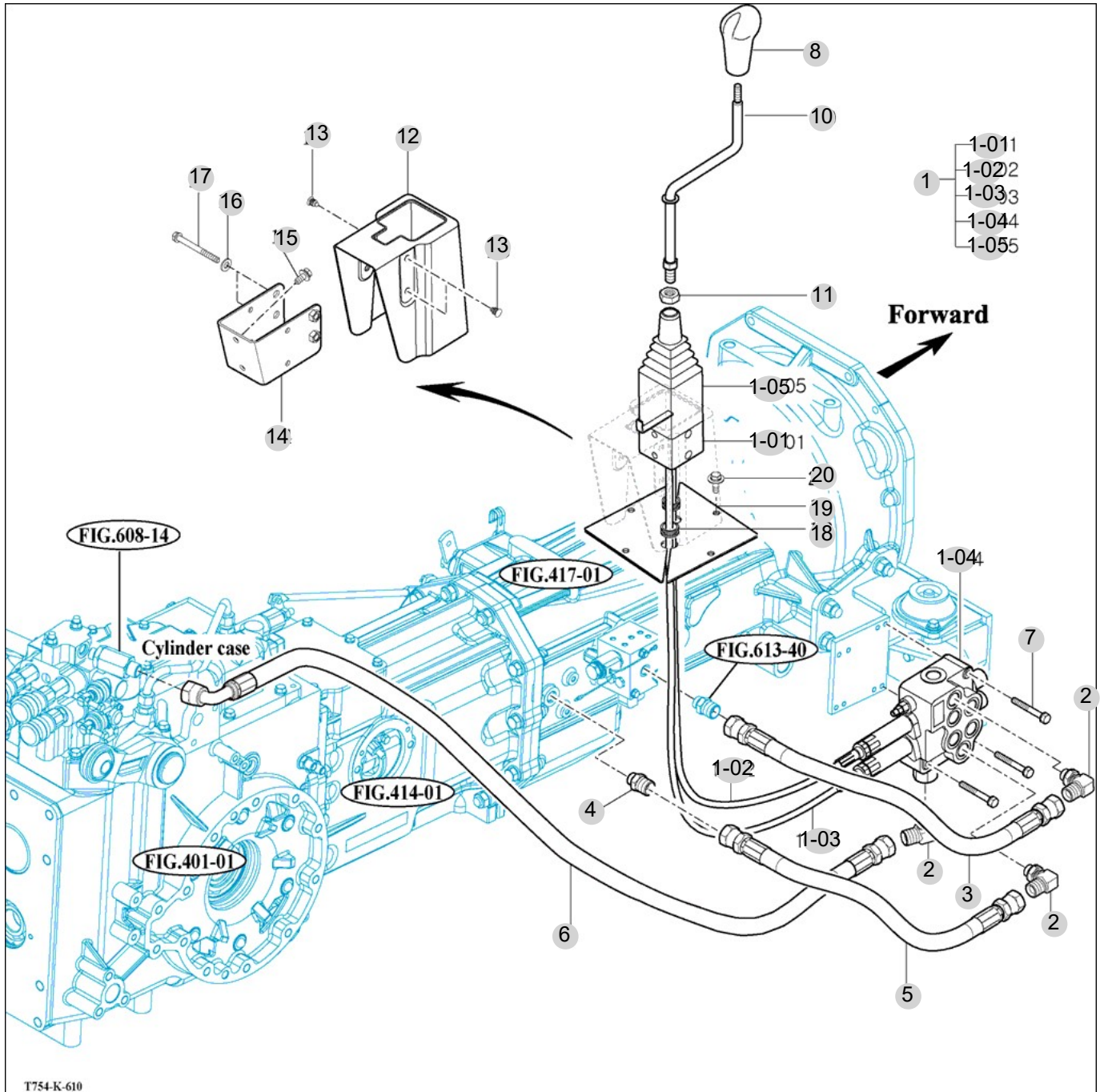
FIG 610

JOYSTICK

년/월
Year/Month

2022-12

T754SMEU1



T754-K-610

NOTE

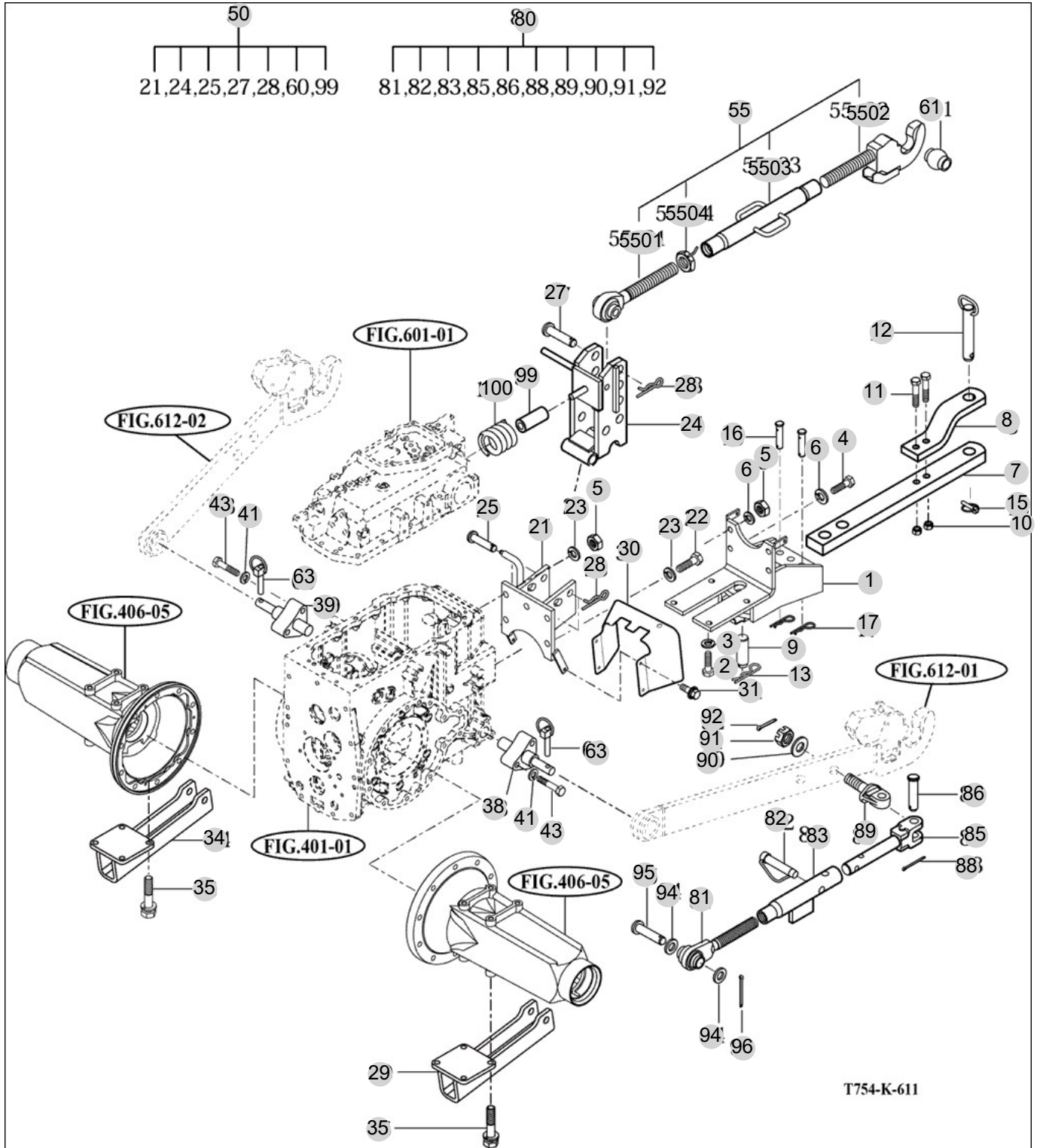
FIG 611

HITCH & 3-POINT LINK

년/월
Year/Month

2022-12

T754SMEU1



NOTE

FIG 611 T754SMEU1		HITCH & 3-POINT LINK					년/월 Year/Month	
							2022-12	
KEY NO	PART NO	DESCRIPTION	SPEC	QTY	REPAIR	EFFECTIVE DATE	REMARKS	
611	1	18015202000GB	BRACKET COMP , DRAW BAR/SWING	246*20*440	1			
611	2	V2013614035	BOLT , HEX	M14X35	4			
611	3	V4011600140	WASHER , SPRING	M14	4			
611	4	V2013616035	BOLT , HEX	M16X35	2			
611	5	V3043600160	NUT , HEX/2	M16	4			
611	6	V4011600160	WASHER , SPRING	M16	4			
611	7	17332470010GB	LINK , DRAW BAR SWING	65X35X660	1			
611	8	18992470020GB	LINK , HITCH	1X1X1	1			
611	9	17332472010	PIN , DRAWBAR	D=28	1			
611	10	15189240160	NUT , NYLON , M16	1X1X1	2			
611	11	V2004616080	BOLT , HEX	M16X80	2			
611	12	S0973063031	PIN ASSY	D=19	2			
611	13	V2173610020	BOLT , HEX/S		1			
611	13	S2169908420	PIN , SNAP/28	1X1X1	1			
611	15	14215020020	PIN , LINK		1			
611	16	15645220011	PIN , 19X86	D=19	2			
611	17	14445140051	PIN , 19	D=4.5	2			
611	21	18015222000GB	BRACKET COMP	1X1X1	1			
611	22	V2013616035	BOLT , HEX	M16X35	3			
611	23	V4011600080	WASHER , SPRING	M8	5			
611	24	17975222102GB	LINK COMP	13.0X18.3X23.4	1			
611	25	15645250010	PIN , 19X122	D=19	2			
611	27	15645220020	PIN , 19X95	D=19	1			
611	28	14445140051	PIN , 19	D=4.5	3			
611	29	18015254101GB	BRACKET COMP		1			
611	30	13605200012GB	COVER , SHIELD	1X1X1	1			
611	31	V2183608016	BOLT , HEX/SP	M8X16	4			
611	34	18015254101GB	BRACKET COMP		1			
611	35	V2013614030	BOLT , HEX	M14X30	8			
611	38	17975252710	PIN , LOWER LINK		1			
611	39	17975252810	PIN , LOWER LINK	1X1X1	1			
611	41	V4011600140	WASHER , SPRING	M14	6			
611	43	V2013614060	BOLT , HEX	M14X60	6			
611	50	18015200500	BRACKET ASSY	1X1X1	1			
611	55	17995201002GB	LINK ASSY . TOP LINK	1X1X1	1			
611	61	17995201500	BALL , TOP LINK	1X1X1	1			
611	63	14215020020	PIN , LINK		2			
611	80	18025253000GB	LINK ASSY , ADJUSTER		2			
611	81	17995253102	ROD ASSY , TIE	1X1X1	2			
611	82	17995253200	PIN COMP	1X1X1	4			
611	83	17995253302GB	SLEEVE COMP	1X1X1	4			
611	85	19025205300	ROD COMP , R	1X1X1	2			
611	86	S2167091722	PIN , 20X59	62X22	4			
611	88	V5001950035	PIN , SPLIT	5X35	2			
611	89	16995253091	BOLT , EYE		2			
NOTE								

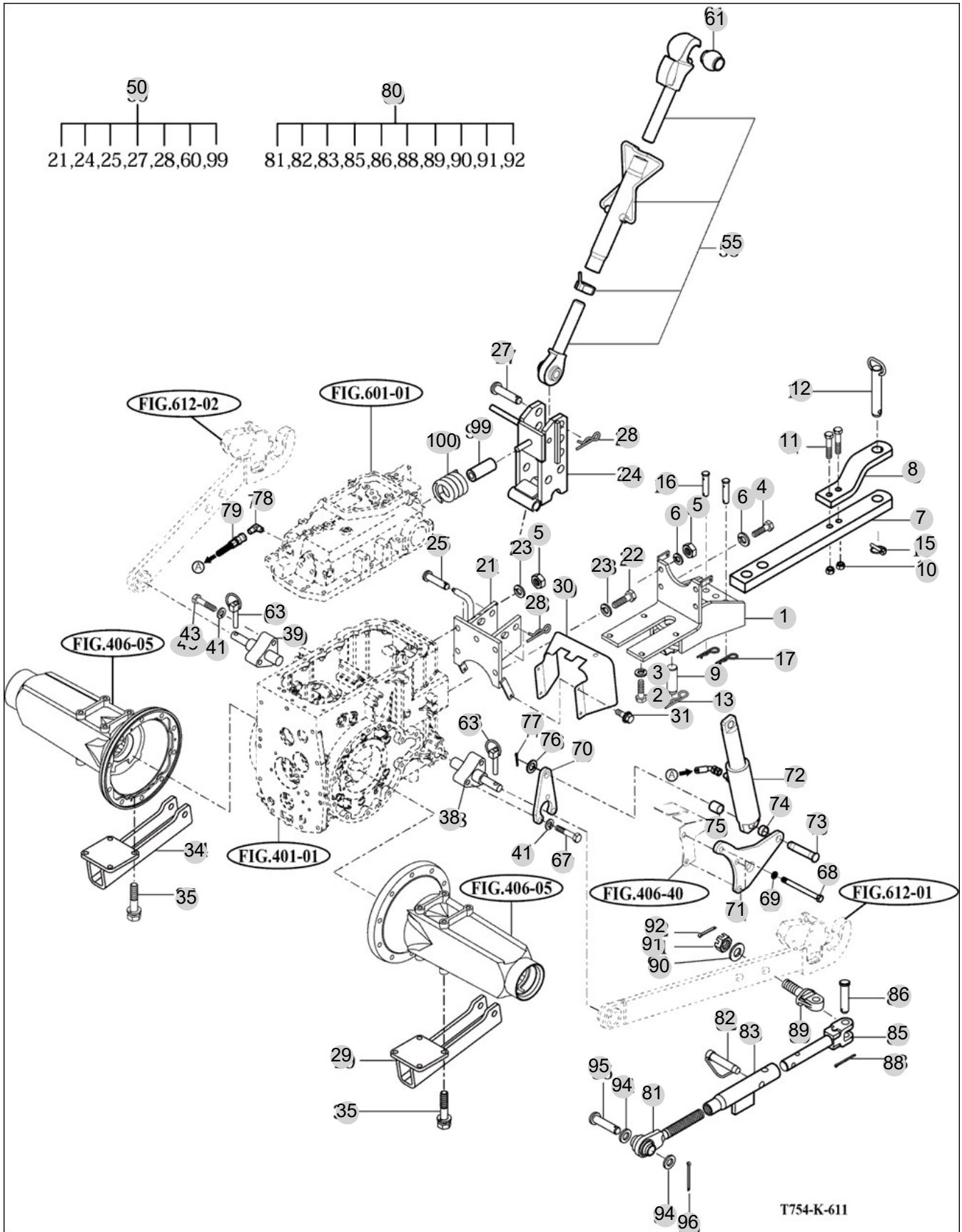
FIG 611-2

HITCH & 3-POINT LINK

년/월
Year/Month

2022-12

T754SMEU1



NOTE

FIG 611-2		HITCH & 3-POINT LINK						년/월 Year/Month	
								2022-12	
T754SMEU1		KEY NO	PART NO	DESCRIPTION	SPEC	QTY	REPAIR	EFFECTIVE DATE	REMARKS
611-2	1	18015202000GB	BRACKET COMP , DRAW BAR/SWING	246*20*440	1				
611-2	2	V2013614035	BOLT , HEX	M14X35	4				
611-2	3	V4011600140	WASHER , SPRING	M14	4				
611-2	4	V2013616035	BOLT , HEX	M16X35	2				
611-2	5	V3043600160	NUT , HEX/2	M16	4				
611-2	6	V4011600160	WASHER , SPRING	M16	4				
611-2	7	17332470010GB	LINK , DRAW BAR SWING	65X35X660	1				
611-2	8	18992470020GB	LINK , HITCH	1X1X1	1				
611-2	9	17332472010	PIN , DRAWBAR	D=28	1				
611-2	10	15189240160	NUT , NYLON , M16	1X1X1	2				
611-2	11	V2004616080	BOLT , HEX	M16X80	2				
611-2	12	S0973063031	PIN ASSY	D=19	2				
611-2	13	S2169908420	PIN , SNAP/28	1X1X1	1				
611-2	15	14215020020	PIN , LINK		1				
611-2	16	15645220011	PIN , 19X86	D=19	2				
611-2	17	14445140051	PIN , 19	D=4.5	2				
611-2	21	18015222000GB	BRACKET COMP	1X1X1	1				
611-2	22	V2013616035	BOLT , HEX	M16X35	3				
611-2	23	V4011600080	WASHER , SPRING	M8	5				
611-2	24	17975222102GB	LINK COMP	13.0X18.3X23.4	1				
611-2	25	15645250010	PIN , 19X122	D=19	2				
611-2	27	15645220020	PIN , 19X95	D=19	1				
611-2	28	14445140051	PIN , 19	D=4.5	3				
611-2	29	18015254100GB	BRACKET COMP		1				
611-2	29	18015254101GB	BRACKET COMP		1				
611-2	30	13605200012GB	COVER , SHIELD	1X1X1	1				
611-2	31	V2183608016	BOLT , HEX/SP	M8X16	4				
611-2	34	18015254101GB	BRACKET COMP		1				
611-2	35	V2013614030	BOLT , HEX	M14X30	8				
611-2	38	17975252710	PIN , LOWER LINK		1				
611-2	39	17975252810	PIN , LOWER LINK	1X1X1	1				
611-2	41	V4011600140	WASHER , SPRING	M14	6				
611-2	43A	V2013614060	BOLT , HEX	M14X60	6				
611-2	50	18015200500	BRACKET ASSY	1X1X1	1				
611-2	55	18025201000GB	LINK ASSY . TOP		1				
611-2	61	17995201500	BALL , TOP LINK	1X1X1	1				
611-2	63	14215020020	PIN , LINK		2				
611-2	80	18025253000GB	LINK ASSY , ADJUSTER		2				
611-2	81	17995253102	ROD ASSY , TIE	1X1X1	2				
611-2	82	17995253200	PIN COMP	1X1X1	4				
611-2	83	17995253302GB	SLEEVE COMP	1X1X1	4				
611-2	85	19025205300	ROD COMP , R	1X1X1	2				
611-2	86	S2167091722	PIN , 20X59	62X22	4				
611-2	88	V5001950035	PIN , SPLIT	5X35	2				
611-2	89	16995253091	BOLT , EYE		2				
NOTE									

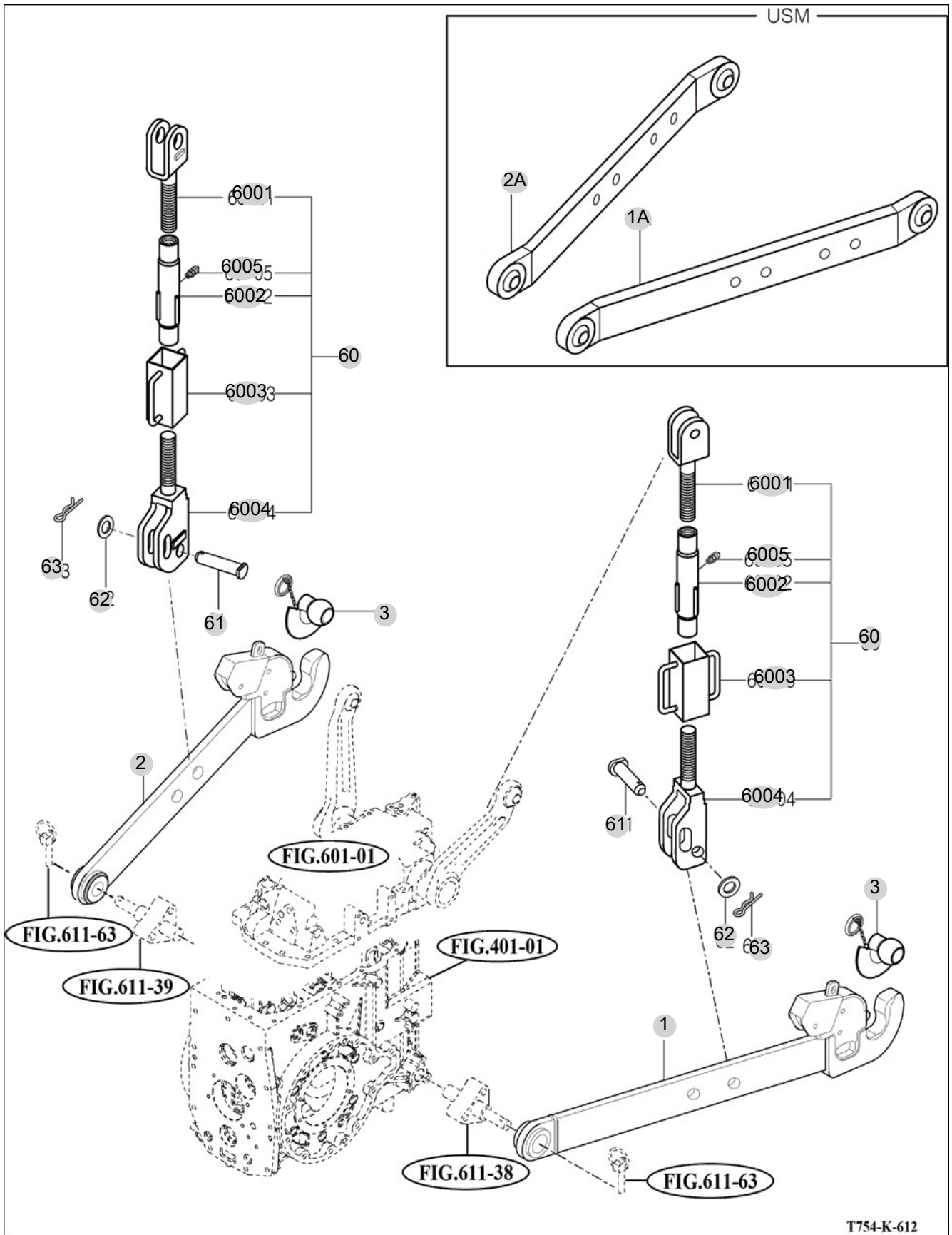
FIG 612

LOWER LINK & LIFT ROD

년/월
Year/Month

2022-12

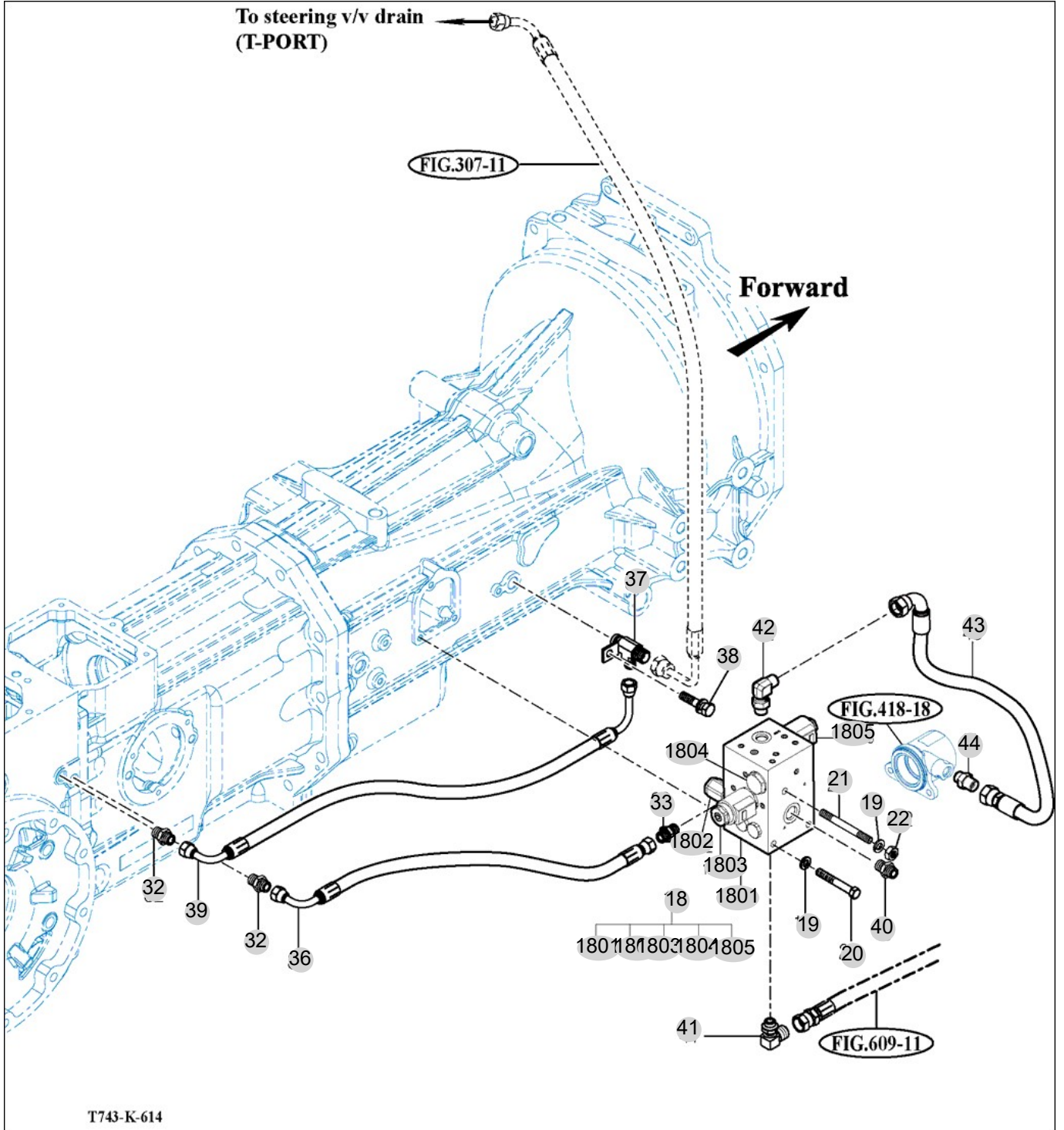
T754SMEU1



NOTE

FIG 612 T754SMEU1		LOWER LINK & LIFT ROD						년/월 Year/Month
								2022-12
KEY NO	PART NO	DESCRIPTION	SPEC	QTY	REPAIR	EFFECTIVE DATE	REMARKS	
612	1	18025262200GB	LINK COMP , LH LOWER		1			
612	2	18025262300GB	LINK COMP , RH LOWER		1			
612	3	16995252502	BUSH ASSY , BALL GUIDE		2			
612	60	18025243000GB	LINK ASSY , LIFT		2			
612	6001	17995242102	ROD COMP , LH	1X1X1	2			
612	6002	17995242202	SLEEVE COMP	1X1X1	2			
612	6003	17995242302	HANDLE COMP	1X1X1	2			
612	6004	17995242403	ROD COMP , RH	1X1X1	2			
612	6005	V7601500000	NIPPLE , GREASE/A-M6F		2			
612	61	17995240861	PIN , D30	1X1X1	2			
612	62	V4111600240	WASHER , PLAIN	M24	2			
612	63	S2169908420	PIN , SNAP/28	1X1X1	2			
NOTE								

T754SMEU1



NOTE

7. Sheet Metal & Cabin PART NO. T7

FIG 701 HOOD	186
FIG 702 FRONT FRAME	188
FIG 703 SIDE SUPPORT & FRAME HOOD	190
FIG 704 LEVER COVER & STEP	193
FIG 705 FRONT & REAR MOUNTING	195
FIG 706 SEAT & MAT	197
FIG 709 DOOR	199
FIG 710 FRONT GLASS	202
FIG 711 SIDE GLASS	204
FIG 712 REAR GLASS	206
FIG 713 SUB FENDER & COVER	208
FIG 714 MIRROR	210
FIG 715 HEATER & AIR-CON	212
FIG 715-2 HEATER & AIR-CON	214
FIG 716 FENDER COVER	216
FIG 717 ROOF	218
FIG 718 CABIN INTERIOR	220

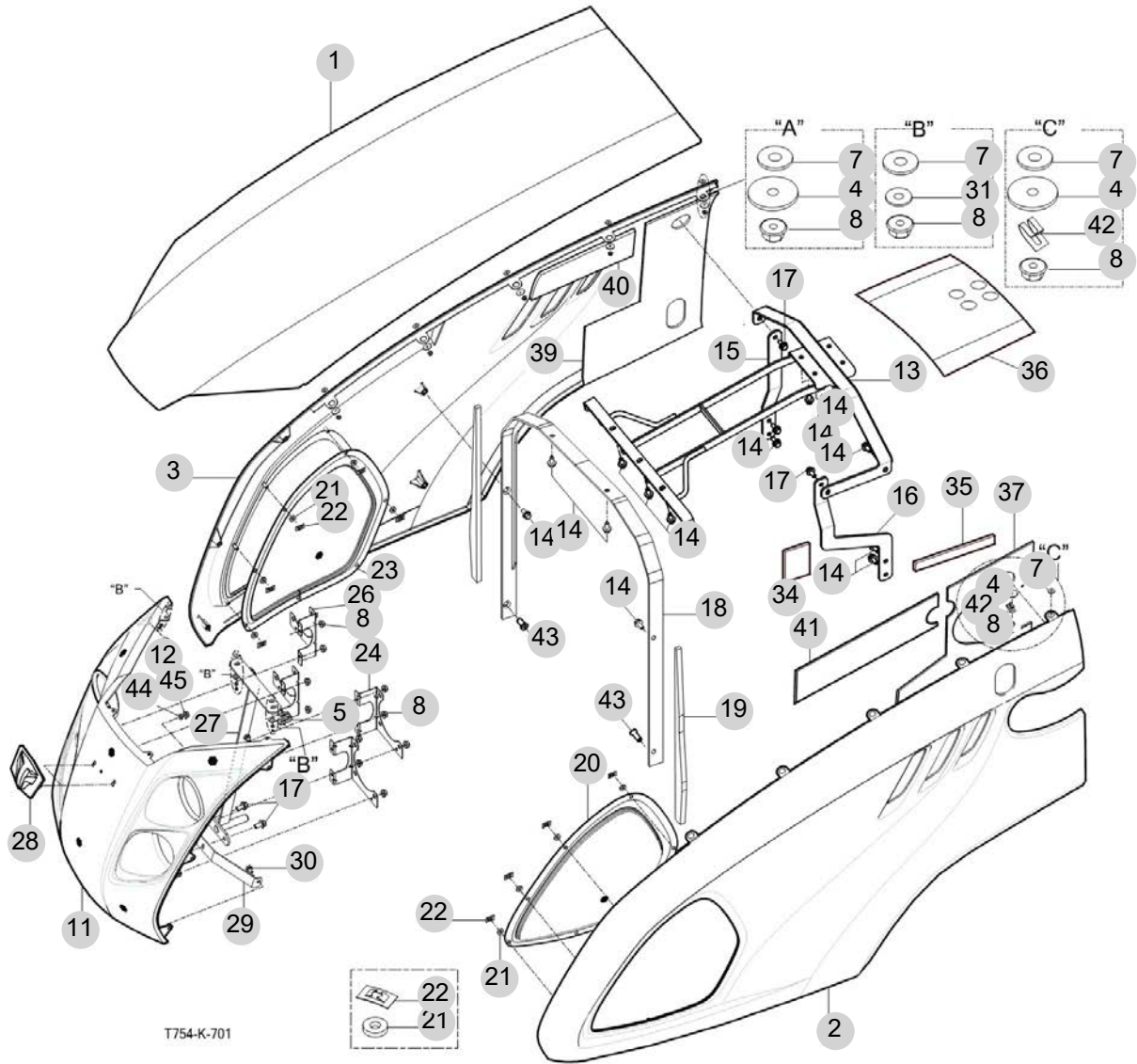
FIG 701

HOOD

년/월
Year/Month

2022-12

T754SMEU1



NOTE

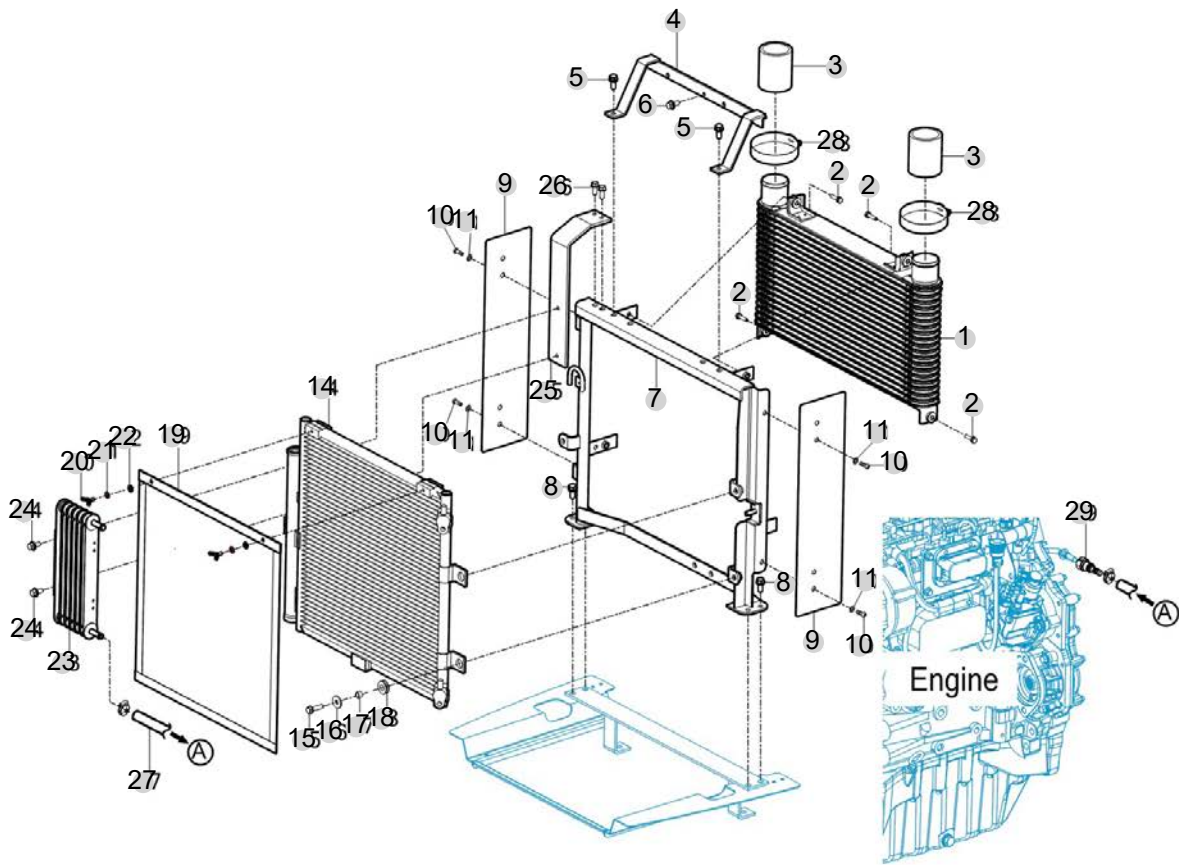
FIG 702

FRONT FRAME

년/월
Year/Month

2022-12

T754SMEU1



T754-K-702

NOTE

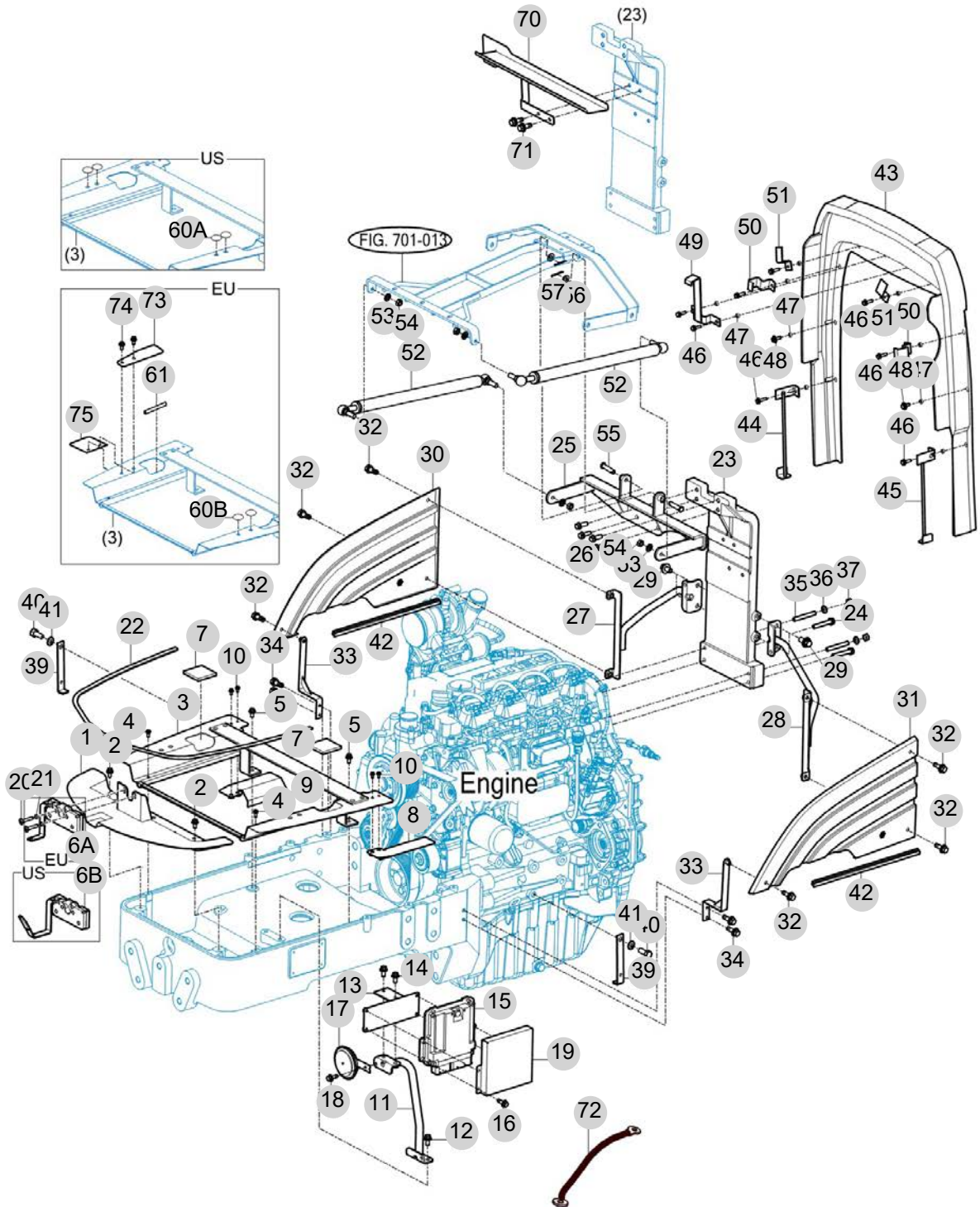
FIG 703

SIDE SUPPORT & FRAME HOOD

년/월
Year/Month

2022-12

T754SMEU1



T754-K-703

NOTE

FIG 703 T754SMEU1		SIDE SUPPORT & FRAME HOOD					년/월 Year/Month	
							2022-12	
KEY NO	PART NO	DESCRIPTION	SPEC	QTY	REPAIR	EFFECTIVE DATE	REMARKS	
703	1	18014103101GB	PLATE COMP, LOW/FR		1			
703	2	V2173608020	BOLT , HEX/S	M8X20	2			
703	3	18026022102GB	FRAME COMP , BETTERY		1			
703	4	V2113606016	BOLT , HEX /S	M6X16	2			
703	5	V2183608020	BOLT , HEX/SP	M8X20	2			
703	6A	18026014800	LOCK COMP , HOOD		1			
703	7	10031040020	INSULATOR , RADIATOR	T=10	2			
703	8	17136012400GB	COVER COMP , LH	170X64X37	1			
703	9	17136012300GB	COVER COMP , RH	170X64X37	1			
703	10	V2123606012	BOLT , HEX /SP	M6X12	4			
703	11	18021051100	ECU STAND COMP		1			
703	12	V2184610025	BOLT , HEX/SP	M10X25	2			
703	13	18021051200	BRACKET COMP , ECU		1			
703	13	18021051200GB	BRACKET COMP , ECU		1			
703	14	V2184608020	BOLT , HEX/SP	M8X20	2			
703	15	02959610	CONTROL UNIT (ECU)		1			
703	16	V2123606025	BOLT , HEX /SP	M6X25	4			
703	17	13266212003	HORN		1			
703	18	V2123606016	BOLT , HEX /SP	M6X16	1			
703	19	18021025200GB	COVER , ECU		1			
703	20	V2053606035	BOLT , HEX C/R	M6X35	2			
703	21	V3802600060	NUT , HEX FLANGE	M6	2			
703	22	10034100010	INSULATOR, HOOD		1			
703	23	18026050011GB	HOOD SUPPORT		1			
703	24	V2173608050	BOLT . HEX/S	M8X50	2			
703	25	17136052102GB	HINGE COMP , HOOD		1			
703	25	17136052103GB	HINGE COMP , HOOD		1			
703	26	V2173610035	BOLT , HEX/S	M10X35	4			
703	27	18026022500GB	STAY COMP , RH		1			
703	28	18026022400GB	STAY COMP , LH		1			
703	29	V2183610020	BOLT , HEX/SP	M10X20	4			
703	30	17136113021GB	SUPPORT , RH SIDE		1			
703	31	17136113011GB	SUPPORT , LH SIDE		1			
703	32	V2123806012	BOLT . HEX /SP	M6X12	6			
703	33	18026022600GB	FRAME COMP , SIDE		2			
703	34	V2183608020	BOLT , HEX/SP	M8X20	4			
703	35	V2513408050	BOLT , STUD/2	M8X50	2			
703	36	V4011600080	WASHER , SPRING	M8	2			
703	37	V3042600080	NUT , HEX/2	M8	2			
703	39	18024050010GB	BRACKET , STEERING HOSE		2			
703	40	V2013614030	BOLT , HEX	M14X30	2			
703	41	V4011600140	WASHER , SPRING	M14	2			
703	42	17136040050	INSULATOR , SUPPORT		2			
703	43	18026301040	EXTENSION COVER		1			
703	44	18027071400GB	BRACKET COMP, EXTENTION COVER/RH		1			
NOTE								

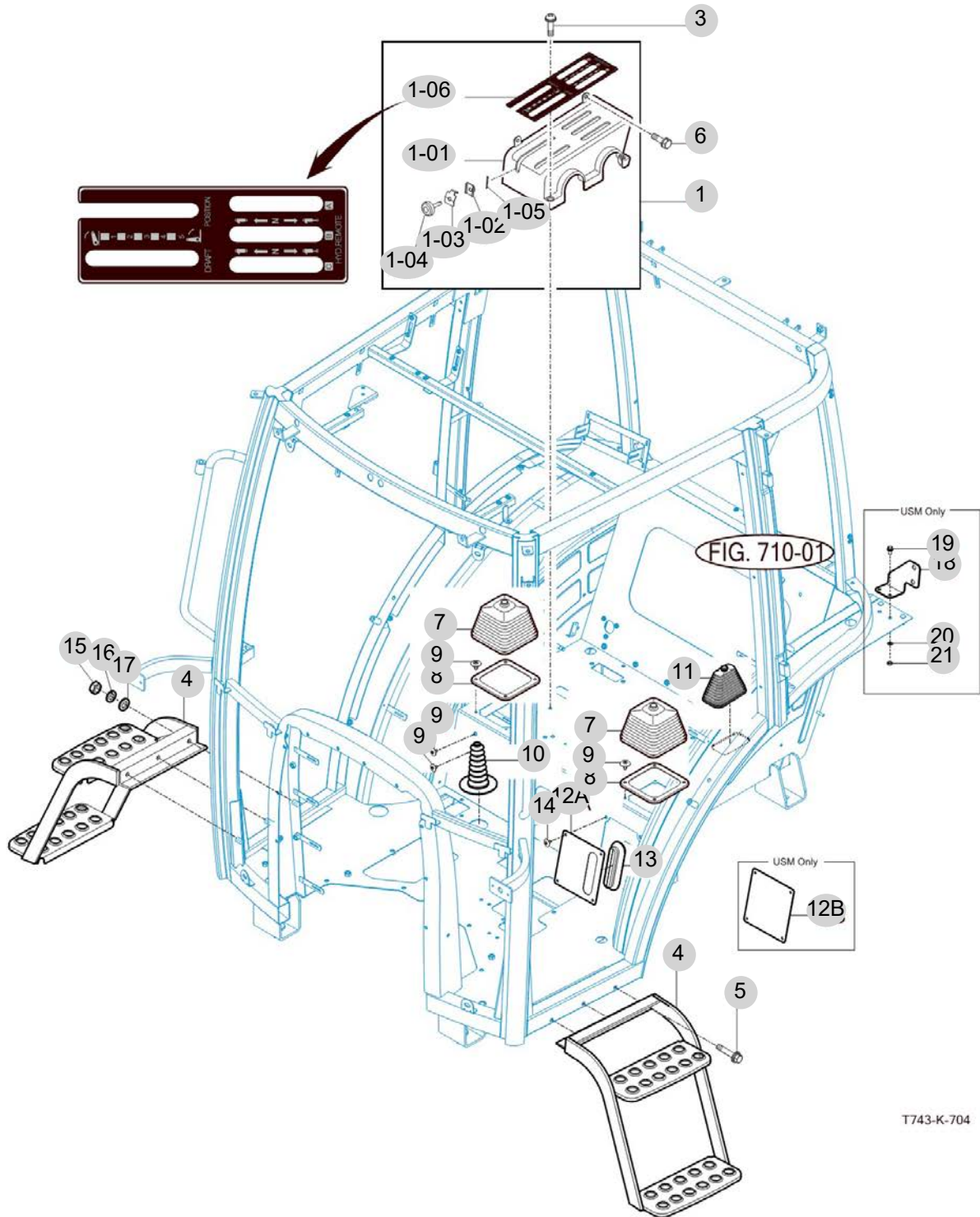
FIG 704

LEVER COVER & STEP

년/월
Year/Month

2022-12

T754SMEU1



T743-K-704

NOTE

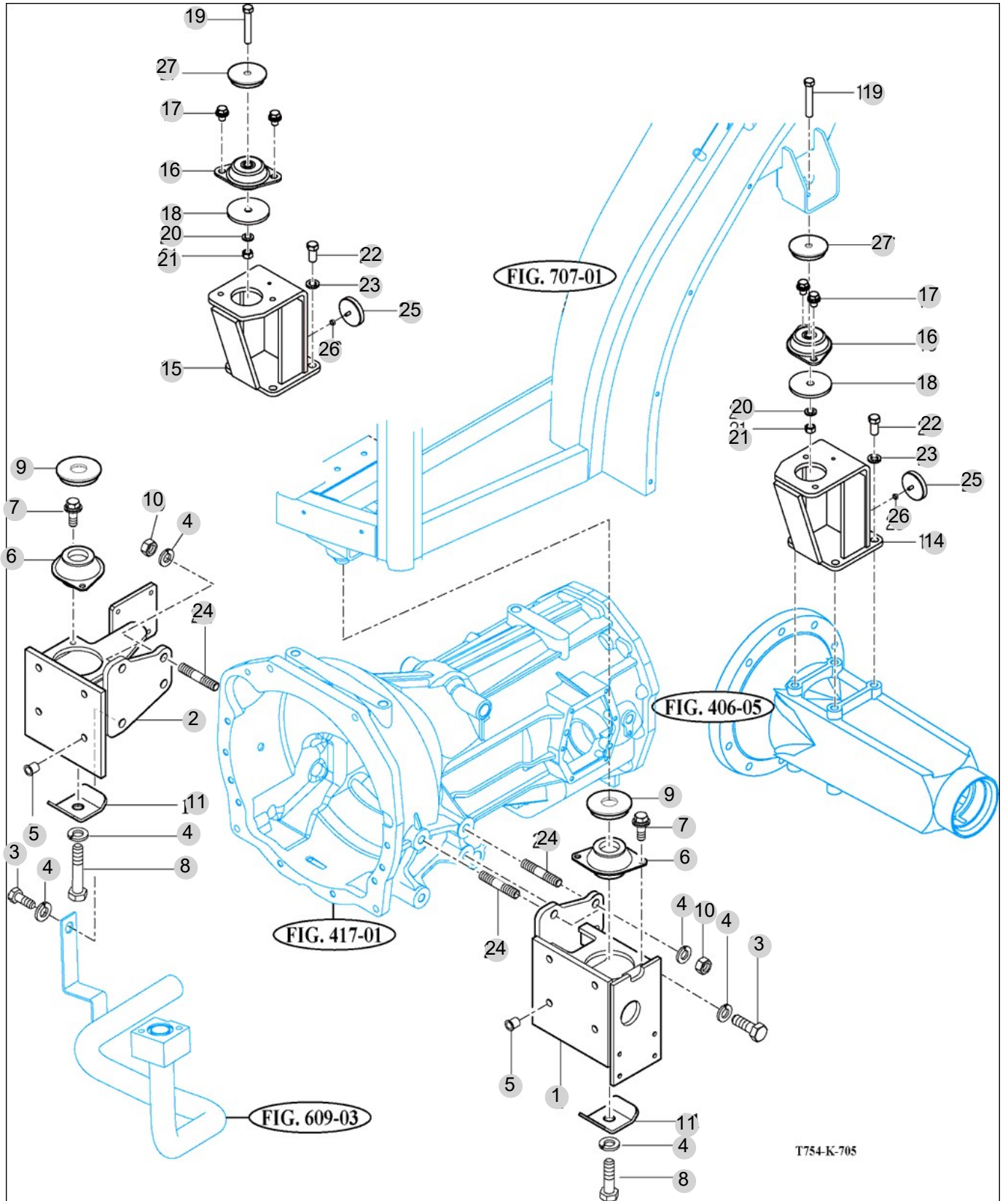
FIG 705

FRONT & REAR MOUNTING

년/월
Year/Month

2022-12

T754SMEU1



NOTE

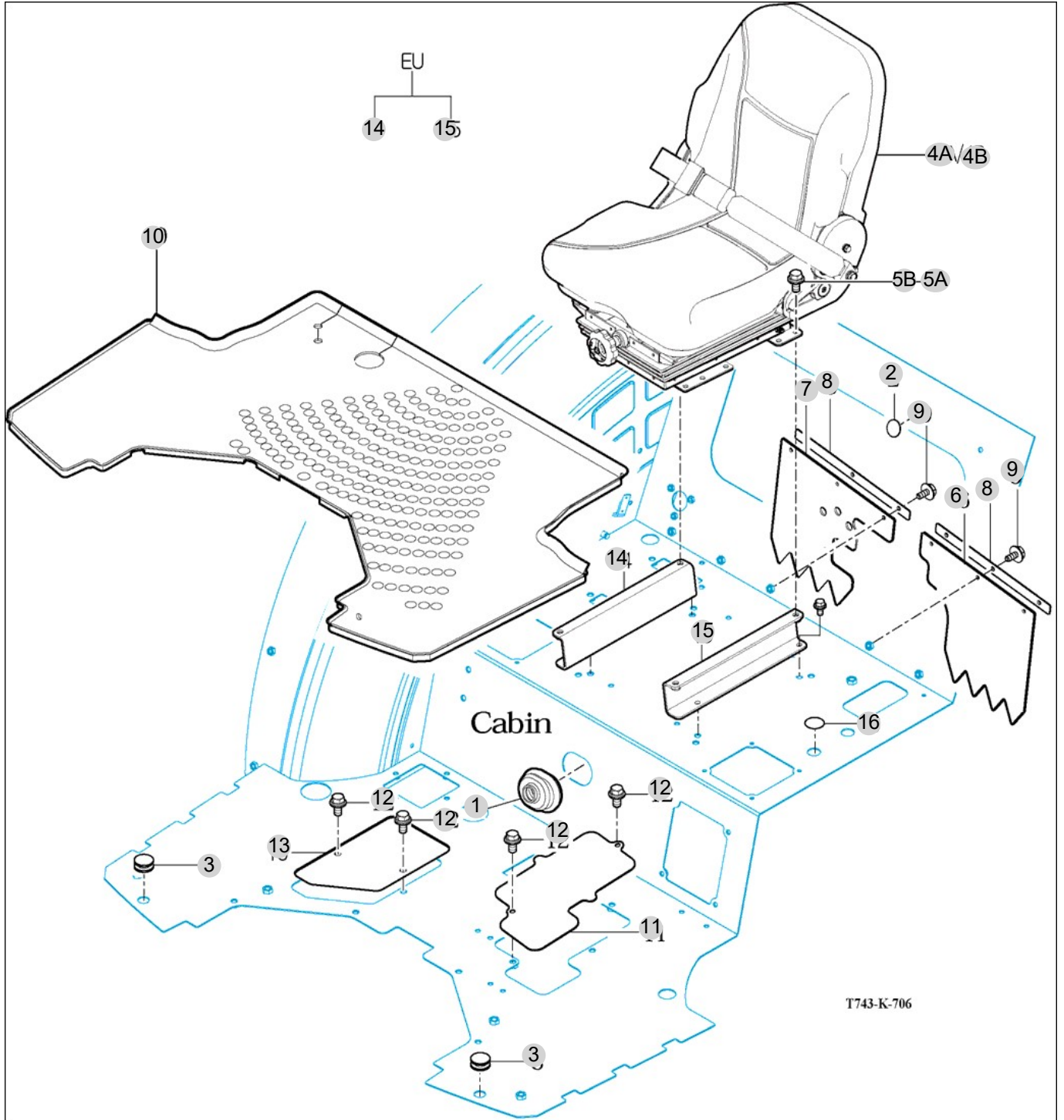
FIG 706

SEAT & MAT

년/월
Year/Month

2022-12

T754SMEU1



NOTE

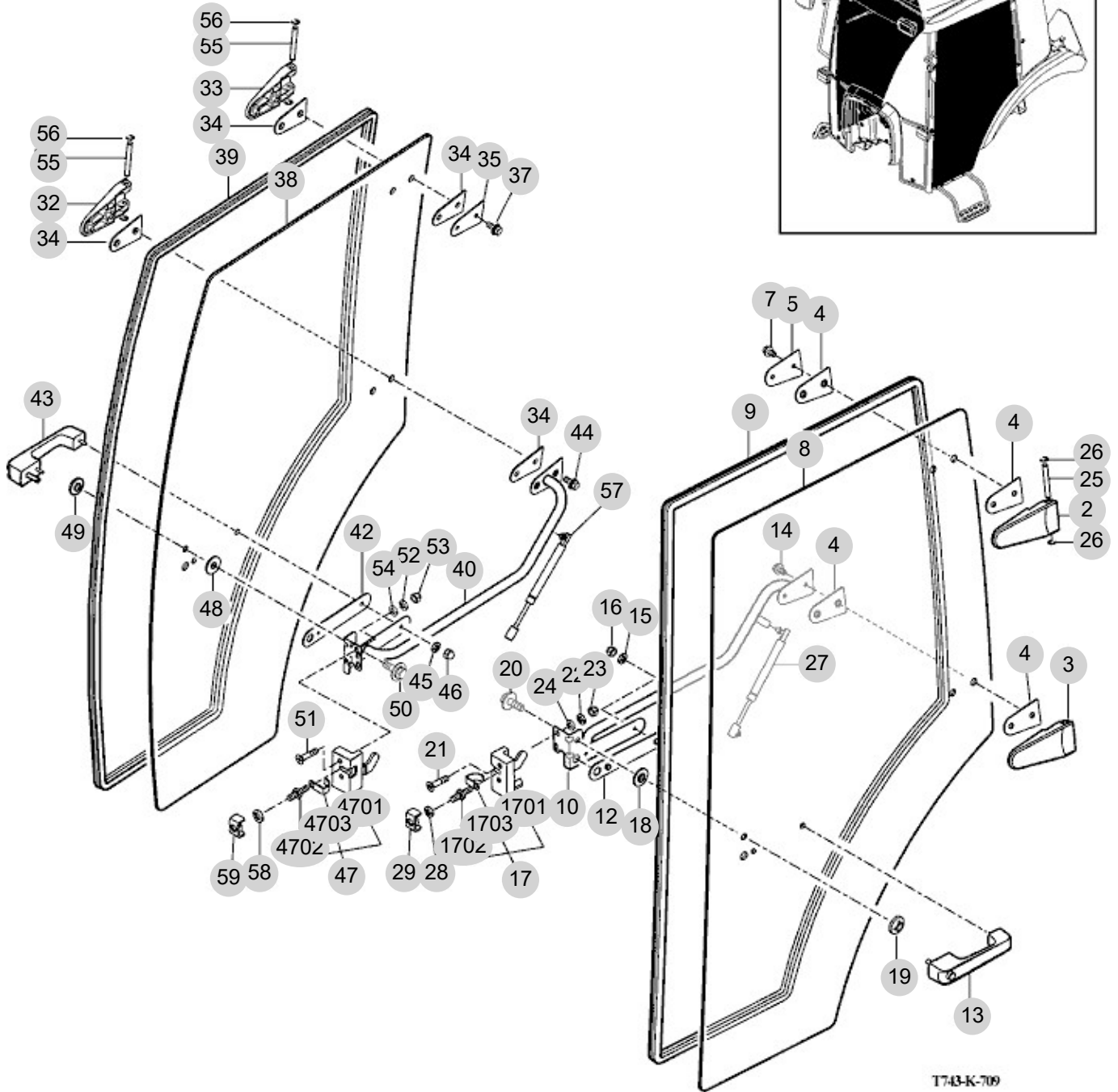
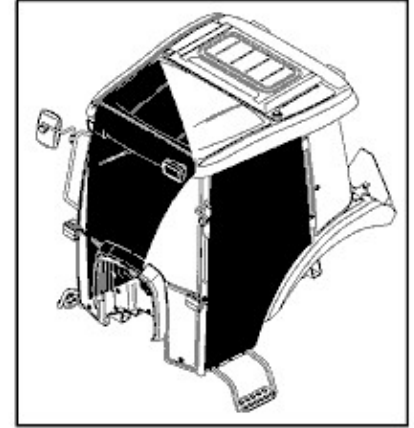
FIG 709

DOOR

년/월
Year/Month

2022-12

T754SMEU1



NOTE

FIG 709 T754SMEU1		DOOR					년/월 Year/Month	
							2022-12	
KEY NO	PART NO	DESCRIPTION	SPEC	QTY	REPAIR	EFFECTIVE DATE	REMARKS	
709	2	14527052300	HINGE COMP , UPR/LH	1X1X1	1			
709	3	14527052400	HINGE COMP , UPR/RH	1X1X1	1			
709	4	14527052110	GASKET , DOOR HINGE	1X1X1	4			
709	5	14527052120GB	PLATE , DOOR HINGE	1X1X1	1			
709	7	V2183608020	BOLT , HEX/SP	M8X20	2			
709	8	14527052131	GLASS , LH/ DOOR	6T	1			
709	9	14527052140	INSULATOR/DOOR	1X1X1	1			
709	10	14527052500GB	GUIDE COMP ,LH/ DOOR	1X1X1	1			
709	12	14527052150	GASKET,DOOR GRIP	1X1X1	1			
709	13	14527052600	GRIP ASSY, LOCK/HANDLE	1X1X1	1			
709	14	V2183608020	BOLT , HEX/SP	M8X20	2			
709	15	V4011600060	WASHER , SPRING	M6	2			
709	16	V3402700060	NUT , HEX CAP	M6	2			
709	17	14527052700	LOCK SET , LH/DOOR	1X1X1	1			
709	1701	14527052710	LOCK ASSY, LH/DOOR	1X1X1	1			
709	1702	14527052720	STRIKER	1X1X1	1			
709	1703	14527052730	GUARD	1X1X1	1			
709	18	15817401130	GROMMET , 13X17X02		1			
709	19	14527042500	NUT COMP , GLASS	1X1X1	1			
709	20	V2193606012	BOLT , HEX/SPL	M6X12	1			
709	21	V1122608040	SCREW , C/R FLAT	M8X40	2			
709	22	V4011600080	WASHER , SPRING	M8	2			
709	23	V3412700080	NUT , SMALL CAP	M8	2			
709	24	V4111600080	WASHER , PLAIN	M8	2			
709	25	14527041110	PIN, HINGE DOOR	D=8	2			
709	26	V7082400070	E-RING	7	4			
709	27	14527301080	DAMPER ASSY , DOOR	1X1X1	1			
709	28	V4011600100	WASHER , SPRING	M10	1			
709	29	14527062500GB	BRACKET COMP , DOOR LOCK	1X1X1	1			
709	32	14527052300	HINGE COMP , UPR/LH	1X1X1	1			
709	33	14527052400	HINGE COMP , UPR/RH	1X1X1	1			
709	34	14527052110	GASKET , DOOR HINGE	1X1X1	4			
709	35	14527052120GB	PLATE , DOOR HINGE	1X1X1	1			
709	37	V2183608020	BOLT , HEX/SP	M8X20	2			
709	38	14527053131	GLASS , RH/ DOOR	6T	1			
709	39	14527052140	INSULATOR/DOOR	1X1X1	1			
709	40	14527053500GB	GUIDE COMP ,RH/DOOR	1X1X1	1			
709	42	14527052150	GASKET,DOOR GRIP	1X1X1	1			
709	43	14527052600	GRIP ASSY, LOCK/HANDLE	1X1X1	1			
709	44	V2183608020	BOLT , HEX/SP	M8X20	2			
709	45	V4011600060	WASHER , SPRING	M6	2			
709	46	V3402700060	NUT , HEX CAP	M6	2			
709	47	14527053700	LOCK SET , RH/DOOR	1X1X1	1			
709	4701	14527053710	LOCK ASSY, RH/DOOR	1X1X1	1			
709	4702	14527052720	STRIKER	1X1X1	1			
NOTE								

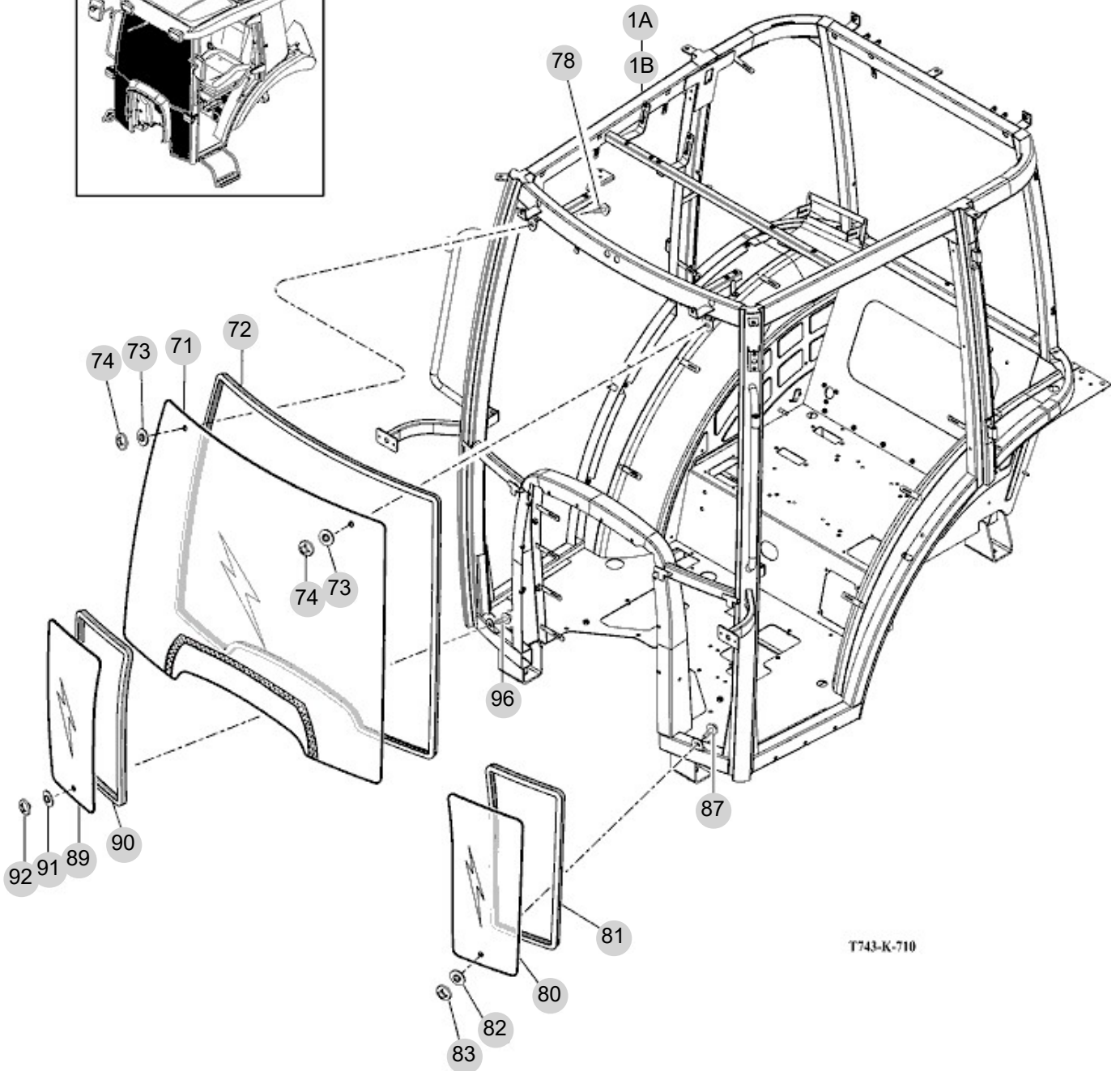
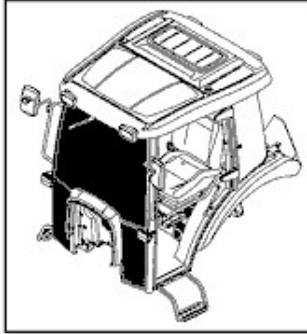
FIG 710

FRONT GLASS

년/월
Year/Month

2022-12

T754SMEU1



T743-K-710

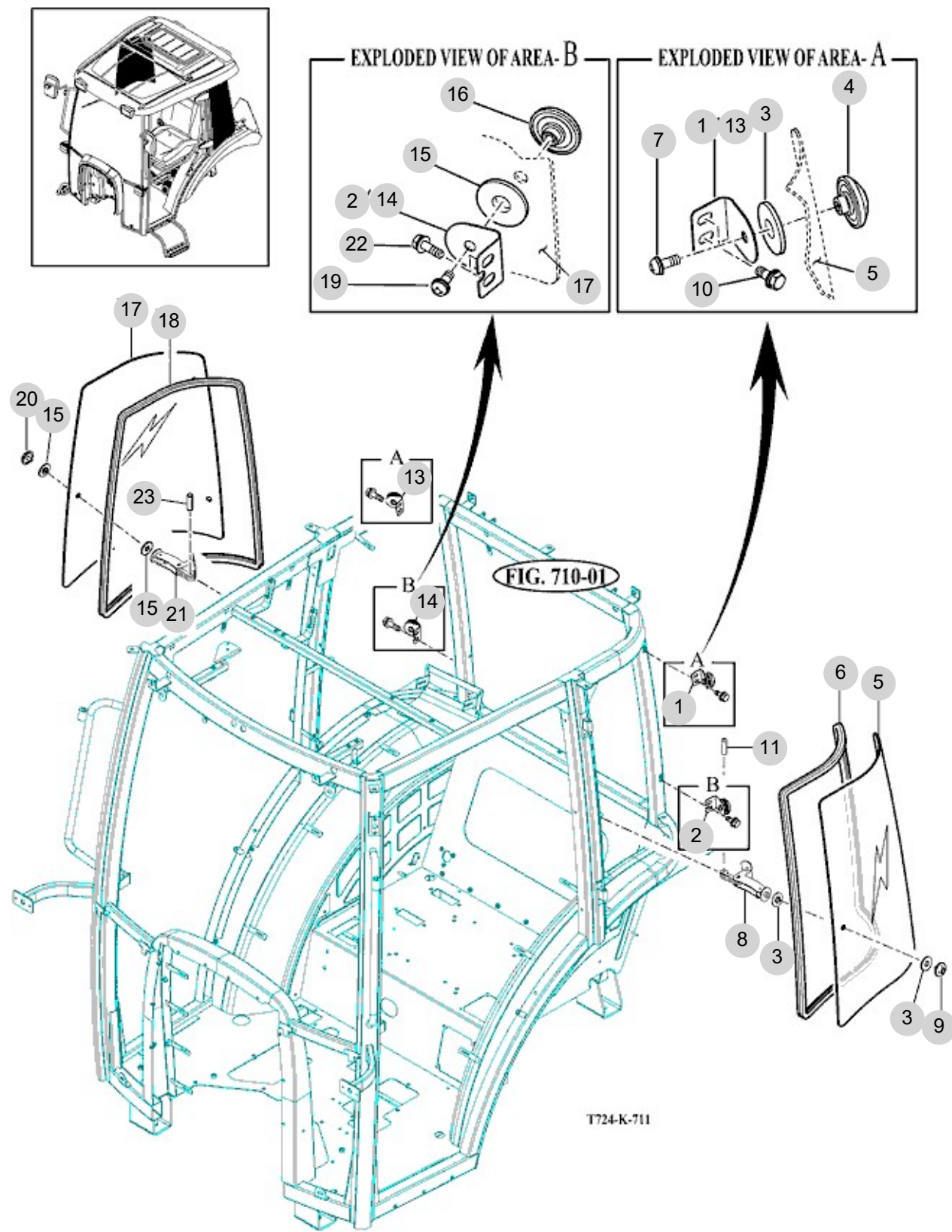
NOTE

FIG 711

SIDE GLASS

년/월
Year/Month

2022-12



NOTE

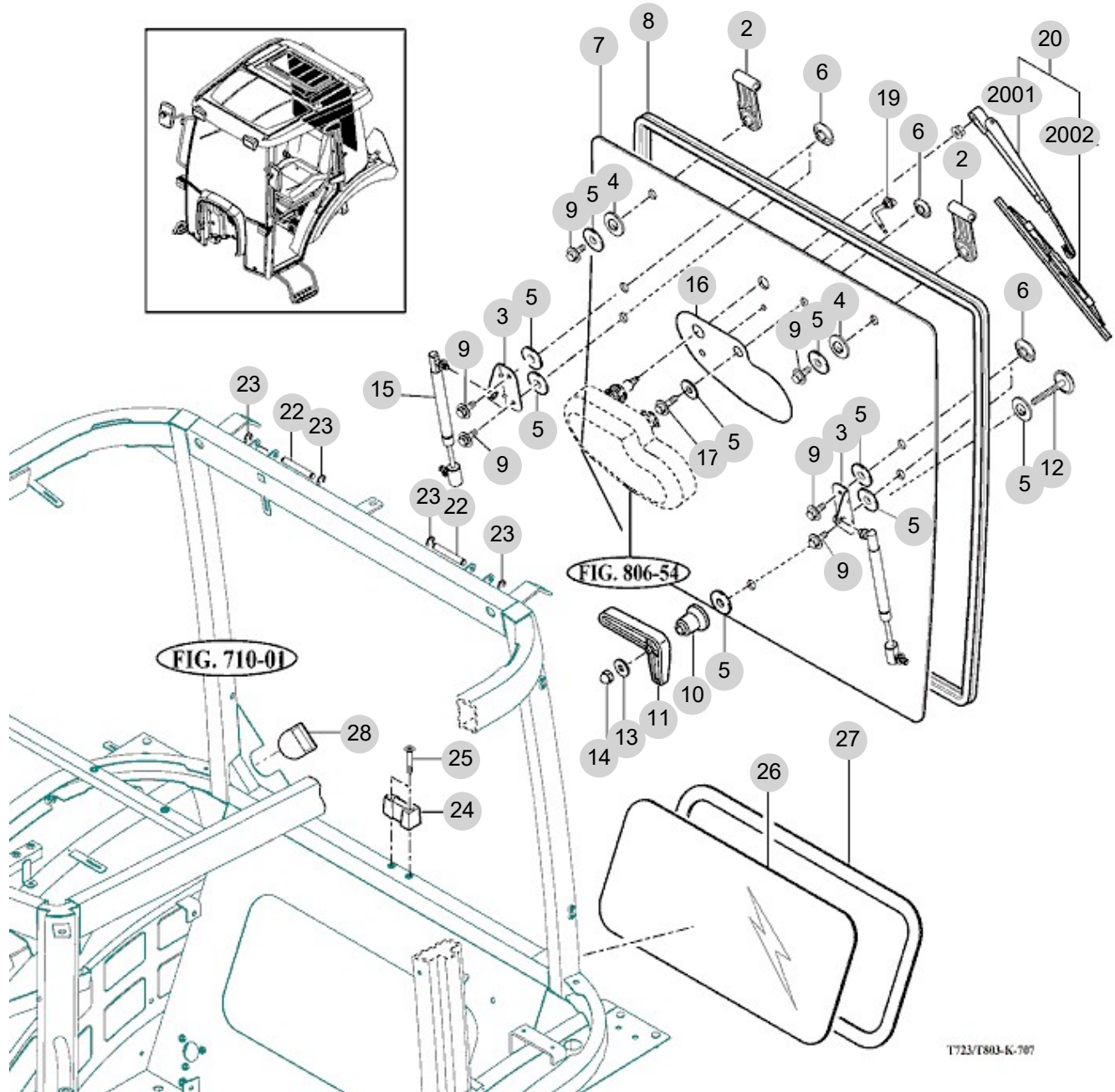
FIG 712

REAR GLASS

년/월
Year/Month

2022-12

T754SMEU1



T723/T803-K-707

NOTE

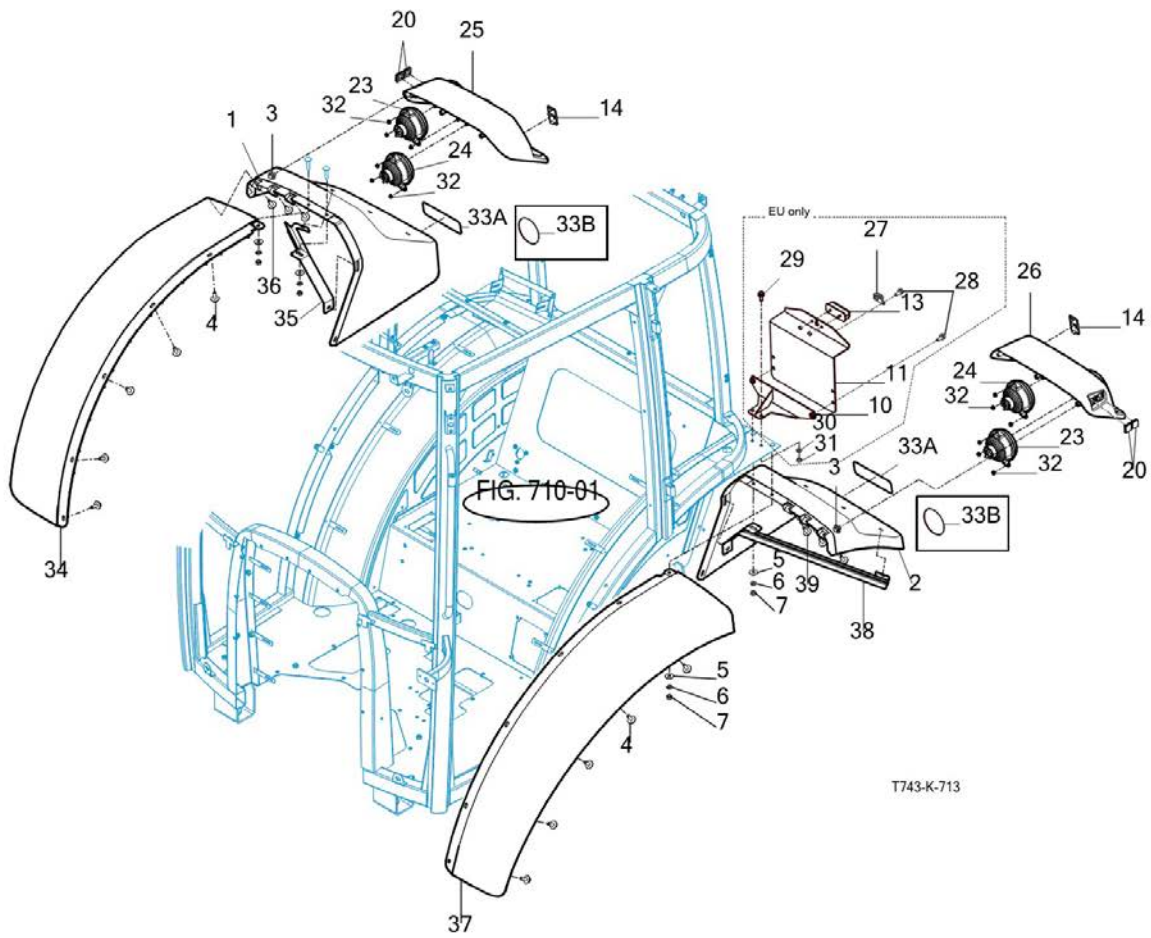
FIG 713

SUB FENDER & COVER

년/월
Year/Month

2022-12

T754SMEU1



NOTE

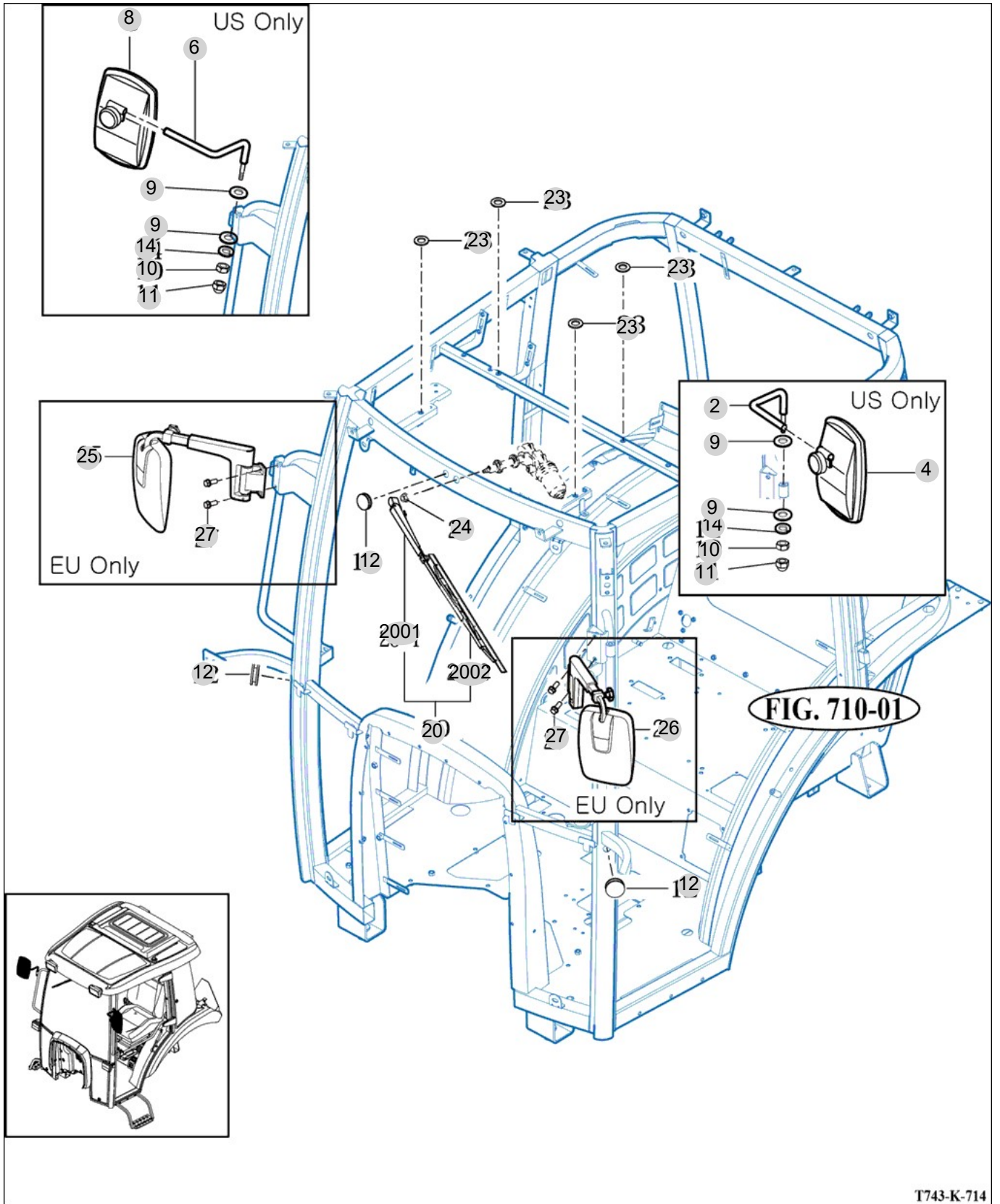
FIG 714

MIRROR

년/월
Year/Month

T754SMEU1

2022-12



T743-K-714

NOTE

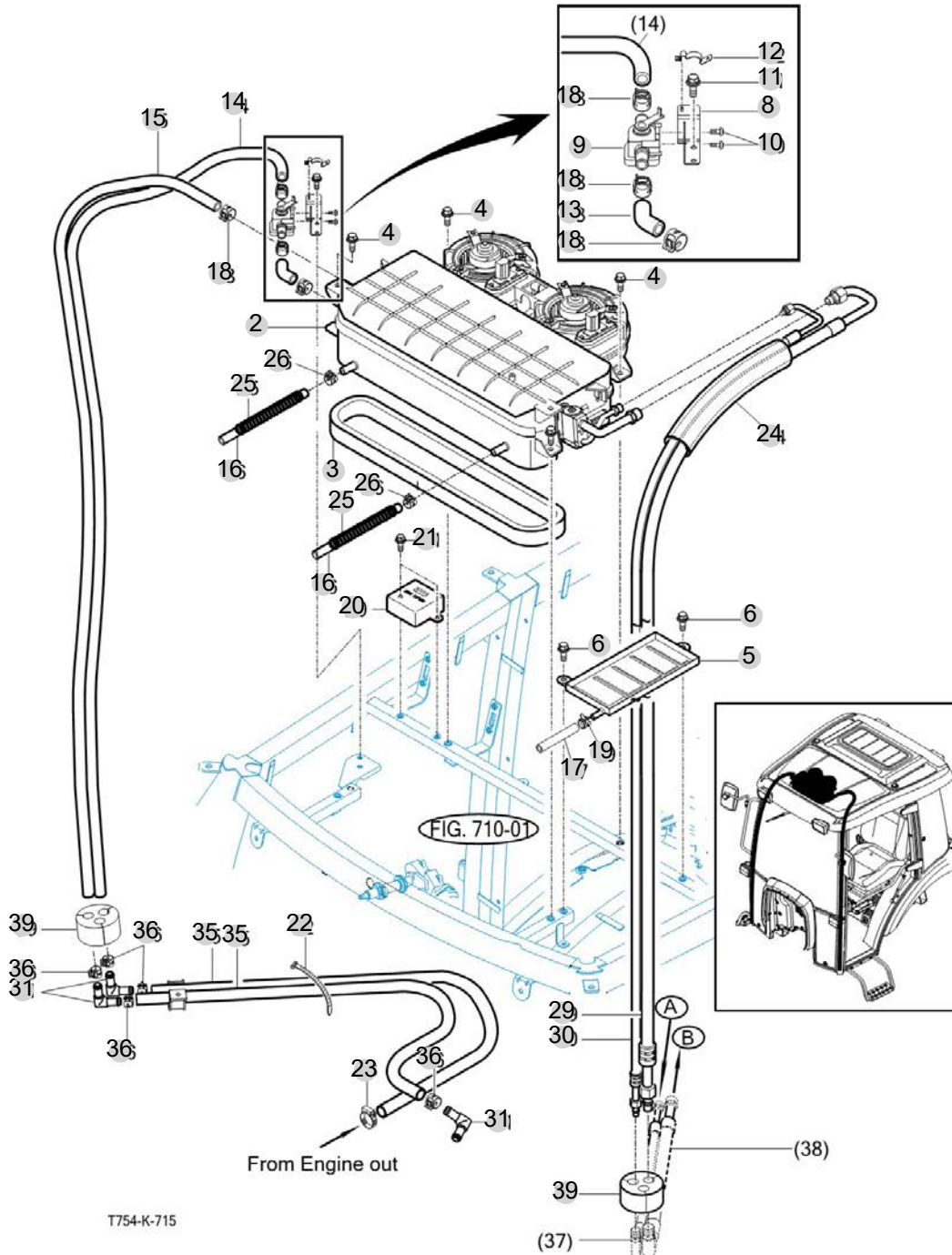
FIG 715

HEATER & AIR-CON

년/월
Year/Month

2022-12

T754SMEU1



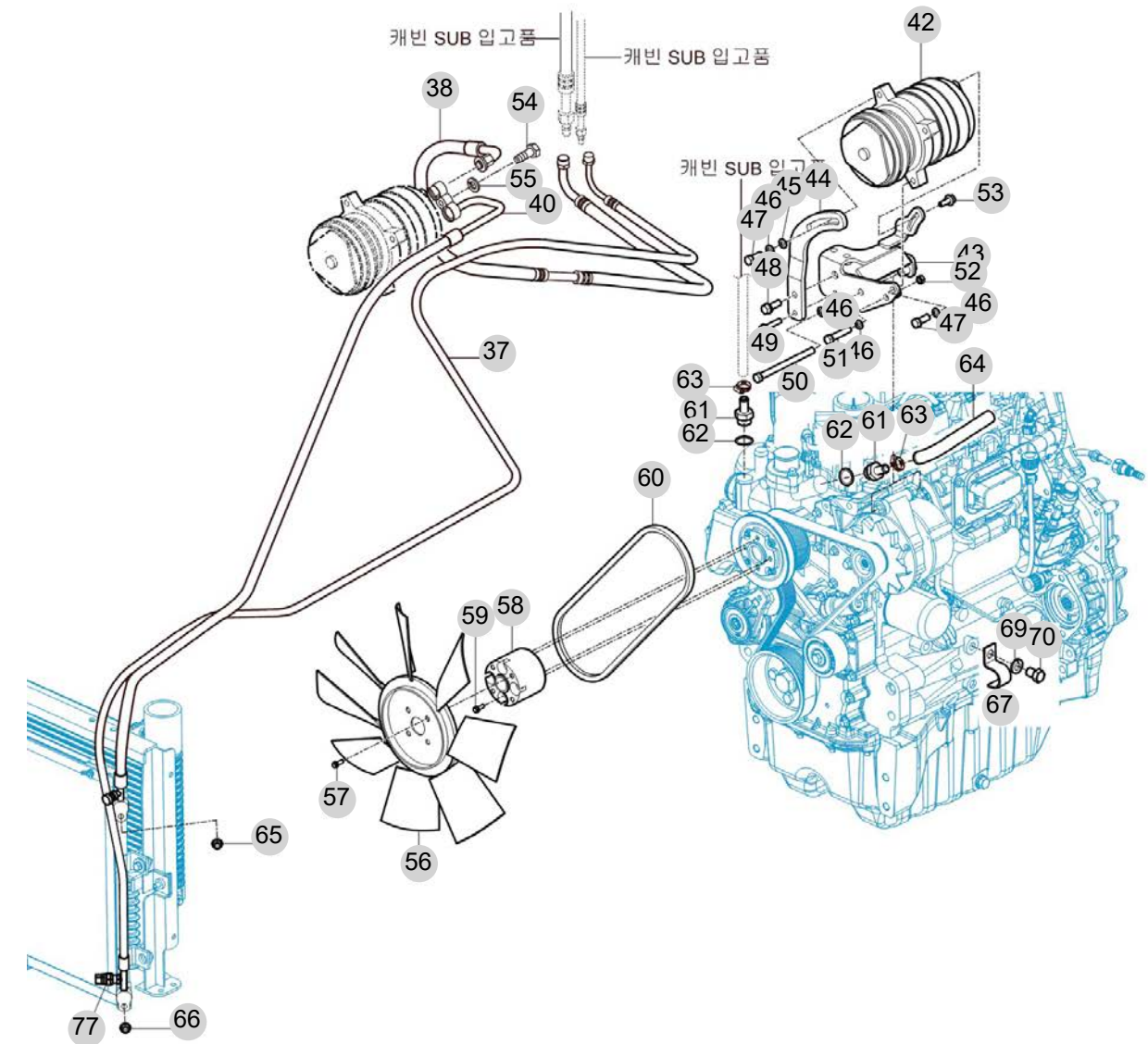
NOTE

FIG 715-2

HEATER & AIR-CON

년/월
Year/Month

2022-12



NOTE

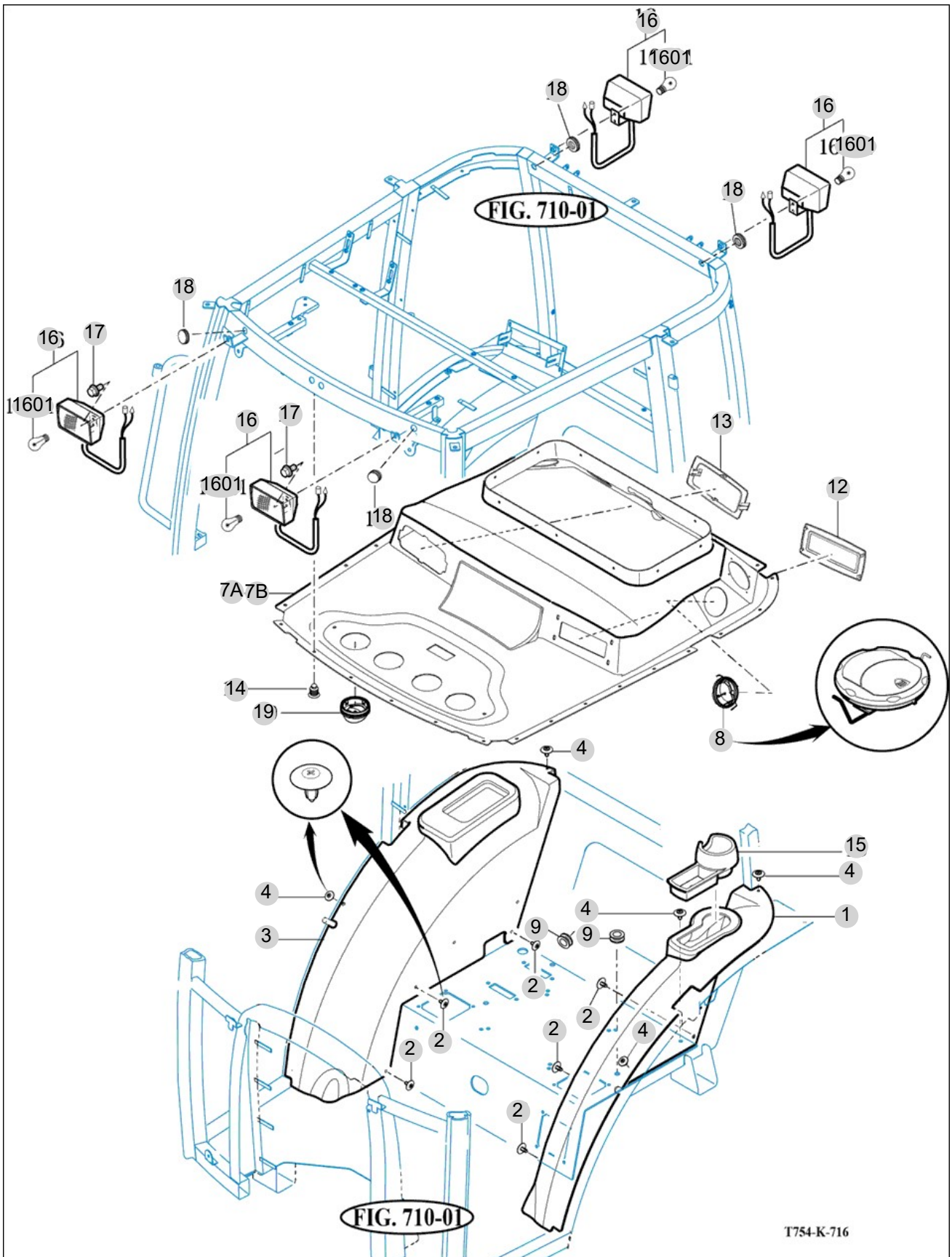
FIG 716

FENDER COVER

년/월
Year/Month

2022-12

T754SMEU1



T754-K-716

NOTE

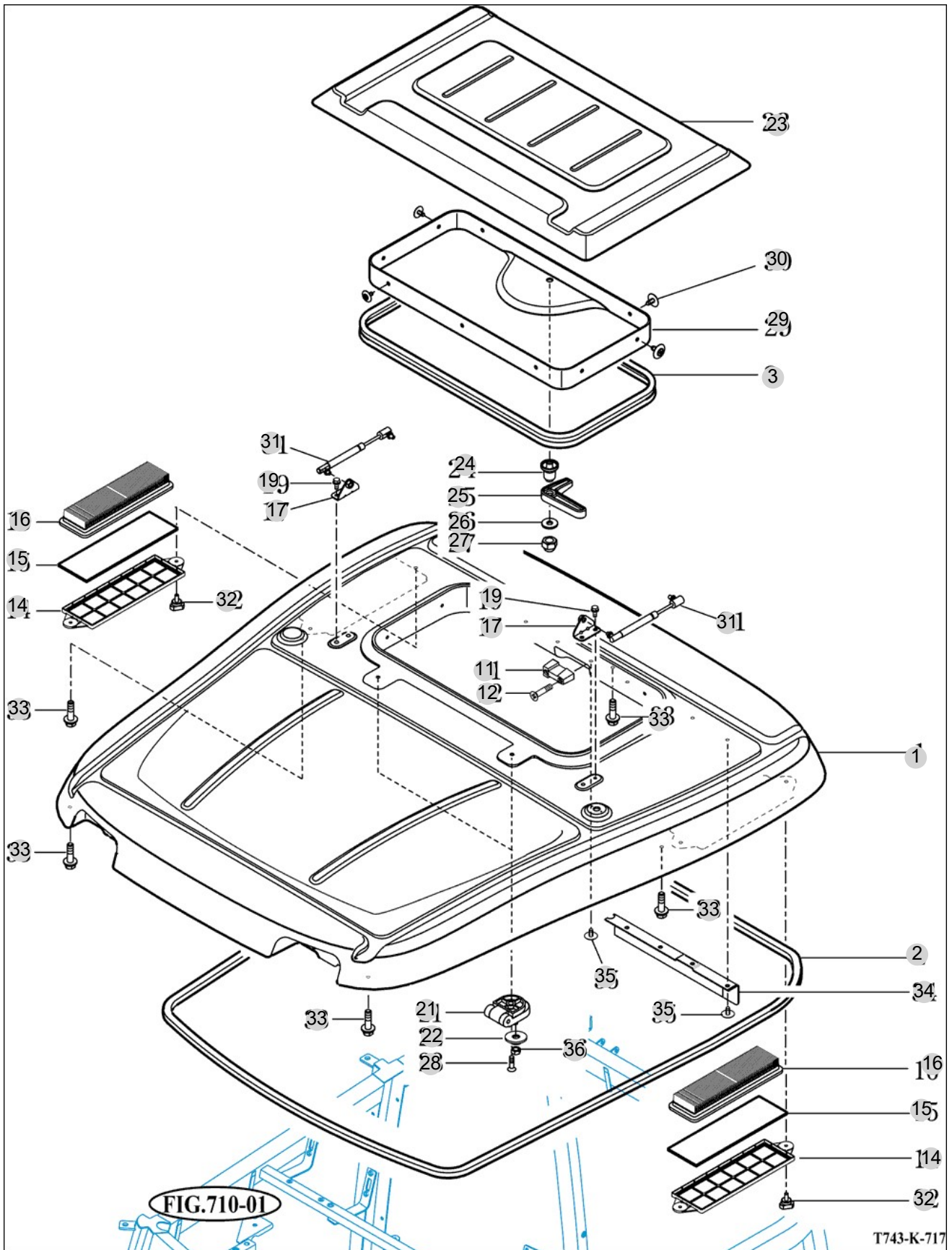
FIG 717

T754SMEU1

ROOF

년/월
Year/Month

2022-12



NOTE

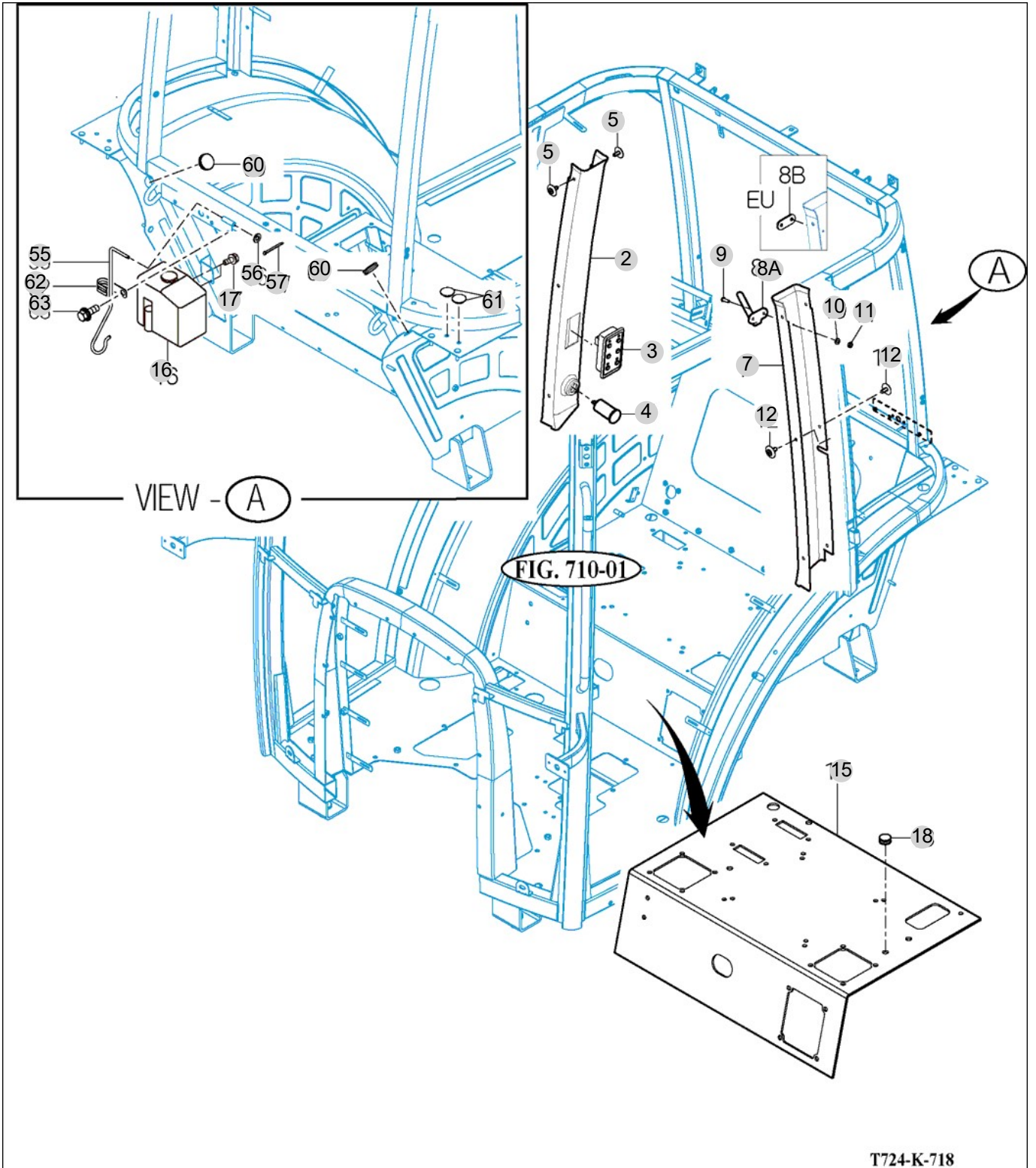
FIG 718

CABIN INTERIOR

년/월
Year/Month

2022-12

T754SMEU1



NOTE

8. Electrical System PART NO. T8

FIG 801 BATTERY & MOUNTING	223
FIG 802 HARNESS	225
FIG 803 LIGHT & BACK LAMP	227
FIG 804 INSTRUMENT PANEL	229
FIG 805 ELECTRIC SYSTEM (1)	231
FIG 806 ELECTRIC SYSTEM (2)	233

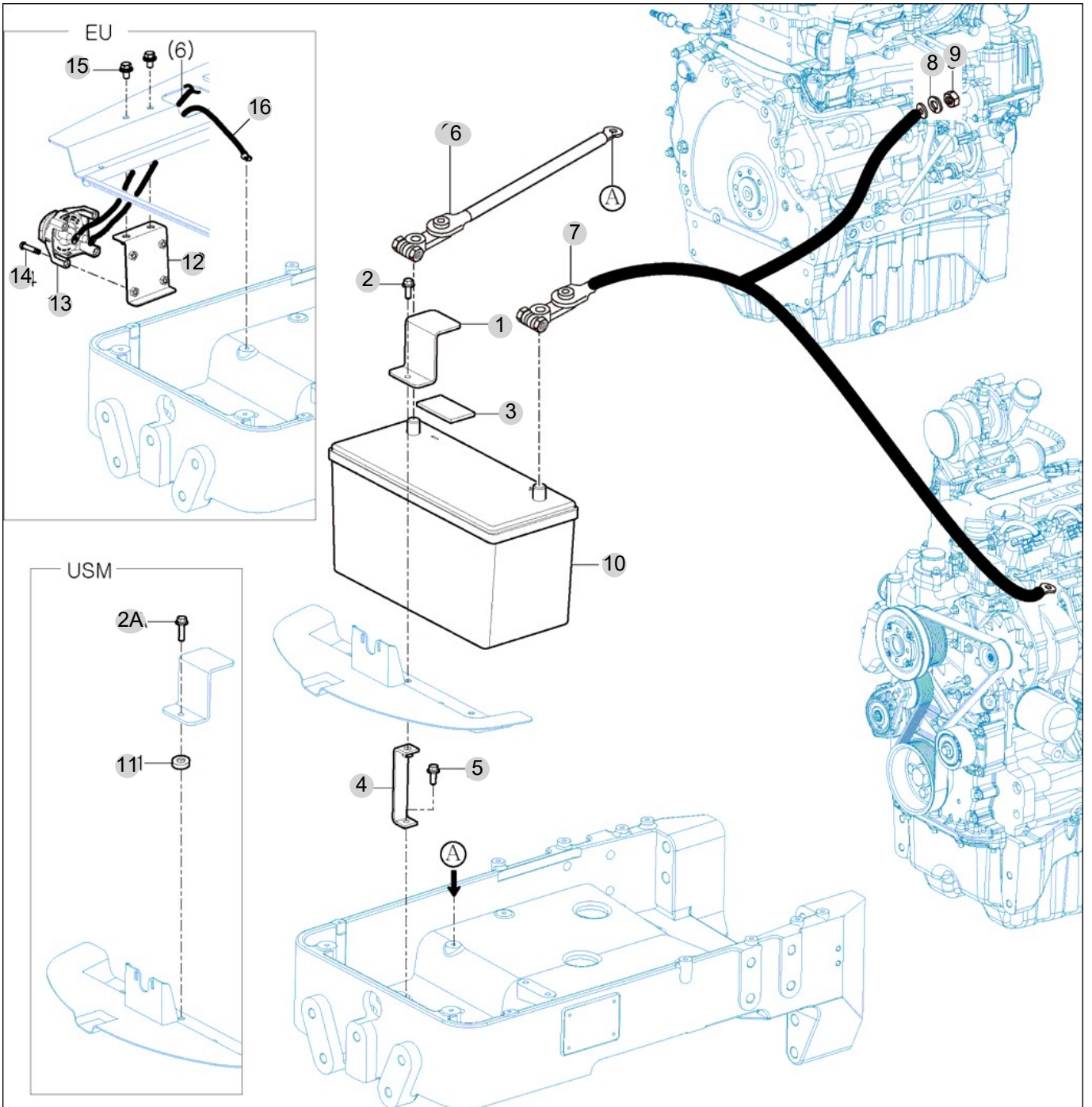
FIG 801

BATTERY & MOUNTING

년/월
Year/Month

2022-12

T754SMEU1



NOTE

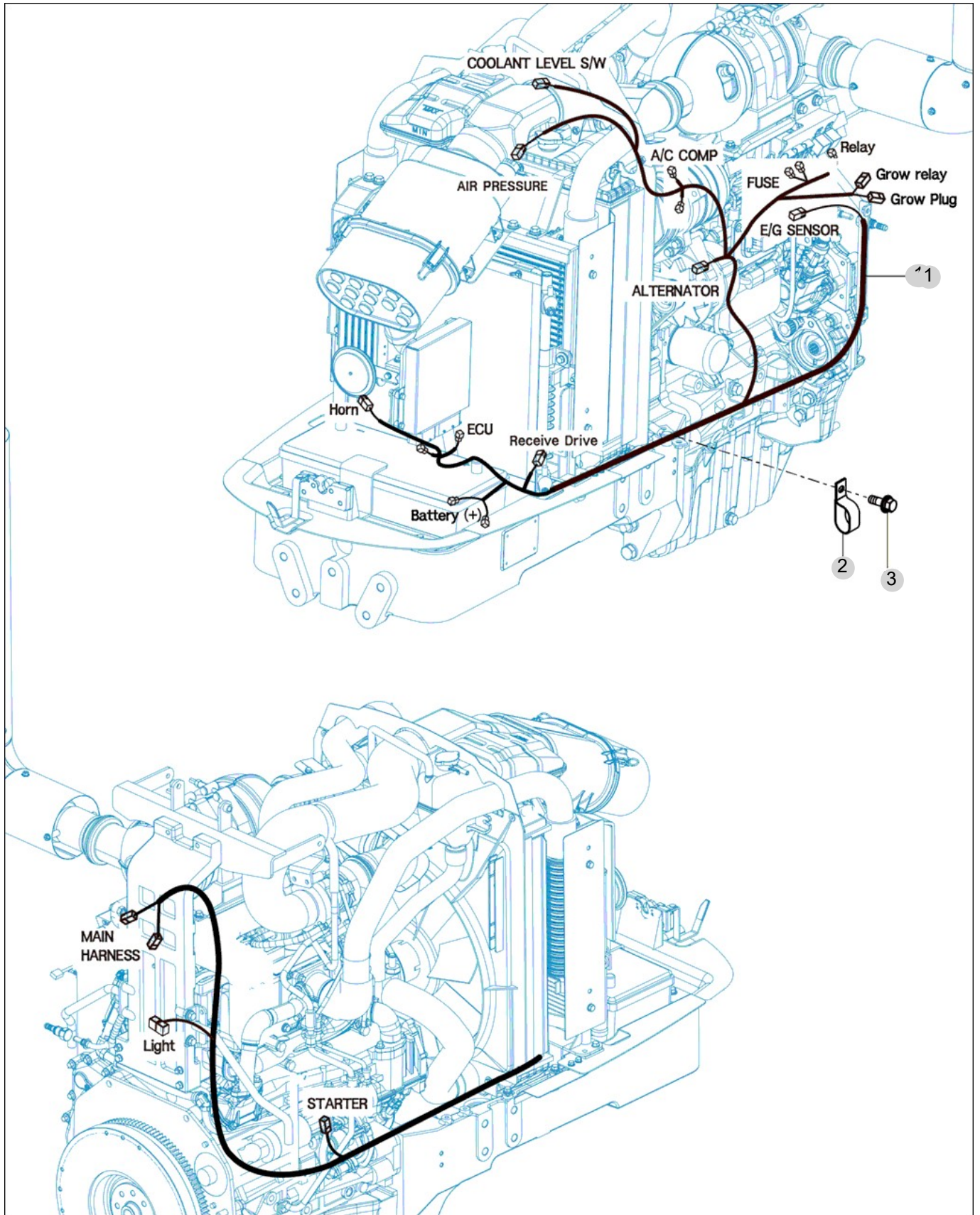
FIG 802

HARNESS

년/월
Year/Month

2022-12

T754SMEU1



NOTE

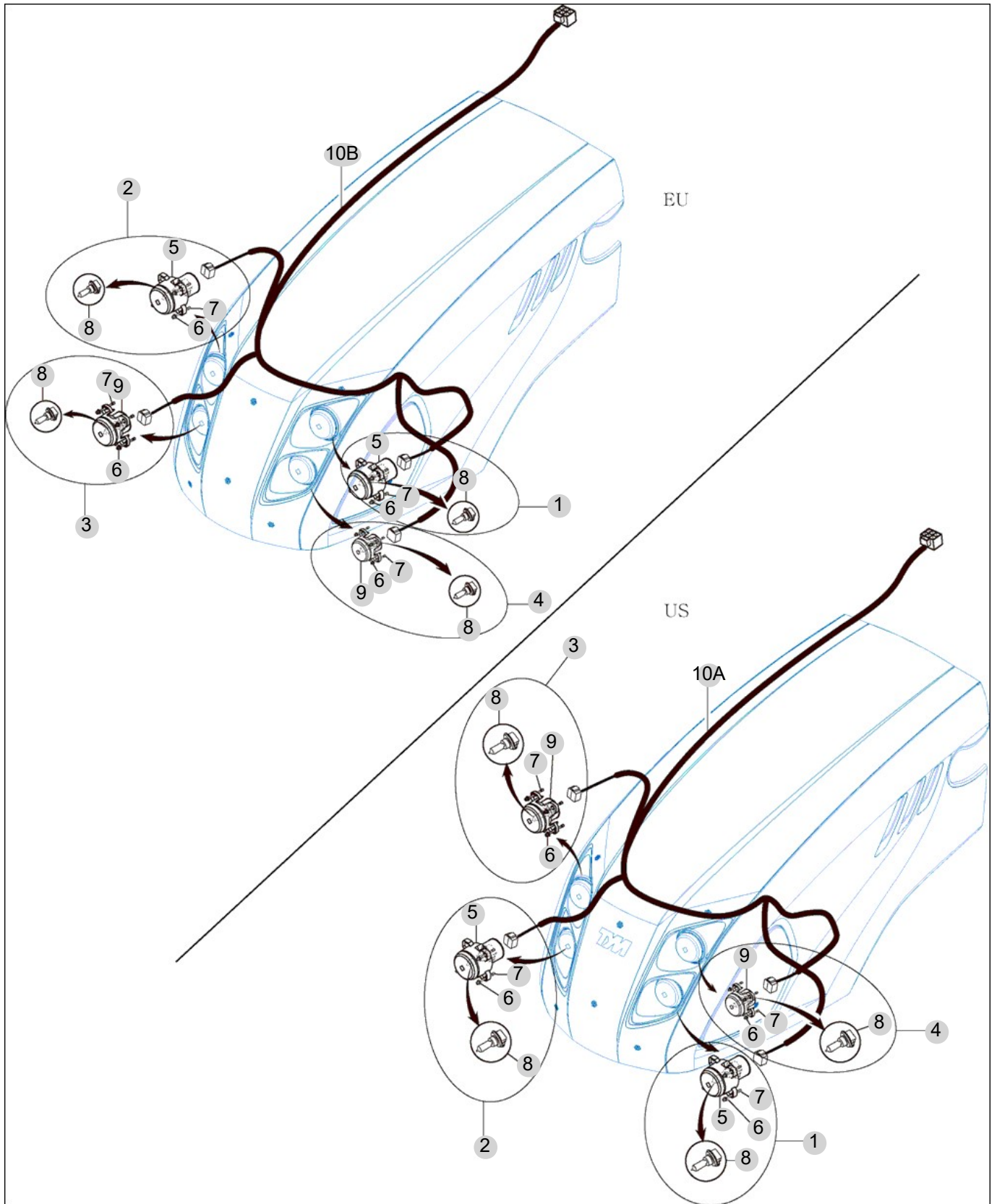
FIG 803

LIGHT & BACK LAMP

년/월
Year/Month

2022-12

T754SMEU1



NOTE

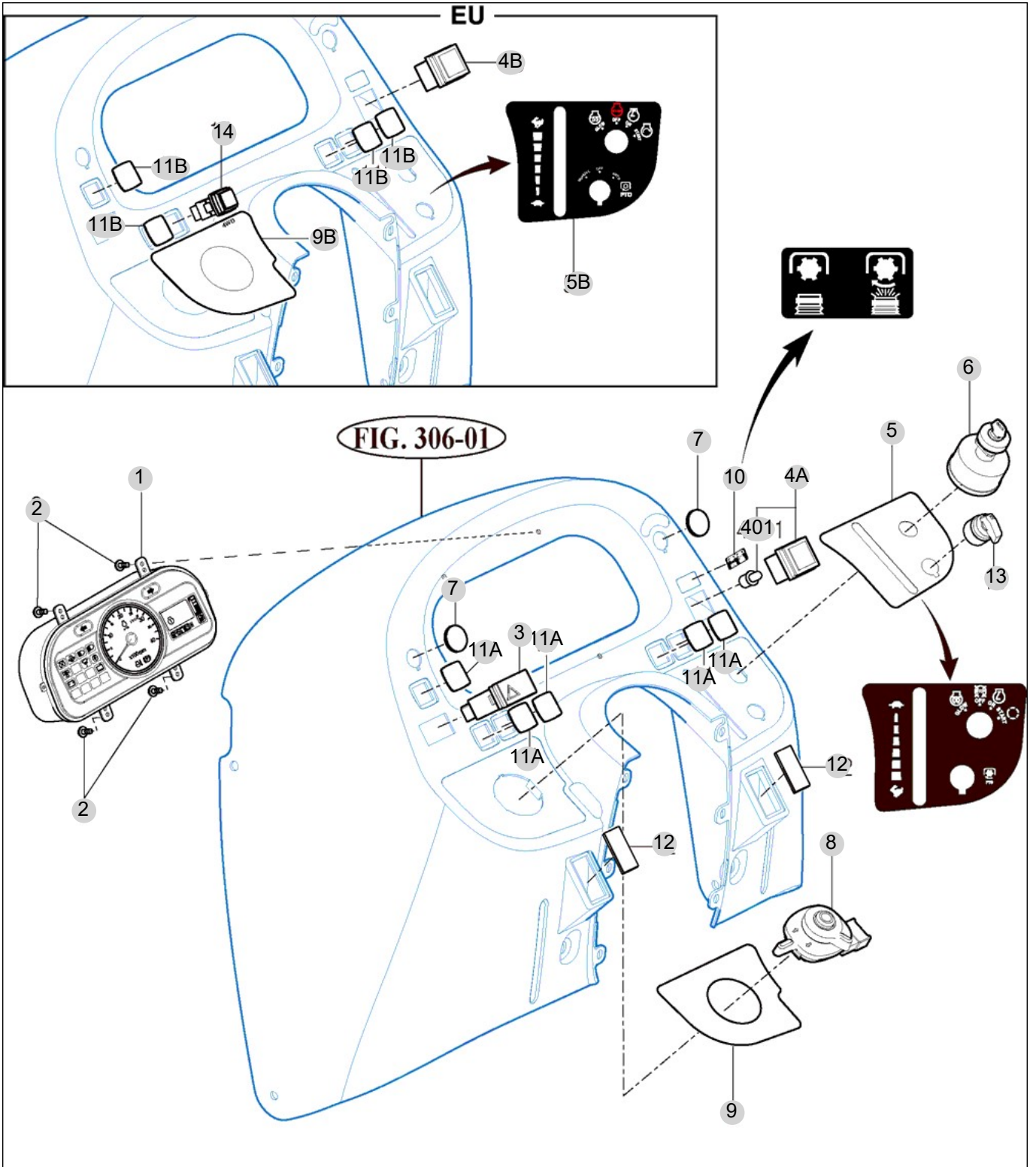
FIG 804

INSTRUMENT PANEL

년/월
Year/Month

2022-12

T754SMEU1



NOTE

FIG 805

ELECTRIC SYSTEM (1)

년/월
Year/Month

2022-12

T754SMEU1

Forward

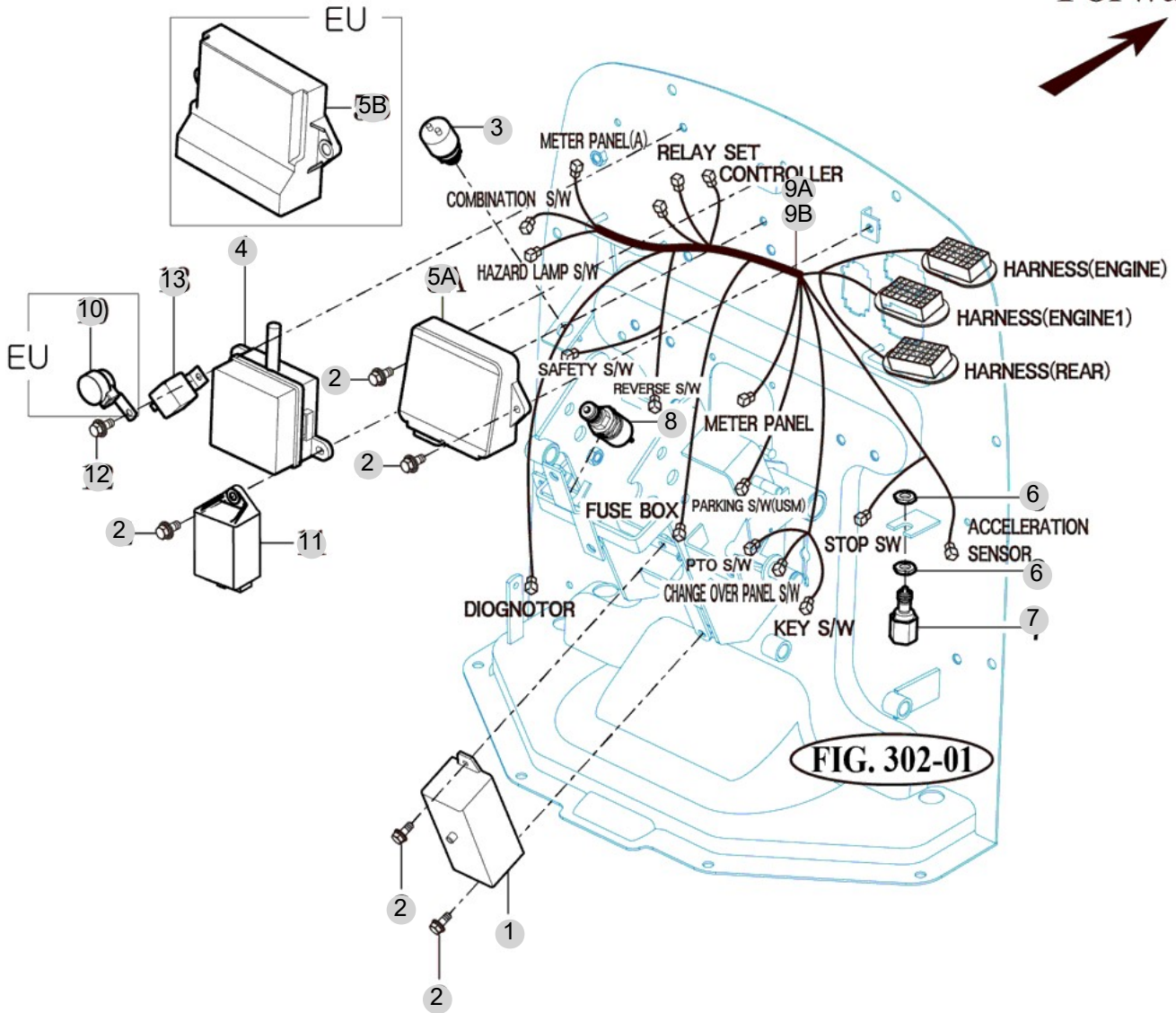


FIG. 302-01

T754-K-805

NOTE

FIG 805	ELECTRIC SYSTEM (1)	년/월 Year/Month
T754SMEU1		2022-12

KEY NO		PART NO	DESCRIPTION	SPEC	QTY	REPAIR	EFFECTIVE DATE	REMARKS
805	1	17816642101	CASE ASSY,FUSE		1			
805	2	V2123606016	BOLT , HEX /SP	M6X16	6			
805	3	18716642500	SWITCH SET , PUSH		1			
805	4	19996682501	RELAY SET		1			
805	5B	19996300103	CONTROLLER ASSY		1			
805	5B	18026300100	CONTROLLER ASSY		1			
805	6	14326210061	NUT , LOCK M12	육각 B=19	2			
805	7	15186213200	SWITCH ASSY , STOP LIGHT		1			
805	8	15666642000	SWITCH , PUSH		1			
805	9A	18026682002	HARNESS ,MAIN		1			
805	9A	18026682003	HARNESS ,MAIN		1			
805	9A	18026682004	HARNESS ,MAIN		1			
805	9A	18026682005	HARNESS ,MAIN		1			
805	9A	18026682006	HARNESS ,MAIN		1			
805	9A	18026682007	HARNESS ,MAIN		1			
805	10	16586652000	HORN COMP		0			
805	11	11466642400	FLASHER ASSY		1			
805	12	V2193606020	BOLT , HEX/SPL	M6X20	1			
805	13	11616212900	RELAY 5P		1			

NOTE	
------	--

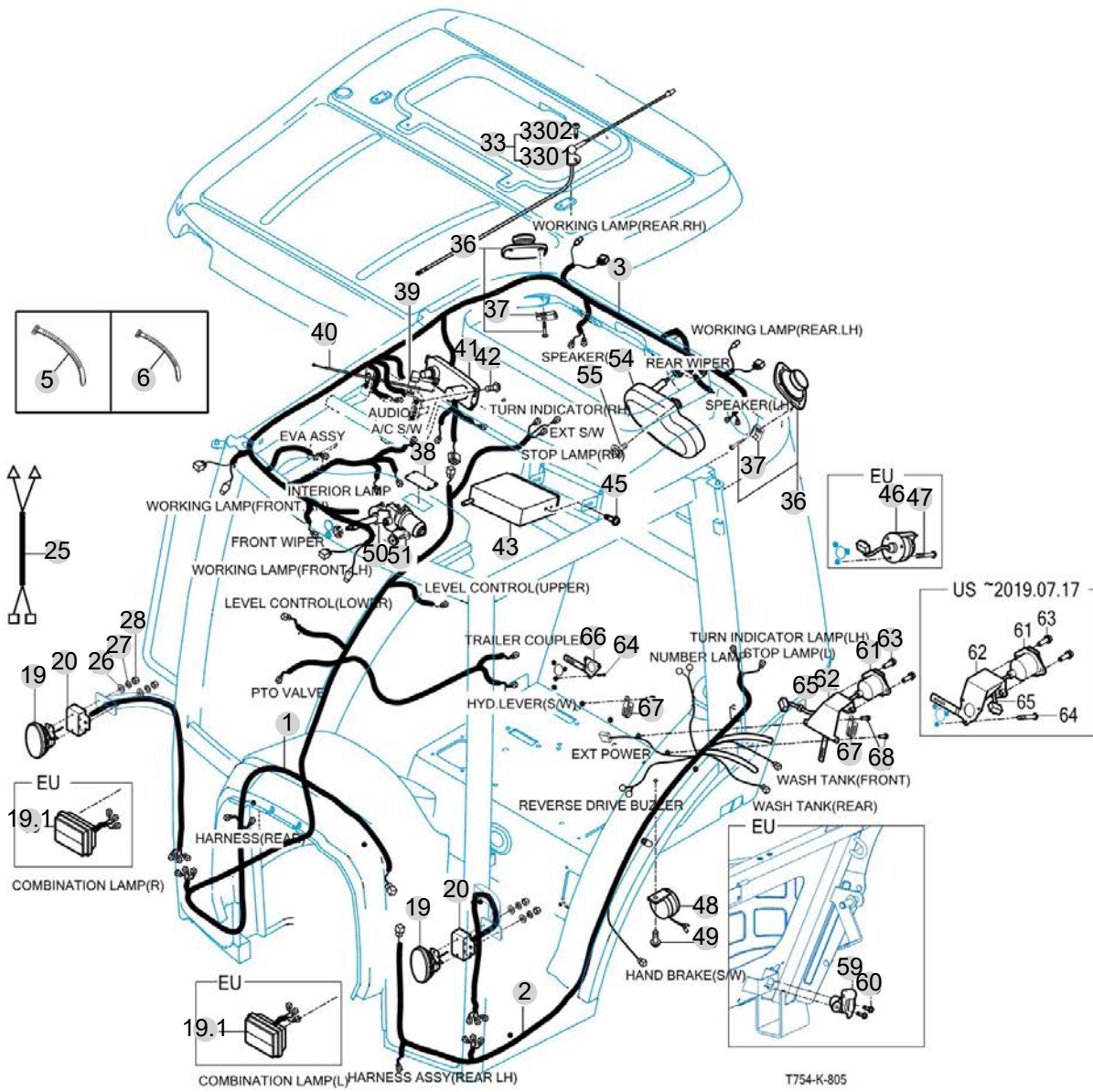
FIG 806

ELECTRIC SYSTEM (2)

년/월
Year/Month

2022-12

T754SMEU1



NOTE

FIG 806 T754SMEU1		ELECTRIC SYSTEM (2)					년/월 Year/Month	
							2022-12	
KEY NO	PART NO	DESCRIPTION	SPEC	QTY	REPAIR	EFFECTIVE DATE	REMARKS	
806	1	18016683102	HARNESS ASSY , REAR			1		
806	1	18016683103	HARNESS ASSY , REAR			1		
806	1	18016683104	HARNESS ASSY , REAR			1		
806	1	18016683105	HARNESS ASSY , REAR			1		
806	1	18016683106	HARNESS ASSY , REAR			1		
806	2	18016683201	HARNESS ASSY , REAR LH			1		
806	2	18016683201	HARNESS ASSY , REAR LH			1		
806	2	18016683202	HARNESS ASSY , REAR LH			1		
806	2	18016683203	HARNESS ASSY , REAR LH			1		
806	2	18016683204	HARNESS ASSY , REAR LH			1		
806	3	14527024905	HARNESS ,CABIN			1		
806	3	14527024906	HARNESS ,CABIN	1X1X1		1		
806	5	13424020060	CABLE TIE , 300	1X1X1		5		
806	6	13764020030	CABLE TIE , 140			5		
806	19.1	13606562000	LAMP , POSITION	1X1X1		2		
806	26	V4111600050	WASHER , PLAIN			4		
806	27	V4011600050	WASHER , SPRING			4		
806	28	V3402700050	NUT , CAP			4		
806	33	14527072300	ANTENNA ASSY	1X1X1		1		
806	3301	14527072310	ANTENNA	1X1X1		1		
806	3302	V1907004020	SCREW , TAPPING C/R PAN	M4X20		2		
806	36	14527025501	SPEAKER ASSY			2		
806	37	14527073120	SPRING NUT, SCREW	M4		8		
806	38	16997024500	LAMP ASSY , ROOM	12V 10W		1		
806	39	17687025300	CLIP , CABLE	1X1X1		1		
806	40	14527082230	CABLE ASSY, WATER VALVE	1X1X1		1		
806	41	14527082220	CONTROLLER ASSY, AIR CON	1X1X1		1		
806	42	V1112605012	SCREW , C/R PAN	M5X12		4		
806	43	17817024804	CD PLAYER ASSY			1		
806	45	V1222605016	SCREW , C/R PAN/SP	M5X16		2		
806	46	13267028202	SOCKET ASSY , TRAILER			1		
806	47	V1112605030	SCREW , C/R PAN	M5X30		3		
806	48	34522812402	BUZZER ASSY			1		
806	49	V2183608020	BOLT , HEX/SP	M8X20		1		
806	50	14527062600	MOTOR ASSY, FR/ WIPER	1X1X1		1		
806	50	14527062600	MOTOR ASSY, FR/ WIPER			1		
806	50	14527062601	MOTOR ASSY, FR/ WIPER			1		
806	51	V2193606020	BOLT , HEX/SPL	M6X20		1		
806	54	16997032000	MOTOR ASSY , WIPER			1		
806	54	16997032000	MOTOR ASSY , WIPER			1		
806	54	16997032001	MOTOR ASSY , WIPER			1		
806	55	V2193606020	BOLT , HEX/SPL	M6X20		1		
806	59	18717028201	POWER SOCKET ASSY			1		
806	60	V1222805016	SCREW , C/R PAN/SP	M5X16		2		
NOTE								

9. Label/Option PART NO. T9

FIG 901 TOOL & ACCESSORY	236
FIG 902(EU) WEIGHT	238
FIG 903 LABEL	240
FIG 903 LABEL	242

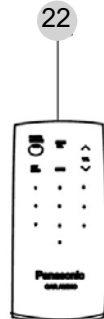
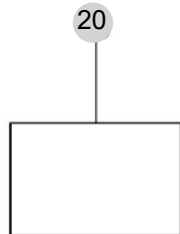
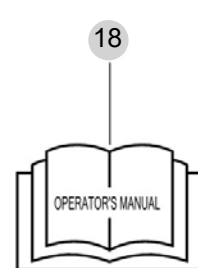
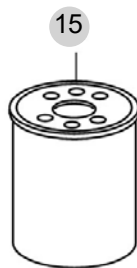
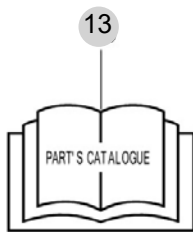
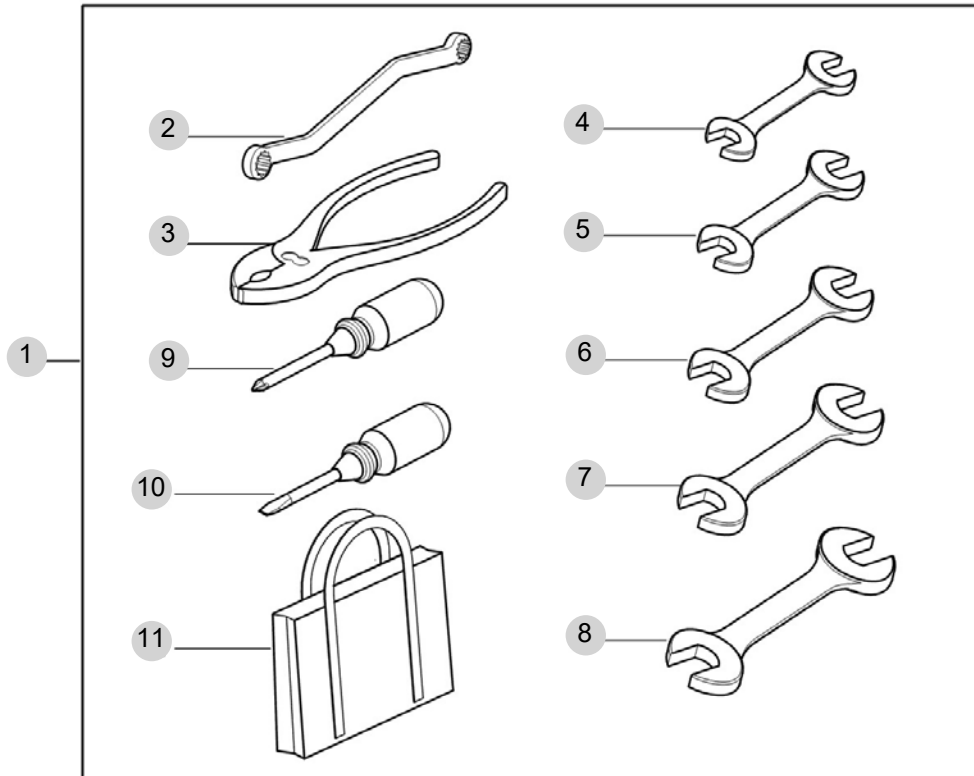
FIG 901

TOOL & ACCESSORY

년/월
Year/Month

2022-12

T754SMEU1



T754-E-901

NOTE

FIG 902(EU)

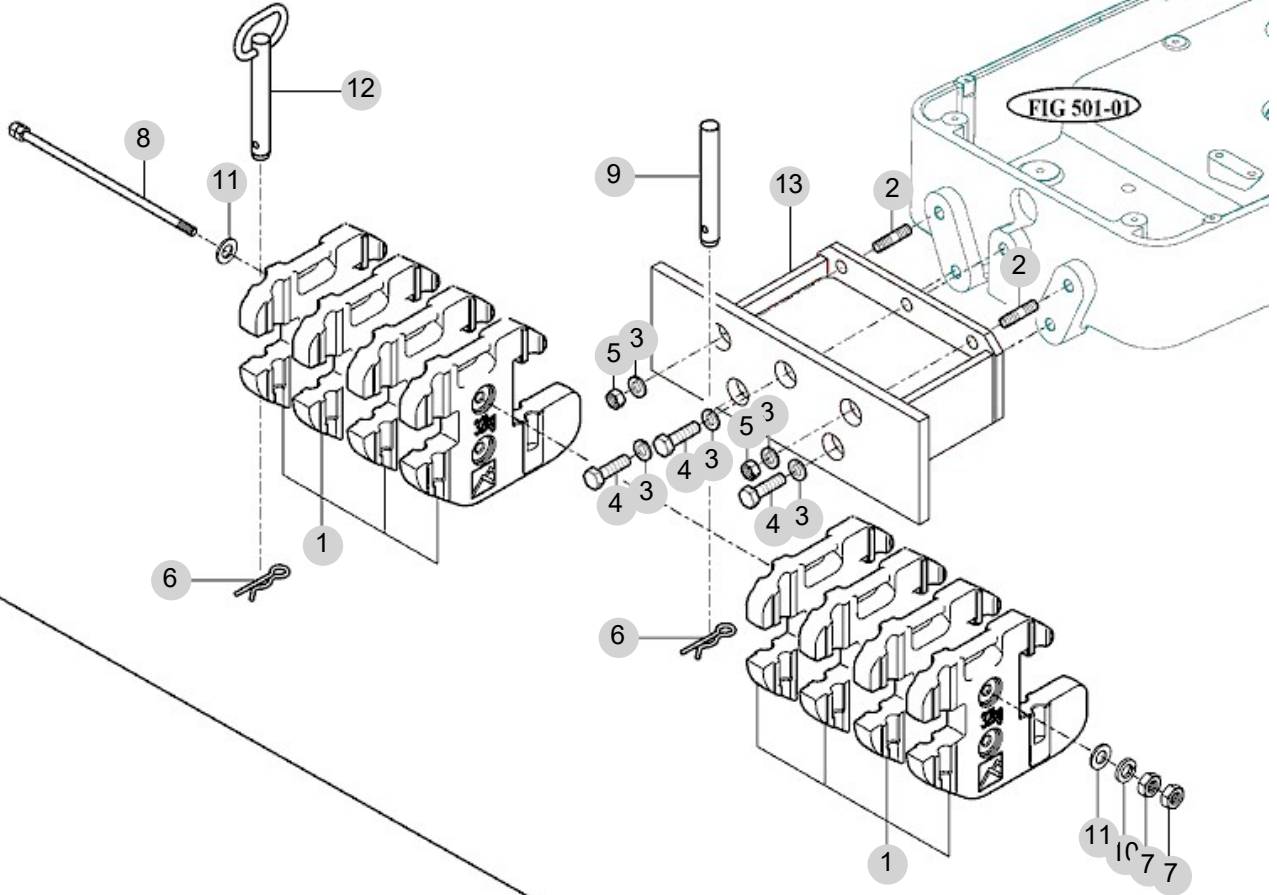
WEIGHT

년/월
Year/Month

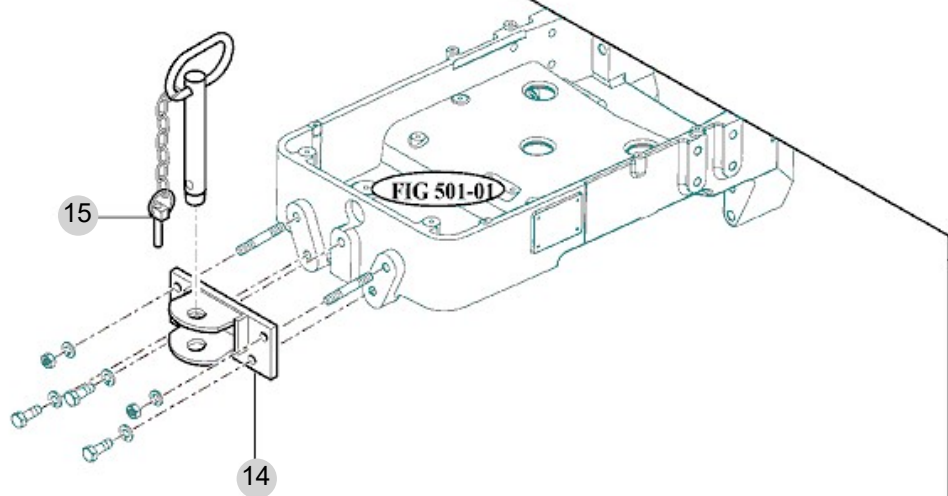
T754SMEU1

2022-12

(WEIGHT)



(TOWING HOOK)



NOTE

FIG 903

LABEL

년/월
Year/Month

T754SMEU1

2022-12

Inner/Outer air Ventilation

- When grills of rear and both sides are opened, inner air will ventilate in.
- For effective use, open it when operate heater or air conditioner and close when ventilate fresh air.

1200-910-122-1

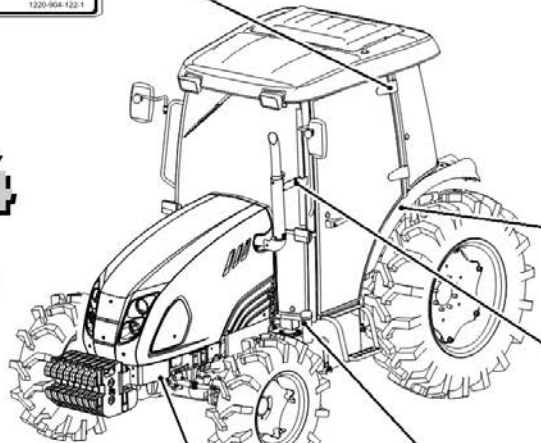
18

T754

51

TYM

90



⚠ DANGER

Do not ride except operator.

1200-910-016-0

6

⚠ CAUTION

Do not touch while the system is hot. It cause serious burns

1200-910-024-6

33

TYM-USA, Inc.
Whitish, North Carolina, USA

MODEL _____

Product Identification Number _____

MADE IN KOREA
www.tym.com/kr

32B

TYM CORPORATION

VIN _____

EUTYPE APPROVAL NUMBER _____

CATEGORY	T-1	T-2	T-3
B-1	12	12	12
B-2	12	12	12
B-3	12	12	12
B-4	12	12	12

32A

⚠ WARNING

Do not refuel the tractor while smoking or near naked flame or sparks. always stop engine before refueling tractors.

1200-910-025-6

17



92

⚠ WARNING

Breathing diesel engine exhaust exposes you to chemicals known to the State of California to cause cancer and birth defects or other reproductive harm.

Always start and operate the engine in a well-ventilated area.

If in an enclosed area, vent the exhaust to the outside.

Do not modify or tamper with the exhaust system.

Do not idle the engine except as necessary.

For more information go to www.P65warnings.ca.gov/diesel

1144-910-022-0

98

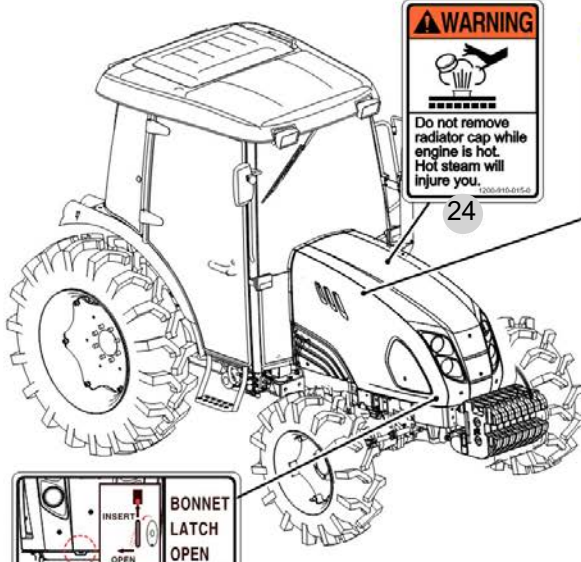
⚠ WARNING

Cancer and Reproductive Harm

www.P65Warnings.ca.gov

1144-910-022-0

99



⚠ WARNING

Do not remove radiator cap while engine is hot. Hot steam will injure you.

1200-910-017-6

24

⚠ CAUTION

Keep hands and clothing away from rotating fan and belts to prevent serious injury.

1200-910-012-0

23

BONNET LATCH OPEN

1200-910-023-0

93

NOTE

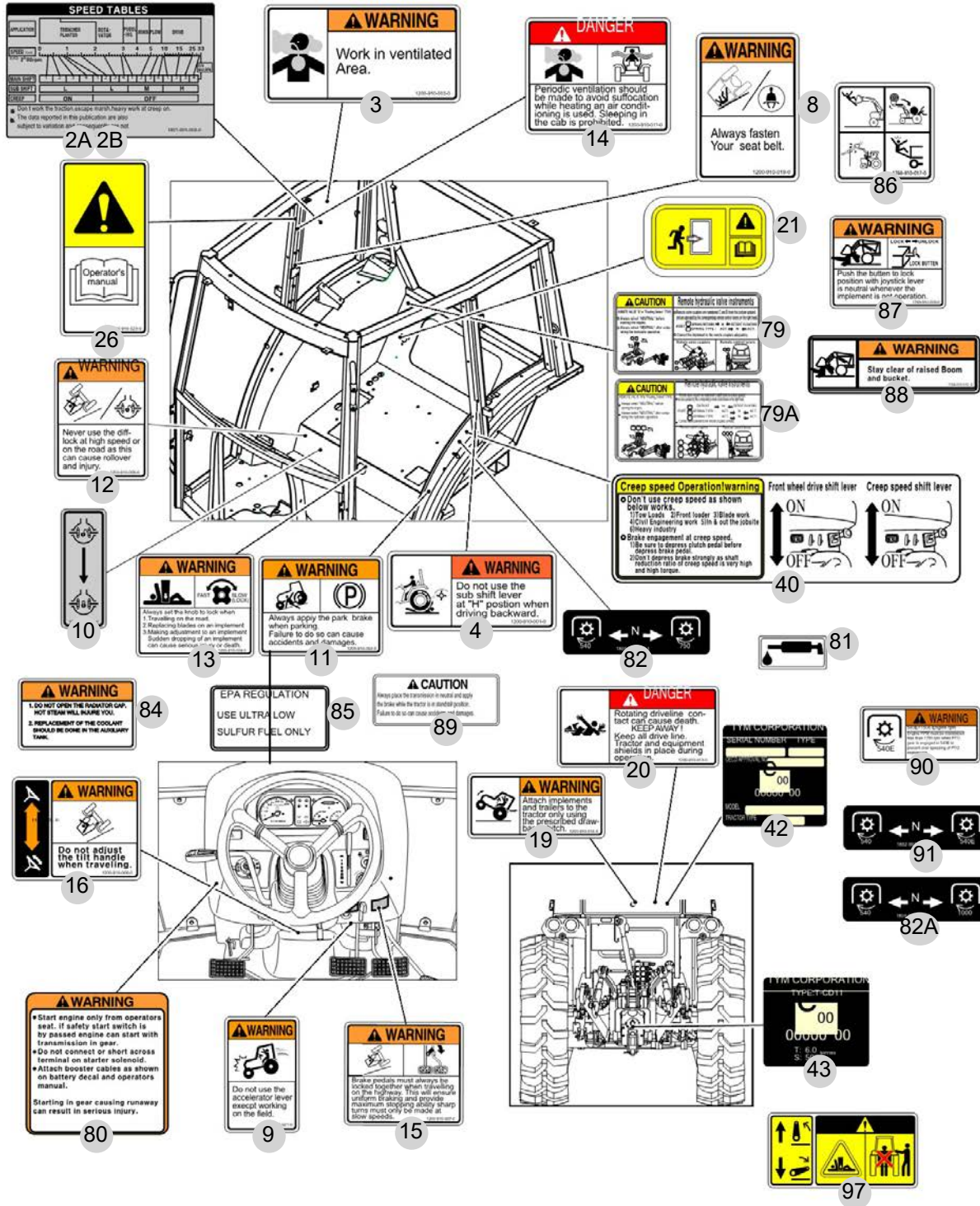
FIG 903

T754SMEU1

LABEL

년/월
Year/Month

2022-12



NOTE

FIG 903	LABEL	년/월 Year/Month
T754SMEU1		2022-12

KEY NO	PART NO	DESCRIPTION	SPEC	QTY	REPAIR	EFFECTIVE DATE	REMARKS
903	2B	18189010030	LABEL , SPEED				
903	3	12009100030	LABEL , WARNING EXHAUST	1X1X1			
903	4	12009100010	LABEL , WARNING SUB SHIFTER	1X1X1			
903	8	12009100190	LABEL , WARNING BELT	1X1X1			
903	9	12009100210	LABEL , WARNING THROTTLE	1X1X1			
903	10	17689200050	LABEL , DIFF				
903	11	12009100020	LABEL , WARNING PARKING	1X1X1			
903	12	12009100060	LABEL , WARNING DIFF	1X1X1			
903	13	12009100040	LABEL , WARNING STOP VALVE	1X1X1			
903	14	12009100111	LABEL , DANGER AIR CONDITIONER				
903	15	12009100070	LABEL , WARNING BRAKE	1X1X1			
903	16	12009100080	LABEL , WARNING TILTING	1X1X1			
903	19	12009100140	LABEL , WARNING DRAW	1X1X1			
903	20	12009100130	LABEL , DANGER PTO	1X1X1			
903	21	12149020110	LABEL , EMERGENCY EXIT	1X1X1			
903	26	12009100230	LABEL , CAUTION OPERATION	T=0.05			
903	40	18019040250	LABEL , CREEPER/4WD	1X1X1			
903	42	18179045040	LABEL, CABIN				
903	43	18029040260	LABEL , DRAWBAR NAME				
903	79A	18095300040	LABEL , HYDRAULIC CAUTION				
903	80	12609040620	LABEL , STARTING WARNING	T=0.05			
903	81	16329040020	LABEL , CAUTION GREASE	T=0.05			
903	82	18019040071	LABEL , PTO 1-2				
903	84	18029100150	LABEL , RADIATOR				
903	85	18711201100	LABEL , ULTRA LOW SULFUR				
903	86	17689100170	LABEL , CAUTION SAFETY				
903	87	17699100090	LABEL , WARNING JOYSTICK	1X1X1			
903	88	17699100100	LABEL , WARNING JOYSTICK				
903	89	18719100310	LABEL , CAUTION LEVER				

NOTE	
-------------	--