

T554ST

Parts Catalog

목 차

0. TRACTOR KIT PART NO. TK1

FIG 001 EXTERNAL POSITION LEVER KIT	7
-------------------------------------	---

1. Engine PART NO. EG

FIG 100 ENGINE	10
FIG 101A CYLINDER BLOCK (T554)	12
FIG 102 GEAR HOUSING	14
FIG 103 FLYWHEEL HOUSING & OIL SUMP	16
FIG 104A CYLINDER HEAD & BONNET (T554)	18
FIG 105A SUCTION MANIFOLD (T554)	21
FIG 106A EXHAUST MANIFOLD (T554)	23
FIG 107A DIESEL PARTICULATE FILTER (T554)	25
FIG 108 CAMSHAFT & DRIVING GEAR	27
FIG 109 TURBINE (T554)	29
FIG 110A CRANKSHAFT & PISTON (T554)	31
FIG 111 BALANCER	33
FIG 112A LUB. OIL SYSTEM (T554)	35
FIG 113 LUB. OIL LINE (T554)	37
FIG 114 COOLING WATER SYSTEM	39
FIG 115 FUEL SUPPLY PUMP	41
FIG 116A FUEL INJECTION VALVE (T554)	43
FIG 117 FUEL LINE	45
FIG 118 STARTING MOTOR	47
FIG 119 GENERATOR	49
FIG 120A ELECTRONIC CONTROL UNIT (T554)	51
FIG 121A ELECTRIC PARTS (T554)	53
FIG 122A ACCESSORY (T554)	55

2. Engine Accessories PART NO. T2

FIG 201 AIR CLEANER	58
---------------------	----

FIG 202 RADIATOR	60
FIG 203 MUFFLER	62
FIG 204 FUEL HOSE & FILTER	64
FIG 205 FUEL TANK	66
FIG 206 ACCELERATOR	68
FIG 208 FAN , COOLING	70

3. Clutch/Brake/Steering PART NO. T3

FIG 301 CLUTCH	73
FIG 302 CLUTCH PEDAL	75
FIG 303 BRAKE	78
FIG 304 BRAKE PEDAL & LINK	80
FIG 305A FRONT WHEEL	82
FIG 305B FRONT WHEEL (R4 OPTION)	84
FIG 306A REAR WHEEL	86
FIG 306B REAR WHEEL (R4 OPTION)	88
FIG 307 POWER STEERING WHEEL	90
FIG 308 POWER STEERING VALVE	92
FIG 309 POWER STEERING CYLINDER	94

4. Transmission PART NO. T4

FIG 401 TRANSMISSION FRONT CASE	97
FIG 402 FORWARD & BACKWARD GEARS	99
FIG 403 IDLE & COUNTER GEARS	101
FIG 404 MAIN SHIFT GEARS	103
FIG 405 P.T.O DRIVE SHAFT	105
FIG 406 MAIN CHANGE LEVER	107
FIG 407 REVERSE CHANGE LEVER	109
FIG 408 TRANSMISSION MID CASE	111
FIG 409 TRANSMISSION REAR CASE	113
FIG 410 SUB CHANGE GEARS	115
FIG 411 SUB CHANGE SHIFTER	117
FIG 413 DRIVE GEARS	119
FIG 414 4WD CHANGE LEVER	121
FIG 415 P.T.O CHANGE GEARS	123
FIG 417 REAR DIFFERENTIAL GEARS	125

FIG 418 REAR AXLE HOUSING	128
---------------------------	-----

5. Front Axle PART NO. T5

FIG 501 FRONT AXLE SUPPORT	131
FIG 502 FRONT DRIVE SHAFT	133
FIG 503 FRONT AXLE HOUSING	135
FIG 504 FRONT DIFFERENTIAL GEARS	137
FIG 505 FRONT GEAR CASE (1)	139
FIG 506 FRONT GEAR CASE (2)	141
FIG 507 FRONT GEAR CASE (3)	143

6. Hydraulic/3P-Link PART NO. T6

FIG 601 CYLINDER CASE	146
FIG 602 LIFT ARM	148
FIG 603 CYLINDER	150
FIG 604 POSITION LINK	152
FIG 605 CONTROL VALVE	154
FIG 606 DRAFT LINK	156
FIG 607 POSITION & DRAFT LEVER	158
FIG 608 EXTERIOR HYD. VALVE	160
FIG 609 HYDRAULIC PIPE	162
FIG 610 JOYSTICK	164
FIG 611 HYDRAULIC HOSE	166
FIG 612 HITCH & 3-POINT LINK	168
FIG 613 LOWER LINK & LIFT ROD	171
FIG 614 EXTERNAL POSITION LEVER KIT	173

7. Sheet Metal & Cabin PART NO. T7

FIG 701 HOOD (1)	176
FIG 702 HOOD (2)	178
FIG 704 LEVER COVER & STEP	180
FIG 705 FRONT & REAR MOUNTING	182
FIG 706 SEAT & MAT	184
FIG 709 DOOR	186
FIG 710A FRONT GLASS	189

FIG 711 SIDE GLASS	191
FIG 712 REAR GLASS	193
FIG 713A SUB FENDER&COVER	195
FIG 714A MIRROR	197
FIG 715A HEATER & AIR-CON	199
FIG 715B HEATER & AIR-CON	201
FIG 716 FENDER COVER	203
FIG 717 ROOF	205
FIG 718 CABIN INTERIOR	207

8. Electrical System PART NO. T8

FIG 801 BATTERY & MOUNTING	210
FIG 802 LIGHT & BACK LAMP	212
FIG 803 INSTRUMENT PANEL	214
FIG 804 ELECTRIC SYSTEM (1)	216
FIG 805A ELECTRIC SYSTEM (2)	218
FIG 806 INSTRUMENT PANEL	220

9. Label/Option PART NO. T9

FIG 901 TOOL & ACCESSORY	223
FIG 902 LABEL	225

0. TRACTOR KIT PART NO. TK1

FIG 001 EXTERNAL POSITION LEVER KIT

7

FIG 001 T554ST	EXTERNAL POSITION LEVER KIT	년/월 Year/Month 2022-12
-------------------	-----------------------------	------------------------------

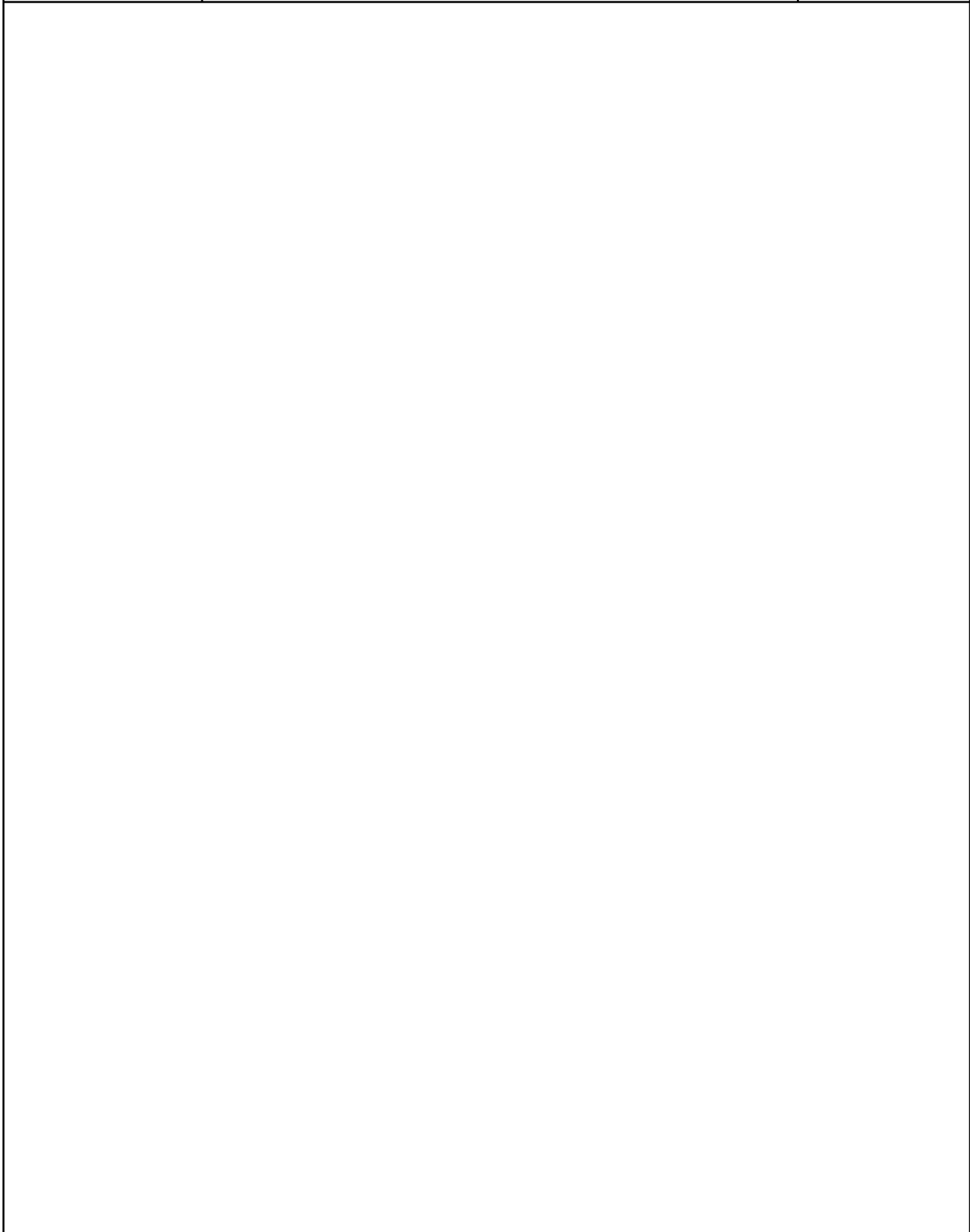


NOTE	
------	--

1. Engine PART NO. EG

FIG 100 ENGINE	10
FIG 101A CYLINDER BLOCK (T554)	12
FIG 102 GEAR HOUSING	14
FIG 103 FLYWHEEL HOUSING & OIL SUMP	16
FIG 104A CYLINDER HEAD & BONNET (T554)	18
FIG 105A SUCTION MANIFOLD (T554)	21
FIG 106A EXHAUST MANIFOLD (T554)	23
FIG 107A DIESEL PARTICULATE FILTER (T554)	25
FIG 108 CAMSHAFT & DRIVING GEAR	27
FIG 109 TURBINE (T554)	29
FIG 110A CRANKSHAFT & PISTON (T554)	31
FIG 111 BALANCER	33
FIG 112A LUB. OIL SYSTEM (T554)	35
FIG 113 LUB. OIL LINE (T554)	37
FIG 114 COOLING WATER SYSTEM	39
FIG 115 FUEL SUPPLY PUMP	41
FIG 116A FUEL INJECTION VALVE (T554)	43
FIG 117 FUEL LINE	45
FIG 118 STARTING MOTOR	47
FIG 119 GENERATOR	49
FIG 120A ELECTRONIC CONTROL UNIT (T554)	51
FIG 121A ELECTRIC PARTS (T554)	53
FIG 122A ACCESSORY (T554)	55

FIG 100 T554ST	ENGINE	년/월 Year/Month 2022-12
-------------------	--------	------------------------------



NOTE	
------	--

FIG 100 T554ST		ENGINE					년/월 Year/Month	REMARKS
							2022-12	
KEY NO		PART NO	DESCRIPTION	SPEC	QTY	REPAIR	EFFECTIVE DATE	
100	1 A	17461010001	ENGINE(4TNV86CT)ASSY		1			
100	1 A	17461010002	ENGINE , 4TNV86CT-KKTF		1			
NOTE								

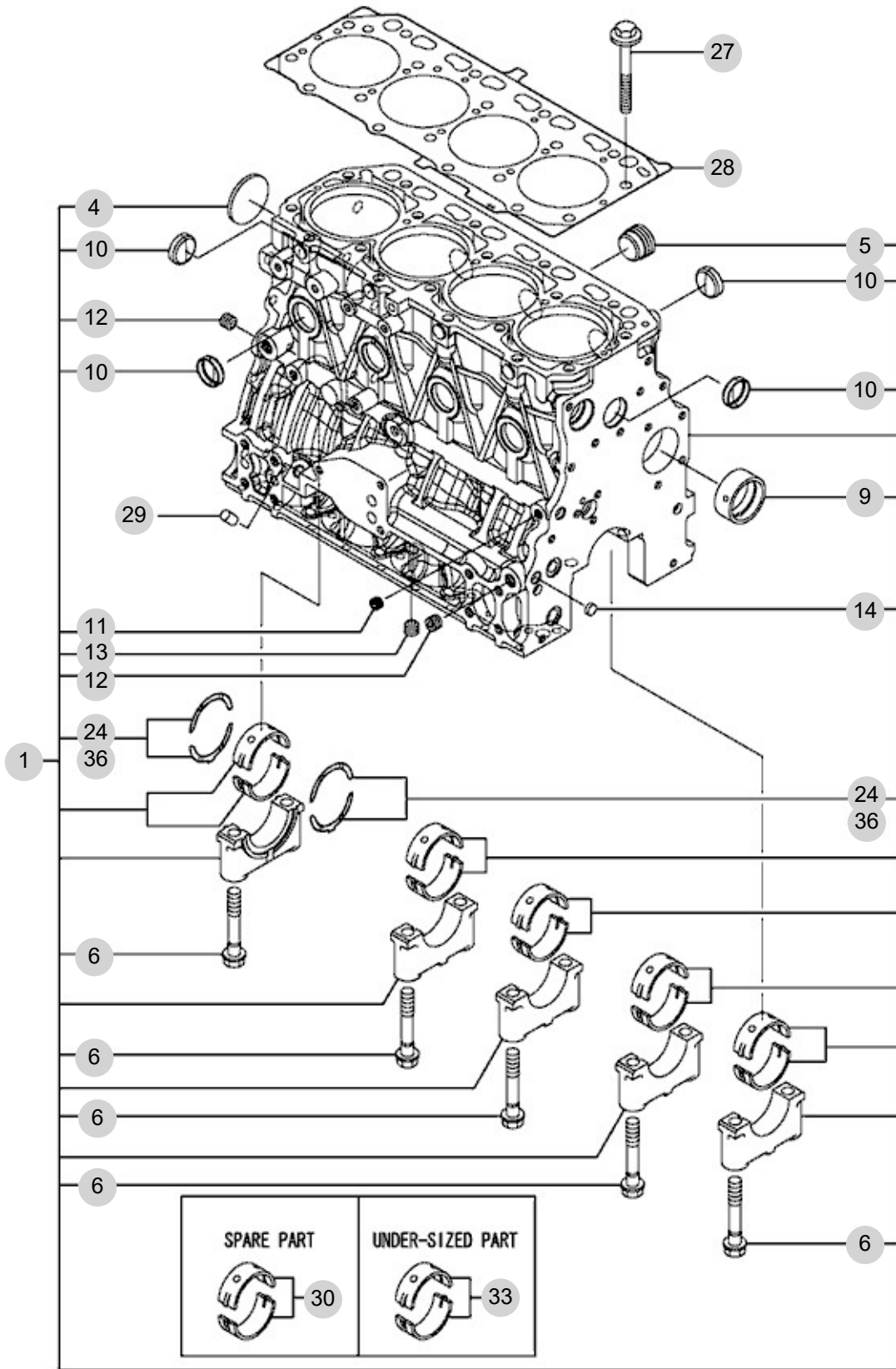
FIG 101A

CYLINDER BLOCK (T554)

년/월
Year/Month

2022-12

T554ST



NOTE

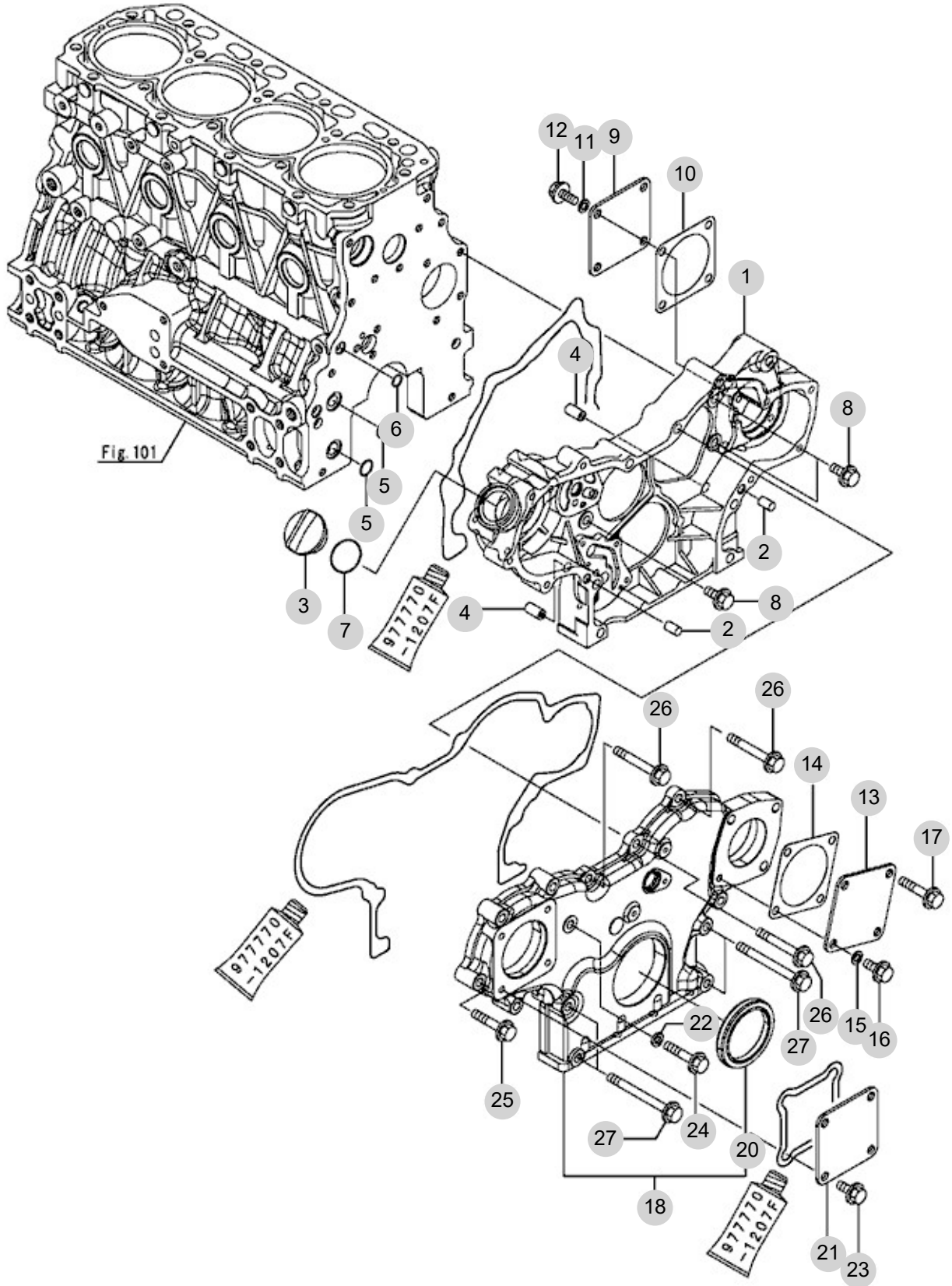
FIG 102

GEAR HOUSING

년/월
Year/Month

2022-12

T554ST



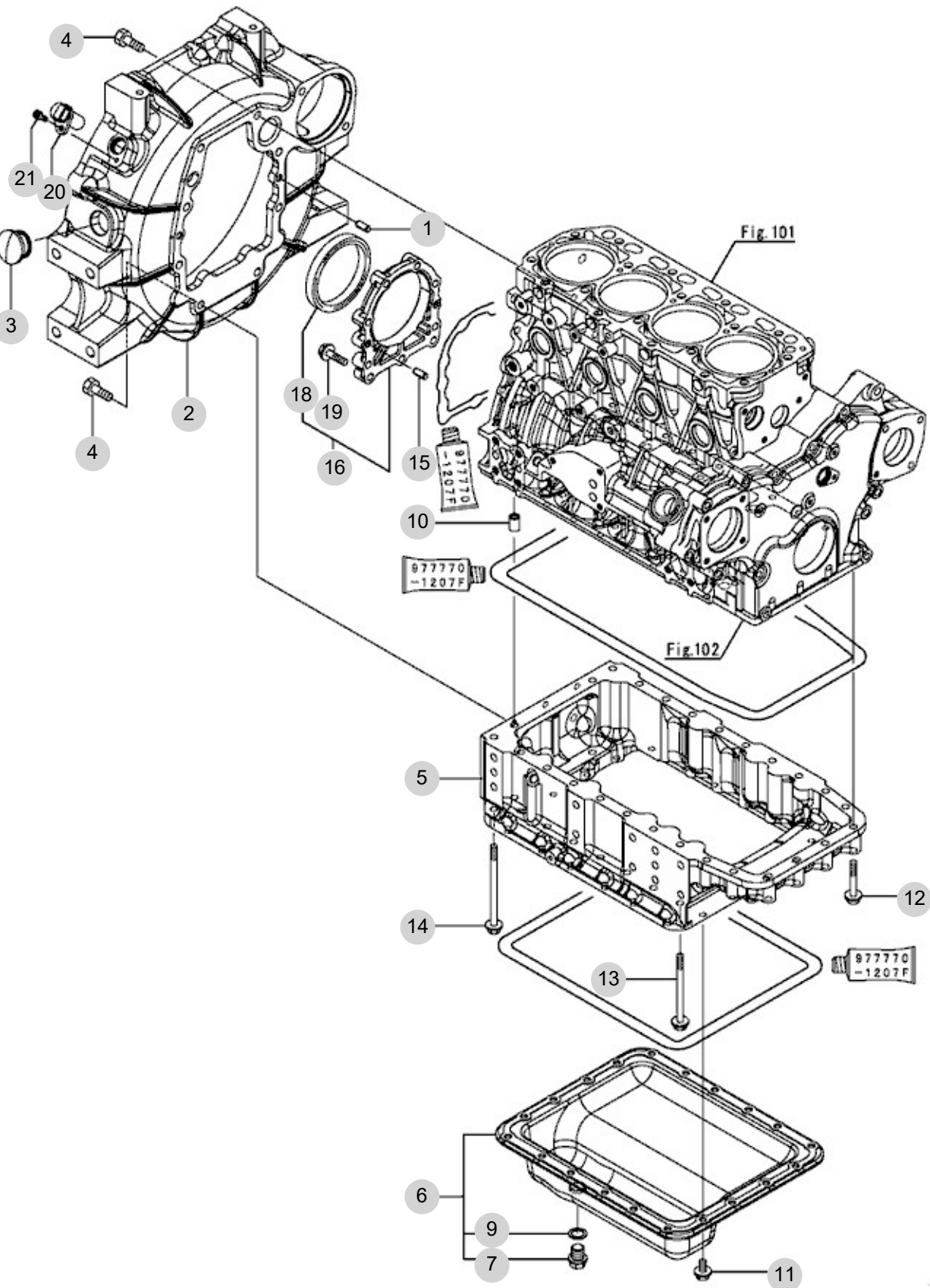
NOTE

FIG 103

FLYWHEEL HOUSING & OIL SUMP

년/월
Year/Month

2022-12



NOTE

FIG 104A		CYLINDER HEAD & BONNET (T554)					년/월 Year/Month		
							2022-12		
T554ST		KEY NO	PART NO	DESCRIPTION	SPEC	QTY	REPAIR	EFFECTIVE DATE	REMARKS
104A	1	129601-11241	SHAFT ASSY, ROCKER			1			
104A	2	129601-11251	SHAFT, ROCKER ARM			1			
104A	4	119802-11260	SUPPORT, ?ROCKER?ARM			2			
104A	5	119802-11270	SUPPORT, ROCKER ARM			3			
104A	6	129150-11280	SPRING			4			
104A	7	129004-11650	ARM, ?ROCKER			8			
104A	8	129150-11230	SCREW, VALVE ADJUST			8			
104A	10	129150-11750	NUT, M8			8			
104A	11	26226-080182	STUD, ?M8X18			3			
104A	12	129150-11370	CAP, VALVE			8			
104A	13	129C01-11700	HEAD ASSY, CYLINDER			1			
104A	21	27241-400000	PLUG, ?40			2			
104A	22	129005-11100	VALVE, INTAKE			4			
104A	23	129795-11120	SPRING, VALVE			8			
104A	24	129100-11130	VALVE, ?EXHAUST			4			
104A	25	129795-11180	RETAINER, SPRING			8			
104A	26	124460-11340	SEAL, VALVE STEM			4			
104A	27	129A00-11340	SEAL, ?VALVE?STEM			4			
104A	28	27310-080001	COTTER, 8			8			
104A	30	129978-11871	GASKET, INJECTOR			4			
104A	31	129A00-11900	RETAINER, ?INJECTOR			4			
104A	32	120270-54410	WASHER, INJECTOR			4			
104A	33	22351-060012	PIN, SPRING 6.0X12			2			
104A	34	26106-080252	SCREW , HEX FLANGE HEAD CAP			3			
104A	35	26106-080352	BOLT			4			
104A	36	26106-080502	BOLT, M8X50 PLATED			7			
104A	37	124160-01751	COVER, ?FILLER			1			
104A	38	129C01-11351	BONNET ASSY			1			
104A	39	129004-03010	PLATE			1			
104A	40	129150-03070	BAFFLE, ?BREATHER			1			
104A	41	123907-03100	DIAPHRAGM			1			
104A	42	123907-03110	PLATE			1			
104A	43	123907-03120	PLATE, ?BREATHER			1			
104A	44	123907-03140	SPRING, DIAPHRAGM			1			
104A	46	129C00-11310	GASKET, COVER			1			
104A	47	129A00-11330	JOINT			1			
104A	48	129009-11340	SPRING			1			
104A	49	129A00-12703	SENSOR, PRESSURE			1			
104A	50	129A00-12780	O-RING, PRES?SENSOR			2			
104A	51	129A00-13360	HOSE ASSY, PRES EXH			1			
104A	53	129A00-13380	CLIP, HOSE 14			2			
104A	54	119640-61400	PLUG			1			
104A	55	22857-500100	SCREW, 5X10			4			
104A	56	22857-500100	SCREW, 5X10			6			
104A	57	22857-500100	SCREW, ?5X10			1			
NOTE									

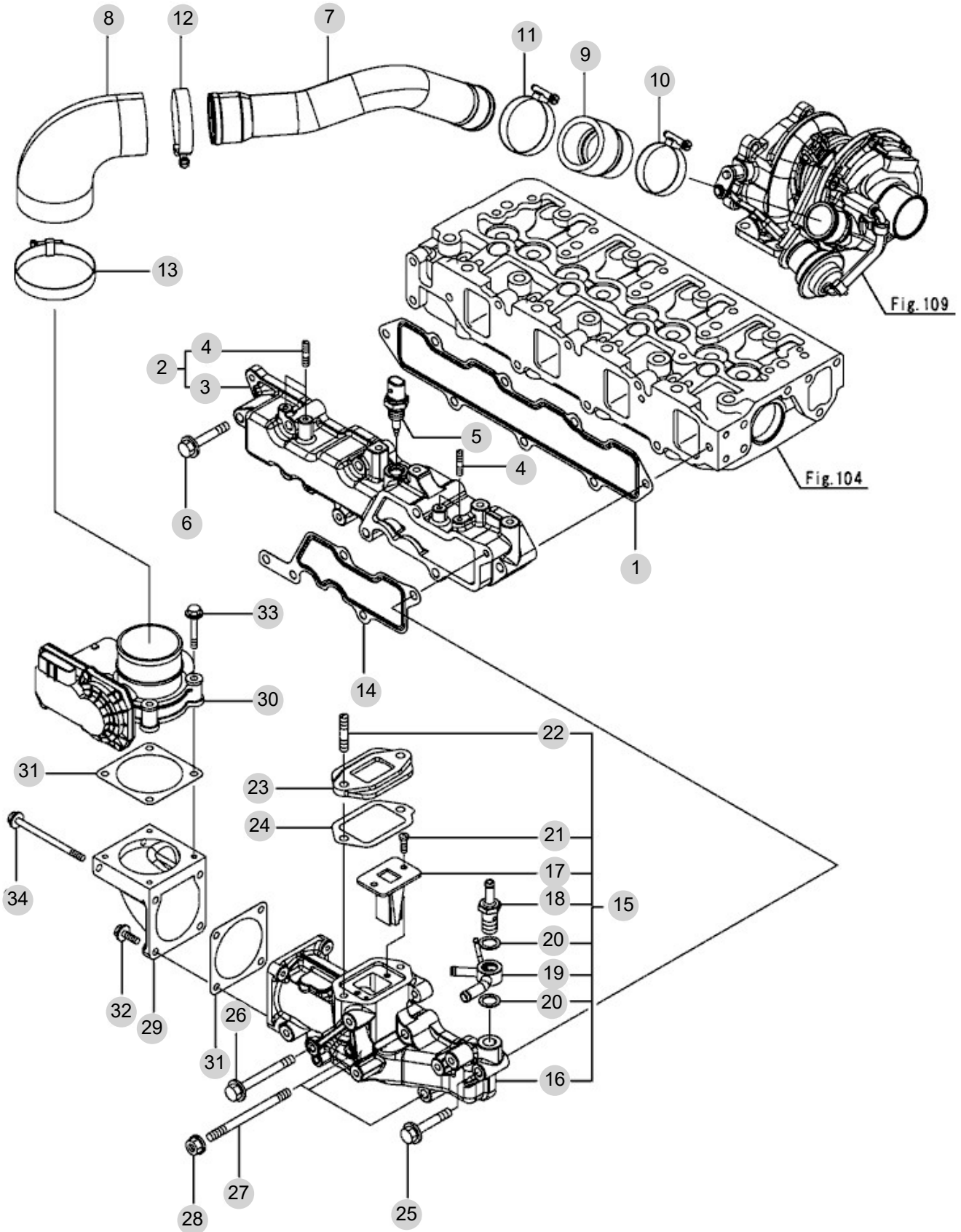
FIG 105A

SUCTION MANIFOLD (T554)

년/월
Year/Month

2022-12

T554ST



NOTE

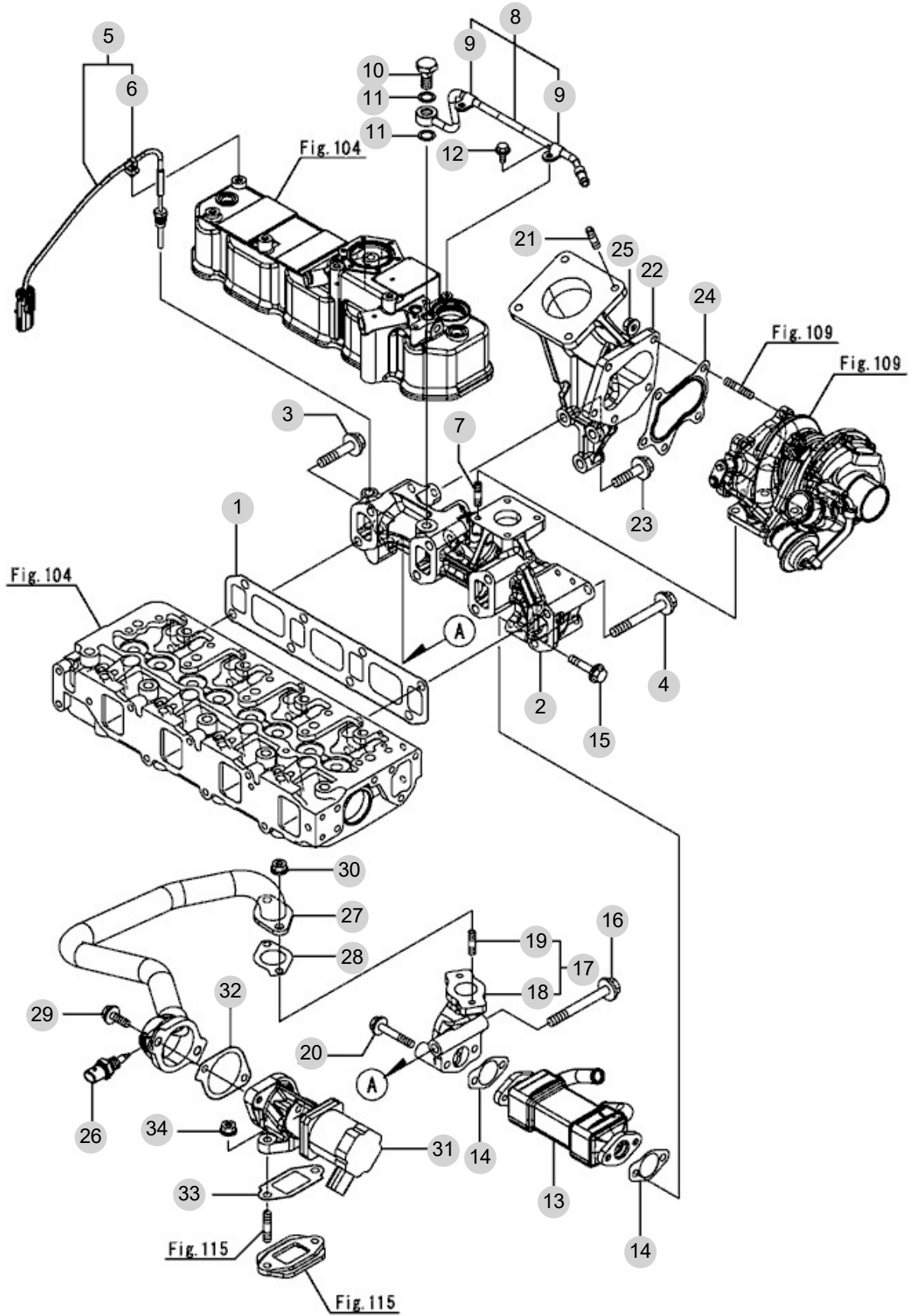
FIG 106A

EXHAUST MANIFOLD (T554)

년/월
Year/Month

2022-12

T554ST



NOTE

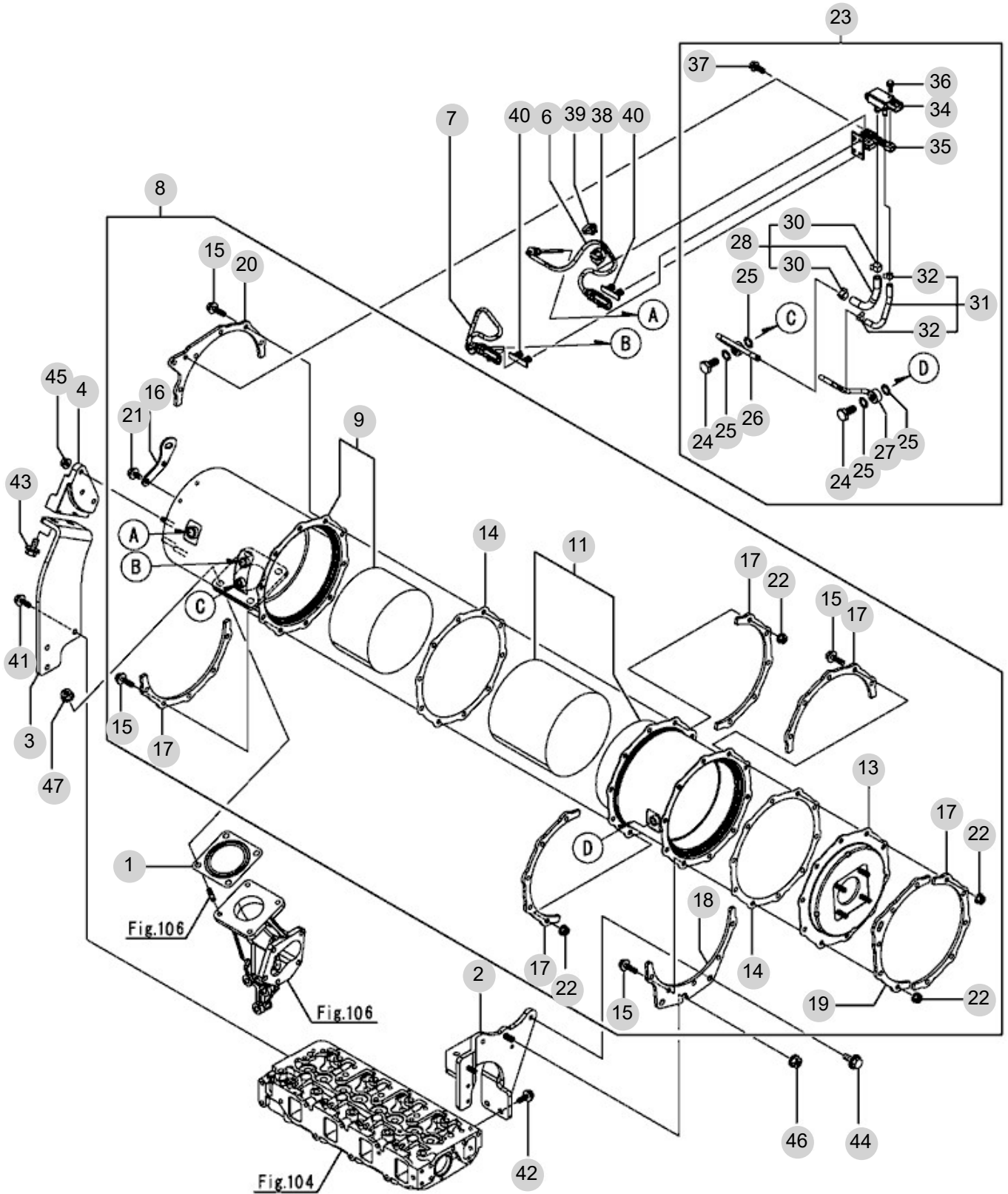
FIG 107A

T554ST

DIESEL PARTICULATE FILTER (T554)

년/월
Year/Month

2022-12



NOTE

FIG 107A T554ST		DIESEL PARTICULATE FILTER (T554)					년/월 Year/Month	
							2022-12	
KEY NO	PART NO	DESCRIPTION	SPEC	QTY	REPAIR	EFFECTIVE DATE	REMARKS	
107A	1	128300-13230	GASKET,SILENCER		1			
107A	2	129C01-16811	STAY,DPF		1			
107A	3	129C01-16820	STAY,DPF		1			
107A	4	129C01-16830	STAY,DPF		1			
107A	6	129C00-13940	SENSOR,EXH.TEMP		1			
107A	7	129C00-13950	SENSOR,EXH.TEMP		1			
107A	8	129C01-16011	DPFASSY		1			
107A	9	129C01-16210	CASE,DOC		1			
107A	11	129C01-16410	CASE,SOOT FILTER		1			
107A	13	129C01-16550	FLANGE,OUTLET		1			
107A	14	129E00-16600	GASKET,DPF		2			
107A	15	129A00-16610	BOLT,M8X28 10.9T		20			
107A	16	129C01-16680	LIFTER,DPF		1			
107A	17	129C01-16700	STIFFENER,DPF A		5			
107A	18	129C01-16721	STIFFENER,DPF B		1			
107A	19	129C01-16740	STIFFENER,DPF C		1			
107A	20	129C01-16750	STIFFENER,DPF C		1			
107A	21	26106-080142	BOLT,M8X14 PLATED		2			
107A	22	26306-080002	NUT,M8		20			
107A	23	129E01-17220	SENSORUNIT, PRESSURE		1			
107A	24	129A00-13350	BOLT, PIPE JOINT		2			
107A	25	129A00-17311	GASKET,SENSOR		4			
107A	26	129E00-17310	PIPEASSY,PRES EXH		1			
107A	27	129E00-17360	PIPEASSY,PRES EXH		1			
107A	28	129C01-17610	HOSEASSY,PRES EXH		1			
107A	30	129A00-17520	CLIP,HOSE		2			
107A	31	129A00-17670	HOSEASSY,PRES EXH		1			
107A	32	129A00-17570	CLIP,HOSE		2			
107A	34	129A00-17702	SENSOR,PRESSURE		1			
107A	35	129A00-17780	BRACKET,SENSOR		1			
107A	36	26106-060162	BOLT,M6X16 PLATED		2			
107A	37	26106-080202	볼트	8X20	2			
107A	38	129A00-91200	BAND CLIP		1			
107A	39	129C00-91200	BAND		1			
107A	40	129A00-91430	CLIP,CONNECTOR		2			
107A	41	26106-080202	볼트	8X20	3			
107A	42	26106-080202	볼트	8X20	2			
107A	43	26106-100202	FLANGE BOLT		2			
107A	44	26106-100202	FLANGE BOLT		2			
107A	45	26306-080002	NUT,M8		3			
107A	46	26306-100002	NUT,M10		1			
107A	47	26306-100002	NUT,M10		4			
NOTE								

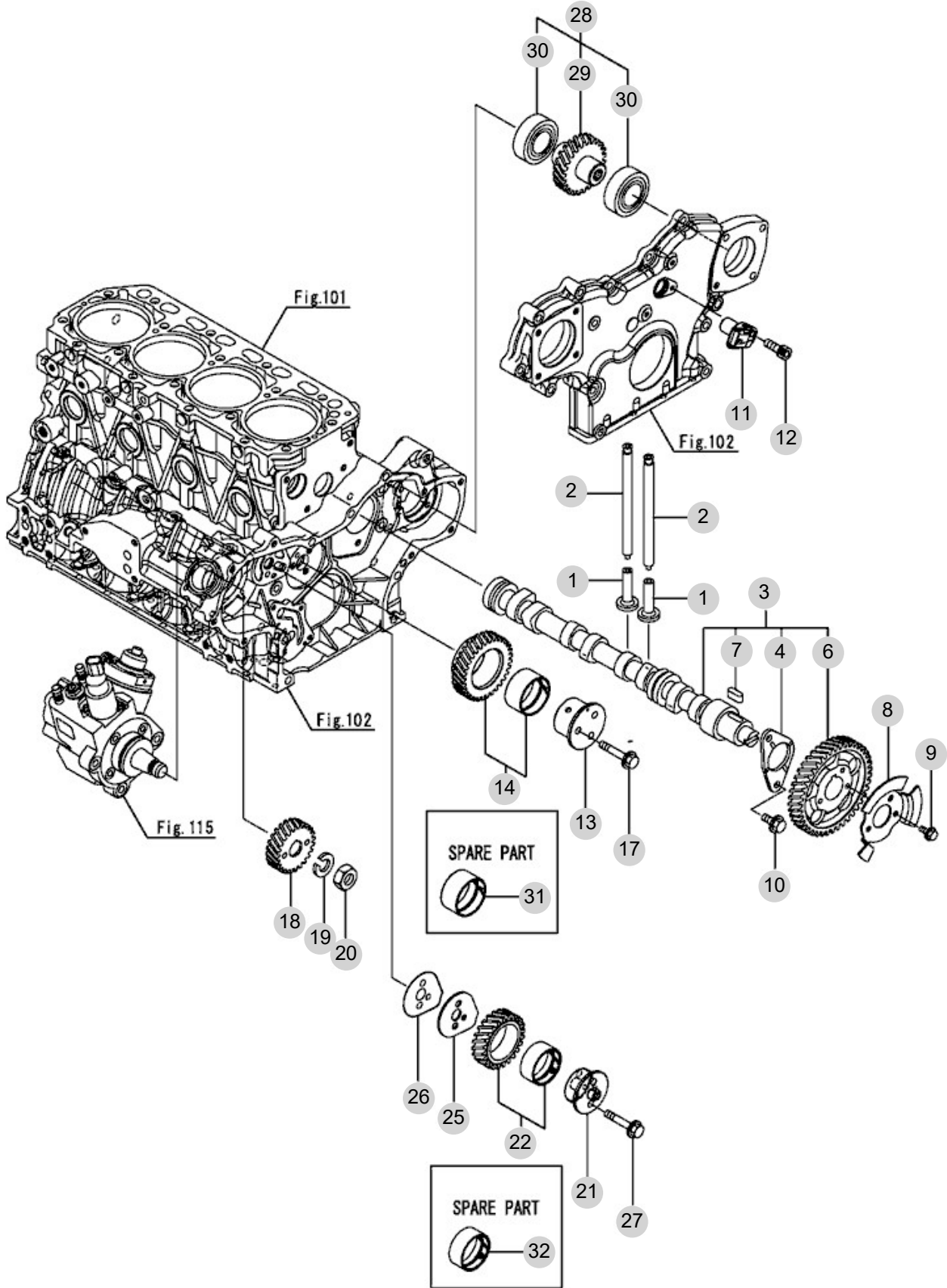
FIG 108

T554ST

CAMSHAFT & DRIVING GEAR

년/월
Year/Month

2022-12



NOTE

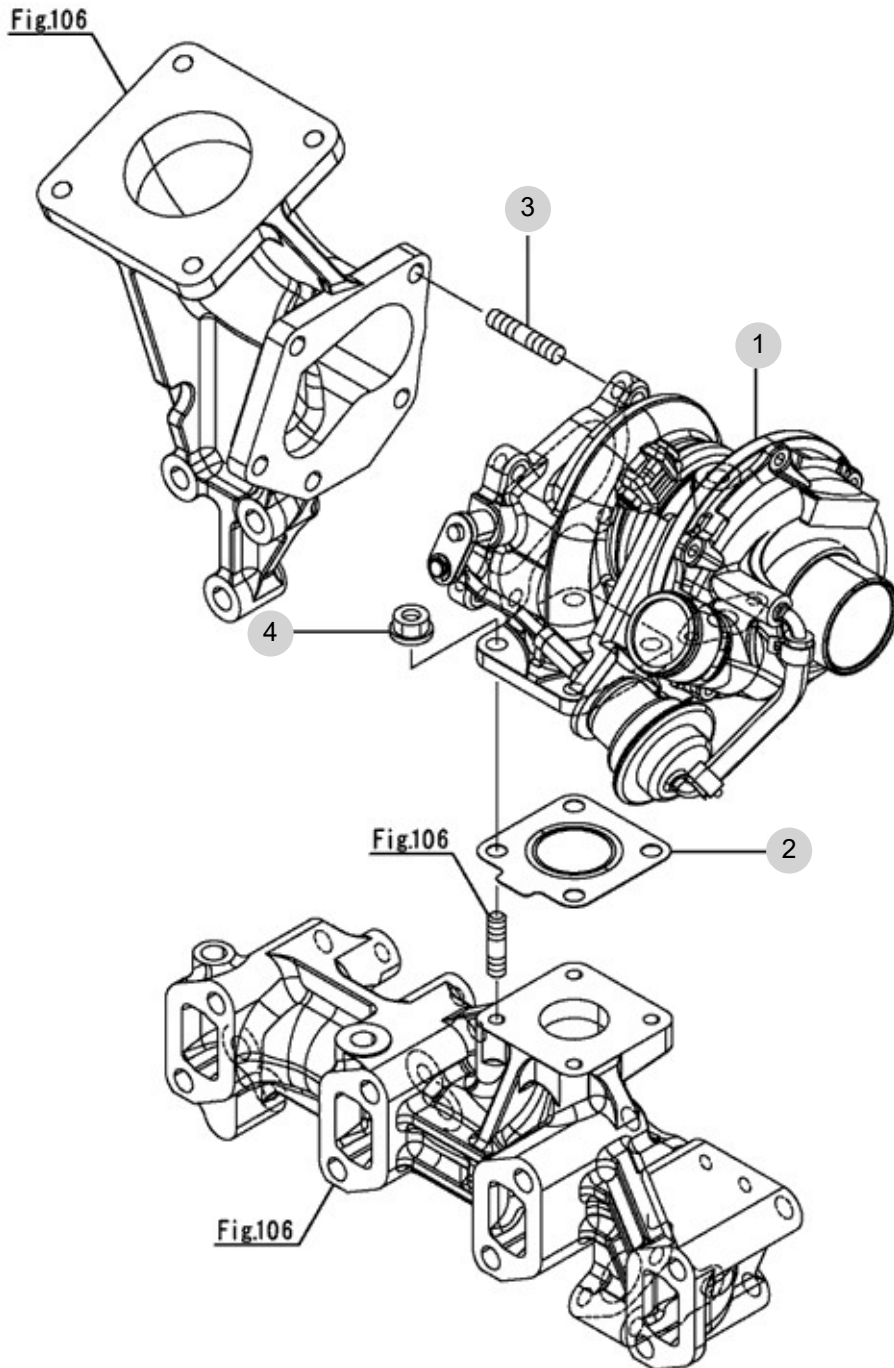
FIG 109

T554ST

TURBINE (T554)

년/월
Year/Month

2022-12



NOTE

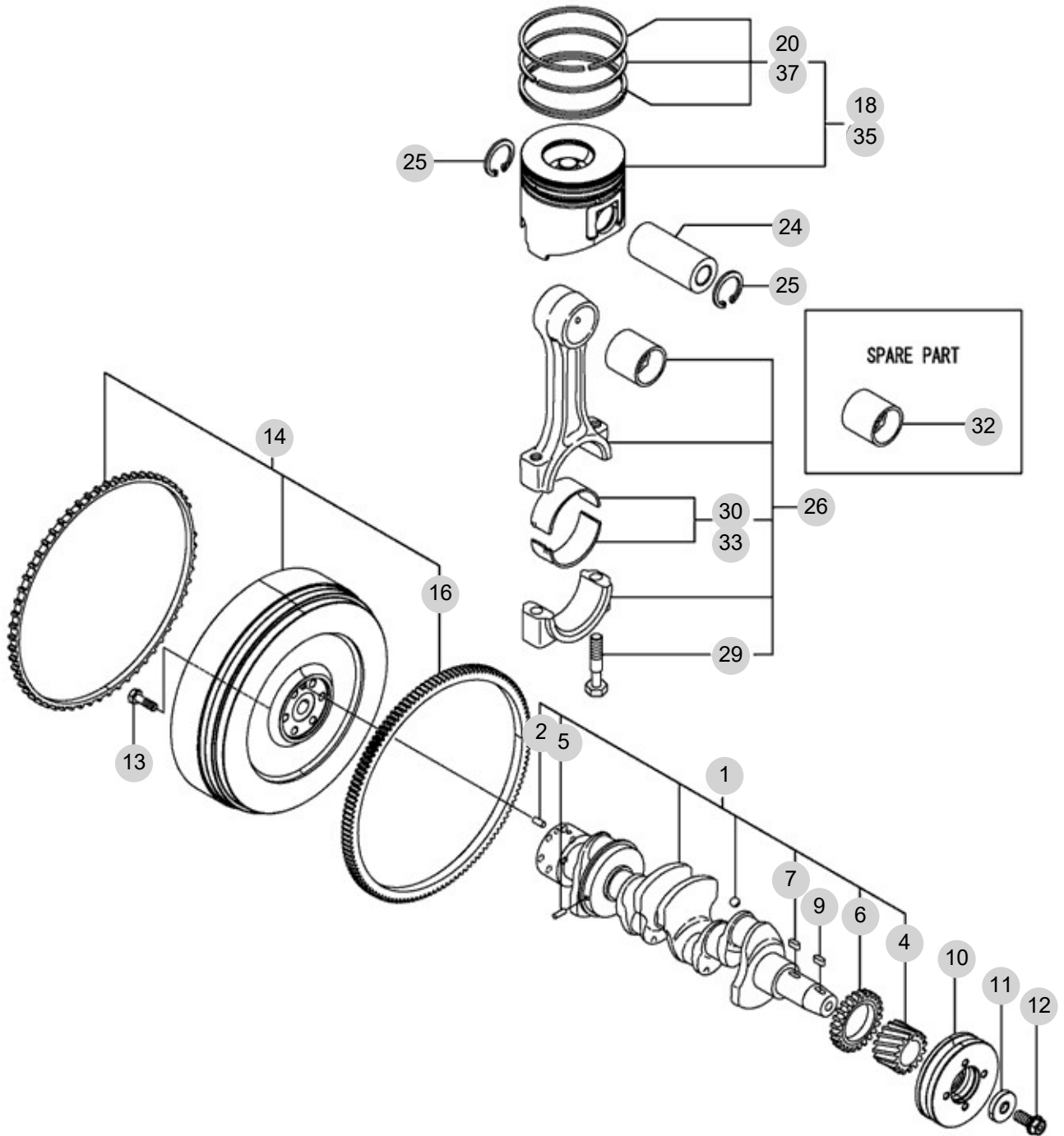
FIG 110A

CRANKSHAFT & PISTON (T554)

년/월
Year/Month

2022-12

T554ST



NOTE

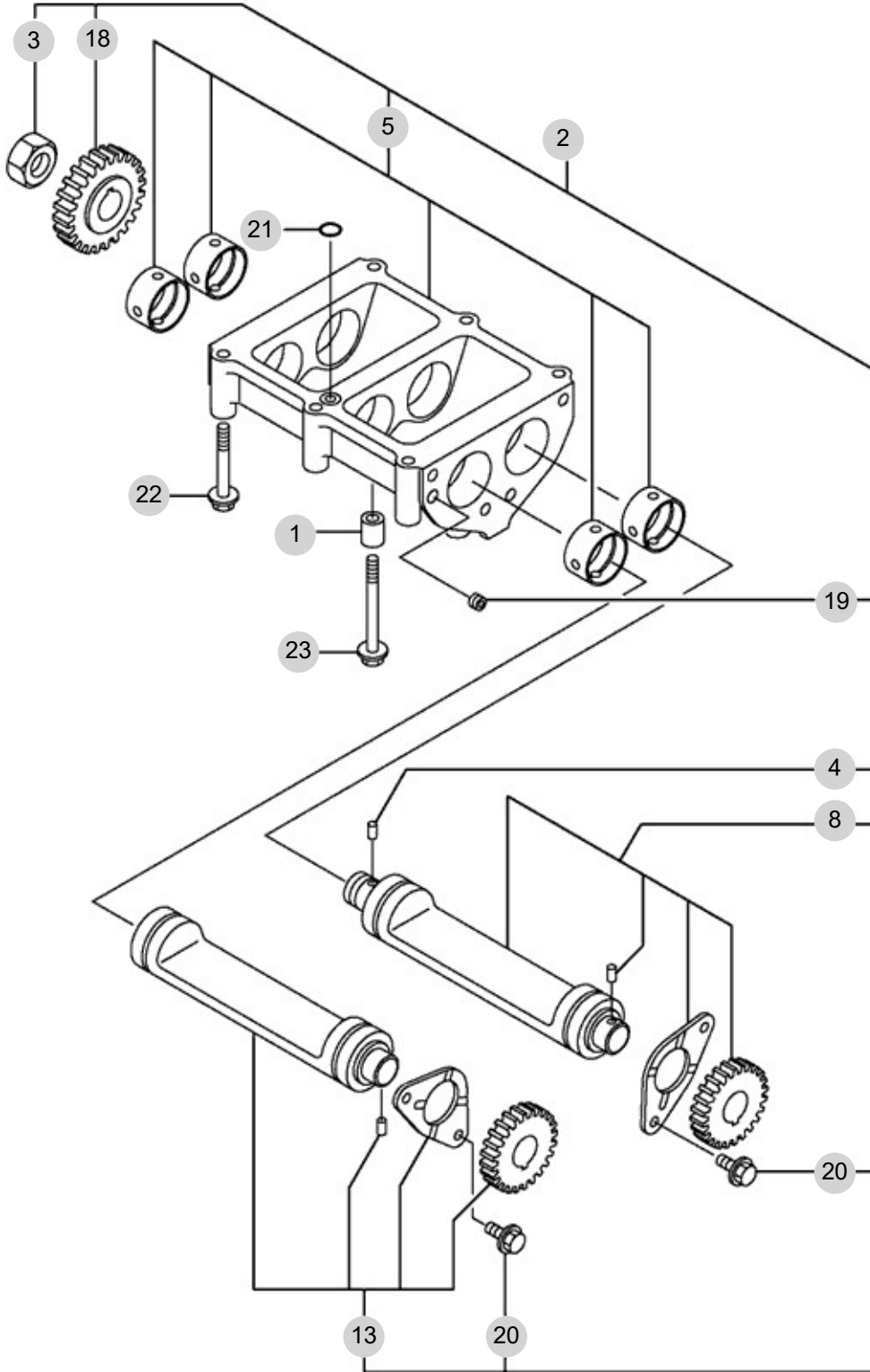
FIG 111

BALANCER

년/월
Year/Month

2022-12

T554ST



NOTE

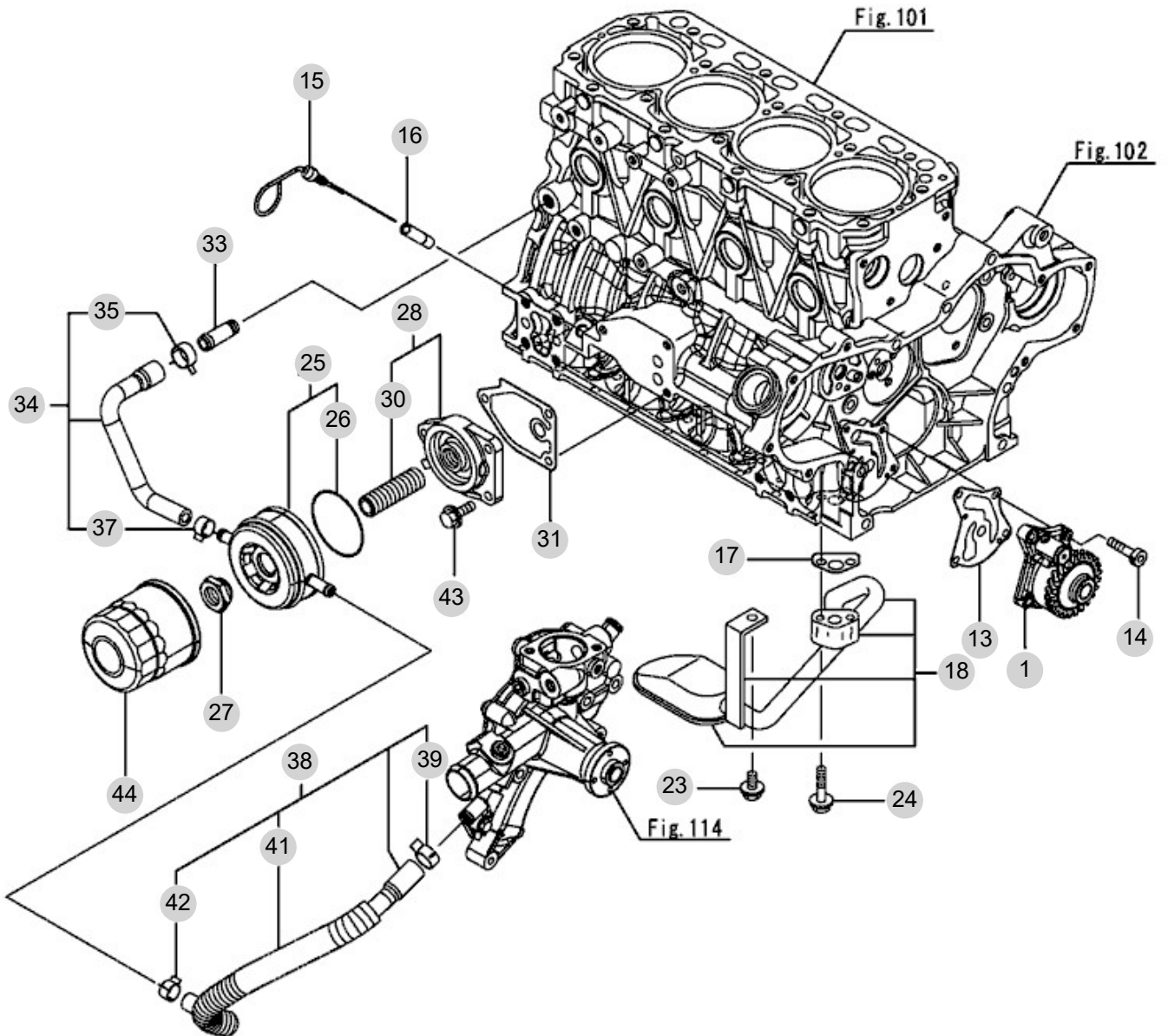
FIG 112A

LUB. OIL SYSTEM (T554)

년/월
Year/Month

2022-12

T554ST



NOTE

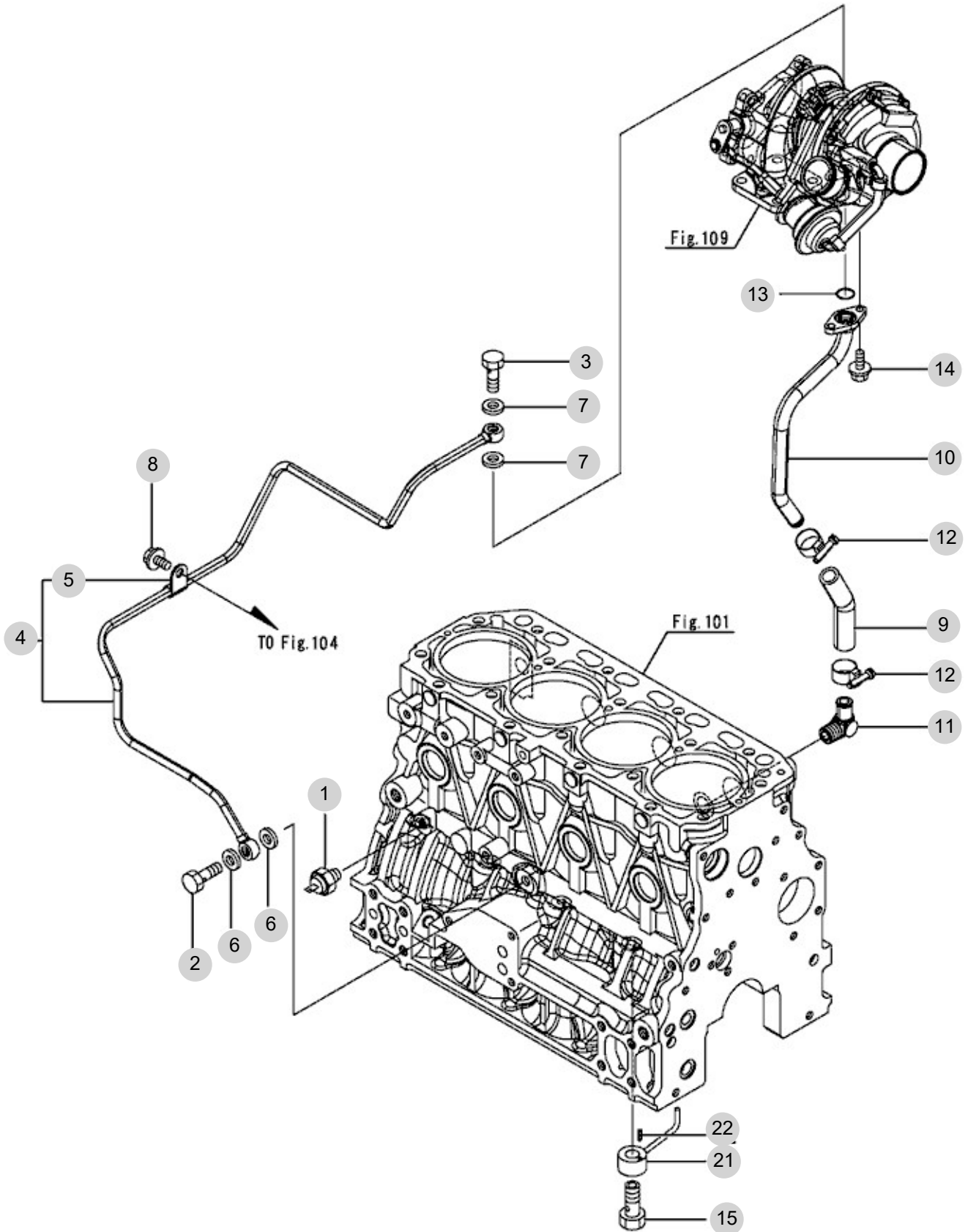
FIG 113

T554ST

LUB. OIL LINE (T554)

년/월
Year/Month

2022-12



NOTE

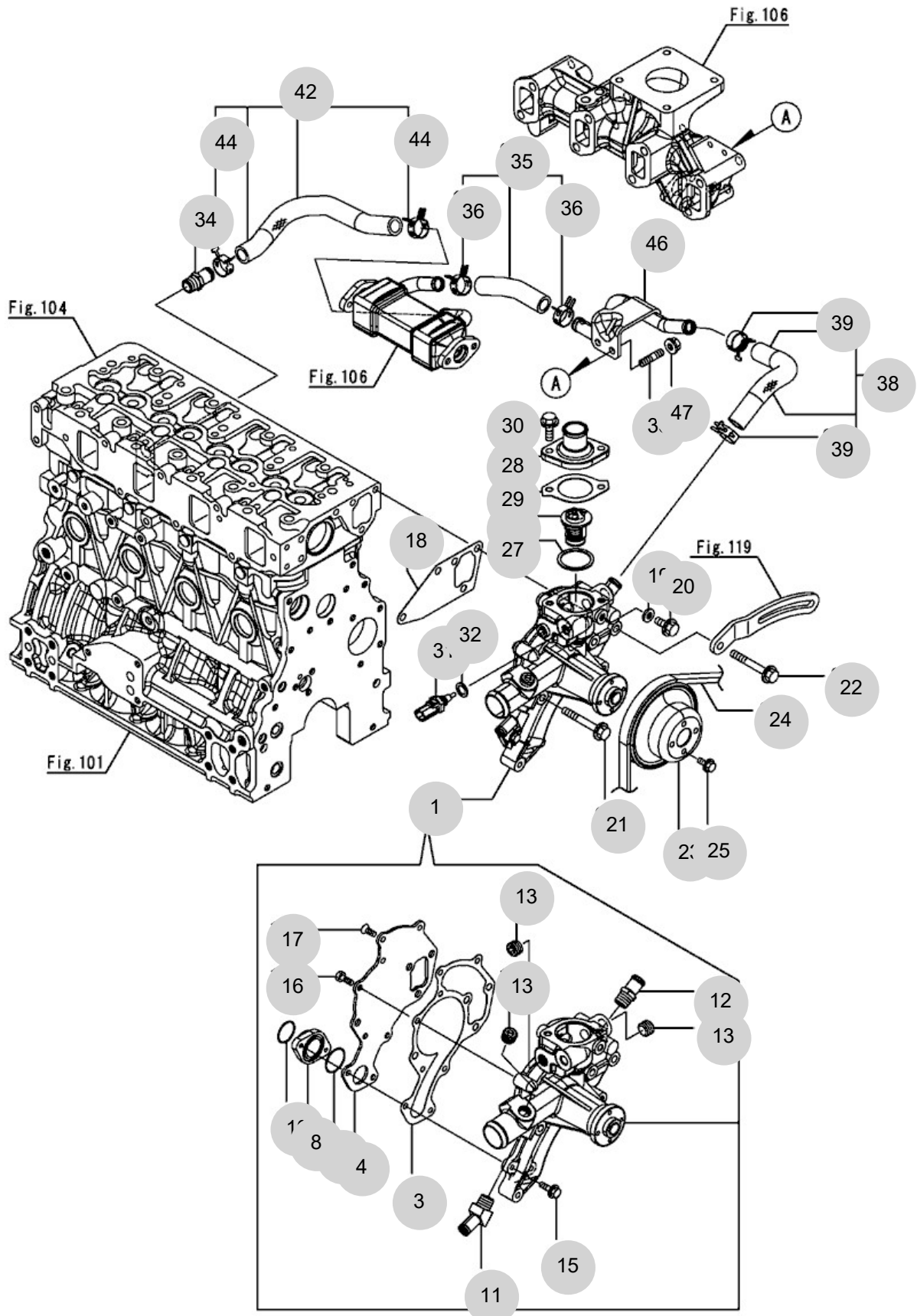
FIG 114

COOLING WATER SYSTEM

년/월
Year/Month

2022-12

T554ST



NOTE

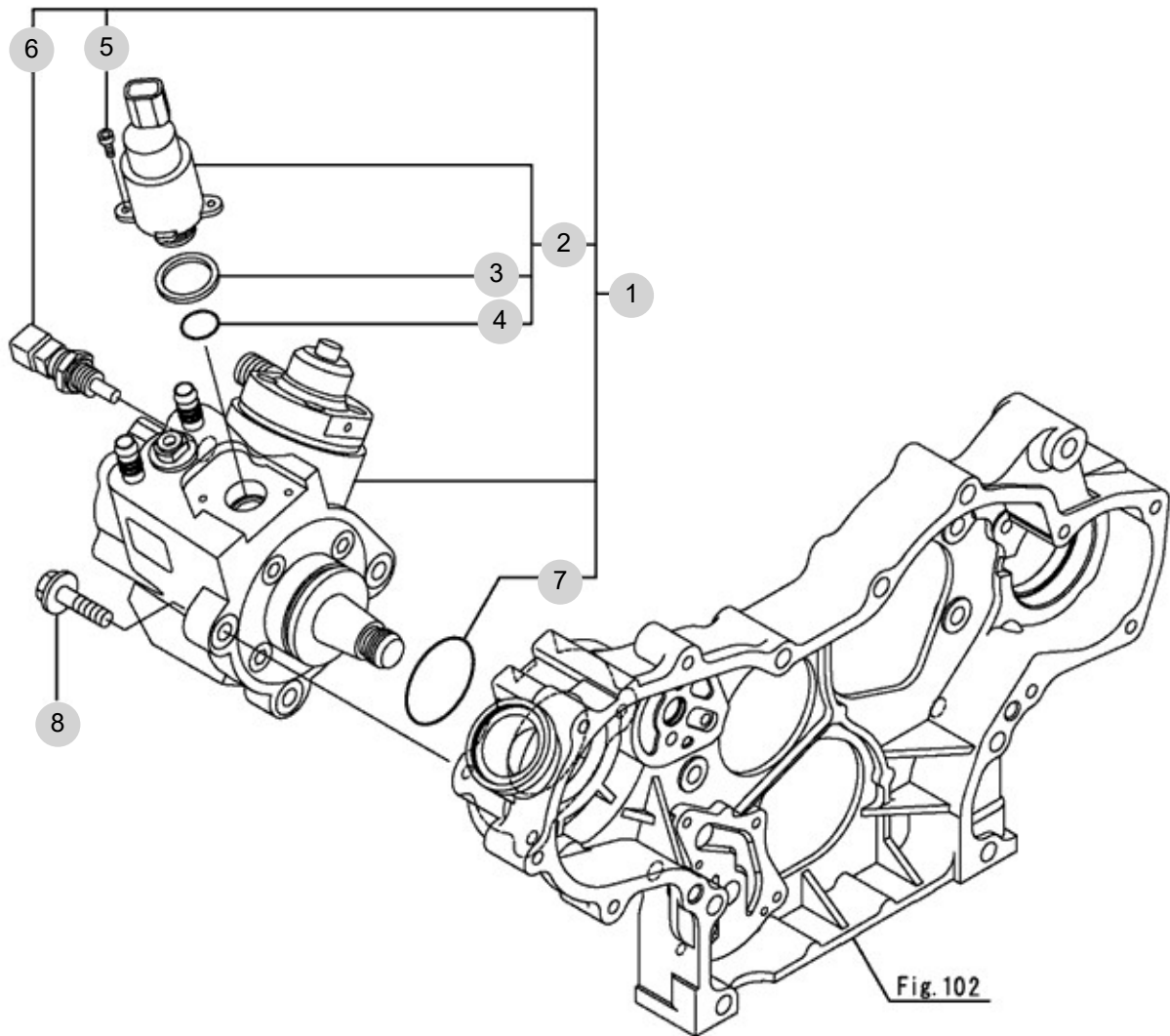
FIG 115

T554ST

FUEL SUPPLY PUMP

년/월
Year/Month

2022-12



NOTE

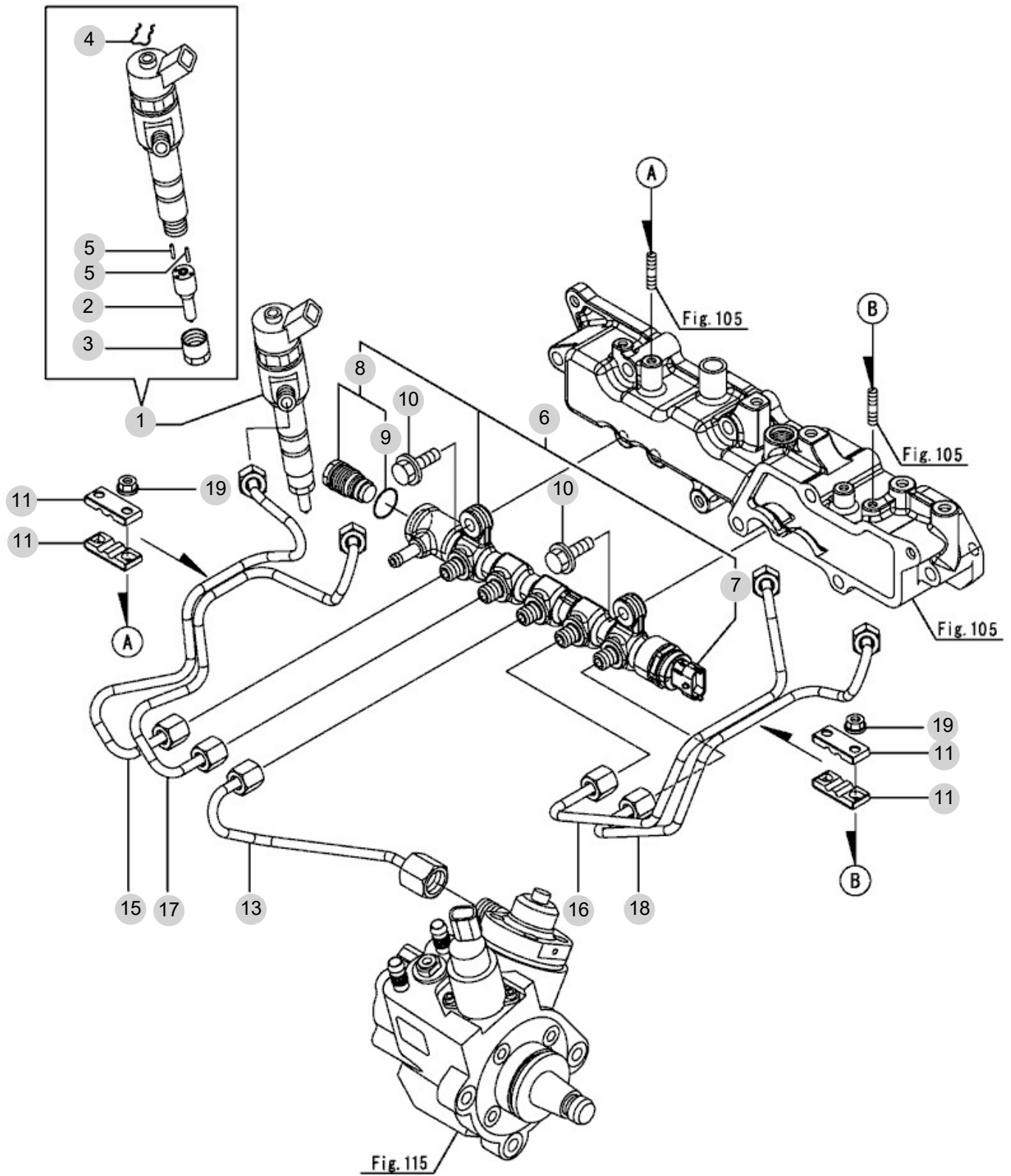
FIG 116A

FUEL INJECTION VALVE (T554)

년/월
Year/Month

2022-12

T554ST



NOTE

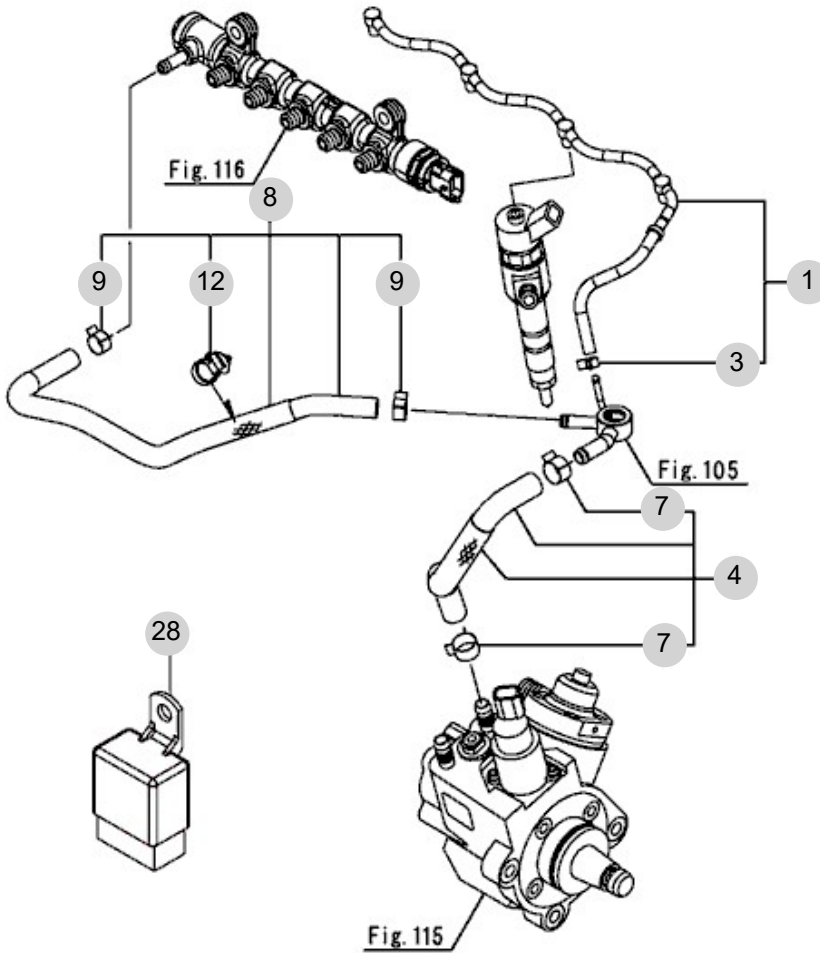
FIG 117

T554ST

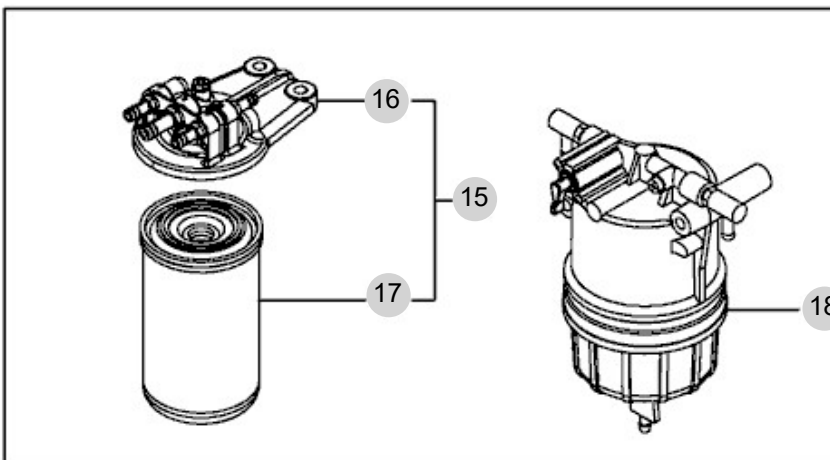
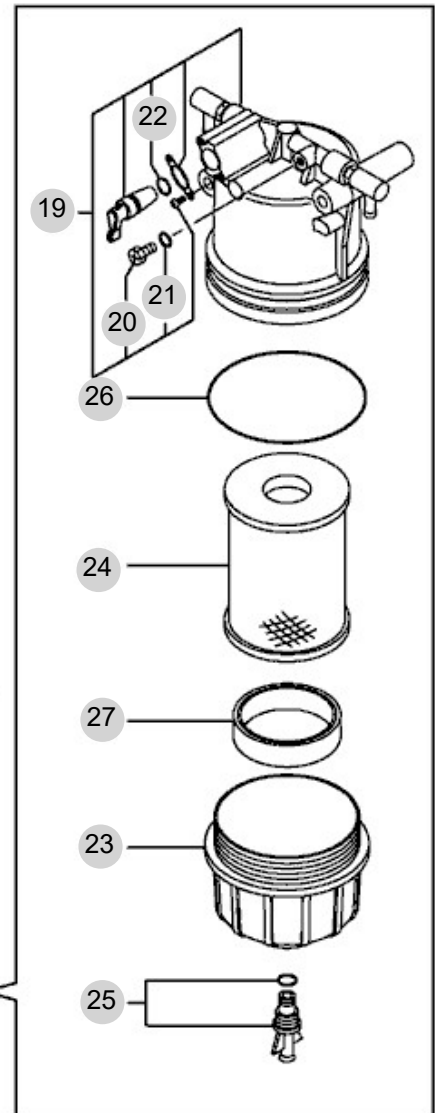
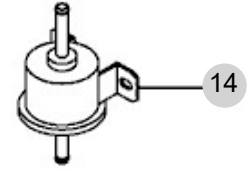
FUEL LINE

년/월
Year/Month

2022-12



LOOSE PARTS



NOTE

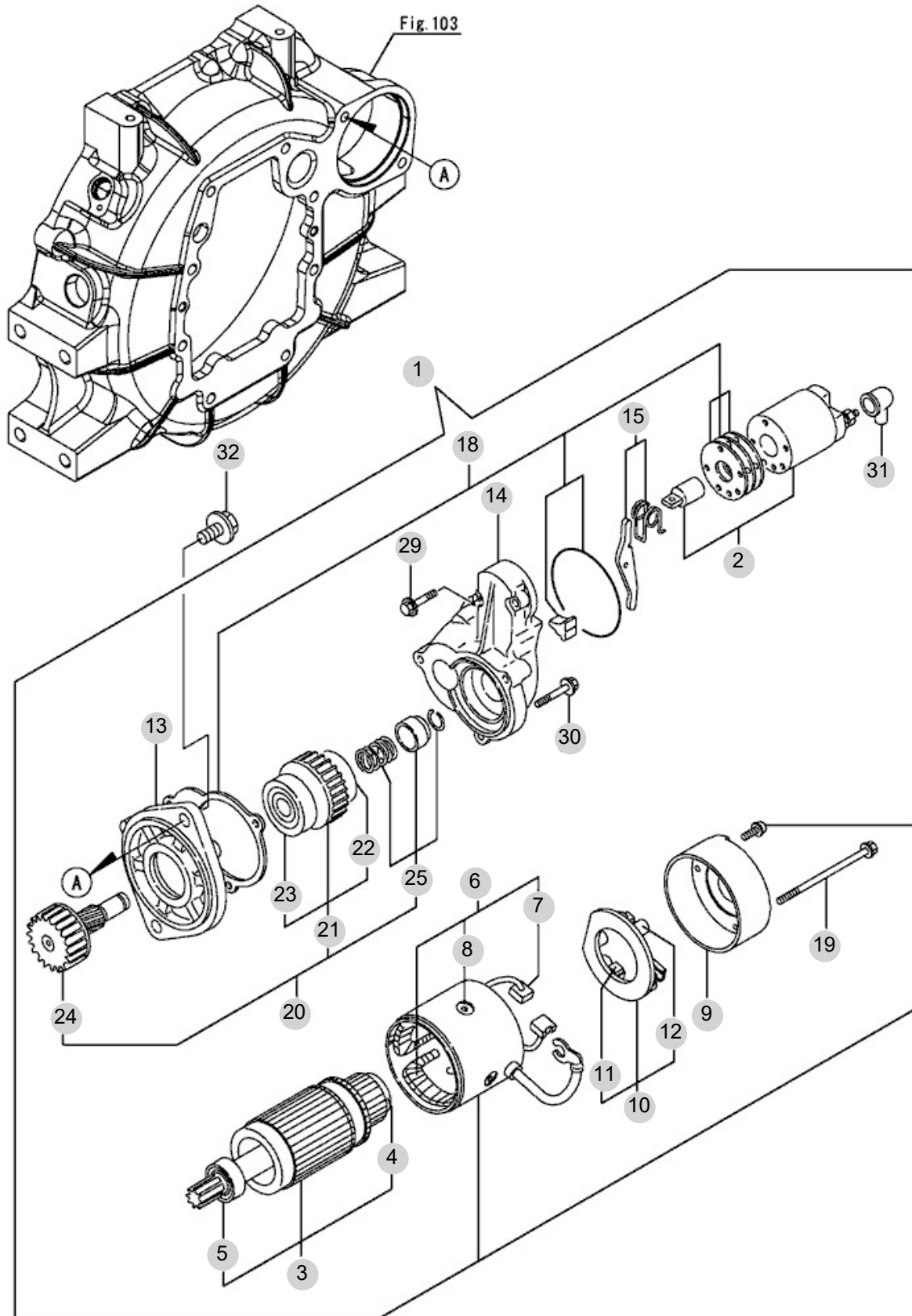
FIG 118

STARTING MOTOR

년/월
Year/Month

2022-12

T554ST



NOTE

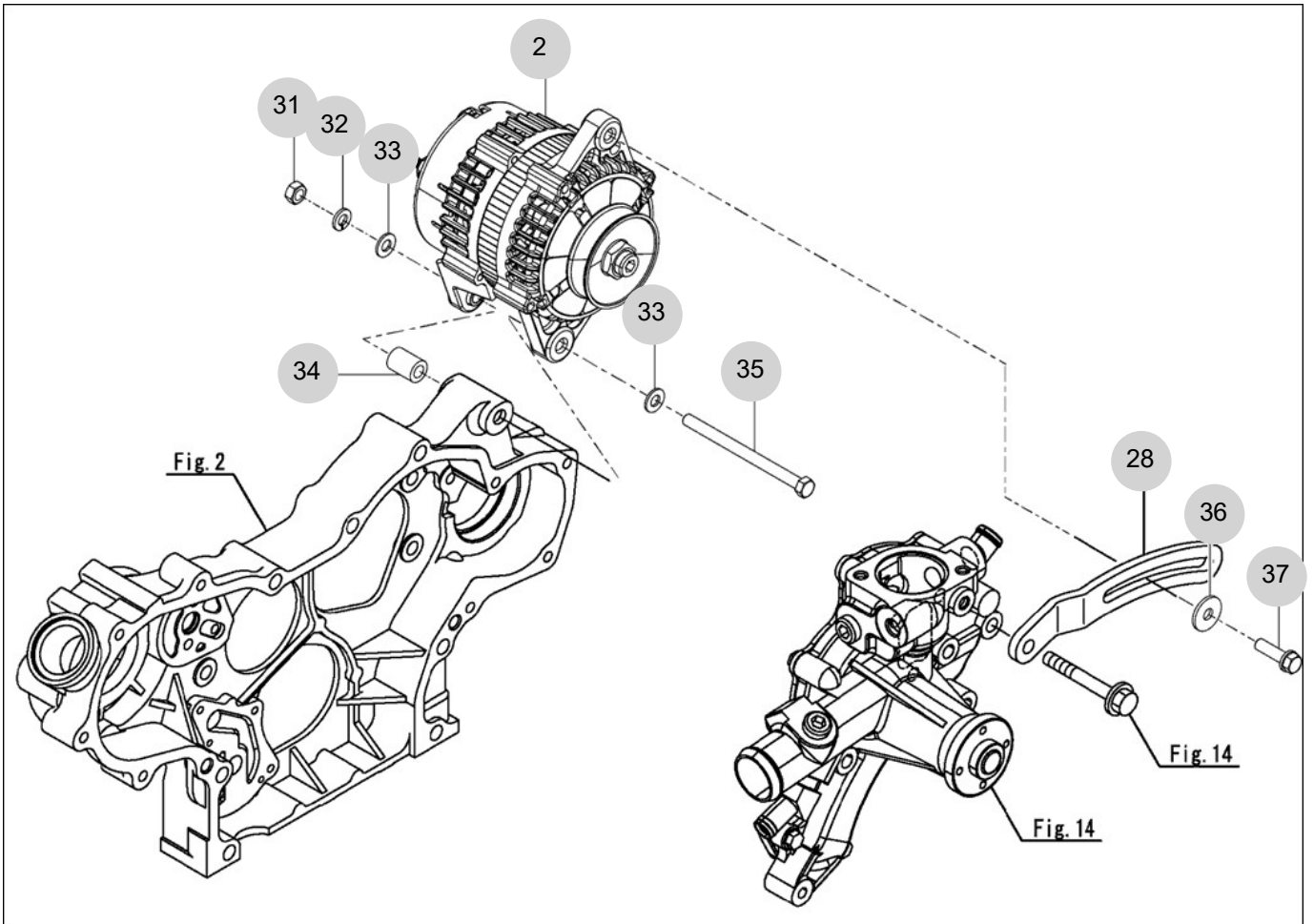
FIG 119

GENERATOR

년/월
Year/Month

2022-12

T554ST



NOTE

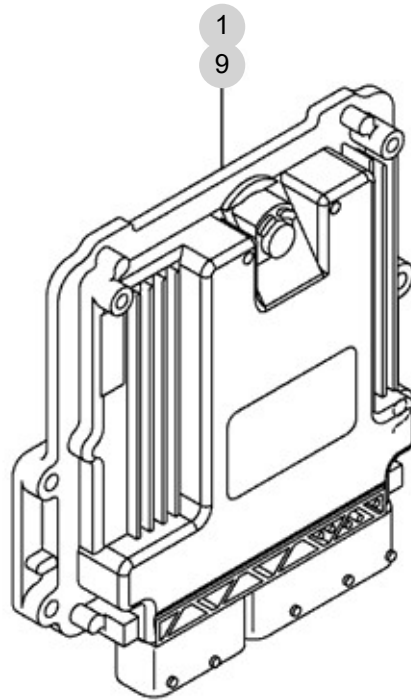
FIG 120A

T554ST

ELECTRONIC CONTROL UNIT (T554)

년/월
Year/Month

2022-12



NOTE

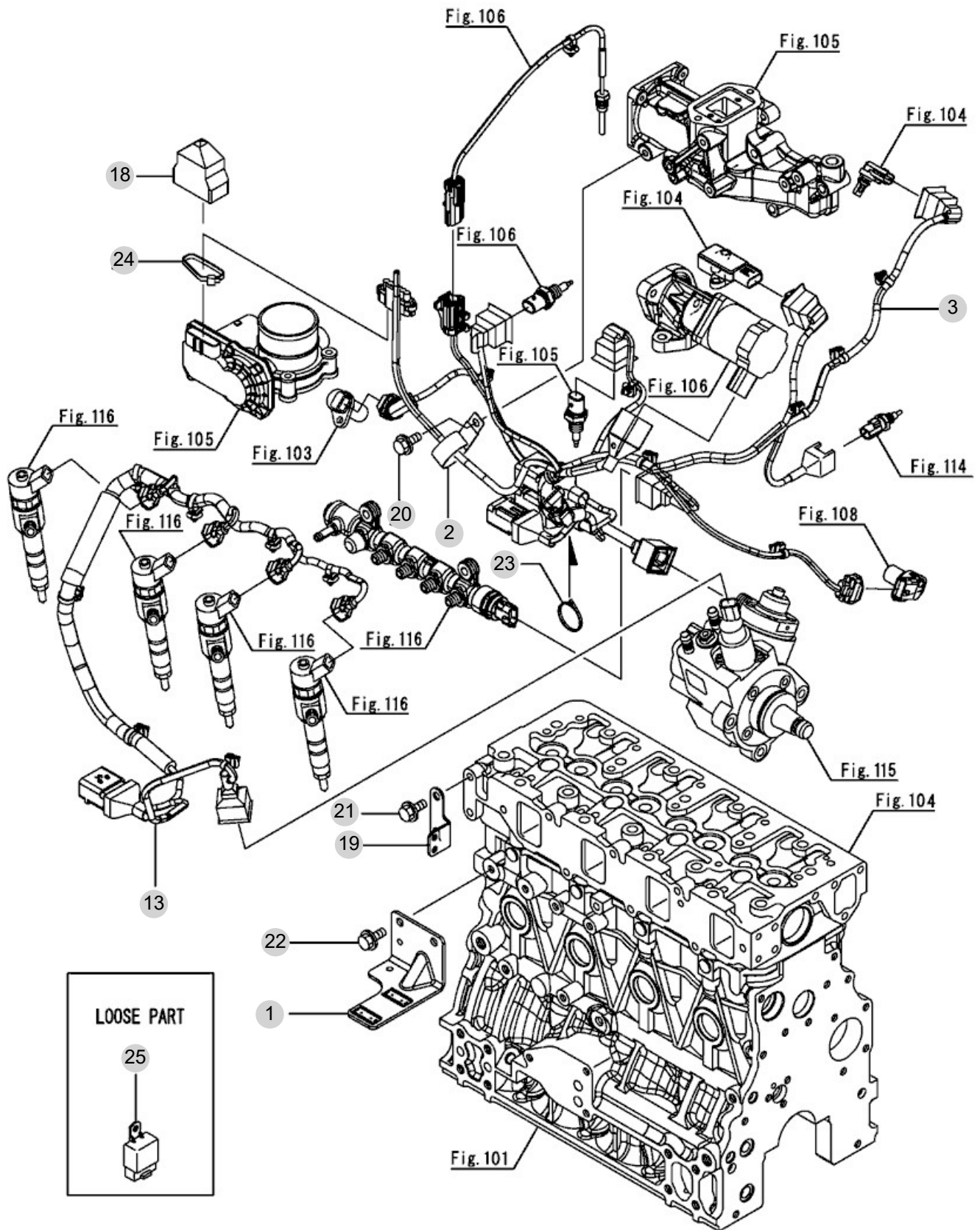
FIG 121A

ELECTRIC PARTS (T554)

년/월
Year/Month

T554ST

2022-12



NOTE

FIG 122A

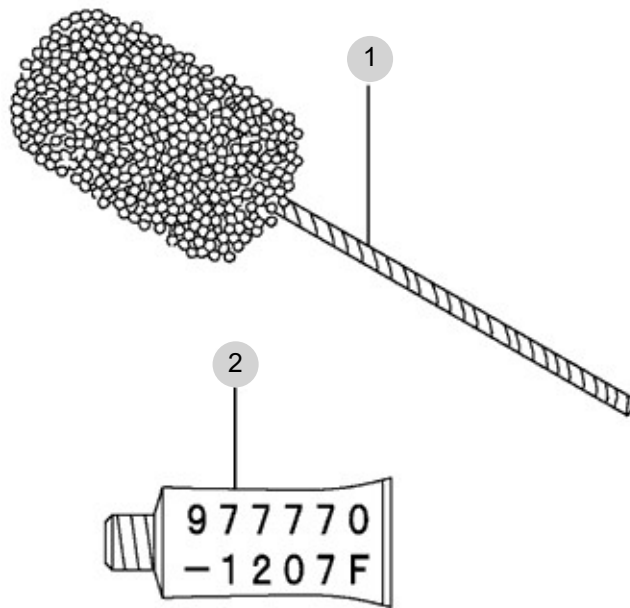
T554ST

ACCESSORY (T554)

년/월
Year/Month

2022-12

OPTIONAL PARTS



NOTE

2. Engine Accessories PART NO. T2

FIG 201 AIR CLEANER	58
FIG 202 RADIATOR	60
FIG 203 MUFFLER	62
FIG 204 FUEL HOSE & FILTER	64
FIG 205 FUEL TANK	66
FIG 206 ACCELERATOR	68
FIG 208 FAN , COOLING	70

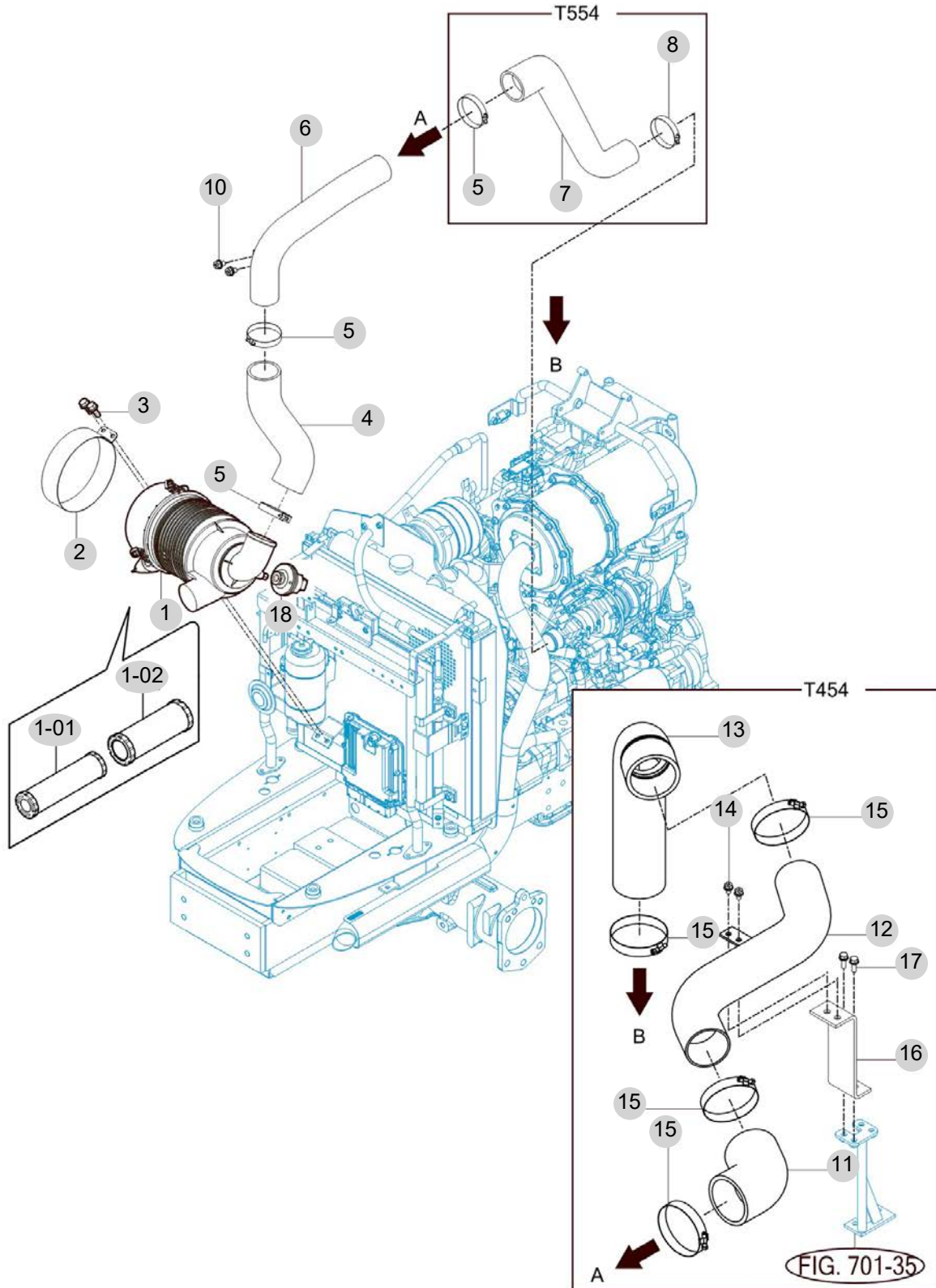
FIG 201

AIR CLEANER

년/월
Year/Month

2022-12

T554ST



NOTE

FIG 201		AIR CLEANER						년/월 Year/Month
T554ST								2022-12
KEY NO	PART NO	DESCRIPTION	SPEC	QTY	REPAIR	EFFECTIVE DATE	REMARKS	
201	1	FPG068449	CLEANER ASSY, AIR		1			
201	1	10871215000	AIRCLEANER ASSY , /6 inch (PICLON)		1			
201	1-01	10871215010	ELEMENT , SECONDARY/CF 2006		1			
201	1-02	10871215020	ELEMENT , FILTER/C 14 2006		1			
201	2	15151035000	BAND , AIRCLEANER		1			
201	3	V2183608025	BOLT , HEX/SP	M8X25	2			
201	4	17461034100	HOSE IN A (IN/AIR)		1			
201	5	14885050150	BAND CLAMP 75	75	2			
201	6	17461036100	PIPE COMP INLET		1			
201	7	17461034200	HOSE IN(AIR CLEANER)		1			
201	8	34513310040	BAND CLAMP 64	60	1			
201	10	V2323606016	BOLT , C/R HEX/SP	M6X16	2			
201	18	18021032100	INDICATOR , REX770050 5KPa		1			
201	18	12341230040	INDICATOR , /39005070902		1			
201	101	P836998	BODY ASSY		1			
201	102	P822769	ELEMENT ASSY , INNER		1			
201	103	P822768	ELEMENT , AIR CLEANER		1			
201	104	P834630	COVER ASSY		1			
201	105	P808427	VACUATOR VALVE		1			
201	106	P804622	CAP , NIPPLE		1			
NOTE								

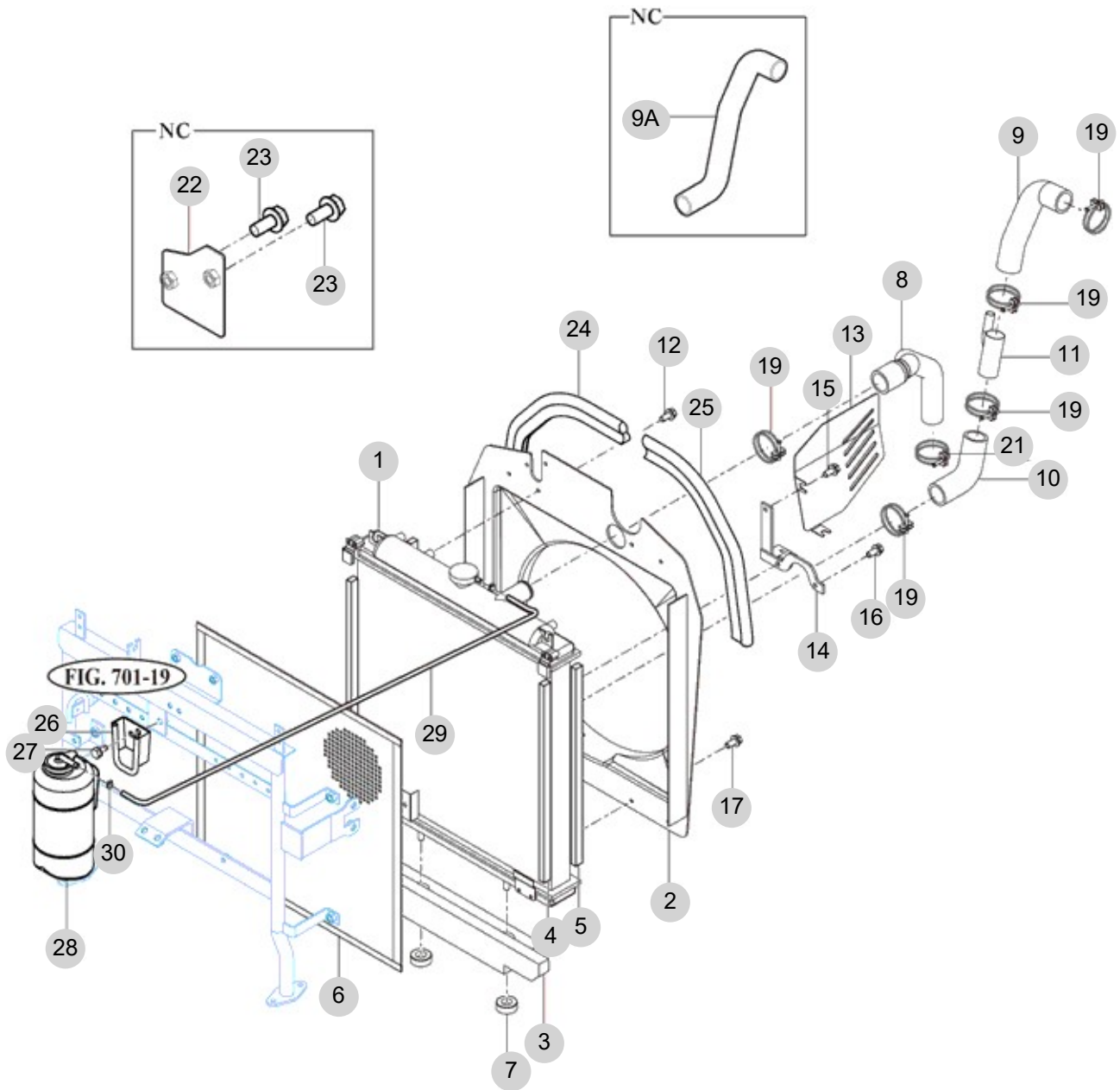
FIG 202

T554ST

RADIATOR

년/월
Year/Month

2022-12



NOTE

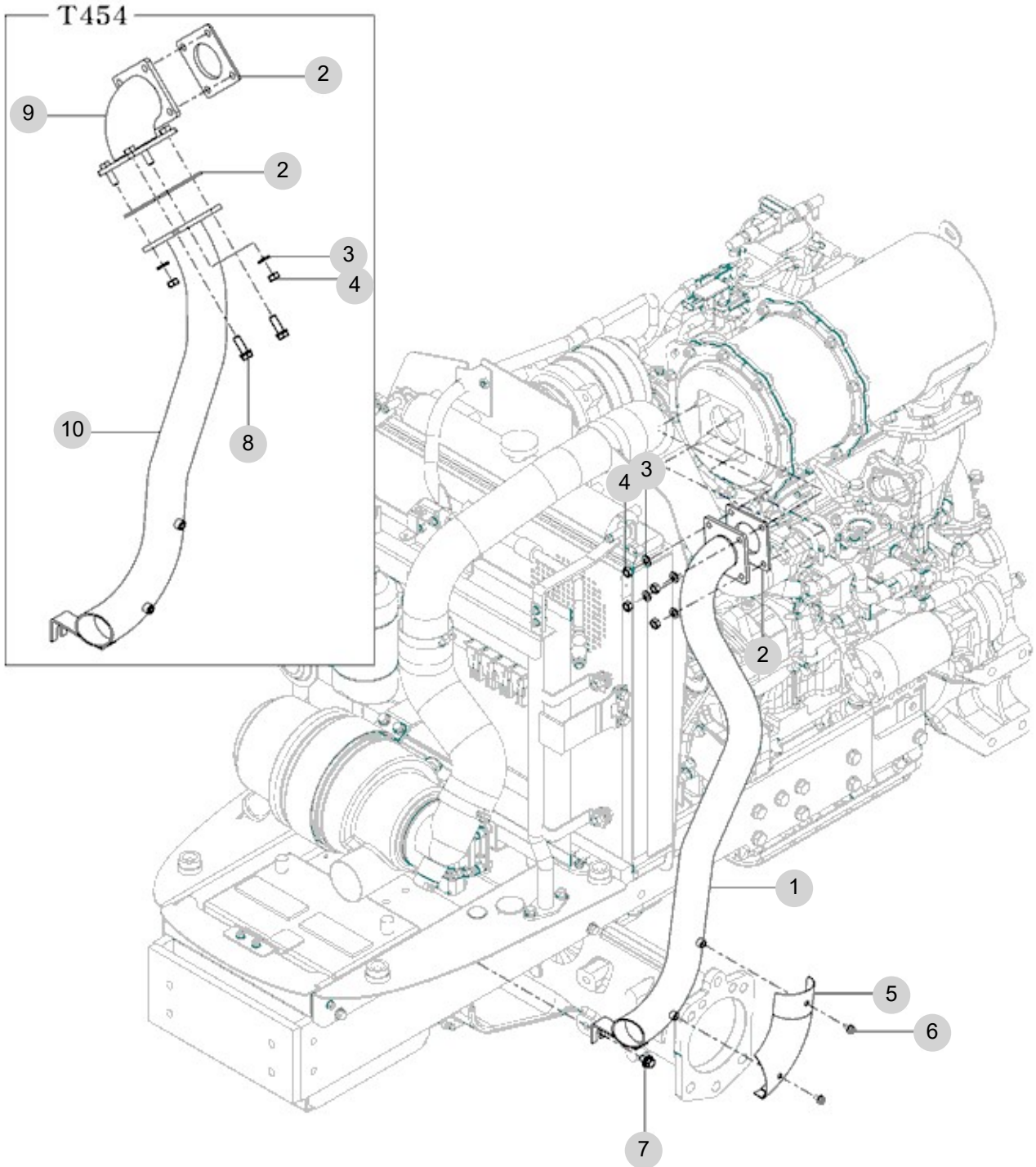
FIG 203

MUFFLER

년/월
Year/Month

T554ST

2022-12



NOTE

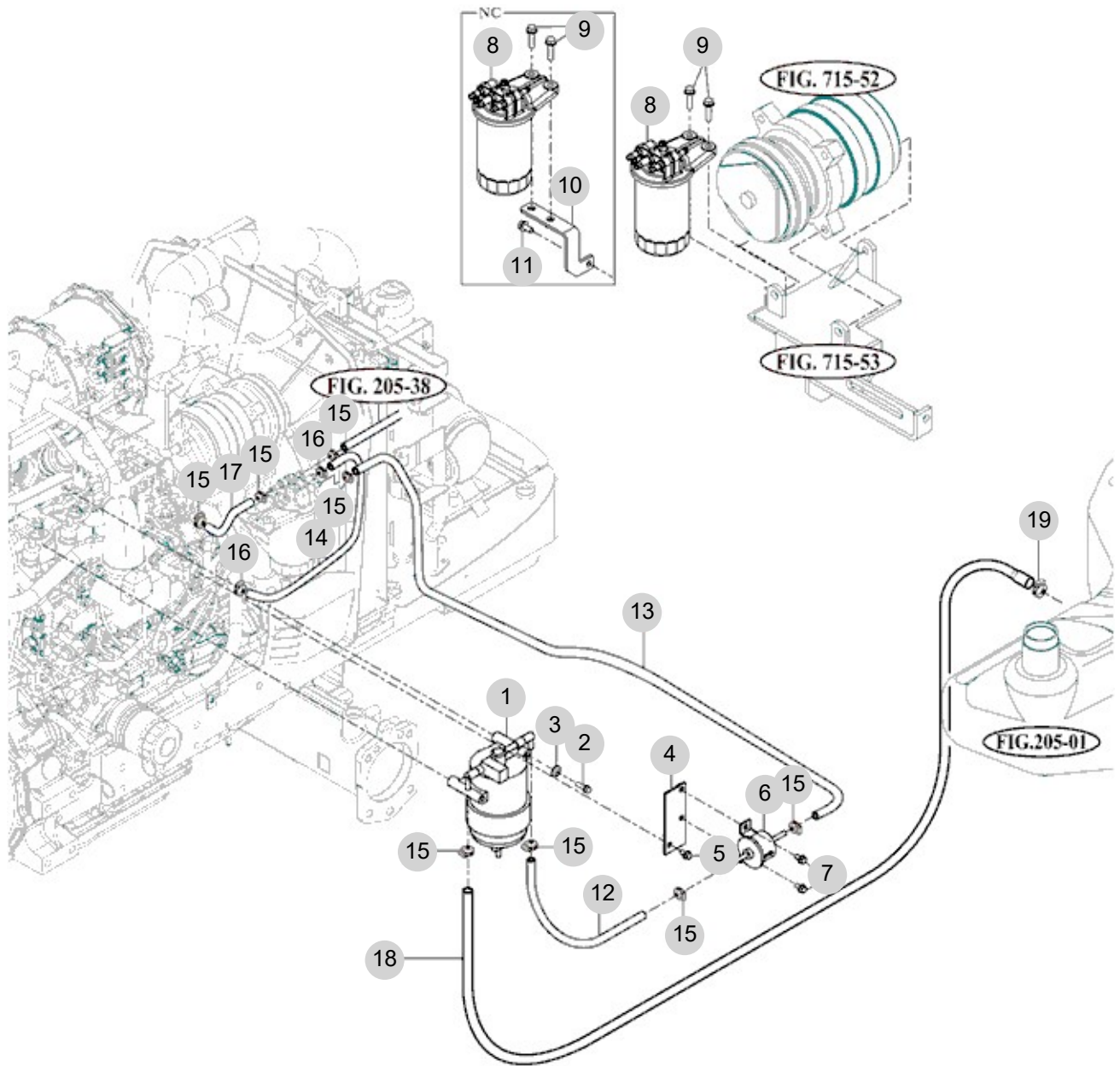
FIG 204

T554ST

FUEL HOSE & FILTER

년/월
Year/Month

2022-12



NOTE

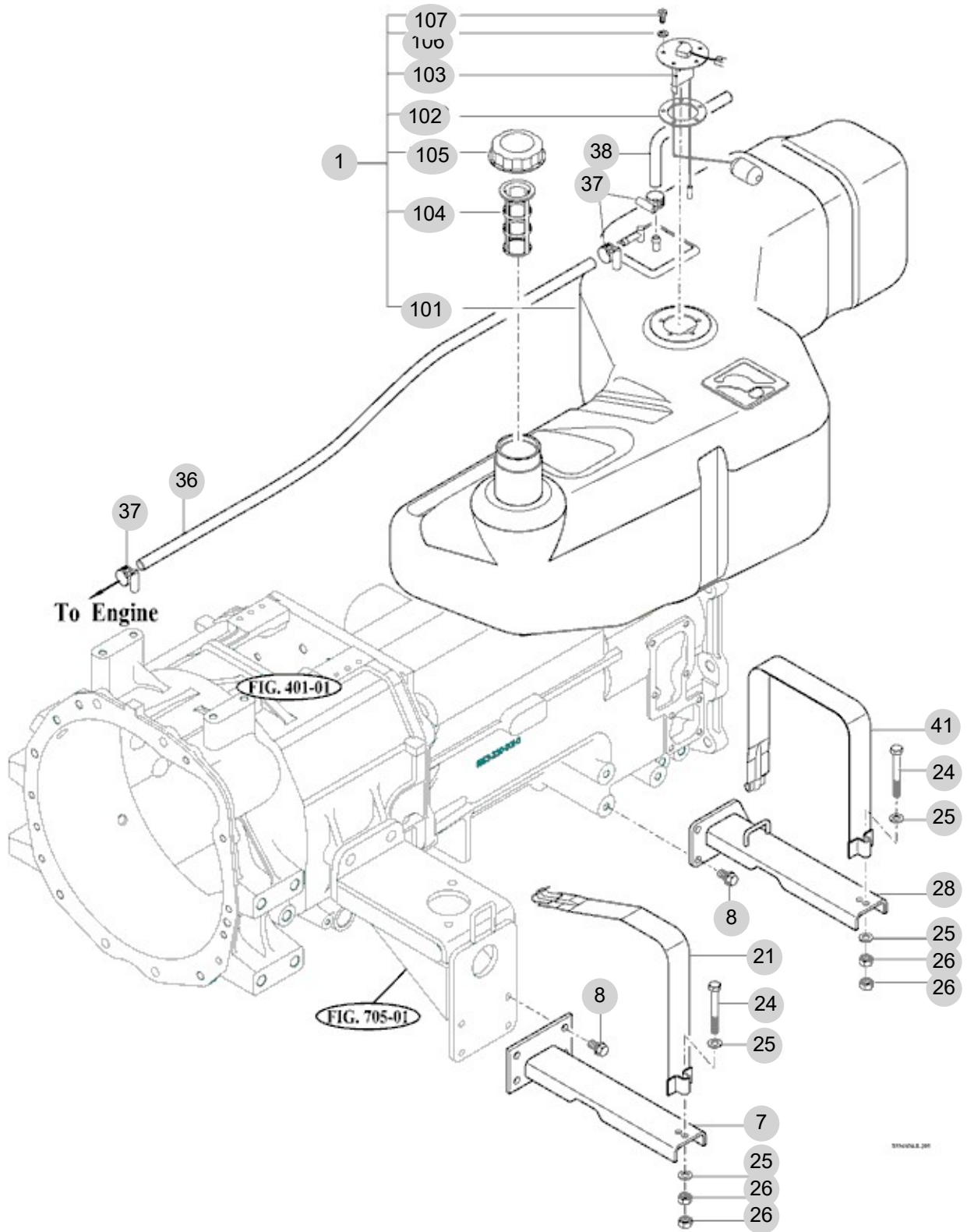
FIG 205

T554ST

FUEL TANK

년/월
Year/Month

2022-12



NOTE

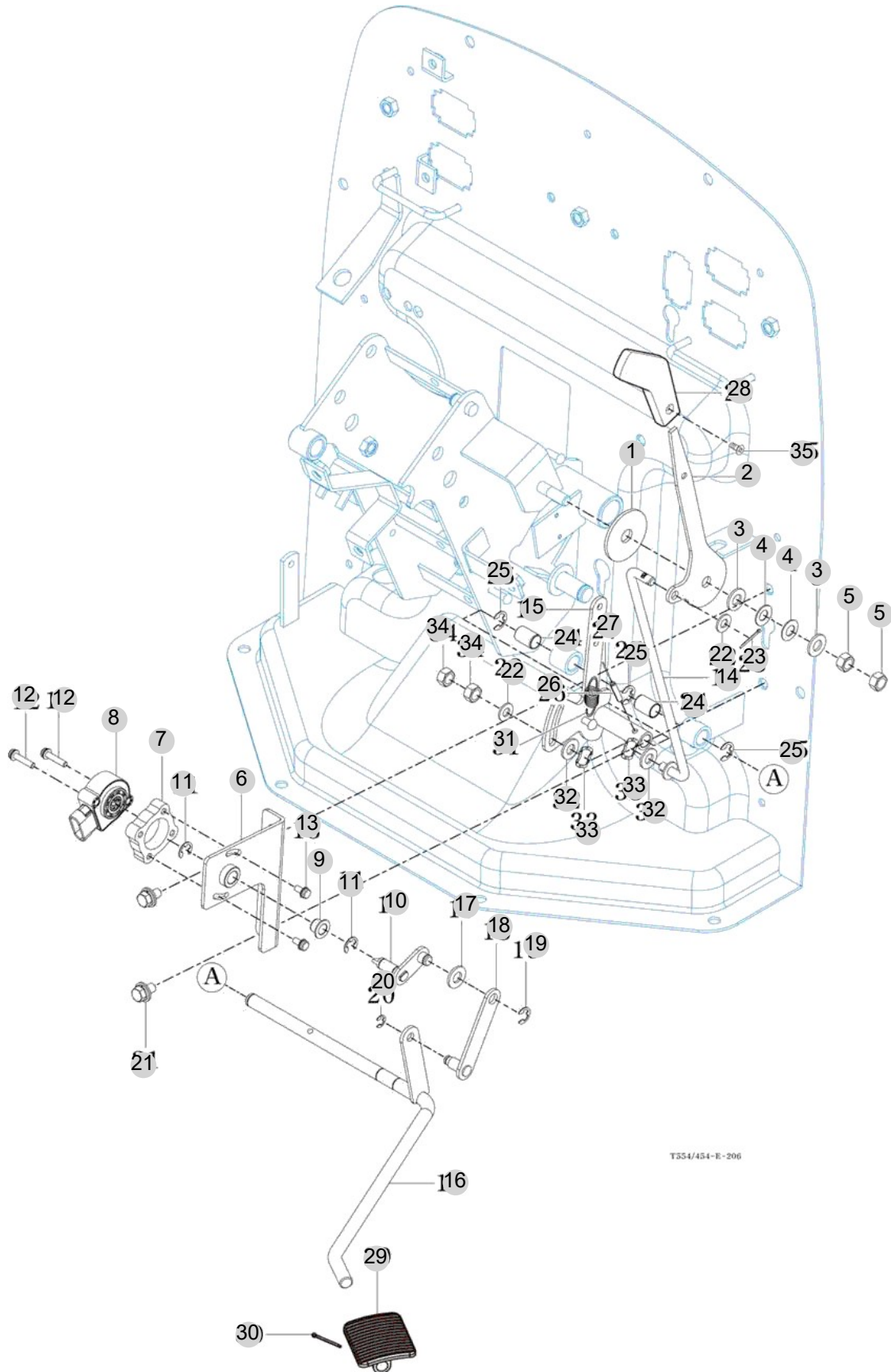
FIG 206

ACCELERATOR

년/월
Year/Month

2022-12

T554ST



NOTE

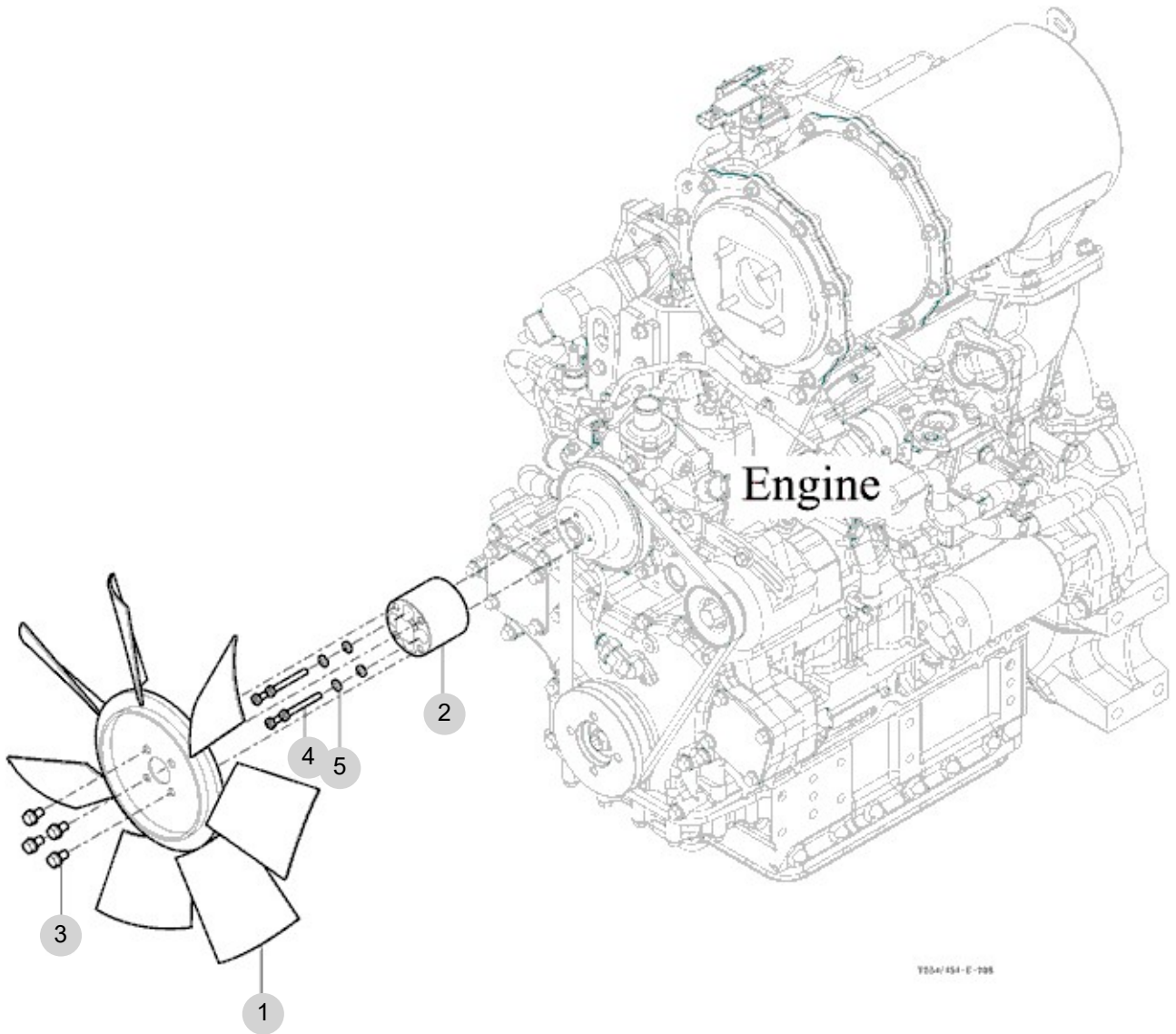
FIG 208

T554ST

FAN , COOLING

년/월
Year/Month

2022-12



NOTE

3. Clutch/Brake/Steering PART NO. T3

FIG 301 CLUTCH	73
FIG 302 CLUTCH PEDAL	75
FIG 303 BRAKE	78
FIG 304 BRAKE PEDAL & LINK	80
FIG 305A FRONT WHEEL	82
FIG 305B FRONT WHEEL (R4 OPTION)	84
FIG 306A REAR WHEEL	86
FIG 306B REAR WHEEL (R4 OPTION)	88
FIG 307 POWER STEERING WHEEL	90
FIG 308 POWER STEERING VALVE	92
FIG 309 POWER STEERING CYLINDER	94

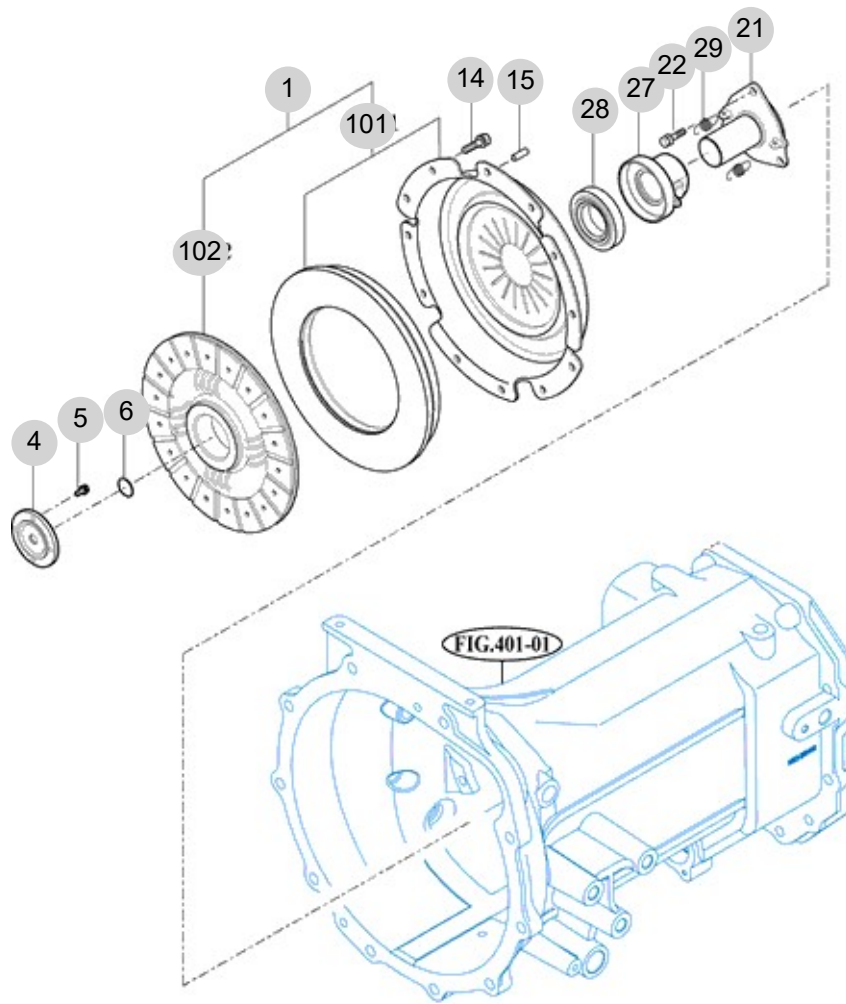
FIG 301

T554ST

CLUTCH

년/월
Year/Month

2022-12



NOTE

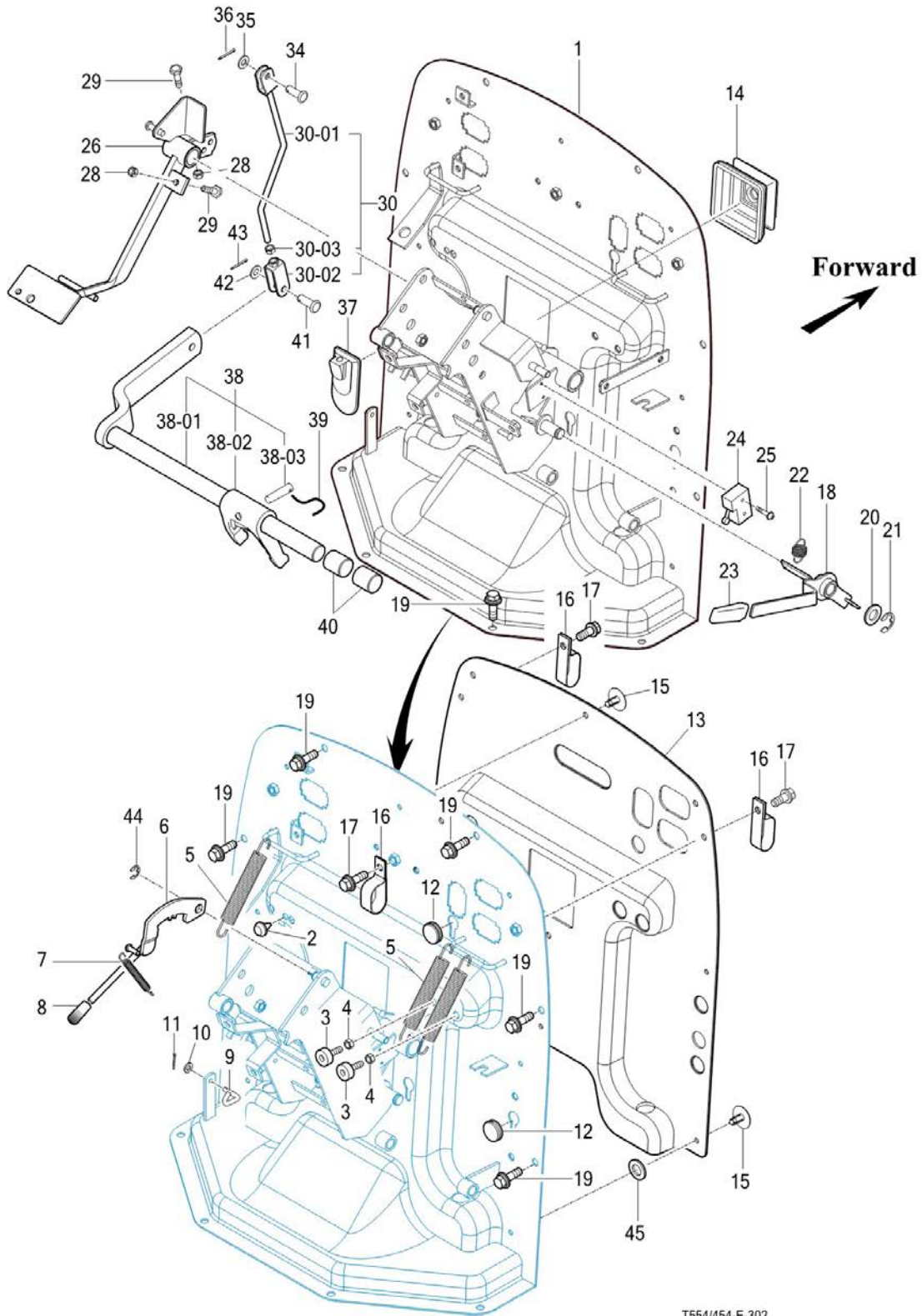
FIG 302

CLUTCH PEDAL

년/월
Year/Month

2022-12

T554ST



T554/454-E-302

NOTE

FIG 302		CLUTCH PEDAL						년/월 Year/Month	
								2022-12	
T554ST		KEY NO	PART NO	DESCRIPTION	SPEC	QTY	REPAIR	EFFECTIVE DATE	REMARKS
302	1	17466303200GB	DASH PANEL COMP			1			
302	2	14326160020	RUBBER , CUSHION	1X1X1		1			
302	3	14216020051	RUBBER , CUSHION B	1X1X1		2			
302	4	V3043600080	NUT , HEX/2	M8		2			
302	5	14041200080	RETURN SPRING , CLUTCH	HL2000공용		3			
302	6	14724042401GB	LEVER COMP , TILT	1X1X1		1			
302	7	16001200080	RETURN SPRING , BRAKE	1X1X1		1			
302	8	21615250020	GRIP , LEVER/RED			1			
302	9	15441230050	ROD	D=5.25 5.3		1			
302	10	V4111600060	WASHER , PLAIN	M6		1			
302	11	V5001920020	PIN , SPLIT	2X20		1			
302	12	14326510210	CAP , RUBBER 20	1X1X1		2			
302	13	17467071991	INSULATOR , DASH	T=10		1			
302	14	14526300011	BOOT,STEERING/HOSE	T=1.5		1			
302	15	17686040020	RIVET SET , black	SV625		9			
302	16	14441010161	CLAMP , RADIATOR HOSE	1X1X1		3			
302	17	V2183608020	BOLT , HEX/SP	M8X20		3			
302	18	14523293301GB	LEVER COMP,PARKING	1X1X1		1			
302	19	V2183608016	BOLT , HEX/SP	M8X16		10			
302	20	V4111600160	WASHER , PLAIN	M16		1			
302	21	V7081400150	E-RING	15		1			
302	22	14321200040	SPRING , TENSION 31	D=1.2		1			
302	23	34523030020	GRIP , THROTTLE	1X1X1		1			
302	24	16756214701	SWITCH ASSY , SAFETY	1X1X1		1			
302	25	V1222604025	SCREW , C/R PAN/SP	M4X25		2			
302	26	14571332100GB	PEDAL COMP , CLUTCH	1X1X1		1			
302	28	V3043600080	NUT , HEX/2	M8		2			
302	29	V2013608030	BOLT , HEX	M8X30		2			
302	30	14521330002GB	ROD SUB , CLUTCH			1			
302	30	14521330002	ROD SUB , CLUTCH	398*87		1			
302	30	14521330002	ROD SUB , CLUTCH			1			
302	34	14322420010	PIN	D=8		1			
302	35	V4111600080	WASHER , PLAIN	M8		1			
302	36	V5001925020	PIN D2.5x20	2.5X20		1			
302	37	14526300210	BOOT,CLUTCH PEDAL	1X1X1		1			
302	38	14521302000	BAR SET	1X1X1		1			
302	39	V5901012150	WIRE , STEEL	1.2X150		1			
302	40	14521302150	BUSH , BAR COMP	1X1X1		2			
302	41	14043120060	PIN , YOKE	D=8		1			
302	42	V4111600080	WASHER , PLAIN	M8		1			
302	43	V5001920020	PIN , SPLIT	2X20		1			
302	44	V7081400090	E-RING	9		1			
302	45	V4111600080	WASHER , PLAIN	M8		1			
302	3001	14521333103	ROD COMP, CLUTCH	346*87		1			
302	3002	14521333200	HOOK COMP	1X1X1		1			
NOTE									

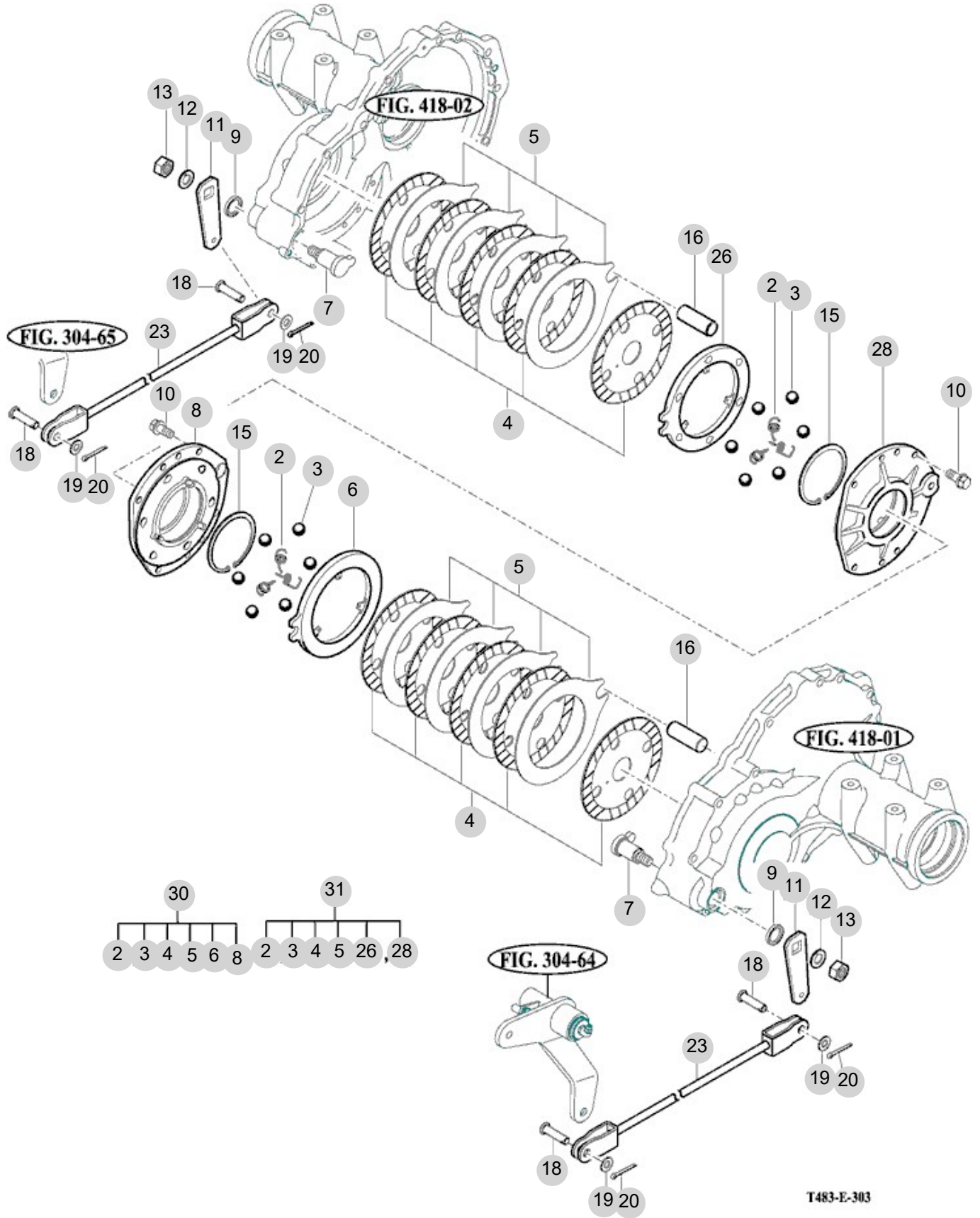
FIG 303

BRAKE

년/월
Year/Month

T554ST

2022-12



NOTE

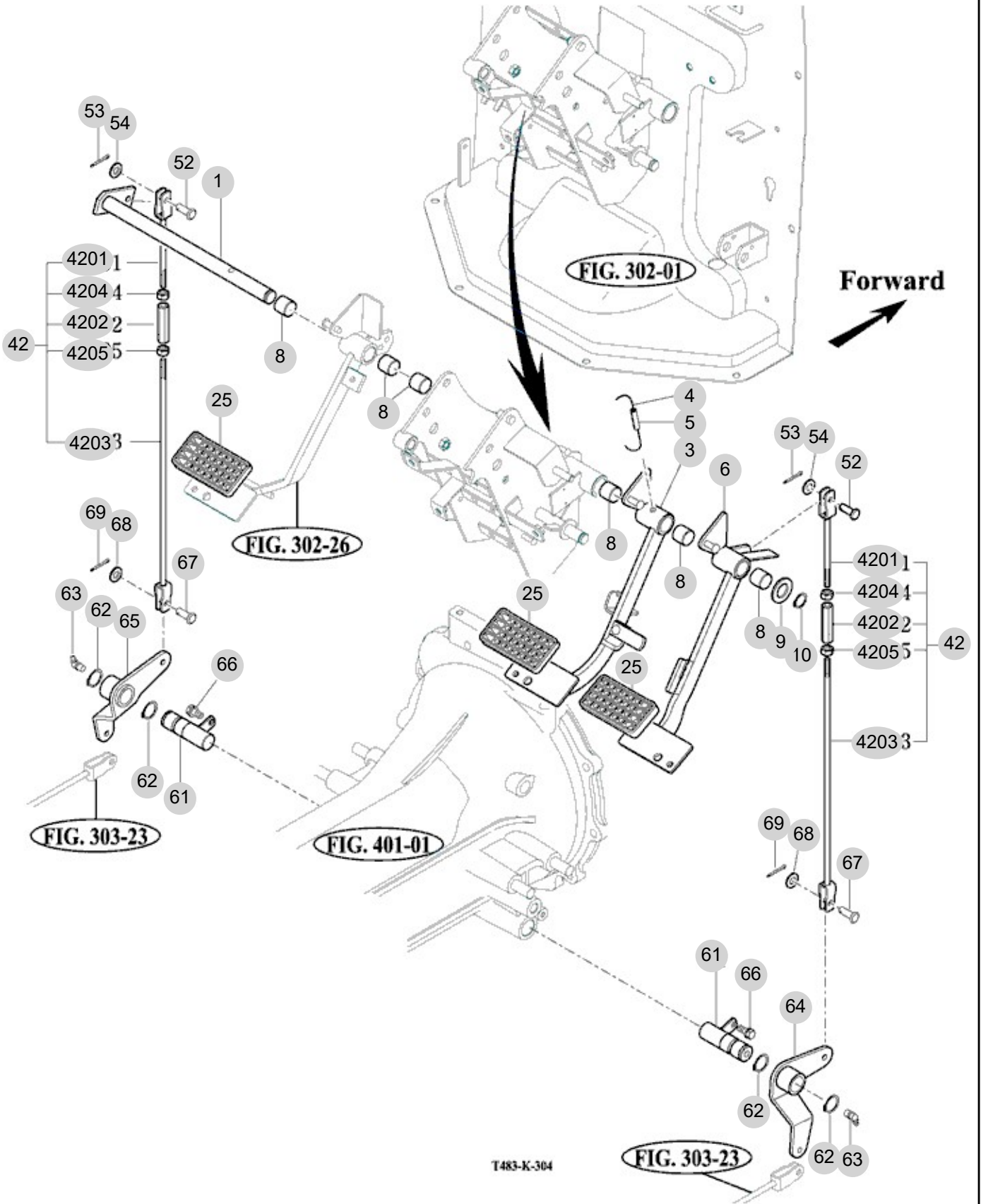
FIG 304

BRAKE PEDAL & LINK

년/월
Year/Month

2022-12

T554ST



NOTE

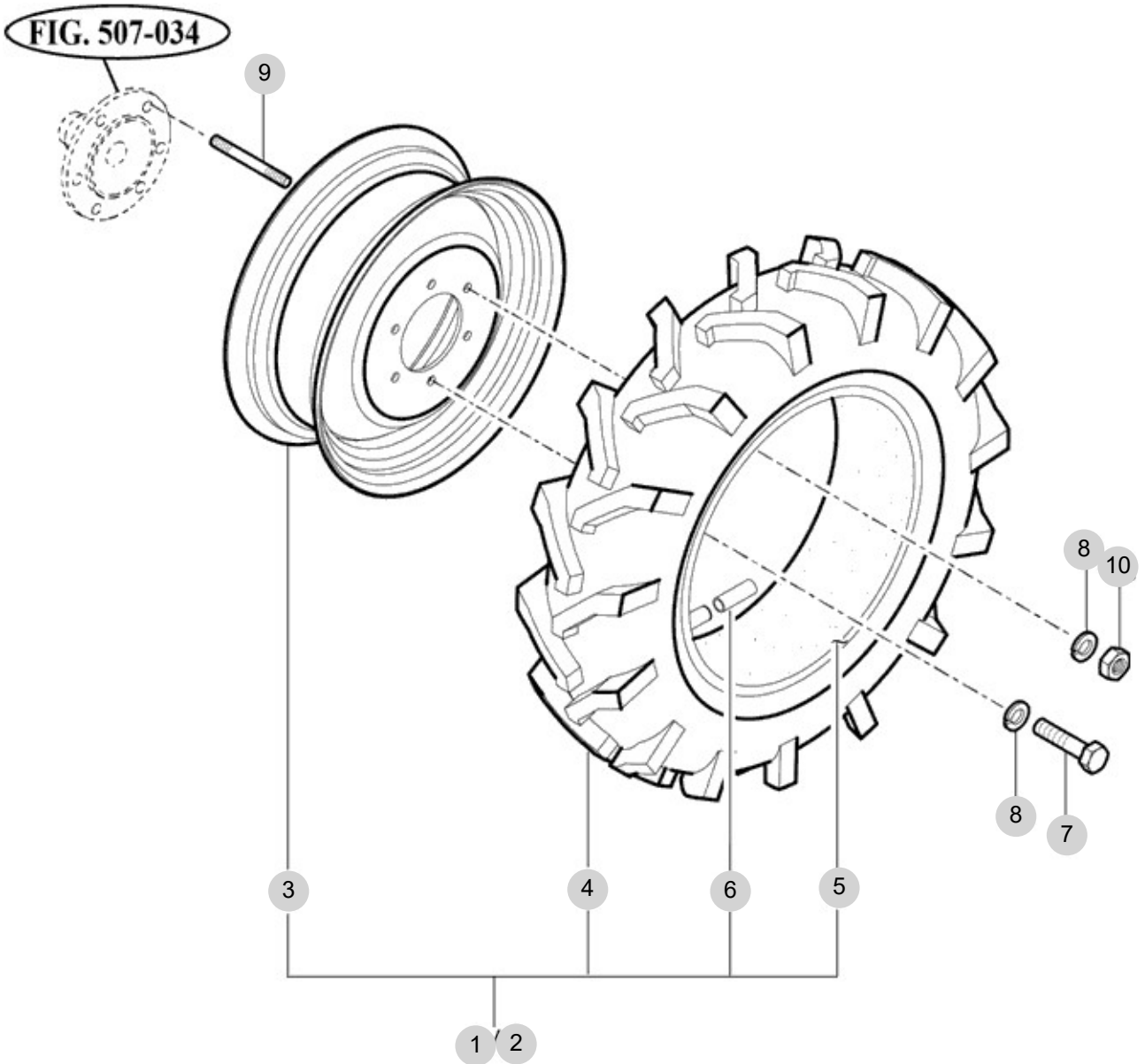
FIG 305A

FRONT WHEEL

년/월
Year/Month

T554ST

2022-12



T554ST E-305A

NOTE

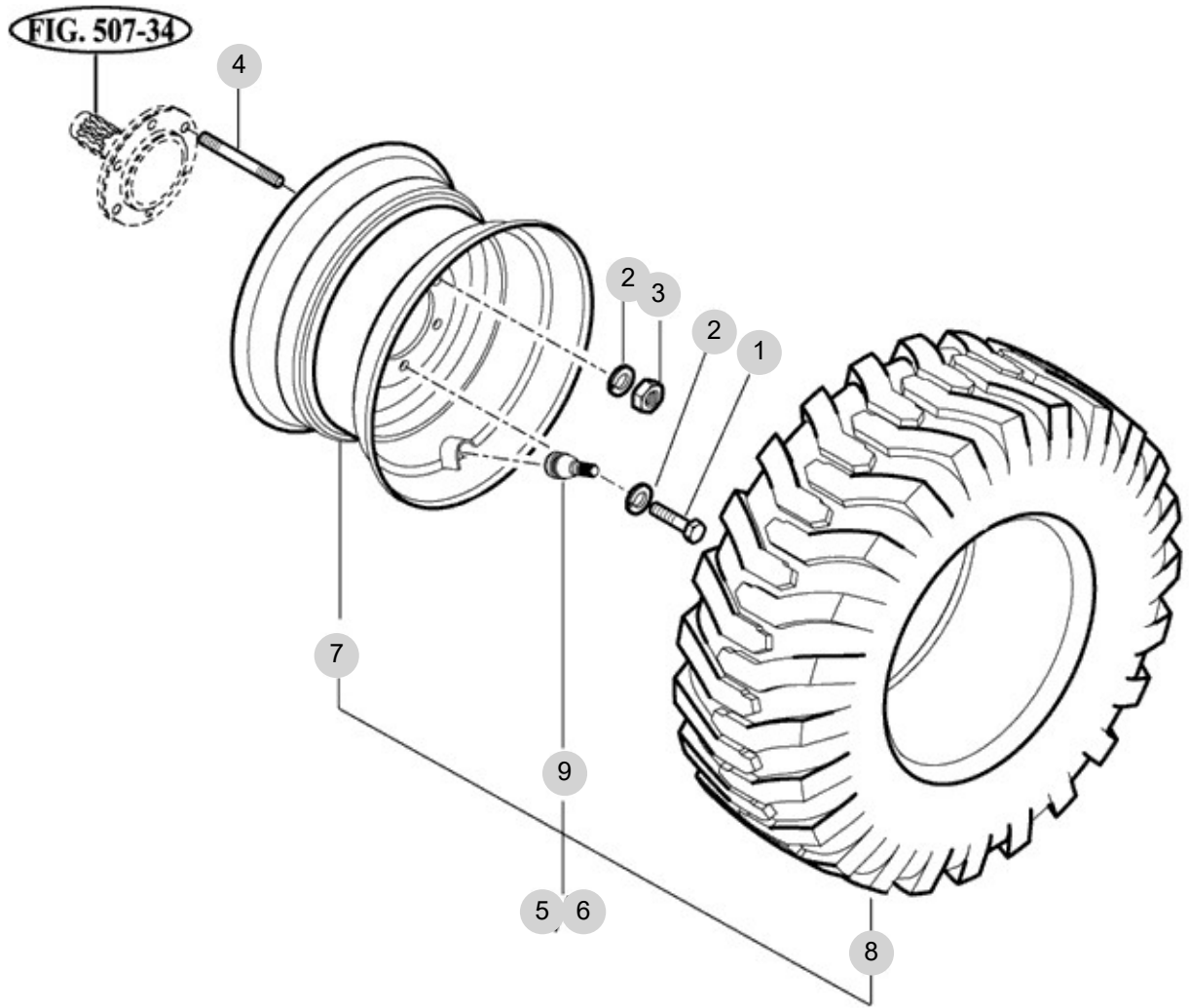
FIG 305B

T554ST

FRONT WHEEL (R4 OPTION)

년/월
Year/Month

2022-12



T553-E-305C

NOTE

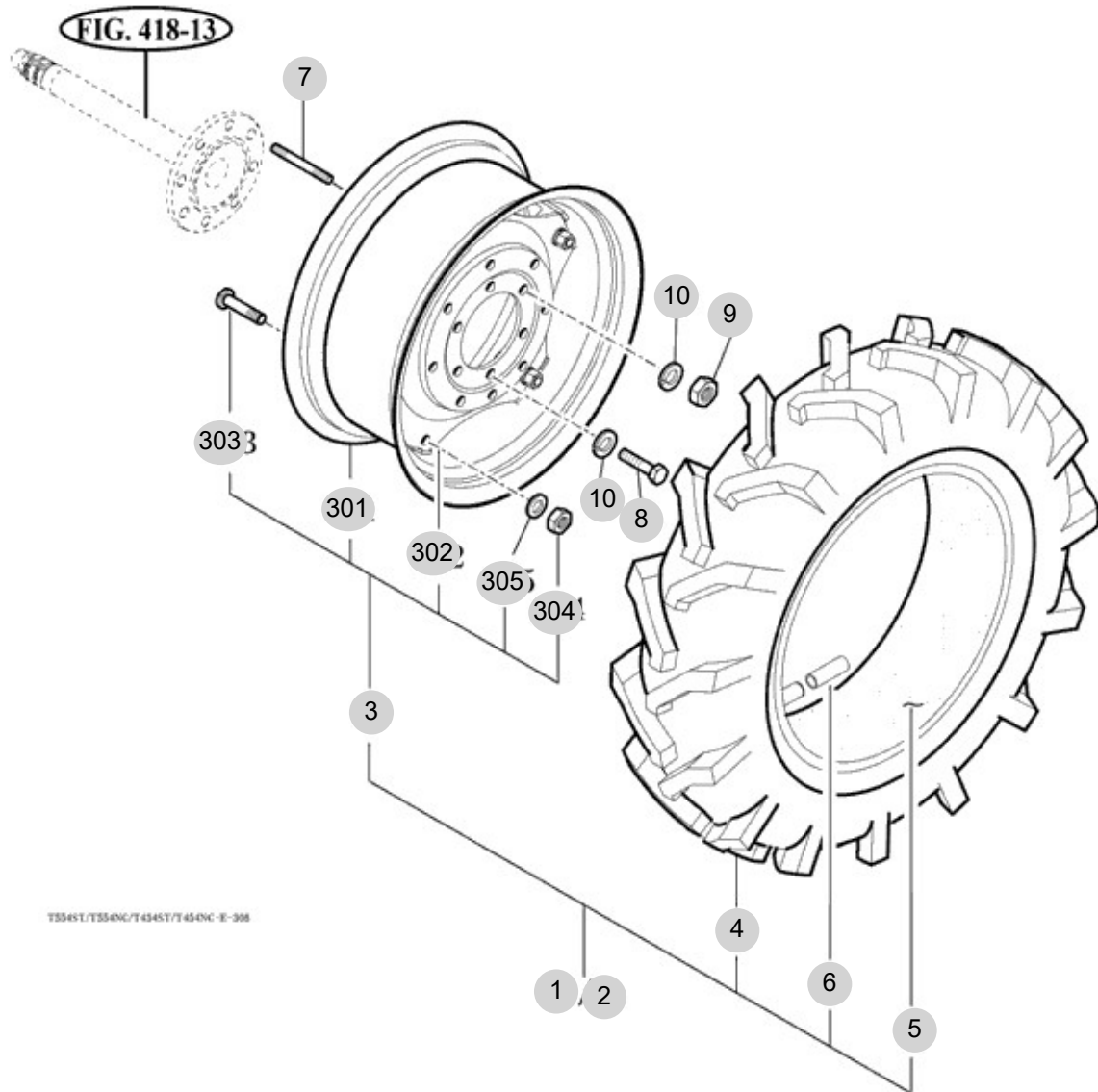
FIG 306A

REAR WHEEL

년/월
Year/Month

2022-12

T554ST



NOTE

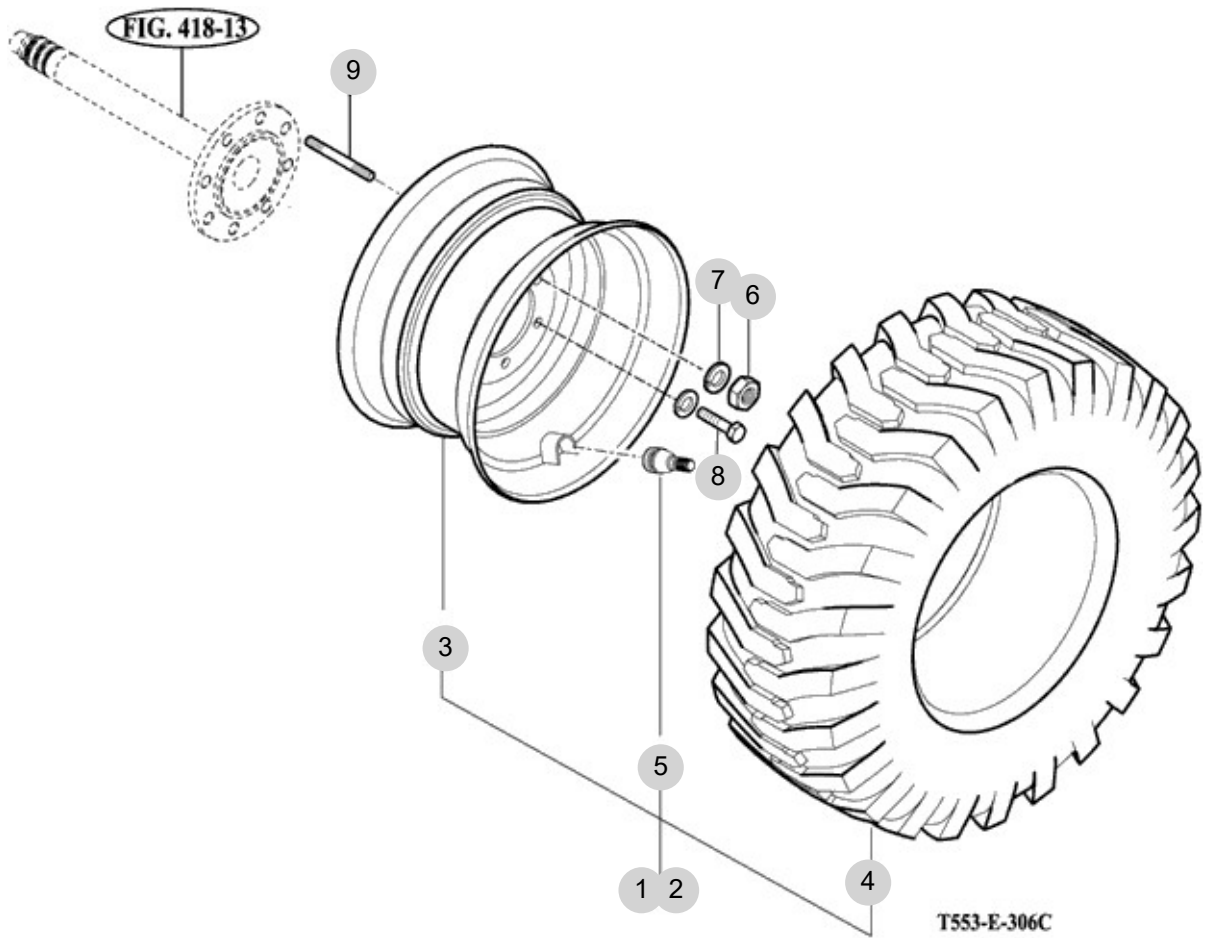
FIG 306B

T554ST

REAR WHEEL (R4 OPTION)

년/월
Year/Month

2022-12



NOTE

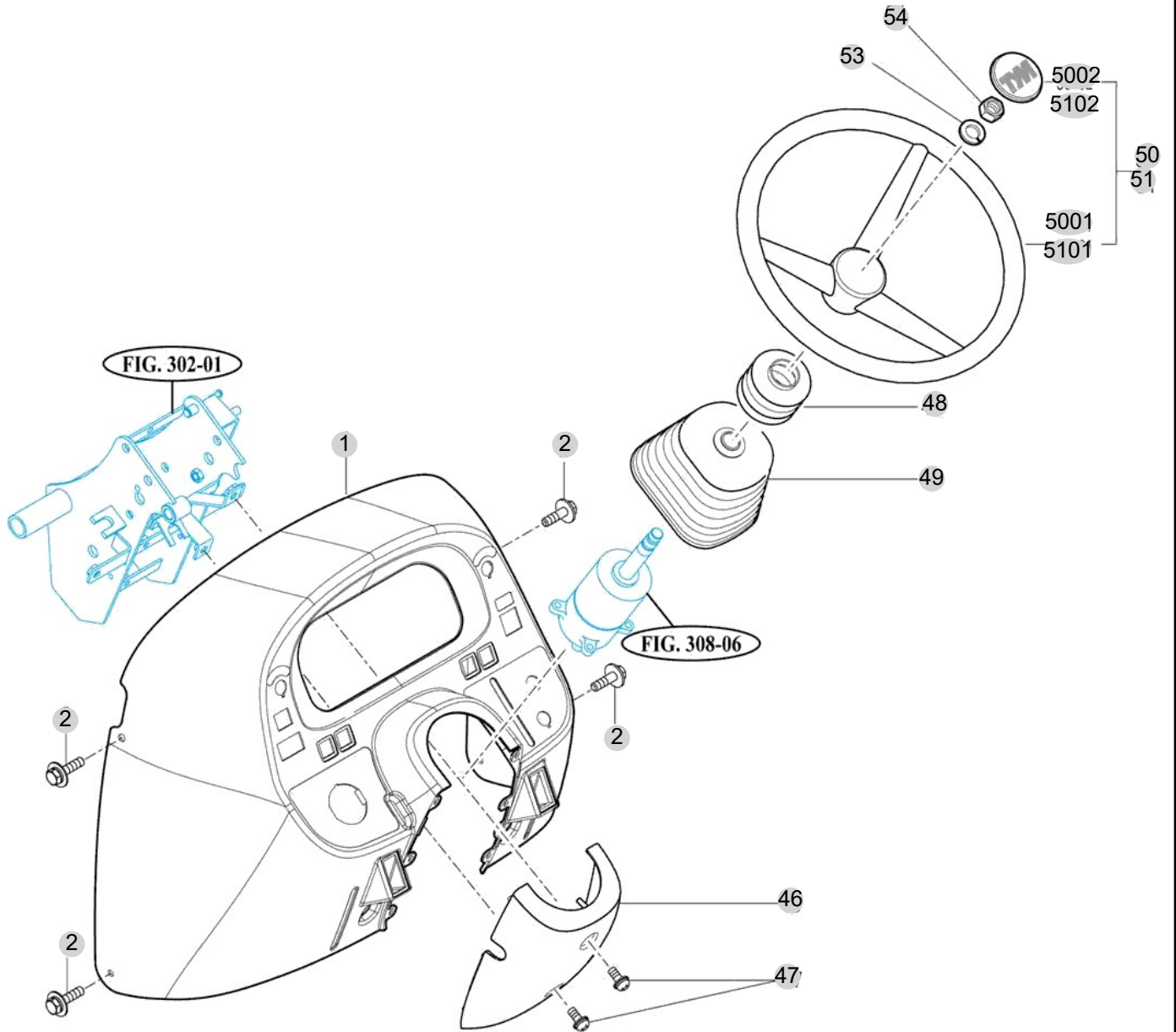
FIG 307

T554ST

POWER STEERING WHEEL

년/월
Year/Month

2022-12



T554454-E-307

NOTE

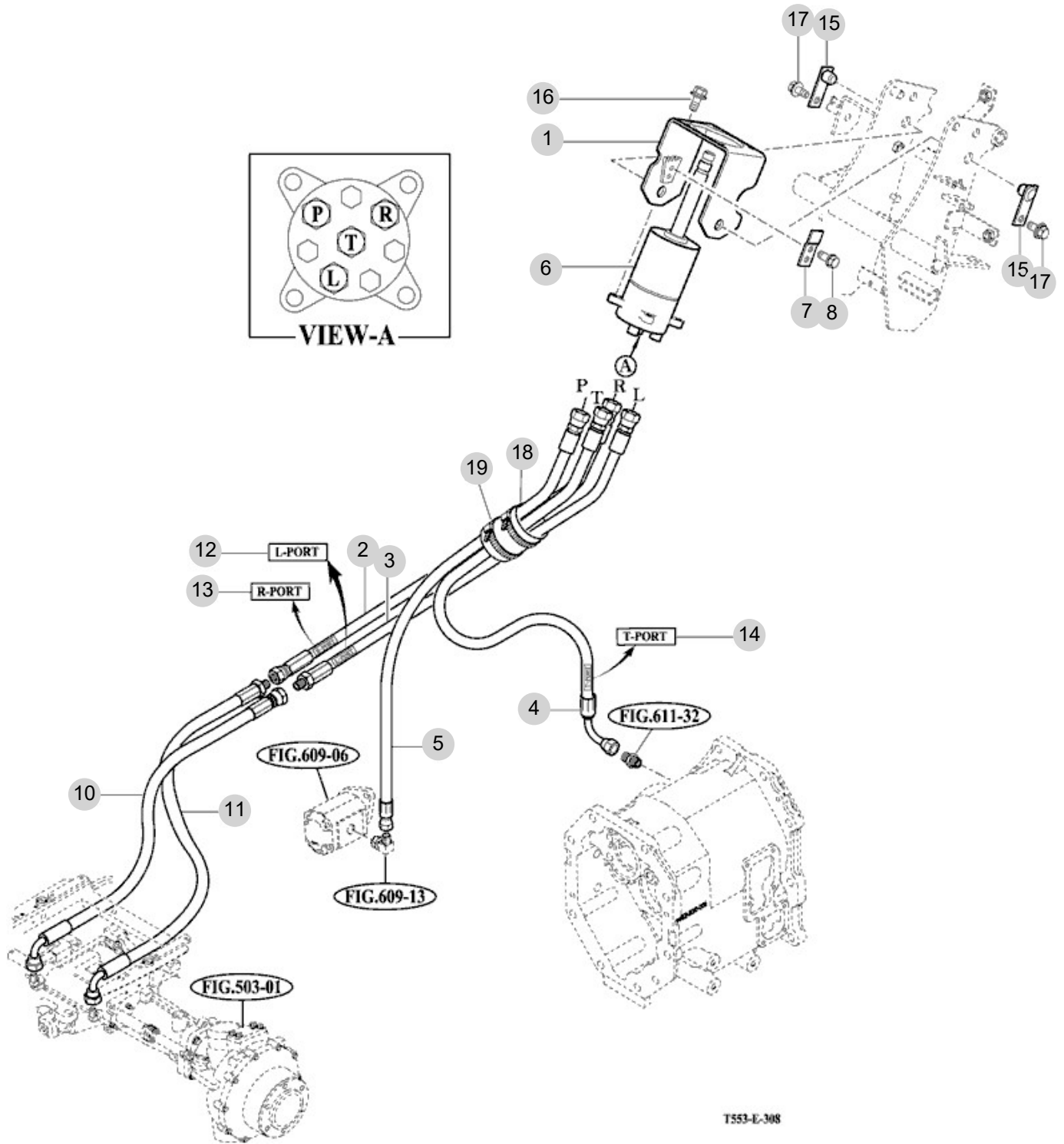
FIG 308

T554ST

POWER STEERING VALVE

년/월
Year/Month

2022-12



T553-E-308

NOTE

4. Transmission PART NO. T4

FIG 401 TRANSMISSION FRONT CASE	97
FIG 402 FORWARD & BACKWARD GEARS	99
FIG 403 IDLE & COUNTER GEARS	101
FIG 404 MAIN SHIFT GEARS	103
FIG 405 P.T.O DRIVE SHAFT	105
FIG 406 MAIN CHANGE LEVER	107
FIG 407 REVERSE CHANGE LEVER	109
FIG 408 TRANSMISSION MID CASE	111
FIG 409 TRANSMISSION REAR CASE	113
FIG 410 SUB CHANGE GEARS	115
FIG 411 SUB CHANGE SHIFTER	117
FIG 413 DRIVE GEARS	119
FIG 414 4WD CHANGE LEVER	121
FIG 415 P.T.O CHANGE GEARS	123
FIG 417 REAR DIFFERENTIAL GEARS	125
FIG 418 REAR AXLE HOUSING	128

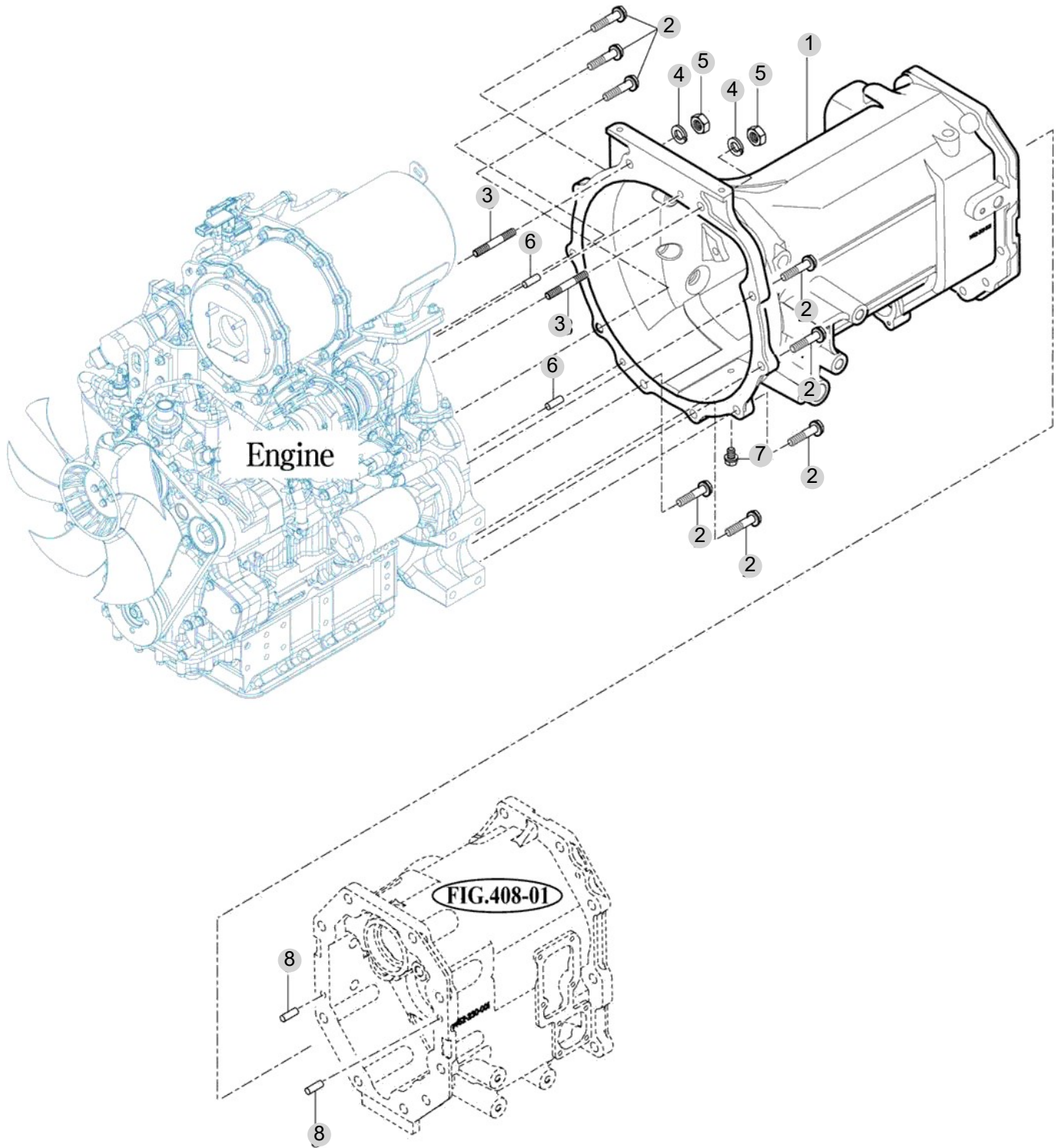
FIG 401

T554ST

TRANSMISSION FRONT CASE

년/월
Year/Month

2022-12



NOTE

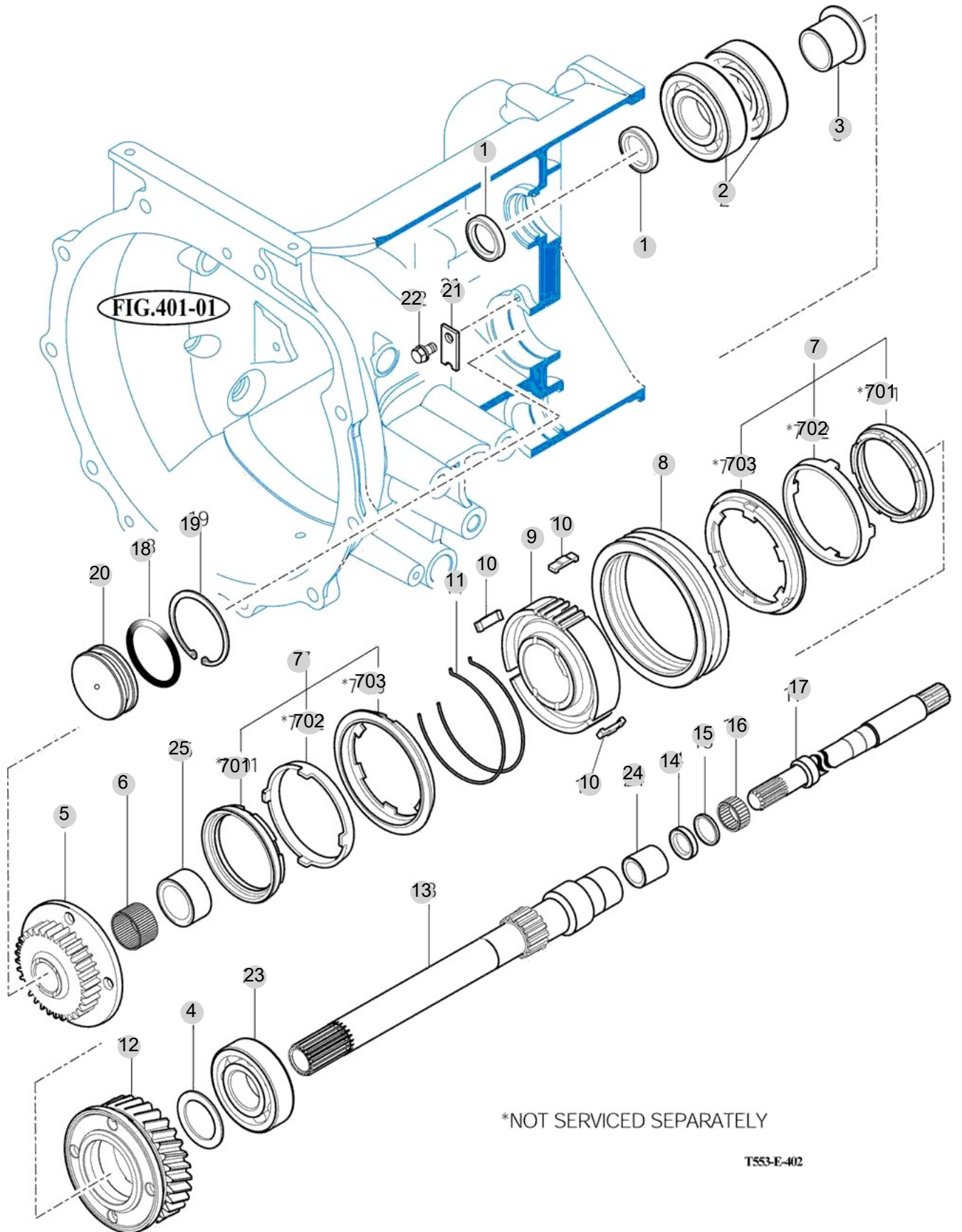
FIG 402

FORWARD & BACKWARD GEARS

년/월
Year/Month

2022-12

T554ST



NOTE

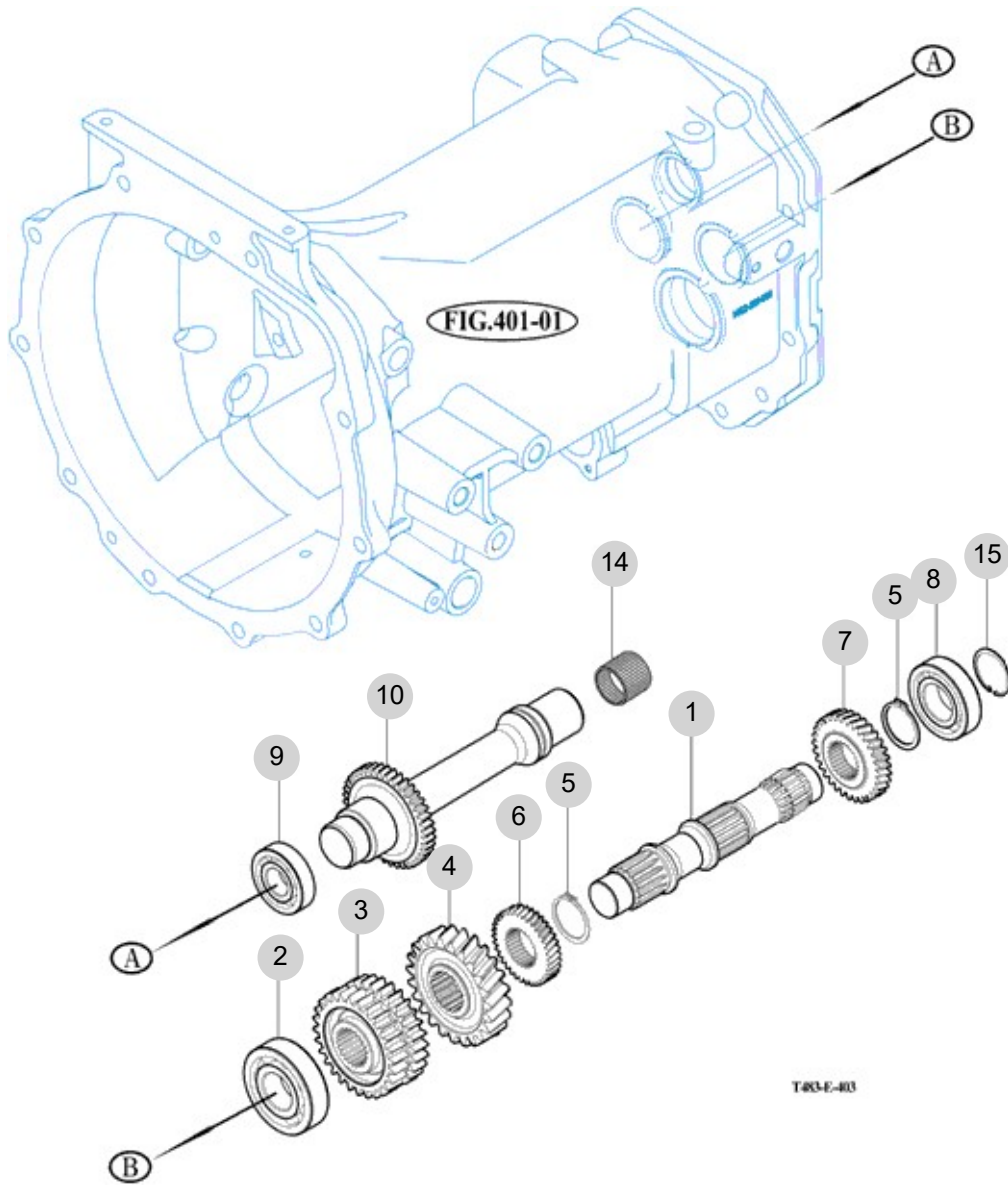
FIG 403

T554ST

IDLE & COUNTER GEARS

년/월
Year/Month

2022-12



T403-E-403

NOTE

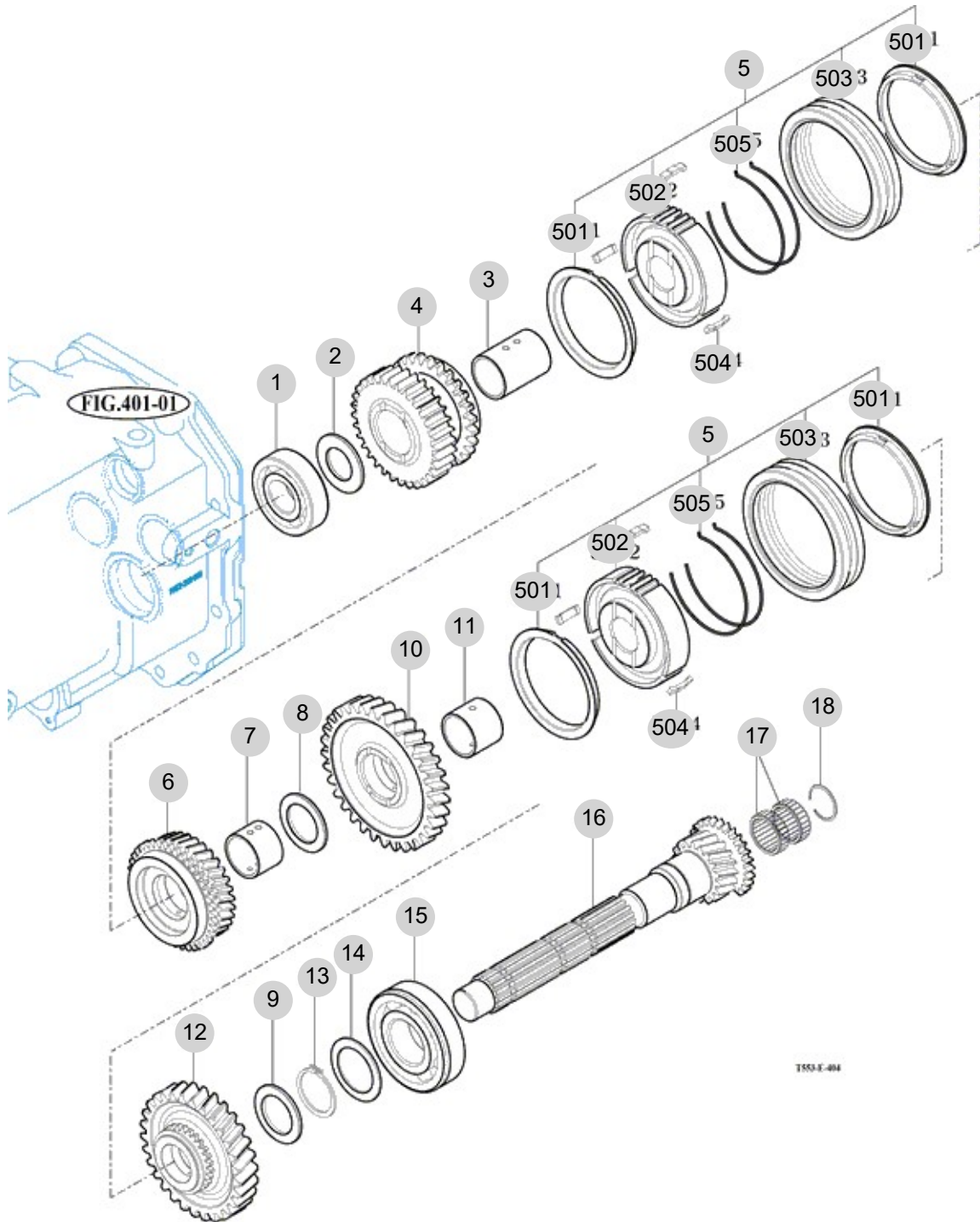
FIG 404

T554ST

MAIN SHIFT GEARS

년/월
Year/Month

2022-12



T55-E-04

NOTE

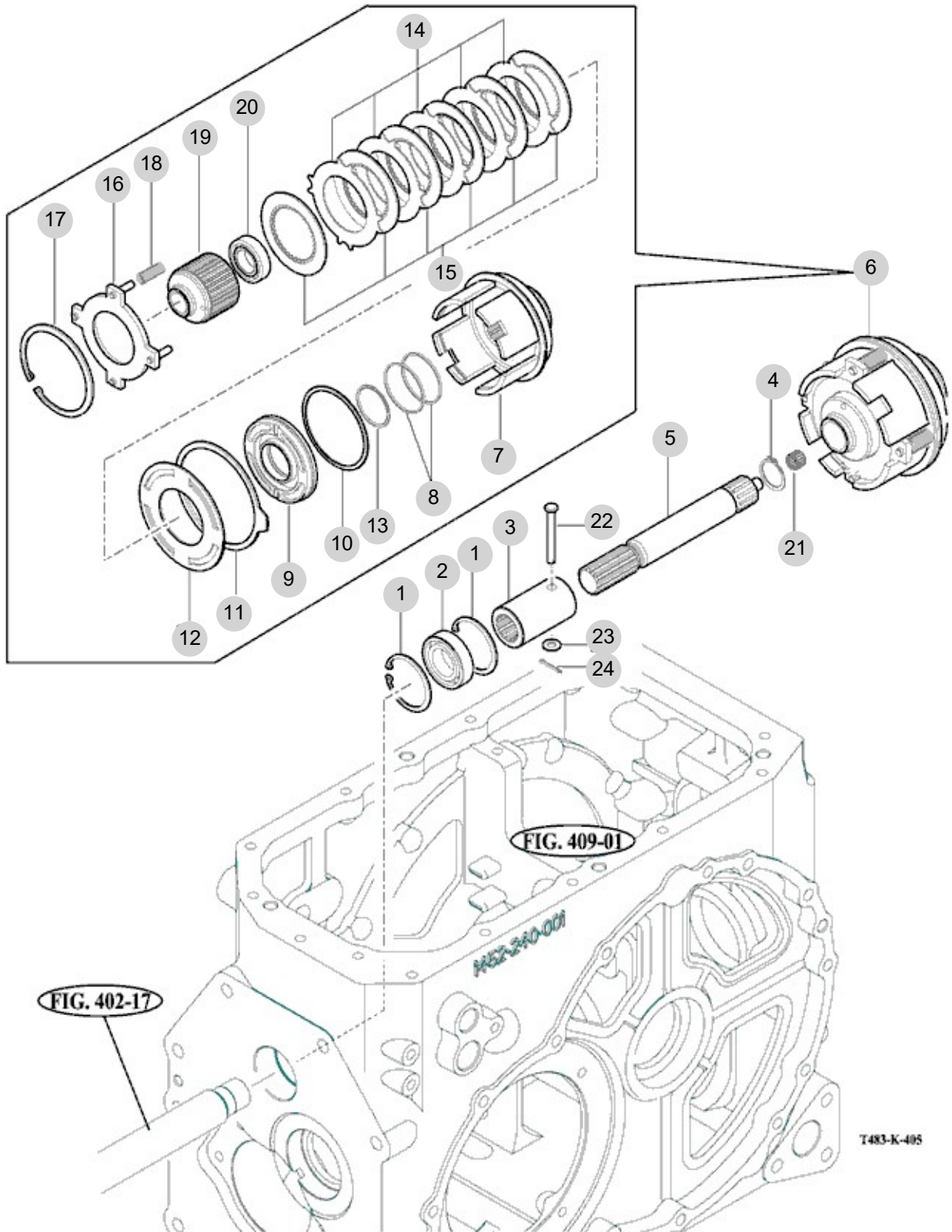
FIG 405

T554ST

P.T.O DRIVE SHAFT

년/월
Year/Month

2022-12



NOTE

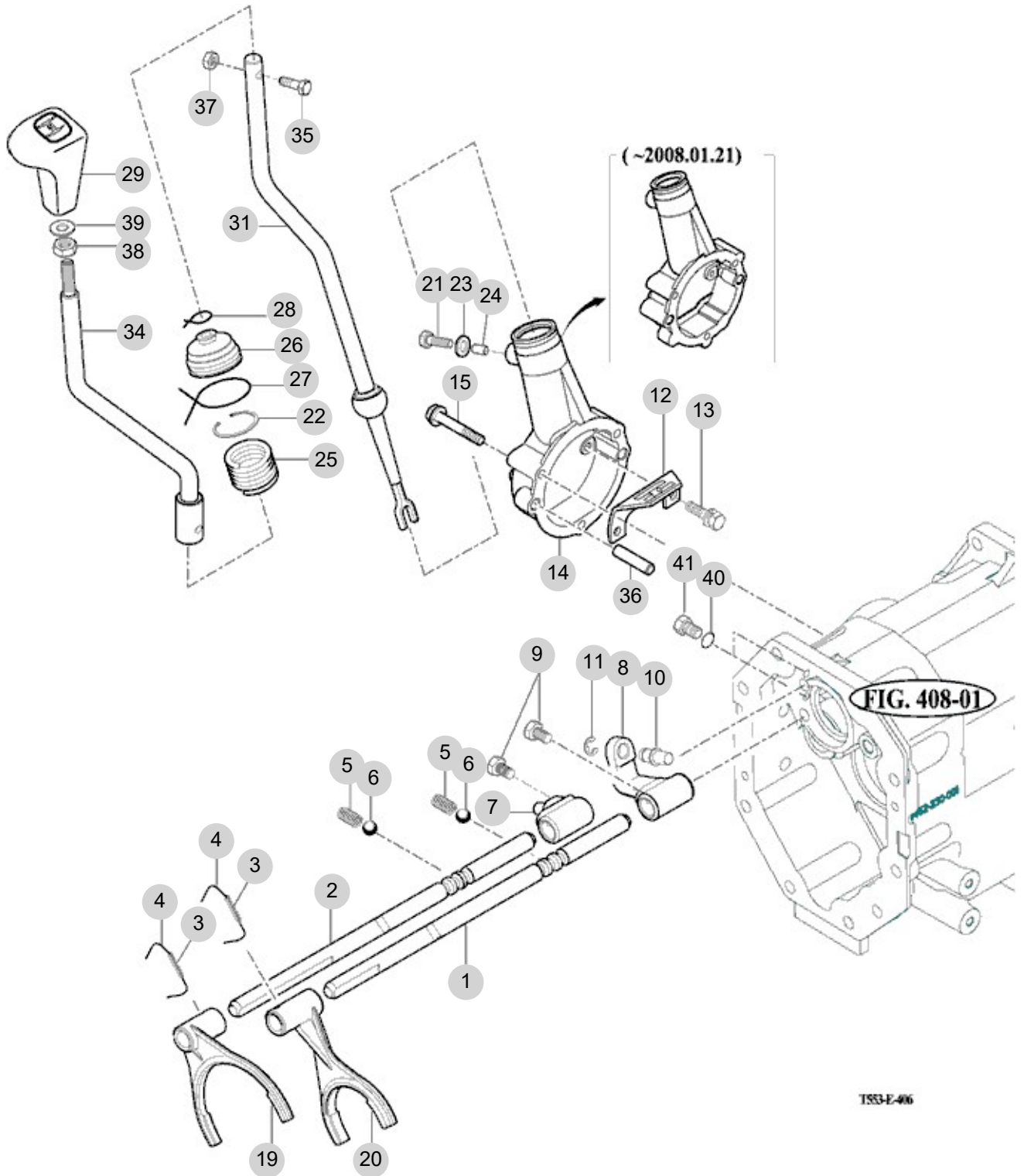
FIG 406

MAIN CHANGE LEVER

년/월
Year/Month

T554ST

2022-12



TSS3-E-406

NOTE

FIG 406 T554ST		MAIN CHANGE LEVER						년/월 Year/Month	REMARKS
								2022-12	
KEY NO	PART NO		DESCRIPTION	SPEC	QTY	REPAIR	EFFECTIVE DATE		
406	1	14522230062	STAY , SHIFTER 1-2		1				
406	2	14522230053	STAY , SHIFTER 3-4		1				
406	3	V5801406025	PIN , SPRING	6X25	2				
406	4	V5901010150	WIRE , STEEL	1.0X150	2				
406	5	13022250030	SPRING , SHIFTER	D=1.4	2				
406	6	V6802000010	BALL , STEEL		2				
406	7	15642230043M	LINK		1				
406	8	15642230033M	LINK		1				
406	9	15602231610	BOLT , SET M8X16		2				
406	9	15602231600	BOLT , SET SEAL LOCK	M8X16	2				
406	10	15602230124	PIN , 10X28		1				
406	11	V7081400070	E-RING		1				
406	12	15602230074	GUIDE	T=3.5	1				
406	13	V2173608016	BOLT , HEX/S	M8X16	2				
406	14	15612230027M	METAL , MAIN		1				
406	15	V2173608050	BOLT . HEX/S	M8X50	3				
406	19	14522230022M	FORK , SHIFTER 3-4		1				
406	20	15162230010M	FORK , SHIFTER 1-2		1				
406	21	16007060020	BOLT . DRAIN	M8X12XP1.25	1				
406	22	V7051400320	C-RING , HOLE	32	1				
406	23	15602230085	SEAL		1				
406	24	V5201006016	PIN , PARALLEL/A	6X16	1				
406	25	15602900063	SPRING , C020	D=2.6	1				
406	26	14442180090	BOOT , CHANGE LEVER		1				
406	27	V5901010180	WIRE , STEEL	1.0X180	1				
406	28	V5901010070	WIRE , STEEL	1.0X70	1				
406	29	14522810071	GRIP , MAIN SHIFT	M10	1				
406	31	14522912001	LEVER COMP , SHIFT MAIN		1				
406	34	14522913101GB	LEVER COMP , BAR 16		1				
406	35	V2013608035	BOLT , HEX	M8X35	1				
406	36	V5201010022	PIN , PARALLEL/A	10X22	2				
406	37	V3042600080	NUT , HEX/2	M8	1				
406	38	V3342600100	NUT , HEX FINE/2	M10	1				
406	39	V4111600100	WASHER , PLAIN	M10	1				
406	40	V7201019008	O-RING , P	P8	2				
406	41	14522081550	BOLT	M10XP1.5	2				
NOTE									

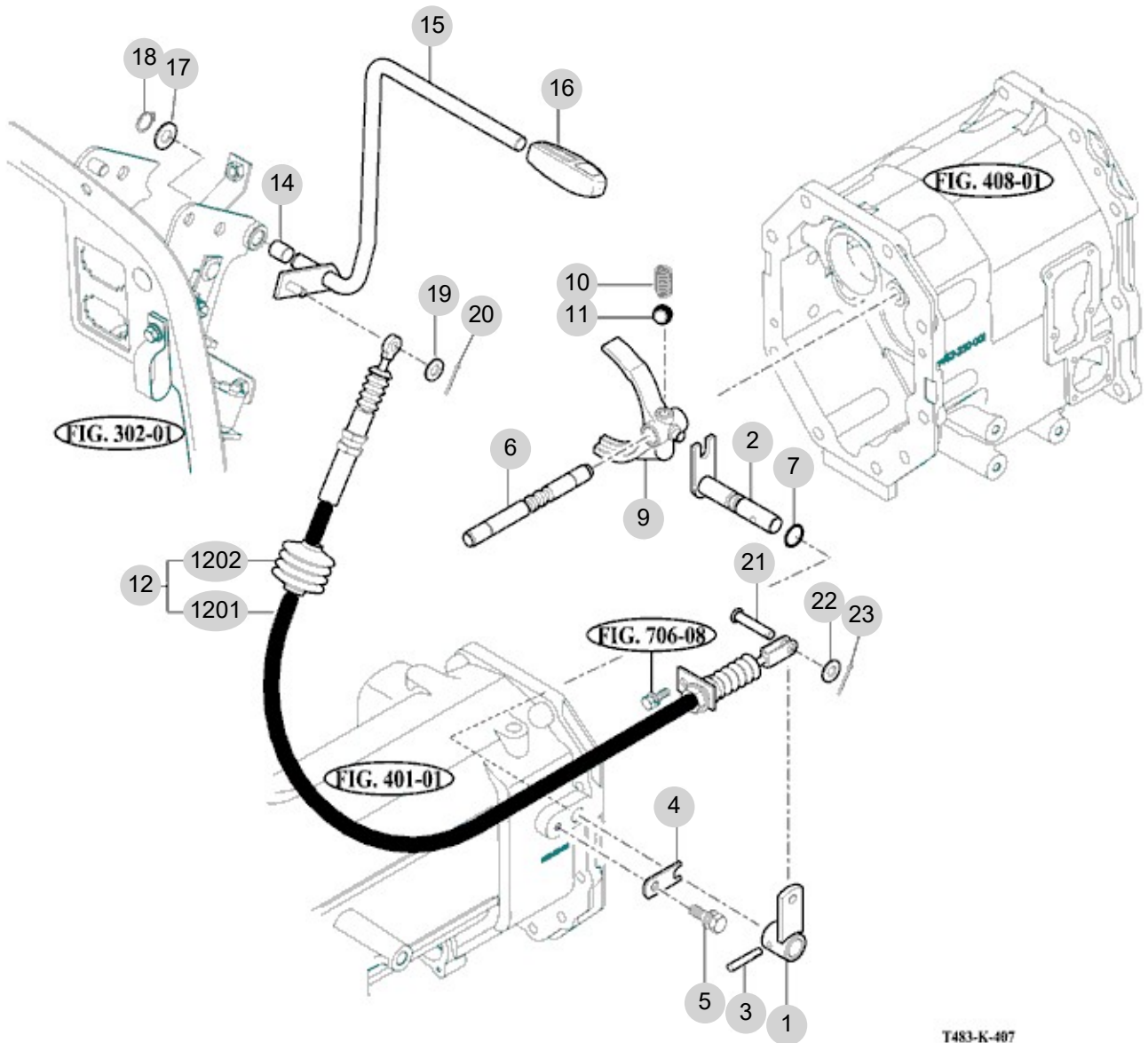
FIG 407

T554ST

REVERSE CHANGE LEVER

년/월
Year/Month

2022-12



T483-K-407

NOTE

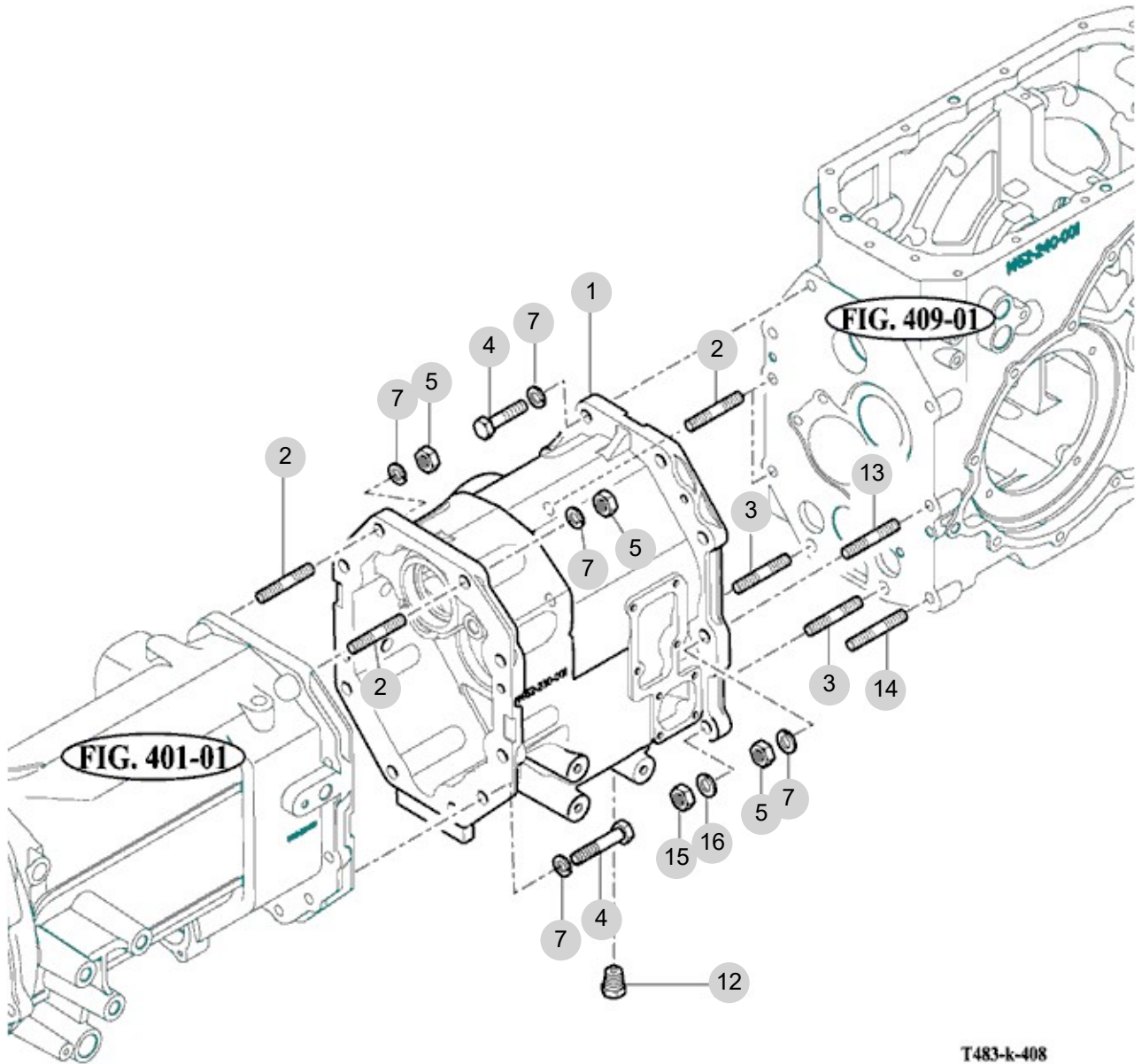
FIG 408

T554ST

TRANSMISSION MID CASE

년/월
Year/Month

2022-12



T483-k-408

NOTE

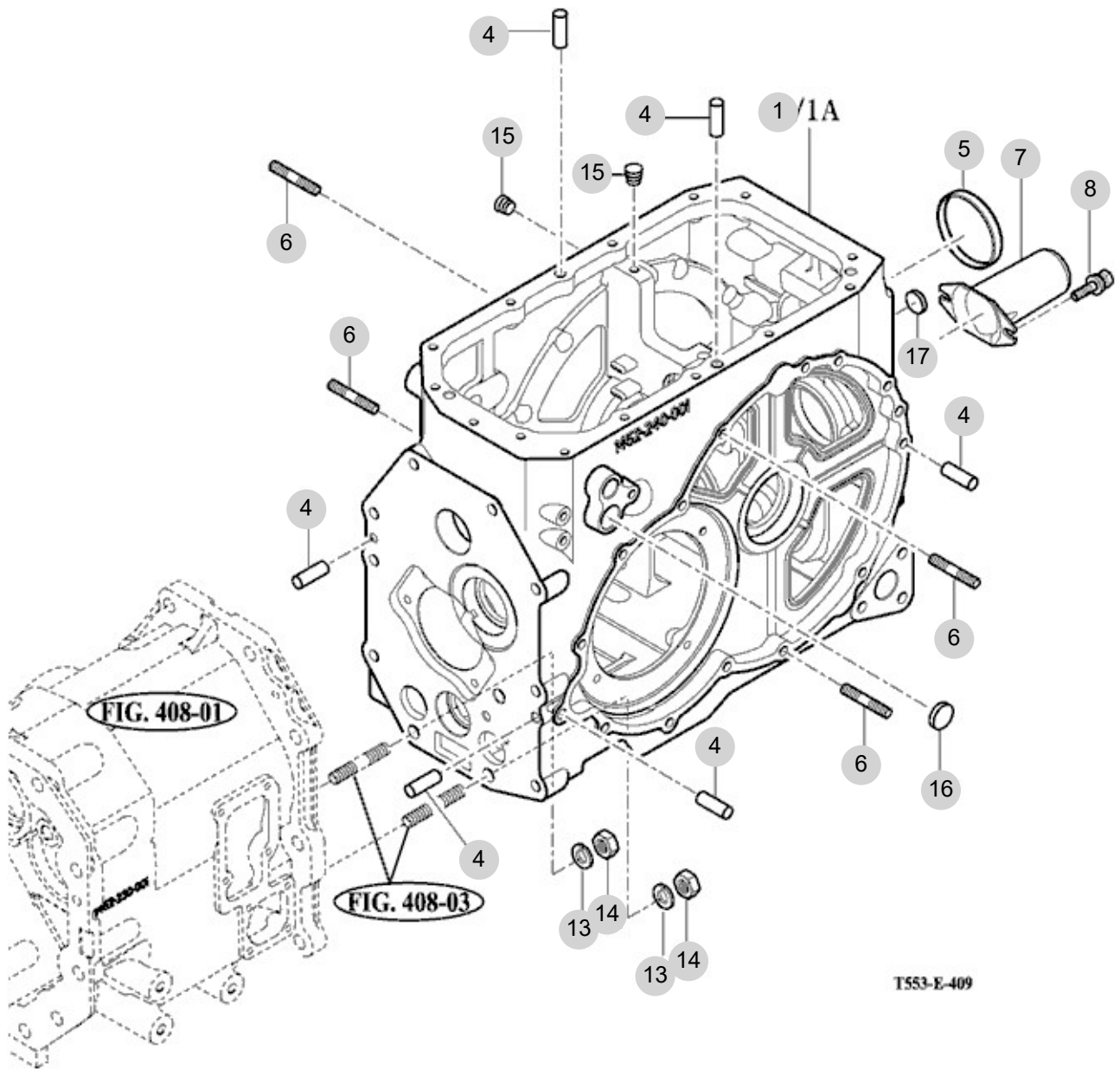
FIG 409

T554ST

TRANSMISSION REAR CASE

년/월
Year/Month

2022-12



NOTE

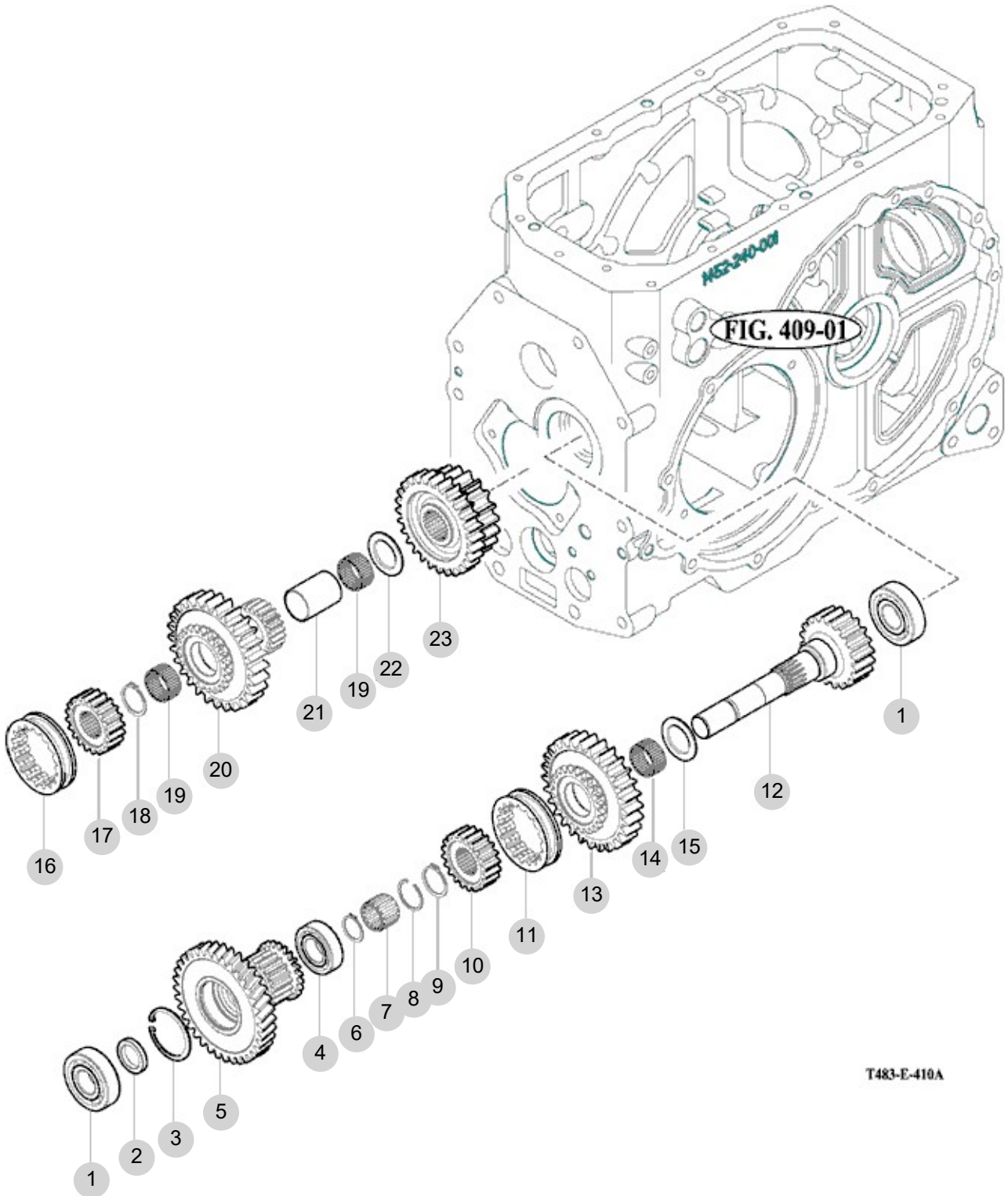
FIG 410

SUB CHANGE GEARS

년/월
Year/Month

T554ST

2022-12



NOTE

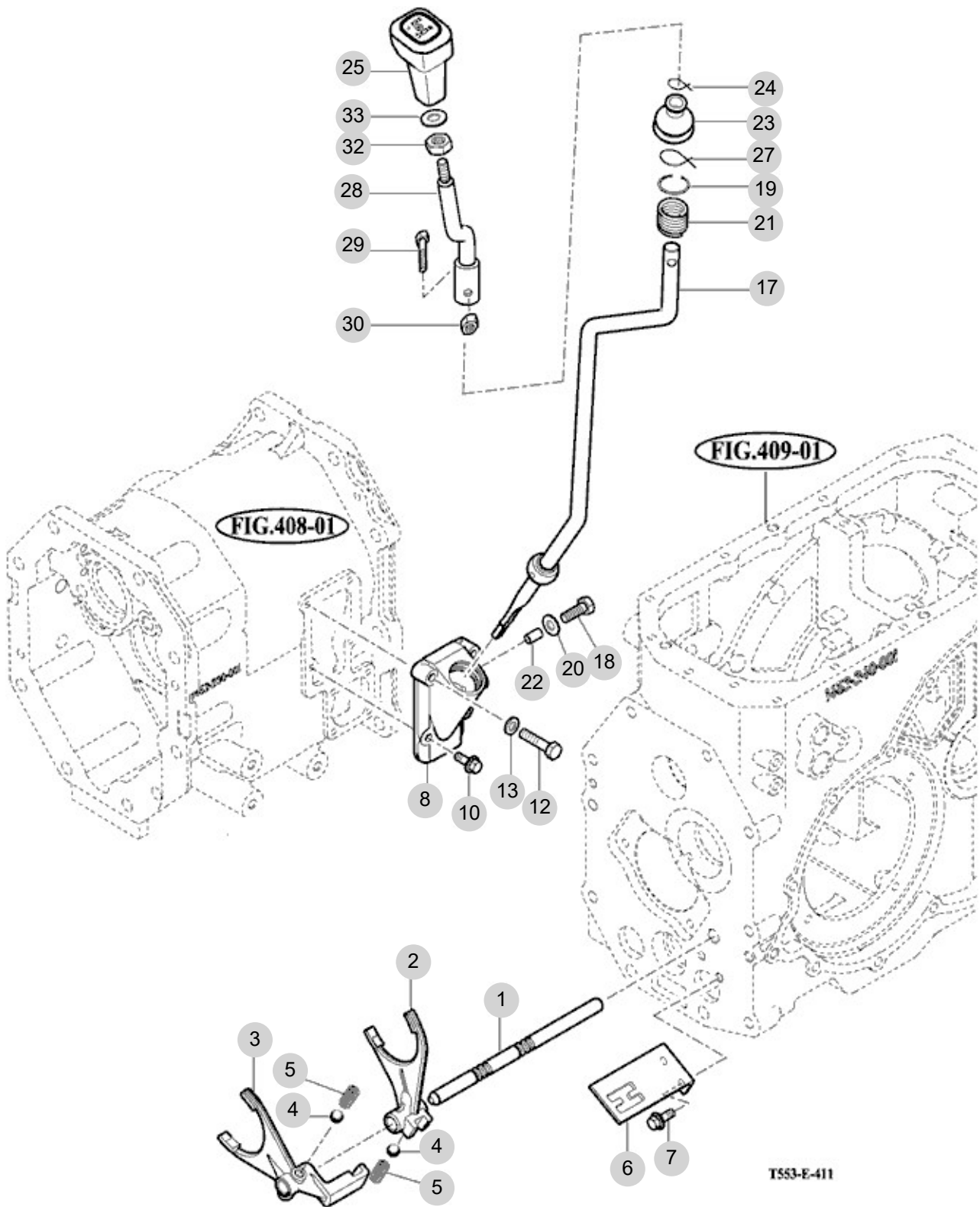
FIG 411

SUB CHANGE SHIFTER

년/월
Year/Month

2022-12

T554ST



NOTE

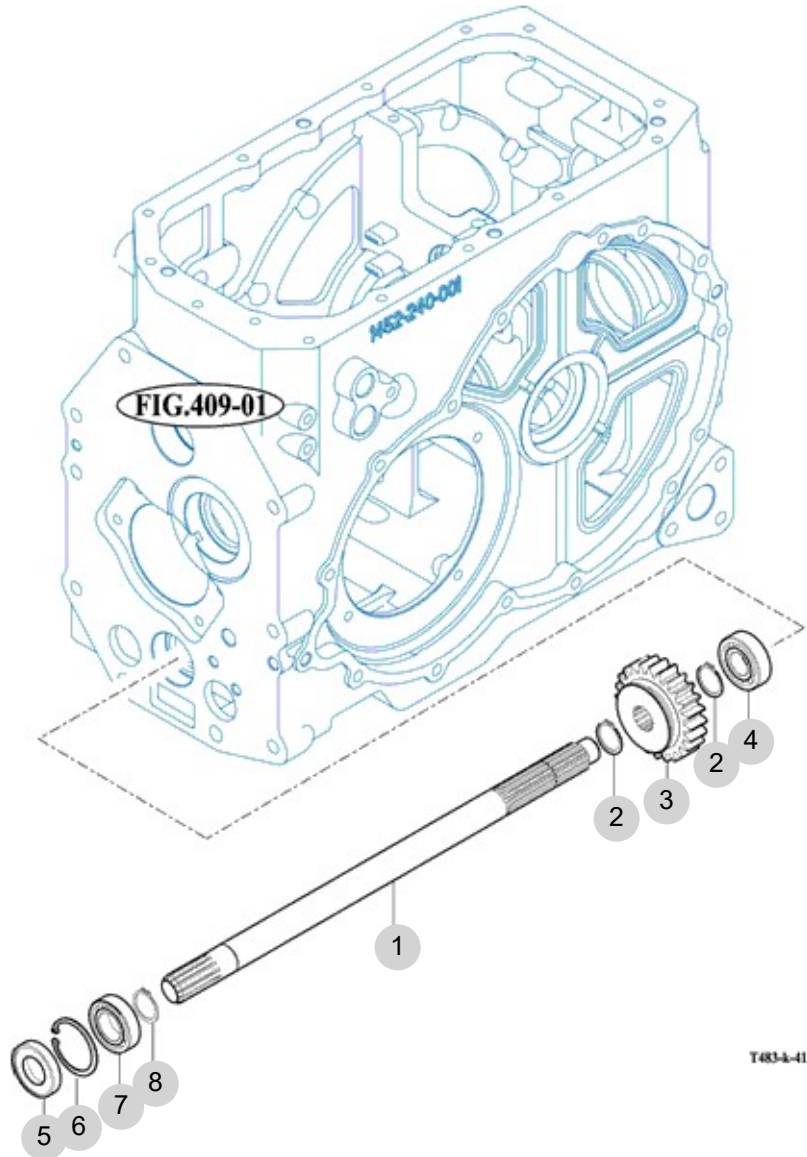
FIG 413

DRIVE GEARS

년/월
Year/Month

T554ST

2022-12



NOTE

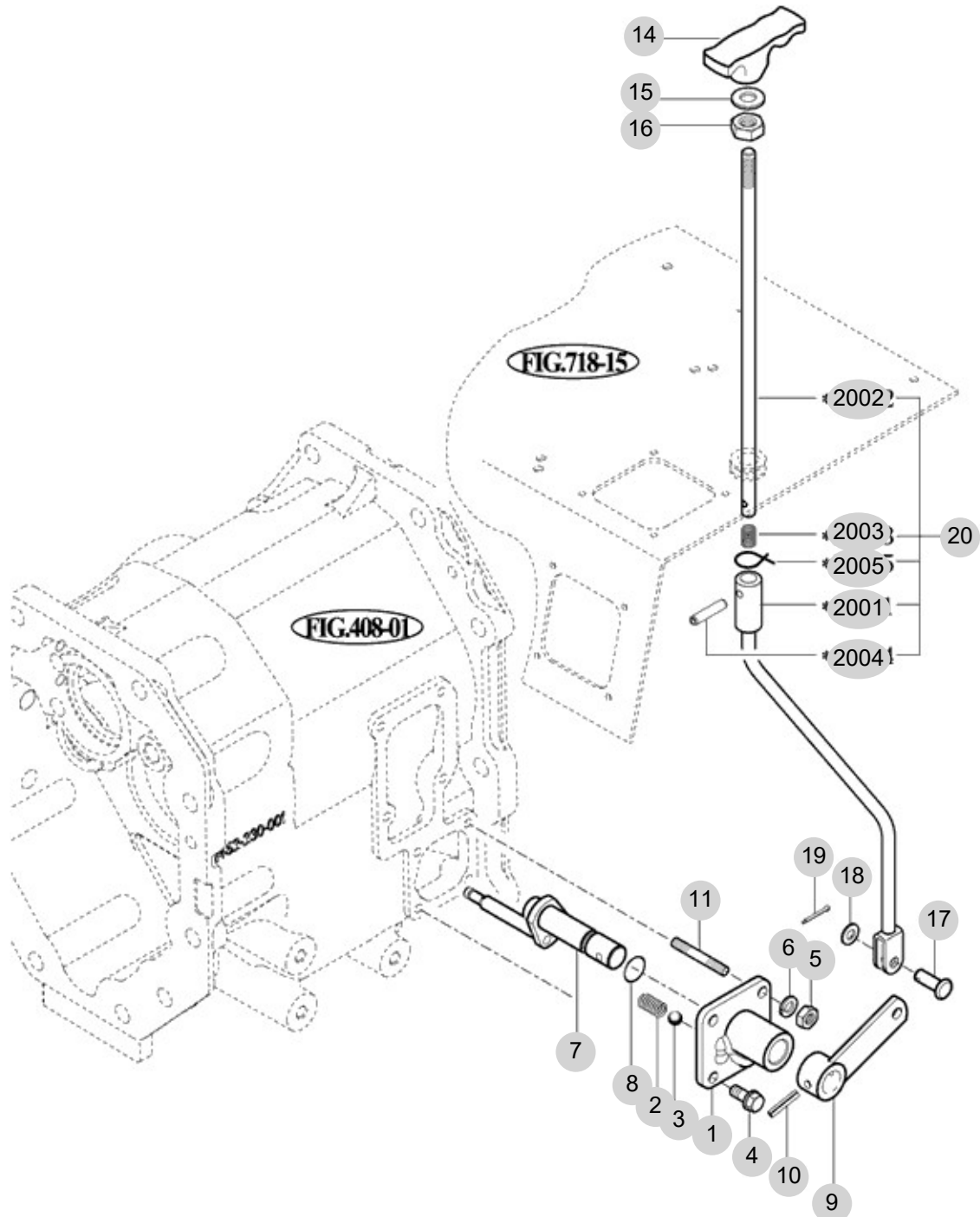
FIG 414

T554ST

4WD CHANGE LEVER

년/월
Year/Month

2022-12



*NOT SERVICED SEPARATELY

T483-E-414A

NOTE

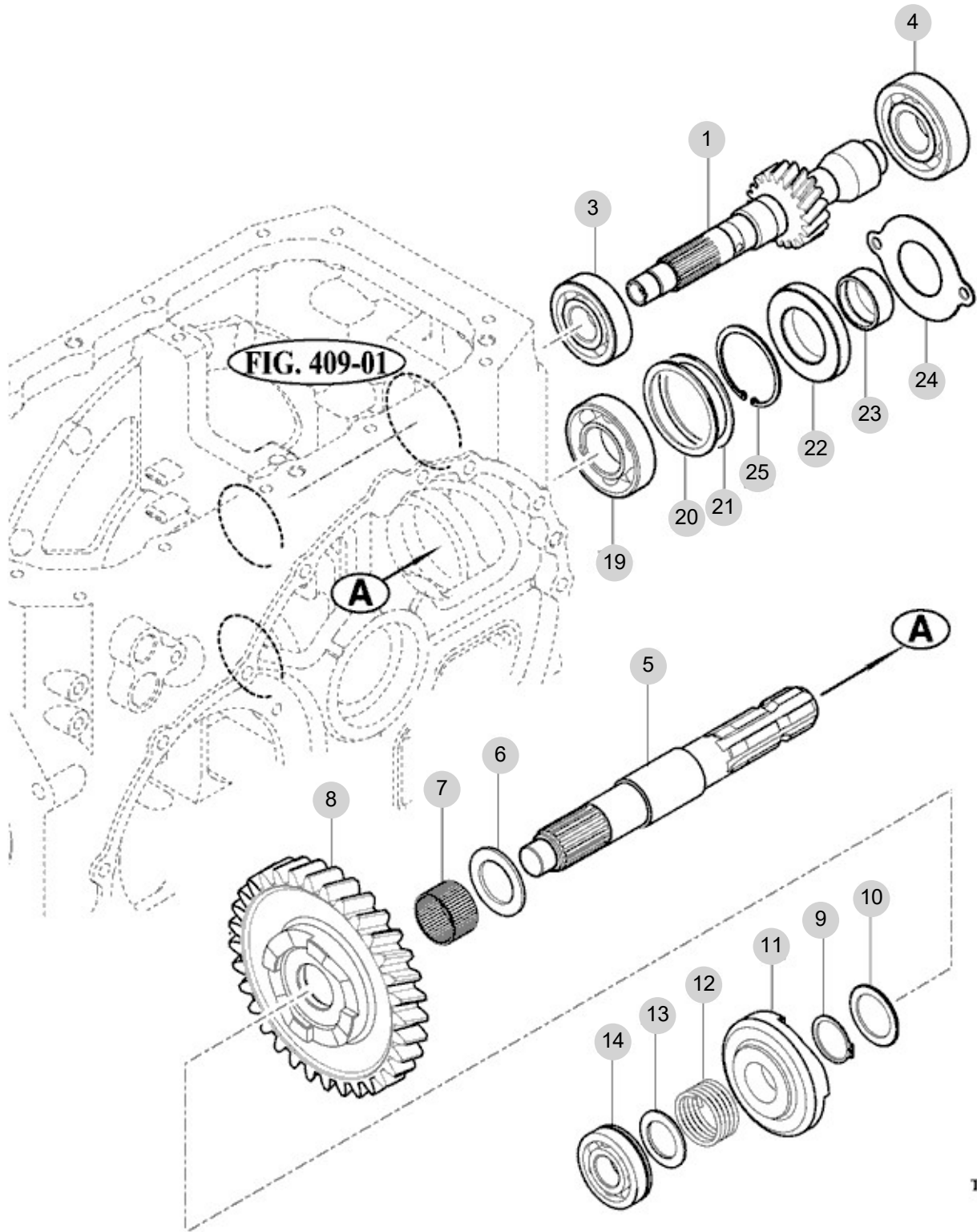
FIG 415

T554ST

P.T.O CHANGE GEARS

년/월
Year/Month

2022-12



T553-E-415A

NOTE

FIG 417

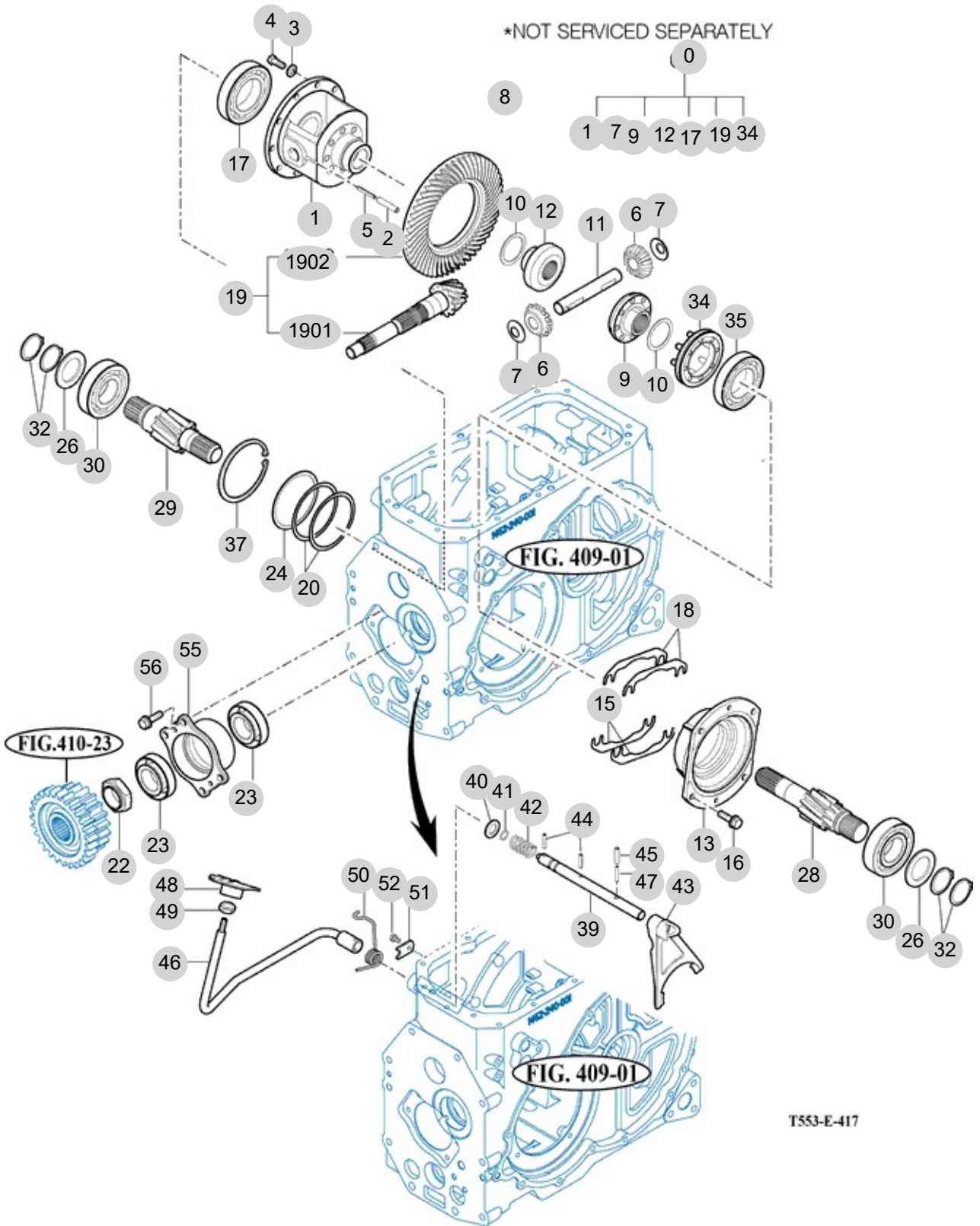
REAR DIFFERENTIAL GEARS

년/월
Year/Month

2022-12

T554ST

*NOT SERVICED SEPARATELY



T553-E-417

NOTE

FIG 417		REAR DIFFERENTIAL GEARS					년/월 Year/Month		
							2022-12		
T554ST		KEY NO	PART NO	DESCRIPTION	SPEC	QTY	REPAIR	EFFECTIVE DATE	REMARKS
417	0	14523031001	DIFF ASSY, RR 47PS			1			
417	1	14523030010M	CASE , DIFF			1			
417	2	V5801408040	PIN , SPRING	8X50		1			
417	3	V4011600100	WASHER , SPRING	M10		10			
417	4	V2024610025	BOLT , HEX FINE	M10X25		10			
417	5	V5801405036	PIN , SPRING	5X36		1			
417	6	14523180041	PINION , DIFF	1X1X1		2			
417	7	14523030080	COLLAR , PINION	T=1.0		2			
417	9	14523180061	PINION , BEVEL 16T LH	1X1X1		1			
417	10	14523030100	WASHER , THRUST	D=52.5		2			
417	11	14523030110	SHAFT , DIFF PINION	D=23		1			
417	12	14523180031	PINION , BEVEL 16T RH	1X1X1		1			
417	13	14523030131M	METAL , DIFF CASE LH			1			
417	15	14523010090	SHIM , B	T=0.2		4			
417	16	V2173610025	BOLT , HEX/S	M10X25		4			
417	17	V6001106212	BEARING , BALL	6212		1			
417	18	14523010080	SHIM , A	T=0.1		2			
417	19	14523022100	GEAR SET , 10-41T			1			
417	20	14523010050	SHIM , 0.1	T=0.1		2			
417	22	15533030020	NUT , M40 P1,5	육각B=55		1			
417	23	V6321132208	BEARING , TAPER-ROLLER	32208CR		2			
417	24	14523010100	SHIM , 0.2	T=0.2		1			
417	26	15133060030	COLLAR , THRUST 45X68X4			2			
417	28	14523060010	PINION , LH HERICAL11T			1			
417	29	14523060020	PINION , RH HERICAL11T			1			
417	30	V6001106309	BEARING , BALL	6309		2			
417	32	V7041400450	C-RING , SHAFT	45		4			
417	34	14523033400	SLEEVE COMP			1			
417	35	V6001106211	BEARING , BALL	6211		1			
417	37	V7051401100	C-RING , HOLE	110		1			
417	39	14523032002	SHAFT , DIFF LOCK	D=20		1			
417	40	V4111600200	WASHER , PLAIN	M20		1			
417	41	V7201024016	O-RING , P	P16		1			
417	42	17973030420	SPRING	(D=3.6) X22.5X74.5		1			
417	43	14523190011M	FORK , DIFF LOCK			1			
417	44	V5801406032	PIN , SPRING	6X32		2			
417	45	V5801408036	PIN , SPRING	8X36		1			
417	46	14543162101	PEDAL COMP , DIFF LOCK			1			
417	47	V5801405036	PIN , SPRING	5X36		1			
417	48	14521220120	PEDAL COMP,ACCEL	1X1X1		1			
417	49	V3342600100	NUT , HEX FINE/2	M10		1			
417	50	14523160020	SPRING , DIFF PEDAL	D=5.5		1			
417	51	16703180191	PLATE , STOP	25X4.5T		1			
417	52	V2173608016	BOLT , HEX/S	M8X16		1			
417	55	14523020040M	METAL , PINION			1			
NOTE									

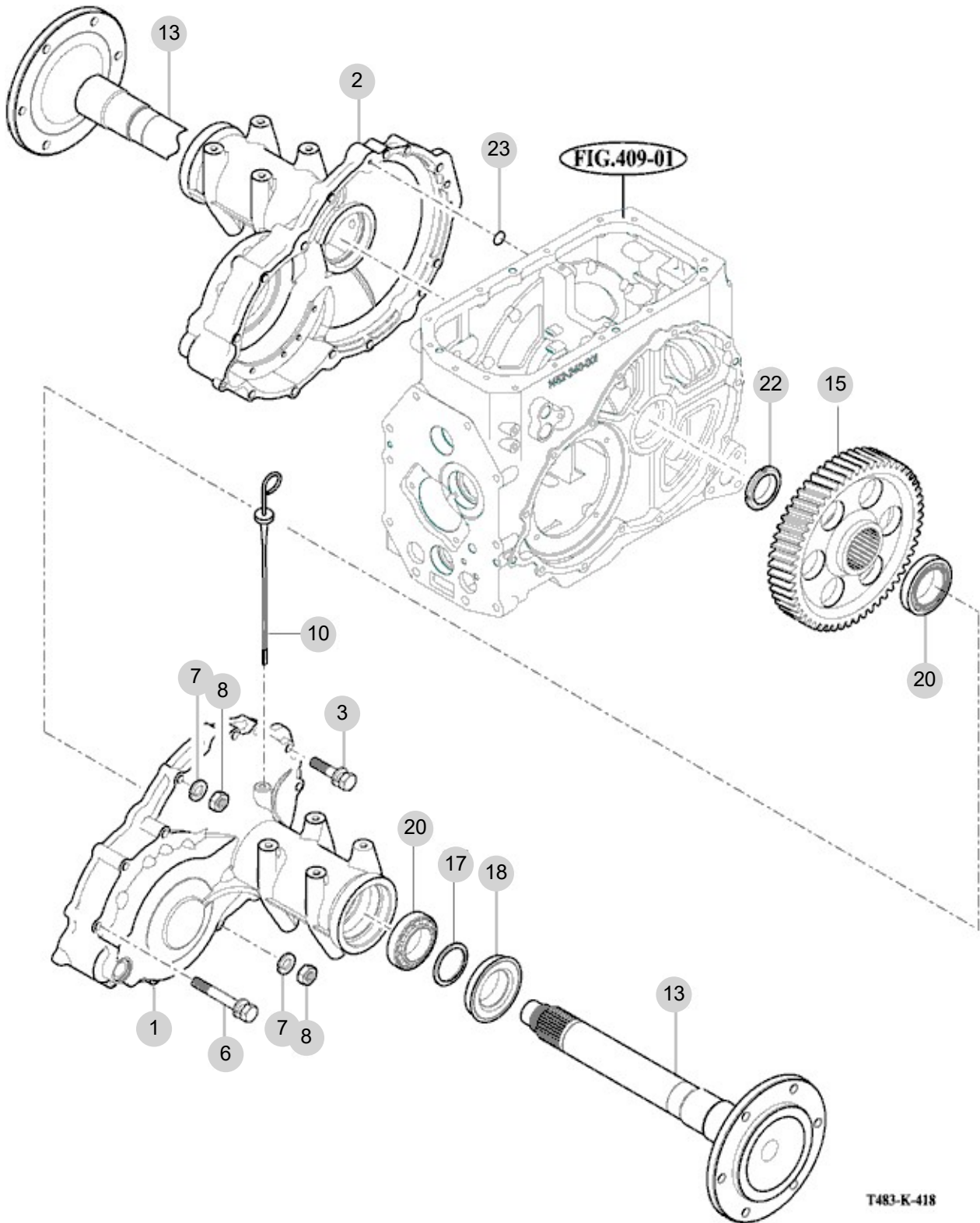
FIG 418

REAR AXLE HOUSING

년/월
Year/Month

2022-12

T554ST



T483-K-418

NOTE

5. Front Axle PART NO. T5

FIG 501 FRONT AXLE SUPPORT	131
FIG 502 FRONT DRIVE SHAFT	133
FIG 503 FRONT AXLE HOUSING	135
FIG 504 FRONT DIFFERENTIAL GEARS	137
FIG 505 FRONT GEAR CASE (1)	139
FIG 506 FRONT GEAR CASE (2)	141
FIG 507 FRONT GEAR CASE (3)	143

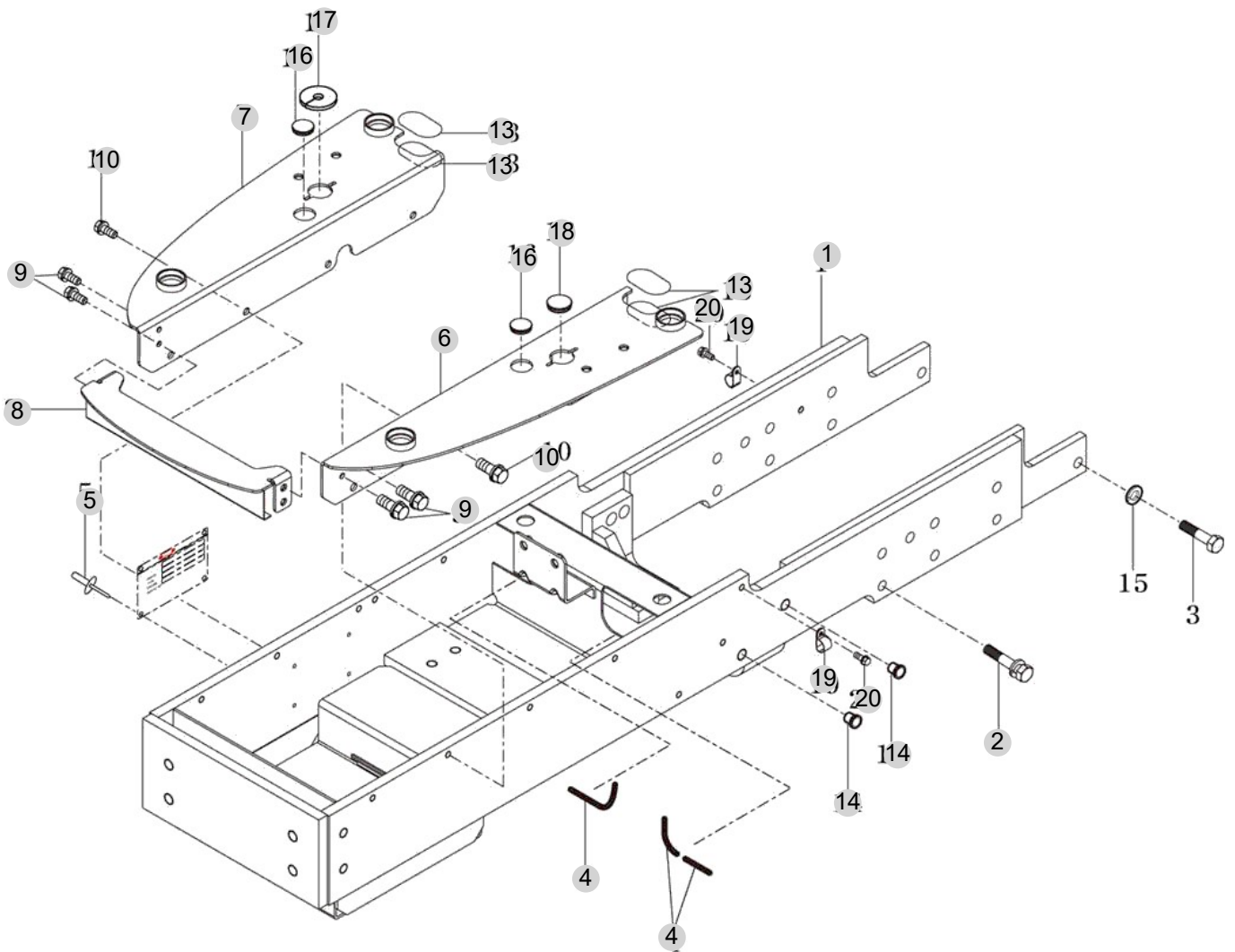
FIG 501

FRONT AXLE SUPPORT

년/월
Year/Month

2022-12

T554ST



NOTE

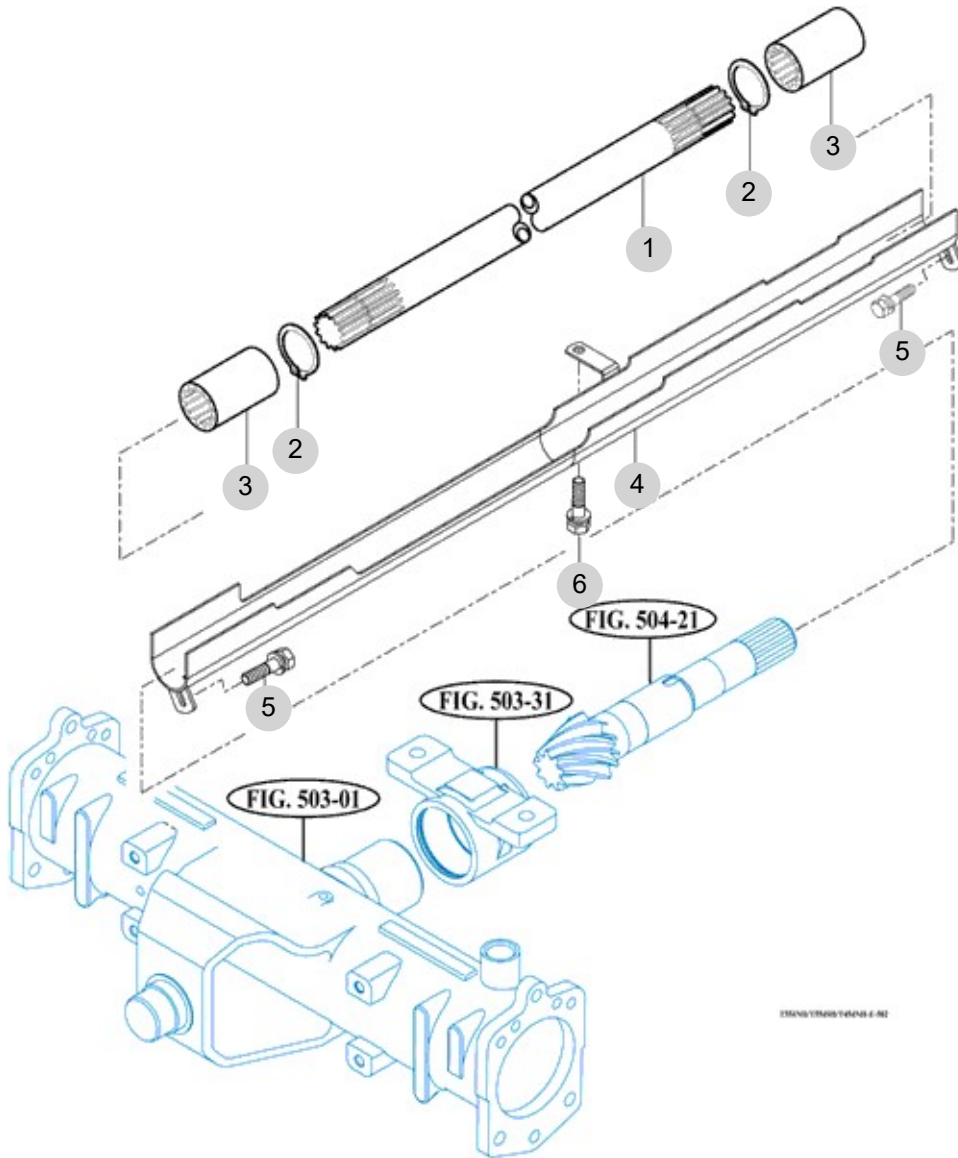
FIG 502

T554ST

FRONT DRIVE SHAFT

년/월
Year/Month

2022-12



NOTE

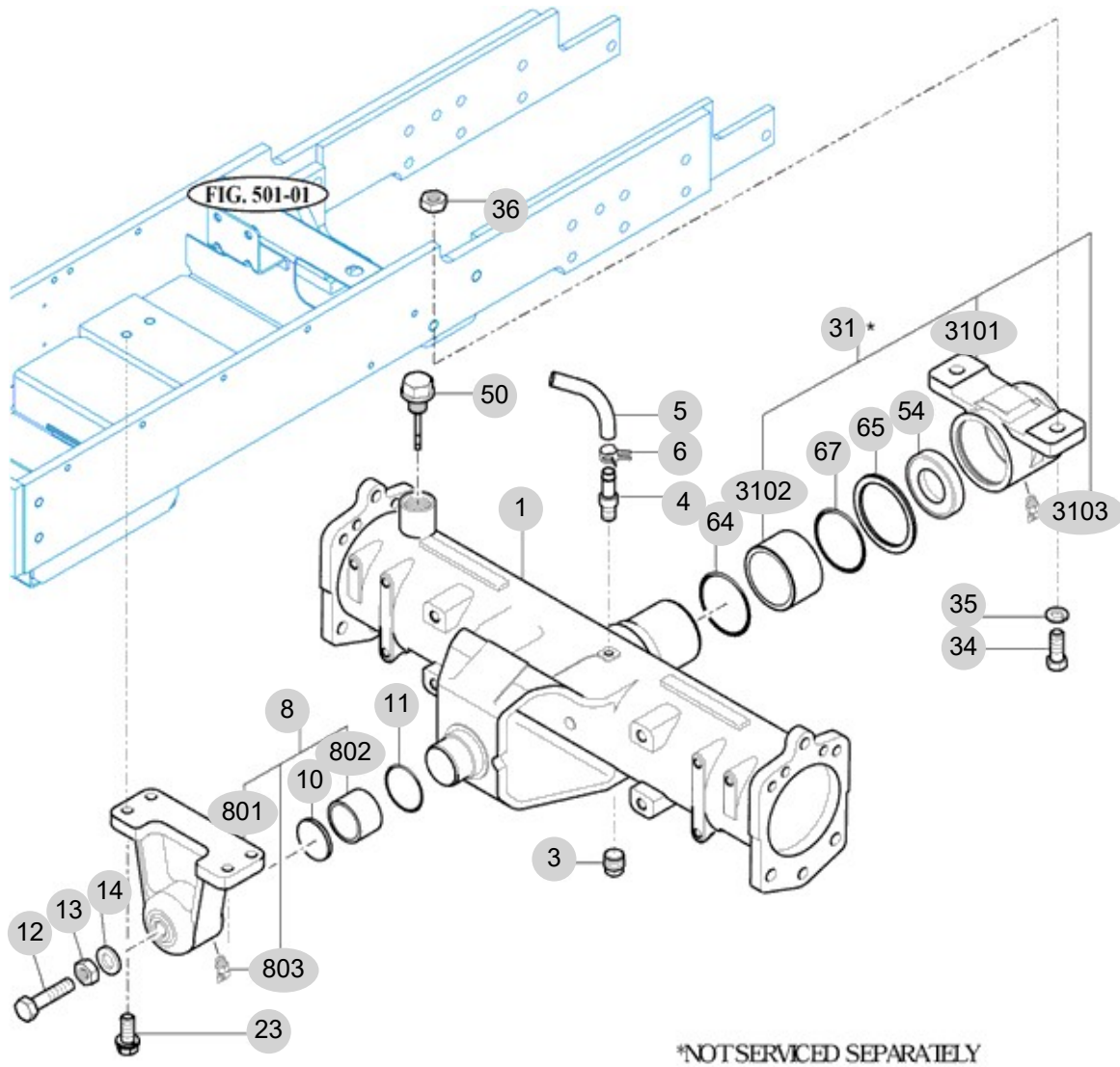
FIG 503

FRONT AXLE HOUSING

년/월
Year/Month

T554ST

2022-12



NOTE

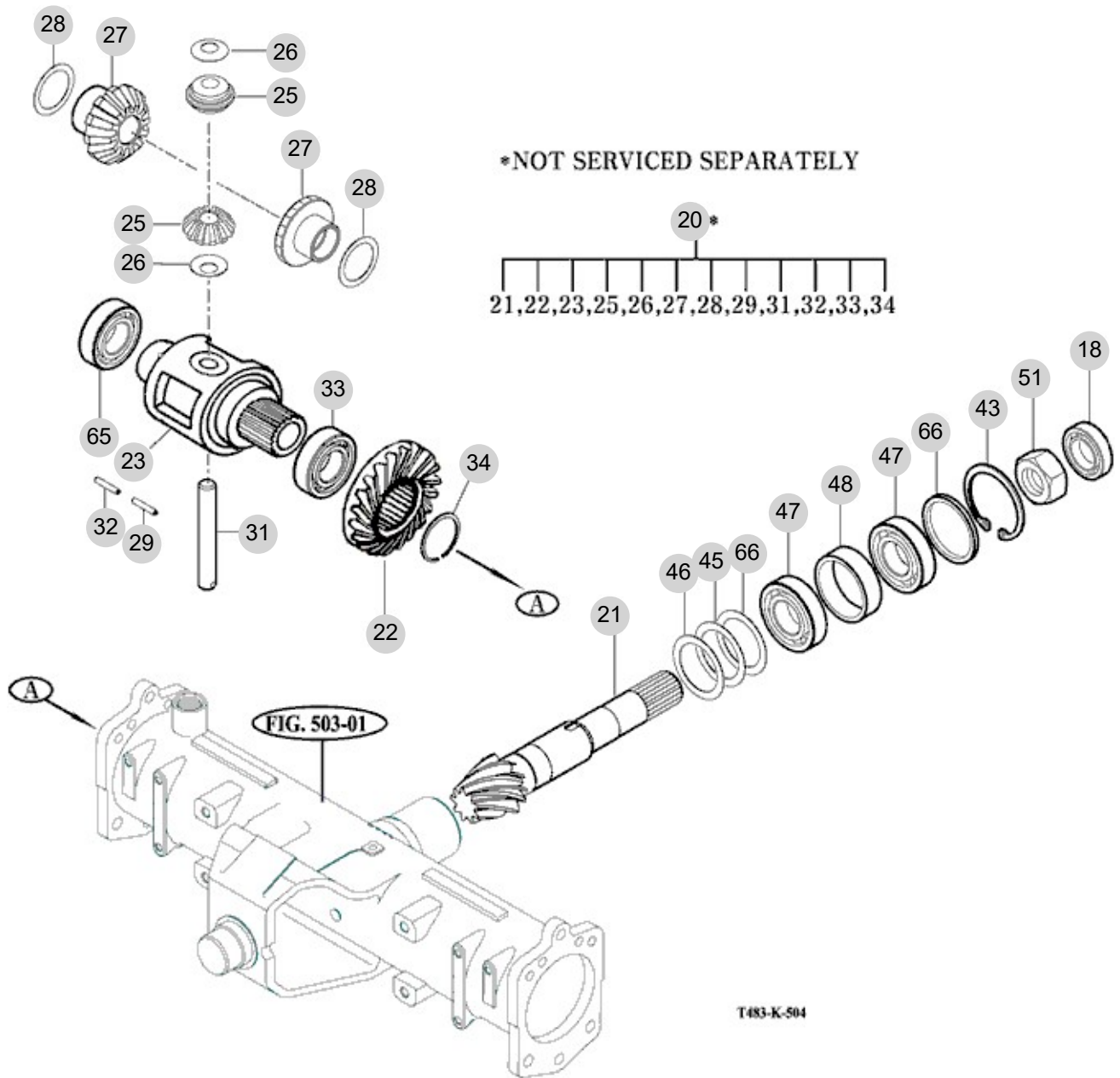
FIG 504

FRONT DIFFERENTIAL GEARS

년/월
Year/Month

2022-12

T554ST



NOTE

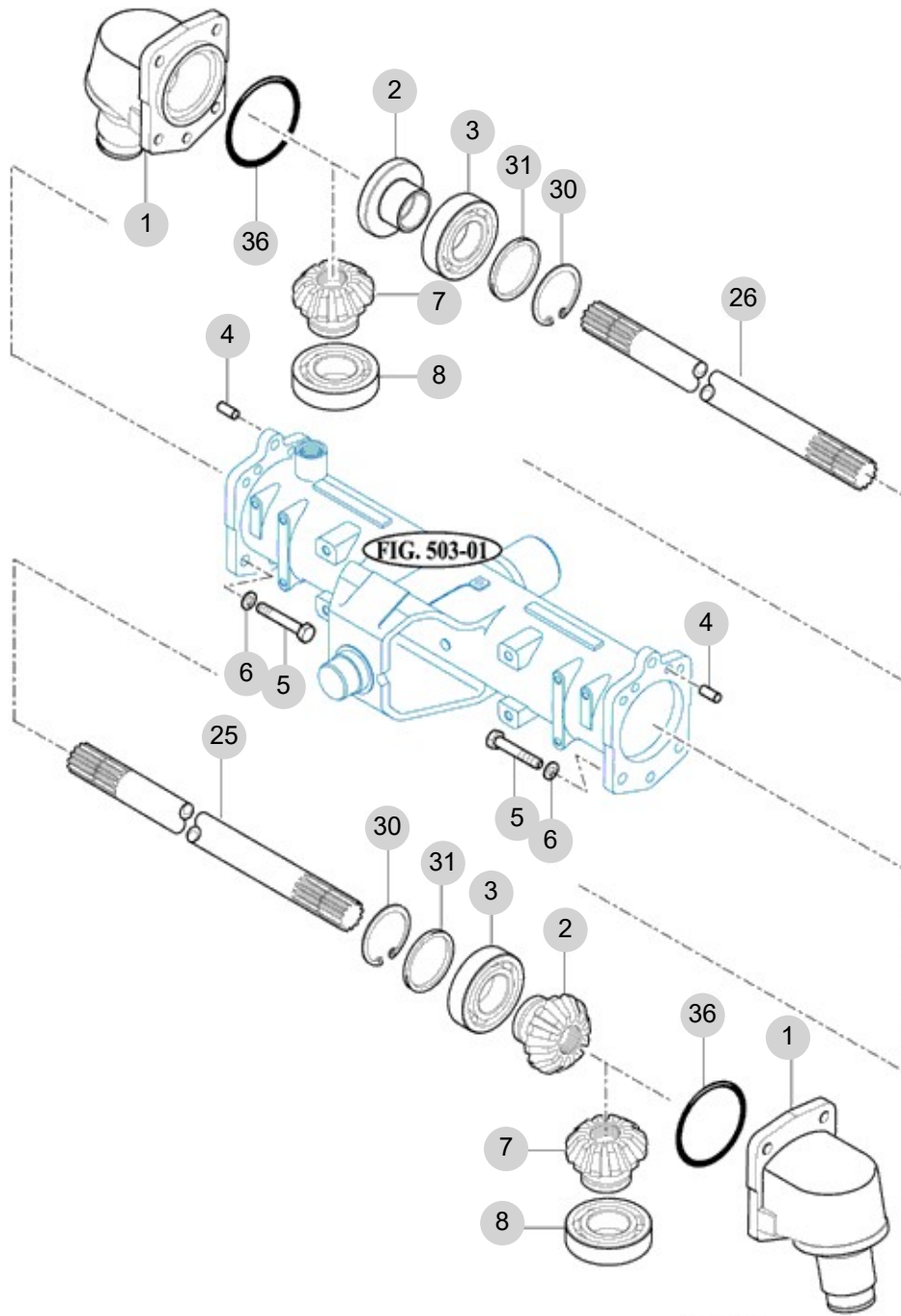
FIG 505

T554ST

FRONT GEAR CASE (1)

년/월
Year/Month

2022-12



T483-L-505

NOTE

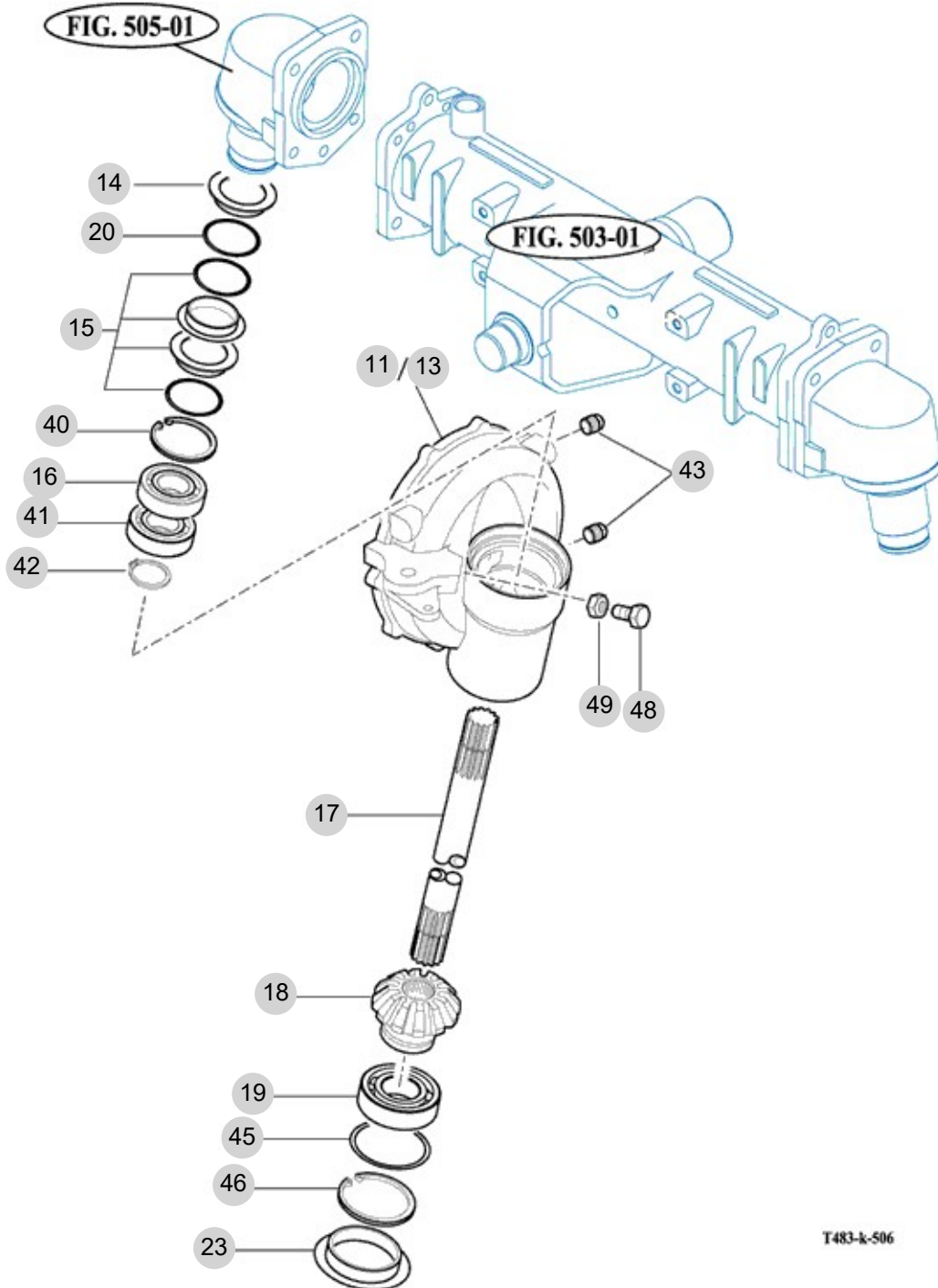
FIG 506

T554ST

FRONT GEAR CASE (2)

년/월
Year/Month

2022-12



T483-k-506

NOTE

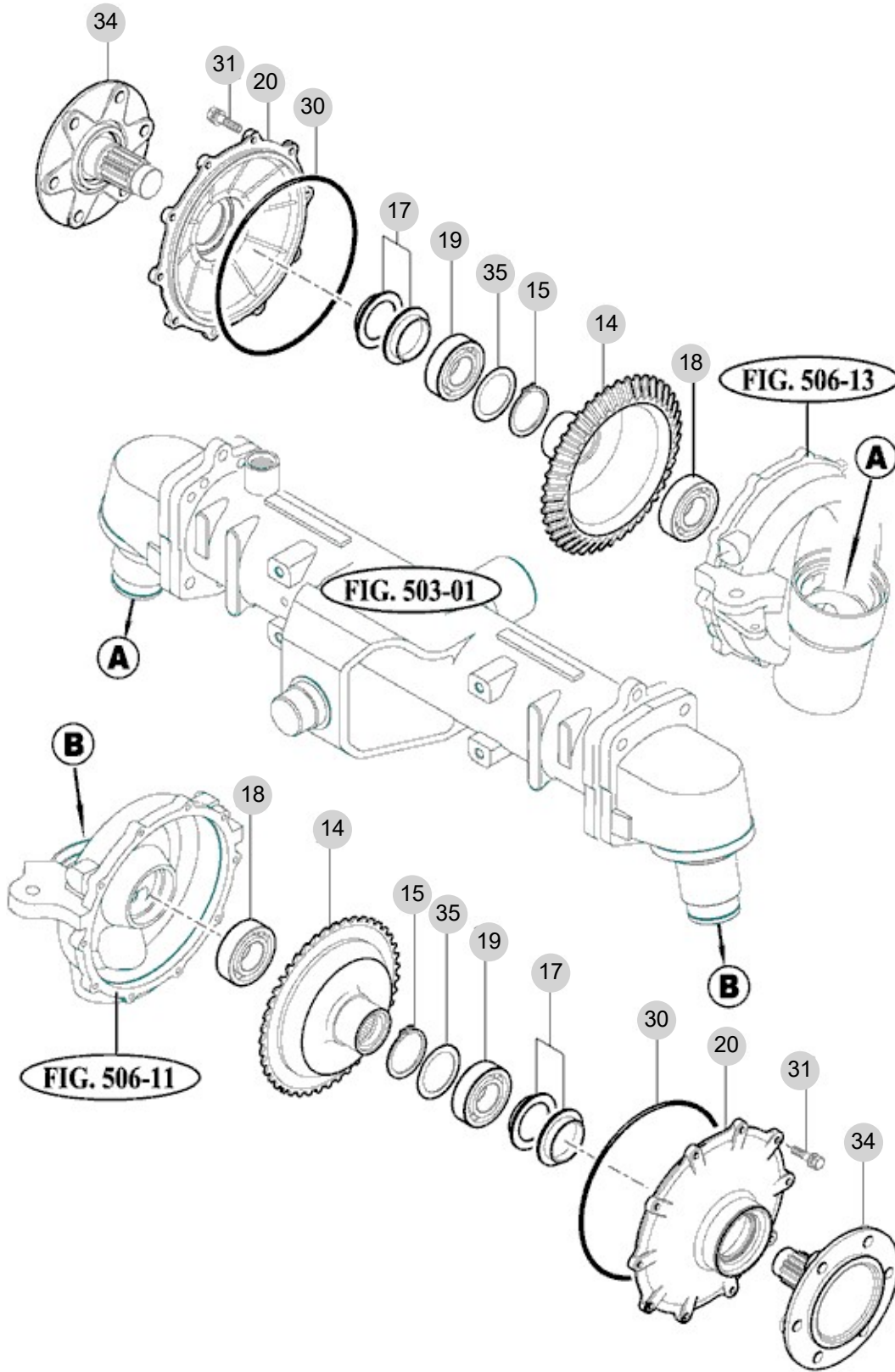
FIG 507

T554ST

FRONT GEAR CASE (3)

년/월
Year/Month

2022-12



NOTE

FIG 507		FRONT GEAR CASE (3)						년/월 Year/Month	2022-12
T554ST									
KEY NO	PART NO	DESCRIPTION	SPEC	QTY	REPAIR	EFFECTIVE DATE	REMARKS		
507	14	16734340080	GEAR , BEVEL 38T		2				
507	14	16734340081	GEAR , BEVEL 38T		2				
507	15	V7041400500	C-RING , SHAFT	50	2				
507	15	17994420060	SNAP RING , C TYPE		2				
507	17	16004340040	SEAL	1X1X1	2				
507	18	V6041106208	BEARING , BALL/HL1	6208HL1	2				
507	18	V6041106308	BEARING , BALL/HL1		2				
507	18	V6041106308	BEARING , BALL/HL1		2				
507	19	V6041106210	BEARING , BALL/HL1	6210HL1	2				
507	20	16704340130M	COVER , WHEEL SHAFT		2				
507	30	16704340150	O RING		2				
507	31	V2173608025	BOLT , HEX/S	M8X25	20				
507	34	16704340070	SHAFT , WHEEL		2				
507	35	16709510081	WASHER , 50X67X2		2				
NOTE									

6. Hydraulic/3P-Link PART NO. T6

FIG 601 CYLINDER CASE	146
FIG 602 LIFT ARM	148
FIG 603 CYLINDER	150
FIG 604 POSITION LINK	152
FIG 605 CONTROL VALVE	154
FIG 606 DRAFT LINK	156
FIG 607 POSITION & DRAFT LEVER	158
FIG 608 EXTERIOR HYD. VALVE	160
FIG 609 HYDRAULIC PIPE	162
FIG 610 JOYSTICK	164
FIG 611 HYDRAULIC HOSE	166
FIG 612 HITCH & 3-POINT LINK	168
FIG 613 LOWER LINK & LIFT ROD	171
FIG 614 EXTERNAL POSITION LEVER KIT	173

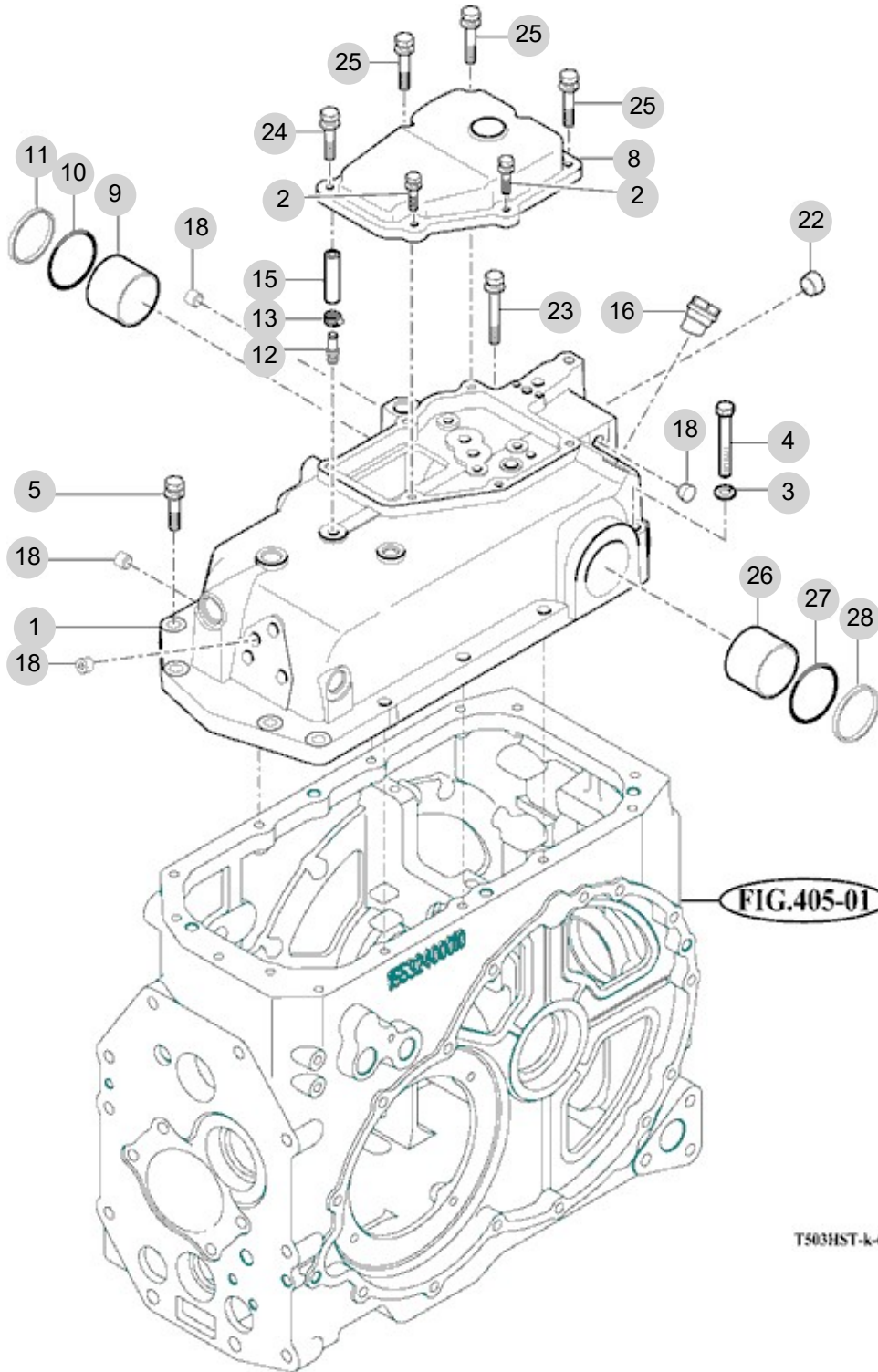
FIG 601

CYLINDER CASE

년/월
Year/Month

2022-12

T554ST



NOTE

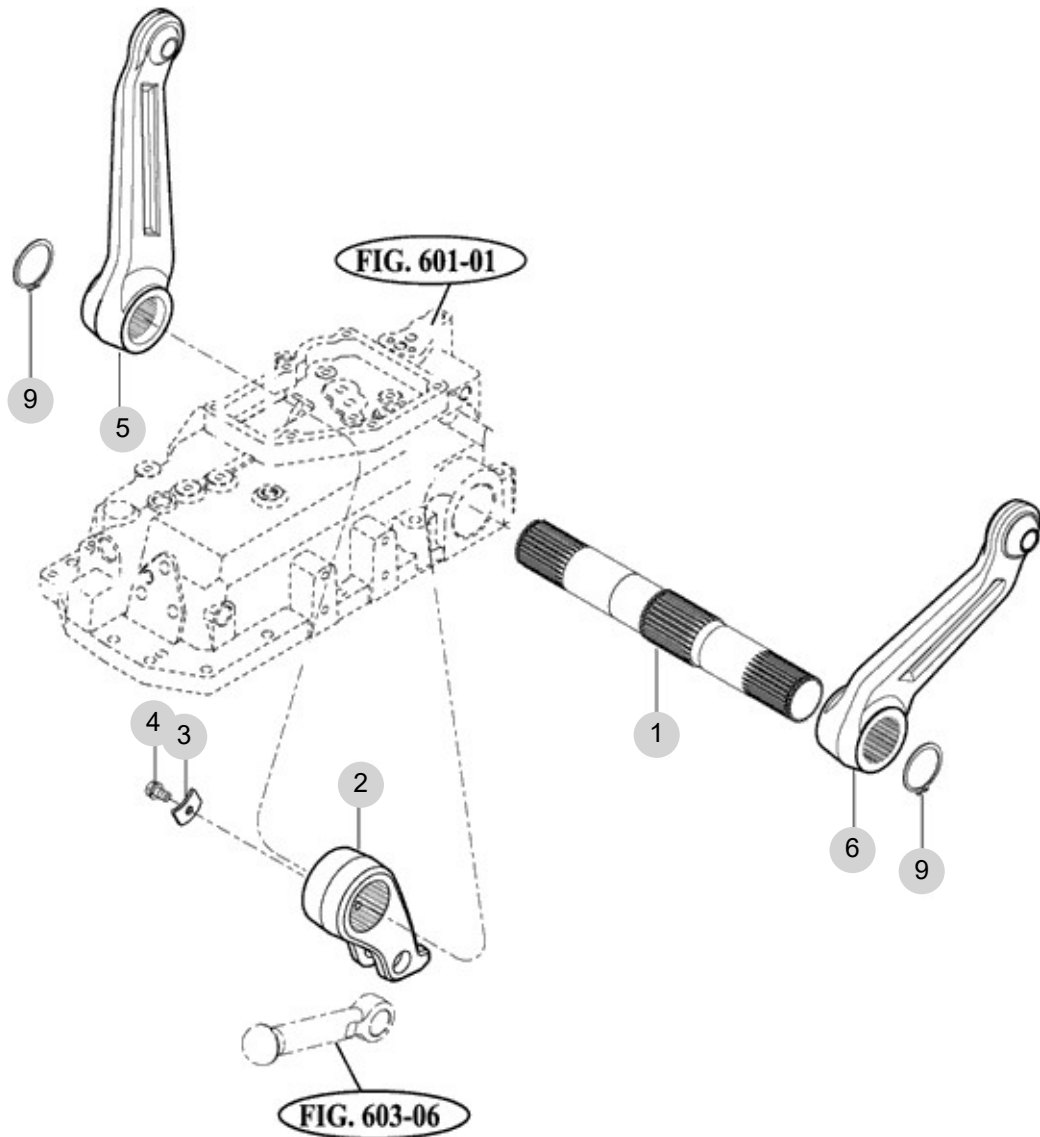
FIG 602

T554ST

LIFT ARM

년/월
Year/Month

2022-12



T473-E-602A

NOTE

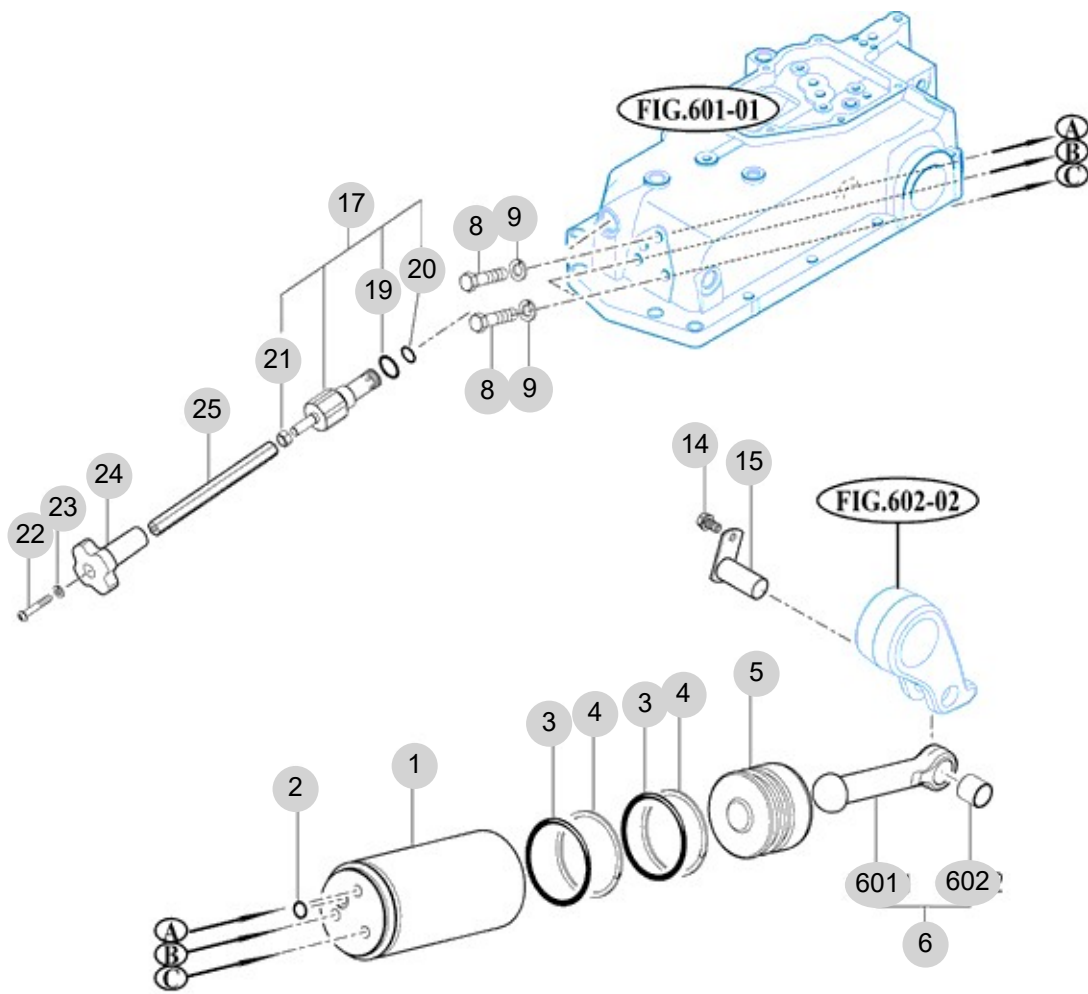
FIG 603

T554ST

CYLINDER

년/월
Year/Month

2022-12



T483-K-603

NOTE

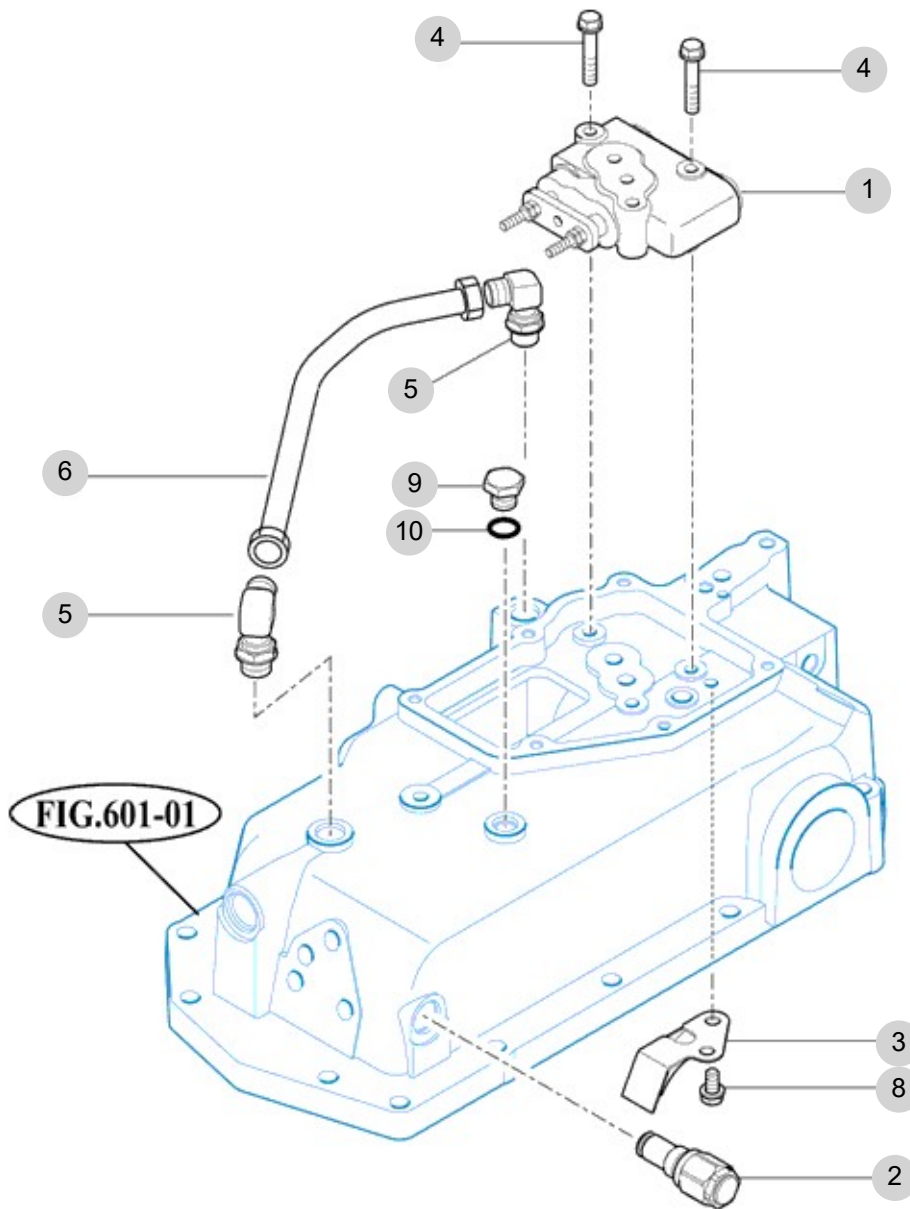
FIG 605

T554ST

CONTROL VALVE

년/월
Year/Month

2022-12



T503HST-K-605

NOTE

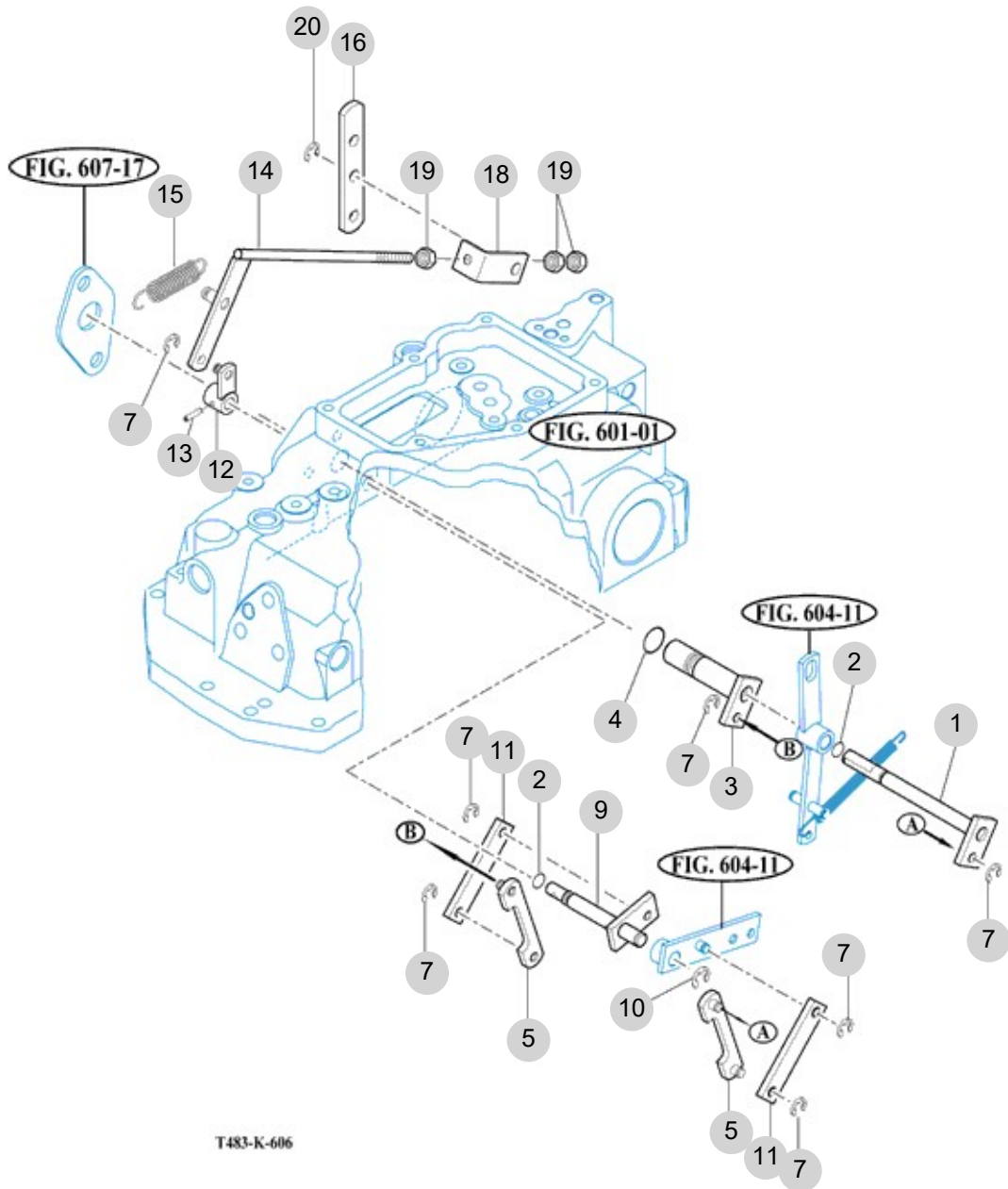
FIG 606

T554ST

DRAFT LINK

년/월
Year/Month

2022-12



NOTE

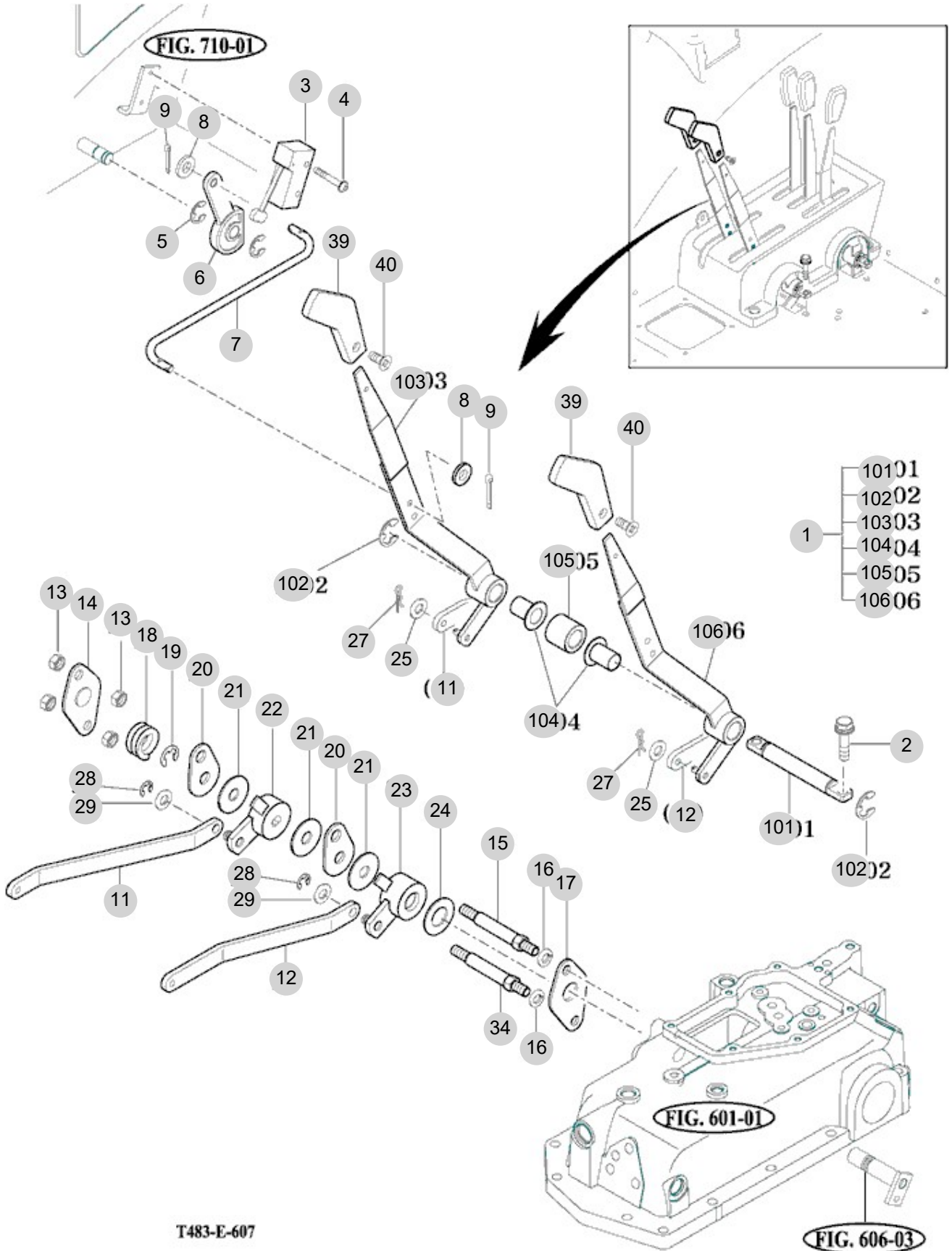
FIG 607

POSITION & DRAFT LEVER

년/월
Year/Month

2022-12

T554ST



T483-E-607

FIG. 606-03

NOTE

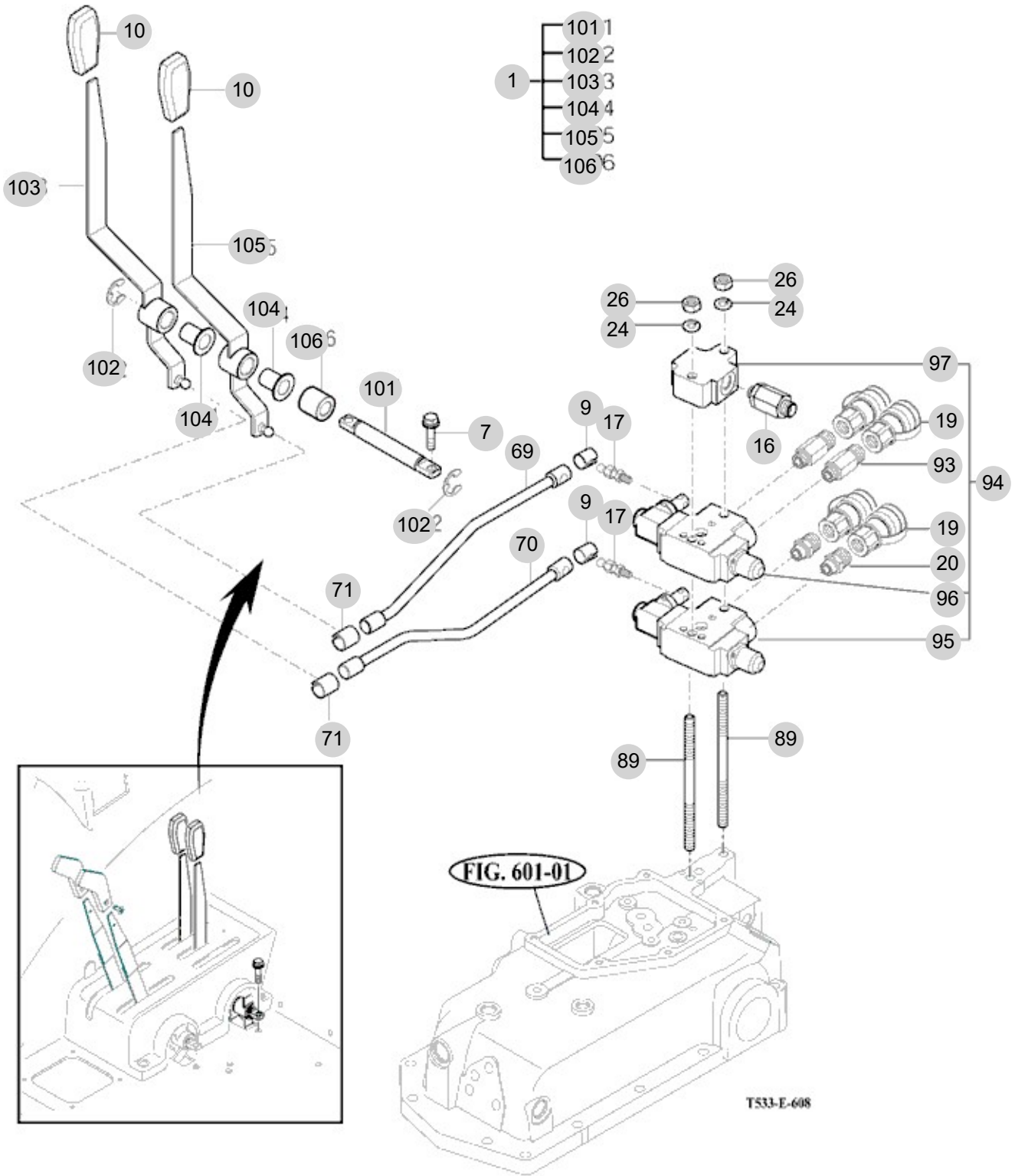
FIG 608

EXTERIOR HYD. VALVE

년/월
Year/Month

2022-12

T554ST



NOTE

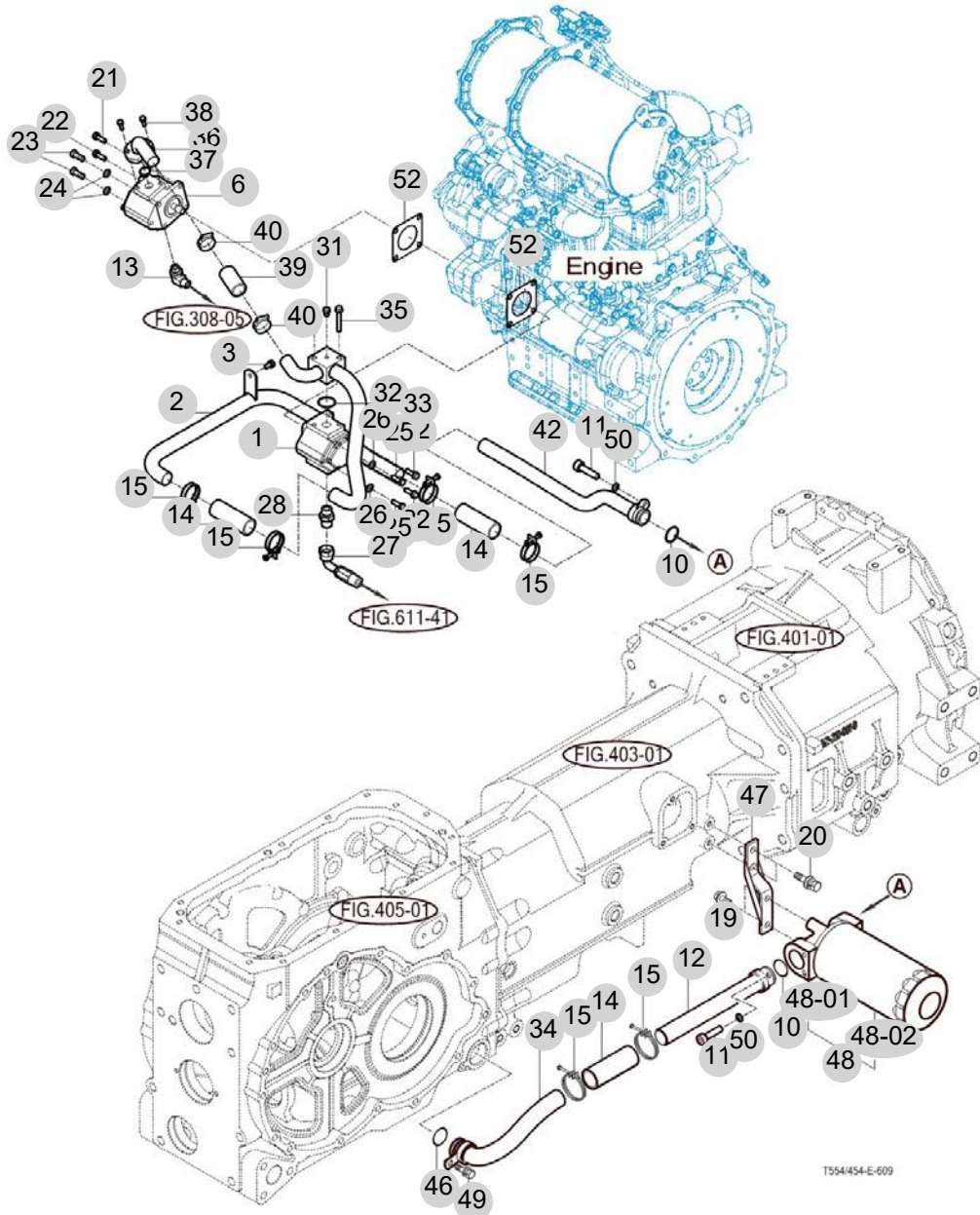
FIG 609

HYDRAULIC PIPE

년/월
Year/Month

2022-12

T554ST



T554/454-E-609

NOTE

FIG 609 T554ST		HYDRAULIC PIPE					년/월 Year/Month	
							2022-12	
KEY NO	PART NO	DESCRIPTION	SPEC	QTY	REPAIR	EFFECTIVE DATE	REMARKS	
609	1	15115100001	PUMP ASSY , GEAR (MAIN)		1			
609	2	17465152201GB	PIPE COMP , SUCTION FR/RR		1			
609	2	17465152202GB	PIPE COMP , SUCTION FR/RR		1			
609	3	V2173608016	BOLT , HEX/S	M8X16	1			
609	6	15115200000	PUMP ASSY , GEAR	7.5CC/REV	1			
609	10	V7211031030	O-RING , G		2			
609	11	V2205408016	BOLT , HEX-SOCKET	M8X16	2			
609	12	14525153401	PIPE COMP , FR SUCTION		1			
609	12	14525153401PC	PIPE COMP , FR SUCTION		1			
609	12	14525153401	PIPE COMP , FR SUCTION		1			
609	13	36313530021	ADAPTER , HIGH-PRESSURE	25XC112X39	1			
609	14	15605150031	HOSE , 100		3			
609	15	14801020070	WIRE CLAMP 40		6			
609	19	V2183610025	BOLT , HEX/SP	M10X25	2			
609	20	V2183608020	BOLT , HEX/SP	M8X20	2			
609	21	V2173608040	BOLT , HEX/S	M8X40	1			
609	22	V2173608025	BOLT , HEX/S	M8X25	3			
609	23	V2013608110	BOLT , HEX	M8X110	2			
609	24	V4011600080	WASHER , SPRING	M8	2			
609	25	V2013608110	BOLT , HEX	M8X110	2			
609	26	V4011600080	WASHER , SPRING	M8	2			
609	27	14525152331	HOSE ASSY , HYD 1560	1X1X1	1			
609	28	16582630620	CONNECTOR , PF1/2	C3236-0808	1			
609	31	13267060022	PLUG , DRAIN	육각 B=12	1			
609	32	V7211031030	O-RING , G		1			
609	33	17465153302GB	PIPE COMP , SUCTION FR		1			
609	34	14525162402	PIPE COMP , SUCTION RR		1			
609	35	V2173608055	BOLT , HEX/S	M8X55	2			
609	36	15155152901GB	PIPE COMP , FR SUCTION		1			
609	37	V7201024018	O-RING , P	P18	1			
609	38	V2113606020	BOLT , HEX /S	M6X20	2			
609	39	19955100010	HOSE , 26X34X60		1			
609	40	14445100080	BAND CLAMP 40		2			
609	41	14801020070	WIRE CLAMP 40		2			
609	42	14525152102	PIPE COMP , SUCTION IN	469.5*100*36	1			
609	44	15605150031	HOSE , 100		1			
609	46	V7211031030	O-RING , G	G30	1			
609	47	14525150000	BRACKET , OIL FILTER	25X6T	1			
609	48	17975152001	FILTER ASSY , SUCTION 43	1X1X1	1			
609	4801	17975152010	HEAD , FILTER		1			
609	4802	17975152101	ELEMENT , SUCTION FILTER TM	1X1X1	1			
609	49	V2173608016	BOLT , HEX/S	M8X16	1			
609	50	V4011600080	WASHER , SPRING	M8	2			
609	52	14045030060	PACKING , OIL PUMP		2			
NOTE								

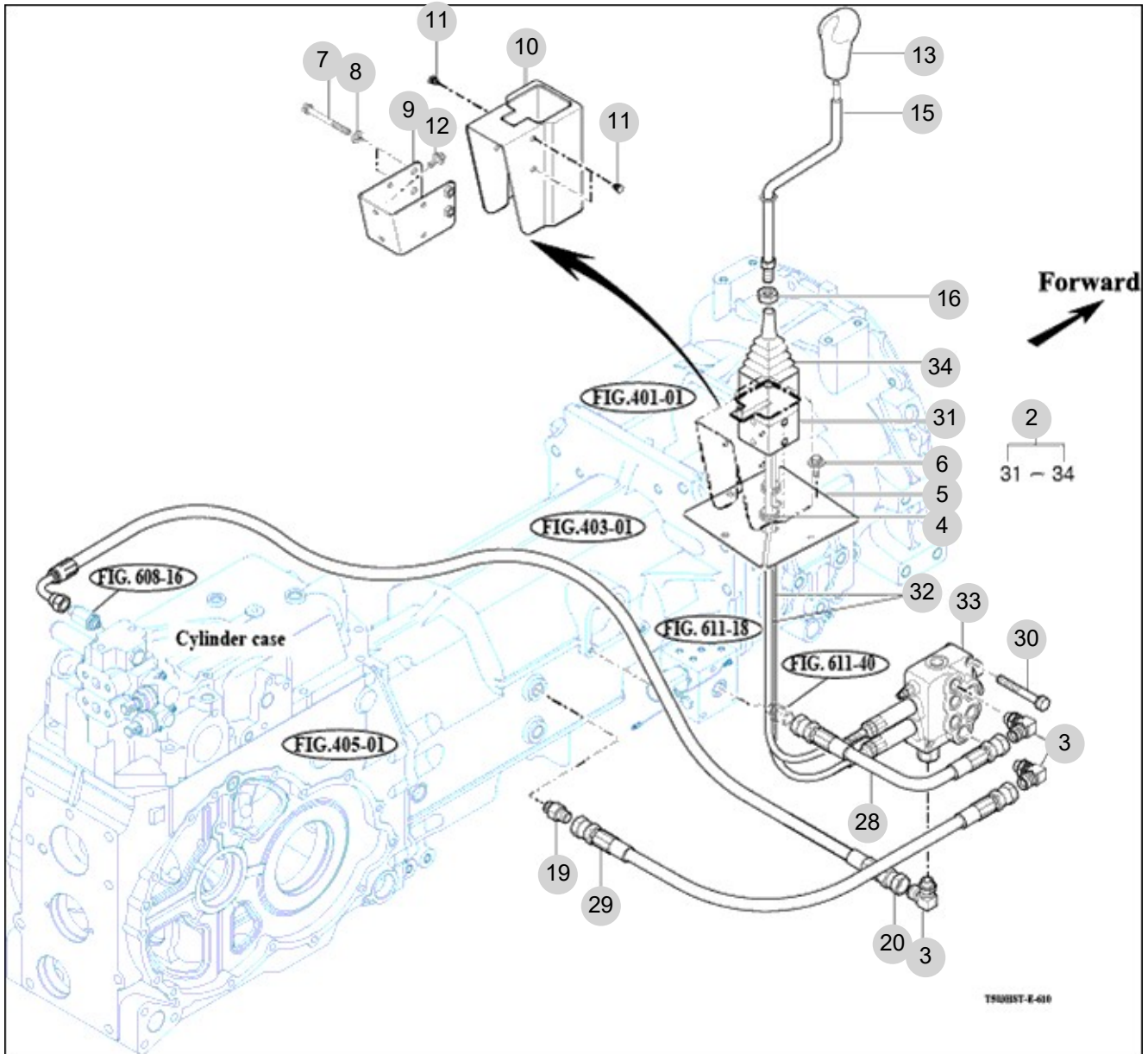
FIG 610

T554ST

JOYSTICK

년/월
Year/Month

2022-12



NOTE

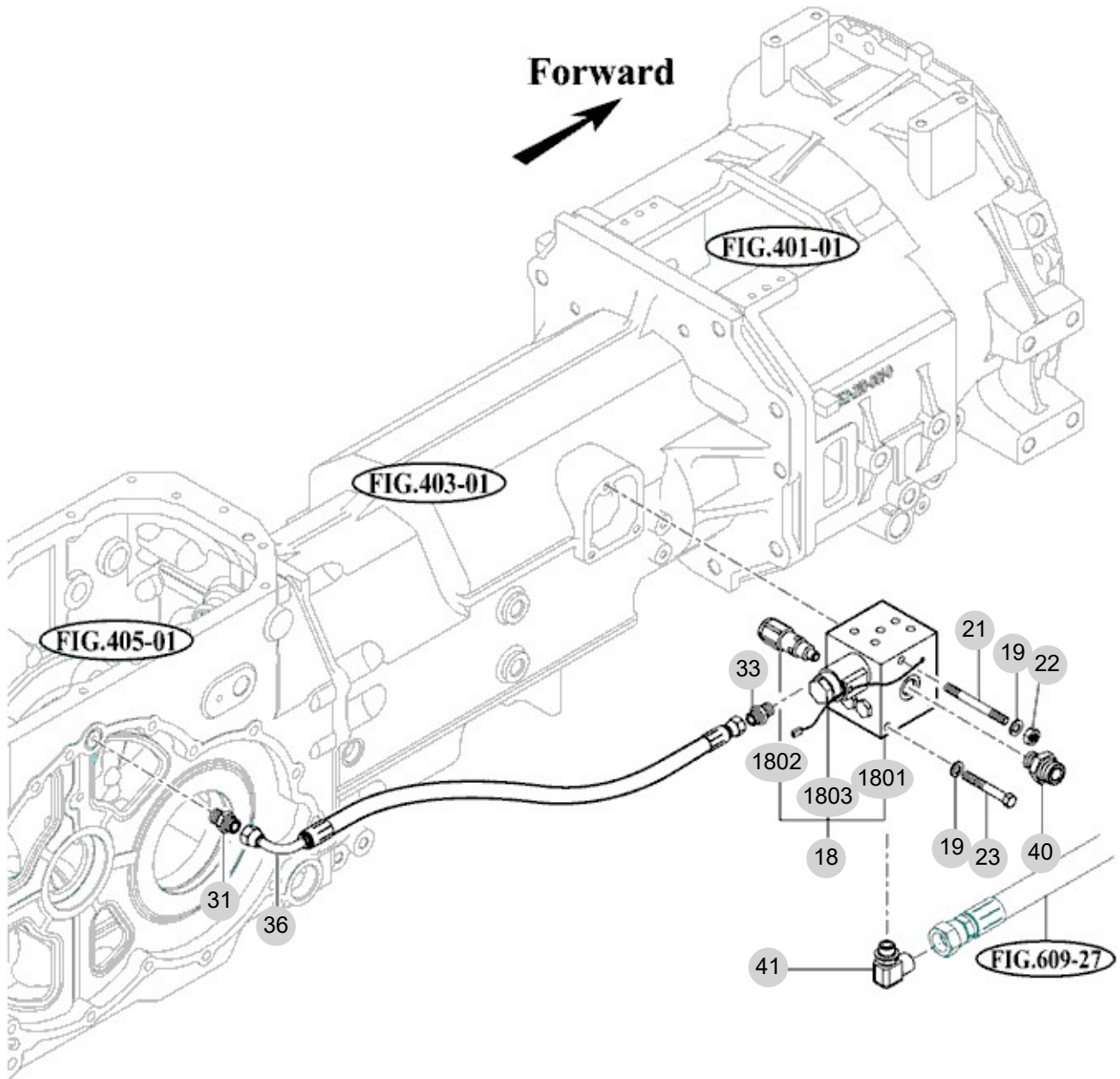
FIG 611

HYDRAULIC HOSE

년/월
Year/Month

2022-12

T554ST



T554/454-T-611

NOTE

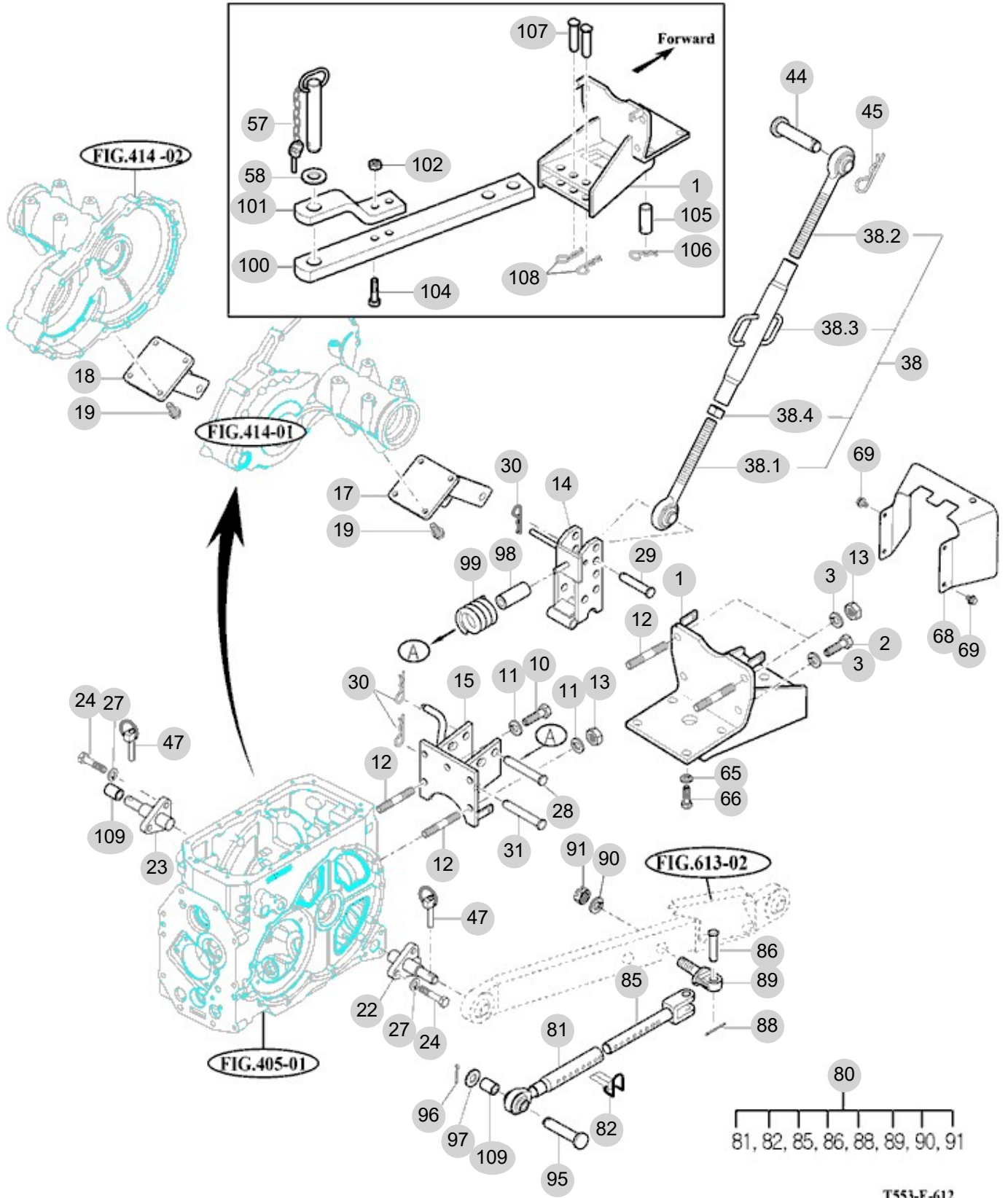
FIG 612

HITCH & 3-POINT LINK

년/월
Year/Month

2022-12

T554ST



T553-E-612

NOTE

FIG 612		HITCH & 3-POINT LINK					년/월	
							Year/Month	
T554ST		2022-12						
KEY NO	PART NO	DESCRIPTION	SPEC	QTY	REPAIR	EFFECTIVE DATE	REMARKS	
612	1	15175202001GB	BRACKET COMP, SWING DRAW BAR		1			
612	1	15175202002GB	BRACKET COMP, SWING DRAW BAR		1			
612	1	15175202003GB	BRACKET COMP, SWING DRAW BAR		1			
612	2	V2013616035	BOLT, HEX	M16X35	2			
612	3	V4011600160	WASHER, SPRING	M16	4			
612	10	V2013616035	BOLT, HEX	M16X35	3			
612	11	V4011600160	WASHER, SPRING	M16	5			
612	12	V2513416035	BOLT, STUD/2	M16X35	4			
612	13	V3043600160	NUT, HEX/2	M16	4			
612	14	16735222102GB	LINK COMP	1X1X1	1			
612	15	15185222000GB	BRACKET COMP		1			
612	17	14525254100GB	BRACKET COMP, RR		1			
612	18	14525254100GB	BRACKET COMP, RR		1			
612	19	V2173612030	BOLT, HEX/S	M12X30	8			
612	22	15685252204	PIN COMP, LH		1			
612	23	15685252801	PIN COMP, RH		1			
612	24	V2013614040	BOLT, HEX	M14X40	6			
612	27	V4011600140	WASHER, SPRING	M14	6			
612	28	15645250010	PIN, 19X122	D=19	1			
612	29	15645220020	PIN, 19X95	D=19	1			
612	30	14445140051	PIN, 19	D=4.5	3			
612	31	15645250010	PIN, 19X122	D=19	1			
612	38	16505245501GB	LINK ASSY, TOP LINK		1			
612	38	16505245502GB	TOP LINK ASSY		1			
612	44	15645220011	PIN, 19X86	D=19	1			
612	45	14445140051	PIN, 19	D=4.5	1			
612	47	14215020020	PIN, LINK		2			
612	57	S0973063031	PIN ASSY	1X1X1	1			
612	58	15252470010	RUBBER, CUSHION		1			
612	65	V4011600140	WASHER, SPRING	M14	4			
612	66	V2013614035	BOLT, HEX	M14X35	4			
612	68	13605200012GB	COVER, SHIELD	1X1X1	1			
612	69	V2183608016	BOLT, HEX/SP	M8X16	4			
612	80	15155253000GB	LINK ASSY, ADJUSTER	570*60*50	2			
612	81	15155253100	ROD SUB, FR	44*320*60	2			
612	82	17705254200	PIN	1X1X1	2			
612	85	15155253300	ROD SUB, REAR	340*50*50	2			
612	86	15155253400	PIN, ø20X59	ø20X59	2			
612	88	V5001940035	PIN, SPLIT	4X35	2			
612	89	15155253500	EYEBOLT	66*60*40	2			
612	90	V4111600220	WASHER, PLAIN	M22	2			
612	91	V3343600220	NUT, HEX FINE/2	M22	2			
612	95	15645220020	PIN, 19X95	D=19	2			
612	96	14445140051	PIN, 19	D=4.5	2			
612	97	V4111600200	WASHER, PLAIN	M20	2			
NOTE								

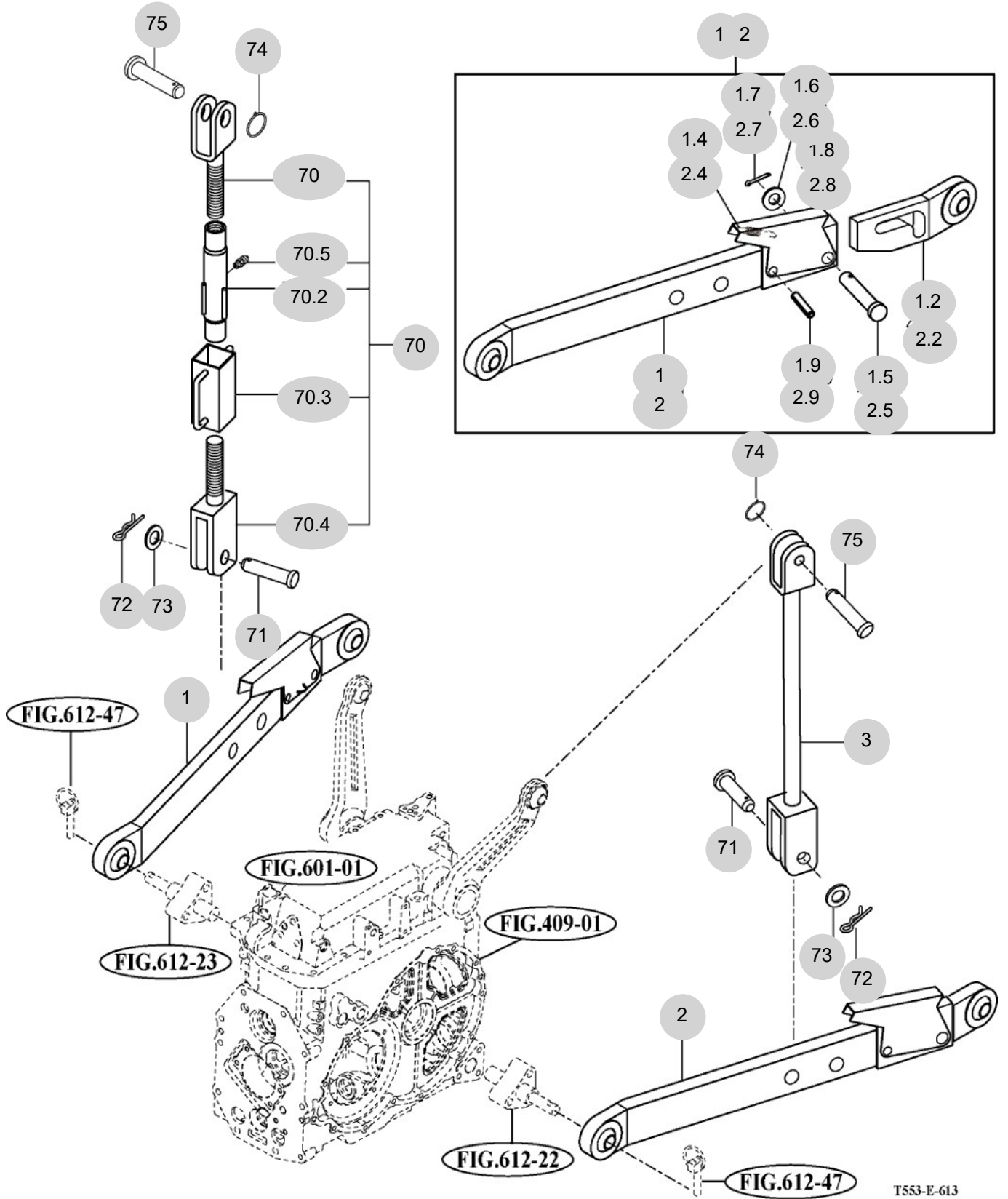
FIG 613

T554ST

LOWER LINK & LIFT ROD

년/월
Year/Month

2022-12



T553-E-613

NOTE

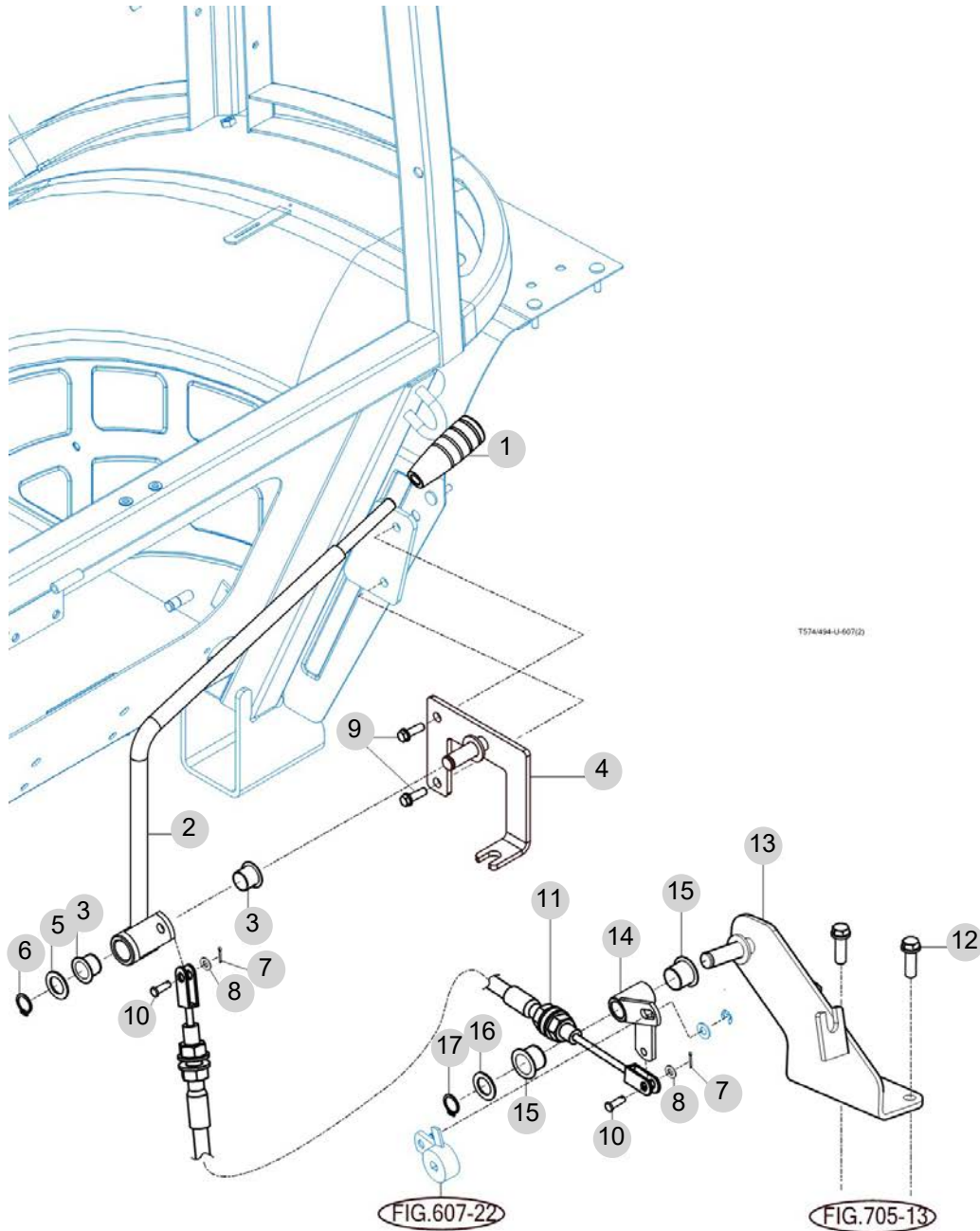
FIG 614

EXTERNAL POSITION LEVER KIT

년/월
Year/Month

T554ST

2022-12



NOTE

7. Sheet Metal & Cabin PART NO. T7

FIG 701 HOOD (1)	176
FIG 702 HOOD (2)	178
FIG 704 LEVER COVER & STEP	180
FIG 705 FRONT & REAR MOUNTING	182
FIG 706 SEAT & MAT	184
FIG 709 DOOR	186
FIG 710A FRONT GLASS	189
FIG 711 SIDE GLASS	191
FIG 712 REAR GLASS	193
FIG 713A SUB FENDER&COVER	195
FIG 714A MIRROR	197
FIG 715A HEATER & AIR-CON	199
FIG 715B HEATER & AIR-CON	201
FIG 716 FENDER COVER	203
FIG 717 ROOF	205
FIG 718 CABIN INTERIOR	207

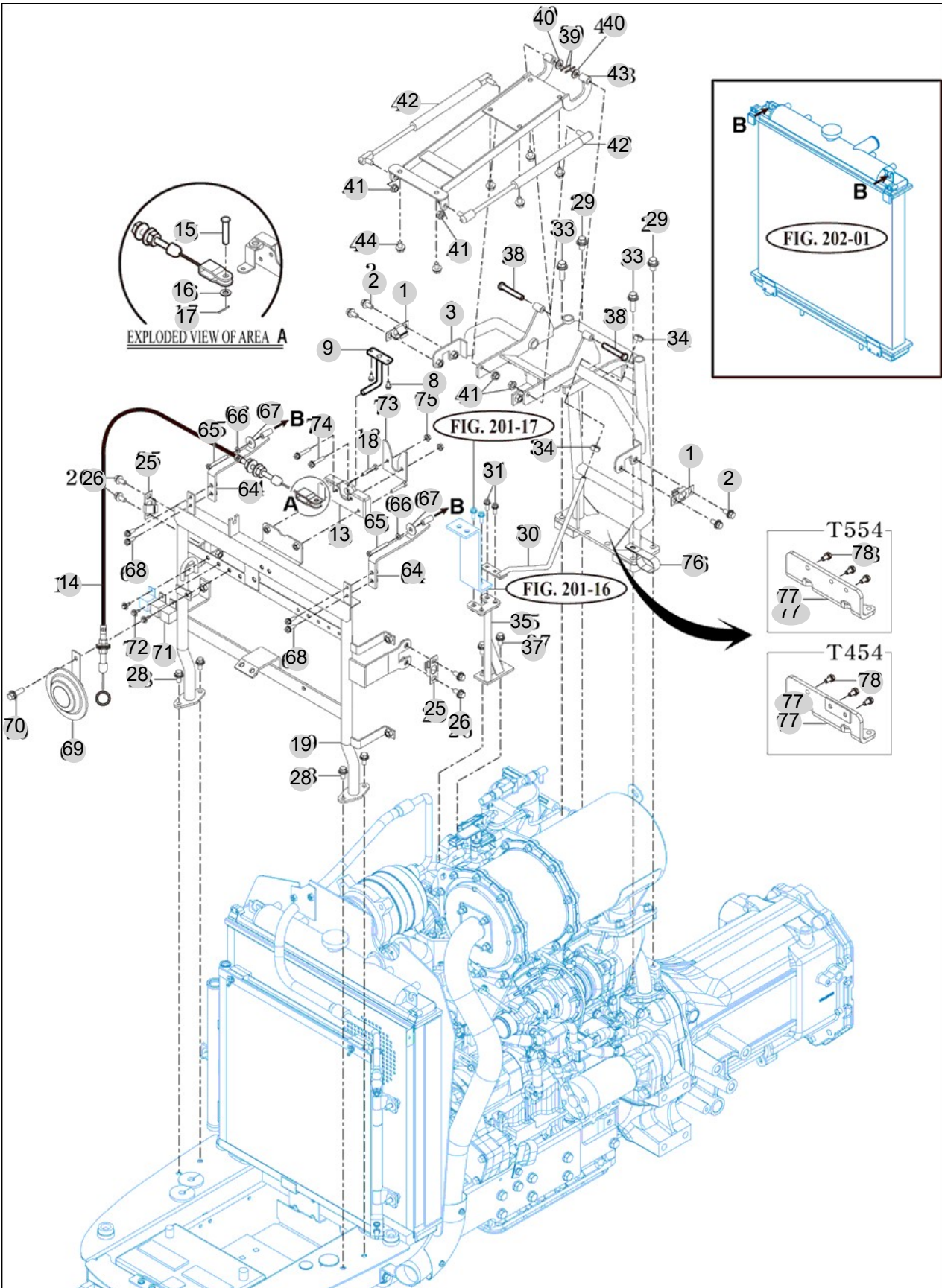
FIG 701

HOOD (1)

년/월
Year/Month

T554ST

2022-12



NOTE

FIG 701		HOOD (1)					년/월 Year/Month		
							2022-12		
T554ST		KEY NO	PART NO	DESCRIPTION	SPEC	QTY	REPAIR	EFFECTIVE DATE	REMARKS
701	1	17686013502	SPRING	T=1.0	2				
701	2	V2183608020	BOLT , HEX/SP	M8X20	4				
701	3	17476019400	HOOD FRAME SUB ASSY		1				
701	8	V2183608016	BOLT , HEX/SP	M8X16	2				
701	9	17466022100	BRACKET COMP , HOOD LOCK		1				
701	13	17686020600	LOCK COMP . HOOD	1X1X1	1				
701	14	14526020650	CABLE ASSY , HOOD	1X1X1	1				
701	15	15601160083	PIN , 06X16	D=6	1				
701	16	V4111600060	WASHER , PLAIN	M6	1				
701	17	V5001920020	PIN , SPLIT	2X20	1				
701	18	V2053606035	BOLT , HEX C/R	M6X35	2				
701	19	17466029000	FRAME , FR HOOD		1				
701	25	17686013502	SPRING	T=1.0	2				
701	26	V2183608020	BOLT , HEX/SP	M8X20	4				
701	28	V2183608020	BOLT , HEX/SP	M8X20	4				
701	29	V2183610020	BOLT , HEX/SP	M10X20	2				
701	30	17463282200	ROD COMP		1				
701	31	V2123606020	BOLT , HEX /SP	M6X20	2				
701	33	V2174610050	BOLT , HEX/S	M10X50	2				
701	34	V3013600100	NUT .HEX NORMAL /2	M10	2				
701	35	17466052300GB	SUPPORT COMP		1				
701	37	V2183608020	BOLT , HEX/SP	M8X20	2				
701	38	16996024552	PIN	D=8	2				
701	39	V5001920020	PIN , SPLIT	2X20	2				
701	40	V4111600080	WASHER , PLAIN	M8	2				
701	41	V3802600080	NUT , HEX FLANGE	M8	4				
701	42	19957022201	DAMPER ASSY,HOOD	1X1X1	2				
701	43	19956054600GB	HOOD OPEN BRACKET COMP	1X1X1	1				
701	44	V2183608016	BOLT , HEX/SP	M8X16	6				
701	64	17466012100GB	PLATE COMP , RADIATOR FIX		2				
701	65	V2053606050	BOLT , HEX C/R	M6X50	2				
701	66	V4011600060	WASHER , SPRING	M6	2				
701	67	35602010150	WASHER , BIND SHAFT	T=2.3	2				
701	68	V2123606020	BOLT , HEX /SP	M6X20	4				
701	69	13266212003	HORN		1				
701	70	V2113606012	BOLT , HEX /S	M6X12	1				
701	71	17686641110	RELAY , PREHEAT	1X1X1	2				
701	72	V2193606016	BOLT , HEX/SPL	M6X16	3				
701	73	17406014300	GUIDE, HOOD PIN		1				
701	74	V2123606035	BOLT , HEX /SP	M6X35	2				
701	75	V3802600060	NUT , HEX FLANGE	M6	2				
701	76	14441010161	CLAMP , RADIATOR HOSE	1X1X1	1				
701	77	14137001200GB	HOUSING SUPPORTER COMP		1				
701	77	14137001100GB	HOUSING SUPPORTER COMP		1				
701	78	V2173608030	BOLT , HEX/S	M8X30	3				
NOTE									

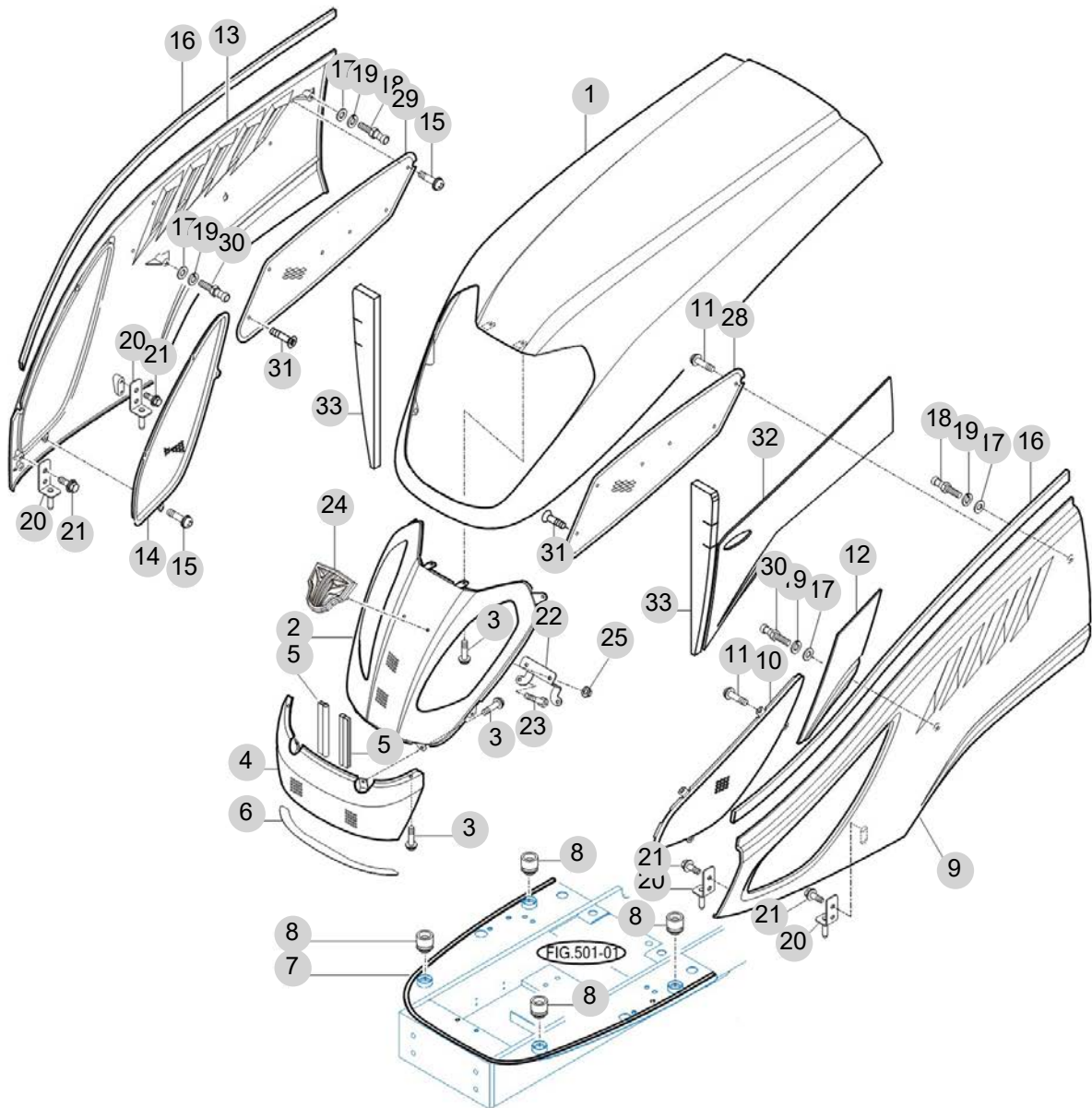
FIG 702

T554ST

HOOD (2)

년/월
Year/Month

2022-12



T554/454-E-702

NOTE

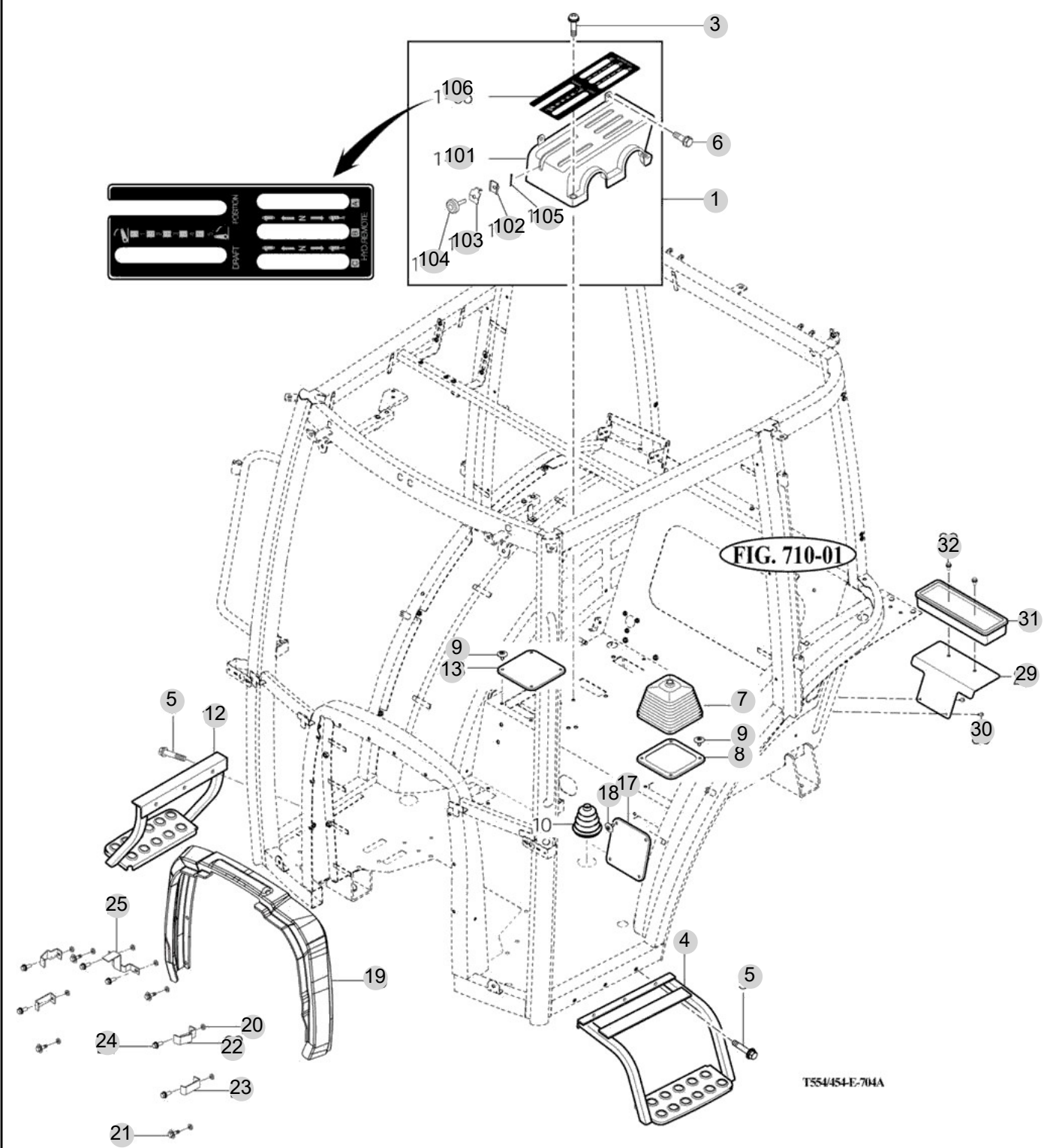
FIG 704

T554ST

LEVER COVER & STEP

년/월
Year/Month

2022-12



T554/454-E-704A

NOTE

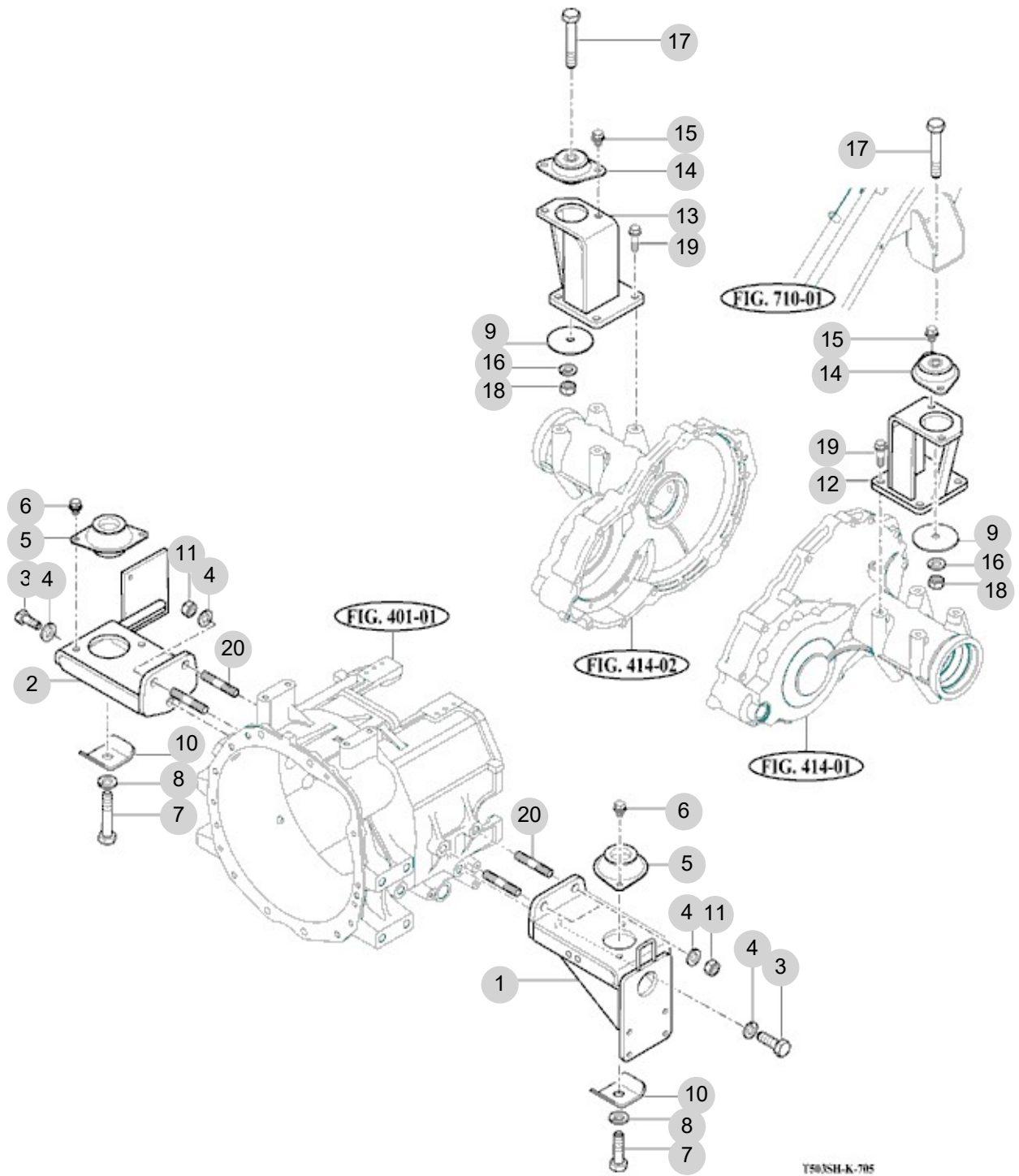
FIG 705

T554ST

FRONT & REAR MOUNTING

년/월
Year/Month

2022-12



NOTE

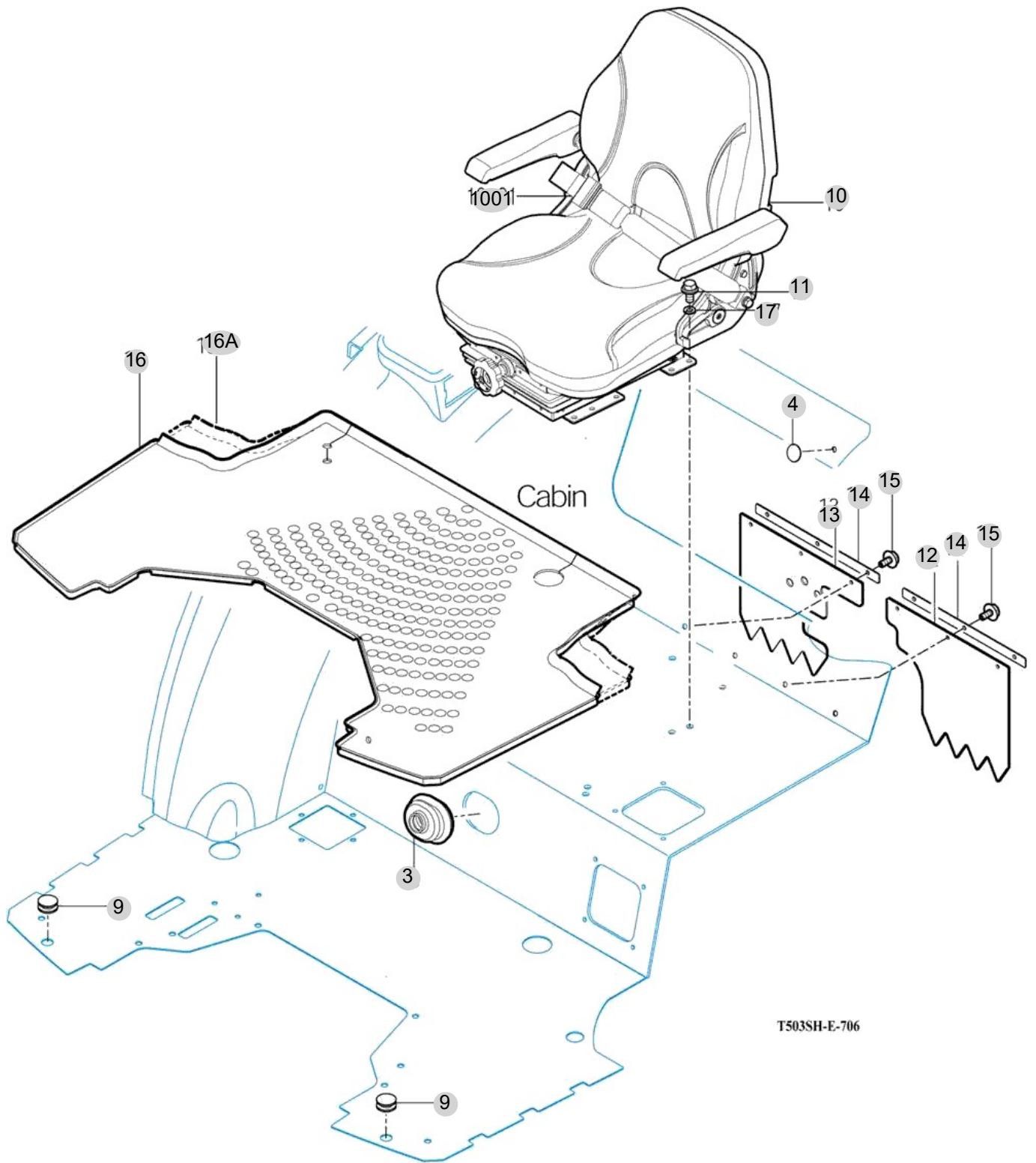
FIG 706

SEAT & MAT

년/월
Year/Month

2022-12

T554ST



T503SH-E-706

NOTE

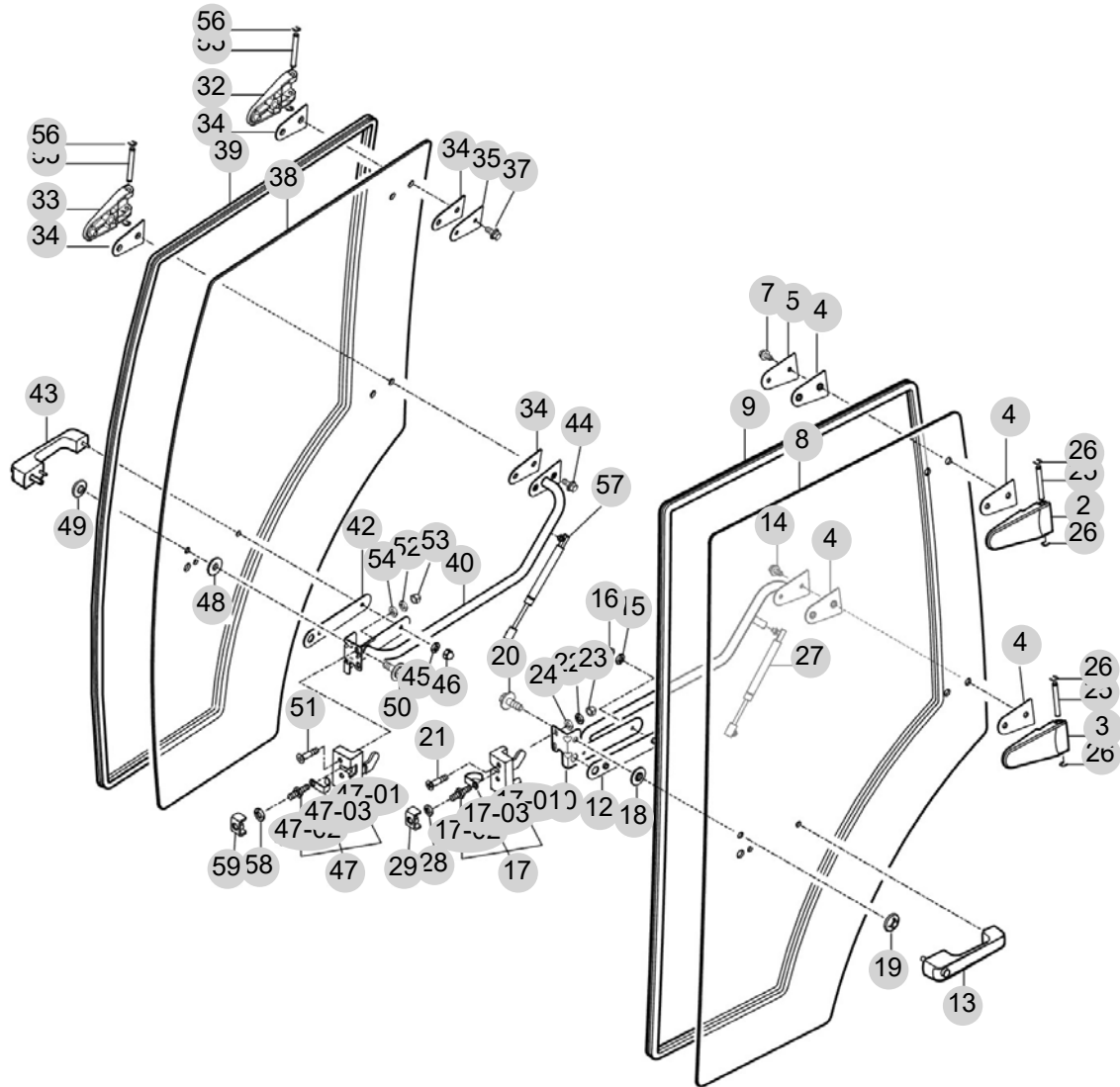
FIG 709

DOOR

년/월
Year/Month

2022-12

T554ST



T554-U-709

NOTE

FIG 709		DOOR					년/월 Year/Month	
T554ST							2022-12	
KEY NO	PART NO	DESCRIPTION	SPEC	QTY	REPAIR	EFFECTIVE DATE	REMARKS	
709	2	14527052300	HINGE COMP , UPR/LH			1		
709	3	14527052400	HINGE COMP , UPR/RH			1		
709	4	14527052110	GASKET , DOOR HINGE			4		
709	5	14527052120GB	PLATE , DOOR HINGE			1		
709	7	V2183608020	BOLT , HEX/SP	M8X20		2		
709	8	14527052131	GLASS , LH/ DOOR	6t		1		
709	9	14527052140	INSULATOR/DOOR			1		
709	10	14527052500GB	GUIDE COMP ,LH/ DOOR			1		
709	12	14527052150	GASKET,DOOR GRIP			1		
709	13	14527052600	GRIP ASSY, LOCK/HANDLE			1		
709	14	V2183608020	BOLT , HEX/SP	M8X20		2		
709	15	V4011600060	WASHER , SPRING	M6		2		
709	16	V3402700060	NUT , HEX CAP	M6		2		
709	17	14527052700	LOCK SET , LH/DOOR			1		
709	17-01	14527052710	LOCK ASSY, LH/DOOR			1		
709	17-02	14527052720	STRIKER			1		
709	17-03	14527052730	GUARD			1		
709	18	15817401130	GROMMET , 13X17X02			1		
709	19	14527042500	NUT COMP , GLASS			1		
709	20	V2193606012	BOLT , HEX/SPL	M6X12		1		
709	21	V1122608040	SCREW , C/R FLAT	M8X40		2		
709	22	V4011600080	WASHER , SPRING	M8		2		
709	23	V3412700080	NUT , SMALL CAP	M8		2		
709	24	V4111600080	WASHER , PLAIN			2		
709	25	14527041110	PIN, HINGE DOOR	D=8		2		
709	26	V7082400070	E-RING	7		4		
709	27	14527301080	DAMPER ASSY , DOOR	20KG		1		
709	28	V4011600100	WASHER , SPRING	M10		1		
709	29	14527062500GB	BRACKET COMP , DOOR LOCK			1		
709	32	14527052300	HINGE COMP , UPR/LH			1		
709	33	14527052400	HINGE COMP , UPR/RH			1		
709	34	14527052110	GASKET , DOOR HINGE			4		
709	35	14527052120GB	PLATE , DOOR HINGE			1		
709	37	V2183608020	BOLT , HEX/SP	M8X20		2		
709	38	14527053131	GLASS , RH/ DOOR	6t		1		
709	39	14527052140	INSULATOR/DOOR			1		
709	40	14527053500GB	GUIDE COMP ,RH/DOOR			1		
709	42	14527052150	GASKET,DOOR GRIP			1		
709	43	14527052600	GRIP ASSY, LOCK/HANDLE			1		
709	44	V2183608020	BOLT , HEX/SP	M8X20		2		
709	45	V4011600060	WASHER , SPRING	M6		2		
709	46	V3402700060	NUT , HEX CAP	M6		2		
709	47	14527053700	LOCK SET , RH/DOOR			1		
709	47-01	14527053710	LOCK ASSY, RH/DOOR			1		
709	47-02	14527052720	STRIKER			1		
NOTE								

FIG 709		DOOR					년/월 Year/Month	
T554ST							2022-12	
KEY NO		PART NO	DESCRIPTION	SPEC	QTY	REPAIR	EFFECTIVE DATE	REMARKS
709	47-03	14527052730	GUARD		1			
709	48	15817401130	GROMMET , 13X17X02		1			
709	49	14527042500	NUT COMP , GLASS		1			
709	50	V2193606012	BOLT , HEX/SPL		1			
709	51	V1122608040	SCREW , C/R FLAT	M8X40	2			
709	52	V4011600080	WASHER , SPRING	M8	2			
709	53	V3412700080	NUT , SMALL CAP	M8	2			
709	54	V4111600080	WASHER , PLAIN		2			
709	55	14527041110	PIN, HINGE DOOR	D=8	2			
709	56	V7082400070	E-RING	7	4			
709	57	14527301080	DAMPER ASSY , DOOR	20KG	1			
709	58	V4011600100	WASHER , SPRING	M10	1			
709	59	14527062500GB	BRACKET COMP , DOOR LOCK		1			
NOTE								

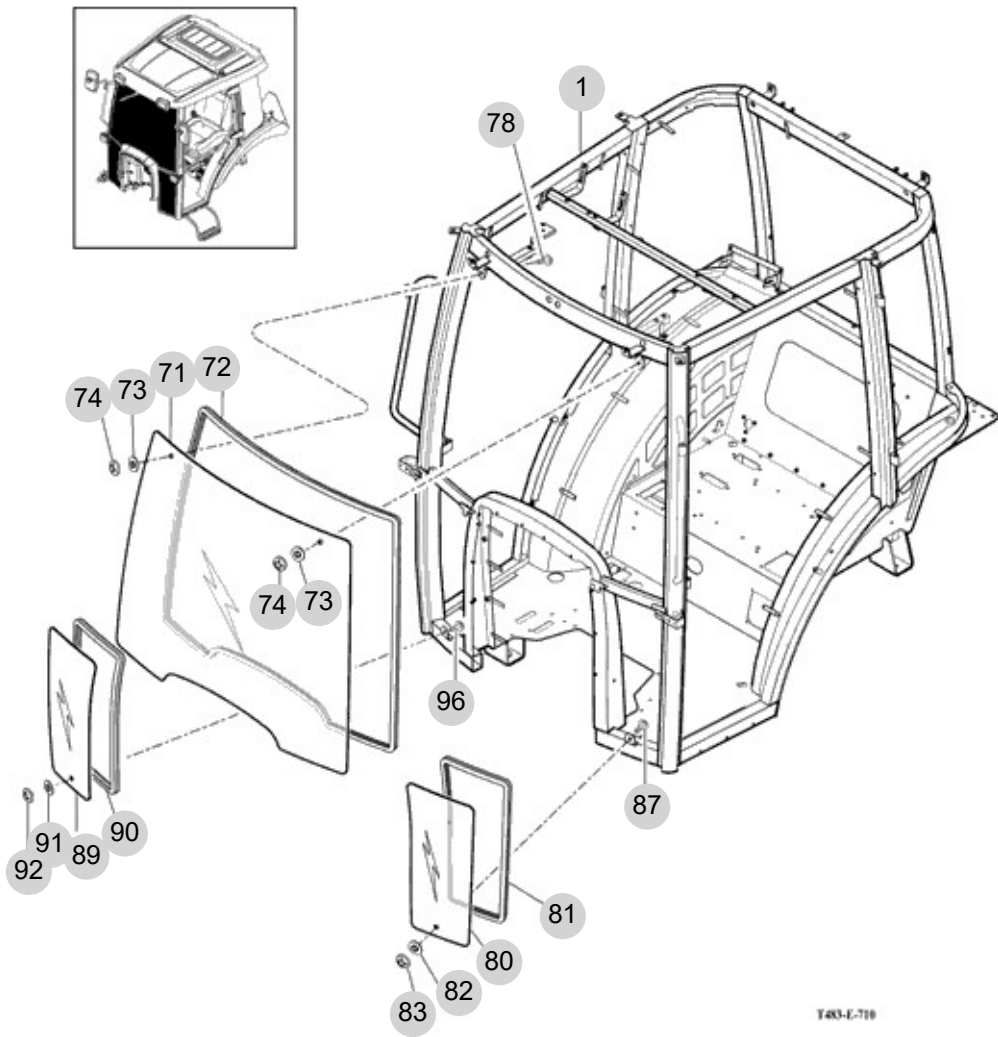
FIG 710A

FRONT GLASS

년/월
Year/Month

2022-12

T554ST



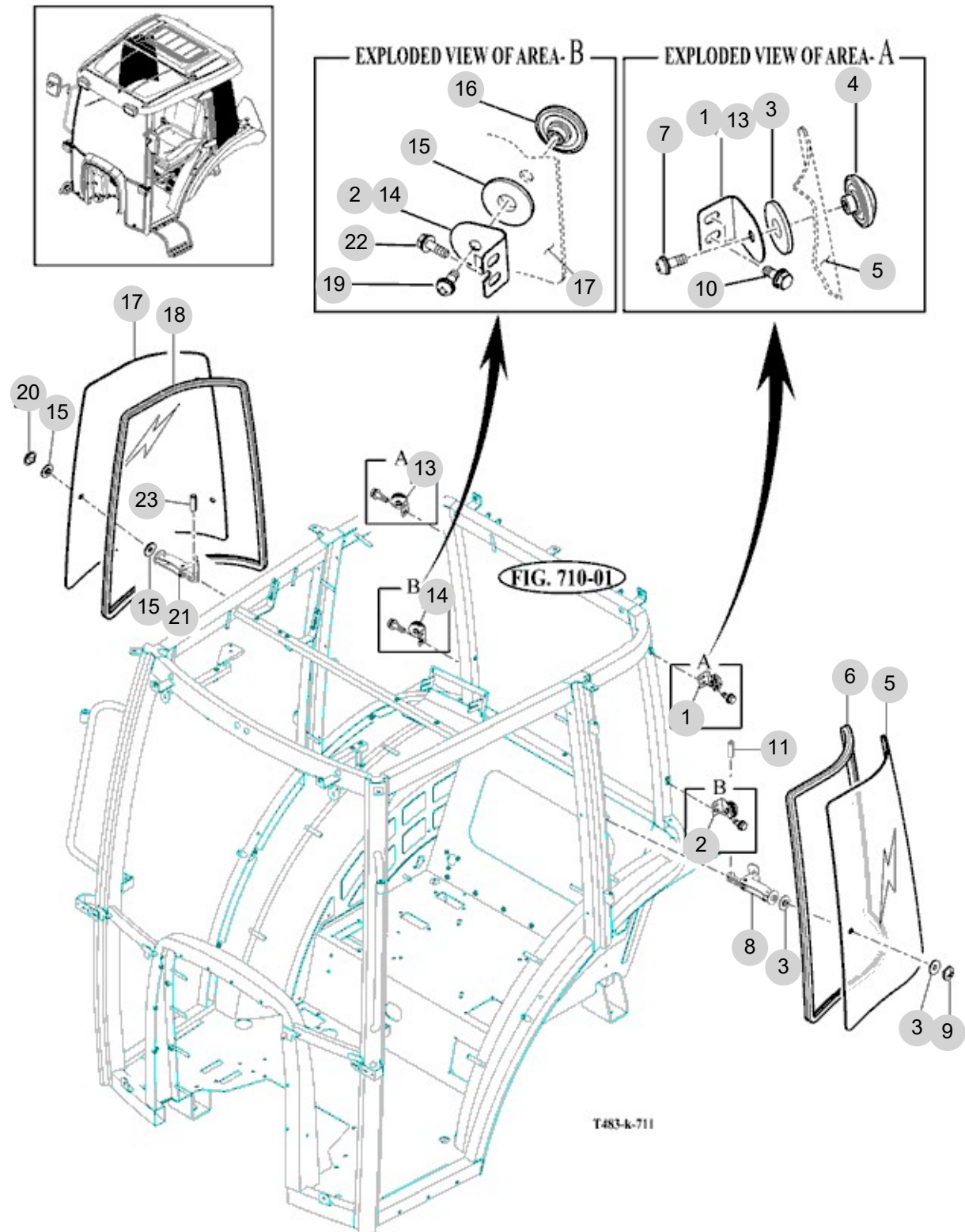
NOTE

FIG 711

SIDE GLASS

년/월
Year/Month

2022-12



NOTE

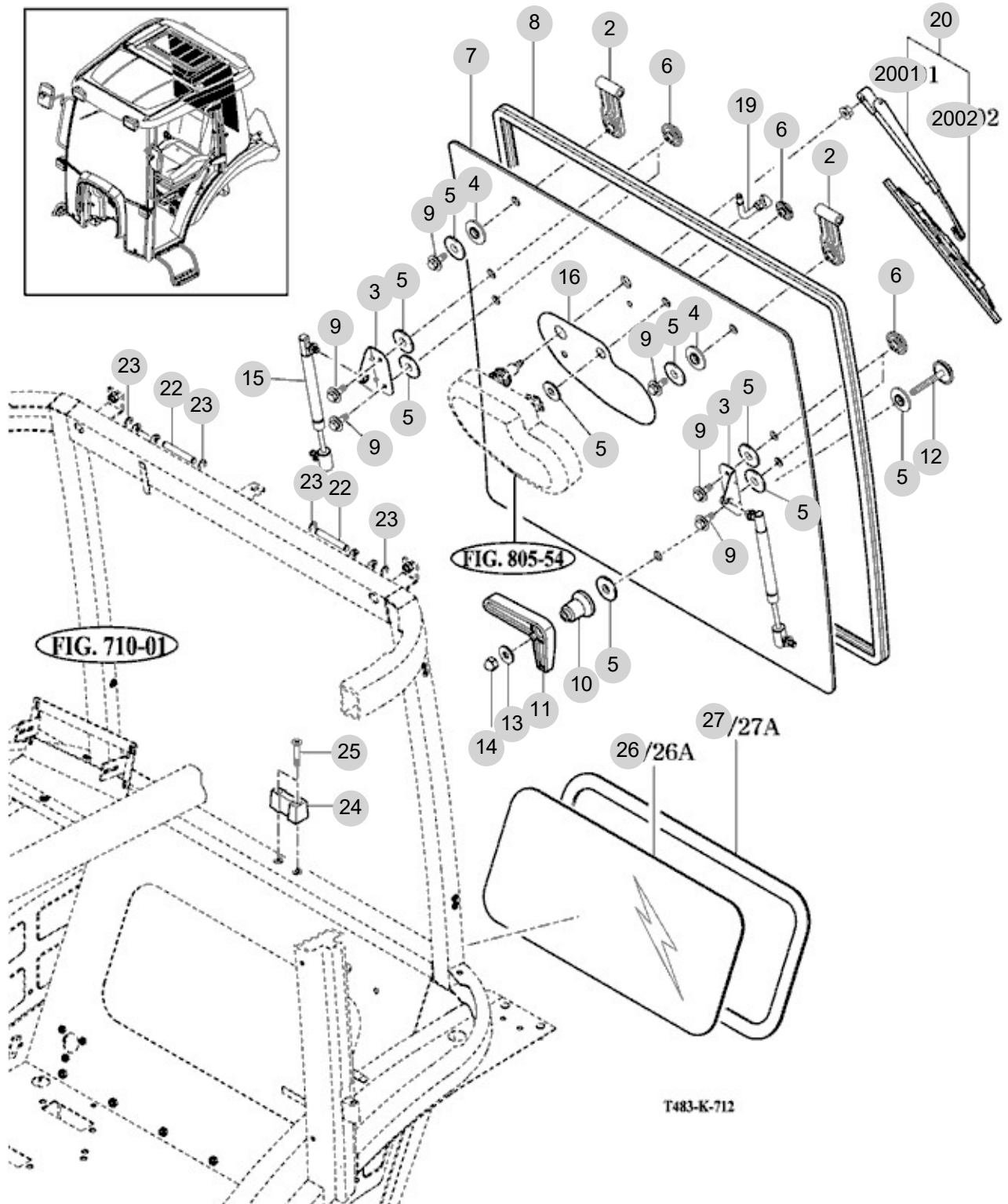
FIG 712

REAR GLASS

년/월
Year/Month

2022-12

T554ST



NOTE

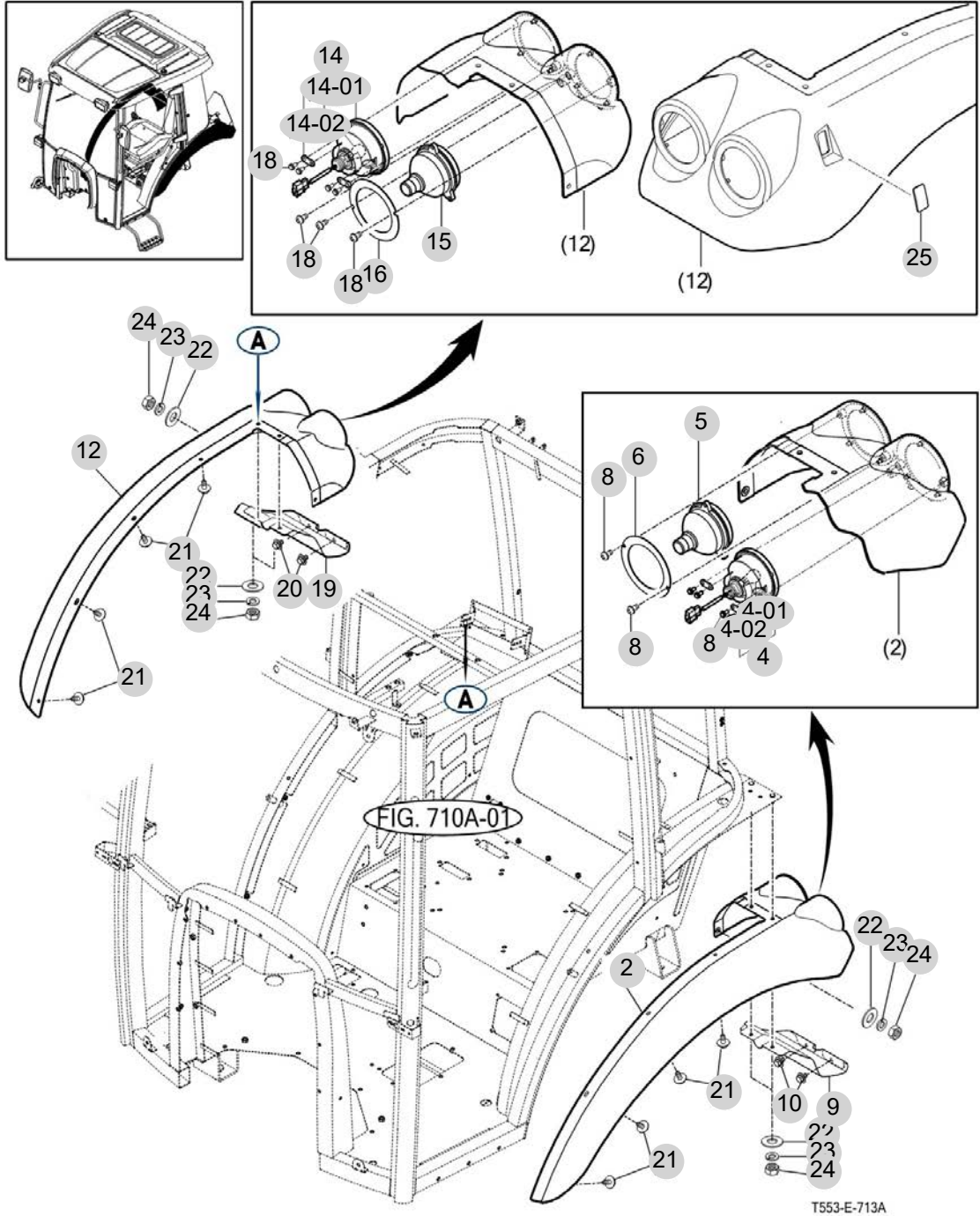
FIG 713A

SUB FENDER&COVER

년/월
Year/Month

2022-12

T554ST



NOTE

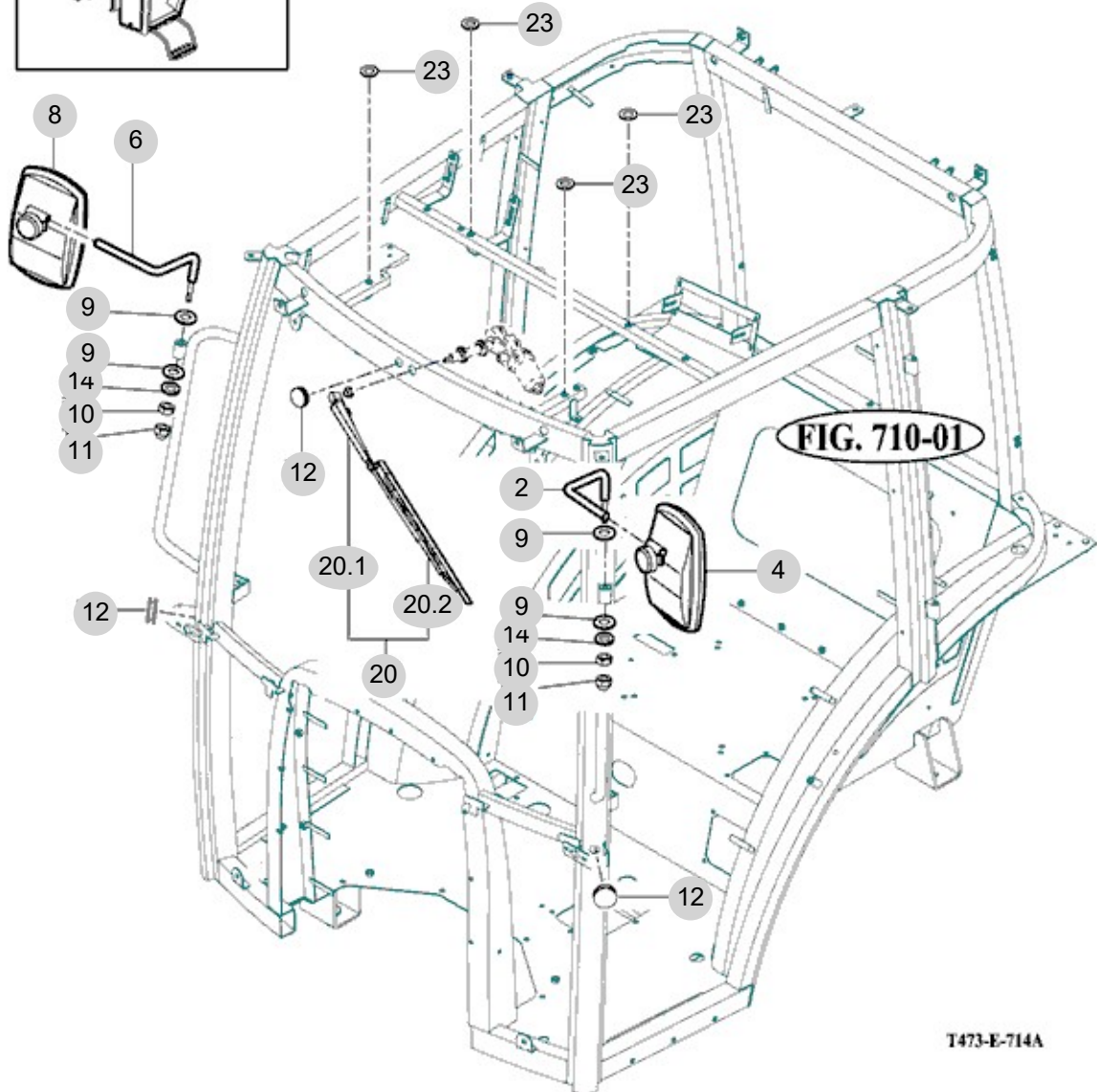
FIG 714A

MIRROR

년/월
Year/Month

2022-12

T554ST



NOTE

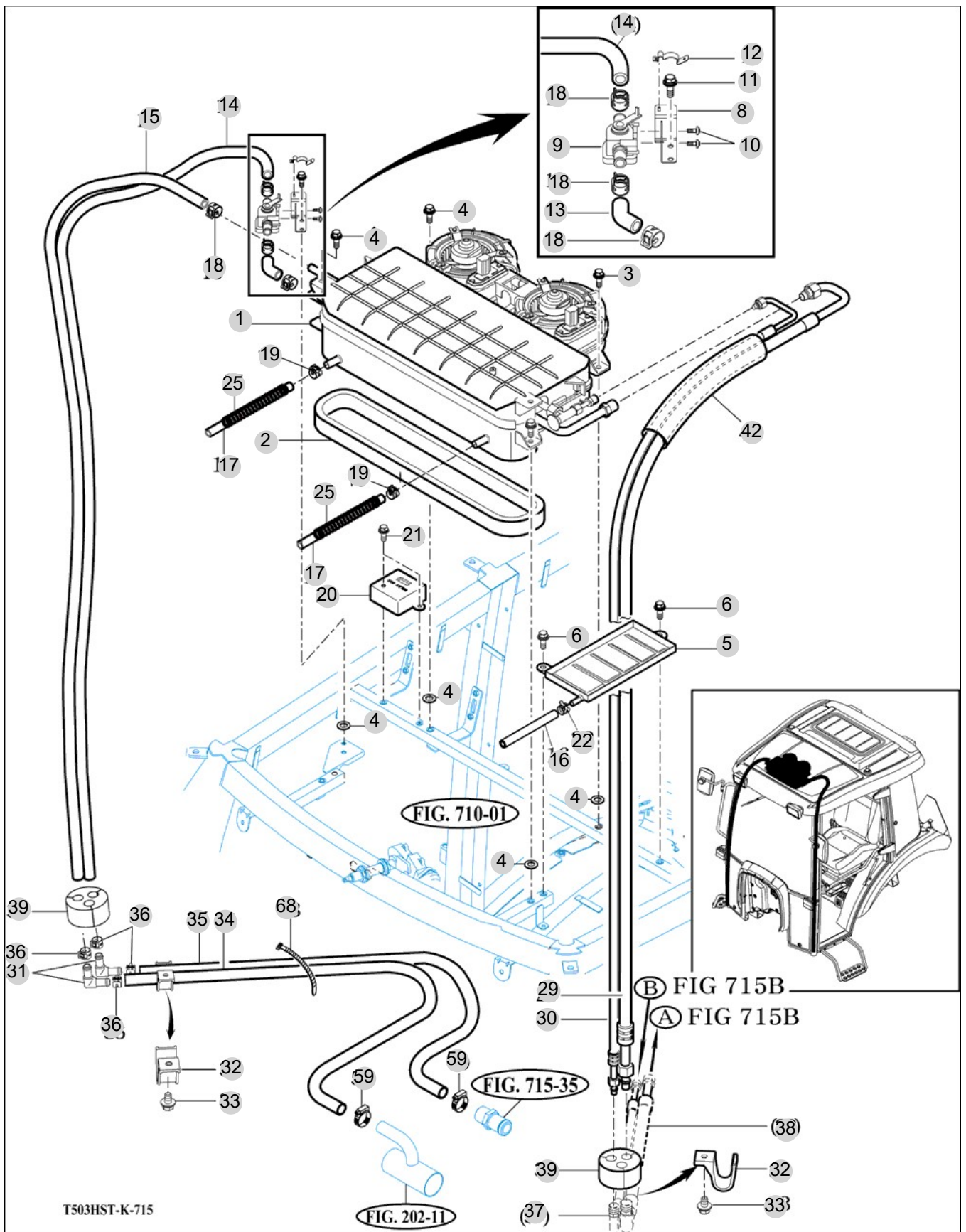
FIG 715A

HEATER & AIR-CON

년/월
Year/Month

2022-12

T554ST



NOTE

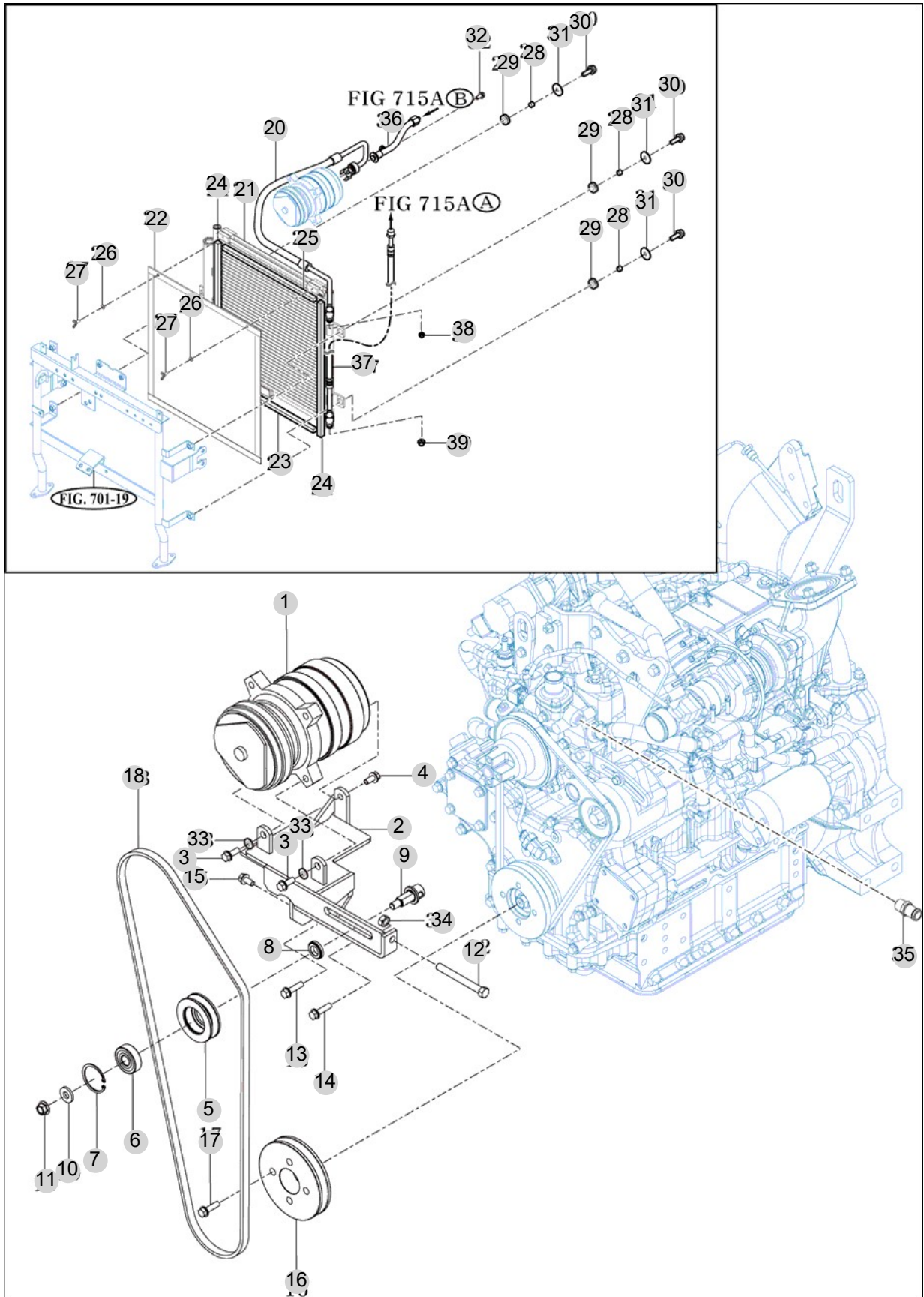
FIG 715B

HEATER & AIR-CON

년/월
Year/Month

2022-12

T554ST



NOTE

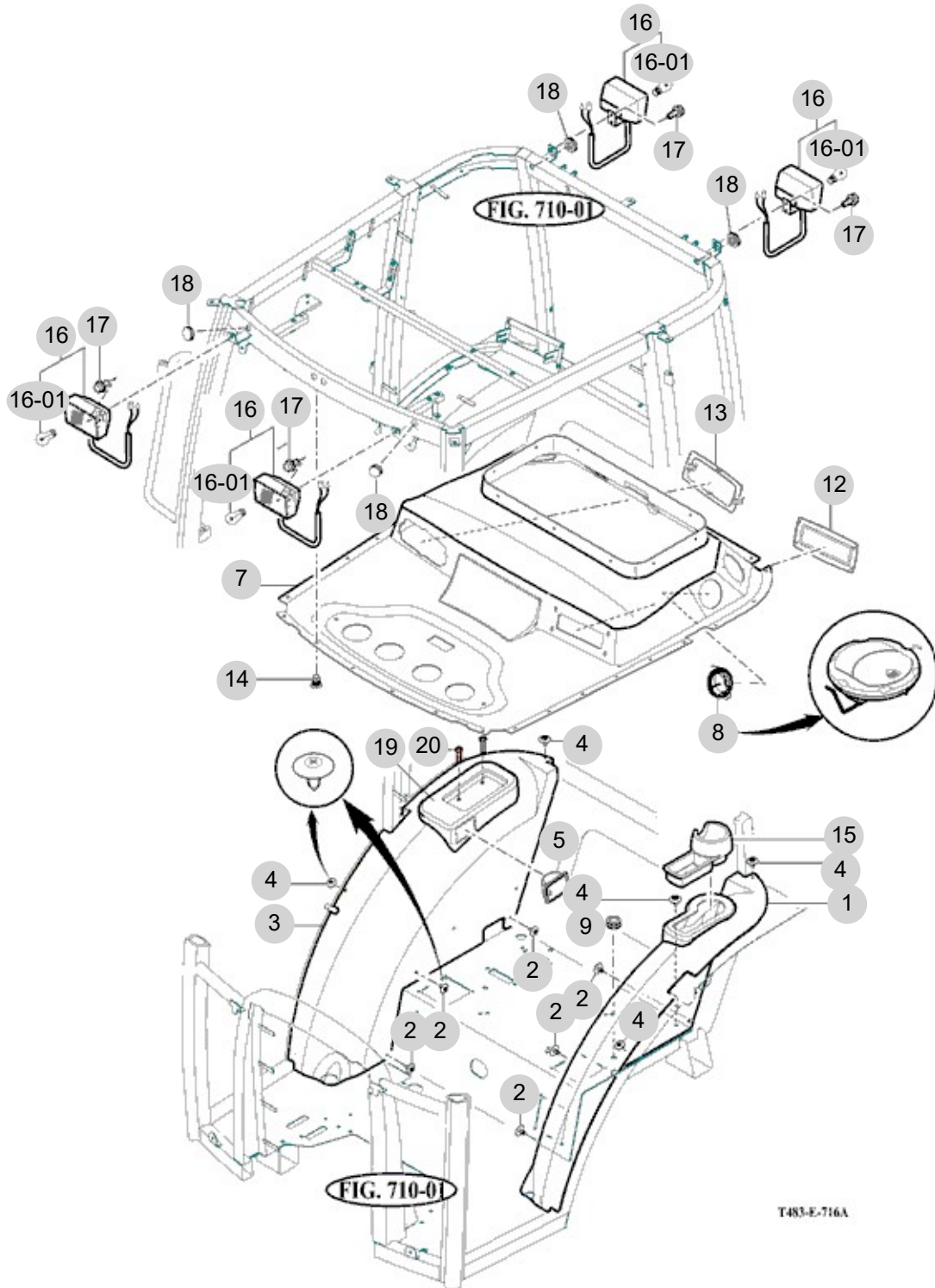
FIG 716

FENDER COVER

년/월
Year/Month

2022-12

T554ST



NOTE

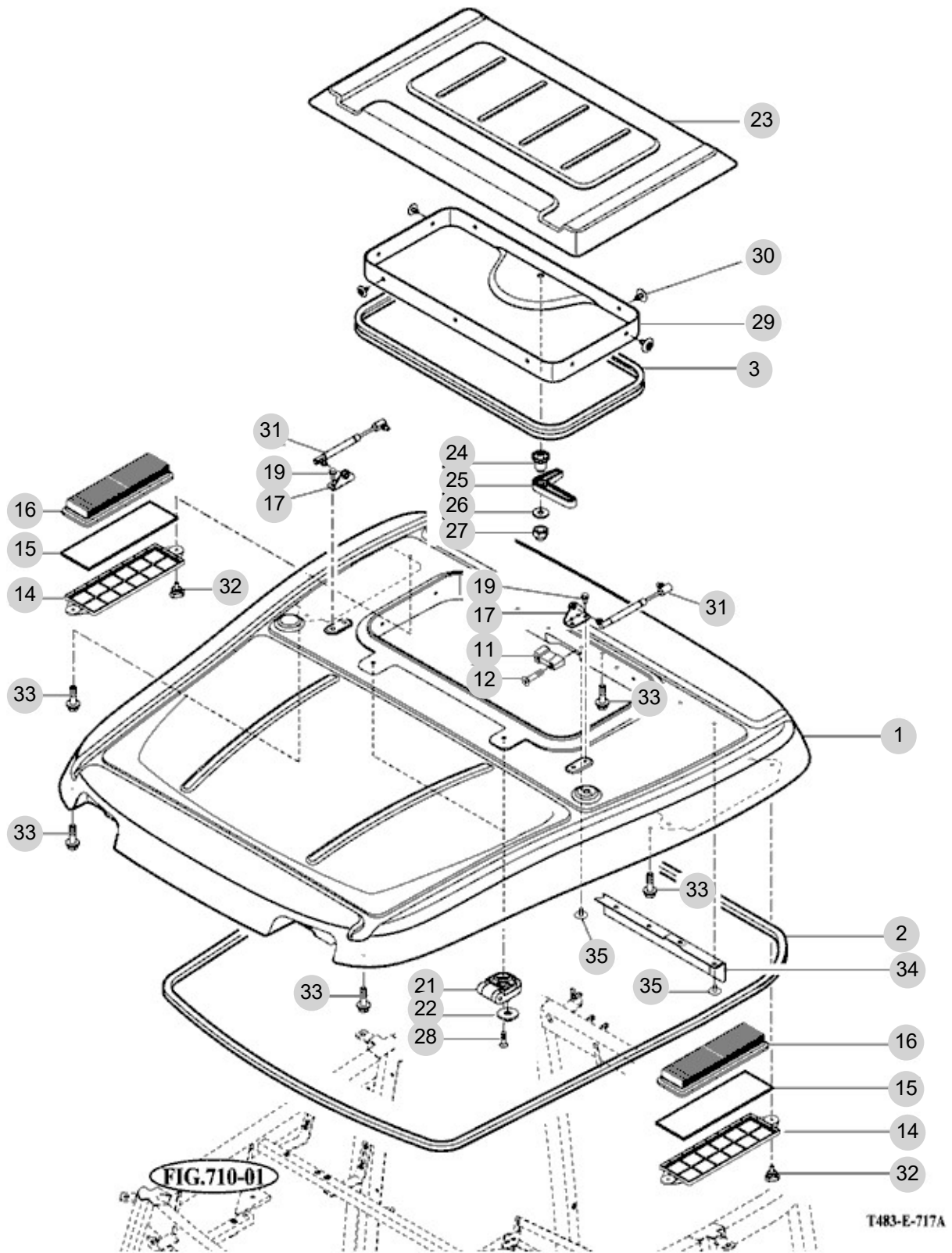
FIG 717

T554ST

ROOF

년/월
Year/Month

2022-12



NOTE

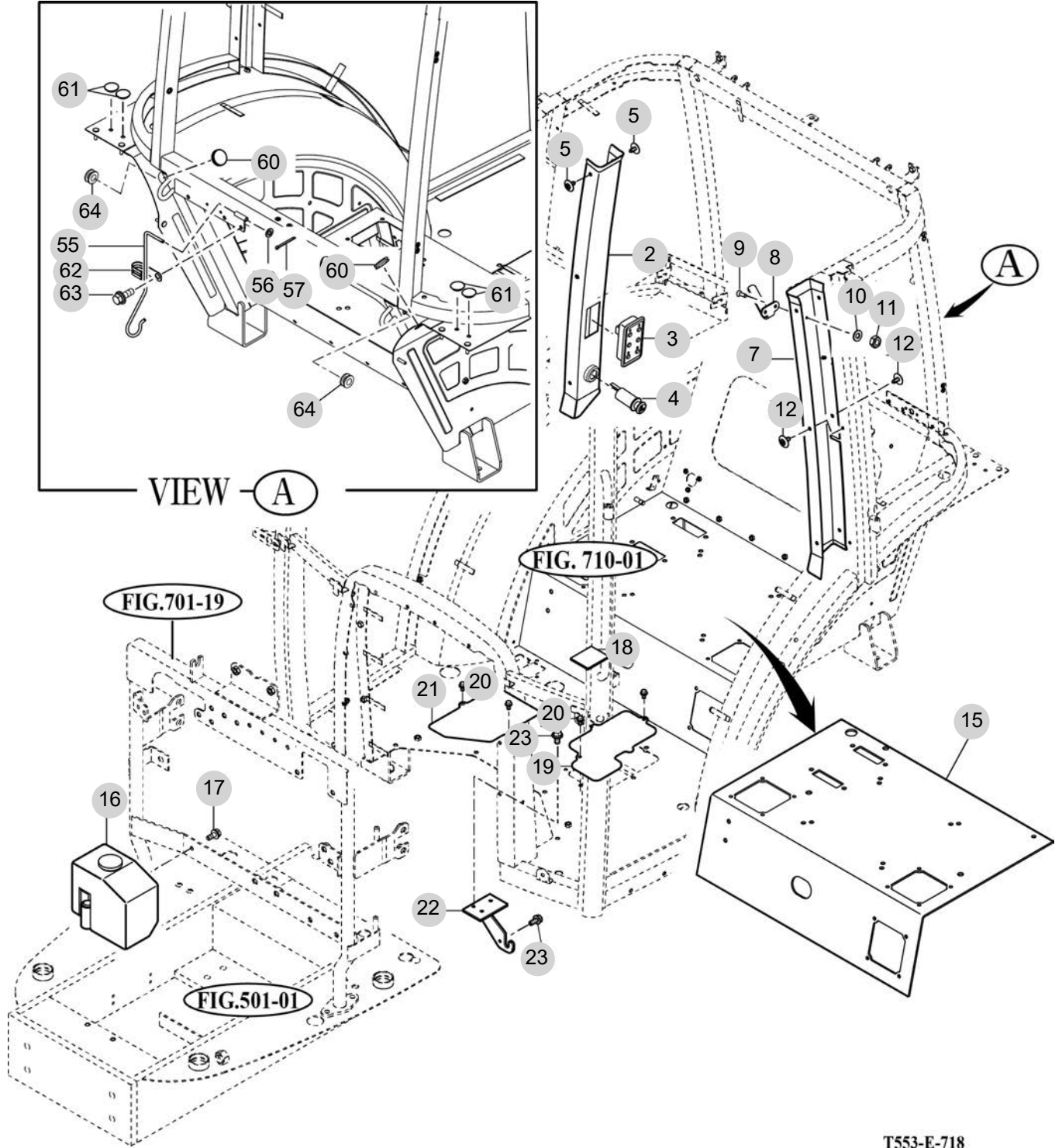
FIG 718

CABIN INTERIOR

년/월
Year/Month

2022-12

T554ST



T553-E-718

NOTE

8. Electrical System PART NO. T8

FIG 801 BATTERY & MOUNTING	210
FIG 802 LIGHT & BACK LAMP	212
FIG 803 INSTRUMENT PANEL	214
FIG 804 ELECTRIC SYSTEM (1)	216
FIG 805A ELECTRIC SYSTEM (2)	218
FIG 806 INSTRUMENT PANEL	220

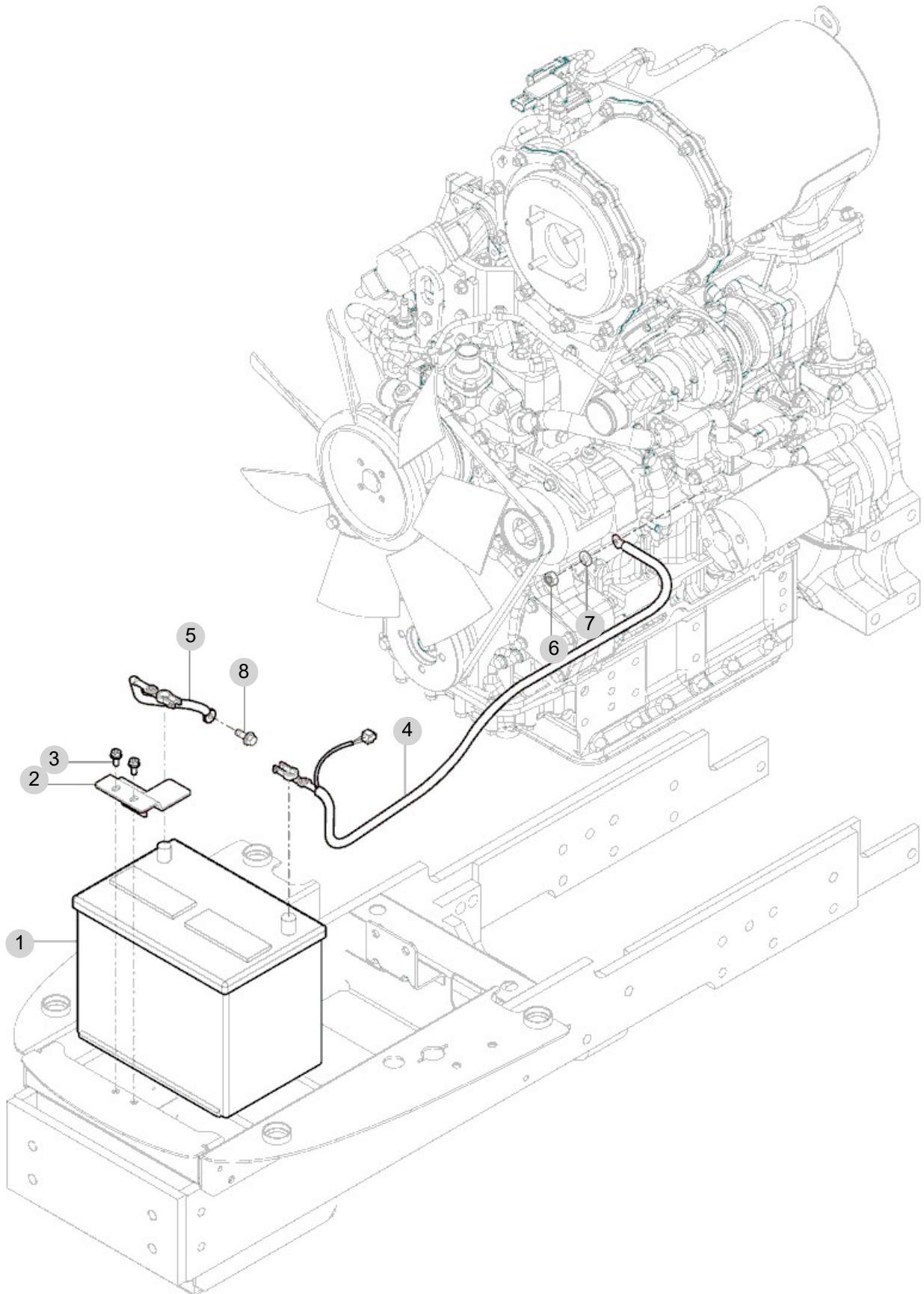
FIG 801

BATTERY & MOUNTING

년/월
Year/Month

T554ST

2022-12



NOTE

FIG 801 T554ST		BATTERY & MOUNTING						년/월 Year/Month
								2022-12
KEY NO		PART NO	DESCRIPTION	SPEC	QTY	REPAIR	EFFECTIVE DATE	REMARKS
801	2	17466210060	PLATE , BATTERY FIX		1			
801	3	V2323606016	BOLT , C/R HEX/SP	M6X16	1			
801	4	17466502001	CABLE ASSY . BATTERY		1			
801	5	16996503100	HARNESS		1			
801	6	V3042600080	NUT , HEX/2	M8	1			
801	7	V4011600080	WASHER , SPRING	M8	1			
801	8	V2183608020	BOLT , HEX/SP	M8X20	1			
801	9	17406870020	INSULATER 40X30X15		5			
NOTE								

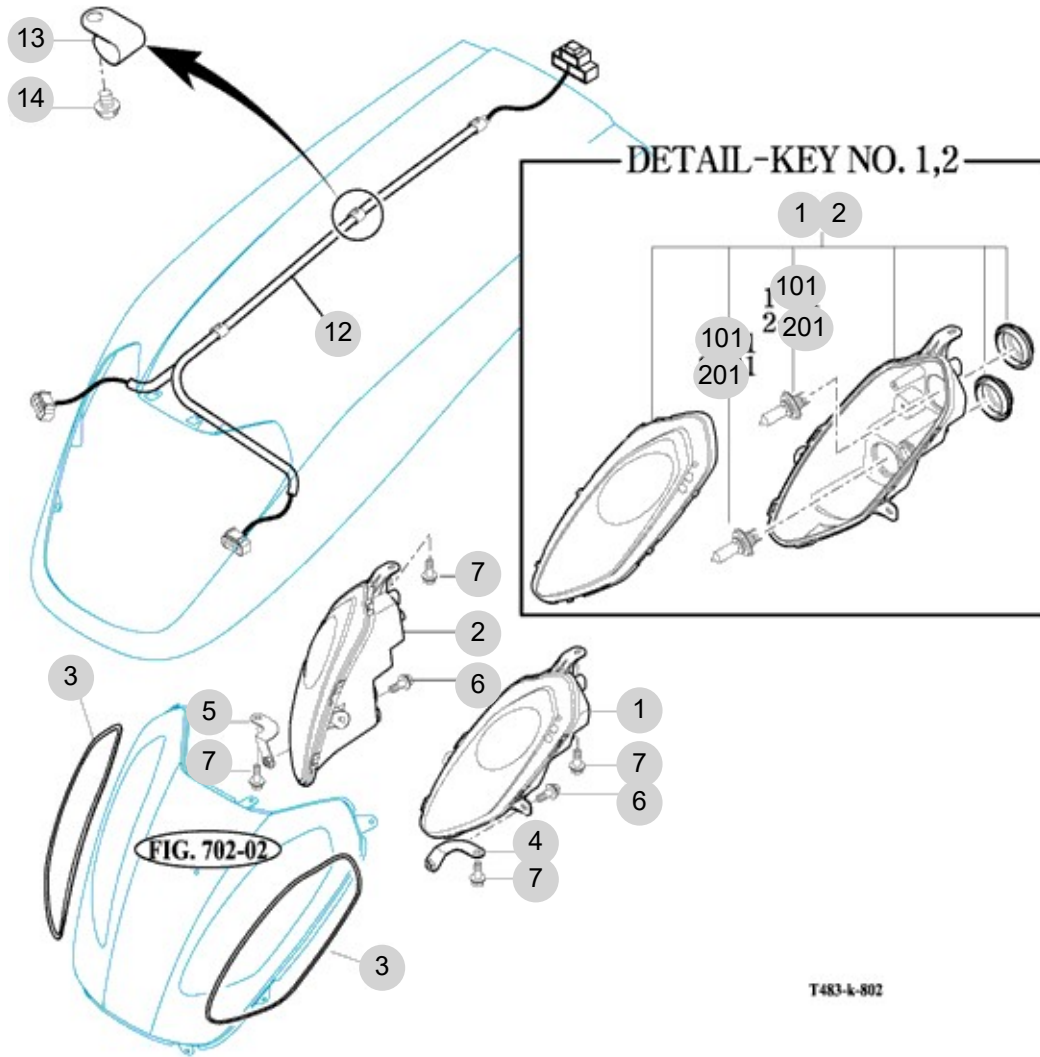
FIG 802

T554ST

LIGHT & BACK LAMP

년/월
Year/Month

2022-12



NOTE

FIG 802 T554ST	LIGHT & BACK LAMP						년/월 Year/Month
							2022-12

KEY NO	PART NO	DESCRIPTION	SPEC	QTY	REPAIR	EFFECTIVE DATE	REMARKS
802	1	19956524001	HEAD LAMP ASSY , LH/R113	1X1X1	1		
802	101	19956522110	H4 BULB	1X1X1	2		
802	2	19956525001	HEAD LAMP ASSY , RH/R113	1X1X1	1		
802	201	19956522110	H4 BULB	1X1X1	2		
802	3	19956200060	SEAL , HEAD LAMP	1X1X1	2		
802	4	19956524100	HEAD LAMP , FIX(LH)COMP	1X1X1	1		
802	5	19956524200	HEAD LAMP , FIX(RH)COMP	1X1X1	1		
802	6	V2123606016	BOLT , HEX /SP	M6X16	2		
802	7	V2183608016	BOLT , HEX/SP	M8X16	6		
802	12	19956684200	HARNESS , LIGHT	1X1X1	1		
802	13	14256210040	CLAMP , 9		3		
802	14	V1222606010	SCREW , C/R PAN/SP	M6X10	3		
NOTE							

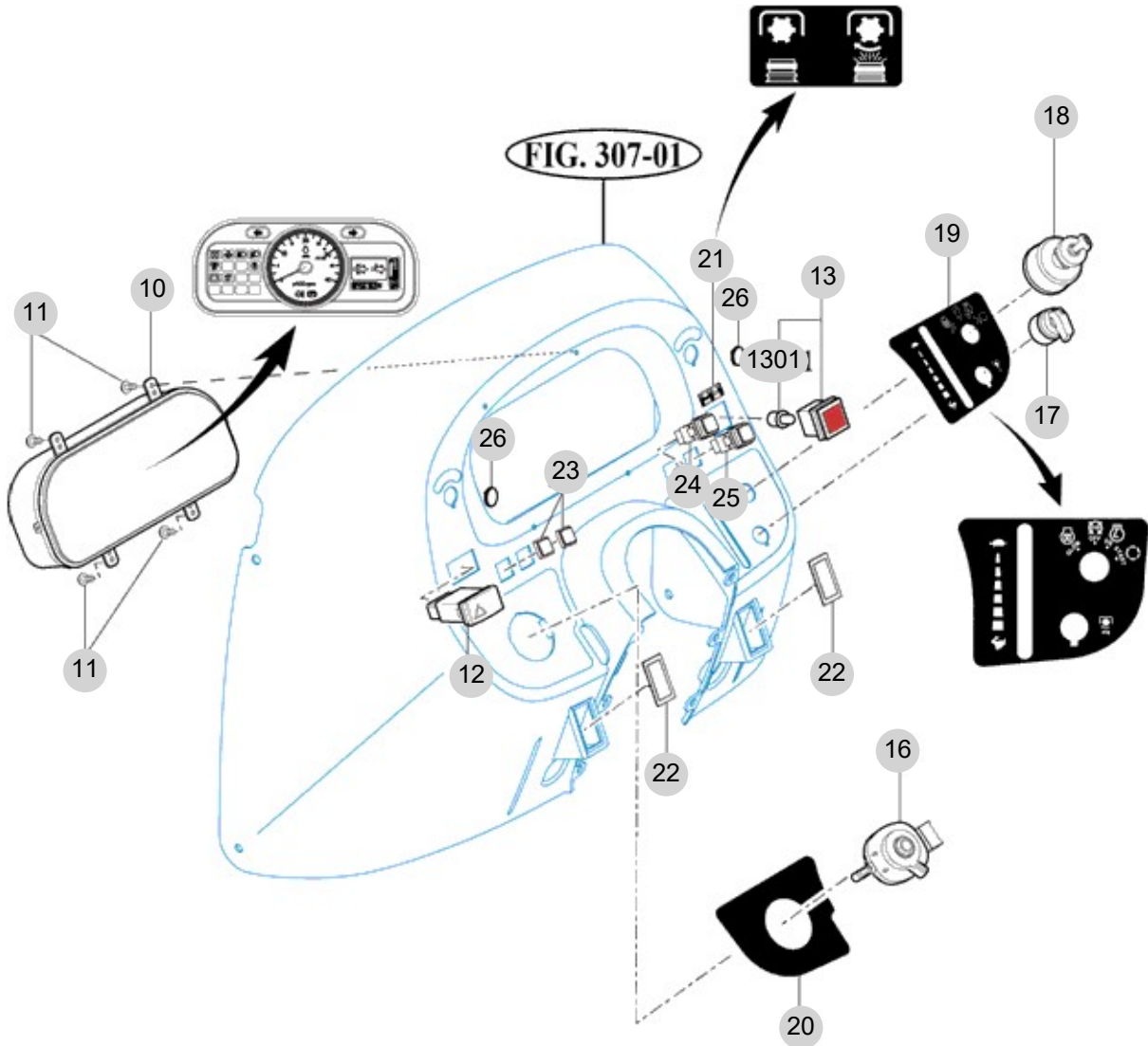
FIG 803

T554ST

INSTRUMENT PANEL

년/월
Year/Month

2022-12



NOTE

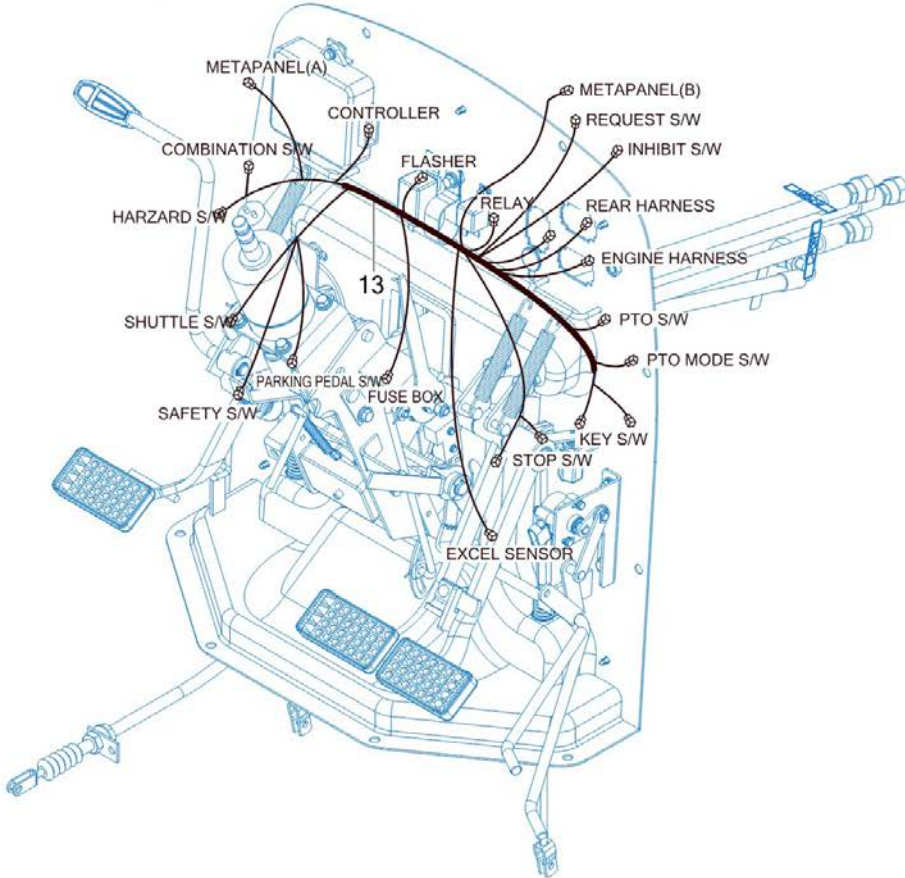
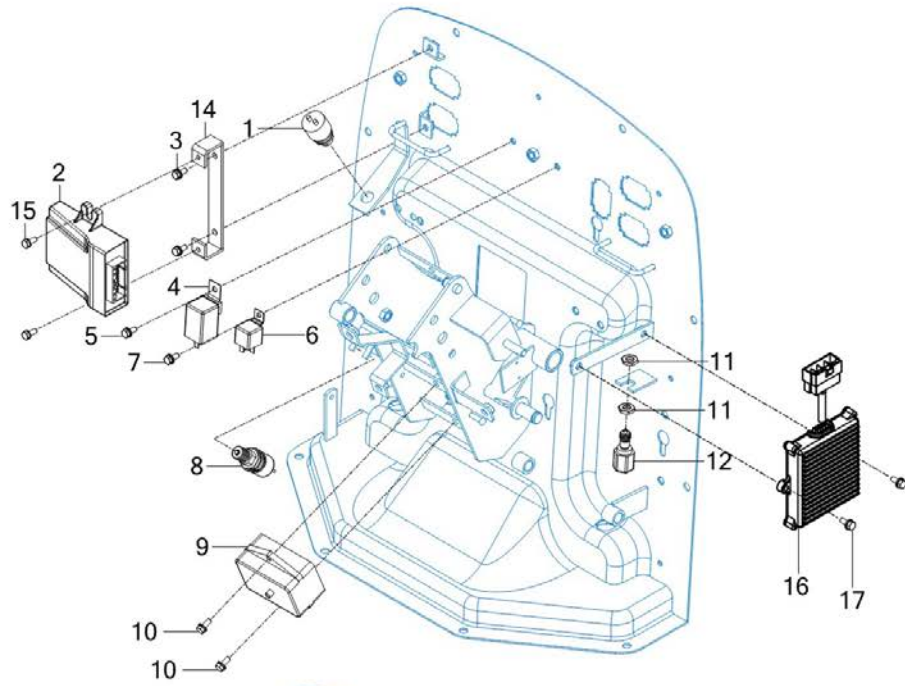
FIG 804

T554ST

ELECTRIC SYSTEM (1)

년/월
Year/Month

2022-12



NOTE

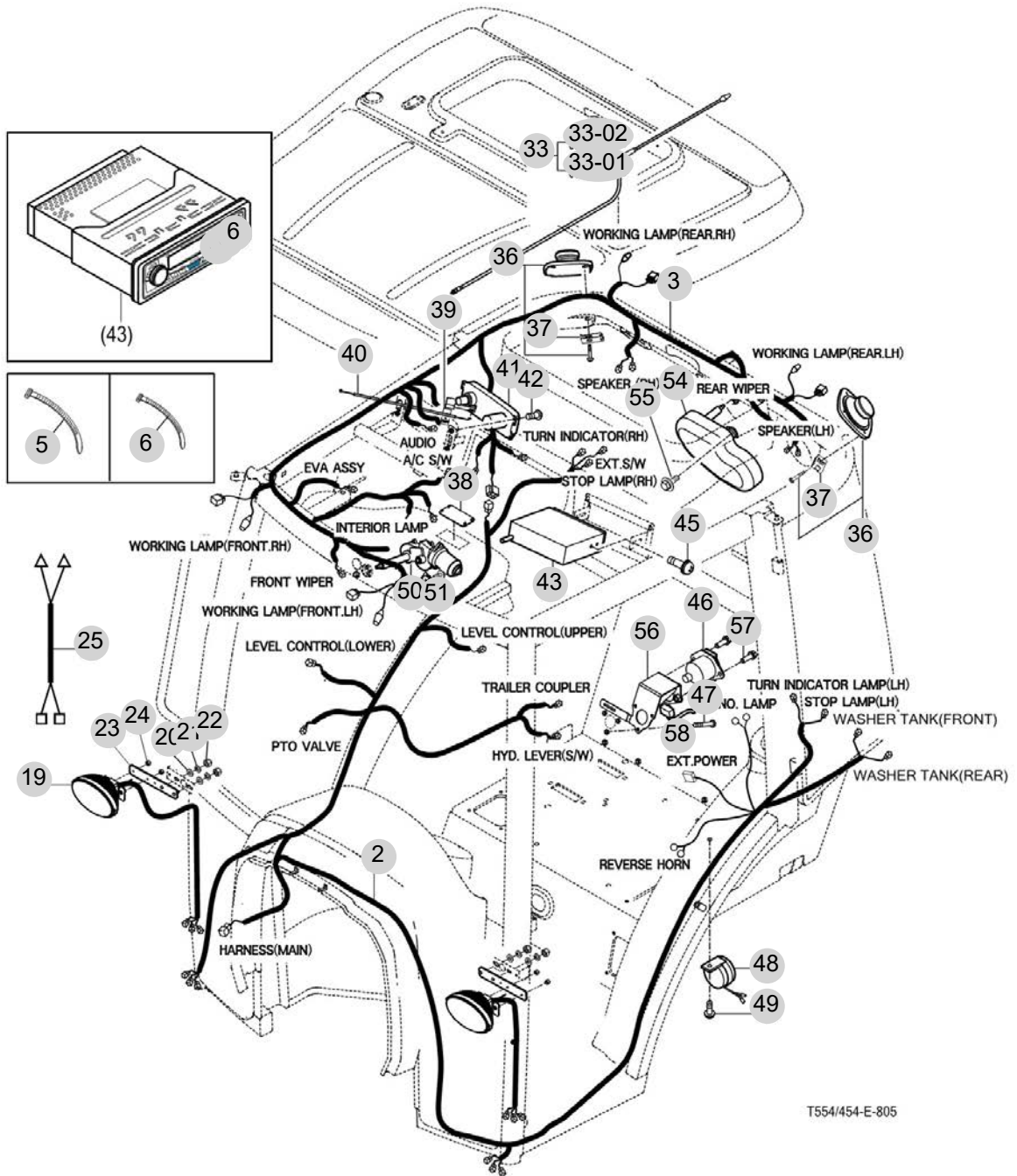
FIG 805A

ELECTRIC SYSTEM (2)

년/월
Year/Month

2022-12

T554ST



NOTE

FIG 805A T554ST	ELECTRIC SYSTEM (2)					년/월 Year/Month
						2022-12

KEY NO	PART NO	DESCRIPTION	SPEC	QTY	REPAIR	EFFECTIVE DATE	REMARKS
805A	2	17466683102		1			
805A	2	17466683103		1			
805A	2	17466683104		1			
805A	3	14527024904		1			
805A	3	14527024905		1			
805A	3	14527024906		1			
805A	5	13424020060		5			
805A	6	13764020030		5			
805A	19	17336562000		2			
805A	20	V4111600050	M5	4			
805A	21	V4011600050	M5	4			
805A	22	V3402700050	M5	4			
805A	23	11446103100GB		2			
805A	24	V3802600050	M5	4			
805A	25	11446682120		2			
805A	33	14527072300		1			
805A	33-01	14527072310		1			
805A	33-02	V1907004020	M4	2			
805A	36	14527025501		2			
805A	37	14527073120	M4	8			
805A	38	16997024500		1			
805A	39	17687025300		1			
805A	40	14527082230		1			
805A	41	14527082220		1			
805A	42	V1112605012	M5X12	4			
805A	43	10547024801		1			
805A	45	V1222605016	M5X16	2			
805A	46	13307028201		1			
805A	47	V1222805016	M5X16	3			
805A	48	34522812402		1			
805A	49	V2183608020	M8X20	1			
805A	50	14527062600		1			
805A	50	14527062600		1			
805A	50	14527062601		1			
805A	51	V2193606020	M6X20	1			
805A	54	16997032000		1			
805A	54	16997032000		1			
805A	54	16997032001		1			
805A	55	V2193606020	M6X20	1			
805A	56	10577028100GB		1			
805A	57	V2183608020	M8X20	2			
805A	58	10586683200		1			

NOTE

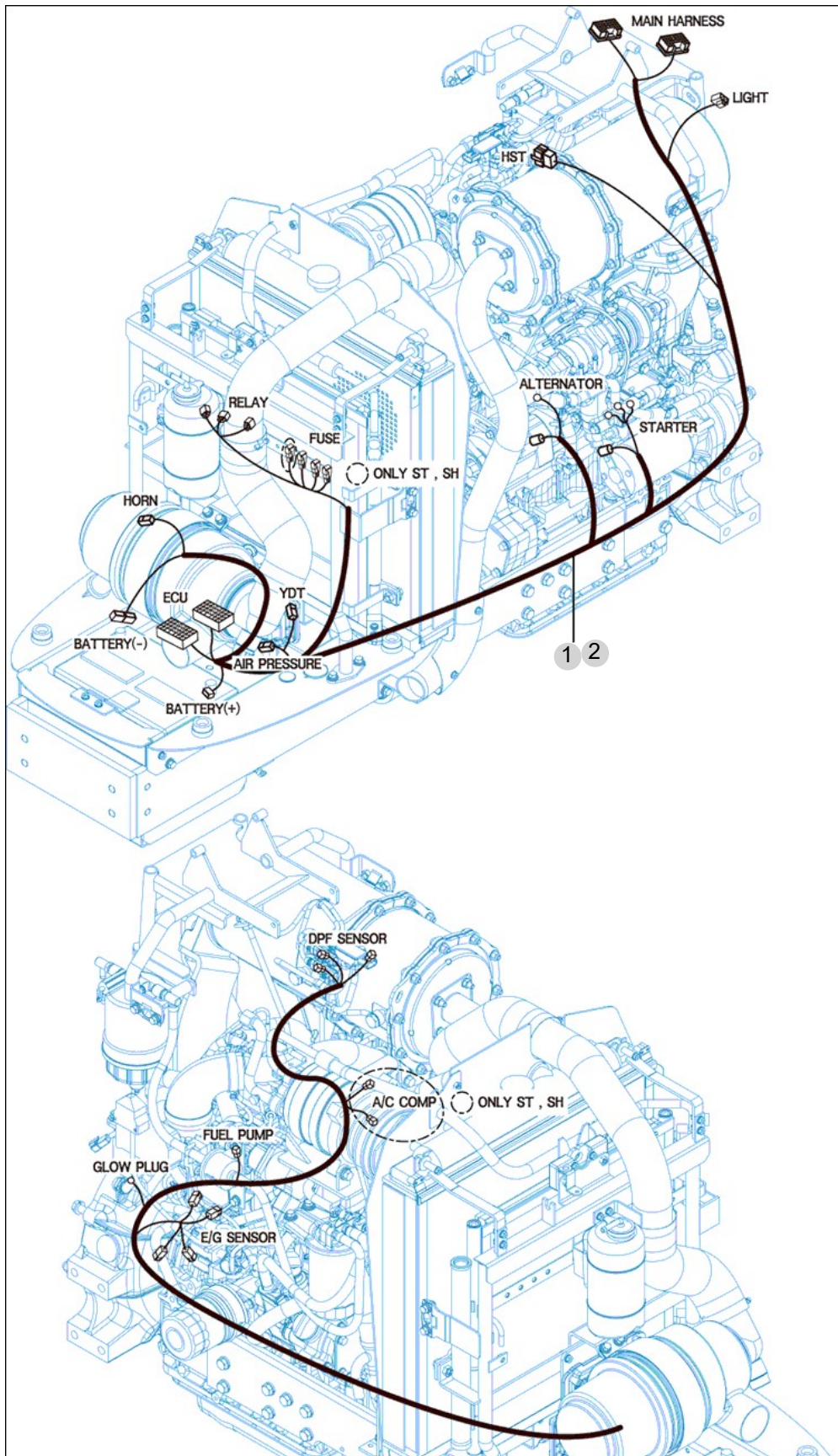
FIG 806

INSTRUMENT PANEL

년/월
Year/Month

T554ST

2022-12



NOTE

9. Label/Option PART NO. T9

FIG 901 TOOL & ACCESSORY

223

FIG 902 LABEL

225

FIG 902-2 LABEL

227

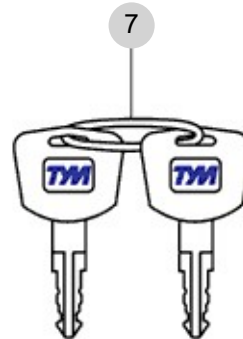
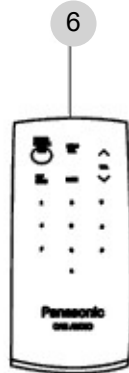
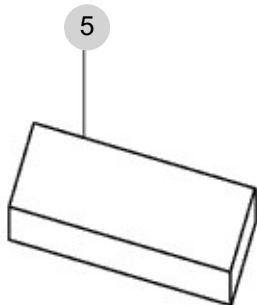
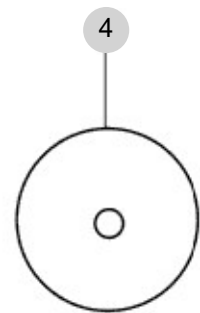
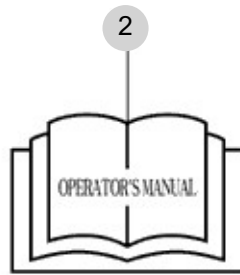
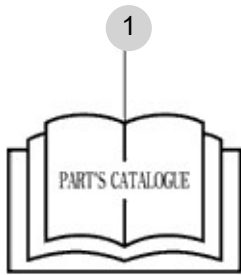
FIG 901

T554ST

TOOL & ACCESSORY

년/월
Year/Month

2022-12



T554/T554-E-901

NOTE

FIG 901		TOOL & ACCESSORY					년/월 Year/Month	REMARKS
T554ST							2022-12	
KEY NO	PART NO	DESCRIPTION	SPEC	QTY	REPAIR	EFFECTIVE DATE	REMARKS	
901	1	17469500010	PARTS CATALOGUE , T454,T554(NC,ST)	1				
901	2	17469400010	OPERATOR'S MANUAL ,T454,T554(NC,ST)	1				
901	2	17469400011	OPERATOR'S MANUAL ,T454,T554(NC,ST)	1				
901	3	14215020020	PIN , LINK	2				
901	4	17817024833	OPERATOR'S MANUAL(CD)	1				
901	4	10547024830	OPERATOR'S MANUAL(BLUETOOTH)	1				
901	4	10547024831	OPERATOR'S MANUAL(ENGLISH-BLUETOOTH)	1				
901	6	17817024812	Remote control	1				
901	6	10547024810	Remote control	1				
901	6	10547024811	Remote control	1				
901	7	14527078720	KEY ASSY	1				
NOTE								

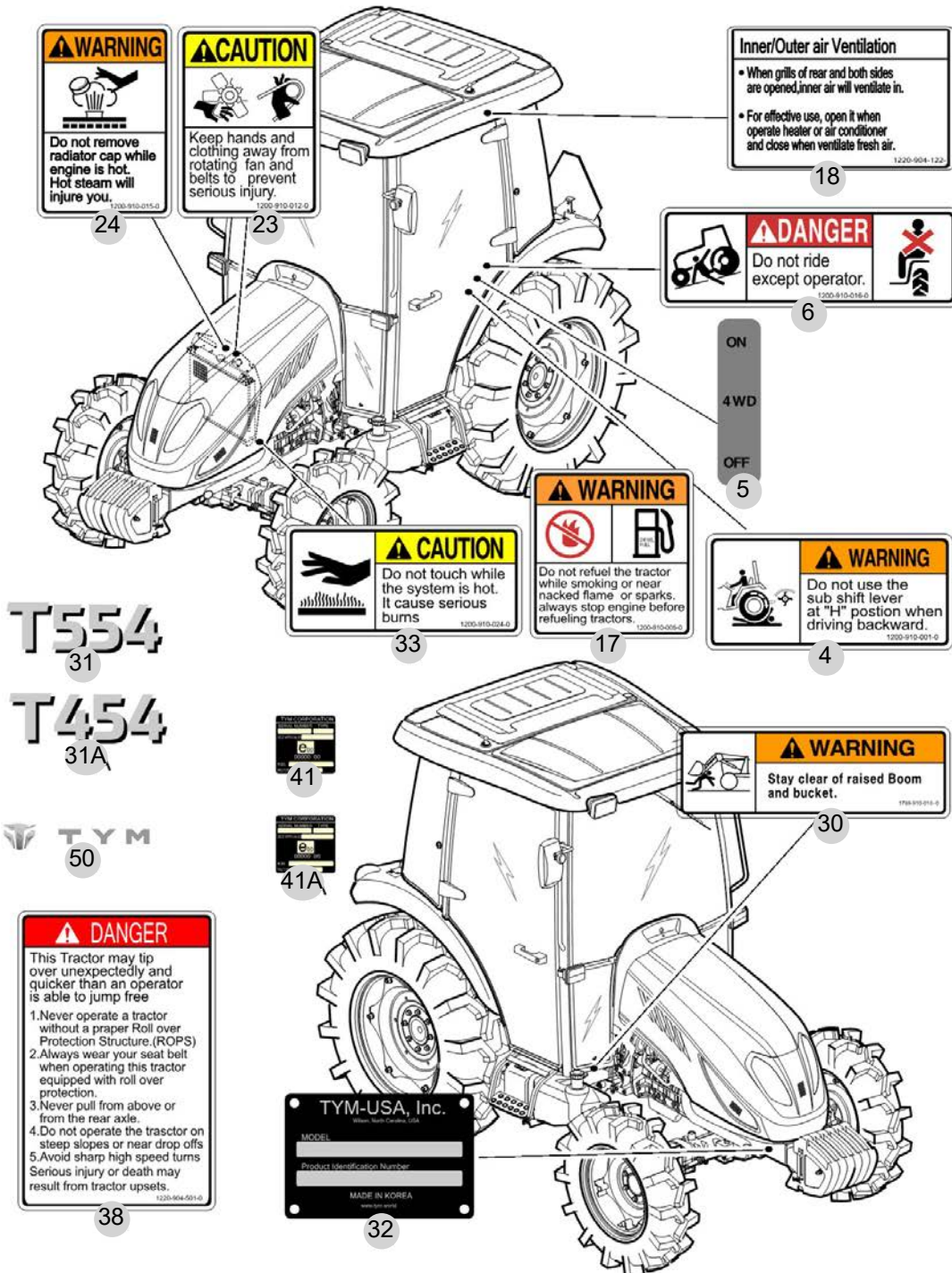
FIG 902

LABEL

년/월
Year/Month

T554ST

2022-12



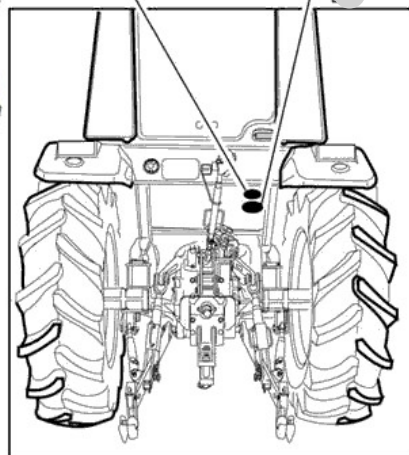
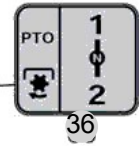
NOTE

FIG 902 T554ST		LABEL						년/월 Year/Month	REMARKS
								2022-12	
KEY NO	PART NO	DESCRIPTION	SPEC	QTY	REPAIR	EFFECTIVE DATE			
902	2	17469200010	LABEL , SPEED		1				
902	3	12009100030	LABEL , WARNING EXHAUST	1X1X1	1				
902	4	12009100010	LABEL , WARNING SUB SHIFTER	1X1X1	1				
902	5	17979040130	LABEL , 4WD	T=0.05	1				
902	6	12009100160	LABEL , DANGER RIDING	1X1X1	1				
902	7	17689100170	LABEL , CAUTION SAFETY		1				
902	8	12009100190	LABEL , WARNING BELT	1X1X1	1				
902	9	12009100210	LABEL , WARNING THROTTLE	1X1X1	1				
902	10	17689200050	LABEL , DIFF		1				
902	11	12009100020	LABEL , WARNING PARKING	1X1X1	1				
902	12	12009100060	LABEL , WARNING DIFF	1X1X1	1				
902	13	12009100040	LABEL , WARNING STOP VALVE	1X1X1	1				
902	14	12009100111	LABEL , DANGER AIR CONDITIONER		1				
902	15	12009100070	LABEL , WARNING BRAKE	1X1X1	1				
902	16	12009100080	LABEL , WARNING TILTING	1X1X1	1				
902	17	12009100050	LABEL , WARNING FIRE	1X1X1	1				
902	18	12209041222	LABEL , VENTILATION		1				
902	19	12009100140	LABEL , WARNING DRAW	1X1X1	1				
902	20	12009100130	LABEL , DANGER PTO	1X1X1	1				
902	21	17699100090	LABEL , WARNING JOYSTICK	1X1X1	1				
902	23	12009100120	LABEL , CAUTION FAN	1X1X1	1				
902	24	12009100150	LABEL , WARNING RADIATOR	1X1X1	1				
902	29	12009100230	LABEL , CAUTION OPERATION	T=0.05	1				
902	30	17699100100	LABEL , WARNING JOYSTICK		1				
902	31	17469010042	MARK , /T554		2				
902	32	T0019010021	LABEL , MODEL/EXPORT	1X1X1	1				
902	33	12009100240	LABEL , CAUTION MUFFLER	1X1X1	1				
902	35	12609040620	LABEL , STARTING WARNING	T=0.05	1				
902	36	14527078550	LABEL,PTO	T=0.38	1				
902	38	12209045010	LABEL , ROPS DANGER	T=0.05	1				
902	39	12209045051	LABEL , ROPS WARNING/REMODELING		1				
902	40	12209045020	LABEL , ROPS WARNING	T=0.05	1				
902	41A	15189045046	LABEL , CABIN		1				
902	43	13379100150	6YEAR WARRANTY LABEL		1				
902	44	17409209010	LABEL , OPERATION/DPF REGEN SWITCH		1				
902	50	11999010020	TYM LABEL		2				
NOTE									

SPEED TABLES

APPLICATION	TRACTOR PTO RPM	REEL RPM	PAID RPM	FEED PUMP RPM	WEED RPM
5000-5500	1000-1100	1000-1100	1000-1100	1000-1100	1000-1100
5500-6000	1100-1200	1100-1200	1100-1200	1100-1200	1100-1200
6000-6500	1200-1300	1200-1300	1200-1300	1200-1300	1200-1300
6500-7000	1300-1400	1300-1400	1300-1400	1300-1400	1300-1400
7000-7500	1400-1500	1400-1500	1400-1500	1400-1500	1400-1500
7500-8000	1500-1600	1500-1600	1500-1600	1500-1600	1500-1600
8000-8500	1600-1700	1600-1700	1600-1700	1600-1700	1600-1700
8500-9000	1700-1800	1700-1800	1700-1800	1700-1800	1700-1800
9000-9500	1800-1900	1800-1900	1800-1900	1800-1900	1800-1900
9500-10000	1900-2000	1900-2000	1900-2000	1900-2000	1900-2000

*The data reported in this publication are also subject to variation and consequently are not



NOTE

FIG 902-2 T554ST	LABEL	년/월 Year/Month
		2022-12

KEY NO	PART NO	DESCRIPTION	SPEC	QTY	REPAIR	EFFECTIVE DATE	REMARKS
902-2	2	17469200010	LABEL , SPEED		1		
902-2	3	12009100030	LABEL , WARNING EXHAUST	1X1X1	1		
902-2	4	12009100010	LABEL , WARNING SUB SHIFTER	1X1X1	1		
902-2	5	17979040130	LABEL , 4WD	T=0.05	1		
902-2	6	12009100160	LABEL , DANGER RIDING	1X1X1	1		
902-2	7	17689100170	LABEL , CAUTION SAFETY		1		
902-2	8	12009100190	LABEL , WARNING BELT	1X1X1	1		
902-2	9	12009100210	LABEL , WARNING THROTTLE	1X1X1	1		
902-2	10	17689200050	LABEL , DIFF		1		
902-2	11	12009100020	LABEL , WARNING PARKING	1X1X1	1		
902-2	12	12009100060	LABEL , WARNING DIFF	1X1X1	1		
902-2	13	12009100040	LABEL , WARNING STOP VALVE	1X1X1	1		
902-2	14	12009100111	LABEL , DANGER AIR CONDITIONER		1		
902-2	15	12009100070	LABEL , WARNING BRAKE	1X1X1	1		
902-2	16	12009100080	LABEL , WARNING TILTING	1X1X1	1		
902-2	17	12009100050	LABEL , WARNING FIRE	1X1X1	1		
902-2	18	12209041222	LABEL , VENTILATION		1		
902-2	19	12009100140	LABEL , WARNING DRAW	1X1X1	1		
902-2	20	12009100130	LABEL , DANGER PTO	1X1X1	1		
902-2	21	17699100090	LABEL , WARNING JOYSTICK	1X1X1	1		
902-2	23	12009100120	LABEL , CAUTION FAN	1X1X1	1		
902-2	24	12009100150	LABEL , WARNING RADIATOR	1X1X1	1		
902-2	29	12009100230	LABEL , CAUTION OPERATION	T=0.05	1		
902-2	30	17699100100	LABEL , WARNING JOYSTICK		1		
902-2	31	17429010040	MARK , ORNAMENT(T454)		2		
902-2	31	17469010040	MARK, ORNAMENT(T503)		2		
902-2	31	17469010042	MARK , /T554		2		
902-2	32	T0019010021	LABEL , MODEL/EXPORT	1X1X1	1		
902-2	32	T0019110050	NAMEPLATE , USA		1		
902-2	33	12009100240	LABEL , CAUTION MUFFLER	1X1X1	1		
902-2	35	12609040620	LABEL , STARTING WARNING	T=0.05	1		
902-2	36	14527078550	LABEL,PTO	T=0.38	1		
902-2	37	19959041130	LABEL, TYM(66X150)	1X1X1	2		
902-2	38	12209045010	LABEL , ROPS DANGER	T=0.05	1		
902-2	39	12209045051	LABEL , ROPS WARNING/REMODELING		1		
902-2	40	12209045020	LABEL , ROPS WARNING	T=0.05	1		
902-2	41	15569045044	LABEL , ROPS		1		
902-2	41	15189045046	LABEL , CABIN		1		
902-2	42	19129041130	LABEL , TYM(75)	1X1X1	2		
902-2	43	13379100150	6YEAR WARRANTY LABEL		1		
902-2	44	17409209010	LABEL , OPERATION/DPF REGEN SWITCH		1		

NOTE	
------	--