

Parts Catalogue

Model : T574 T494 ST/NC



TYM 동양물산 기계사업부

Printed : 2018 Version : A
Part number of this book: 1386 950 001 0

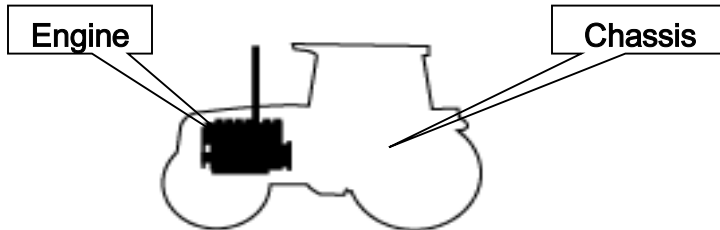
Important tips of Parts Catalogue

We thank you for your purchasing our product, manufactured under strict quality control, by gathering plenty of experiences and new technology, designed for a comfort and pleasant work.

1. Part Composition

This catalogue deals with engine and chassis.

Detailed classifications are listed in the following page.



2. For locating parts easily, Please Note:

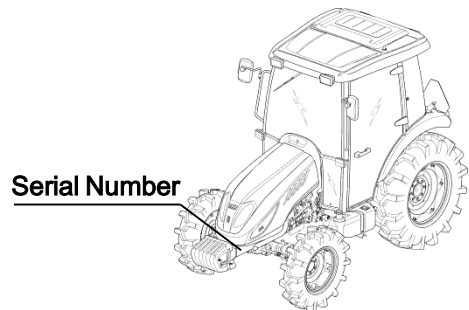
If you know the assembly where the part is used.

- Refer to the relevant figure from the identifying group symbol illustration,
- Locate the relevant chapter
- Refer to the particular chapter desired.

3. For ordering parts

To obtain spare parts please contact your nearest dealer and give him the details listed below.

- ① Tractor Model : Tractor T554
- ② Tractor Serial Number : H00001
- ③ Part Number : 17461039100
- ④ Description : AIR CLEANER ASSY
- ⑤ Quantity required: 1



4. For ordering PARTS CATALOGUE

This is Priced item and one is to order the same on part No. 1746 950 001 0

This supersedes all our editions.

Note) When replacing parts, please use original spare parts to be sure of the performance and the longer life of the product

※ The information in this catalogue may at any time be modified without a prior notice for the improvement of performance, please consult our spare parts dept. for the detailed inquiry.

5. How to use parts catalogue

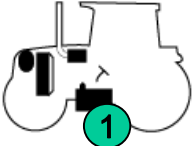
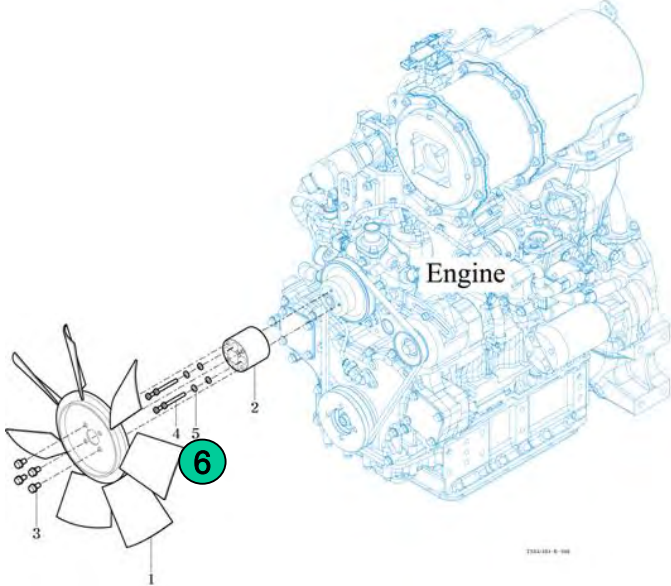

FIG 208 <small>T554ST / T554NC / T454ST / T454NC</small>	FAN , COOLING	P1 <small>4</small>	Year / Month <small>5</small> 2014 / 04	
				
NOTE <small>13</small>				

FIG 208 <small>T554ST / T554NC / T454ST / T454NC</small>	FAN , COOLING	P1 <small>4</small>	Year / Month <small>5</small> 2014 / 04				
KEY NO.	PART NO.	DESCRIPTION	SPEC.	QTY.	REPAIR	EFFECTIVE DATE	REMARKS
				<small>T554ST</small>	<small>T554NC</small>	<small>T454ST</small>	<small>T454NC</small>
208 001	19951030790	FAN , COOLING(412)		1	1	1	1
208 002	17461000060	SPACER , FAN		1	1	1	1
208 003	V2173608016	BOLT , HEX/S	M8X16	4	4	4	4
208 004	V2053000000	BOLT , HEX C/R	M8	4	4	4	4
208 005	V4011600060	WASHER , SPRING	Mo	4	4	4	4
NOTE <small>13</small>							

- ① Group Indication : Indicate the relevant location of the part with a symbol illustration.
- ② Figure Number: Indicate the relevant section of the machine with a figure number.
- ③ Section Name : Indicate the section name of the machine
- ④ Section Page : Page number of the section in this catalogue.
- ⑤ Date : Show the Year/Month of the section made or updated

⑥ Key number : Indicating number of each parts in the illustration.

⑦ Part Number : Unique part number maintained in our system

The part number starting with V or M means it is TYM s standard part

The alphabet at the end of part number means the status of material or the color of paint

Legend : M:Machining, DG:Dark Gray, BR:Bright Red, SW:Summer White, PB:Pure Black, GB:Glossy Black, SR:Super Red, MS:Metallic Silver DD:Heat proof Black, TY: Tangerine Yellow etc.

⑧ Description : Description of a part, Abbreviation means as follows.

- Indicate the mixture condition of a part

ASSY : Assembly with a mixture of several parts, so can be broke up retaining their original form

COMP : Assembly with a mixture of several parts, but can not be broke up retaining their original form

SUB : mean the same as ASSY but used in lower level in aid.

SET : Part consist of ASSY, COMP, and part(s) as a group

- Indicate the location of a part

LH: Left, RH: Right, FR: Front, RR: Rear, UPR: Upper, LOW: Lower

⑨ Spec : Type of the standard items like bolt or nut

⑩ Quantity : Total quantity of the part referred to in the page.

Symbol below indicate options. So, show the quantity of each option.

Note) AR means as requested quantity.

⑪ Repair Parts consumption frequency class: indicate the level of a part in aid of stocking spares, anticipating the service requirements.

A :Fast moving part(frequently required)

B :Medium moving part (sometimes required)

C :Slow moving part(rarely required)

⑫ EFFECTIVE DATE :

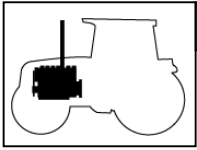
Year/Month~ : From which the change starts

~ Year/Month : To which the part installed

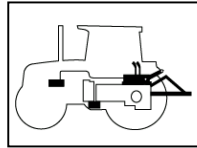
⑬ Notes : explain some reference data

⑭ Remark : indicate reference data or abbreviation in the content.

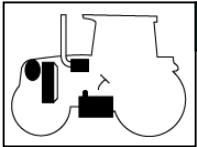
ENGINEERING GROUP INDEX



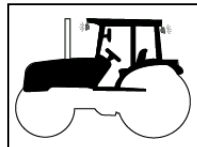
1 ENGINE



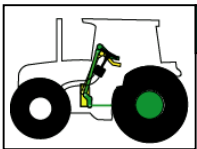
6 HYDRAULICS & 3-POINT LINK



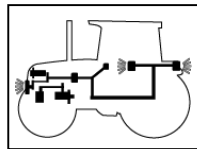
2 ENGINE ACCESSORIES & CONTROL



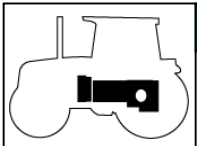
7 SHEET METAL & CABIN



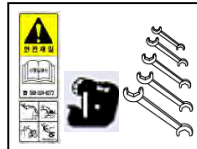
3 CLUTCH, BRAKE, STEERING



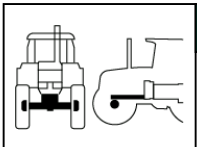
8 ELECTRICALS & HARNESS



4 TRANSMISSION & REAR AXLE



9 LABEL, TOOLS



5 FRONT AXLE, SUPPORTER & DRIVE SHAFT

067 020	12305180020
077 036	12403160020
036 005	13022250030
037 010	13022250131
041 005	13022250232
046 002	13022250333

10 NUMERICAL INDEX

CONTENTS

ENGINE

1 ENGINE

FIG 101	CYLINDER BLOCK	04
FIG 102A	OILJET ASS'Y OPTION(T574)	06
FIG 102B	OILJET ASS'Y OPTION(T494)	08
FIG 103	CRANK SHAFT	10
FIG 104	PISTON	12
FIG 105	CYLINDER HEAD	14
FIG 106	ROCKER LEVER	16
FIG 107	HEAD COVER	18
FIG 108	GEAR CASE	20
FIG 109	IDLE GEAR	22
FIG 110	CAM SHAFT	24
FIG 111	OIL PUMP	26
FIG 112	HYD. PUMP DRIVE	28
FIG 113	2ND BALANCE	30
FIG 114	OIL PAN	32
FIG 115A	INTAKE MANIFOLD(T574)	34
FIG 115B	INTAKE MANIFOLD(T494)	36
FIG 116A	EXHAUST MANIFOLD(T574)	38
FIG 116B	EXHAUST MANIFOLD(T494)	40
FIG 117A	TURBOCHARGER ASSoY(T574)	42
FIG 117B	TURBOCHARGER ASSoY(T494)	44
FIG 118A	TURBOCHARGER PLUMBING OPTION (T574)	46
FIG 118B	TURBOCHARGER PLUMBING OPTION (T494)	48
FIG 119A	BREATHER (T574)	50
FIG 119B	BREATHER (T494)	52
FIG 120	FUEL INJECTION PUMP	54
FIG 121	FUEL INJECTION VALVE	56

FIG 122 FUEL PIPE ASS'Y -----	58
FIG 123 OIL FILTER -----	60
FIG 124 OIL COOLER -----	62
FIG 125 OIL GAUGUE -----	64
FIG 126 OIL FILLER CAP -----	66
FIG 127 COOLING WATER PUMP -----	68
FIG 128 CRANK SHAFT PULLEY -----	70
FIG 129 V-PULLEY -----	72
FIG 130 COOLING FAN -----	74
FIG 131 FLYWHEEL HOUSING -----	76
FIG 132 FLYWHEEL -----	78
FIG 133 GLOW PLUG ASS'Y OPTION -----	80
FIG 134 STARTING MOTOR -----	82
FIG 135 FUEL FILTER BRACKET ASSoY -----	84
FIG 136 ALTERNATOR -----	86
FIG 137 V-BELT -----	88
FIG 138 FUEL FILTER -----	90
FIG 139A DPF SUPPORT (T574) -----	92
FIG 139B DPF SUPPORT (T494) -----	94
FIG 140 DATAPLATE -----	96
FIG 141 NAME PLATE, STARTING MOTOR -----	98
FIG 142A DPF ASSoY (T574) -----	100
FIG 142B DPF ASSoY (T494) -----	102
FIG 143 LIFT ASSoY -----	104
FIG 144 COMP . DRIVE PULLEY ASSoY OPTION -----	106

CHASSIS

2 ENGINE ACCESSORIES & CONTROL

FIG 201 AIR CLEANER (T574)-----	112
FIG 201 AIR CLEANER (T494)-----	114
FIG 202 RADIATOR-----	116
FIG 203 MUFFLER-----	118
FIG 204 FUEL HOSE & FILTER-----	120
FIG 205 FUEL TANK-----	122
FIG 206 ACCELERATOR-----	124
FIG 207 OIL COOLER-----	126

3 CLUTCH, BRAKE, STEERING

FIG 301 CLUTCH-----	132
FIG 302 CLUTCH PEDAL-----	134
FIG 303 BRAKE-----	136
FIG 304 BRAKE PEDAL & LINK-----	138
FIG 305 FRONT WHEEL-----	140
FIG 306 REAR WHEEL-----	142
FIG 307 POWER STEERING WHEEL-----	144
FIG 308 POWER STEERING VALVE-----	146
FIG 309 POWER STEERING CYLINDER-----	148

4 TRANSMISSION & REAR AXLE

FIG 401 TRANSMISSION FRONT CASE-----	154
FIG 402 FORWARD & BACKWARD GEARS-----	156
FIG 403 IDLE & COUNTER GEARS-----	158
FIG 404 MAIN SHIFT GEARS-----	160
FIG 405 P.T.O DRIVE SHAFT-----	162
FIG 406 MAIN CHANGE LEVER-----	164

FIG 407 REVERSE CHANGE LEVER-----	166
FIG 408 TRANSMISSION MID CASE-----	168
FIG 409 TRANSMISSION REAR CASE-----	170
FIG 410 SUB CHANGE GEARS-----	172
FIG 411 SUB CHANGE SHIFTER-----	174
FIG 413 DRIVE GEARS-----	176
FIG 414 4WD CHANGE LEVER-----	178
FIG 415 P.T.O CHANGE GEARS-----	180
FIG 417 REAR DIFFERENTIAL GEARS-----	182
FIG 418 REAR AXLE HOUSING-----	184

5 FRONT AXLE,SUPPORTER & DRIVE SHAFT

FIG 501 FRONT AXLE SUPPORT-----	190
FIG 502 FRONT DRIVE SHAFT-----	192
FIG 503 FRONT AXLE HOUSING-----	194
FIG 504 FRONT DIFFERENTIAL GEARS-----	196
FIG 505 FRONT GEAR CASE (1)-----	198
FIG 506 FRONT GEAR CASE (2)-----	200
FIG 507 FRONT GEAR CASE (3)-----	202

6 HYDRAULICS & 3P-LINK

FIG 601 CYLINDER CASE-----	208
FIG 602 LIFT ARM-----	210
FIG 603 CYLINDER-----	212
FIG 604 POSITION LINK-----	214
FIG 605 CONTROL VALVE-----	216
FIG 606 DRAFT LINK-----	218
FIG 607 POSITION & DRAFT LEVER-----	222
FIG 608 EXTERIOR HYD. VALVE-----	224
FIG 609 HYDRAULIC PIPE-----	226
FIG 610 JOYSTICK-----	228
FIG 612 HITCH & 3-POINT LINK-----	230
FIG 613 LOWER LINK & LIFT ROD-----	234

7**SHEET METAL & CABIN**

FIG 701 BONNET FRAME-----	240
FIG 702 BONNET (1)-----	242
FIG 703 EXTENSION COVER-----	246
FIG 704A LEVER COVER & STEP-----	248
FIG 704B LEVER COVER & STEP-Non CAB-----	250
FIG 705 FRONT & REAR MOUNTING-----	252
FIG 706 SEAT & MAT-----	254
FIG 709 DOOR-----	256
FIG 710A FRONT GLASS-----	260
FIG 710B FRAME & 2POLES-ROPS-Non CAB-----	262
FIG 711 SIDE GLASS-----	264
FIG 712 REAR GLASS-----	266
FIG 713A SUB FENDER & COVER-----	268
FIG 713B SUB FENDER & COVER-Non CAB-----	270
FIG 714A MIRROR-----	272
FIG 714B MIRROR&WORKING LAMP-Non CAB-----	274
FIG 715A HEATER & AIR-CON-----	276
FIG 715B HEATER & AIR-CON-----	278
FIG 716 FENDER COVER-----	280
FIG 717 ROOF-----	282
FIG 718 CABIN INTERIOR-----	284

8**ELECTRICALS & HARNESS**

FIG 801 BATTERY & MOUNTING-----	290
FIG 802 HARNESS LAMP-----	292
FIG 803 INSTRUMENT PANEL-----	294
FIG 804 ELECTRIC SYSTEM (1)-----	296
FIG 805A ELECTRIC SYSTEM (2)-----	298
FIG 805B ELECTRIC SYSTEM (2)-Non CAB-----	300
FIG 806 ELECTRIC SYSTEM (3)-----	302

9 LABEL& TOOLS

FIG 901 TOOL & ACCESSORY-----308
FIG 902 LABEL-----310
FIG 903 OPTION-----314

10 NUMERICAL INDEX

ENGINE-----317
CHASSIS-----321

ENGINE

1 ENGINE

FIG 101	CYLINDER BLOCK	04
FIG 102A	OILJET ASS'Y OPTION(T574)	06
FIG 102B	OILJET ASS'Y OPTION(T494)	08
FIG 103	CRANK SHAFT	10
FIG 104	PISTON	12
FIG 105	CYLINDER HEAD	14
FIG 106	ROCKER LEVER	16
FIG 107	HEAD COVER	18
FIG 108	GEAR CASE	20
FIG 109	IDLE GEAR	22
FIG 110	CAM SHAFT	24
FIG 111	OIL PUMP	26
FIG 112	HYD. PUMP DRIVE	28
FIG 113	2ND BALANCE	30
FIG 114	OIL PAN	32
FIG 115A	INTAKE MANIFOLD(T574)	34
FIG 115B	INTAKE MANIFOLD(T494)	36
FIG 116A	EXHAUST MANIFOLD(T574)	38
FIG 116B	EXHAUST MANIFOLD(T494)	40
FIG 117A	TURBOCHARGER ASSoY(T574)	42
FIG 117B	TURBOCHARGER ASSoY(T494)	44
FIG 118A	TURBOCHARGER PLUMBING OPTION (T574)	46
FIG 118B	TURBOCHARGER PLUMBING OPTION (T494)	48
FIG 119A	BREATHER (T574)	50
FIG 119B	BREATHER (T494)	52
FIG 120	FUEL INJECTION PUMP	54
FIG 121	FUEL INJECTION VALVE	56

FIG 122 FUEL PIPE ASS'Y -----	58
FIG 123 OIL FILTER -----	60
FIG 124 OIL COOLER -----	62
FIG 125 OIL GAUGUE -----	64
FIG 126 OIL FILLER CAP -----	66
FIG 127 COOLING WATER PUMP -----	68
FIG 128 CRANK SHAFT PULLEY -----	70
FIG 129 V-PULLEY -----	72
FIG 130 COOLING FAN -----	74
FIG 131 FLYWHEEL HOUSING -----	76
FIG 132 FLYWHEEL -----	78
FIG 133 GLOW PLUG ASS'Y OPTION -----	80
FIG 134 STARTING MOTOR -----	82
FIG 135 FUEL FILTER BRACKET ASSoY -----	84
FIG 136 ALTERNATOR -----	86
FIG 137 V-BELT -----	88
FIG 138 FUEL FILTER -----	90
FIG 139A DPF SUPPORT (T574) -----	92
FIG 139B DPF SUPPORT (T494) -----	94
FIG 140 DATAPLATE -----	96
FIG 141 NAME PLATE, STARTING MOTOR -----	98
FIG 142A DPF ASSoY (T574) -----	100
FIG 142B DPF ASSoY (T494) -----	102
FIG 143 LIFT ASSoY -----	104
FIG 144 COMP . DRIVE PULLEY ASSoY OPTION -----	106

CHASSIS

2 ENGINE ACCESSORIES & CONTROL

FIG 201 AIR CLEANER (T574)-----	112
FIG 201 AIR CLEANER (T494)-----	114
FIG 202 RADIATOR-----	116
FIG 203 MUFFLER-----	118
FIG 204 FUEL HOSE & FILTER-----	120
FIG 205 FUEL TANK-----	122
FIG 206 ACCELERATOR-----	124
FIG 207 OIL COOLER-----	126

3 CLUTCH, BRAKE, STEERING

FIG 301 CLUTCH-----	132
FIG 302 CLUTCH PEDAL-----	134
FIG 303 BRAKE-----	136
FIG 304 BRAKE PEDAL & LINK-----	138
FIG 305 FRONT WHEEL-----	140
FIG 306 REAR WHEEL-----	142
FIG 307 POWER STEERING WHEEL-----	144
FIG 308 POWER STEERING VALVE-----	146
FIG 309 POWER STEERING CYLINDER-----	148

4**TRANSMISSION & REAR AXLE**

FIG 401 TRANSMISSION FRONT CASE-----	154
FIG 402 FORWARD & BACKWARD GEARS-----	156
FIG 403 IDLE & COUNTER GEARS-----	158
FIG 404 MAIN SHIFT GEARS-----	160
FIG 405 P.T.O DRIVE SHAFT-----	162
FIG 406 MAIN CHANGE LEVER-----	164
FIG 407 REVERSE CHANGE LEVER-----	166
FIG 408 TRANSMISSION MID CASE-----	168
FIG 409 TRANSMISSION REAR CASE-----	170
FIG 410 SUB CHANGE GEARS-----	172
FIG 411 SUB CHANGE SHIFTER-----	174
FIG 413 DRIVE GEARS-----	176
FIG 414 4WD CHANGE LEVER-----	178
FIG 415 P.T.O CHANGE GEARS-----	180
FIG 417 REAR DIFFERENTIAL GEARS-----	182
FIG 418 REAR AXLE HOUSING-----	184

5**FRONT AXLE,SUPPORTER & DRIVE
SHAFT**

FIG 501 FRONT AXLE SUPPORT-----	190
FIG 502 FRONT DRIVE SHAFT-----	192
FIG 503 FRONT AXLE HOUSING-----	194
FIG 504 FRONT DIFFERENTIAL GEARS-----	196
FIG 505 FRONT GEAR CASE (1)-----	198
FIG 506 FRONT GEAR CASE (2)-----	200
FIG 507 FRONT GEAR CASE (3)-----	202

6 HYDRAULICS & 3P-LINK

FIG 601 CYLINDER CASE-----	208
FIG 602 LIFT ARM-----	210
FIG 603 CYLINDER-----	212
FIG 604 POSITION LINK-----	214
FIG 605 CONTROL VALVE-----	216
FIG 606 DRAFT LINK-----	218
FIG 607 POSITION & DRAFT LEVER-----	222
FIG 608 EXTERIOR HYD. VALVE-----	224
FIG 609 HYDRAULIC PIPE-----	226
FIG 610 JOYSTICK-----	228
FIG 612 HITCH & 3-POINT LINK-----	230
FIG 613 LOWER LINK & LIFT ROD-----	234

7**SHEET METAL & CABIN**

FIG 701 BONNET FRAME-----	240
FIG 702 BONNET (1)-----	242
FIG 703 EXTENSION COVER-----	246
FIG 704A LEVER COVER & STEP-----	248
FIG 704B LEVER COVER & STEP-Non CAB-----	250
FIG 705 FRONT & REAR MOUNTING-----	252
FIG 706 SEAT & MAT-----	254
FIG 709 DOOR-----	256
FIG 710A FRONT GLASS-----	260
FIG 710B FRAME & 2POLES-ROPS-Non CAB-----	262
FIG 711 SIDE GLASS-----	264
FIG 712 REAR GLASS-----	266
FIG 713A SUB FENDER & COVER-----	268
FIG 713B SUB FENDER & COVER-Non CAB-----	270
FIG 714A MIRROR-----	272
FIG 714B MIRROR&WORKING LAMP-Non CAB-----	274
FIG 715A HEATER & AIR-CON-----	276
FIG 715B HEATER & AIR-CON-----	278
FIG 716 FENDER COVER-----	280
FIG 717 ROOF-----	282
FIG 718 CABIN INTERIOR-----	284

8**ELECTRICALS & HARNESS**

FIG 801 BATTERY & MOUNTING-----	290
FIG 802 HARNESS LAMP-----	292
FIG 803 INSTRUMENT PANEL-----	294
FIG 804 ELECTRIC SYSTEM (1)-----	296
FIG 805A ELECTRIC SYSTEM (2)-----	298
FIG 805B ELECTRIC SYSTEM (2)-Non CAB-----	300
FIG 806 ELECTRIC SYSTEM (3)-----	302

9 LABEL& TOOLS

FIG 901 TOOL & ACCESSORY-----308
FIG 902 LABEL-----310
FIG 903 OPTION-----314

10 NUMERICAL INDEX

ENGINE-----3 1 7
CHASSIS-----3 2 1

FIG 101

CYLINDER BLOCK

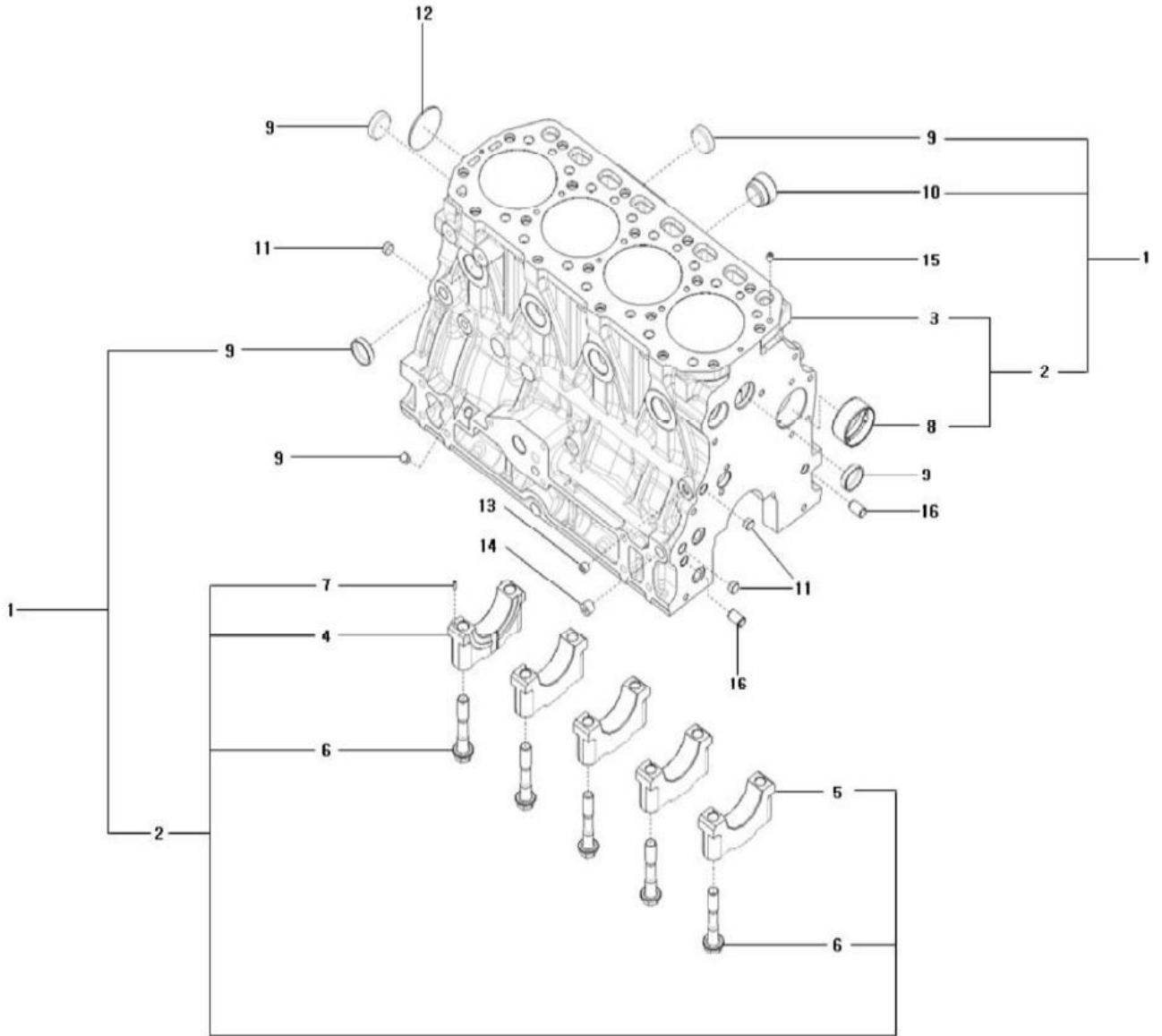
P1

YEAR

2018



T574ST / T574NC / T494ST / T494NC



NOTE

FIG 102A

OIL JET ASS'Y OPTION(T574)

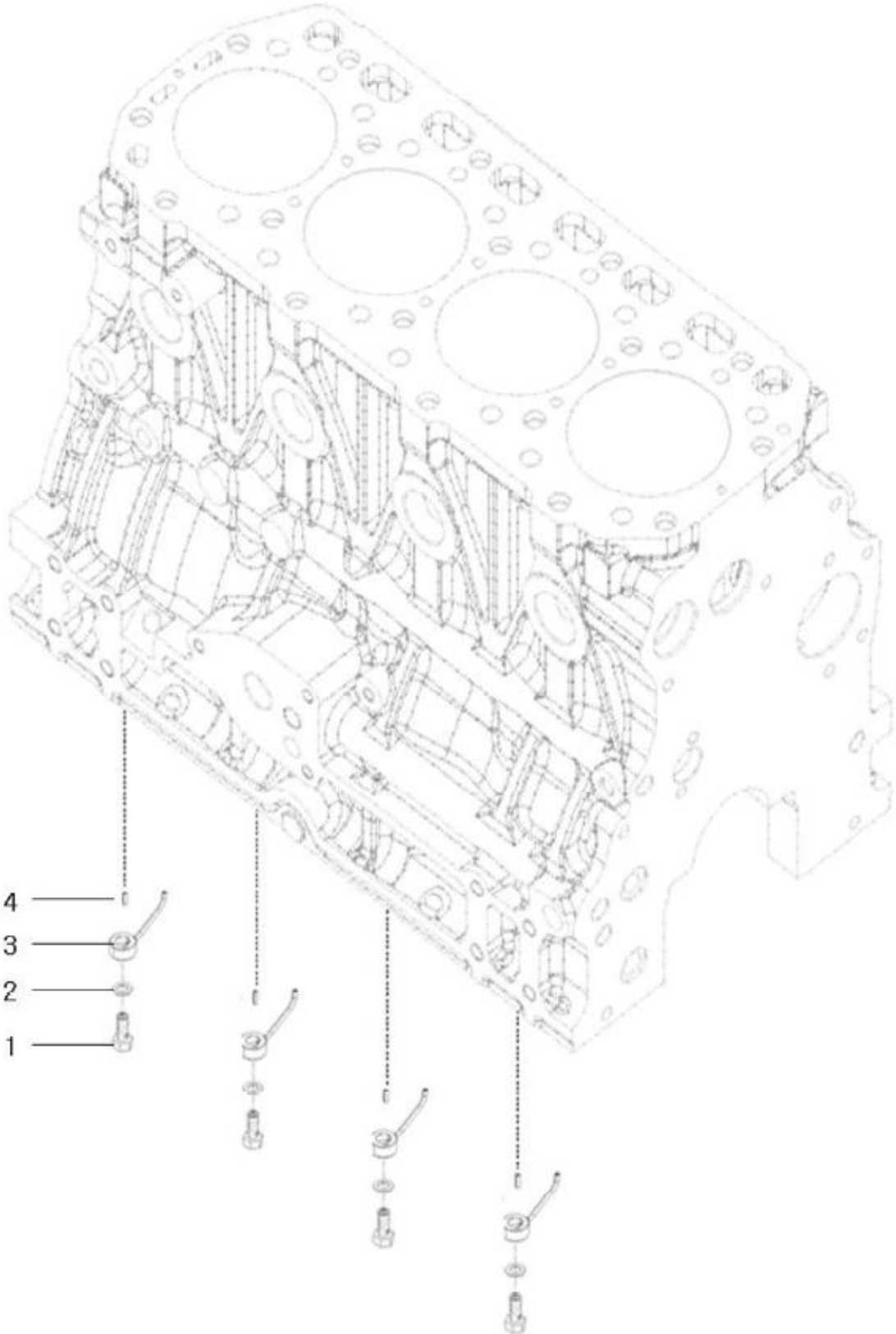
P1

YEAR

2018



T574ST / T574NC / T494ST / T494NC



- 4 —
- 3 —
- 2 —
- 1 —

NOTE

FIG 102B

OIL JET ASS'Y OPTION(T494)

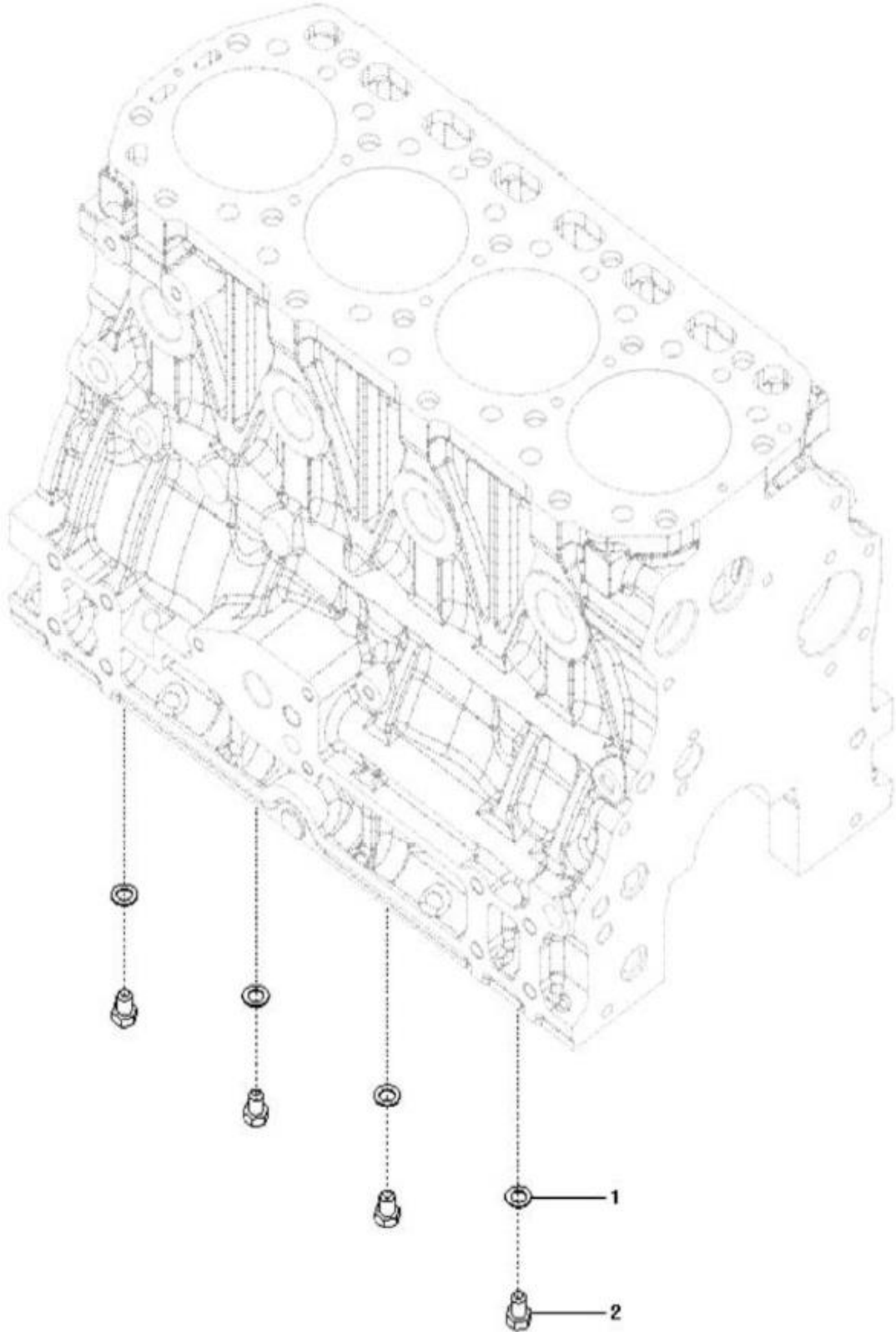
P2

YEAR

2018



T574ST / T574NC / T494ST / T494NC



NOTE

FIG 103

CRANK SHAFT

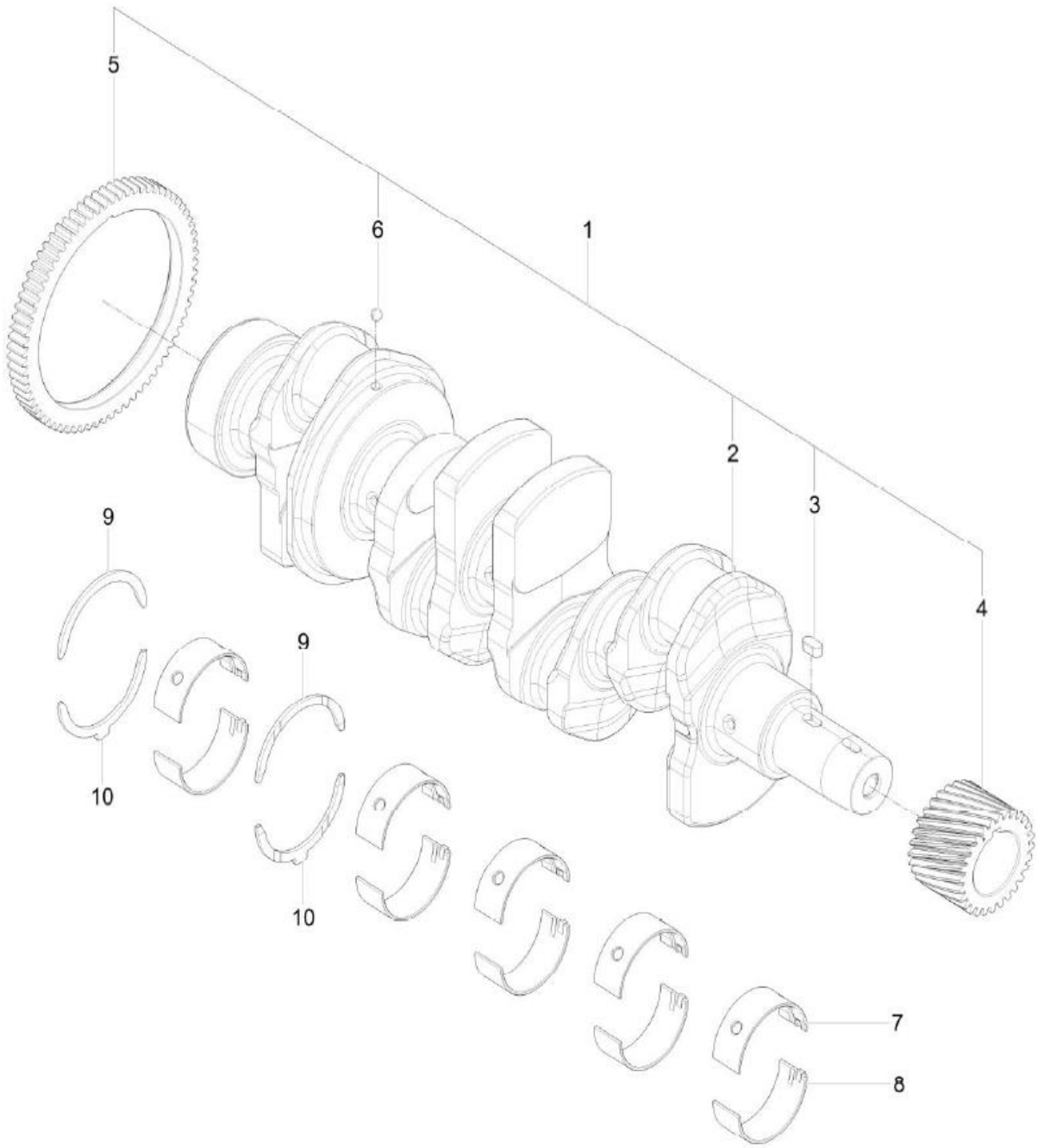
P1

YEAR

2018



T574ST / T574NC / T494ST / T494NC



NOTE

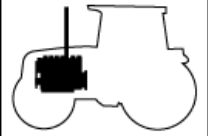
FIG 104

PISTON

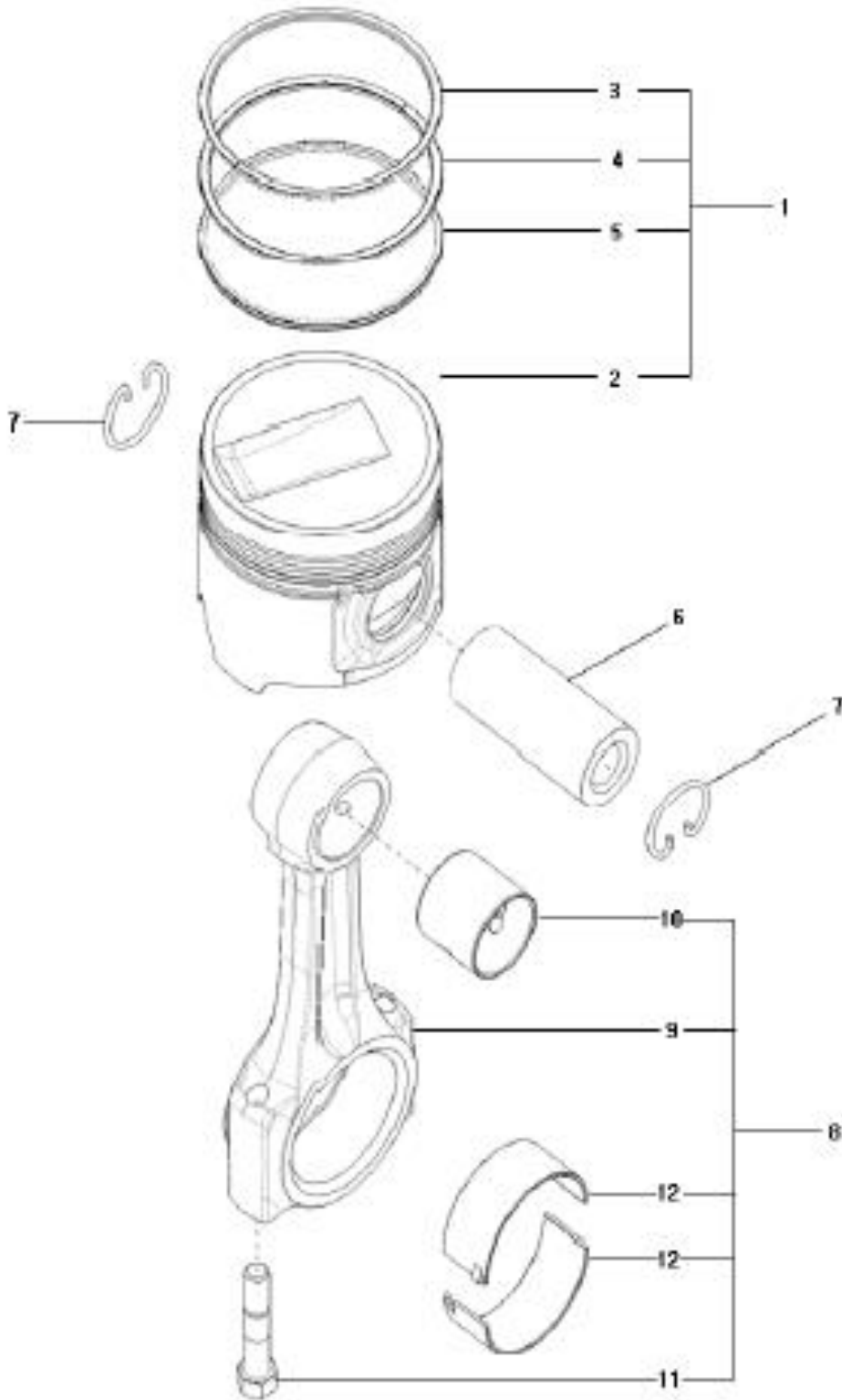
P1

YEAR

2018



T574ST / T574NC / T494ST / T494NC



NOTE

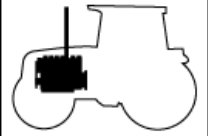
FIG 105

CYLINDER HEAD

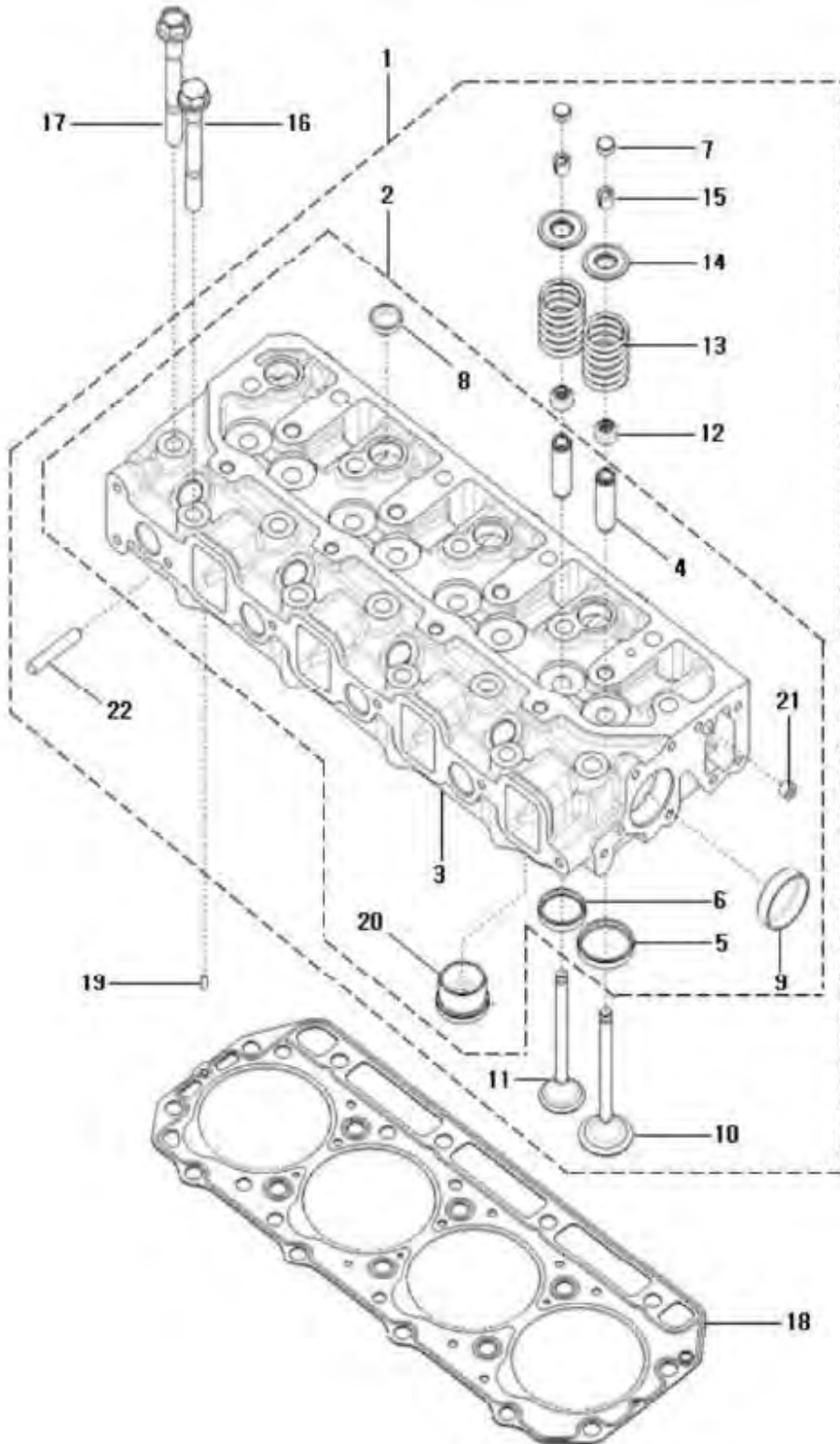
P1

YEAR

2018



T574ST / T574NC / T494ST / T494NC



NOTE

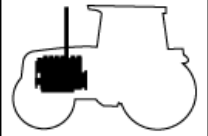
FIG 106

ROCKER LEVER

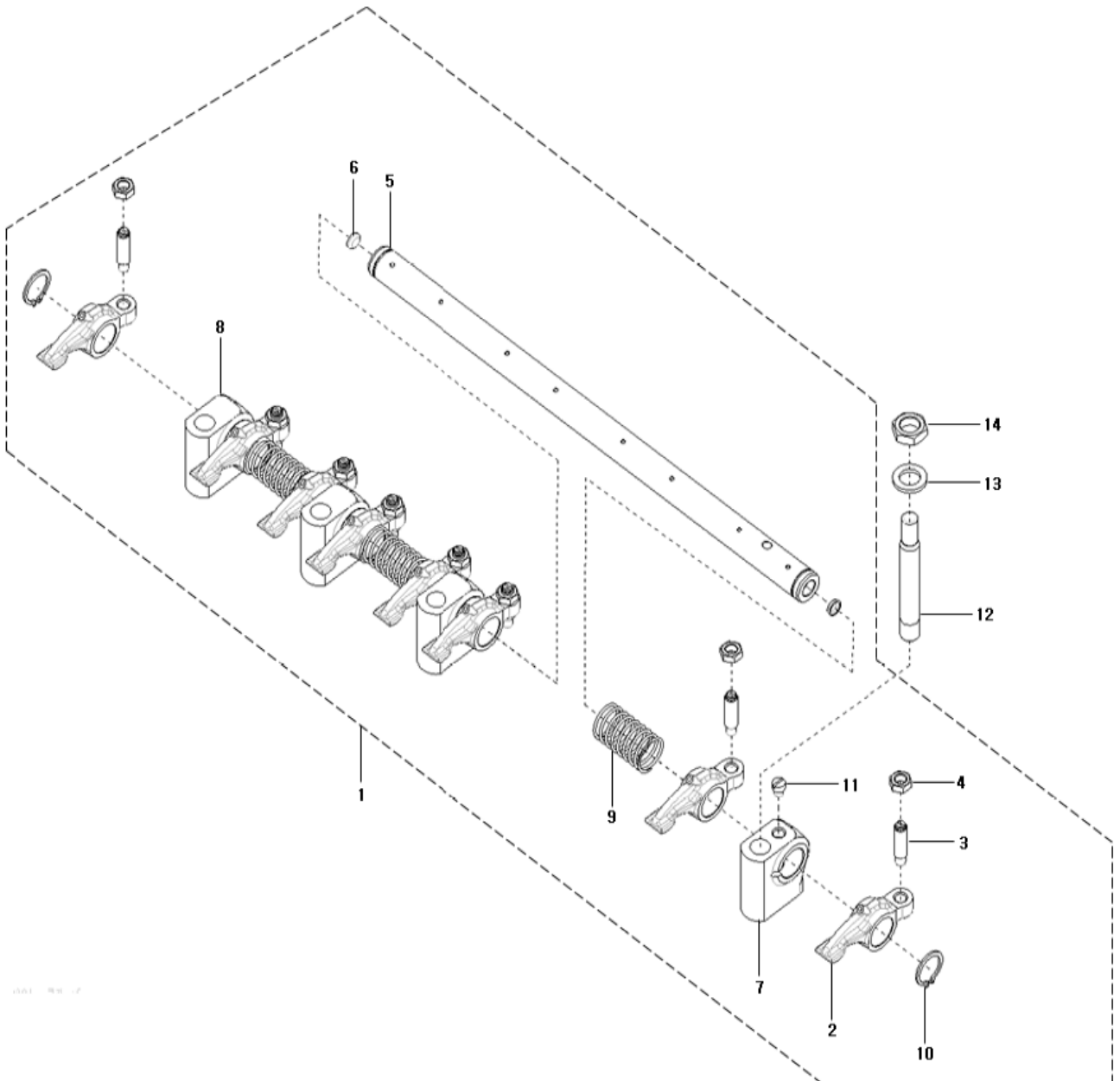
P1

YEAR

2018



T574ST / T574NC / T494ST / T494NC



NOTE

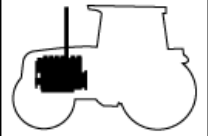
FIG 107

HEAD COVER

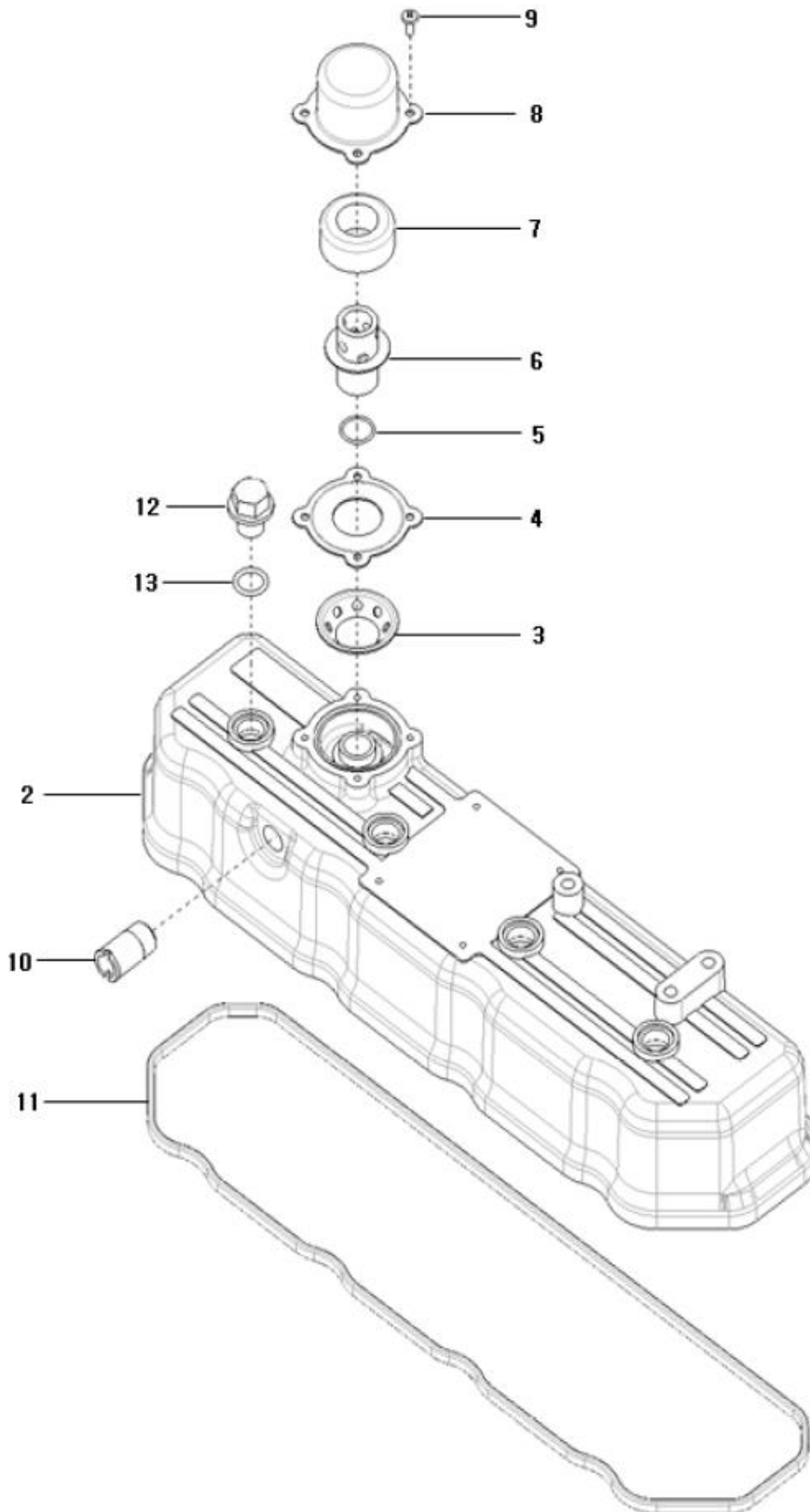
P1

YEAR

2018



T574ST / T574NC / T494ST / T494NC



NOTE

FIG 108

GEAR CASE

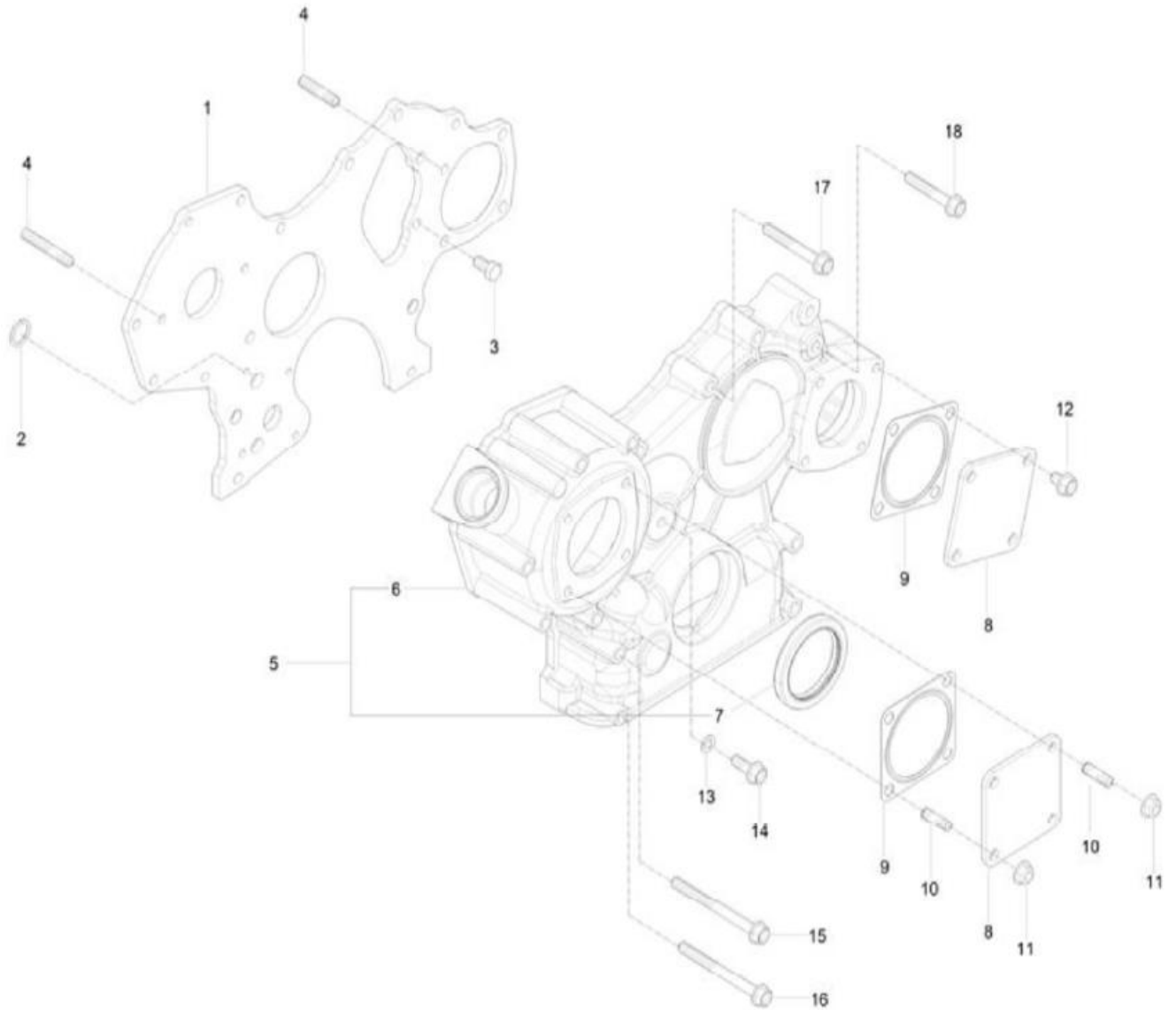
P1

YEAR

2018



T574ST / T574NC / T494ST / T494NC



NOTE

FIG 109

IDLE GEAR

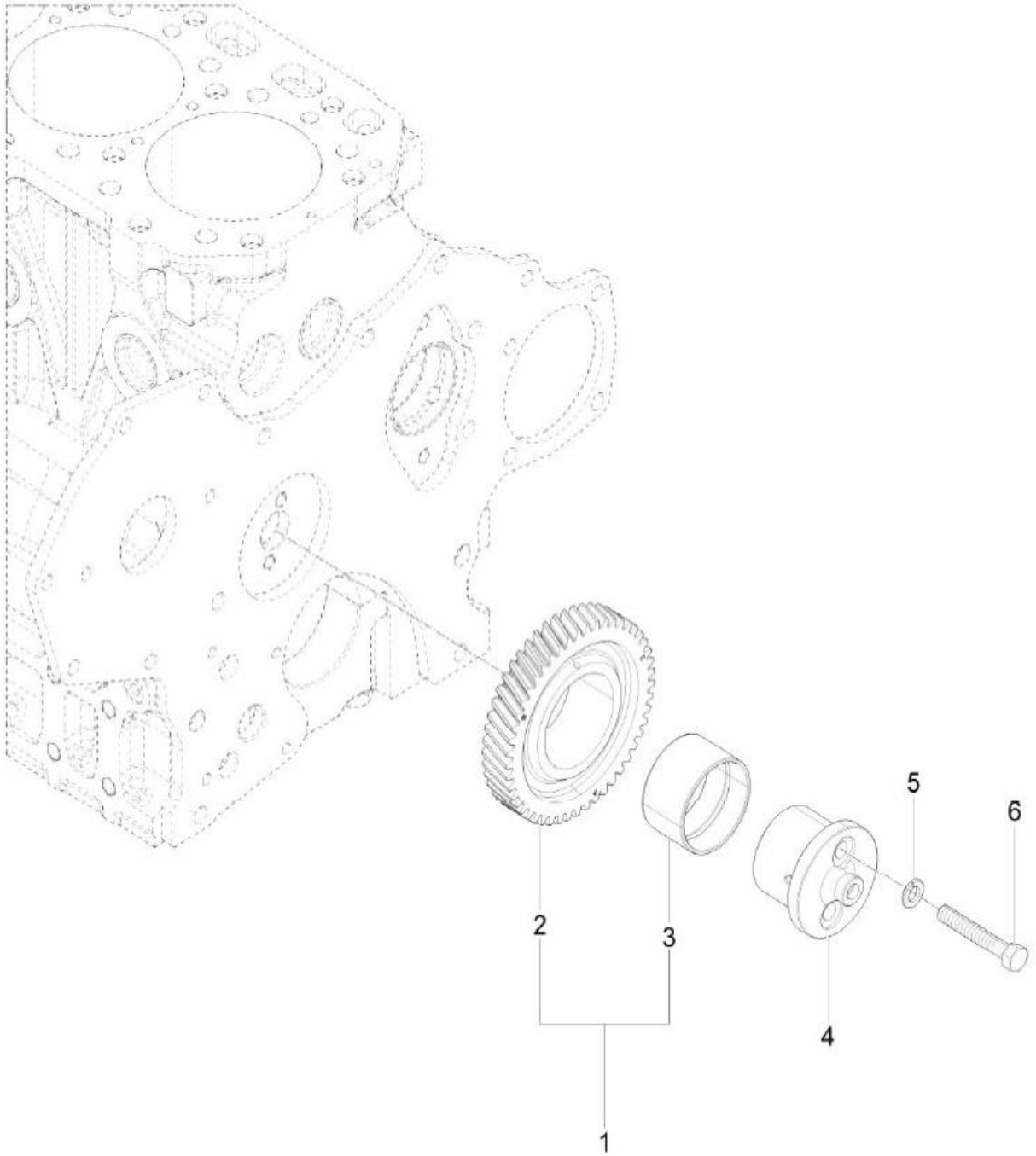
P1

YEAR

2018



T574ST / T574NC / T494ST / T494NC



NOTE

FIG 110

CAM SHAFT

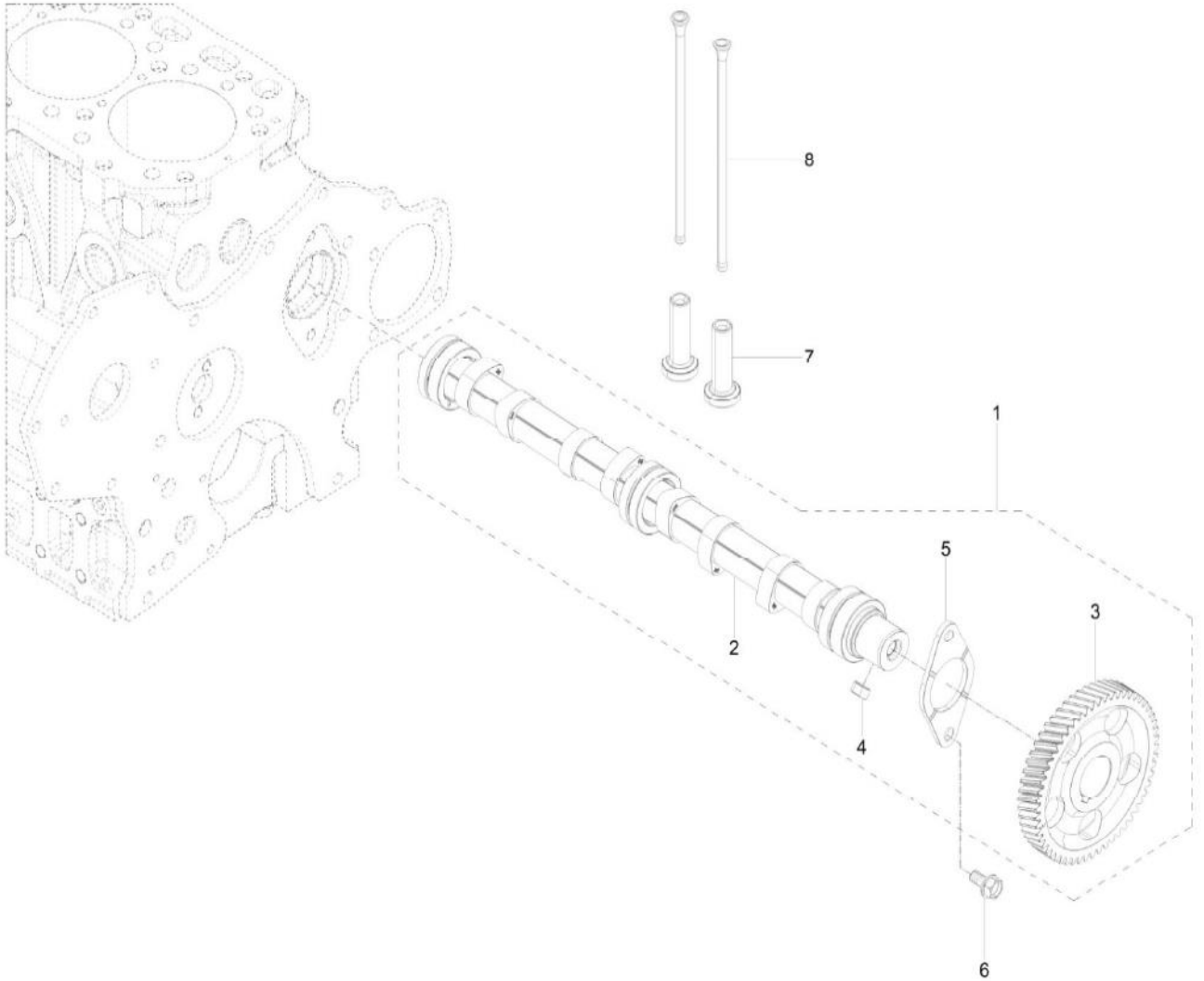
P1

YEAR

2018



T574ST / T574NC / T494ST / T494NC



NOTE

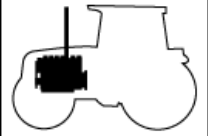
FIG 111

OIL PUMP

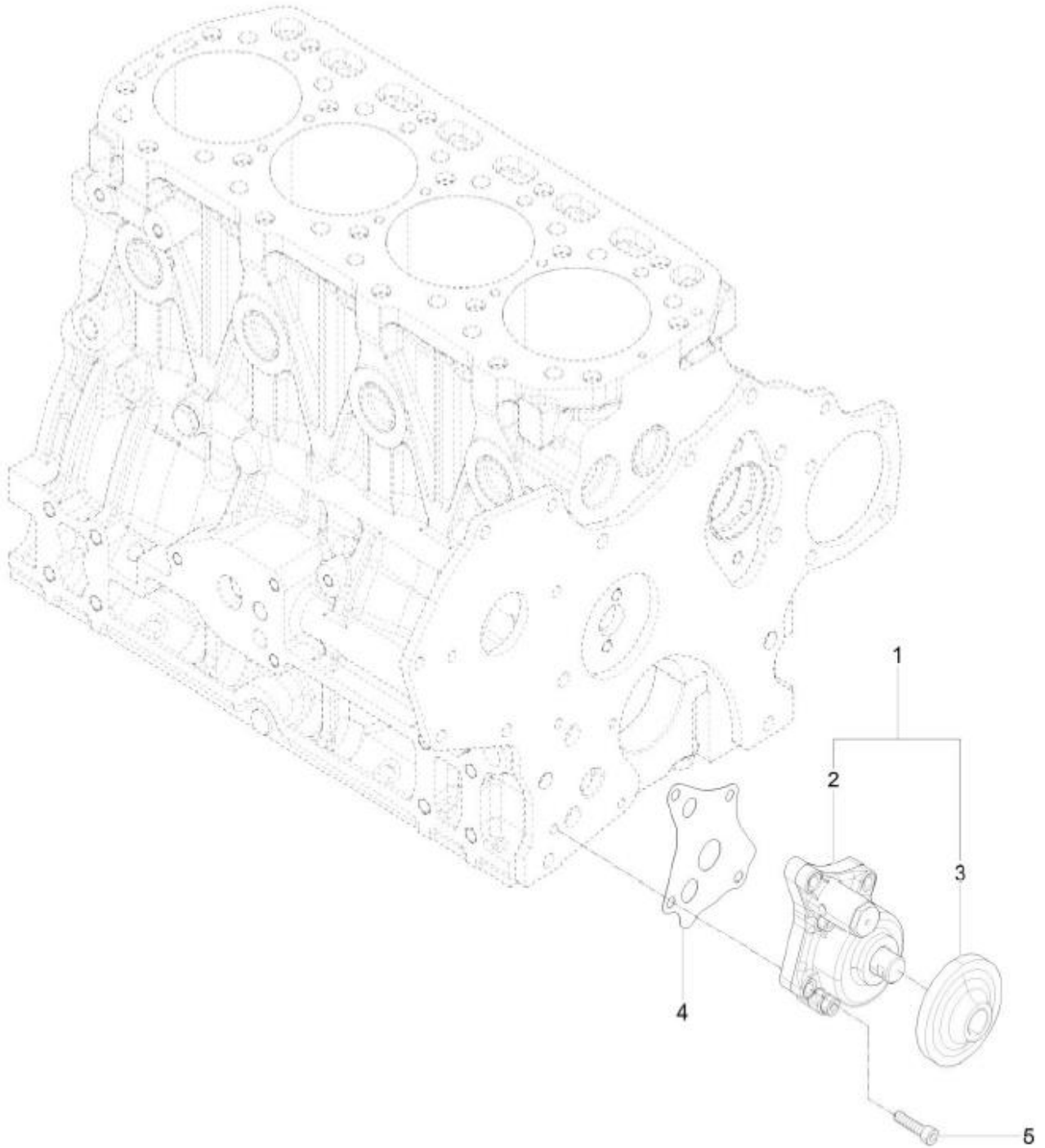
P1

YEAR

2018



T574ST / T574NC / T494ST / T494NC



NOTE

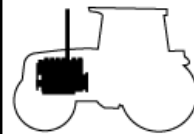
FIG 112

HYD. PUMP DRIVE

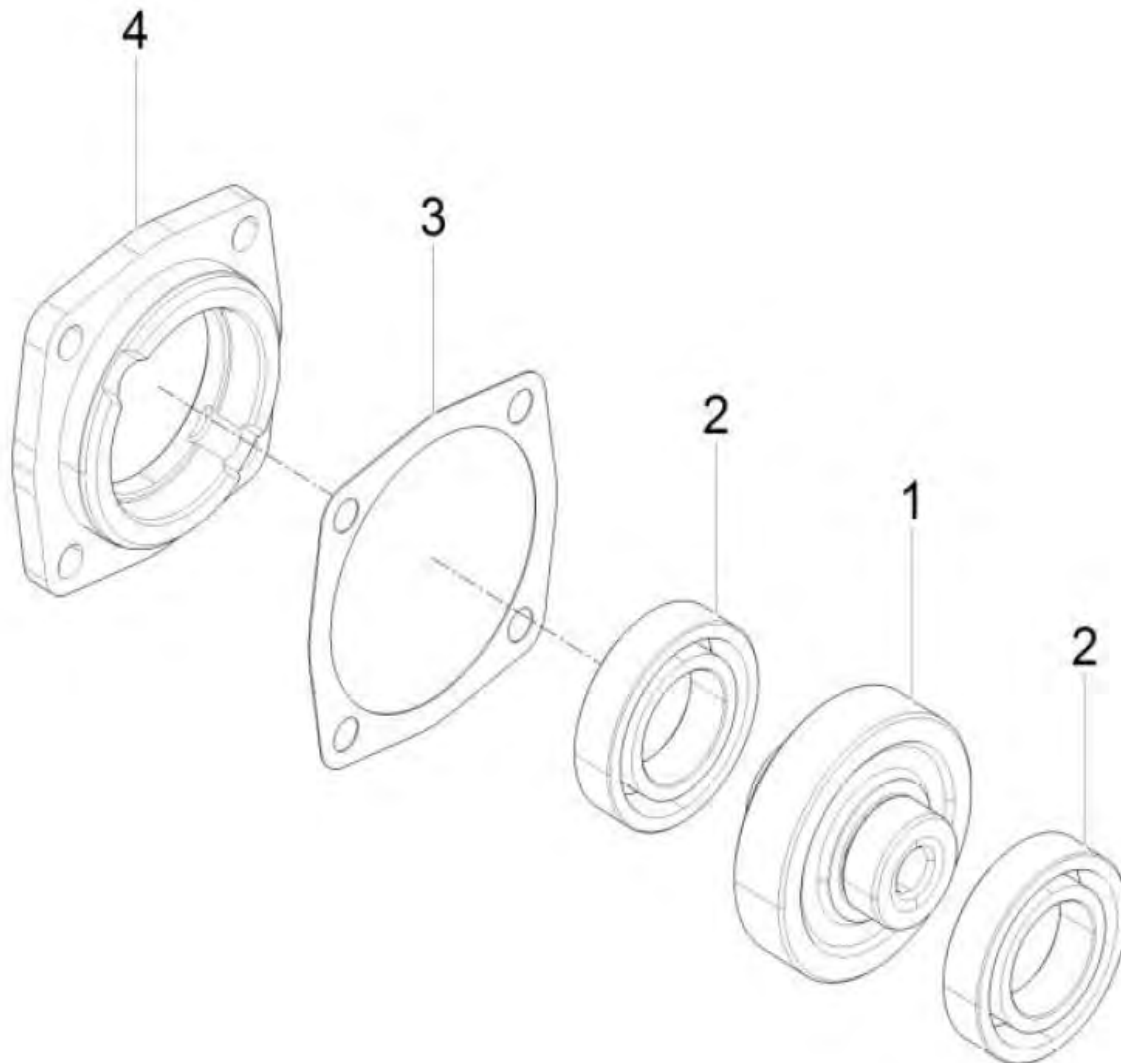
P1

YEAR

2018



T574ST / T574NC / T494ST / T494NC



NOTE

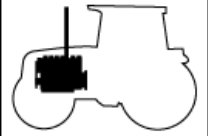
FIG 113

2ND BALANCE

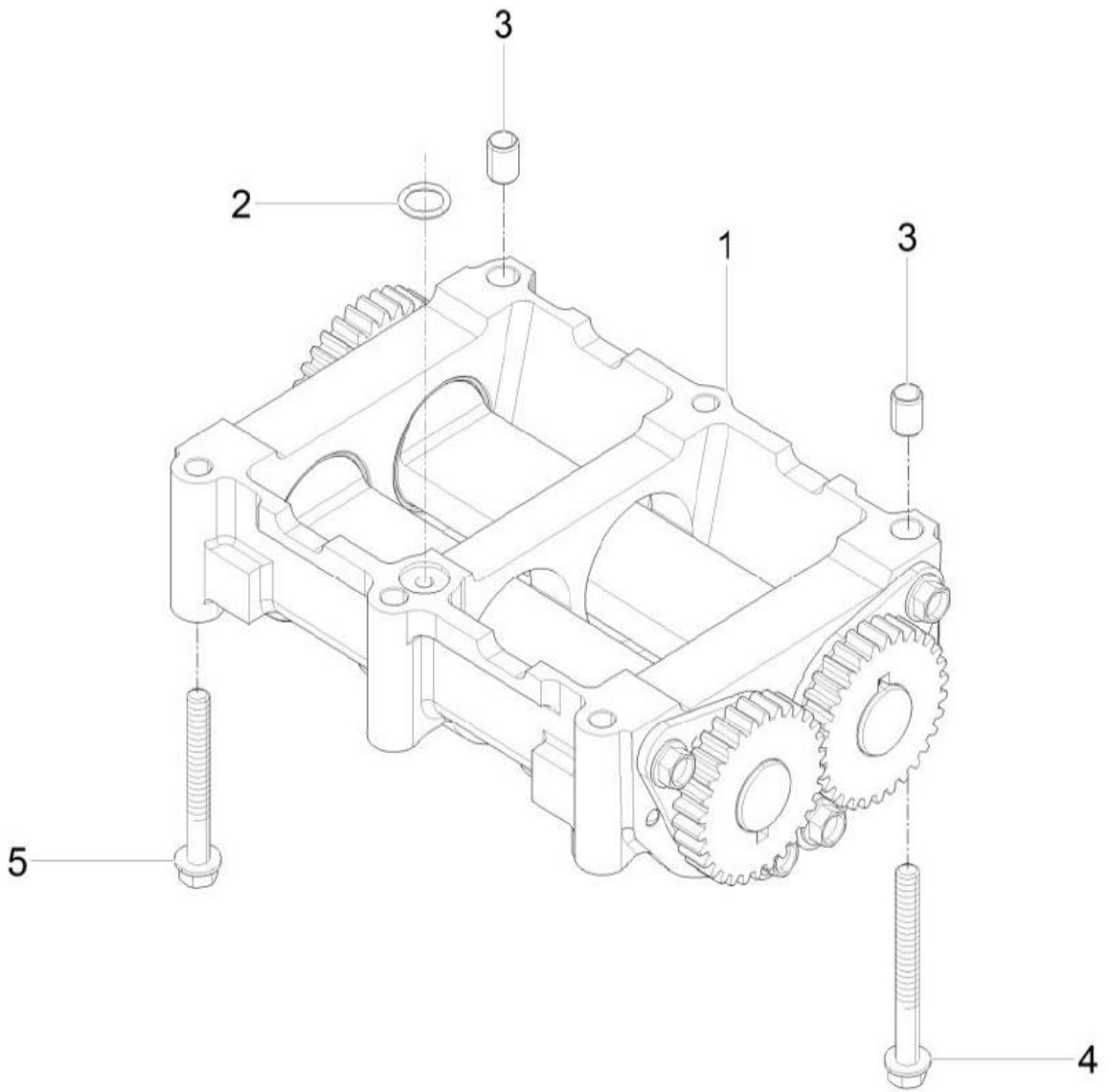
P1

YEAR

2018



T574ST / T574NC / T494ST / T494NC



NOTE

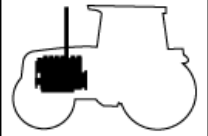
FIG 114

OIL PAN

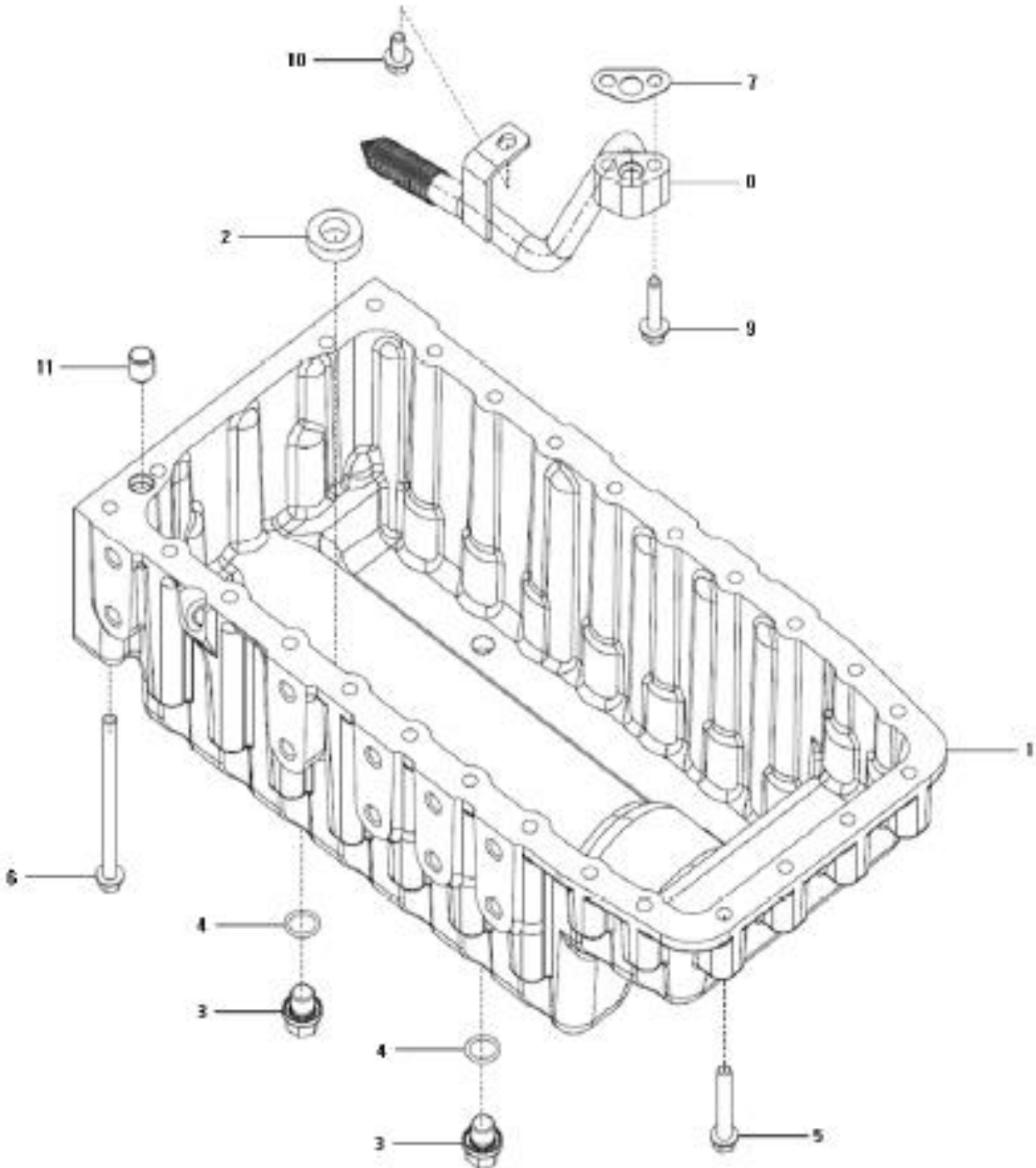
P1

YEAR

2018



T574ST / T574NC / T494ST / T494NC



NOTE

FIG 115A

INTAKE MANIFOLD (T574)

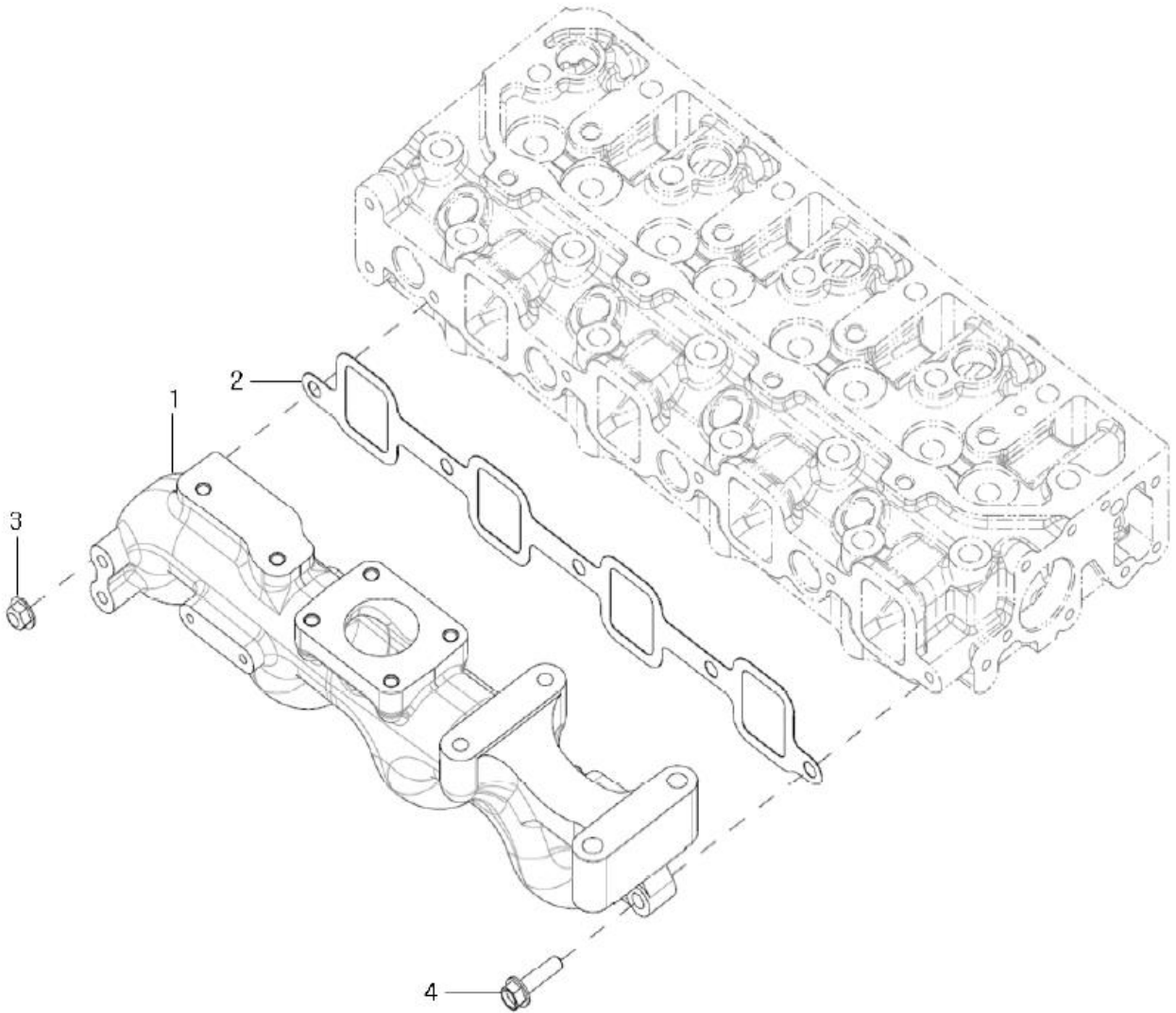
P1

YEAR

2018



T574ST / T574NC / T494ST / T494NC



NOTE

FIG 115B

INTAKE MANIFOLD (T494)

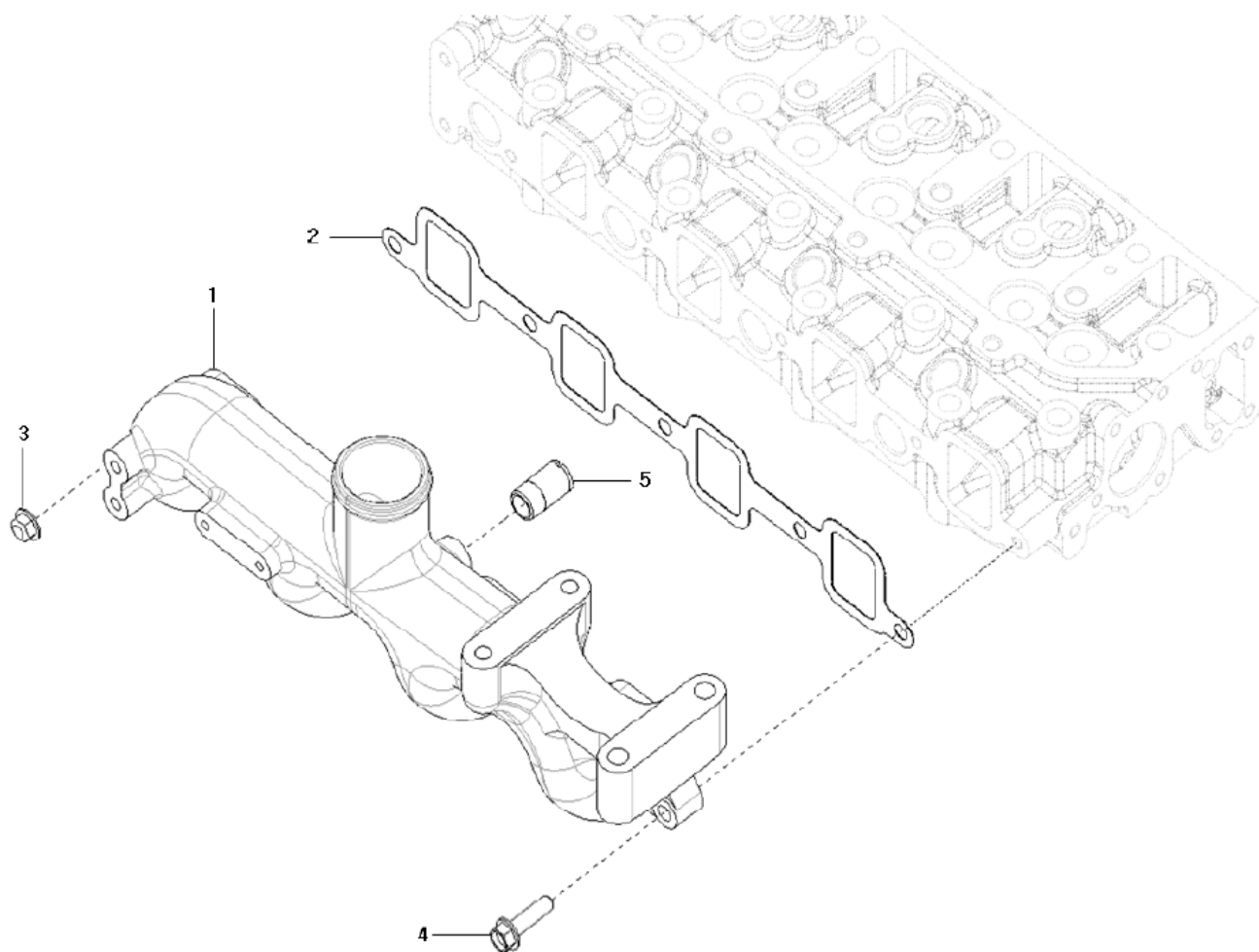
P2

YEAR

2018



T574ST / T574NC / T494ST / T494NC



NOTE

FIG 116A

EXHAUST MANIFOLD (T574)

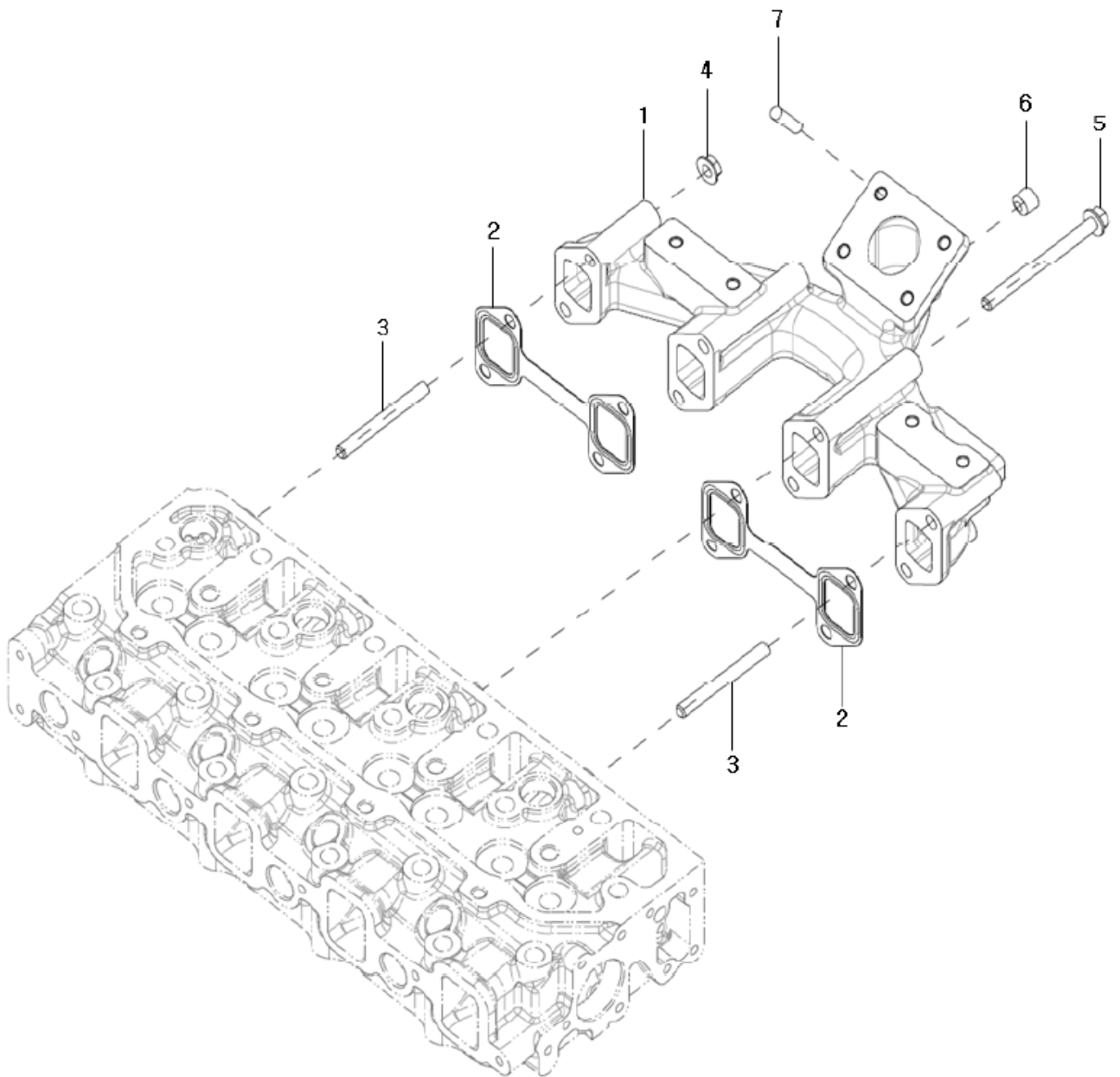
P1

YEAR

2018



T574ST / T574NC / T494ST / T494NC



NOTE

FIG 116B

EXHAUST MANIFOLD (T494)

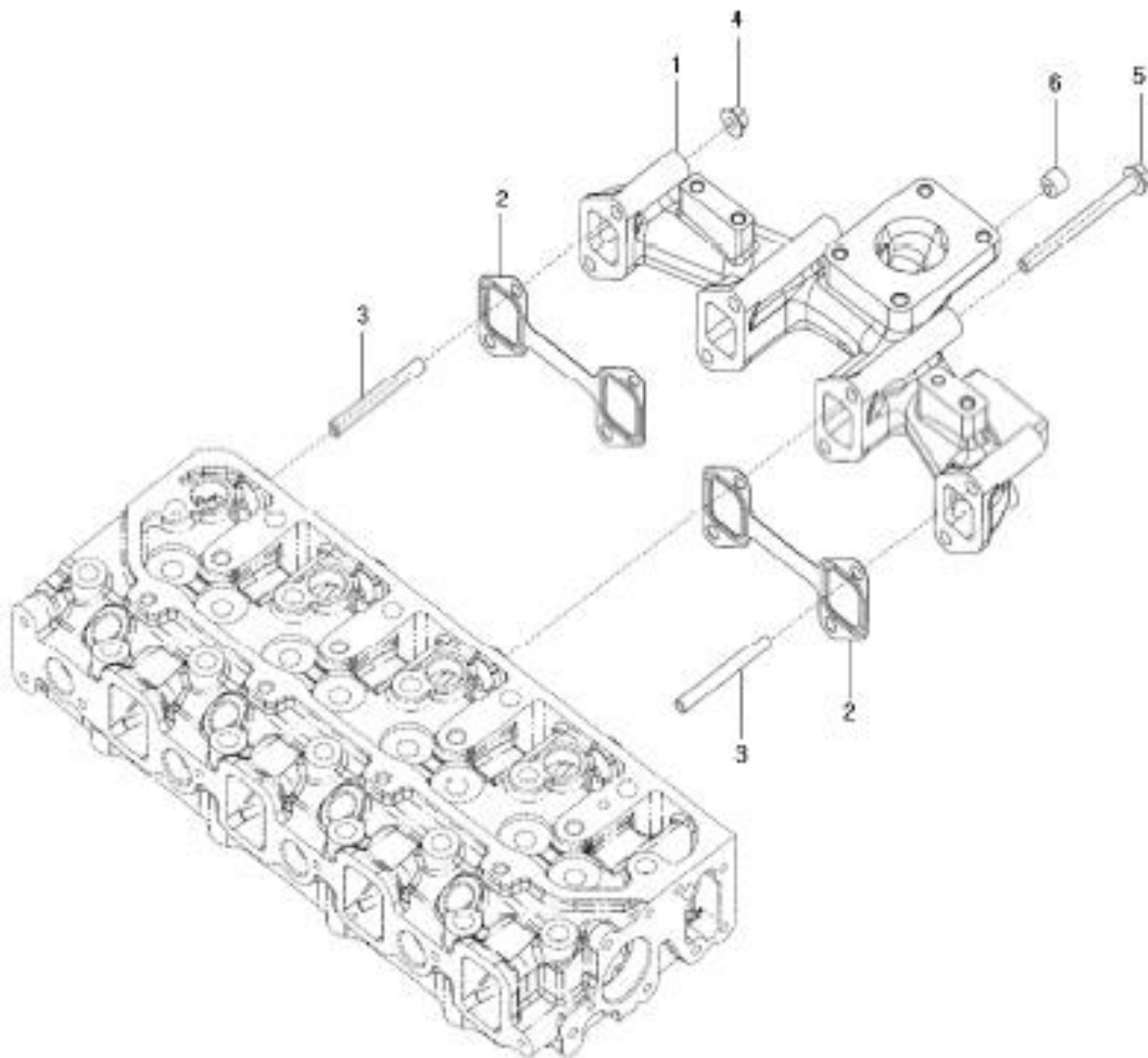
P2

YEAR

2018



T574ST / T574NC / T494ST / T494NC



NOTE

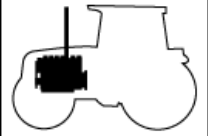
FIG 117A

TURBOCHARGER ASS'Y (T574)

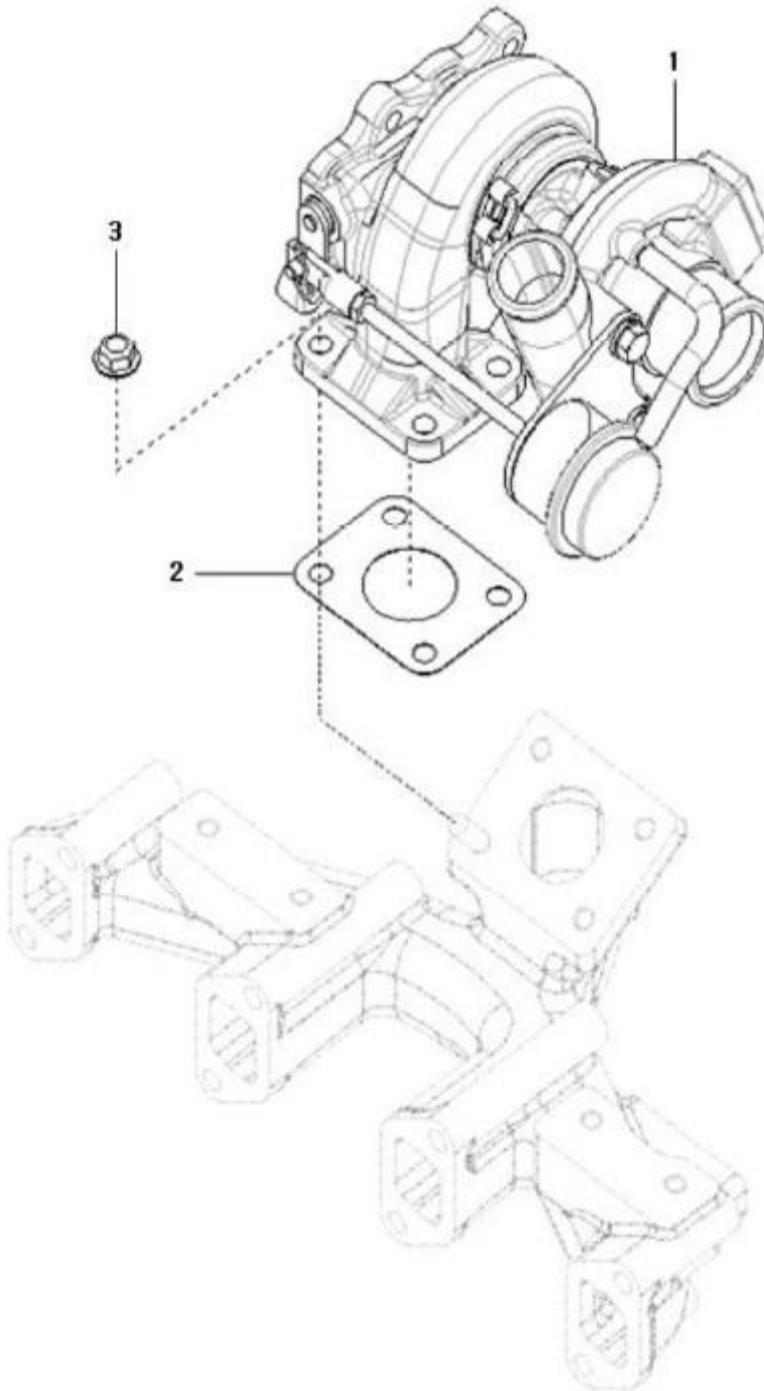
P1

YEAR

2018



T574ST / T574NC / T494ST / T494NC



NOTE

FIG 117B

DPF SUPPORT OPTION (T494)

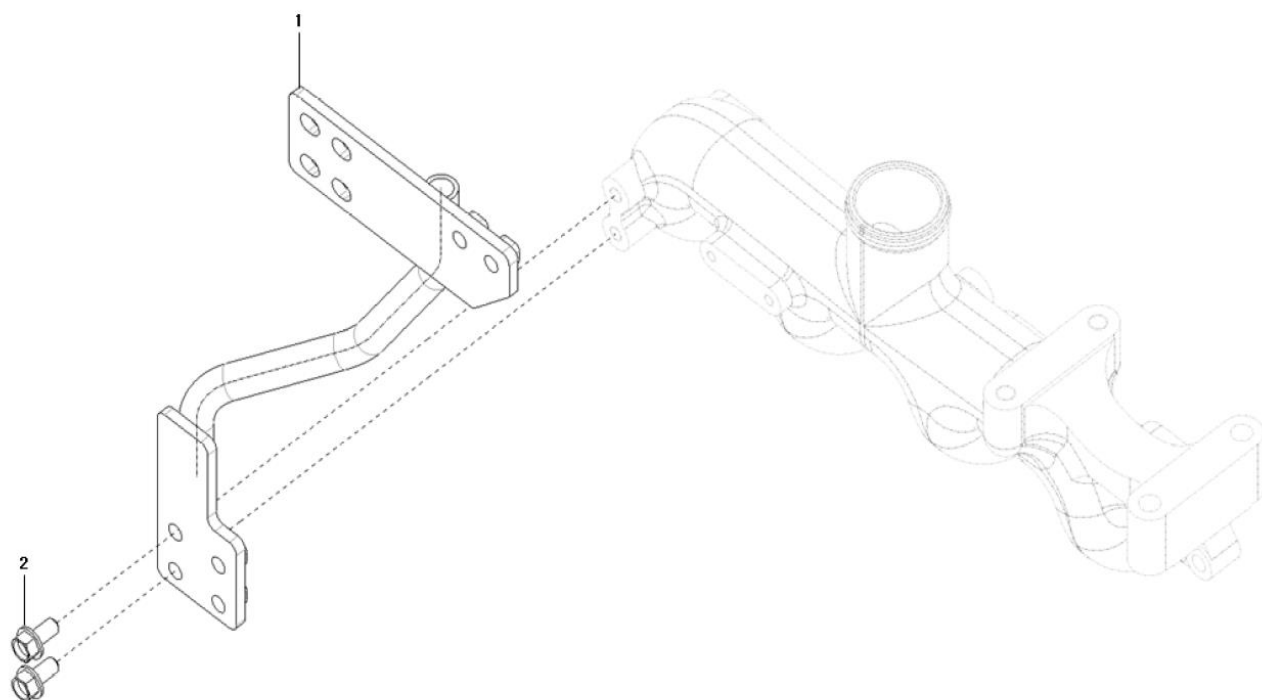
P2

YEAR

2018



T574ST / T574NC / T494ST / T494NC



NOTE

FIG 118A

TURBOCHARGER PLUMBING OPTION(T574)

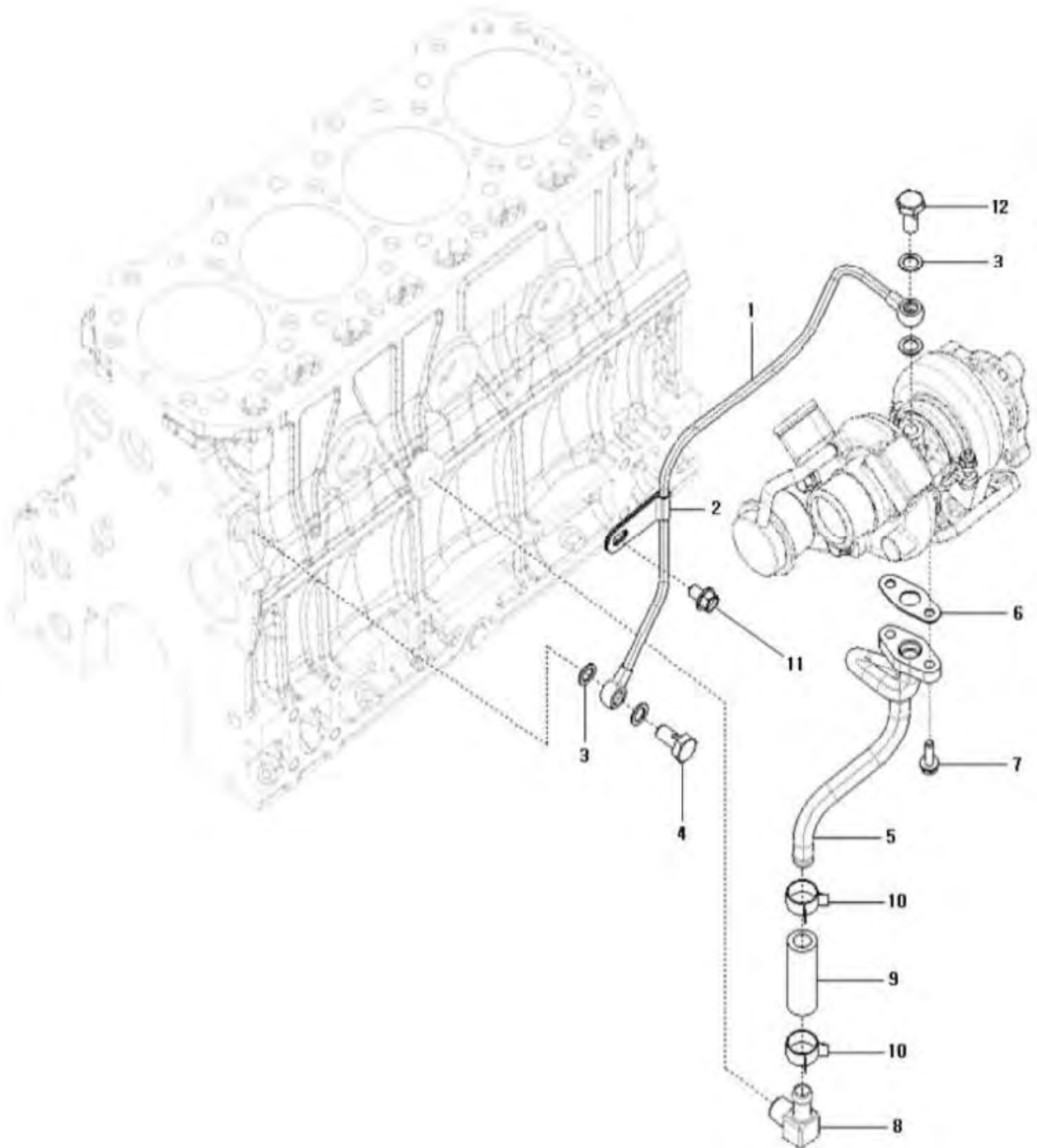
P1

YEAR

2018



T574ST / T574NC / T494ST / T494NC



NOTE

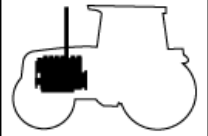
FIG 118B

TURBOCHARGER PLUMBING OPTION(T494)

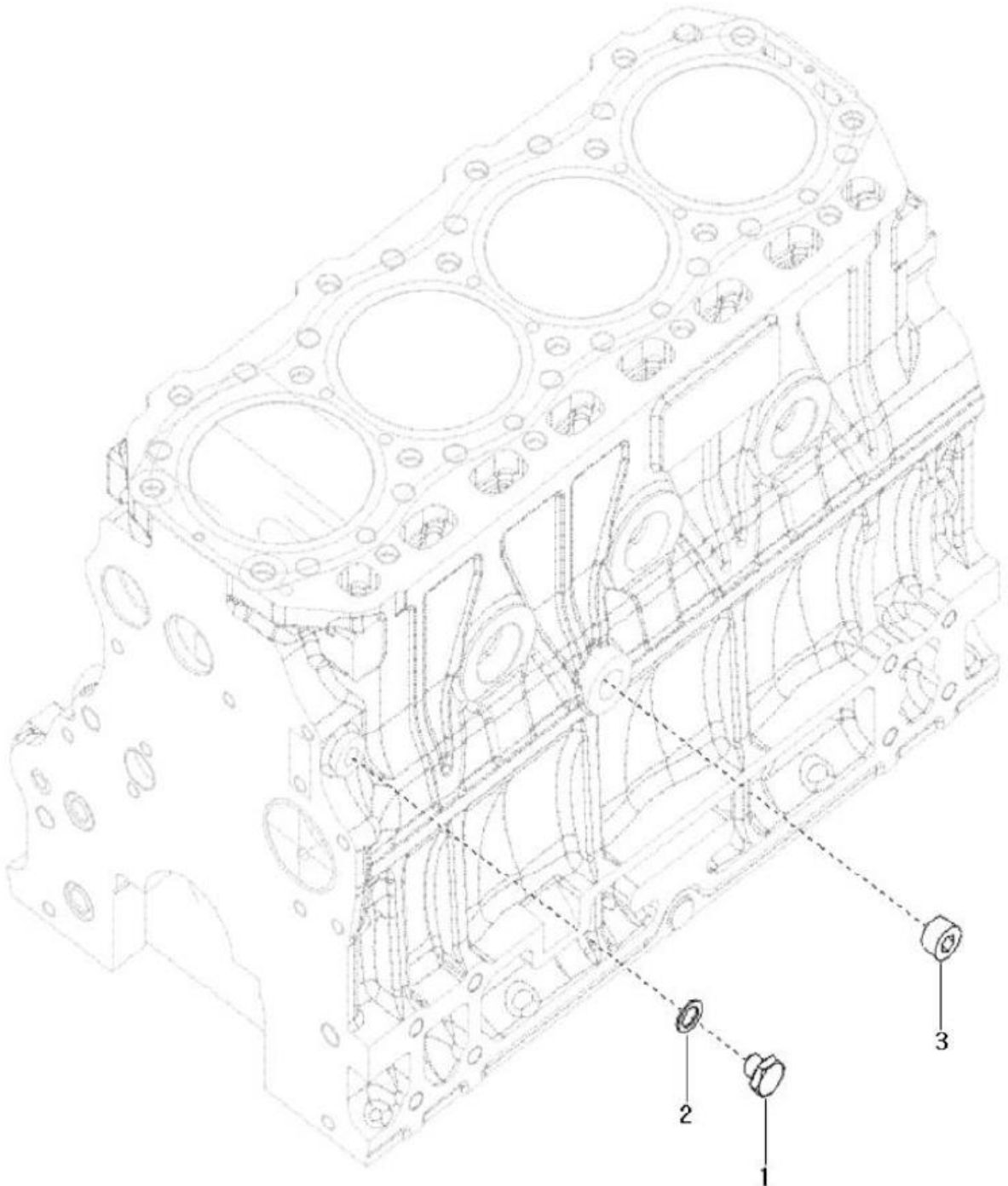
P2

YEAR

2018



T574ST / T574NC / T494ST / T494NC



NOTE

FIG 119A

BREATHER (T574)

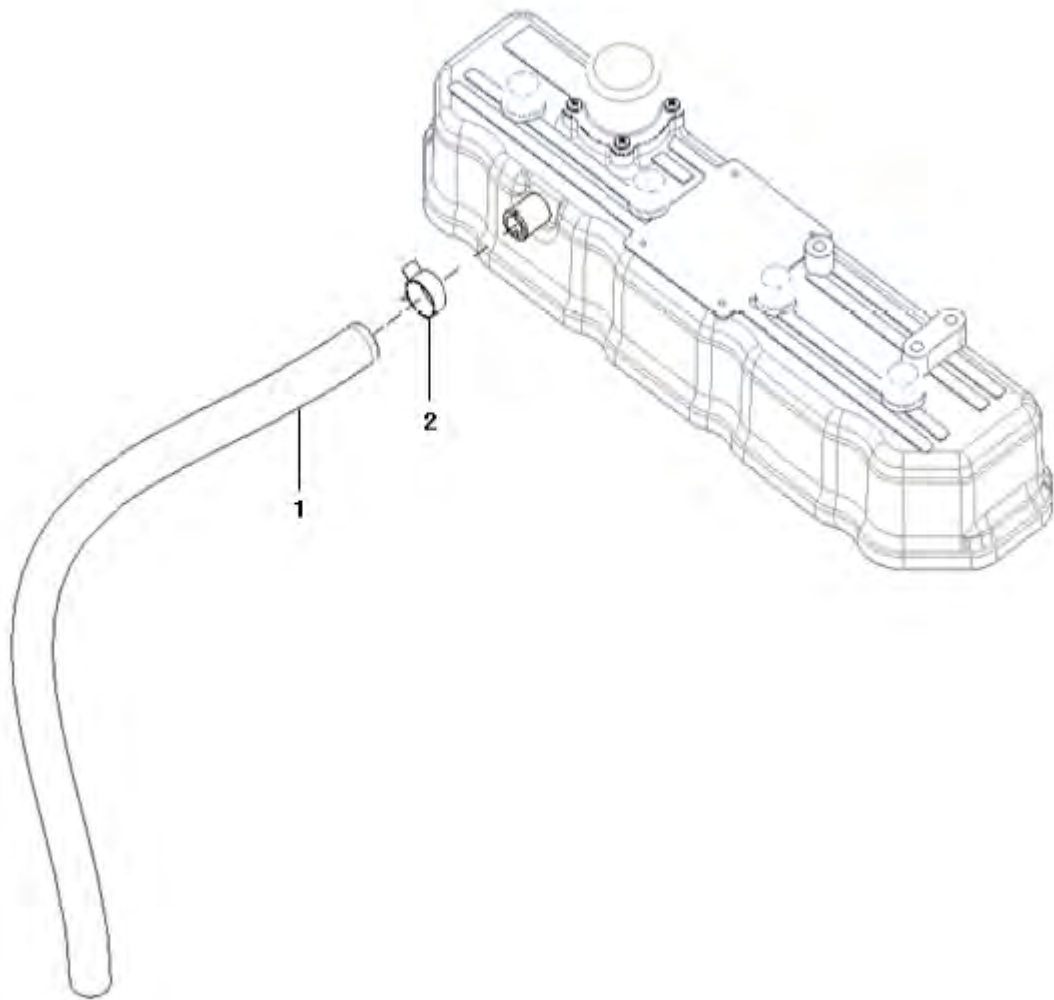
P1

YEAR

2018



T574ST / T574NC / T494ST / T494NC



NOTE

FIG 119B

BREATHER (T494)

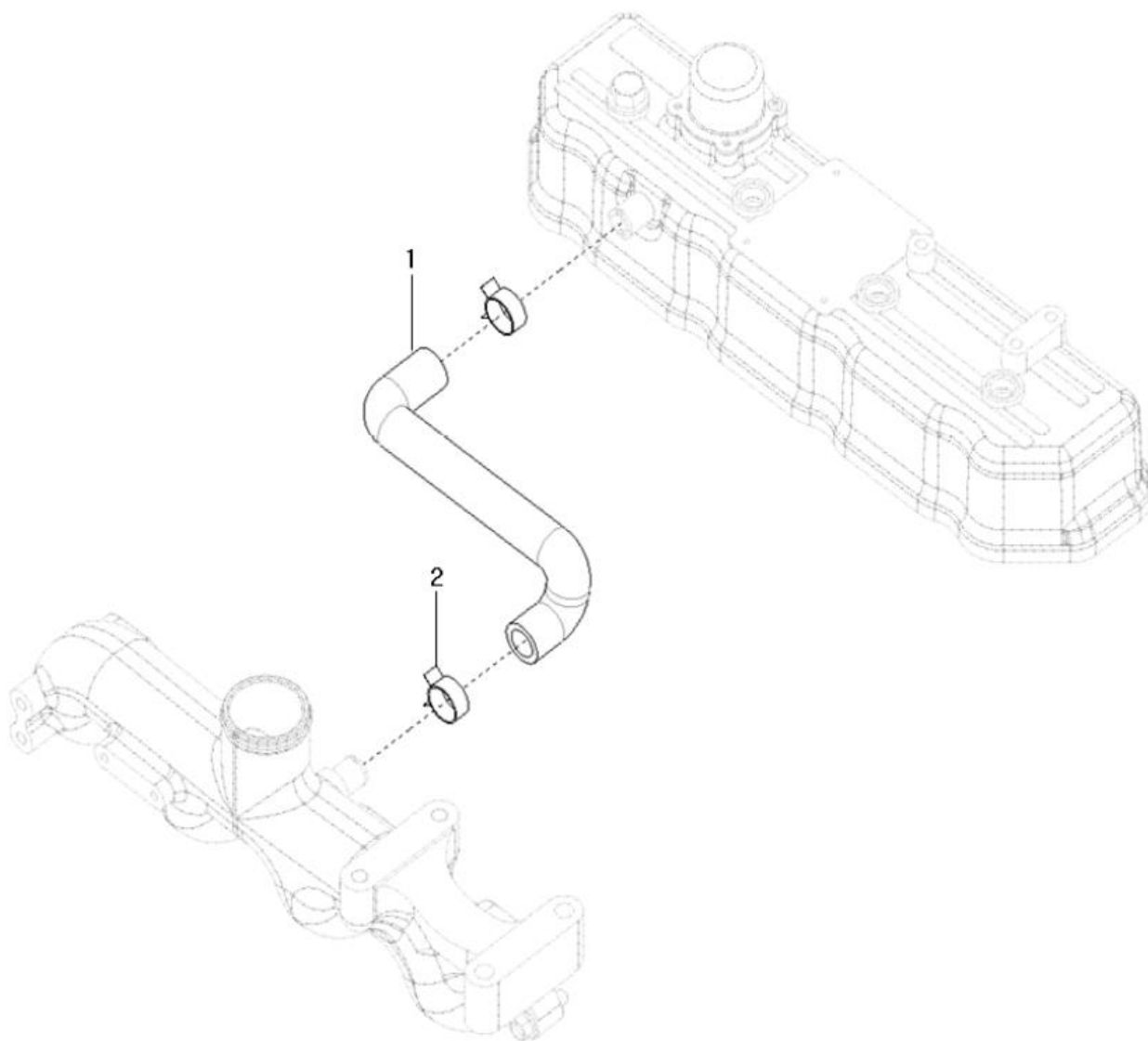
P2

YEAR

2018



T574ST / T574NC / T494ST / T494NC



NOTE

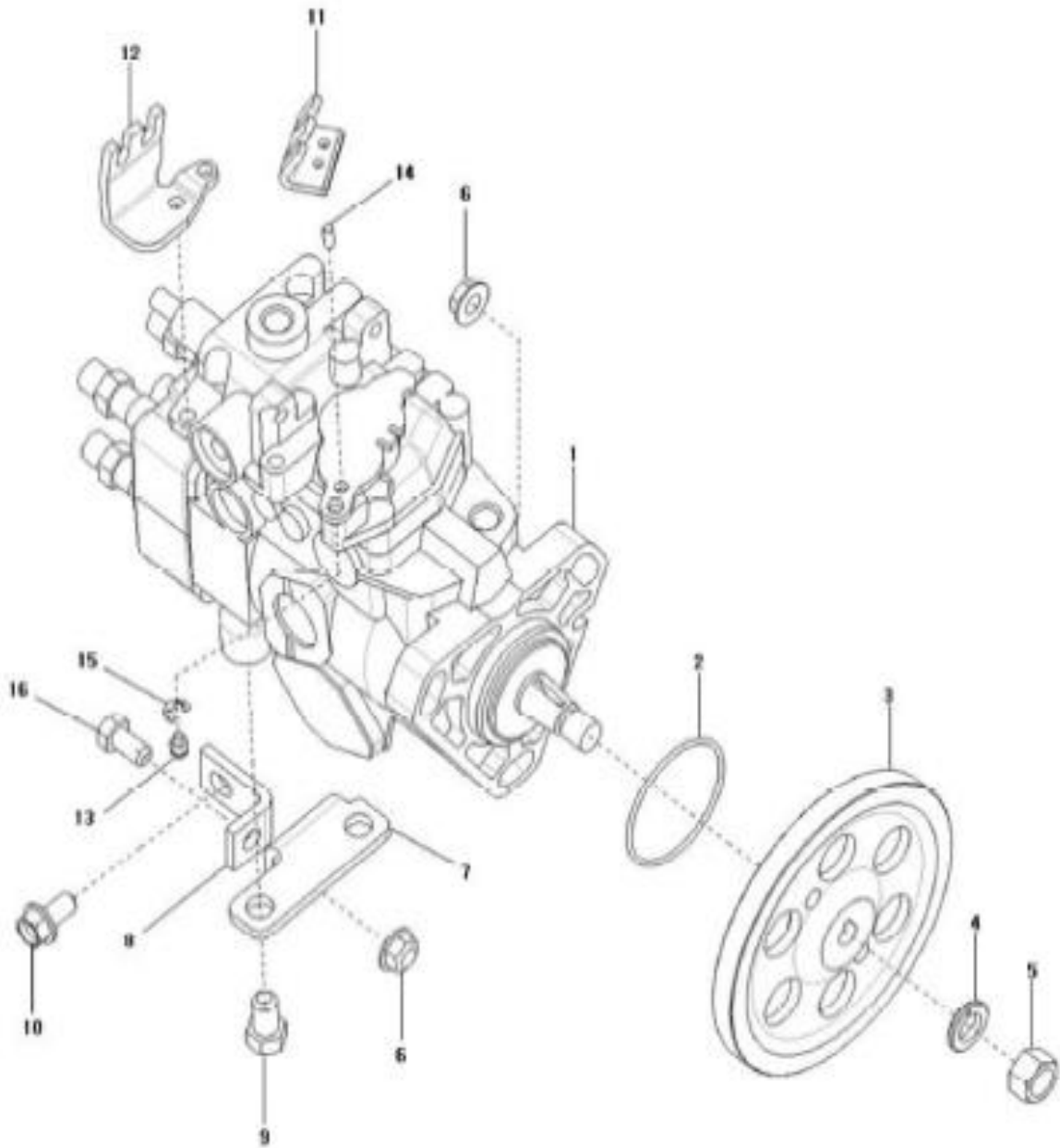
FIG 120

FUEL INJECTION PUMP

P1

YEAR

2018



NOTE

FIG 121

FUEL INJECTION VALVE

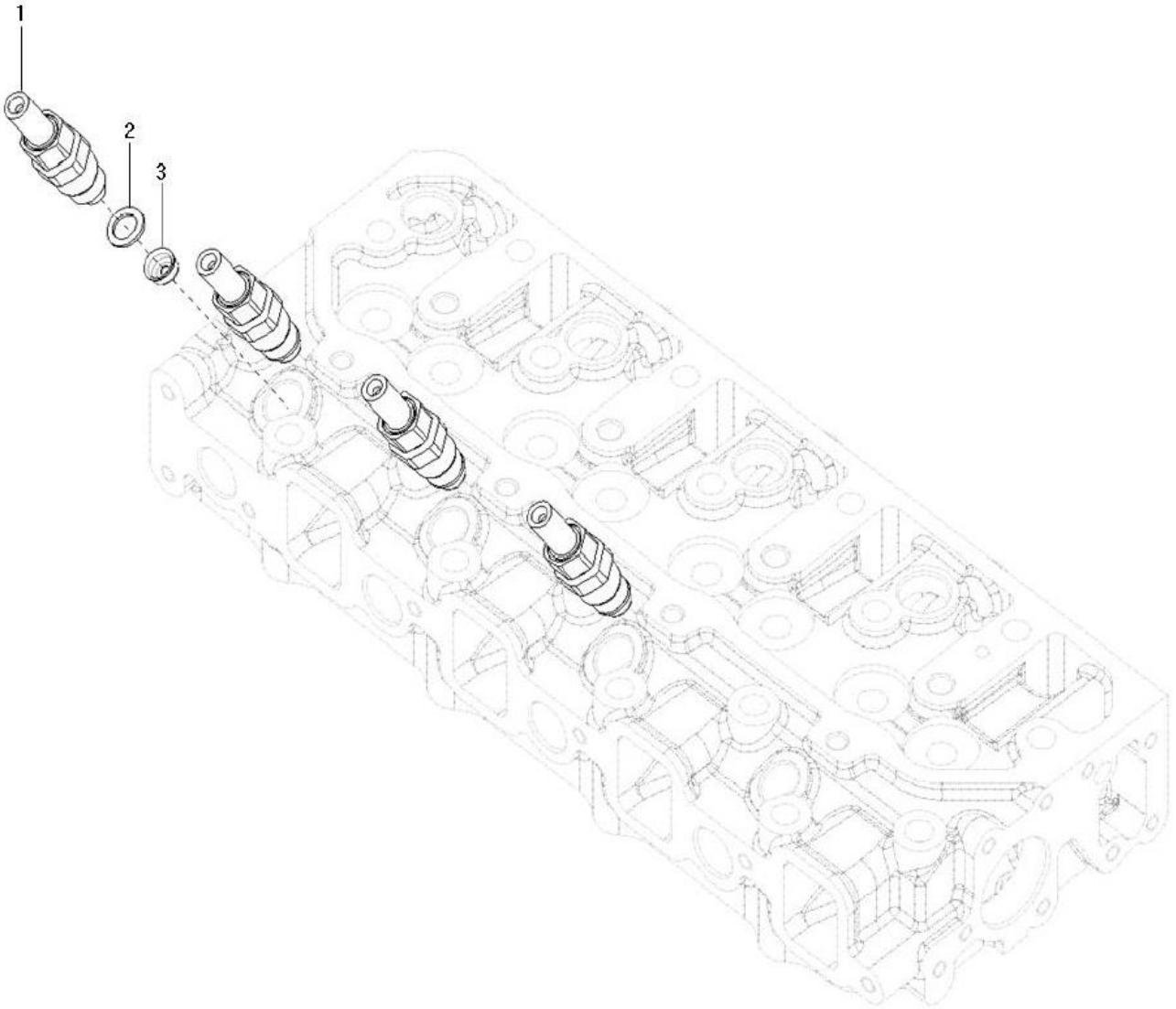
P1

YEAR

2018



T574ST / T574NC / T494ST / T494NC



NOTE

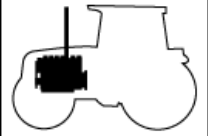
FIG 122

FUEL PIPE ASS'Y

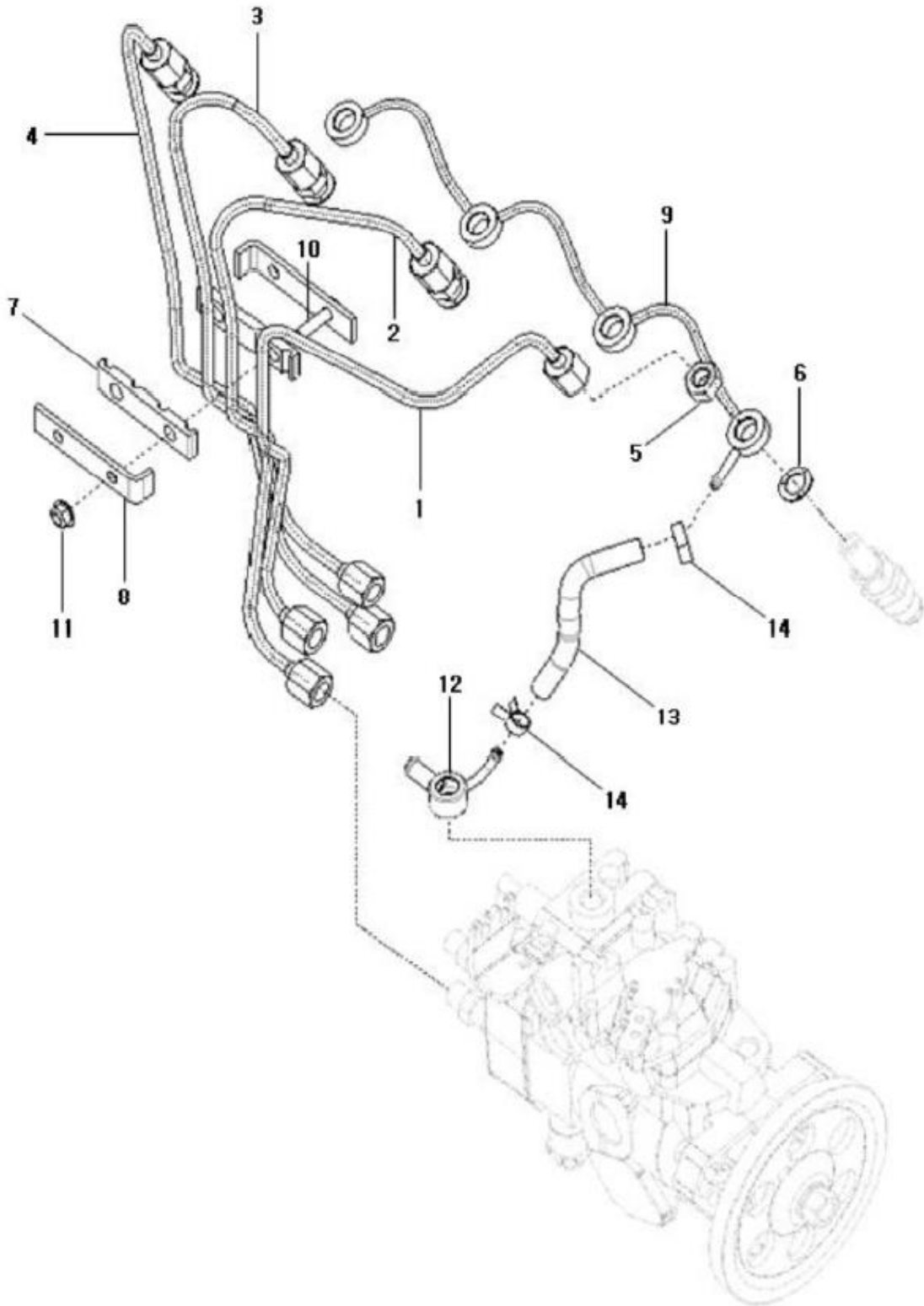
P1

YEAR

2018



T574ST / T574NC / T494ST / T494NC



NOTE

FIG 123

OIL FILTER

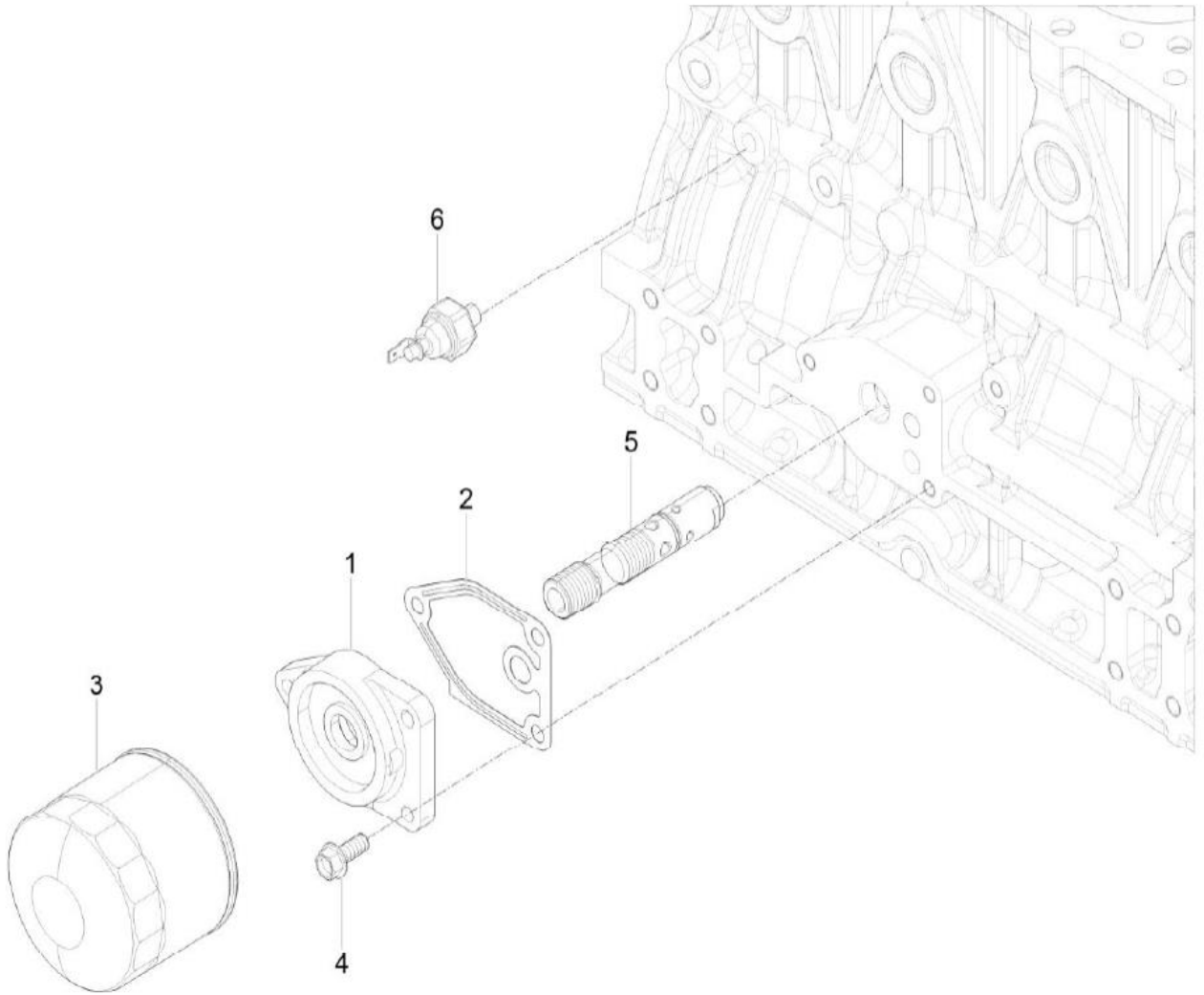
P1

YEAR

2018



T574ST / T574NC / T494ST / T494NC



NOTE

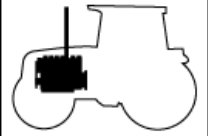
FIG 124

OIL COOLER

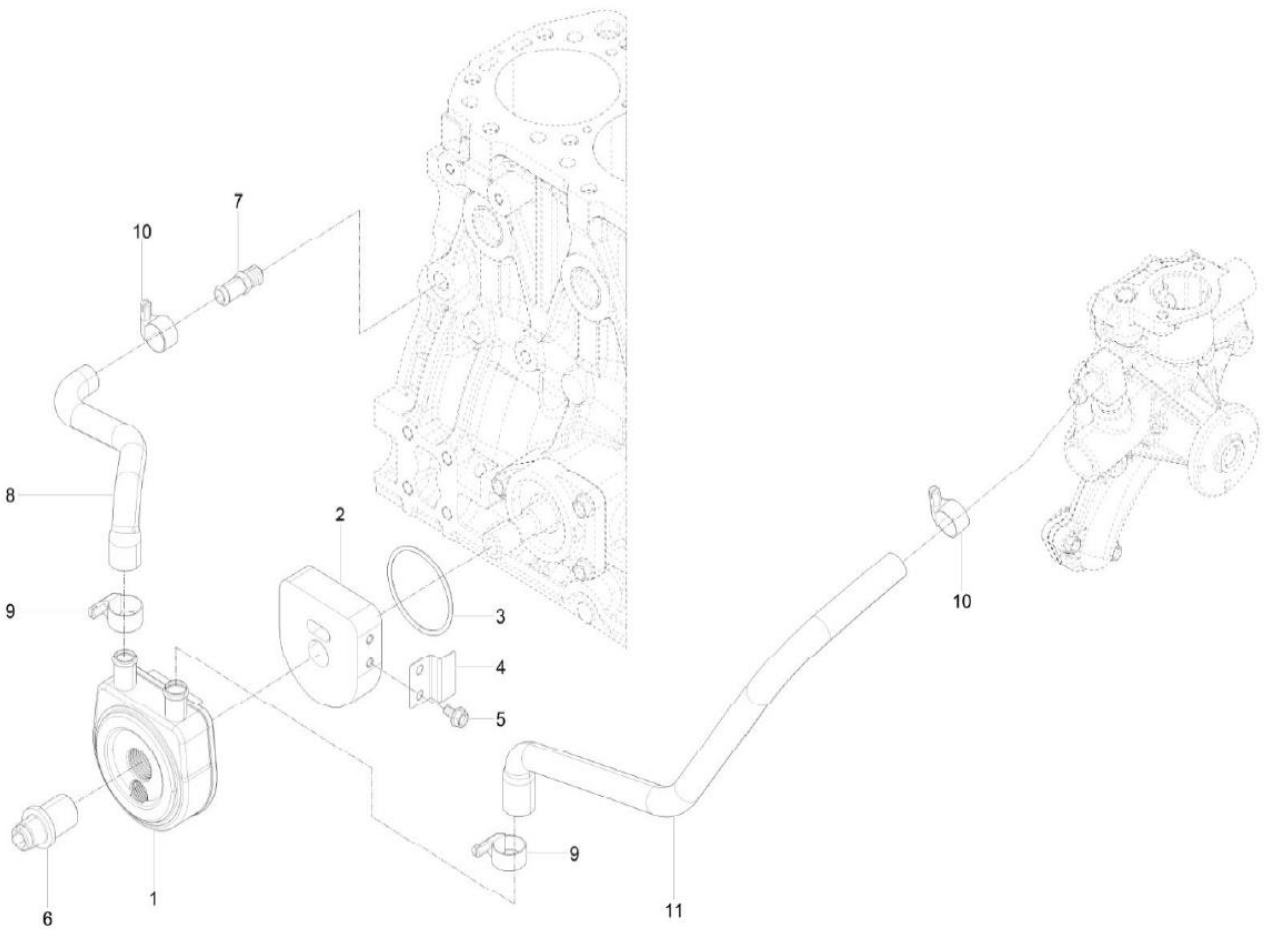
P1

YEAR

2018



T574ST / T574NC / T494ST / T494NC



NOTE

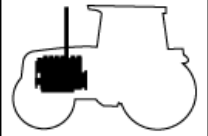
FIG 125

OIL GAUGUE

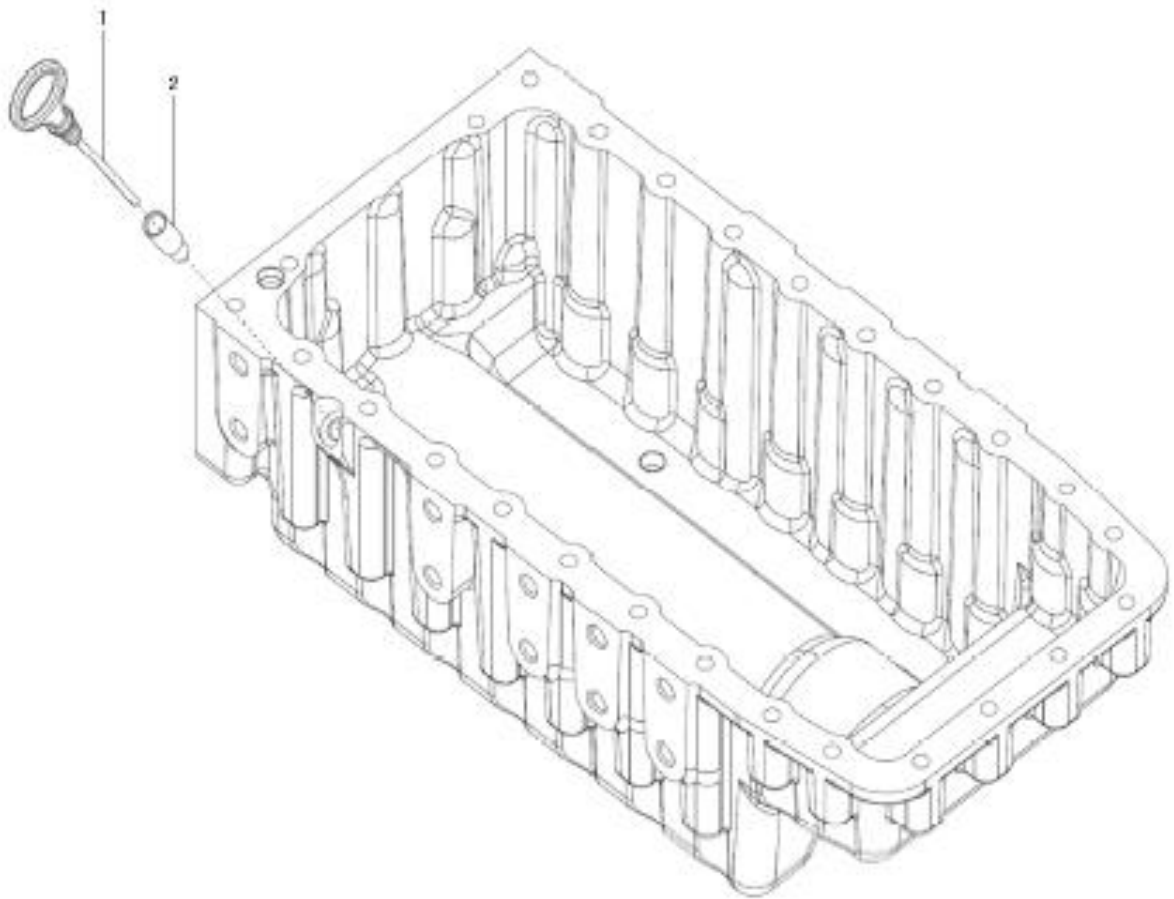
P1

YEAR

2018



T574ST / T574NC / T494ST / T494NC



NOTE

FIG 126

OIL FILLER CAP

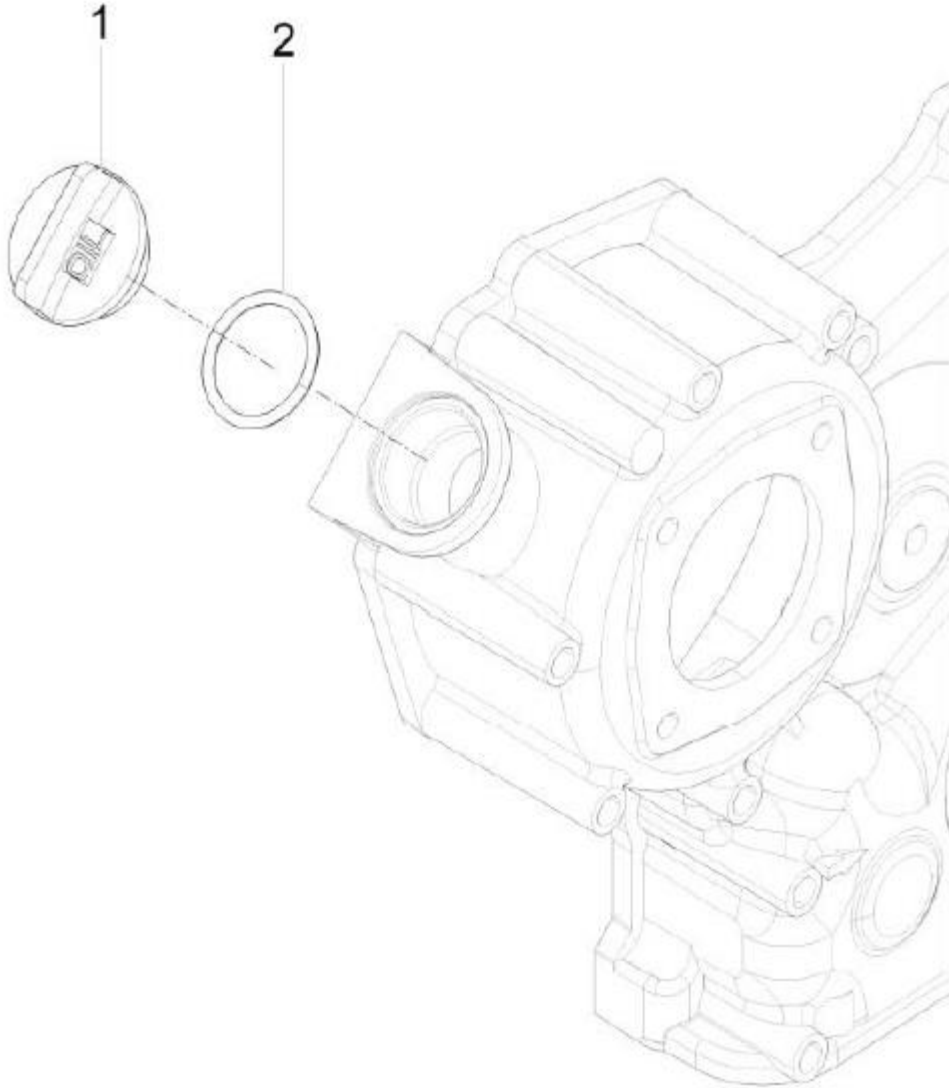
P1

YEAR

2018



T574ST / T574NC / T494ST / T494NC



NOTE

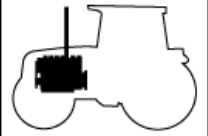
FIG 127

COOLING WATER PUMP

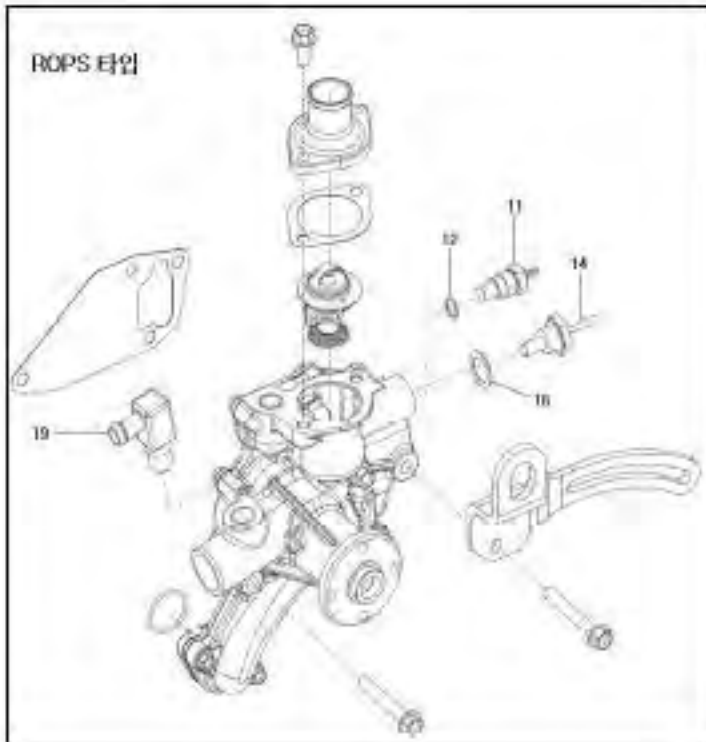
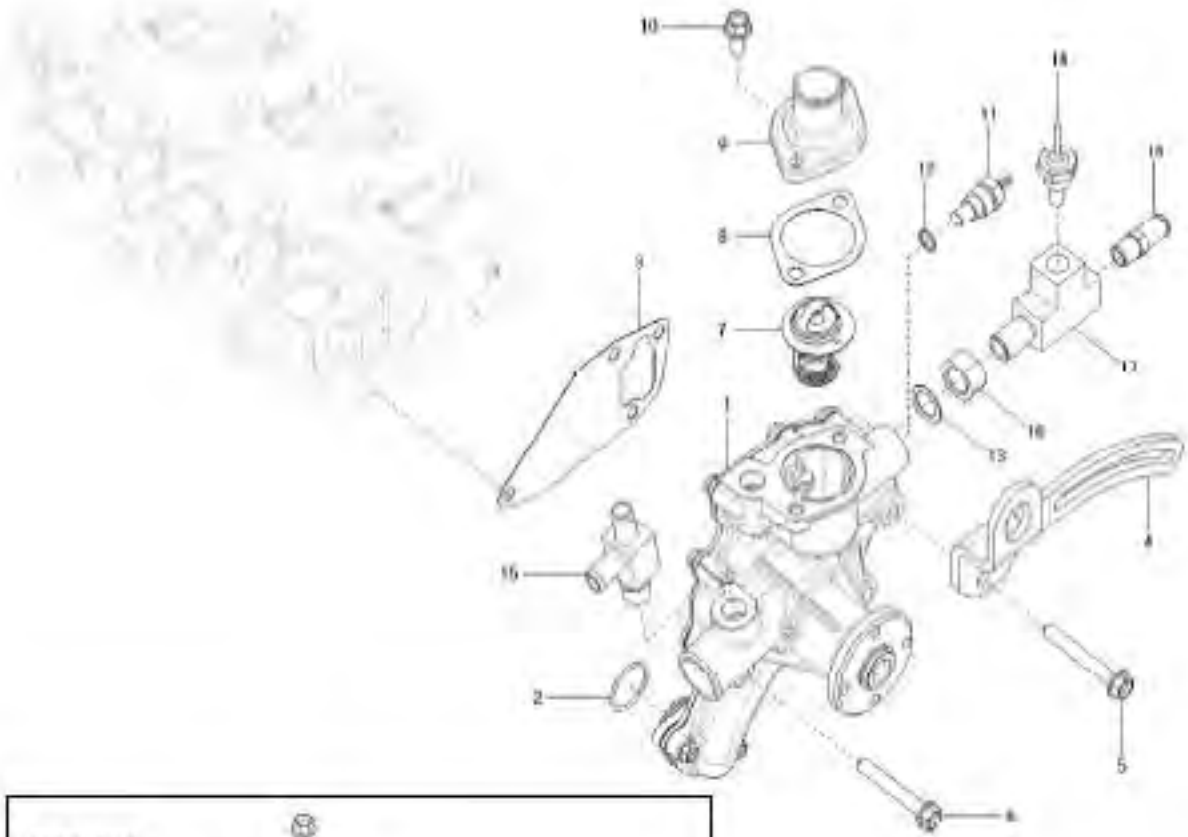
P1

YEAR

2018



T574ST / T574NC / T494ST / T494NC



NOTE

FIG 128

CRANK SHAFT PULLEY

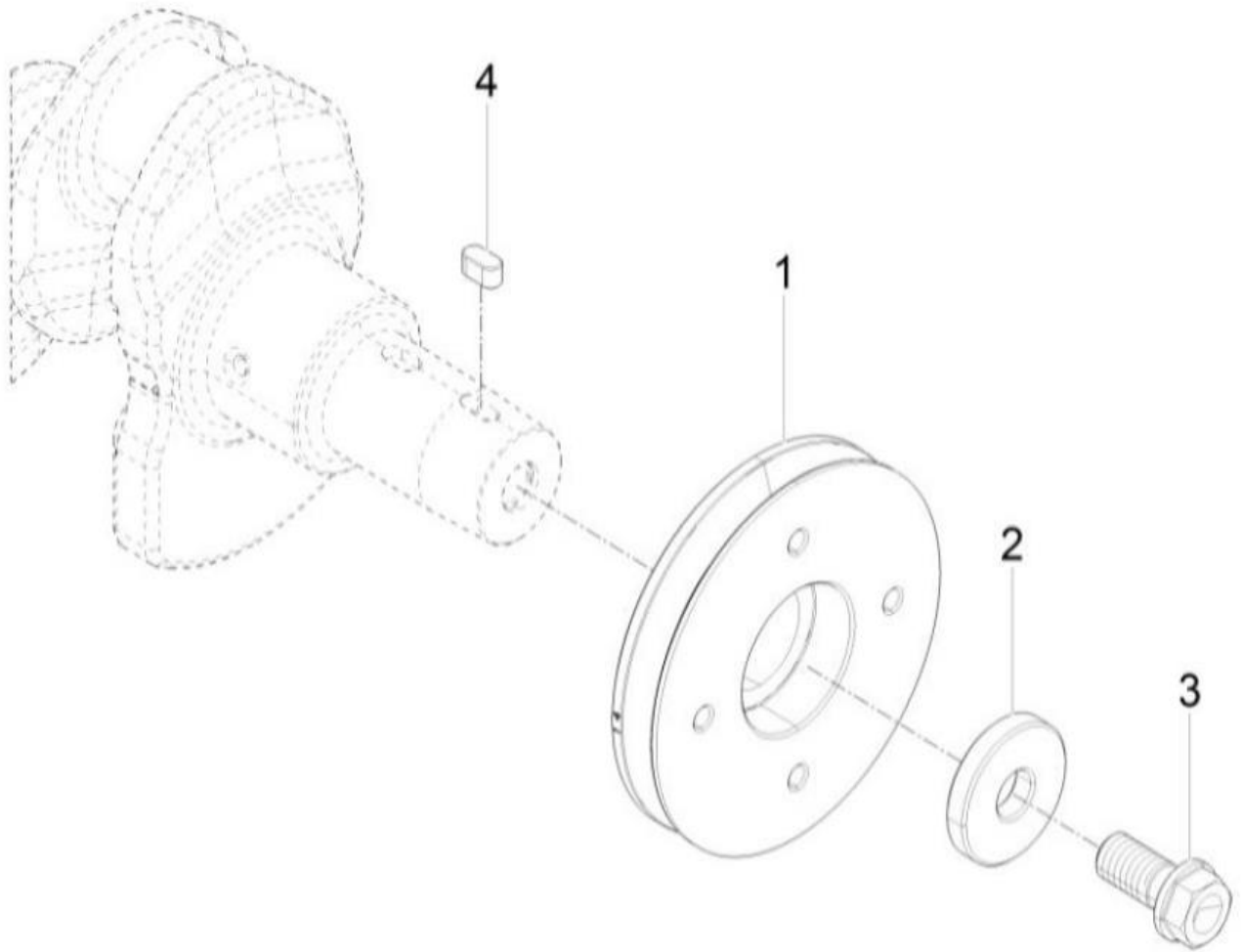
P1

YEAR

2018



T574ST / T574NC / T494ST / T494NC



NOTE

FIG 129

V-PULLEY

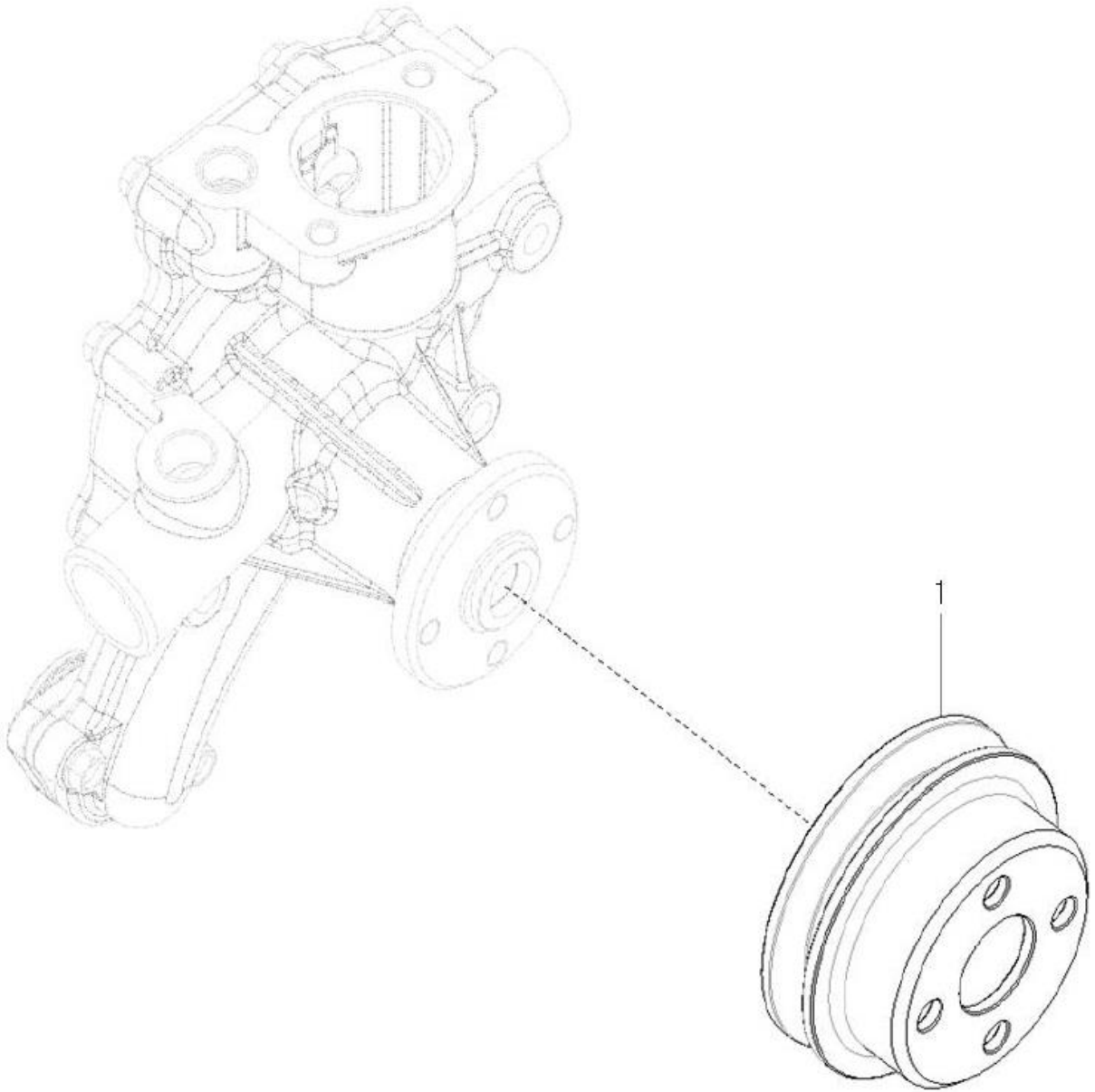
P1

YEAR

2018



T574ST / T574NC / T494ST / T494NC



NOTE

FIG 130

COOLING FAN

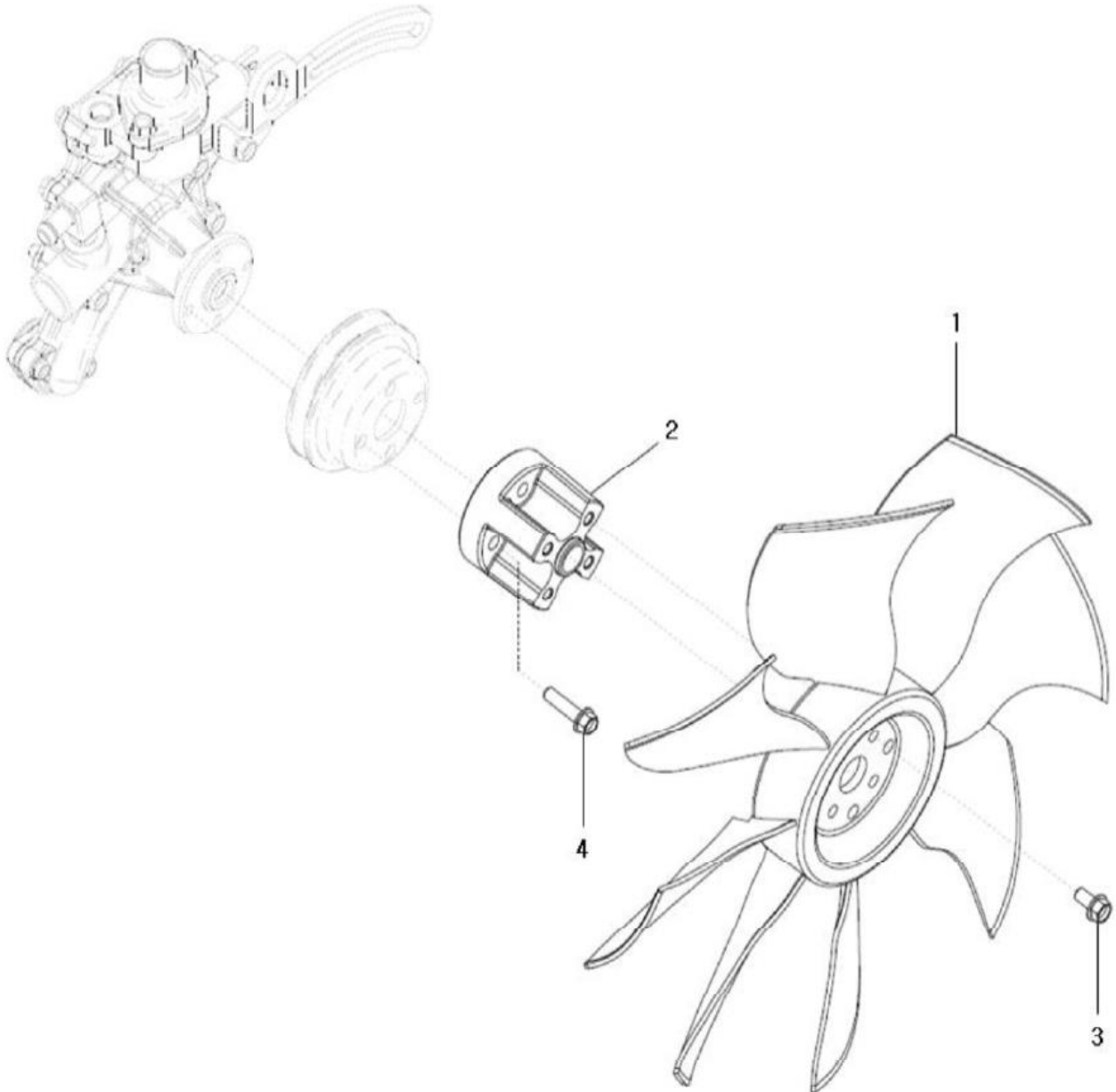
P1

YEAR

2018



T574ST / T574NC / T494ST / T494NC



NOTE

FIG 131

FLYWHEEL HOUSING

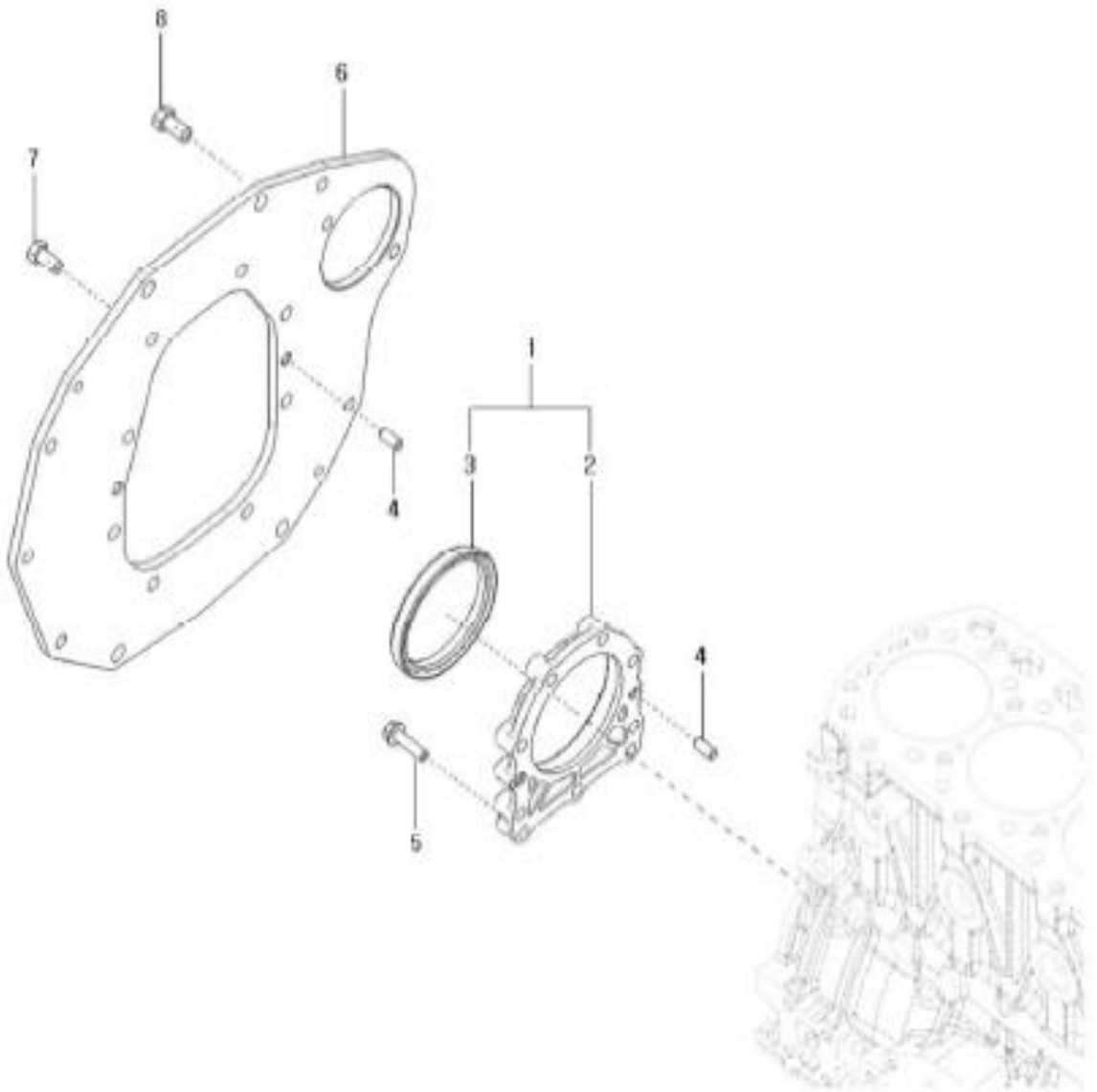
P1

YEAR

2018



T574ST / T574NC / T494ST / T494NC



NOTE

FIG 132

FLYWHEEL

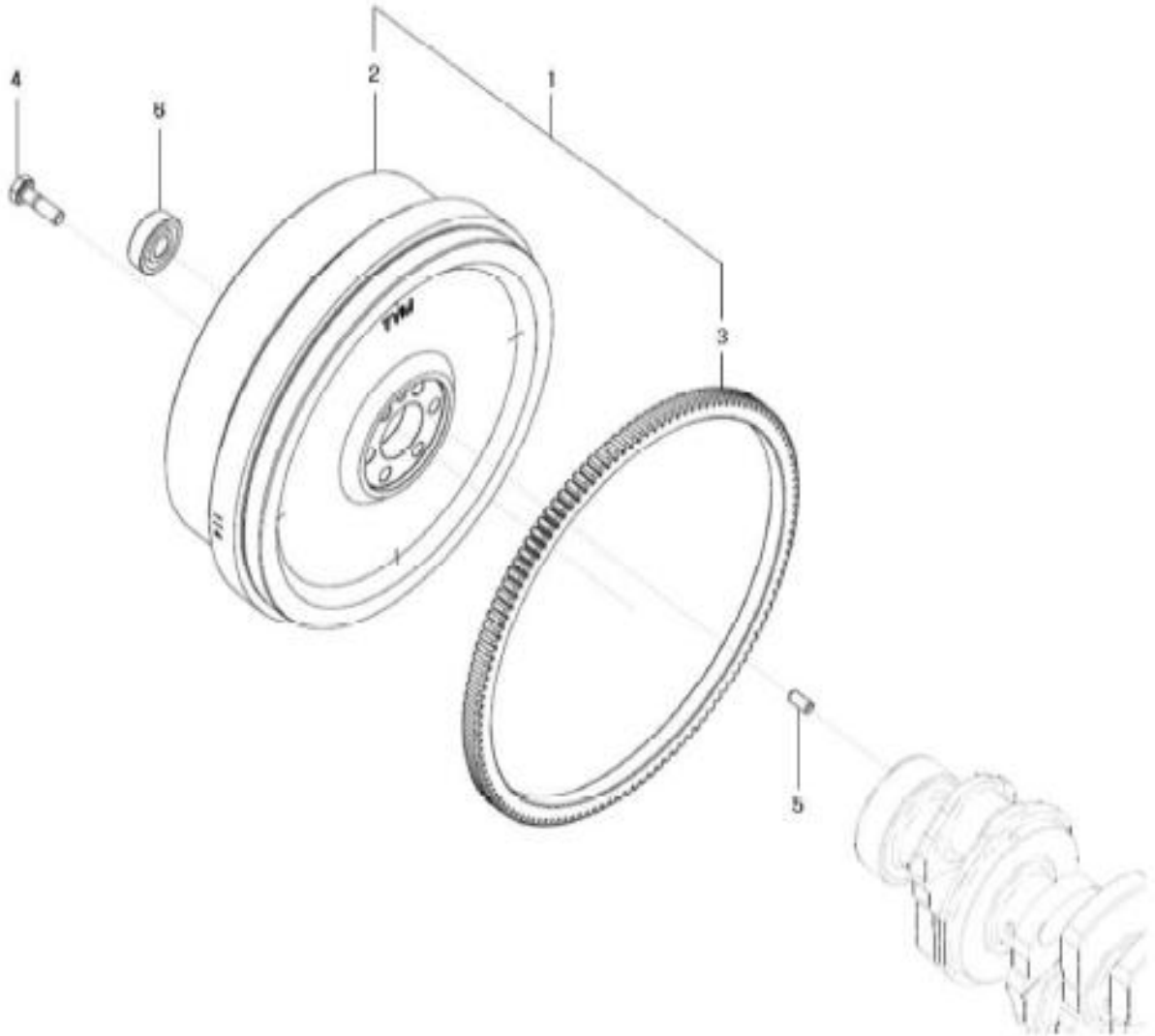
P1

YEAR

2018



T574ST / T574NC / T494ST / T494NC



NOTE

FIG 133

GLOW PLUG ASS'Y OPTION

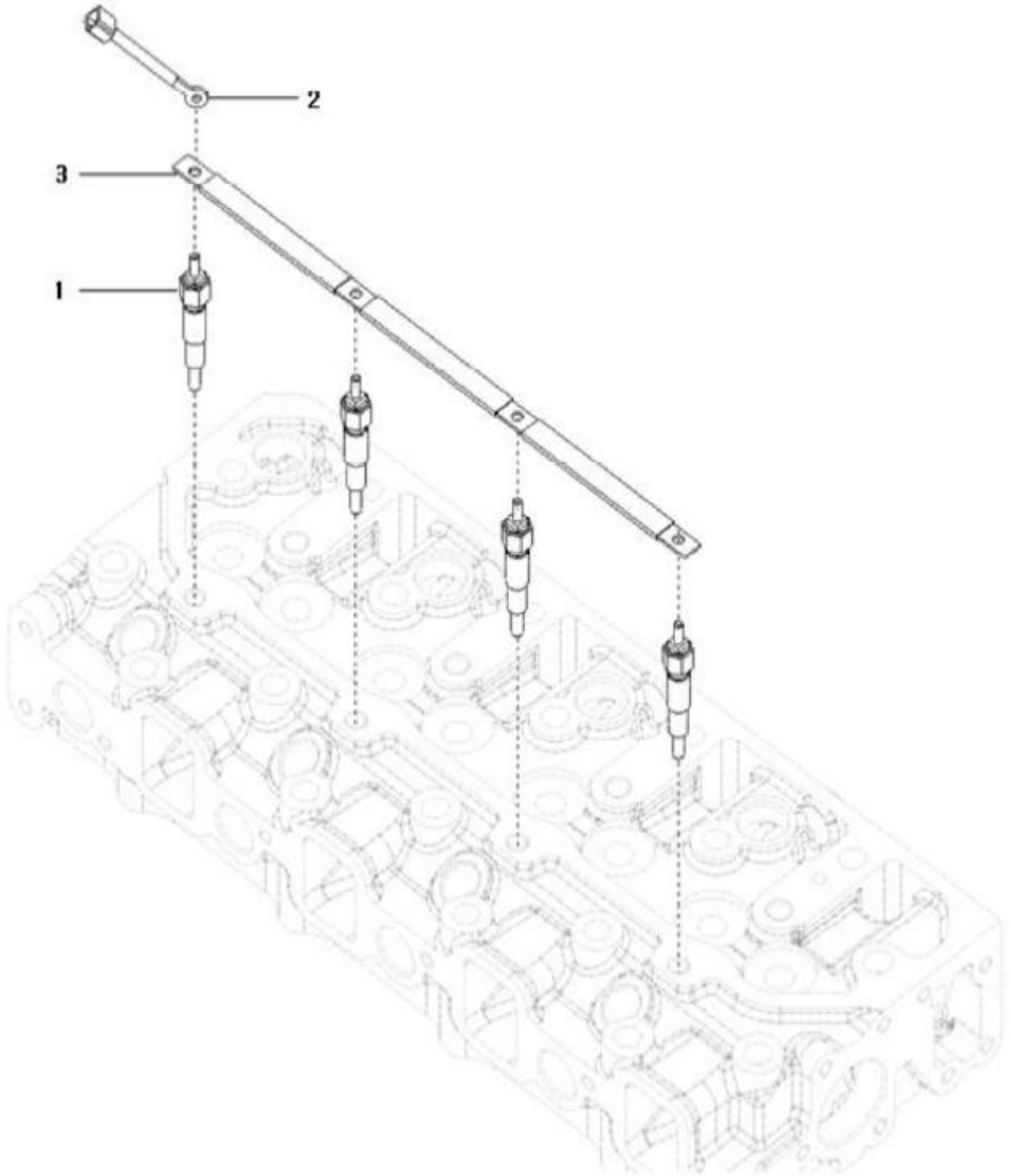
P1

YEAR

2018



T574ST / T574NC / T494ST / T494NC



NOTE

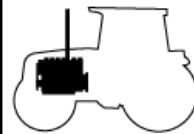
FIG 134

STARTING MOTOR

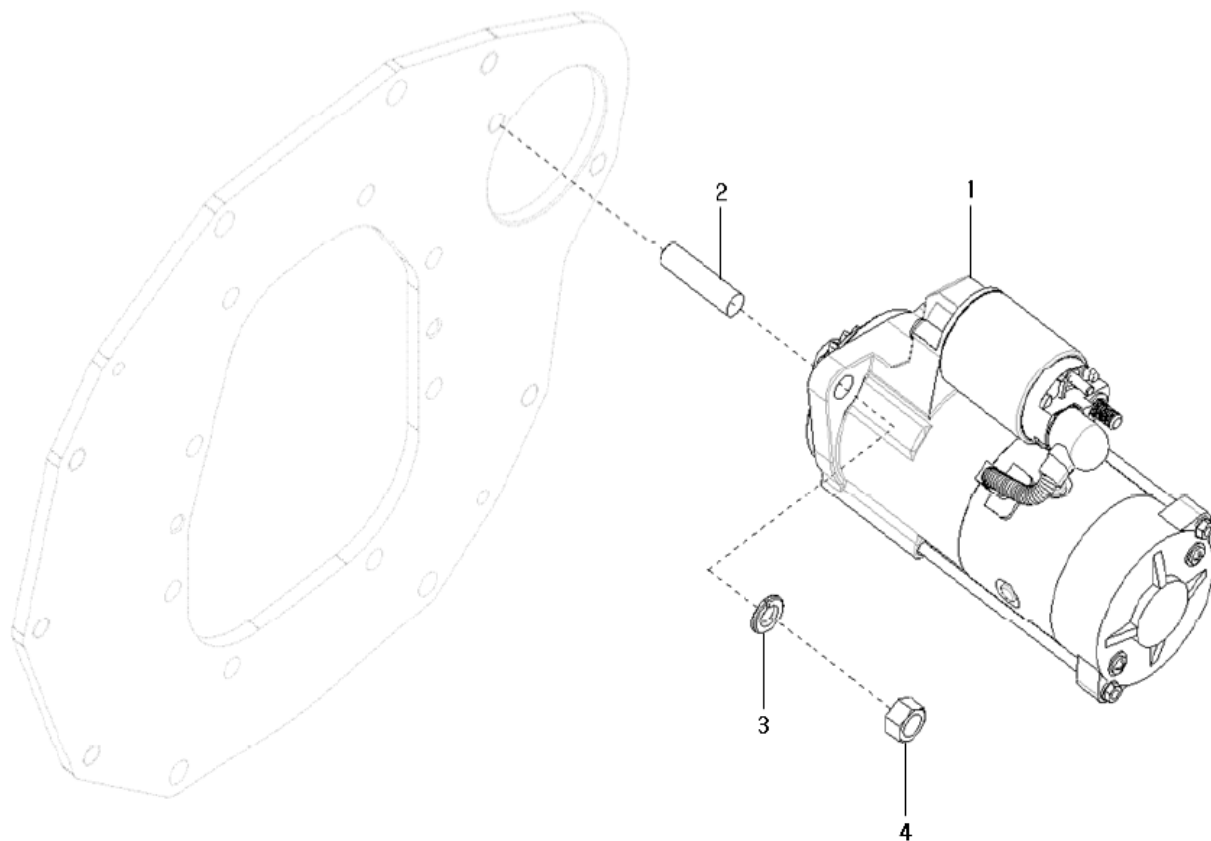
P1

YEAR

2018



T574ST / T574NC / T494ST / T494NC



NOTE

FIG 135

FUEL FILTER BRACKET ASS'Y

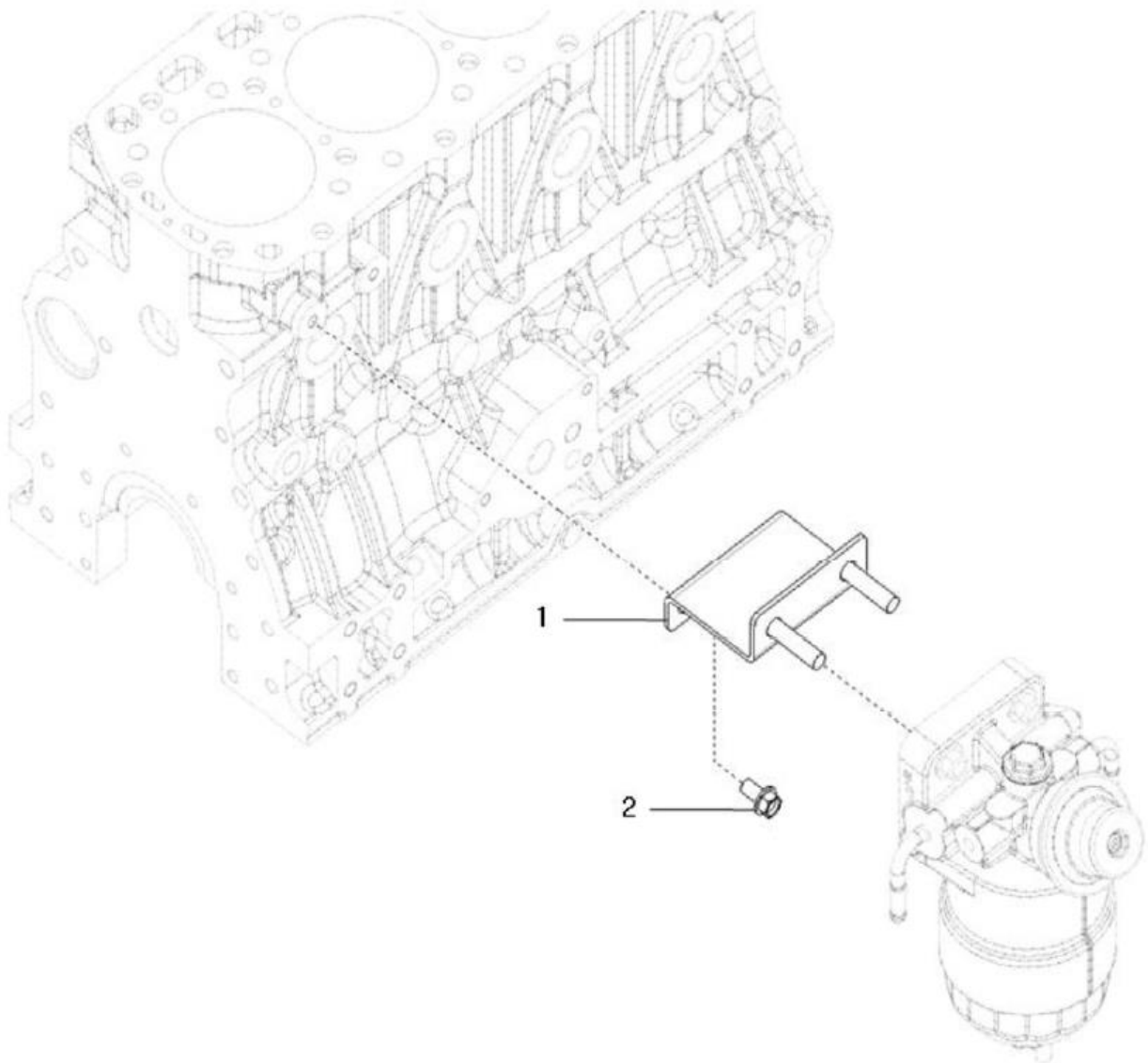
P1

YEAR

2018



T574ST / T574NC / T494ST / T494NC



NOTE

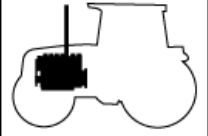
FIG 136

ALTERNATOR

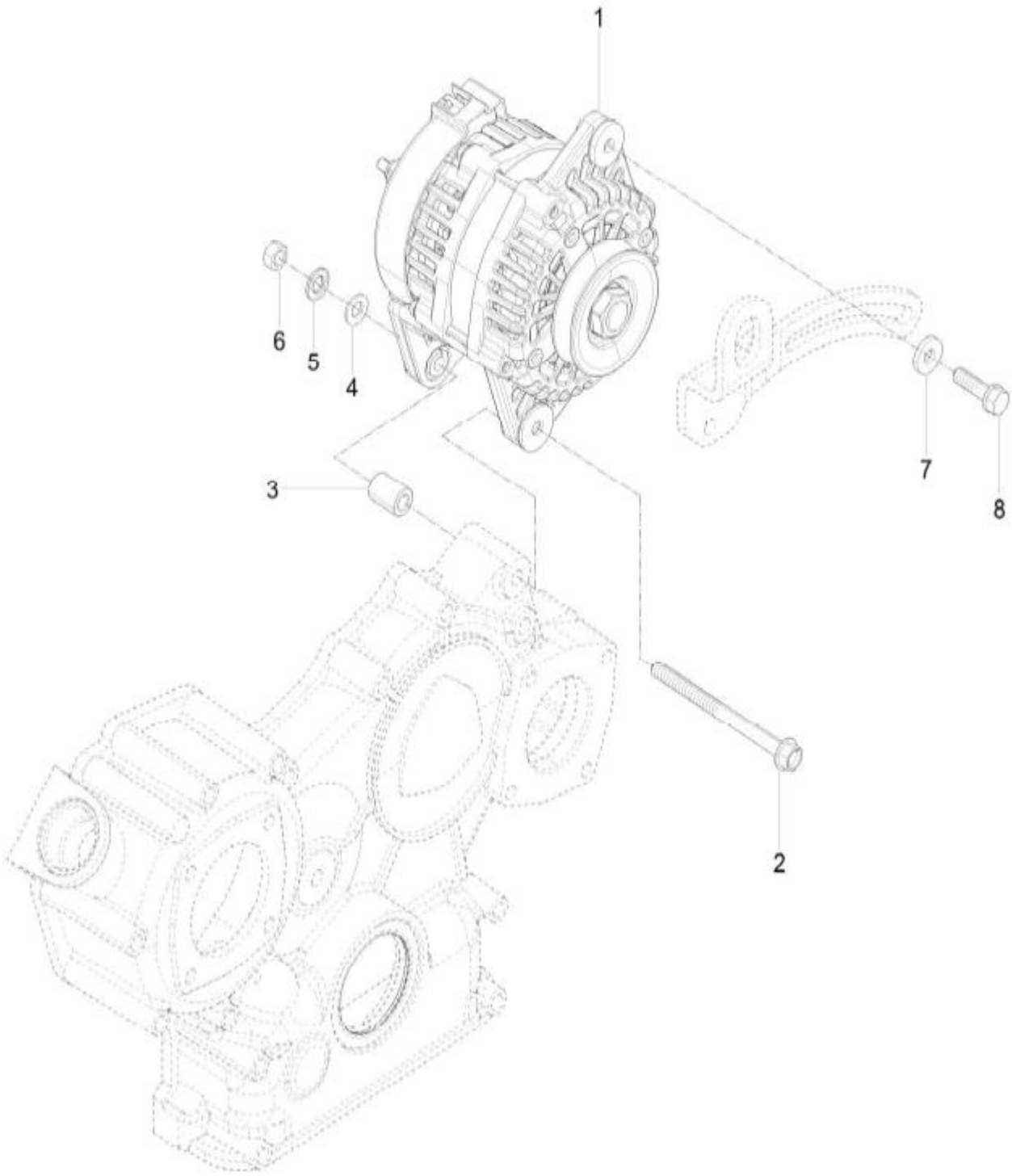
P1

YEAR

2018



T574ST / T574NC / T494ST / T494NC



NOTE

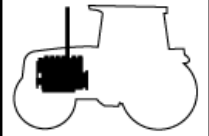
FIG 137

V-BELT

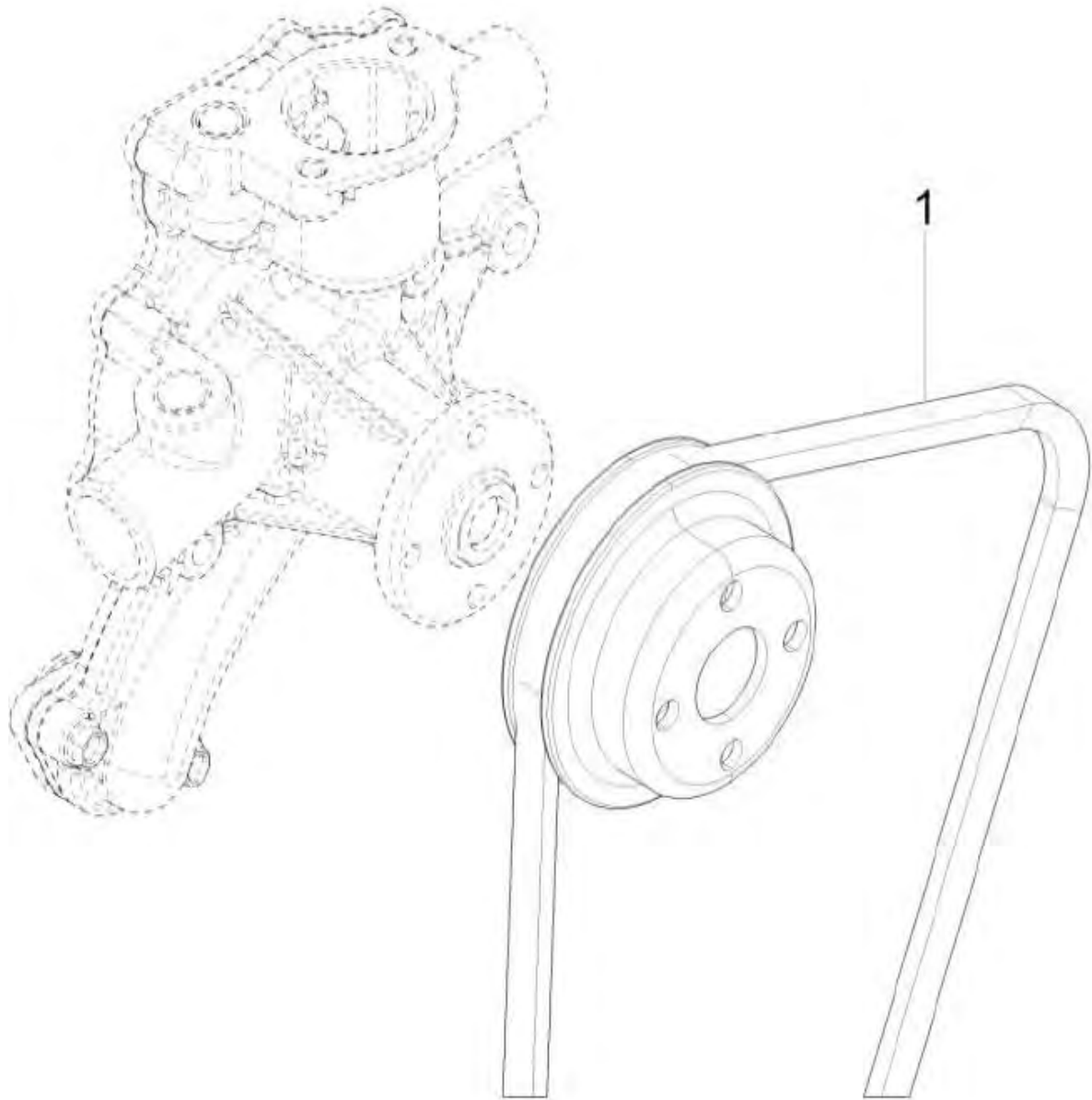
P1

YEAR

2018



T574ST / T574NC / T494ST / T494NC



NOTE

FIG 138

FUEL FILTER

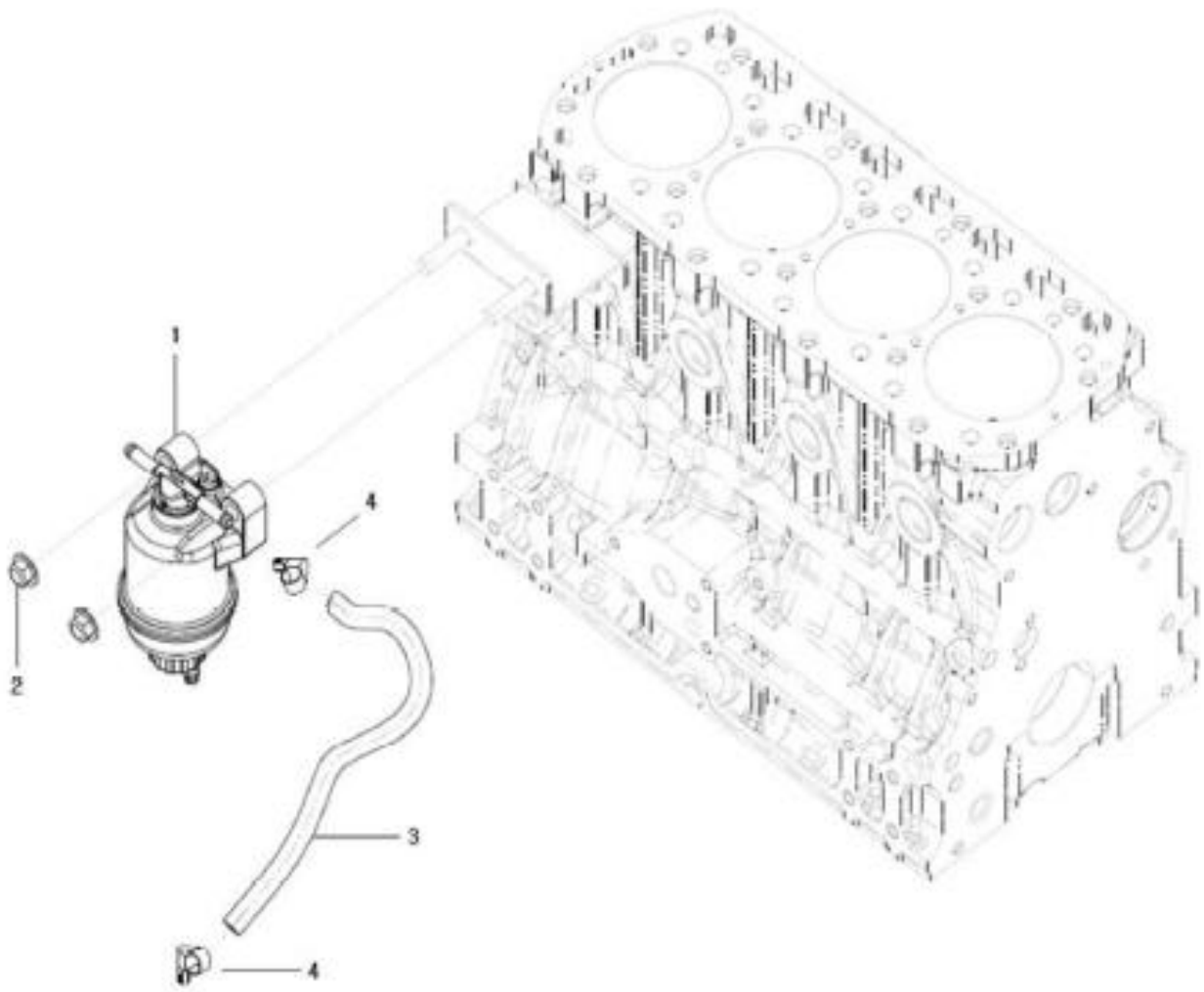
P1

YEAR

2018



T574ST / T574NC / T494ST / T494NC



NOTE

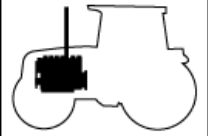
FIG 139A

DPF SUPPORT (T574)

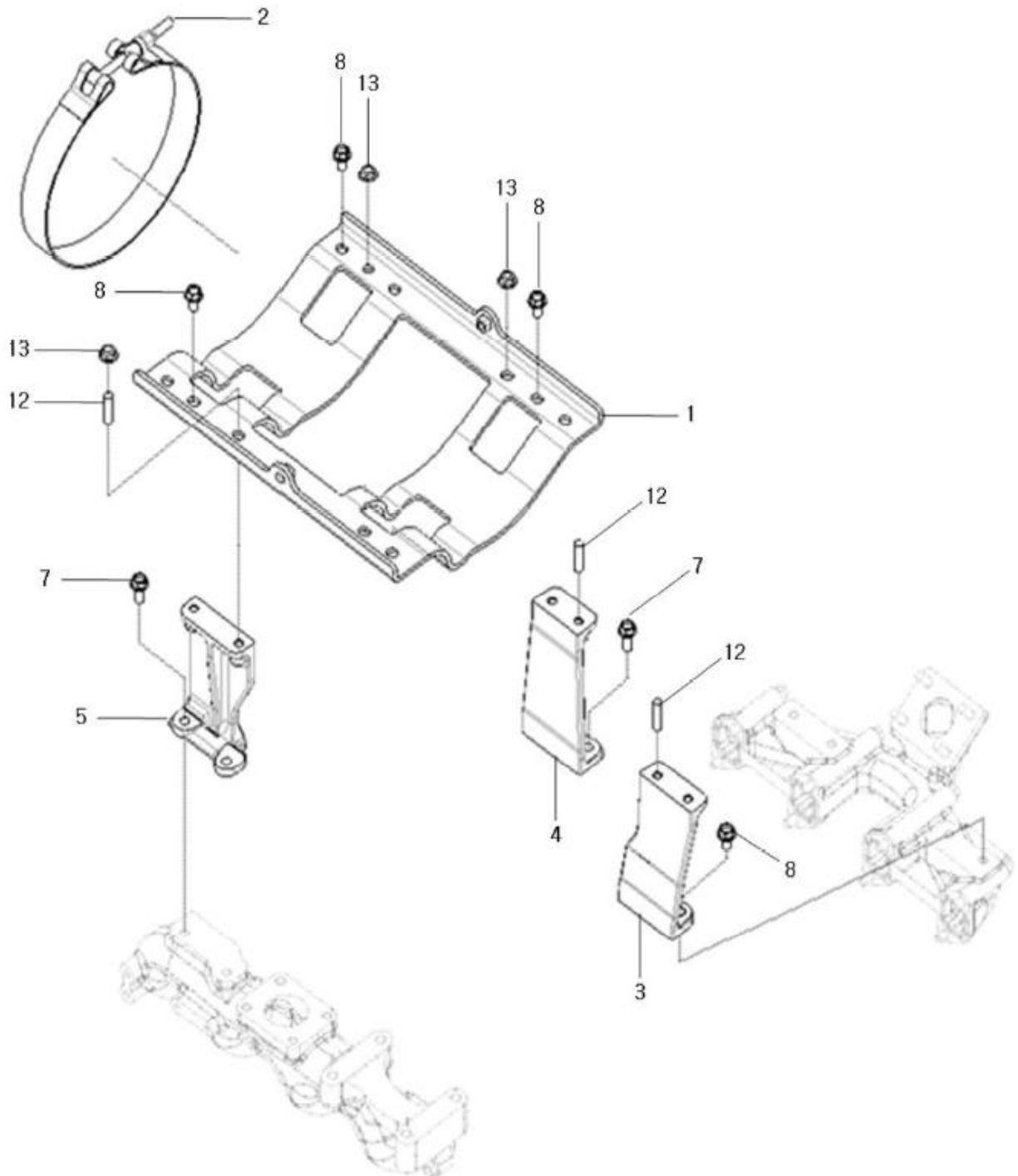
P1

YEAR

2018



T574ST / T574NC / T494ST / T494NC



NOTE

FIG 139B

DPF SUPPORT (T494)

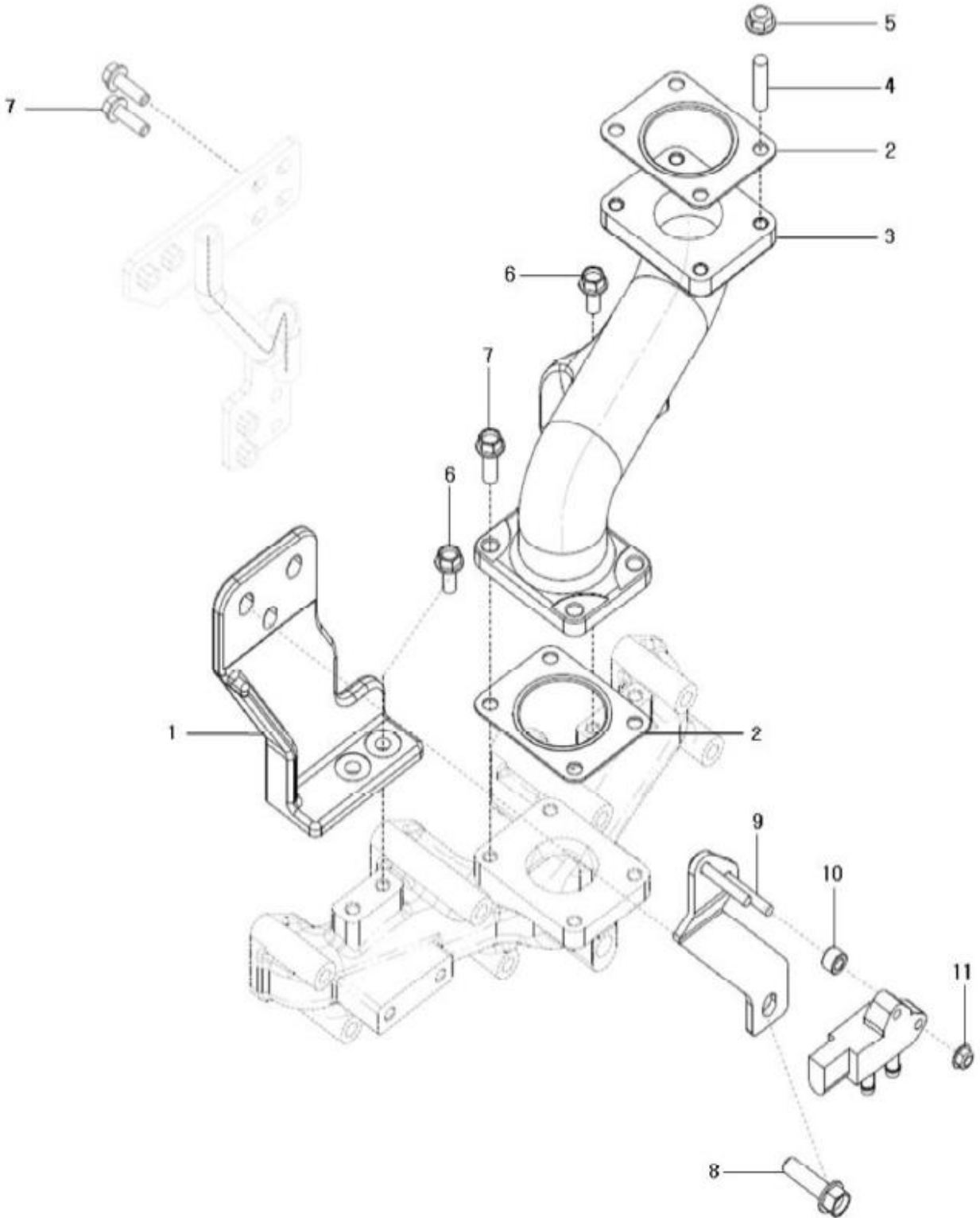
P2

YEAR

2018



T574ST / T574NC / T494ST / T494NC



NOTE

FIG 140

DATAPLATE

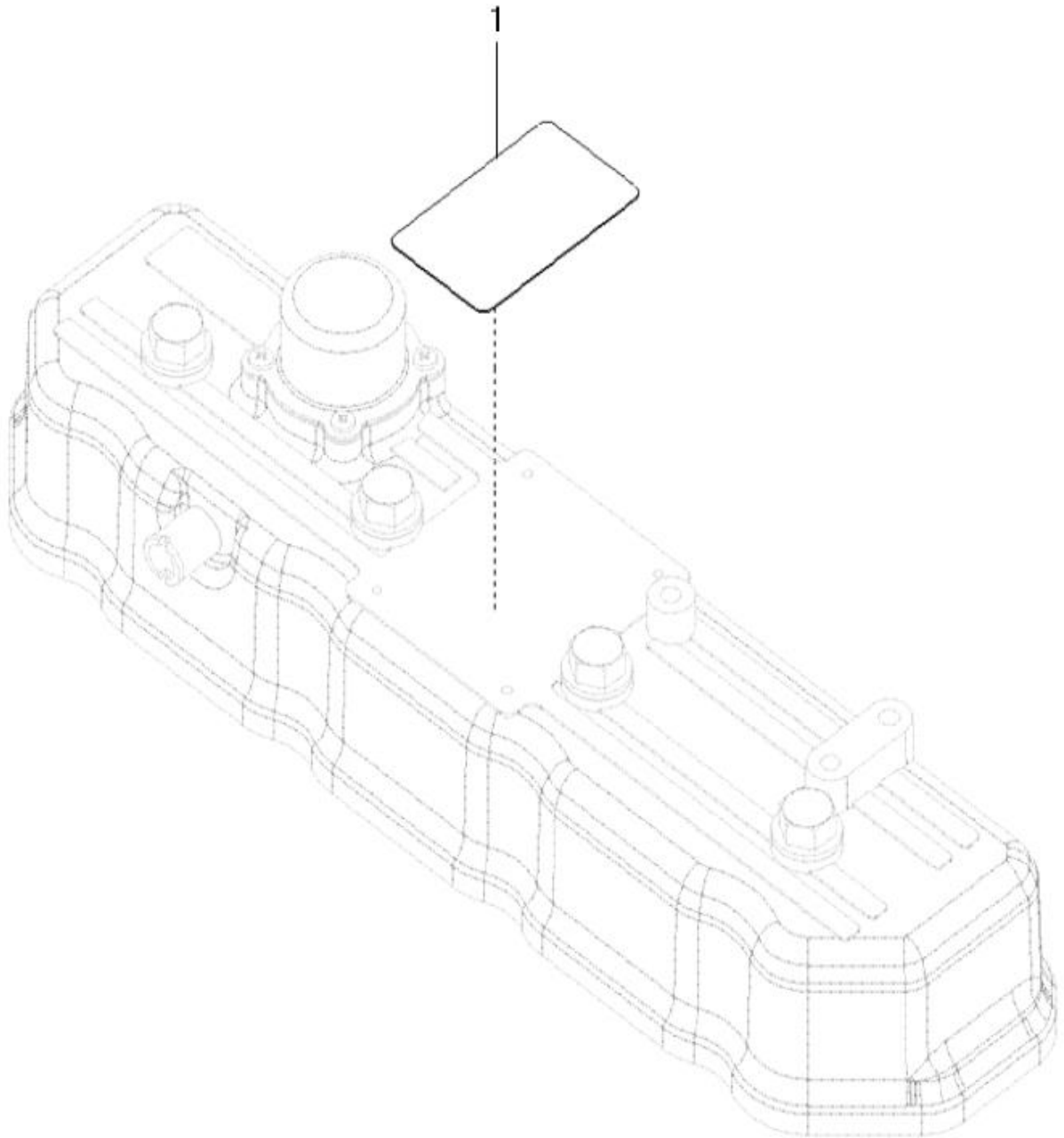
P1

YEAR

2018



T574ST / T574NC / T494ST / T494NC



NOTE

FIG 141

NAME PLATE, STARTING MOTOR

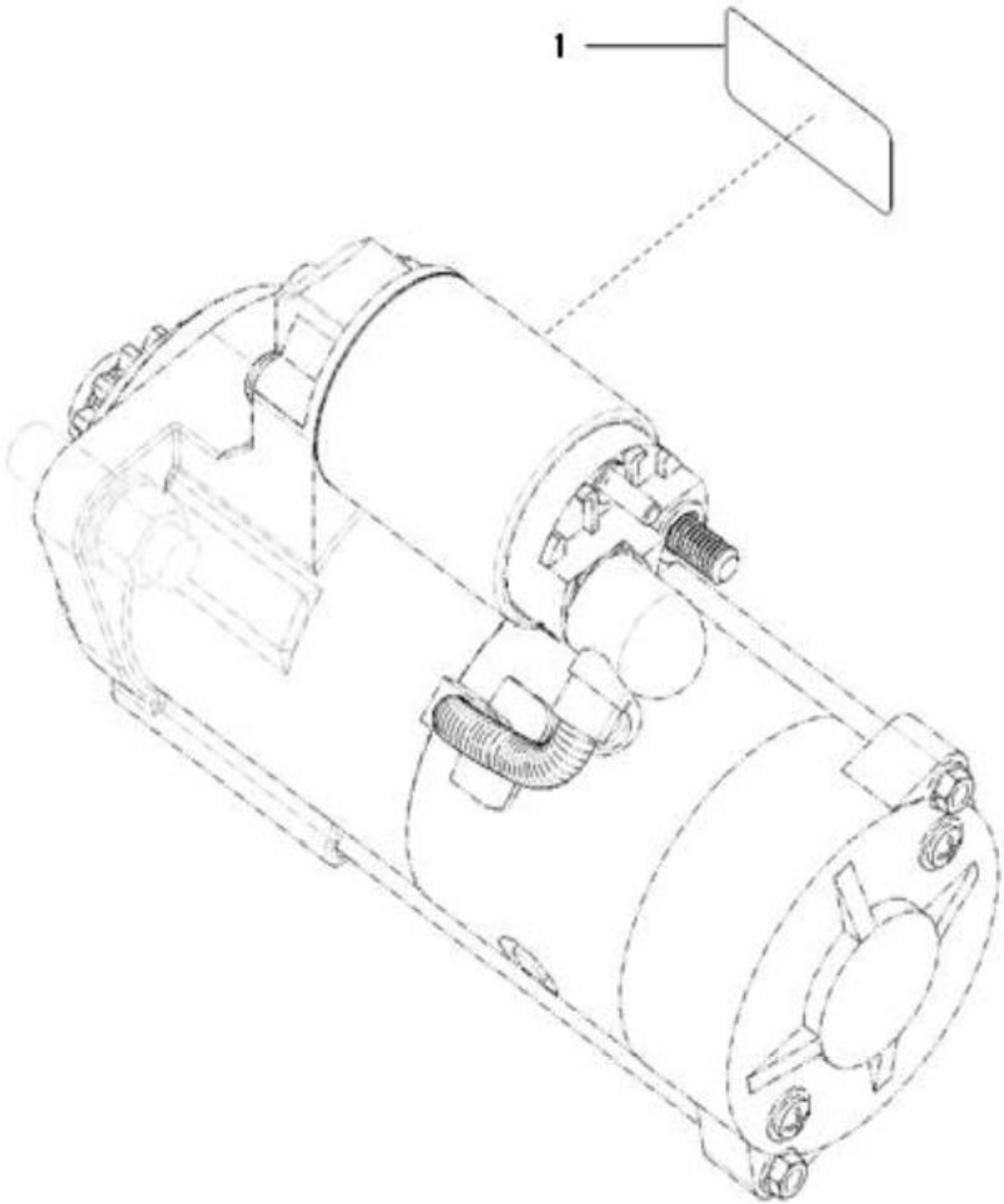
P1

YEAR

2018



T574ST / T574NC / T494ST / T494NC



NOTE

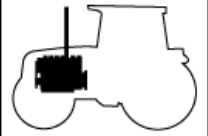
FIG 142A

DPF ASS'Y (T574)

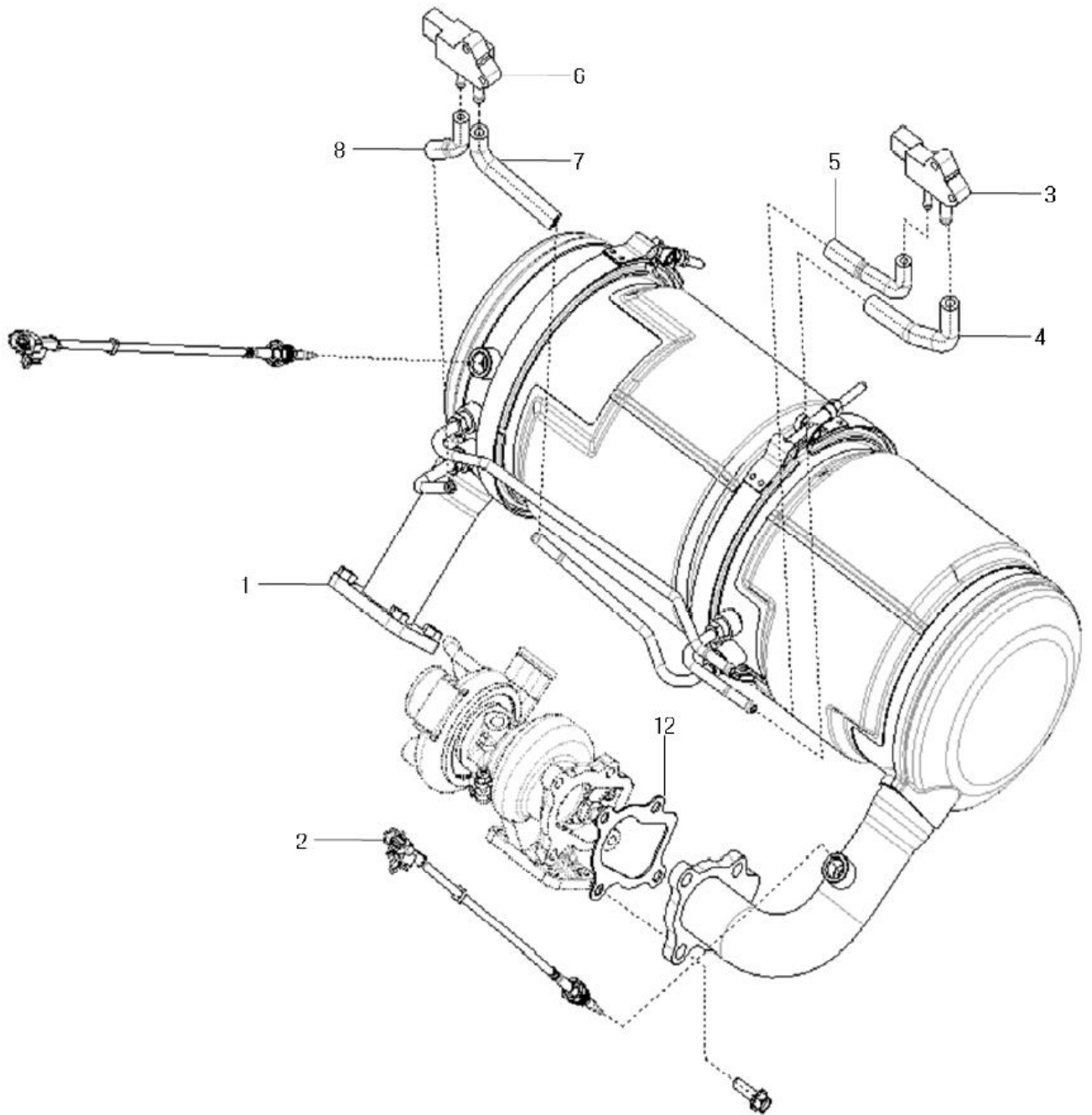
P1

YEAR

2018



T574ST / T574NC / T494ST / T494NC



NOTE

FIG 142B

DPF ASS'Y (T494)

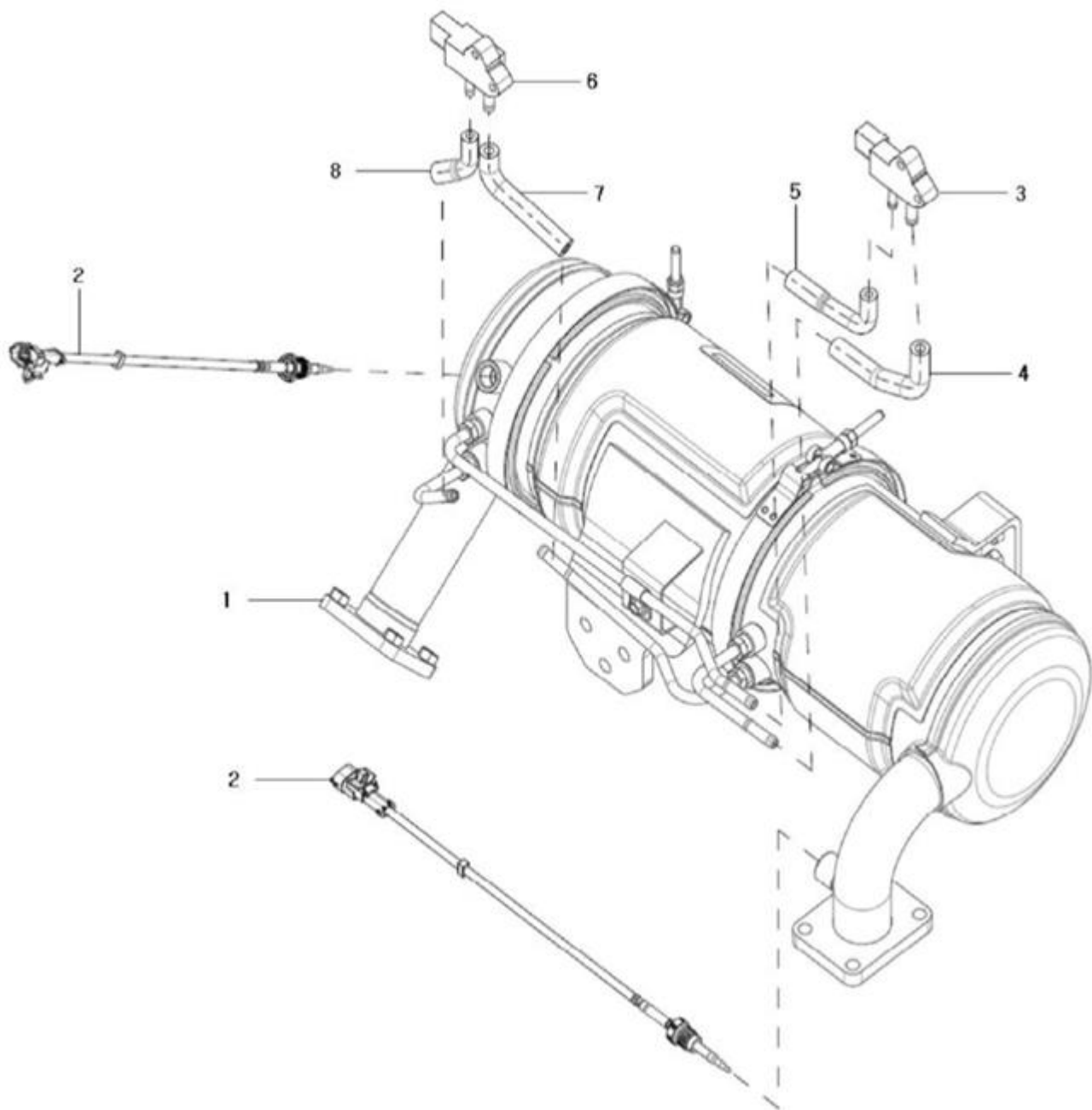
P2

YEAR

2018



T574ST / T574NC / T494ST / T494NC



NOTE

FIG 143

LIFT ASS'Y

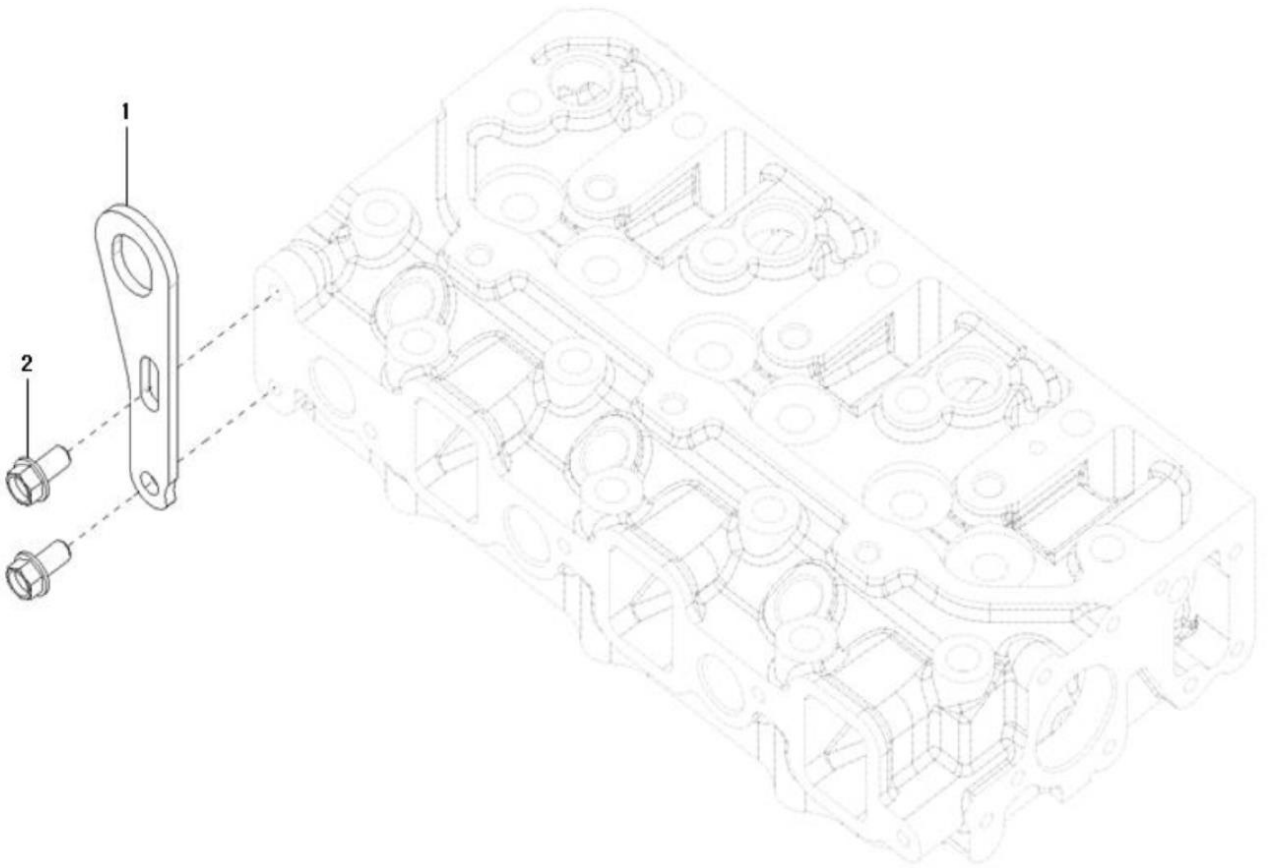
P1

YEAR

2018



T574ST / T574NC / T494ST / T494NC



NOTE

FIG 144

COMP . DRIVE PULLEY ASSyY OPTION

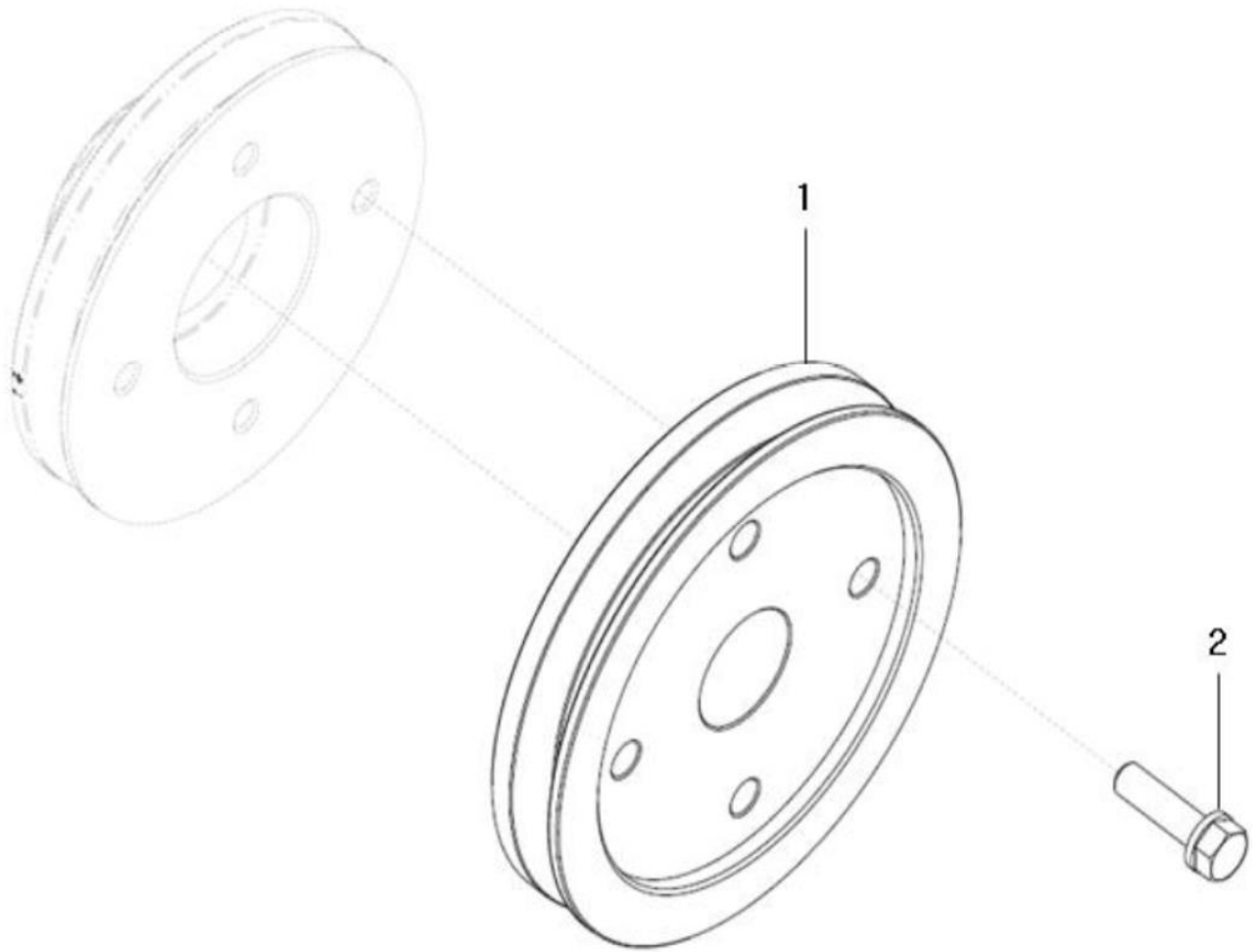
P1

YEAR

2018



T574ST / T574NC / T494ST / T494NC



NOTE

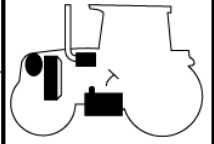
FIG 201

AIR CLEANER(T574)

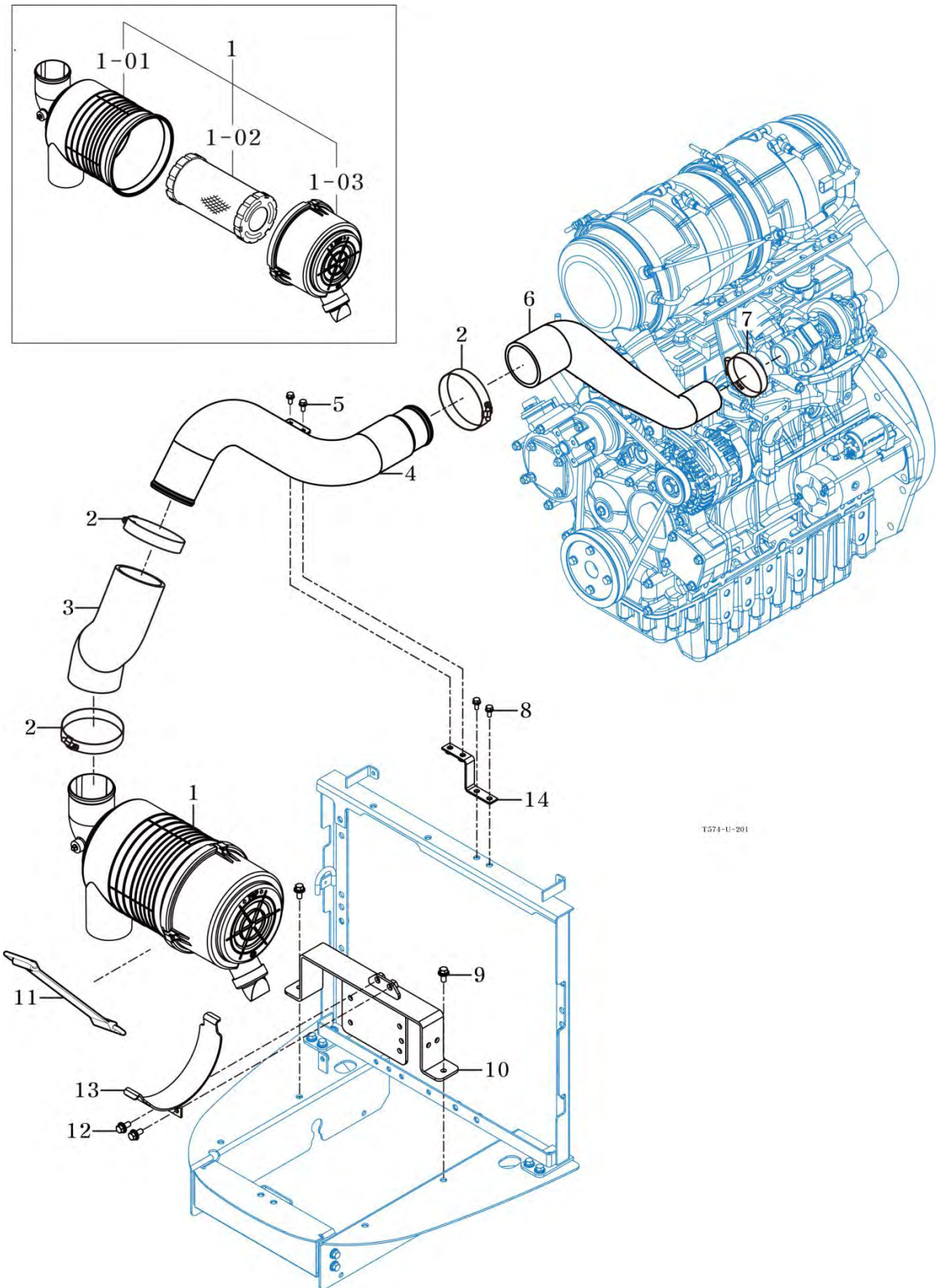
P1

YEAR

2018



T574ST / T574NC / T494ST / T494NC



T574-U-201

NOTE

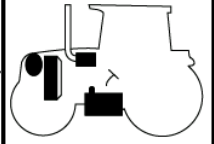
FIG 201

AIR CLEANER(T494)

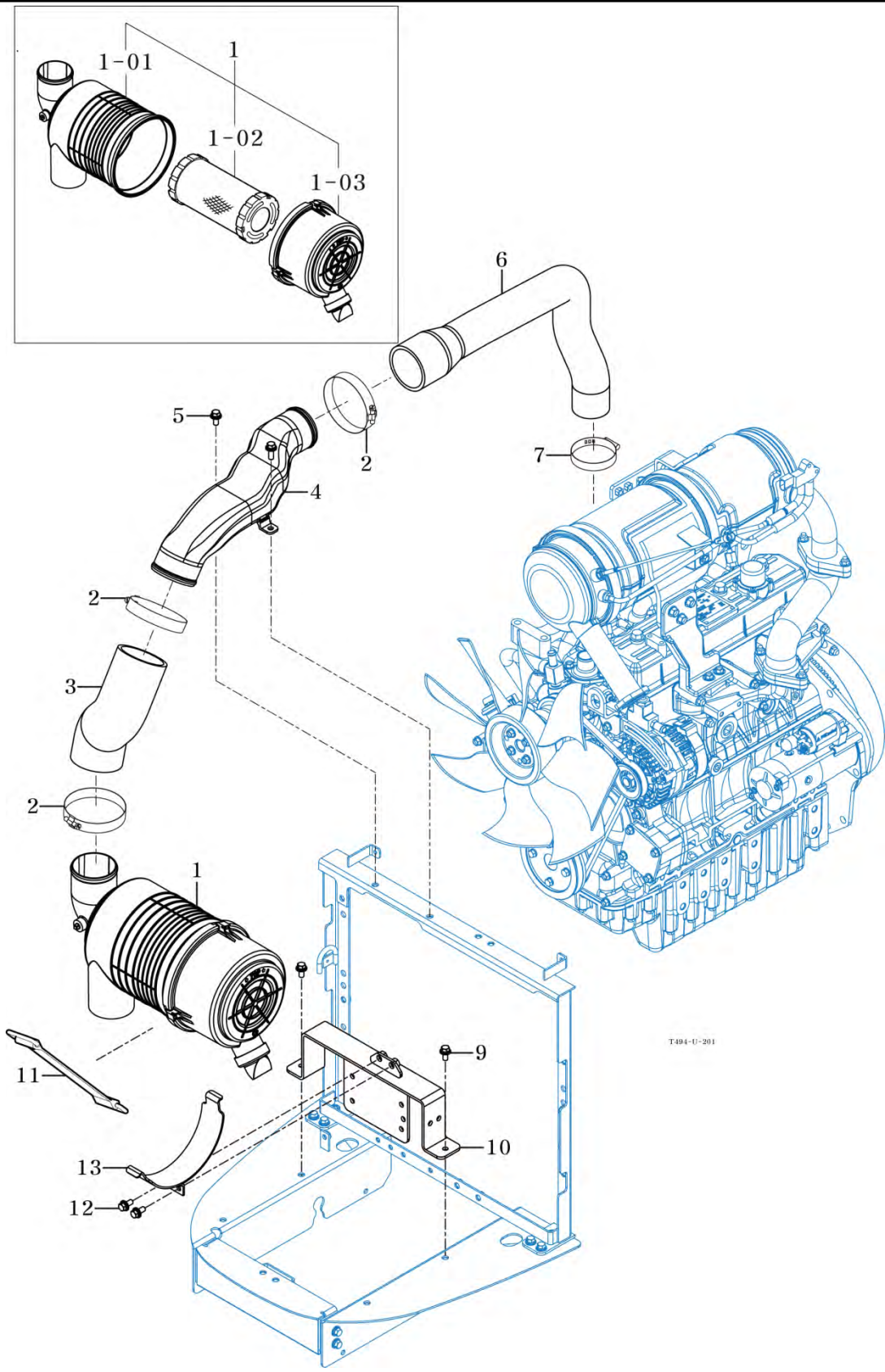
P1

YEAR

2018



T574ST / T574NC / T494ST / T494NC



T494-U-201

NOTE

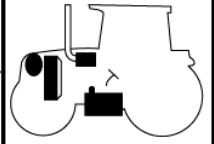
FIG 202

RADIATOR

P1

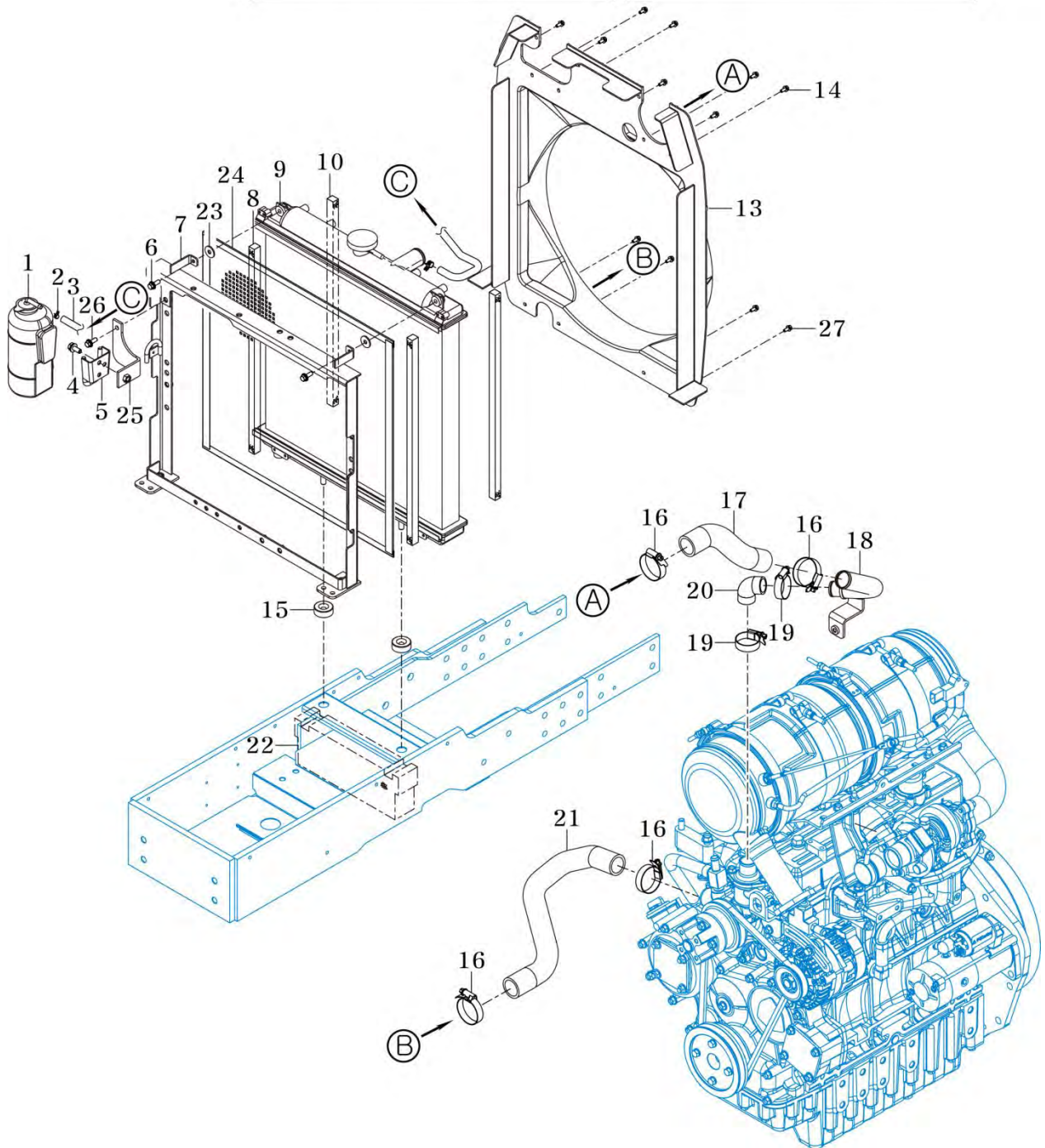
YEAR

2018



T574ST / T574NC / T494ST / T494NC

11	12
T494 SH/ST/NH/NC T574 SH/ST/NH/NC	T494SH/ST/NH/NC T574 SH/NH ST/NC



NOTE

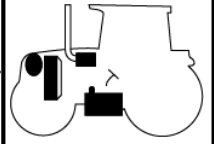
FIG 203

MUFFLER

P1

YEAR

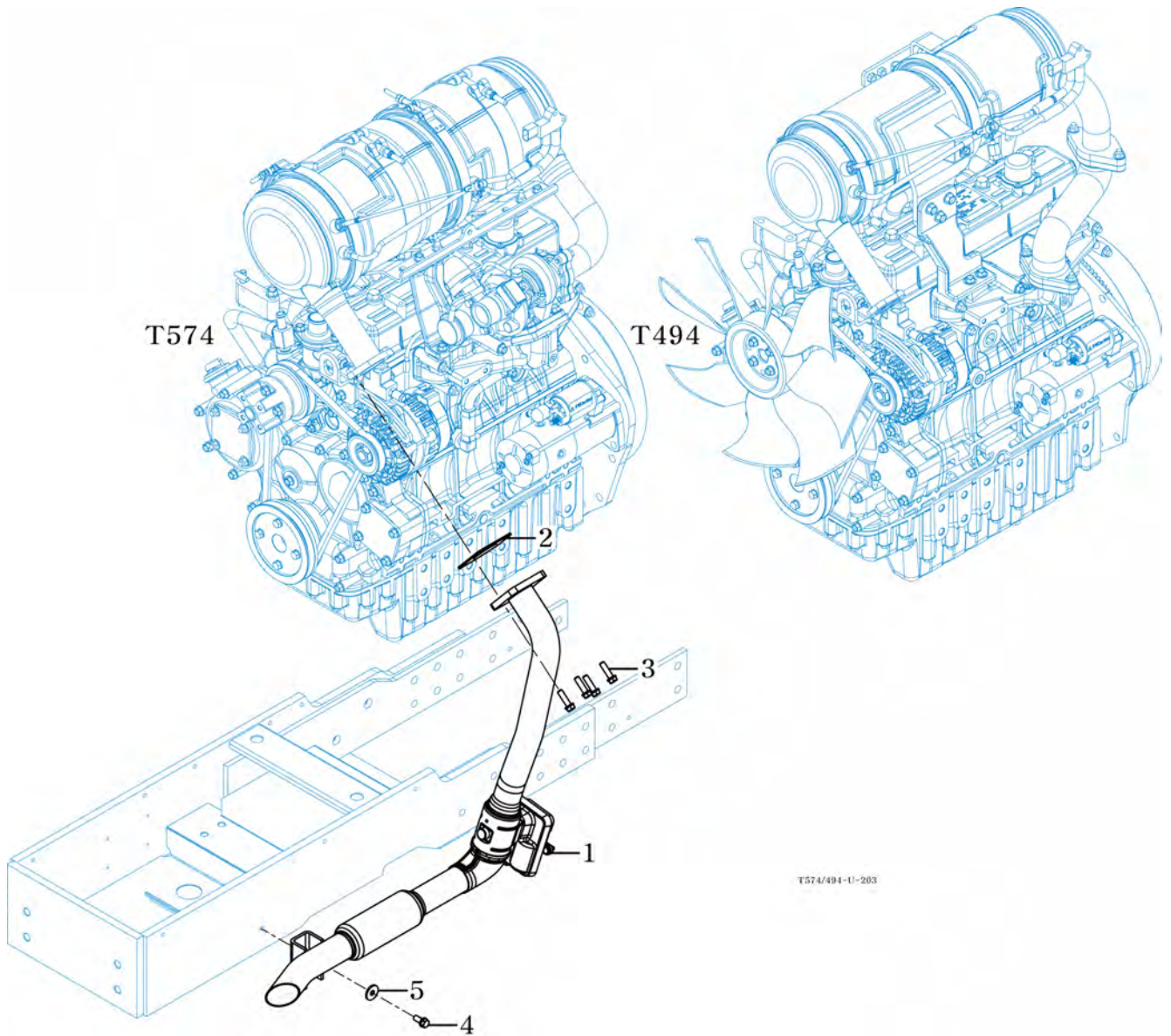
2018



T574ST / T574NC / T494ST / T494NC

T574

T494



T574/494-U-203

NOTE

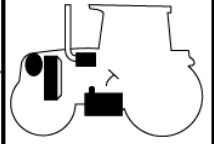
FIG 204

FUEL HOSE & FILTER

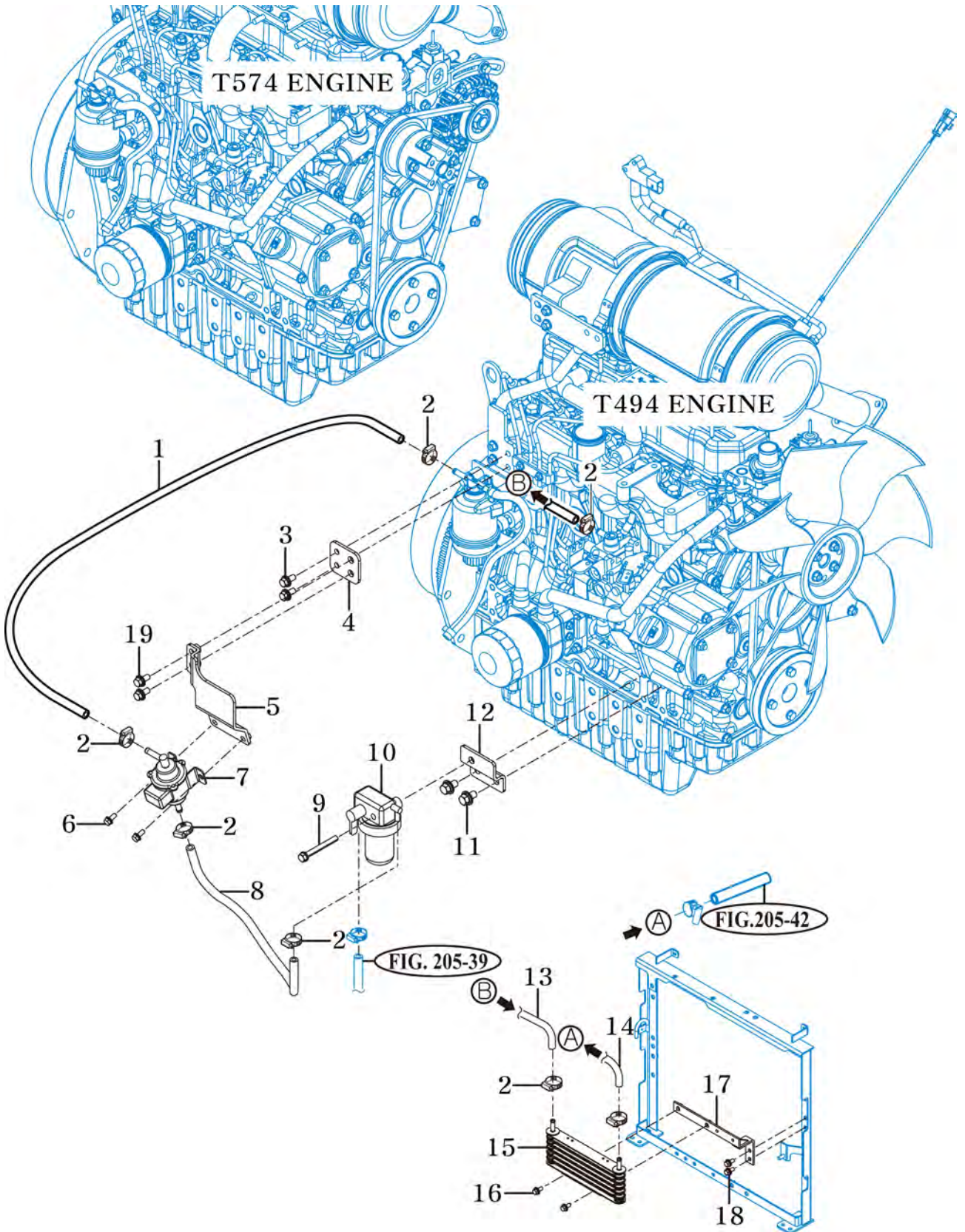
P1

YEAR

2018



T574ST / T574NC / T494ST / T494NC



NOTE

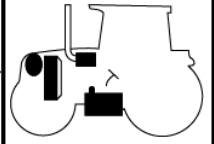
FIG 205

FUEL TANK

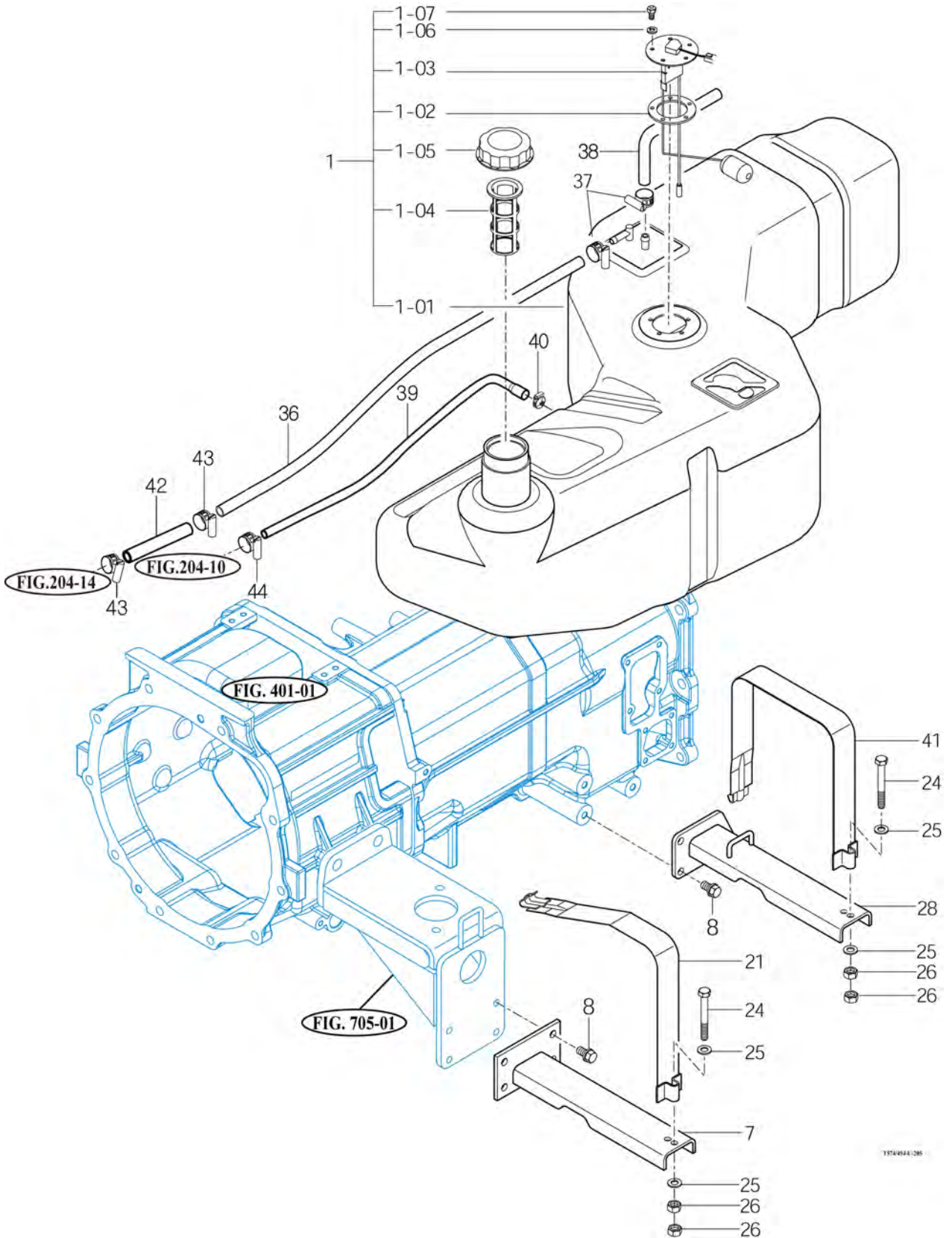
P1

YEAR

2018



T574ST / T574NC / T494ST / T494NC



NOTE

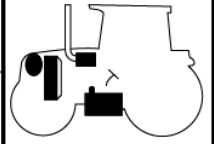
FIG 206

ACCELERATOR

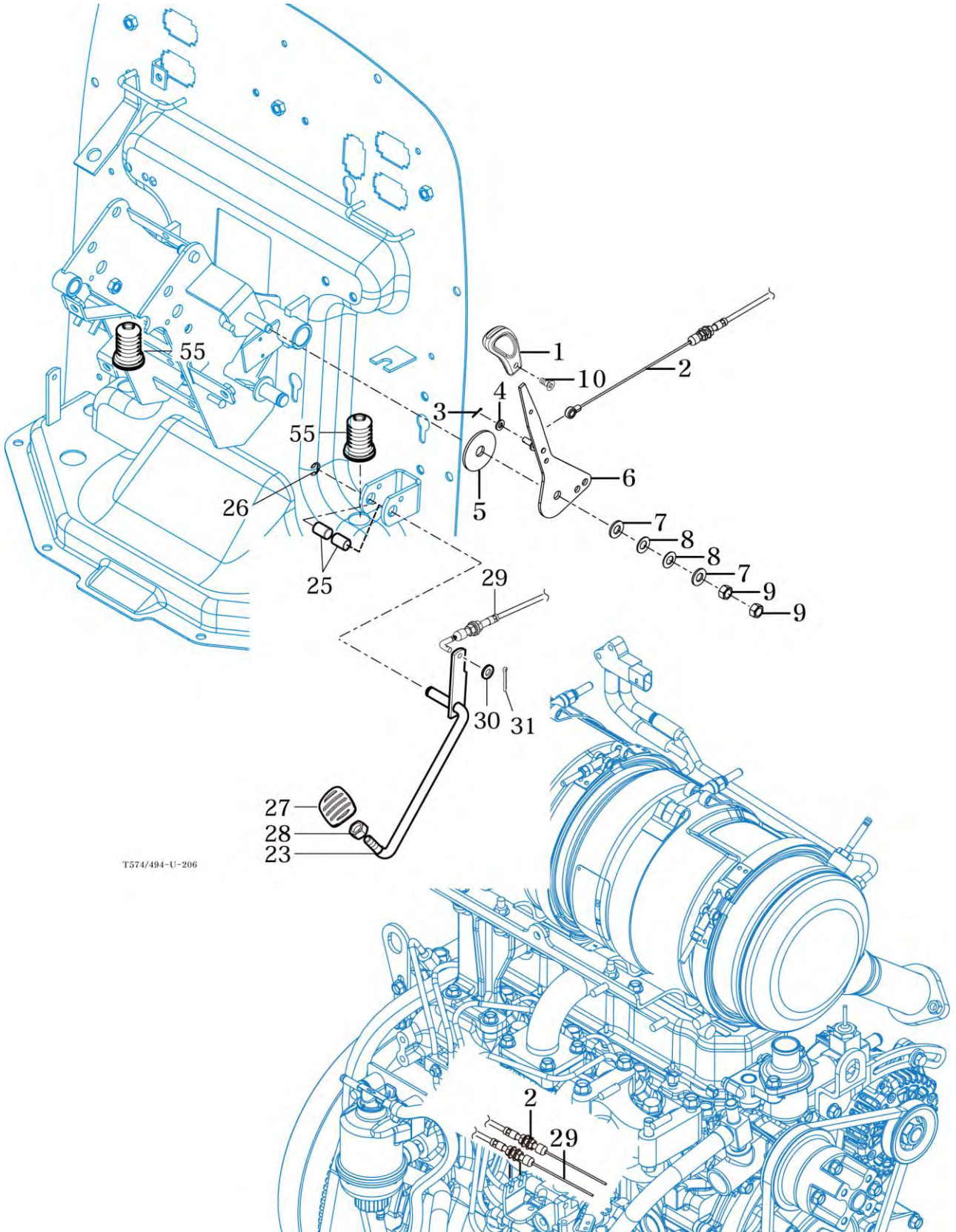
P1

YEAR

2018



T574ST / T574NC / T494ST / T494NC



T574/494-U-206

NOTE

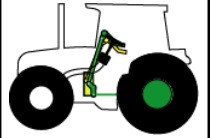
FIG 301

CLUTCH

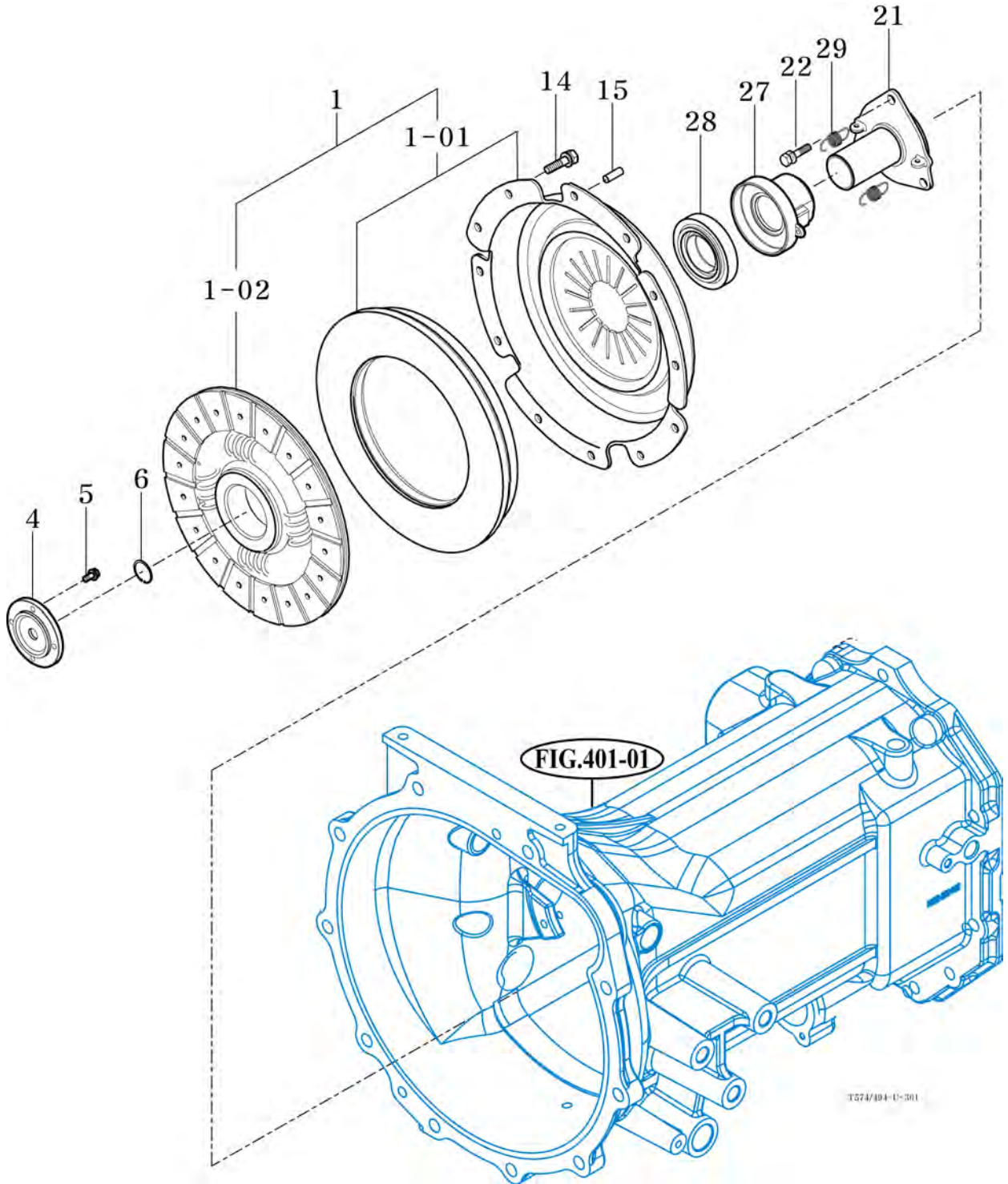
P1

YEAR

2018



T574ST / T574NC / T494ST / T494NC



NOTE

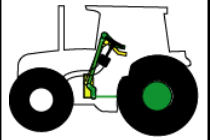
FIG 302

CLUTCH PEDAL

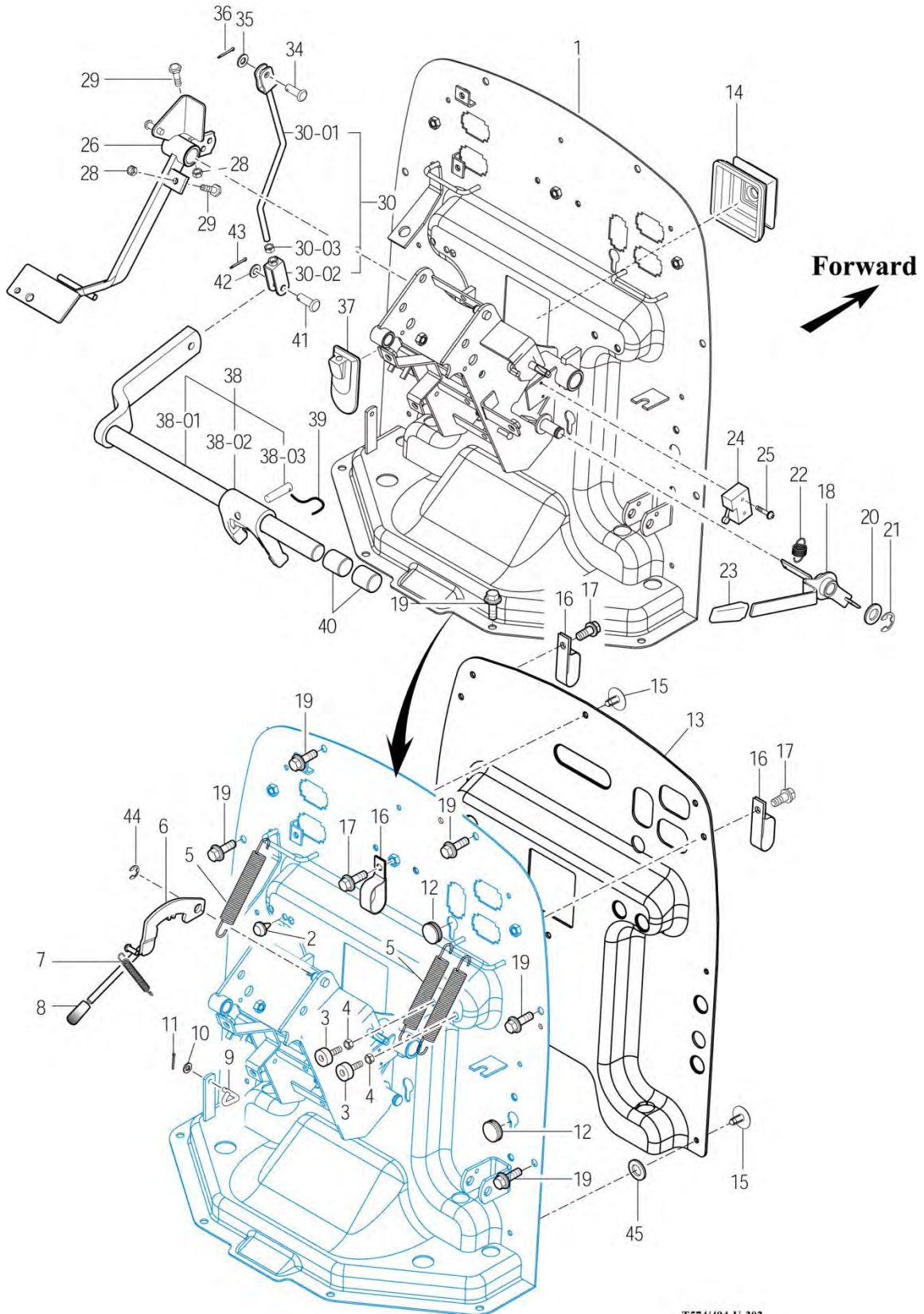
P1

YEAR

2018



T574ST / T574NC / T494ST / T494NC



T574/494-U-302

NOTE

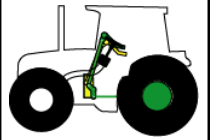
FIG 303

BRAKE

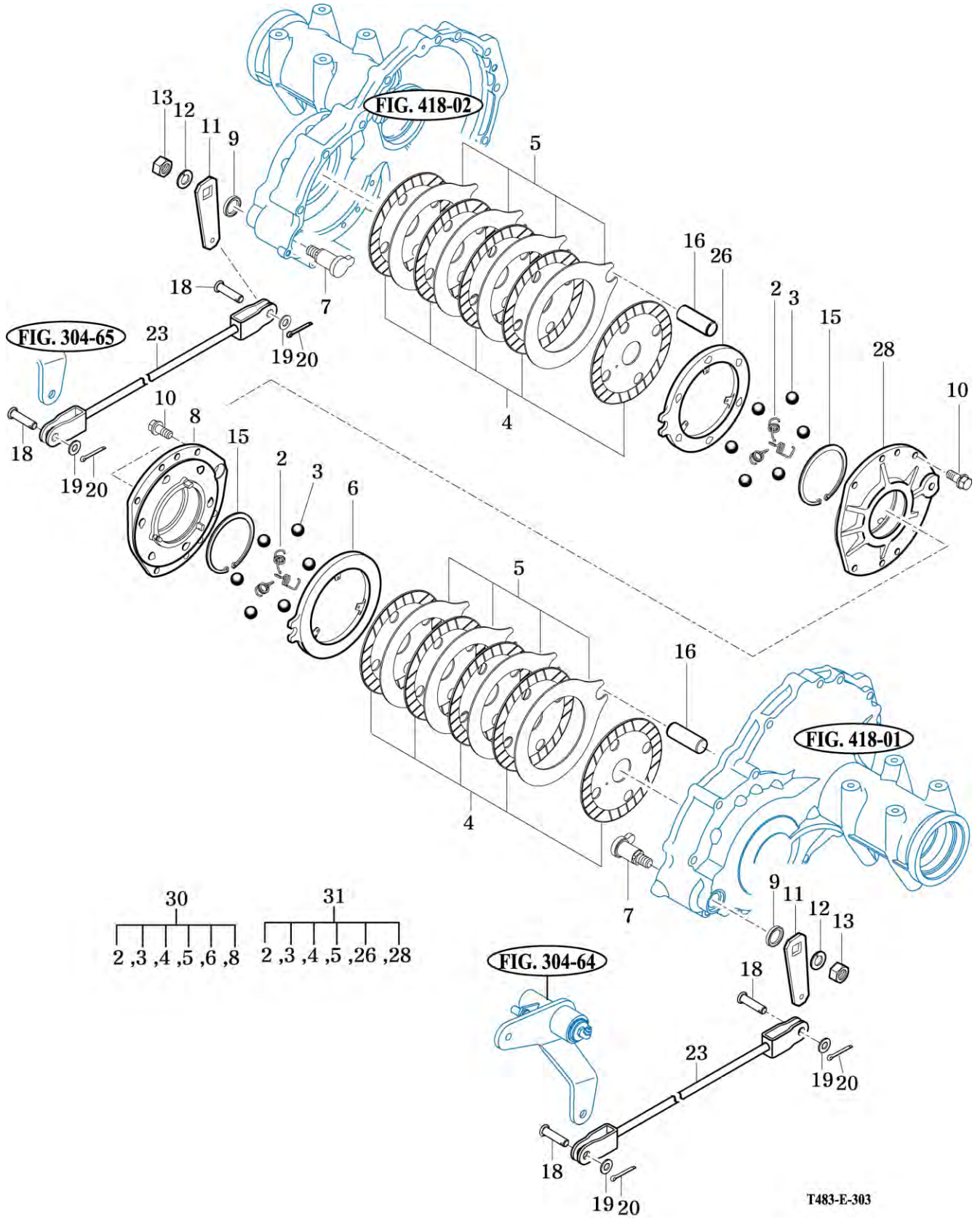
P1

YEAR

2018



T574ST / T574NC / T494ST / T494NC



T483-E-303

NOTE

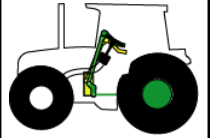
FIG 304

BRAKE PEDAL & LINK

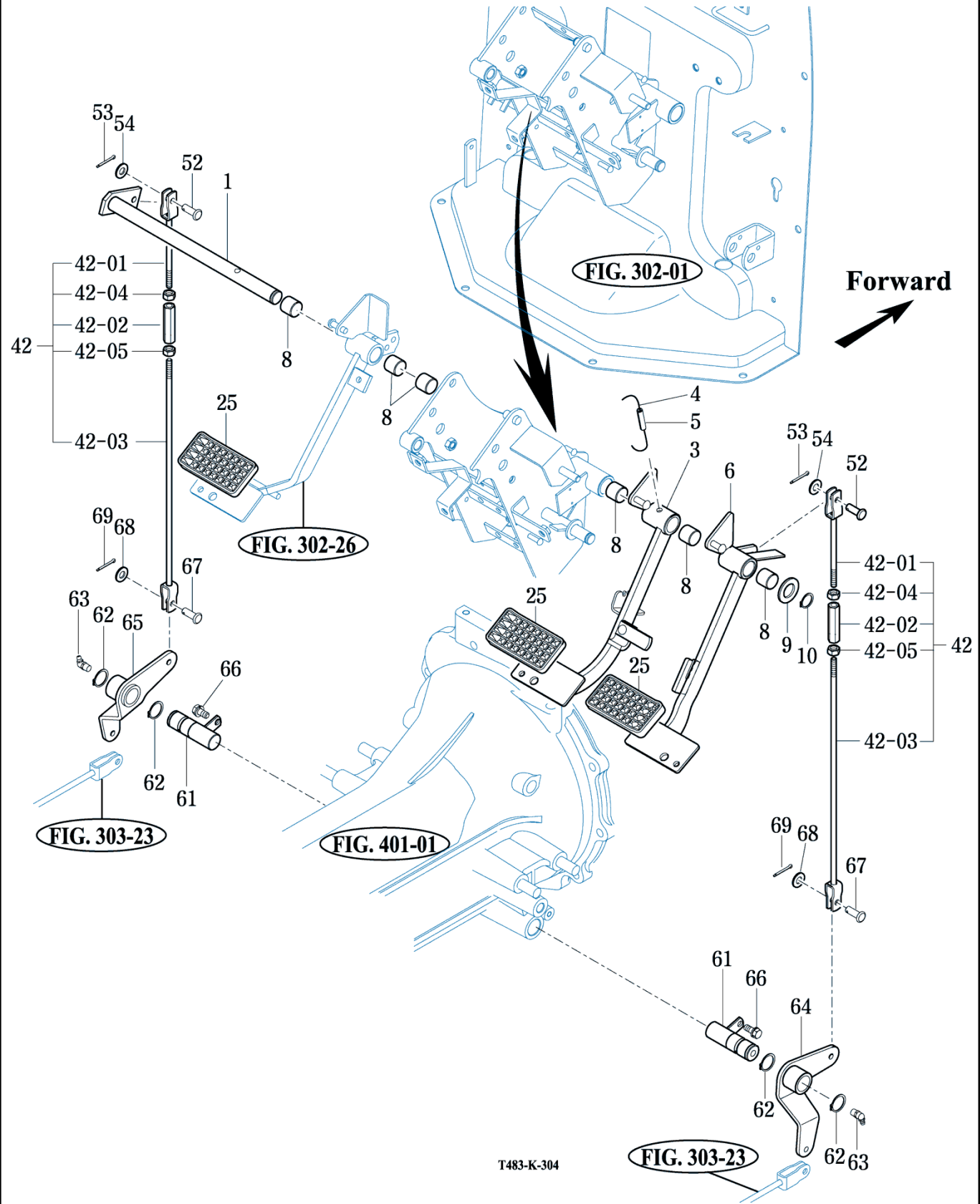
P1

YEAR

2018



T574ST / T574NC / T494ST / T494NC



T483-K-304

NOTE

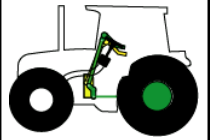
FIG 305

FRONT WHEEL

P1

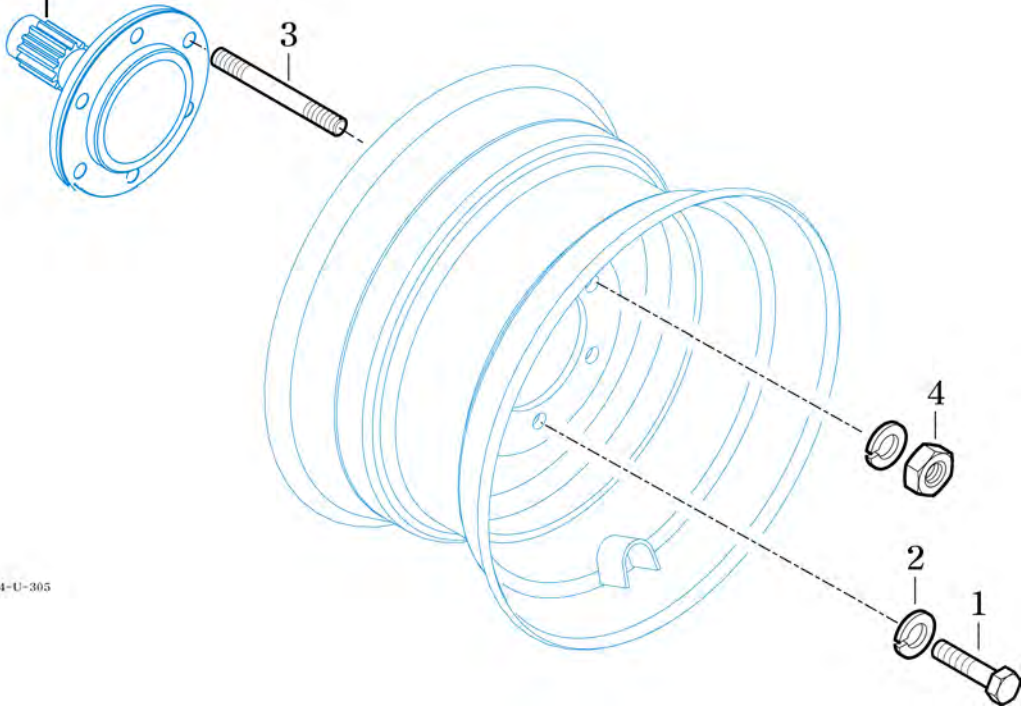
YEAR

2018



T574ST / T574NC / T494ST / T494NC

FIG. 507-34



T574/494-U-305

NOTE

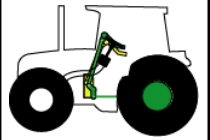
FIG 306

REAR WHEEL

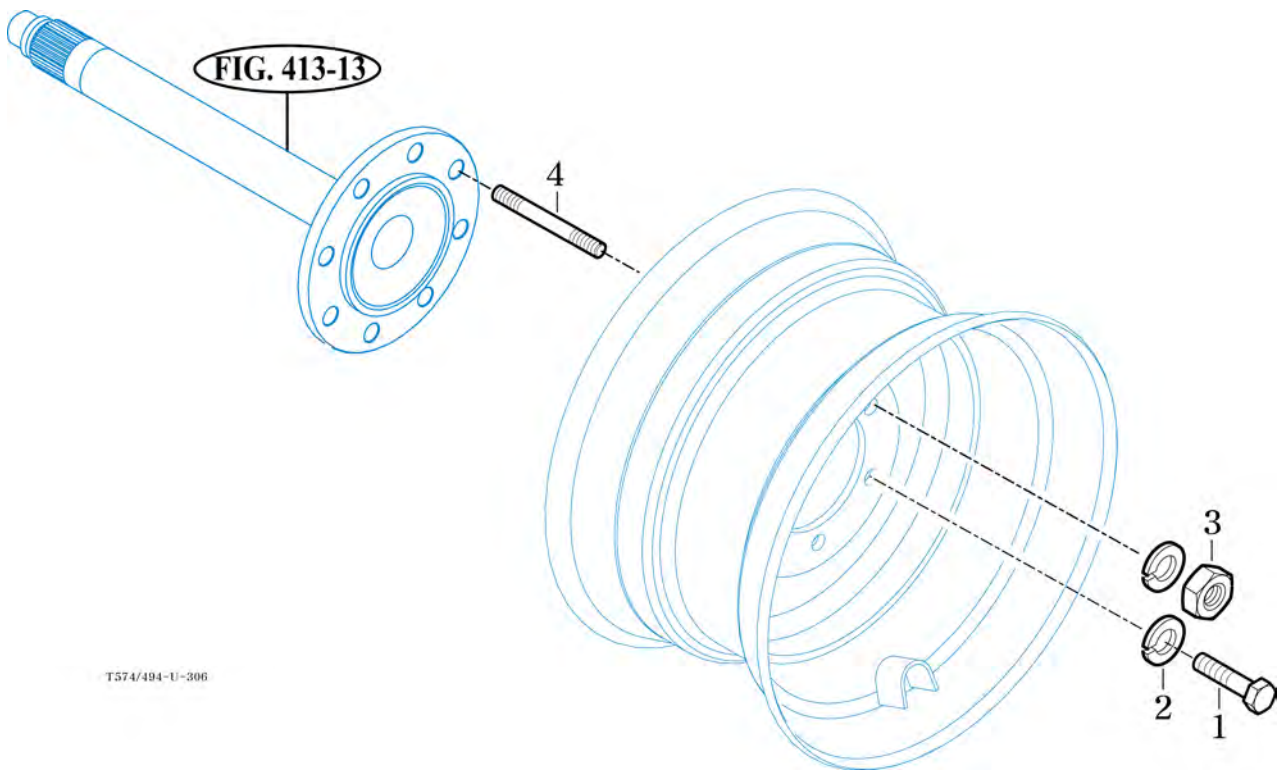
P1

YEAR

2018



T574ST / T574NC / T494ST / T494NC



T574/494-U-306

NOTE

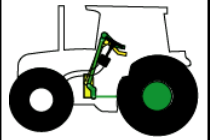
FIG 307

POWER STEERING WHEEL

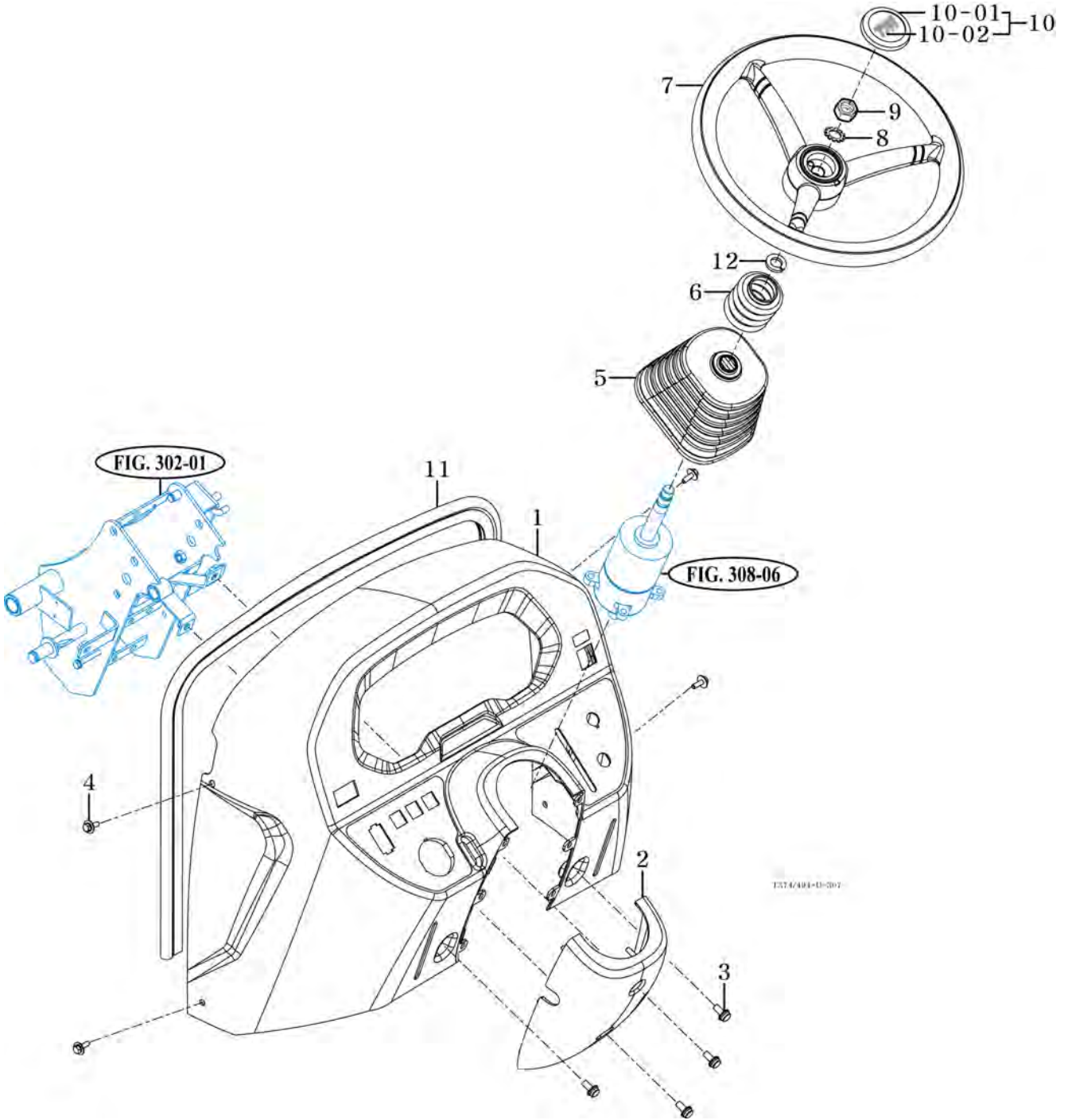
P1

YEAR

2018



T574ST / T574NC / T494ST / T494NC



NOTE

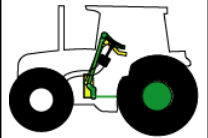
FIG 308

POWER STEERING VALVE

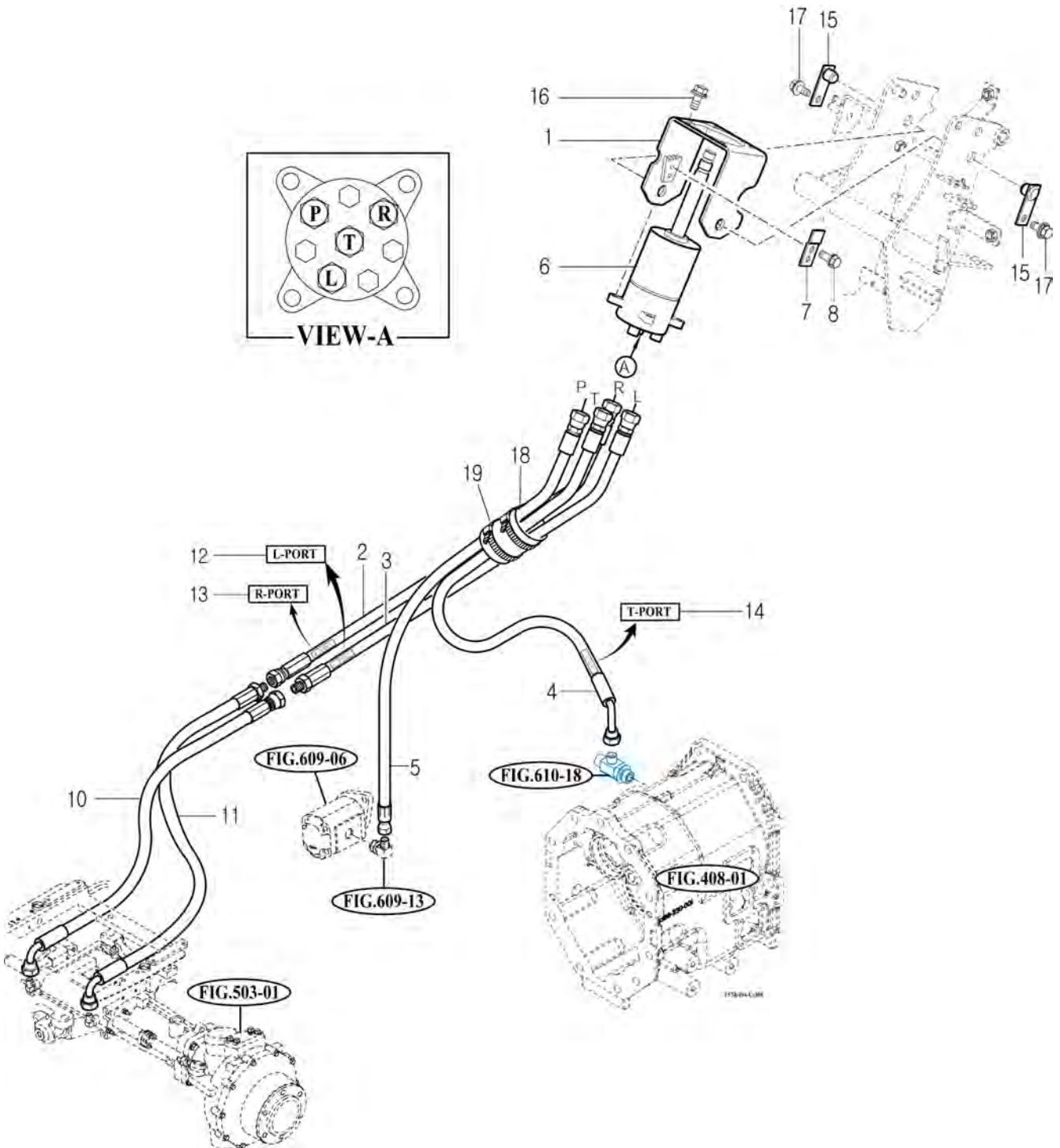
P1

YEAR

2018



T574ST / T574NC / T494ST / T494NC



NOTE

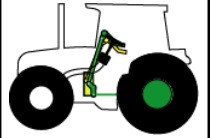
FIG 309

POWER STEERING CYLINDER

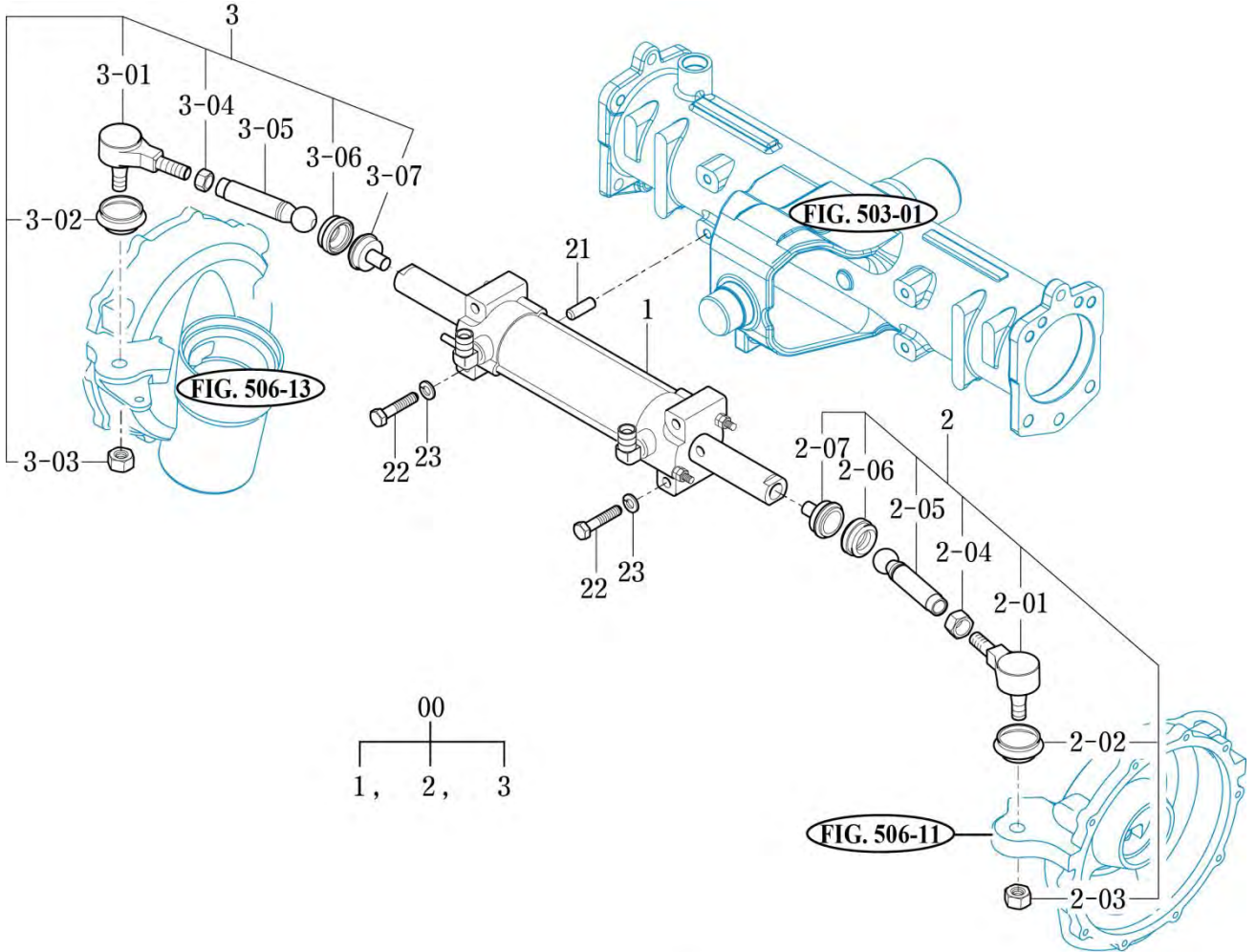
P1

YEAR

2018



T574ST / T574NC / T494ST / T494NC



T554NH/T554SH/T454NH-E-309

NOTE

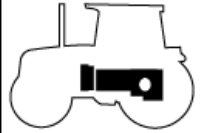
FIG 401

TRANSMISSION FRONT CASE

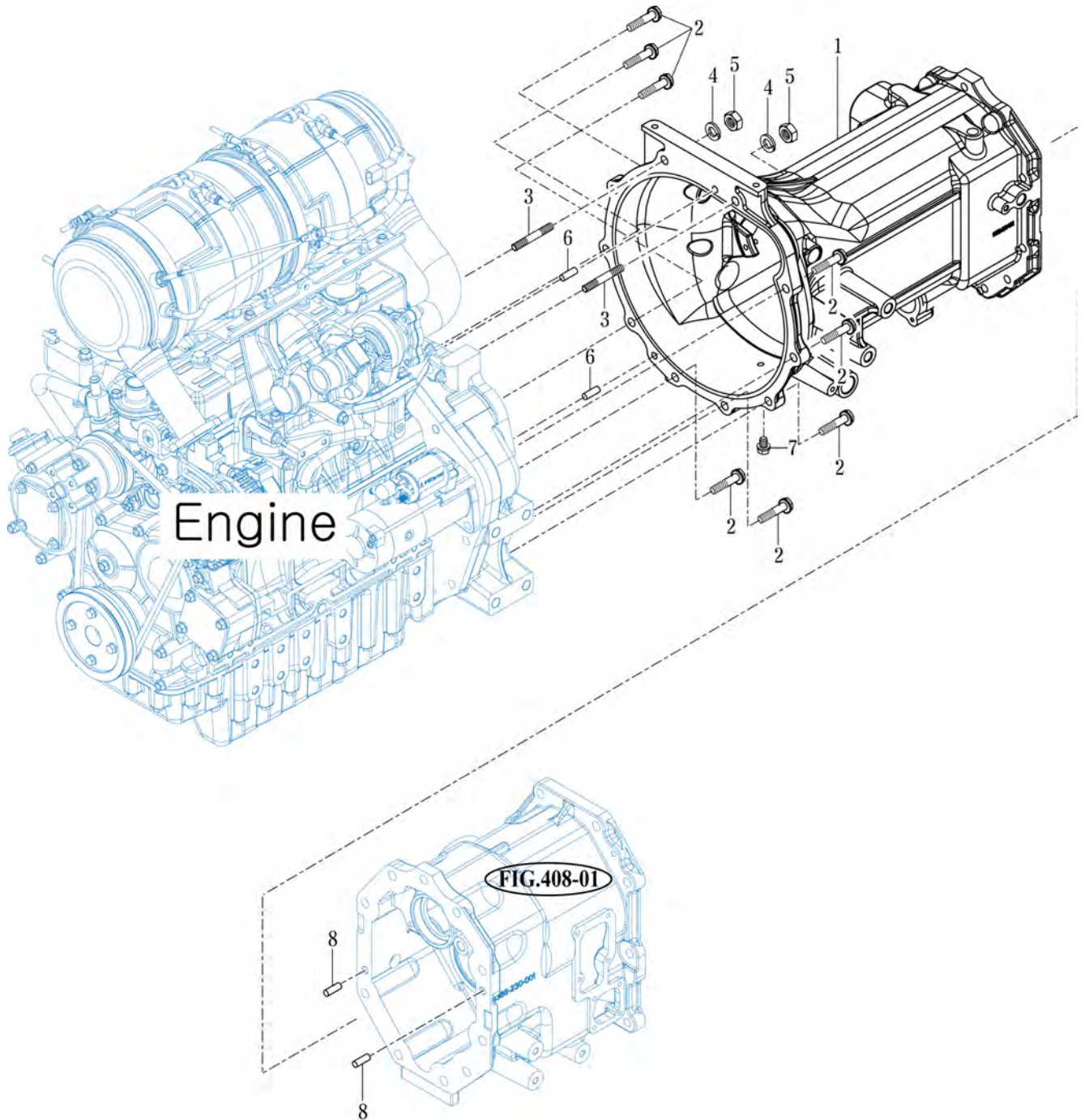
P1

YEAR

2018



T574ST / T574NC / T494ST / T494NC



NOTE

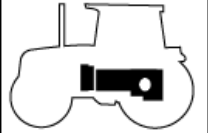
FIG 402

FORWARD & BACKWARD GEARS

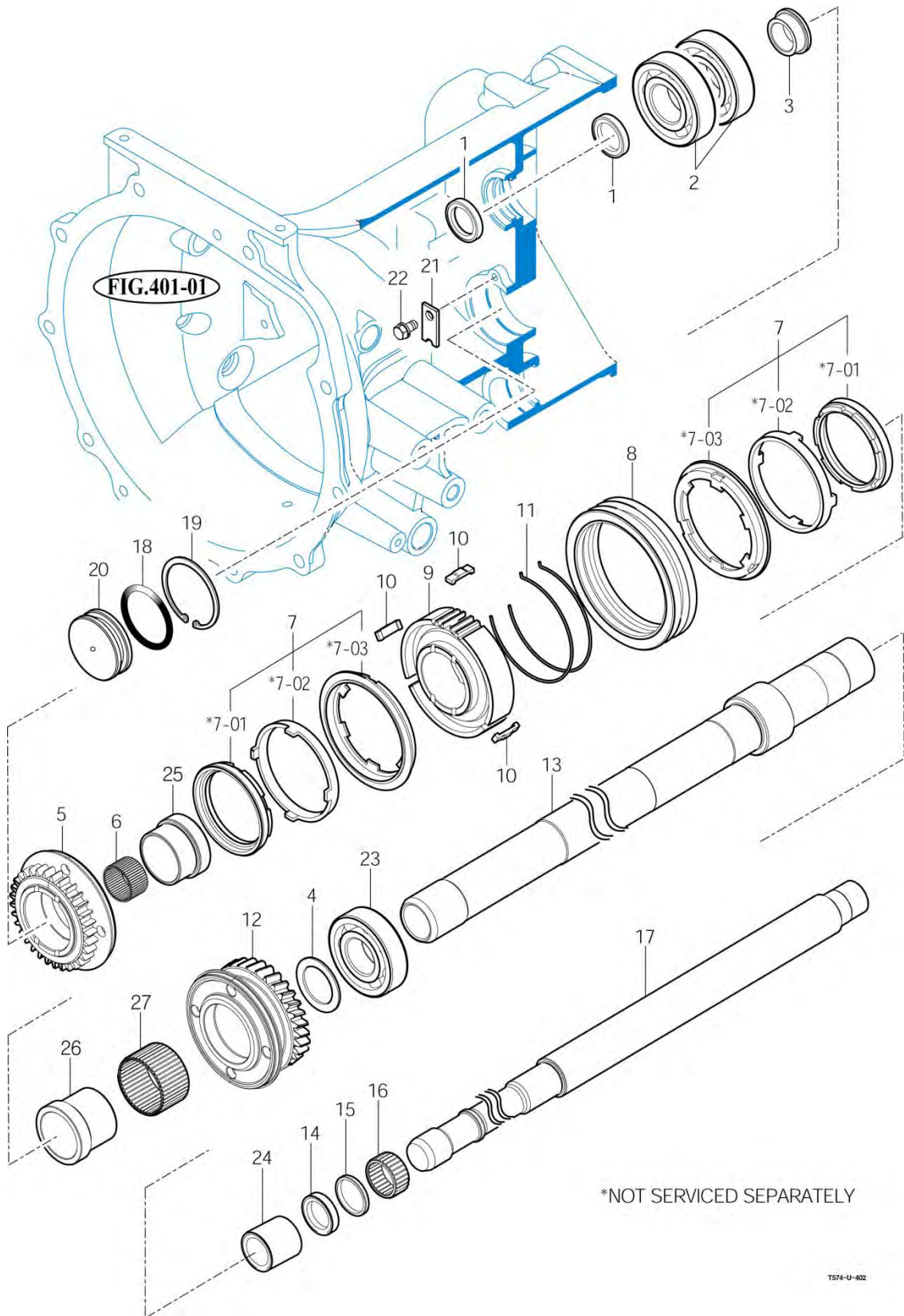
P1

YEAR

2018



T574ST / T574NC / T494ST / T494NC



T574-U-402

NOTE

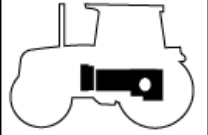
FIG 403

IDLE & COUNTER GEARS

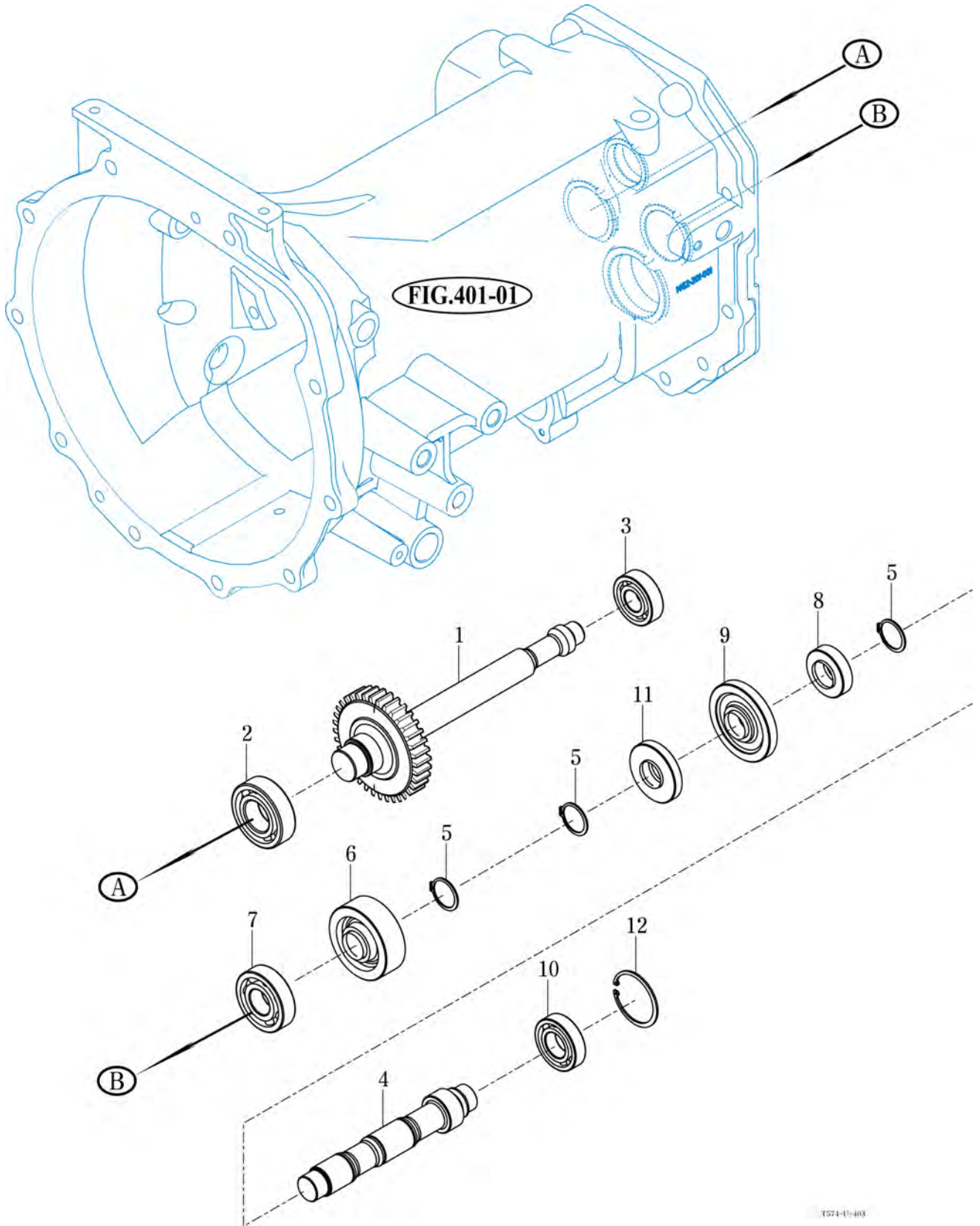
P1

YEAR

2018



T574ST / T574NC / T494ST / T494NC



T074-U-403

NOTE

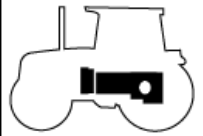
FIG 404

MAIN SHIFT GEARS

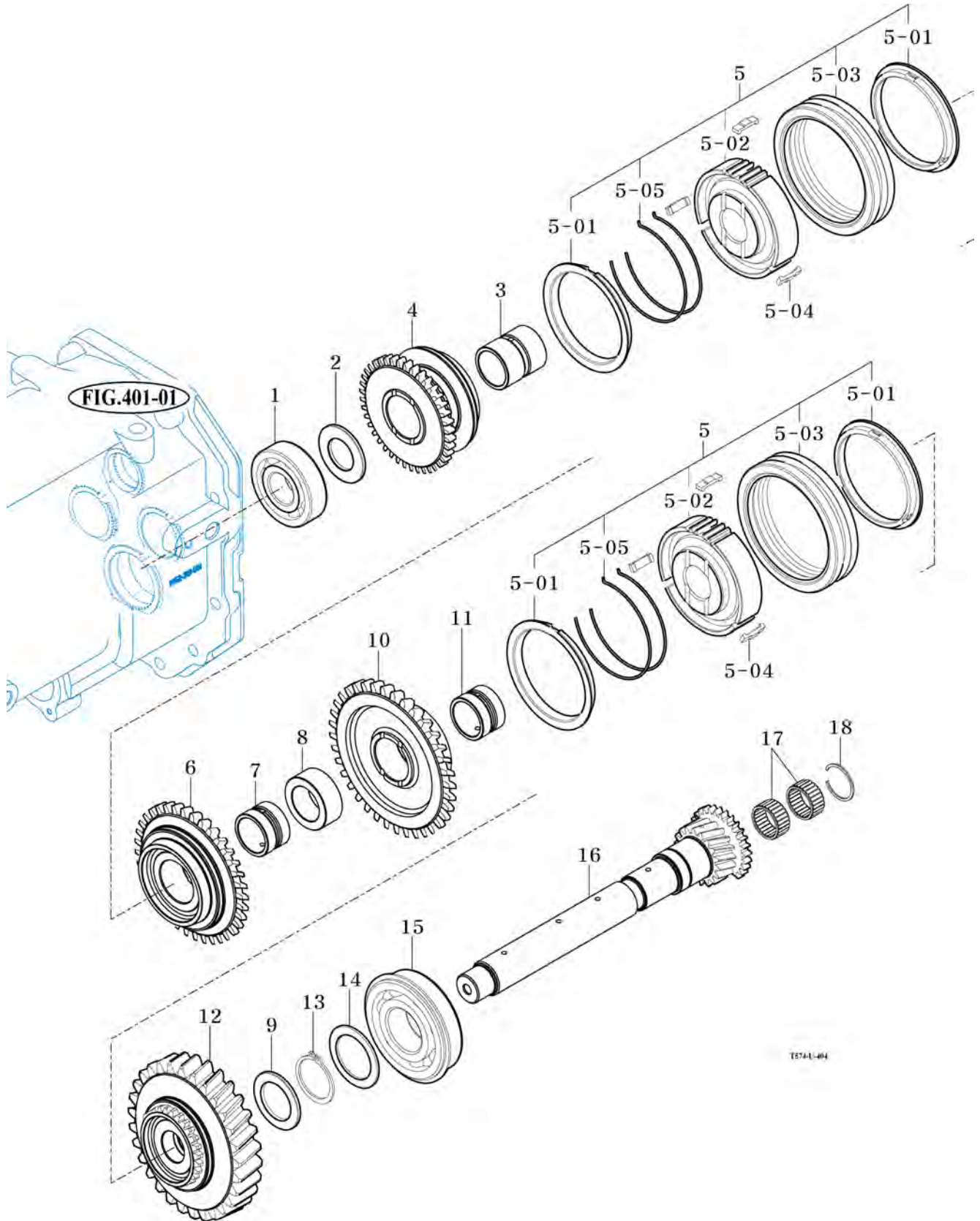
P1

YEAR

2018



T574ST / T574NC / T494ST / T494NC



T574L-404

NOTE

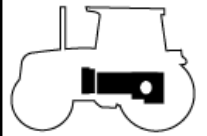
FIG 405

P.T.O DRIVE SHAFT

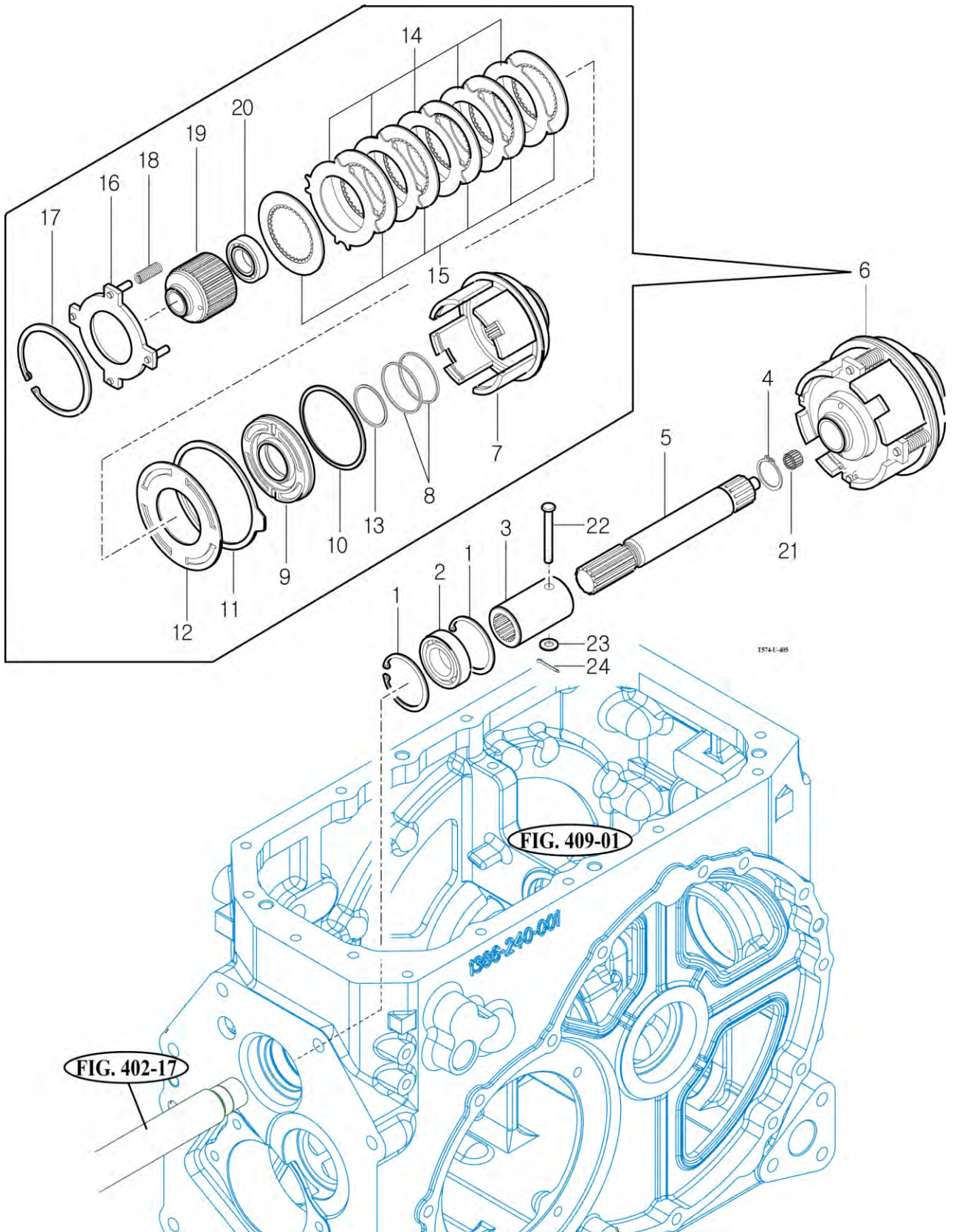
P1

YEAR

2018



T574ST / T574NC / T494ST / T494NC



NOTE

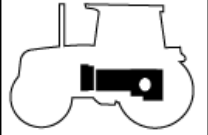
FIG 406

MAIN CHANGE LEVER

P1

YEAR

2018



T574ST / T574NC / T494ST / T494NC

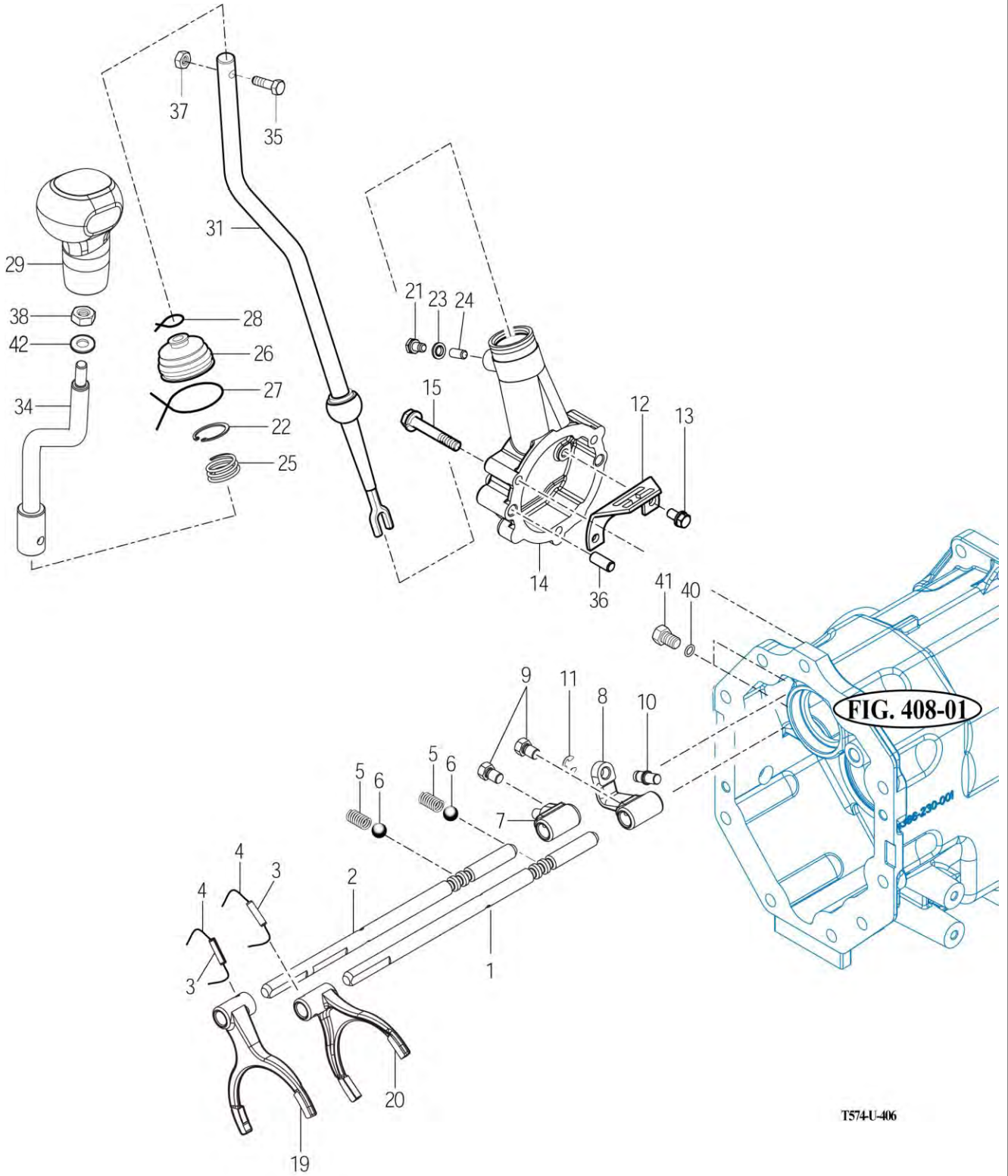


FIG. 408-01

T574-U-406

NOTE

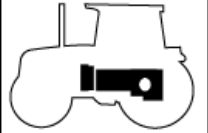
FIG 407

REVERSE CHANGE LEVER

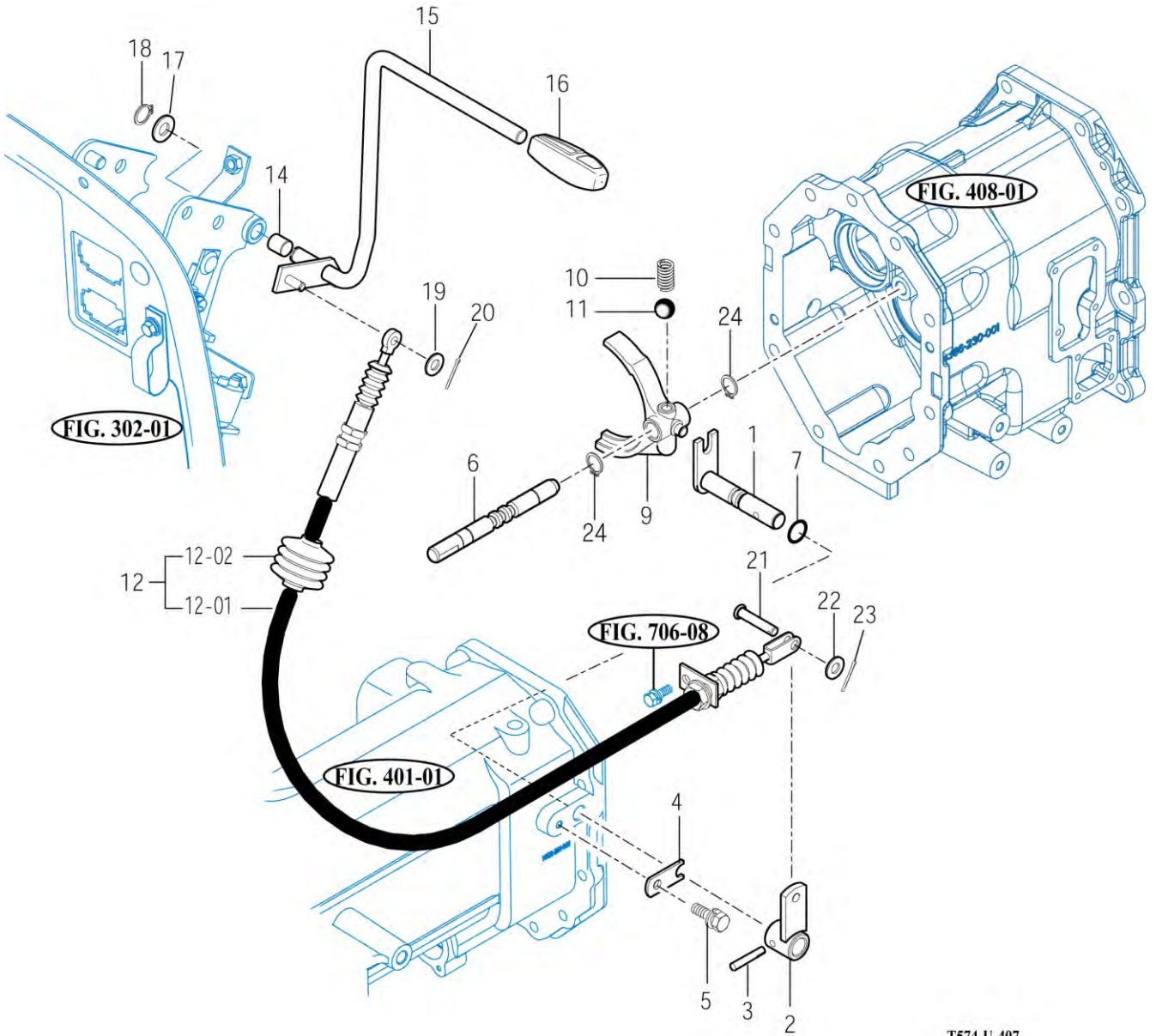
P1

YEAR

2018



T574ST / T574NC / T494ST / T494NC



T574-U-407

NOTE

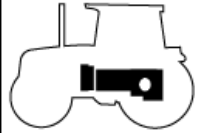
FIG 408

TRANSMISSION MID CASE

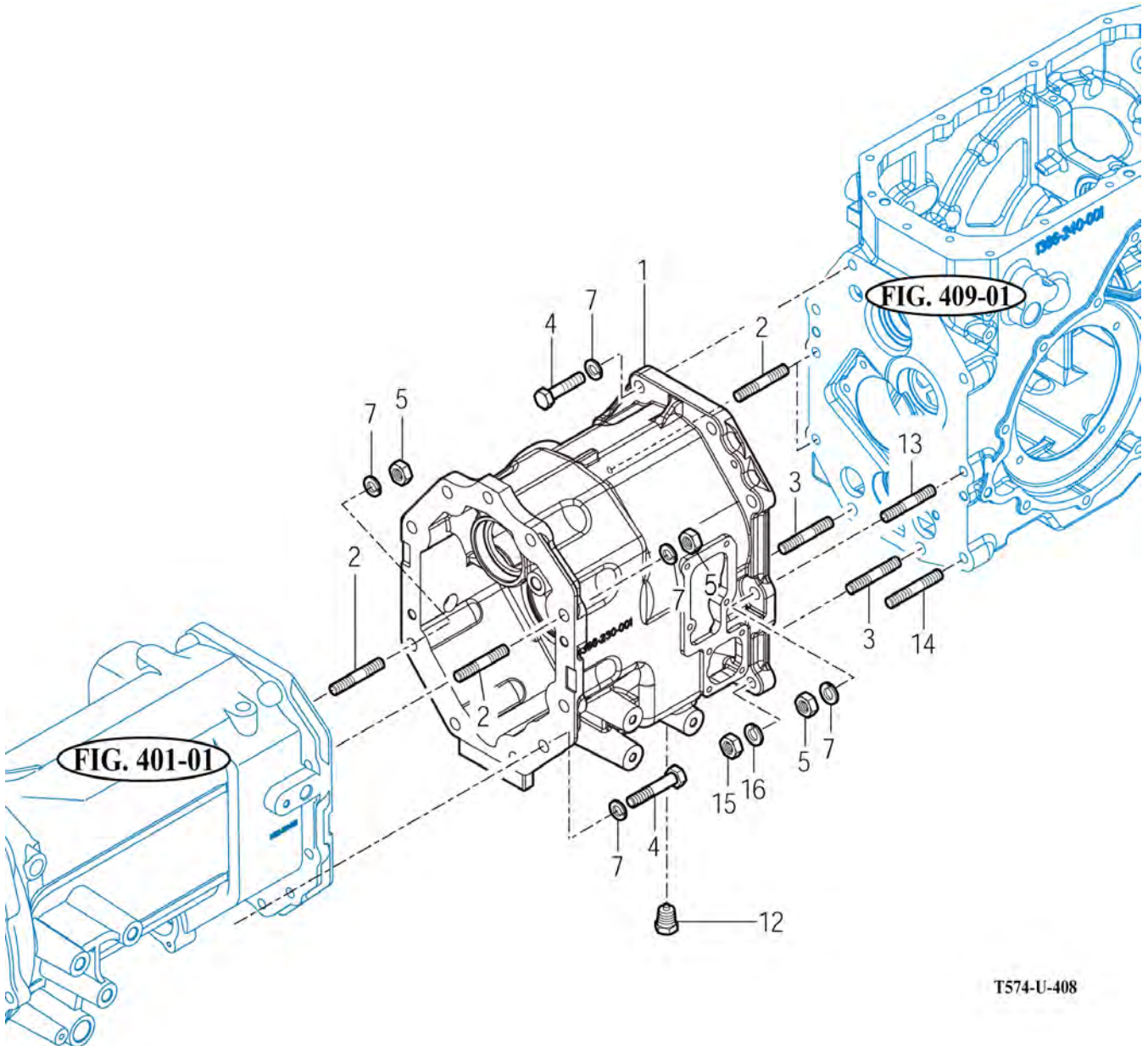
P1

YEAR

2018



T574ST / T574NC / T494ST / T494NC



T574-U-408

NOTE

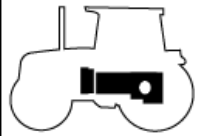
FIG 409

TRANSMISSION REAR CASE

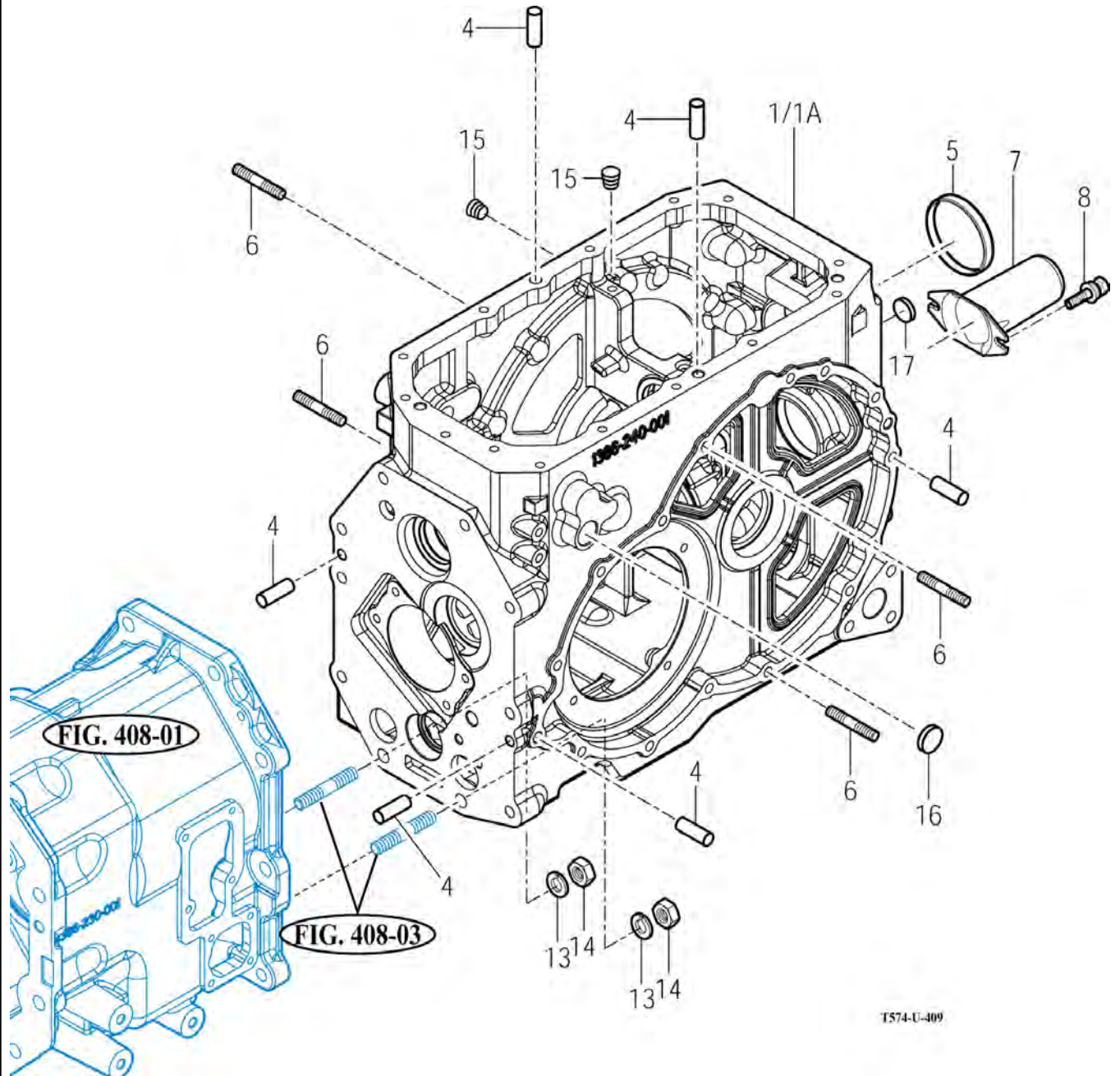
P1

YEAR

2018



T574ST / T574NC / T494ST / T494NC



T574-U-409

NOTE

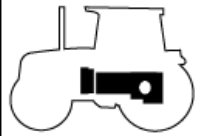
FIG 410

SUB CHANGE GEARS

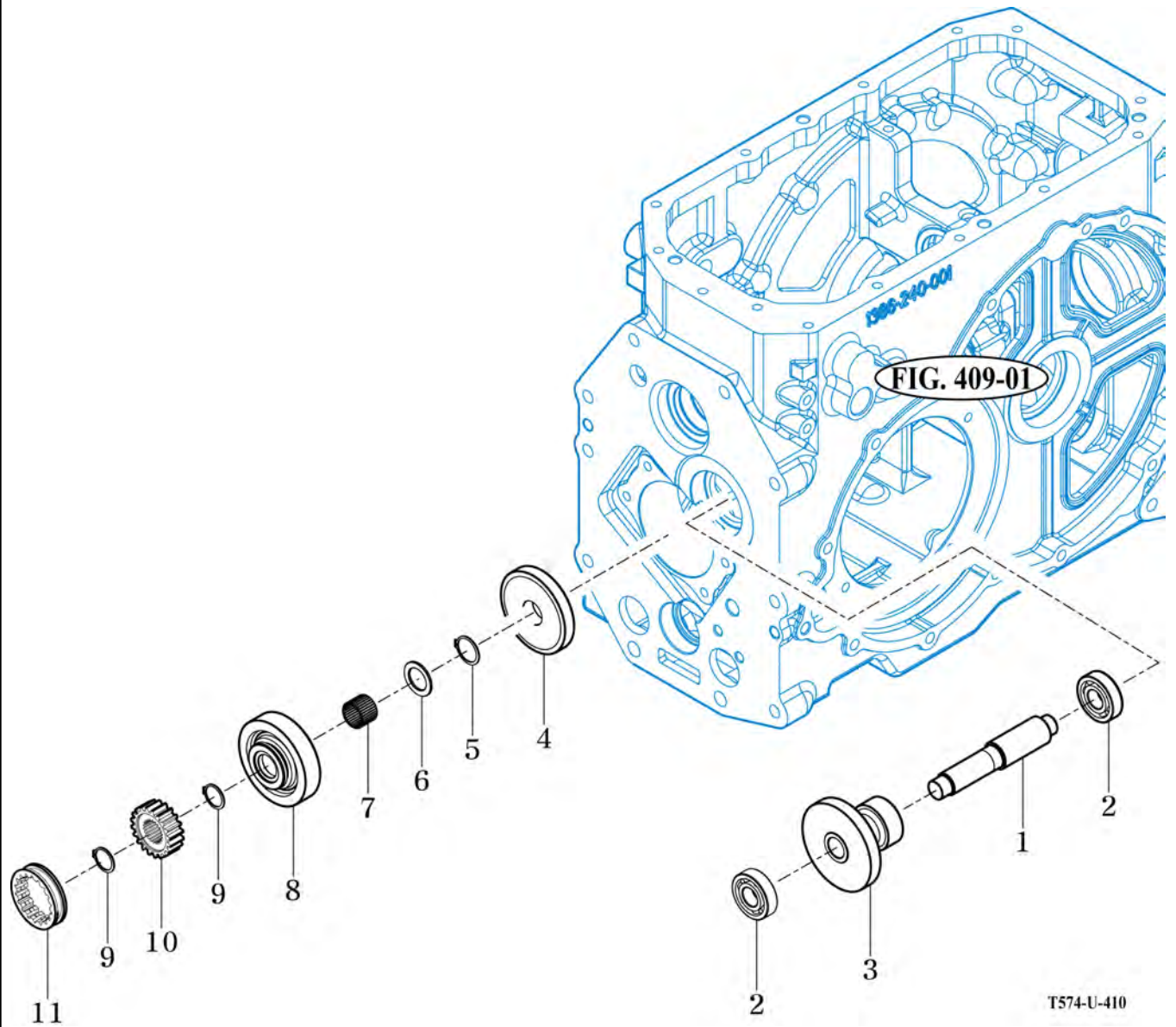
P1

YEAR

2018



T574ST / T574NC / T494ST / T494NC



NOTE

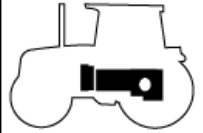
FIG 411

SUB CHANGE SHIFTER

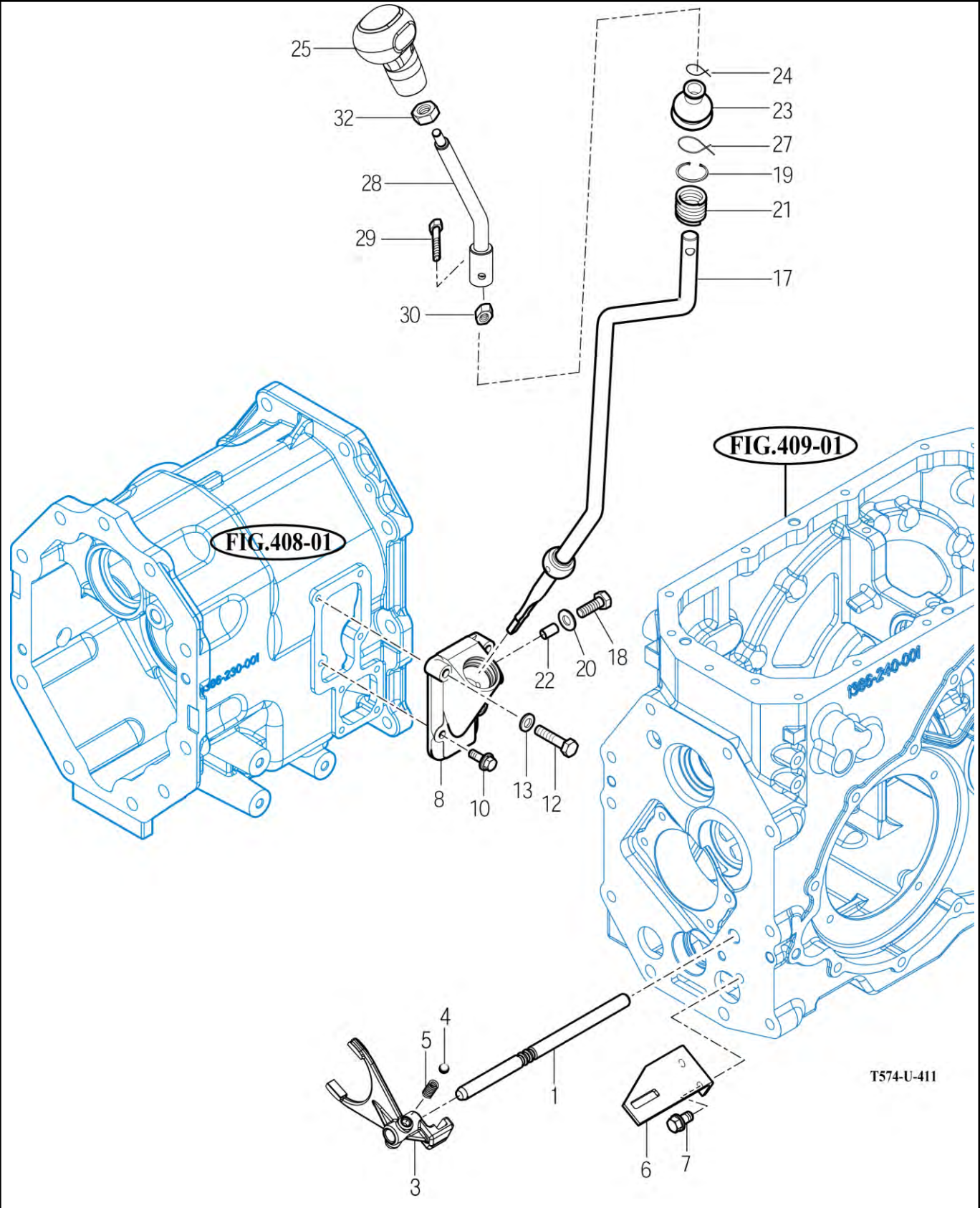
P1

YEAR

2018



T574ST / T574NC / T494ST / T494NC



T574-U-411

NOTE

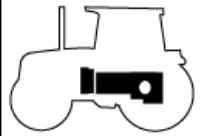
FIG 413

DRIVE GEARS

P1

YEAR

2018



T574ST / T574NC / T494ST / T494NC

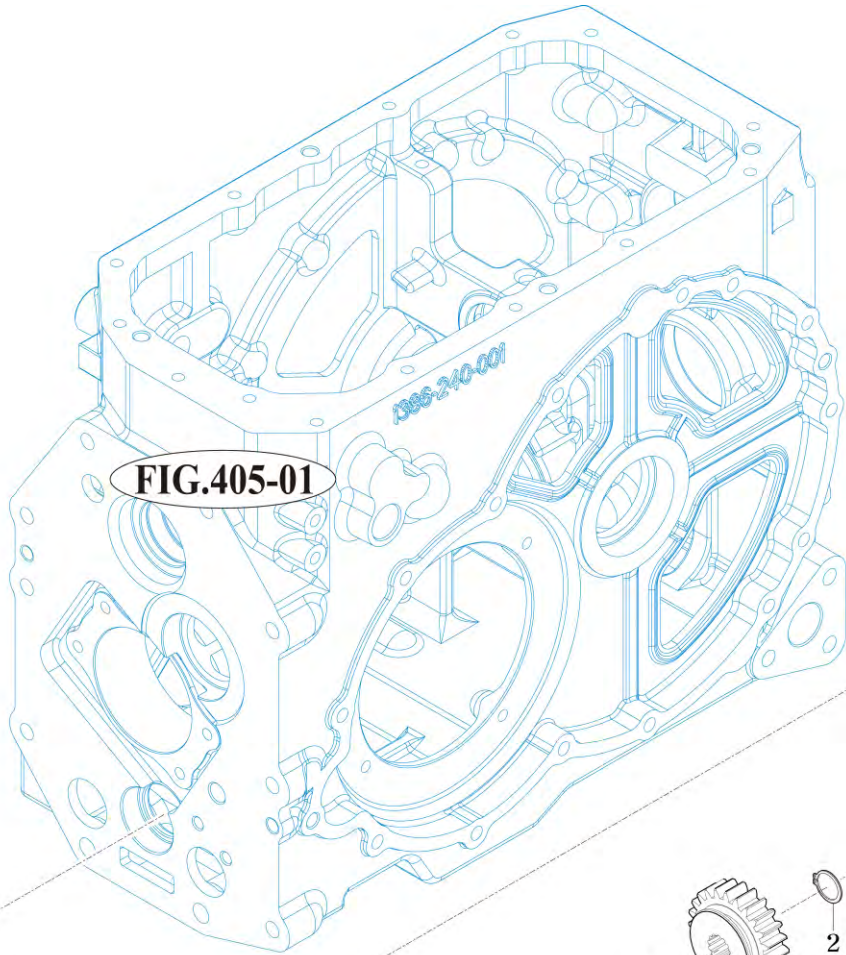
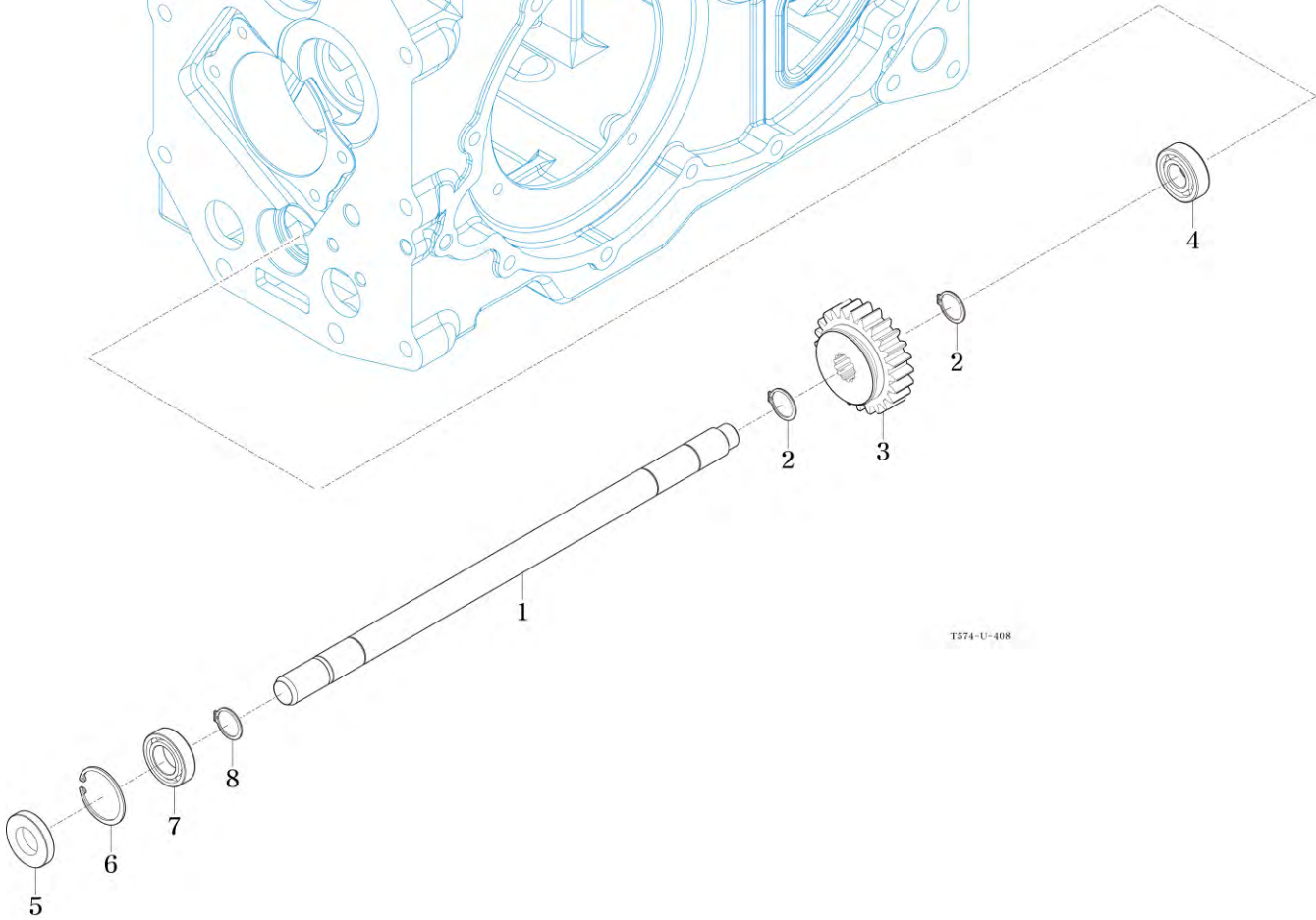


FIG.405-01



T574-U-408

NOTE

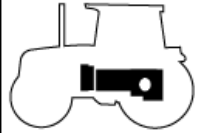
FIG 414

4WD CHANGE LEVER

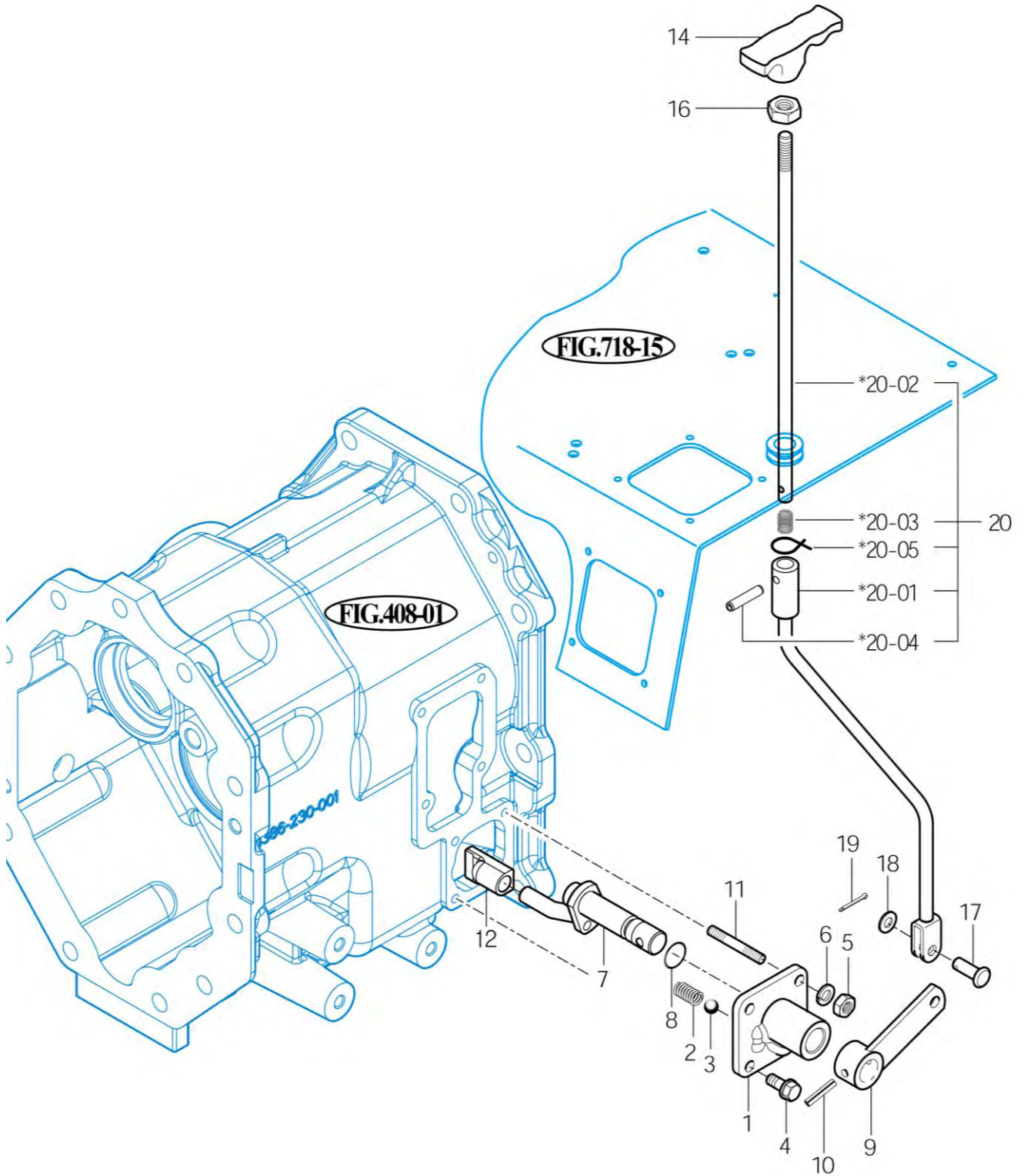
P1

YEAR

2018



T574ST / T574NC / T494ST / T494NC



*NOT SERVICED SEPARATELY

T483-E-414A

NOTE

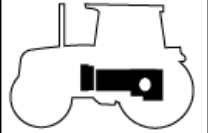
FIG 415

P.T.O CHANGE GEARS

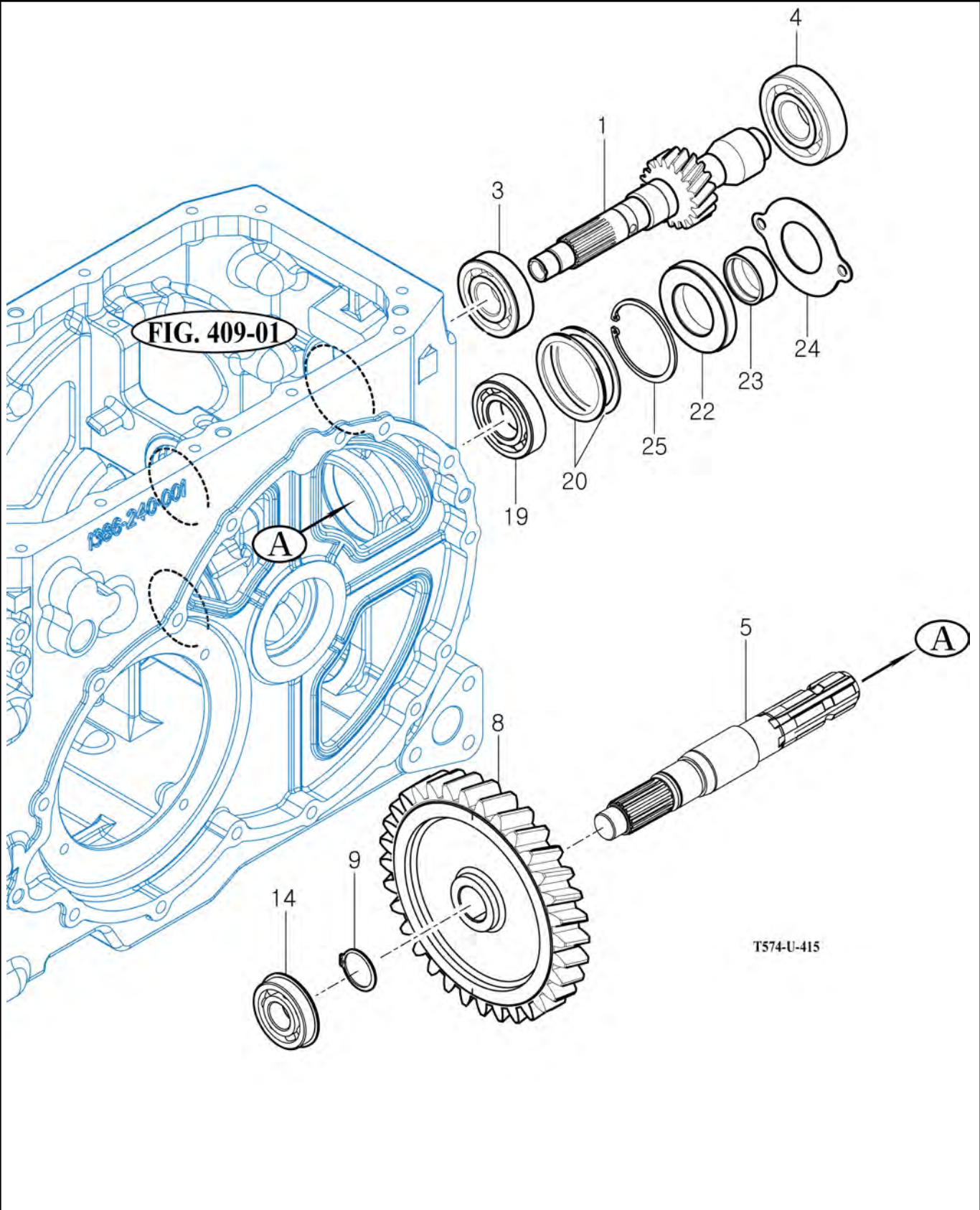
P1

YEAR

2018



T574ST / T574NC / T494ST / T494NC



T574-U-415

NOTE

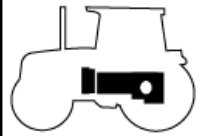
FIG 417

REAR DIFFERENTIAL GEARS

P1

YEAR

2018

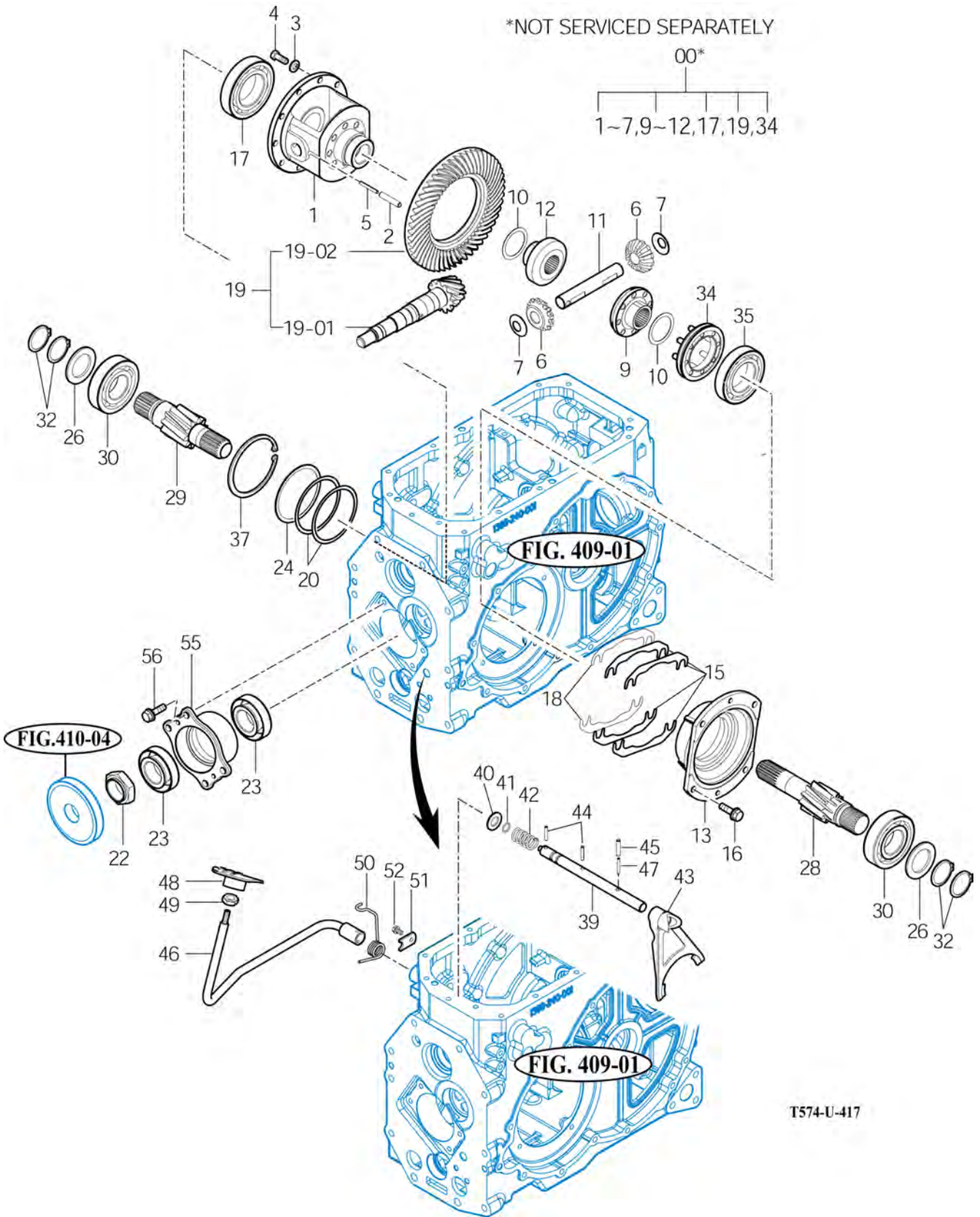


T574ST / T574NC / T494ST / T494NC

*NOT SERVICED SEPARATELY

00*

1-7,9-12,17,19,34



T574-U-417

NOTE

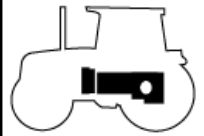
FIG 418

REAR AXLE HOUSING

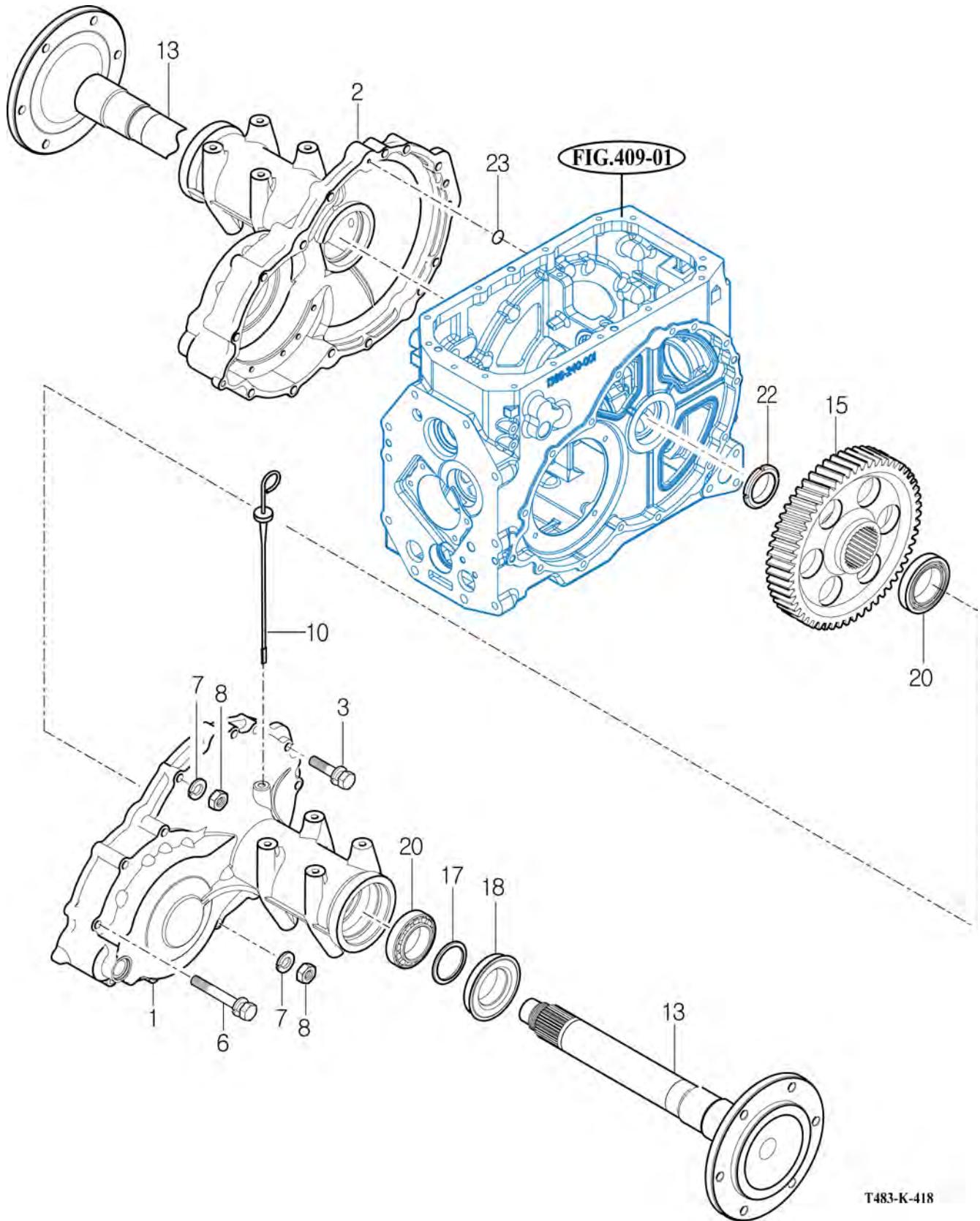
P1

YEAR

2018



T574ST / T574NC / T494ST / T494NC



T483-K-418

NOTE

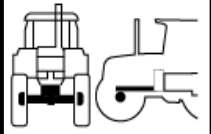
FIG 501

FRONT AXLE SUPPORT

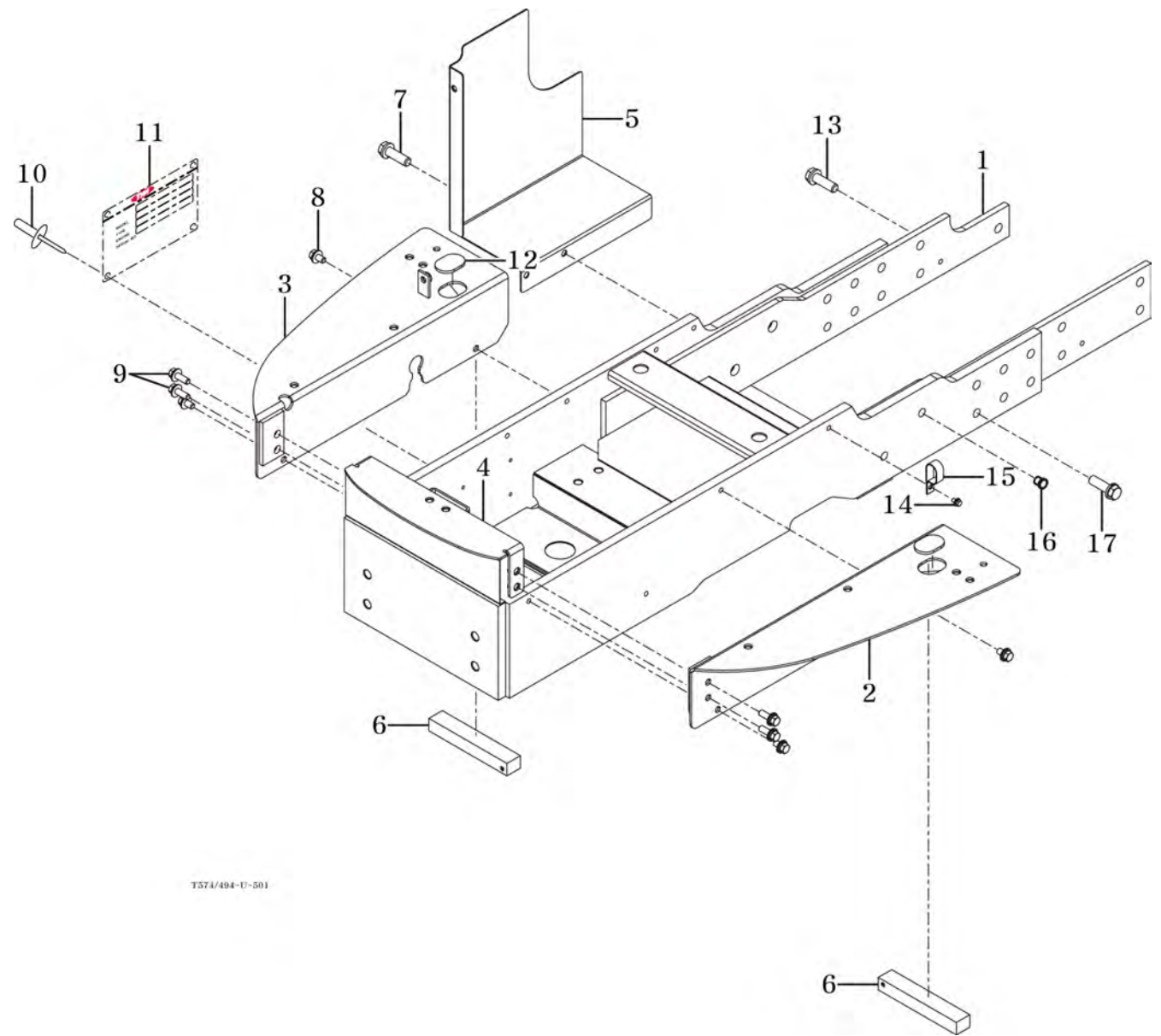
P1

YEAR

2018



T574ST / T574NC / T494ST / T494NC



T574/494-U-501

NOTE

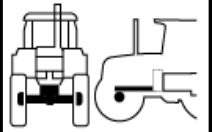
FIG 502

FRONT DRIVE SHAFT

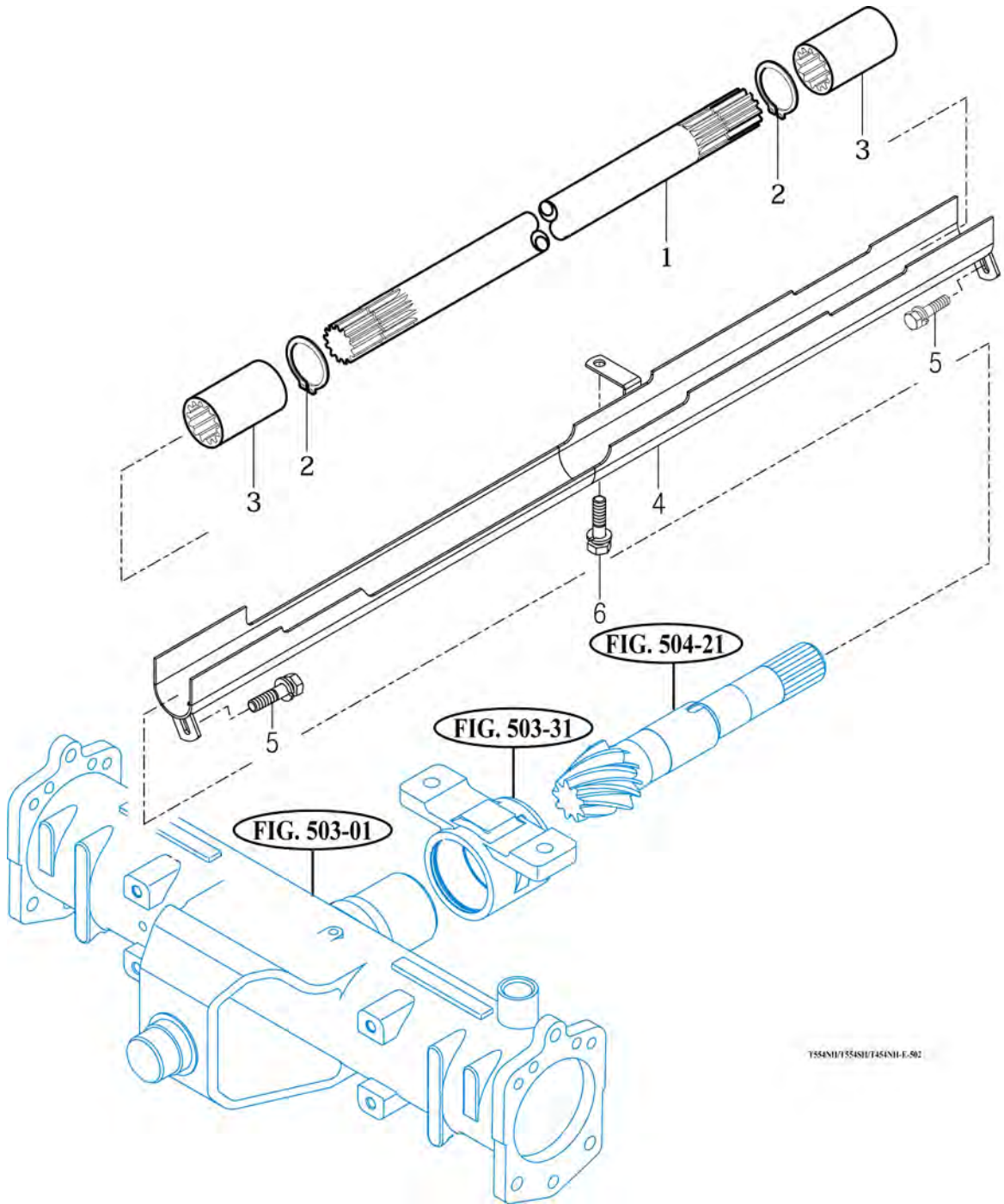
P1

YEAR

2018



T574ST / T574NC / T494ST / T494NC



T554M1/554S1/T454M1-E-502

NOTE

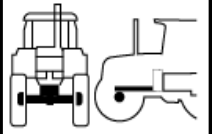
FIG 503

FRONT AXLE HOUSING

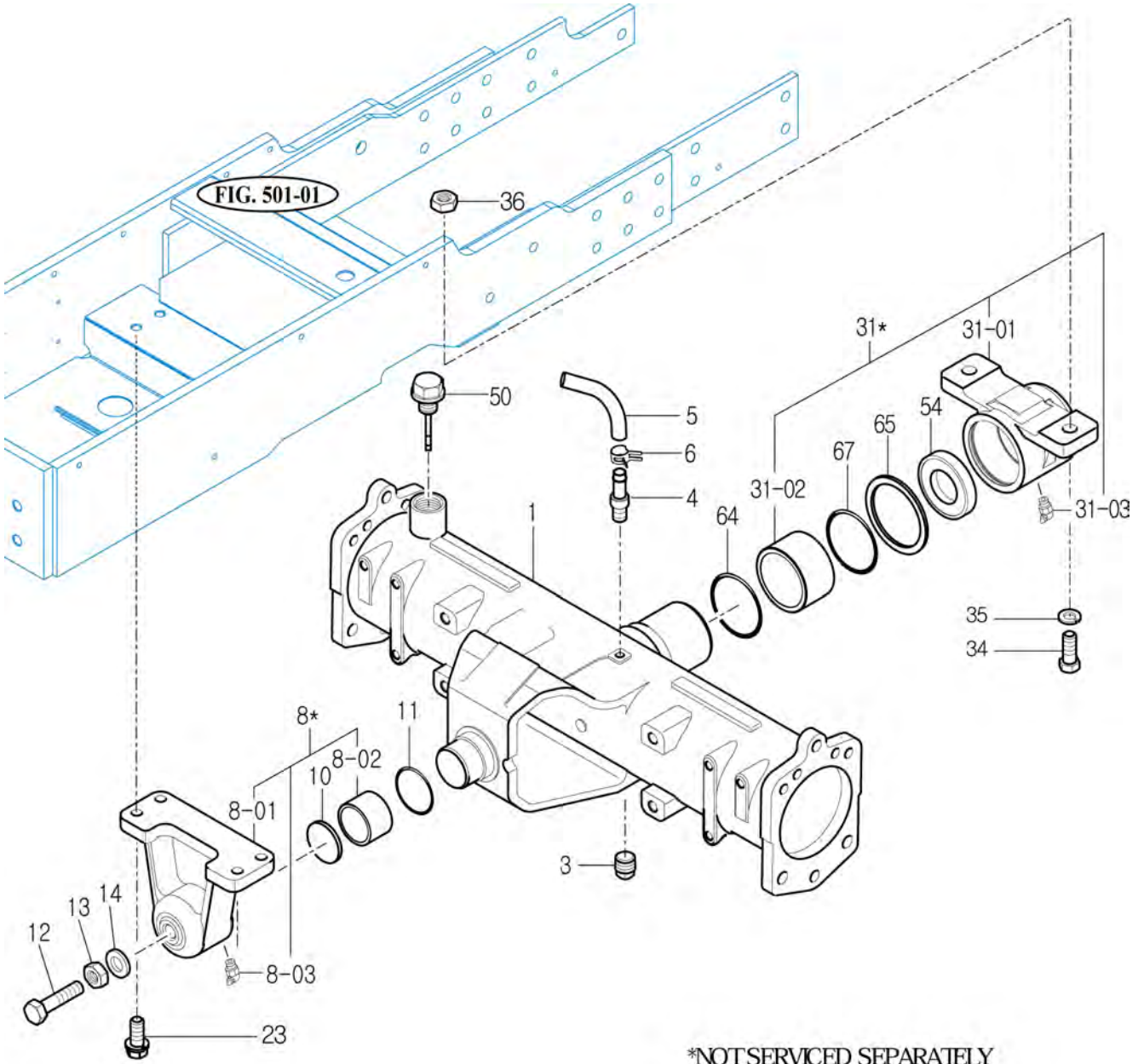
P1

YEAR

2018



T574ST / T574NC / T494ST / T494NC



NOTE

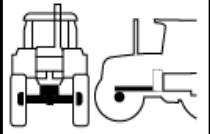
FIG 504

FRONT DIFFERENTIAL GEARS

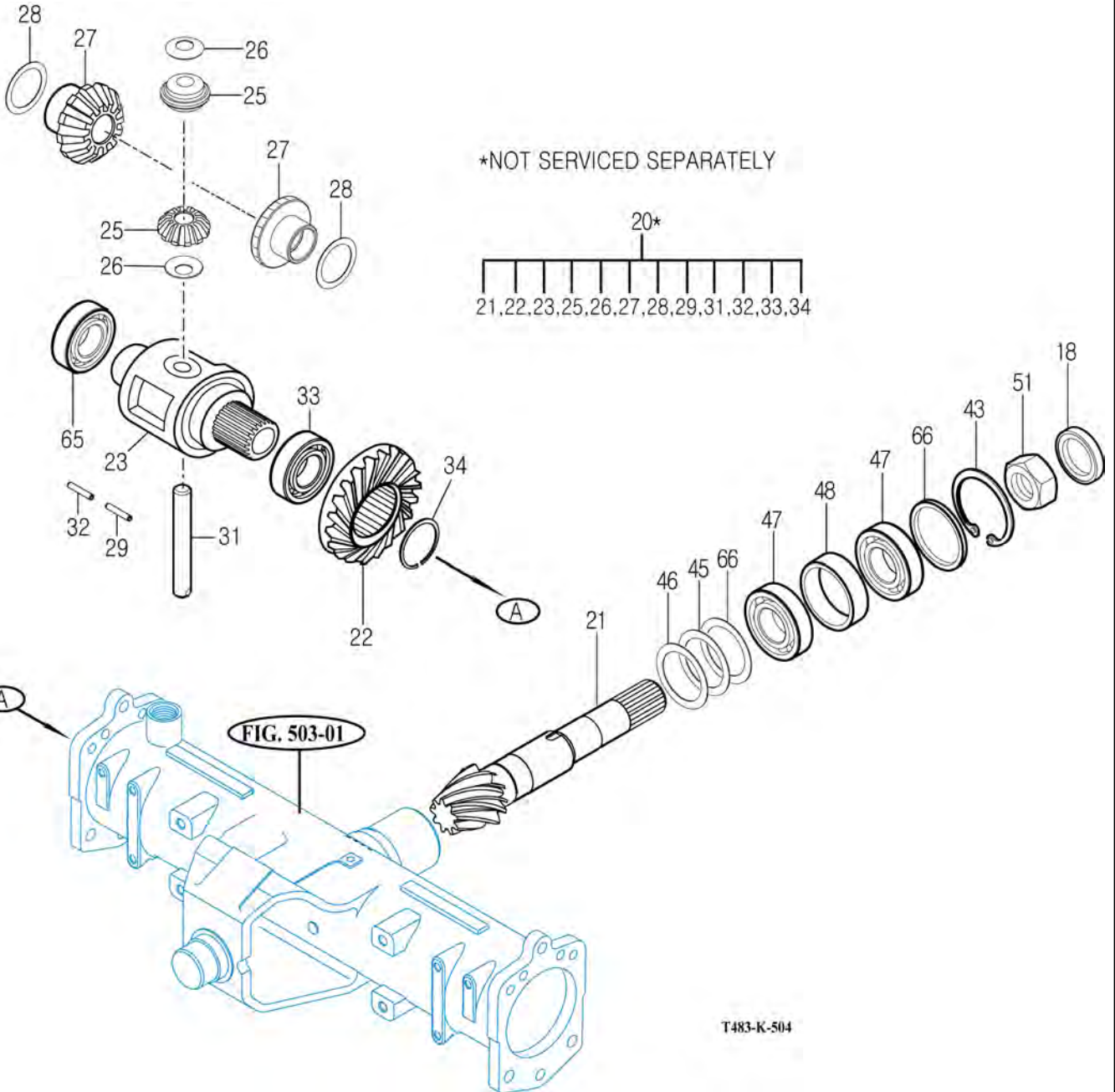
P1

YEAR

2018



T574ST / T574NC / T494ST / T494NC



NOTE

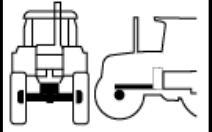
FIG 505

FRONT GEAR CASE (1)

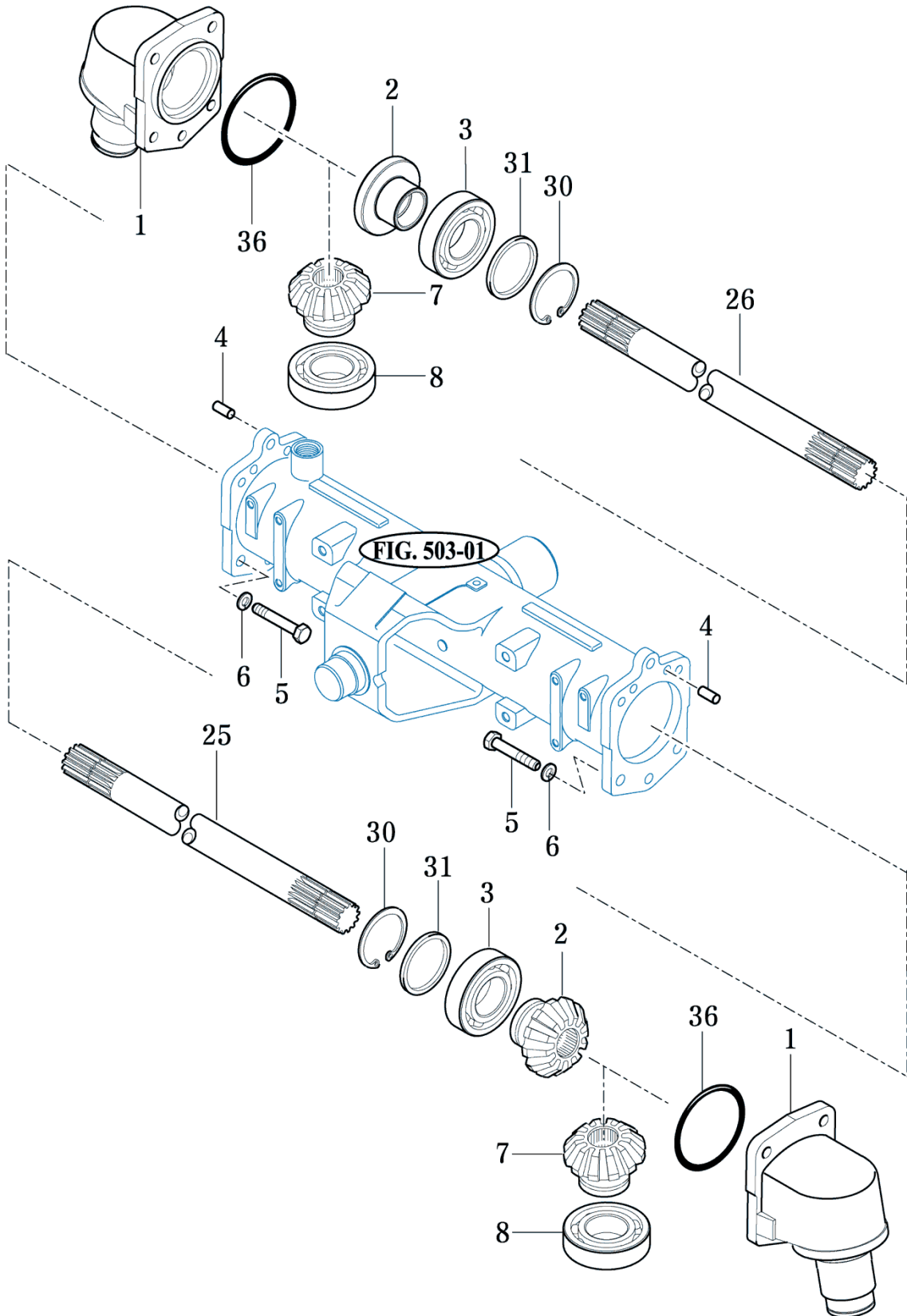
P1

YEAR

2018



T574ST / T574NC / T494ST / T494NC



T483-k-505

NOTE

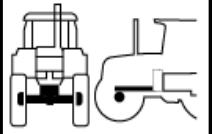
FIG 506

FRONT GEAR CASE (2)

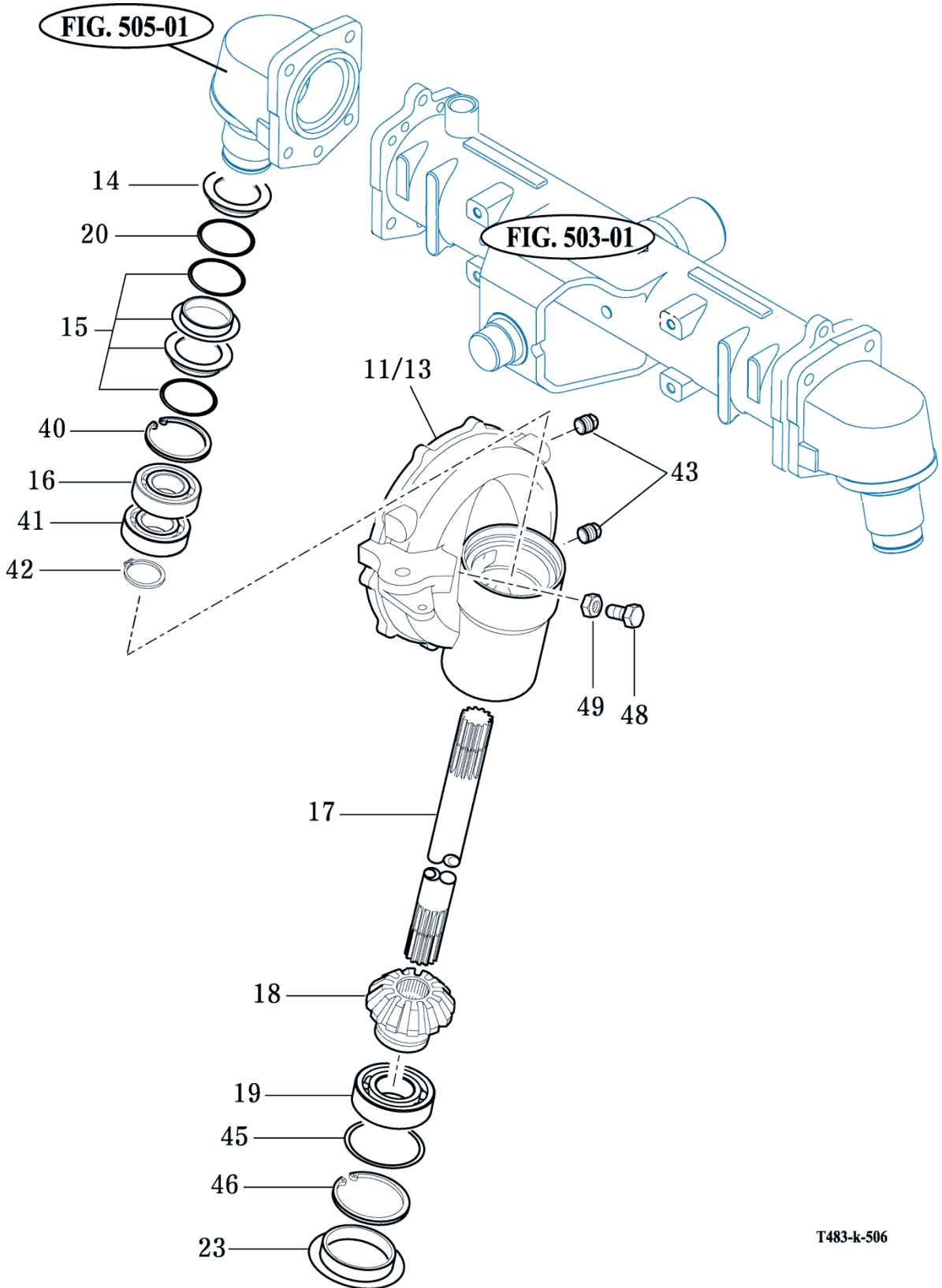
P1

YEAR

2018



T574ST / T574NC / T494ST / T494NC



T483-k-506

NOTE

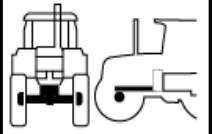
FIG 507

FRONT GEAR CASE (3)

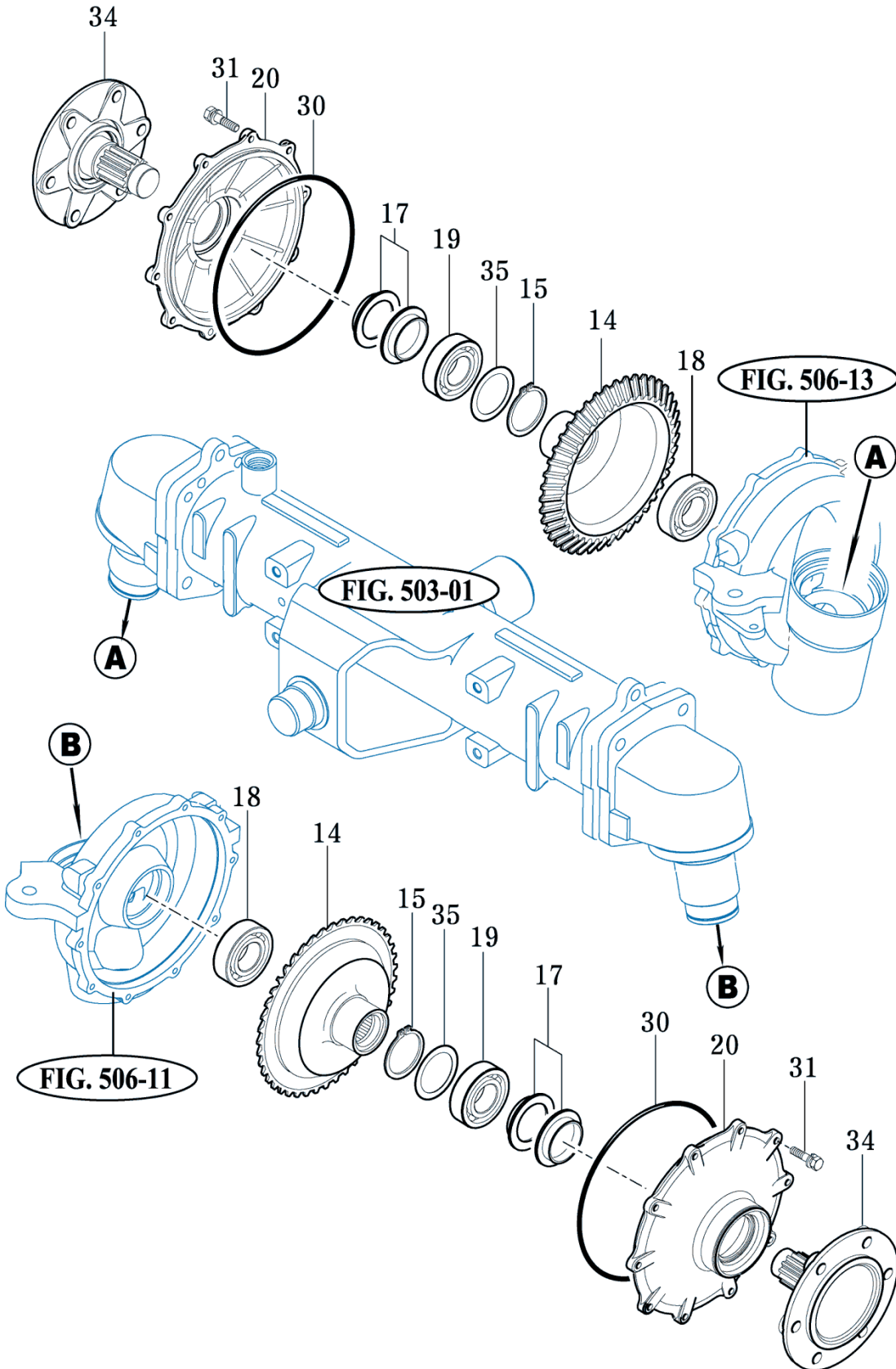
P1

YEAR

2018



T574ST / T574NC / T494ST / T494NC



T483-k-507

NOTE

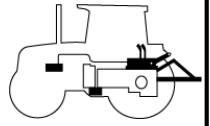
FIG 601

CYLINDER CASE

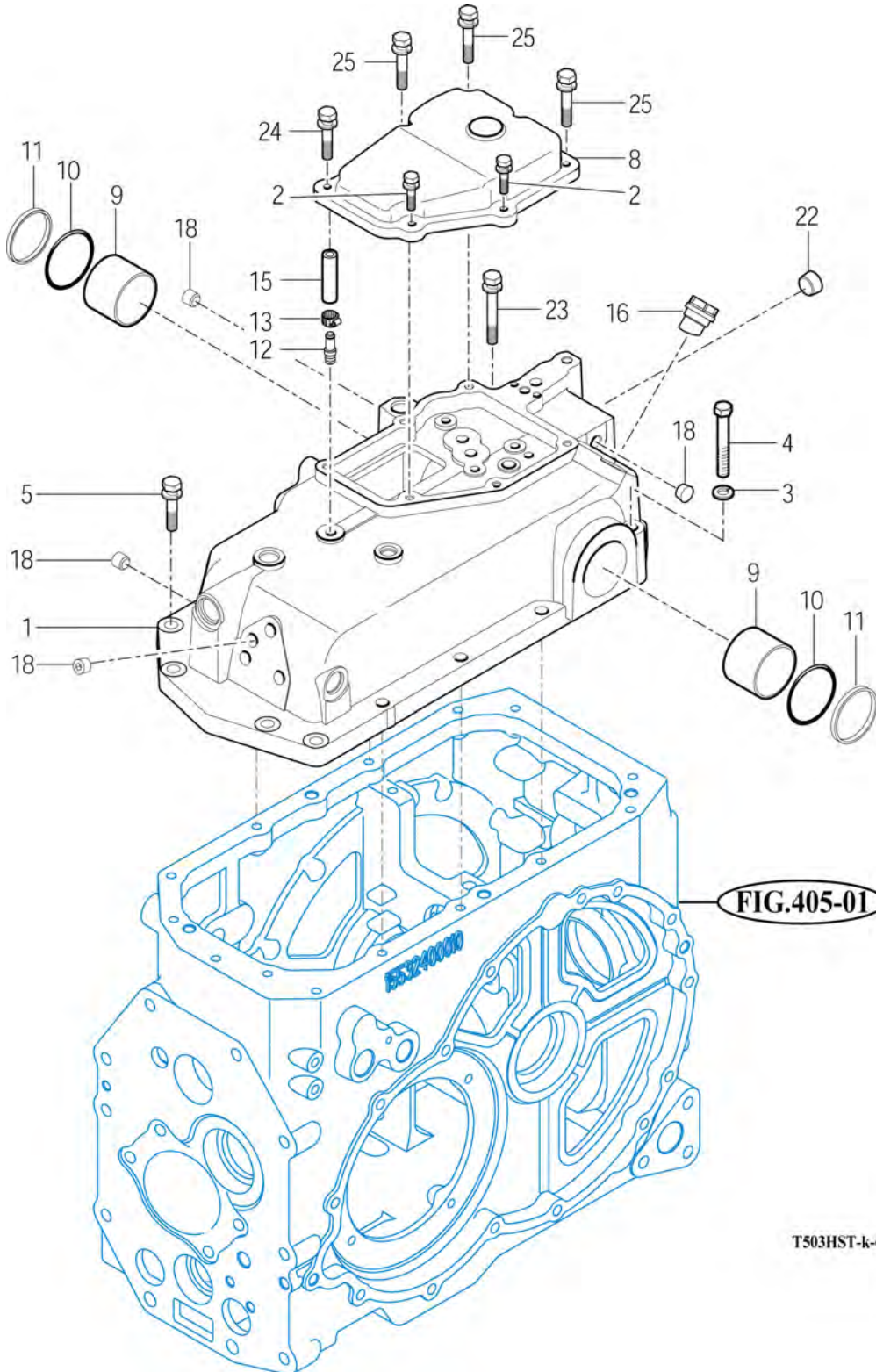
P1

YEAR

2018



T574ST / T574NC / T494ST / T494NC



T503HST-k-601

NOTE

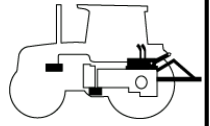
FIG 602

LIFT ARM

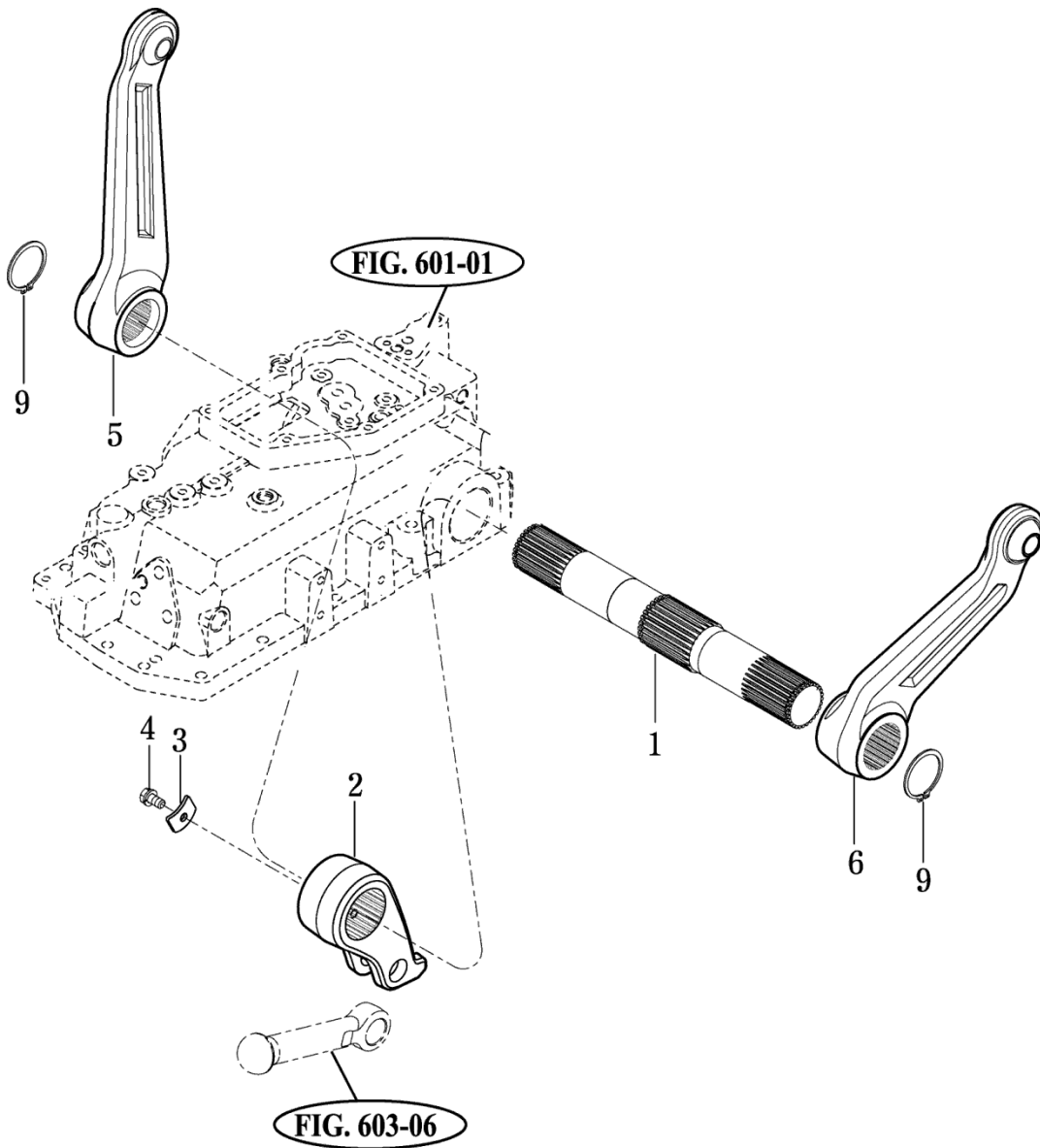
P1

YEAR

2018



T574ST / T574NC / T494ST / T494NC



T473-E-602A

NOTE

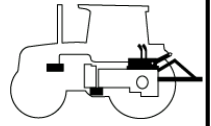
FIG 603

CYLINDER

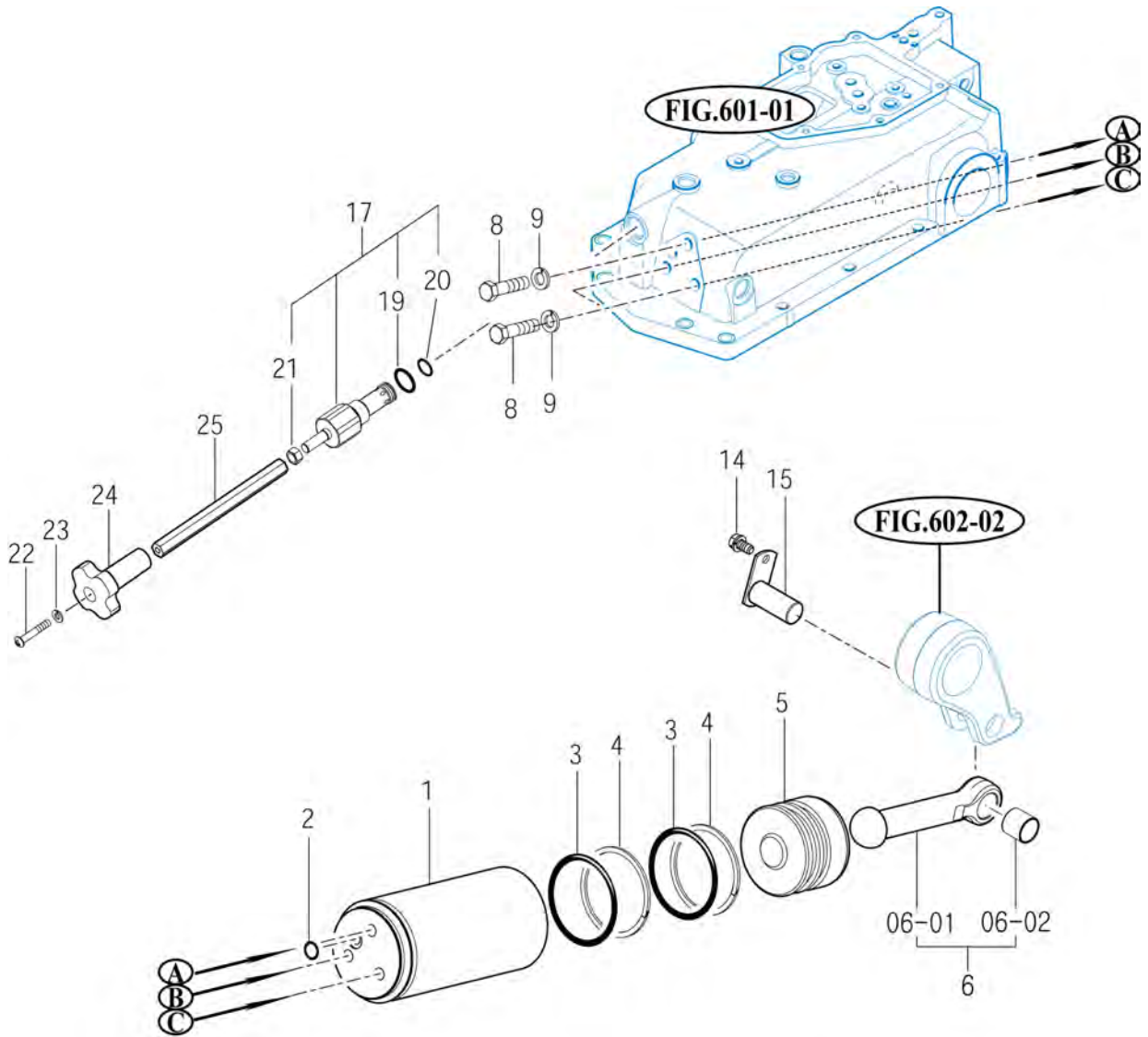
P1

YEAR

2018



T574ST / T574NC / T494ST / T494NC



T483-K-603

NOTE

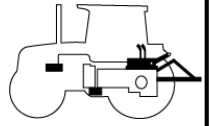
FIG 604

POSITION LINK

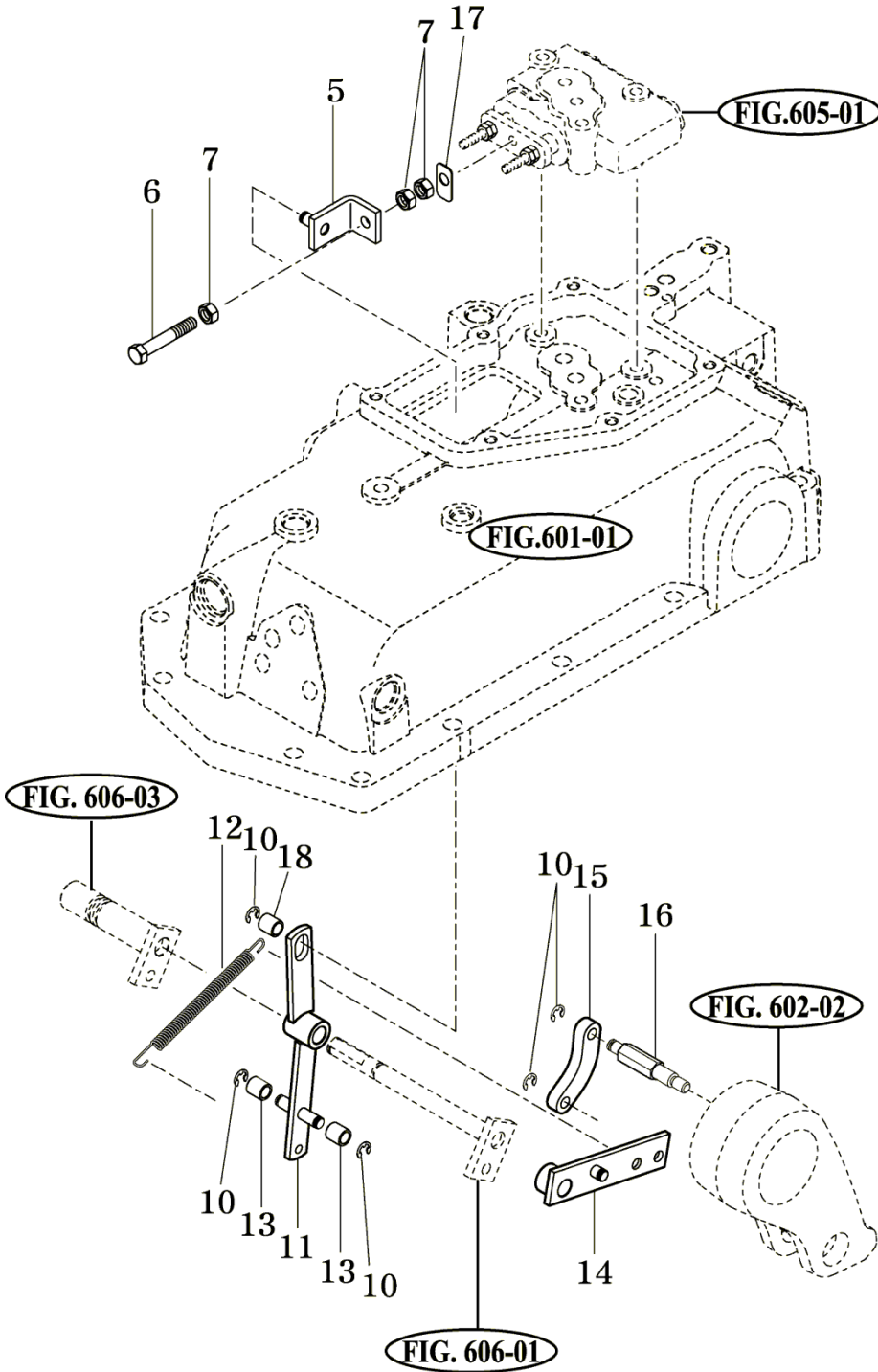
P1

YEAR

2018



T574ST / T574NC / T494ST / T494NC



T483-K-604

NOTE

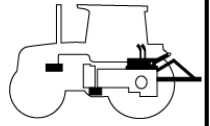
FIG 605

CONTROL VALVE

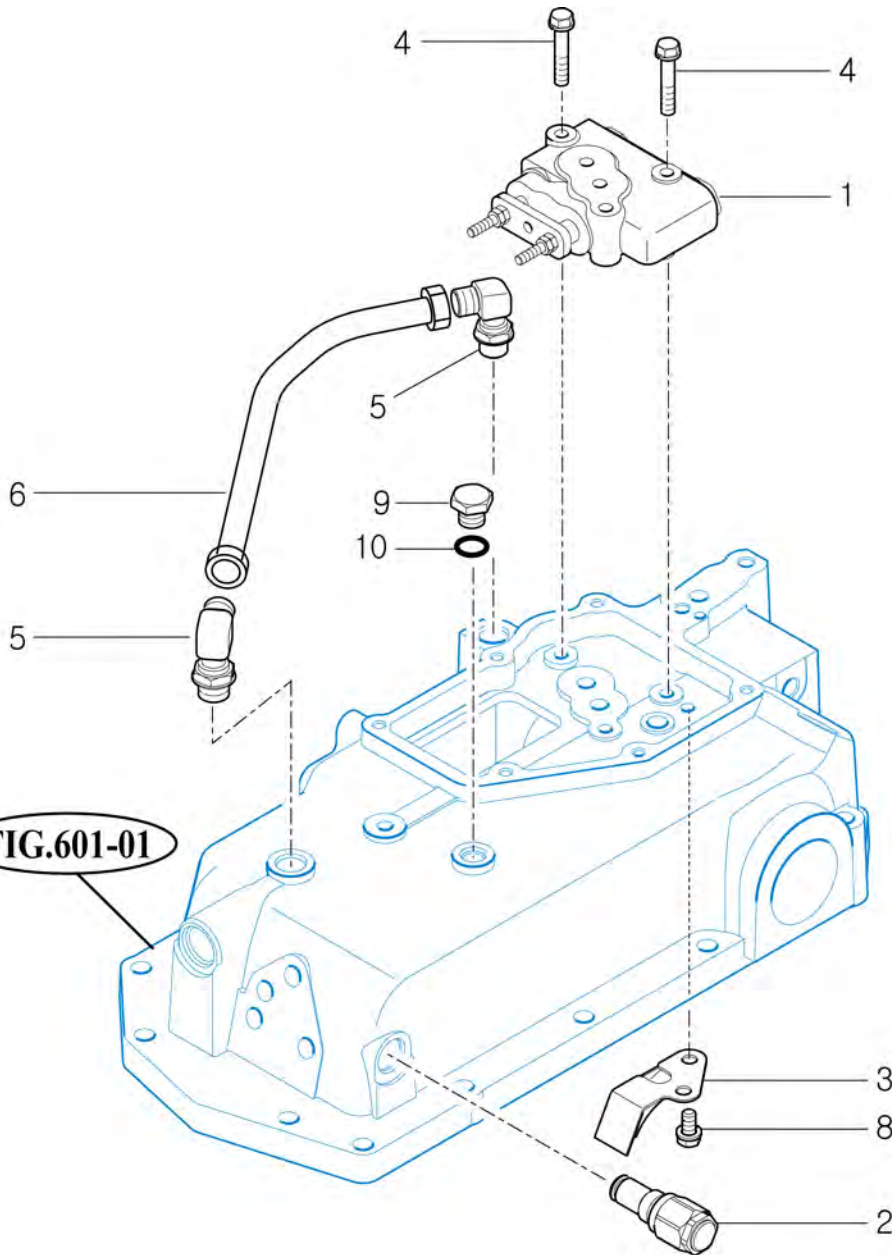
P1

YEAR

2018



T574ST / T574NC / T494ST / T494NC



T503HST-K-605

NOTE

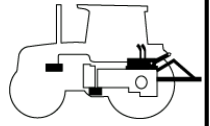
FIG 606

DRAFT LINK

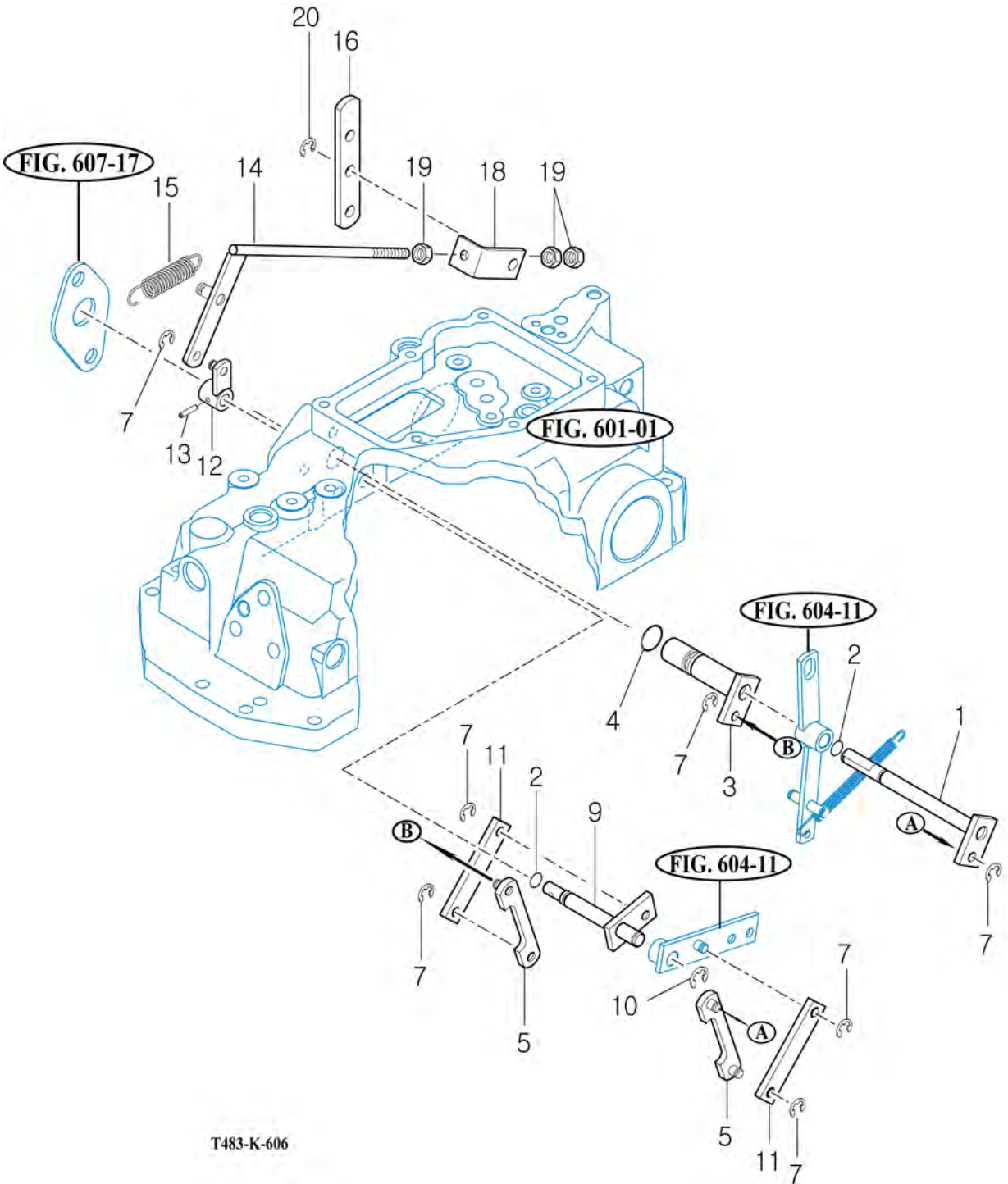
P1

YEAR

2018



T574ST / T574NC / T494ST / T494NC



T483-K-606

NOTE

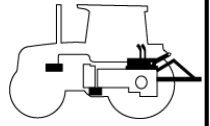
FIG 607

POSITION & DRAFT LEVER(1)

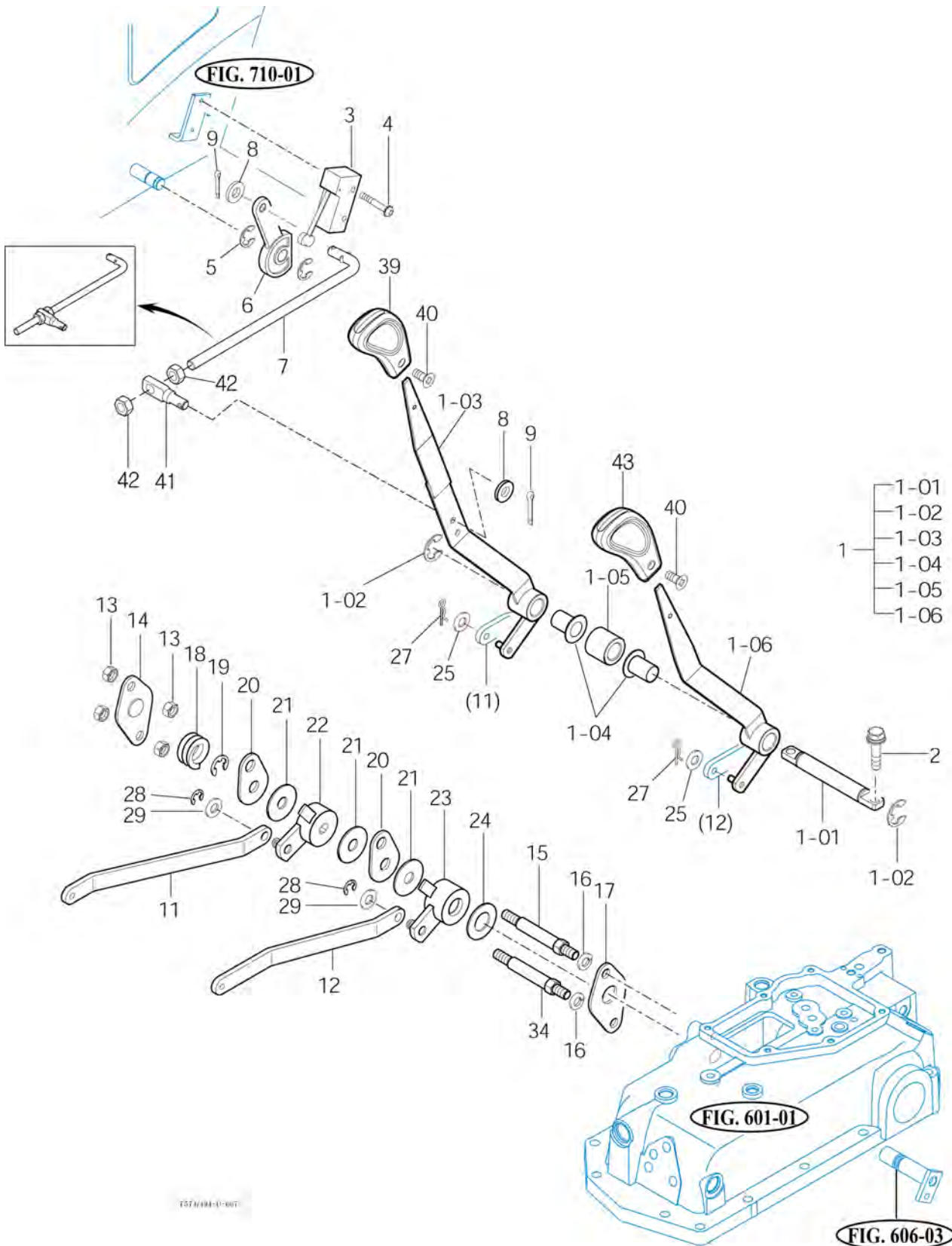
P1

YEAR

2018



T574ST / T574NC / T494ST / T494NC



NOTE

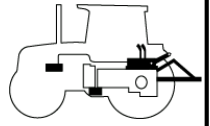
FIG 607

POSITION & DRAFT LEVER(2)

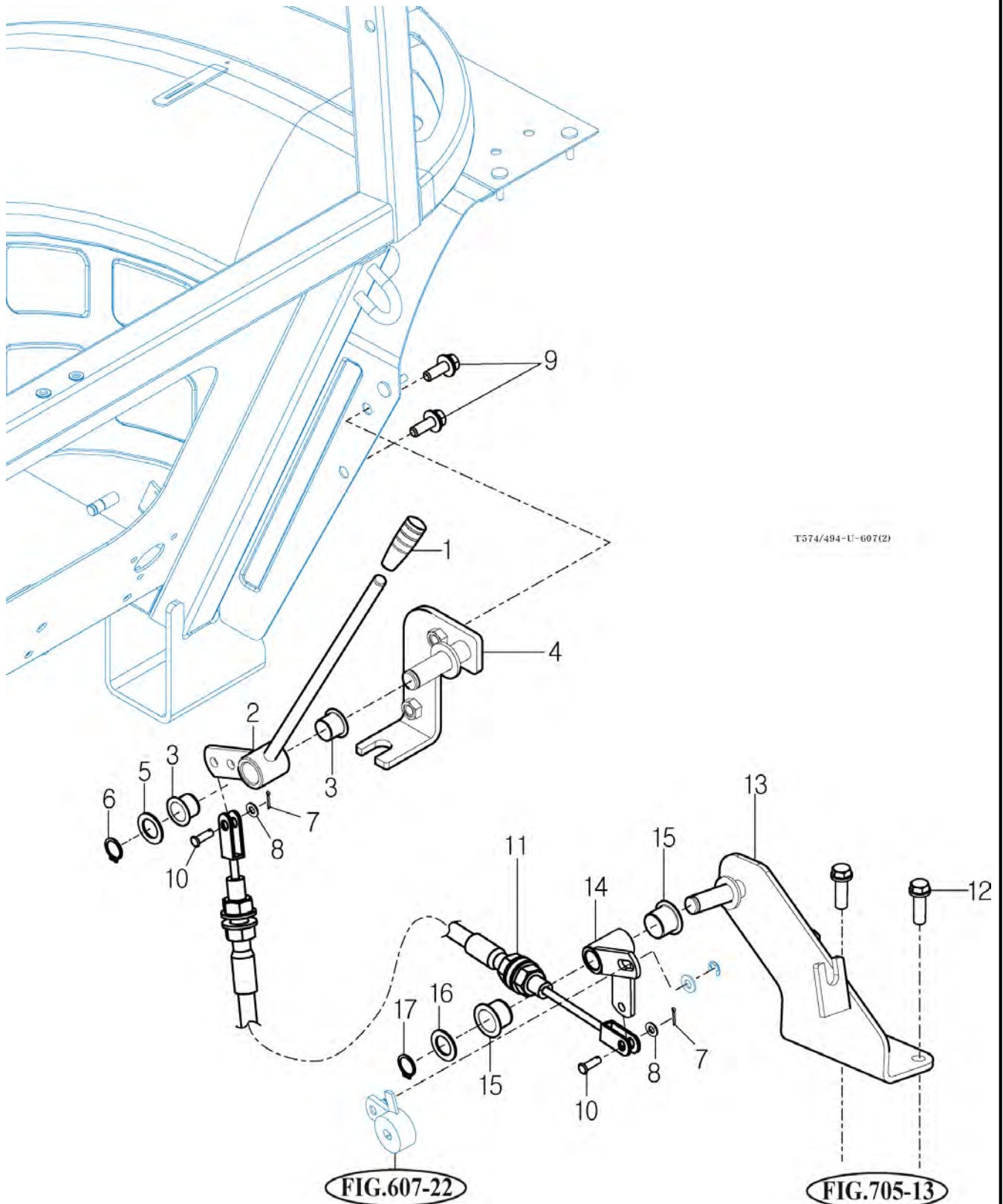
P2

YEAR

2018



T574ST / T574NC / T494ST / T494NC



NOTE

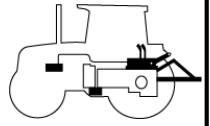
FIG 608

EXTERIOR HYD.VALVE

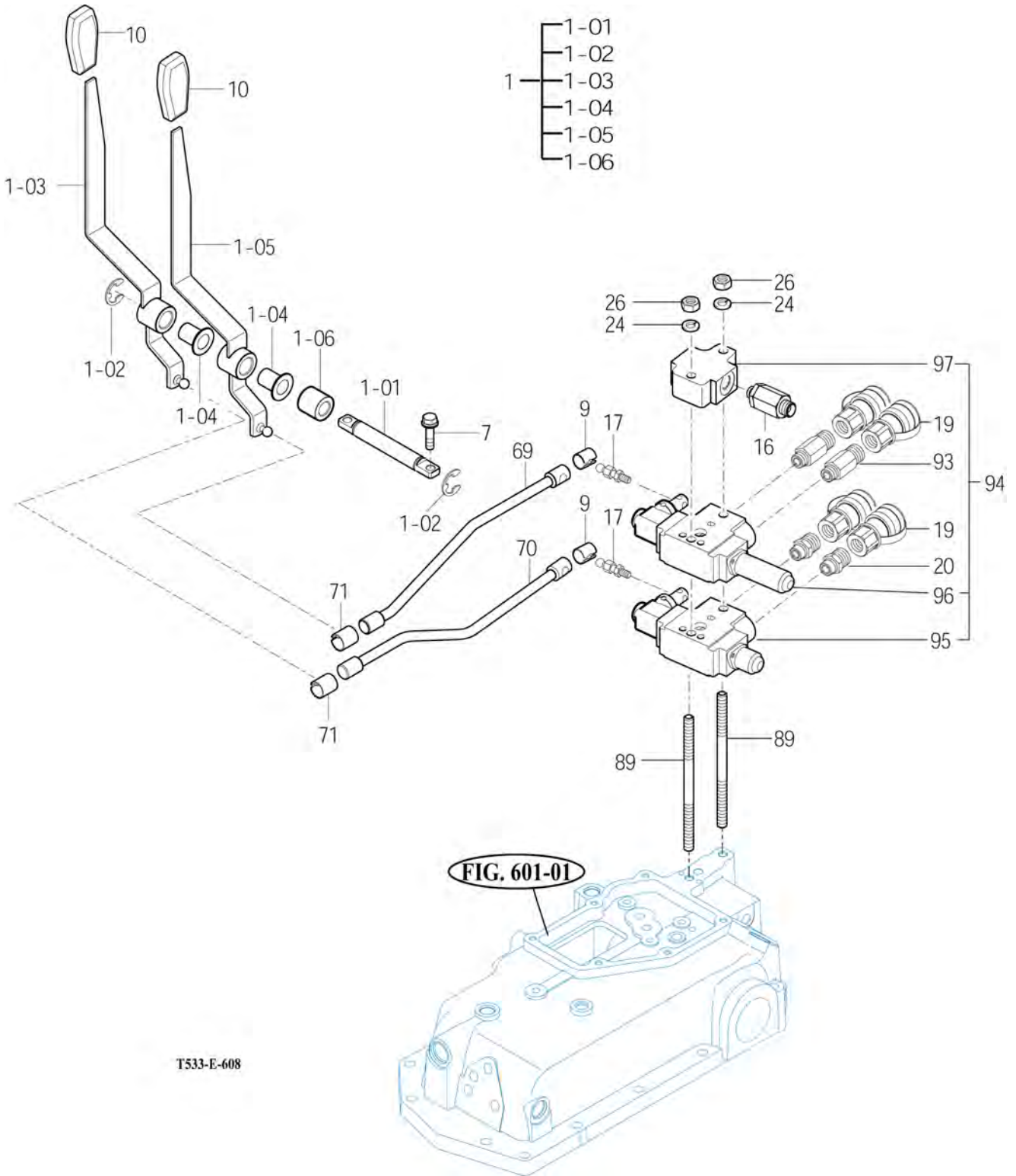
P1

YEAR

2018



T574ST / T574NC / T494ST / T494NC



T533-E-608

NOTE

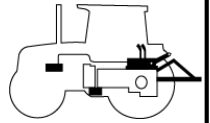
FIG 609

HYDRAULIC PIPE

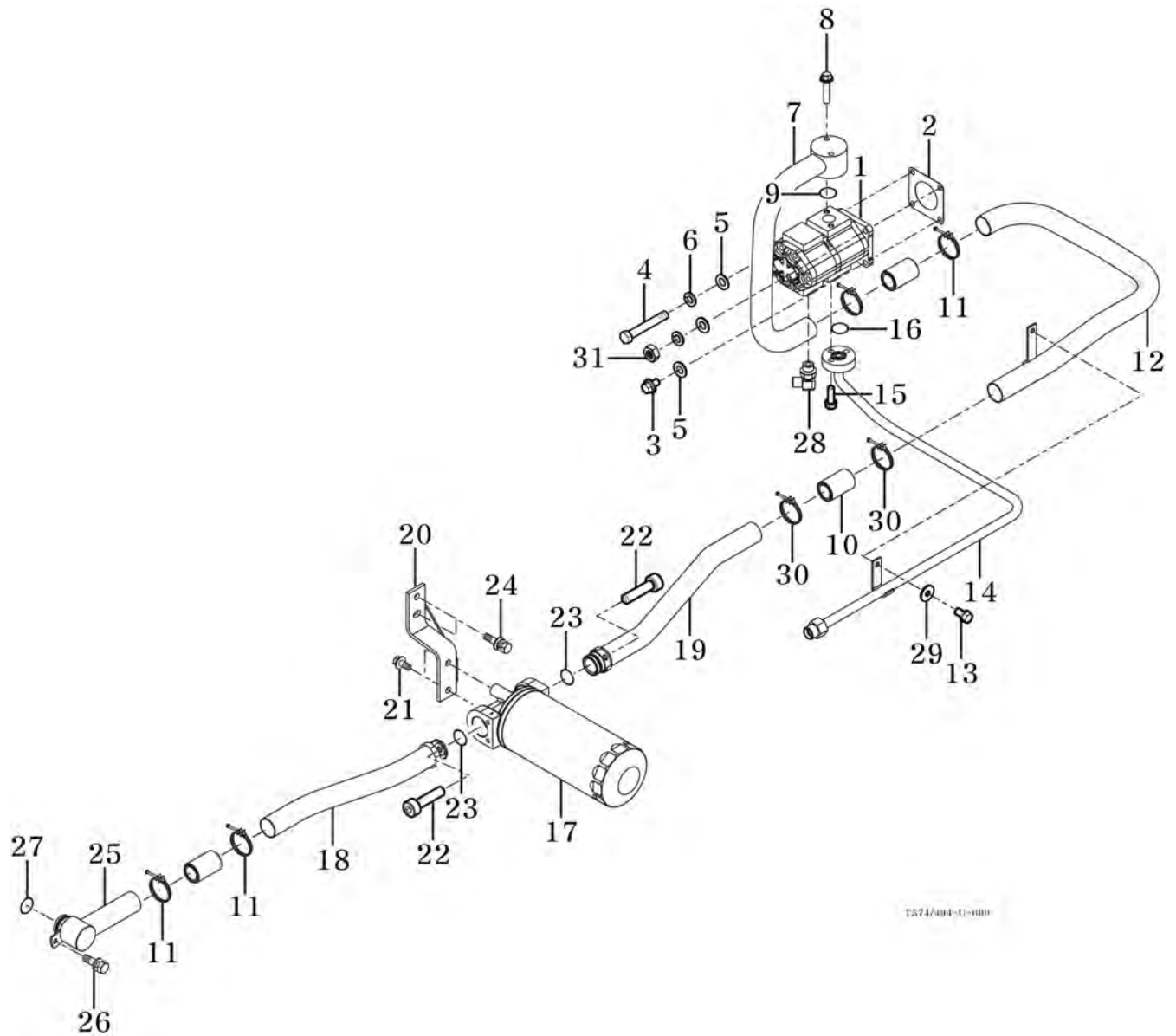
P1

YEAR

2018



T574ST / T574NC / T494ST / T494NC



T574/004-U-000

NOTE

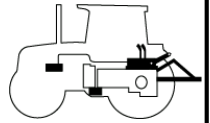
FIG 610

JOYSTICK

P1

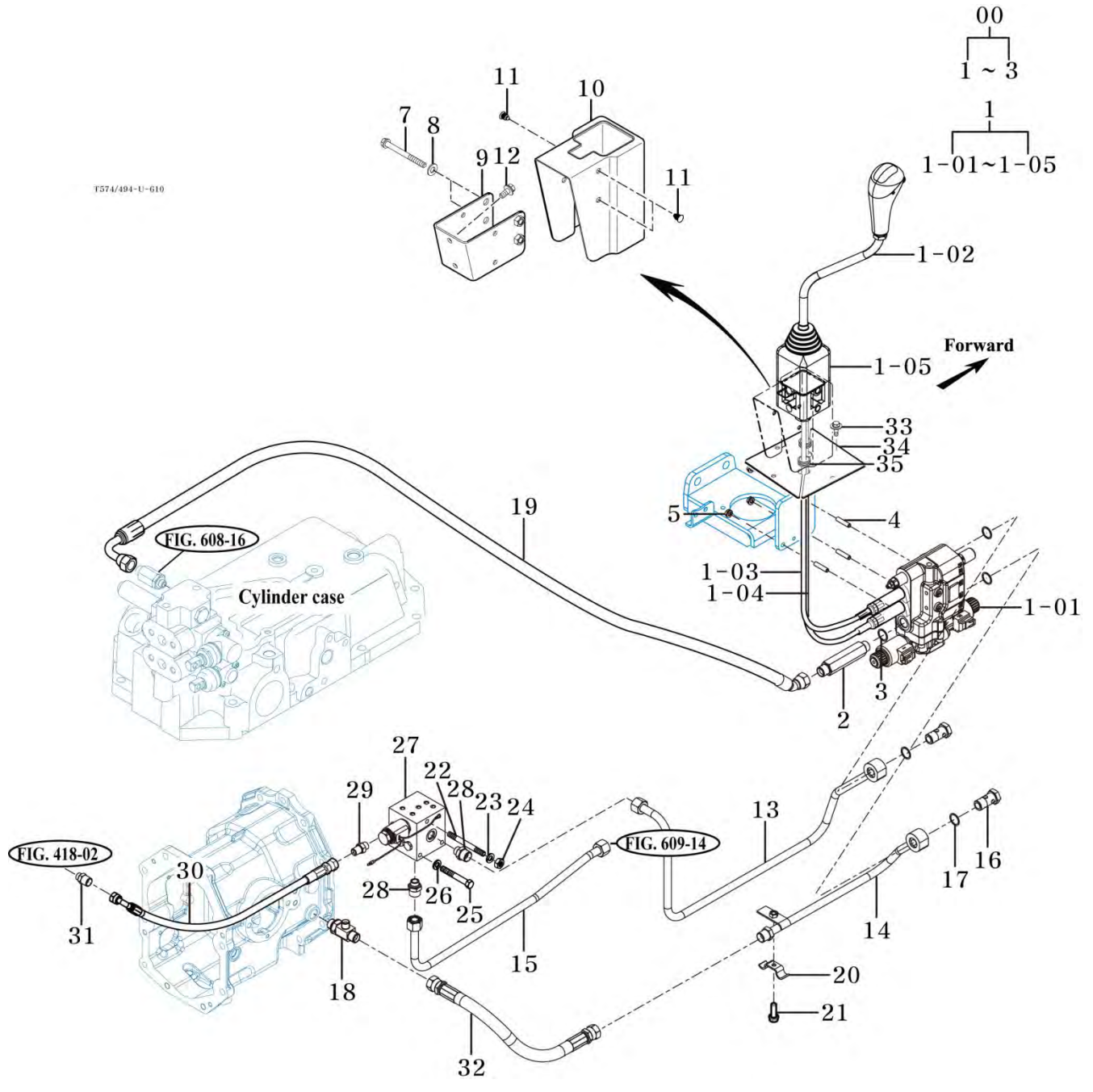
YEAR

2018



T574ST / T574NC / T494ST / T494NC

T574/494-U-610



NOTE

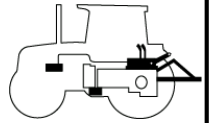
FIG 612

HITCH & 3-POINT LINK

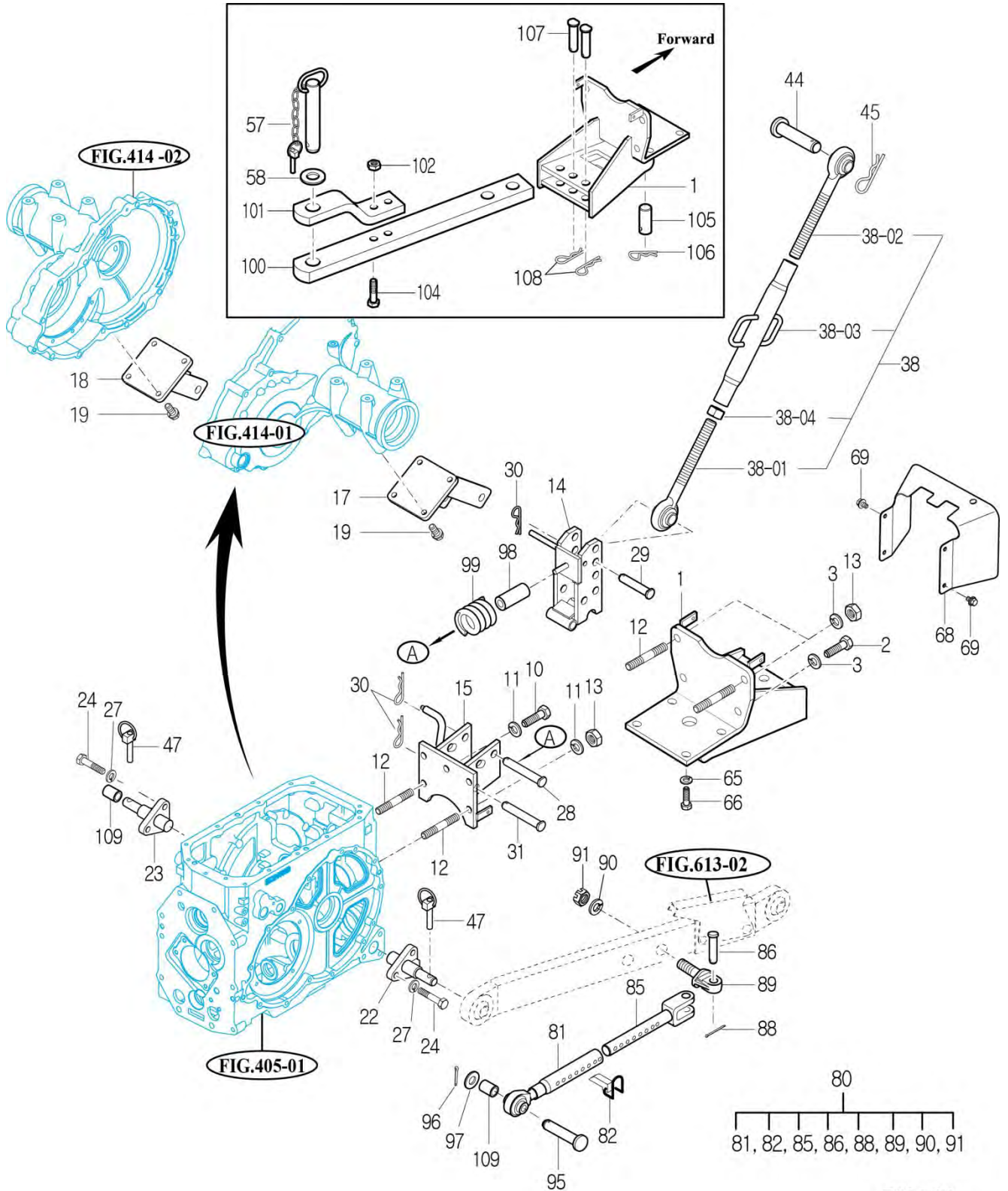
P1

YEAR

2018



T574ST / T574NC / T494ST / T494NC



T553-E-612

NOTE

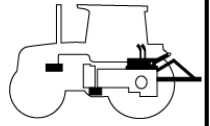
FIG 612

HITCH & 3-POINT LINK

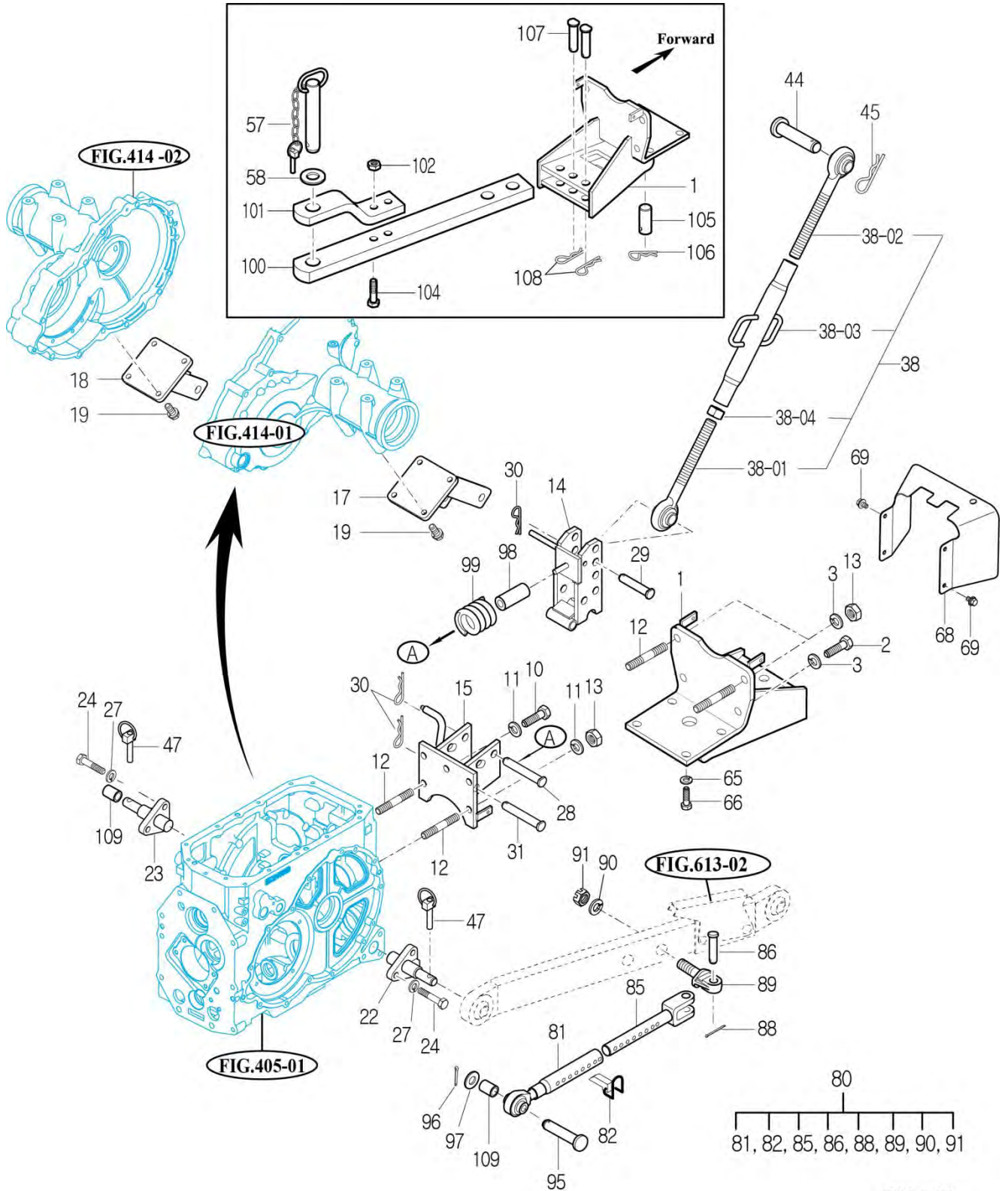
P2

YEAR

2018



T574ST / T574NC / T494ST / T494NC



T553-E-612

NOTE

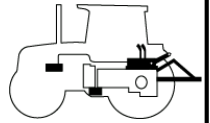
FIG 613

LOWER LINK & LIFT ROD

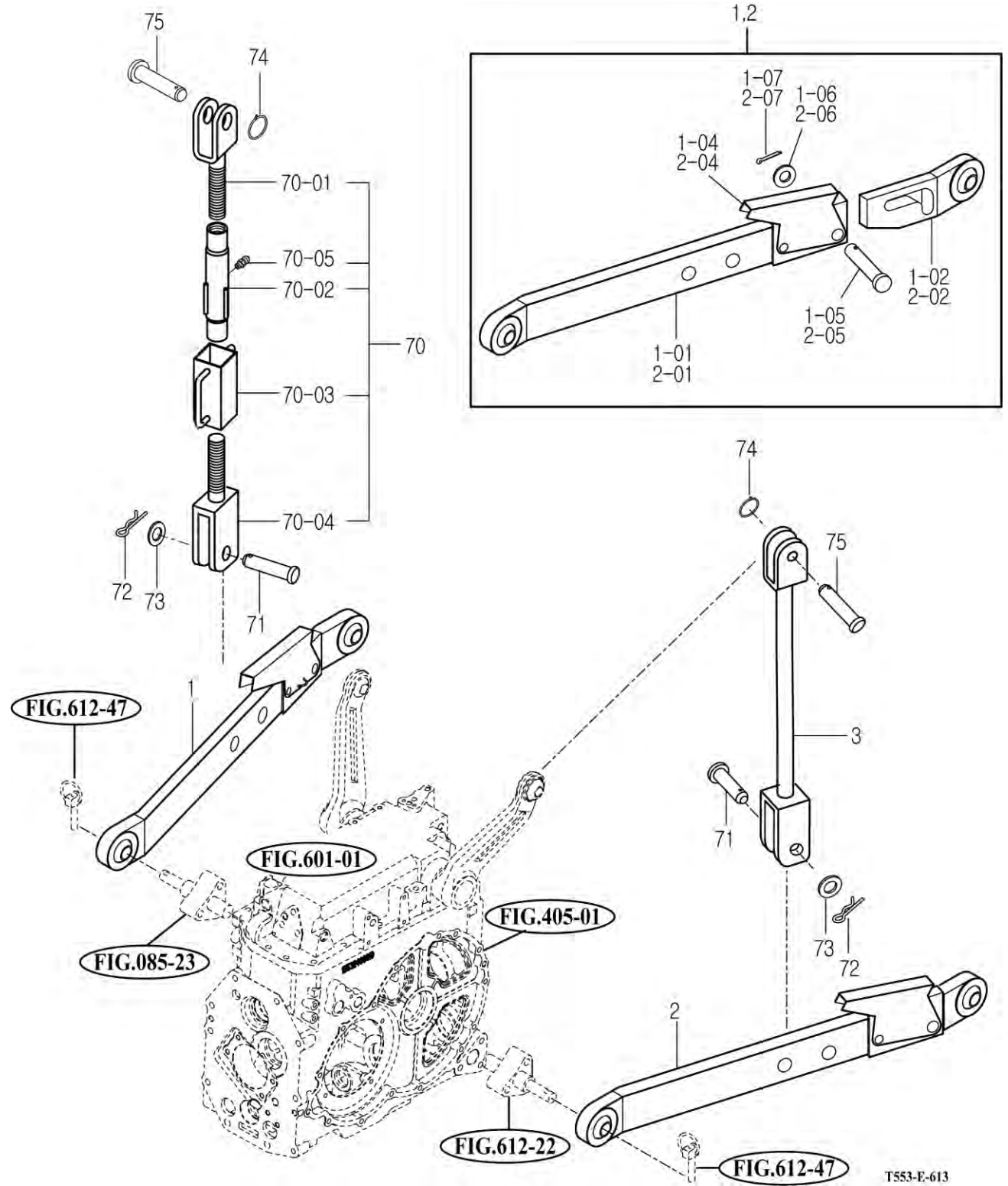
P1

YEAR

2018



T574ST / T574NC / T494ST / T494NC



NOTE

FIG 701

BONNET FRAME

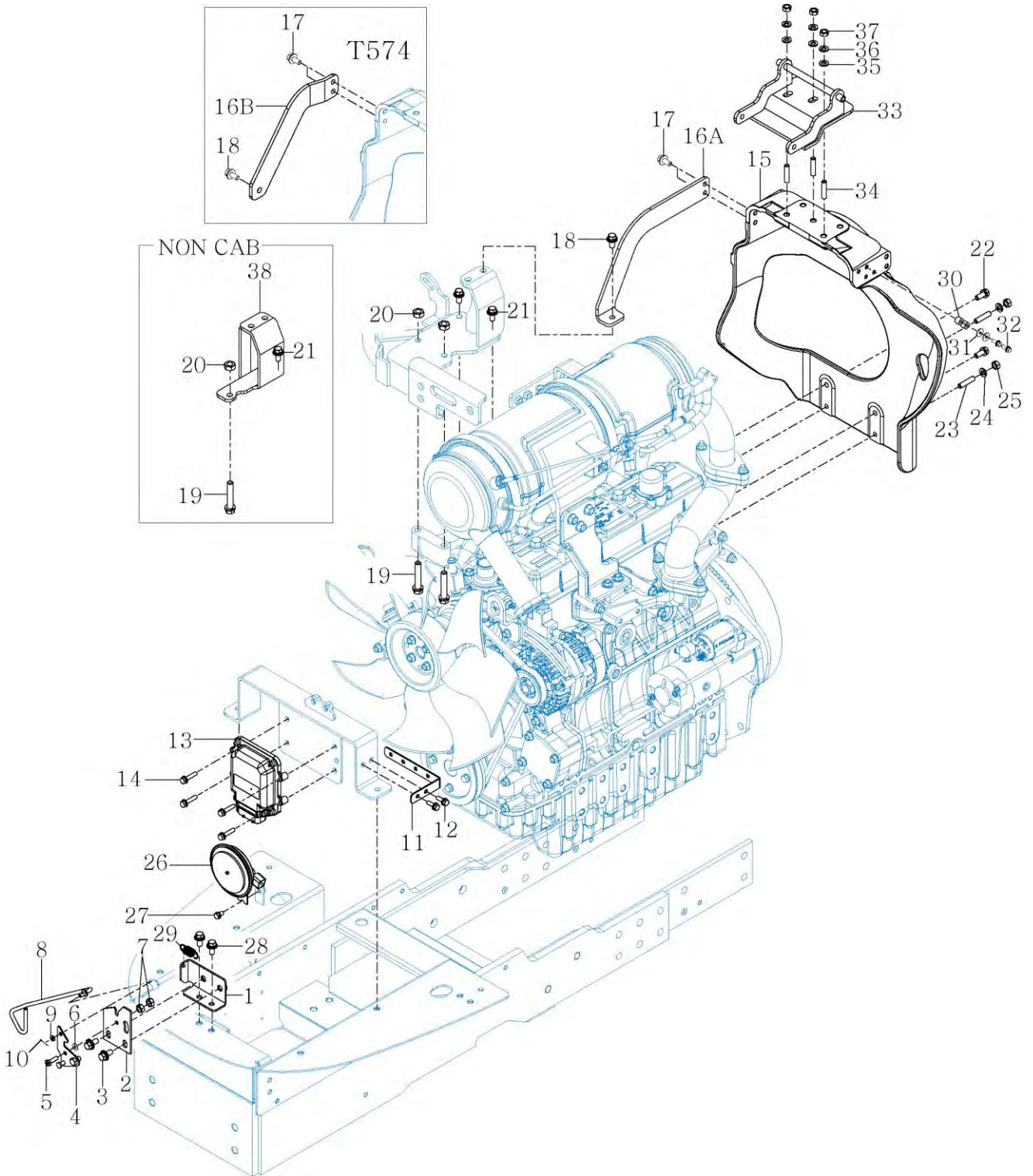
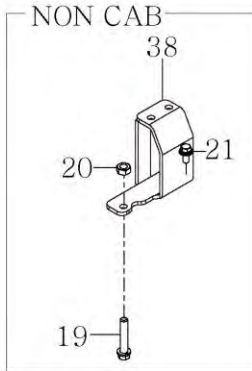
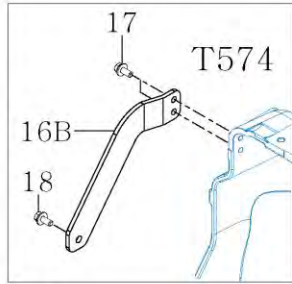
P1

YEAR

2018



T574ST / T574NC / T494ST / T494NC



NOTE

FIG 702

BONNET (1)

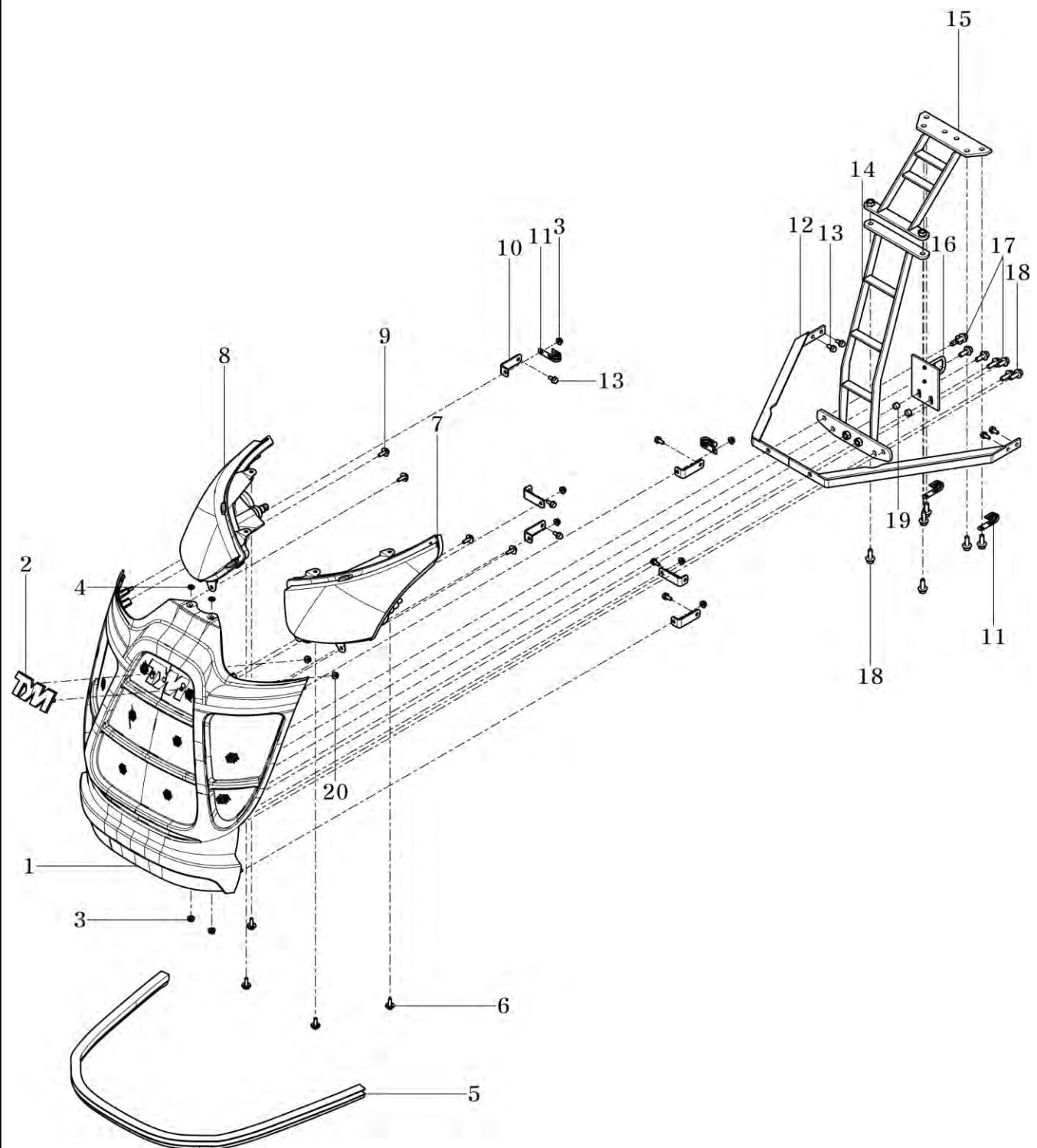
P1

YEAR

2018



T574ST / T574NC / T494ST / T494NC



NOTE

FIG 703

EXTENSION COVER

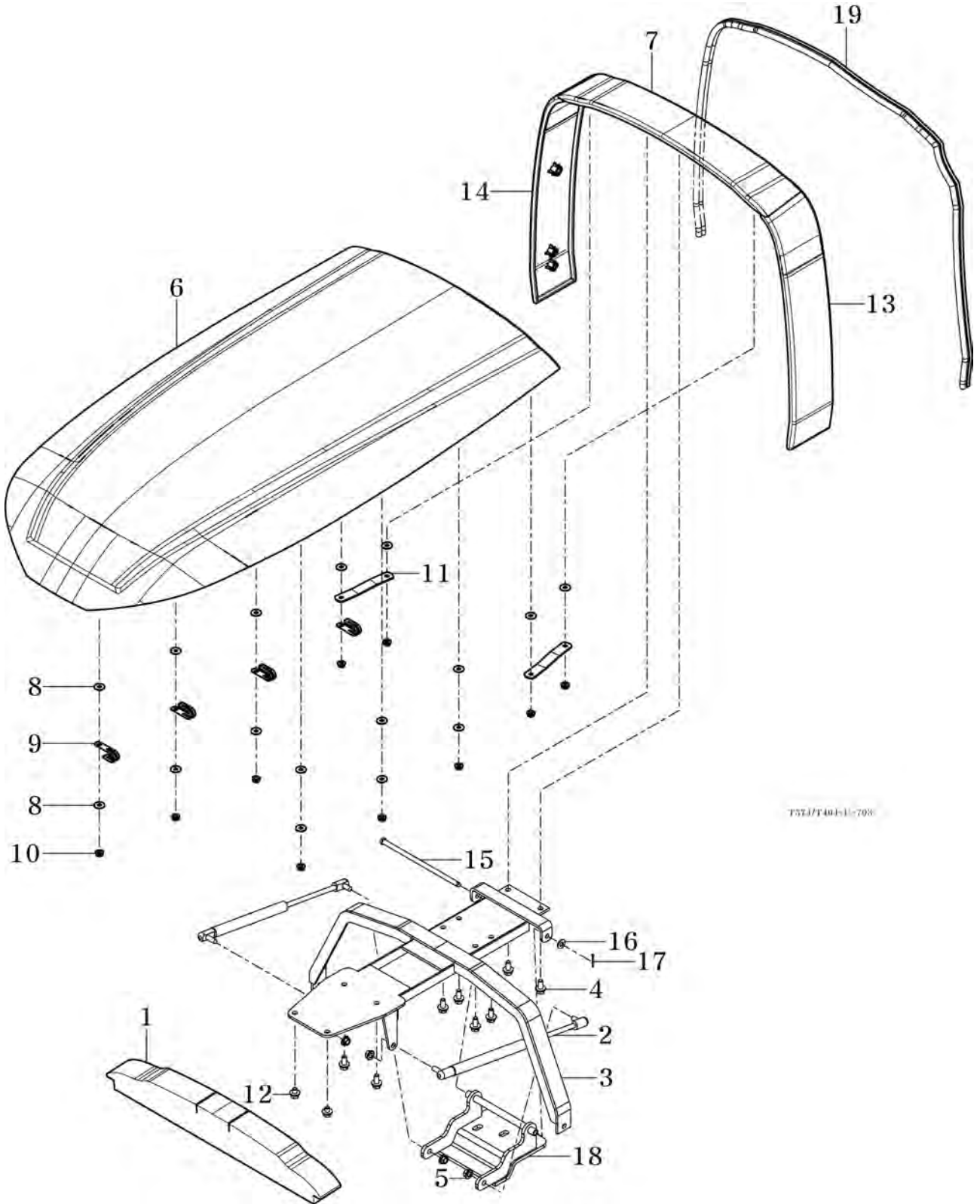
P1

YEAR

2018



T574ST / T574NC / T494ST / T494NC



NOTE

FIG 704A

LEVER COVER & STEP

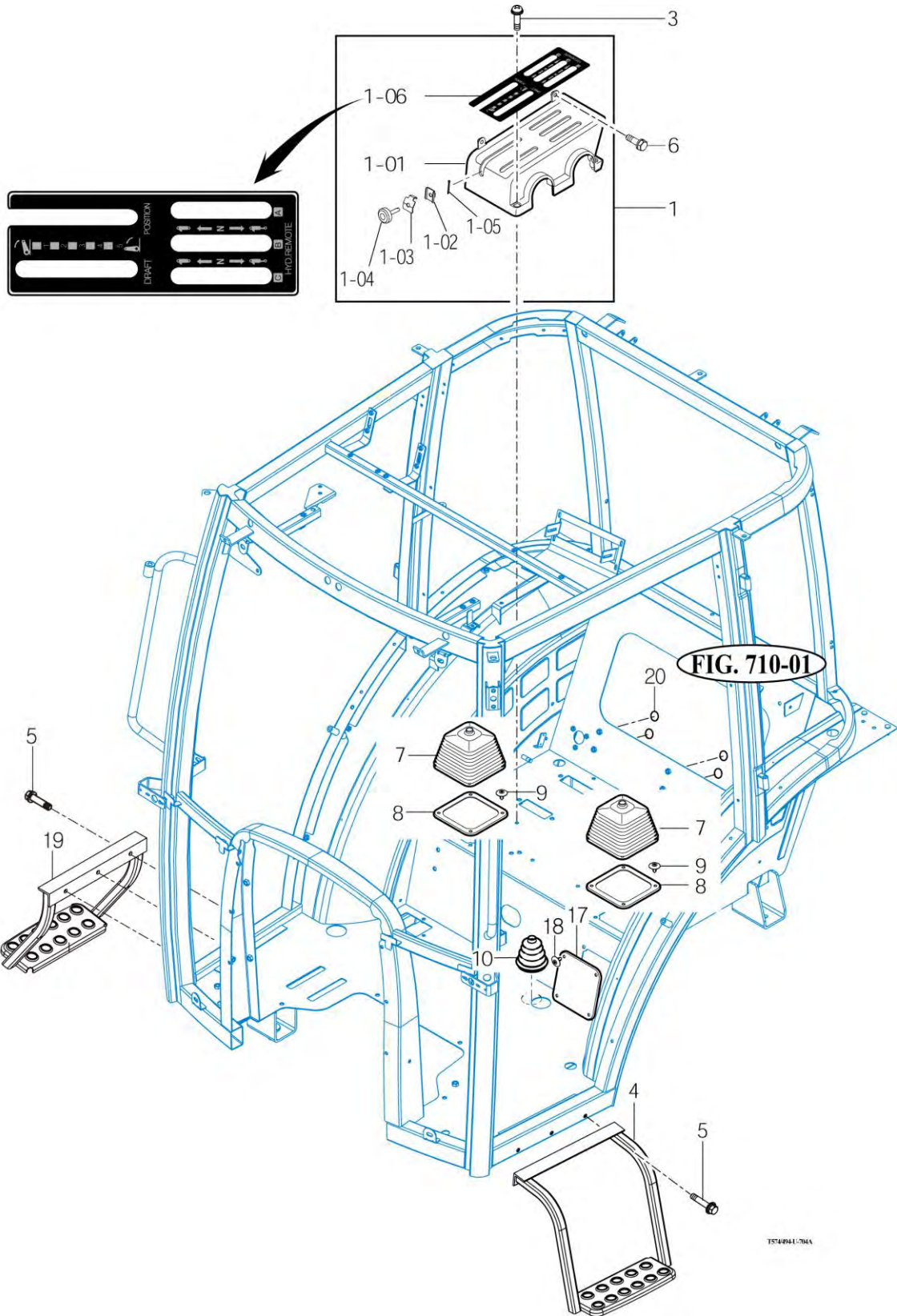
P1

YEAR

2018



T574ST / T574NC / T494ST / T494NC



NOTE

T574964L-704A

FIG 704B

LEVER COVER & STEP-Non CAB

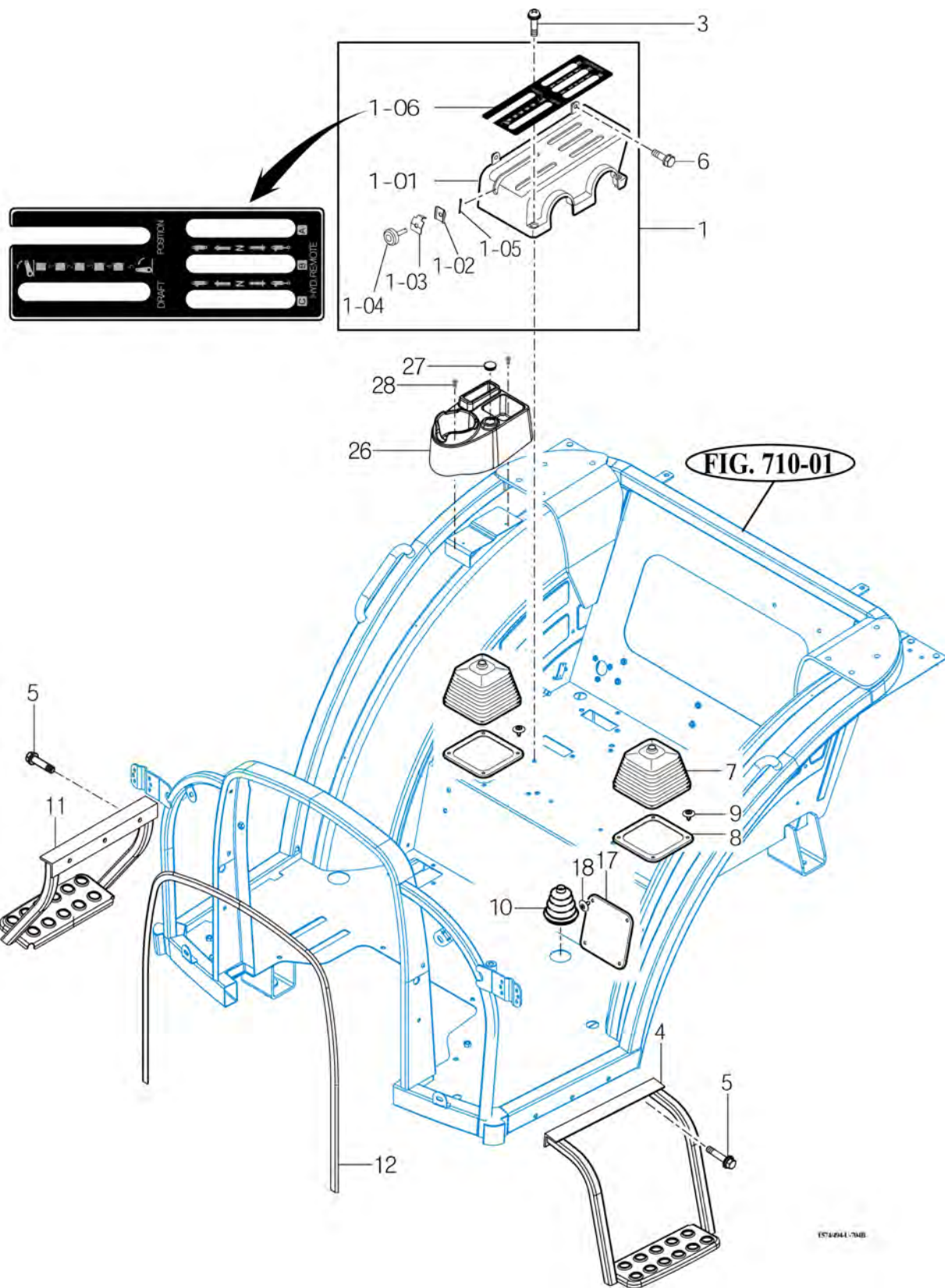
P1

YEAR

2018



T574ST / T574NC / T494ST / T494NC



NOTE

EST4644-704B

FIG 705

FRONT & REAR MOUNTING

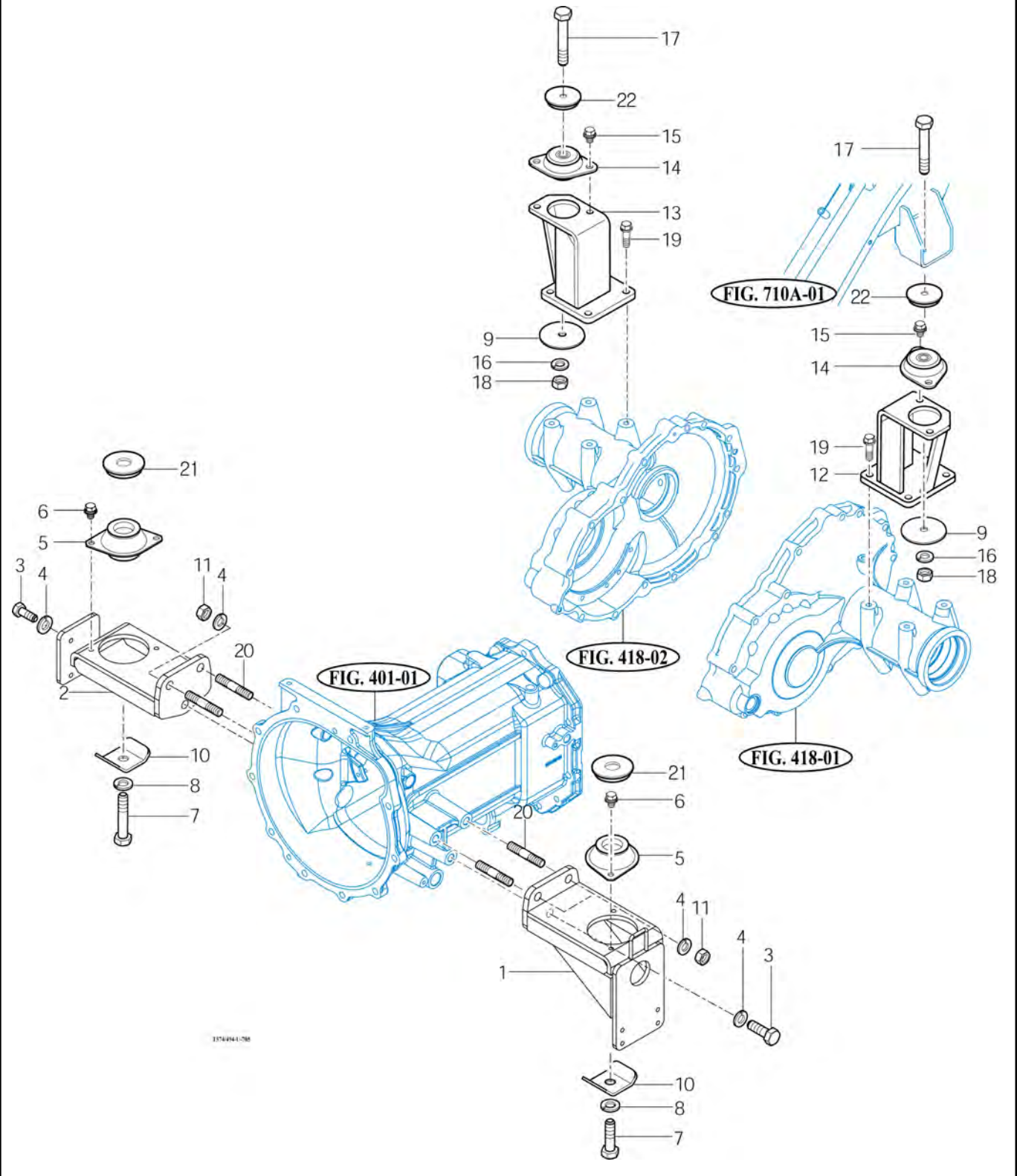
P1

YEAR

2018



T574ST / T574NC / T494ST / T494NC



T5740941-080

NOTE

FIG 706

SEAT & MAT

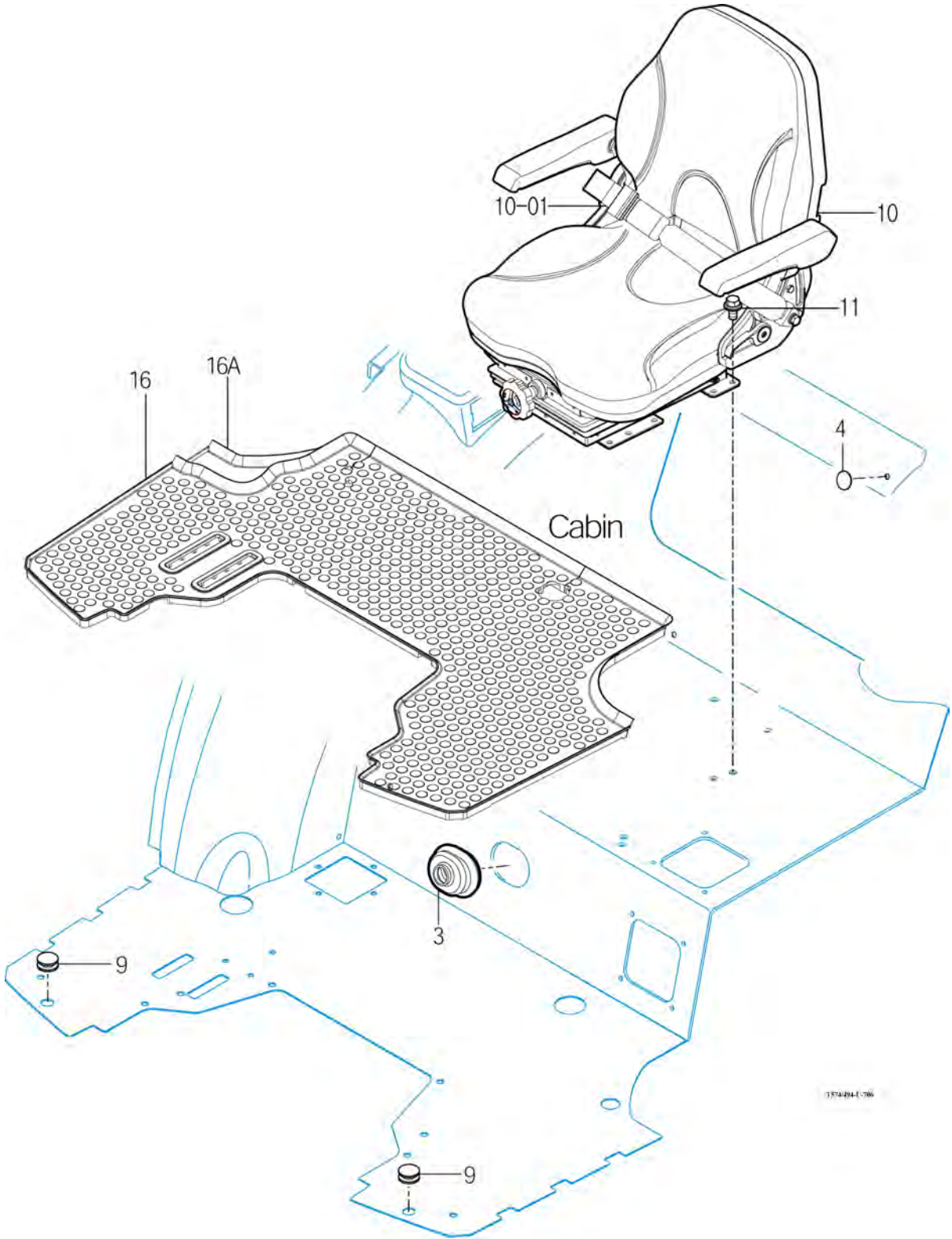
P1

YEAR

2018



T574ST / T574NC / T494ST / T494NC



1374294-1.06

NOTE

FIG 709

DOOR

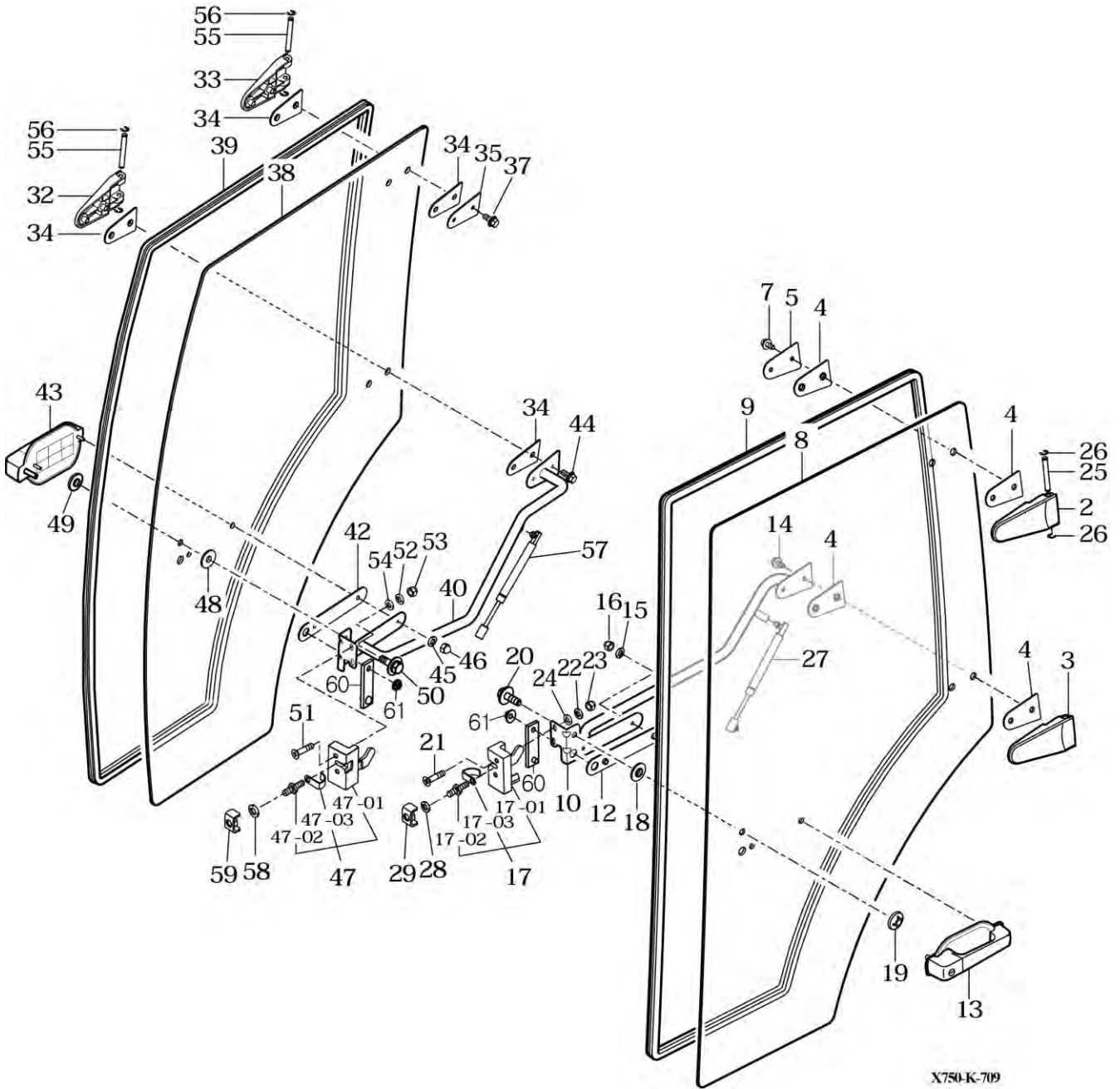
P1

YEAR

2018



T574ST / T574NC / T494ST / T494NC



X750-K-709

NOTE

FIG 709

DOOR

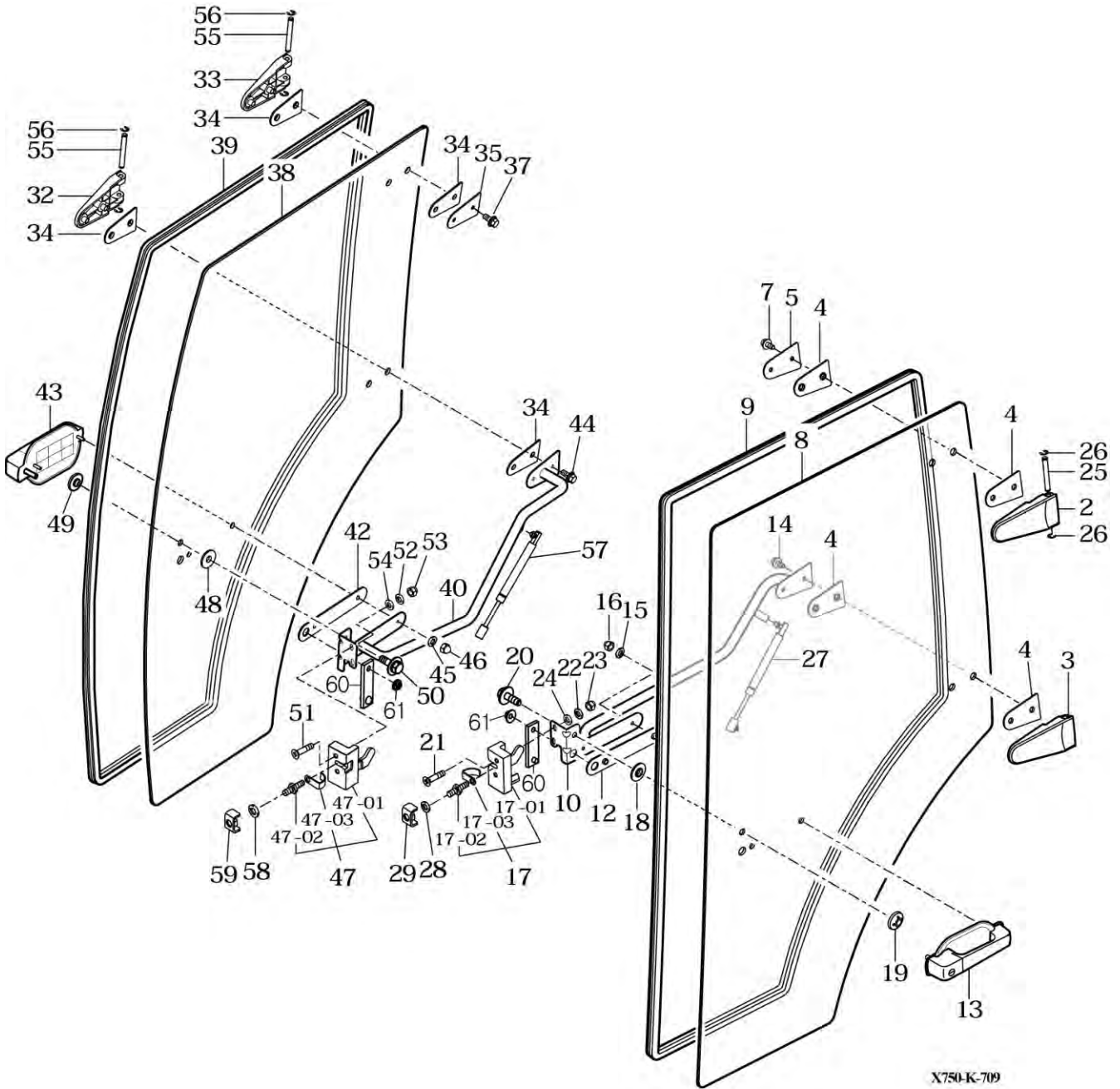
P2

YEAR

2018



T574ST / T574NC / T494ST / T494NC



X750-K-709

NOTE

FIG 710A

FRONT GLASS

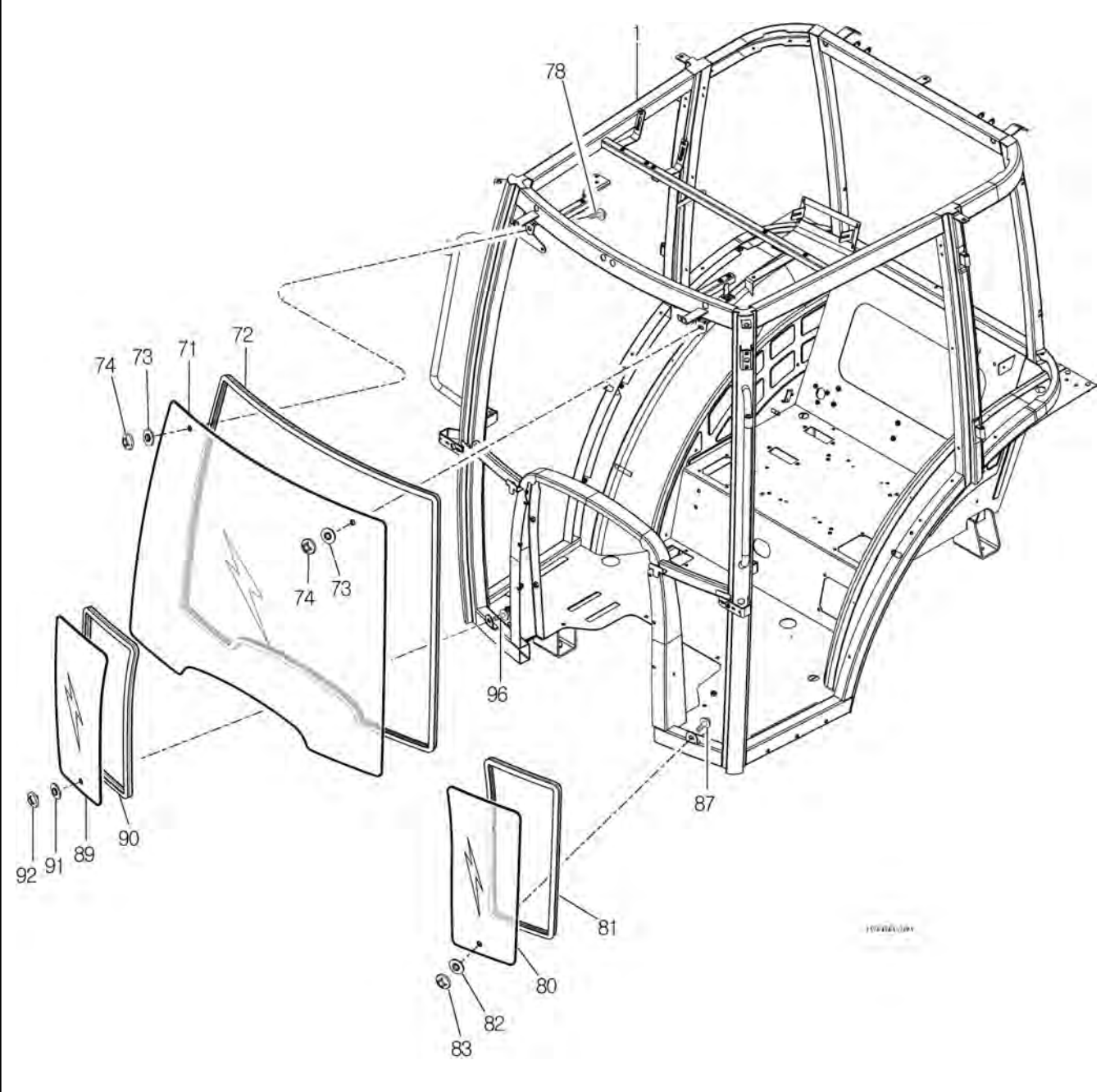
P1

YEAR

2018



T574ST / T574NC / T494ST / T494NC



NOTE

FIG 710B

FRAME&2POLES ROPS-Non CAB

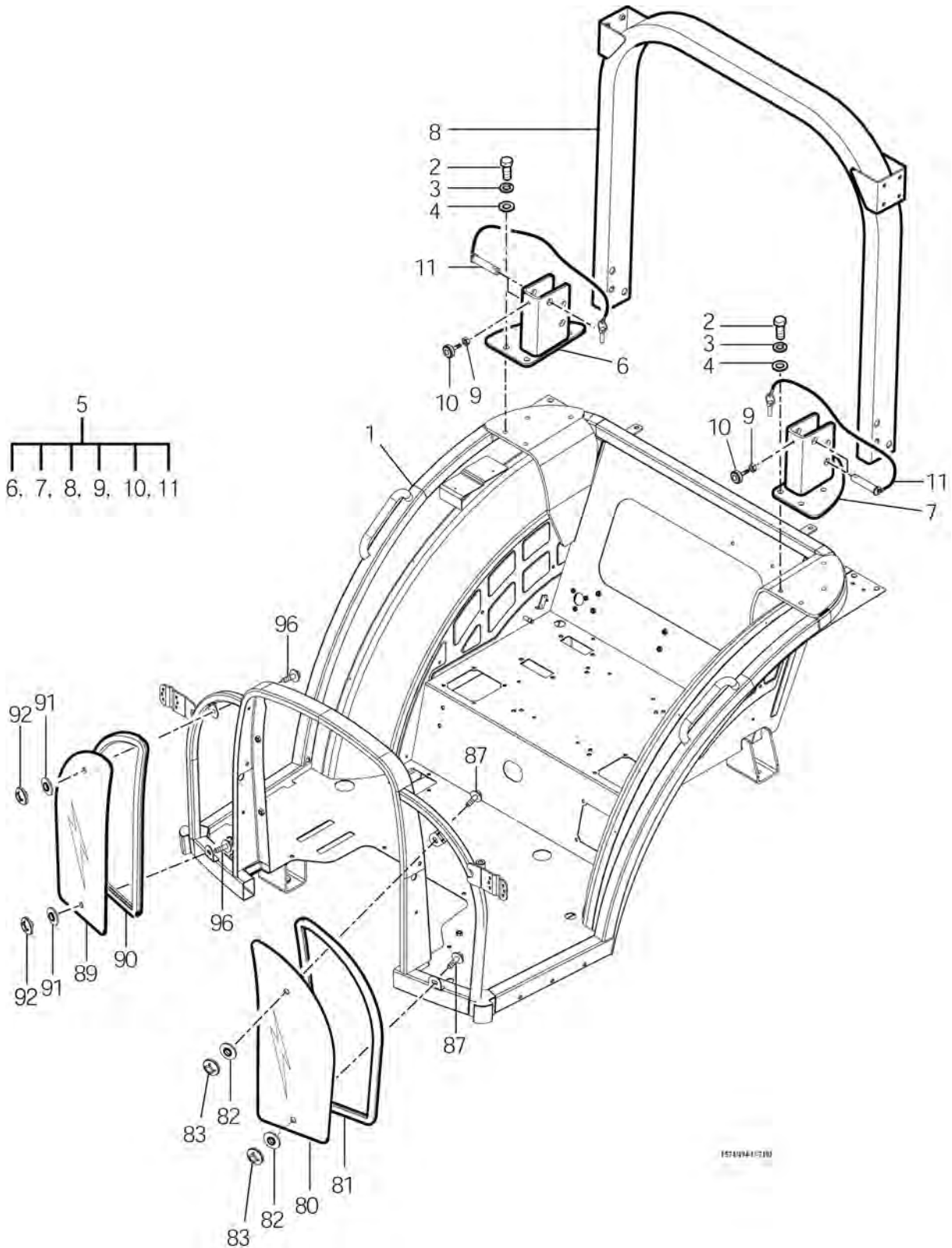
P1

YEAR

2018



T574ST / T574NC / T494ST / T494NC



NOTE

FIG 711

SIDE GLASS

P1

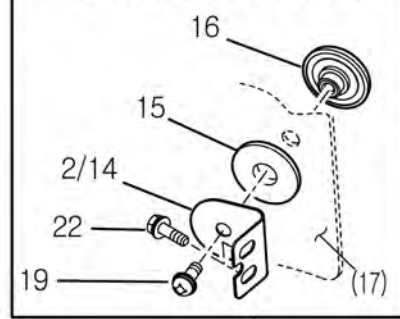
YEAR

2018

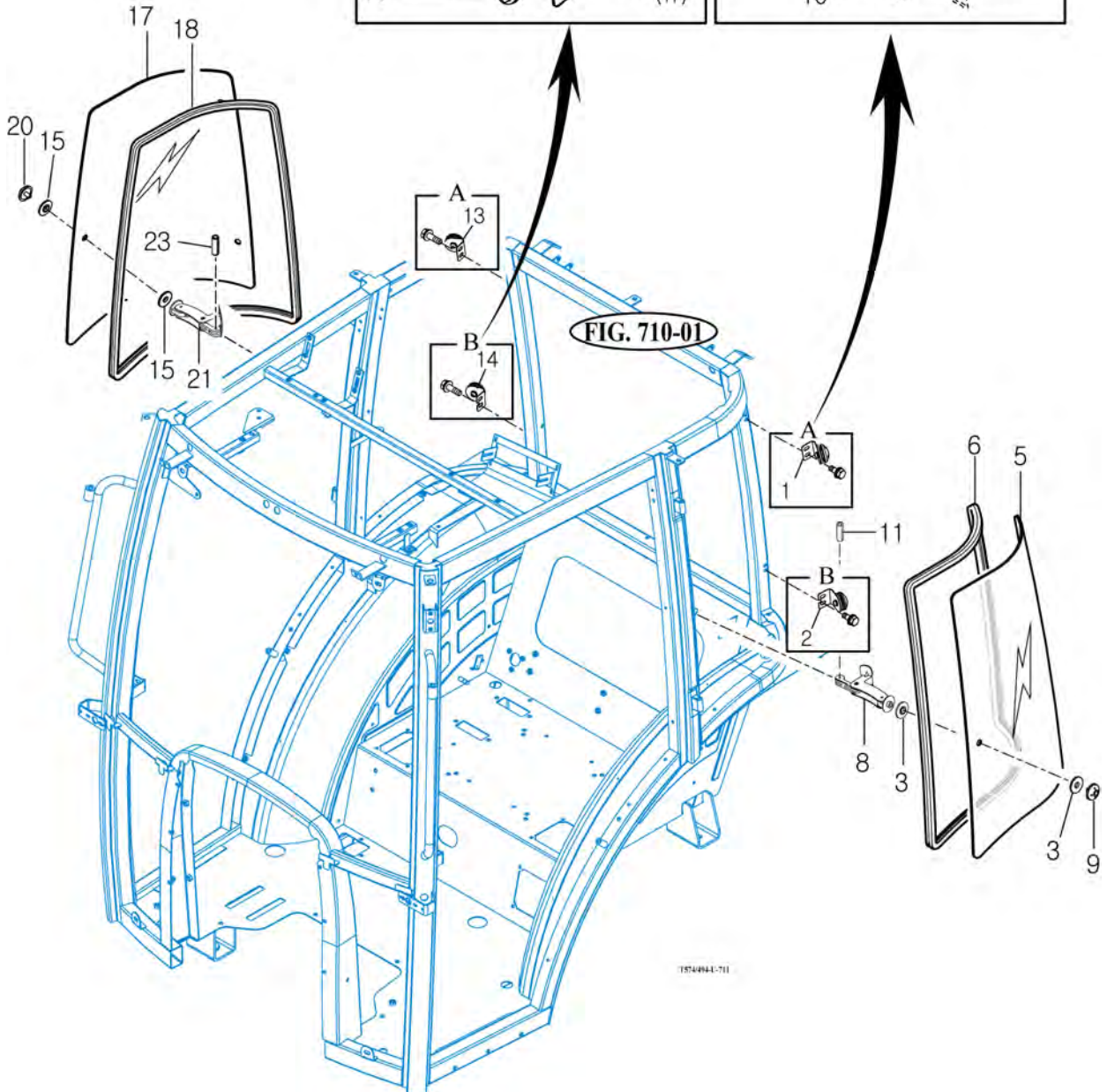
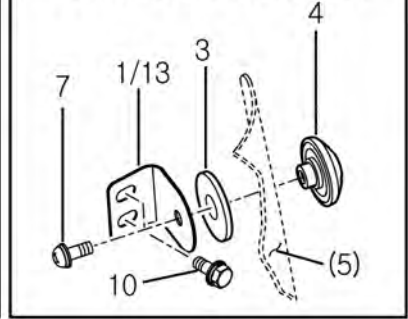


T574ST / T574NC / T494ST / T494NC

EXPLODED VIEW OF AREA-B



EXPLODED VIEW OF AREA-A



T57494L-711

NOTE

FIG 712

REAR GLASS

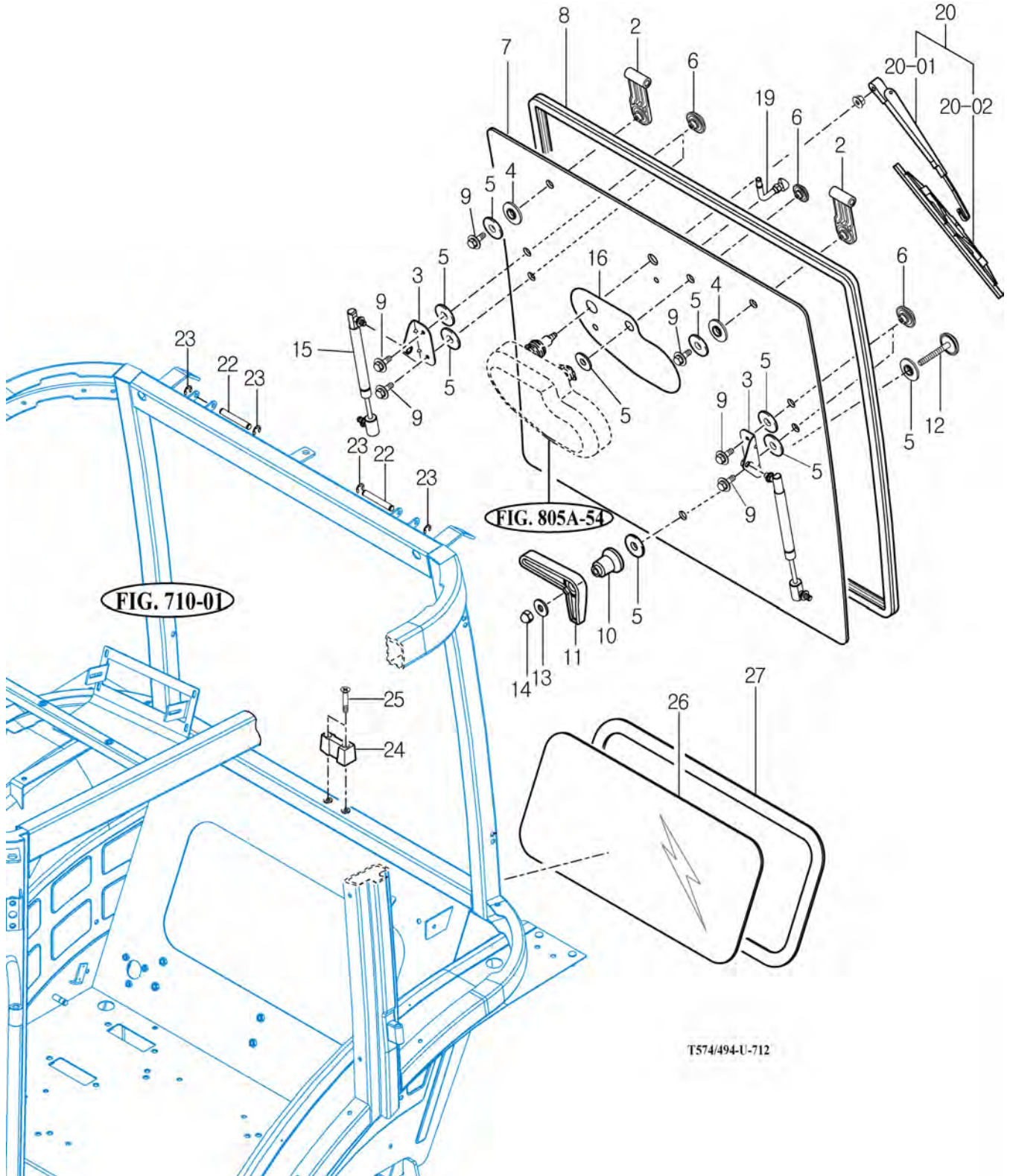
P1

YEAR

2018



T574ST / T574NC / T494ST / T494NC



T574/494-U-712

NOTE

FIG 713A

SUB FENDER & COVER

P1

YEAR

2018



T574ST / T574NC / T494ST / T494NC

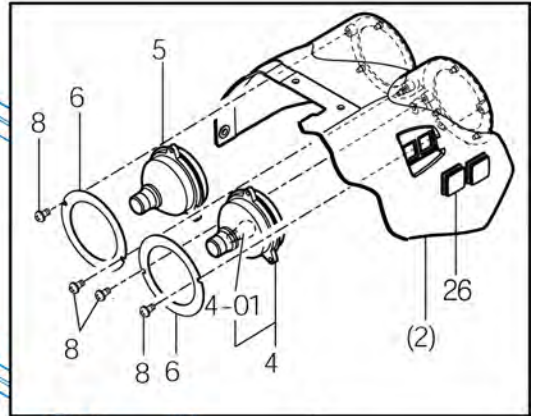
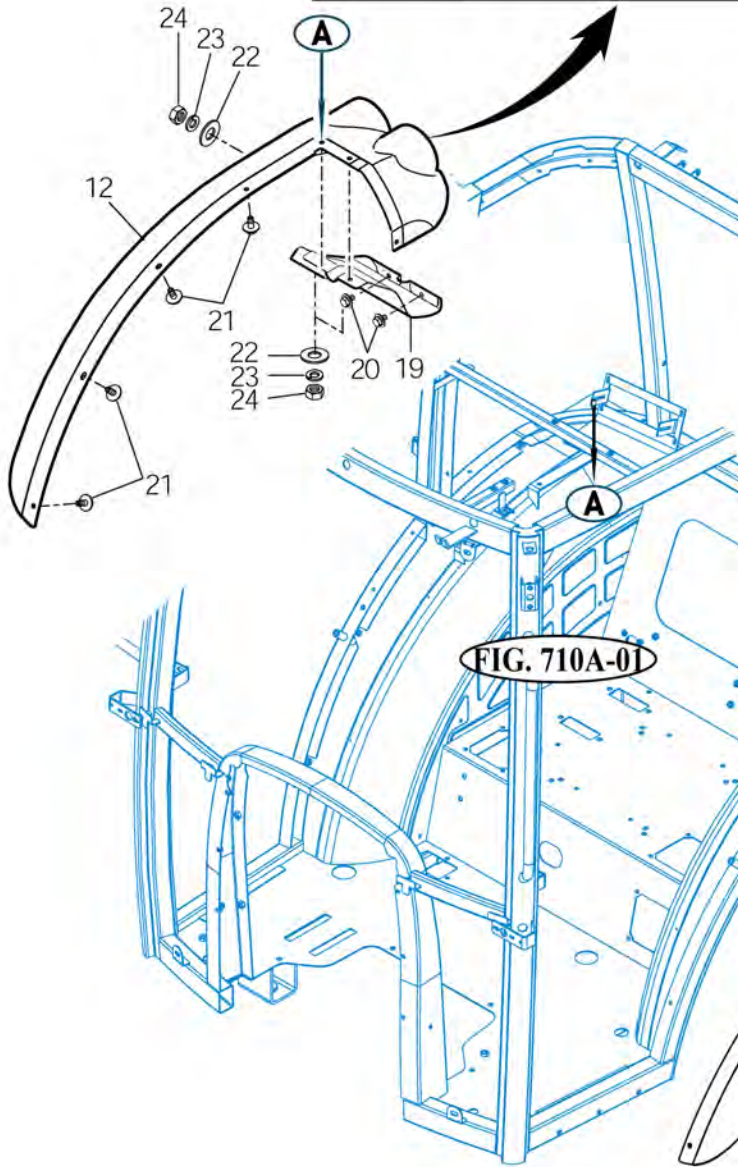
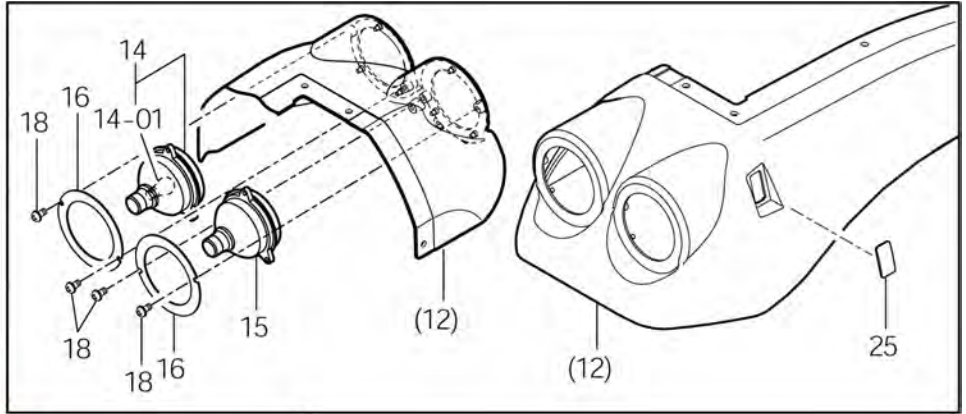
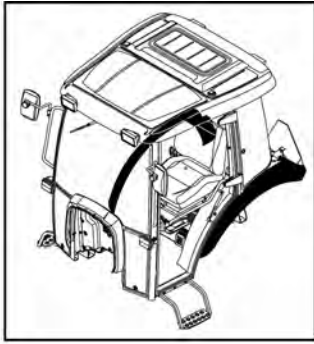
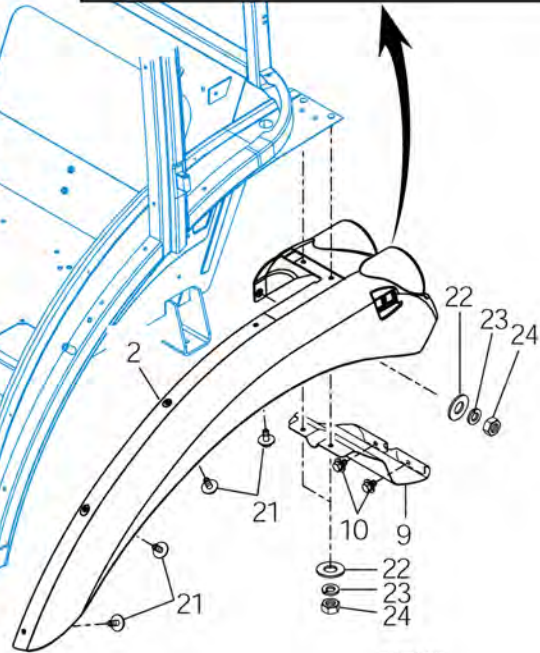


FIG. 710A-01



T574P44-713A

NOTE

FIG 714A

MIRROR

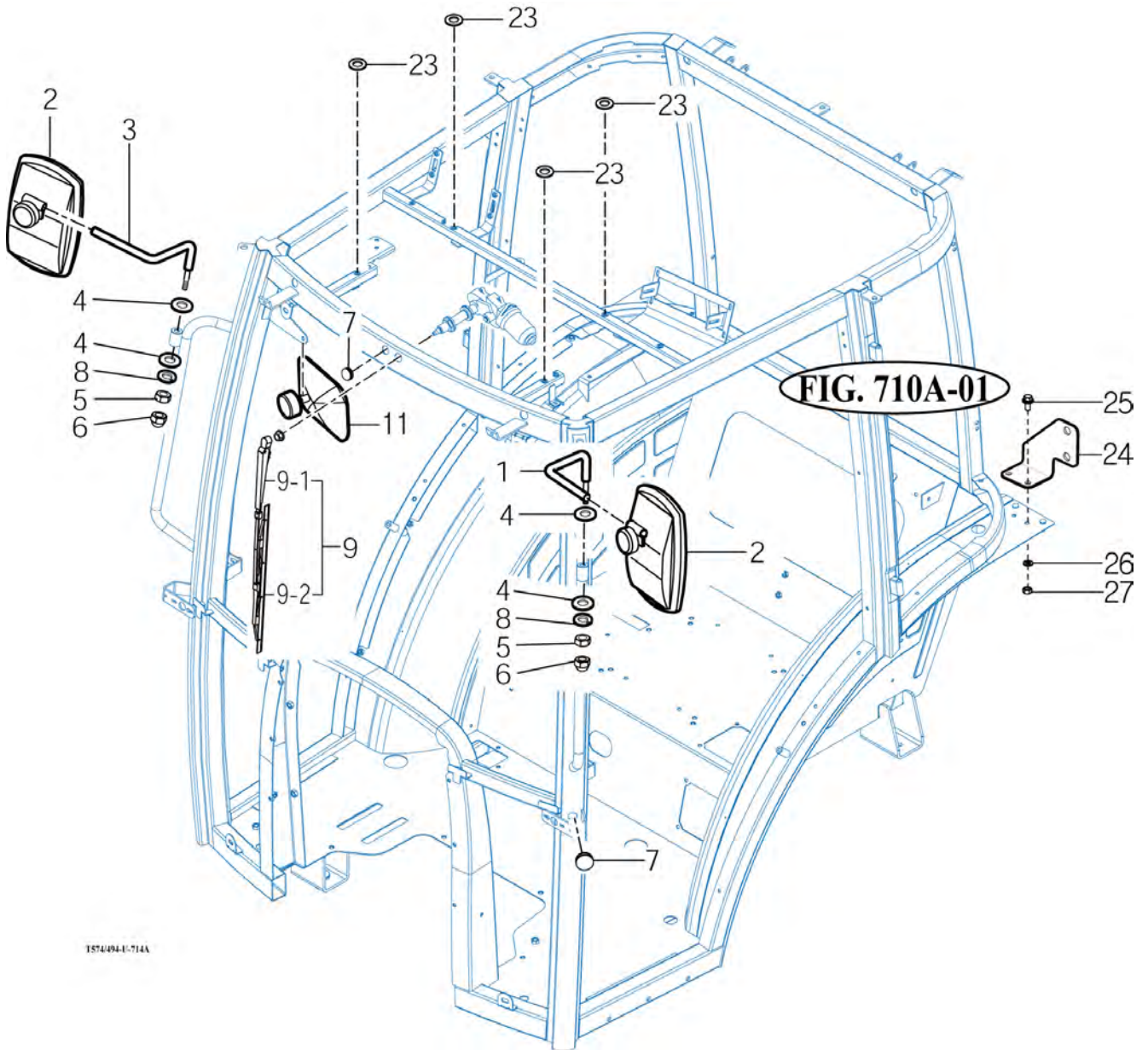
P1

YEAR

2018



T574ST / T574NC / T494ST / T494NC



T574094-E-714A

NOTE

FIG 714B

MIRROR&WORKING LAMP-Non CAB

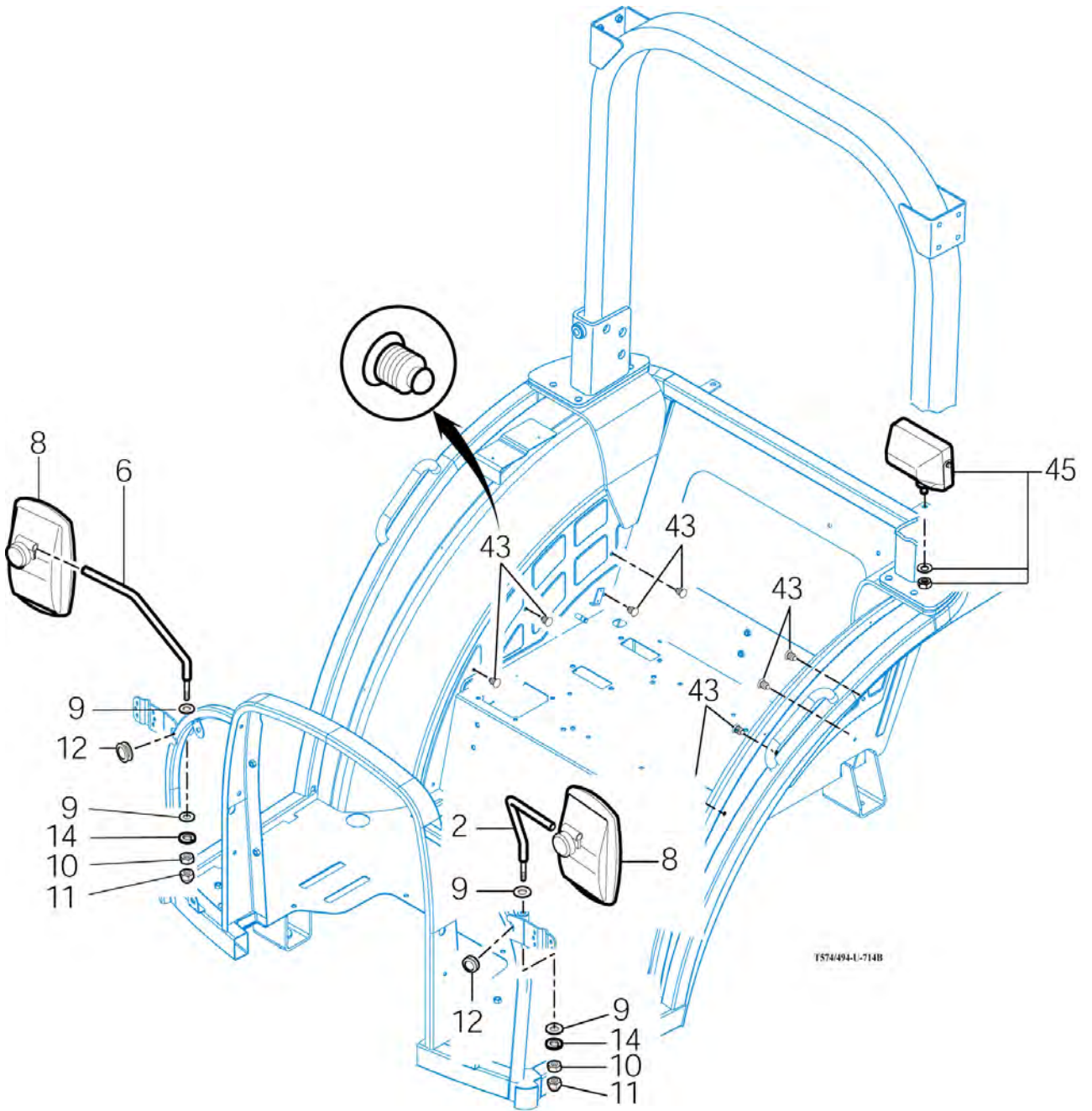
P1

YEAR

2018



T574ST / T574NC / T494ST / T494NC



NOTE

FIG 715A

HEATER & AIR-CON

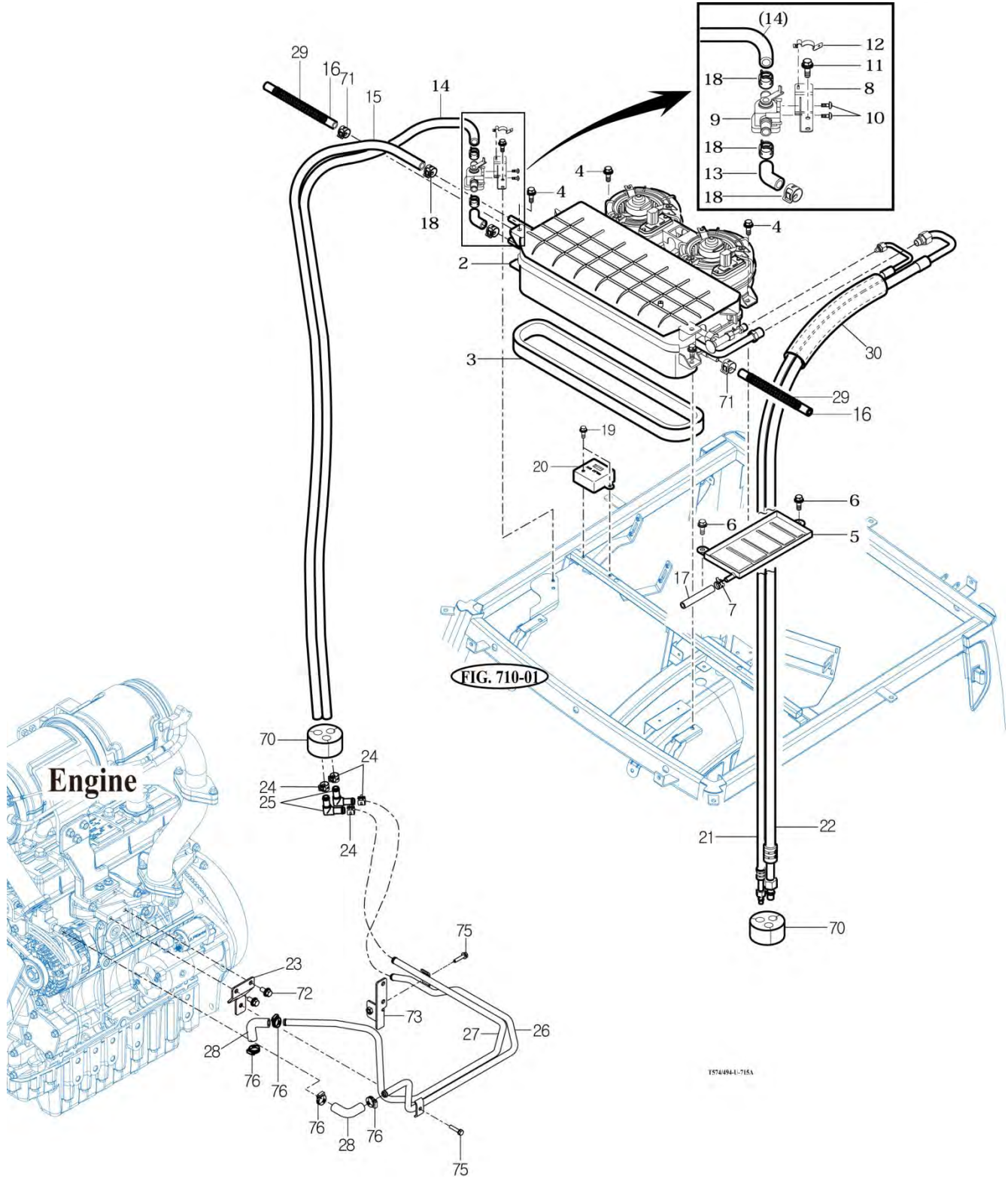
P1

YEAR

2018



T574ST / T574NC / T494ST / T494NC



1574094L-715A

NOTE

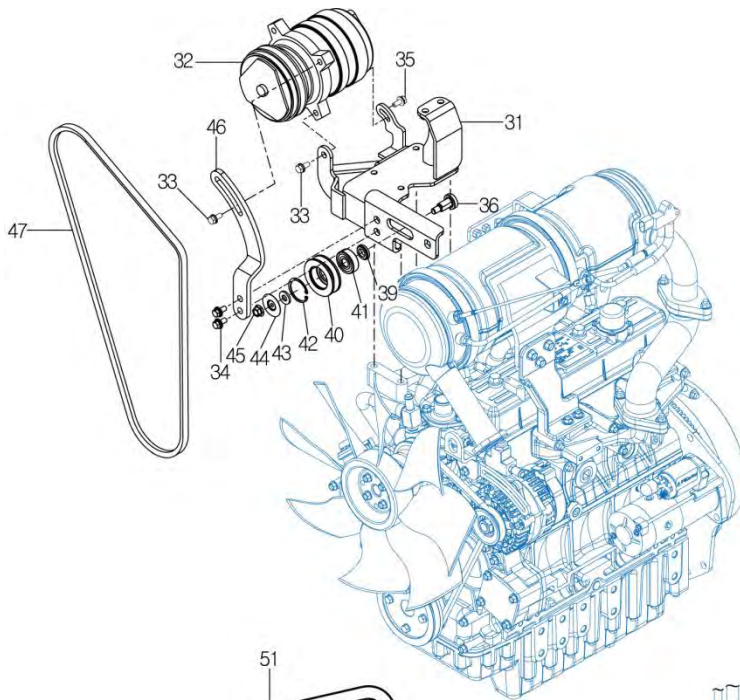
FIG 715B

HEATER & AIR-CON

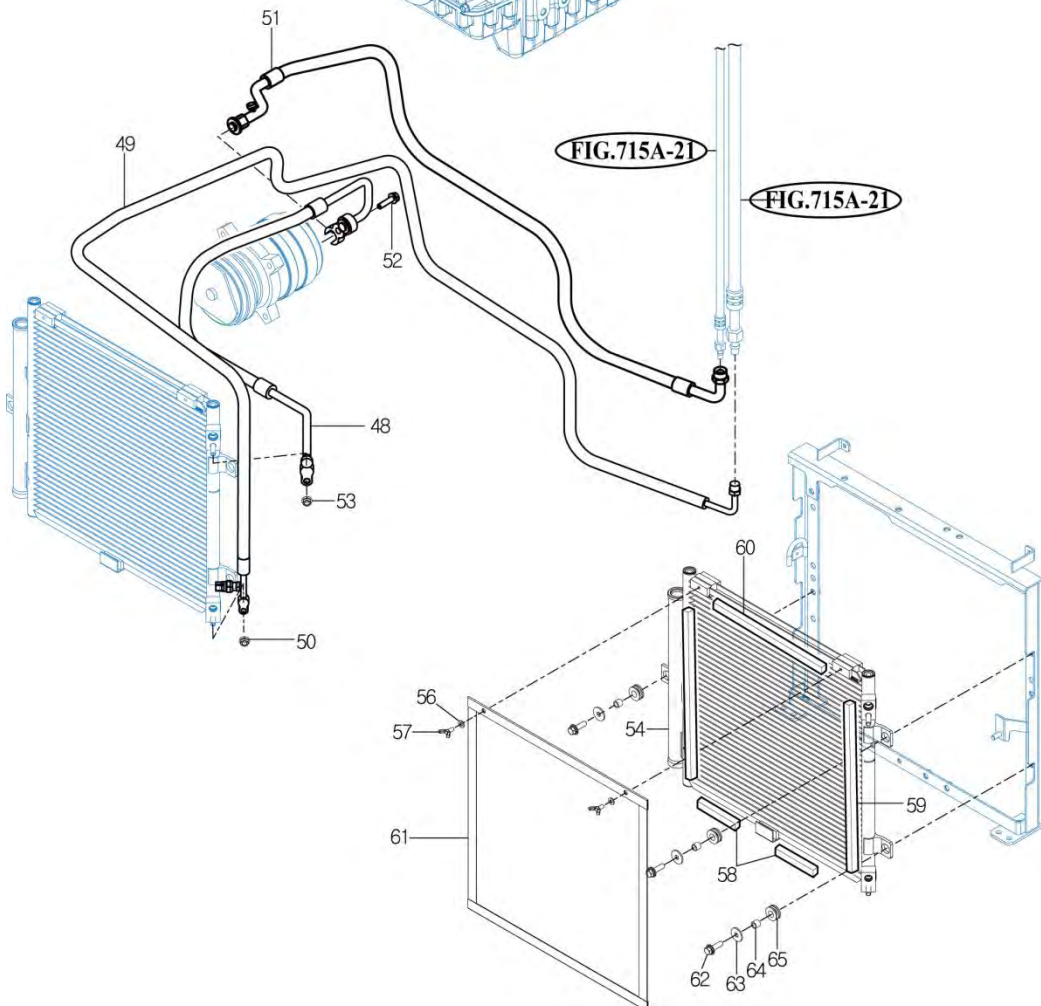
P1

YEAR

2018



T374/494-U-715B



NOTE

FIG 716

FENDER COVER

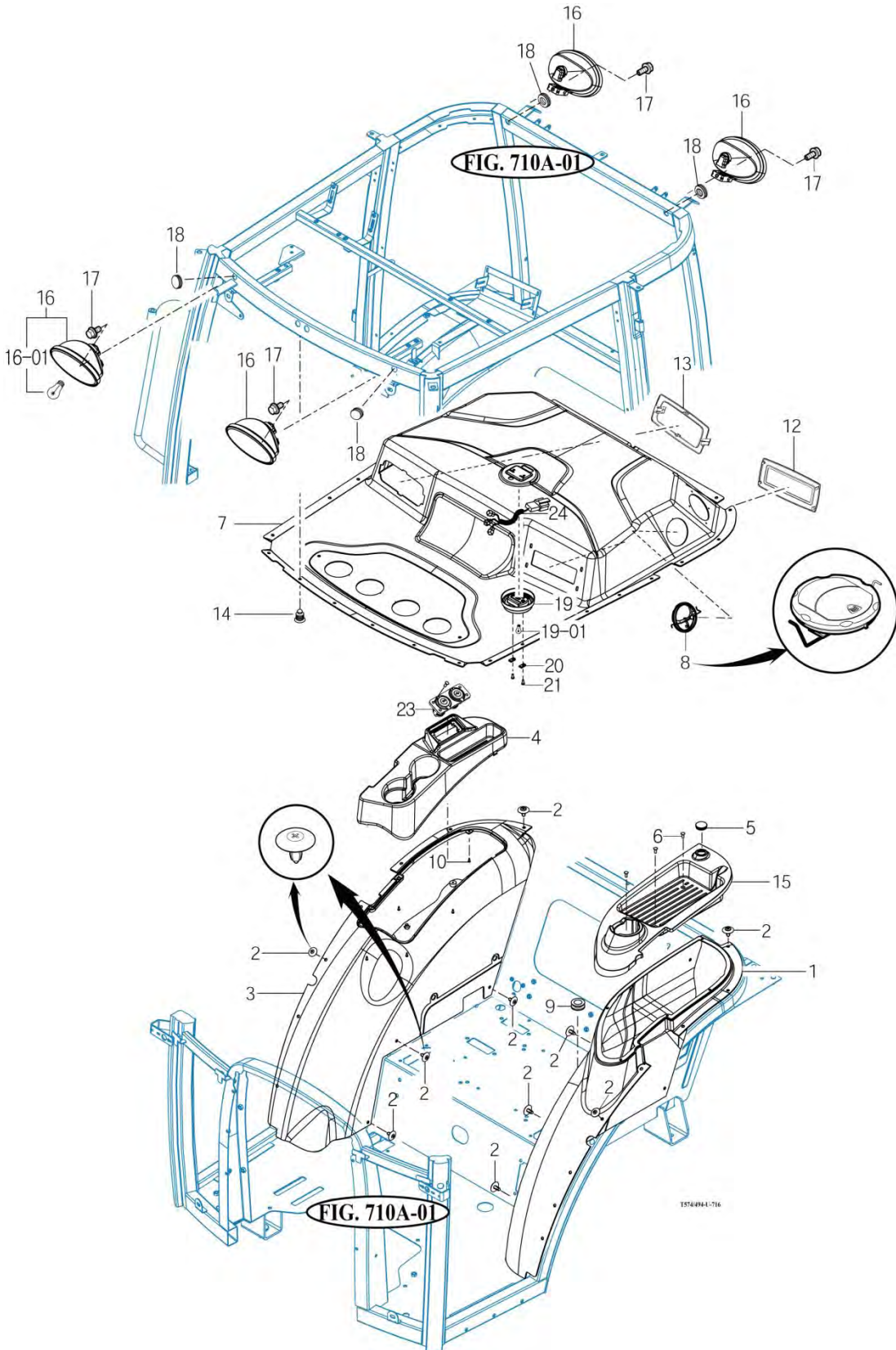
P1

YEAR

2018



T574ST / T574NC / T494ST / T494NC



T574/494-716

NOTE

FIG 717

ROOF

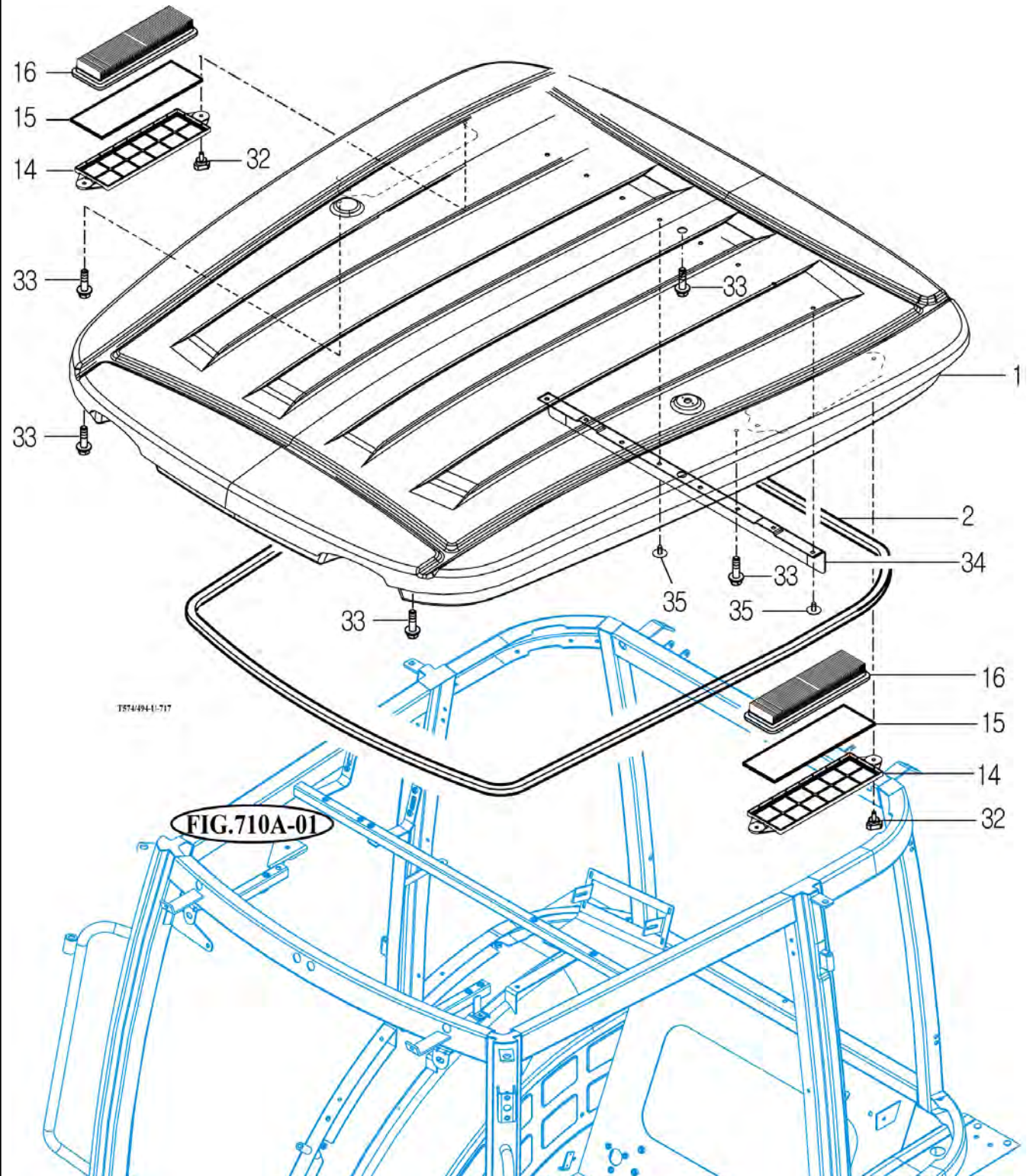
P1

YEAR

2018



T574ST / T574NC / T494ST / T494NC



T574-0941-717

FIG. 710A-01

NOTE

FIG 718

CABIN INTERIOR

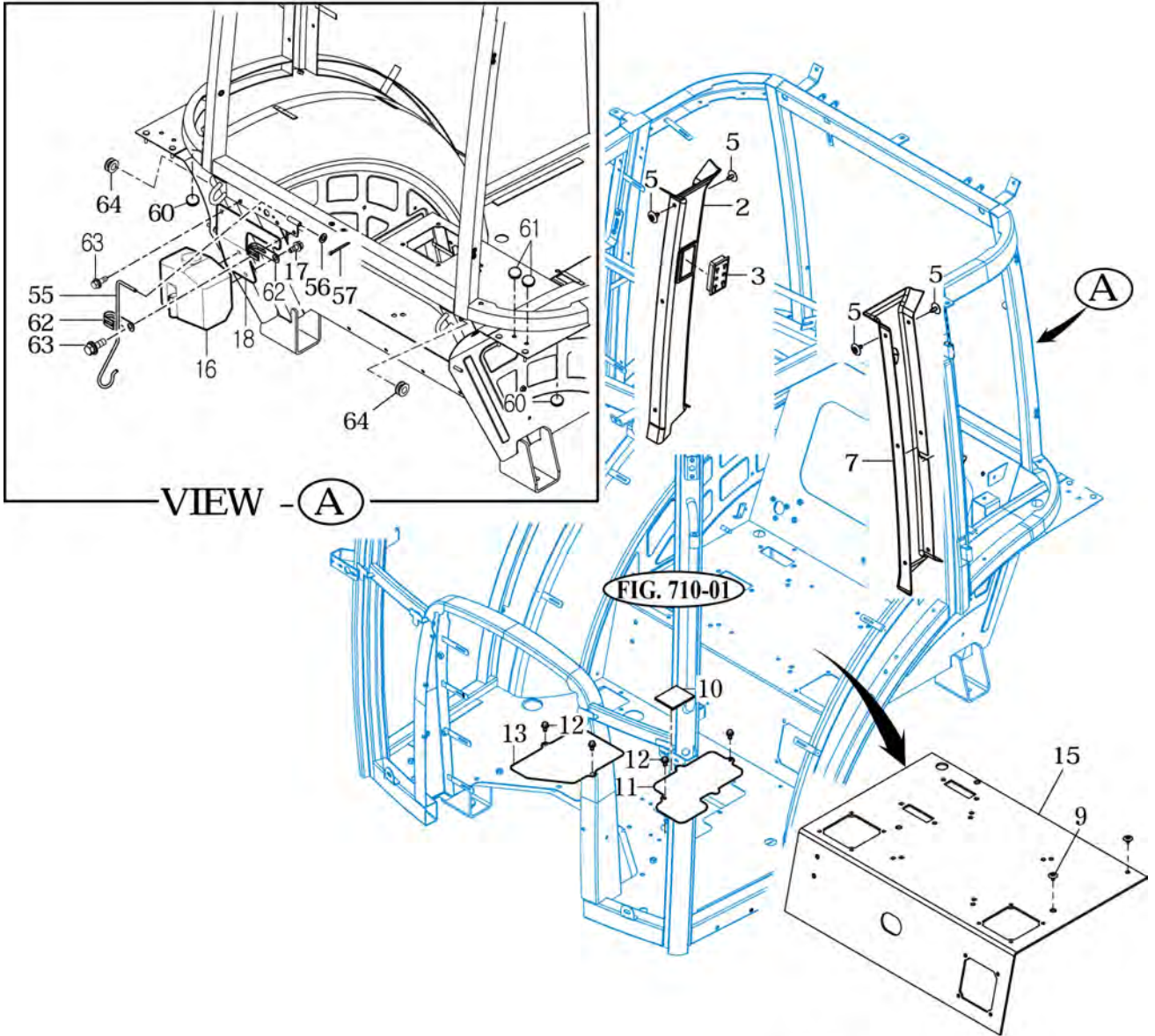
P1

YEAR

2018



T574ST / T574NC / T494ST / T494NC



73740944-718

NOTE

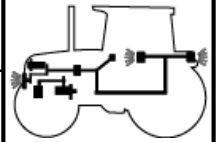
FIG 801

BATTERY & MOUNTING

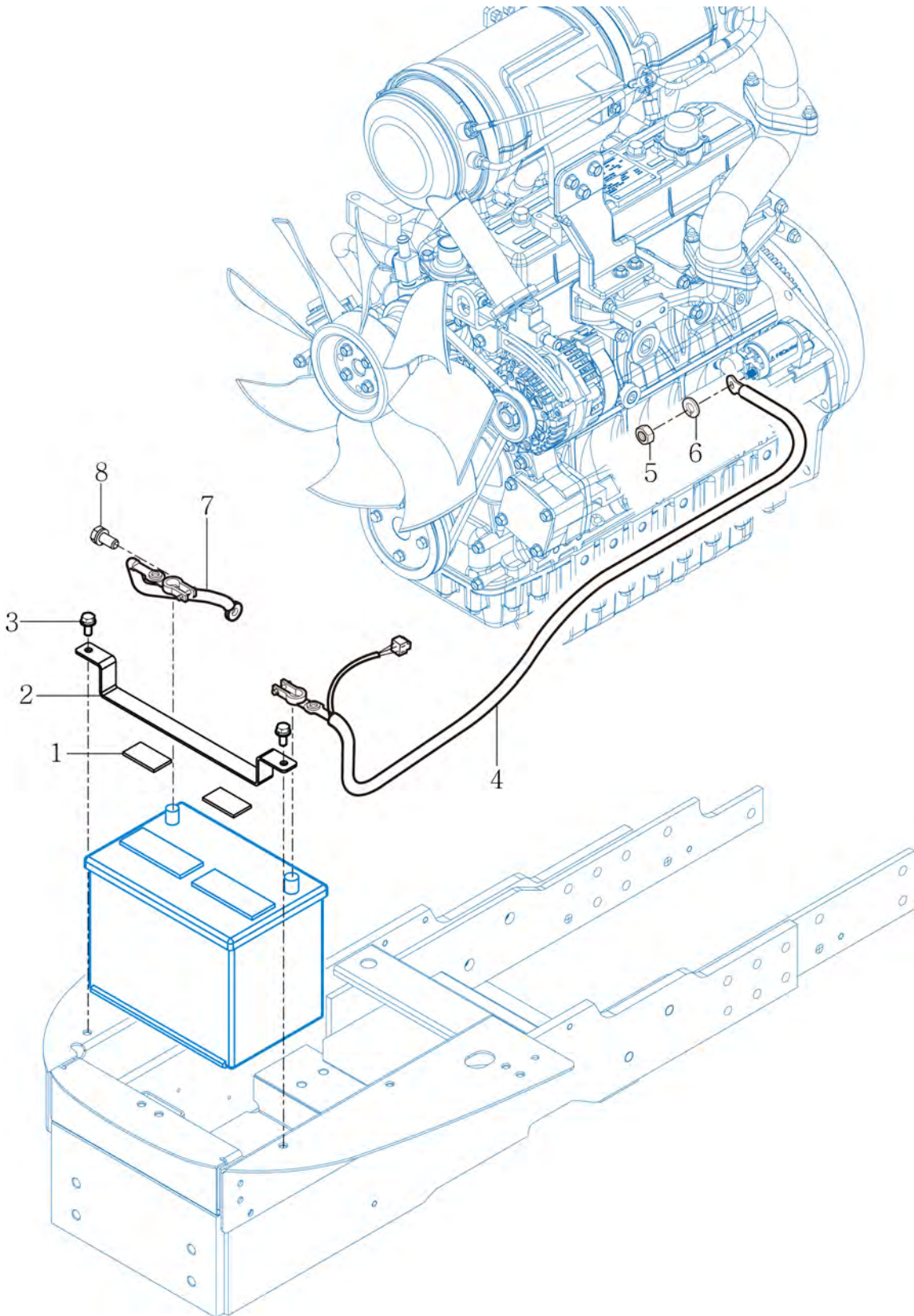
P1

YEAR

2018



T574ST / T574NC / T494ST / T494NC



NOTE

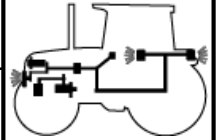
FIG 802

HARNES LAMP

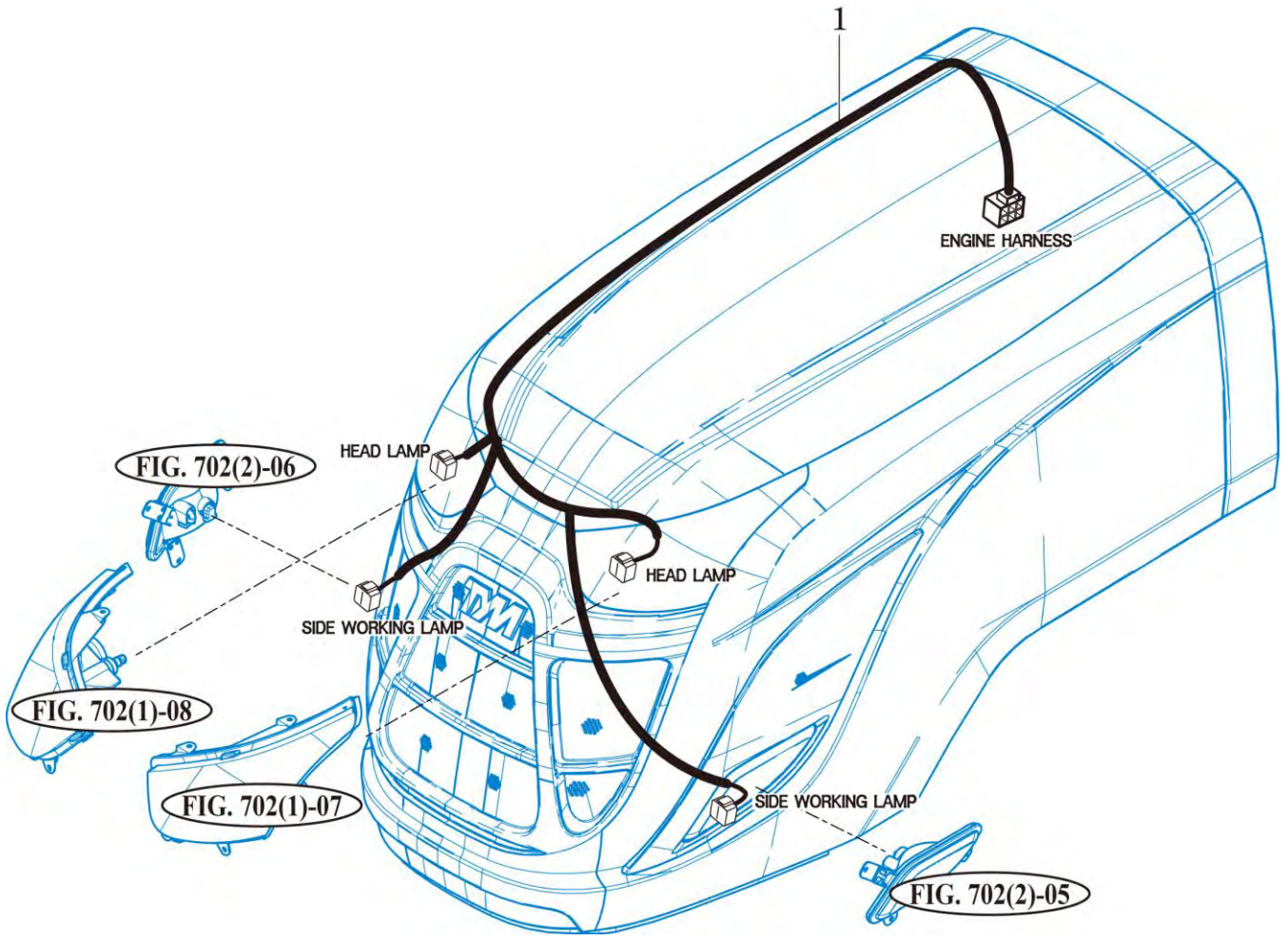
P1

YEAR

2018



T574ST / T574NC / T494ST / T494NC



NOTE

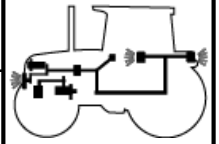
FIG 803

INSTRUMENT PANEL

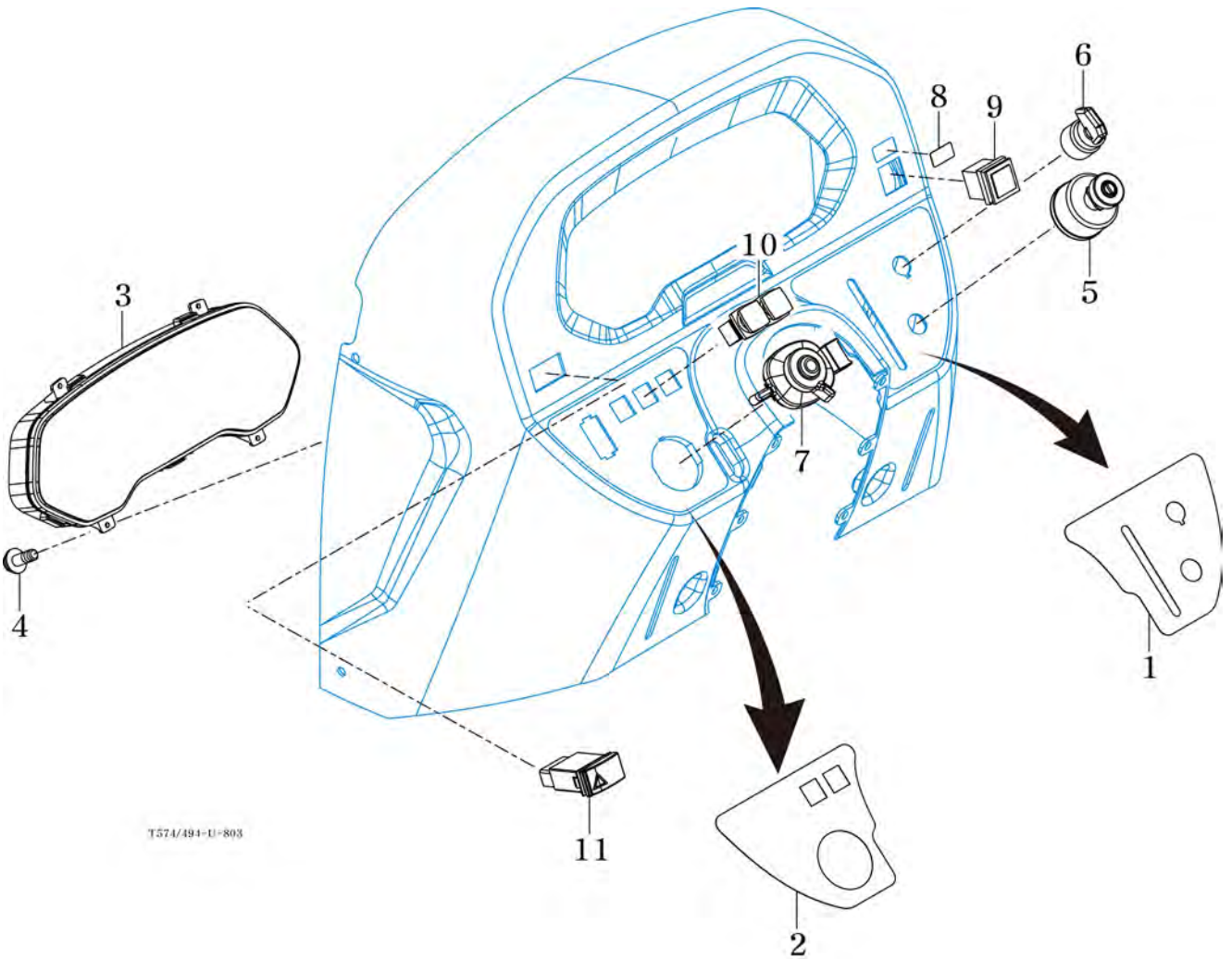
P1

YEAR

2018



T574ST / T574NC / T494ST / T494NC



NOTE

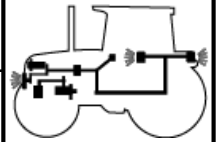
FIG 804

ELECTRIC SYSTEM (1)

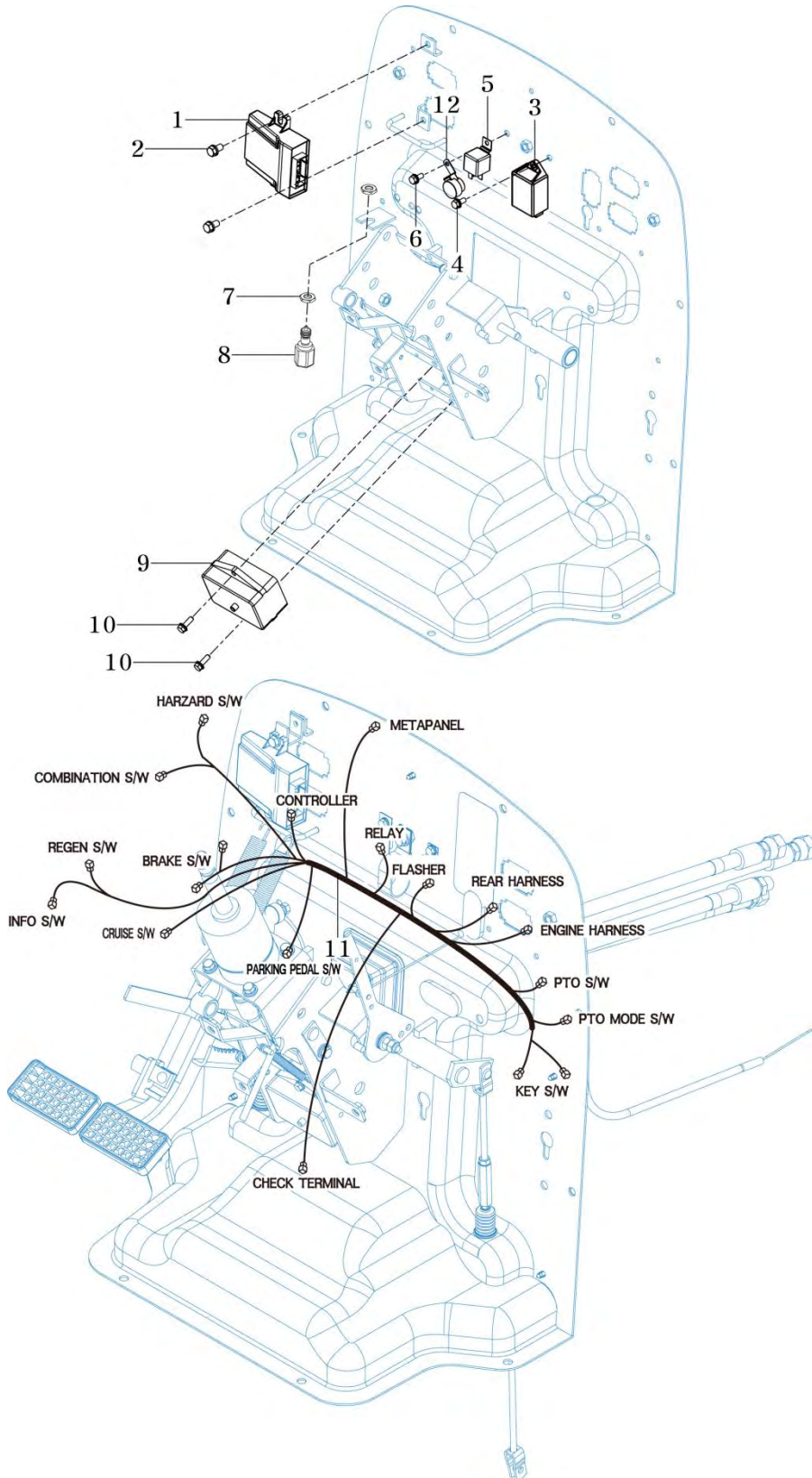
P1

YEAR

2018



T574ST / T574NC / T494ST / T494NC



NOTE

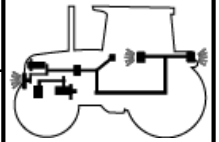
FIG 805A

ELECTRIC SYSTEM (2)

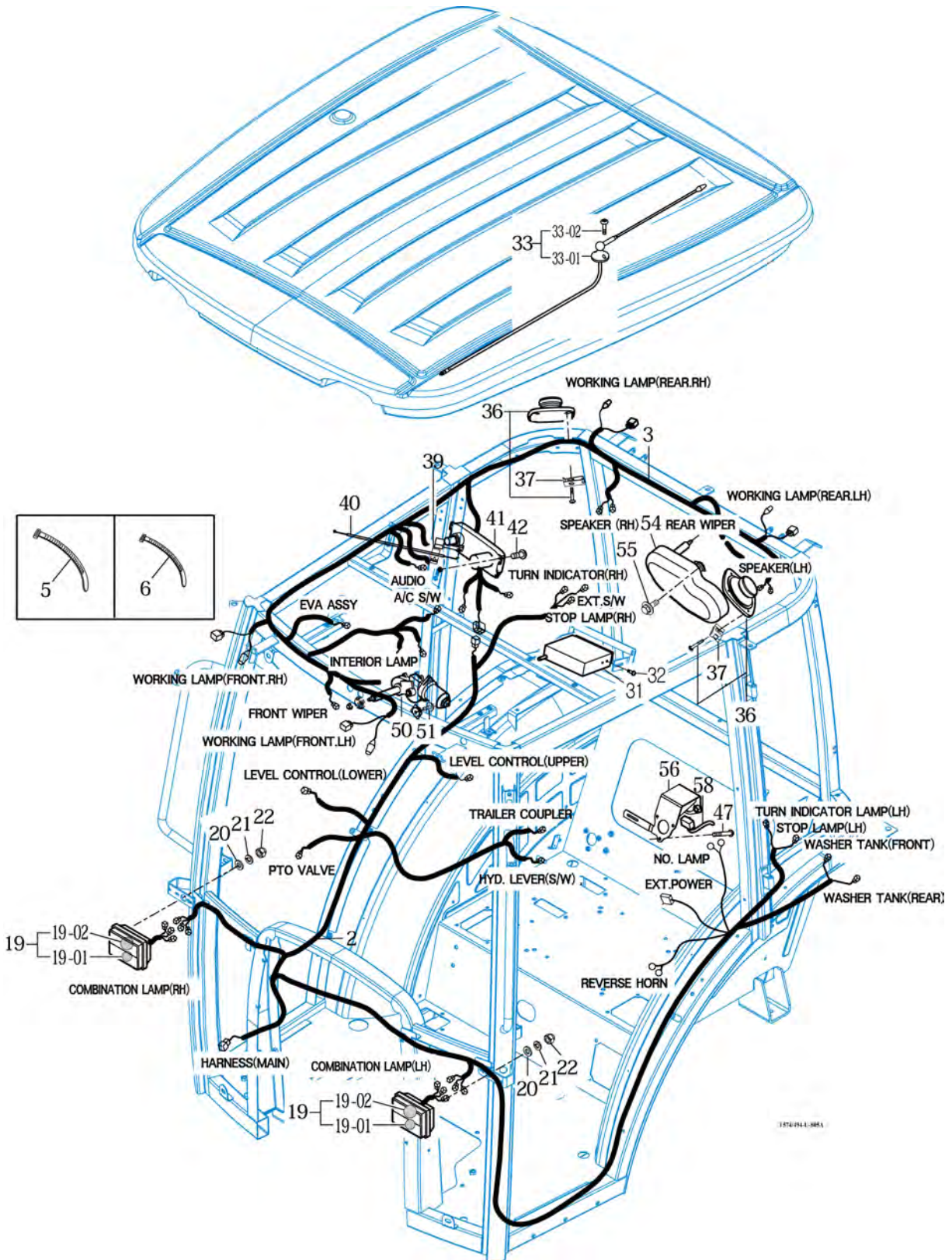
P1

YEAR

2018



T574ST / T574NC / T494ST / T494NC



NOTE

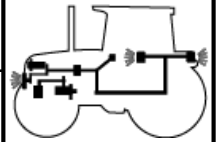
FIG 805B

ELECTRIC SYSTEM (2)-Non CAB

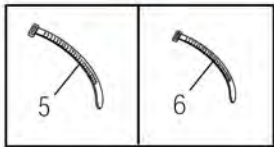
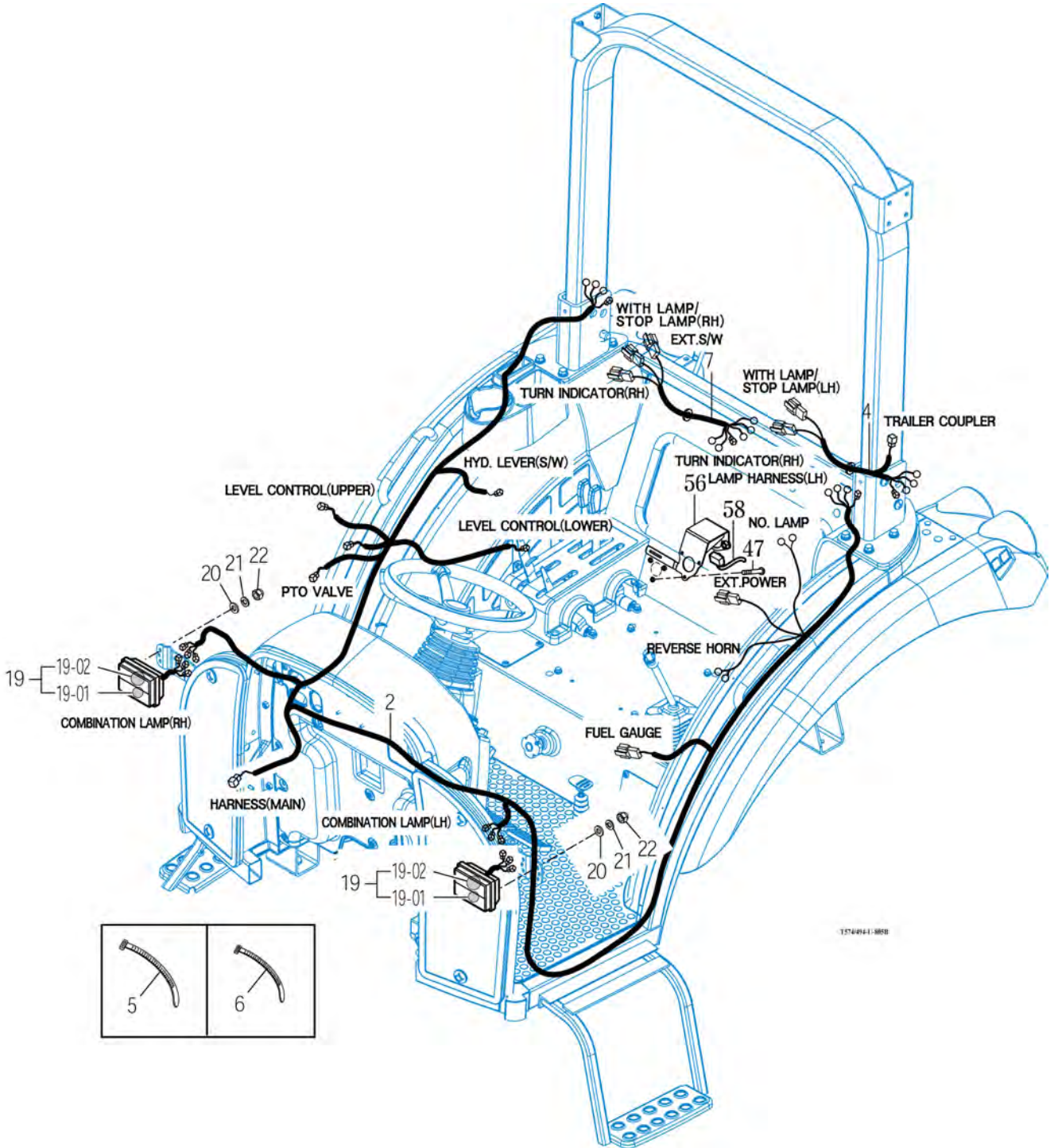
P1

YEAR

2018



T574ST / T574NC / T494ST / T494NC



T574941-8898

NOTE

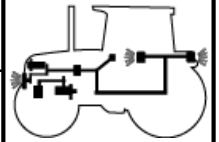
FIG 806

ELECTRIC SYSTEM (3)

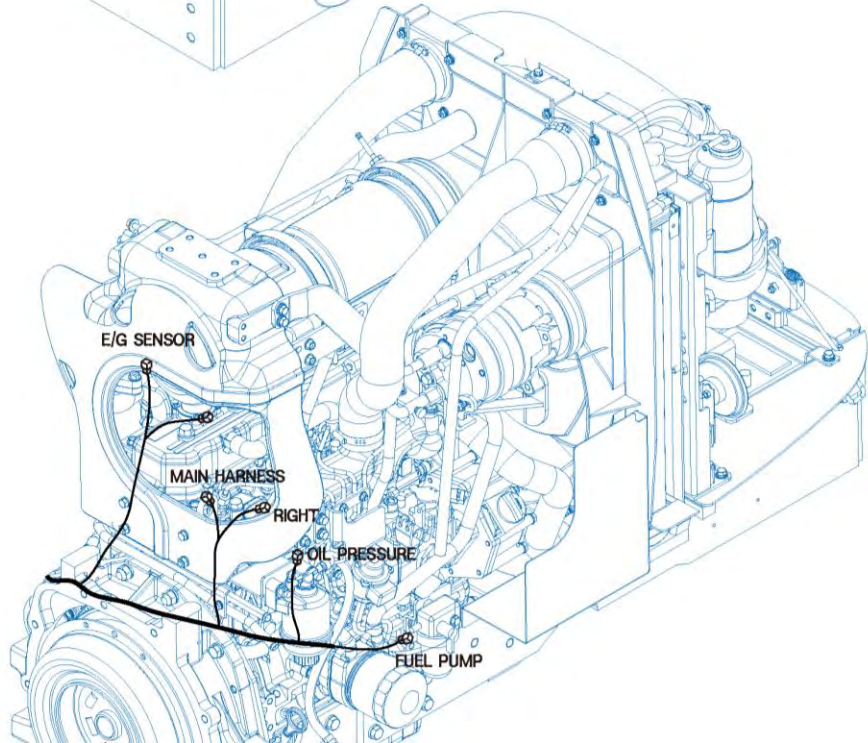
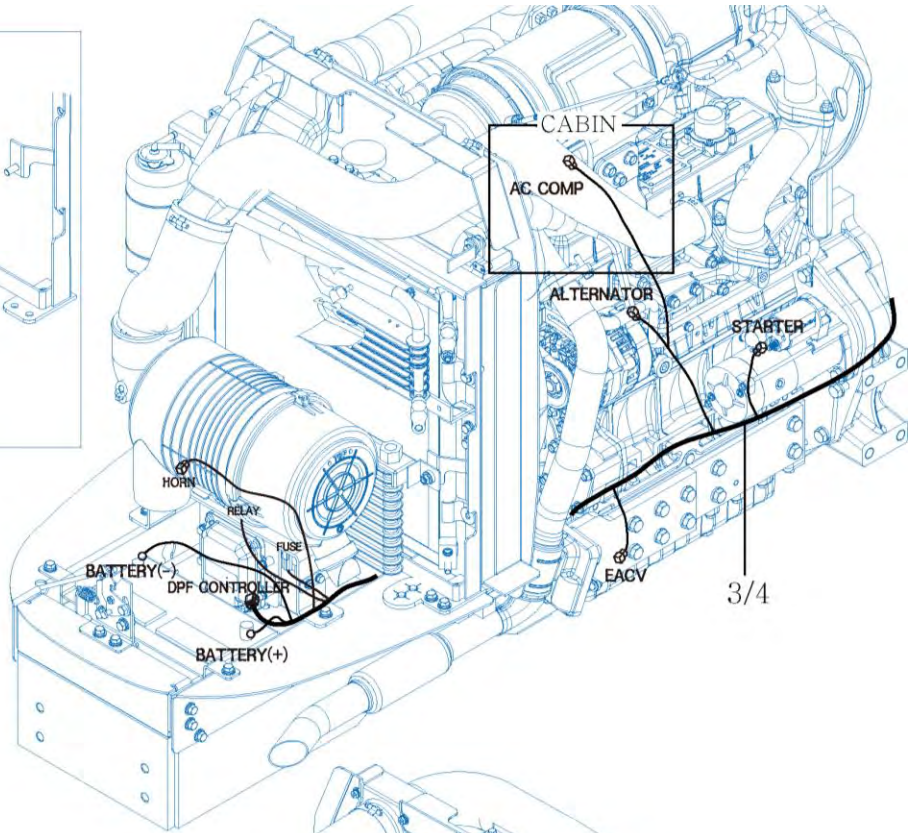
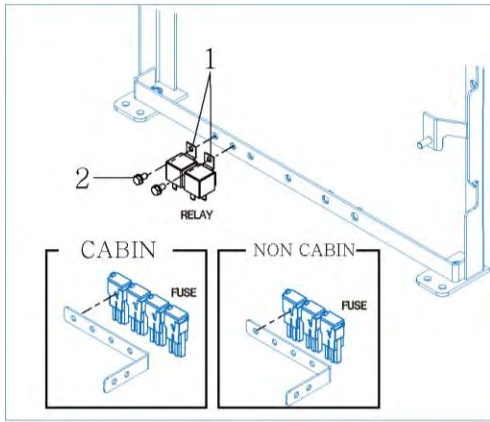
P1

YEAR

2018



T574ST / T574NC / T494ST / T494NC



NOTE

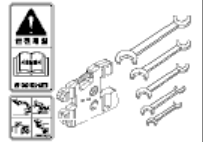
FIG 901

TOOL & ACCESSORY

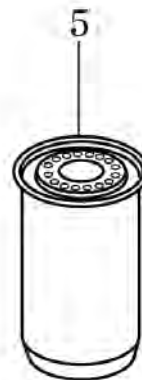
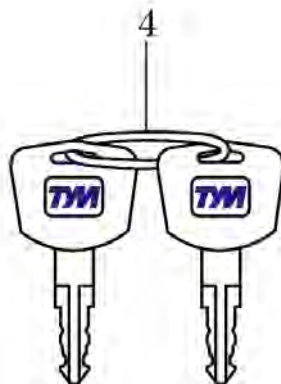
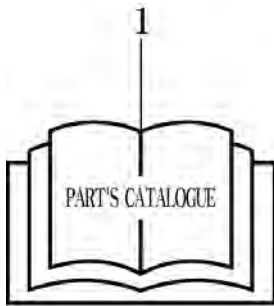
P1

YEAR

2018



T574ST / T574NC / T494ST / T494NC



T574/T494/001

NOTE

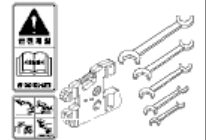
FIG 902

LABEL

P1

YEAR

2018



T574ST / T574NC / T494ST / T494NC

WARNING

Do not remove radiator cap while engine is hot. Hot steam will injure you.

1200-910-015-0

24

CAUTION

Keep hands and clothing away from rotating fan and belts to prevent serious injury.

1200-910-012-0

23

Inner/Outer air Ventilation

- When grills of rear and both sides are opened, inner air will ventilate in.
- For effective use, open it when operate heater or air conditioner and close when ventilate fresh air.

1200-904-122-1

18

DANGER

Do not ride except operator.

1200-910-016-0

6

ON
4WD
OFF

SPEED TABLES

APPLICATION	TRACTOR	PLANTER	DOZ	WHEEL	PAWS	WHEEL	FLW	DRIVE
OPERATING SPEED (km/h)	1	2	3	4	5	6	7	8
OPERATING SPEED (mph)	0.6	1.2	1.9	2.5	3.1	3.7	4.3	5.0
MAX. SPEED (km/h)	1	2	3	4	5	6	7	8
MAX. SPEED (mph)	0.6	1.2	1.9	2.5	3.1	3.7	4.3	5.0

* The proper driving speed and PTO RPM depend on the type of work, size and ground condition. For your safety, operate the tractor at the suitable speed.

46

WARNING

Do not touch while the system is hot. It cause serious burns.

1200-910-024-0

CAUTION

Do not refuel the tractor while smoking or near naked flame or sparks. always stop engine before refueling tractors.

1200-910-005-0

33

17

WARNING

Do not use the sub shift lever at "H" position when driving backward.

1200-910-001-0

4

DANGER

This Tractor may tip over unexpectedly and quicker than an operator is able to jump free.

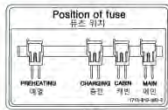
- Never operate a tractor without a proper Roll Over Protection Structure (ROPS)
- Always wear your seat belt when operating this tractor equipped with roll over protection.
- Never pull from above or from the rear axle.
- Do not operate the tractor on steep slopes or near drop offs.
- Avoid sharp high speed turns.

Serious injury or death may result from tractor upsets.

39



38



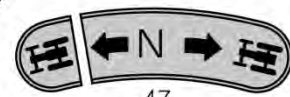
48

WARNING

Stay clear of raised Boom and bucket.

1700-910-010-0

30



47

WARNING

Additions, alterations, cracking, damage or corrosion to this structure may adversely affect the performance of the ROPS.

40

TM 42



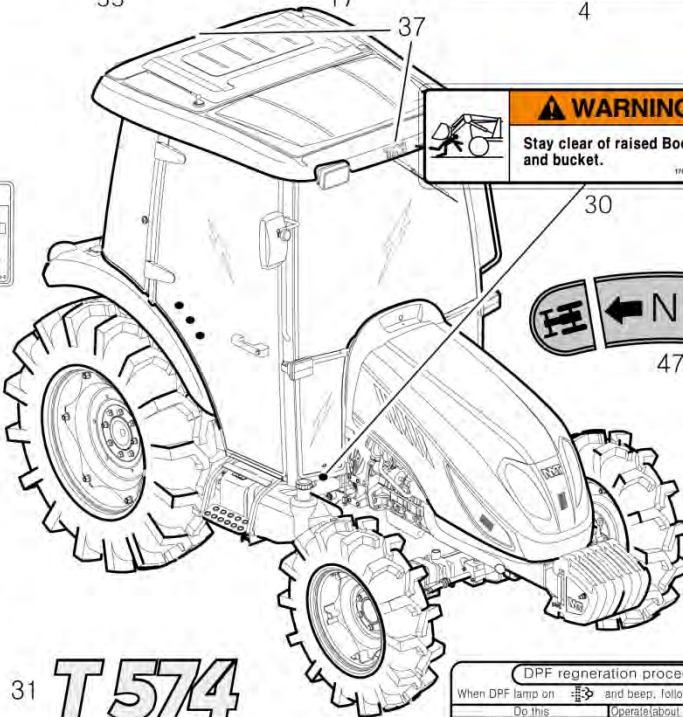
45

WARNING

Death or injury may result if this tractor over turns with the ROPS in the folded down position. Operate this tractor with the ROPS folded down only when necessary. Do not wear seat belt if operated with ROPS folded down

1200-904-022-0

41



31 T 574

31 T 494

DPF regeneration procedure

When DPF lamp on and beep, follow below

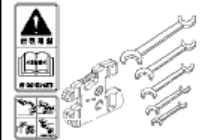
Do this	Operate (about 30min) Complete
1. Park outside safe location	
2. Stop all functions.	
3. Parking brake ON.	
4. Press clutch pedal (Mechanical)	
5. Engine speed to Max RPM	
6. Press the regen button	DPF + EGT ON
6. Must remain with the vehicle	DPF + Button blinking

Lamp off

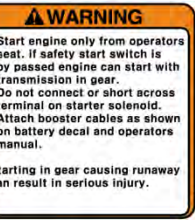
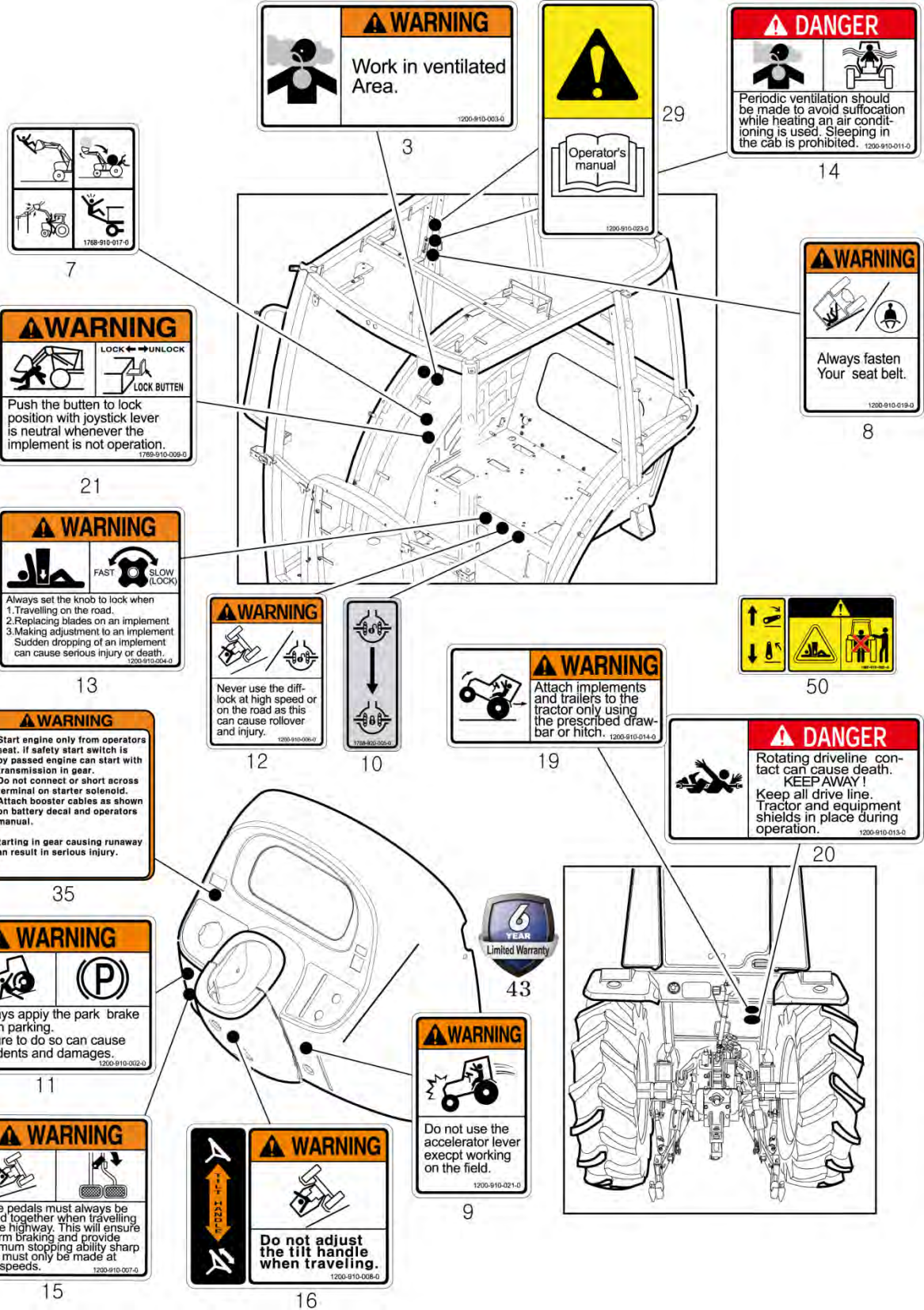
For further details, consult your Operator's Manual

49

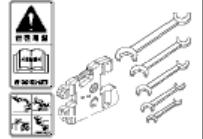
NOTE



T574ST / T574NC / T494ST / T494NC



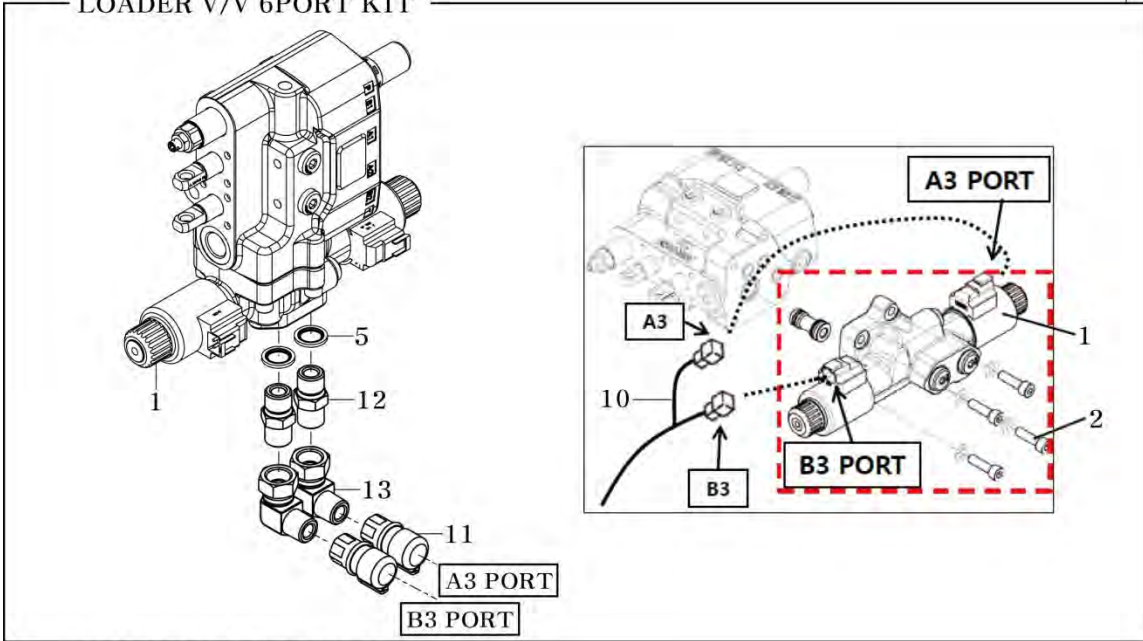
NOTE



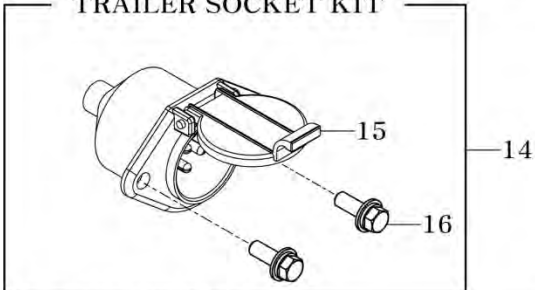
T574ST / T574NC / T494ST / T494NC

0C

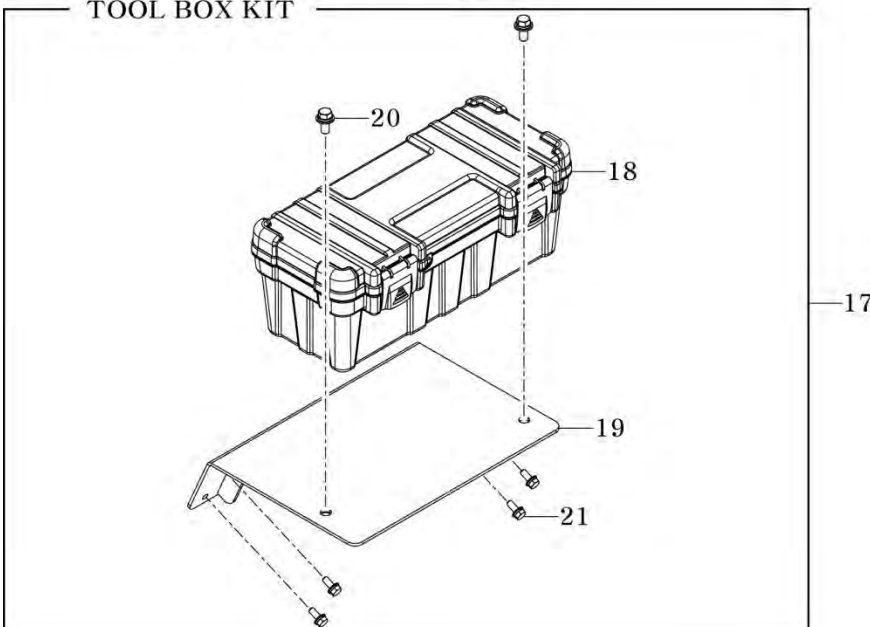
LOADER V/V 6PORT KIT



TRAILER SOCKET KIT



TOOL BOX KIT



NOTE