

T474NH

Parts Catalog

목 차

0. TRACTOR KIT PART NO. TK1

FIG 000 TRAILER SOCKET KIT	7
FIG 001 ADAPTER KIT	9
FIG 002 3rd FUNCTION KIT , LOADER	11

1. Engine PART NO. EG

FIG 100 ENGINE	15
FIG 101 CYLINDER BLOCK	17
FIG 102 OILJET ASS'Y OPTION	19
FIG 103 CRANK SHAFT	21
FIG 104 PISTON	23
FIG 105 CYLINDER HEAD	25
FIG 106 ROCKER LEVER	27
FIG 107 HEAD COVER	29
FIG 108 GEAR CASE	31
FIG 109 IDLE GEAR	33
FIG 110 CAM SHAFT	35
FIG 111 OIL PUMP	37
FIG 112 HYD. PUMP DRIVE	39
FIG 113 2ND BALANCE	41
FIG 114 OIL PAN	43
FIG 115 INTAKE MANIFOLD	45
FIG 116 EXHAUST MANIFOLD	47
FIG 117 DPF SUPPORT OPTION	49
FIG 118 TURBOCHARGER PLUMBING OPTION	51
FIG 119 BREATHER	53
FIG 120 FUEL INJECTION PUMP	55
FIG 121 FUEL INJECTION VALVE	57
FIG 122 FUEL PIPE ASS'Y	59
FIG 123 OIL FILTER	61
FIG 124 OIL COOLER	63

FIG 125 OIL GAUGUE	65
FIG 126 OIL FILLER CAP	67
FIG 127 COOLING WATER PUMP	69
FIG 128 CRANK SHAFT PULLEY	71
FIG 129 V-PULLEY	73
FIG 130 COOLING FAN	75
FIG 131 FLYWHEEL HOUSING	77
FIG 132 FLYWHEEL	79
FIG 133 GLOW PLUG ASS'Y OPTION	81
FIG 134 STARTING MOTOR	83
FIG 135 FUEL FILTER BRACKET ASS'Y	85
FIG 136 ALTERNATOR	87
FIG 137 V-BELT	89
FIG 138 FUEL FILTER	91
FIG 139 DPF SUPPORT	93
FIG 140 DATAPLATE	95
FIG 142 DPF ASS'Y	97
FIG 143 LIFT ASS'Y	99
FIG 144 COMP. DRIVE PULLEY ASS'Y OPTION	101
FIG 145 LOOSED PARTS	103

2. Engine Accessories PART NO. T2

FIG 201 AIR CLEANER	106
FIG 202 RADIATOR	108
FIG 203 MUFFLER	110
FIG 204 FUEL TANK & FILTER	112
FIG 205 OIL COOLER	114

3. Clutch/Brake/Steering PART NO. T3

FIG 302 FLYWHEEL & CLUTCH	117
FIG 303 BRAKE PEDAL	119
FIG 304 BRAKE	121
FIG 306 FRONT WHEEL MOUNTING	123
FIG 307 REAR WHEEL MOUNTING	125
FIG 308 STEERING WHEEL	127
FIG 309 STEERING VALVE & PARKING	129

FIG 310 STEERING CYLINDER	131
---------------------------	-----

4. Transmission PART NO. T4

FIG 401 TRANSMISSION FRONT CASE	134
FIG 402 HST	136
FIG 403 MID CASE	138
FIG 404 4WD DRIVE GEAR	140
FIG 405 INPUT GEAR	142
FIG 406 SUB CHANGE GEARS	144
FIG 407 PINION GEARS	146
FIG 408 P.T.O DRIVE SHAFT	148
FIG 409 P.T.O CHANGE GEARS	150
FIG 410 DIFF LOCK	153
FIG 411 TRANSMISSION REAR CASE	155
FIG 412 REAR AXLE HOUSINGS (1)	157
FIG 413 REAR AXLE HOUSINGS (2)	159
FIG 415 SUB CHANGE LEVER	161
FIG 416 FORWARD & REVERSE CONTROL LINKAGE	163
FIG 418 4WD CHANGE LEVER	165

5. Front Axle PART NO. T5

FIG 501 FRONT AXLE BRACKET	168
FIG 502 FRONT DIFF. GEARS & SHAFT	170
FIG 503 FRONT AXLE HOUSING	172
FIG 504 FRONT GEAR CASE (1)	174
FIG 505 FRONT GEAR CASE (2)	176

6. Hydraulic/3P-Link PART NO. T6

FIG 601 GEAR PUMP	179
FIG 602 CYLINDER CASE	181
FIG 603 LIFT ARM	183
FIG 604 CYLINDER	185
FIG 605 POSITION LINK (1)	187
FIG 606 POSITION LINK (2)	189
FIG 607 CONTROL VALVE	191

FIG 608 POSITION LEVER	193
FIG 609 HYDRAULIC PIPE (1)	195
FIG 610 HYDRAULIC PIPE (2)	198
FIG 611 EXTERIOR HYD VALVE	200
FIG 612 3-POINT LINK	202
FIG 613 HITCH & COVER	205
FIG 614 EXTERIOR POSITION LEVER	207

7. Sheet Metal & Cabin PART NO. T7

FIG 701 HOOD FRAME	210
FIG 702 HOOD	213
FIG 703 EXTENSION COVER	216
FIG 704 FENDER & REAR FRAME	218
FIG 705 DASH PANEL	221
FIG 706 FLOOR PANEL	223
FIG 707 SEAT	225
FIG 708 FRONT & REAR MOUNTING	227
FIG 709 ROPS	229

8. Electrical System PART NO. T8

FIG 801 BATTERY & MOUNTING	232
FIG 802 LAMP	234
FIG 803 INSTRUMENT PANEL	236
FIG 804 ELECTRIC SYSTEM	238
FIG 805 HARNESS	240

9. Label/Option PART NO. T9

FIG 901 TOOL & ACCESSORY	243
FIG 902 LABEL	245
FIG 902 LABEL	247

0. TRACTOR KIT PART NO. TK1

FIG 000 TRAILER SOCKET KIT

7

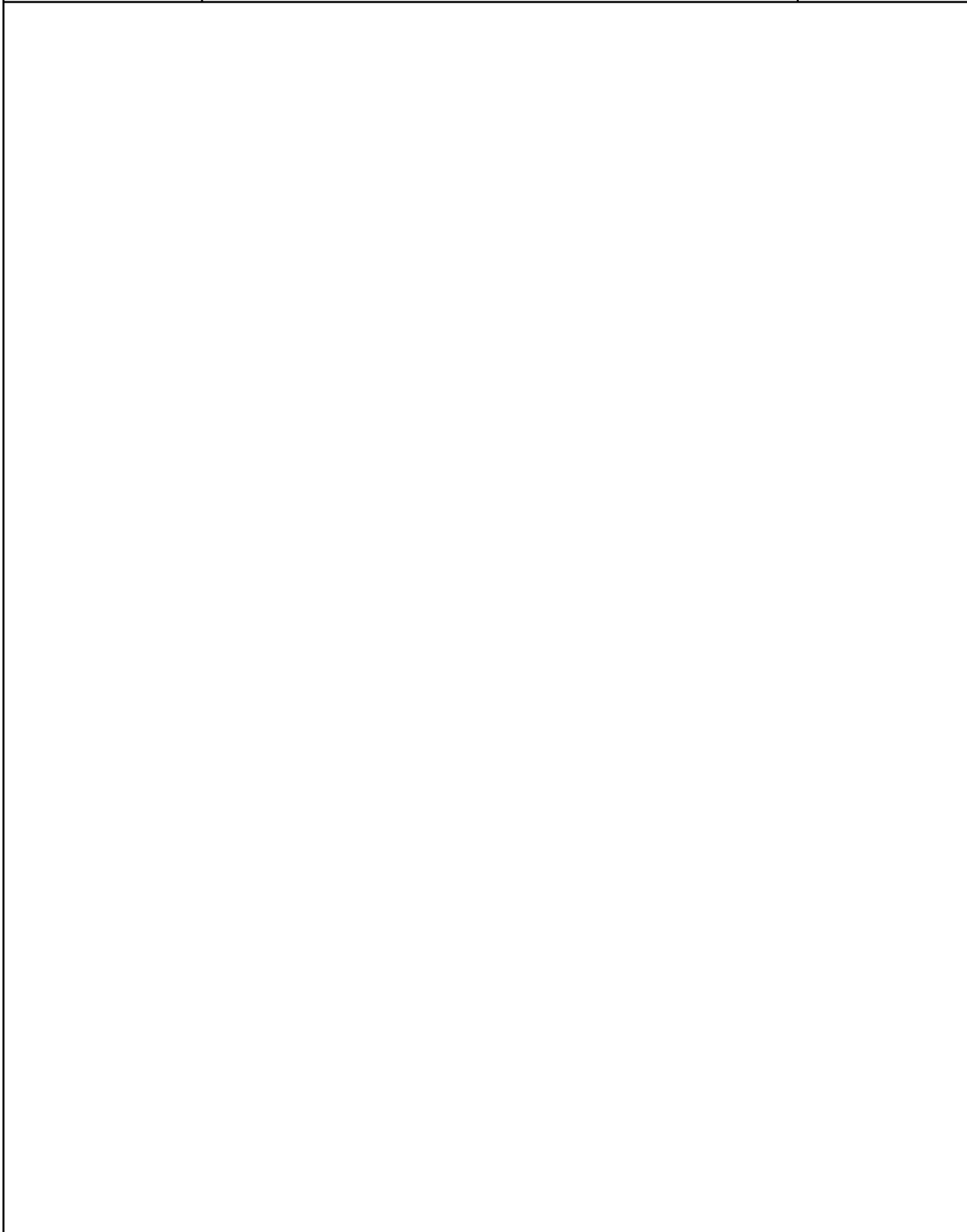
FIG 001 ADAPTER KIT

9

FIG 002 3rd FUNCTION KIT , LOADER

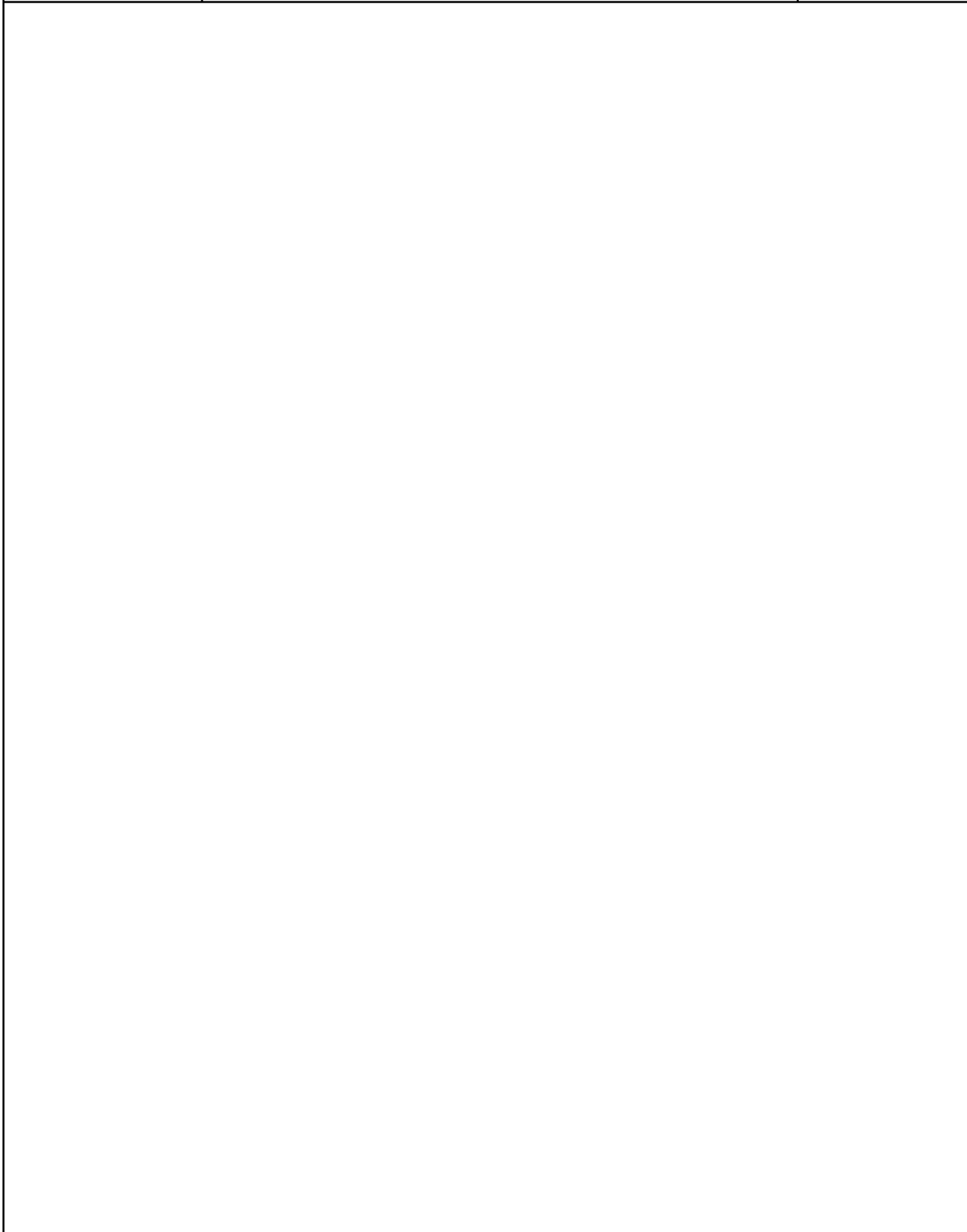
11

FIG 000 T474NH	TRAILER SOCKET KIT	년/월 Year/Month 2022-12
-------------------	--------------------	------------------------------



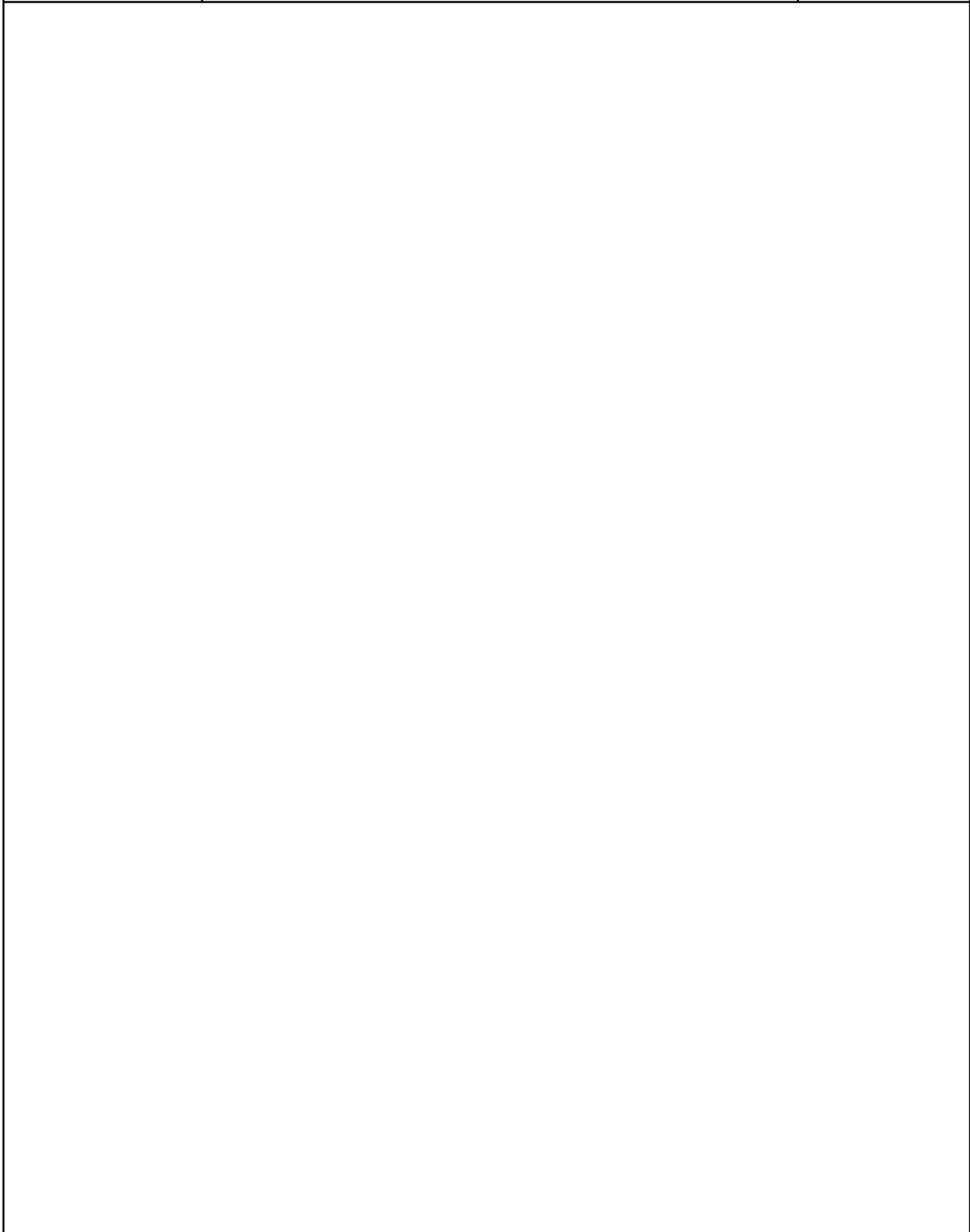
NOTE	
------	--

FIG 001 T474NH	ADAPTER KIT	년/월 Year/Month 2022-12
-------------------	-------------	------------------------------



NOTE	
------	--

FIG 002 T474NH	3rd FUNCTION KIT , LOADER	년/월 Year/Month 2022-12
-------------------	---------------------------	------------------------------



NOTE	
------	--

1. Engine PART NO. EG

FIG 100 ENGINE	15
FIG 101 CYLINDER BLOCK	17
FIG 102 OILJET ASS'Y OPTION	19
FIG 103 CRANK SHAFT	21
FIG 104 PISTON	23
FIG 105 CYLINDER HEAD	25
FIG 106 ROCKER LEVER	27
FIG 107 HEAD COVER	29
FIG 108 GEAR CASE	31
FIG 109 IDLE GEAR	33
FIG 110 CAM SHAFT	35
FIG 111 OIL PUMP	37
FIG 112 HYD. PUMP DRIVE	39
FIG 113 2ND BALANCE	41
FIG 114 OIL PAN	43
FIG 115 INTAKE MANIFOLD	45
FIG 116 EXHAUST MANIFOLD	47
FIG 117 DPF SUPPORT OPTION	49
FIG 118 TURBOCHARGER PLUMBING OPTION	51
FIG 119 BREATHER	53
FIG 120 FUEL INJECTION PUMP	55
FIG 121 FUEL INJECTION VALVE	57
FIG 122 FUEL PIPE ASS'Y	59
FIG 123 OIL FILTER	61
FIG 124 OIL COOLER	63
FIG 125 OIL GAUGUE	65
FIG 126 OIL FILLER CAP	67
FIG 127 COOLING WATER PUMP	69
FIG 128 CRANK SHAFT PULLEY	71
FIG 129 V-PULLEY	73
FIG 130 COOLING FAN	75
FIG 131 FLYWHEEL HOUSING	77
FIG 132 FLYWHEEL	79
FIG 133 GLOW PLUG ASS'Y OPTION	81
FIG 134 STARTING MOTOR	83
FIG 135 FUEL FILTER BRACKET ASS'Y	85
FIG 136 ALTERNATOR	87
FIG 137 V-BELT	89

FIG 138 FUEL FILTER	91
FIG 139 DPF SUPPORT	93
FIG 140 DATAPLATE	95
FIG 142 DPF ASS'Y	97
FIG 143 LIFT ASS'Y	99
FIG 144 COMP. DRIVE PULLEY ASS'Y OPTION	101
FIG 145 LOOSED PARTS	103

FIG 100 T474NH	ENGINE	년/월 Year/Month
		2022-12

--	--

NOTE	
------	--

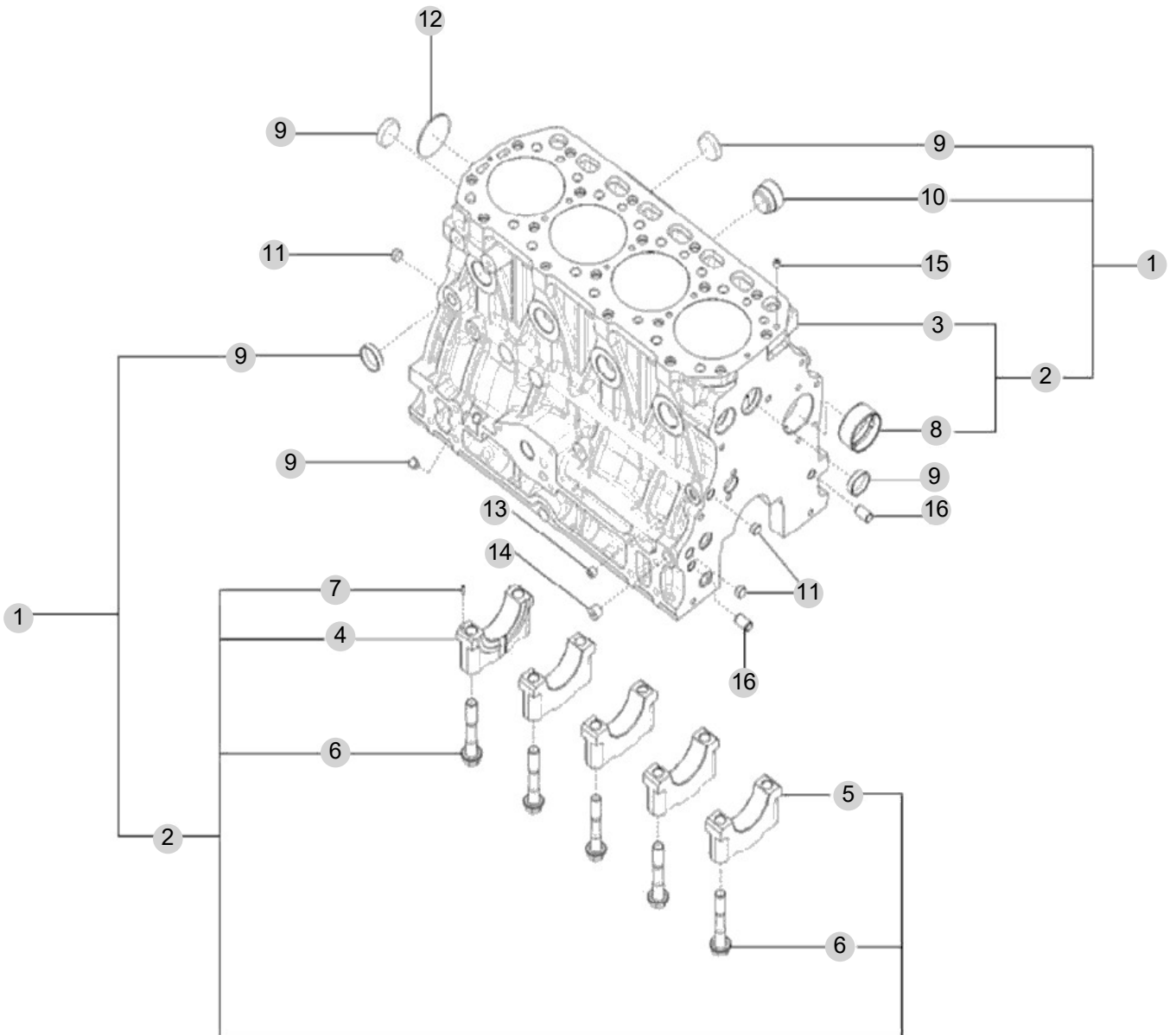
FIG 101

CYLINDER BLOCK

년/월
Year/Month

2022-12

T474NH



NOTE

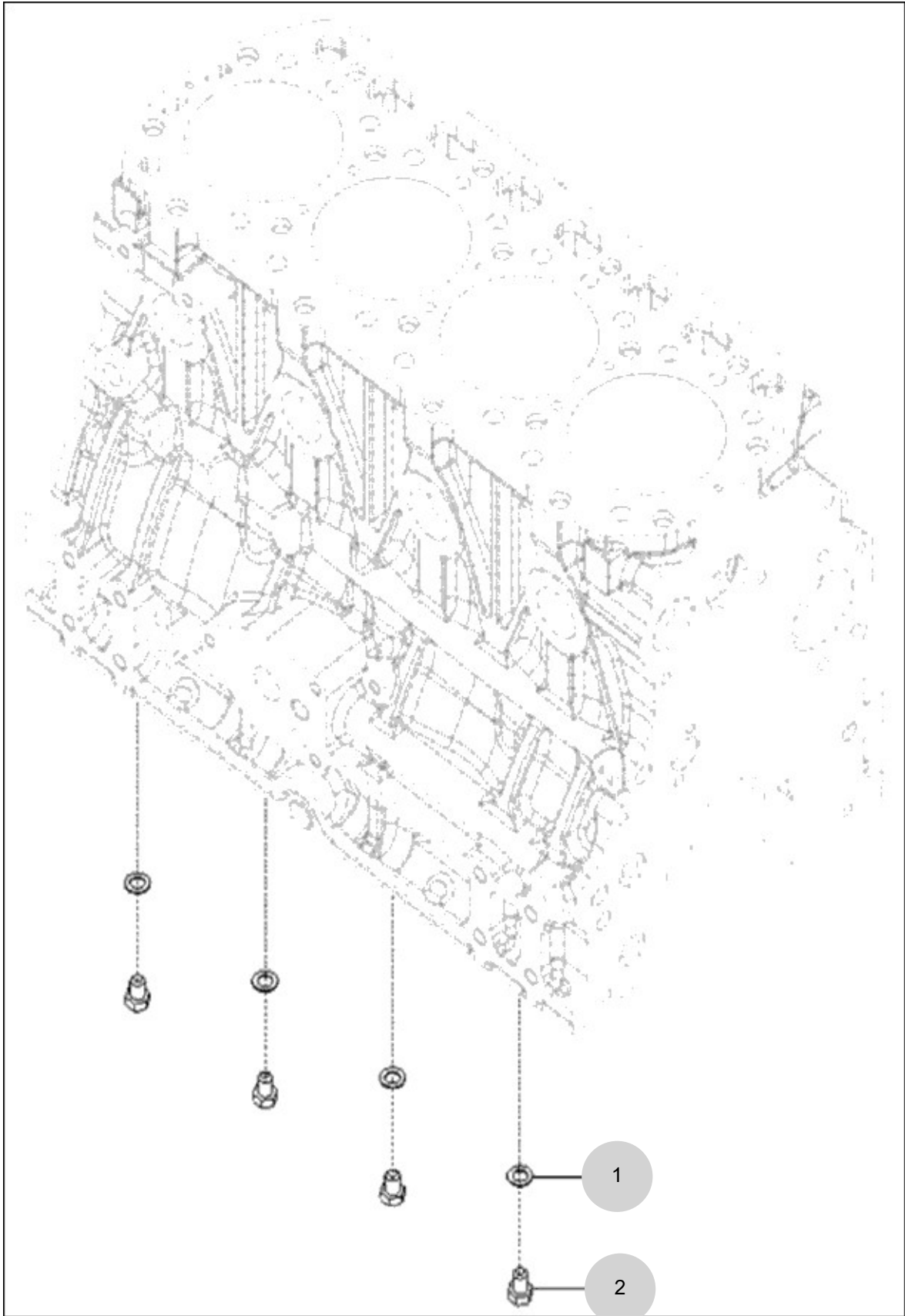
FIG 102

OILJET ASS'Y OPTION

년/월
Year/Month

T474NH

2022-12



NOTE

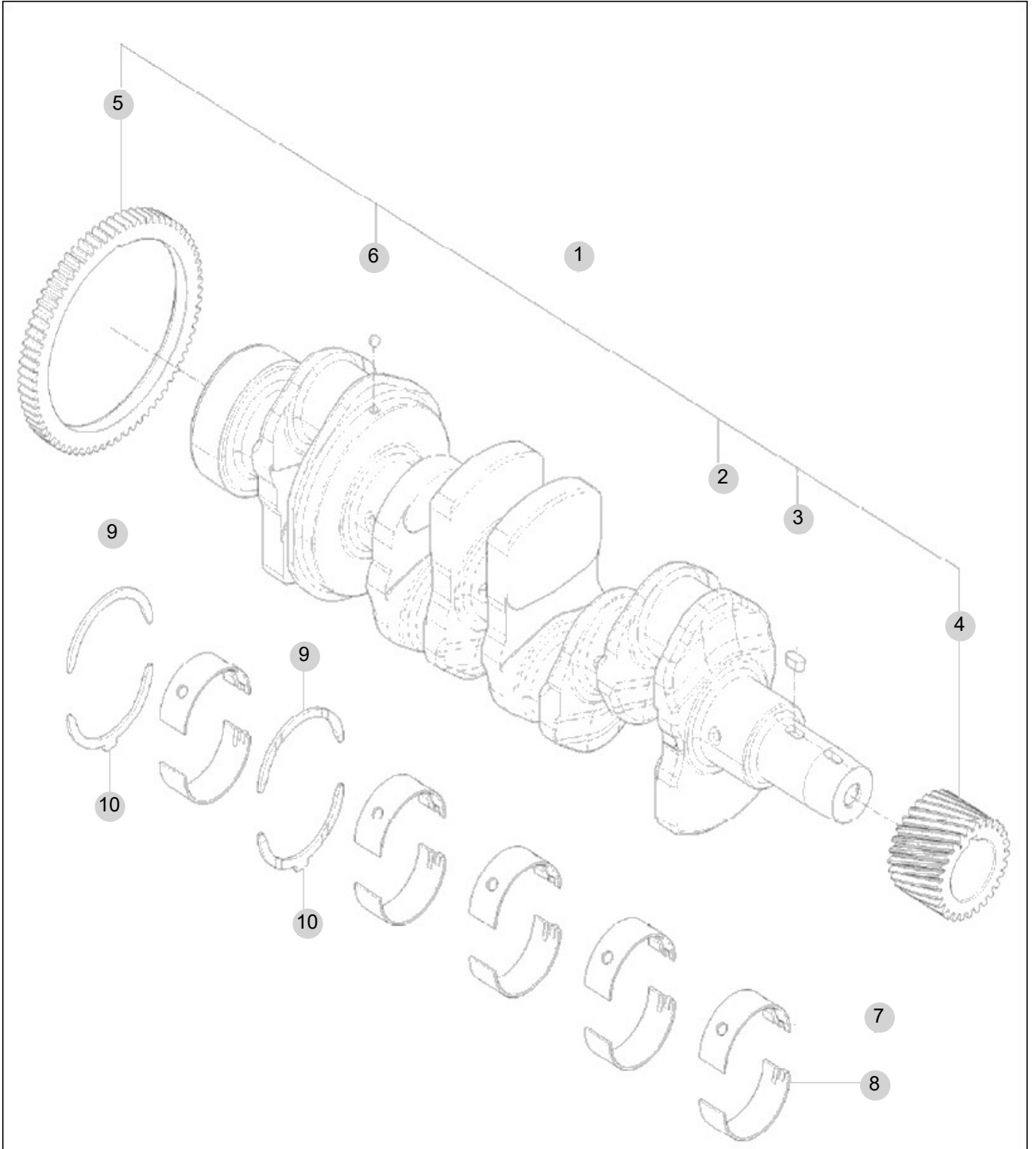
FIG 103

CRANK SHAFT

년/월
Year/Month

2022-12

T474NH



NOTE

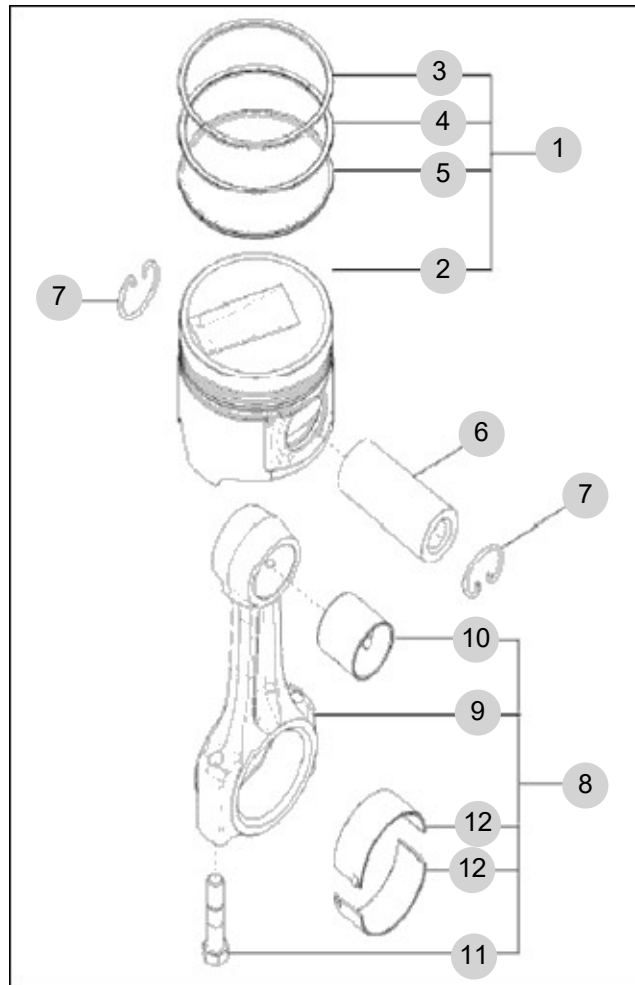
FIG 104

T474NH

PISTON

년/월
Year/Month

2022-12



NOTE

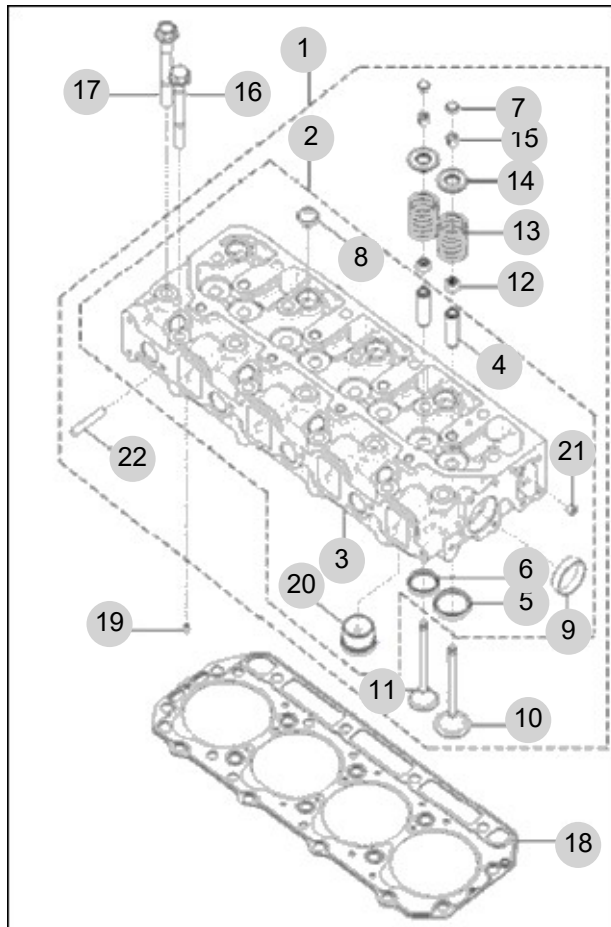
FIG 105

T474NH

CYLINDER HEAD

년/월
Year/Month

2022-12



NOTE

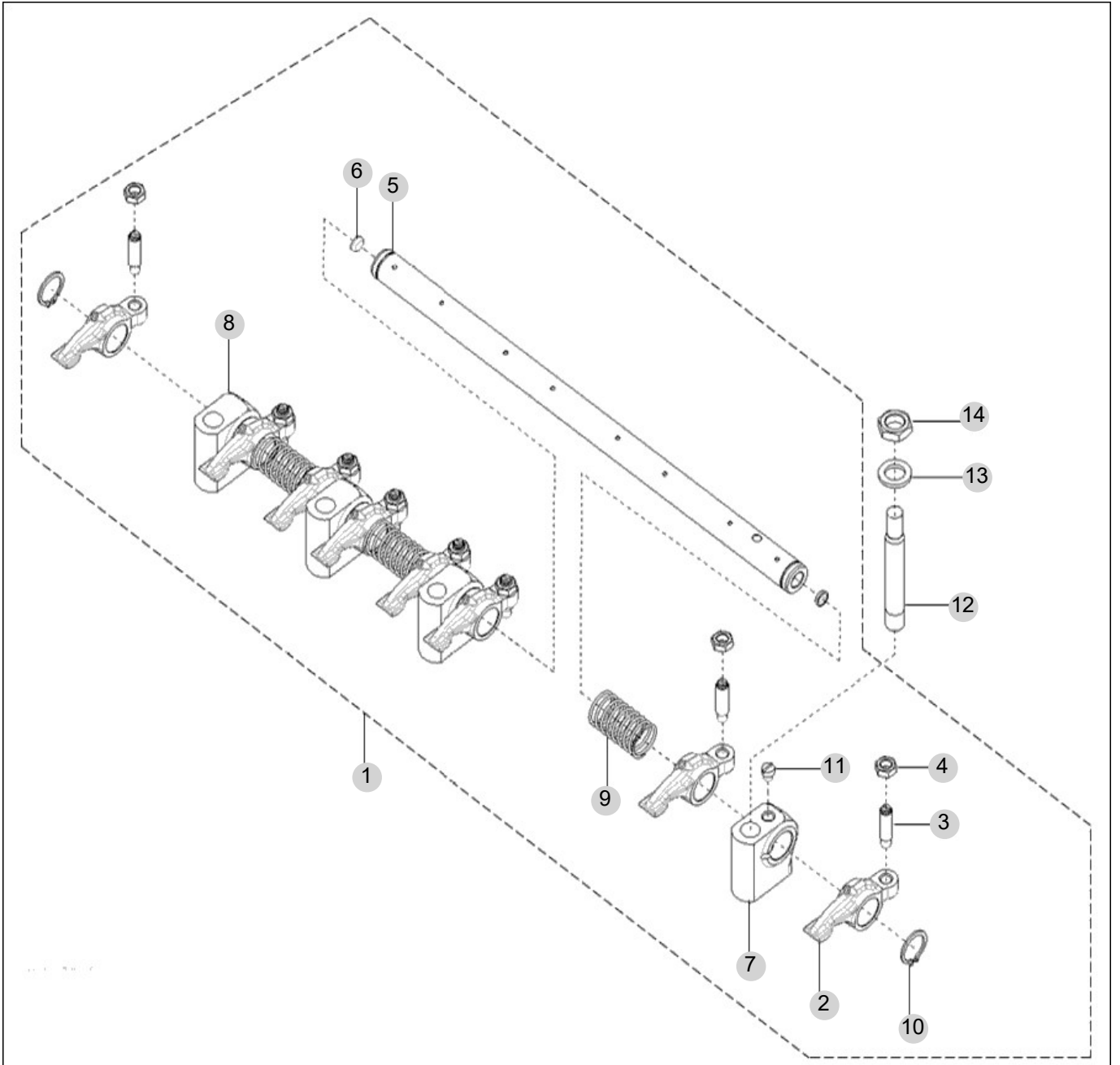
FIG 106

ROCKER LEVER

년/월
Year/Month

2022-12

T474NH



NOTE

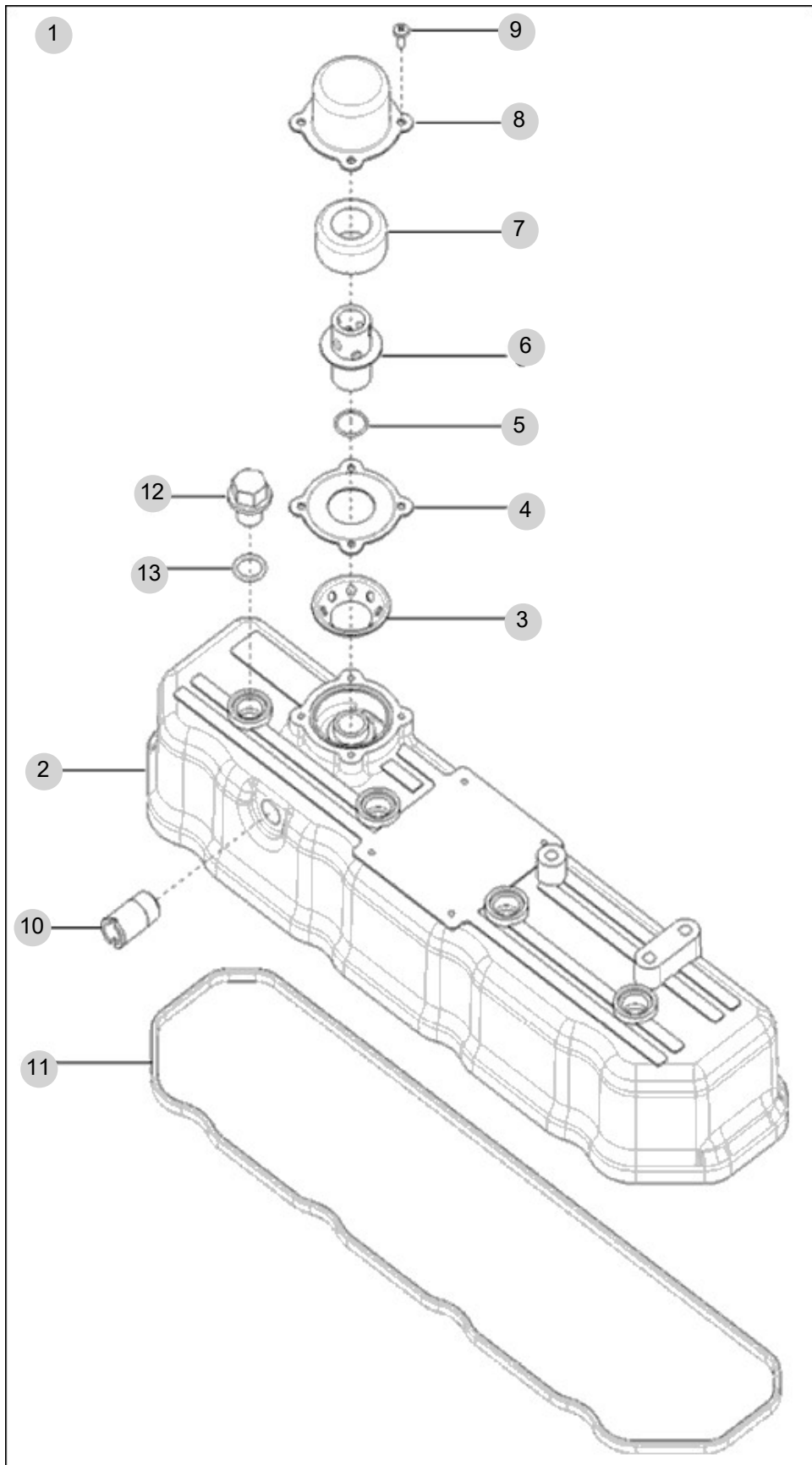
FIG 107

T474NH

HEAD COVER

년/월
Year/Month

2022-12



NOTE

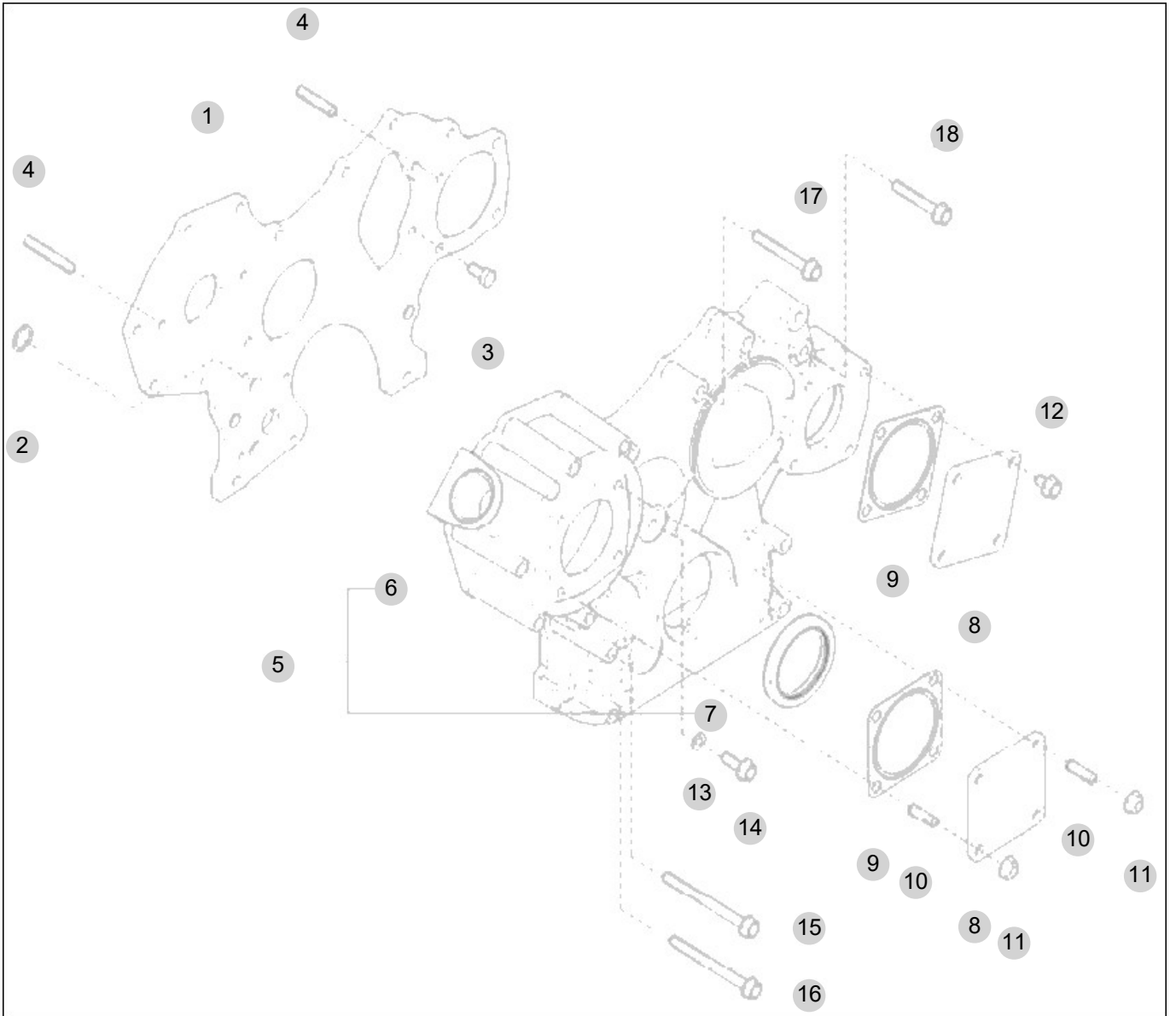
FIG 108

GEAR CASE

년/월
Year/Month

2022-12

T474NH



NOTE

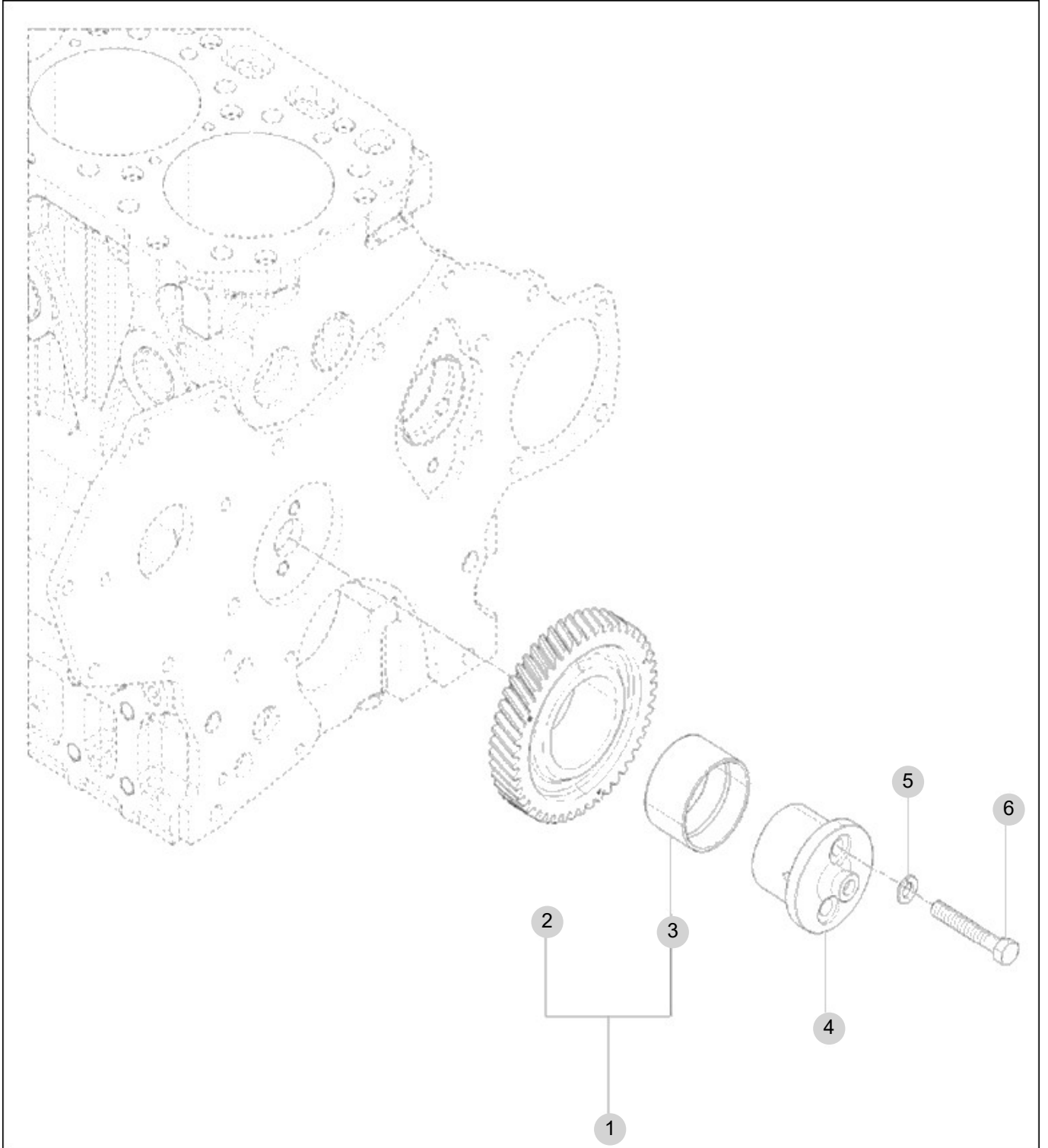
FIG 109

IDLE GEAR

년/월
Year/Month

T474NH

2022-12



NOTE

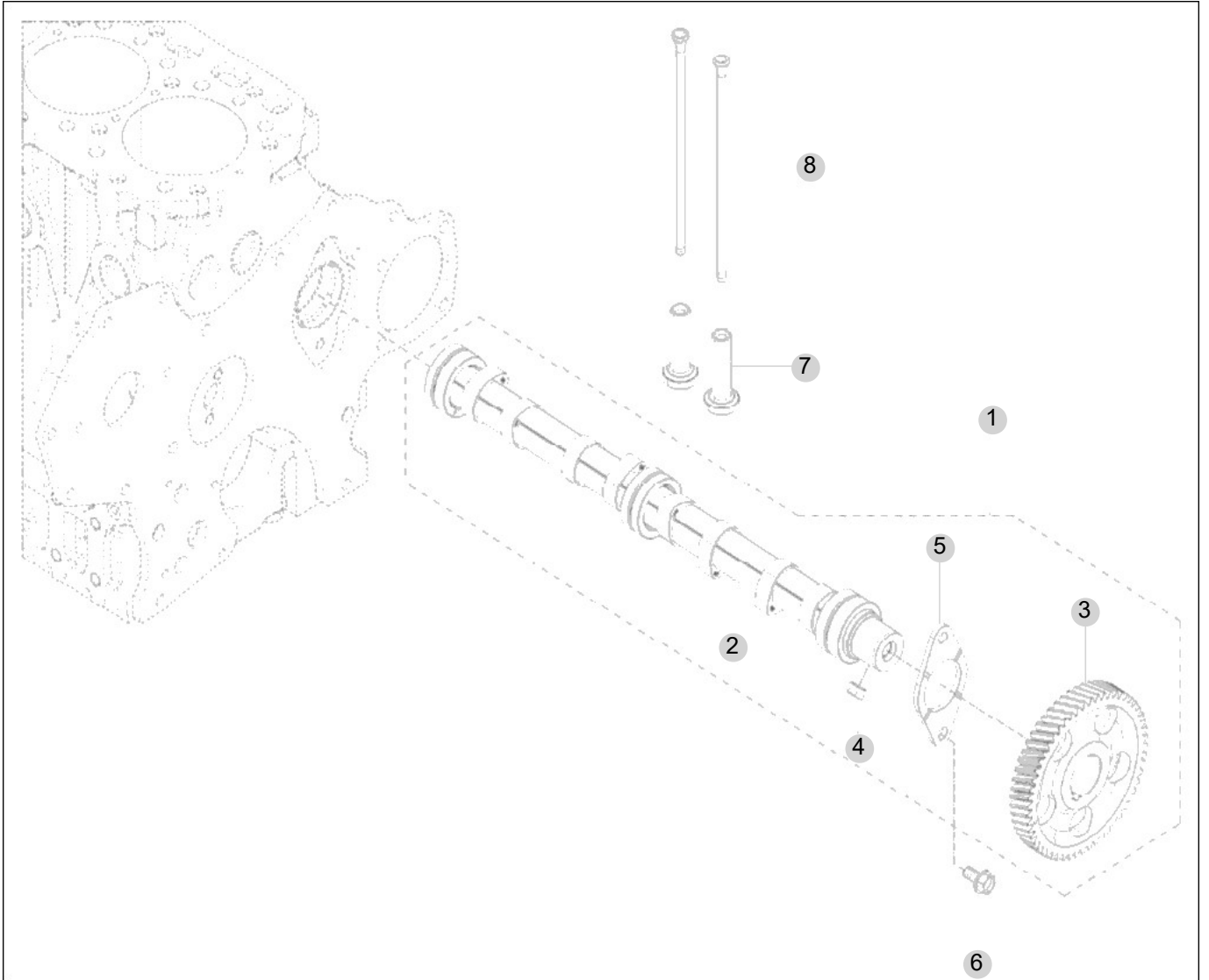
FIG 110

CAM SHAFT

년/월
Year/Month

2022-12

T474NH



NOTE

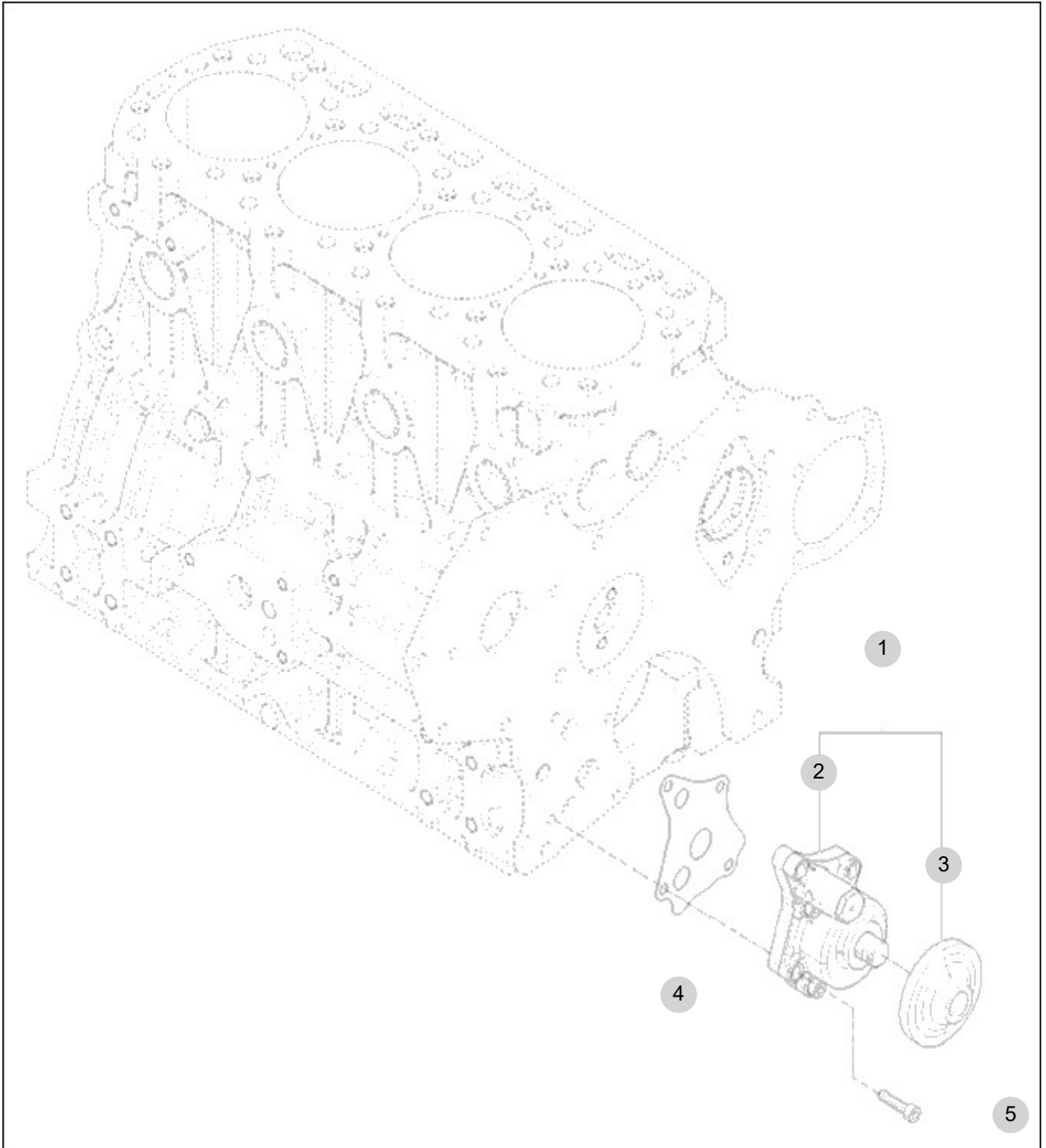
FIG 111

OIL PUMP

년/월
Year/Month

T474NH

2022-12



NOTE

FIG 111		OIL PUMP						년/월 Year/Month	
								2022-12	
T474NH		KEY NO	PART NO	DESCRIPTION	SPEC	QTY	REPAIR	EFFECTIVE DATE	REMARKS
111	1	EA00006157A	OIL PUMP ASS'Y			1			
111	1	HRA1100109A	OIL PUMP ASS'Y			1			
111	2	EA00006116A	OIL PUMP ASS'Y			1			
111	2	HRA1100100A	OIL PUMP ASS'Y			1			
111	3	HRA1100112A	GEAR, OIL PUMP			1			
111	4	HRA1100600A	PACKING(OIL PUMP)			1			
111	5	26450-060252	SCREW, SOCKET HEAD CAP			4			
NOTE									

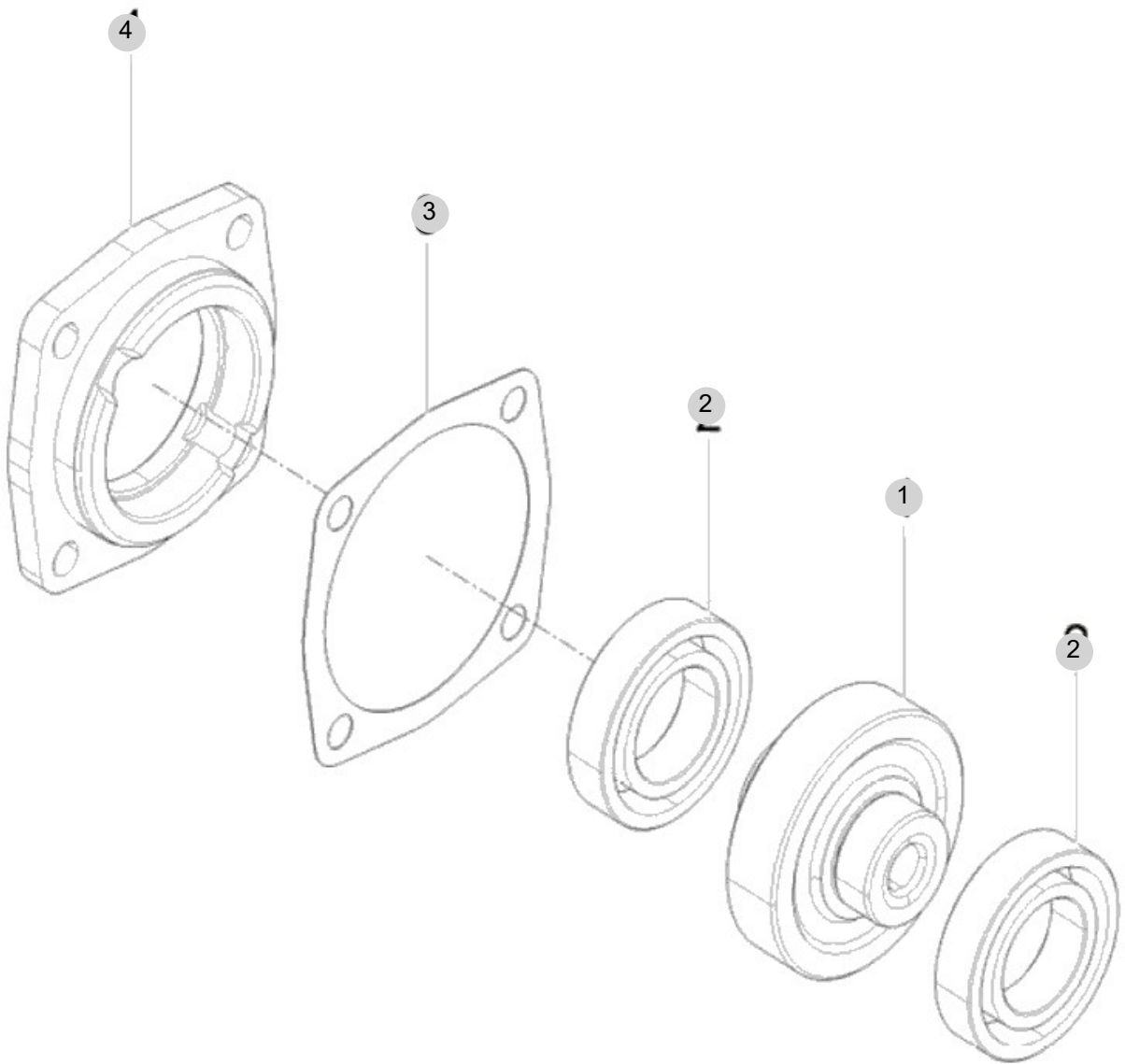
FIG 112

T474NH

HYD. PUMP DRIVE

년/월
Year/Month

2022-12



NOTE

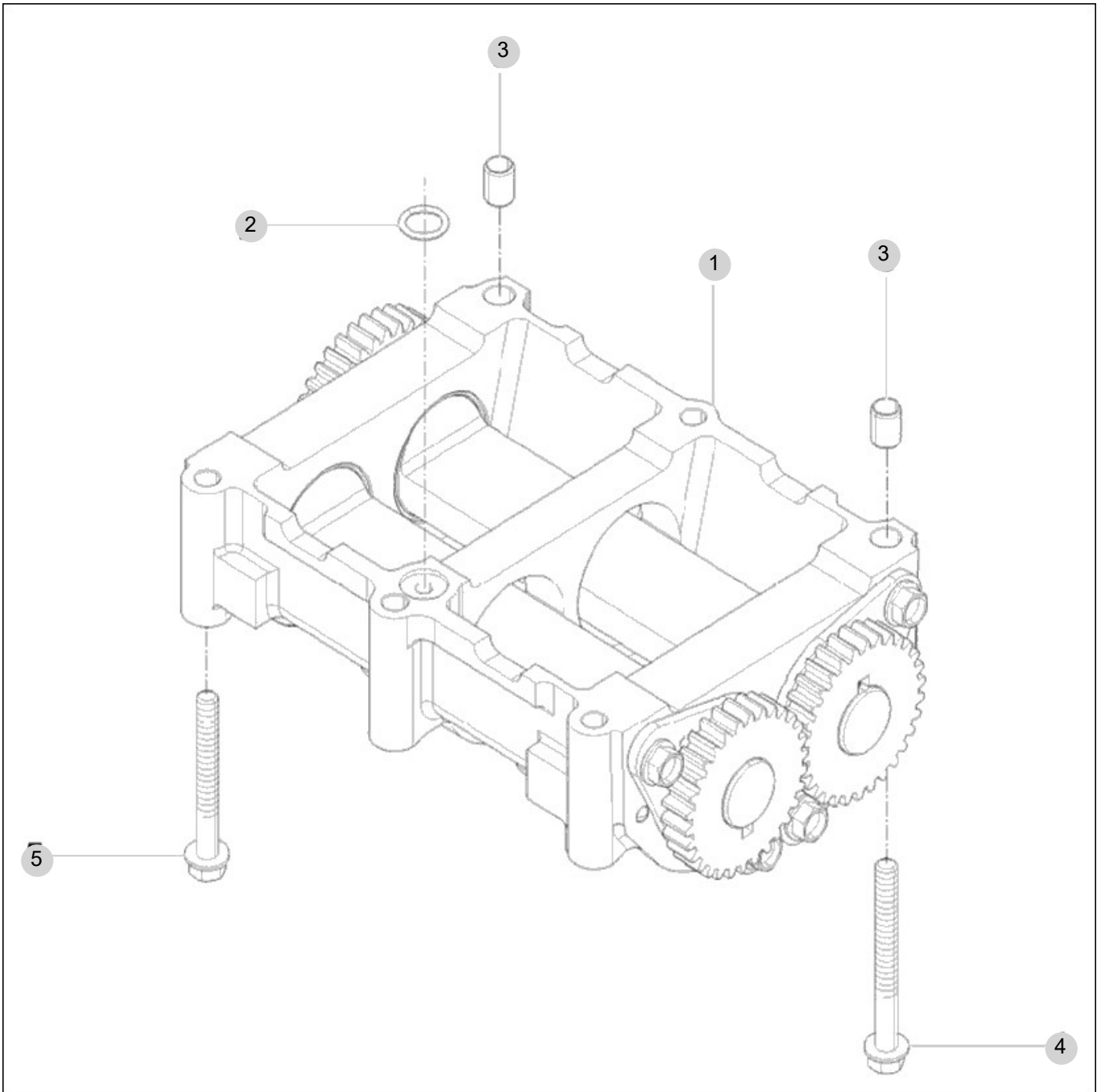
FIG 113

2ND BALANCE

년/월
Year/Month

2022-12

T474NH



NOTE

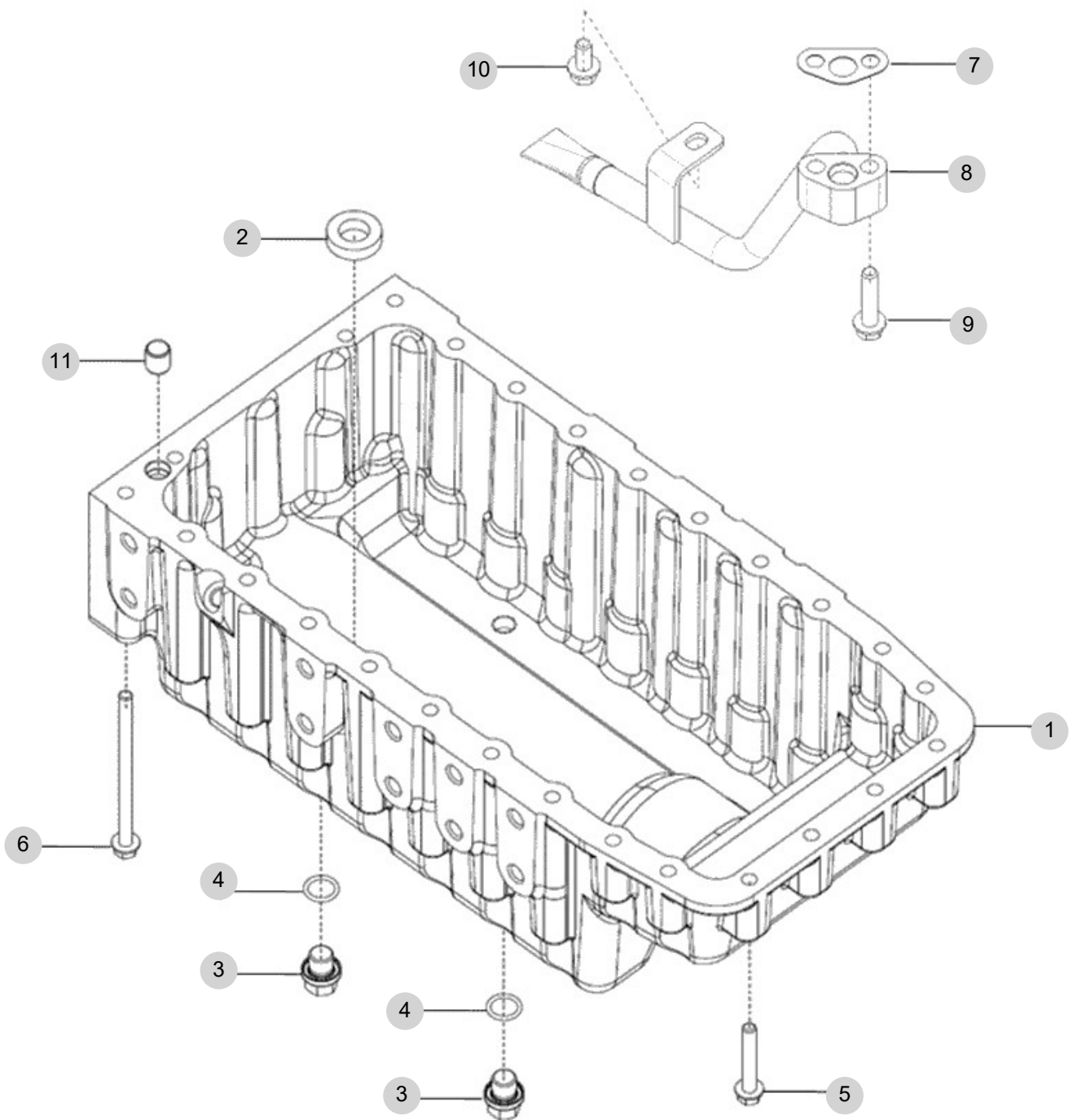
FIG 114

T474NH

OIL PAN

년/월
Year/Month

2022-12



NOTE

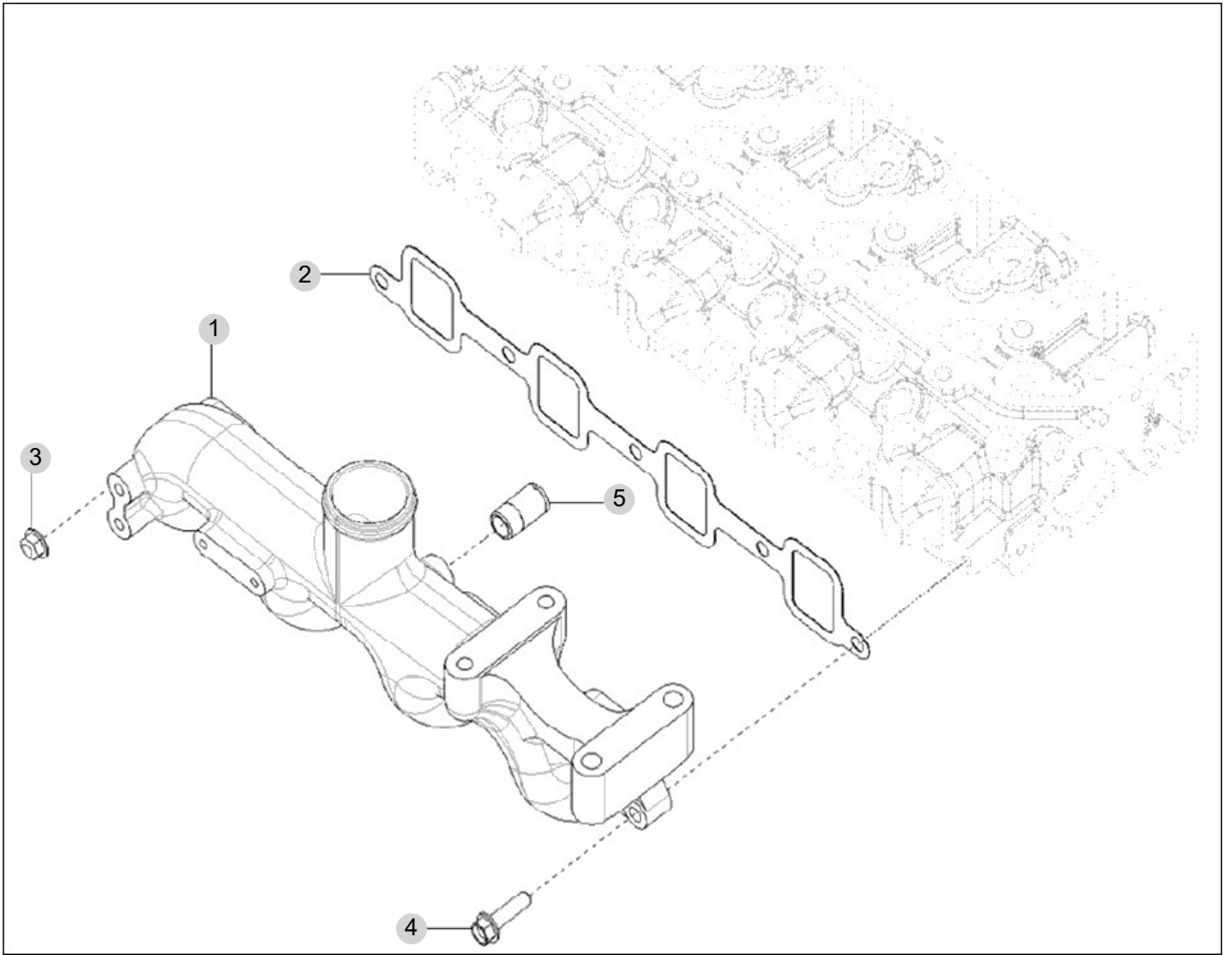
FIG 115

T474NH

INTAKE MANIFOLD

년/월
Year/Month

2022-12



NOTE

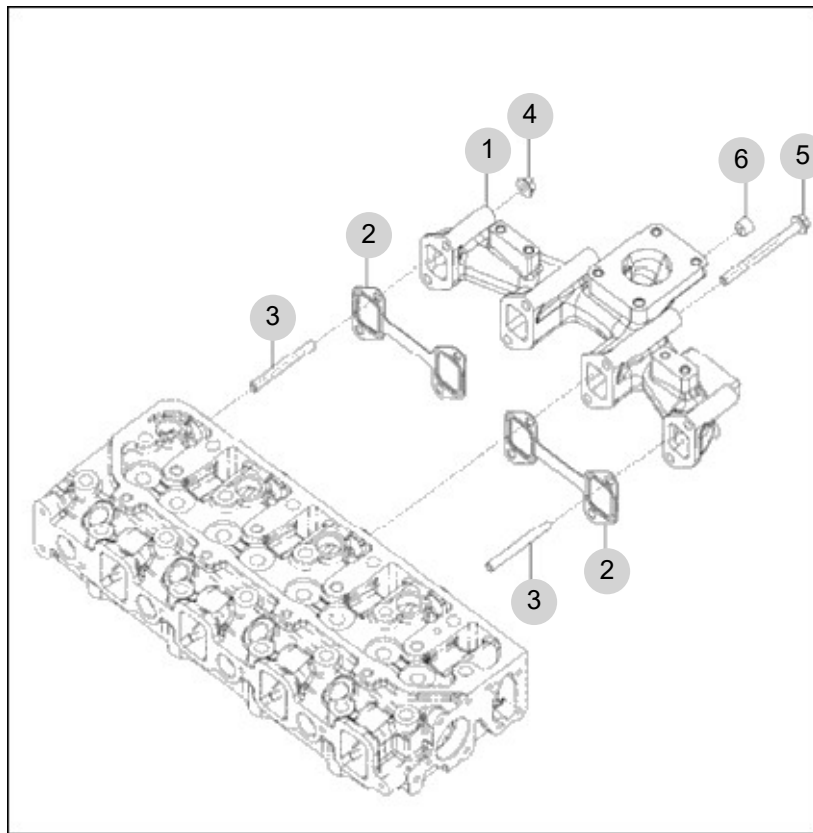
FIG 116

T474NH

EXHAUST MANIFOLD

년/월
Year/Month

2022-12



NOTE

FIG 116 T474NH	EXHAUST MANIFOLD	년/월 Year/Month 2022-12
------------------------------	-------------------------	----------------------------------

KEY NO	PART NO	DESCRIPTION	SPEC	QTY	REPAIR	EFFECTIVE DATE	REMARKS
116	1	EA00003142B	EXHAUST MANIFOLD	1			
116	1	EA00003142A	EXHAUST MANIFOLD	1			
116	2	HRA0600200A	GASKET(EXHAUST MANIFOLD)	2			
116	3	26216-080652	STUD BOLT	4			
116	4	2636A-080002	HEX. FLANGE NUT	4			
116	4	EA00000645A	HEX. FLANGE NUT	4			
116	5	2610D-080952	HEX. FLANGE BOLT	4			
116	5	26106-080952	HEX. FLANGE BOLT	4			
116	6	23871-020000	PLUG, PIPE	1			

NOTE

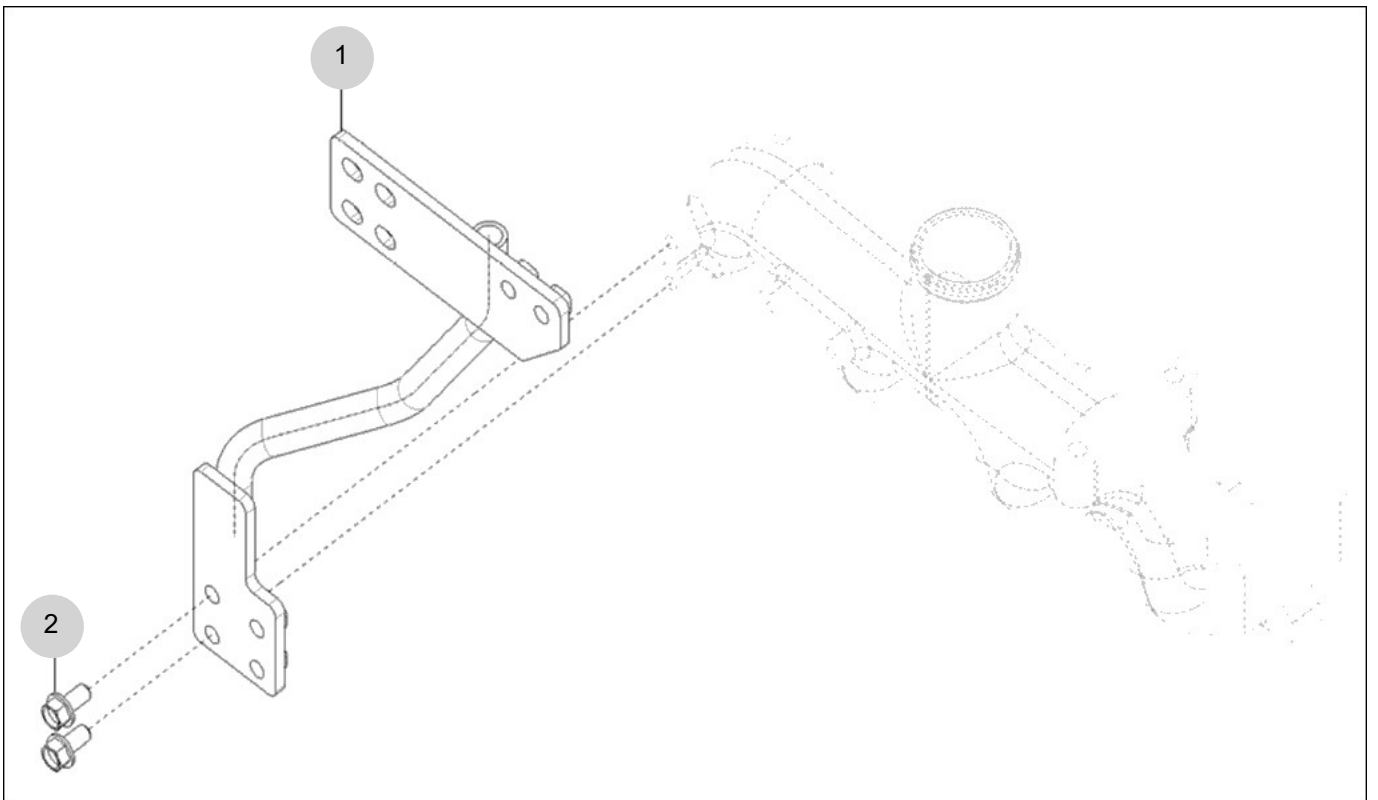
FIG 117

T474NH

DPF SUPPORT OPTION

년/월
Year/Month

2022-12



NOTE

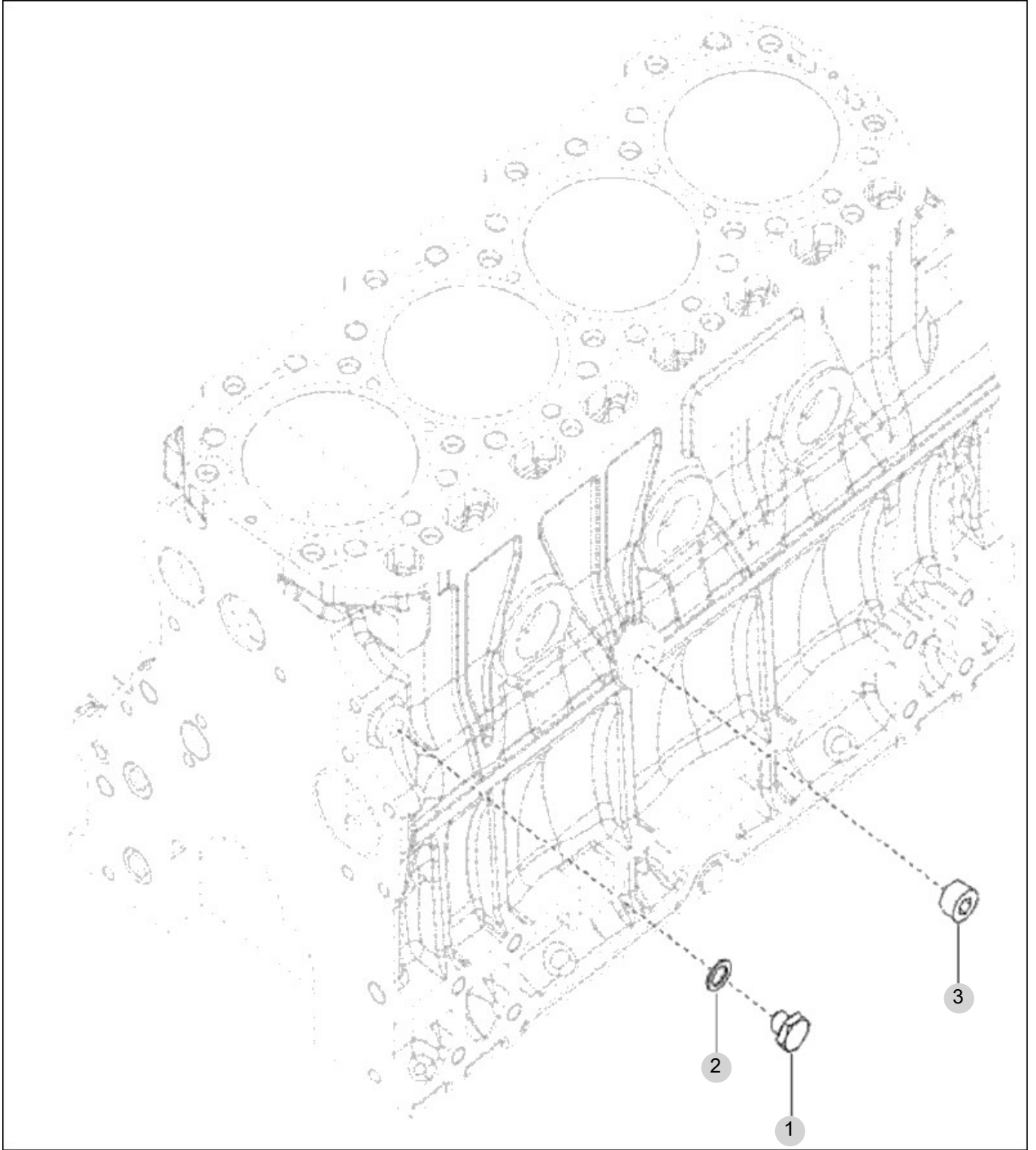
FIG 118

TURBOCHARGER PLUMBING OPTION

년/월
Year/Month

2022-12

T474NH



NOTE

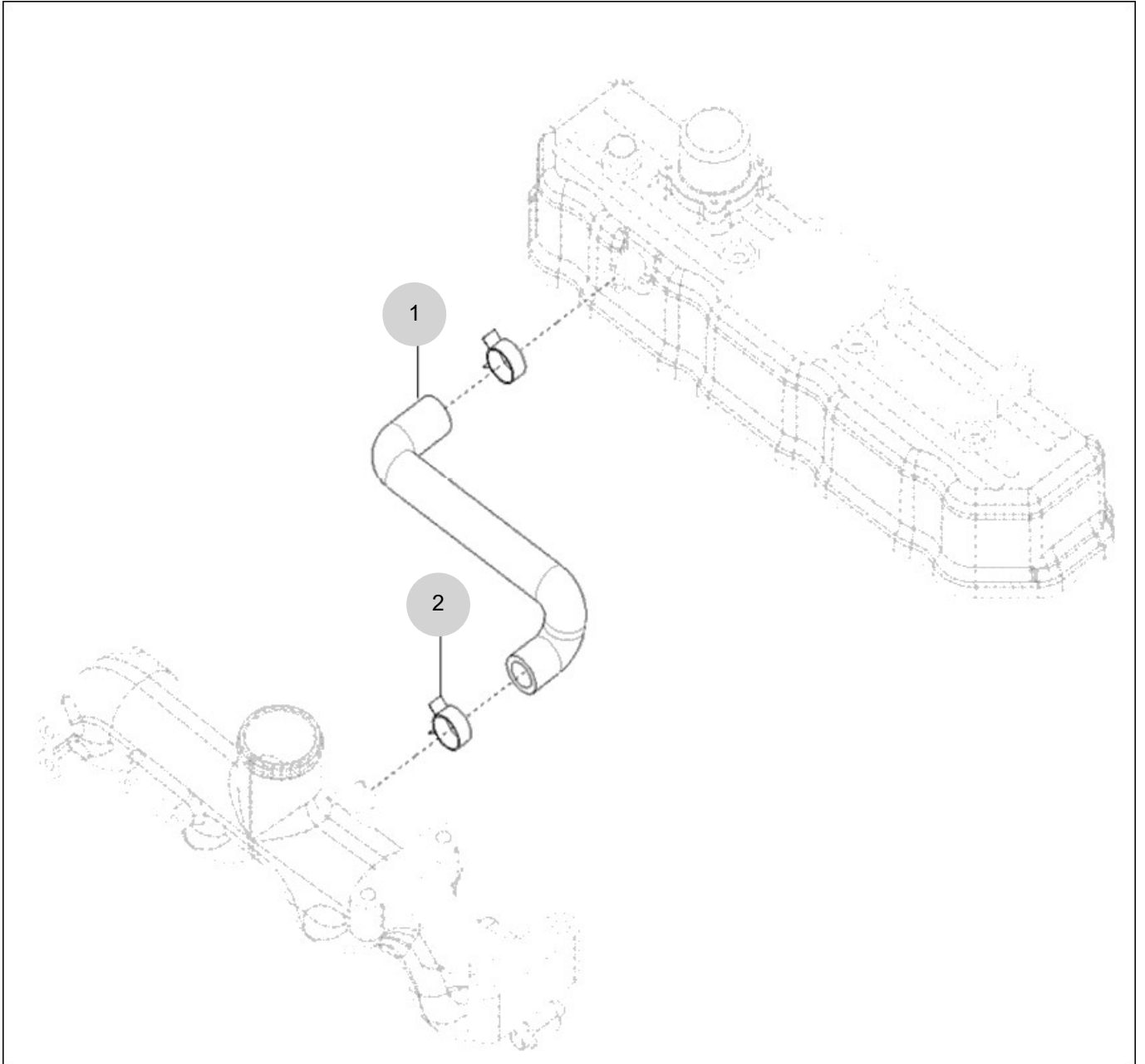
FIG 119

T474NH

BREATHER

년/월
Year/Month

2022-12



NOTE

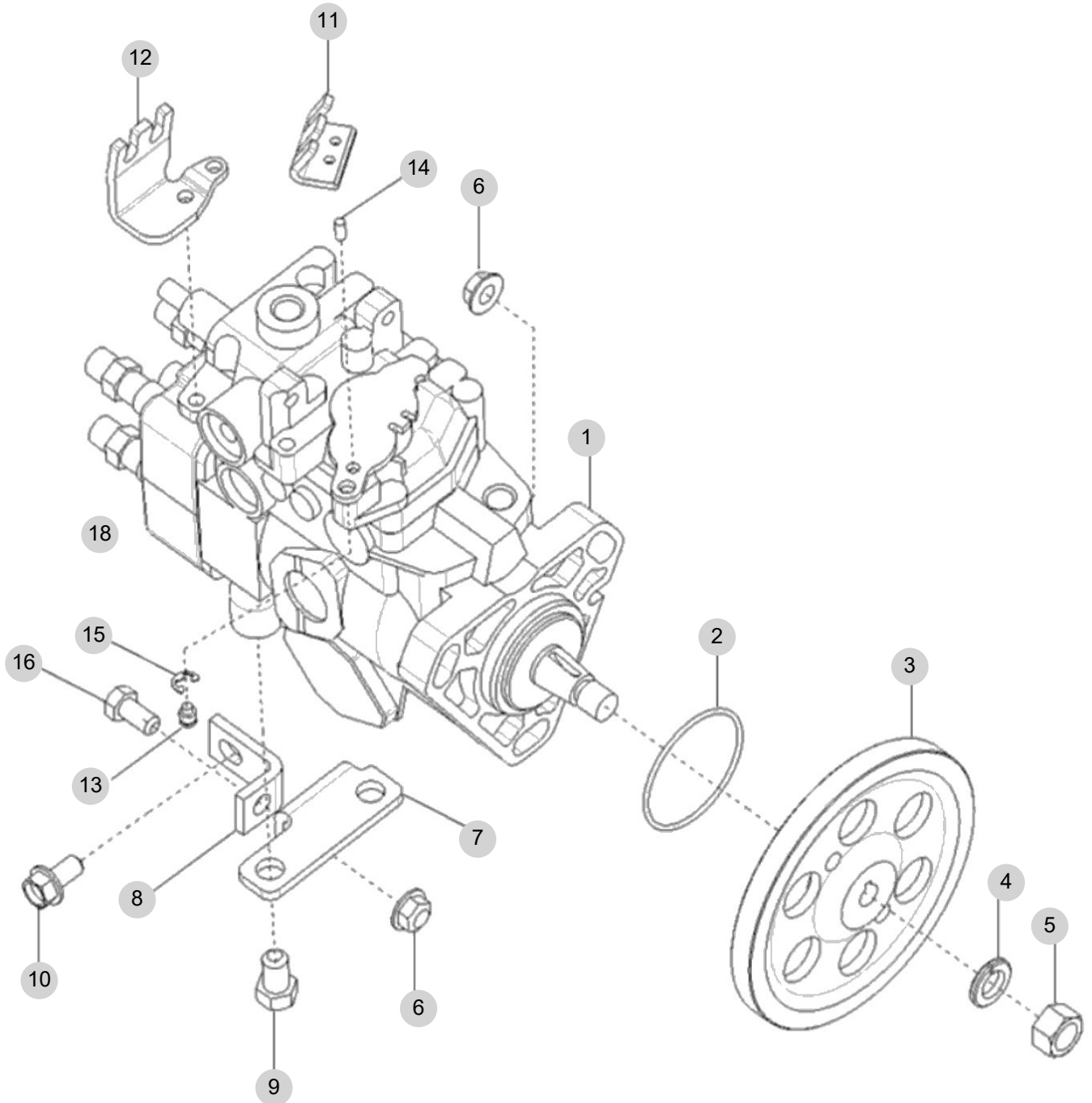
FIG 120

FUEL INJECTION PUMP

년/월
Year/Month

2022-12

T474NH



NOTE

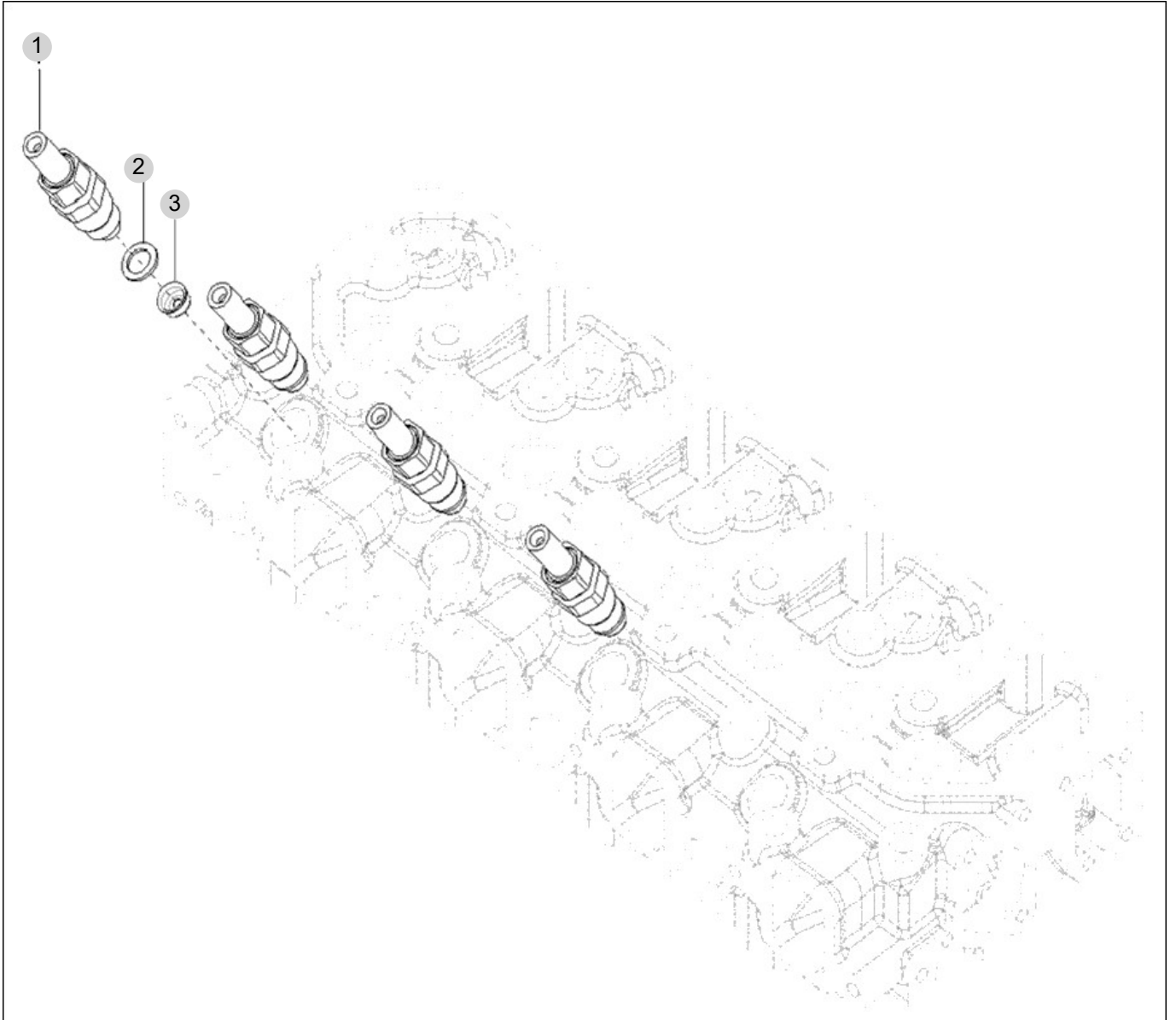
FIG 121

FUEL INJECTION VALVE

년/월
Year/Month

2022-12

T474NH



NOTE

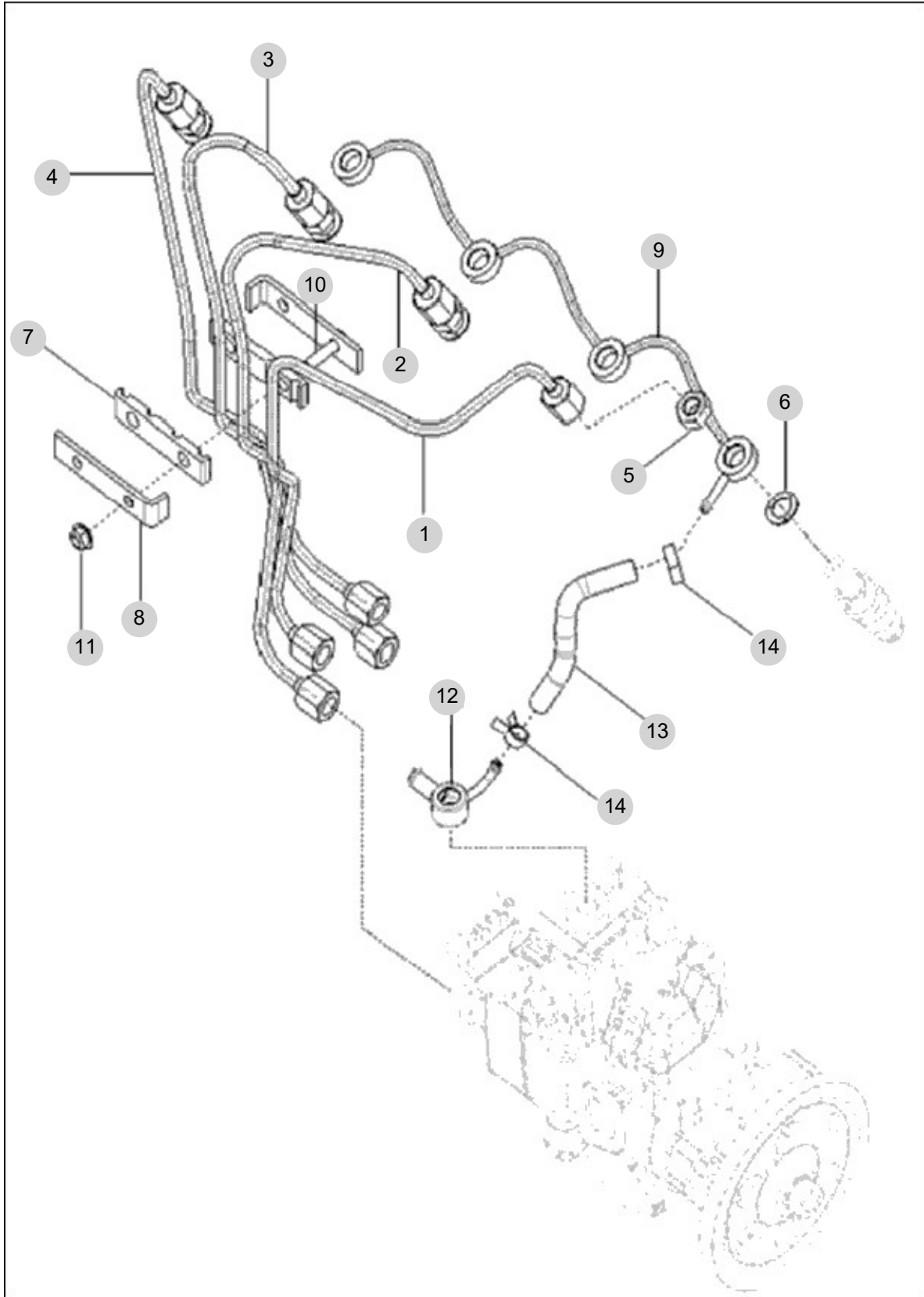
FIG 122

FUEL PIPE ASS'Y

년/월
Year/Month

2022-12

T474NH



NOTE

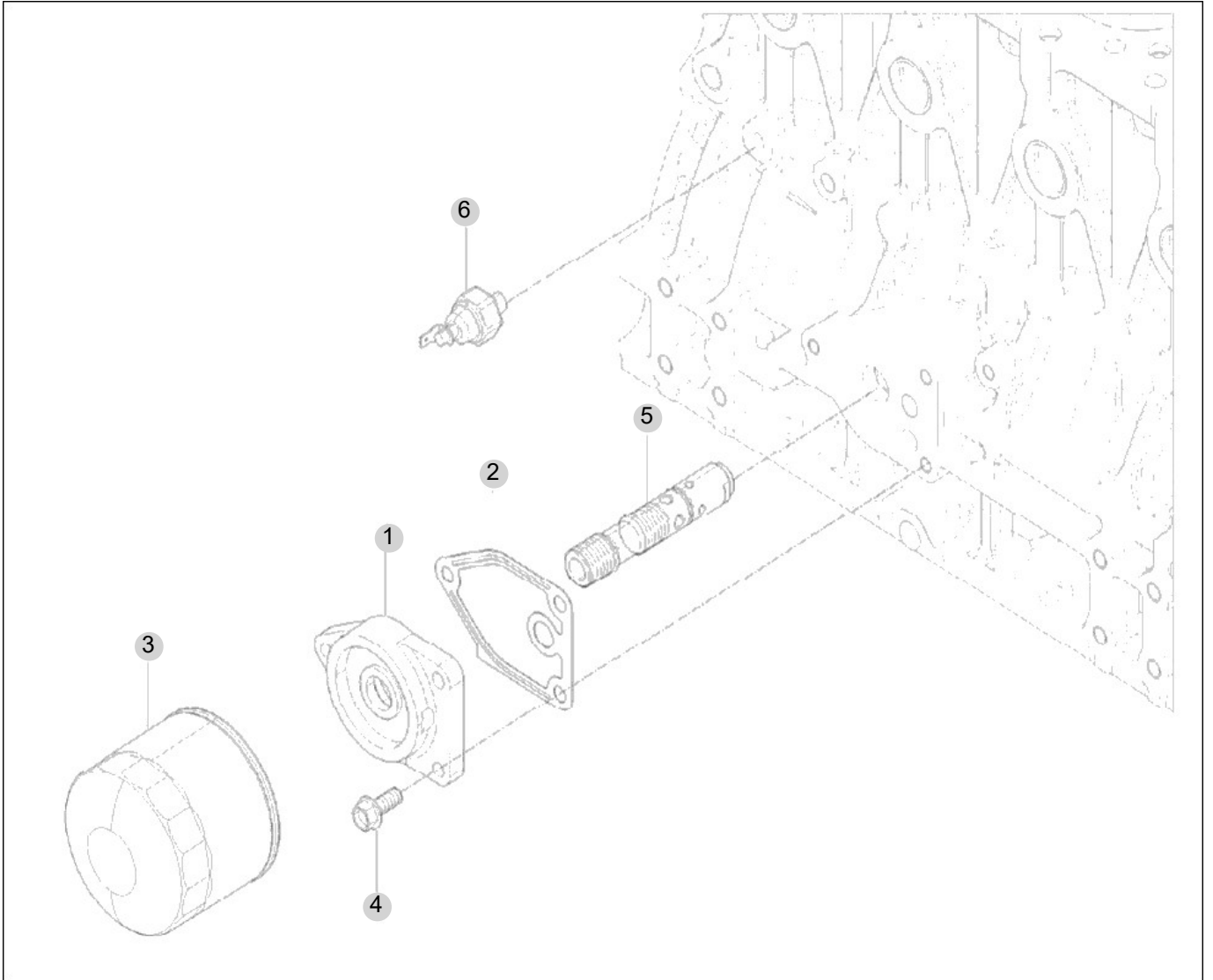
FIG 123

T474NH

OIL FILTER

년/월
Year/Month

2022-12



NOTE

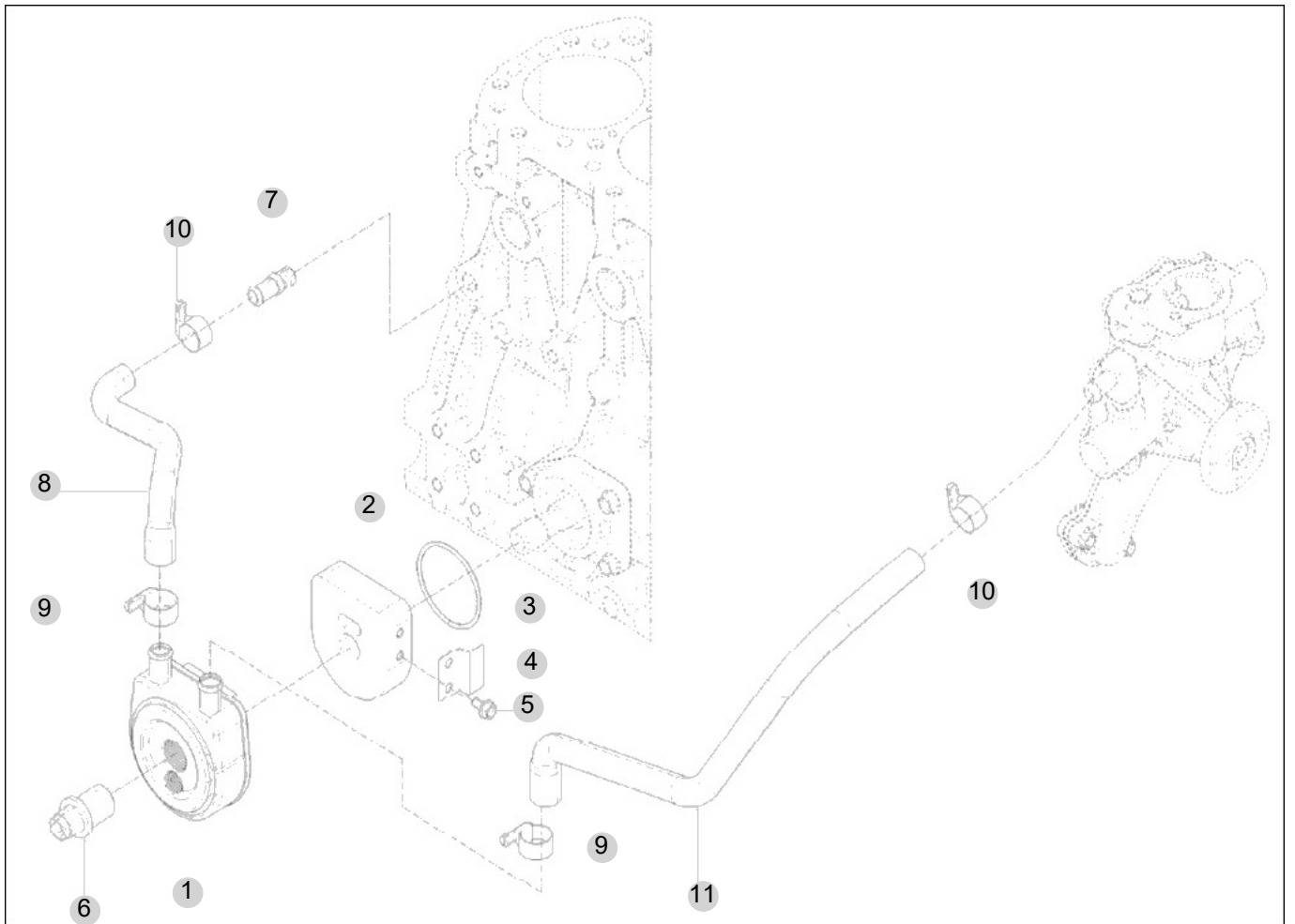
FIG 124

OIL COOLER

년/월
Year/Month

2022-12

T474NH



NOTE

FIG 124 T474NH		OIL COOLER					년/월 Year/Month	
							2022-12	
KEY NO	PART NO	DESCRIPTION	SPEC	QTY	REPAIR	EFFECTIVE DATE	REMARKS	
124	1	EA00000309A	OIL COOLER	1				
124	2	EA00002818A	SPACER (OIL COOLER)	1				
124	3	24321-000600	SEAL,ORING	1				
124	4	EA00002900B	보강브래킷(오일쿨러스페이서)	1				
124	4	EA00002900A	SUPPORT BRACKET(EA00002900B로 주 문변경)	1				
124	5	26106-060122	HEX. FLANGE BOLT	2				
124	6	EA00000310A	BOLT(OIL COOLER)	1				
124	7	HRC1204000A	JOINT PT 1/4	1				
124	8	EA00004503A	HOSE A, OIL COOLER	1				
124	9	EA00006186A	CLAMP, KALE	2				
124	9	23000-025000	CLIP, HOSE	2				
124	10	EA00006186A	CLAMP, KALE	2				
124	10	23000-022000	CLIP, HOSE	2				
124	11	EA00002855A	HOSE B, OIL COOLER	1				
NOTE								

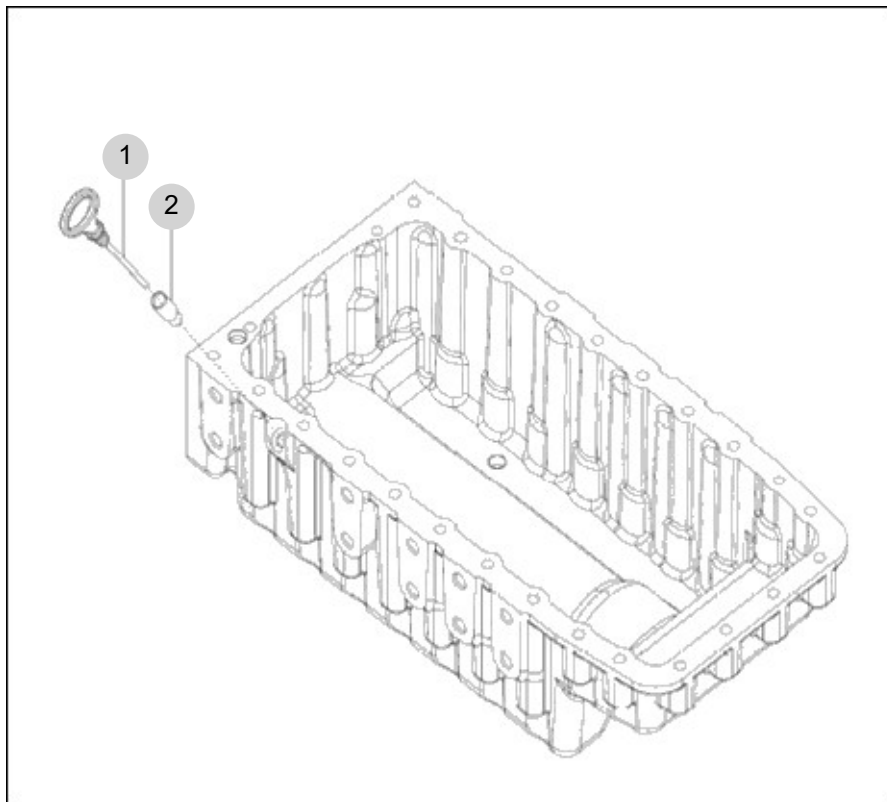
FIG 125

OIL GAUGUE

년/월
Year/Month

T474NH

2022-12



NOTE

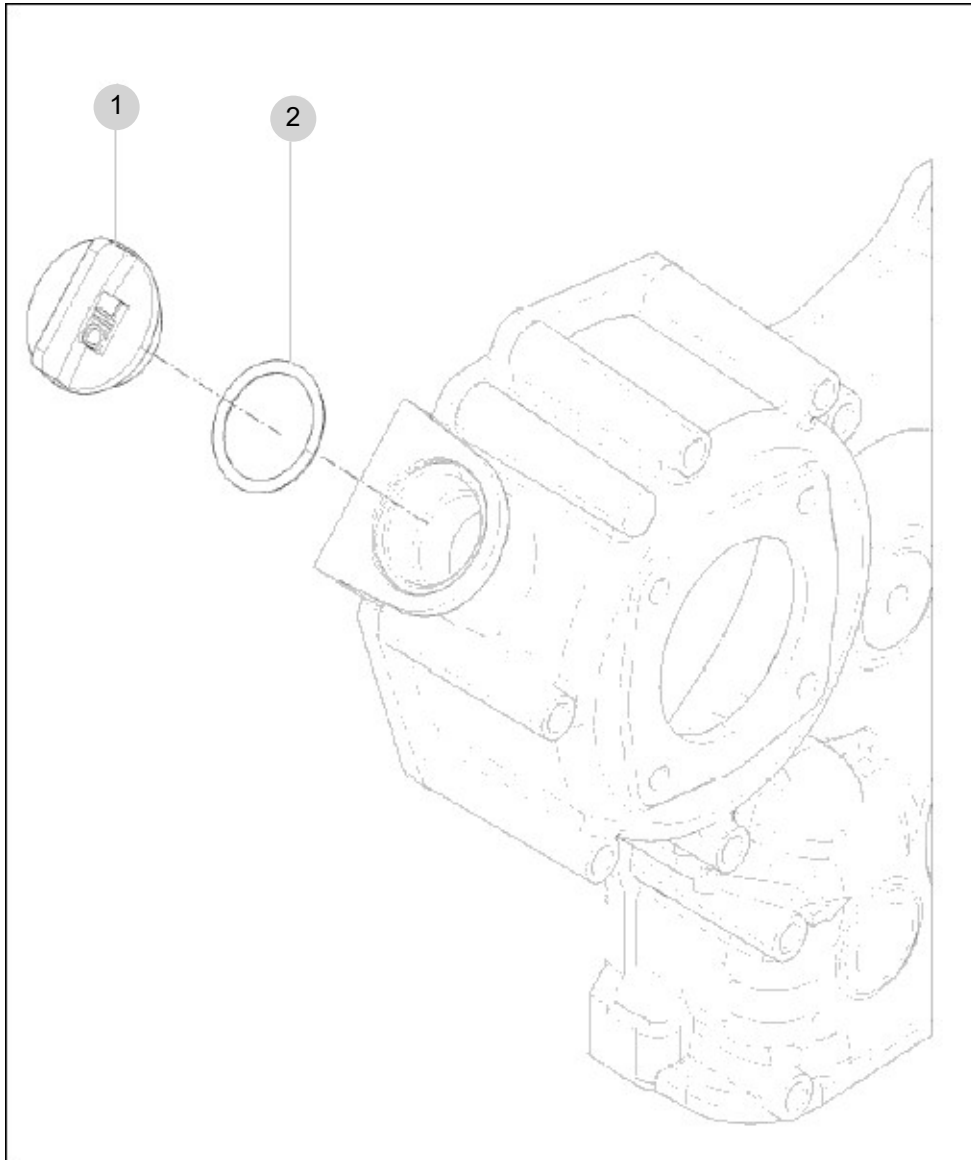
FIG 126

T474NH

OIL FILLER CAP

년/월
Year/Month

2022-12



NOTE

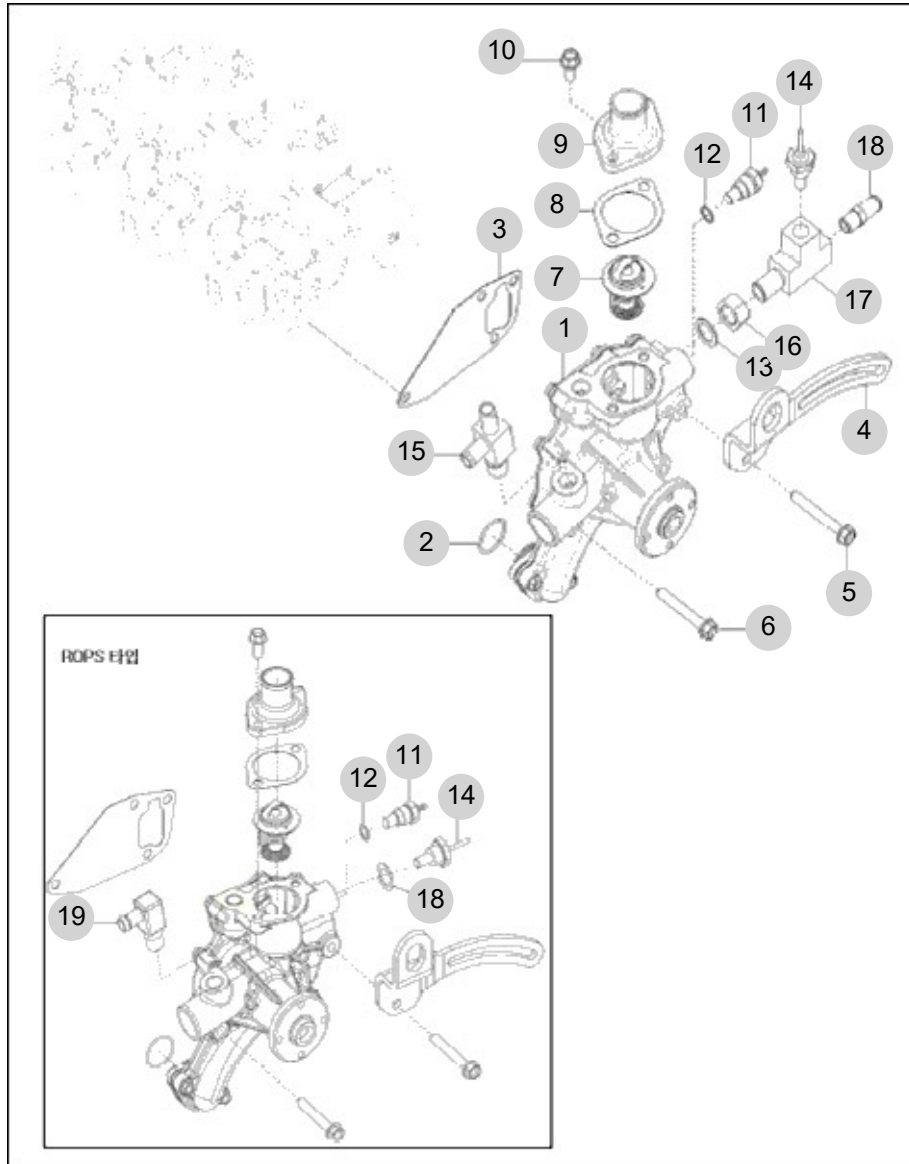
FIG 127

T474NH

COOLING WATER PUMP

년/월
Year/Month

2022-12



NOTE

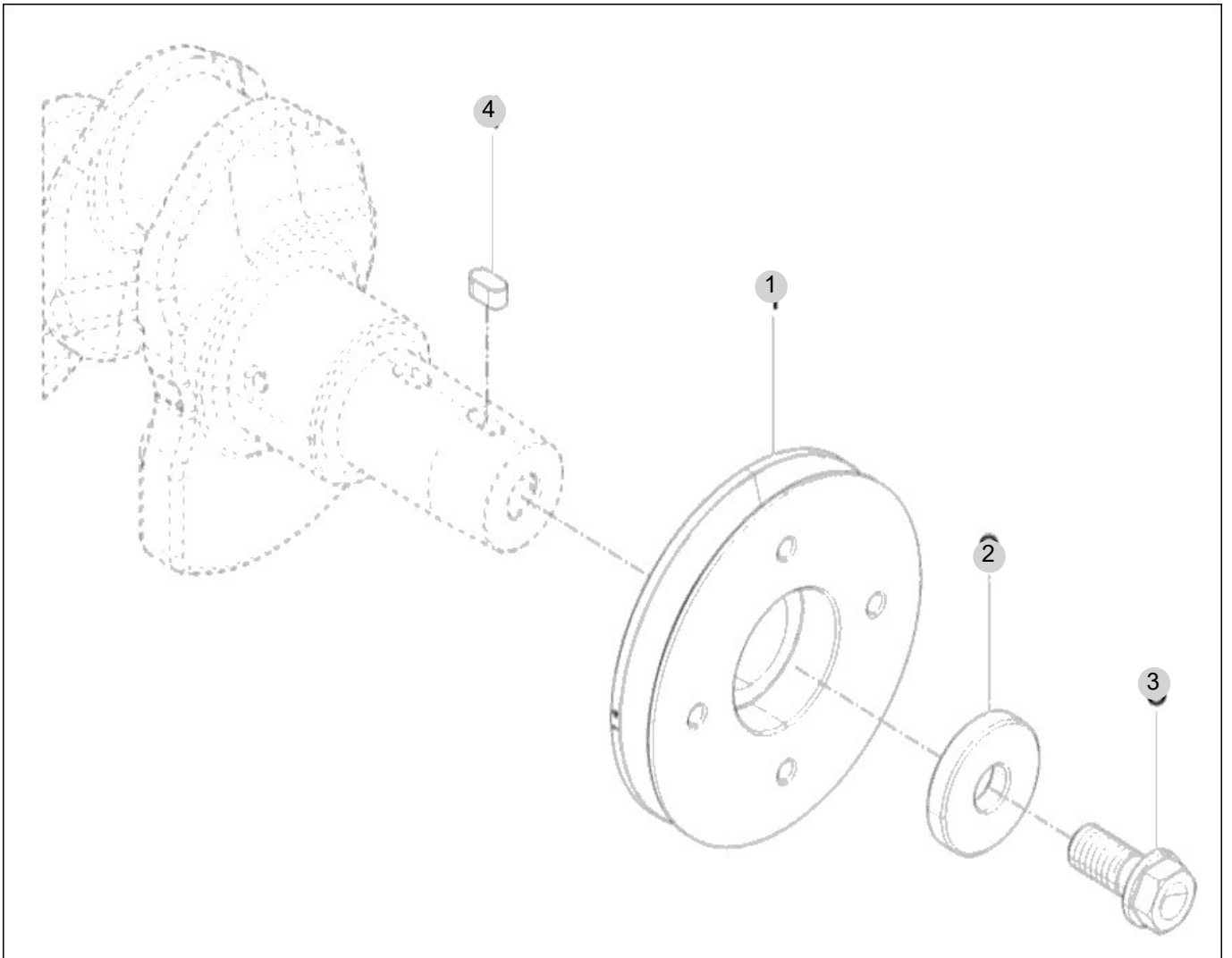
FIG 128

T474NH

CRANK SHAFT PULLEY

년/월
Year/Month

2022-12



NOTE

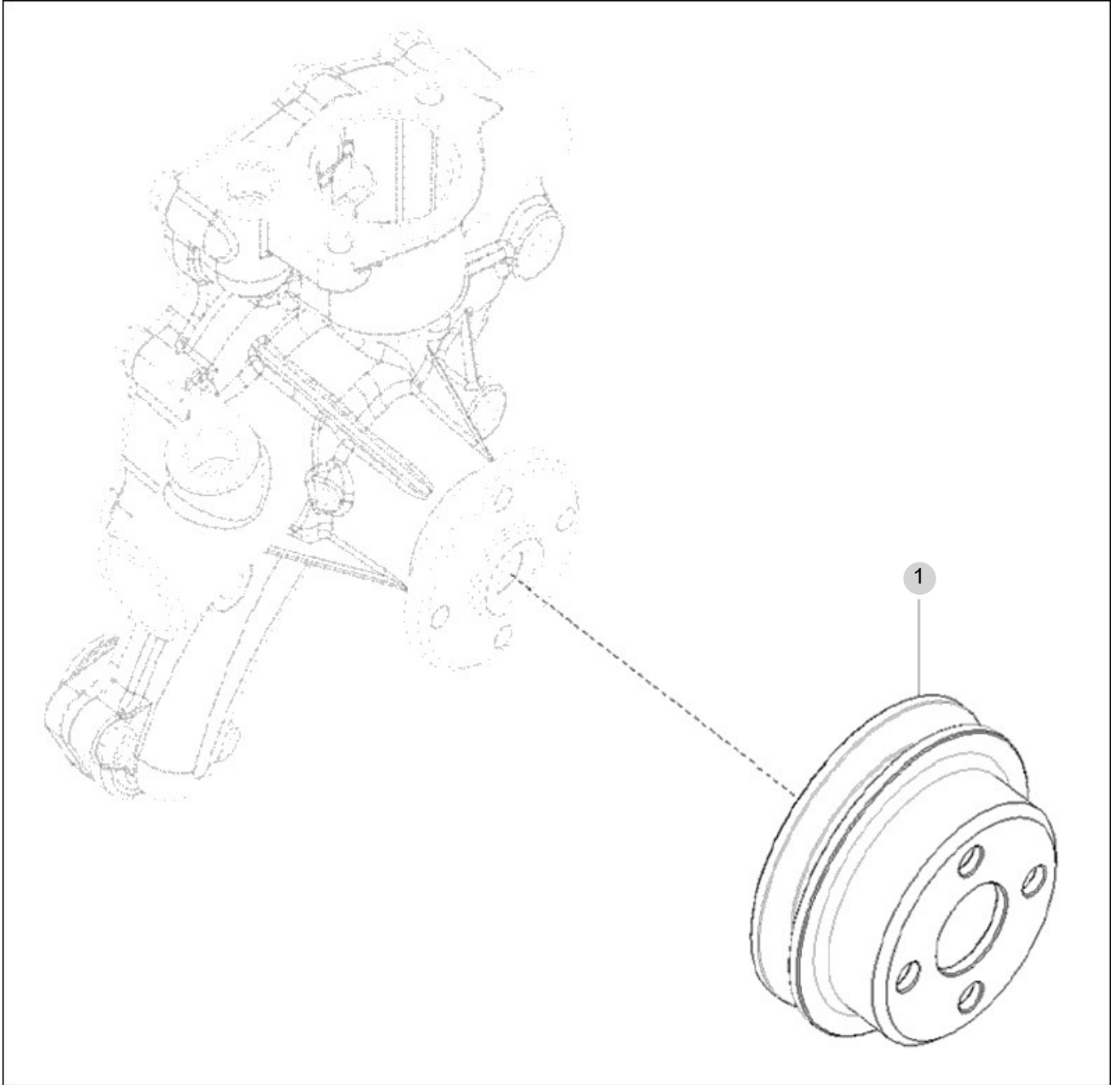
FIG 129

V-PULLEY

년/월
Year/Month

T474NH

2022-12



NOTE

FIG 129 T474NH		V-PULLEY						년/월 Year/Month	
								2022-12	
KEY NO		PART NO	DESCRIPTION	SPEC	QTY	REPAIR	EFFECTIVE DATE	REMARKS	
129	1	EA00003004A	PULLEY, V		1				
NOTE									

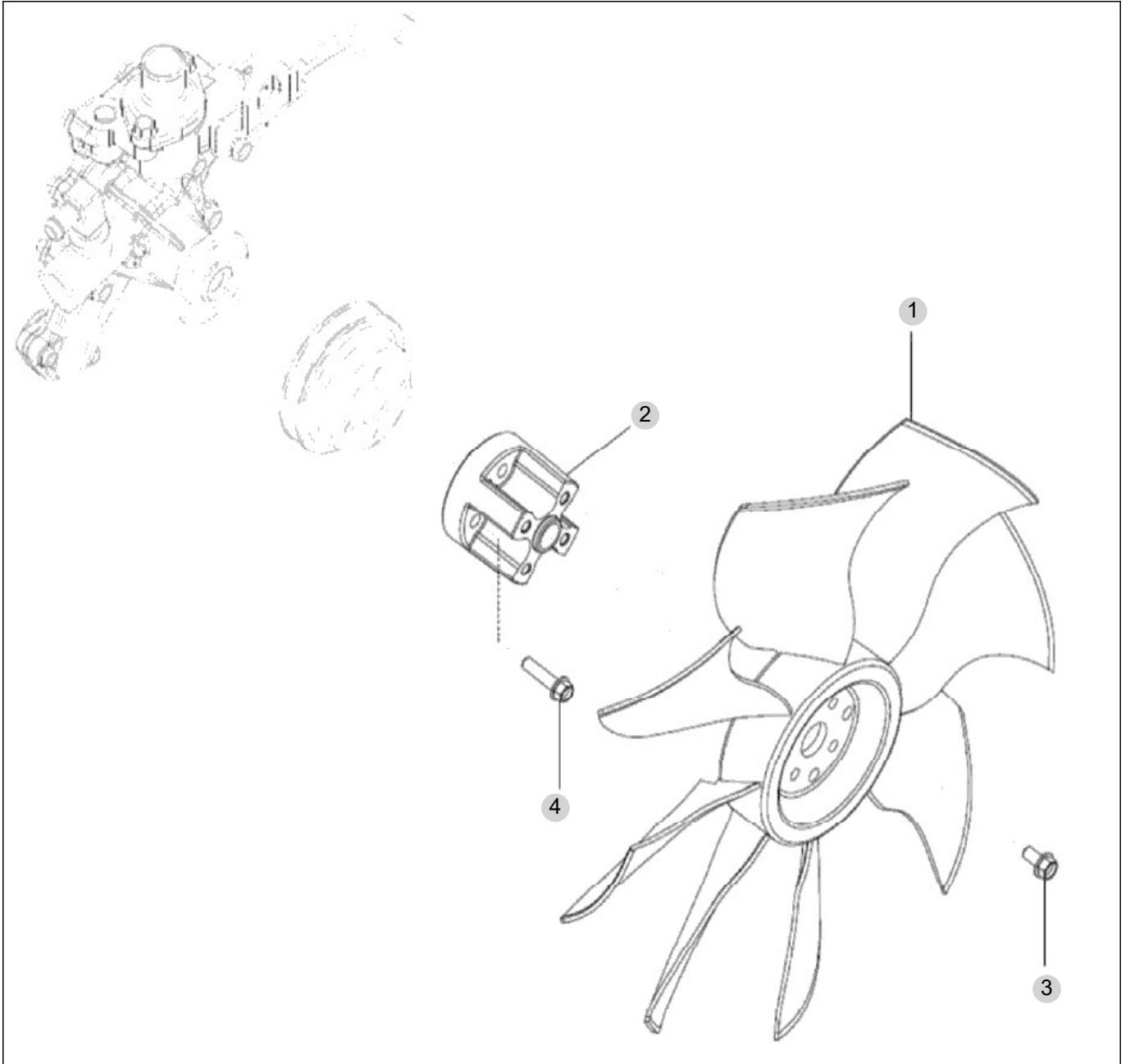
FIG 130

COOLING FAN

년/월
Year/Month

T474NH

2022-12



NOTE

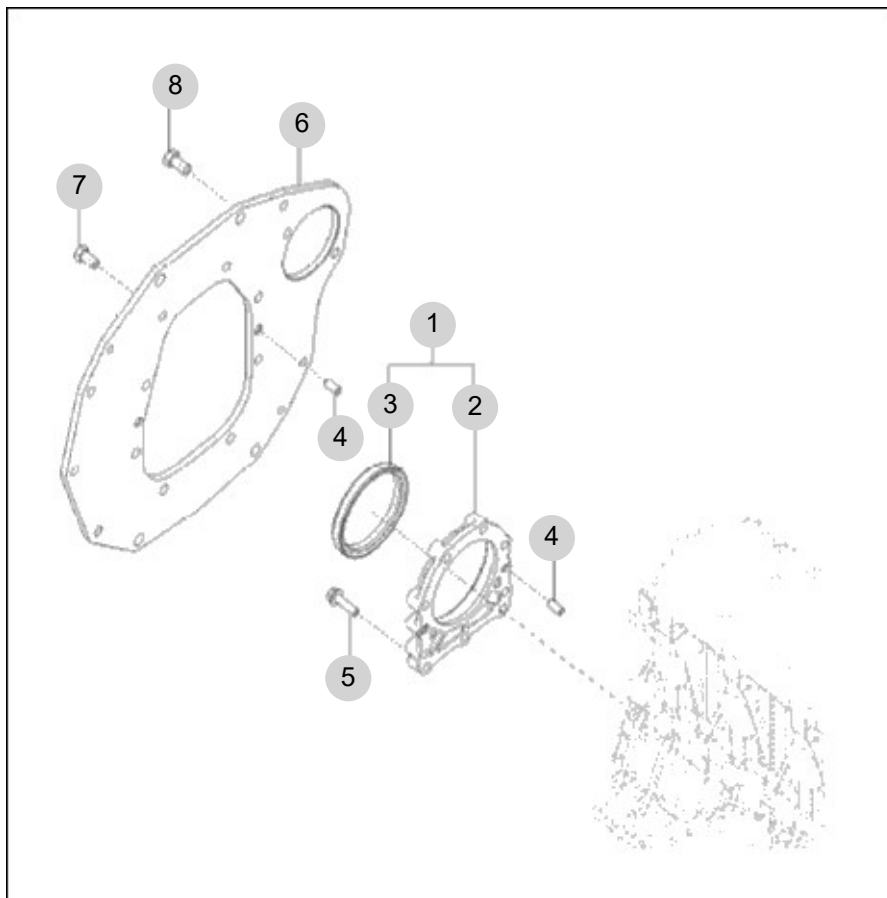
FIG 131

T474NH

FLYWHEEL HOUSING

년/월
Year/Month

2022-12



NOTE

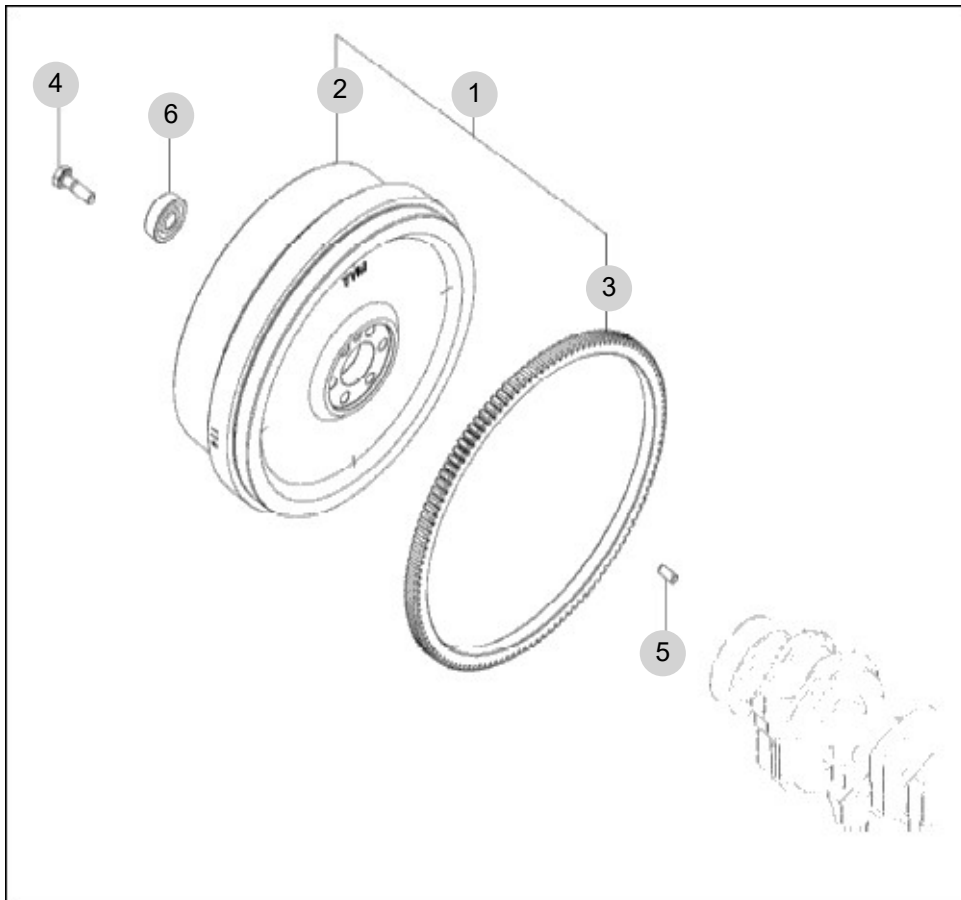
FIG 132

T474NH

FLYWHEEL

년/월
Year/Month

2022-12



NOTE

FIG 132		FLYWHEEL						년/월 Year/Month	
								2022-12	
T474NH									
KEY NO		PART NO	DESCRIPTION	SPEC	QTY	REPAIR	EFFECTIVE DATE	REMARKS	
132	1	EA00005479A	FLYWEEL ASSY		1				
132	2	EA00005480A	FLYWHEEL(EA00005479A로 주문변경)		1				
132	3	HA07070000A	RING GEAR		1				
132	4	HRC0801000A	BOLT, FLYWHEEL		6				
132	5	22312-080160	PIN, DOWEL		1				
132	6	24104-063024	BALL BEARING (#6302UU)		1				
NOTE									

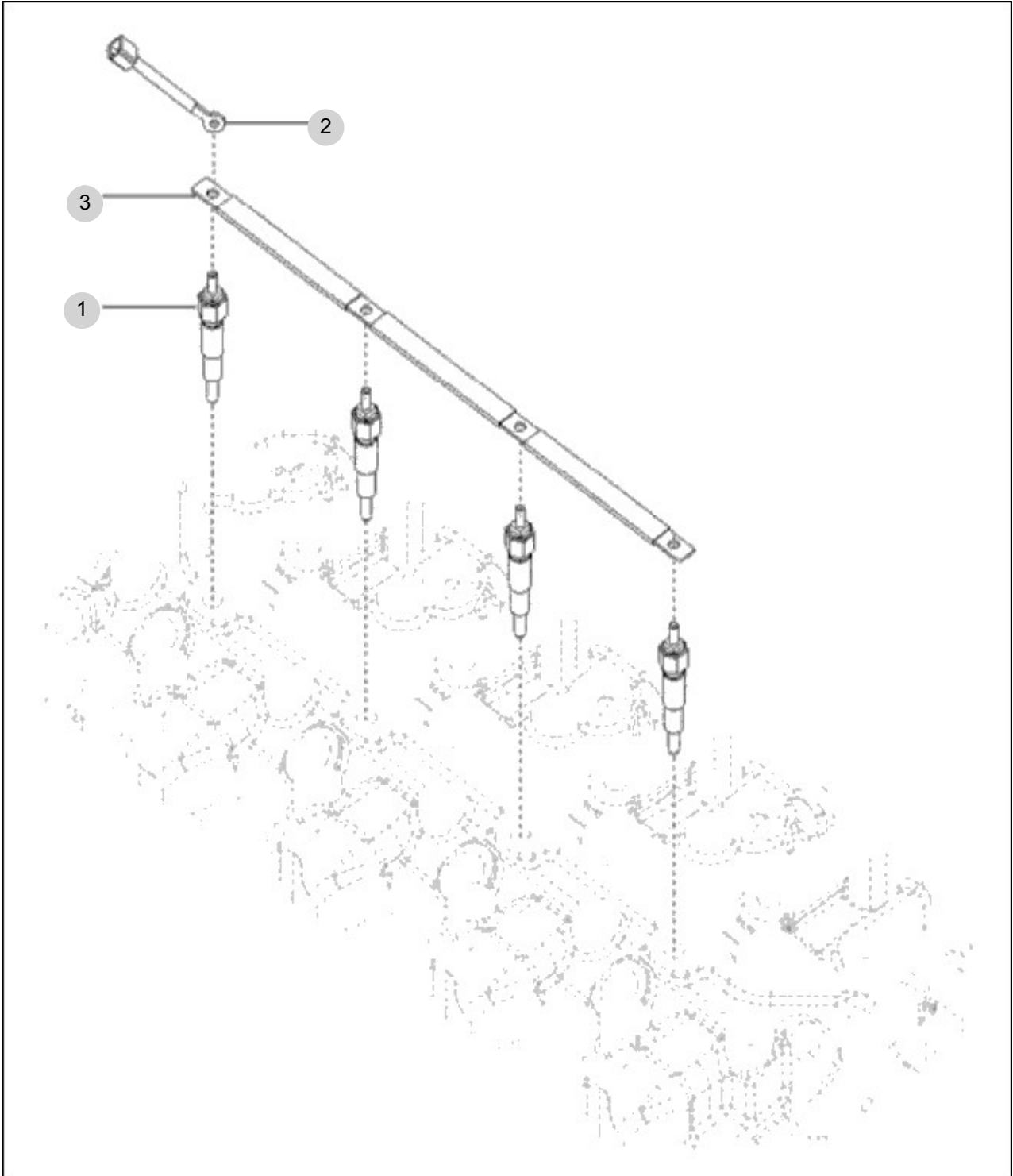
FIG 133

T474NH

GLOW PLUG ASS'Y OPTION

년/월
Year/Month

2022-12



NOTE

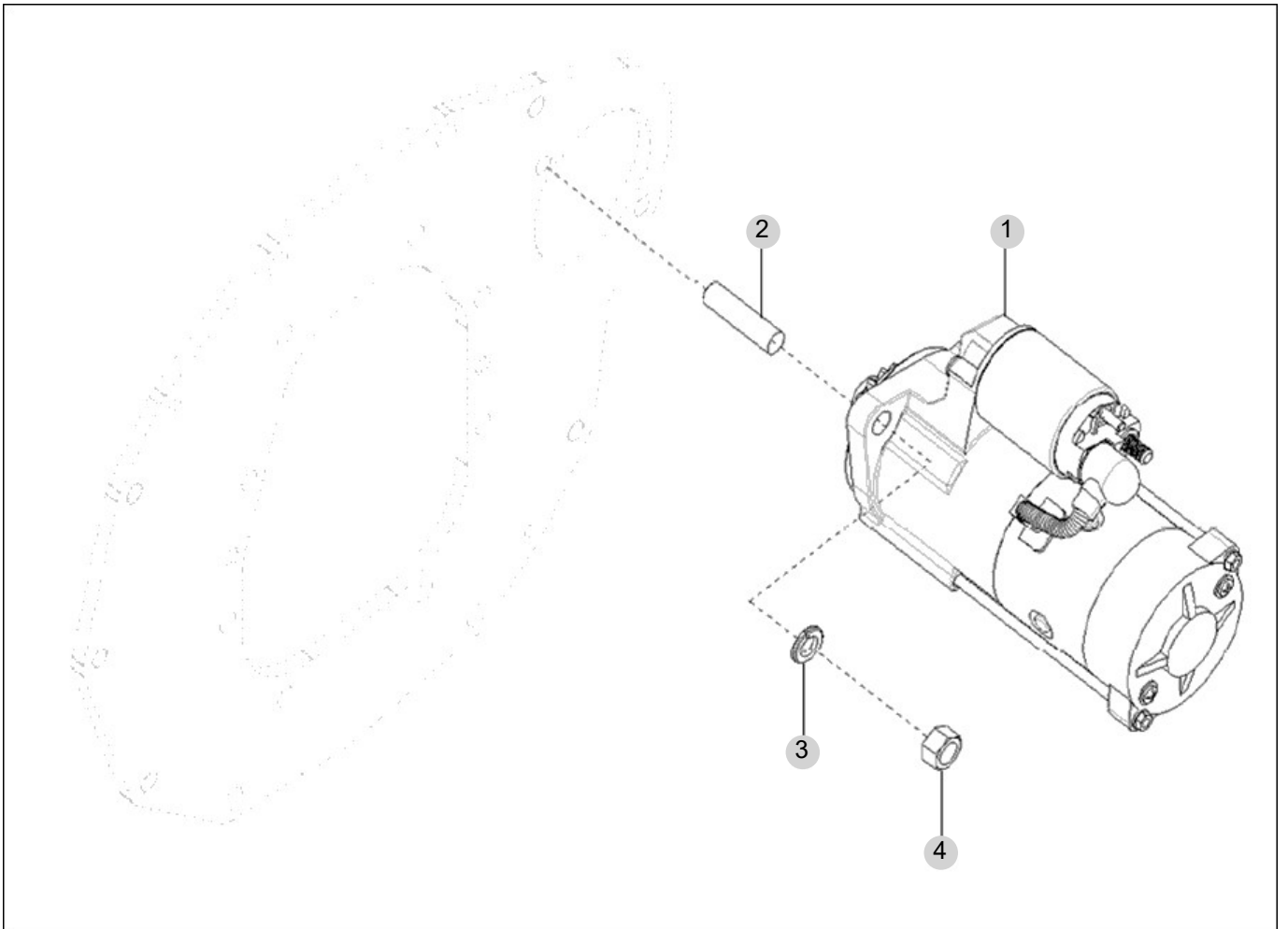
FIG 134

STARTING MOTOR

년/월
Year/Month

2022-12

T474NH



NOTE

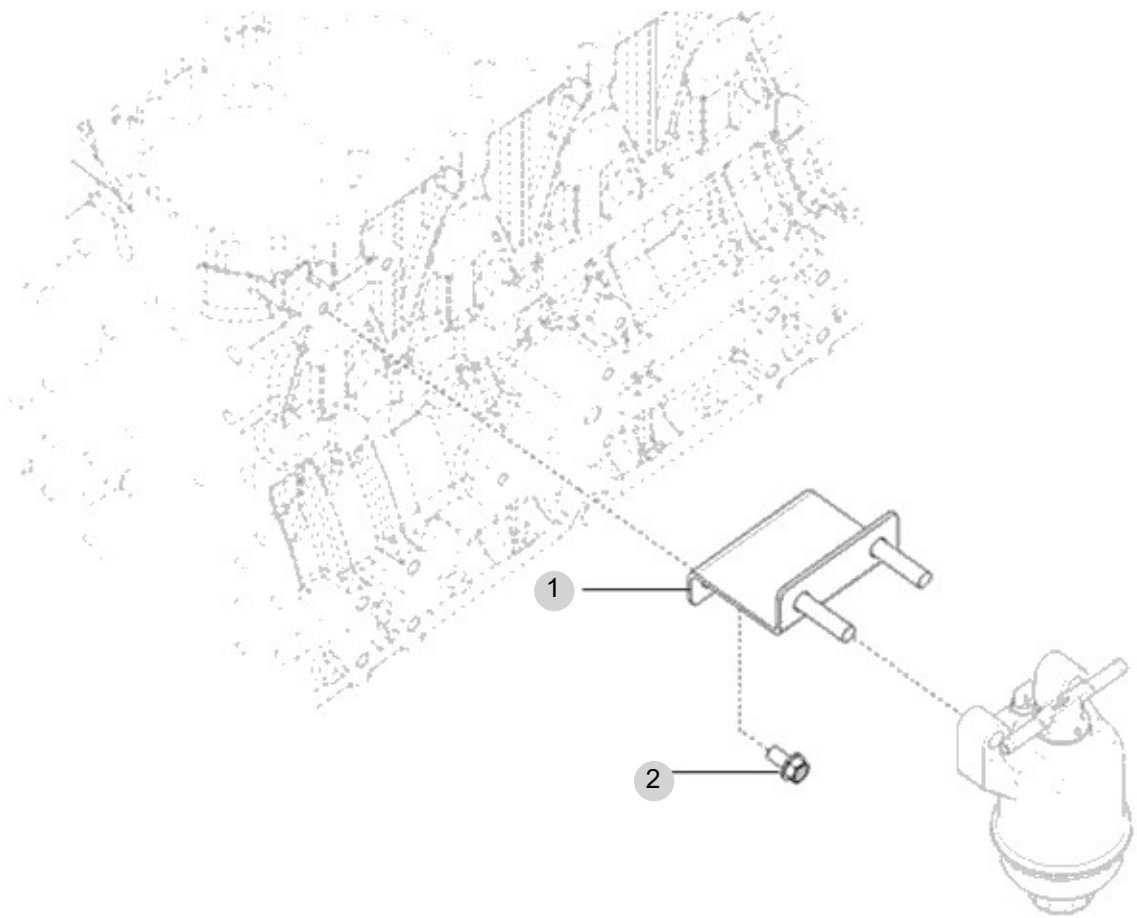
FIG 135

T474NH

FUEL FILTER BRACKET ASS'Y

년/월
Year/Month

2022-12



NOTE

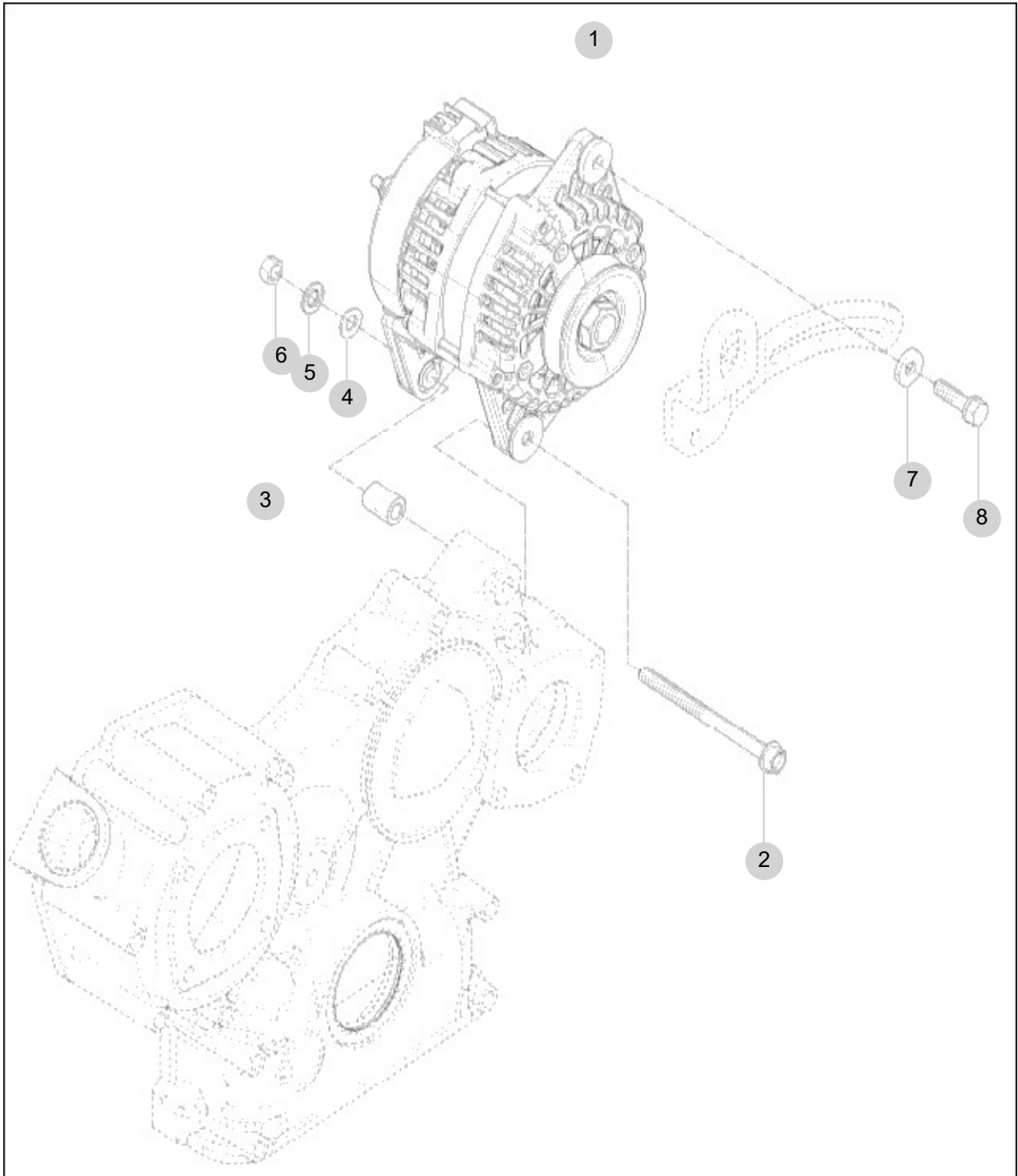
FIG 136

ALTERNATOR

년/월
Year/Month

2022-12

T474NH



NOTE

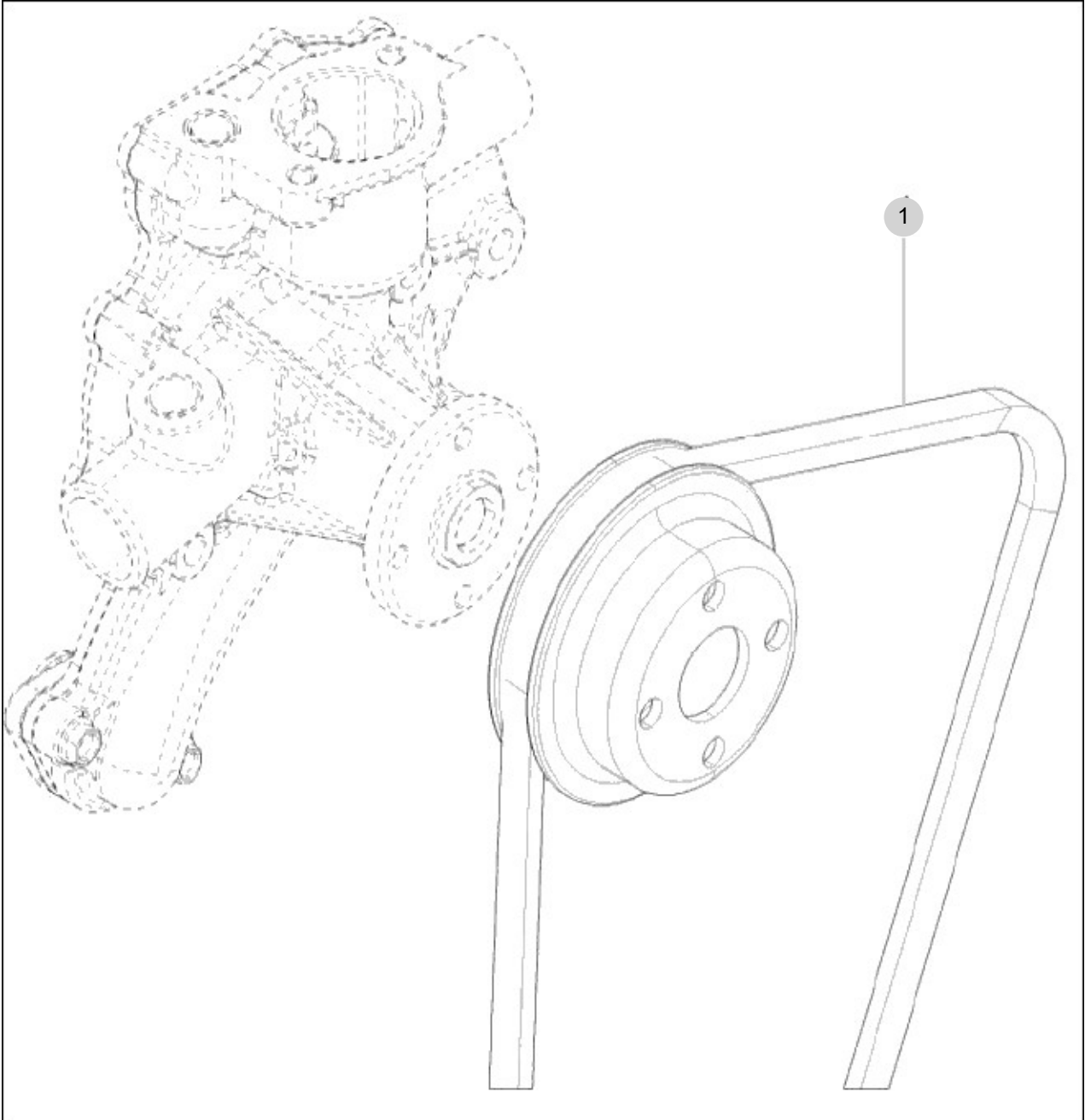
FIG 137

T474NH

V-BELT

년/월
Year/Month

2022-12



NOTE

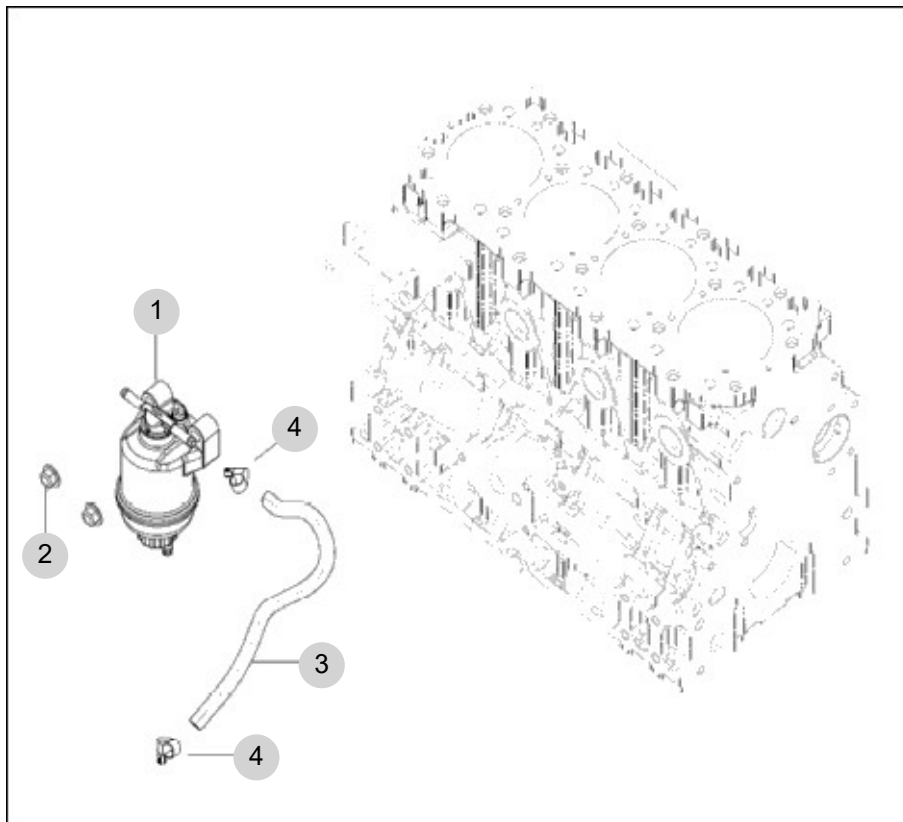
FIG 138

T474NH

FUEL FILTER

년/월
Year/Month

2022-12



NOTE

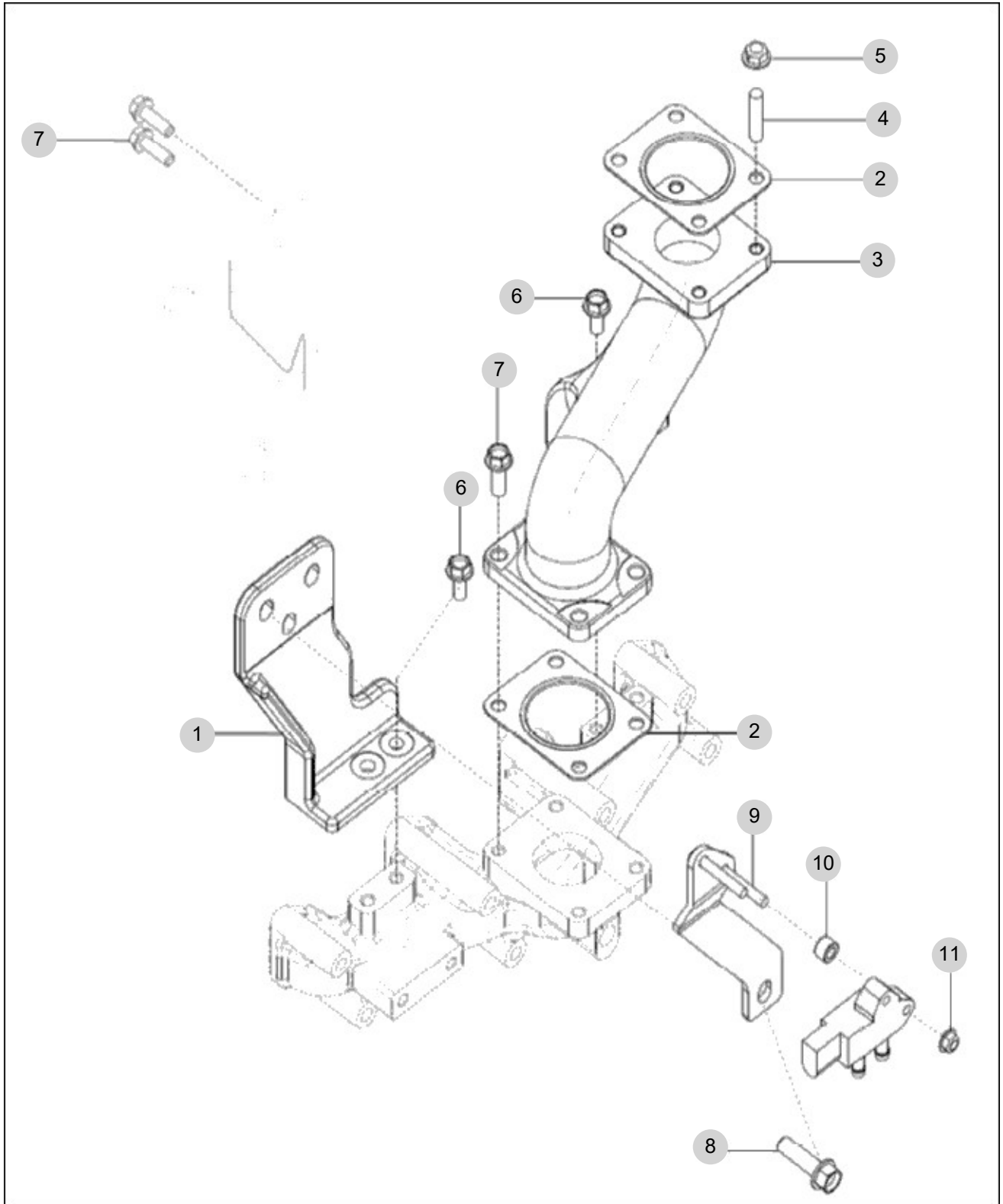
FIG 139

DPF SUPPORT

년/월
Year/Month

T474NH

2022-12



NOTE

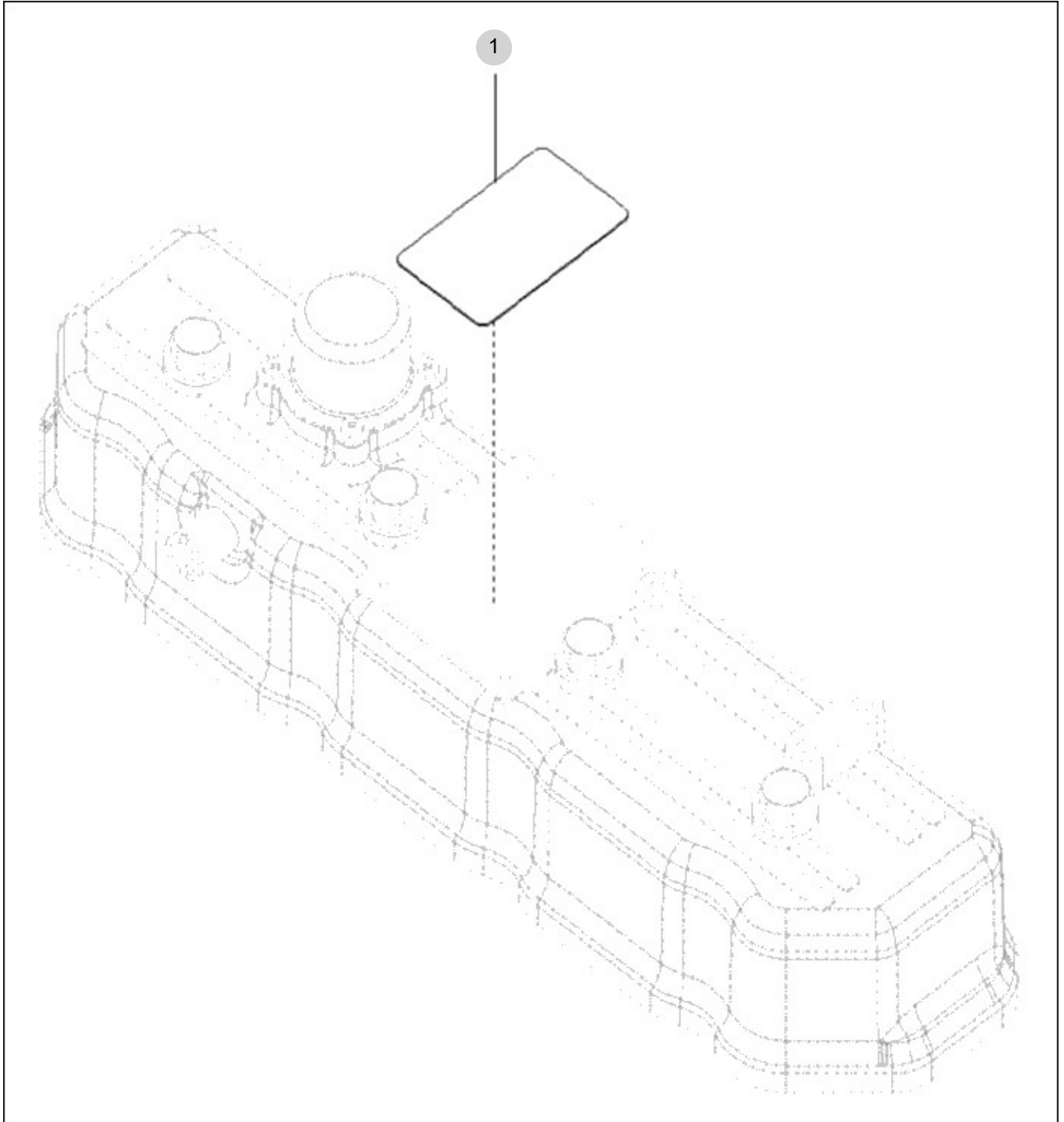
FIG 140

T474NH

DATAPLATE

년/월
Year/Month

2022-12



NOTE

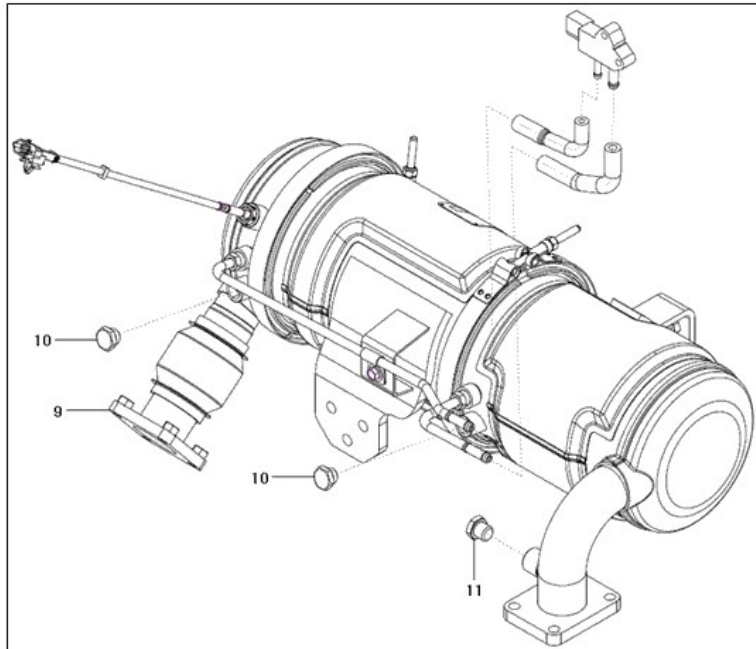
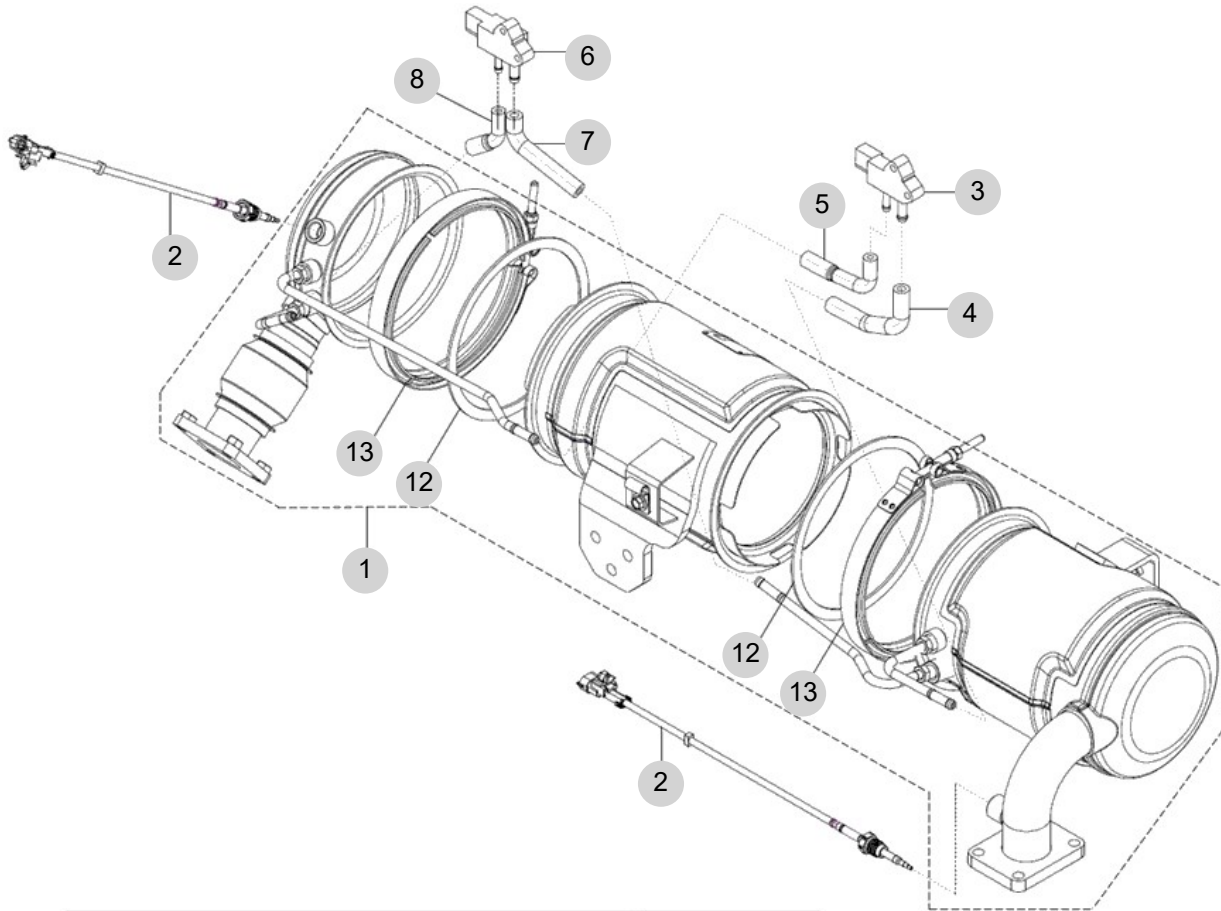
FIG 142

DPF ASS'Y

년/월
Year/Month

2022-12

T474NH



NOTE

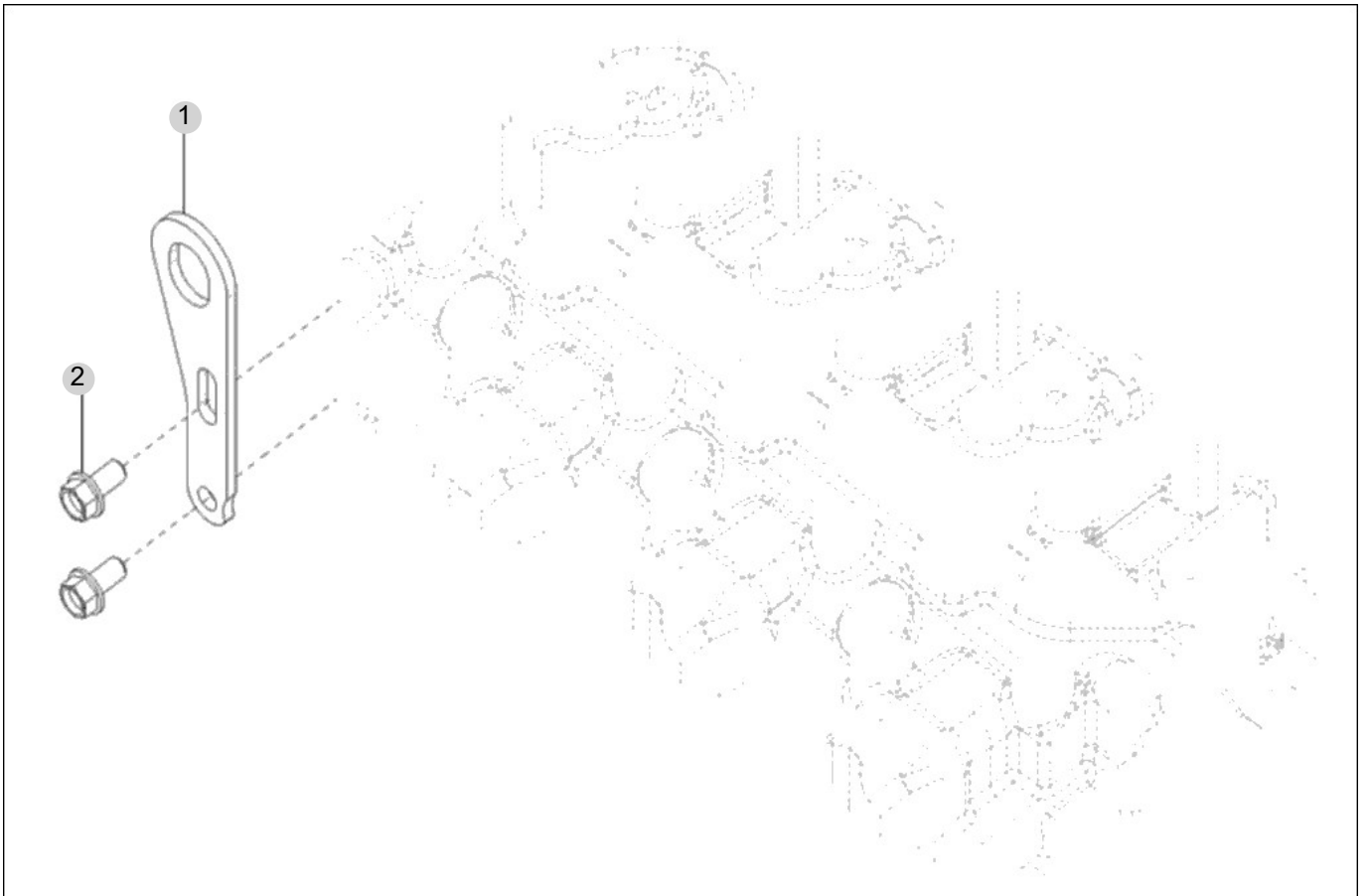
FIG 143

LIFT ASS'Y

년/월
Year/Month

T474NH

2022-12



NOTE

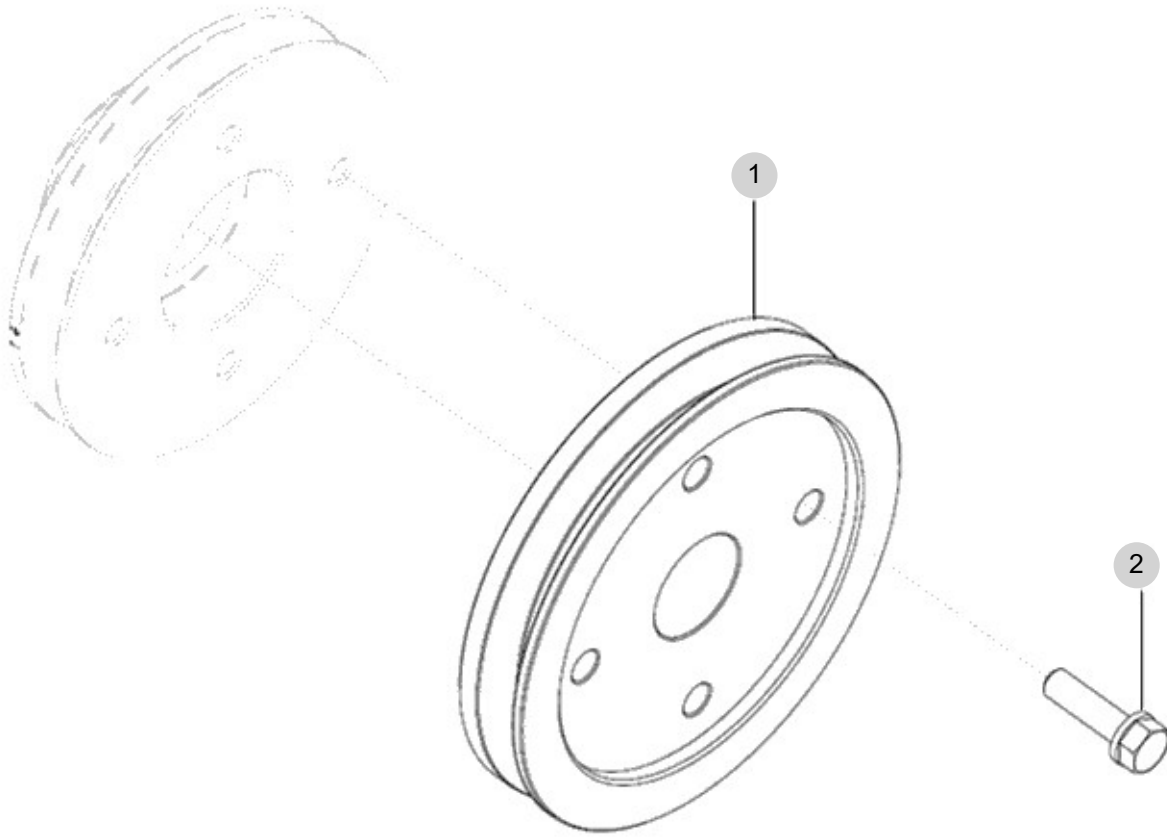
FIG 144

T474NH

COMP. DRIVE PULLEY ASS'Y OPTION

년/월
Year/Month

2022-12



NOTE

FIG 144		COMP. DRIVE PULLEY ASS'Y OPTION					년/월 Year/Month	
T474NH							2022-12	
KEY NO	PART NO	DESCRIPTION	SPEC	QTY	REPAIR	EFFECTIVE DATE	REMARKS	
144	1	HRC7001500A	PULLEY, COMP. DRIVE	1				
144	2	26013-080302	WASHER	4				
NOTE								

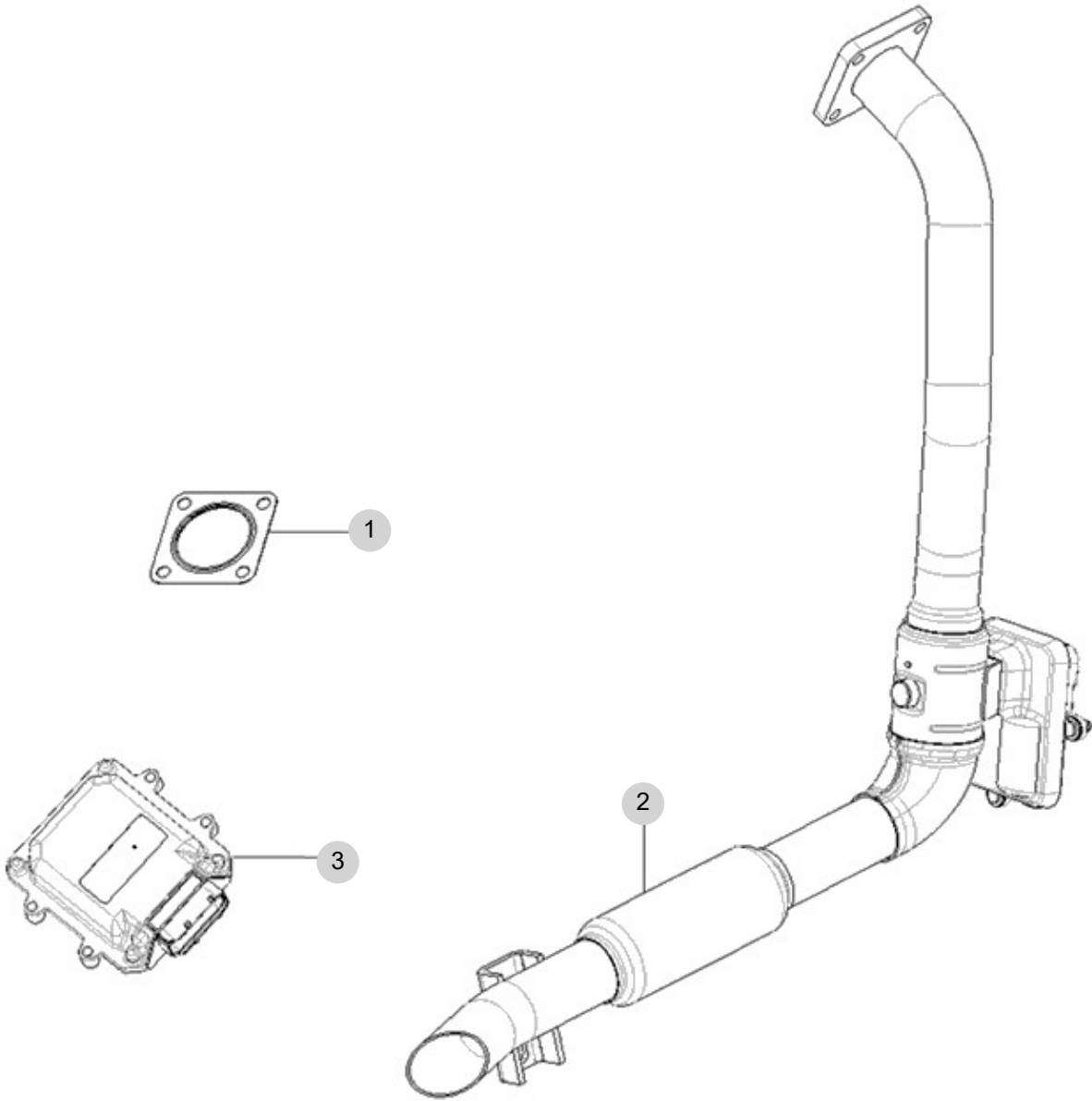
FIG 145

T474NH

LOOSED PARTS

년/월
Year/Month

2022-12



NOTE

FIG 145		LOUSED PARTS					년/월 Year/Month	
T474NH						2022-12		
KEY NO	PART NO	DESCRIPTION	SPEC	QTY	REPAIR	EFFECTIVE DATE	REMARKS	
145	1	EA00004235A	GASKET		1			
145	2	EA00005797C	VALVE ASS'Y, ELECTRONIC		1			
145	3	EA00005847B	DPF REGEN CONTROLLER		1			
NOTE								

2. Engine Accessories PART NO. T2

FIG 201 AIR CLEANER	106
FIG 202 RADIATOR	108
FIG 203 MUFFLER	110
FIG 204 FUEL TANK & FILTER	112
FIG 205 OIL COOLER	114

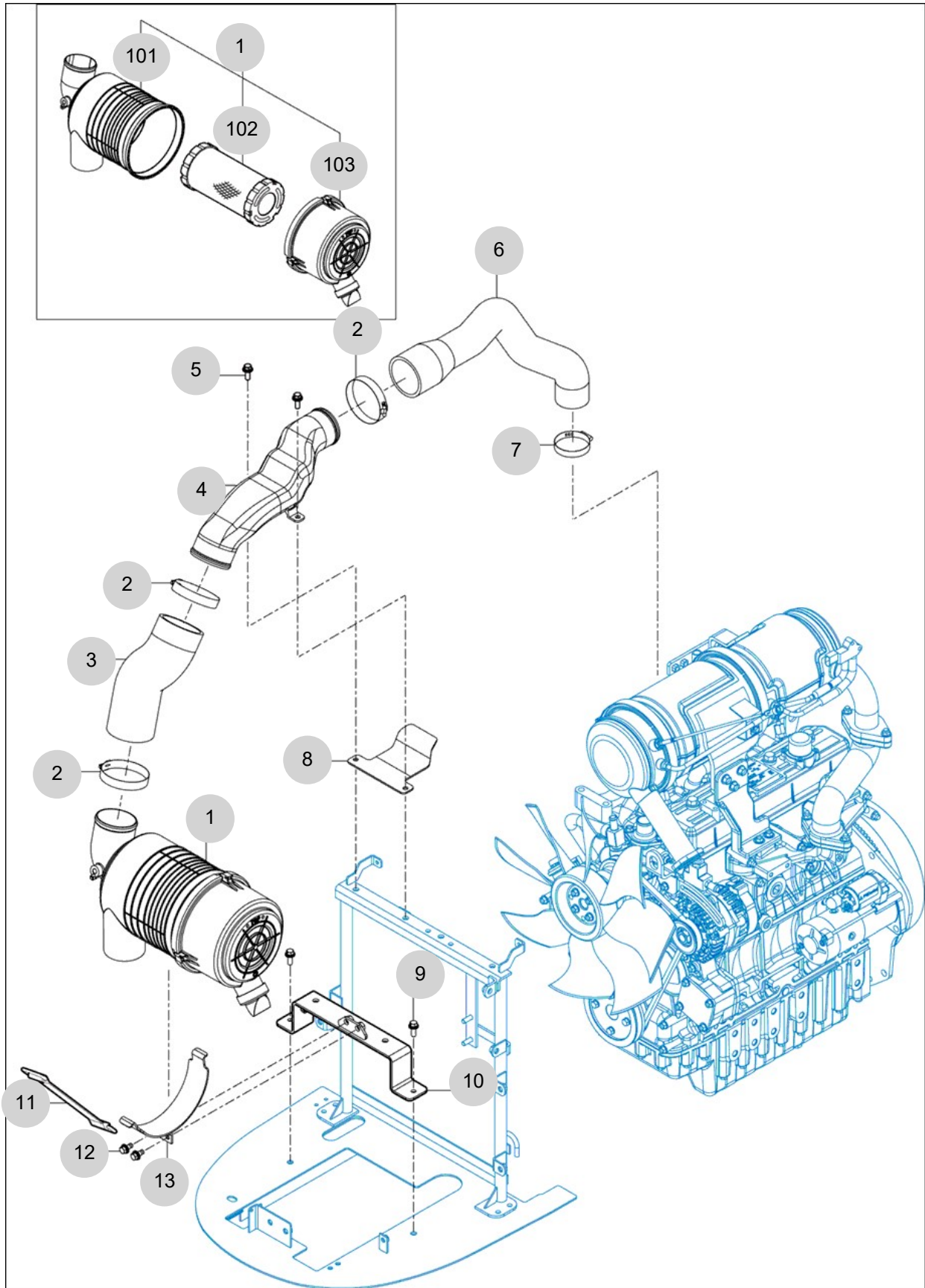
FIG 201

AIR CLEANER

년/월
Year/Month

2022-12

T474NH



NOTE

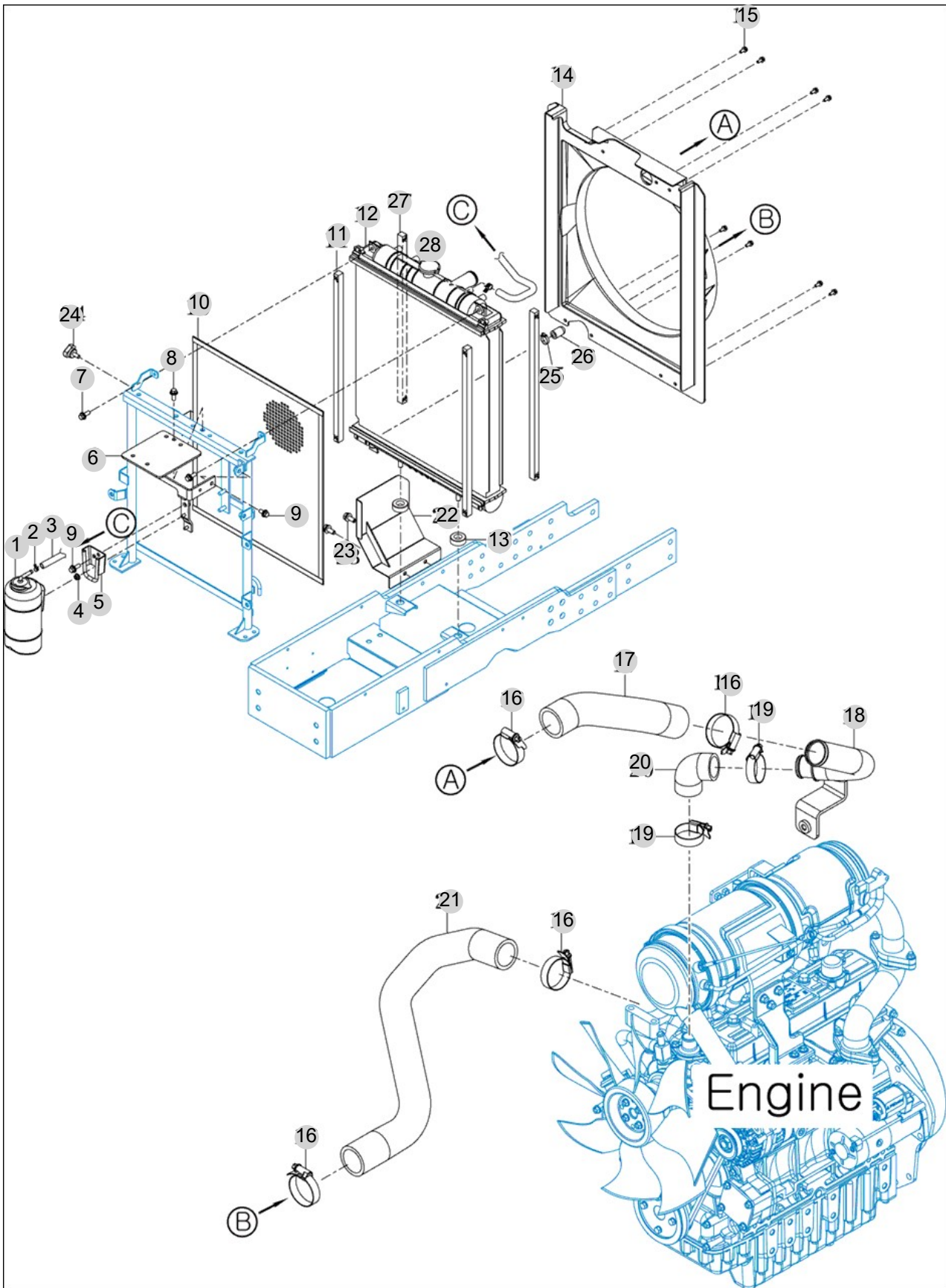
FIG 202

RADIATOR

년/월
Year/Month

2022-12

T474NH



NOTE

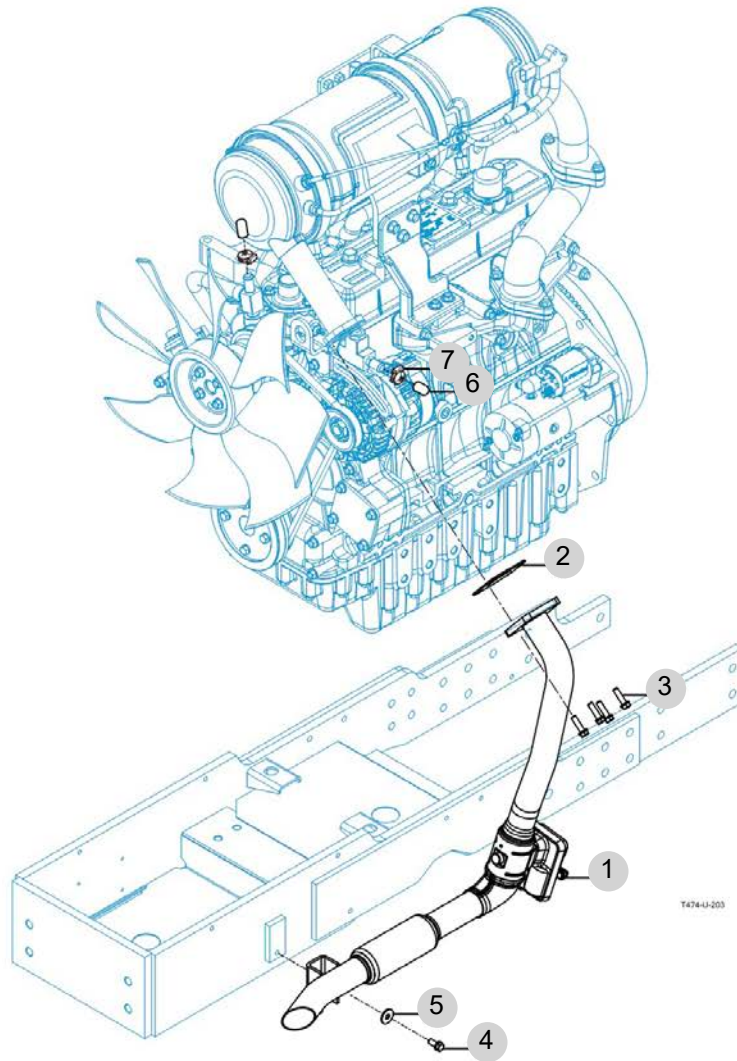
FIG 203

T474NH

MUFFLER

년/월
Year/Month

2022-12



NOTE

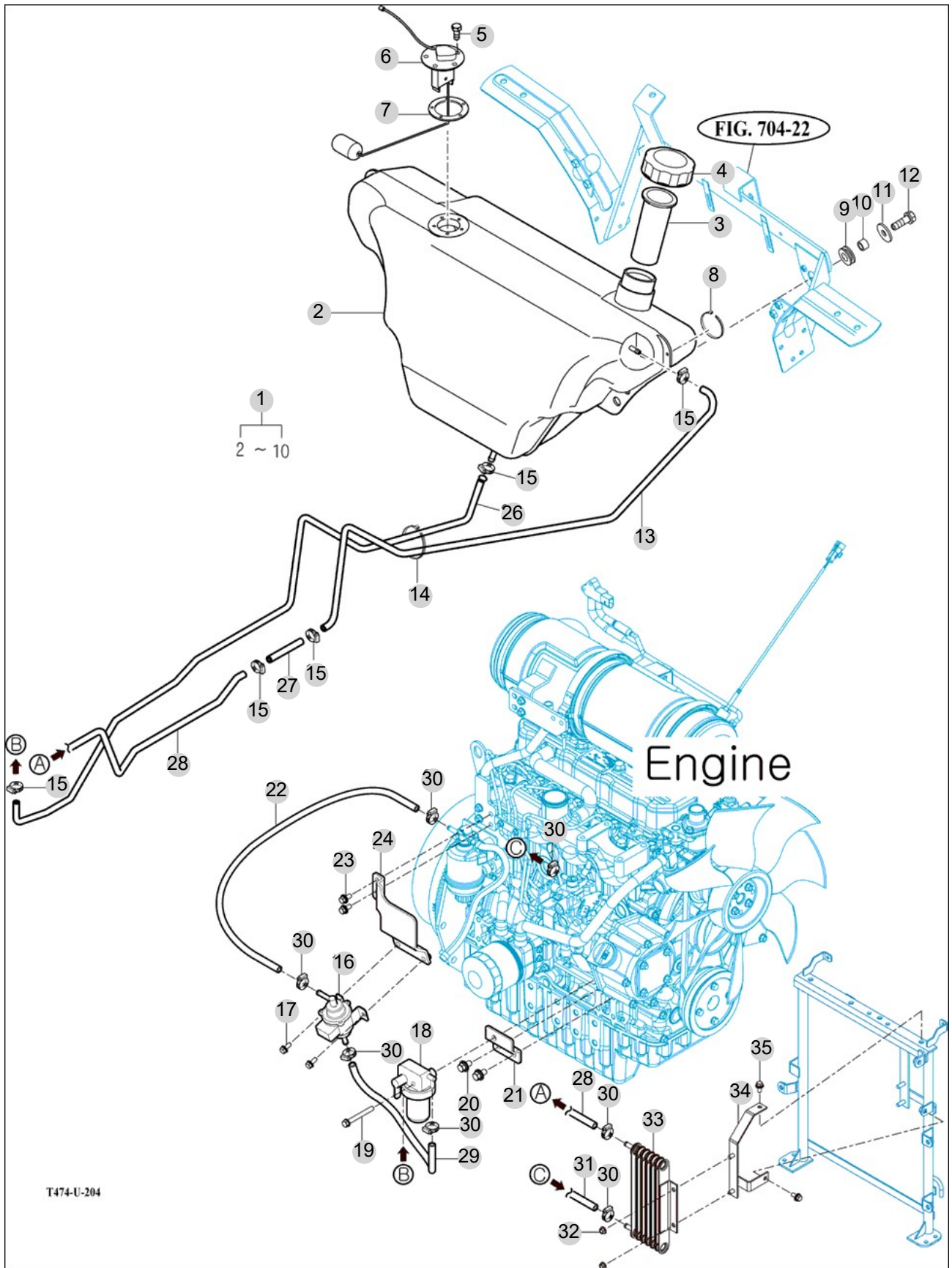
FIG 204

FUEL TANK & FILTER

년/월
Year/Month

2022-12

T474NH



NOTE

FIG 205

T474NH

OIL COOLER

년/월
Year/Month

2022-12

FIG. 701-01

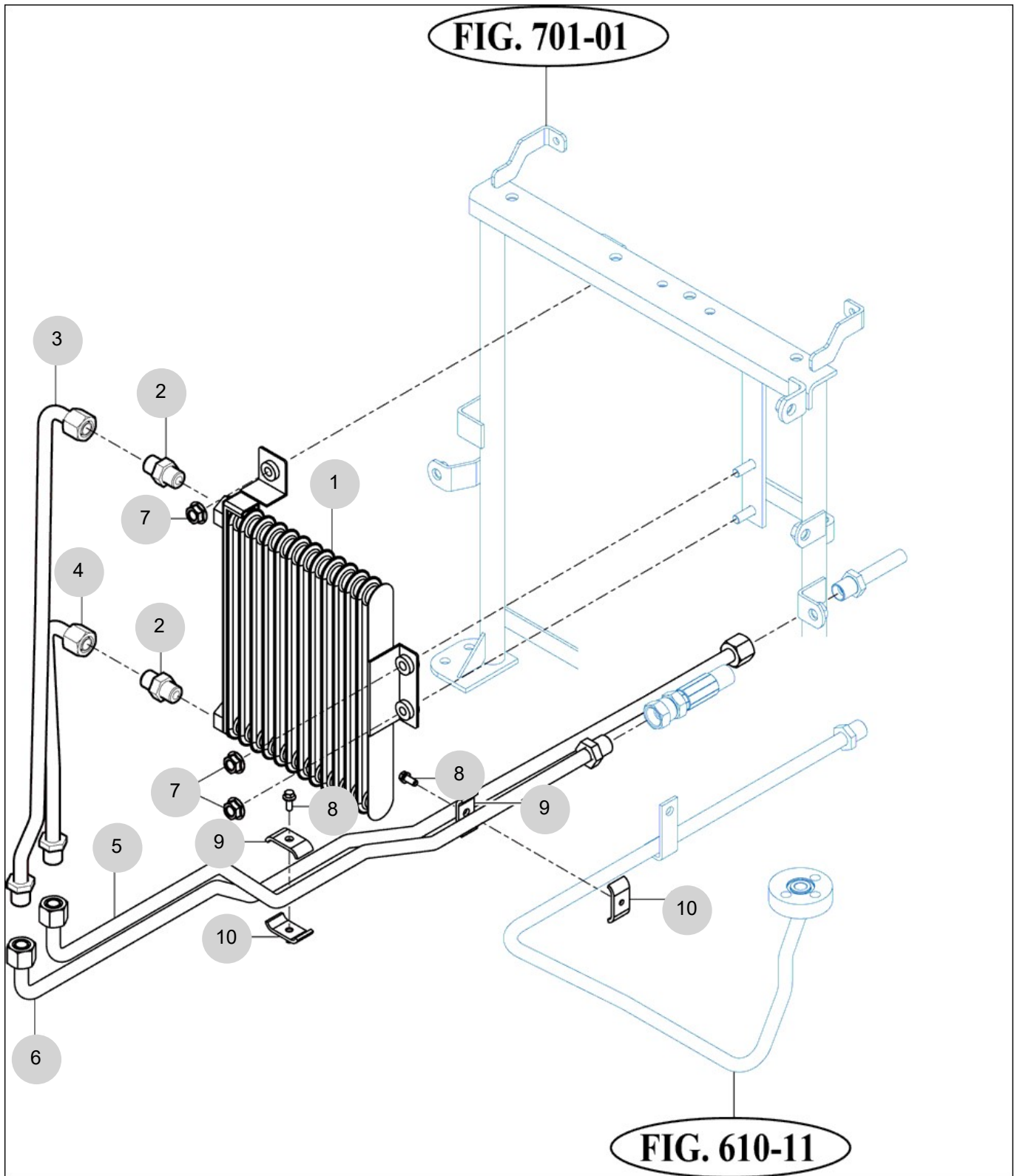


FIG. 610-11

NOTE

FIG 205 T474NH		OIL COOLER					년/월 Year/Month	
							2022-12	
KEY NO	PART NO	DESCRIPTION	SPEC	QTY	REPAIR	EFFECTIVE DATE	REMARKS	
205	1	14721062003	COOLER COMP , OIL	300X230X41	1			
205	2	14721062300	UNION UNIT , OIL COOLER	육각B=22	2			
205	3	13835422300GB	PIPE COMP OUT , FR COOLER		1			
205	3	13835422301GB	PIPE COMP OUT , FR COOLER		1			
205	4	13835422200GB	PIPE COMP IN , FR COOLER		1			
205	5	13835422101GB	PIPE COMP IN , RR COOLER		1			
205	6	13835422401GB	PIPE COMP OUT , RR COOLER		1			
205	7	V3802600080	NUT , HEX FLANGE	M8	3			
205	8	V2123606025	BOLT , HEX /SP	M6X25	2			
205	9	15945170030GB	CLIP	19X3	2			
205	10	15945170040GB	CLIP	19X3	2			
NOTE								

3. Clutch/Brake/Steering PART NO. T3

FIG 302 FLYWHEEL & CLUTCH	117
FIG 303 BRAKE PEDAL	119
FIG 304 BRAKE	121
FIG 306 FRONT WHEEL MOUNTING	123
FIG 307 REAR WHEEL MOUNTING	125
FIG 308 STEERING WHEEL	127
FIG 309 STEERING VALVE & PARKING	129
FIG 310 STEERING CYLINDER	131

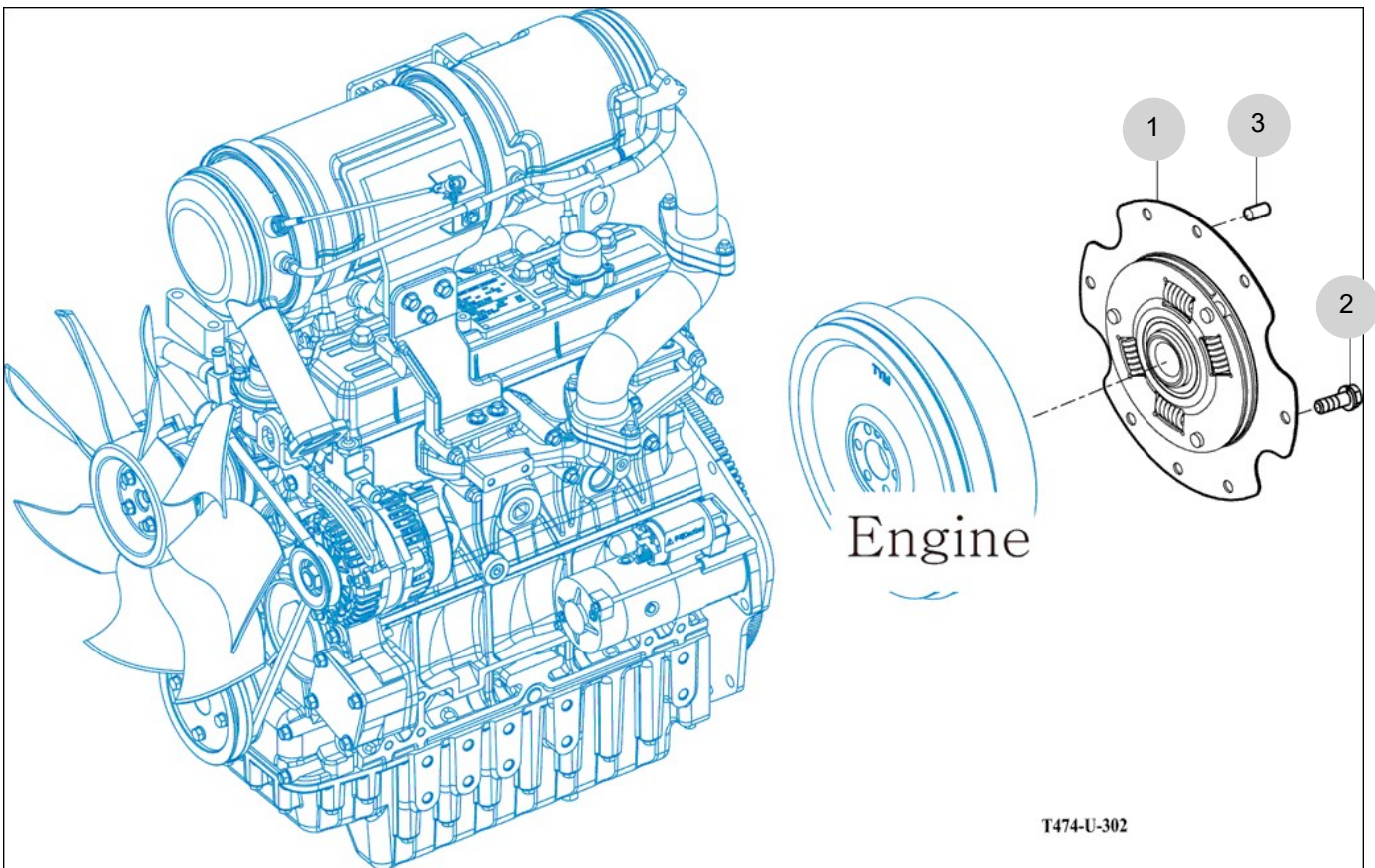
FIG 302

FLYWHEEL & CLUTCH

년/월
Year/Month

T474NH

2022-12



NOTE

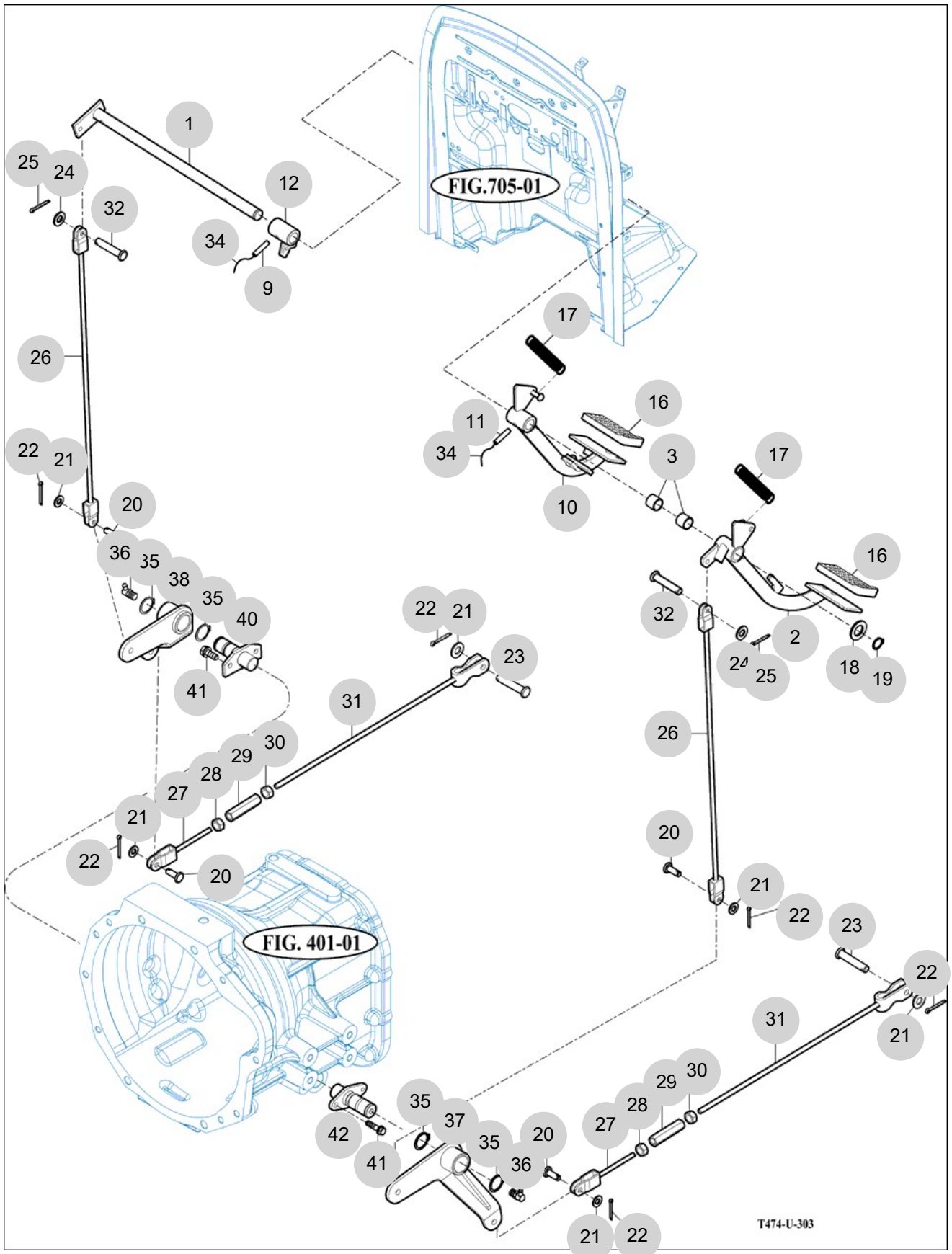
FIG 303

BRAKE PEDAL

년/월
Year/Month

T474NH

2022-12



NOTE

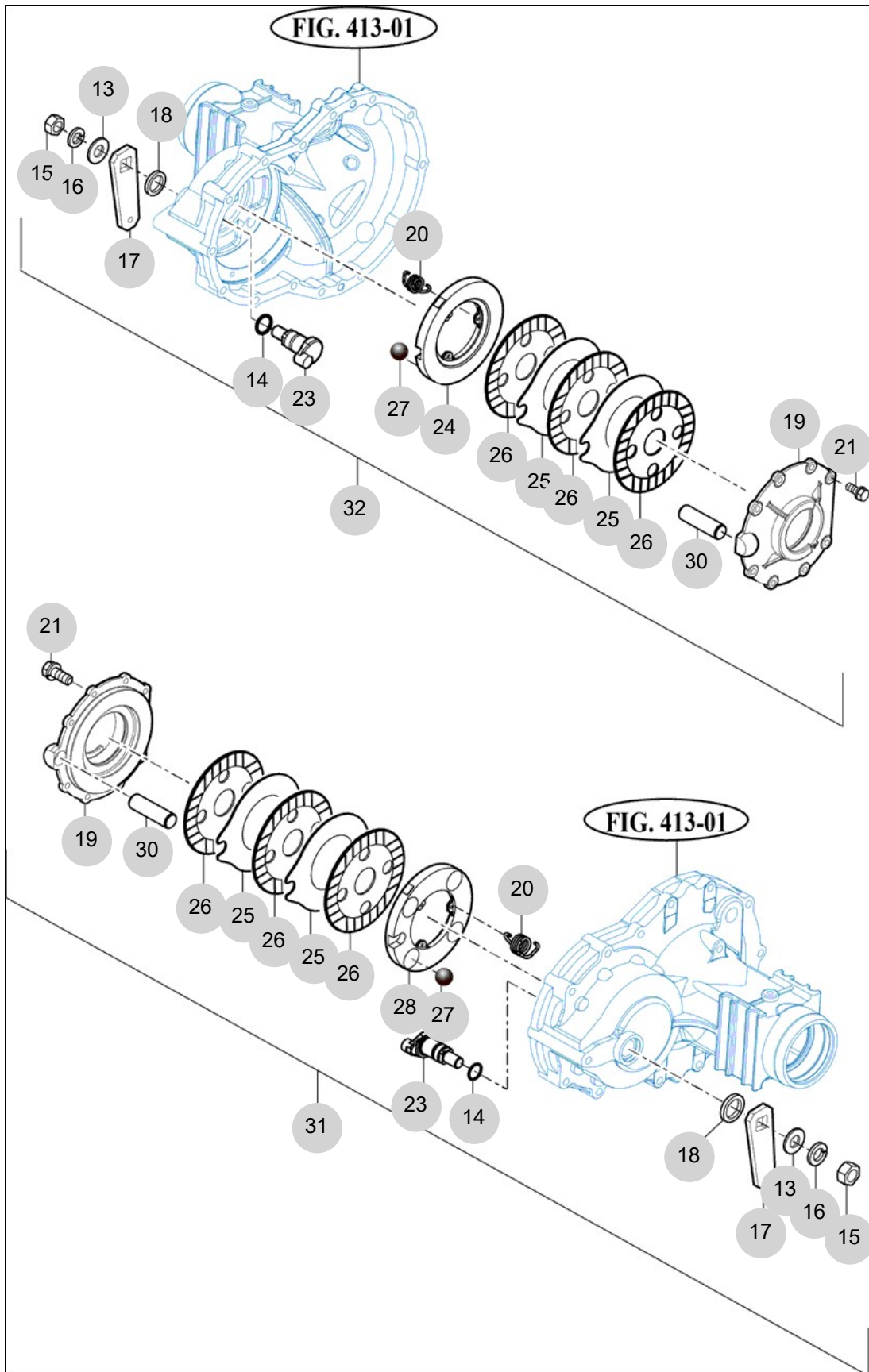
FIG 304

BRAKE

년/월
Year/Month

T474NH

2022-12



NOTE

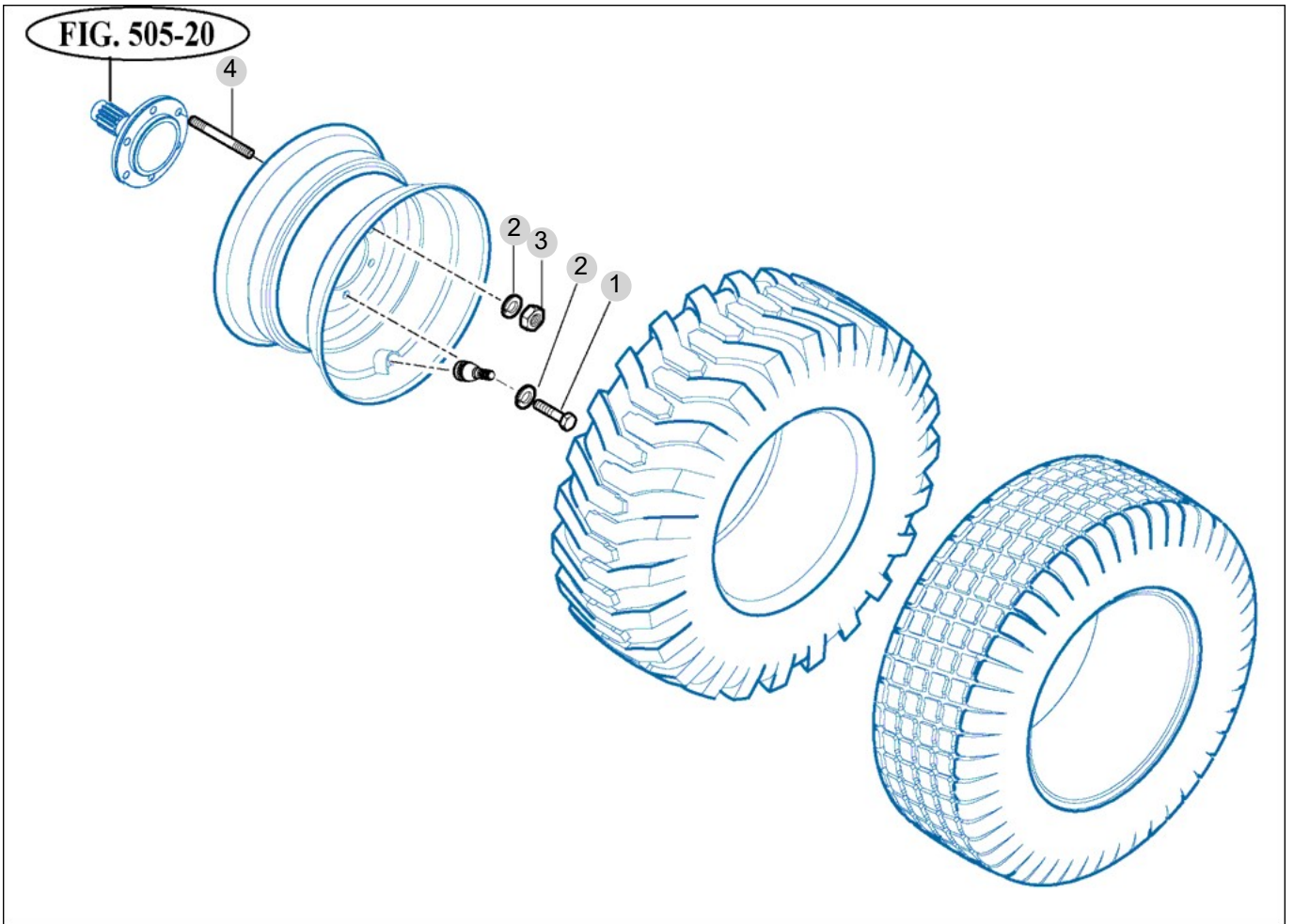
FIG 306

T474NH

FRONT WHEEL MOUNTING

년/월
Year/Month

2022-12



NOTE

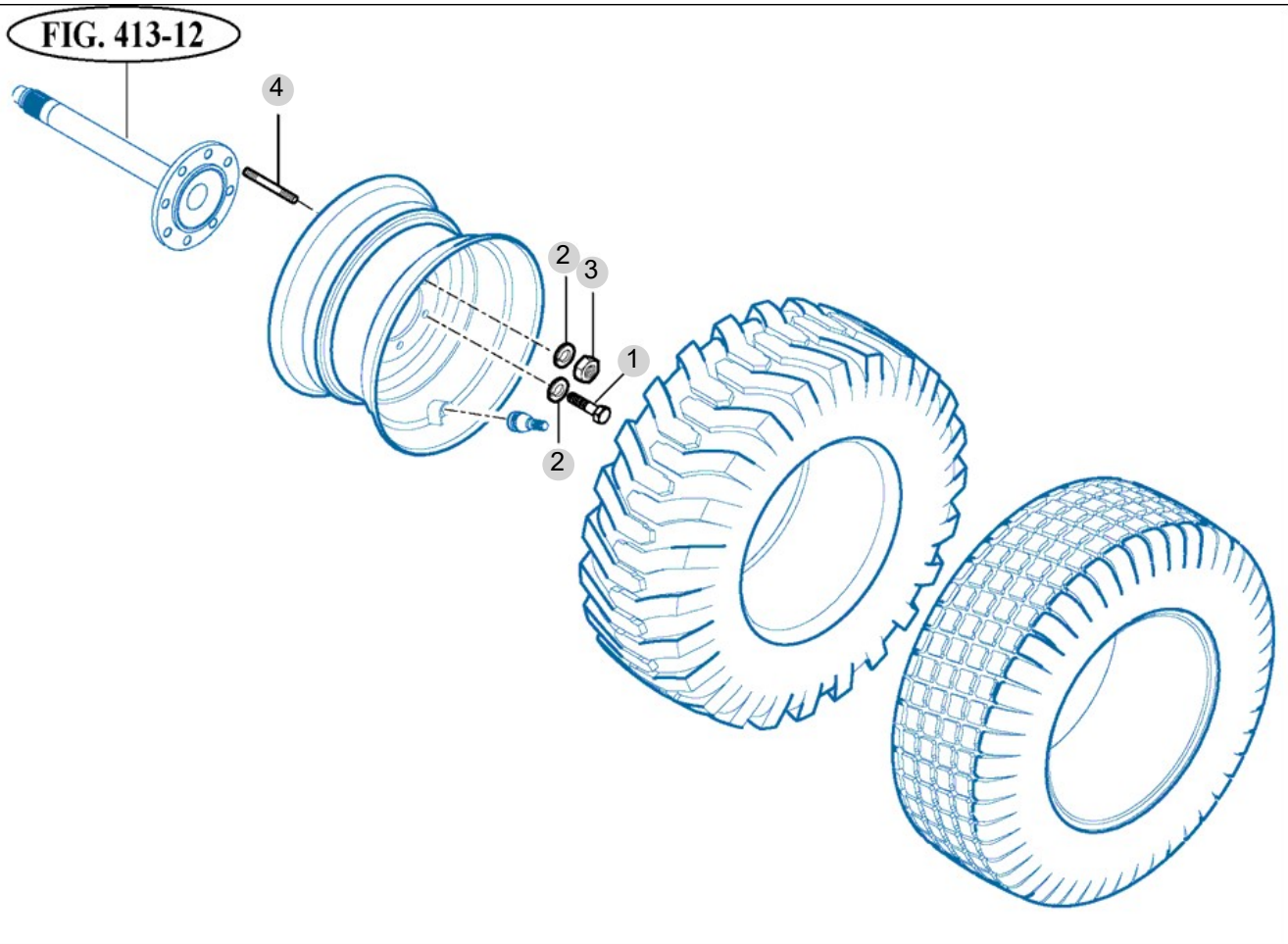
FIG 307

T474NH

REAR WHEEL MOUNTING

년/월
Year/Month

2022-12



NOTE

FIG 307 T474NH		REAR WHEEL MOUNTING					년/월 Year/Month 2022-12	
KEY NO		PART NO	DESCRIPTION	SPEC	QTY	REPAIR	EFFECTIVE DATE	REMARKS
307	1	V2014616030	BOLT , HEX	M16X30	8			
307	2	V4011600160	WASHER , SPRING	M16	12			
307	3	V3043600160	NUT , HEX/2	M16	4			
307	4	15603200010	BOLT , STUD M16X30	D=16	4			
NOTE								

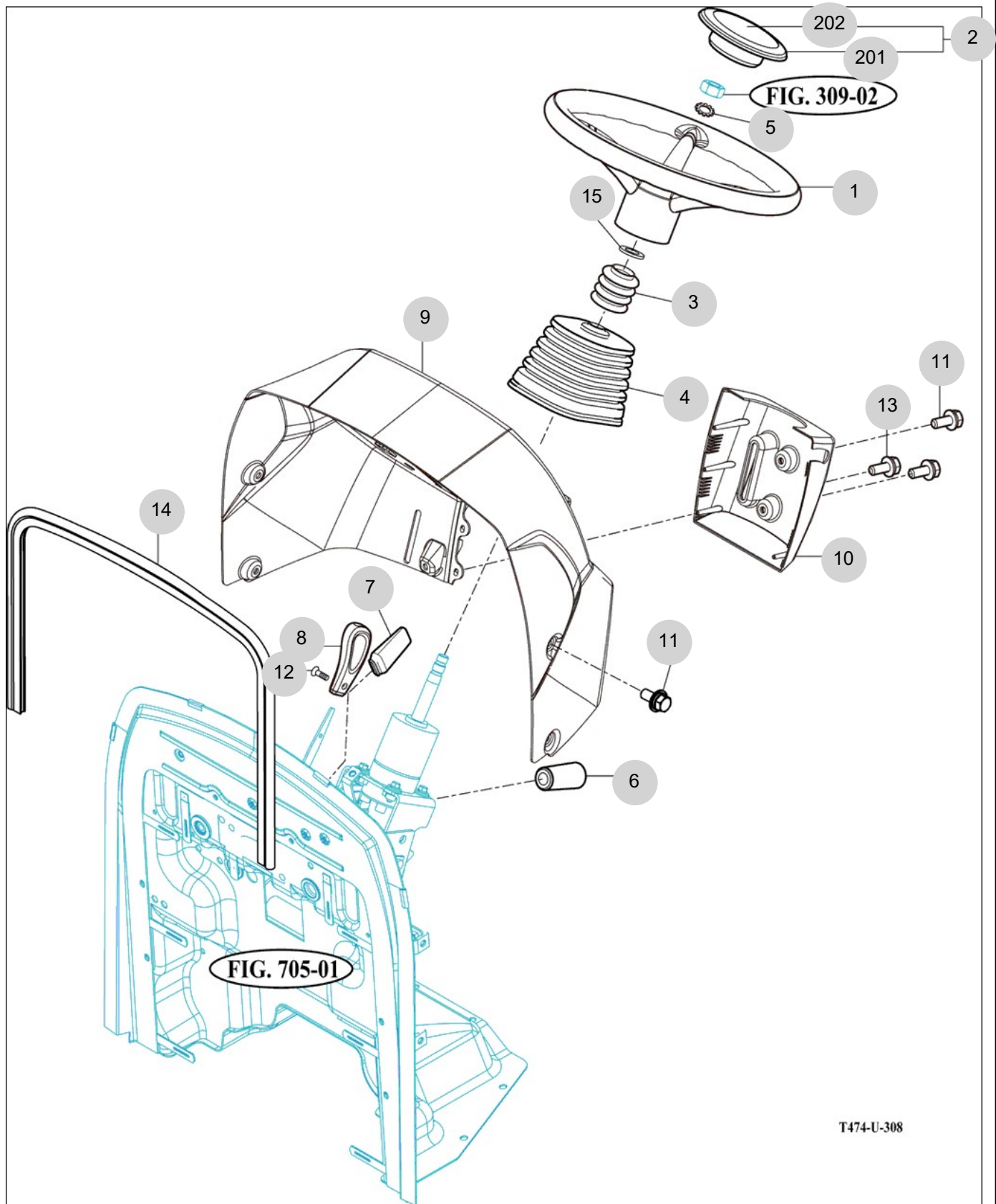
FIG 308

T474NH

STEERING WHEEL

년/월
Year/Month

2022-12



T474-U-308

NOTE

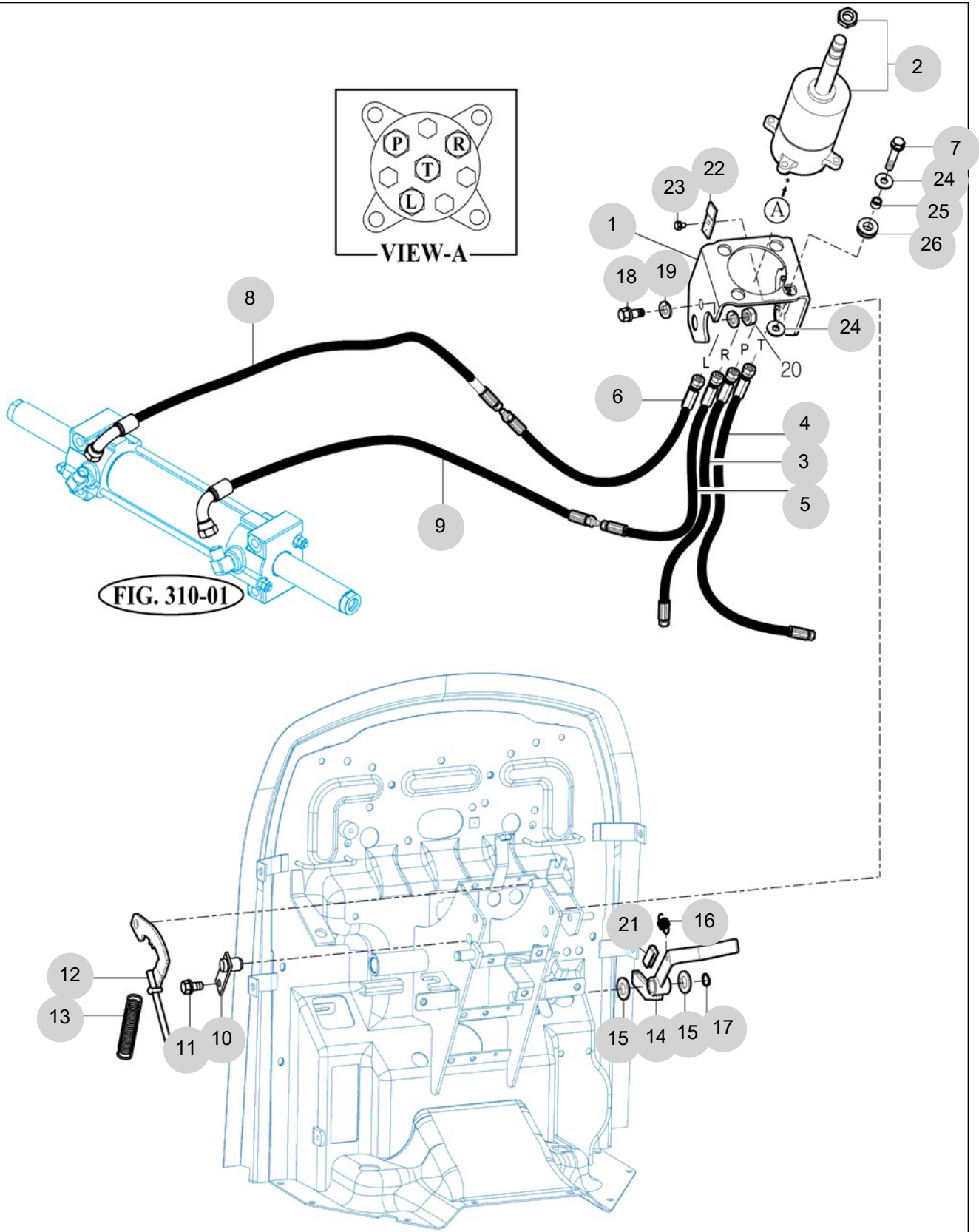
FIG 309

STEERING VALVE & PARKING

년/월
Year/Month

2022-12

T474NH



T474-U-309

NOTE

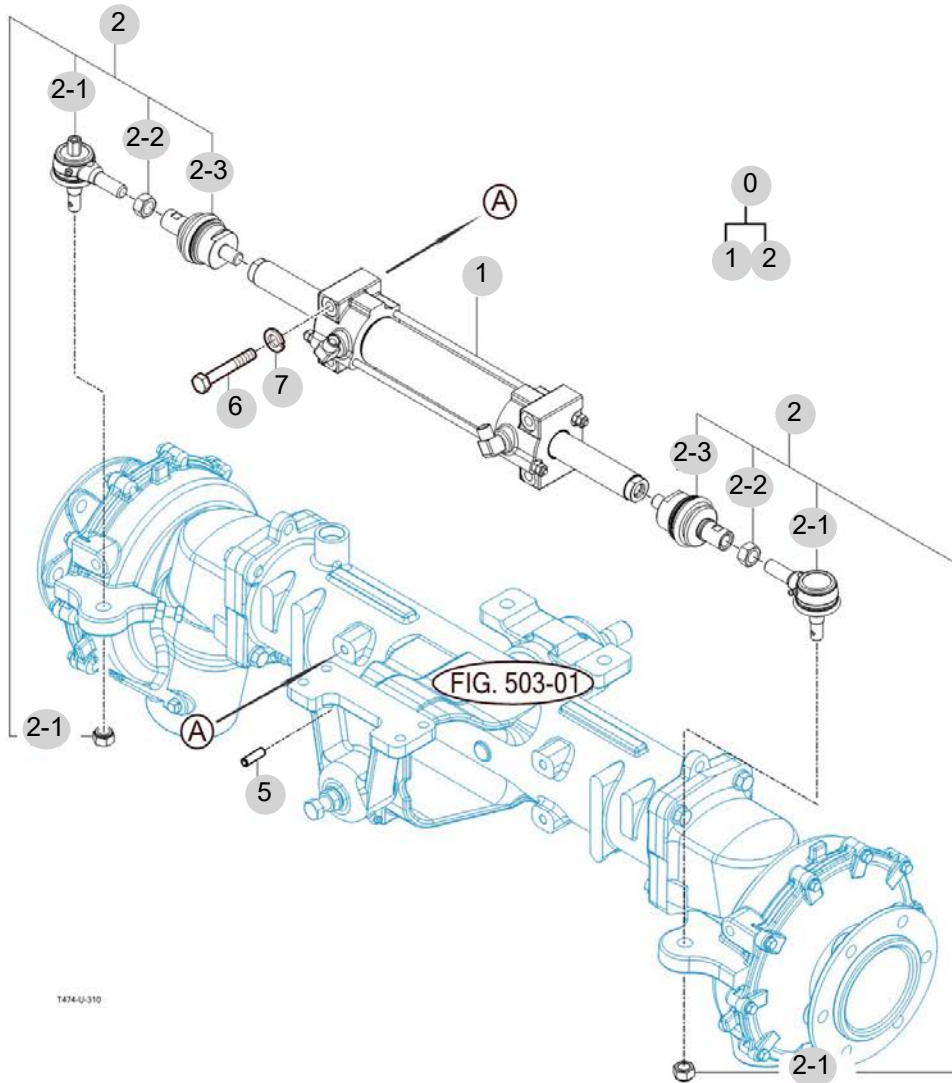
FIG 310

T474NH

STEERING CYLINDER

년/월
Year/Month

2022-12



T474U-310

NOTE

4. Transmission PART NO. T4

FIG 401 TRANSMISSION FRONT CASE	134
FIG 402 HST	136
FIG 403 MID CASE	138
FIG 404 4WD DRIVE GEAR	140
FIG 405 INPUT GEAR	142
FIG 406 SUB CHANGE GEARS	144
FIG 407 PINION GEARS	146
FIG 408 P.T.O DRIVE SHAFT	148
FIG 409 P.T.O CHANGE GEARS	150
FIG 410 DIFF LOCK	153
FIG 411 TRANSMISSION REAR CASE	155
FIG 412 REAR AXLE HOUSINGS (1)	157
FIG 413 REAR AXLE HOUSINGS (2)	159
FIG 415 SUB CHANGE LEVER	161
FIG 416 FORWARD & REVERSE CONTROL LINKAGE	163
FIG 418 4WD CHANGE LEVER	165

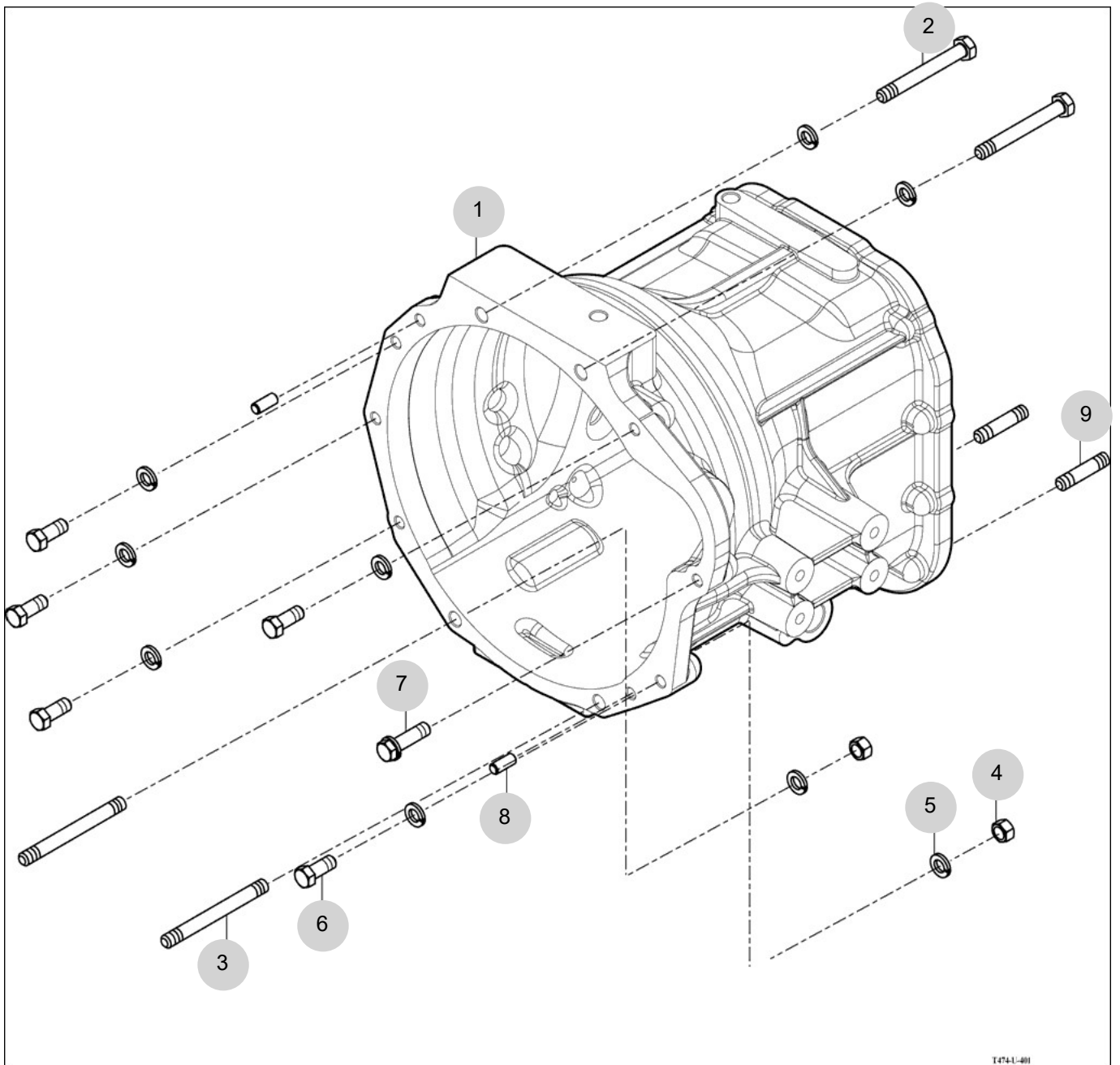
FIG 401

TRANSMISSION FRONT CASE

년/월
Year/Month

2022-12

T474NH



T474L-001

NOTE

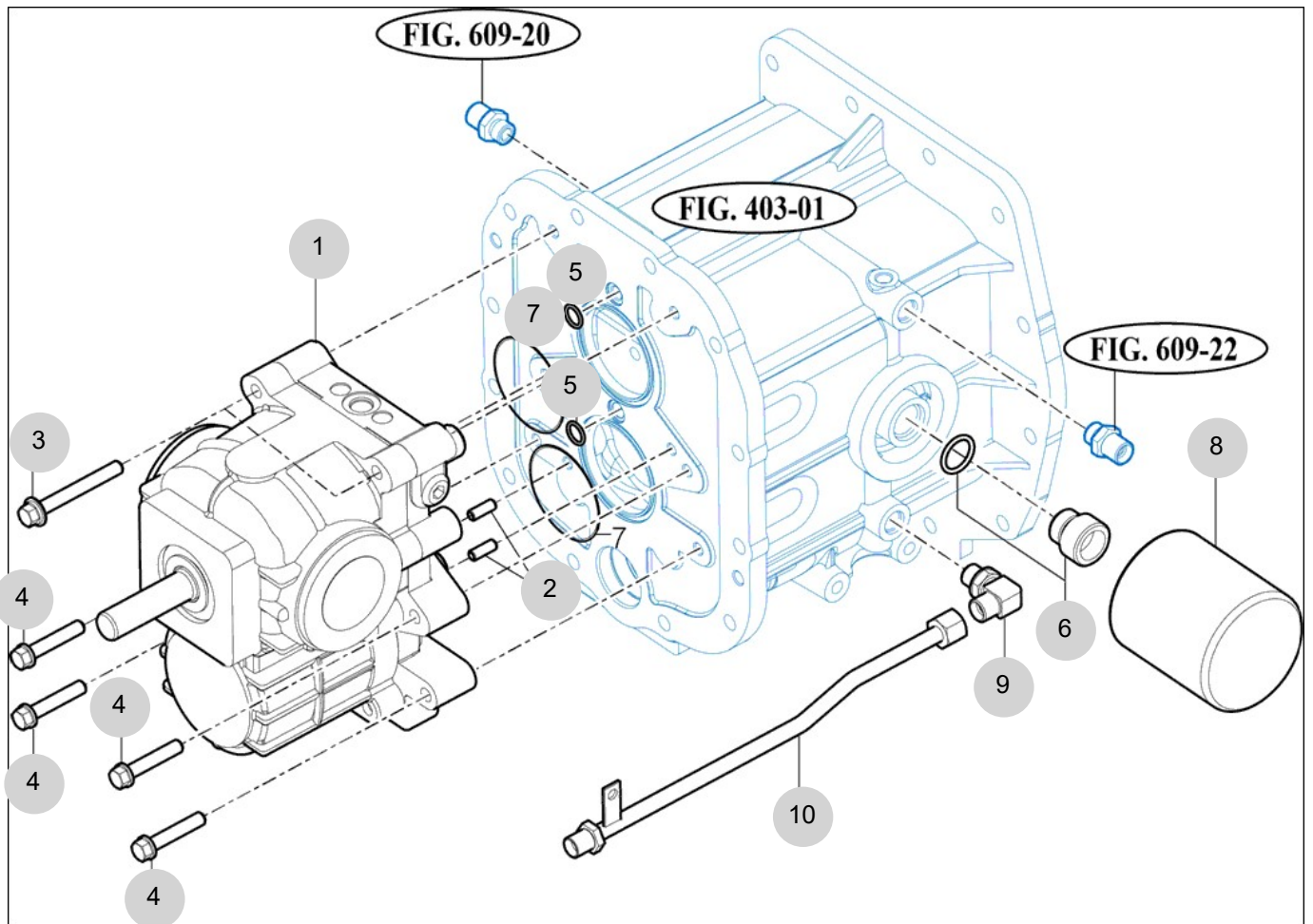
FIG 402

T474NH

HST

년/월
Year/Month

2022-12



NOTE

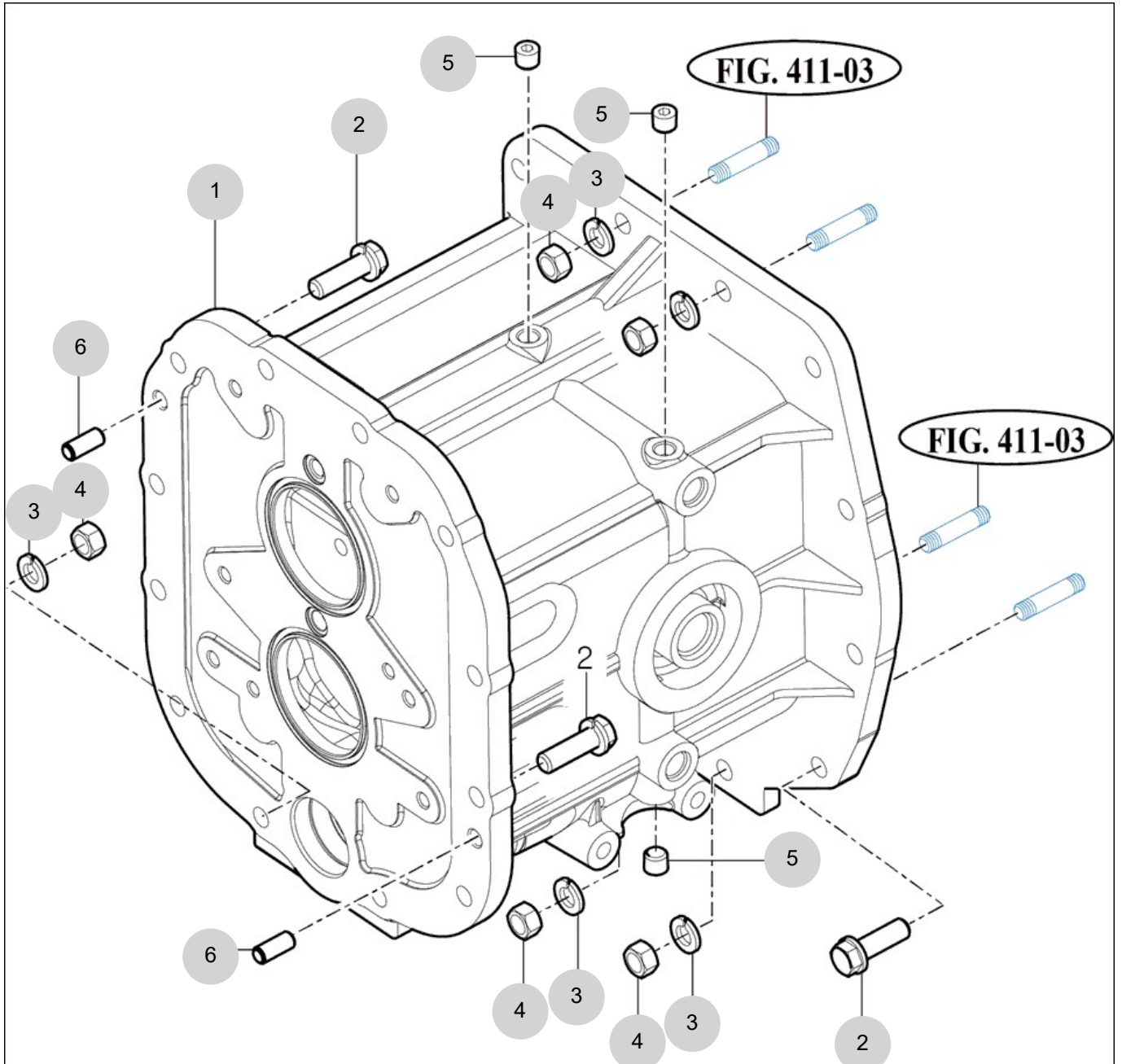
FIG 403

T474NH

MID CASE

년/월
Year/Month

2022-12



NOTE

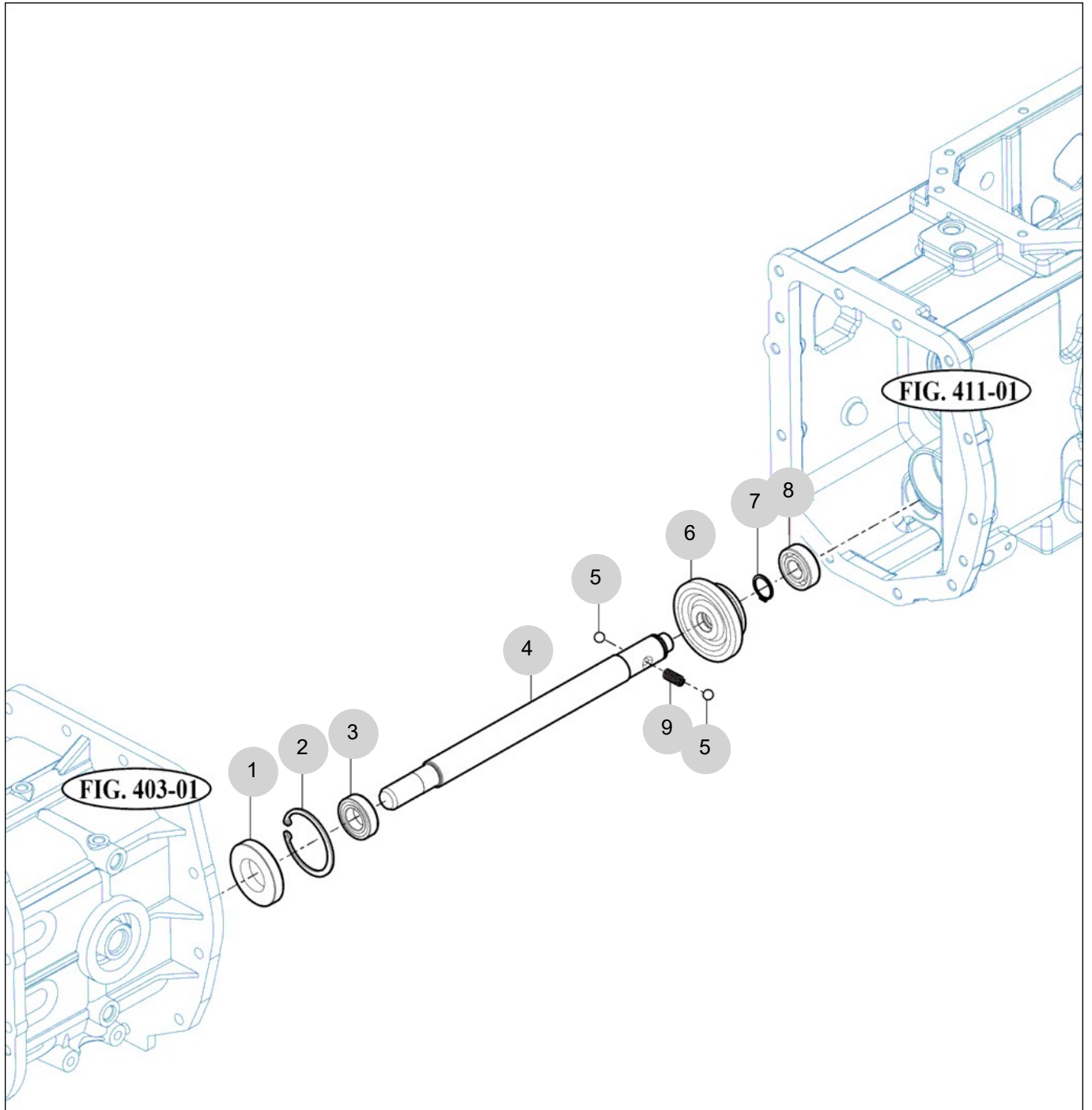
FIG 404

4WD DRIVE GEAR

년/월
Year/Month

T474NH

2022-12



NOTE

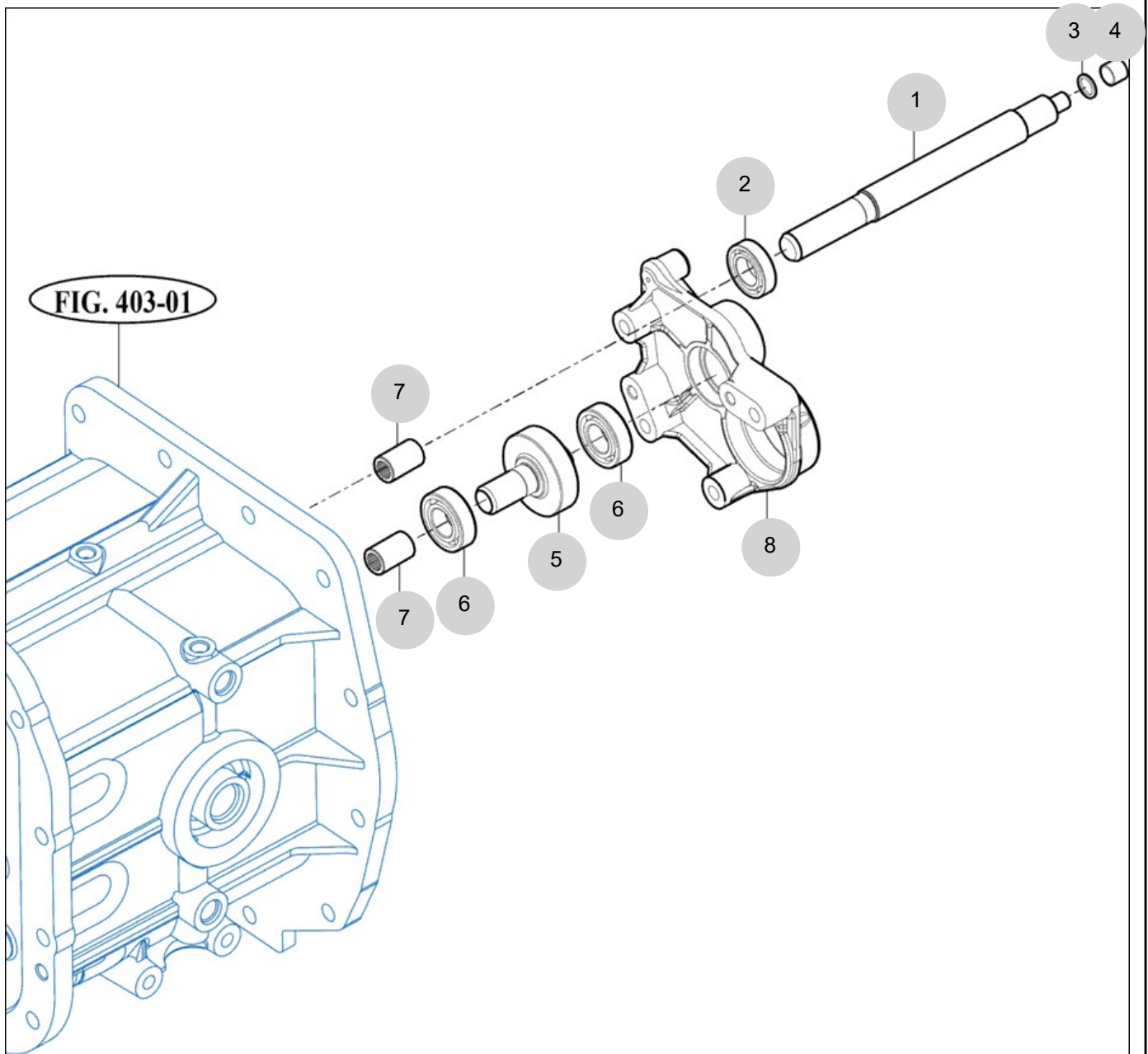
FIG 405

T474NH

INPUT GEAR

년/월
Year/Month

2022-12



NOTE

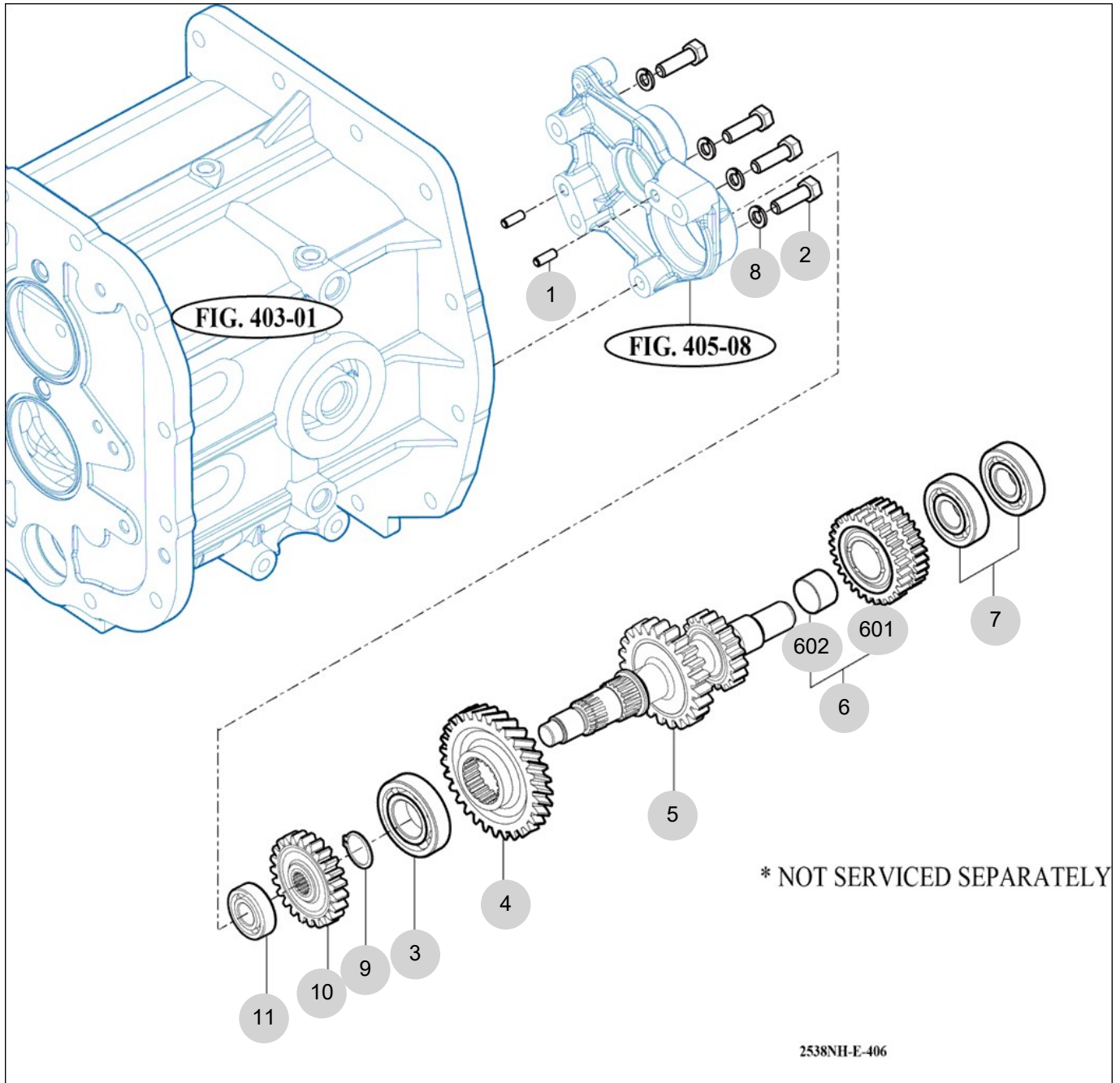
FIG 406

T474NH

SUB CHANGE GEARS

년/월
Year/Month

2022-12



NOTE

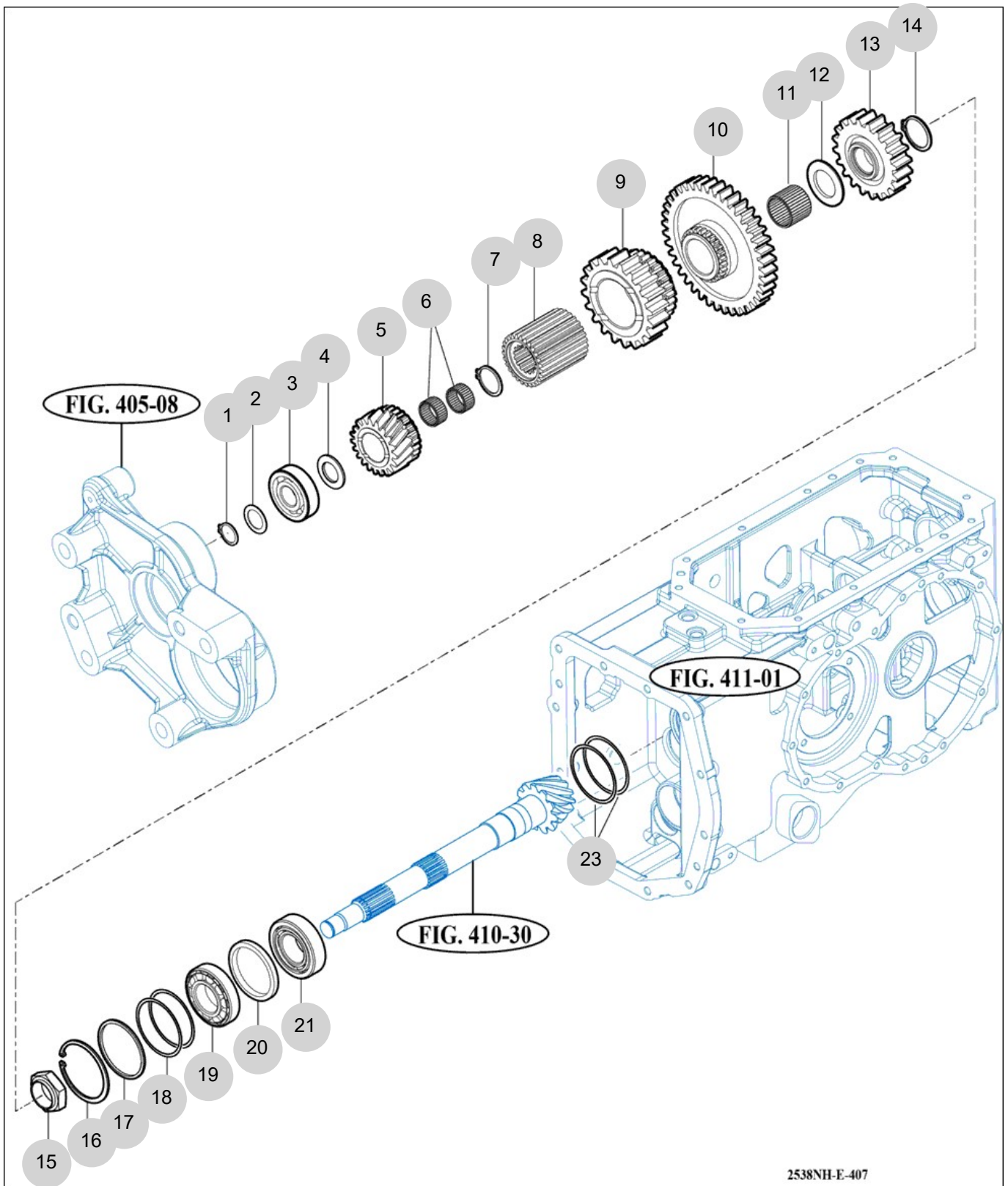
FIG 407

PINION GEARS

년/월
Year/Month

2022-12

T474NH



2538NH-E-407

NOTE

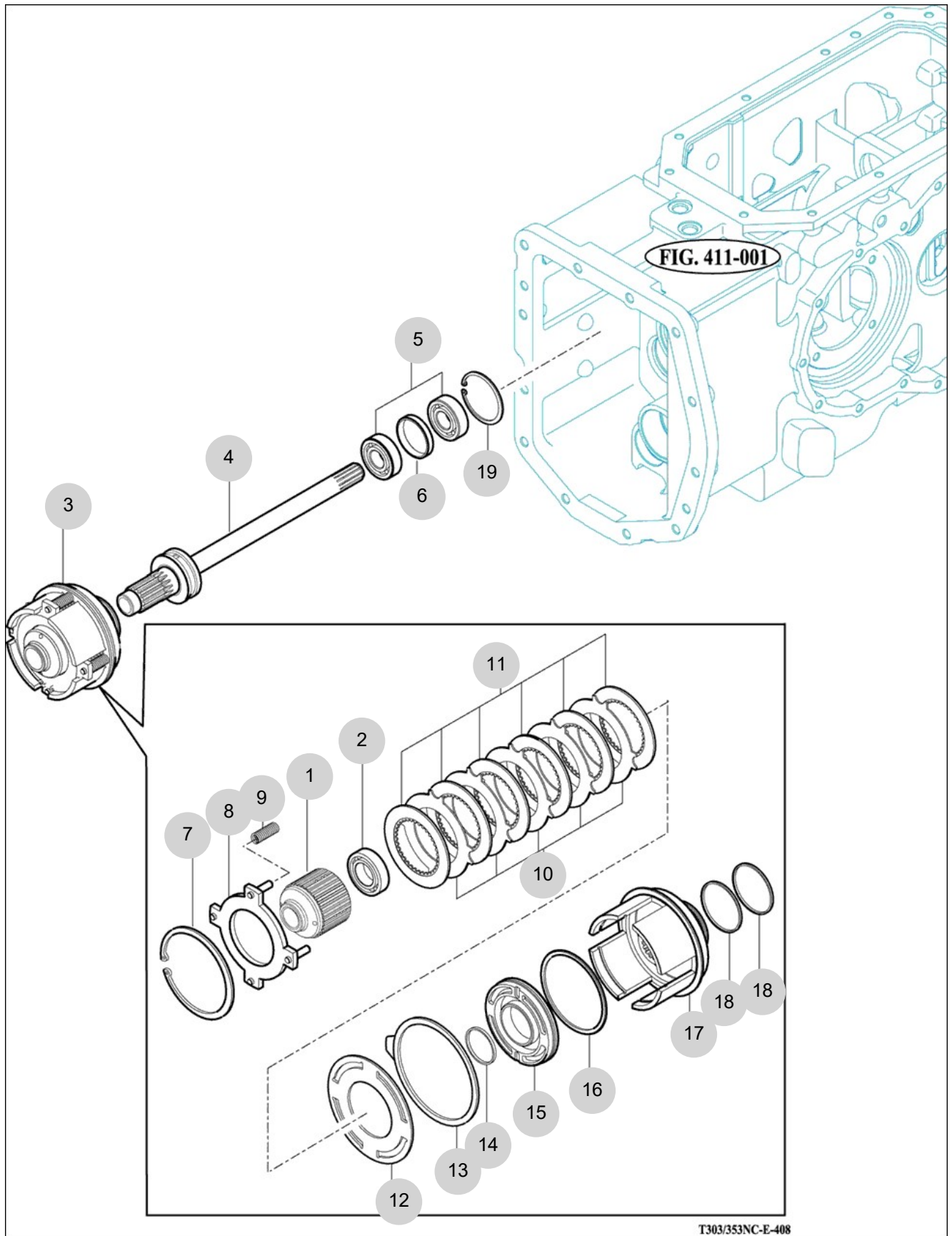
FIG 408

T474NH

P.T.O DRIVE SHAFT

년/월
Year/Month

2022-12



NOTE

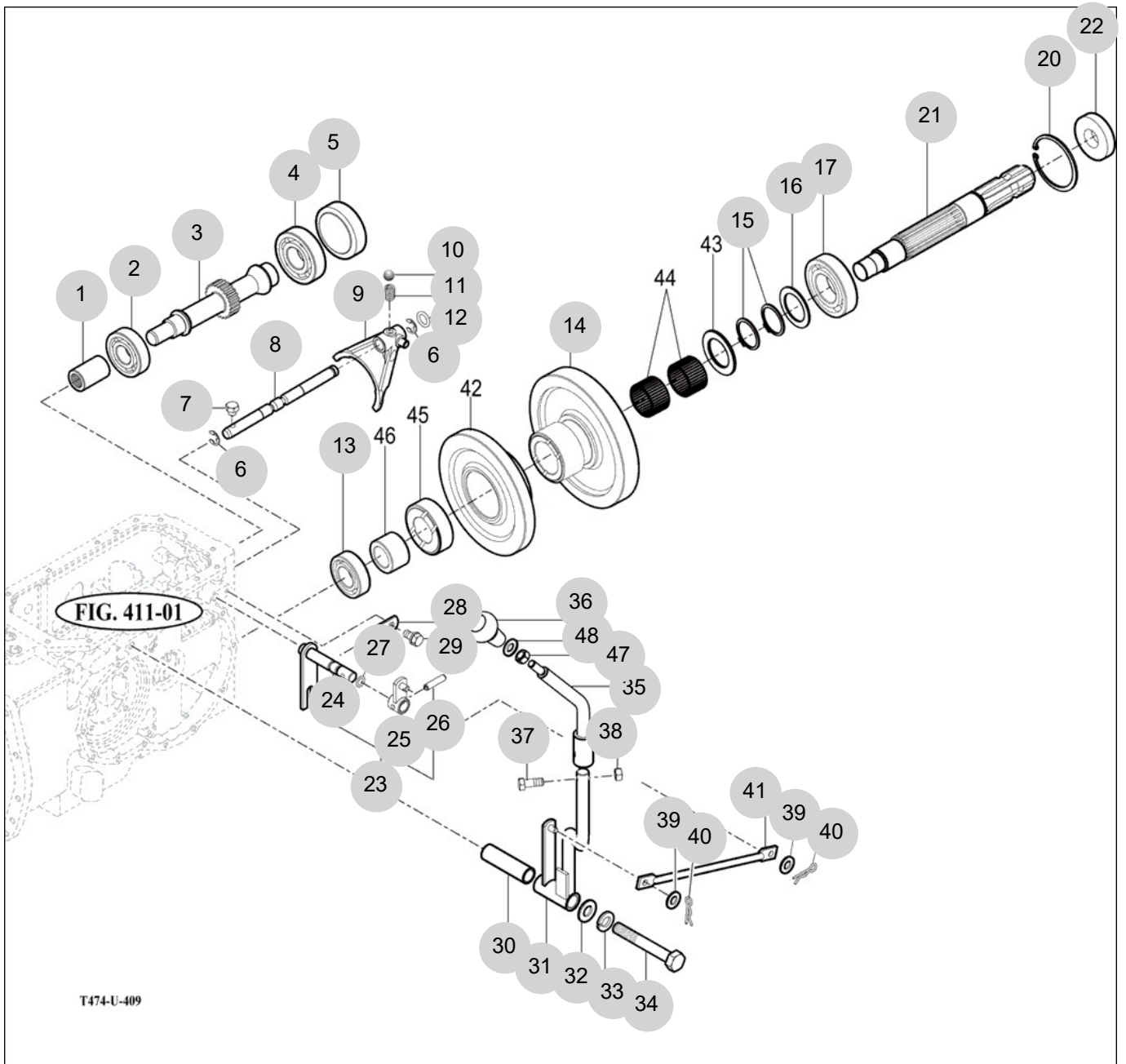
FIG 409

T474NH

P.T.O CHANGE GEARS

년/월
Year/Month

2022-12



NOTE

FIG 409		P.T.O CHANGE GEARS					년/월 Year/Month		
							2022-12		
T474NH		KEY NO	PART NO	DESCRIPTION	SPEC	QTY	REPAIR	EFFECTIVE DATE	REMARKS
409	1	14211340190	COUPLING	22X51	1				
409	2	V6001106305	BEARING , BALL	6305	1				
409	3	12382543530	SHAFT , PTO COUNT		1				
409	4	V6001106306	BEARING , BALL	6306	1				
409	5	14254330180	CAP , 72		1				
409	6	V7081400100	E-RING	10	2				
409	7	15602231610	BOLT , SET M8X16	M8X16	1				
409	8	12382540020	STAY , PTO		1				
409	9	16702540011M	FORK , PTO	1X1X1	1				
409	10	V6802000010	BALL , STEEL	5/16	1				
409	11	13022250030	SPRING , SHIFTER	D=1.4	1				
409	12	V7201024010	O-RING , P	P10	1				
409	13	V6001106205	BEARING , BALL	6205	1				
409	14	12382530020	GEAR , PTO 53T		1				
409	15	V7041400350	C-RING , SHAFT	35	2				
409	16	14443140041	COLLAR , 35X50X2	T=2	1				
409	17	V6001106207	BEARING , BALL	6207	1				
409	20	V7051400720	C-RING , HOLE	72	1				
409	21	12382530010	SHAFT , PTO		1				
409	22	16322732000	SEAL ASSY , OIL		1				
409	23	16702555102	HOOK SET , RR PTO	1X1X1	1				
409	24	16702542102	HOOK COMP , RR PTO	1X1X1	1				
409	25	16702432201	ARM COMP , RANGE	1X1X1	1				
409	26	V5801406025	PIN , SPRING	6X25	1				
409	27	V7201024012	O-RING , P	P12	1				
409	28	16702230371	PLATE	T=3	1				
409	29	V2173608016	BOLT , HEX/S	M8X16	1				
409	30	16702440070	HUB(13*17*61)	17.3*2.35	1				
409	31	16702552103	LEVER COMP , PTO/DOWN	1X1X1	1				
409	32	V4111600120	WASHER , PLAIN	M12	1				
409	33	V4011600120	WASHER , SPRING	M12	1				
409	34	V2013612085	BOLT , HEX	M12X85	1				
409	35	13832552200GB	LEVER COMP ,PTO/UPPER		1				
409	36	16992190102	GRIP , PTO		1				
409	36	19682190100	GRIP , PTO		1				
409	37	V2013608035	BOLT , HEX	M8X35	1				
409	38	V3042600080	NUT , HEX/2	M8	1				
409	39	V4111600080	WASHER , PLAIN	M8	2				
409	40	V5601600008	PIN , SNAP	8	2				
409	41	16702553100	ROD , 236	D=9	1				
409	42	12382530030	GEAR , SPUR 41T		1				
409	43	15642730082	WASHER , 35X55X3	D=55	1				
409	44	V6544354026	BEARING , NEEDLE CAGED	KT354026	2				
409	45	15642730052	HUB , 35X62X20		1				
409	46	12382530040	WASHER , 25X40X26	D=40	1				
NOTE									

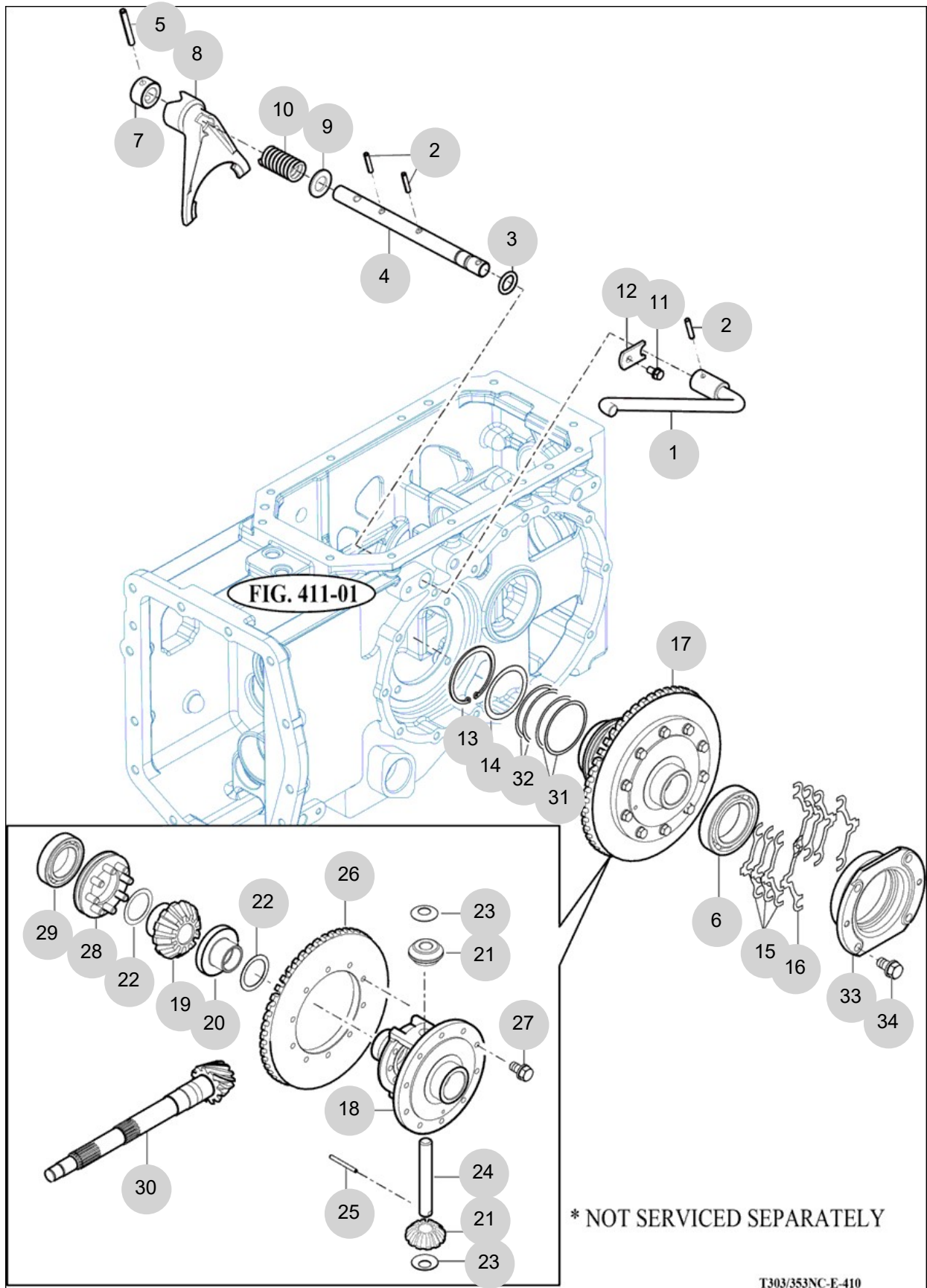
FIG 410

DIFF LOCK

년/월
Year/Month

T474NH

2022-12



NOTE

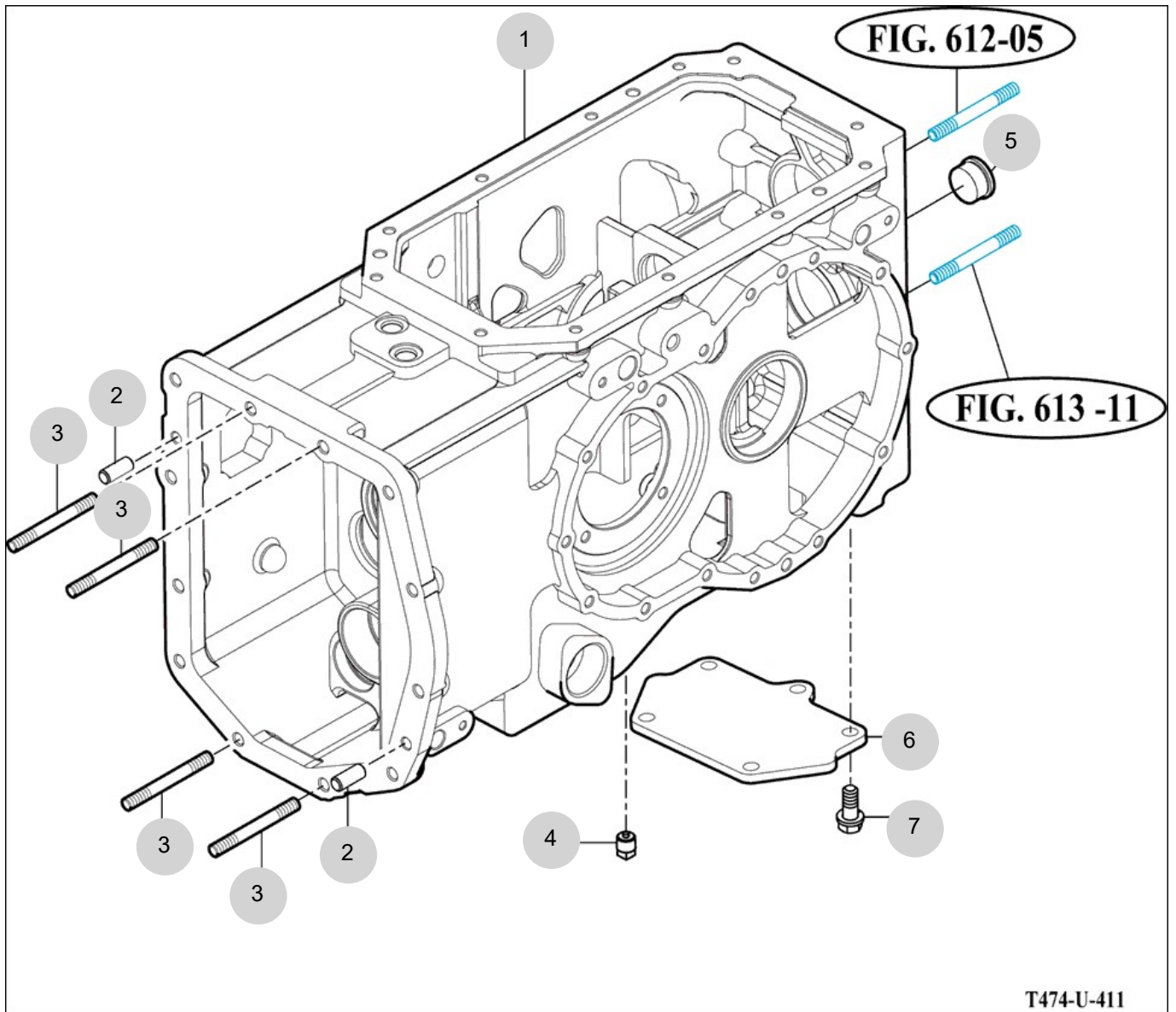
FIG 411

T474NH

TRANSMISSION REAR CASE

년/월
Year/Month

2022-12



T474-U-411

NOTE

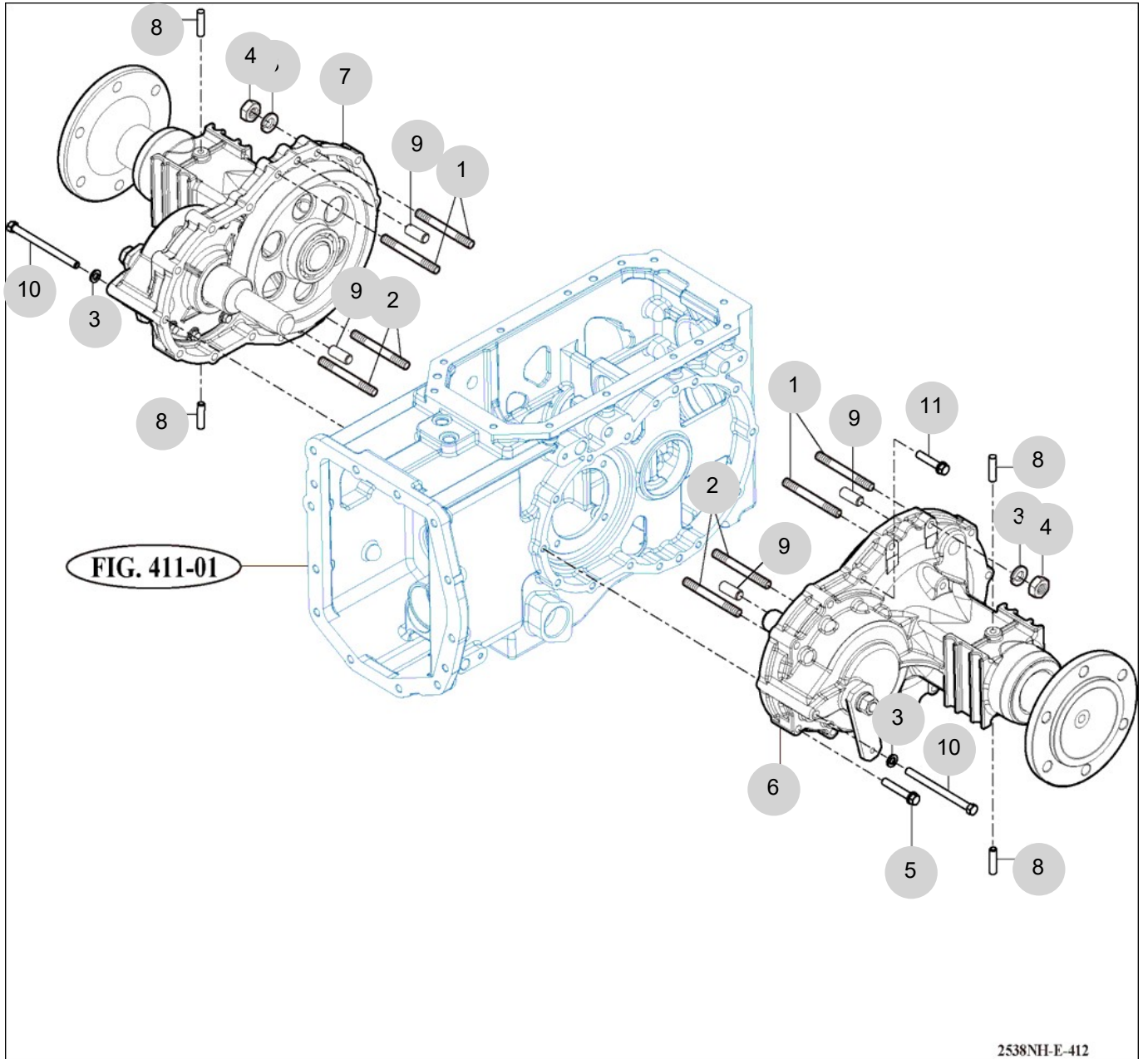
FIG 412

T474NH

REAR AXLE HOUSINGS (1)

년/월
Year/Month

2022-12



NOTE

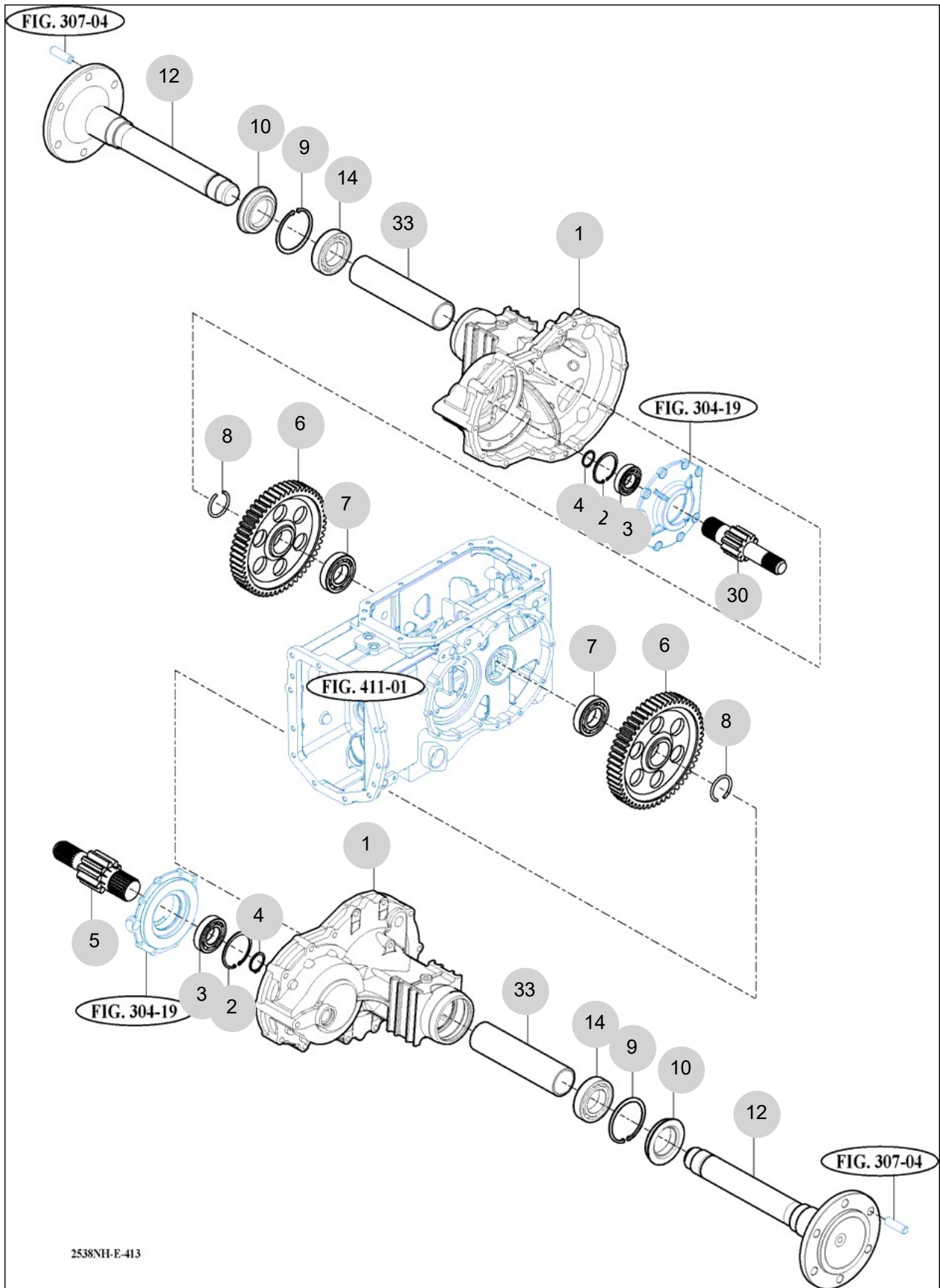
FIG 413

REAR AXLE HOUSINGS (2)

년/월
Year/Month

2022-12

T474NH



2538NH-E-413

NOTE

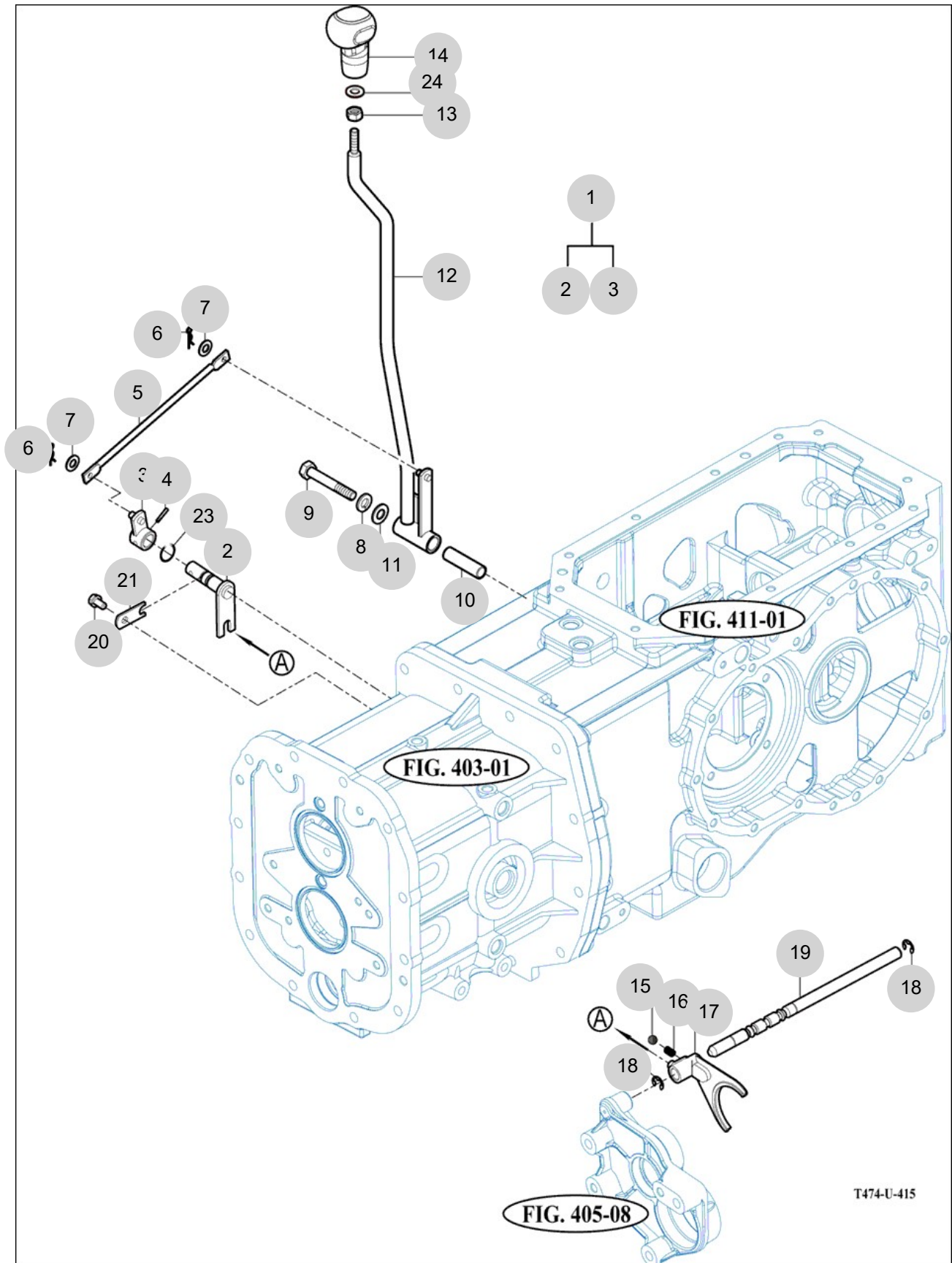
FIG 415

SUB CHANGE LEVER

년/월
Year/Month

2022-12

T474NH



NOTE

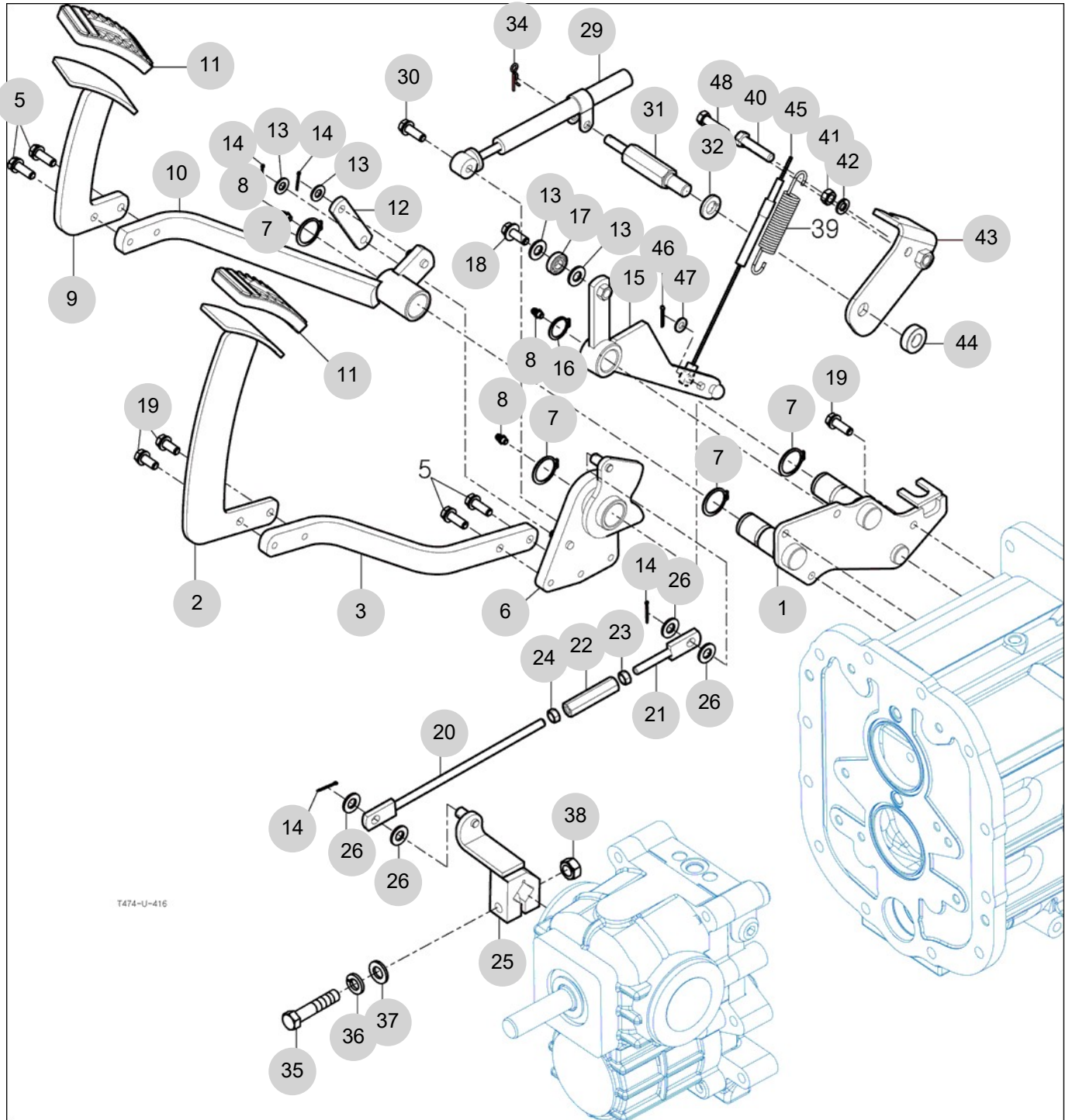
FIG 416

FORWARD & REVERSE CONTROL LINKAGE

년/월
Year/Month

2022-12

T474NH



NOTE

FIG 416		FORWARD & REVERSE CONTROL LINKAGE					년/월 Year/Month		
							2022-12		
T474NH		KEY NO	PART NO	DESCRIPTION	SPEC	QTY	REPAIR	EFFECTIVE DATE	REMARKS
416	1	12382313201	BRACKET COMP, HST PEDAL			1			
416	2	14722312703GB	PEDAL COMP , FORWARD	1X1X1		1			
416	3	14722310052	PLATE , FORWARD	25X9		1			
416	5	V2173608025	BOLT , HEX/S	M8X25		4			
416	6	12382312300	ARM COMP , FORWARD			1			
416	7	V7041400250	C-RING , SHAFT	25		4			
416	8	V7601500000	NIPPLE , GREASE/A-M6F			3			
416	9	14722312802GB	PEDAL COMP , REVERSE	1X1X1		1			
416	10	14722312603	ARM COMP	1X1X1		1			
416	11	14722312730	PAD	1X1X1		2			
416	12	14722310023	PLATE , REVERSE	19X6		1			
416	13	V4111600080	WASHER , PLAIN	M8		4			
416	14	V5001920020	PIN , SPLIT	2X20		4			
416	15	13832312501	ARM COMP , CAM FOLLOWER			1			
416	16	V7041400200	C-RING , SHAFT	20		1			
416	17	14722310060	BEARING , BALL			1			
416	18	V2013608035	BOLT , HEX	M8X35		1			
416	19	V2173608025	BOLT , HEX/S	M8X25		6			
416	20	12382325100	ROD COMP , LH			1			
416	21	11102325200	ROD COMP , RH			1			
416	22	16601220020	TURNBUCKLE , M8 L60			1			
416	23	V3042600080	NUT , HEX/2	M8		1			
416	24	15601320073	NUT , HEX LH	"2종,M8"		1			
416	25	12382312101	BRACKET COMP , HOLDER			1			
416	26	V4111600100	WASHER , PLAIN	M10		4			
416	29	14722312401	DAMPER , OIL	1X1X1		1			
416	30	V2183608035	BOLT , HEX/SP	M8X35		1			
416	31	10532310090	PIN , OIL DAMPER			1			
416	32	V4011600120	WASHER , SPRING	M12		1			
416	34	V5601600008	PIN , SNAP	8		1			
416	35	V2173610055	BOLT , HEX/S	M10X55		1			
416	36	V4011600100	WASHER , SPRING	M10		1			
416	37	V4111600100	WASHER , PLAIN	M10		1			
416	38	V3043600100	NUT , HEX/2	M10		1			
416	39	14722310033	SPRING , RETURN	D=2.4		1			
416	40	V2013608035	BOLT , HEX	M8X35		1			
416	41	V3042600080	NUT , HEX/2	M8		1			
416	42	V4011600080	WASHER , SPRING	M8		1			
416	43	13831163801	BRACKET , P			1			
416	44	10532310080	COLLAR , 12X24X8			1			
416	45	13831162700	CABLE ASSY , H THROTTLE 1100			1			
416	46	V5001920015	PIN , SPLIT	2X15		1			
416	47	V4111600060	WASHER , PLAIN	M6		1			
416	48	V2173608020	BOLT , HEX/S	M8X20		1			
NOTE									

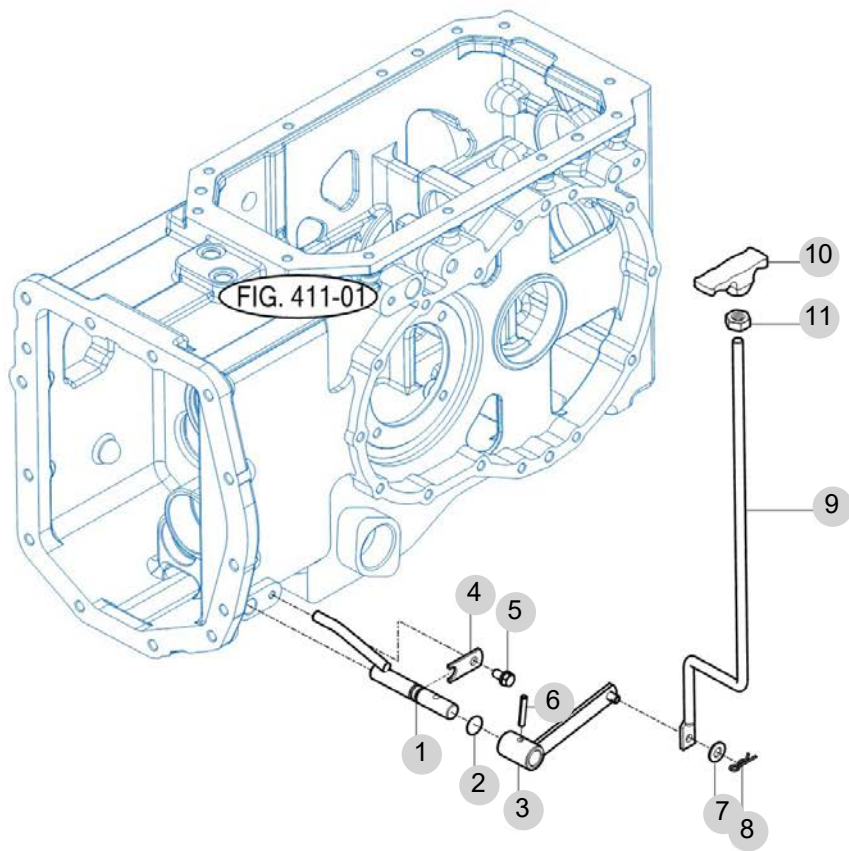
FIG 418

4WD CHANGE LEVER

년/월
Year/Month

T474NH

2022-12



2538NH-K-418

NOTE

5. Front Axle PART NO. T5

FIG 501 FRONT AXLE BRACKET	168
FIG 502 FRONT DIFF. GEARS & SHAFT	170
FIG 503 FRONT AXLE HOUSING	172
FIG 504 FRONT GEAR CASE (1)	174
FIG 505 FRONT GEAR CASE (2)	176

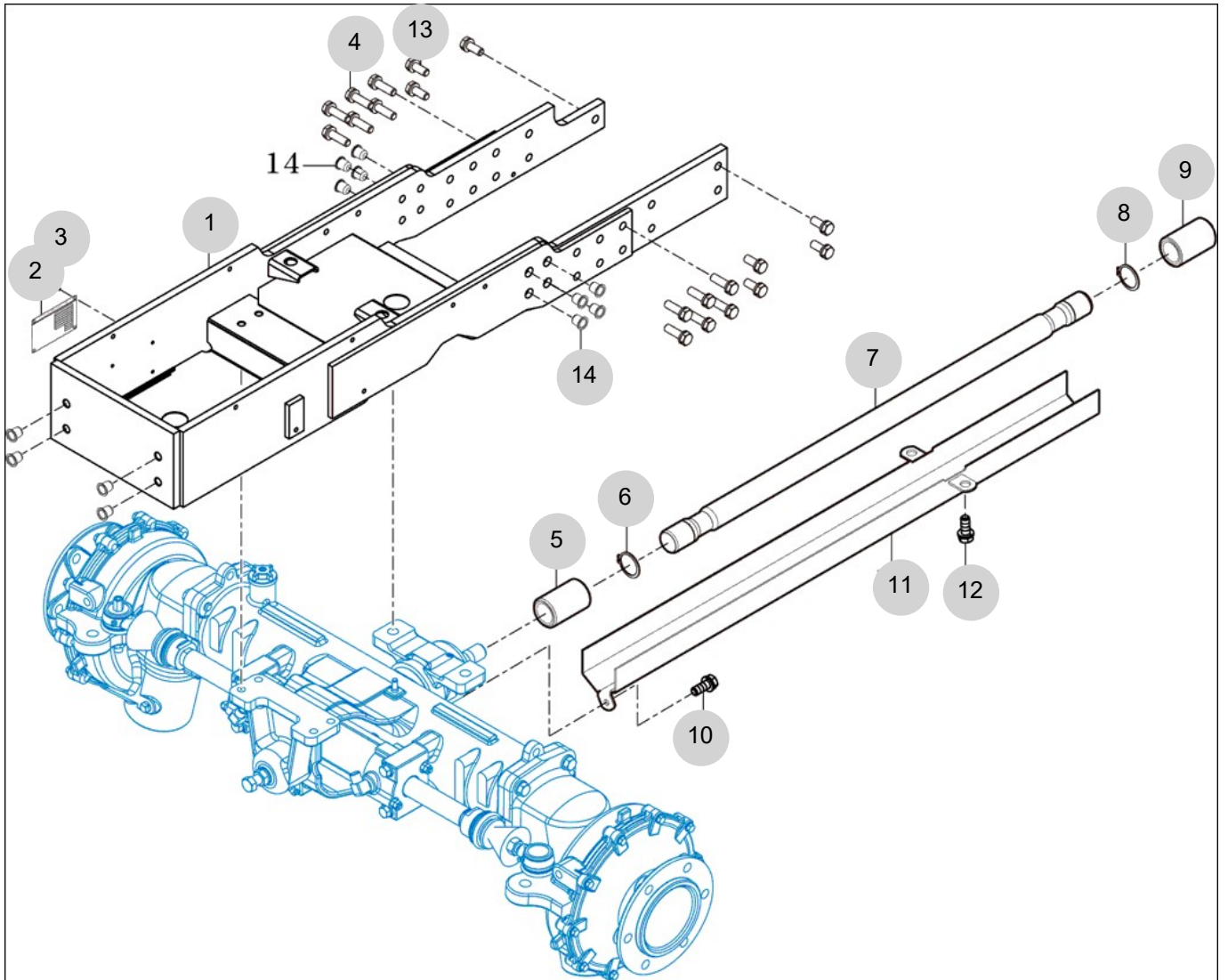
FIG 501

FRONT AXLE BRACKET

년/월
Year/Month

2022-12

T474NH



NOTE

FIG 501 T474NH		FRONT AXLE BRACKET					년/월 Year/Month		
							2022-12		EFFECTIVE DATE
KEY NO	PART NO	DESCRIPTION	SPEC	QTY	REPAIR	EFFECTIVE DATE	REMARKS		
501	1	13831021000ED	FRAME COMP, AXLE			1			
501	1	10981021000ED	FRAME COMP, AXLE			1			
501	2	T0019010021	LABEL , MODEL/EXPORT	1X1X1		1			
501	2	T0019110050	NAMEPLATE , USA			1			
501	3	V5502040093	RIVET , BLIND	4X9.3		4			
501	4	V2173612040	BOLT , HEX/S	M12X40		12			
501	5	14251320150	COUPLING	D=32		1			
501	6	V7041400250	C-RING , SHAFT	25		1			
501	7	13834100010	SHAFT , 4WD			1			
501	8	V7041400250	C-RING , SHAFT	25		1			
501	9	14251320150	COUPLING	D=32		1			
501	10	V2323606016	BOLT , C/R HEX/SP	M6X16		1			
501	11	13834102300GB	COVER COMP , 4WD SHAFT			1			
501	12	V2183608016	BOLT , HEX/SP	M8X16		2			
501	13	V2173612030	BOLT , HEX/S	M12X30		7			
501	14	14273170040	CAP , M14			12			
NOTE									

FIG 502

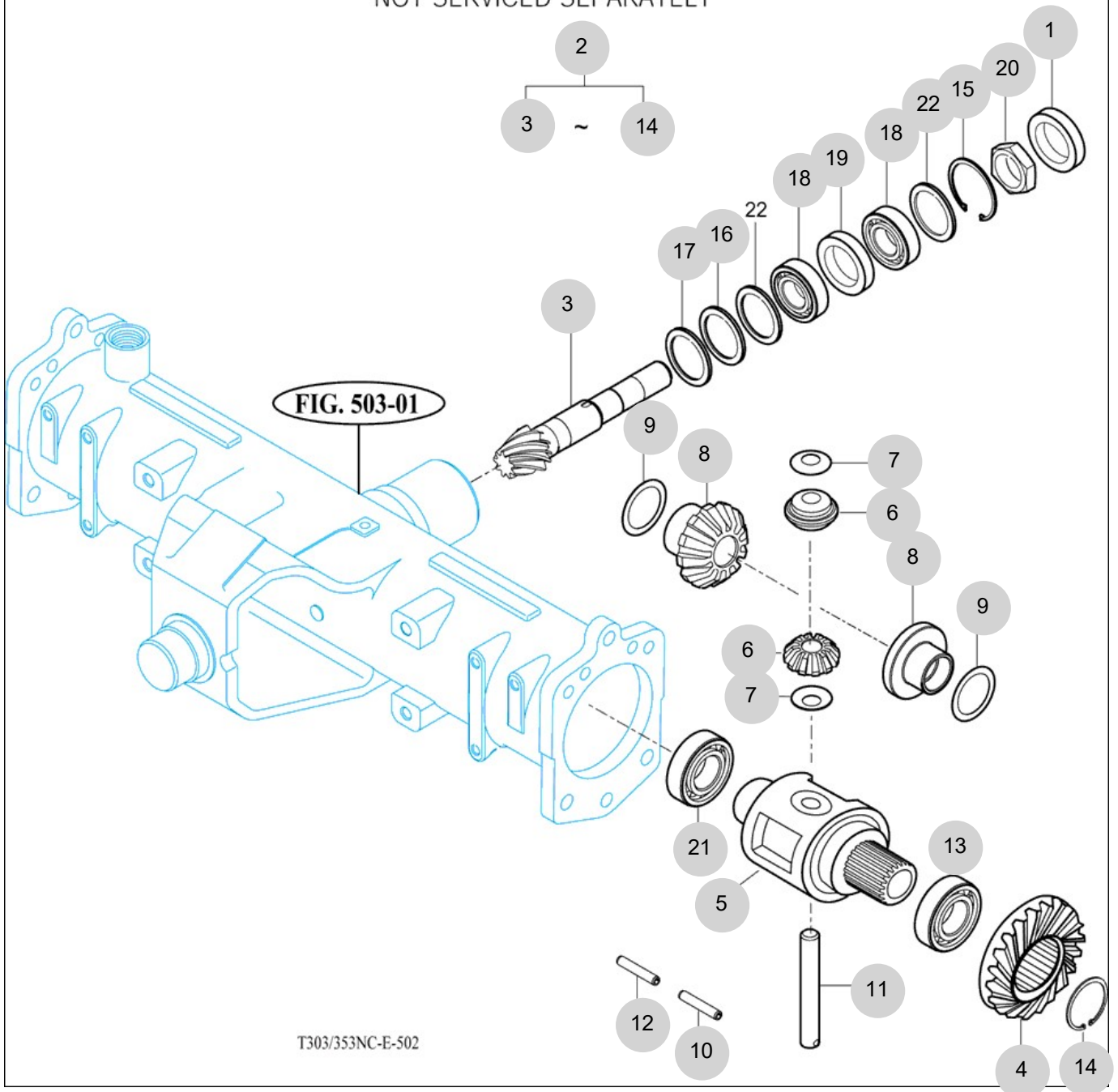
T474NH

FRONT DIFF. GEARS & SHAFT

년/월
Year/Month

2022-12

* NOT SERVICED SEPARATELY



NOTE

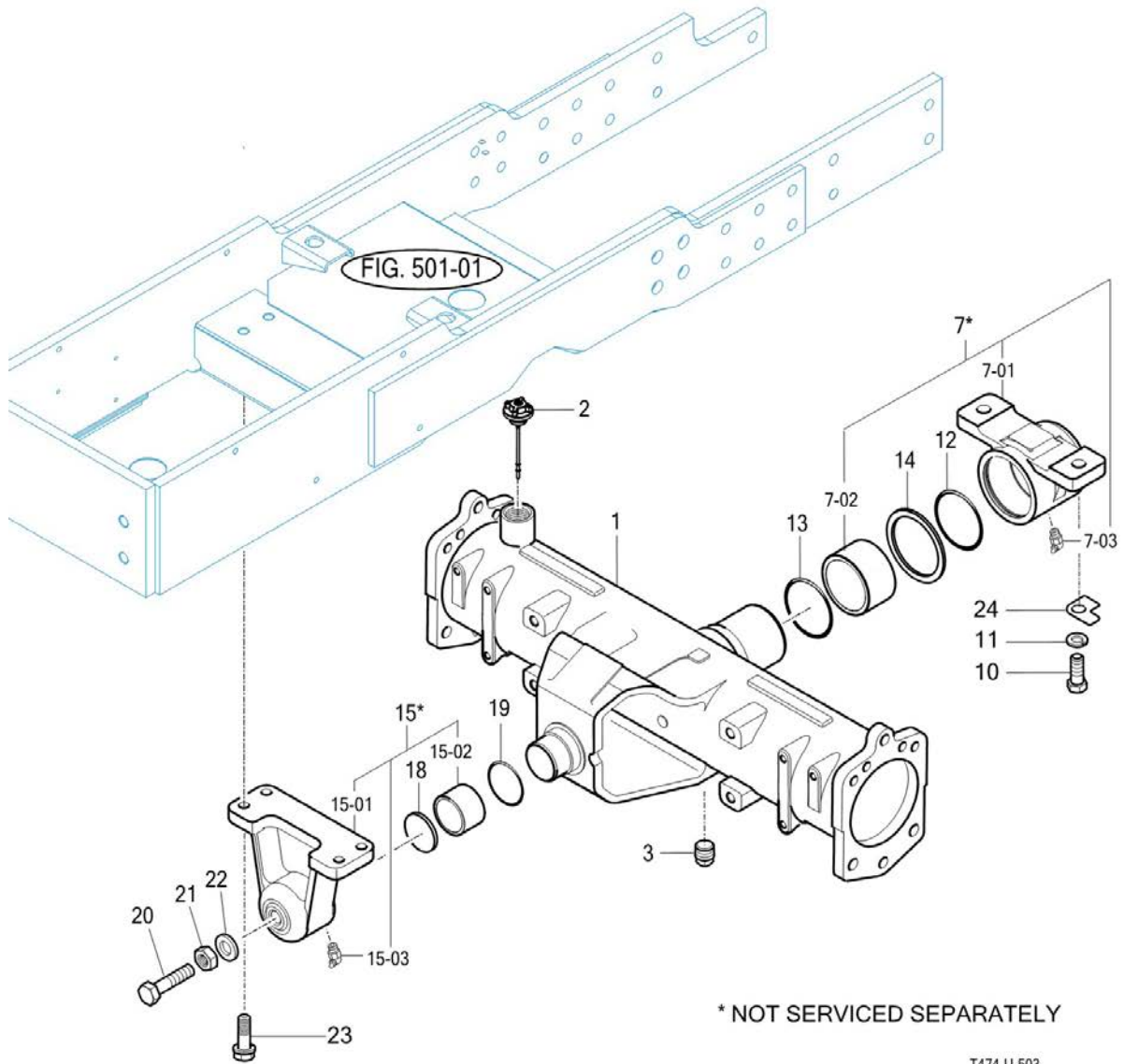
FIG 503

T474NH

FRONT AXLE HOUSING

년/월
Year/Month

2022-12



T474-U-503

NOTE

FIG 503 T474NH	FRONT AXLE HOUSING						년/월 Year/Month
							2022-12

KEY NO	PART NO	DESCRIPTION	SPEC	QTY	REPAIR	EFFECTIVE DATE	REMARKS
503	1	14524322000M	HOUSING , FRONT AXLE			1	
503	2	12394125100	CAP ASSY , OIL			1	
503	3	V7811600008	PLUG , SQUARE	R1/2		1	
503	7	16704362201	METAL ASSY , PIVOT	1X1X1		1	
503	701	16704362211M	METAL , PIVOT RR	1X1X1		1	
503	702	16704362221	BUSH , 75X80X30			1	
503	703	V7631500000	NIPPLE , GREASE/B-PT			1	
503	10	V2004616050	BOLT , HEX	M16X50		2	
503	11	V4011600160	WASHER , SPRING	M16		2	
503	12	V7201035040	O-RING , P	P40		1	
503	13	V7211031080	O-RING , G	G80		1	
503	14	16704310040	SPACER , R			1	
503	15	16704332101	METAL ASSY , PIVOT	1X1X1		1	
503	15-01	16704332111M	METAL , PIVOT FR	1X1X1		1	
503	15-02	16704332220	BUSH , 50X55X20			1	
503	15-03	V7631500000	NIPPLE , GREASE/B-PT			1	
503	18	16704020020	SPACER (F)	49X4.6		1	
503	19	V7211031055	O-RING , G	G55		1	
503	20	V2014616050	BOLT , HEX	M16X50		1	
503	21	V3052600160	NUT , HEX/3	M16		1	
503	22	14444120090	WASHER , SEAL	WD16263.5		1	
503	23	V2173612040	BOLT , HEX/S	M12X40		4	
503	24	14051060030	WASHER	T=1.2		2	

NOTE	
------	--

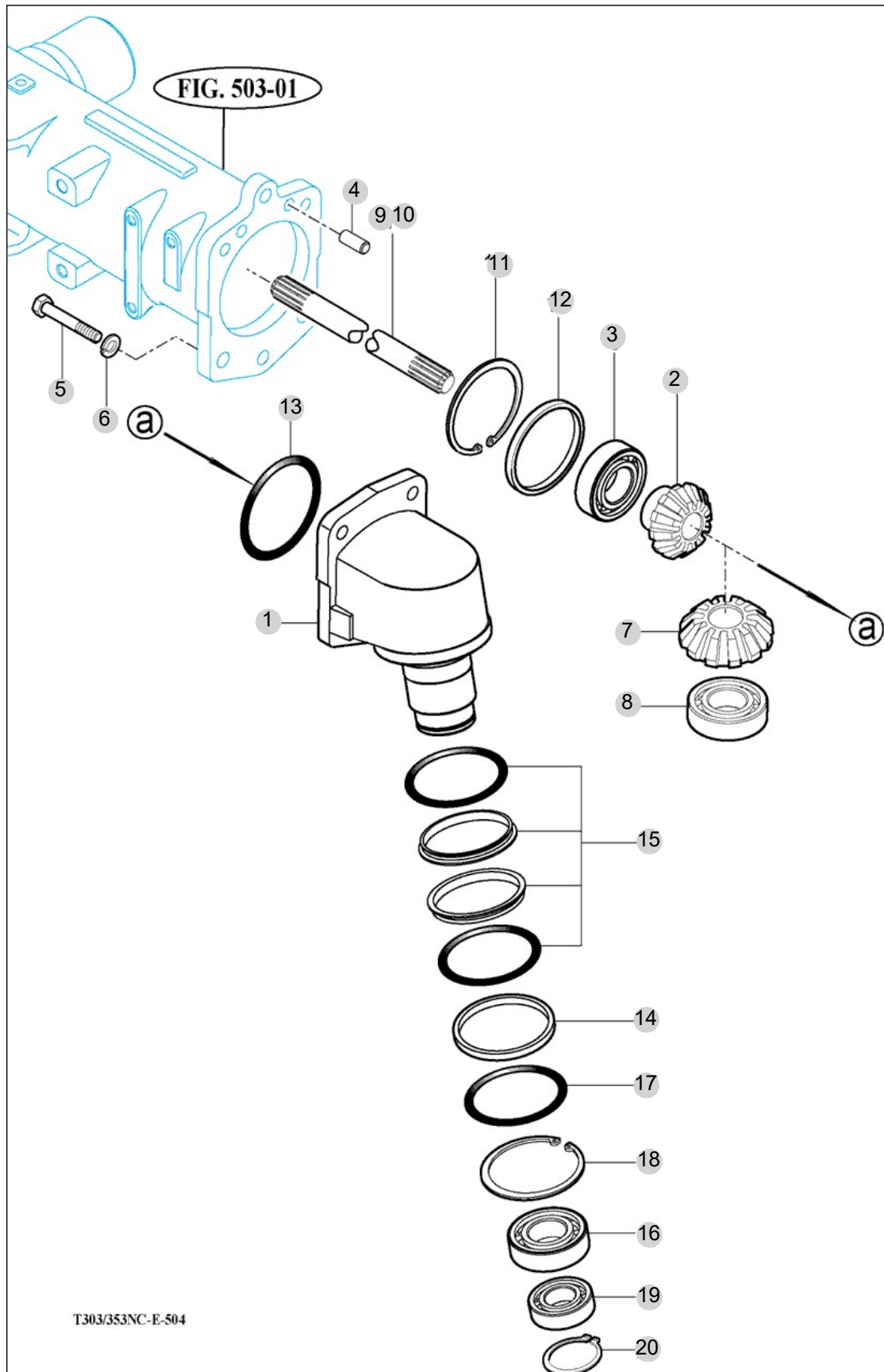
FIG 504

T474NH

FRONT GEAR CASE (1)

년/월
Year/Month

2022-12



NOTE

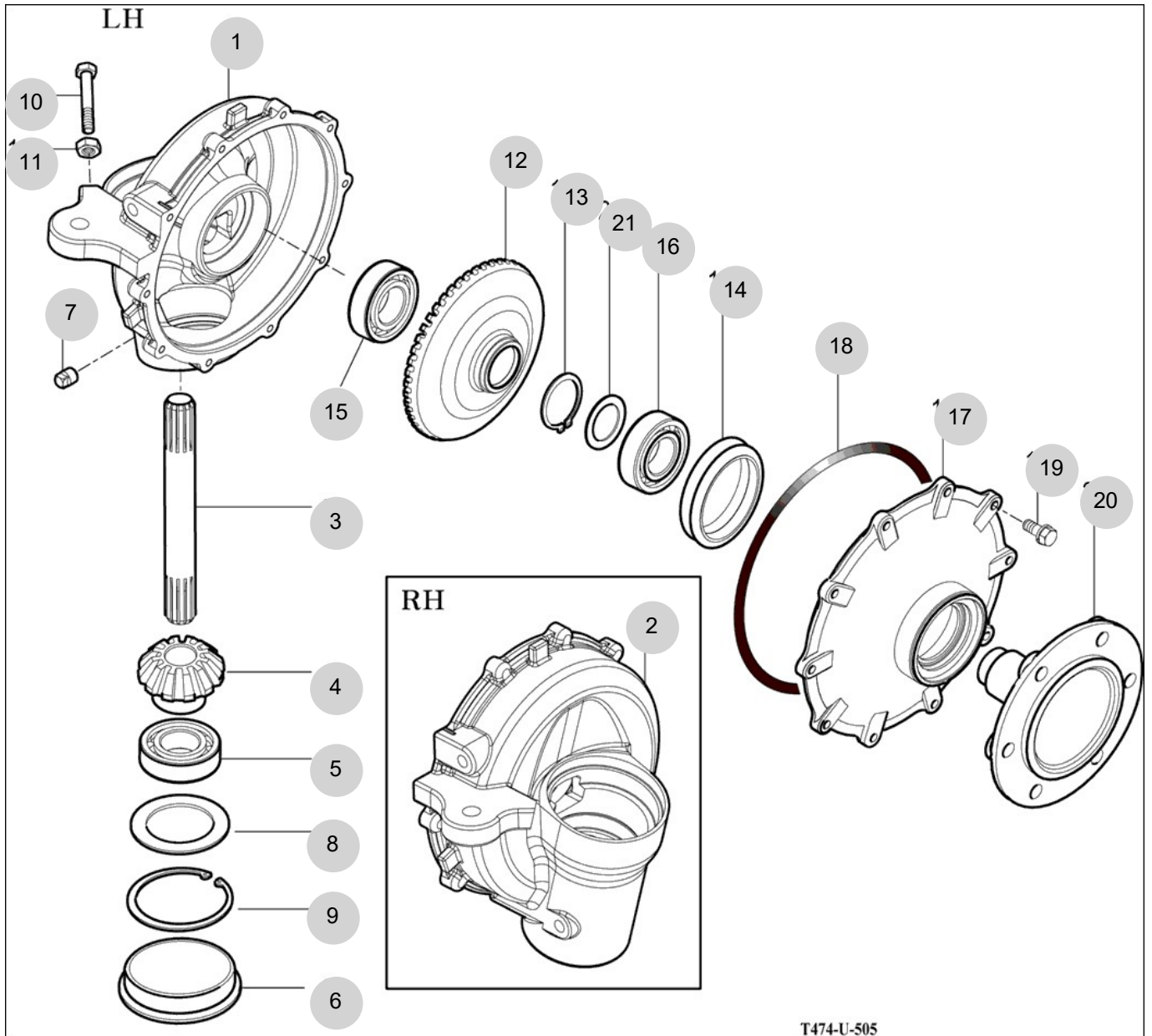
FIG 505

T474NH

FRONT GEAR CASE (2)

년/월
Year/Month

2022-12



NOTE

6. Hydraulic/3P-Link PART NO. T6

FIG 601 GEAR PUMP	179
FIG 602 CYLINDER CASE	181
FIG 603 LIFT ARM	183
FIG 604 CYLINDER	185
FIG 605 POSITION LINK (1)	187
FIG 606 POSITION LINK (2)	189
FIG 607 CONTROL VALVE	191
FIG 608 POSITION LEVER	193
FIG 609 HYDRAULIC PIPE (1)	195
FIG 610 HYDRAULIC PIPE (2)	198
FIG 611 EXTERIOR HYD VALVE	200
FIG 612 3-POINT LINK	202
FIG 613 HITCH & COVER	205
FIG 614 EXTERIOR POSITION LEVER	207

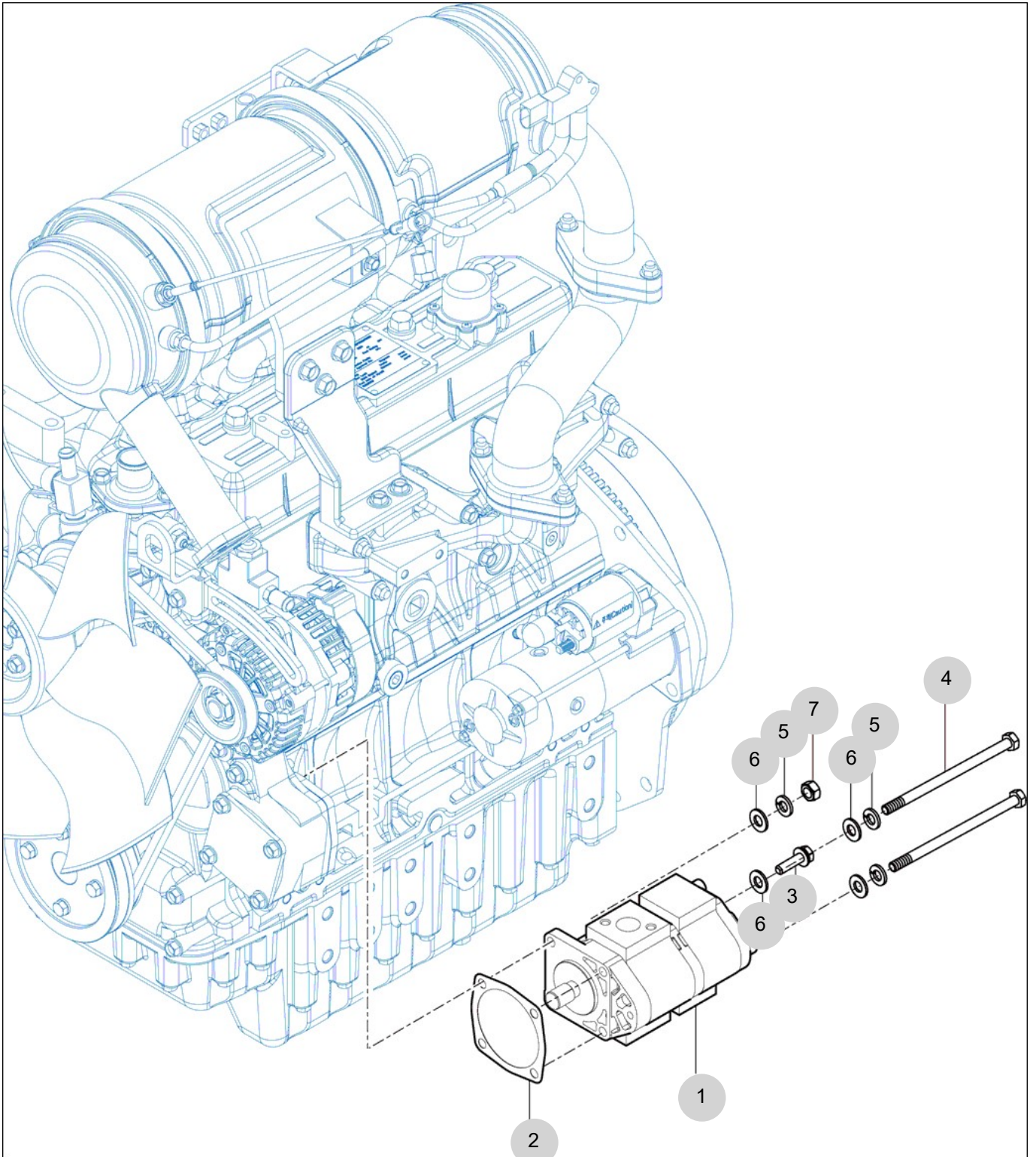
FIG 601

GEAR PUMP

년/월
Year/Month

2022-12

T474NH



NOTE

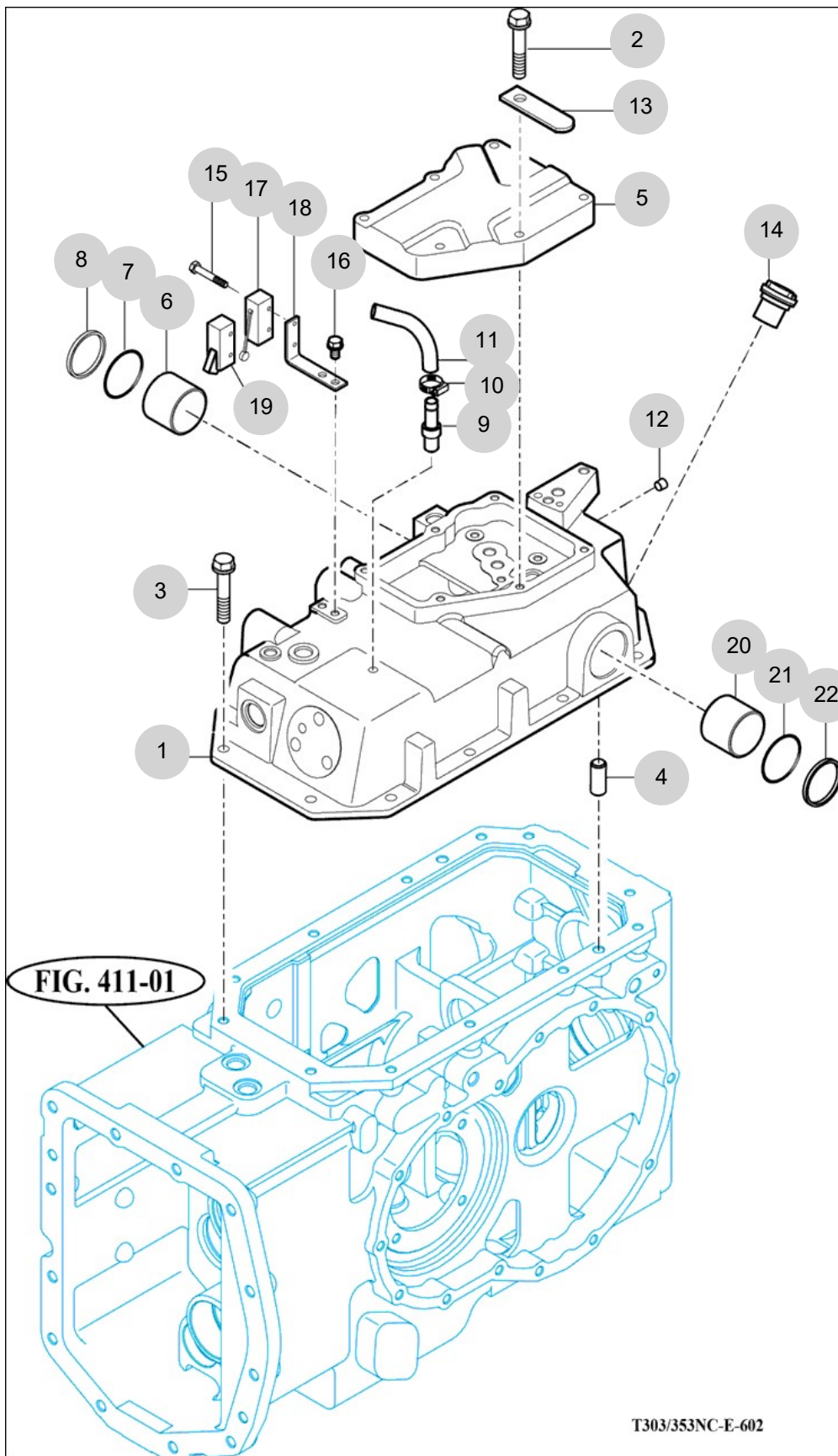
FIG 602

CYLINDER CASE

년/월
Year/Month

2022-12

T474NH



NOTE

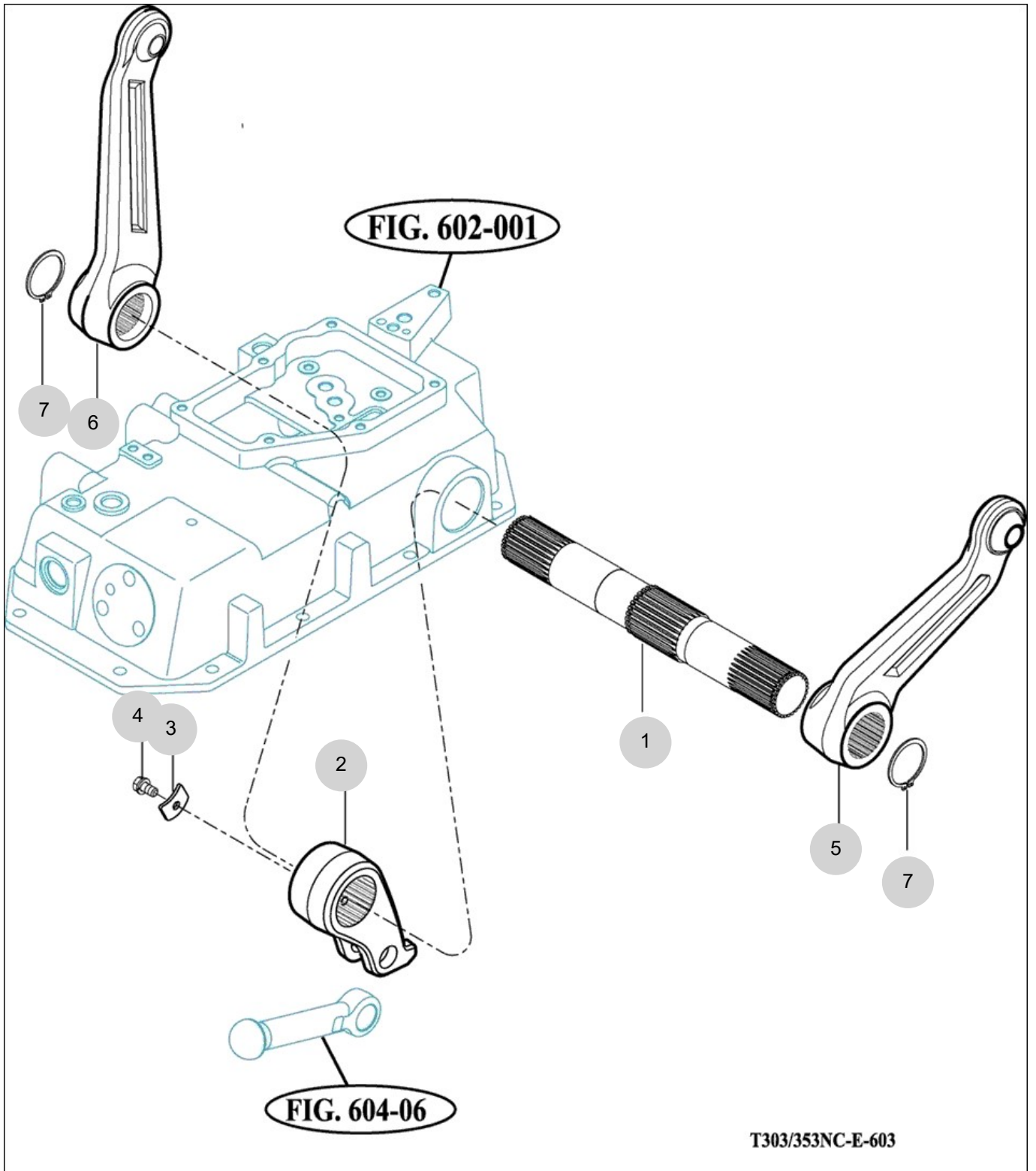
FIG 603

T474NH

LIFT ARM

년/월
Year/Month

2022-12



NOTE

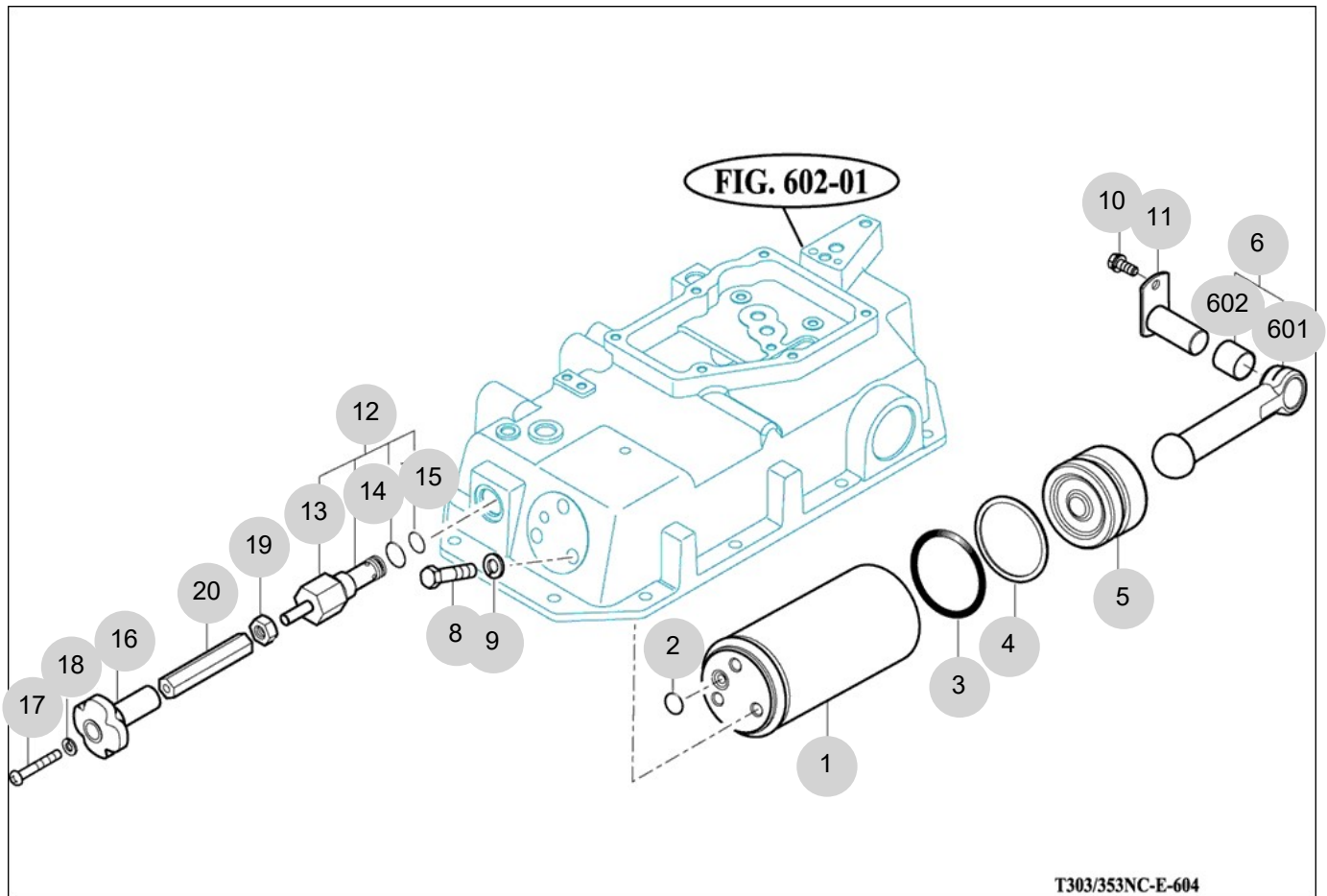
FIG 604

T474NH

CYLINDER

년/월
Year/Month

2022-12



NOTE

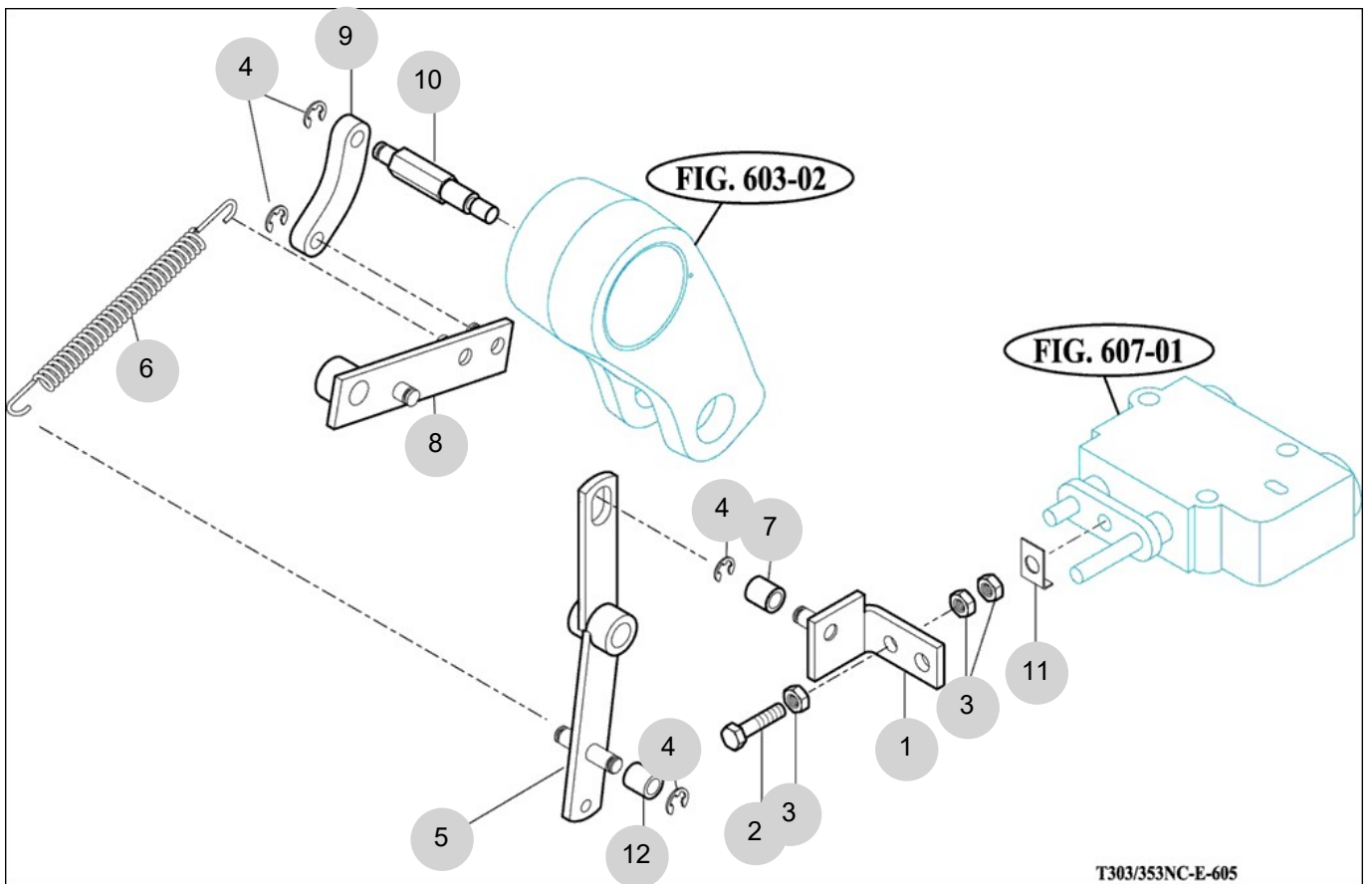
FIG 605

T474NH

POSITION LINK (1)

년/월
Year/Month

2022-12



NOTE

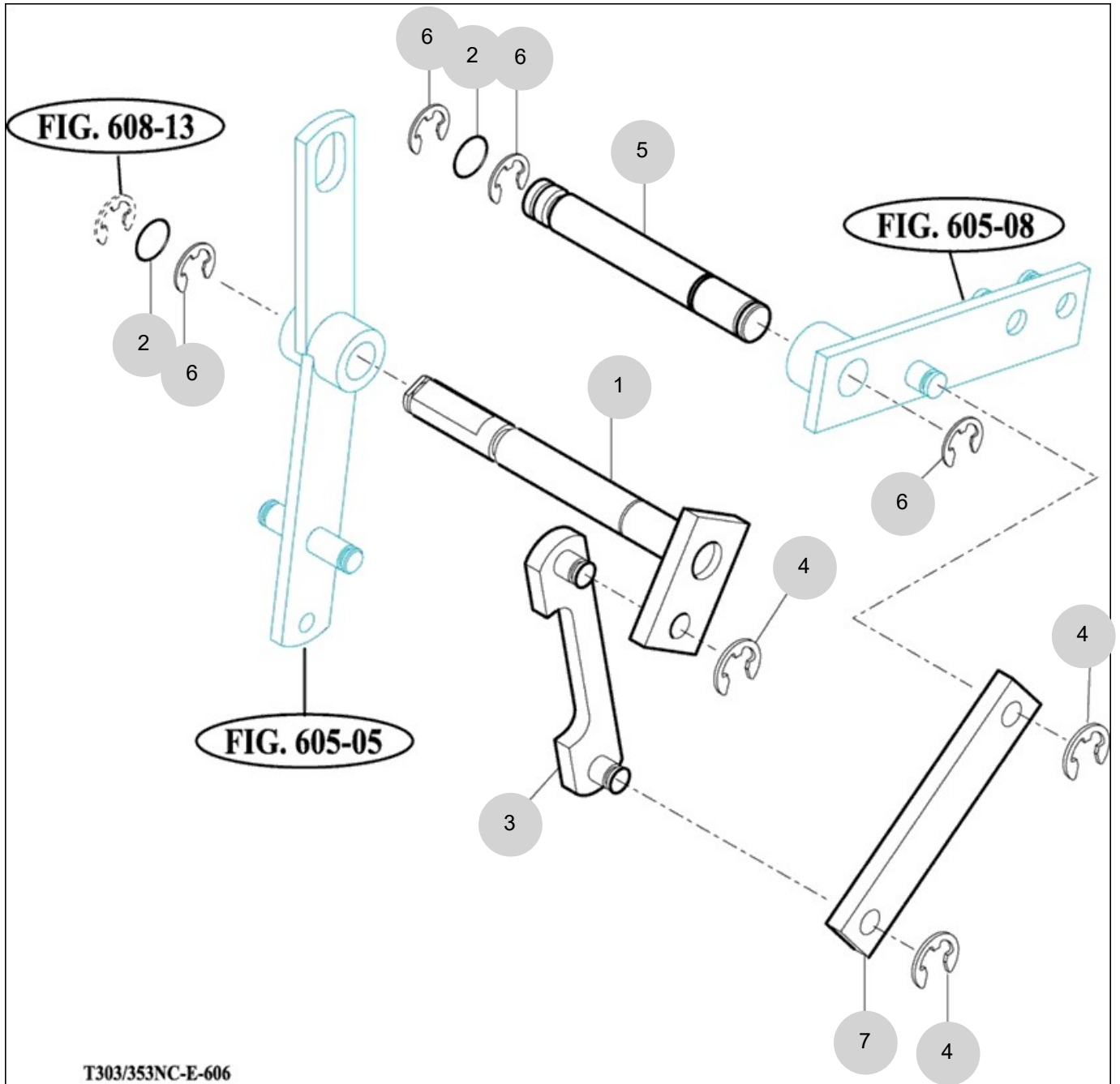
FIG 606

T474NH

POSITION LINK (2)

년/월
Year/Month

2022-12



T303/353NC-E-606

NOTE

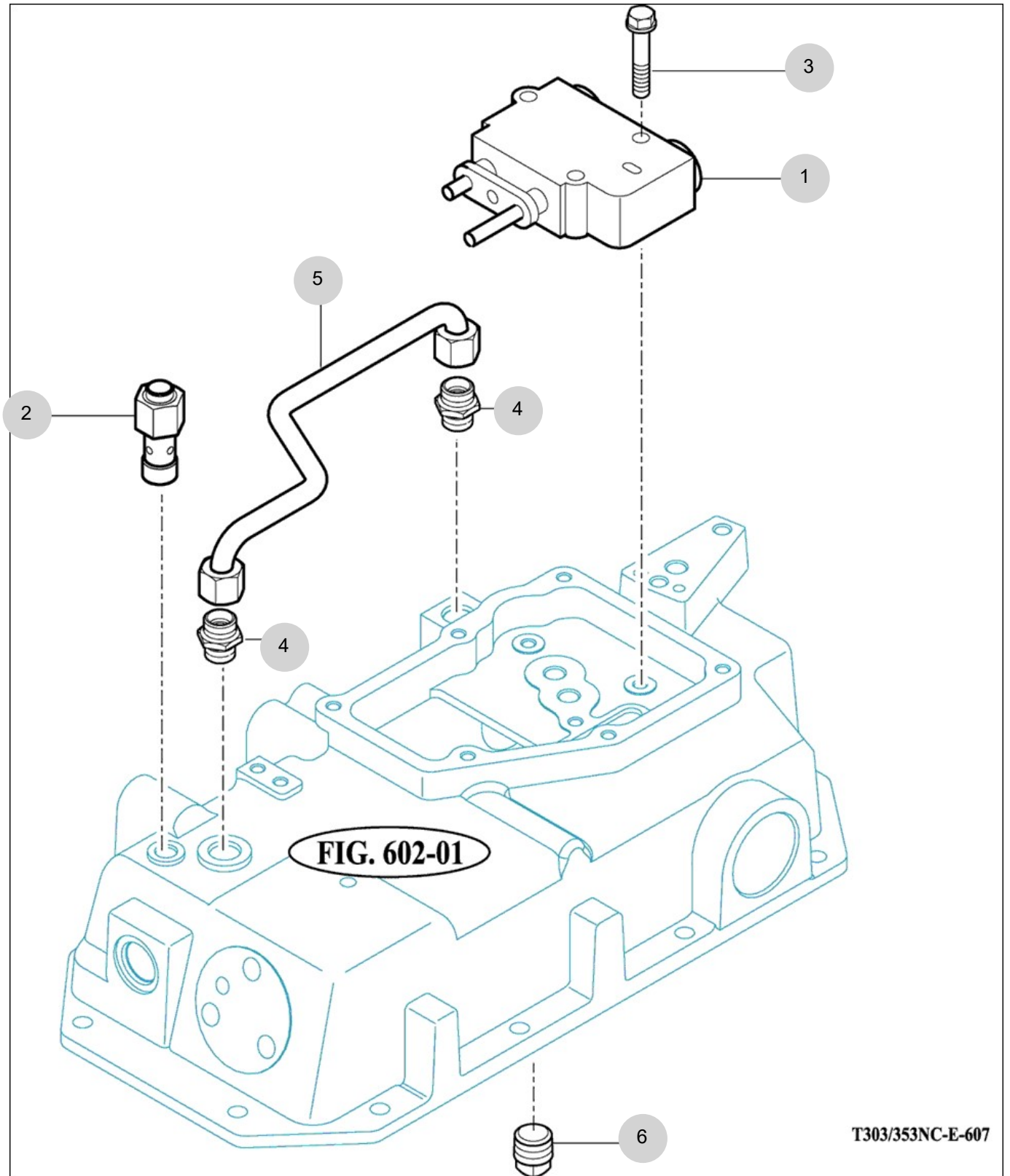
FIG 607

T474NH

CONTROL VALVE

년/월
Year/Month

2022-12



NOTE

FIG 607		CONTROL VALVE					년/월	
							Year/Month	
T474NH		2022-12						
KEY NO	PART NO	DESCRIPTION	SPEC	QTY	REPAIR	EFFECTIVE DATE	REMARKS	
607	1	17995050100	VALVE ASSY , MAIN CONTROL	115X125X36	1			
607	1	17995050101	VALVE , /MAIN CONTROL		1			
607	2	16700070000	VALVE ASSY , RELIEF	1X1X1	1			
607	3	V2173608045	BOLT , HEX/S	M8X45	3			
607	4	16705060060	UNION	HEX22	2			
607	5	16705062400	PIPE , CYLINDER COMP	1X1X1	1			
607	6	V7811600006	PLUG , SQUARE	R3/8	1			
NOTE								

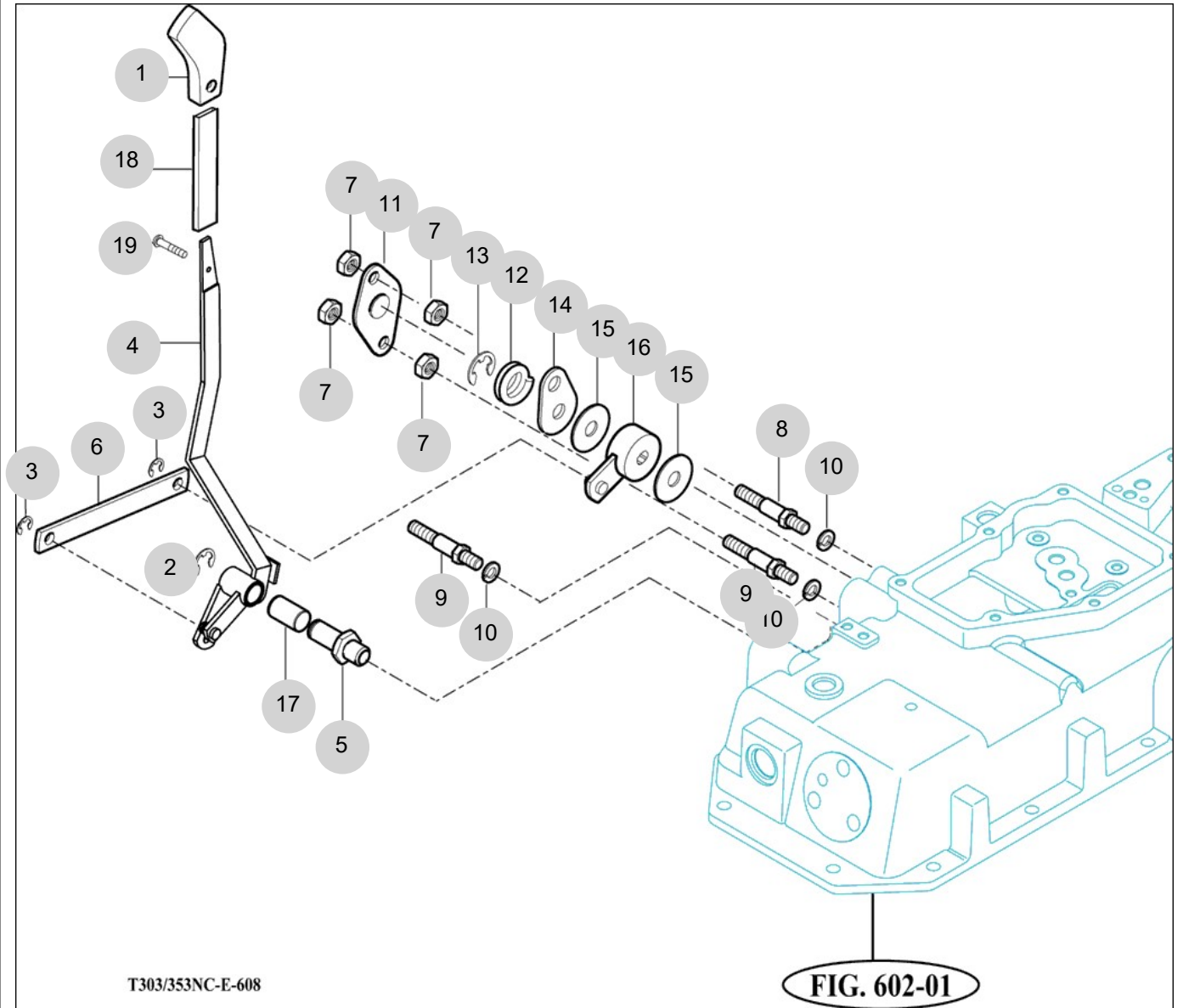
FIG 608

T474NH

POSITION LEVER

년/월
Year/Month

2022-12



NOTE

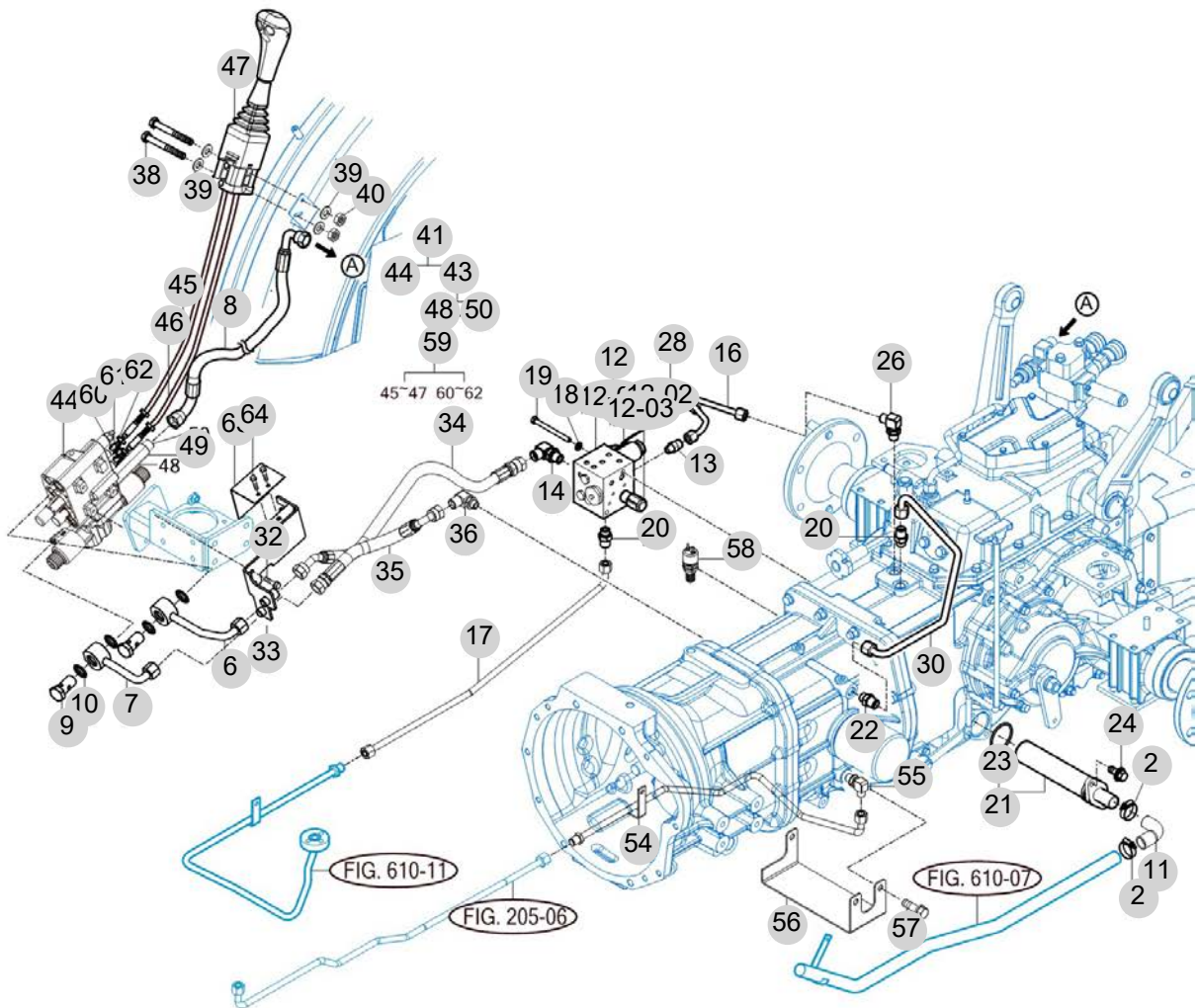
FIG 609

HYDRAULIC PIPE (1)

T474NH

년/월
Year/Month

2022-12



NOTE

FIG 609		HYDRAULIC PIPE (1)					년/월 Year/Month		
							2022-12		
T474NH		KEY NO	PART NO	DESCRIPTION	SPEC	QTY	REPAIR	EFFECTIVE DATE	REMARKS
609	2	18027090400	BAND CLAMP 40 EMBO TYPE			2			
609	6	13835412101GB	PIPE COMP , LOADER P			1			
609	7	13835412201GB	PIPE COMP , LOADER T			1			
609	8	13835152330	HOSE ASSY , HYD 1400			1			
609	9	19555410080	BOLT , EYE JOINT(PF1/2)			2			
609	10	19555410060	WASHER , GASKET PF1/2			4			
609	11	17405100011	HOSE			1			
609	12	14835182001	VALVE ASSY , PTO			1			
609	13	14444080062	CONNECTOR			1			
609	14	17407362300	ELBOW , PF3/8 PF1/2	"PF3/8,PF1/2"		1			
609	16	12385204200	PIPE COMP , PTO			1			
609	17	12385204701	PIPE COMP , DELIVERY			1			
609	18	V4011600080	WASHER , SPRING	M8		3			
609	19	V2013608090	BOLT , HEX	M8X90		3			
609	20	16995304000	UNION , O-RING	D25X25X36		2			
609	21	16705105000	FILTER ASSY , SUCTION	D51X92X265		1			
609	22	12385304000	UNION(M18 , PF3/8, 0.6 orifice)			1			
609	23	V7211031045	O-RING , G	G45		1			
609	24	V2183610025	BOLT , HEX/SP	M10X25		2			
609	26	16705100100	ELBOW UNIT , PF 3/8XM16	PF3/8XM16		1			
609	28	13267060022	PLUG , DRAIN	육각 B=12		1			
609	30	12385204300	PIPE COMP , PTO CLUTCH			1			
609	32	V2173608016	BOLT , HEX/S	M8X16		2			
609	33	13835413101GB	BRACKET COMP , LOADER			1			
609	33	13815256100GB	BRACKET COMP , LOADER			1			
609	34	17685162201	HOSE ASSY , HYD 550			1			
609	34	12644072600	HOSE ASSY , HYD 600			1			
609	35	15895413200	HOSE ASSY , HYD 380			1			
609	35	13815152200	HOSE ASSY , HYD 450			1			
609	36	17407362300	ELBOW , PF3/8 PF1/2	"PF3/8,PF1/2"		1			
609	38	V2173608085	BOLT , HEX/S	M8X85		2			
609	39	V4111600080	WASHER , PLAIN	M8		4			
609	40	V3042600080	NUT , HEX/2	M8		2			
609	41	13817753000	VALVE SUB , LOADER			1			
609	41	13805252000	VALVE SUB , LOADER			1			
609	42	13817752000	VALVE JOYSTIC ASSY , LOADER			1			
609	43	13835163000	FILTER ASSY , LINE			1			
609	44	13877752100	LOADER VALVE ASSY			1			
609	44	13805252100	LOADER VALVE ASSY			1			
609	45	13807752300	JOYSTIC CABLE ASSY(750)			1			
609	45	13805252210	JOYSTIC CABLE ASSY(760)			1			
609	46	11815252230	CABLE ASSY , JOYSTICK (790)			1			
609	46	13827752300	JOYSTIC CABLE ASSY(790)			1			
609	46	13807752400	JOYSTIC CABLE ASSY(770)			1			
609	47	13817752200	LEVER ASSY , JOYSTICK			1			
NOTE									

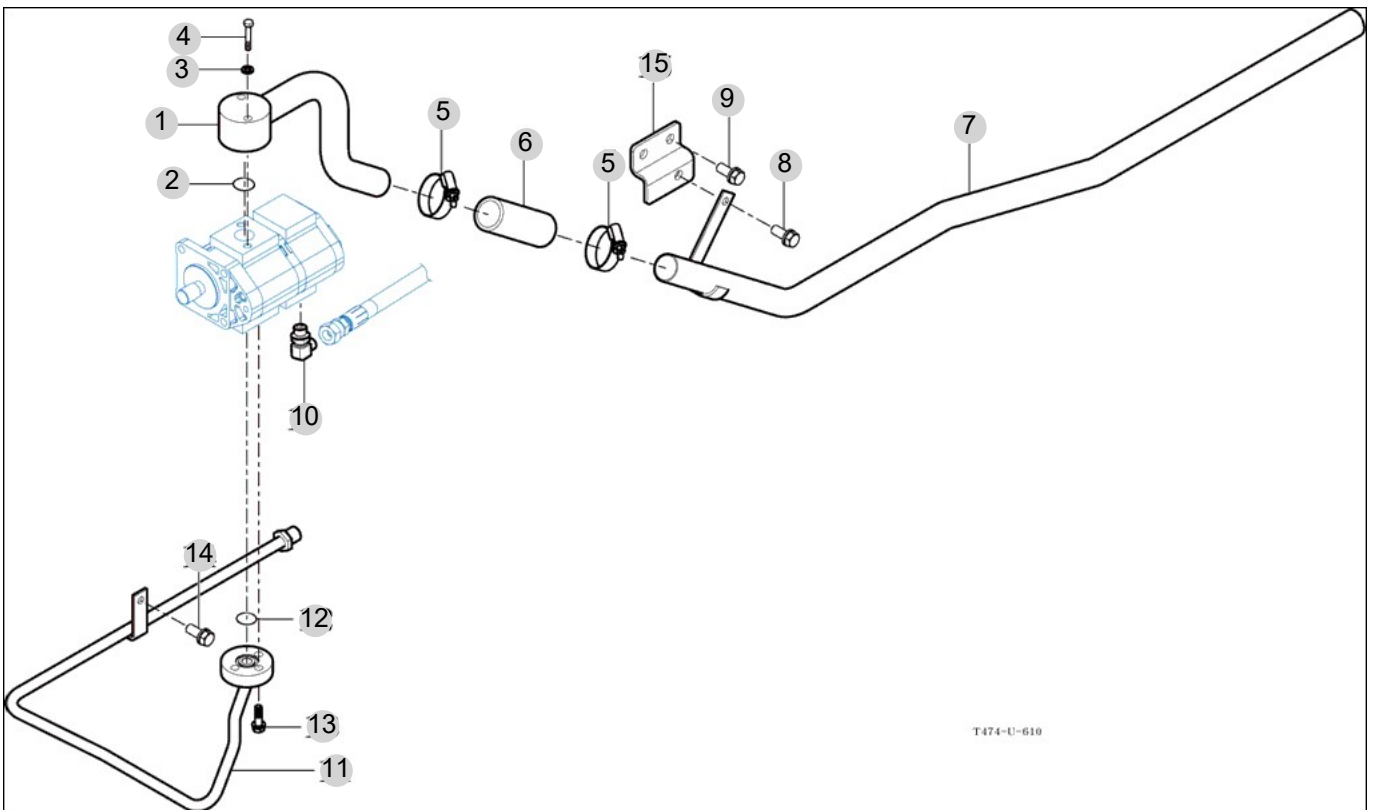
FIG 610

HYDRAULIC PIPE (2)

년/월
Year/Month

2022-12

T474NH



T474-U-610

NOTE

FIG 611

T474NH

EXTERIOR HYD VALVE

년/월
Year/Month

2022-12

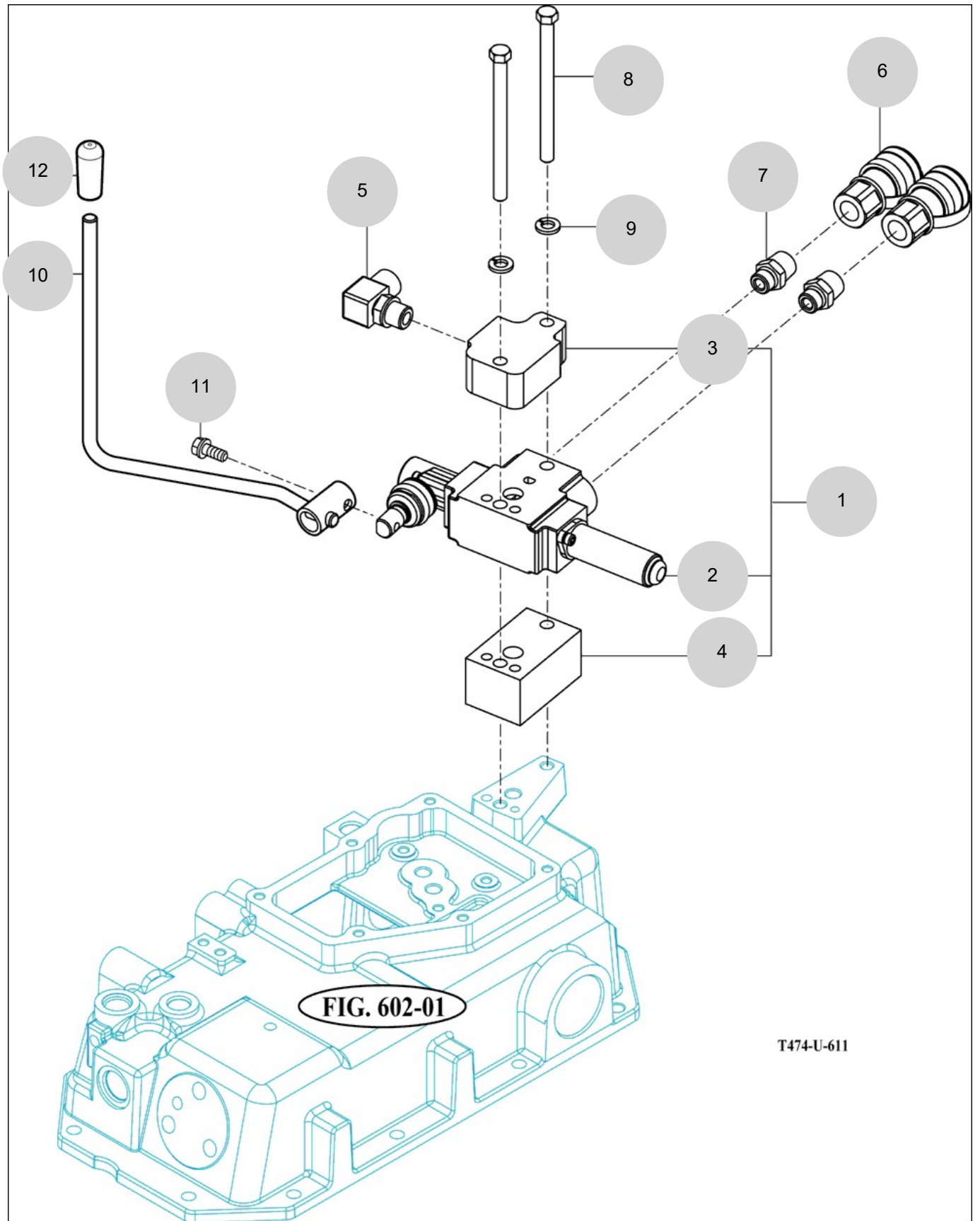


FIG. 602-01

T474-U-611

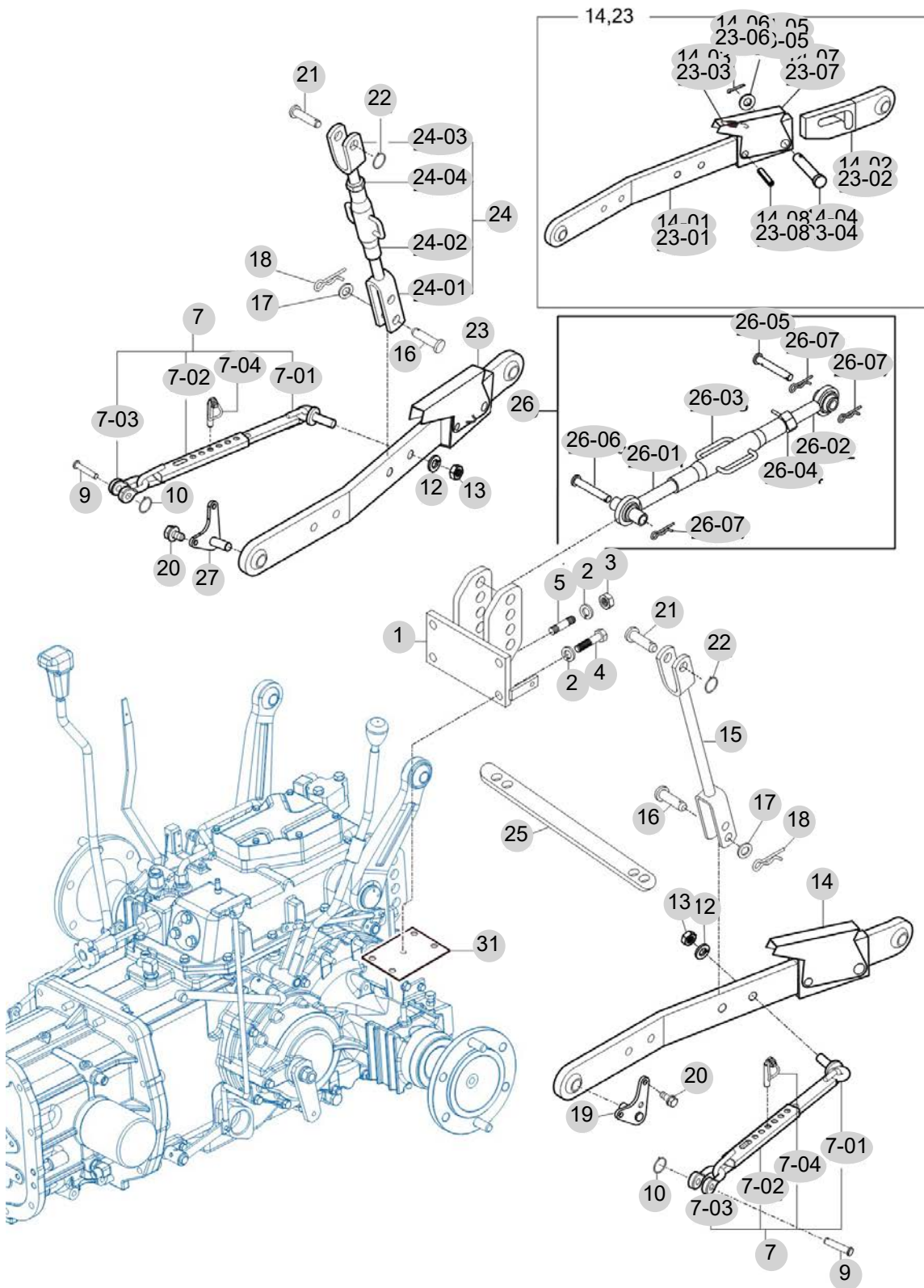
NOTE

FIG 612

3-POINT LINK

년/월
Year/Month

2022-12



NOTE

FIG 612		3-POINT LINK					년/월	
							Year/Month	
T474NH		2022-12						
KEY NO	PART NO	DESCRIPTION	SPEC	QTY	REPAIR	EFFECTIVE DATE	REMARKS	
612	1	16703172002GB	BRACKET COMP , TOP LINK		1			
612	2	V4011600140	WASHER , SPRING	M14	4			
612	3	V3043600140	NUT , HEX/2	M14	2			
612	4	V2014614035	BOLT , HEX		2			
612	5	V2514414030	BOLT , STUD/2	M14X30	2			
612	7	10525142500	CHAIN ASSY , CHECK		2			
612	7-01	10525142520	BAR COMP , CHECK		2			
612	7-02	10525142510	SOCKET COMP , CHECK		2			
612	7-03	16705142520	SHACKLE , CHECK CHAIN		2			
612	7-04	17705254200	PIN	M14	2			
612	9	79636110030	PIN , 12X48		2			
612	10	16735240060	Spring		2			
612	12	V4011600160	WASHER , SPRING	M16	2			
612	13	V3013600160	NUT , HEX/2	M16	2			
612	14	10525262300GB	LINK ASSY , LH LOWER		1			
612	14	10525262301GB	LOWER LINK ASSY , LH		1			
612	14-01	10525262310	LINK SUB , LOWER LH/FR		1			
612	14-02	10525262320	LINK SUB , LOWER LH/RR		1			
612	14-03	15155262330	SPRING , EXTENSION		1			
612	14-04	15155262340	PIN , 22X56		1			
612	14-05	V4111600220	WASHER , PLAIN	M22	1			
612	14-06	V5001940035	PIN , SPLIT	4X35	1			
612	14-07	15155262350	GRIP		1			
612	14-08	15155262360	PIN , SPRING		1			
612	15	10525243000GB	ROD ASSY , LIFT		1			
612	16	15605260014	PIN , 16X51		2			
612	17	V4111600160	WASHER , PLAIN	M16	2			
612	18	V5601600160	PIN , SNAP		2			
612	19	12385142200	PIN COMP , LH		2			
612	20	V2173612030	BOLT , HEX/S	M12X30	4			
612	21	16735243500	PIN		2			
612	22	16735240060	Spring		2			
612	23	10525262200GB	LINK ASSY , RH LOWER		1			
612	23	10525262201GB	LOWER LINK ASSY , RH		1			
612	23-01	10525262210	LINK SUB , LOWER RH/FR		1			
612	23-02	10525262220	LINK SUB , LOWER RH/RR		1			
612	23-03	15155262330	SPRING , EXTENSION		1			
612	23-04	15155262340	PIN , 22X56		1			
612	23-05	V4111600220	WASHER , PLAIN	M22	1			
612	23-06	V5001940035	PIN , SPLIT	4X35	1			
612	23-07	15155262350	GRIP		1			
612	23-08	15155262360	PIN , SPRING		1			
612	24	10525244000GB	ROD ASSY , RH LIFT		1			
612	24-01	10525145200	FORK COMP , LOW		1			
612	24-02	16705145100	SLIP COMP		1			
NOTE								

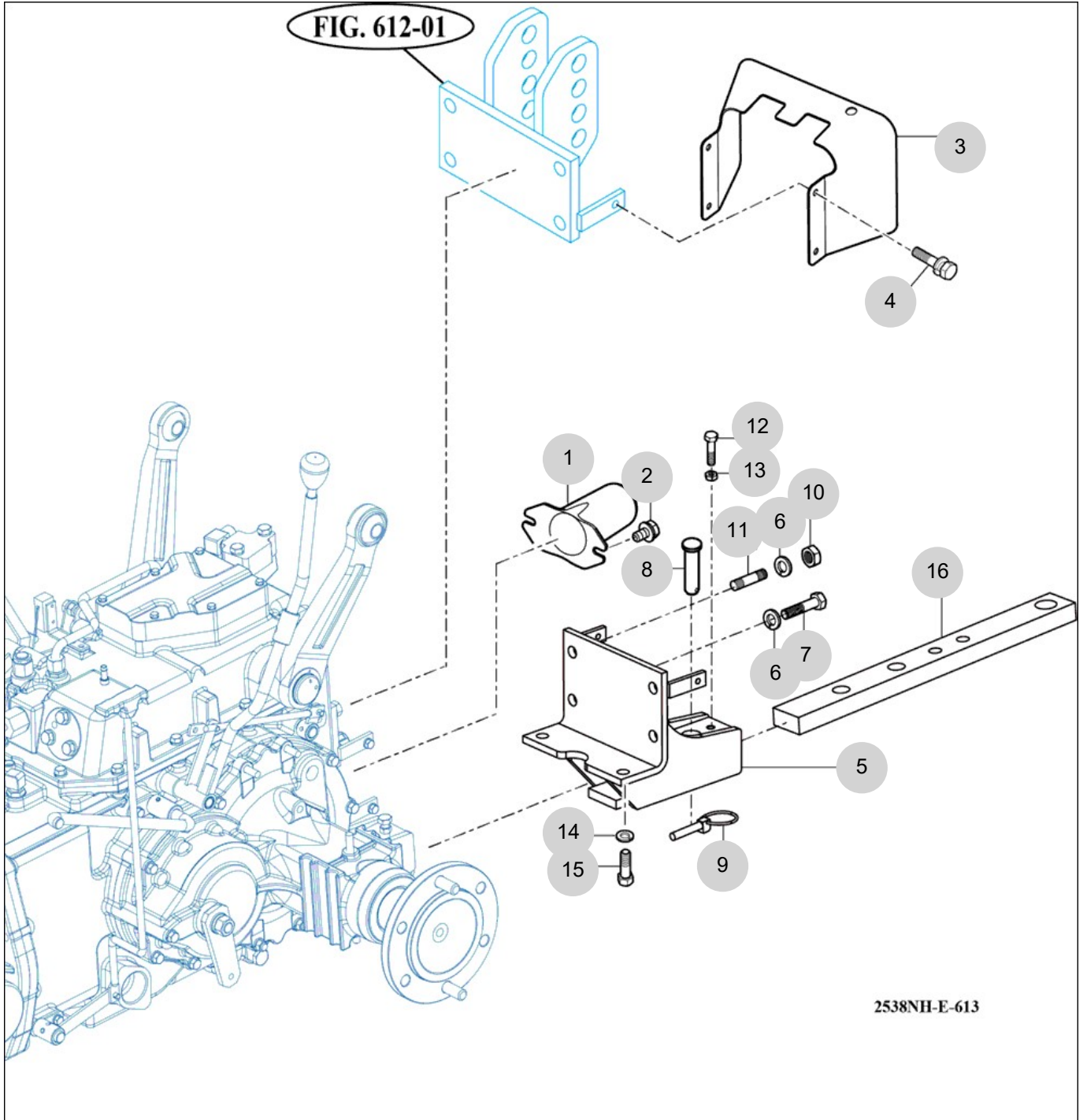
FIG 613

HITCH & COVER

년/월
Year/Month

2022-12

T474NH



NOTE

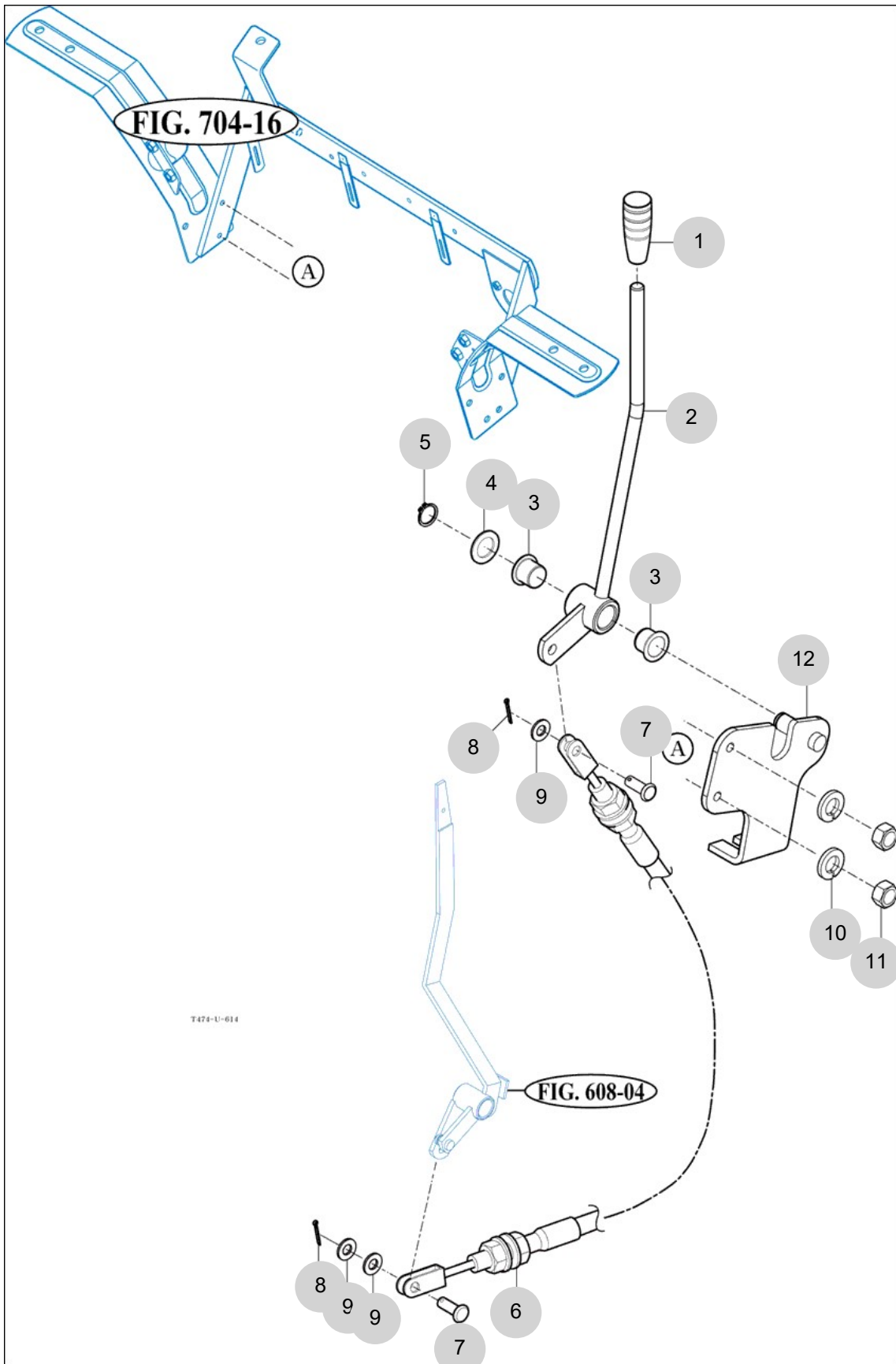
FIG 614

EXTERIOR POSITION LEVER

년/월
Year/Month

T474NH

2022-12



NOTE

7. Sheet Metal & Cabin PART NO. T7

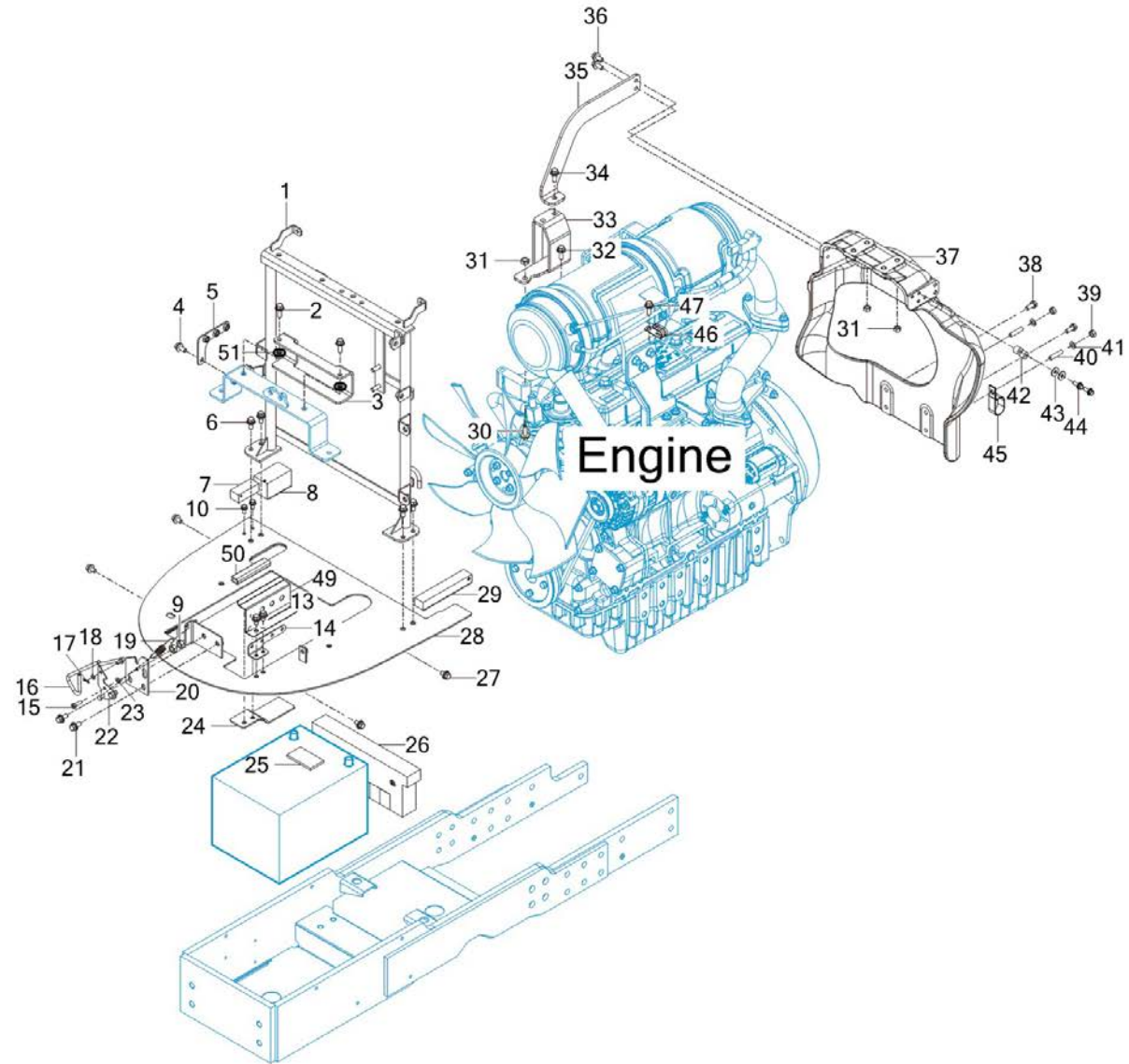
FIG 701 HOOD FRAME	210
FIG 702 HOOD	213
FIG 703 EXTENSION COVER	216
FIG 704 FENDER & REAR FRAME	218
FIG 705 DASHPANEL	221
FIG 706 FLOOR PANEL	223
FIG 707 SEAT	225
FIG 708 FRONT & REAR MOUNTING	227
FIG 709 ROPS	229

FIG 701

HOOD FRAME

년/월
Year/Month

2022-12



NOTE

FIG 701		HOOD FRAME					년/월	
							Year/Month	
T474NH		2022-12						
KEY NO	PART NO	DESCRIPTION	SPEC	QTY	REPAIR	EFFECTIVE DATE	REMARKS	
701	1	13831031100GB	FRAME COMP , FRONT		1			
701	2	V2183608020	BOLT , HEX/SP	M8X20	2			
701	2	V2183608030	BOLT , HEX/SP	M8X30	2			
701	3	13831811400GB	BRACKET , BATTERY FIX		1			
701	4	V2183608020	BOLT , HEX/SP	M8X20	1			
701	5	13831613200GB	BRACKET COMP , RELAY		1			
701	6	V2183608020	BOLT , HEX/SP	M8X20	4			
701	7	13831030700	INSULATOR , B		1			
701	8	13831030800	INSULATOR , C		1			
701	9	V3013600060	NUT .HEX NORMAL /2	M6	2			
701	10	V2123606016	BOLT , HEX /SP	M6X16	2			
701	13	V2183606016	BOLT , HEX/SP	M6X16	2			
701	14	13831613400GB	BRACKET , FUSE		1			
701	15	V2323606020	BOLT , C/R HEX/SP	M6X20	1			
701	16	18366024300	ROD COMP, OPEN		1			
701	17	V5001925020	PIN D2.5x20	2.5X20	1			
701	18	V4111600060	WASHER , PLAIN	M6	1			
701	19	14143120020	SPRING , TENSION 53	D=1.2	1			
701	19	11106020010	SPRING , TENSION 40		1			
701	20	11106024210	STAY , HOOD B		1			
701	21	V2183608020	BOLT , HEX/SP	M8X20	2			
701	22	11106024100	STAY COMP , HOOD A		1			
701	23	V4111600060	WASHER , PLAIN	M6	1			
701	24	13831052200GB	BRACKET COMP , COVER		1			
701	25	13151112011	INSULATOR , 40X70	T=5	1			
701	26	13831030500	INSULATE , GRILL PLATE		1			
701	27	V2183608016	BOLT , HEX/SP	M8X16	4			
701	28	13831052101GB	PLATE COMP , GRILL		1			
701	29	13831030600	INSULATOR , A		1			
701	30	V2173610055	BOLT , HEX/S	M10X55	1			
701	31	V3042600100	NUT , HEX/2	M10	3			
701	32	V2183610025	BOLT , HEX/SP	M10X25	1			
701	33	13801712100GB	STAND COMP		1			
701	34	V2183608025	BOLT , HEX/SP	M8X25	1			
701	35	13831811200GB	STRUT BAR		1			
701	36	V2183608020	BOLT , HEX/SP	M8X20	2			
701	37	13831811100GB	E/G REAR SUPPORTER		1			
701	38	V2173608025	BOLT , HEX/S	M8X25	2			
701	39	V3042600080	NUT , HEX/2	M8	2			
701	40	V2513408025	BOLT , STUD/2	M8X25	2			
701	41	V4011600080	WASHER , SPRING	M8	2			
701	42	13831811300	SPACER		2			
701	43	V4111600060	WASHER , PLAIN	M6	2			
701	44	V2113606040	BOLT , HEX /S	M6X40	2			
701	45	14441010161	CLAMP , RADIATOR HOSE	1X1X1	1			
NOTE								

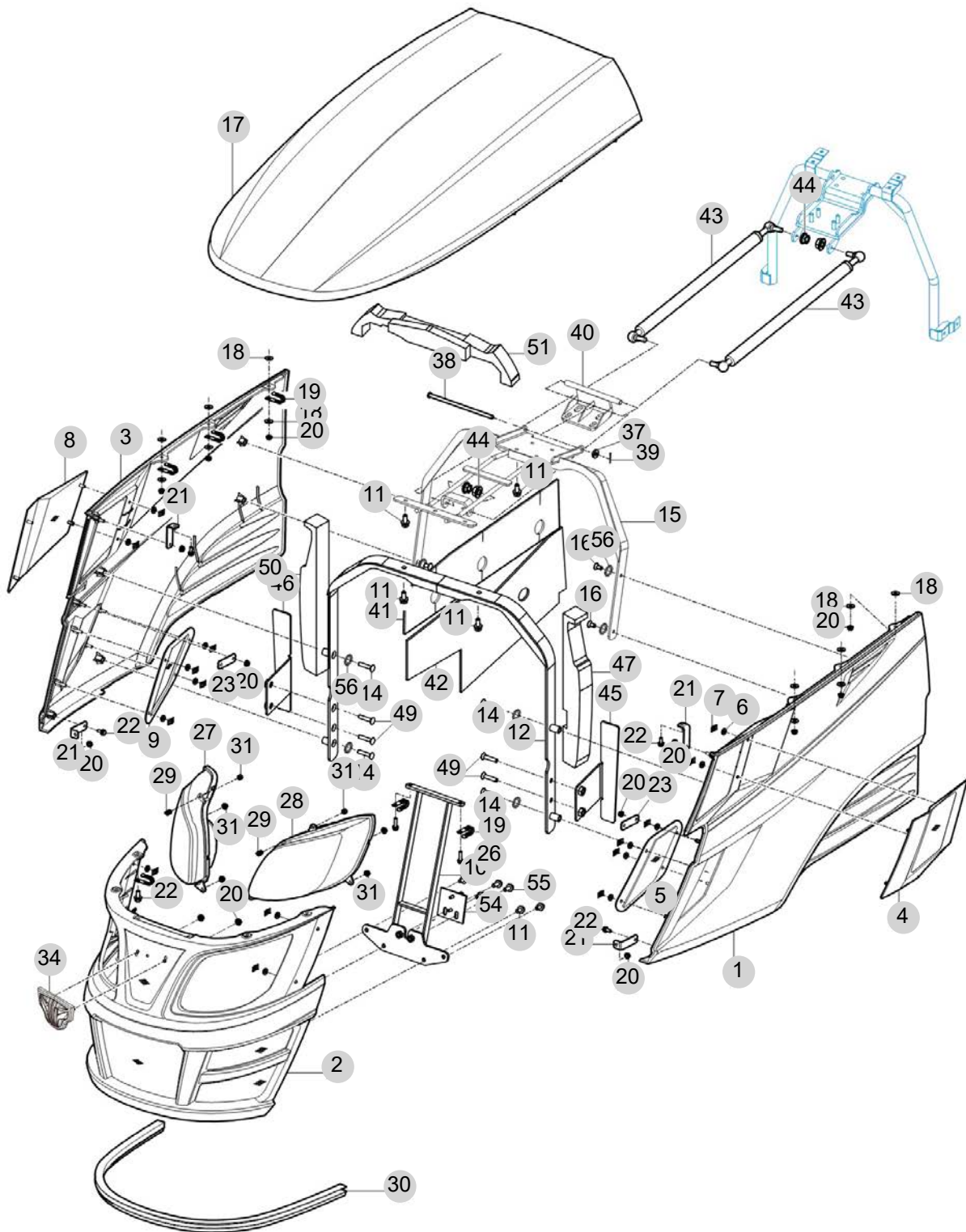
FIG 702

HOOD

년/월
Year/Month

2022-12

T474NH



NOTE

FIG 702		HOOD					년/월 Year/Month		
							2022-12		
T474NH		KEY NO	PART NO	DESCRIPTION	SPEC	QTY	REPAIR	EFFECTIVE DATE	REMARKS
702	1	17406203301SR	COVER COMP , SIDE/LH			1			
702	1	17406203302SR	COVER COMP , SIDE/LH			1			
702	1	17406203303SR	COVER COMP , SIDE/LH			1			
702	2	17406203200GB	GRILLE COMP			1			
702	2	17406203201GB	GRILLE COMP			1			
702	3	17406203401SR	COVER COMP , SIDE/RH			1			
702	3	17406203402SR	COVER COMP , SIDE/RH			1			
702	3	17406203403SR	COVER COMP , SIDE/RH			1			
702	4	17406203500GB	NET , UPR/LH			1			
702	5	17406203600GB	NET , LOW/LH			1			
702	6	14446010150	WASHER , NET			22			
702	7	V3501600060	NUT, PUSH-ON SPRING	M6		22			
702	8	17406203700GB	NET , UPR/RH			1			
702	9	17406203800GB	NET , LOW/RH			1			
702	10	18366202500GB	PIN COMP , HOOD LOCK			1			
702	11	V2183608020	BOLT , HEX/SP	M8X20		13			
702	12	13836202300GB	FRAME COMP , FR			1			
702	14	V1122608040	SCREW , C/R FLAT	M8X40		4			
702	15	17406202700GB	FRAME COMP , HOOD/RR			1			
702	15	11866202700GB	FRAME COMP , HOOD/RR			1			
702	15	13836202701GB	FRAME COMP , HOOD/RR			1			
702	16	V1122608016	SCREW , C/R FLAT	M8X16		4			
702	17	17406203101SR	HOOD COMP			1			
702	17	17406203102SR	HOOD COMP			1			
702	17	17406203103SR	HOOD COMP			1			
702	18	35605033020	WASHER , WIRE WITHDRAWAL	T=1.6		12			
702	19	37371720090	CLAMP , W/HARNES			6			
702	20	V3802600060	NUT , HEX FLANGE	M6		16			
702	21	17406203010GB	PLATE , UPR/SIDE			4			
702	21	17406203011GB	PLATE , UPR/SIDE			4			
702	21	17406203010GB	PLATE , UPR/SIDE			4			
702	22	V2123606016	BOLT , HEX /SP	M6X16		8			
702	23	17406203020GB	PLATE , MID/SIDE			2			
702	26	V2123606025	BOLT , HEX /SP	M6X25		2			
702	27	17406525001	HEAD LAMP ASSY , RH			1			
702	27	17406525002	HEAD LAMP ASSY , RH			1			
702	28	17406524001	HEAD LAMP ASSY , LH			1			
702	28	17406524002	HEAD LAMP ASSY , LH			1			
702	29	36108010080	SPRING , ENTRANCE FOR SEED(HC016)	D=1.6		2			
702	30	17406203900	INSULATOR , HOOD			1			
702	31	19027210060	NUT , NYLON , M6	M6XP1		6			
702	34	19959010010	EMBLEM	1X1X1		1			
702	34	19959010011	EMBLEM			1			
702	34	17406212000	EMBLEM ASSY , V5			1			
702	35	V4111600060	WASHER , PLAIN	M6		2			
NOTE									

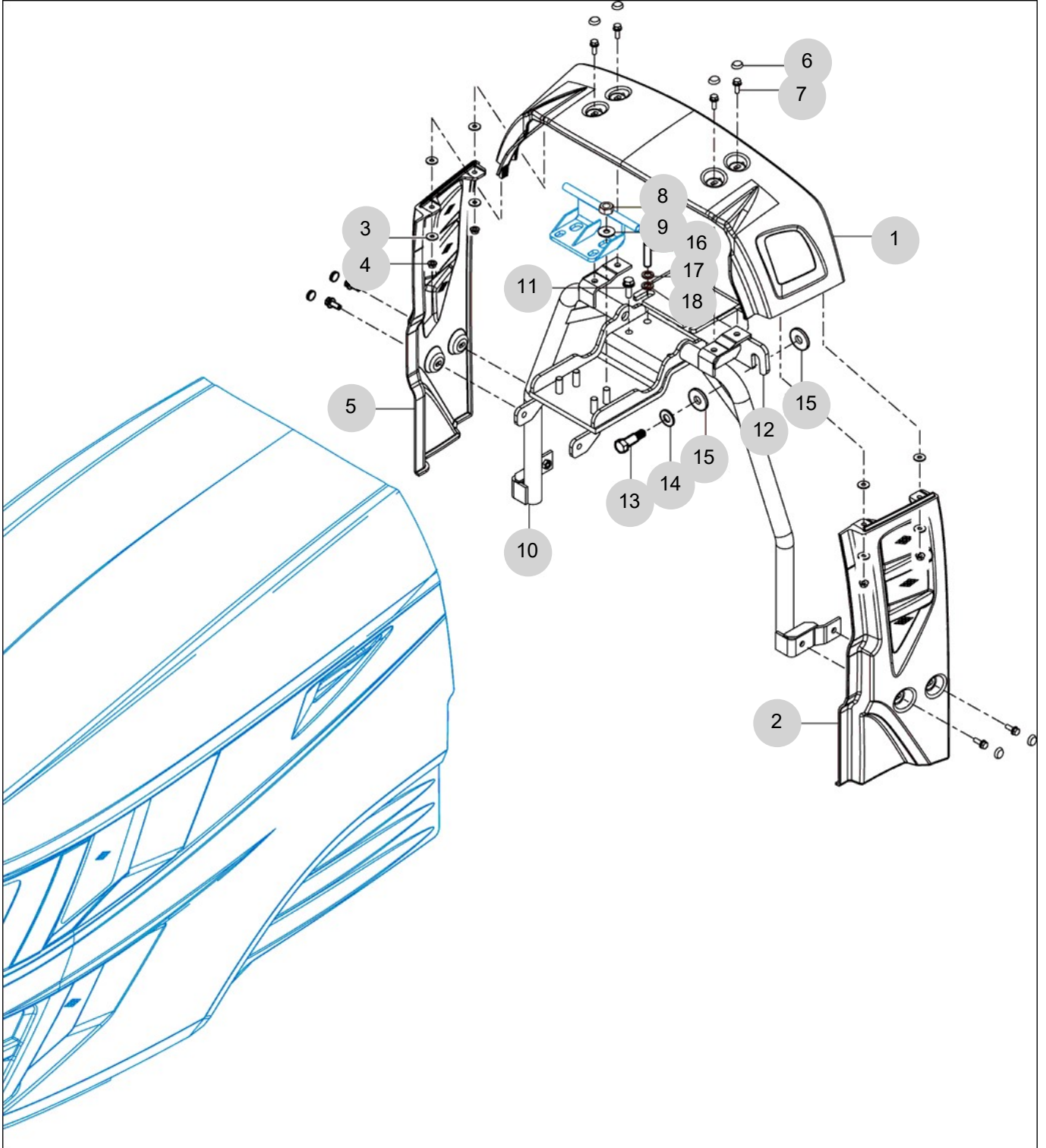
FIG 703

EXTENSION COVER

년/월
Year/Month

2022-12

T474NH



NOTE

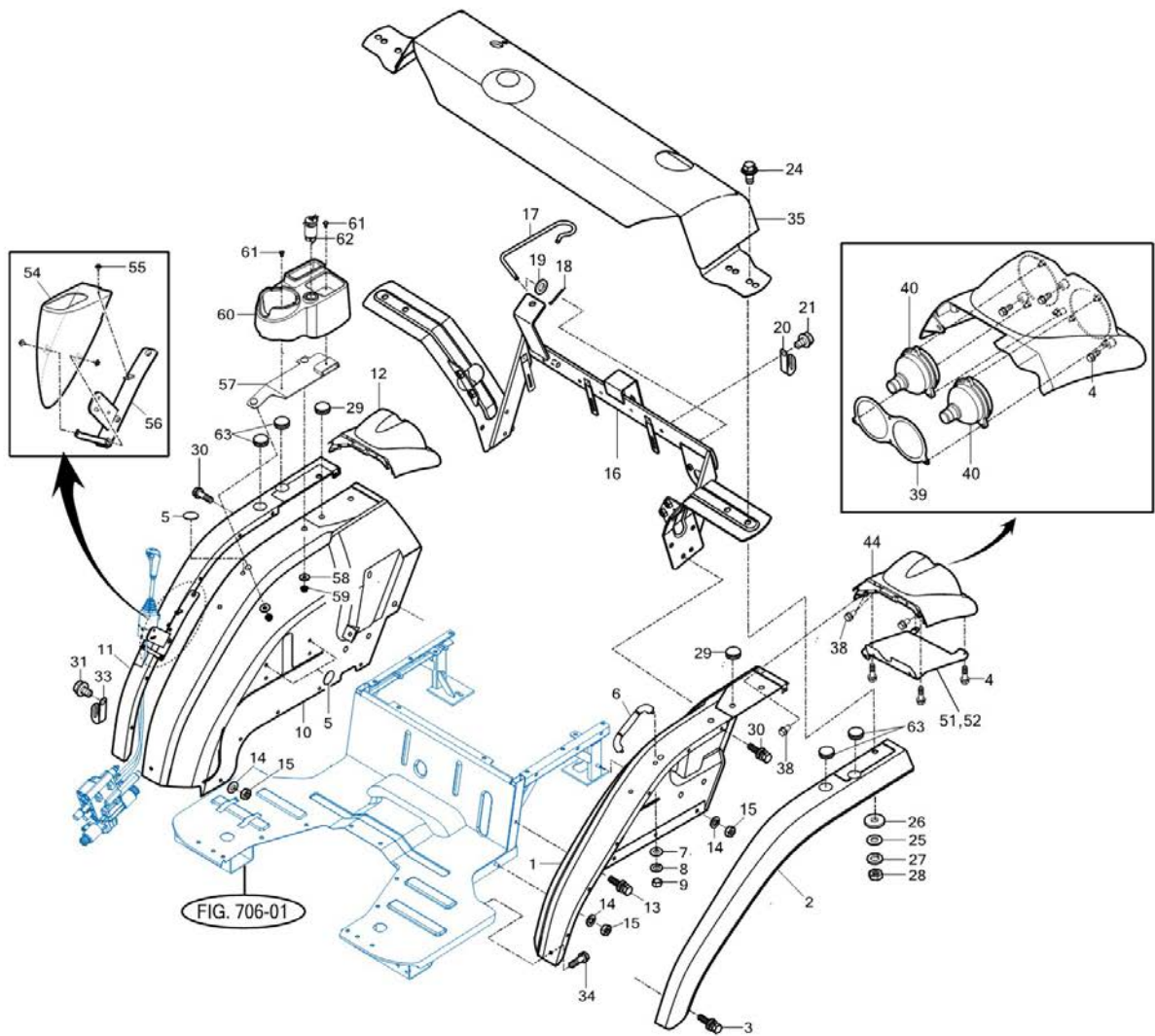
FIG 704

T474NH

FENDER & REAR FRAME

년/월
Year/Month

2022-12



NOTE

FIG 704		FENDER & REAR FRAME					년/월 Year/Month		
							2022-12		
T474NH		KEY NO	PART NO	DESCRIPTION	SPEC	QTY	REPAIR	EFFECTIVE DATE	REMARKS
704	1	14726063502SR	FENDER COMP , LH	1X1X1	1				
704	2	12656060040SR	FENDER , LH		1				
704	2	12656060041SR	FENDER , LH		1				
704	3	V2193606016	BOLT , HEX/SPL	M6X16	12				
704	4	V2123606012	BOLT , HEX /SP	M6X12	14				
704	5	16606070031	CAP , 9		10				
704	6	14726071101	GRIP COMP		1				
704	7	35602010150	WASHER , BIND SHAFT	T=2.3	2				
704	8	V4011600080	WASHER , SPRING	M8	2				
704	9	V3042600080	NUT , HEX/2	M8	2				
704	10	14726063602SR	FENDER COMP , RH	1X1X1	1				
704	11	10526060020SR	FENDER , RH MUD GUIDE		1				
704	11	10526060021SR	FENDER , RH MUD GUIDE		1				
704	12	13016060030	COVER , RH RR LAMP	1X1X1	1				
704	13	V2183608020	BOLT , HEX/SP	M8X20	8				
704	14	V4011600080	WASHER , SPRING	M8	4				
704	15	V3042600080	NUT , HEX/2	M8	4				
704	16	14977035400SR	FRAME COMP , RR FUEL TANK	1X1X1	1				
704	17	14885251100	HOOK , TOPLINK	D=5	1				
704	18	V5001920015	PIN , SPLIT	2X15	1				
704	19	V4111600060	WASHER , PLAIN	M6	1				
704	20	14256210040	CLAMP , 9		1				
704	21	V2123606012	BOLT , HEX /SP	M6X12	1				
704	24	V2173612035	BOLT , HEX/S	M12X35	4				
704	25	V4111600120	WASHER , PLAIN	M12	6				
704	26	36217020030	WASHER , PULLEY	T=4.5	4				
704	27	V4011600120	WASHER , SPRING	M12	6				
704	28	V3043600120	NUT , HEX/2	M12	6				
704	29	14326510210	CAP , RUBBER 20	1X1X1	2				
704	30	V2183608020	BOLT , HEX/SP	M8X20	2				
704	31	V2183608020	BOLT , HEX/SP	M8X20	1				
704	33	14256210040	CLAMP , 9		1				
704	34	V2183608035	BOLT , HEX/SP	M8X35	2				
704	35	14777036302SR	COVER COMP , TANK		1				
704	35	14777036303SR	COVER COMP , TANK		1				
704	38	V2193606020	BOLT , HEX/SPL	M6X20	12				
704	39	13016061300	FIX PLATE , RR LAMP	T=1.6	2				
704	40	17687023401	LAMP ASSY . STOP		4				
704	40	17687023401	LAMP ASSY . STOP	1X1X1	2				
704	44	13016060020	COVER , LH RR LAMP	1X1X1	1				
704	51	13016062000GB	PLATE COMP , LH RR LAMPCOVER	T=1.6	1				
704	52	13016063000GB	PLATE COMP , RH RR LAMPCOVER	T=1.6	1				
704	54	13015300010	COVER , JOYSTICK	1X1X1	1				
704	55	V2193606016	BOLT , HEX/SPL	M6X16	3				
704	56	13015302200SR	BRACKET COMP , JOYSTICK	1X1X1	1				
NOTE									

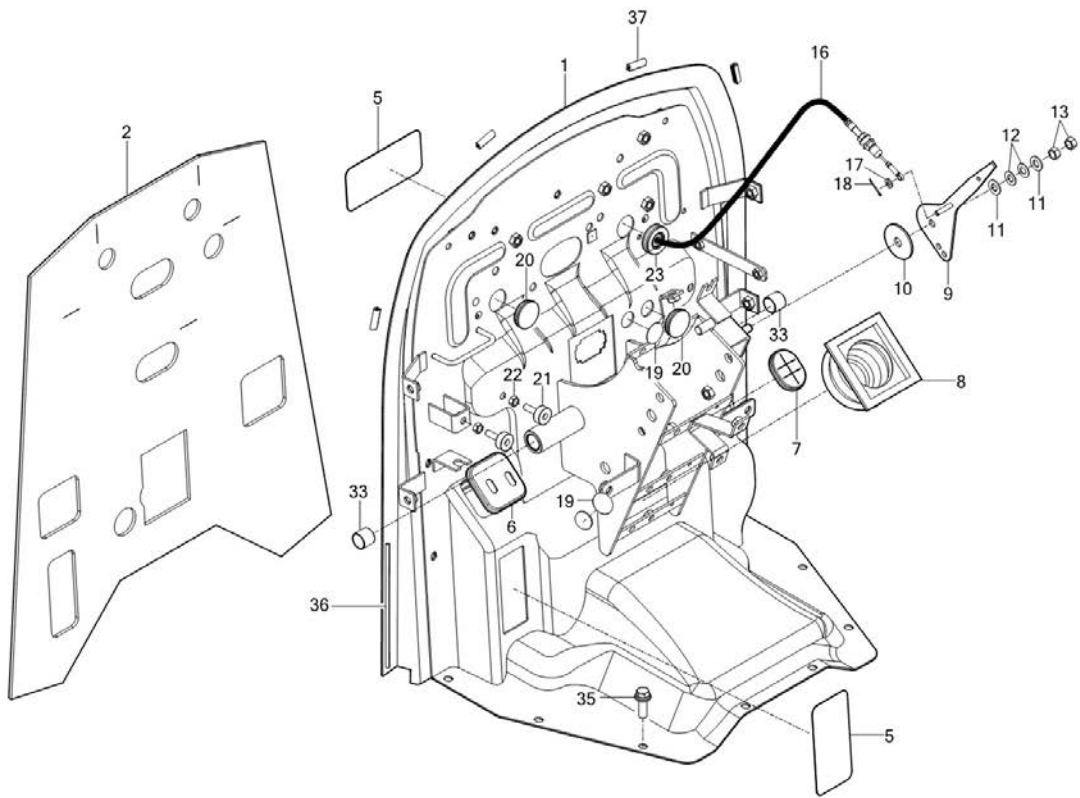
FIG 705

T474NH

DASHBOARD

년/월
Year/Month

2022-12



NOTE

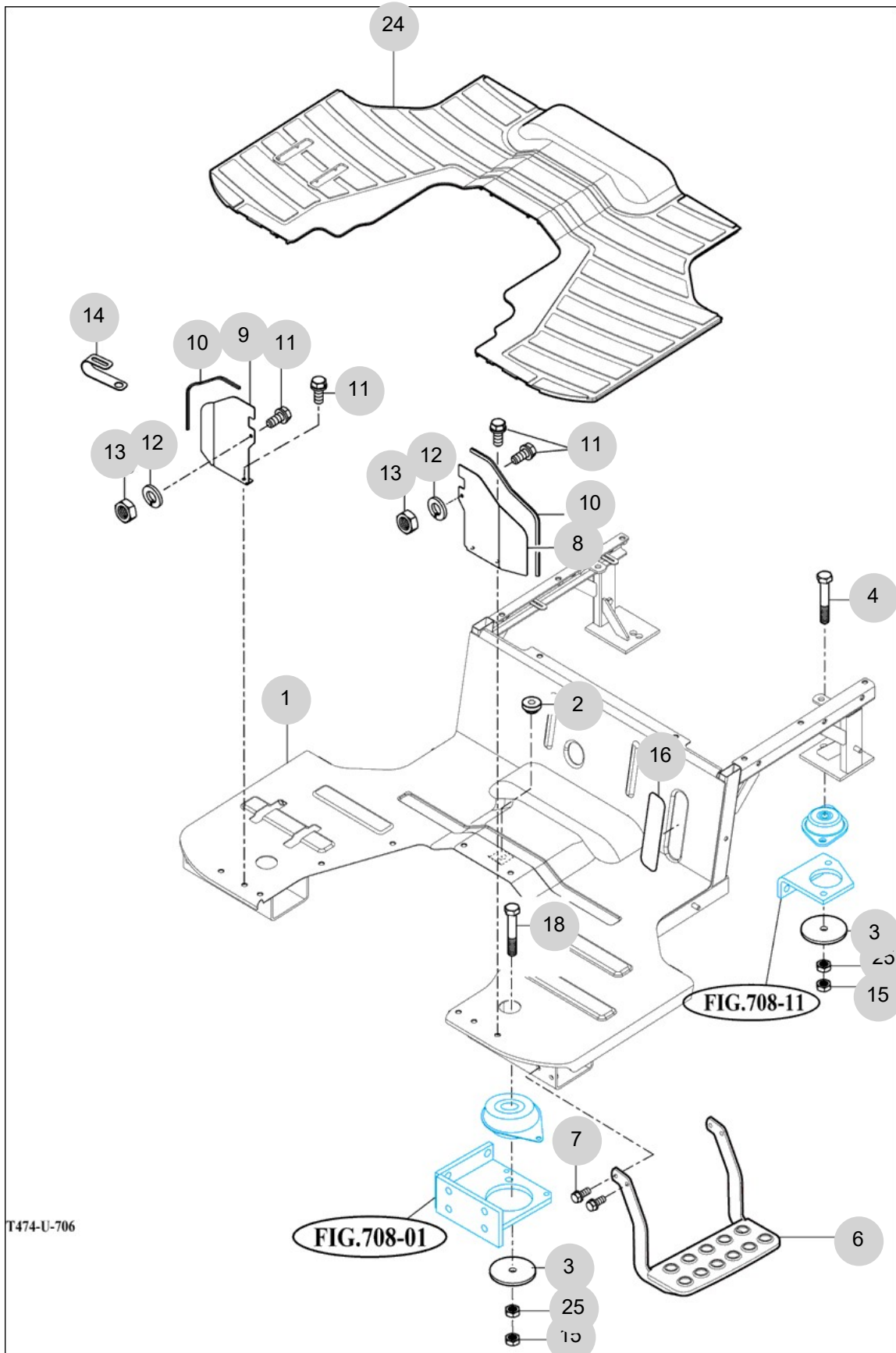
FIG 706

FLOOR PANEL

년/월
Year/Month

2022-12

T474NH



NOTE

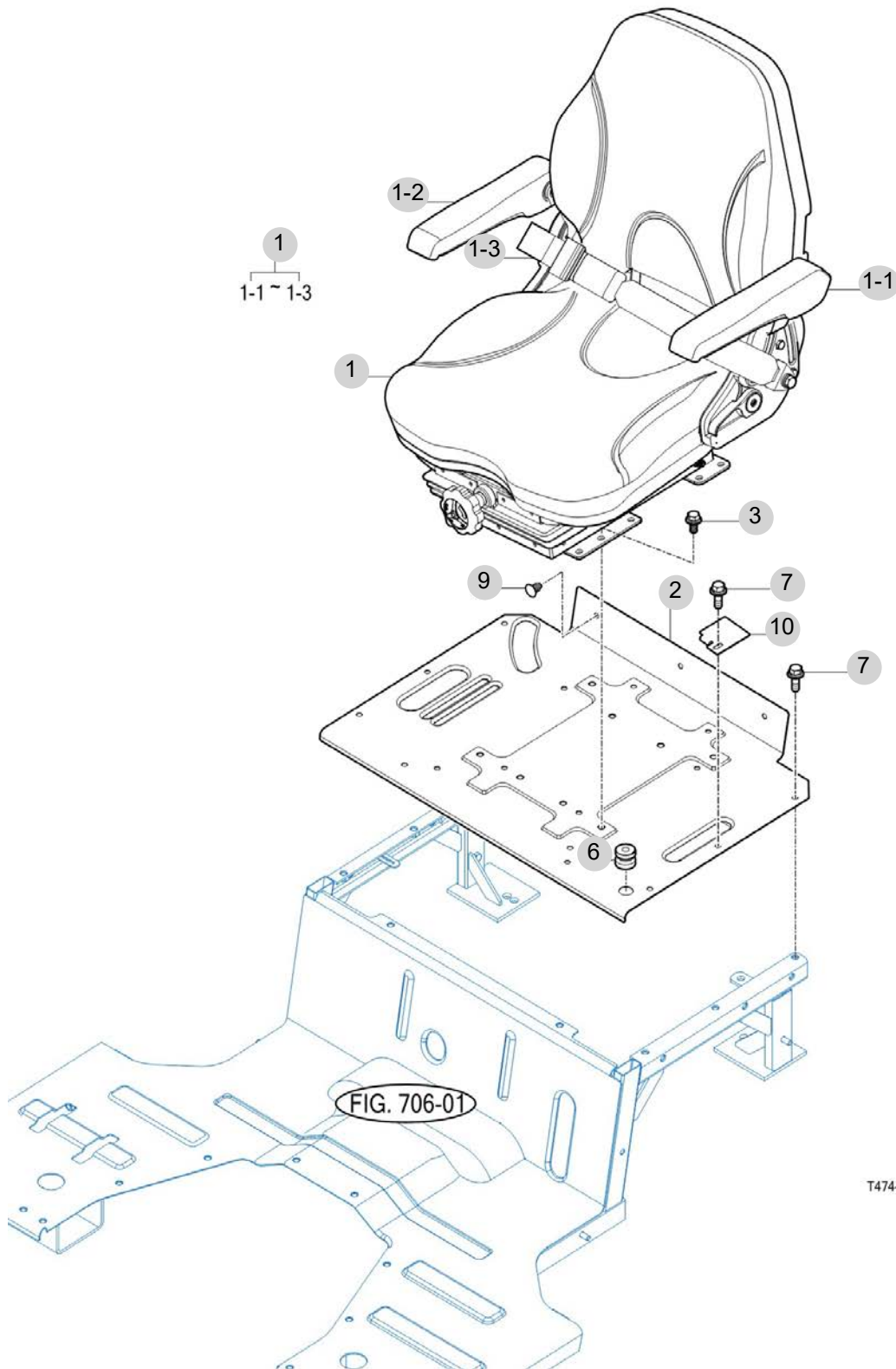
FIG 707

T474NH

SEAT

년/월
Year/Month

2022-12



T474-U-707

NOTE

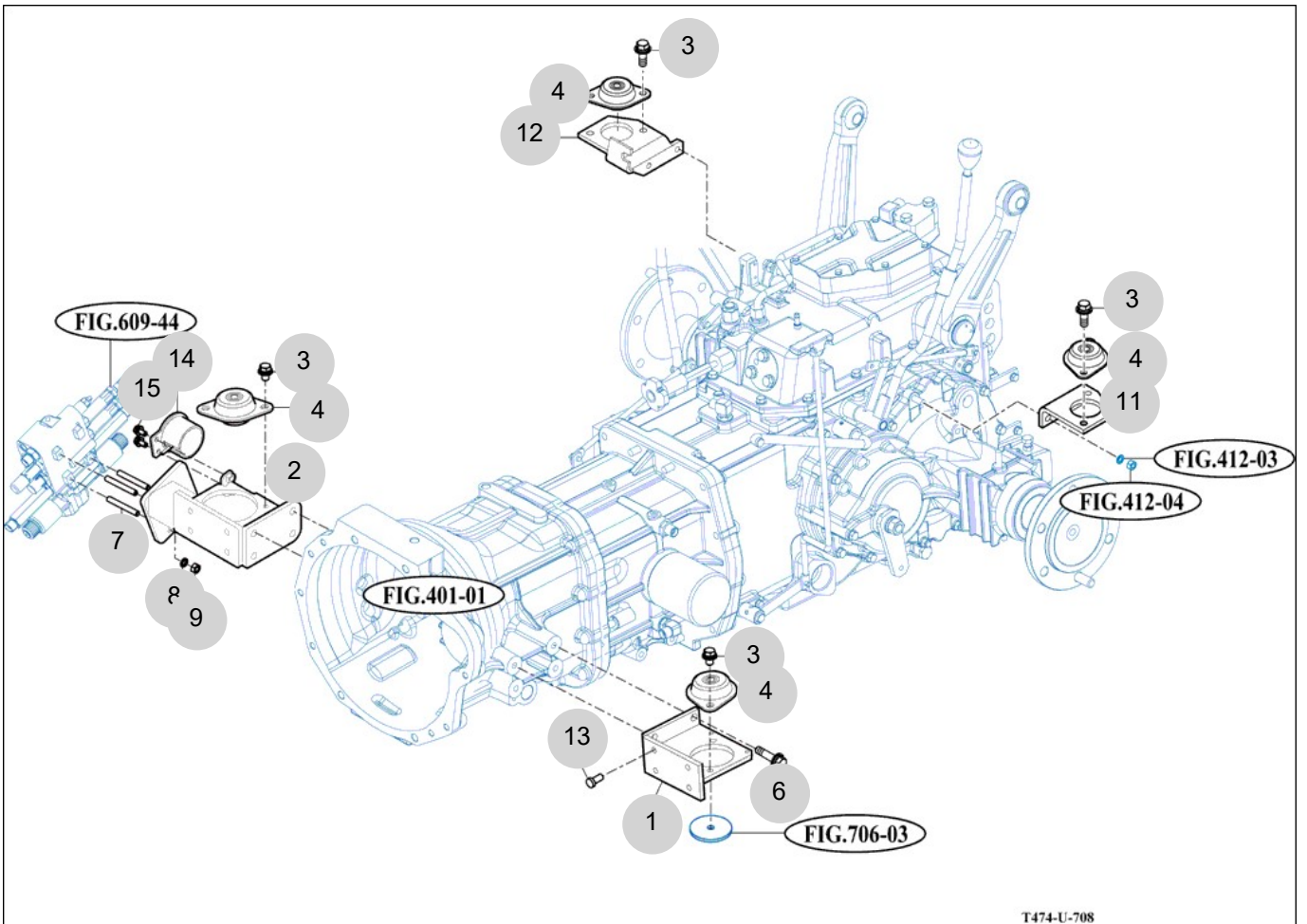
FIG 708

FRONT & REAR MOUNTING

년/월
Year/Month

T474NH

2022-12



T474-U-708

NOTE

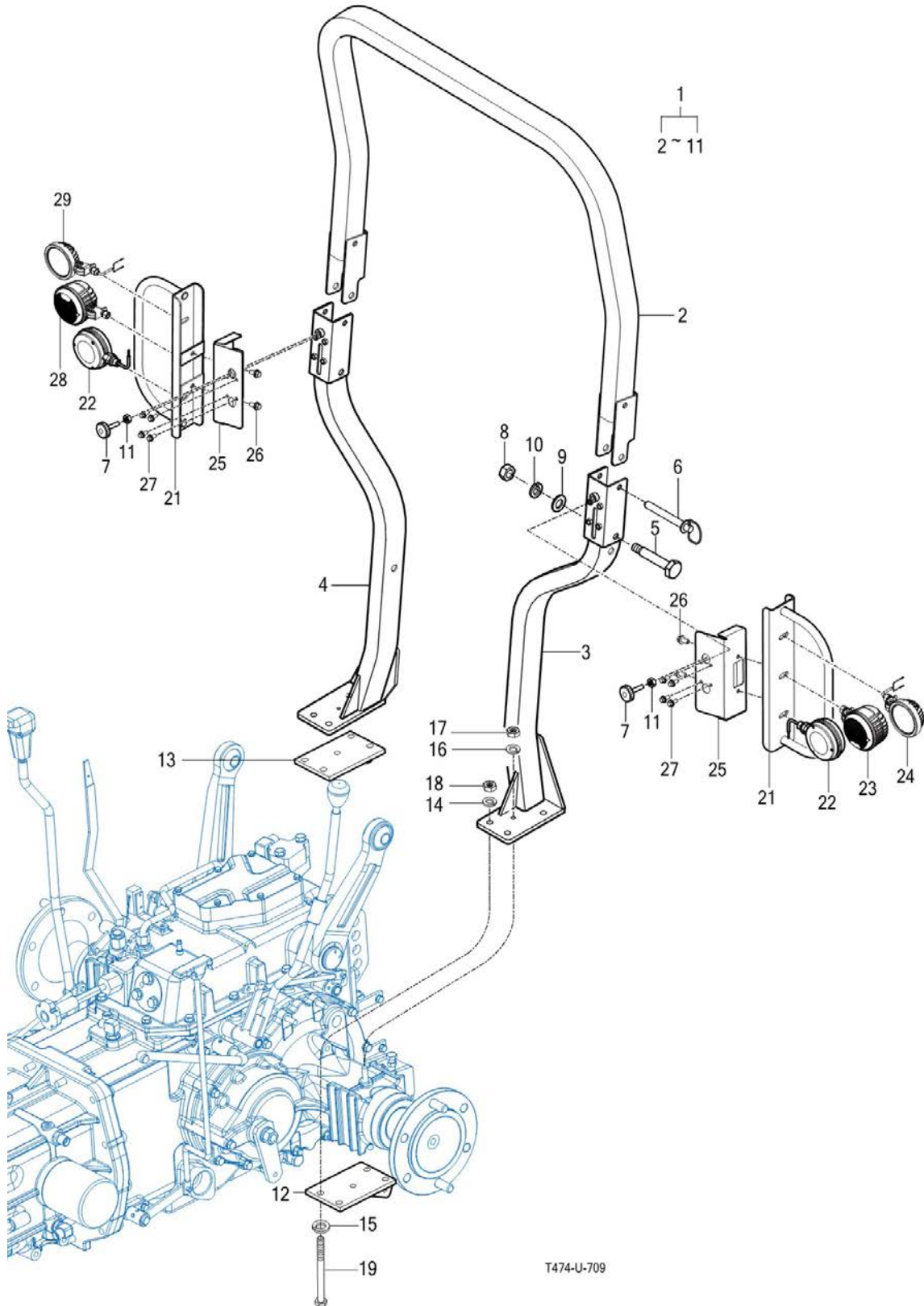
FIG 709

ROPS

년/월
Year/Month

2022-12

T474NH



NOTE

FIG 709 T474NH	ROPS	<div style="border-bottom: 1px solid black;"> 년/월 Year/Month </div> <div style="border-top: 1px solid black;"> 2022-12 </div>
--------------------------	-------------	-----------------------------------------------------------------------------------------------------------------------------------

KEY NO	PART NO	DESCRIPTION	SPEC	QTY	REPAIR	EFFECTIVE DATE	REMARKS
709	1	12387028000	ROPS SUB , 2 POLES		1		
709	2	12387027300GB	PIPE COMP , UP		1		
709	3	12367027400GB			1		
709	3	16707027404GB	FRAME COMP , LOW LH	1X1X1	1		
709	3	12397027400GB	FRAME COMP , LOW LH		1		
709	4	12367027500GB			1		
709	4	16707027504GB	FRAME COMP , LOW RH	1X1X1	1		
709	4	12397027500GB	FRAME COMP , LOW RH		1		
709	5	16507027801	BOLT , SET	1X1X1	2		
709	6	16507027500	PIN COMP , FIXED	1X1X1	2		
709	7	15186070020	BOLT , KNOB M8X31	3.4X3.4X4.4	2		
709	8	V3043600140	NUT , HEX/2	M14	2		
709	9	V4111600140	WASHER , PLAIN	M14	2		
709	10	V4011600140	WASHER , SPRING	M14	2		
709	11	V3043600060	NUT , HEX/2	M6	2		
709	12	16705143002GB	BRACKET COMP , LH CHECK	1X1X1	1		
709	13	16705143102GB	BRACKET COMP , RH CHECK	1X1X1	1		
709	14	V4011600120	WASHER , SPRING	M12	8		
709	15	V4011600120	WASHER , SPRING	M12	8		
709	16	V4011600100	WASHER , SPRING	M10	2		
709	17	V3043600100	NUT , HEX/2	M10	2		
709	18	V3043600120	NUT , HEX/2	M12	6		
709	19	V2014612160	BOLT , HEX	M12X160	8		
709	21	11817122100GB	BRACKET COMP , COMBI LAMP		2		
709	22	11616562000	LAMP ASSY , DOUBLE-SIDE		2		
709	23	11817025500	W.P SPEAKER ASSY(LH)		1		
709	24	11817025700	LAMP ASSY , WORKING LH		1		
709	25	11697120010GB			2		
709	26	V2183610025	BOLT , HEX/SP		4		
709	27	V2183608025	BOLT , HEX/SP		8		
709	28	11817025600	W.P SPEAKER ASSY (RH)		1		
709	29	11817025800	LAMP ASSY , WORKING RH		1		

NOTE

8. Electrical System PART NO. T8

FIG 801 BATTERY & MOUNTING	232
FIG 802 LAMP	234
FIG 803 INSTRUMENT PANEL	236
FIG 804 ELECTRIC SYSTEM	238
FIG 805 HARNESS	240

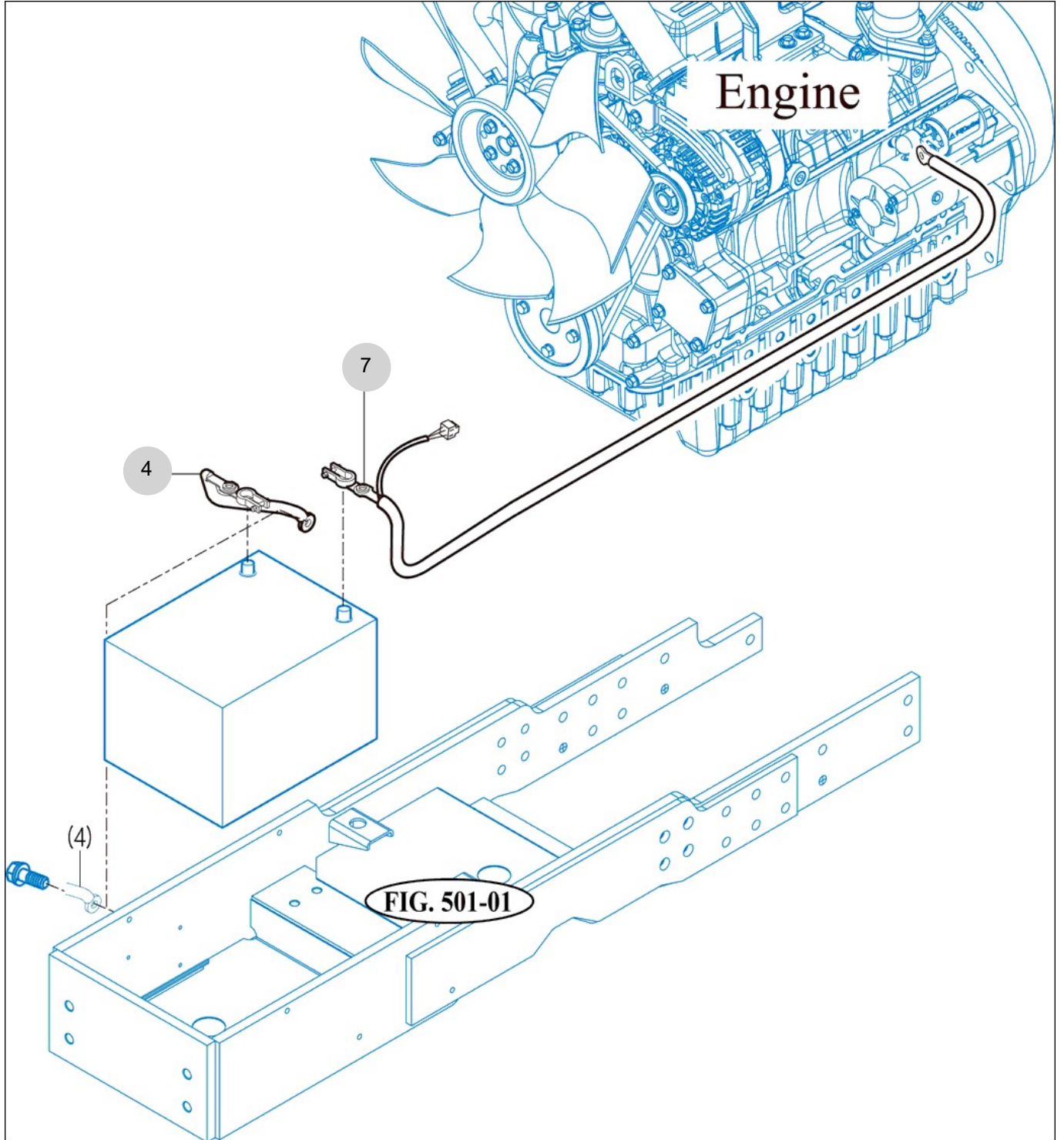
FIG 801

T474NH

BATTERY & MOUNTING

년/월
Year/Month

2022-12



NOTE

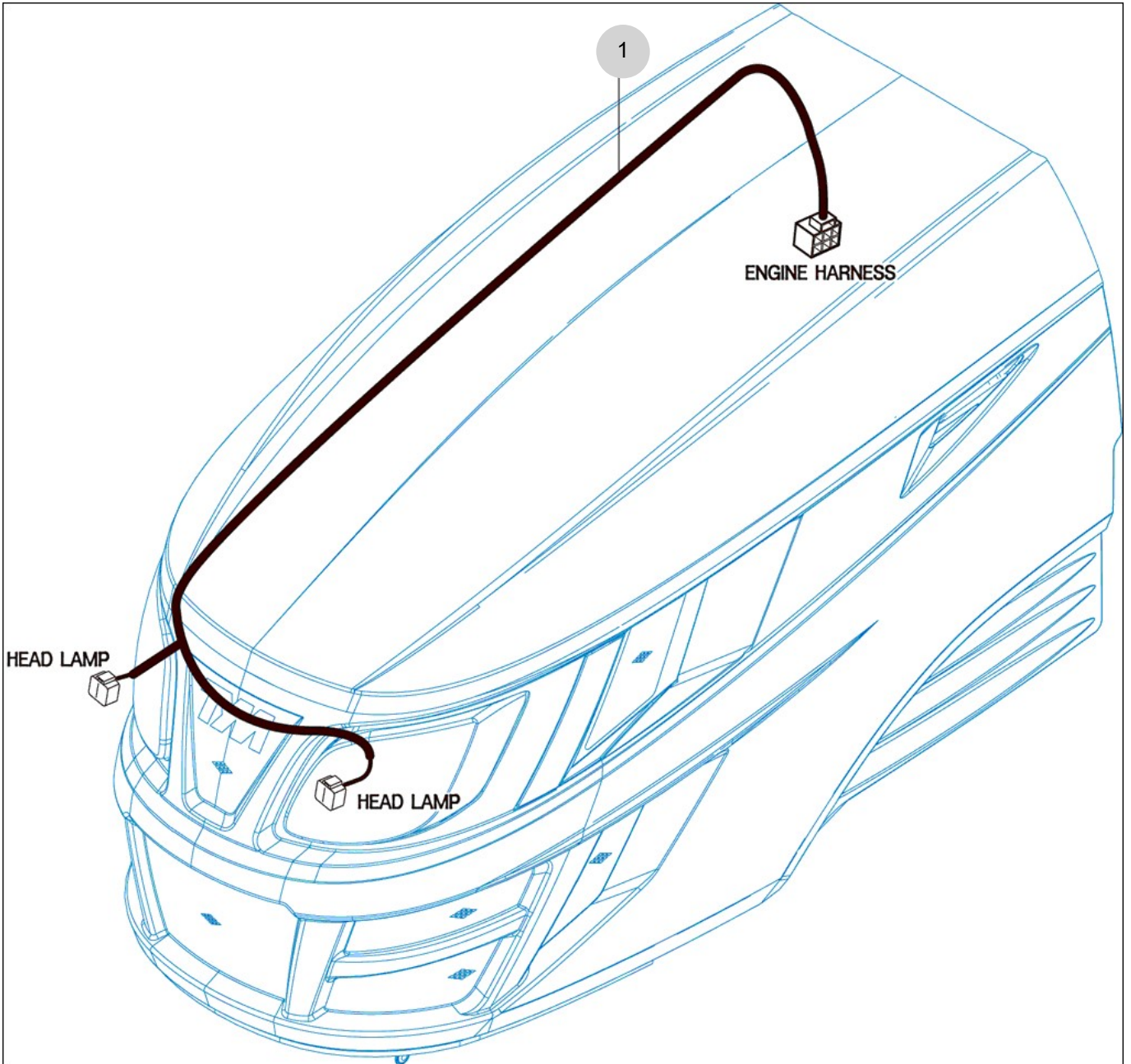
FIG 802

T474NH

LAMP

년/월
Year/Month

2022-12



NOTE

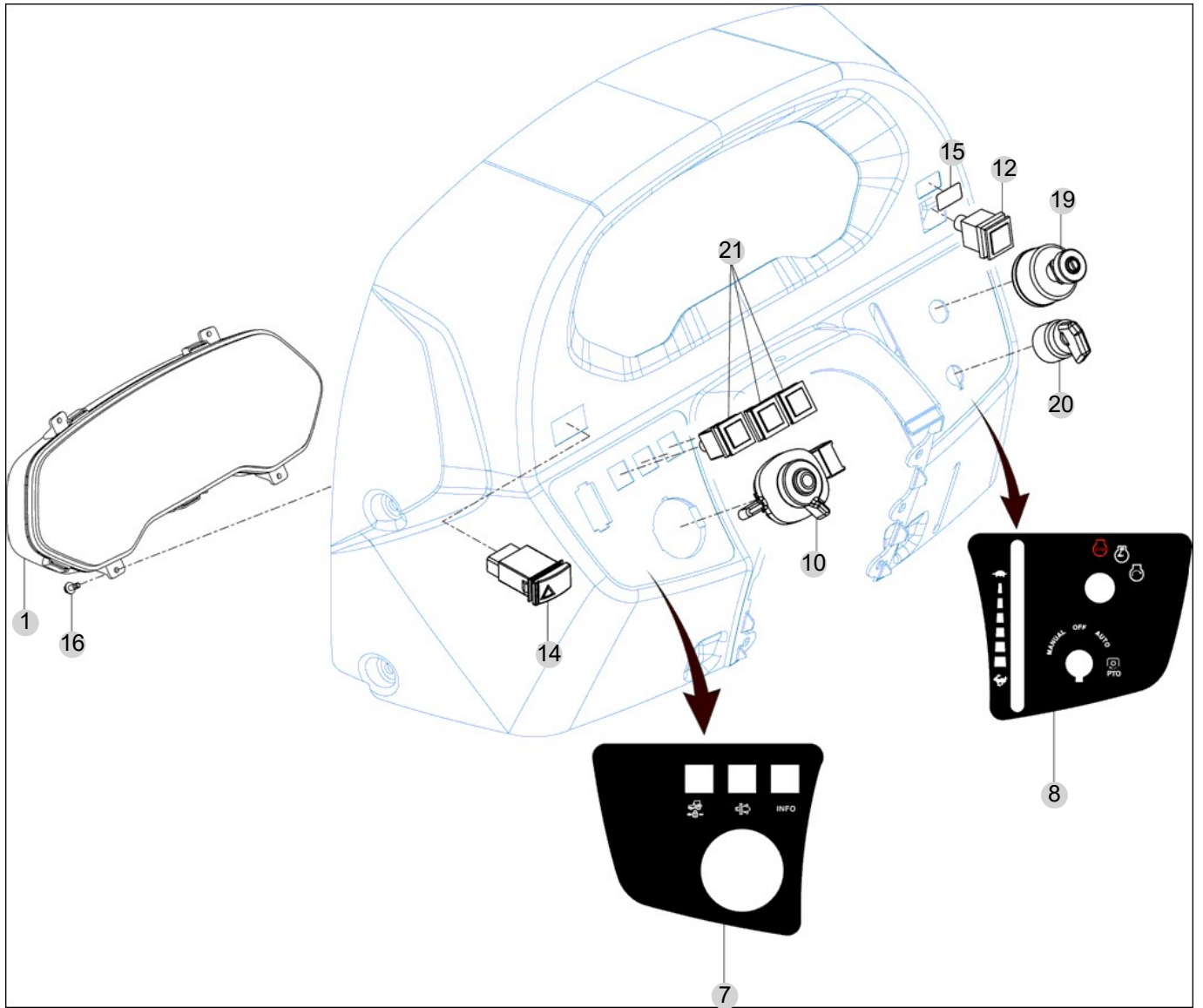
FIG 803

INSTRUMENT PANEL

년/월
Year/Month

T474NH

2022-12



NOTE

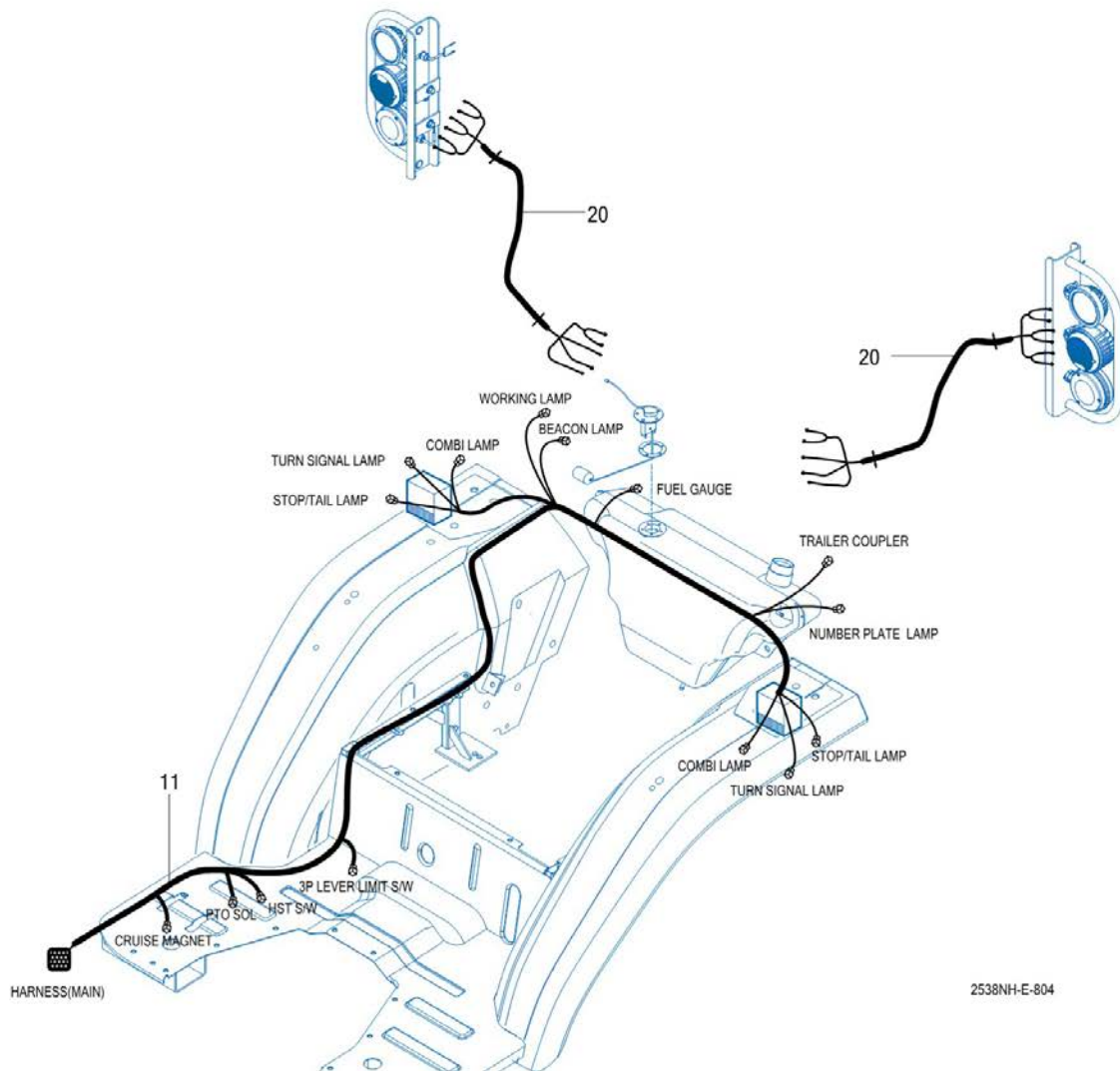
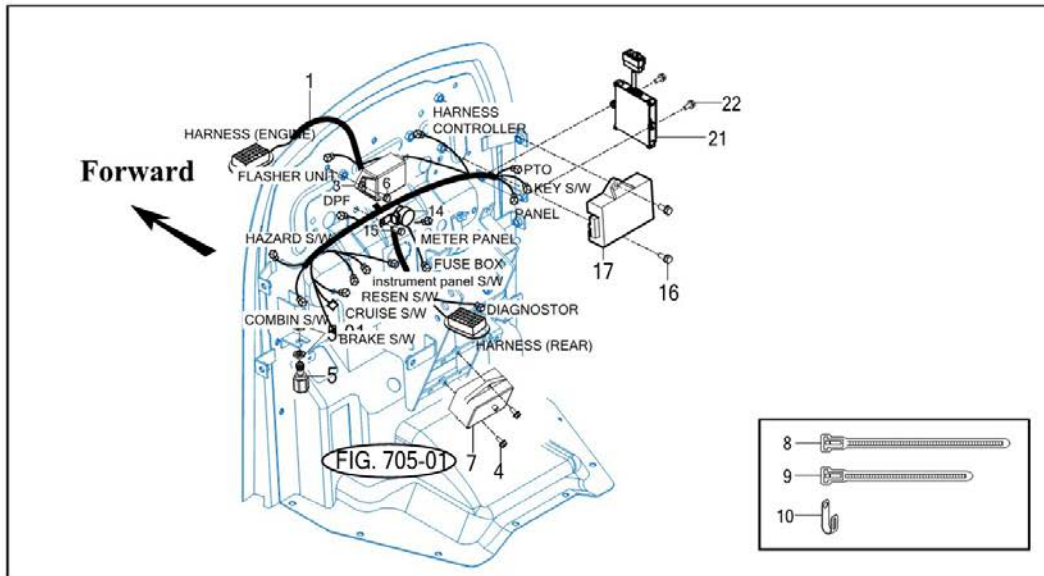
FIG 804

ELECTRIC SYSTEM

년/월
Year/Month

2022-12

T474NH



2538NH-E-804

NOTE

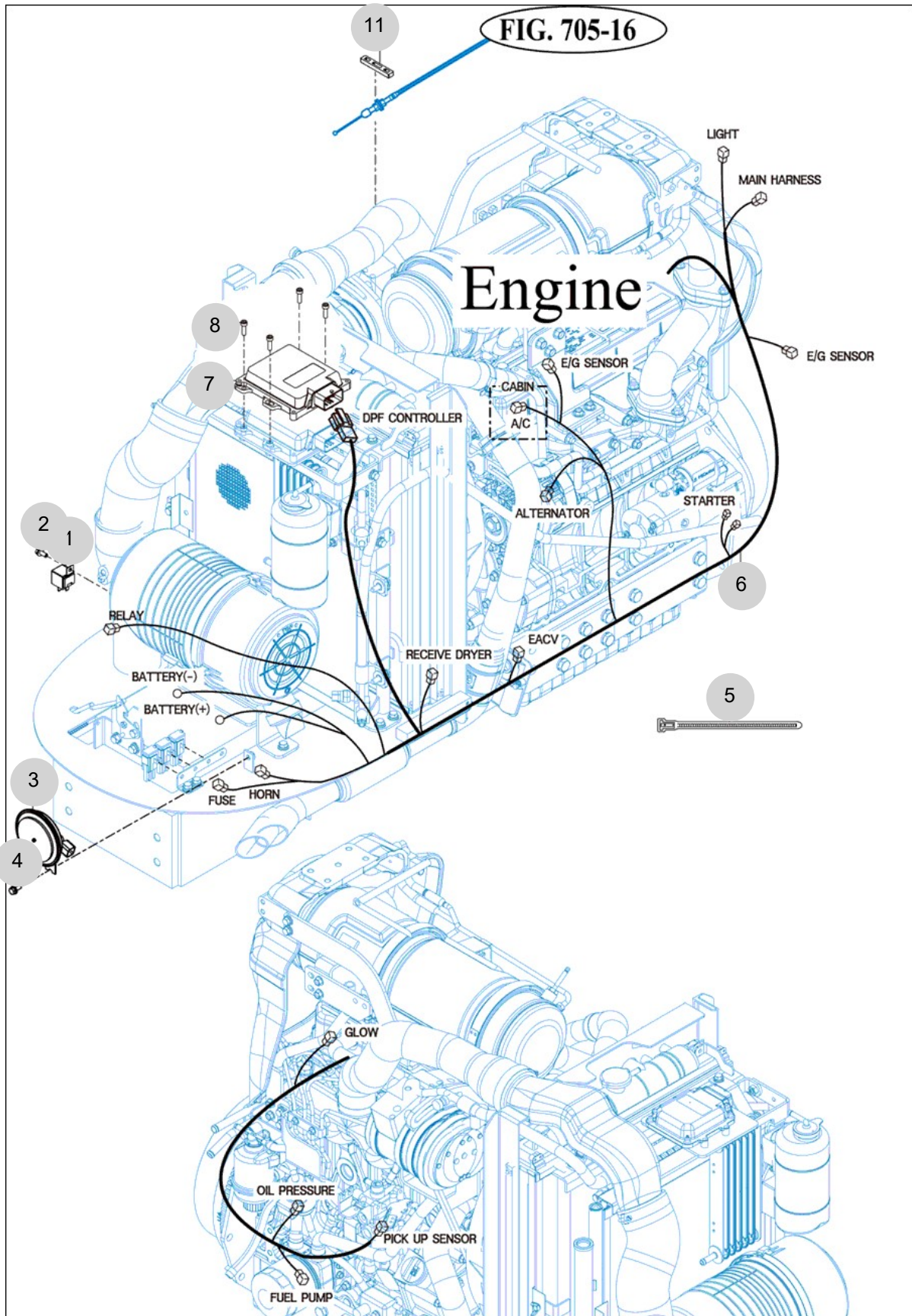
FIG 805

HARNESS

년/월
Year/Month

2022-12

T474NH



NOTE

9. Label/Option PART NO. T9

FIG 901 TOOL & ACCESSORY	243
FIG 902 LABEL	245
FIG 902 LABEL	247
FIG 903 OPTION	249

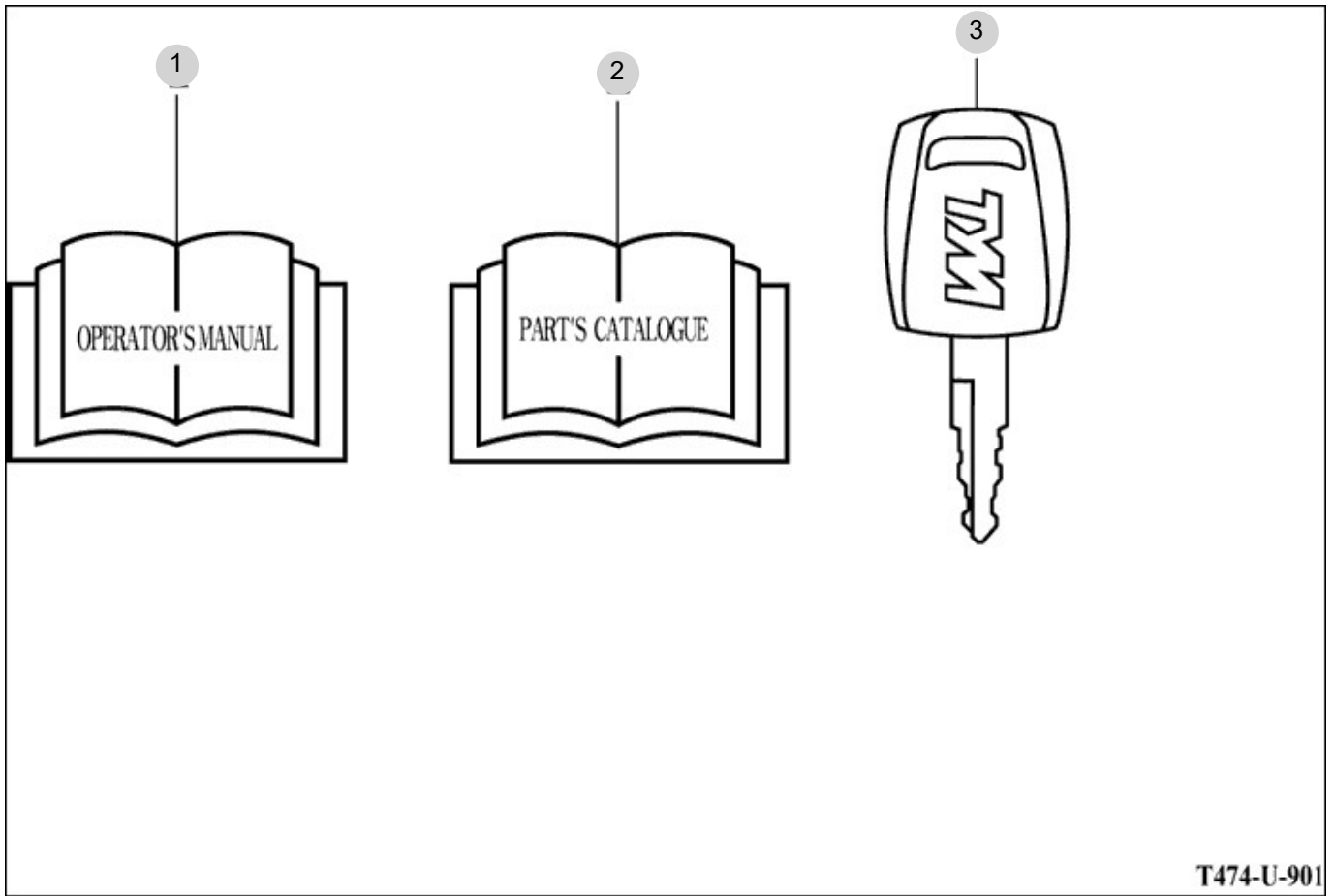
FIG 901

T474NH

TOOL & ACCESSORY

년/월
Year/Month

2022-12



T474-U-901

NOTE

FIG 902

LABEL

년/월
Year/Month

T474NH

2022-12

⚠ DANGER

This Tractor may tip over unexpectedly and quicker than an operator is able to jump free

1. Never operate a tractor without a proper Roll over Protection Structure (ROPS)
2. Always wear your seat belt when operating this tractor equipped with roll over protection.
3. Never pull from above or from the rear axle.
4. Do not operate the tractor on steep slopes or near drop offs
5. Avoid sharp high speed turns

Serious injury or death may result from tractor upsets.

1220-904-801-0

27

⚠ WARNING

Death or injury may result if this tractor over turns with the ROPS in the folded down position. Operate this tractor with the ROPS folded down only when necessary. Do not wear seat belt if operated with ROPS folded down

1220-904-902-0

26

⚠ WARNING

Work in ventilated Area.

1200-910-003-0

11

⚠ DANGER

Do not ride except operator.

1200-910-003-0

12

The DPF filter was tested in accordance with ISO 22100 Standard (2008) for use in 150ppmPM10.0/4.5µm tractor model 2020, 2045 with a reference mass of 12000g. (Manufacturing from 2022)

40

⚠ WARNING

Additions, alterations, cracking, damage or corrosion to this structure may adversely affect the performance of the ROPS.

36

⚠ WARNING

Do not refuel the tractor while smoking or near naked flame or sparks. always stop engine before refueling tractors.

1200-910-007-0

15



⚠ WARNING

Do not use the sub shift lever at "H" position when driving backward.

1200-910-011-0

10

6 YEAR Limited Warranty

54

T474

TYM

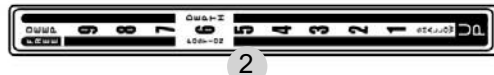


⚠ WARNING

Never use the diff-lock at high speed or on the road as this can cause rollover and injury.

1200-910-006-0

16



⚠ WARNING

Do not remove radiator cap while engine is hot. Hot steam will injure you.

1200-910-015-0

7

⚠ WARNING

Always fasten Your seat belt.

1200-910-019-0

13

⚠ CAUTION

Keep hands and clothing away from rotating fan and belts to prevent serious injury.

1200-910-012-0

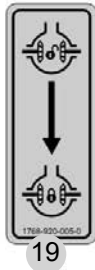
6

⚠ CAUTION

Do not touch while the system is hot. It cause serious burns

1200-910-024-0

5



⚠ WARNING

LOCK → UNLOCK

LOCK BUTTEN

Push the butten to lock position with joystick lever is neutral whenever the implement is not operation.

1789-010-009-0

25



DPF regeneration procedure

When DPF lamp on [icon] and beep, follow below

Do this	Operate (about 30min)	Complete
1. Park outside safe location		
2. Stop all functions		
3. Parking brake ON		
4. Engine speed to Max RPM		
5. Press the regen button		
6. Must remain with the vehicle		

DPF+EGT ON + Button blinking

Lamp off

For further details, consult your Owner's Manual

1789-010-001-0

49

NOTE

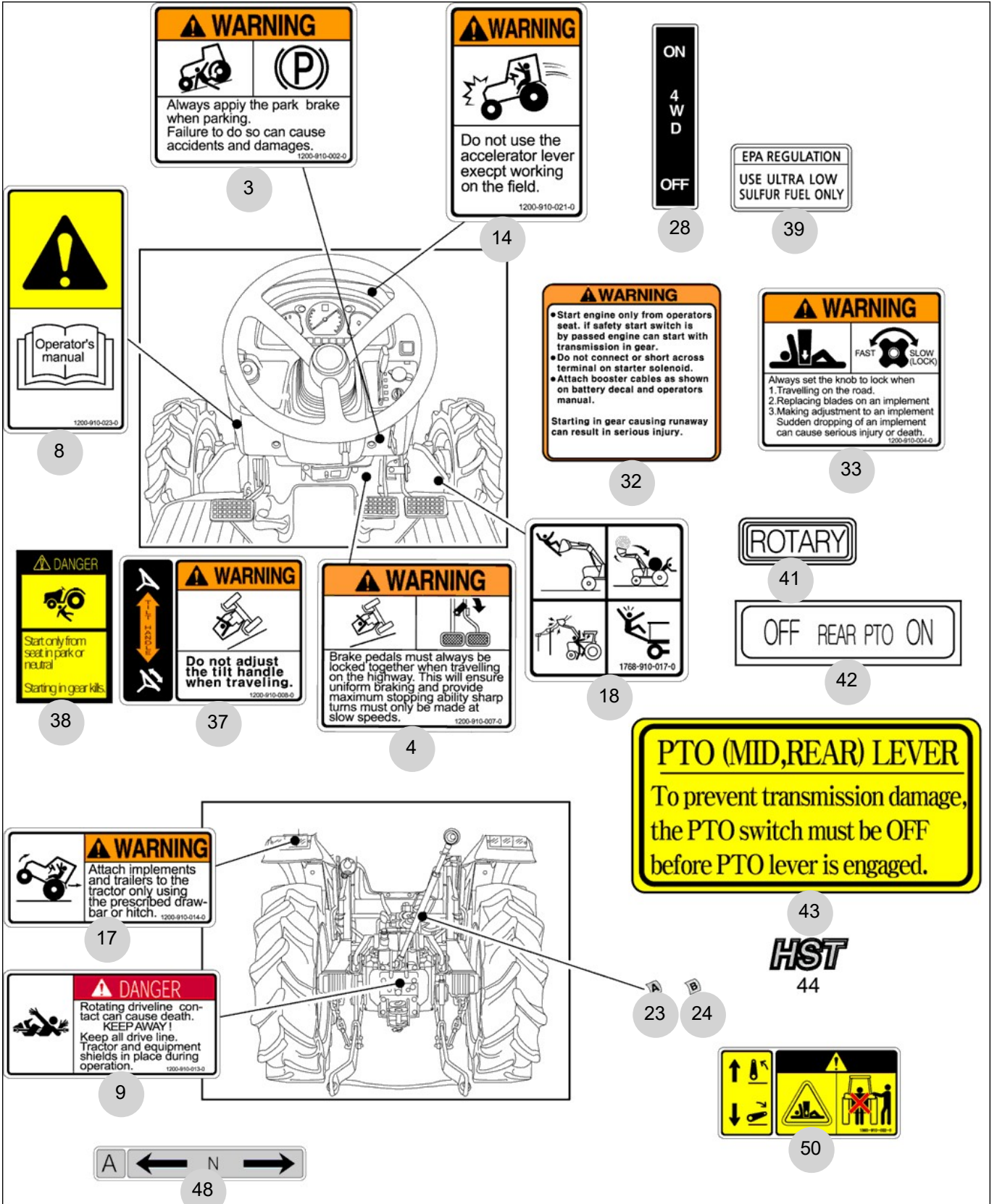
FIG 902

LABEL

년/월
Year/Month

T474NH

2022-12



NOTE

FIG 903

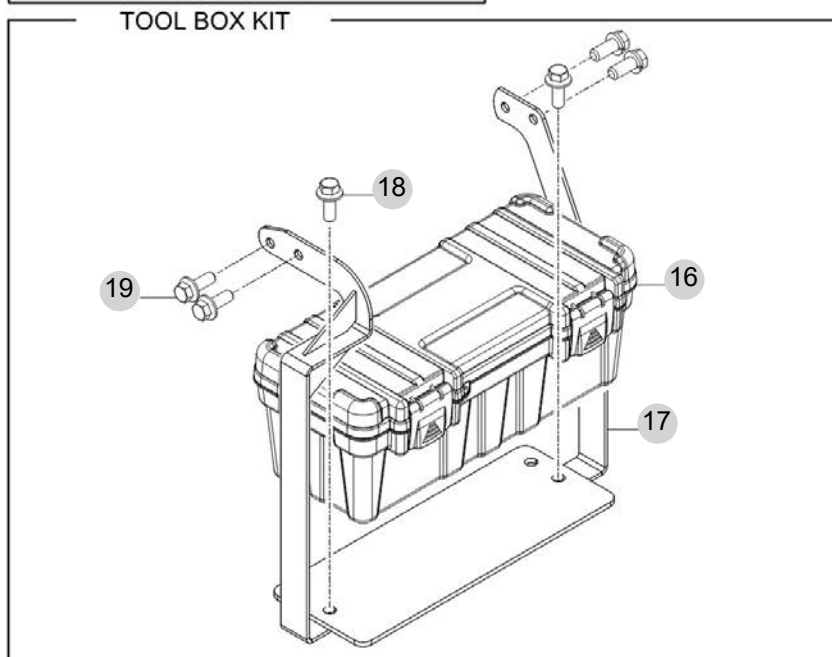
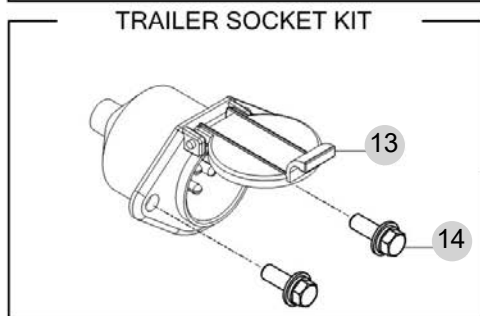
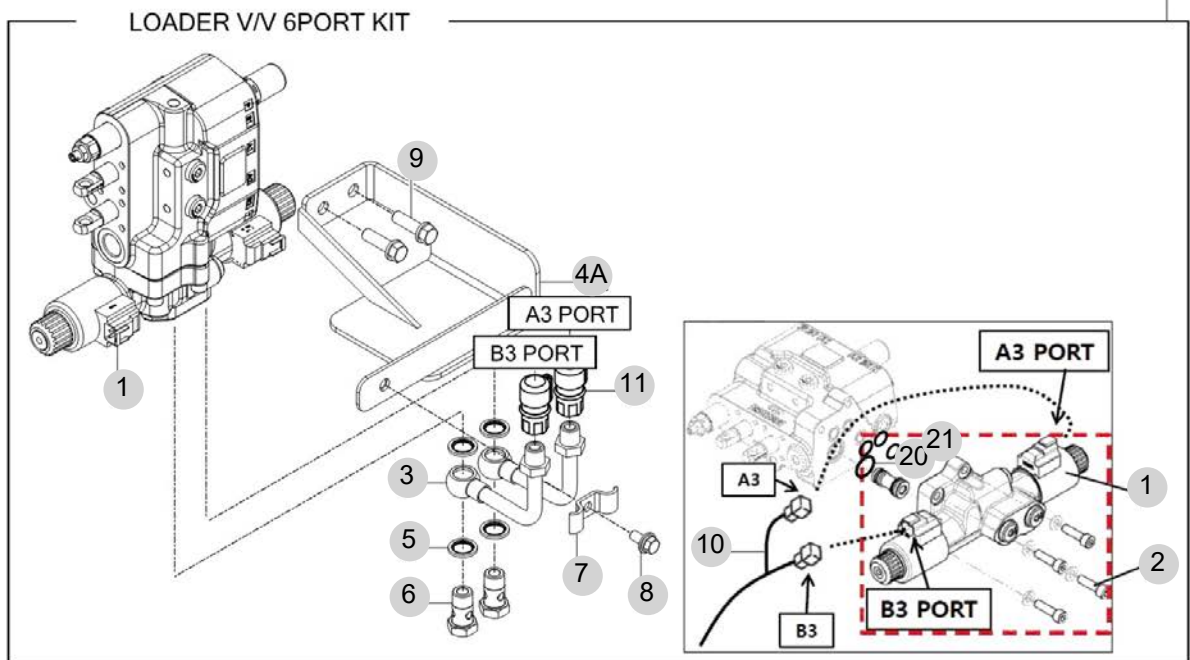
OPTION

년/월
Year/Month

2022-12

T474NH

A



NOTE

