

# Parts Catalogue

Model :T574 T494 SH/NH



**TM** 동양물산 기계사업부

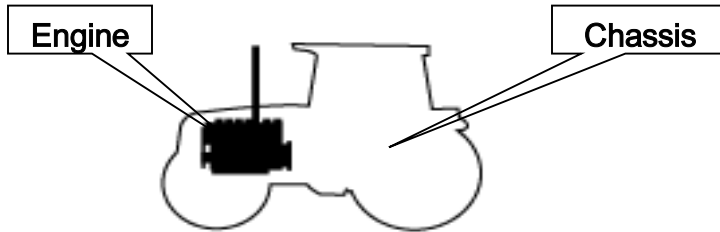
# Important tips of Parts Catalogue

We thank you for your purchasing our product, manufactured under strict quality control, by gathering plenty of experiences and new technology, designed for a comfort and pleasant work.

## 1. Part Composition

This catalogue deals with engine and chassis.

Detailed classifications are listed in the following page.



## 2. For locating parts easily, Please Note:

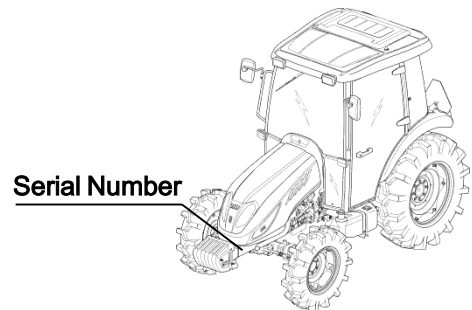
If you know the assembly where the part is used.

- Refer to the relevant figure from the identifying group symbol illustration,
- Locate the relevant chapter
- Refer to the particular chapter desired.

## 3. For ordering parts

To obtain spare parts please contact your nearest dealer and give him the details listed below.

- ① Tractor Model : Tractor T574
- ② Tractor Serial Number : H00001
- ③ Part Number : 17461039100
- ④ Description : AIR CLEANER ASSY
- ⑤ Quantity required: 1



## 4. For ordering PARTS CATALOGUE

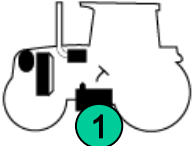
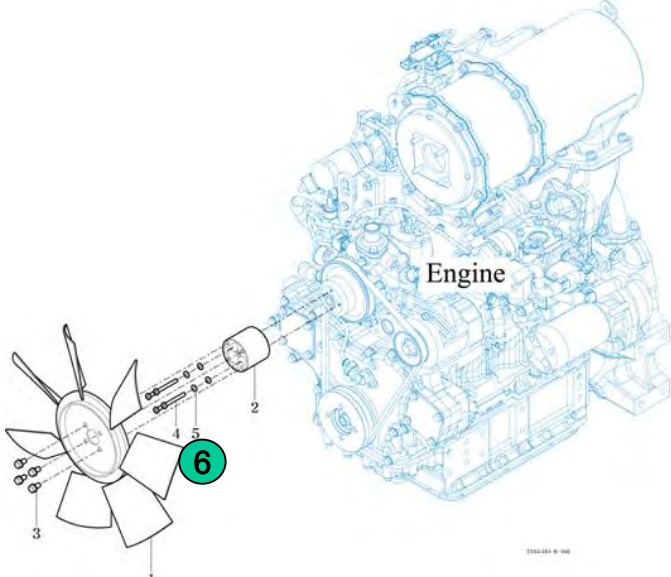
This is Priced item and one is to order the same on part No. 1748 950 001 0


This supersedes all our editions.

Note) When replacing parts, please use original spare parts to be sure of the performance and the longer life of the product

※ The information in this catalogue may at any time be modified without a prior notice for the improvement of performance, please consult our spare parts dept. for the detailed inquiry.

## 5. How to use parts catalogue

<b>FIG 208</b> <small>T554NH / 2 / T454NH</small>	<b>FAN , COOLING</b> <b>3</b>	P1 <b>4</b>	Year / Month <b>5</b> 2014 / 04	 <b>1</b>
				
NOTE	<b>13</b>			

<b>FIG 208</b> <small>T554NH / T554SH / T454NH</small>		<b>FAN , COOLING</b> <b>3</b>			P1 <b>4</b>	Year / Month <b>5</b> 2014 / 04	 <b>1</b>		
KEY NO.	PART NO.	DESCRIPTION	SPEC.	QTY.			REPAIR	EFFECTIVE DATE	REMARKS
				T554NH	T554SH	T454NH			
208 001	19951030790	FAN , COOLING(412)		1	1	1			
208 002	17461000060	SPACER , FAN		1	1	1			
<b>6</b> 208 003	V2173698016	BOLT , HEX/S <b>8</b>	M8X16 <b>9</b>	4	4	4	<b>11</b>	<b>12</b>	<b>14</b>
208 004	V205000050	BOLT , HEX O/R	M8	4	4	4			
208 005	V4011600060	WASHER , SPRING	M6	4	4	4			
NOTE		<b>13</b>							

① Group Indication : Indicate the relevant location of the part with a symbol illustration.

② Figure Number: Indicate the relevant section of the machine with a figure number.

③ Section Name : Indicate the section name of the machine

④ Section Page : Page number of the section in this catalogue.

⑤ Date : Show the Year/Month of the section made or updated

⑥ Key number : Indicating number of each parts in the illustration.

⑦ Part Number : Unique part number maintained in our system

The part number starting with V or M means it is TYM s standard part

The alphabet at the end of part number means the status of material or the color of paint

Legend : M:Machining, DG:Dark Gray, BR:Bright Red, SW:Summer White, PB:Pure Black, GB:Glossy Black, SR:Super Red, MS:Metallic Silver DD:Heat proof Black, TY: Tangerine Yellow etc.

⑧ Description : Description of a part, Abbreviation means as follows.

- Indicate the mixture condition of a part

ASSY : Assembly with a mixture of several parts, so can be broke up retaining their original form

COMP : Assembly with a mixture of several parts, but can not be broke up retaining their original form

SUB : mean the same as ASSY but used in lower level in aid.

SET : Part consist of ASSY, COMP, and part(s) as a group

- Indicate the location of a part

LH: Left, RH: Right, FR: Front, RR: Rear, UPR: Upper, LOW: Lower

⑨ Spec : Type of the standard items like bolt or nut

⑩ Quantity : Total quantity of the part referred to in the page.

Symbol below indicate options. So, show the quantity of each option.

Note) AR means as requested quantity.

⑪ Repair Parts consumption frequency class: indicate the level of a part in aid of stocking spares, anticipating the service requirements.

A :Fast moving part(frequently required)

B :Medium moving part (sometimes required)

C :Slow moving part(rarely required)

⑫ EFFECTIVE DATE :

Year/Month~ : From which the change starts

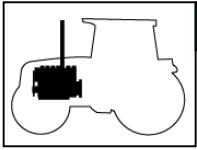
~ Year/Month : To which the part installed

⑬ Notes : explain some reference data

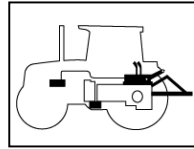
⑭ Remark : indicate reference data or abbreviation in the content.



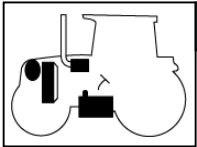
# ENGINEERING GROUP INDEX



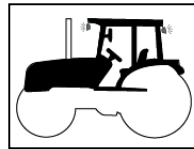
**1** ENGINE



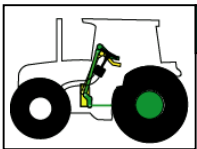
**6** HYDRAULICS & 3-POINT LINK



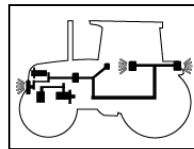
**2** ENGINE ACCESSORIES & CONTROL



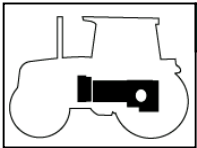
**7** SHEET METAL & CABIN



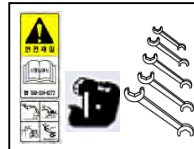
**3** CLUTCH, BRAKE, STEERING



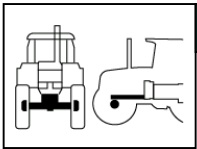
**8** ELECTRICALS & HARNESS



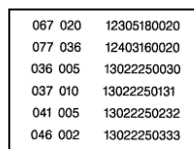
**4** TRANSMISSION & REAR AXLE



**9** LABEL, TOOLS



**5** FRONT AXLE, SUPPORTER & DRIVE SHAFT



**10** NUMERICAL INDEX

067 020	12305180020
077 036	12403160020
036 005	13022250030
037 010	13022250131
041 005	13022250232
046 002	13022250333

# CONTENTS

## ENGINE

### 1 ENGINE

FIG 101	CYLINDER BLOCK	04
FIG 102A	OILJET ASS'Y OPTION(T574)	06
FIG 102B	OILJET ASS'Y OPTION(T494)	08
FIG 103	CRANK SHAFT	10
FIG 104	PISTON	12
FIG 105	CYLINDER HEAD	14
FIG 106	ROCKER LEVER	16
FIG 107	HEAD COVER	18
FIG 108	GEAR CASE	20
FIG 109	IDLE GEAR	22
FIG 110	CAM SHAFT	24
FIG 111	OIL PUMP	26
FIG 112	HYD. PUMP DRIVE	28
FIG 113	2ND BALANCE	30
FIG 114	OIL PAN	32
FIG 115A	INTAKE MANIFOLD(T574)	34
FIG 115B	INTAKE MANIFOLD(T494)	36
FIG 116A	EXHAUST MANIFOLD(T574)	38
FIG 116B	EXHAUST MANIFOLD(T494)	40
FIG 117A	TURBOCHARGER ASSoY(T574)	42
FIG 117B	TURBOCHARGER ASSoY(T494)	44
FIG 118A	TURBOCHARGER PLUMBING OPTION (T574)	46
FIG 118B	TURBOCHARGER PLUMBING OPTION (T494)	48
FIG 119A	BREATHER (T574)	50
FIG 119B	BREATHER (T494)	52
FIG 120	FUEL INJECTION PUMP	54
FIG 121	FUEL INJECTION VALVE	56

FIG 122 FUEL PIPE ASS'Y -----	58
FIG 123 OIL FILTER -----	60
FIG 124 OIL COOLER -----	62
FIG 125 OIL GAUGUE -----	64
FIG 126 OIL FILLER CAP -----	66
FIG 127 COOLING WATER PUMP -----	68
FIG 128 CRANK SHAFT PULLEY -----	70
FIG 129 V-PULLEY -----	72
FIG 130 COOLING FAN -----	74
FIG 131 FLYWHEEL HOUSING -----	76
FIG 132 FLYWHEEL -----	78
FIG 133 GLOW PLUG ASS'Y OPTION -----	80
FIG 134 STARTING MOTOR -----	82
FIG 135 FUEL FILTER BRACKET ASSoY -----	84
FIG 136 ALTERNATOR -----	86
FIG 137 V-BELT -----	88
FIG 138 FUEL FILTER -----	90
FIG 139A DPF SUPPORT (T574) -----	92
FIG 139B DPF SUPPORT (T494) -----	94
FIG 140 DATAPLATE -----	96
FIG 141 NAME PLATE, STARTING MOTOR -----	98
FIG 142A DPF ASSoY (T574) -----	100
FIG 142B DPF ASSoY (T494) -----	102
FIG 143 LIFT ASSoY -----	104
FIG 144 COMP . DRIVE PULLEY ASSoY OPTION -----	106

# CHASSIS

## 2 ENGINE ACCESSORIES & CONTROL

FIG 201 AIR CLEANER (T574)-----	112
FIG 201 AIR CLEANER (T494)-----	114
FIG 202 RADIATOR-----	116
FIG 203 MUFFLER-----	118
FIG 204 FUEL HOSE & FILTER-----	120
FIG 205 FUEL TANK-----	122
FIG 206 ACCELERATOR-----	124
FIG 207 OIL COOLER-----	126

## 3 CLUTCH, BRAKE, STEERING

FIG 301 FLYWHEEL HOUSING-----	132
FIG 302 CLUTCH PEDAL-----	134
FIG 303 BRAKE-----	136
FIG 304 BRAKE PEDAL & LINK-----	138
FIG 305 FRONT WHEEL-----	140
FIG 306 REAR WHEEL-----	142
FIG 307 POWER STEERING WHEEL-----	144
FIG 308 POWER STEERING VALVE-----	146
FIG 309 POWER STEERING CYLINDER-----	148
FIG 310 HST CONTROL LINK-----	150

## 4 TRANSMISSION & REAR AXLE

FIG 401 TRANSMISSION FRONT CASE-----	156
FIG 402 HST-----	158
FIG 403 MID TRANSMISSION CASE-----	160
FIG 404 TRANSTER GEAR SET-----	162
FIG 405 TRANSMISSION REAR CASE-----	164
FIG 406 SUB CHANGE GEARS-----	166

FIG 407 SUB CHANGE SHIFTER-----	168
FIG 408 DRIVE GEARS-----	170
FIG 409 4WD CHANGE LEVER-----	172
FIG 410 P.T.O DRIVE SHAFT-----	174
FIG 411 P.T.O CHANGE GEARS-----	176
FIG 412 REAR DIFFERENTIAL GEARS-----	178
FIG 413 REAR AXLE HOUSING-----	180

## **5** FRONT AXLE,SUPPORTER & DRIVE SHAFT

FIG 501 FRONT AXLE SUPPORT-----	186
FIG 502 FRONT DRIVE SHAFT-----	188
FIG 503 FRONT AXLE HOUSING-----	190
FIG 504 FRONT DIFFERENTIAL GEARS-----	192
FIG 505 FRONT GEAR CASE (1)-----	194
FIG 506 FRONT GEAR CASE (2)-----	196
FIG 507 FRONT GEAR CASE (3)-----	198

## **6** HYDRAULICS & 3P-LINK

FIG 601 CYLINDER CASE-----	204
FIG 602 LIFT ARM-----	206
FIG 603 CYLINDER-----	208
FIG 604 POSITION LINK-----	210
FIG 605 CONTROL VALVE-----	212
FIG 606 DRAFT LINK-----	214
FIG 607 POSITION & DRAFT LEVER-----	216
FIG 608 EXTERIOR HYD. VALVE-----	220
FIG 609 HYDRAULIC PIPE-----	222
FIG 610 JOYSTICK-----	224
FIG 612 HITCH & 3-POINT LINK-----	226
FIG 613 LOWER LINK & LIFT ROD-----	230

**7****SHEET METAL & CABIN**

FIG 701 BONNET FRAME-----	236
FIG 702 BONNET (1)-----	238
FIG 703 EXTENSION COVER-----	240
FIG 704A LEVER COVER & STEP-----	242
FIG 704B LEVER COVER & STEP-Non CAB-----	244
FIG 705 FRONT & REAR MOUNTING-----	246
FIG 706 SEAT & MAT-----	248
FIG 709 DOOR-----	250
FIG 710A FRONT GLASS-----	254
FIG 710B FRAME & 2POLES-ROPS-Non CAB-----	256
FIG 711 SIDE GLASS-----	258
FIG 712 REAR GLASS-----	260
FIG 713A SUB FENDER & COVER-----	262
FIG 713B SUB FENDER & COVER-Non CAB-----	264
FIG 714A MIRROR-----	266
FIG 714B MIRROR&WORKING LAMP-Non CAB-----	268
FIG 715A HEATER & AIR-CON-----	270
FIG 715B HEATER & AIR-CON-----	272
FIG 716 FENDER COVER-----	274
FIG 717 ROOF-----	276
FIG 718 CABIN INTERIOR-----	278

**8****ELECTRICALS & HARNESS**

FIG 801 BATTERY & MOUNTING-----	284
FIG 802 HARNESS LAMP-----	286
FIG 803 INSTRUMENT PANEL-----	288
FIG 804 ELECTRIC SYSTEM (1)-----	290
FIG 805A ELECTRIC SYSTEM (2)-----	292
FIG 805B ELECTRIC SYSTEM (2)-Non CAB-----	294
FIG 806 ELECTRIC SYSTEM (3)-----	296



**9 LABEL& TOOLS**

FIG 901 TOOL & ACCESSORY-----262  
FIG 902 LABEL-----264  
FIG 903 OPTION-----268

**10 NUMERICAL INDEX**

ENGINE-----273  
CHASSIS-----277

# ENGINE

## 1 ENGINE

FIG 101A CYLINDER BLOCK (T574)	04
FIG 101B CYLINDER BLOCK (T494)	06
FIG 102 GEAR HOUSING	08
FIG 103 FLYWHEEL HOUSING & OIL PAN	10
FIG 104A CYLINDER HEAD & HEAD COVER (T574)	12
FIG 104B CYLINDER HEAD & HEAD COVER (T494)	16
FIG 105A INTAKE MANIFOLD (T574)	20
FIG 105B INTAKE MANIFOLD (T494)	22
FIG 106A EXHAUST MANIFOLD (T574)	24
FIG 106B EXHAUST MANIFOLD (T494)	26
FIG 107 CAMSHAFT & DRIVING GEAR	28
FIG 108A CAMSHAFT & PISTON (T574)	30
FIG 108B CAMSHAFT & PISTON (T494)	32
FIG 109 BALANCER	34
FIG 110 LUB.OIL SYSTEM	36
FIG 111A COOLING SYSTEM (T574)	38
FIG 111B COOLING SYSTEM (T494)	40
FIG 112A FUEL INJECTION PUMP (T574)	42
FIG 112B FUEL INJECTION PUMP (T494)	44
FIG 113 FUEL INJECTION SYSTEM	46
FIG 114 FUEL SYSTEM	48
FIG 115 STARTING MOTOR	50
FIG 116A GENERATOR & ELECTRIC DEVICE (T574)	52
FIG 116B GENERATOR & ELECTRIC DEVICE (T494)	54
FIG 117A DPF MOUNTING (T574)	56
FIG 117B DPF & DPF APPLICATION SYSTEM (T574)	58
FIG 118A DPF OPTION (T574)	60
FIG 118B DPF OPTION (T494)	62
FIG 119 LABEL	64

# CHASSIS

## 2 ENGINE ACCESSORIES & CONTROL

FIG 201 AIR CLEANER (T574)-----	70
FIG 201 AIR CLEANER (T494)-----	72
FIG 202 RADIATOR-----	74
FIG 203 MUFFLER-----	76
FIG 204 FUEL HOSE & FILTER-----	78
FIG 205 FUEL TANK-----	80
FIG 206 ACCELERATOR-----	82
FIG 207 OIL COOLER-----	84

### **3** CLUTCH, BRAKE, STEERING

FIG 301 FLYWHEEL HOUSING-----	90
FIG 302 CLUTCH PEDAL-----	92
FIG 303 BRAKE-----	94
FIG 304 BRAKE PEDAL & LINK-----	96
FIG 305 FRONT WHEEL-----	98
FIG 306 REAR WHEEL-----	100
FIG 307 POWER STEERING WHEEL-----	102
FIG 308 POWER STEERING VALVE-----	104
FIG 309 POWER STEERING CYLINDER-----	106
FIG 310 HST CONTROL LINK-----	108

**4****TRANSMISSION & REAR AXLE**

FIG 401 TRANSMISSION FRONT CASE-----	114
FIG 402 HST-----	116
FIG 403 MID TRANSMISSION CASE-----	118
FIG 404 TRANSTER GEAR SET-----	120
FIG 405 TRANSMISSION REAR CASE-----	122
FIG 406 SUB CHANGE GEARS-----	124
FIG 407 SUB CHANGE SHIFTER-----	126
FIG 408 DRIVE GEARS-----	128
FIG 409 4WD CHANGE LEVER-----	130
FIG 410 P.T.O DRIVE SHAFT-----	132
FIG 411 P.T.O CHANGE GEARS-----	134
FIG 412 REAR DIFFERENTIAL GEARS-----	136
FIG 413 REAR AXLE HOUSING-----	138

**5****FRONT AXLE,SUPPORTER & DRIVE  
SHAFT**

FIG 501 FRONT AXLE SUPPORT-----	144
FIG 502 FRONT DRIVE SHAFT-----	146
FIG 503 FRONT AXLE HOUSING-----	148
FIG 504 FRONT DIFFERENTIAL GEARS-----	150
FIG 505 FRONT GEAR CASE (1)-----	152
FIG 506 FRONT GEAR CASE (2)-----	154
FIG 507 FRONT GEAR CASE (3)-----	156



## **6** HYDRAULICS & 3P-LINK

FIG 601 CYLINDER CASE-----	162
FIG 602 LIFT ARM-----	164
FIG 603 CYLINDER-----	166
FIG 604 POSITION LINK-----	168
FIG 605 CONTROL VALVE-----	170
FIG 606 DRAFT LINK-----	172
FIG 607 POSITION & DRAFT LEVER-----	174
FIG 608 EXTERIOR HYD. VALVE-----	178
FIG 609 HYDRAULIC PIPE-----	180
FIG 610 JOYSTICK-----	182
FIG 612 HITCH & 3-POINT LINK-----	184
FIG 613 LOWER LINK & LIFT ROD-----	188

**7****SHEET METAL & CABIN**

FIG 701 BONNET FRAME-----	194
FIG 702 BONNET (1)-----	196
FIG 703 EXTENSION COVER-----	200
FIG 704A LEVER COVER & STEP-----	202
FIG 704B LEVER COVER & STEP-Non CAB-----	204
FIG 705 FRONT & REAR MOUNTING-----	206
FIG 706 SEAT & MAT-----	208
FIG 709 DOOR-----	210
FIG 710A FRONT GLASS-----	214
FIG 710B FRAME & 2POLES-ROPS-Non CAB-----	216
FIG 711 SIDE GLASS-----	218
FIG 712 REAR GLASS-----	220
FIG 713A SUB FENDER & COVER-----	222
FIG 713B SUB FENDER & COVER-Non CAB-----	224
FIG 714A MIRROR-----	226
FIG 714B MIRROR&WORKING LAMP-Non CAB-----	228
FIG 715A HEATER & AIR-CON-----	230
FIG 715B HEATER & AIR-CON-----	232
FIG 716 FENDER COVER-----	234
FIG 717 ROOF-----	236
FIG 718 CABIN INTERIOR-----	238

**8****ELECTRICALS & HARNESS**

FIG 801 BATTERY & MOUNTING-----	244
FIG 802 HARNESS LAMP-----	246
FIG 803 INSTRUMENT PANEL-----	248
FIG 804 ELECTRIC SYSTEM (1)-----	250
FIG 805A ELECTRIC SYSTEM (2)-----	252
FIG 805B ELECTRIC SYSTEM (2)-Non CAB-----	254
FIG 806 ELECTRIC SYSTEM (3)-----	256

## **9** LABEL& TOOLS

FIG 901 TOOL & ACCESSORY-----262  
FIG 902 LABEL-----264  
FIG 903 OPTION-----268

**10** NUMERICAL INDEX

ENGINE	-----	273
CHASSIS	-----	277

FIG 101

CYLINDER BLOCK

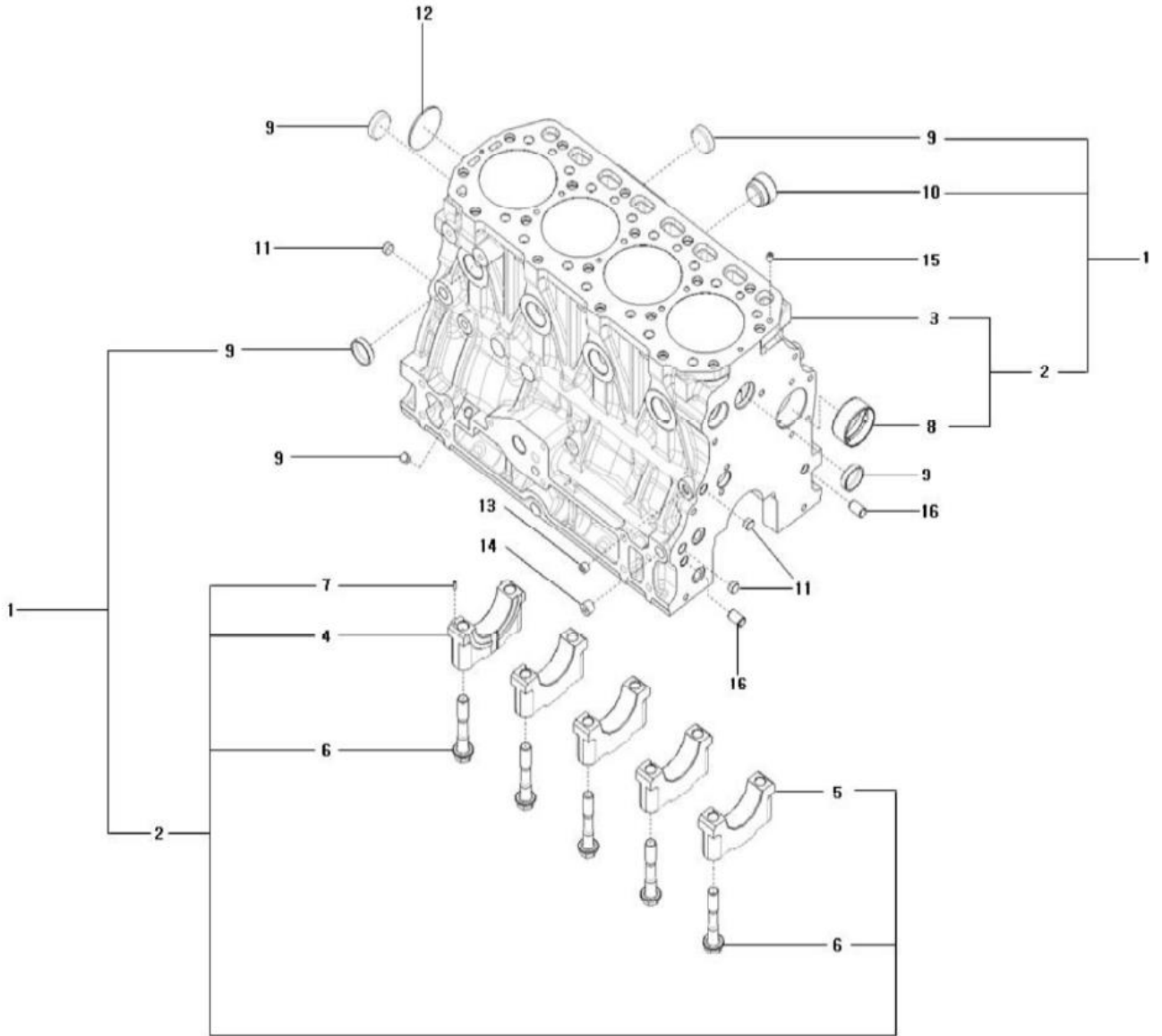
P1

YEAR

2018



T574SH / T574NH / T494SH / T494NH



NOTE



FIG 102A

OIL JET ASS'Y OPTION(T574)

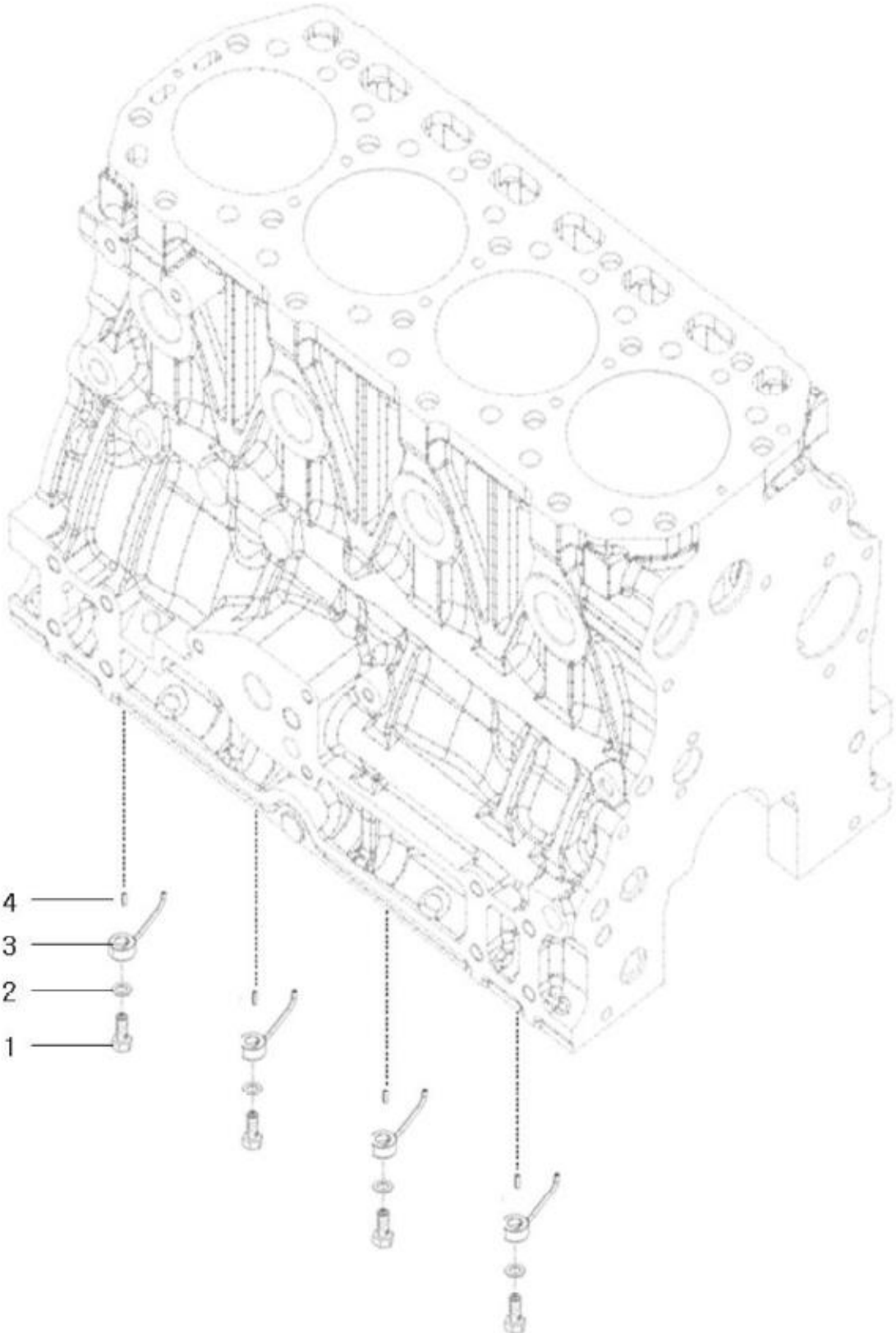
P1

YEAR

2018



T574SH / T574NH / T494SH / T494NH



- 4 —
- 3 —
- 2 —
- 1 —

NOTE

FIG 102B

OIL JET ASS'Y OPTION(T494)

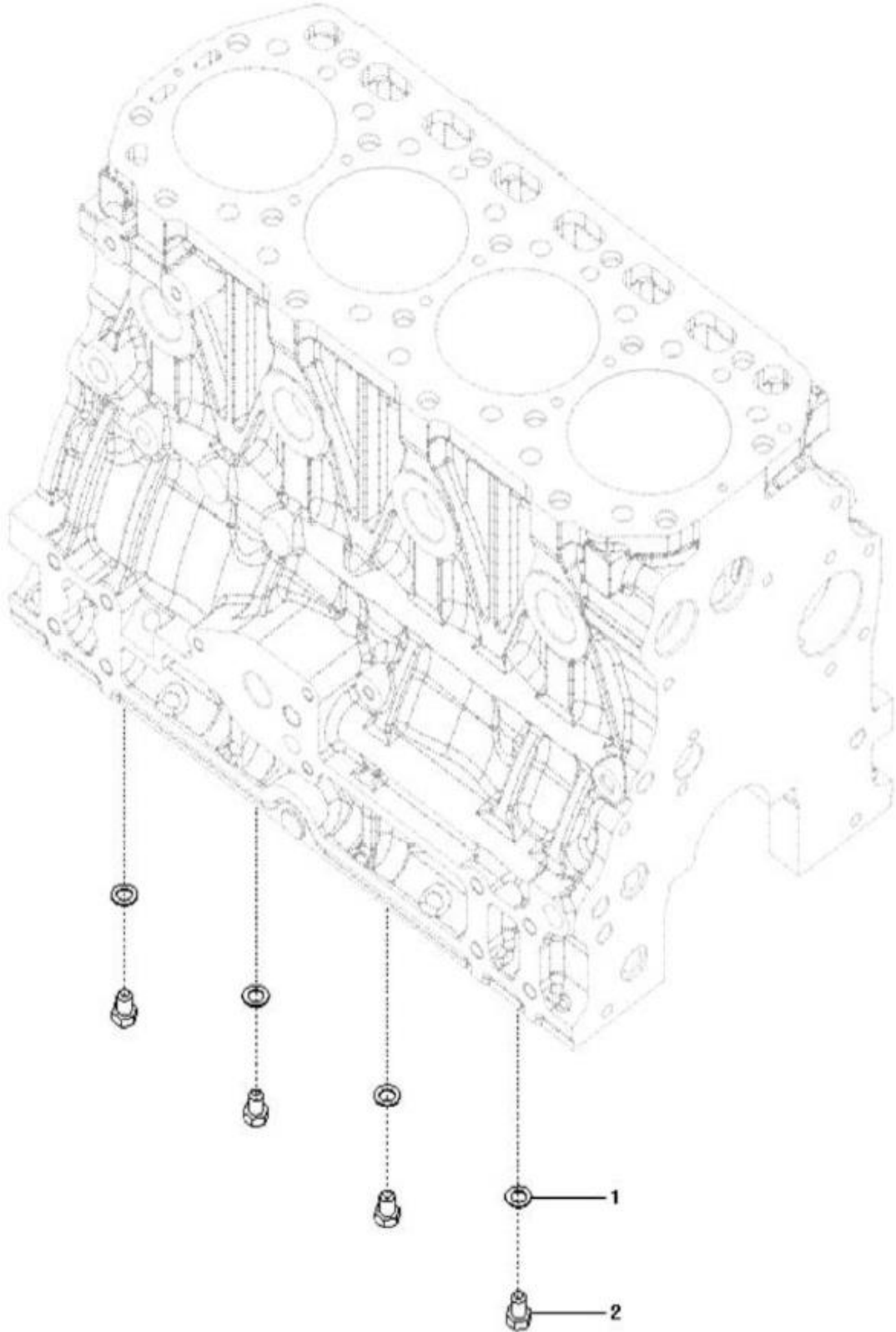
P2

YEAR

2018



T574SH / T574NH / T494SH / T494NH



NOTE

# FIG 103

# CRANK SHAFT

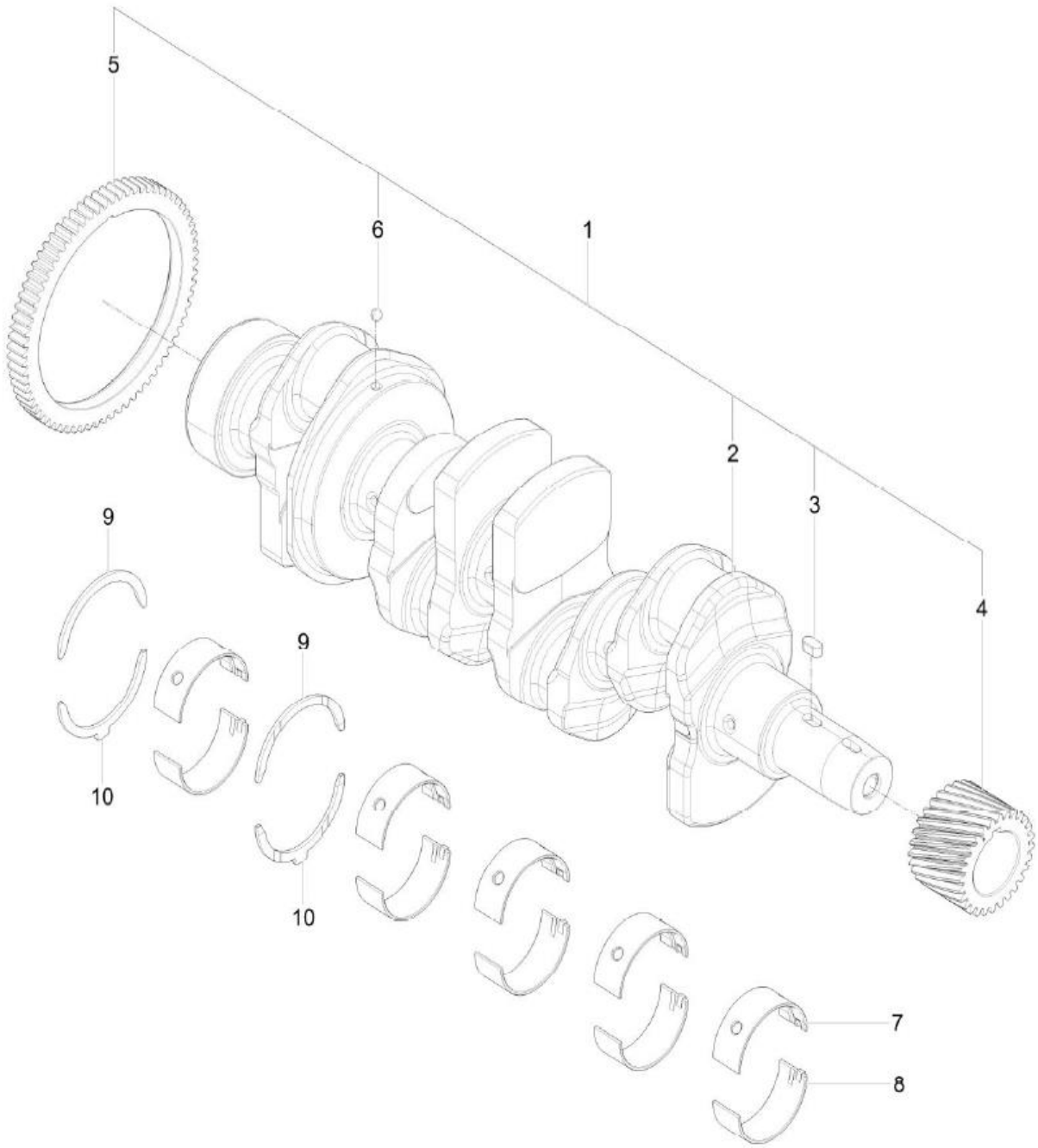
P1

YEAR

2018



T574SH / T574NH / T494SH / T494NH



NOTE

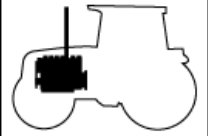
FIG 104

PISTON

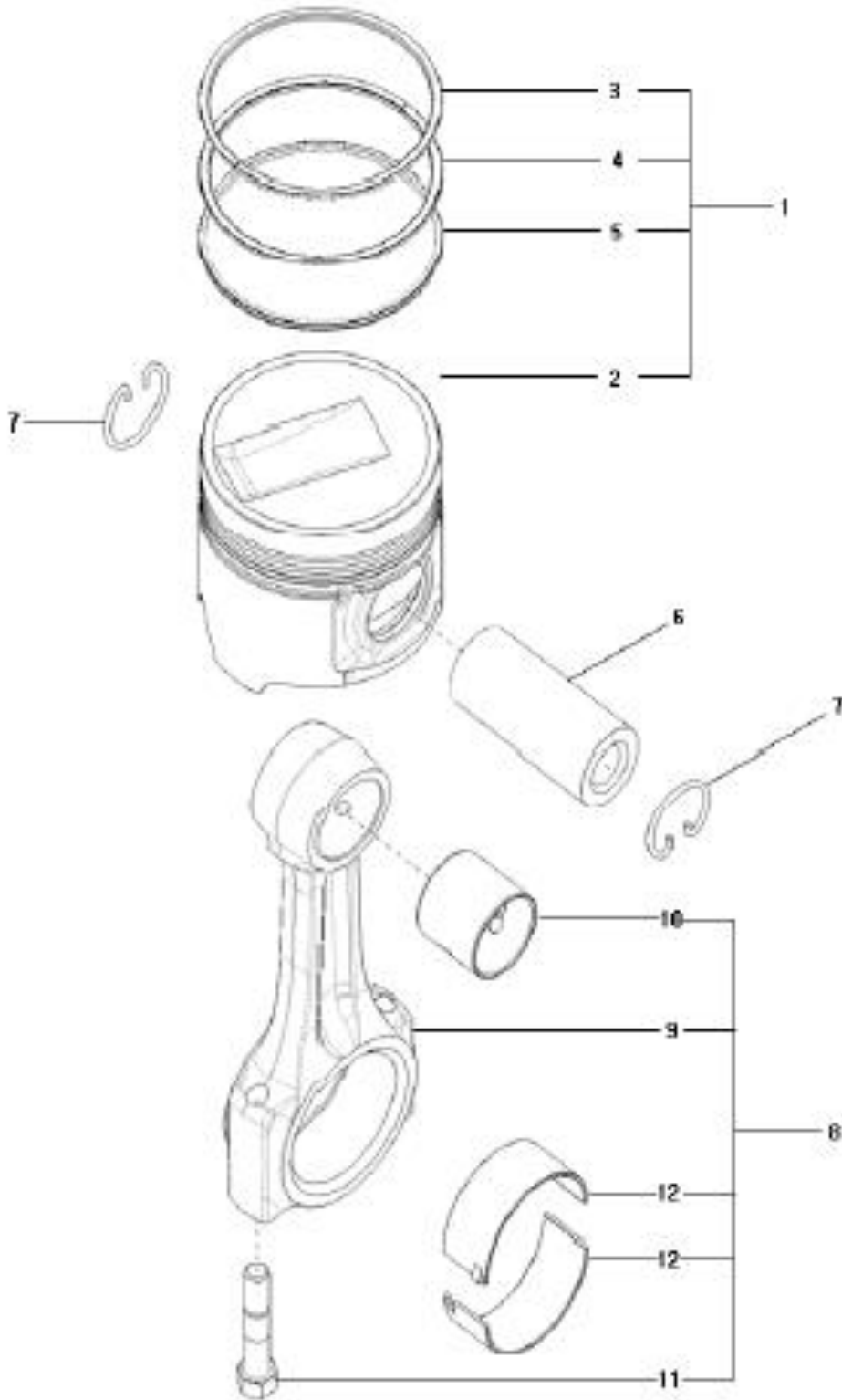
P1

YEAR

2018



T574SH / T574NH / T494SH / T494NH



NOTE

FIG 105

CYLINDER HEAD

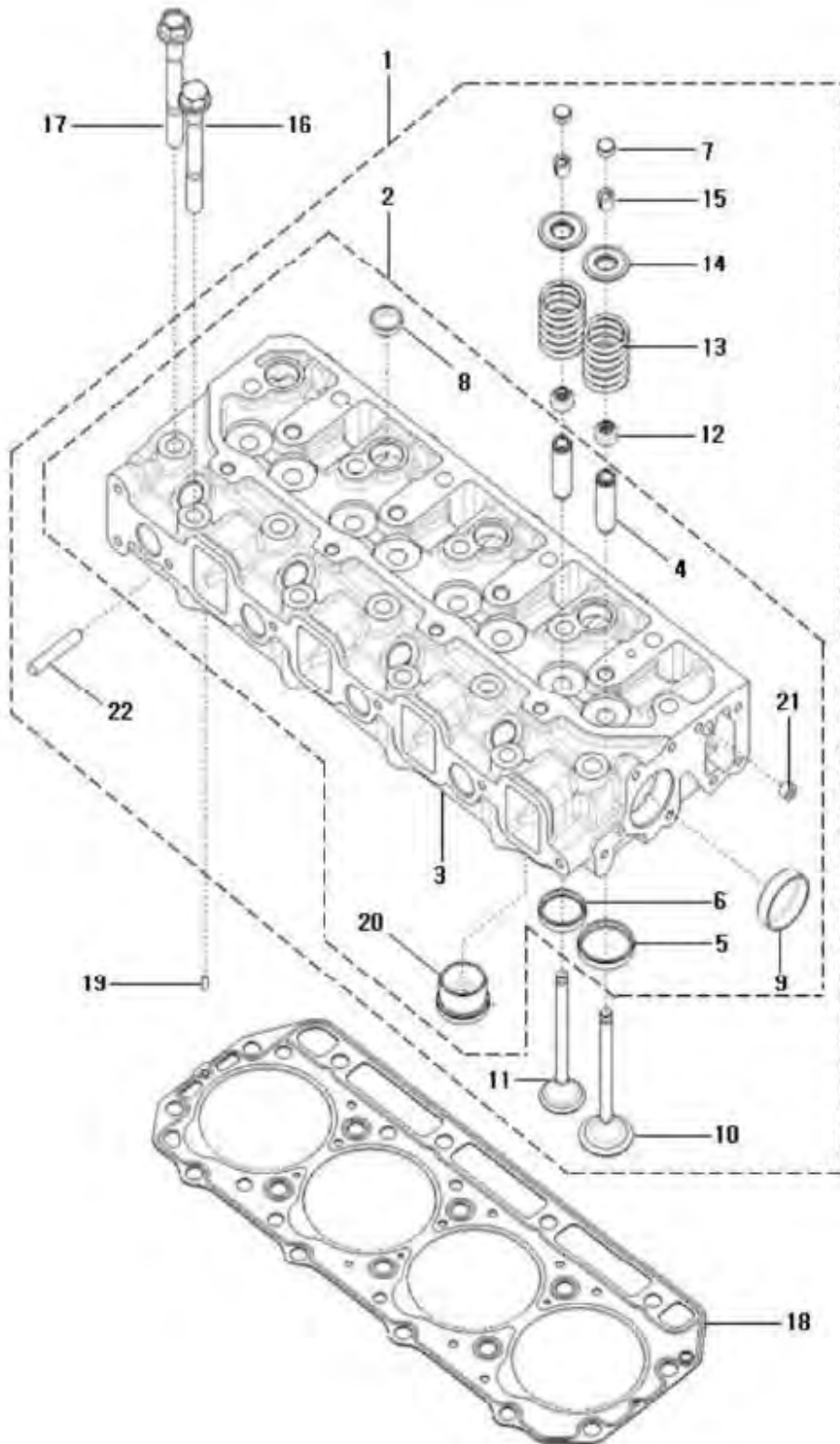
P1

YEAR

2018



T574SH / T574NH / T494SH / T494NH



NOTE

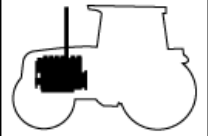
FIG 106

ROCKER LEVER

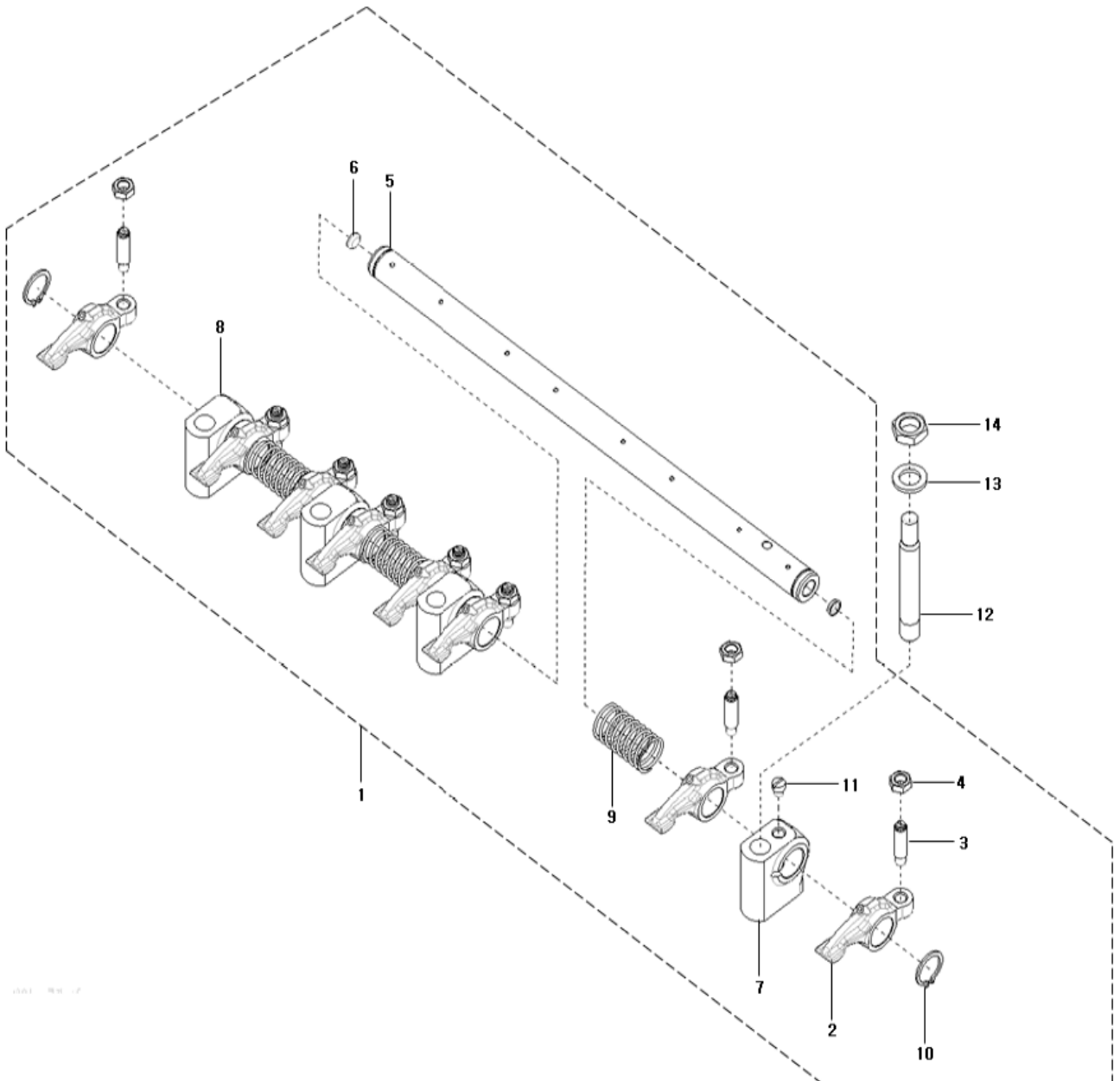
P1

YEAR

2018



T574SH / T574NH / T494SH / T494NH



NOTE



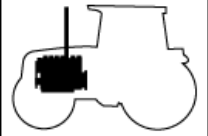
FIG 107

HEAD COVER

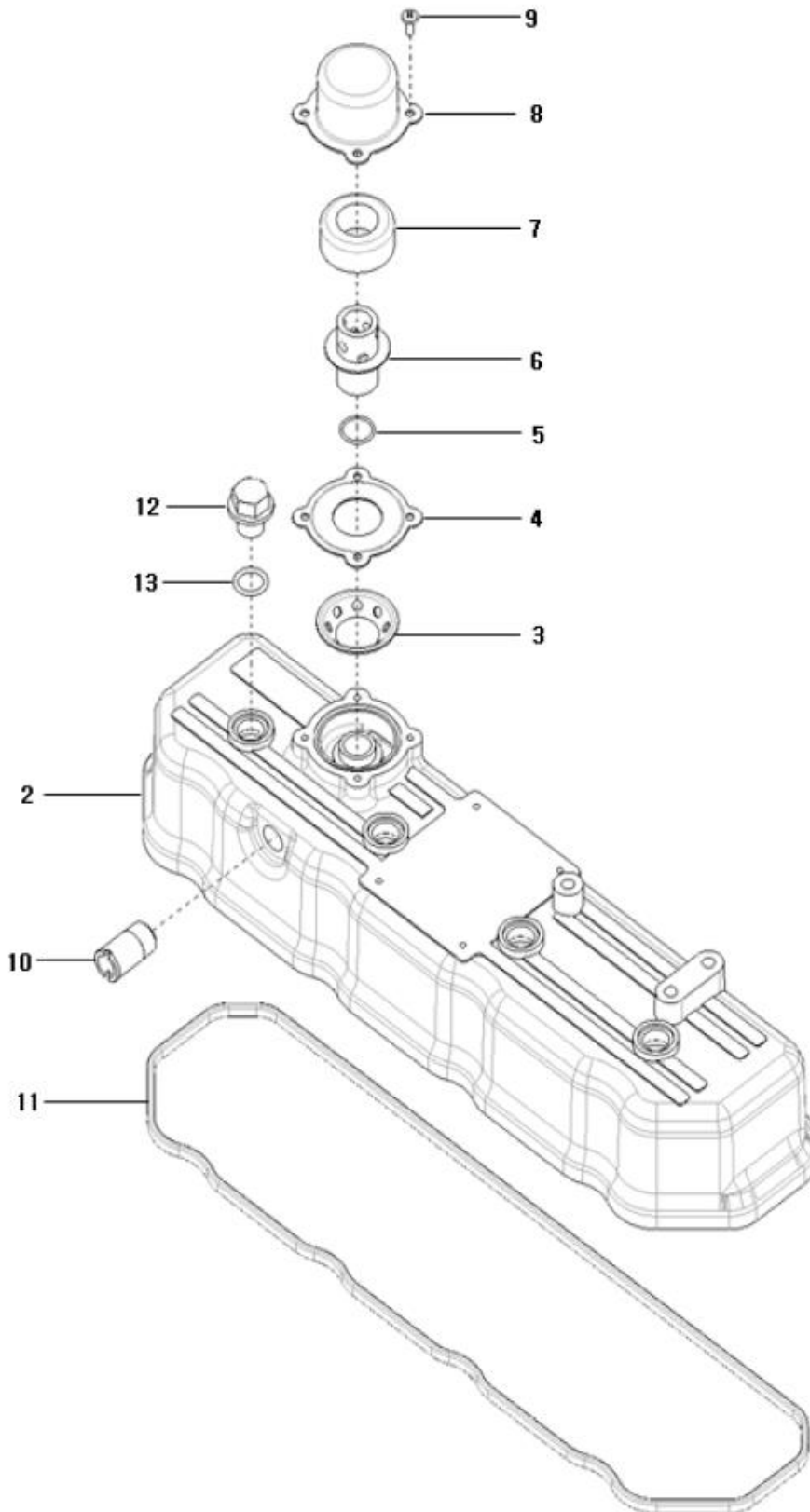
P1

YEAR

2018



T574SH / T574NH / T494SH / T494NH



NOTE

# FIG 108

# GEAR CASE

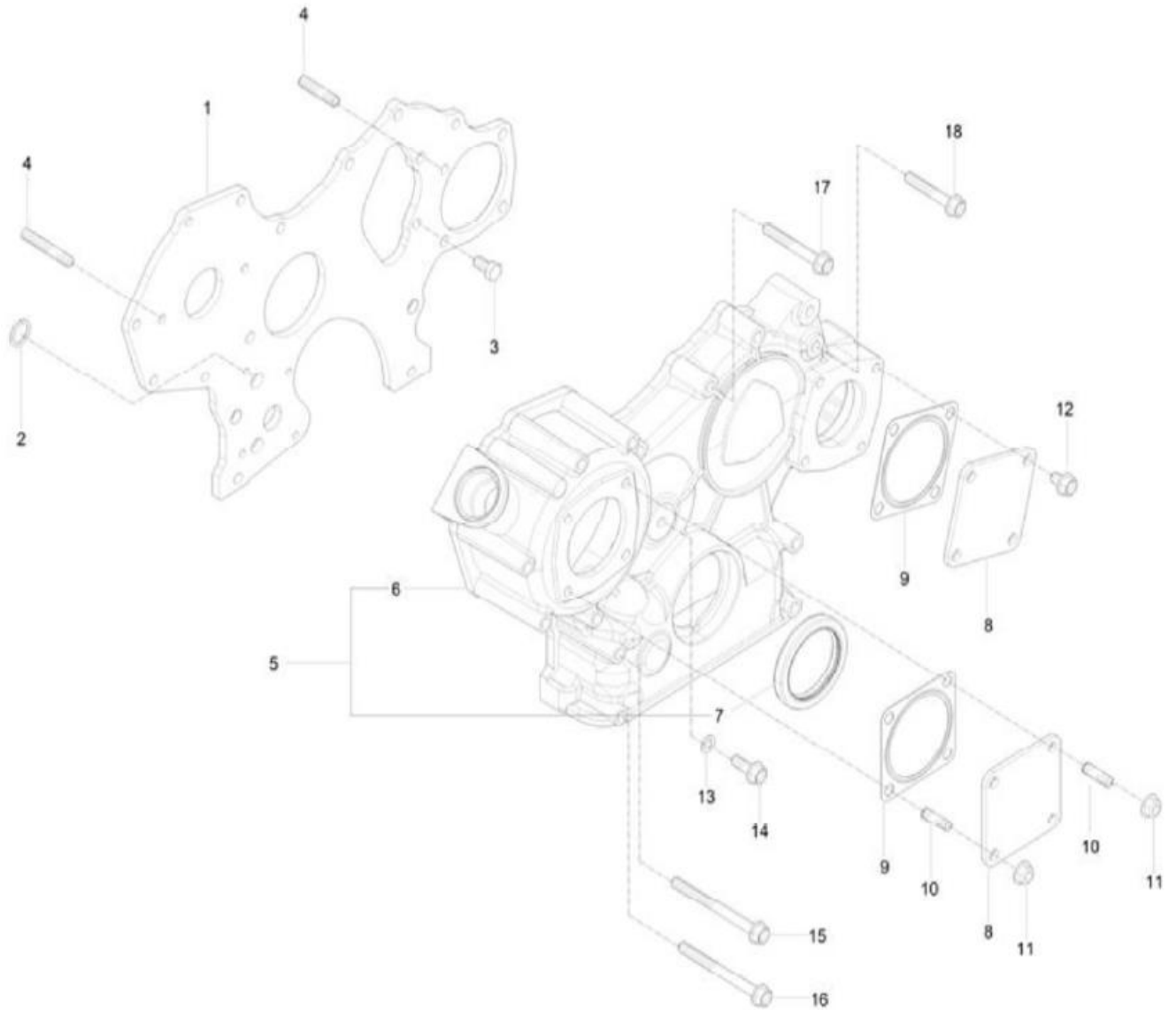
P1

YEAR

2018



T574SH / T574NH / T494SH / T494NH



NOTE

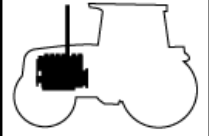
# FIG 109

# IDLE GEAR

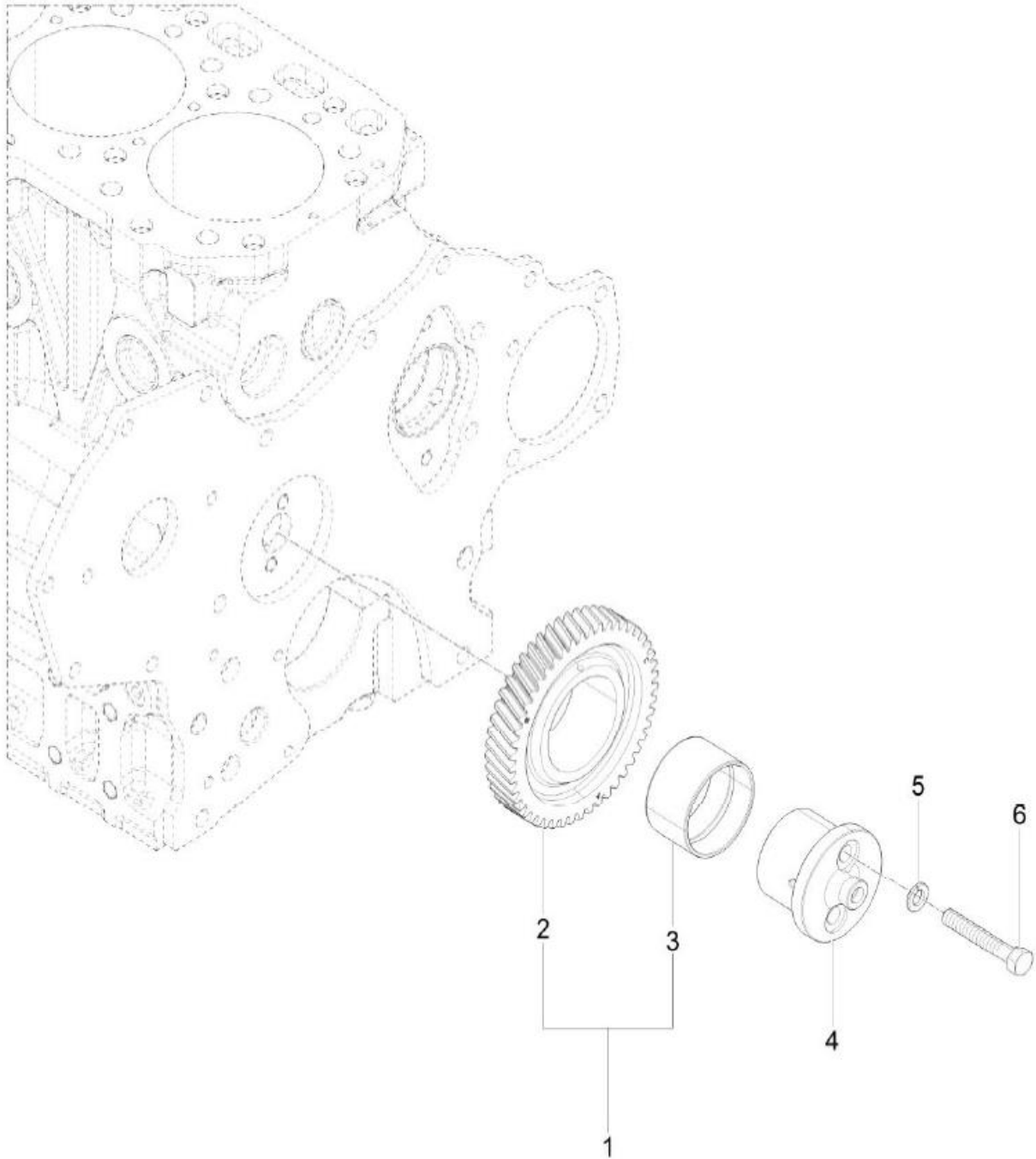
P1

YEAR

2018



T574SH / T574NH / T494SH / T494NH



NOTE

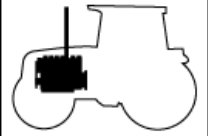
FIG 110

CAM SHAFT

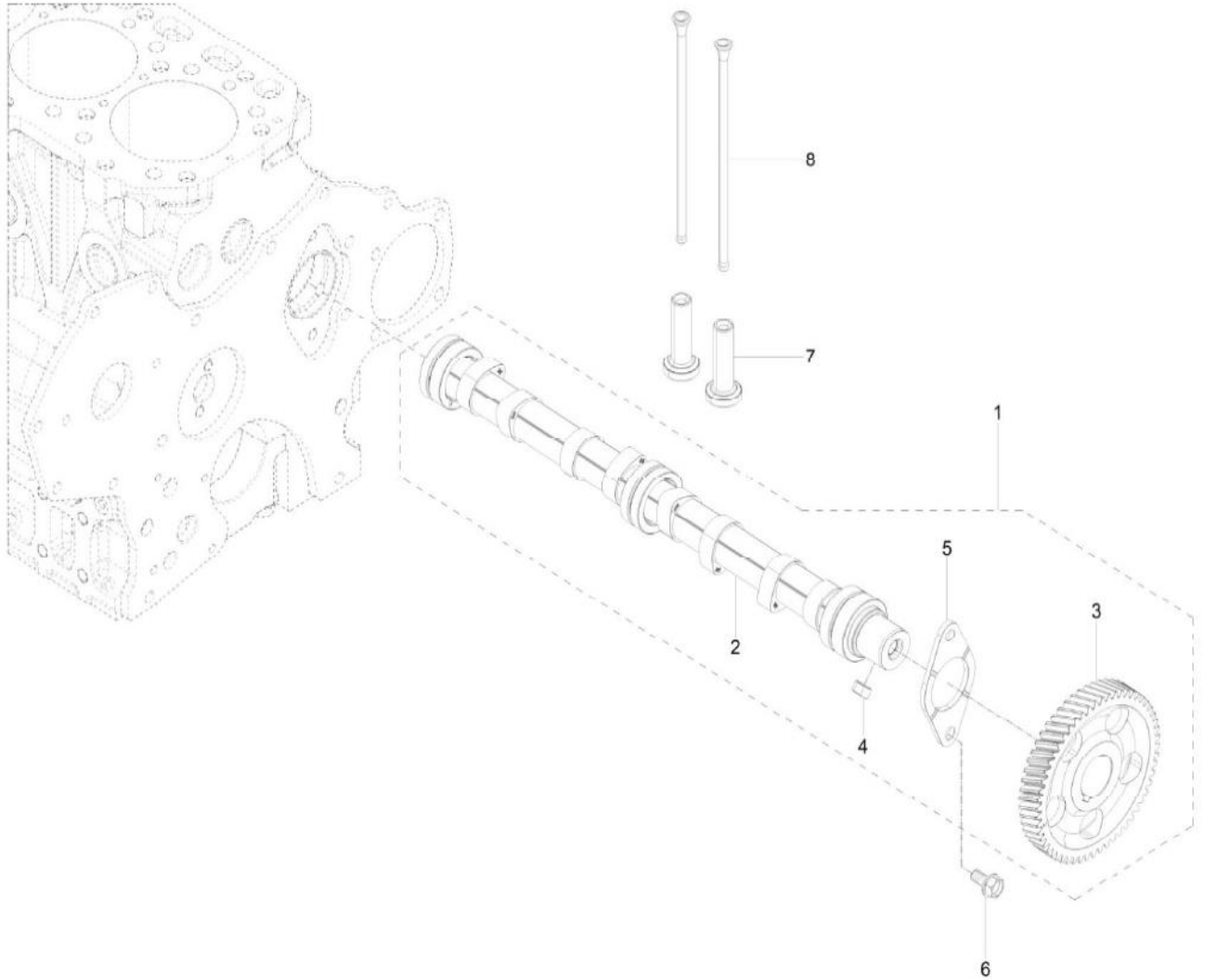
P1

YEAR

2018



T574SH / T574NH / T494SH / T494NH



NOTE

FIG 111

OIL PUMP

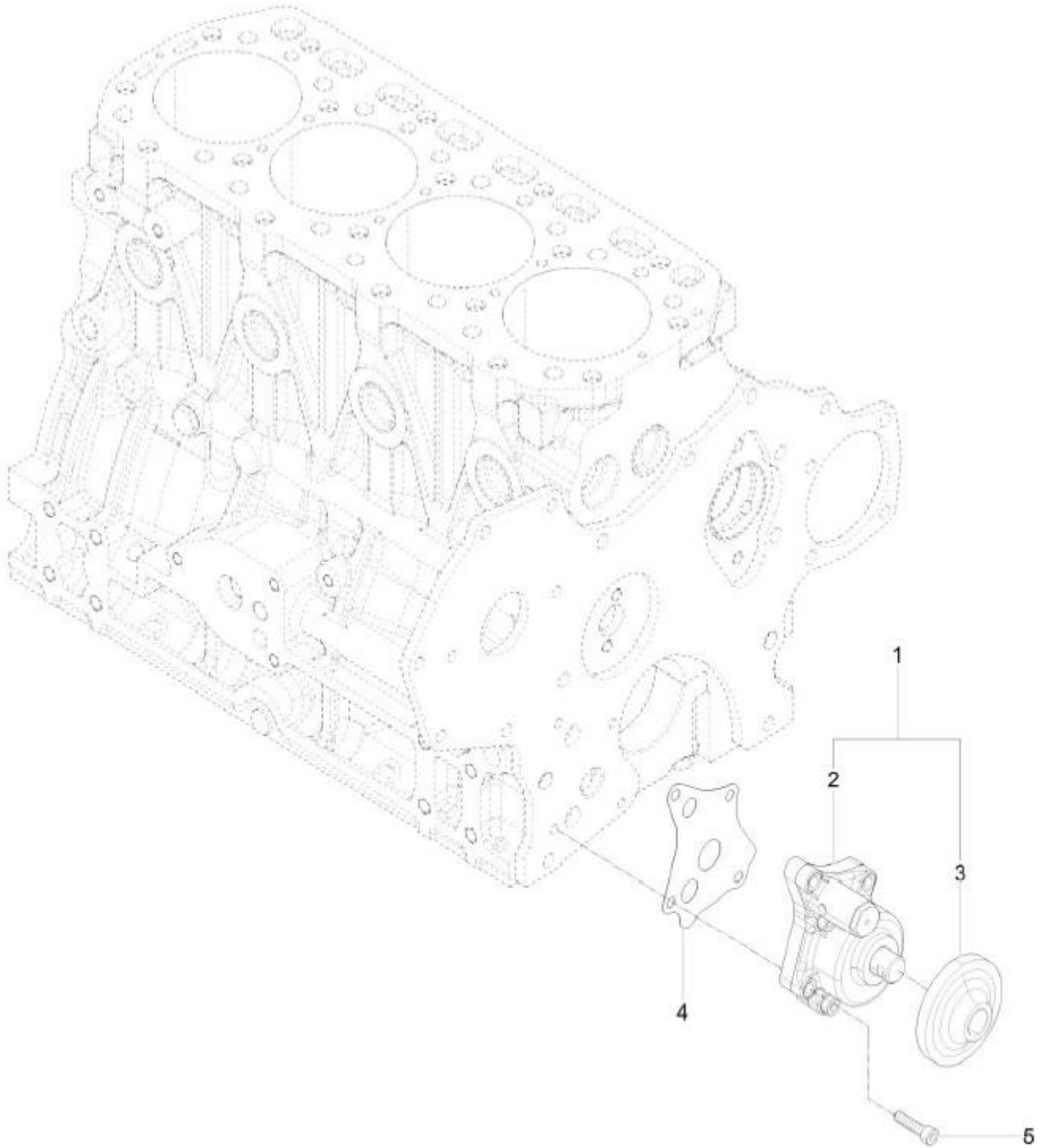
P1

YEAR

2018



T574SH / T574NH / T494SH / T494NH



NOTE

FIG 112

HYD. PUMP DRIVE

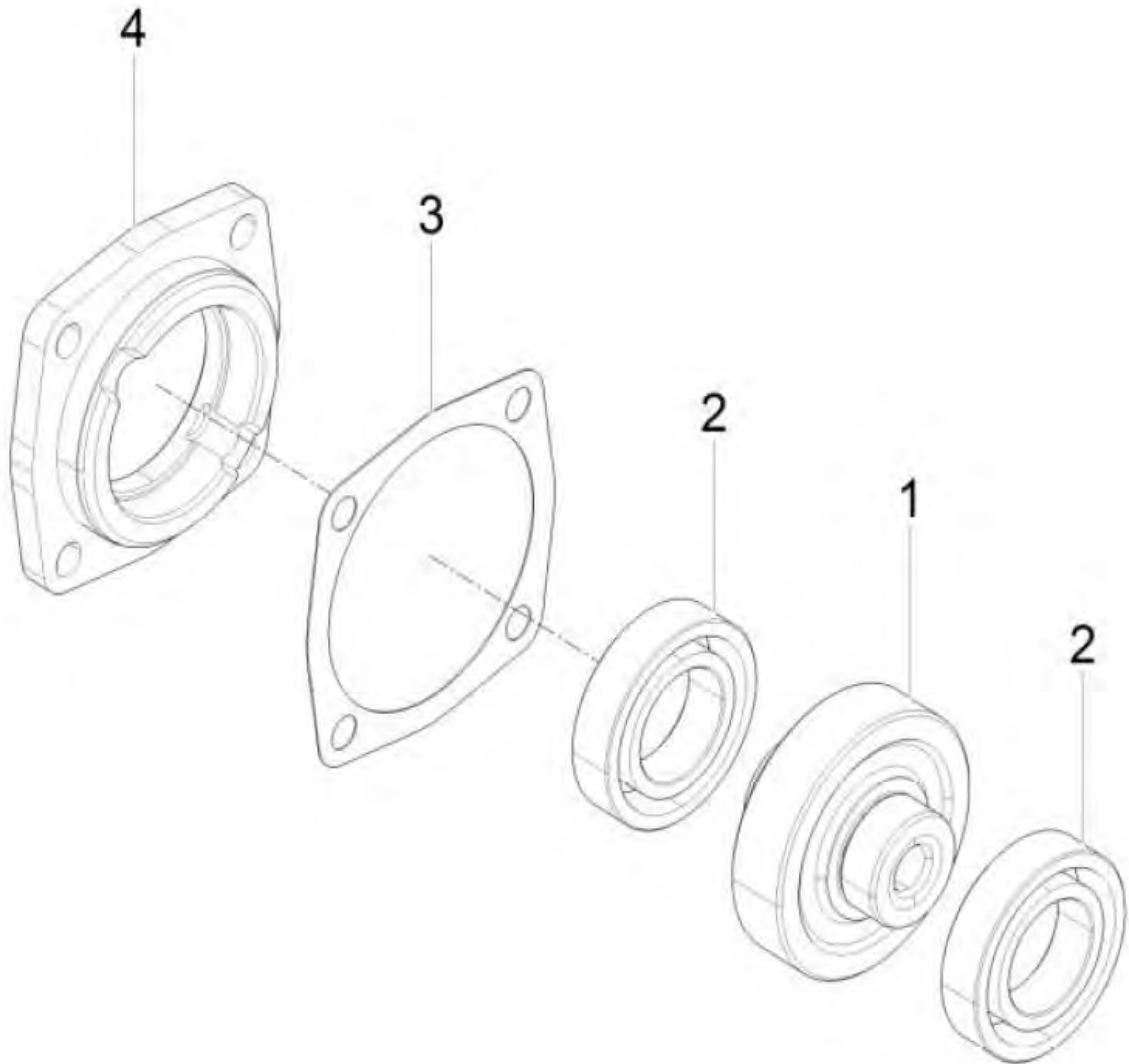
P1

YEAR

2018



T574SH / T574NH / T494SH / T494NH



NOTE

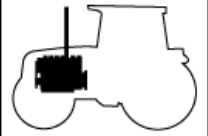
FIG 113

2ND BALANCE

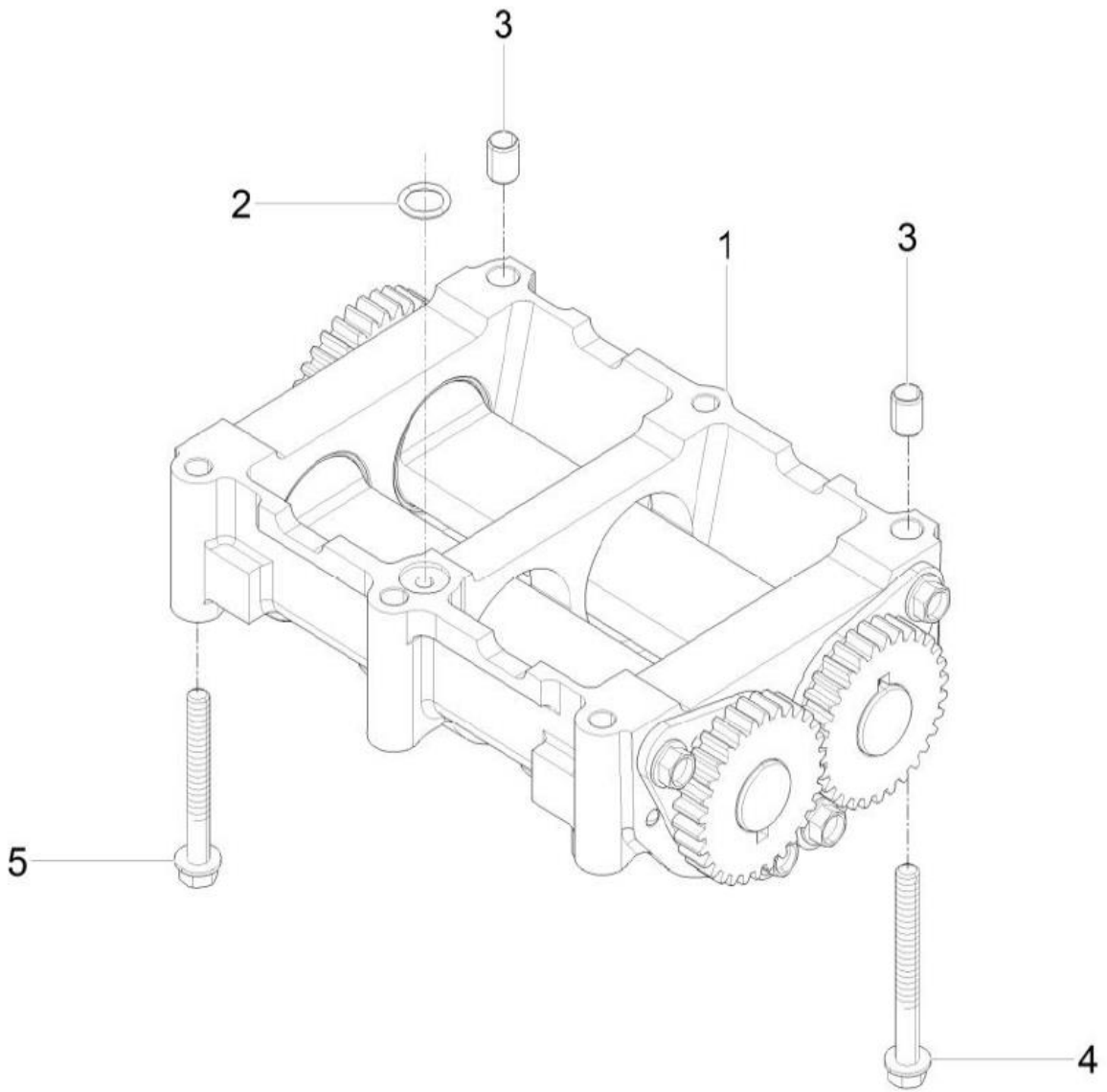
P1

YEAR

2018



T574SH / T574NH / T494SH / T494NH



NOTE

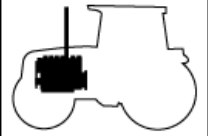
FIG 114

OIL PAN

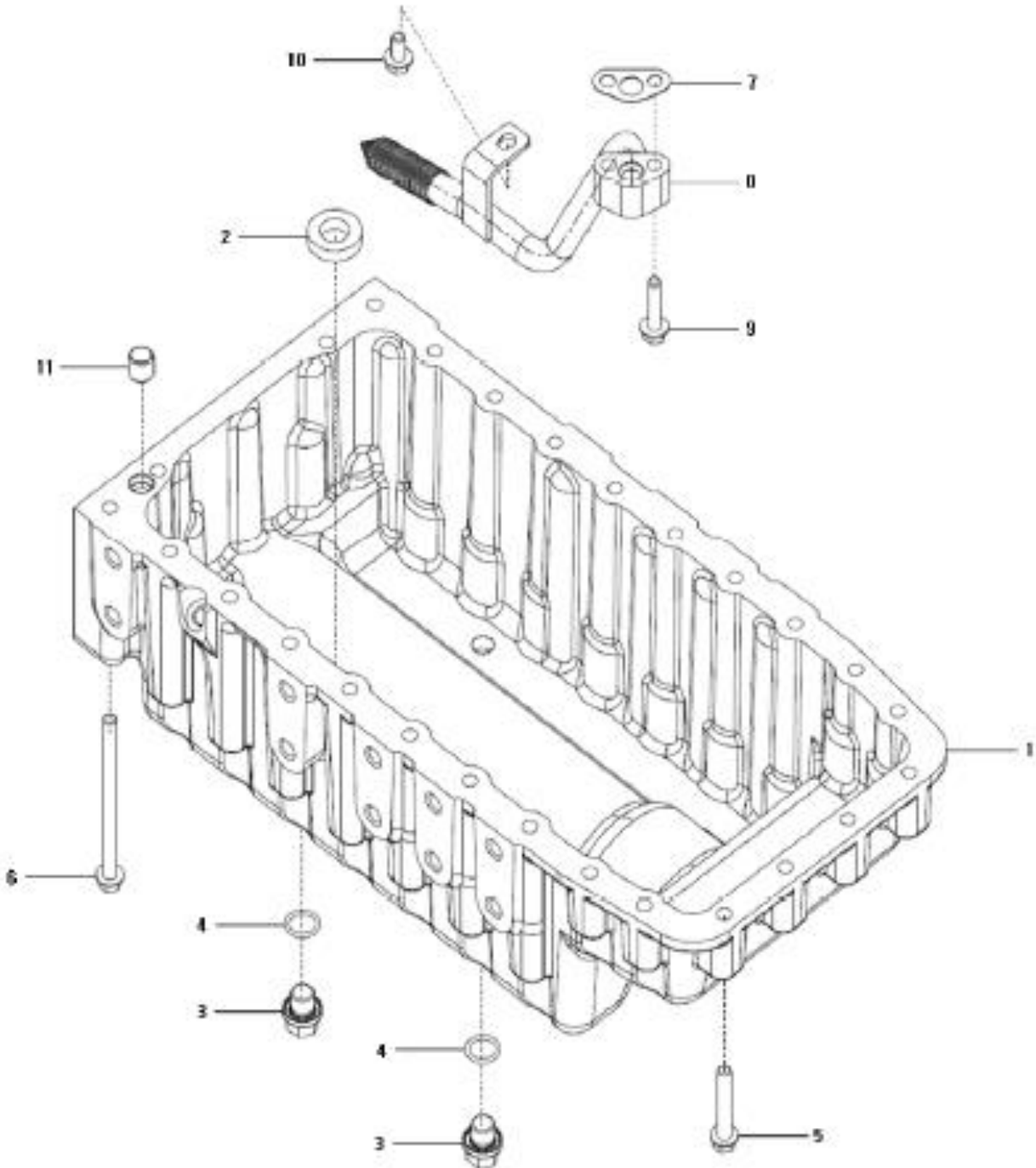
P1

YEAR

2018



T574SH / T574NH / T494SH / T494NH



NOTE



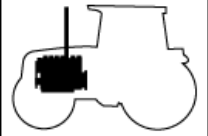
FIG 115A

INTAKE MANIFOLD (T574)

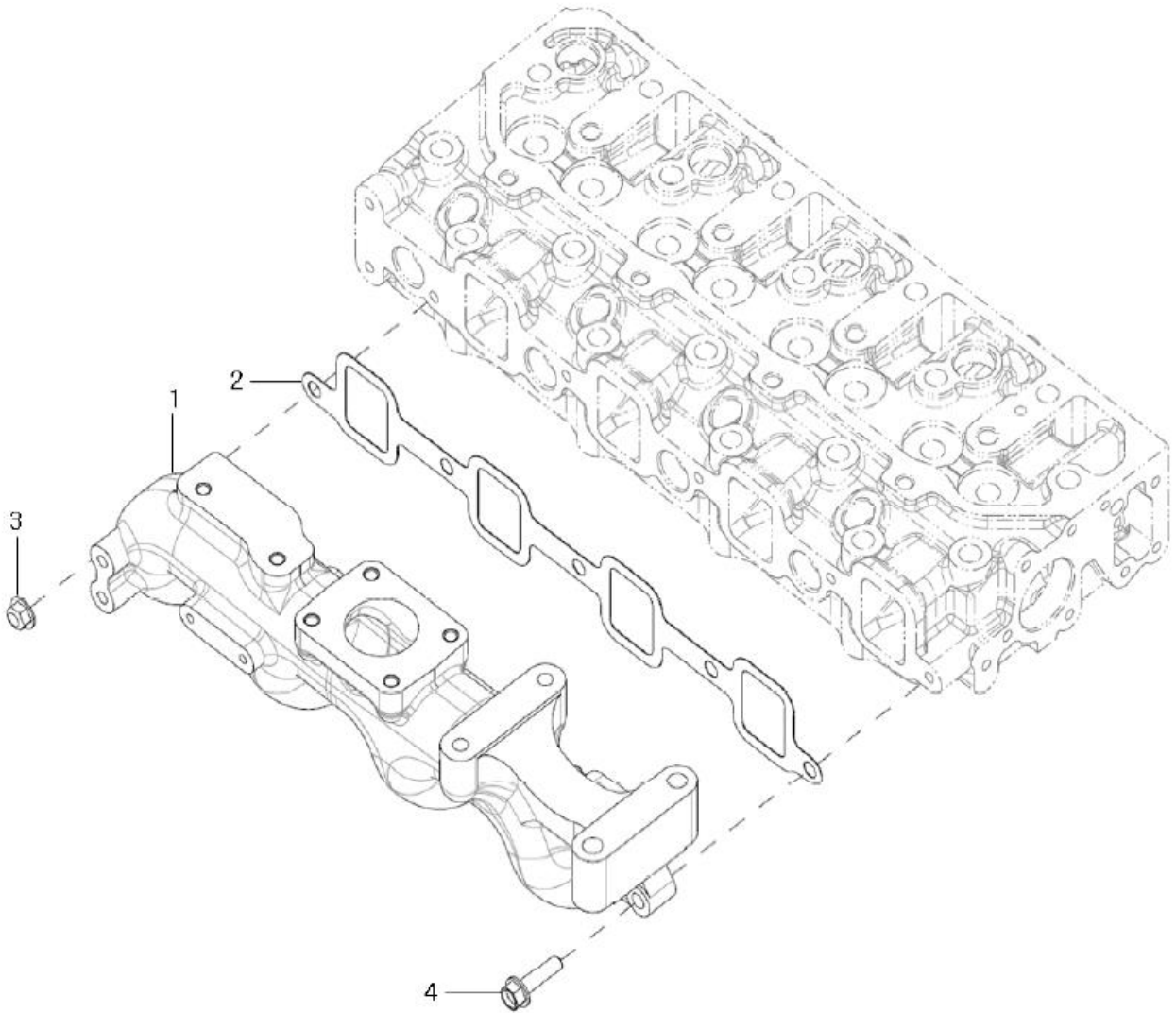
P1

YEAR

2018



T574SH / T574NH / T494SH / T494NH



NOTE

FIG 115B

INTAKE MANIFOLD (T494)

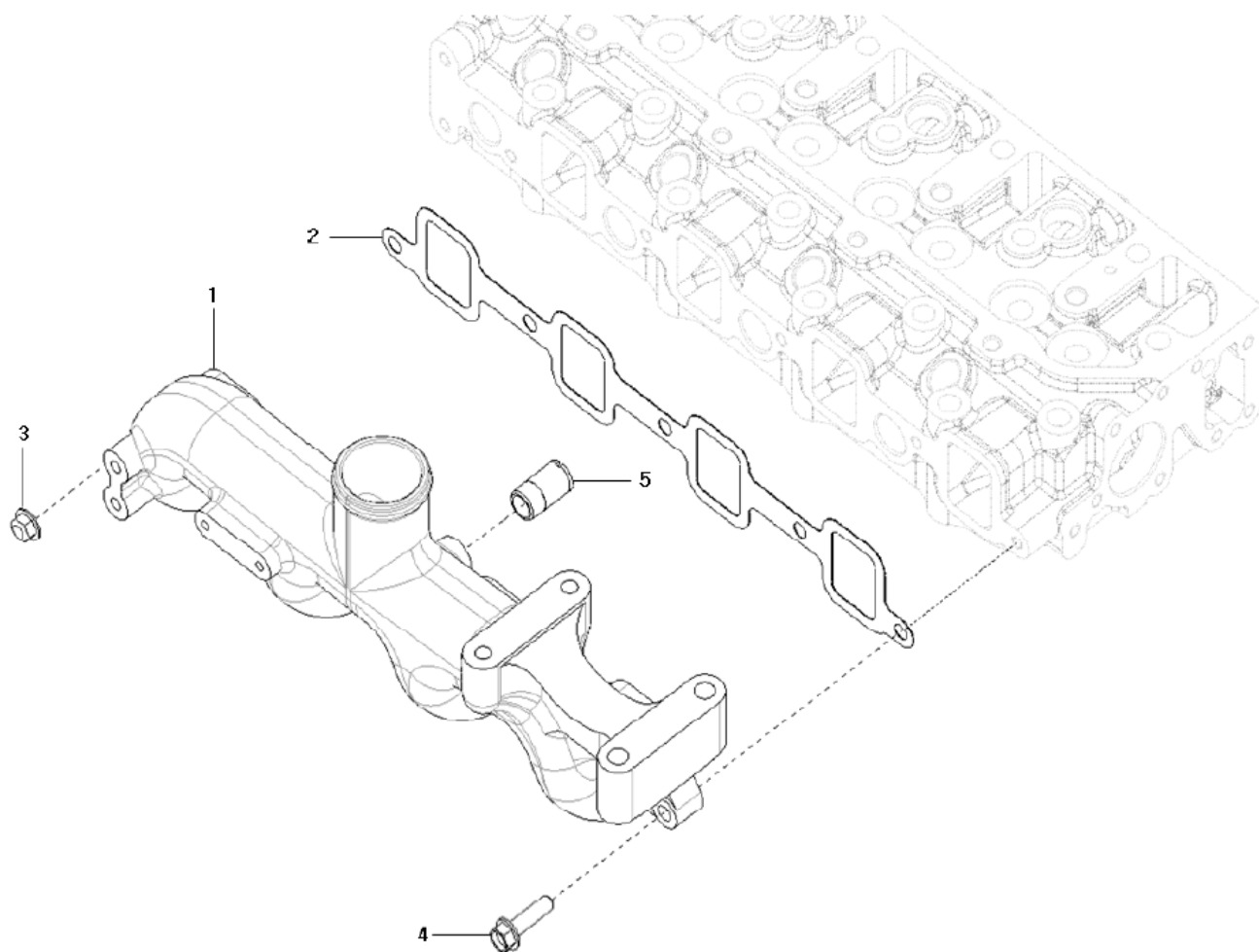
P2

YEAR

2018



T574SH / T574NH / T494SH / T494NH



NOTE

FIG 116A

EXHAUST MANIFOLD (T574)

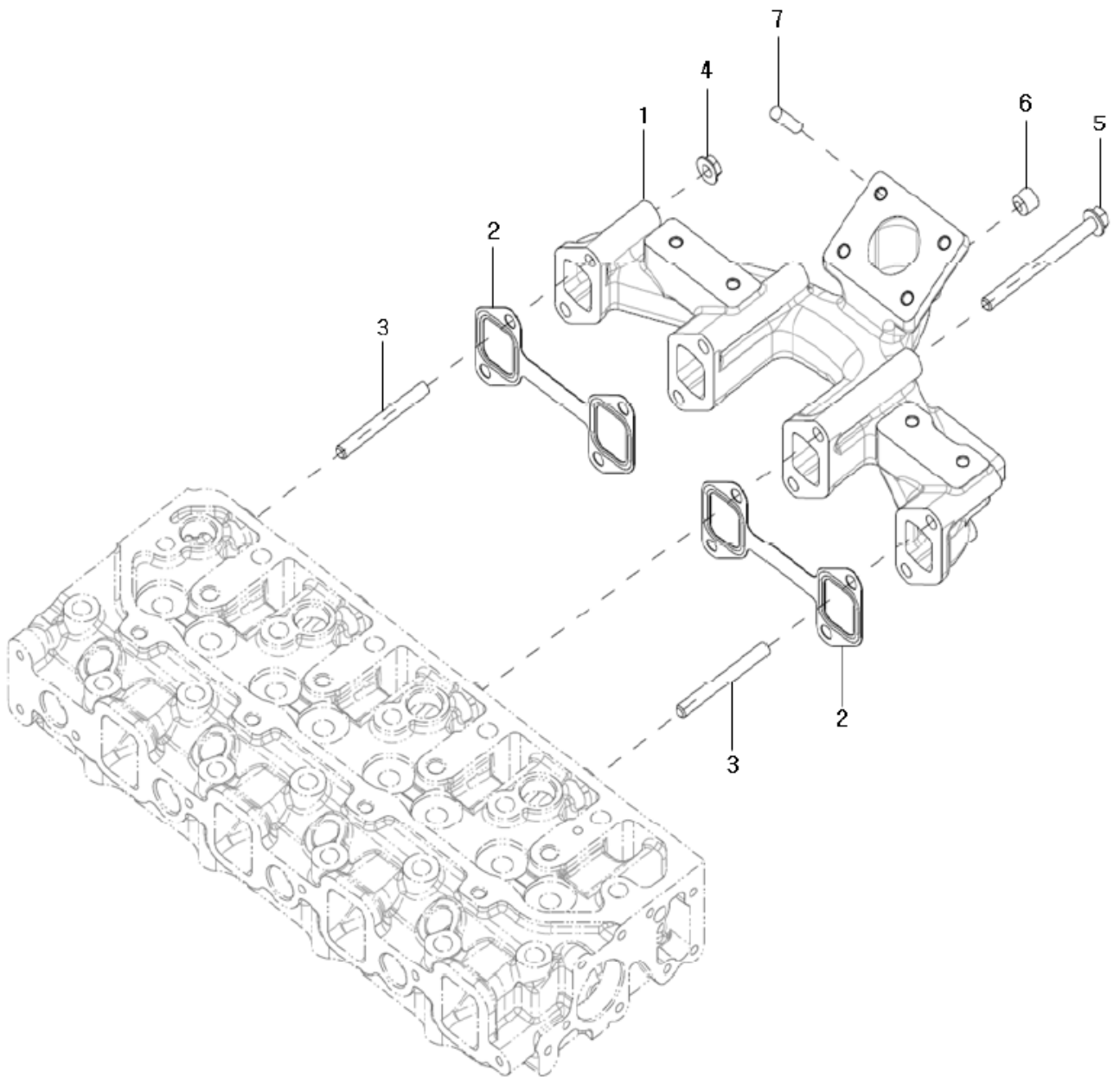
P1

YEAR

2018



T574SH / T574NH / T494SH / T494NH



NOTE

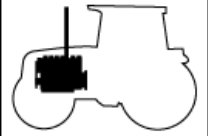
FIG 116B

EXHAUST MANIFOLD (T494)

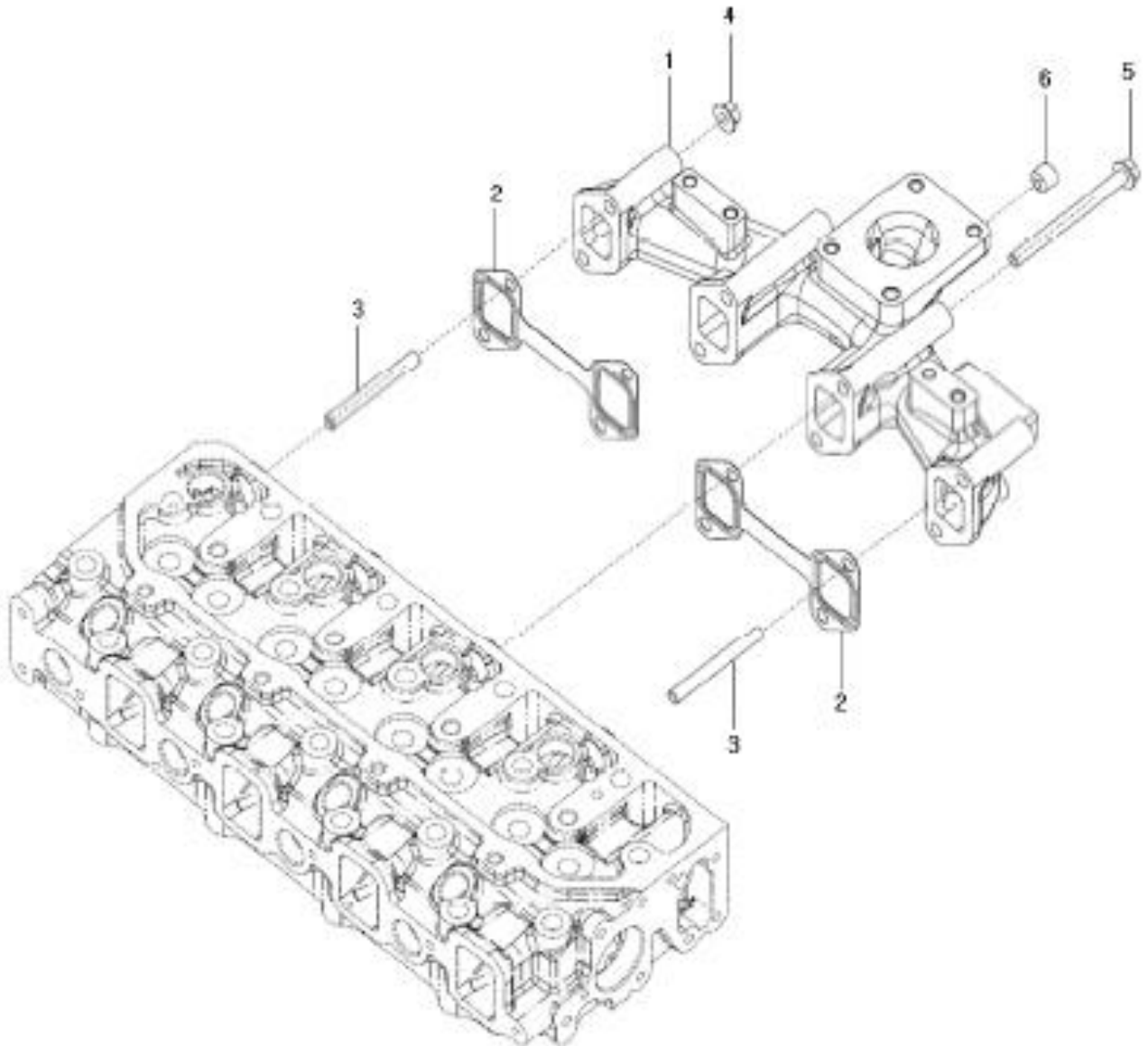
P2

YEAR

2018



T574SH / T574NH / T494SH / T494NH



NOTE

FIG 117A

TURBOCHARGER ASS'Y (T574)

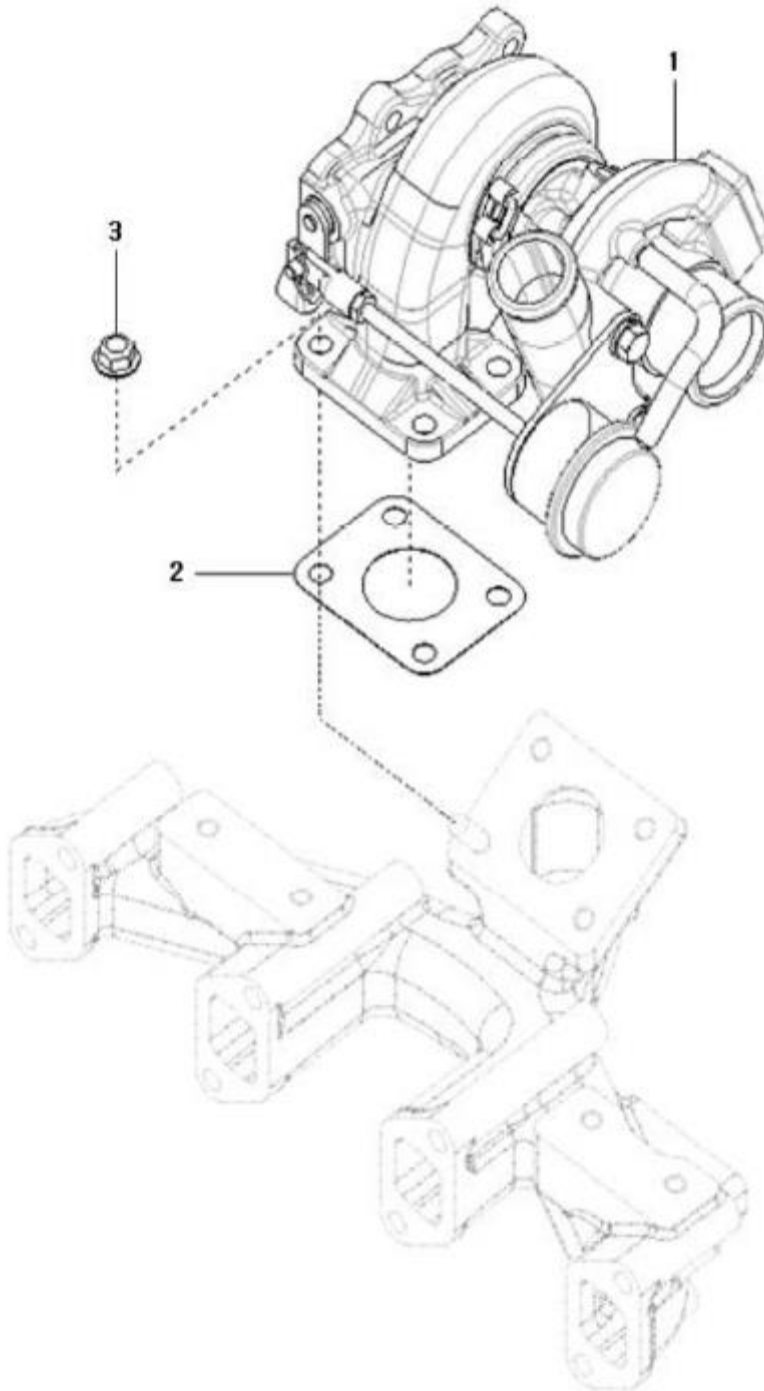
P1

YEAR

2018



T574SH / T574NH / T494SH / T494NH



NOTE

FIG 117B

DPF SUPPORT OPTION (T494)

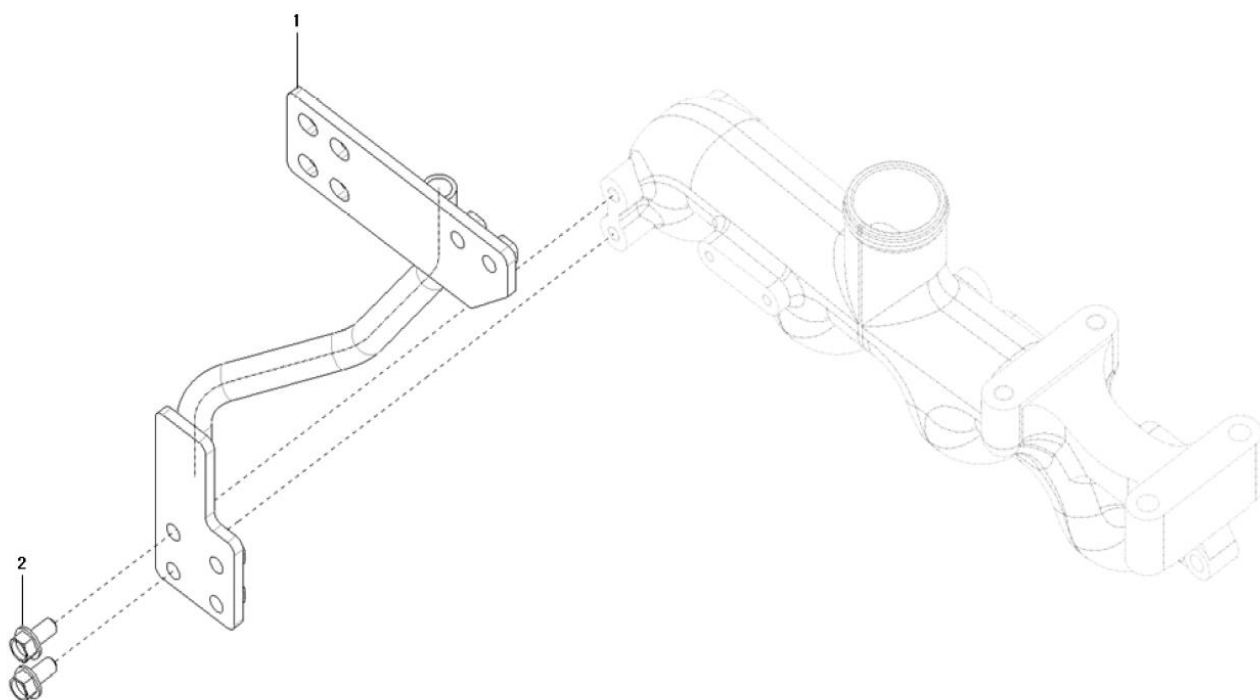
P2

YEAR

2018



T574SH / T574NH / T494SH / T494NH



NOTE

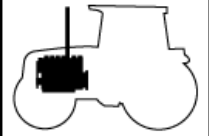
FIG 118A

TURBOCHARGER PLUMBING OPTION(T574)

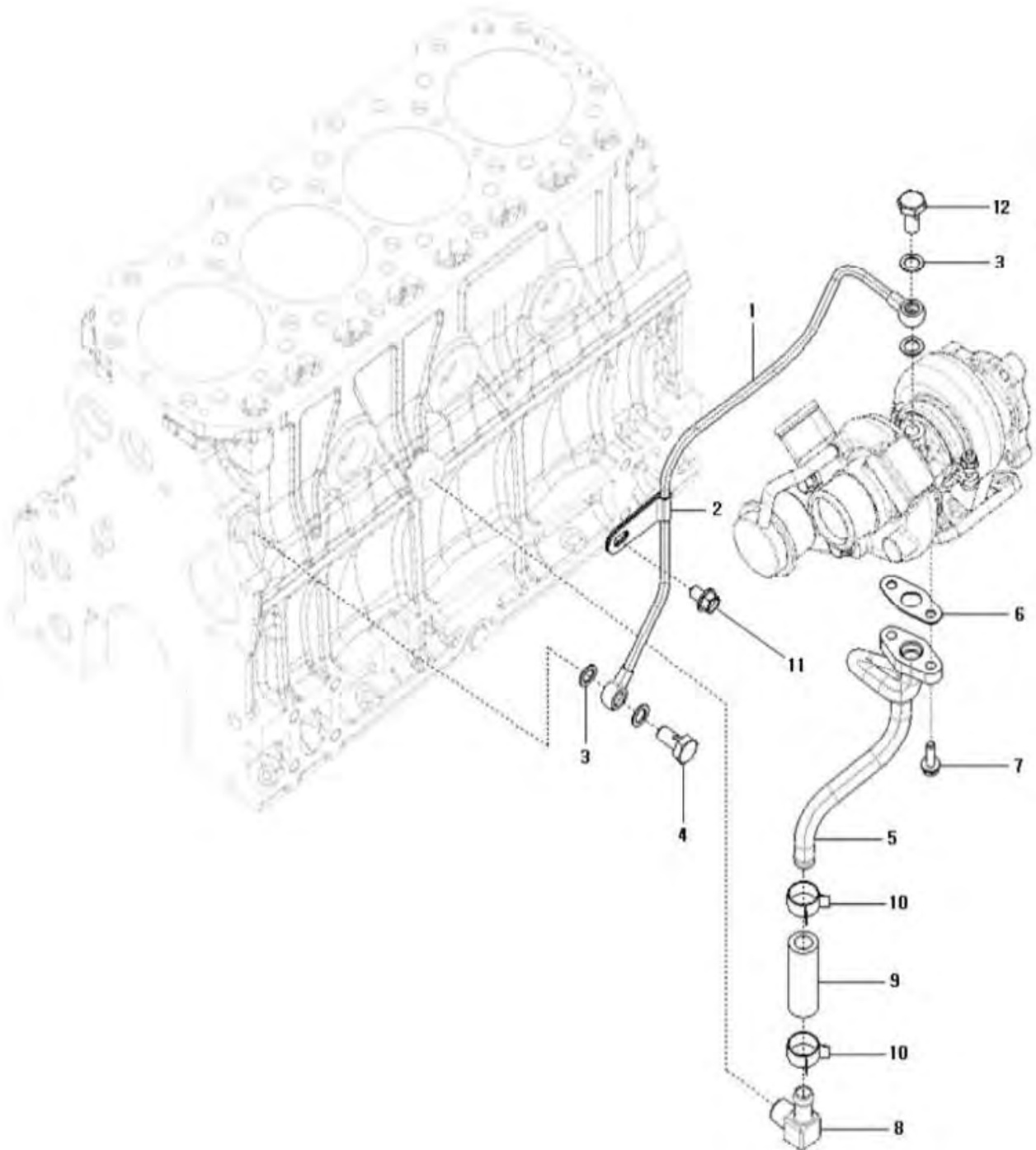
P1

YEAR

2018



T574SH / T574NH / T494SH / T494NH



NOTE

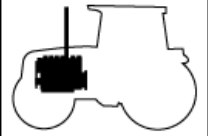
**FIG 118B**

**TURBOCHARGER PLUMBING OPTION(T494)**

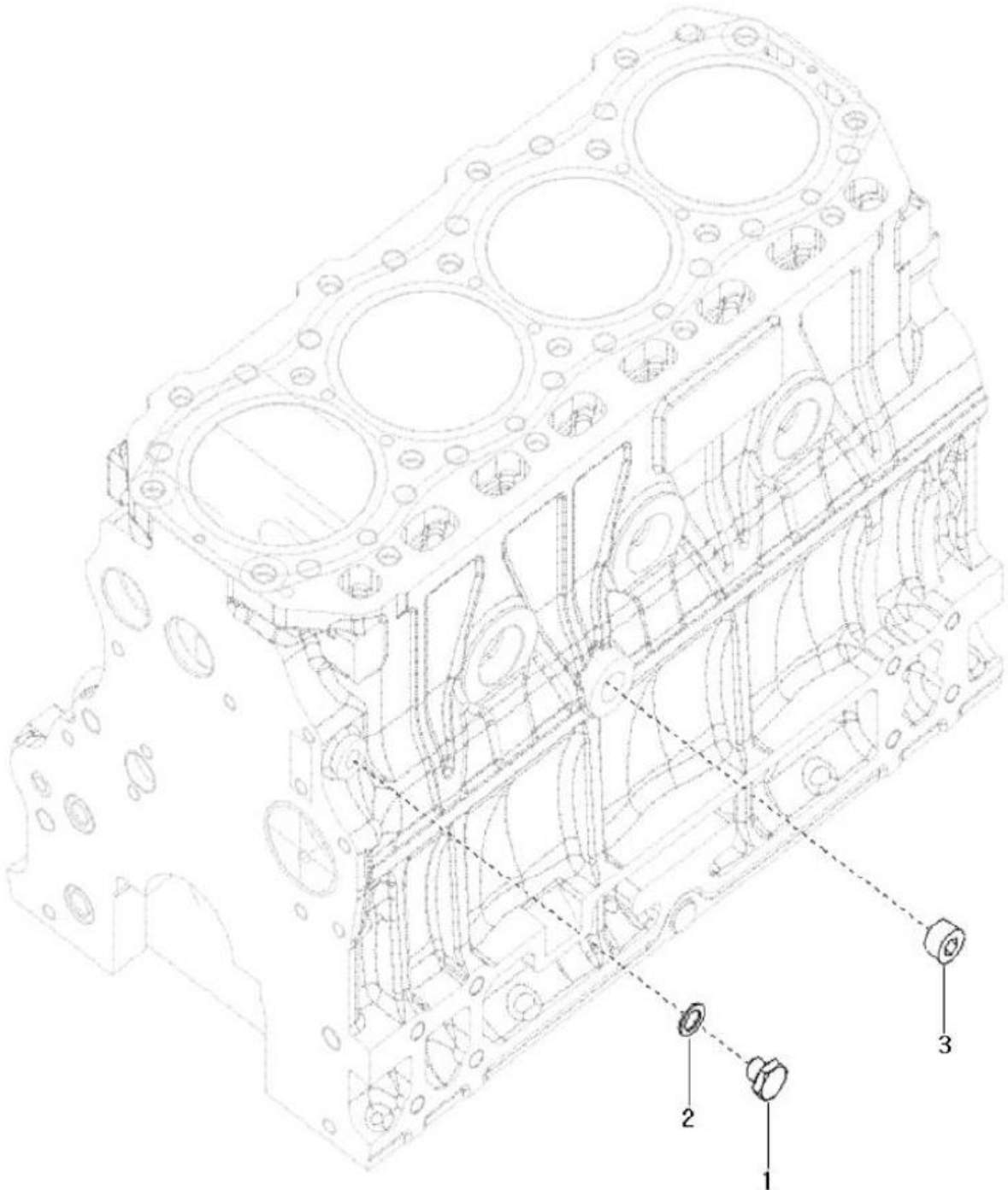
P2

YEAR

2018



T574SH / T574NH / T494SH / T494NH



NOTE



FIG 119A

BREATHER (T574)

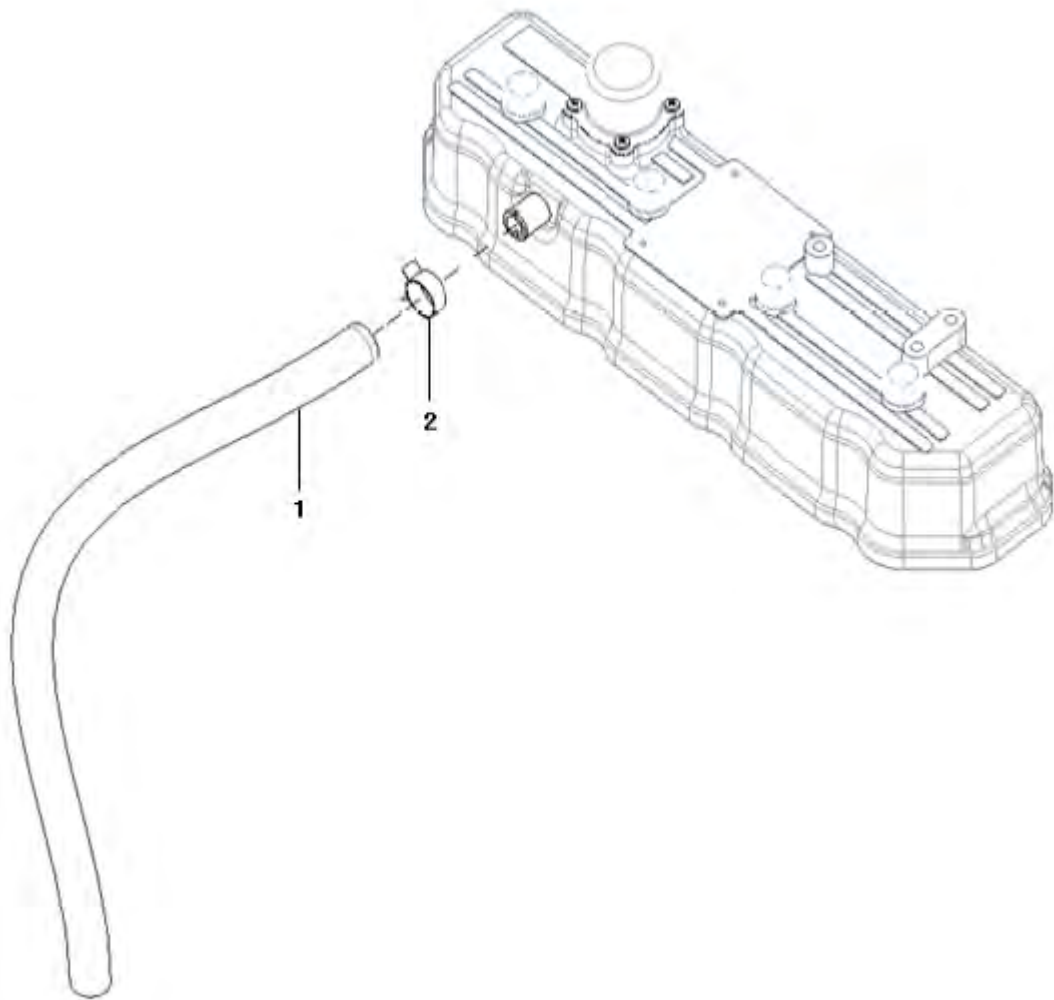
P1

YEAR

2018



T574SH / T574NH / T494SH / T494NH



NOTE

FIG 119B

BREATHER (T494)

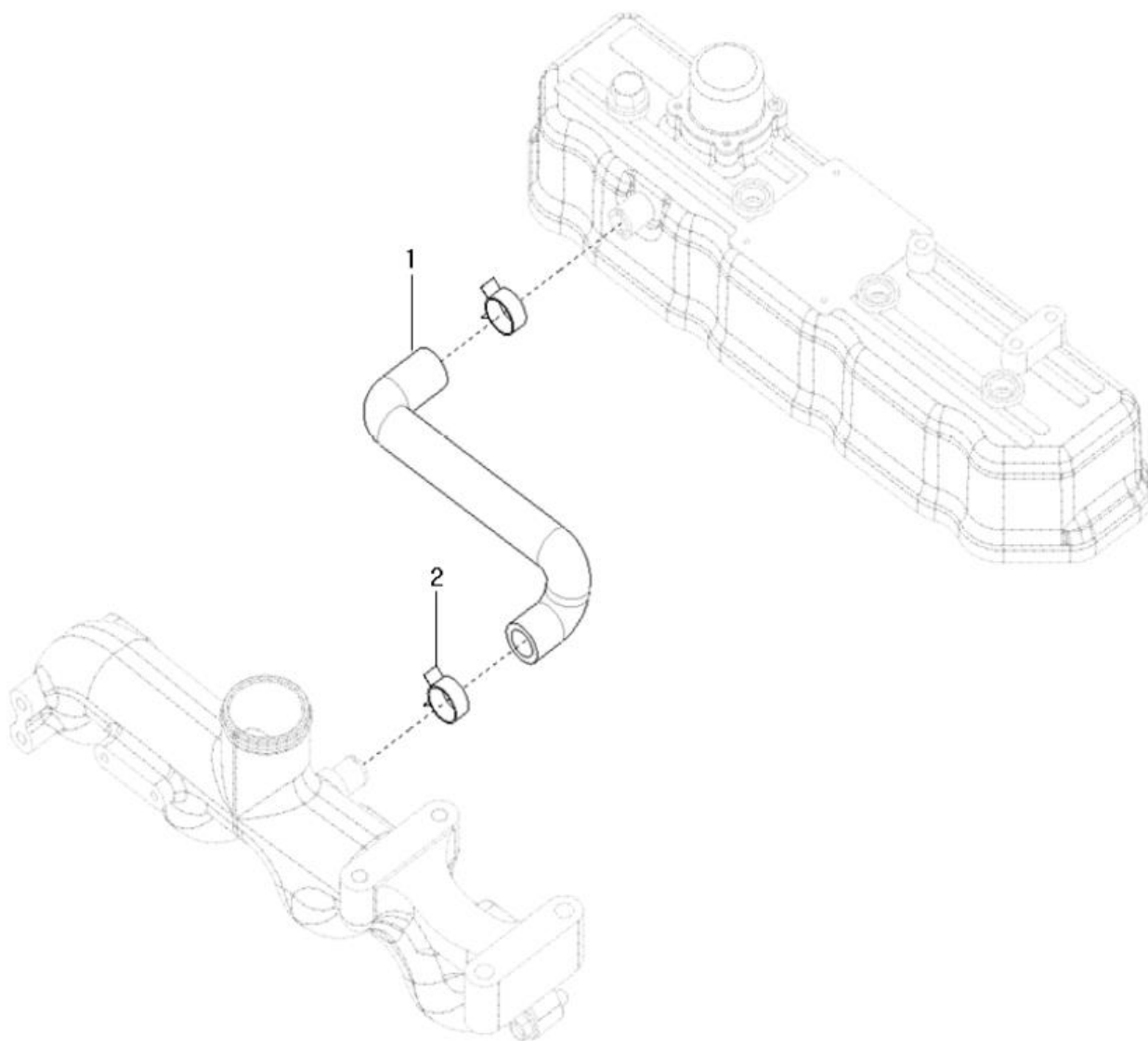
P2

YEAR

2018



T574SH / T574NH / T494SH / T494NH



NOTE

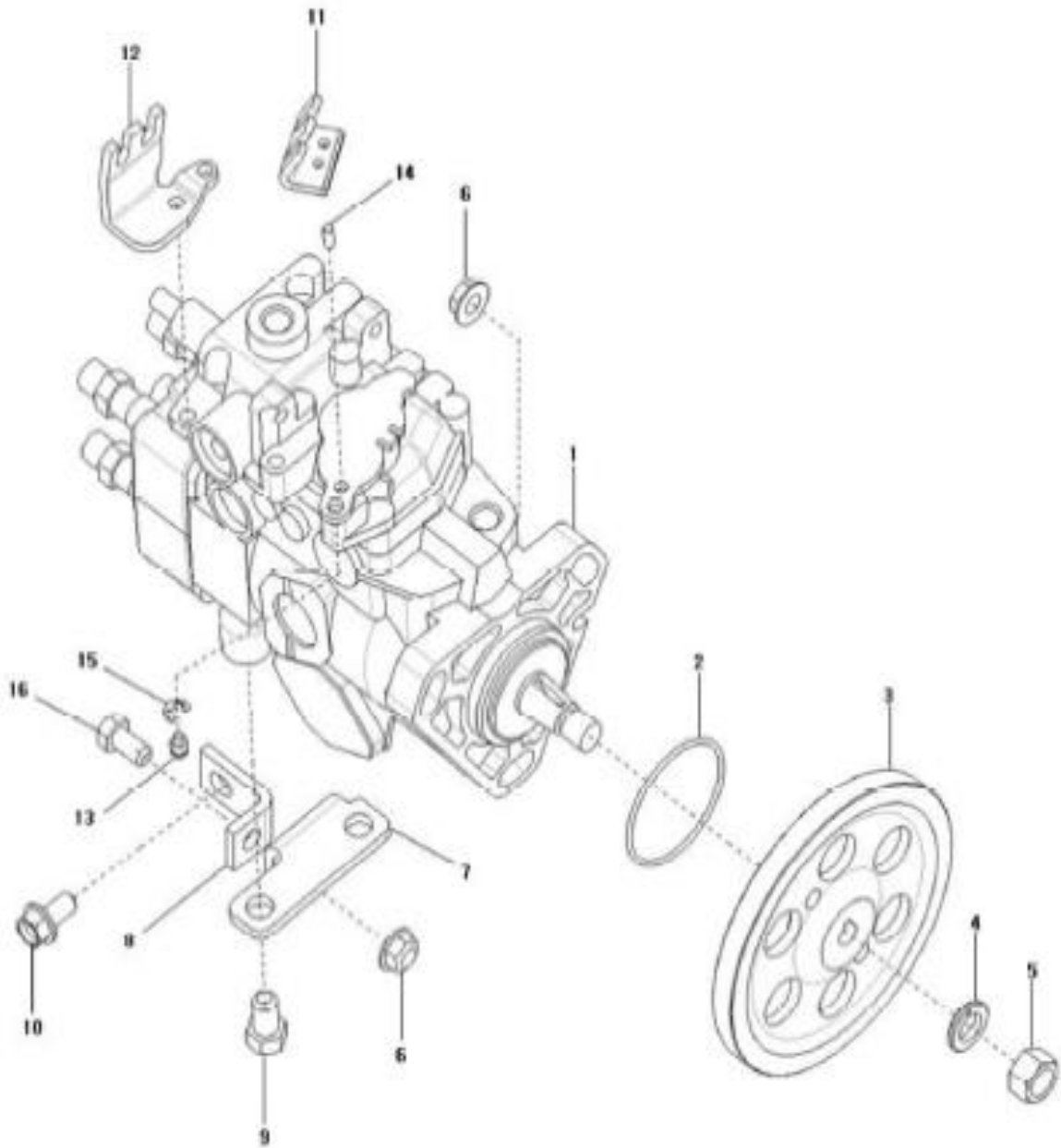
FIG 120

FUEL INJECTION PUMP

P1

YEAR

2018



NOTE

FIG 121

FUEL INJECTION VALVE

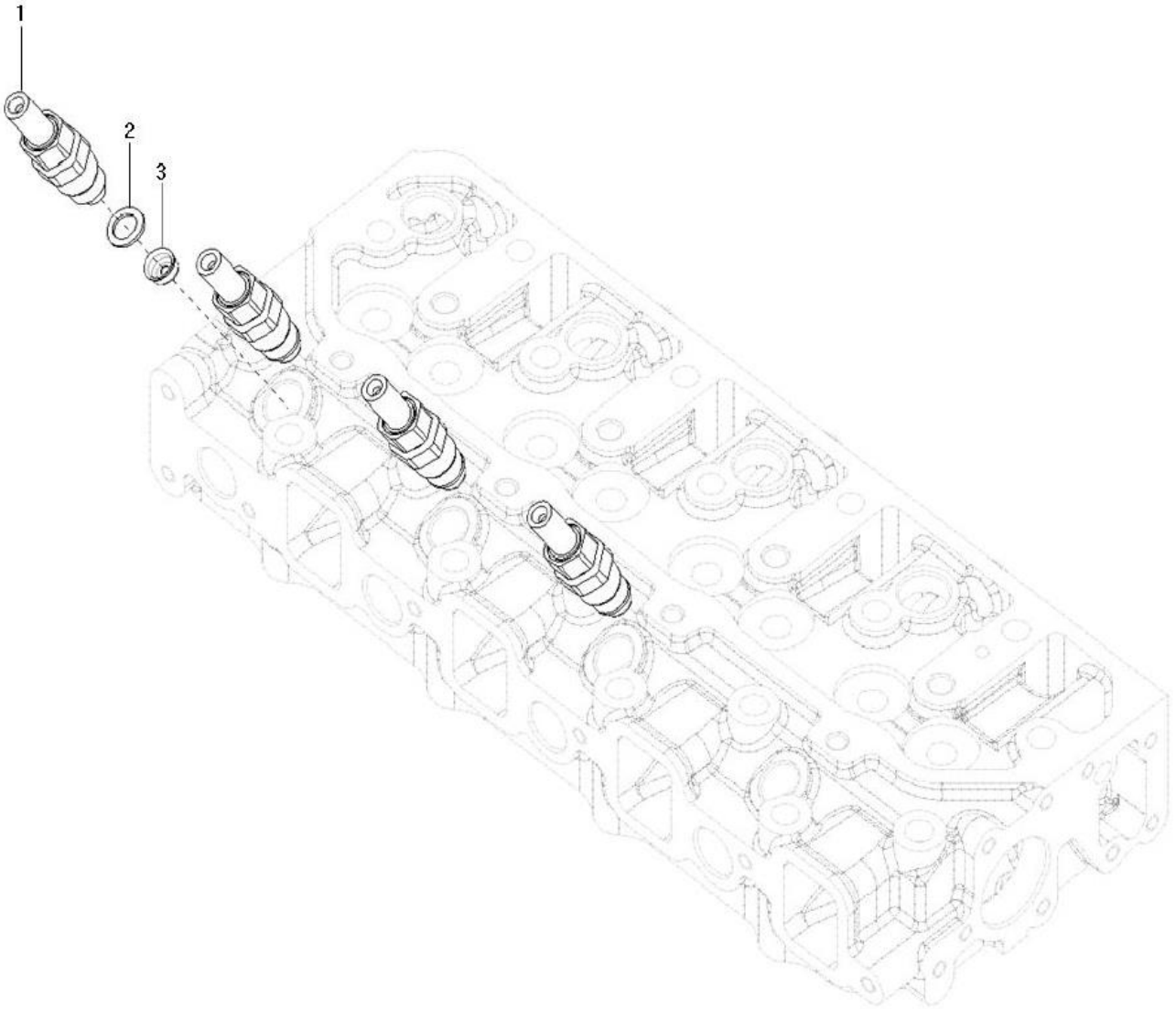
P1

YEAR

2018



T574SH / T574NH / T494SH / T494NH



NOTE

FIG 122

FUEL PIPE ASS'Y

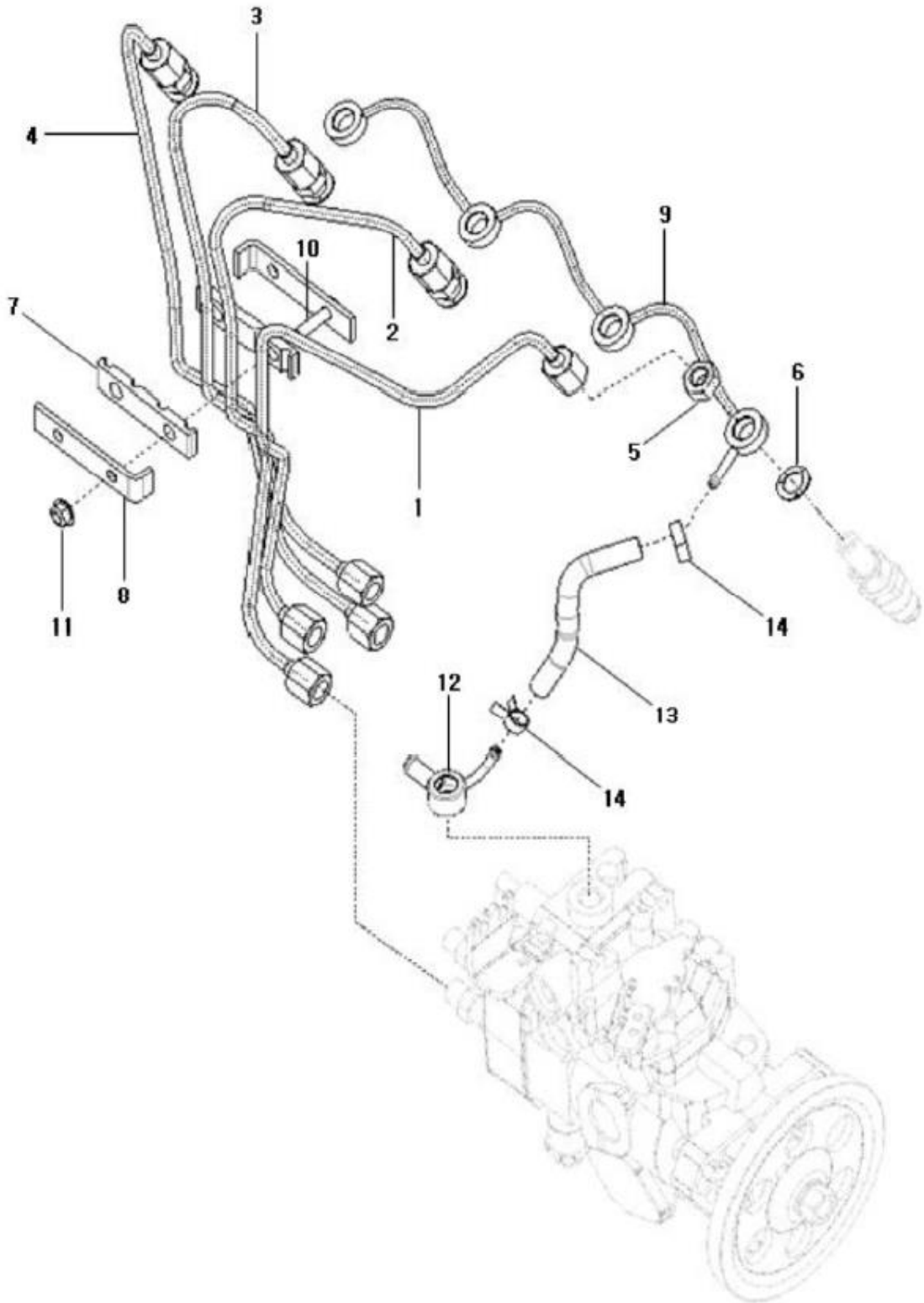
P1

YEAR

2018



T574SH / T574NH / T494SH / T494NH



NOTE

# FIG 123

# OIL FILTER

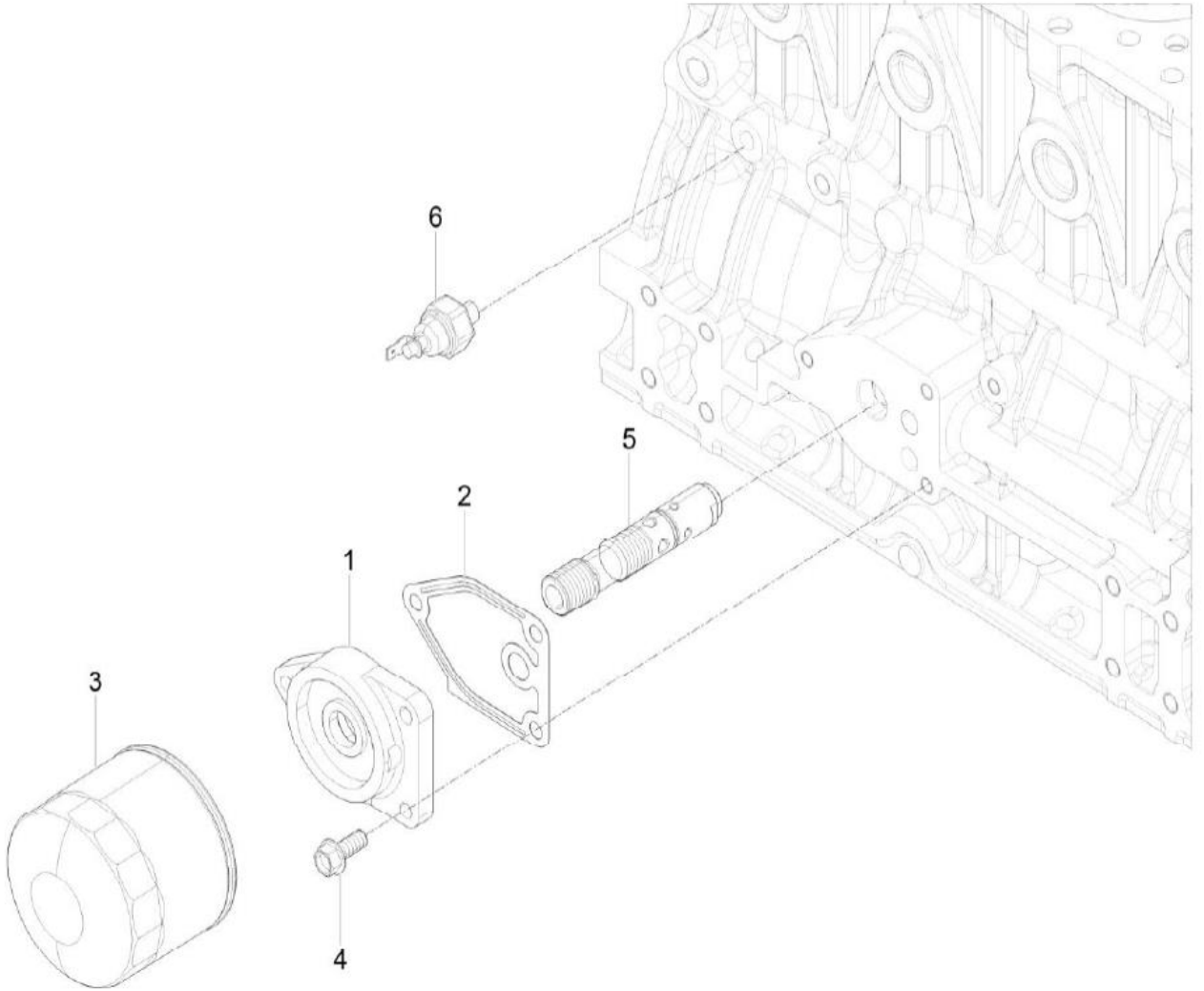
P1

YEAR

2018



T574SH / T574NH / T494SH / T494NH



NOTE

# FIG 124

# OIL COOLER

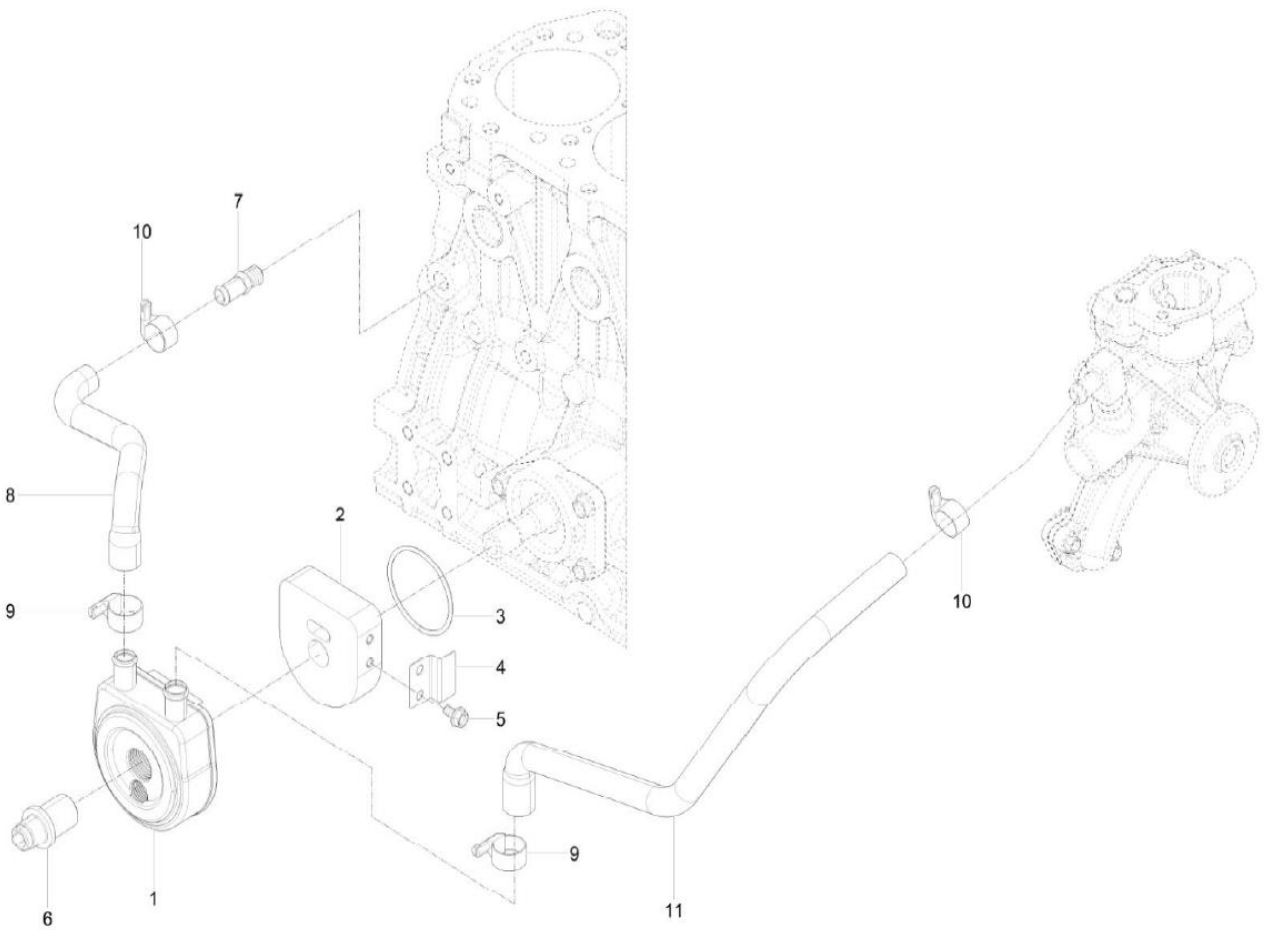
P1

YEAR

2018



T574SH / T574NH / T494SH / T494NH



NOTE

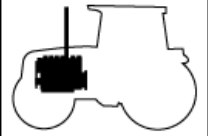
FIG 125

OIL GAUGUE

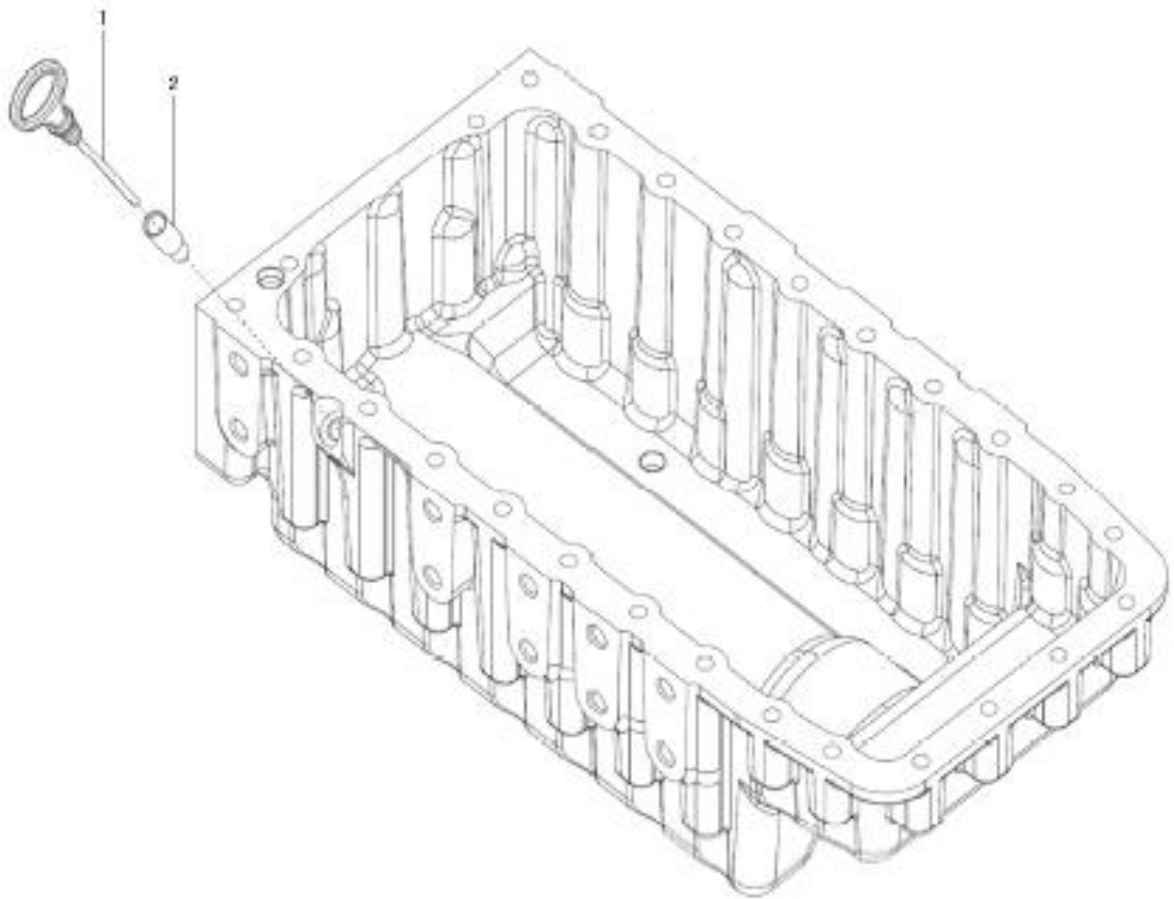
P1

YEAR

2018



T574SH / T574NH / T494SH / T494NH



NOTE



FIG 126

OIL FILLER CAP

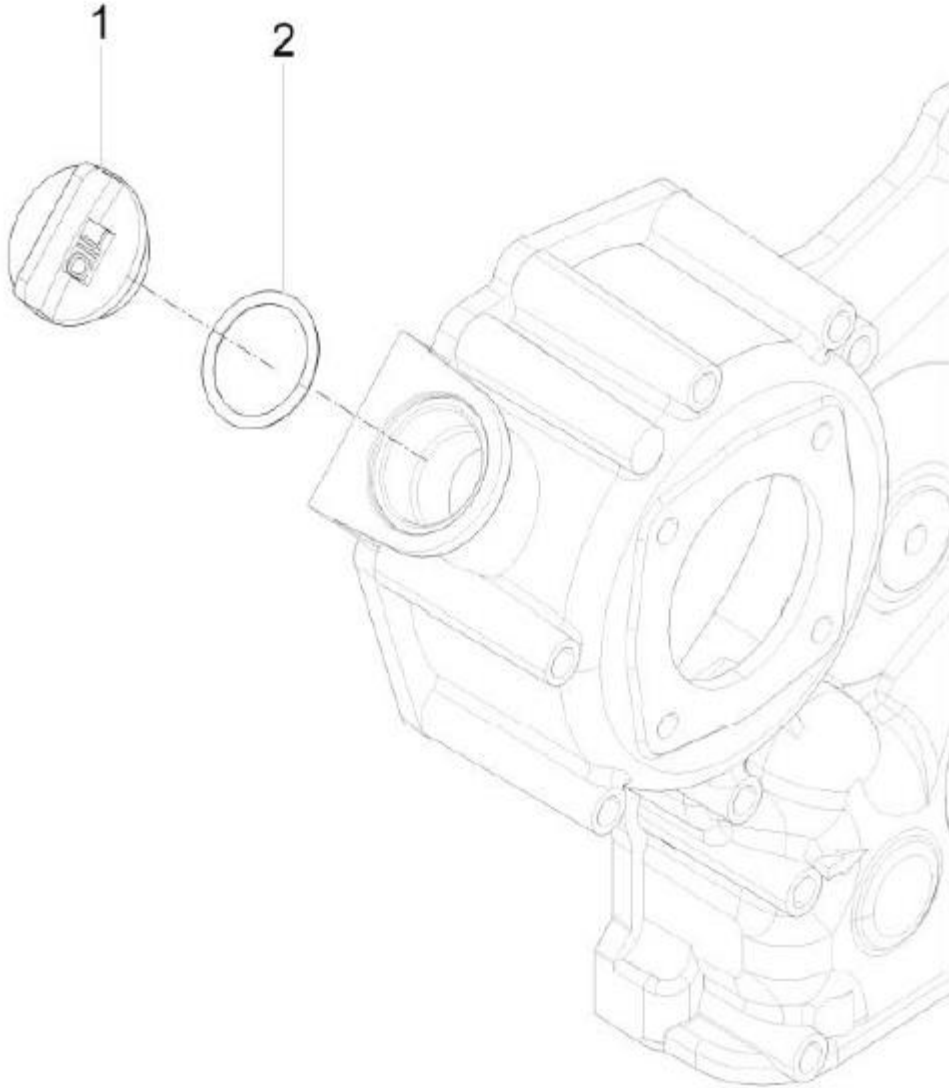
P1

YEAR

2018



T574SH / T574NH / T494SH / T494NH



NOTE

FIG 127

COOLING WATER PUMP

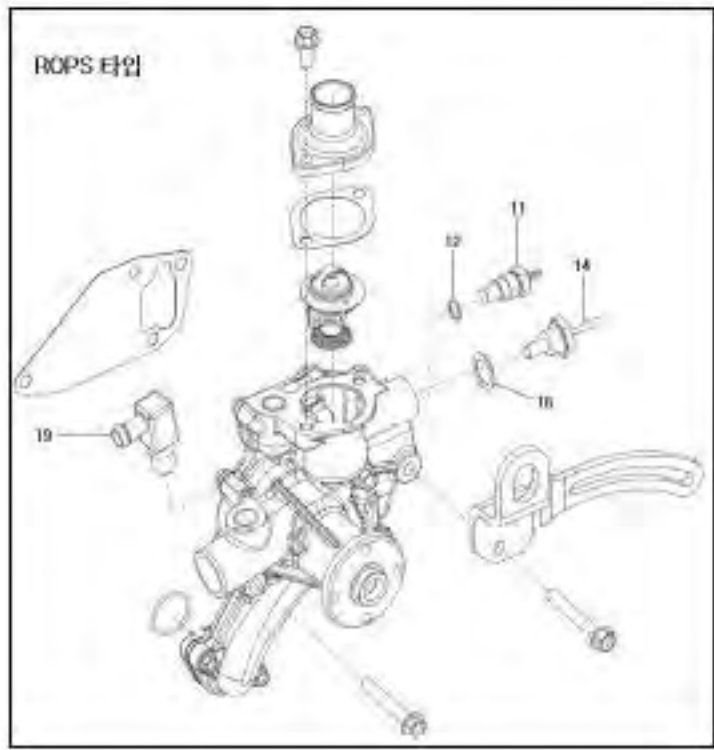
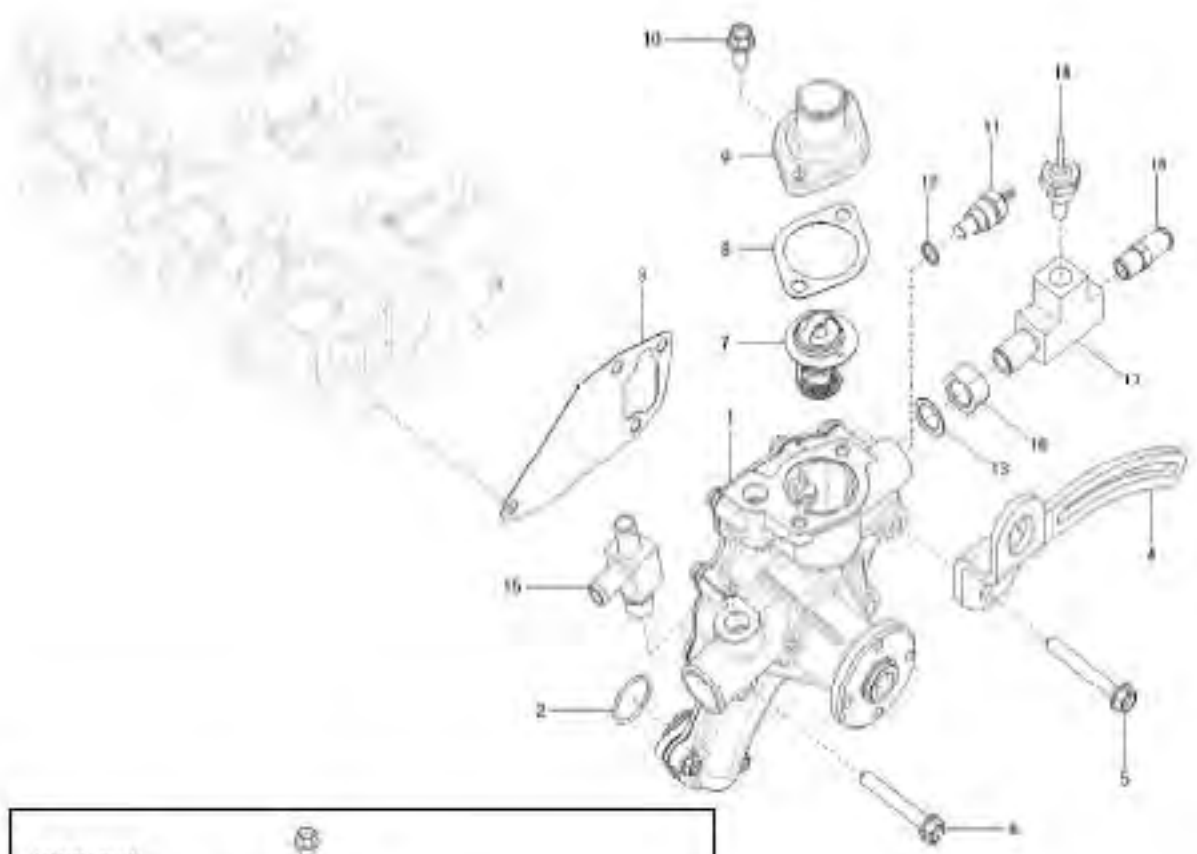
P1

YEAR

2018



T574SH / T574NH / T494SH / T494NH



NOTE

FIG 128

CRANK SHAFT PULLEY

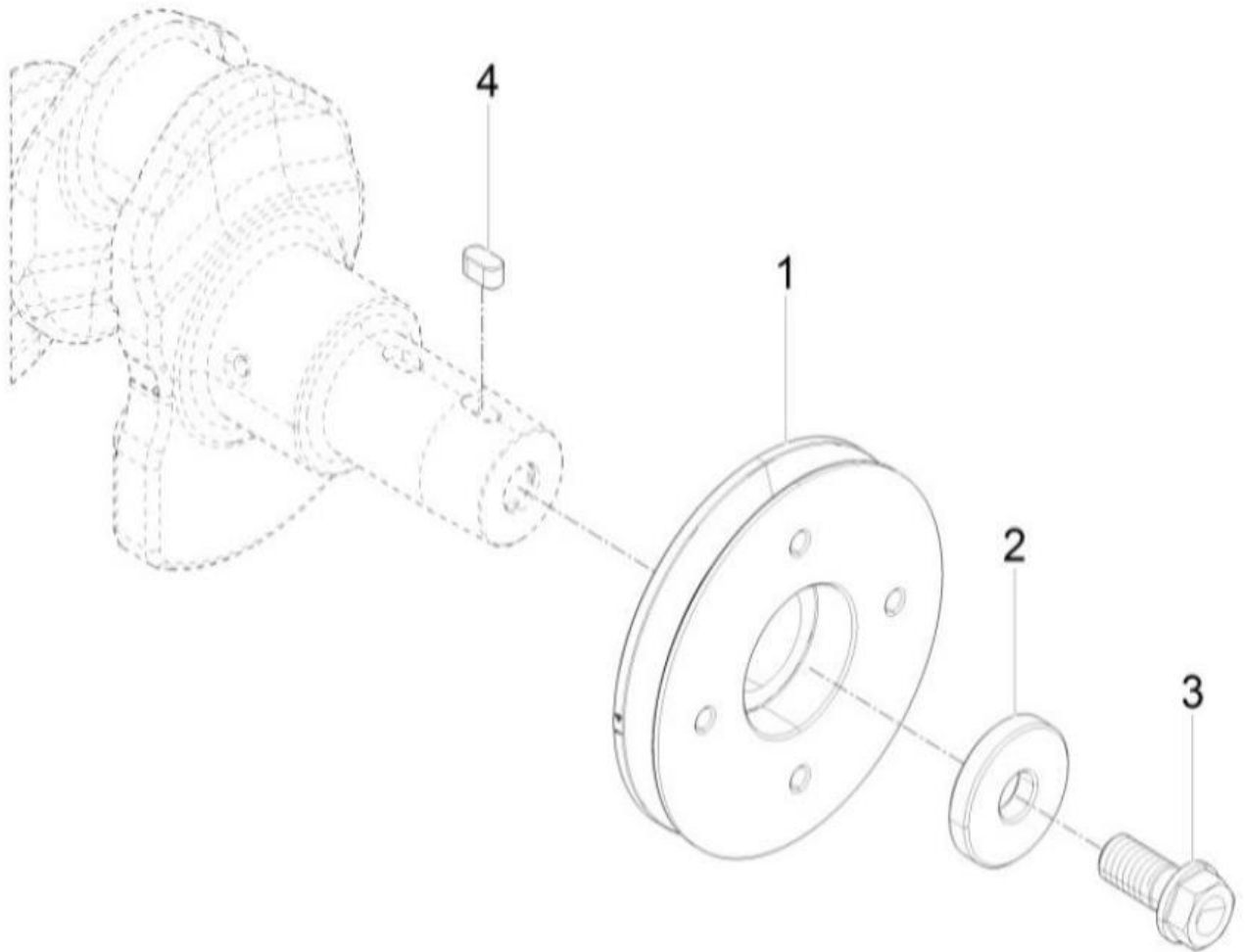
P1

YEAR

2018



T574SH / T574NH / T494SH / T494NH



NOTE

FIG 129

V-PULLEY

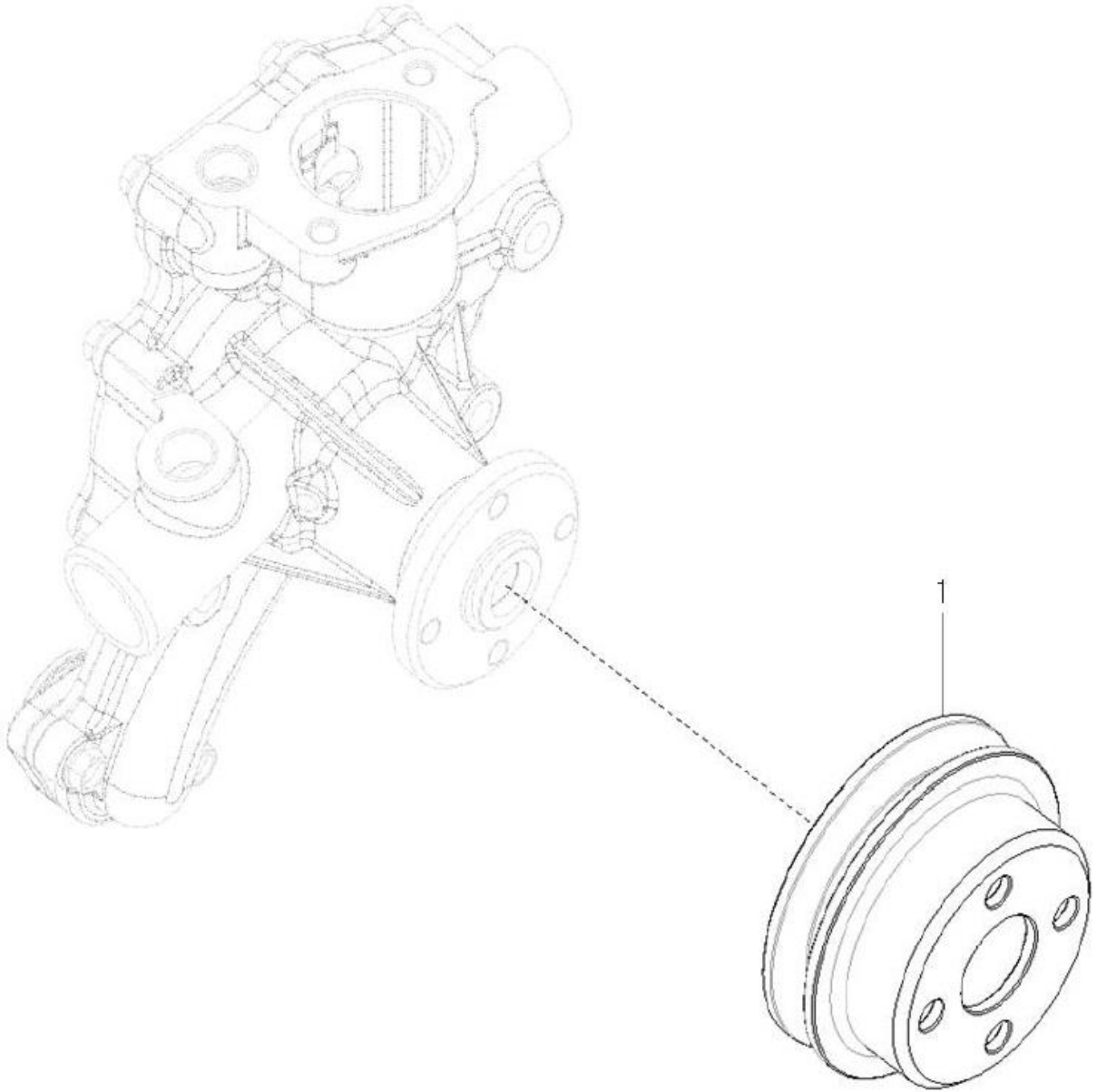
P1

YEAR

2018



T574SH / T574NH / T494SH / T494NH



NOTE

FIG 130

COOLING FAN

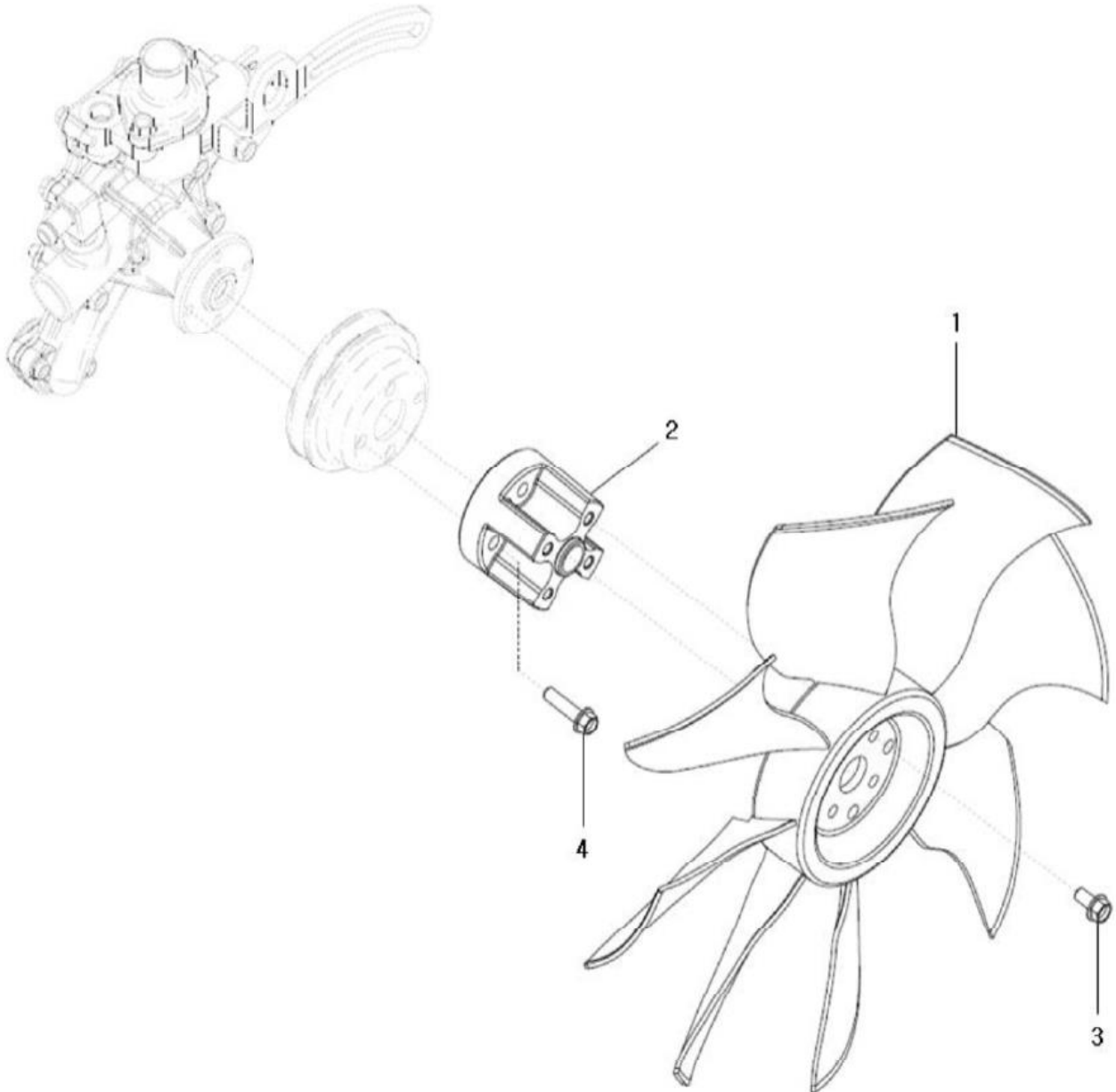
P1

YEAR

2018



T574SH / T574NH / T494SH / T494NH



NOTE

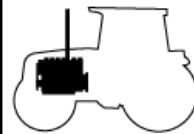
FIG 131

FLYWHEEL HOUSING

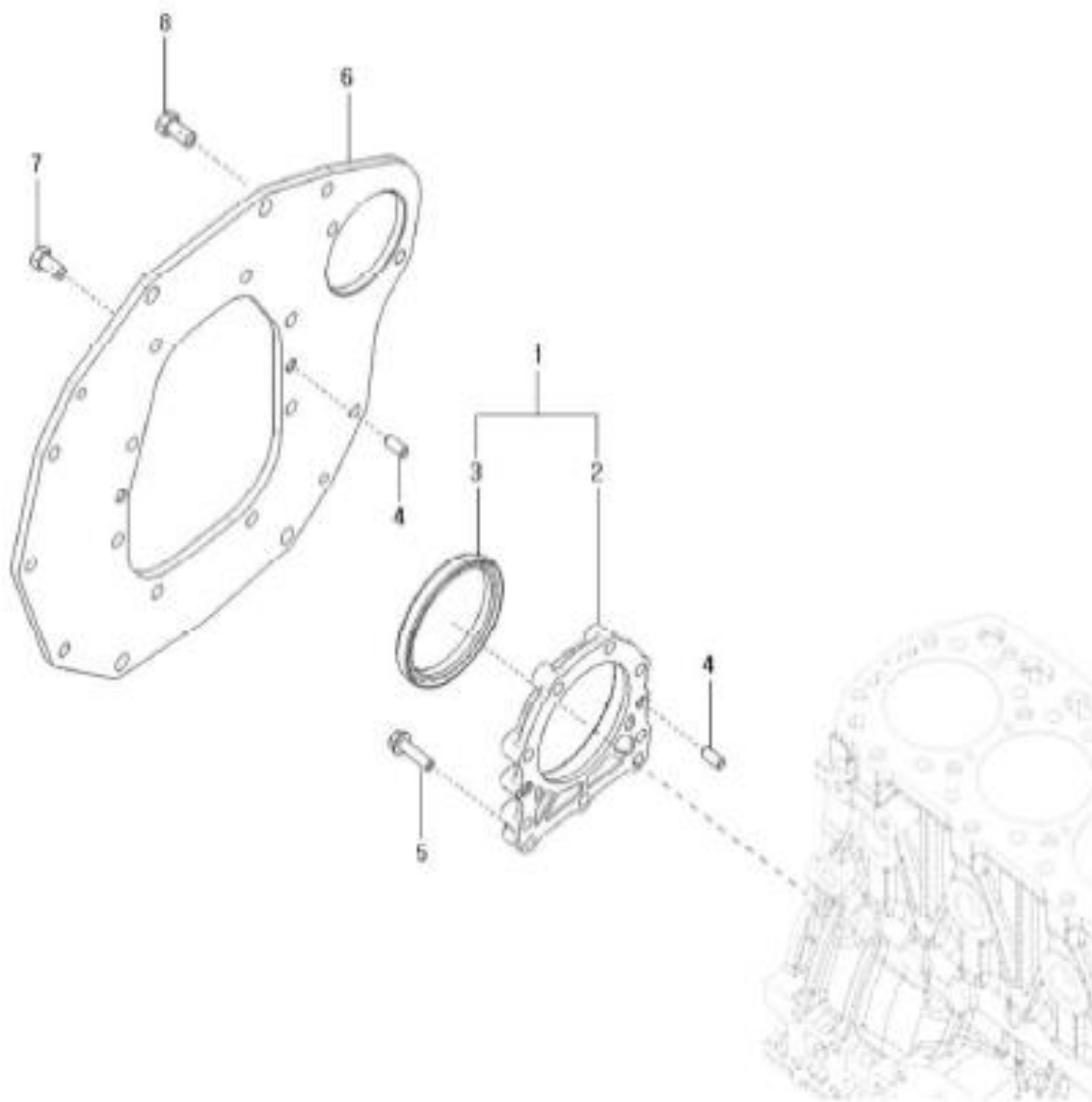
P1

YEAR

2018



T574SH / T574NH / T494SH / T494NH



NOTE

FIG 132

FLYWHEEL

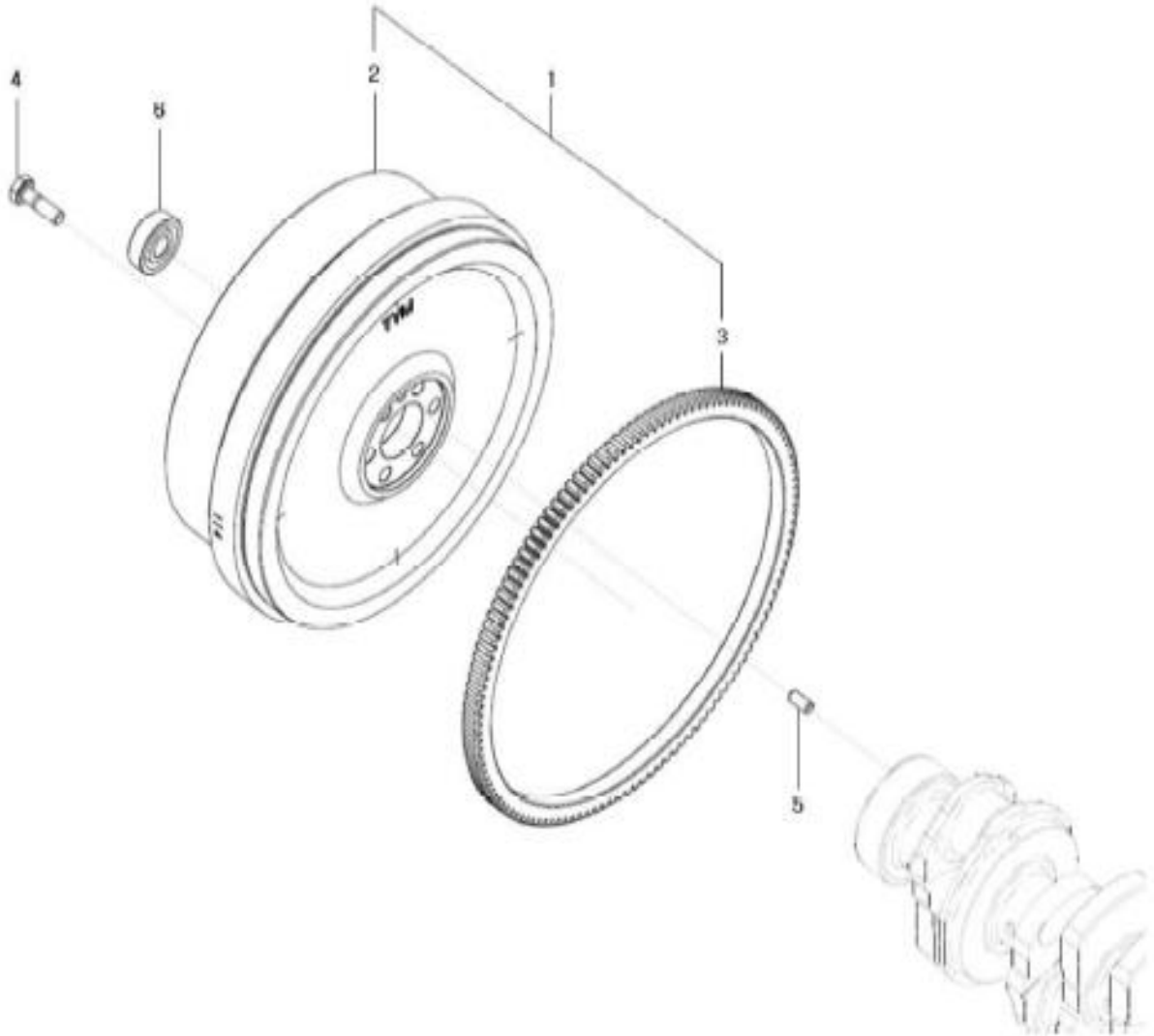
P1

YEAR

2018



T574SH / T574NH / T494SH / T494NH



NOTE

FIG 133

GLOW PLUG ASS'Y OPTION

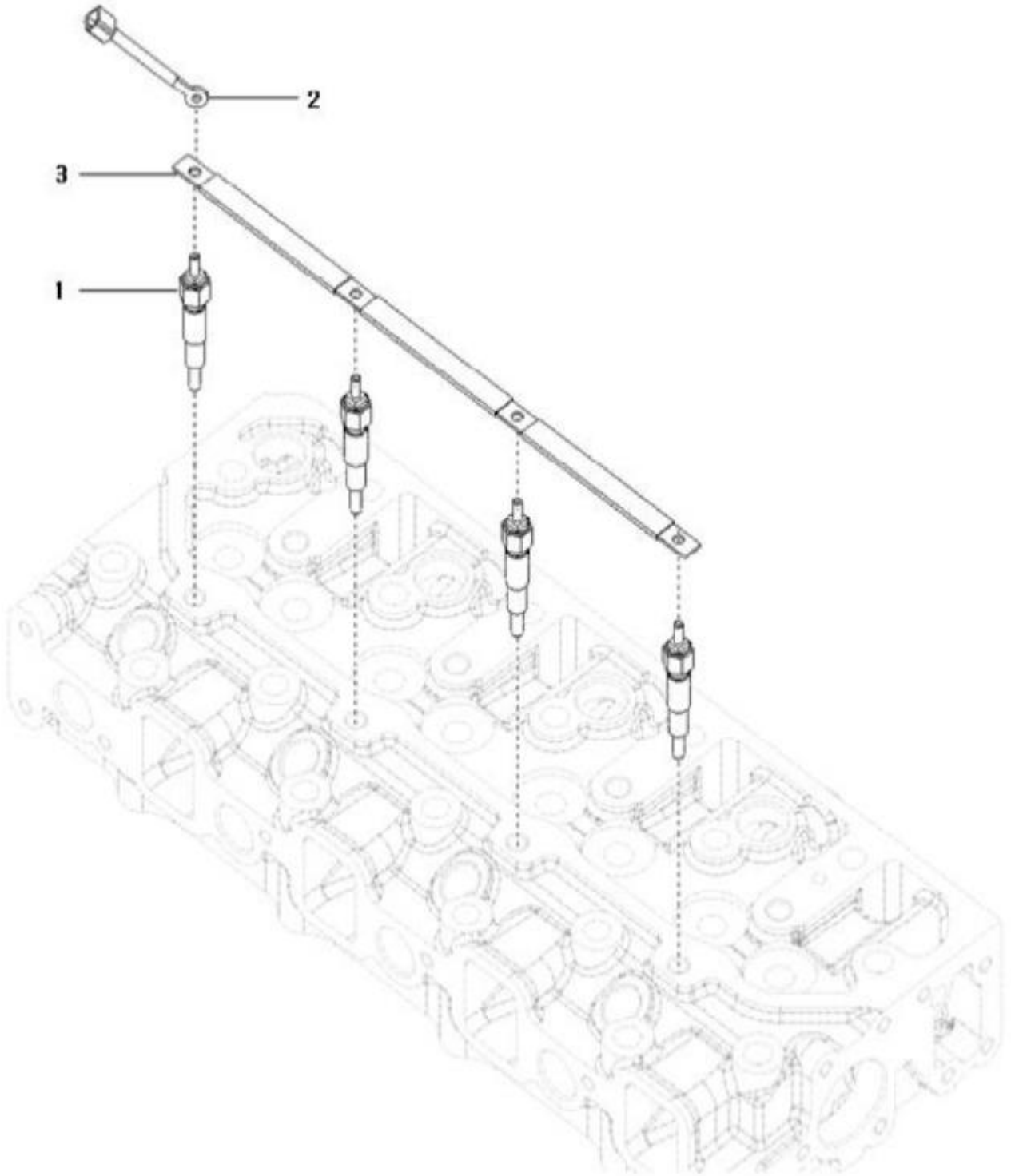
P1

YEAR

2018



T574SH / T574NH / T494SH / T494NH



NOTE



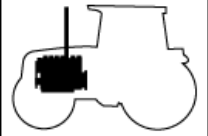
# FIG 134

# STARTING MOTOR

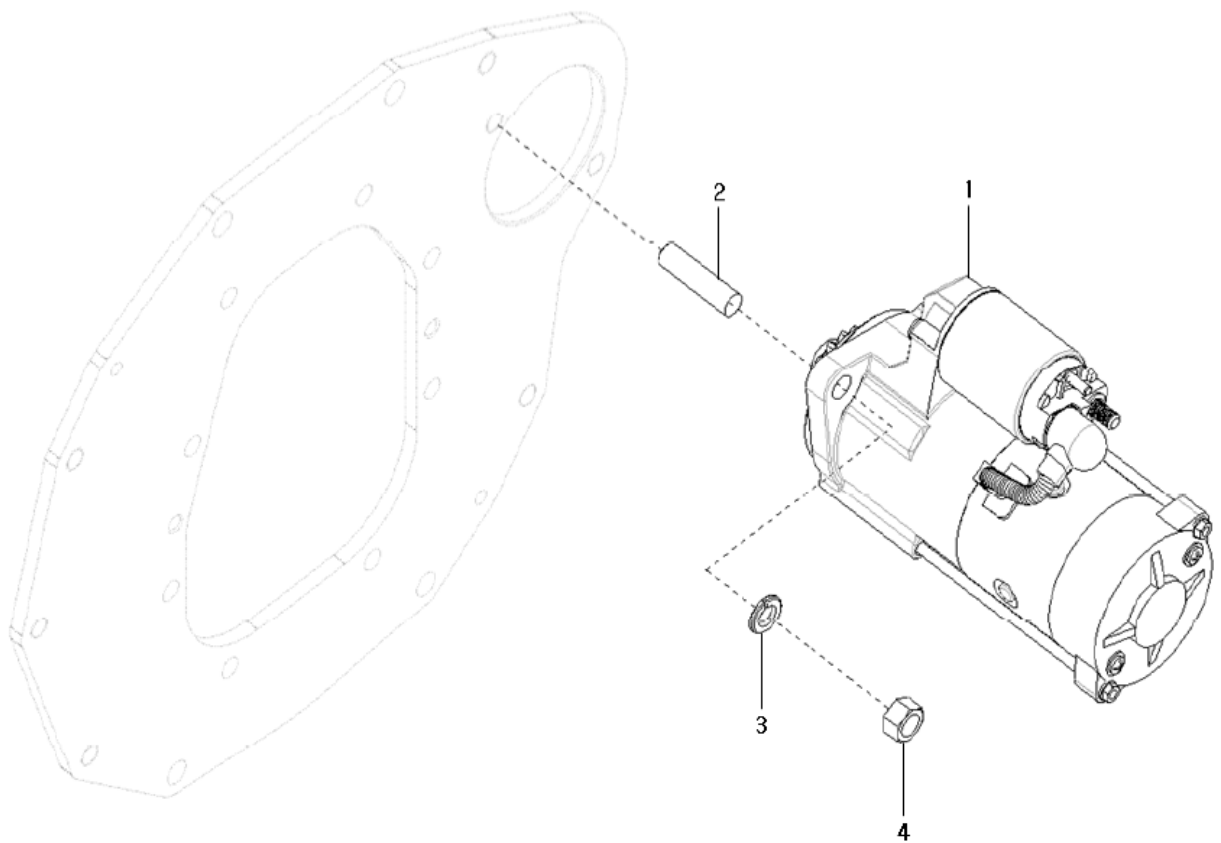
P1

YEAR

2018



T574SH / T574NH / T494SH / T494NH



NOTE

FIG 135

FUEL FILTER BRACKET ASS'Y

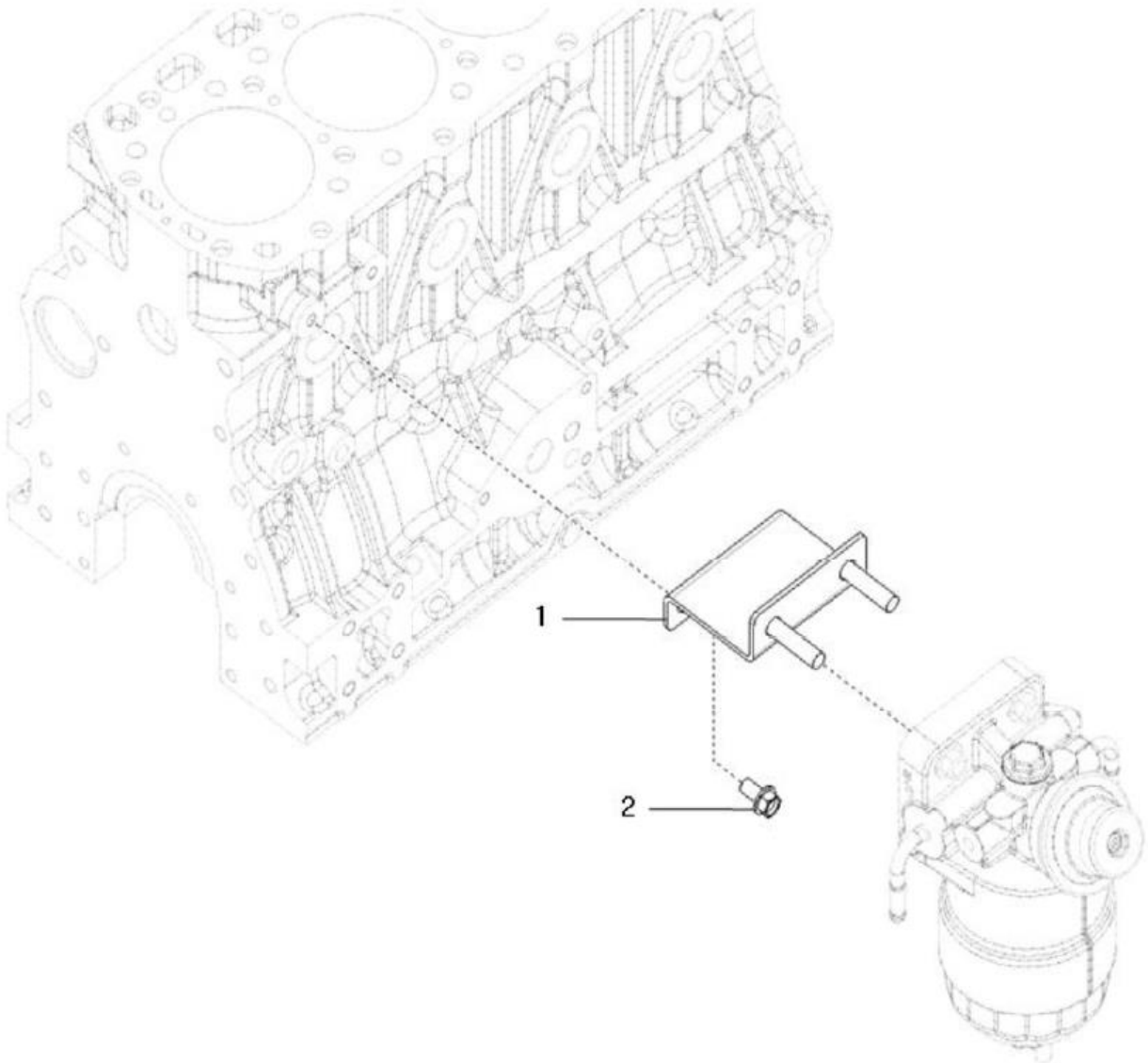
P1

YEAR

2018



T574SH / T574NH / T494SH / T494NH



NOTE

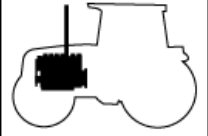
FIG 136

ALTERNATOR

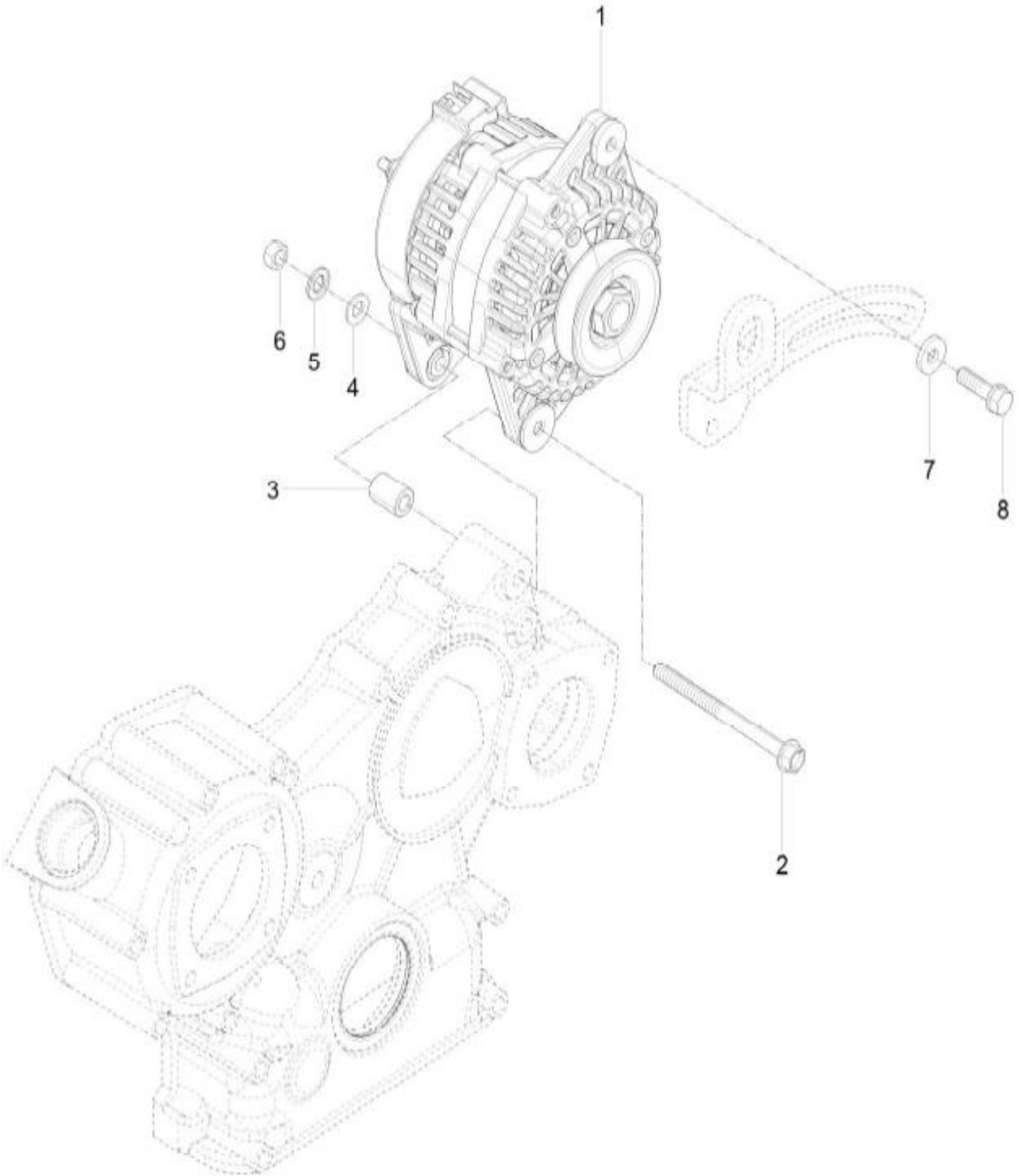
P1

YEAR

2018



T574SH / T574NH / T494SH / T494NH



NOTE

FIG 137

V-BELT

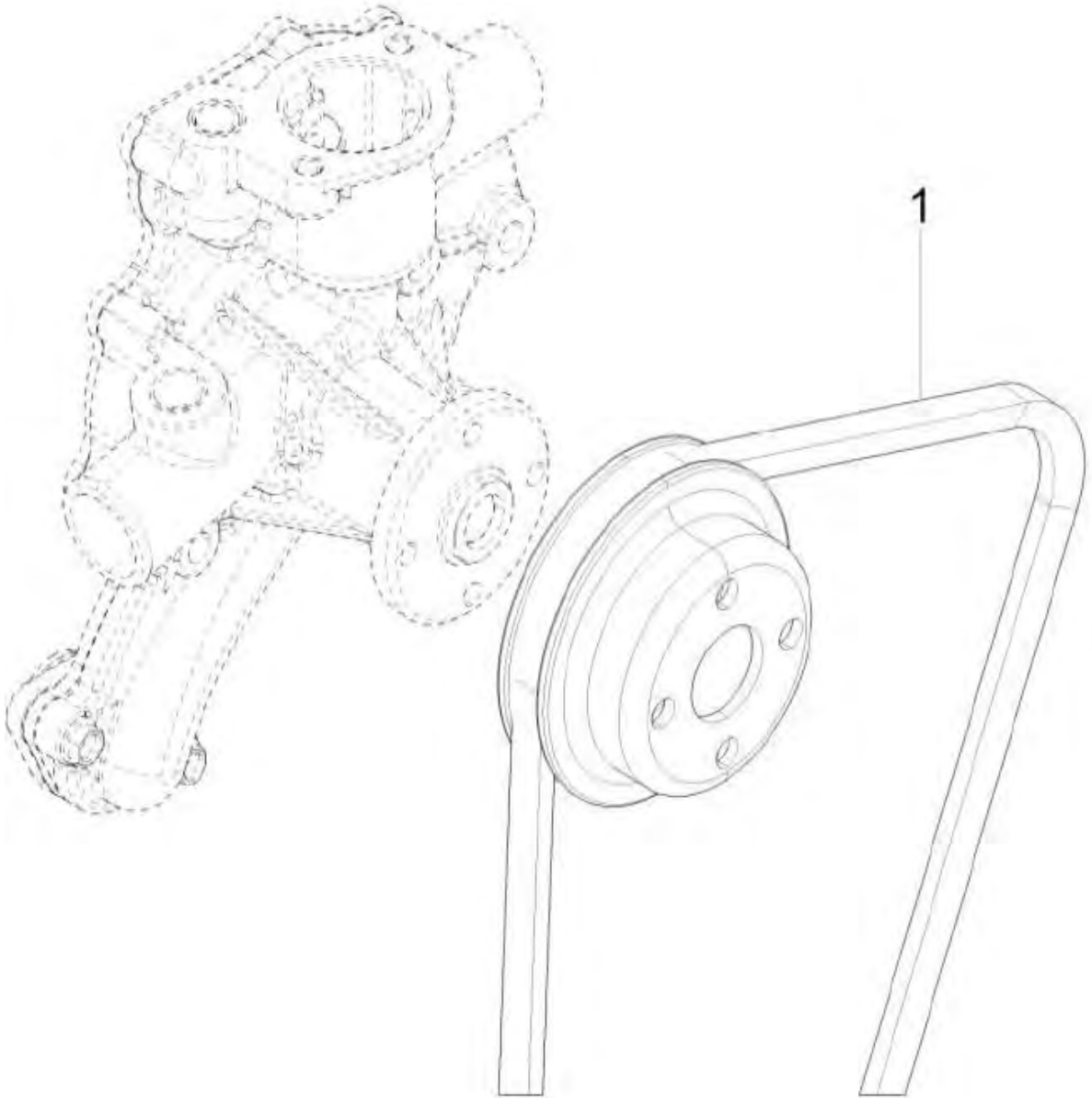
P1

YEAR

2018



T574SH / T574NH / T494SH / T494NH



NOTE

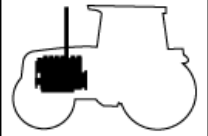
FIG 138

FUEL FILTER

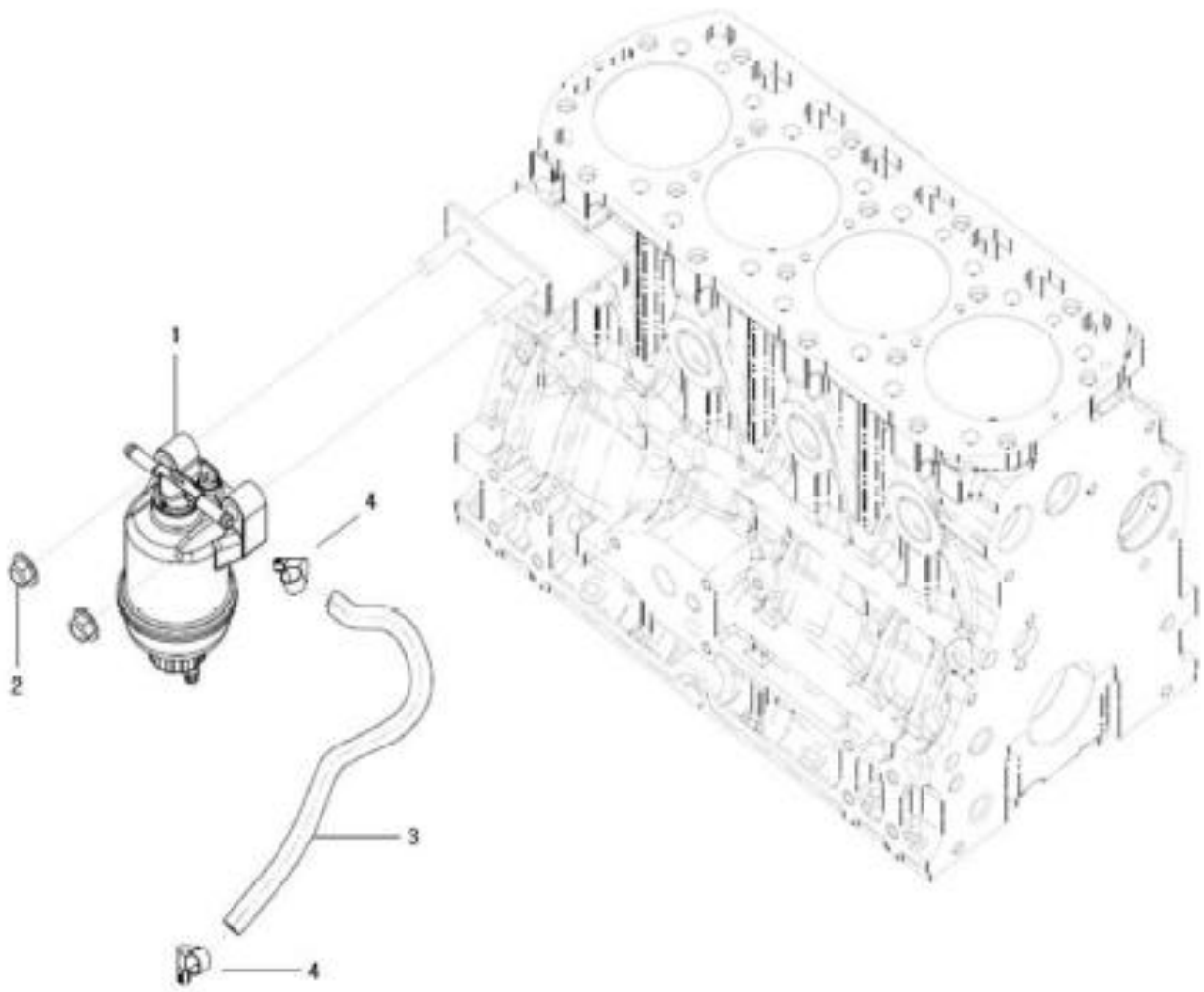
P1

YEAR

2018



T574SH / T574NH / T494SH / T494NH



NOTE

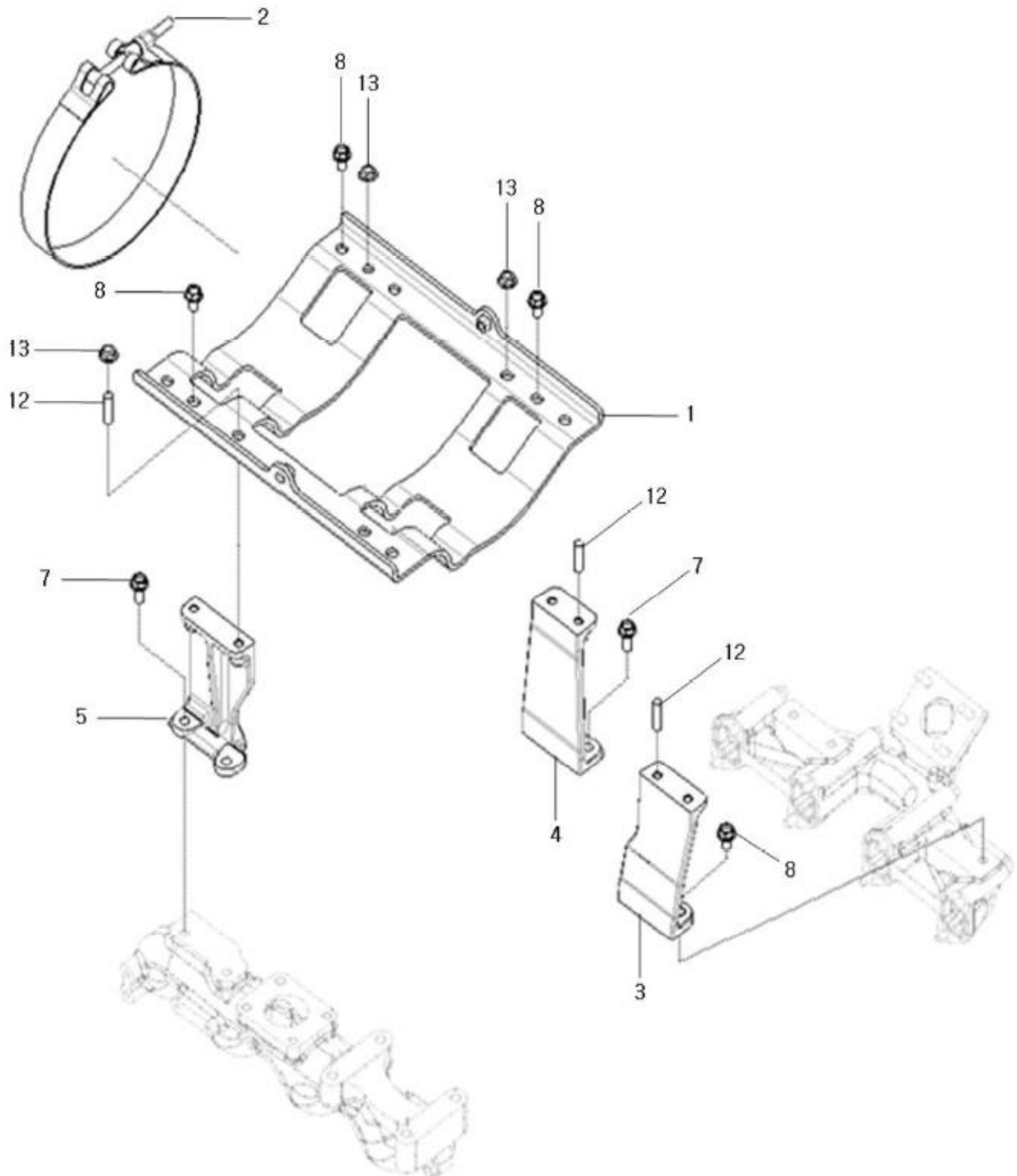
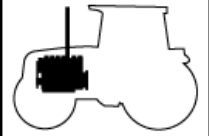
FIG 139A

DPF SUPPORT (T574)

P1

YEAR

2018



NOTE

FIG 139B

DPF SUPPORT (T494)

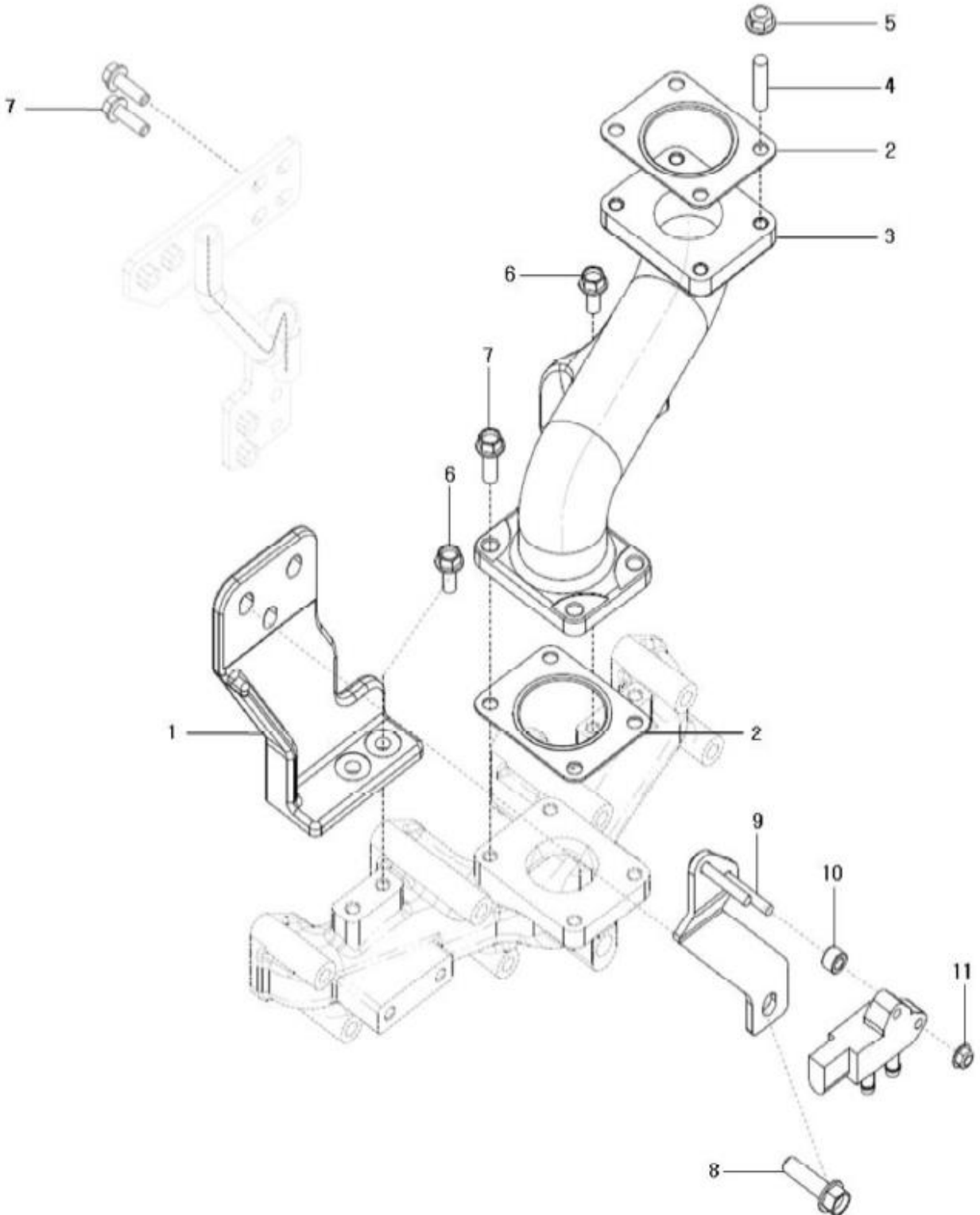
P2

YEAR

2018



T574SH / T574NH / T494SH / T494NH



NOTE

FIG 140

DATAPLATE

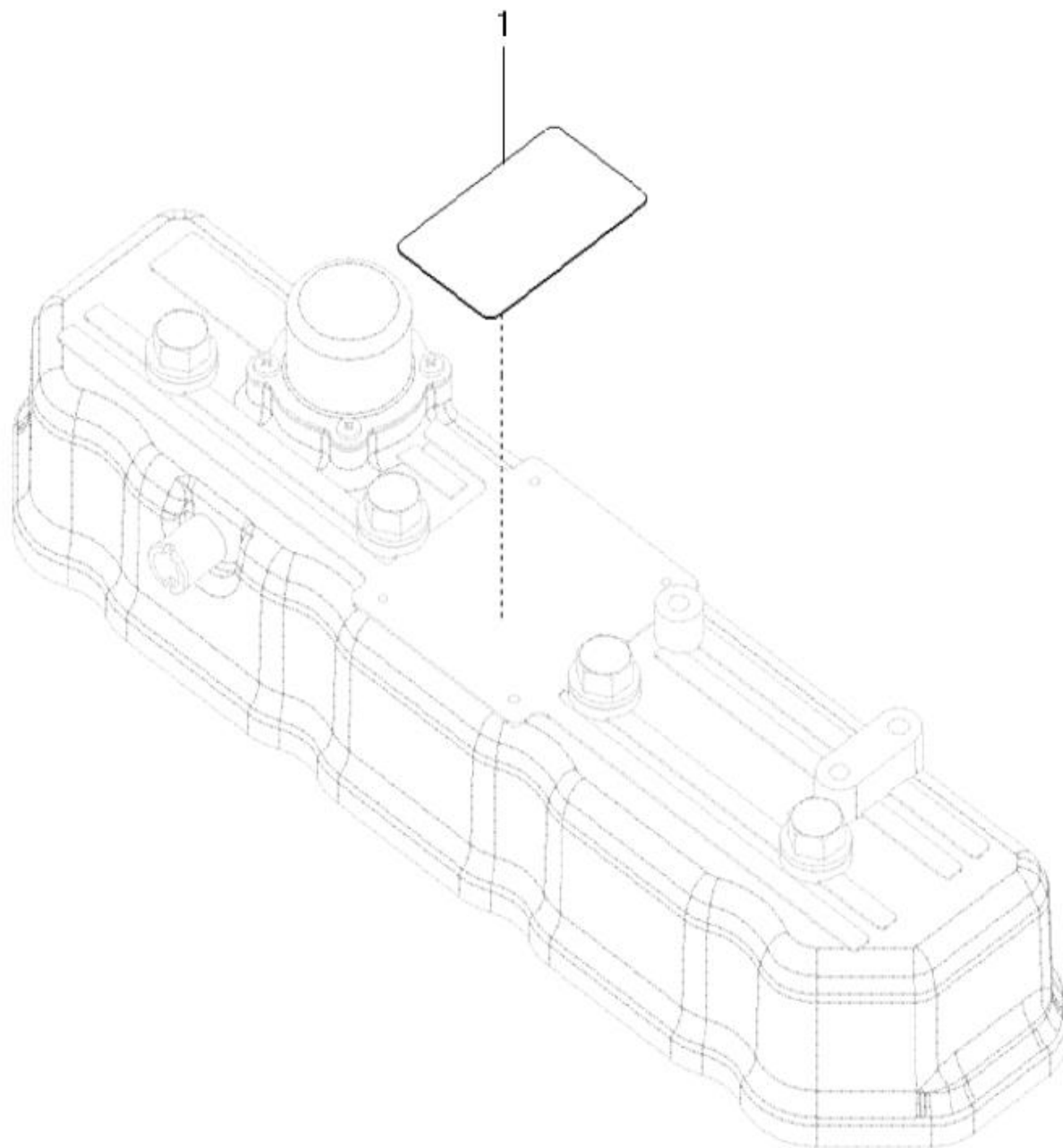
P1

YEAR

2018



T574SH / T574NH / T494SH / T494NH



NOTE



FIG 141

NAME PLATE, STARTING MOTOR

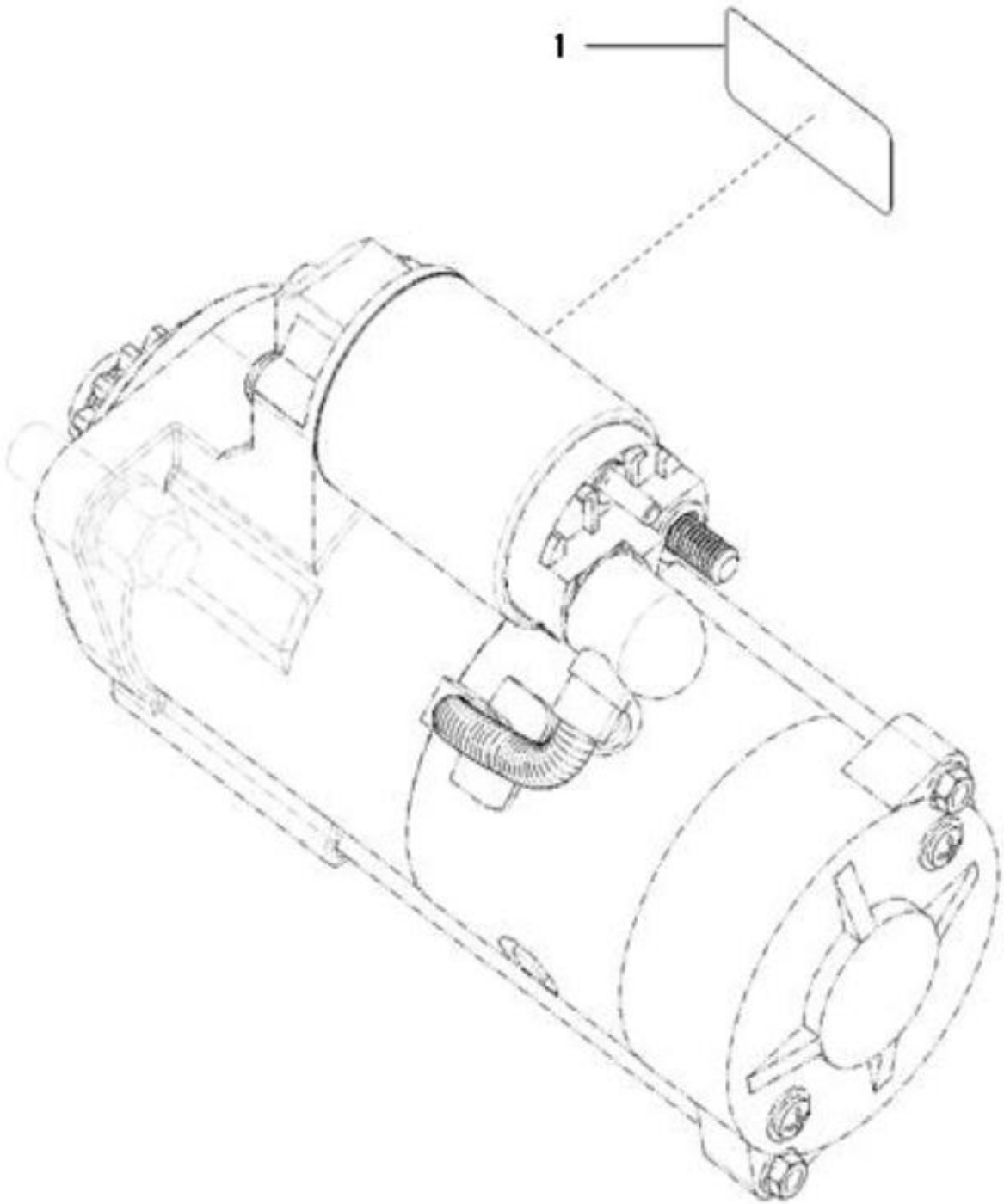
P1

YEAR

2018



T574SH / T574NH / T494SH / T494NH



NOTE

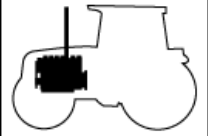
FIG 142A

DPF ASS'Y (T574)

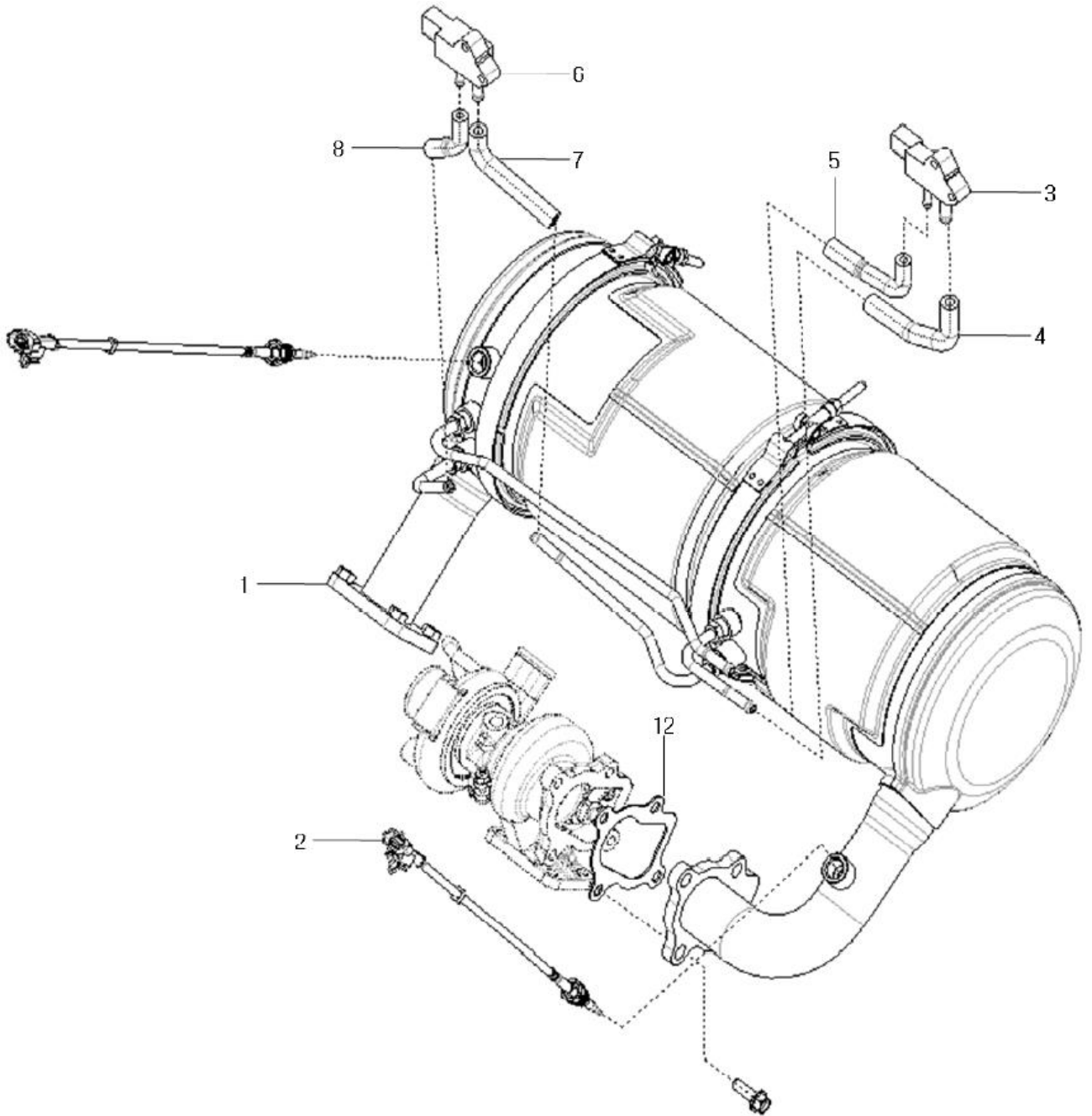
P1

YEAR

2018



T574SH / T574NH / T494SH / T494NH



NOTE

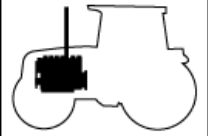
FIG 142B

DPF ASS'Y (T494)

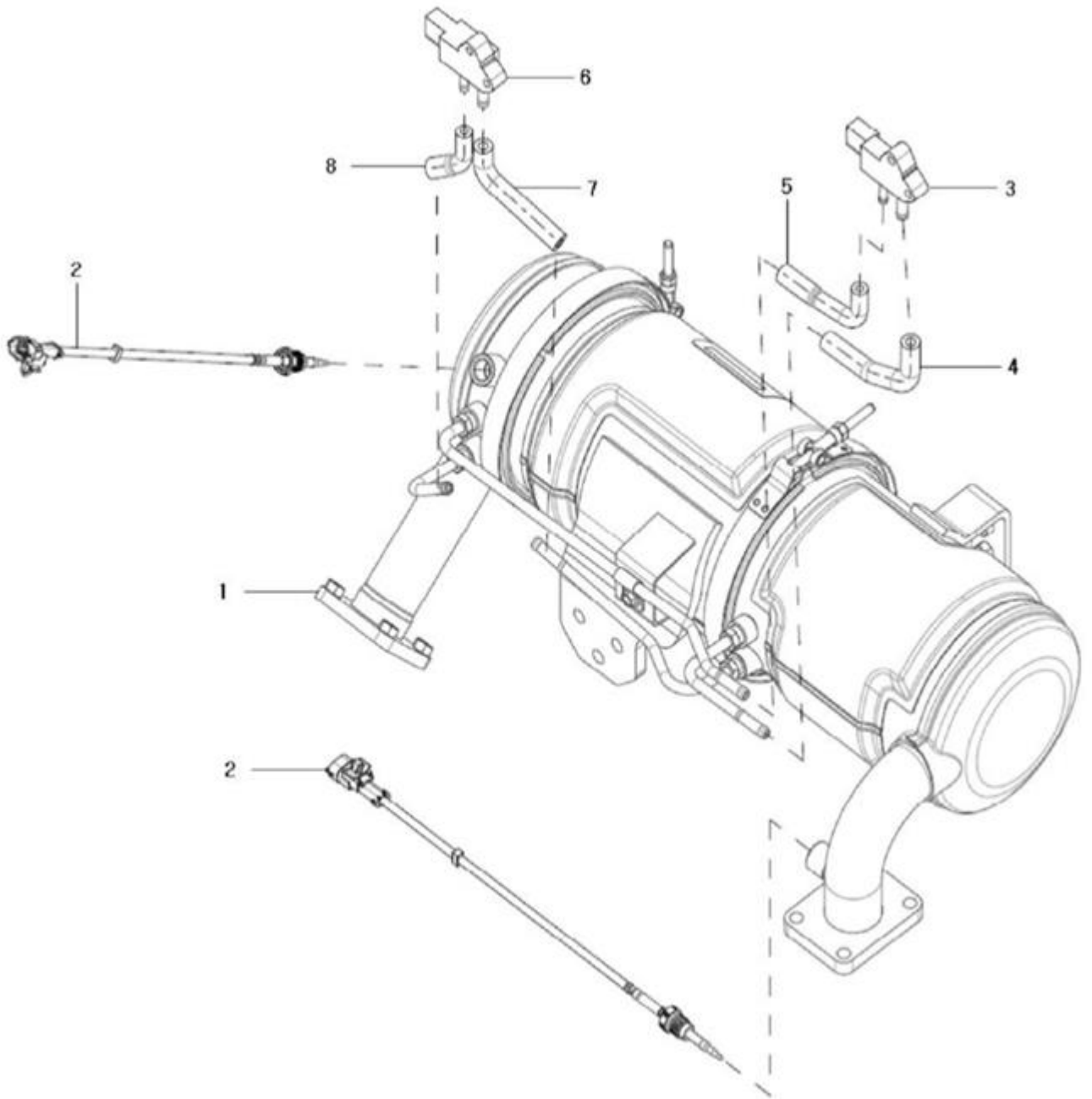
P2

YEAR

2018



T574SH / T574NH / T494SH / T494NH



NOTE

FIG 143

LIFT ASS'Y

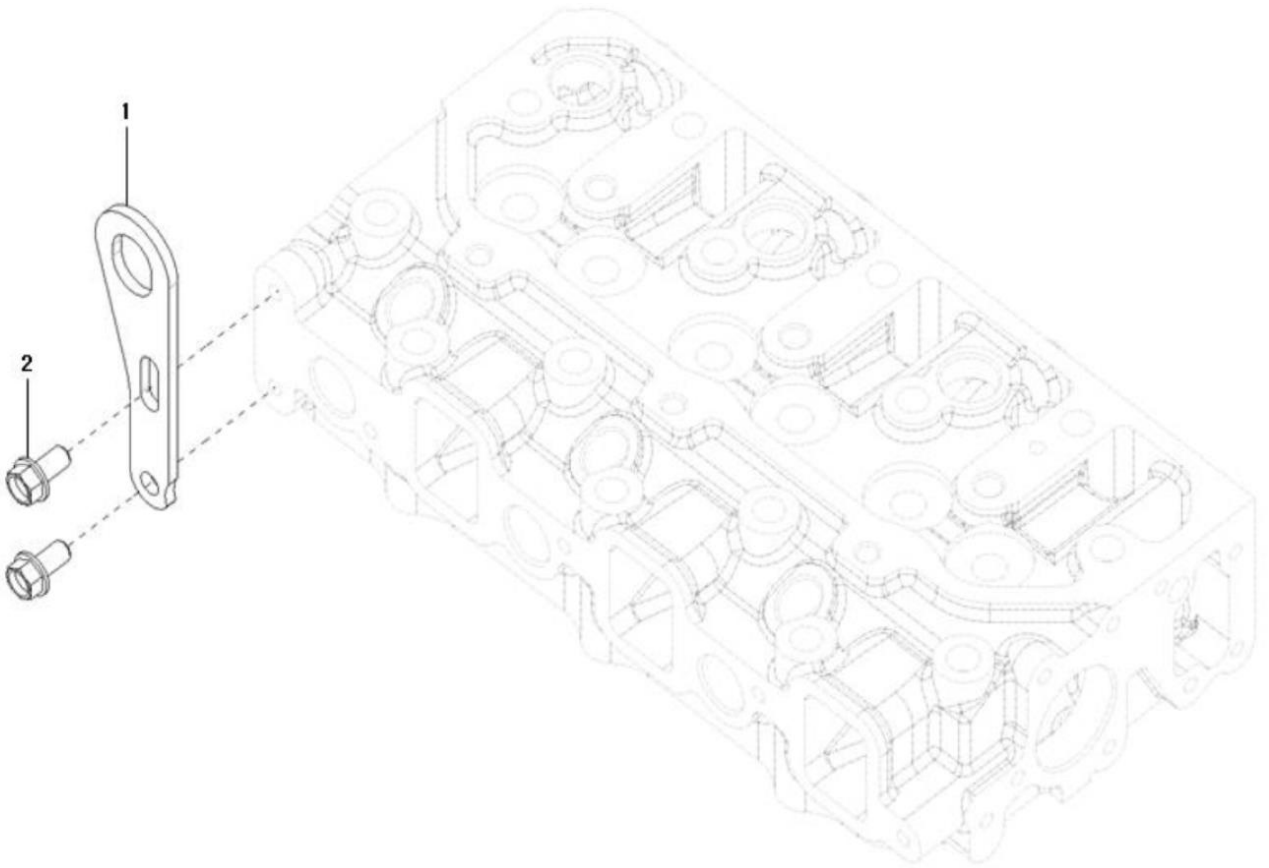
P1

YEAR

2018



T574SH / T574NH / T494SH / T494NH



NOTE

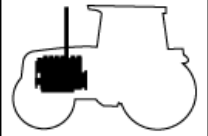
# FIG 144

## COMP . DRIVE PULLEY ASSyY OPTION

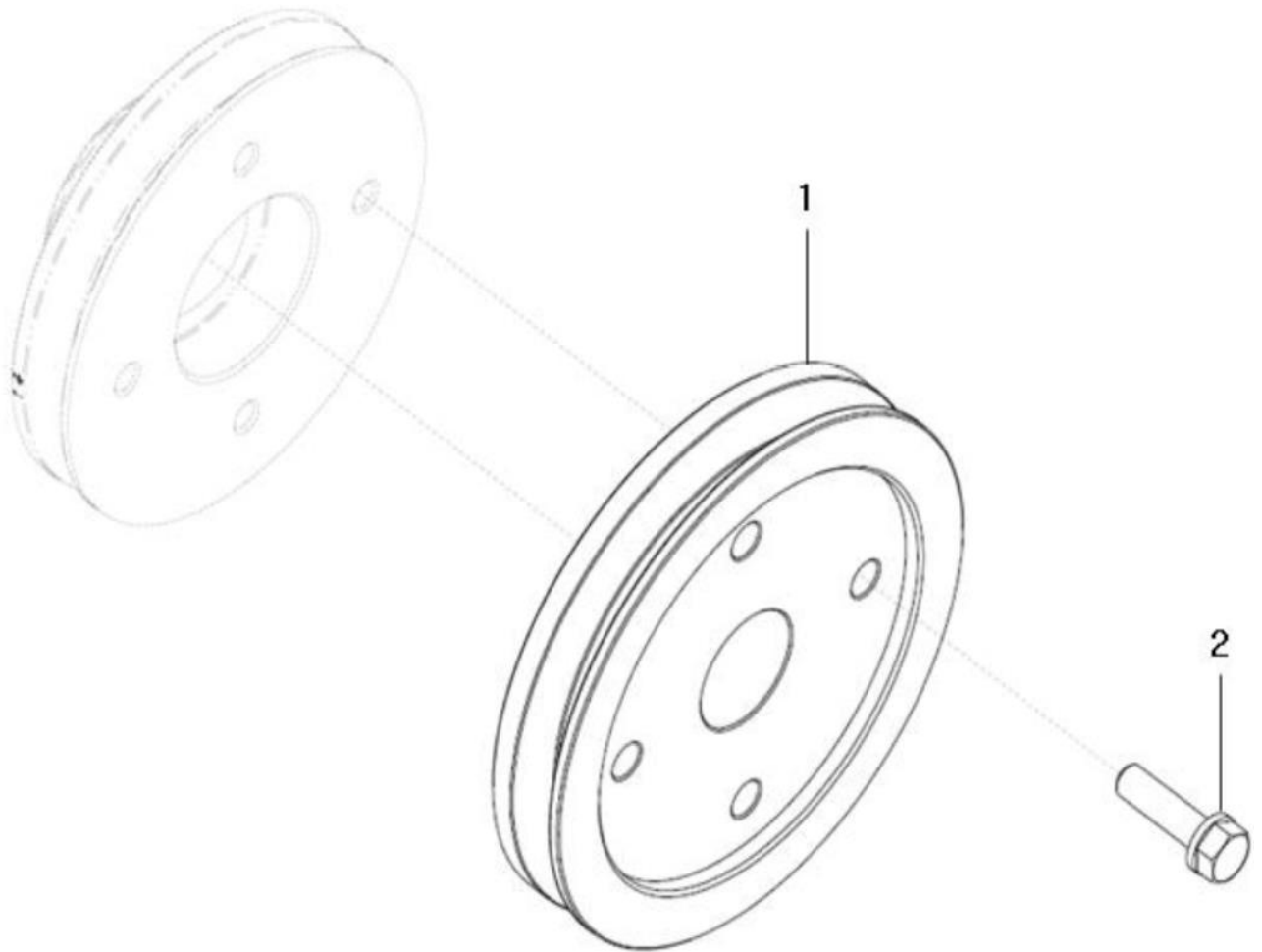
P1

YEAR

2018



T574SH / T574NH / T494SH / T494NH



NOTE

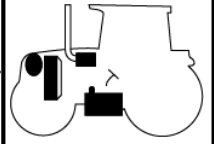
# FIG 201

# AIR CLEANER(T574)

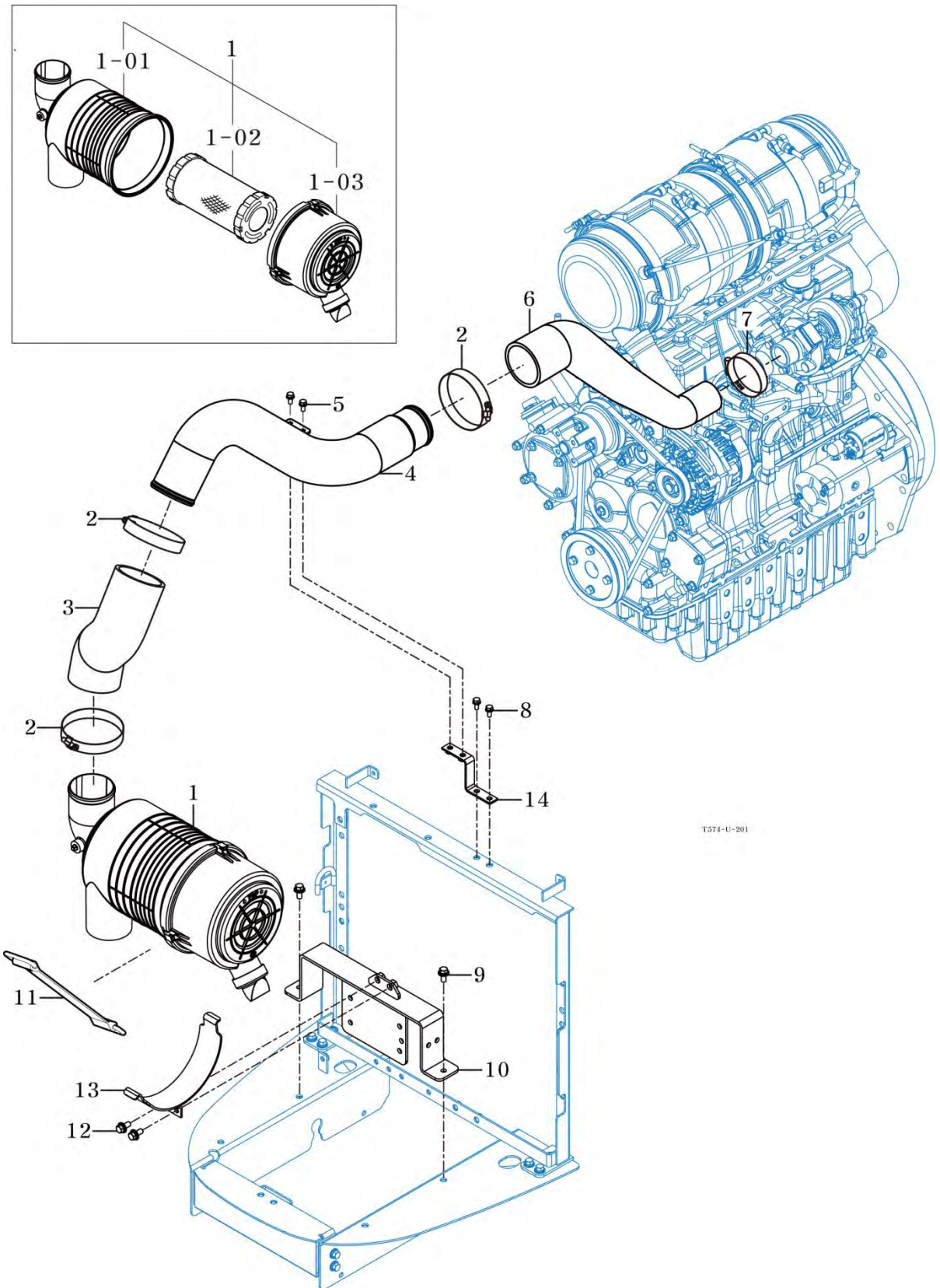
P1

YEAR

2018



T574SH / T574NH / T494SH / T494NH



T574-U-201

NOTE

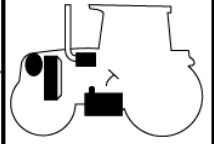
FIG 201

AIR CLEANER(T494)

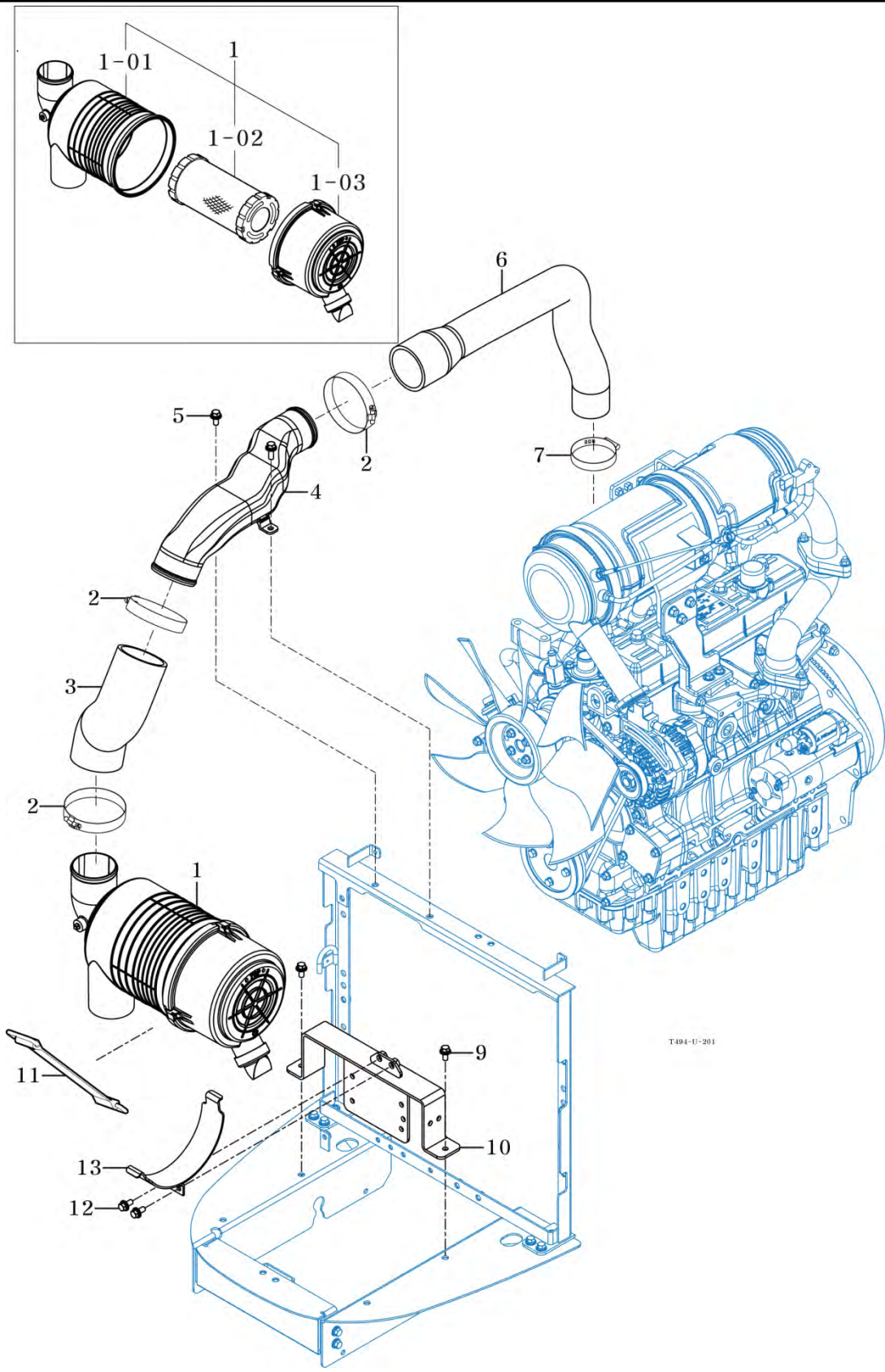
P1

YEAR

2018



T574SH / T574NH / T494SH / T494NH



T494-11-201

NOTE



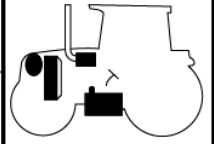
FIG 202

RADIATOR

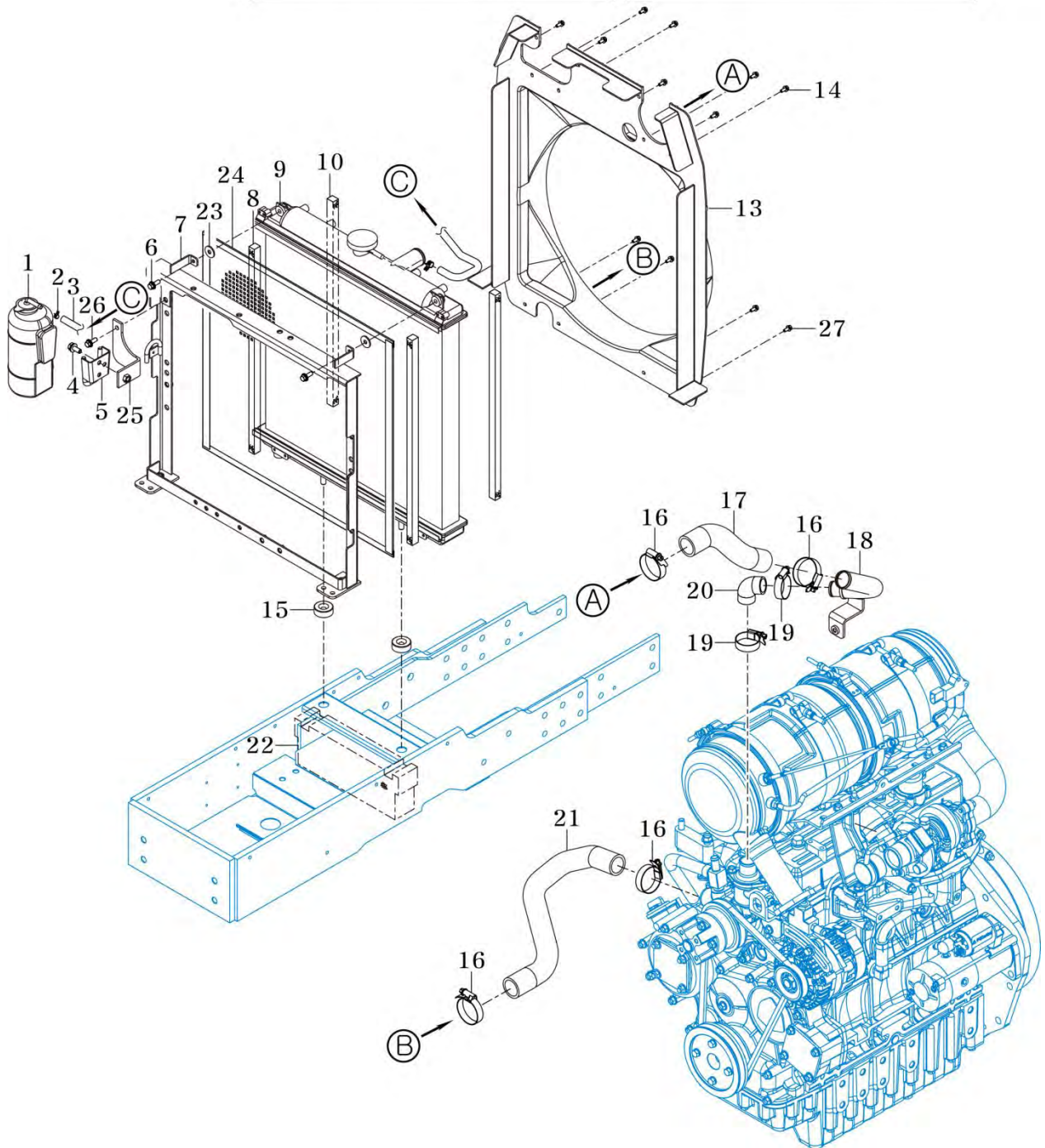
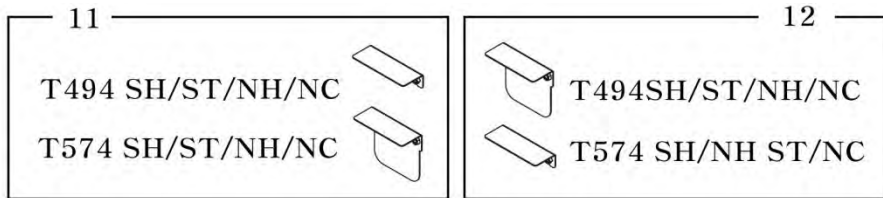
P1

YEAR

2018



T574SH / T574NH / T494SH / T494NH



NOTE



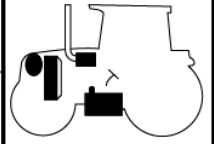
FIG 203

MUFFLER

P1

YEAR

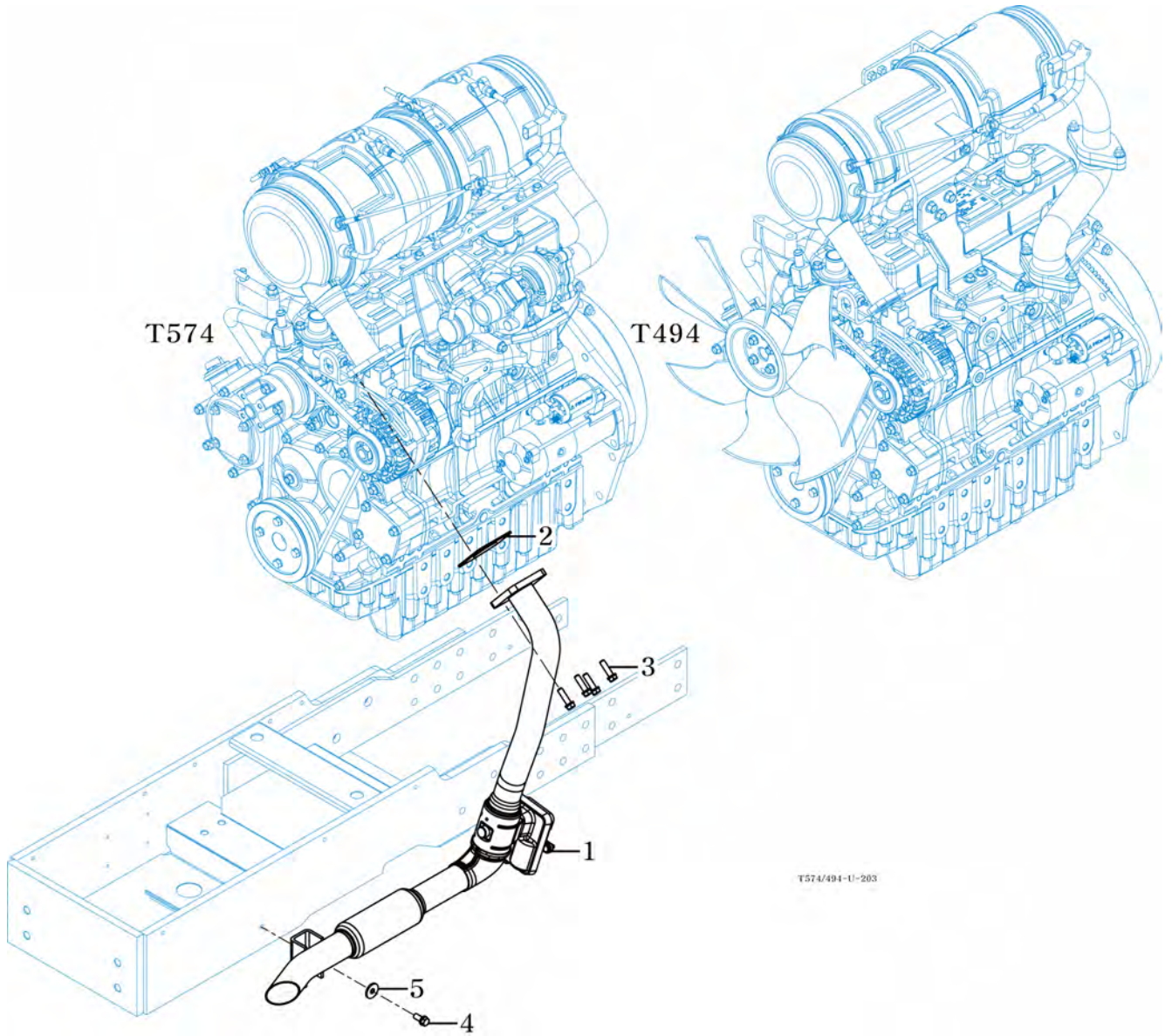
2018



T574SH / T574NH / T494SH / T494NH

T574

T494



T574/494-U-203

NOTE

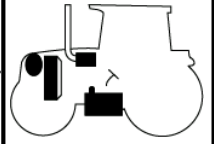
FIG 204

FUEL HOSE & FILTER

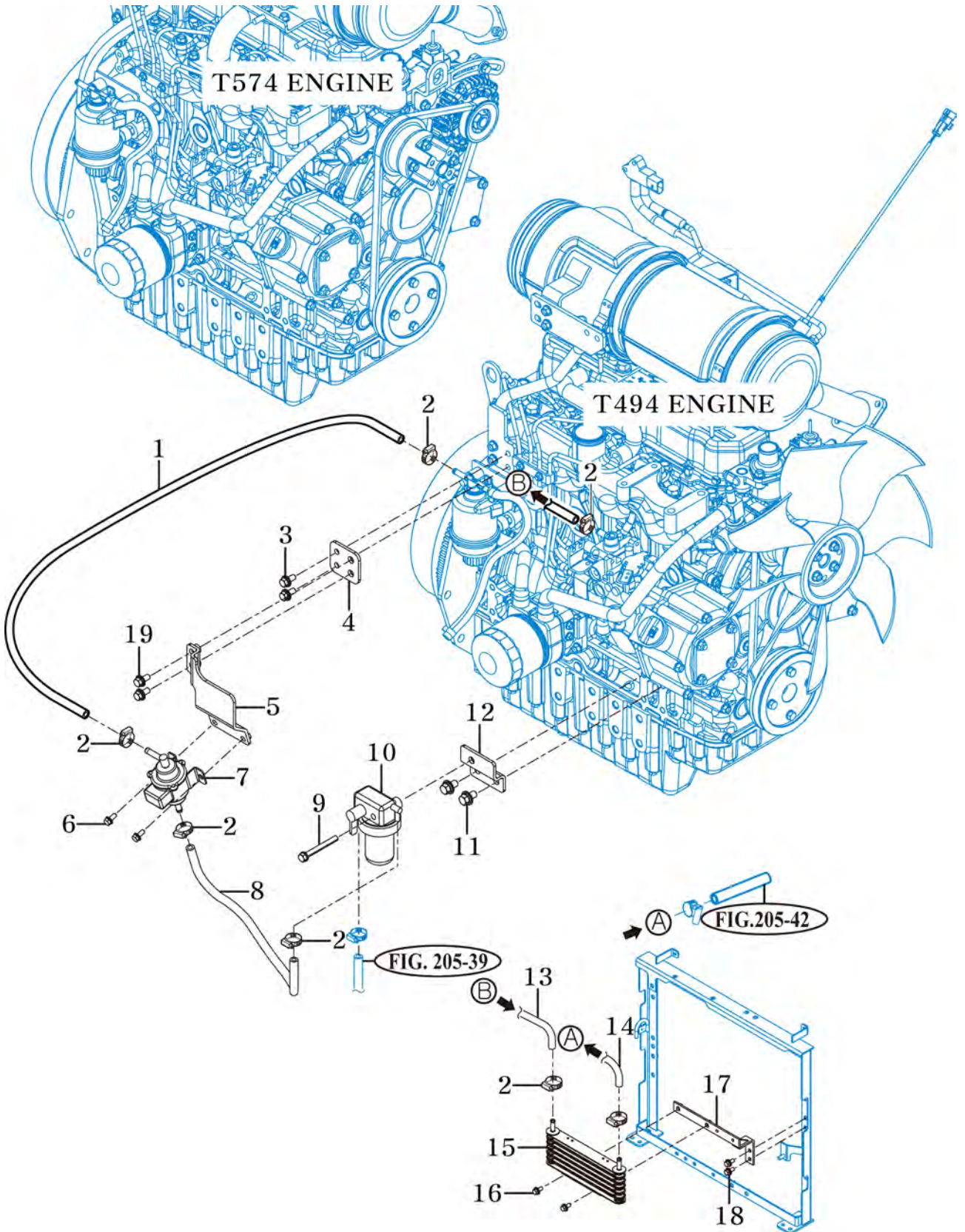
P1

YEAR

2018



T574SH / T574NH / T494SH / T494NH



NOTE



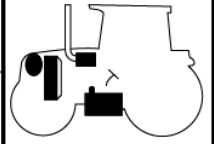
# FIG 205

# FUEL TANK

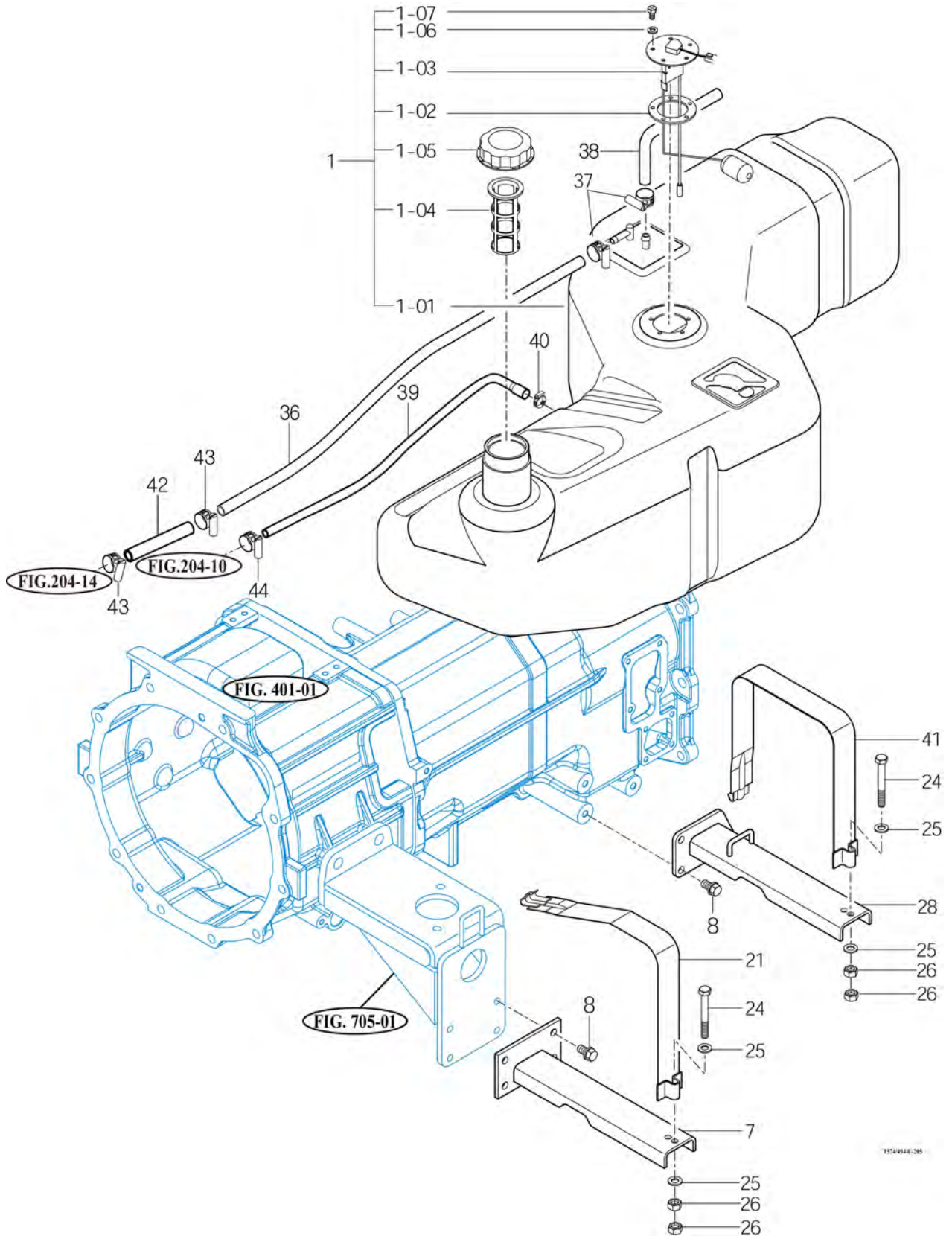
P1

YEAR

2018



T574SH / T574NH / T494SH / T494NH



NOTE

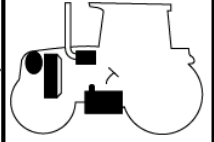
FIG 206

ACCELERATOR

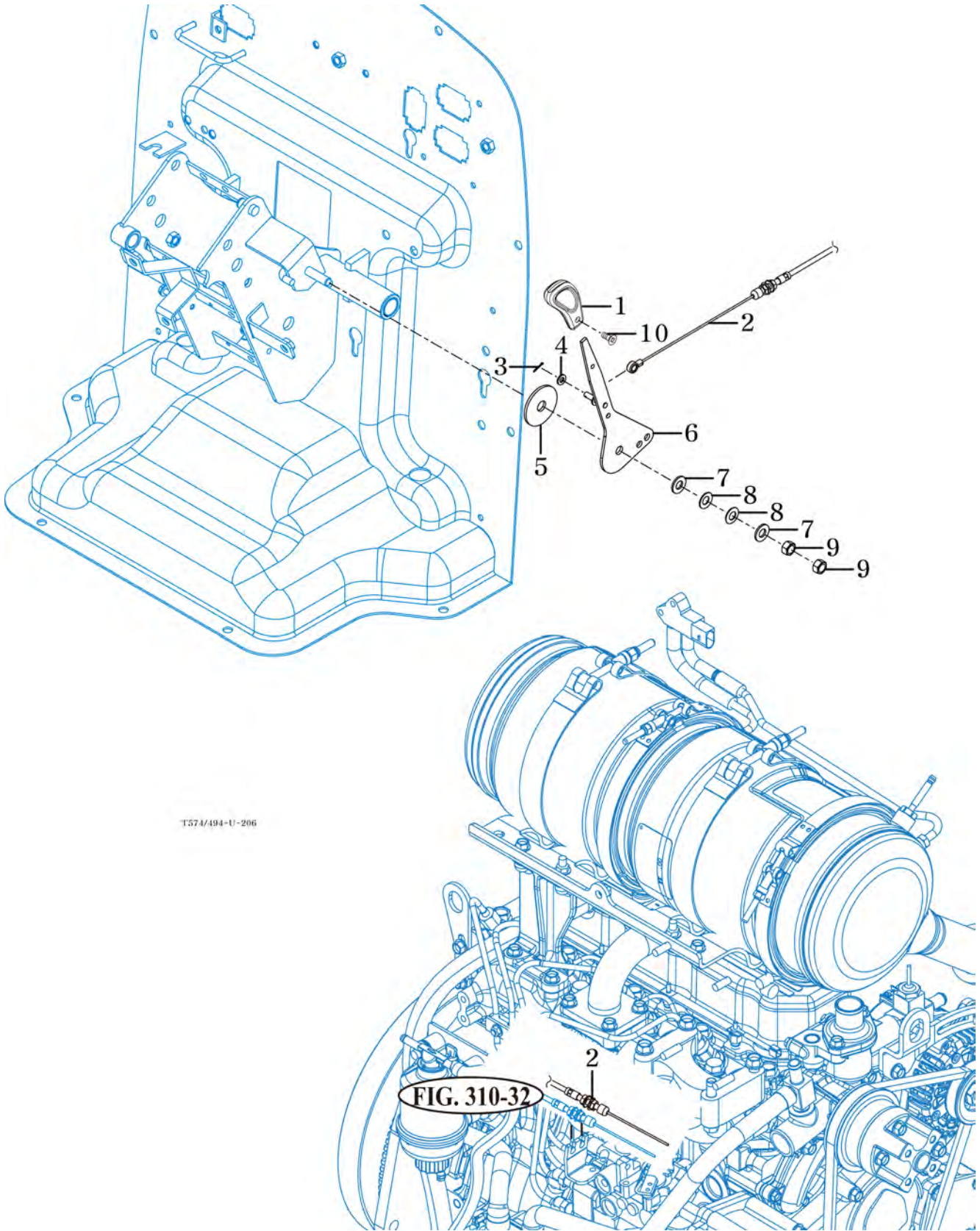
P1

YEAR

2018



T574SH / T574NH / T494SH / T494NH



T574/494-U-206

FIG. 310-32

NOTE



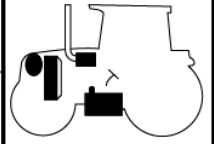
FIG 207

OIL COOLER

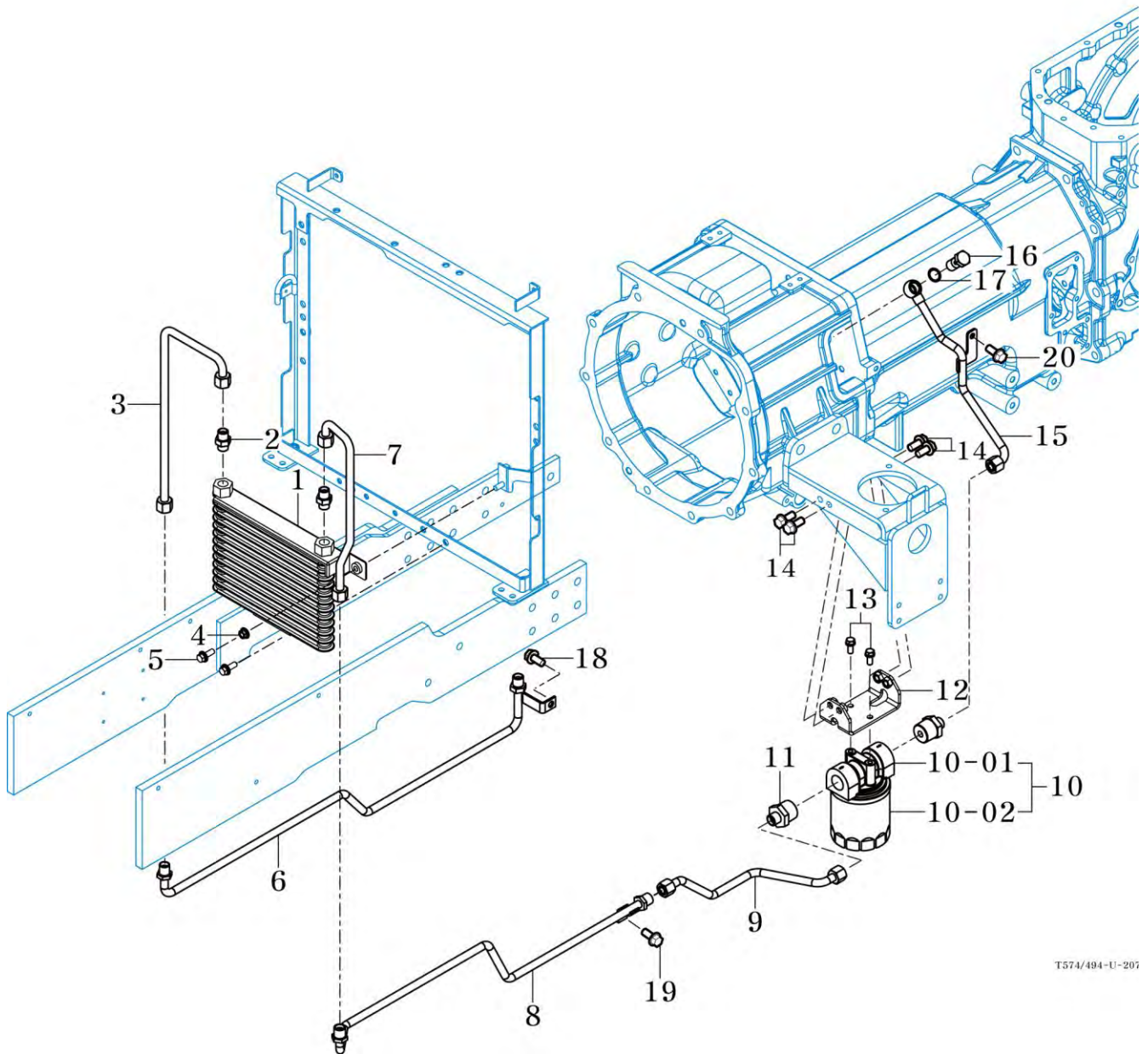
P1

YEAR

2018



T574SH / T574NH / T494SH / T494NH



T574/494-U-207

NOTE

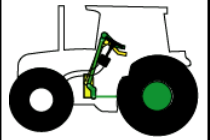
# FIG 301

# FLYWHEEL HOUSING

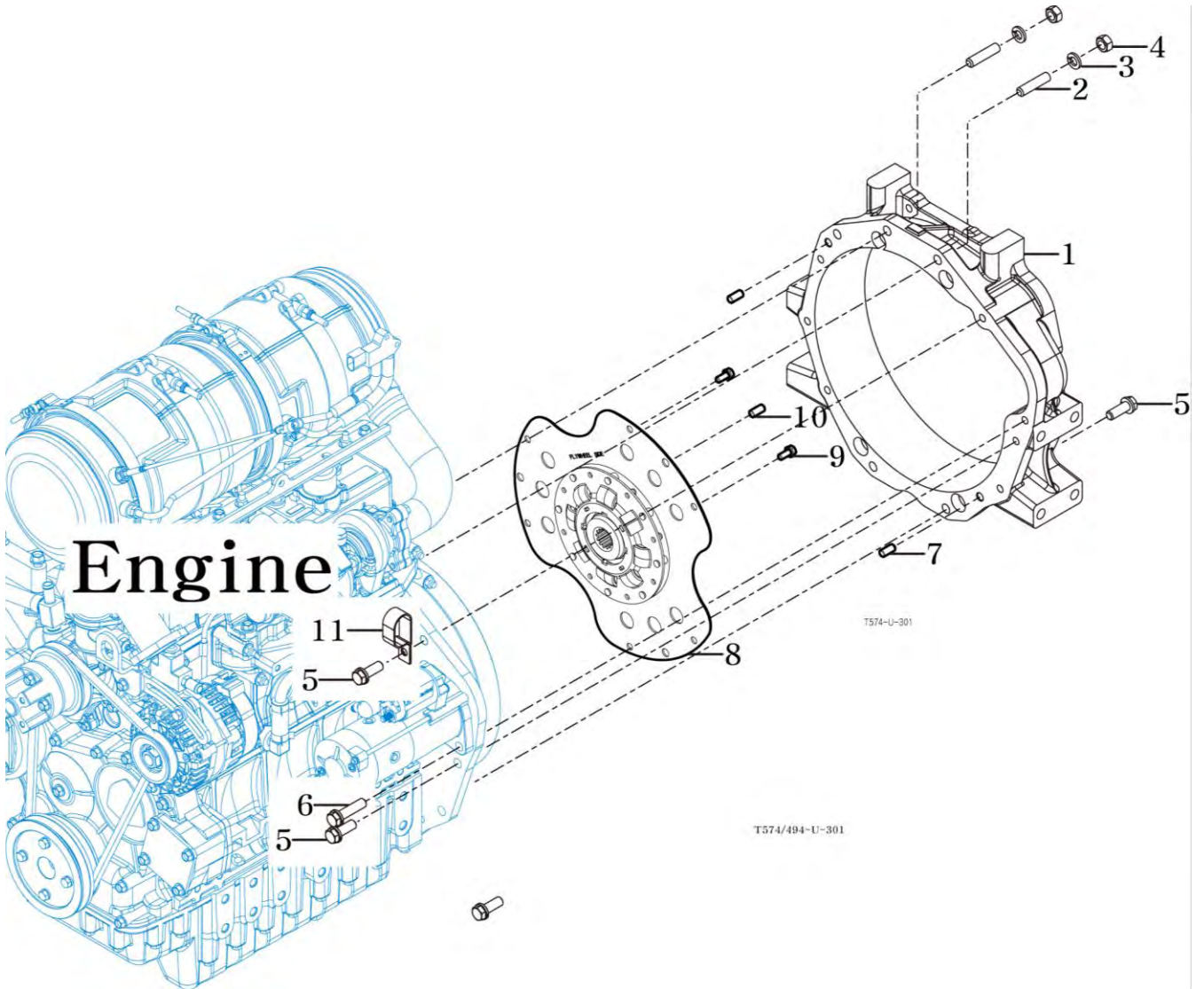
P1

YEAR

2018



T574SH / T574NH / T494SH / T494NH



NOTE

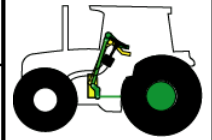
# FIG 302

# CLUTCH PEDAL

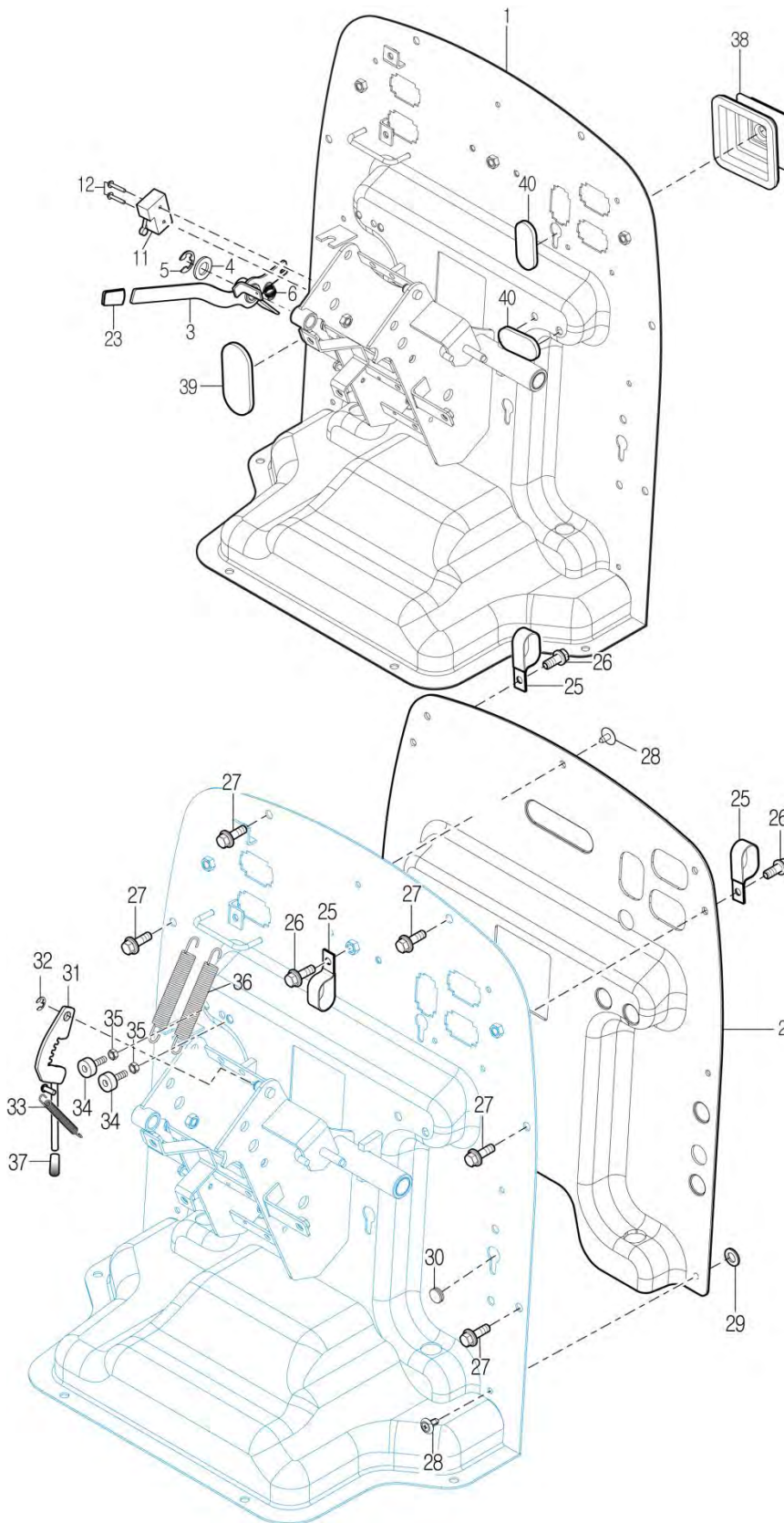
P1

YEAR

2018



T574SH / T574NH / T494SH / T494NH



NOTE



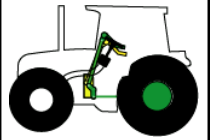
# FIG 303

# BRAKE

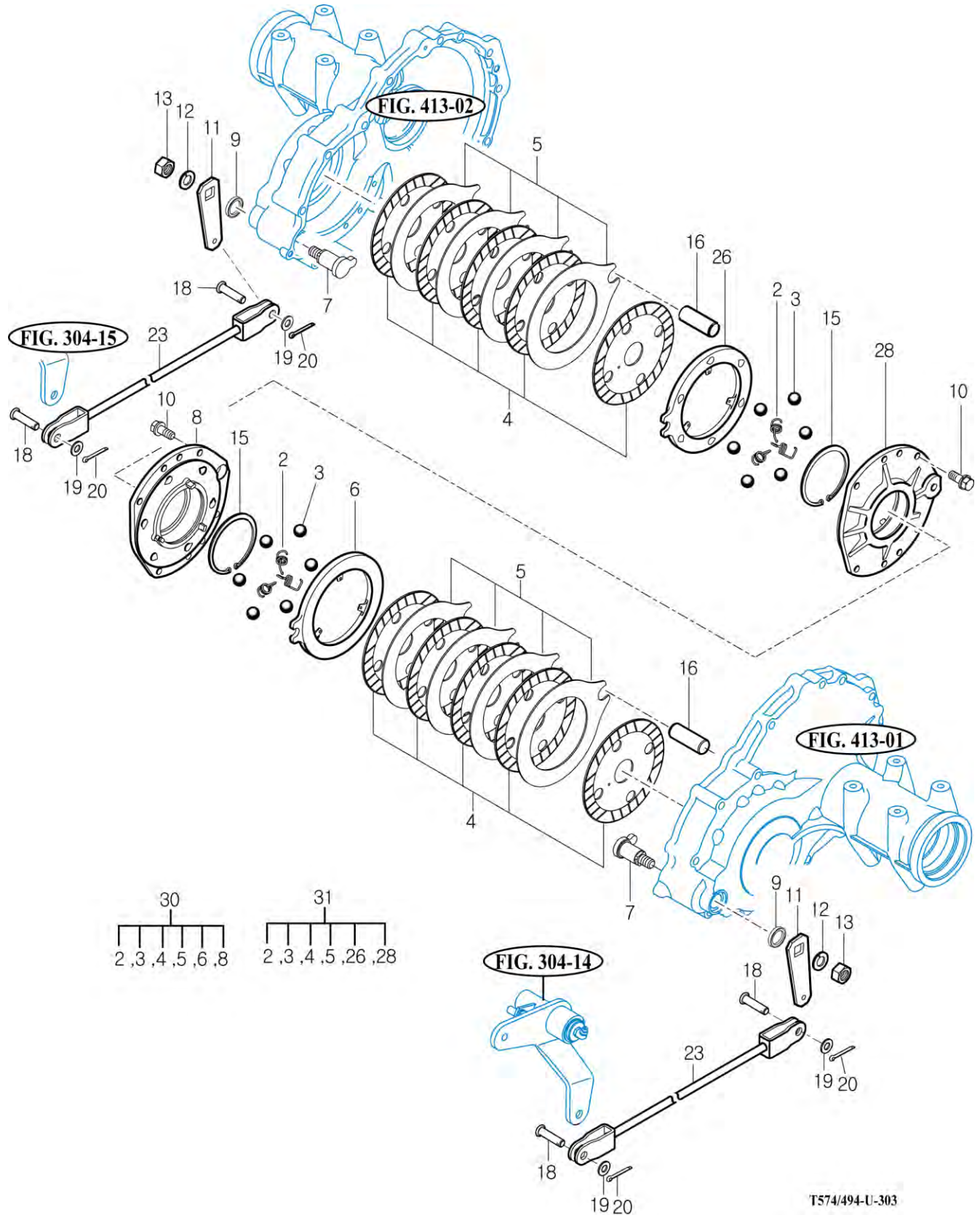
P1

YEAR

2018



T574SH / T574NH / T494SH / T494NH



T574/494-U-303

NOTE



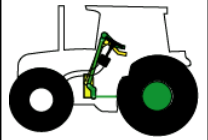
# FIG 304

# BRAKE PEDAL & LINK

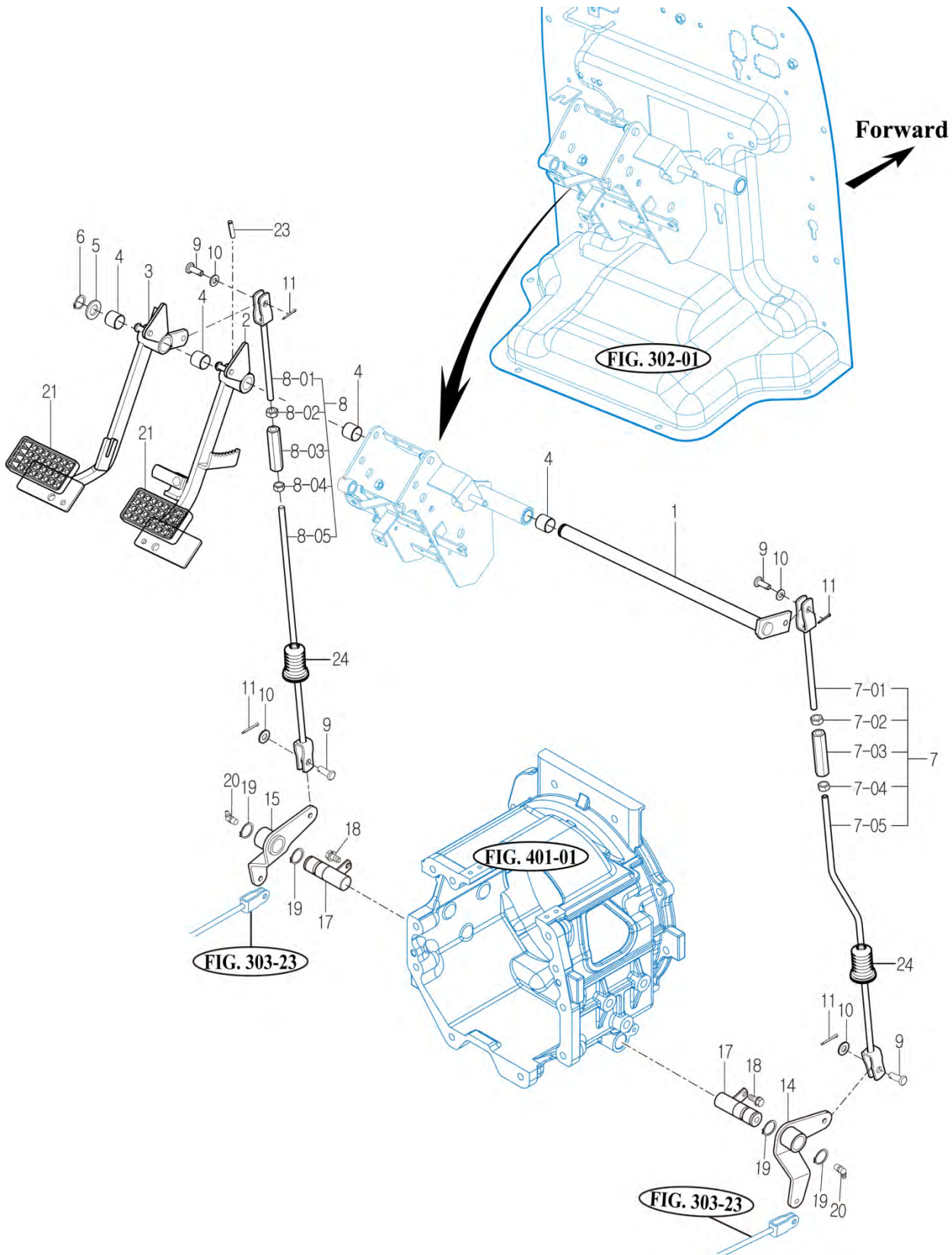
P1

YEAR

2018



T574SH / T574NH / T494SH / T494NH



NOTE

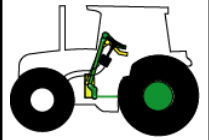
# FIG 305

# FRONT WHEEL

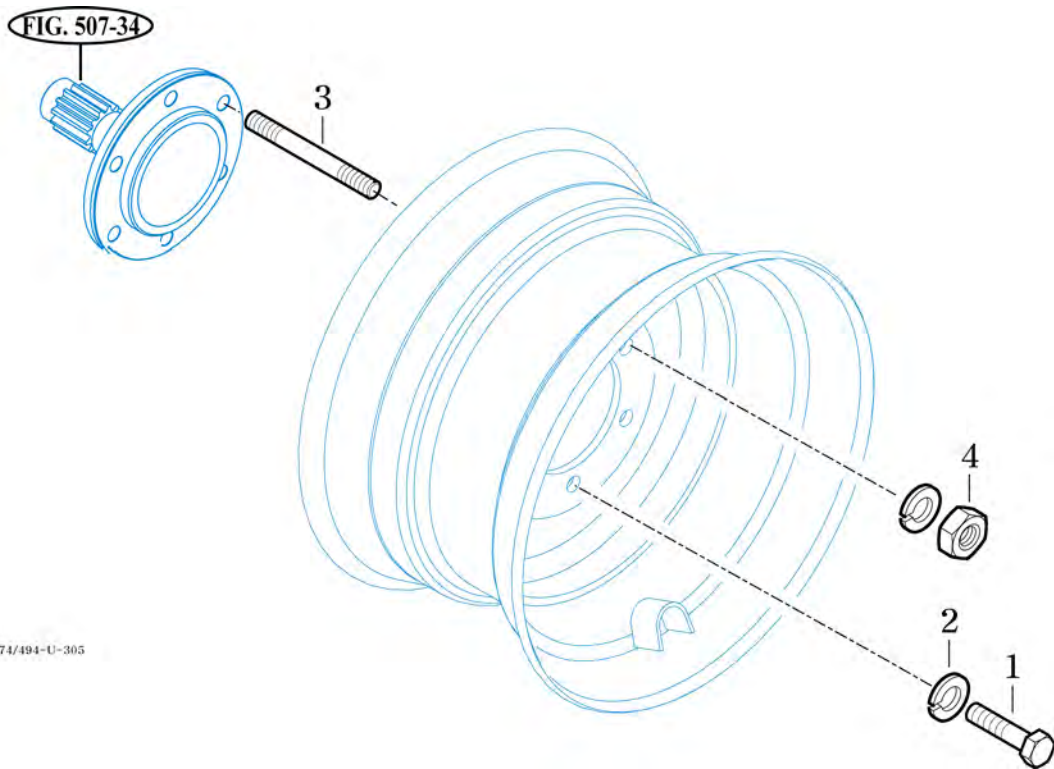
P1

YEAR

2018



T574SH / T574NH / T494SH / T494NH



T574/494-U-305

NOTE

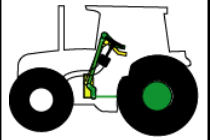
FIG 306

REAR WHEEL

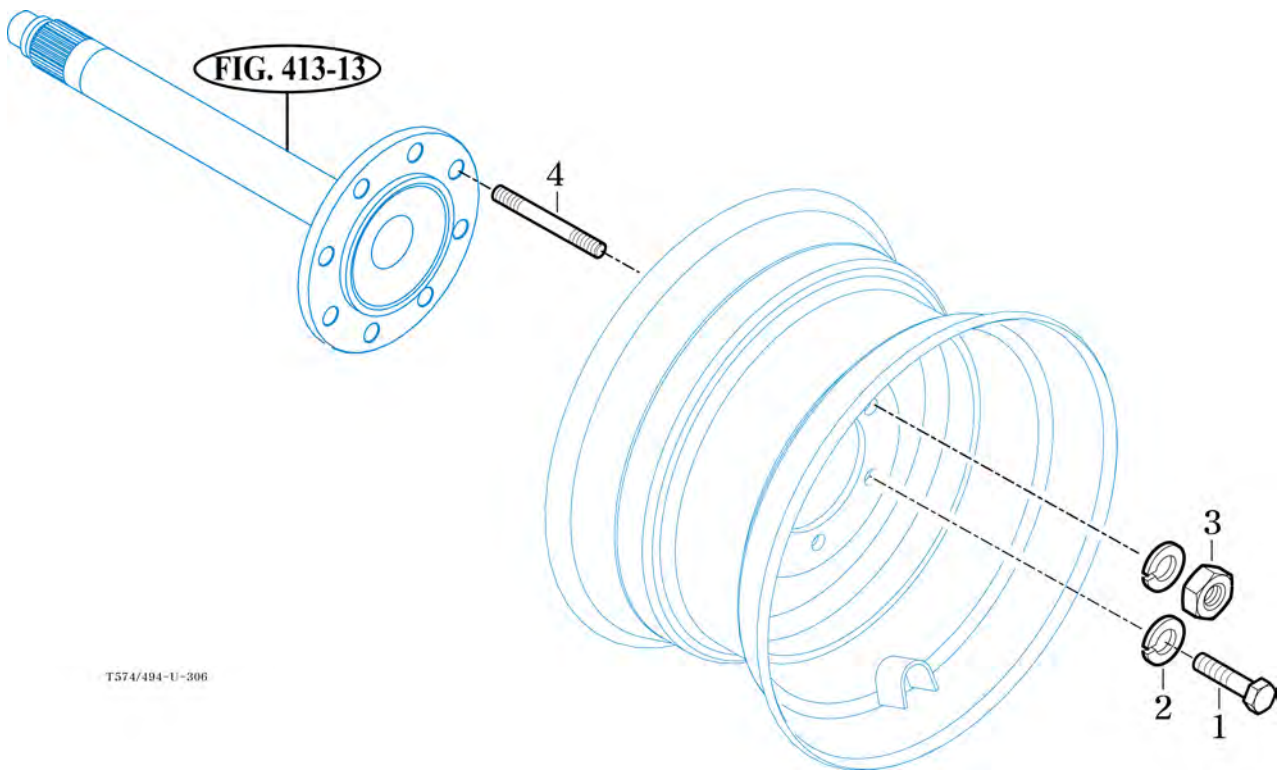
P1

YEAR

2018



T574SH / T574NH / T494SH / T494NH



T574/494-U-306

NOTE



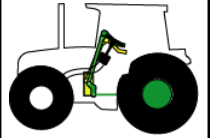
FIG 308

POWER STEERING VALVE

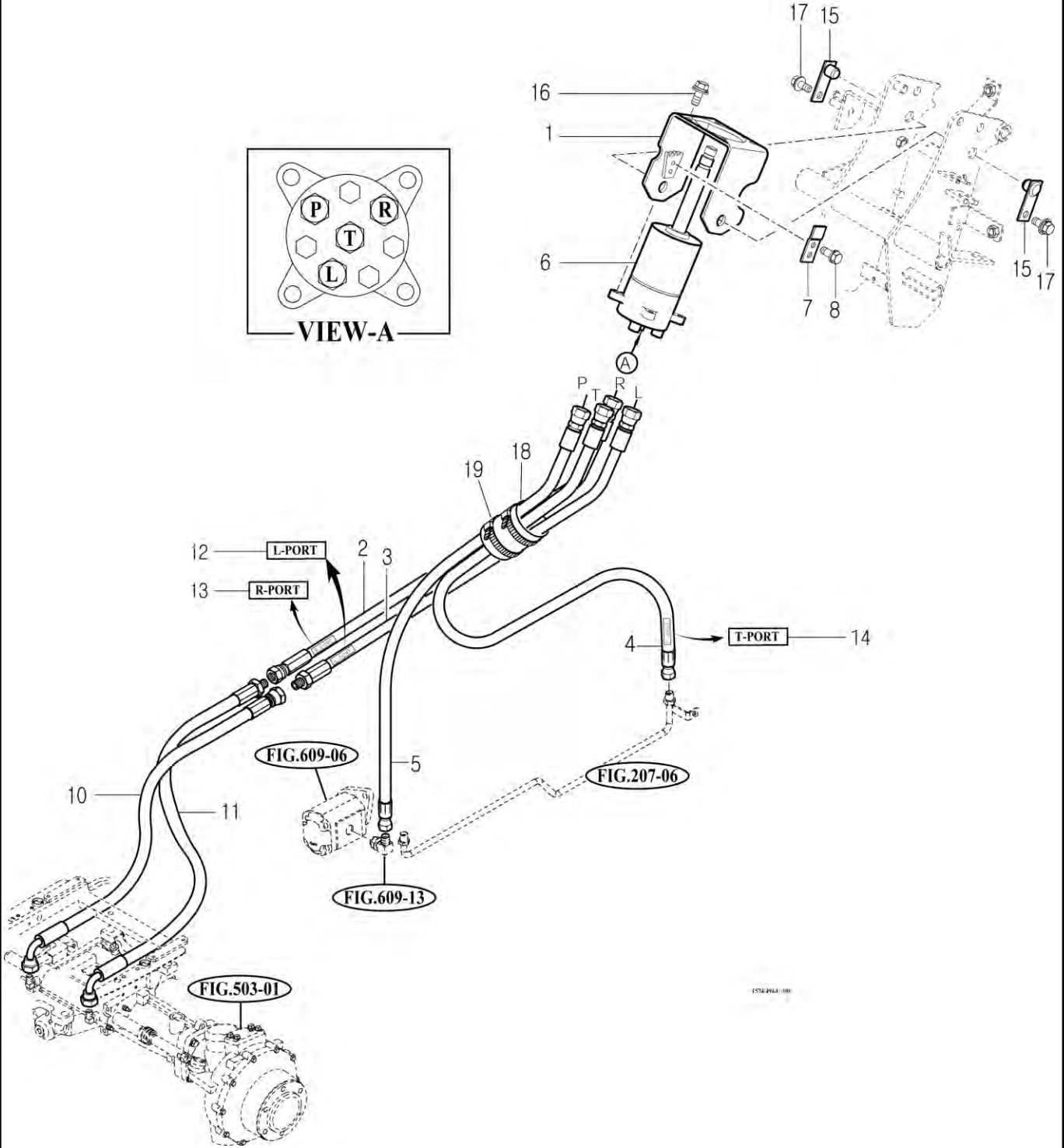
P1

YEAR

2018



T574SH / T574NH / T494SH / T494NH



NOTE



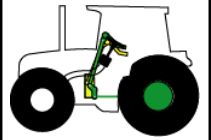
# FIG 309

# POWER STEERING CYLINDER

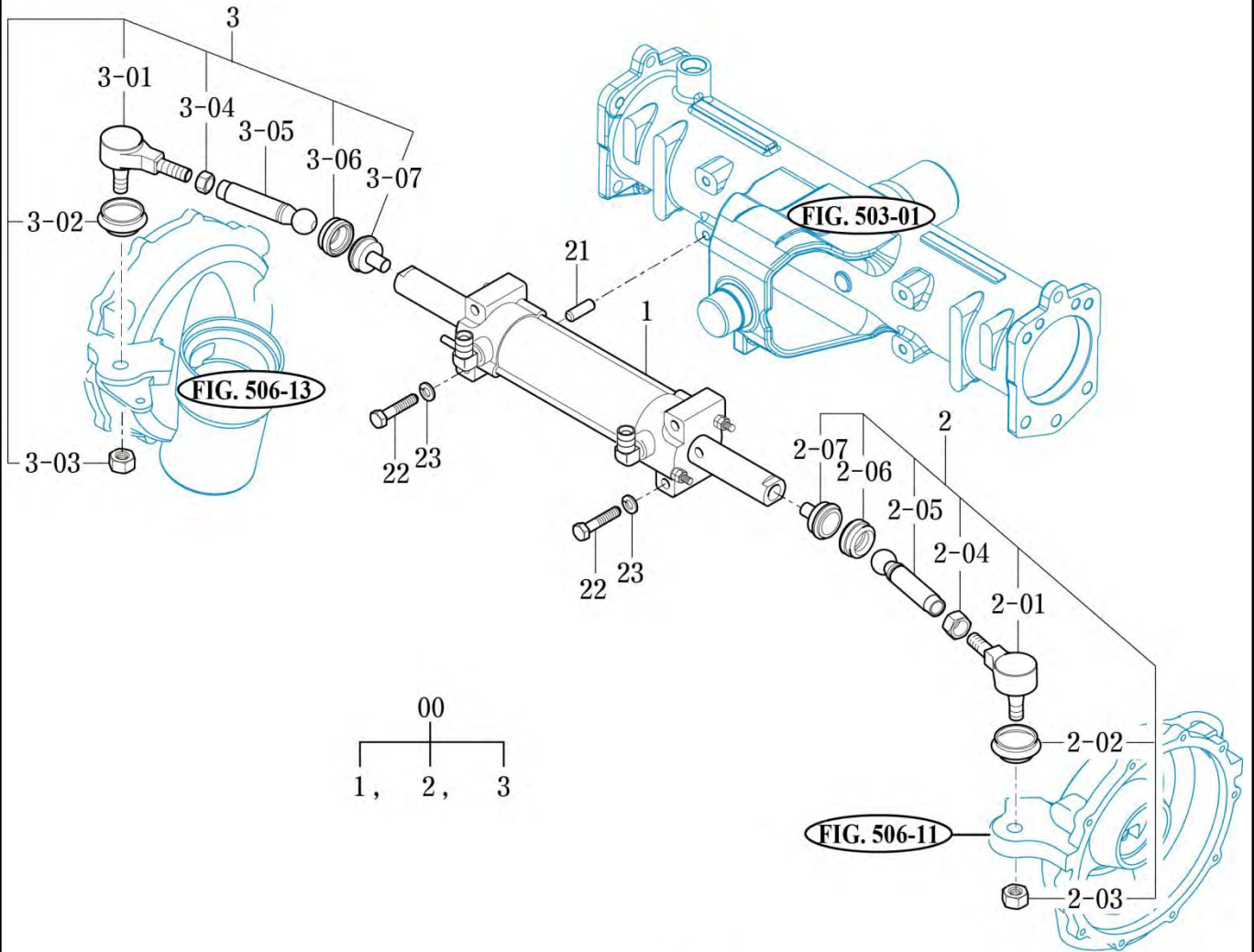
P1

YEAR

2018



T574SH / T574NH / T494SH / T494NH



T554NH/T554SH/T454NH-E-309

NOTE



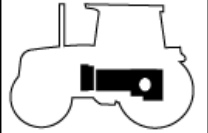
FIG 401

TRANSMISSION FRONT CASE

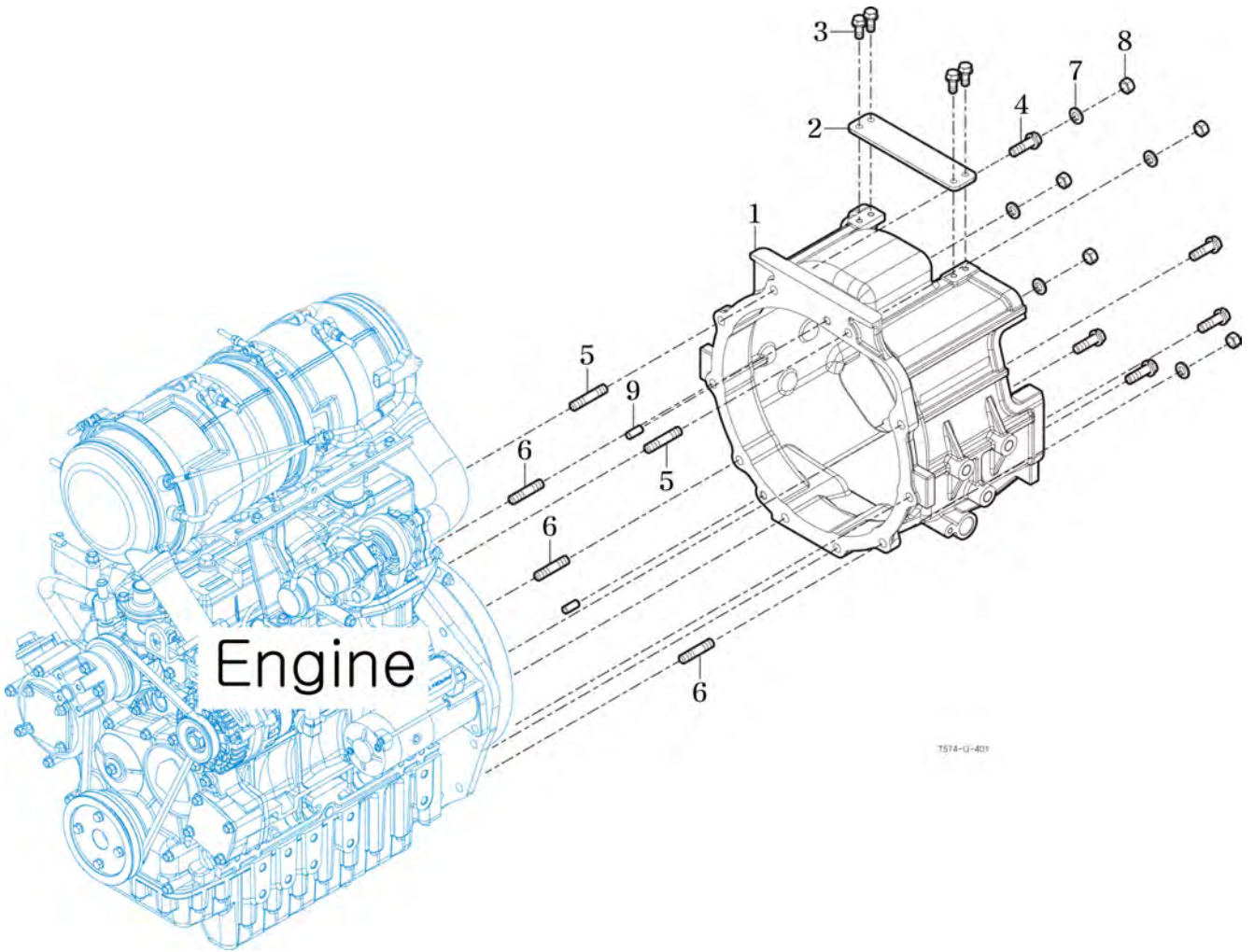
P1

YEAR

2018



T574SH / T574NH / T494SH / T494NH



T574-G-401

NOTE



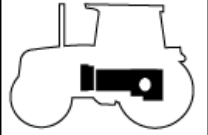
FIG 402

HST

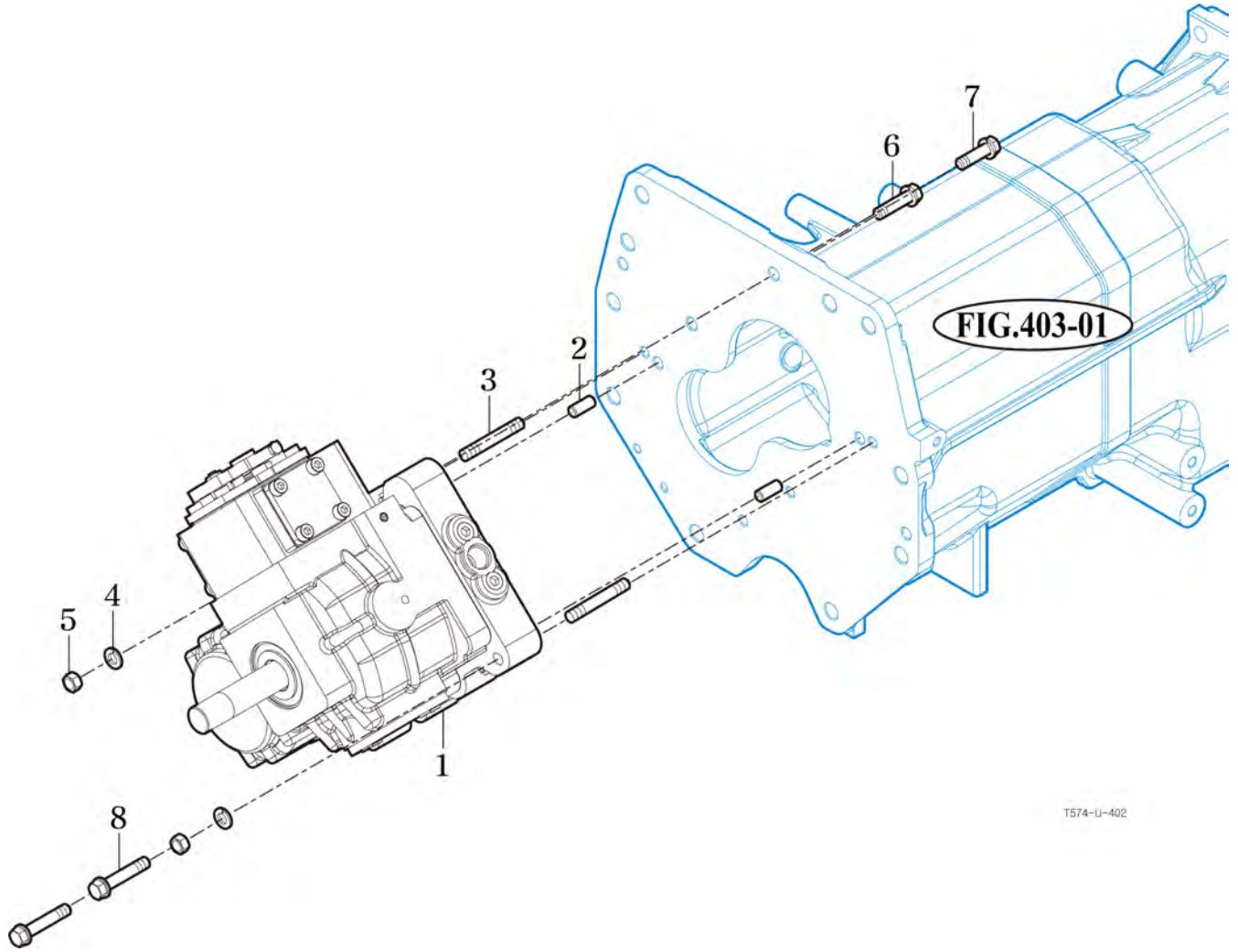
P1

YEAR

2018



T574SH / T574NH / T494SH / T494NH



T574-U-402

NOTE

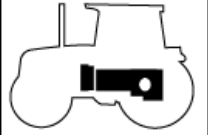
# FIG 403

# MID TRANSMISSION CASE

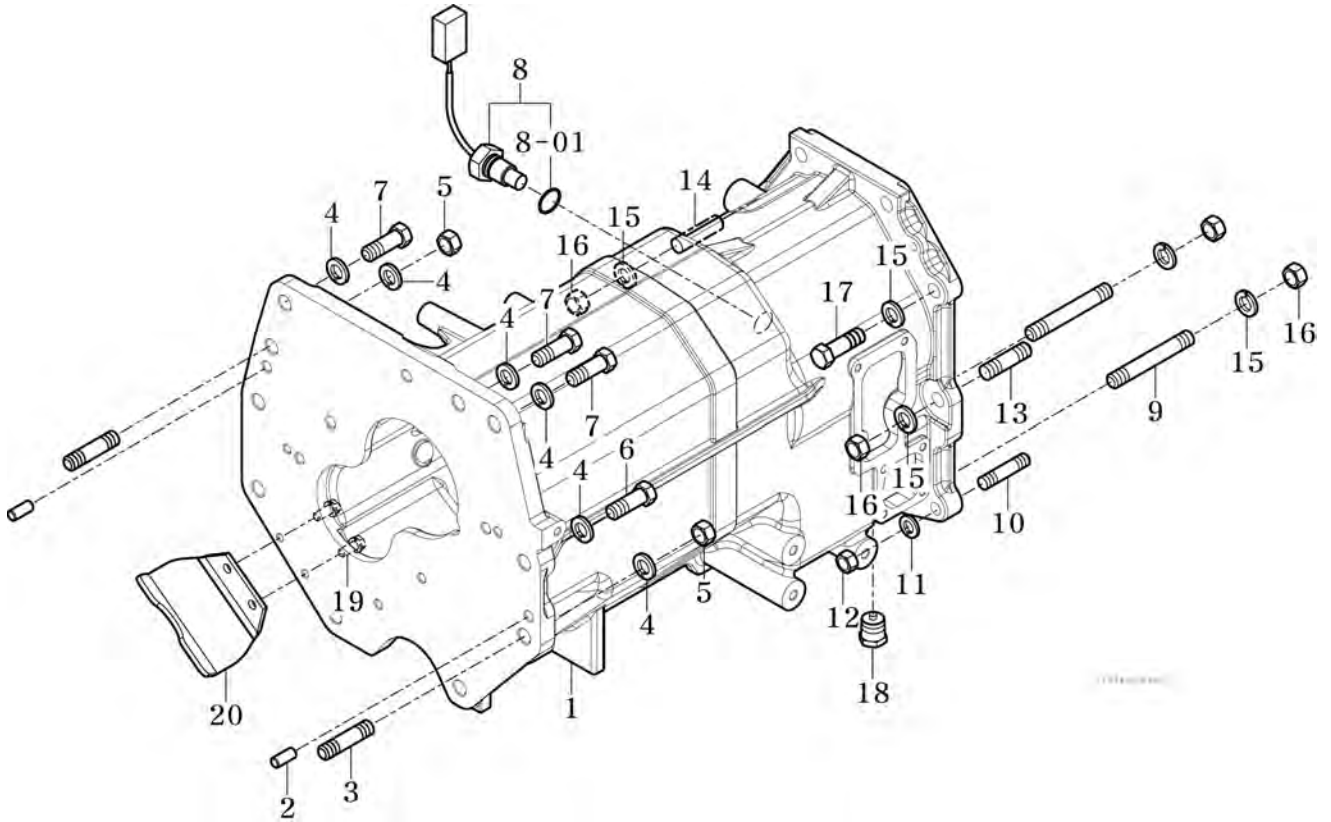
P1

YEAR

2018



T574SH / T574NH / T494SH / T494NH



NOTE

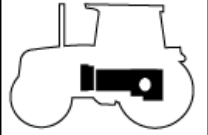
FIG 404

TRANSFER GEAR SET

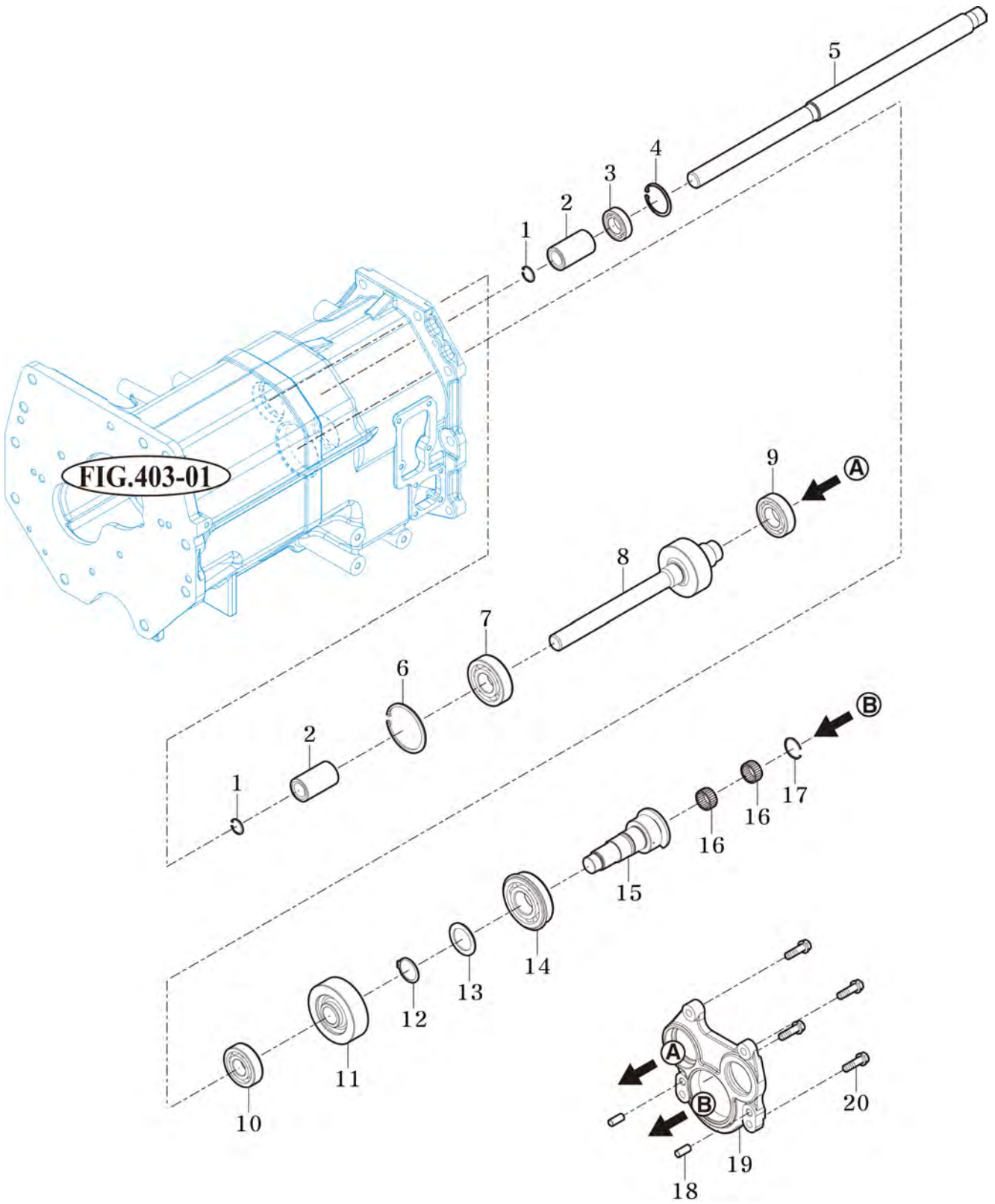
P1

YEAR

2018



T574SH / T574NH / T494SH / T494NH



NOTE

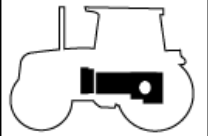
# FIG 405

# TRANSMISSION REAR CASE

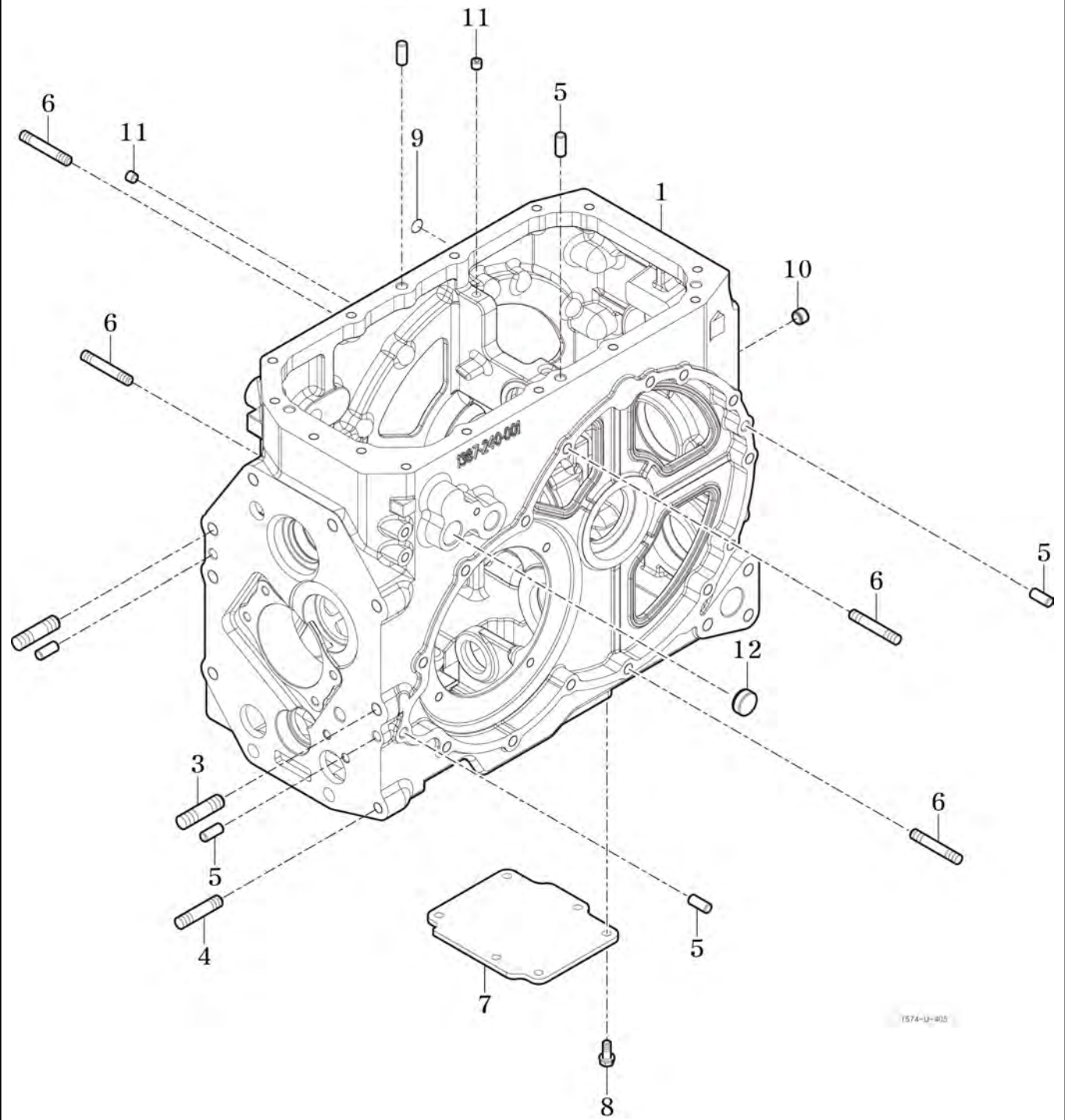
P1

YEAR

2018



T574SH / T574NH / T494SH / T494NH



T574-U-805

NOTE

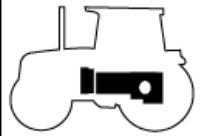
# FIG 406

# SUB CHANGE GEARS

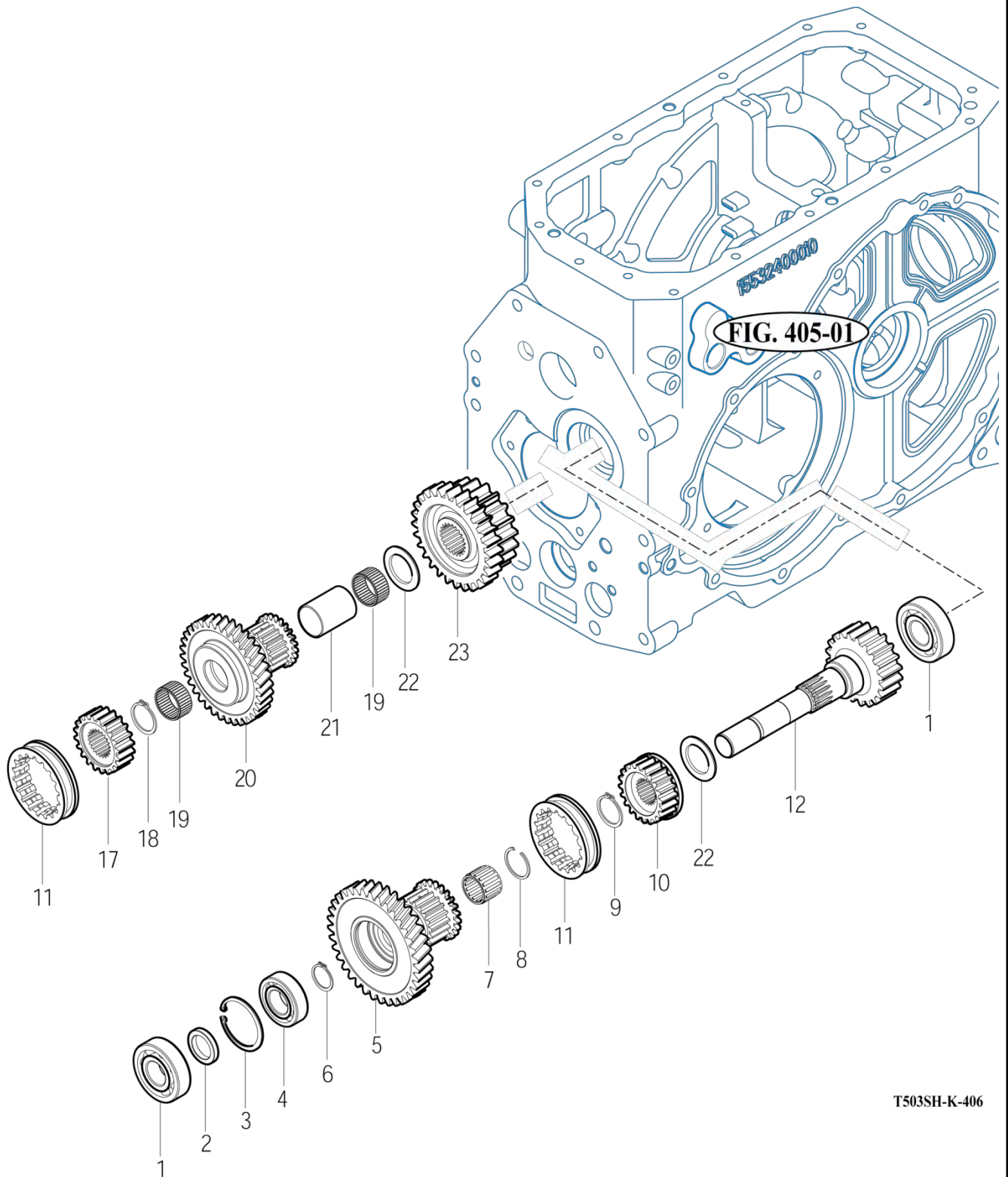
P1

YEAR

2018



T574SH / T574NH / T494SH / T494NH



T503SH-K-406

NOTE



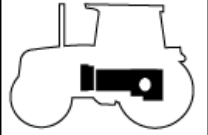
# FIG 407

# SUB CHANGE SHIFTER

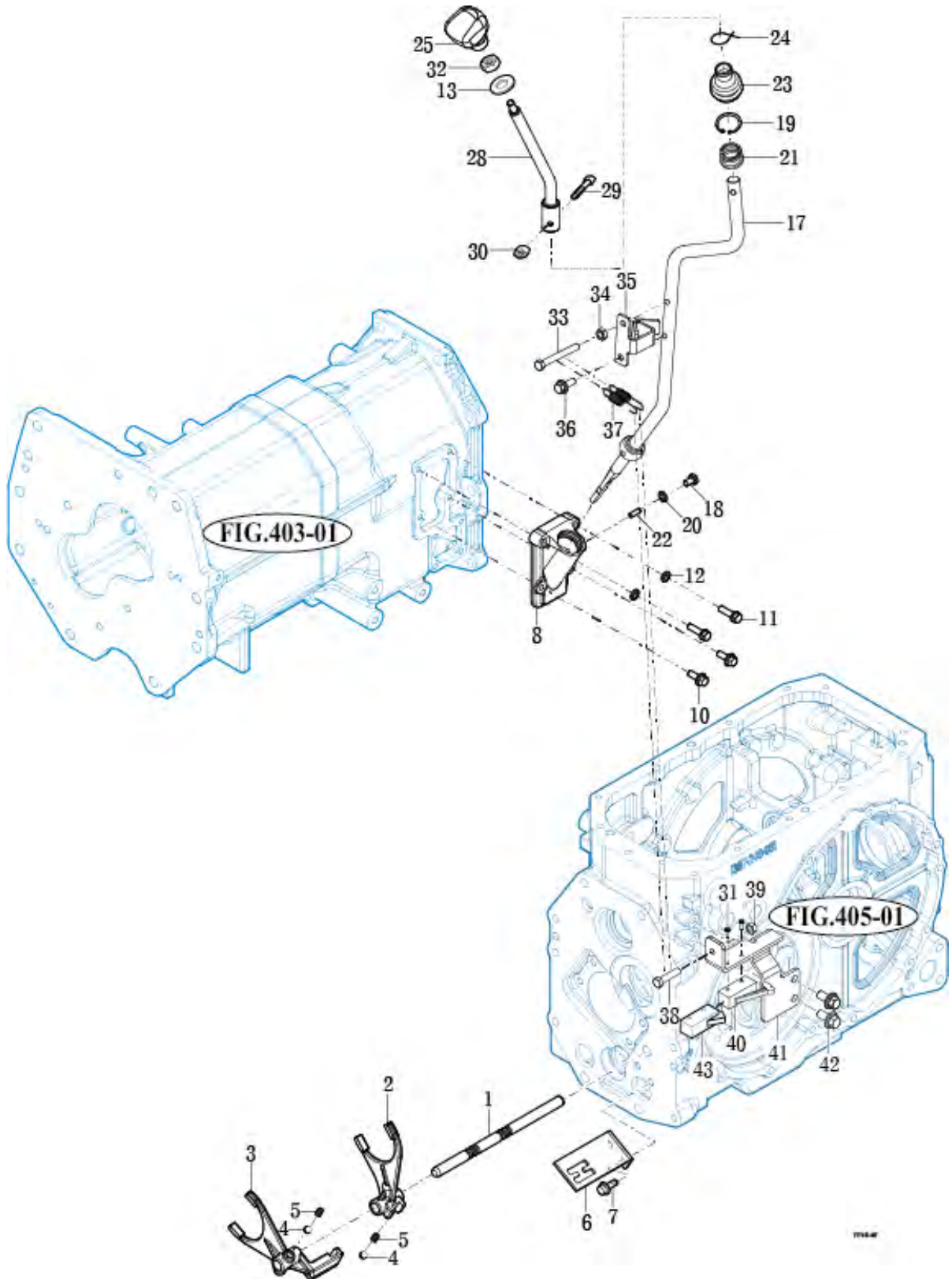
P1

YEAR

2018



T574SH / T574NH / T494SH / T494NH



NOTE

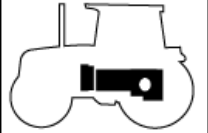
FIG 408

DRIVE GEARS

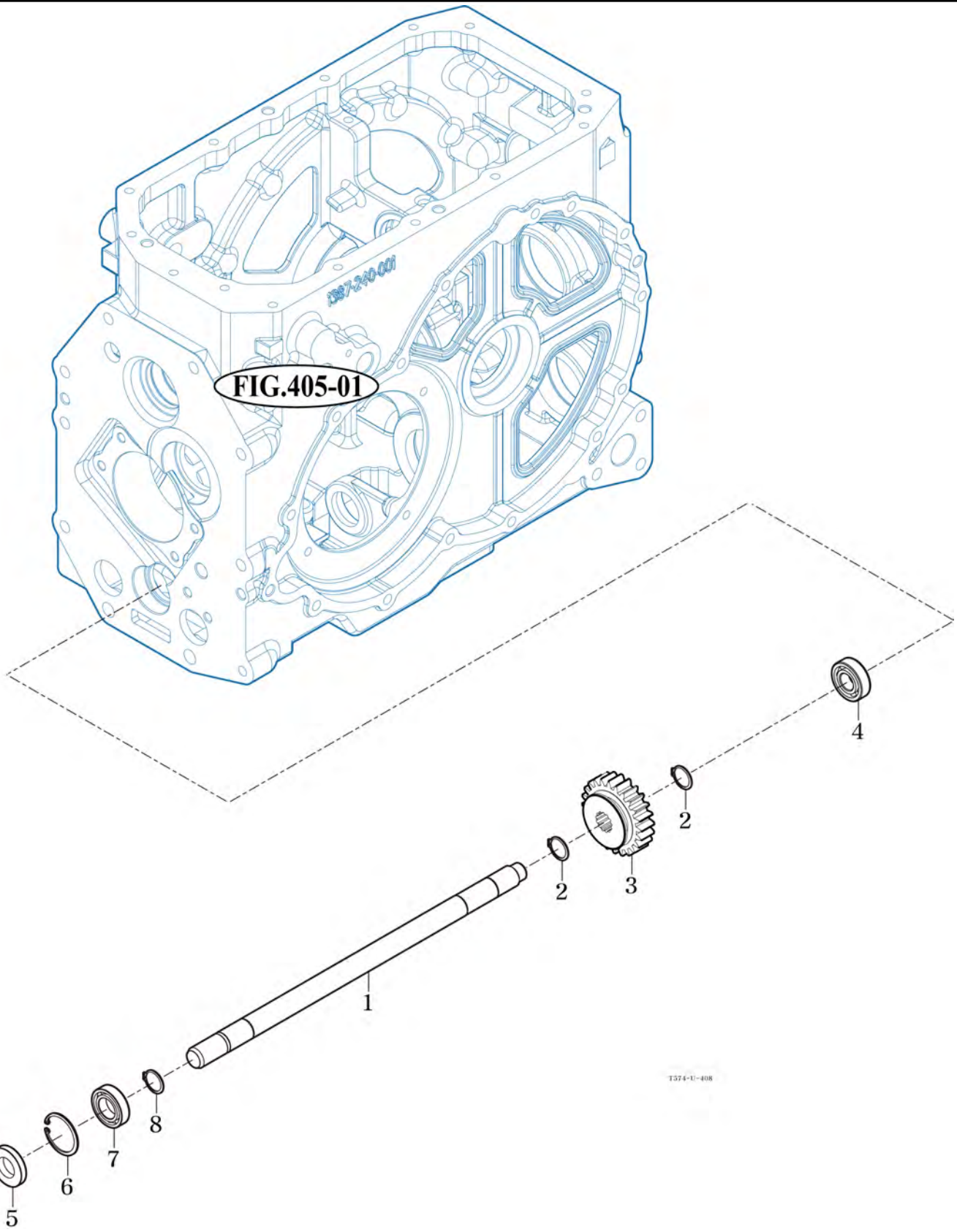
P1

YEAR

2018



T574SH / T574NH / T494SH / T494NH



NOTE

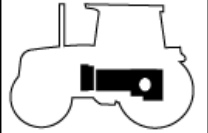
# FIG 409

# 4WD CHANGE LEVER

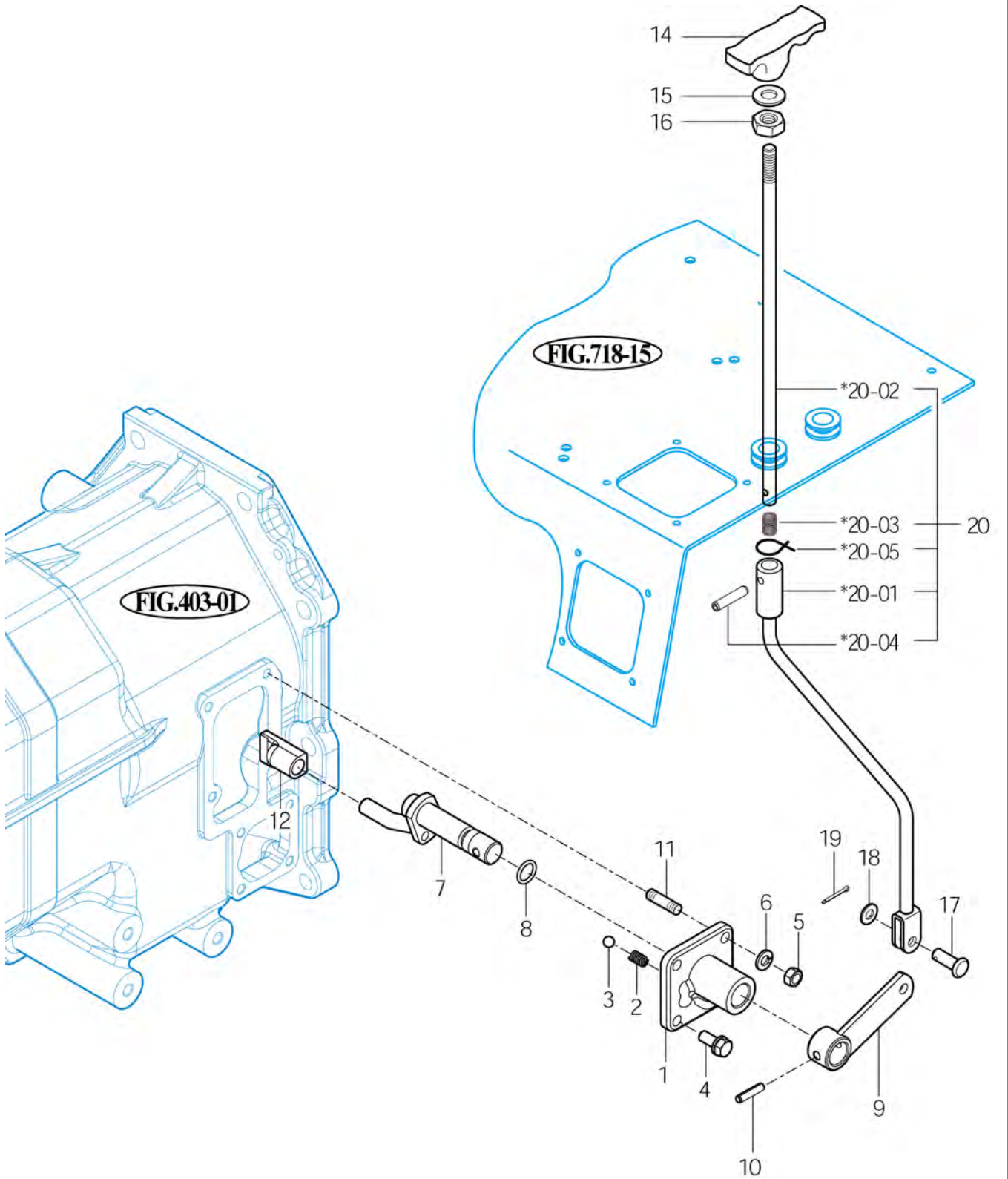
P1

YEAR

2018



T574SH / T574NH / T494SH / T494NH



\*NOT SERVICED SEPARATELY

T574-U-409

NOTE





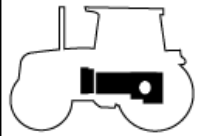
FIG 411

P.T.O CHANGE GEARS

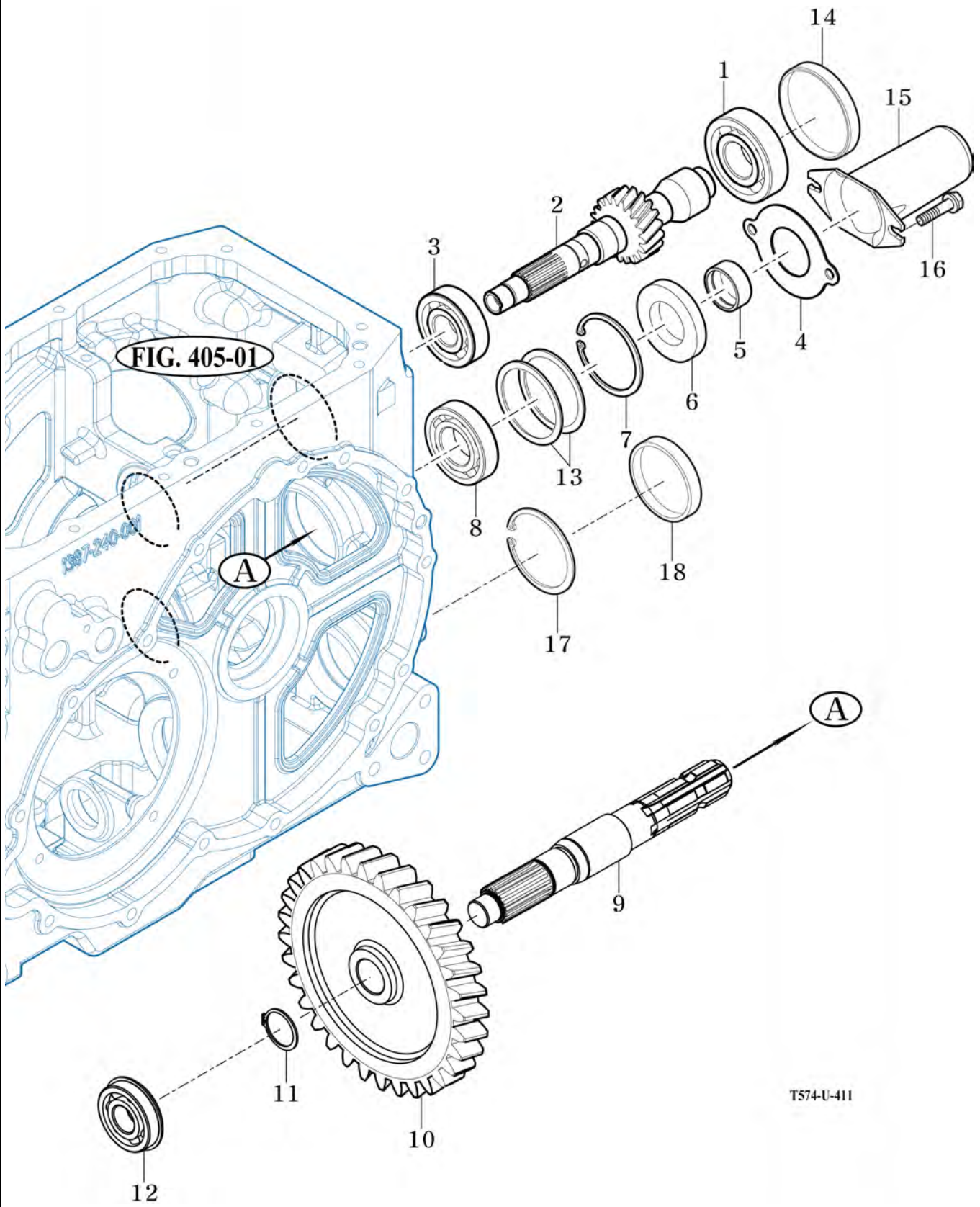
P1

YEAR

2018



T574SH / T574NH / T494SH / T494NH



T574-U-411

NOTE



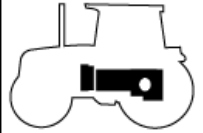
# FIG 412

# REAR DIFFERENTIAL GEARS

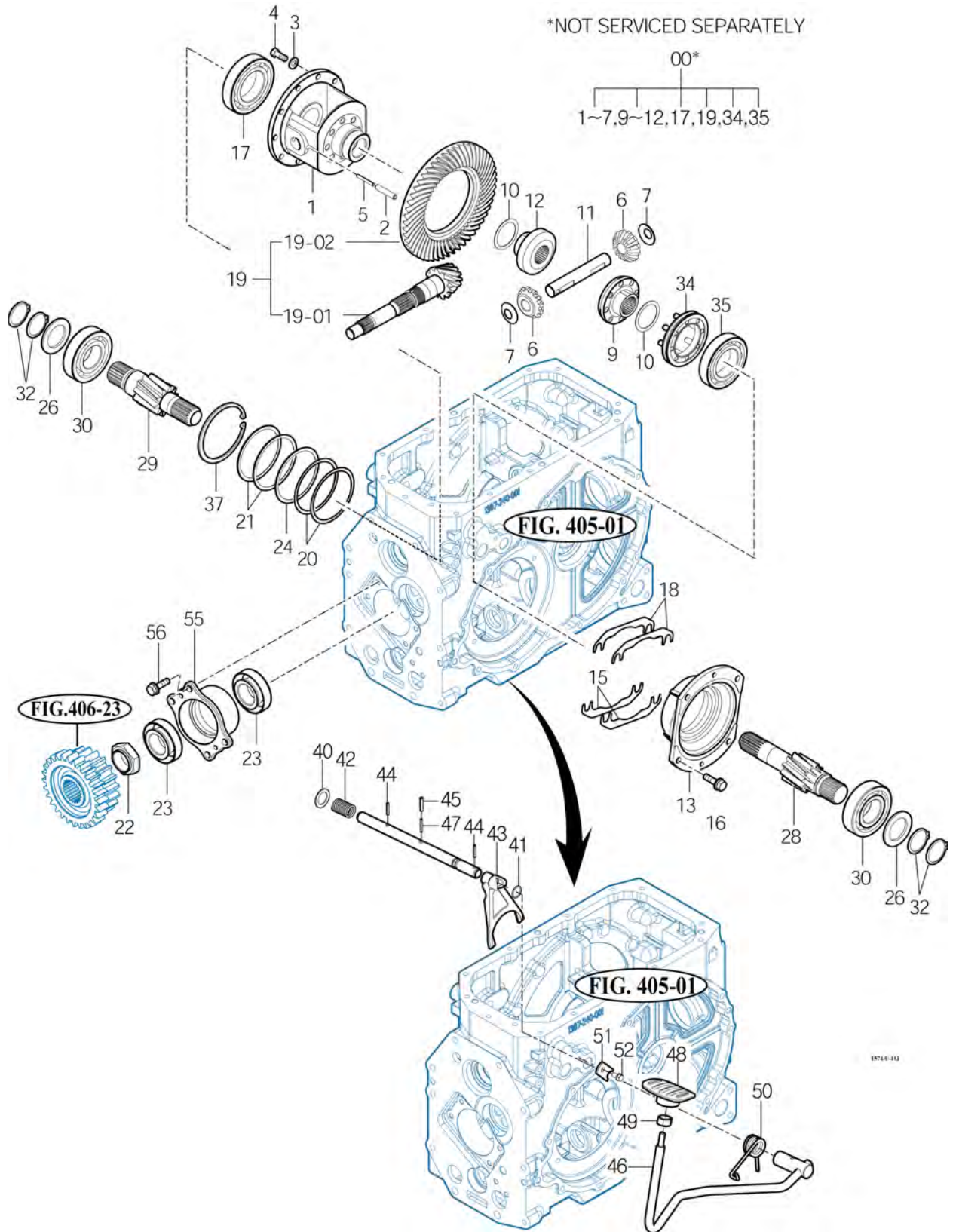
P1

YEAR

2018



T574SH / T574NH / T494SH / T494NH



NOTE

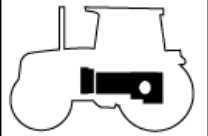
# FIG 413

# REAR AXLE HOUSING

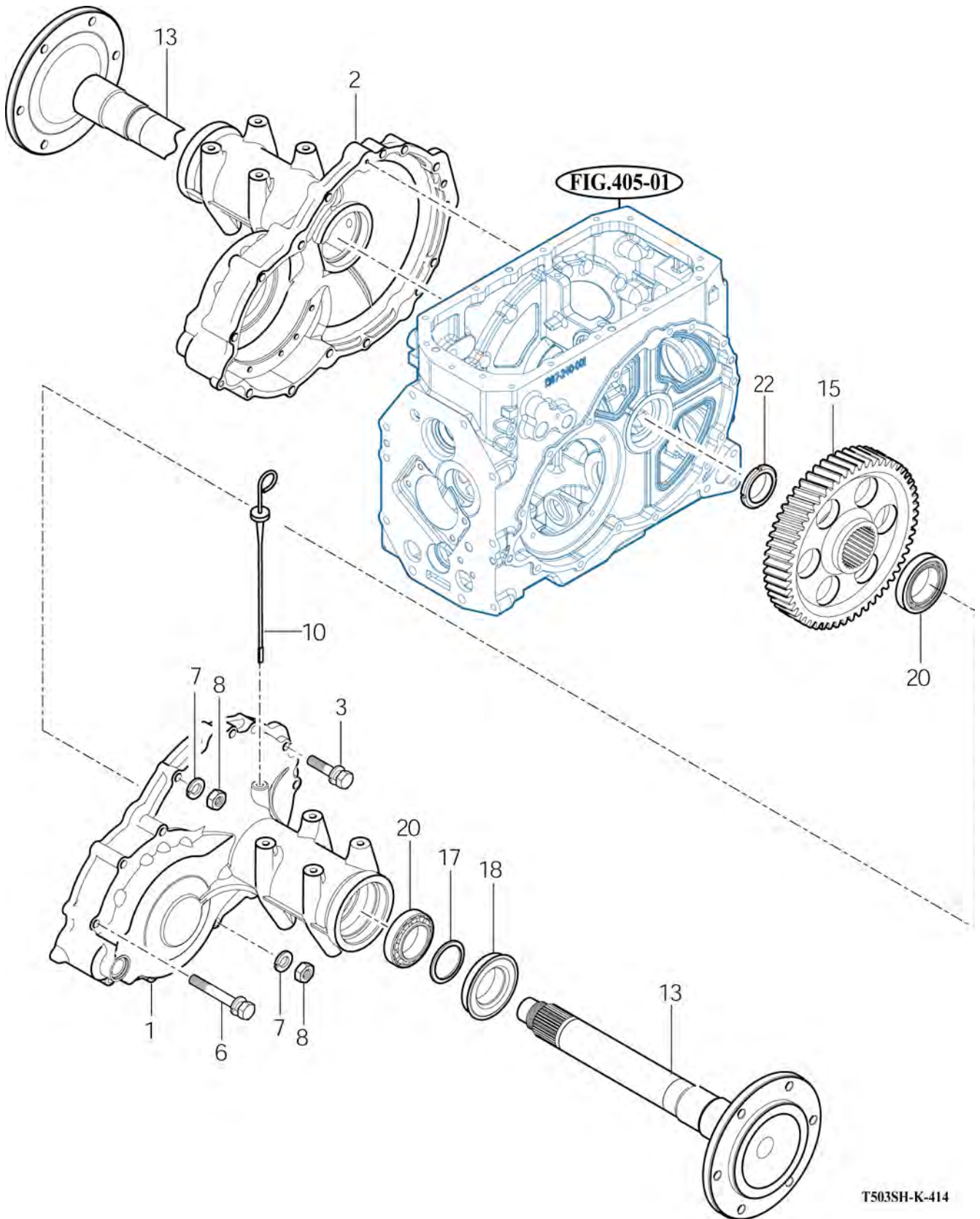
P1

YEAR

2018



T574SH / T574NH / T494SH / T494NH



T503SH-K-414

NOTE

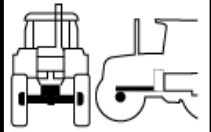
# FIG 501

# FRONT AXLE SUPPORT

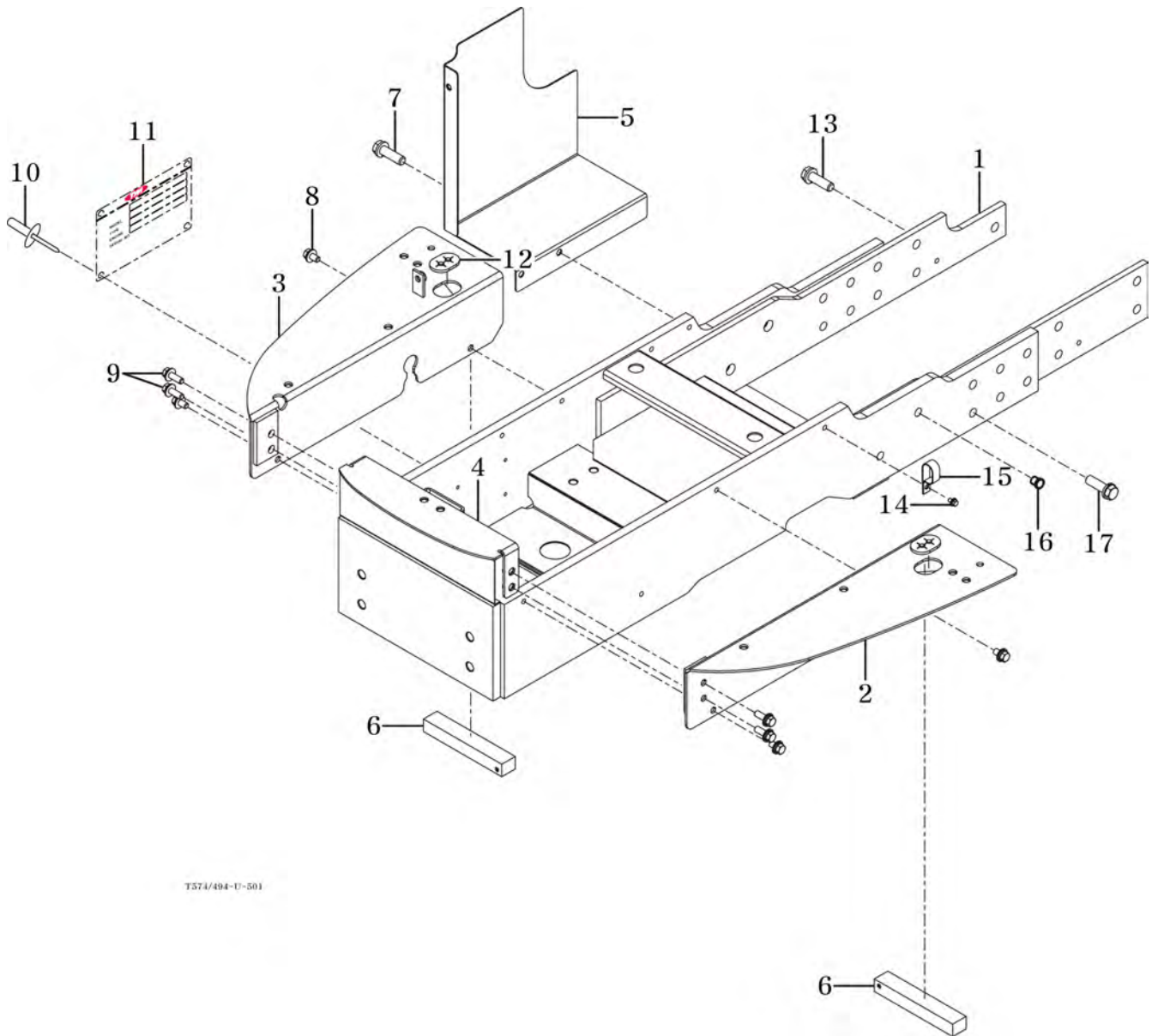
P1

YEAR

2018



T574SH / T574NH / T494SH / T494NH



T574/494-U-501

NOTE



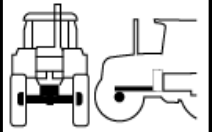
FIG 502

FRONT DRIVE SHAFT

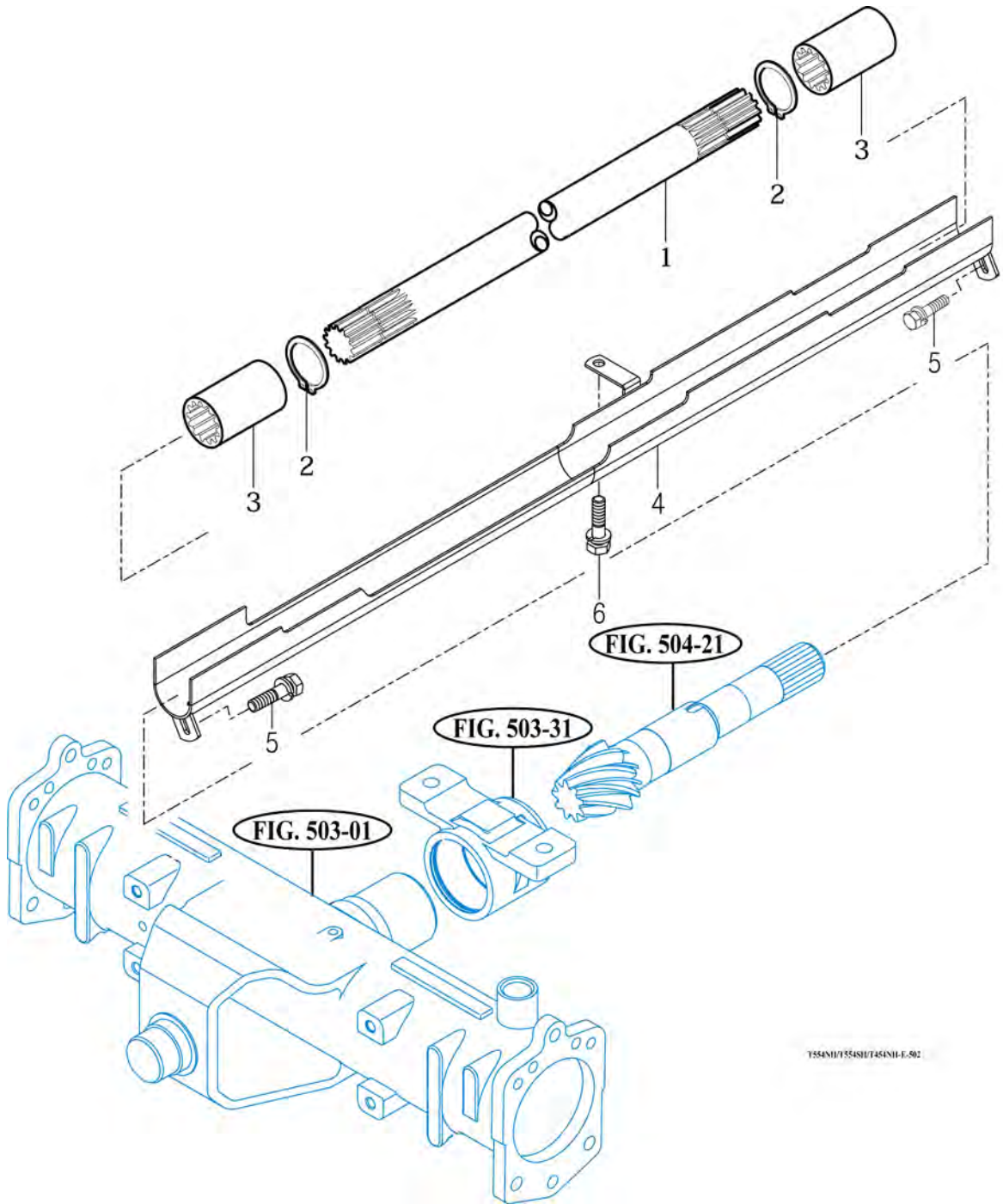
P1

YEAR

2018



T574SH / T574NH / T494SH / T494NH



T554NH/T554SH/T454NH/E-502

NOTE

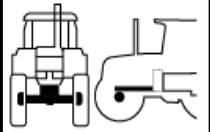
# FIG 503

# FRONT AXLE HOUSING

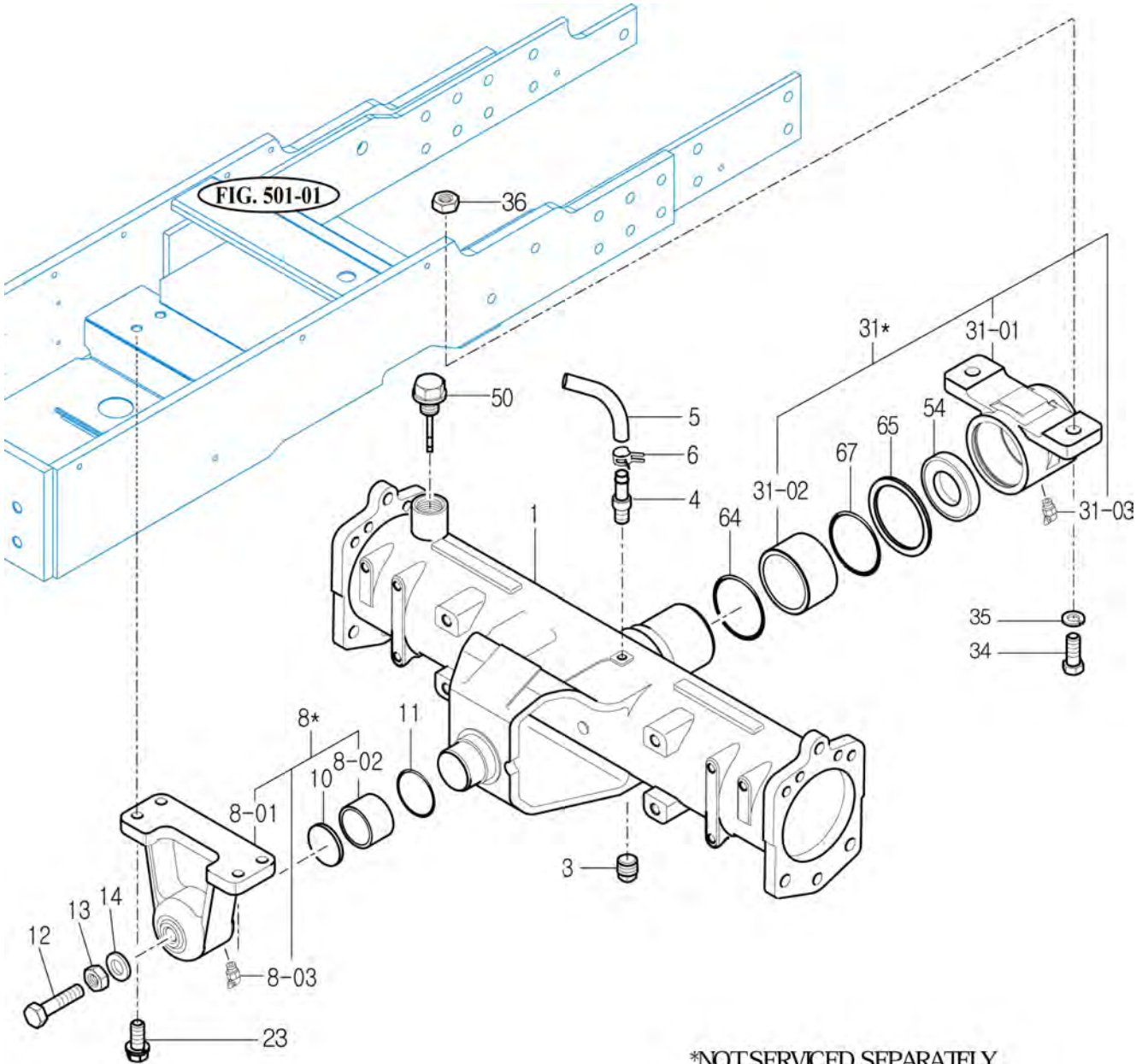
P1

YEAR

2018



T574SH / T574NH / T494SH / T494NH



\*NOT SERVICED SEPARATELY

1574944-503

NOTE

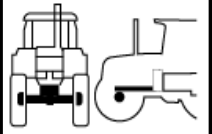
# FIG 504

# FRONT DIFFERENTIAL GEARS

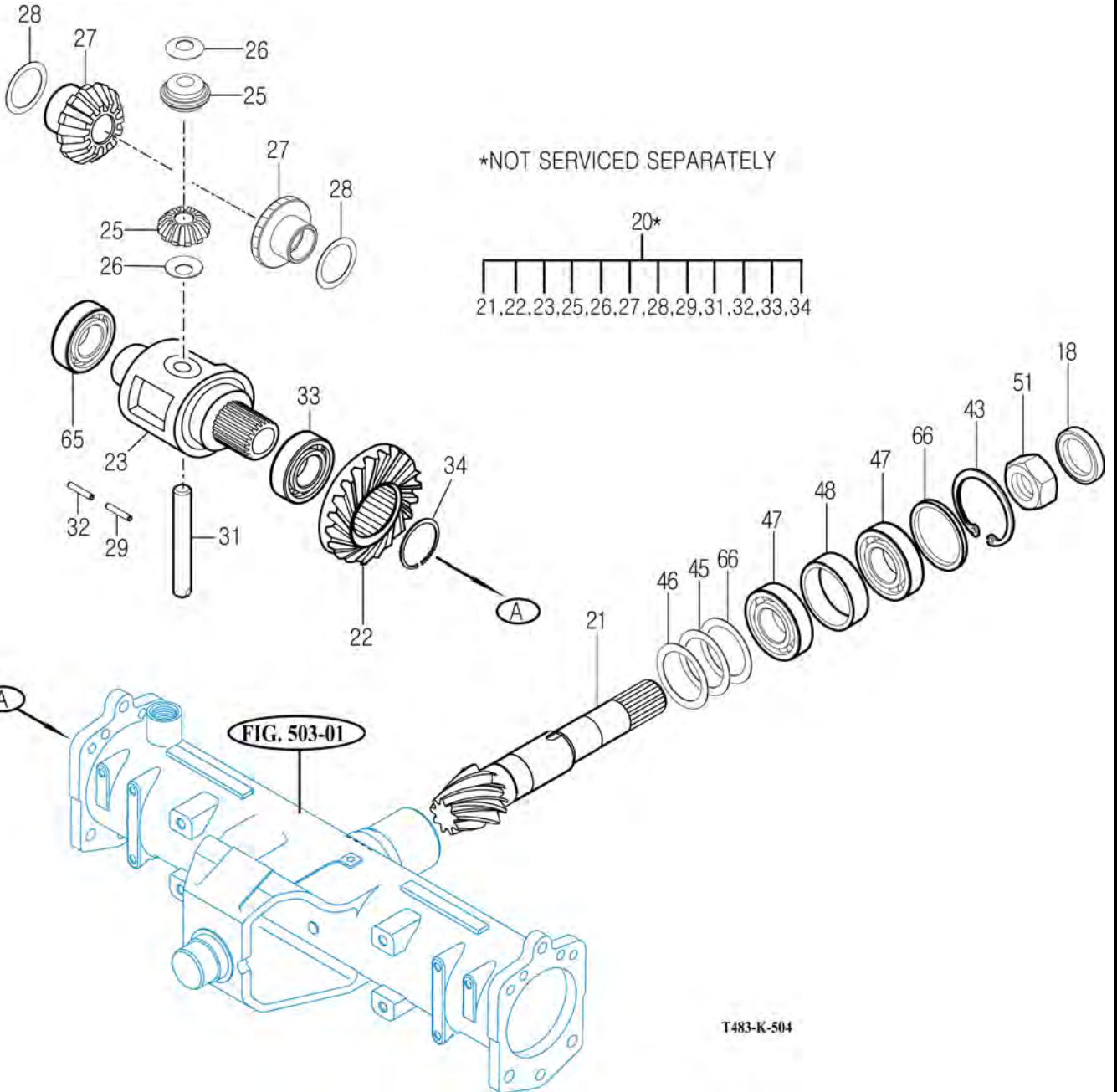
P1

YEAR

2018



T574SH / T574NH / T494SH / T494NH



NOTE



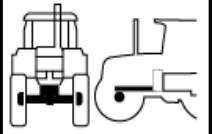
FIG 505

FRONT GEAR CASE (1)

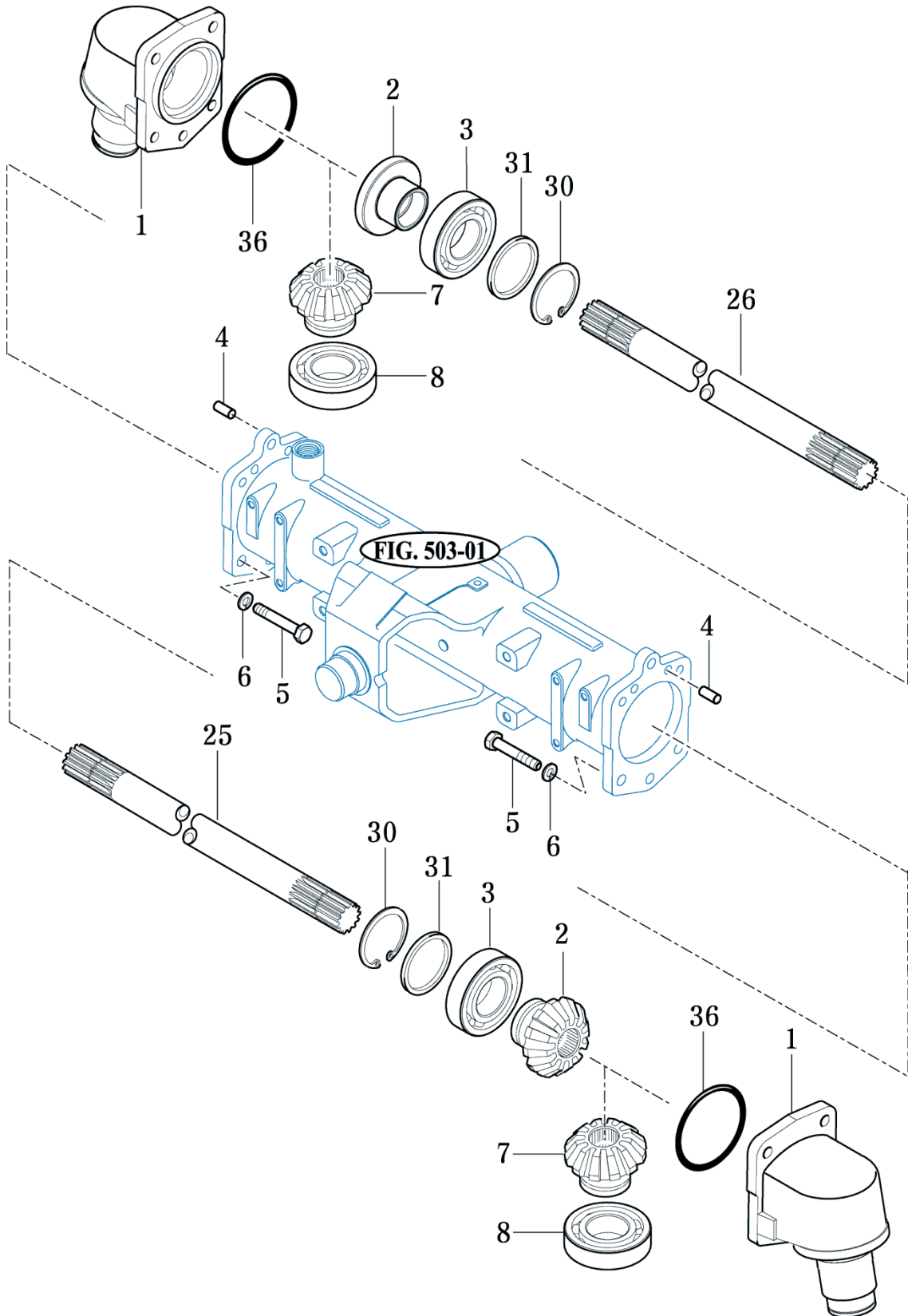
P1

YEAR

2018



T574SH / T574NH / T494SH / T494NH



T483-k-505

NOTE

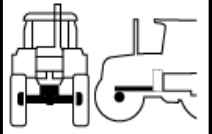
FIG 506

FRONT GEAR CASE (2)

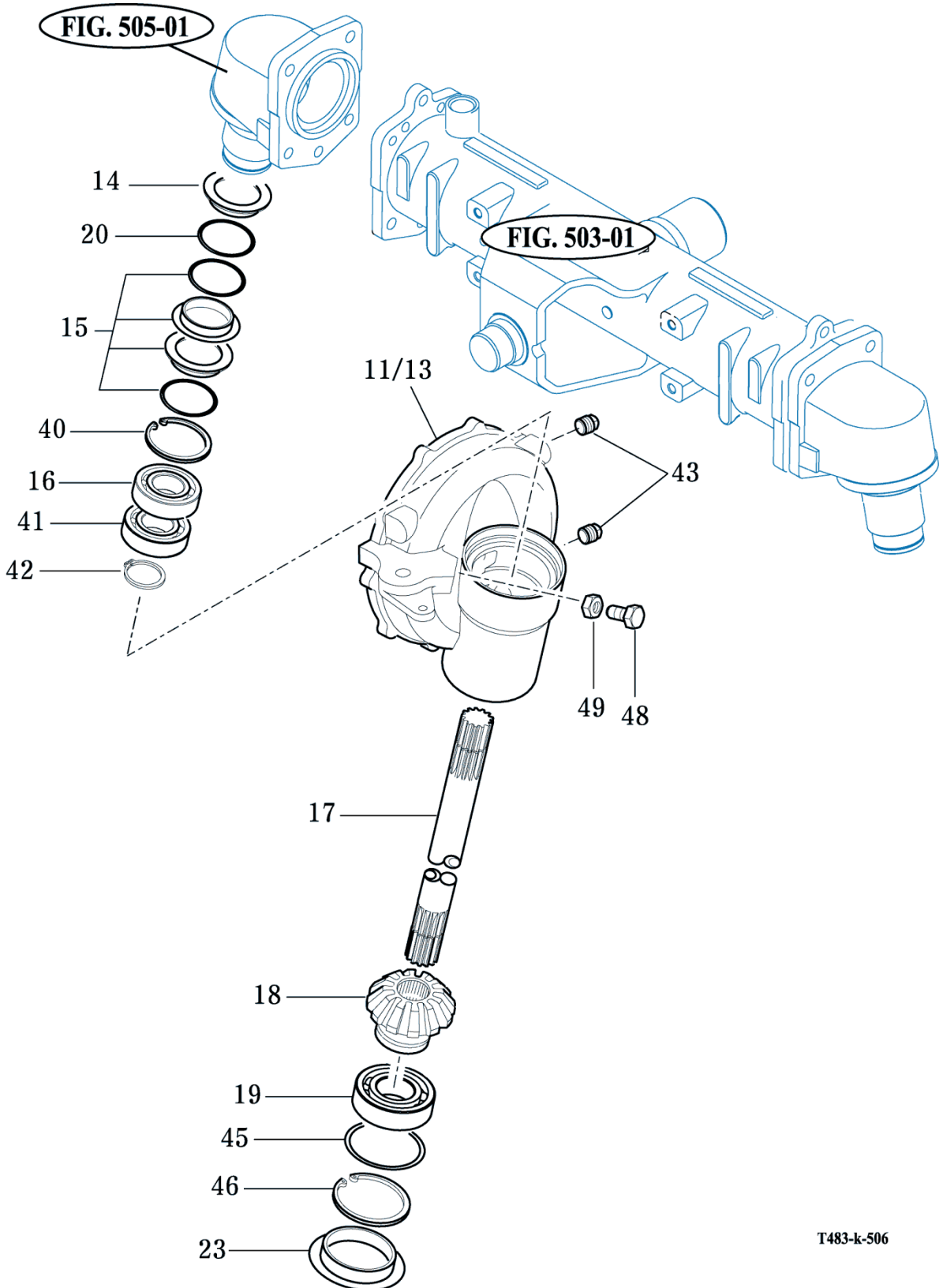
P1

YEAR

2018



T574SH / T574NH / T494SH / T494NH



T483-k-506

NOTE

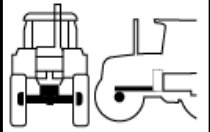
FIG 507

FRONT GEAR CASE (3)

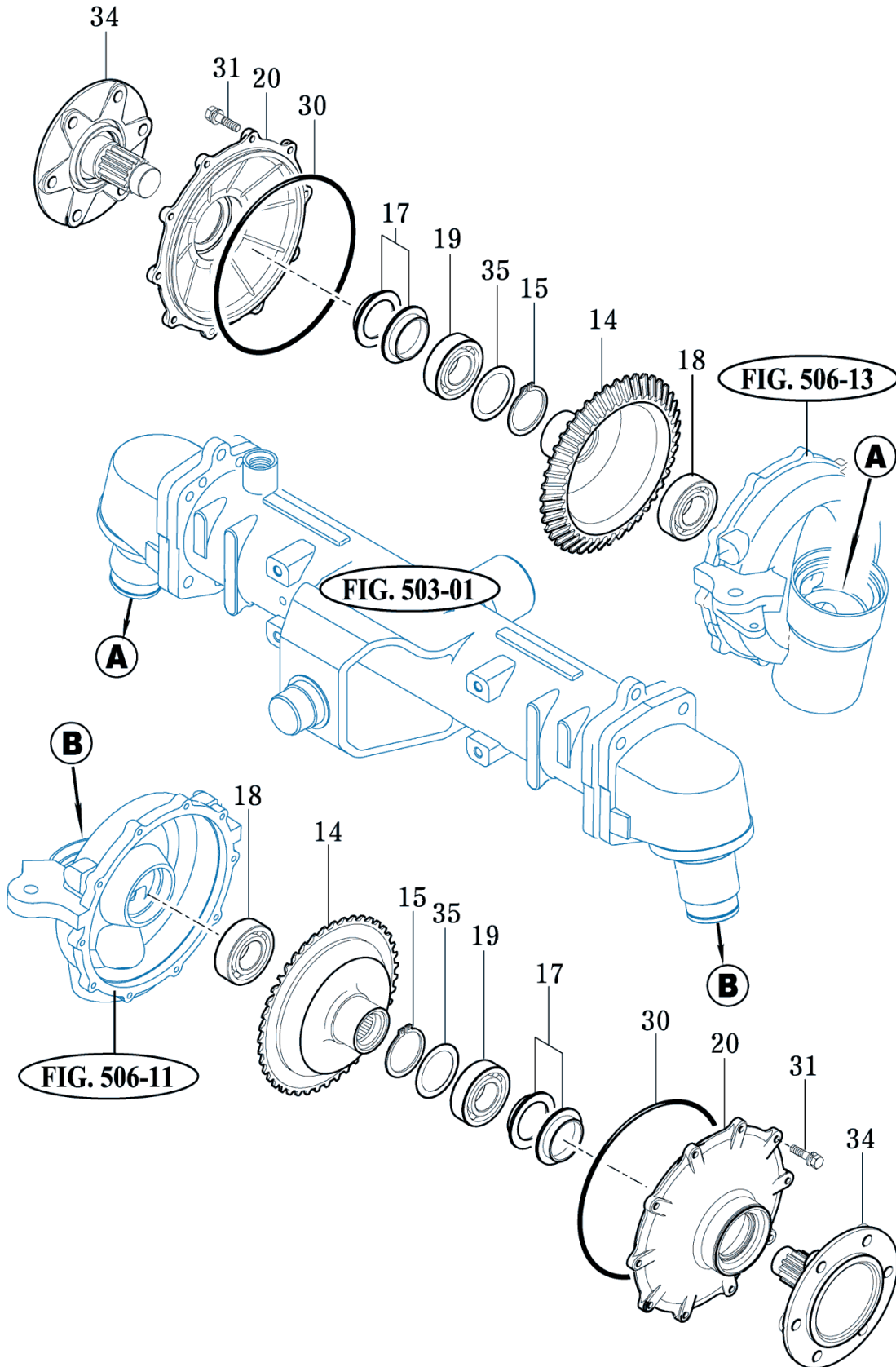
P1

YEAR

2018



T574SH / T574NH / T494SH / T494NH



T483-k-507

NOTE

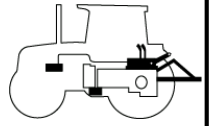
# FIG 601

# CYLINDER CASE

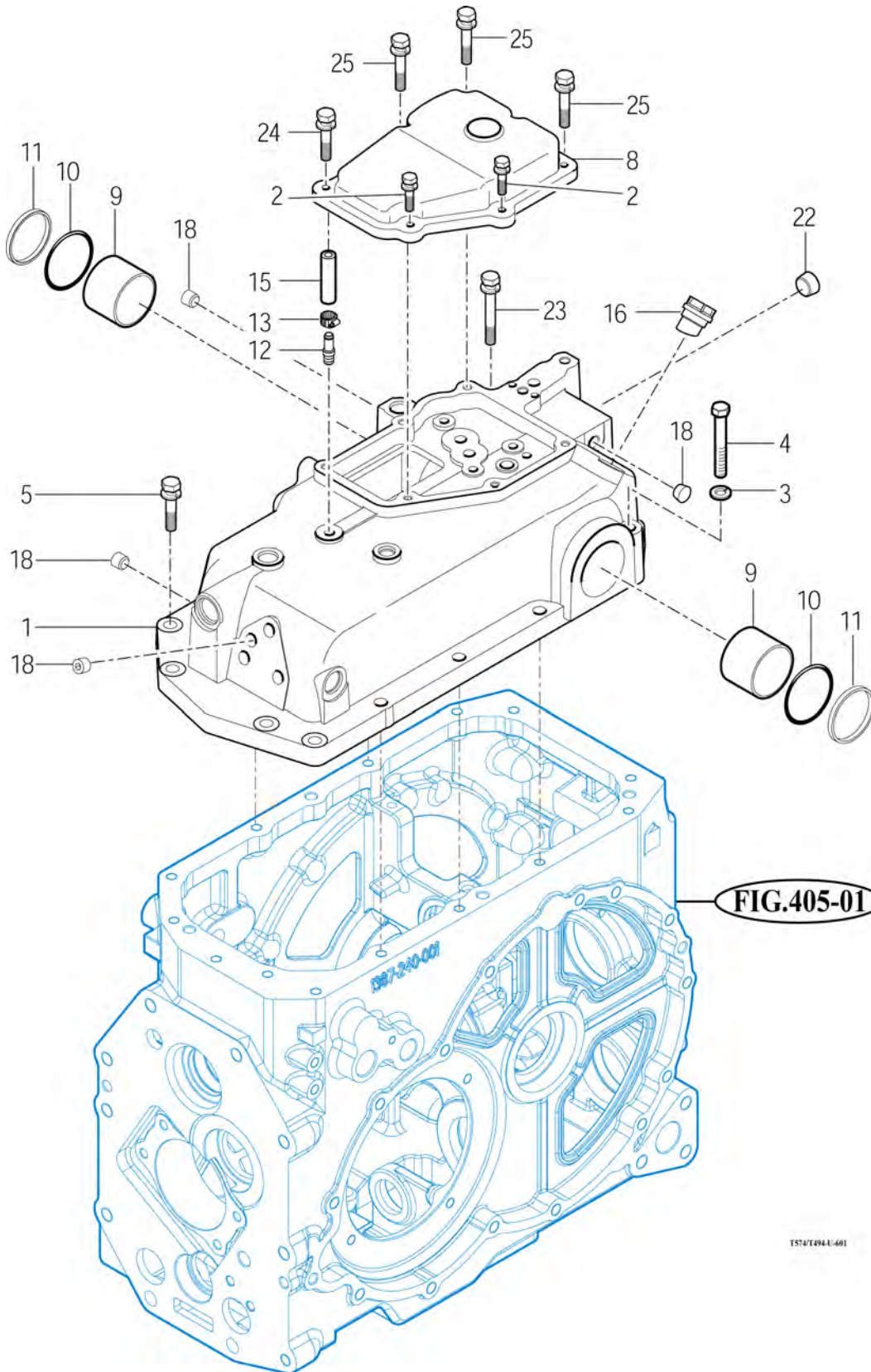
P1

YEAR

2018



T574SH / T574NH / T494SH / T494NH



NOTE

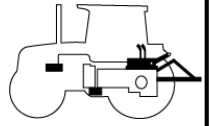
FIG 602

LIFT ARM

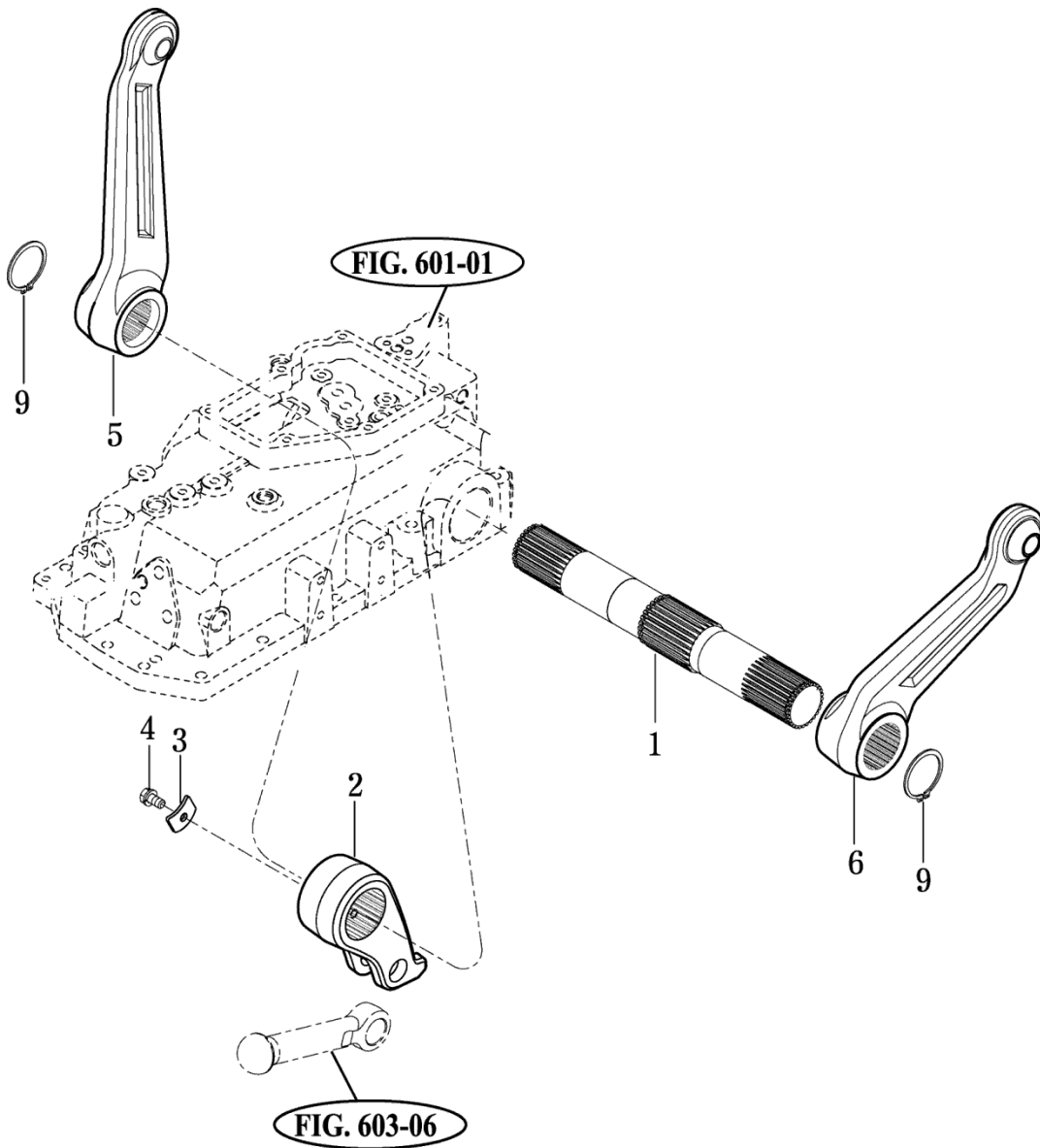
P1

YEAR

2018



T574SH / T574NH / T494SH / T494NH



T473-E-602A

NOTE

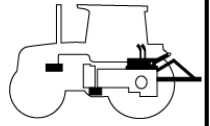
# FIG 603

# CYLINDER

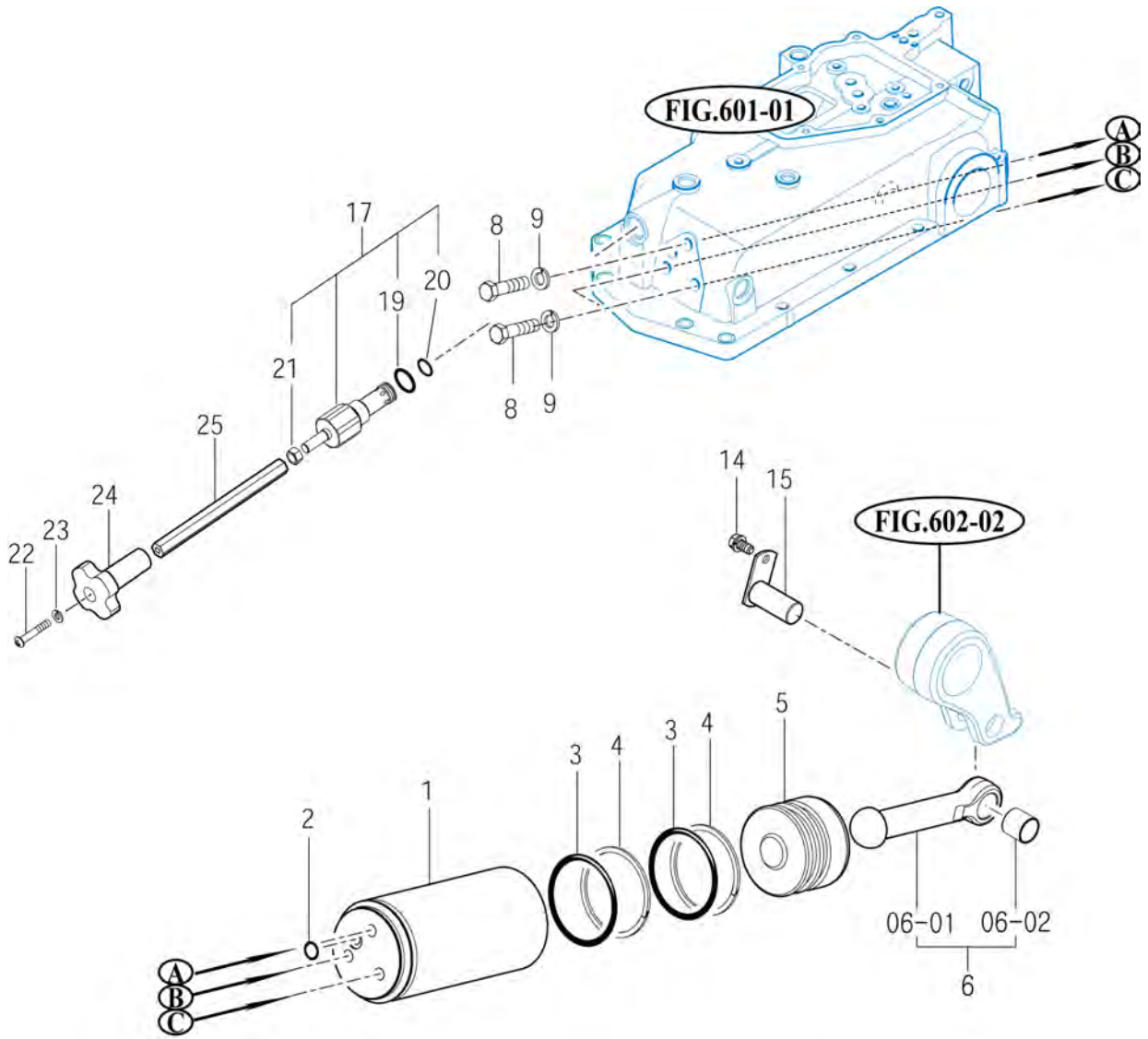
P1

YEAR

2018



T574SH / T574NH / T494SH / T494NH



T483-K-603

NOTE



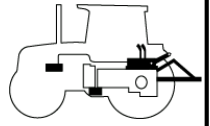
FIG 604

POSITION LINK

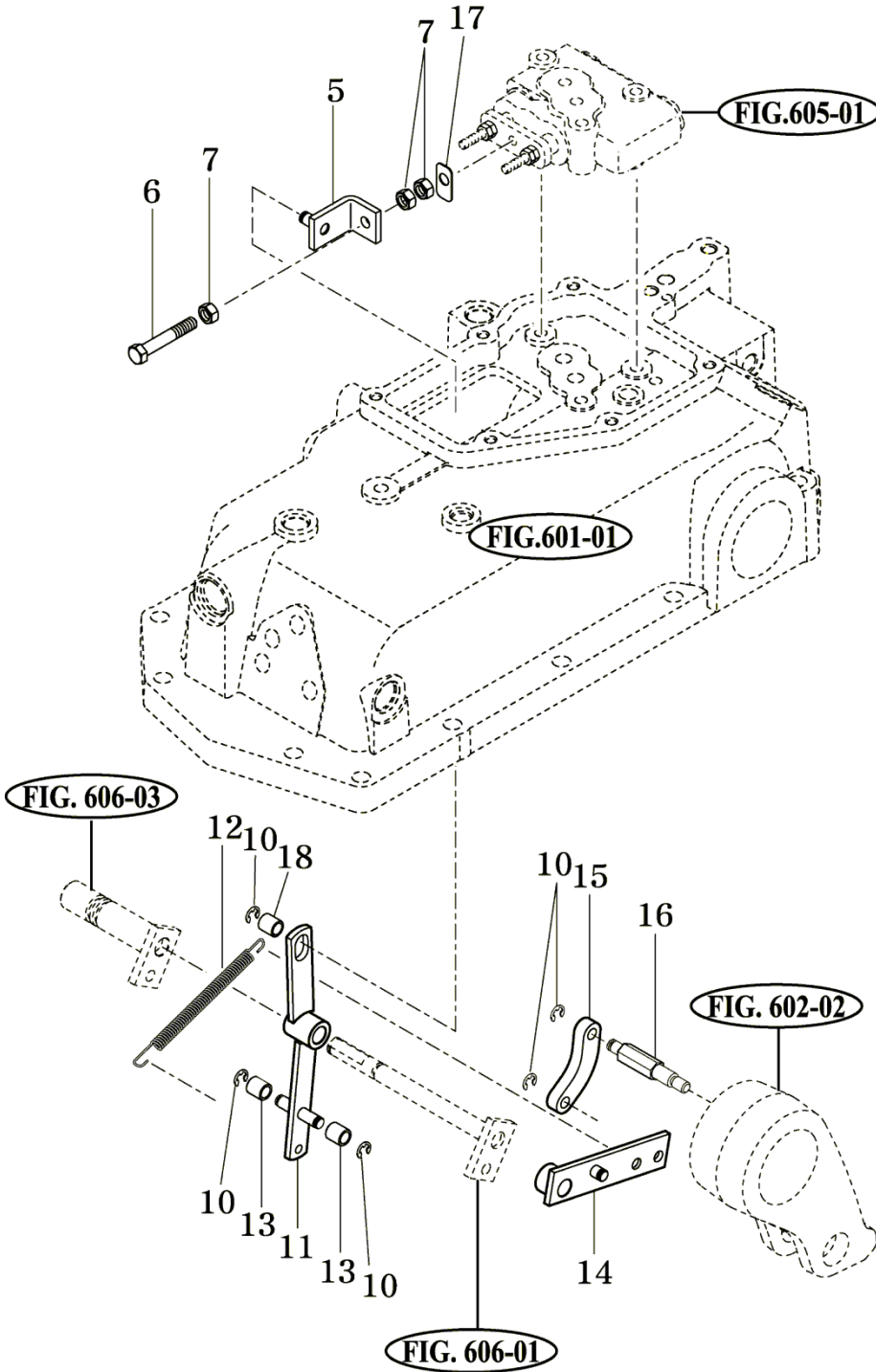
P1

YEAR

2018



T574SH / T574NH / T494SH / T494NH



T483-K-604

NOTE

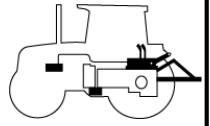
FIG 605

CONTROL VALVE

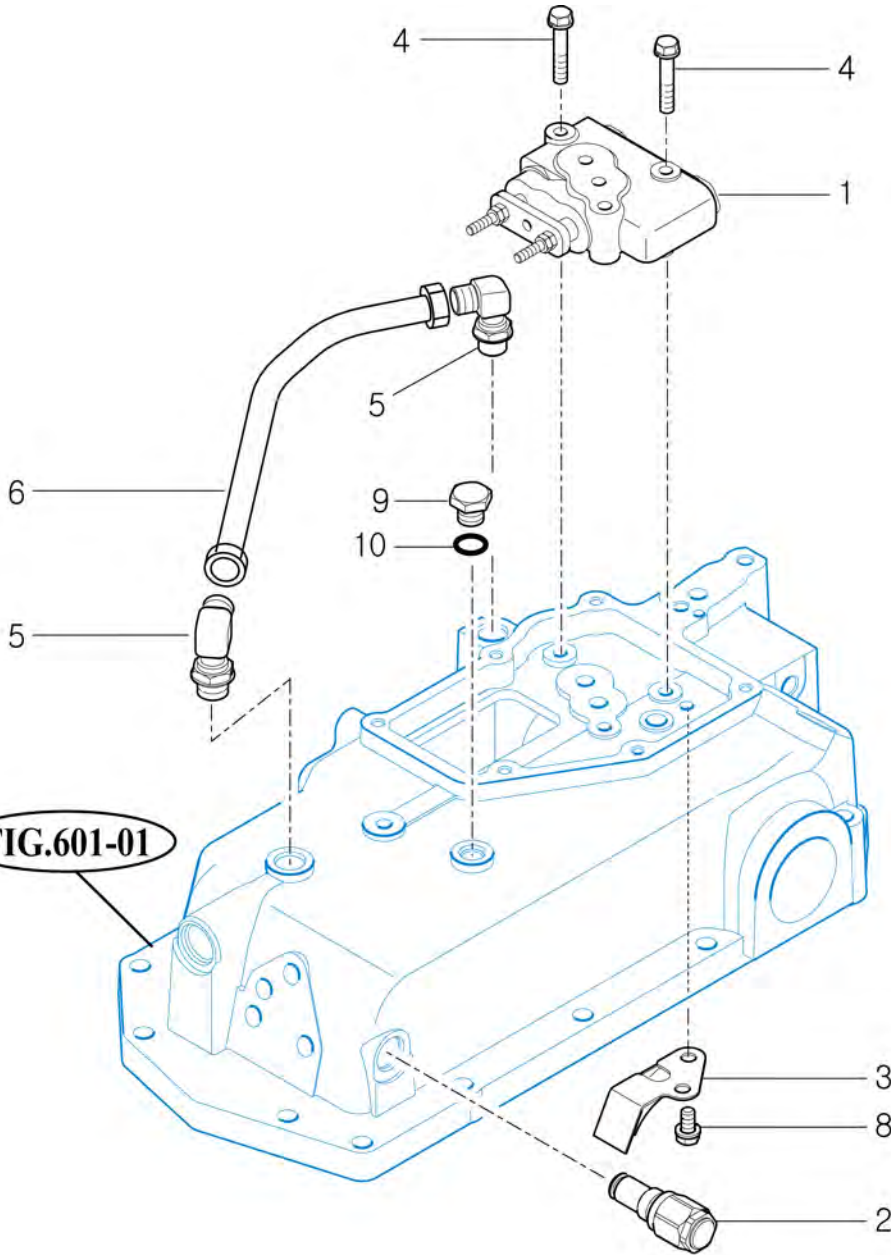
P1

YEAR

2018



T574SH / T574NH / T494SH / T494NH



T503HST-K-605

NOTE



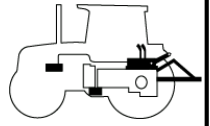
# FIG 606

# DRAFT LINK

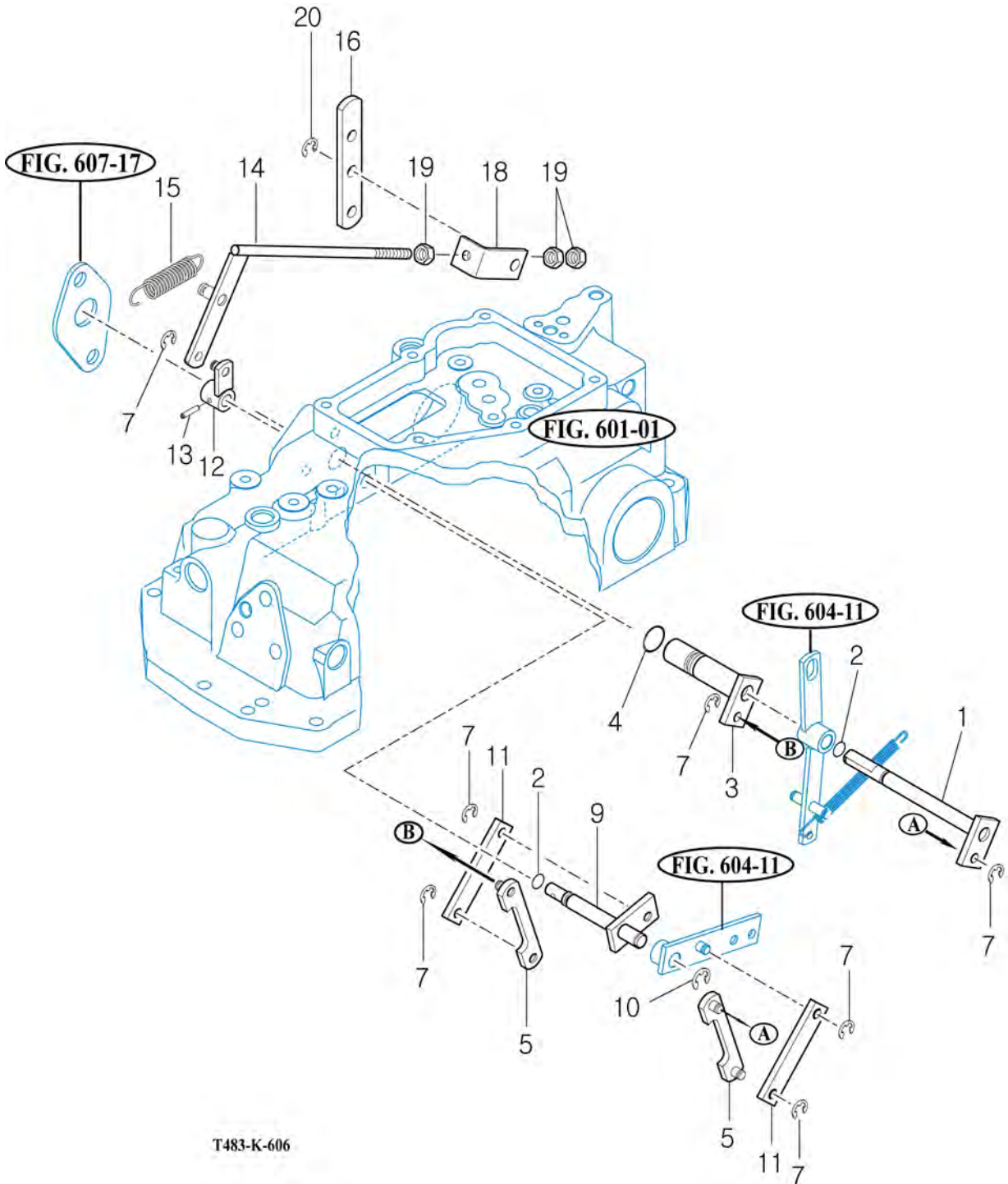
P1

YEAR

2018



T574SH / T574NH / T494SH / T494NH



T483-K-606

NOTE

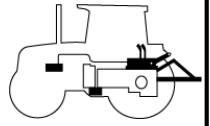
# FIG 607

# POSITION & DRAFT LEVER

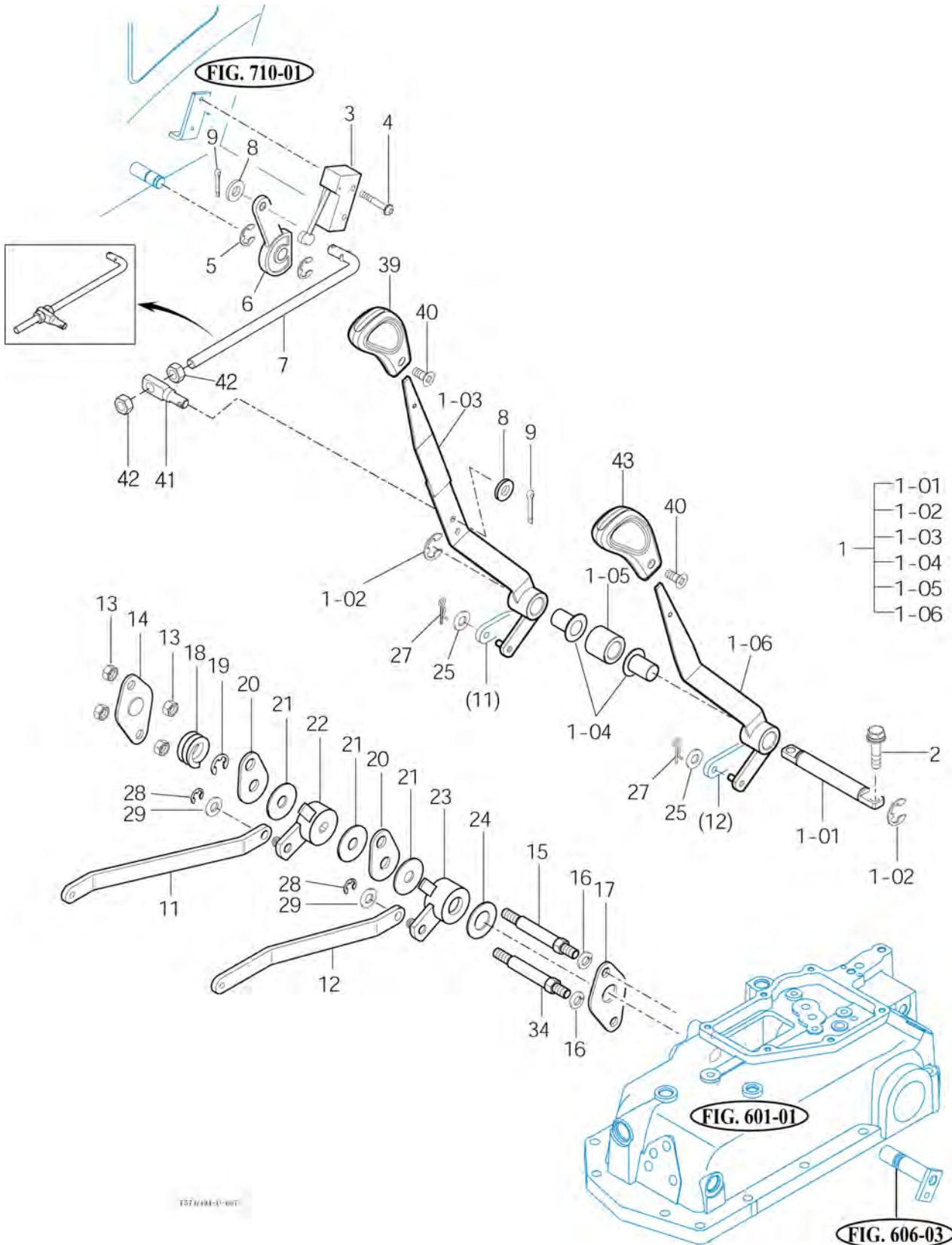
P1

YEAR

2018



T574SH / T574NH / T494SH / T494NH



NOTE

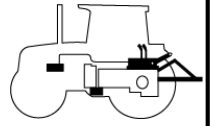
# FIG 607

# POSITION & DRAFT LEVER(2)

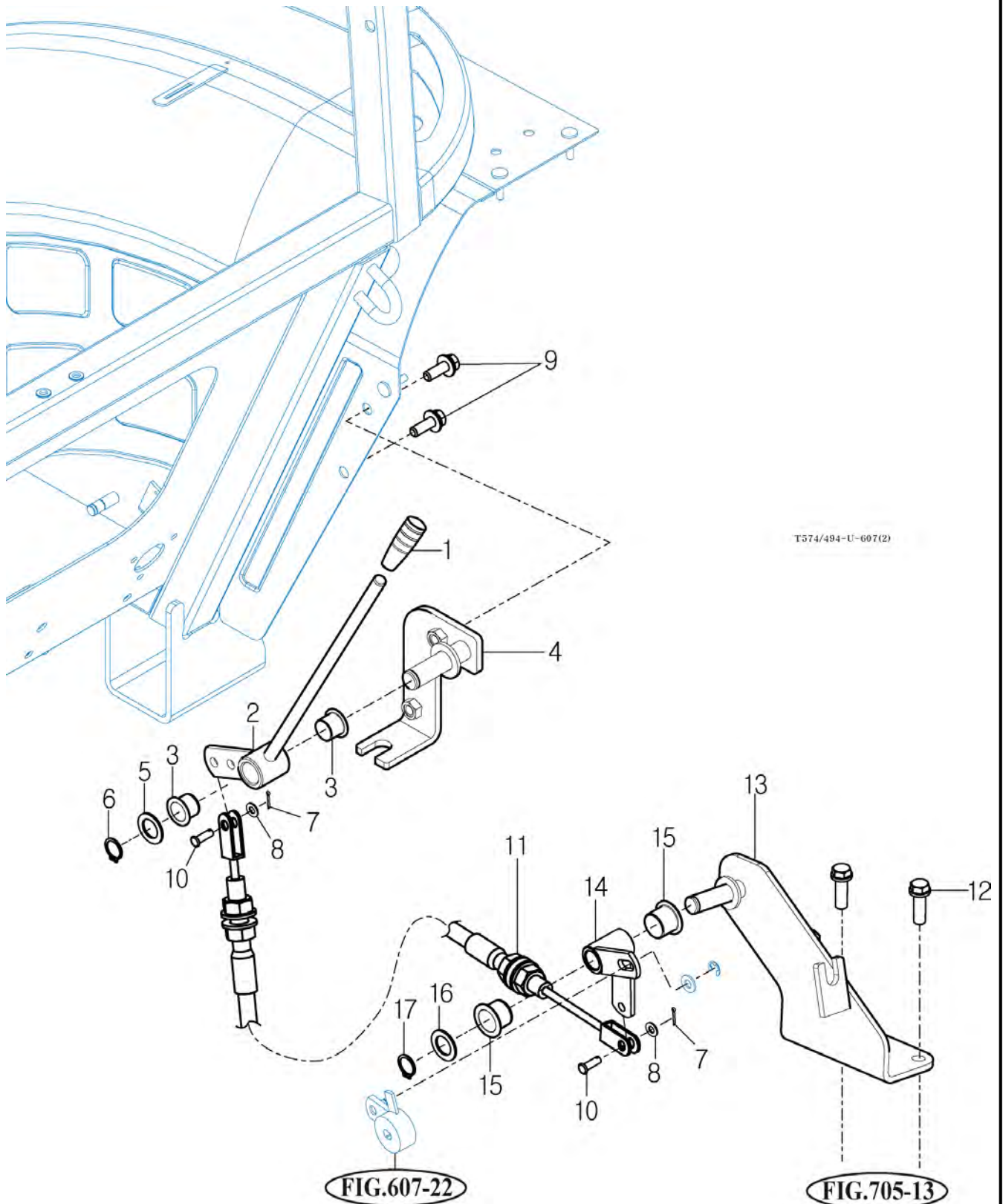
P2

YEAR

2018



T574SH / T574NH / T494SH / T494NH



NOTE

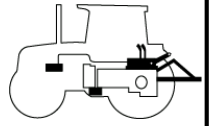
# FIG 608

# EXTERIOR HYD.VALVE

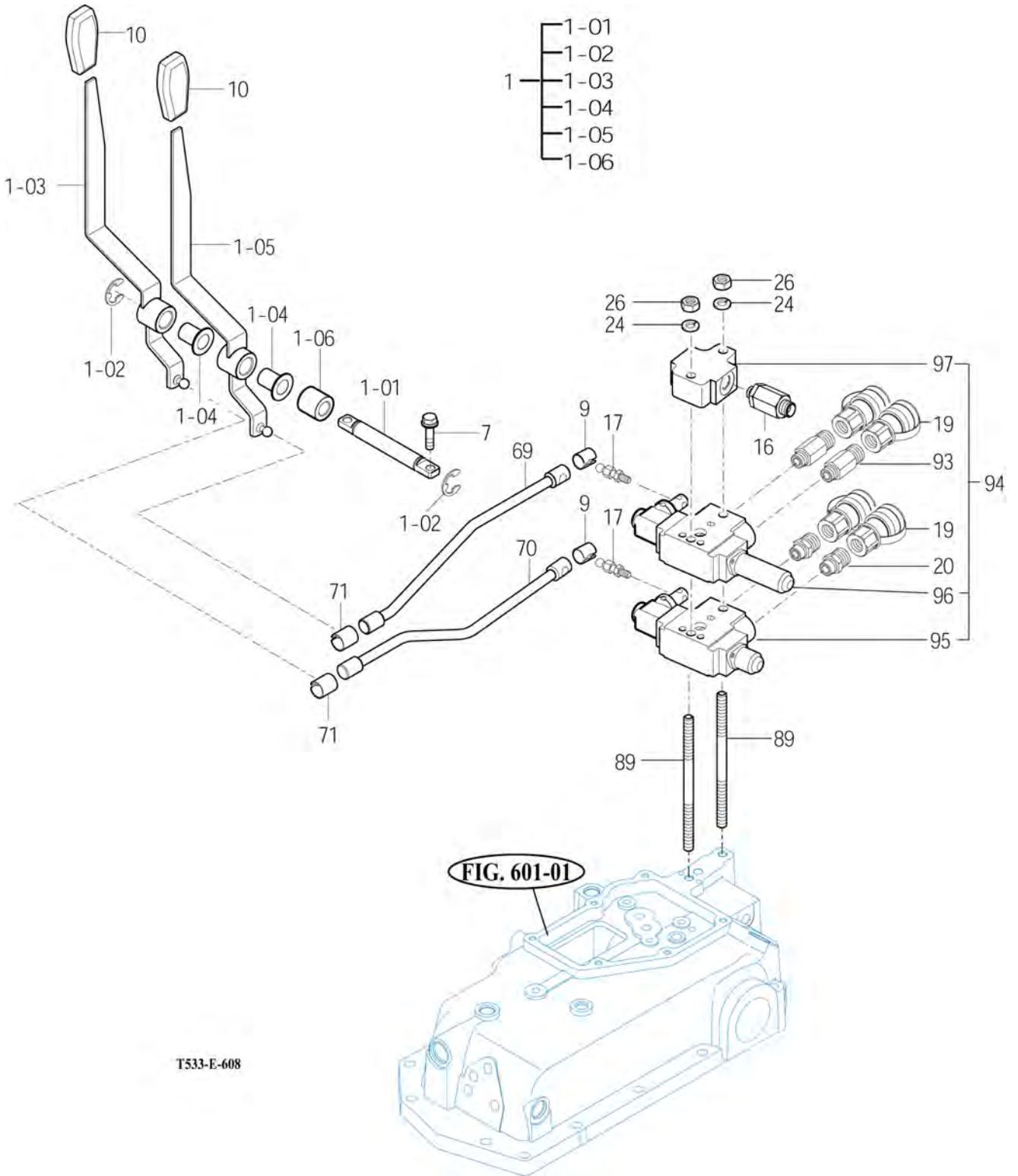
P1

YEAR

2018



T574SH / T574NH / T494SH / T494NH



NOTE



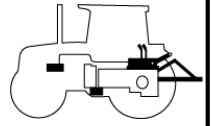
# FIG 609

# HYDRAULIC PIPE

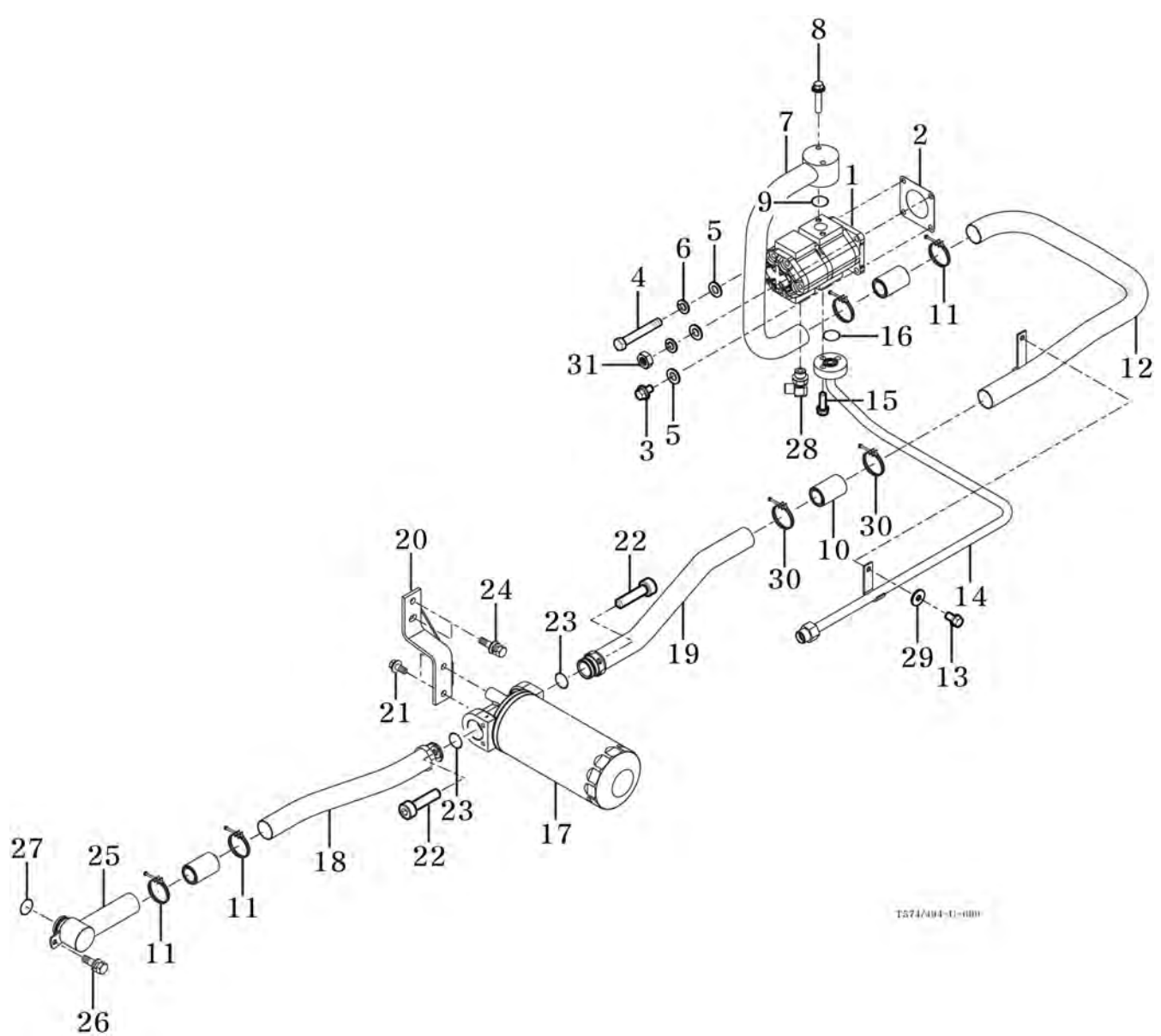
P1

YEAR

2018

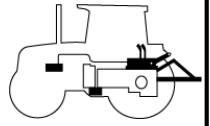


T574SH / T574NH / T494SH / T494NH



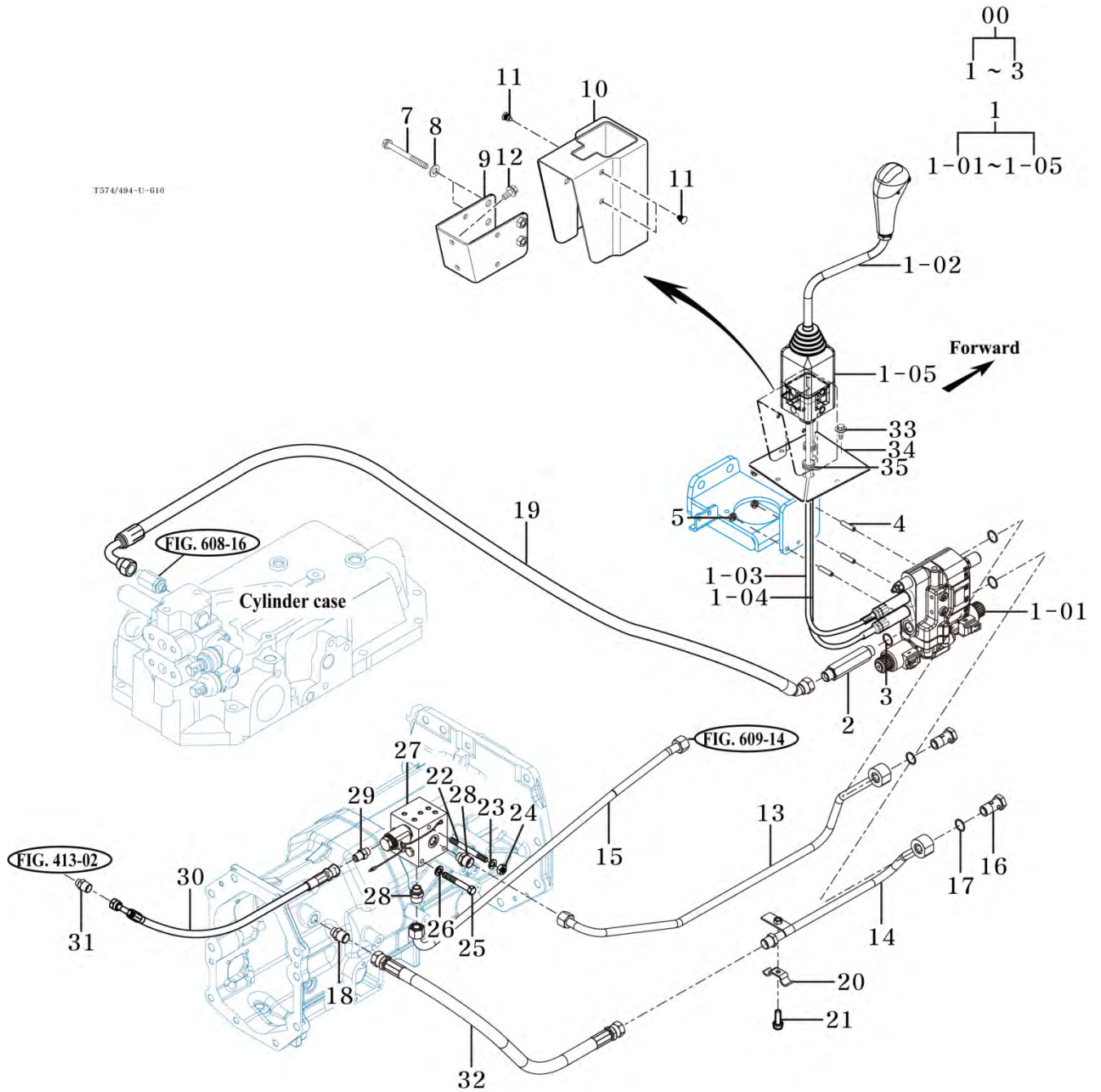
T574/004-U-000

NOTE



T574SH / T574NH / T494SH / T494NH

T574/494-U-610



NOTE

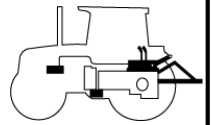
# FIG 612

# HITCH & 3-POINT LINK

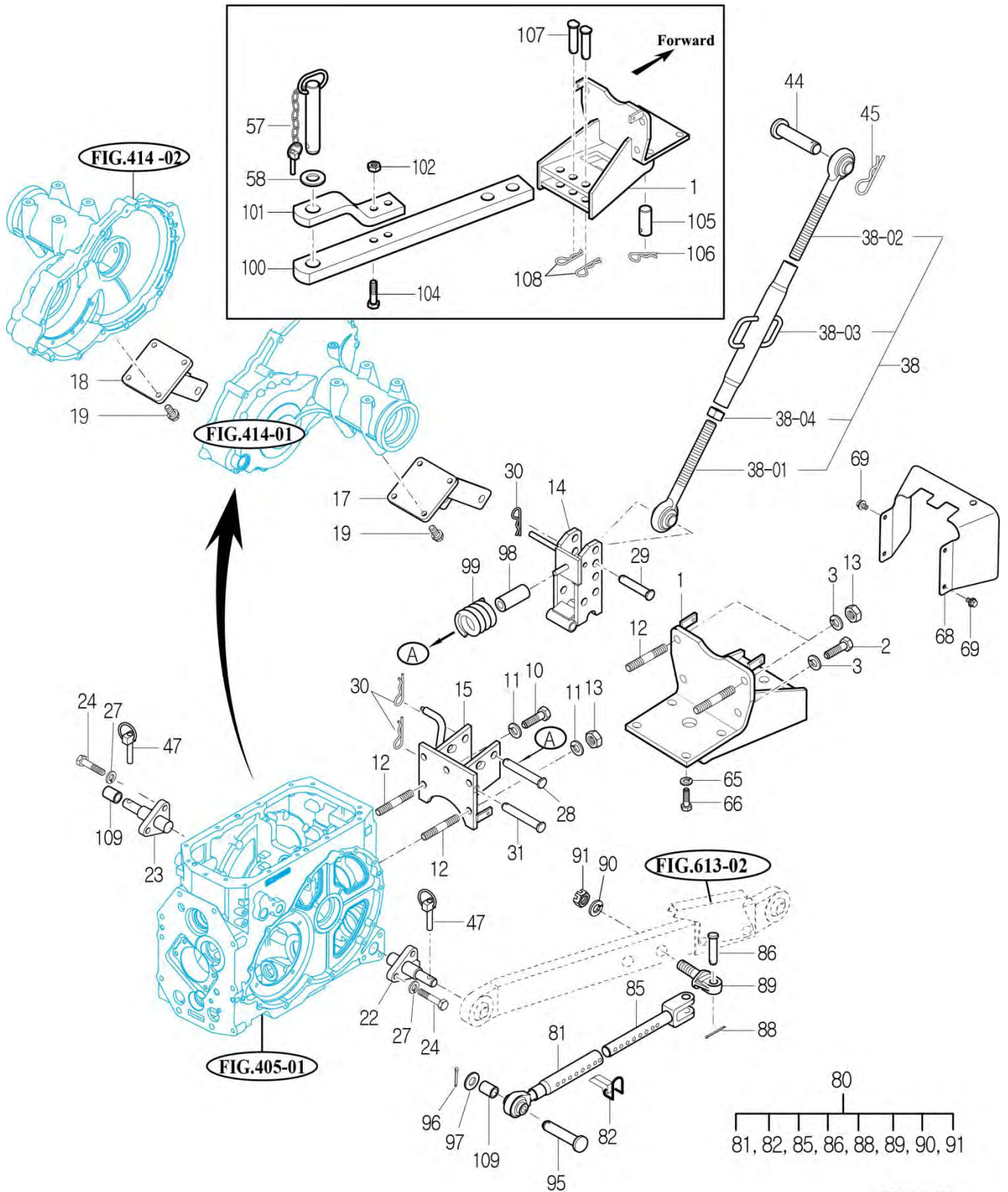
P1

YEAR

2018



T574SH / T574NH / T494SH / T494NH



T553-E-612

NOTE



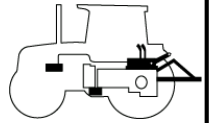
FIG 612

HITCH & 3-POINT LINK

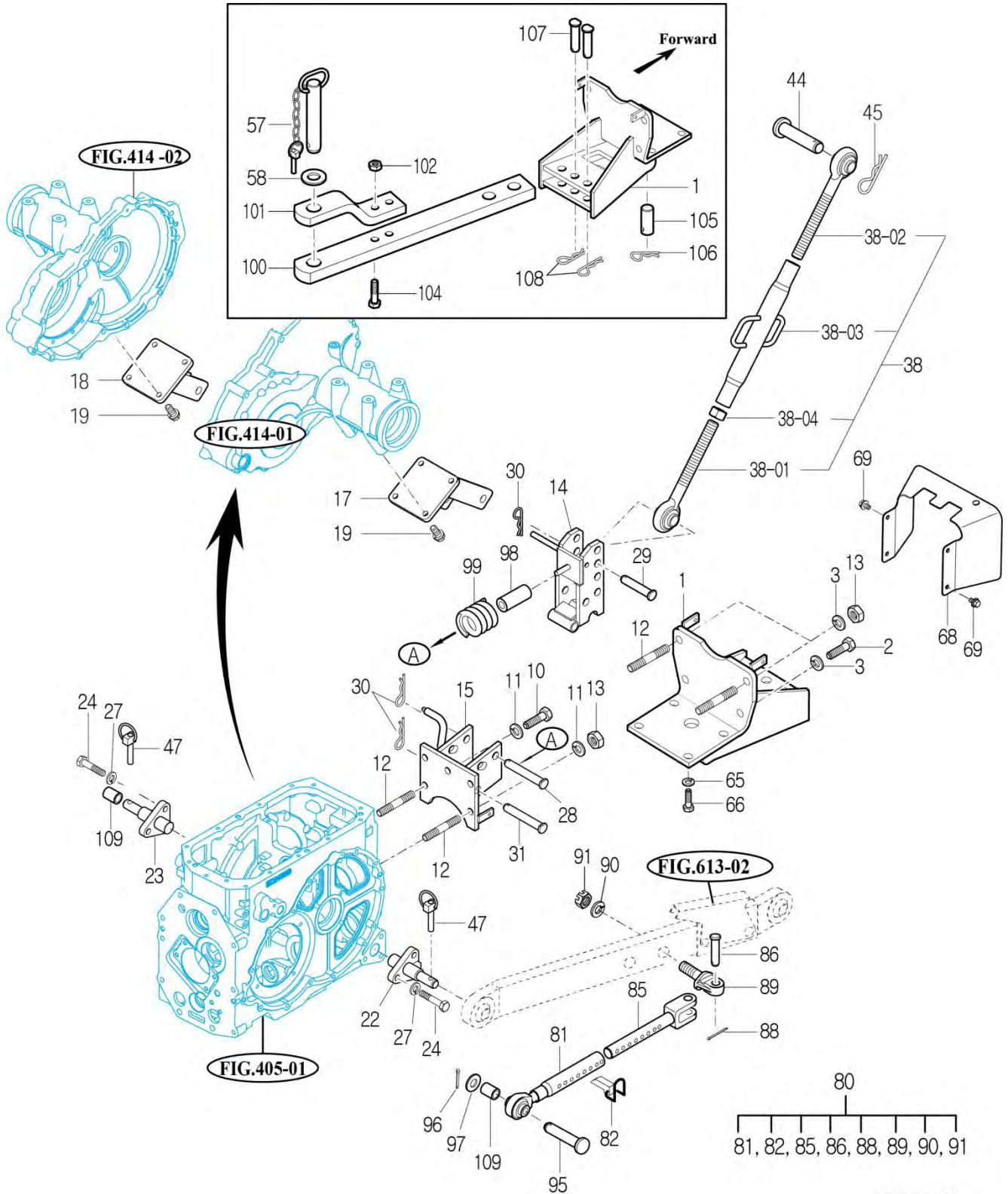
P2

YEAR

2018



T574SH / T574NH / T494SH / T494NH



NOTE



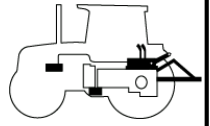
FIG 613

LOWER LINK & LIFT ROD

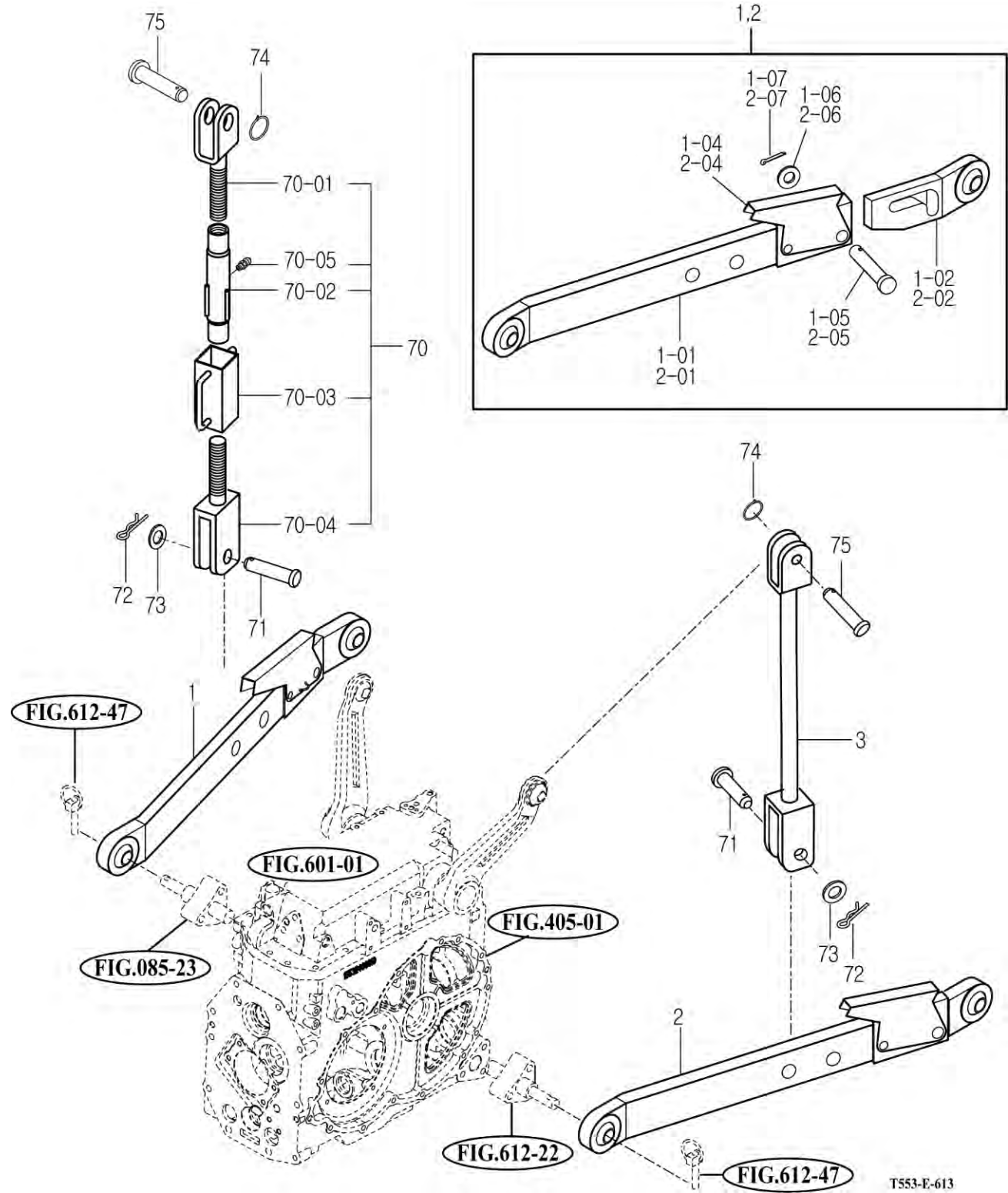
P1

YEAR

2018



T574SH / T574NH / T494SH / T494NH



T553-E-613

NOTE

# FIG 701

# BONNET FRAME

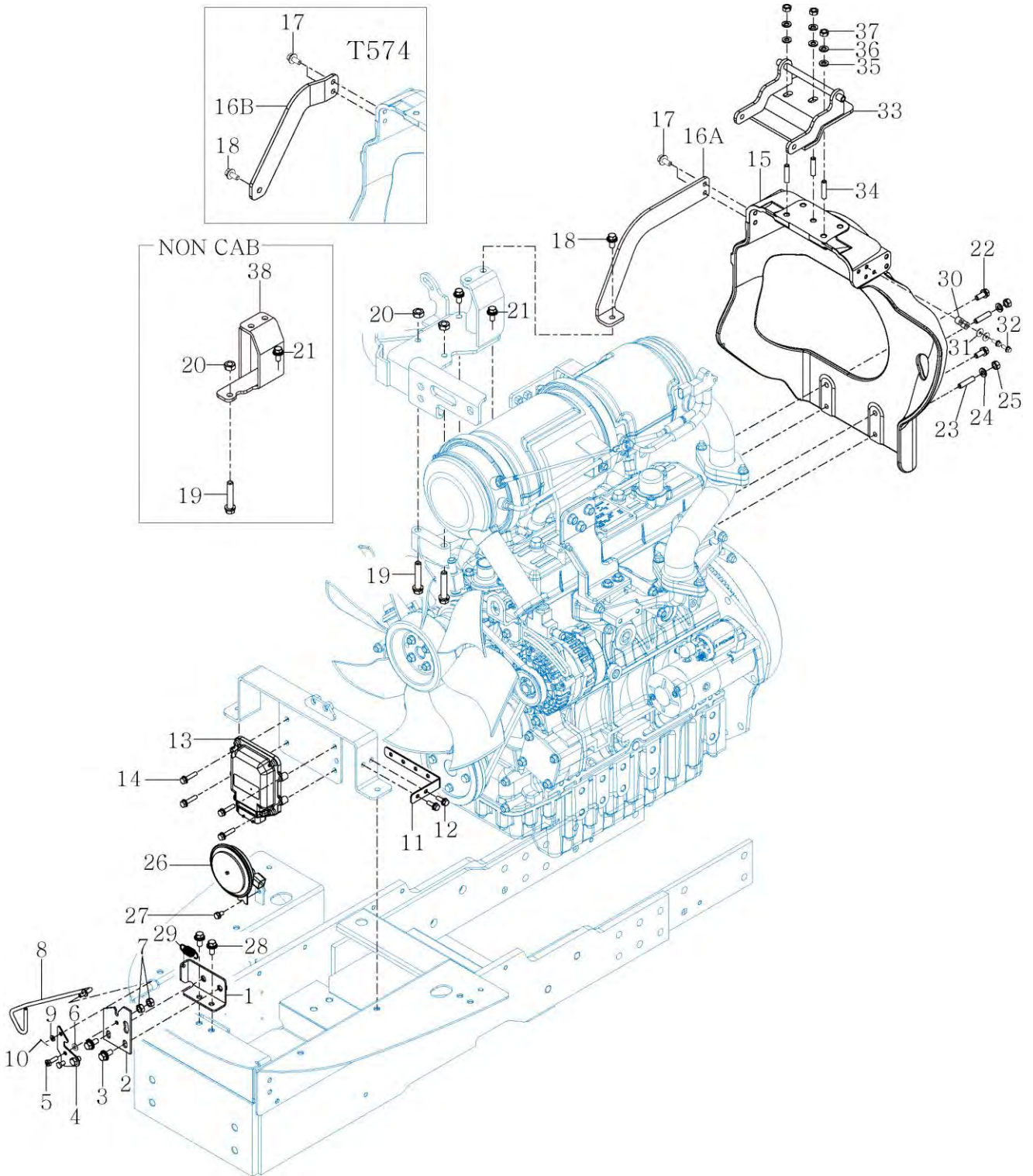
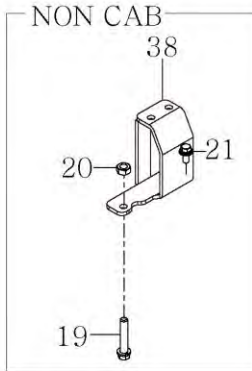
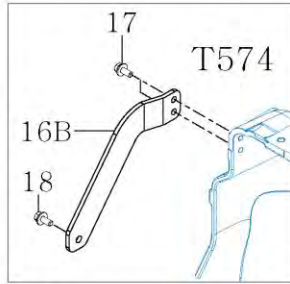
P1

YEAR

2018



T574SH / T574NH / T494SH / T494NH



NOTE

# FIG 702

# BONNET (1)

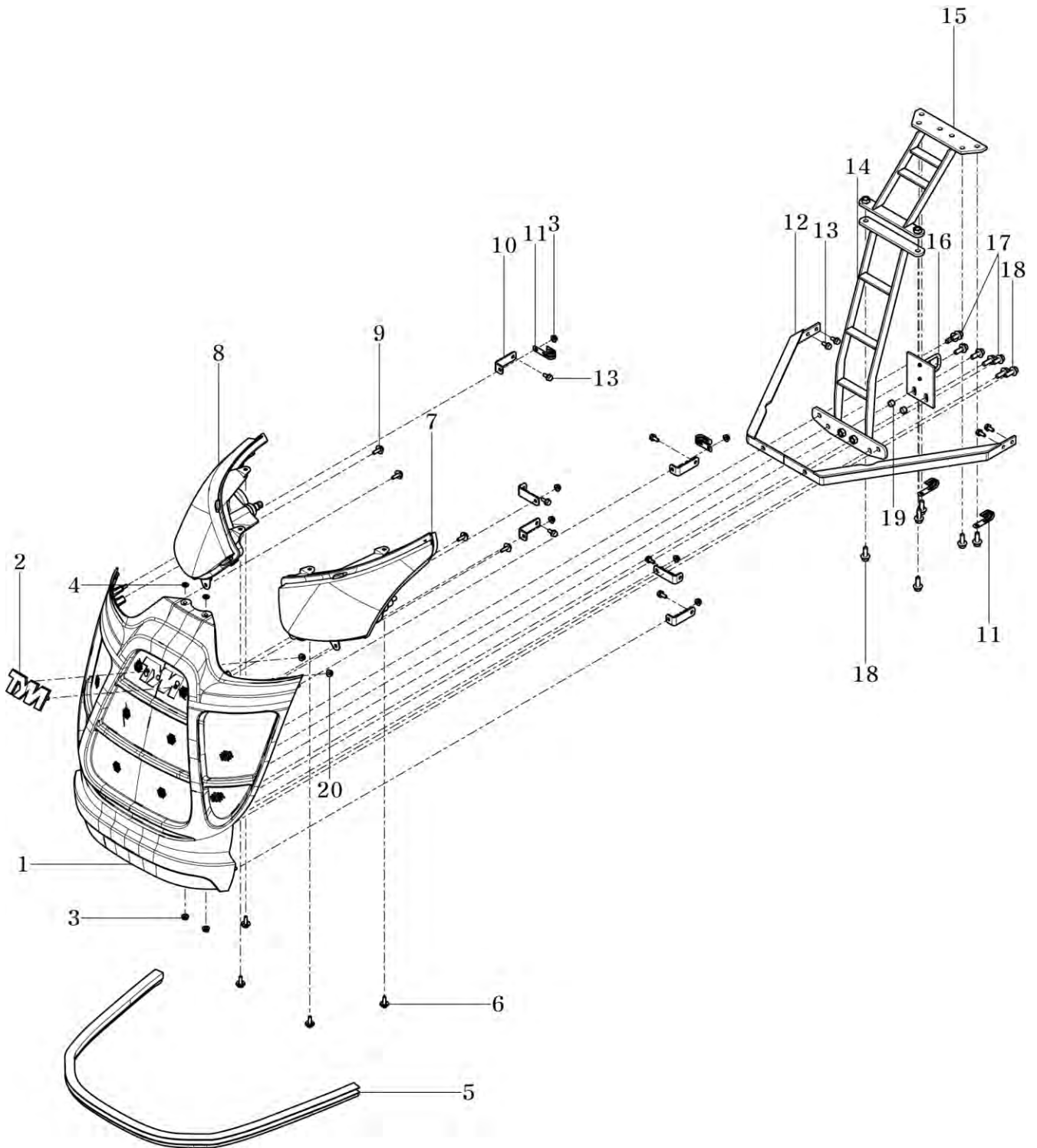
P1

YEAR

2018



T574SH / T574NH / T494SH / T494NH



NOTE



FIG 702

BONNET (2)

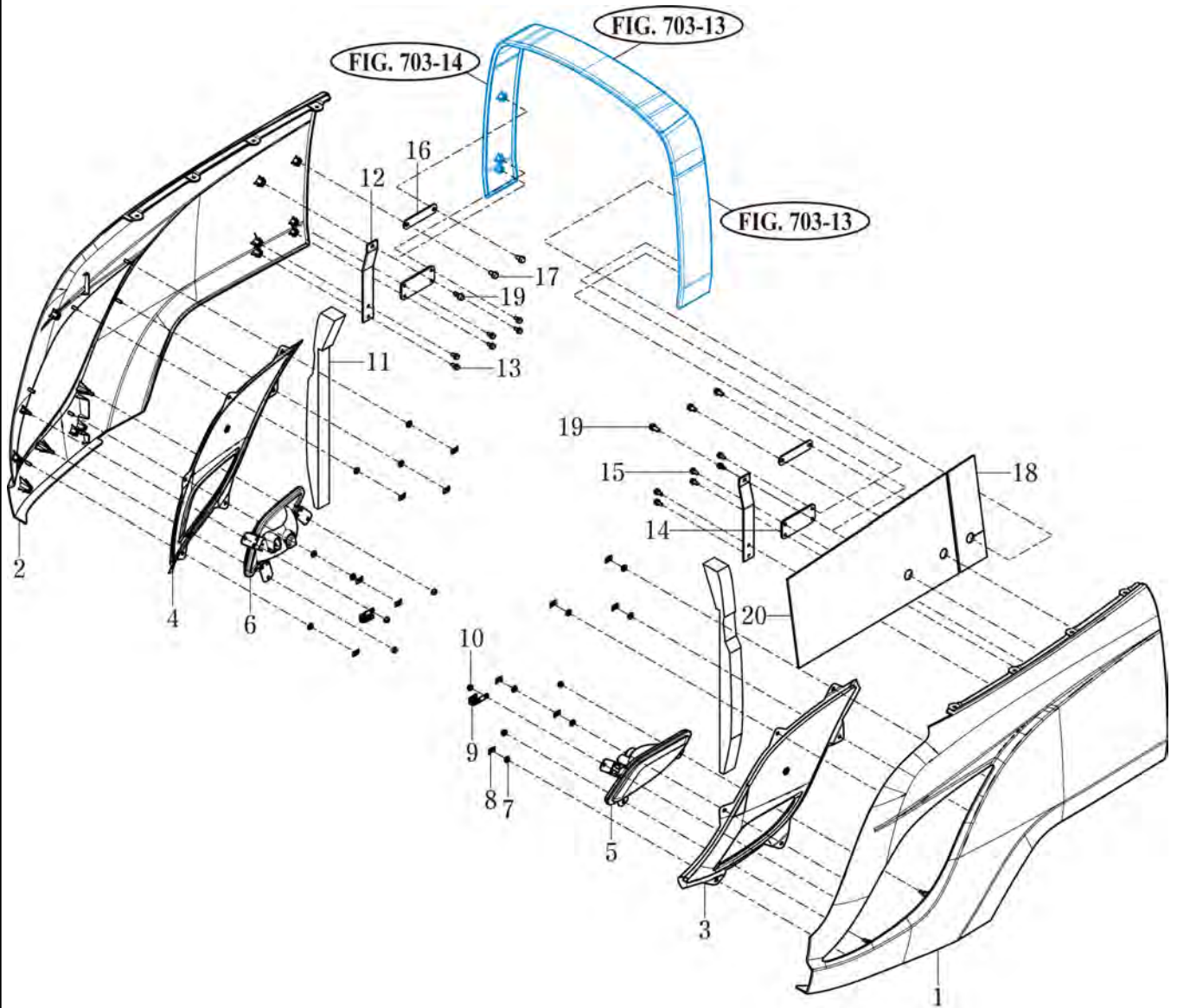
P1

YEAR

2018



T574SH / T574NH / T494SH / T494NH



NOTE

FIG 703

EXTENSION COVER

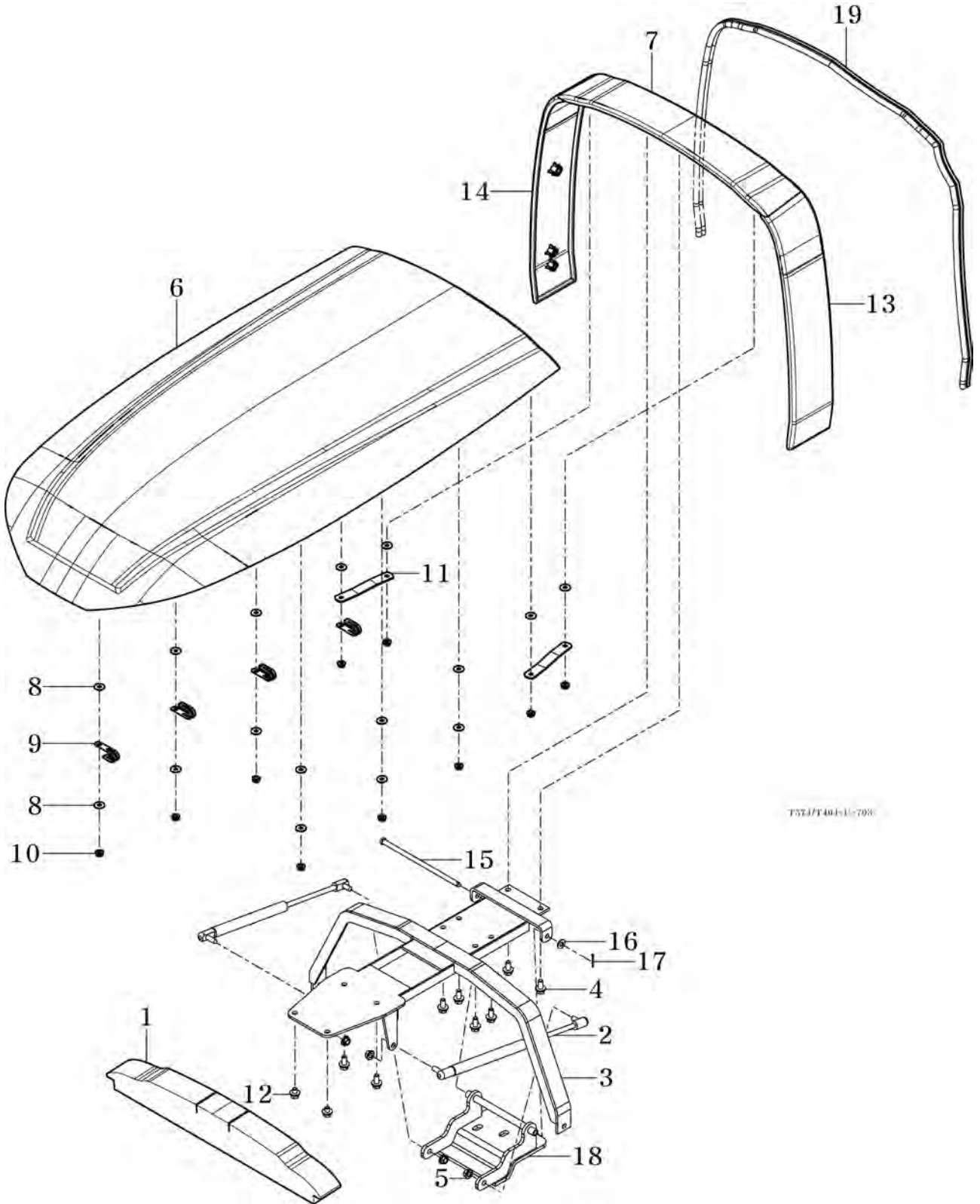
P1

YEAR

2018



T574SH / T574NH / T494SH / T494NH



T574/T494-1-703

NOTE

# FIG 704A

# LEVER COVER & STEP

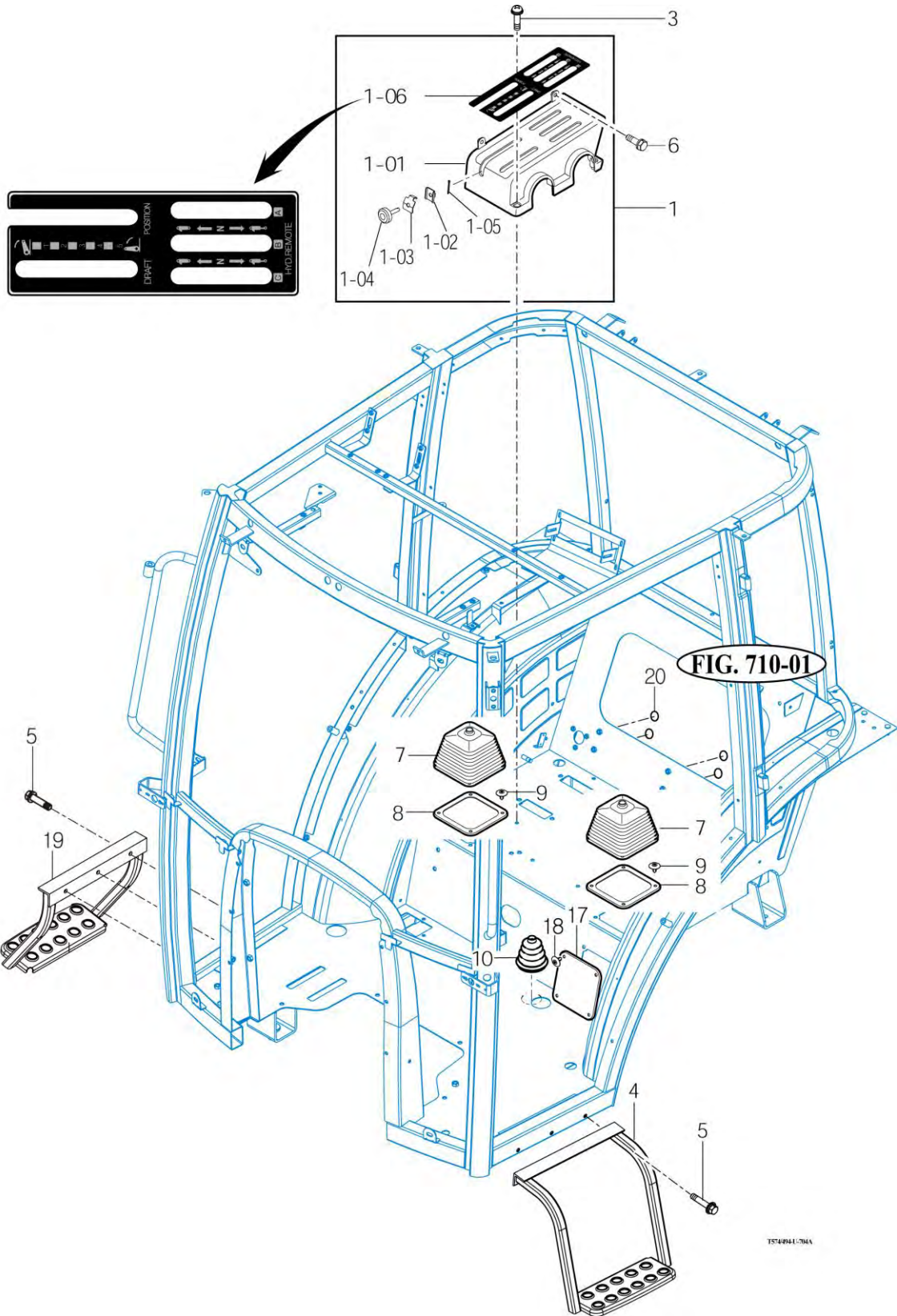
P1

YEAR

2018



T574SH / T574NH / T494SH / T494NH



NOTE



# FIG 704B

# LEVER COVER & STEP-Non CAB

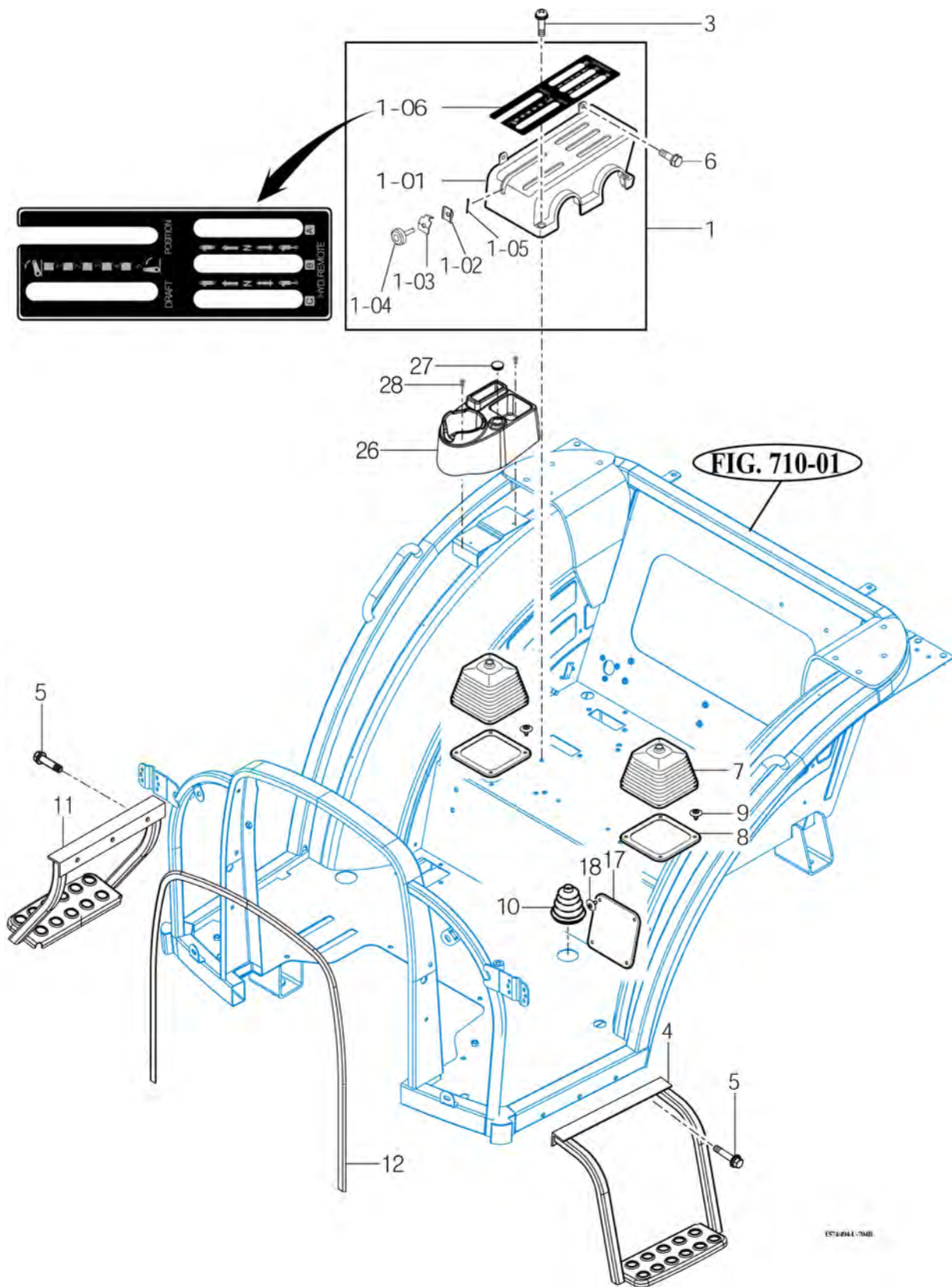
P1

YEAR

2018



T574SH / T574NH / T494SH / T494NH



NOTE



# FIG 705

# FRONT & REAR MOUNTING

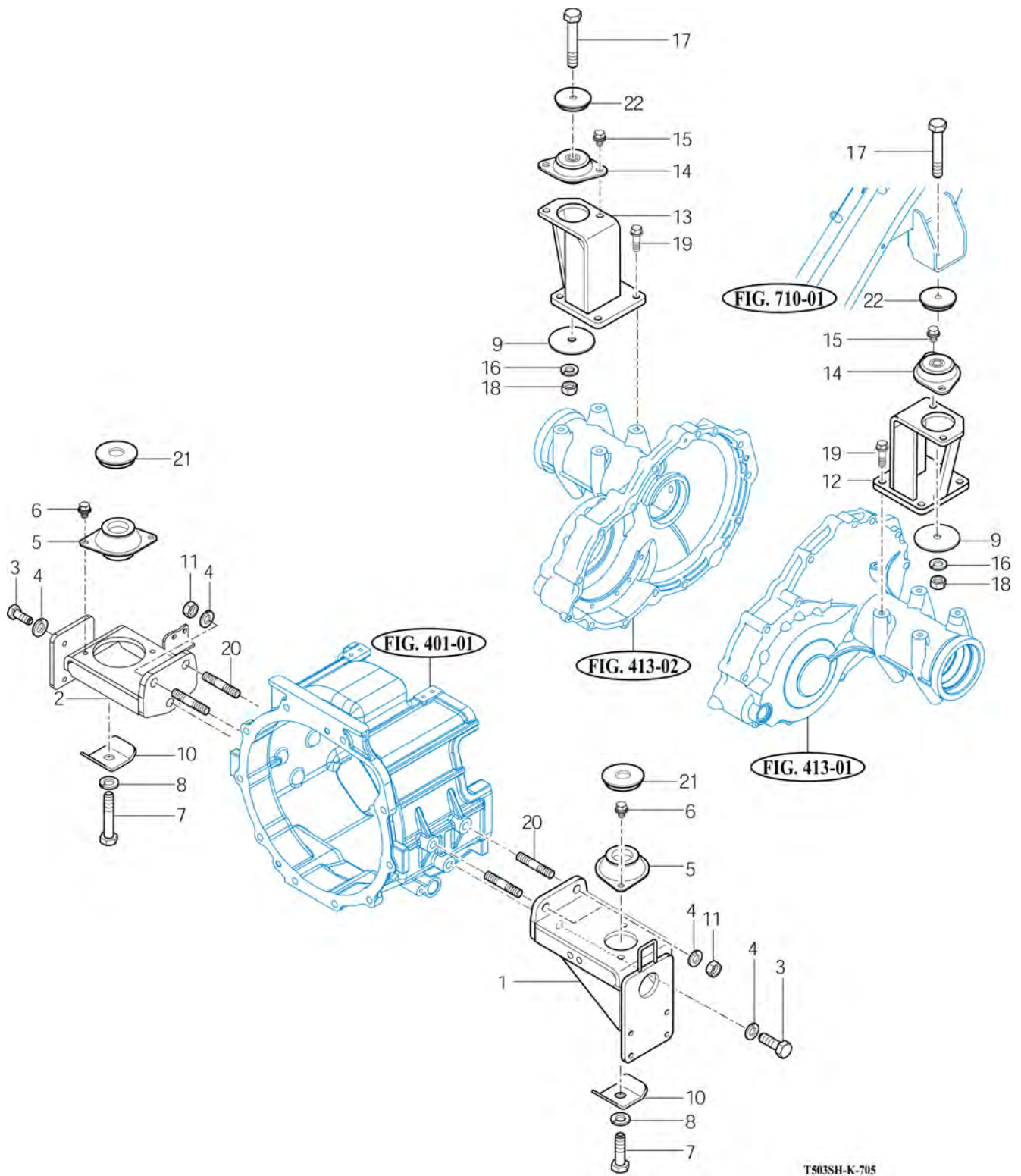
P1

YEAR

2018



T574SH / T574NH / T494SH / T494NH



T503SH-K-705

NOTE

FIG 706

SEAT & MAT

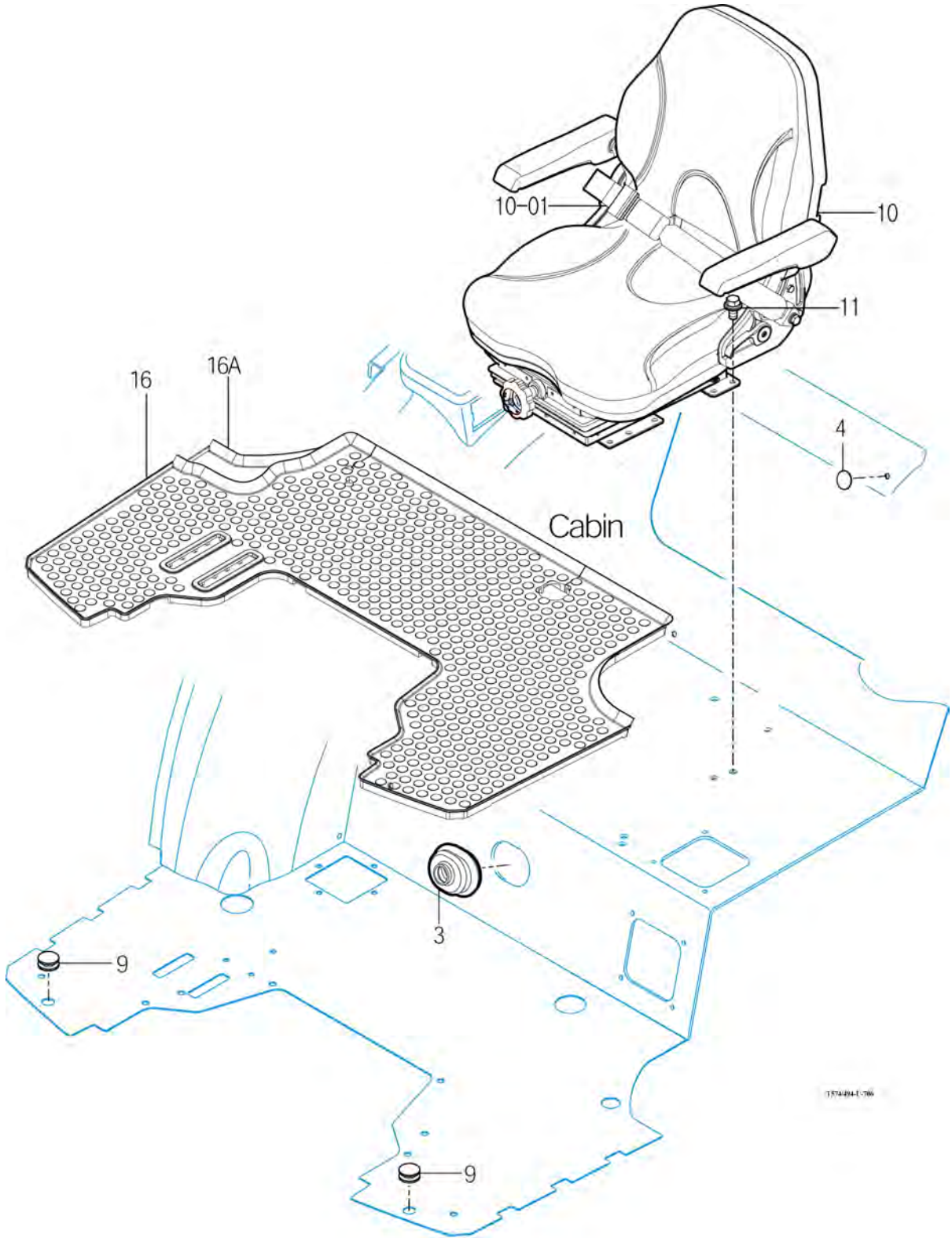
P1

YEAR

2018



T574SH / T574NH / T494SH / T494NH



1374284-1.06

NOTE

FIG 709

DOOR

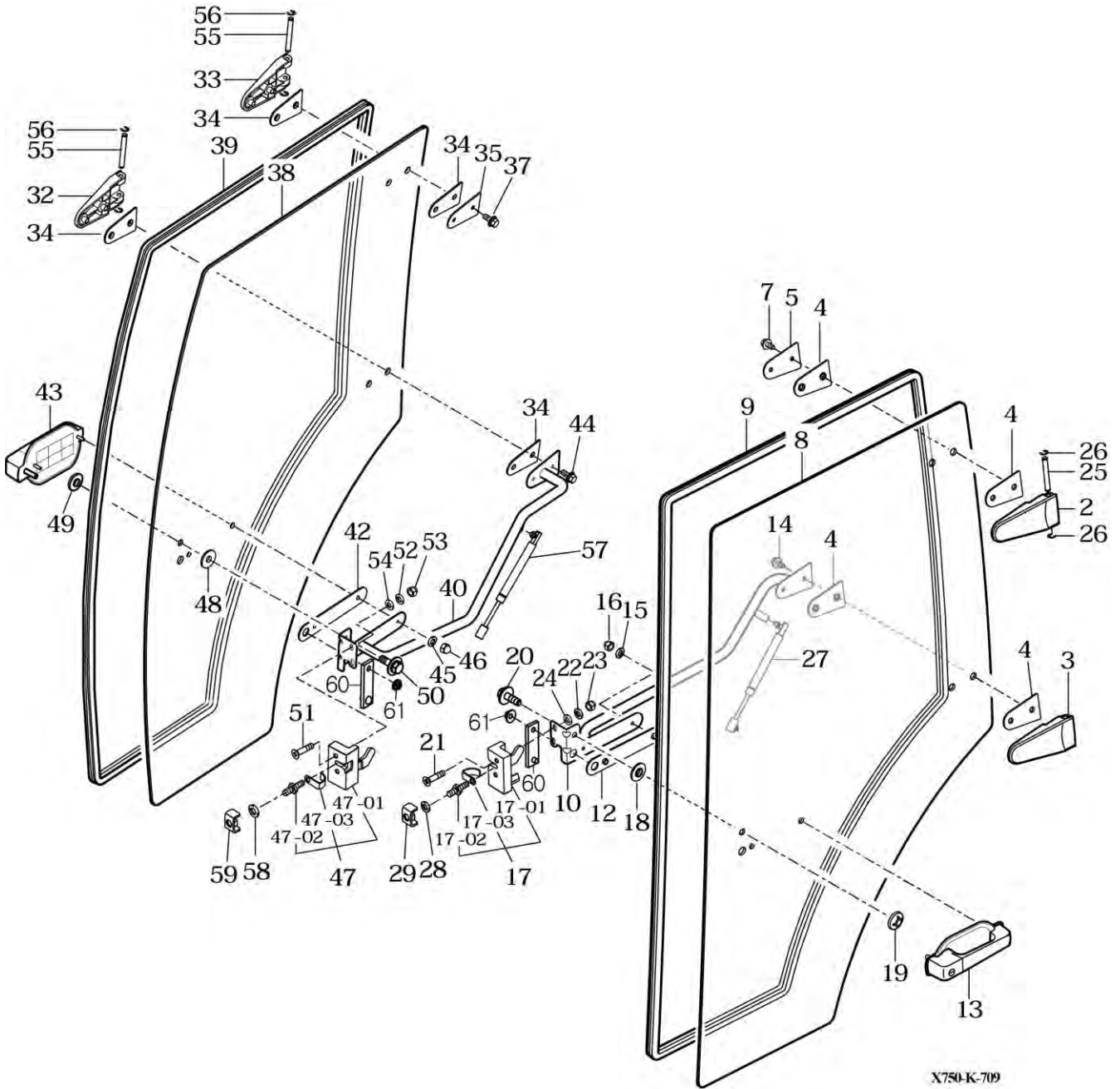
P1

YEAR

2018



T574SH / T574NH / T494SH / T494NH



X750-K-709

NOTE



FIG 709

DOOR

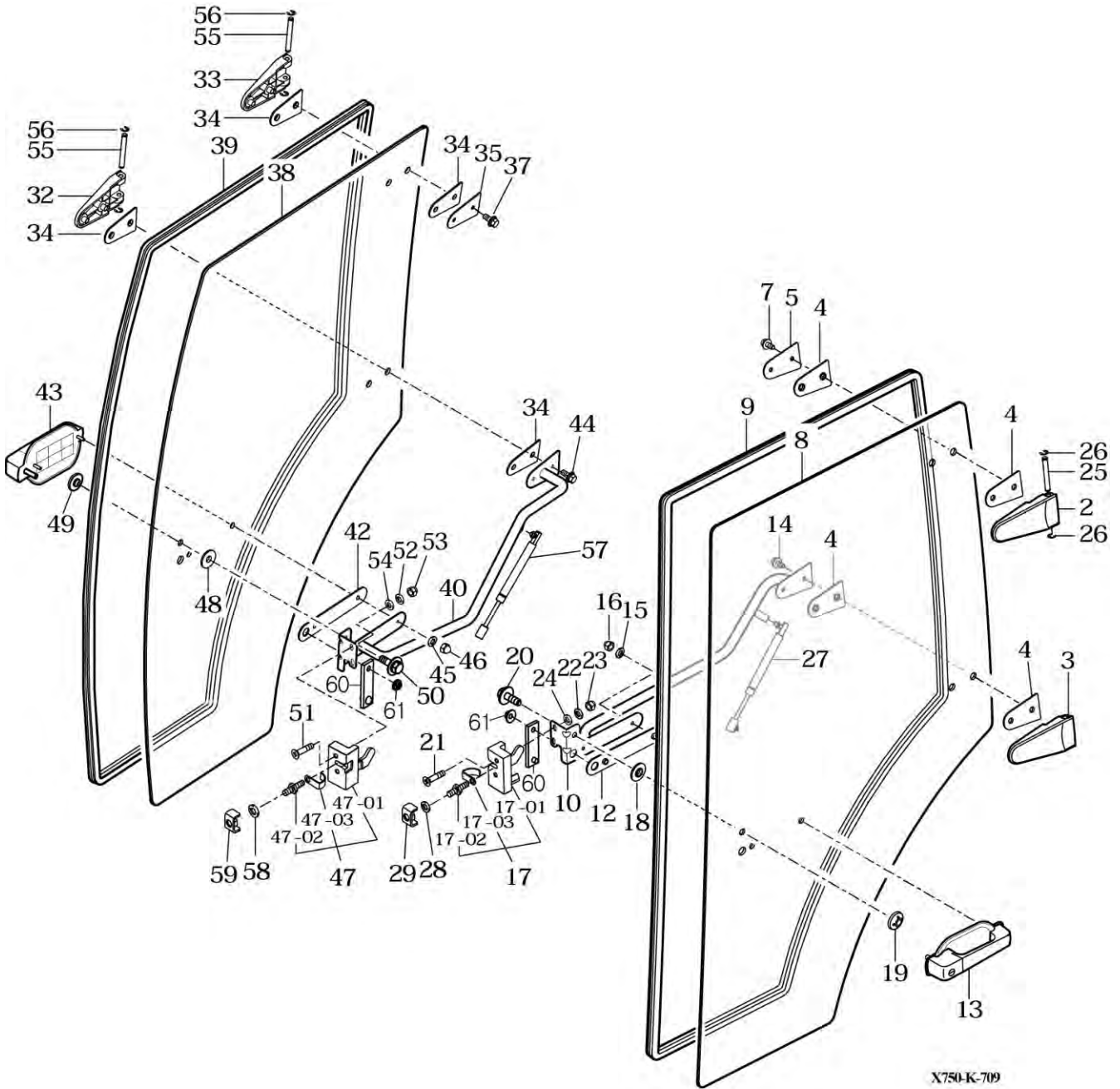
P2

YEAR

2018



T574SH / T574NH / T494SH / T494NH



NOTE

# FIG 710A

# FRONT GLASS

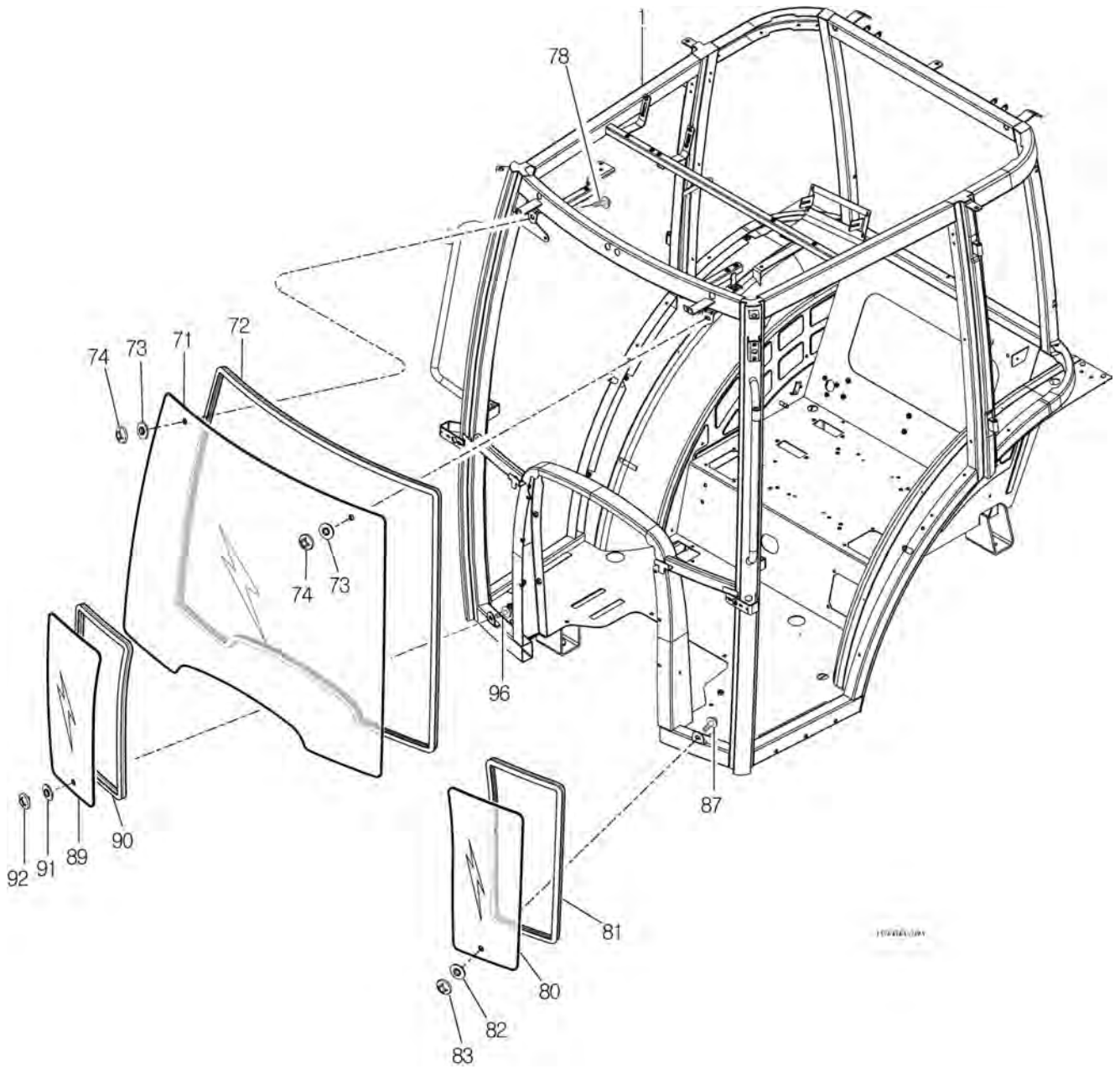
P1

YEAR

2018



T574SH / T574NH / T494SH / T494NH



NOTE

FIG 710B

FRAME&2POLES ROPS-Non CAB

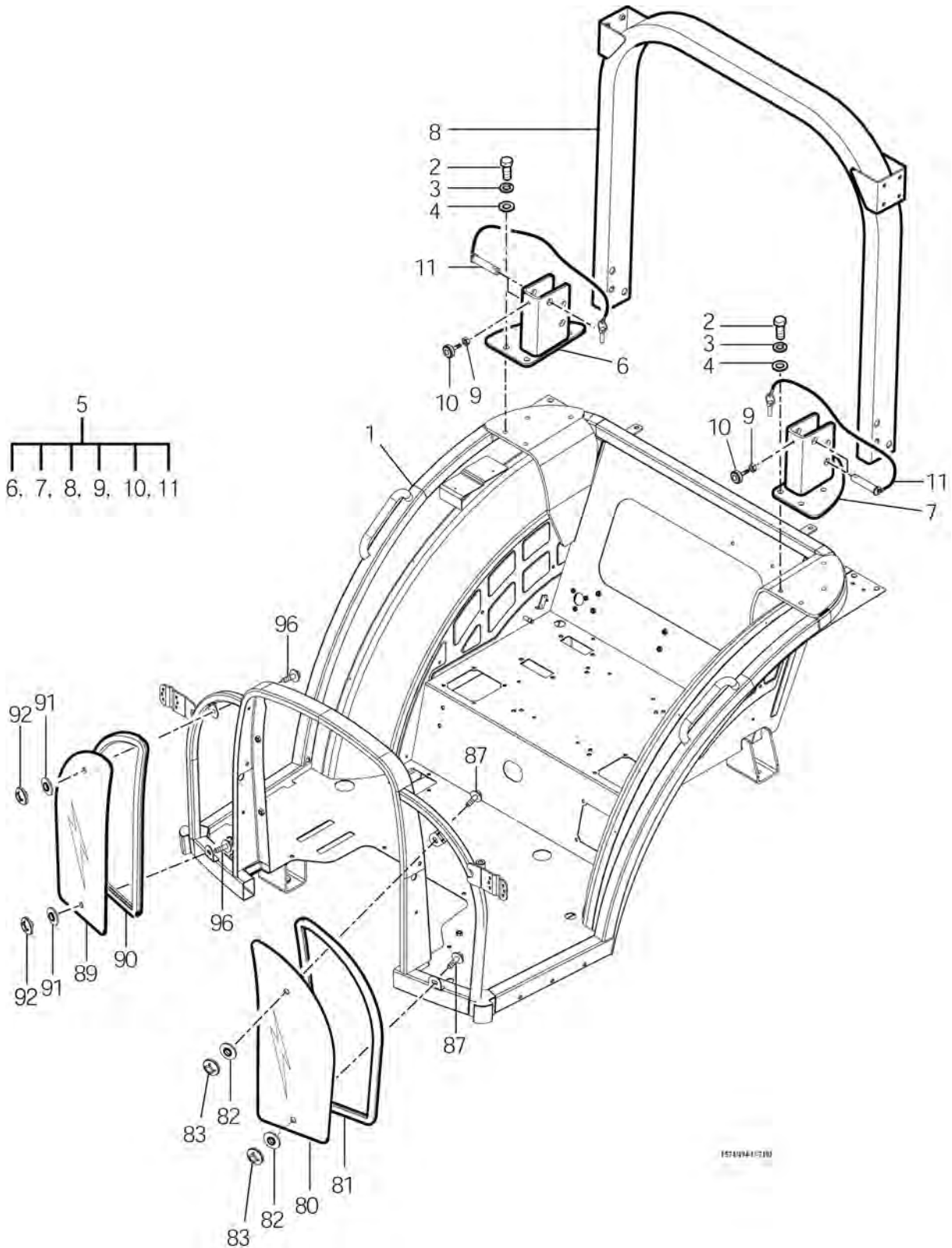
P1

YEAR

2018



T574SH / T574NH / T494SH / T494NH



NOTE



# FIG 711

# SIDE GLASS

P1

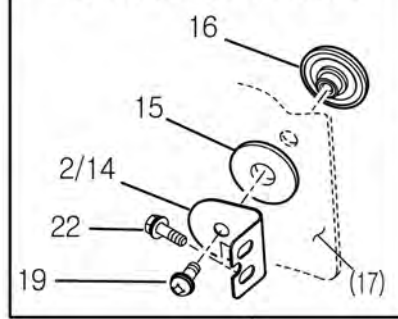
YEAR

2018

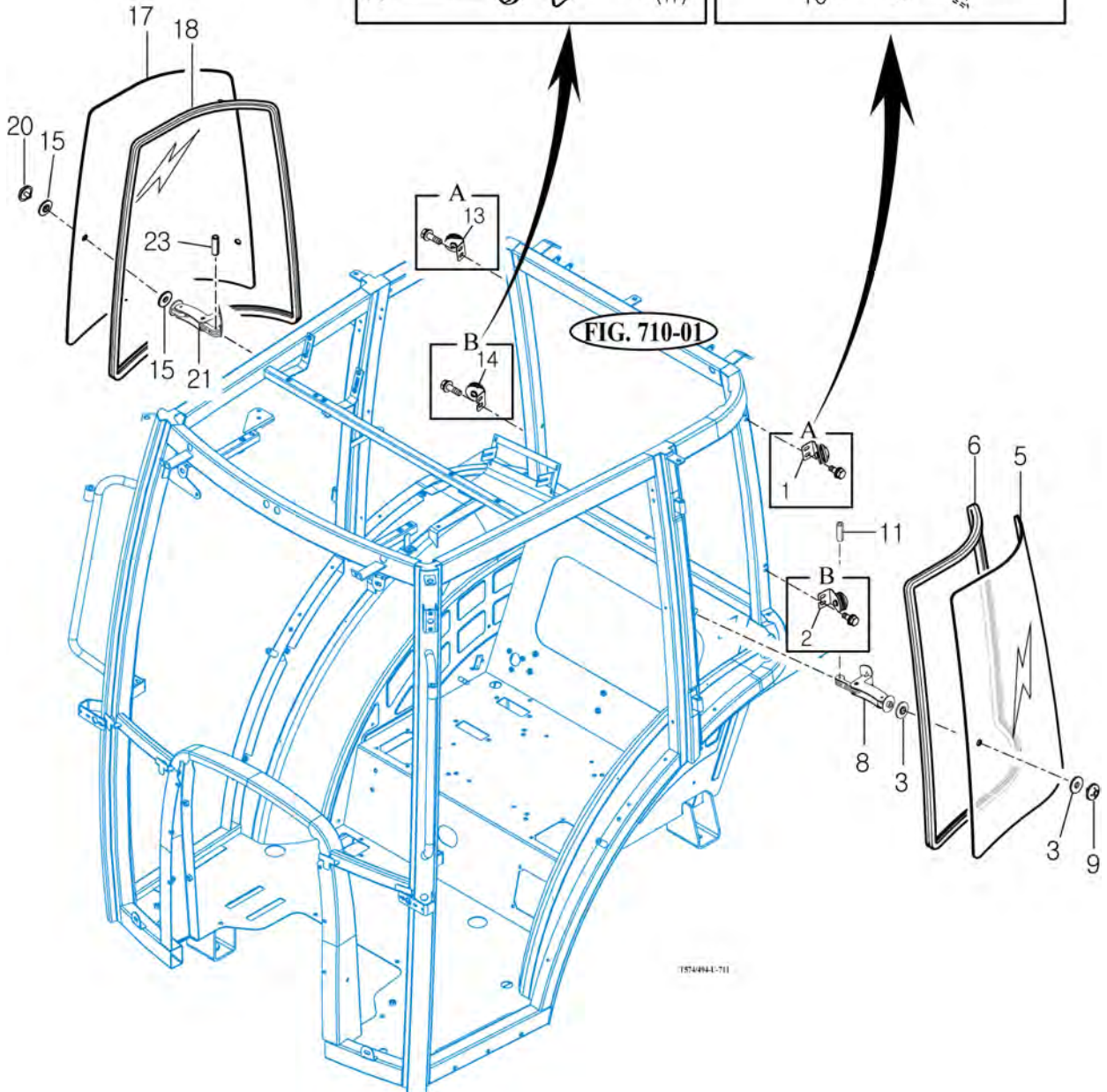
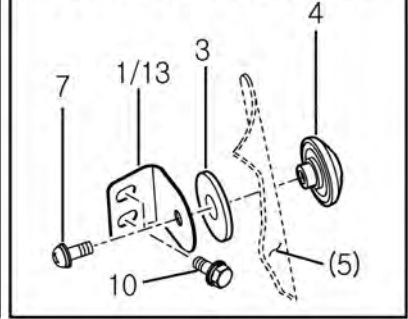


T574SH / T574NH / T494SH / T494NH

### EXPLODED VIEW OF AREA-B



### EXPLODED VIEW OF AREA-A



T574NH-711

NOTE



# FIG 712

# REAR GLASS

P1

YEAR

2018



T574SH / T574NH / T494SH / T494NH

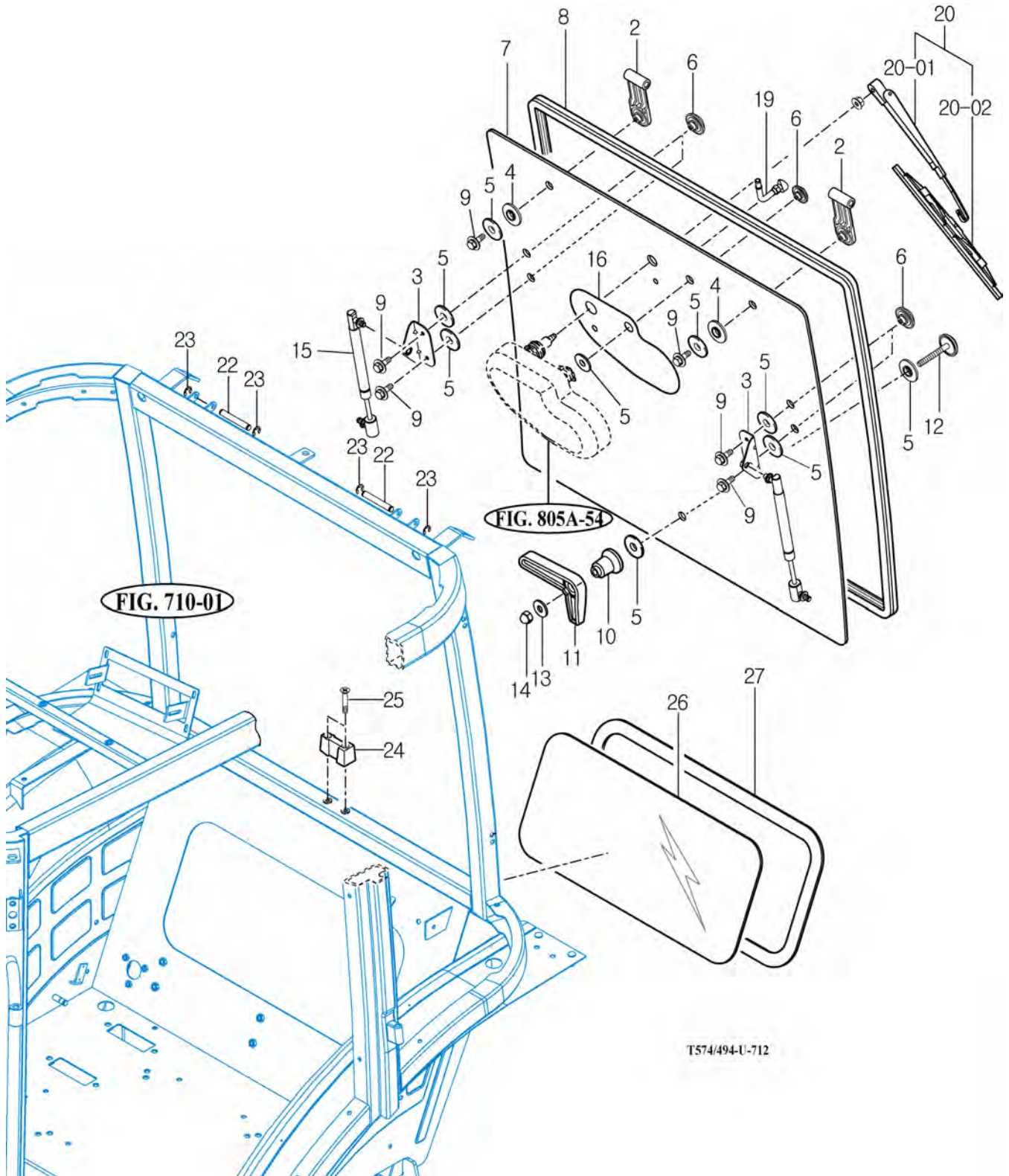


FIG. 710-01

FIG. 805A-54

T574/494-U-712

NOTE

# FIG 713A

# SUB FENDER & COVER

P1

YEAR

2018



T574SH / T574NH / T494SH / T494NH

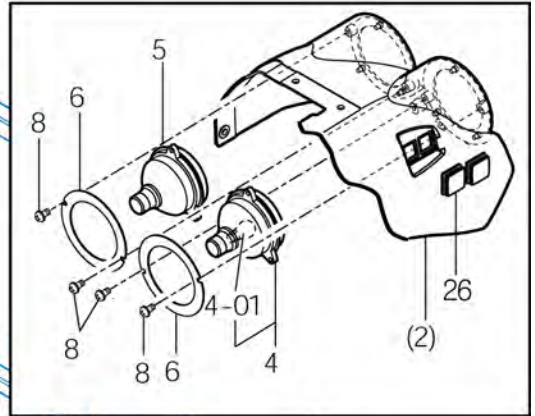
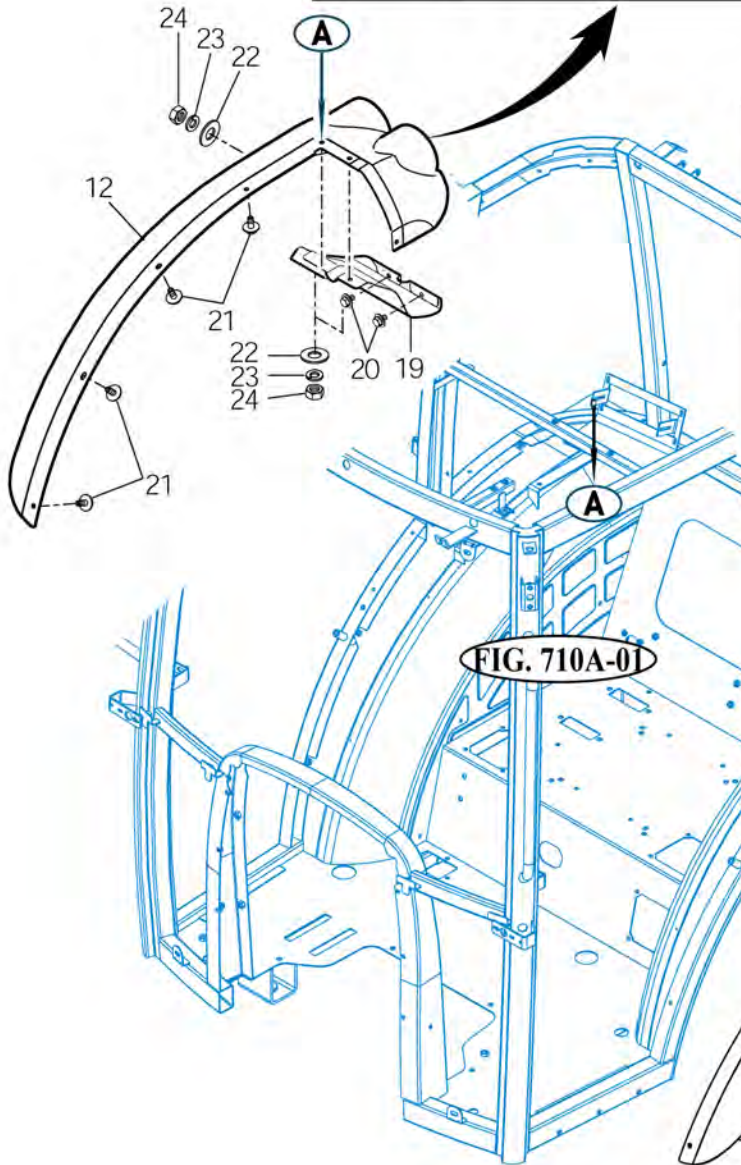
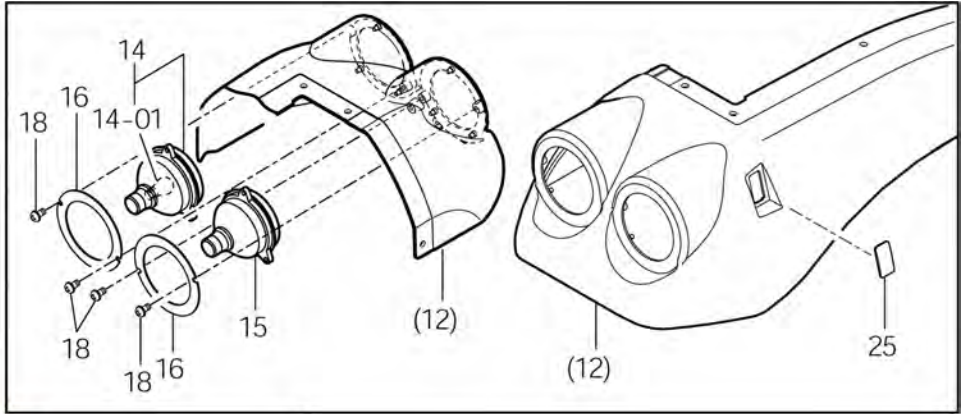
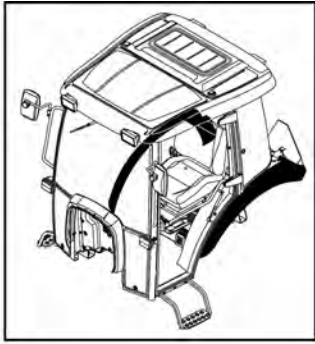
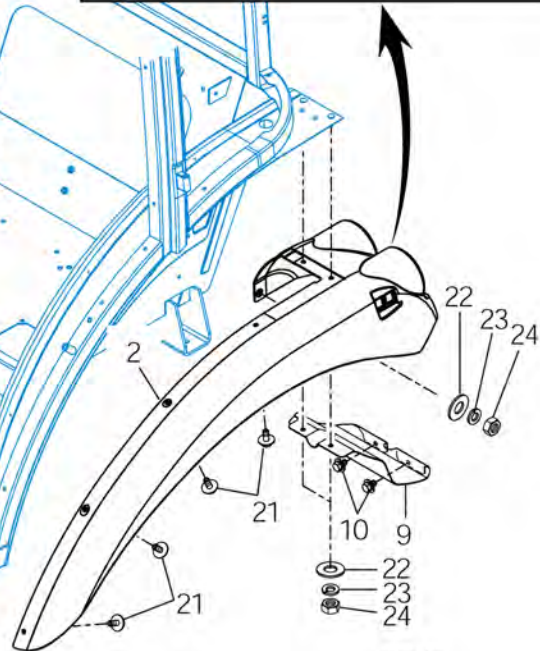


FIG. 710A-01



T574P44-713A

NOTE





FIG 714A

MIRROR

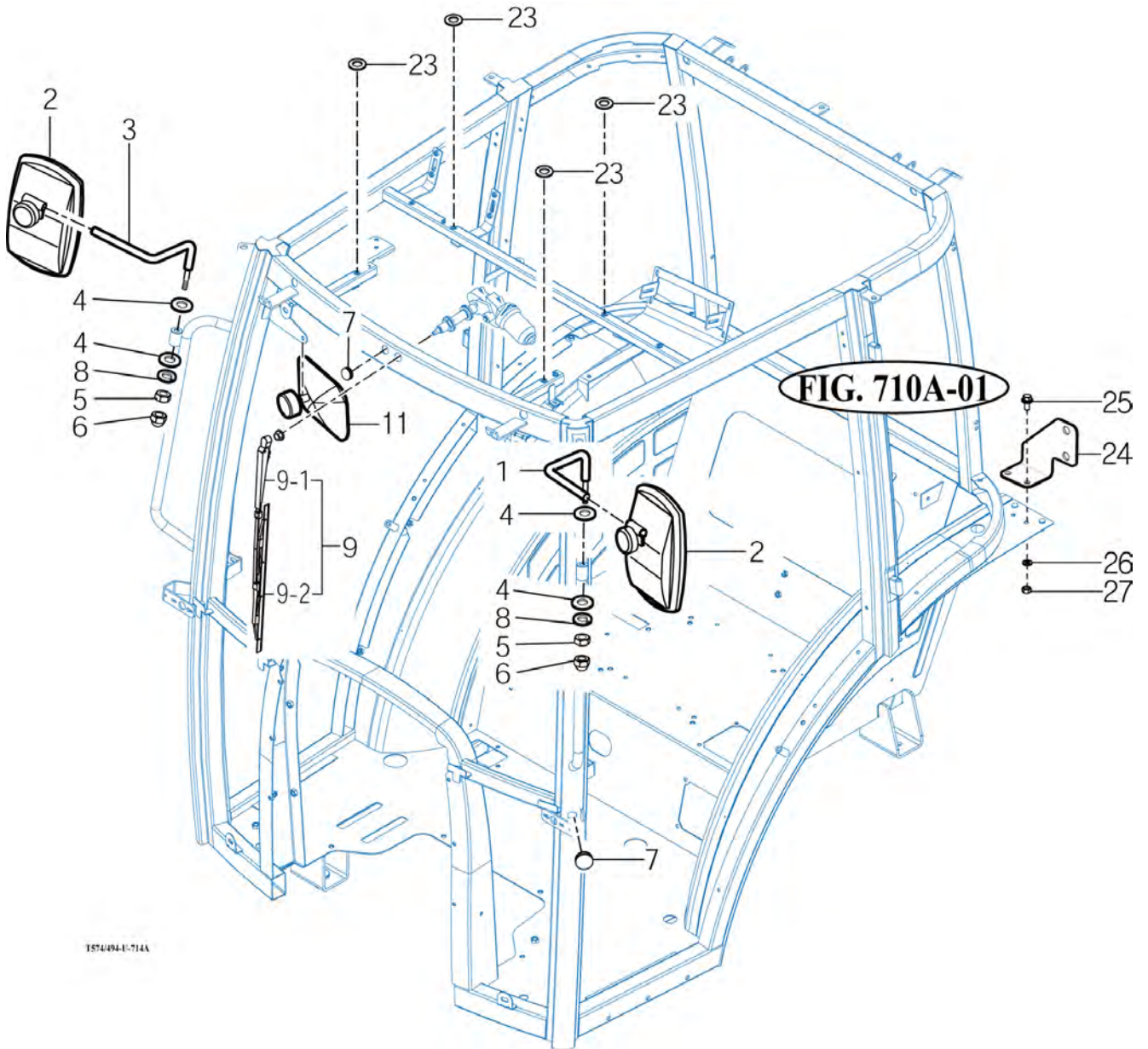
P1

YEAR

2018



T574SH / T574NH / T494SH / T494NH



T574094-E-714A

NOTE

# FIG 714B

# MIRROR&WORKING LAMP-Non CAB

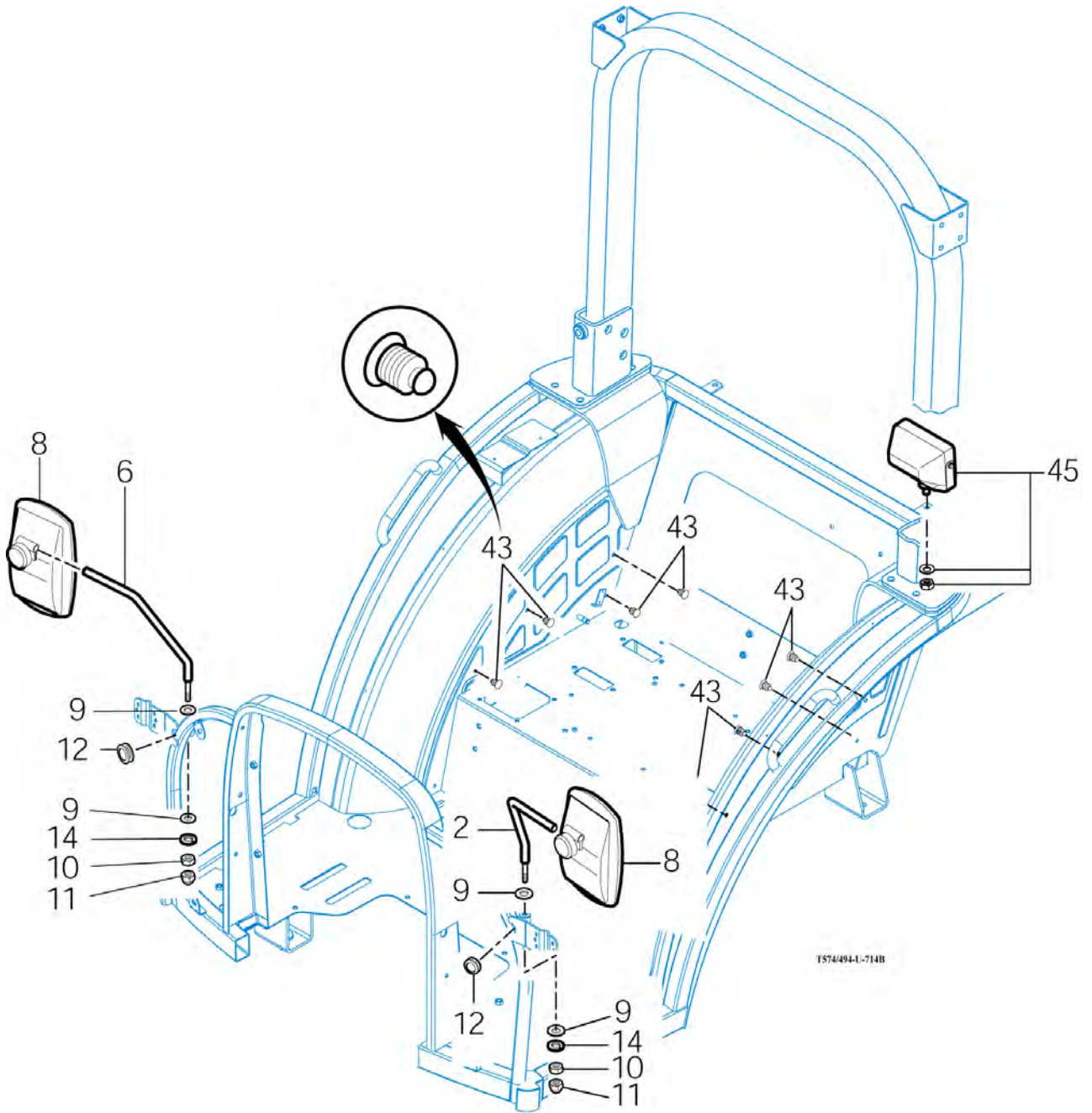
P1

YEAR

2018



T574SH / T574NH / T494SH / T494NH



T574/494-L-714B

NOTE



FIG 715A

HEATER & AIR-CON

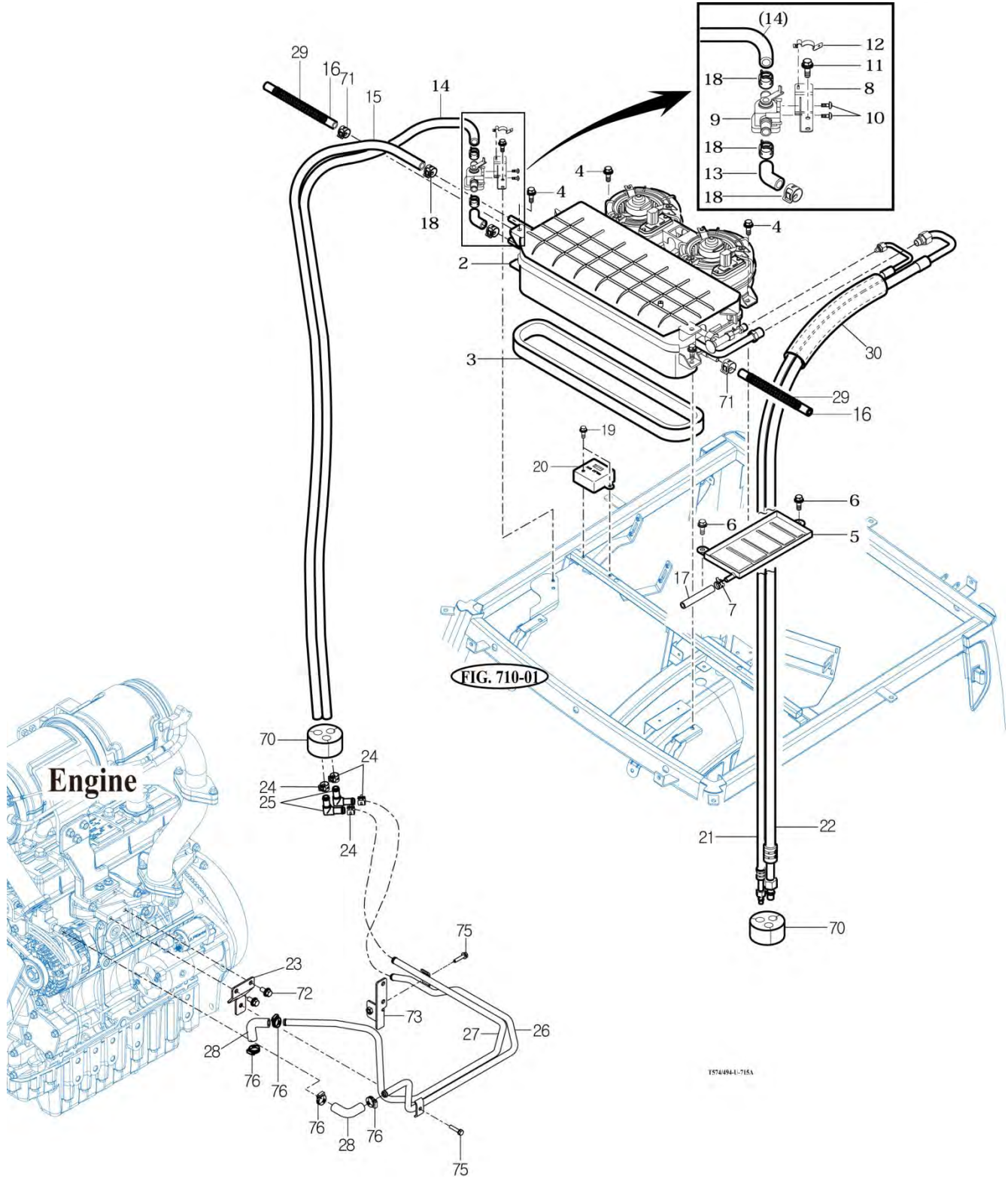
P1

YEAR

2018



T574SH / T574NH / T494SH / T494NH



NOTE



# FIG 715B

# HEATER & AIR-CON

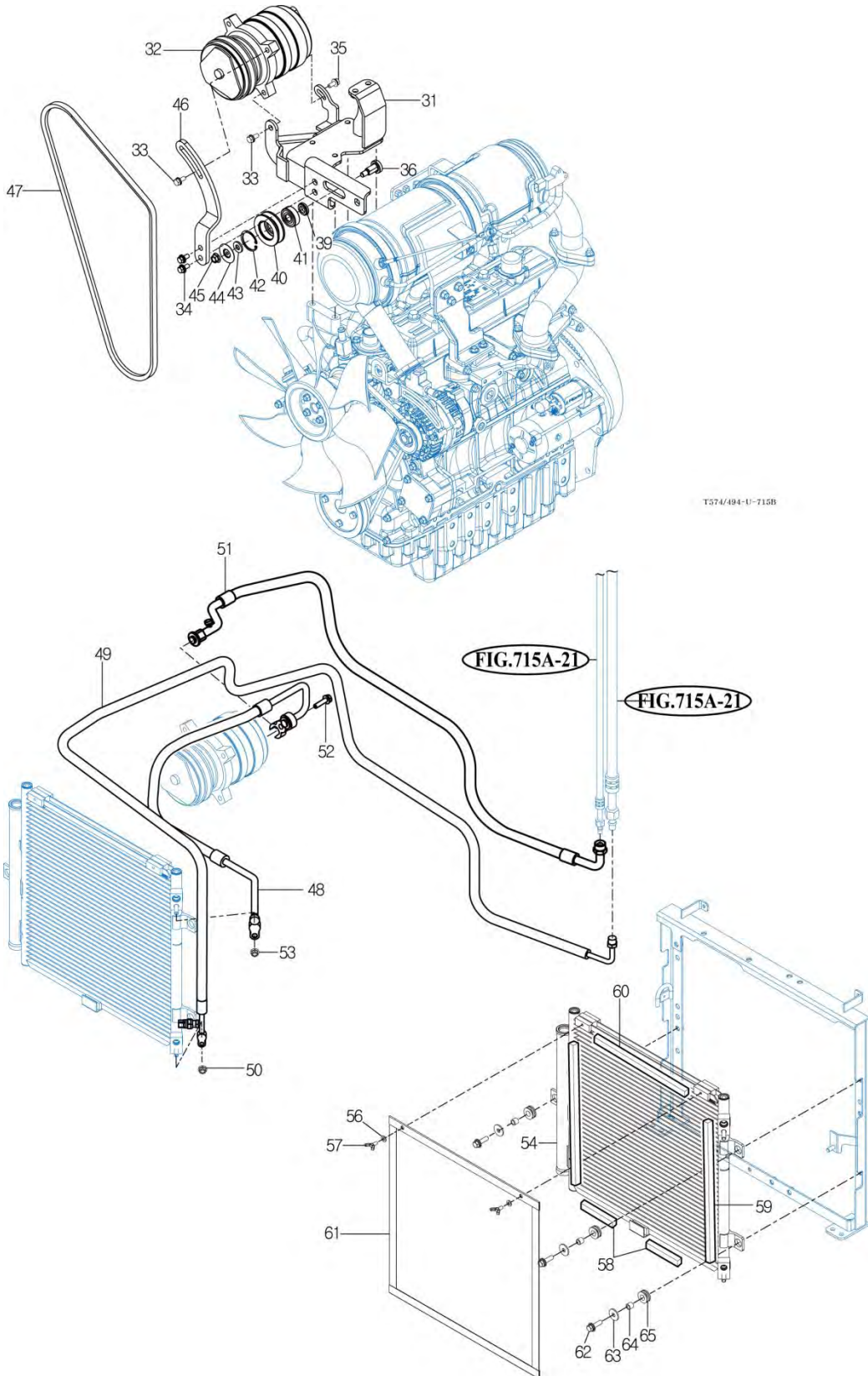
P1

YEAR

2018



T574SH / T574NH / T494SH / T494NH



NOTE

# FIG 716

# FENDER COVER

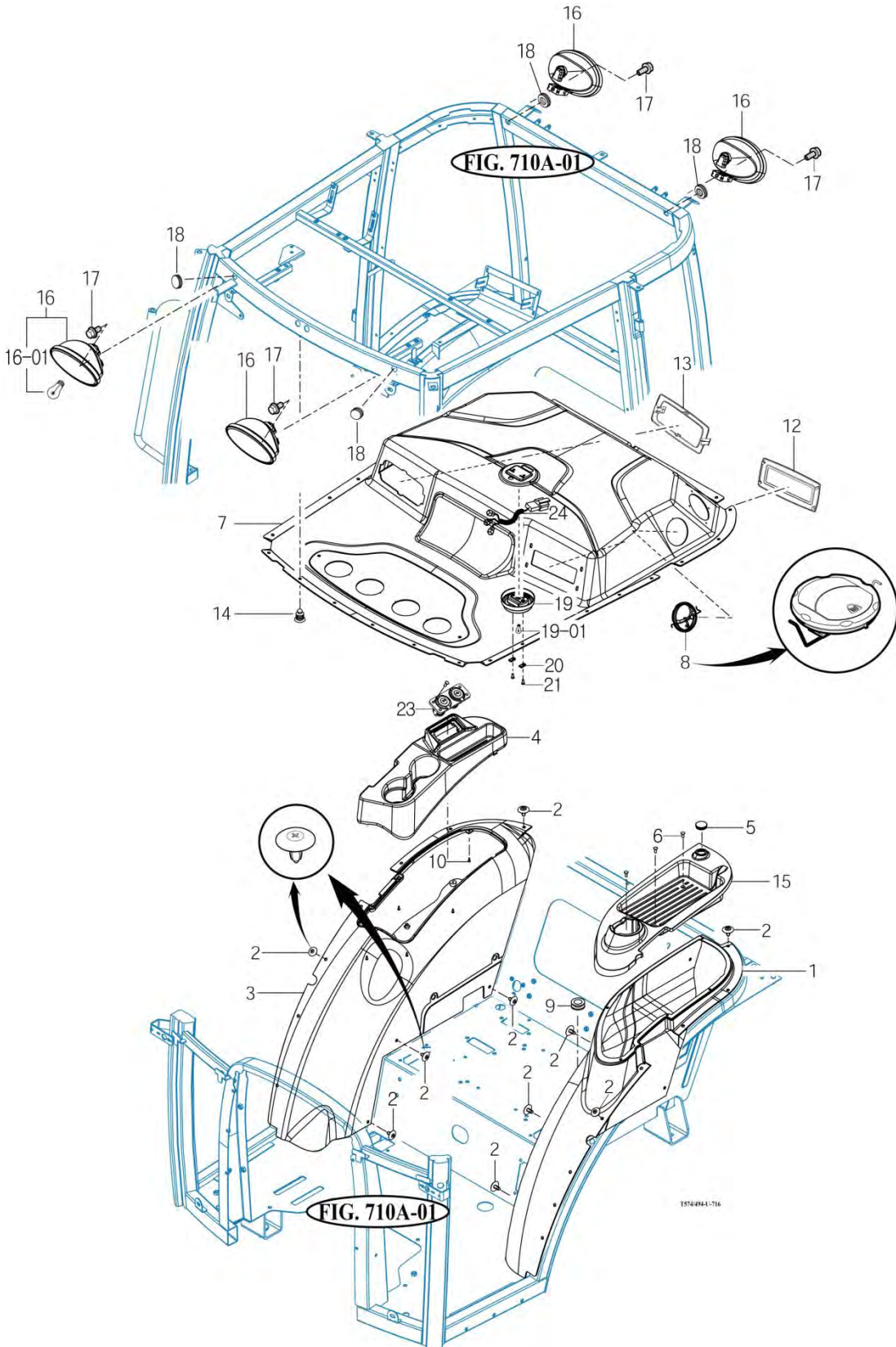
P1

YEAR

2018



T574SH / T574NH / T494SH / T494NH



NOTE



FIG 717

ROOF

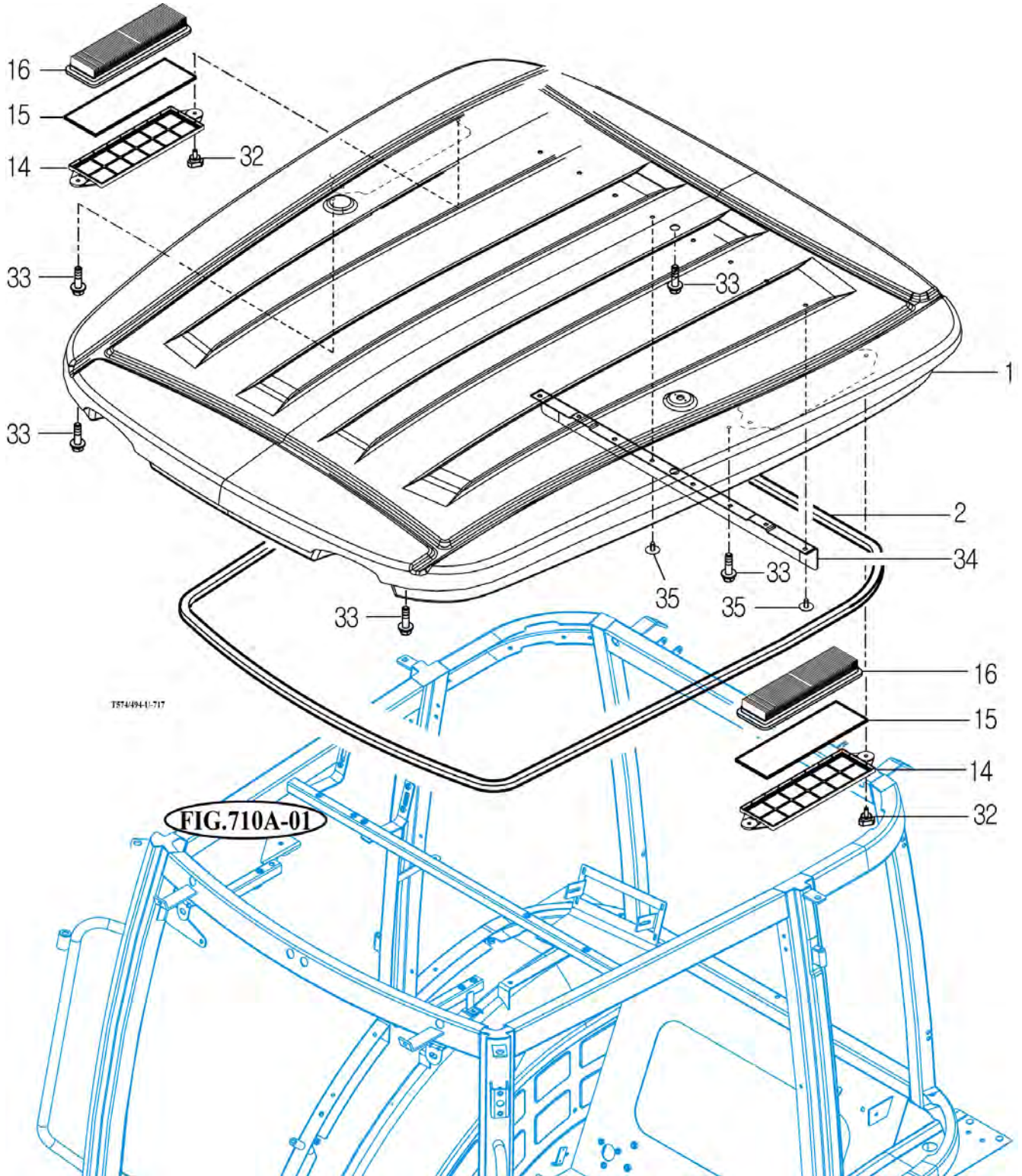
P1

YEAR

2018



T574SH / T574NH / T494SH / T494NH



NOTE

FIG 718

CABIN INTERIOR

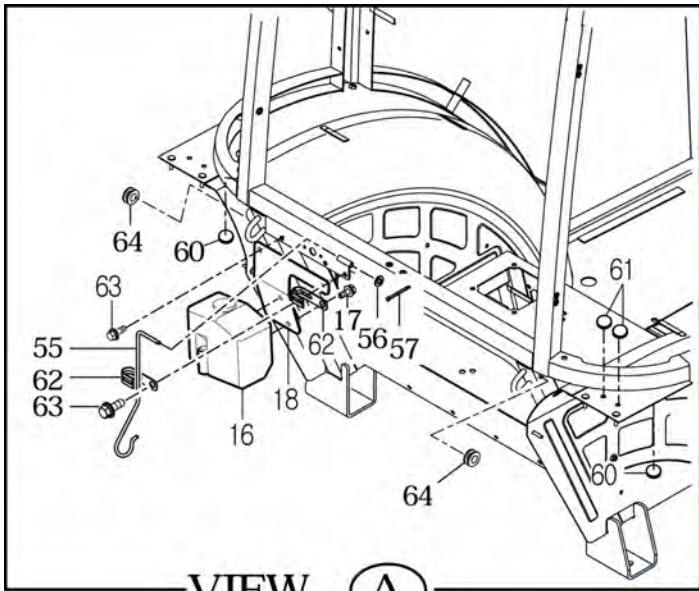
P1

YEAR

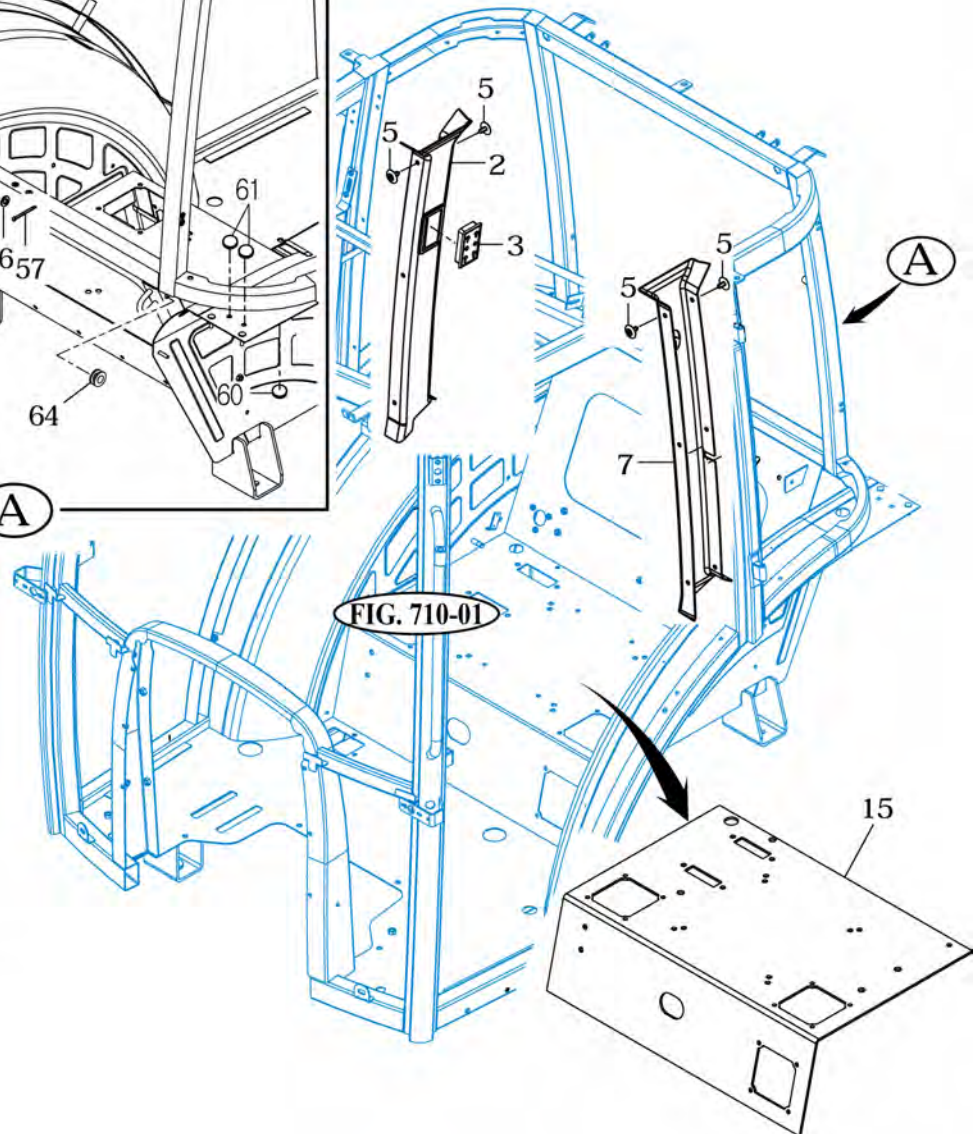
2018



T574SH / T574NH / T494SH / T494NH



VIEW - (A)



T574SH-4-0718

NOTE



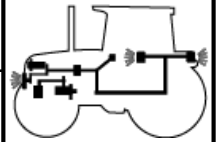
# FIG 801

# BATTERY & MOUNTING

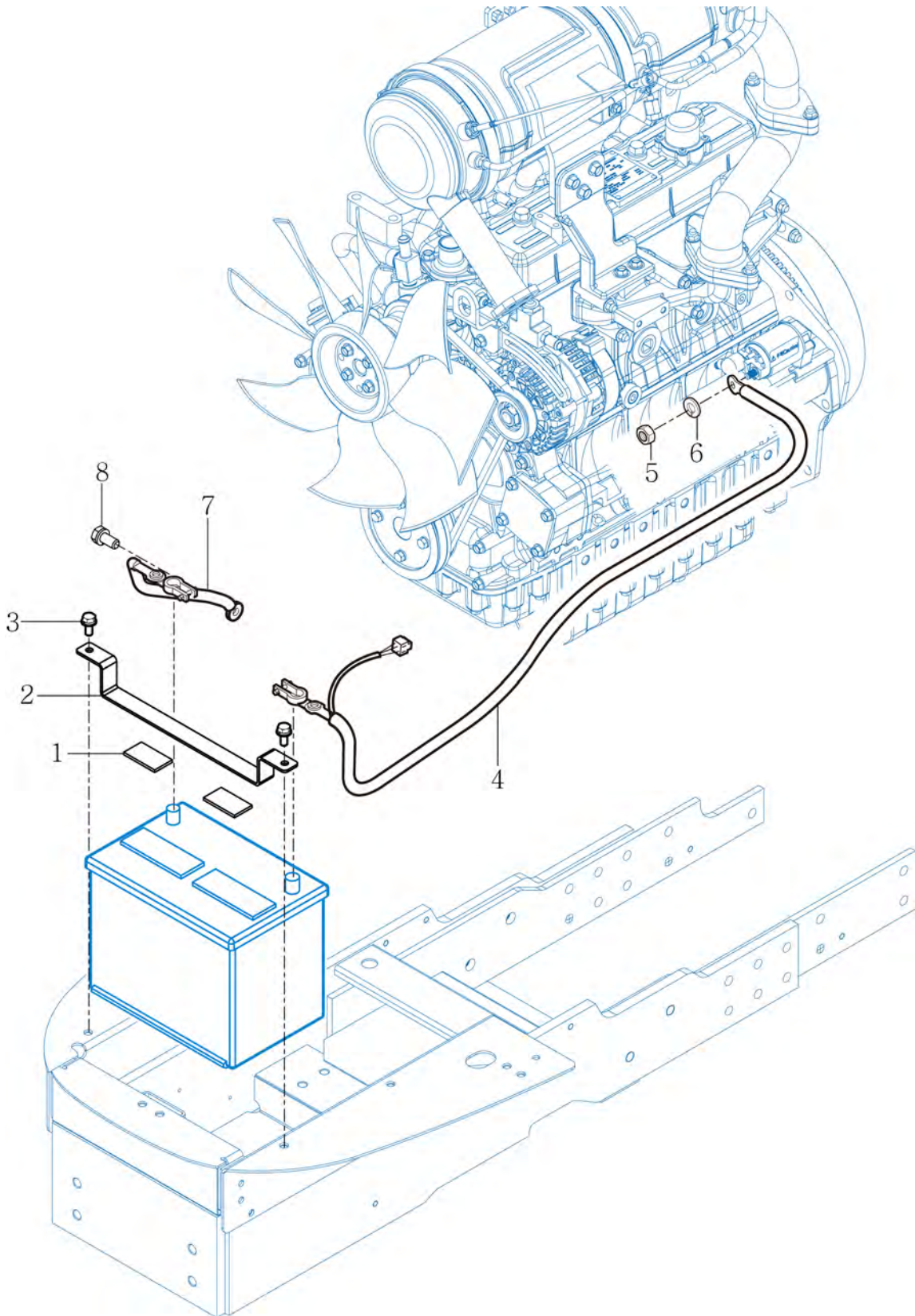
P1

YEAR

2018



T574SH / T574NH / T494SH / T494NH



NOTE

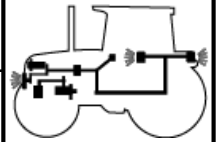
# FIG 802

# HARNES LAMP

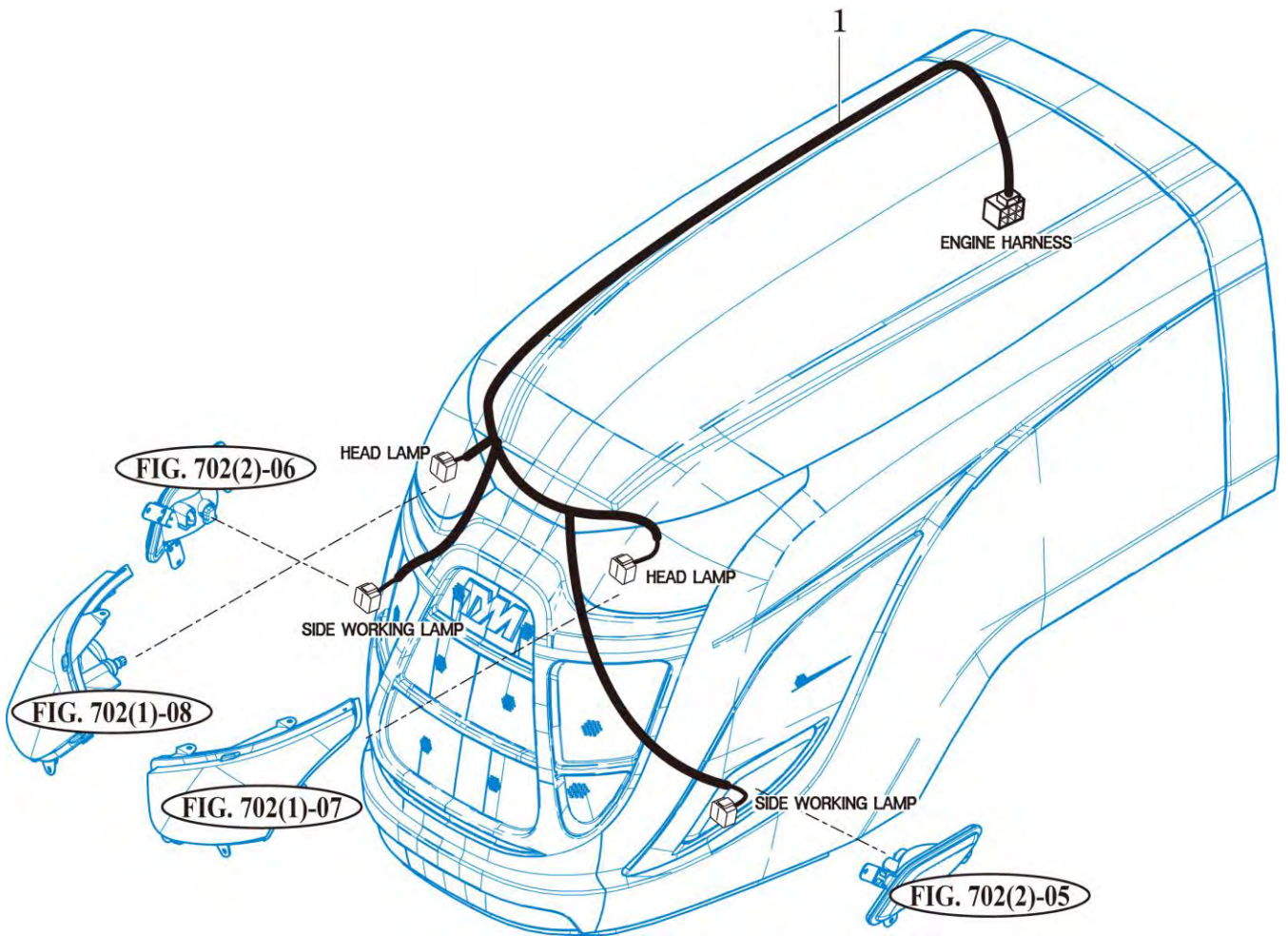
P1

YEAR

2018



T574SH / T574NH / T494SH / T494NH



NOTE



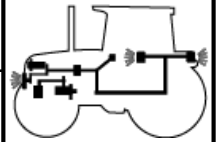
# FIG 803

# INSTRUMENT PANEL

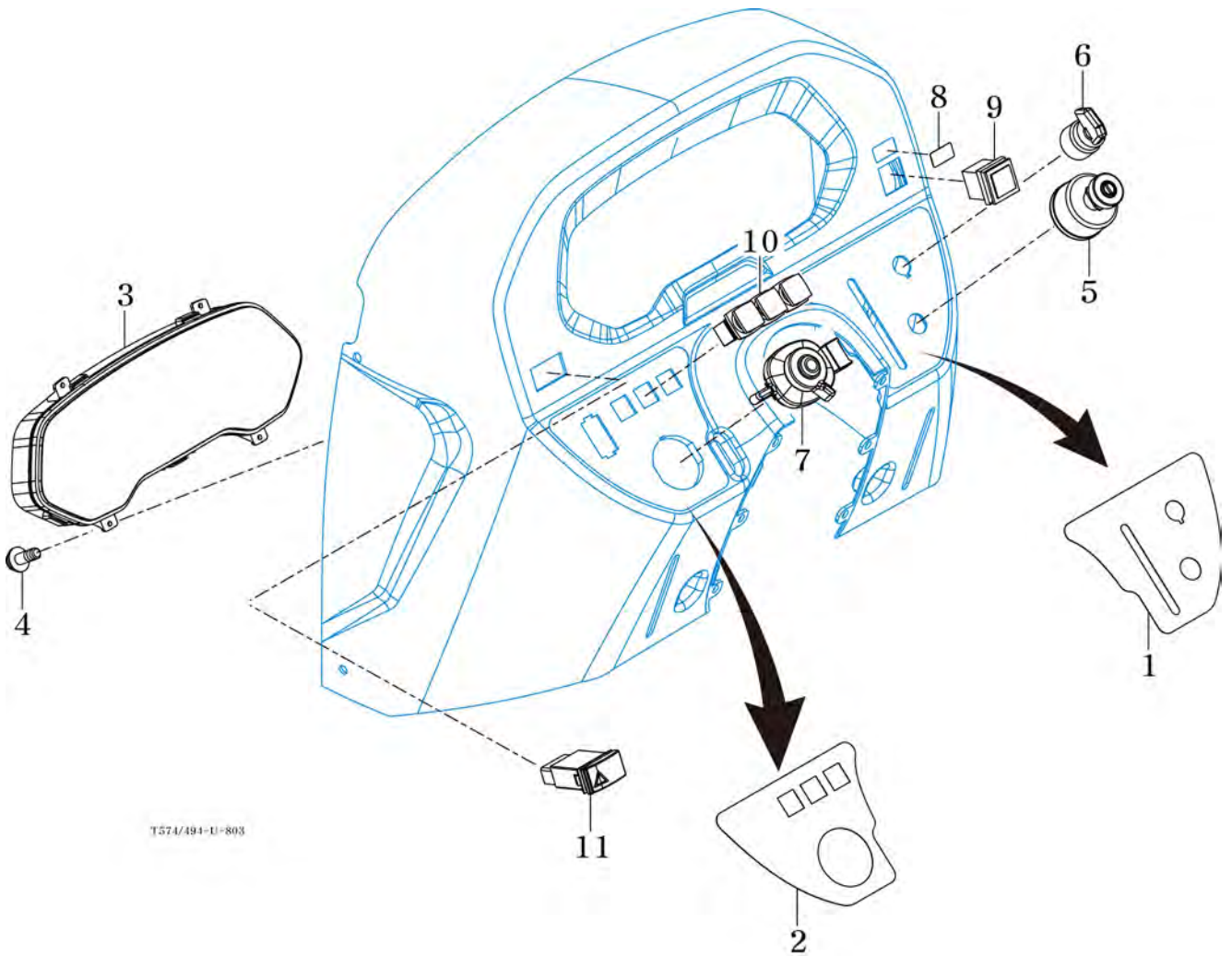
P1

YEAR

2018



T574SH / T574NH / T494SH / T494NH



T574/494-U-803

NOTE

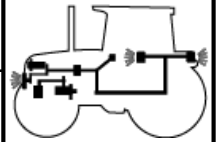
# FIG 804

# ELECTRIC SYSTEM (1)

P1

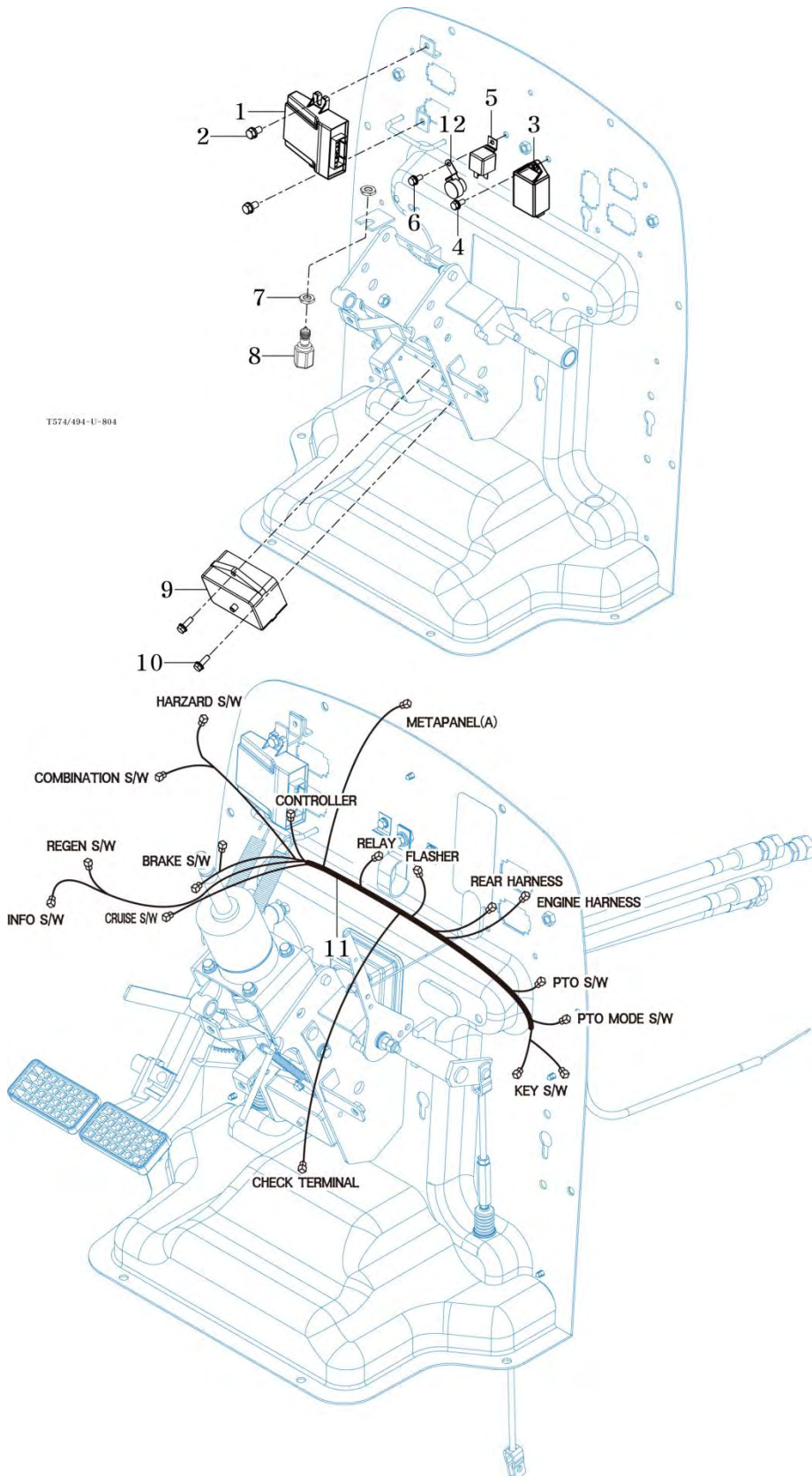
YEAR

2018



T574SH / T574NH / T494SH / T494NH

T574/494-U-804



NOTE

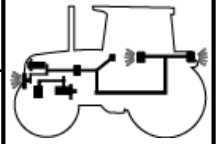
FIG 805A

ELECTRIC SYSTEM (2)

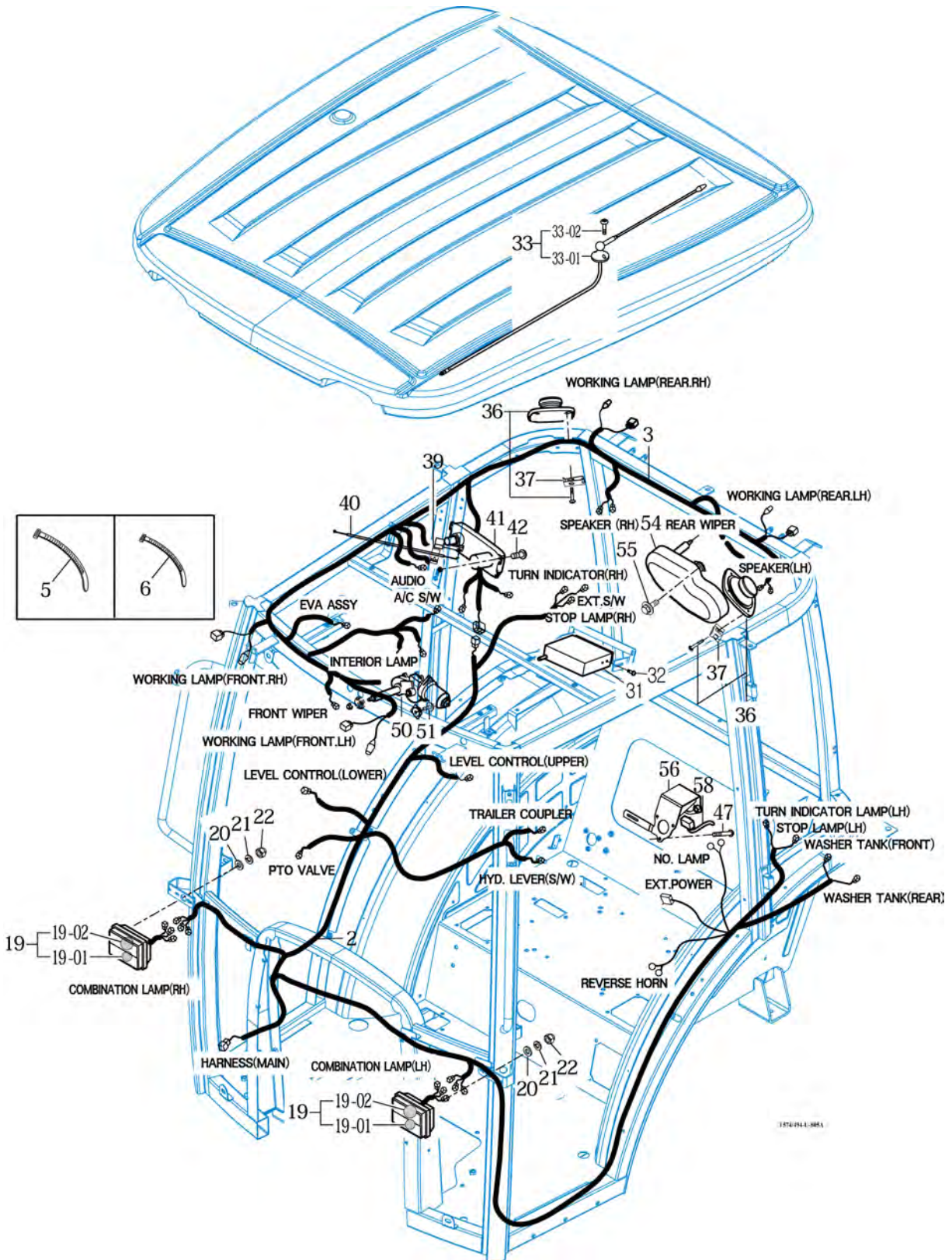
P1

YEAR

2018



T574SH / T574NH / T494SH / T494NH



NOTE



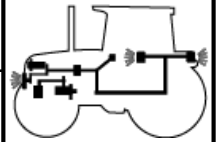
# FIG 805B

# ELECTRIC SYSTEM (2)-Non CAB

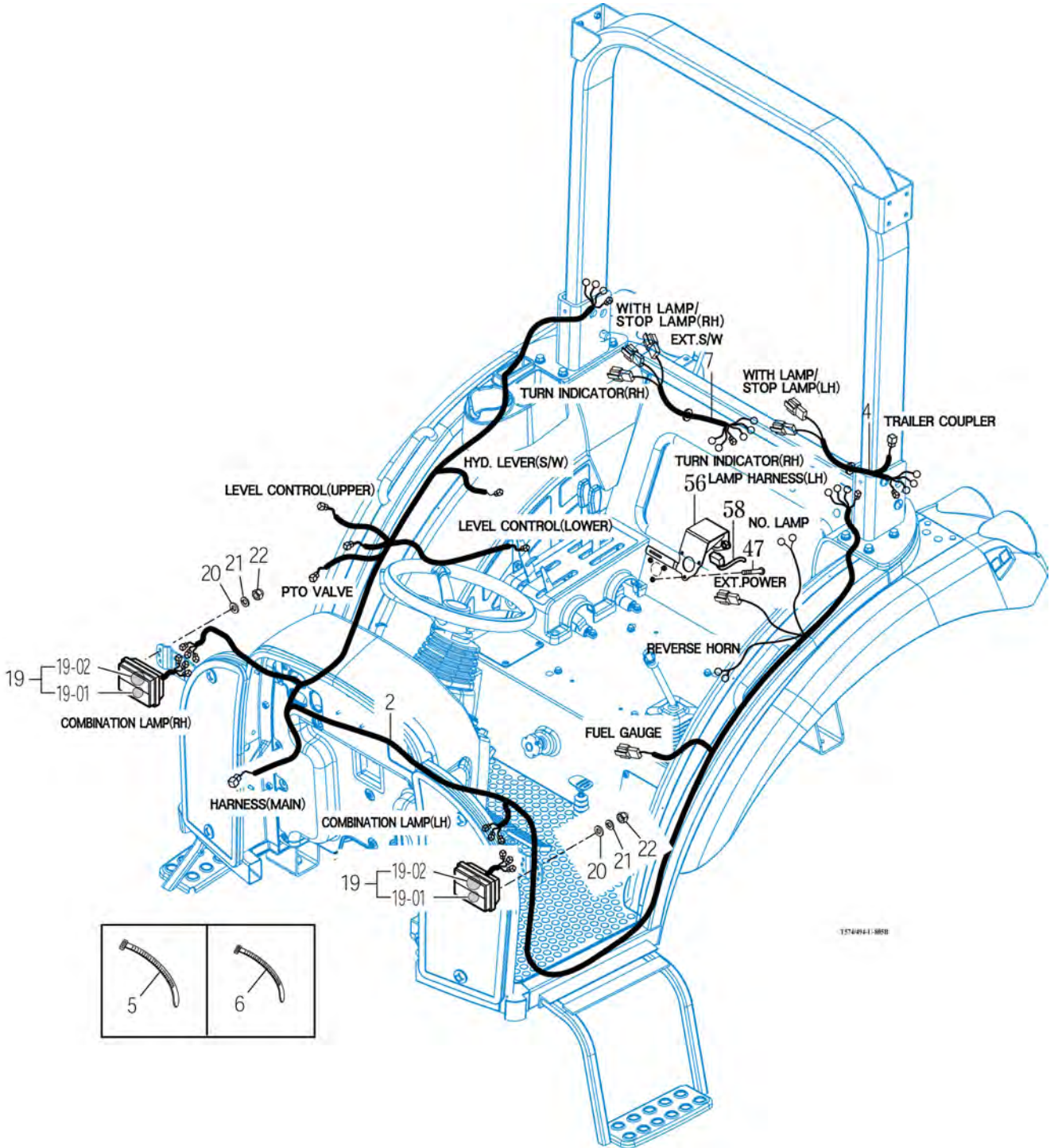
P1

YEAR

2018



T574SH / T574NH / T494SH / T494NH



T574941-0000

NOTE

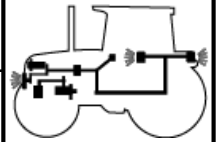
# FIG 806

# ELECTRIC SYSTEM (3)

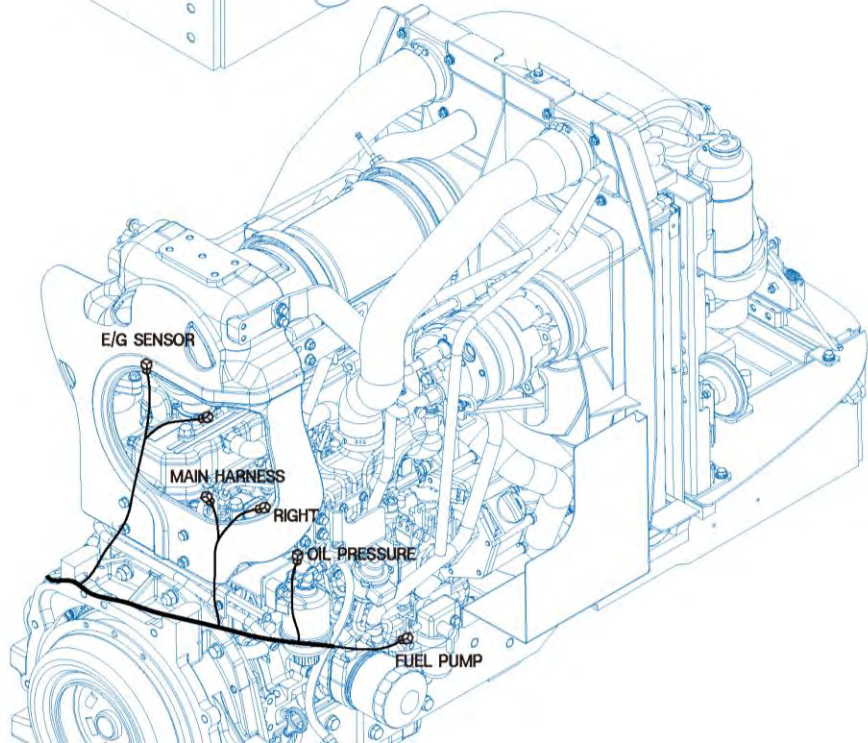
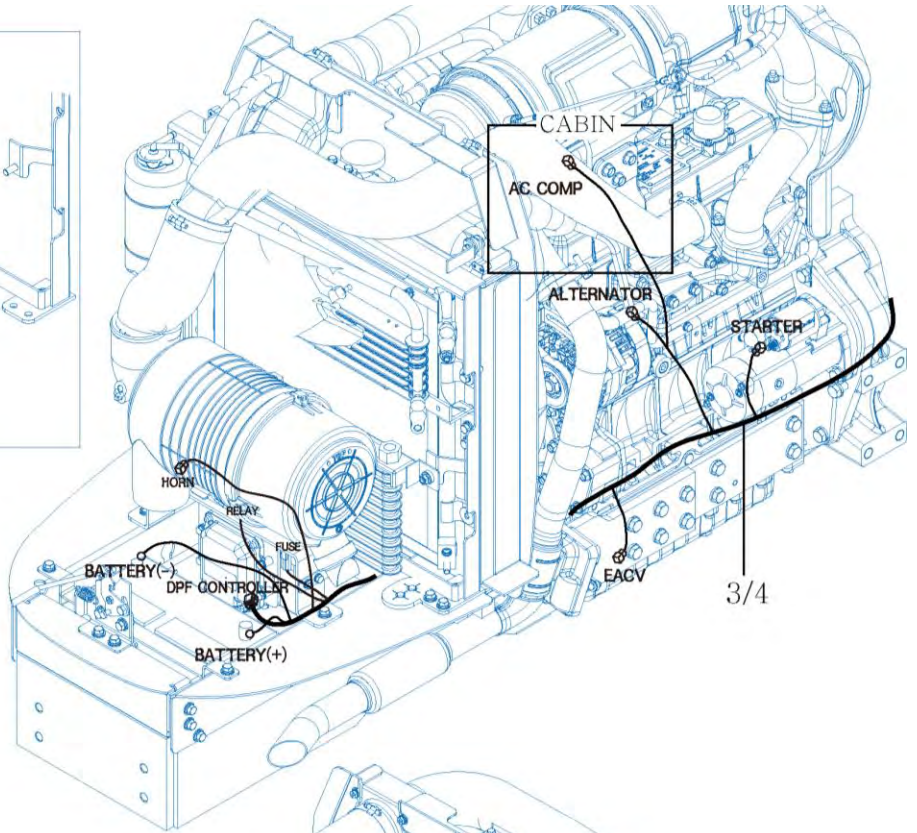
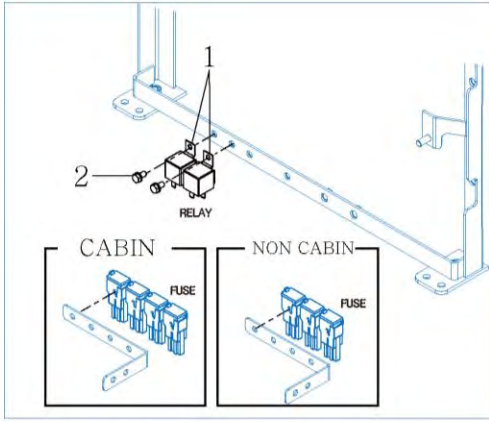
P1

YEAR

2018



T574SH / T574NH / T494SH / T494NH



NOTE

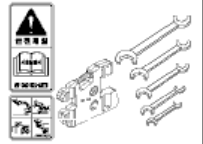
FIG 901

TOOL & ACCESSORY

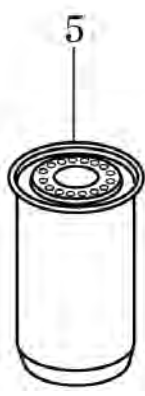
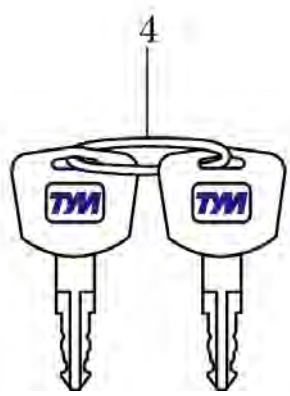
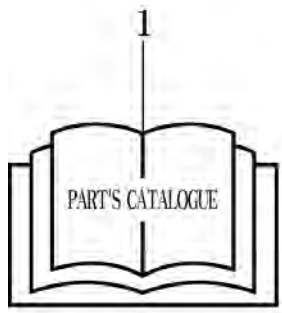
P1

YEAR

2018



T574SH / T574NH / T494SH / T494NH



T574/T494/0001

NOTE



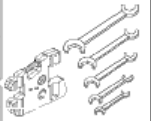
# FIG 902

# LABEL

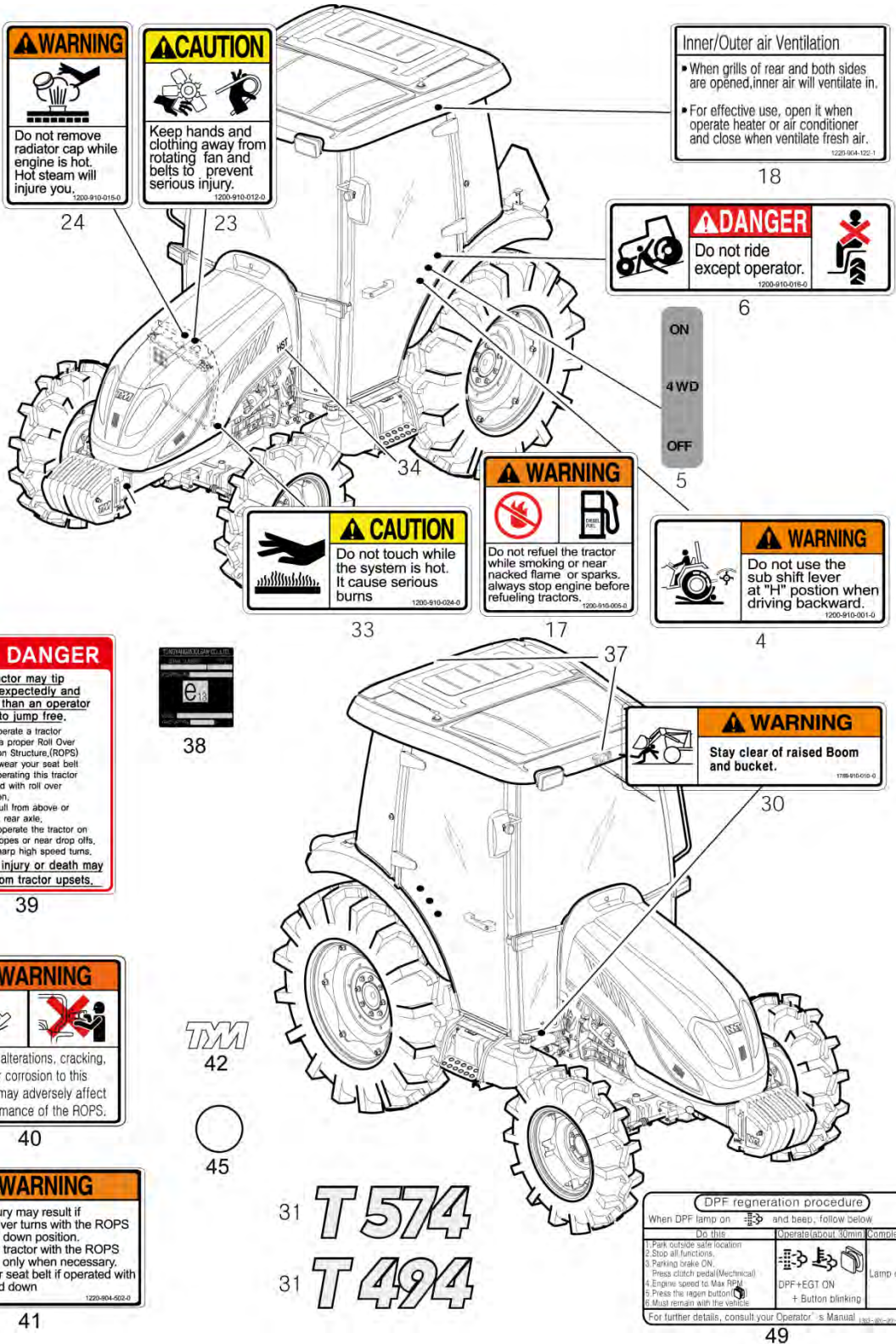
P1

YEAR

2018



T574SH / T574NH / T494SH / T494NH



**WARNING**  
Do not remove radiator cap while engine is hot. Hot steam will injure you.  
1200-910-015-0

**CAUTION**  
Keep hands and clothing away from rotating fan and belts to prevent serious injury.  
1200-910-012-0

**Inner/Outer air Ventilation**  
• When grills of rear and both sides are opened, inner air will ventilate in.  
• For effective use, open it when operate heater or air conditioner and close when ventilate fresh air.  
1200-904-102-1

**DANGER**  
Do not ride except operator.  
1200-910-016-0

ON  
4WD  
OFF

**CAUTION**  
Do not touch while the system is hot. It cause serious burns  
1200-910-026-0

**WARNING**  
Do not refuel the tractor while smoking or near naked flame or sparks. always stop engine before refueling tractors.  
1200-910-005-0

**WARNING**  
Do not use the sub shift lever at "H" position when driving backward.  
1200-910-001-0

**DANGER**  
This Tractor may tip over unexpectedly and quicker than an operator is able to jump free.  
1. Never operate a tractor without a proper Roll Over Protection Structure, (ROPS)  
2. Always wear your seat belt when operating this tractor equipped with roll over protection.  
3. Never pull from above or from the rear axle.  
4. Do not operate the tractor on steep slopes or near drop offs.  
5. Avoid sharp high speed turns.  
Serious injury or death may result from tractor upsets.



**WARNING**  
Stay clear of raised Boom and bucket.  
1706-910-010-0

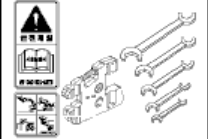
**WARNING**  
Additions, alterations, cracking, damage or corrosion to this structure may adversely affect the performance of the ROPS.

**WARNING**  
Death or injury may result if this tractor over turns with the ROPS in the folded down position. Operate this tractor with the ROPS folded down only when necessary. Do not wear seat belt if operated with ROPS folded down  
1200-904-020-0

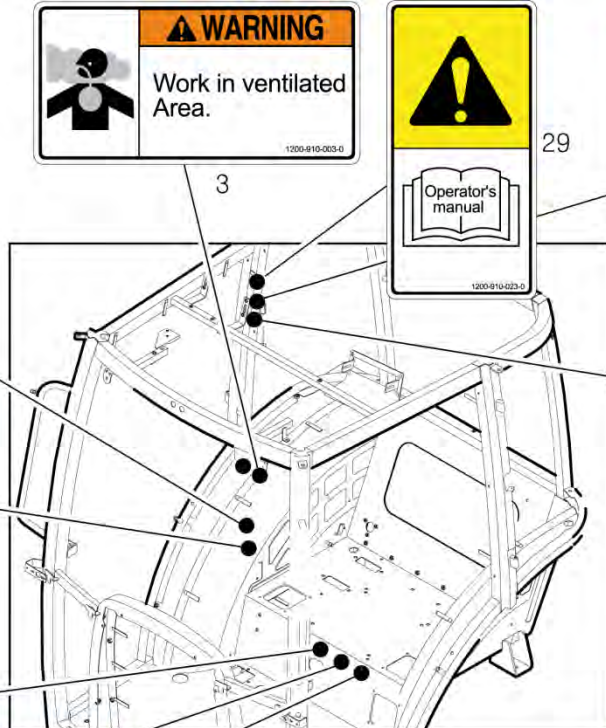
DPF regeneration procedure		
When DPF lamp on and beep, follow below		
1. Park outside safe location	Do this	Operate about 30min Complete
2. Stop all functions.		
3. Parking brake ON.		
4. Press clutch pedal (Mechanical)		
5. Engine speed to Max RPM		
6. Press the regen button		
7. Must remain with the vehicle		
	DPF+EGT ON + Button blinking	Lamp off

For further details, consult your Operator's Manual

NOTE



T574SH / T574NH / T494SH / T494NH



7



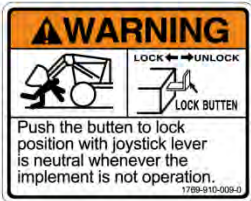
3



29



14



21



8



13



12



10



19



50



35



20



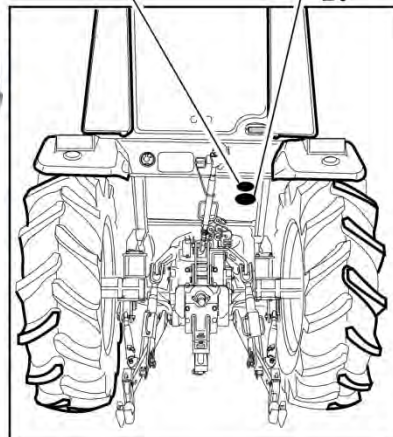
11



43



9



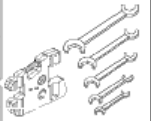
15



16

NOTE

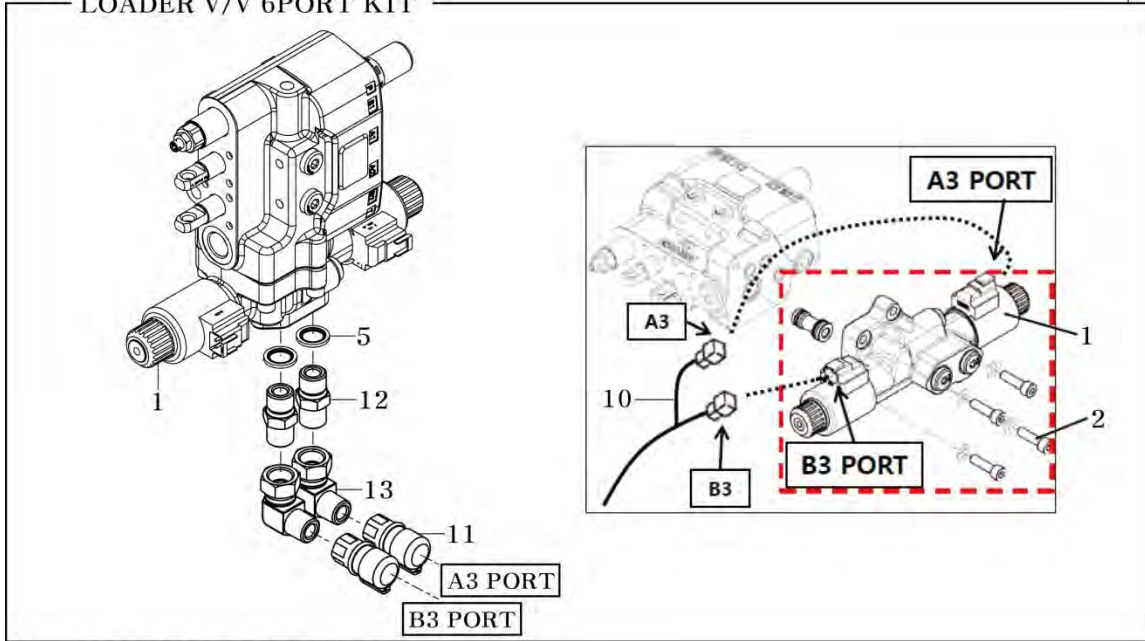




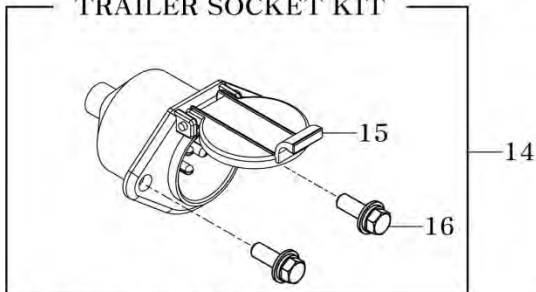
T574SH / T574NH / T494SH / T494NH

0C

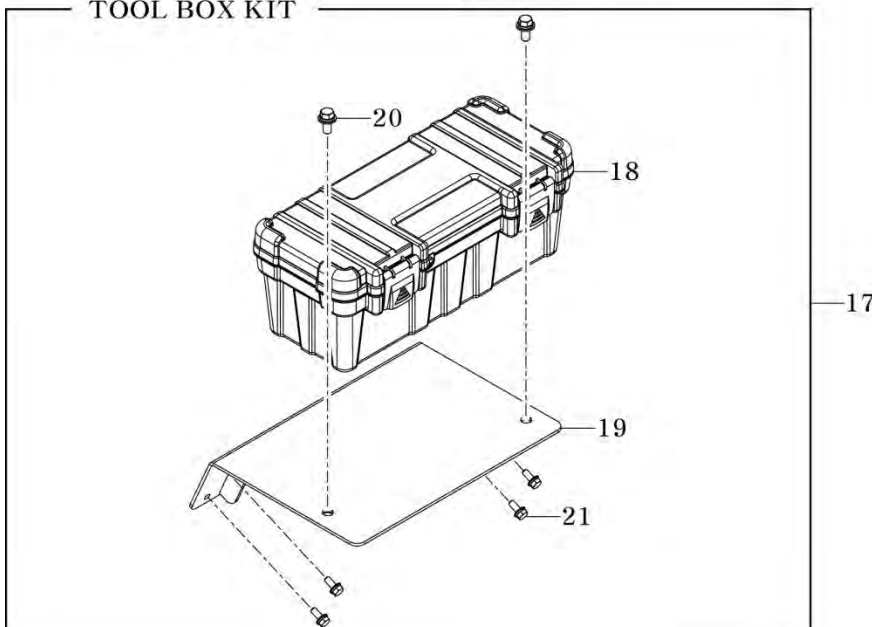
LOADER V/V 6PORT KIT



TRAILER SOCKET KIT



TOOL BOX KIT



NOTE