

2400H US_FL(AC02169) TRACTOR

Parts Catalogue



CONTENTS

GROUP NO	GROUP NAME	PAGE
G. ENGINE		
A01_002	CYLINDER BLOCK	6
A02_001	DRIVE PULLY	8
A03_001	CRANK SHAFT PULLEY	10
A04_002	GLOW PLUG ASS'Y OPTION	12
A05_001	CRANK SHAFT ASS'Y OPTION	14
A06_001	BREATHER OPTION	16
A07_001	CAMSHAFT	18
A08_001	ALTERNATOR	20
A09_001	COOLING WATER PUMP	22
A11_002	INJECTOR	24
A12_002	FUEL INJECTON	26
A13_001	PLUMBING, FUEL	28
A15_001	FUEL CAM SHAFT	30
A17_002	INTAKE MANIFOLD ASS'Y OPTION	32
A18_001	FLYWHEEL	34
A19_001	FLYWHEEL HOUSING	36
A20_002	HEAD, CYLINDER	38
A21_001	HEAD COVER	40
A23_001	TURBOCHARGER SUPPORT ASS'Y OPTION	42
A27_002	OIL PAN ASS'Y OPTION	44
A29_001	FILTER, LUBRICATING OIL	46
A31_002	PISTON	48
A32_001	LEVER, LOCKER	50
A33_003	EXHAUST MANIFOLD	52
A34_002	SILENCER	54
A35_001	IDLE GEAR	56
A36_001	COVER, FRONT GEAR	58
A38_003	GAUGE, OIL LEVEL	60
A39_001	OIL FILLER CAP	62
A40_001	LIFT ASS'Y OPTION	64
A42_002	MOTER, STARTIONS	66
A46_001	FORK LEVER ASS'Y OPTION	68
A47_001	WATER PUMP FLANGE&THERMOSTAT	70
A48_002	V-BELT	72

CONTENTS

GROUP NO	GROUP NAME	PAGE
G. ENGINE		
A53_001	GOVERNOR ASSY	74
A54_001	STOP SOLENOID	76
A55_001	SPEED CONTROL PLATE	78
B. ENGINE ACCESSORIES		
B01010	FUEL TANK	80
B01032	FUEL LINE	82
B02020	RADIATOR	84
B02040	WATER PIPE	86
B02050	AUXILIARY COOLANT TANK	88
B03010	AIR CLEANER	90
B03031	MUFFLER	92
B05010H	ACCELERATION SYSTEM	94
C. CLUTCH, BREAK, LEVER		
C01010	CLUTCH DISC	96
C01030	CLUTCH PADAL	98
C02010	BRAKE PEDAL	100
C02030	BRAKE ROD	102
C02064	SIDE BRAKE	104
C03010	HST PEDAL	106
C03040	NEUTRE HOLDER LINK	108
C04000H	LEVER&PEDAL ASS'Y	110
C04042H-A	DIFF. LOCK LEVER	112
C04050H	CRUISE LEVER	114
D. HYDRAULIC		
D01010	HYDRAULIC PUMP	116
D01011	HYDRAULIC OIL LINE	118
D01012	HYDRAULIC OIL LINE/DELIVERY	120
D01013H	HYDRAULIC OIL LINE	122
D02010	STEERING WHEEL	124
D02011	STEERING MOUNTING	126
D02020	STEERING VALVE	128
D02030	PST HOSE	130
D02041	PST COVER	132
D03010H	OIL COOLER	134

CONTENTS

GROUP NO	GROUP NAME	PAGE
D. HYDRAULIC		
D03020H	HYDRAULIC OIL LINE, HST	136
D03060	REAR SCV	138
E. FRONT AXLE		
E01010	FRONT AXLE CASE	140
E01030	GEAR CASE, FRONT AXLE	142
E01030-1	GEAR CASE, FRONT AXLE	144
E01040	FRONT DIFFERENTIAL	146
E01050	BEVEL GEAR	148
E01070H	FRONT DRIVE SHAFT	150
E01080	TIE ROD	152
F. TRANSMISSION		
F01010	CLUTCH HOUSING	154
F01020H-A	TRANSMISSION CASE	156
F01040	REAR AXEL CASE	158
F01050	HYD TRANSMISSION HOUSING	160
F01051	NEUTRE HOLDER LINK	162
F01070	DIFFERENTIAL GEAR CASE	164
F02020	CLUTCH SHAFT	166
F02090	CENTER FRAME	168
F02110H	PROPELLER SHAFT	170
F02120H	FRONT SHAFT	172
F02130H	HYDRAULIC OIL LINE, CLUTCH	174
F03010H	MAIN SHIFT DRIVE SHAFT	176
F03040H-B	RANGE SHIFT DRIVE SHAFT	178
F04010H	FRONT WHEEL DRIVE SHAFT	180
F05020	REARR DIFFERNTIAL	182
F06010	REAR AXLE	184
F07030H	PTO DRIVE SHAFT	186
F07070H-A	PTO SHAFT	188
F07080	MID PTO	190
F08022	RANGE SHIFT FORK	192
F08050	DIFFERENTIAL LOCK SHIFT FORK	194
F08060H	PTO FORK	196
F10010-B	HYD. CYLINDER CASE	198

CONTENTS

GROUP NO	GROUP NAME	PAGE
F. TRANSMISSION		
F10020	LIFT ARM	200
F10064-B	POSITION CONTROL LEVER	202
F10070-B	SHAFT, CONTROL LEVER	204
F10080-B	HYD VALVE	206
F10160H	HYDRAULIC OIL LINE, HST	208
F11020-A	RANGE SHIFT LEVER	210
F11030	PTO GEAR SHIFT LEVER	212
F11080	4WD LEVER	214
G. SHEET METAL, CABIN		
G01020	BONNET	216
G01060	FIXED BRACKET, BONNE	218
G01080	BRACKET, FRONT AXLE	220
G04020	DASHBOARD	222
G04060	SUB STEP	224
G04070	DRIVER'S SEAT	226
G04071	FLOOR SEAT	228
G04083H	LEVER GUIDE	230
G04090	FENDER	232
G04093	FENDER STAY	234
G04120-A	ROPS	236
G05020	TOP LINK	238
G05030	LOWER LINK	240
G05050	LIFT LINK	242
G05054-A	CHECK CHAIN	244
G05070	DRAW BAR	246
G05090	PTO COVER	248
H. ELECTRICALS, HARNESS		
H01030	BATTERY	250
H02010	HEADLIGHT	252
H02022	COMBINATION LAMP/RR	254
H02050	TURN INDICATOR	256
H03040	MAIN HARNESS	258
H04051	SWITCH/DASHBOARD	260
H04054	SWITCH/BRAKE	262

CONTENTS

GROUP NO	GROUP NAME	PAGE
H. ELECTRICALS, HARNESS		
H04060H	ELETRIC APPARATUS	264
I. WEIGHT, TOOLS, TIRE		
I01010	WEIGHT	266
I02010	TOOL BOX	268
I03020	LABEL	270
I03051	SMV EMBLEM	272

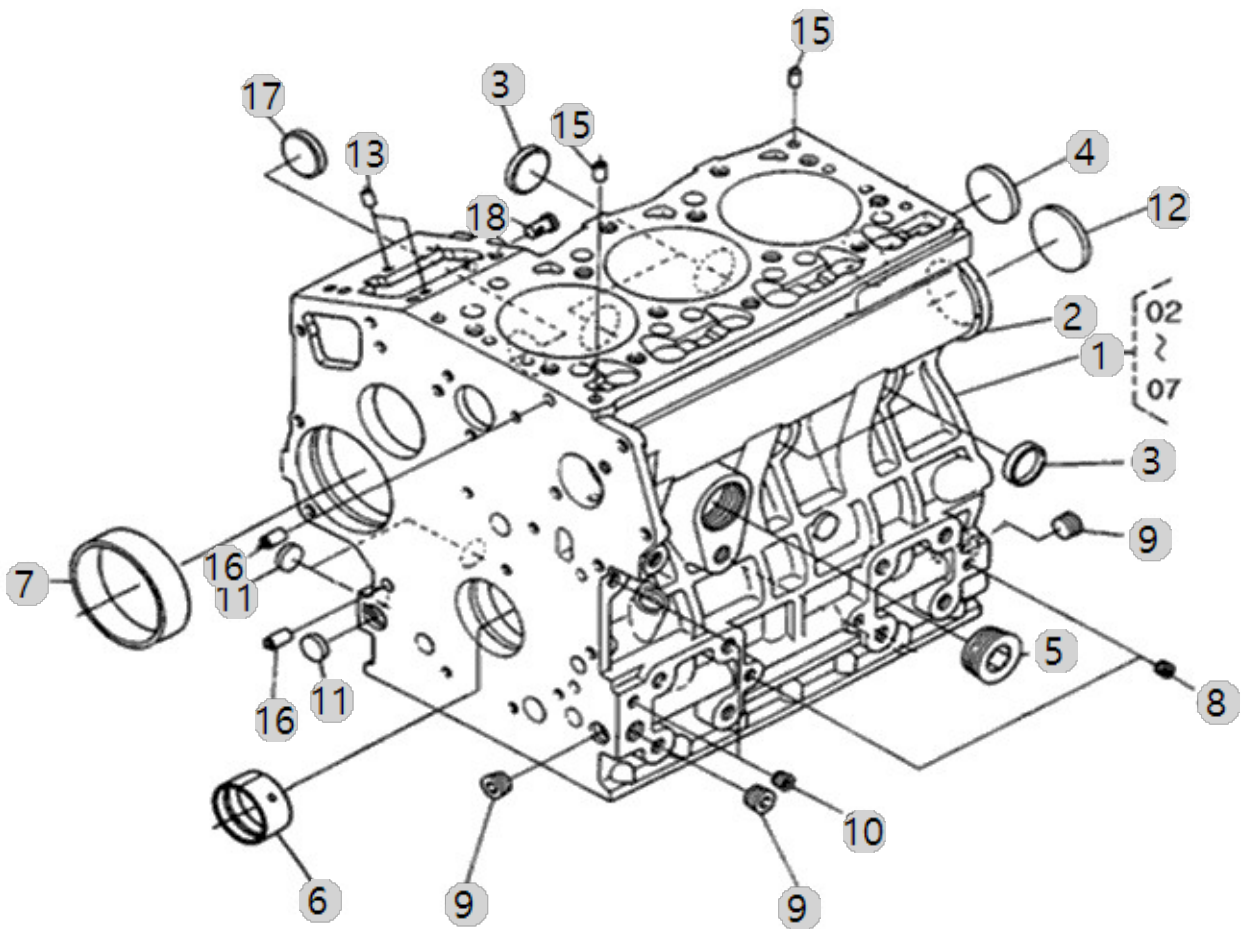
A01_002

A1100N2-UTR_4
(AB00368)

CYLINDER BLOCK

Year/Month

2022-12-14



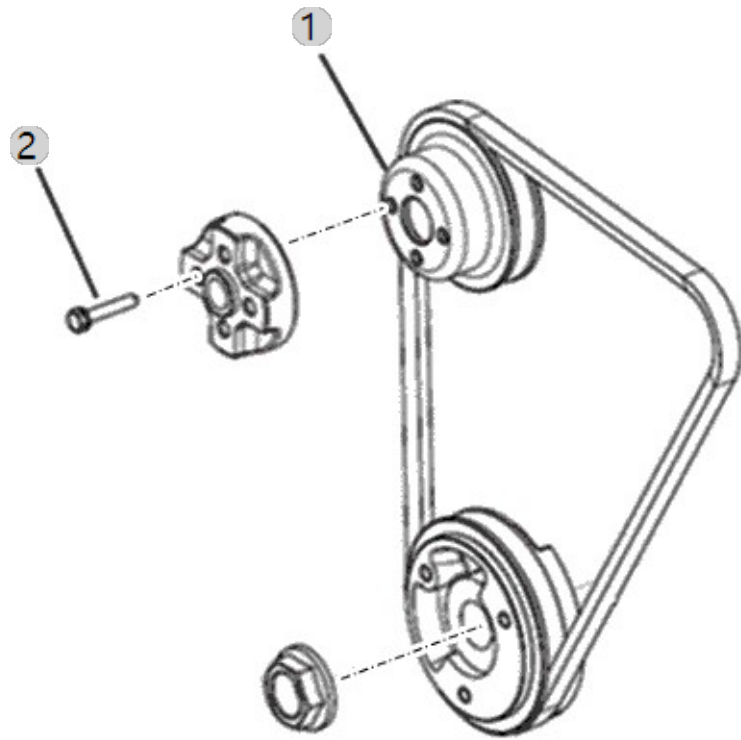
A02_001

A1100N2-UTR_4
(AB00368)

DRIVE PULLEY

Year/Month

2022-12-14



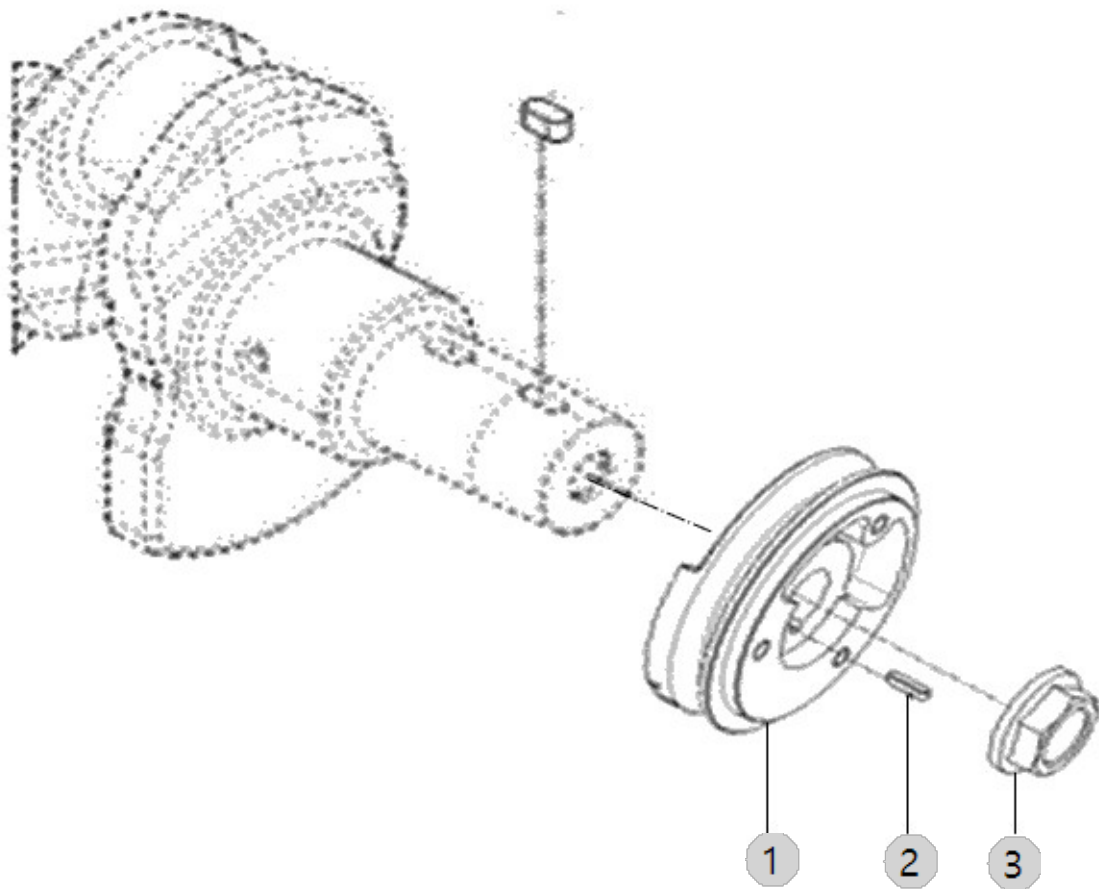
A03_001

A1100N2-UTR_4
(AB00368)

CRANK SHAFT PULLEY

Year/Month

2022-12-14



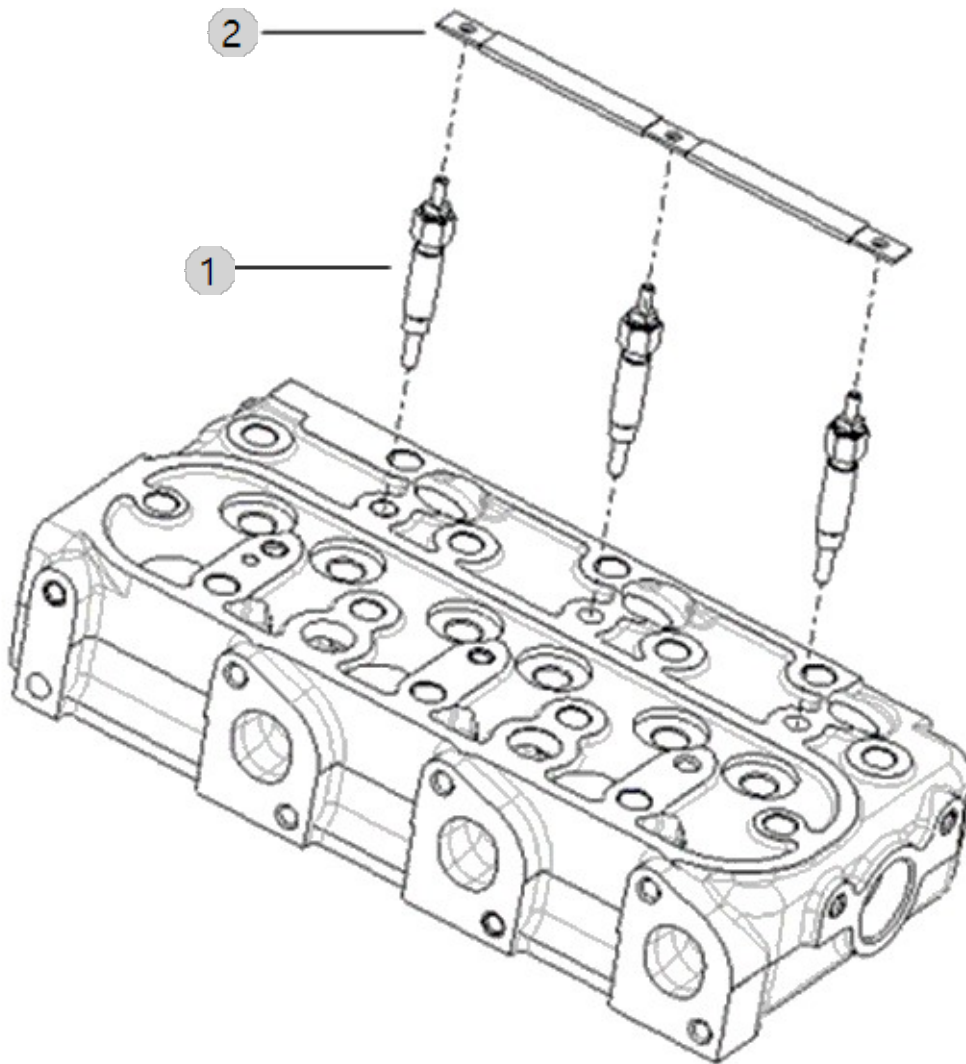
A04_002

A1100N2-UTR_4
(AB00368)

GLOW PLUG ASS'Y OPTION

Year/Month

2022-12-14



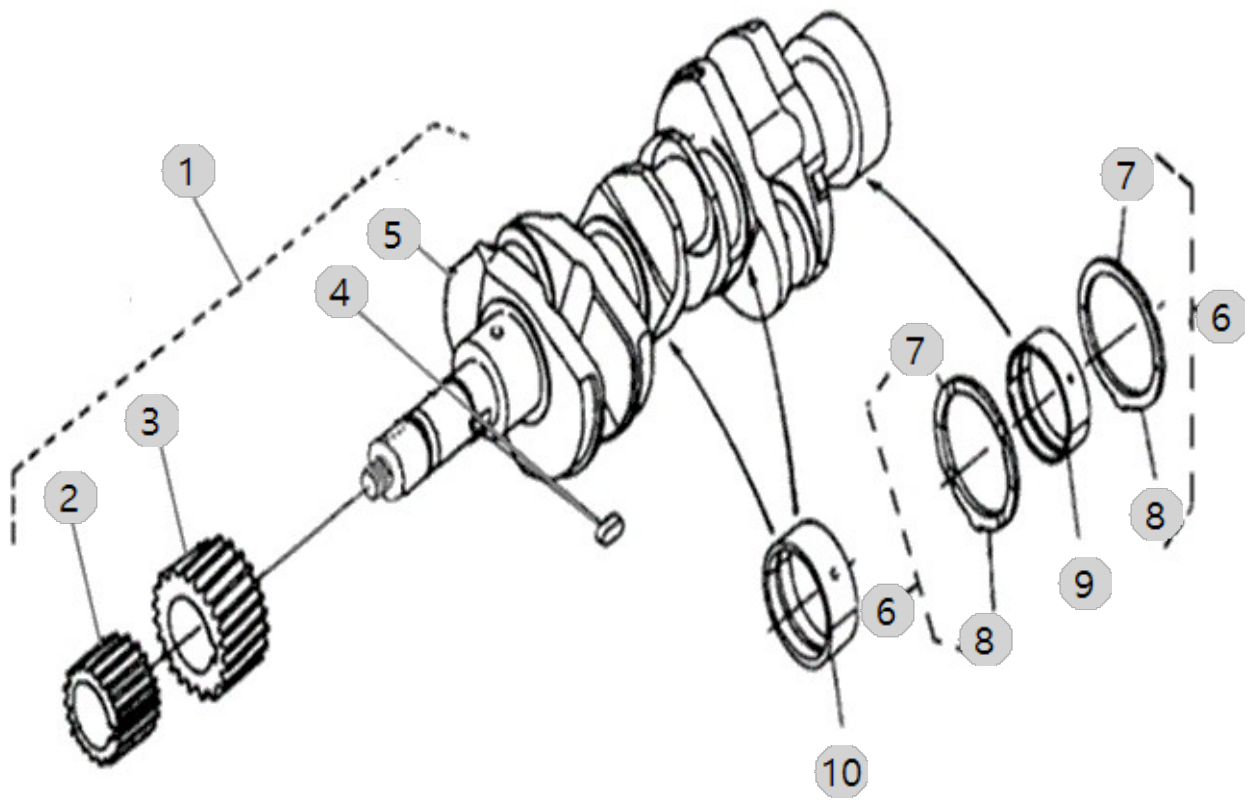
A05_001

A1100N2-UTR_4
(AB00368)

CRANK SHAFT ASS'Y OPTION

Year/Month

2022-12-14



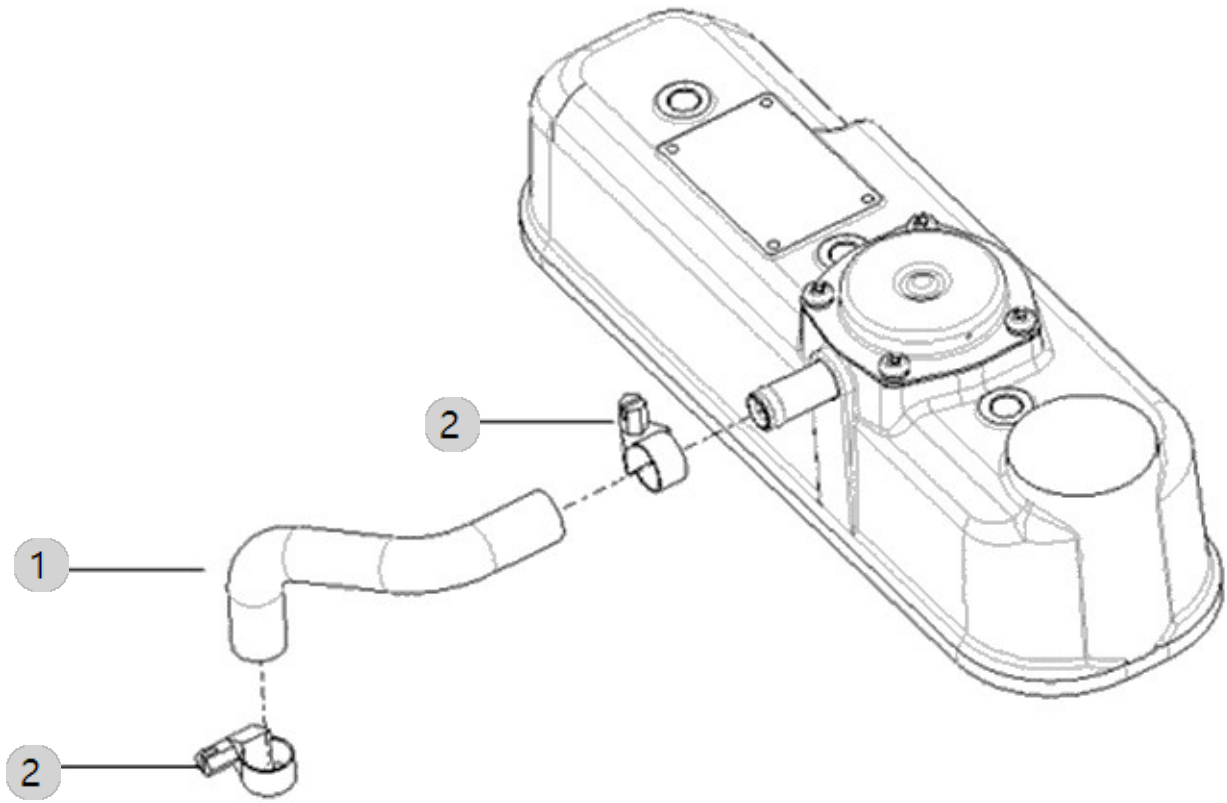
A06_001

A1100N2-UTR_4
(AB00368)

BREATHER OPTION

Year/Month

2022-12-14



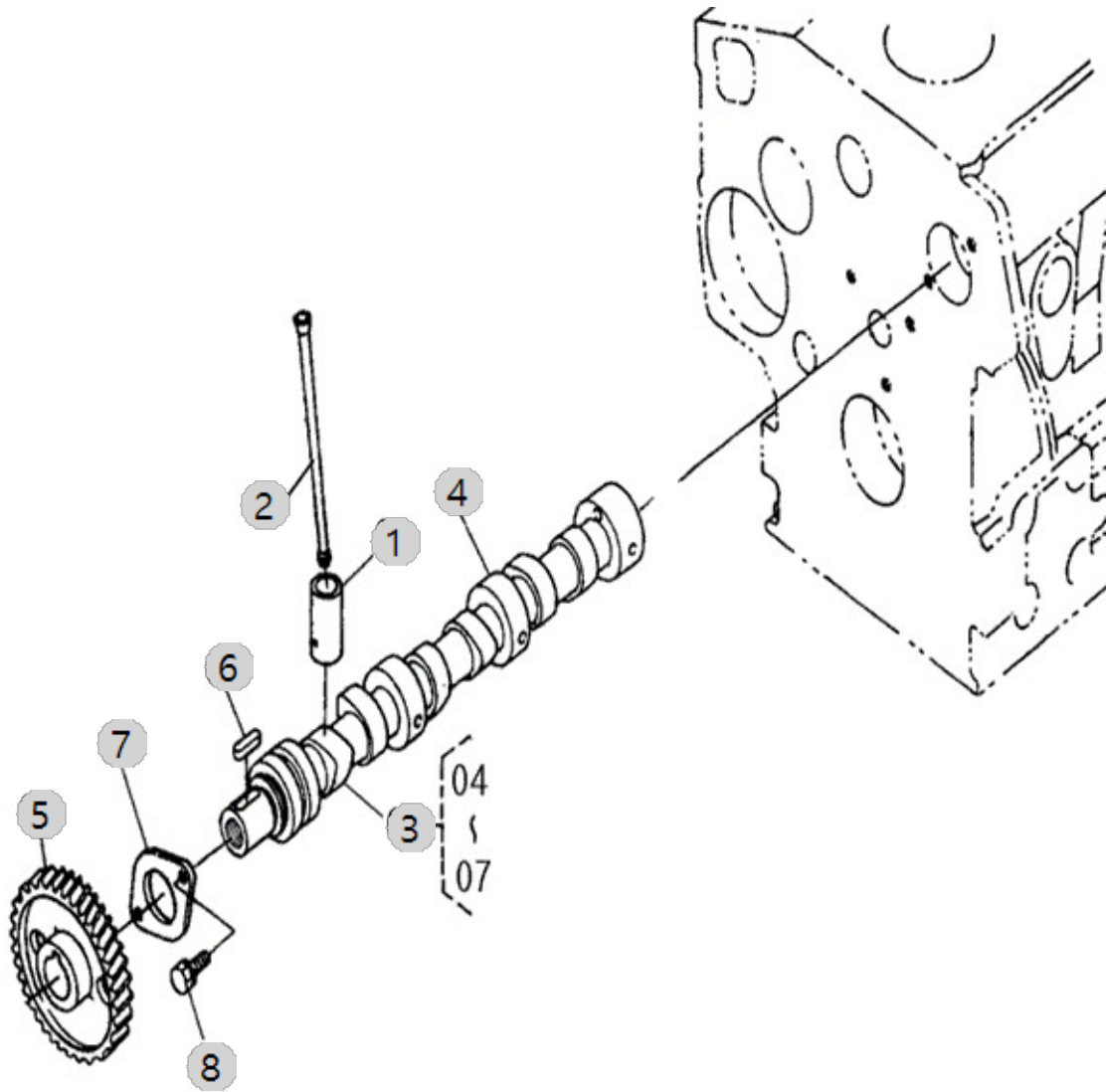
A07_001

A1100N2-UTR_4
(AB00368)

CAMSHAFT

Year/Month

2022-12-14



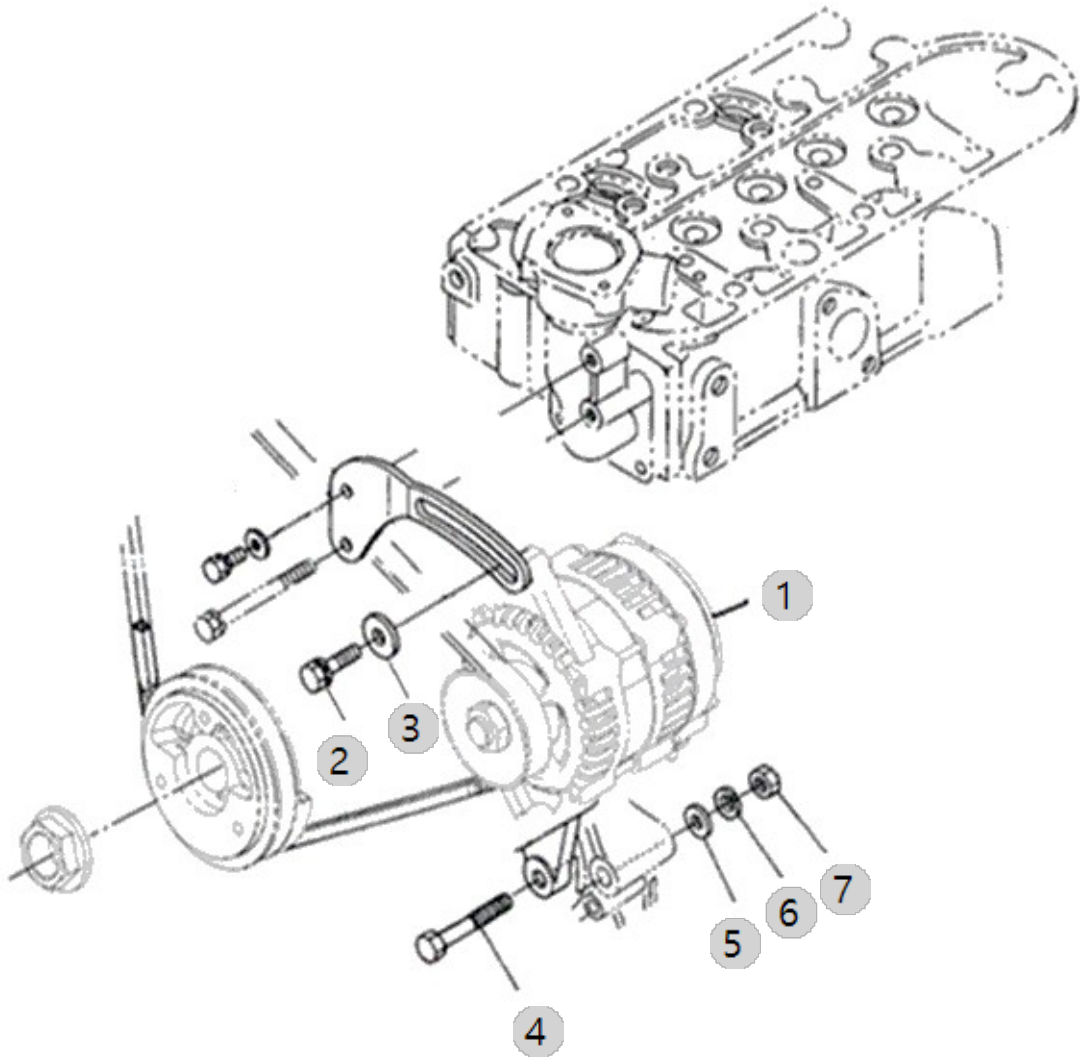
A08_001

A1100N2-UTR_4
(AB00368)

ALTERNATOR

Year/Month

2022-12-14



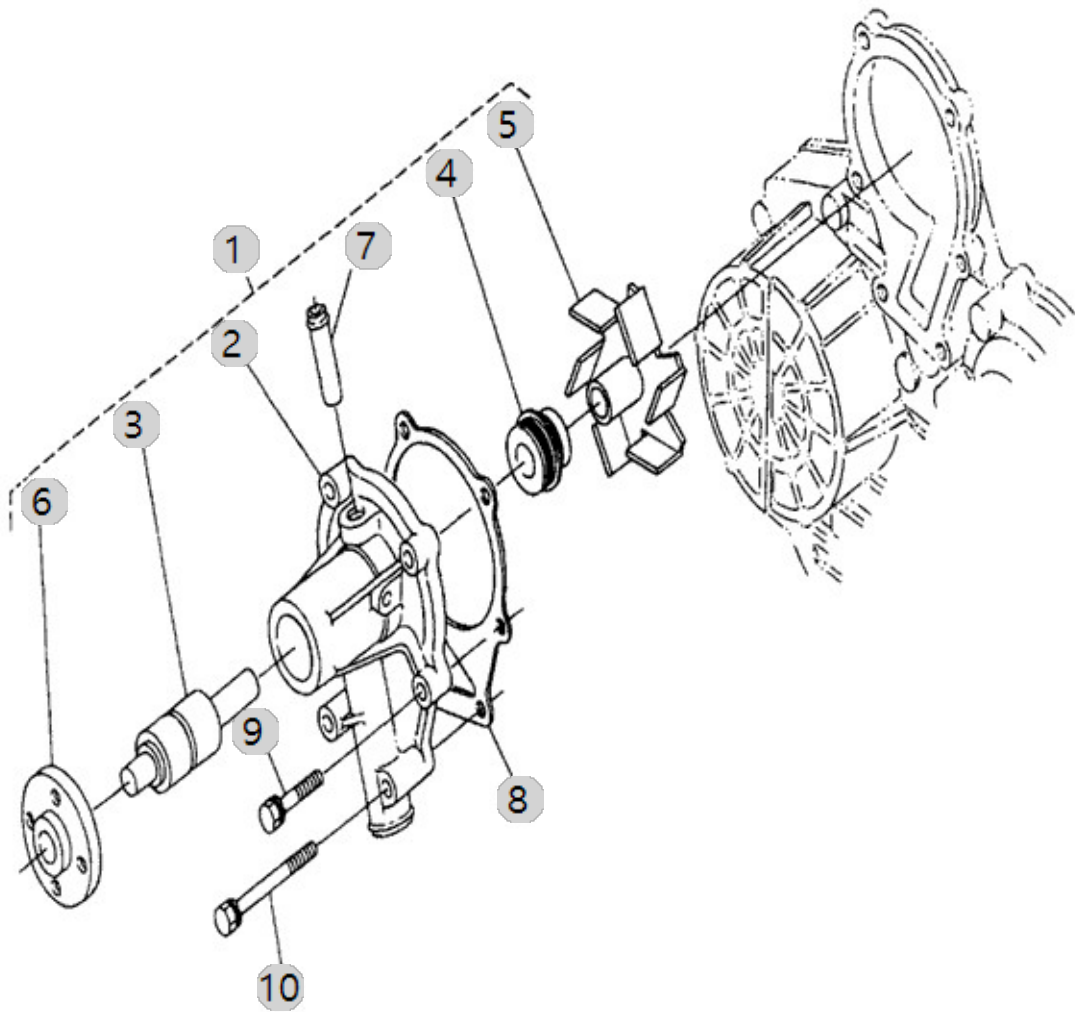
A09_001

A1100N2-UTR_4
(AB00368)

COOLING WATER PUMP

Year/Month

2022-12-14



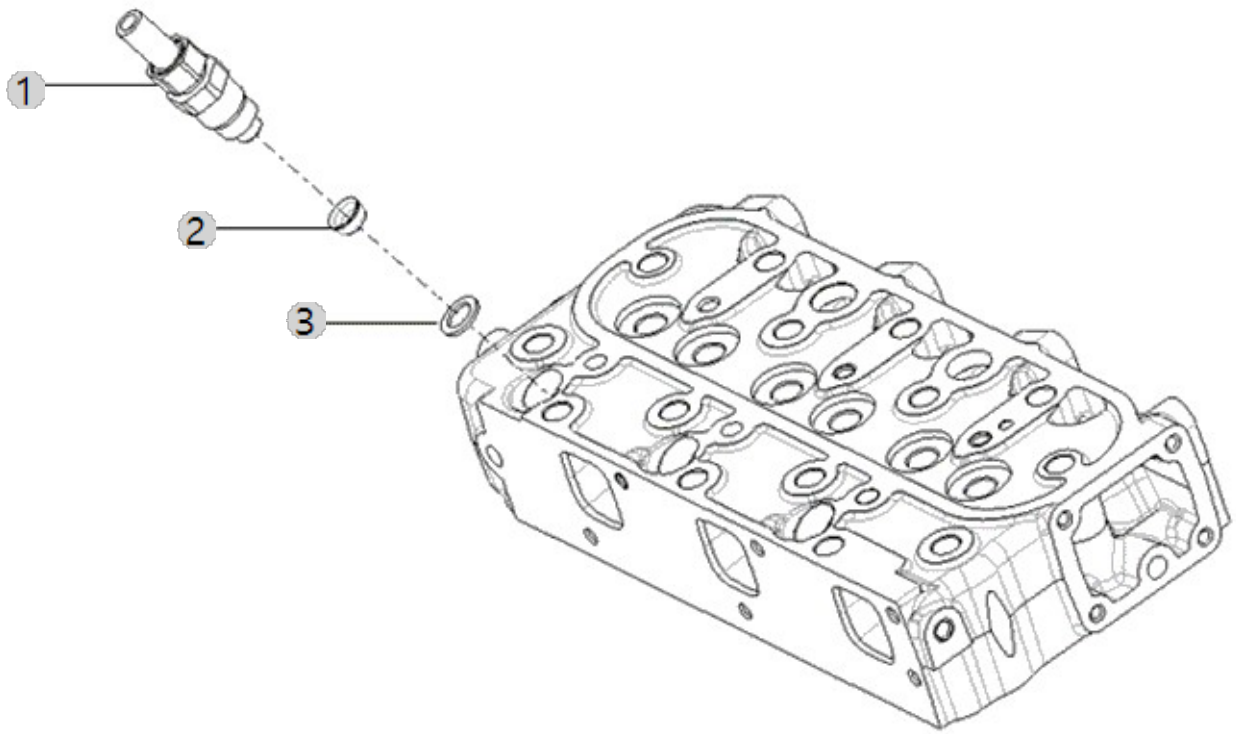
A11_002

A1100N2-UTR_4
(AB00368)

INJECTOR

Year/Month

2022-12-14



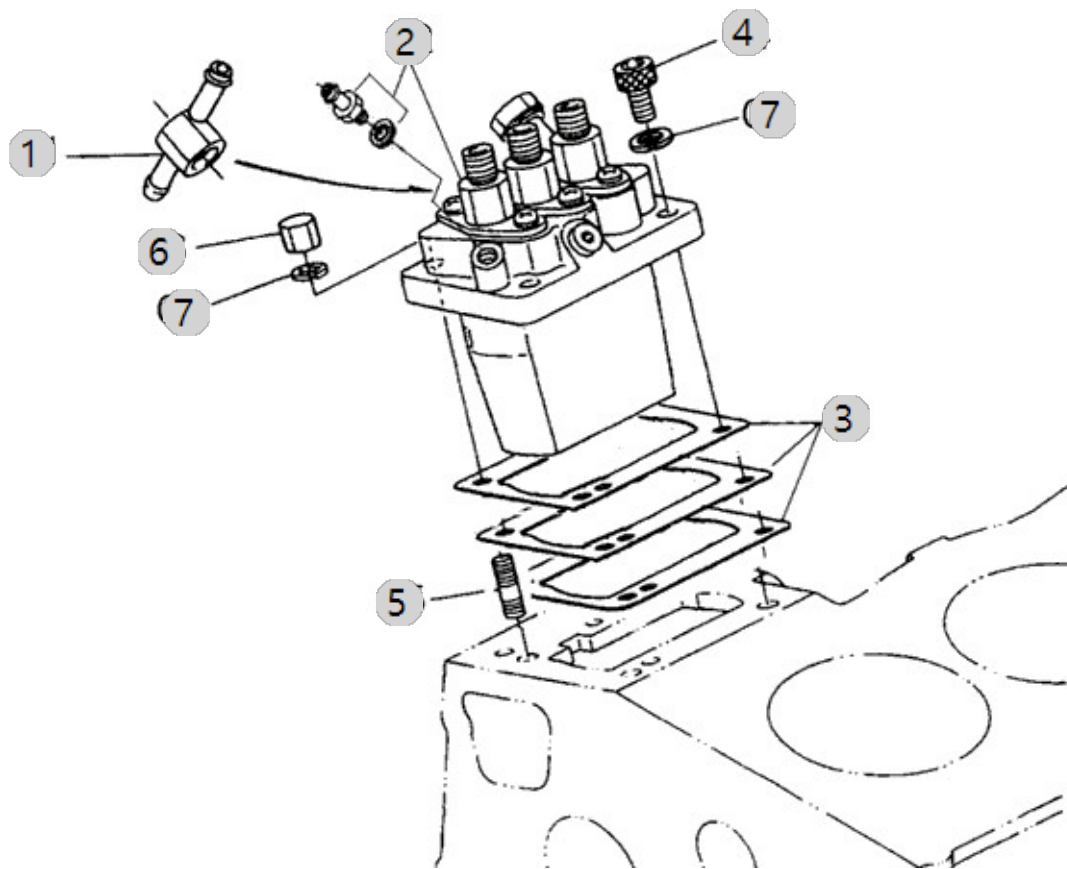
A12_002

A1100N2-UTR_4
(AB00368)

FUEL INJECTOR

Year/Month

2022-12-14



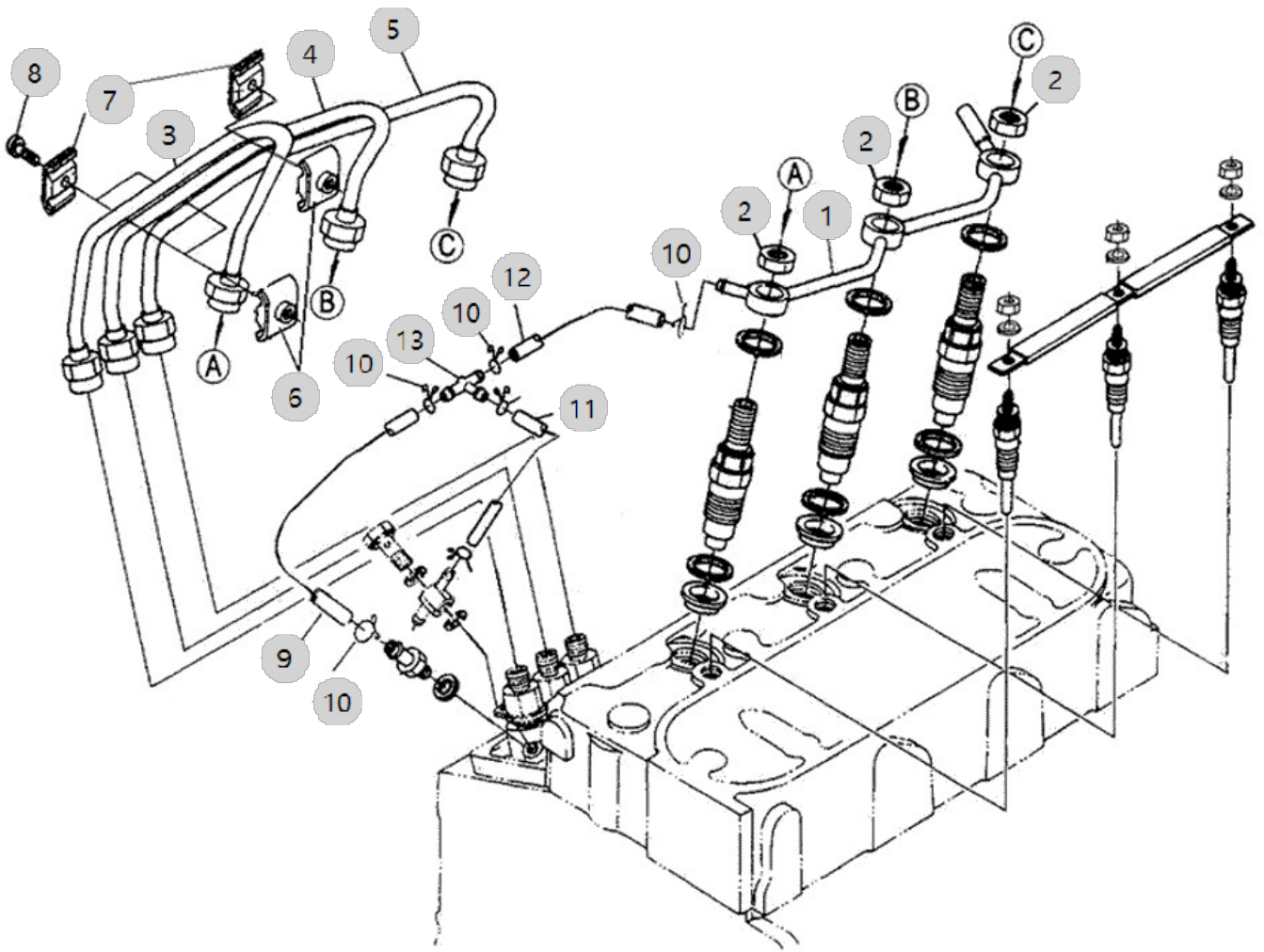
A13_001

A1100N2-UTR_4
(AB00368)

PLUMBING, FUEL

Year/Month

2022-12-14



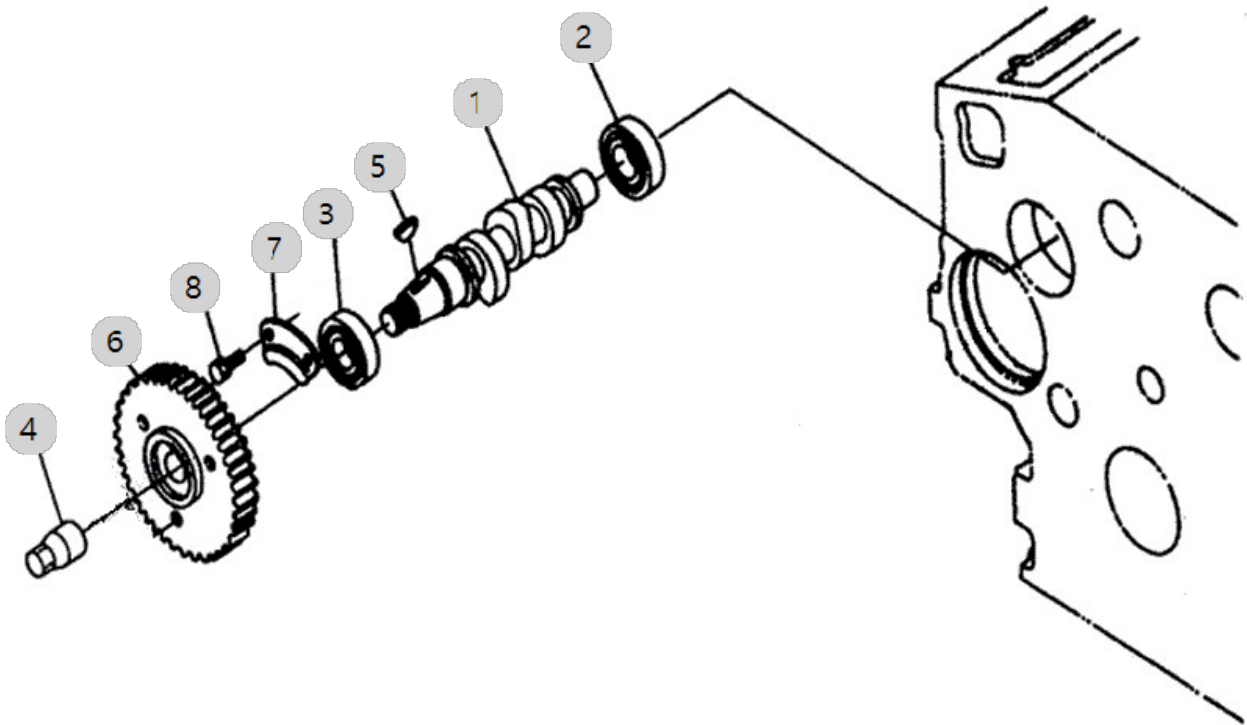
A15_001

A1100N2-UTR_4
(AB00368)

FUEL CAM SHAFT

Year/Month

2022-12-14



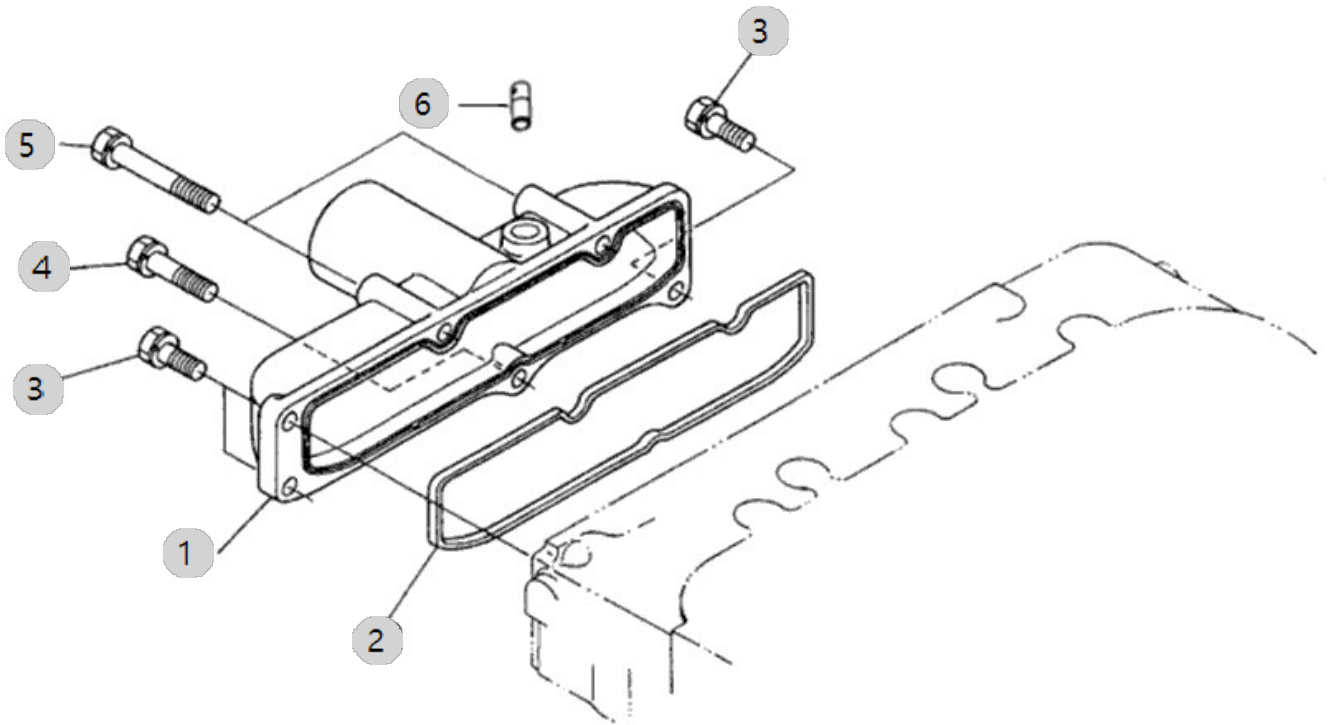
A17_002

A1100N2-UTR_4
(AB00368)

INTAKE MANIFOLD ASS'Y OPTION

Year/Month

2022-12-14



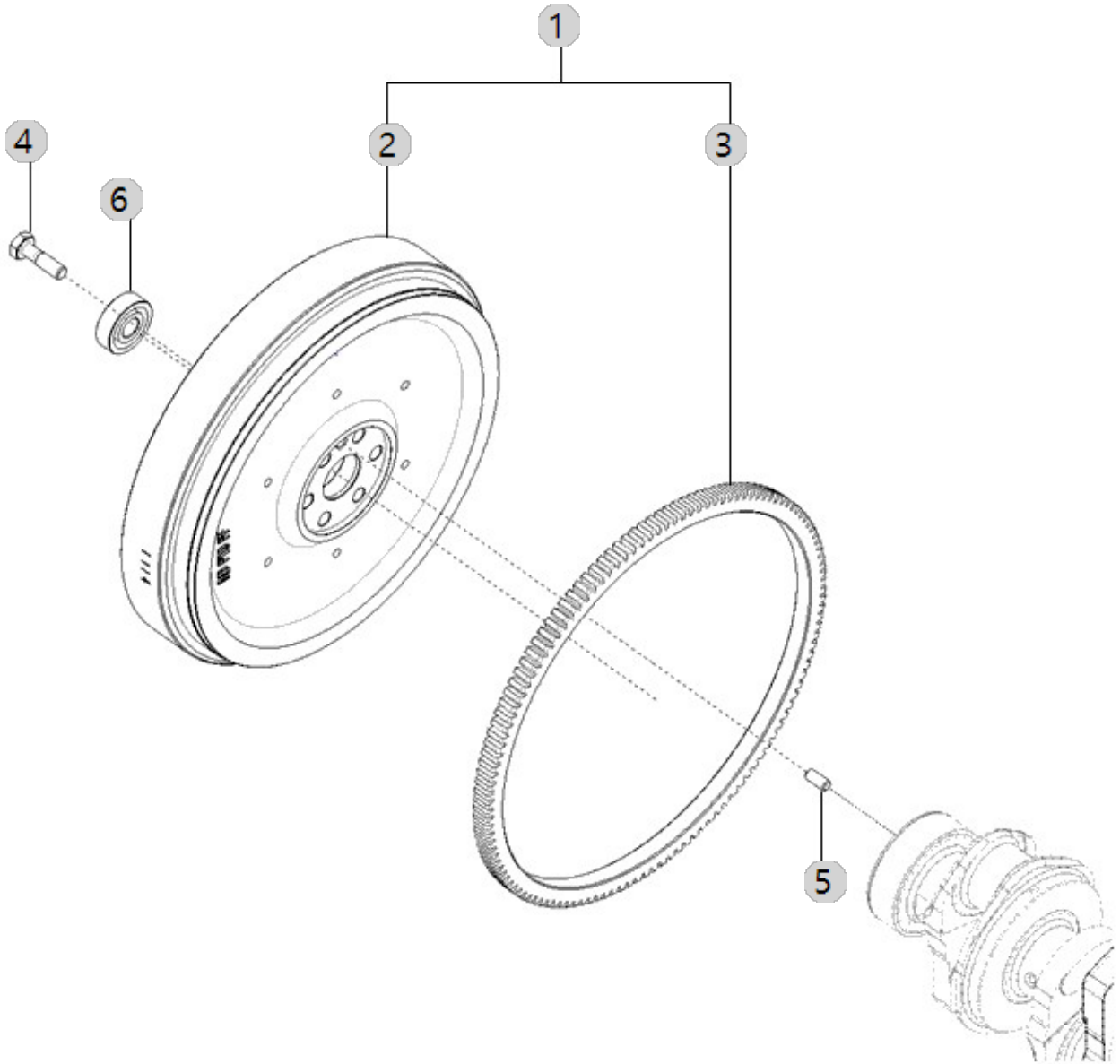
A18_001

A1100N2-UTR_4
(AB00368)

FLYWHEEL

Year/Month

2022-12-14



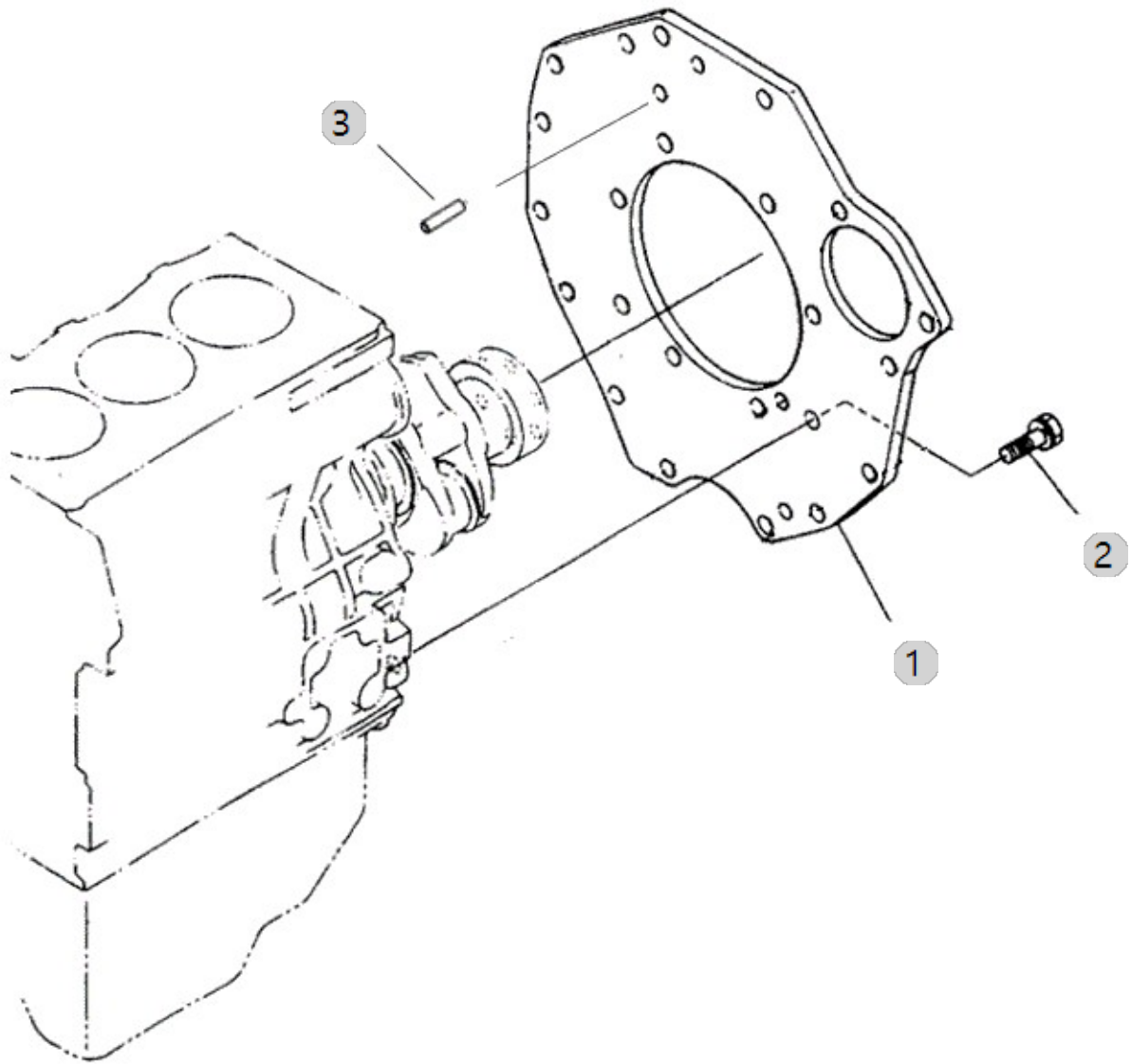
A19_001

A1100N2-UTR_4
(AB00368)

FLYWHEEL HOUSING

Year/Month

2022-12-14



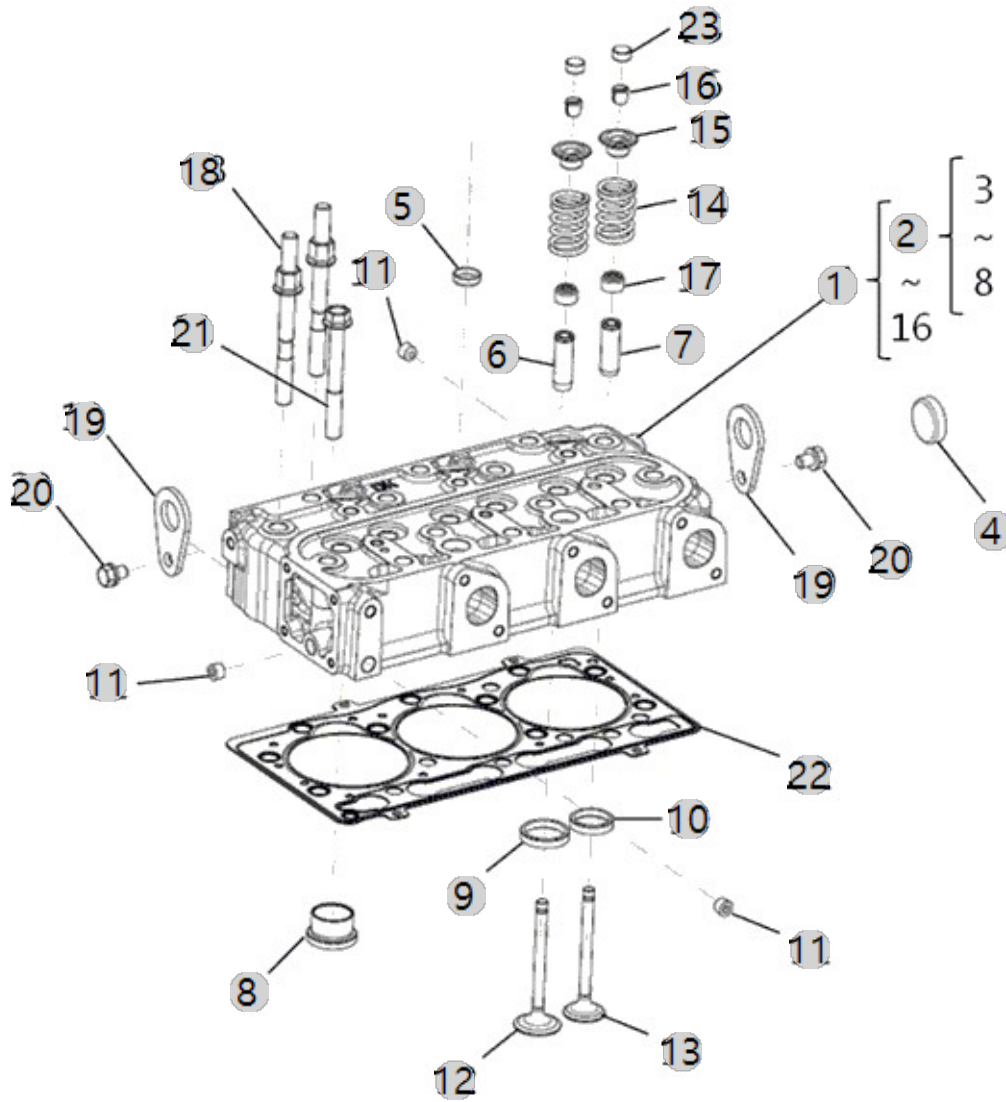
A20_002

A1100N2-UTR_4
(AB00368)

HEAD, CYLINDER

Year/Month

2022-12-14



A20_002 A1100N2-UTR_4 (AB00368)		HEAD, CYLINDER				Year/Month 2022-12-14
순번 (NO)	부품번호 (PART NO)	품명 (PART NAME)	품명 (PART NAME)	수량 (QTY)	규격 (SPEC)	비고 (REMARK)
1	EA00005520A	실린더헤드조합-A1100T2-KTR_4 (A3200W)	HEAD CYLINDER ASSY(A1100T)	1		
2	EA00005519B	실린더헤드조합	COMP, HEAD CYLINDER	1		
3	HT03010101D0	실린더 헤드	HEAD CYLINDER	1		
4	27241-300000	캡형플러그 30	PLUG (D30)	1	D30XT1.6	
5	27241-180000	캡형플러그	PLUG-SEALING CAP	2		
6	HT03010102B3	흡기밸브가이드	GUIDE INLET VALVE	3		
6	HT03010102A3	흡기 밸브 가이드	GUIDE INLET VALVE	3		
7	HT03010102B3	흡기밸브가이드	GUIDE INLET VALVE	3		
8	EA00004365A	예연소실	COMBUSTION CHAMBER	3		
9	EA00000961A	흡기 밸브 시트	SEAT, INTAKE	3		
10	EA00000962A	배기 밸브 시트	SEAT, EXHAUST	3		
11	23871-010000	테이퍼플러그	PLUG	3	PT1/8	
12	HT03010200A3	흡기 밸브	VALVE IMLET	3		
13	HT03010300A3	배기 밸브	VALVE EXHAUST	3		
14	HT03010400A3	밸브 스프링	SPRING VALVE	6		
15	HT03010500A3	밸브 스프링 리테이너	RETAINER VALVE SPRING	6		
16	HT03010600A3	밸브 스프링 코터	COTTER, VALVE SPRING	12	NONE	
17	HC03090000A4	밸브스템시일	SEAL,VALVESTEM	6		
18	EA00000452C	헤드볼트	BOLT, CYLINDER HEAD	2	M10XP1.25	
18	EA00000452B	헤드볼트	BOLT, CYLINDER HEAD	2		
19	HT03020000A4	엔진 고리	HOOK ENGINE	2	T4.0	
20	26013-080122	와셔조립육각볼트8X12	Bolt, Hexa (8-12)	2	M8XP1.25X12	
20	26013-080122	와셔조립육각볼트8X12	Bolt, Hexa (8-12)	1	M8XP1.25X12	
21	HT03030000B3	헤드 볼트	BOLT CYLINDER HEAD	14	M10XP1.25	
21	HT03030000B3	헤드 볼트	BOLT CYLINDER HEAD	12	M10XP1.25	
21	HT03030000B3	헤드 볼트	BOLT CYLINDER HEAD	12	M10XP1.25	
21	HT03030000B3	헤드 볼트	BOLT CYLINDER HEAD	14	M10XP1.25	
22	HT03040000B2	실린더 헤드 가스켓	GASKET CYLINDER HEAD	1		
22	HT03040000B2	실린더 헤드 가스켓	GASKET CYLINDER HEAD	1		
22	HT03040000B2	실린더 헤드 가스켓	GASKET CYLINDER HEAD	1		
22	HT03040000B2	실린더 헤드 가스켓	GASKET CYLINDER HEAD	1		
23	EA00000545A	밸브캡	CAP, VALVE	6		

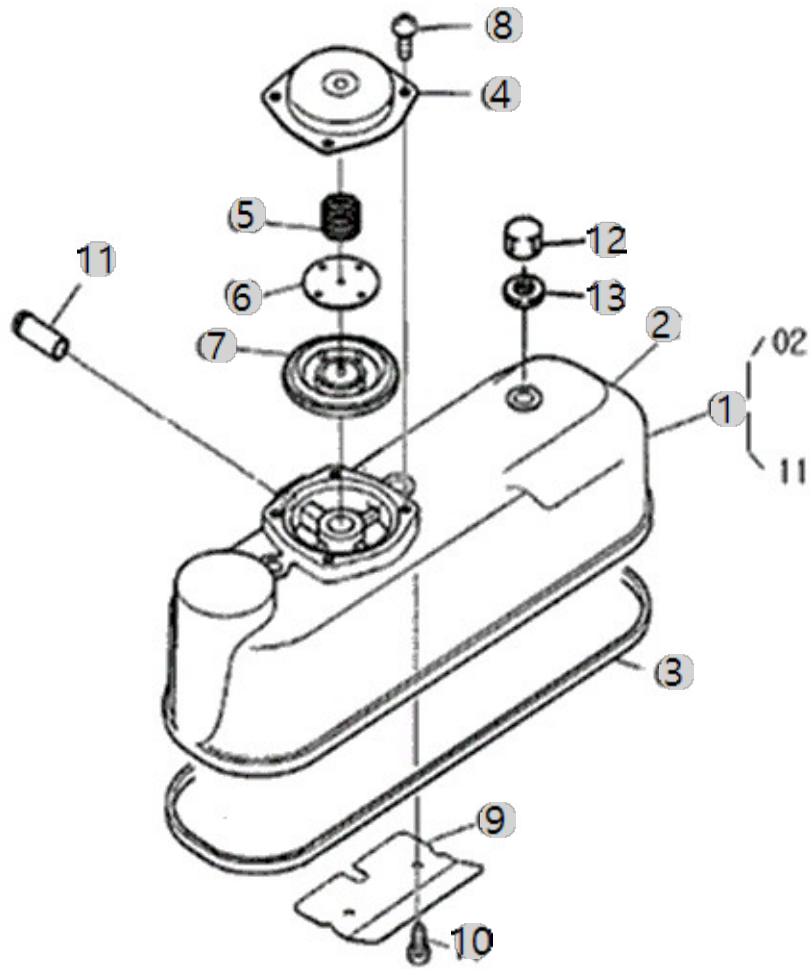
A21_001

A1100N2-UTR_4
(AB00368)

HEAD COVER

Year/Month

2022-12-14



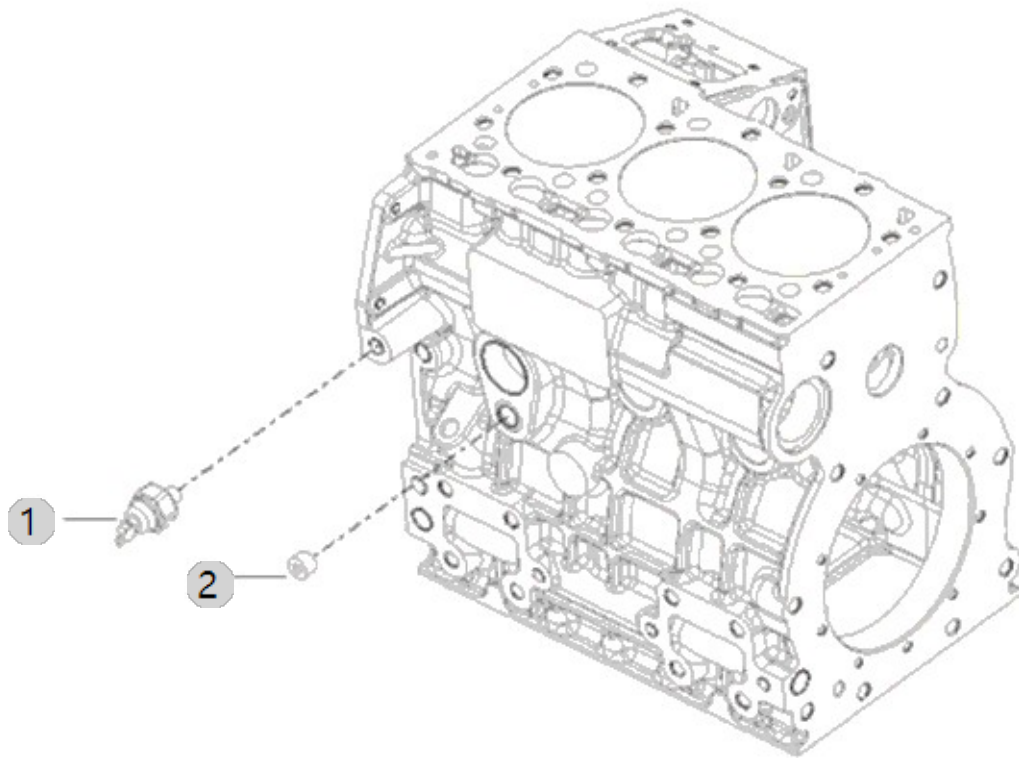
A23_001

A1100N2-UTR_4
(AB00368)

TURBOCHARGER SUPPORT ASS'Y OPTION

Year/Month

2022-12-14



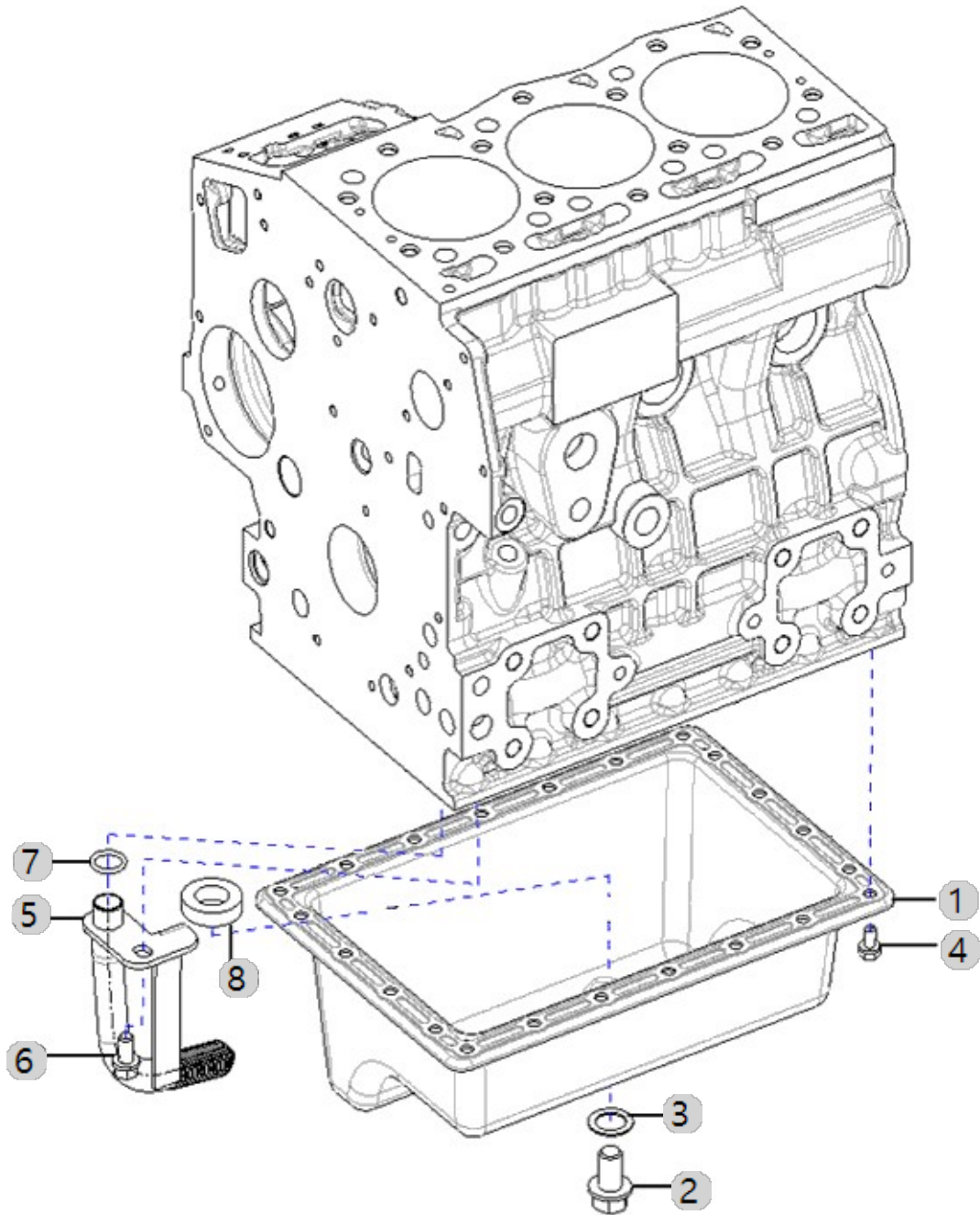
A27_002

A1100N2-UTR_4
(AB00368)

OIL PAN ASS'Y OPTION

Year/Month

2022-12-14



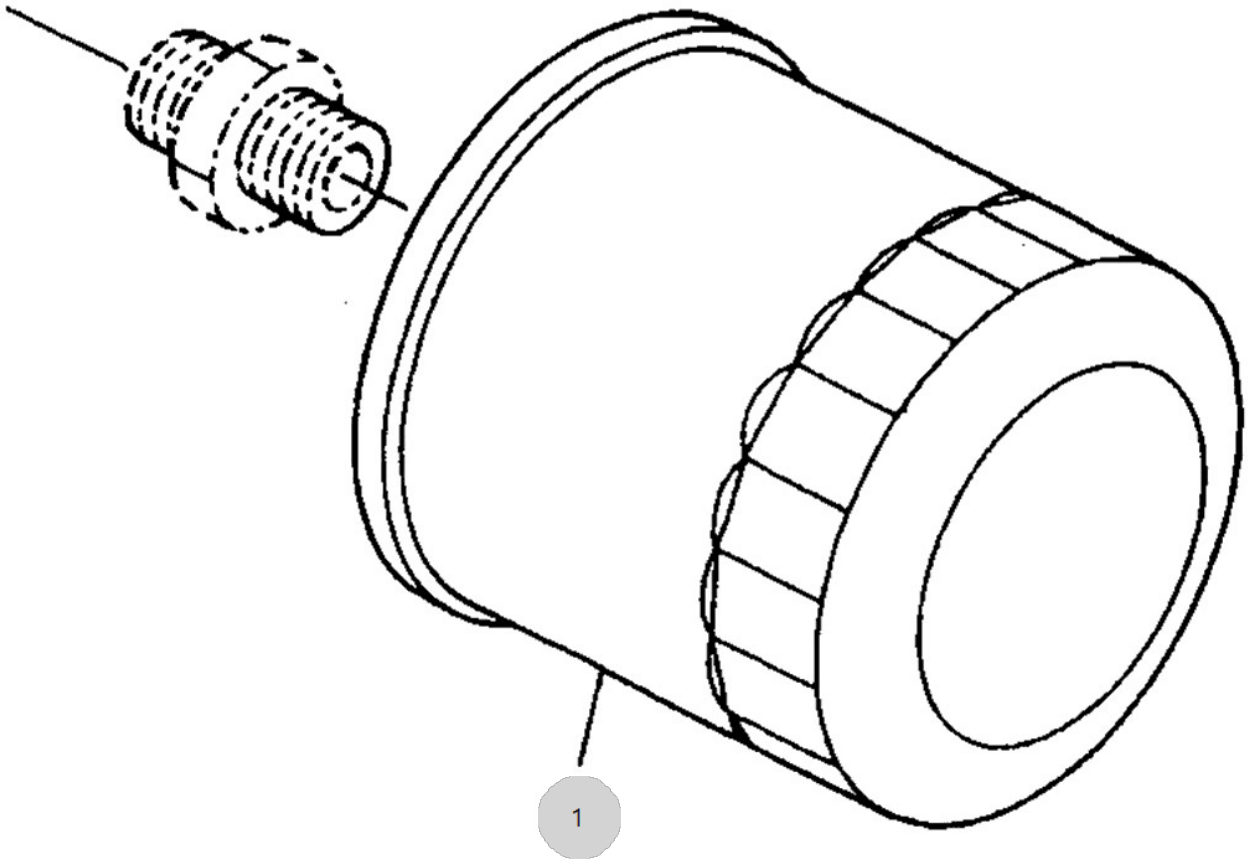
A29_001

A1100N2-UTR_4
(AB00368)

FILTER, LUBRICATING OIL

Year/Month

2022-12-14



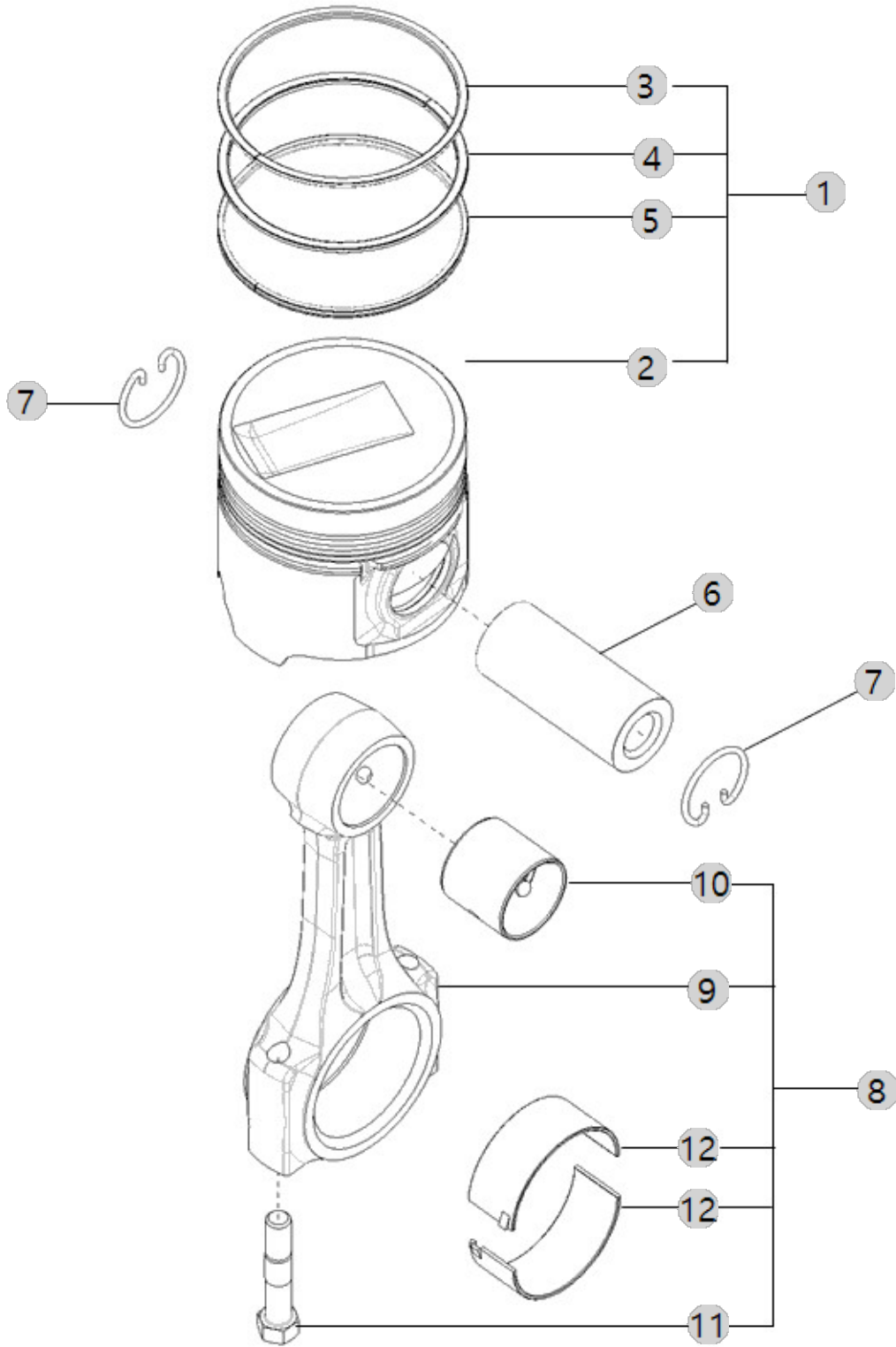
A31_002

A1100N2-UTR_4
(AB00368)

PISTON

Year/Month

2022-12-14



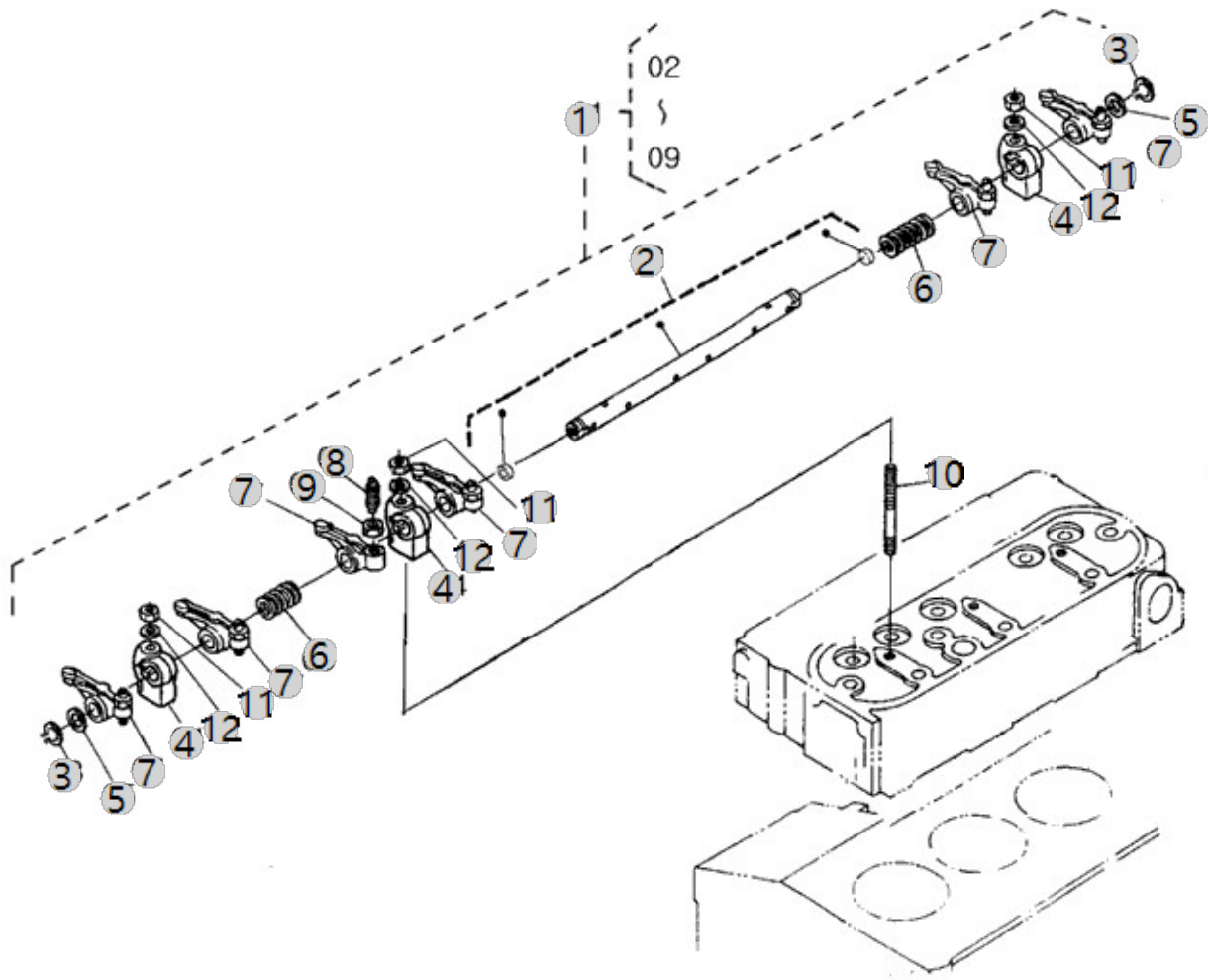
A32_001

A1100N2-UTR_4
(AB00368)

LEVER, LOCKER

Year/Month

2022-12-14



A32_001 A1100N2-UTR_4 (AB00368)	LEVER, LOCKER	Year/Month 2022-12-14
--	----------------------	--------------------------

순번 (NO)	부품번호 (PART NO)	품명 (PART NAME)	품명 (PART NAME)	수량 (QTY)	규격 (SPEC)	비고 (REMARK)
1	HT21010000B3	로커암 조합	ASS'Y ROCKER ARM	1		
1	HT21010000C3	로커암 조합	ROCKER ARM ASS'Y	1		
1	HT21010000A3	로커암 조합	ASS'Y ROCKER ARM	1		
1	HT21010000A3	로커암 조합	ASS'Y ROCKER ARM	1		
2	HT21010100A3	로커암 축 조합	ASS'Y SHAFT ROCKER ARM	1		
3	22242-000130	축용스냅링13	SNAP RING, SHAFT (Φ13)	2	D13(축용)	
4	HT21010200A3	로커암 써포트	SUPPORTER ROCKER ARM	3		
5	HT21010300A4	로커암 축 와셔(A)	WASHER ROCKER ARM SHAFT	2		
6	HT21010400A4	로커암 스프링	SPRING ROCKER ARM	2		
7	HT21010500A3	로커암	ROCKER ARM	6		
7	HT21010500B3	로커암	ROCKER ARM	6		
7	HT21010500C3	로커암	ROCKER ARM	6		
8	HT21010600A4	조정 나사	SCREW ADJUSTING	6		
9	HT21010700A4	조정너트	NUT	6		
10	HT21020000A3	심음 볼트(로커암)	STUD ROCKER ARM	3		
11	26717-080002	고정너트8	NUTM8	3	M8X1.25	
12	22117-080000	평와셔(소형)	WASHER, PLAIN (Φ 08)	3	M8	

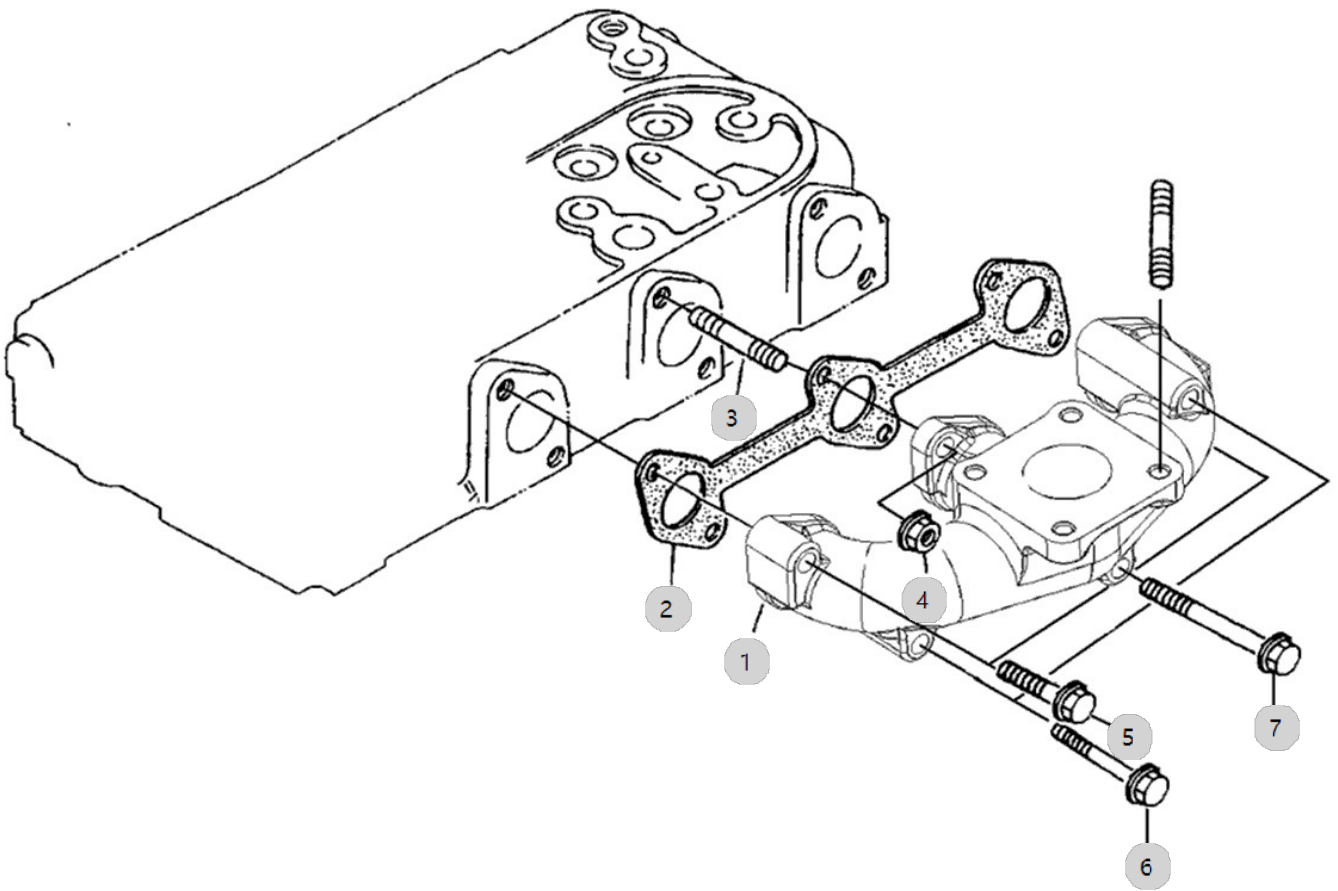
A33_003

A1100N2-UTR_4
(AB00368)

EXHAUST MANIFOLD

Year/Month

2022-12-14



A33_003 A1100N2-UTR_4 (AB00368)	EXHAUST MANIFOLD	Year/Month
		2022-12-14

순번 (NO)	부품번호 (PART NO)	품명 (PART NAME)	품명 (PART NAME)	수량 (QTY)	규격 (SPEC)	비고 (REMARK)
1	HT23010000A2	배기 매니폴드	MANIFOLD EXHAUST	1		
1	HT23010000B2	배기 매니폴드	MANIFOLD EXHAUST	1		
1	HT23010000A2	배기 매니폴드	MANIFOLD EXHAUST	1		
2	HT23020000A3	가스켓(배기 매니폴드)	GASKET, EXHAUST MANIFOLD	1		
3	2621D-080222	심음볼트	BOLT	5		
4	2636A-080002	육각플랜지너트	NUT	1		
5	2610D-080352	육각플랜지볼트	HEXAGON_FLANGE	2		
6	2610D-080652	육각플랜지볼트	HEXAGON_FLANGE	2		
7	2610D-080852	육각플랜지볼트	HEXAGON_FLANGE	1		

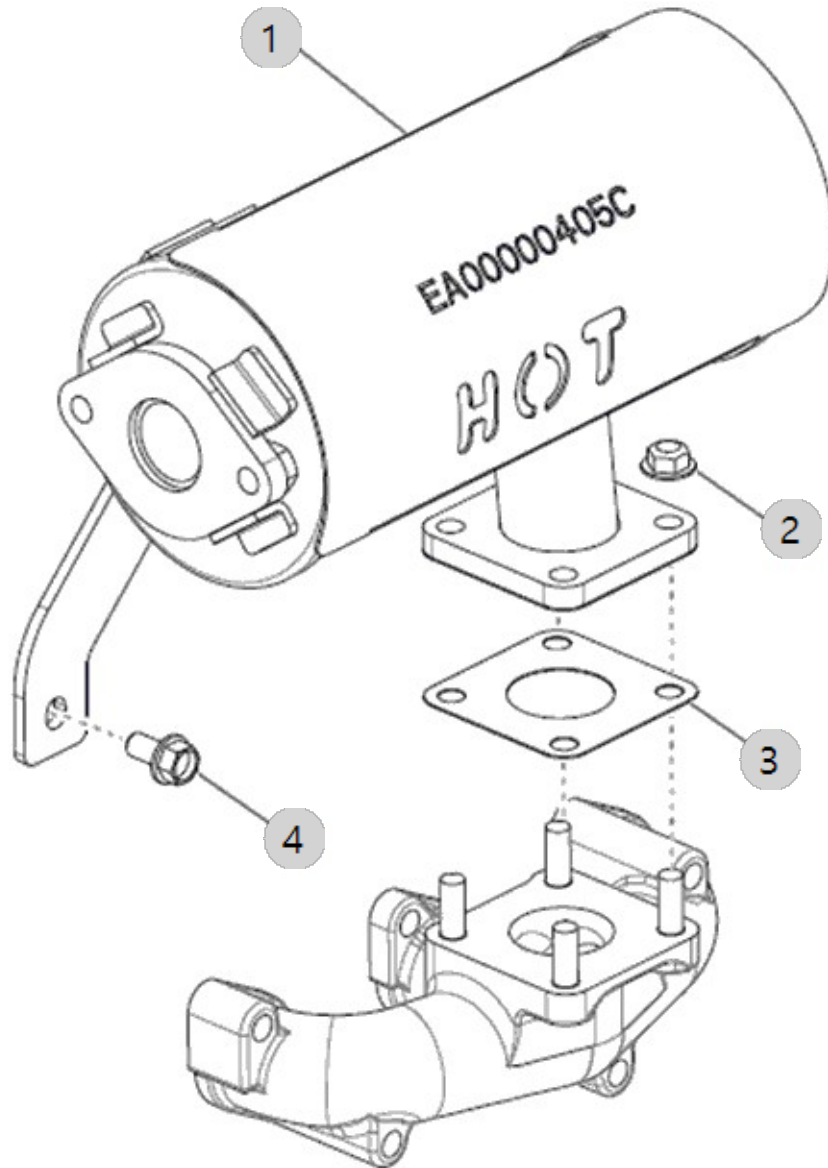
A34_002

A1100N2-UTR_4
(AB00368)

SILENCER

Year/Month

2022-12-14



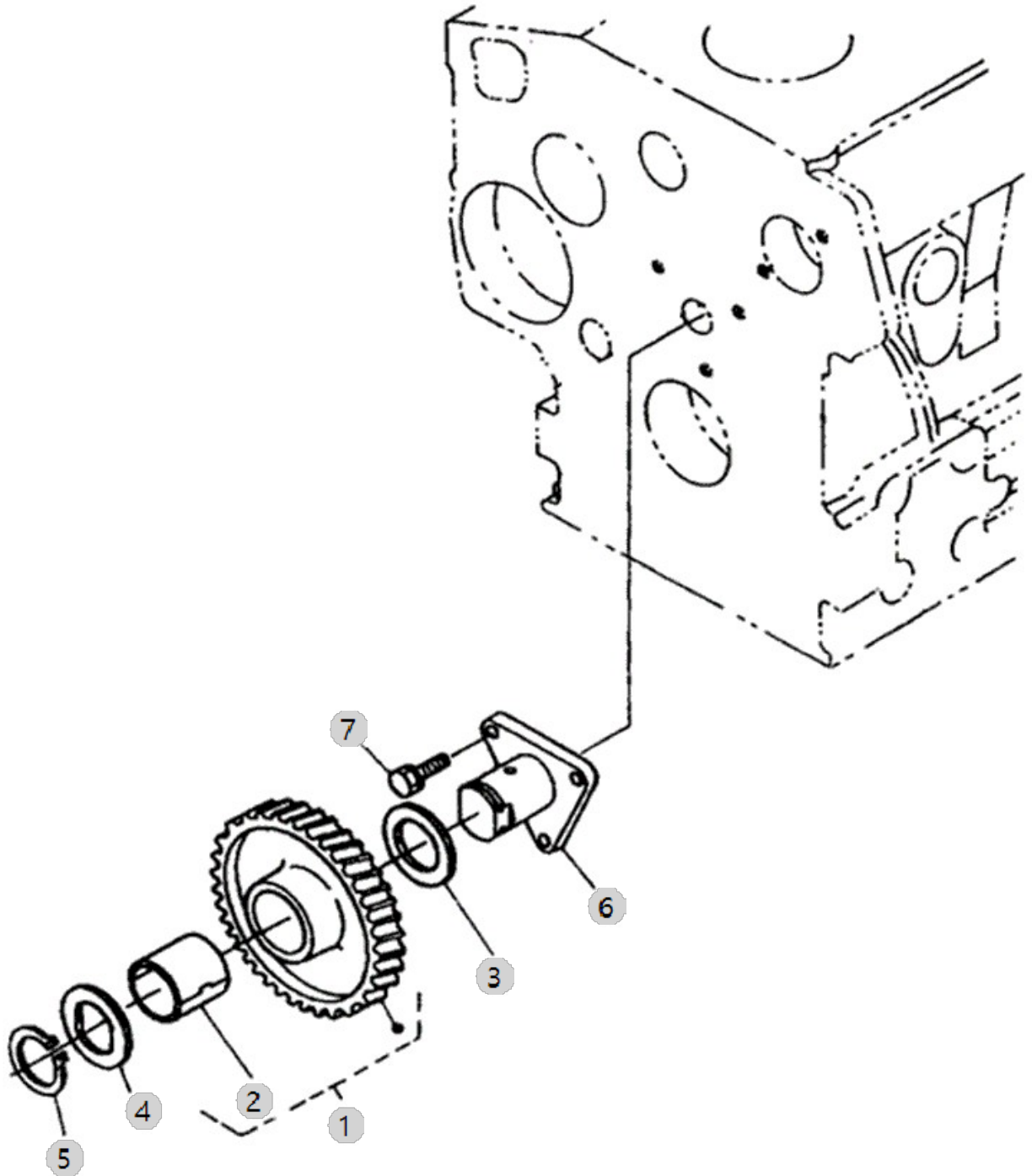
A35_001

A1100N2-UTR_4
(AB00368)

IDLE GEAR

Year/Month

2022-12-14



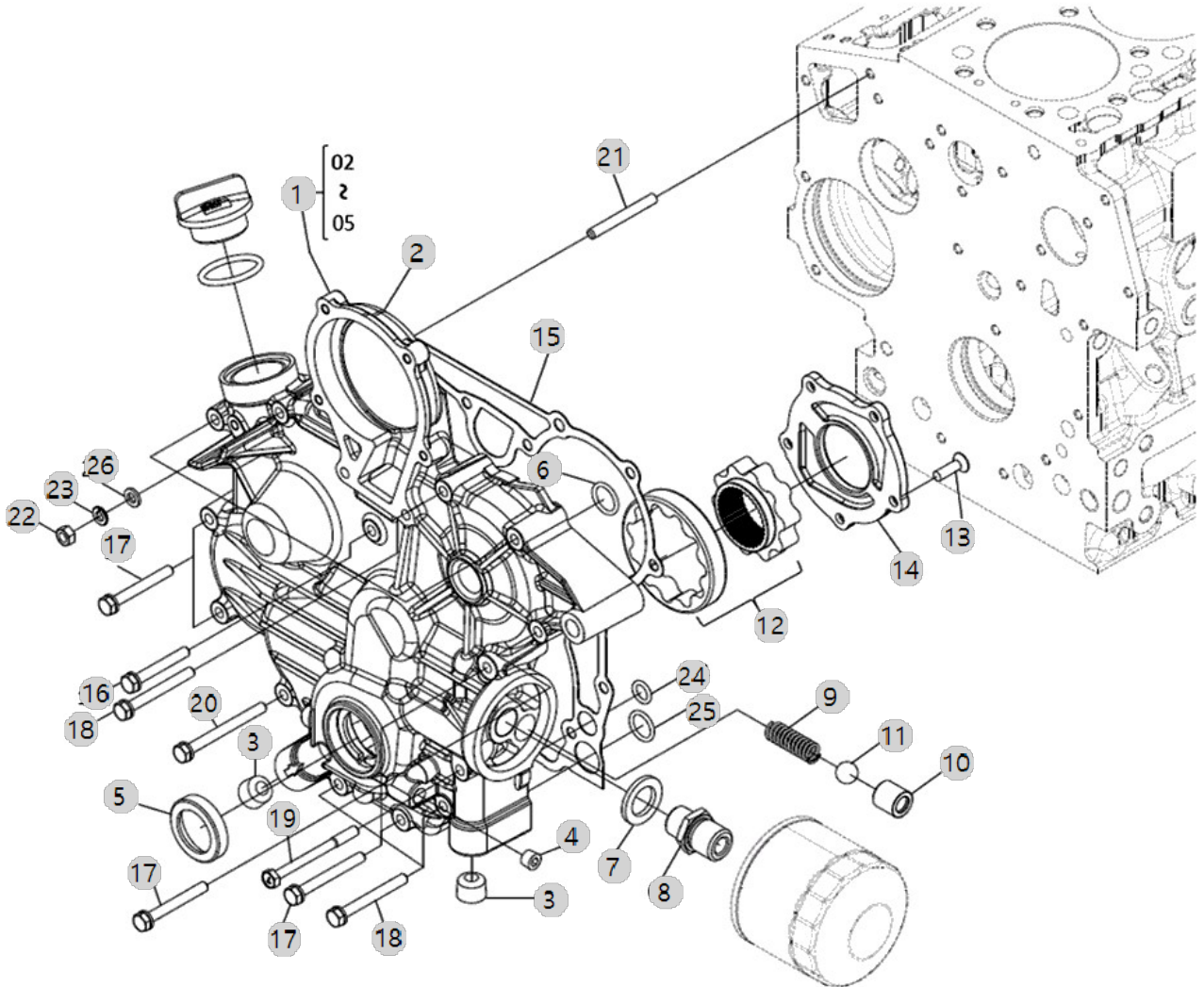
A36_001

A1100N2-UTR_4
(AB00368)

COVER, FRONT GEAR

Year/Month

2022-12-14



A36_001 A1100N2-UTR_4 (AB00368)		COVER, FRONT GEAR				Year/Month 2022-12-14
순번 (NO)	부품번호 (PART NO)	품명 (PART NAME)	품명 (PART NAME)	수량 (QTY)	규격 (SPEC)	비고 (REMARK)
1	EA00006103A	기어케이스조합	GEAR CASE ASS'Y	1		
1	EA00006103C	기어케이스조합	GEAR CASE ASS'Y	1		
1	EA00006103B	기어케이스조합	GEAR CASE ASS'Y	1		
2	EA00006105B	기어케이스	GEAR CASE	1		
2	EA00006105A	기어케이스	GEAR CASE	1		
2	EA00006105C	기어케이스	GEAR CASE	1		
3	23871-030000	테이퍼플러그	PLUG, PIPE	2	PT3/8	
4	23871-010000	테이퍼플러그	PLUG	1	PT1/8	
5	EA00001446A	오일 시일	OIL SEAL, GEAR CASE	1		
6	24311-000160	O-링 P 16	O-RING, DYNAMIC (Φ16)	1	P16	
7	22117-180000	평와셔	WASHER, PLAIN (Φ 18)	1	M18	
8	EA00006382A	연결파이프	PIPE,CONNECT	1		
9	EA00006381A	압력조정스프링	SPRING,PRESS ADJUST	1		
10	HT04020300C4	밸브 시트	SEAT	1	NONE	
11	24190-160001	강구1/2	BALL,STEEL	1		
12	HT04030000B9	오일 펌프 조합	ROTOR OIL PUMP ASSY	1	NONE	
13	26577-060202	접시소나사6X20	SCREW(+)	5	M6X1.0X20	
14	EA00006106A	오일펌프커버	COVER,OIL PUMP	1		
14	EA00006106B	오일펌프커버	COVER,OIL PUMP	1		
15	EA00006107A	가스켓(기어케이스)	GASKET(GEAR CASE)	1		
16	26013-060452	와셔조립육각볼트(+SW)	SCREW,CAPTIVE WASHER CAP	3	M6XP1.0X45	
17	26013-060502	와셔조립육각볼트	WasherHexaBolt	5		
18	26013-060552	와셔조립육각볼트	Washer Hexa Bolt	4		
19	HT04070000A4	와셔 조립 육각 볼트 6X68(+SW)	SCREW CAPTIVE WASHER CAP	1	M6X1.0X68	
20	26013-060652	와셔조립육각볼트	WasherHexaBolt	1	M6X1.0X65	
21	26216-060452	심음볼트	Bolt	1	6X45	
22	26716-060002	육각너트	HEX NUT (Φ6)	1	M6XP1.0	
23	22217-060000	스프링와셔	WASHER, SPRING (Φ 06)	1	M6	
24	24311-240100	O-링(P형)	SEAL, O-RING	2	P10	
25	24311-000150	O-링(P형)	O-RING, DYNAMIC (Φ15)	1	P15	
26	22117-060000	평와셔(소형)	WASHER, PLAIN (Φ 06)	1	M6	

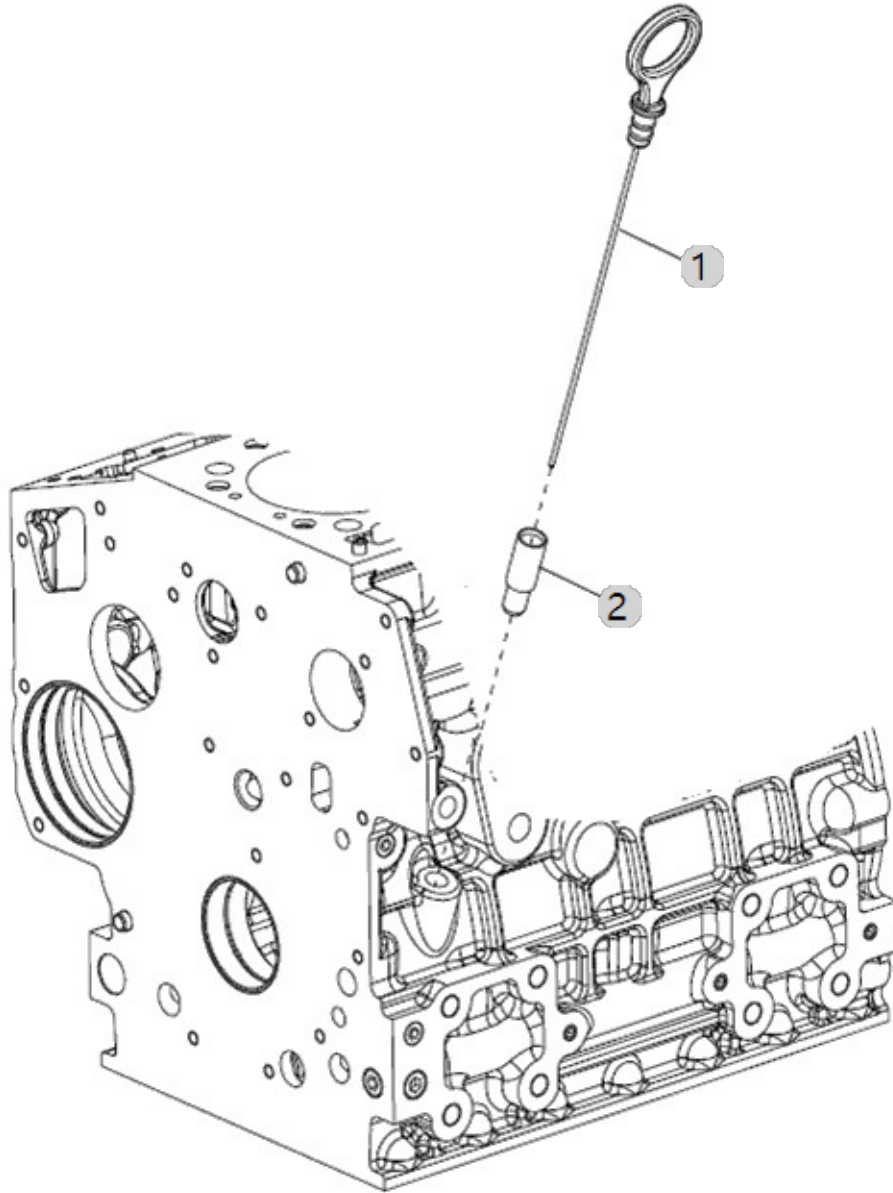
A38_003

A1100N2-UTR_4
(AB00368)

GAUGE, OIL LEVEL

Year/Month

2022-12-14



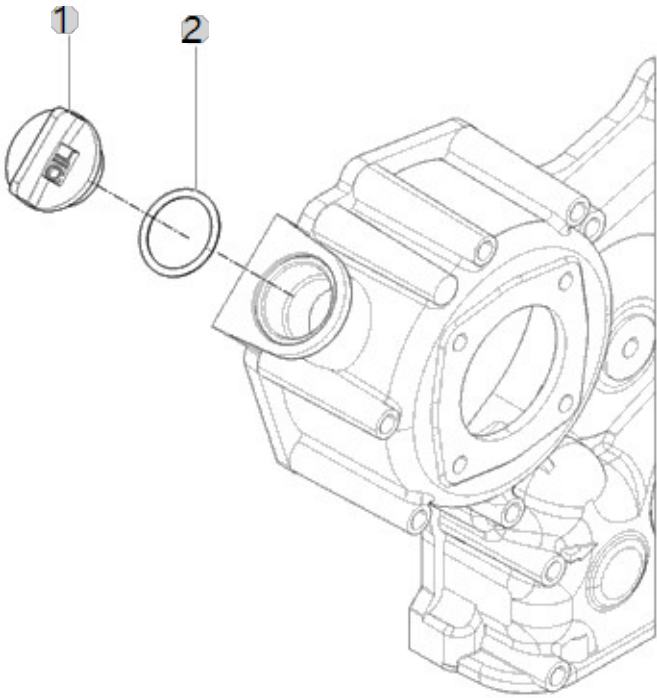
A39_001

A1100N2-UTR_4
(AB00368)

OIL FILLER CAP

Year/Month

2022-12-14



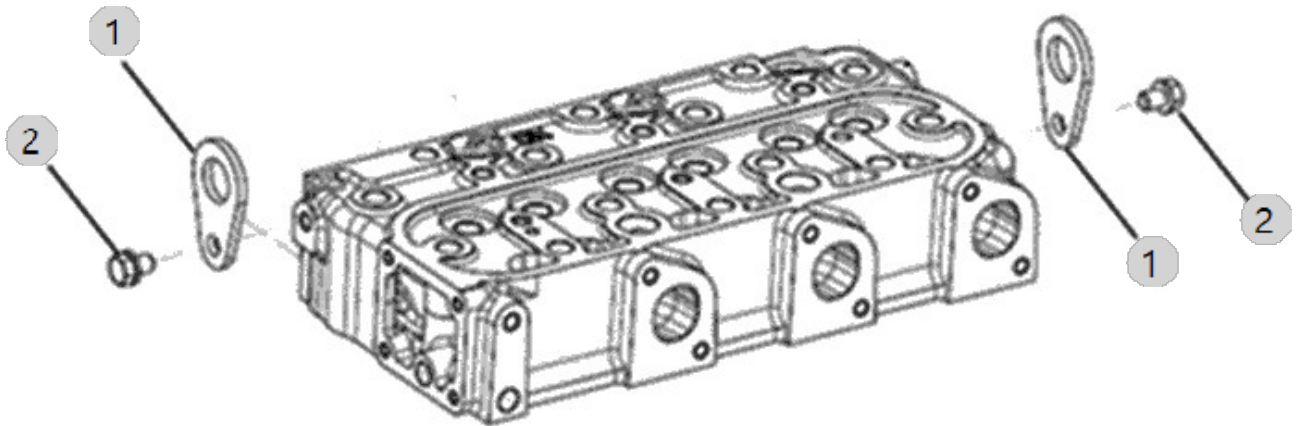
A40_001

A1100N2-UTR_4
(AB00368)

LIFT ASS'Y OPTION

Year/Month

2022-12-14



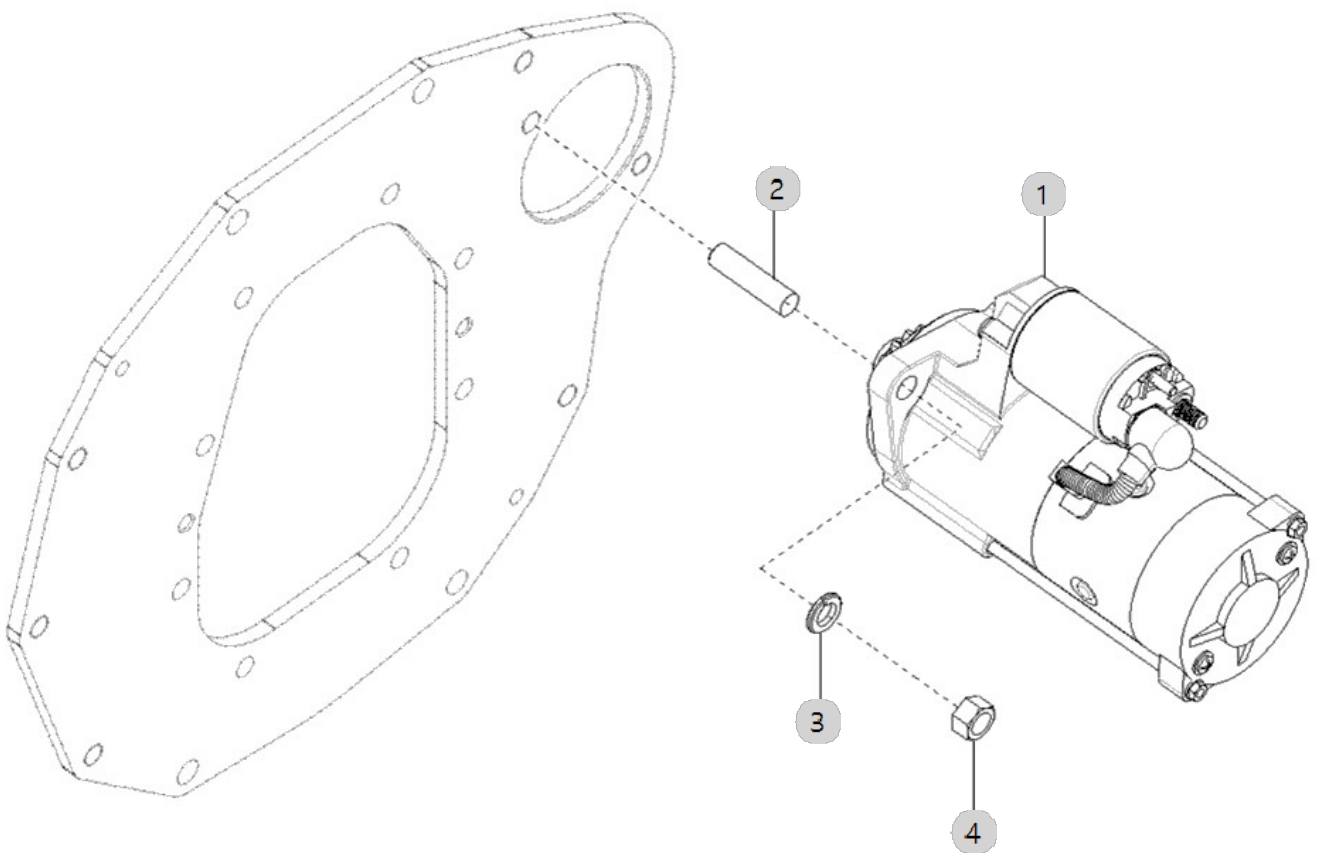
A42_002

A1100N2-UTR_4
(AB00368)

MOTER, STARTIONS

Year/Month

2022-12-14



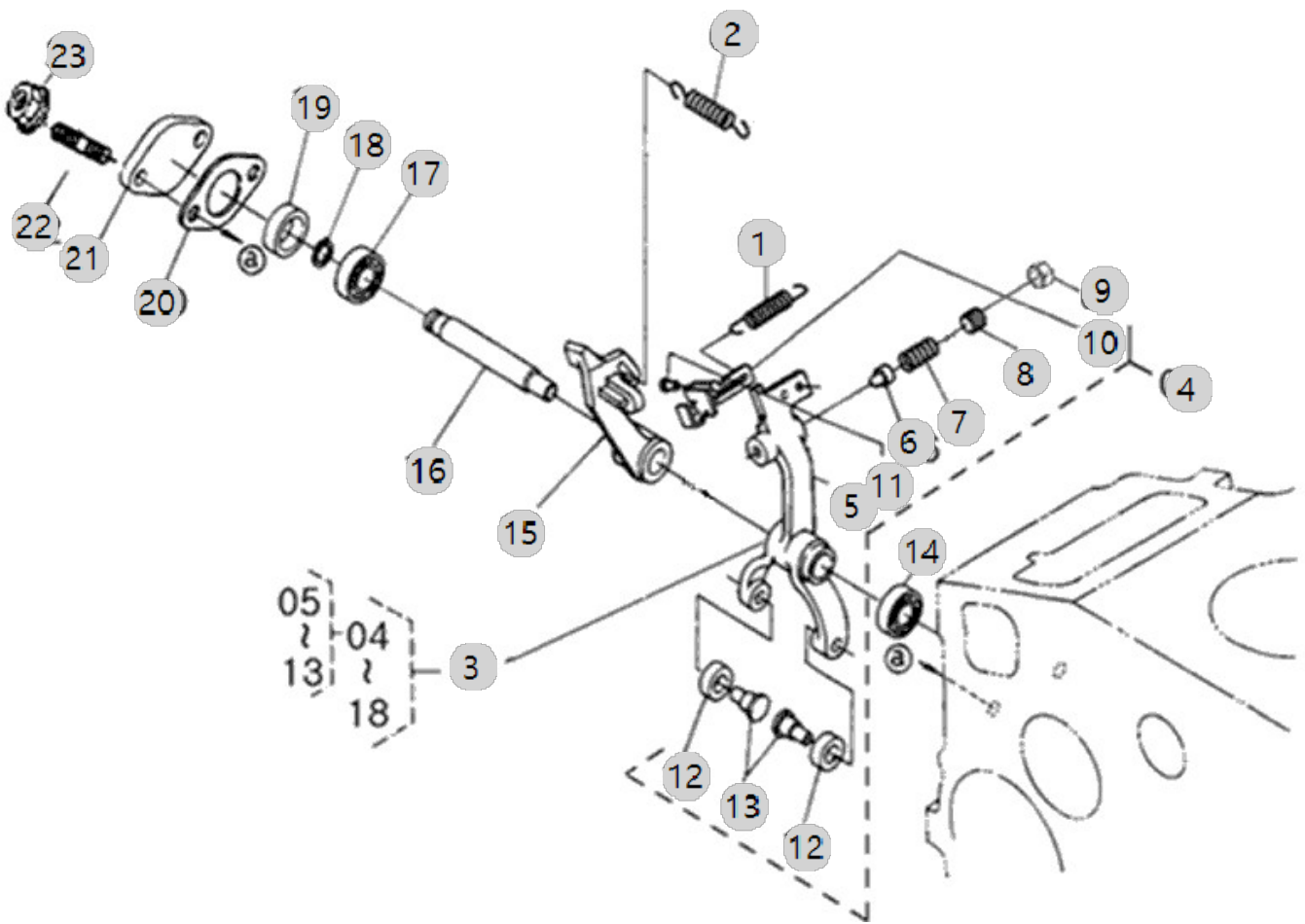
A46_001

A1100N2-UTR_4
(AB00368)

FORK LEVER ASS'Y OPTION

Year/Month

2022-12-14



A46_001 A1100N2-UTR_4 (AB00368)		FORK LEVER ASS'Y OPTION				Year/Month 2022-12-14
순번 (NO)	부품번호 (PART NO)	품명 (PART NAME)	품명 (PART NAME)	수량 (QTY)	규격 (SPEC)	비고 (REMARK)
1	EA00006706A	스타트 스프링	SPRING,START	1		
1	HT15010000A4	스타터 스프링	SPRING START	1		
2	HT15020000C4	가버너 스프링(A)	SPRING(A) GOVERNOR	1	NONE	
2	HT15020000B4	가버너 스프링(A)	SPRING(A) GOVERNOR	1		
2	HT15020000D4	가버너 스프링(A)	SPRING(A) GOVERNOR	1	NONE	
3	HT15040000B9	포크 레버 조합	COMP. LEVER FORK	1		
3	HT15040000A9	포크 레버 조합	COMP.LEVER,FORK	1		
3	HT15040000C9	포크 레버 조합	COMP. LEVER FORK	1		
4	EA00006448A	포크레버(A) 조합	ASSY, FORK LEVER (A)	1		
4	EA00006448B	포크레버(A) 조합	ASSY, FORK LEVER (A)	1		
5	EA00006449B	포크레버(A)	LEVER(A) FORK	1		
5	EA00006449A	포크레버(A)	LEVER(A) FORK	1		
6	EA00006456A	토크핀	PIN	1		
7	EA00006454A	스프링	SPRING, TORQUE	1		
8	EA00006450A	고정나사	FIX SCREW	1		
9	EA00006455A	조정너트	NUT, ADJUST	1		
10	EA00006453A	슬러스트레버	LEVER THRUST	1		
11	EA00006451A	고정핀(A)	PIN(A)	2		
12	EA00004225A	단열깊은홈베어링(687zz)	DEEP GROOVE BALL BEARING	2		
13	EA00006452A	고정핀(B)	PIN(B)	2		
14	HT15080000A4	소형 베어링 698	BEARING 698 MINIATURIZE	1		
15	EA00006457A	포크레버(B)	LEVER(B), FORK	1		
15	EA00006457B	포크레버(B)	LEVER(B), FORK	1		
16	EA00006458B	포크레버 축	SHAFT, FORK LEVER	1		
17	HT15040500A4	소형 베어링 699	BEARING 699 MINIATURIZE	1		
18	HT15040600A4	외부 축 스냅링	CIR. CLIP EXTERNAL	1		
19	HT15050000A4	칼라	COLLAR	1		
20	HT15060000A4	패킹(포크 레버 축 커버)	PACKING	1	T0.5	
20	HT15060000B4	패킹(포크레버축 커버)	PACKING	1	T0.5	
21	HT15070000B4	포크 레버 축 커버	COVER FORK LEV. SHAFT	1	NONE	
21	HT15070000A4	포크 레버 축 커버	COVER, FORK LEVER SHAFT	1	T4.0	
22	26216-060182	심음볼트(1.5D)	STUD(1.5D)	2	M6XP1.0X18	
22	26216-060182	심음볼트(1.5D)	STUD(1.5D)	2	M6XP1.0X18	
23	26367-060002	플랜지너트	Nut, Hexa (Φ6)	2	M6XP1.0	

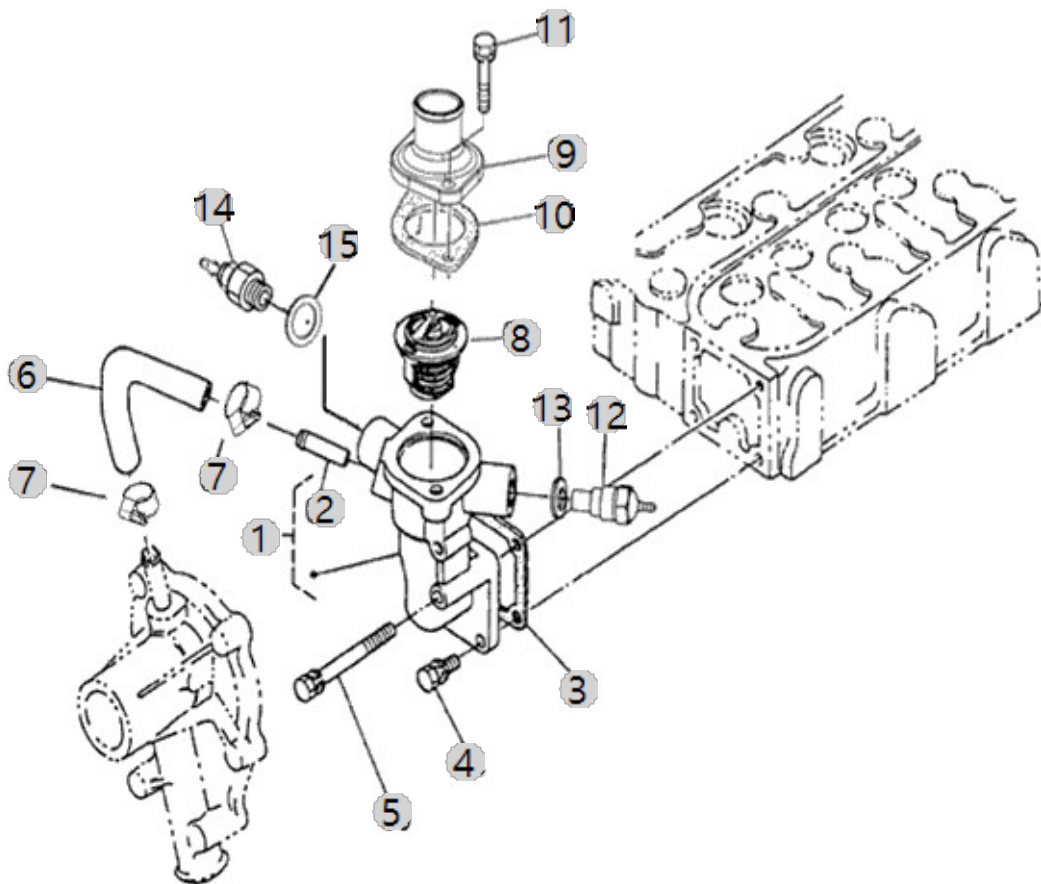
A47_001

A1100N2-UTR_4
(AB00368)

WATER PUMP FLANGE&THERMOSTAT

Year/Month

2022-12-14



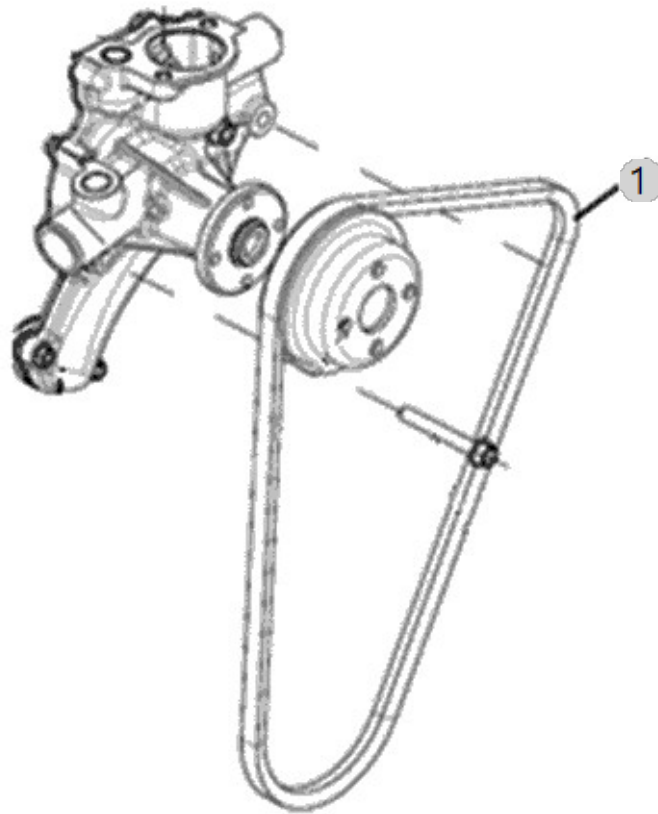
A48_002

A1100N2-UTR_4
(AB00368)

V-BELT

Year/Month

2022-12-14



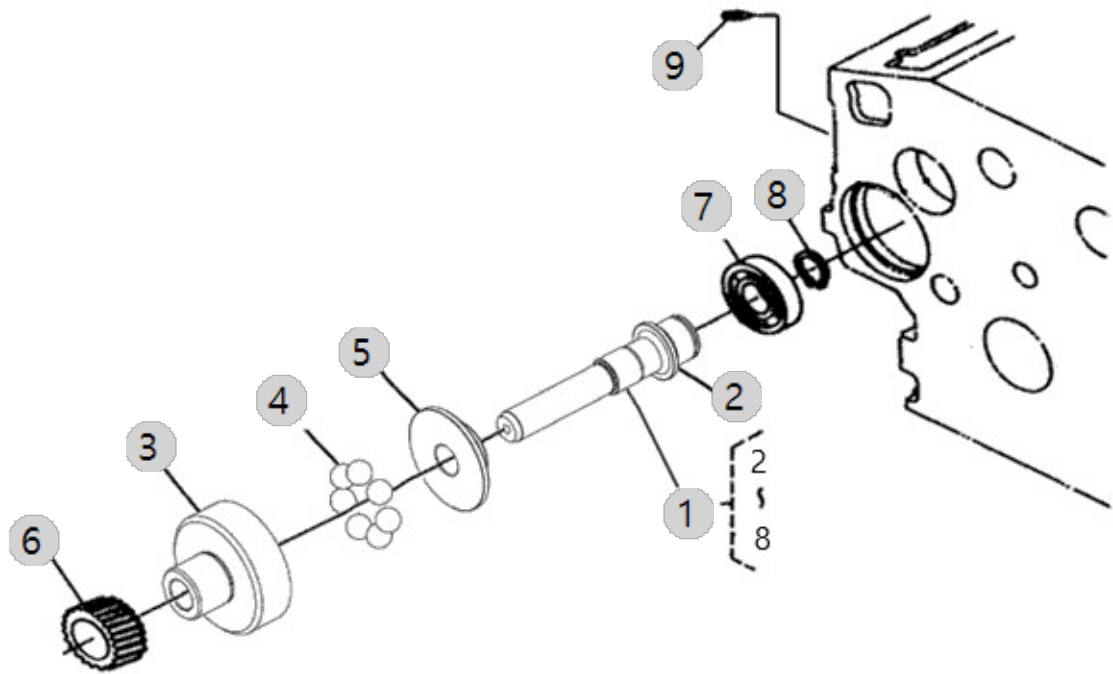
A53_001

A1100N2-UTR_4
(AB00368)

COVERNOR ASSY

Year/Month

2022-12-14



A53_001 A1100N2-UTR_4 (AB00368)	GOVERNOR ASSY				Year/Month	
					2022-12-14	

순번 (NO)	부품번호 (PART NO)	품명 (PART NAME)	품명 (PART NAME)	수량 (QTY)	규격 (SPEC)	비고 (REMARK)
1	EA00006536A	거버너 조합	GOVERNOR ASS'Y	1		
2	EA00006535A	거버너 축	SHAFT,GOVERNOR	1		
3	EA00006532A	거버너 홀더	HOLDER,GOVERNOR	1		
4	24190-170003	강구		7		
5	HT12080800A4	가버너 슬리브	SLEEVE GOVERNOR	1		
5	EA00006533A	거버너 슬리브	SLEEVE,GOVERNOR	1		
6	HS12080300C3	가버너 기어	GEAR GOVERNOR	1		
6	HS12080300B3	가버너 기어	GEAR GOVERNOR	1		
6	HS12080300A3	가버너 기어	GEAR GOVERNOR	1		
7	24101-062054	볼베어링6205	Bearing, Ball (#6205)	1	#6205UU	
7	24101-062054	볼베어링6205	Bearing, Ball (#6205)	1	#6205UU	
7	24101-062054	볼베어링6205	Bearing, Ball (#6205)	1	#6205UU	
7	24101-062054	볼베어링6205	Bearing, Ball (#6205)	1	#6205UU	
7	24101-062054	볼베어링6205	Bearing, Ball (#6205)	1	#6205UU	
8	TCA2010000A4	스냅링(축용24)	SNAP RING, SHAFT	1	D24	
8	TCA2010000A4	스냅링(축용24)	SNAP RING, SHAFT	1	D24	
8	TCA2010000A4	스냅링(축용24)	SNAP RING, SHAFT	1	D24	
8	TCA2010000A4	스냅링(축용24)	SNAP RING, SHAFT	1	D24	
8	TCA2010000A4	스냅링(축용24)	SNAP RING, SHAFT	1	D24	
9	EA00006548A	고정 나사(A)	SCREW(A) SET	1		

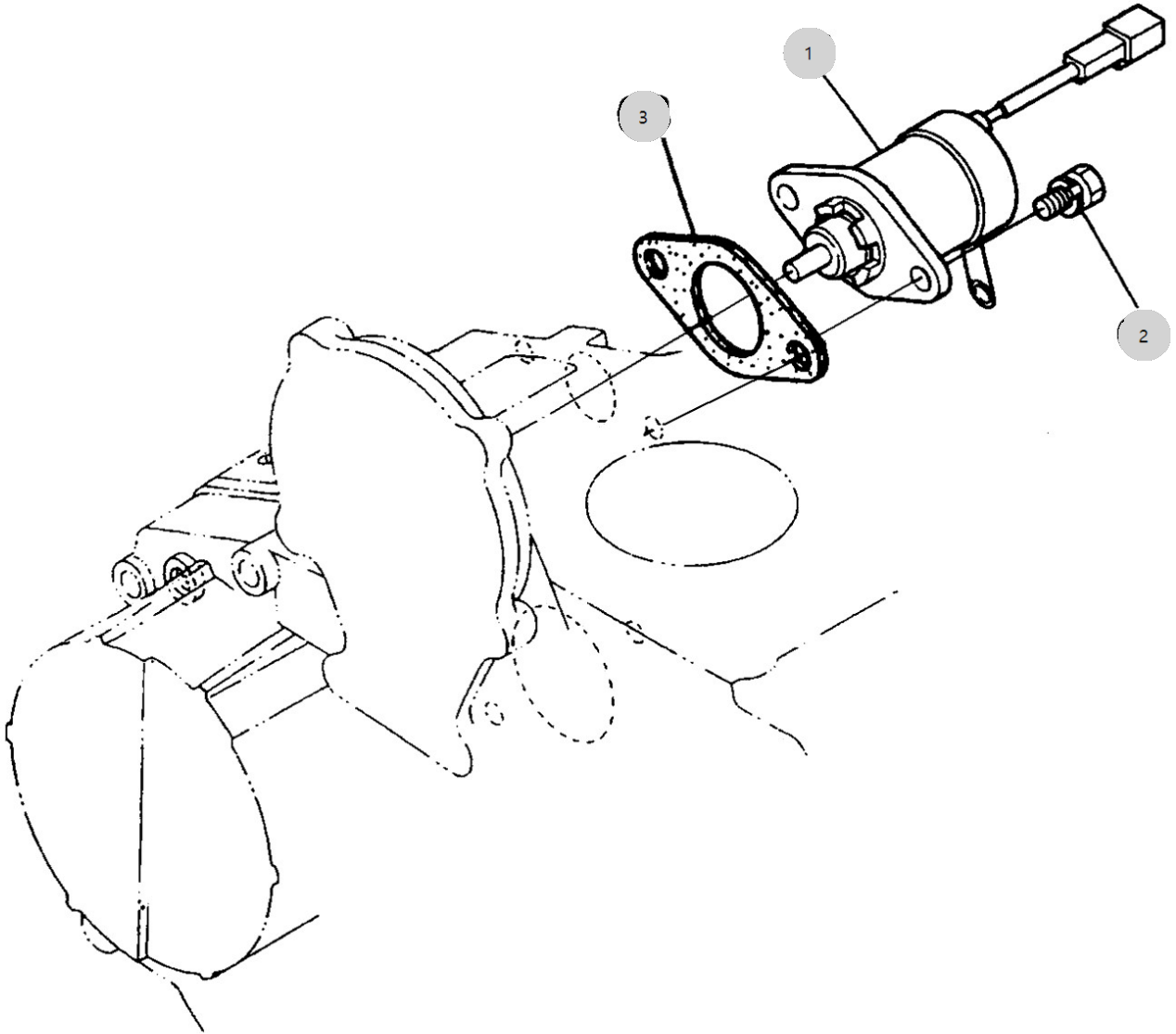
A54_001

A1100N2-UTR_4
(AB00368)

STOP SOLENOID

Year/Month

2022-12-14



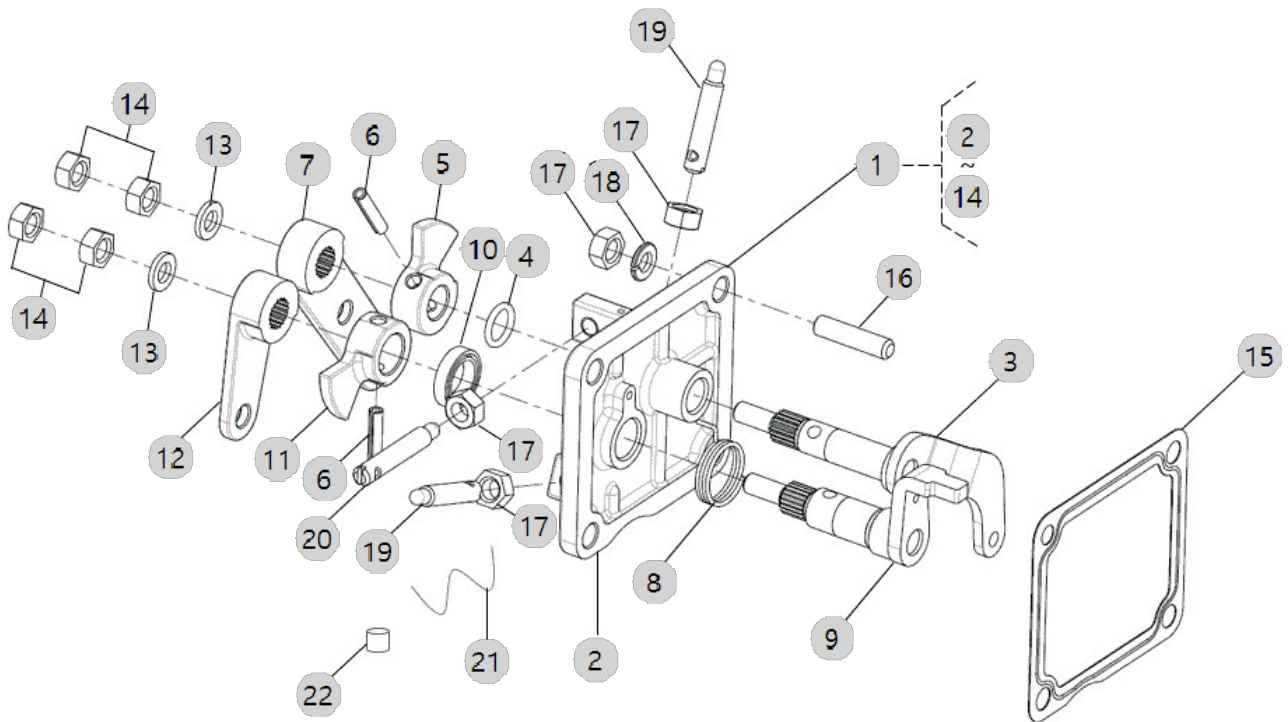
A55_001

A1100N2-UTR_4
(AB00368)

SPEED CONTROL PLATE

Year/Month

2022-12-14



A55_001 A1100N2-UTR_4 (AB00368)		SPEED CONTROL PLATE				Year/Month
						2022-12-14

순번 (NO)	부품번호 (PART NO)	품명 (PART NAME)	품명 (PART NAME)	수량 (QTY)	규격 (SPEC)	비고 (REMARK)
1	HT16010000D3	속도 조정판 조합	ASS'Y PLATE SPEED CONTROL	1	NONE	
1	HT16010000B3	속도 조정판 조합	ASS'Y PLATE SPEED CONTROL	1	NONE	
2	HT16010100C3	속도 조정판	PLATE SPEED CONTROL	1		
2	HT16010100B3	속도 조정판	PLATE SPEED CONTROL	1		
3	HT16010200D3	가버너 레버 조합	ASS'Y LEVER GOVERNOR	1	NONE	
4	24311-000100	O-링1AP10.0	O-RING, DYNAMIC (Φ10)	1	P10	
5	HT16010300A4	속도 조정 레버(A)	LEVER(A) SPEED CONTROL	1		
6	22351-040020	스프링핀	PIN, SPRING (4X20)	2	D4X20	
7	HT16010400A4	속도 조정 레버(B)	LEVER(B) SPEED CONTROL	1		
8	HT16010500A4	되돌림 스프링	RETURN SPRING	1		
9	HT16010600D3	정지 레버 축 조합	ASS'Y SHAFT STOP LEVER	1	NONE	
9	HT16010600C3	정지 레버 축 조합	ASS'Y SHAFT STOP LEVER	1	NONE	
10	RR26090000A4	오일실12184	SEAL,OIL	1		
11	HT16010700A4	속도 조정 레버(C)	LEVER(C) SPEED CONTROL	1		
12	HT16010800A4	엔진 정지 레버	LEVER ENGINE STOP	1		
13	HT16010900A4	평와셔 6.4X15X1.6	WASHER PLAIN	2	T1.6	
14	26716-060002	육각너트	HEX NUT (Φ6)	4	M6XP1.0	
15	HT16020000A4	가스켓(속도 조정판)	GASKET	1	T0.28	
16	26216-060182	심음볼트(1.5D)	STUD(1.5D)	4	M6XP1.0X18	
17	26716-060002	육각너트	HEX NUT (Φ6)	7	M6XP1.0	
18	22217-060000	스프링와셔	WASHER, SPRING (Φ 06)	4	M6	
19	HT16030000A4	조정 볼트	BOLT ADJUSTING	2		
20	EA00005208A	조정 볼트(B)	BOLT(B), ADJUSTING	1		
21	22451-100200	철선[D1.0X200]	WIRE	2		
22	HA14270000A4	봉인	LEAD, SEALING	2		

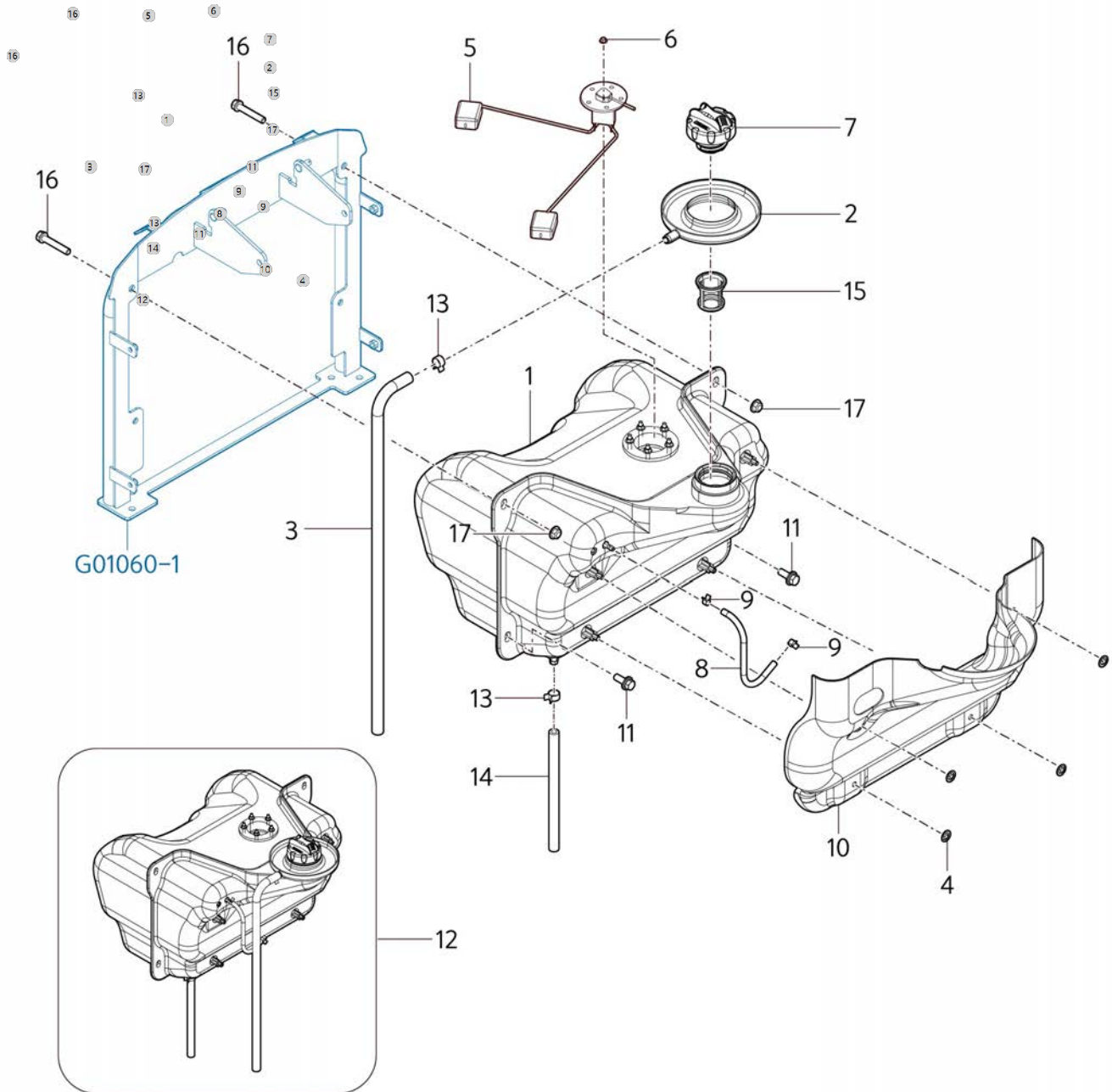
B01010

2400H US_FL
(AC02169)

FUEL TANK

Year/Month

2022-12-14



B01010 2400H US_FL (AC02169)	FUEL TANK				Year/Month
					2022-12-14

순번 (NO)	부품번호 (PART NO)	품명 (PART NAME)	품명 (PART NAME)	수량 (QTY)	규격 (SPEC)	비고 (REMARK)
1	FE06010000C	연료탱크	ASSY TANK, FUEL	1		
2	FE06020000A	연료막이	TRAY,FUEL	1		
3	FE06030000A	연료배출호스	PIPE	1	OD15XT2.0	
4	FE06040000A	푸시 너트 6	NUT 6, PUSH	4	0.4T	
5	HA00000016A	연료센서	GAUGE,FUEL	1		
6	26367-050002	플랜지너트	HEX FLANGE NUT (Φ5)	5	M5XP0.8	
7	TA00037880A	주유구 캡	FUEL CAP	1		
8	TA00069997A	연료퇴유호스(펌프-탱크)	HOSE	1		
9	23080-007000	호스클립6	CLIP, PIPE	2	D7	
10	FEB3080000A	방열커버	COVER,HEAT TROOF	1		
11	26014-080252	와셔조립육각볼트(+SW,PW)	Bolt, Hexa (8-25)	2	M08X1.25X02	
12	TA00069998A	연료탱크sub조합(FL)	HOSE	1		
13	23080-013000	호스 클립	Clamp, Hose (Φ13)	1	D13	
14	TA00069996A	연료호스(탱크-파드)	ASSY FUEL TANK SUB(FL)	1		
15	TA00017996A	소형연료필터	FUEL FILLTER	1		
16	26013-080502	와셔조립육각볼트(+SW)	Bolt, Hexa (8-50)	2	M8XP1.25X05	
17	26367-080002	259, 육각플랜지너트	HEX FLANGE NUT (Φ8)	2	M8XP1.25	

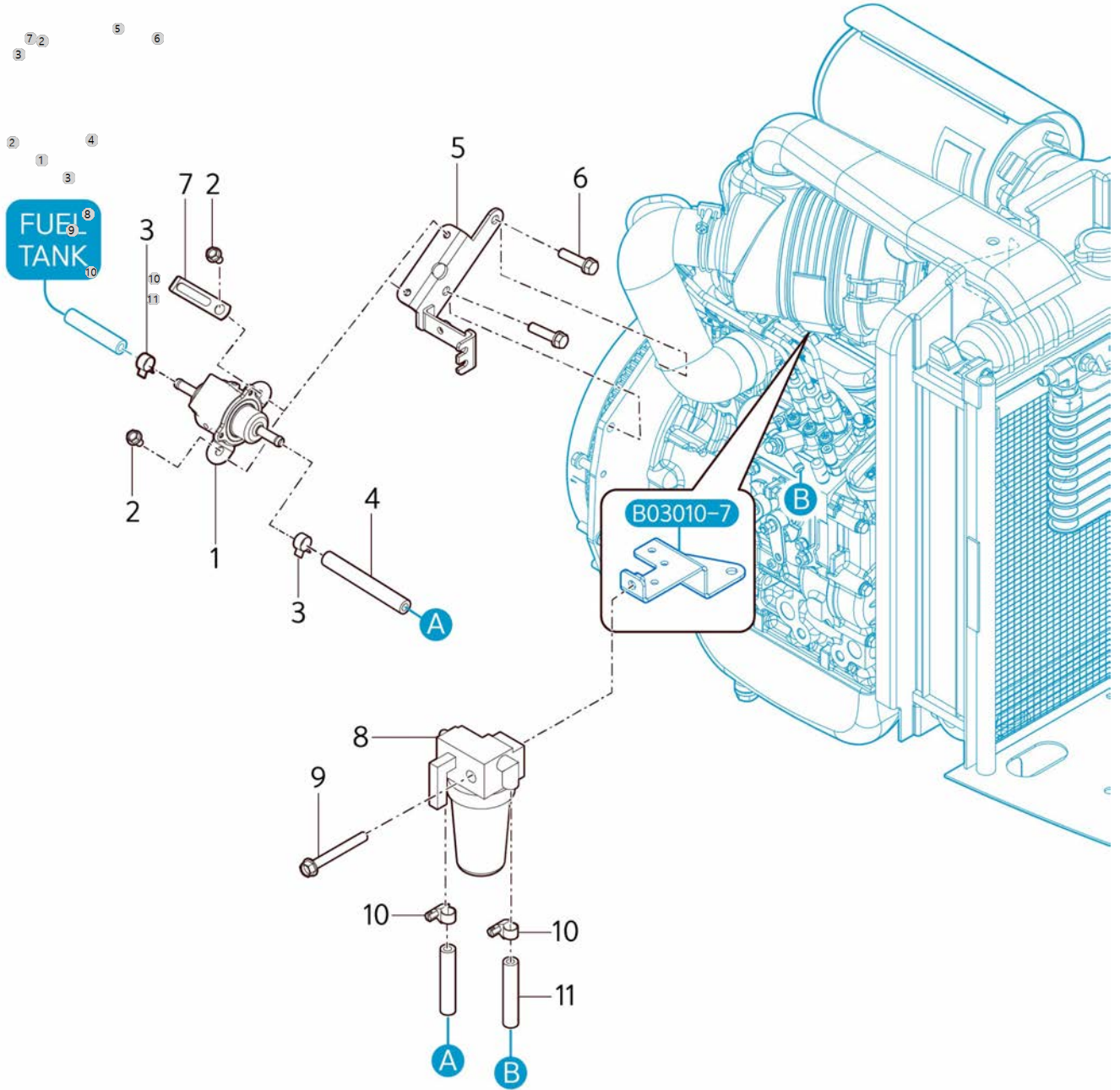
B01032

2400H US_FL
(AC02169)

FUEL LINE

Year/Month

2022-12-14



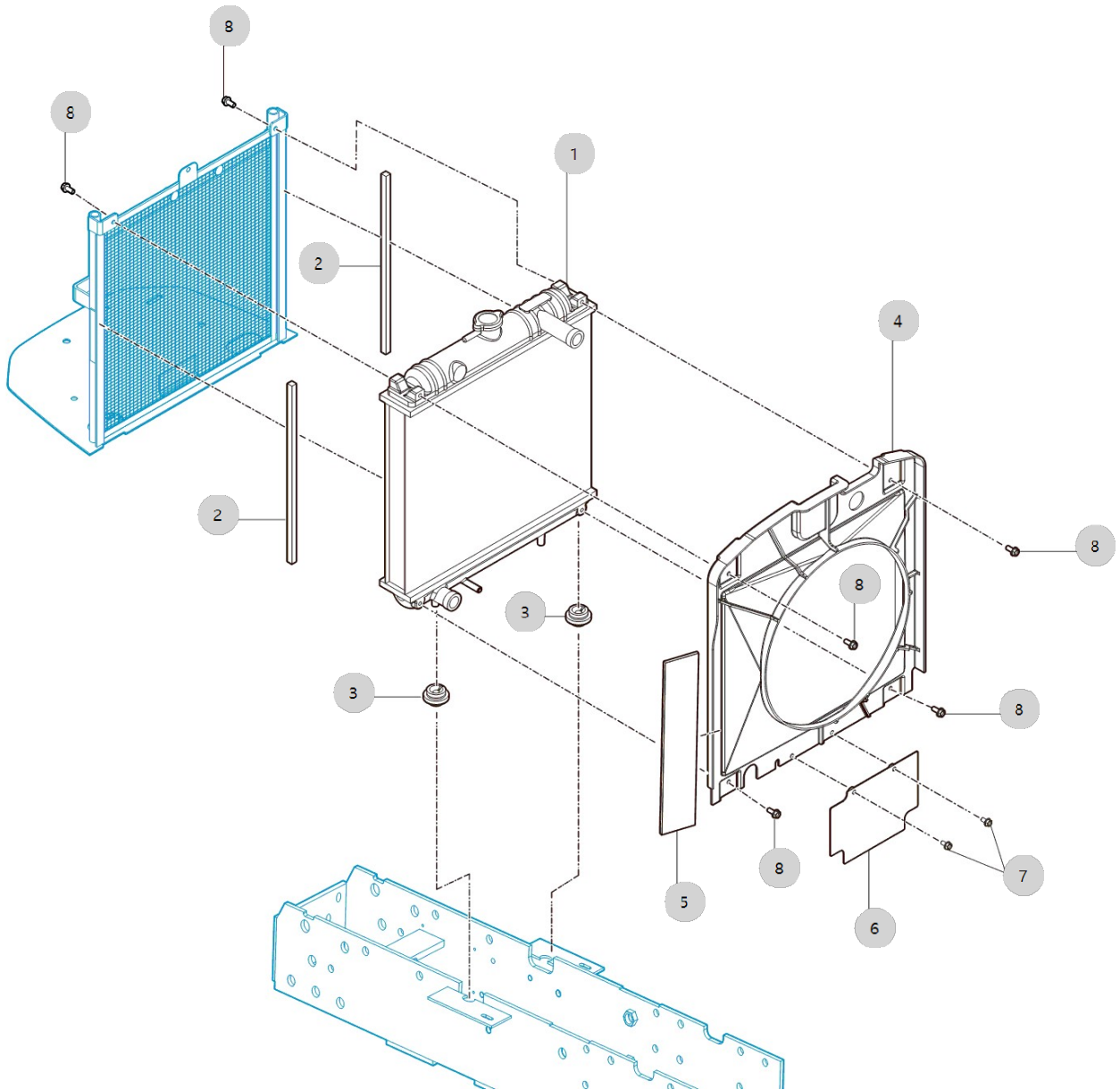
B02020

2400H US_FL
(AC02169)

RADIATOR

Year/Month

2022-12-14



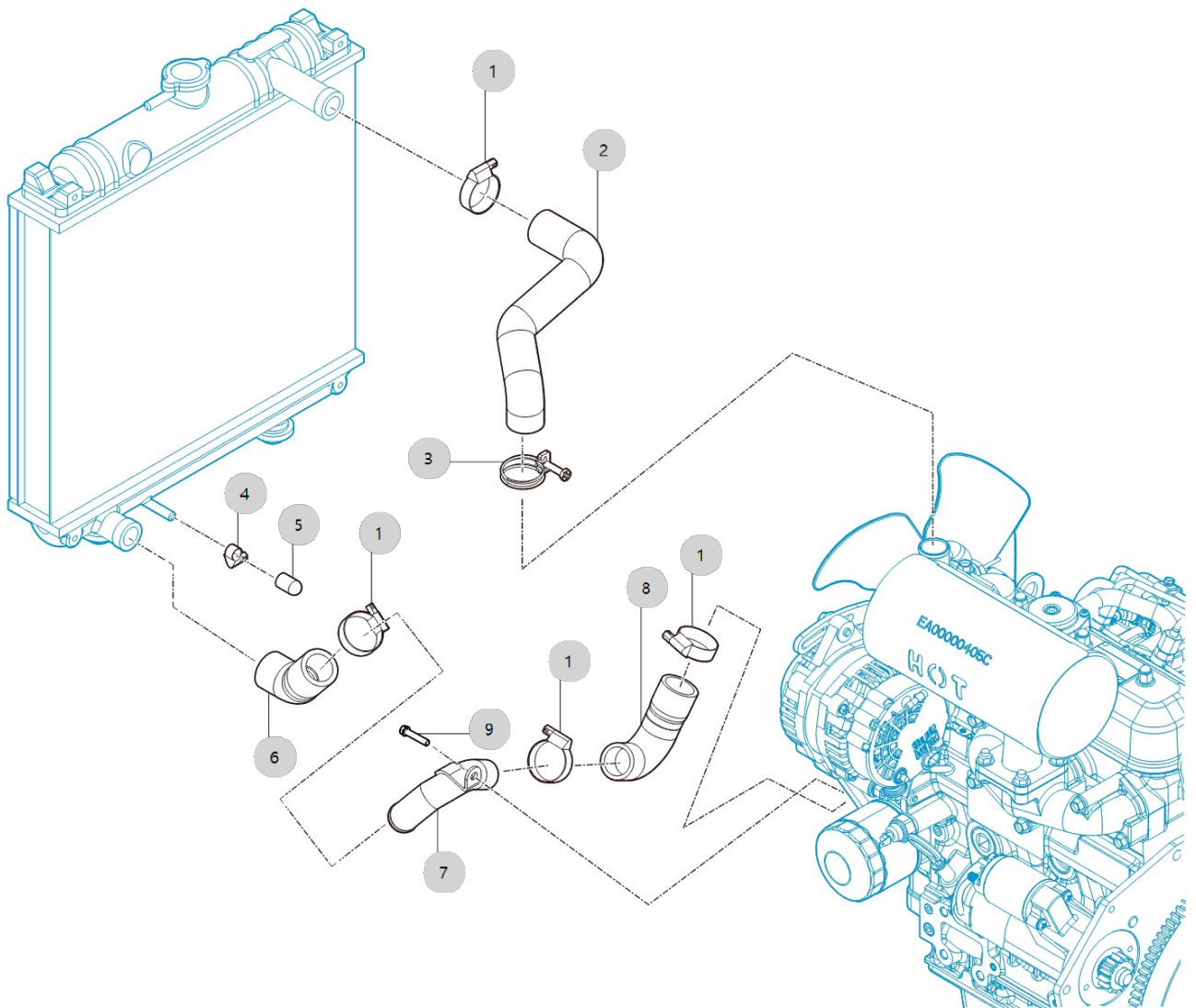
B02040

2400H US_FL
(AC02169)

WATER PIPE

Year/Month

2022-12-14



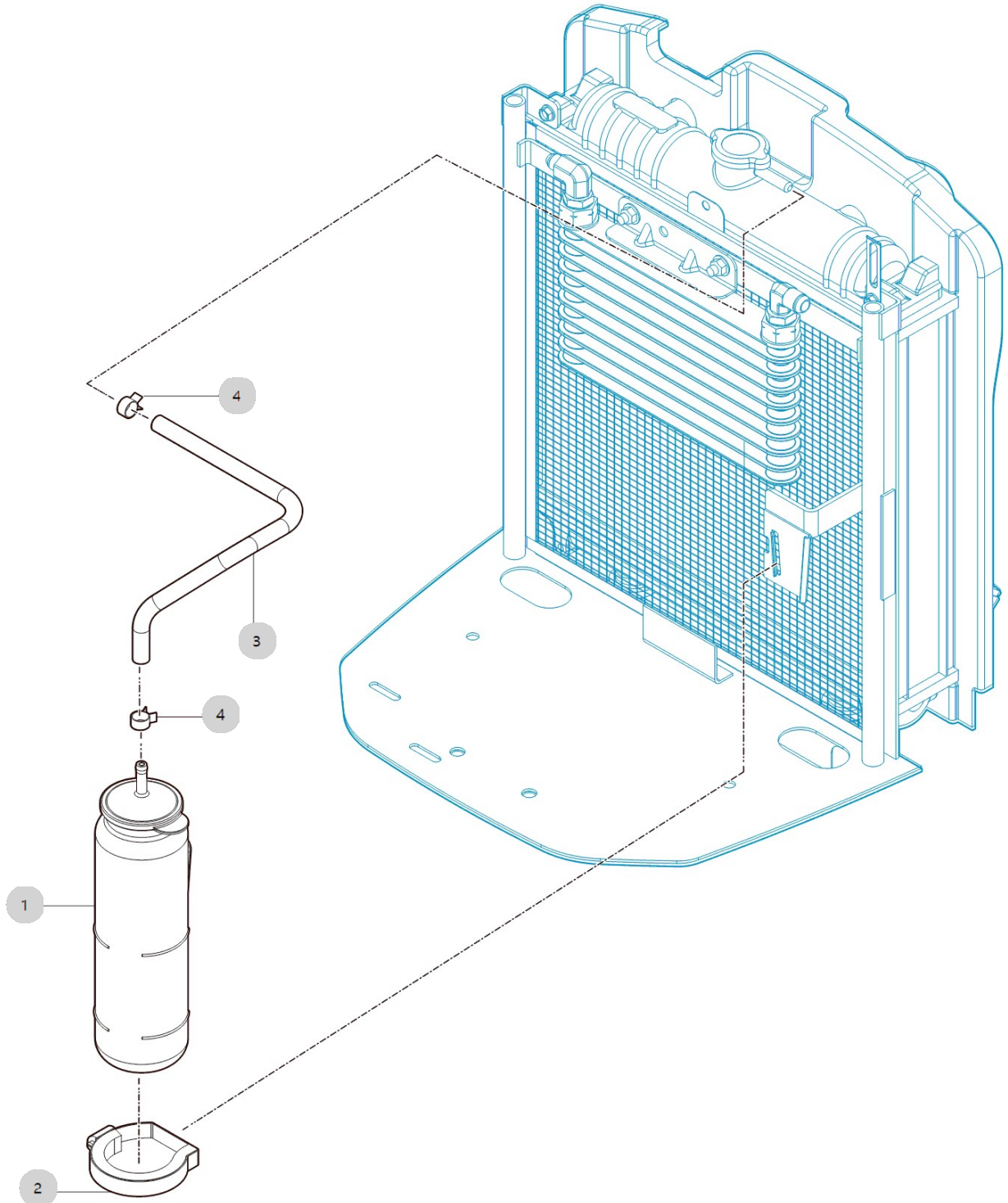
B02050

2400H US_FL
(AC02169)

AUXILIARY COOLANT TANK

Year/Month

2022-12-14



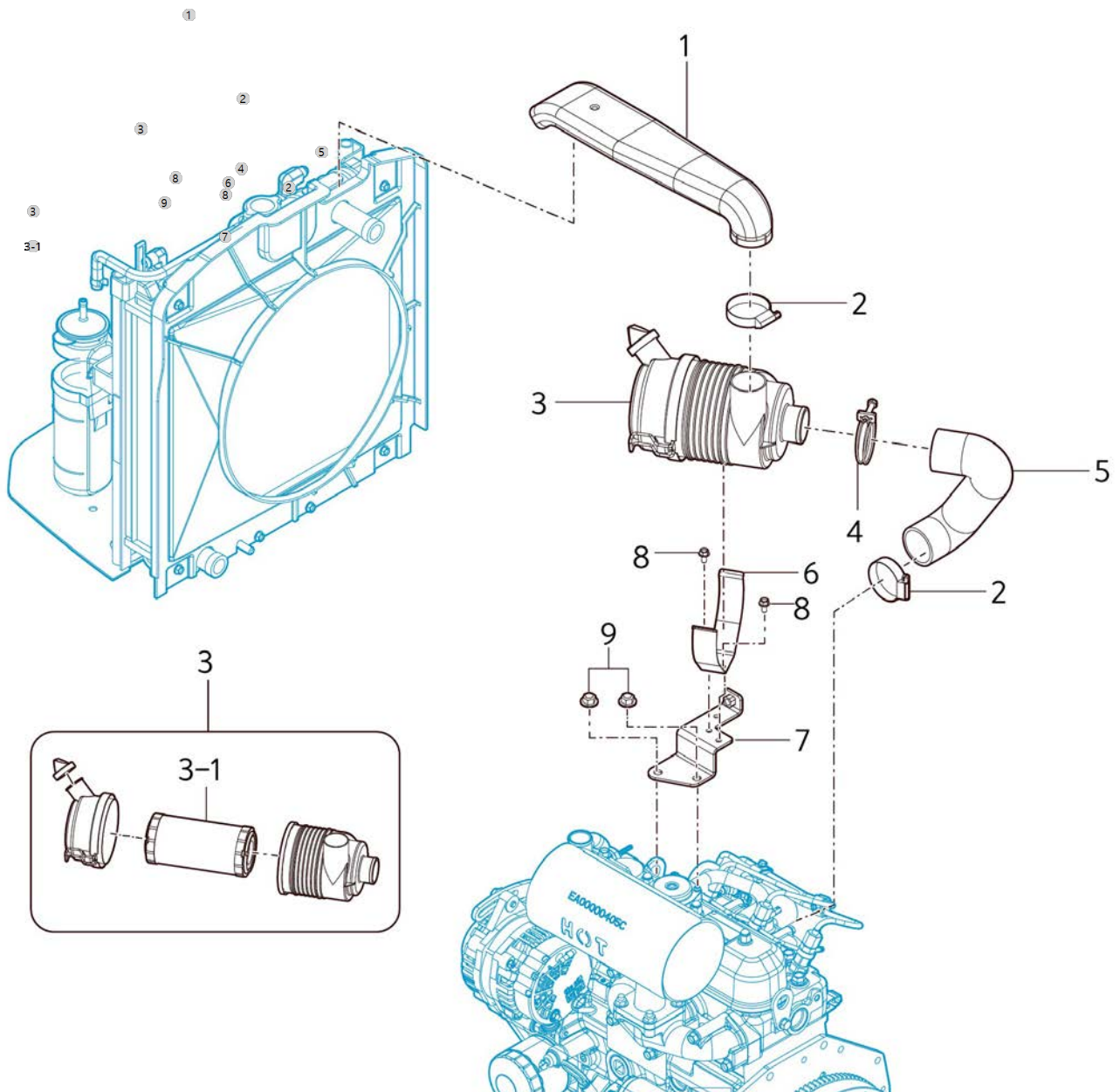
B03010

2400H US_FL
(AC02169)

AIR CLEANER

Year/Month

2022-12-14



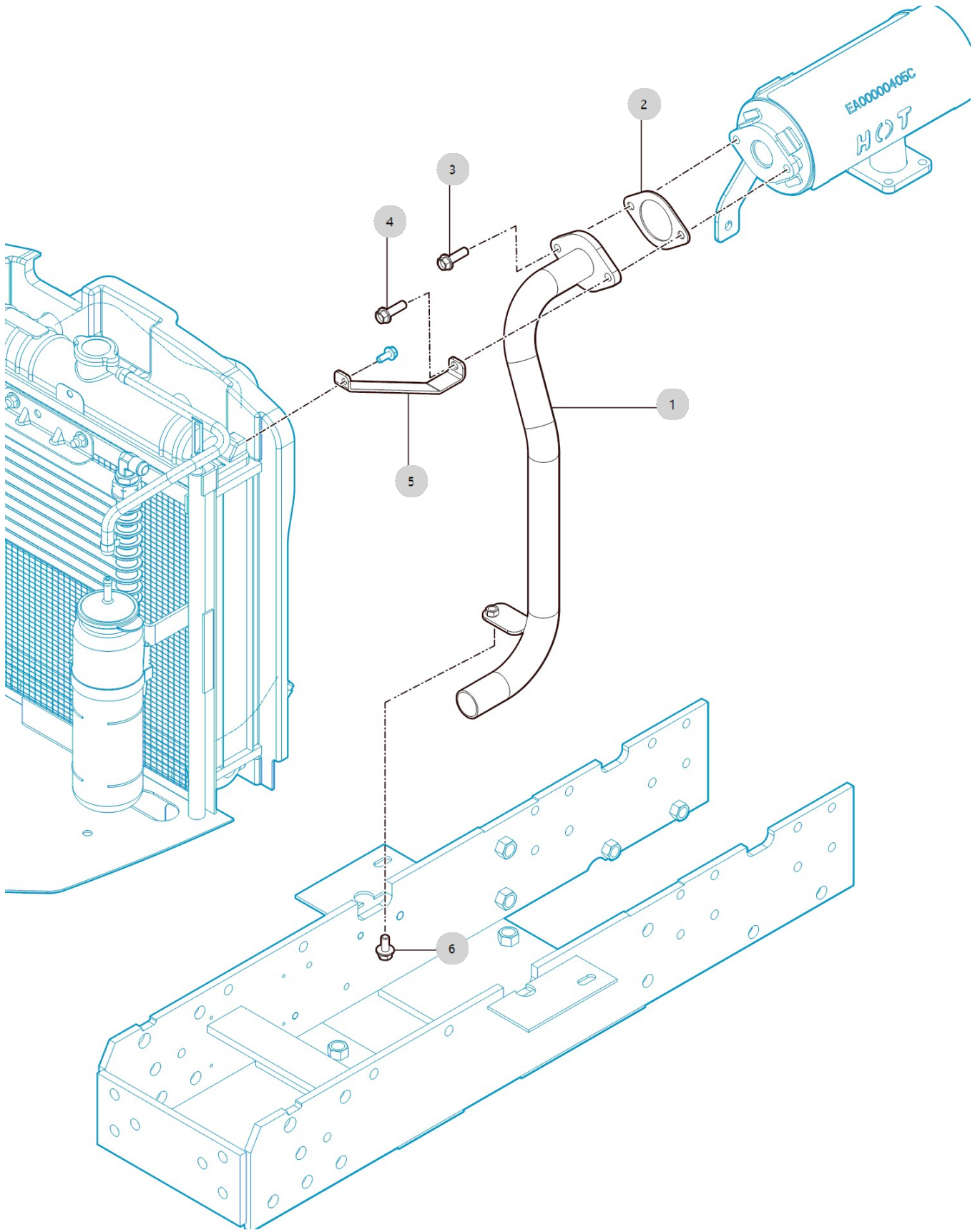
B03031

2400H US_FL
(AC02169)

MUFFLER

Year/Month

2022-12-14



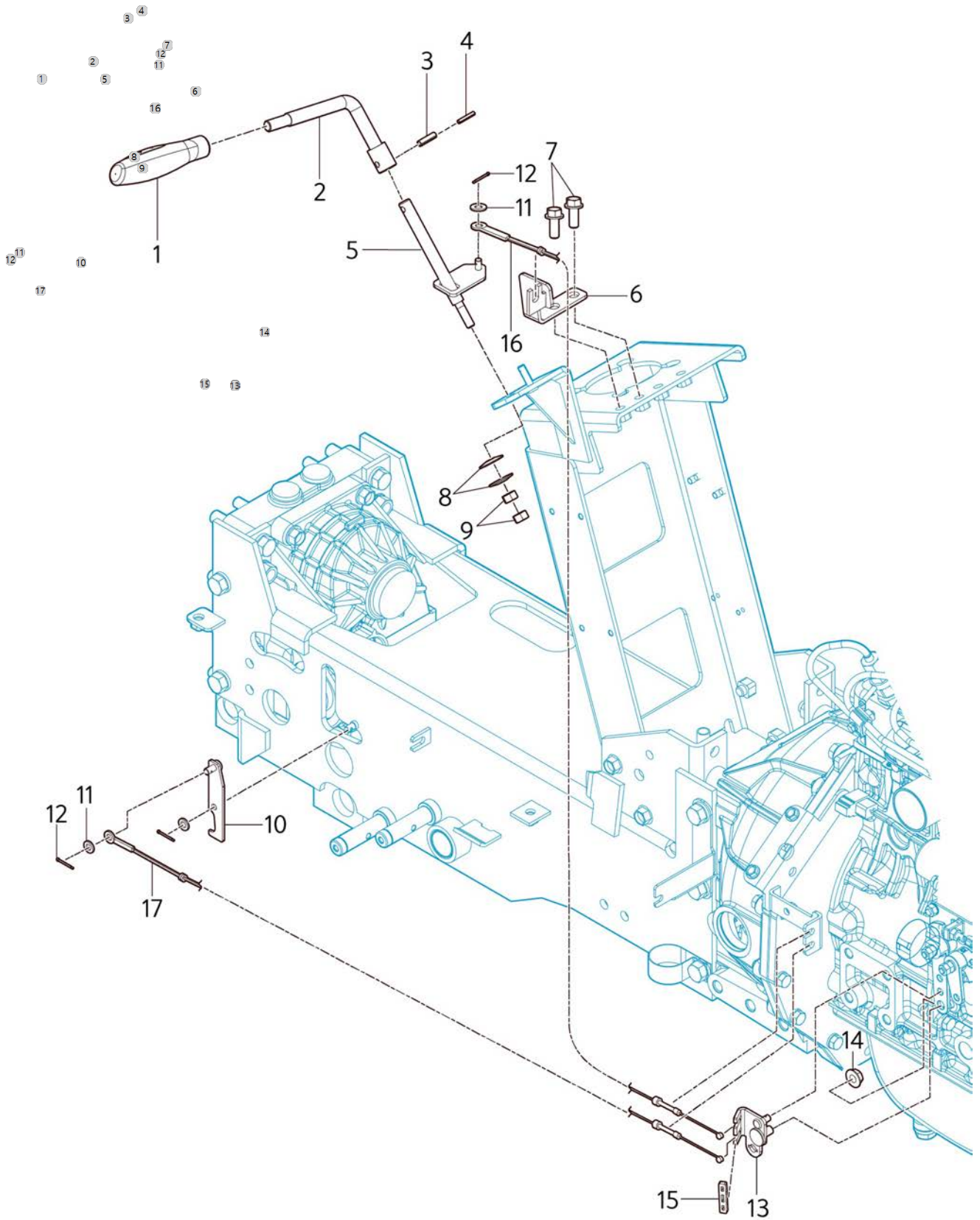
B05010H

2400H US_FL
(AC02169)

ACCELERATION SYSTEM

Year/Month

2022-12-14



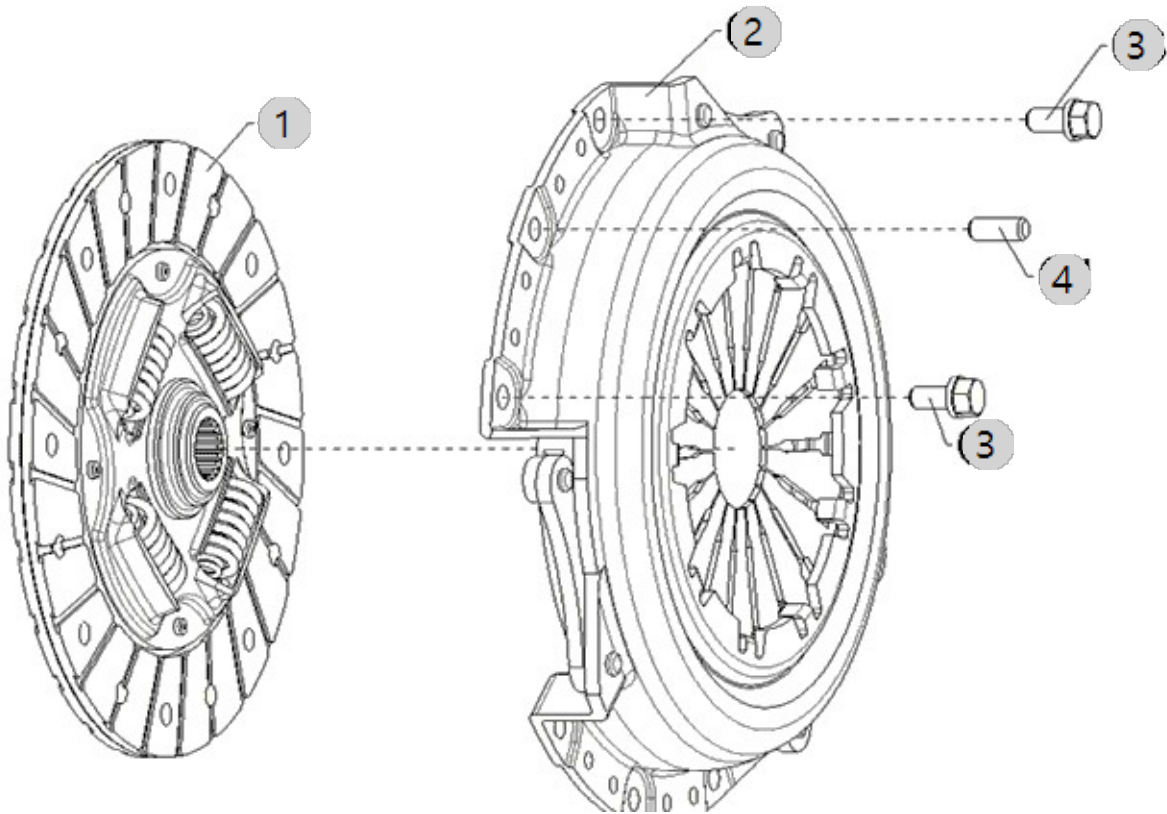
C01010

2400H US_FL
(AC02169)

CLUTCH DISC

Year/Month

2022-12-14



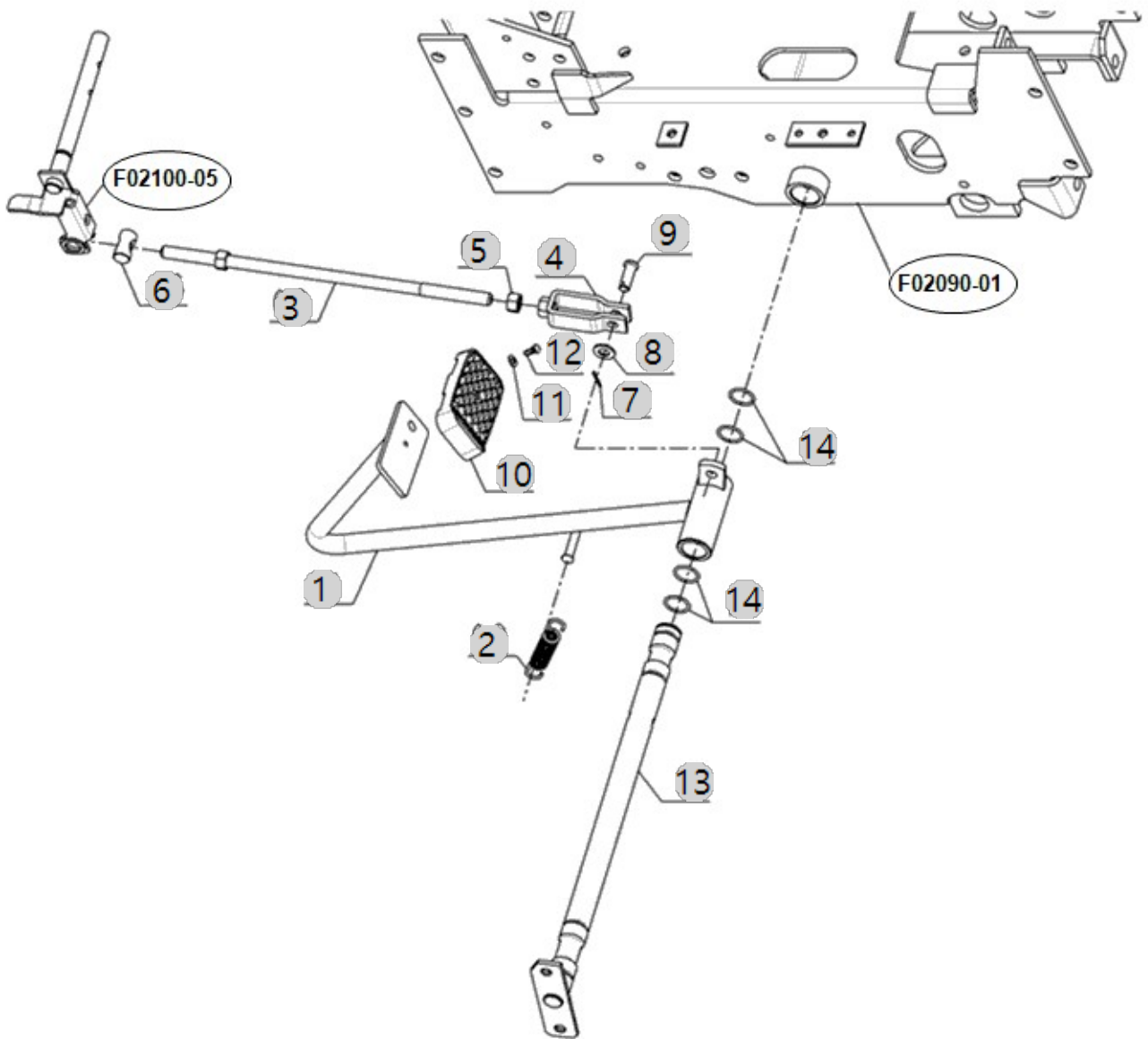
C01030

2400H US_FL
(AC02169)

CLUTCH PADAL

Year/Month

2022-12-14



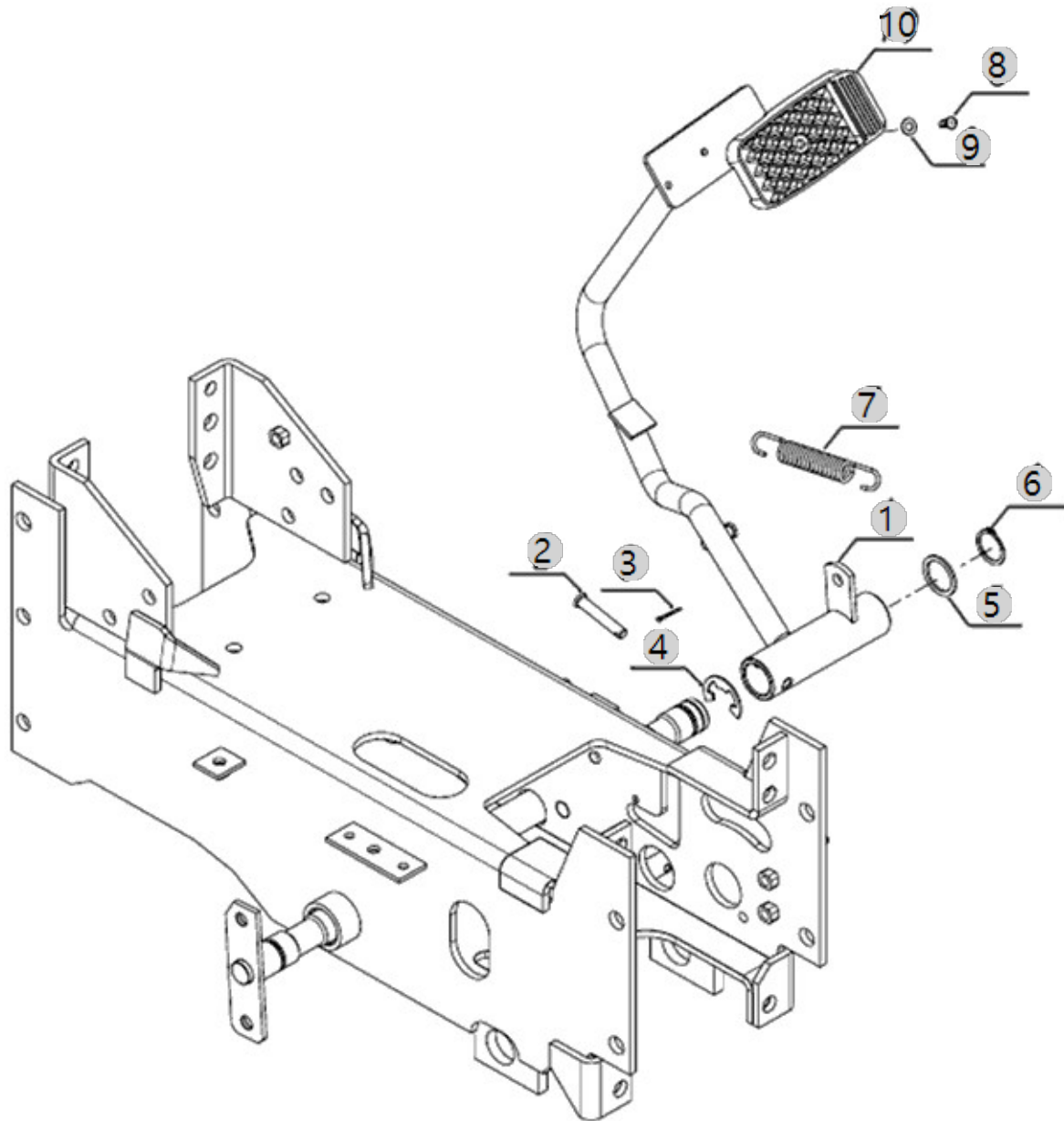
C02010

2400H US_FL
(AC02169)

BRAKE PEDAL

Year/Month

2022-12-14



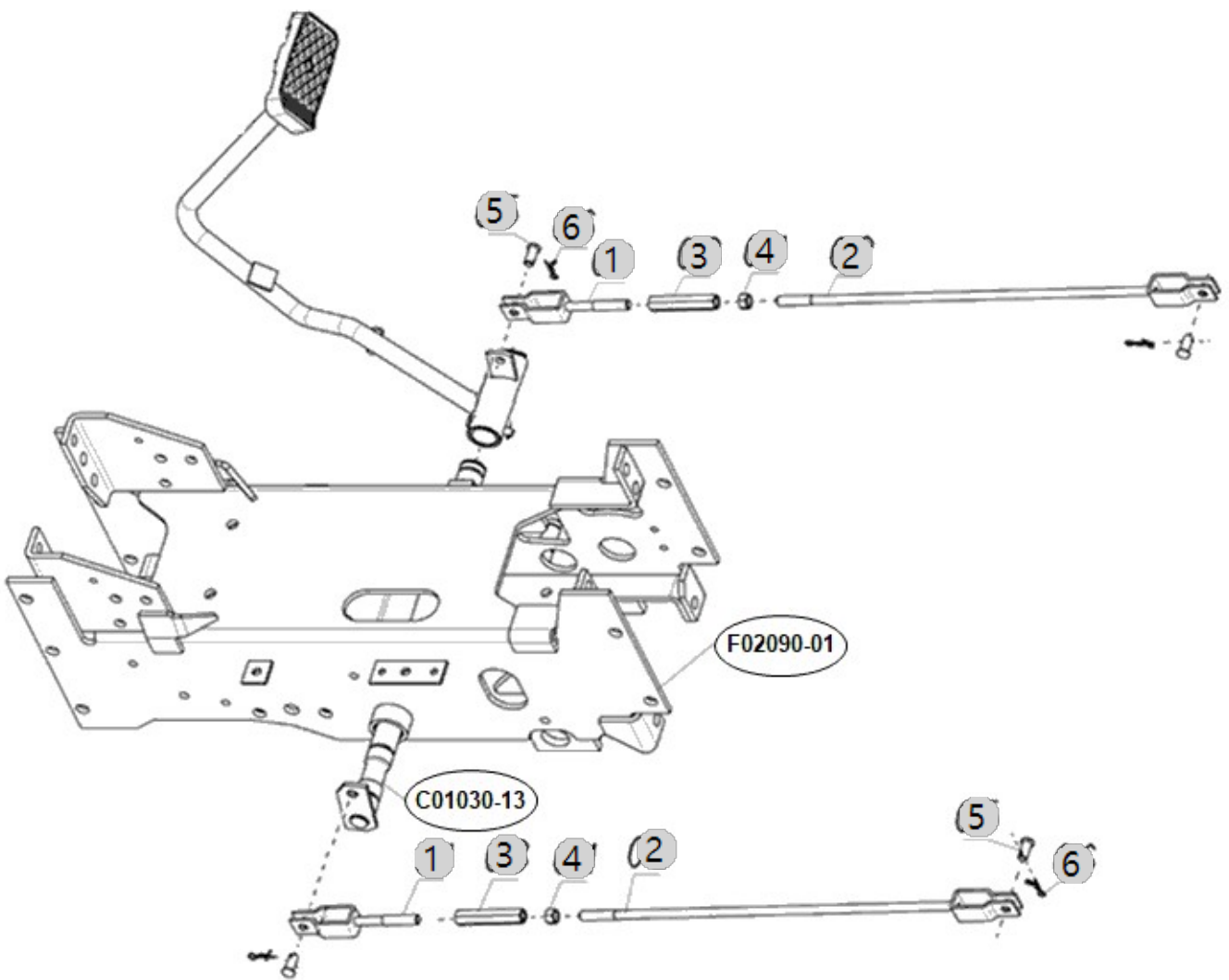
C02030

2400H US_FL
(AC02169)

BRAKE ROD

Year/Month

2022-12-14



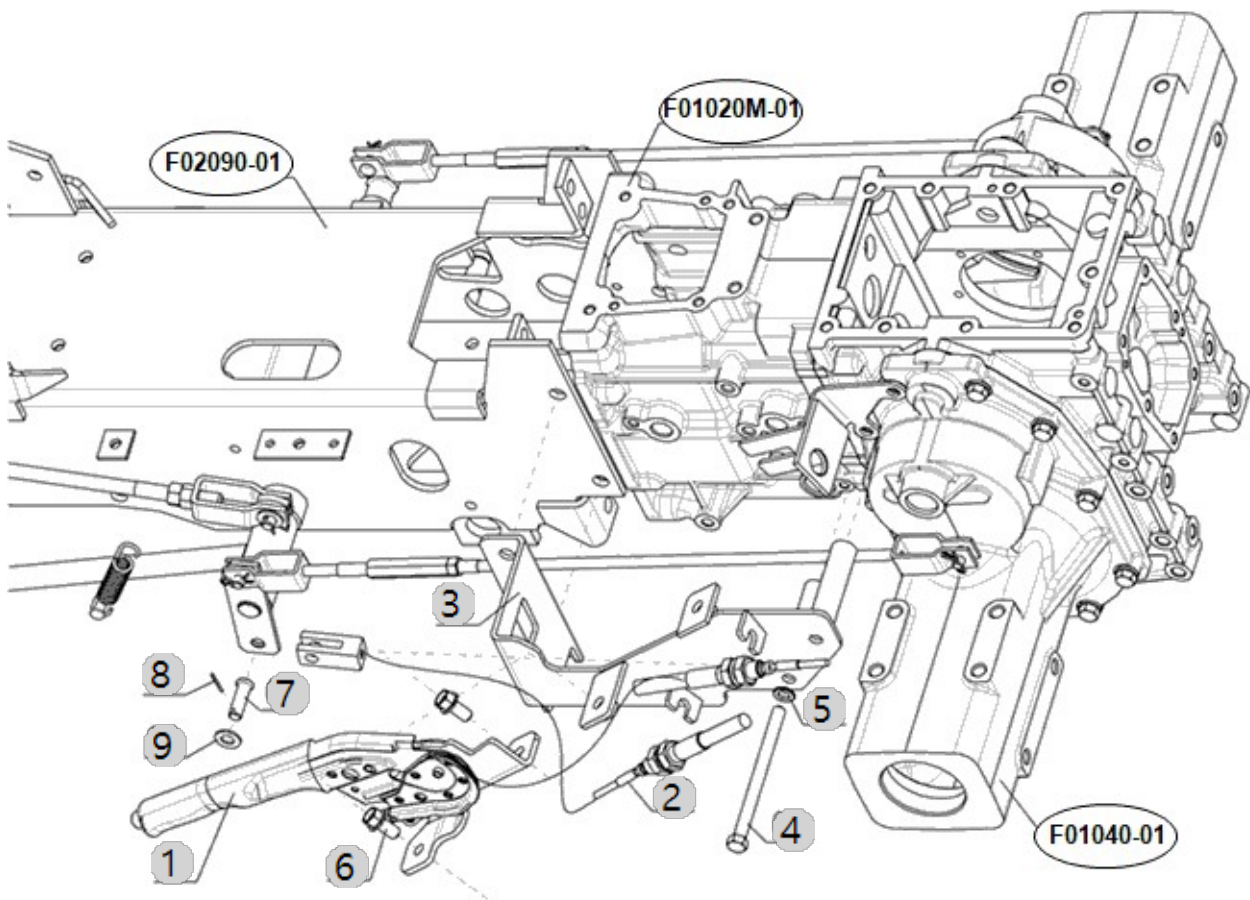
C02064

2400H US_FL
(AC02169)

SIDE BRAKE

Year/Month

2022-12-14



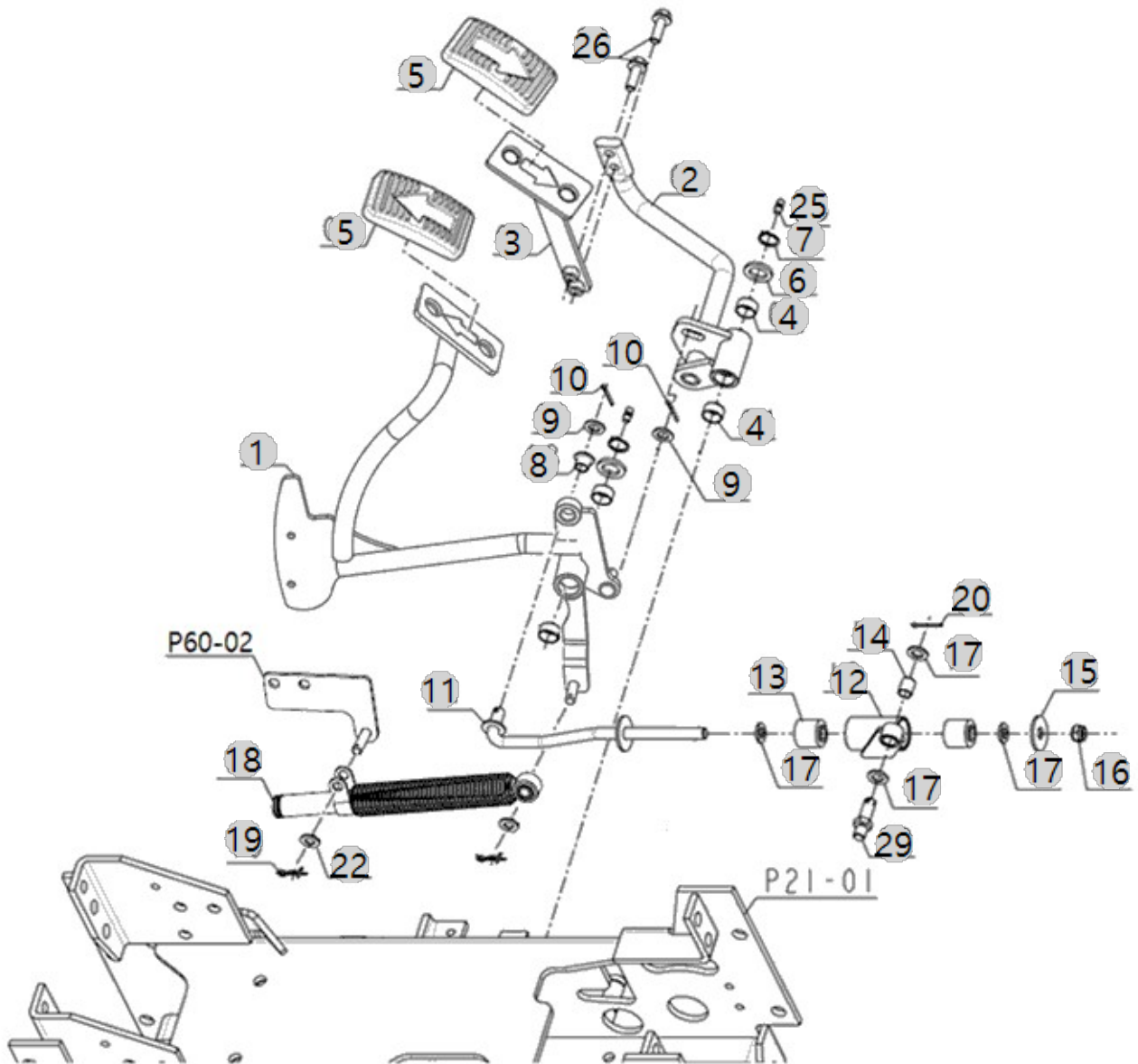
C03010

2400H US_FL
(AC02169)

HST PEDAL

Year/Month

2022-12-14



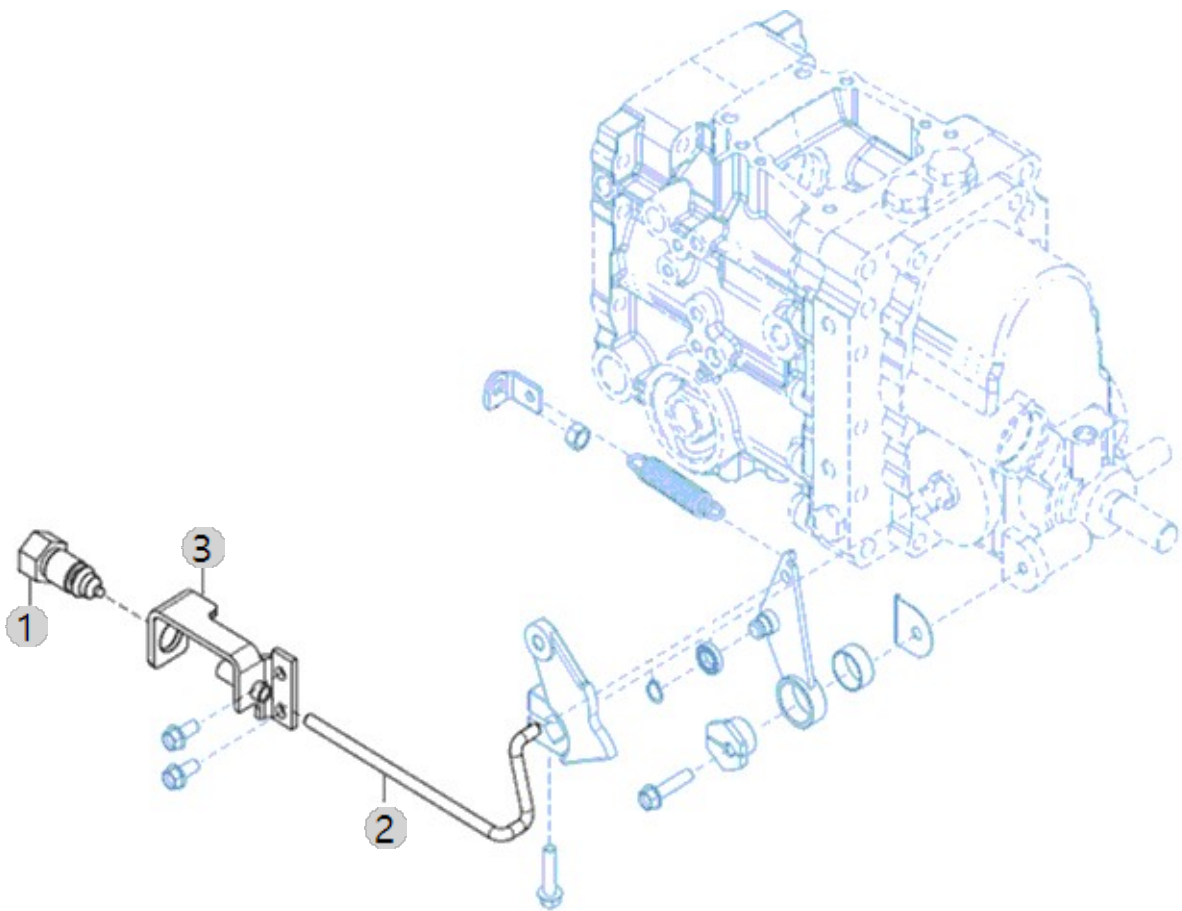
C03040

2400H US_FL
(AC02169)

NEUTRE HOLDER LINK

Year/Month

2022-12-14



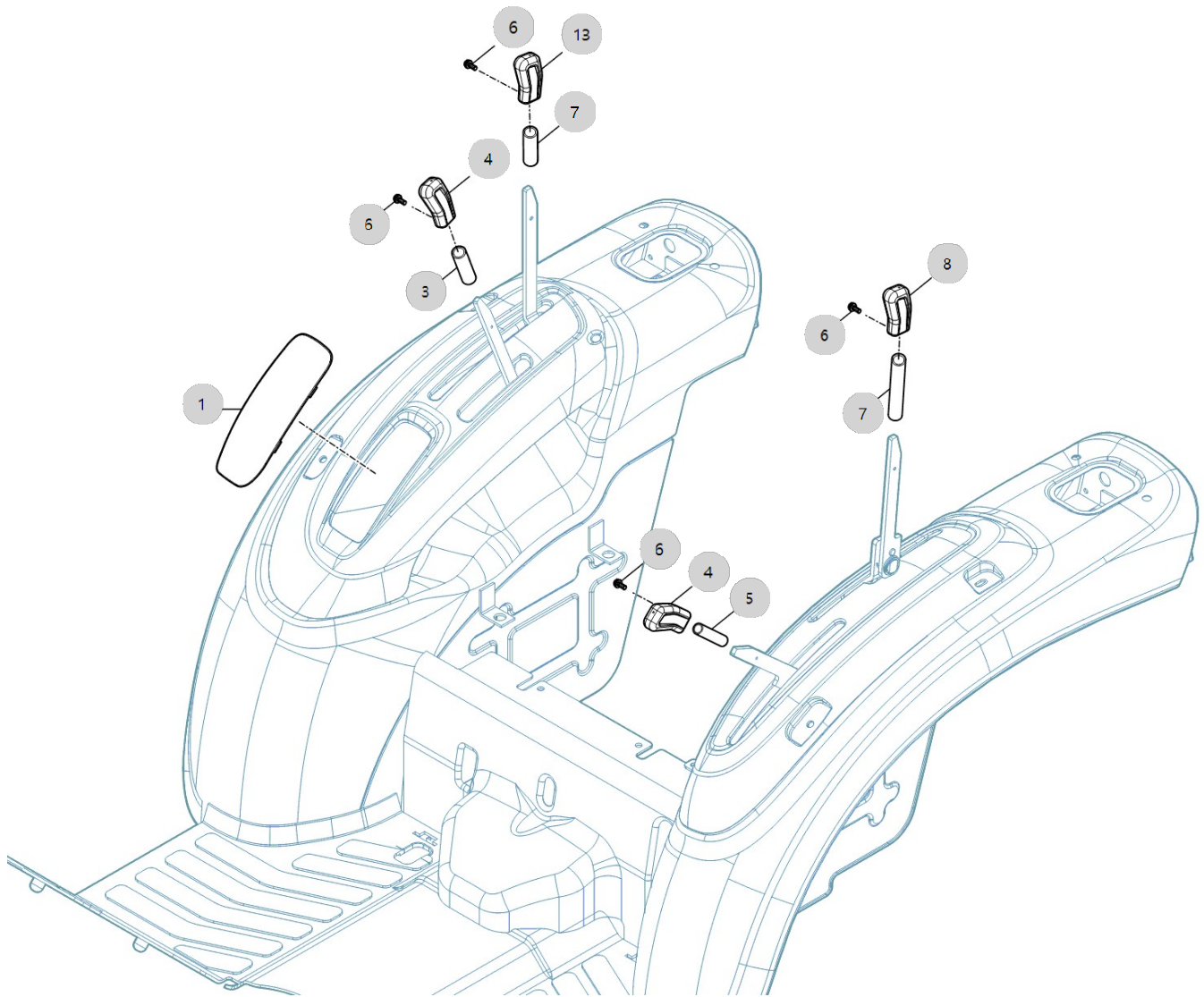
C04000H

2400H US_FL
(AC02169)

LEVER&PEDAL ASS'Y

Year/Month

2022-12-14



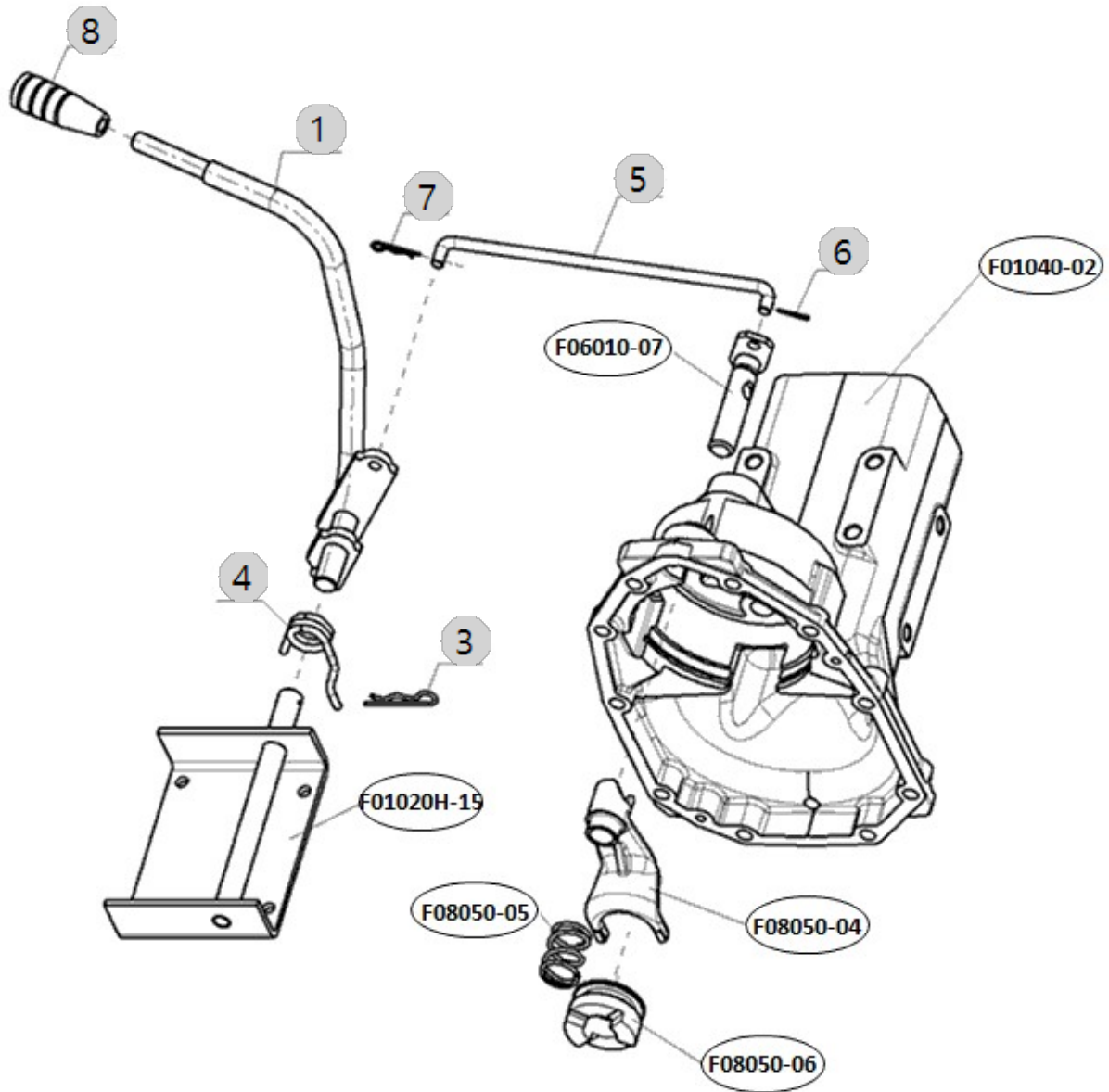
C04042H-A

2400H US_FL
(AC02169)

DIFF. LOCK LEVER

Year/Month

2022-12-14



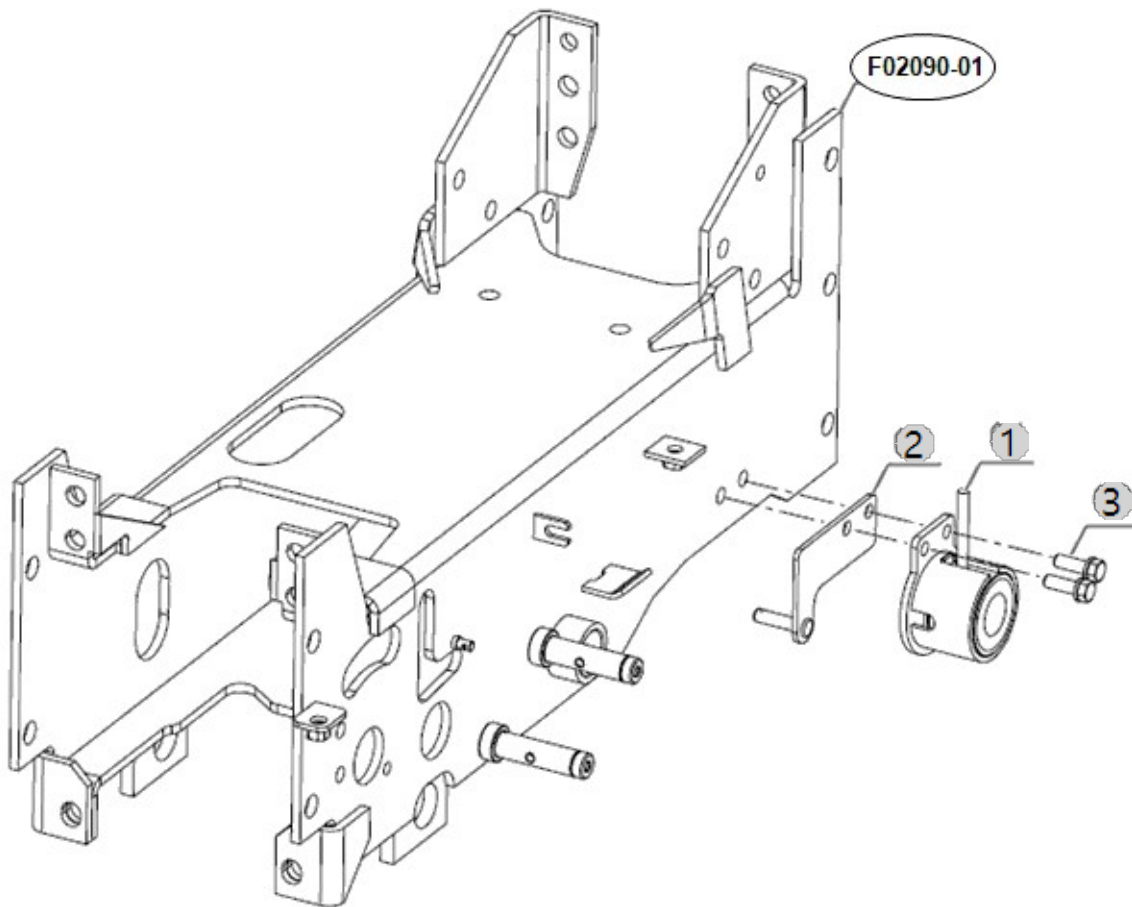
C04050H

2400H US_FL
(AC02169)

CRUISE LEVER

Year/Month

2022-12-14



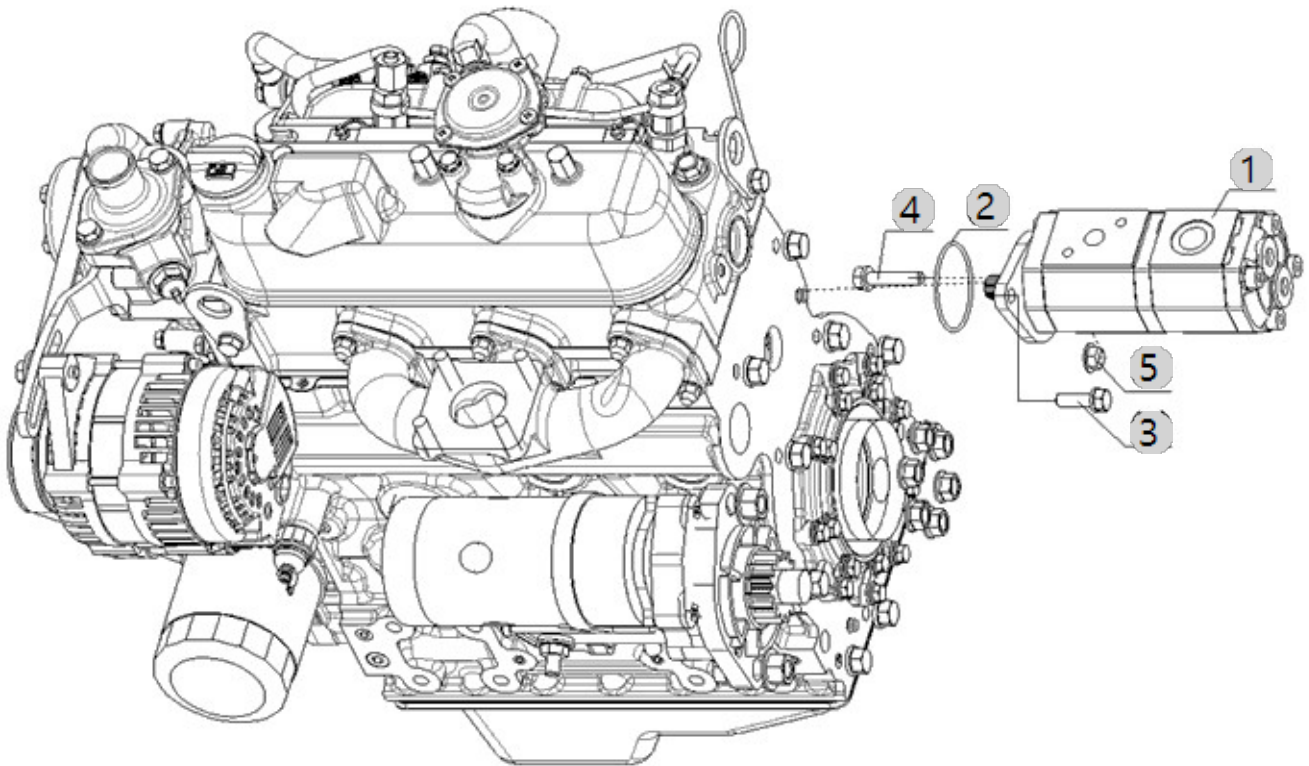
D01010

2400H US_FL
(AC02169)

HYDRAULIC PUMP

Year/Month

2022-12-14



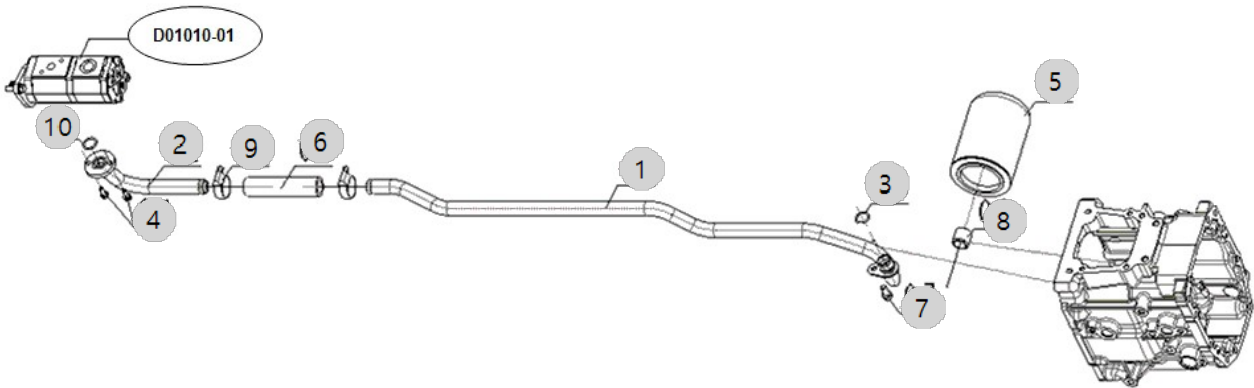
D01011

2400H US_FL
(AC02169)

HYDRAULIC OIL LINE

Year/Month

2022-12-14



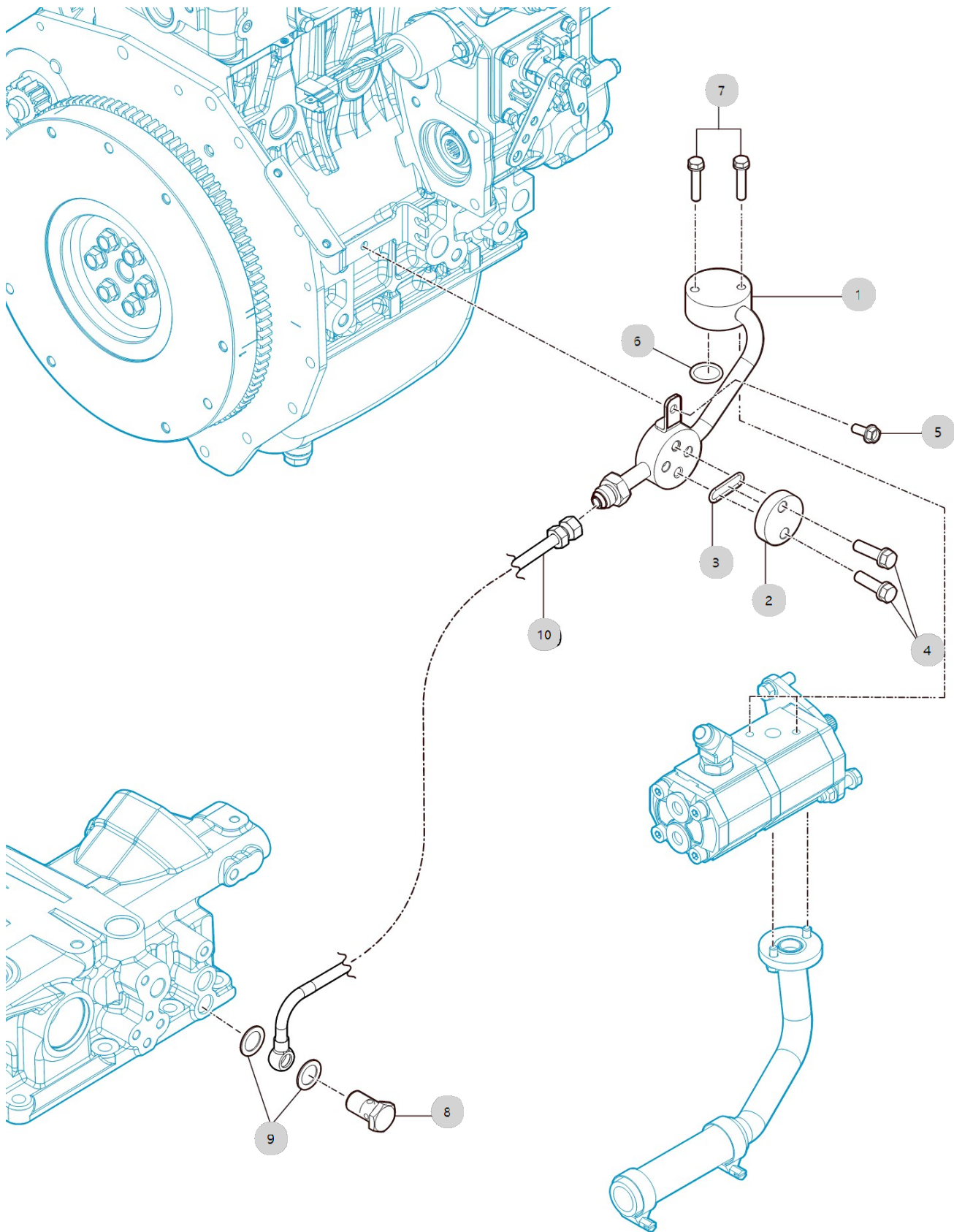
D01012

2400H US_FL
(AC02169)

HYDRAULIC OIL LINE/DELIVERY

Year/Month

2022-12-14



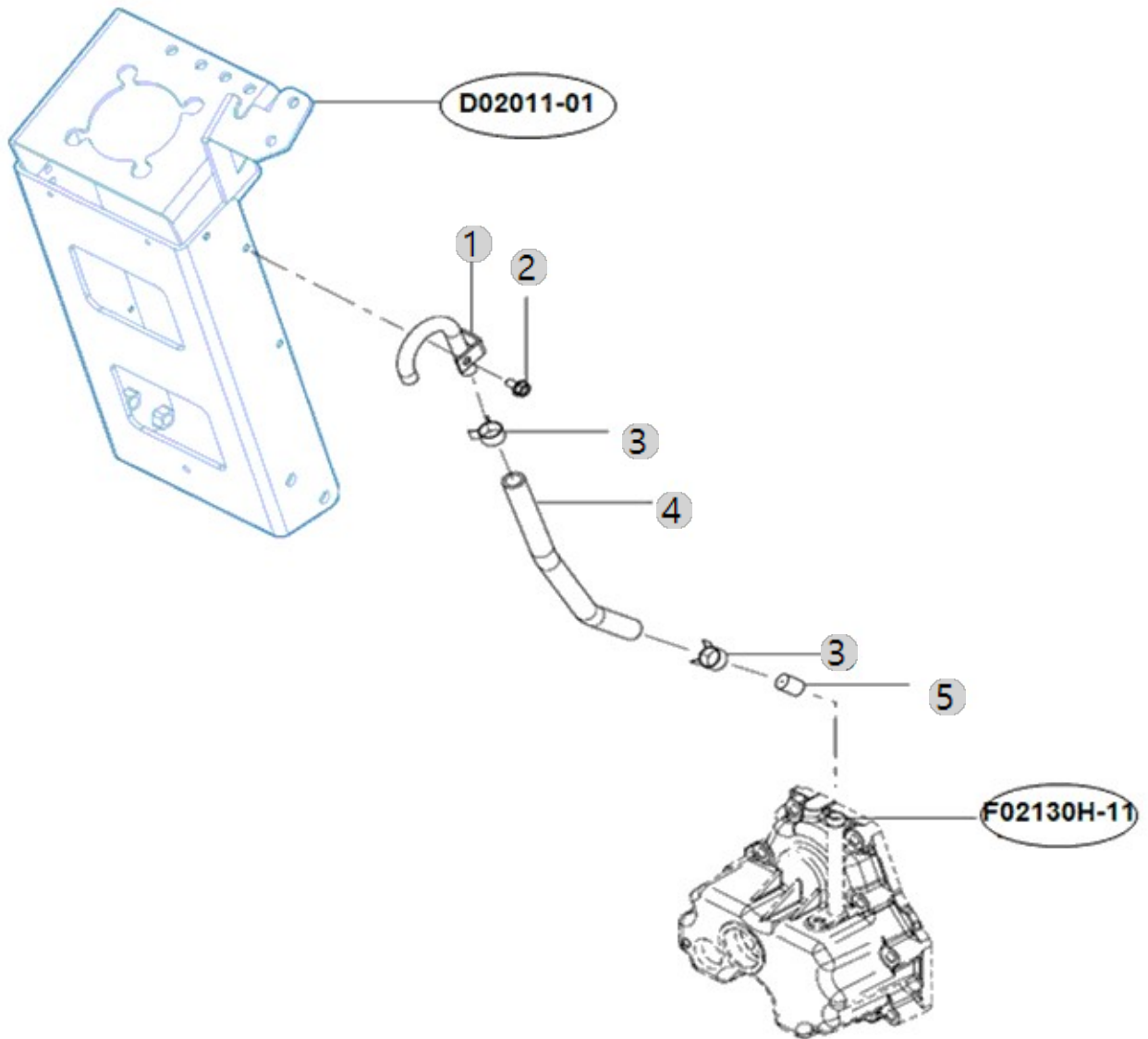
D01013H

2400H US_FL
(AC02169)

HYDRAULIC OIL LINE

Year/Month

2022-12-14



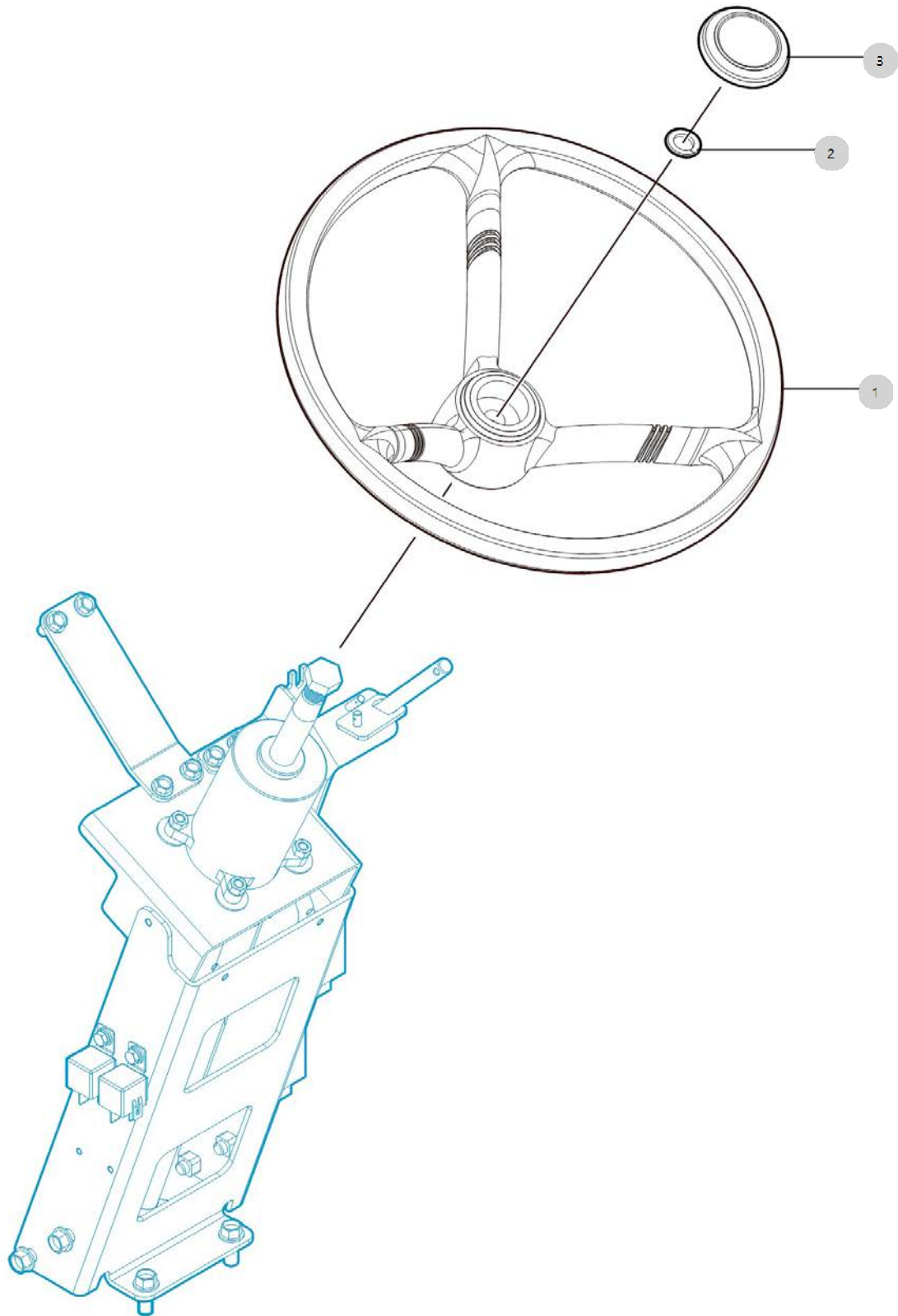
D02010

2400H US_FL
(AC02169)

STEERING WHEEL

Year/Month

2022-12-14



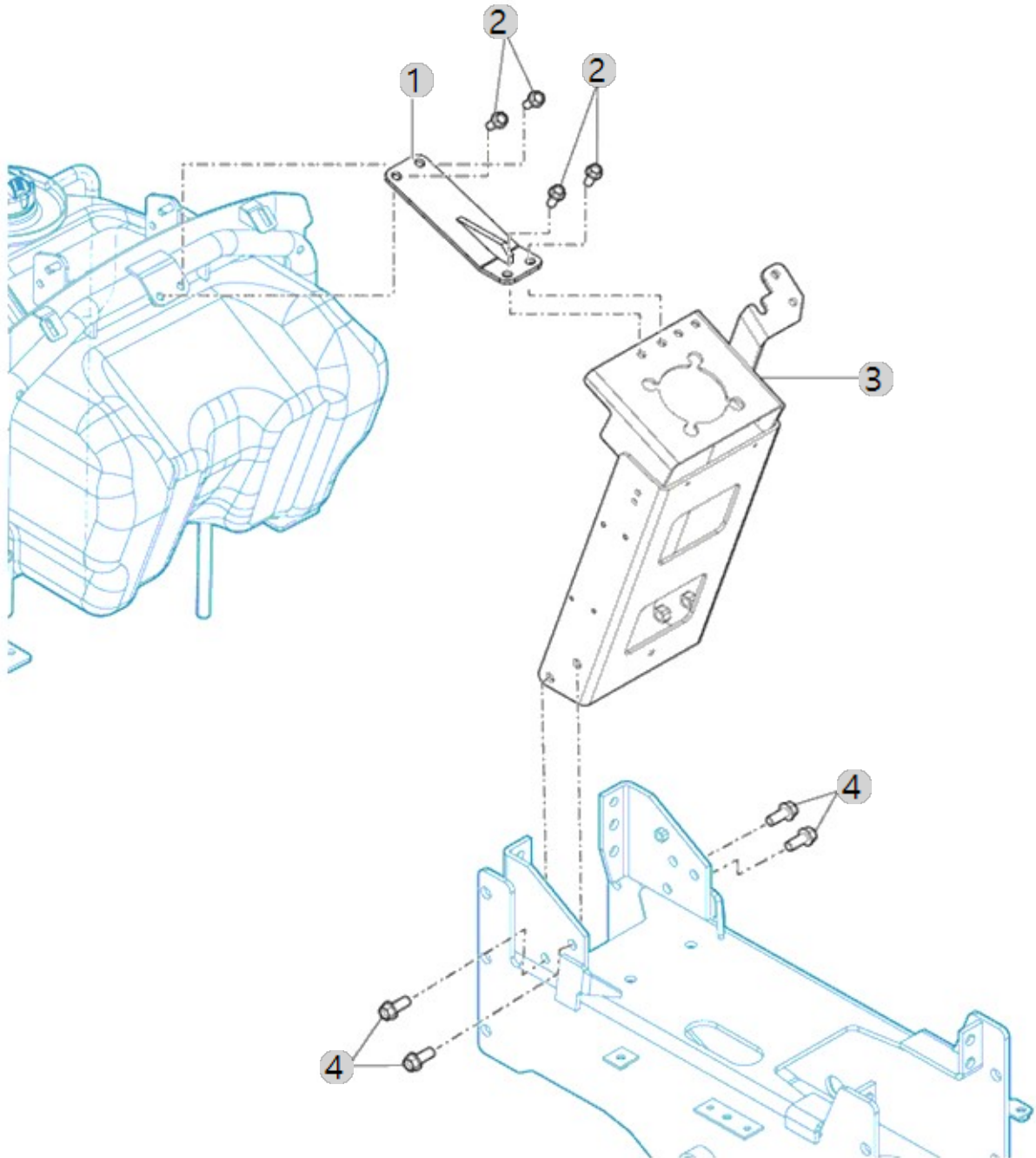
D02011

2400H US_FL
(AC02169)

STEERING MOUNTING

Year/Month

2022-12-14



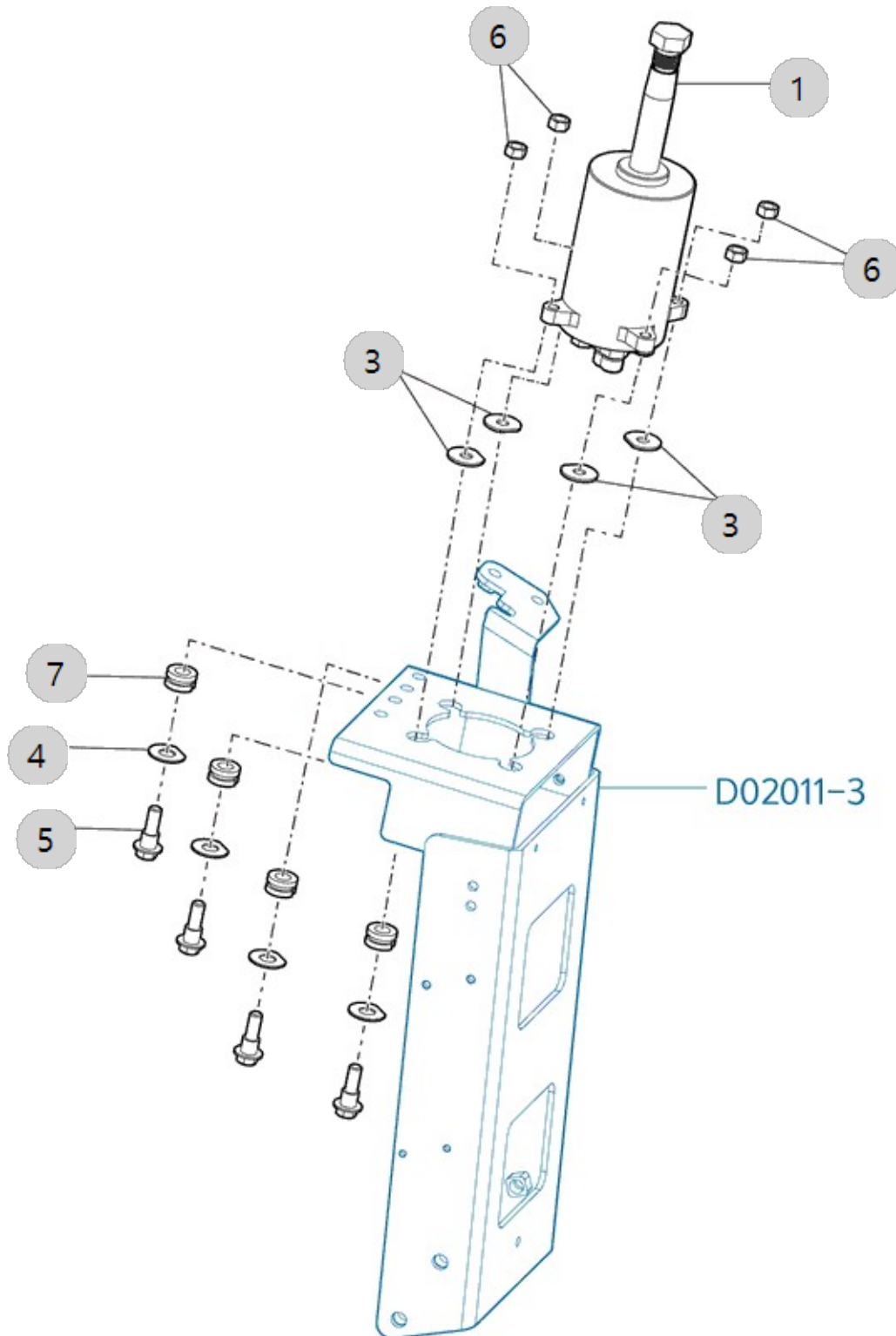
D02020

2400H US_FL
(AC02169)

STEERING VALVE

Year/Month

2022-12-14



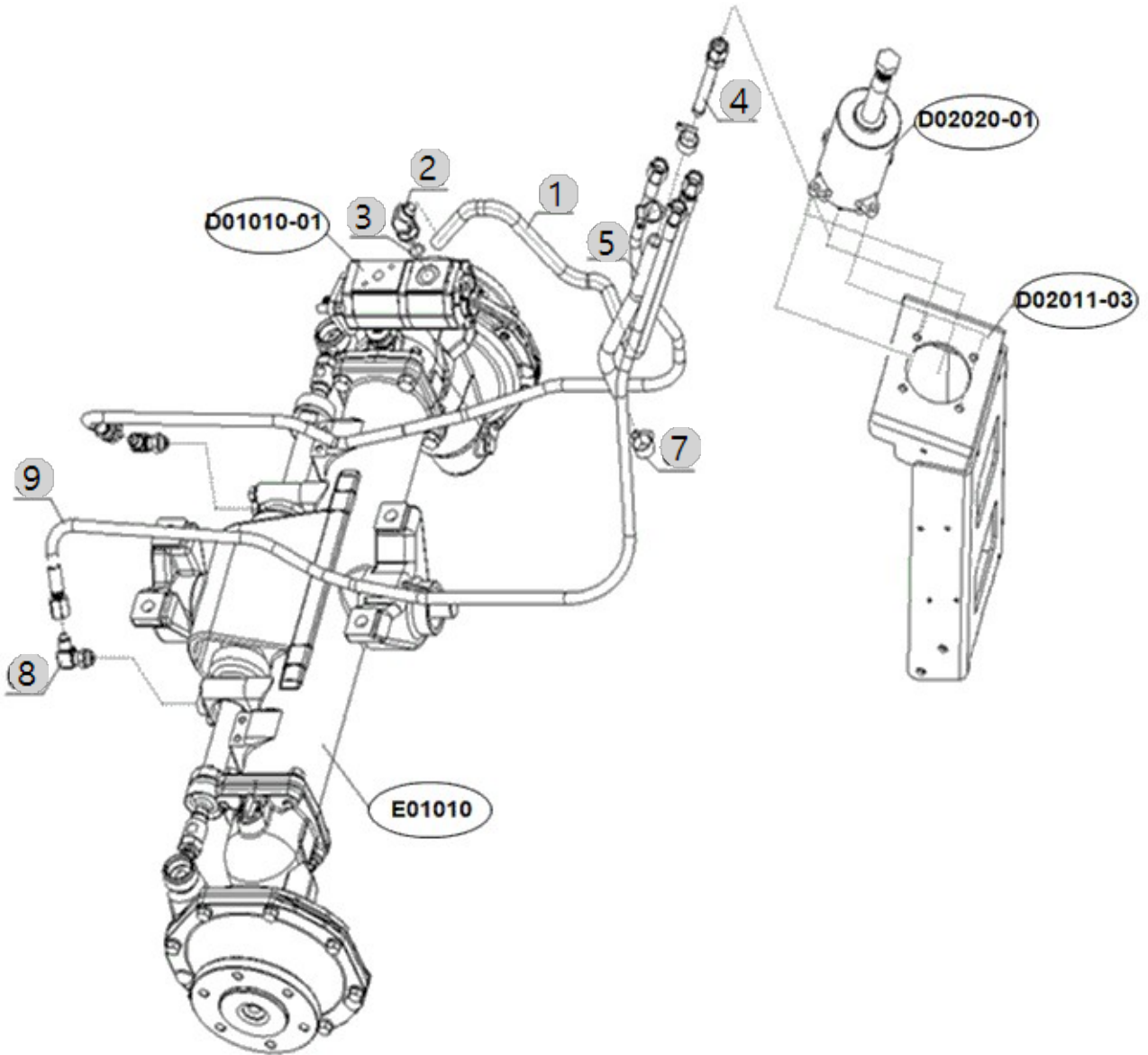
D02030

2400H US_FL
(AC02169)

PST HOSE

Year/Month

2022-12-14



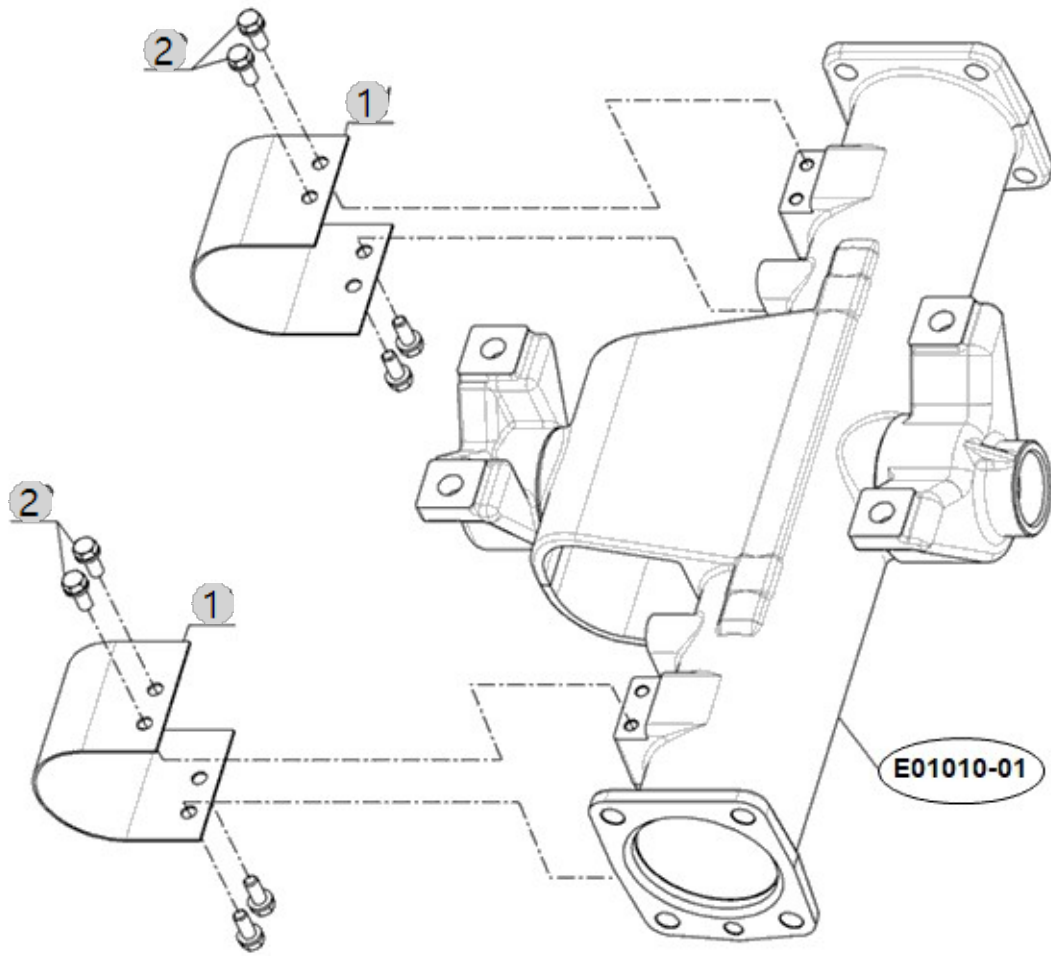
D02041

2400H US_FL
(AC02169)

PST COVER

Year/Month

2022-12-14



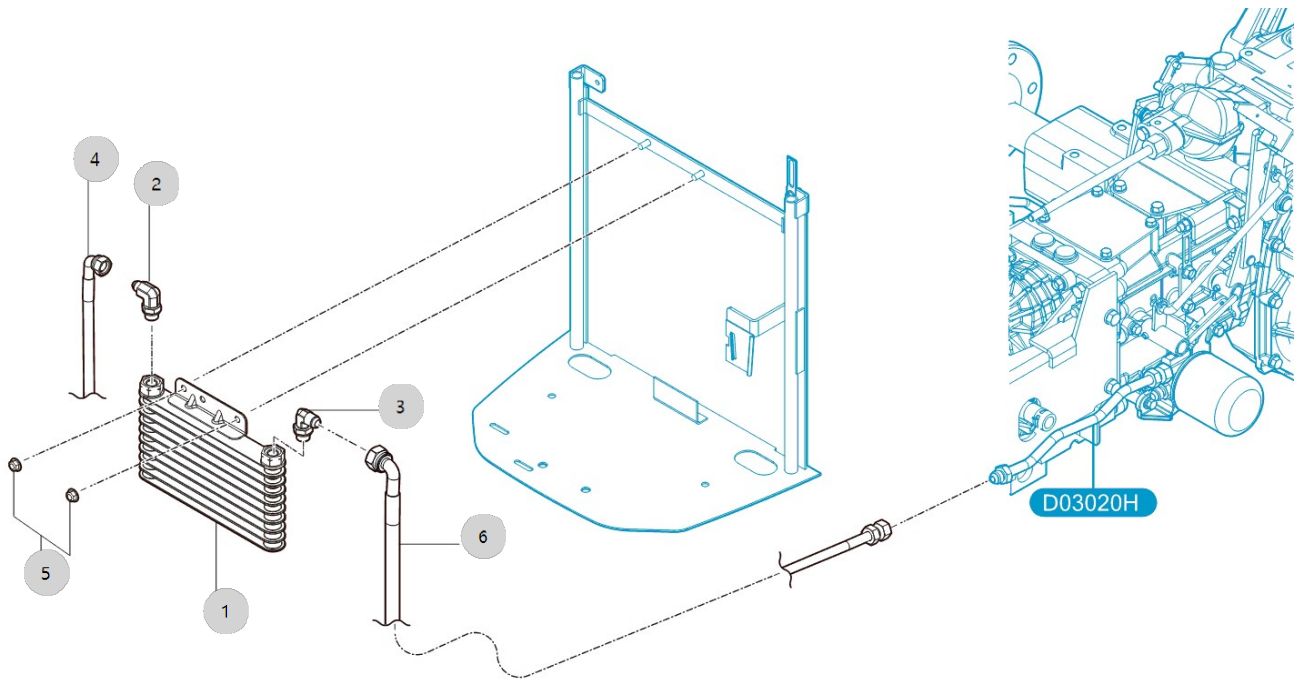
D03010H

2400H US_FL
(AC02169)

OIL COOLER

Year/Month

2022-12-14



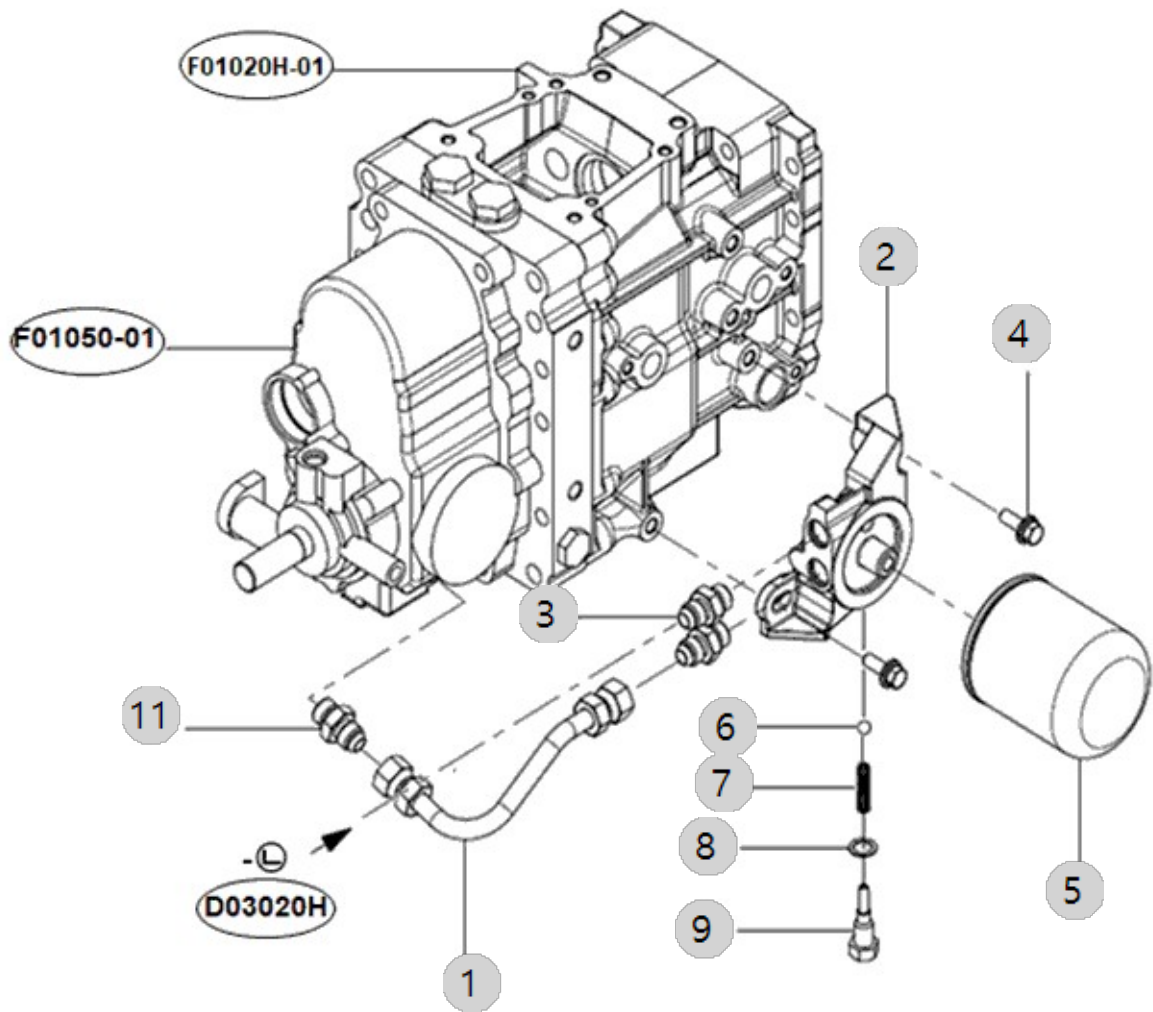
D03020H

2400H US_FL
(AC02169)

HYDRAULIC OIL LINE, HST

Year/Month

2022-12-14



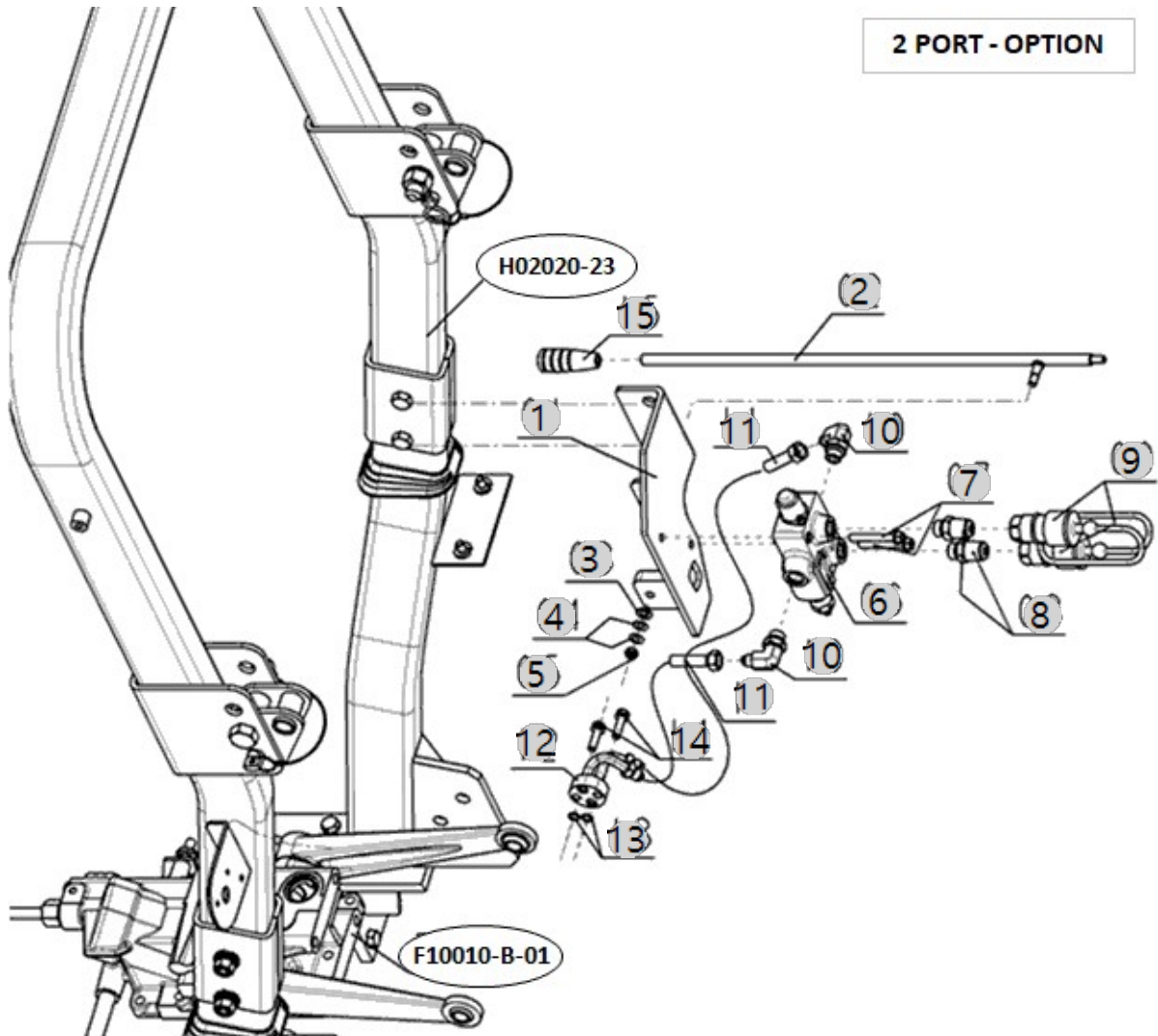
D03060

2400H US_FL
(AC02169)

REAR SCV

Year/Month

2022-12-14



D03060		REAR SCV				Year/Month
2400H US_FL (AC02169)						2022-12-14
순번 (NO)	부품번호 (PART NO)	품명 (PART NAME)	품명 (PART NAME)	수량 (QTY)	규격 (SPEC)	비고 (REMARK)
2	TA00021033A	SCV레버조합	LEVER, SCV	1	-	
3	22127-080000	플라인와셔8	WASHER, PLAIN (D80)	1	M8	
4	RR66240000A4	접시스프링8	DISH WASHER 8	2		
5	26346-080002	U너트	U-NUT(D80)	1	M8XP1.25	
6	TA00001290A	SCV밸브조합(2PORT)	REMOTE VALVE, (2PORT)	1		
6-1	TA00037849A	2PORT밸브조합(DETENT)	2PORT VALVE(DETENT)	1		
7	26106-080552	육각플랜지볼트	HEX FLANGE BOLT (D80)	2	M8XP1.25X55	
8	FBA3060000A	조인트(1/2)	JOINT	2		
9	FBA3150000A	조인트암(1/2)	JOINT ARM	2		
10	CEE4050000A4	자리부착엘보3/8	ELBOW (3/8)	2		
11	TA00022932B	유압호스(PF3/8 650)	HYDRAULIC HOSE(PF3/8 800)	2		
12	TA00019291D	SCV캡조합(고압파이프)	HYD CAP	1		
13	24311-000090	O-링 495-9	O-RING, DYNAMIC (Φ9)	2	P9	
14	26013-080302	와셔조립육각볼트(+SW)	HEX BOLT W/WASHER	2	M8XP1.25X30	
15	VD05460000A4	손잡이(흑)	LEVER(BLACK)	1		

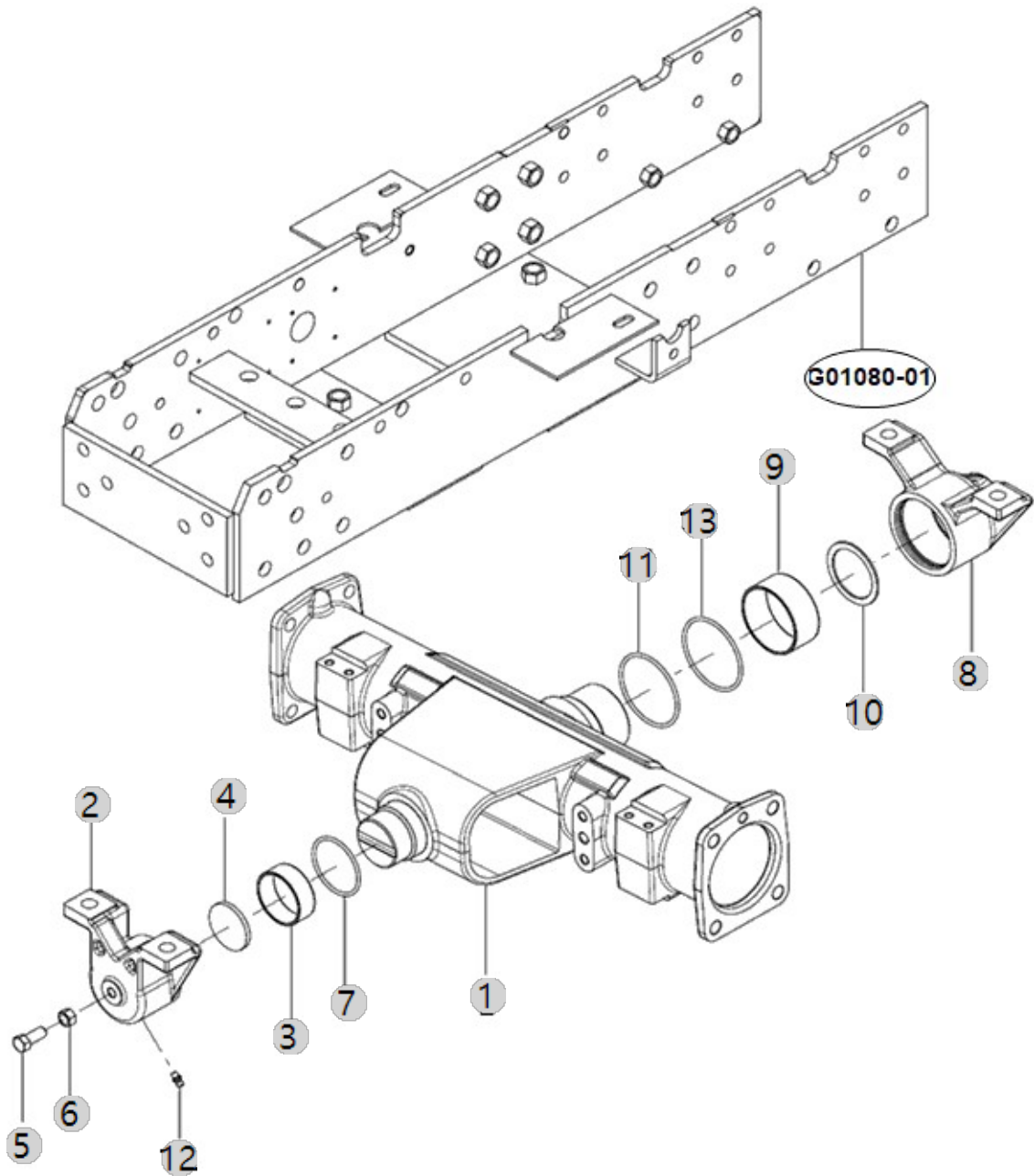
E01010

2400H US_FL
(AC02169)

FRONT AXLE CASE

Year/Month

2022-12-14



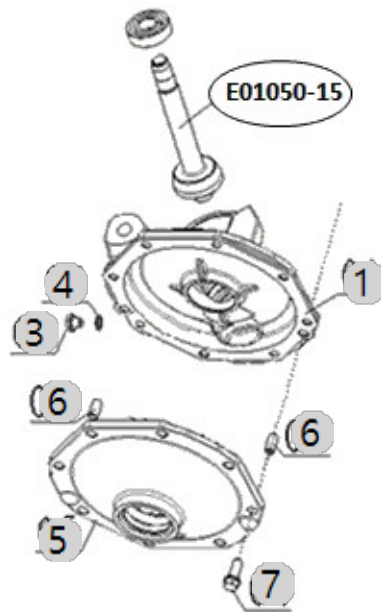
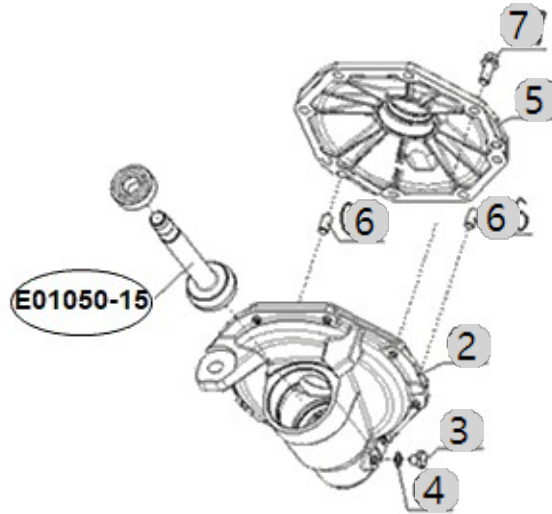
E01030

2400H US_FL
(AC02169)

GEAR CASE, FRONT AXLE

Year/Month

2022-12-14



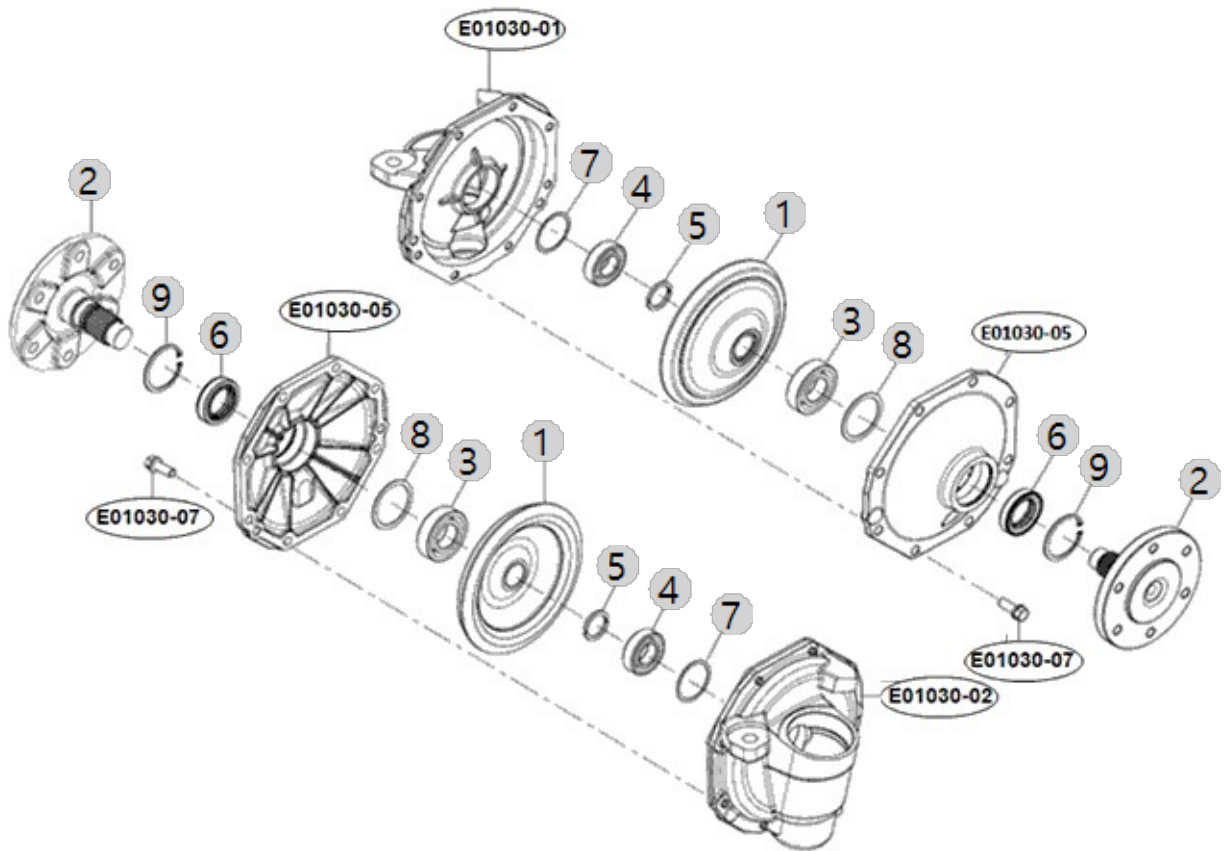
E01030-1

2400H US_FL
(AC02169)

GEAR CASE, FRONT AXLE

Year/Month

2022-12-14



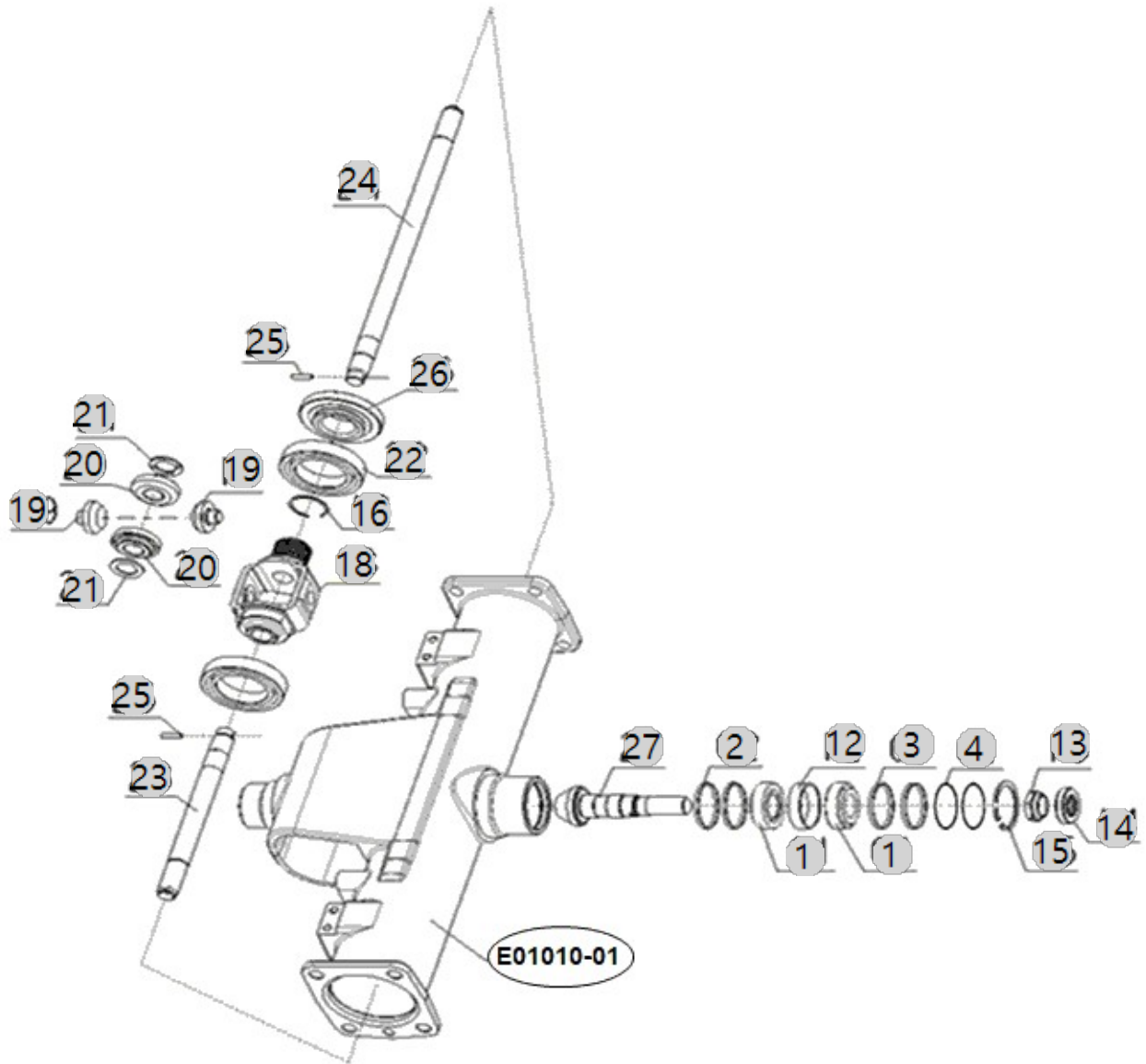
E01040

2400H US_FL
(AC02169)

FRONT DIFFERENTIAL

Year/Month

2022-12-14



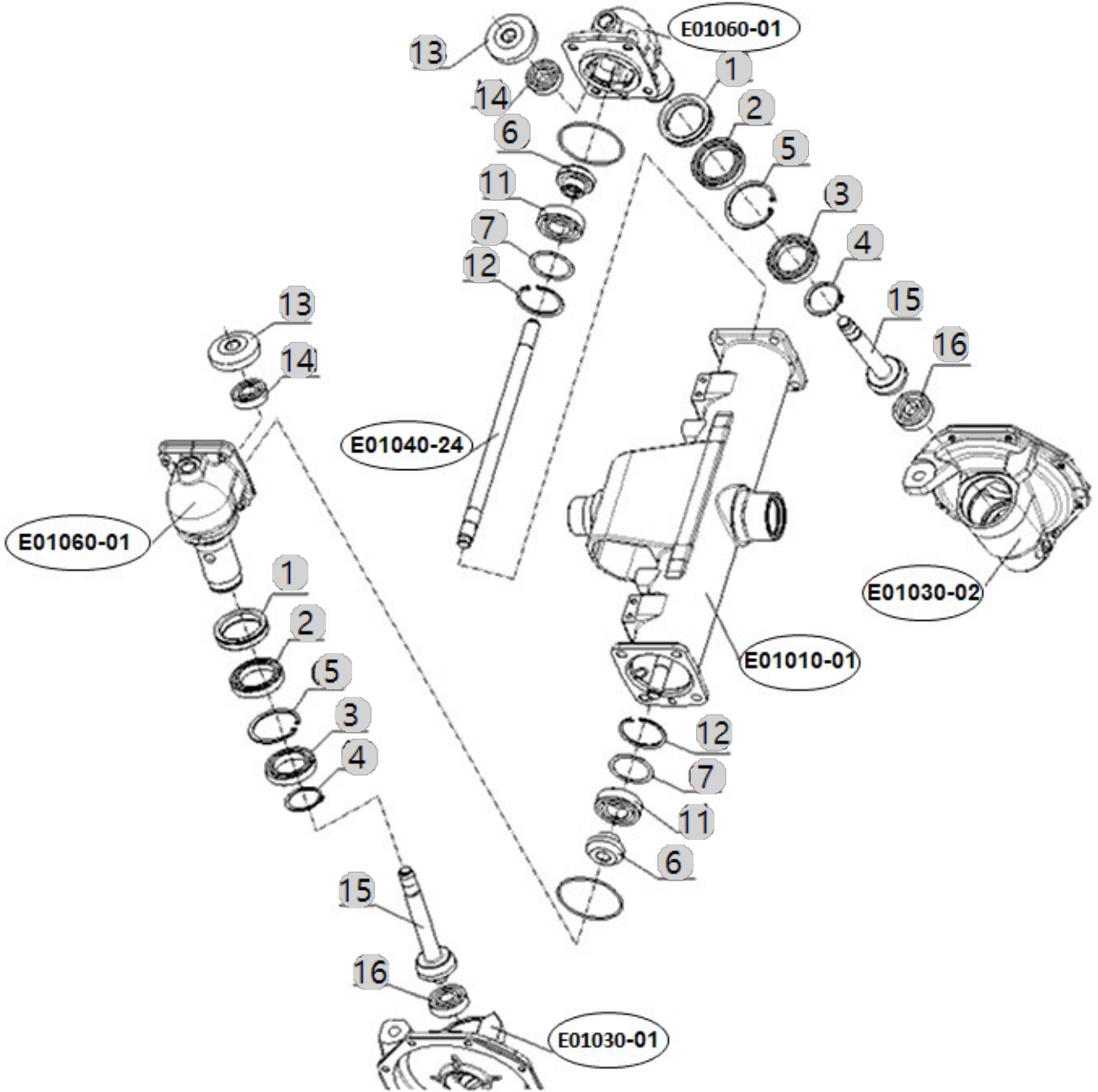
E01050

2400H US_FL
(AC02169)

BEVEL GEAR

Year/Month

2022-12-14



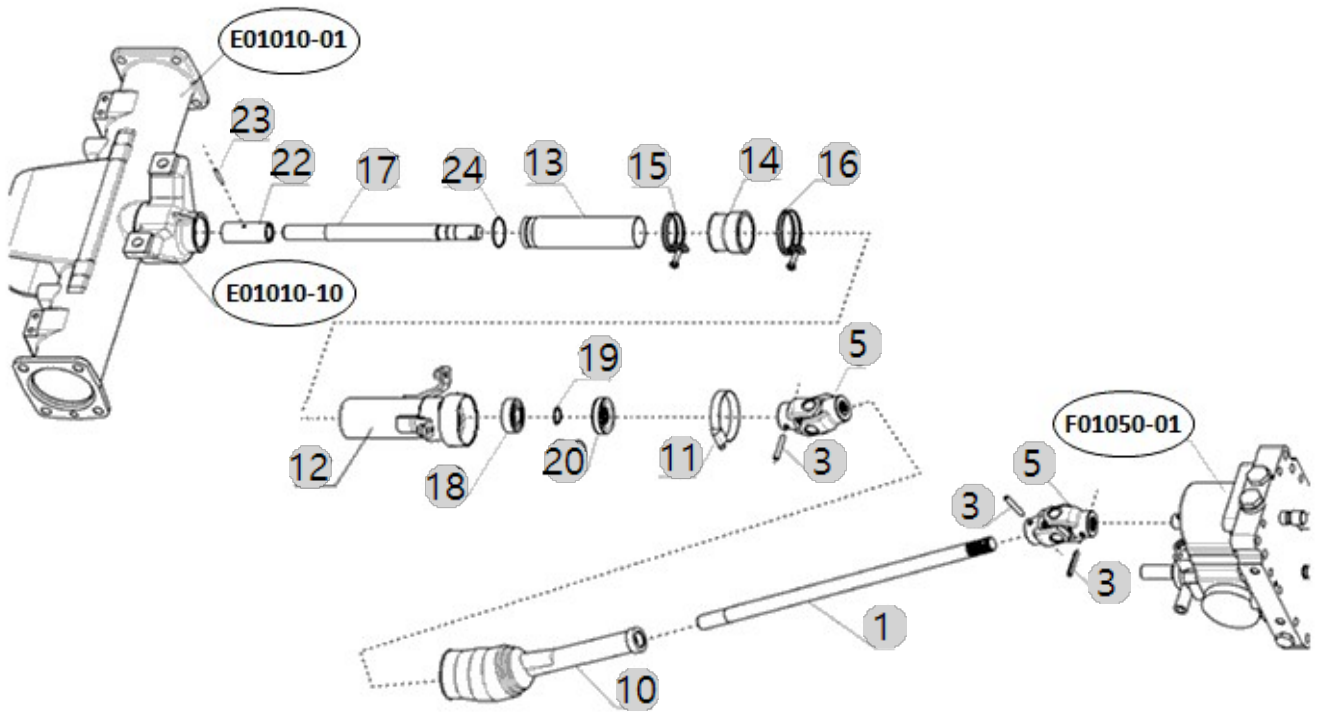
E01070H

2400H US_FL
(AC02169)

FRONT DRIVE SHAFT

Year/Month

2022-12-14



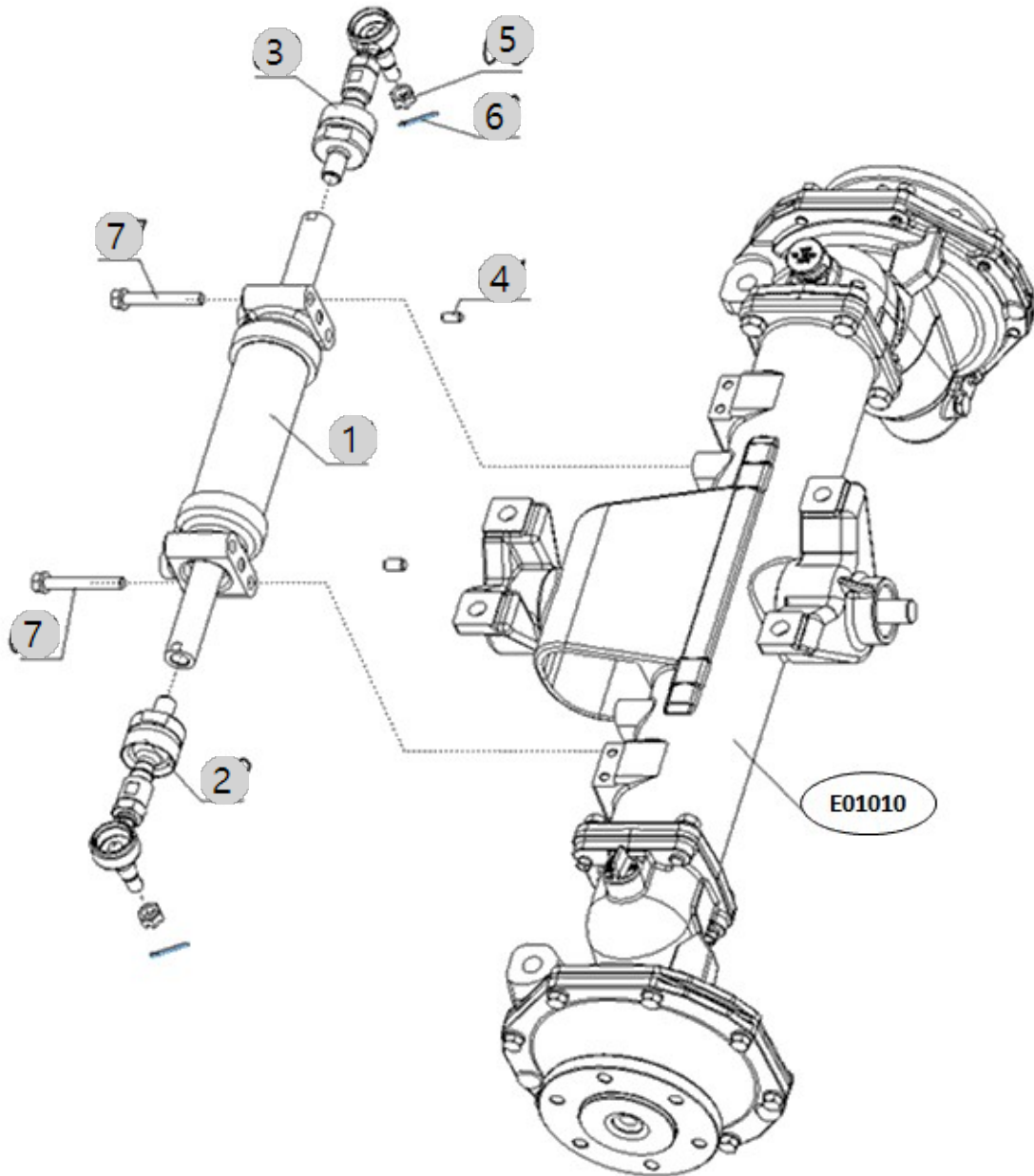
E01080

2400H US_FL
(AC02169)

TIE ROD

Year/Month

2022-12-14



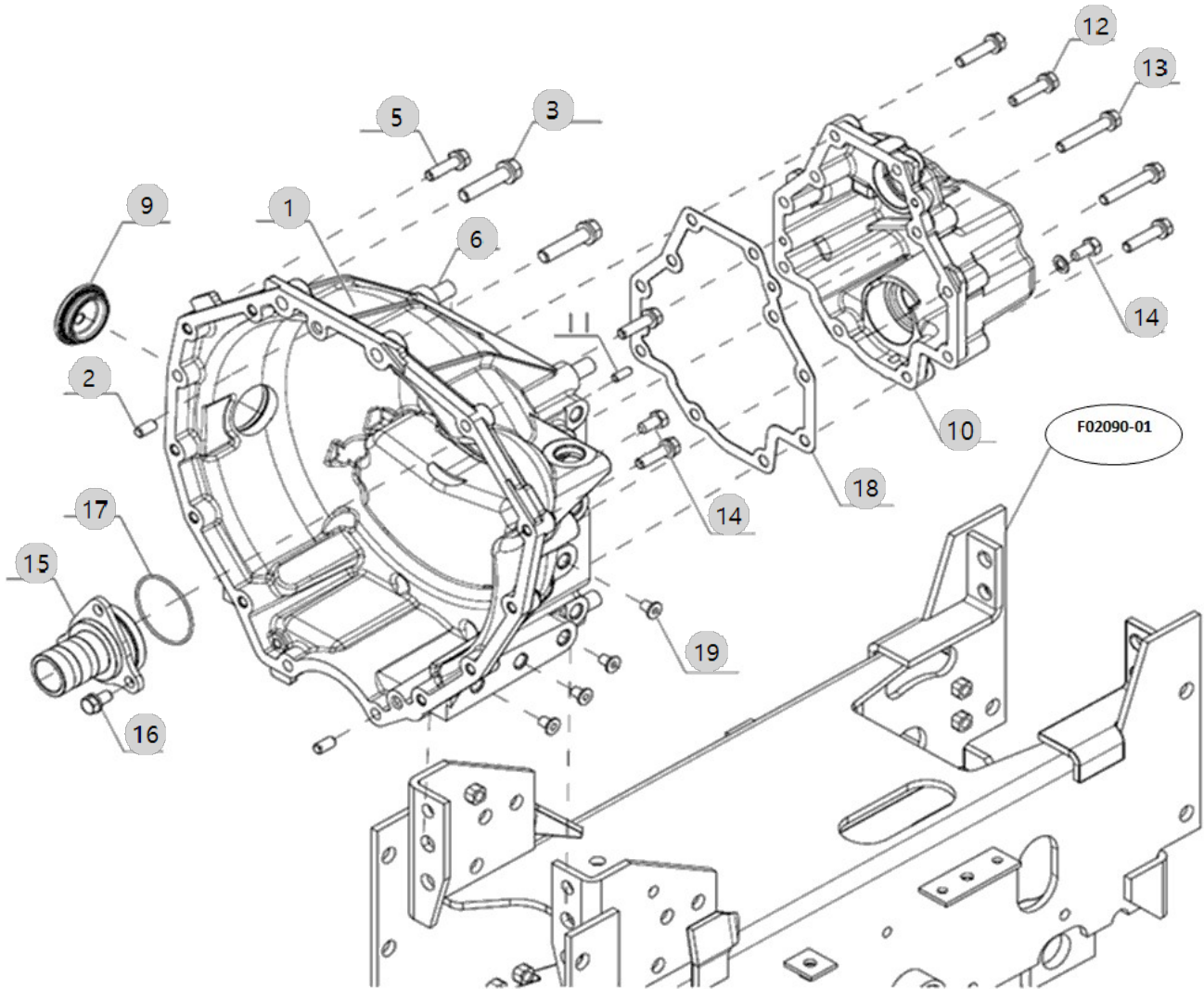
F01010

2400 HST TM
(AC01985)

CLUTCH HOUSING

Year/Month

2022-12-14



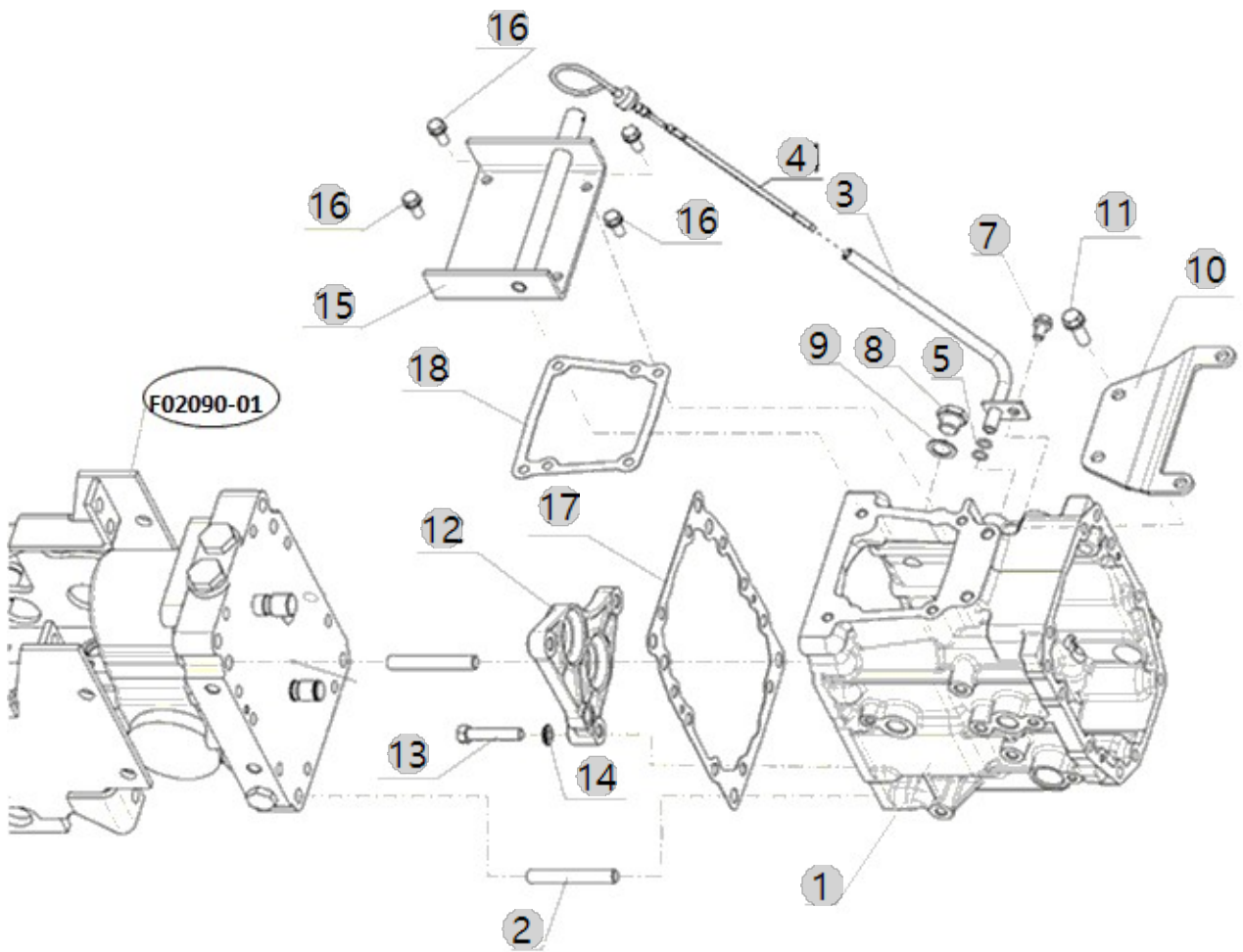
F01020H-A

2400 HST TM
(AC01985)

TRANSMISSION CASE

Year/Month

2022-12-14



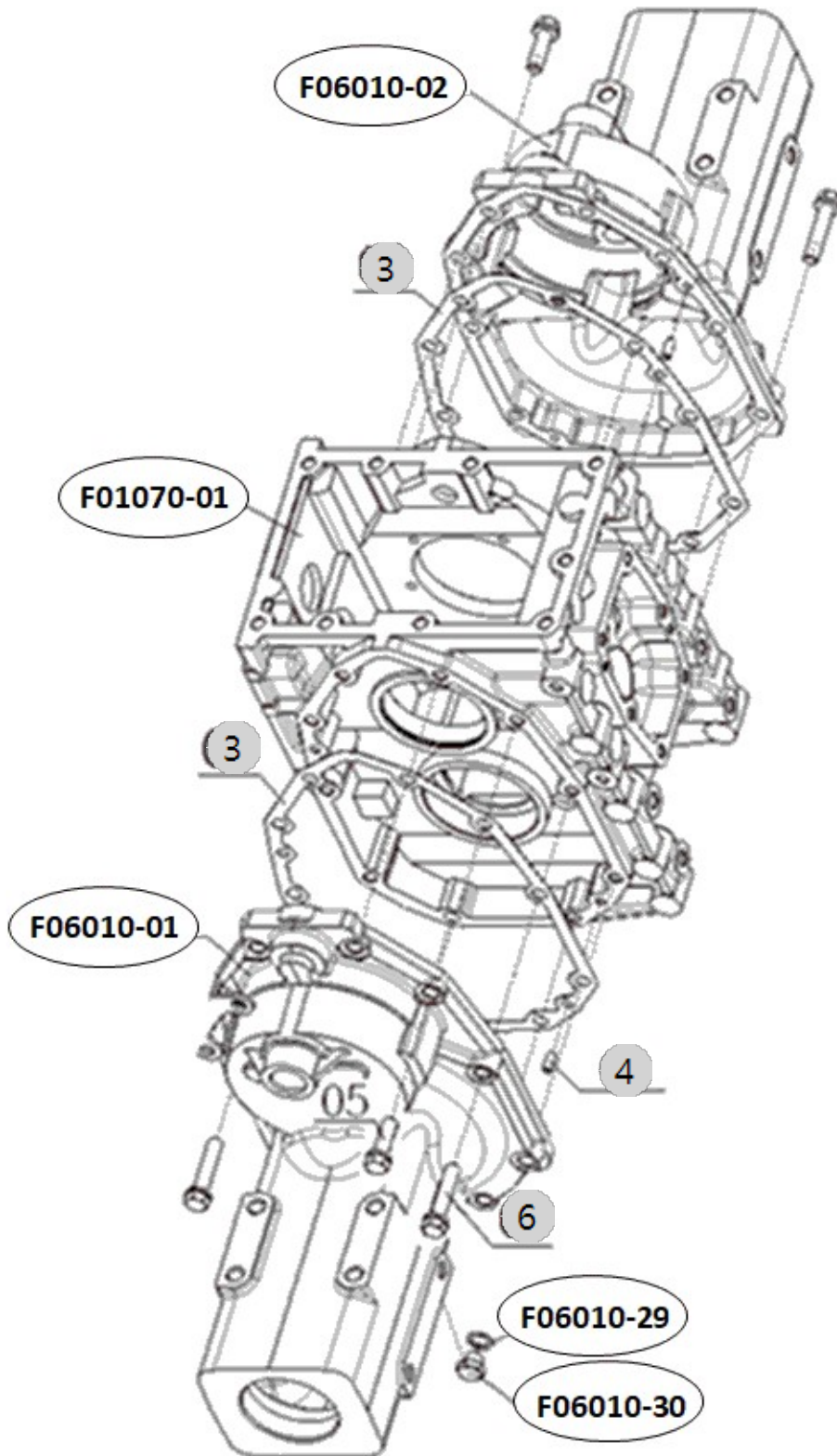
F01040

2400 HST TM
(AC01985)

REAR AXEL CASE

Year/Month

2022-12-14



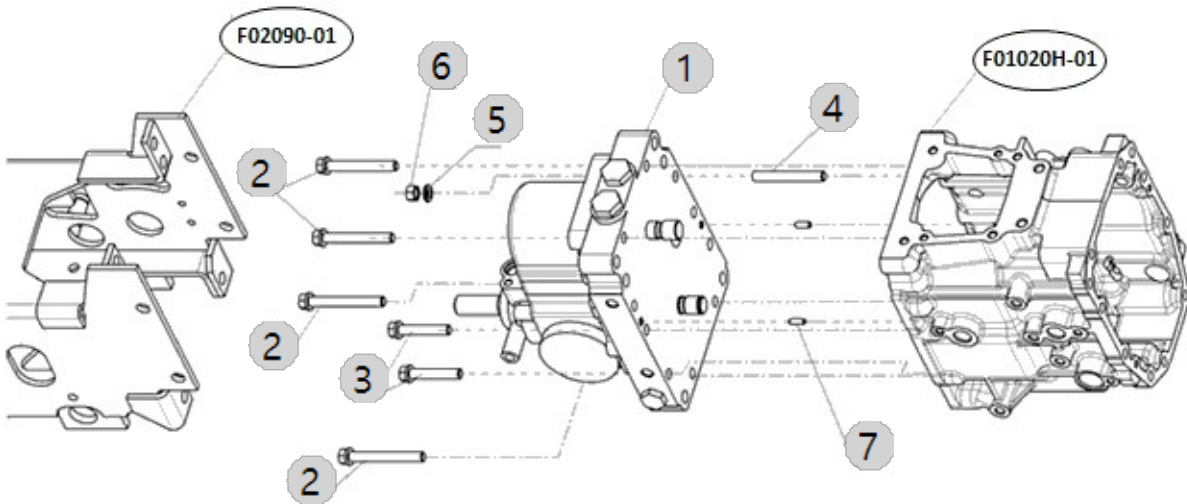
F01050

2400 HST TM
(AC01985)

HYD TRANSMISSION HOUSING

Year/Month

2022-12-14



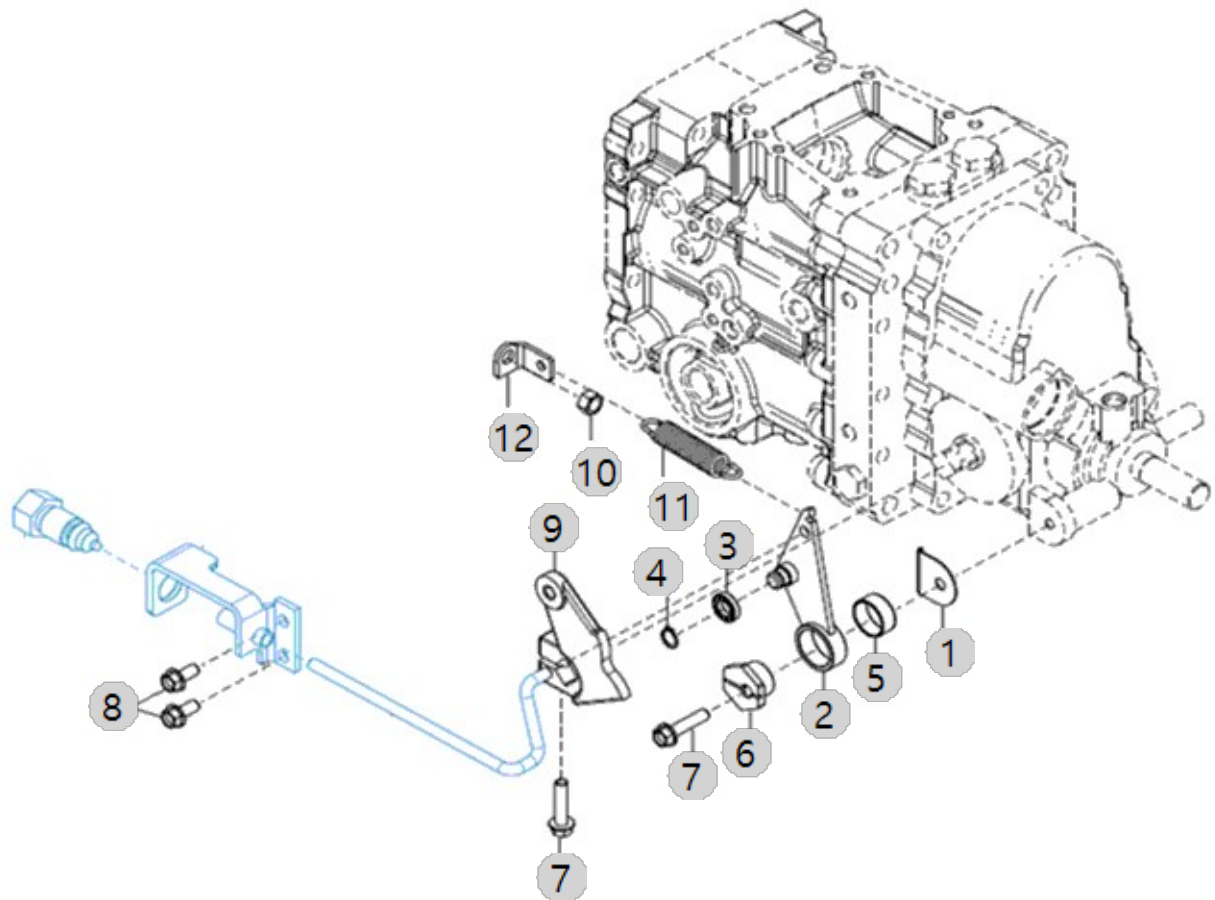
F01051

2400 HST TM
(AC01985)

NEUTRE HOLDER LINK

Year/Month

2022-12-14



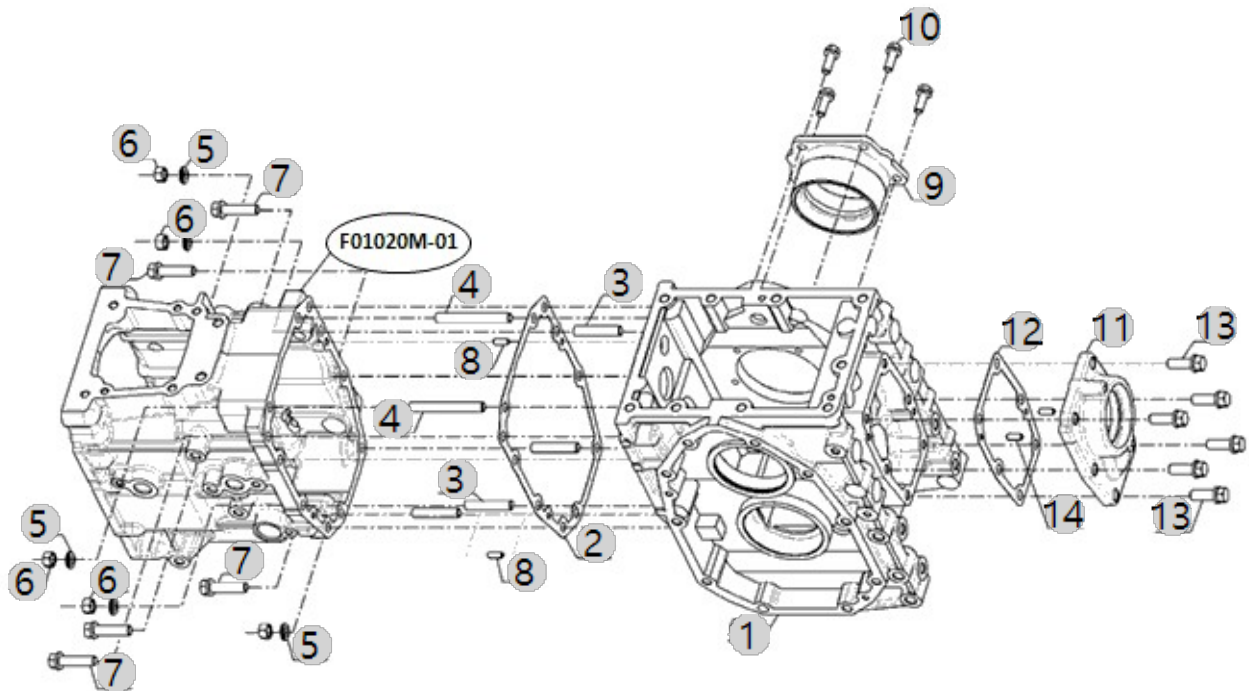
F01070

2400 HST TM
(AC01985)

DIFFERENTIAL GEAR CASE

Year/Month

2022-12-14



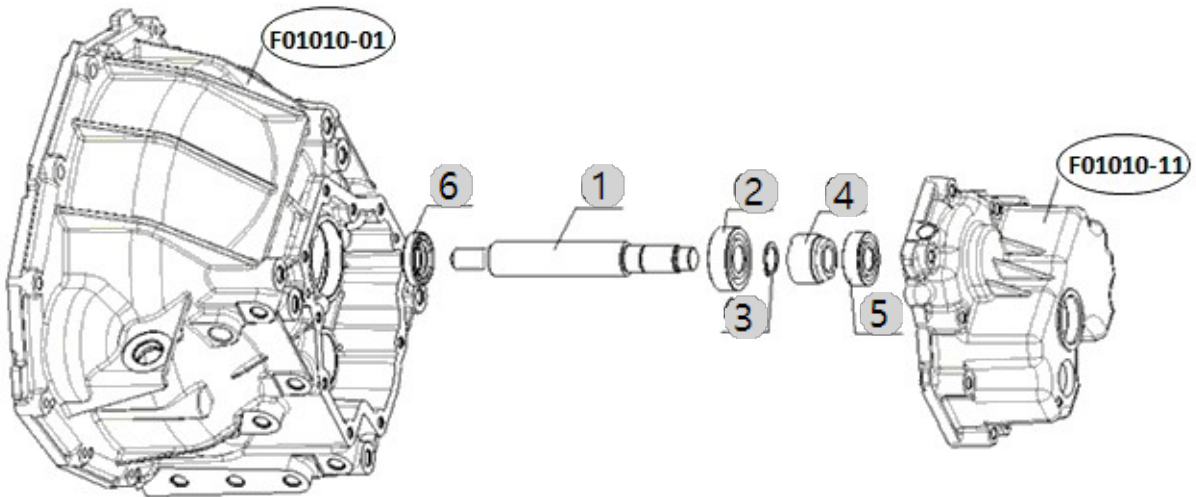
F02020

2400 HST TM
(AC01985)

CLUTCH SHAFT

Year/Month

2022-12-14



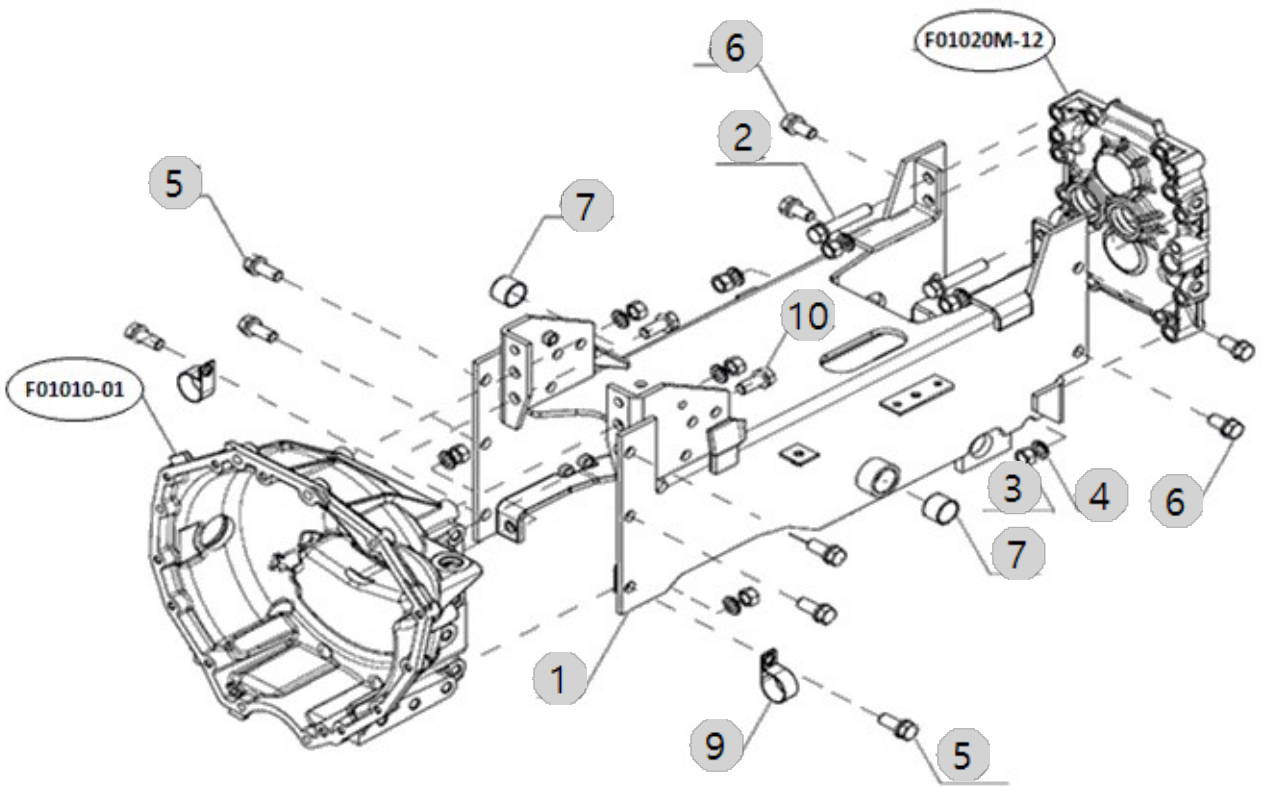
F02090

2400 HST TM
(AC01985)

CENTER FRAME

Year/Month

2022-12-14



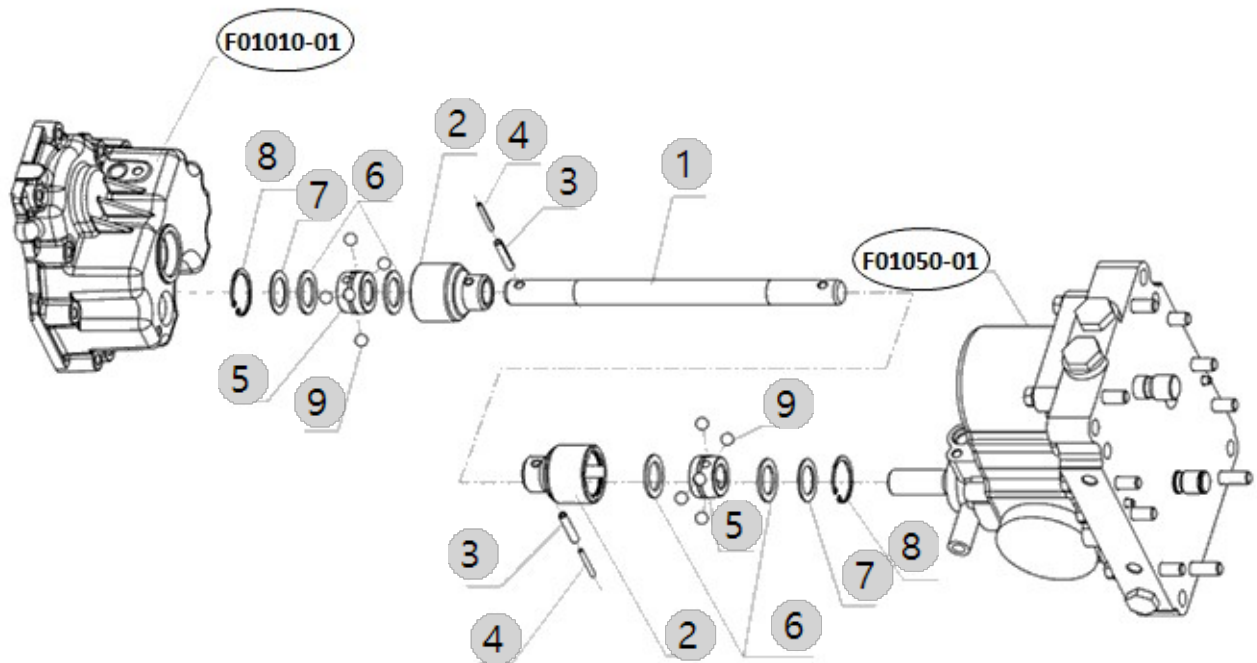
F02110H

2400 HST TM
(AC01985)

PROPELLER SHAFT

Year/Month

2022-12-14



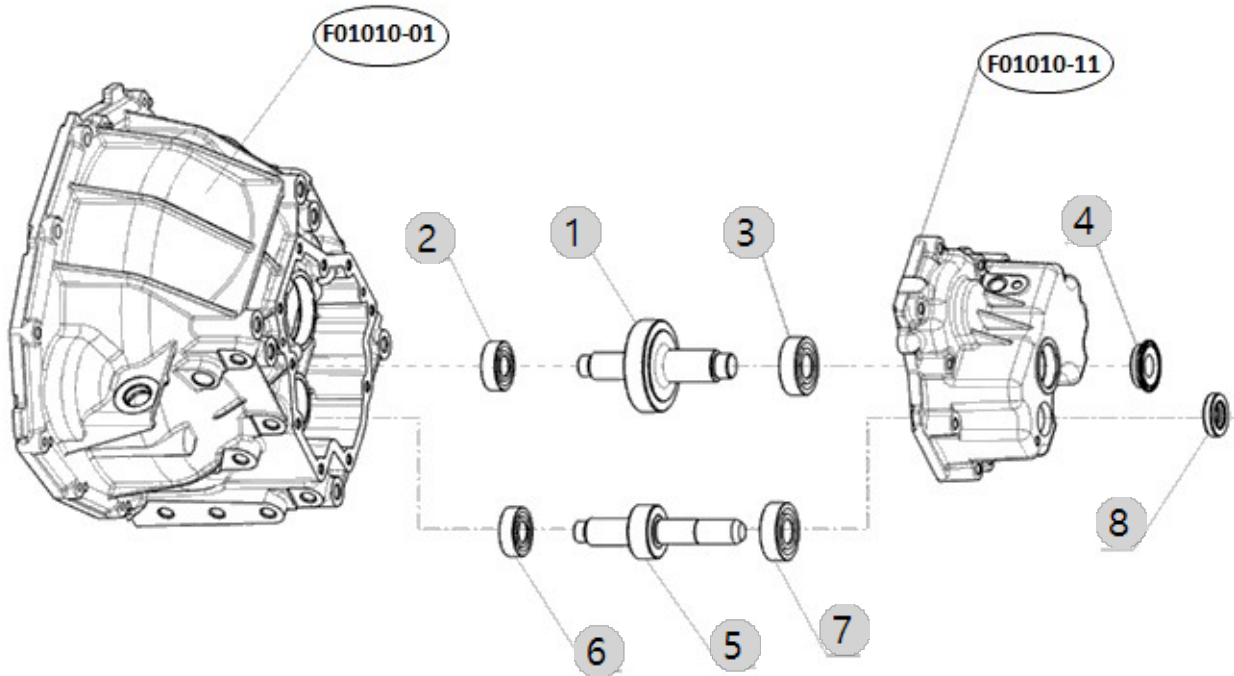
F02120H

2400 HST TM
(AC01985)

FRONT SHAFT

Year/Month

2022-12-14



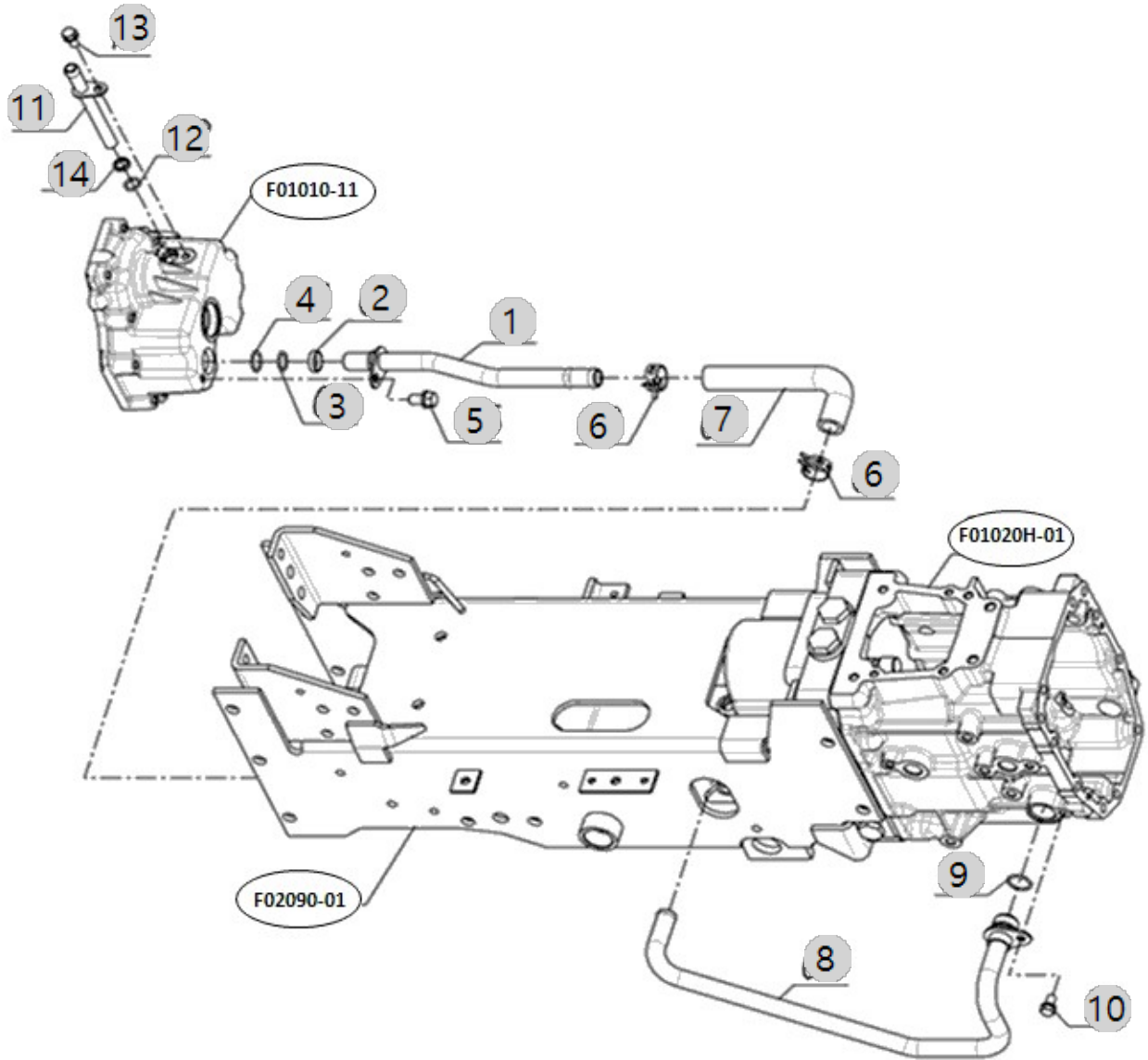
F02130H

2400 HST TM
(AC01985)

HYDRAULIC OIL LINE, CLUTCH

Year/Month

2022-12-14



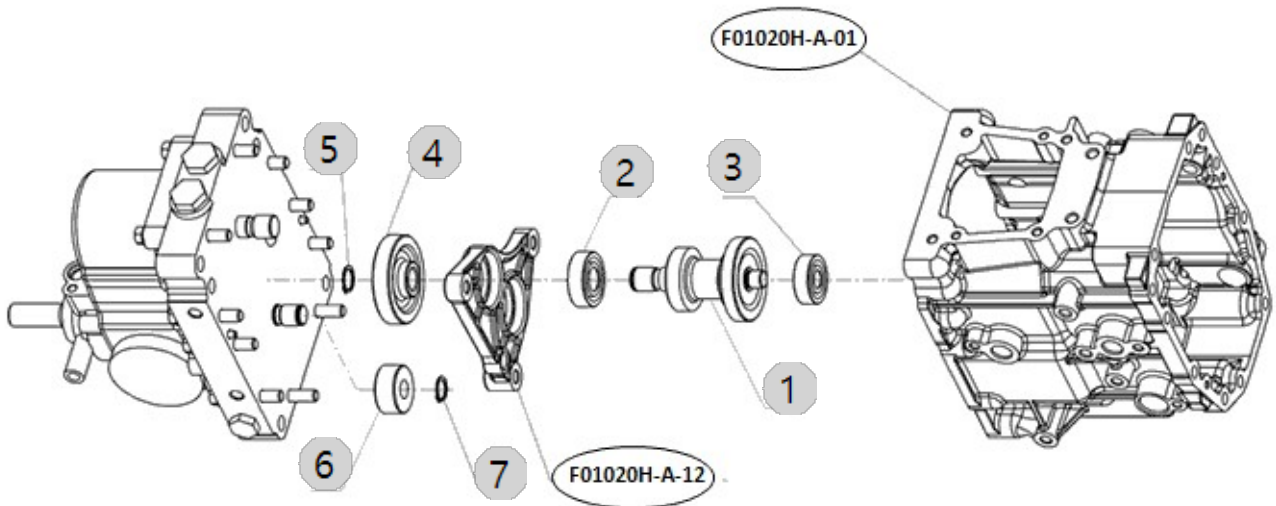
F03010H

2400 HST TM
(AC01985)

MAIN SHIFT DRIVE SHAFT

Year/Month

2022-12-14



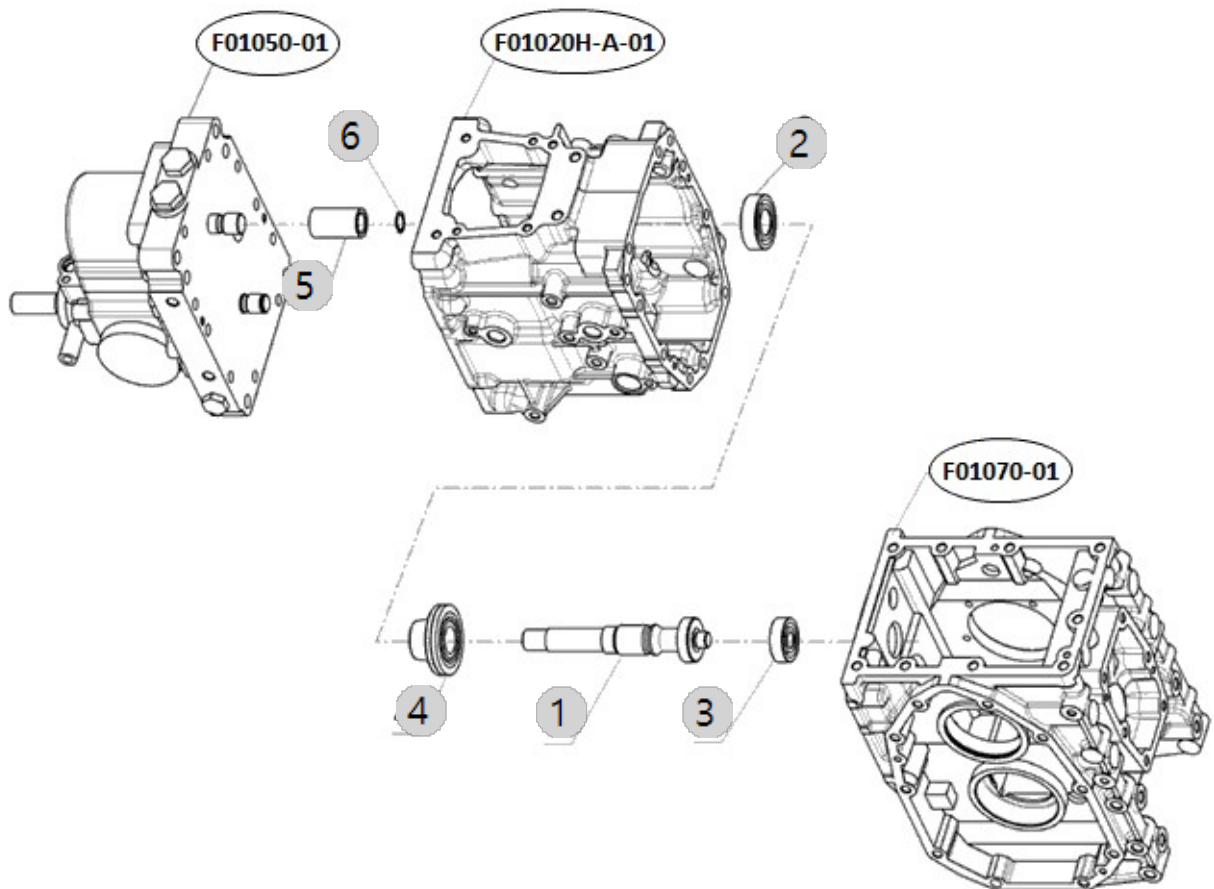
F03040H-B

2400 HST TM
(AC01985)

RANGE SHIFT DRIVE SHAFT

Year/Month

2022-12-14



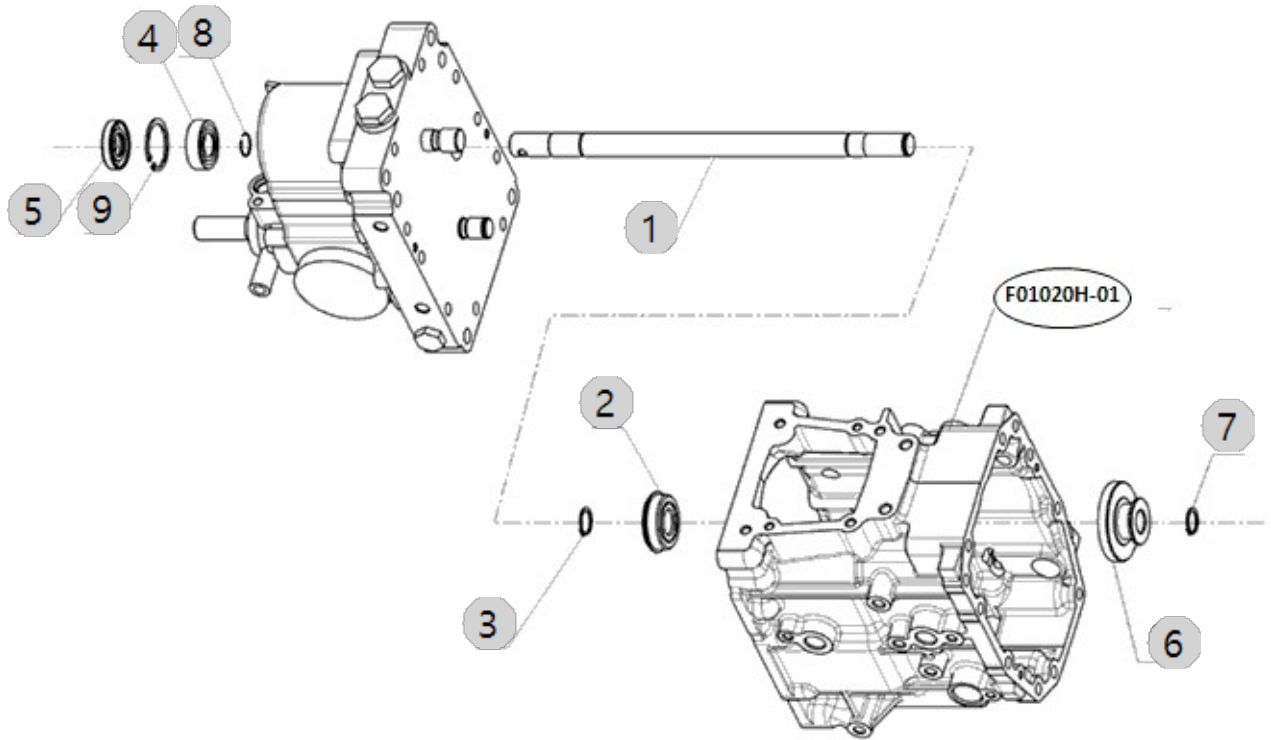
F04010H

2400 HST TM
(AC01985)

FRONT WHEEL DRIVE SHAFT

Year/Month

2022-12-14



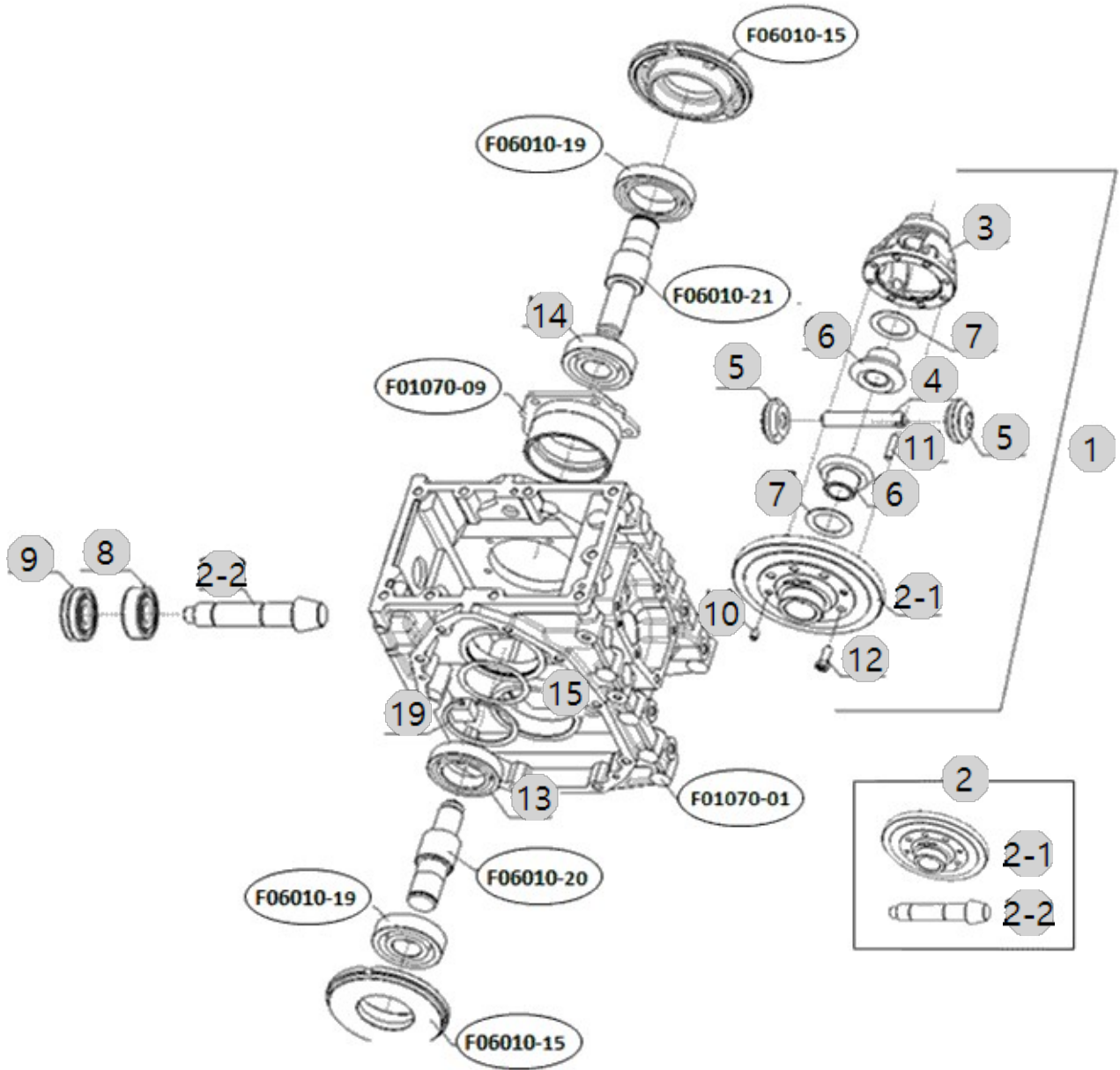
F05020

2400 HST TM
(AC01985)

REARR DIFFERENTIAL

Year/Month

2022-12-14



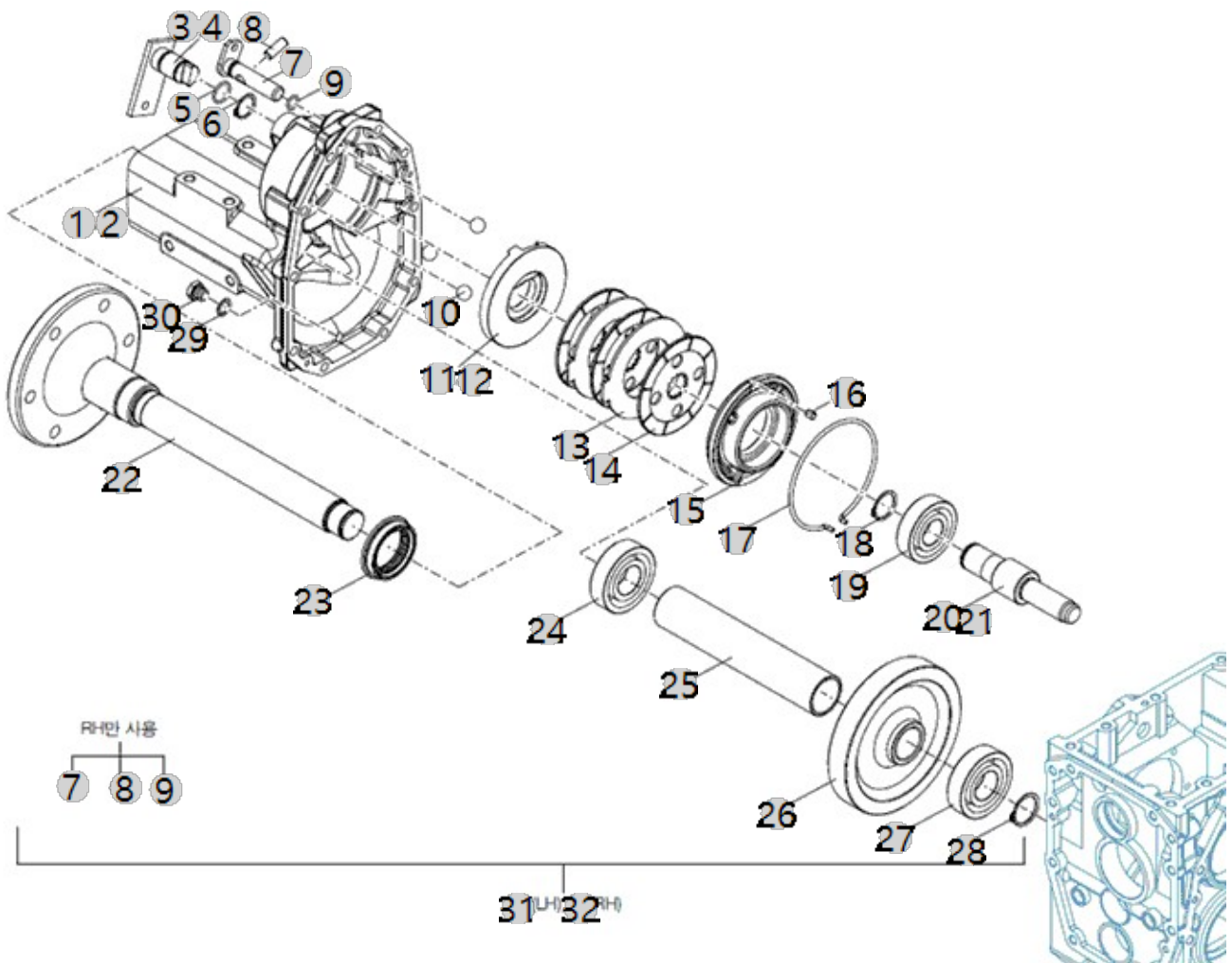
F06010

2400 HST TM
(AC01985)

REAR AXLE

Year/Month

2022-12-14



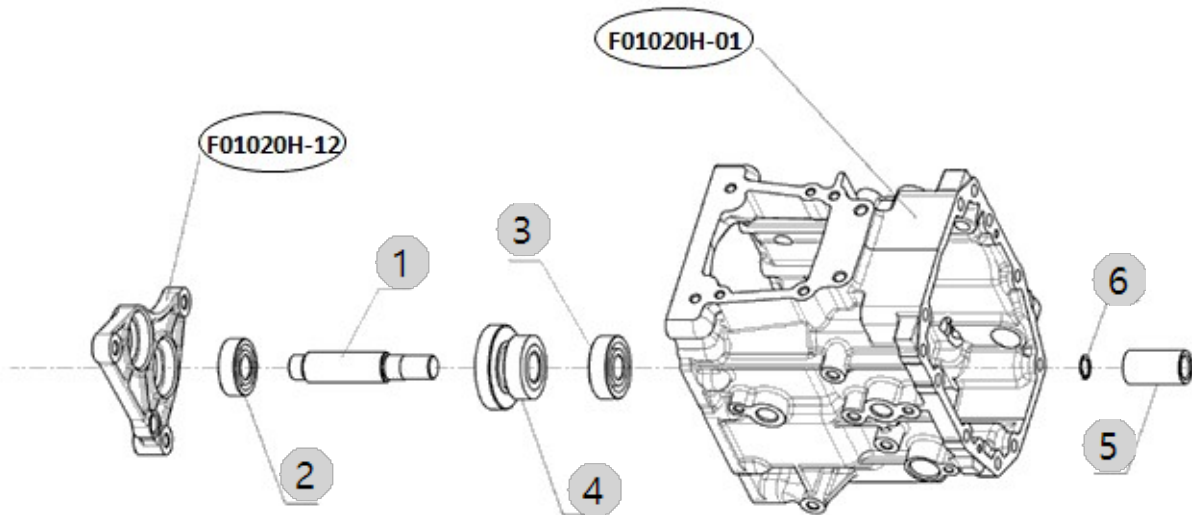
F07030H

2400 HST TM
(AC01985)

PTO DRIVE SHAFT

Year/Month

2022-12-14



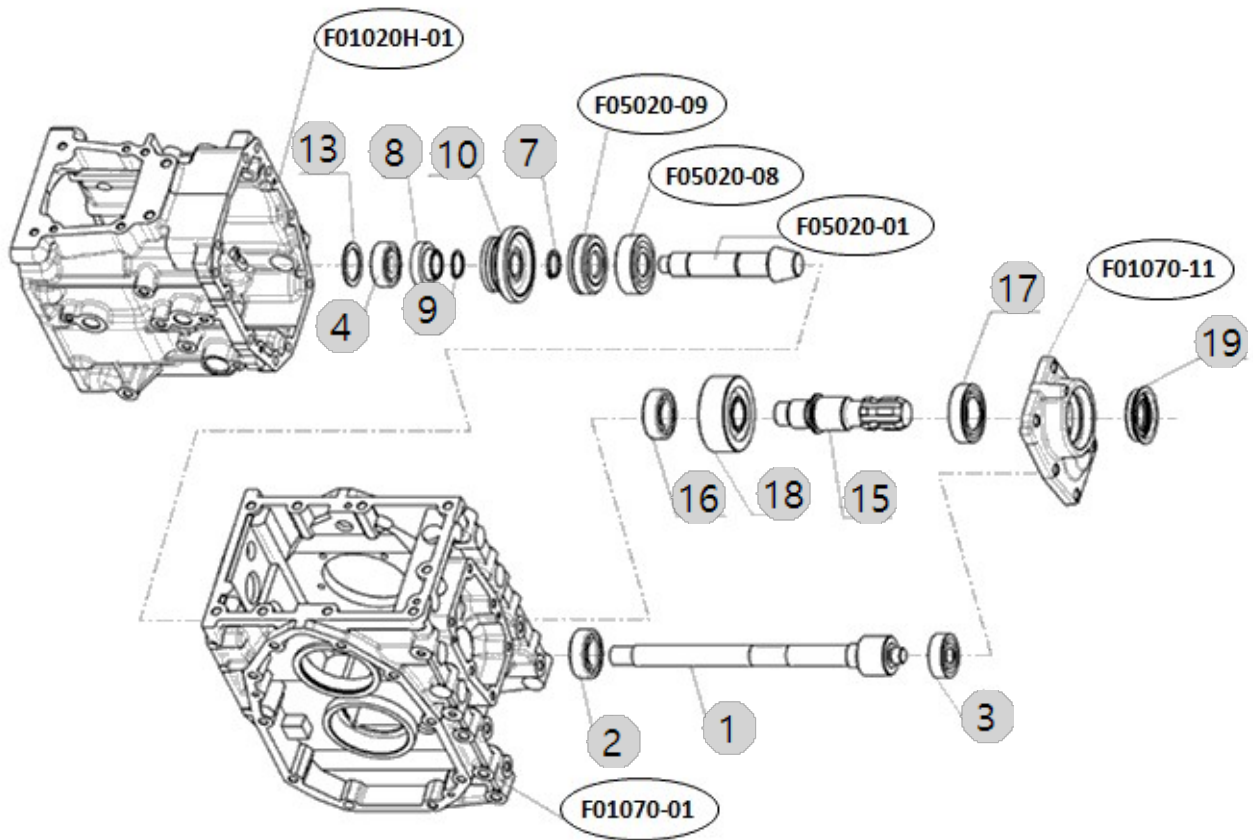
F07070H-A

2400 HST TM
(AC01985)

PTO SHAFT

Year/Month

2022-12-14



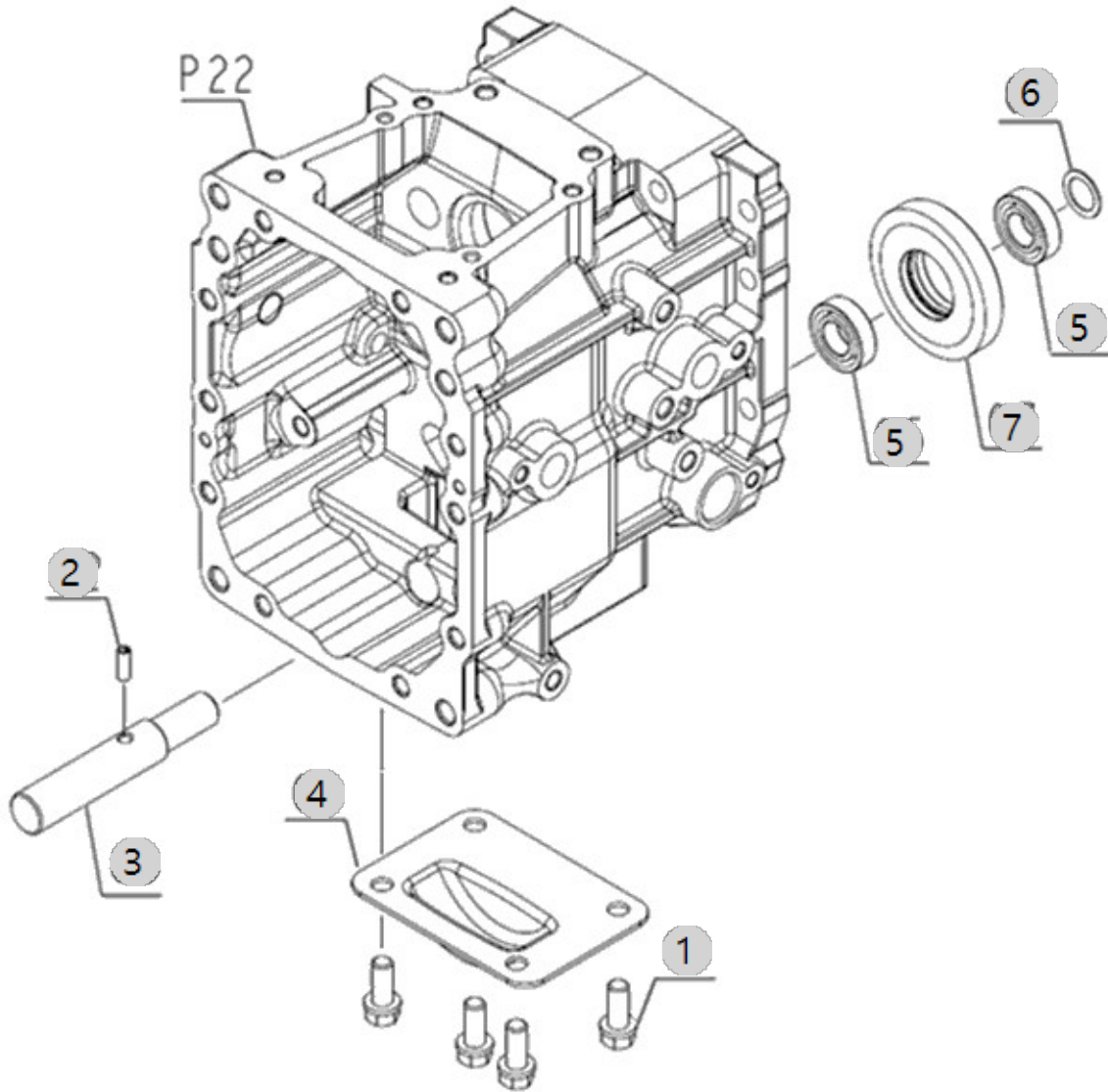
F07080

2400 HST TM
(AC01985)

MID PTO

Year/Month

2022-12-14



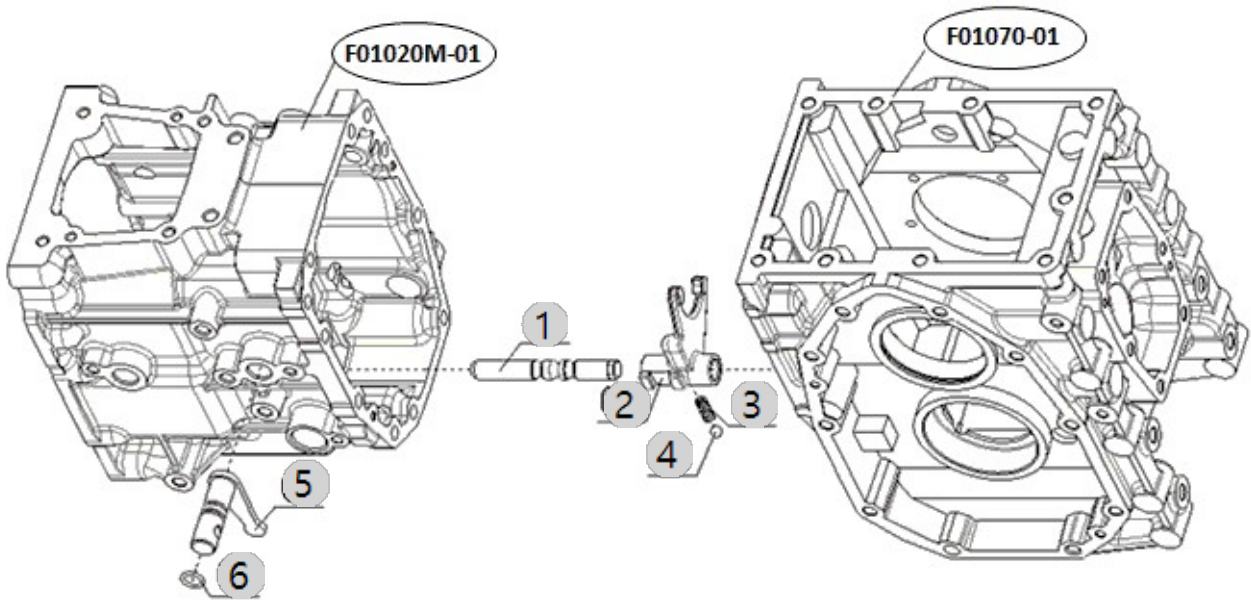
F08022

2400 HST TM
(AC01985)

RANGE SHIFT FORK

Year/Month

2022-12-14



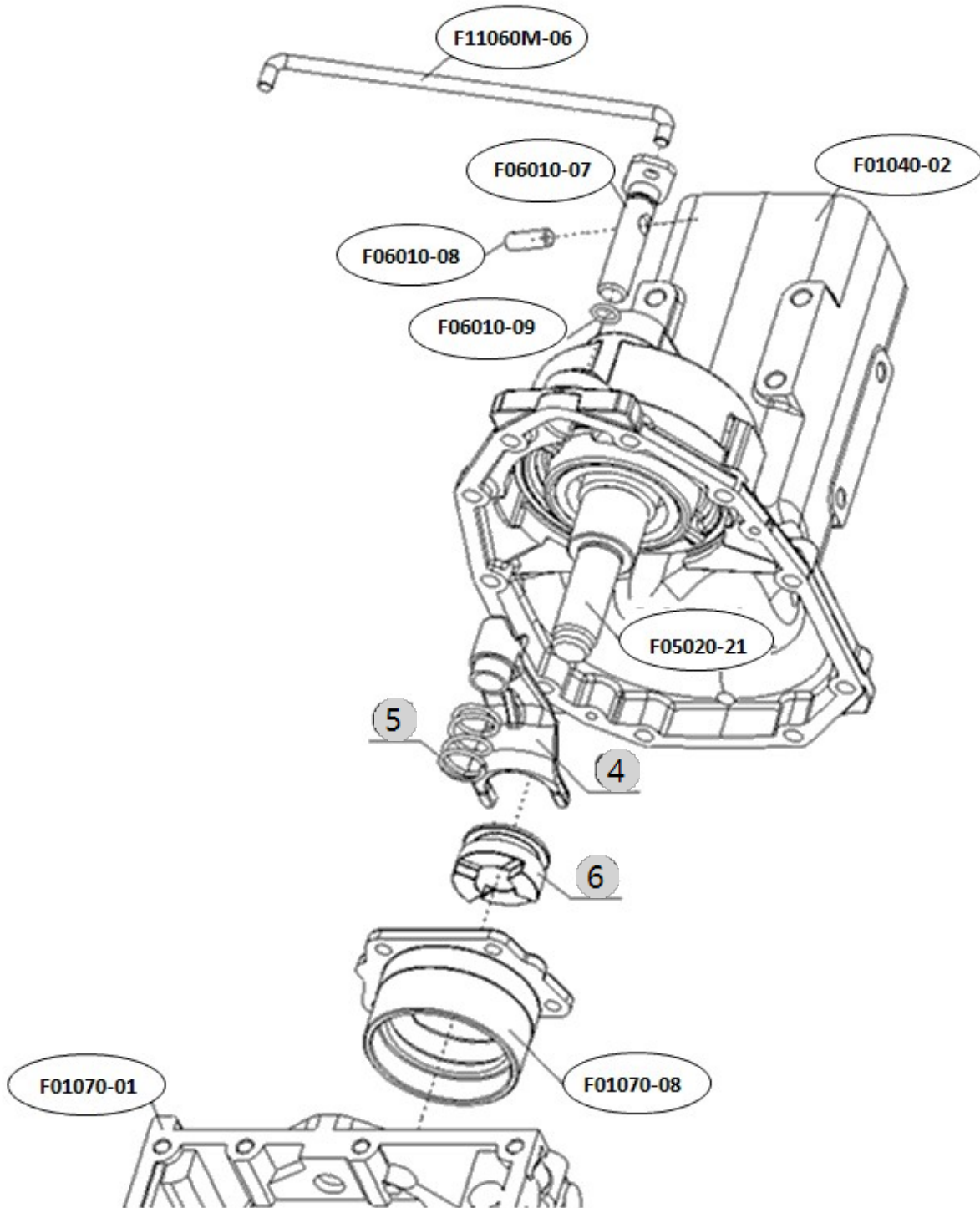
F08050

2400 HST TM
(AC01985)

DIFFERENTIAL LOCK SHIFT FORK

Year/Month

2022-12-14



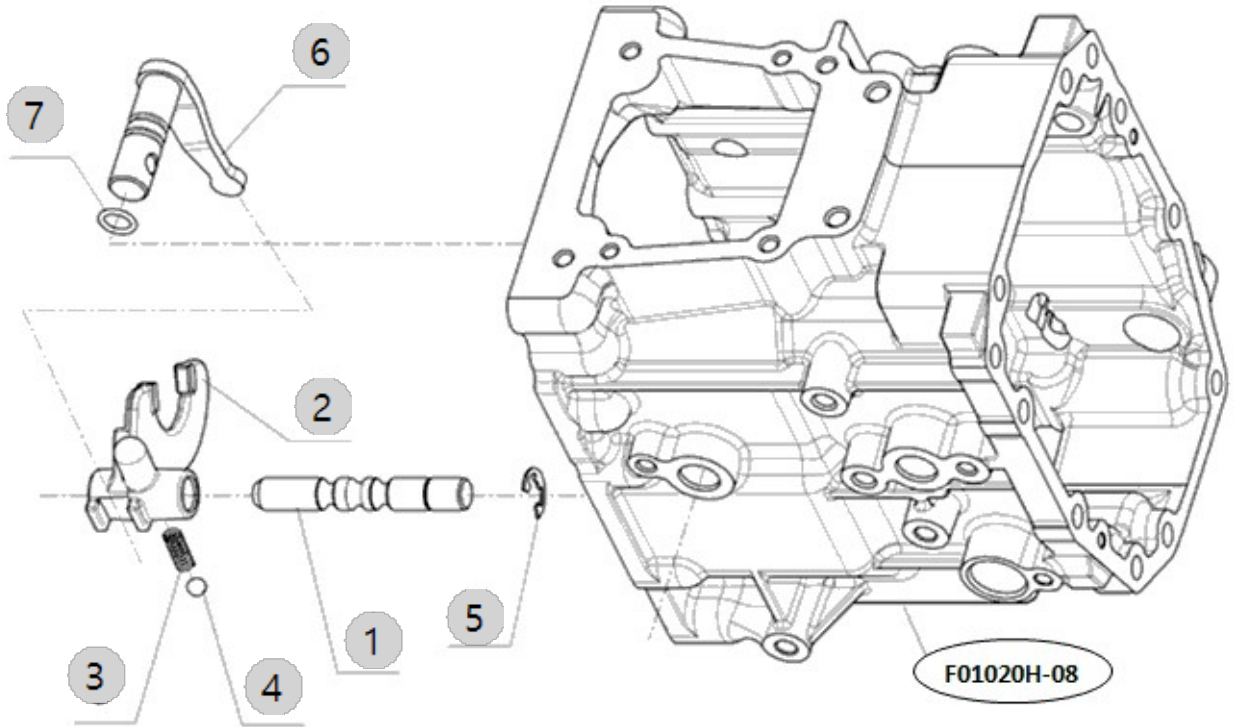
F08060H

2400 HST TM
(AC01985)

PTO FORK

Year/Month

2022-12-14



F10010-B

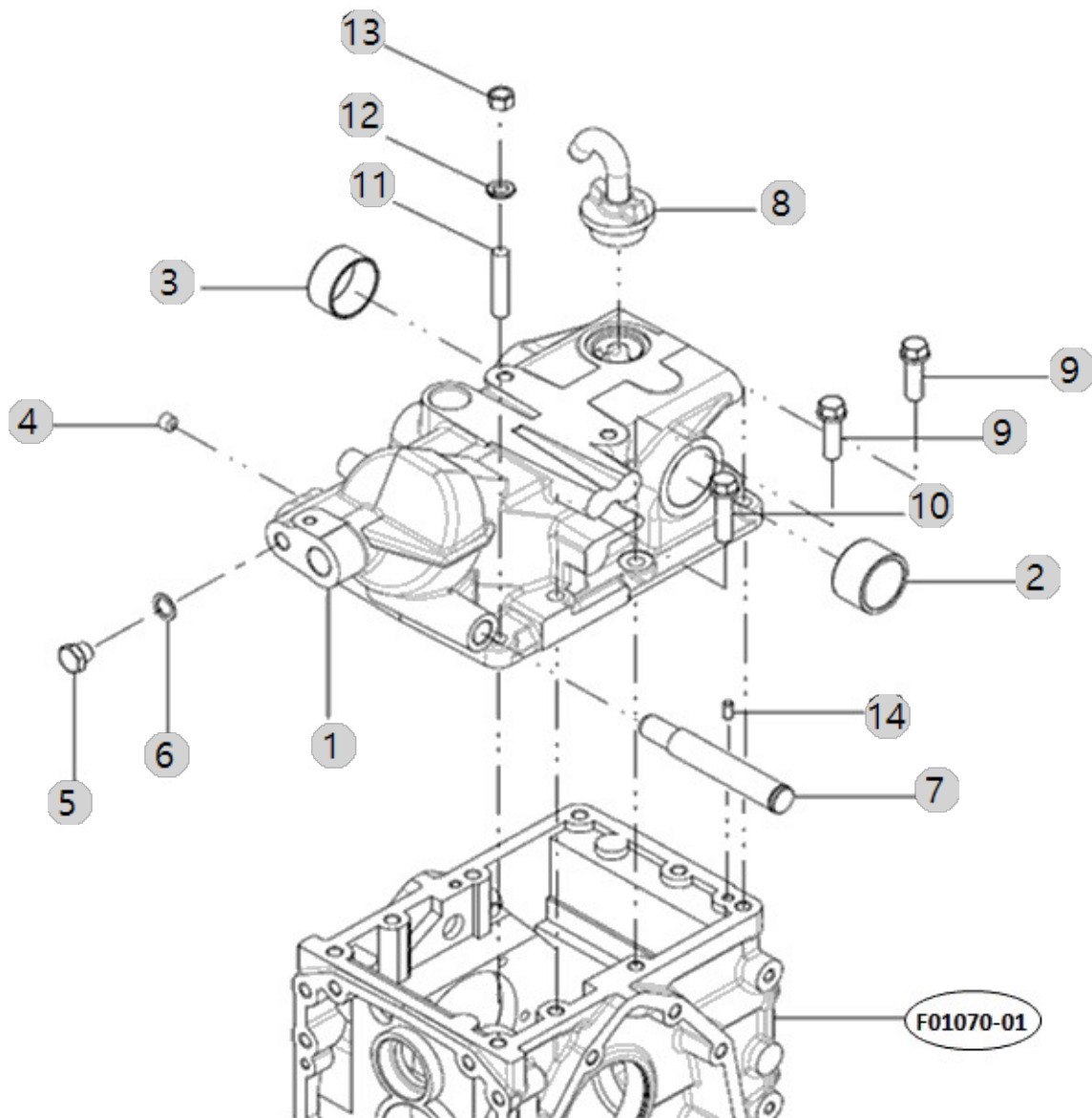
2400 HST TM
(AC01985)

HYD. CYLINDER CASE

Year/Month

2022-12-14

POSITION



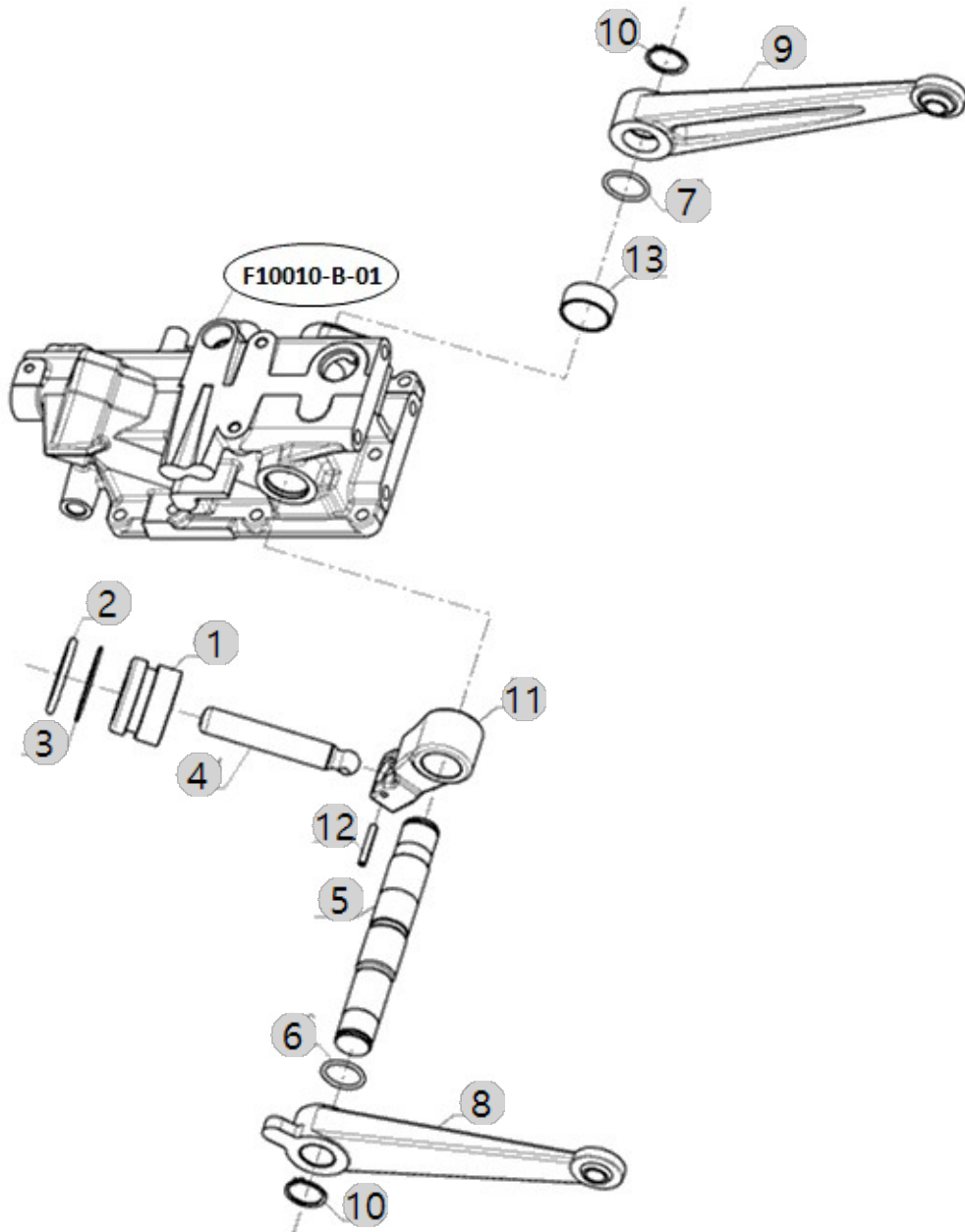
F10020

2400 HST TM
(AC01985)

LIFT ARM

Year/Month

2022-12-14



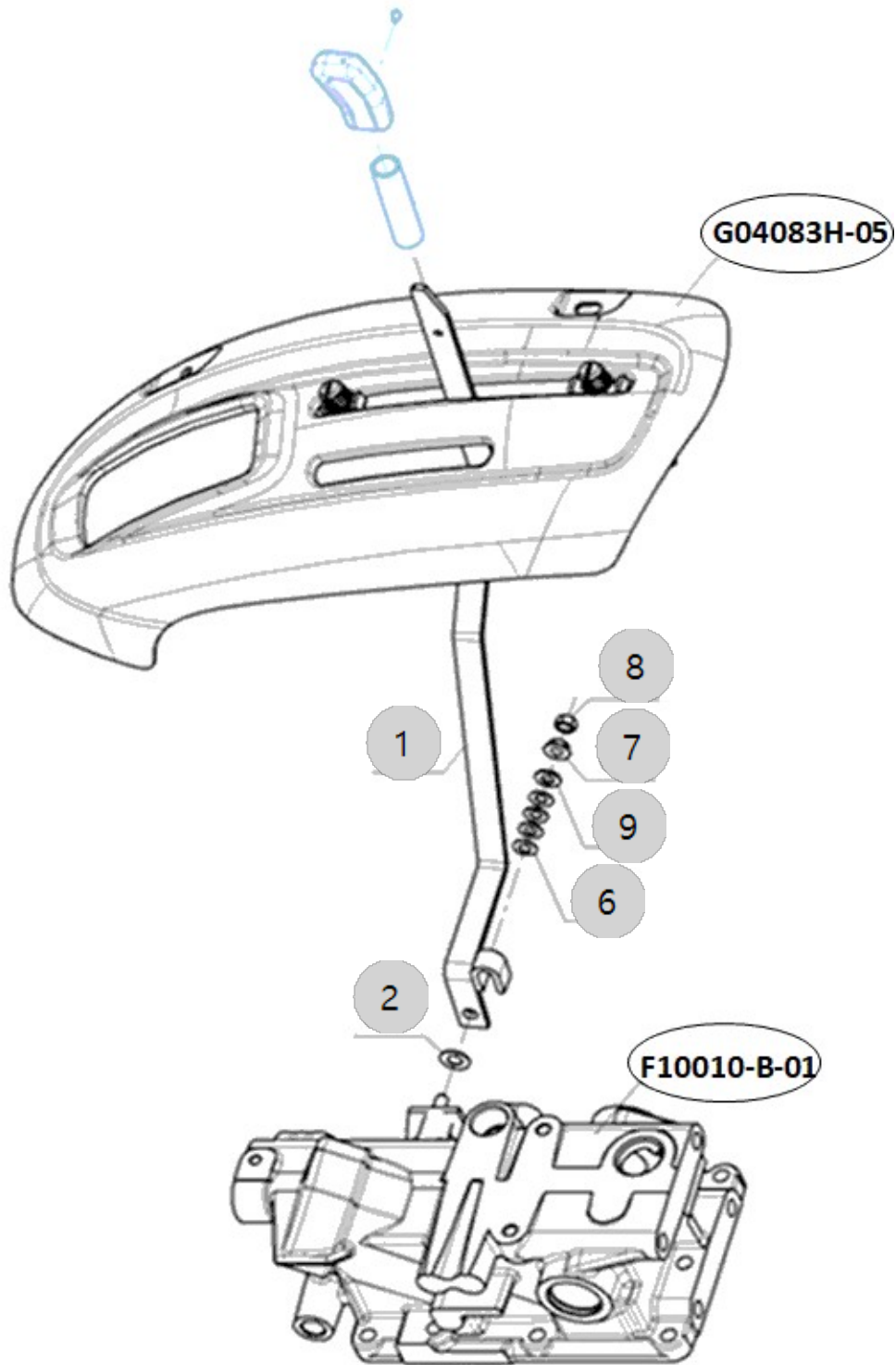
F10064-B

2400 HST TM
(AC01985)

POSITION CONTROL LEVER

Year/Month

2022-12-14



F10070-B

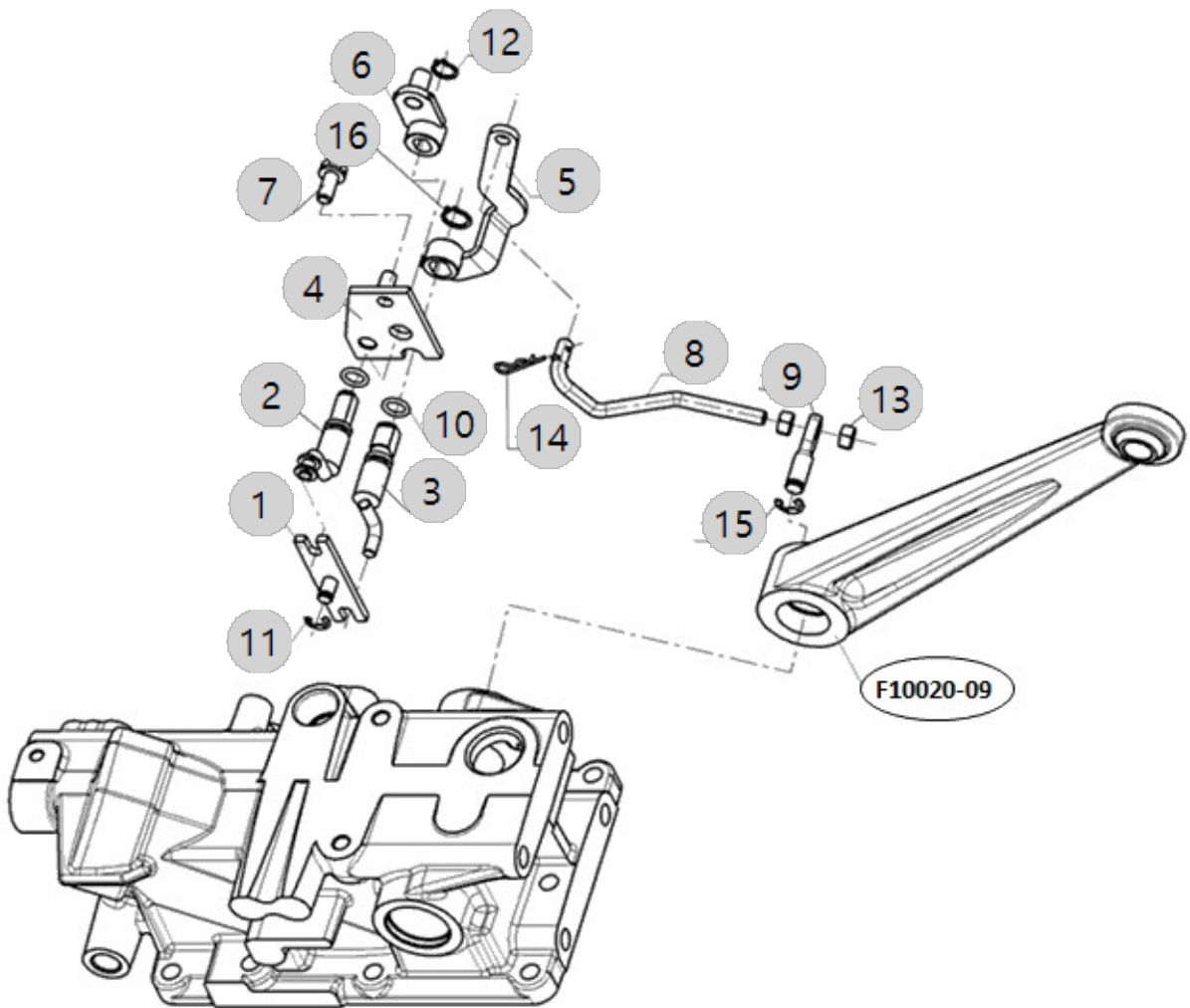
2400 HST TM
(AC01985)

SHAFT, CONTROL LEVER

Year/Month

2022-12-14

POSITION



F10080-B

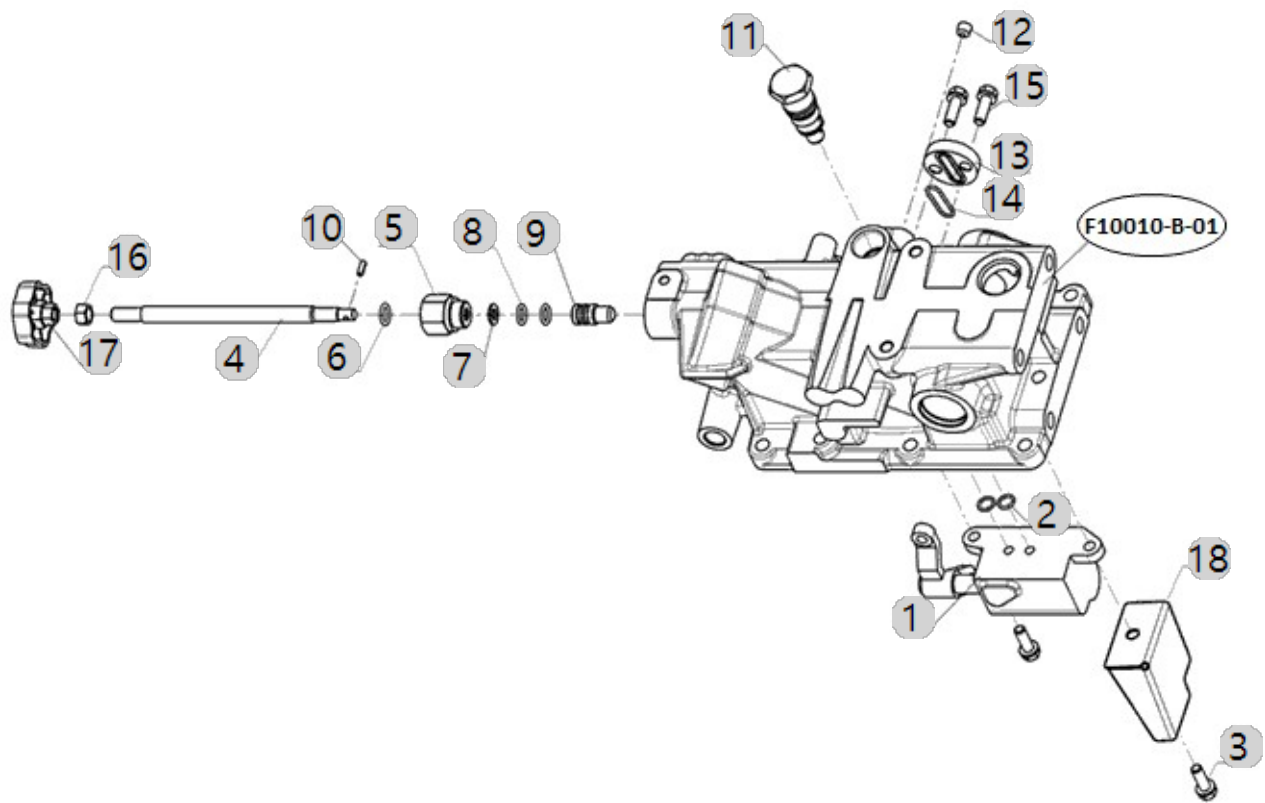
2400 HST TM
(AC01985)

HYD VALVE

Year/Month

2022-12-14

POSITION



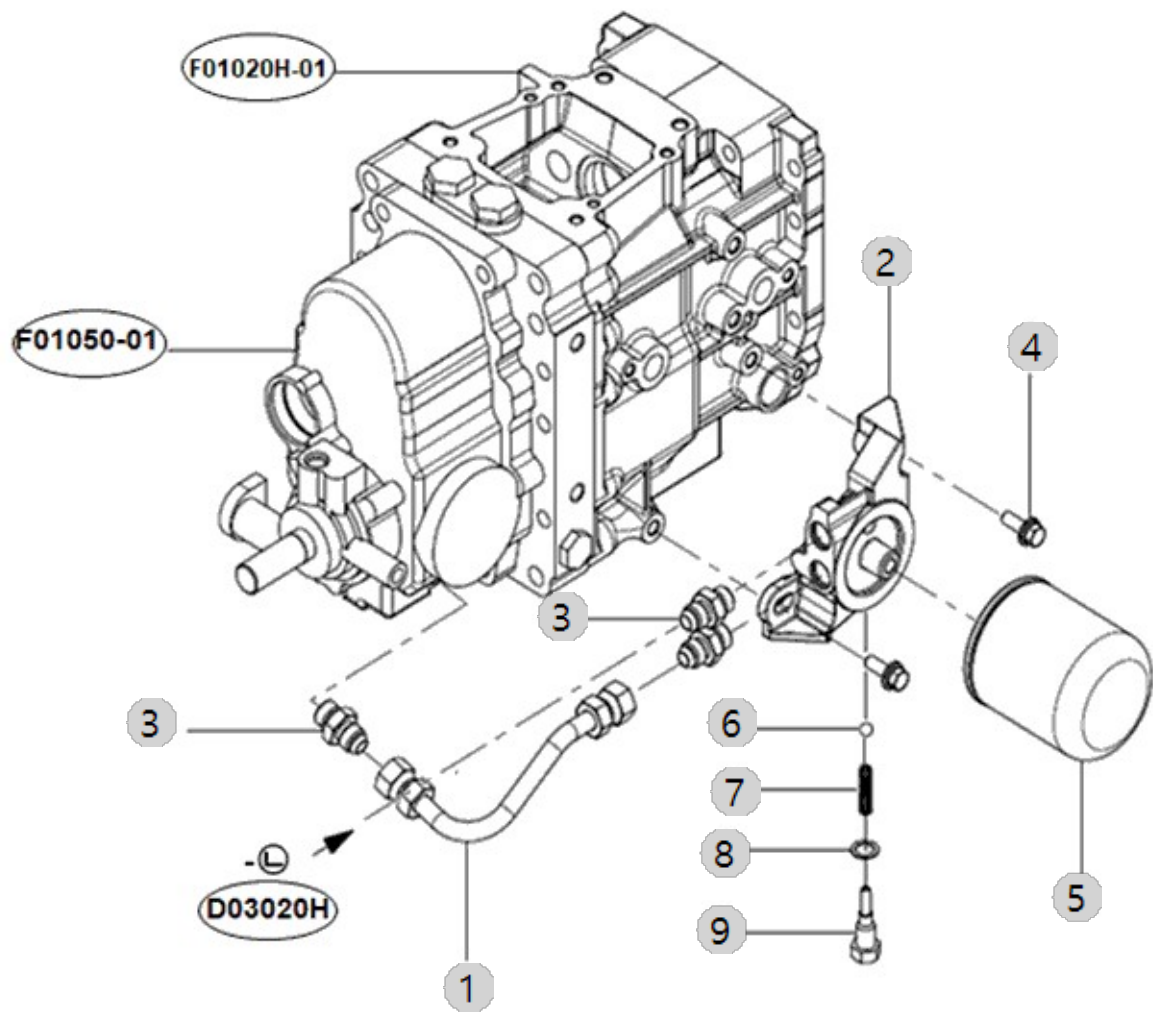
F10160H

2400 HST TM
(AC01985)

HYDRAULIC OIL LINE, HST

Year/Month

2022-12-14



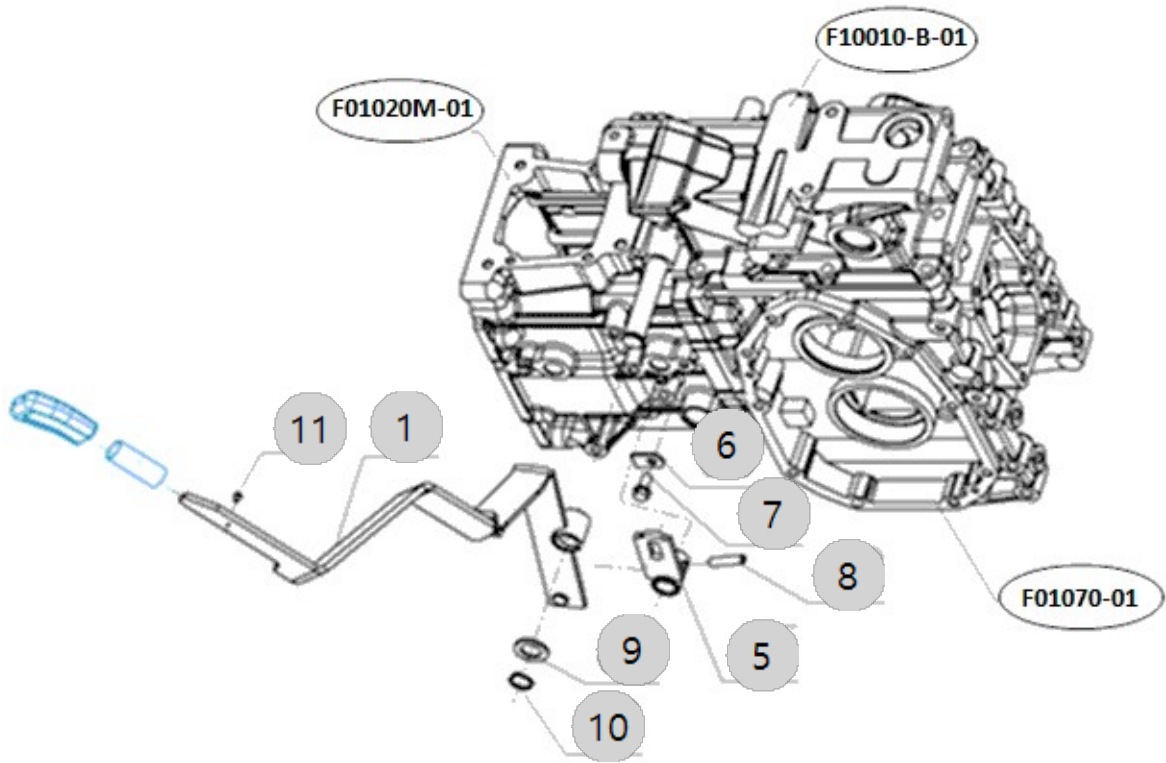
F11020-A

2400 HST TM
(AC01985)

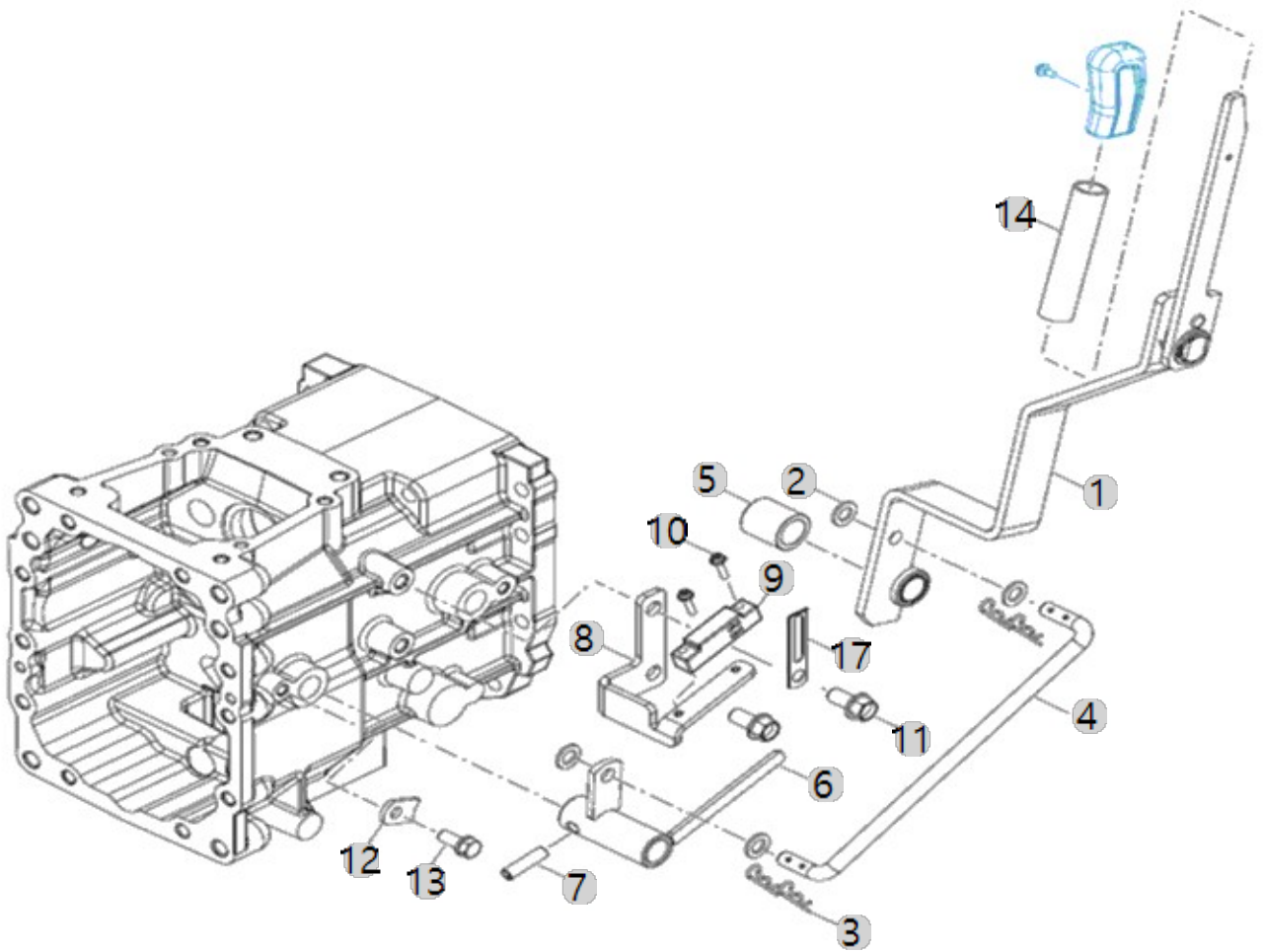
RANGE SHIFT LEVER

Year/Month

2022-12-14



F11030 2400 HST TM (AC01985)	PTO GEAR SHIFT LEVER	Year/Month 2022-12-14
------------------------------------	----------------------	--------------------------



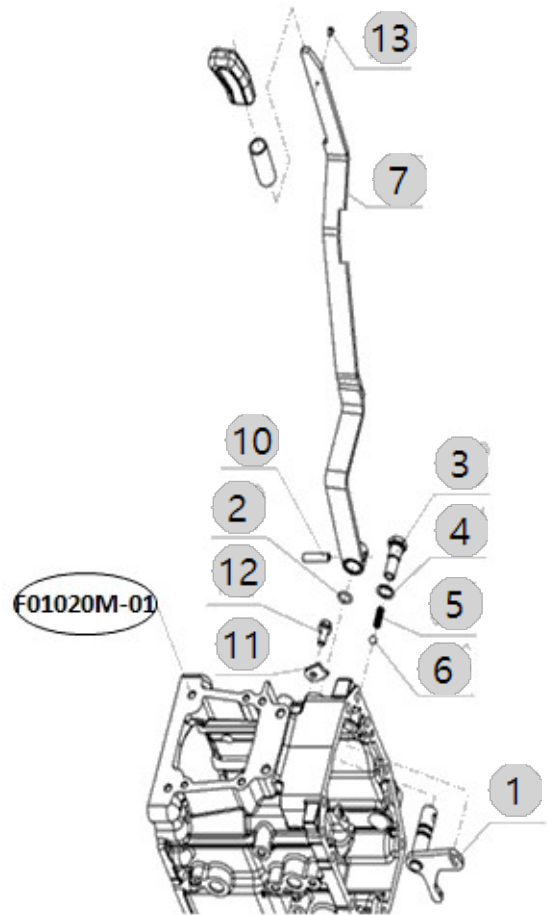
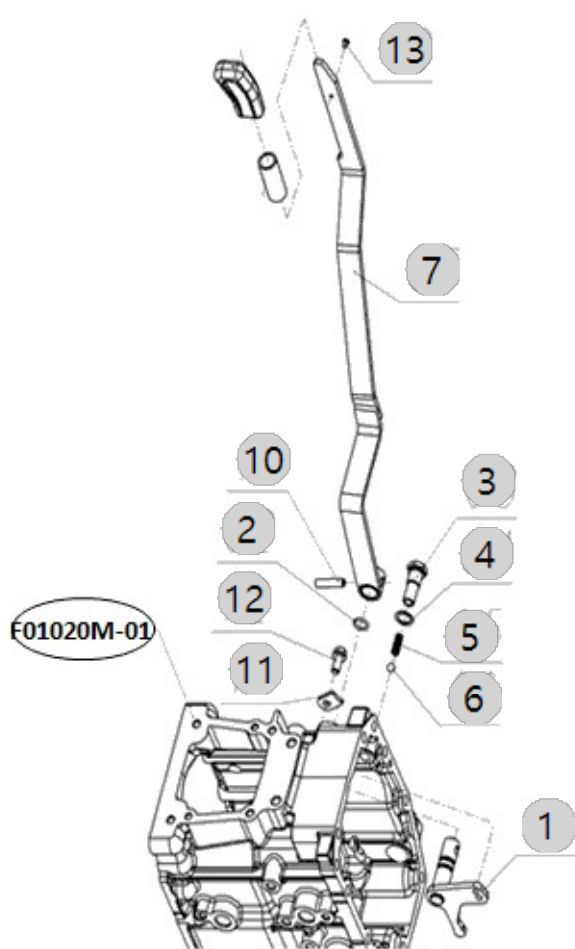
F11080

2400 HST TM
(AC01985)

4WD LEVER

Year/Month

2022-12-14



2610 전륜구동레버

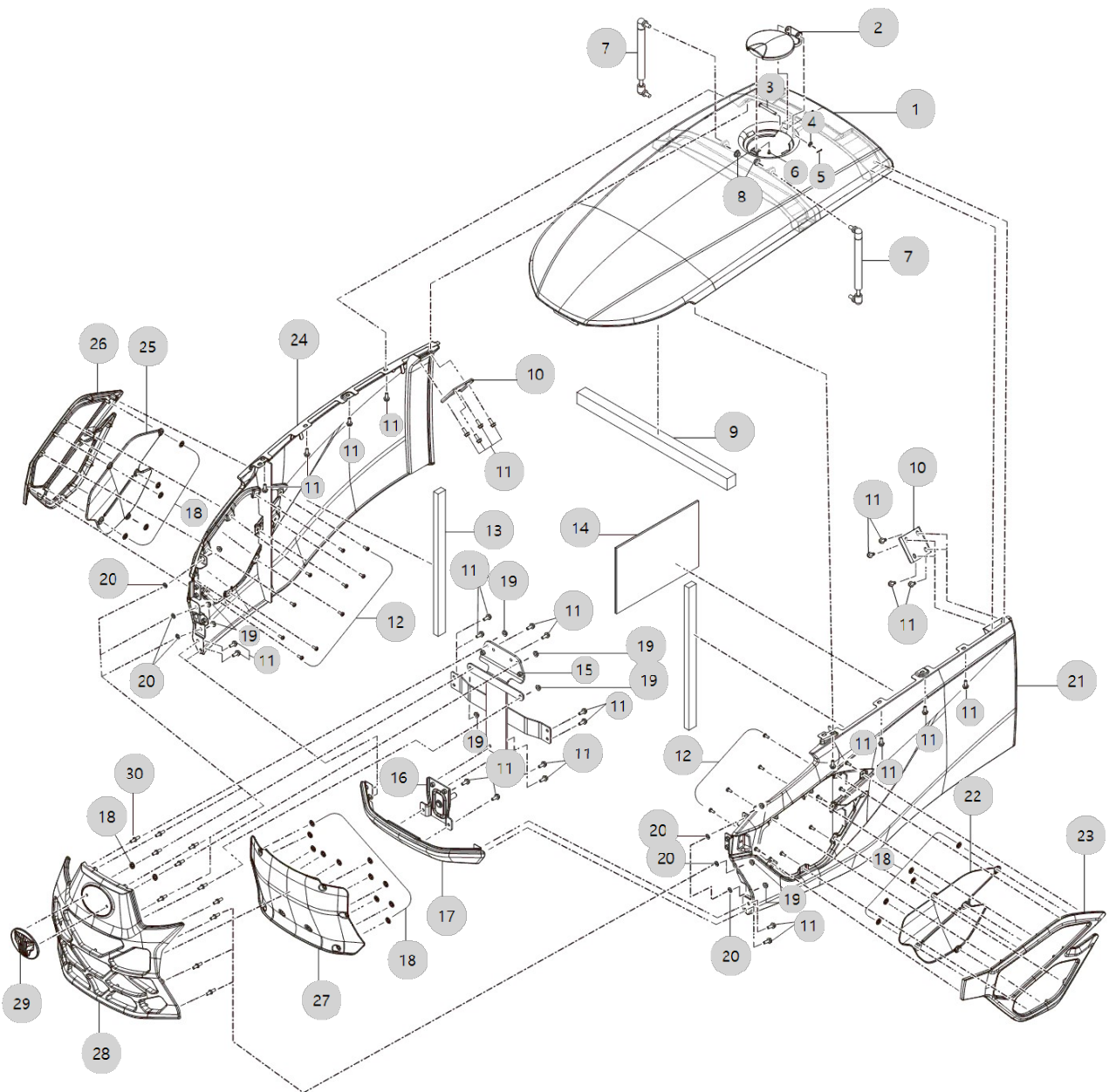
G01020

2400H US_FL
(AC02169)

BONNET

Year/Month

2022-12-14



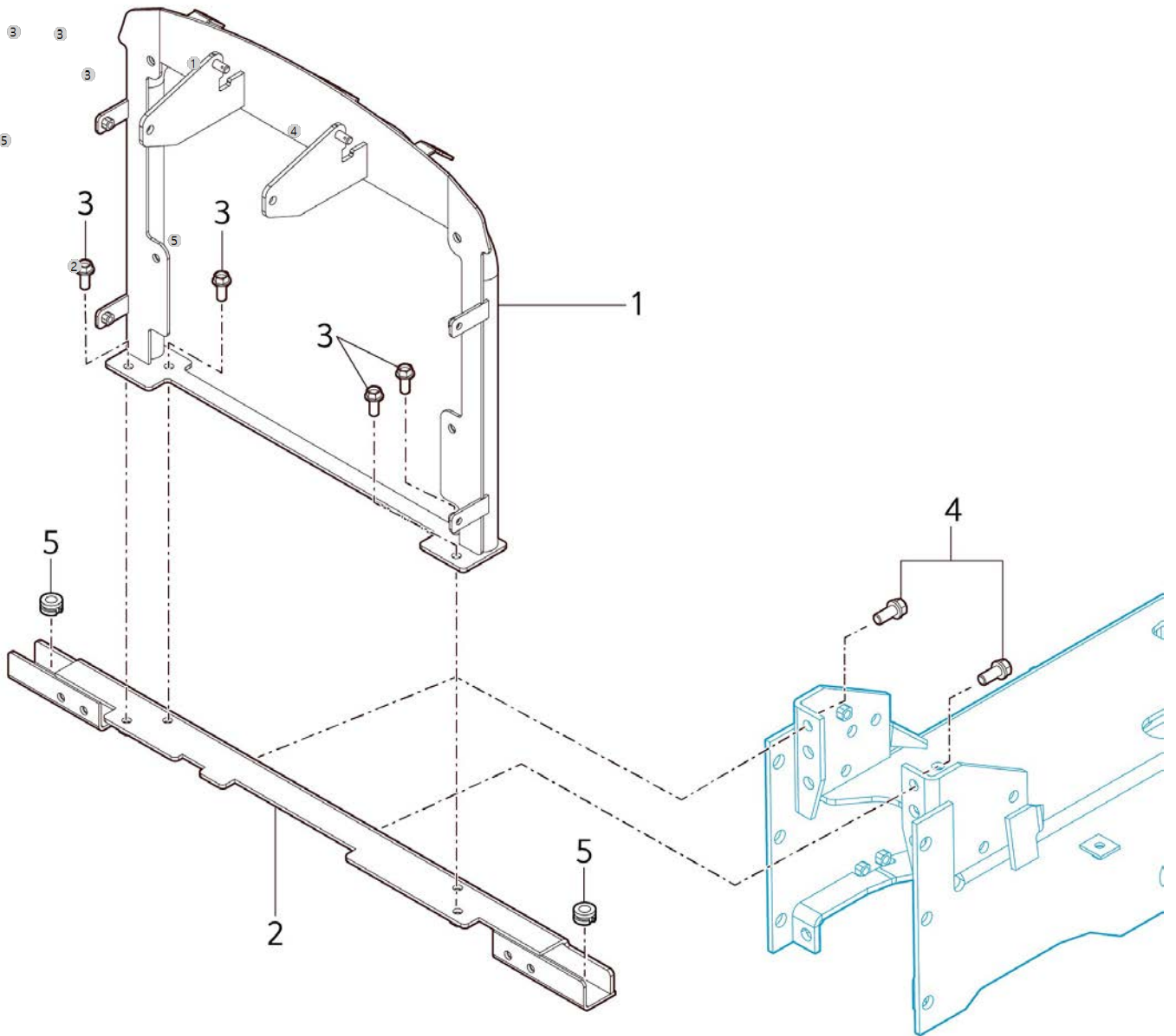
G01060

2400H US_FL
(AC02169)

FIXED BRACKET, BONNE

Year/Month

2022-12-14



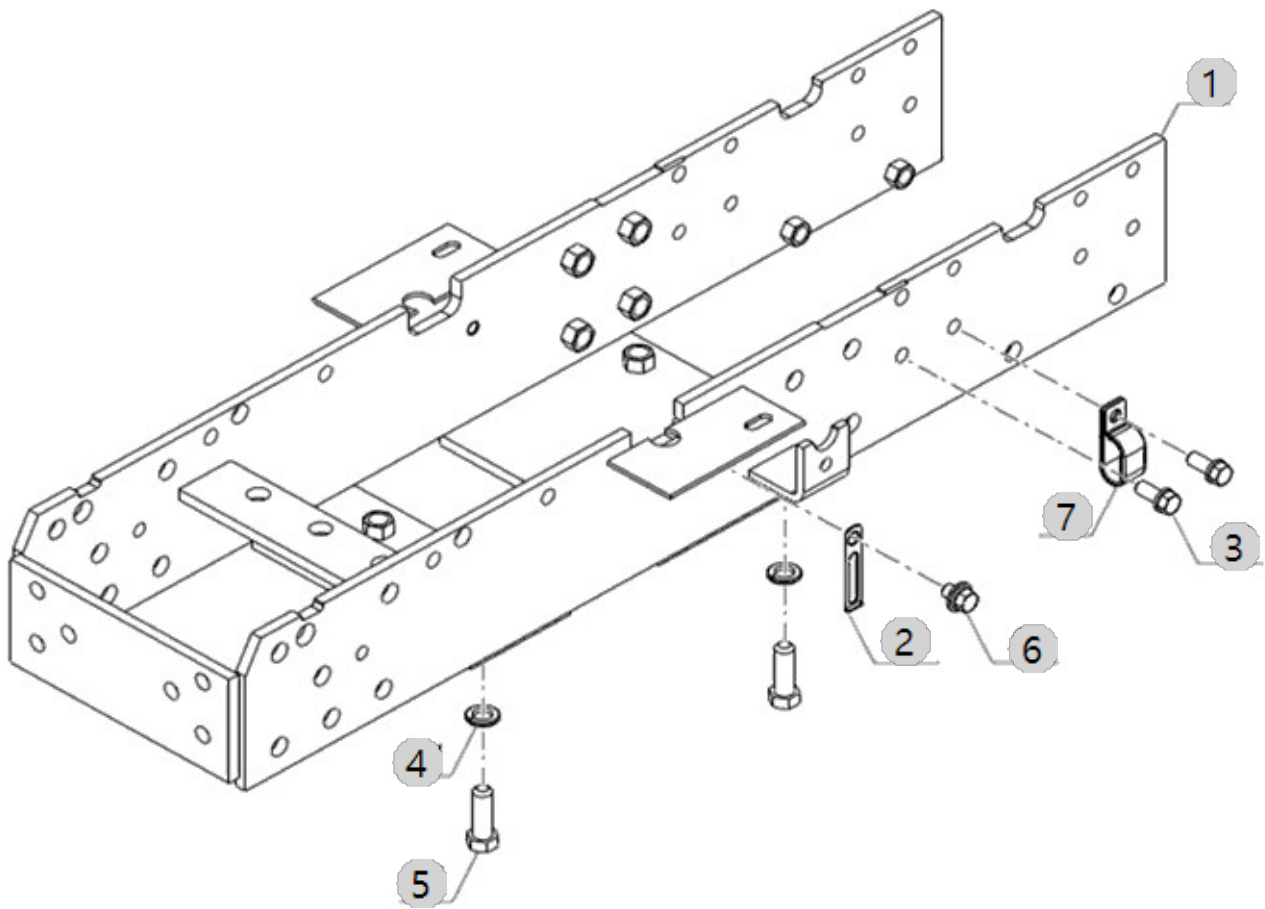
G01080

2400H US_FL
(AC02169)

BRACKET, FRONT AXLE

Year/Month

2022-12-14



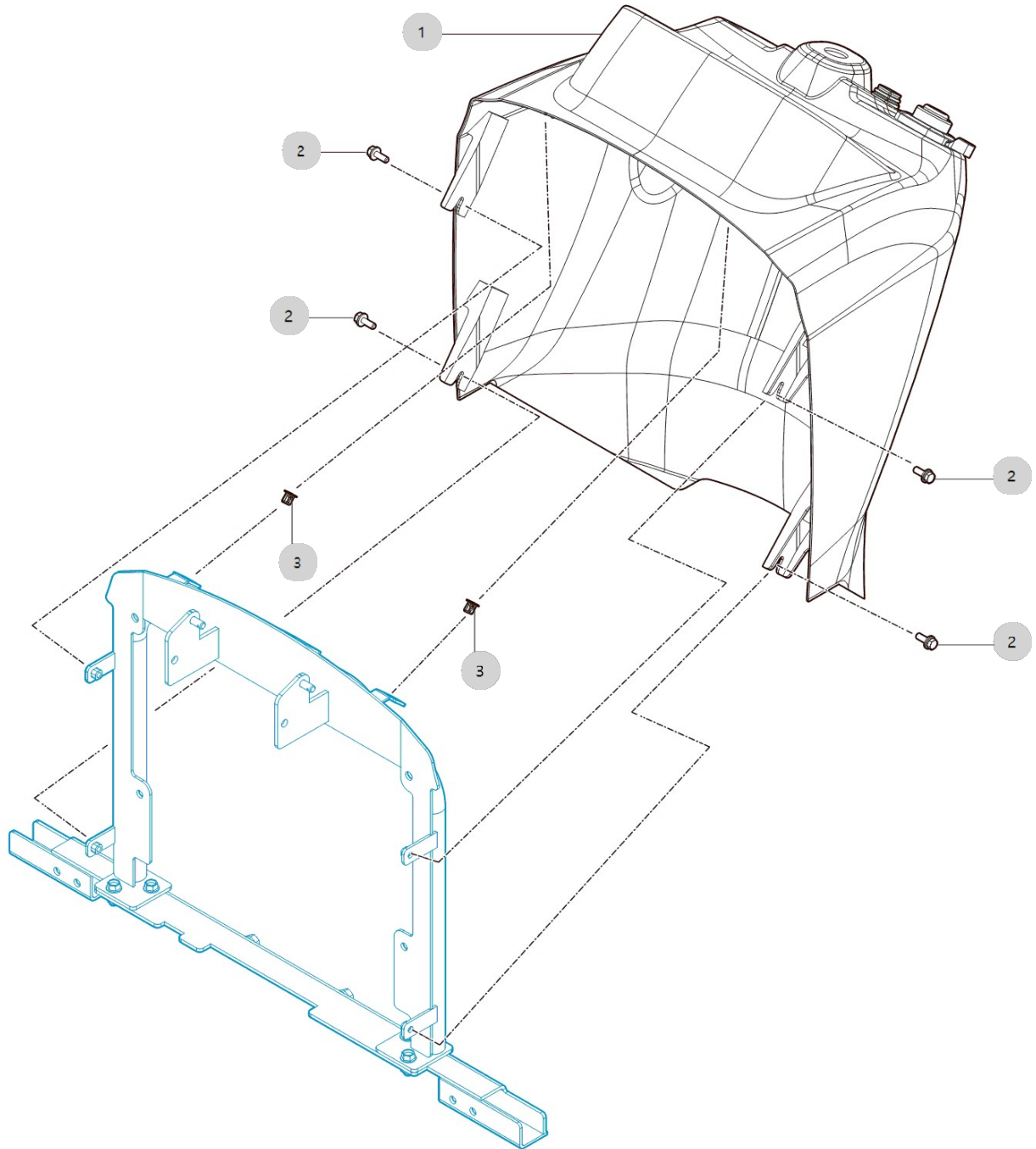
G04020

2400H US_FL
(AC02169)

DASHBOARD

Year/Month

2022-12-14



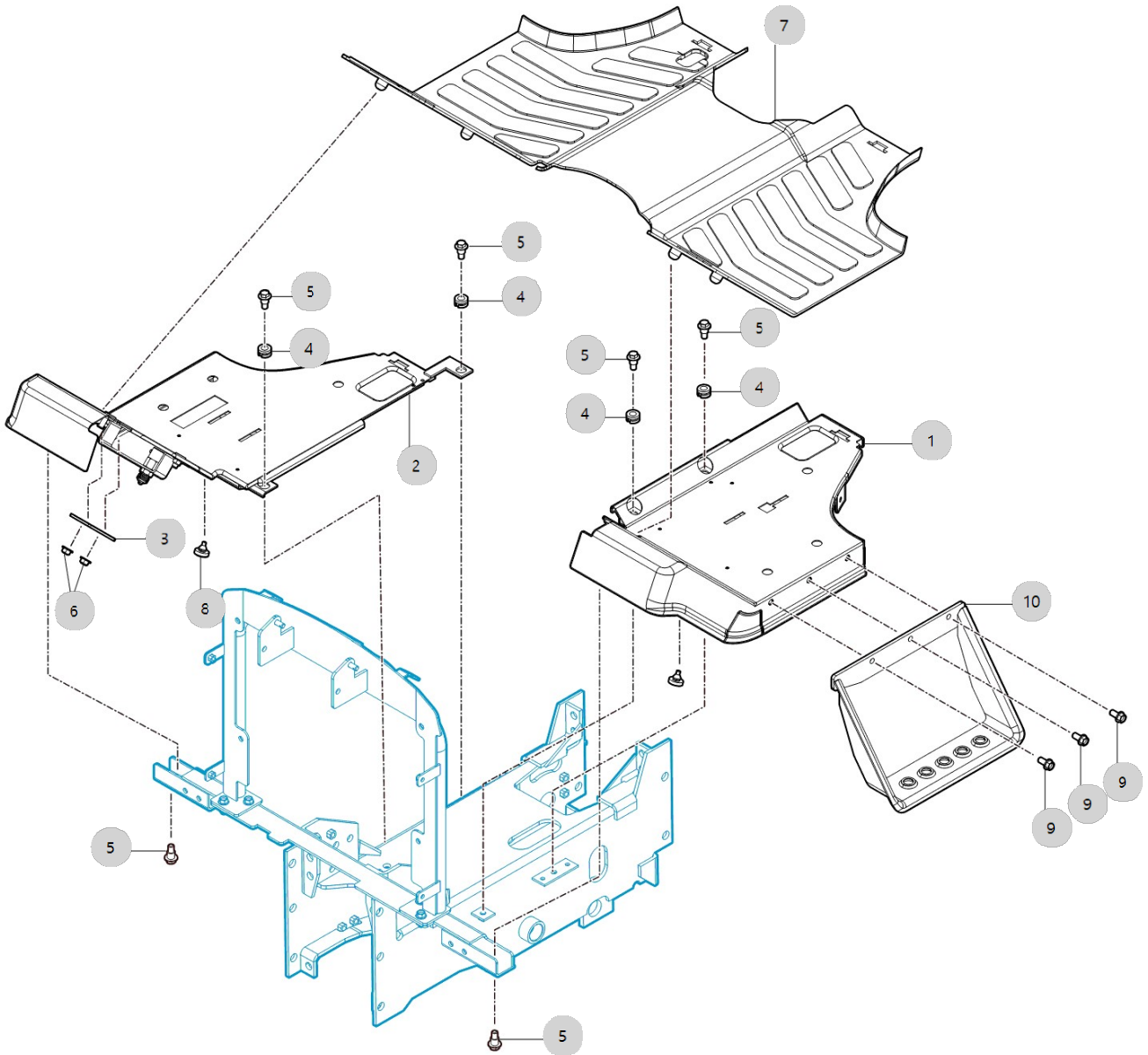
G04060

2400H US_FL
(AC02169)

SUB STEP

Year/Month

2022-12-14



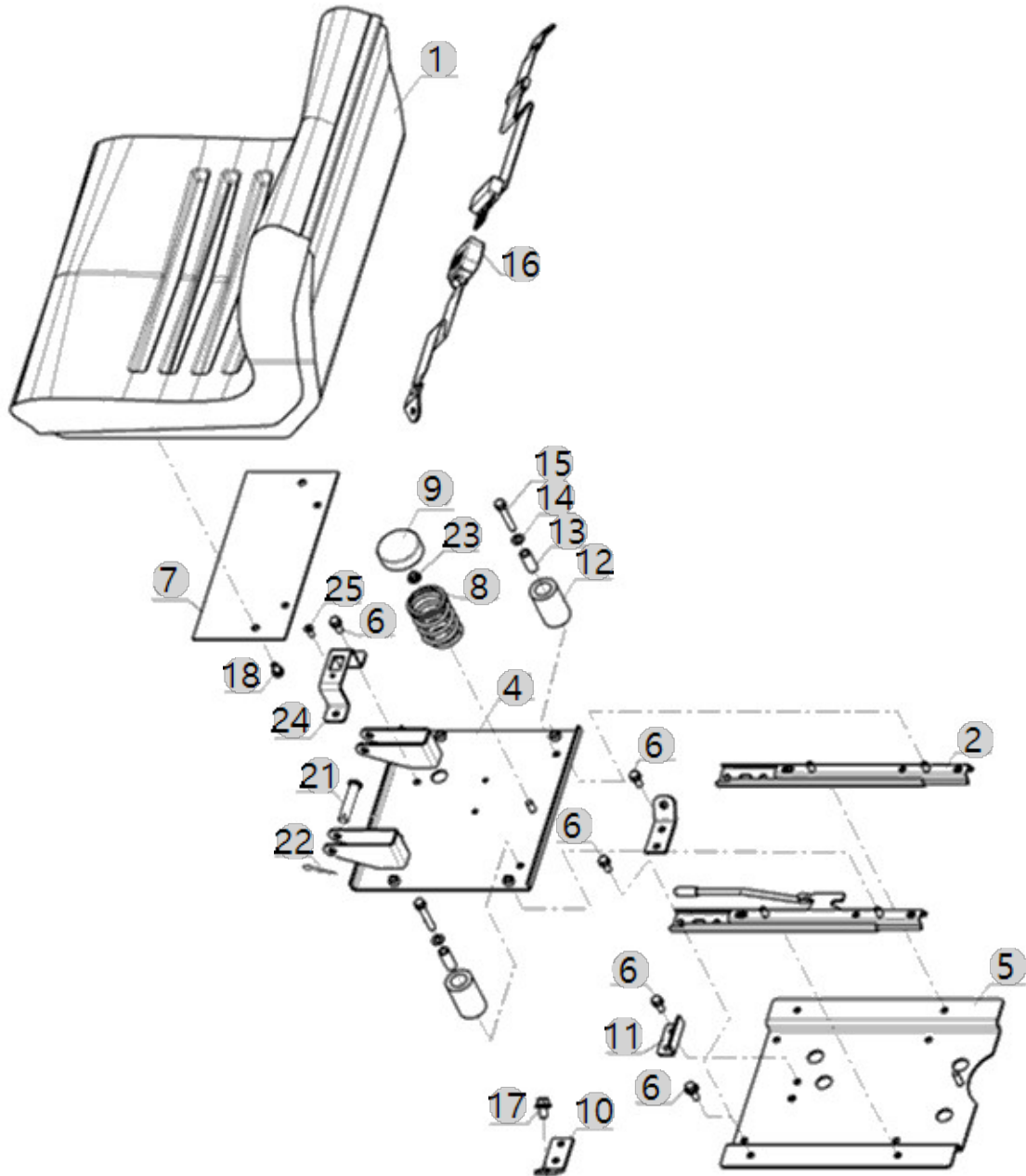
G04070

2400H US_FL
(AC02169)

DRIVER'S SEAT

Year/Month

2022-12-14



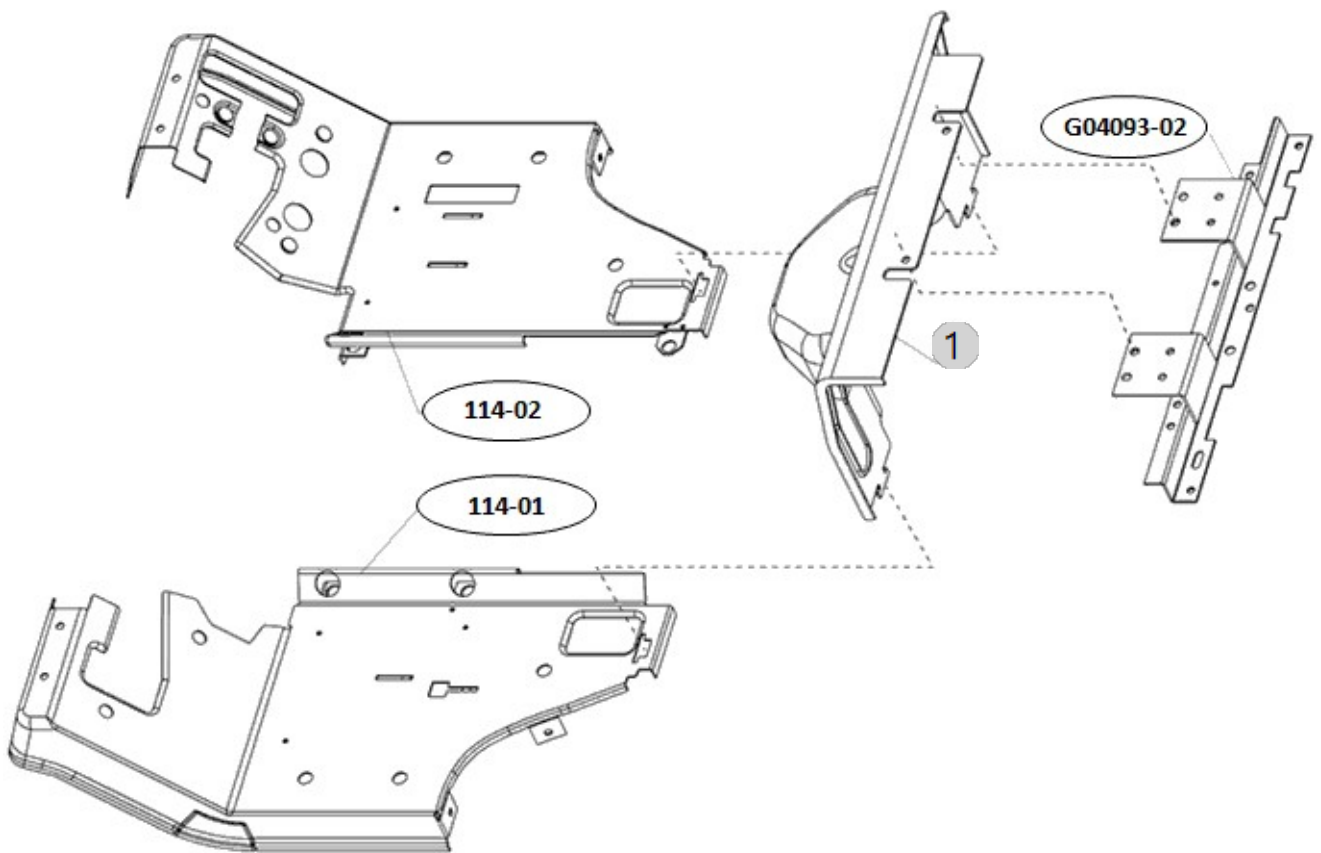
G04071

2400H US_FL
(AC02169)

FLOOR SEAT

Year/Month

2022-12-14



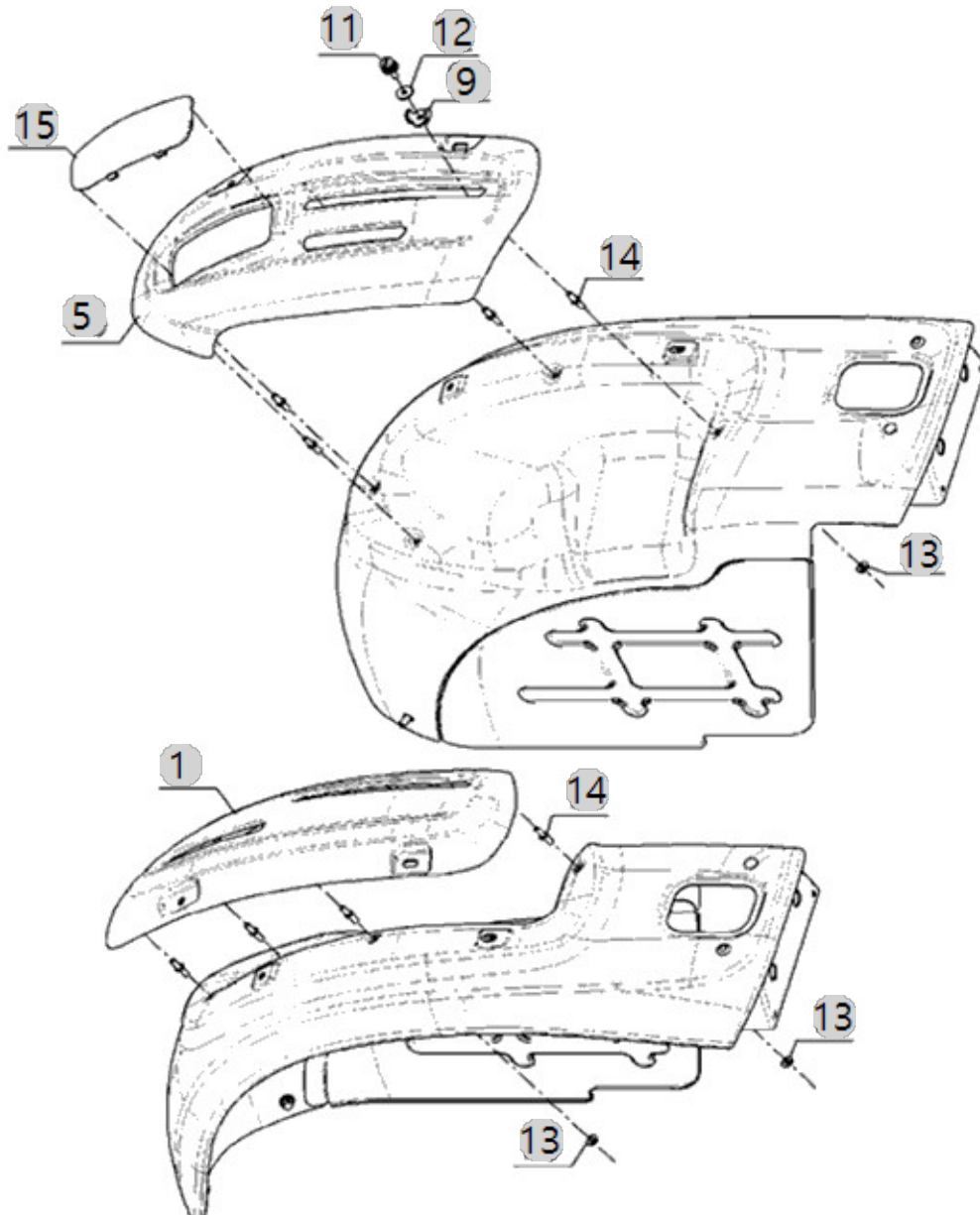
G04083H

2400H US_FL
(AC02169)

LEVER GUIDE

Year/Month

2022-12-14



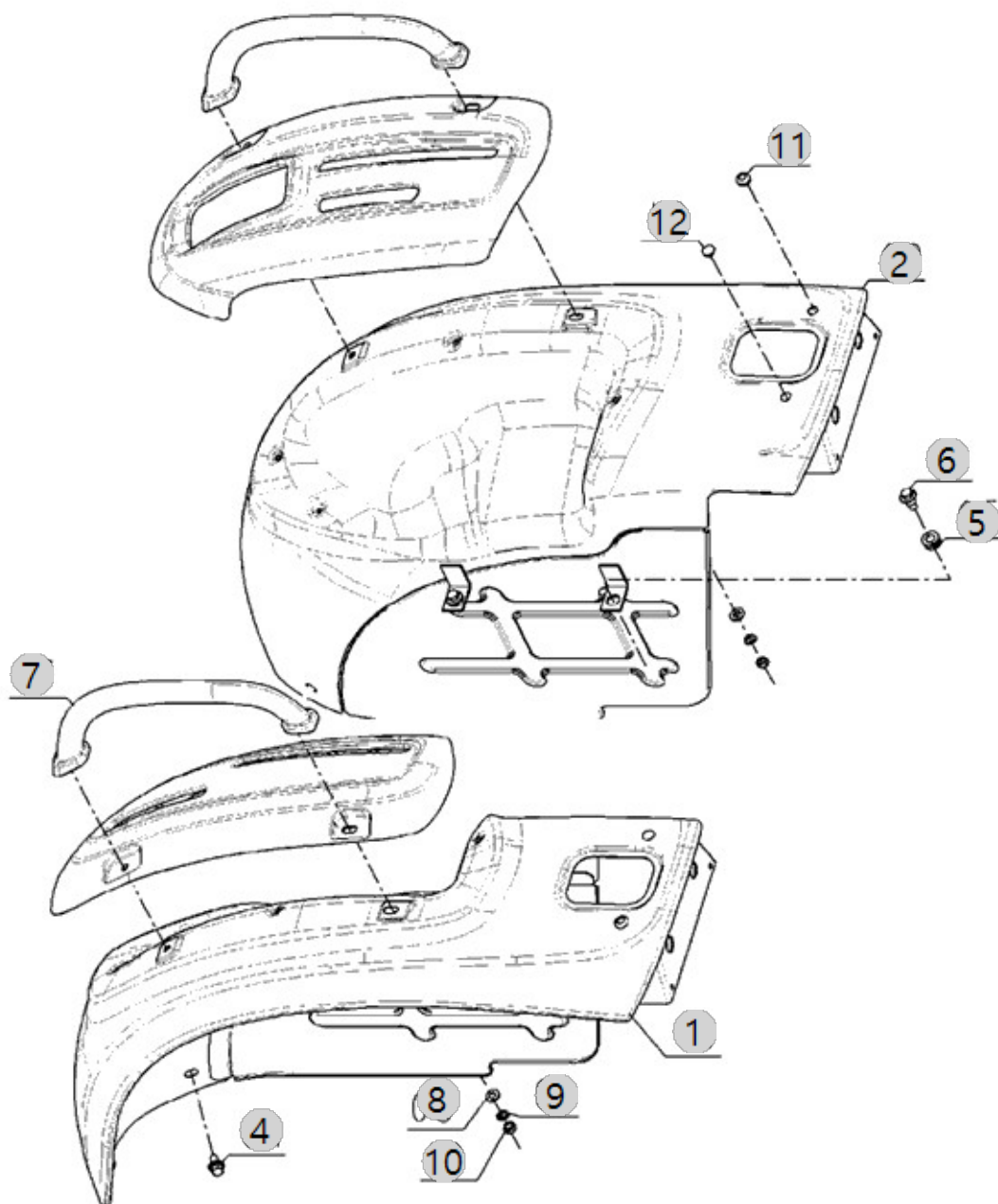
G04090

2400H US_FL
(AC02169)

FENDER

Year/Month

2022-12-14



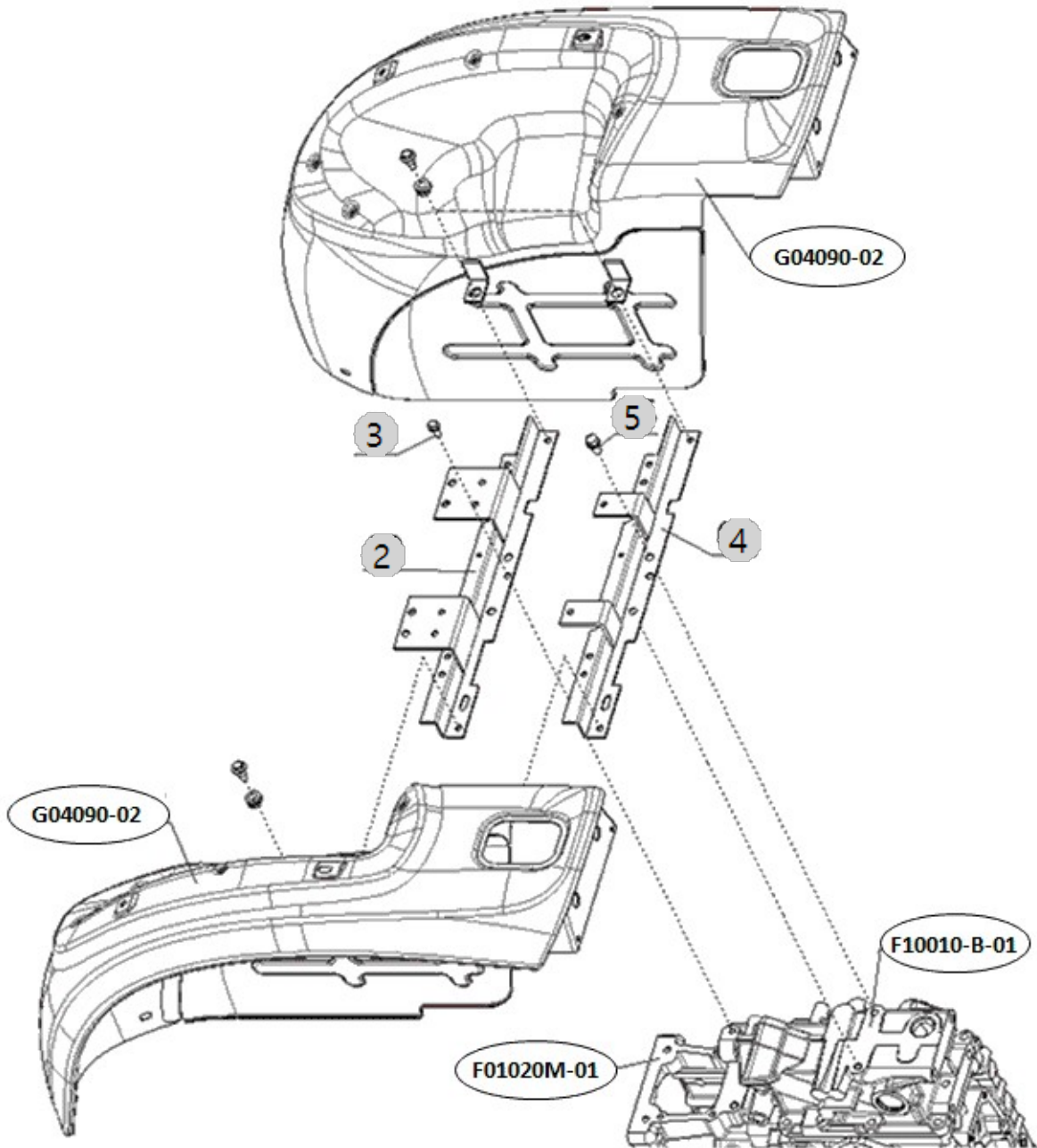
G04093

2400H US_FL
(AC02169)

FENDER STAY

Year/Month

2022-12-14



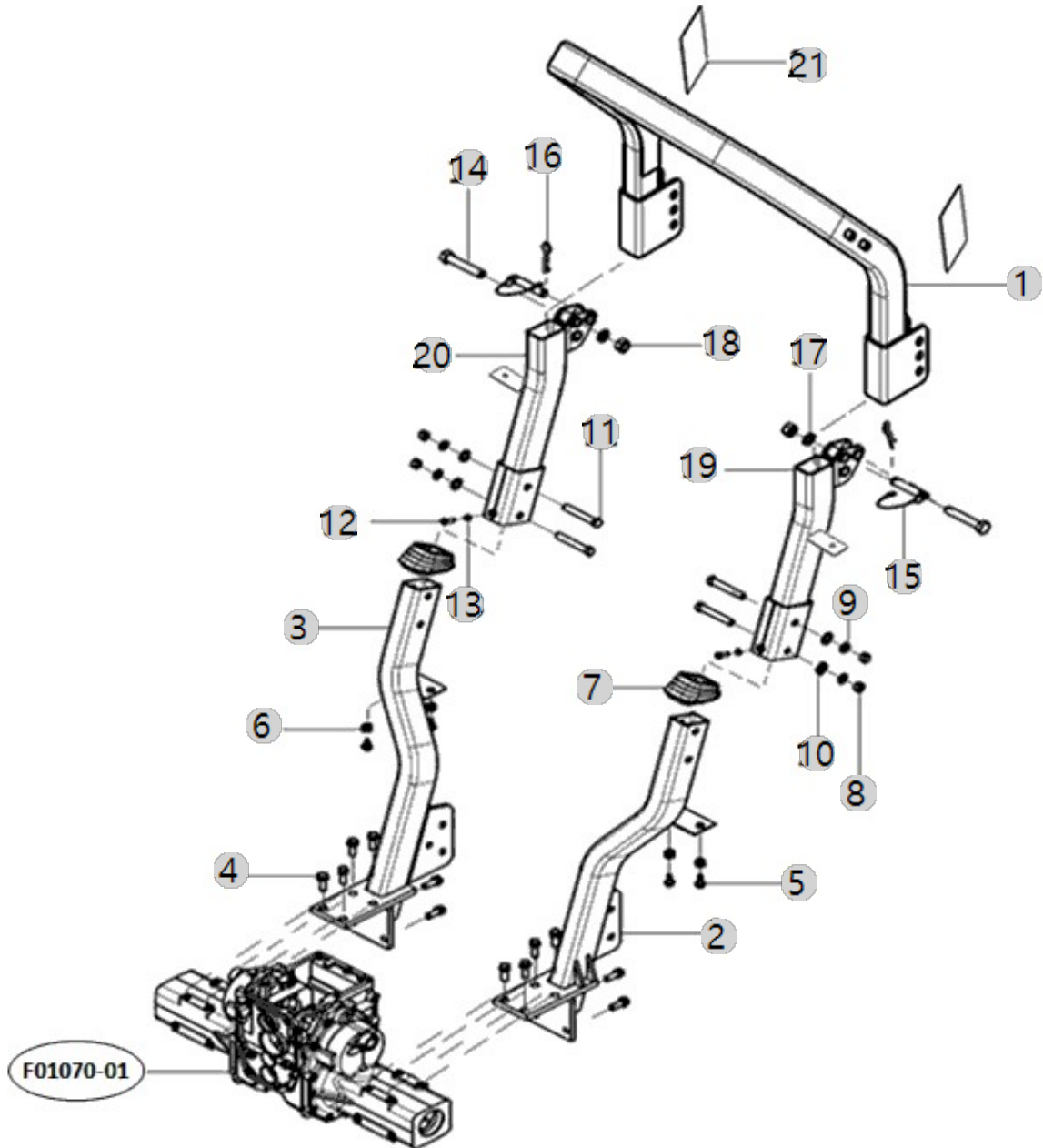
G04120-A

2400H US_FL
(AC02169)

ROPS

Year/Month

2022-12-14



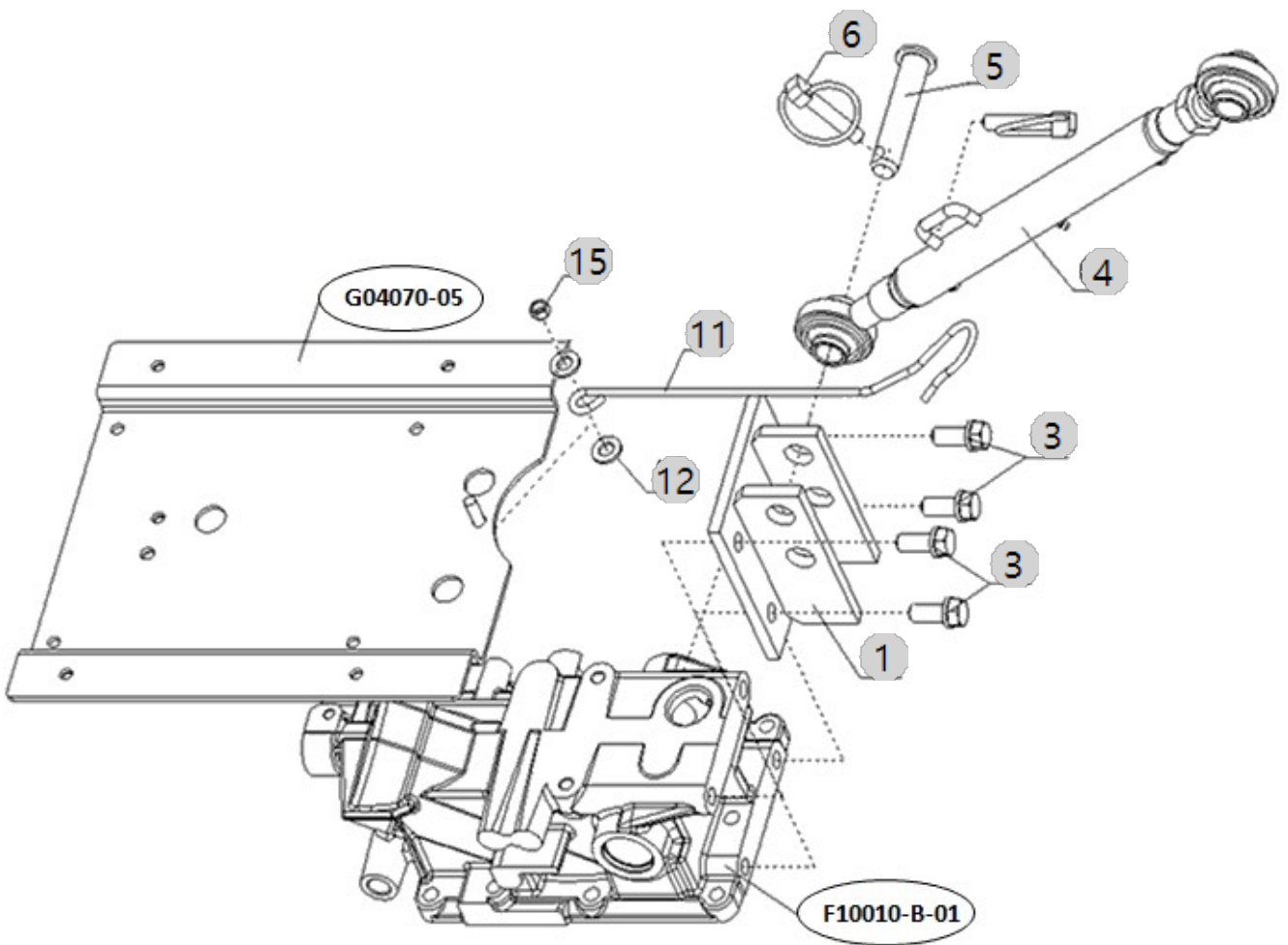
G05020

2400H US_FL
(AC02169)

TOP LINK

Year/Month

2022-12-14



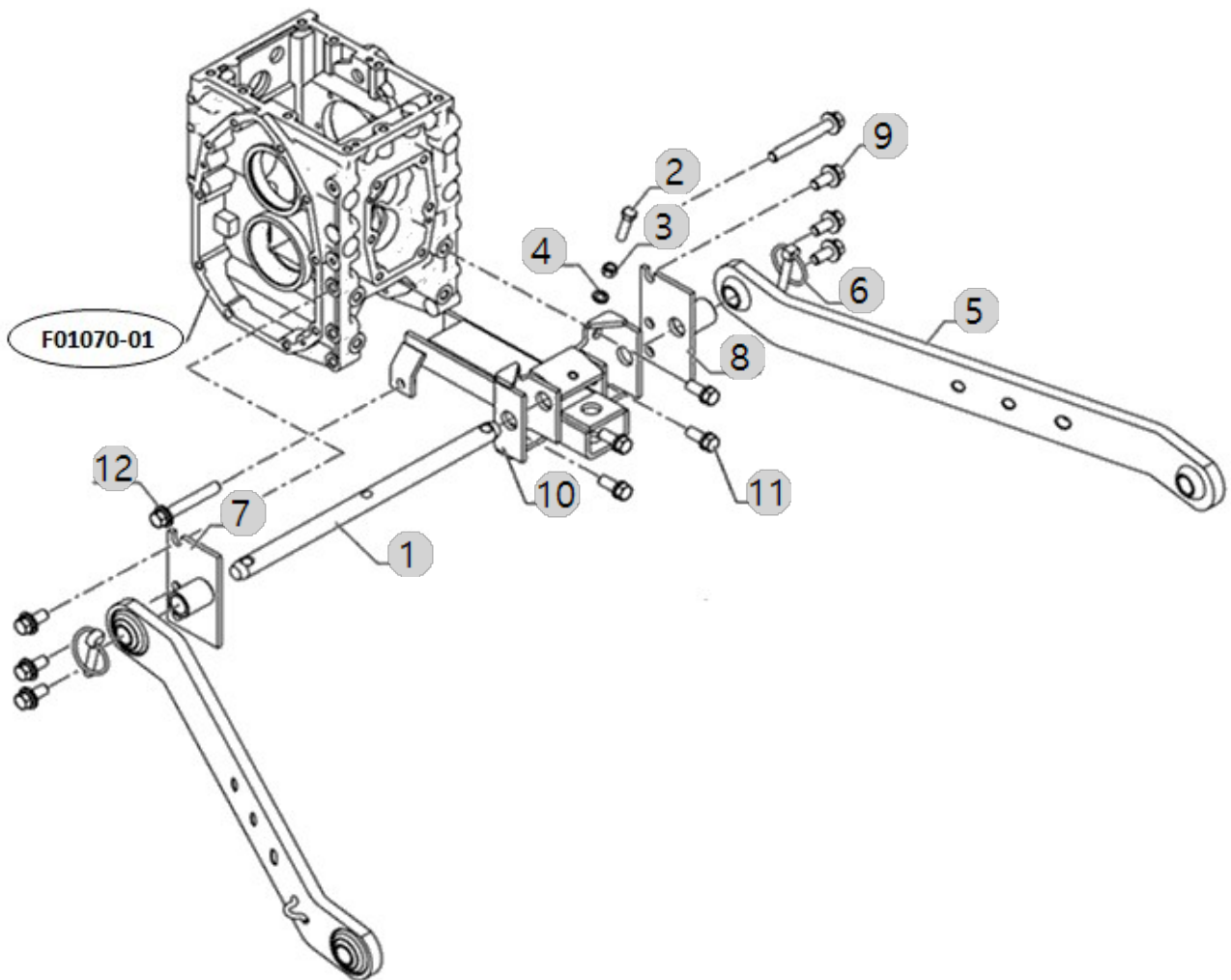
G05030

2400H US_FL
(AC02169)

LOWER LINK

Year/Month

2022-12-14



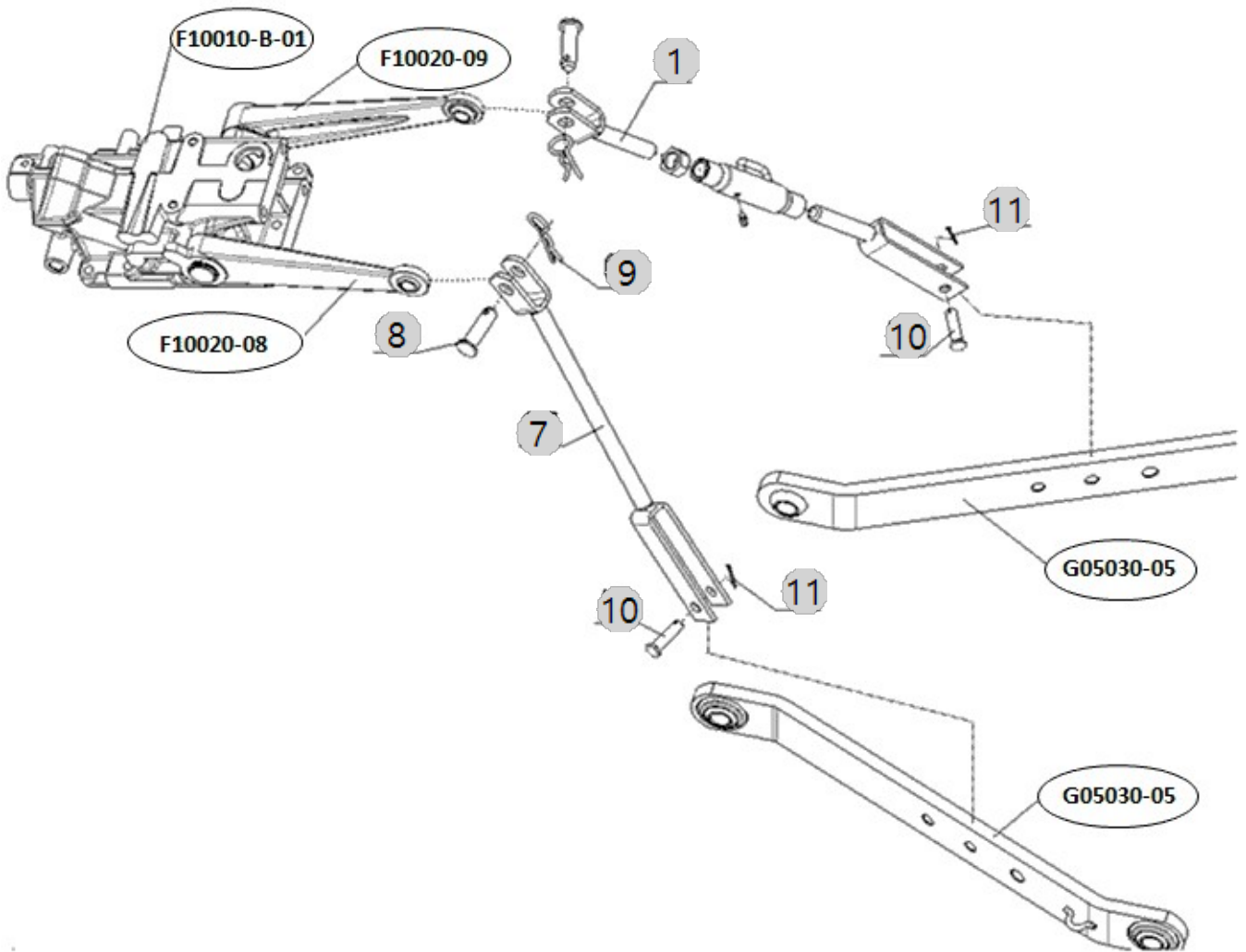
G05050

2400H US_FL
(AC02169)

LIFT LINK

Year/Month

2022-12-14



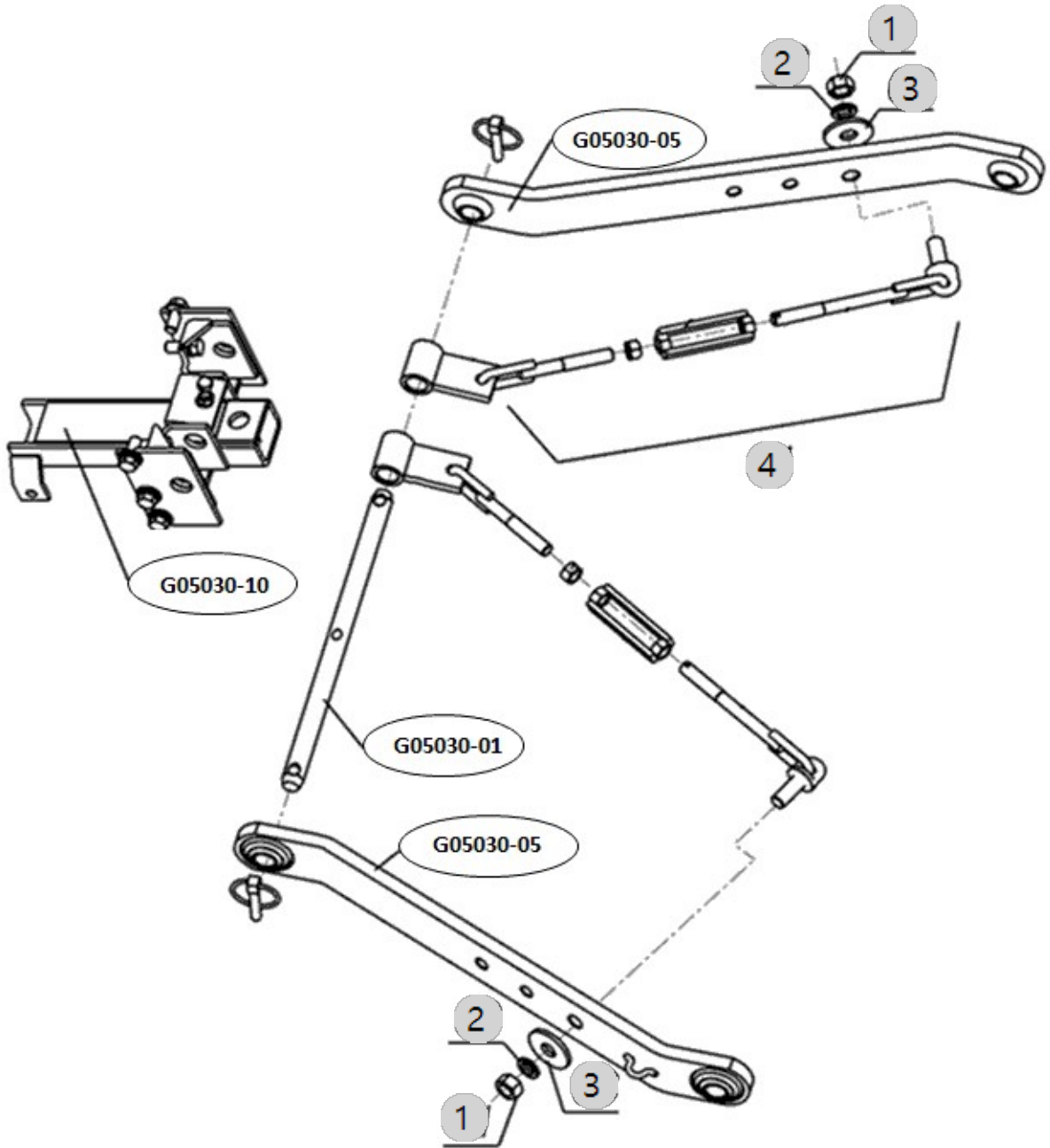
G05054-A

2400H US_FL
(AC02169)

CHECK CHAIN

Year/Month

2022-12-14



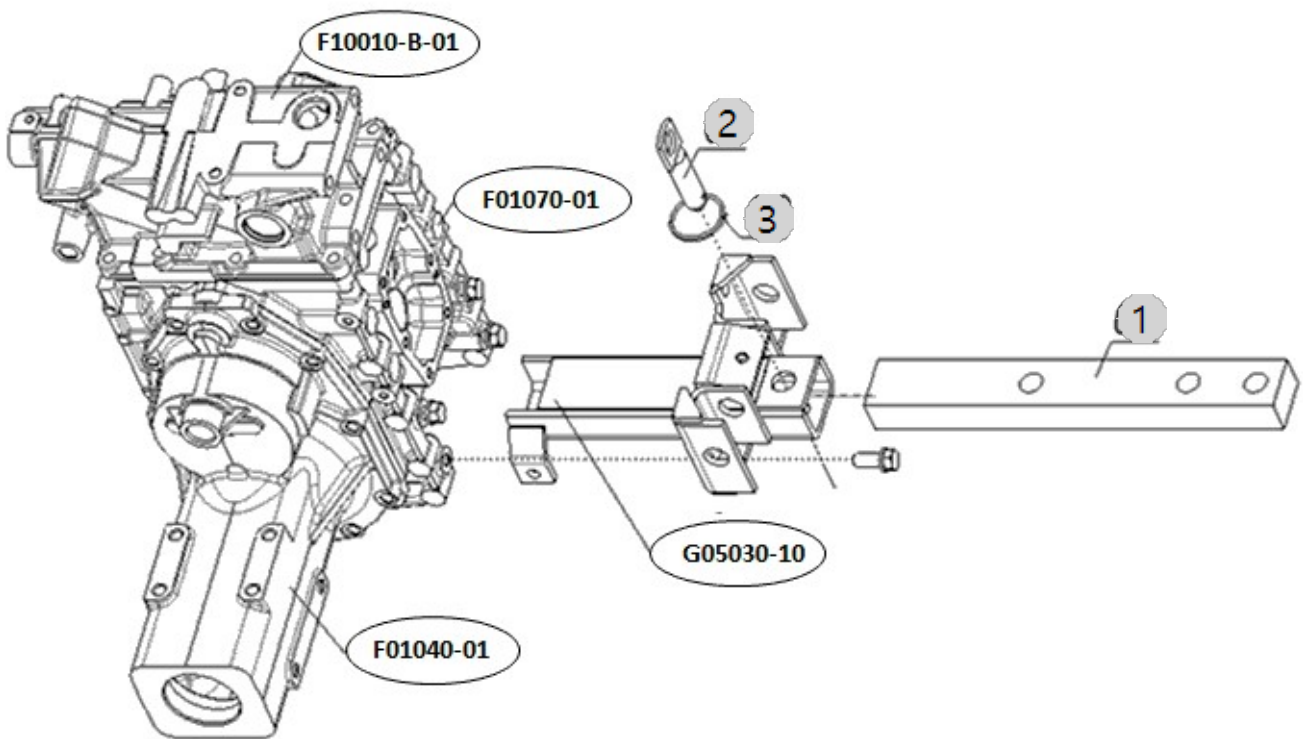
G05070

2400H US_FL
(AC02169)

DRAW BAR

Year/Month

2022-12-14



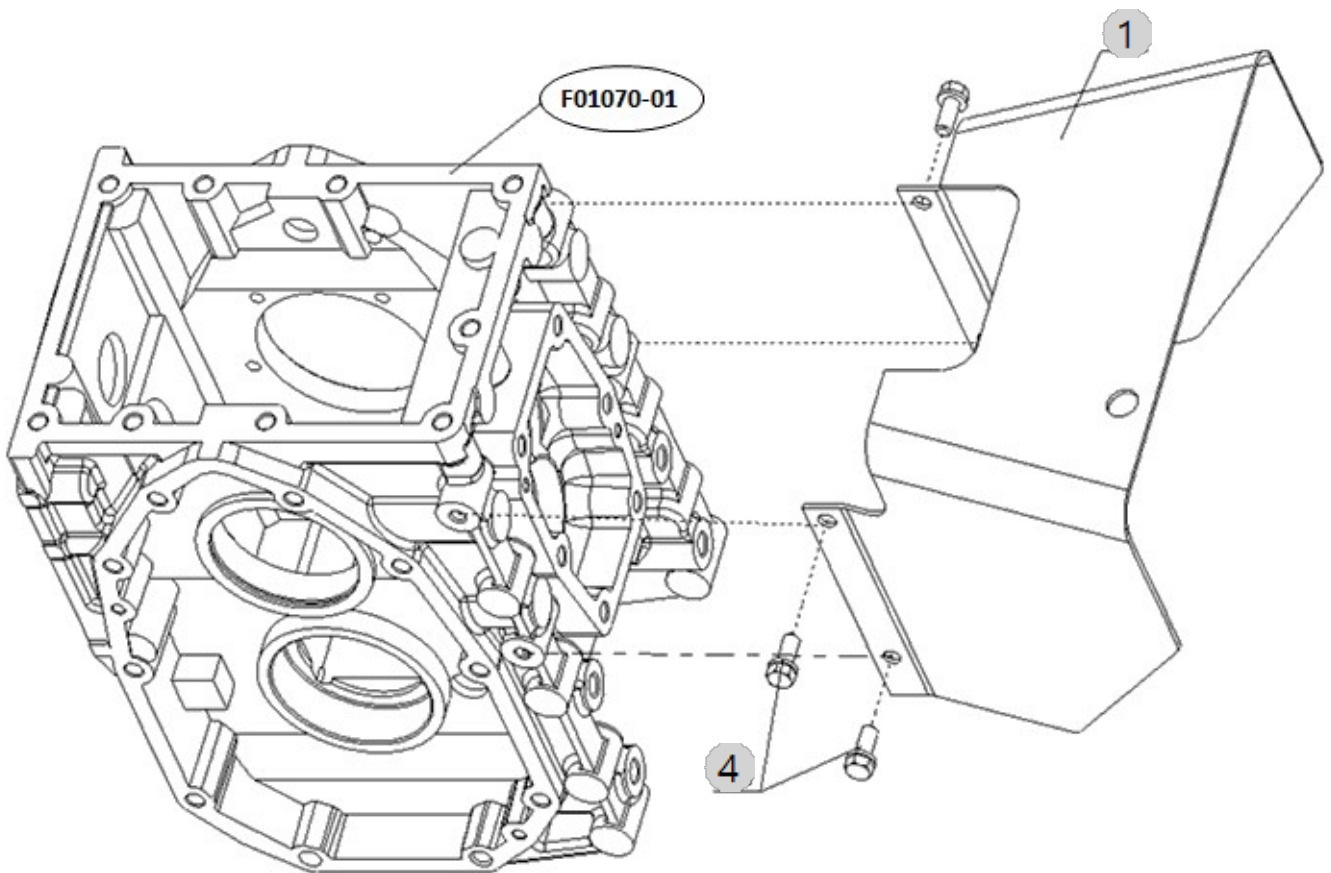
G05090

2400H US_FL
(AC02169)

PTO COVER

Year/Month

2022-12-14



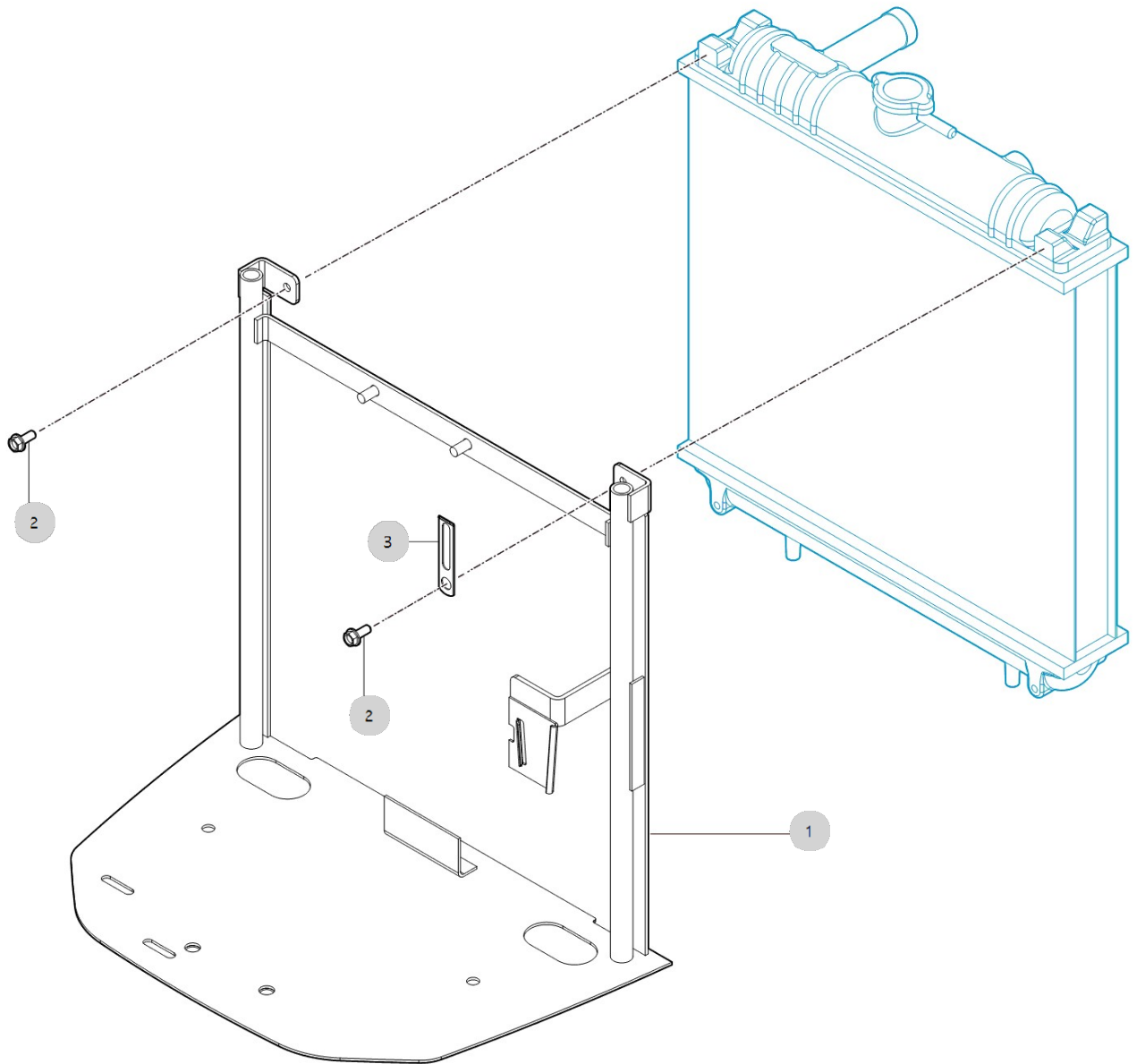
H01030

2400H US_FL
(AC02169)

BATTERY

Year/Month

2022-12-14



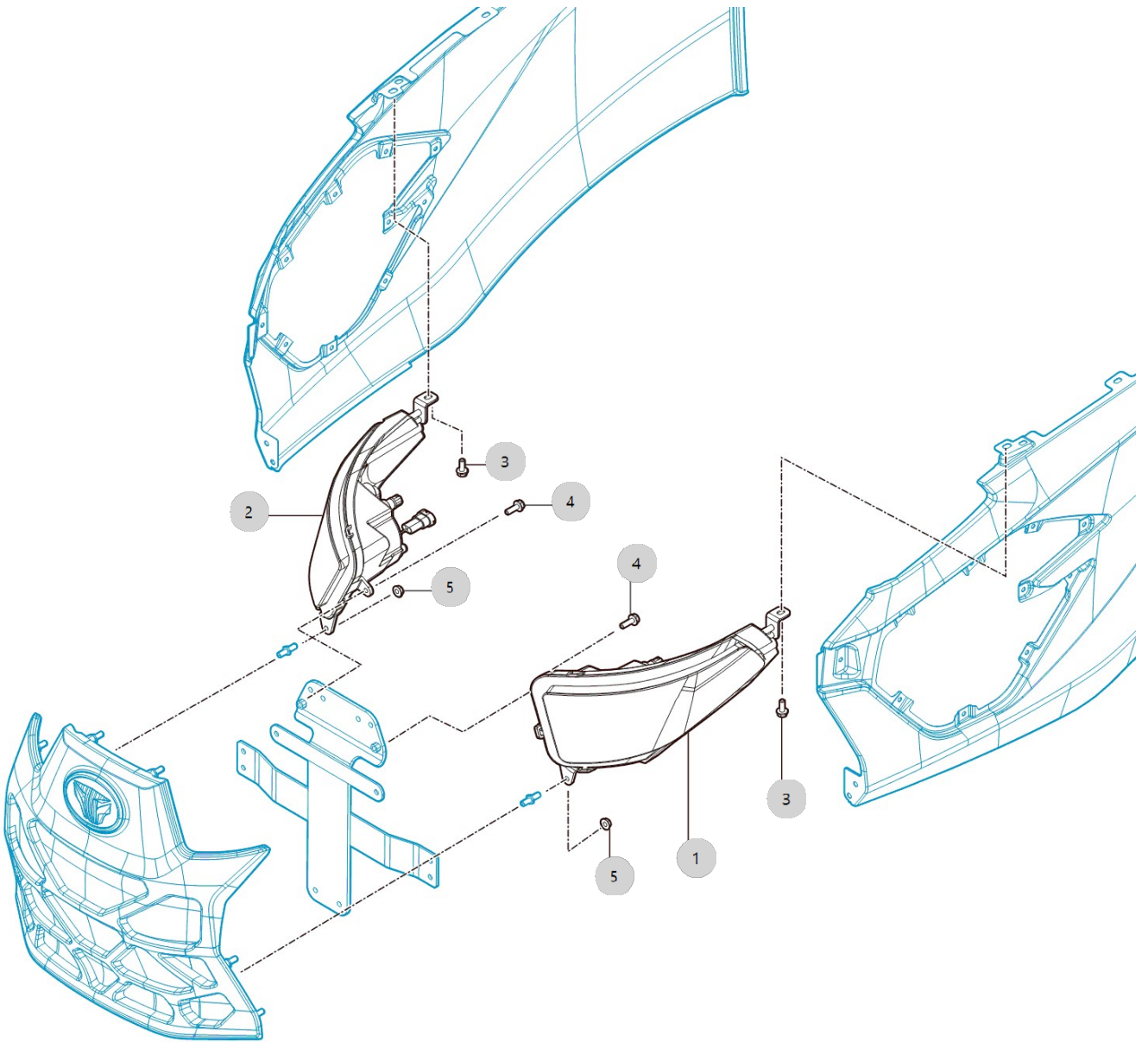
H02010

2400H US_FL
(AC02169)

HEADLIGHT

Year/Month

2022-12-14



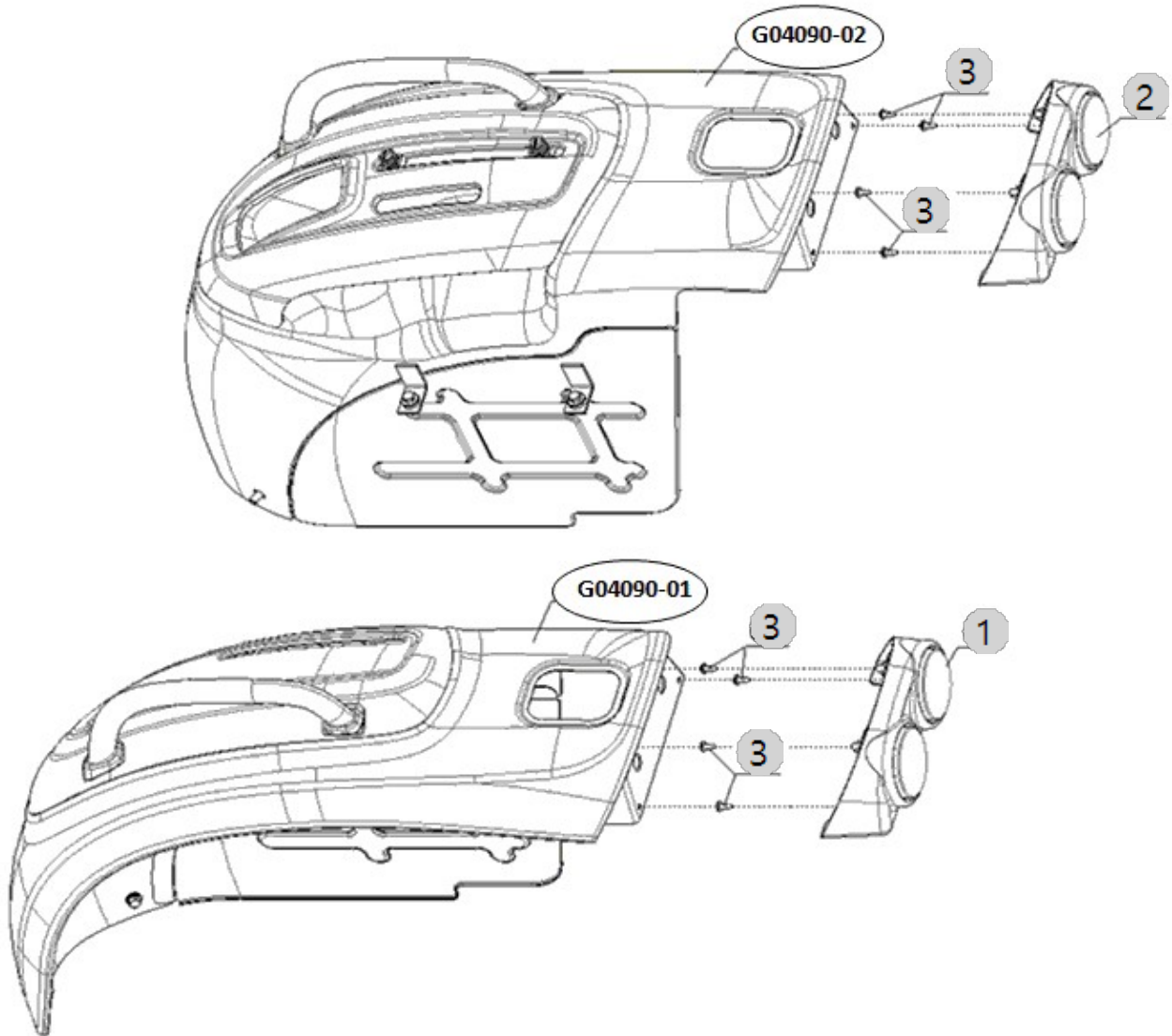
H02022

2400H US_FL
(AC02169)

COMBINATION LAMP/RR

Year/Month

2022-12-14



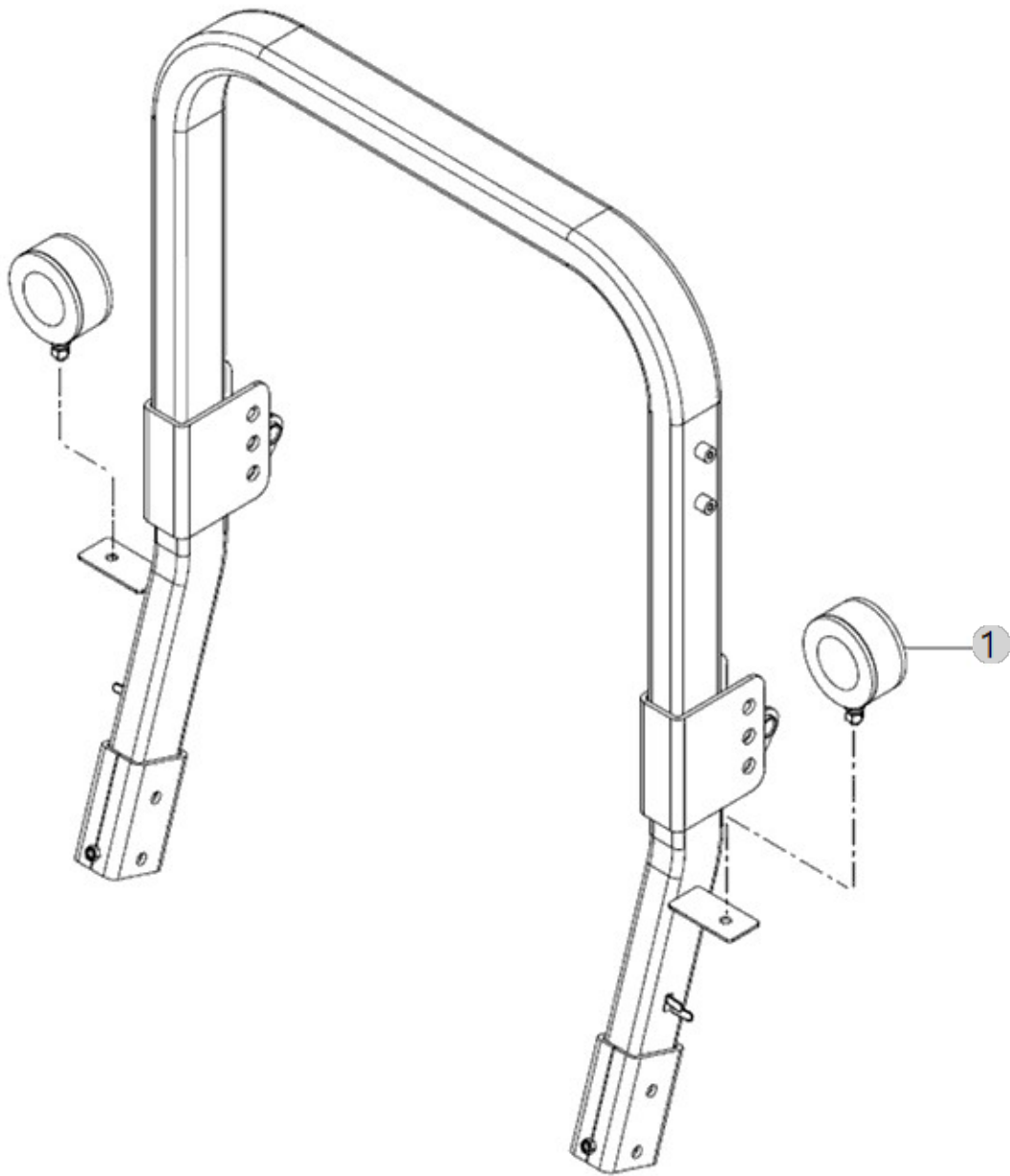
H02050

2400H US_FL
(AC02169)

TURN INDICATOR

Year/Month

2022-12-14



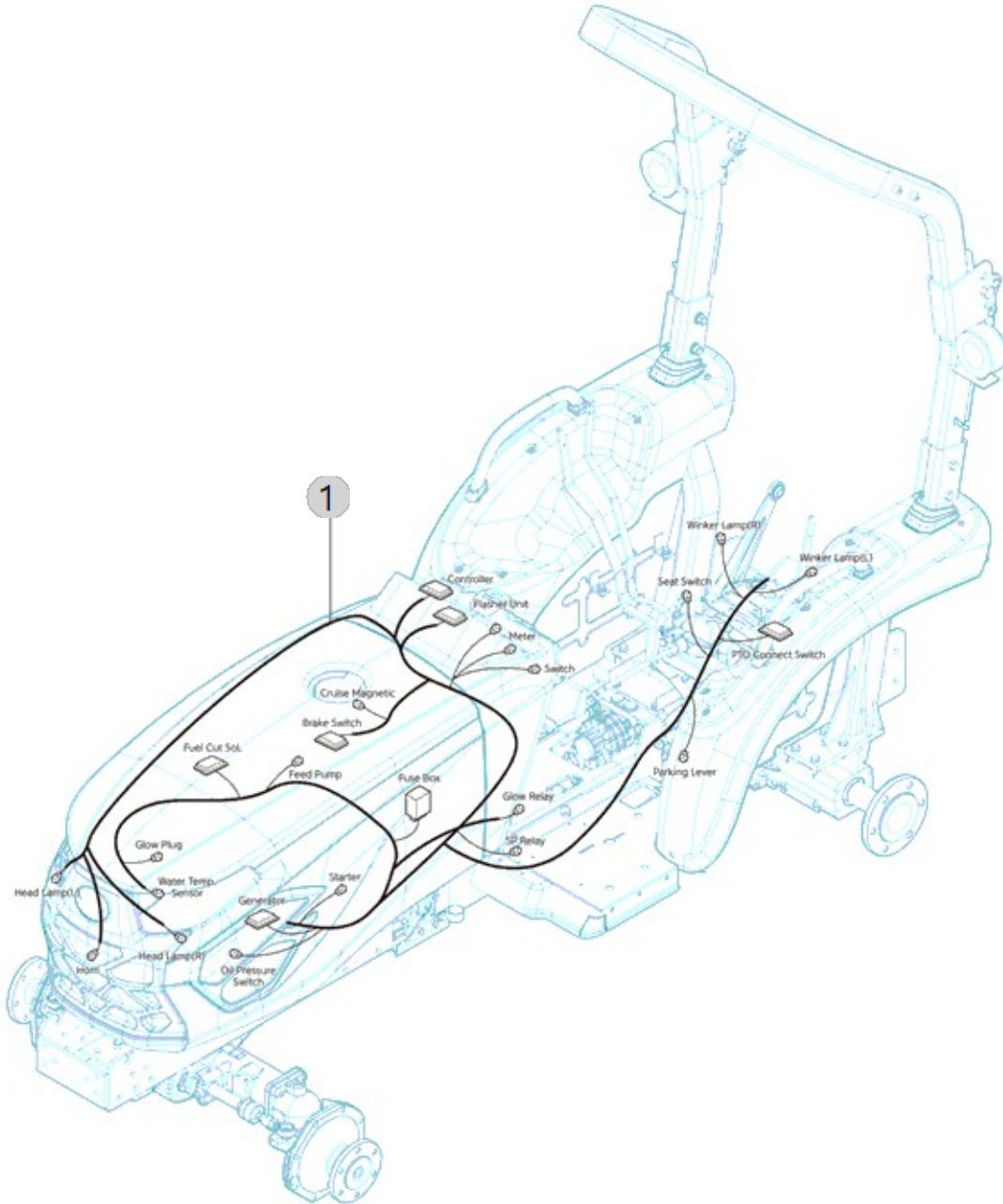
H03040

2400H US_FL
(AC02169)

MAIN HARNESS

Year/Month

2022-12-14



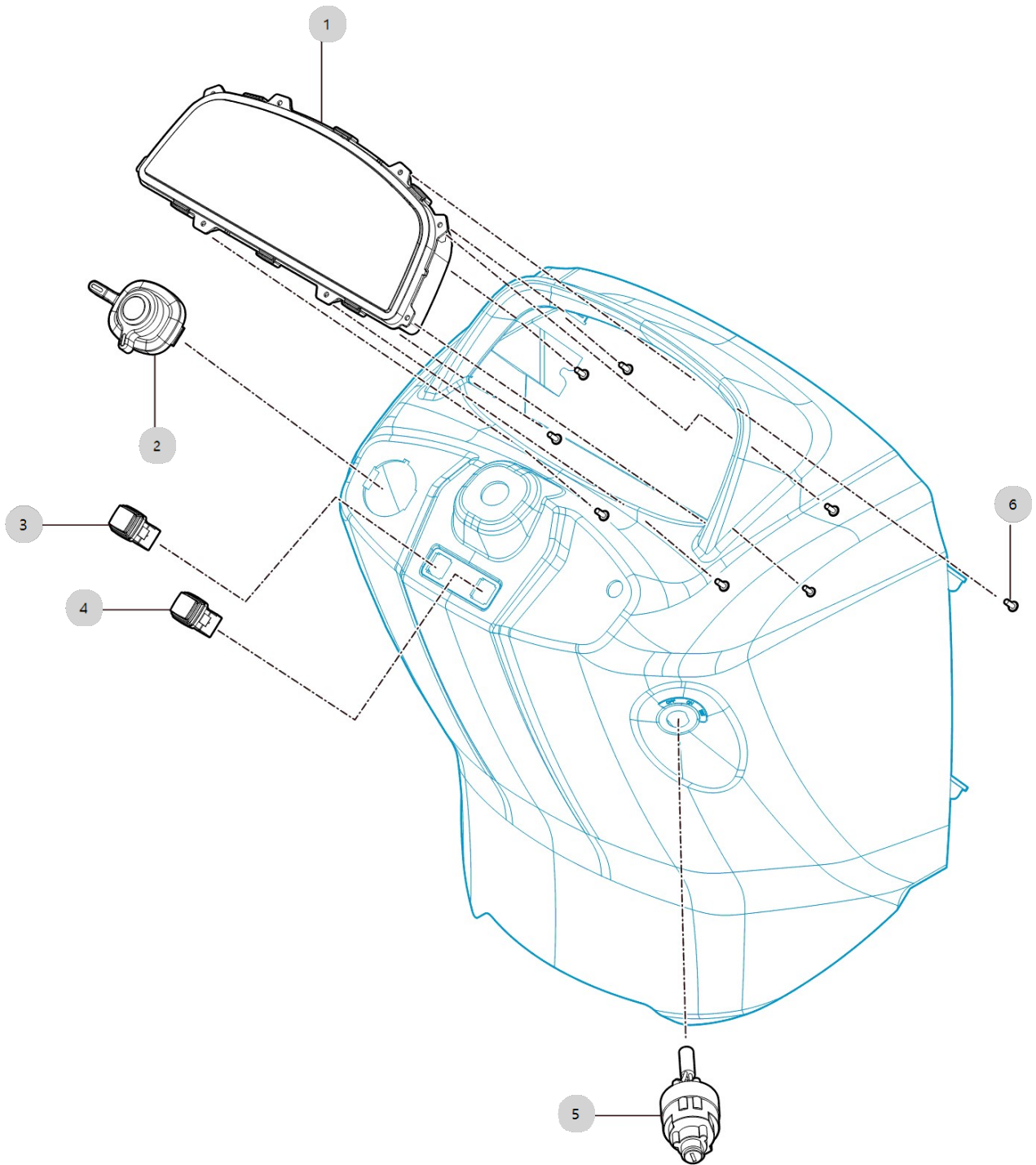
H04051

2400H US_FL
(AC02169)

SWITCH/DASHBOARD

Year/Month

2022-12-14



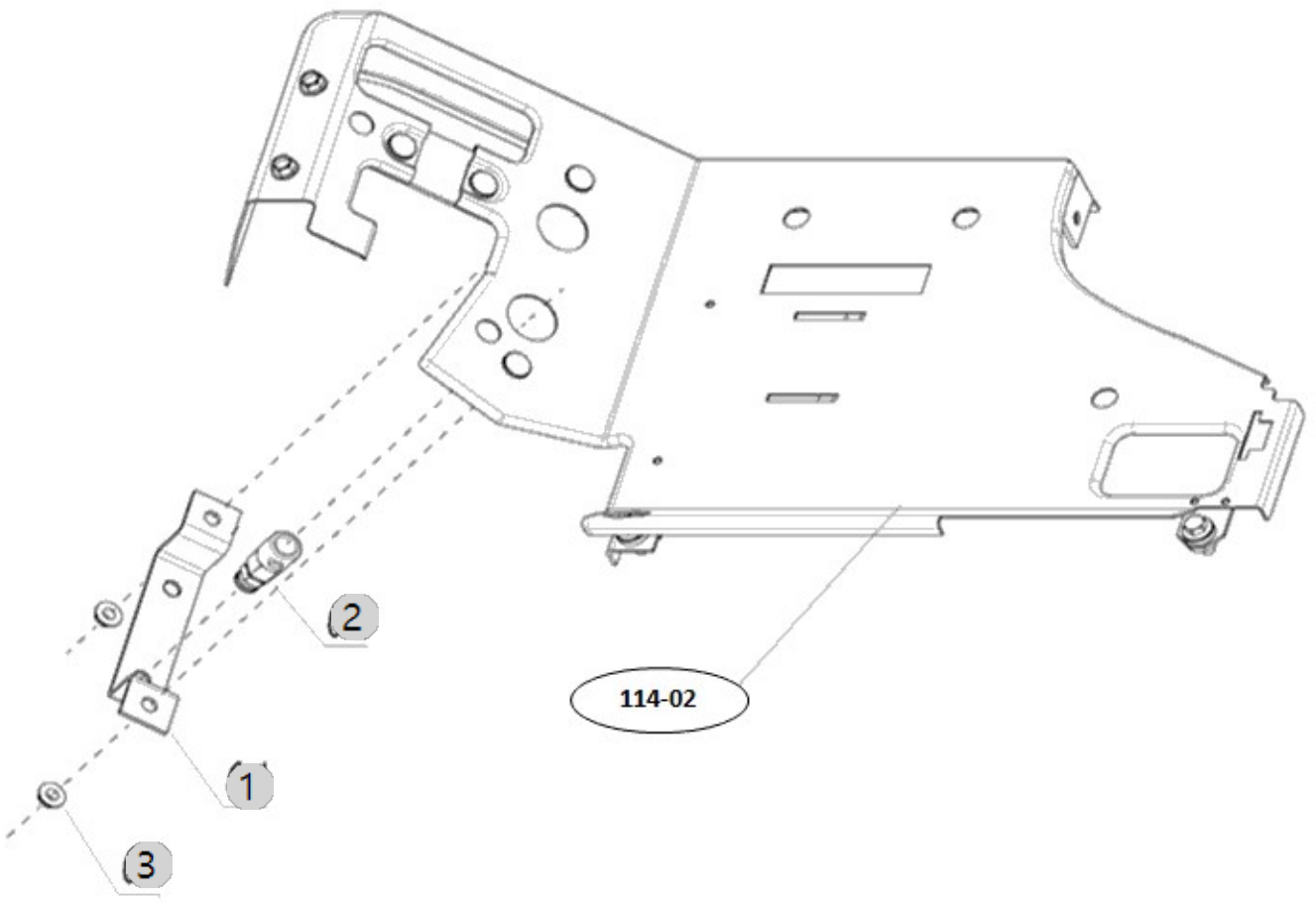
H04054

2400H US_FL
(AC02169)

SWITCH/BRAKE

Year/Month

2022-12-14



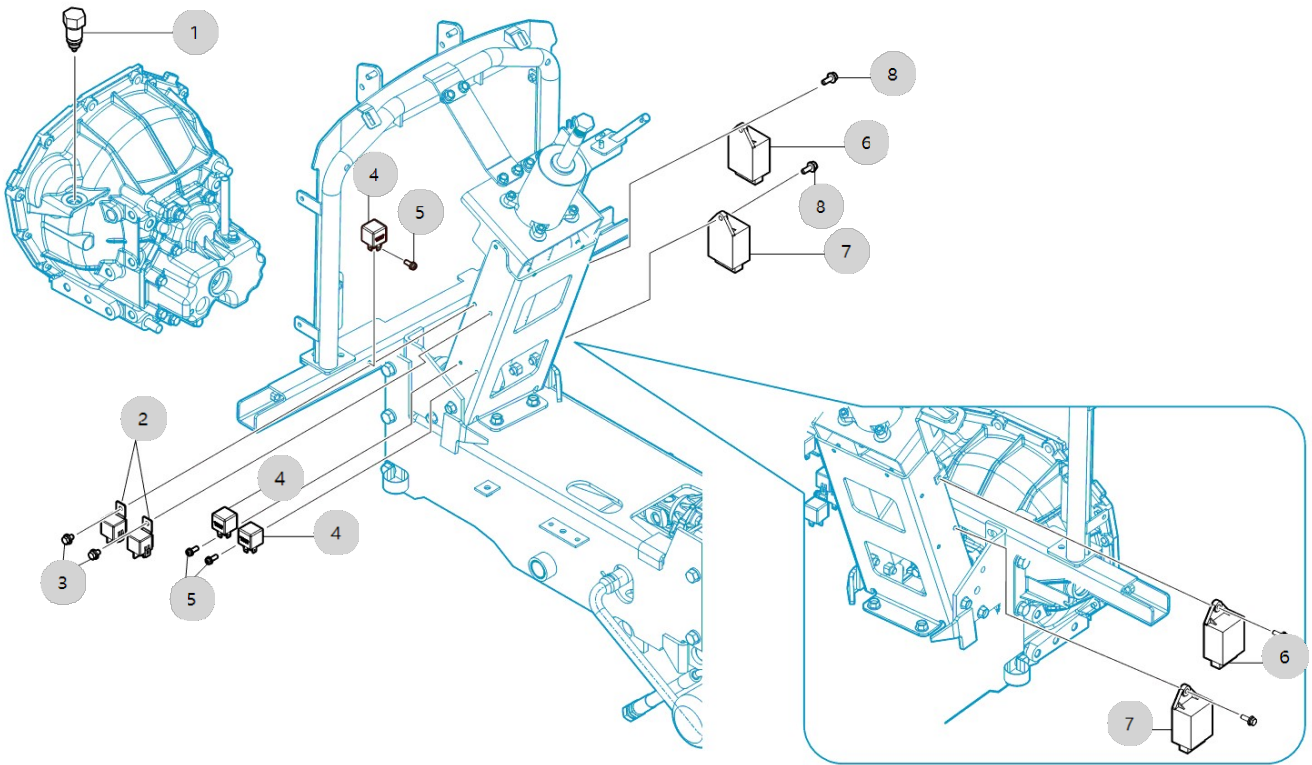
H04060H

2400H US_FL
(AC02169)

ELETRIC APPARATUS

Year/Month

2022-12-14



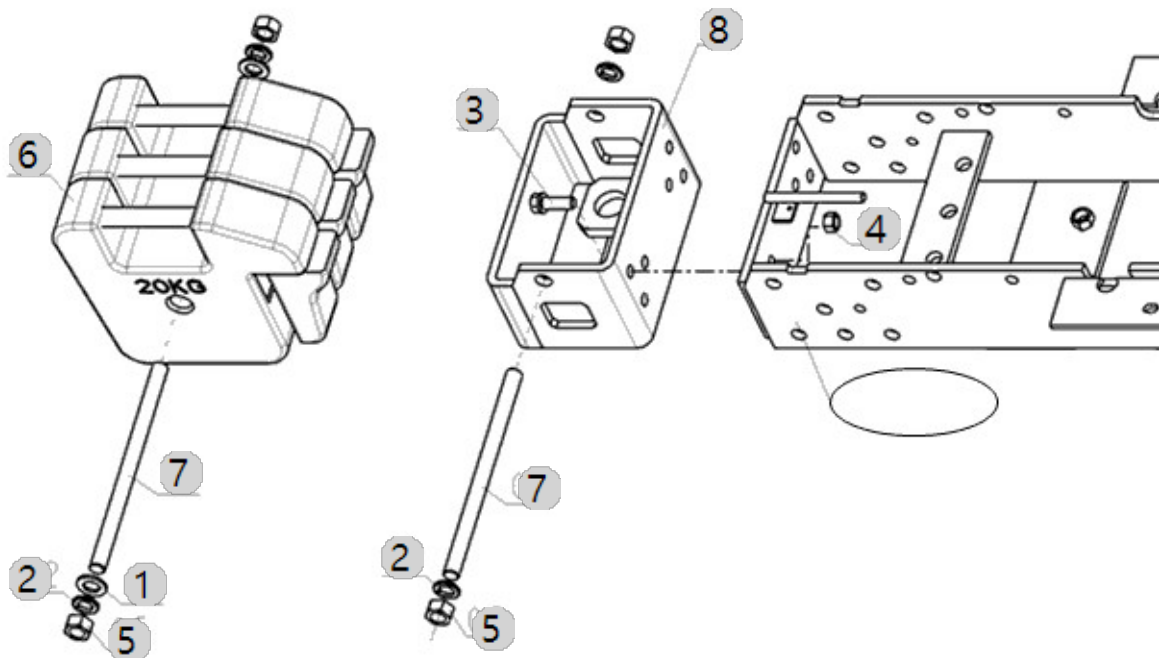
I01010

2400H US_FL
(AC02169)

WEIGHT

Year/Month

2022-12-14



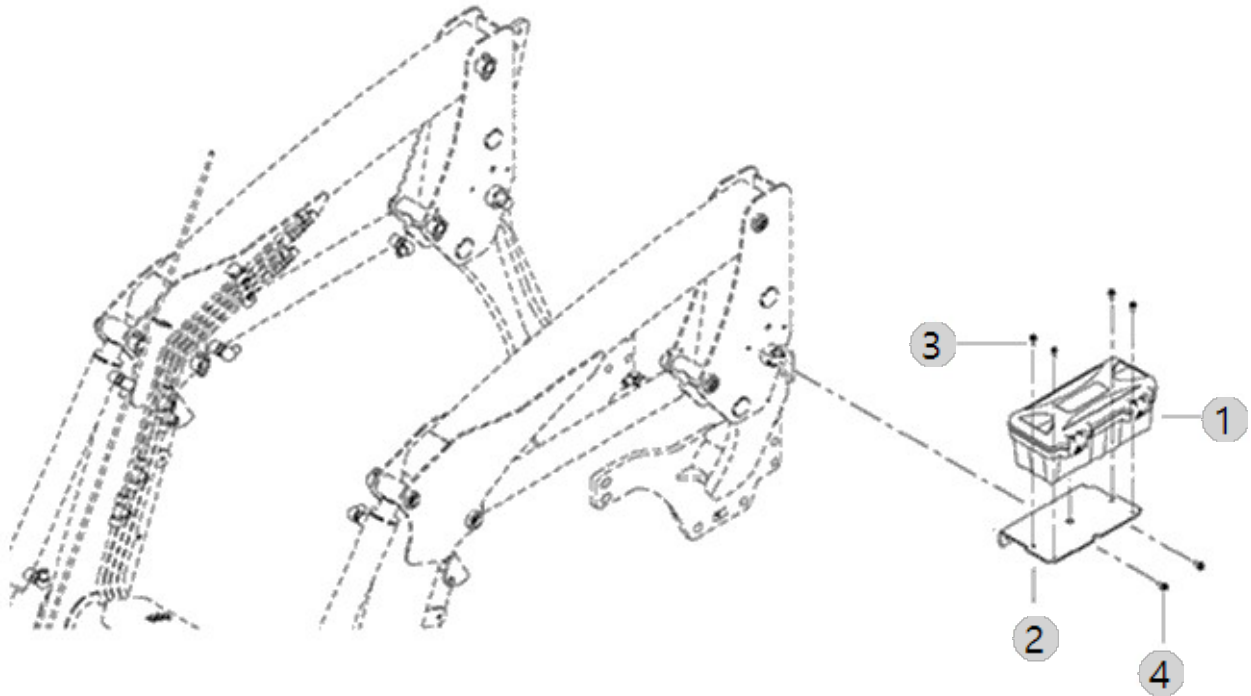
I02010

2400H US_FL
(AC02169)

TOOL BOX

Year/Month

2022-12-14



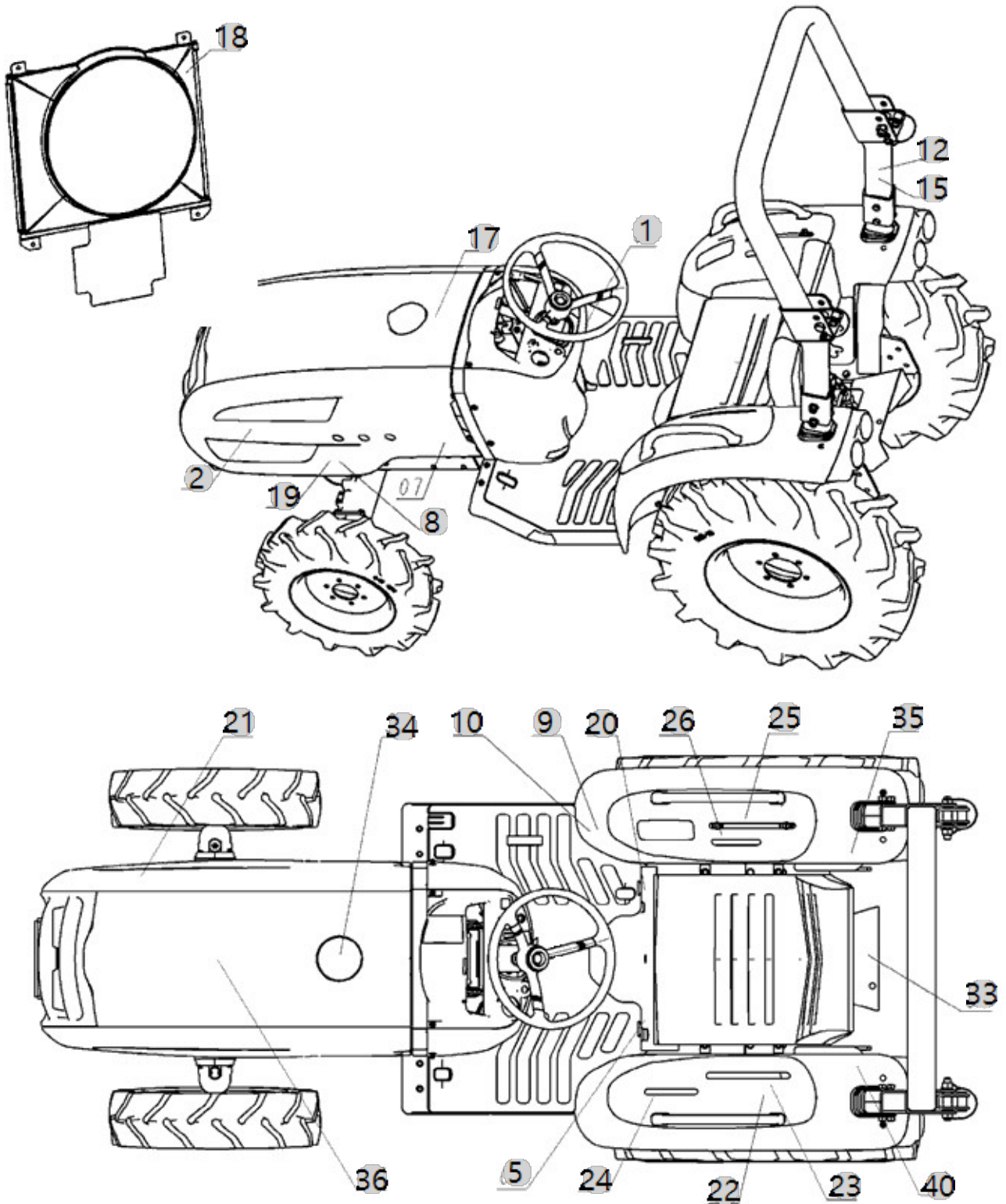
I03020

2400H US_FL
(AC02169)

LABEL

Year/Month

2022-12-14



I03051

2400H US_FL
(AC02169)

SMV EMBLEM

Year/Month

2022-12-14

