

Parts Catalogue

T1104SC(US) / T1054SC(EU) / T954SC



제 작 일	2014.
작 성	
검 토	
승 인	

TM 동양물산 기계사업부

Printed : 2014 Version : A

Part number of this book: 1874 950 001 0

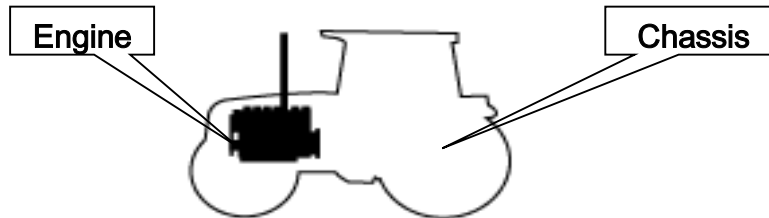
Important tips of Parts Catalogue

We thank you for your purchasing our product, manufactured under strict quality control, by gathering plenty of experiences and new technology, designed for a comfort and pleasant work.

1. Part Composition

This catalogue deals with engine and chassis.

Detailed classifications are listed in the following page.



2. For locating parts easily, Please Note:

A. If you know the assembly where the part is used.

-Refer to the relevant figure from the identifying group symbol illustration,

-Locate the relevant chapter

-Refer to the particular chapter desired.

3. For ordering parts

To obtain spare parts please contact your nearest dealer and give him the details listed below.

① Tractor Model : Tractor T1054SC

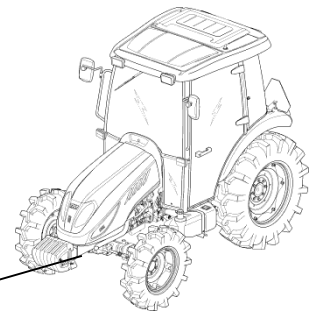
② Tractor Serial Number : H00001

③ Part Number : 18711032000

④ Description : Air cleaner V9

⑤ Quantity required: 1

Serial Number



4. For ordering PARTS CATALOGUE

This is Priced item and one is to order the same on part No. 18749500010

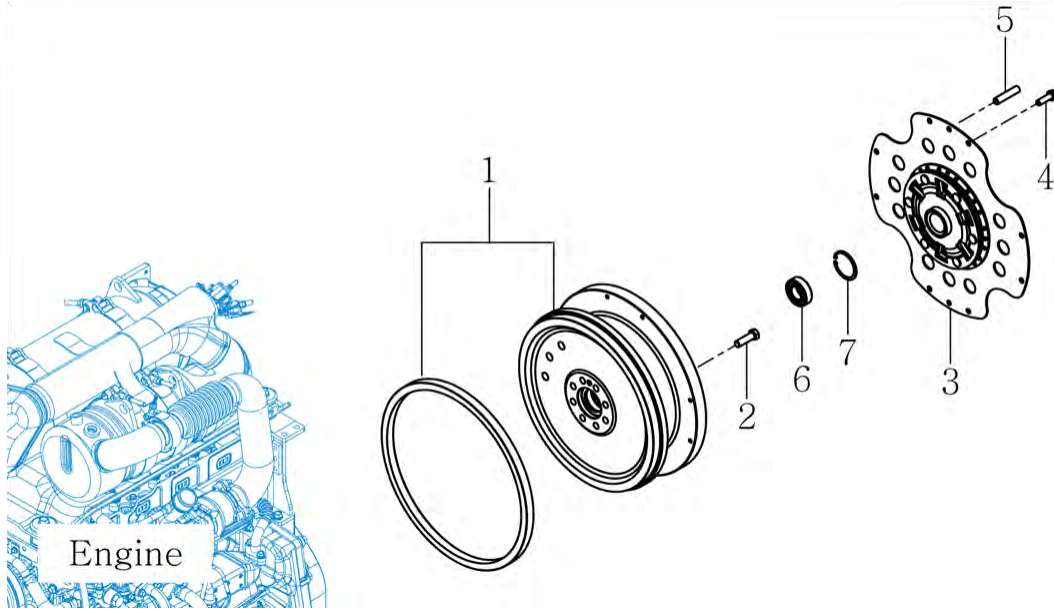
This supersedes all our editions.

Note) When replacing parts, please use original spare parts to be sure of the performance and the longer life of the product

※ The information in this catalogue may at any time be modified without a prior notice for the improvement of performance, please consult our spare parts dept. for the detailed inquiry.

5. How to use parts catalogue

FIG 301 2	DAMPER FLANGE ASSY 3	P1 4	Year 5 2014	
---	--	--	--	---



NOTE	13
------	--

FIG 301 2 T1054SC / T954SC	DAMPER FLANGE ASSY 3	P1 4	YEAR 5 2014	
---	--	--	--	---

KEY NO.	PART NO.	DESCRIPTION	SPEC.	QTY.		REPAIR	EFFECTIVE DATE	REMARKS
				T1054SC	T954SC			
	301 001 18711020100	FLYWHEEL ASSY		1	1			
	301 002 18711210011	FLYWHEEL BOLT M12X55XP1.5		8	8			
	301 003 19021202303	DAMPER FLANGE ASSY, 365		1	1			
	301 004 V2173608020	BOLT, HEXS	M8X16	8	8			
	301 005 V5211008016	PIN, PARALLELB	8X16	2	2			
6	7	8 BEARING, BALL	9	10	11	12	14	
	301 007 V7051400520	C-RING, HOLE		1	1			

NOTE	13
------	--

① Group Indication : Indicate the relevant location of the part with a symbol illustration.

② Figure Number: Indicate the relevant section of the machine with a figure number.

③ Section Name : Indicate the section name of the machine

④ Section Page : Page number of the section in this catalogue.

⑤ Date : Show the Year of the section made or updated

⑥ Key number : Indicating number of each parts in the illustration.

⑦ Part Number : Unique part number maintained in our system

The part number starting with V or M means it is TYM s standard part

The alphabet at the end of part number means the status of material or the color of paint

Legend : M:Machining, DG:Dark Gray, BR:Bright Red, SW:Summer White, PB:Pure Black, GB:Glossy Black, SR:Super Red, MS:Metallic Silver DD:Heat proof Black, TY: Tangerine Yellow etc.

⑧ Description : Description of a part, Abbreviation means as follows.

- Indicate the mixture condition of a part

ASSY : Assembly with a mixture of several parts, so can be broke up retaining their original form

COMP : Assembly with a mixture of several parts, but can not be broke up retaining their original form

SUB : mean the same as ASSY but used in lower level in aid.

SET : Part consist of ASSY, COMP, and part(s) as a group

- Indicate the location of a part

LH: Left, RH: Right, FR: Front, RR: Rear, UPR: Upper, LOW: Lower

⑨ Type : Type of the standard items like bolt or nut

⑩ Quantity : Total quantity of the part referred to in the page.

Symbol below indicate options. So, show the quantity of each option.

Note) AR means as requested quantity.

⑪ Repair Parts consumption frequency class: indicate the level of a part in aid of stocking spares, anticipating the service requirements.

A :Fast moving part(frequently required)

B :Medium moving part (sometimes required)

C :Slow moving part(rarely required)

⑫ Modification :

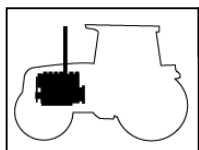
Year/Month~ : From which the change starts

~ Year/Month : To which the part installed

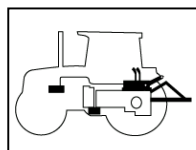
⑬ Notes : explain some reference data

⑭ Remark : indicate reference data or abbreviation in the content.

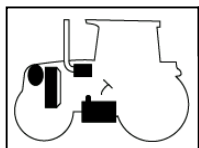
ENGINEERING GROUP INDEX



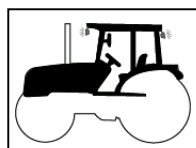
1 ENGINE



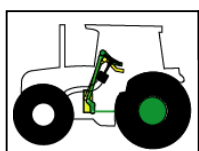
6 HYDRAULICS & 3-POINT LINK



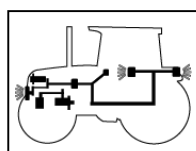
2 ENGINE ACCESSORIES & CONTROL



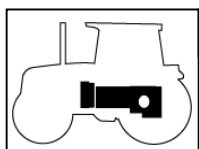
7 SHEET METAL & CABIN



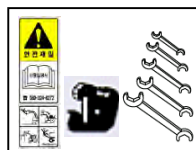
3 CLUTCH, BRAKE, STEERING



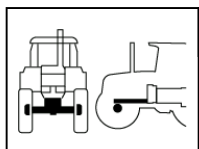
8 ELECTRICALS & HARNESS



4 TRANSMISSION & REAR AXLE



9 WEIGHT, LABEL, TOOLS



5 FRONT AXLE, SUPPORTER & DRIVE SHAFT

067 020	12305180020
077 036	12403160020
036 005	13022250030
037 010	13022250131
041 005	13022250232
046 002	13022250333

10 NUMERICAL INDEX

CONTENTS

ENGINE

1 ENGINE

FIG 101 CYLINDER BLOCK ASSY	04
FIG 102 FLYWHEEL HOUSING	06
FIG 103 OIL SEAL HOLDER	08
FIG 104 RETURN HOSE	10
FIG 105 CRANKSHAFT ASSY	12
FIG 106 CONNECTING ROD ASSY	14
FIG 107 PISTON ASSY	16
FIG 108 CRANKSHAFT PULLEY	18
FIG 109 CYLINDER HEAD ASSY	20
FIG 110 CYLINDER HEAD COVER ASSY	22
FIG 111 EXHAUST VALVE INLET	24
FIG 112 ROCKER ARM SHAFT ASSY	26
FIG 113 PUSHROD	28
FIG 114 CAMSHAFT ASSY	30
FIG 115 IDLE GEAR ASSY	32
FIG 116 LUBRICATION PUMP	34
FIG 117 ENGINE OIL FILTER ASSY	36
FIG 118 OIL PAN	38
FIG 119 THERMOSTAT HOUSING ASSY	40
FIG 120 WATER PUMP ASSY	42
FIG 121 FAN MOUNTING BRACKET	44
FIG 122 EXHAUST MANIFOLD ASSY	46
FIG 123 INTAKE MANIFOLD	48
FIG 124 TURBO CHARGER ASSY	50
FIG 125 INTAKE STAKE	52
FIG 126 INJECTOR	54
FIG 127 COMMON RAIL	56
FIG 128 FUEL INJECTION PUMP ASSY	58
FIG 129 ECU	60
FIG 130 INJECTION PUMP DRIVE GEAR	62
FIG 131 FUEL TUBE ASSY	64
FIG 132 FUEL FILTER ASSY	66
FIG 133 EXHAUST FILTERING MUFFLER	68

FIG 134 EGR VALVE -----	70
FIG 135 ALTERNATOR BRACKET -----	72
FIG 136 LIFTING HOOK -----	74
FIG 137 ALTERNATOR -----	76
FIG 138 STARTER -----	78
FIG 139 AIR HEATER ASSY -----	80
FIG 140 SENSOR ASSY -----	82
FIG 141 ENGINE HARNESS ASSY -----	84
FIG 142 PTO ASSY -----	86
FIG 143 MOUNTING BRACKET -----	88

CHASSIS

2 ENGINE ACCESSORIES & CONTROL

FIG 201 AIR CLEANER	94
FIG 202 RADIATOR	96
FIG 203 EXHAUST PIPE	100
FIG 205 FUEL TANK & FUEL LINES	102-01
FIG 206 CABLE, THROTTLE & ACCELERATOR ASSY	104
FIG 207 INTERCOOLER	106

3 CLUTCH, BRAKE, STEERING

FIG 301 DAMPER FLANGE ASSY	112
FIG 302 CASE SUB ASSY, BRAKE	114
FIG 303A BRAKE PIPES	116
FIG 303B BRAKE	118
FIG 304 FRONT WHEEL	120
FIG 305 REAR WHEEL	122
FIG 306 STEERING WHEEL ASSY	124
FIG 307 POWER STEERING VALVE	126
FIG 308 POWER STEERING CYLINDER	128
FIG 309 SUB CLUTCH PEDAL	130
FIG 310 HAND BRAKE SUB	132
FIG 311 DIFF-LOCK PEDAL	134

4 TRANSMISSION & REAR AXLE

FIG 401 CASE SUB, RR TRANSMISSION	140
FIG 402A METAL SUB ASSY, PINION	142
FIG 402B DIFF ASSY, RR	144
FIG 403 SUB CHANGE GEARS	146
FIG 404 SUB CHANGE LEVER	148
FIG 405 4WD DRIVE GEARS	150

FIG 406 HOUSING, RR AXLE -----	152
FIG 407 540,1000 PTO CASE -----	154
FIG 408A SHAFT, PTO -----	156
FIG 408B PTO CLUTCH ASSY -----	158
FIG 409 METAL SUB ASSY -----	160
FIG 410 CASE, MID TRANSMISSION -----	162
FIG 411 MAIN CHANGE GEARS -----	164
FIG 412 MAIN CHANGE LEVER -----	166
FIG 413 PARKING BRAKE -----	168
FIG 414 POWER SHUTTLE GEAR -----	170
FIG 415 POWER SHUTTLE COUNT GEAR -----	172
FIG 416 CASE, FR TRANSMISSION -----	174

5 FRONT AXLE,SUPPORTER & DRIVE SHAFT

FIG 501 FRONT AXLE SUPPORTER -----	180
FIG 502 FRONT DRIVE SHAFT -----	184
FIG 503 FRONT AXLE HOUSING -----	186
FIG 504 FRONT DIFFERENTIAL GEARS -----	188
FIG 505 FRONT GEAR CASE (1) -----	190
FIG 506 FRONT GEAR CASE (2) -----	192
FIG 507 FRONT GEAR CASE (3) -----	194

6 HYDRAULICS & 3P-LINK

FIG 601A VALVE SUB, SHIFT -----	200
FIG 601B VALVE SUB, MAIN -----	202
FIG 602 DRAWBAR ASSY -----	204
FIG 603A FILTER SUB, SUCTION -----	206
FIG 603B GEAR PUMP ASSY -----	208

FIG 604 CASE, CYLINDER -----	210
FIG 605 ARM SUB, LIFT MAIN CONTROL VALVE SUB -----	212
FIG 606 POSITION & DRAFT LINK -----	214
FIG 607A AUX VALVE & FILTER SUB -----	216
FIG 607B LEVER SUB, AUX -----	218
FIG 607C POSITION & DRAFT LEVER -----	220
FIG 608A HITCH & 3-POINT LINK -----	222
FIG 608B HITCH & 3-POINT LINK -----	224
FIG 608C LOWER LINK & LIFT ROD -----	226
FIG 609 HYDRAULIC PIPE & HOSES -----	228
FIG 610 JOYSTICK -----	230

7

SHEET METAL & CABIN

FIG 701 FRONT FRAME SUB -----	236
FIG 702 FRAME, HOOD -----	238
FIG 703 HOOD -----	240
FIG 704 STEP & BOOTS -----	242
FIG 705 FRONT & REAR MOUNTING -----	244
FIG 706 SEAT & MAT -----	246
FIG 708 DOOR-LH -----	248
FIG 709 DOOR-RH -----	250
FIG 710 FRAME COMP & FRONT GLASS -----	252
FIG 711 SIDE GLASS -----	254
FIG 712 REAR GLASS -----	256
FIG 713 SUB FENDER & COVER -----	258
FIG 714 REARVIEW MIRRORS -----	260
FIG 715 HEATER & AIR-CON (1) -----	262
FIG 716 HEATER & AIR-CON (2) -----	264
FIG 717 ROOF -----	266
FIG 718 CABIN INTERIOR -----	268
FIG 719 DASHCOVER -----	270
FIG 720 TANK ASSY, WASH -----	272

FIG 721 ROOM MIRROR ASSY -----	274
FIG 722 COVER-FENDER&JOYSTICK LEVER -----	276

8 ELECTRICALS & HARNESS

FIG 801 BATTERY & MOUNTING -----	282
FIG 802 ELECTRIC SYSTEM (1) -----	284
FIG 803 ELECTRIC SYSTEM (2) -----	286
FIG 804 ELECTRIC SYSTEM (3) -----	288
FIG 805 ELECTRIC SYSTEM (4) -----	290
FIG 806 ELECTRIC SYSTEM (5) -----	292
FIG 807 ELECTRIC SYSTEM (5) -----	294

9 WEIGHT, LABEL& TOOLS

FIG 901 TOOL & ACCESSORY -----	300
FIG 902 WEIGHT -----	302
FIG 903A LABEL -----	304
FIG 903B LABEL -----	306

10 NUMERICAL INDEX

ENGINE -----	311
CHASSIS -----	314

ENGINE

1 ENGINE

FIG 101	CYLINDER BLOCK ASSY	04
FIG 102	FLYWHEEL HOUSING	06
FIG 103	OIL SEAL HOLDER	08
FIG 104	RETURN HOSE	10
FIG 105	CRANKSHAFT ASSY	12
FIG 106	CONNECTING ROD ASSY	14
FIG 107	PISTON ASSY	16
FIG 108	CRANKSHAFT PULLEY	18
FIG 109	CYLINDER HEAD ASSY	20
FIG 110	CYLINDER HEAD COVER ASSY	22
FIG 111	EXHAUST VALVE INLET	24
FIG 112	ROCKER ARM SHAFT ASSY	26
FIG 113	PUSHROD	28
FIG 114	CAMSHAFT ASSY	30
FIG 115	IDLE GEAR ASSY	32
FIG 116	LUBRICATION PUMP	34
FIG 117	ENGINE OIL FILTER ASSY	36
FIG 118	OIL PAN	38
FIG 119	THERMOSTAT HOUSING ASSY	40
FIG 120	WATER PUMP ASSY	42
FIG 121	FAN MOUNTING BRACKET	44
FIG 122	EXHAUST MANIFOLD ASSY	46
FIG 123	INTAKE MANIFOLD	48
FIG 124	TURBO CHARGER ASSY	50
FIG 125	INTAKE STAKE	52
FIG 126	INJECTOR	54
FIG 127	COMMON RAIL	56
FIG 128	FUEL INJECTION PUMP ASSY	58
FIG 129	ECU	60
FIG 130	INJECTION PUMP DRIVE GEAR	62
FIG 131	FUEL TUBE ASSY	64
FIG 132	FUEL FILTER ASSY	66
FIG 133	EXHAUST FILTERING MUFFLER	68

FIG 134 EGR VALVE -----	70
FIG 135 ALTERNATOR BRACKET -----	72
FIG 136 LIFTING HOOK -----	74
FIG 137 ALTERNATOR -----	76
FIG 138 STARTER -----	78
FIG 139 AIR HEATER ASSY -----	80
FIG 140 SENSOR ASSY -----	82
FIG 141 ENGINE HARNESS ASSY -----	84
FIG 142 PTO ASSY -----	86
FIG 143 MOUNTING BRACKET -----	88

CHASSIS

2

ENGINE ACCESSORIES & CONTROL

FIG 201 AIR CLEANER	94
FIG 202 RADIATOR	96
FIG 203 EXHAUST PIPE	100
FIG 205 FUEL TANK & FUEL LINES	102-01
FIG 206 CABLE, THROTTLE & ACCELERATOR ASSY	104
FIG 207 INTERCOOLER	106

3**CLUTCH, BRAKE, STEERING**

FIG 301 DAMPER FLANGE ASSY -----	112
FIG 302 CASE SUB ASSY, BRAKE -----	114
FIG 303A BRAKE PIPES -----	116
FIG 303B BRAKE -----	118
FIG 304 FRONT WHEEL -----	120
FIG 305 REAR WHEEL -----	122
FIG 306 STEERING WHEEL ASSY -----	124
FIG 307 POWER STEERING VALVE -----	126
FIG 308 POWER STEERING CYLINDER -----	128
FIG 309 SUB CLUTCH PEDAL -----	130
FIG 310 HAND BRAKE SUB -----	132
FIG 311 DIFF-LOCK PEDAL -----	134

4**TRANSMISSION & REAR AXLE**

FIG 401 CASE SUB, RR TRANSMISSION -----	140
FIG 402A METAL SUB ASSY, PINION -----	142
FIG 402B DIFF ASSY, RR -----	144
FIG 403 SUB CHANGE GEARS -----	146
FIG 404 SUB CHANGE LEVER -----	148
FIG 405 4WD DRIVE GEARS -----	150
FIG 406 HOUSING, RR AXLE -----	152
FIG 407 540,1000 PTO CASE -----	154
FIG 408A SHAFT, PTO -----	156
FIG 408B PTO CLUTCH ASSY -----	158
FIG 409 METAL SUB ASSY -----	160
FIG 410 CASE, MID TRANSMISSION -----	162
FIG 411 MAIN CHANGE GEARS -----	164
FIG 412 MAIN CHANGE LEVER -----	166
FIG 413 PARKING BRAKE -----	168
FIG 414 POWER SHUTTLE GEAR -----	170
FIG 415 POWER SHUTTLE COUNT GEAR -----	172
FIG 416 CASE, FR TRANSMISSION -----	174

5**FRONT AXLE,SUPPORTER & DRIVE SHAFT**

FIG 501	FRONT AXLE SUPPORTER	-----	180
FIG 502	FRONT DRIVE SHAFT	-----	184
FIG 503	FRONT AXLE HOUSING	-----	186
FIG 504	FRONT DIFFERENTIAL GEARS	-----	188
FIG 505	FRONT GEAR CASE (1)	-----	190
FIG 506	FRONT GEAR CASE (2)	-----	192
FIG 507	FRONT GEAR CASE (3)	-----	194

6**HYDRAULICS & 3P-LINK**

FIG 601A VALVE SUB, SHIFT	200
FIG 601B VALVE SUB, MAIN	202
FIG 602 DRAWBAR ASSY	204
FIG 603A FILTER SUB, SUCTION	206
FIG 603B GEAR PUMP ASSY	208
FIG 604 CASE, CYLINDER	210
FIG 605 ARM SUB, LIFT MAIN CONTROL VALVE SUB	212
FIG 606 POSITION & DRAFT LINK	214
FIG 607A AUX VALVE & FILTER SUB	216
FIG 607B LEVER SUB, AUX	218
FIG 607C POSITION & DRAFT LEVER	220
FIG 608A HITCH & 3-POINT LINK	222
FIG 608B HITCH & 3-POINT LINK	224
FIG 608C LOWER LINK & LIFT ROD	226
FIG 609 HYDRAULIC PIPE & HOSES	228
FIG 610 JOYSTICK	230

FIG 701 FRONT FRAME SUB	236
FIG 702 FRAME, HOOD	238
FIG 703 HOOD	240
FIG 704 STEP & BOOTS	242
FIG 705 FRONT & REAR MOUNTING	244
FIG 706 SEAT & MAT	246
FIG 708 DOOR-LH	248
FIG 709 DOOR-RH	250
FIG 710 FRAME COMP & FRONT GLASS	252
FIG 711 SIDE GLASS	254
FIG 712 REAR GLASS	256
FIG 713 SUB FENDER & COVER	258
FIG 714 REARVIEW MIRRORS	260
FIG 715 HEATER & AIR-CON (1)	262
FIG 716 HEATER & AIR-CON (2)	264
FIG 717 ROOF	266
FIG 718 CABIN INTERIOR	268
FIG 719 DASHCOVER	270
FIG 720 TANK ASSY, WASH	272
FIG 721 ROOM MIRROR ASSY	274
FIG 722 COVER-FENDER&JOYSTICK LEVER	276

8**ELECTRICALS & HARNESS**

FIG 801	BATTERY & MOUNTING	-----	282
FIG 802	ELECTRIC SYSTEM (1)	-----	284
FIG 803	ELECTRIC SYSTEM (2)	-----	286
FIG 804	ELECTRIC SYSTEM (3)	-----	288
FIG 805	ELECTRIC SYSTEM (4)	-----	290
FIG 806	ELECTRIC SYSTEM (5)	-----	292
FIG 807	ELECTRIC SYSTEM (5)	-----	294

9 WEIGHT, LABEL& TOOLS

FIG 901 TOOL & ACCESSORY -----300
FIG 902 WEIGHT -----302
FIG 903A LABEL -----304
FIG 903B LABEL -----306

10 NUMERICAL INDEX

ENGINE 3 1 1
CHASSIS 3 1 4

FIG 101

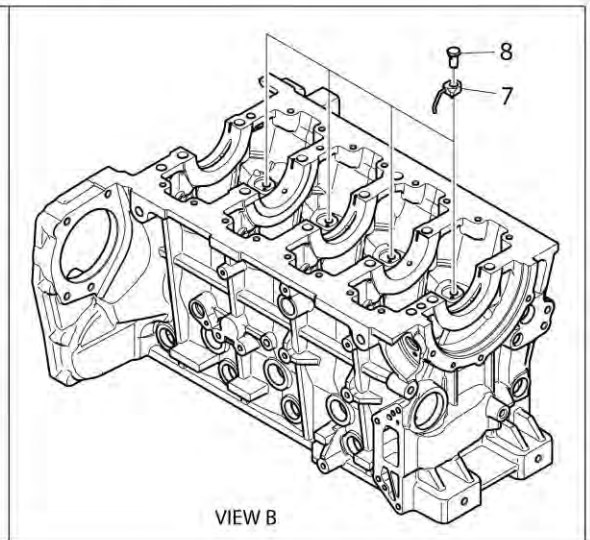
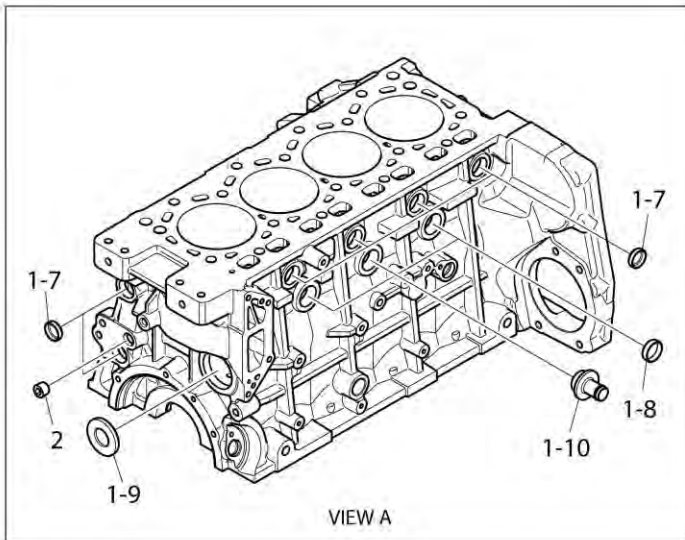
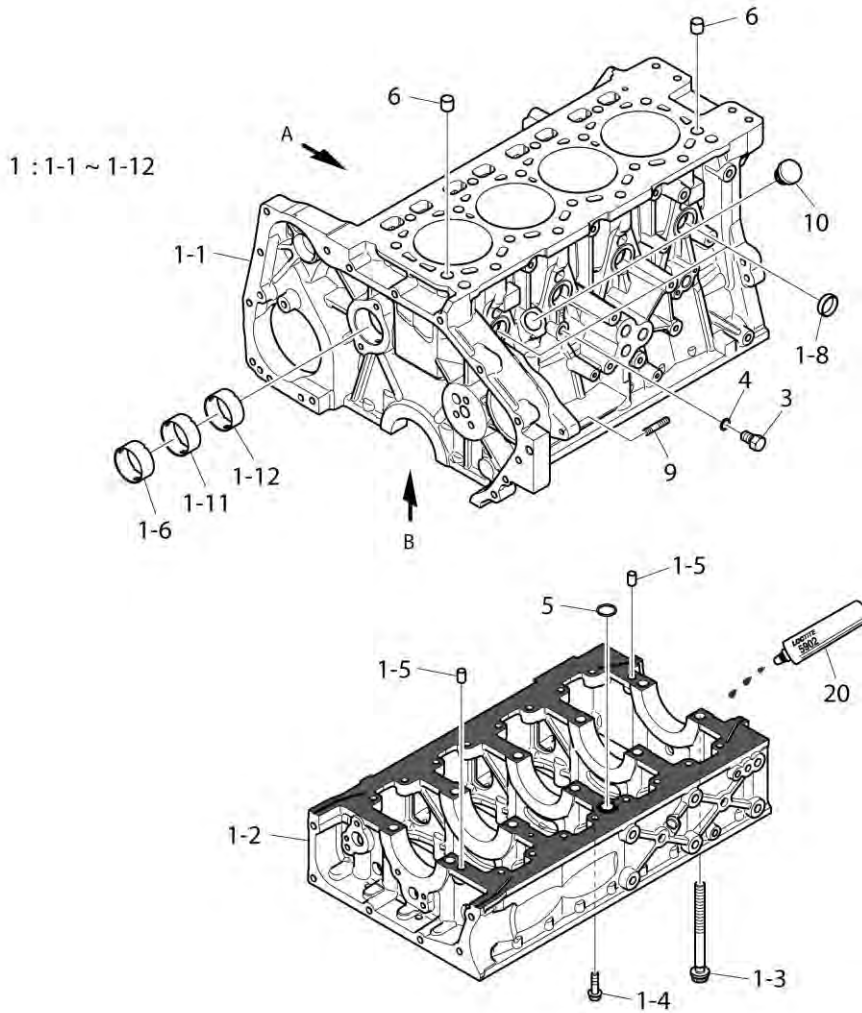
CYLINDER BLOCK ASSY

T1104SC / T1054SC / T954SC

P1

YEAR

2014



NOTE

FIG 102

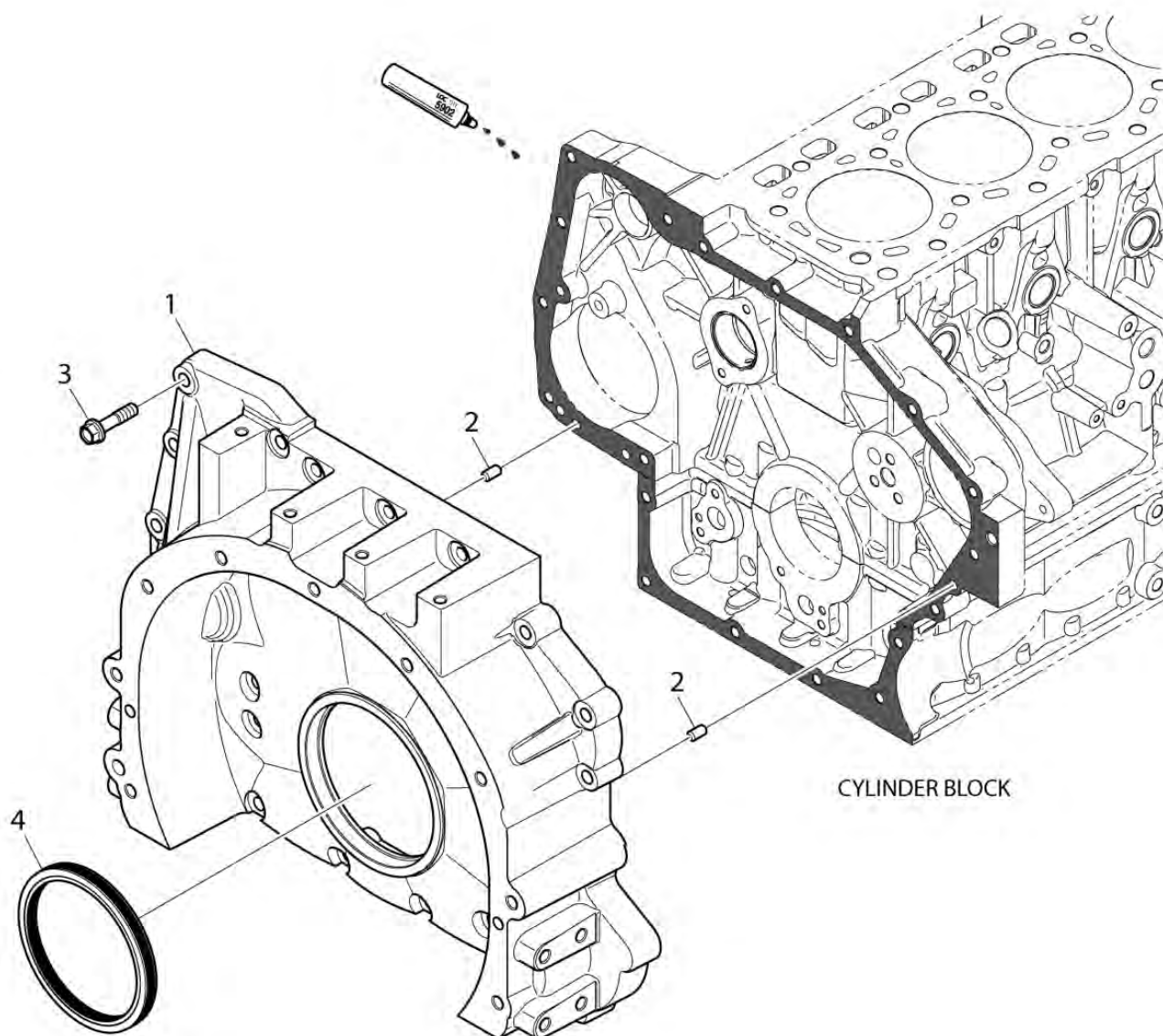
FLYWHEEL HOUSING

T1104SC / T1054SC / T954SC

P1

YEAR

2014



NOTE

FIG 103

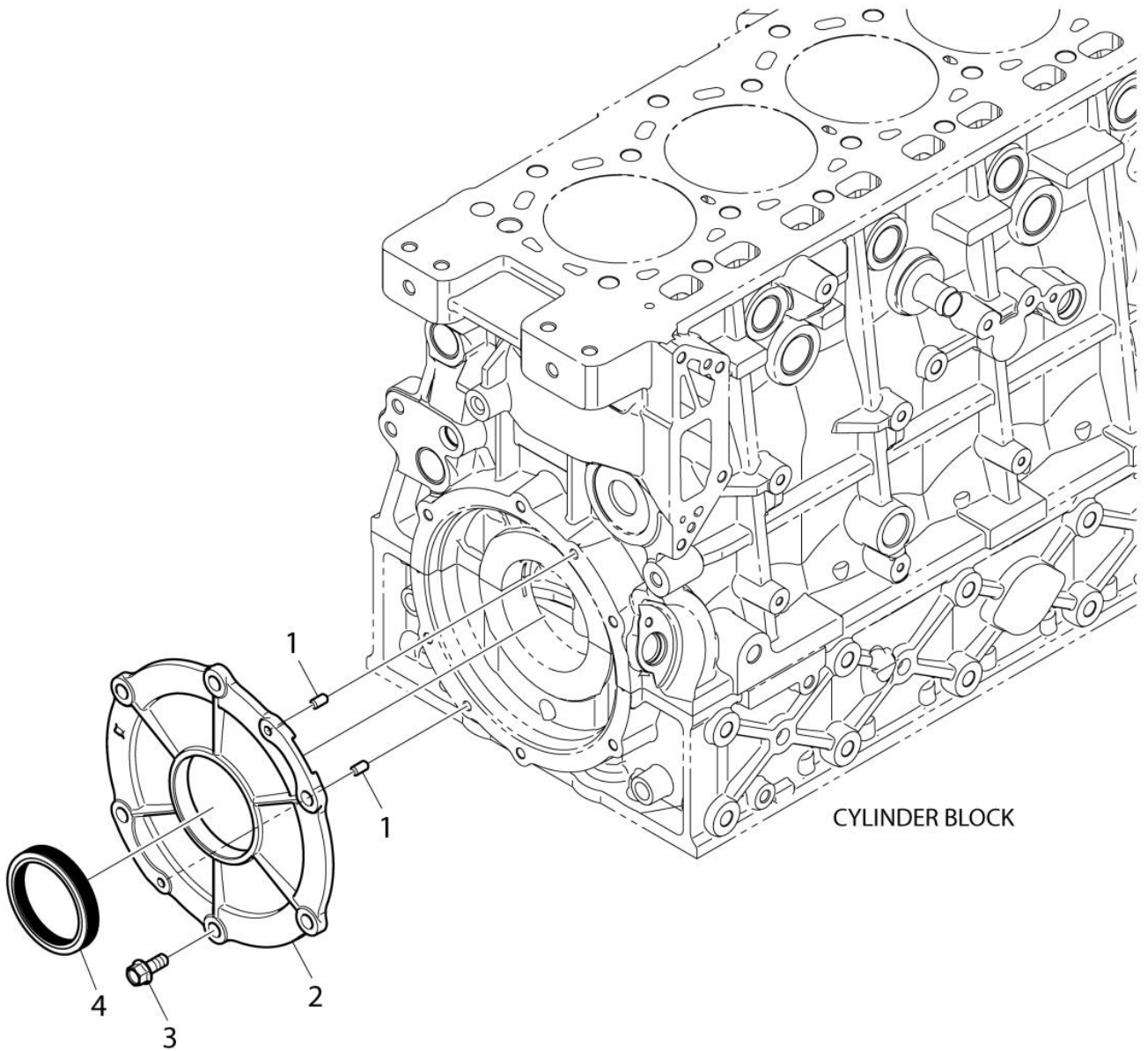
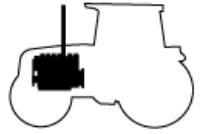
T1104SC / T1054SC / T954SC

OIL SEAL HOLDER

P1

YEAR

2014



NOTE

FIG 104

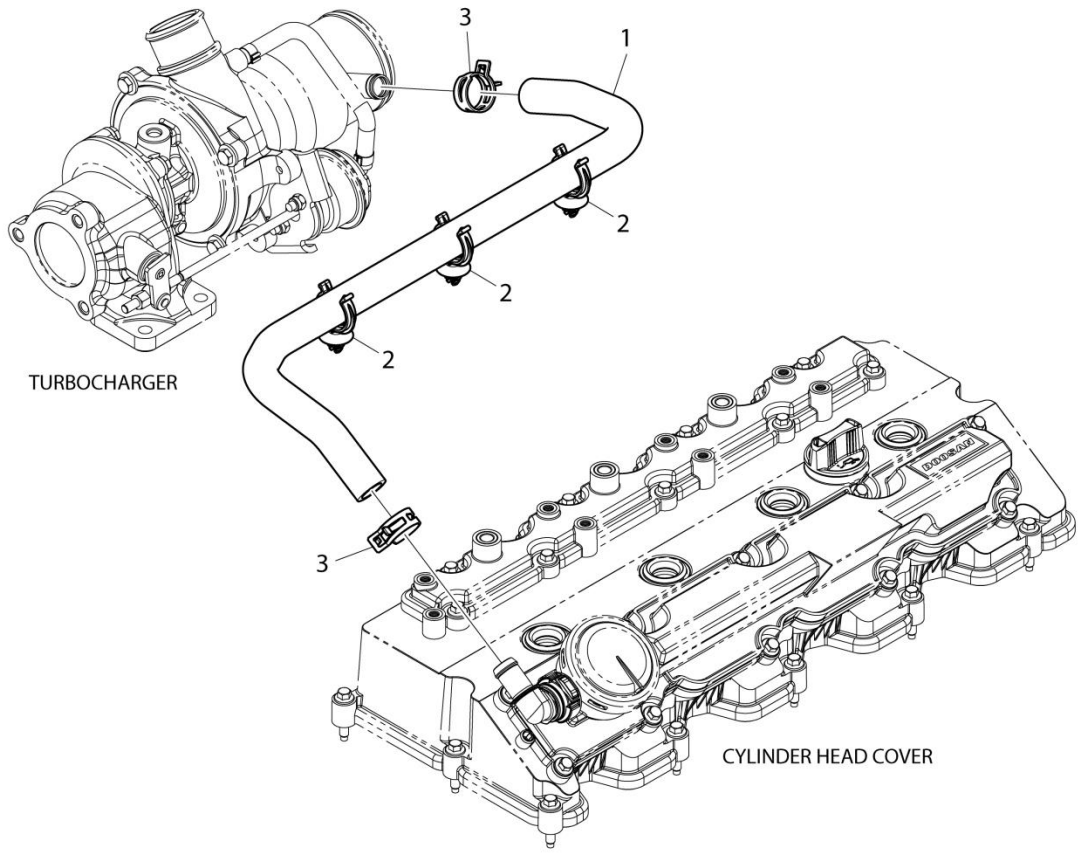
RETURN HOSE

T1104SC / T1054SC / T954SC

P1

YEAR

2014



NOTE

FIG 105

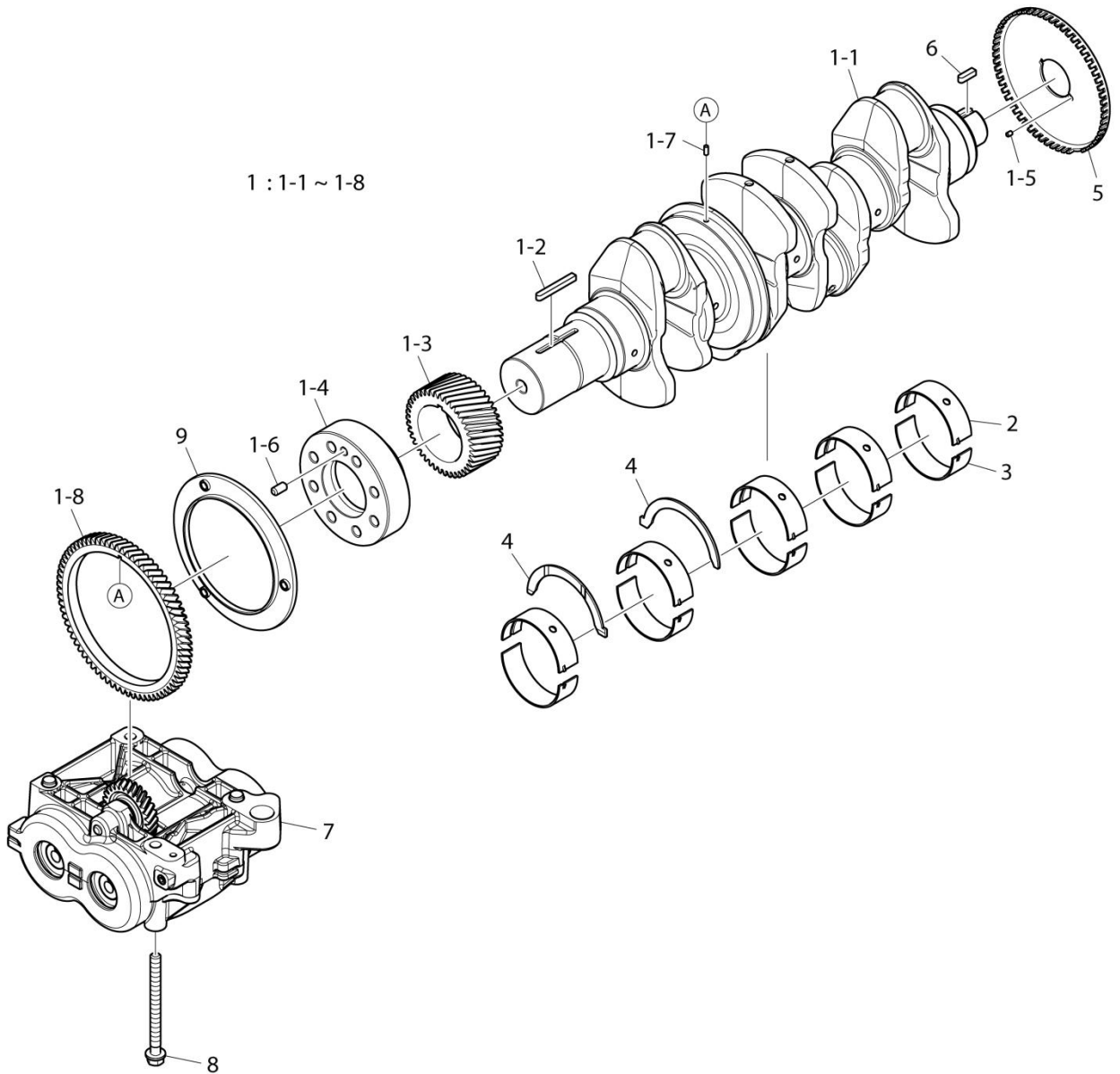
CRANKSHAFT ASSY

T1104SC / T1054SC / T954SC

P1

YEAR

2014



NOTE

FIG 106

CONNECTING ROD ASSY

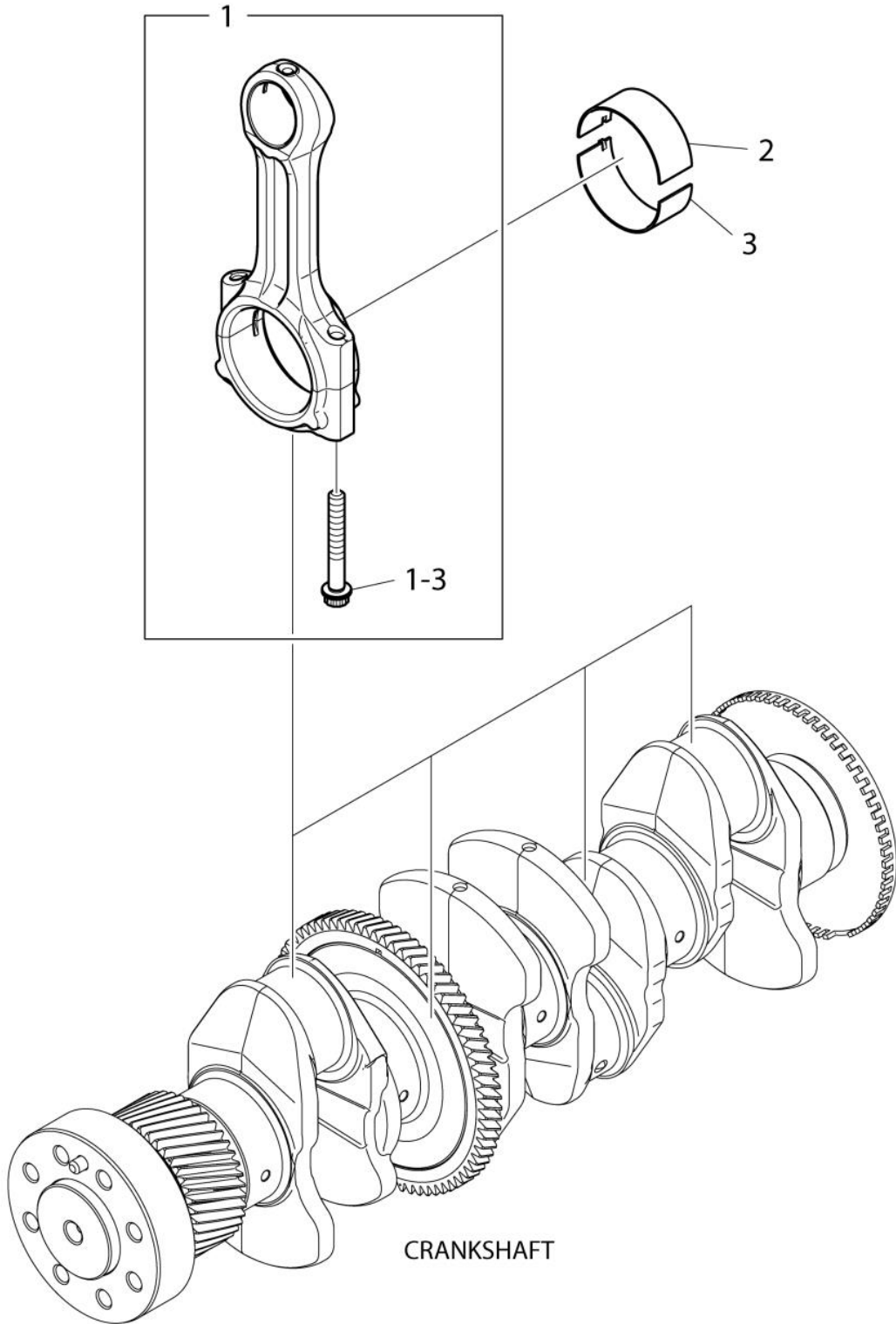
P1

YEAR

2014



T1104SC / T1054SC / T954SC



NOTE

FIG 107

PISTON ASSY

P1

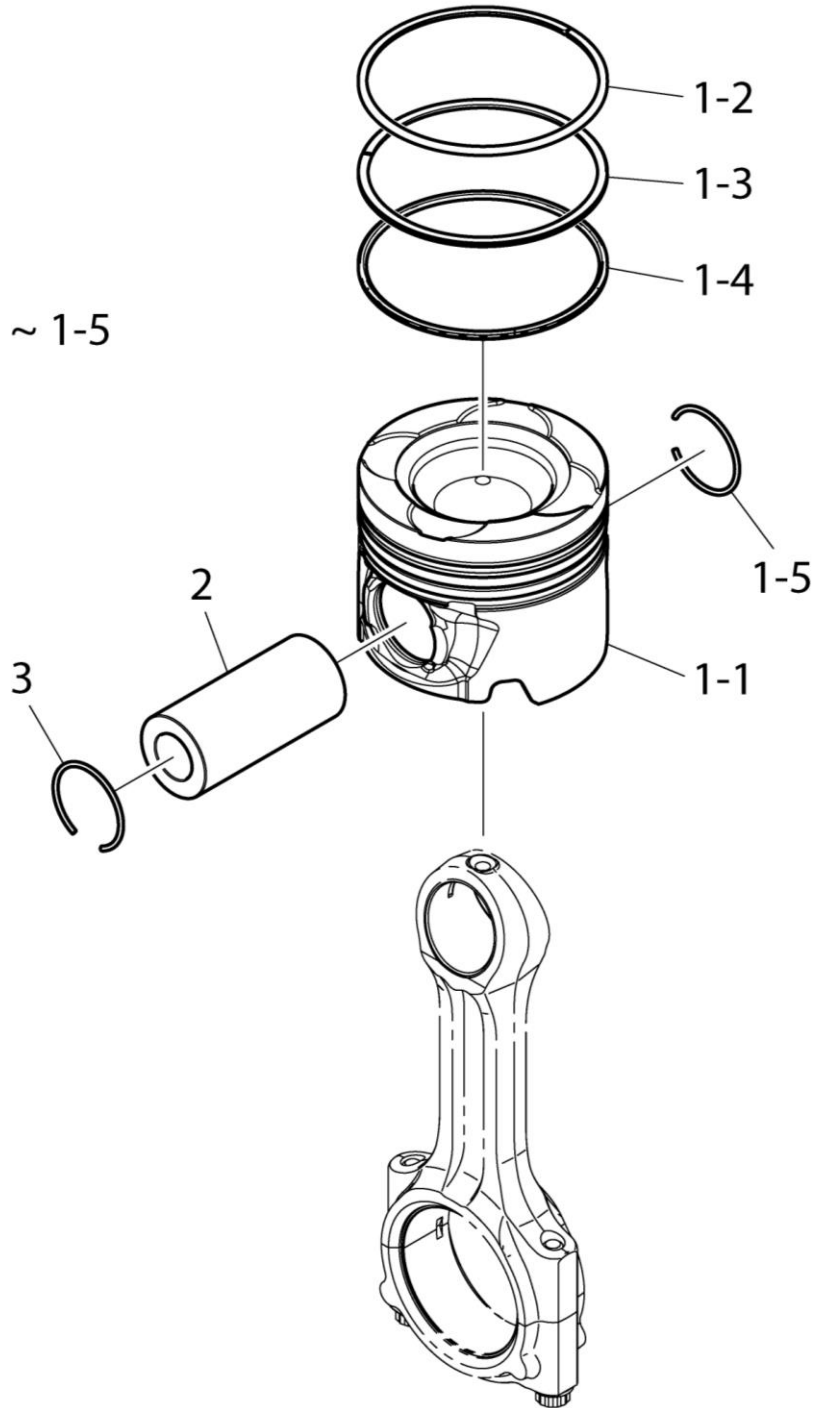
YEAR

2014



T1104SC / T1054SC / T954SC

1 : 1-1 ~ 1-5



CONNECTING ROD

NOTE

FIG 108

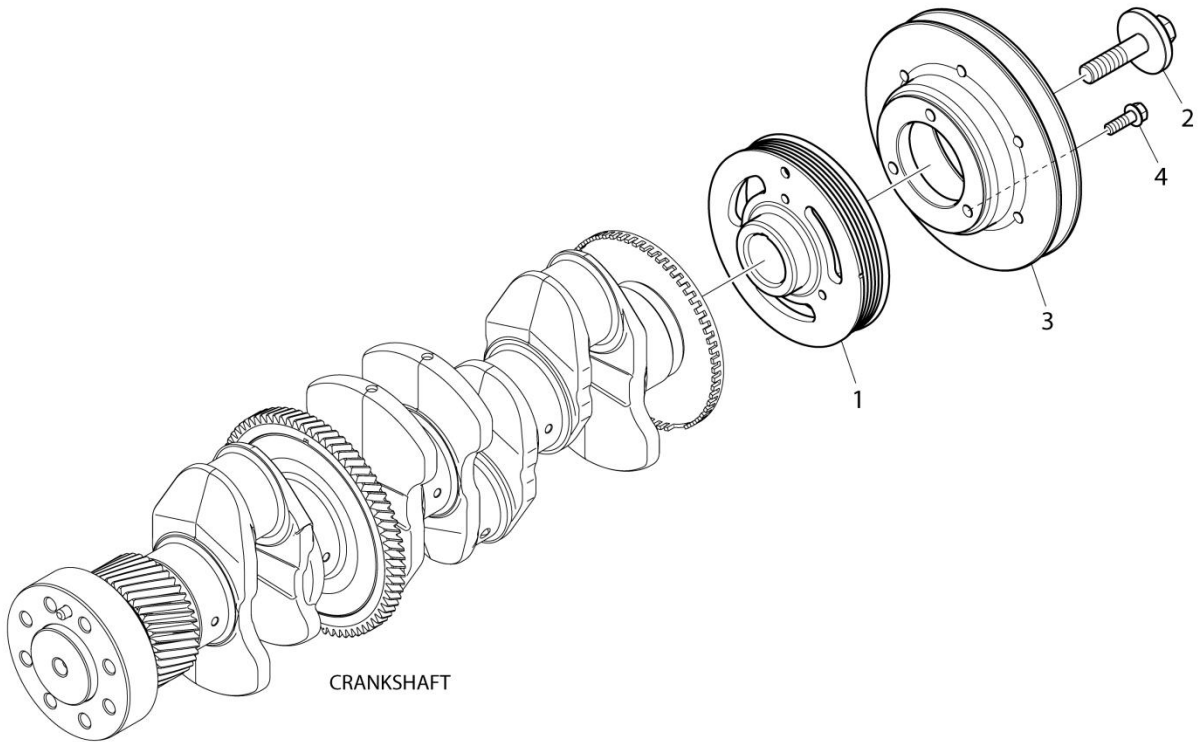
T1104SC / T1054SC / T954SC

CRANKSHAFT PULLEY

P1

YEAR

2014



CRANKSHAFT

NOTE

FIG 109

CYLINDER HEAD ASSY

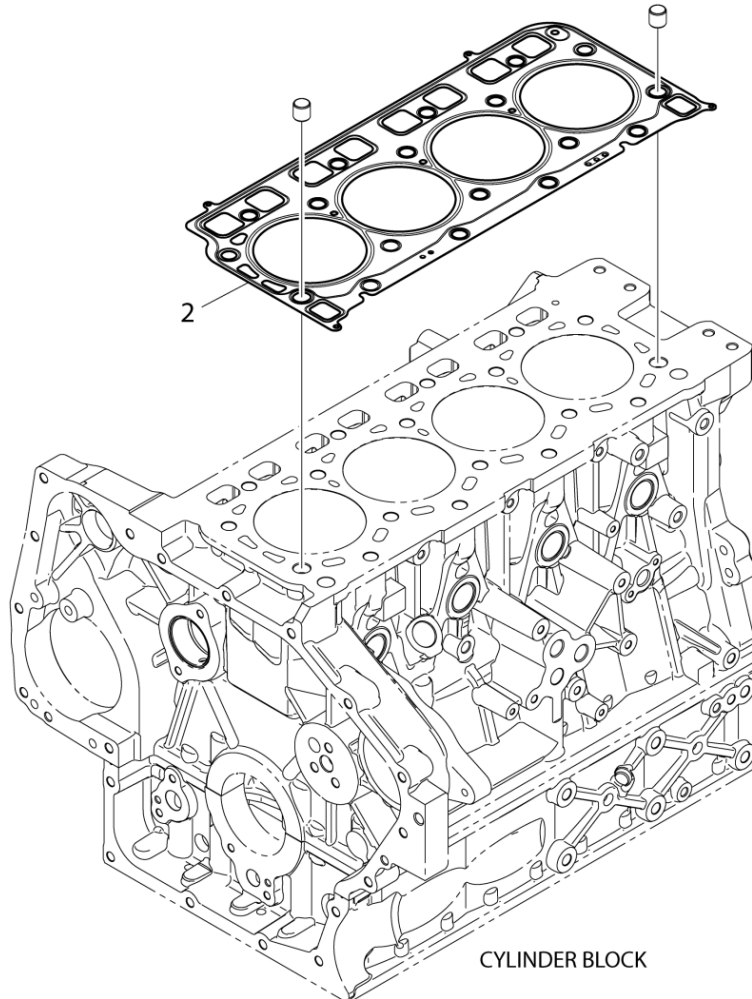
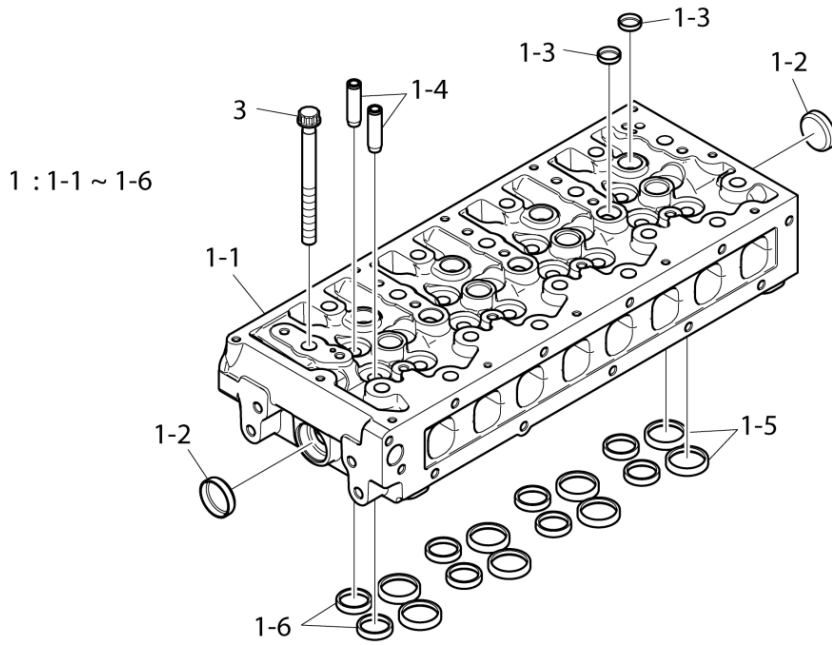
P1

YEAR

2014



T1104SC / T1054SC / T954SC



NOTE

FIG 110

CYLINDER HEAD COVER ASSY

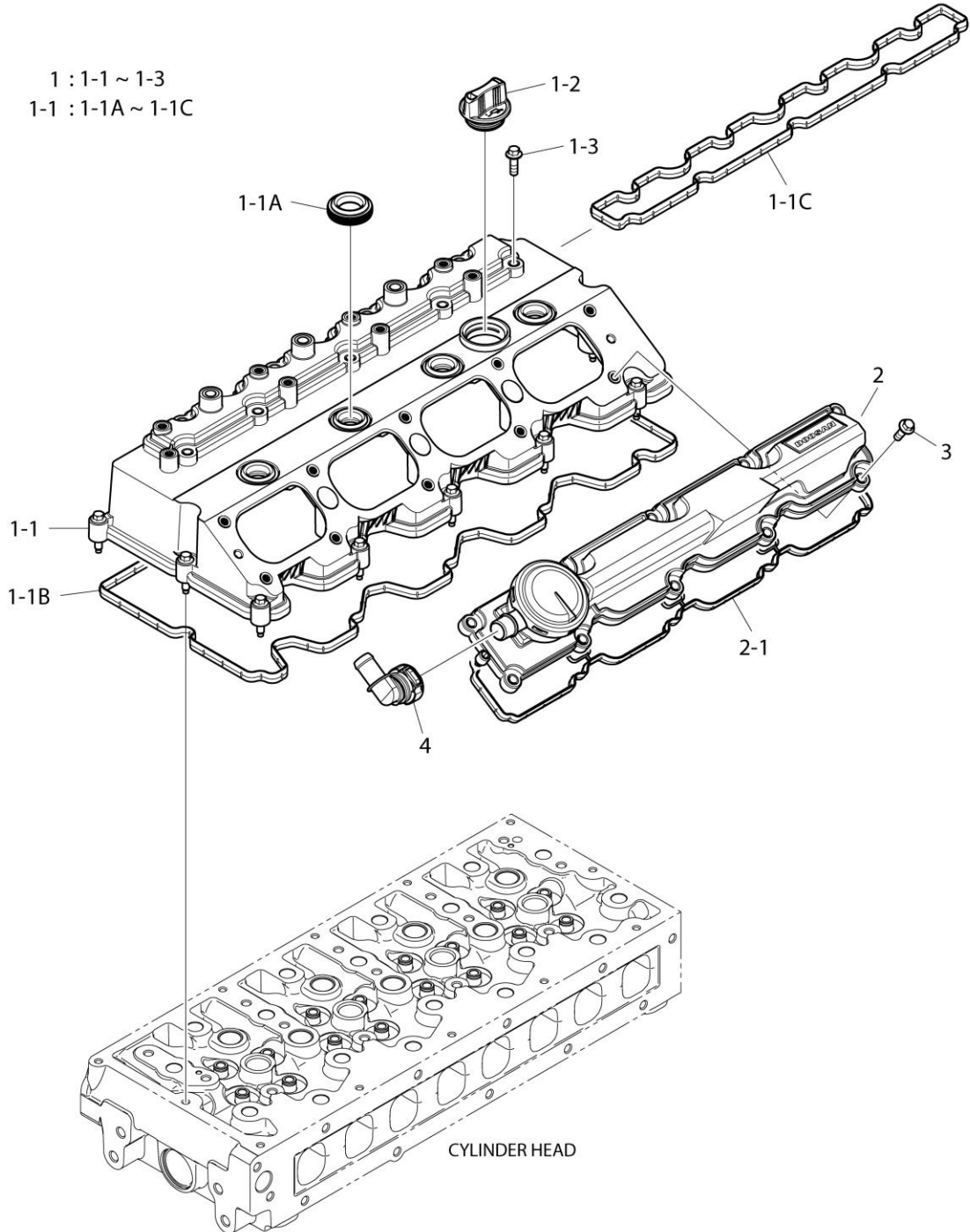
P1

YEAR

2014



T1104SC / T1054SC / T954SC



NOTE

FIG 111

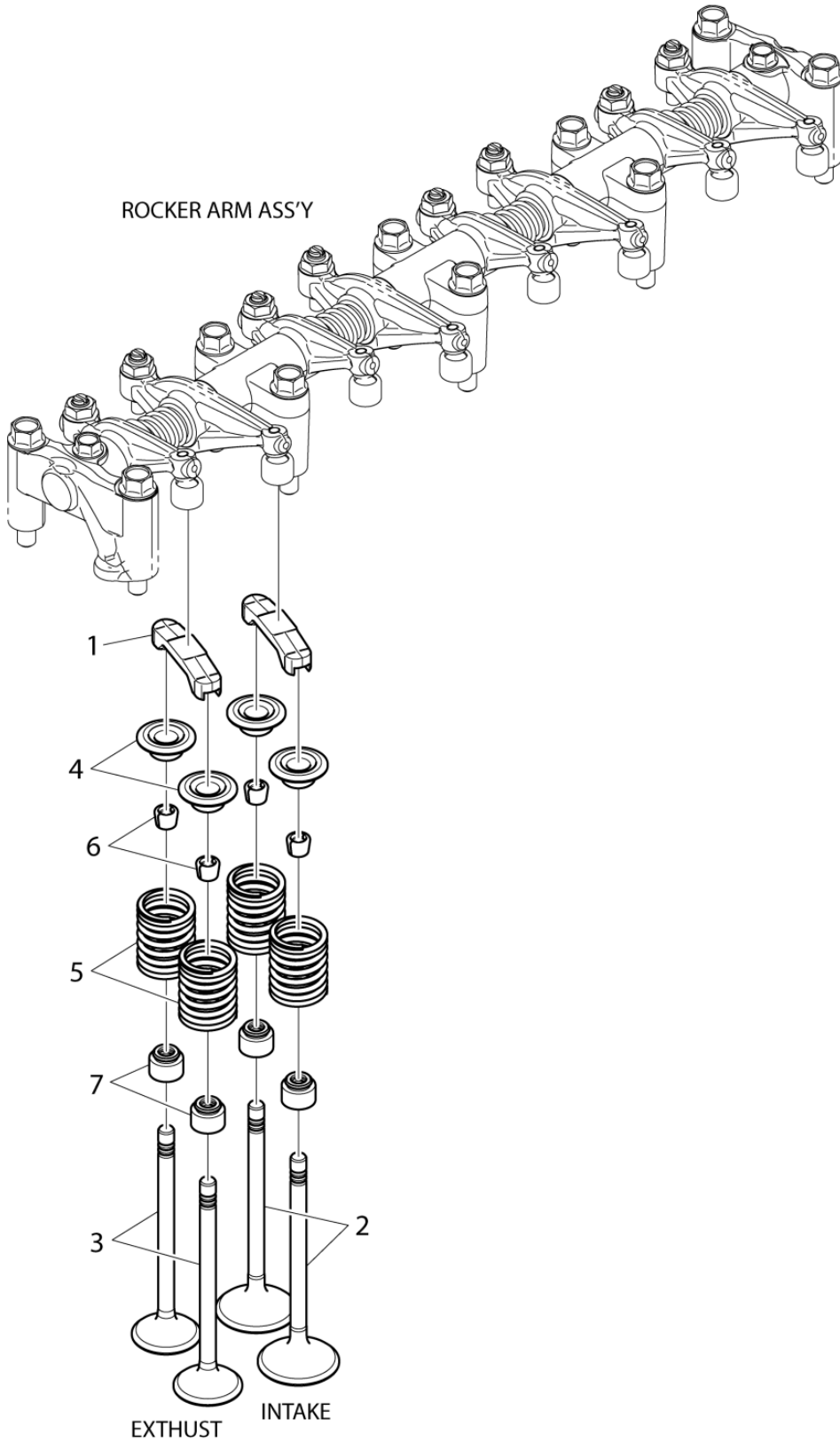
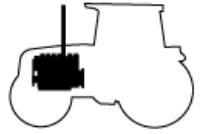
EXHAUST VALVE INLET

T1104SC / T1054SC / T954SC

P1

YEAR

2014



NOTE

FIG 112

ROCKER ARM SHAFT ASSY

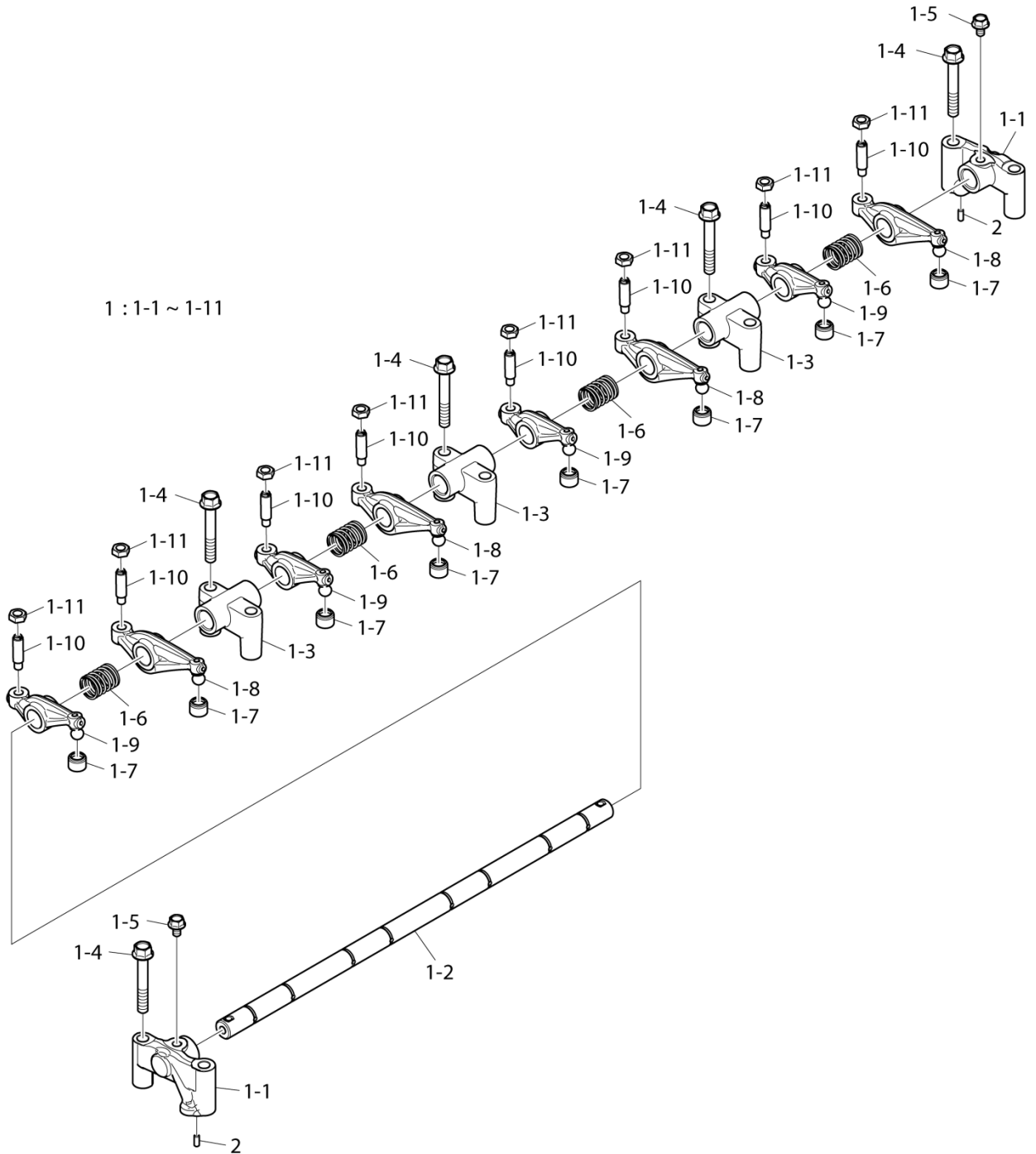
P1

YEAR

2014



T1104SC / T1054SC / T954SC



NOTE

FIG 113

PUSHROD

P1

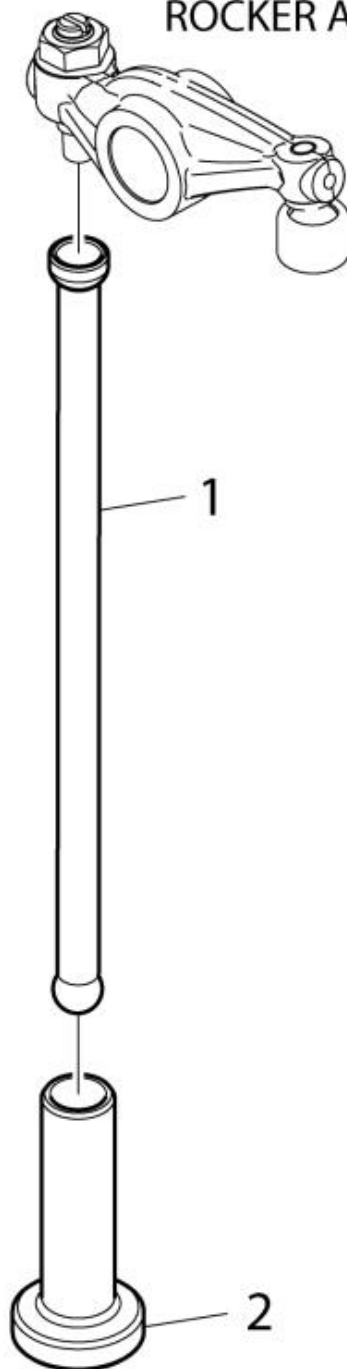
YEAR

2014



T1104SC / T1054SC / T954SC

ROCKER ARM



NOTE

FIG 114

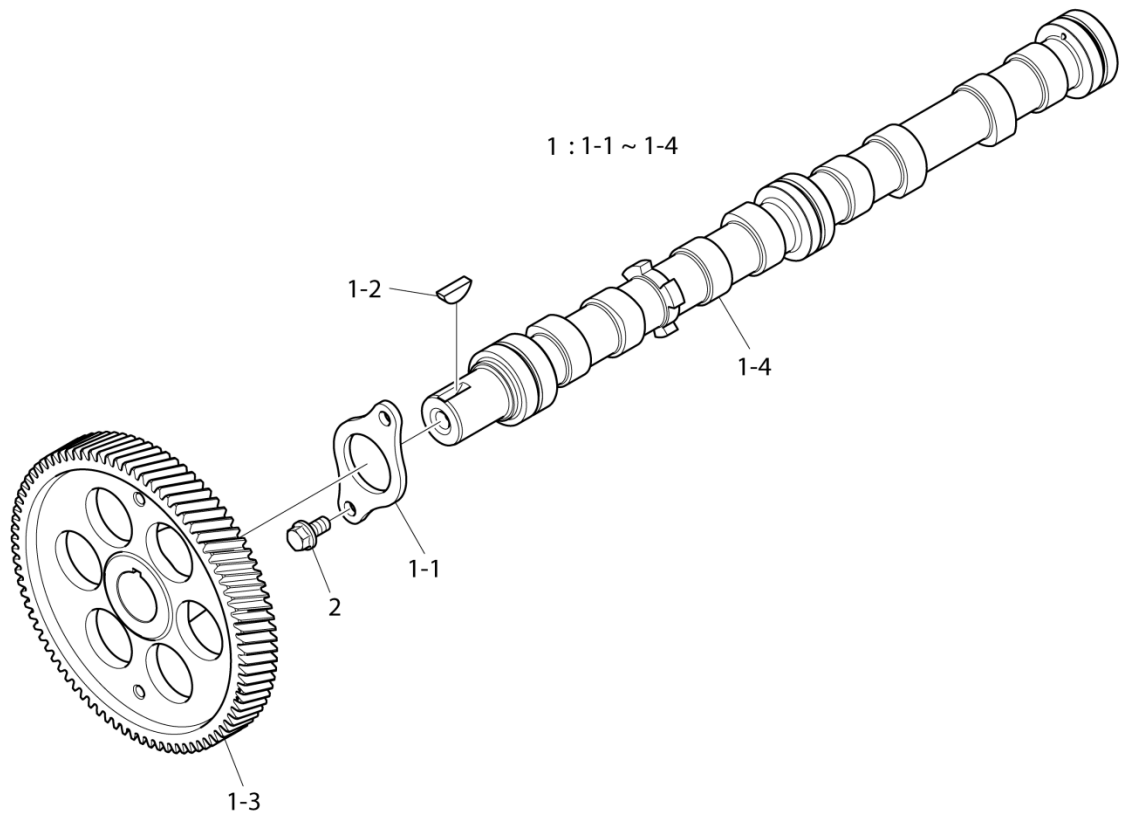
T1104SC / T1054SC / T954SC

CAMSHAFT ASSY

P1

YEAR

2014



NOTE

FIG 115

IDLE GEAR ASSY

T1104SC / T1054SC / T954SC

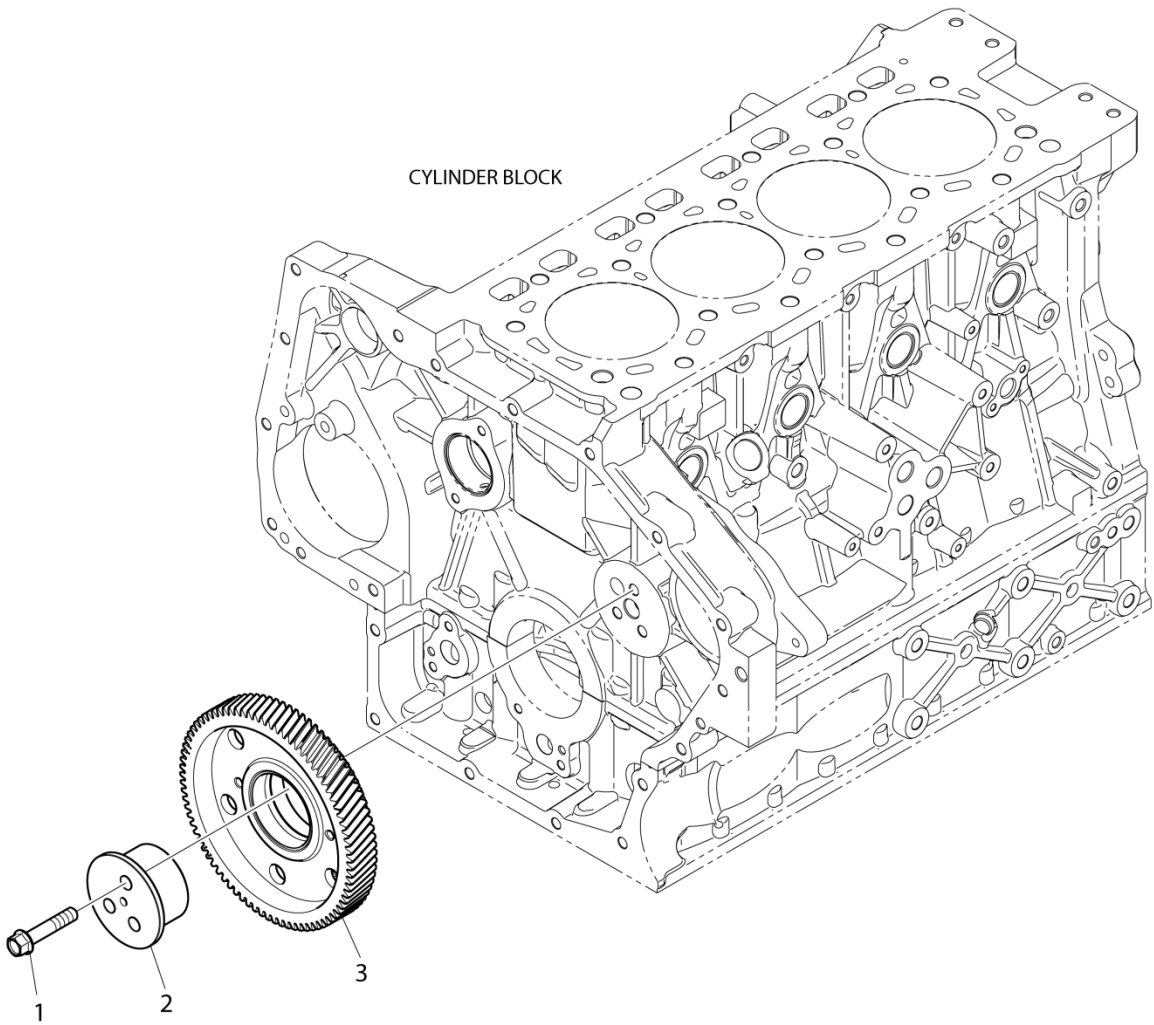
P1

YEAR

2014



CYLINDER BLOCK



NOTE

FIG 116

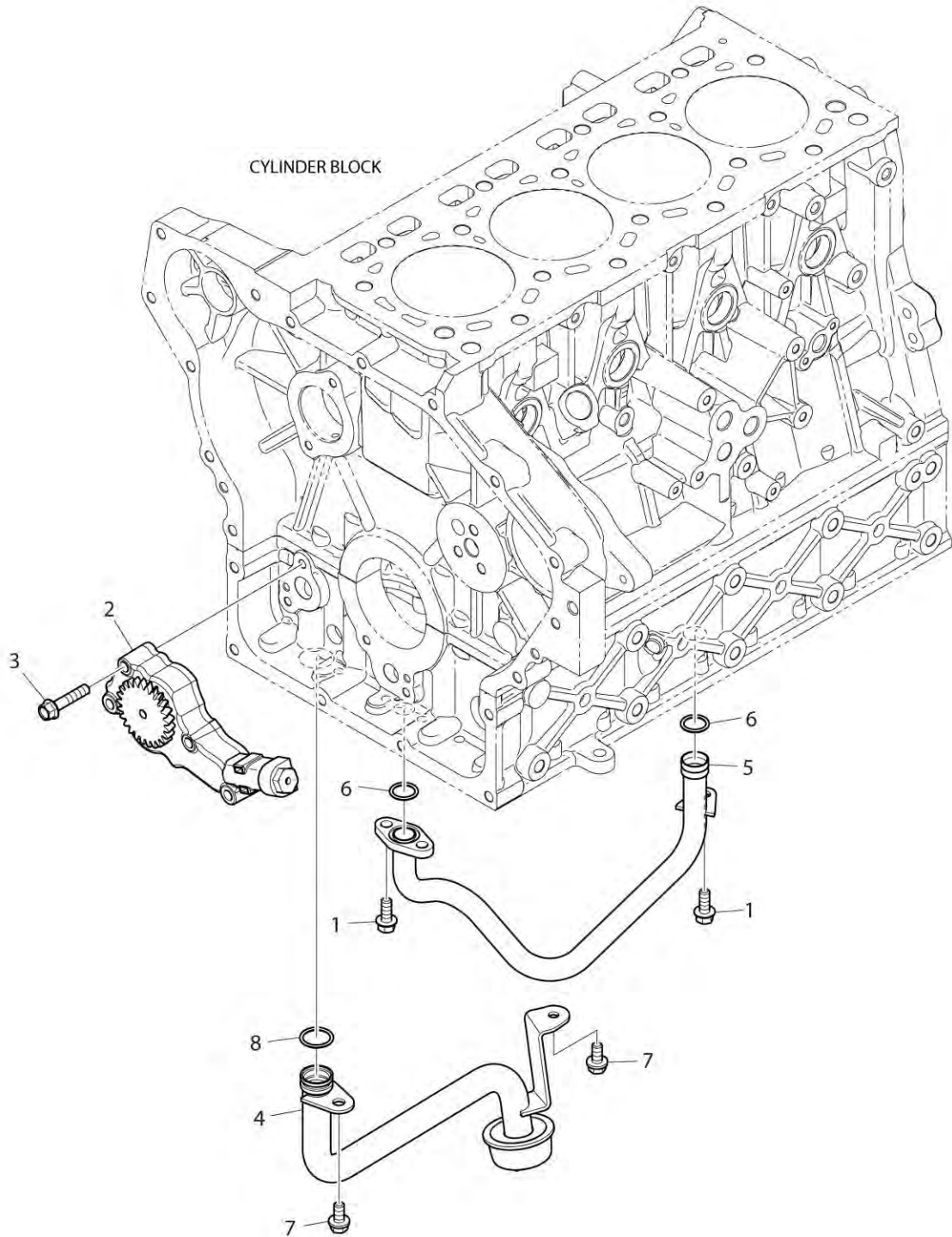
T1104SC / T1054SC / T954SC

LUBRICATION PUMP

P1

YEAR

2014



NOTE

FIG 117

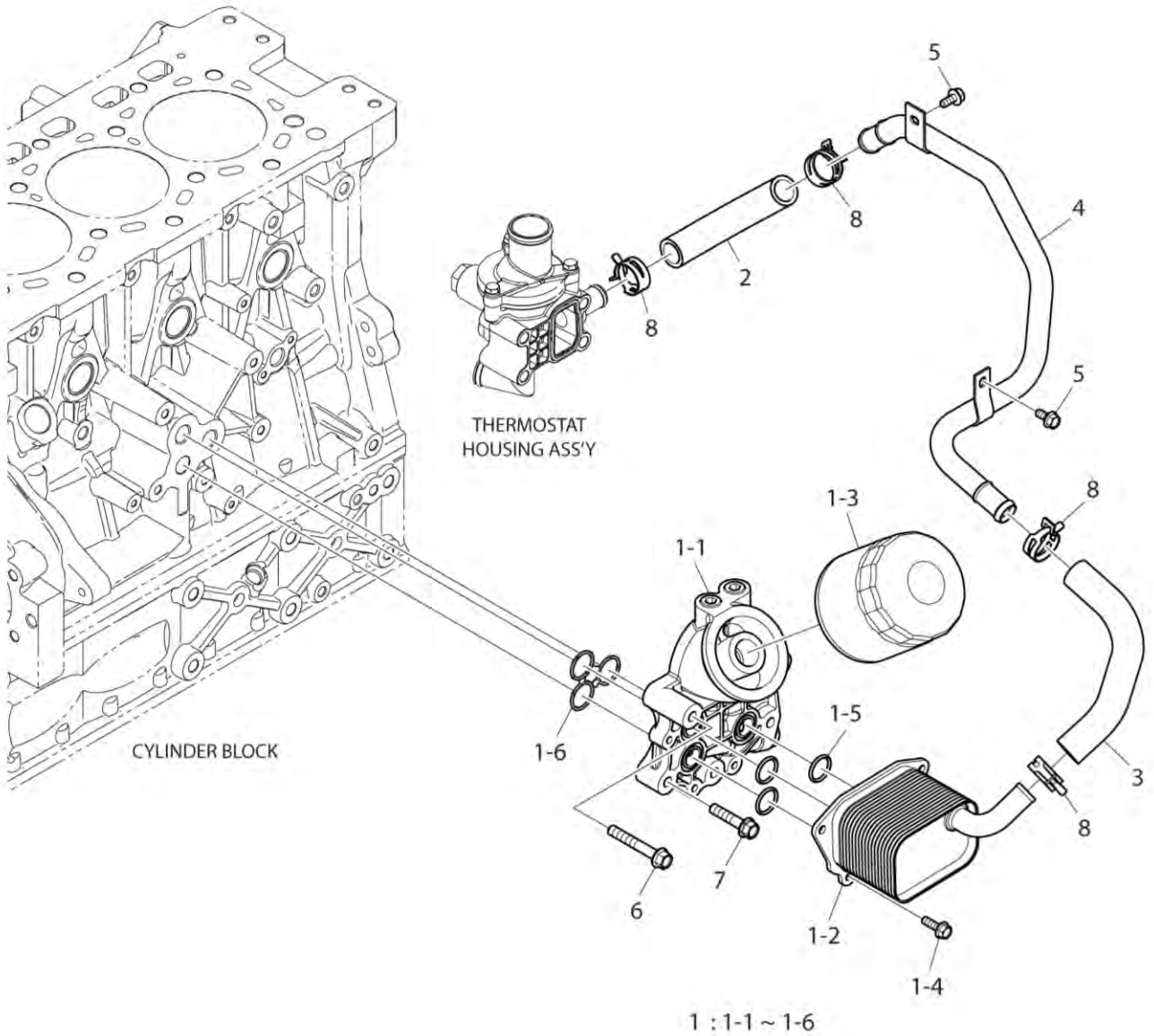
ENGINE OIL FILTER ASSY

T1104SC / T1054SC / T954SC

P1

YEAR

2014



NOTE

FIG 118

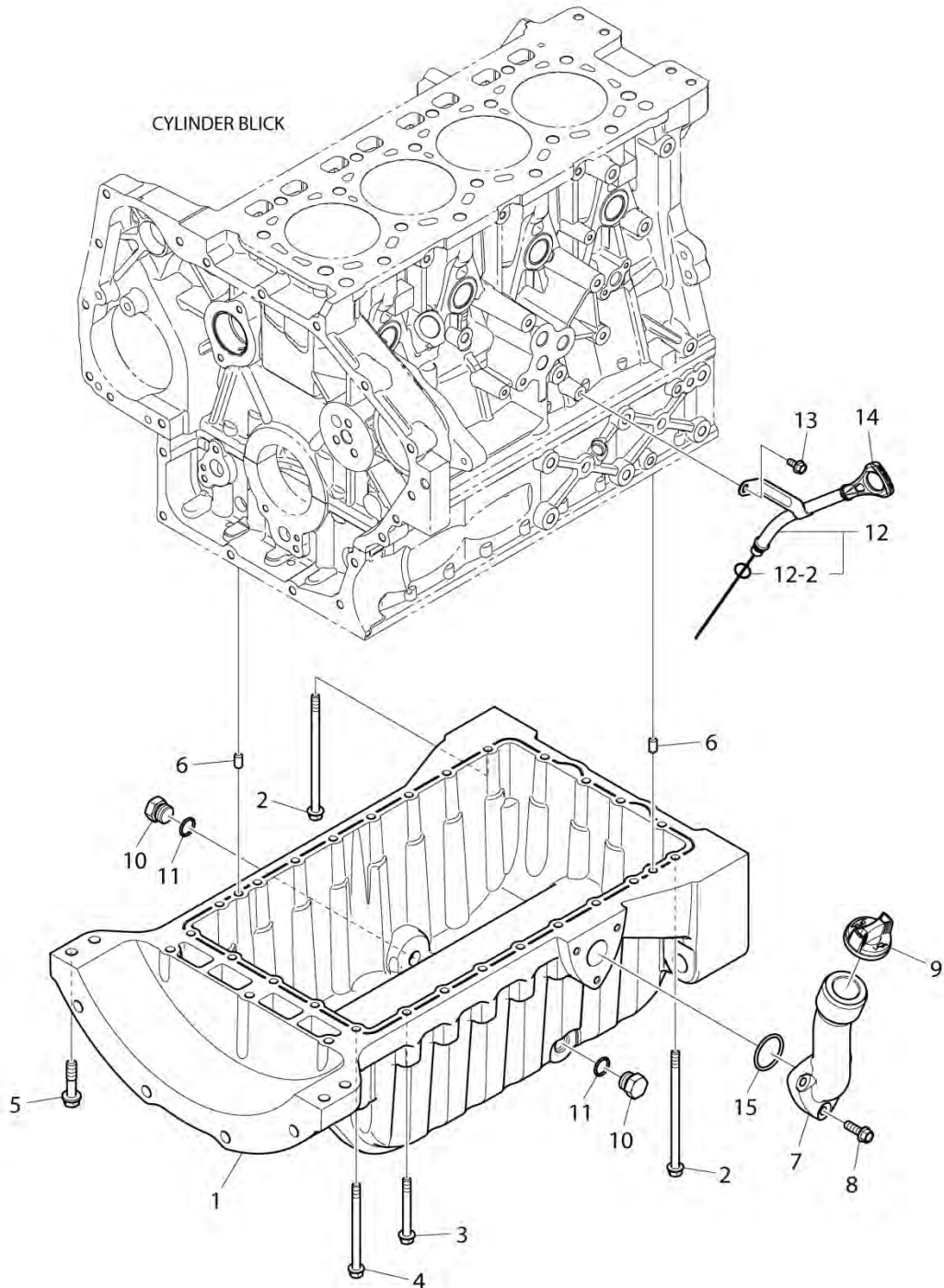
OIL PAN

T1104SC / T1054SC / T954SC

P1

YEAR

2014



NOTE

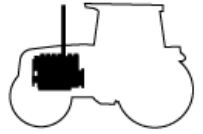
FIG 119

THERMOSTAT HOUSING ASSY

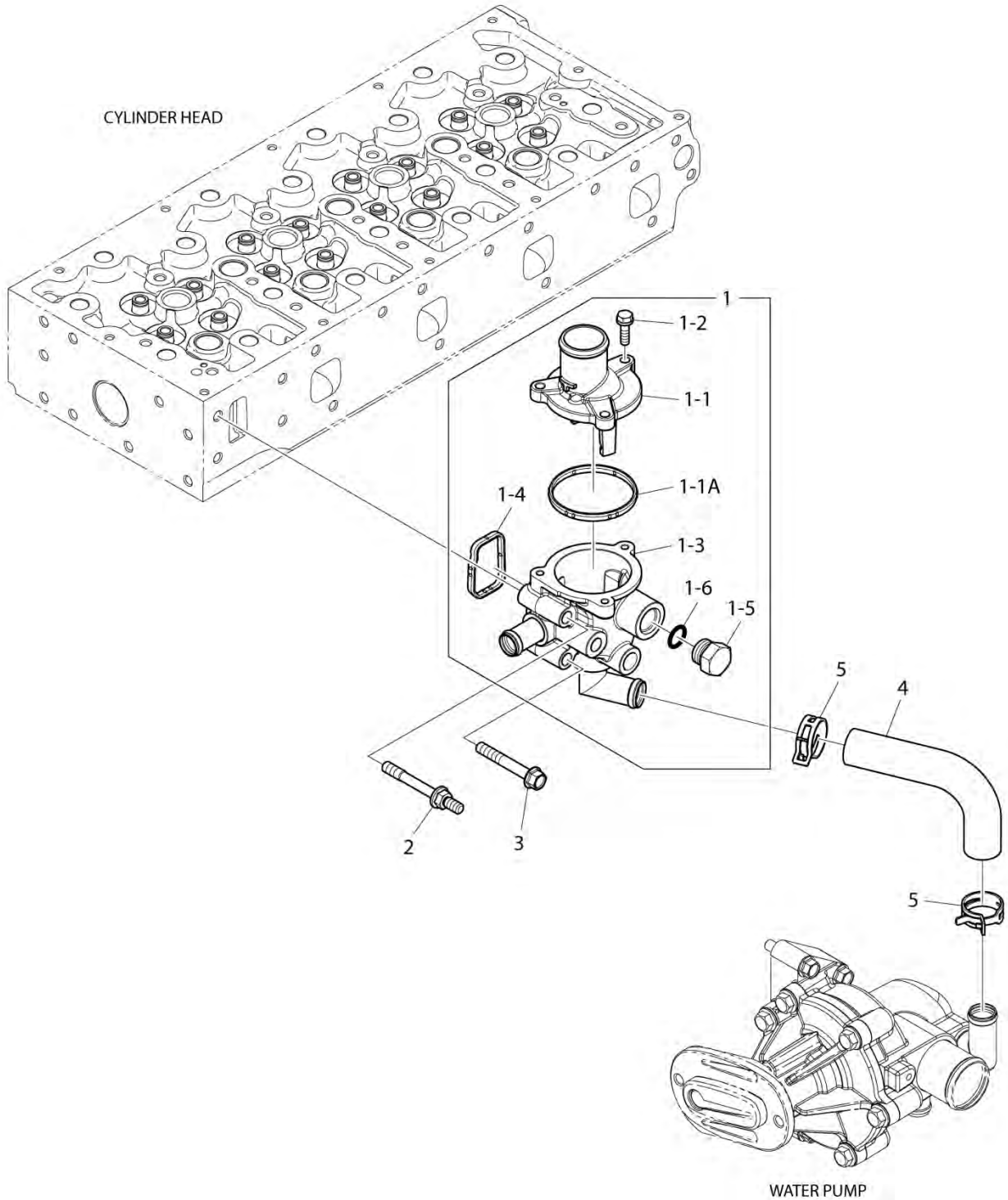
P1

YEAR

2014



T1104SC / T1054SC / T954SC



NOTE

FIG 120

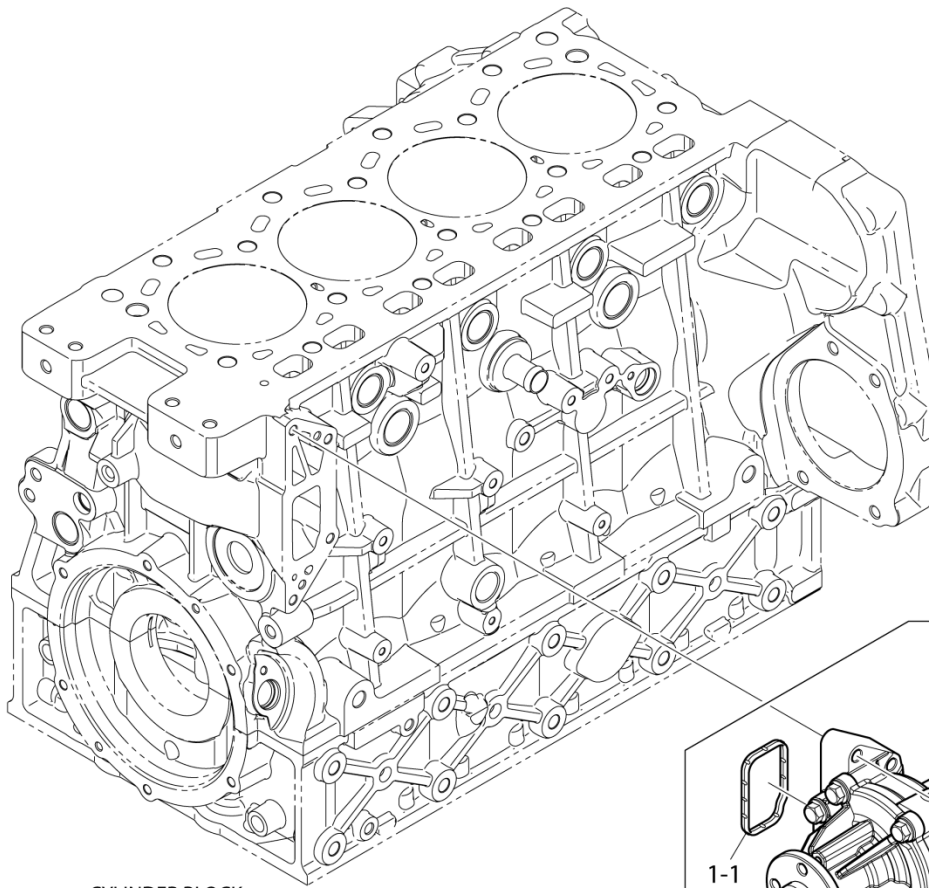
T1104SC / T1054SC / T954SC

WATER PUMP ASSY

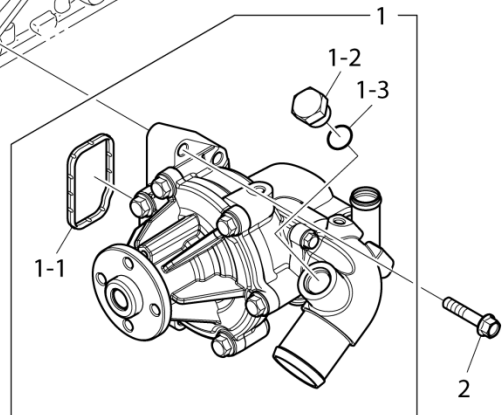
P1

YEAR

2014



CYLINDER BLOCK



NOTE

FIG 121

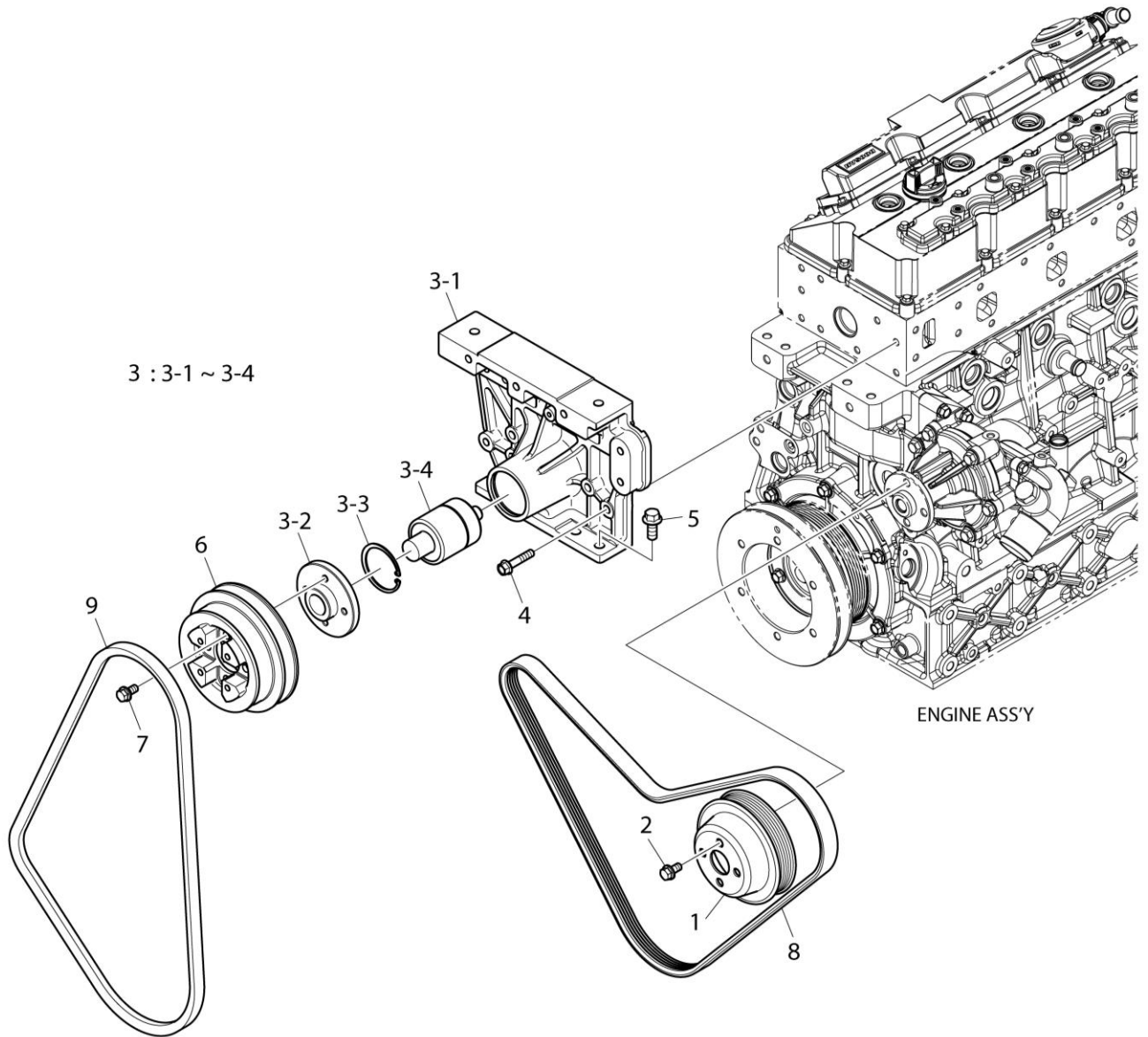
FAN MOUNTING BRACKET

T1104SC / T1054SC / T954SC

P1

YEAR

2014



NOTE

FIG 122

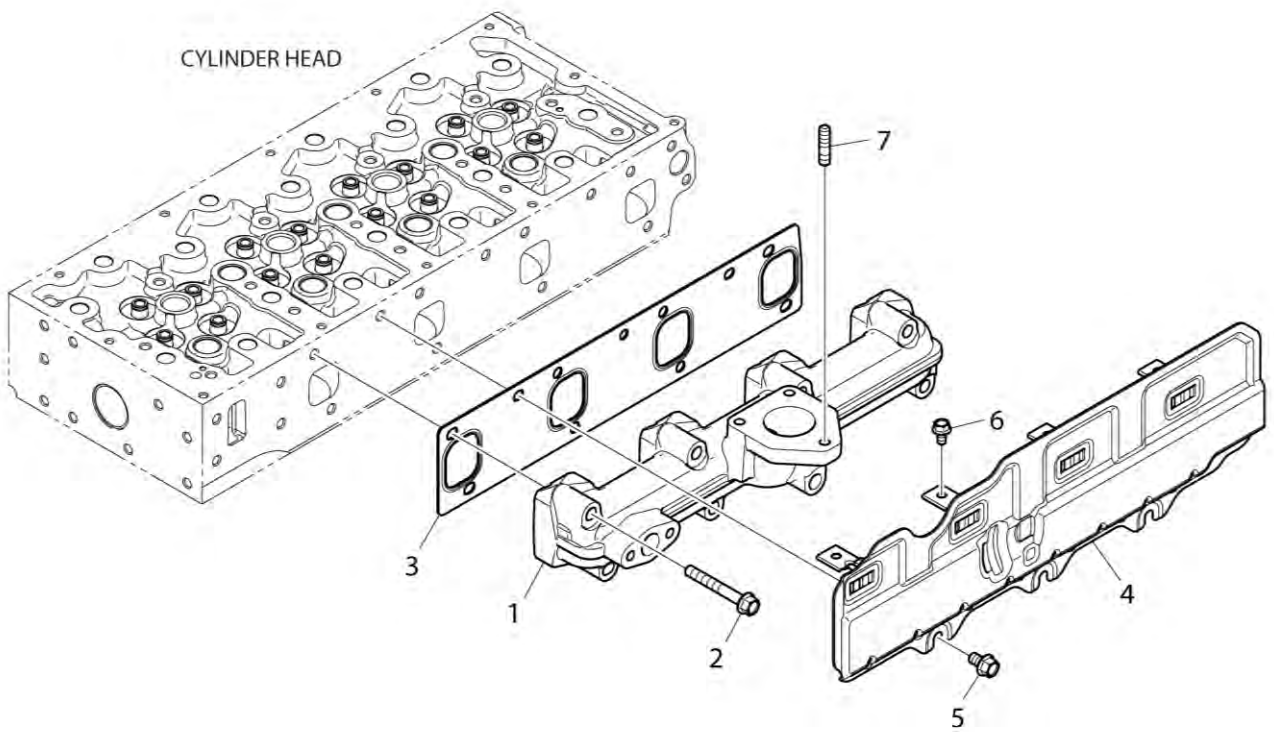
EXHAUST MANIFOLD ASSY

T1104SC / T1054SC / T954SC

P1

YEAR

2014



NOTE

FIG 123

INTAKE MANIFOLD

T1104SC / T1054SC / T954SC

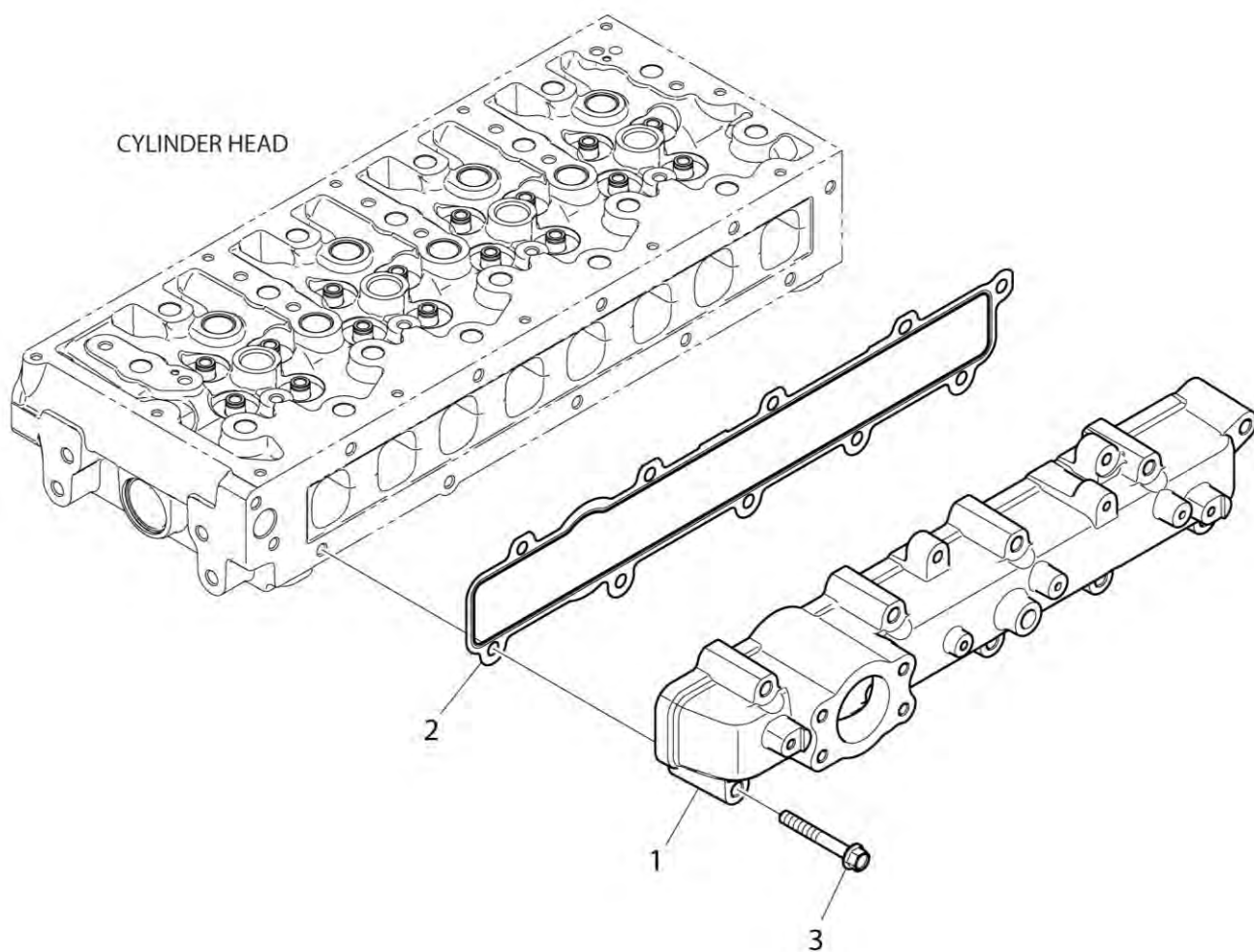
P1

YEAR

2014



CYLINDER HEAD



NOTE

FIG 124

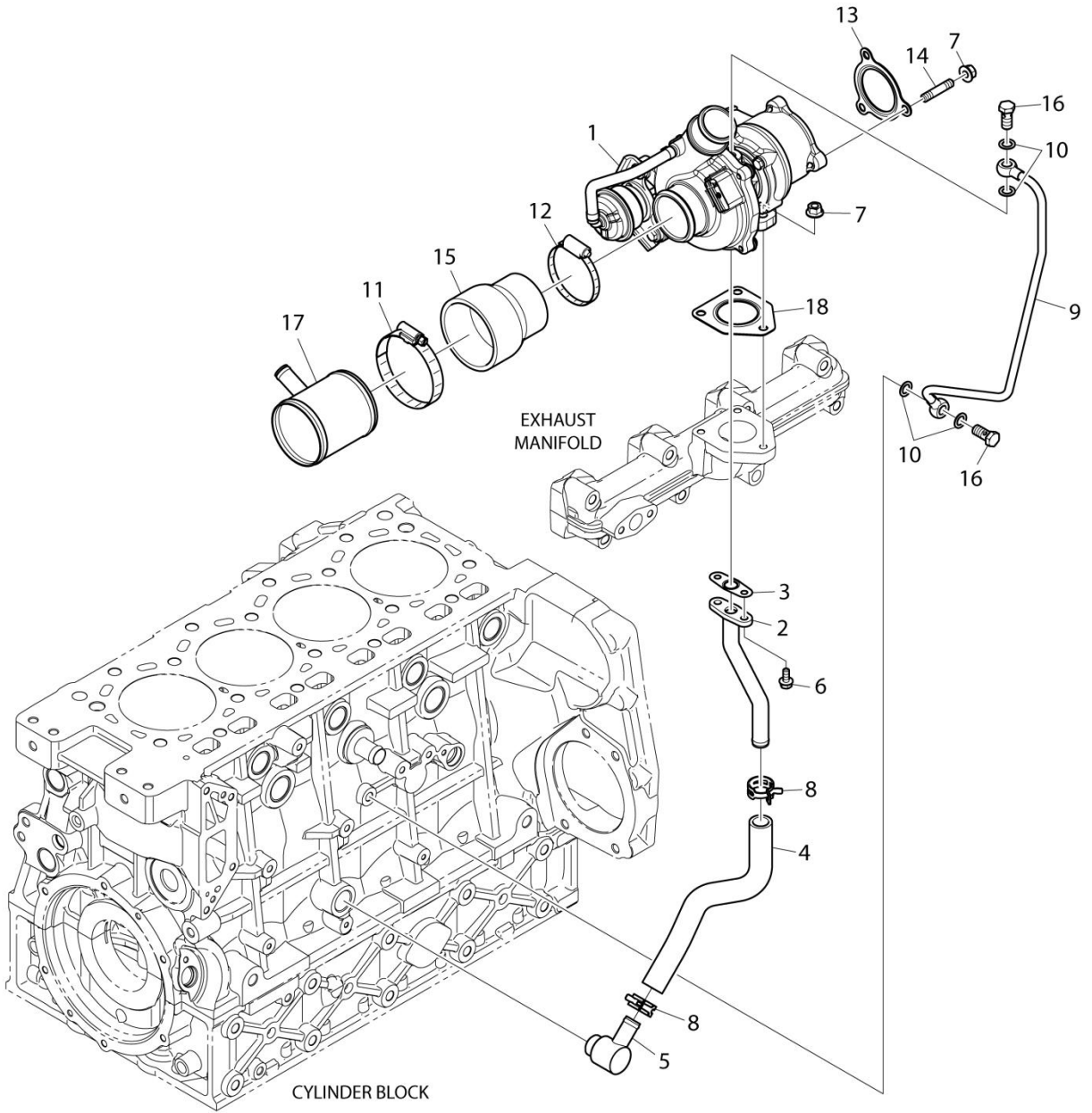
TURBO CHARGER ASSY

T1104SC / T1054SC / T954SC

P1

YEAR

2014



NOTE

FIG 125

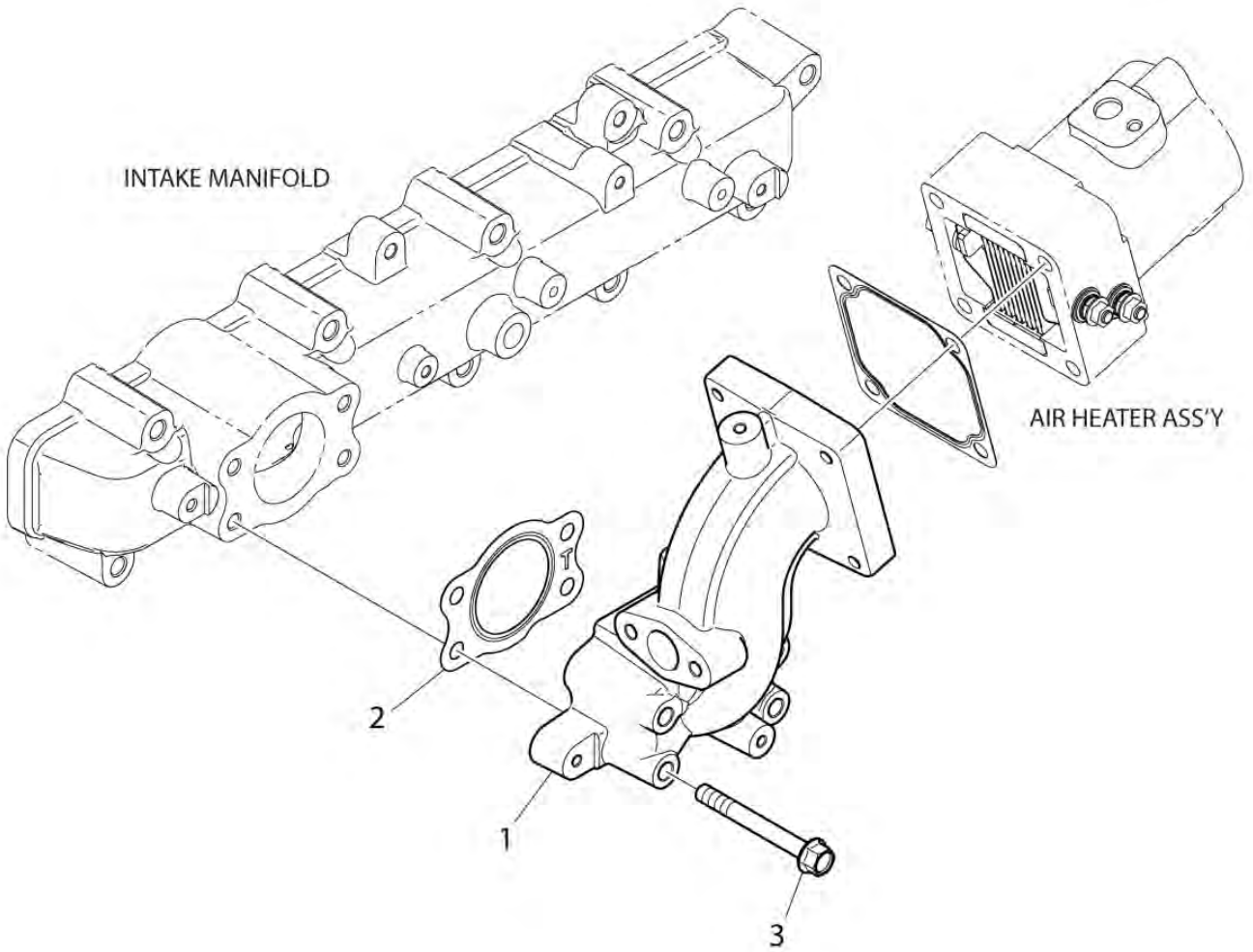
INTAKE STAKE

T1104SC / T1054SC / T954SC

P1

YEAR

2014



INTAKE MANIFOLD

AIR HEATER ASS'Y

2

1

3

NOTE

FIG 126

INJECTOR

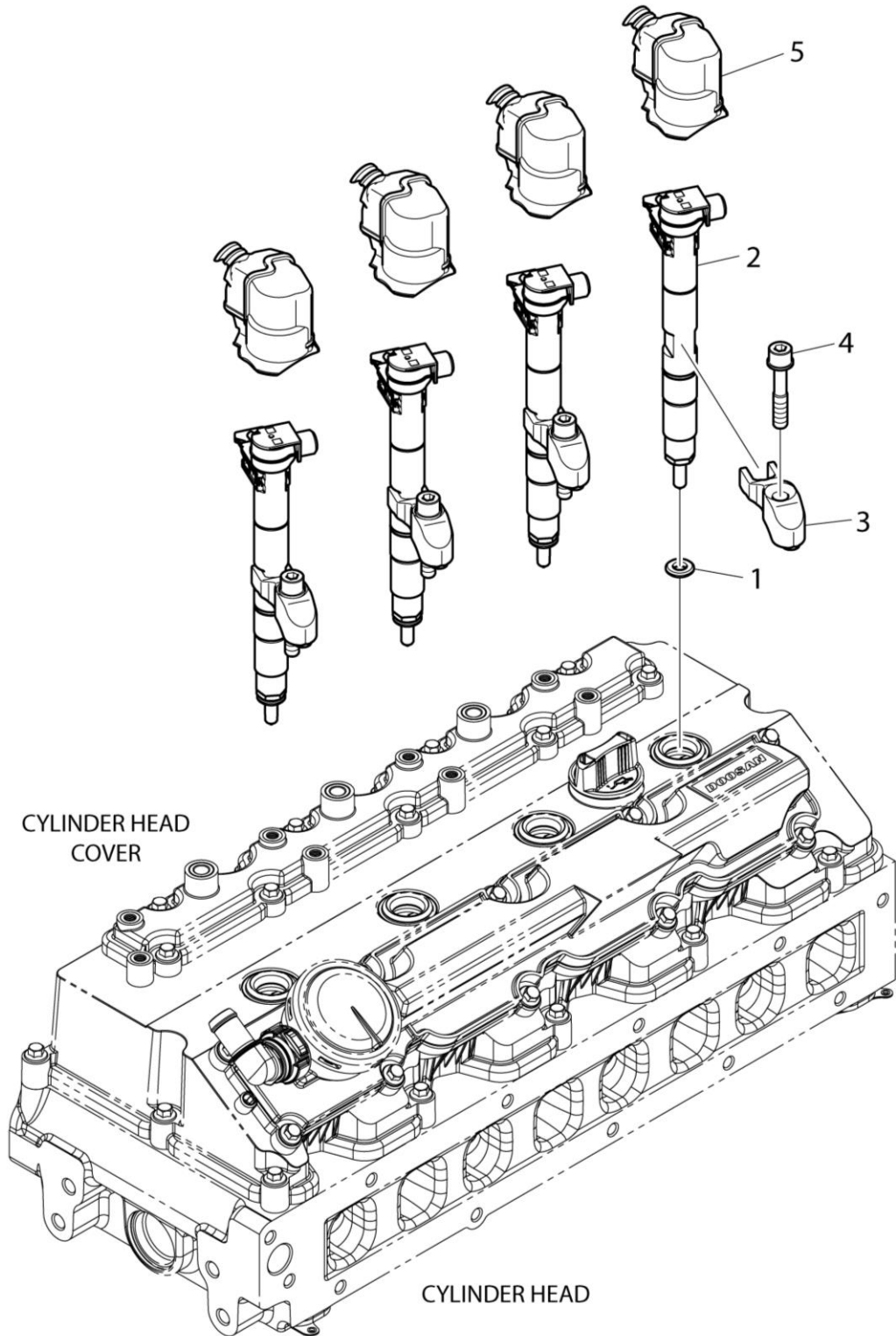
P1

YEAR

2014



T1104SC / T1054SC / T954SC



CYLINDER HEAD COVER

CYLINDER HEAD

NOTE

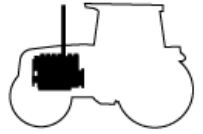
FIG 127

COMMON RAIL

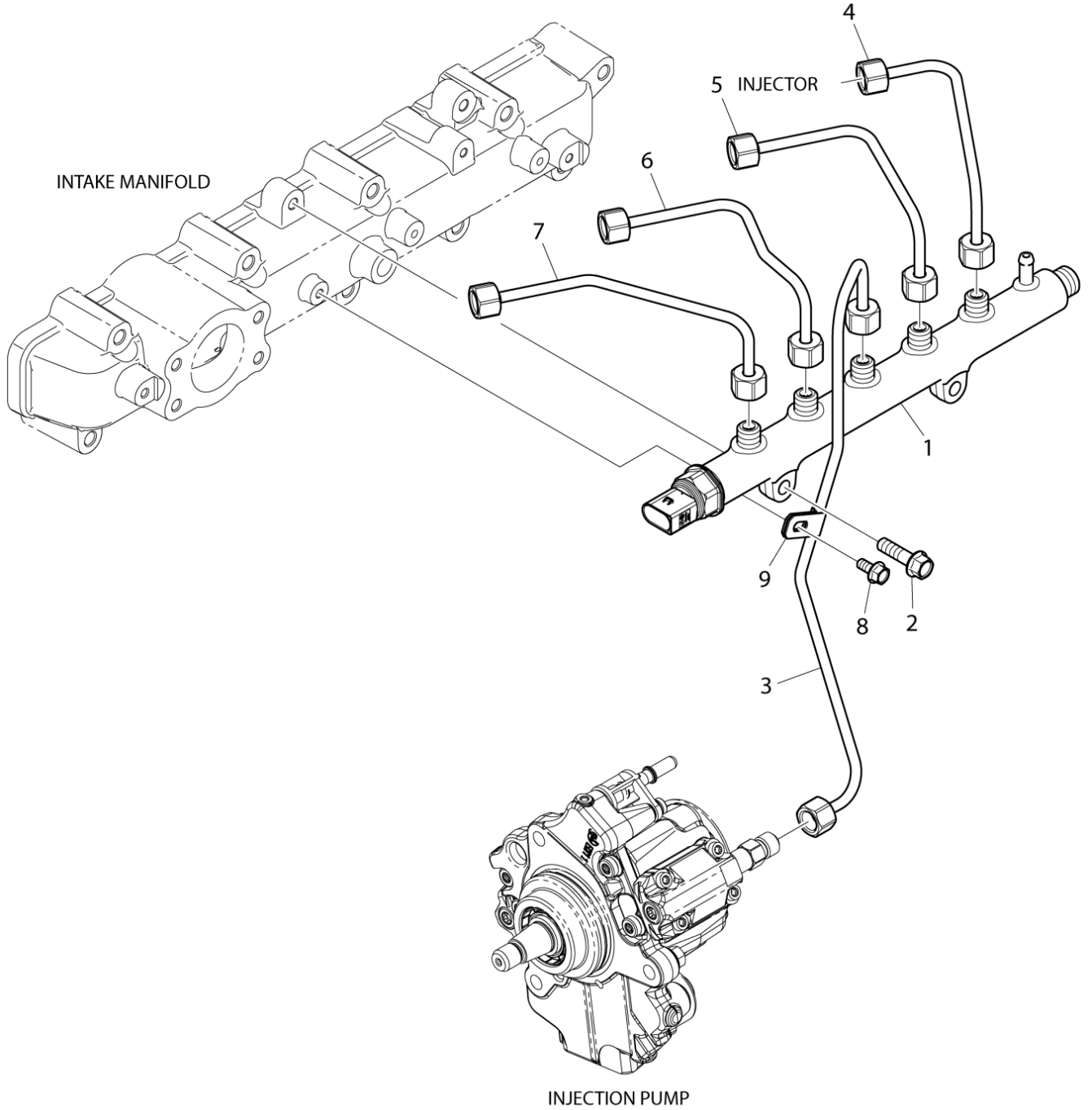
P1

YEAR

2014



T1104SC / T1054SC / T954SC



NOTE

FIG 128

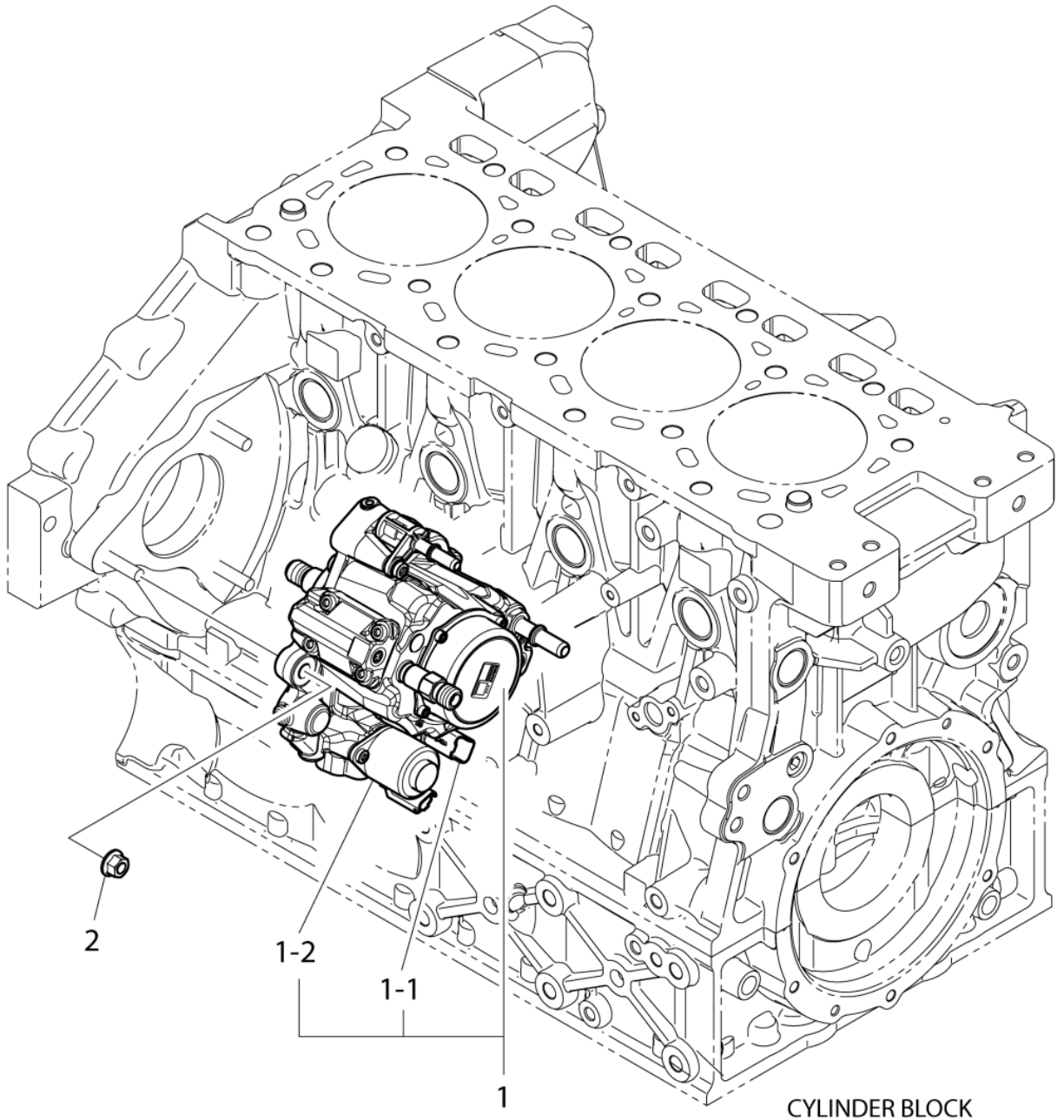
FUEL INJECTION PUMP ASSY

T1104SC / T1054SC / T954SC

P1

YEAR

2014



NOTE

FIG 129

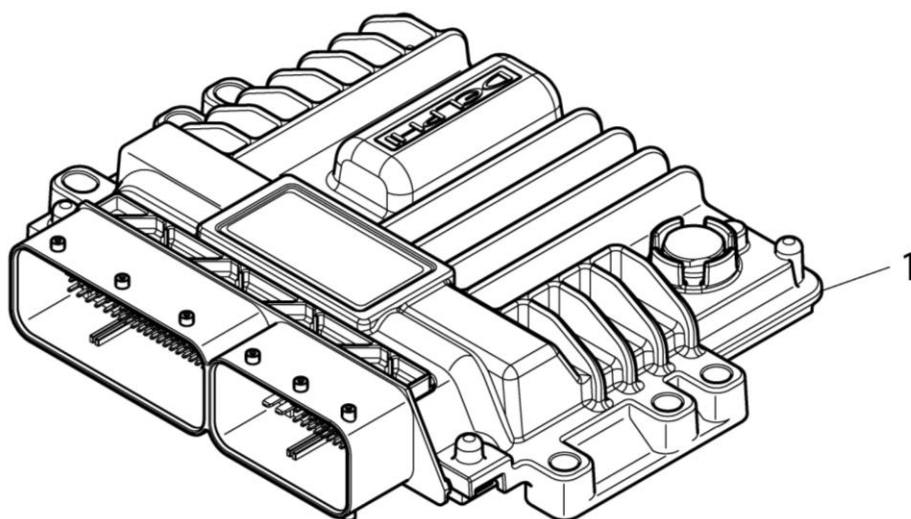
ECU

T1104SC / T1054SC / T954SC

P1

YEAR

2014



NOTE

FIG 130

INJECTION PUMP DRIVE GEAR

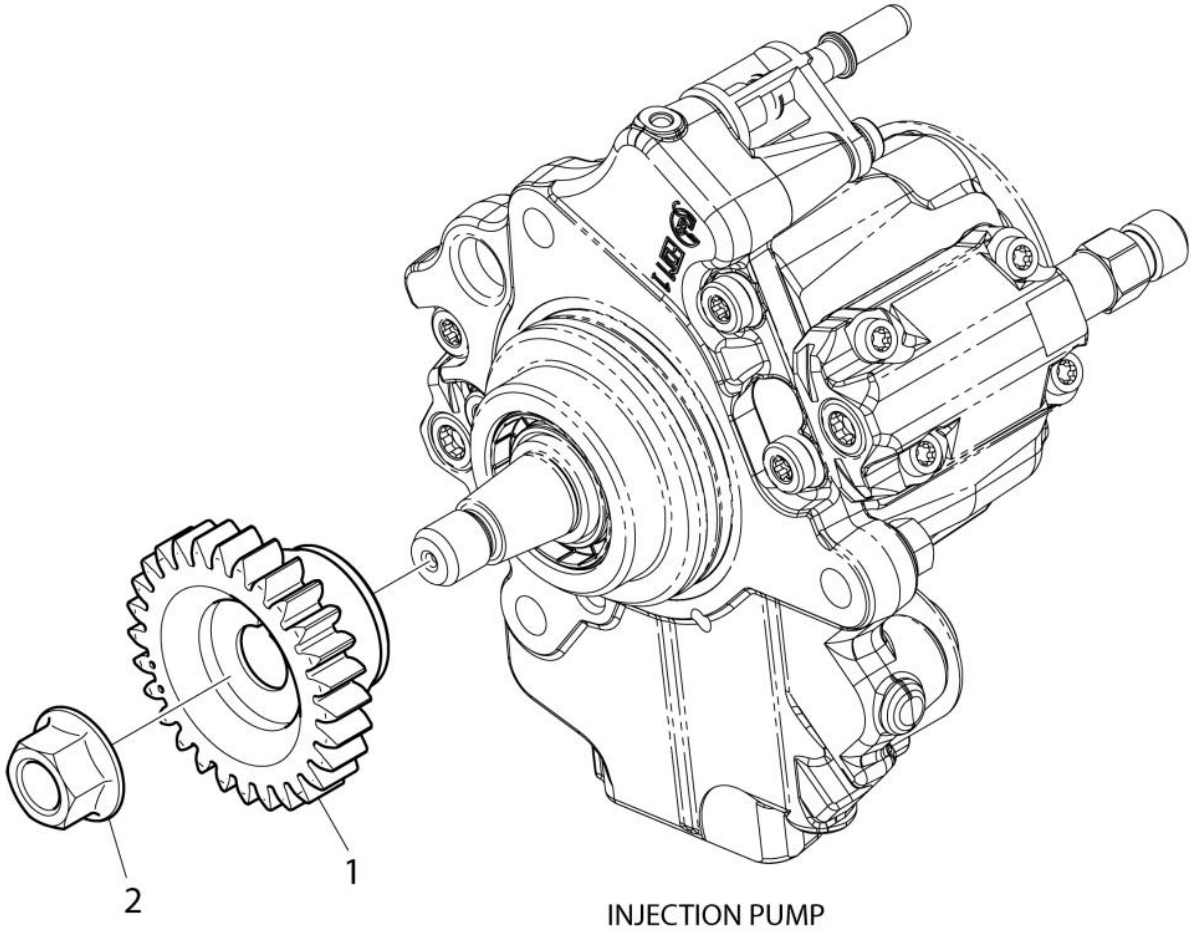
P1

YEAR

2014



T1104SC / T1054SC / T954SC



NOTE

FIG 131

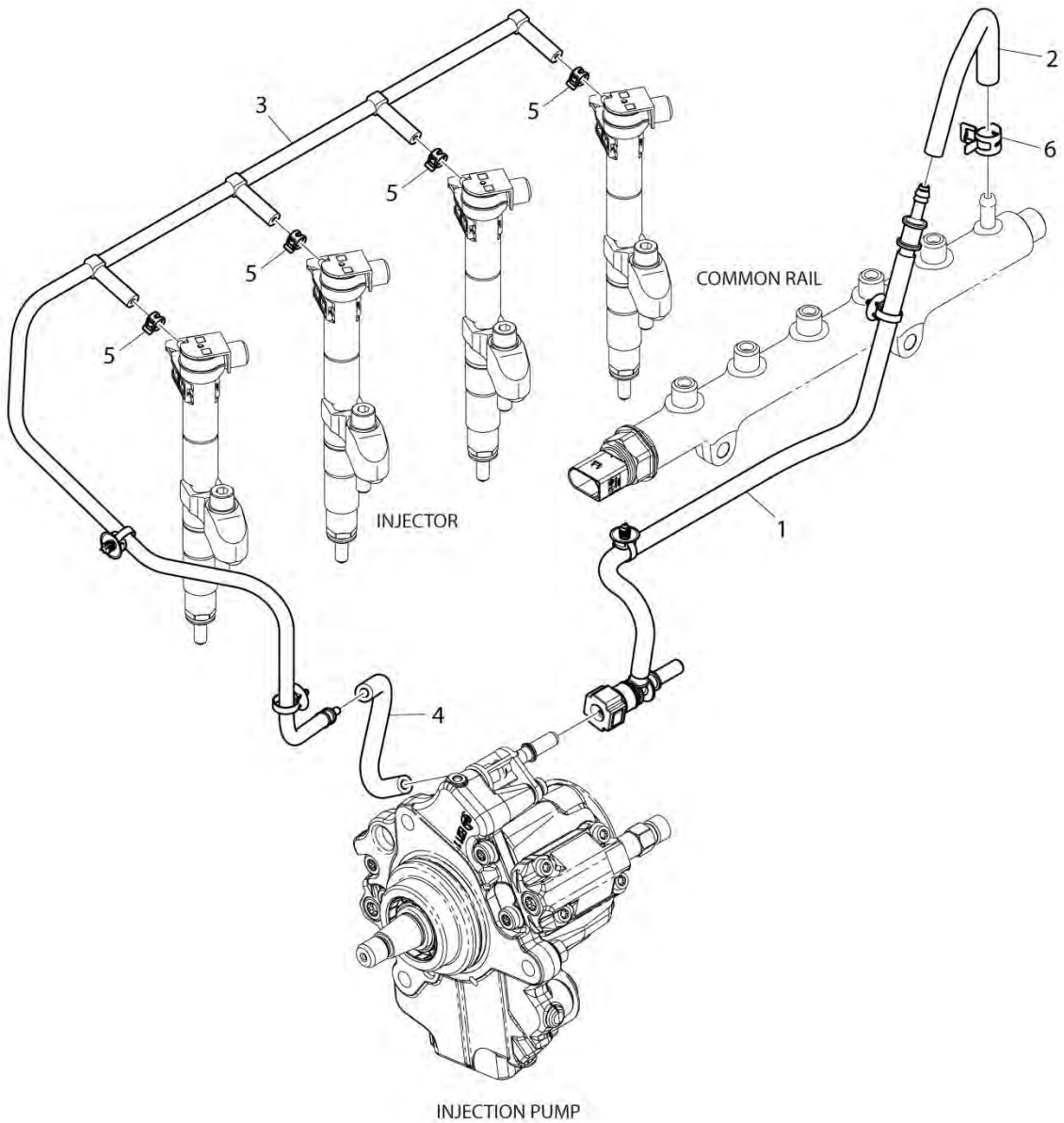
FUEL TUBE ASSY

T1104SC / T1054SC / T954SC

P1

YEAR

2014



NOTE

FIG 132

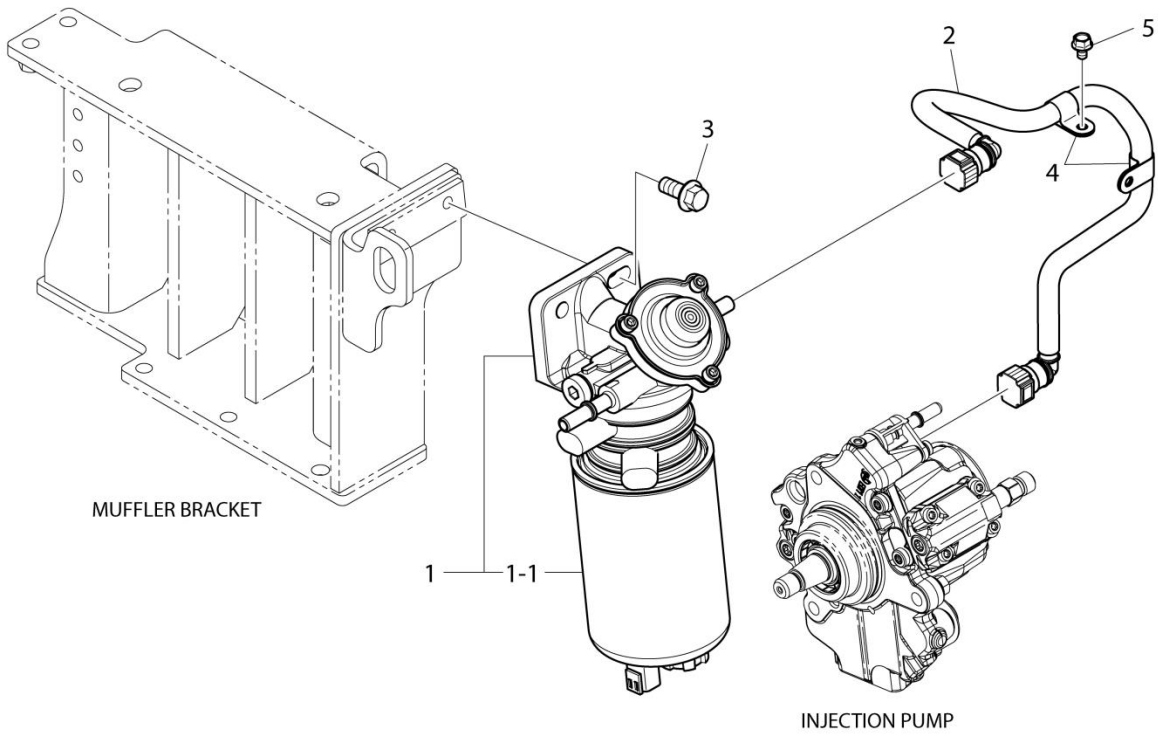
T1104SC / T1054SC / T954SC

FUEL FILTER ASSY

P1

YEAR

2014



NOTE

FIG 133

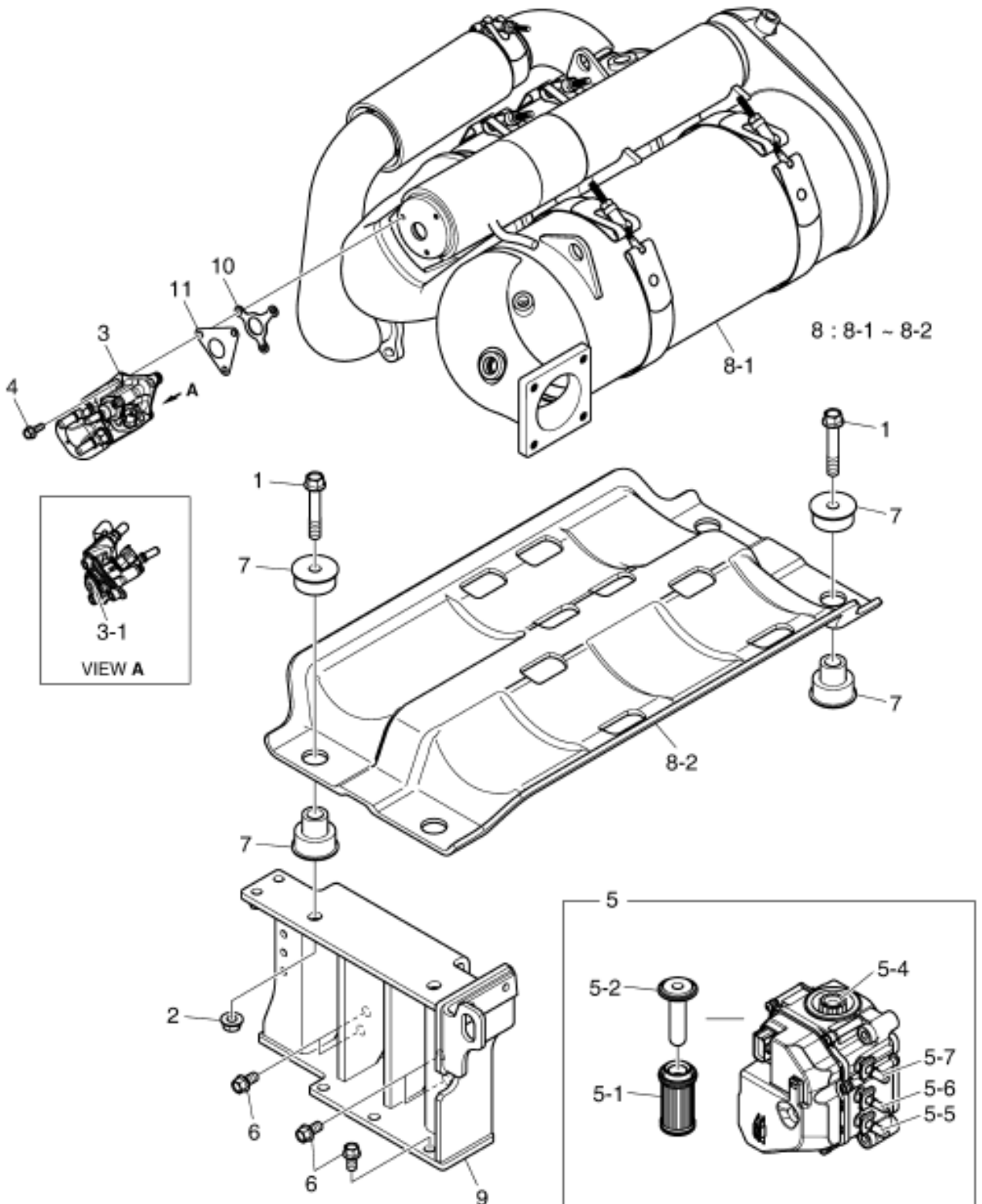
EXHAUST FILTERING MUFFLER

T1104SC / T1054SC / T954SC

P1

YEAR

2014



NOTE

FIG 134

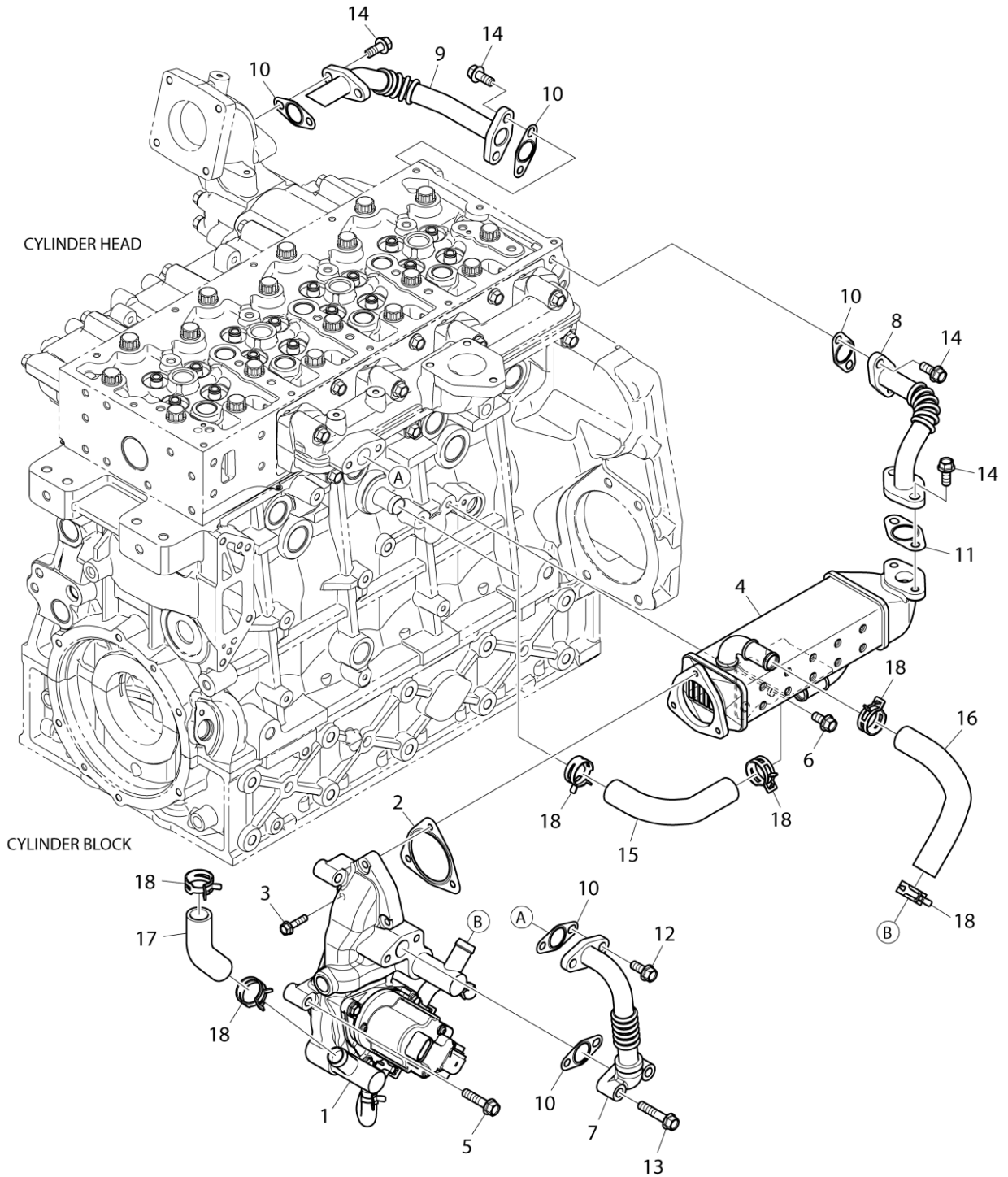
EGR VALVE

T1104SC / T1054SC / T954SC

P1

YEAR

2014



NOTE

FIG 135

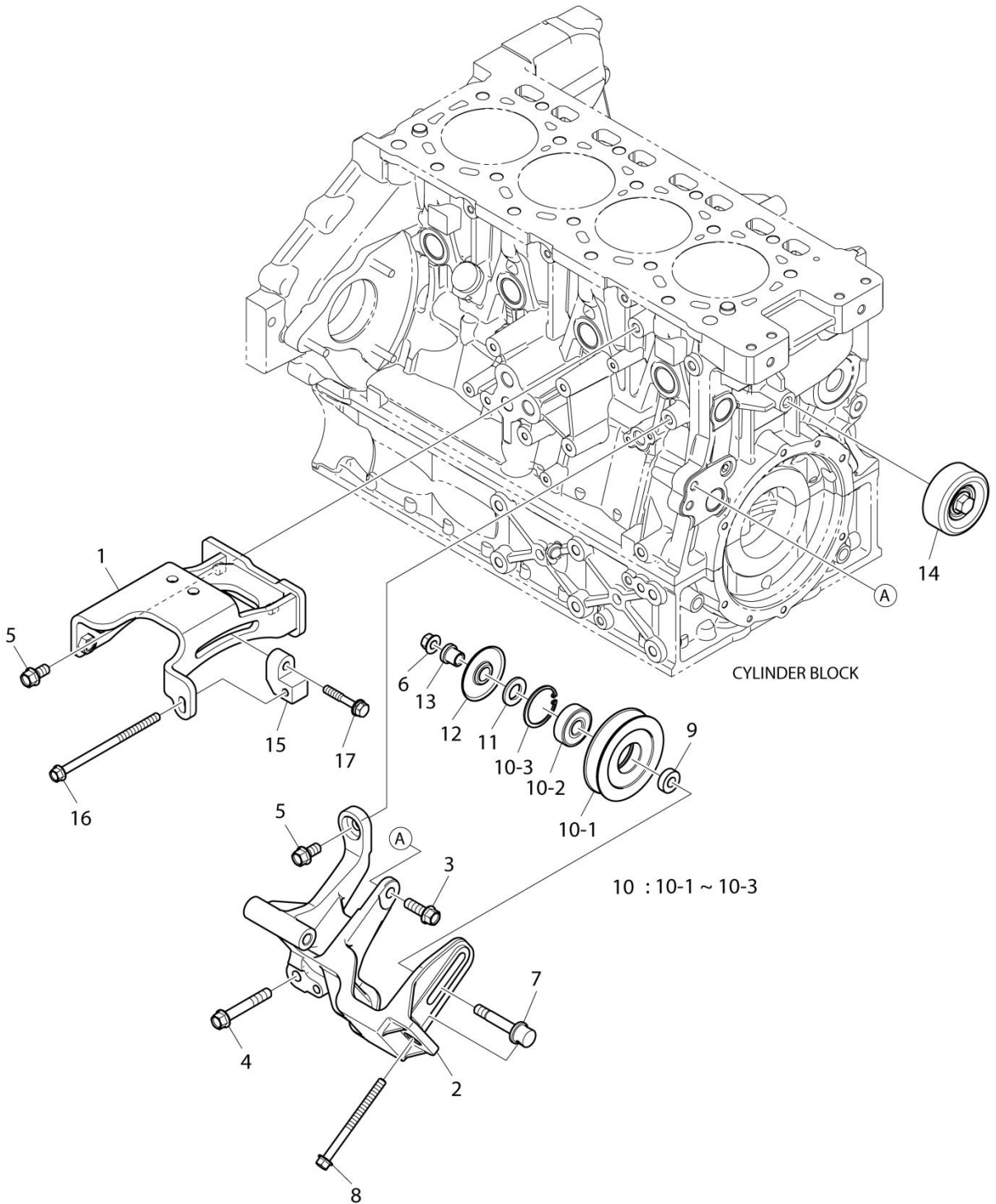
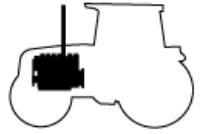
ALTERNATOR BRACKET

T1104SC / T1054SC / T954SC

P1

YEAR

2014



NOTE

FIG 136

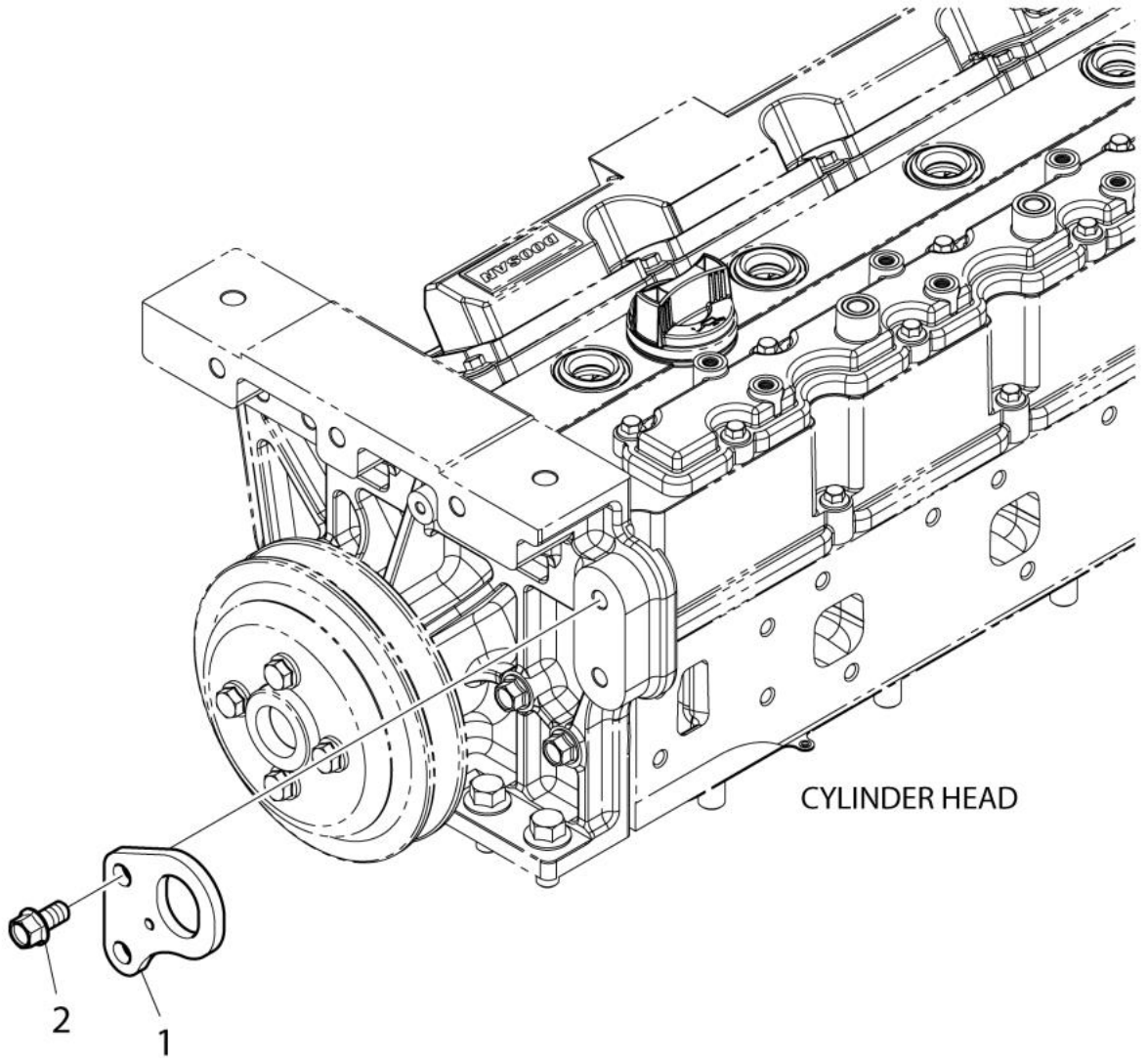
LIFTING HOOK

T1104SC / T1054SC / T954SC

P1

YEAR

2014



NOTE

FIG 137

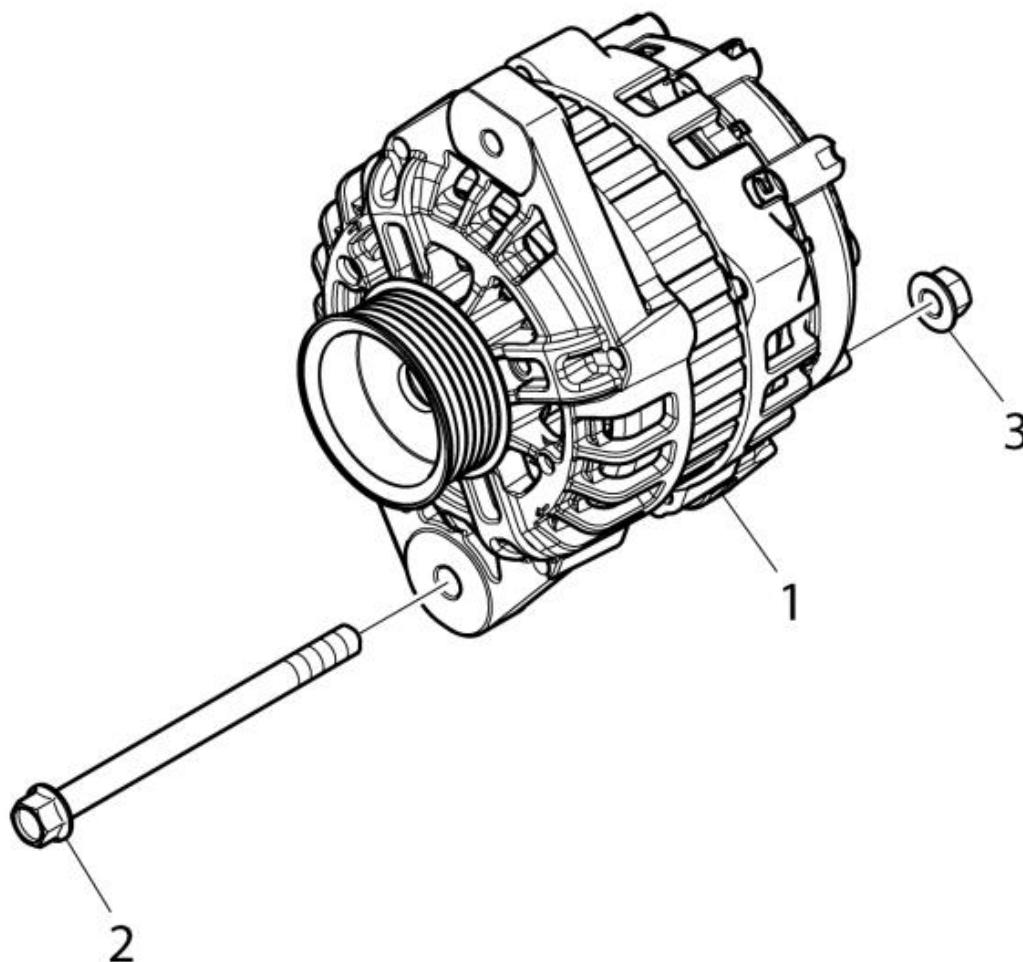
ALTERNATOR

T1104SC / T1054SC / T954SC

P1

YEAR

2014



NOTE

FIG 138

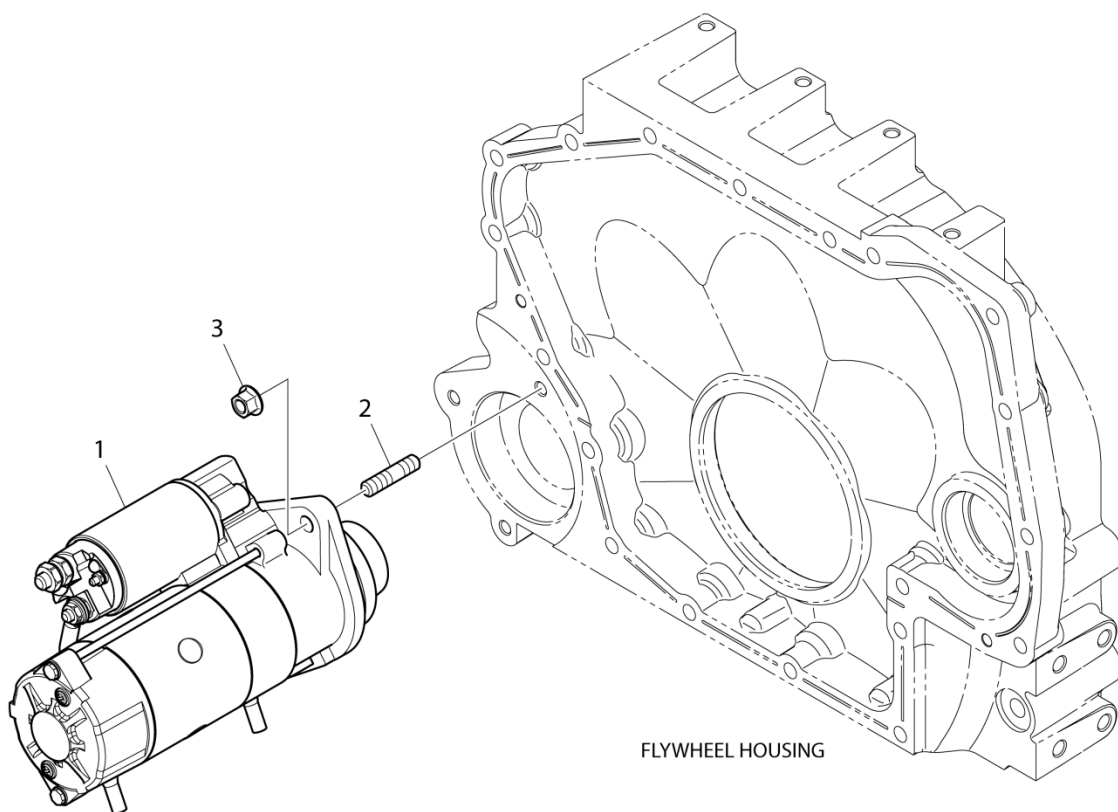
STARTER

T1104SC / T1054SC / T954SC

P1

YEAR

2014



NOTE

FIG 139

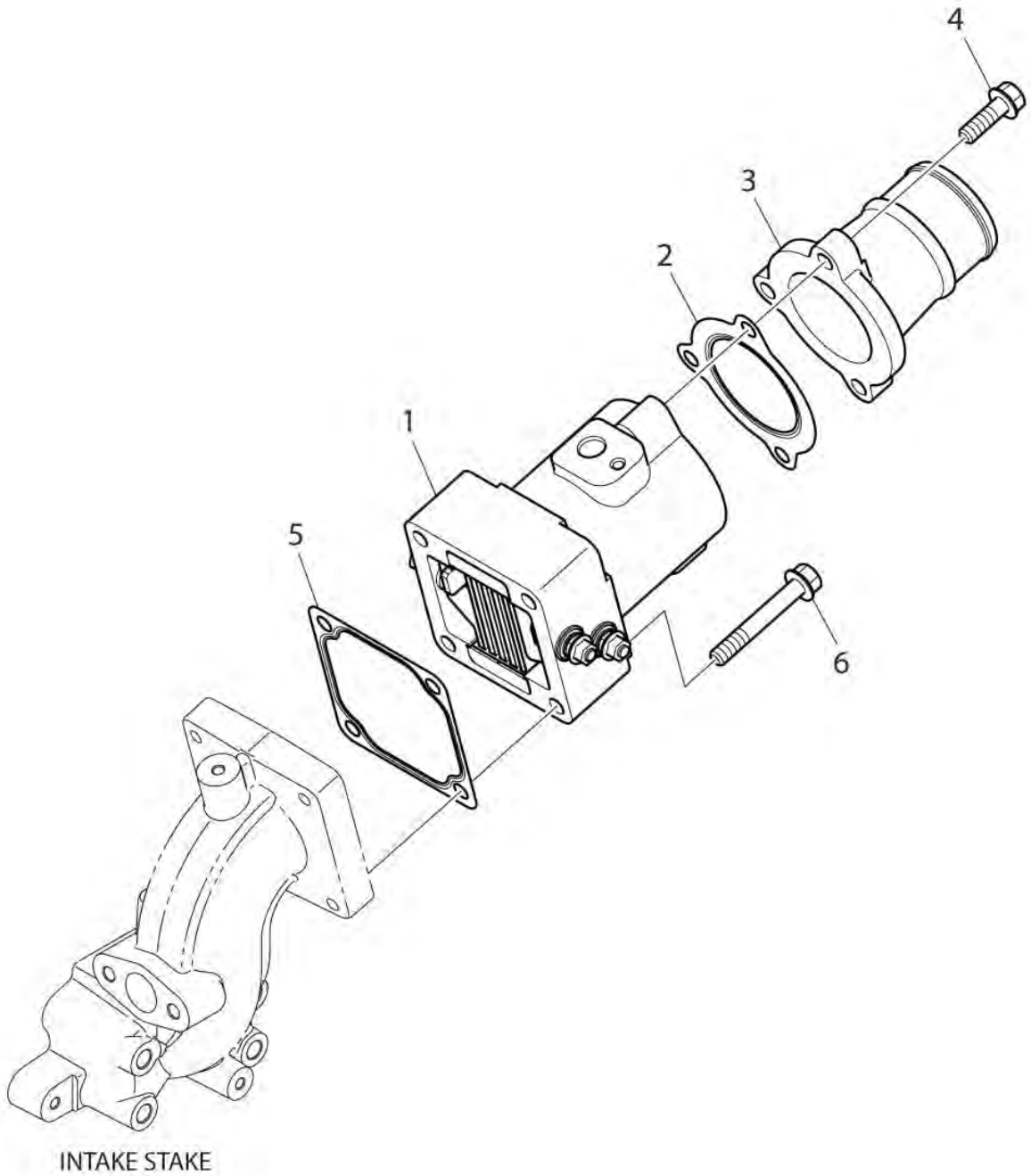
T1104SC / T1054SC / T954SC

AIR HEATER ASSY

P1

YEAR

2014



NOTE

FIG 140

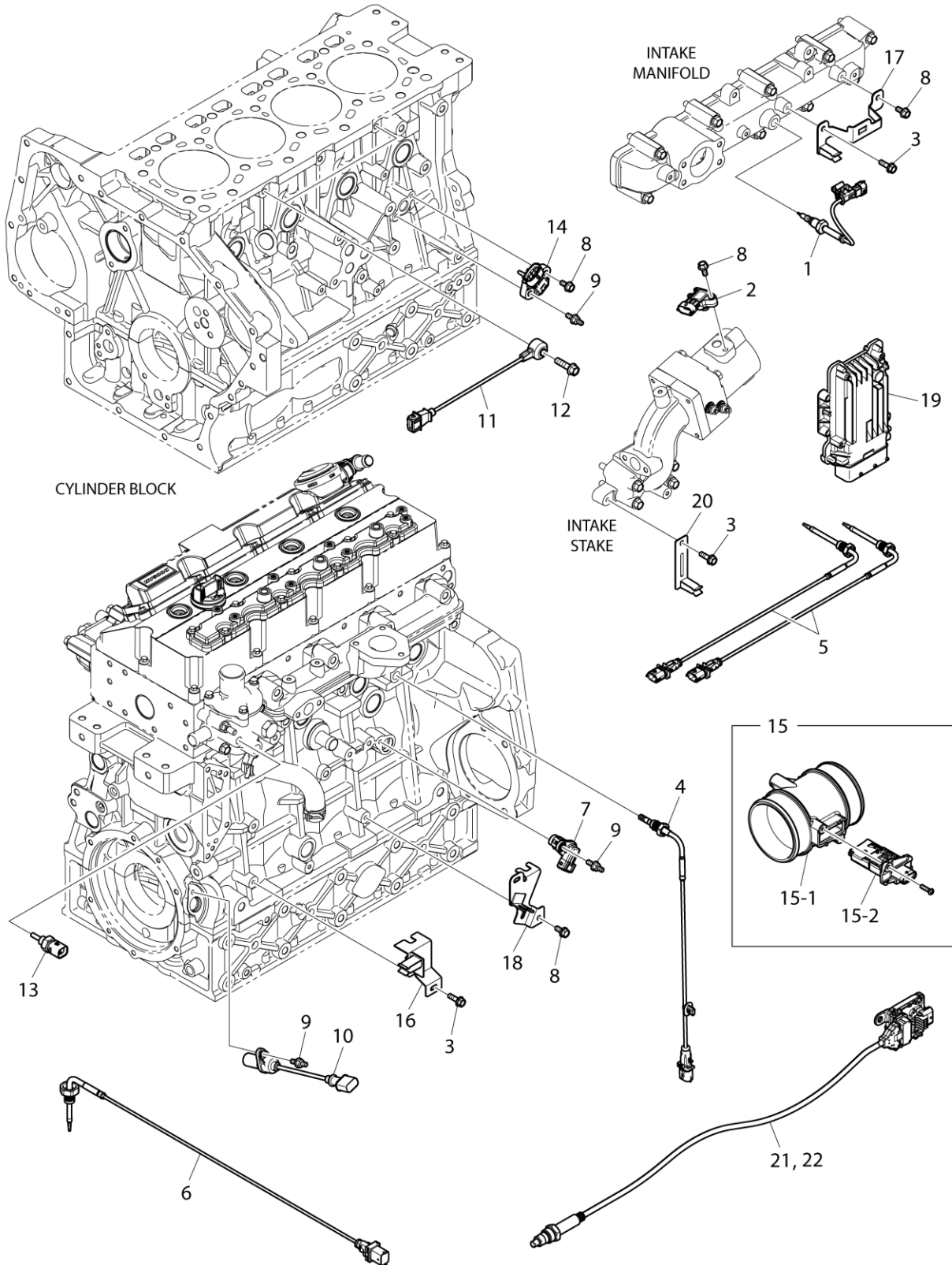
SENSOR ASSY

T1104SC / T1054SC / T954SC

P1

YEAR

2014



NOTE

FIG 141

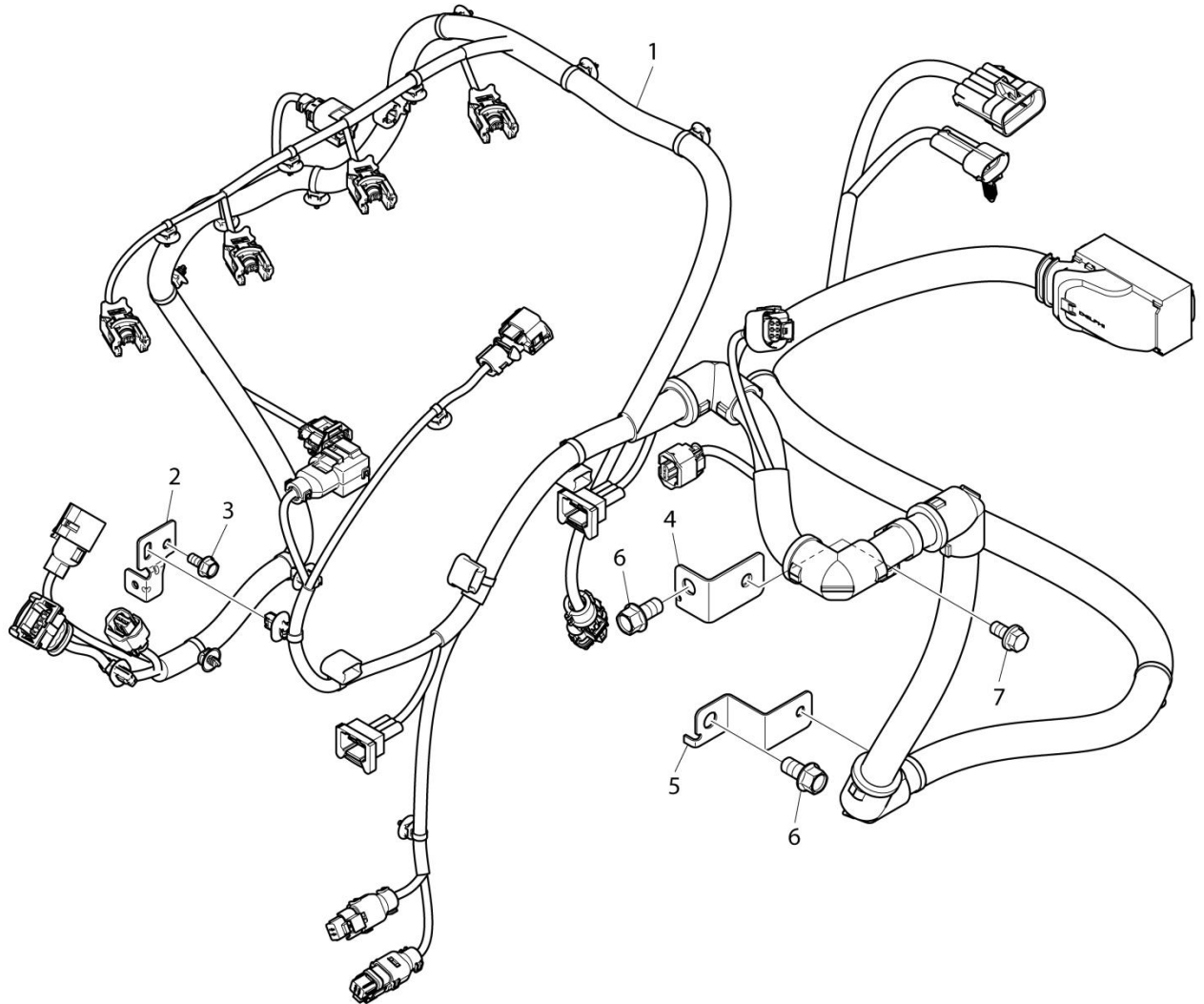
ENGINE HARNESS ASSY

T1104SC / T1054SC / T954SC

P1

YEAR

2014



NOTE

FIG 142

PTO ASSY

T1104SC / T1054SC / T954SC

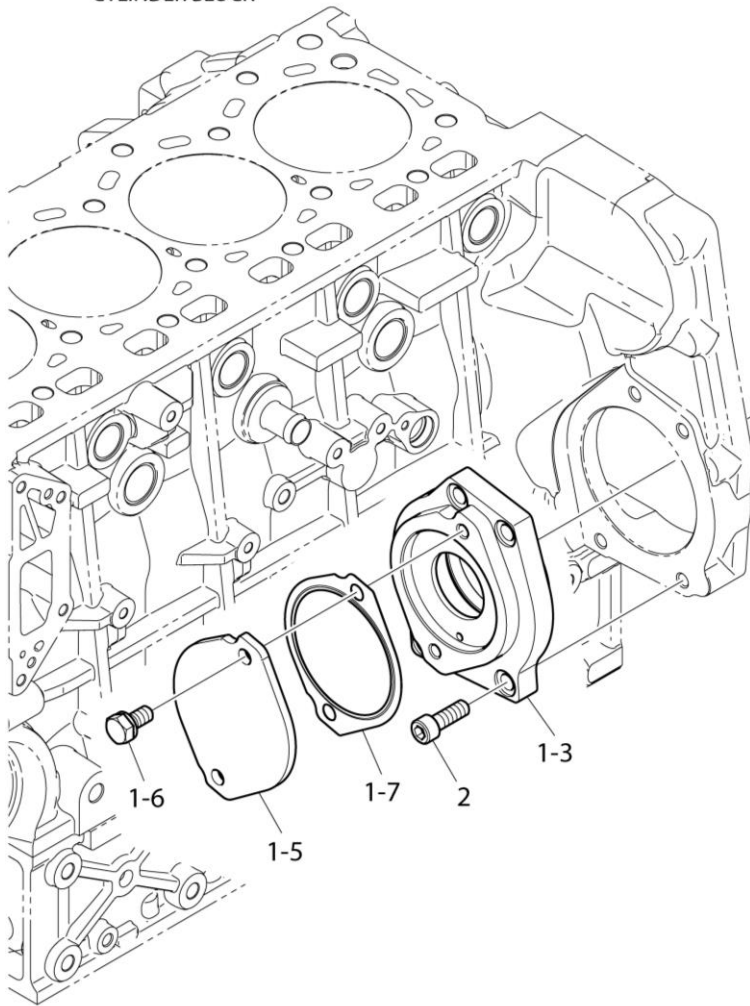
P1

YEAR

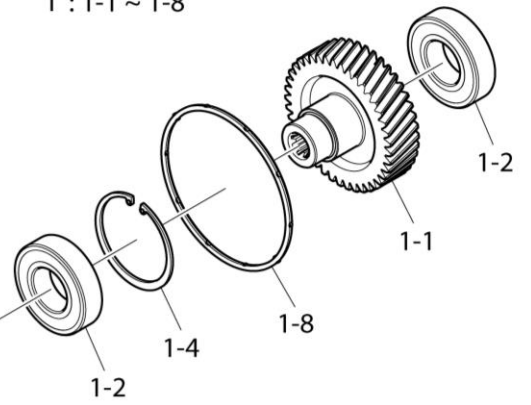
2014



CYLINDER BLOCK



1 : 1-1 ~ 1-8



NOTE

FIG 143

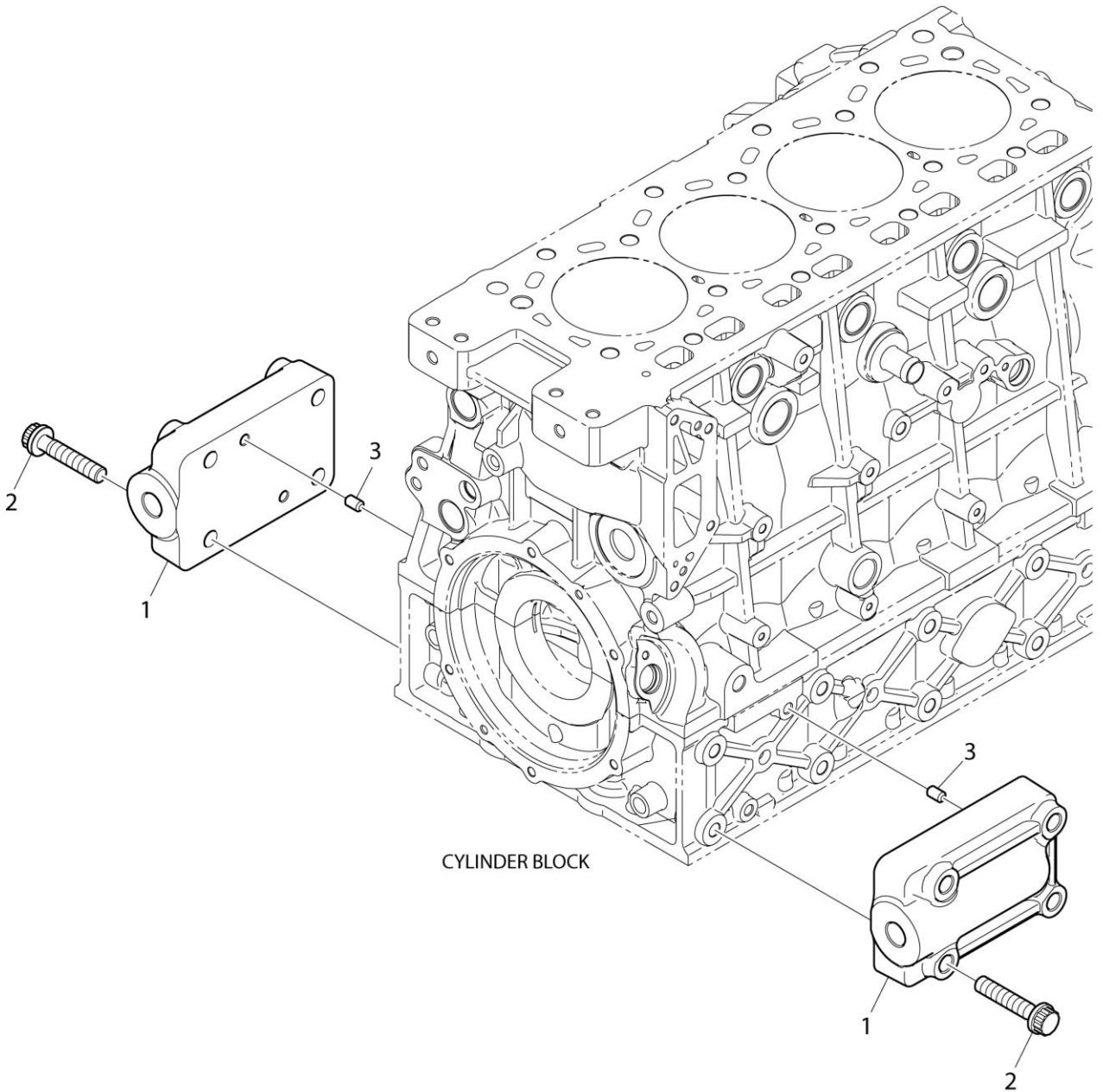
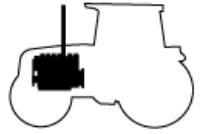
T1104SC / T1054SC / T954SC

MOUNTING BRACKET

P1

YEAR

2014



NOTE

FIG 201

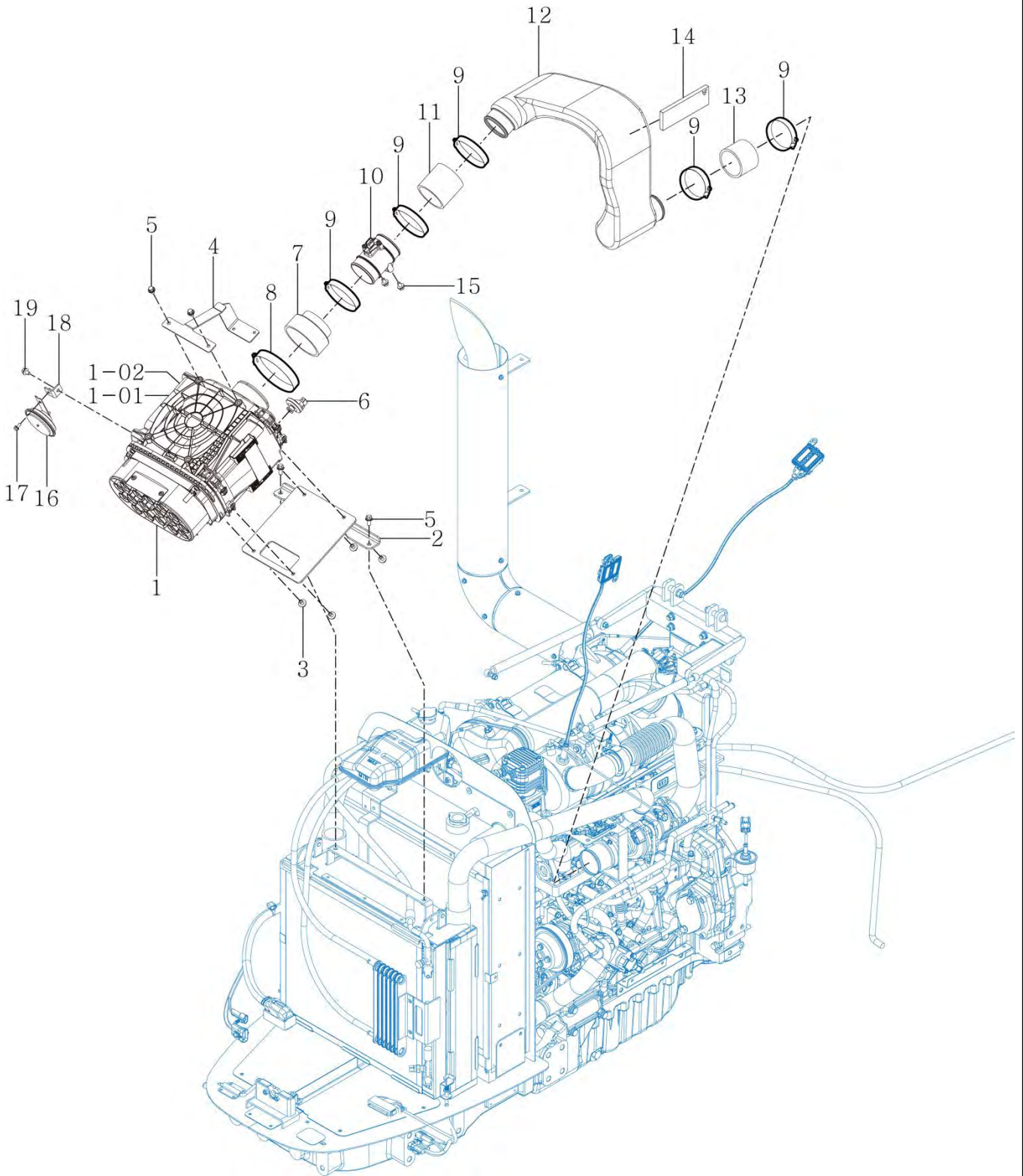
AIR CLEANER

T1104SC / T1054SC / T954SC

P1

YEAR

2014



NOTE

FIG 202

RADIATOR

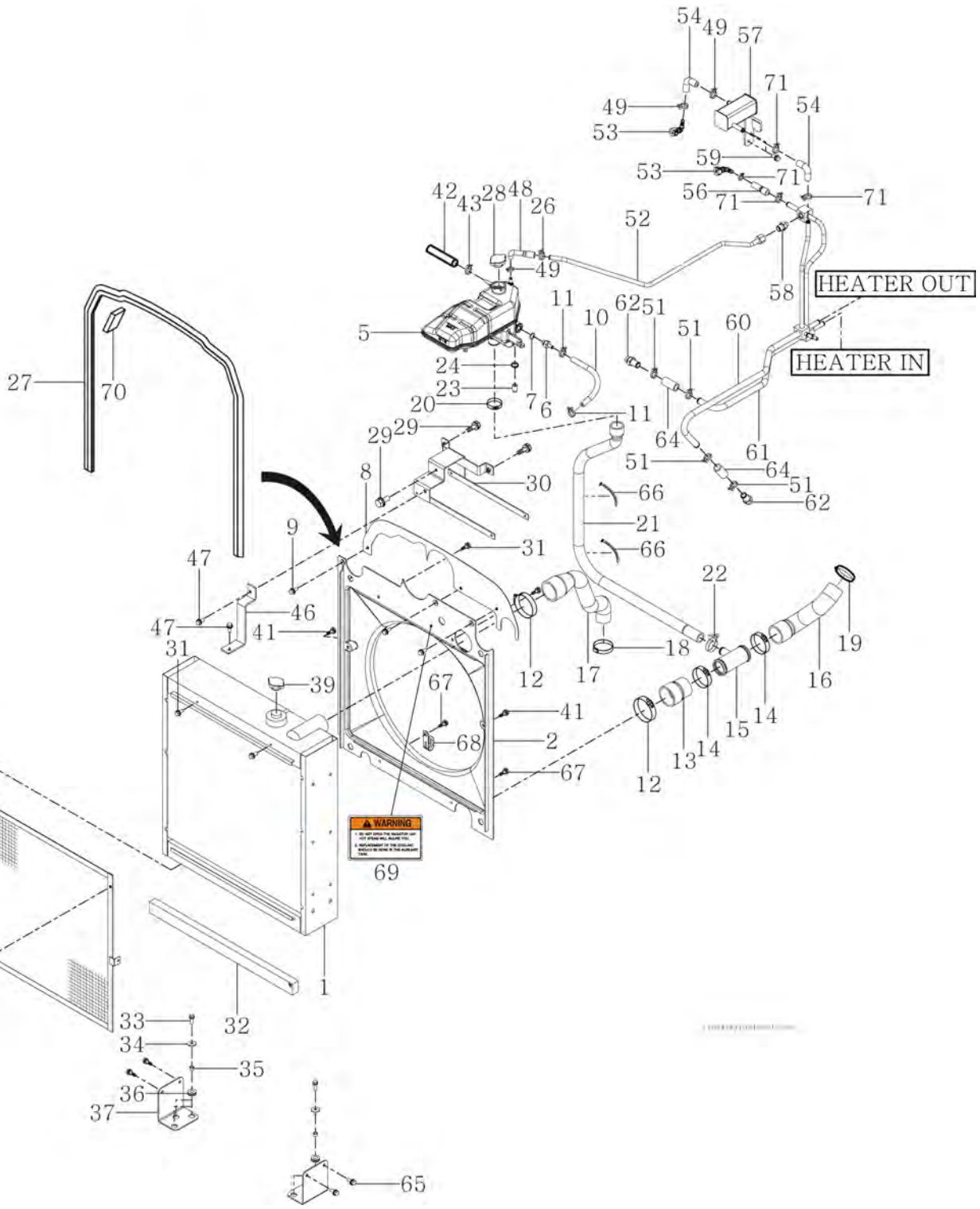
P1

YEAR

2014



T1104SC / T1054SC / T954SC



NOTE

FIG 202

RADIATOR

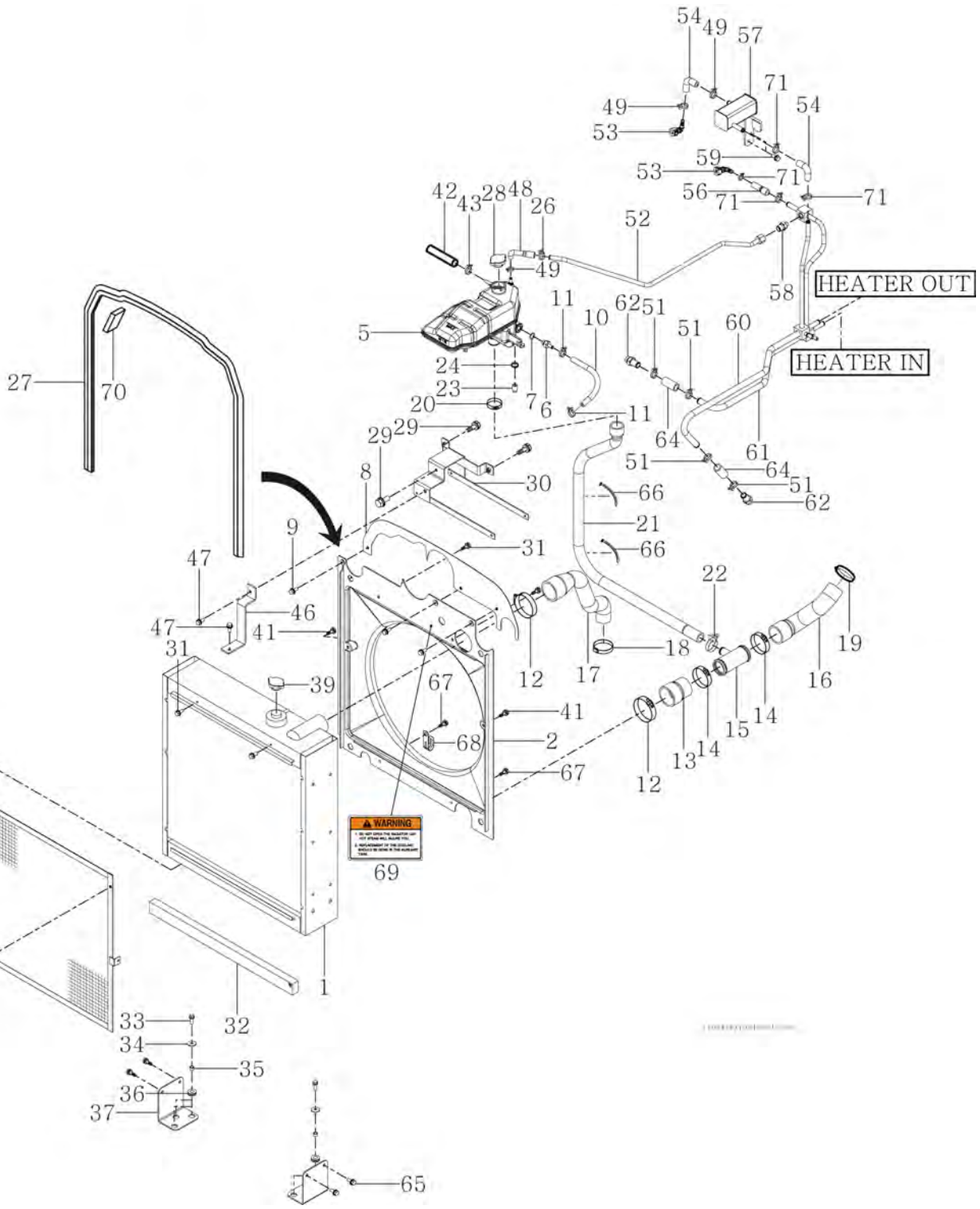
P2

YEAR

2014



T1104SC / T1054SC / T954SC



NOTE

FIG 203

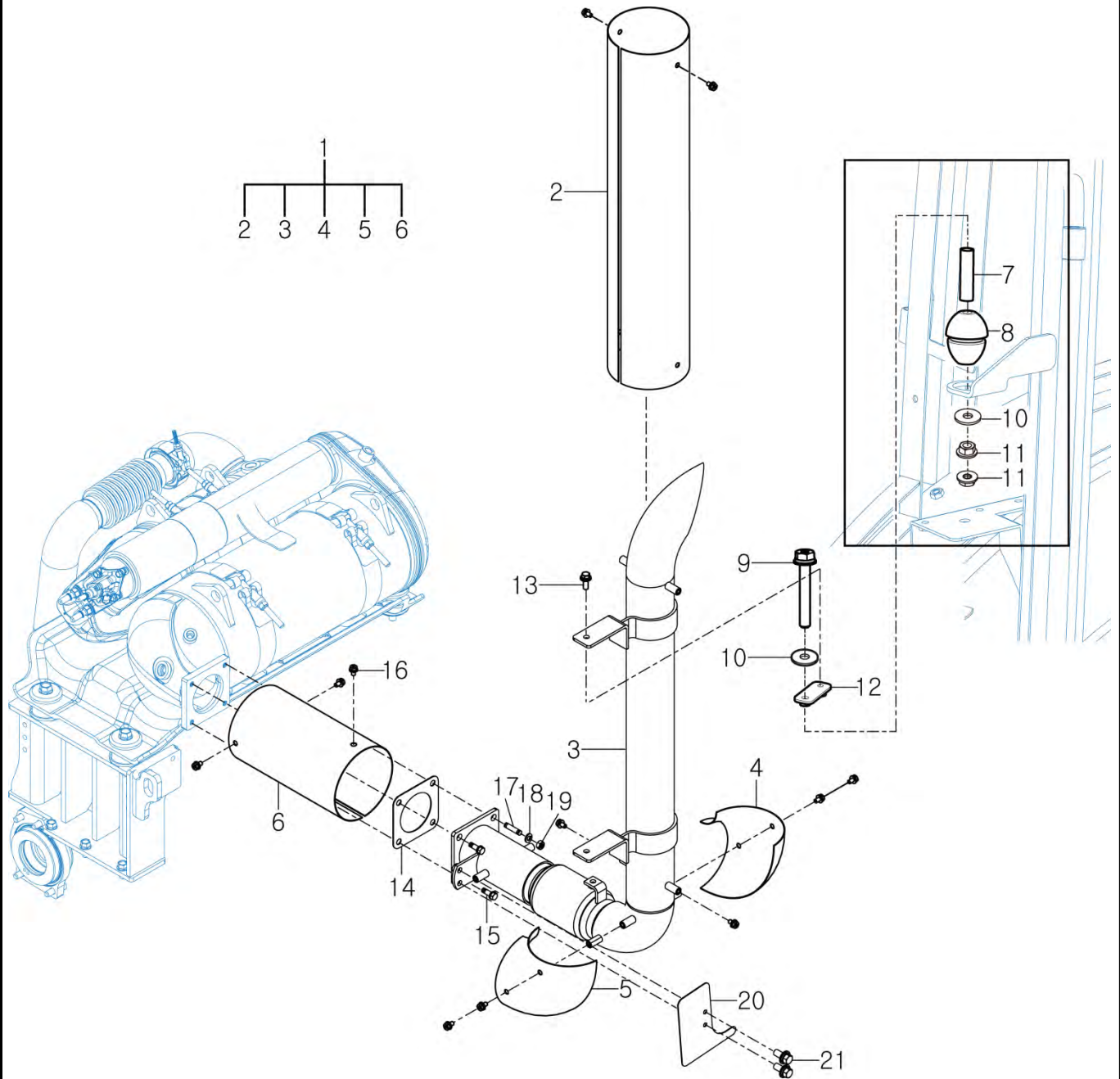
EXHAUST PIPE

T1104SC / T1054SC / T954SC

P1

YEAR

2014



T1054SP/T954SP-U-203

NOTE

FIG 205

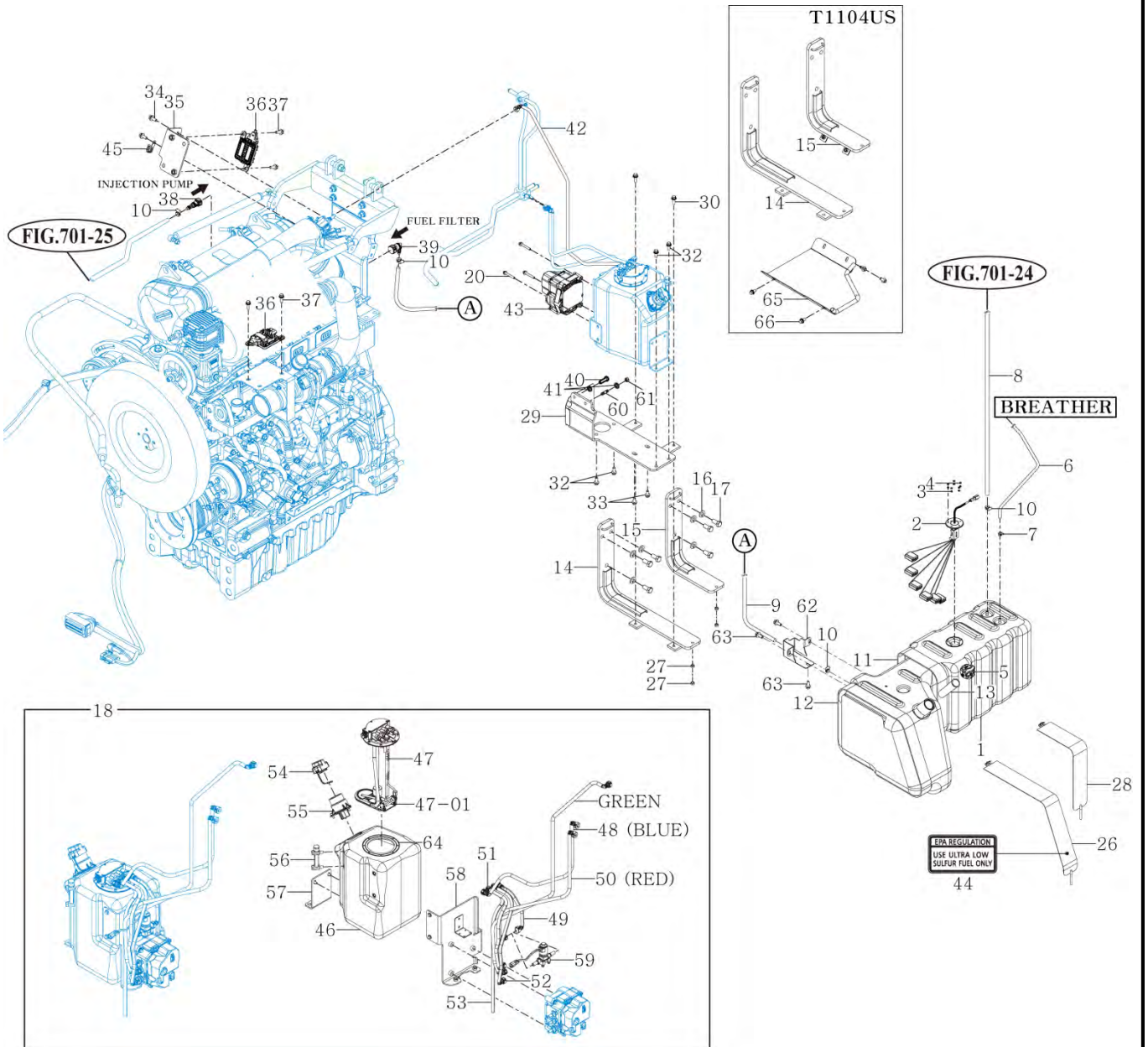
FUEL TANK & FUEL LINES

T1104SC / T1054SC / T954SC

P1

YEAR

2014



NOTE

FIG 205

FUEL TANK & FUEL LINES

T1104SC / T1054SC / T954SC

P2

YEAR

2014

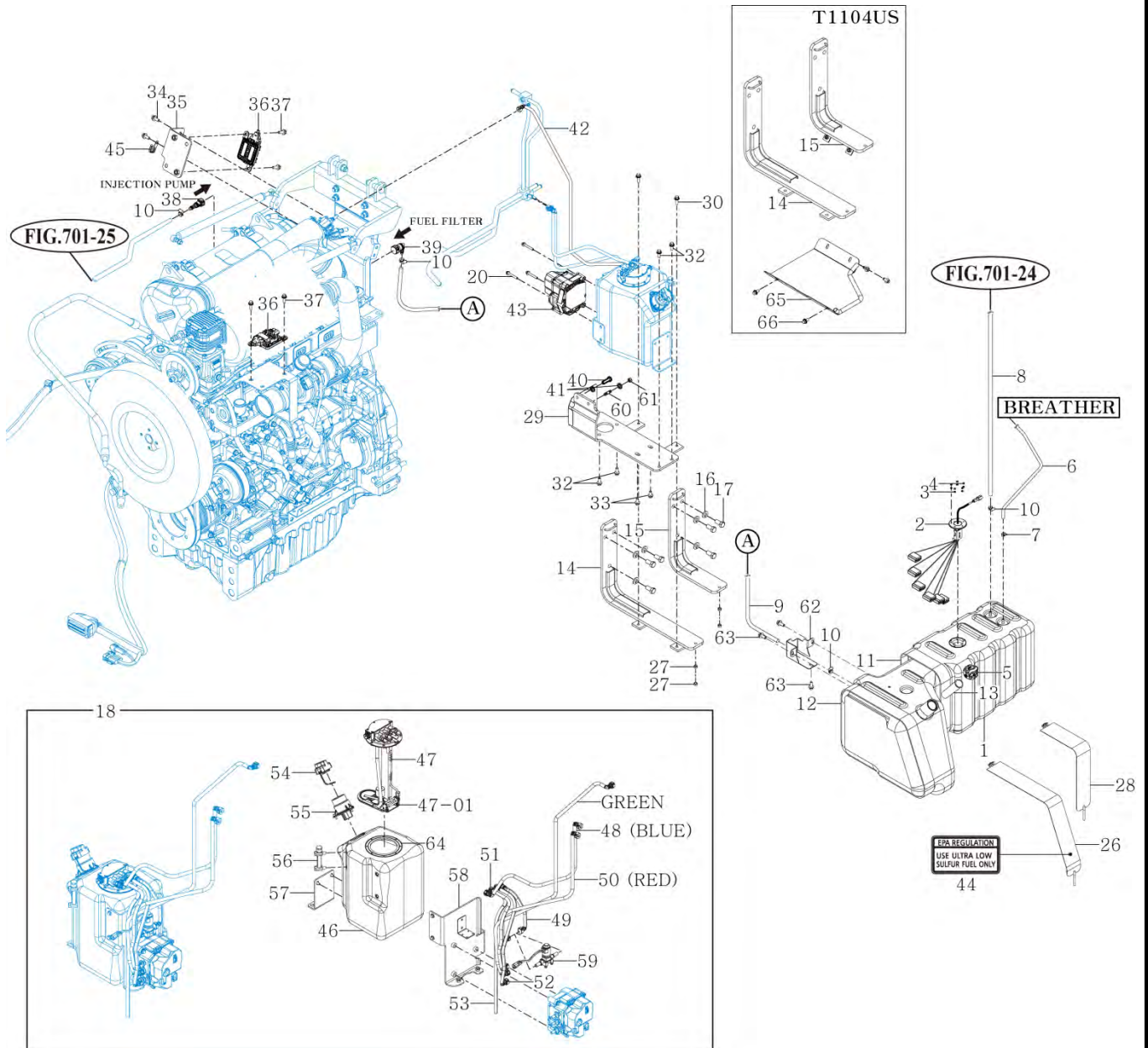


FIG 206

CABLE, THROTTLE & ACCELERATOR ASSY

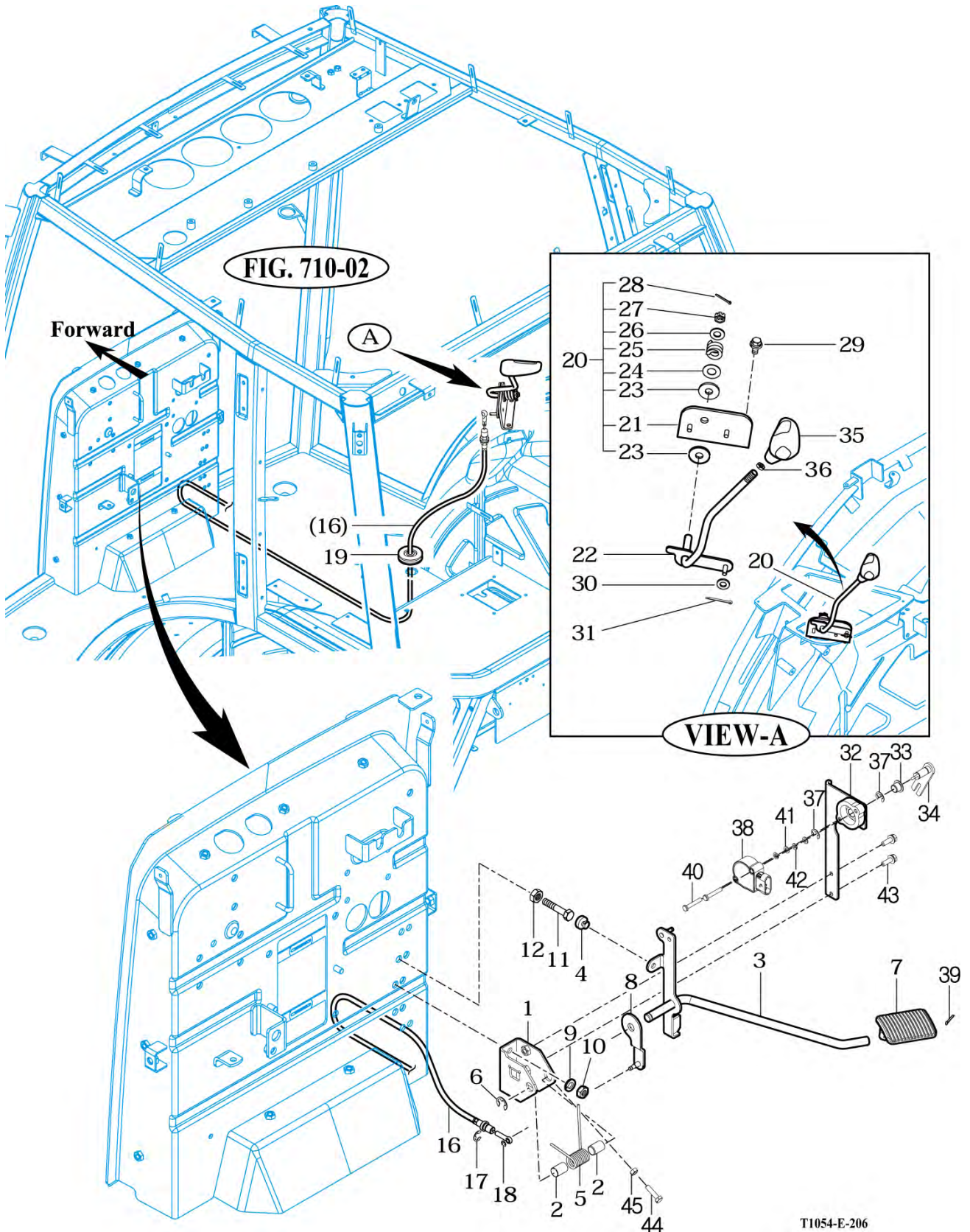
P1

YEAR

2014



T1104SC / T1054SC / T954SC



T1054-E-206

NOTE

FIG 207

INTERCOOLER

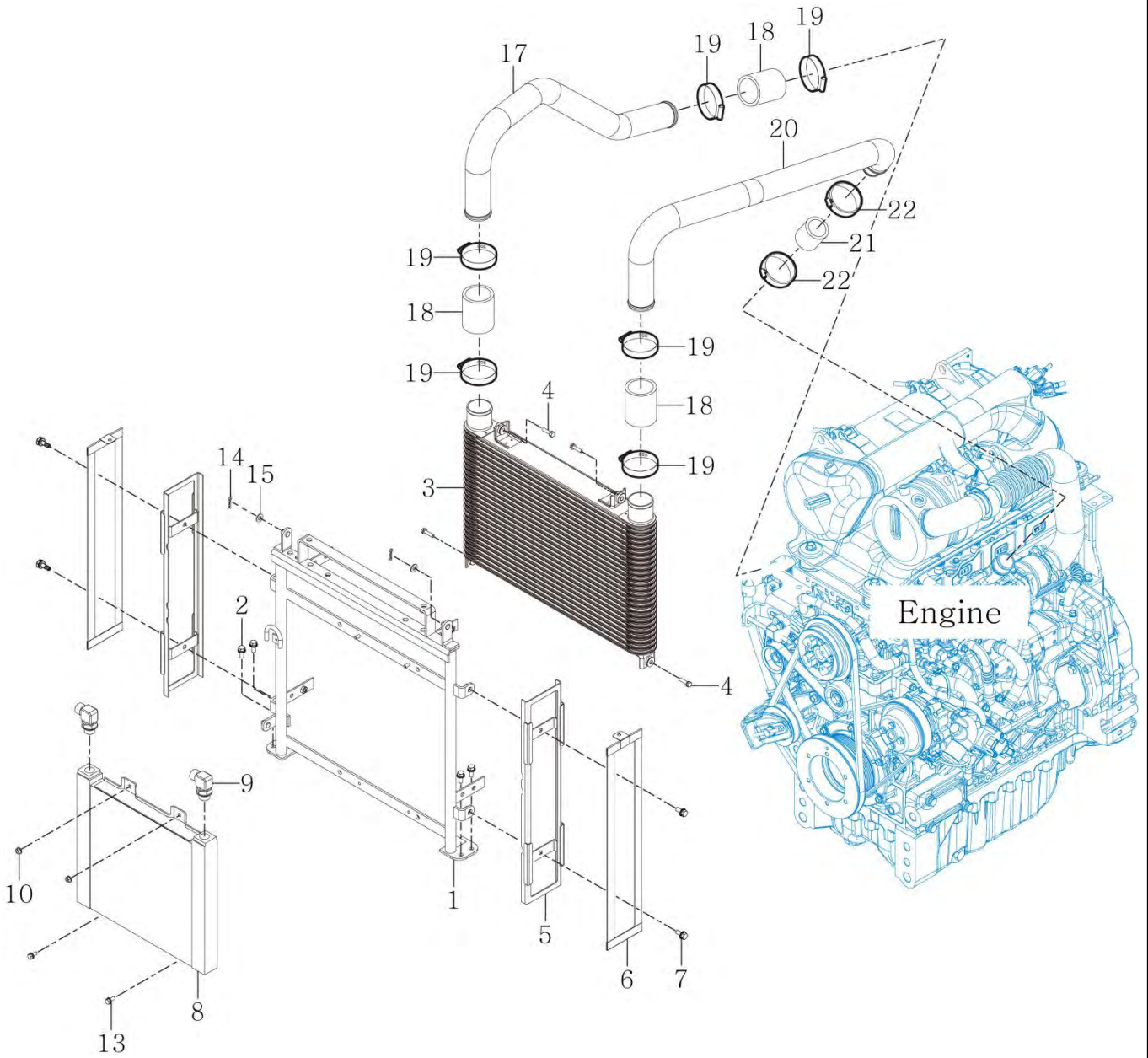
P1

YEAR

2014



T1104SC / T1054SC / T954SC



NOTE

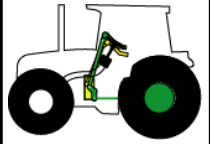
FIG 301

DAMPER FLANGE ASSY

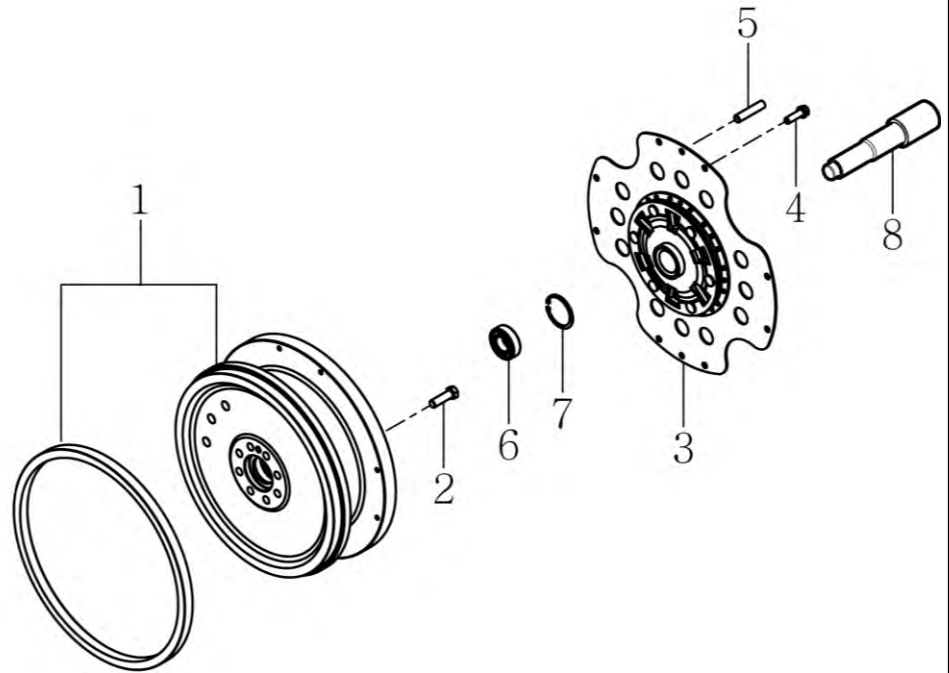
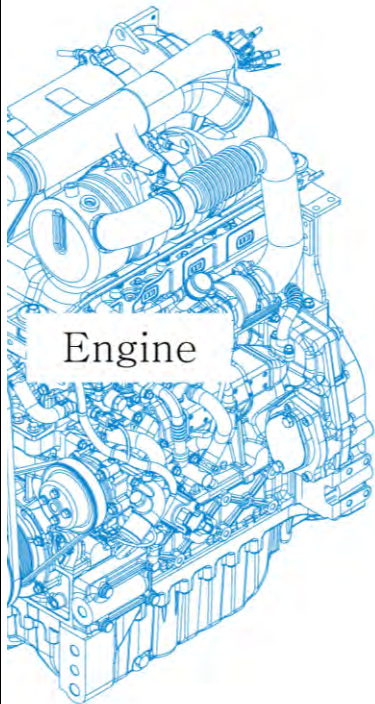
P1

YEAR

2014



T1104SC / T1054SC / T954SC



NOTE

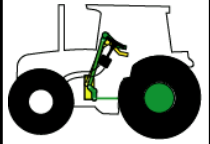
FIG 302

CASE SUB ASSY, BRAKE

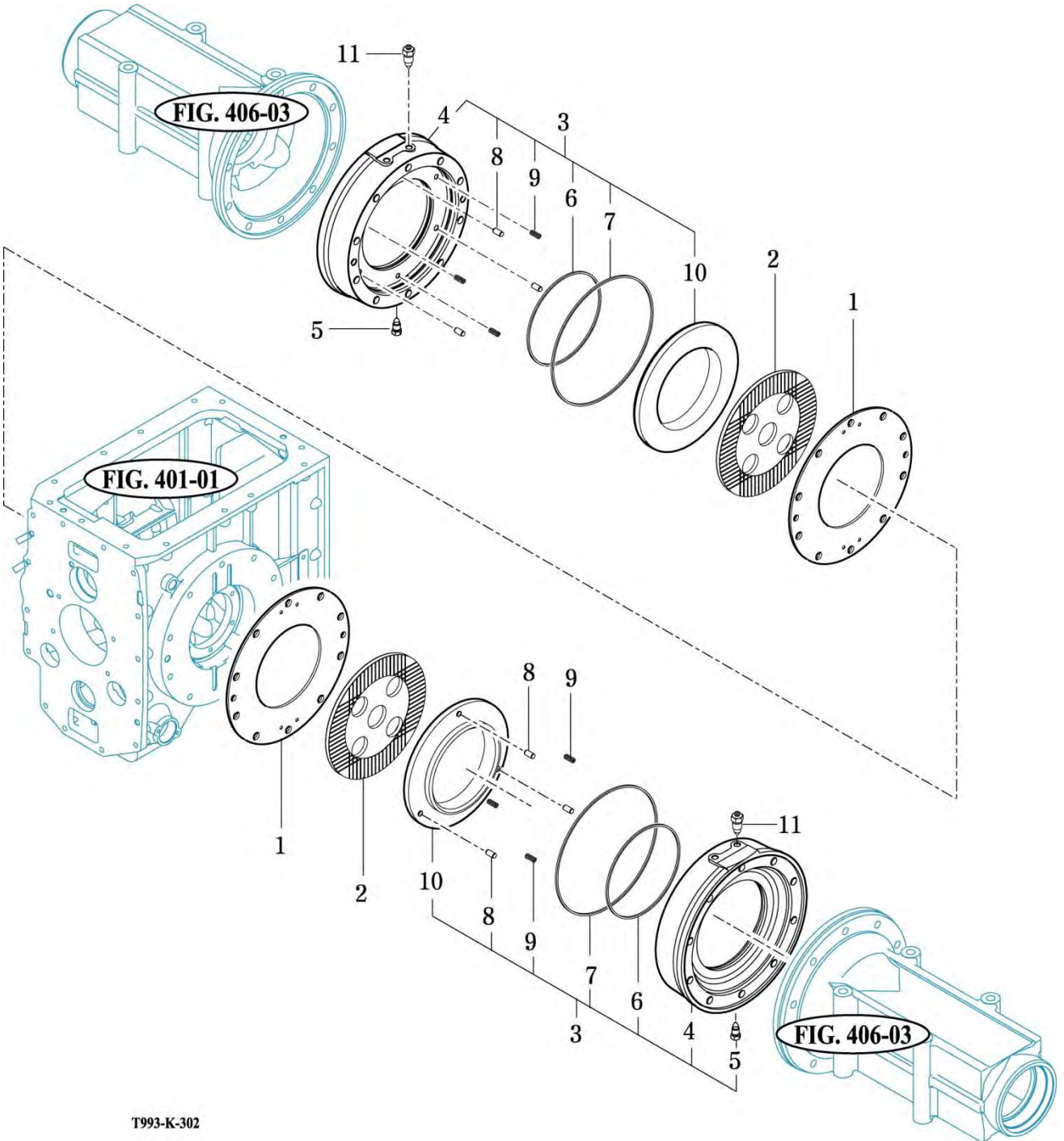
P1

YEAR

2014



T1104SC / T1054SC / T954SC



T993-K-302

NOTE

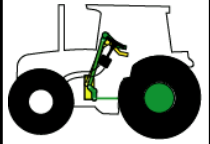
FIG 303A

BRAKE PIPES

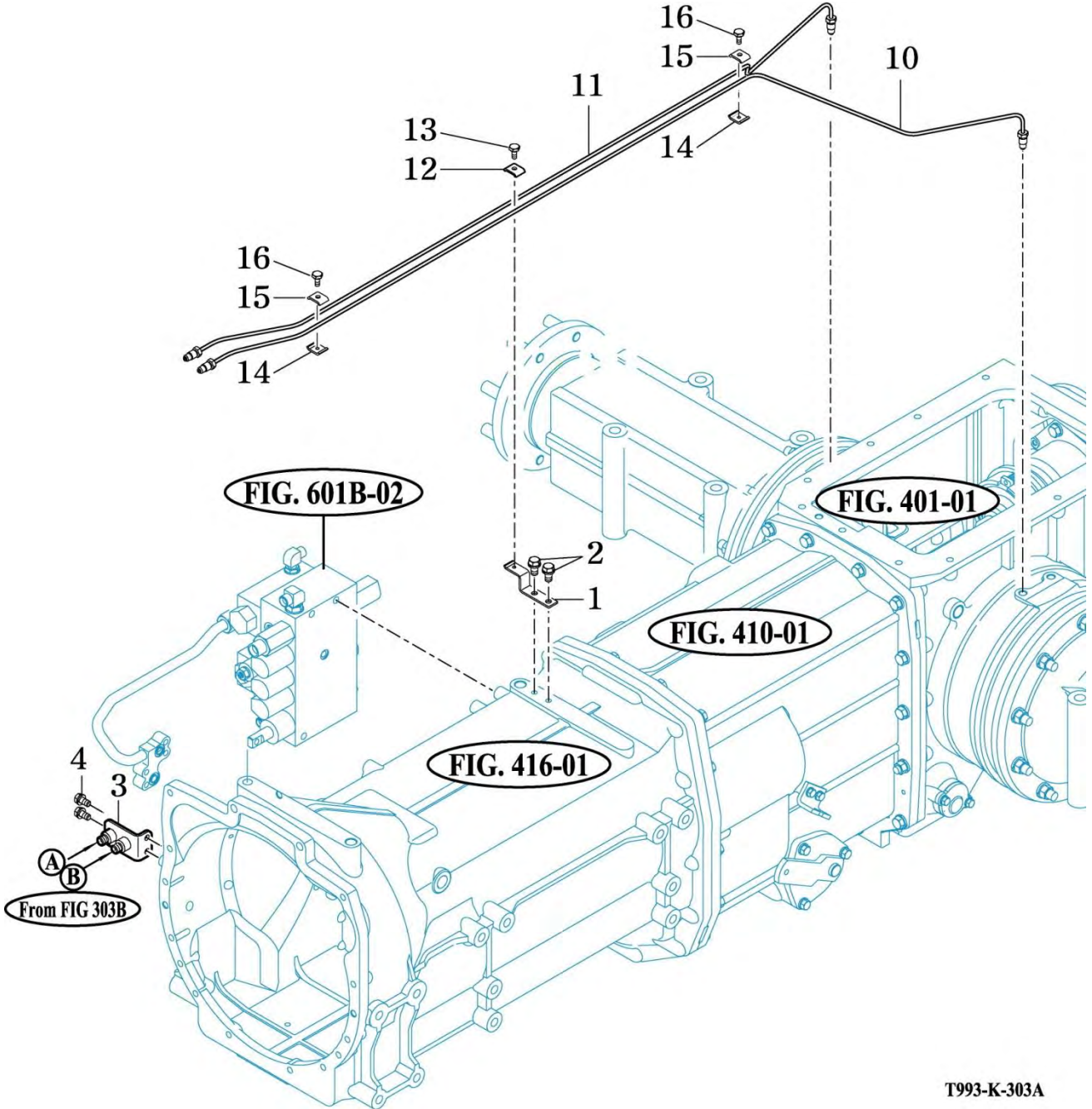
P1

YEAR

2014



T1104SC / T1054SC / T954SC



T993-K-303A

NOTE

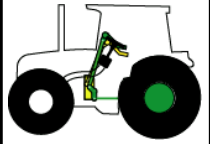
FIG 303B

BRAKE

P1

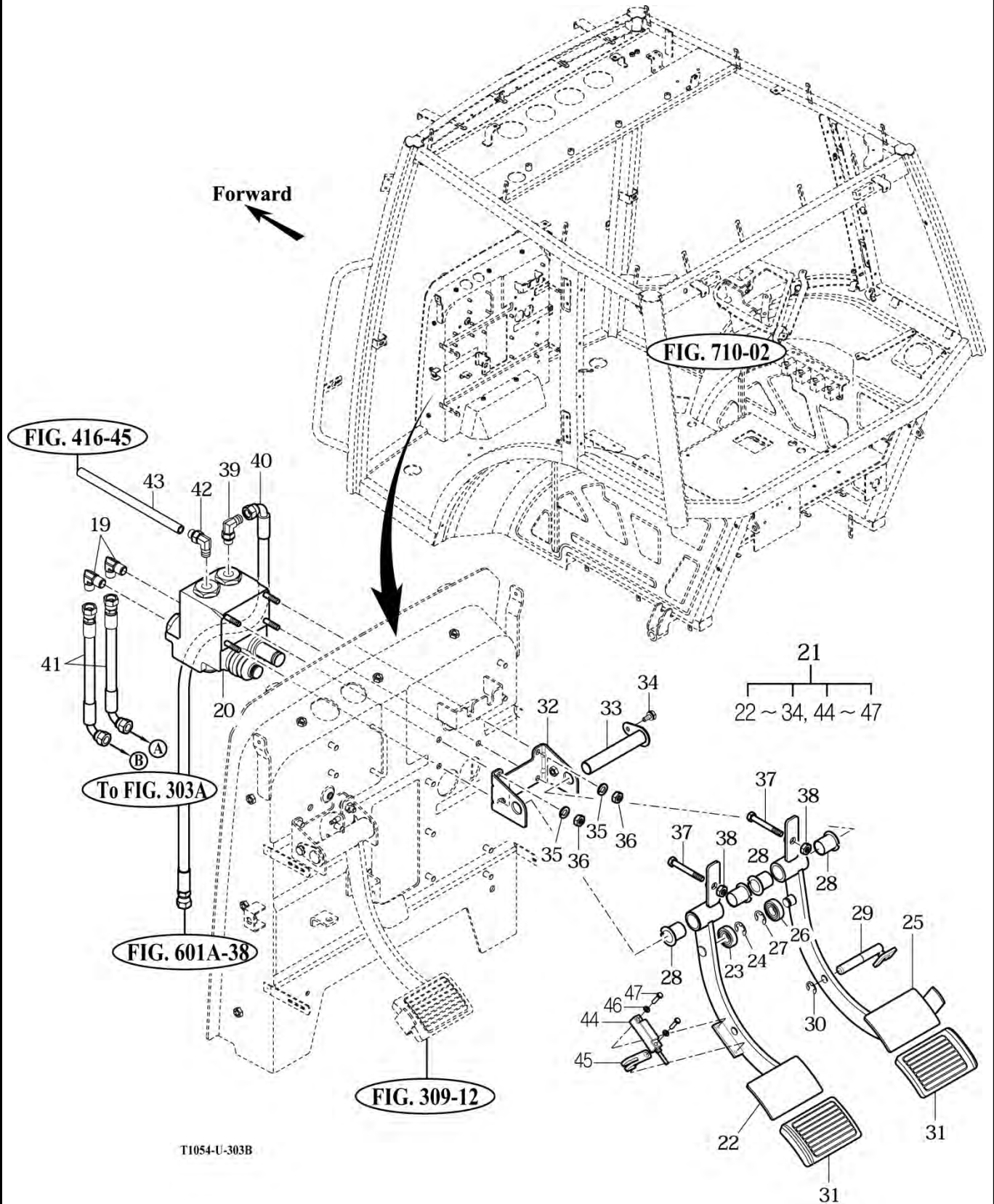
YEAR

2014



T1104SC / T1054SC / T954SC

Forward



NOTE

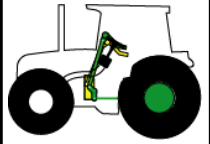
FIG 304

FRONT WHEEL

P1

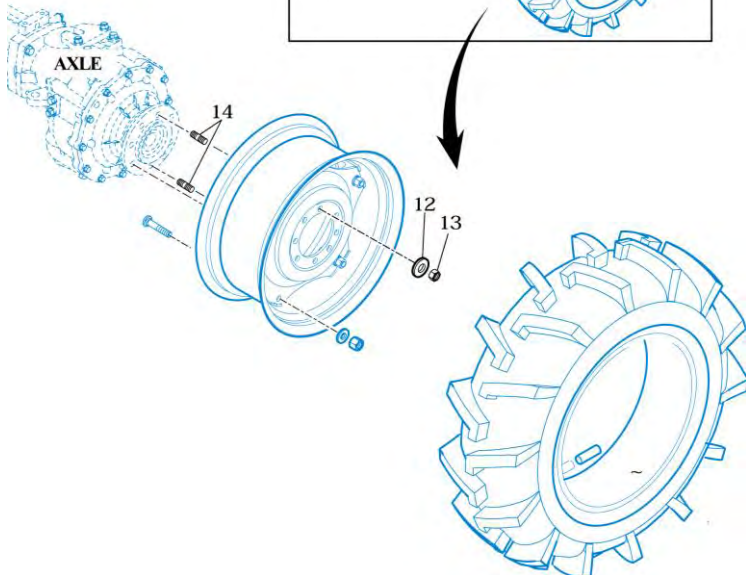
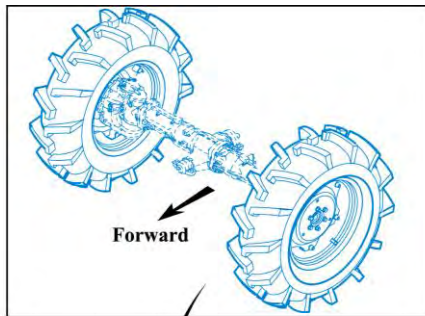
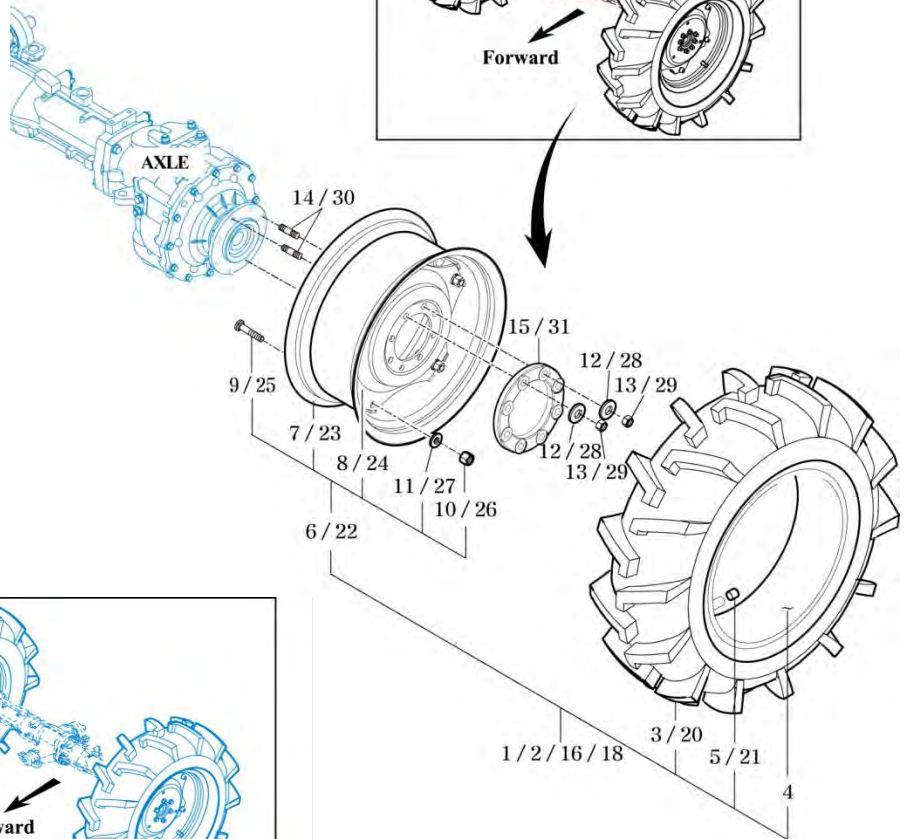
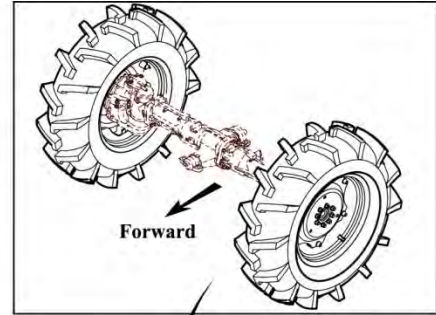
YEAR

2014



T1104SC / T1054SC / T954SC

EU ONLY



US ONLY

NOTE

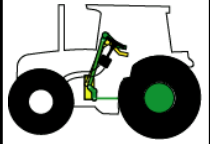
FIG 305

REAR WHEEL

P1

YEAR

2014



T1104SC / T1054SC / T954SC

EU ONLY

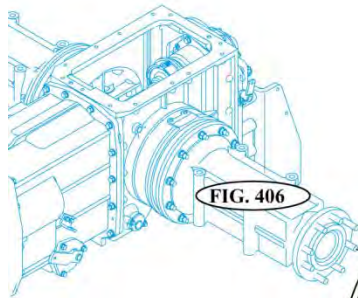
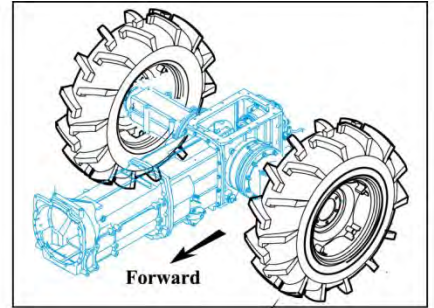
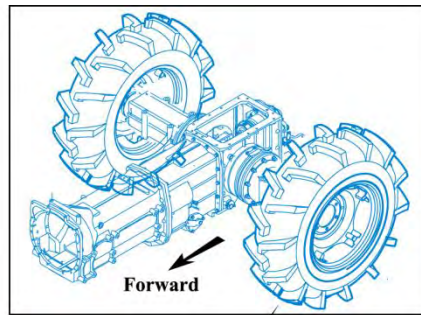
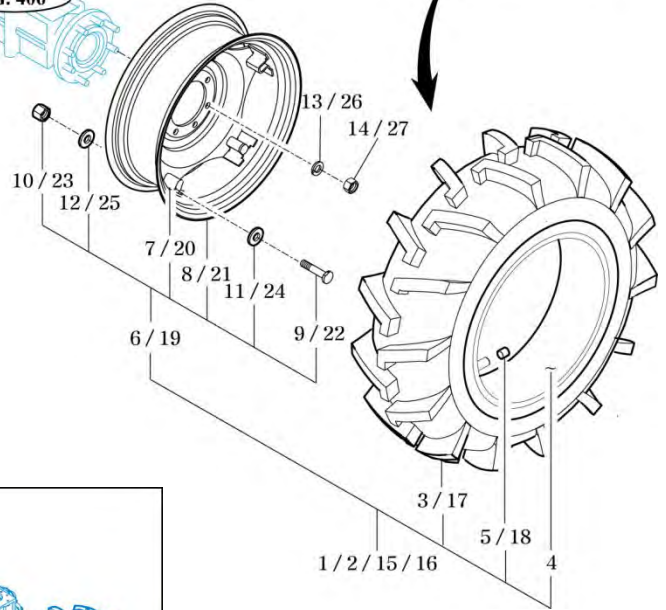


FIG. 406



Forward



Forward

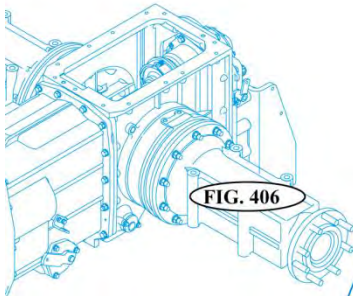
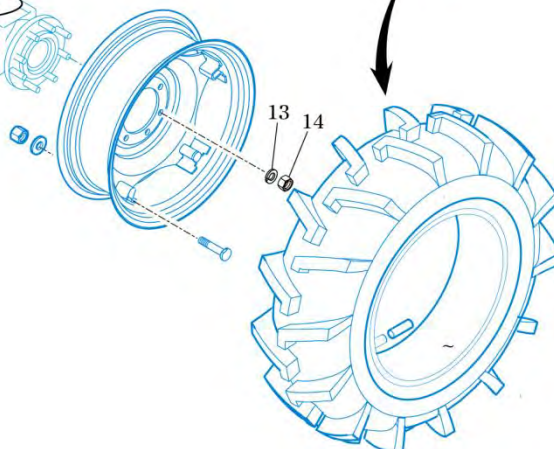


FIG. 406



US ONLY

NOTE

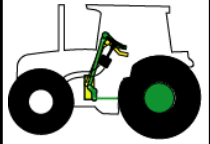
FIG 306

STEERING WHEEL ASSY

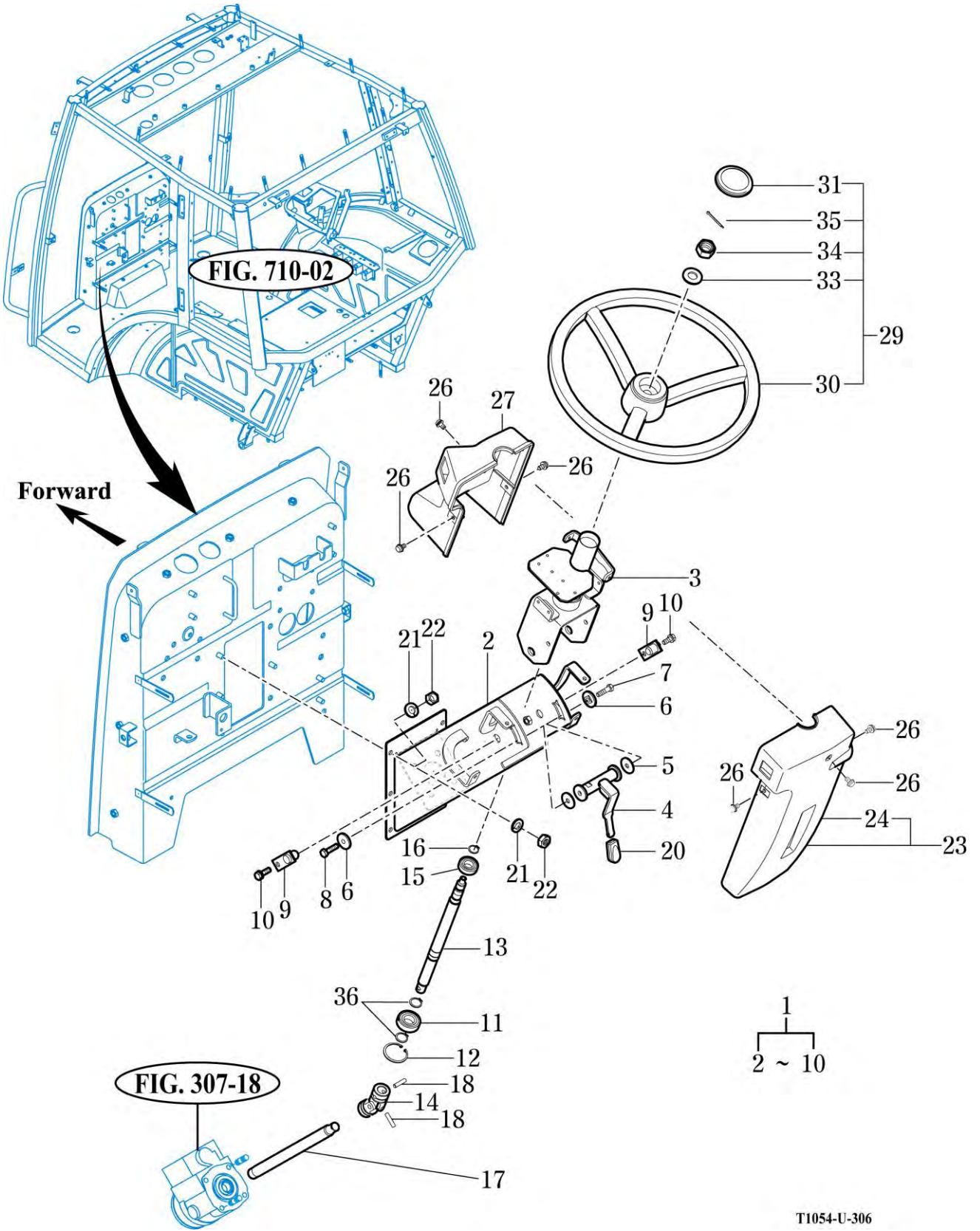
P1

YEAR

2014



T1104SC / T1054SC / T954SC



T1054-U-306

NOTE

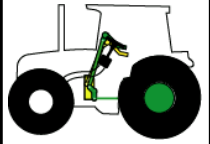
FIG 307

POWER STEERING VALVE

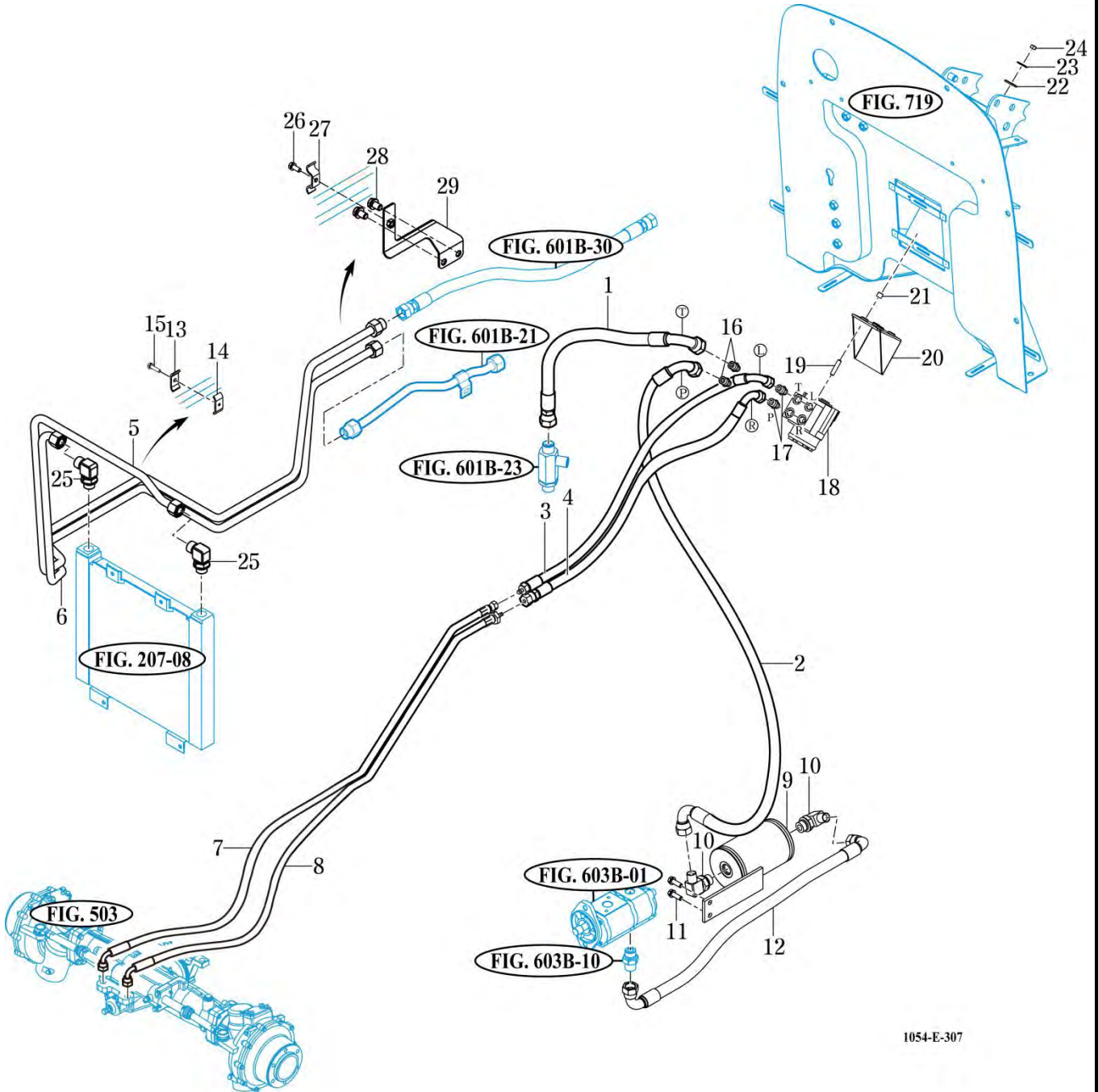
P1

YEAR

2014



T1104SC / T1054SC / T954SC



1054-E-307

NOTE

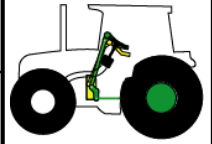
FIG 308

POWER STEERING CYLINDER

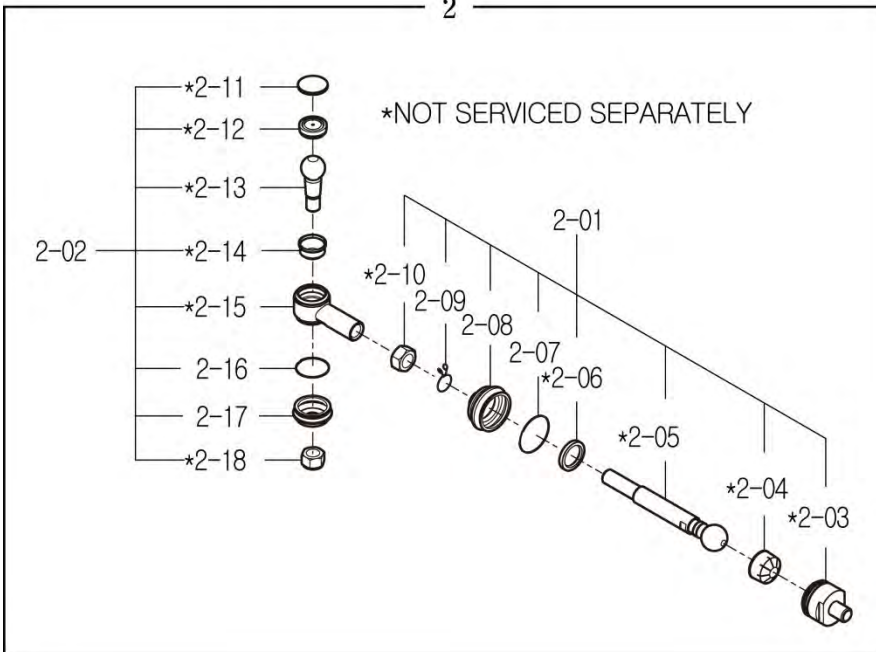
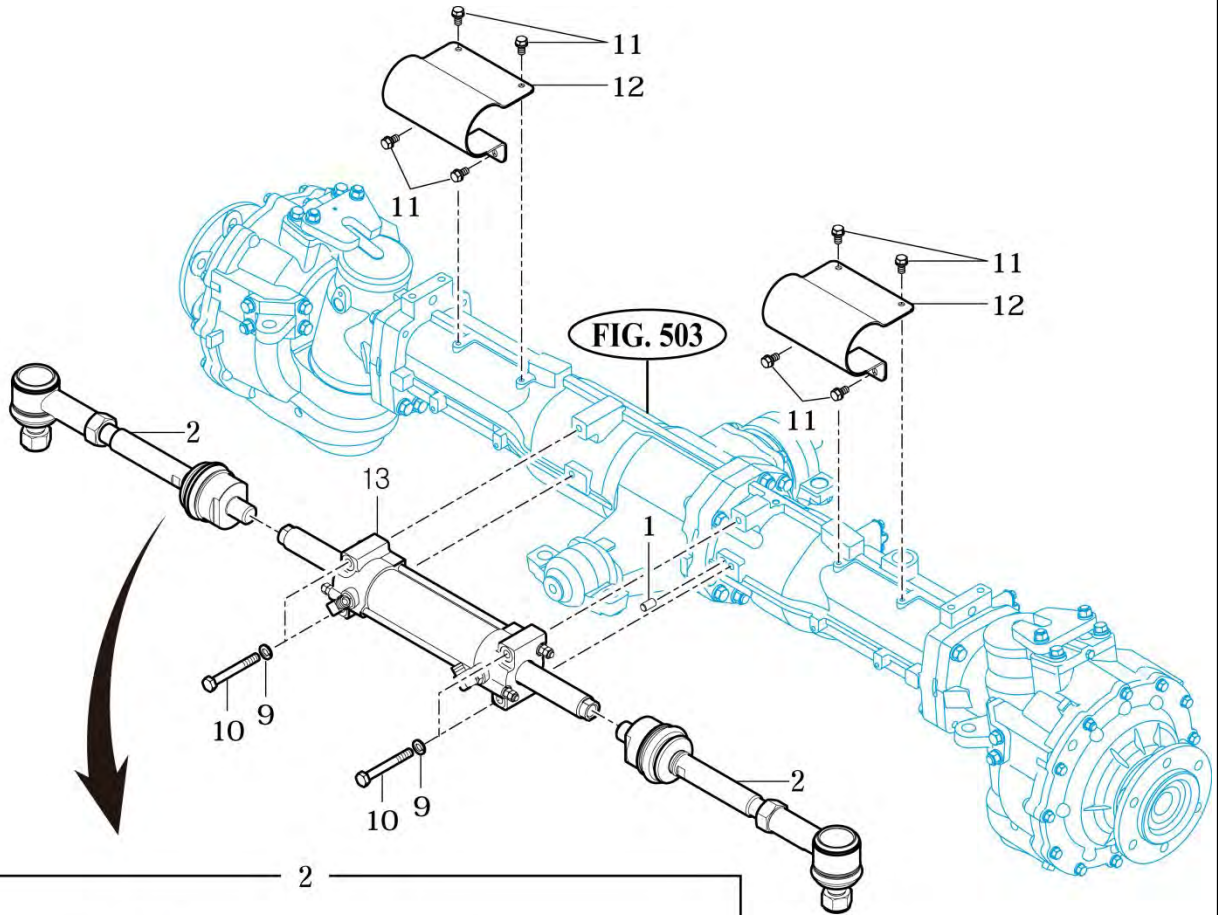
P1

YEAR

2014



T1104SC / T1054SC / T954SC



TX1003/903-K-308

NOTE

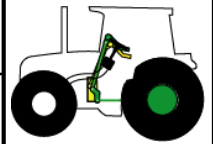
FIG 309

SUB CLUTCH PEDAL

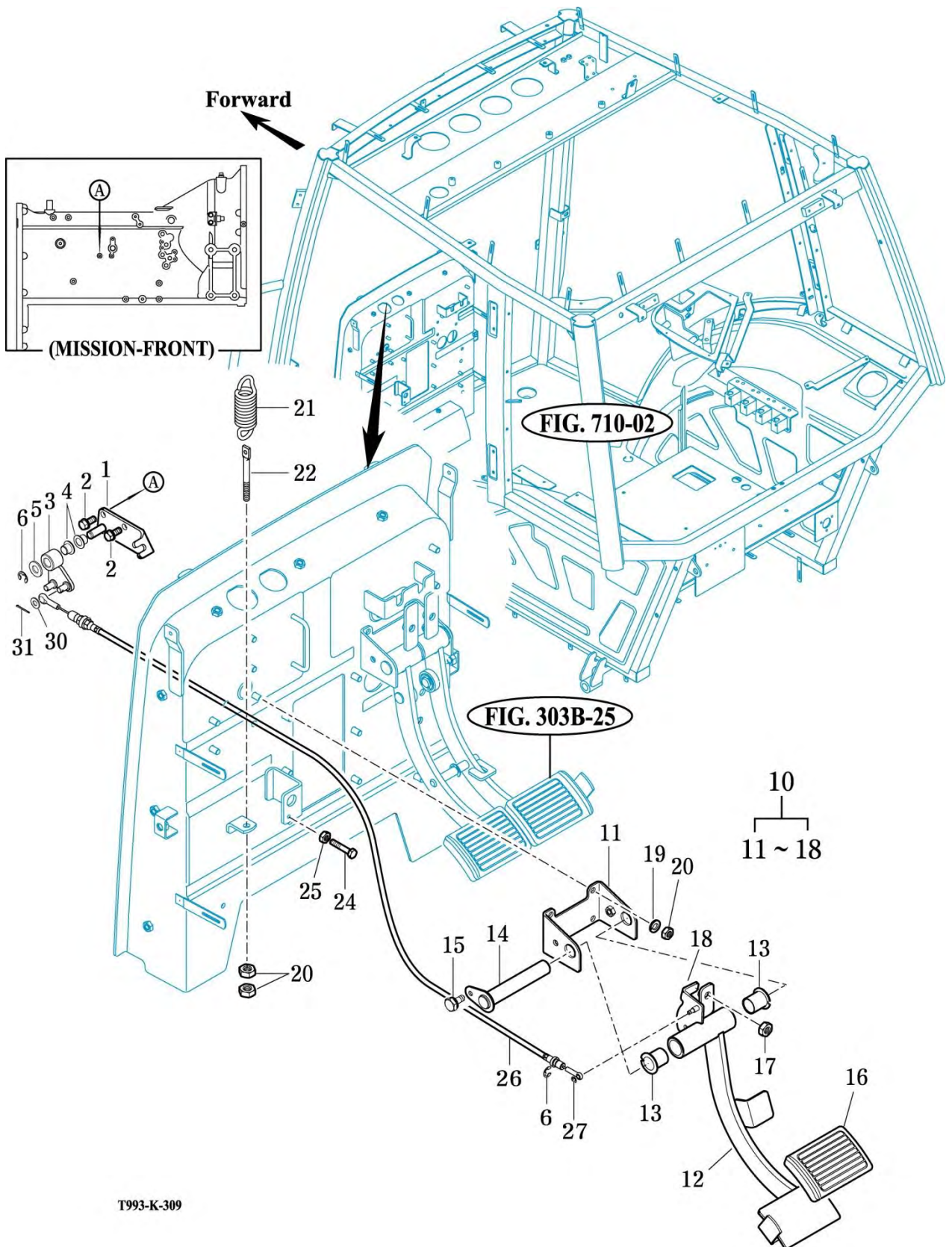
P1

YEAR

2014



T1104SC / T1054SC / T954SC



T993-K-309

NOTE

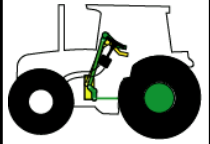
FIG 310

HAND BRAKE SUB

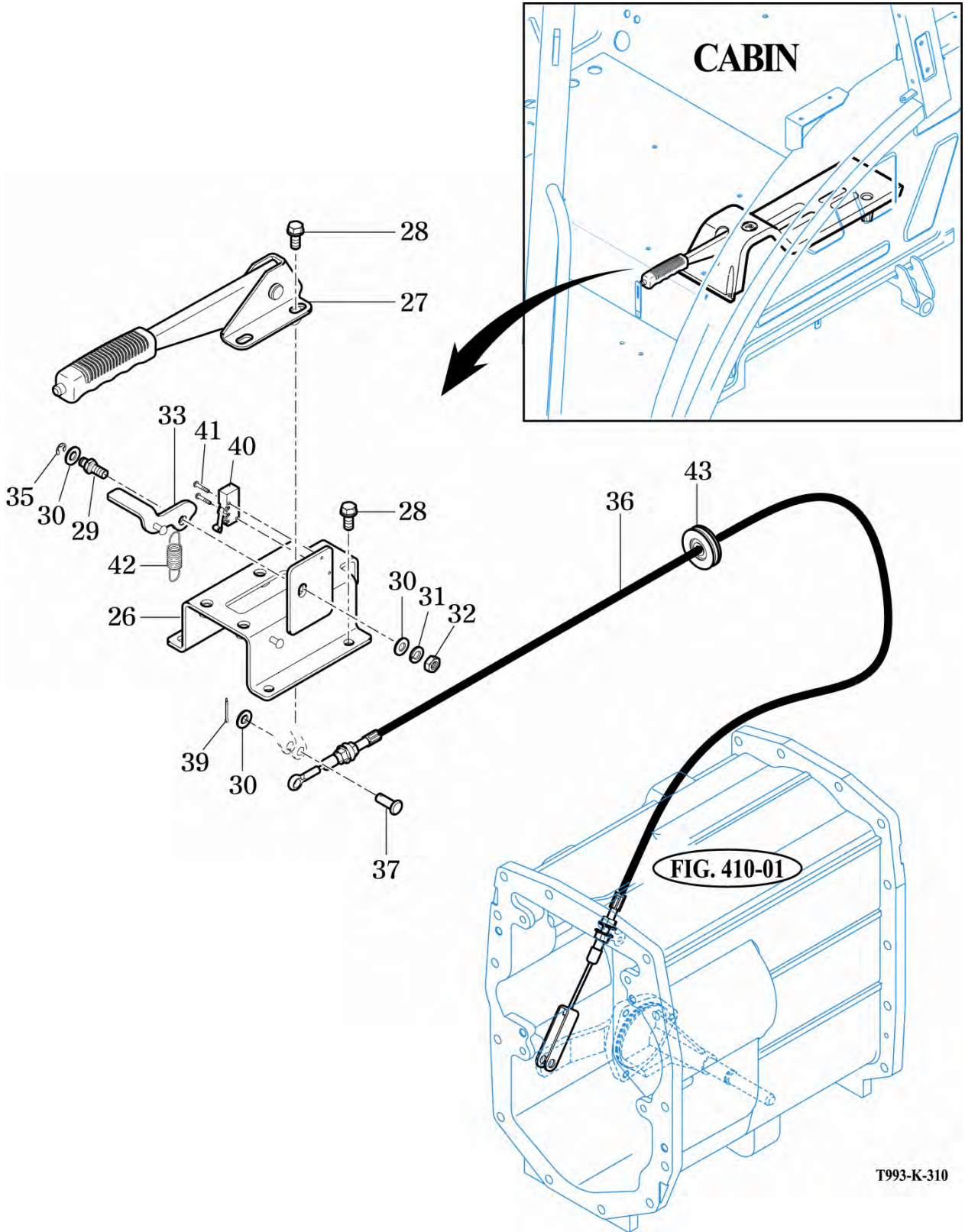
P1

YEAR

2014



T1104SC / T1054SC / T954SC



NOTE

FIG 311

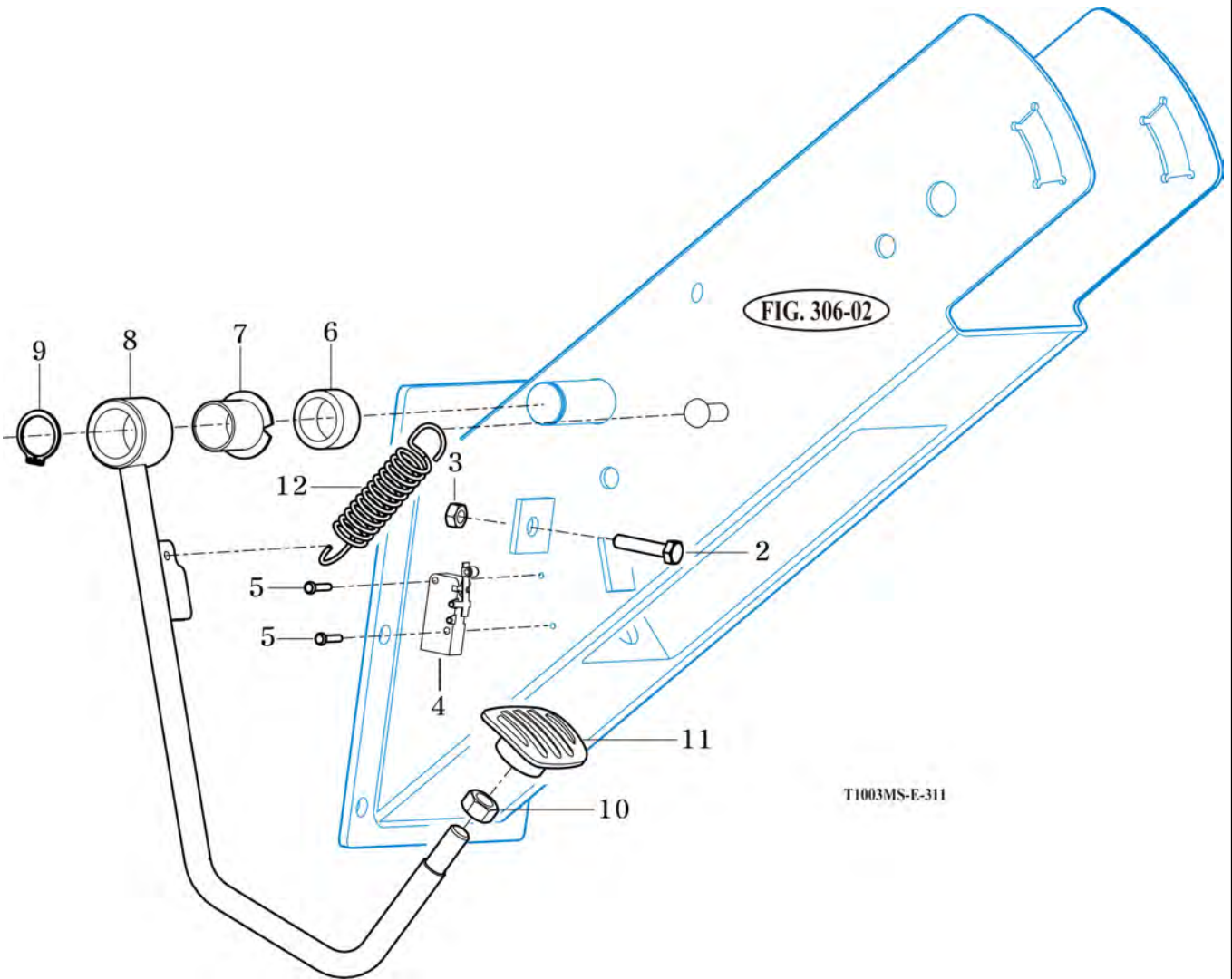
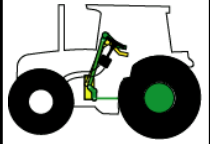
DIFF-LOCK PEDAL

T1104SC / T1054SC / T954SC

P1

YEAR

2014



NOTE

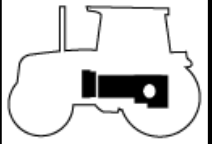
FIG 401

CASE SUB, RR TRANSMISSION

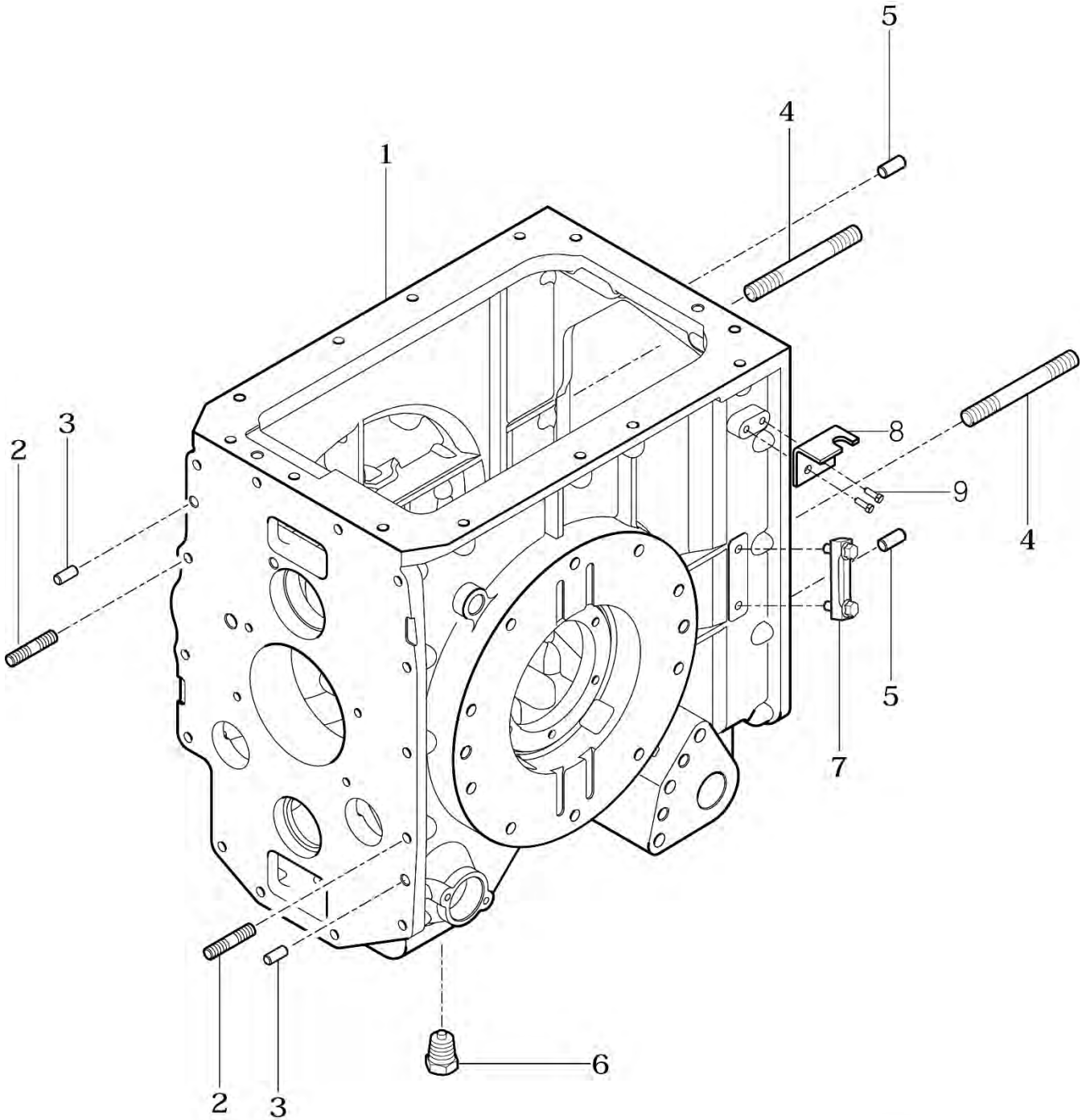
P1

YEAR

2014



T1104SC / T1054SC / T954SC



T1104SC/T1054SC/T954SC-401

NOTE

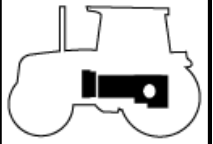
FIG 402A

METAL SUB ASSY, PINION

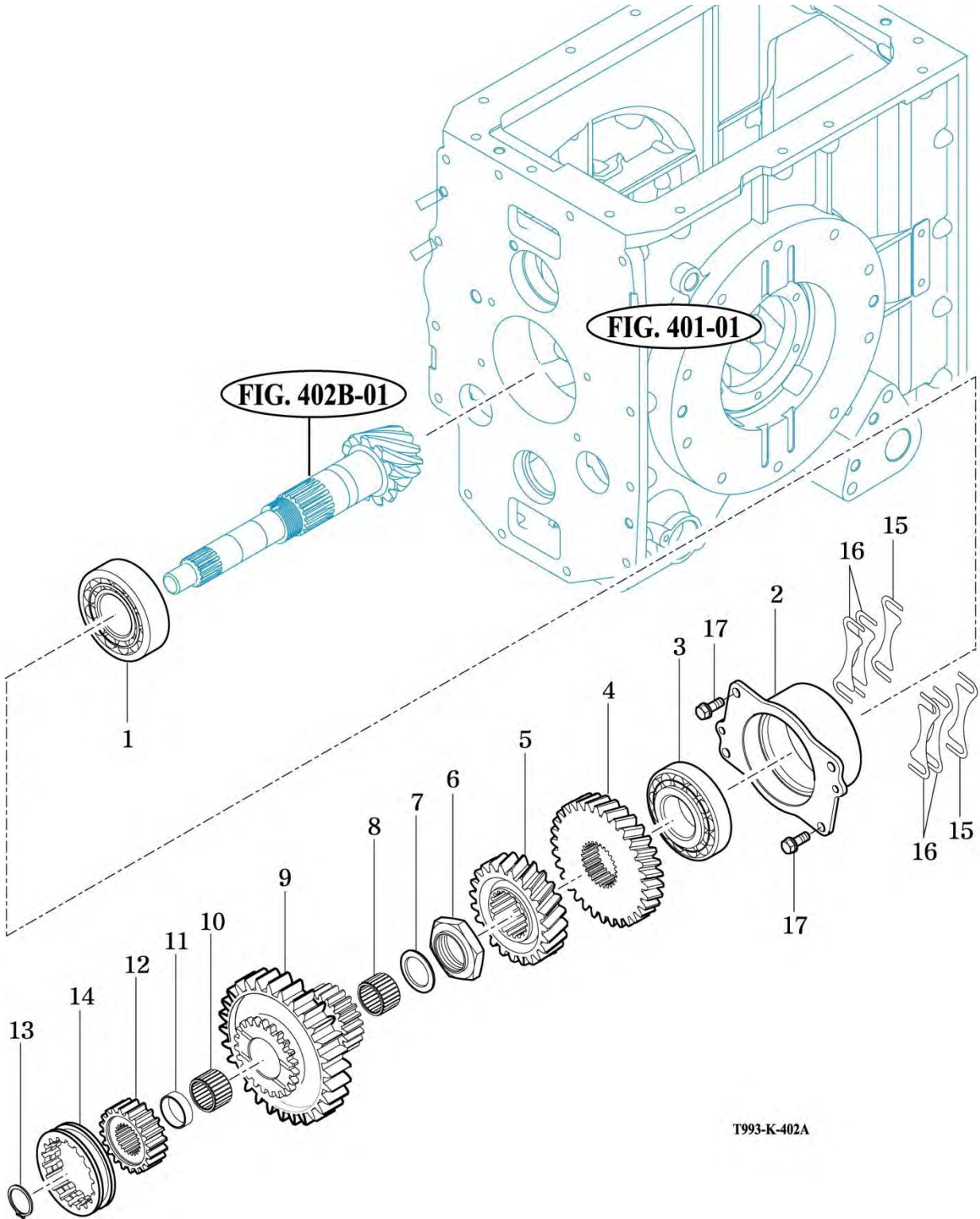
P1

YEAR

2014



T1104SC / T1054SC / T954SC



T993-K-402A

NOTE

FIG 402B

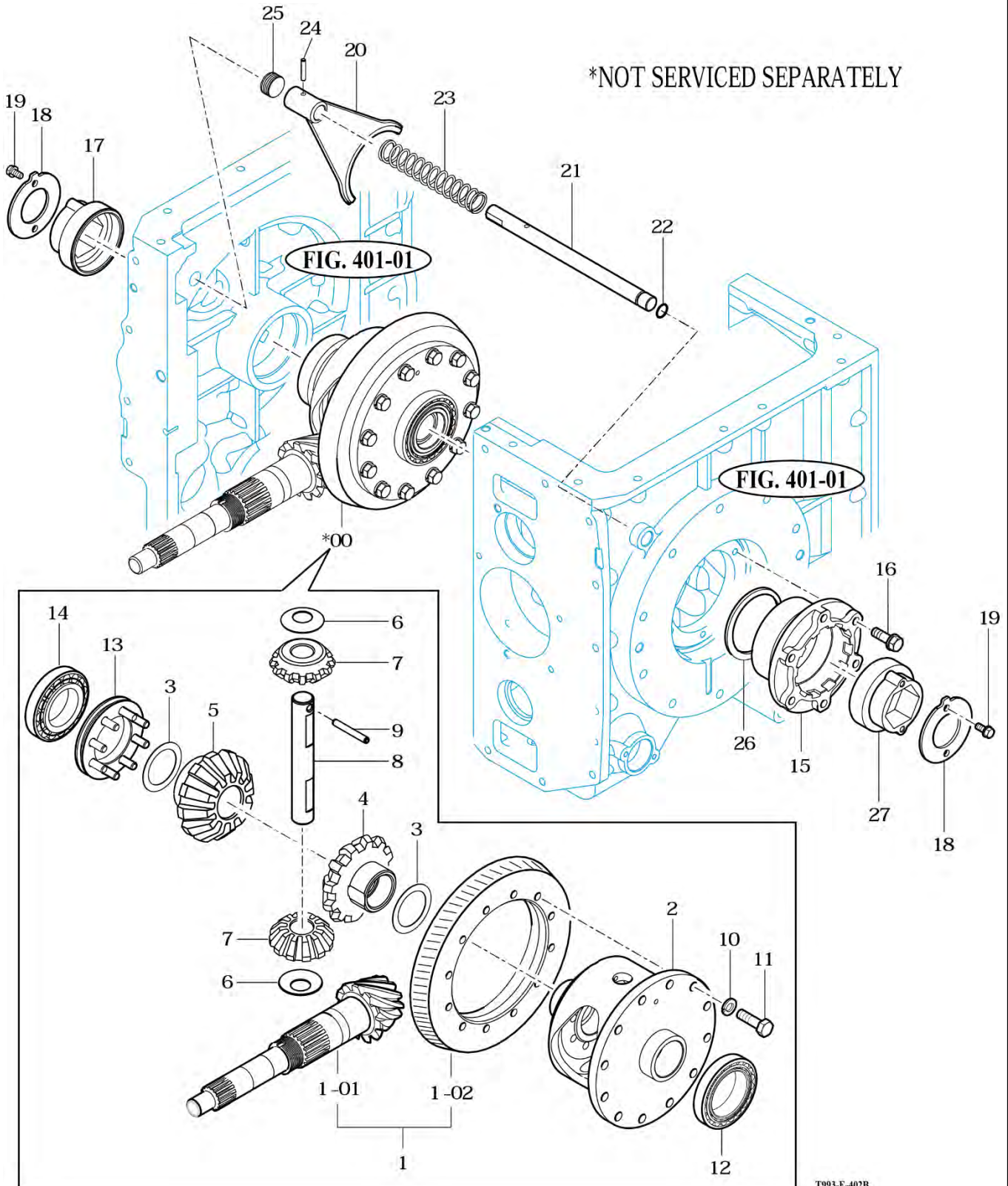
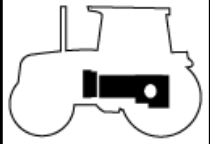
DIFF ASSY, RR

T1104SC / T1054SC / T954SC

P1

YEAR

2014



T993-E-402B

NOTE

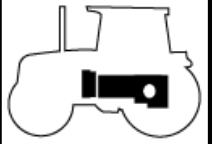
FIG 403

SUB CHANGE GEARS

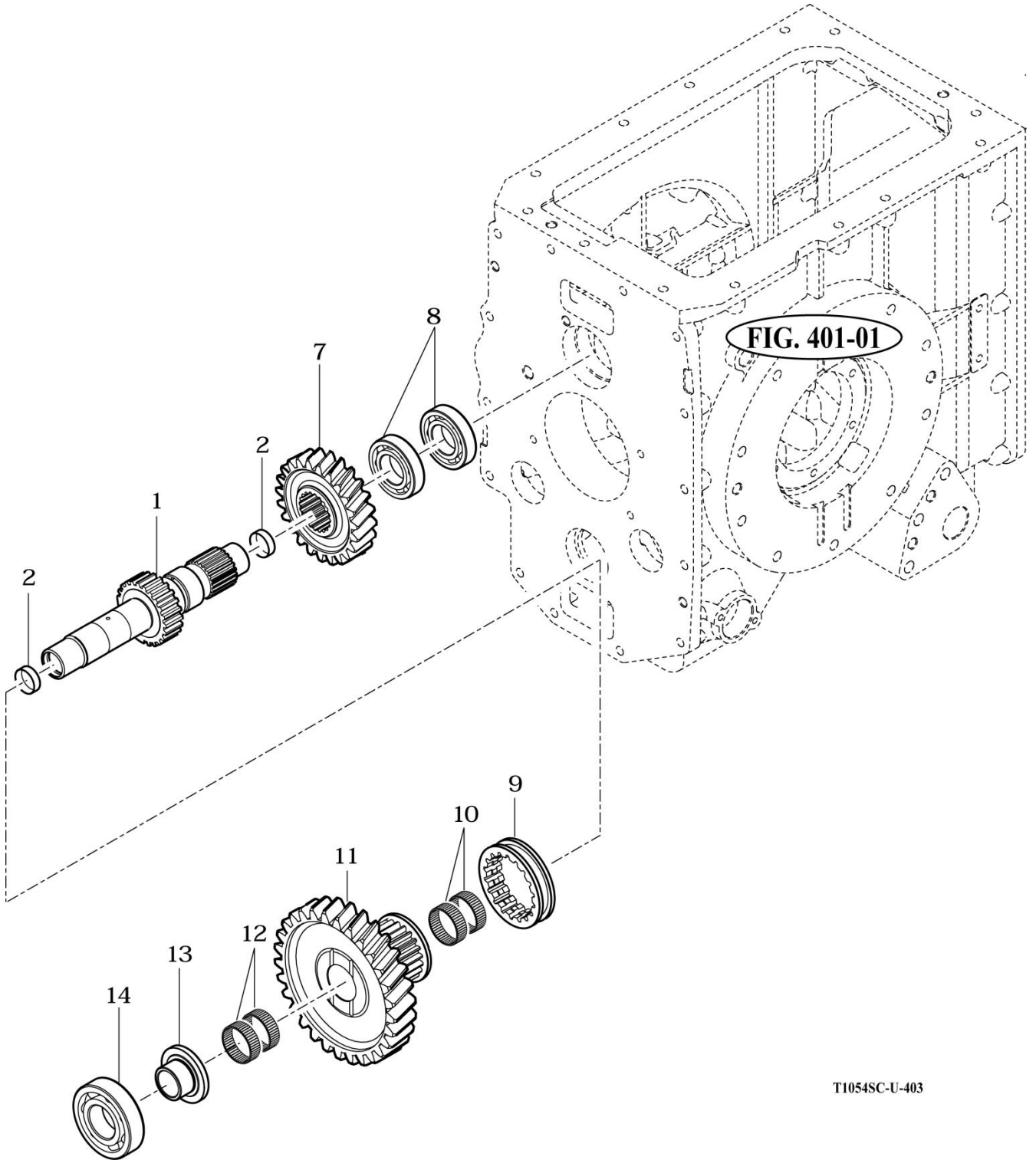
P1

YEAR

2014



T1104SC / T1054SC / T954SC



T1054SC-U-403

NOTE

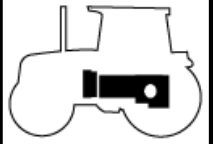
FIG 404

SUB CHANGE LEVER

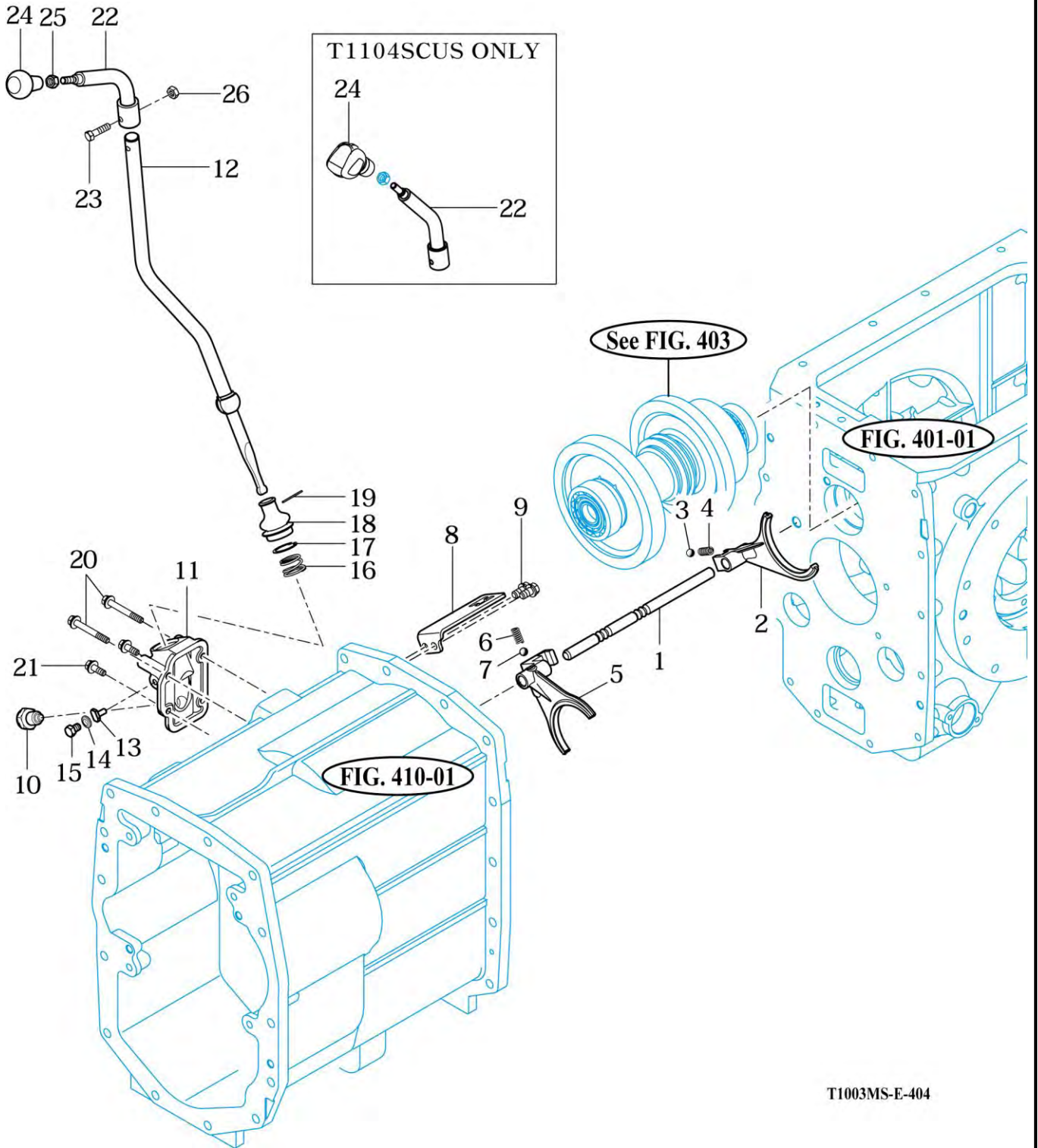
P1

YEAR

2014



T1104SC / T1054SC / T954SC



T1003MS-E-404

NOTE

FIG 405

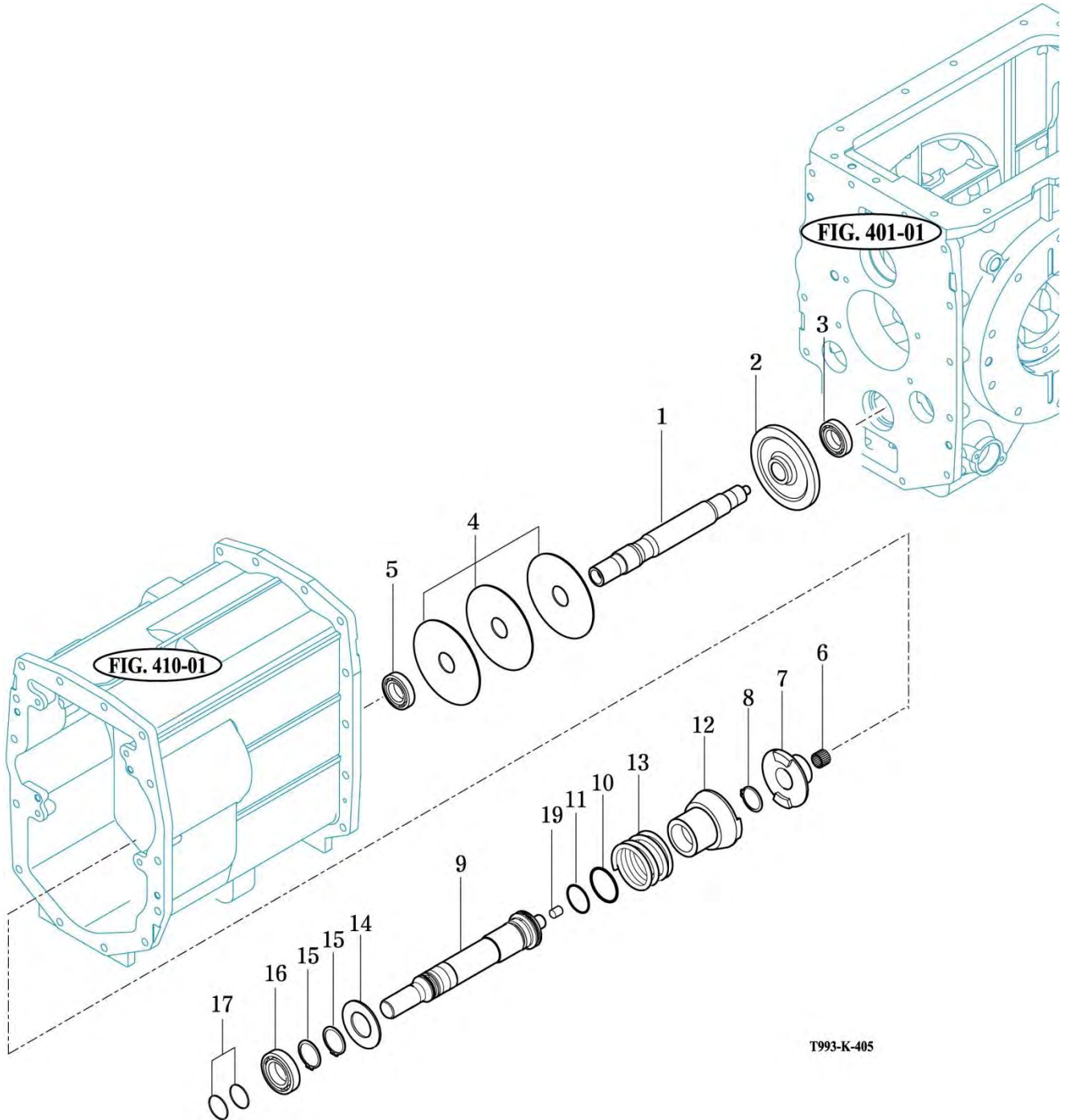
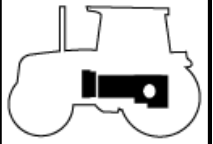
4WD DRIVE GEARS

T1104SC / T1054SC / T954SC

P1

YEAR

2014



NOTE

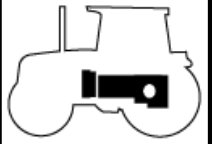
FIG 406

HOUSING, RR AXLE

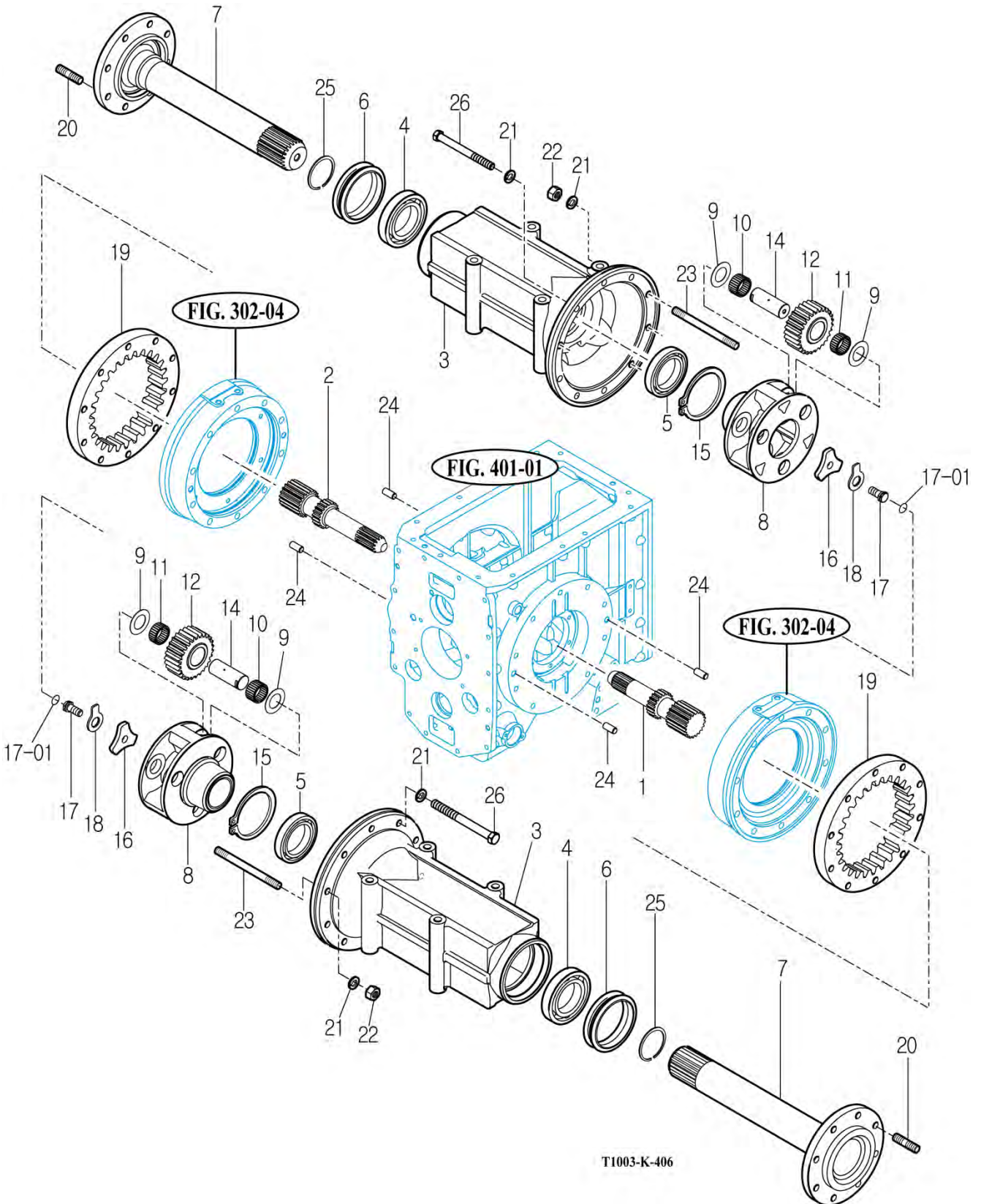
P1

YEAR

2014

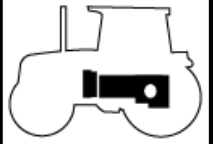


T1104SC / T1054SC / T954SC

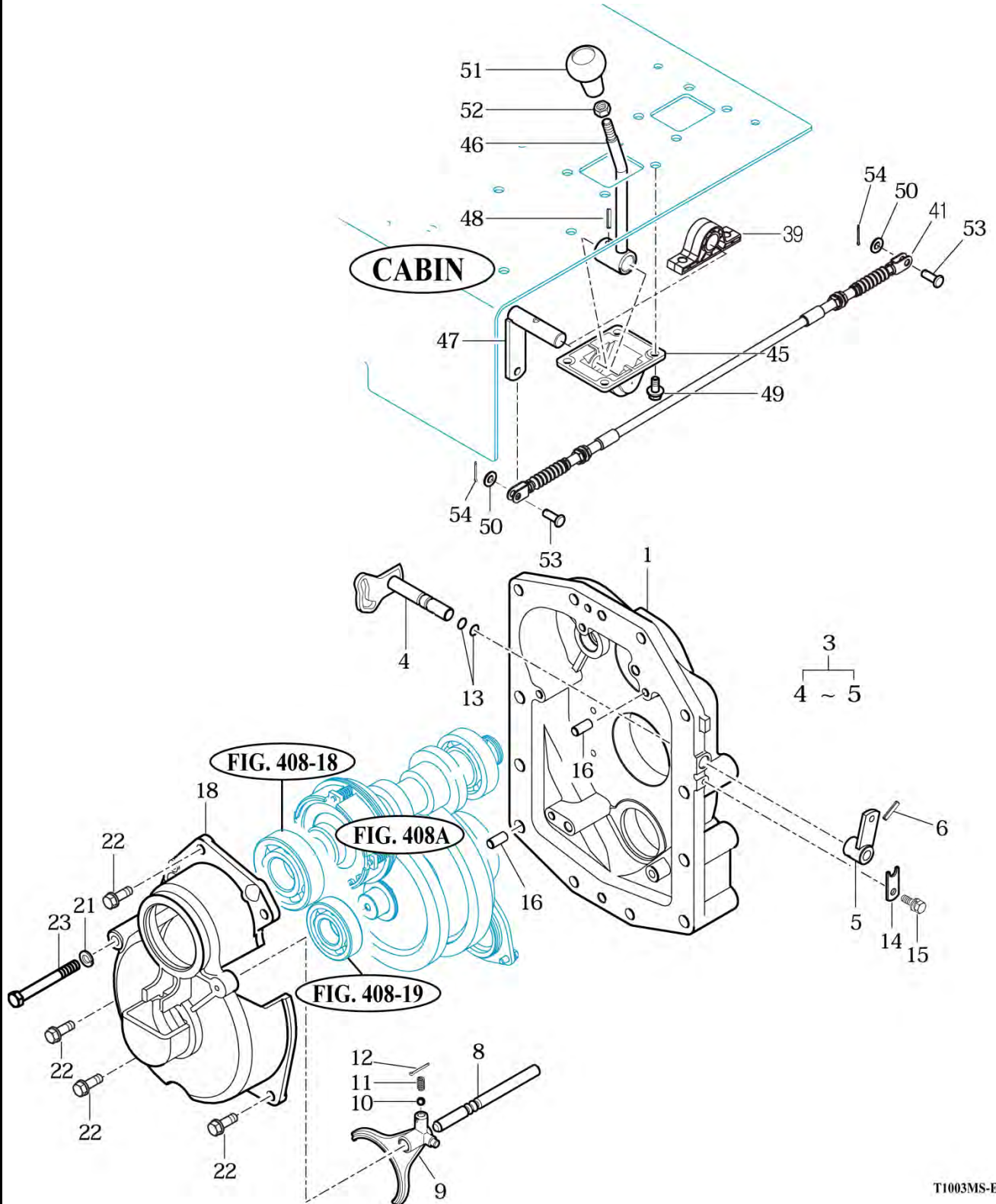


T1003-K-406

NOTE



T1104SC / T1054SC / T954SC



T1003MS-E-407

NOTE

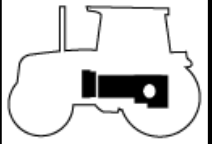
FIG 408A

SHAFT, PTO

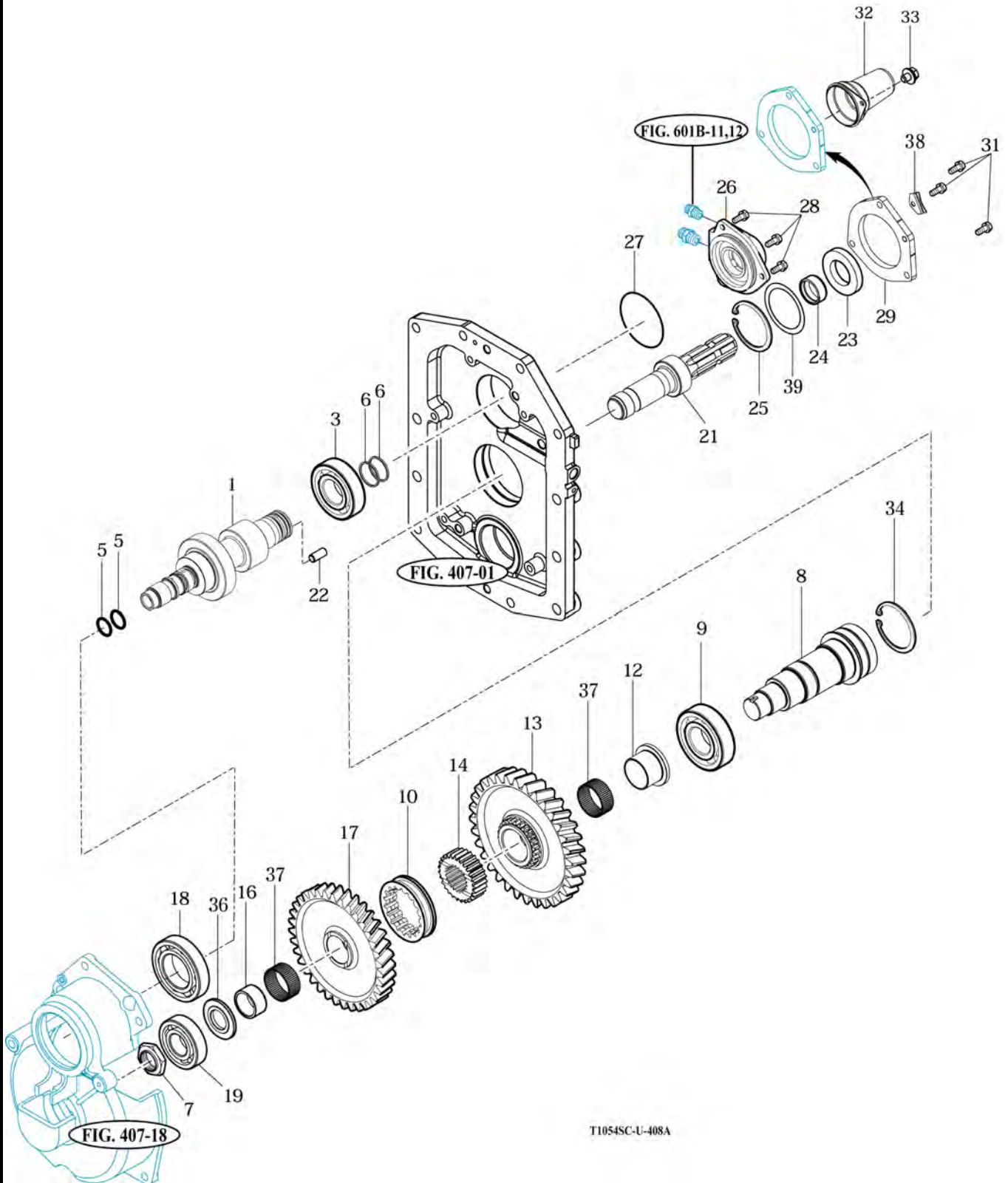
P1

YEAR

2014



T1104SC / T1054SC / T954SC



T1054SC-U-408A

NOTE

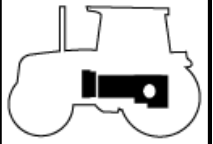
FIG 408B

PTO CLUTCH ASSY

P1

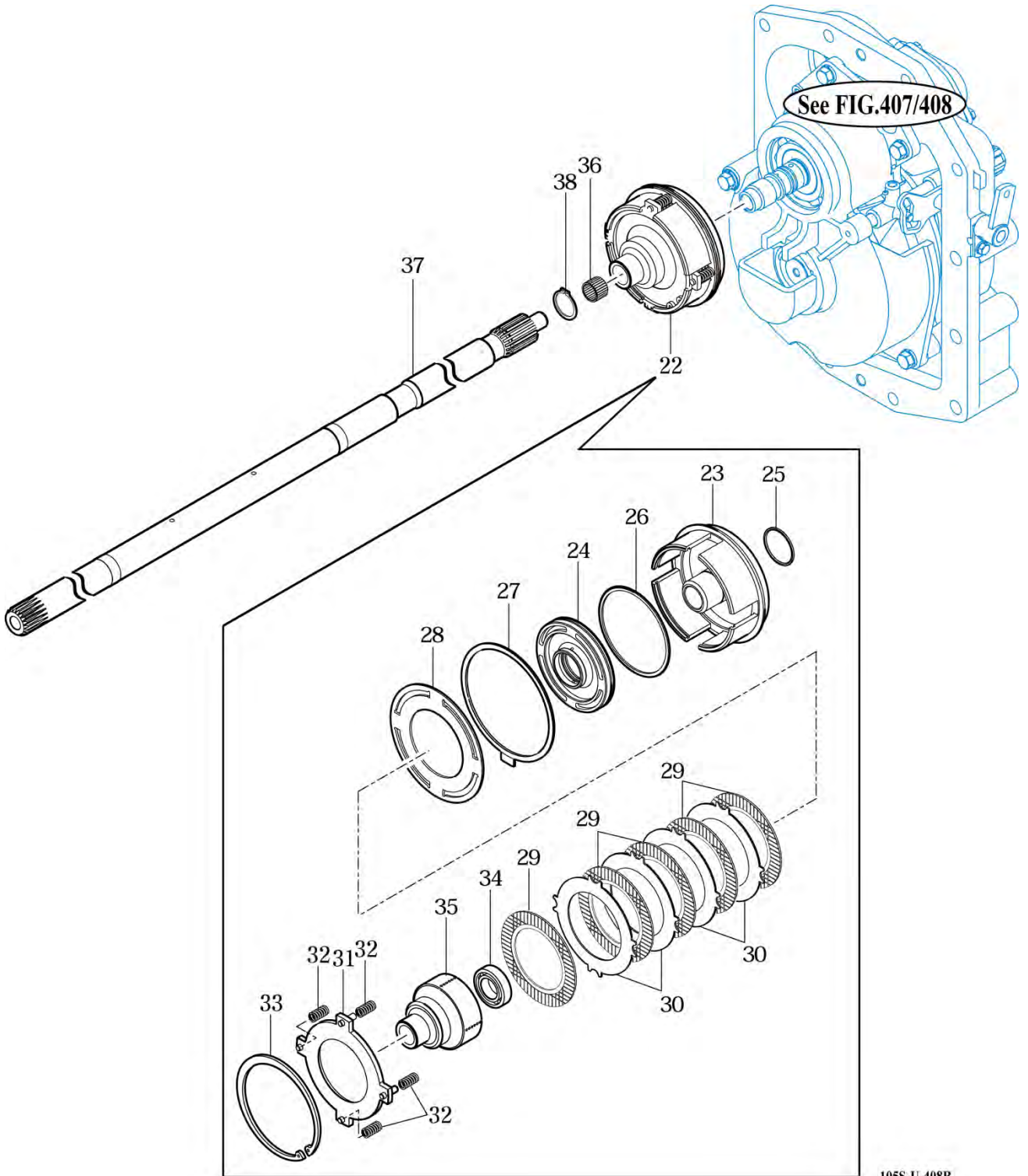
YEAR

2014



T1104SC / T1054SC / T954SC

See FIG.407/408



105S-U-408B

NOTE

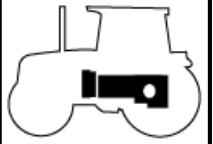
FIG 409

METAL SUB ASSY

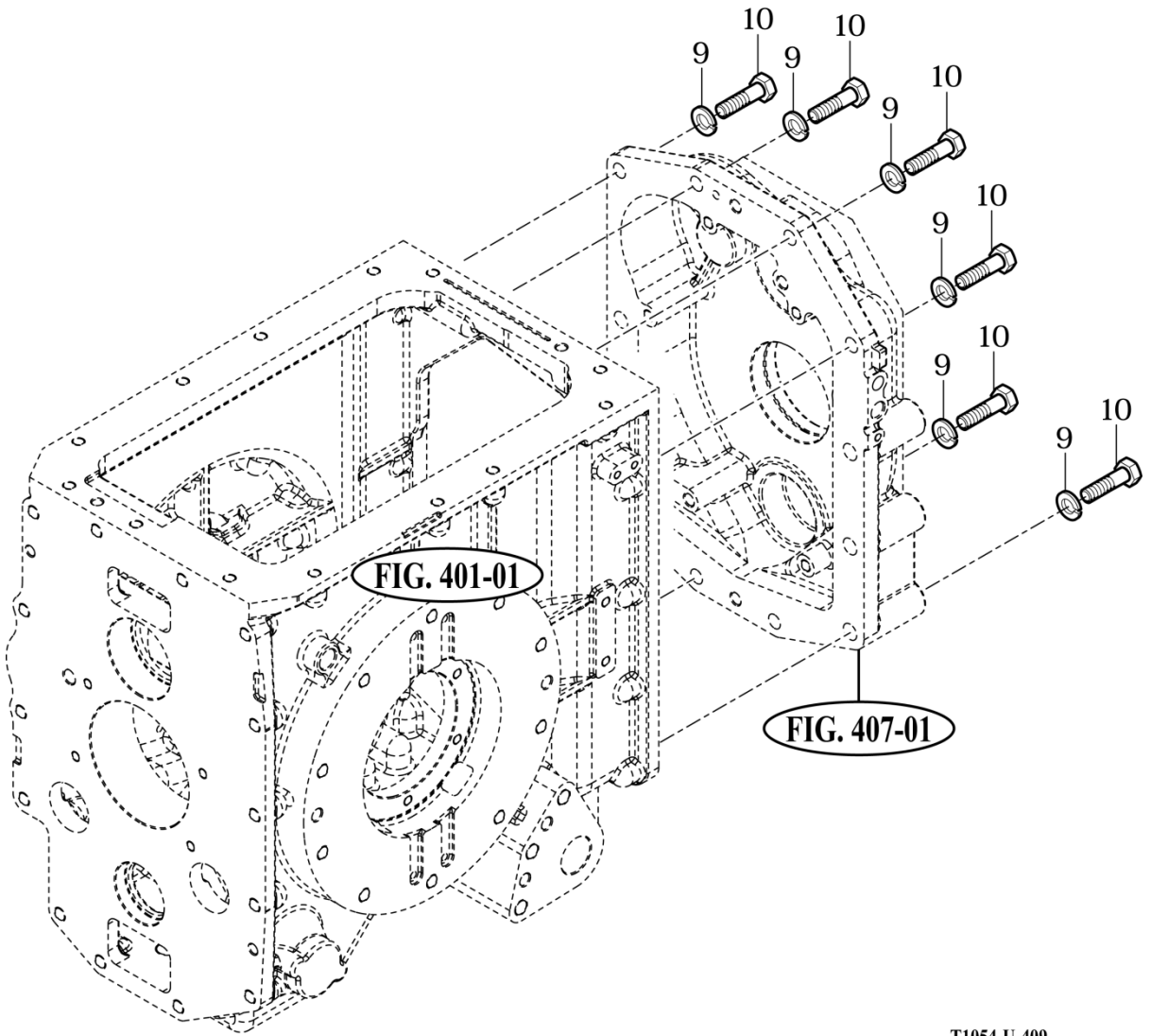
P1

YEAR

2014



T1104SC / T1054SC / T954SC



T1054-U-409

NOTE

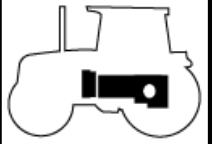
FIG 410

CASE, MID TRANSMISSION

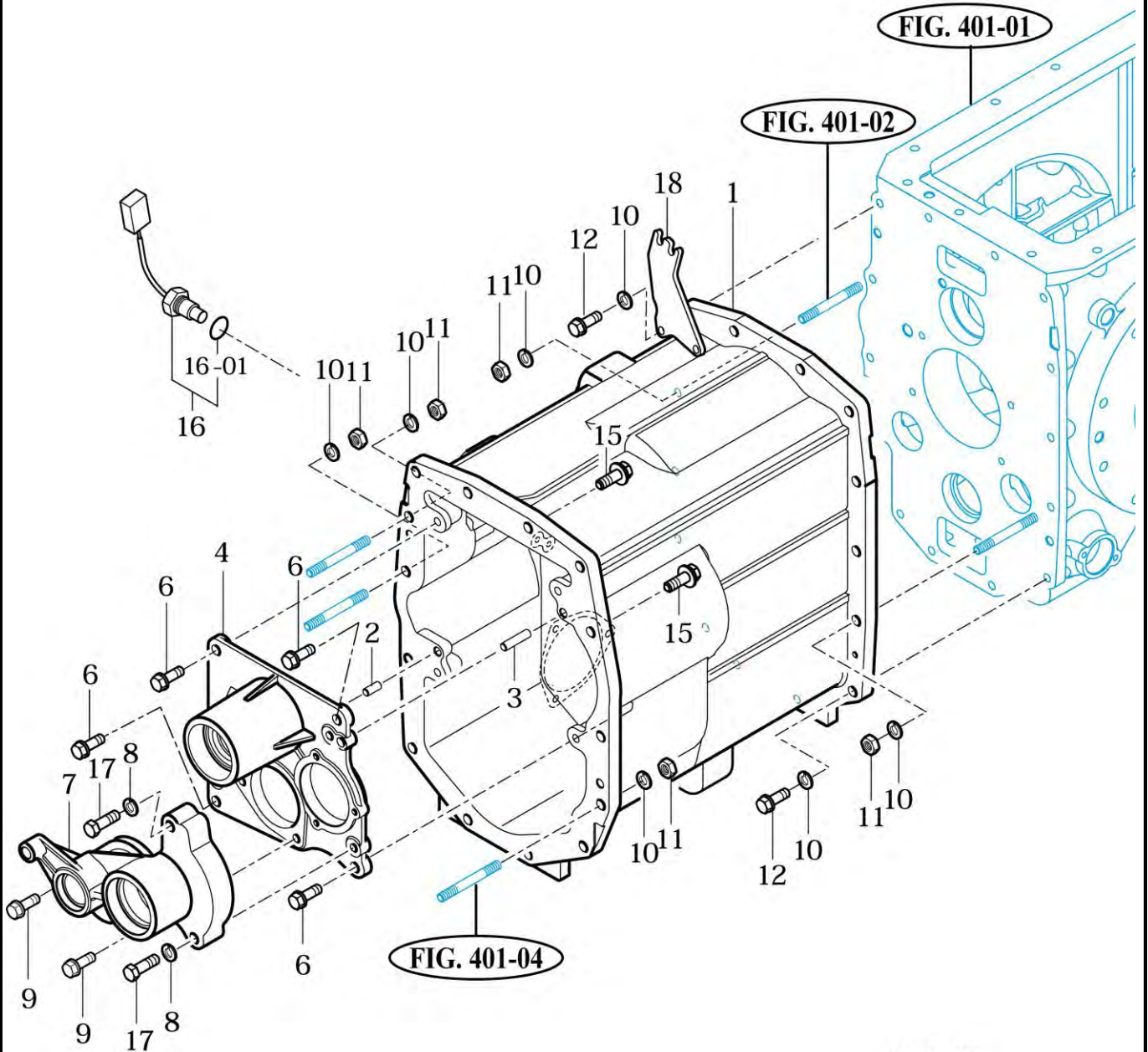
P1

YEAR

2014



T1104SC / T1054SC / T954SC



T1054-E-410

NOTE

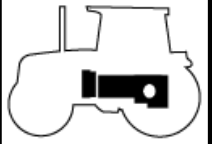
FIG 411

MAIN CHANGE GEARS

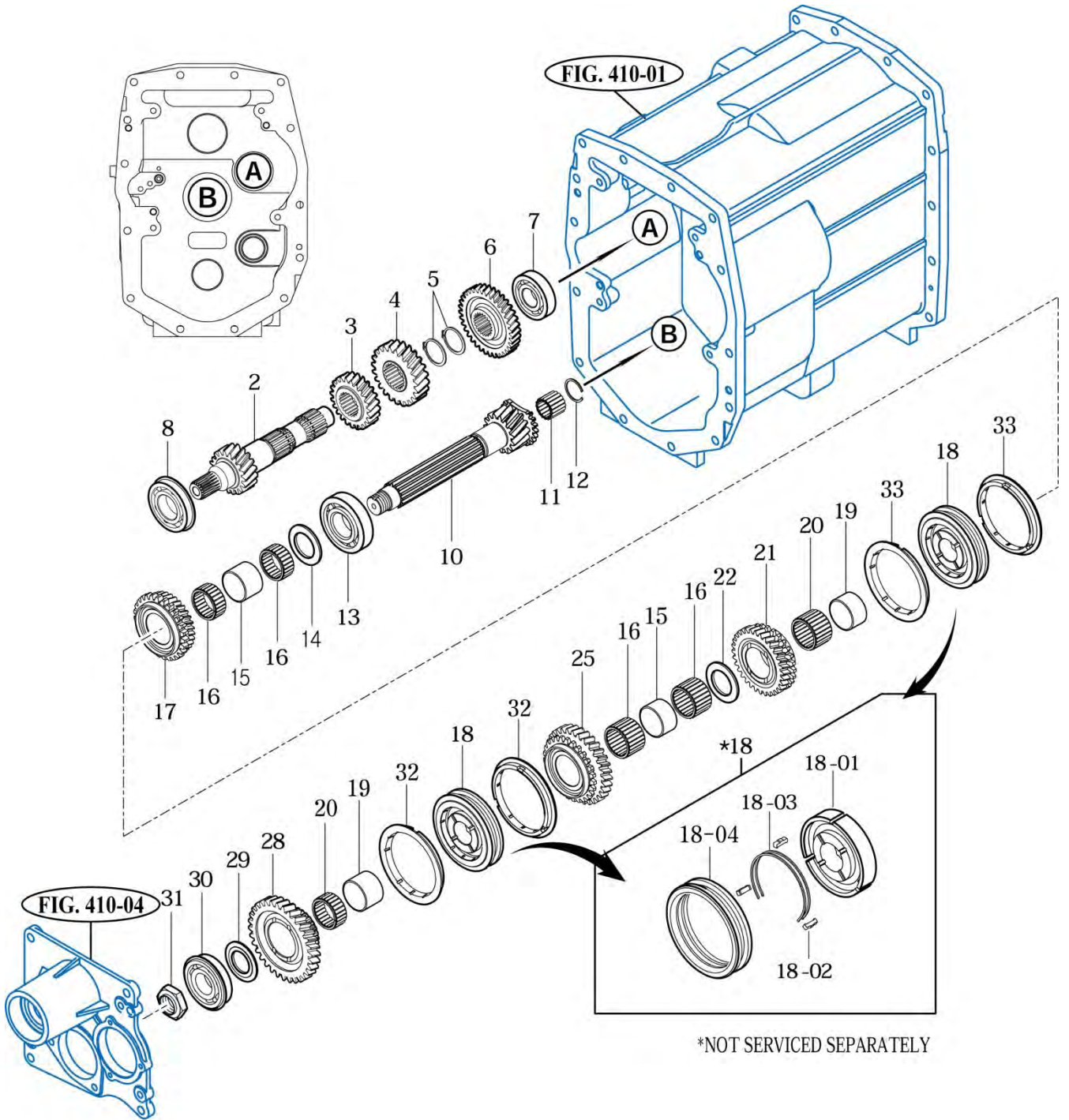
P1

YEAR

2014



T1104SC / T1054SC / T954SC



T993-K-411

NOTE

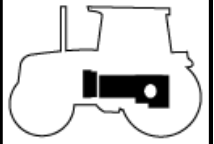
FIG 412

MAIN CHANGE LEVER

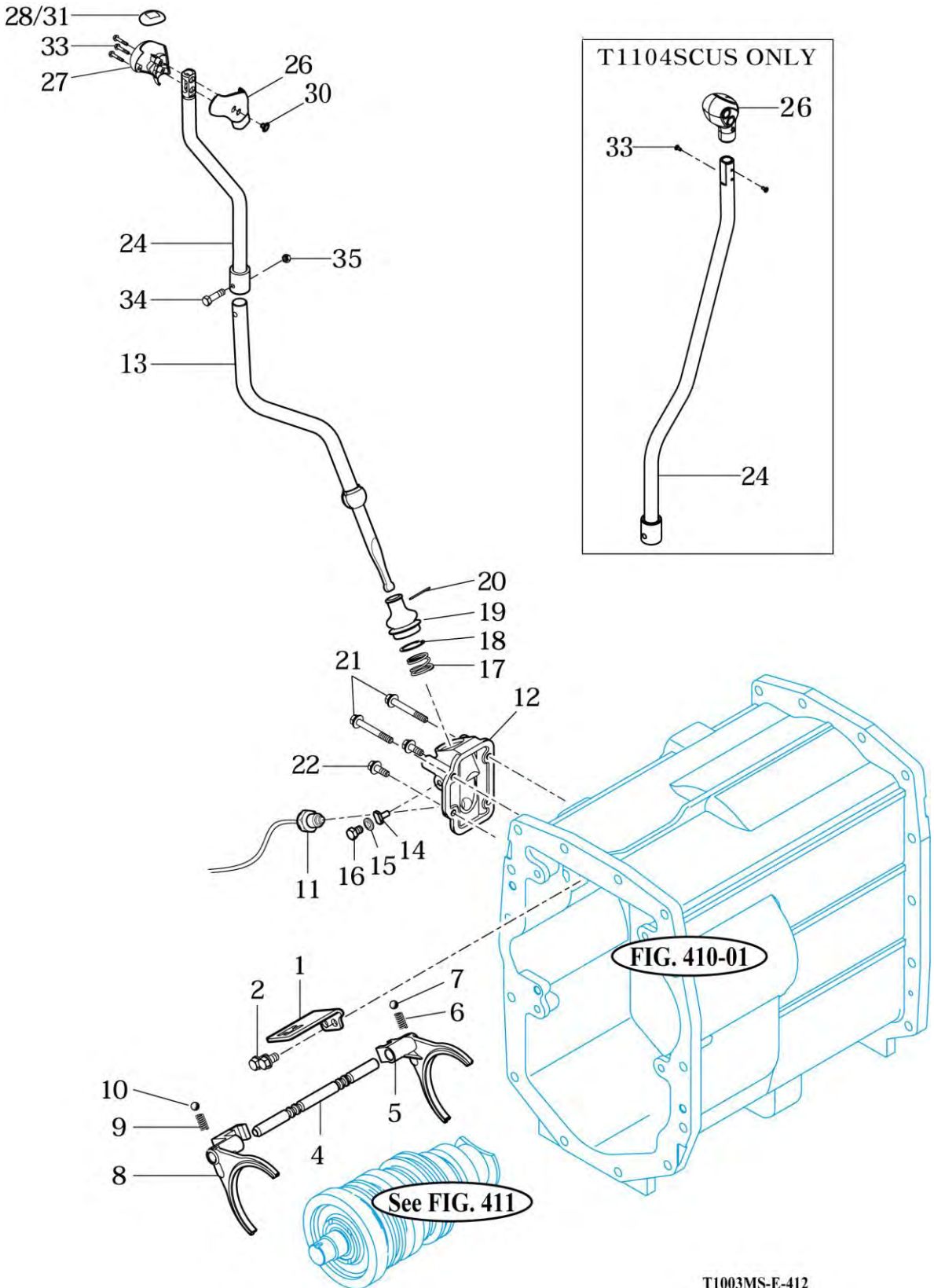
P1

YEAR

2014



T1104SC / T1054SC / T954SC



NOTE

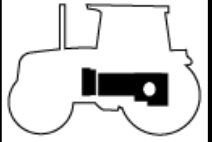
FIG 413

PARKING BRAKE

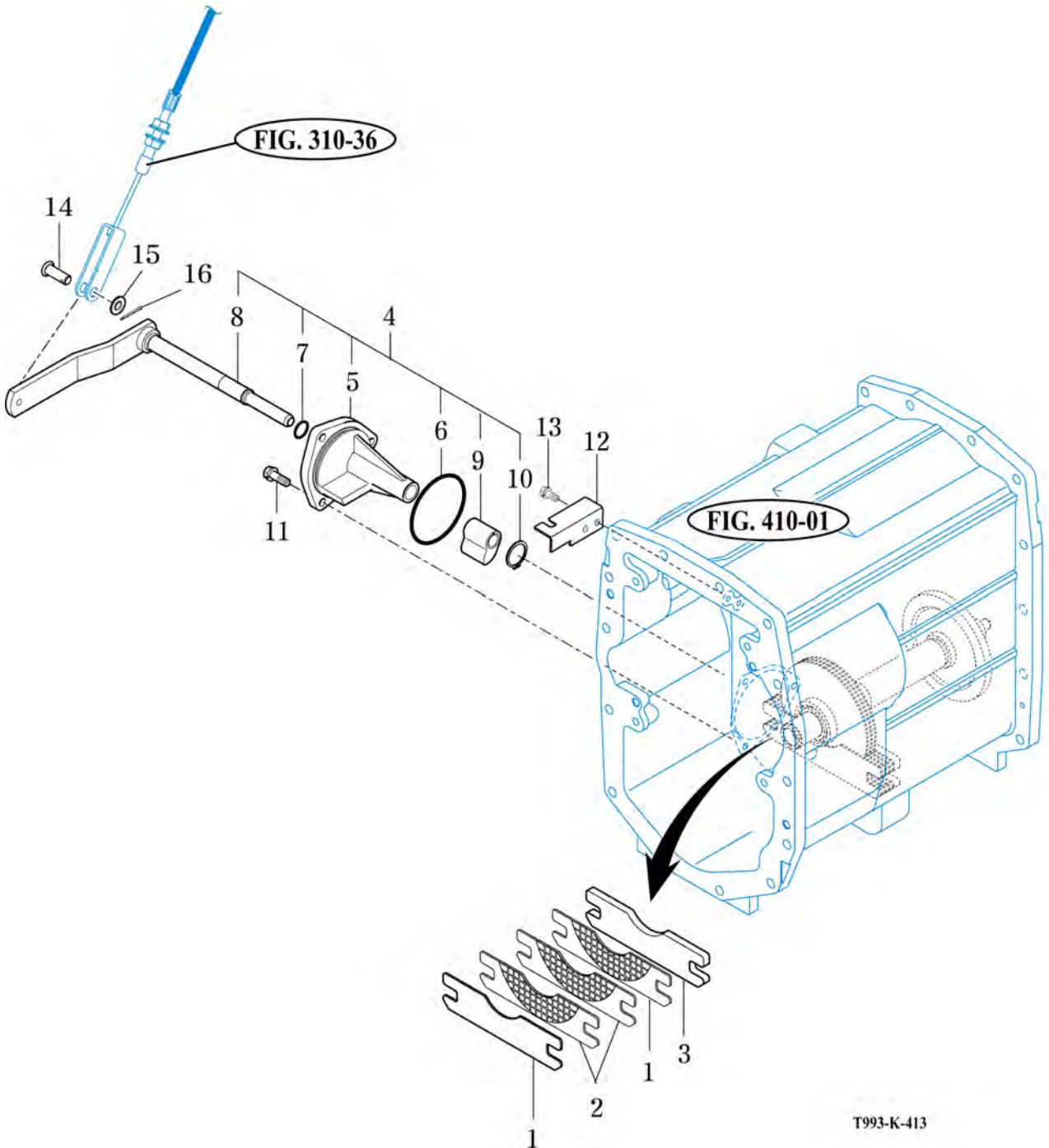
P1

YEAR

2014



T1104SC / T1054SC / T954SC



T993-K-413

NOTE

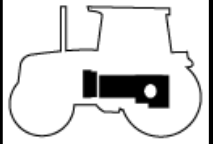
FIG 414

POWER SHUTTLE GEAR

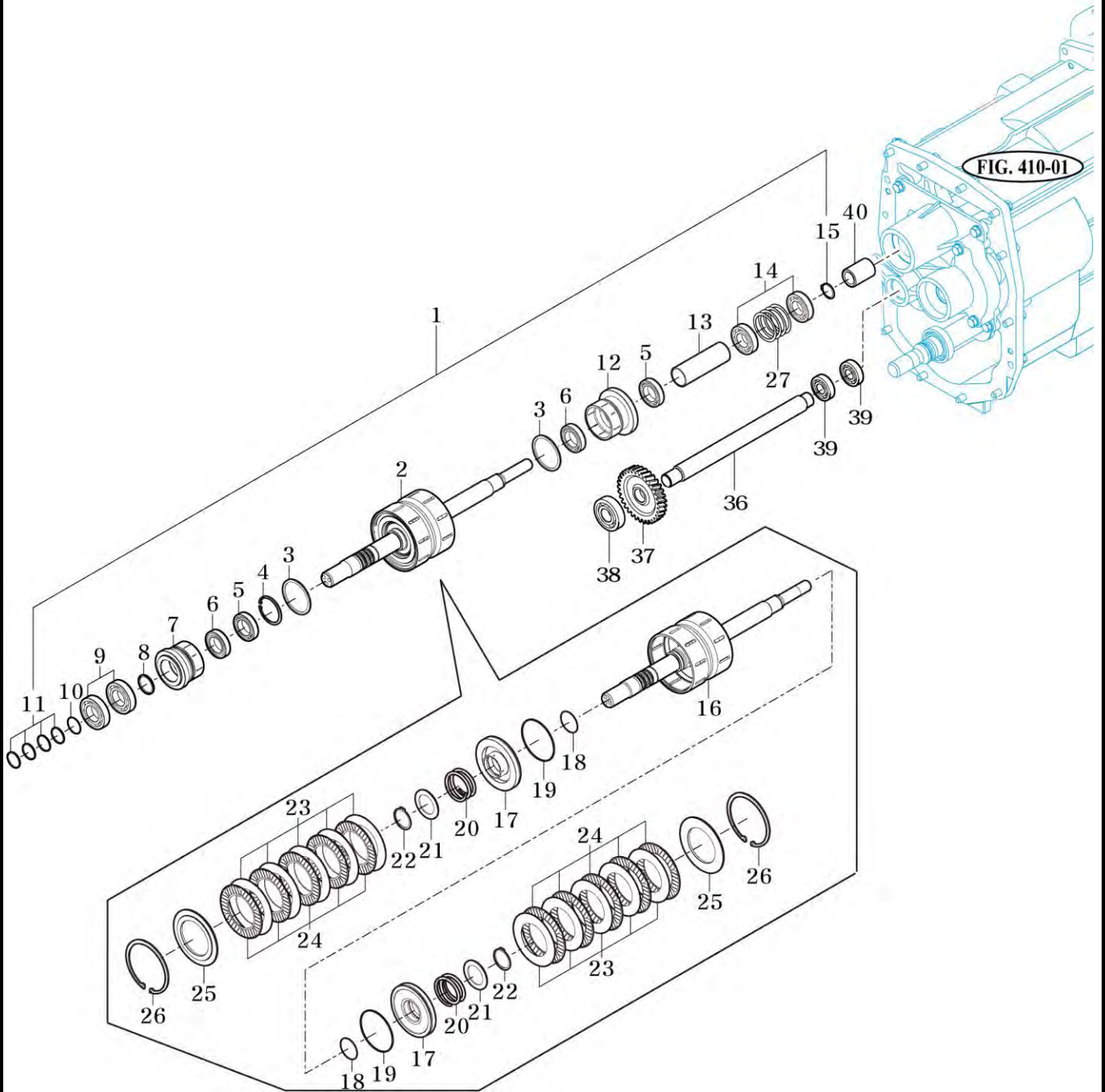
P1

YEAR

2014



T1104SC / T1054SC / T954SC



NOTE

FIG 415

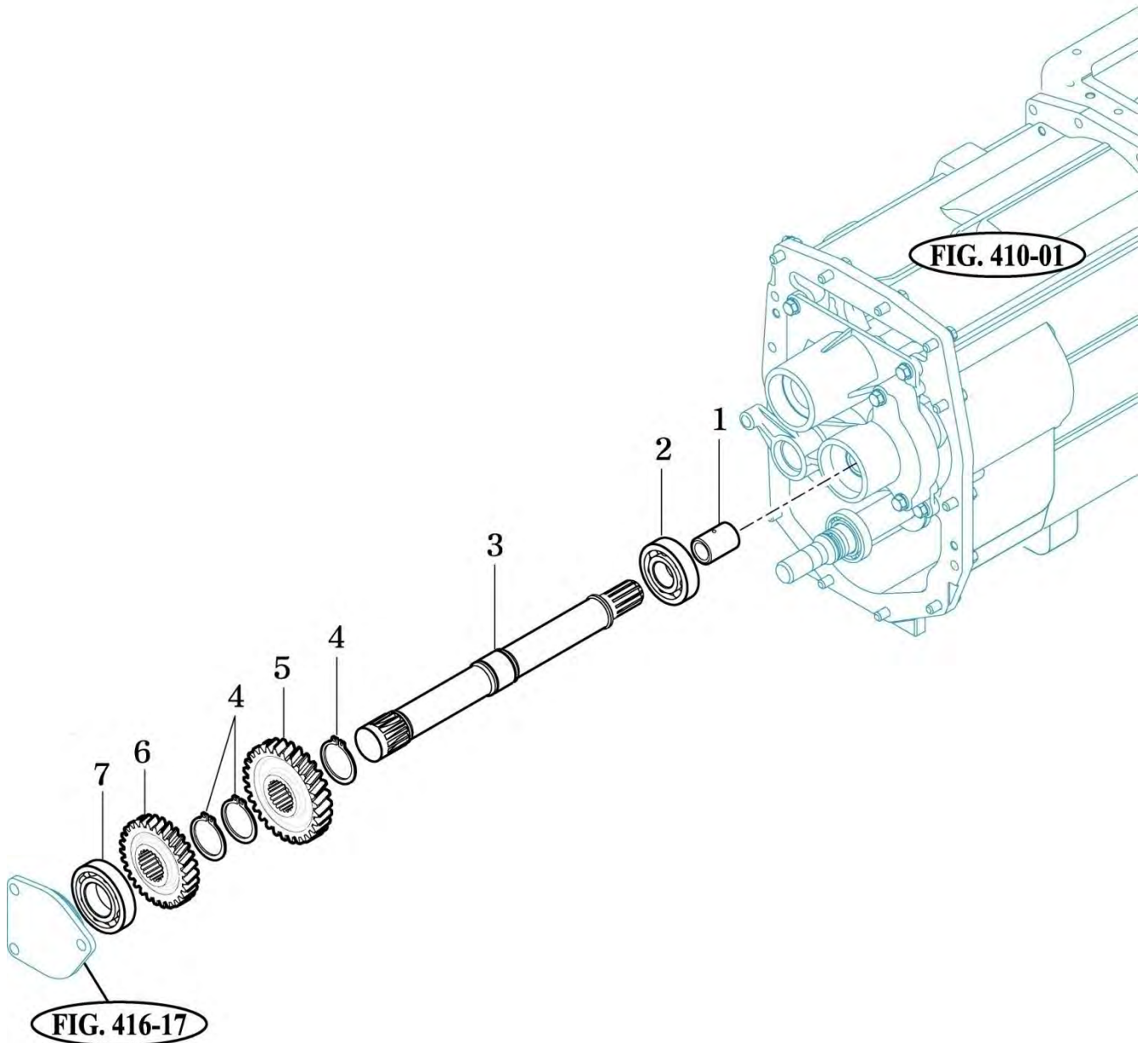
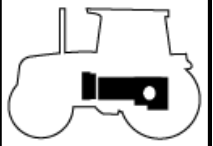
T1104SC / T1054SC / T954SC

POWER SHUTTLE COUNT GEAR

P1

YEAR

2014



T993-K-415B

NOTE

FIG 501

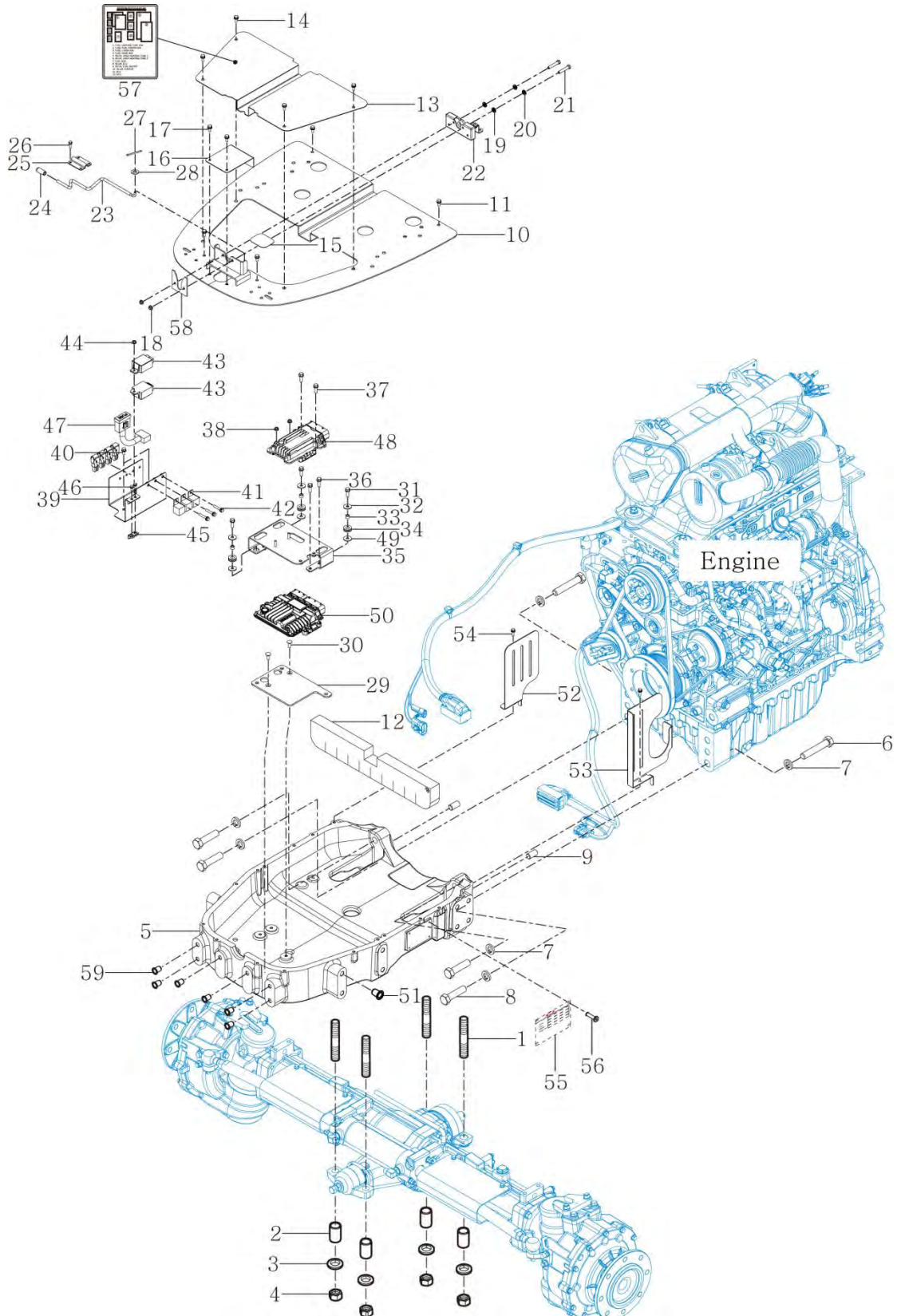
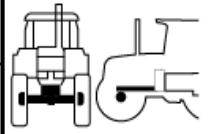
FRONT AXLE SUPPORTER

T1104SC / T1054SC / T954SC

P1

YEAR

2014



NOTE

FIG 501

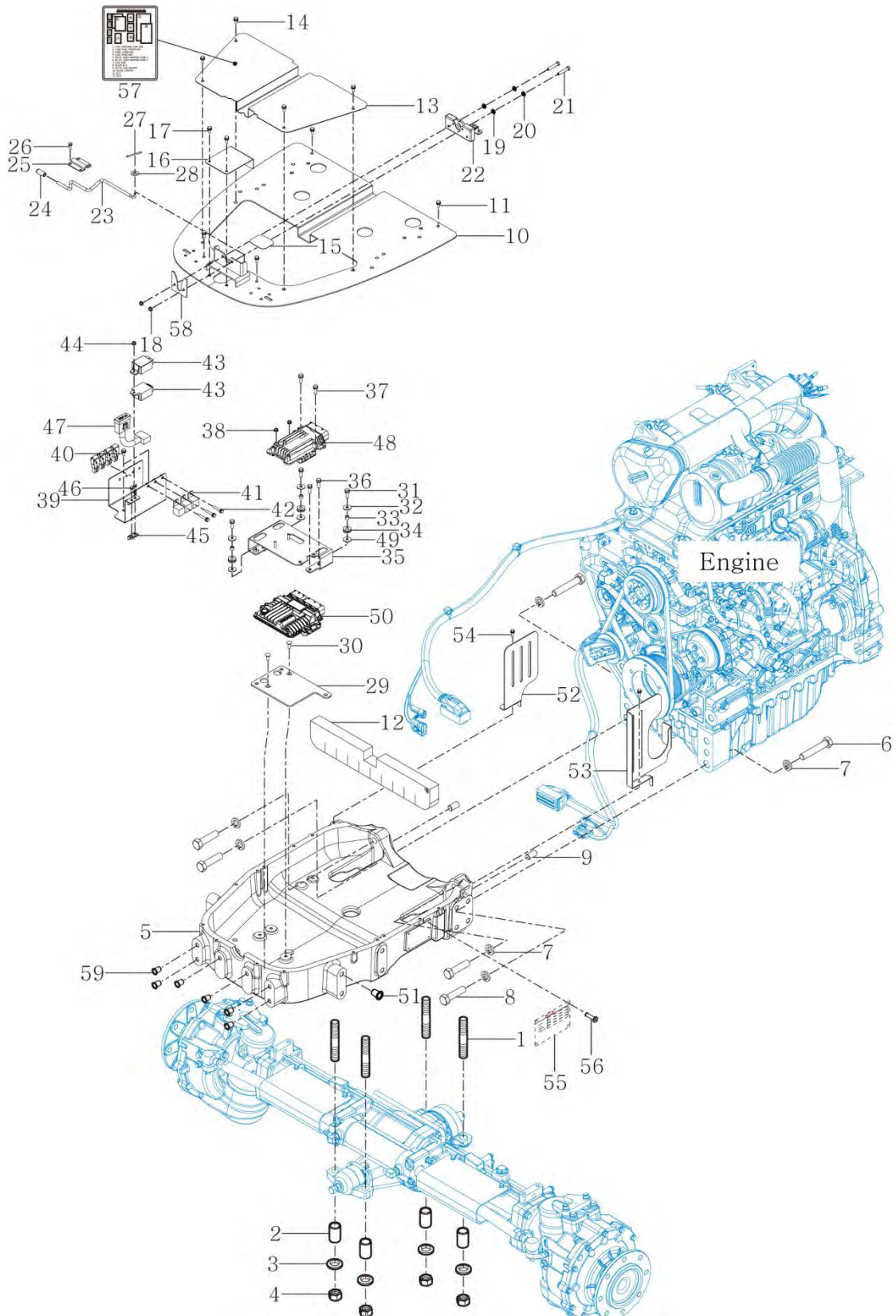
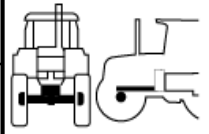
FRONT AXLE SUPPORTER

T1104SC / T1054SC / T954SC

P2

YEAR

2014



NOTE

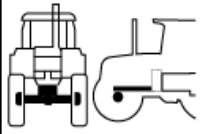
FIG 502

FRONT DRIVE SHAFT

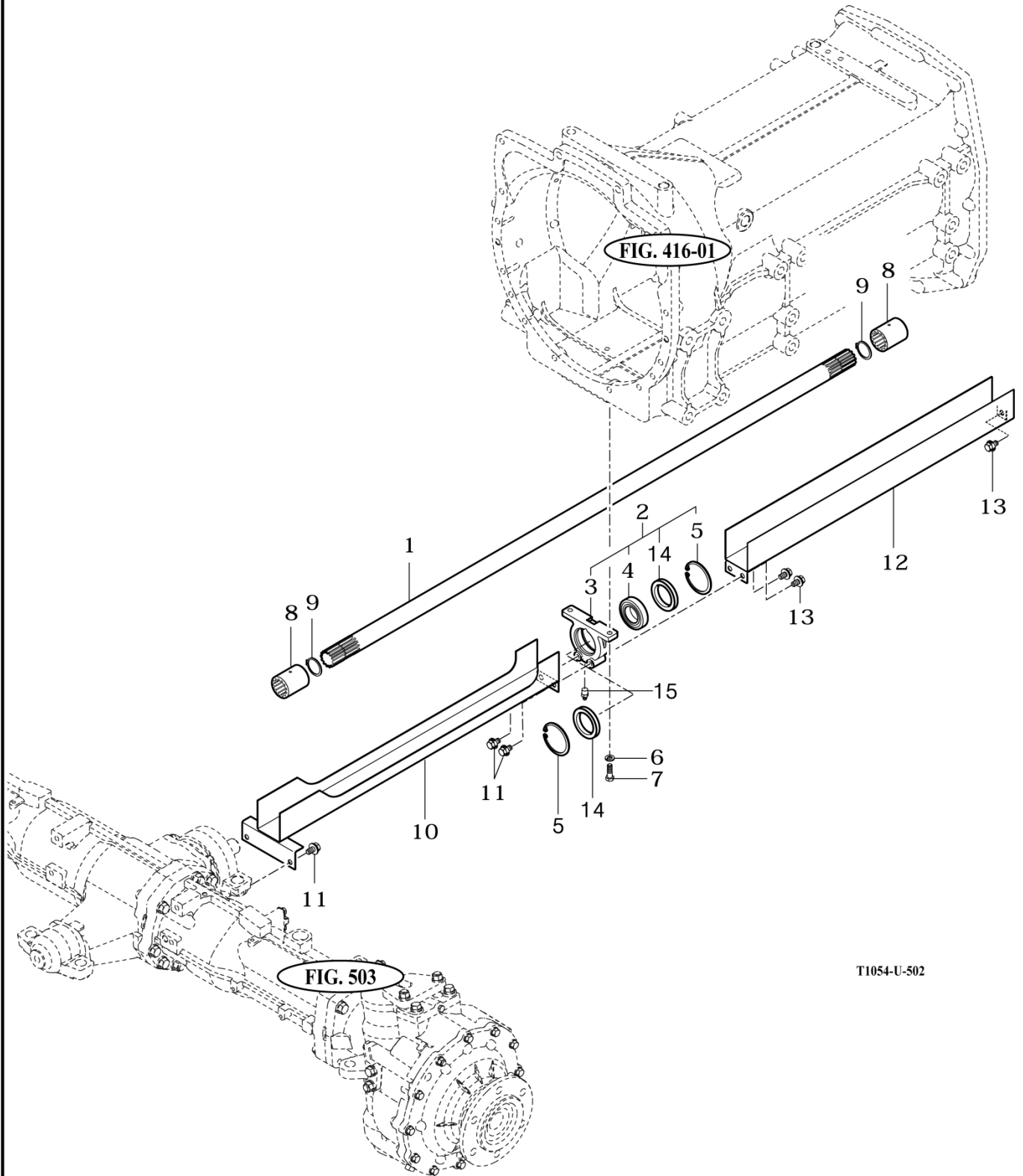
P1

YEAR

2014



T1104SC / T1054SC / T954SC



T1054-U-502

NOTE

FIG 503

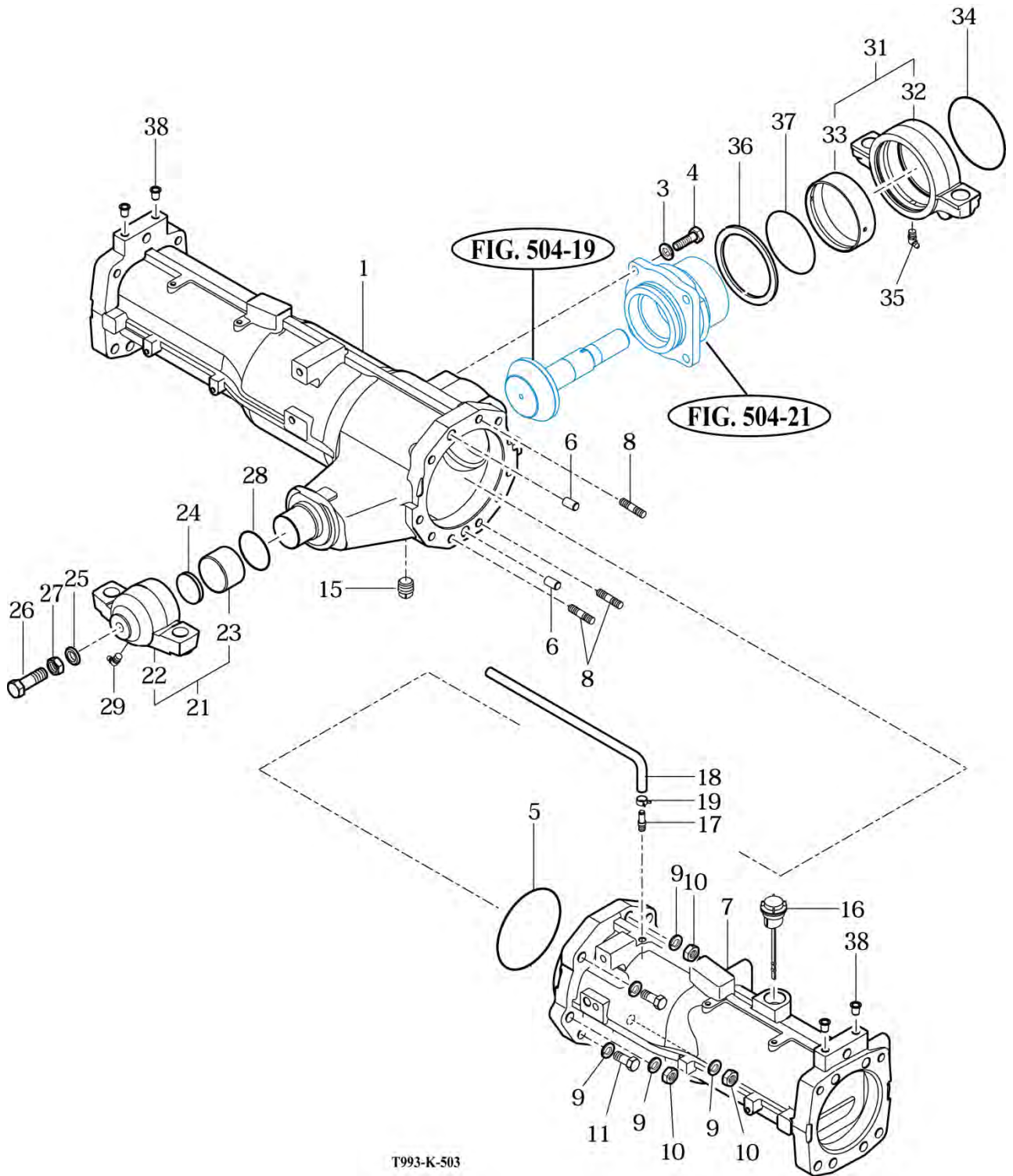
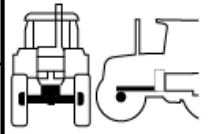
FRONT AXLE HOUSING

T1104SC / T1054SC / T954SC

P1

YEAR

2014



T993-K-503

NOTE

FIG 504

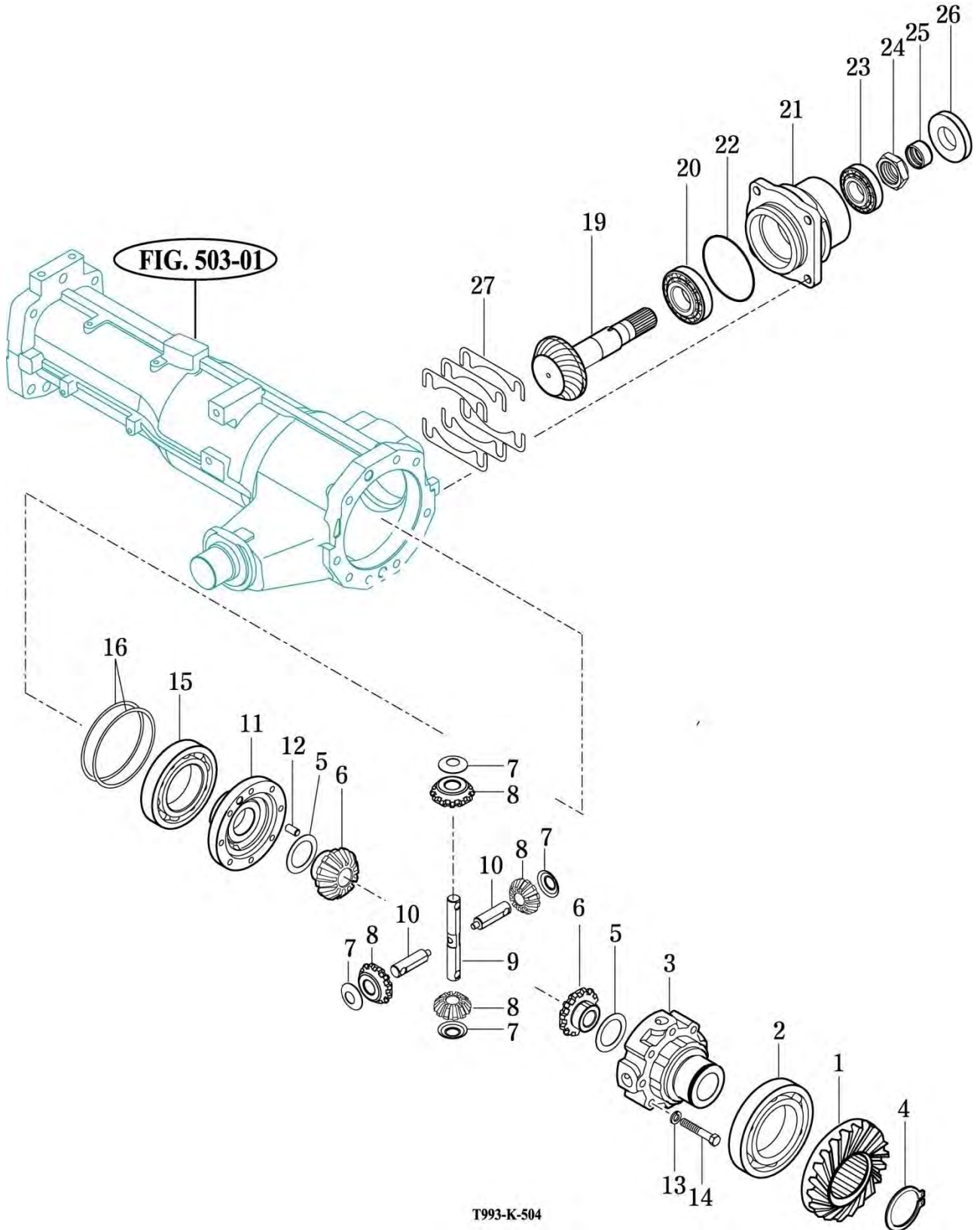
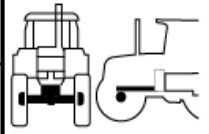
FRONT DIFFERENTIAL GEARS

T1104SC / T1054SC / T954SC

P1

YEAR

2014



T993-K-504

NOTE

FIG 505

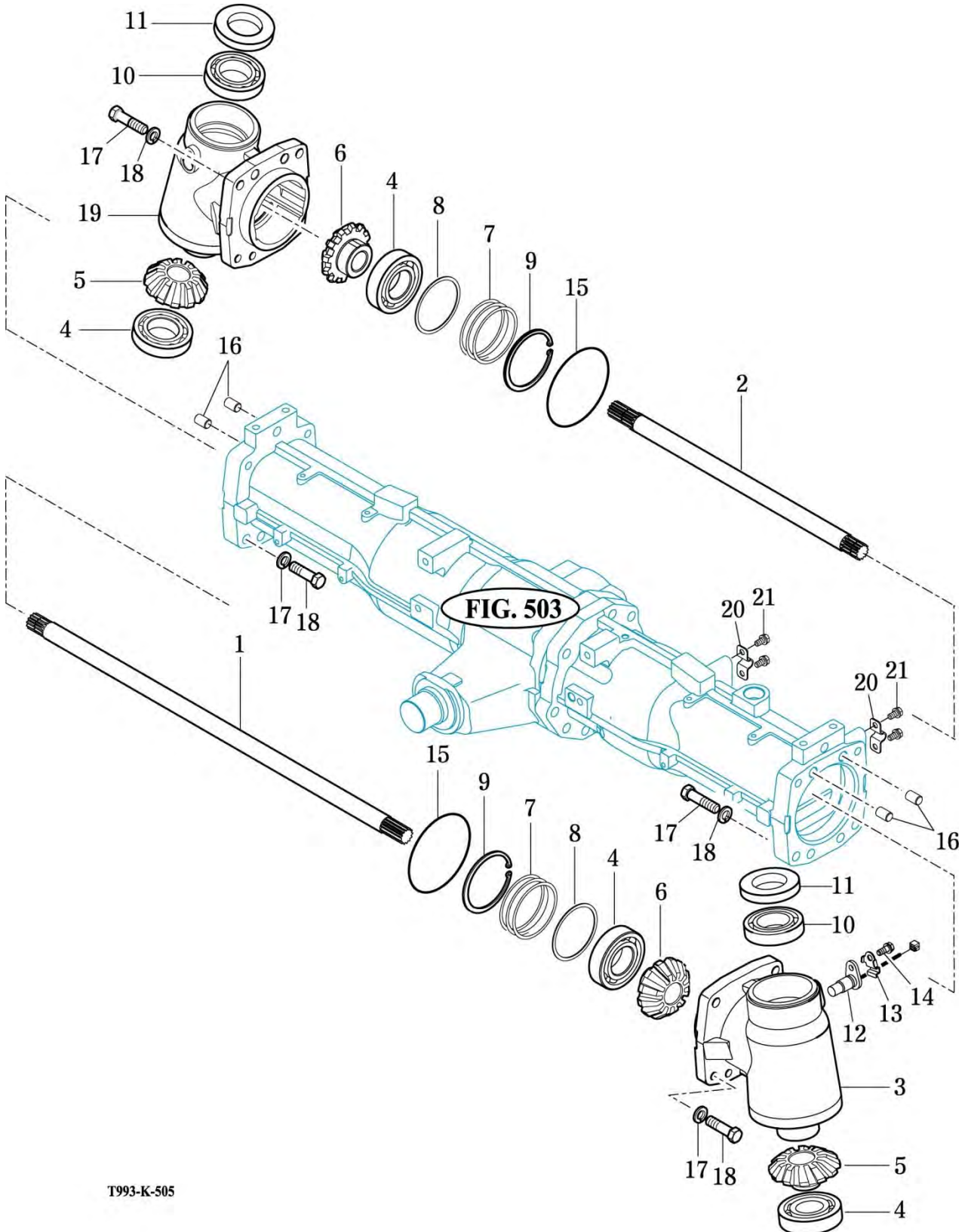
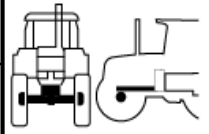
FRONT GEAR CASE (1)

T1104SC / T1054SC / T954SC

P1

YEAR

2014



T993-K-505

NOTE

FIG 506

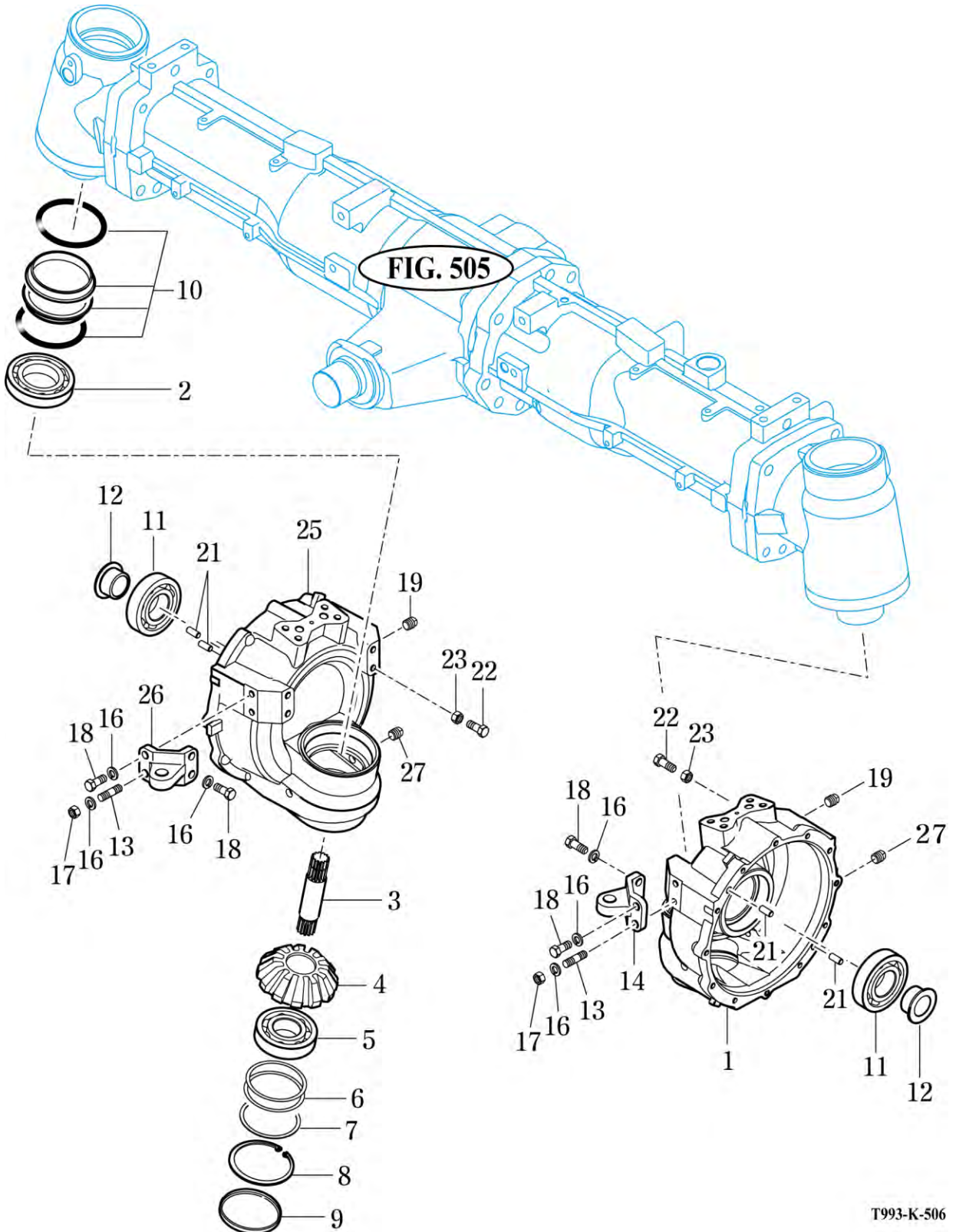
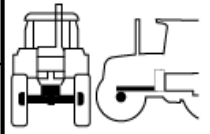
FRONT GEAR CASE (2)

T1104SC / T1054SC / T954SC

P1

YEAR

2014



T993-K-506

NOTE

FIG 507

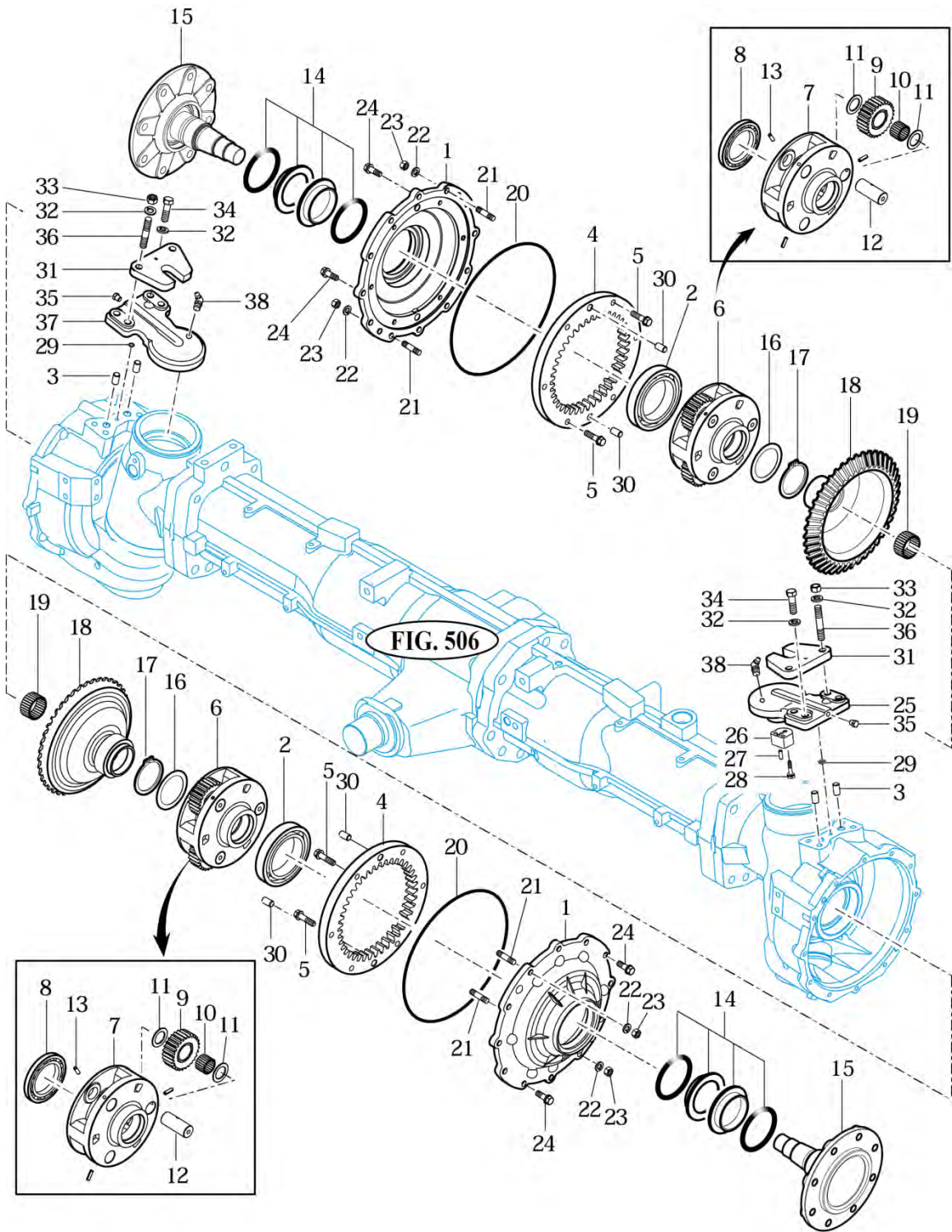
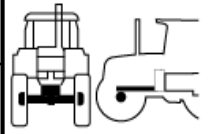
FRONT GEAR CASE (3)

T1104SC / T1054SC / T954SC

P1

YEAR

2014



T953-K-507

NOTE

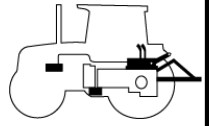
FIG 601A

VALVE SUB, SHIFT

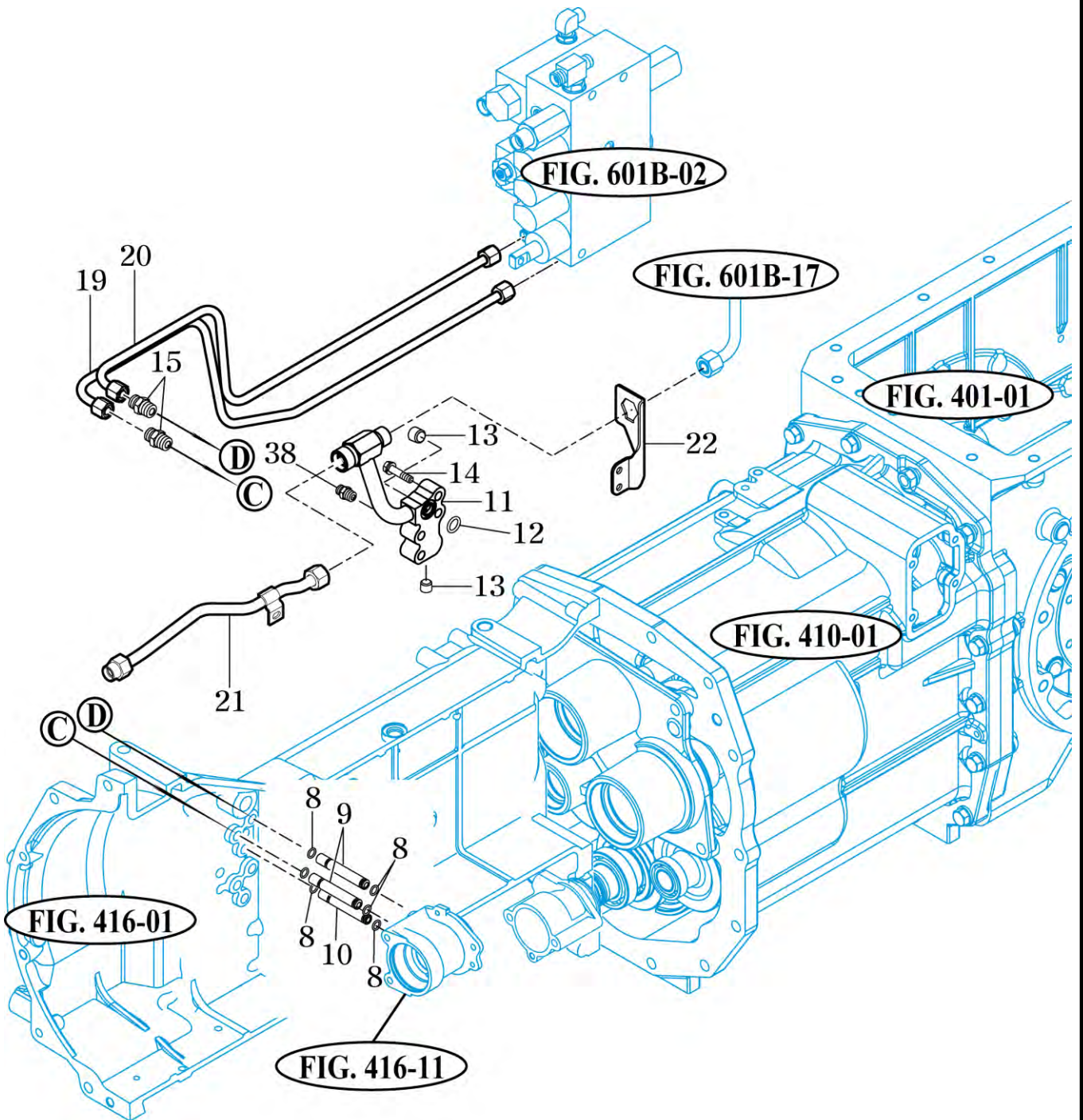
P1

YEAR

2014



T1104SC / T1054SC / T954SC



NOTE

T1054SC-E-601A

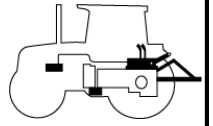
FIG 601B

VALVE SUB, MAIN

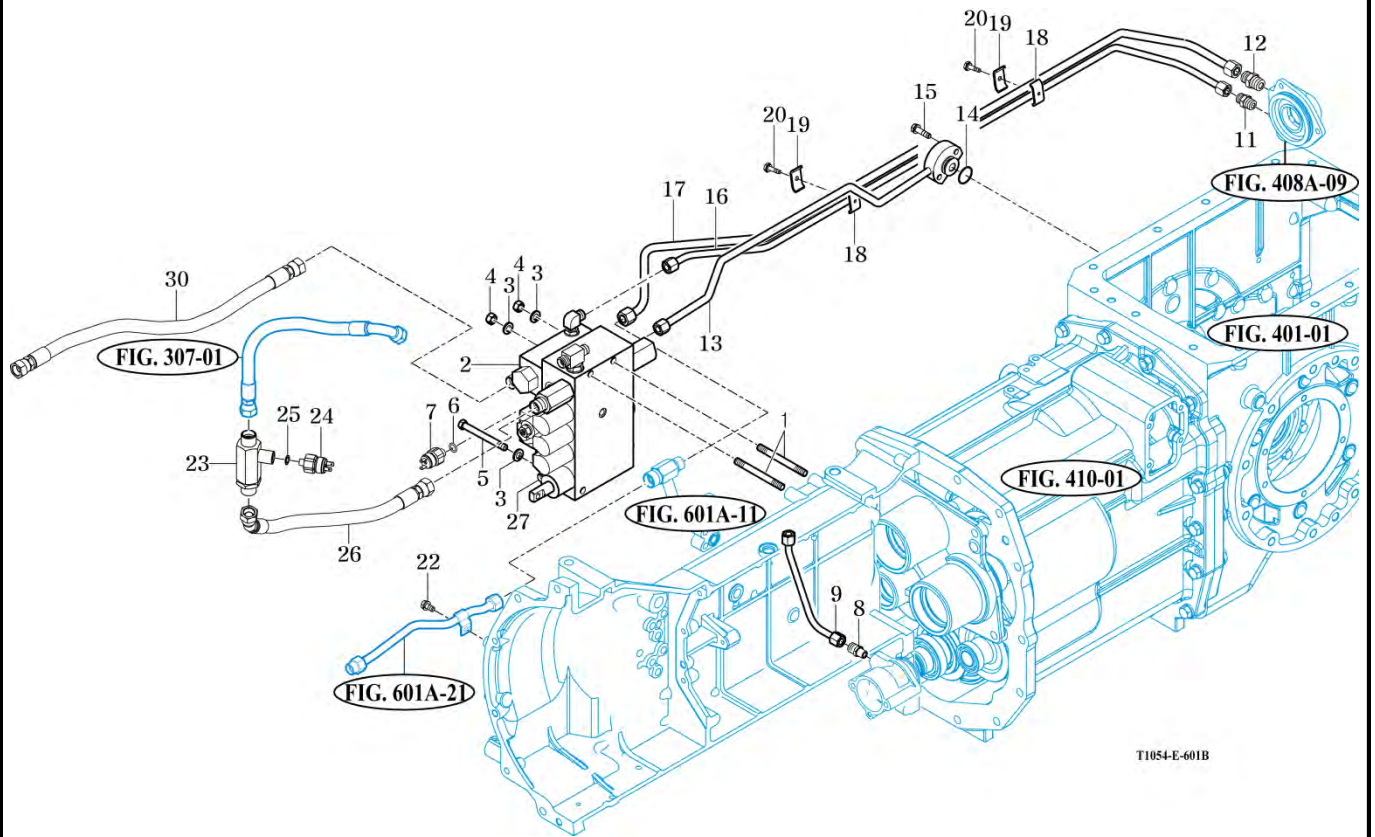
P1

YEAR

2014



T1104SC / T1054SC / T954SC



T1054-E-601B

NOTE

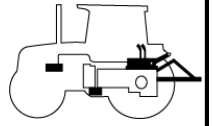
FIG 602

DRAWBAR ASSY

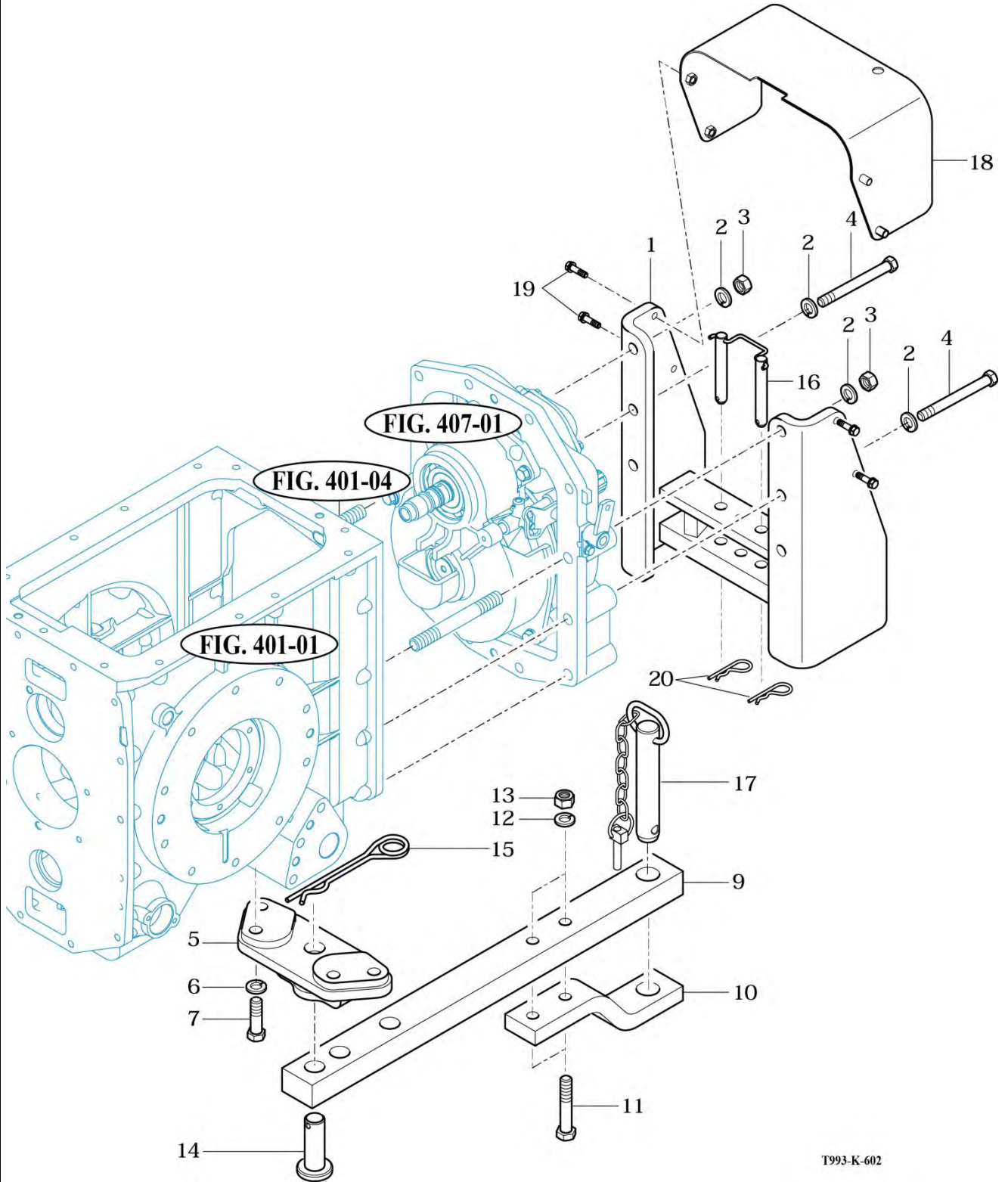
P1

YEAR

2014



T1104SC / T1054SC / T954SC



T993-K-602

NOTE

FIG 603A

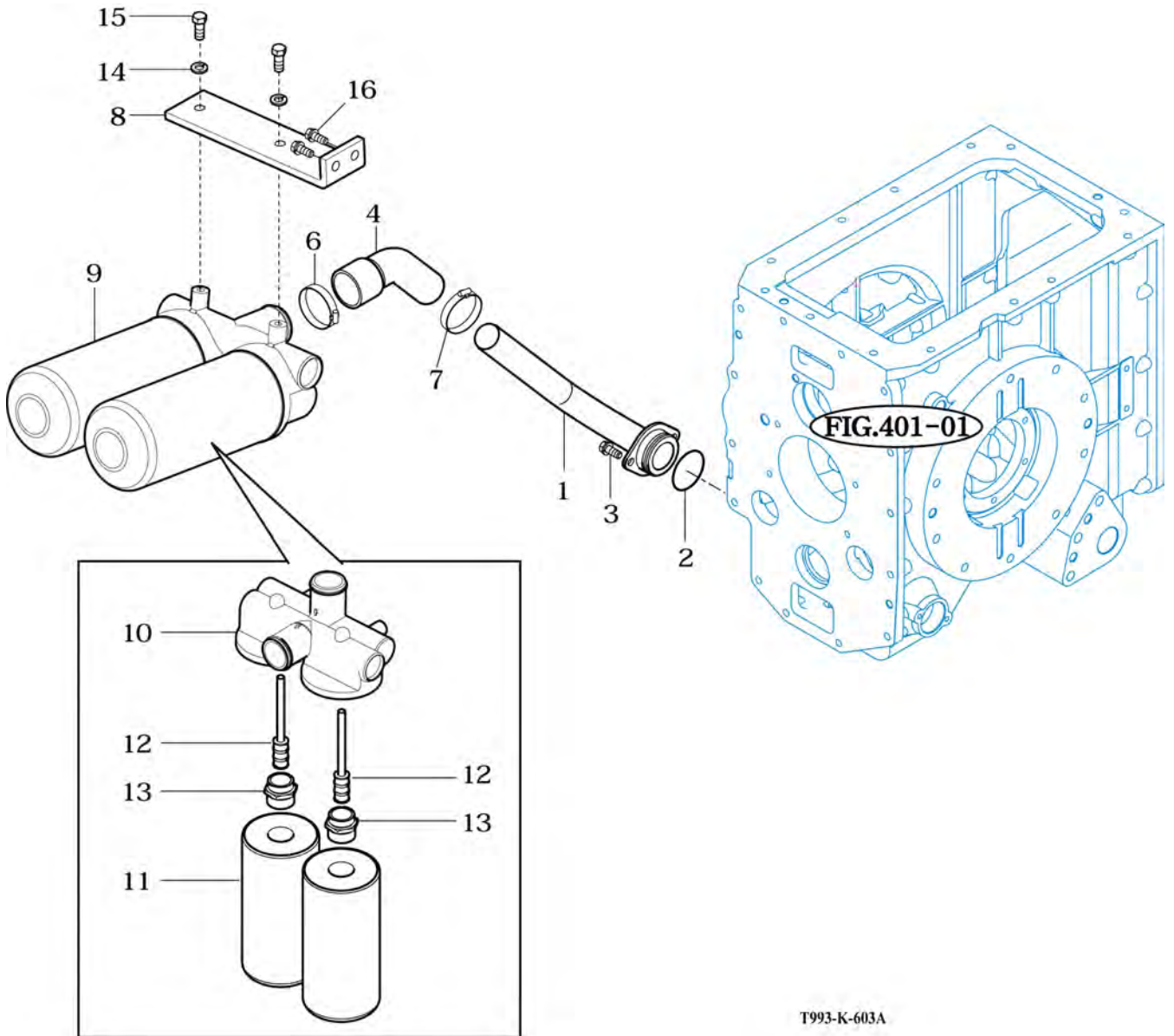
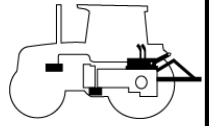
FILTER SUB, SUCTION

T1104SC / T1054SC / T954SC

P1

YEAR

2014



NOTE

FIG 603B

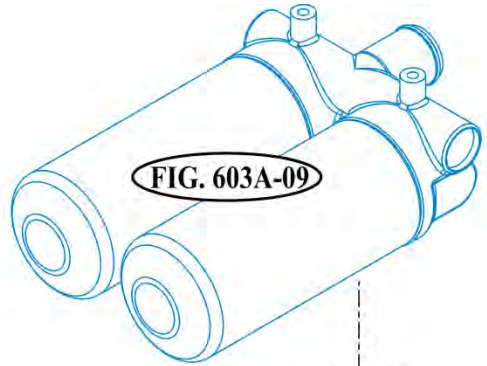
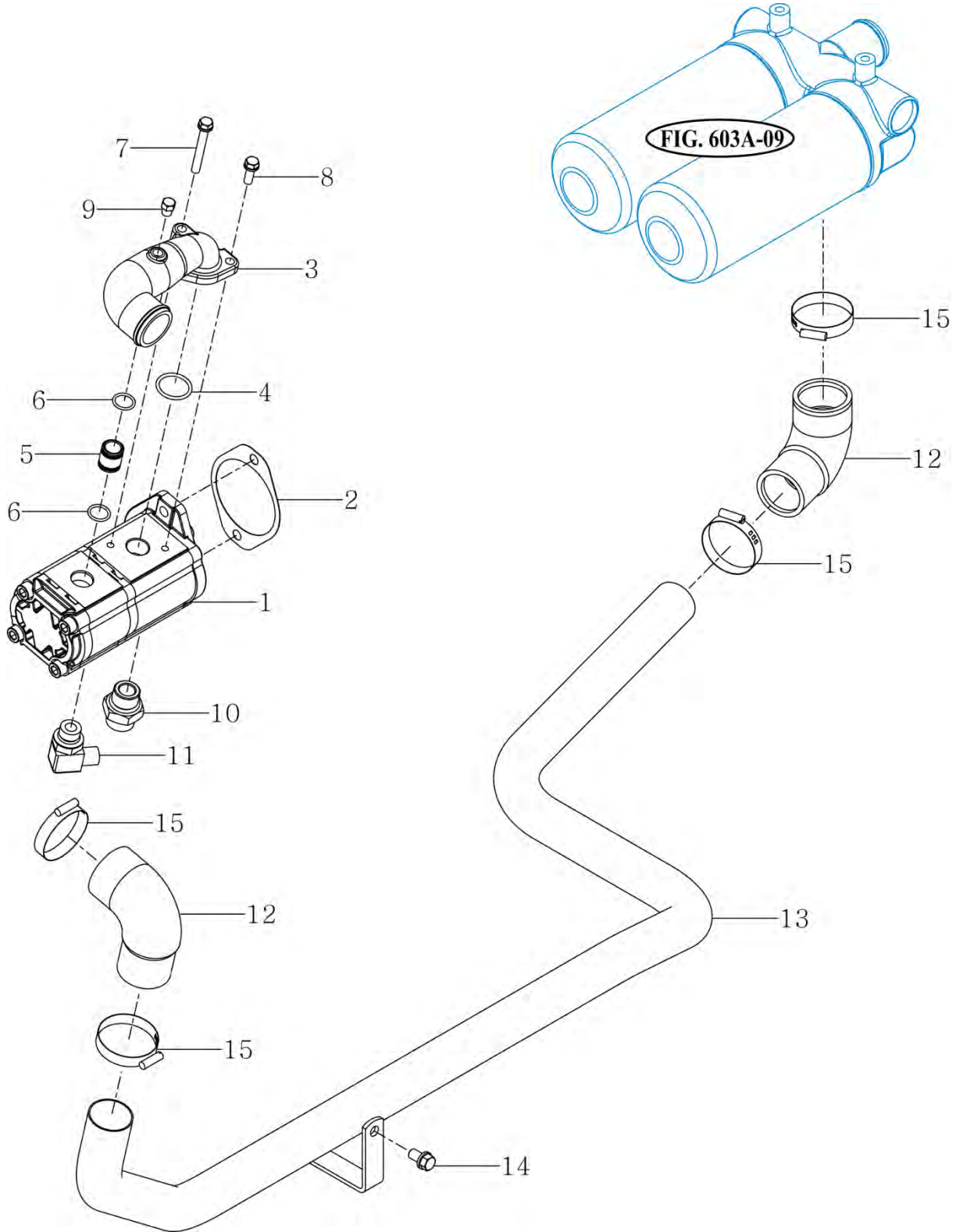
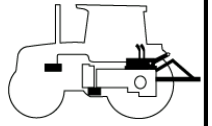
GEAR PUMP ASSY

T1104SC / T1054SC / T954SC

P1

YEAR

2014



NOTE

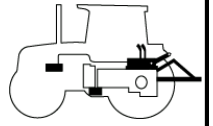
FIG 604

CASE , CYLINDER

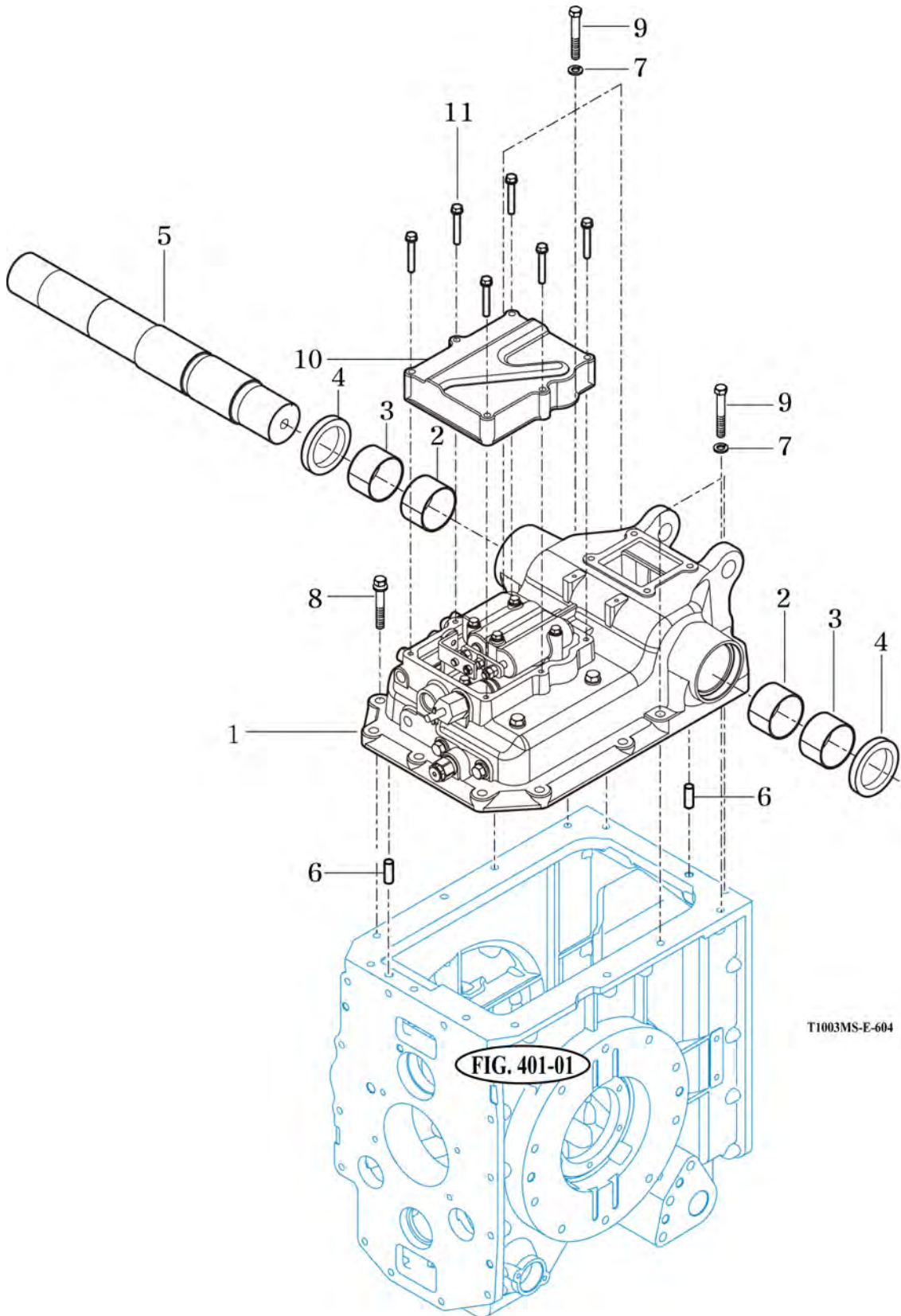
P1

YEAR

2014



T1104SC / T1054SC / T954SC



T1003MS-E-604

FIG. 401-01

NOTE

FIG 605

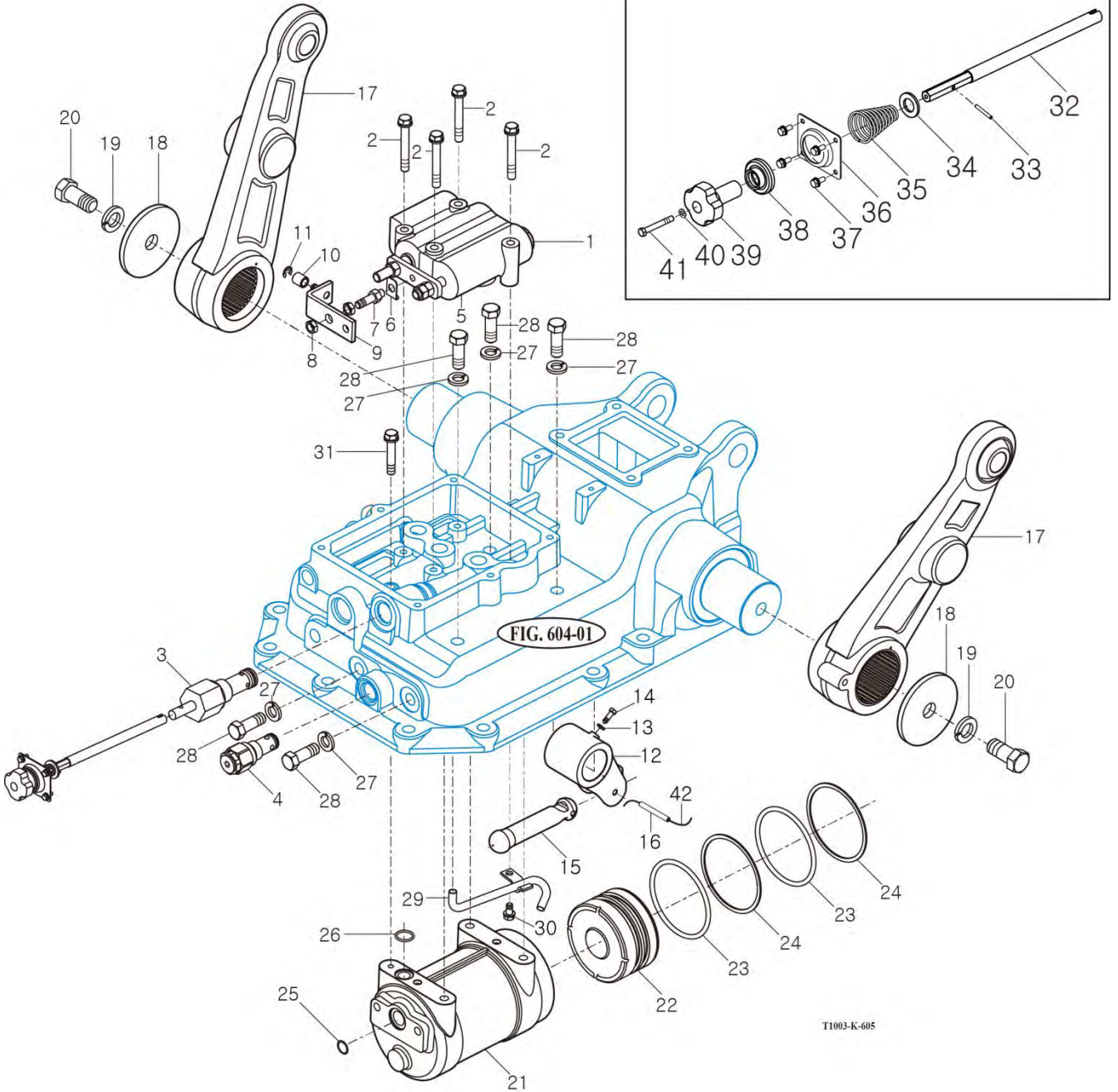
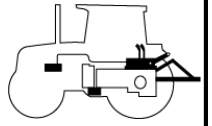
ARM SUB, LIFT
MAIN CONTROL VALVE SUB

T1104SC / T1054SC / T954SC

P1

YEAR

2014



T1003-K-605

NOTE

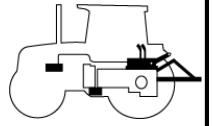
FIG 606

POSITON & DRAFT LINK

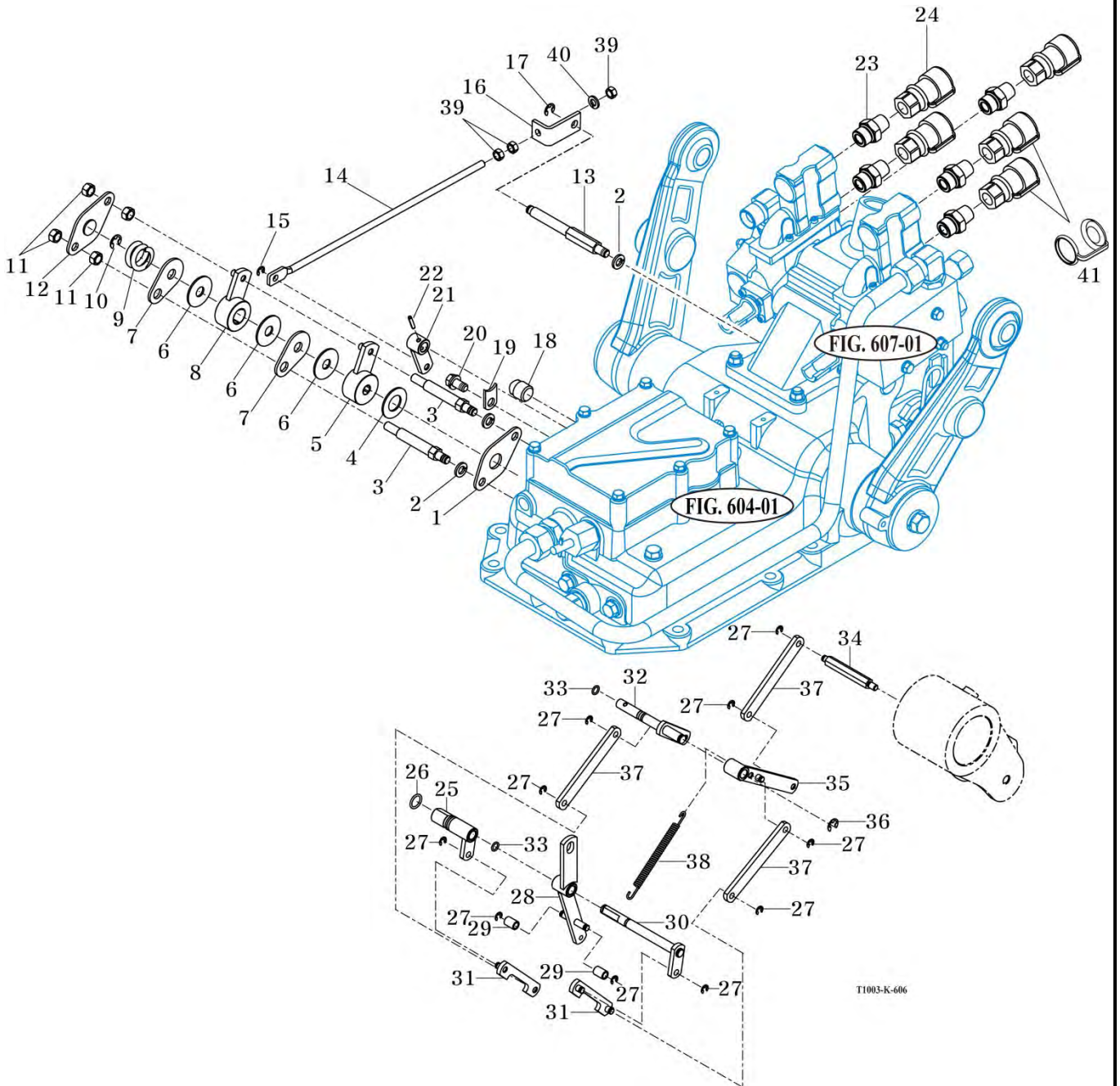
P1

YEAR

2014



T1104SC / T1054SC / T954SC



T1003-K-606

NOTE

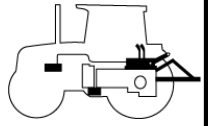
FIG 607A

AUX VALVE & FILTER SUB

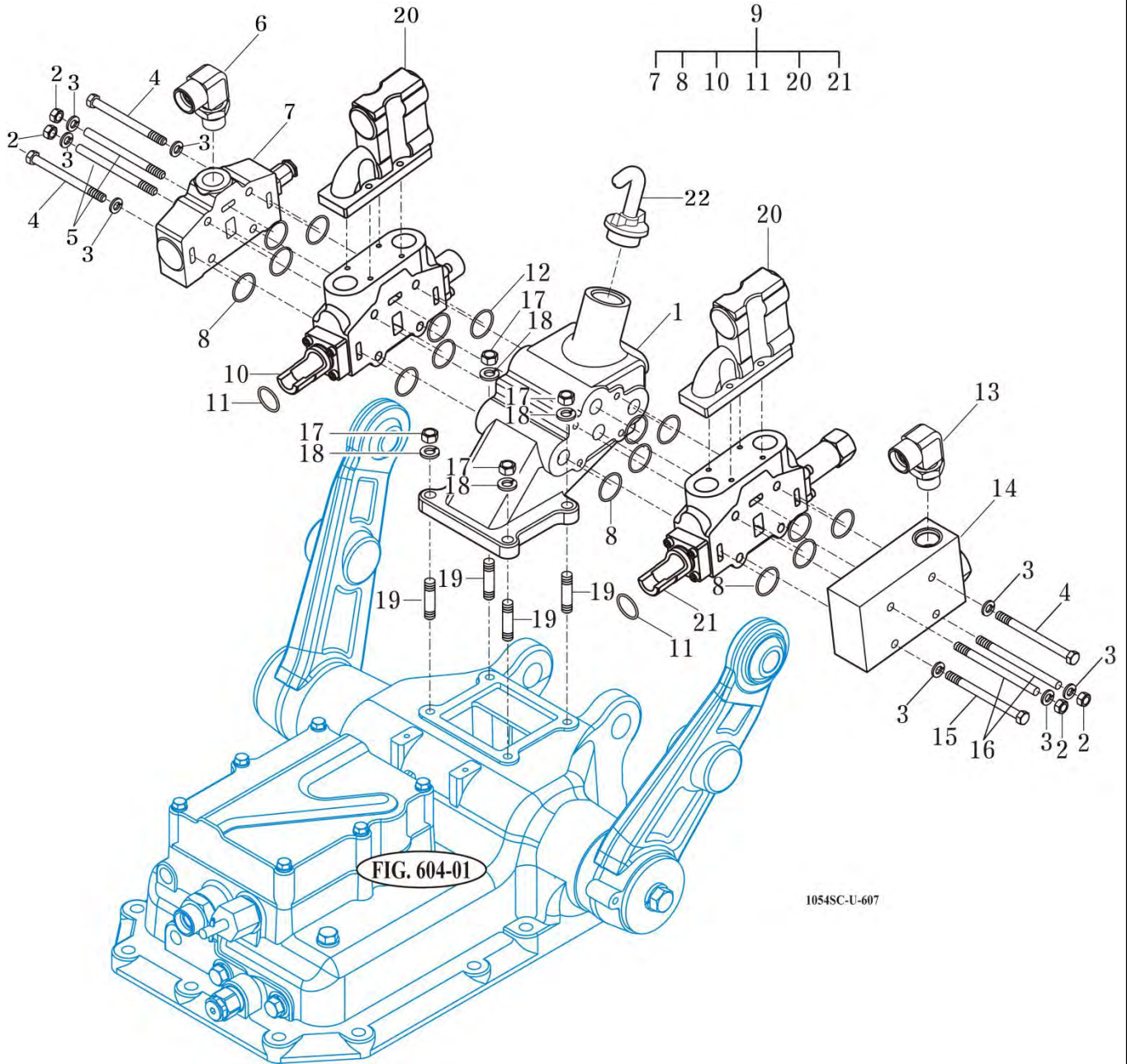
P1

YEAR

2014



T1104SC / T1054SC / T954SC



NOTE

FIG 607B

LEVER SUB, AUX

T1104SC / T1054SC / T954SC

P1

YEAR

2014

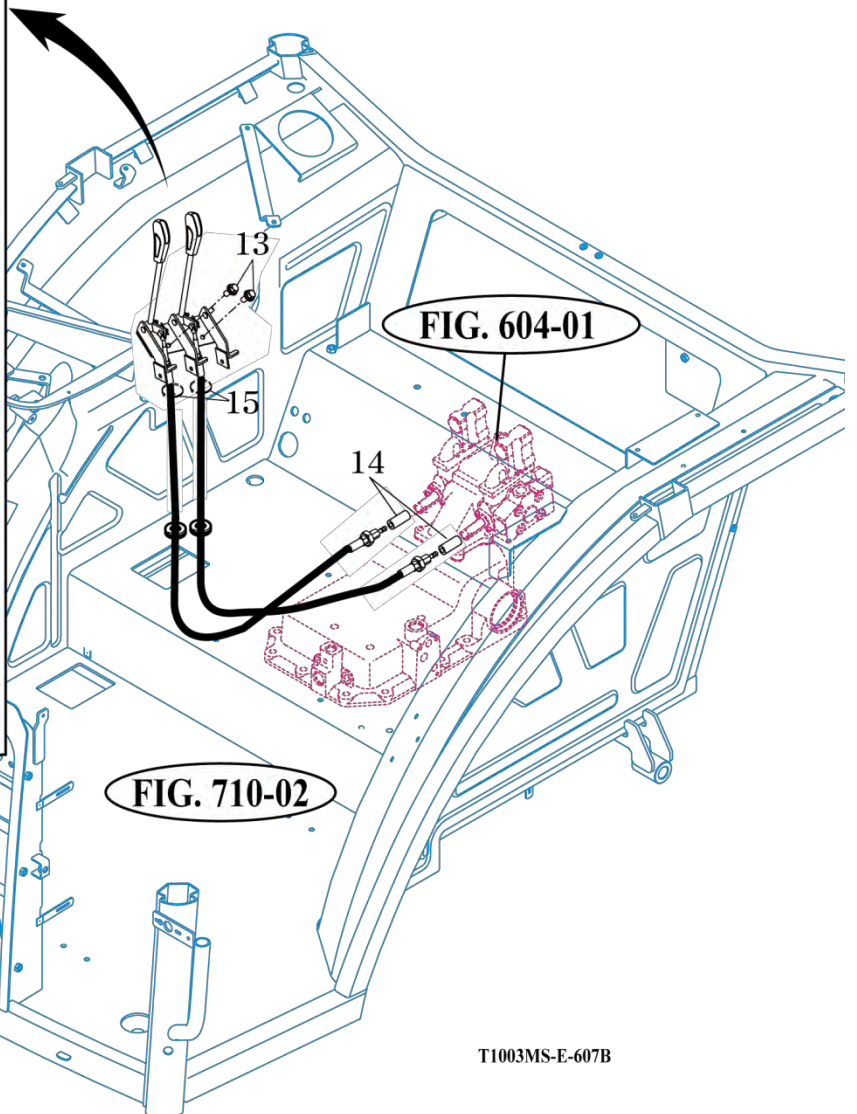
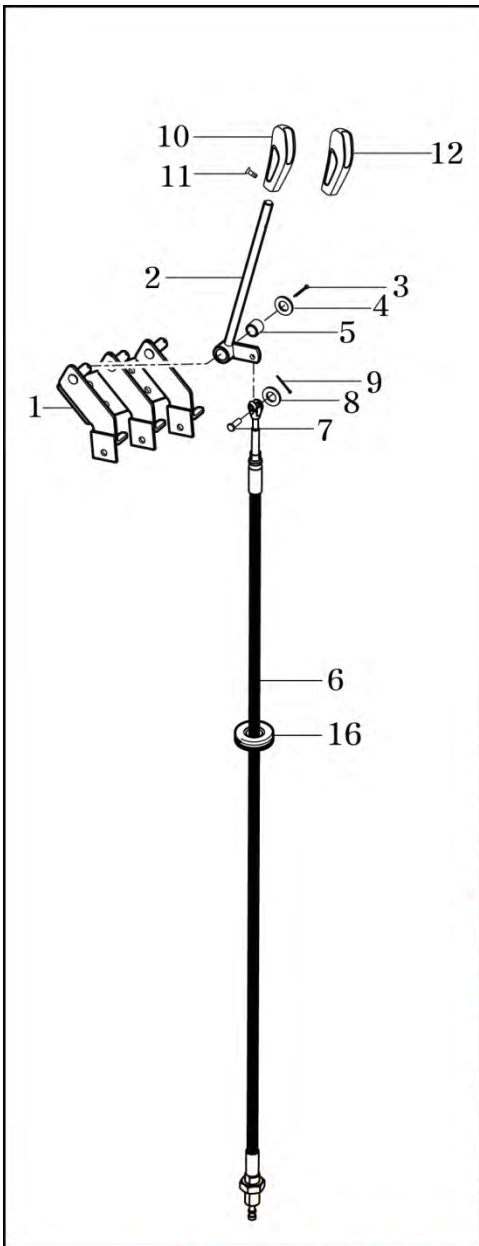
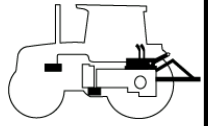


FIG. 604-01

FIG. 710-02

T1003MS-E-607B

NOTE

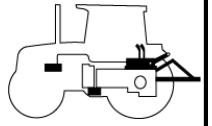
FIG 607C

POSITION & DRAFT LEVER

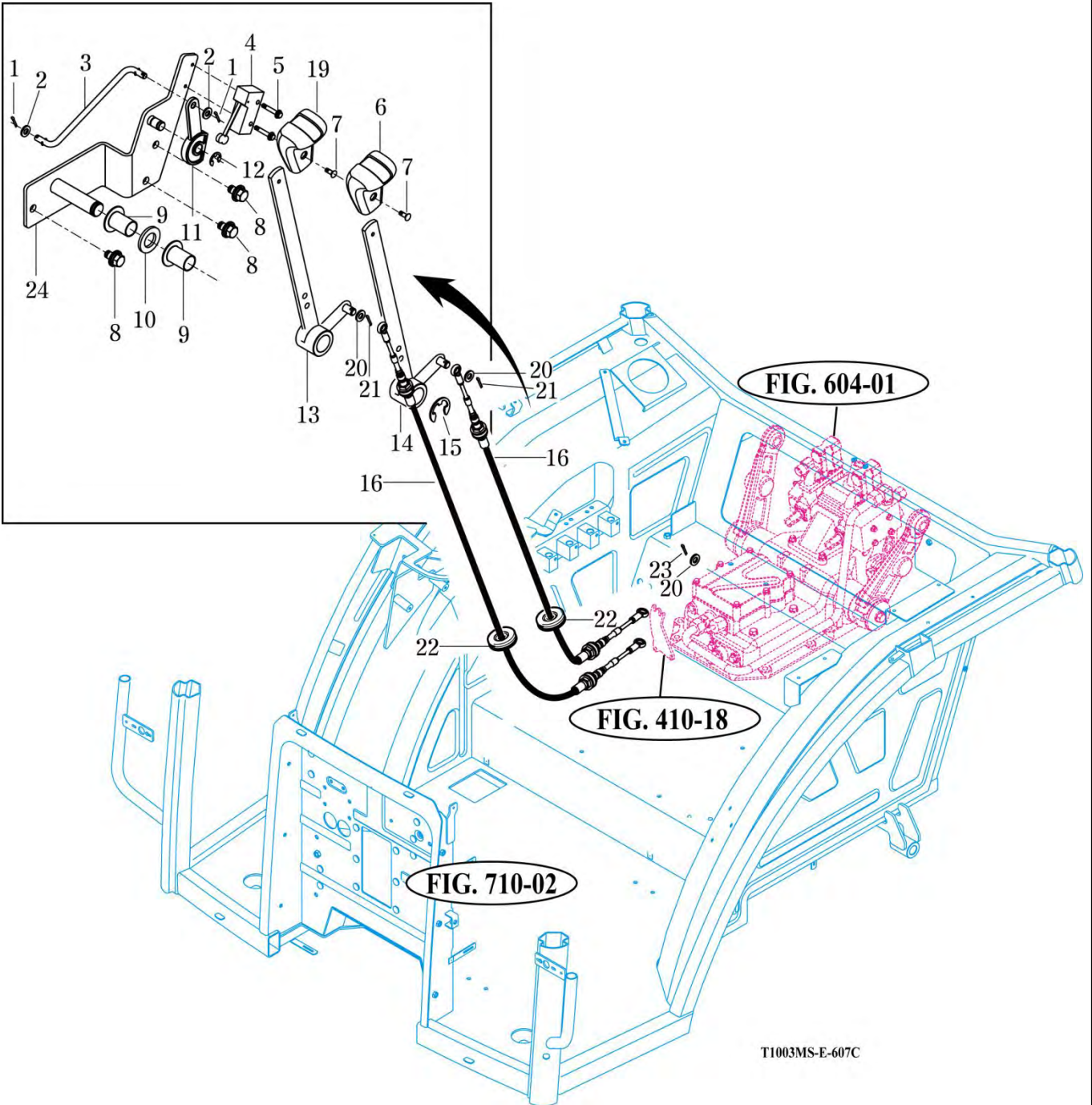
P1

YEAR

2014



T1104SC / T1054SC / T954SC



T1003MS-E-607C

NOTE

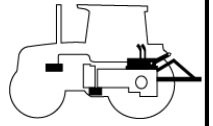
FIG 608A

HITCH & 3-POINT LINK

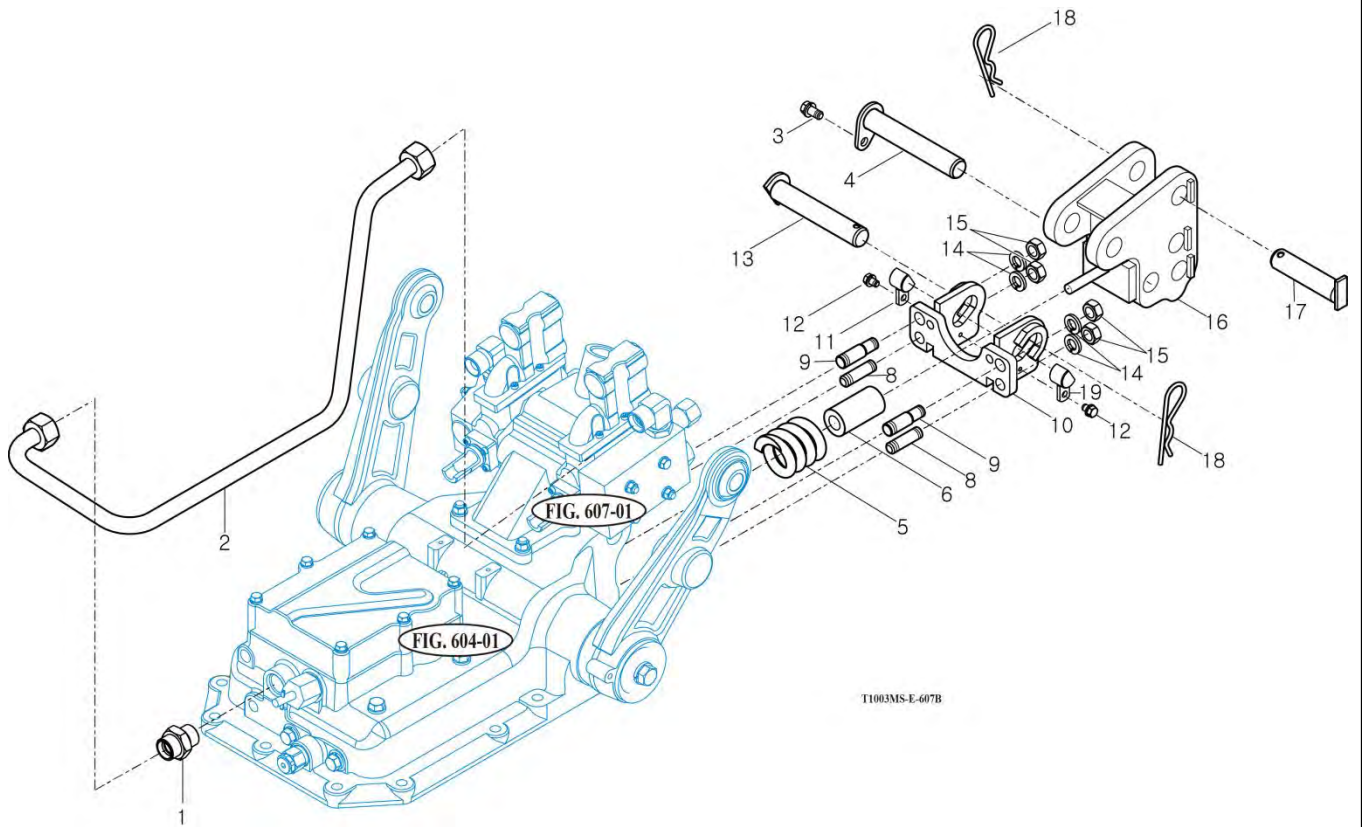
P1

YEAR

2014



T1104SC / T1054SC / T954SC



NOTE

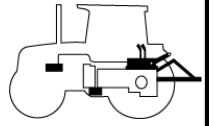
FIG 608B

HITCH & 3-POINT LINK

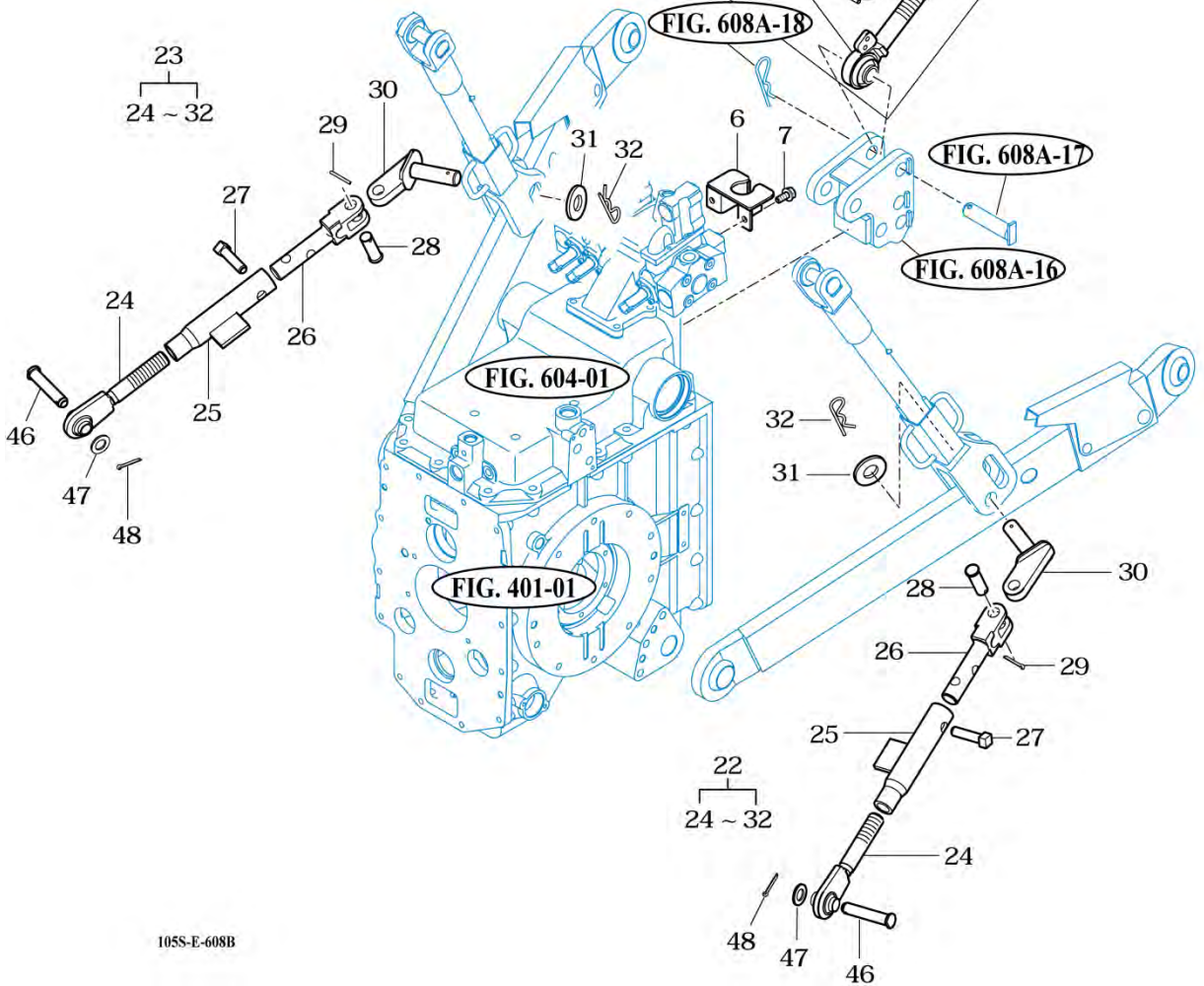
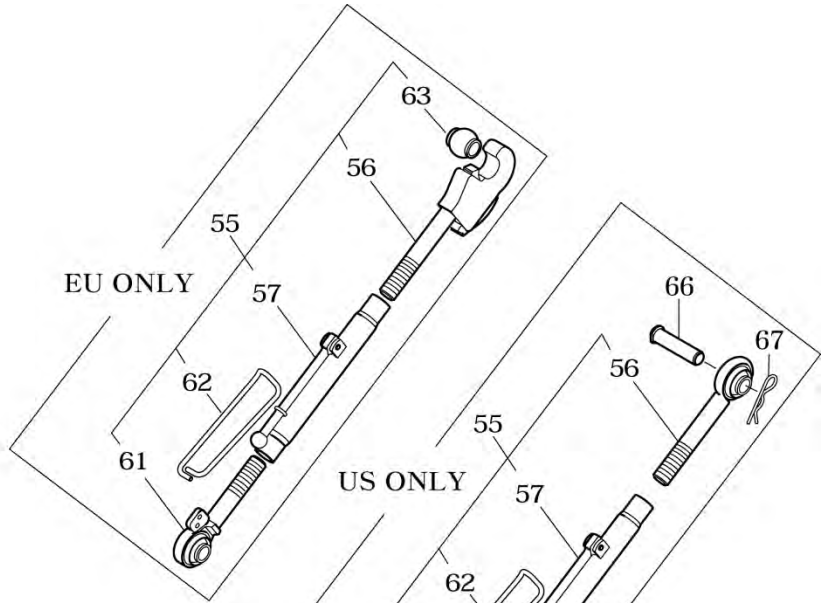
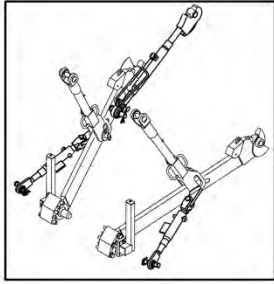
P1

YEAR

2014



T1104SC / T1054SC / T954SC



105S-E-608B

NOTE

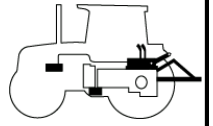
FIG 608C

LOWER LINK & LIFT ROD

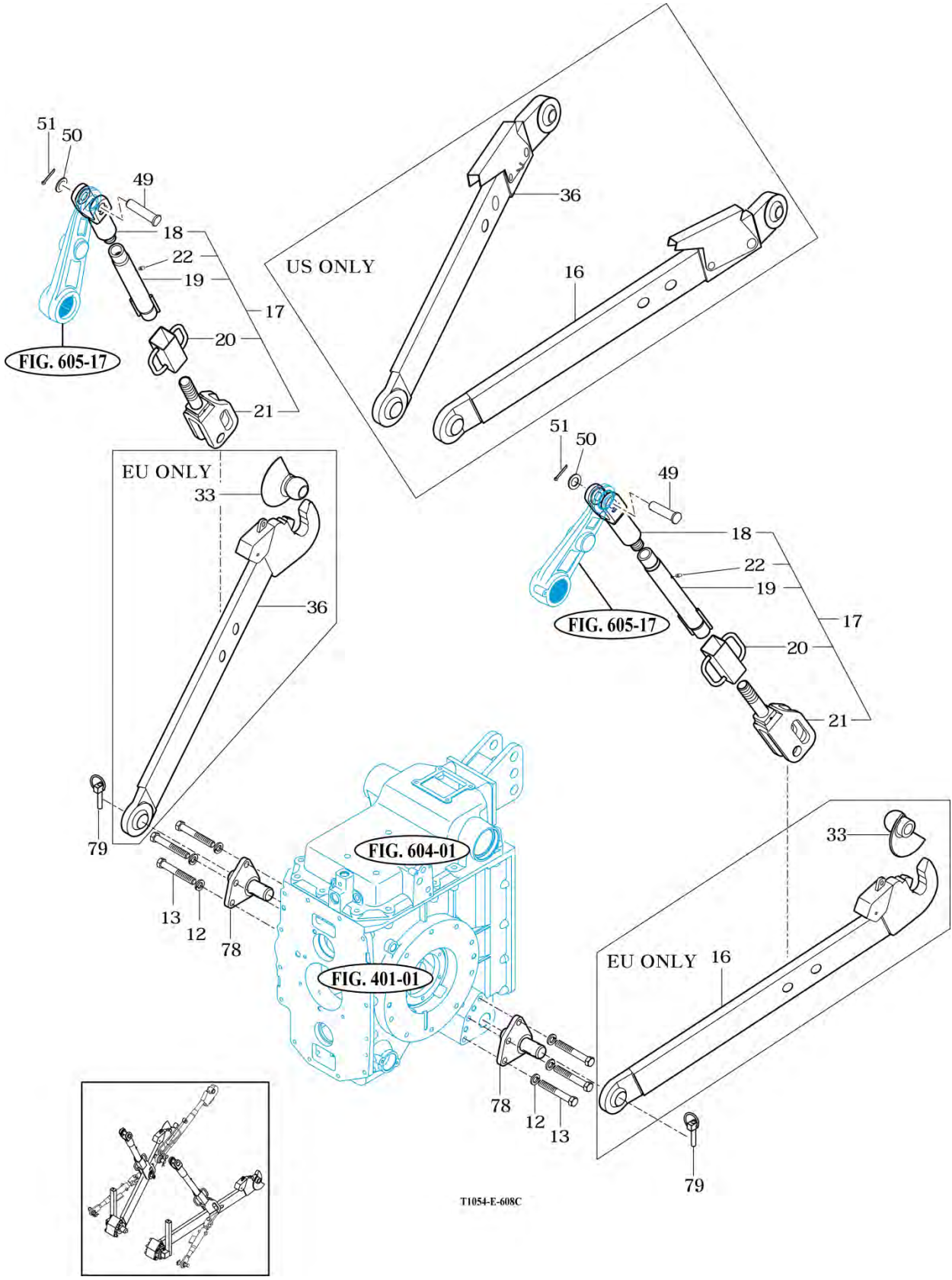
P1

YEAR

2014



T1104SC / T1054SC / T954SC



NOTE

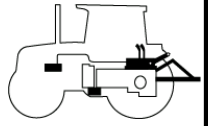
FIG 609

HYDRAULIC PIPE & HOSES

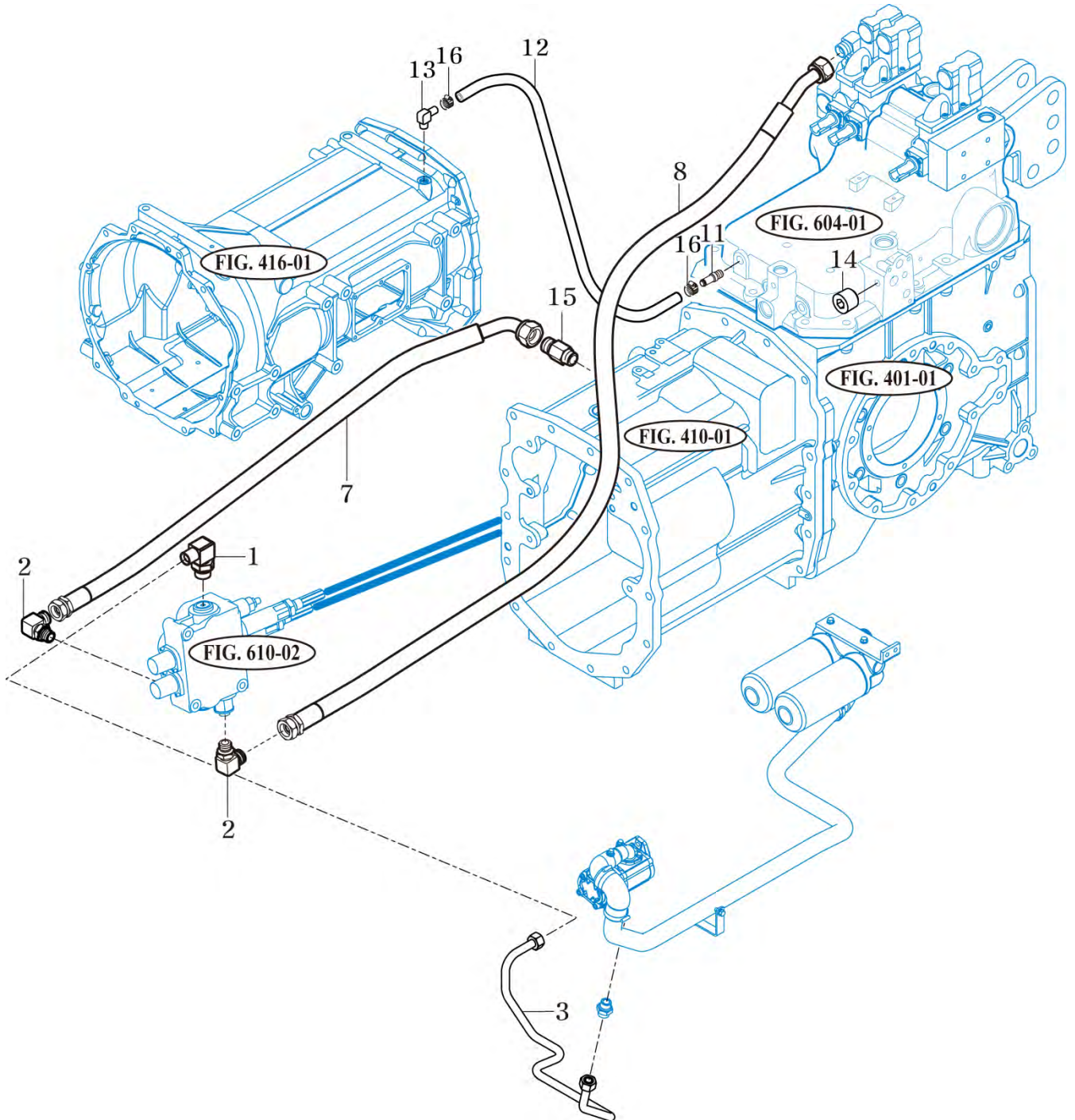
P1

YEAR

2014



T1104SC / T1054SC / T954SC



NOTE

FIG 609

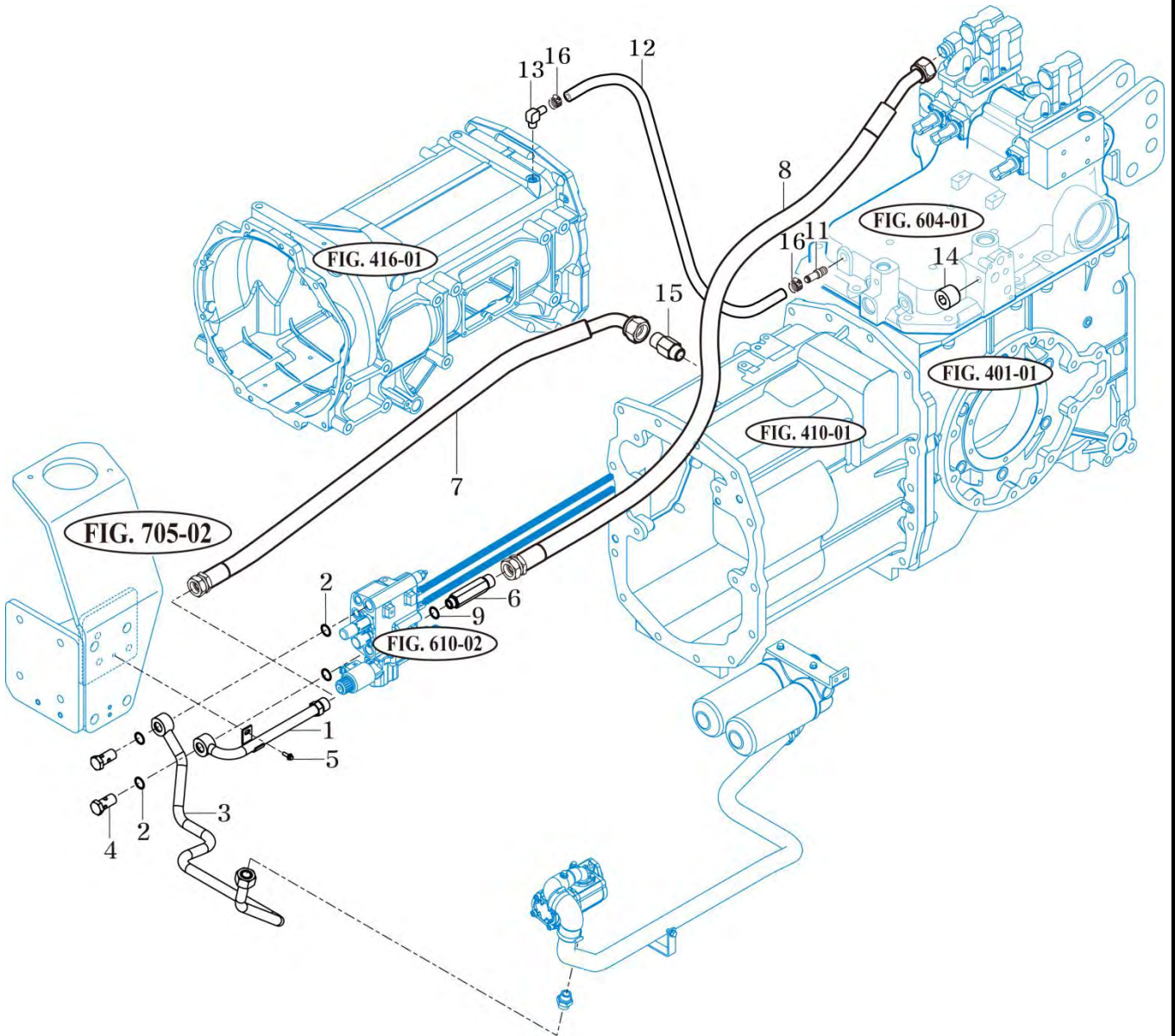
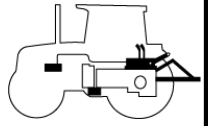
T1104SC / T1054SC / T954SC

**HYDRAULIC PIPE & HOSES
(T1104SCUS ONLY)**

P1

YEAR

2014



NOTE

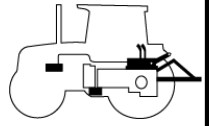
FIG 610

JOYSTICK

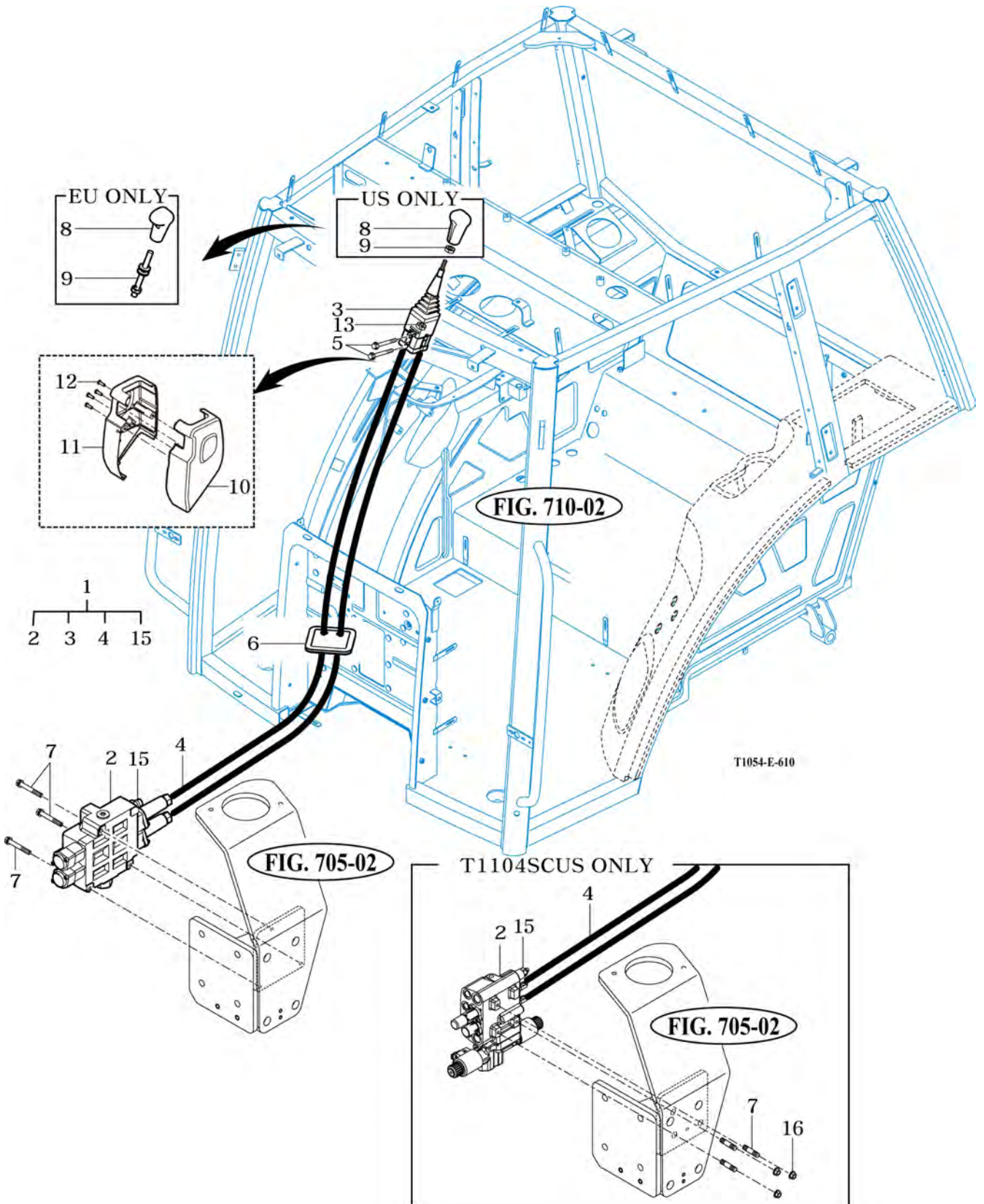
P1

YEAR

2014



T1104SC / T1054SC / T954SC



NOTE

FIG 701

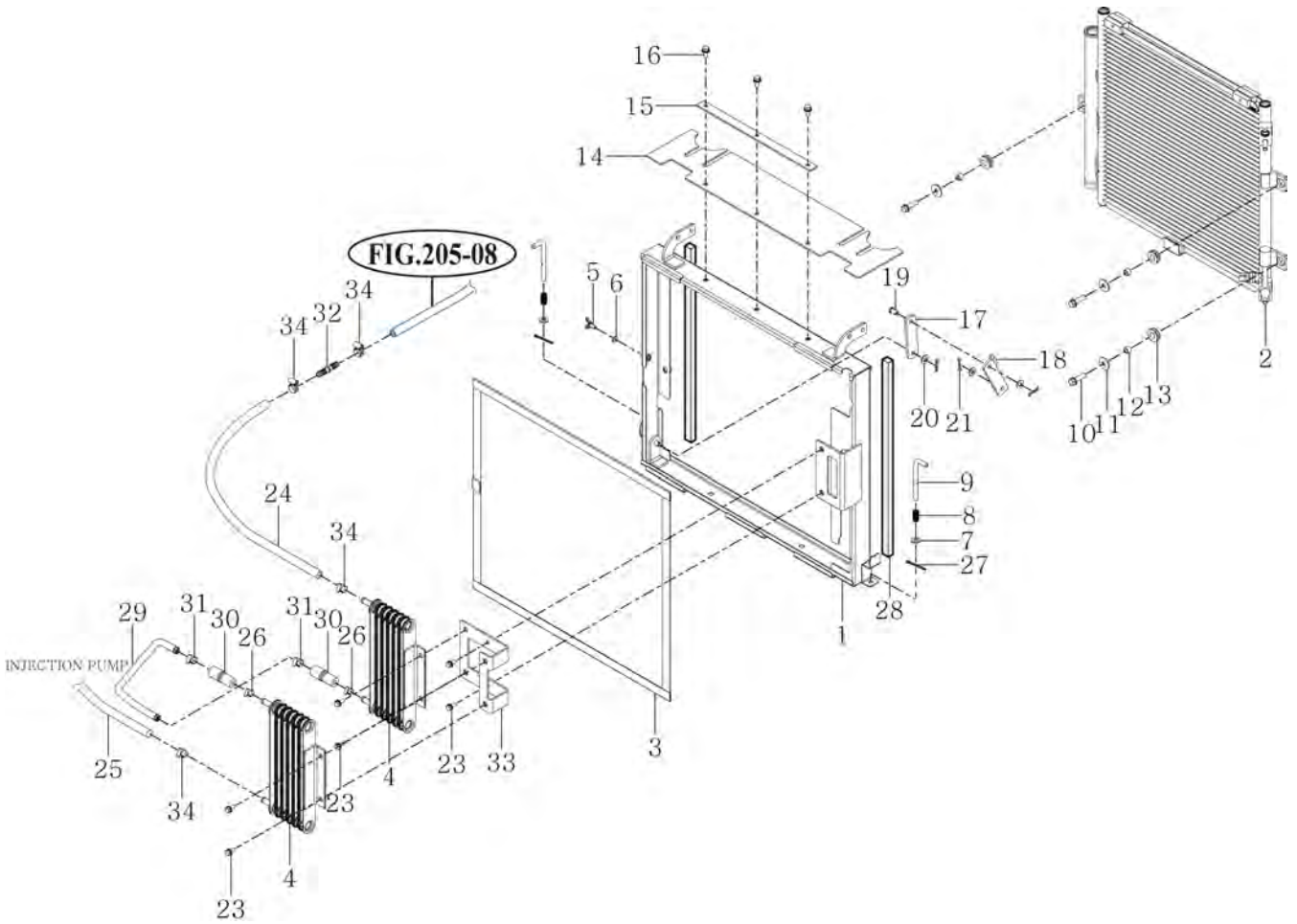
FRONT FRAME SUB

T1104SC / T1054SC / T954SC

P1

YEAR

2014



NOTE

FIG 702

FRAME , HOOD

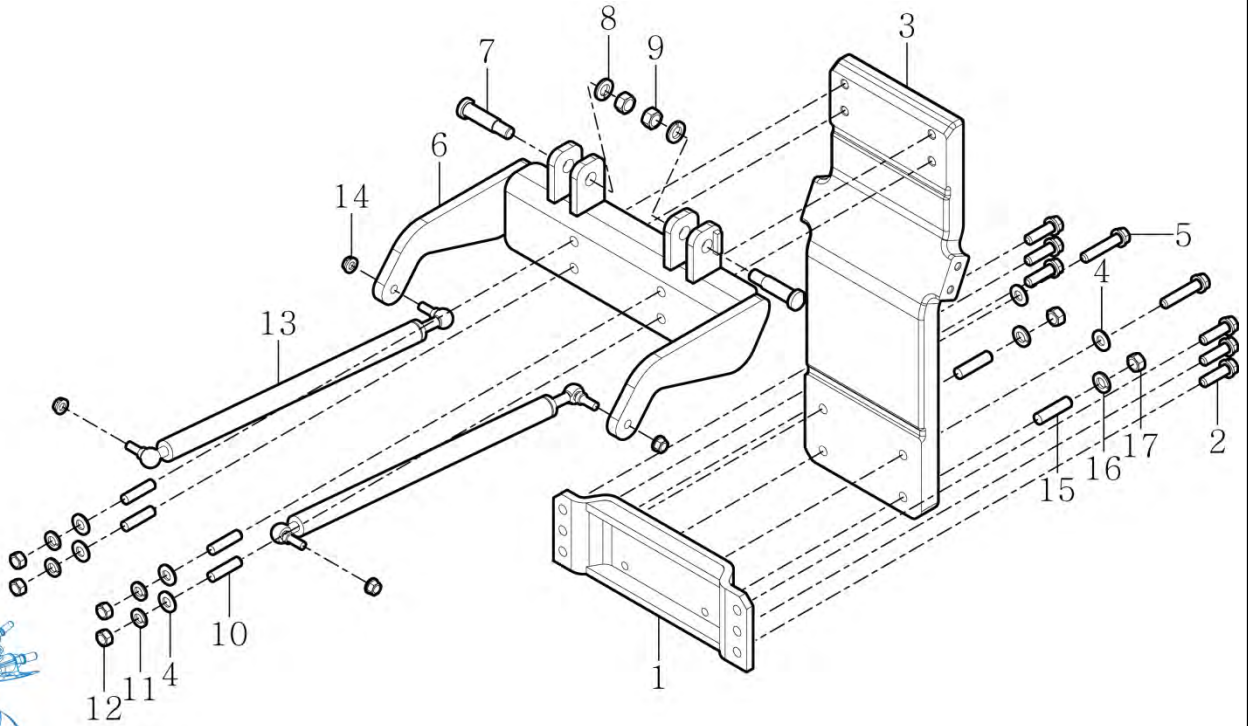
P1

YEAR

2014



T1104SC / T1054SC / T954SC



NOTE

FIG 703

HOOD

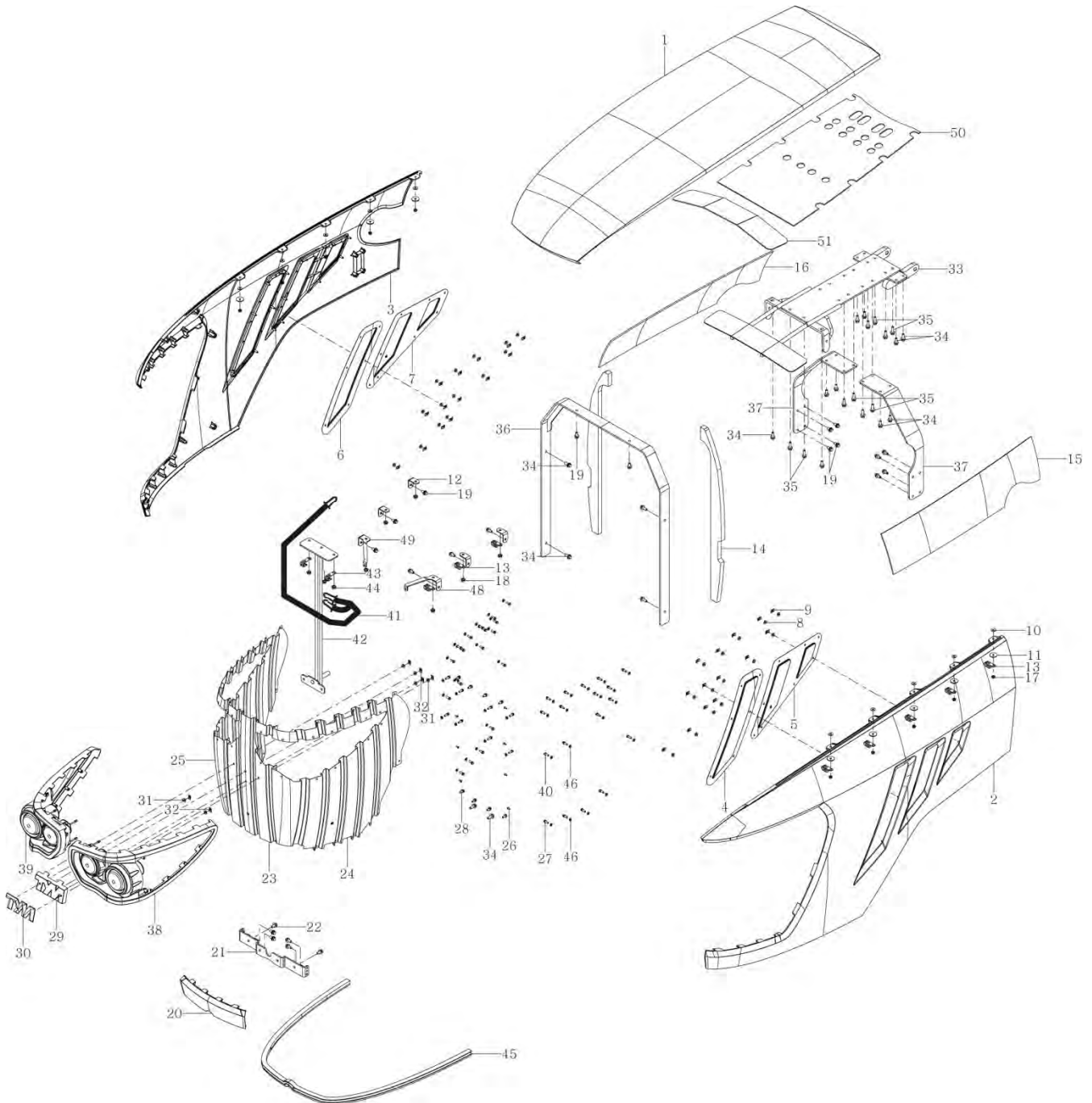
P1

YEAR

2014



T1104SC / T1054SC / T954SC



NOTE

FIG 703

HOOD

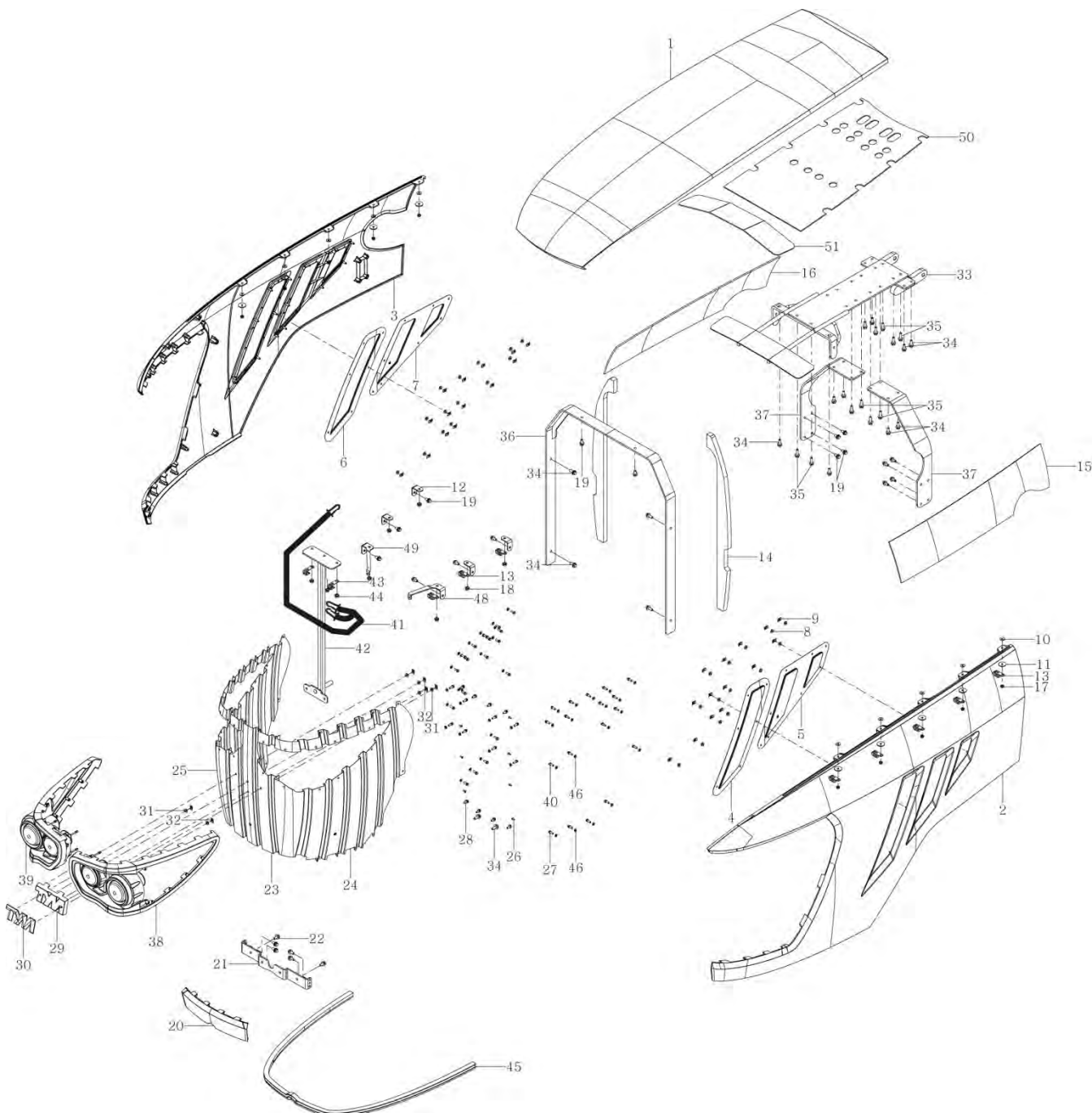
P2

YEAR

2014



T1104SC / T1054SC / T954SC



NOTE

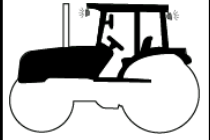
FIG 704

STEP & BOOTS

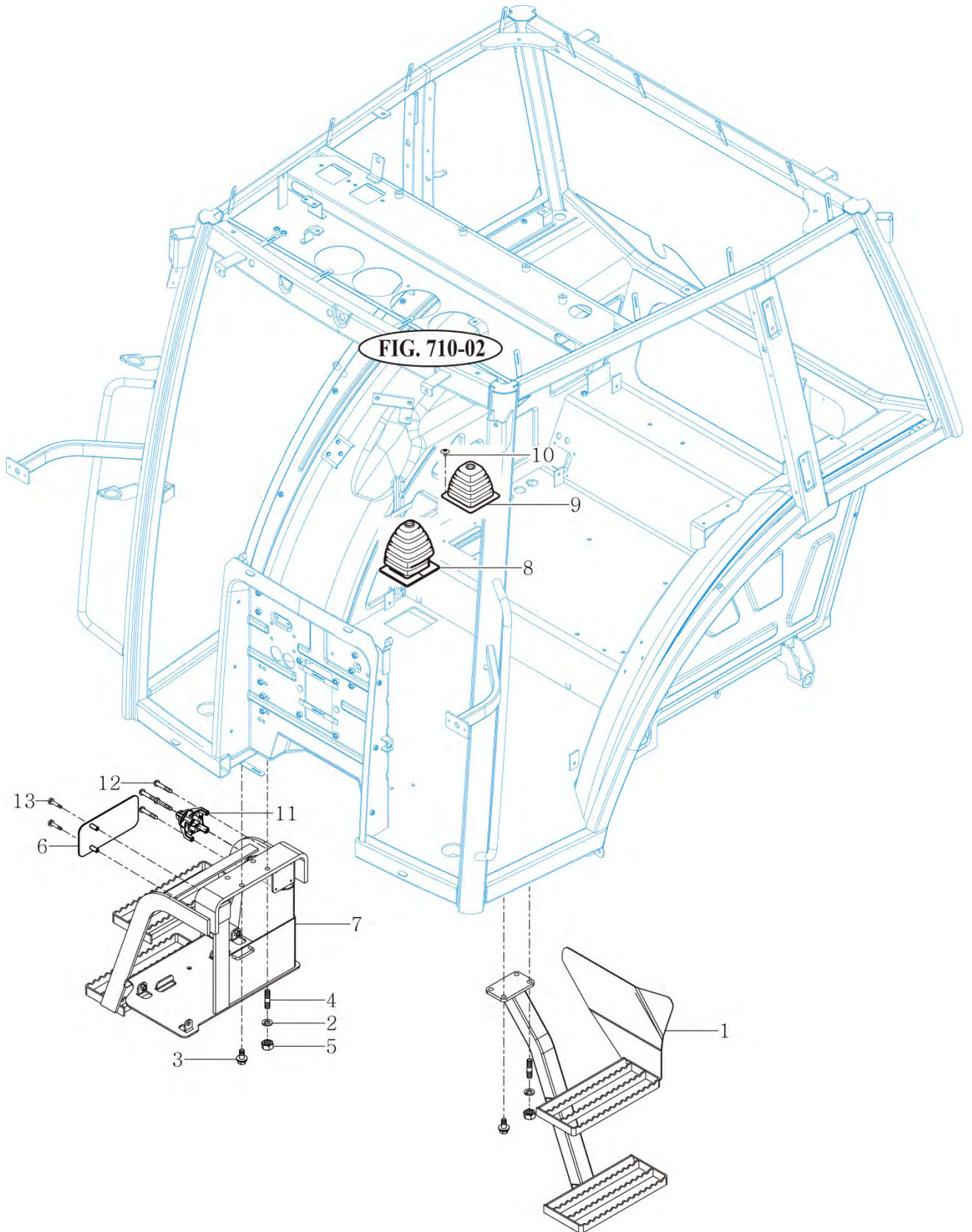
P1

YEAR

2014



T1104SC / T1054SC / T954SC



NOTE

FIG 705

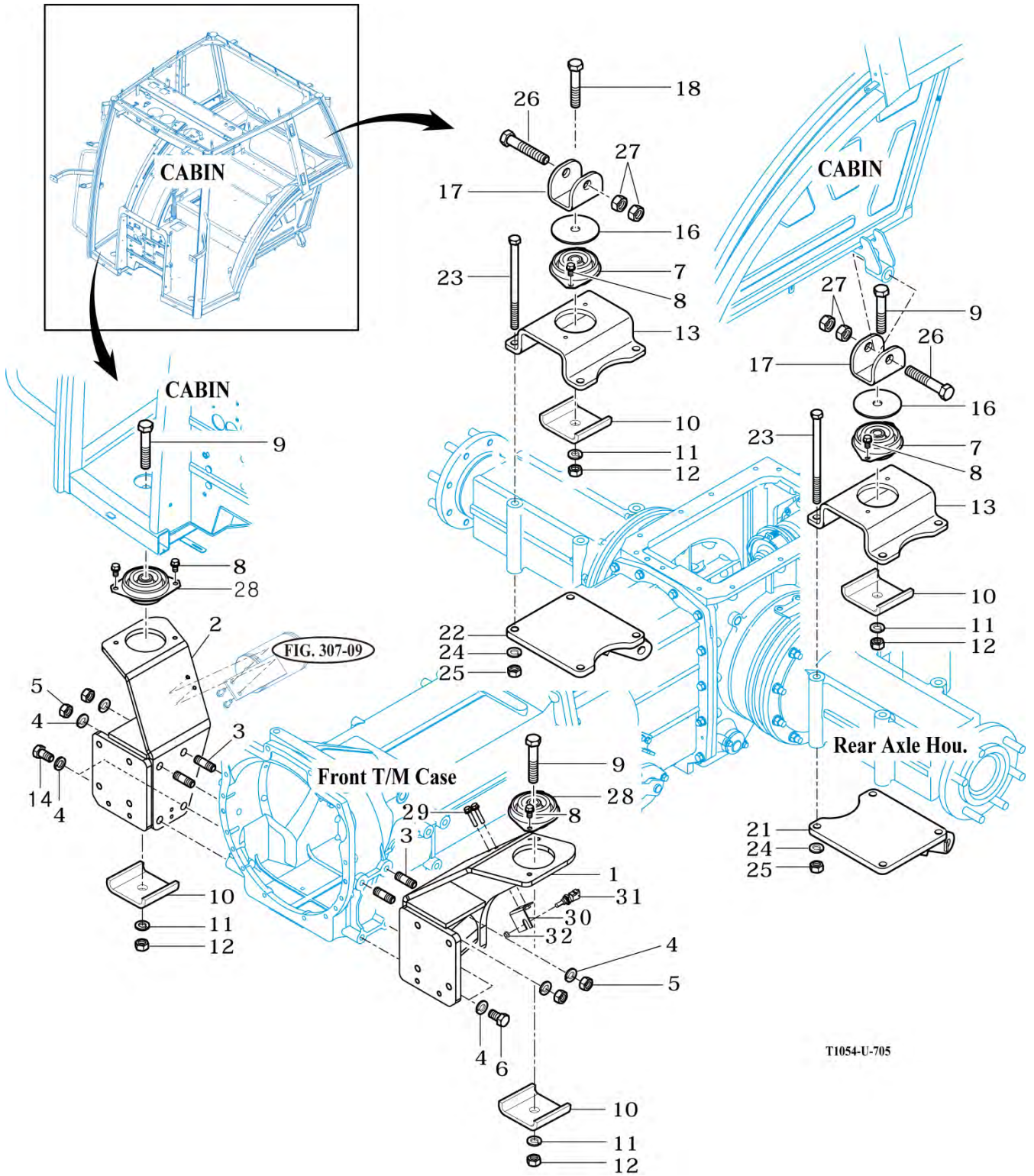
FRONT & REAR MOUNTING

T1104SC / T1054SC / T954SC

P1

YEAR

2014



T1054-U-705

NOTE

FIG 706

SEAT & MAT

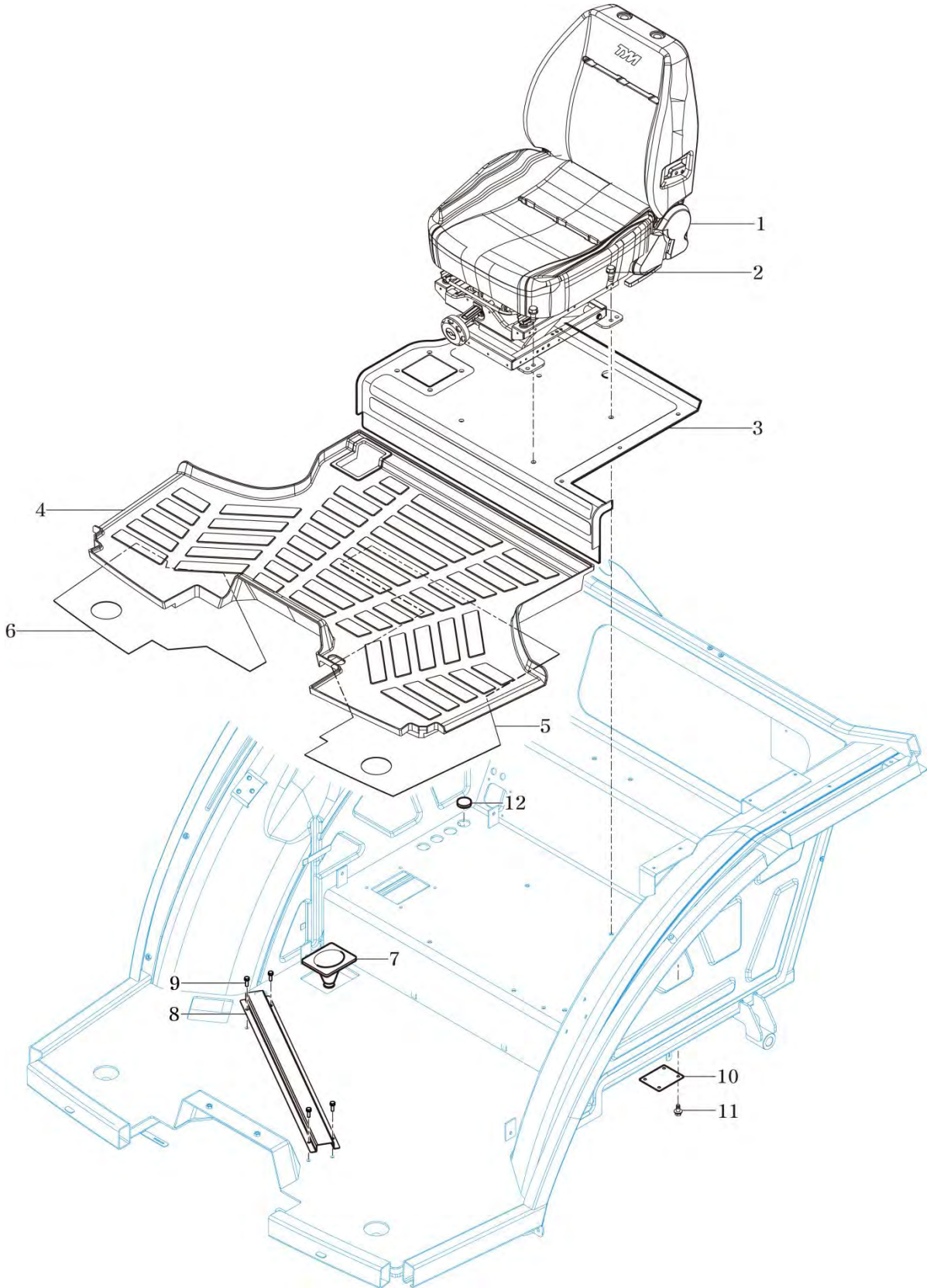
P1

YEAR

2014



T1104SC / T1054SC / T954SC



NOTE

FIG 708

DOOR-LH

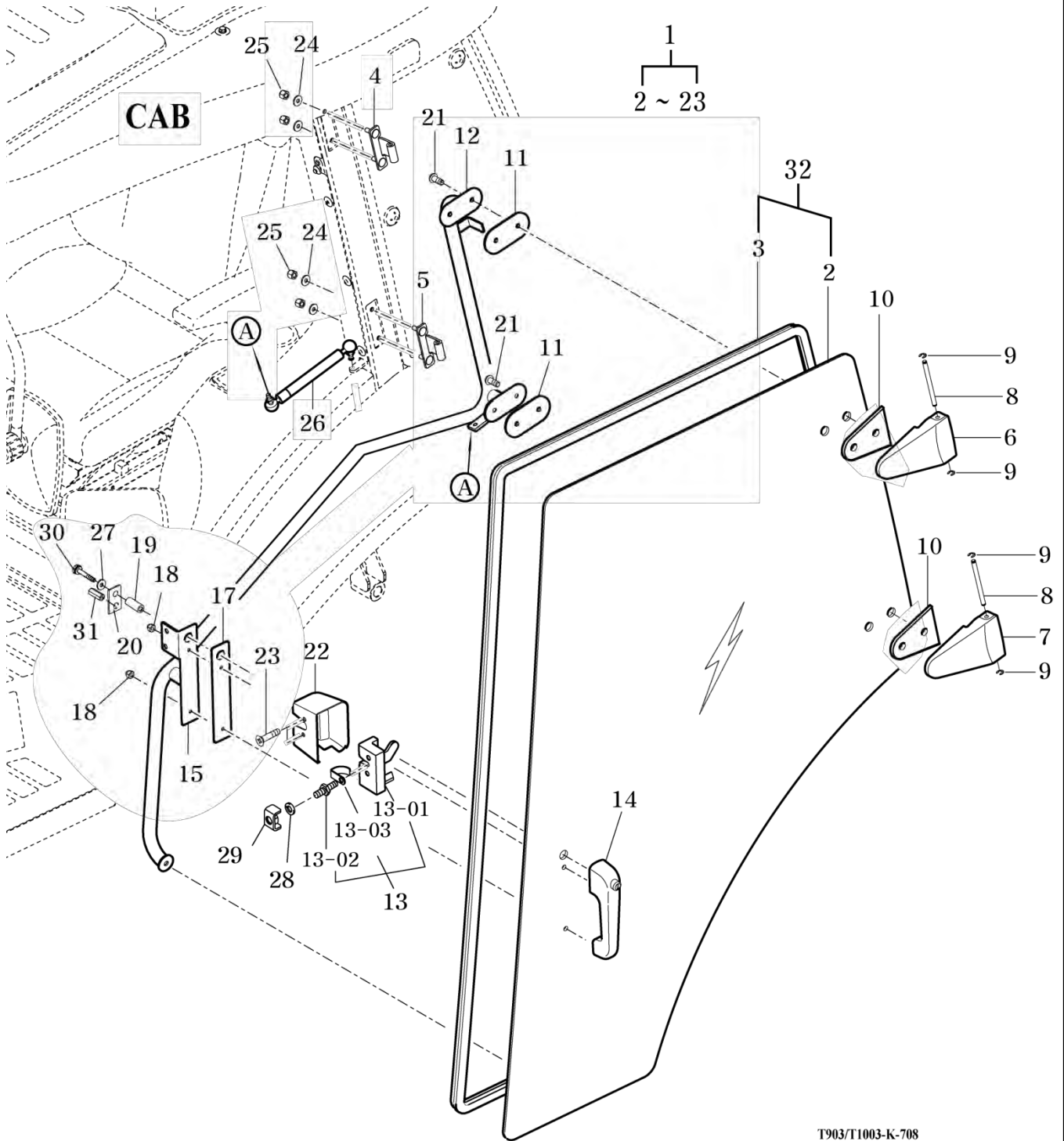
P1

YEAR

2014



T1104SC / T1054SC / T954SC



T903/T1003-K-708

NOTE

FIG 708

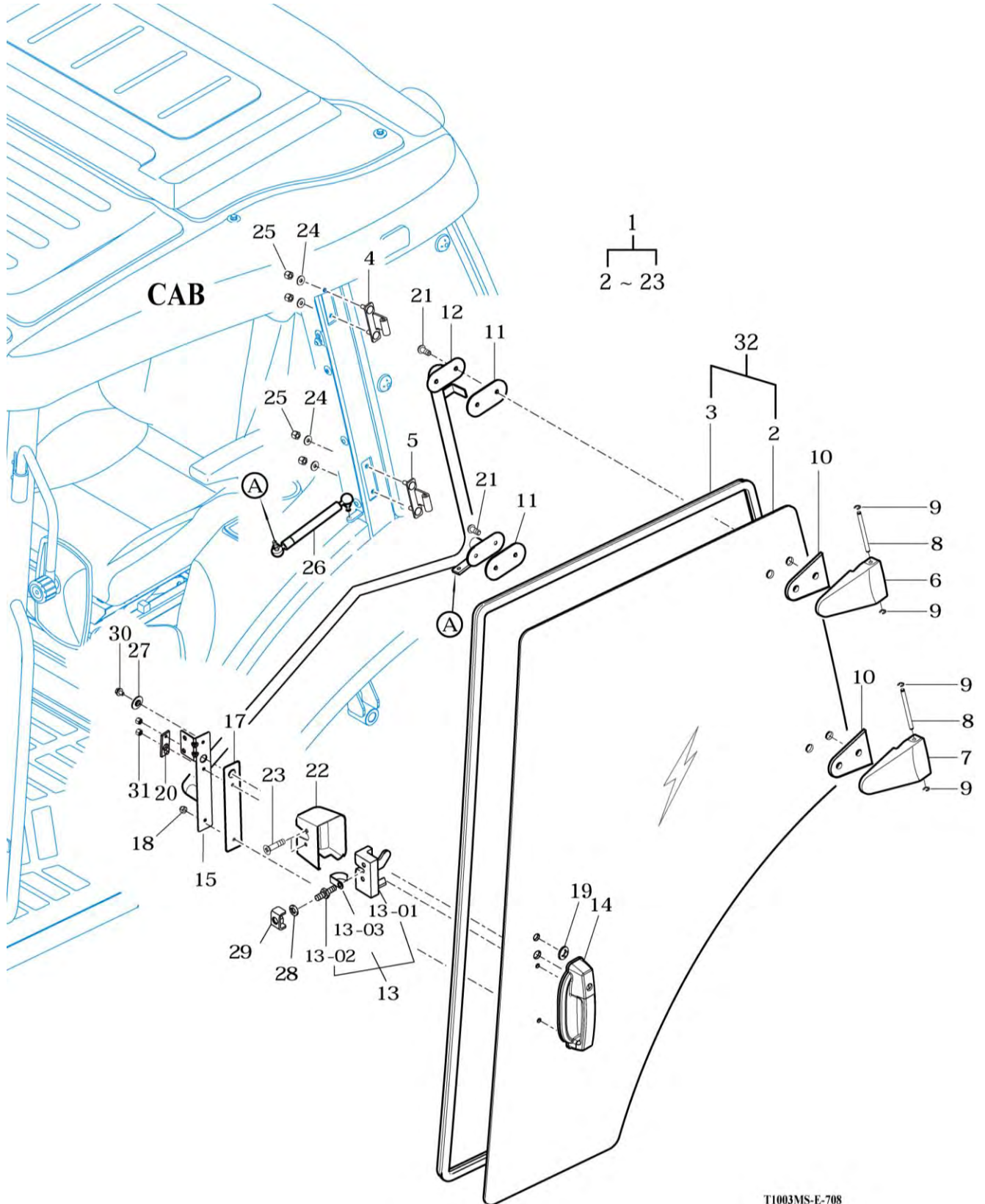
DOOR-LH

T1104SC / T1054SC / T954SC

P1

YEAR

2014



T1003MS-E-708

NOTE

FIG 709

DOOR-RH

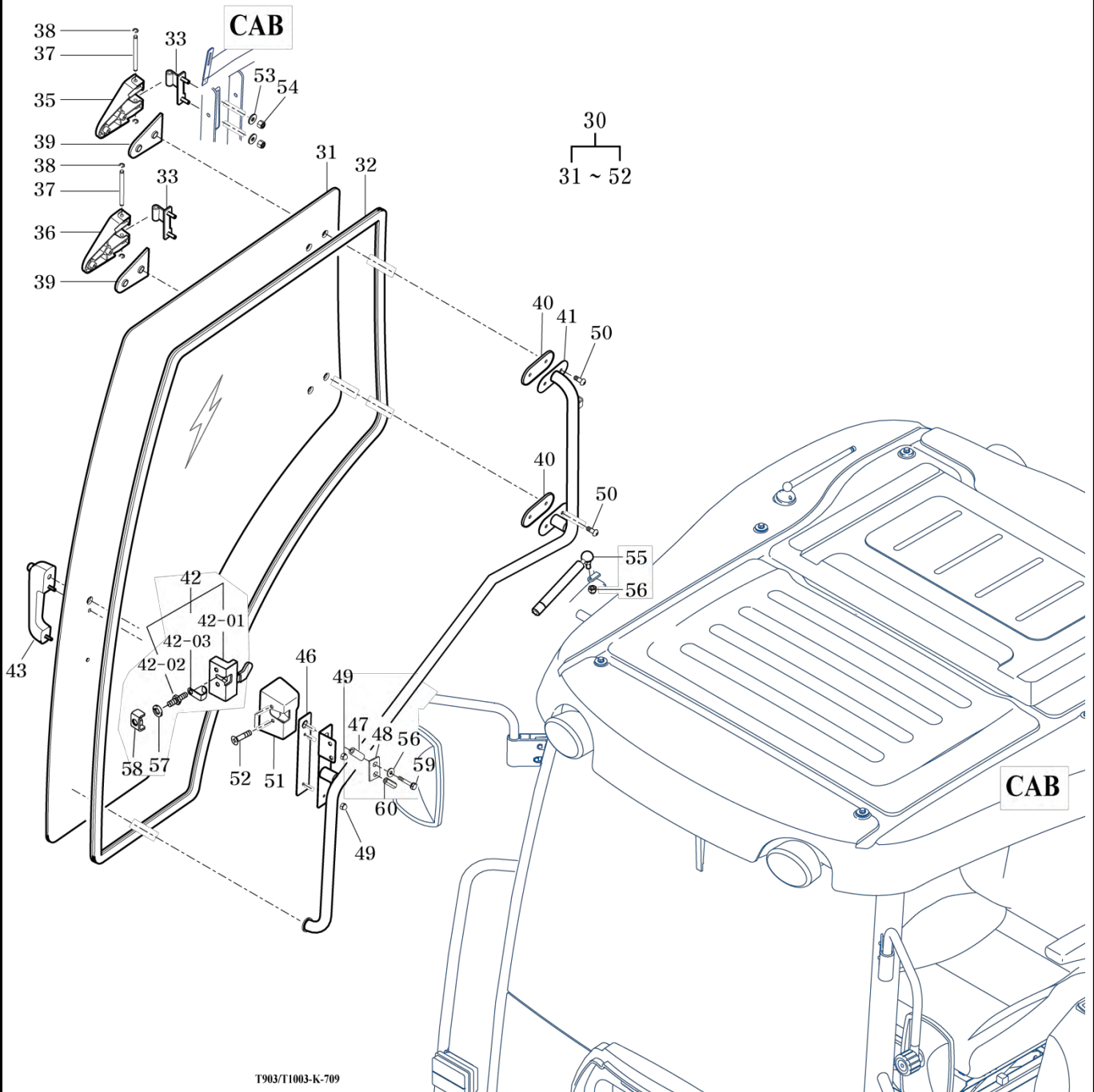
P2

YEAR

2014



T1104SC / T1054SC / T954SC



NOTE

FIG 709

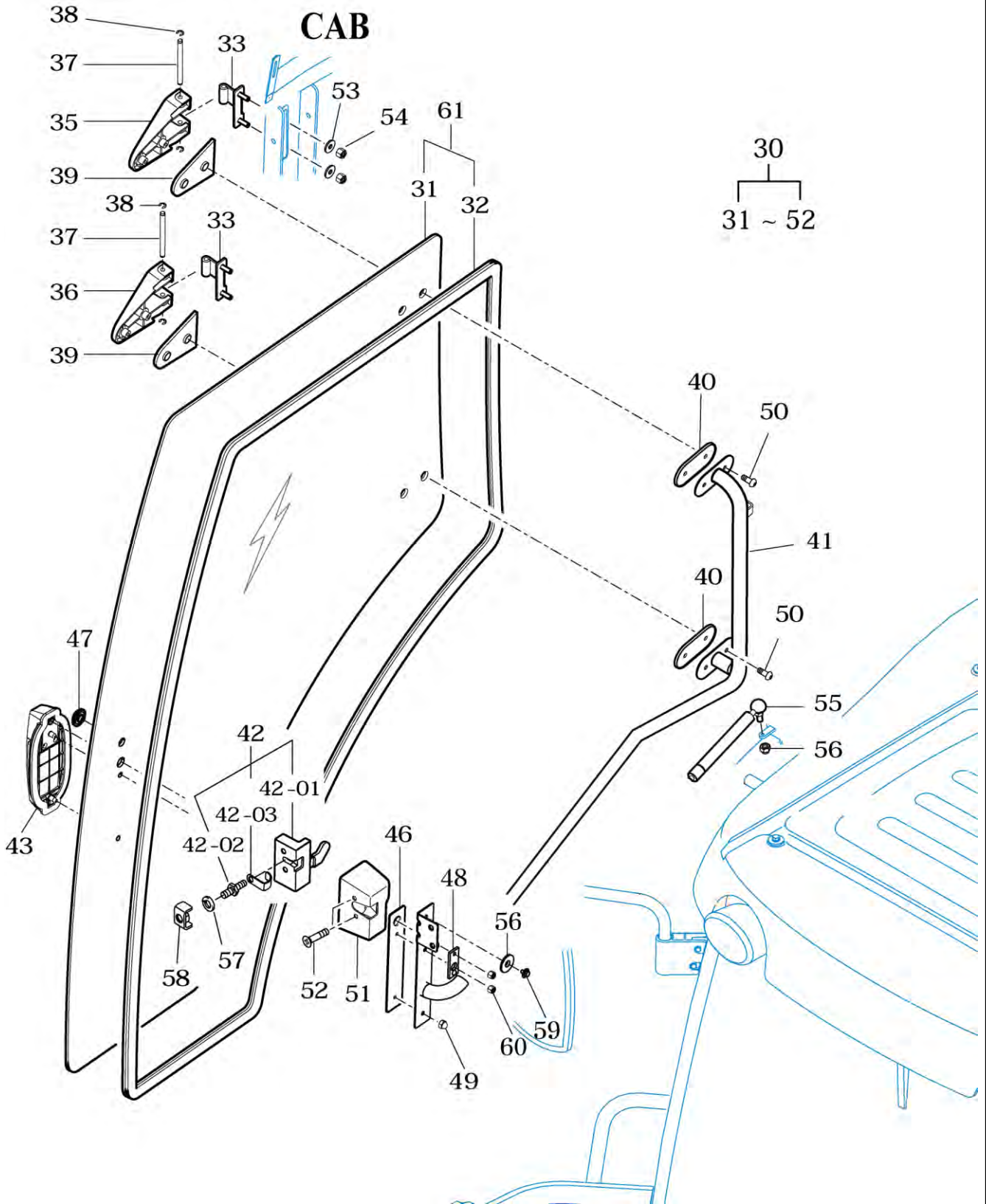
DOOR-RH

T1104SC / T1054SC / T954SC

P2

YEAR

2014



NOTE

FIG 710

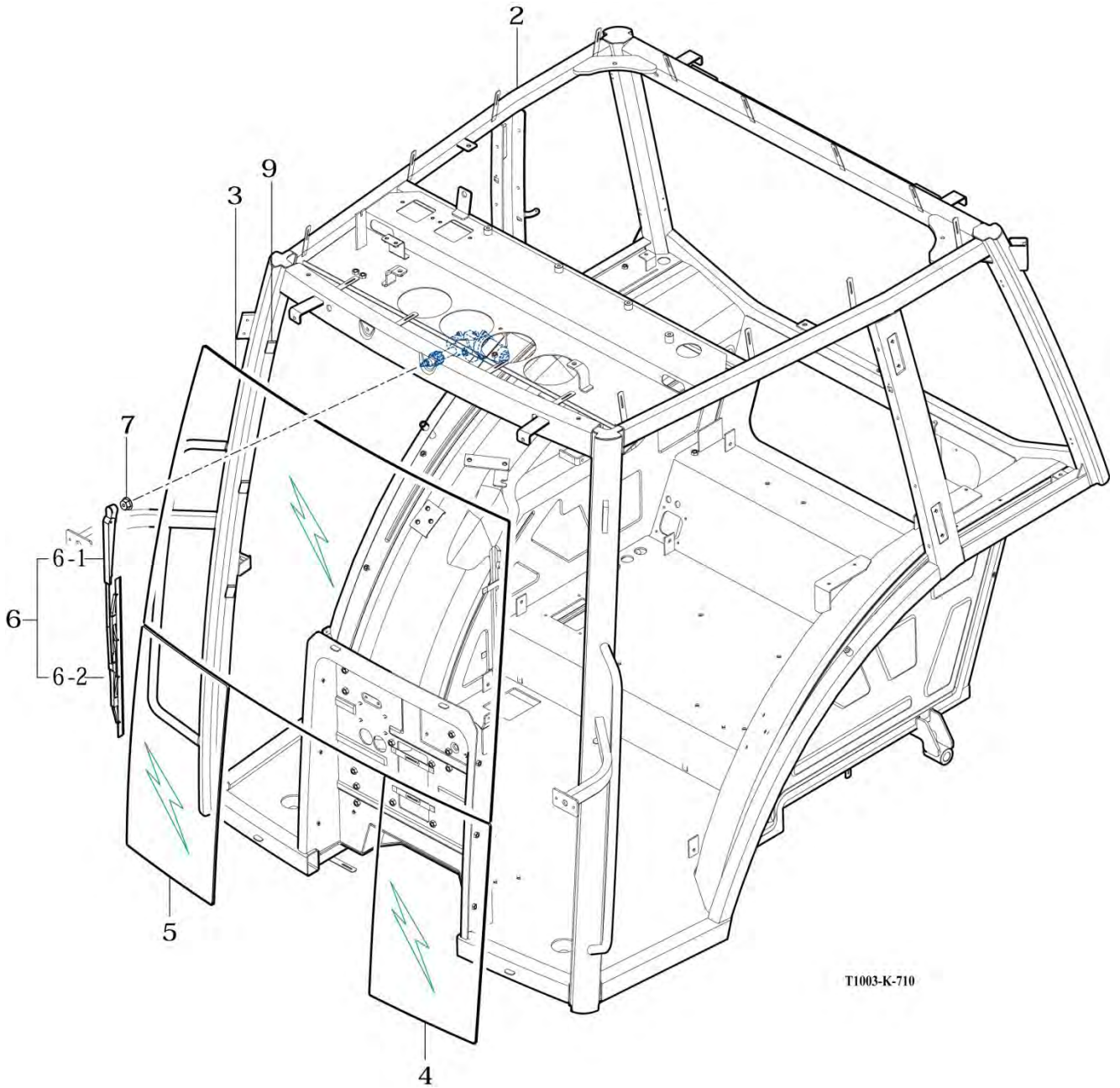
FRAME COMP & FRONT GLASS

T1104SC / T1054SC / T954SC

P1

YEAR

2014



T1003-K-710

NOTE

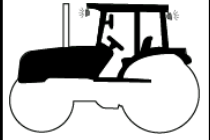
FIG 711

SIDE GLASS

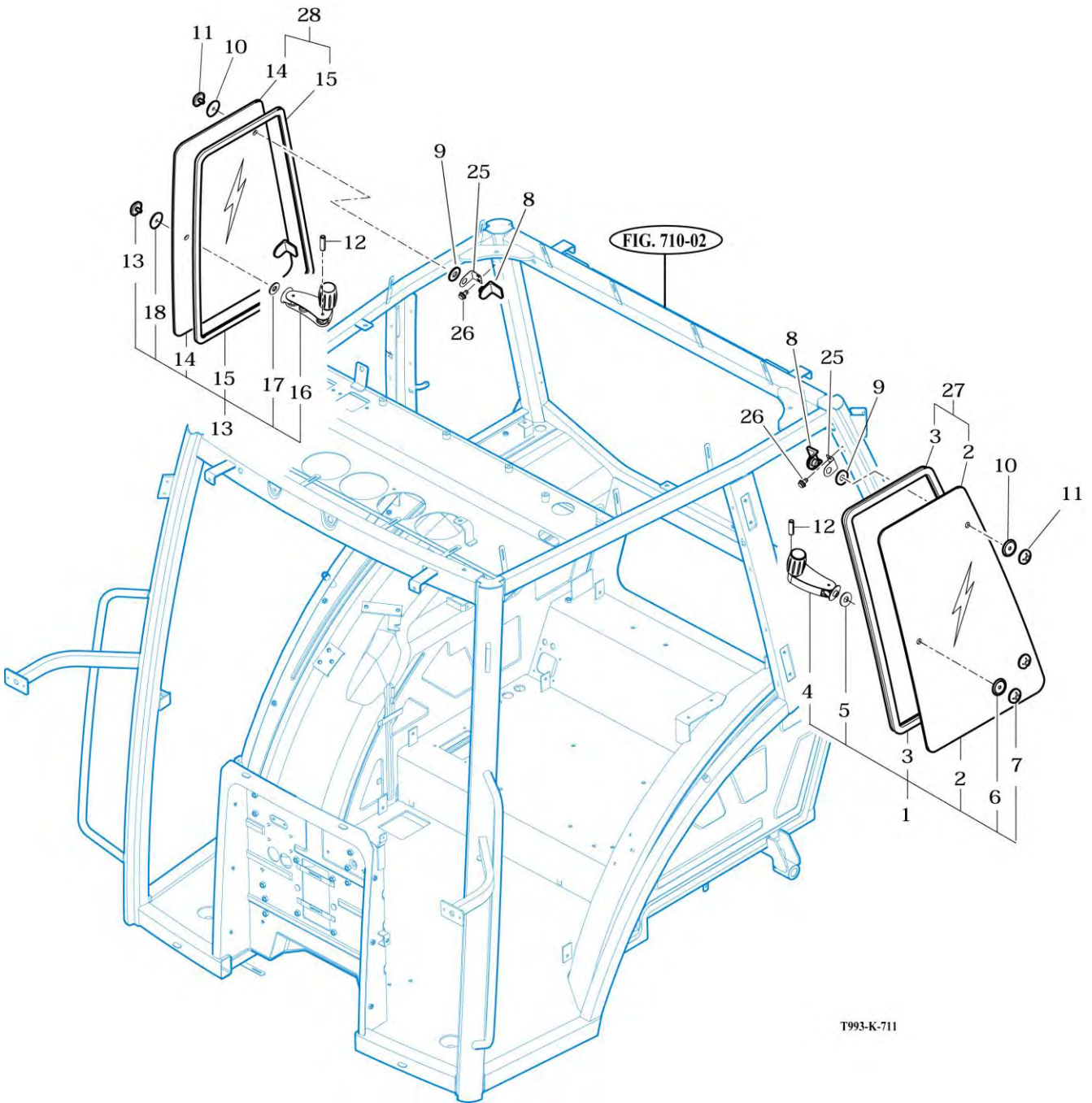
P1

YEAR

2014



T1104SC / T1054SC / T954SC



NOTE

FIG 712

REAR GLASS

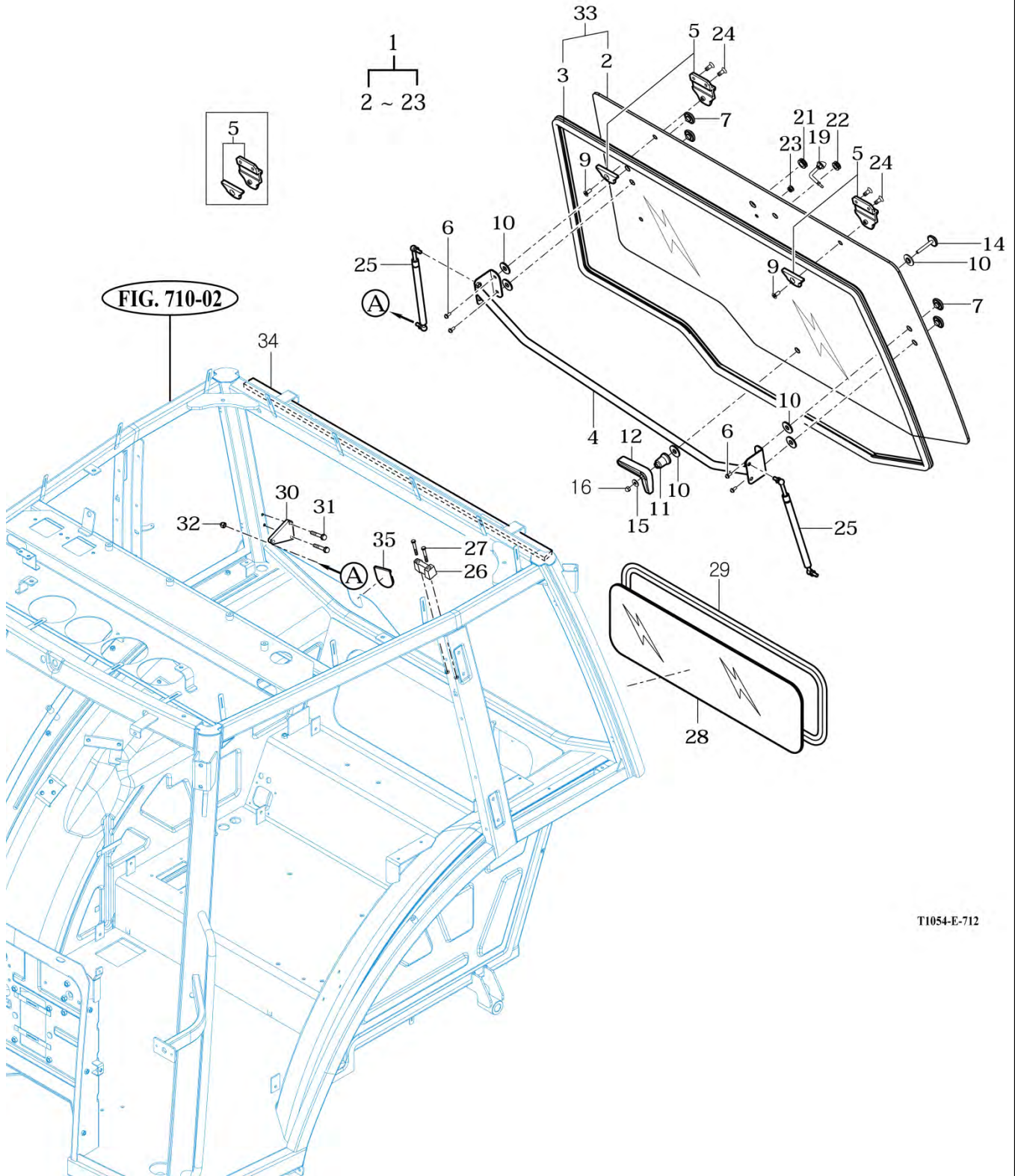
P1

YEAR

2014



T1104SC / T1054SC / T954SC



T1054-E-712

NOTE

FIG 713

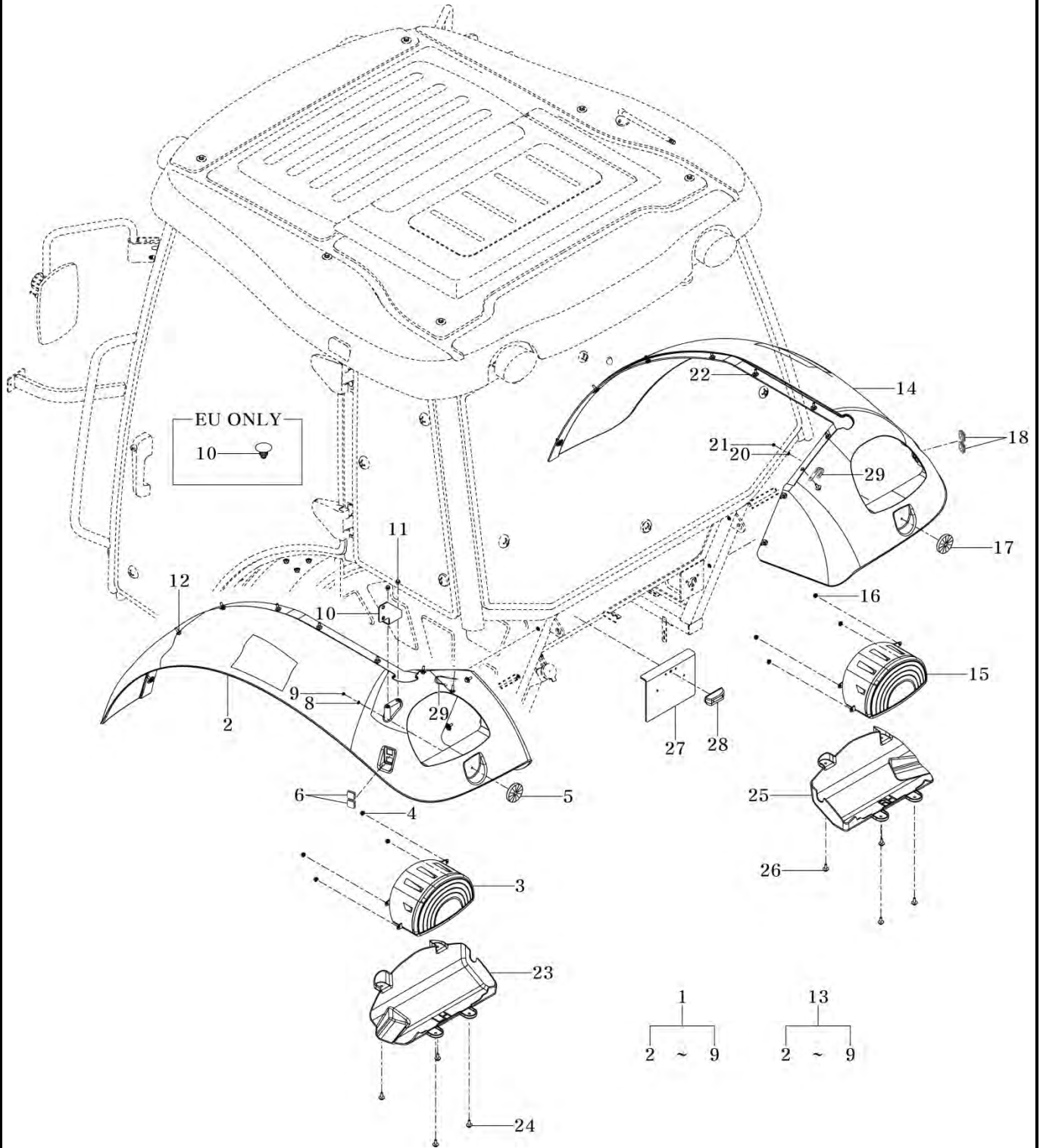
SUB FENDER & COVER

T1104SC / T1054SC / T954SC

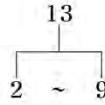
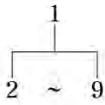
P1

YEAR

2014



EU ONLY
10 →



NOTE

FIG 714

REARVIEW MIRRORS

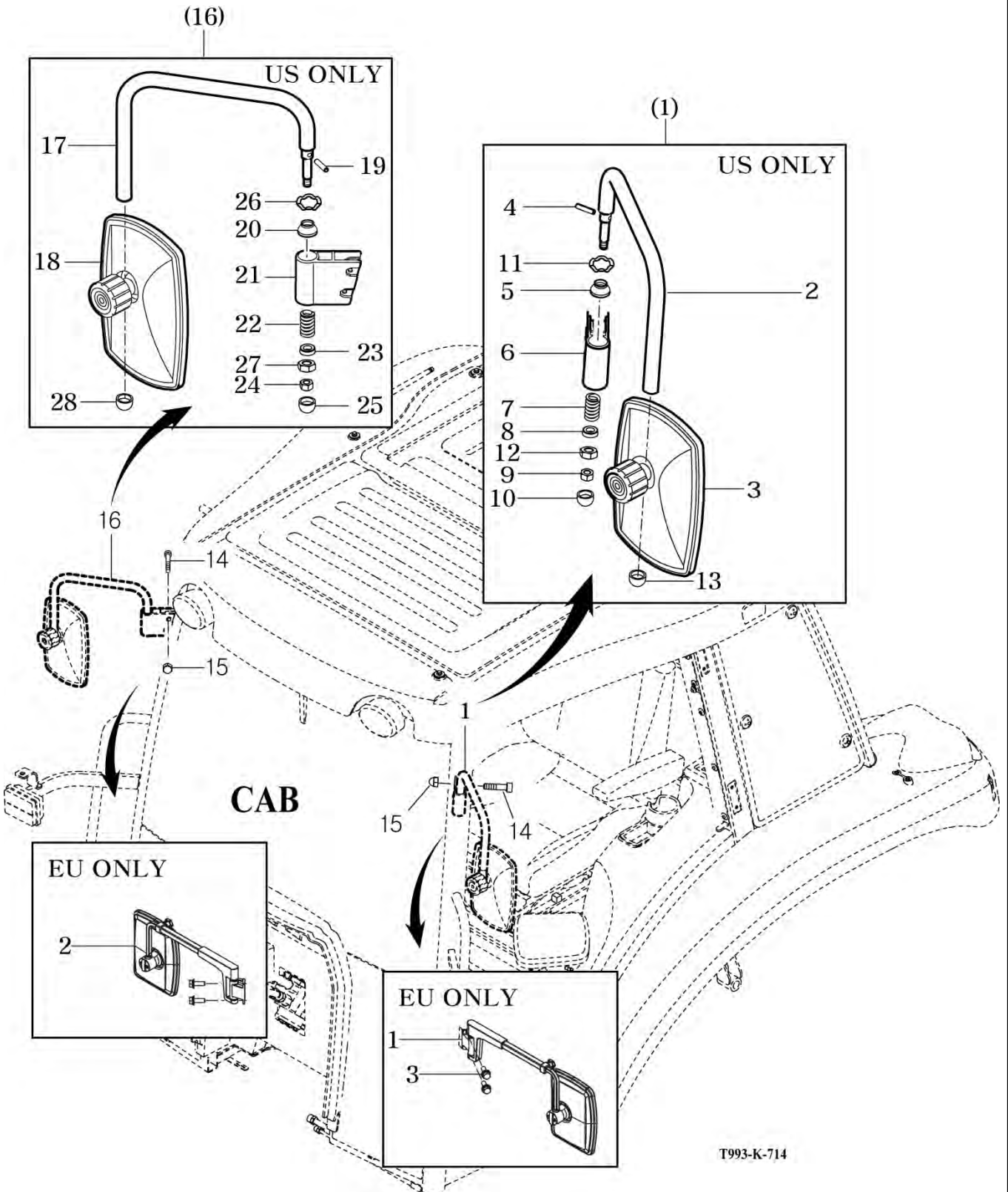
P1

YEAR

2014



T1104SC / T1054SC / T954SC



T993-K-714

NOTE

FIG 715

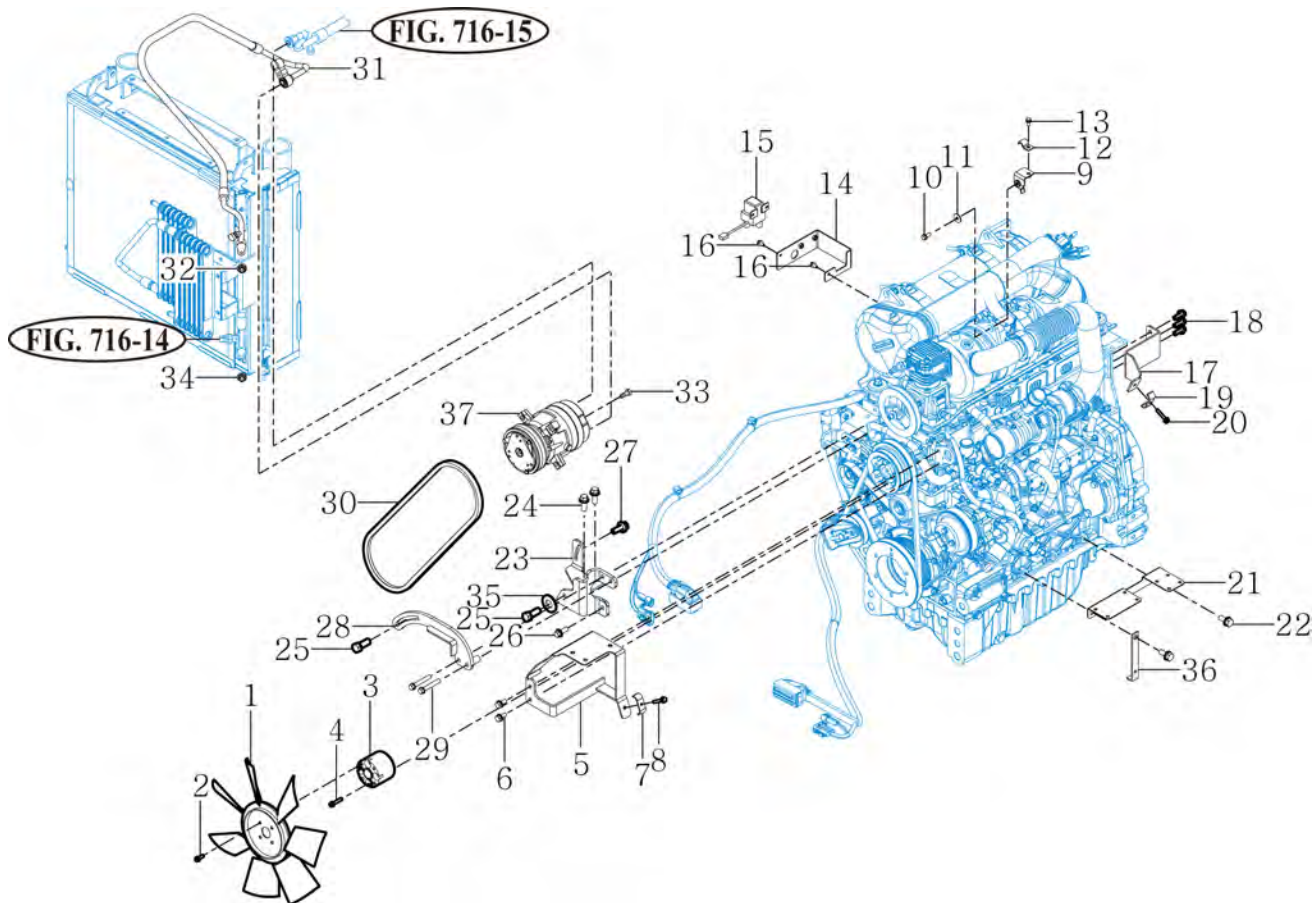
HEATER & AIR-CON (1)

T1104SC / T1054SC / T954SC

P1

YEAR

2014



NOTE

FIG 716

HEATER & AIR-CON (2)

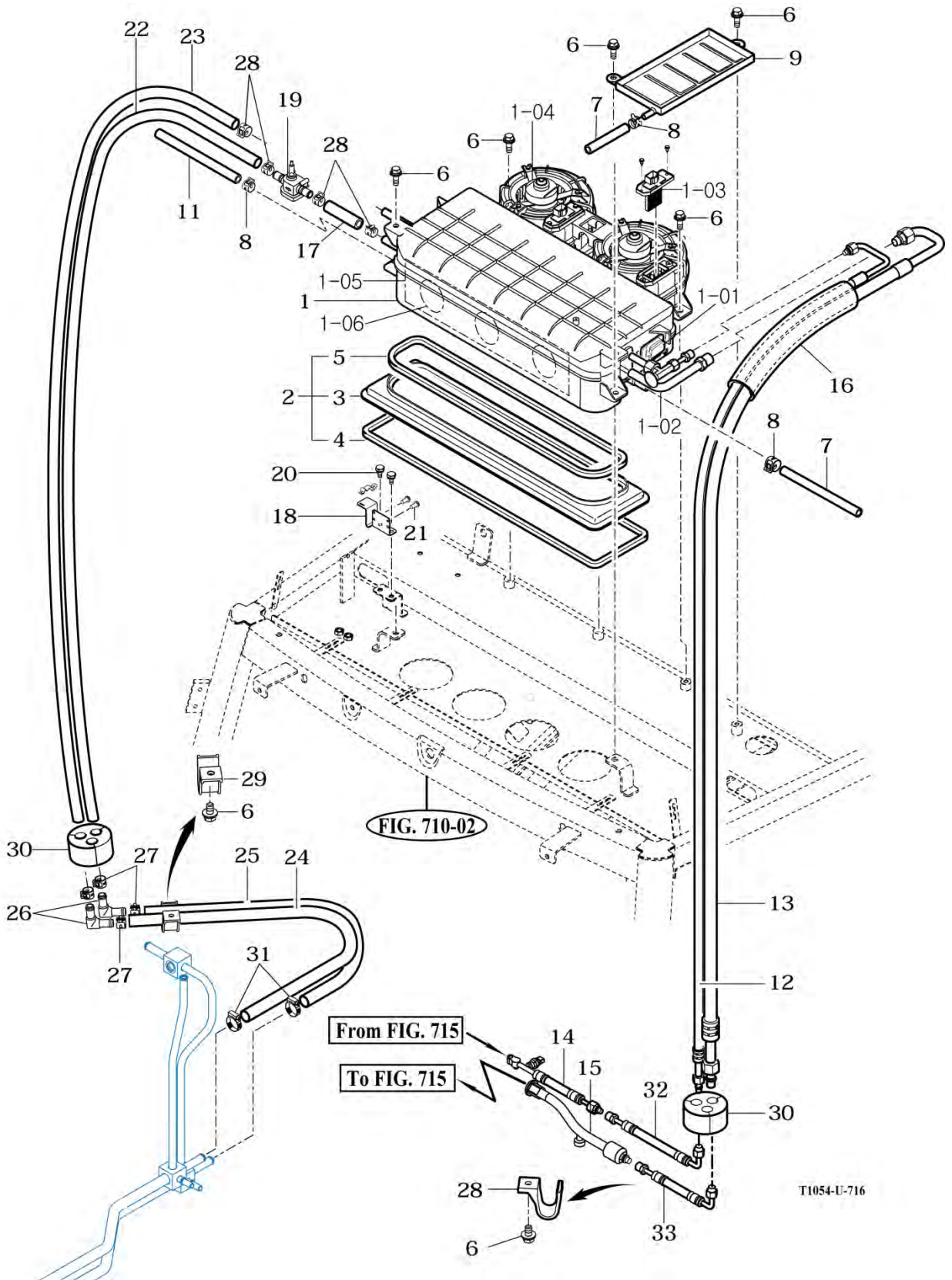
P1

YEAR

2014



T1104SC / T1054SC / T954SC



NOTE

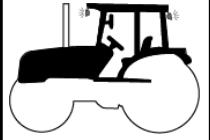
FIG 717

ROOF

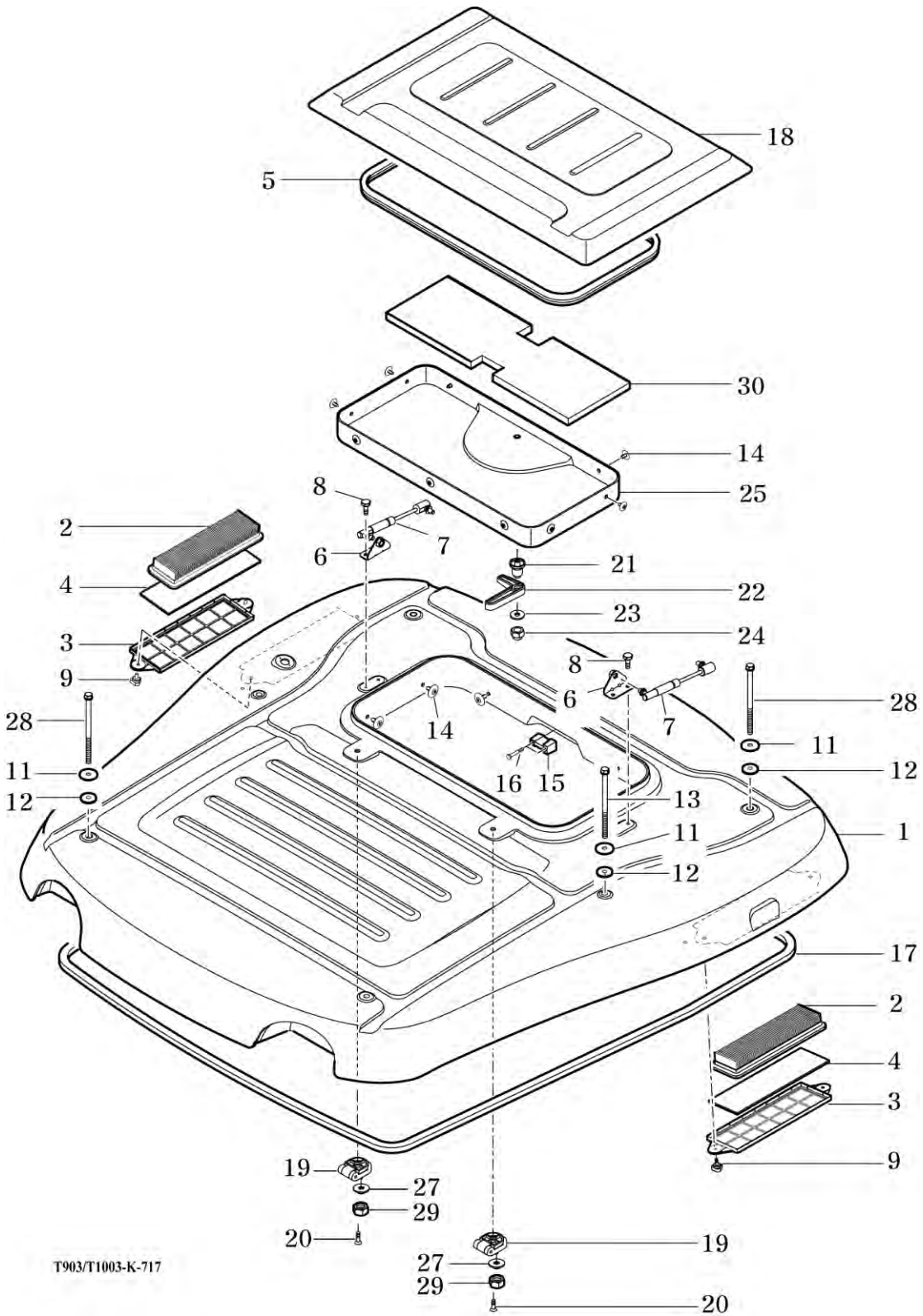
P1

YEAR

2014



T1104SC / T1054SC / T954SC



T903/T1003-K-717

NOTE

FIG 718

CABIN INTERIOR

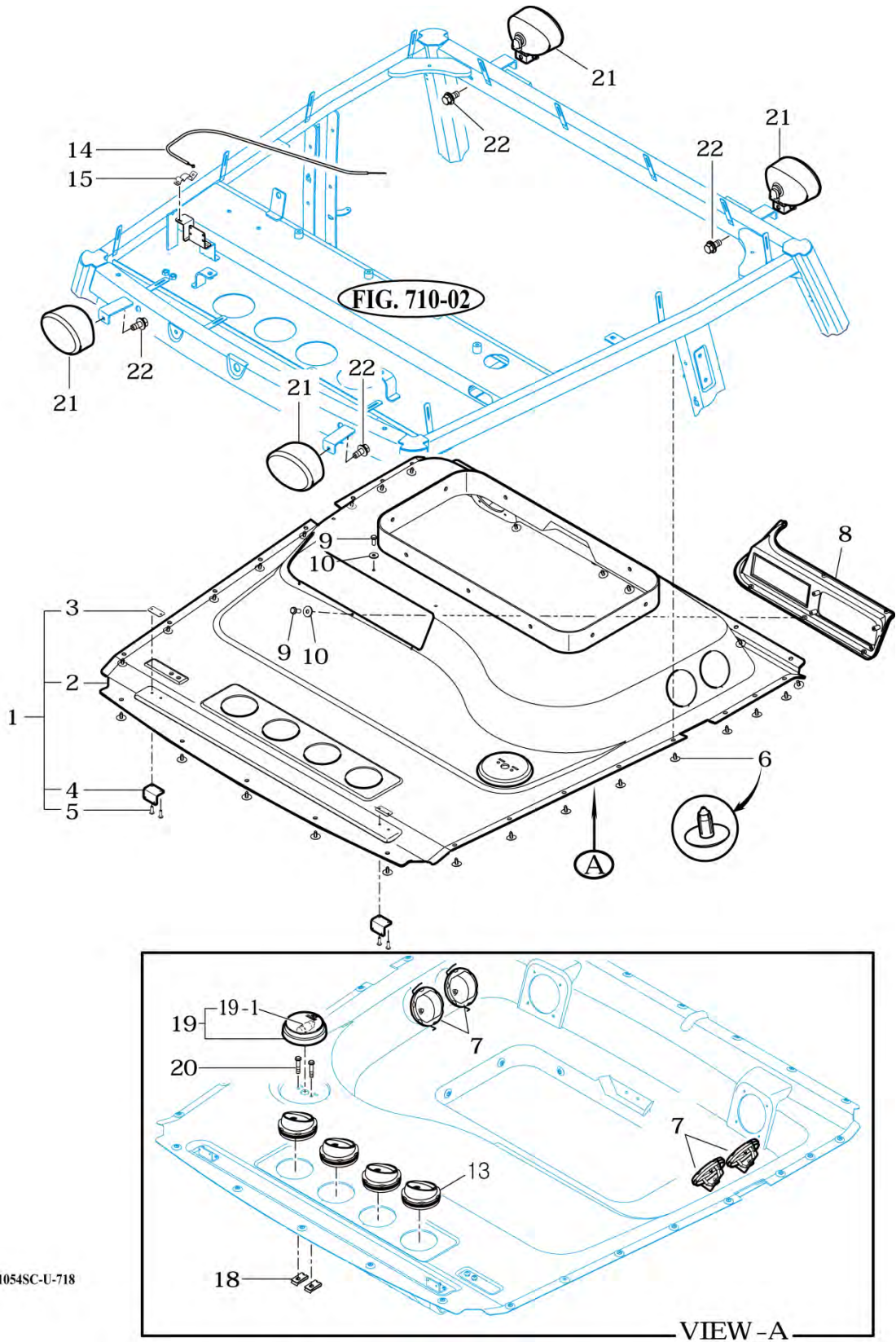
P1

YEAR

2014



T1104SC / T1054SC / T954SC



T1054SC-U-718

VIEW -A

NOTE

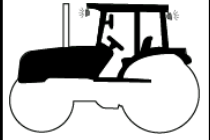
FIG 719

DASHCOVER

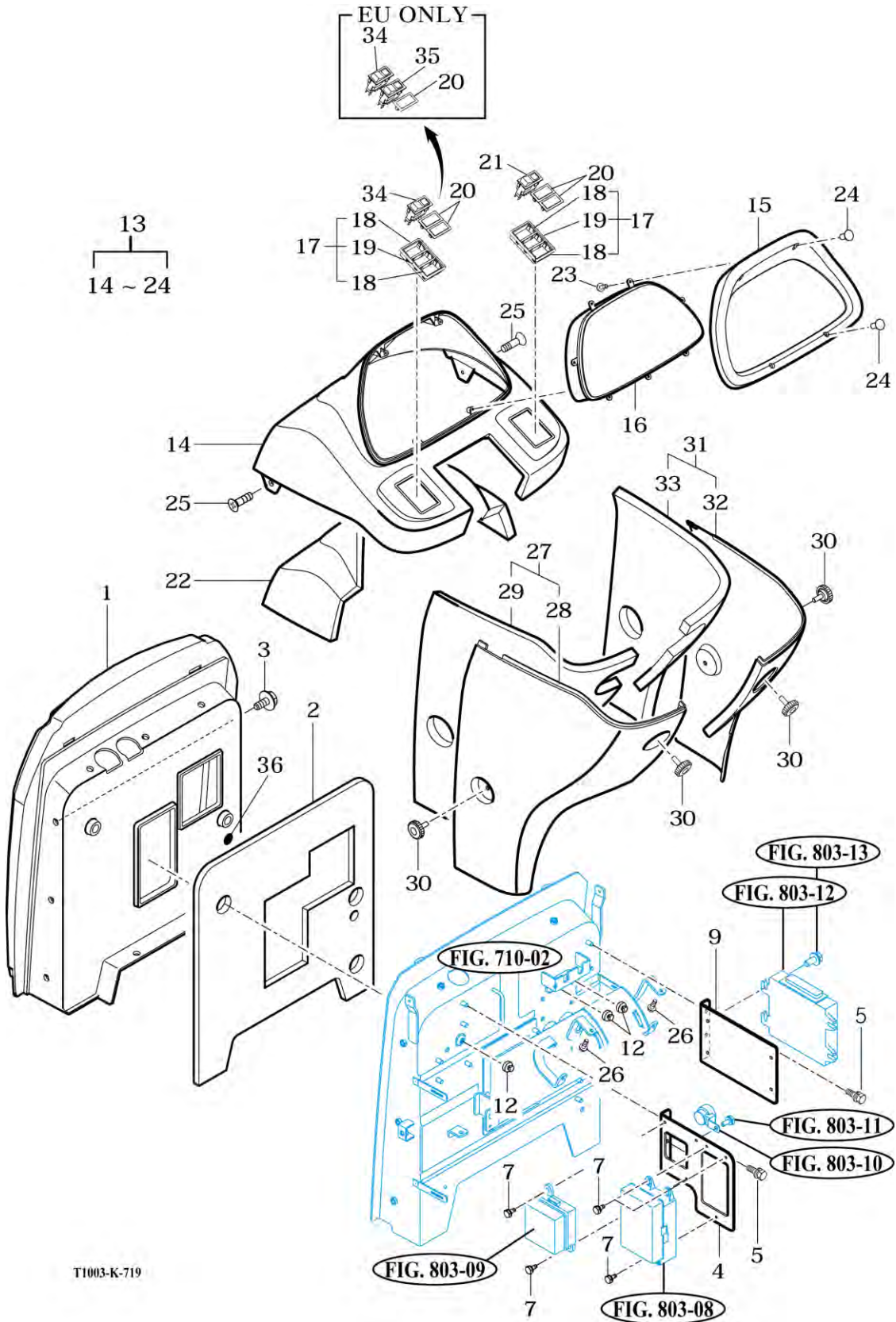
P1

YEAR

2014



T1104SC / T1054SC / T954SC



T1003-K-719

NOTE

FIG 720

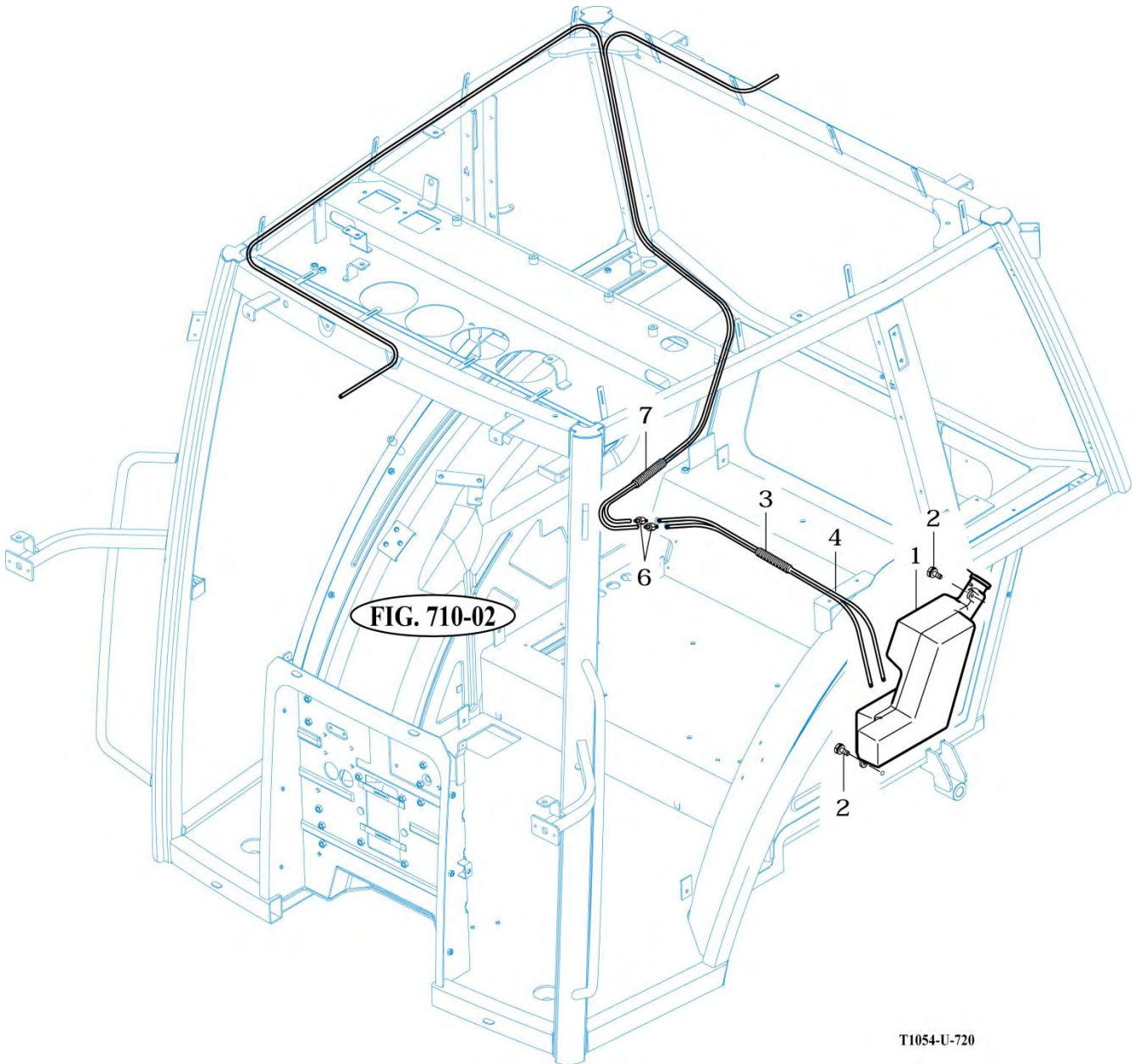
TANK ASSY, WASH

T1104SC / T1054SC / T954SC

P1

YEAR

2014



NOTE

FIG 721

ROOM MIRROR ASSY

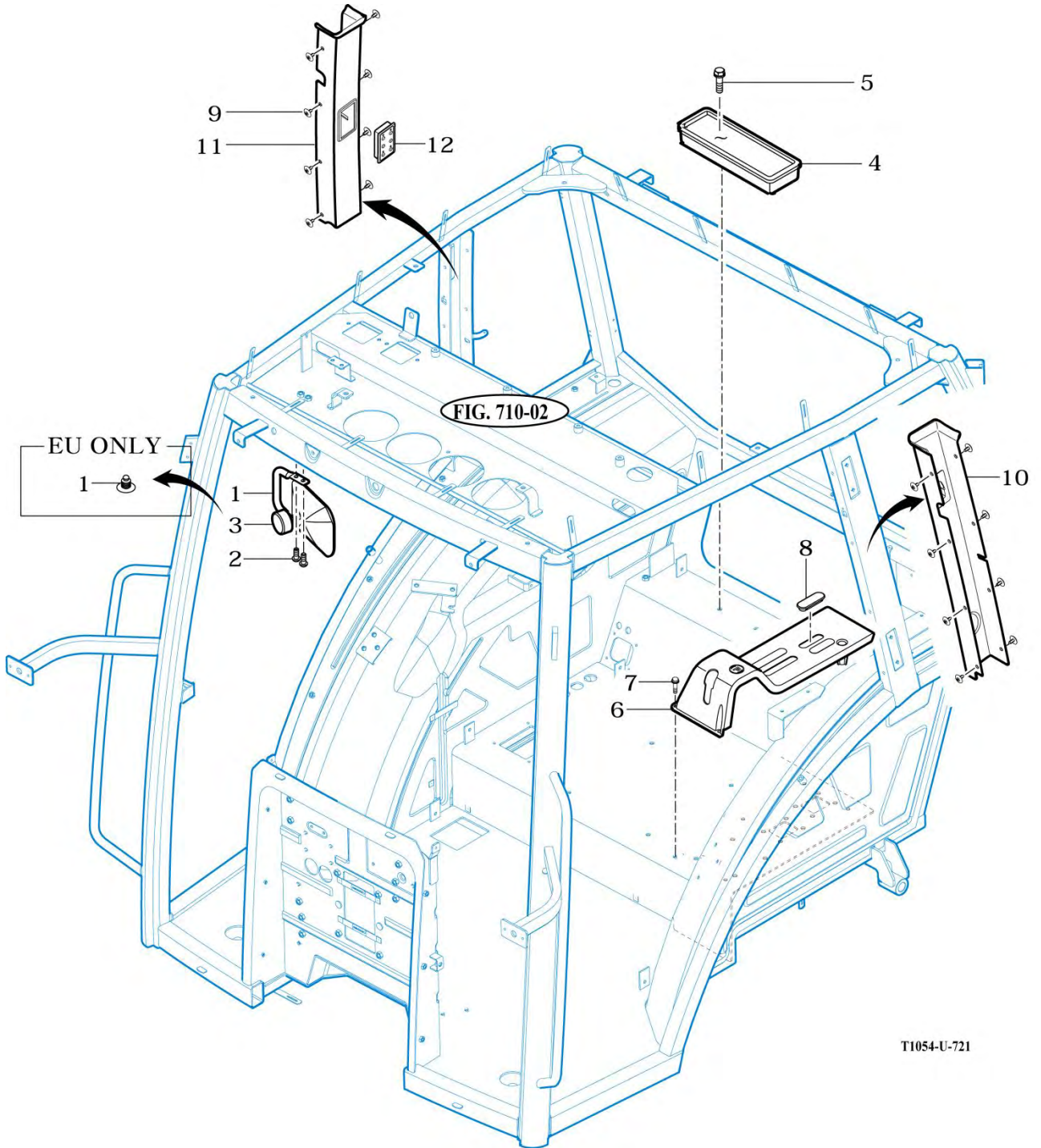
P1

YEAR

2014



T1104SC / T1054SC / T954SC



T1054-U-721

NOTE

FIG 722

COVER-FENDER
JOYSTICK LEVER

&

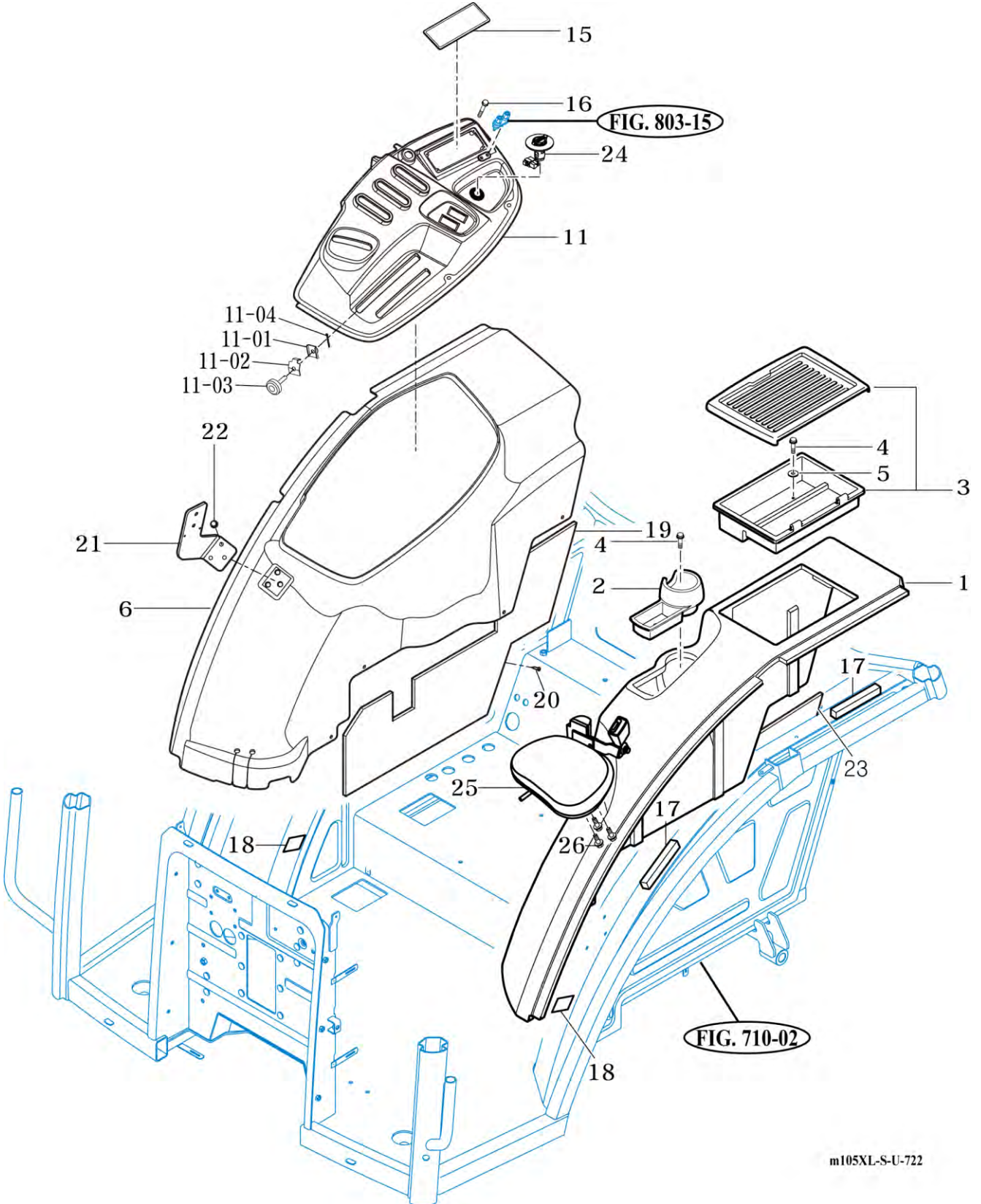
P1

YEAR

2014



T1104SC / T1054SC / T954SC



NOTE

m105XL-S-U-722

FIG 801

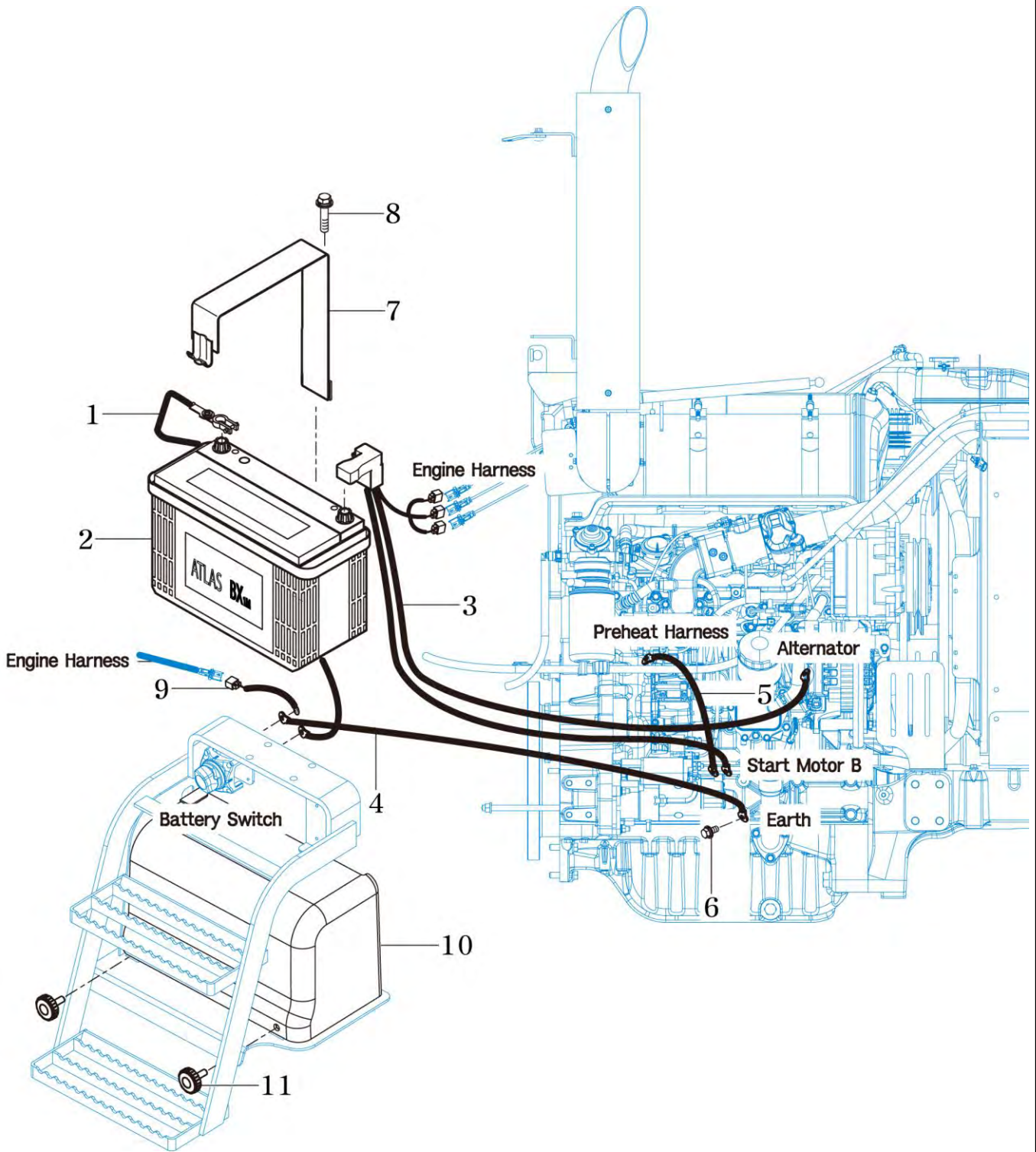
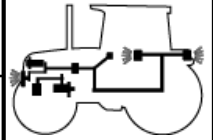
BATTERY & MOUNTING

T1104SC / T1054SC / T954SC

P1

YEAR

2014



NOTE

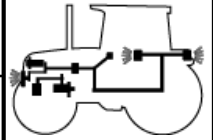
FIG 802

ELECTRIC SYSTEM (1)

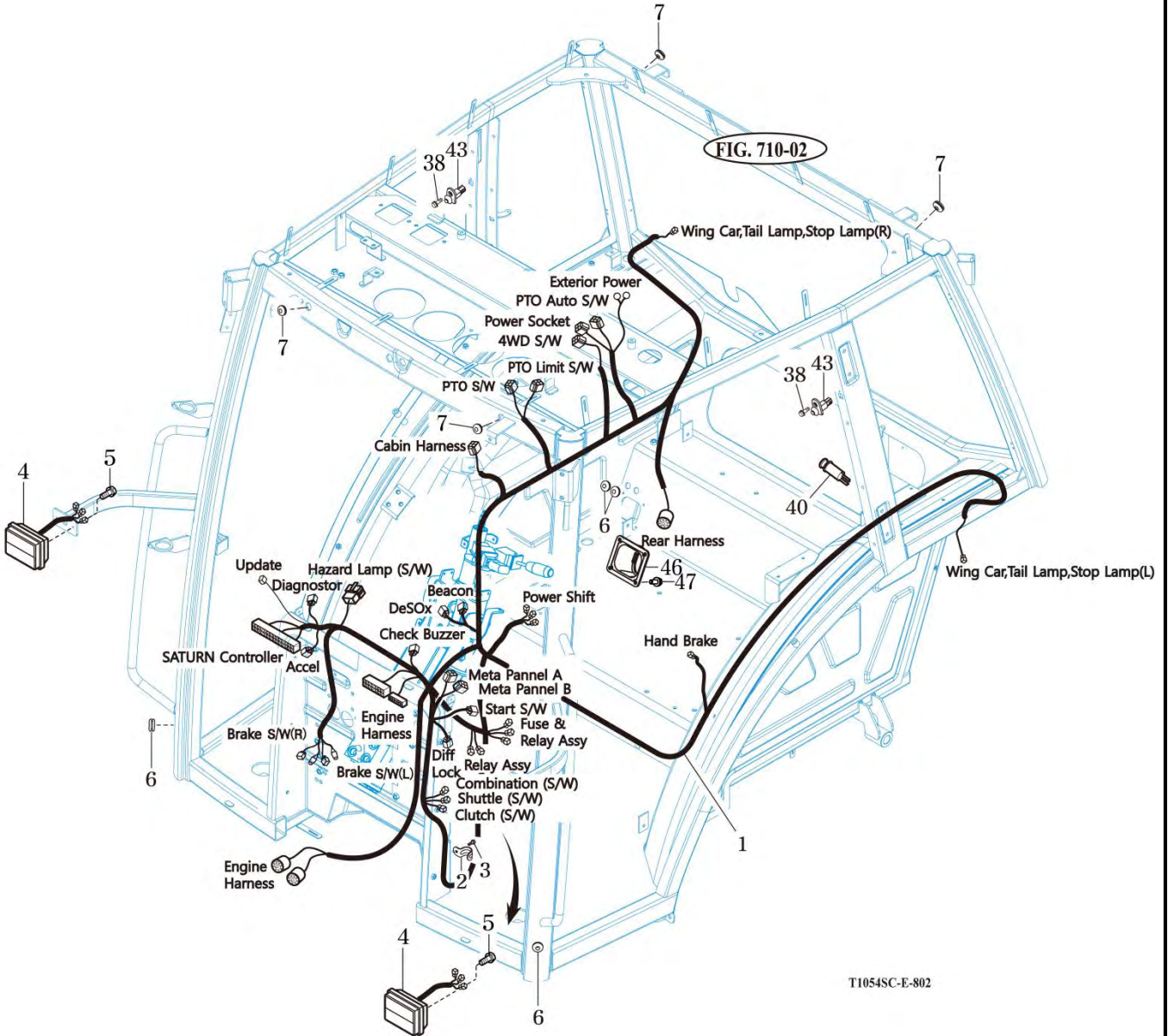
P1

YEAR

2014



T1104SC / T1054SC / T954SC



T1054SC-E-802

NOTE

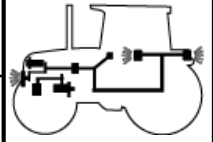
FIG 803

ELECTRIC SYSTEM (2)

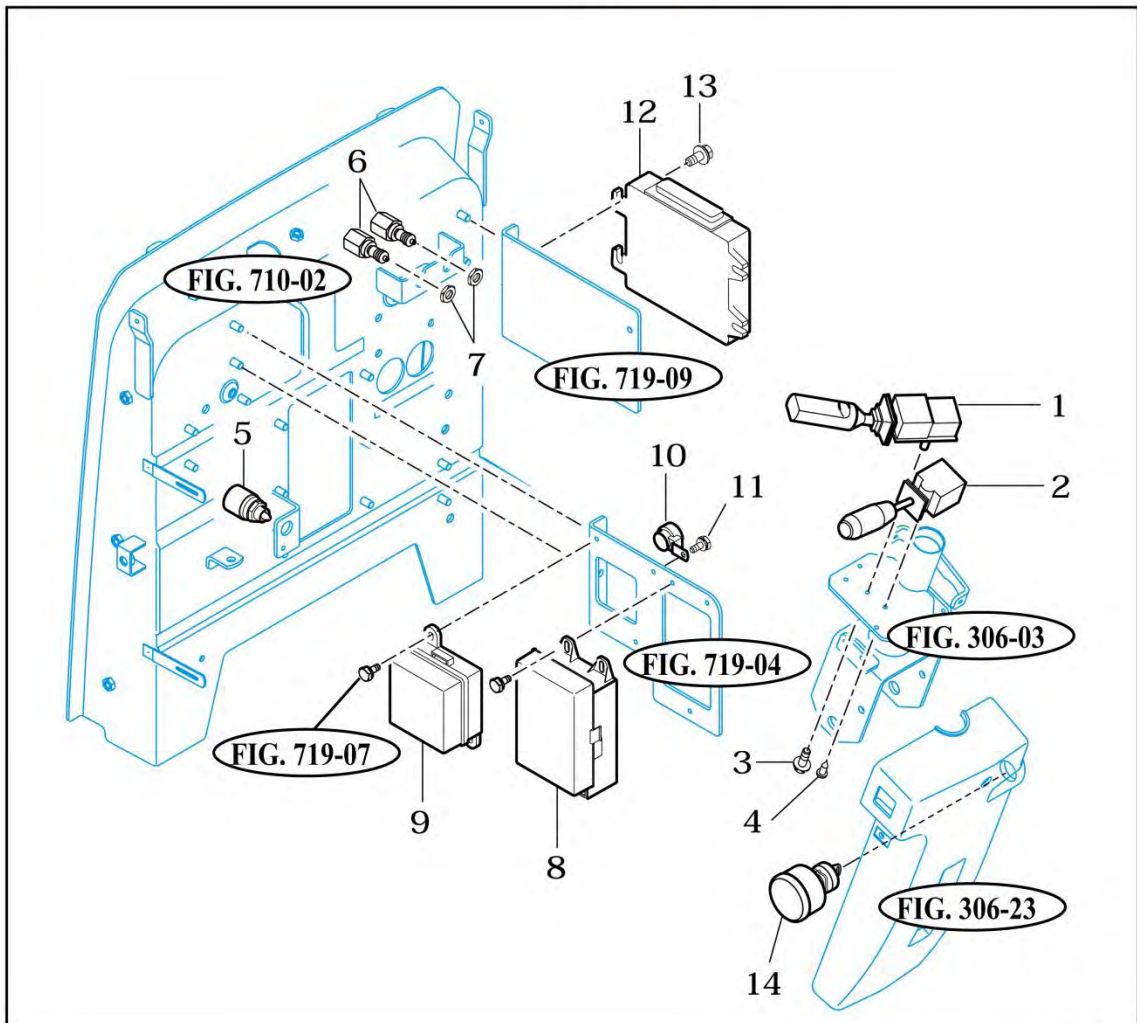
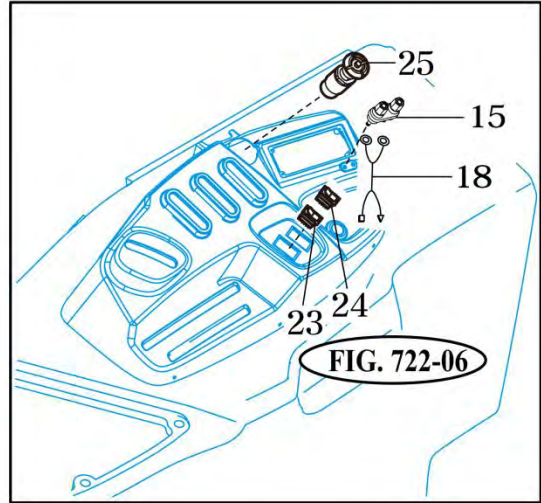
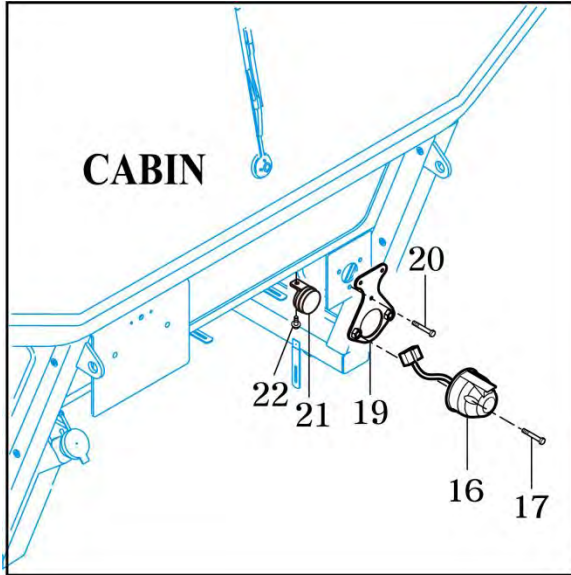
P1

YEAR

2014



T1104SC / T1054SC / T954SC



T1054-E-804

NOTE

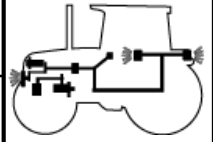
FIG 804

ELECTRIC SYSTEM (3)

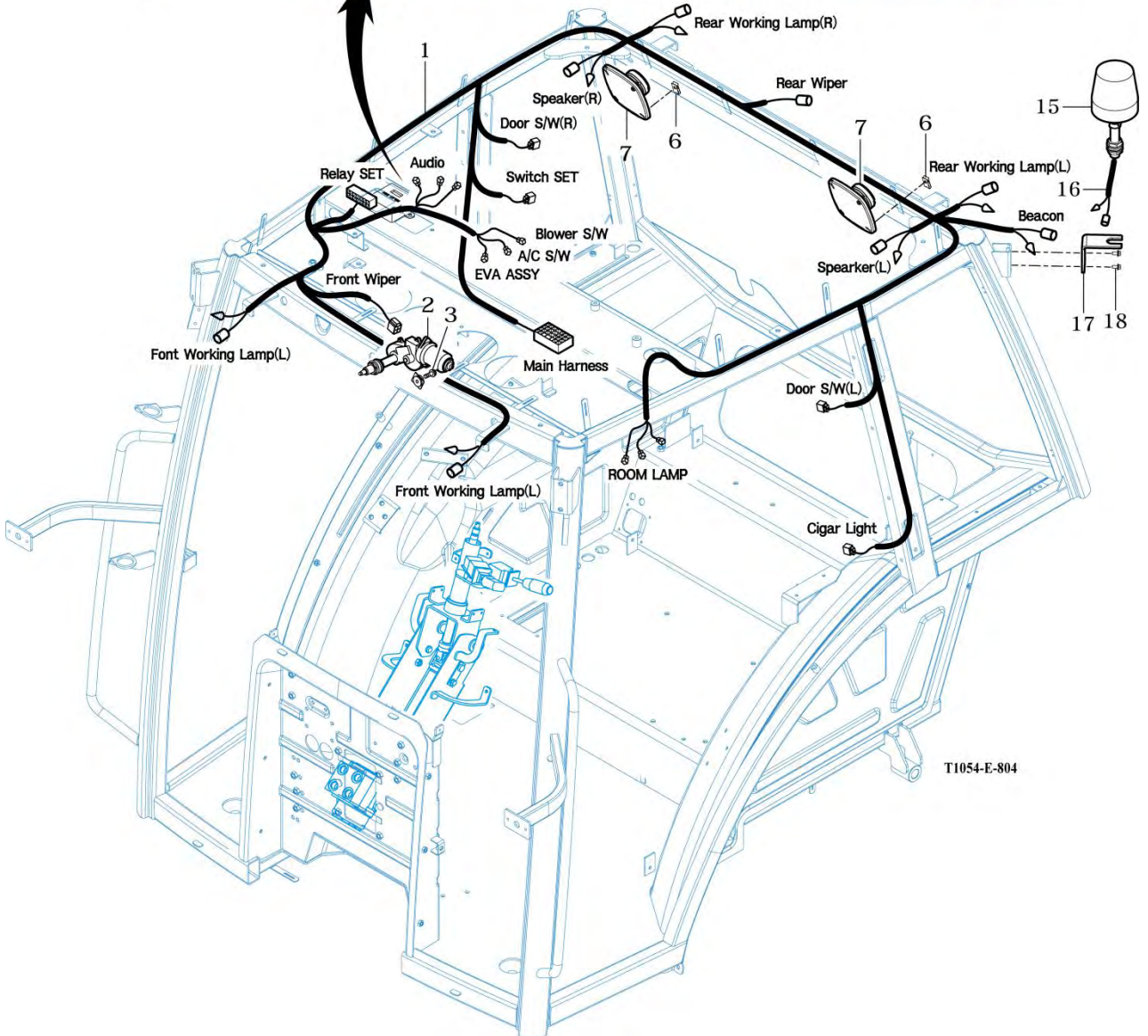
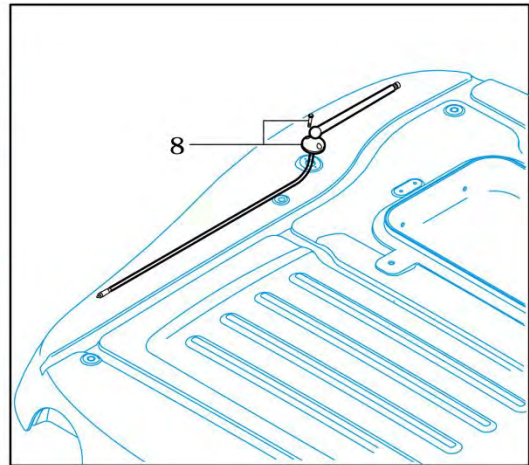
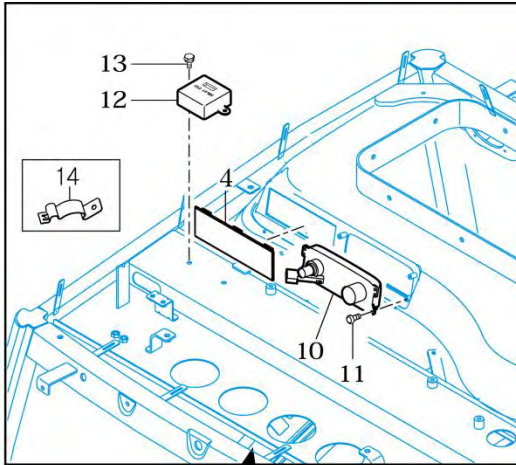
P1

YEAR

2014



T1104SC / T1054SC / T954SC



T1054-E-804

NOTE

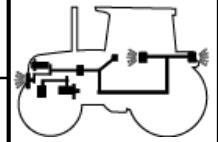
FIG 805

ELECTRIC SYSTEM (4)

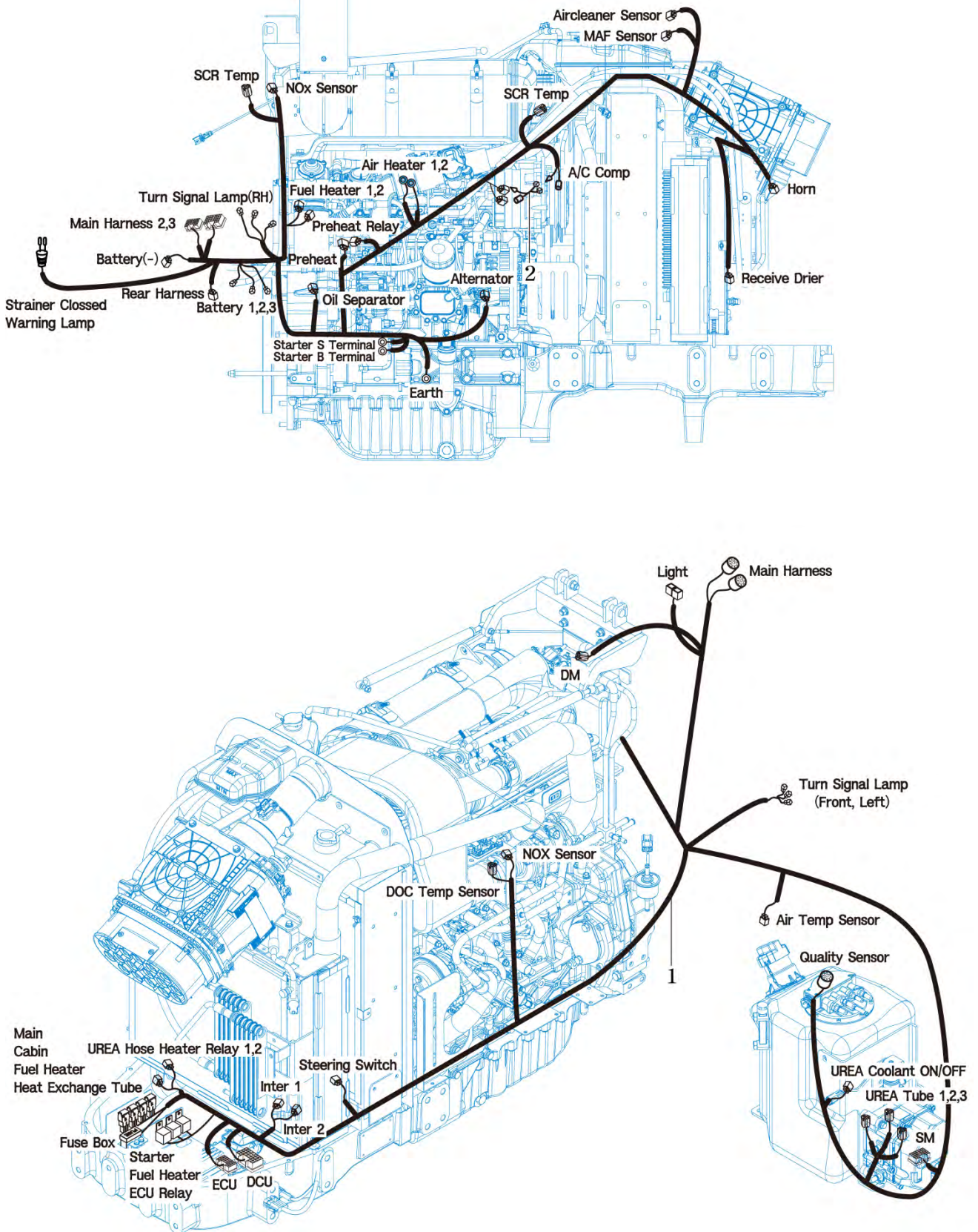
P1

YEAR

2014



T1104SC / T1054SC / T954SC



NOTE

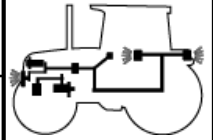
FIG 806

ELECTRIC SYSTEM (5)

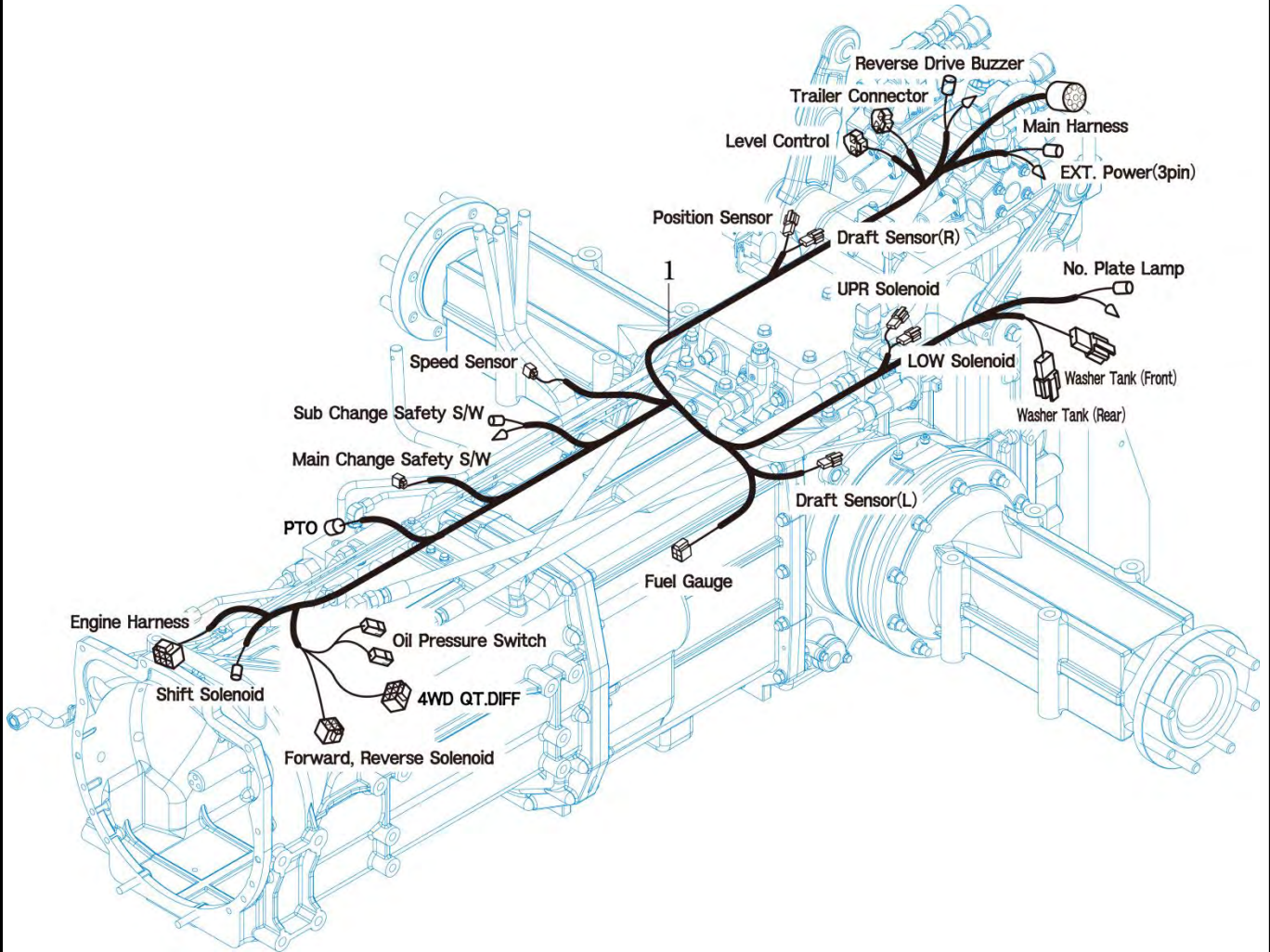
P1

YEAR

2014



T1104SC / T1054SC / T954SC



NOTE

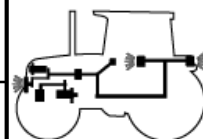
FIG 807

ELECTRIC SYSTEM (6)

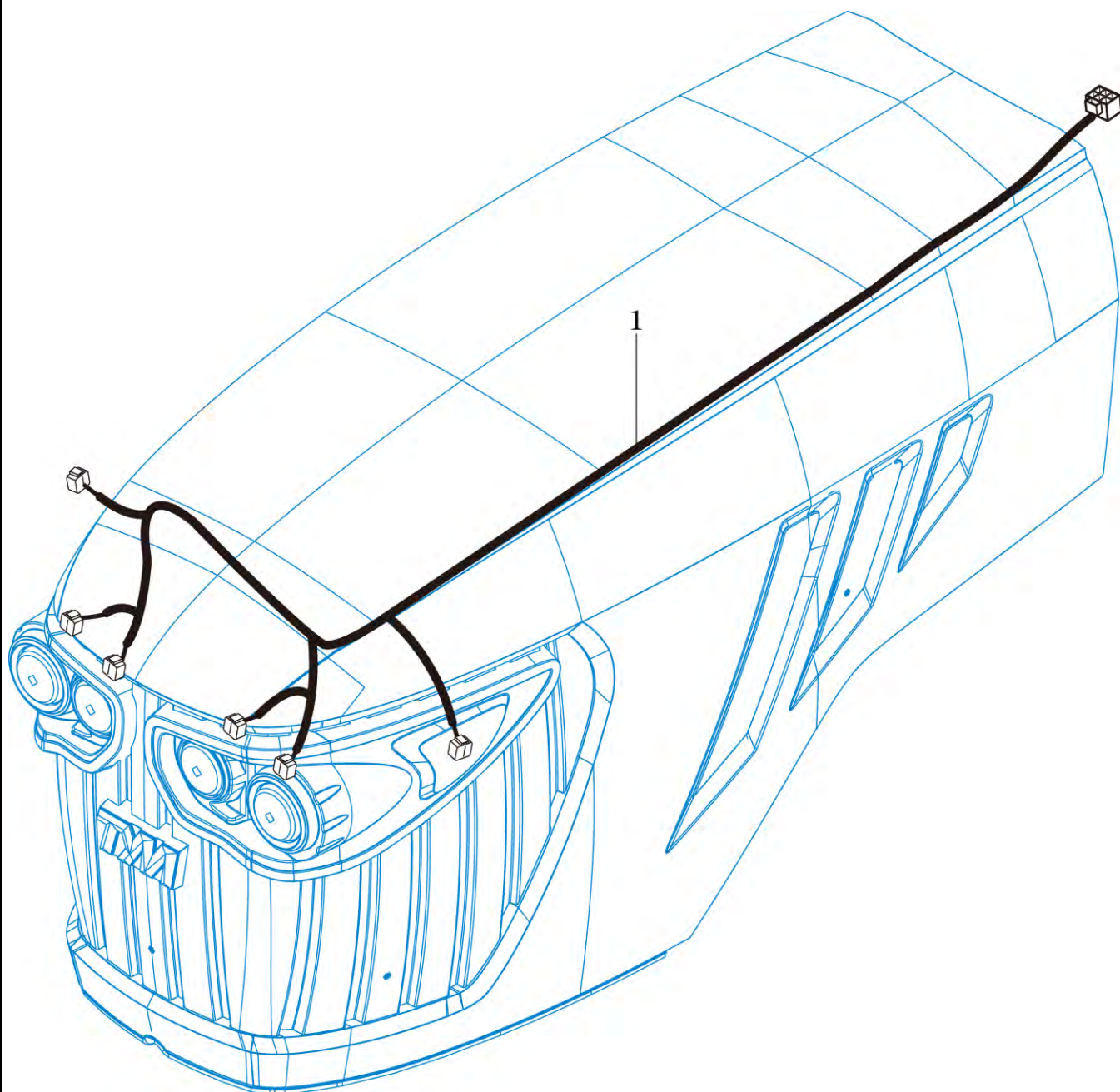
P1

YEAR

2014



T1104SC / T1054SC / T954SC



NOTE

FIG 901

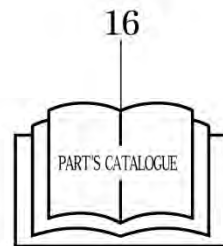
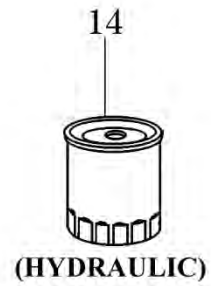
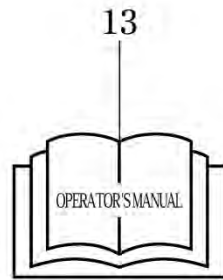
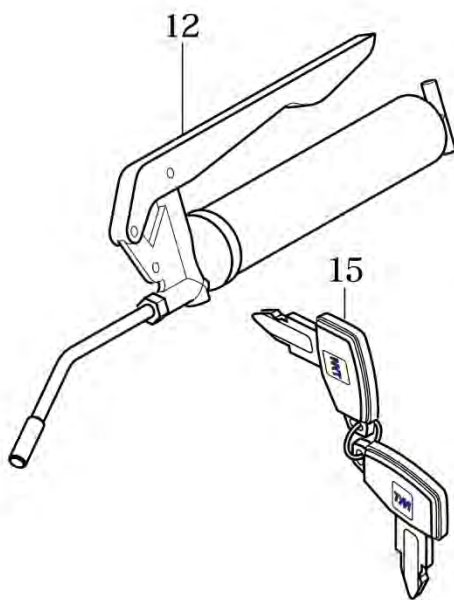
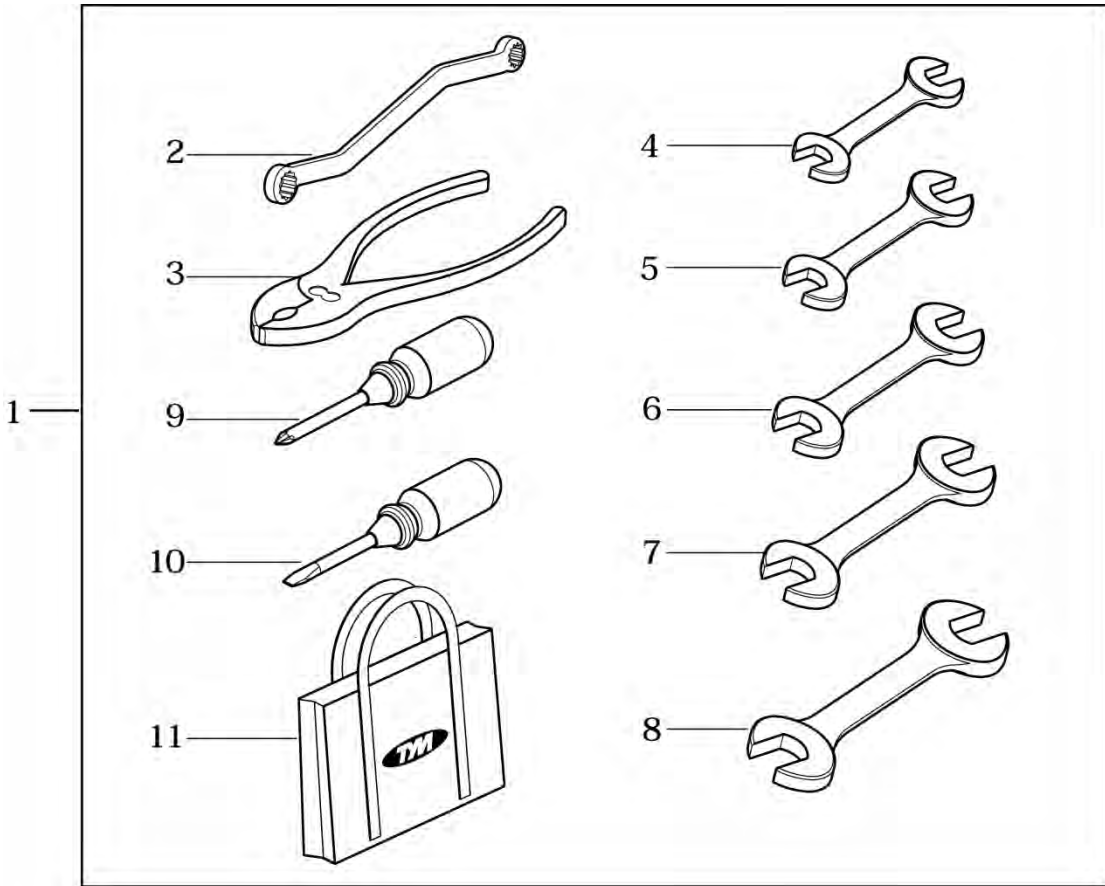
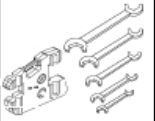
T1104SC / T1054SC / T954SC

TOOL & ACCESSORY

P1

YEAR

2014



T1054-U-901

NOTE

FIG 902

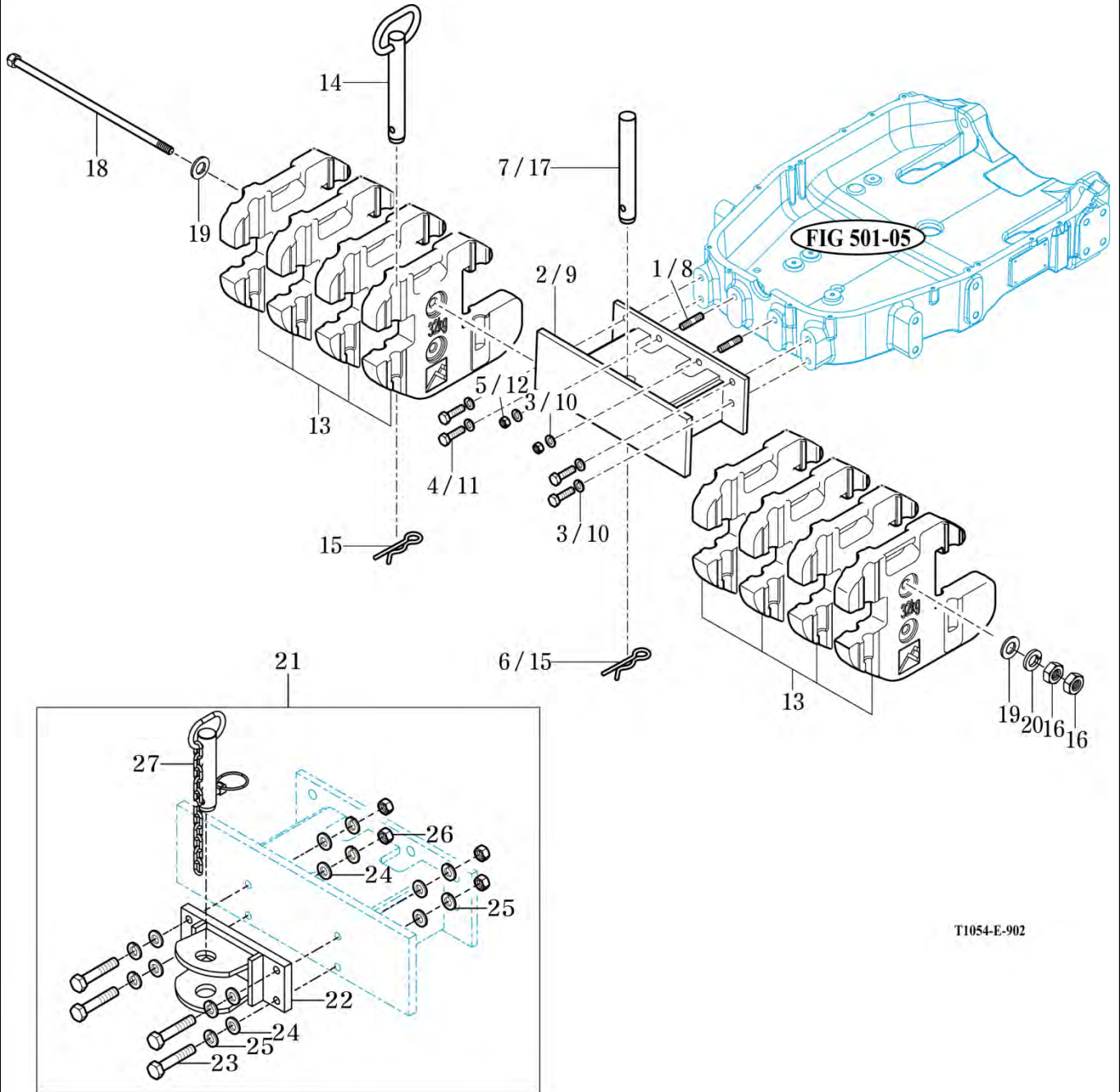
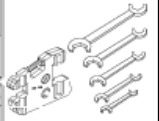
WEIGHT

T1104SC / T1054SC / T954SC

P1

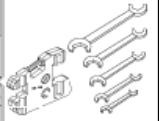
YEAR

2014



T1054-E-902

NOTE



T1104SC / T1054SC / T954SC

Warning
Operator's manual
1200-910-023-0

1

Inner/Outer air Ventilation
• When grills of rear and both sides are opened, inner air will ventilate in.
• For effective use, open it when operate heater or air conditioner and close when ventilate fresh air.
1200-904-122-1

SPEED TABLES
APPLICATION: TRACTOR, PLANTER, ROTARY, PLOW, FRONT LOADER, DRIVE
SPEED: 0 5 10 15 20 30
RPM: 500 1000 1500 2000 2500 3000
RACK SPEED: L M H L M H
GEAR: ON OFF
• The data reported in this publication are also subject to variation and consequently are not guaranteed.
• Don't work the tractor, escape marsh heavy work at creep on.

33

WARNING
Work in ventilated Area.
1200-910-023-0

2

DANGER
Periodic ventilation should be made to avoid suffocation while heating and air conditioning is used. Sleeping in the cab is prohibited.
1200-910-011-0

10

CAUTION
Do not touch while the system is hot. It cause serious burns
1200-910-024-0

30

WARNING
Always fasten Your seat belt.
1200-910-019-0

5

WARNING
Always set the knob to lock when:
1. Travelling on the road.
2. Replacing blades on an implement.
3. Making adjustment to an implement.
Sudden dropping of an implement can cause serious injury or death.
1200-910-021-0

38

CAUTION
Inspect Information Before Operating
1. Read the operator's manual before operating the tractor.
2. Read the operator's manual for the implement you are using.
3. Read the operator's manual for the PTO you are using.
4. Read the operator's manual for the PTO you are using.
5. Read the operator's manual for the PTO you are using.
6. Read the operator's manual for the PTO you are using.
7. Read the operator's manual for the PTO you are using.
8. Read the operator's manual for the PTO you are using.
9. Read the operator's manual for the PTO you are using.
10. Read the operator's manual for the PTO you are using.
11. Read the operator's manual for the PTO you are using.
12. Read the operator's manual for the PTO you are using.
13. Read the operator's manual for the PTO you are using.
14. Read the operator's manual for the PTO you are using.
15. Read the operator's manual for the PTO you are using.
16. Read the operator's manual for the PTO you are using.
17. Read the operator's manual for the PTO you are using.
18. Read the operator's manual for the PTO you are using.
19. Read the operator's manual for the PTO you are using.
20. Read the operator's manual for the PTO you are using.
21. Read the operator's manual for the PTO you are using.
22. Read the operator's manual for the PTO you are using.
23. Read the operator's manual for the PTO you are using.
24. Read the operator's manual for the PTO you are using.
25. Read the operator's manual for the PTO you are using.
26. Read the operator's manual for the PTO you are using.
27. Read the operator's manual for the PTO you are using.
28. Read the operator's manual for the PTO you are using.
29. Read the operator's manual for the PTO you are using.
30. Read the operator's manual for the PTO you are using.
31. Read the operator's manual for the PTO you are using.
32. Read the operator's manual for the PTO you are using.
33. Read the operator's manual for the PTO you are using.
34. Read the operator's manual for the PTO you are using.
35. Read the operator's manual for the PTO you are using.
36. Read the operator's manual for the PTO you are using.
37. Read the operator's manual for the PTO you are using.
38. Read the operator's manual for the PTO you are using.
39. Read the operator's manual for the PTO you are using.
40. Read the operator's manual for the PTO you are using.
41. Read the operator's manual for the PTO you are using.
42. Read the operator's manual for the PTO you are using.
43. Read the operator's manual for the PTO you are using.
44. Read the operator's manual for the PTO you are using.
45. Read the operator's manual for the PTO you are using.
46. Read the operator's manual for the PTO you are using.
47. Read the operator's manual for the PTO you are using.
48. Read the operator's manual for the PTO you are using.
49. Read the operator's manual for the PTO you are using.
50. Read the operator's manual for the PTO you are using.
51. Read the operator's manual for the PTO you are using.
52. Read the operator's manual for the PTO you are using.
53. Read the operator's manual for the PTO you are using.
54. Read the operator's manual for the PTO you are using.
55. Read the operator's manual for the PTO you are using.
56. Read the operator's manual for the PTO you are using.
57. Read the operator's manual for the PTO you are using.
58. Read the operator's manual for the PTO you are using.
59. Read the operator's manual for the PTO you are using.
60. Read the operator's manual for the PTO you are using.
61. Read the operator's manual for the PTO you are using.
62. Read the operator's manual for the PTO you are using.
63. Read the operator's manual for the PTO you are using.
64. Read the operator's manual for the PTO you are using.
65. Read the operator's manual for the PTO you are using.
66. Read the operator's manual for the PTO you are using.
67. Read the operator's manual for the PTO you are using.
68. Read the operator's manual for the PTO you are using.
69. Read the operator's manual for the PTO you are using.
70. Read the operator's manual for the PTO you are using.
71. Read the operator's manual for the PTO you are using.
72. Read the operator's manual for the PTO you are using.
73. Read the operator's manual for the PTO you are using.
74. Read the operator's manual for the PTO you are using.
75. Read the operator's manual for the PTO you are using.
76. Read the operator's manual for the PTO you are using.
77. Read the operator's manual for the PTO you are using.
78. Read the operator's manual for the PTO you are using.
79. Read the operator's manual for the PTO you are using.
80. Read the operator's manual for the PTO you are using.
81. Read the operator's manual for the PTO you are using.
82. Read the operator's manual for the PTO you are using.
83. Read the operator's manual for the PTO you are using.
84. Read the operator's manual for the PTO you are using.
85. Read the operator's manual for the PTO you are using.
86. Read the operator's manual for the PTO you are using.
87. Read the operator's manual for the PTO you are using.
88. Read the operator's manual for the PTO you are using.
89. Read the operator's manual for the PTO you are using.
90. Read the operator's manual for the PTO you are using.
91. Read the operator's manual for the PTO you are using.
92. Read the operator's manual for the PTO you are using.
93. Read the operator's manual for the PTO you are using.
94. Read the operator's manual for the PTO you are using.
95. Read the operator's manual for the PTO you are using.
96. Read the operator's manual for the PTO you are using.
97. Read the operator's manual for the PTO you are using.
98. Read the operator's manual for the PTO you are using.
99. Read the operator's manual for the PTO you are using.
100. Read the operator's manual for the PTO you are using.

43

WARNING
Stay clear of raised Boom and bucket.
1799-910-016-0

32

CAUTION
Never use the diff-lock at high speed or on the road as this can cause rollover and injury.
1200-910-009-0

11

TYM T 1104

34

TYM T 1070

34

TYM T 960

34

TYM T 1104

35

TYM T 1070

35

TYM T 960

35

WARNING
Never use the diff-lock at high speed or on the road as this can cause rollover and injury.
1200-910-009-0

8

WARNING
Do not remove radiator cap while engine is hot. Hot steam will injure you.
1200-910-015-0

28



CAUTION
Keep hands and clothing away from rotating fan and belts to prevent serious injury.
1200-910-012-0

27

CAUTION
NO Diesel Only AdBlue
Do not fill any liquid other than AdBlue (DEF). Filling of Diesel and other material (including water) may cause malfunction in exhaust system.
1200-910-021-0

44

CAUTION
Always place the transmission in neutral and apply the brake while the tractor is in standstill position. Failure to do so can cause accidents and damages.
1871-910-031-0

42

WARNING
Always set the knob to lock when:
1. Travelling on the road.
2. Replacing blades on an implement.
3. Making adjustment to an implement.
Sudden dropping of an implement can cause serious injury or death.
1200-910-021-0

18

WARNING
Do not refuel the tractor while smoking or near naked flame or sparks. Always stop engine before refueling tractors.
1200-910-005-0

13

T1054SC-E-903A

FIG 903B

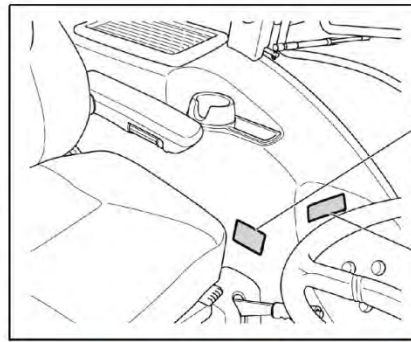
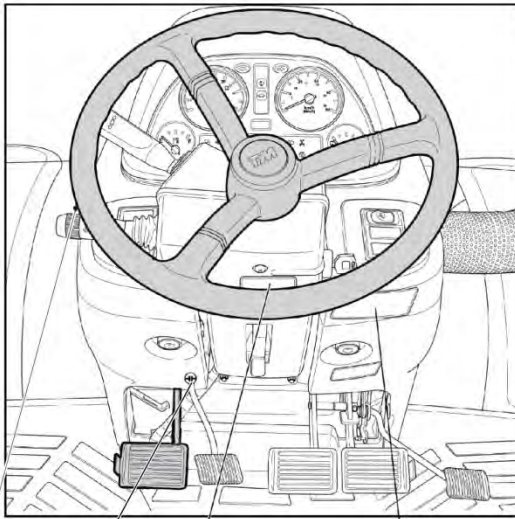
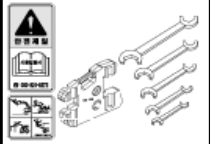
LABEL

T1104SC / T1054SC / T954SC

P1

YEAR

2014



WARNING

Always apply the park brake when parking. Failure to do so can cause accidents and damages.

DANGER

Do not ride except operator.

DANGER

Rotating driveline contact can cause death. **KEEP AWAY!** Keep all drive lines, tractor and equipment shields in place during operation.

WARNING

Attach implements and trailers to the tractor only using the prescribed drawbar or hitch.



REPLACEMENT TIME

ITEM	REPLACE	TIME
Oil	6	0229

REPLACEMENT TIME

If part of green in indicator be changed red, change filter element.



WARNING

Do not adjust the tilt handle when traveling.

WARNING

Brake pedals must always be locked together when traveling on the highway. This will ensure uniform braking and provide maximum stopping ability sharp turns must only be made at slow speeds.

WARNING

Do not use the accelerator lever except working on the field.

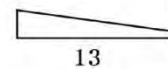
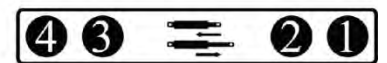
TONGYANGMOOLBAH CO.,LTD

TYPE T-004

BEC NO. S e13 0229

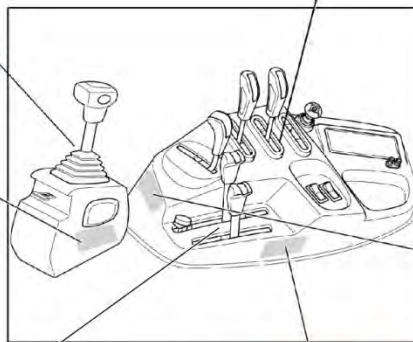
TOWABLE MASS 17000kg

VERTICAL LOAD 7700daN



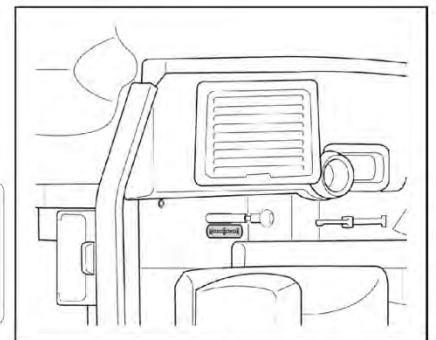
WARNING

Push the button to lock position with joystick lever is neutral whenever the implement is not operation.



WARNING

Do not use the sub shift lever at "H" position when driving backward.



WARNING

Do not use the sub shift lever at "H" position when driving backward.



NOTE