

T474NH-B

Parts Catalog

목 차

0. TRACTOR KIT PART NO. TK1

FIG 000 TRAILER SOCKET KIT	7
FIG 001 ADAPTER KIT	9
FIG 002 3rd FUNCTION KIT , LOADER	11

1. Engine PART NO. EG

FIG 100 ENGINE	15
FIG 101 CYLINDER BLOCK	17
FIG 102 OILJET ASS'Y OPTION	19
FIG 103 CRANK SHAFT	21
FIG 104 PISTON	23
FIG 105 CYLINDER HEAD	25
FIG 106 ROCKER LEVER	27
FIG 107 HEAD COVER	29
FIG 108 GEAR CASE	31
FIG 109 IDLE GEAR	33
FIG 110 CAM SHAFT	35
FIG 111 OIL PUMP	37
FIG 112 HYD. PUMP DRIVE	39
FIG 113 2ND BALANCE	41
FIG 114 OIL PAN	43
FIG 115 INTAKE MANIFOLD	45
FIG 116 EXHAUST MANIFOLD	47
FIG 117 DPF SUPPORT OPTION	49
FIG 118 TURBOCHARGER PLUMBING OPTION	51
FIG 119 BREATHER	53
FIG 120 FUEL INJECTION PUMP	55
FIG 121 FUEL INJECTION VALVE	57
FIG 122 FUEL PIPE ASS'Y	59
FIG 123 OIL FILTER	61
FIG 124 OIL COOLER	63

FIG 125 OIL GAUGUE	65
FIG 126 OIL FILLER CAP	67
FIG 127 COOLING WATER PUMP	69
FIG 128 CRANK SHAFT PULLEY	71
FIG 129 V-PULLEY	73
FIG 130 COOLING FAN	75
FIG 131 FLYWHEEL HOUSING	77
FIG 132 FLYWHEEL	79
FIG 133 GLOW PLUG ASS'Y OPTION	81
FIG 134 STARTING MOTOR	83
FIG 135 FUEL FILTER BRACKET ASS'Y	85
FIG 136 ALTERNATOR	87
FIG 137 V-BELT	89
FIG 138 FUEL FILTER	91
FIG 139 DPF SUPPORT	93
FIG 140 DATAPLATE	95
FIG 142 DPF ASS'Y	97
FIG 143 LIFT ASS'Y	99
FIG 144 COMP. DRIVE PULLEY ASS'Y OPTION	101
FIG 145 LOOSED PARTS	103

2. Engine Accessories PART NO. T2

FIG 201 AIR CLEANER	106
FIG 202 RADIATOR	108
FIG 203 MUFFLER	110
FIG 204 FUEL TANK & FILTER	112
FIG 205 OIL COOLER	114

3. Clutch/Brake/Steering PART NO. T3

FIG 302 FLYWHEEL & CLUTCH	117
FIG 303 BRAKE PEDAL	119
FIG 304 BRAKE	121
FIG 306 FRONT WHEEL MOUNTING	123
FIG 307 REAR WHEEL MOUNTING	125
FIG 308 STEERING WHEEL	127
FIG 309 STEERING VALVE & PARKING	129

FIG 310 STEERING CYLINDER	131
---------------------------	-----

4. Transmission PART NO. T4

FIG 401 TRANSMISSION FRONT CASE	134
FIG 402 HST	136
FIG 403 MID CASE	138
FIG 404 4WD DRIVE GEAR	140
FIG 405 INPUT GEAR	142
FIG 406 SUB CHANGE GEARS	144
FIG 407 PINION GEARS	146
FIG 408 P.T.O DRIVE SHAFT	148
FIG 409 P.T.O CHANGE GEARS	150
FIG 410 DIFF LOCK	153
FIG 411 TRANSMISSION REAR CASE	155
FIG 412 REAR AXLE HOUSINGS (1)	157
FIG 413 REAR AXLE HOUSINGS (2)	159
FIG 415 SUB CHANGE LEVER	161
FIG 416 FORWARD & REVERSE CONTROL LINKAGE	163
FIG 418 4WD CHANGE LEVER	165

5. Front Axle PART NO. T5

FIG 501 FRONT AXLE BRACKET	168
FIG 502 FRONT DIFF. GEARS & SHAFT	170
FIG 503 FRONT AXLE HOUSING	172
FIG 504 FRONT GEAR CASE (1)	174
FIG 505 FRONT GEAR CASE (2)	176

6. Hydraulic/3P-Link PART NO. T6

FIG 601 GEAR PUMP	179
FIG 602 CYLINDER CASE	181
FIG 603 LIFT ARM	183
FIG 604 CYLINDER	185
FIG 605 POSITION LINK (1)	187
FIG 606 POSITION LINK (2)	189
FIG 607 CONTROL VALVE	191

FIG 608 POSITION LEVER	193
FIG 609 HYDRAULIC PIPE (1)[SAP 가져오기]에서 생성함.	195
FIG 609 HYDRAULIC PIPE (1)	197
FIG 610 HYDRAULIC PIPE (2)	199
FIG 611 EXTERIOR HYD VALVE	201
FIG 612 3-POINT LINK	203
FIG 613 HITCH & COVER	206
FIG 614 EXTERIOR POSITION LEVER	208

7. Sheet Metal & Cabin PART NO. T7

FIG 701 HOOD FRAME	211
FIG 702 HOOD	214
FIG 703 EXTENSION COVER	217
FIG 704 FENDER & REAR FRAME	219
FIG 705 DASH PANEL	222
FIG 706 FLOOR PANEL	224
FIG 707 SEAT	226
FIG 708 FRONT & REAR MOUNTING[SAP 가져오기]에서 생성함.	228
FIG 708 FRONT & REAR MOUNTING	230
FIG 709 ROPS	232

8. Electrical System PART NO. T8

FIG 801 BATTERY & MOUNTING	235
FIG 802 LAMP	237
FIG 803 INSTRUMENT PANEL	239
FIG 804 ELECTRIC SYSTEM	241
FIG 805 HARNESS	243

9. Label/Option PART NO. T9

FIG 901 TOOL & ACCESSORY	246
FIG 902 LABEL	248
FIG 902 LABEL	250

0. TRACTOR KIT PART NO. TK1

FIG 000 TRAILER SOCKET KIT

7

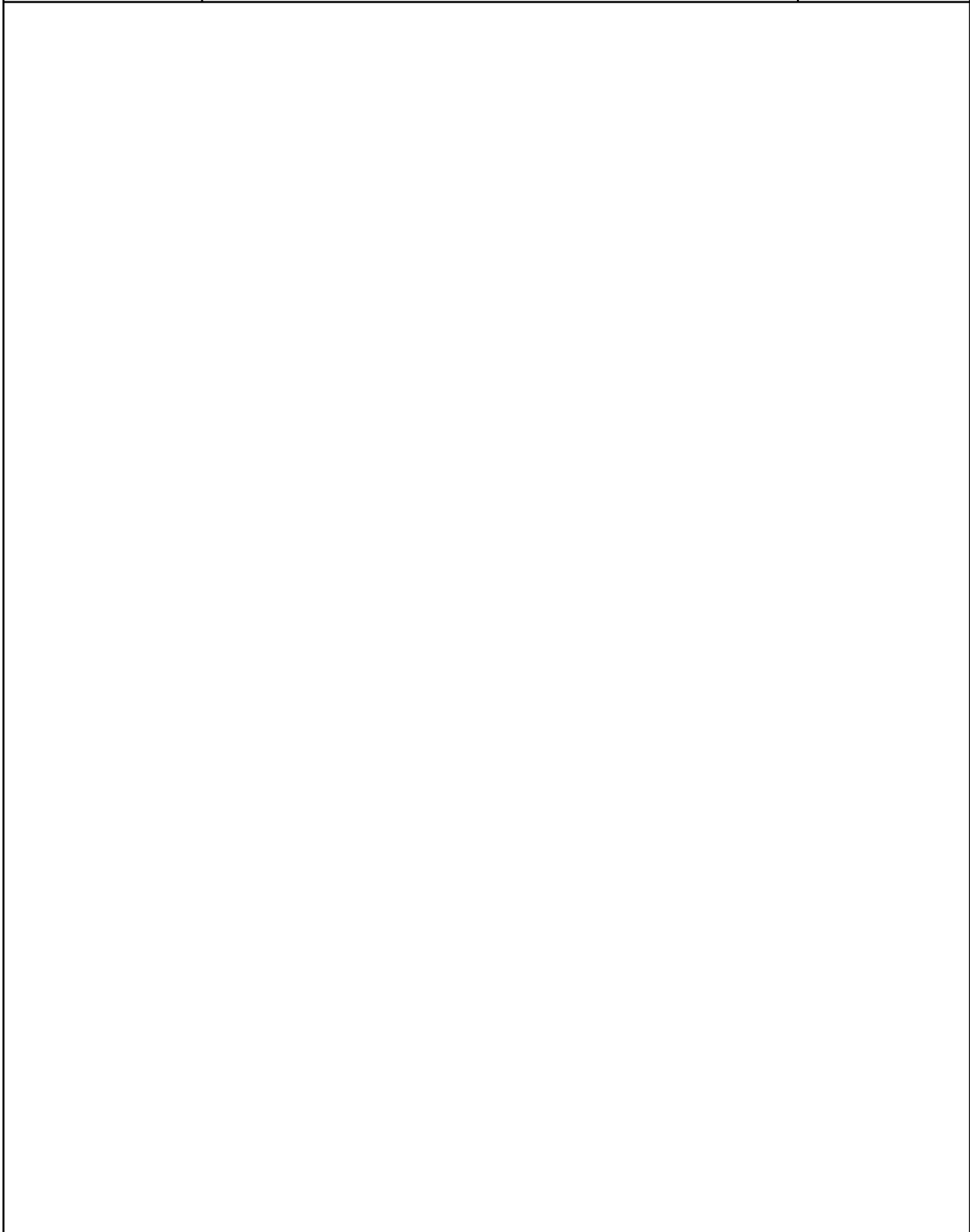
FIG 001 ADAPTER KIT

9

FIG 002 3rd FUNCTION KIT , LOADER

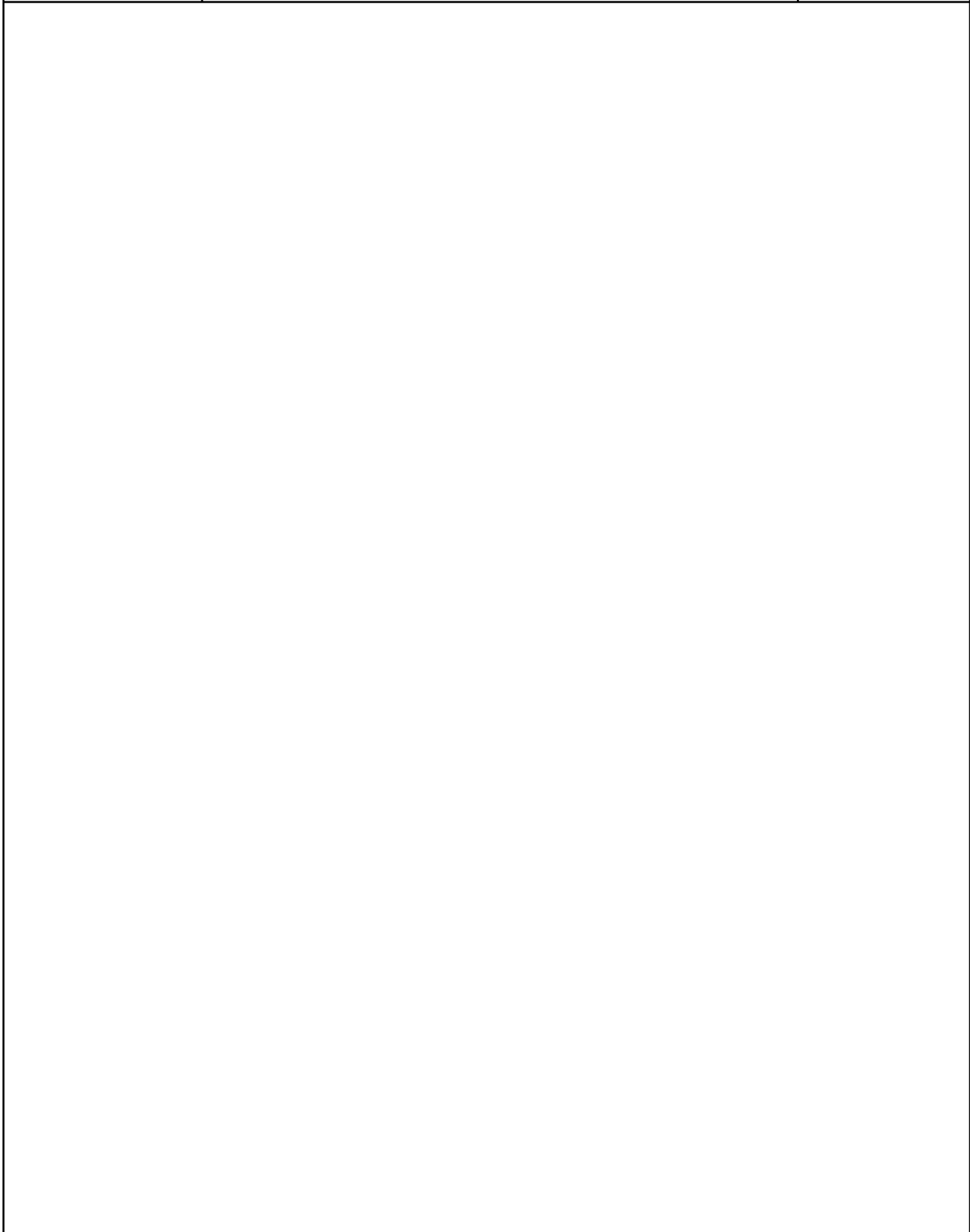
11

FIG 000 T474NH-B	TRAILER SOCKET KIT	년/월 Year/Month 2022-12
---------------------	--------------------	------------------------------



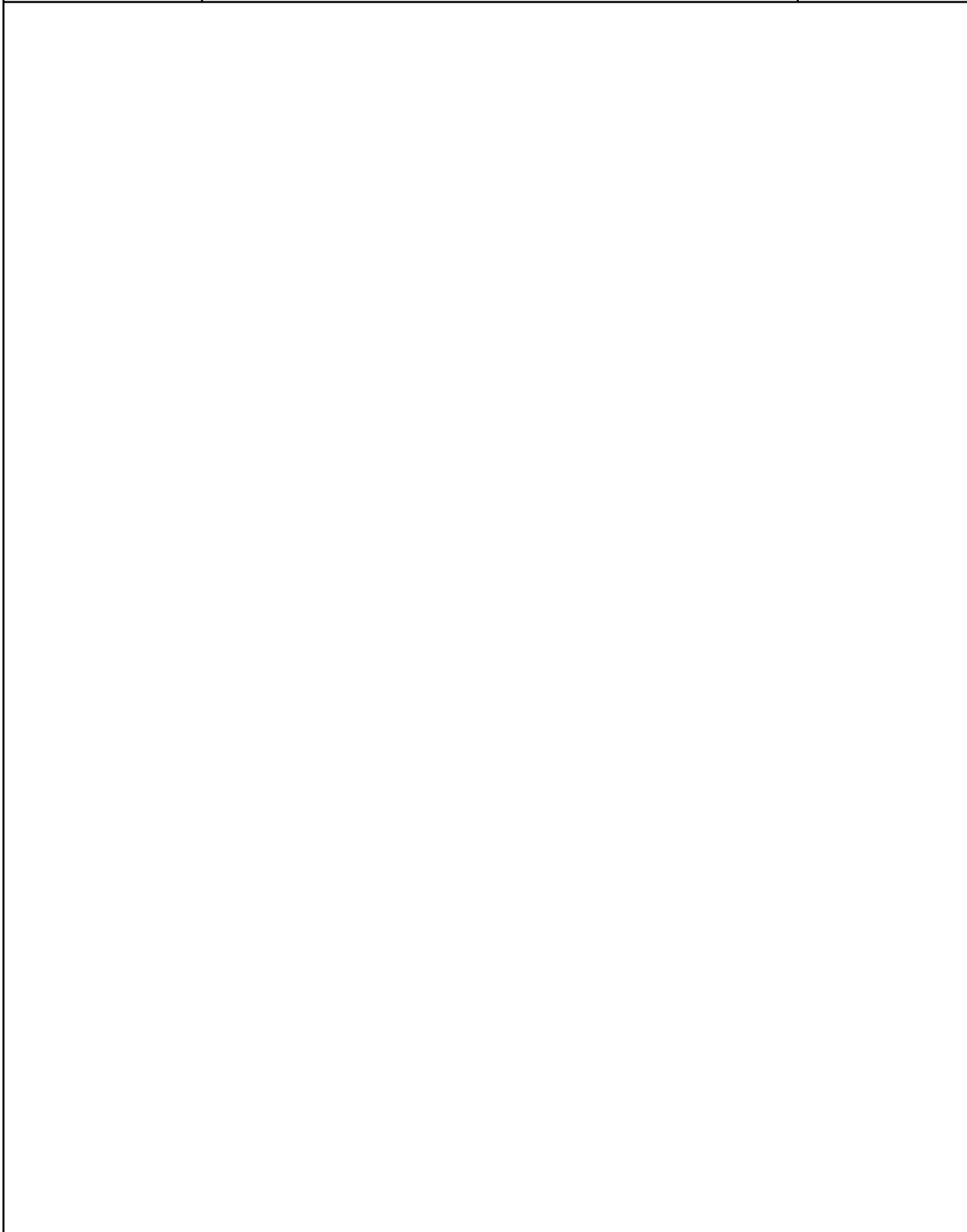
NOTE	
------	--

FIG 001 T474NH-B	ADAPTER KIT	년/월 Year/Month 2022-12
---------------------	-------------	------------------------------



NOTE	
------	--

FIG 002 T474NH-B	3rd FUNCTION KIT , LOADER	년/월 Year/Month 2022-12
---------------------	---------------------------	------------------------------



NOTE	
------	--

1. Engine PART NO. EG

FIG 100 ENGINE	15
FIG 101 CYLINDER BLOCK	17
FIG 102 OILJET ASS'Y OPTION	19
FIG 103 CRANK SHAFT	21
FIG 104 PISTON	23
FIG 105 CYLINDER HEAD	25
FIG 106 ROCKER LEVER	27
FIG 107 HEAD COVER	29
FIG 108 GEAR CASE	31
FIG 109 IDLE GEAR	33
FIG 110 CAM SHAFT	35
FIG 111 OIL PUMP	37
FIG 112 HYD. PUMP DRIVE	39
FIG 113 2ND BALANCE	41
FIG 114 OIL PAN	43
FIG 115 INTAKE MANIFOLD	45
FIG 116 EXHAUST MANIFOLD	47
FIG 117 DPF SUPPORT OPTION	49
FIG 118 TURBOCHARGER PLUMBING OPTION	51
FIG 119 BREATHER	53
FIG 120 FUEL INJECTION PUMP	55
FIG 121 FUEL INJECTION VALVE	57
FIG 122 FUEL PIPE ASS'Y	59
FIG 123 OIL FILTER	61
FIG 124 OIL COOLER	63
FIG 125 OIL GAUGUE	65
FIG 126 OIL FILLER CAP	67
FIG 127 COOLING WATER PUMP	69
FIG 128 CRANK SHAFT PULLEY	71
FIG 129 V-PULLEY	73
FIG 130 COOLING FAN	75
FIG 131 FLYWHEEL HOUSING	77
FIG 132 FLYWHEEL	79
FIG 133 GLOW PLUG ASS'Y OPTION	81
FIG 134 STARTING MOTOR	83
FIG 135 FUEL FILTER BRACKET ASS'Y	85
FIG 136 ALTERNATOR	87
FIG 137 V-BELT	89

FIG 138 FUEL FILTER	91
FIG 139 DPF SUPPORT	93
FIG 140 DATAPLATE	95
FIG 142 DPF ASS'Y	97
FIG 143 LIFT ASS'Y	99
FIG 144 COMP. DRIVE PULLEY ASS'Y OPTION	101
FIG 145 LOOSED PARTS	103

FIG 100 T474NH-B	ENGINE	년/월 Year/Month 2022-12
---------------------	--------	------------------------------

--	--

NOTE	
------	--

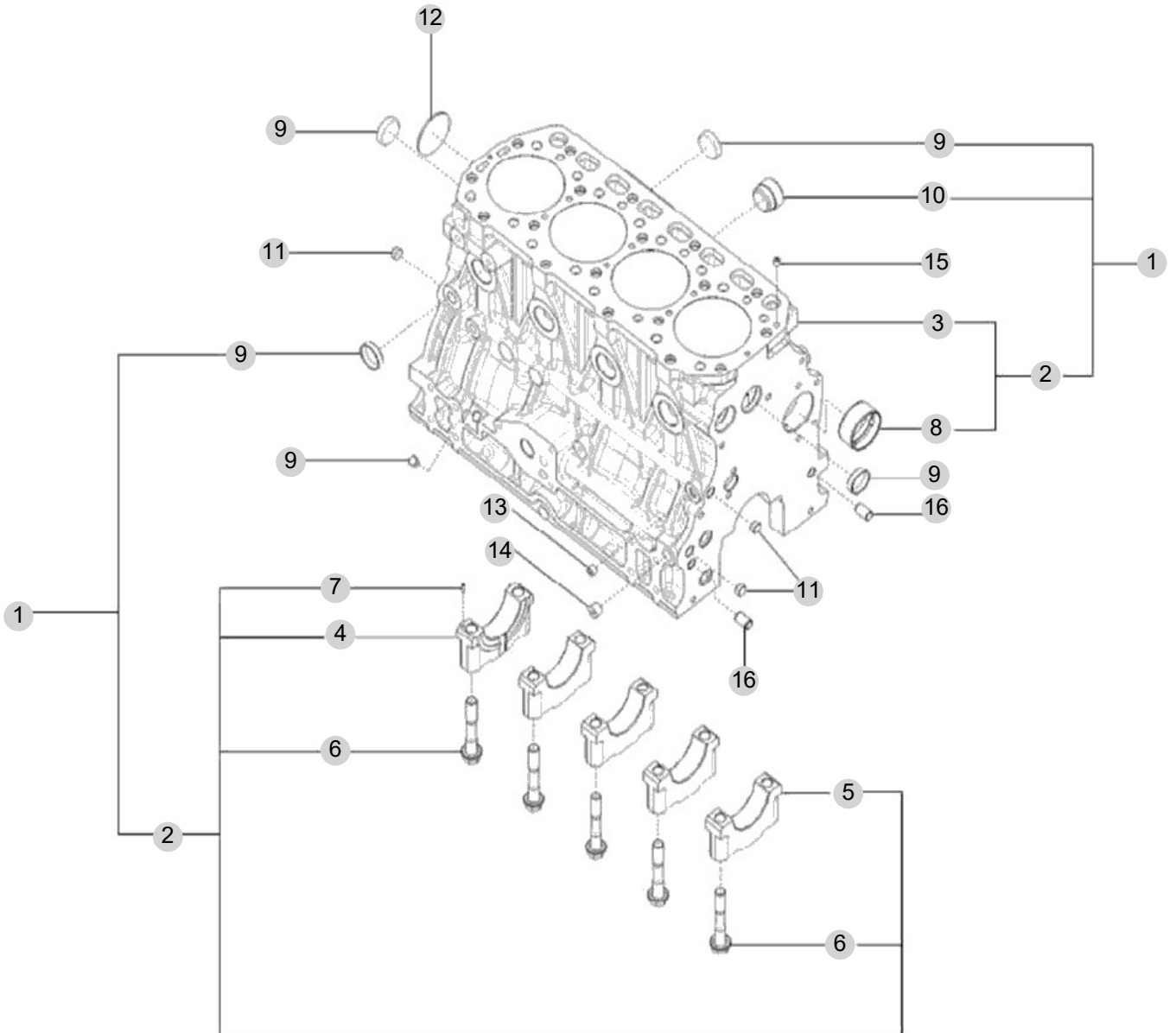
FIG 101

T474NH-B

CYLINDER BLOCK

년/월
Year/Month

2022-12



NOTE

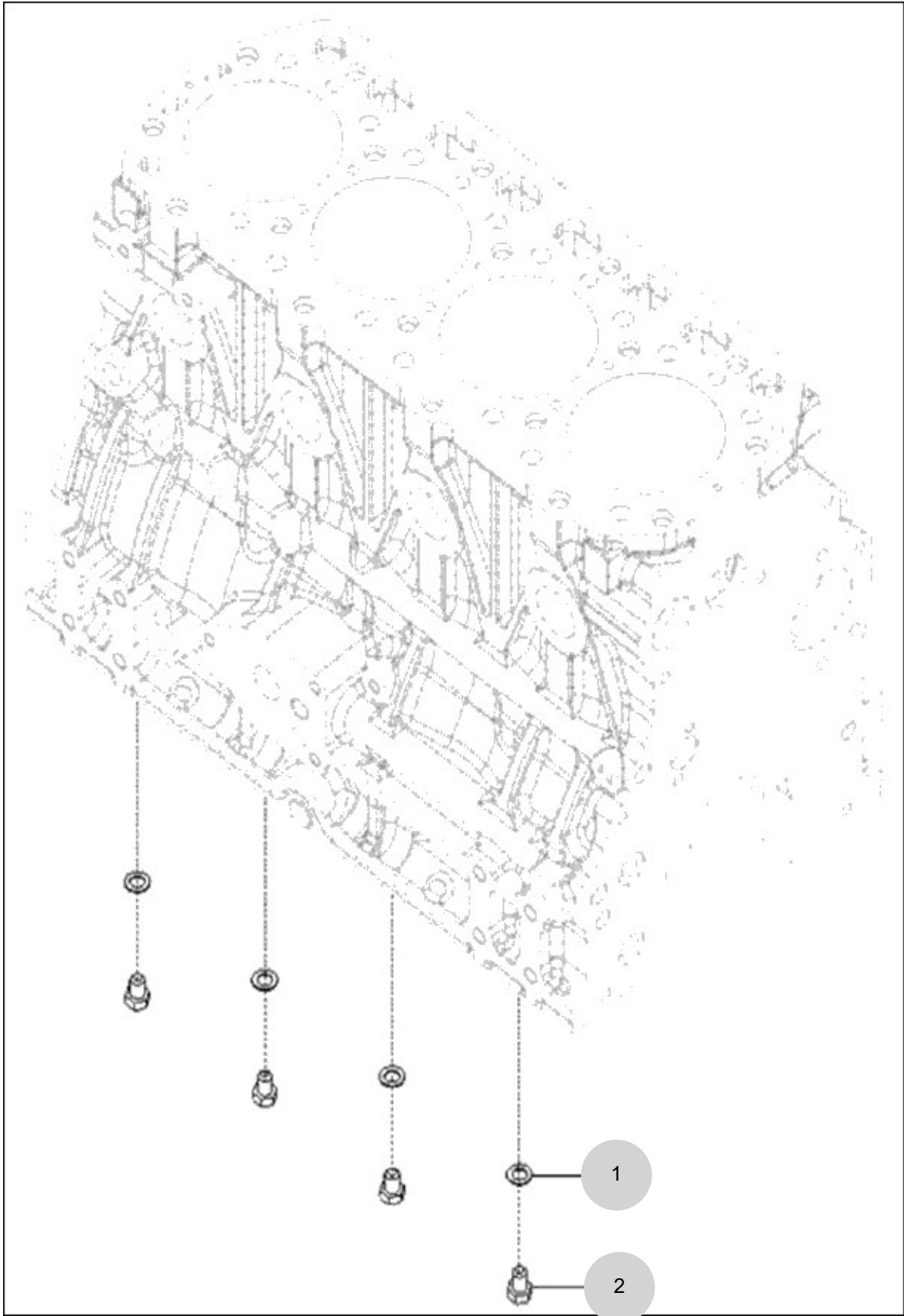
FIG 102

OILJET ASS'Y OPTION

년/월
Year/Month

T474NH-B

2022-12



NOTE

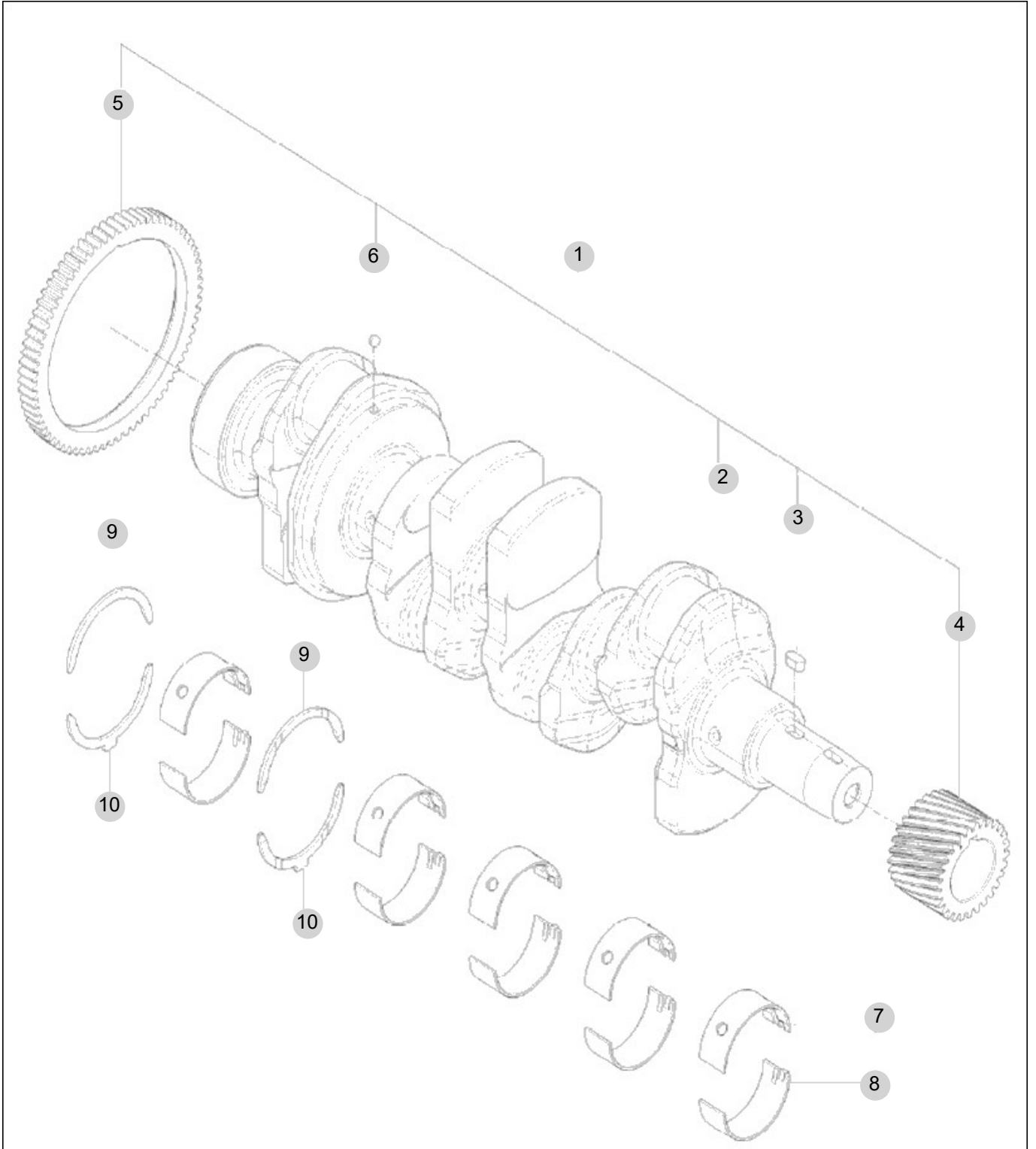
FIG 103

T474NH-B

CRANK SHAFT

년/월
Year/Month

2022-12



NOTE

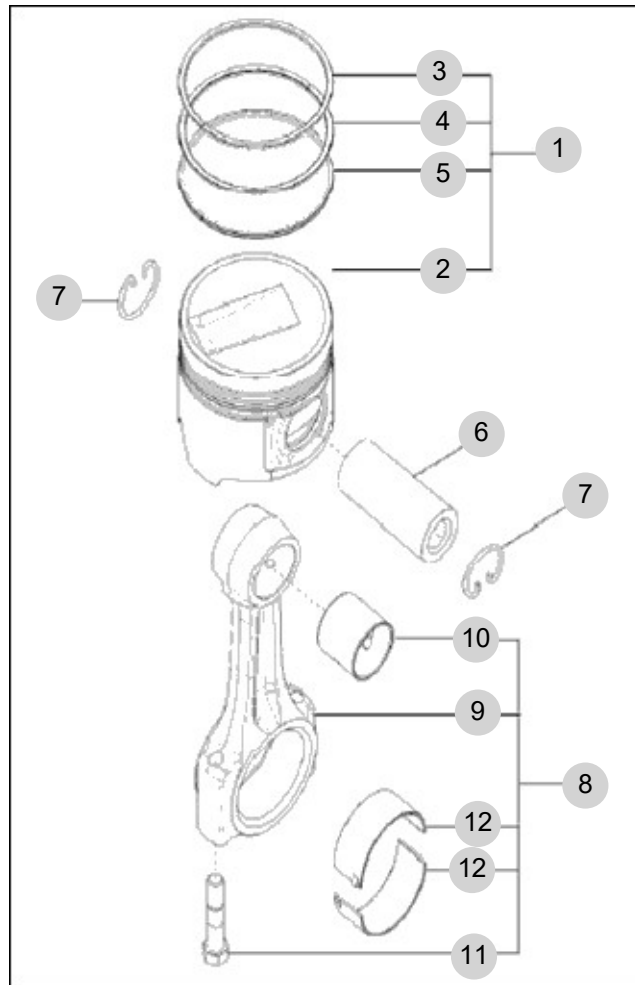
FIG 104

T474NH-B

PISTON

년/월
Year/Month

2022-12



NOTE

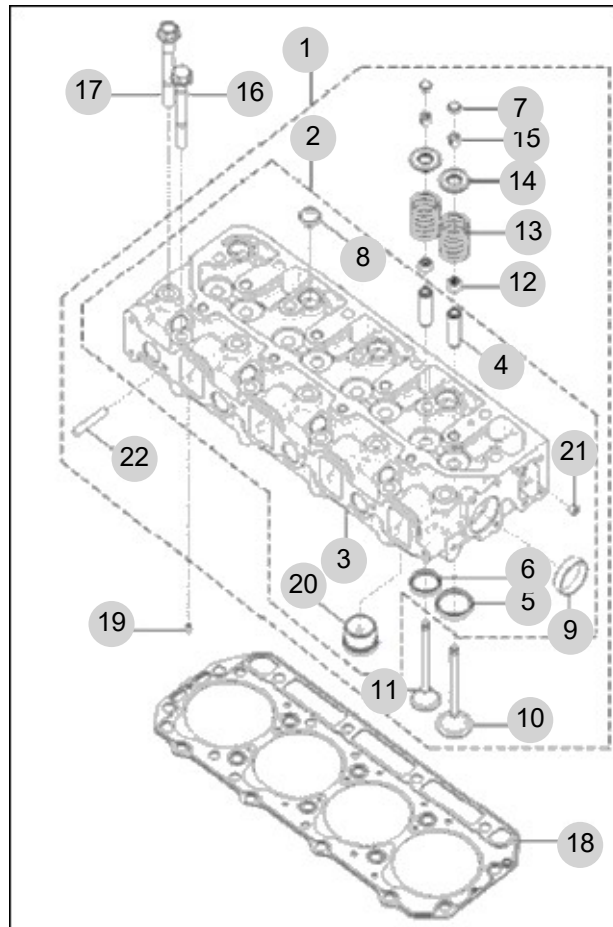
FIG 105

T474NH-B

CYLINDER HEAD

년/월
Year/Month

2022-12



NOTE

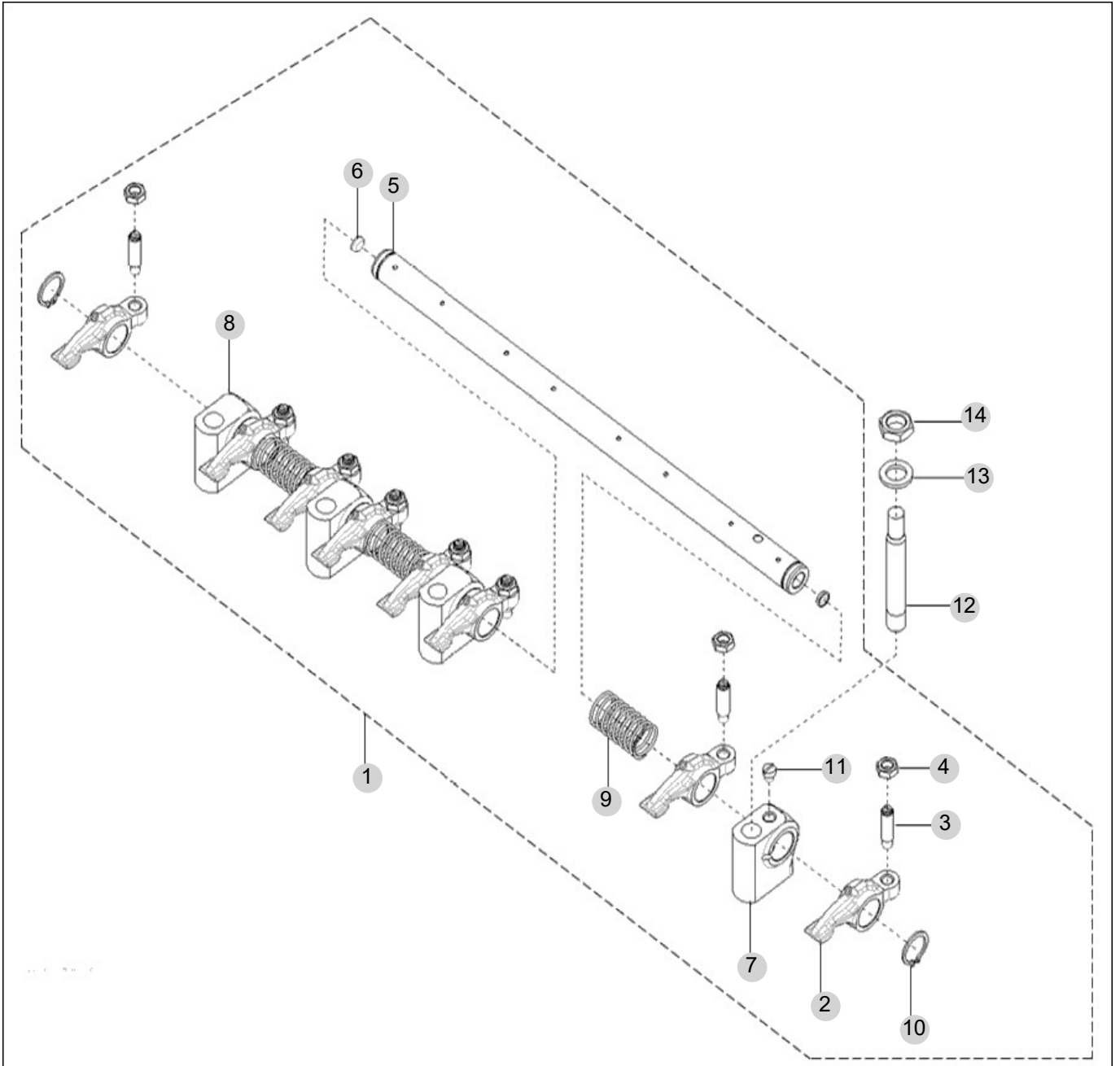
FIG 106

T474NH-B

ROCKER LEVER

년/월
Year/Month

2022-12



NOTE

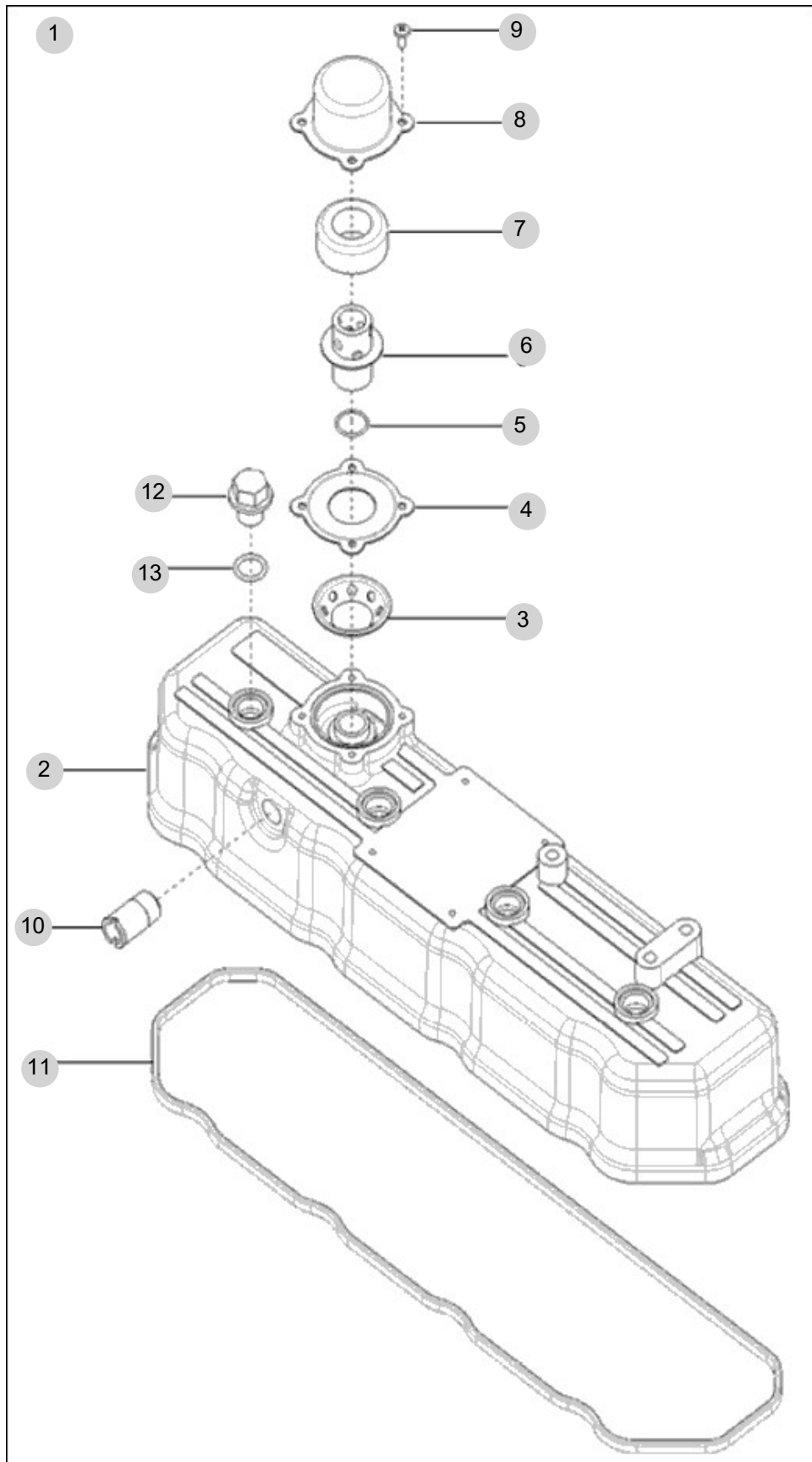
FIG 107

T474NH-B

HEAD COVER

년/월
Year/Month

2022-12



NOTE

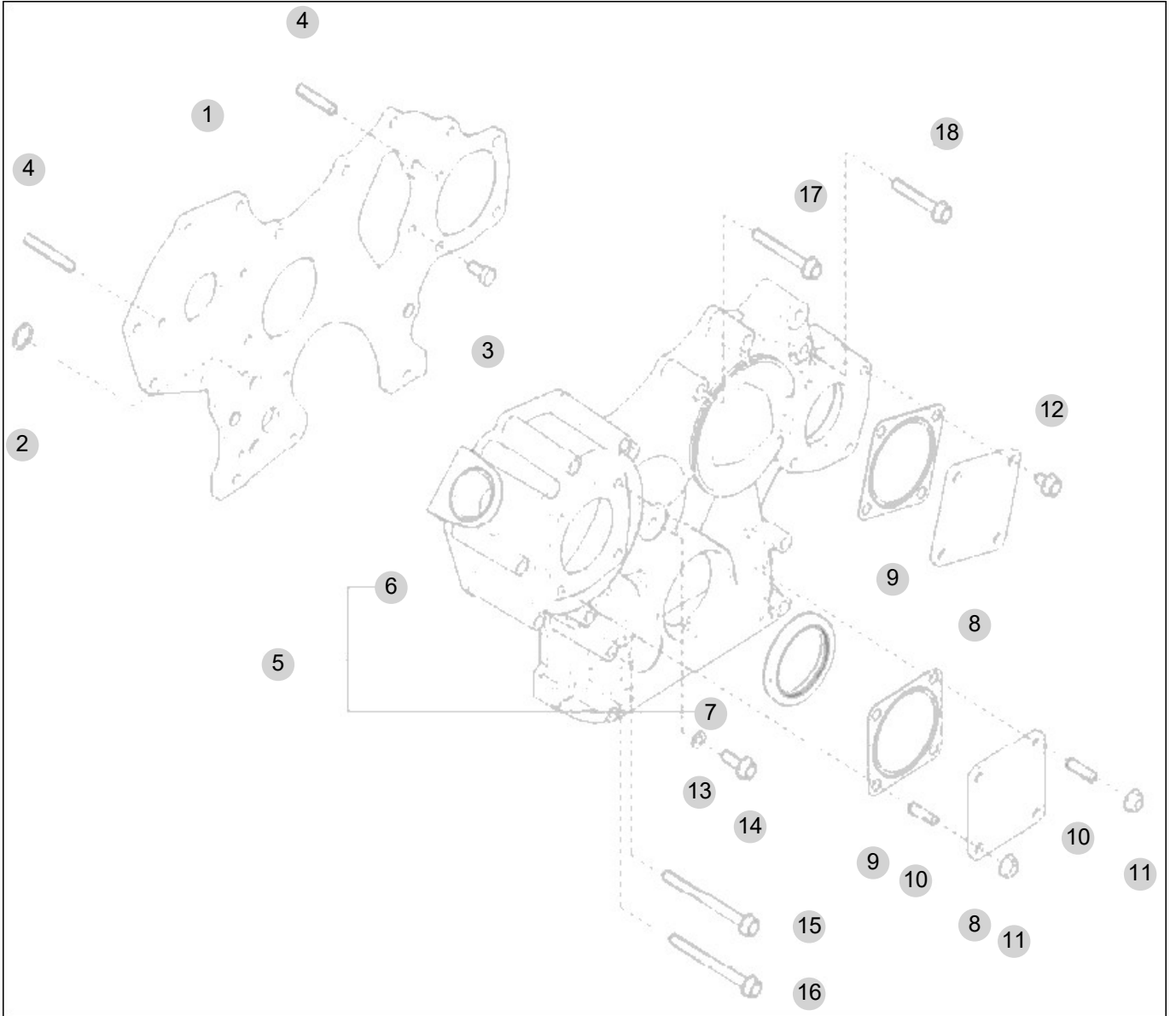
FIG 108

GEAR CASE

년/월
Year/Month

T474NH-B

2022-12



NOTE

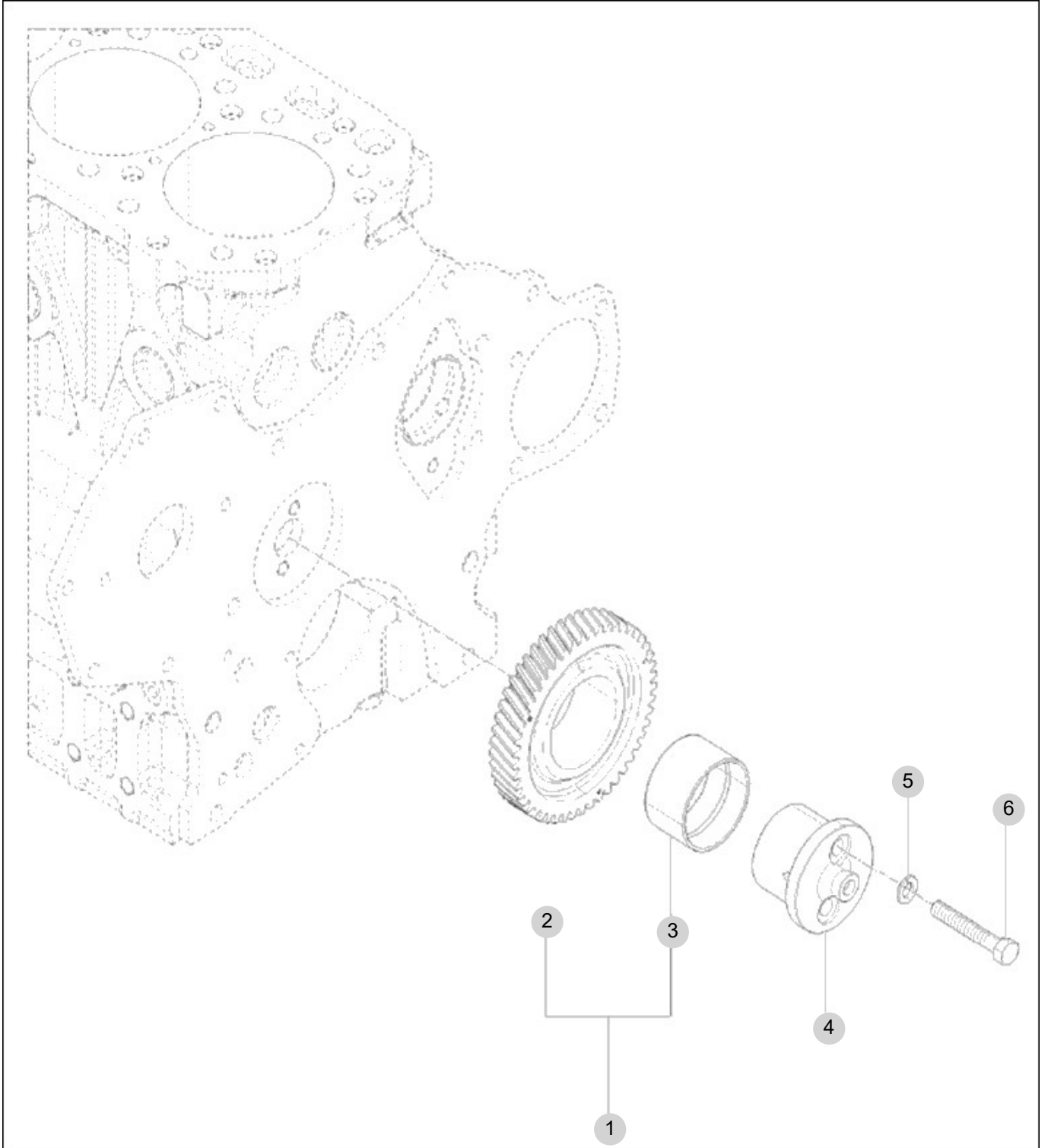
FIG 109

T474NH-B

IDLE GEAR

년/월
Year/Month

2022-12



NOTE

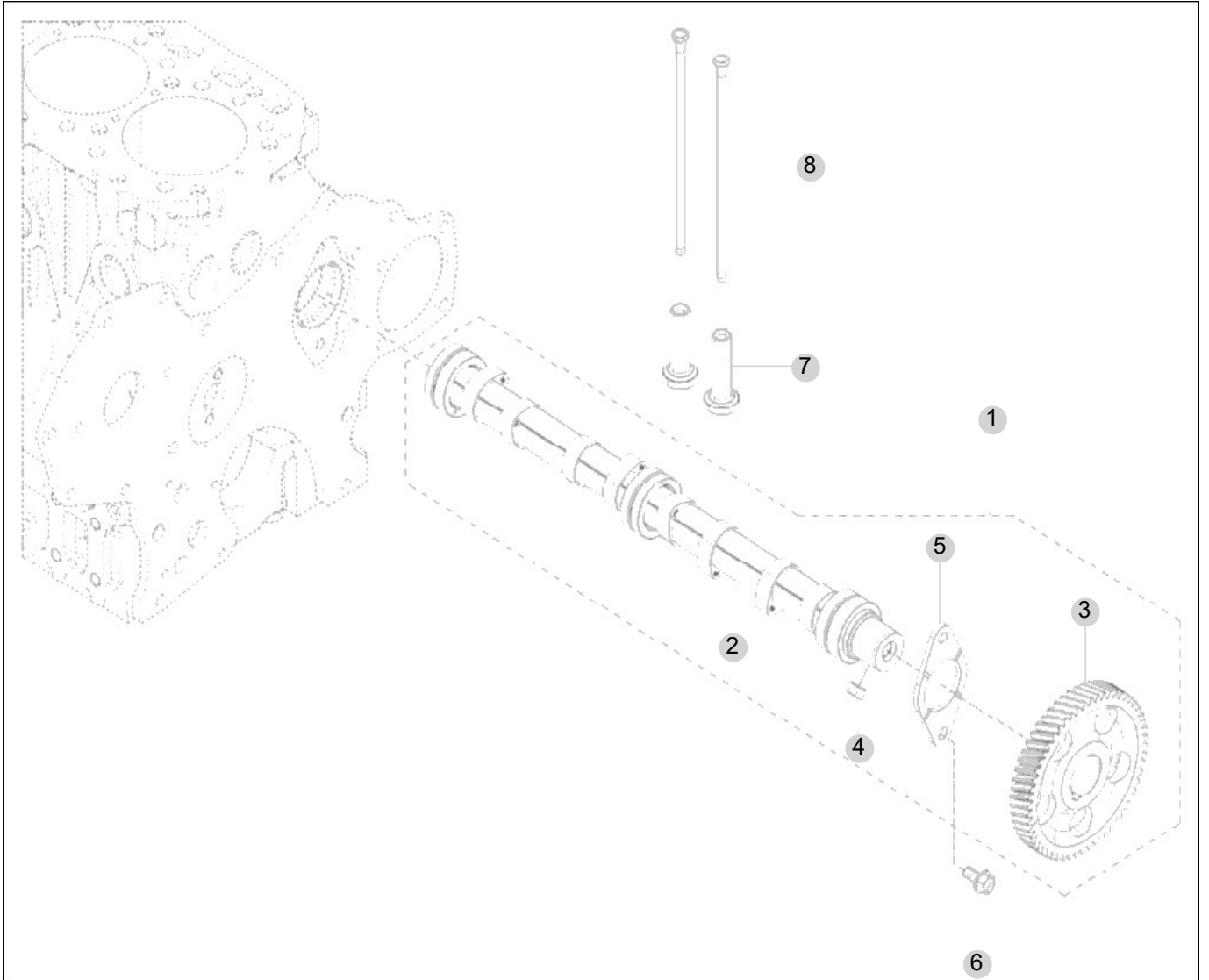
FIG 110

T474NH-B

CAM SHAFT

년/월
Year/Month

2022-12



NOTE

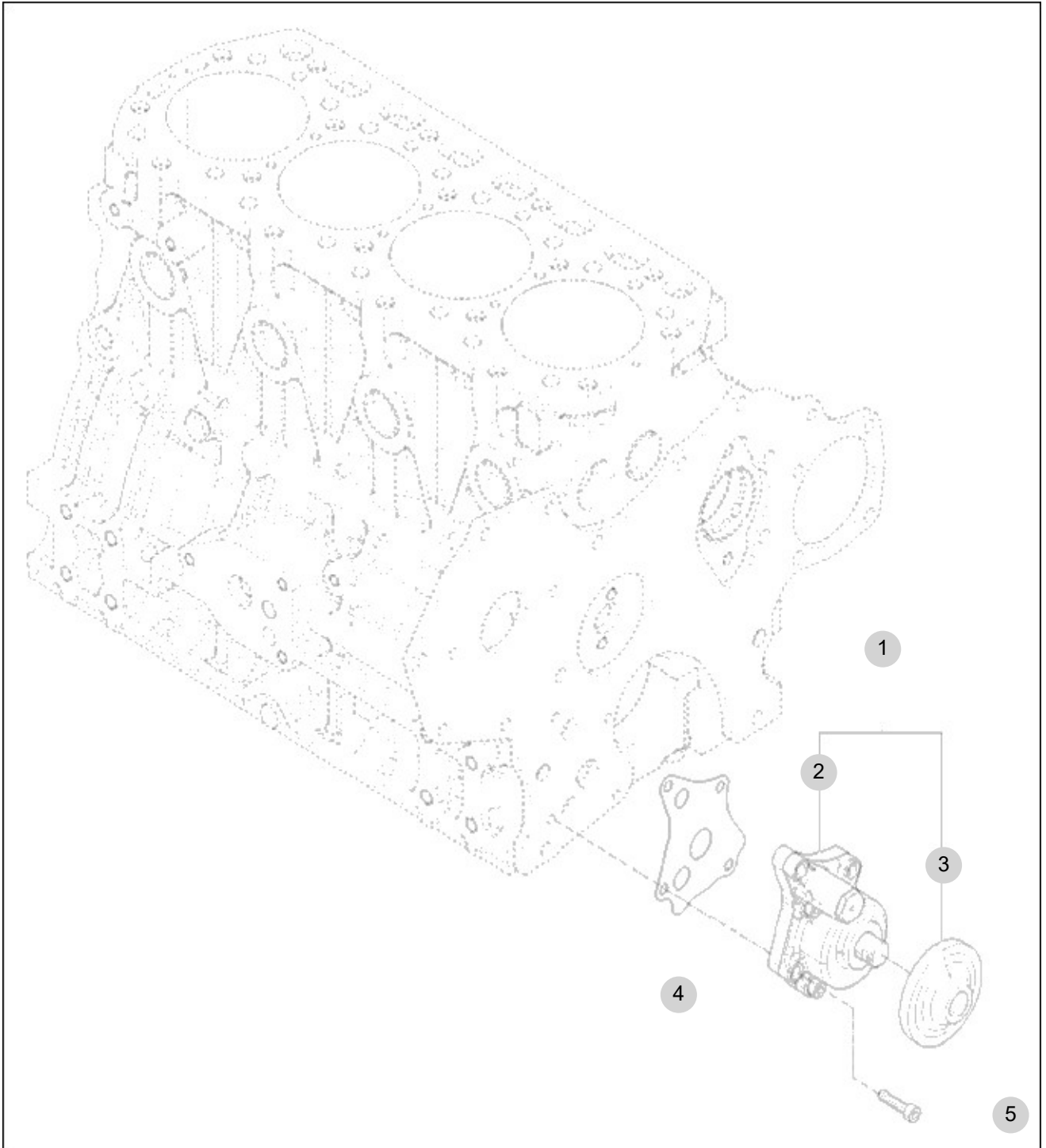
FIG 111

OIL PUMP

년/월
Year/Month

T474NH-B

2022-12



NOTE

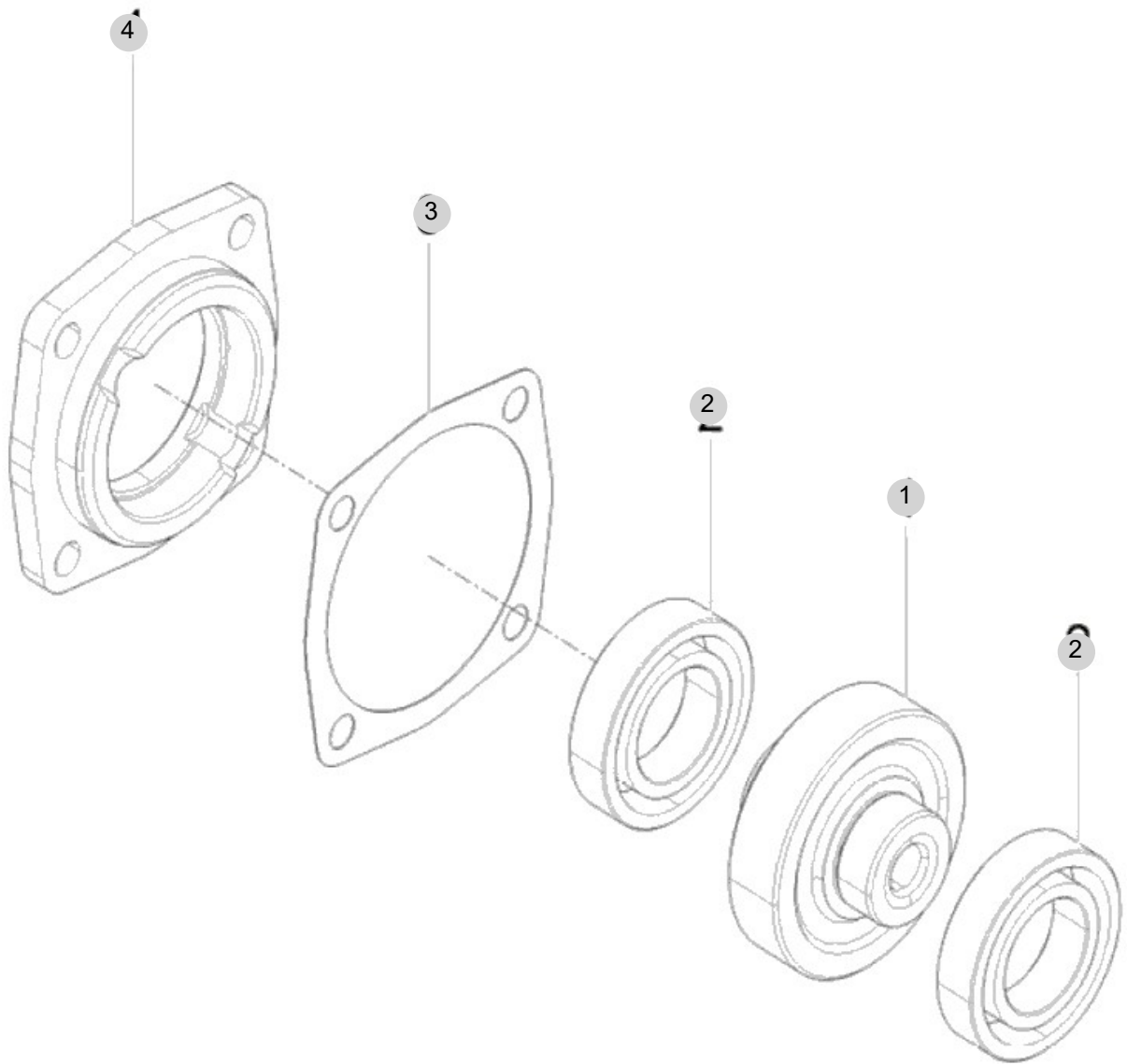
FIG 112

T474NH-B

HYD. PUMP DRIVE

년/월
Year/Month

2022-12



NOTE

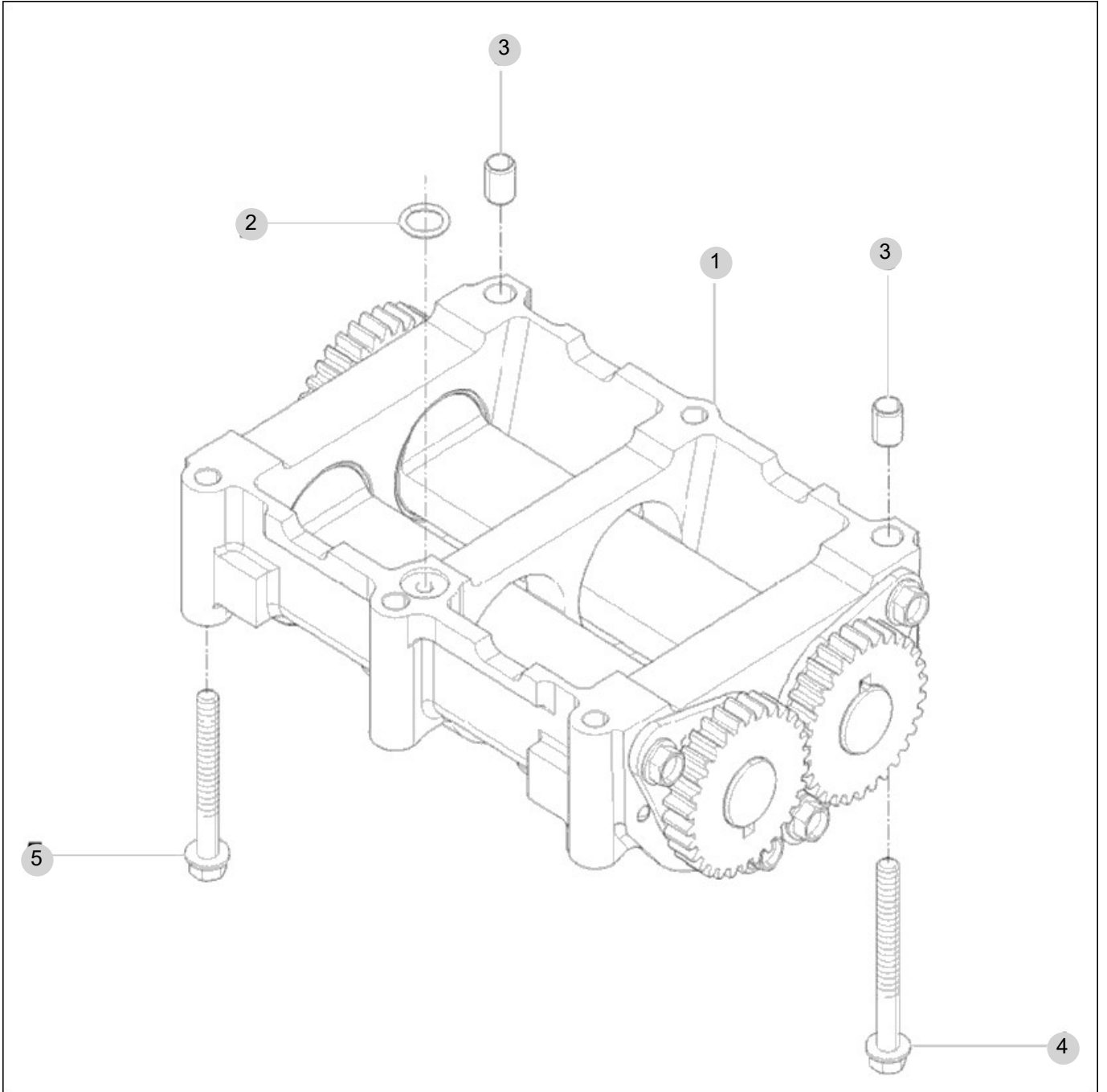
FIG 113

T474NH-B

2ND BALANCE

년/월
Year/Month

2022-12



NOTE

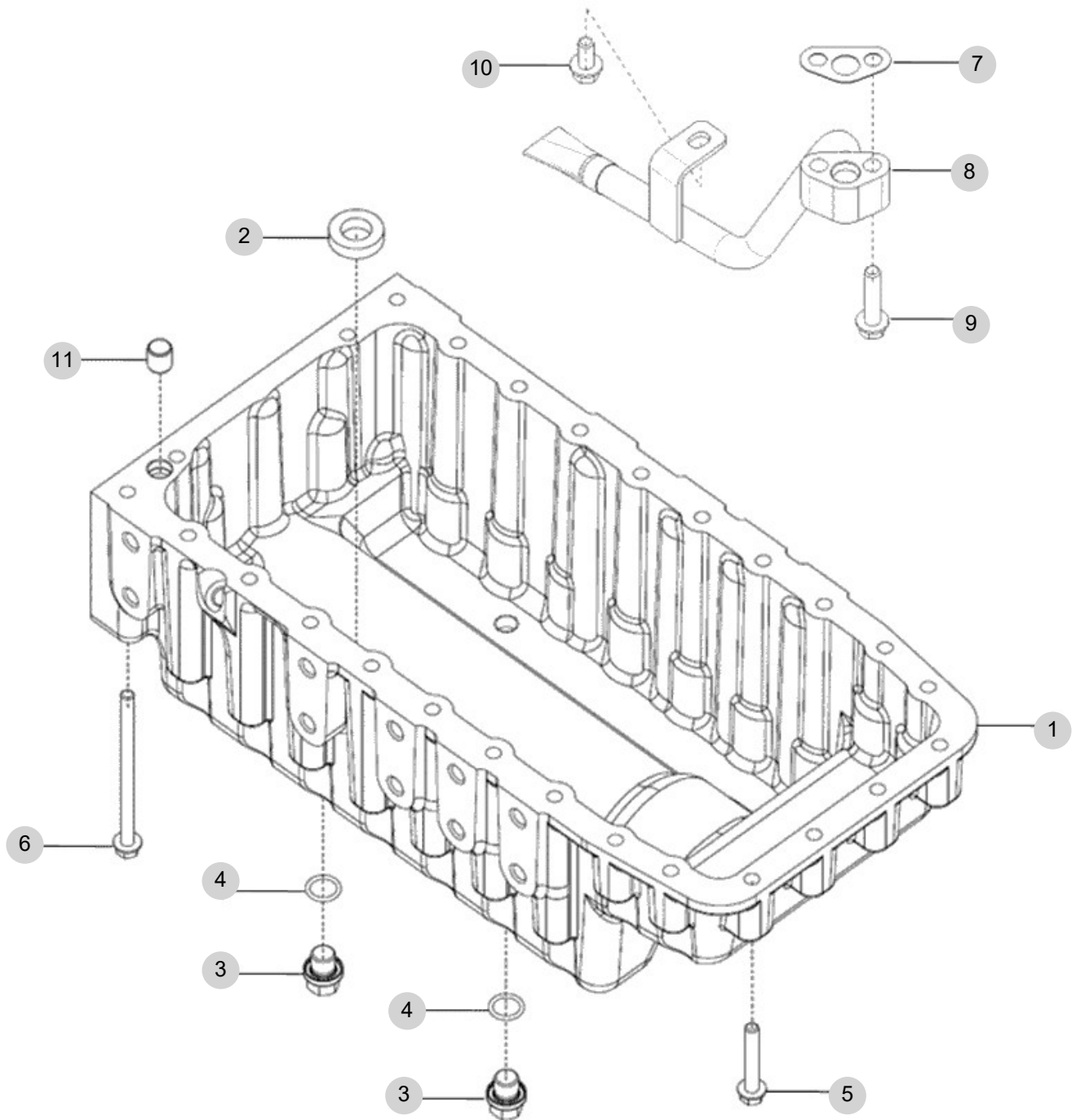
FIG 114

T474NH-B

OIL PAN

년/월
Year/Month

2022-12



NOTE

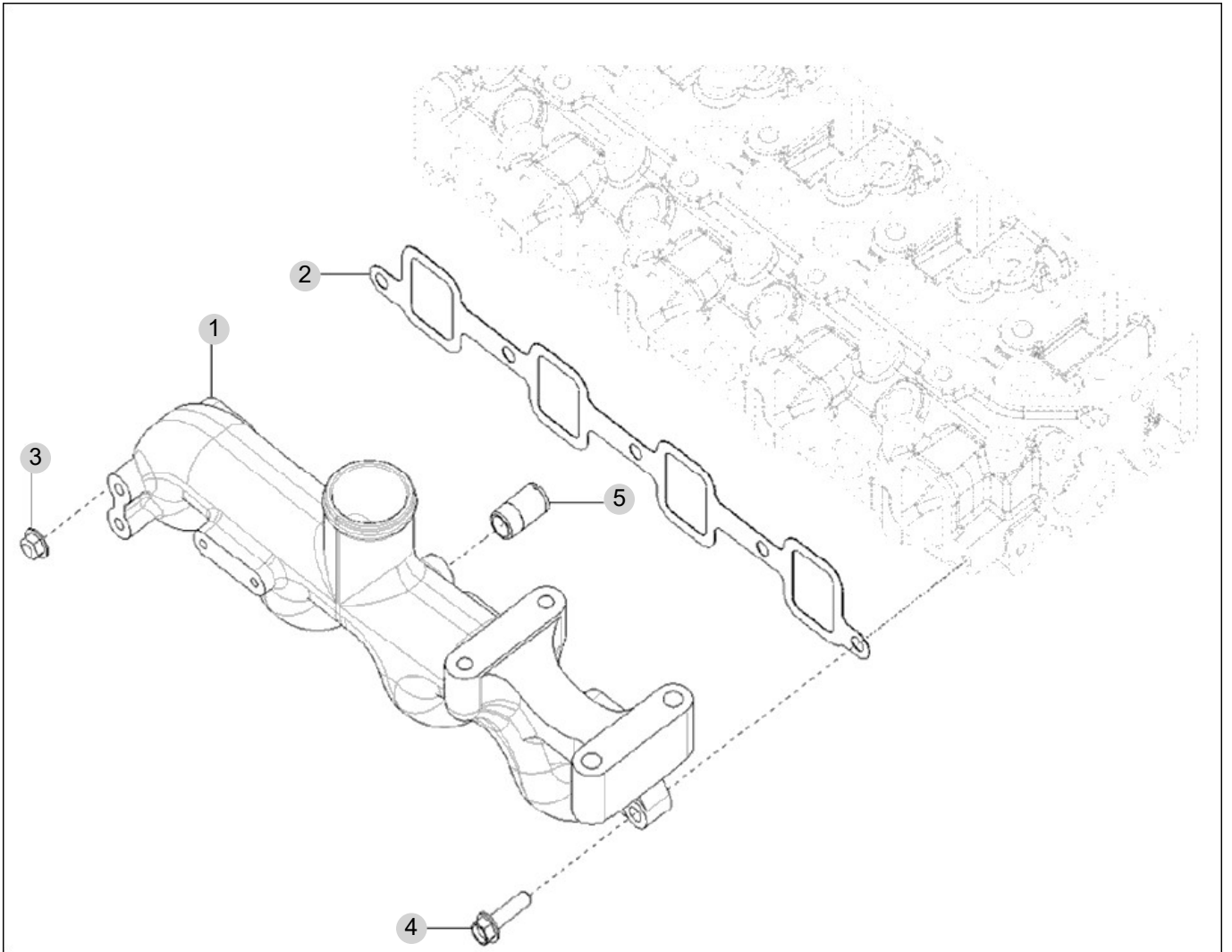
FIG 115

T474NH-B

INTAKE MANIFOLD

년/월
Year/Month

2022-12



NOTE

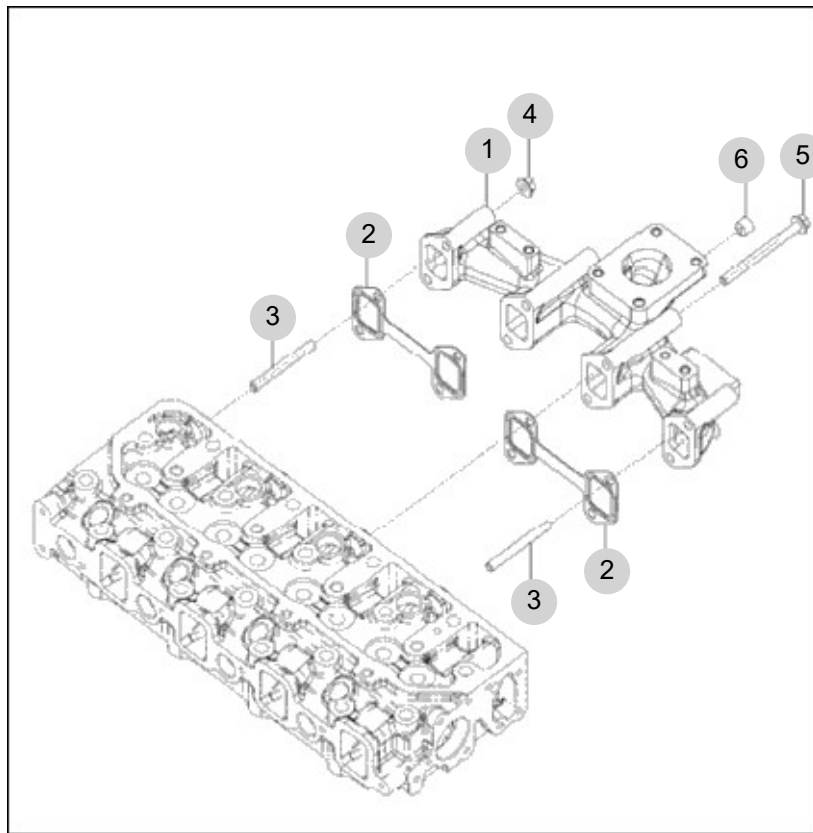
FIG 116

T474NH-B

EXHAUST MANIFOLD

년/월
Year/Month

2022-12



NOTE

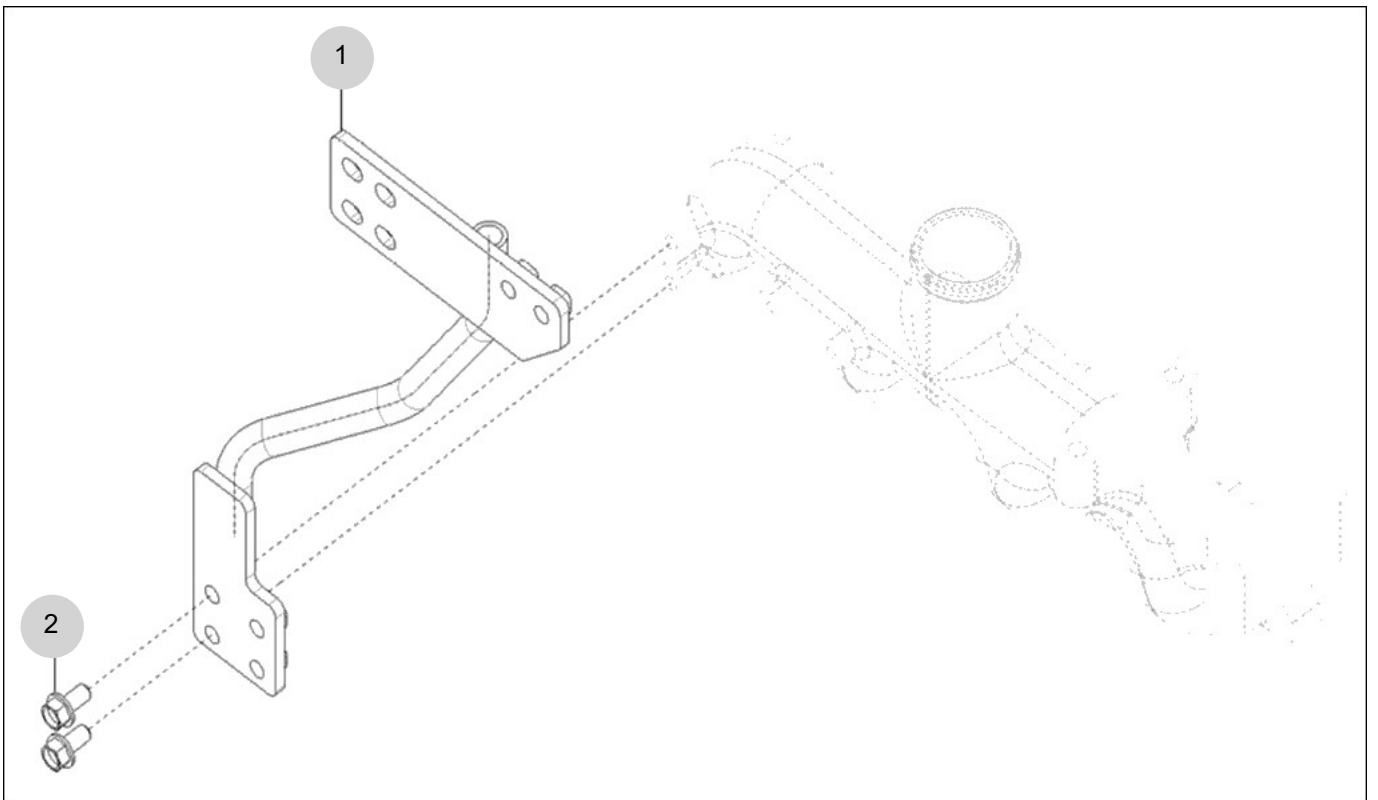
FIG 117

T474NH-B

DPF SUPPORT OPTION

년/월
Year/Month

2022-12



NOTE

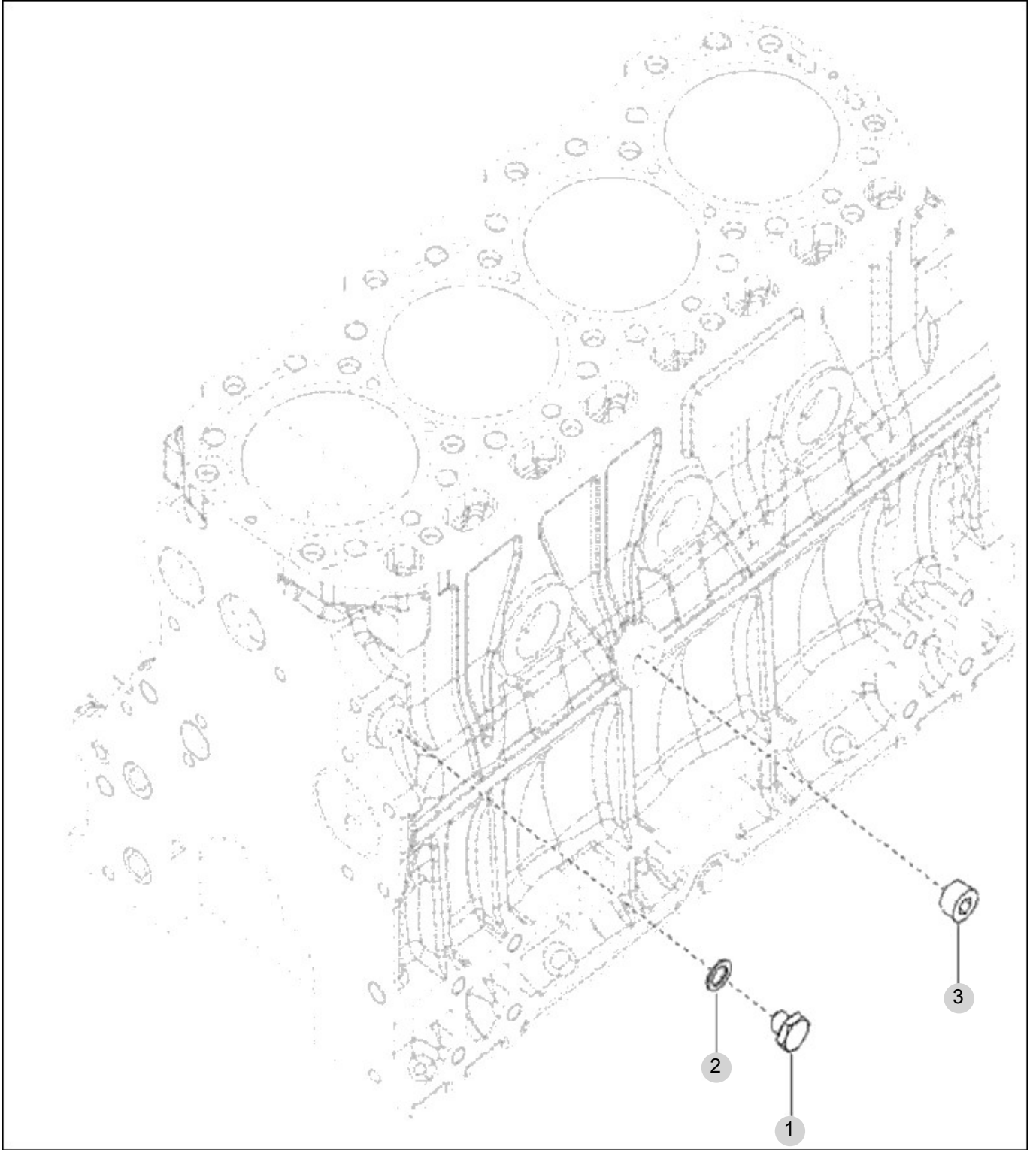
FIG 118

TURBOCHARGER PLUMBING OPTION

년/월
Year/Month

2022-12

T474NH-B



NOTE

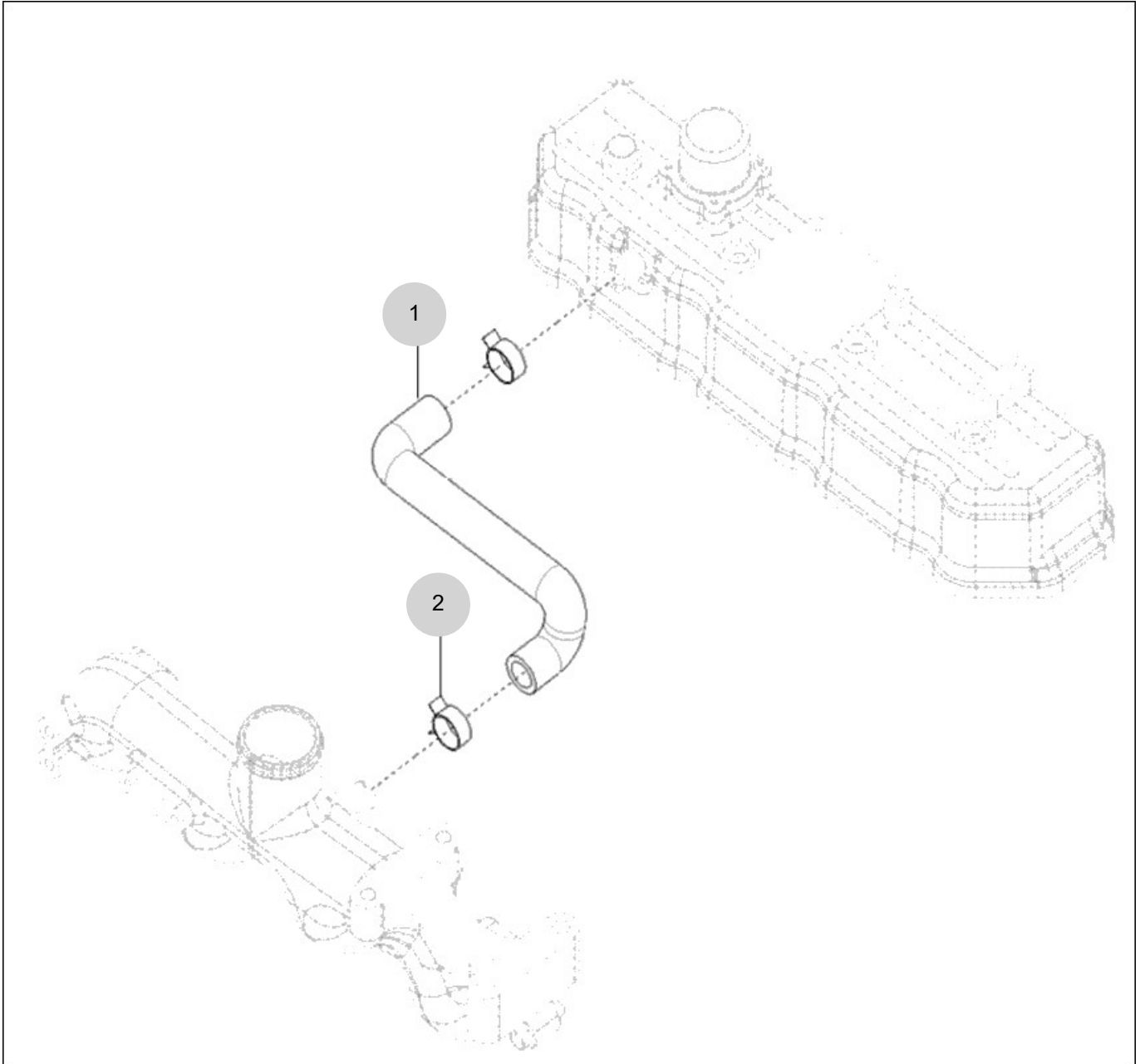
FIG 119

T474NH-B

BREATHER

년/월
Year/Month

2022-12



NOTE

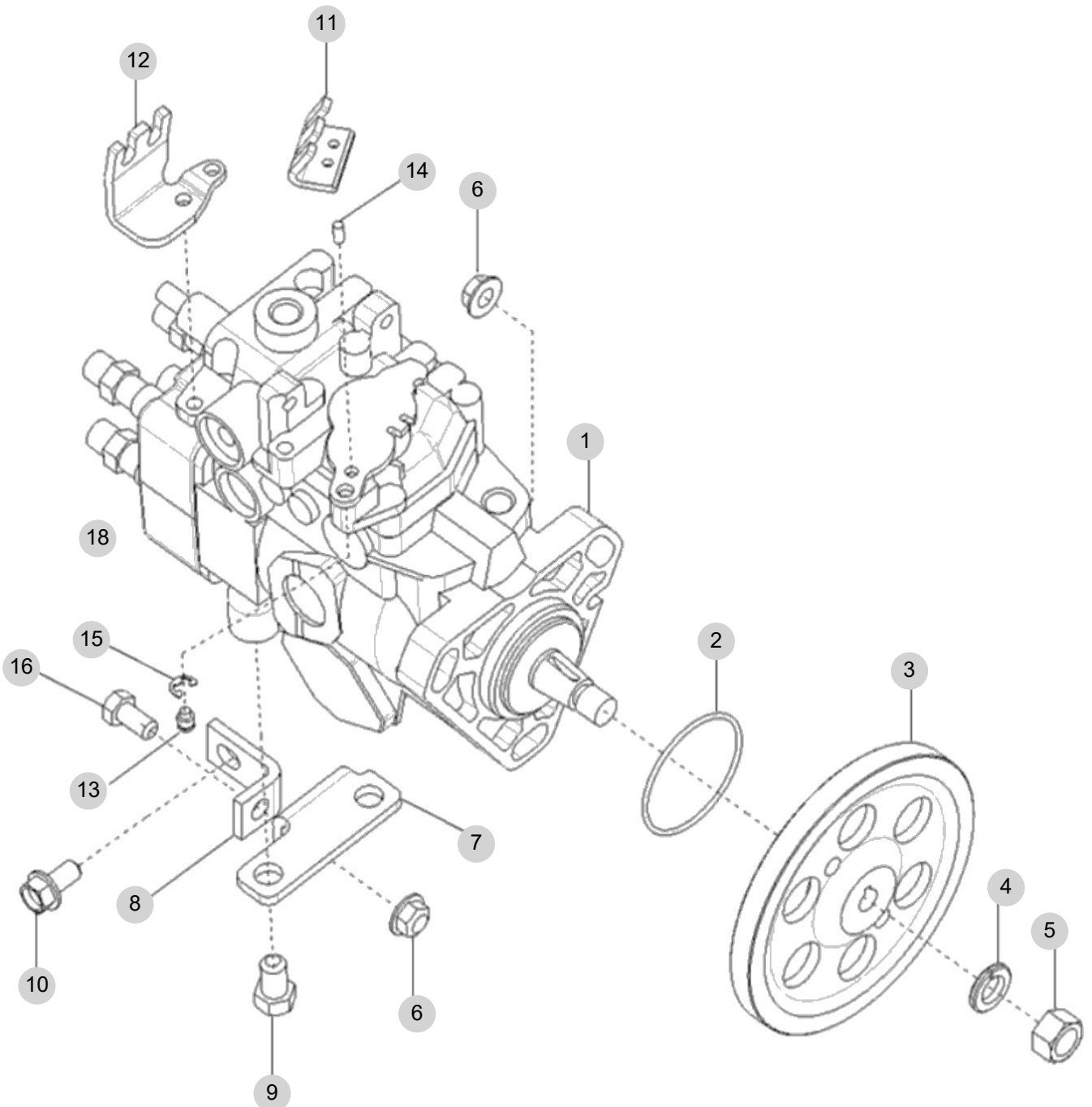
FIG 120

T474NH-B

FUEL INJECTION PUMP

년/월
Year/Month

2022-12



NOTE

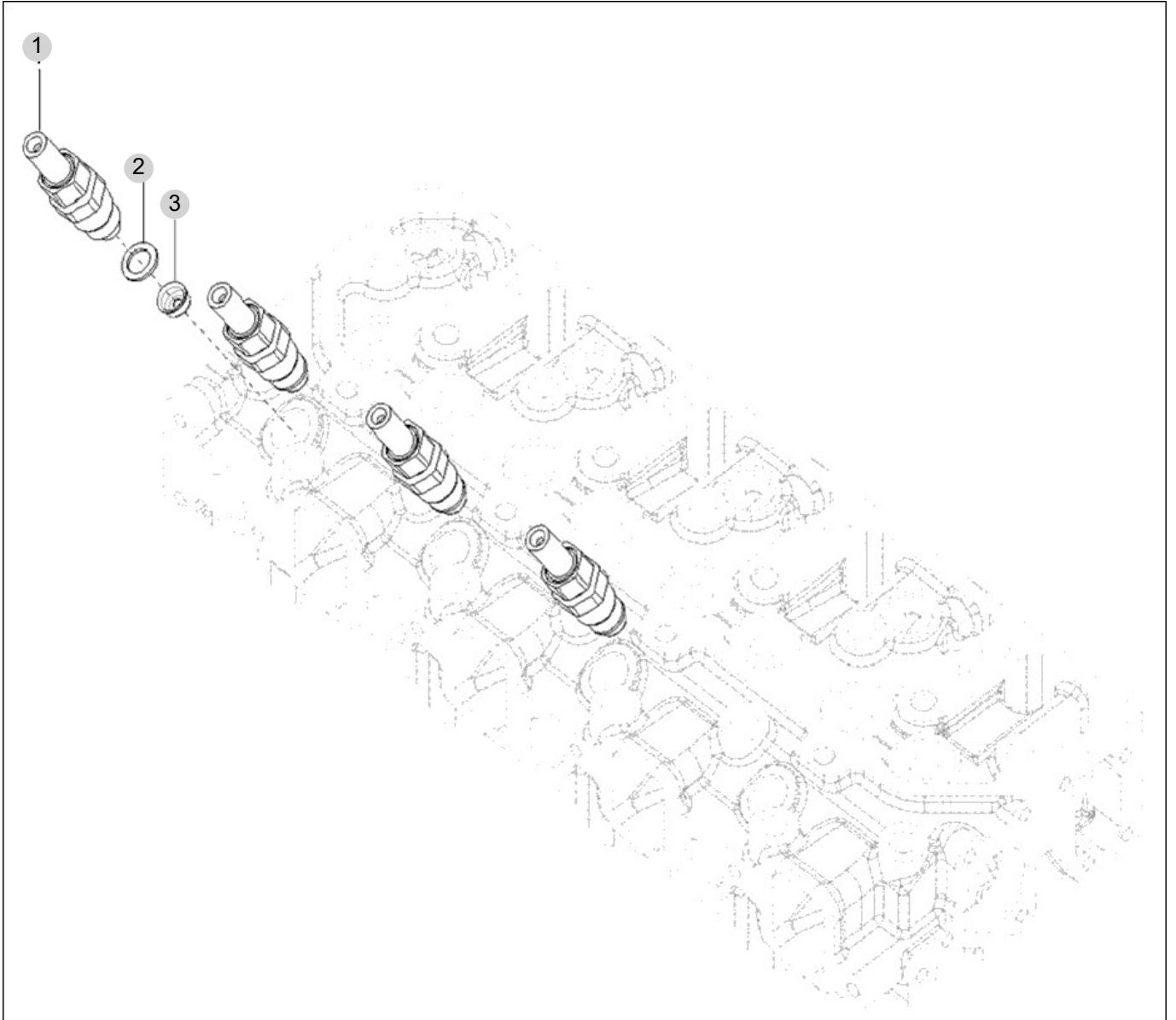
FIG 121

FUEL INJECTION VALVE

년/월
Year/Month

T474NH-B

2022-12



NOTE

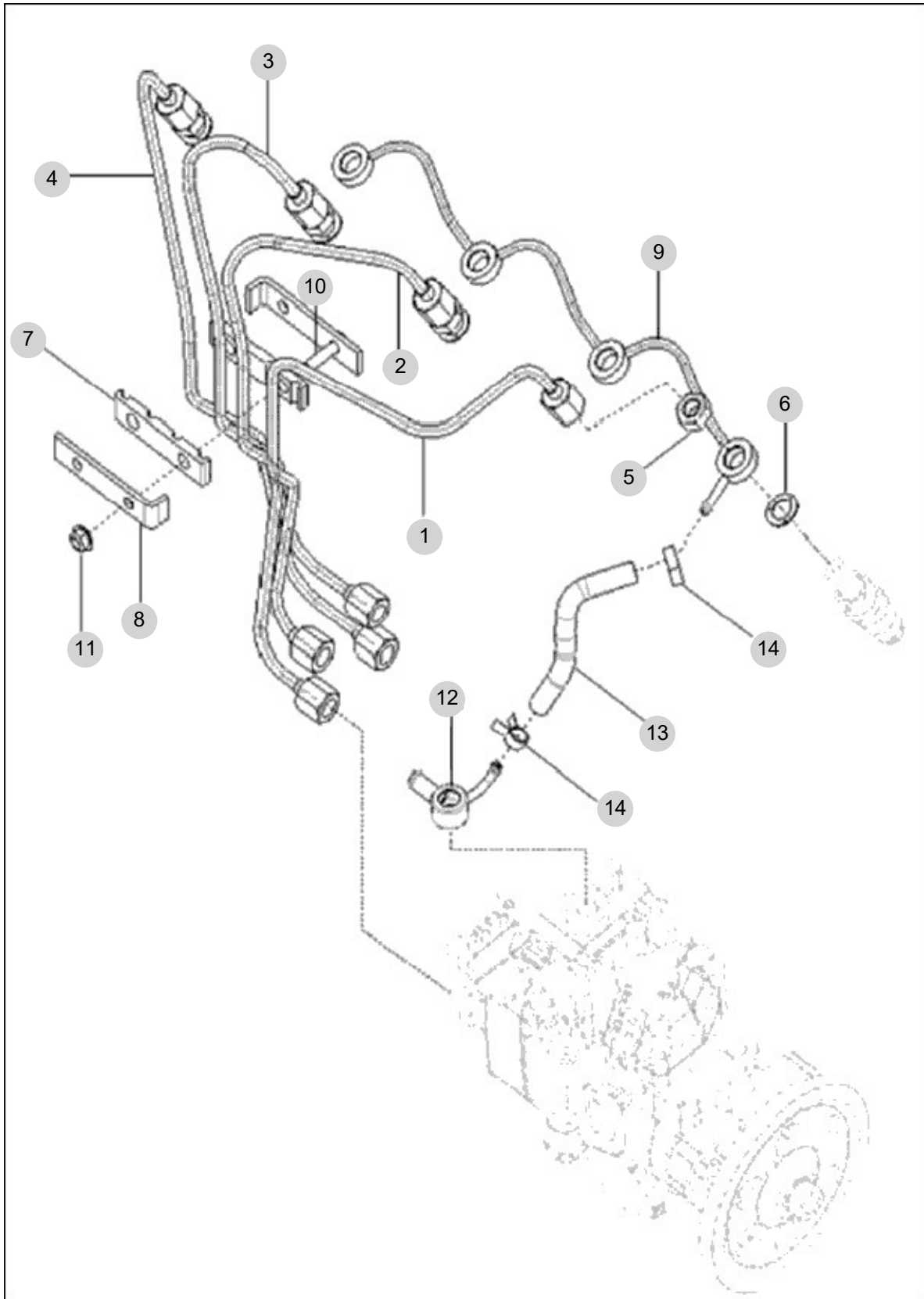
FIG 122

FUEL PIPE ASS'Y

년/월
Year/Month

T474NH-B

2022-12



NOTE

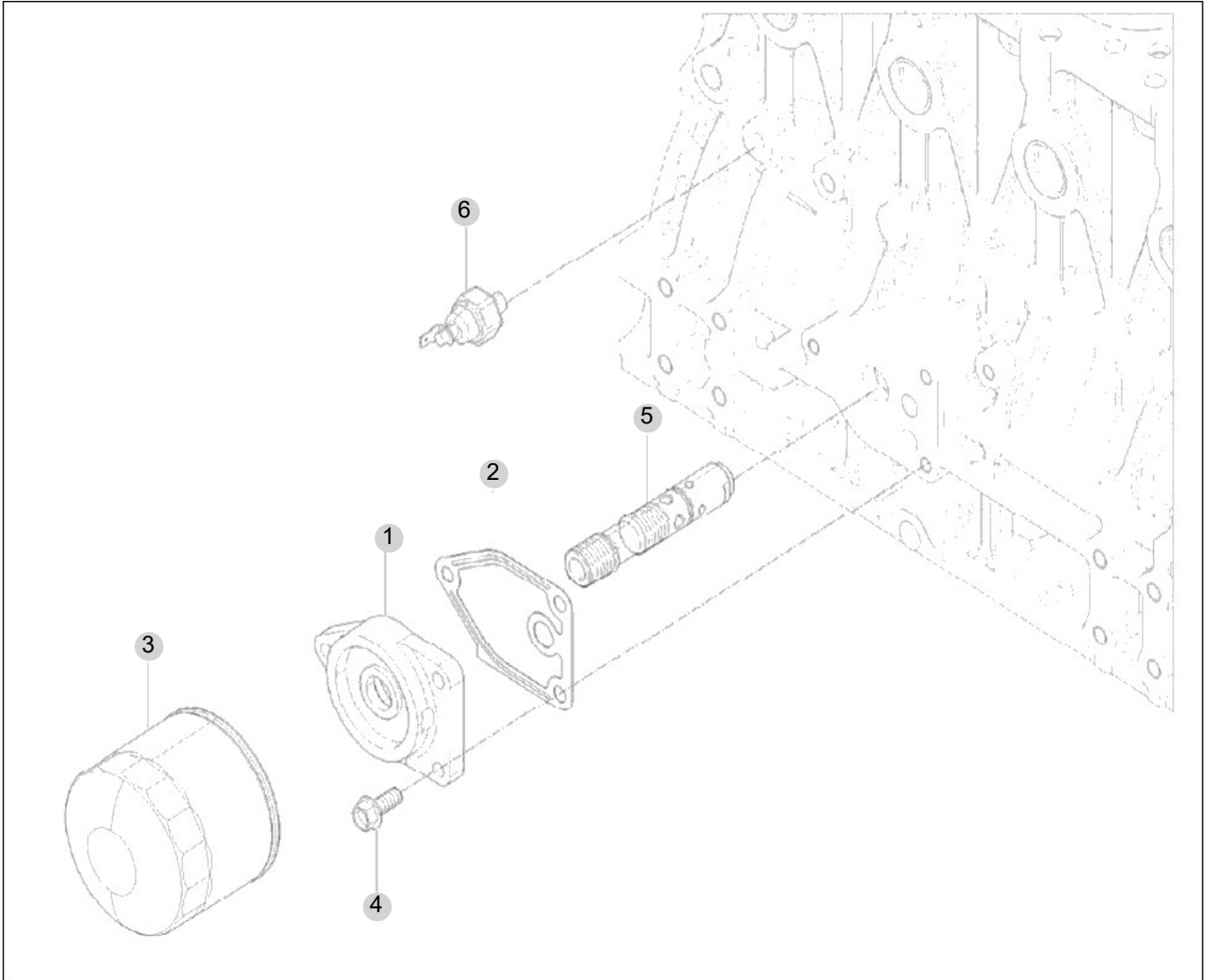
FIG 123

T474NH-B

OIL FILTER

년/월
Year/Month

2022-12



NOTE

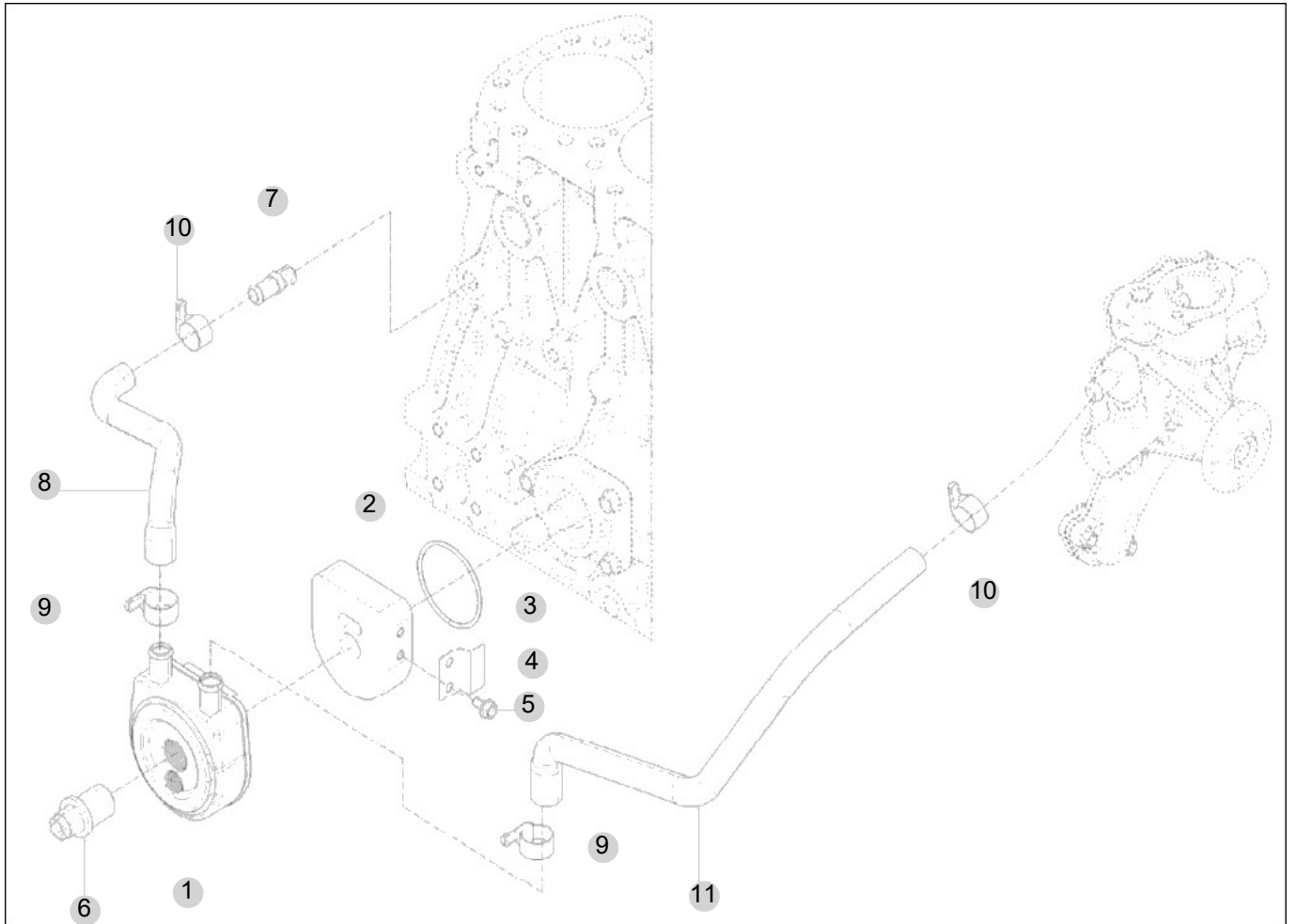
FIG 124

OIL COOLER

년/월
Year/Month

T474NH-B

2022-12



NOTE

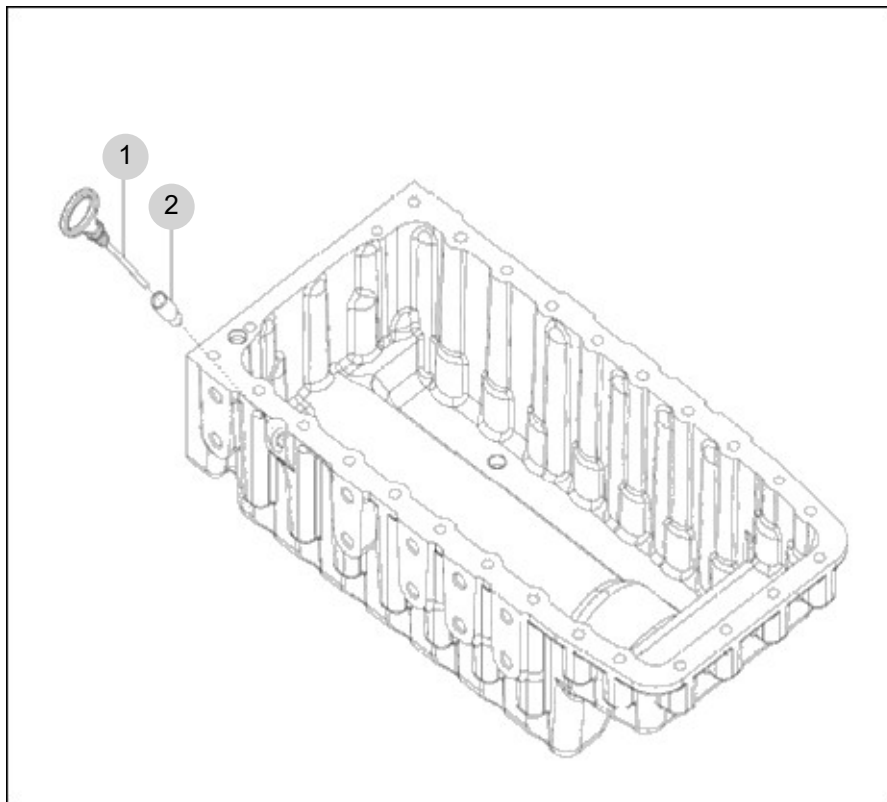
FIG 125

OIL GAUGUE

년/월
Year/Month

T474NH-B

2022-12



NOTE

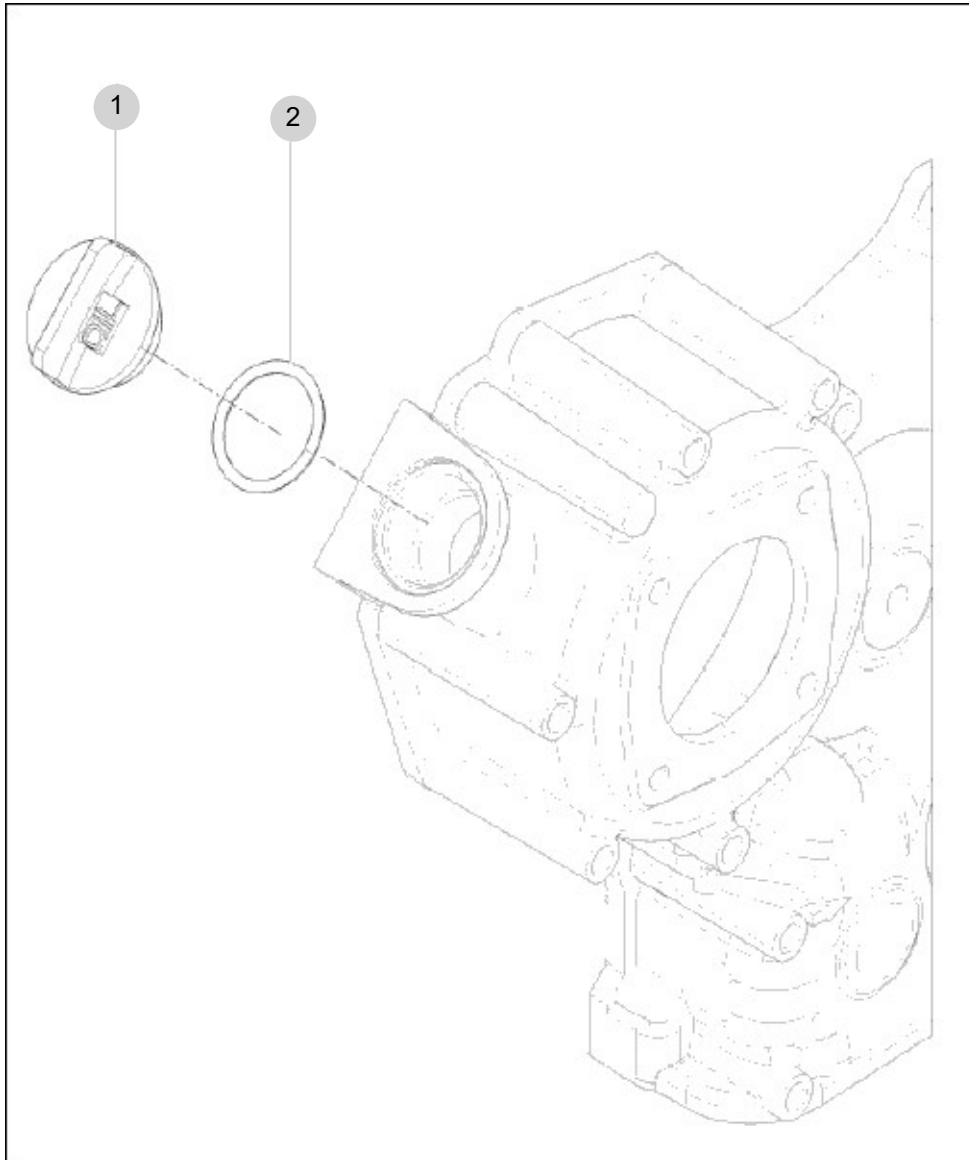
FIG 126

T474NH-B

OIL FILLER CAP

년/월
Year/Month

2022-12



NOTE

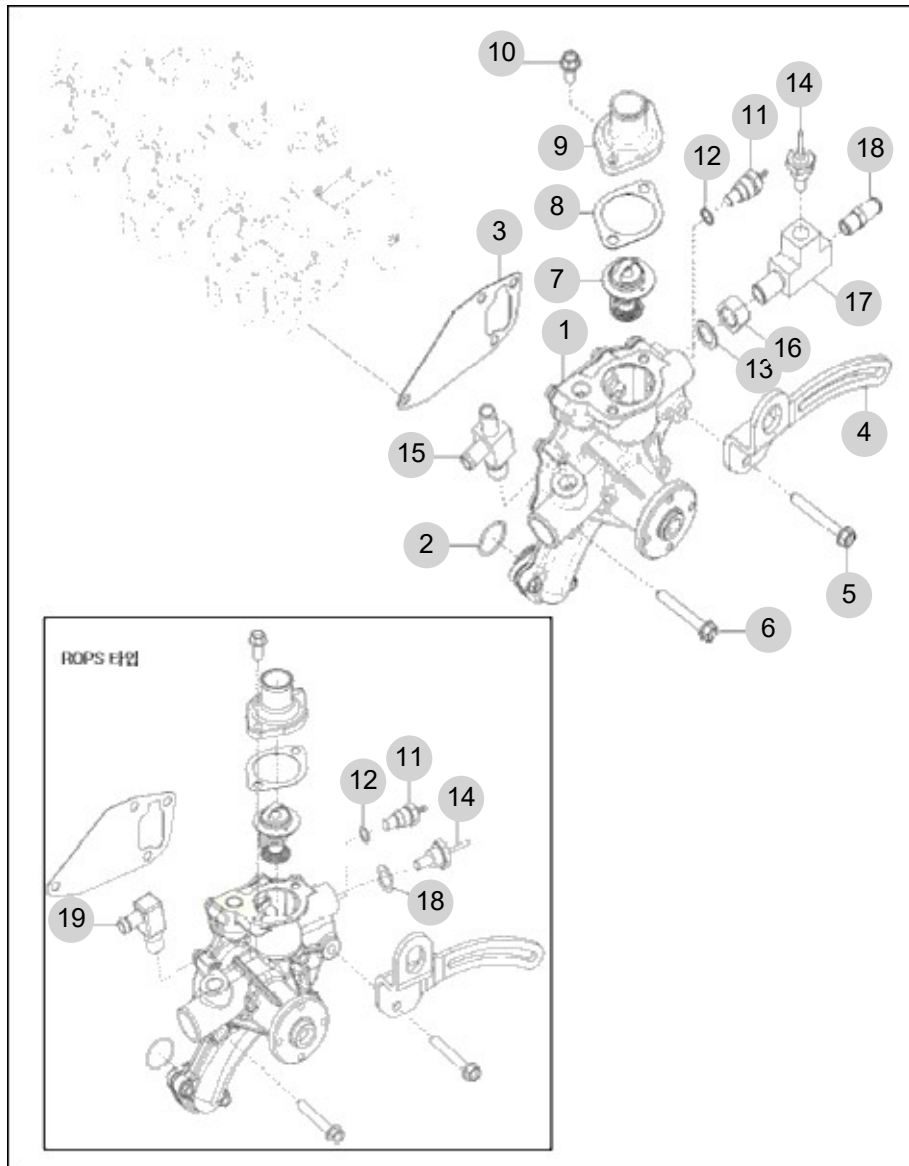
FIG 127

COOLING WATER PUMP

년/월
Year/Month

2022-12

T474NH-B



NOTE

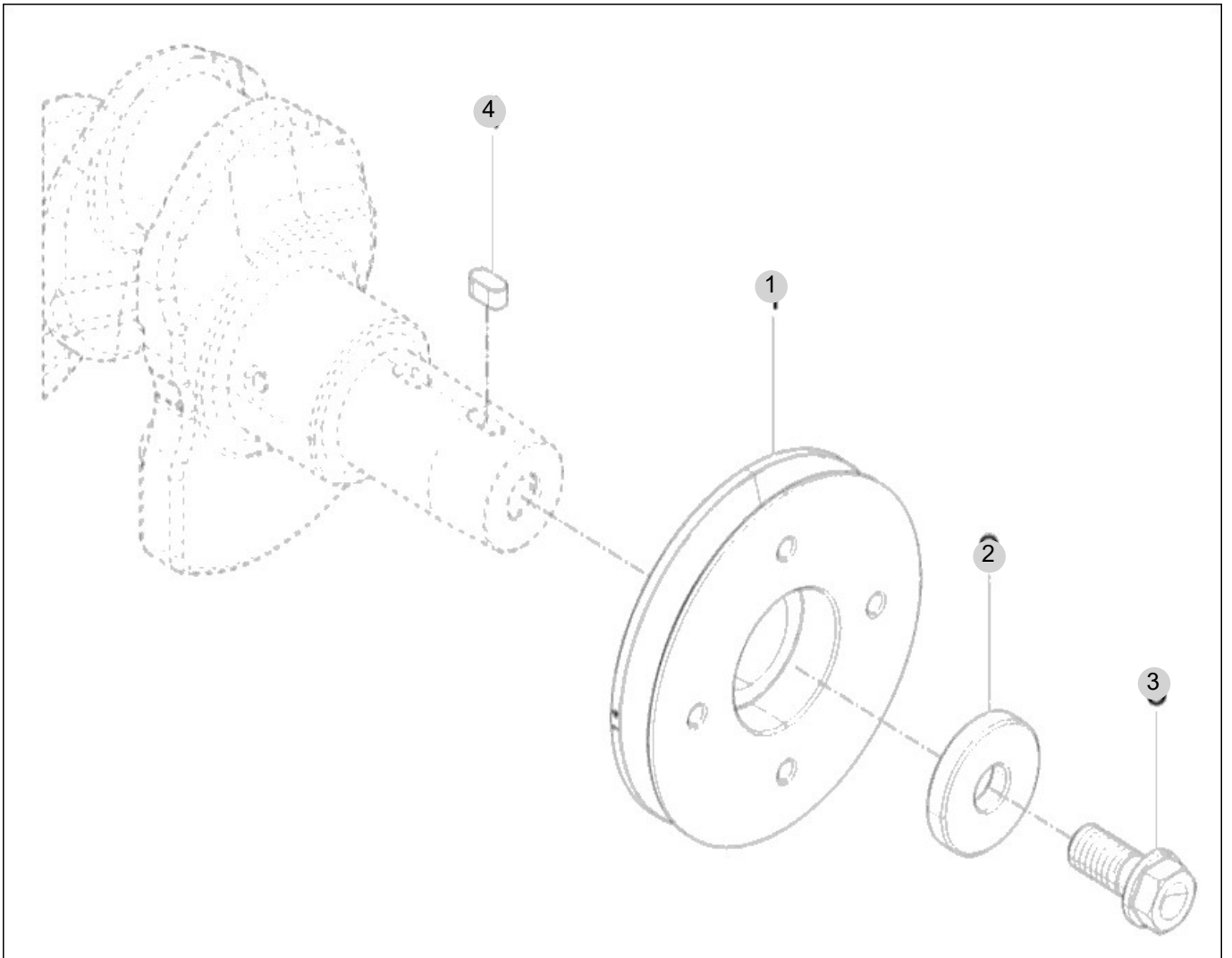
FIG 128

T474NH-B

CRANK SHAFT PULLEY

년/월
Year/Month

2022-12



NOTE

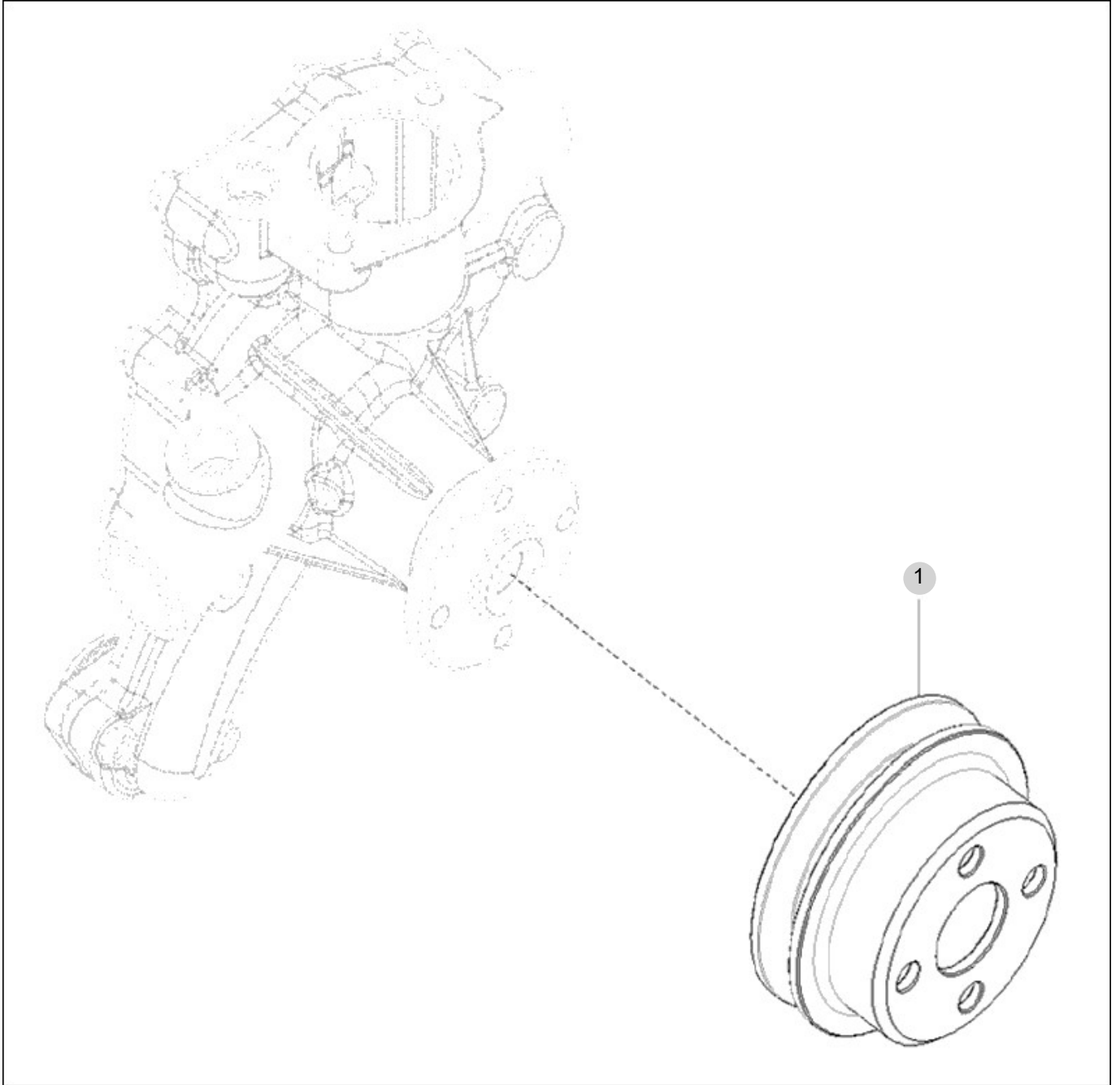
FIG 129

V-PULLEY

년/월
Year/Month

T474NH-B

2022-12



NOTE

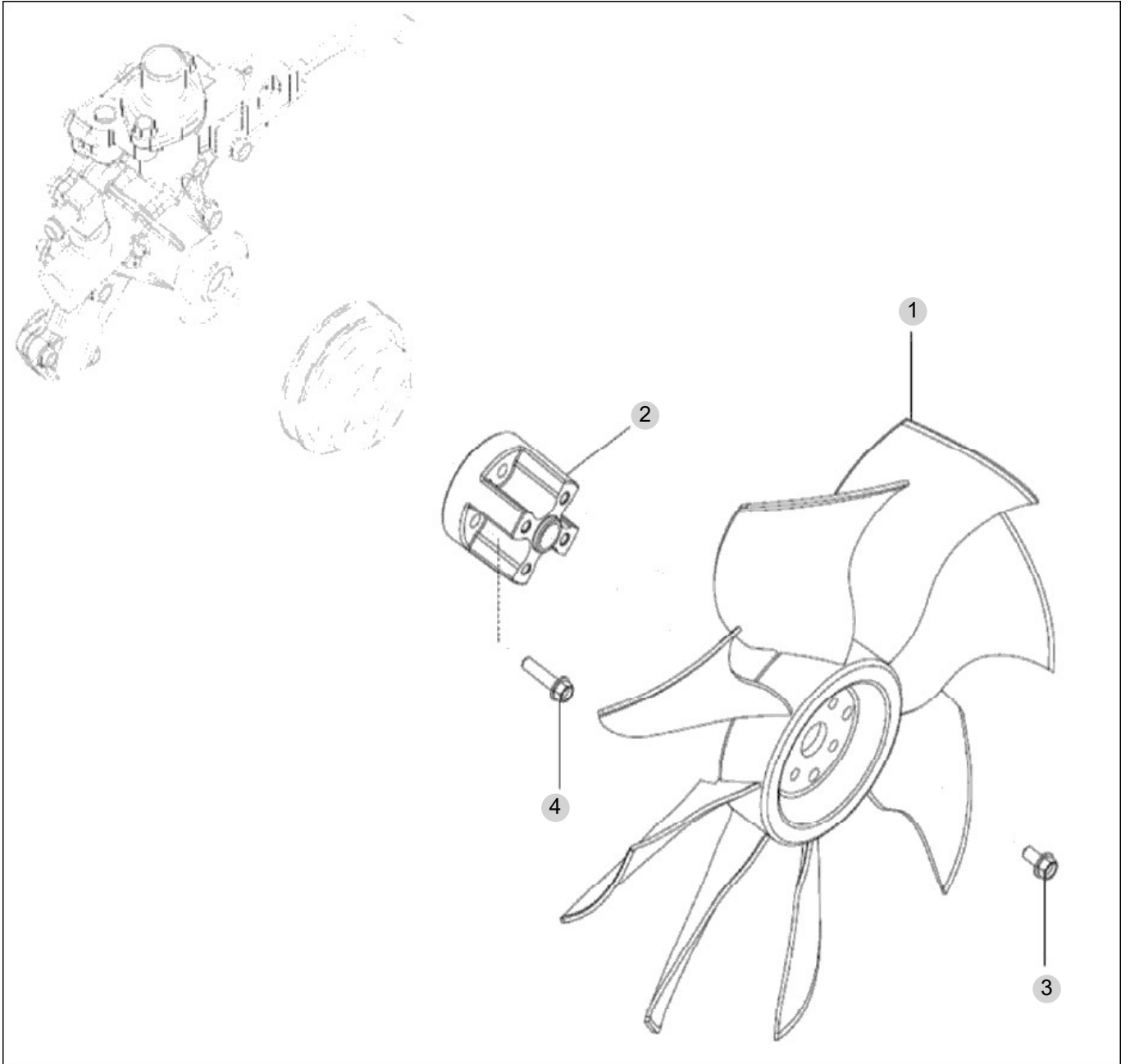
FIG 130

T474NH-B

COOLING FAN

년/월
Year/Month

2022-12



NOTE

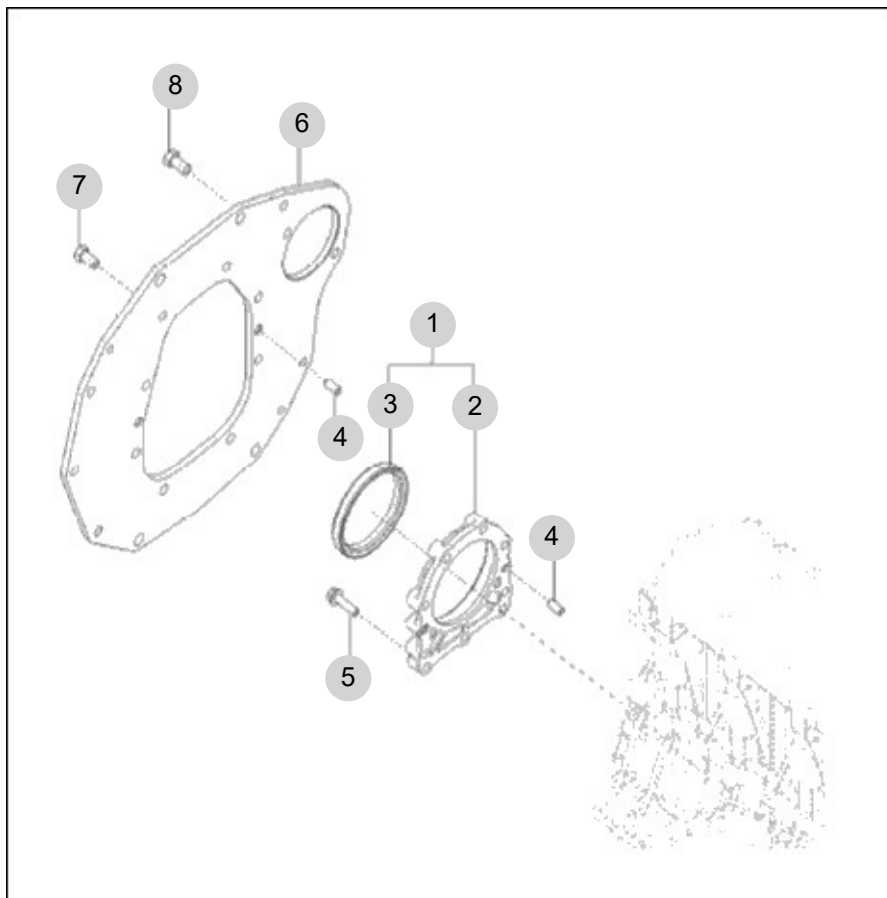
FIG 131

T474NH-B

FLYWHEEL HOUSING

년/월
Year/Month

2022-12



NOTE

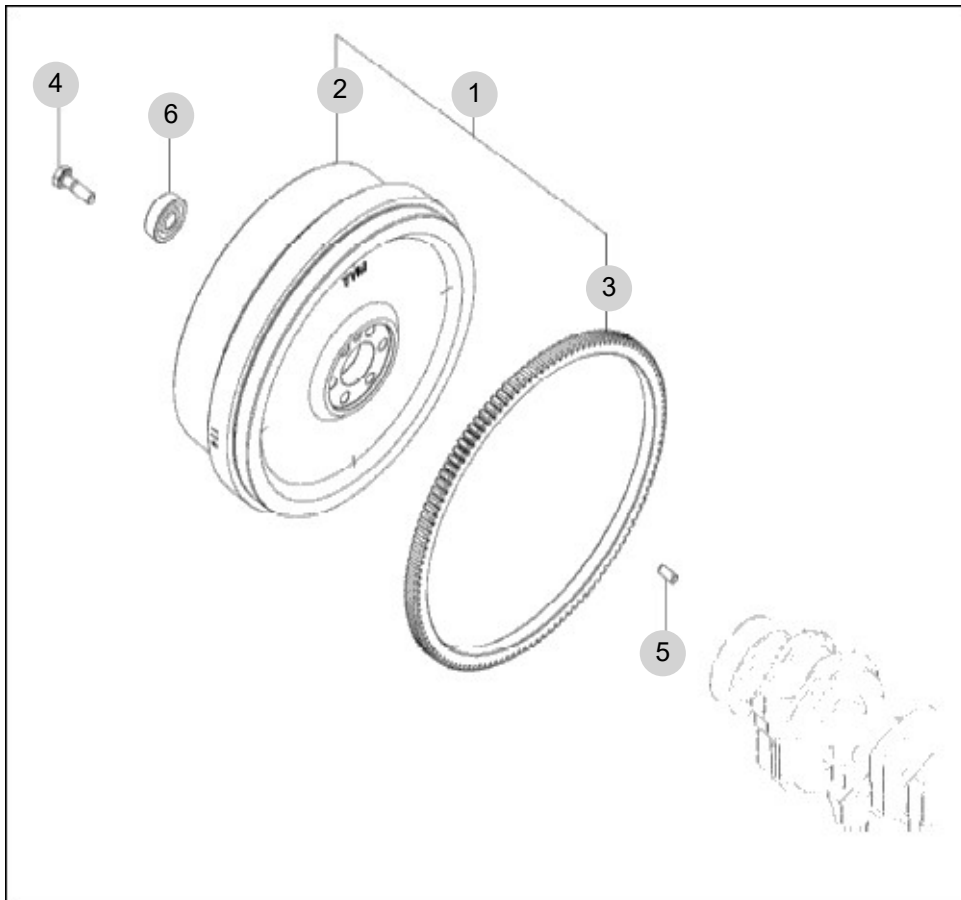
FIG 132

T474NH-B

FLYWHEEL

년/월
Year/Month

2022-12



NOTE

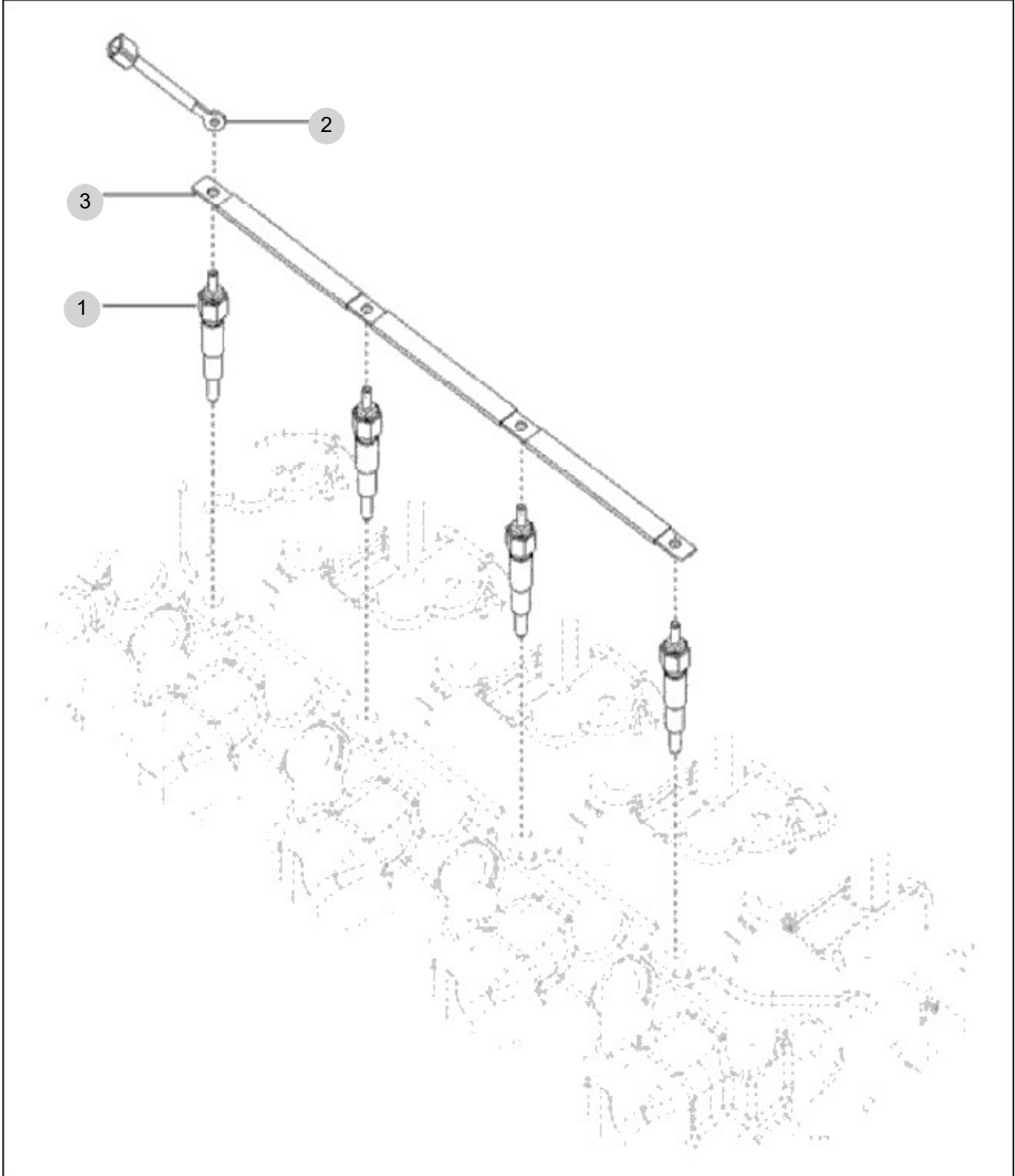
FIG 133

T474NH-B

GLOW PLUG ASS'Y OPTION

년/월
Year/Month

2022-12



NOTE

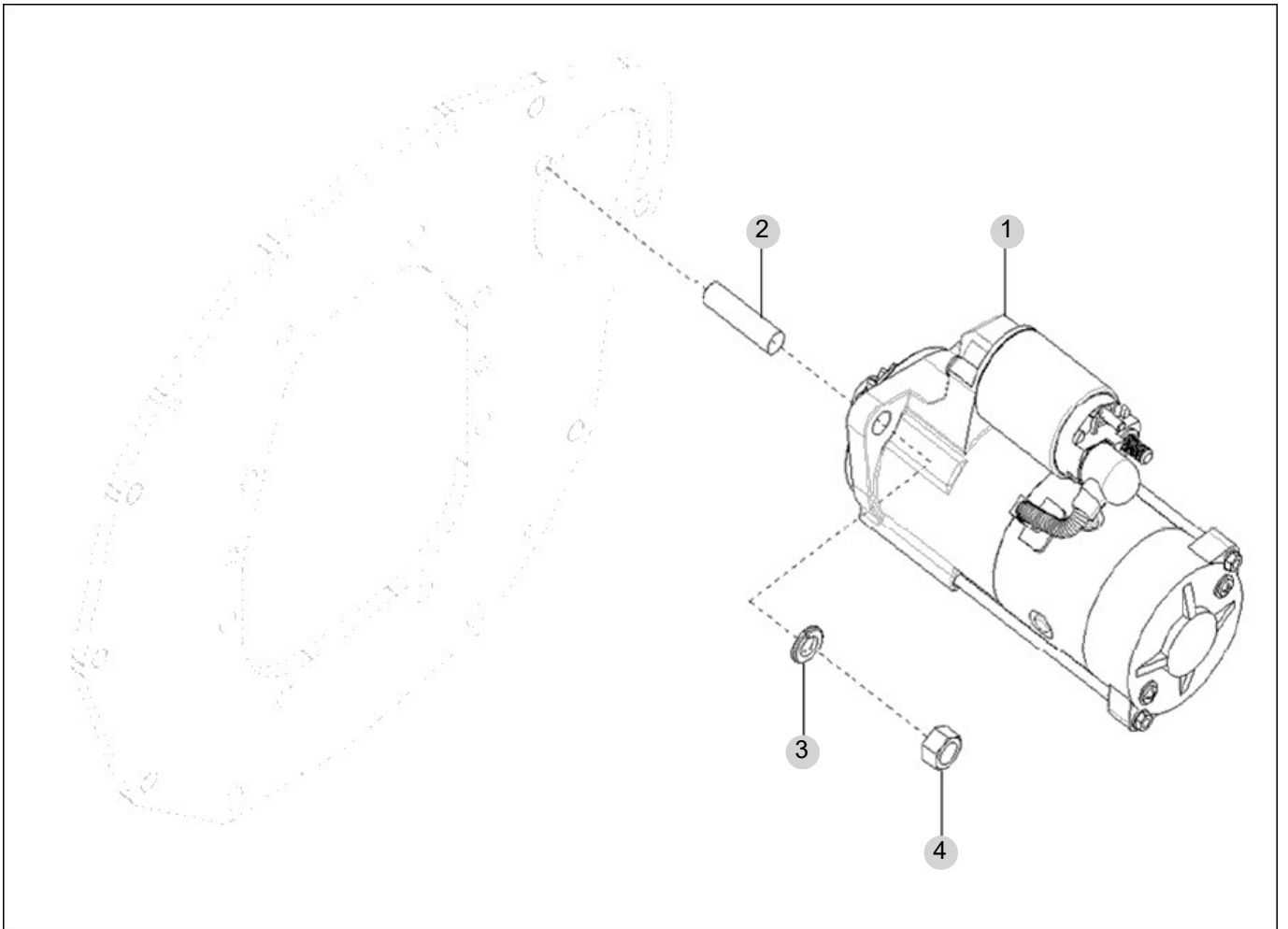
FIG 134

T474NH-B

STARTING MOTOR

년/월
Year/Month

2022-12



NOTE

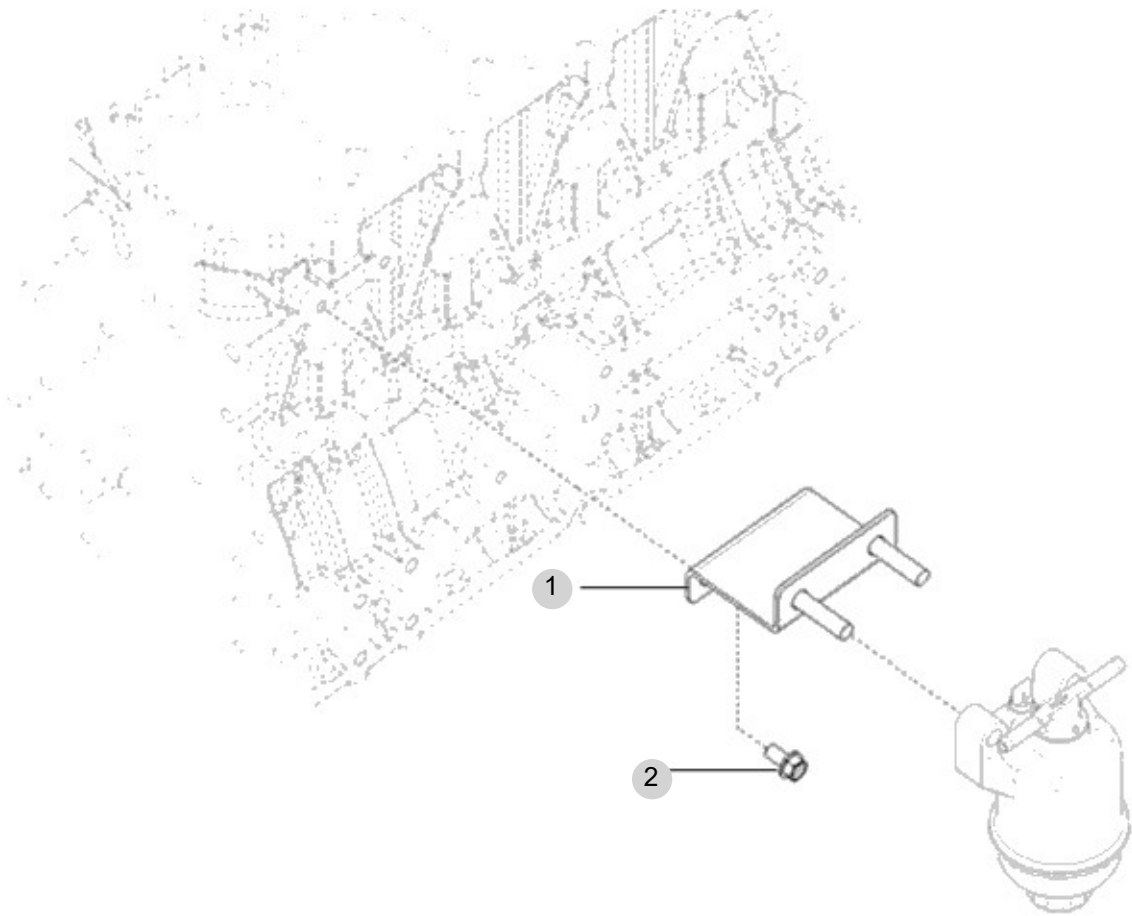
FIG 135

T474NH-B

FUEL FILTER BRACKET ASS'Y

년/월
Year/Month

2022-12



NOTE

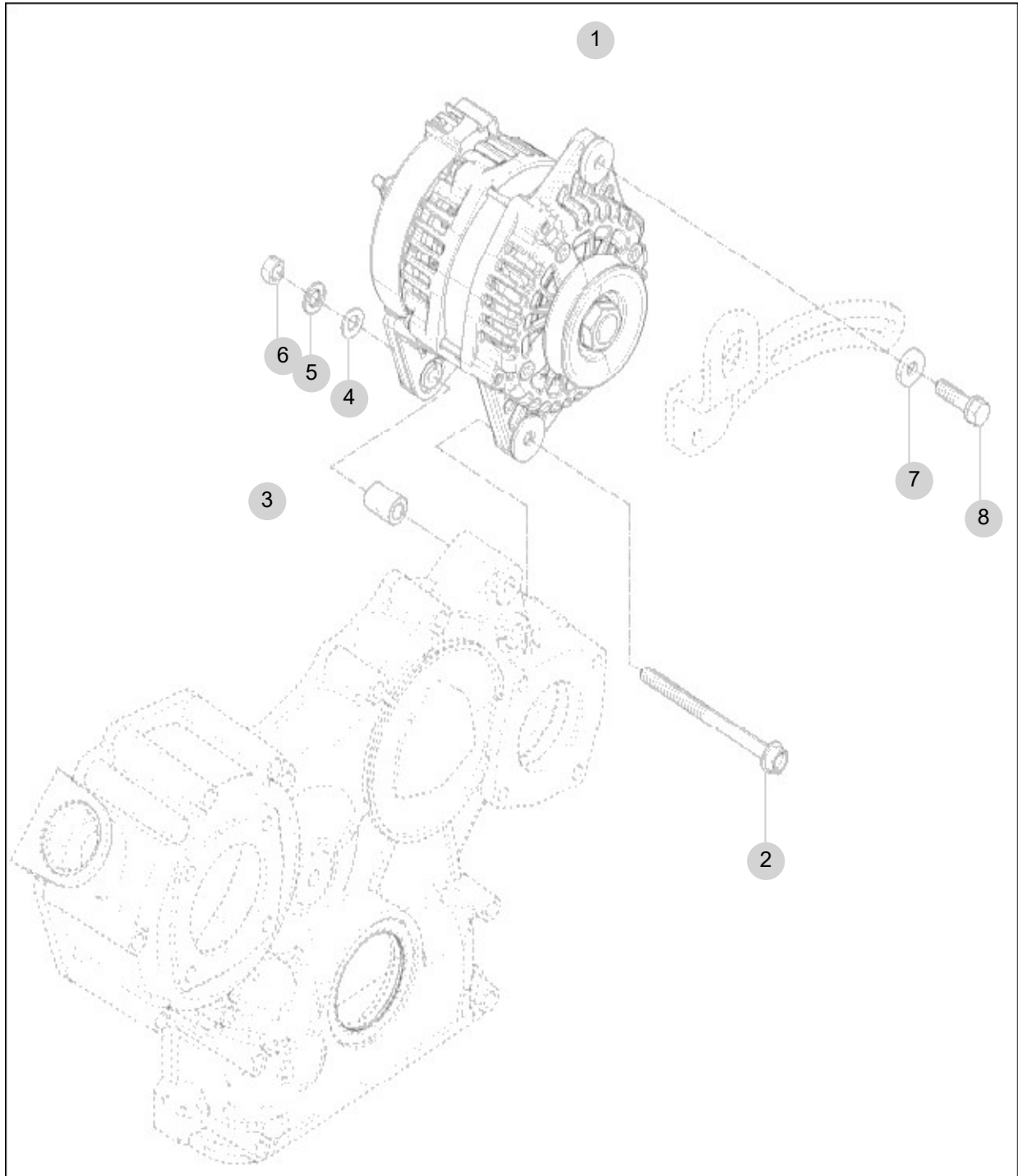
FIG 136

T474NH-B

ALTERNATOR

년/월
Year/Month

2022-12



NOTE

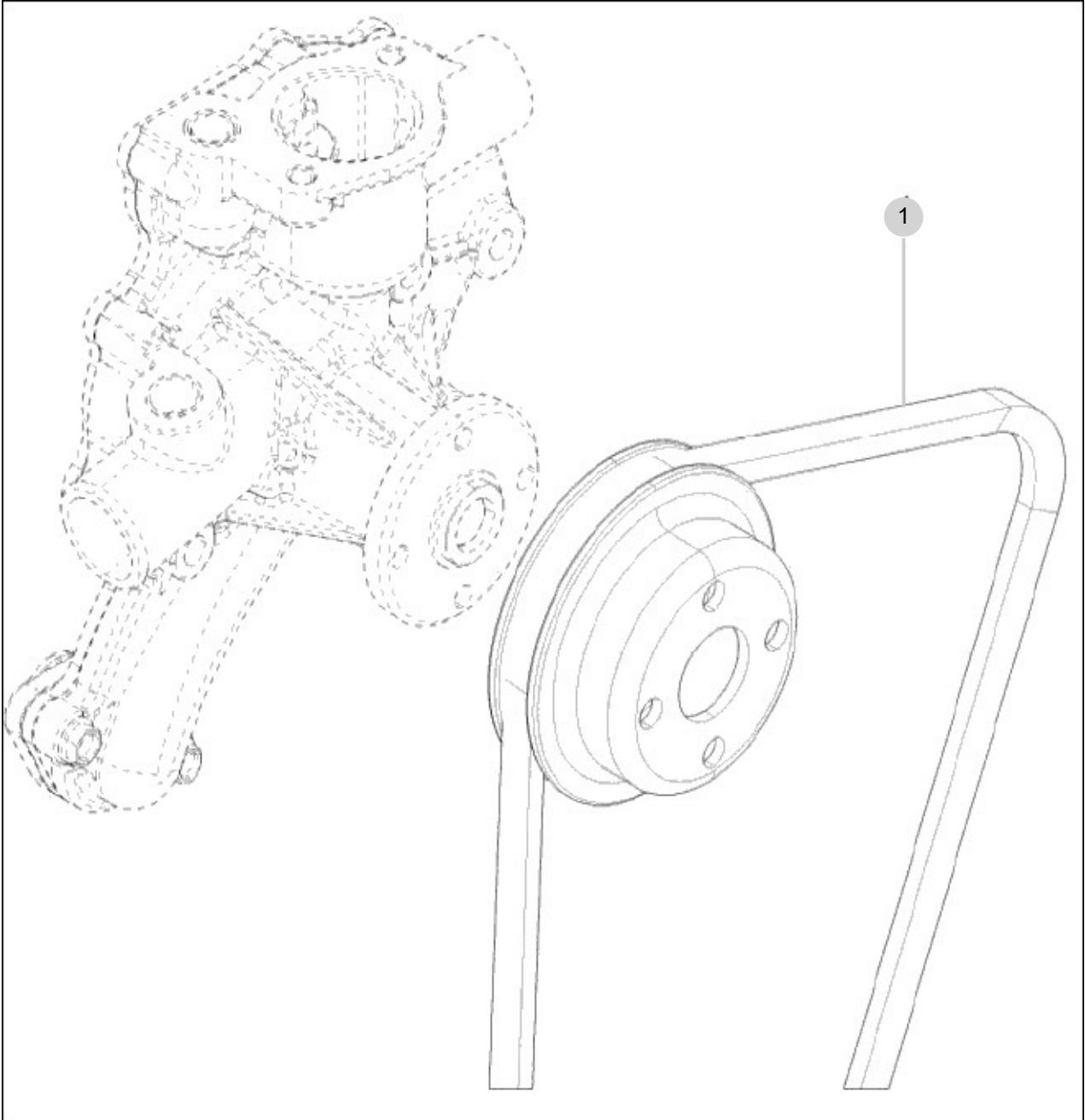
FIG 137

T474NH-B

V-BELT

년/월
Year/Month

2022-12



NOTE

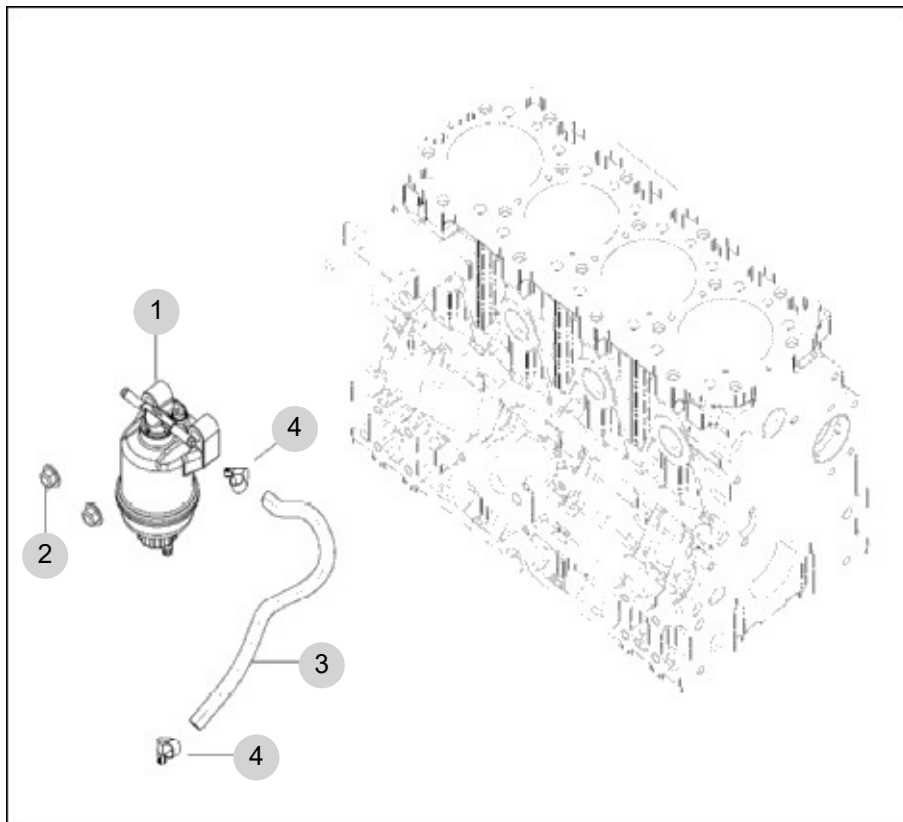
FIG 138

T474NH-B

FUEL FILTER

년/월
Year/Month

2022-12



NOTE

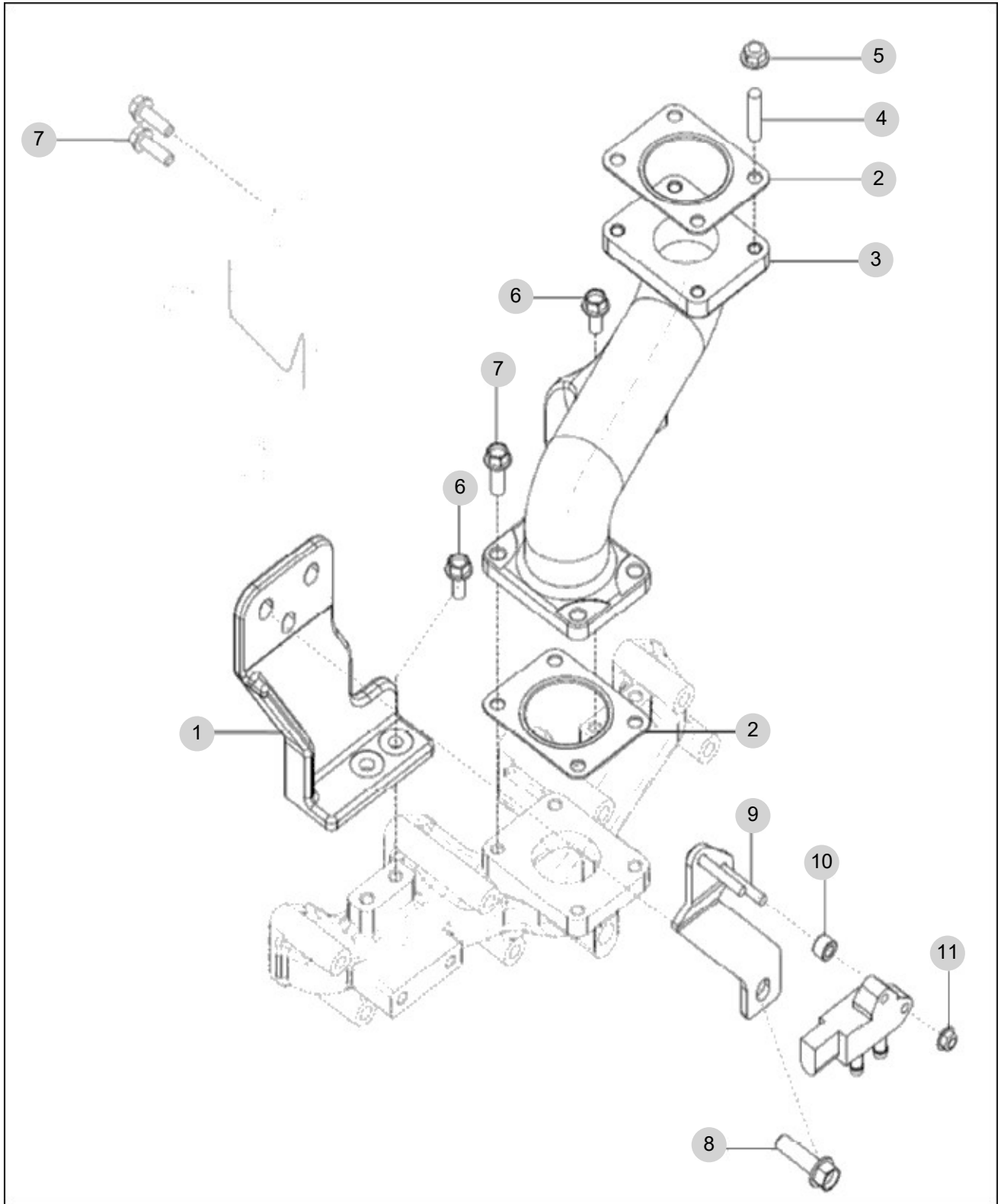
FIG 139

DPF SUPPORT

년/월
Year/Month

T474NH-B

2022-12



NOTE

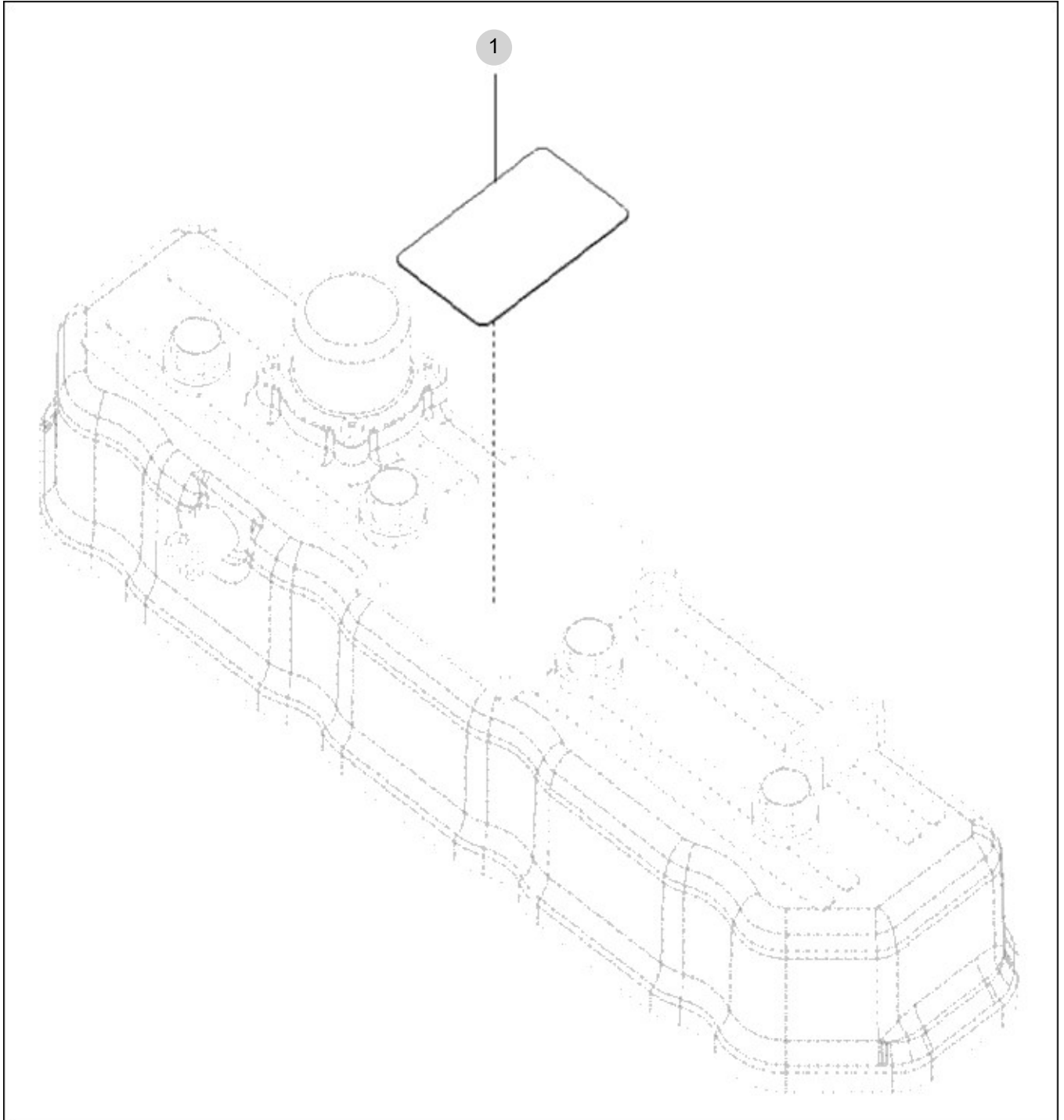
FIG 140

T474NH-B

DATAPLATE

년/월
Year/Month

2022-12



NOTE

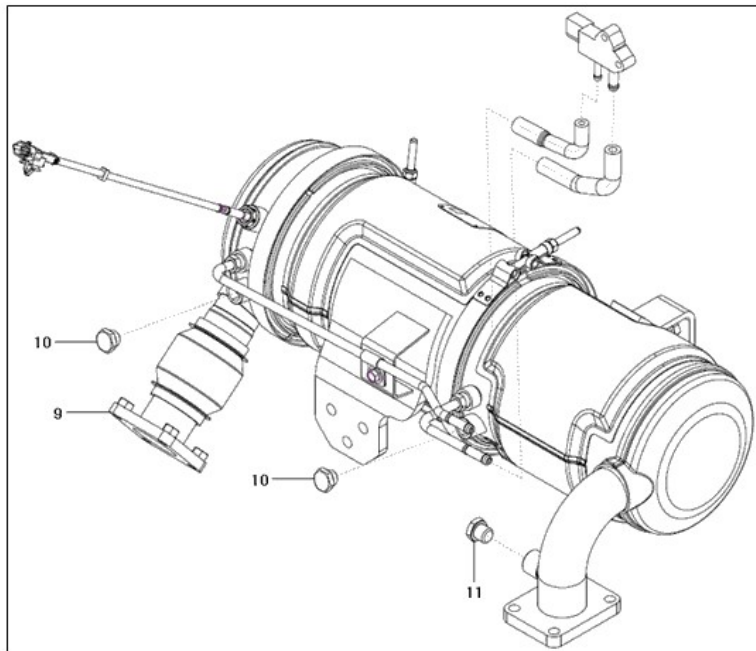
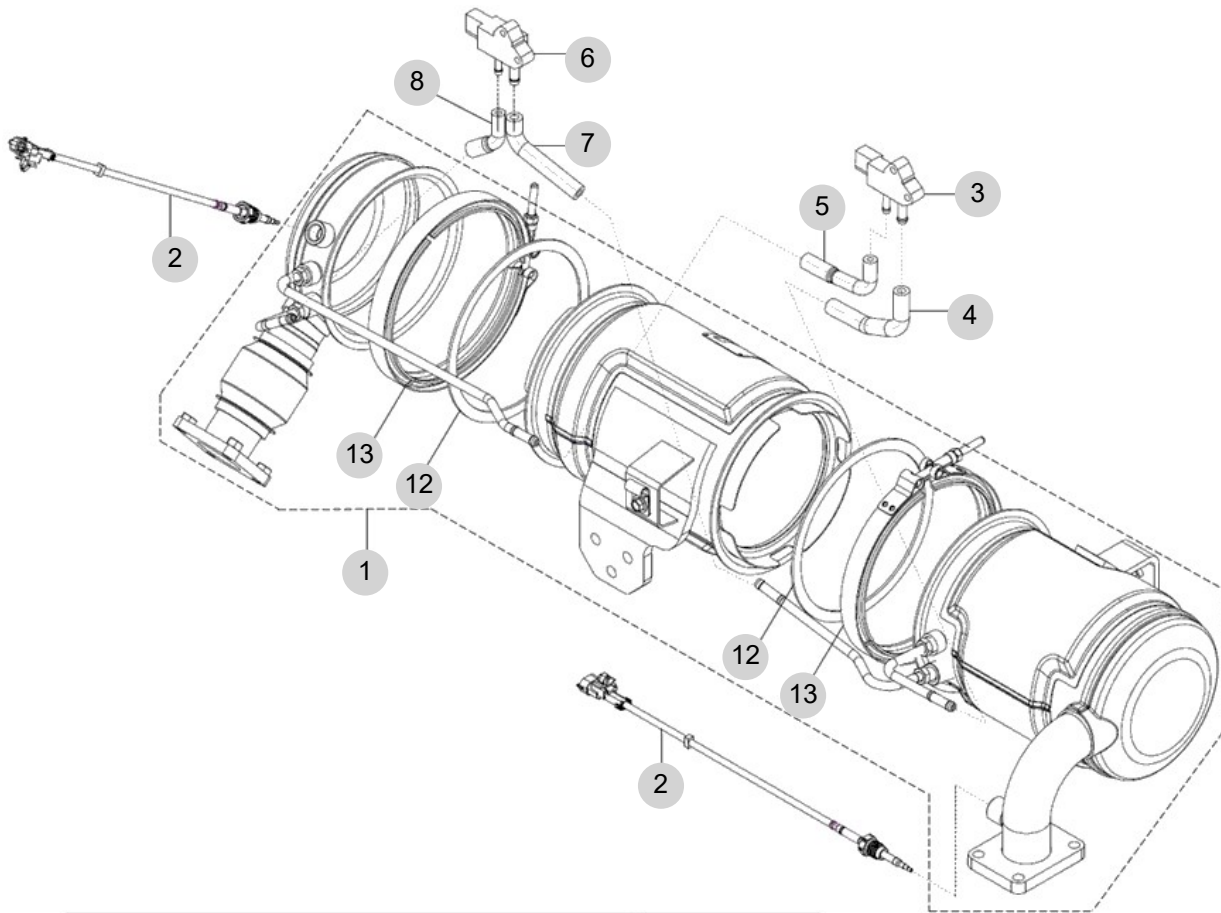
FIG 142

T474NH-B

DPF ASS'Y

년/월
Year/Month

2022-12



NOTE

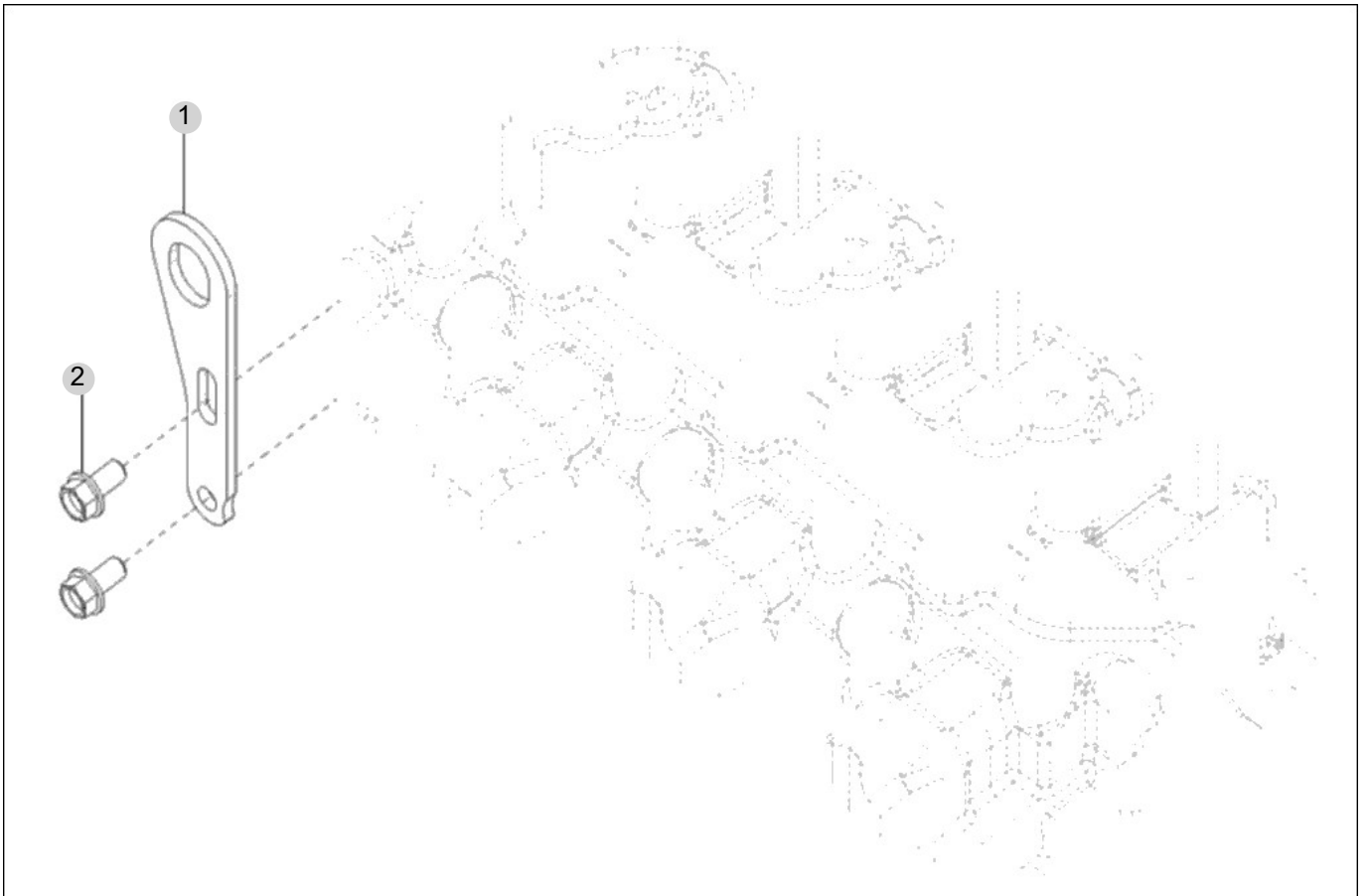
FIG 143

T474NH-B

LIFT ASS'Y

년/월
Year/Month

2022-12



NOTE

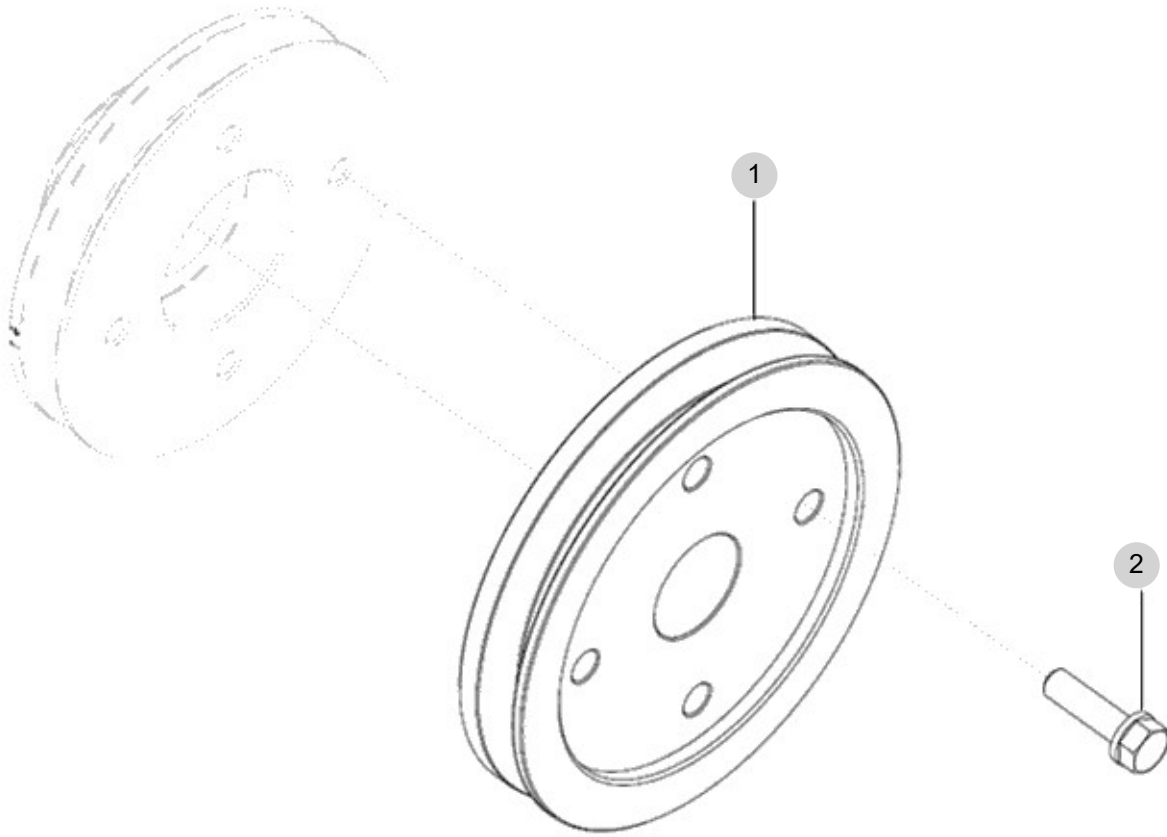
FIG 144

T474NH-B

COMP. DRIVE PULLEY ASS'Y OPTION

년/월
Year/Month

2022-12



NOTE

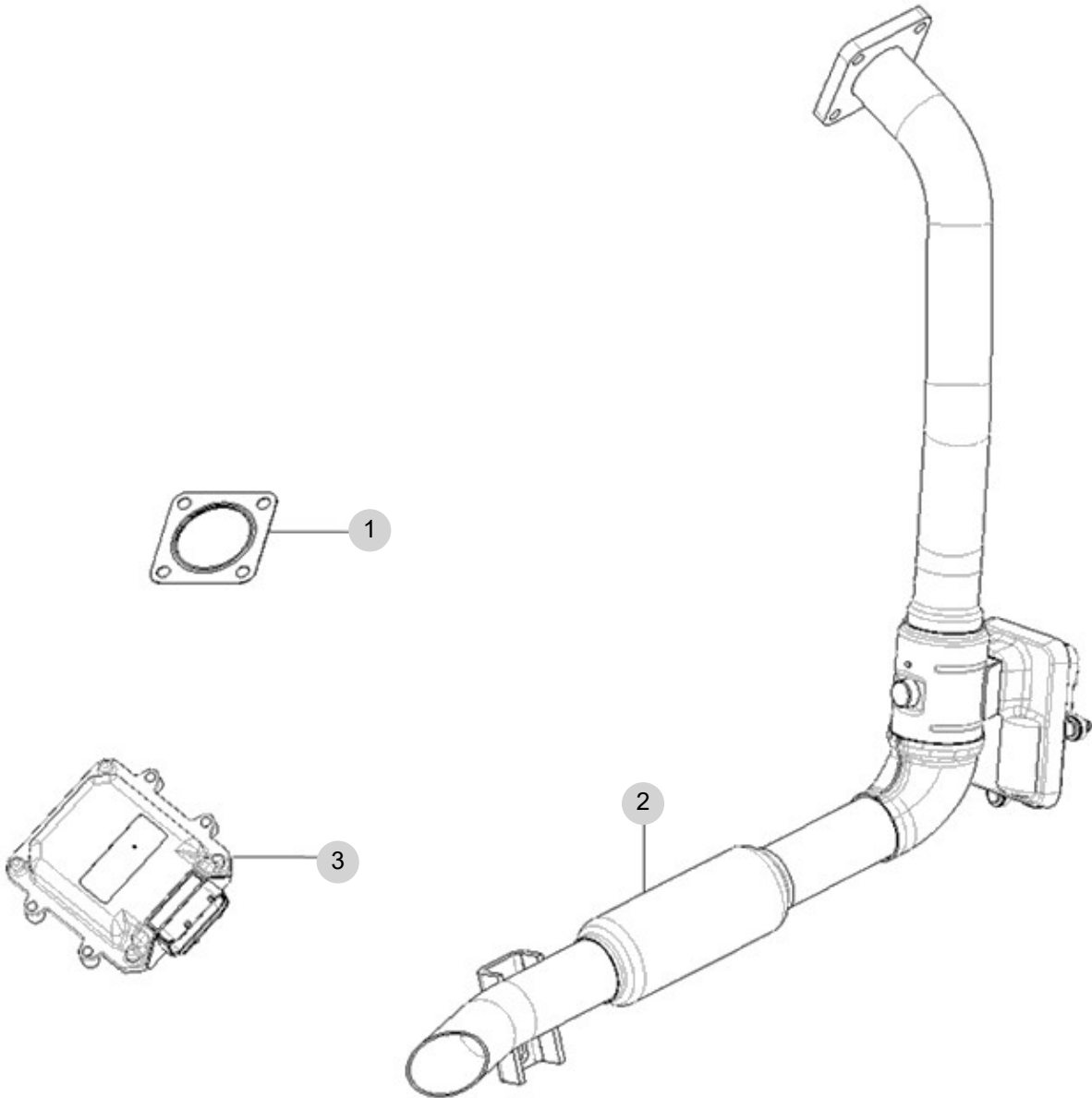
FIG 145

T474NH-B

LOOSED PARTS

년/월
Year/Month

2022-12



NOTE

2. Engine Accessories PART NO. T2

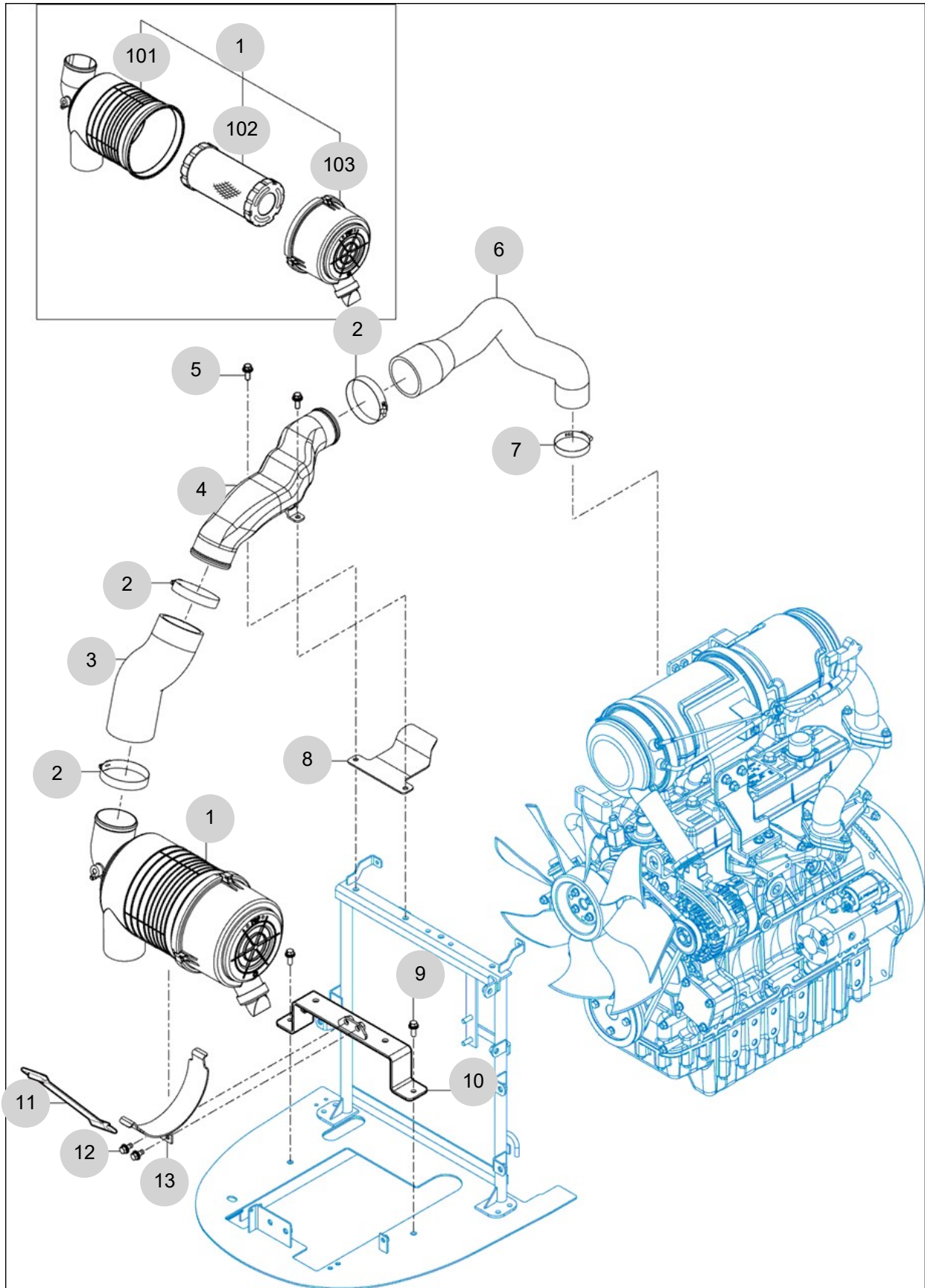
FIG 201 AIR CLEANER	106
FIG 202 RADIATOR	108
FIG 203 MUFFLER	110
FIG 204 FUEL TANK & FILTER	112
FIG 205 OIL COOLER	114

FIG 201

AIR CLEANER

년/월
Year/Month

2022-12



NOTE

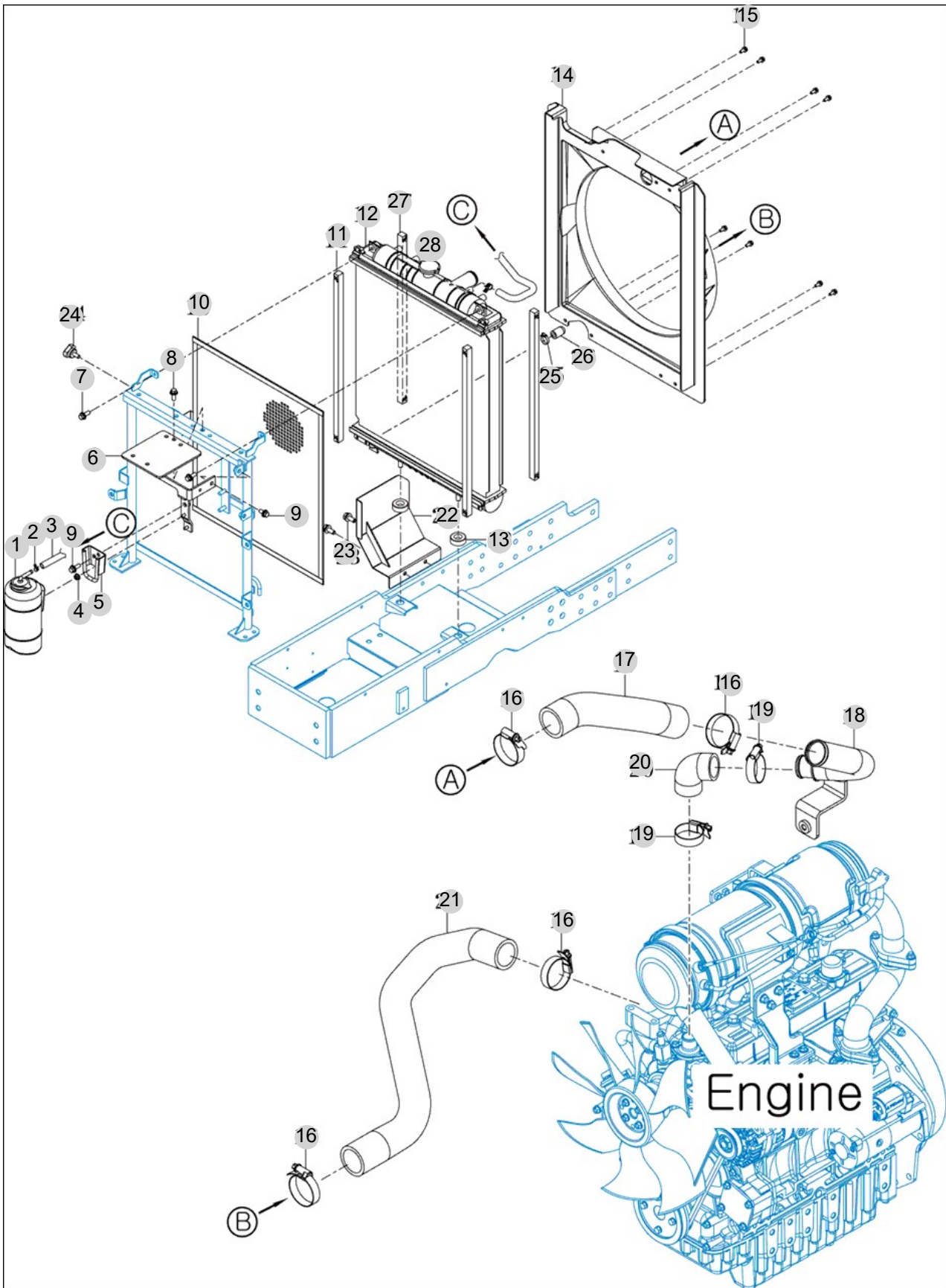
FIG 202

RADIATOR

년/월
Year/Month

2022-12

T474NH-B



NOTE

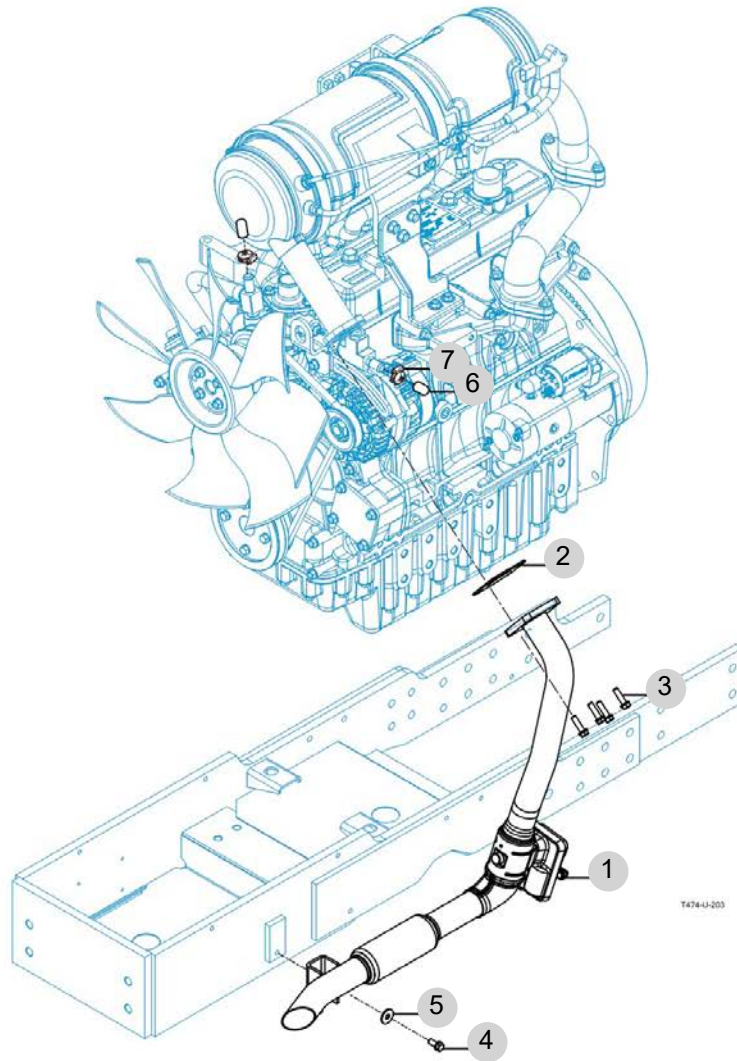
FIG 203

T474NH-B

MUFFLER

년/월
Year/Month

2022-12



NOTE

FIG 203 T474NH-B		MUFFLER						년/월 Year/Month			
								2022-12			
KEY NO		PART NO	DESCRIPTION	SPEC	QTY	REPAIR	EFFECTIVE DATE	REMARKS			
203	1	EA00005797A	ELECTRONICAL EXHAUST VALVE ASSY		1						
203	2	EA00004235A	GASKET		1						
203	3	V2173608030	BOLT , HEX/S	M8X30	4						
203	4	V2173608020	BOLT , HEX/S	M8X20	1						
203	5	35602010150	WASHER , BIND SHAFT	T=2.3	1						
203	6	13871521100	CAP , COOLANT		2						
203	7	18027090250	BAND CLAMP 25 EMBO TYPE		2						
NOTE											

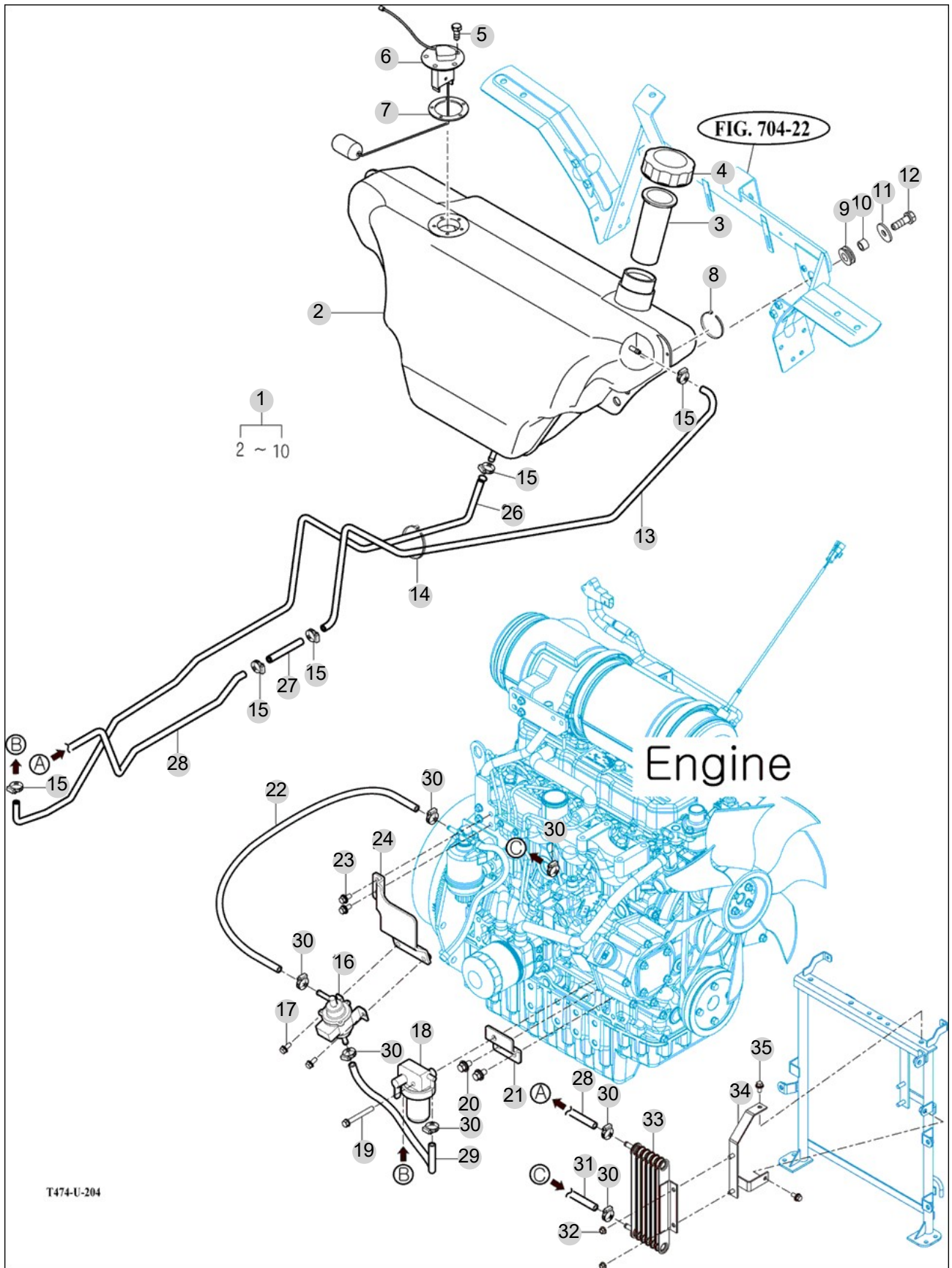
FIG 204

FUEL TANK & FILTER

년/월
Year/Month

2022-12

T474NH-B



T474-U-204

NOTE

FIG 205

T474NH-B

OIL COOLER

년/월
Year/Month

2022-12

FIG. 701-01

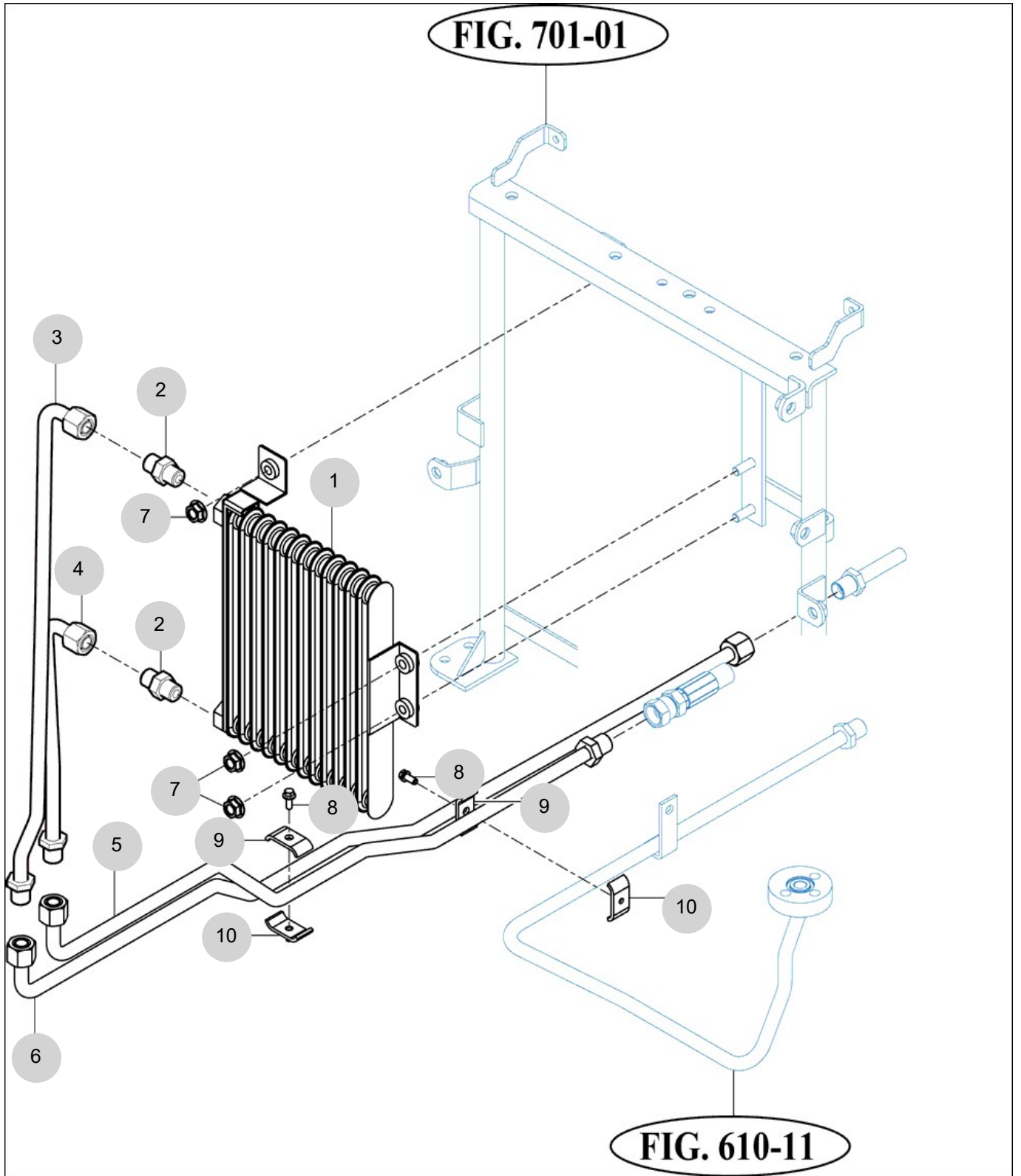


FIG. 610-11

NOTE

3. Clutch/Brake/Steering PART NO. T3

FIG 302 FLYWHEEL & CLUTCH	117
FIG 303 BRAKE PEDAL	119
FIG 304 BRAKE	121
FIG 306 FRONT WHEEL MOUNTING	123
FIG 307 REAR WHEEL MOUNTING	125
FIG 308 STEERING WHEEL	127
FIG 309 STEERING VALVE & PARKING	129
FIG 310 STEERING CYLINDER	131

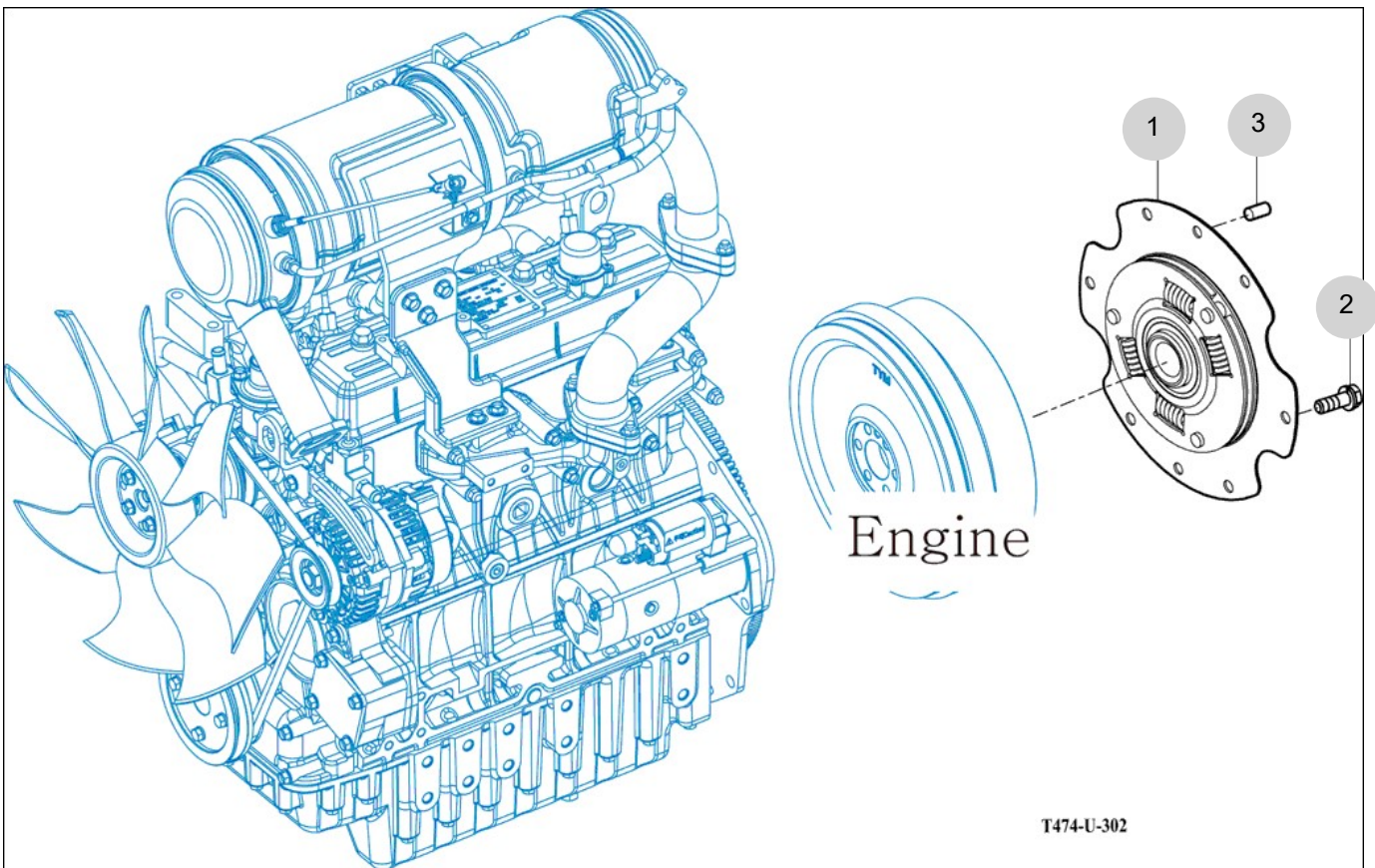
FIG 302

FLYWHEEL & CLUTCH

년/월
Year/Month

T474NH-B

2022-12



NOTE

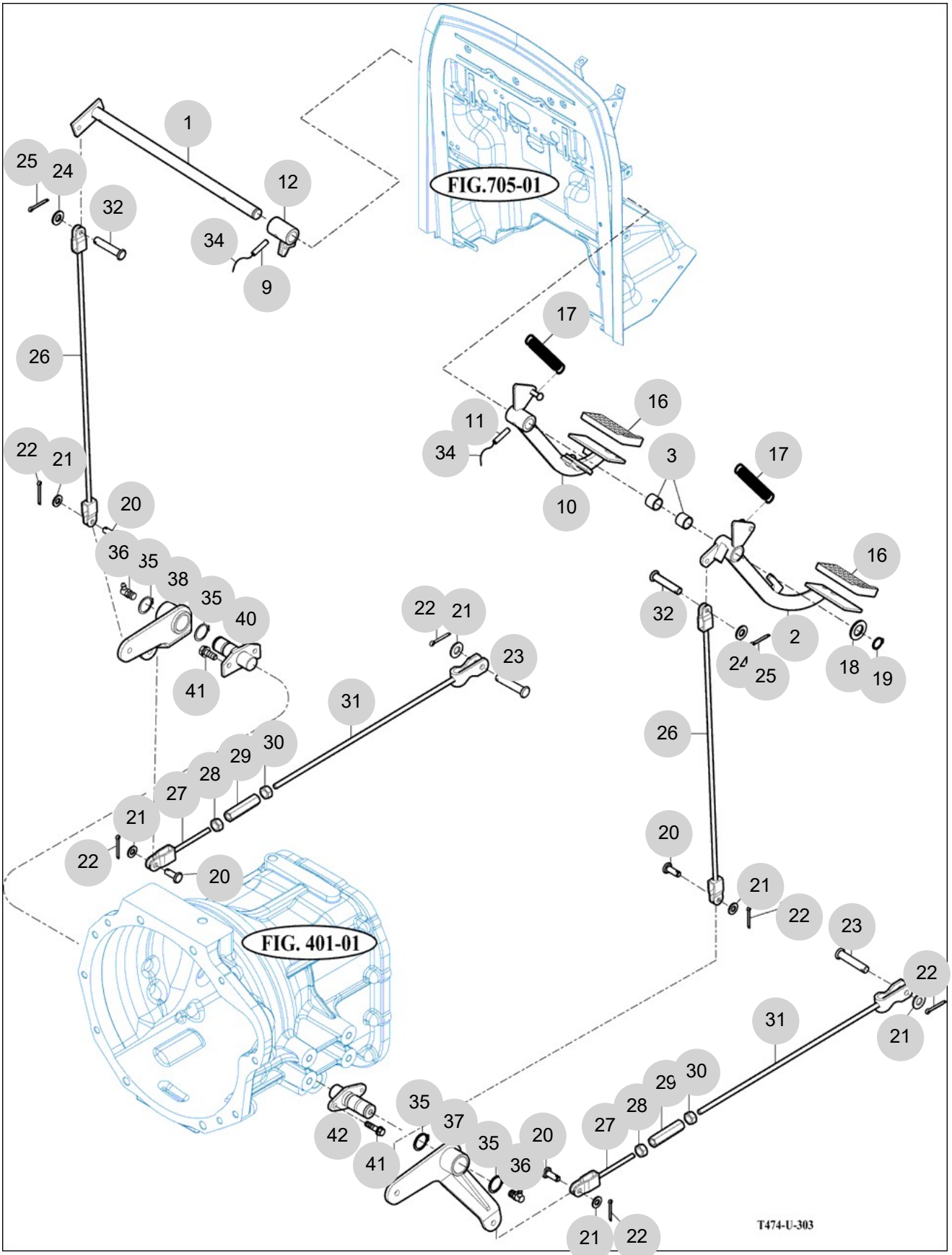
FIG 303

BRAKE PEDAL

년/월
Year/Month

T474NH-B

2022-12



T474-U-303

NOTE

FIG 303 T474NH-B	BRAKE PEDAL	년/월 Year/Month
		2022-12

KEY NO	PART NO	DESCRIPTION	SPEC	QTY	REPAIR	EFFECTIVE DATE	REMARKS
303	1	12383292100GB	ARM COMP , BRAKE	1			
303	2	12383292200GB	PEDAL COMP , LH BRAKE	1			
303	2	12383292201GB	PEDAL COMP , LH BRAKE	1			
303	2	12383292202GB	PEDAL COMP , LH BRAKE	1			
303	3	35017030080	BUSH , DU20X23X20	2			
303	3	36707030080	BUSH , 20X23X20	2			
303	9	V5801405036	PIN , SPRING	5X36	2		
303	10	12383292300GB	PEDAL COMP , RH BRAKE	1			
303	10	12383292301GB	PEDAL COMP , RH BRAKE	1			
303	10	12383292302GB	PEDAL COMP , RH BRAKE	1			
303	11	V5801408036	PIN , SPRING	8X36	2		
303	12	12383293100	ARM COMP , PARKING	1			
303	16	15241220010	PAD	1X1X1	3		
303	17	14041200081	SPRING , CLUTCH RETURN	HL2000공용	3		
303	18	V4111600200	WASHER , PLAIN	M20	1		
303	19	V7041400200	C-RING , SHAFT	20	1		
303	20	14322420010	PIN	D=8	4		
303	21	V4111600080	WASHER , PLAIN	M8	6		
303	22	V5001920020	PIN , SPLIT	2X20	6		
303	23	14043120060	PIN , YOKE	D=8	2		
303	24	V4111600080	WASHER , PLAIN	M8	2		
303	25	V5001930020	PIN , SPLIT	3X20	2		
303	26	16703292501	ROD COMP , HOOK 504	1X1X1	2		
303	26	16703292501GB	ROD COMP , HOOK 504		1		
303	27	12383282201	ROD COMP , FR		2		
303	28	V3043600080	NUT , HEX/2	M8	2		
303	29	16601220020	TURNBUCKLE , M8 L60		2		
303	30	15601320073	NUT , HEX LH	"2종,M8"	2		
303	31	12383282301	ROD COMP , REAR		2		
303	32	14322420010	PIN	D=8	2		
303	34	V5901010150	WIRE , STEEL	1.0X150	2		
303	35	V7041400250	C-RING , SHAFT	25	4		
303	36	V7631500000	NIPPLE , GREASE/B-PT	B-PT1/8	2		
303	37	12623283300GB	ARM COMP , LH BRAKE		1		
303	38	12353283400GB	BRAKE COMP , RH ARM		1		
303	40	14573283101	PIN COMP , 87		1		
303	41	V2173608020	BOLT , HEX/S	M8X20	2		
303	42	13833283100	PIN COMP		1		

NOTE	
------	--

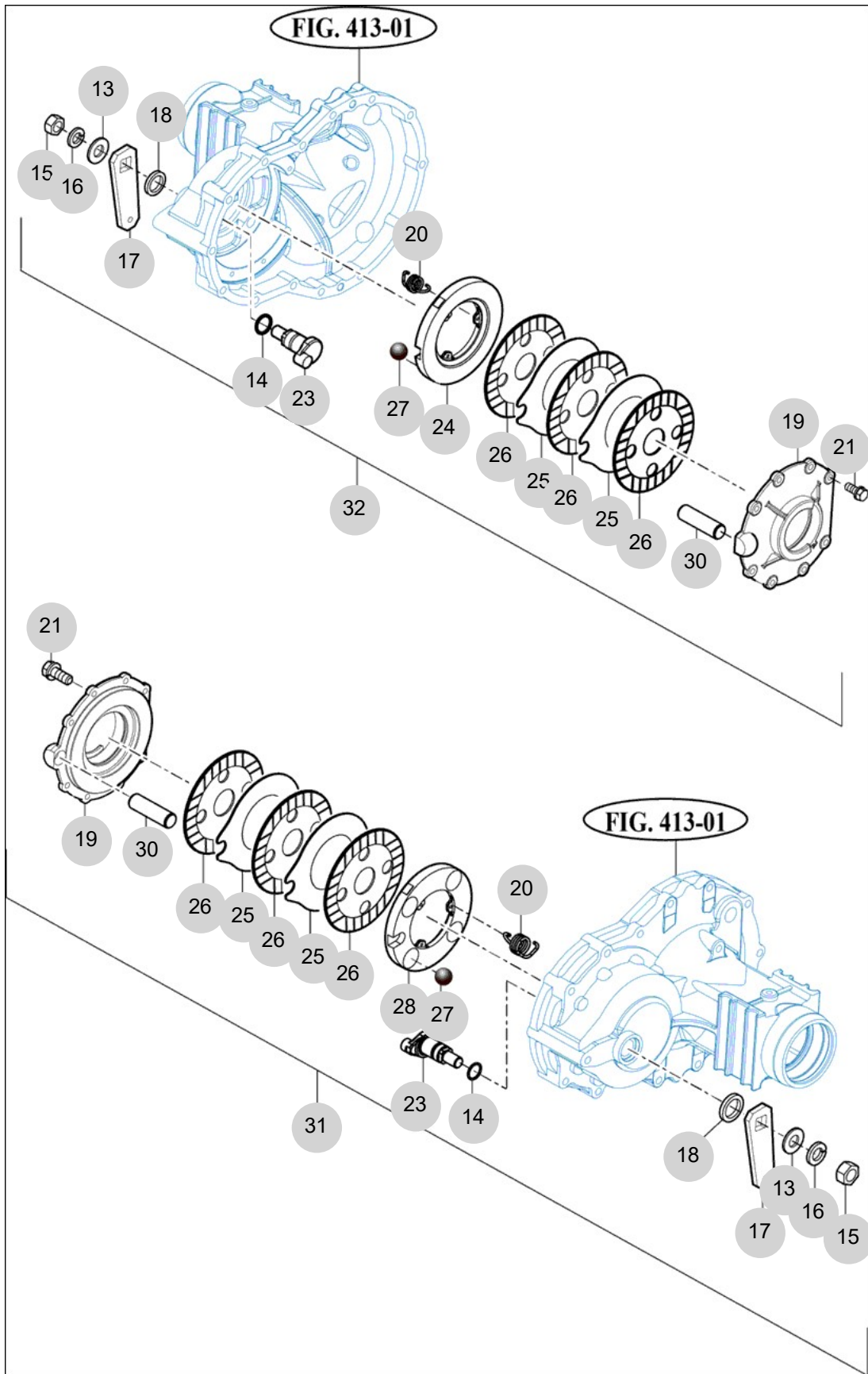
FIG 304

T474NH-B

BRAKE

년/월
Year/Month

2022-12



NOTE

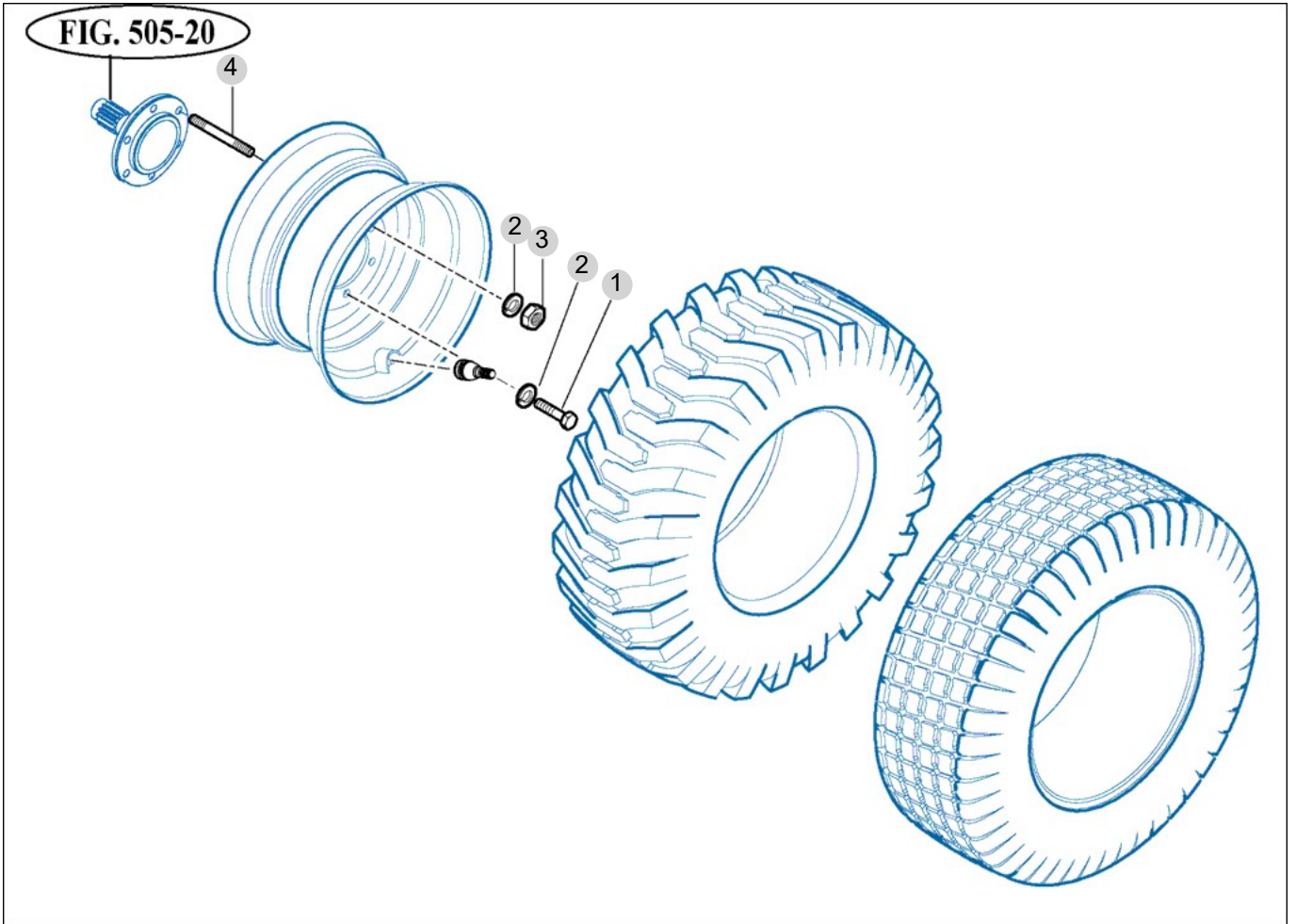
FIG 306

T474NH-B

FRONT WHEEL MOUNTING

년/월
Year/Month

2022-12



NOTE

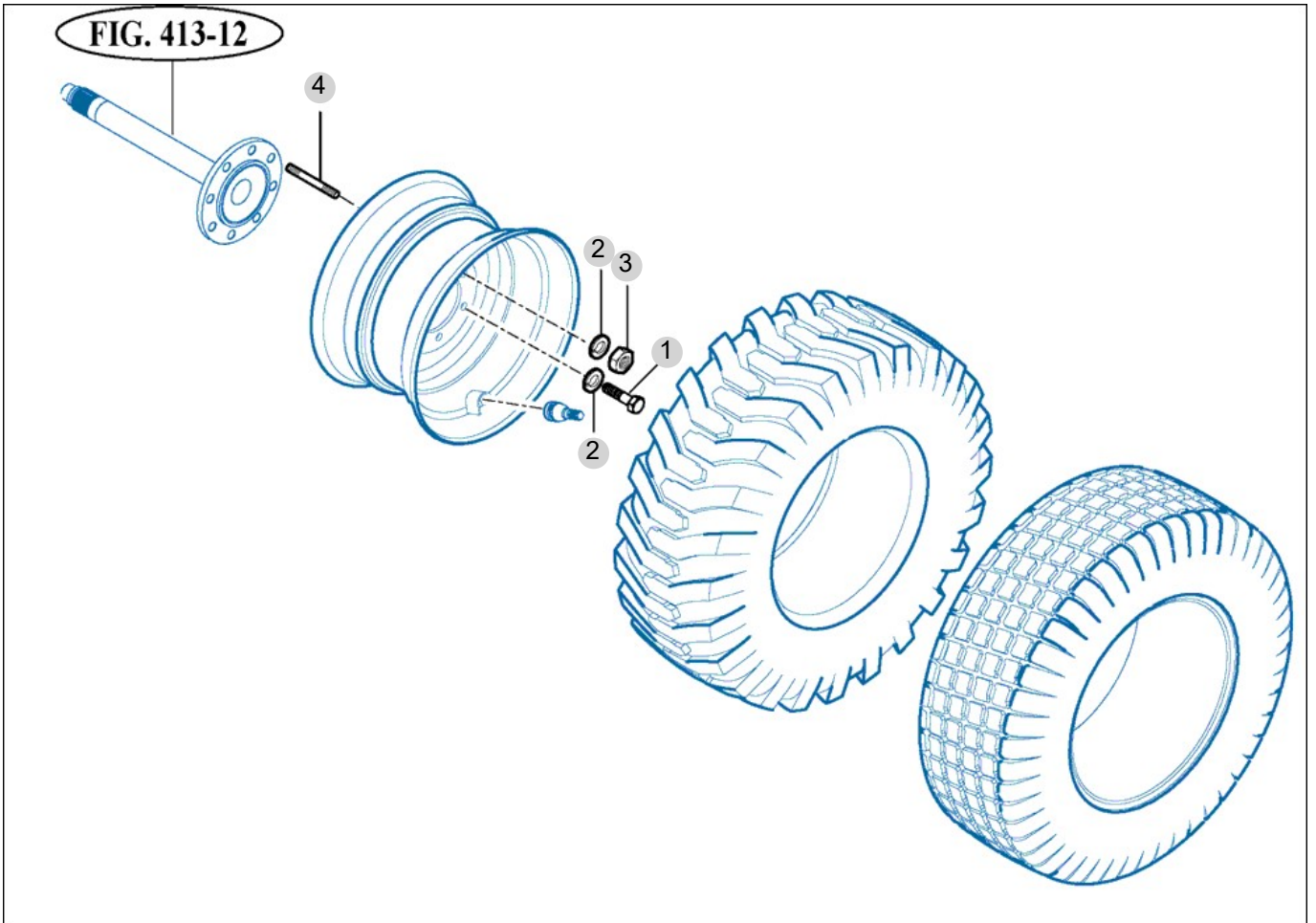
FIG 307

T474NH-B

REAR WHEEL MOUNTING

년/월
Year/Month

2022-12



NOTE

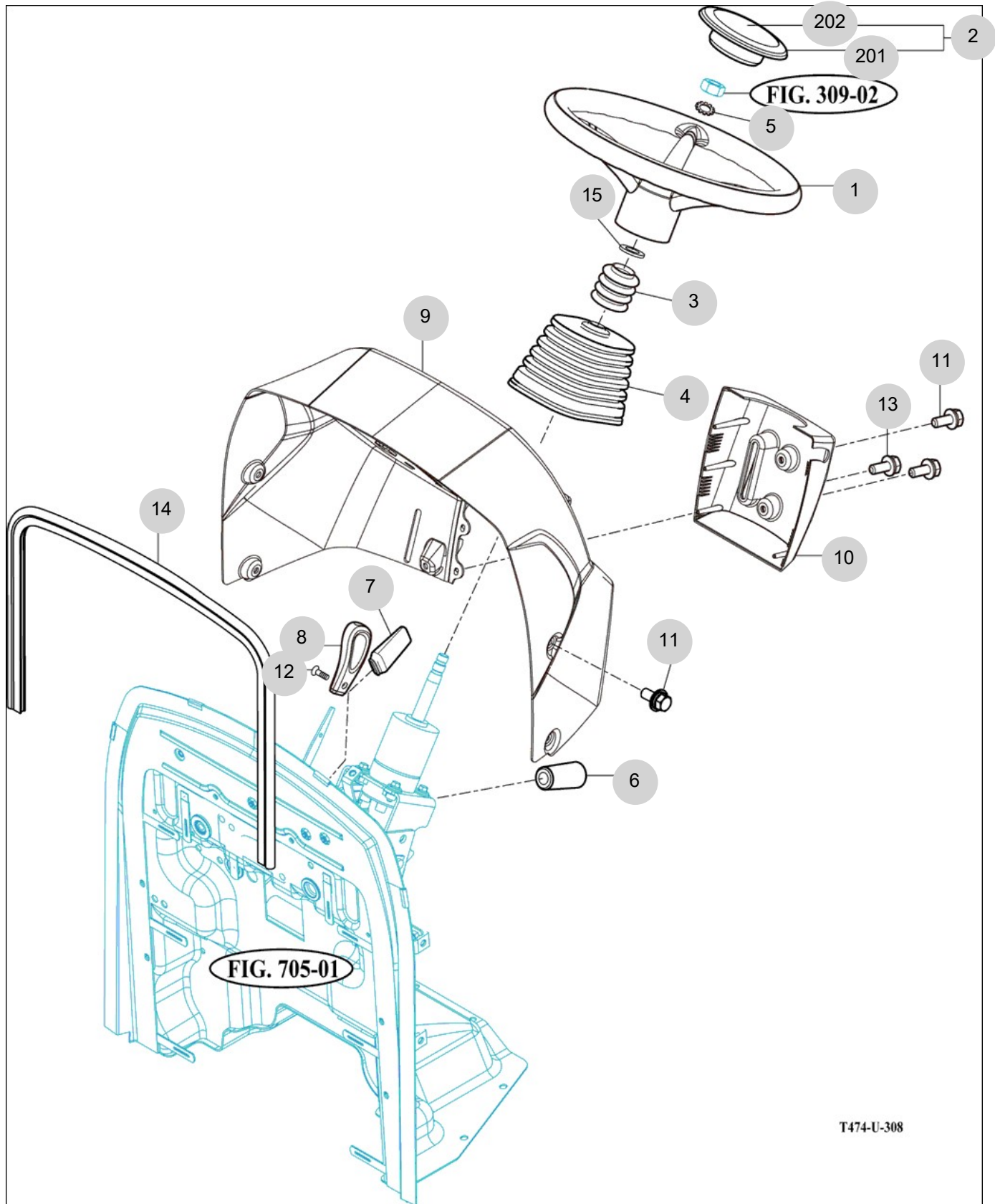
FIG 308

STEERING WHEEL

년/월
Year/Month

2022-12

T474NH-B



T474-U-308

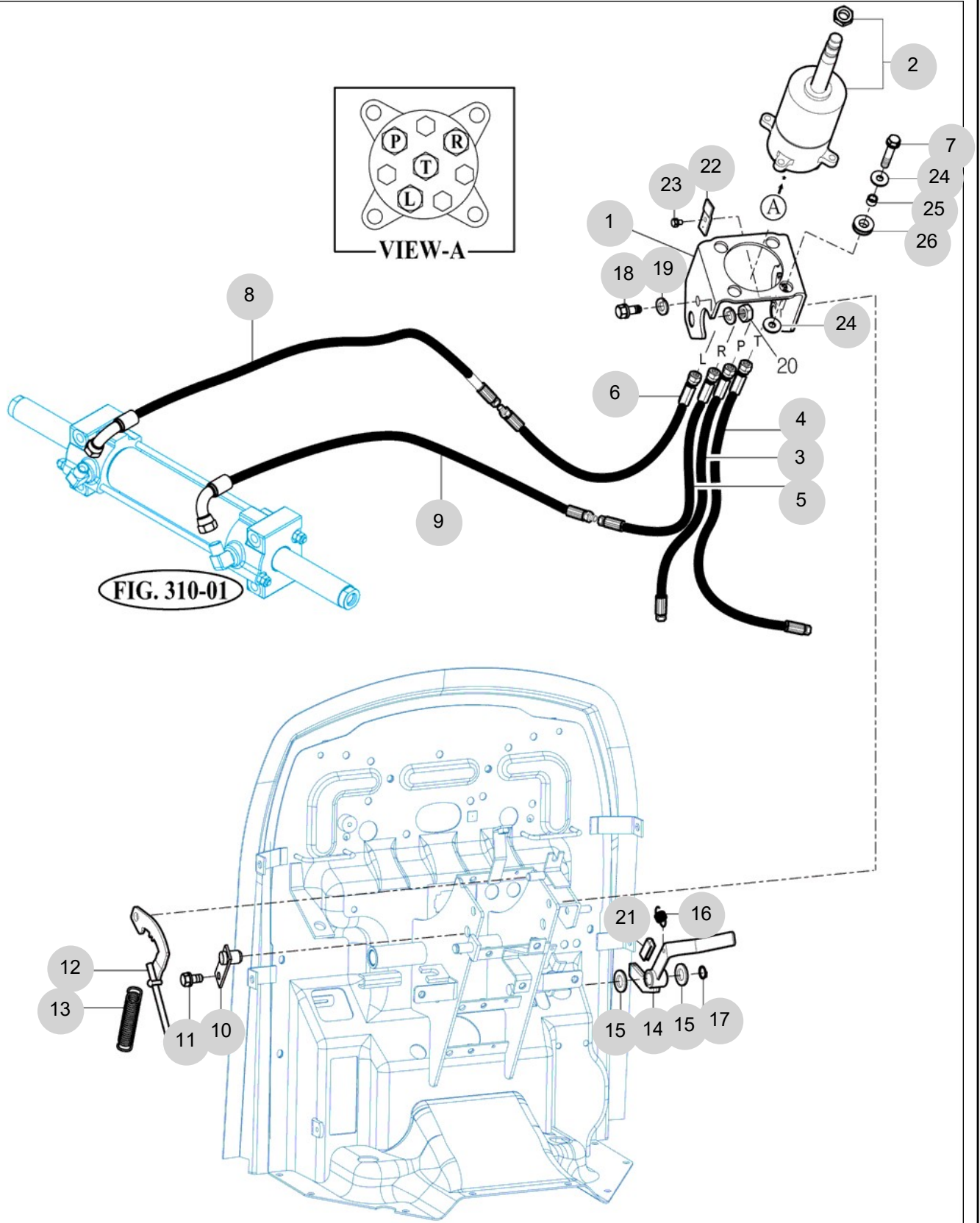
NOTE

FIG 309

STEERING VALVE & PARKING

년/월
Year/Month

2022-12



T474-U-309

NOTE

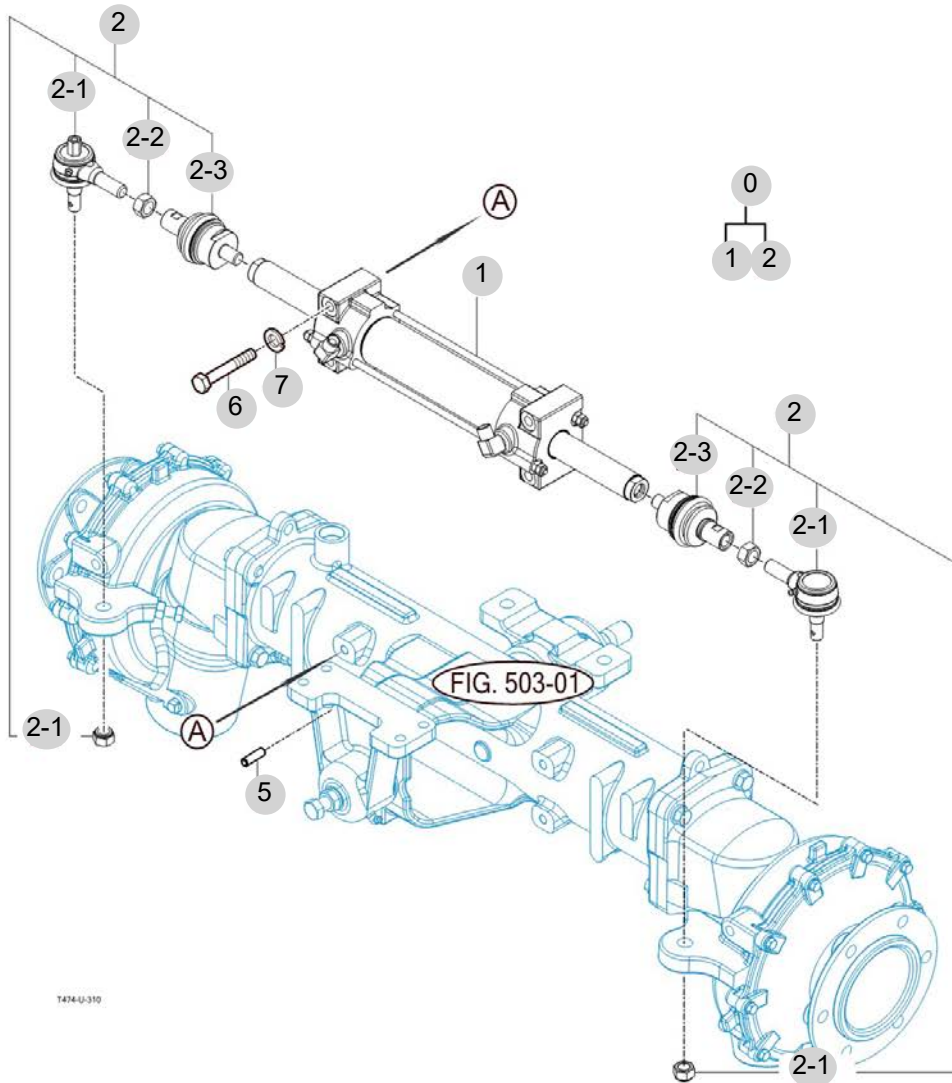
FIG 310

T474NH-B

STEERING CYLINDER

년/월
Year/Month

2022-12



T474U-310

NOTE

4. Transmission PART NO. T4

FIG 401 TRANSMISSION FRONT CASE	134
FIG 402 HST	136
FIG 403 MID CASE	138
FIG 404 4WD DRIVE GEAR	140
FIG 405 INPUT GEAR	142
FIG 406 SUB CHANGE GEARS	144
FIG 407 PINION GEARS	146
FIG 408 P.T.O DRIVE SHAFT	148
FIG 409 P.T.O CHANGE GEARS	150
FIG 410 DIFF LOCK	153
FIG 411 TRANSMISSION REAR CASE	155
FIG 412 REAR AXLE HOUSINGS (1)	157
FIG 413 REAR AXLE HOUSINGS (2)	159
FIG 415 SUB CHANGE LEVER	161
FIG 416 FORWARD & REVERSE CONTROL LINKAGE	163
FIG 418 4WD CHANGE LEVER	165

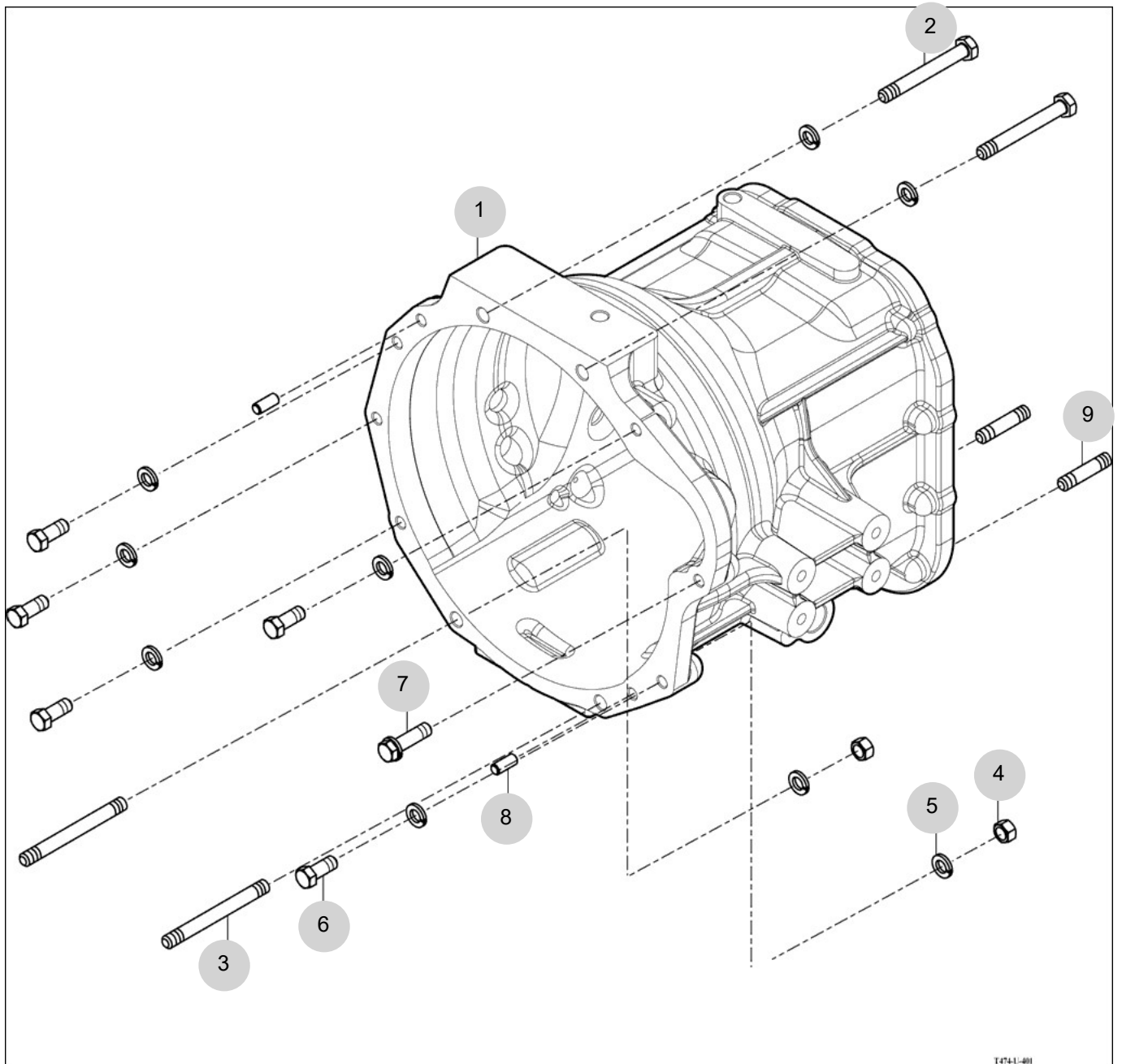
FIG 401

TRANSMISSION FRONT CASE

년/월
Year/Month

T474NH-B

2022-12



NOTE

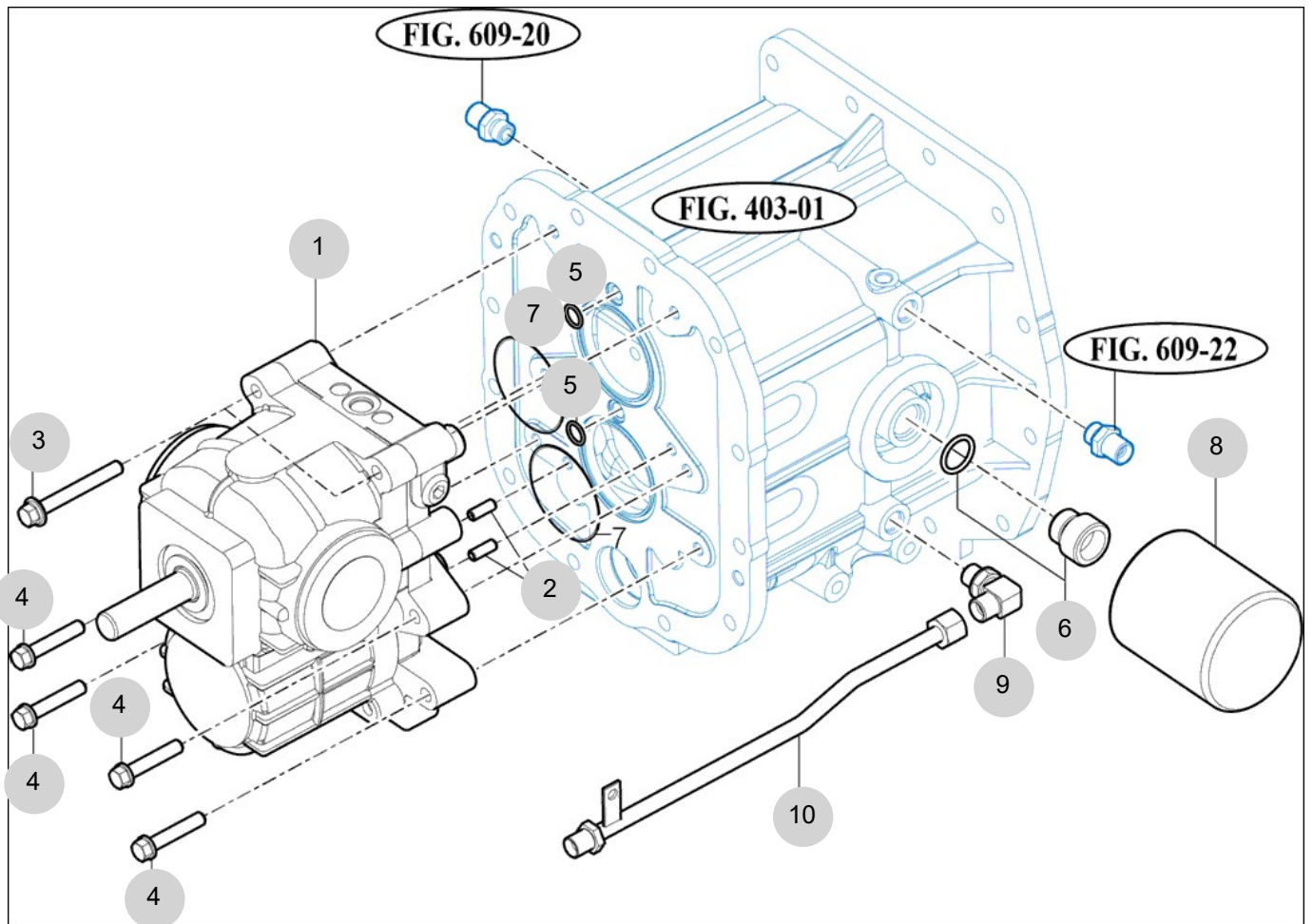
FIG 402

T474NH-B

HST

년/월
Year/Month

2022-12



NOTE

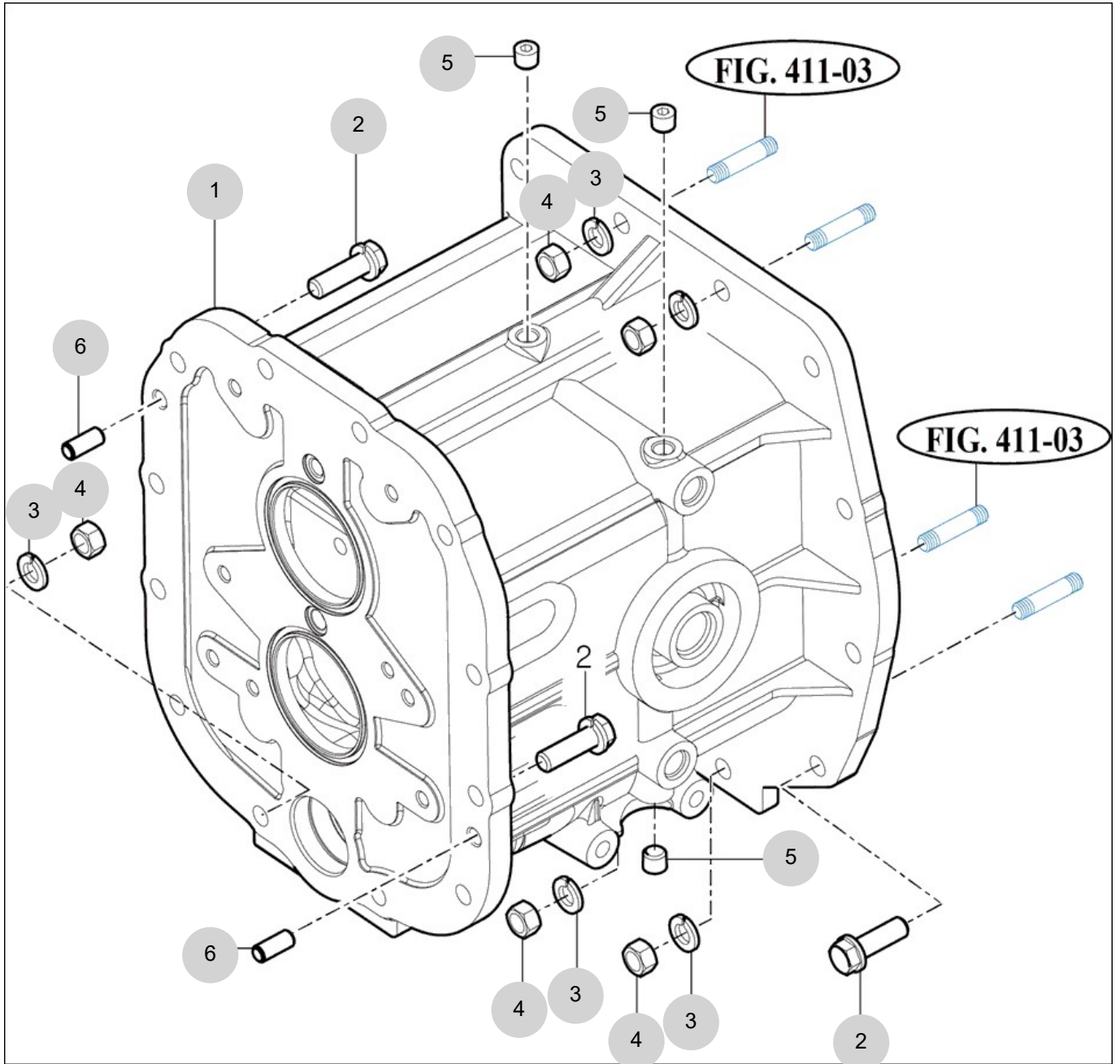
FIG 403

T474NH-B

MID CASE

년/월
Year/Month

2022-12



NOTE

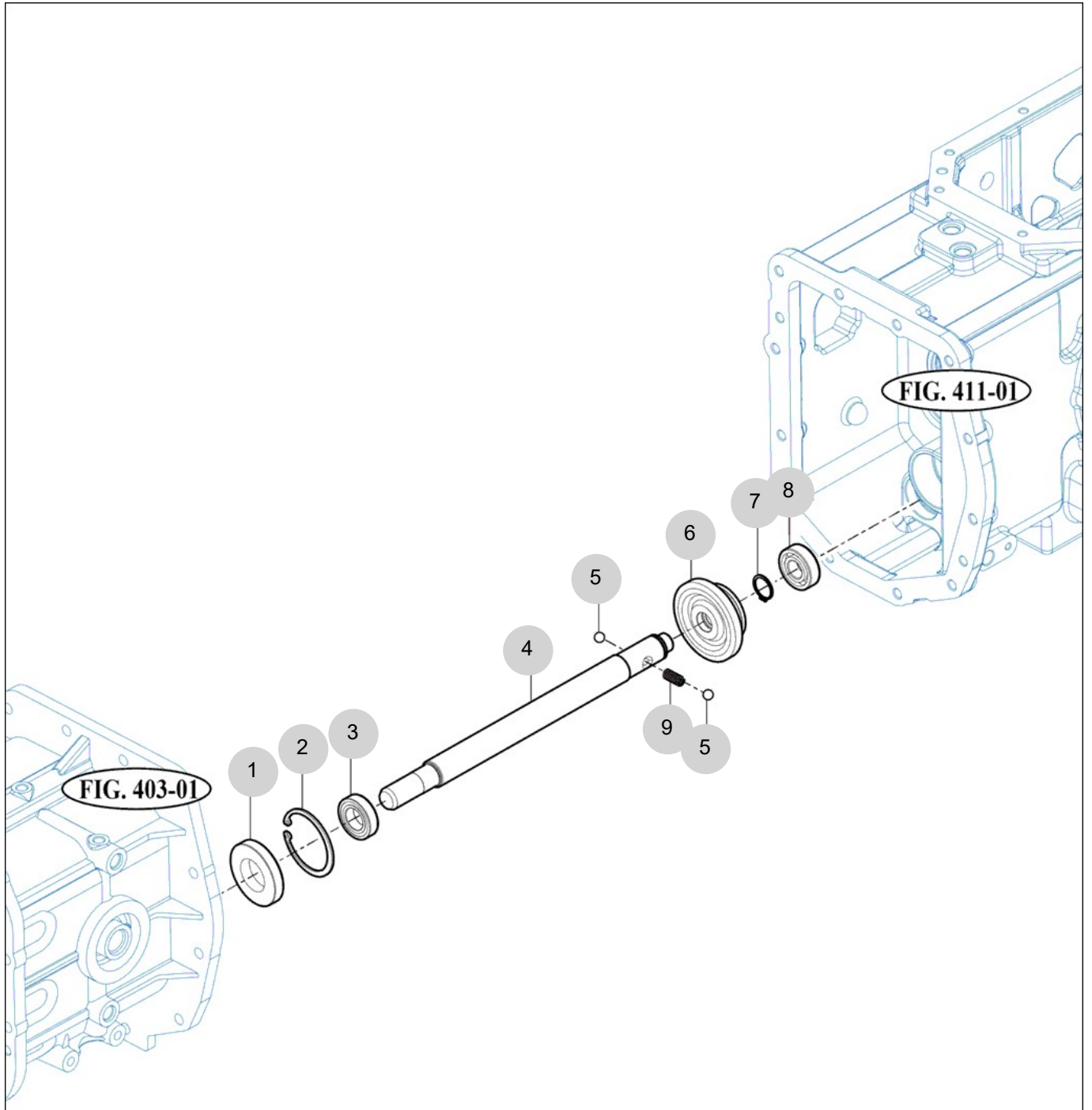
FIG 404

T474NH-B

4WD DRIVE GEAR

년/월
Year/Month

2022-12



NOTE

FIG 404		4WD DRIVE GEAR						년/월 Year/Month	
T474NH-B								2022-12	
KEY NO	PART NO	DESCRIPTION	SPEC	QTY	REPAIR	EFFECTIVE DATE	REMARKS		
404	1	V7441254708	SEAL , OIL/D	D25478	1				
404	2	V7051400470	C-RING , HOLE	47	1				
404	3	V6001106005	BEARING , BALL	6005	1				
404	4	12382610040	SHAFT , 4WD		1				
404	5	V6802000010	BALL , STEEL	5/16	2				
404	6	16702610023	4WD GEAR , SPUR 28T	1X1X1	1				
404	7	V7041400280	C-RING , SHAFT	28	1				
404	8	V6001106204	BEARING , BALL	6204	1				
404	9	13022250030	SPRING , SHIFTER	D=1.4	1				
NOTE									

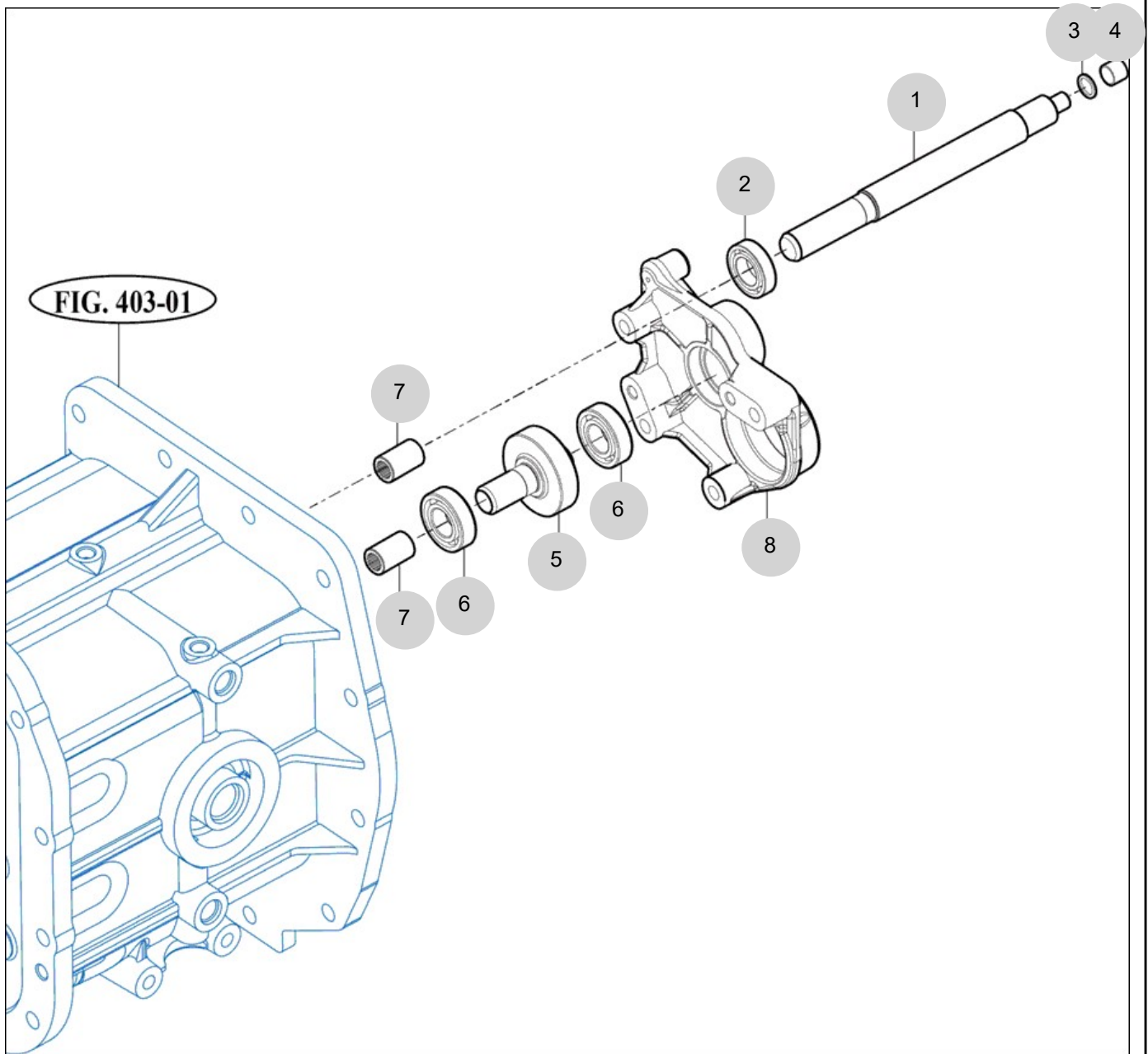
FIG 405

T474NH-B

INPUT GEAR

년/월
Year/Month

2022-12



NOTE

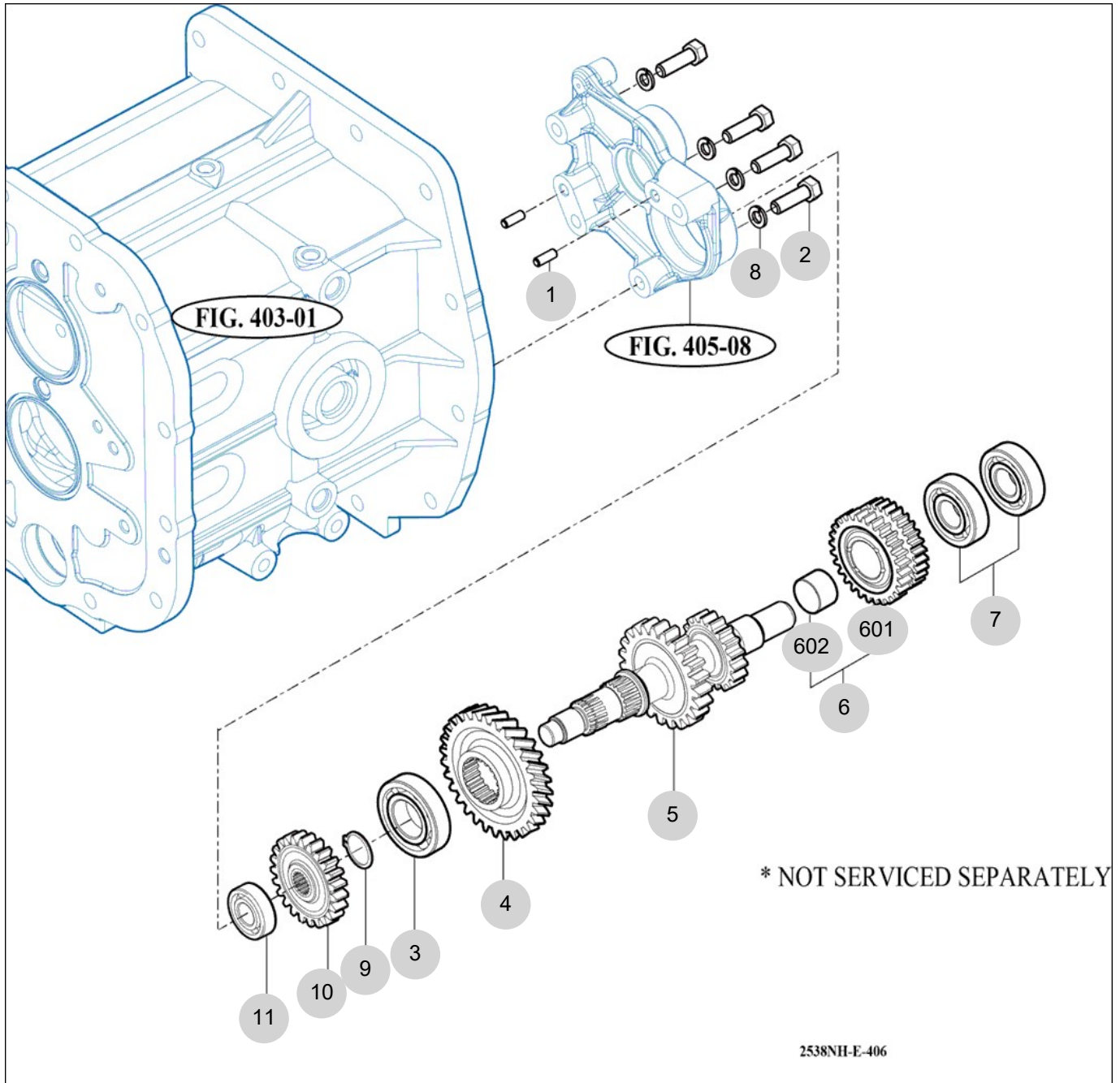
FIG 406

T474NH-B

SUB CHANGE GEARS

년/월
Year/Month

2022-12



2538NH-E-406

NOTE

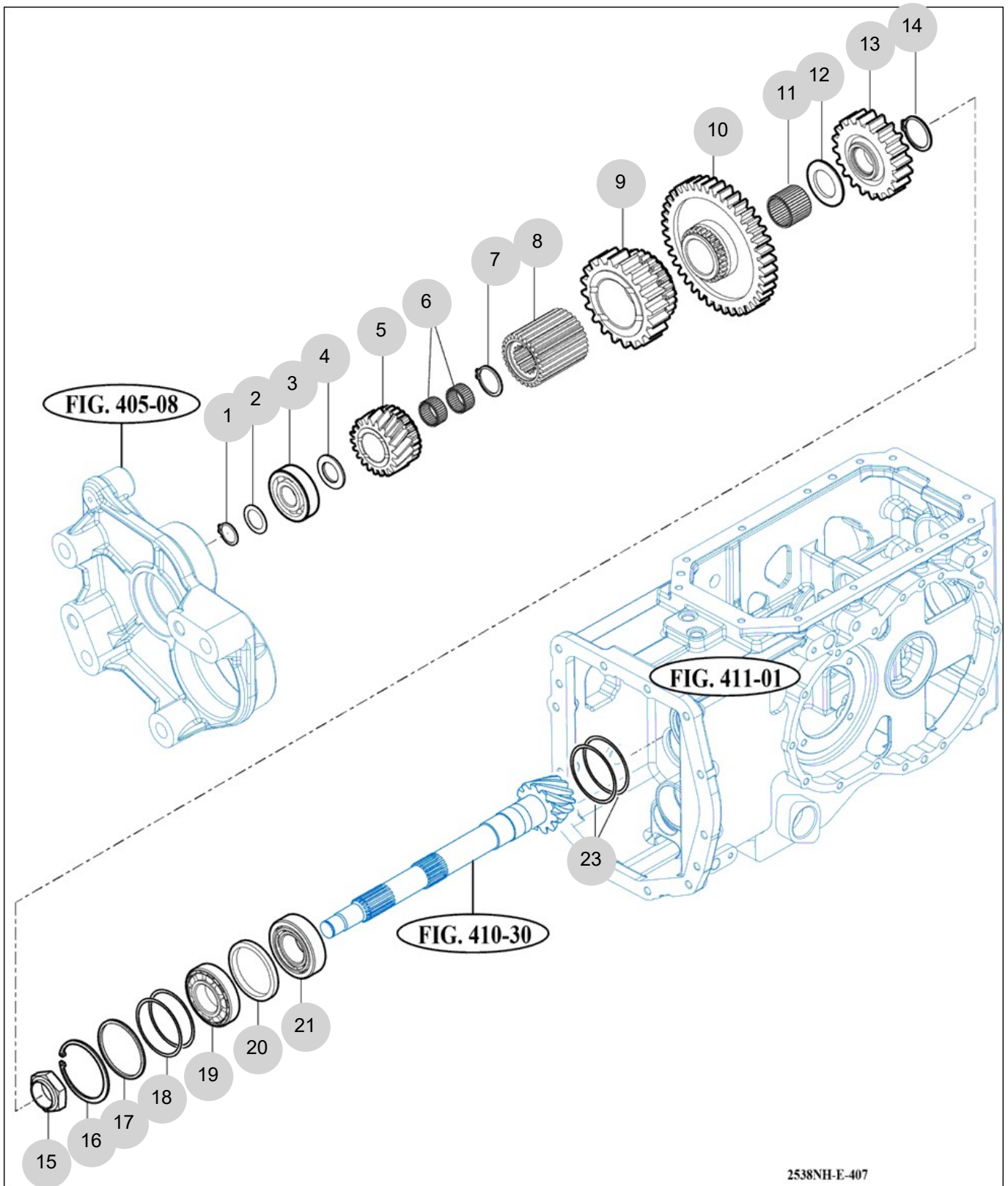
FIG 407

PINION GEARS

년/월
Year/Month

T474NH-B

2022-12



2538NH-E-407

NOTE

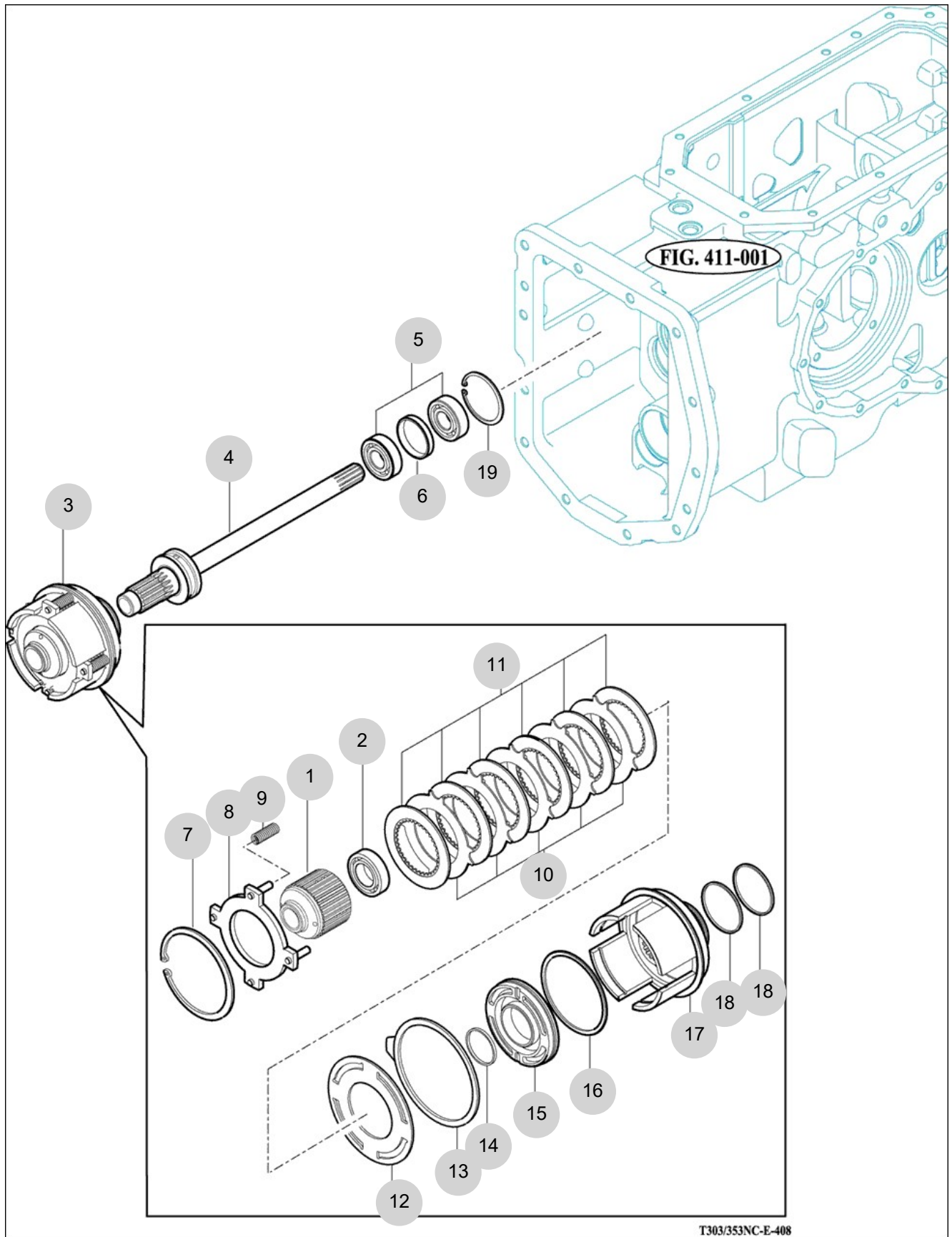
FIG 408

T474NH-B

P.T.O DRIVE SHAFT

년/월
Year/Month

2022-12



NOTE

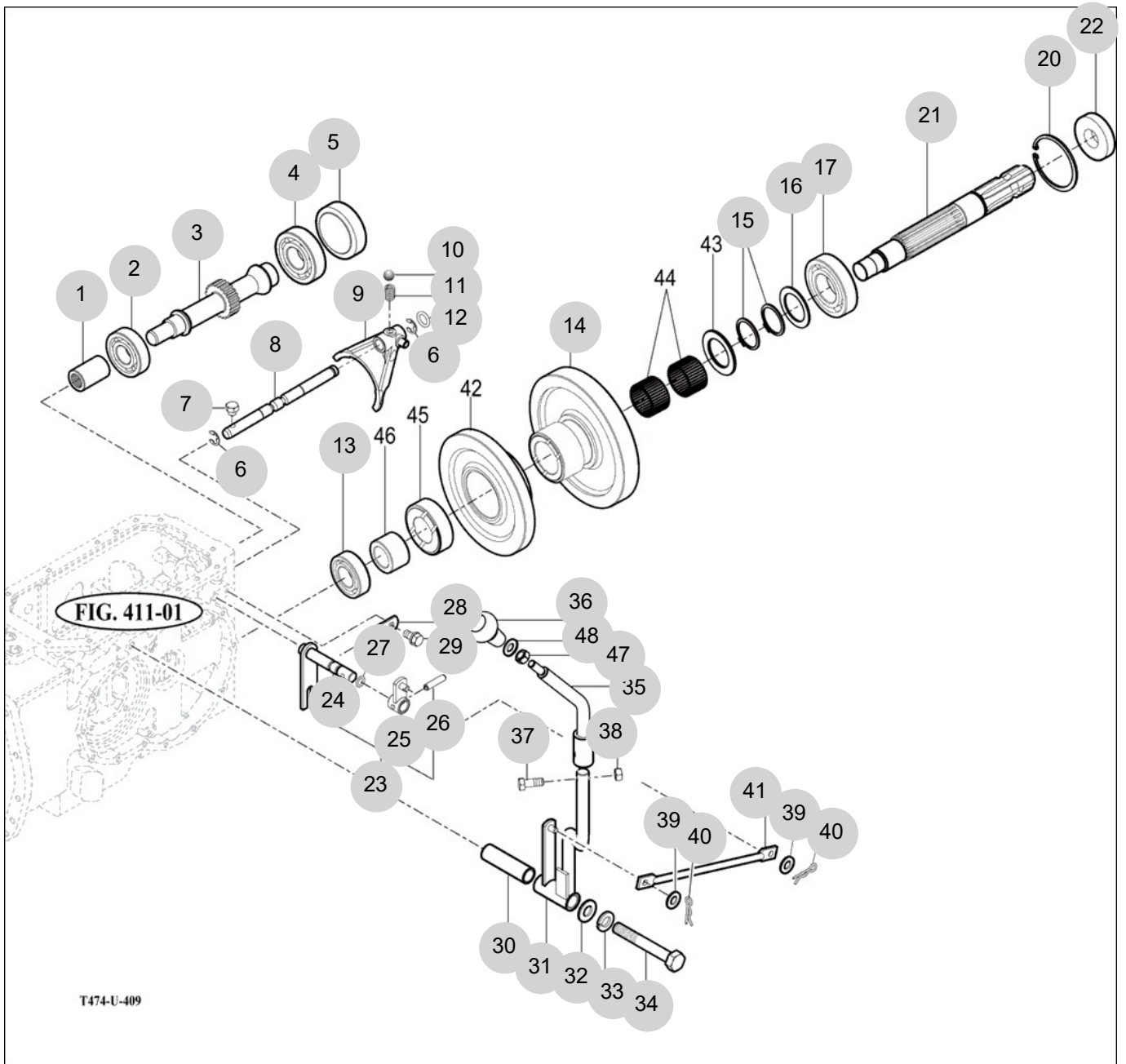
FIG 409

T474NH-B

P.T.O CHANGE GEARS

년/월
Year/Month

2022-12



NOTE

FIG 409		P.T.O CHANGE GEARS					년/월 Year/Month	
T474NH-B		2022-12						
KEY NO	PART NO	DESCRIPTION	SPEC	QTY	REPAIR	EFFECTIVE DATE	REMARKS	
409	1	14211340190	COUPLING	22X51	1			
409	2	V6001106305	BEARING , BALL	6305	1			
409	3	12382543530	SHAFT , PTO COUNT		1			
409	4	V6001106306	BEARING , BALL	6306	1			
409	5	14254330180	CAP , 72		1			
409	6	V7081400100	E-RING	10	2			
409	7	15602231610	BOLT , SET M8X16	M8X16	1			
409	8	12382540020	STAY , PTO		1			
409	9	16702540011M	FORK , PTO	1X1X1	1			
409	10	V6802000010	BALL , STEEL	5/16	1			
409	11	13022250030	SPRING , SHIFTER	D=1.4	1			
409	12	V7201024010	O-RING , P	P10	1			
409	13	V6001106205	BEARING , BALL	6205	1			
409	14	12382530020	GEAR , PTO 53T		1			
409	15	V7041400350	C-RING , SHAFT	35	2			
409	16	14443140041	COLLAR , 35X50X2	T=2	1			
409	17	V6001106207	BEARING , BALL	6207	1			
409	20	V7051400720	C-RING , HOLE	72	1			
409	21	12382530010	SHAFT , PTO		1			
409	22	16322732000	SEAL ASSY , OIL		1			
409	23	16702555102	HOOK SET , RR PTO	1X1X1	1			
409	24	16702542102	HOOK COMP , RR PTO	1X1X1	1			
409	25	16702432201	ARM COMP , RANGE	1X1X1	1			
409	26	V5801406025	PIN , SPRING	6X25	1			
409	27	V7201024012	O-RING , P	P12	1			
409	28	16702230371	PLATE	T=3	1			
409	29	V2173608016	BOLT , HEX/S	M8X16	1			
409	30	16702440070	HUB(13*17*61)	17.3*2.35	1			
409	31	16702552103	LEVER COMP , PTO/DOWN	1X1X1	1			
409	32	V4111600120	WASHER , PLAIN	M12	1			
409	33	V4011600120	WASHER , SPRING	M12	1			
409	34	V2013612085	BOLT , HEX	M12X85	1			
409	35	13832552200GB	LEVER COMP ,PTO/UPPER		1			
409	36	16992190102	GRIP , PTO		1			
409	36	19682190100	GRIP , PTO		1			
409	37	V2013608035	BOLT , HEX	M8X35	1			
409	38	V3042600080	NUT , HEX/2	M8	1			
409	39	V4111600080	WASHER , PLAIN	M8	2			
409	40	V5601600008	PIN , SNAP	8	2			
409	41	16702553100	ROD , 236	D=9	1			
409	42	12382530030	GEAR , SPUR 41T		1			
409	43	15642730082	WASHER , 35X55X3	D=55	1			
409	44	V6544354026	BEARING , NEEDLE CAGED	KT354026	2			
409	45	15642730052	HUB , 35X62X20		1			
409	46	12382530040	WASHER , 25X40X26	D=40	1			
NOTE								

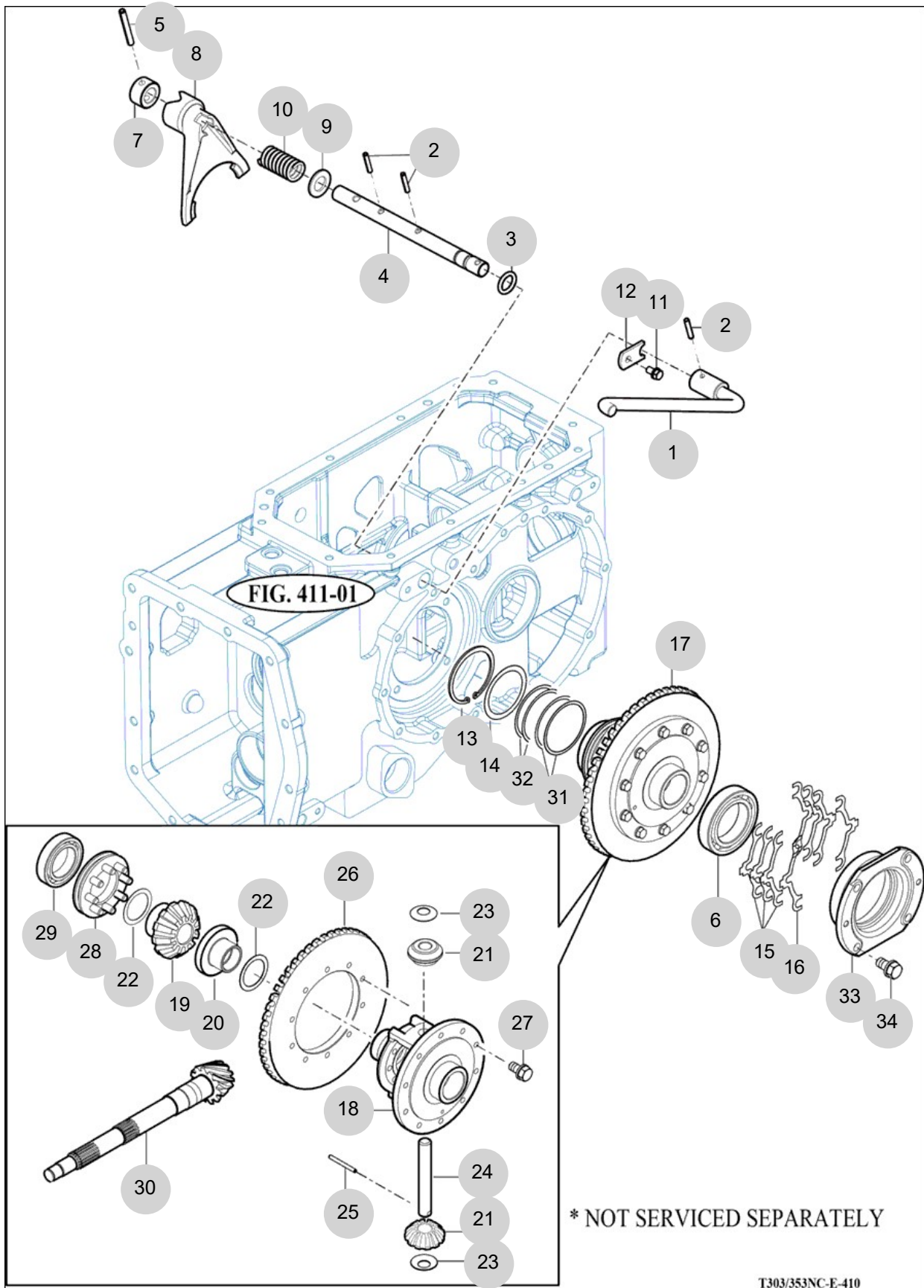
FIG 410

DIFF LOCK

년/월
Year/Month

T474NH-B

2022-12



NOTE

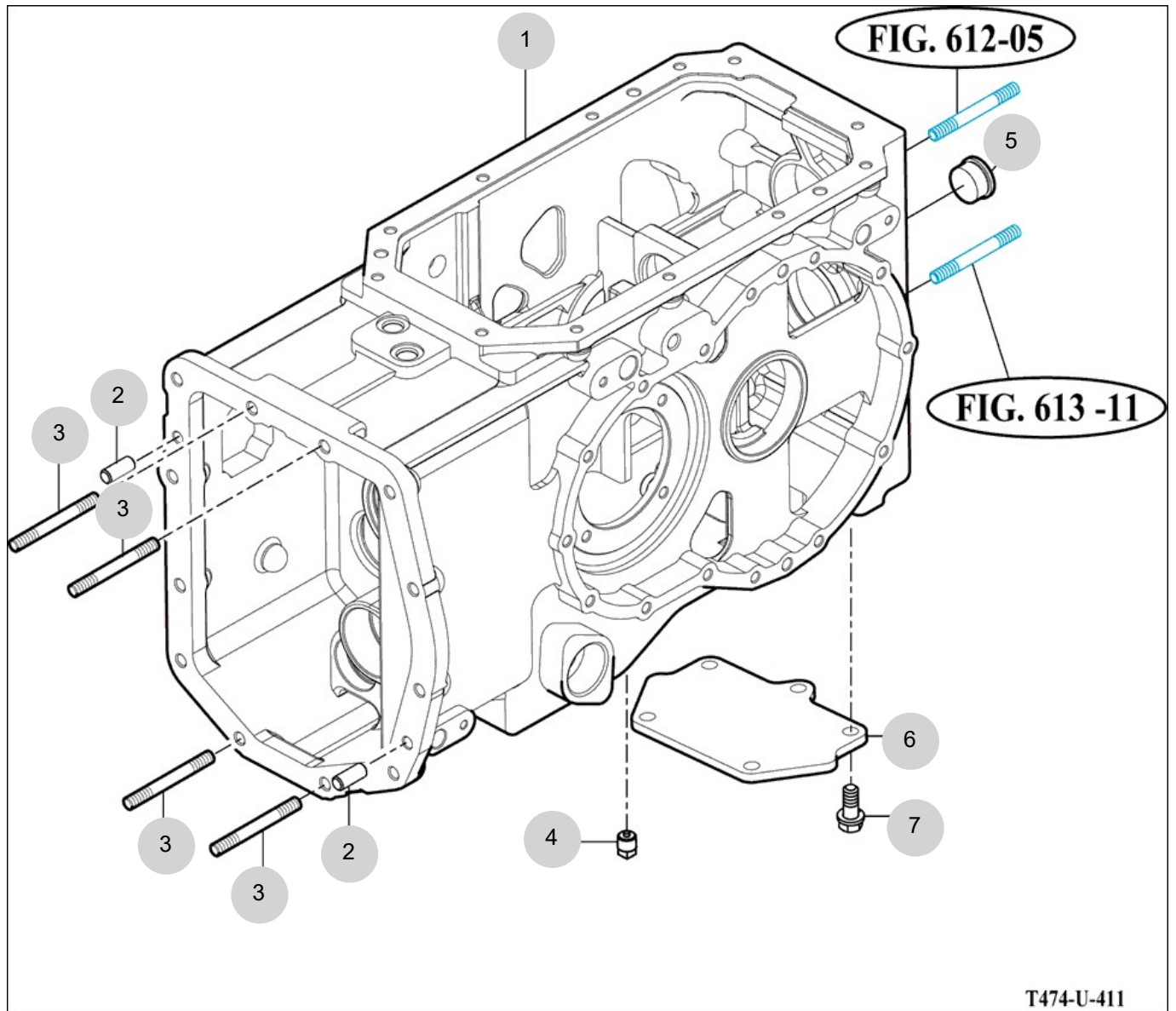
FIG 411

T474NH-B

TRANSMISSION REAR CASE

년/월
Year/Month

2022-12



T474-U-411

NOTE

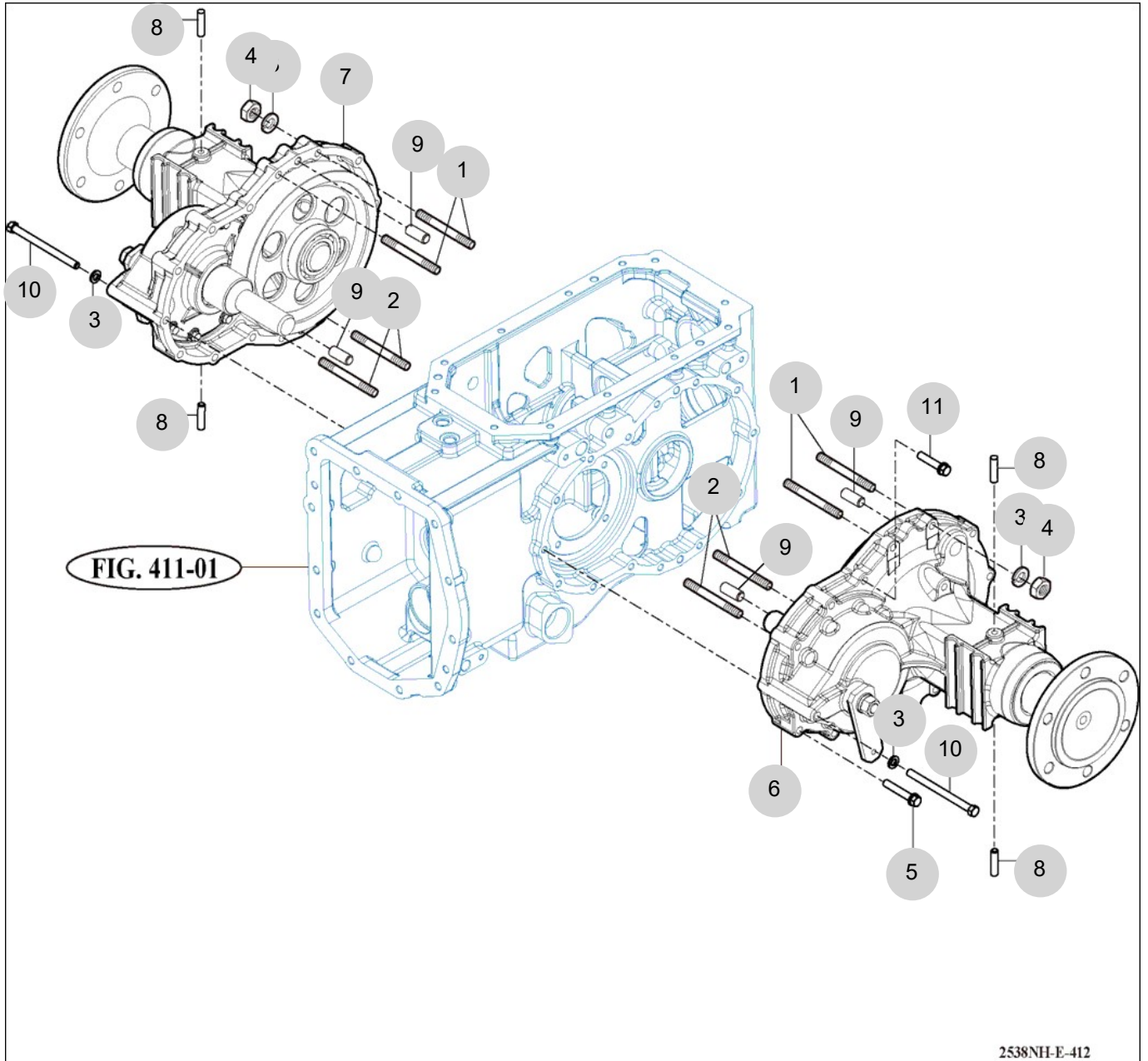
FIG 412

T474NH-B

REAR AXLE HOUSINGS (1)

년/월
Year/Month

2022-12



NOTE

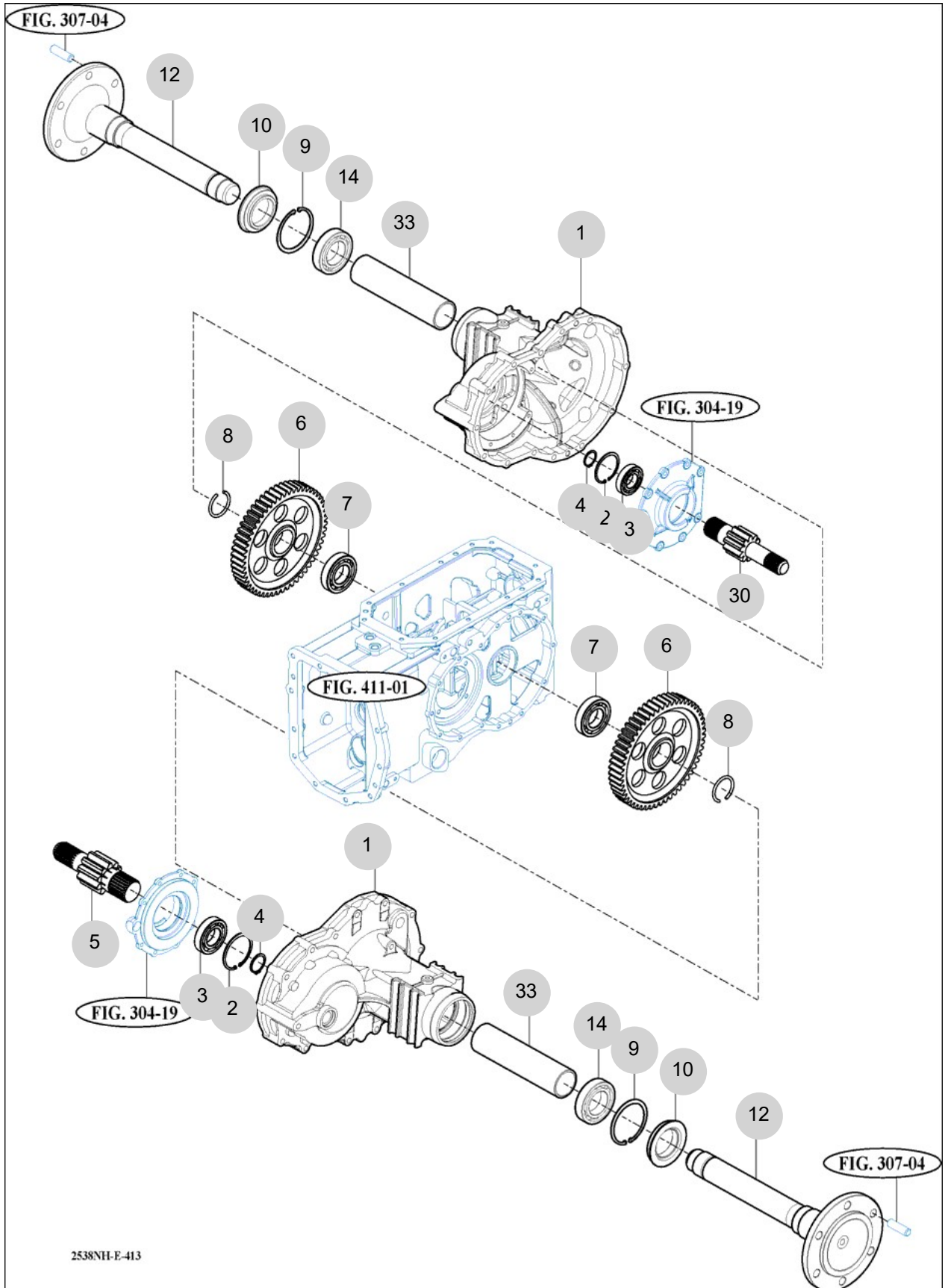
FIG 413

T474NH-B

REAR AXLE HOUSINGS (2)

년/월
Year/Month

2022-12



2538NH-E-413

NOTE

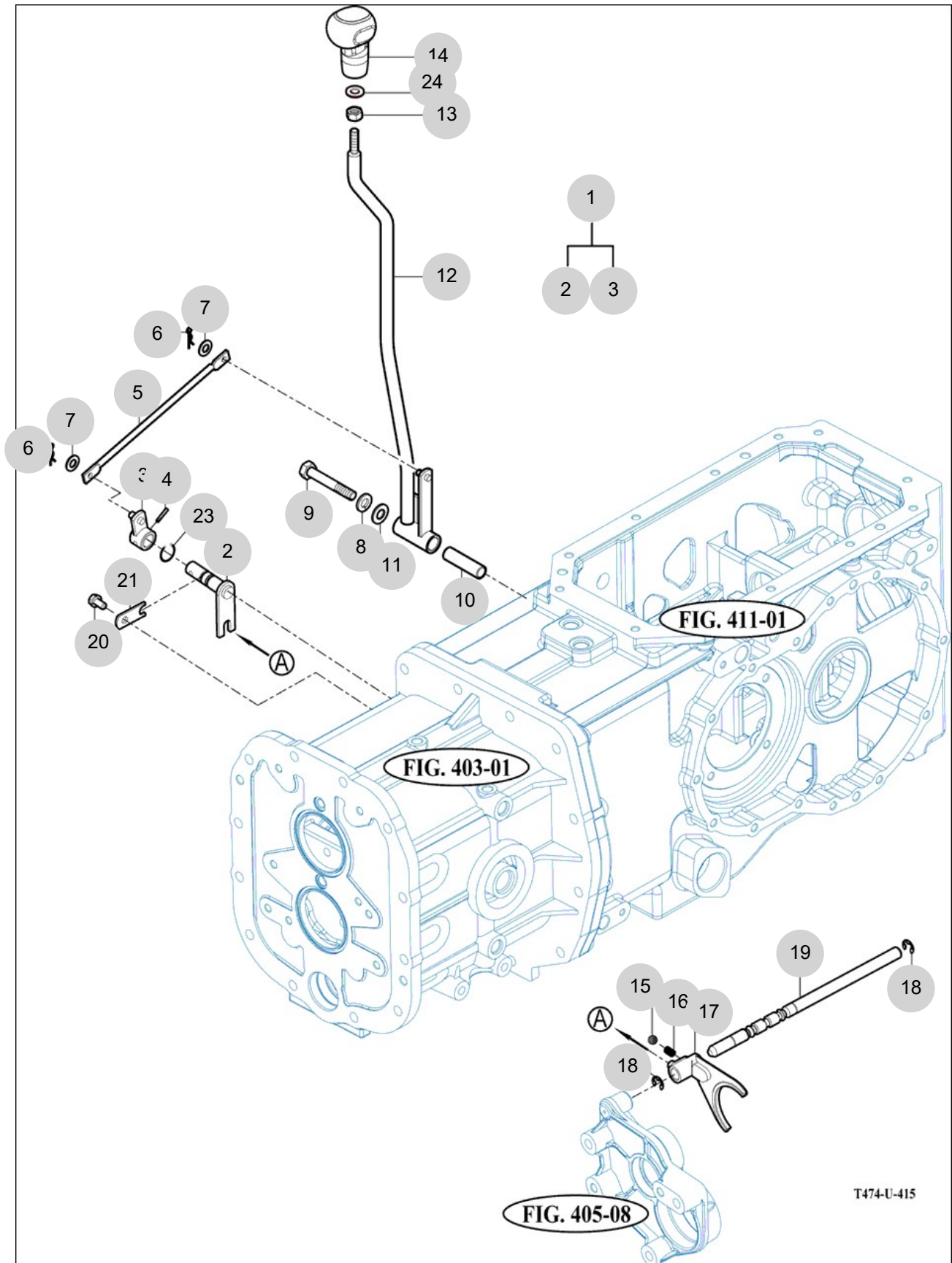
FIG 415

SUB CHANGE LEVER

년/월
Year/Month

T474NH-B

2022-12



T474-U-415

NOTE

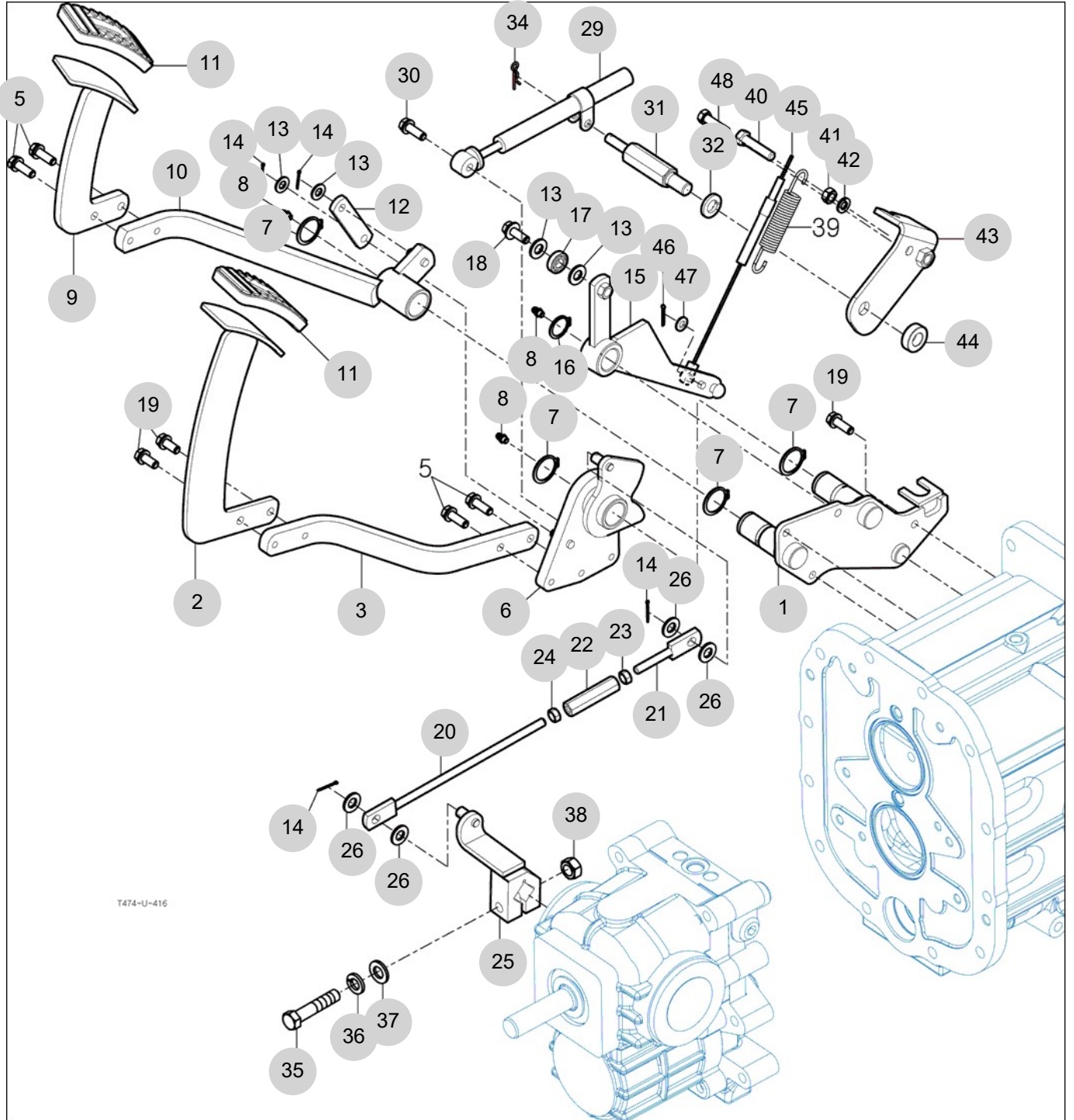
FIG 416

FORWARD & REVERSE CONTROL LINKAGE

년/월
Year/Month

2022-12

T474NH-B



T474-U-416

NOTE

FIG 416		FORWARD & REVERSE CONTROL LINKAGE					년/월 Year/Month		
							2022-12		
T474NH-B		KEY NO	PART NO	DESCRIPTION	SPEC	QTY	REPAIR	EFFECTIVE DATE	REMARKS
416	1	12382313201	BRACKET COMP, HST PEDAL			1			
416	2	14722312703GB	PEDAL COMP , FORWARD	1X1X1		1			
416	3	14722310052	PLATE , FORWARD	25X9		1			
416	5	V2173608025	BOLT , HEX/S	M8X25		4			
416	6	12382312300	ARM COMP , FORWARD			1			
416	7	V7041400250	C-RING , SHAFT	25		4			
416	8	V7601500000	NIPPLE , GREASE/A-M6F			3			
416	9	14722312802GB	PEDAL COMP , REVERSE	1X1X1		1			
416	10	14722312603	ARM COMP	1X1X1		1			
416	11	14722312730	PAD	1X1X1		2			
416	12	14722310023	PLATE , REVERSE	19X6		1			
416	13	V4111600080	WASHER , PLAIN	M8		4			
416	14	V5001920020	PIN , SPLIT	2X20		4			
416	15	13832312501	ARM COMP , CAM FOLLOWER			1			
416	16	V7041400200	C-RING , SHAFT	20		1			
416	17	14722310060	BEARING , BALL			1			
416	18	V2013608035	BOLT , HEX	M8X35		1			
416	19	V2173608025	BOLT , HEX/S	M8X25		6			
416	20	12382325100	ROD COMP , LH			1			
416	21	11102325200	ROD COMP , RH			1			
416	22	16601220020	TURNBUCKLE , M8 L60			1			
416	23	V3042600080	NUT , HEX/2	M8		1			
416	24	15601320073	NUT , HEX LH	"2종,M8"		1			
416	25	12382312101	BRACKET COMP , HOLDER			1			
416	26	V4111600100	WASHER , PLAIN	M10		4			
416	29	14722312401	DAMPER , OIL	1X1X1		1			
416	30	V2183608035	BOLT , HEX/SP	M8X35		1			
416	31	10532310090	PIN , OIL DAMPER			1			
416	32	V4011600120	WASHER , SPRING	M12		1			
416	34	V5601600008	PIN , SNAP	8		1			
416	35	V2173610055	BOLT , HEX/S	M10X55		1			
416	36	V4011600100	WASHER , SPRING	M10		1			
416	37	V4111600100	WASHER , PLAIN	M10		1			
416	38	V3043600100	NUT , HEX/2	M10		1			
416	39	14722310033	SPRING , RETURN	D=2.4		1			
416	40	V2013608035	BOLT , HEX	M8X35		1			
416	41	V3042600080	NUT , HEX/2	M8		1			
416	42	V4011600080	WASHER , SPRING	M8		1			
416	43	13831163801	BRACKET , P			1			
416	44	10532310080	COLLAR , 12X24X8			1			
416	45	13831162700	CABLE ASSY , H THROTTLE 1100			1			
416	46	V5001920015	PIN , SPLIT	2X15		1			
416	47	V4111600060	WASHER , PLAIN	M6		1			
416	48	V2173608020	BOLT , HEX/S	M8X20		1			
NOTE									

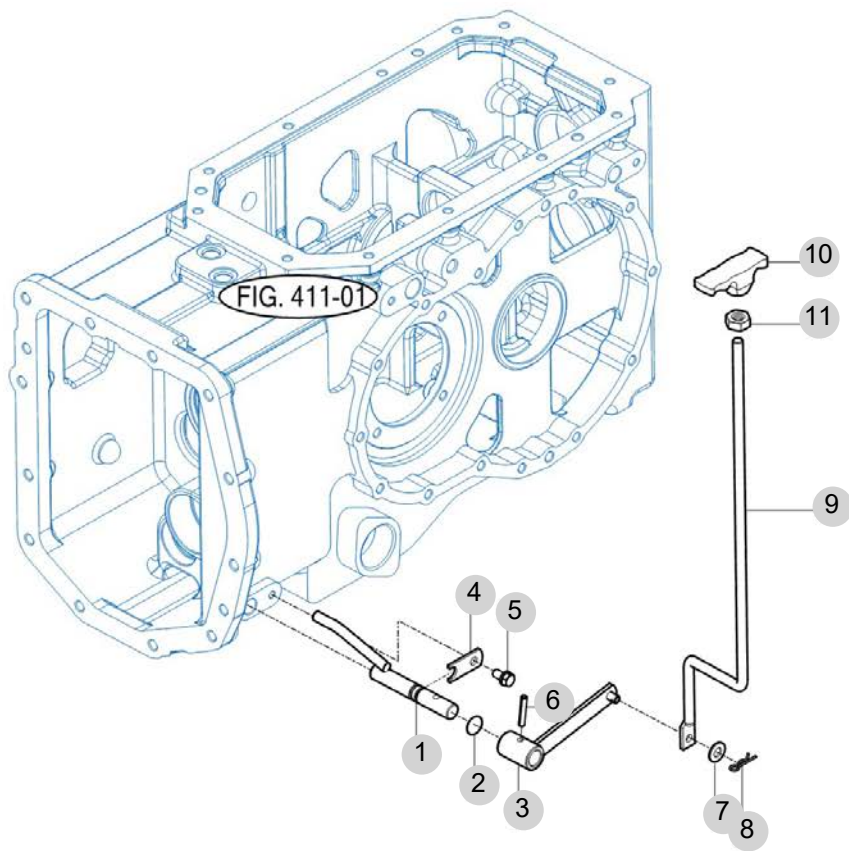
FIG 418

4WD CHANGE LEVER

년/월
Year/Month

T474NH-B

2022-12



2538NH-K-418

NOTE

5. Front Axle PART NO. T5

FIG 501 FRONT AXLE BRACKET	168
FIG 502 FRONT DIFF. GEARS & SHAFT	170
FIG 503 FRONT AXLE HOUSING	172
FIG 504 FRONT GEAR CASE (1)	174
FIG 505 FRONT GEAR CASE (2)	176

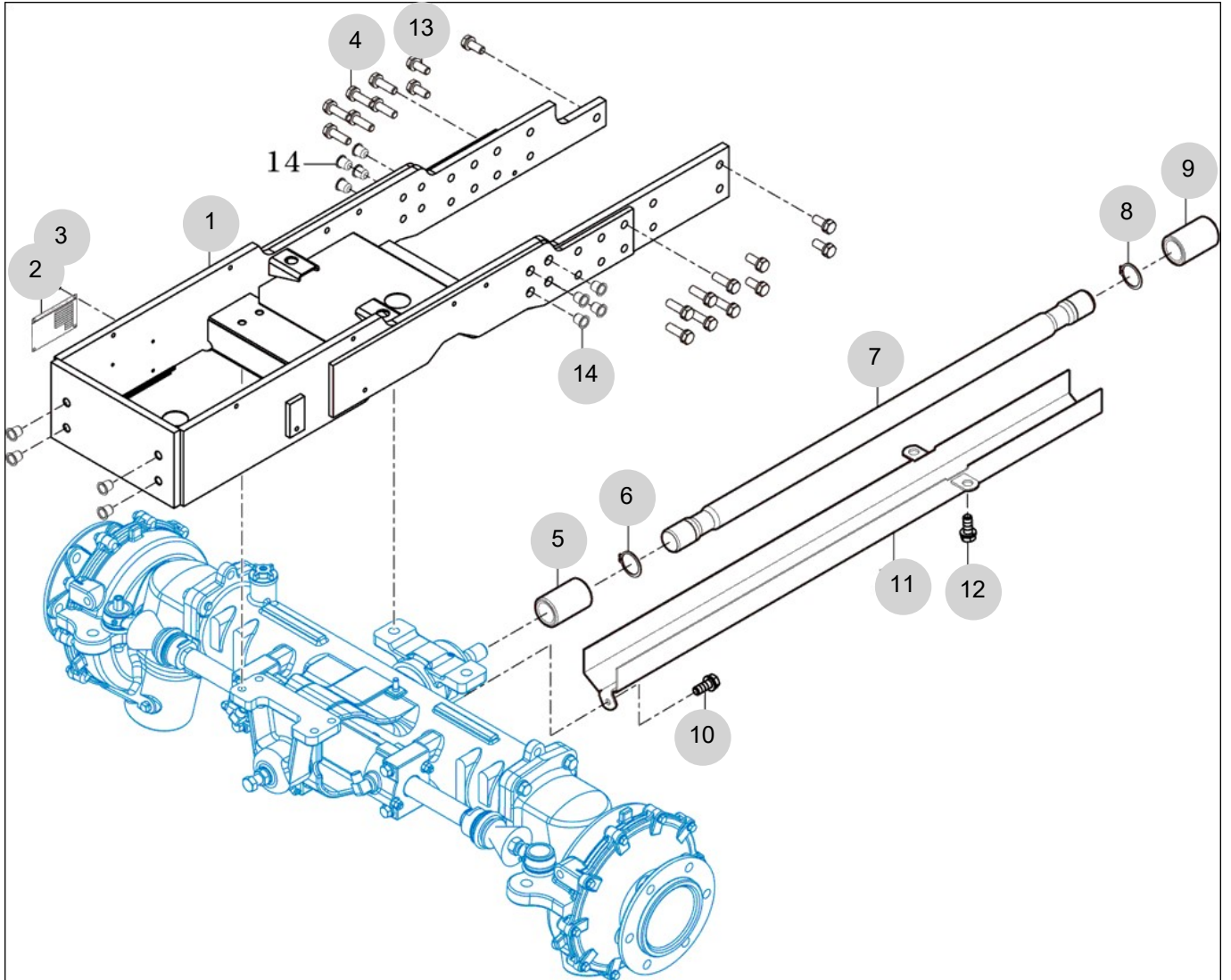
FIG 501

FRONT AXLE BRACKET

년/월
Year/Month

2022-12

T474NH-B



NOTE

FIG 502

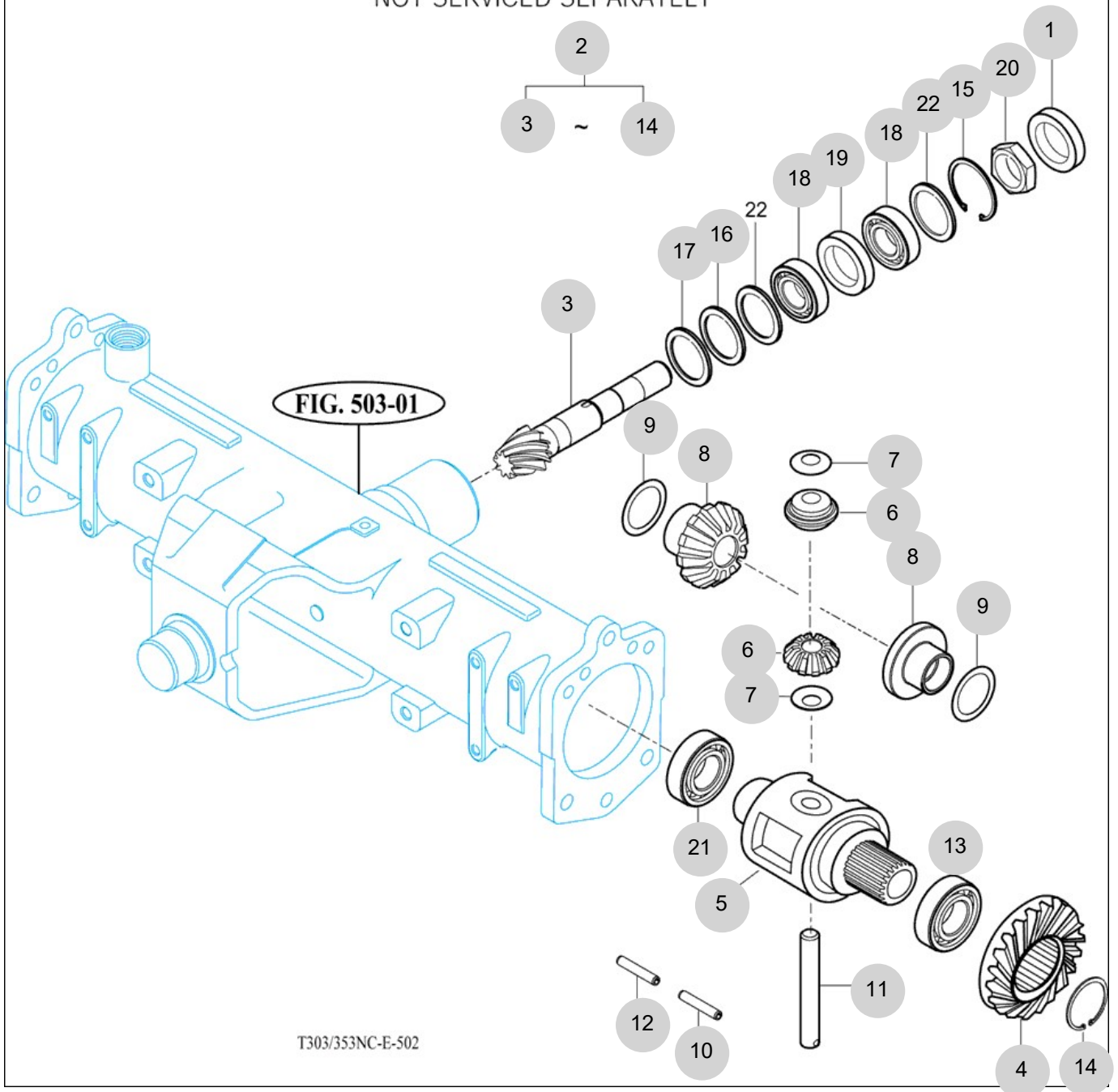
T474NH-B

FRONT DIFF. GEARS & SHAFT

년/월
Year/Month

2022-12

* NOT SERVICED SEPARATELY



NOTE

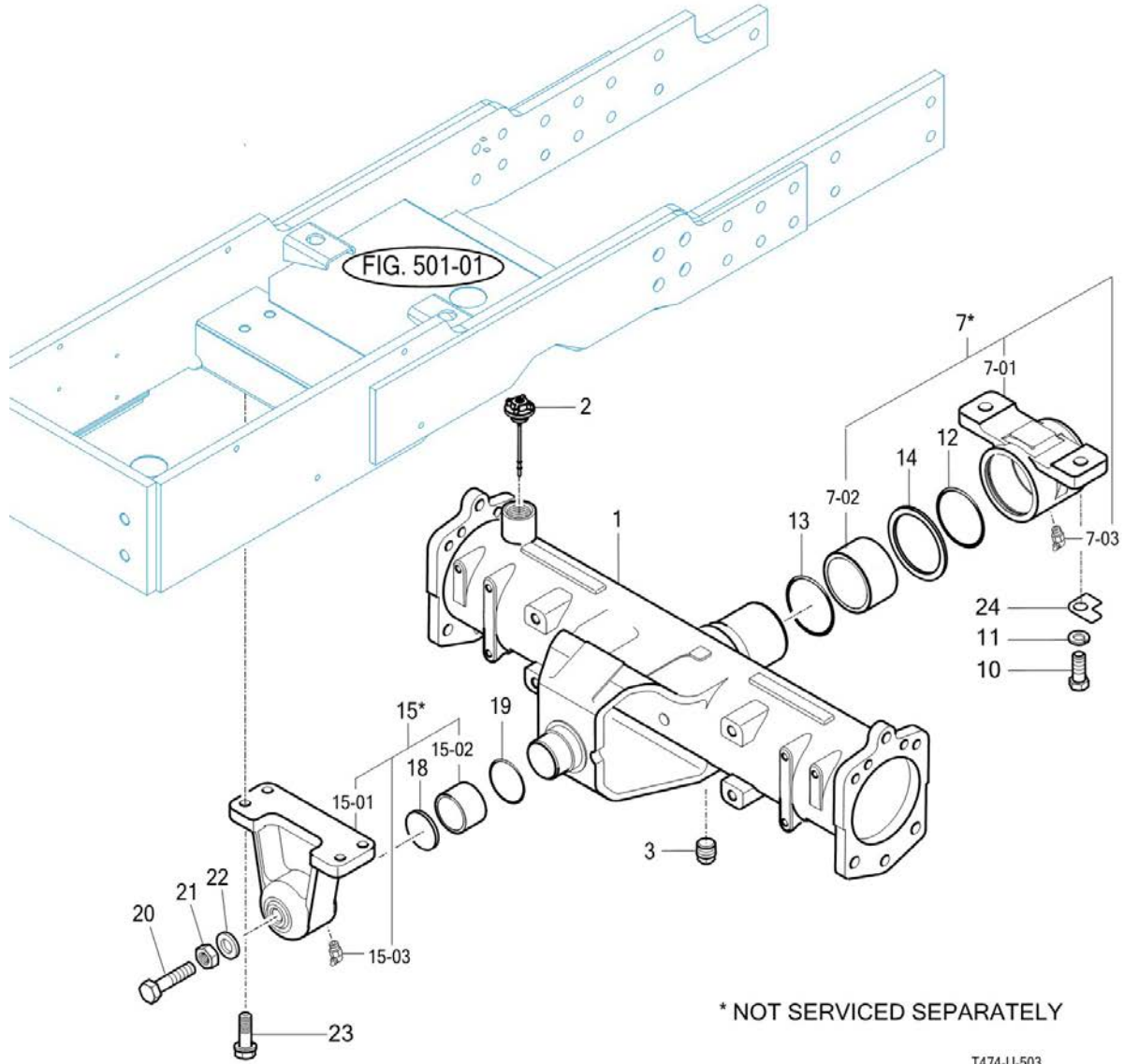
FIG 503

FRONT AXLE HOUSING

년/월
Year/Month

T474NH-B

2022-12



NOTE

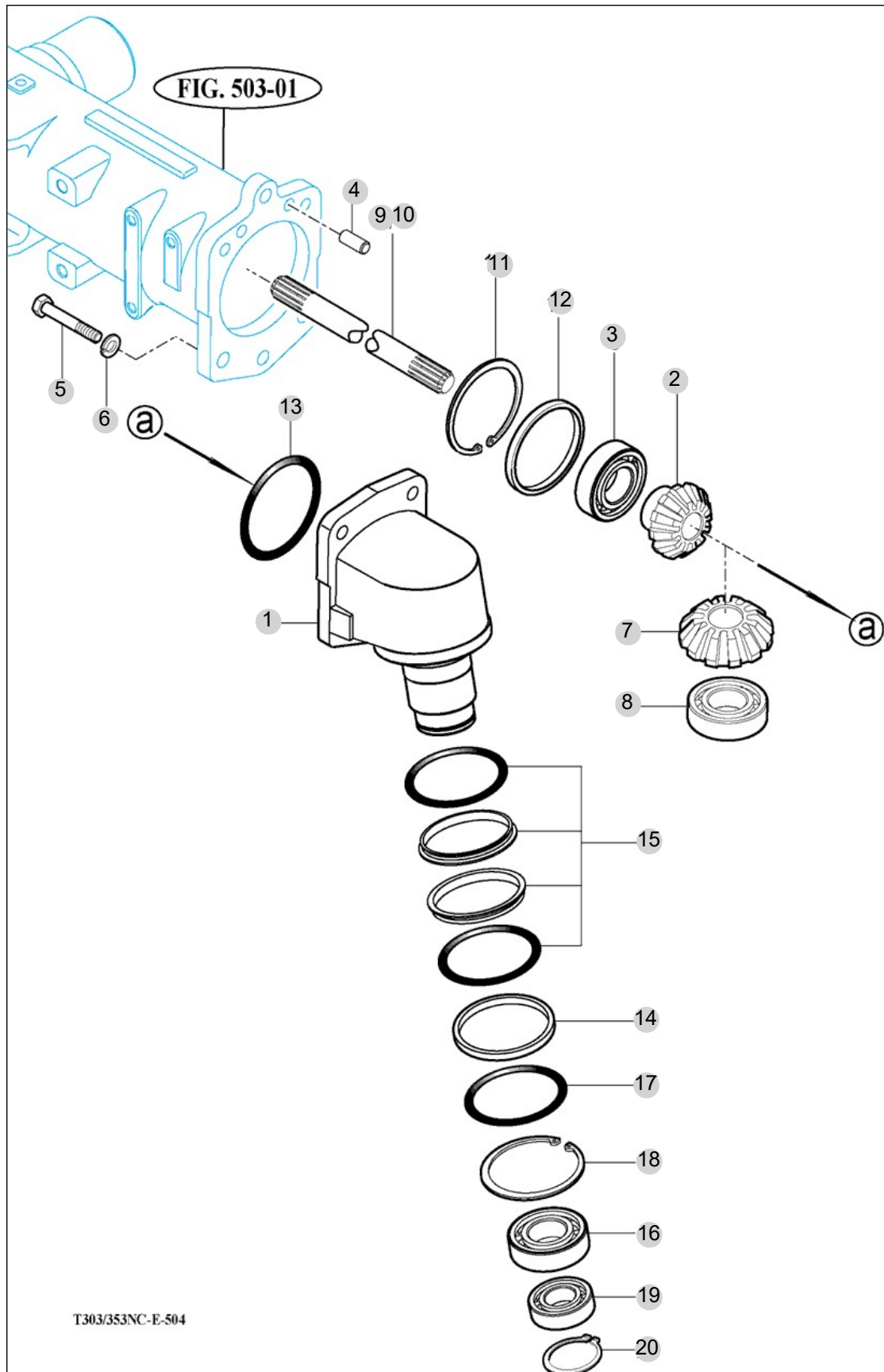
FIG 504

T474NH-B

FRONT GEAR CASE (1)

년/월
Year/Month

2022-12



NOTE

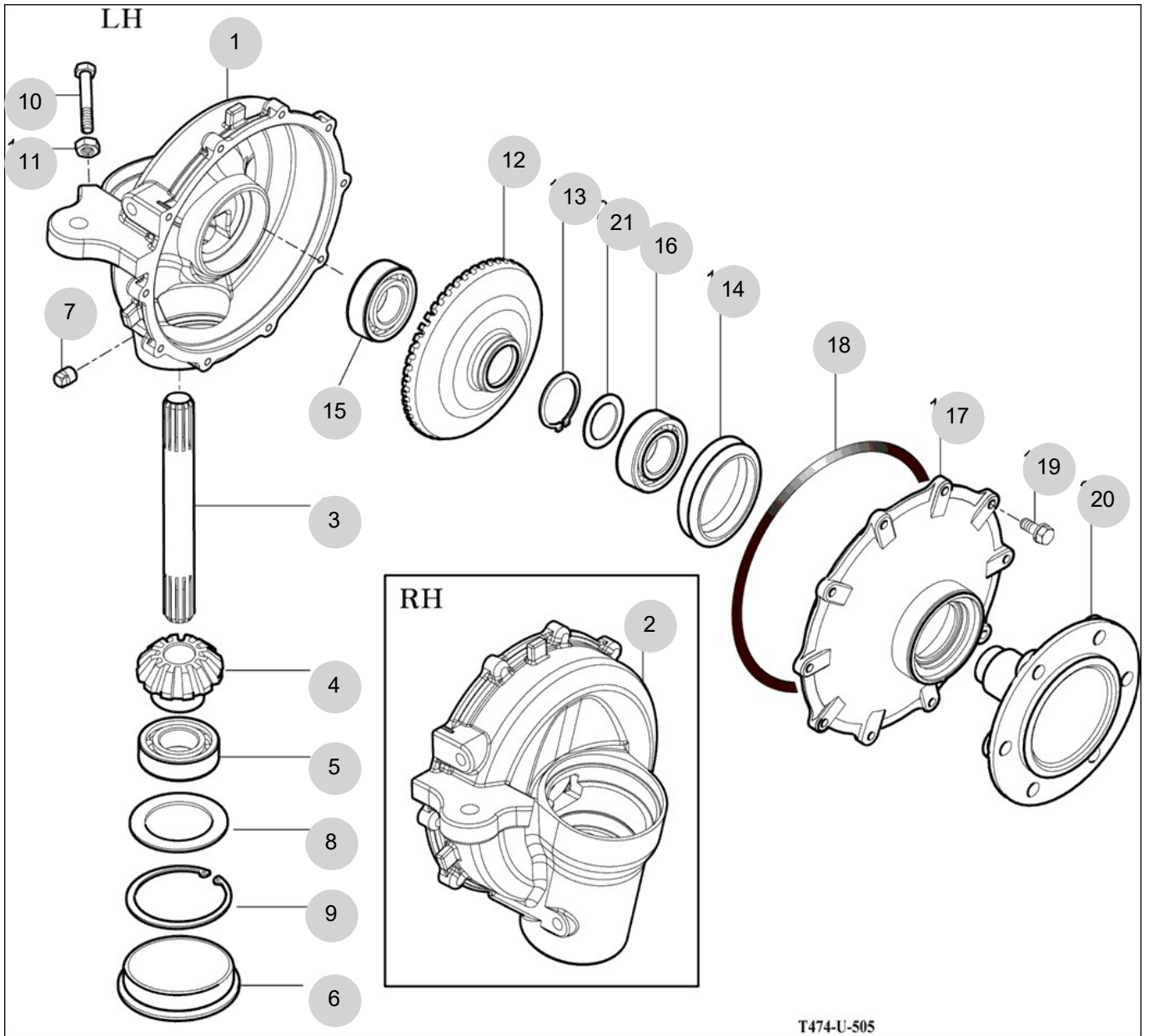
FIG 505

T474NH-B

FRONT GEAR CASE (2)

년/월
Year/Month

2022-12



NOTE

6. Hydraulic/3P-Link PART NO. T6

FIG 601 GEAR PUMP	179
FIG 602 CYLINDER CASE	181
FIG 603 LIFT ARM	183
FIG 604 CYLINDER	185
FIG 605 POSITION LINK (1)	187
FIG 606 POSITION LINK (2)	189
FIG 607 CONTROL VALVE	191
FIG 608 POSITION LEVER	193
FIG 609 HYDRAULIC PIPE (1)[SAP 가져오기]에서 생성함.	195
FIG 609 HYDRAULIC PIPE (1)	197
FIG 610 HYDRAULIC PIPE (2)	199
FIG 611 EXTERIOR HYD VALVE	201
FIG 612 3-POINT LINK	203
FIG 613 HITCH & COVER	206
FIG 614 EXTERIOR POSITION LEVER	208

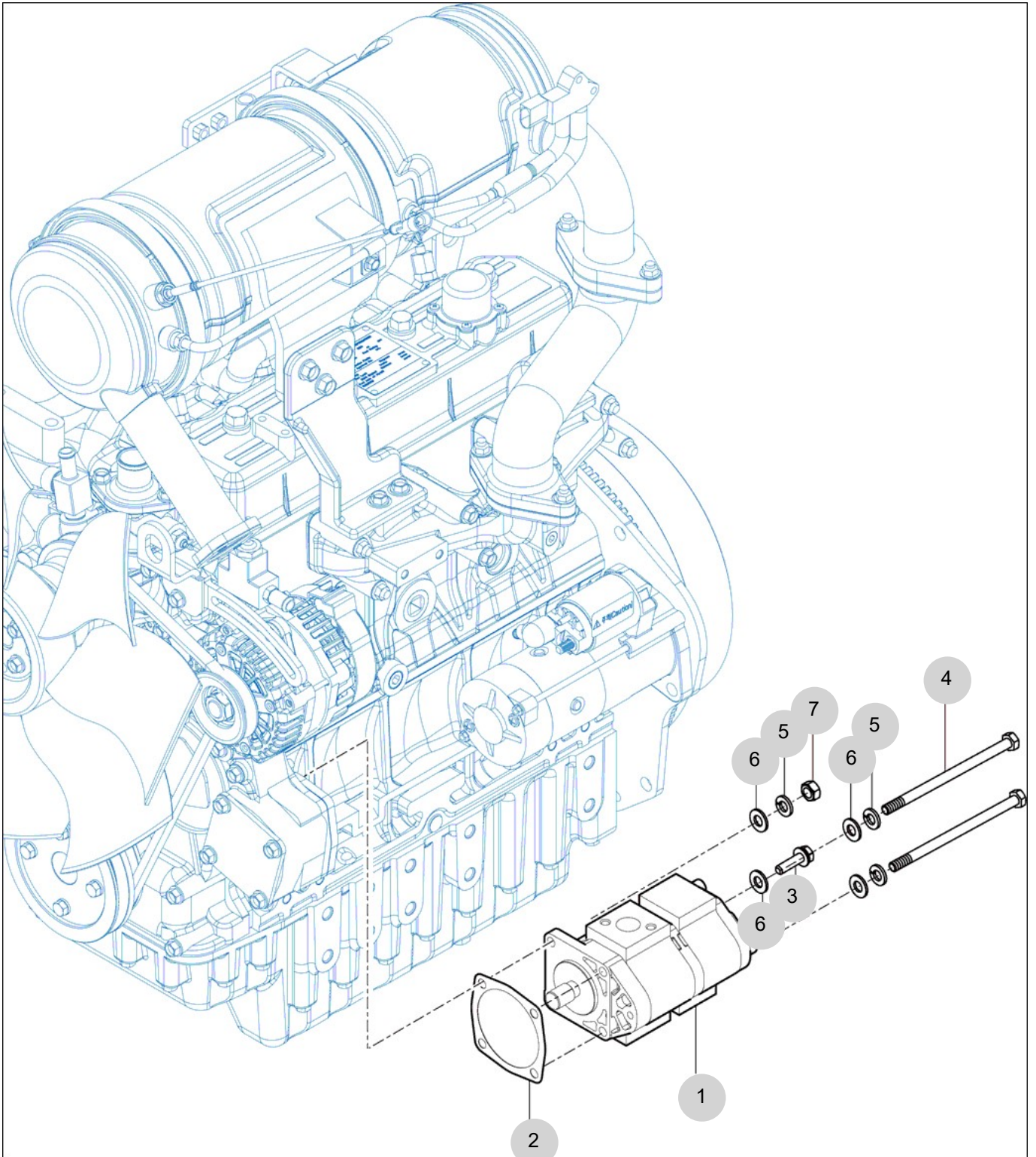
FIG 601

GEAR PUMP

년/월
Year/Month

T474NH-B

2022-12



NOTE

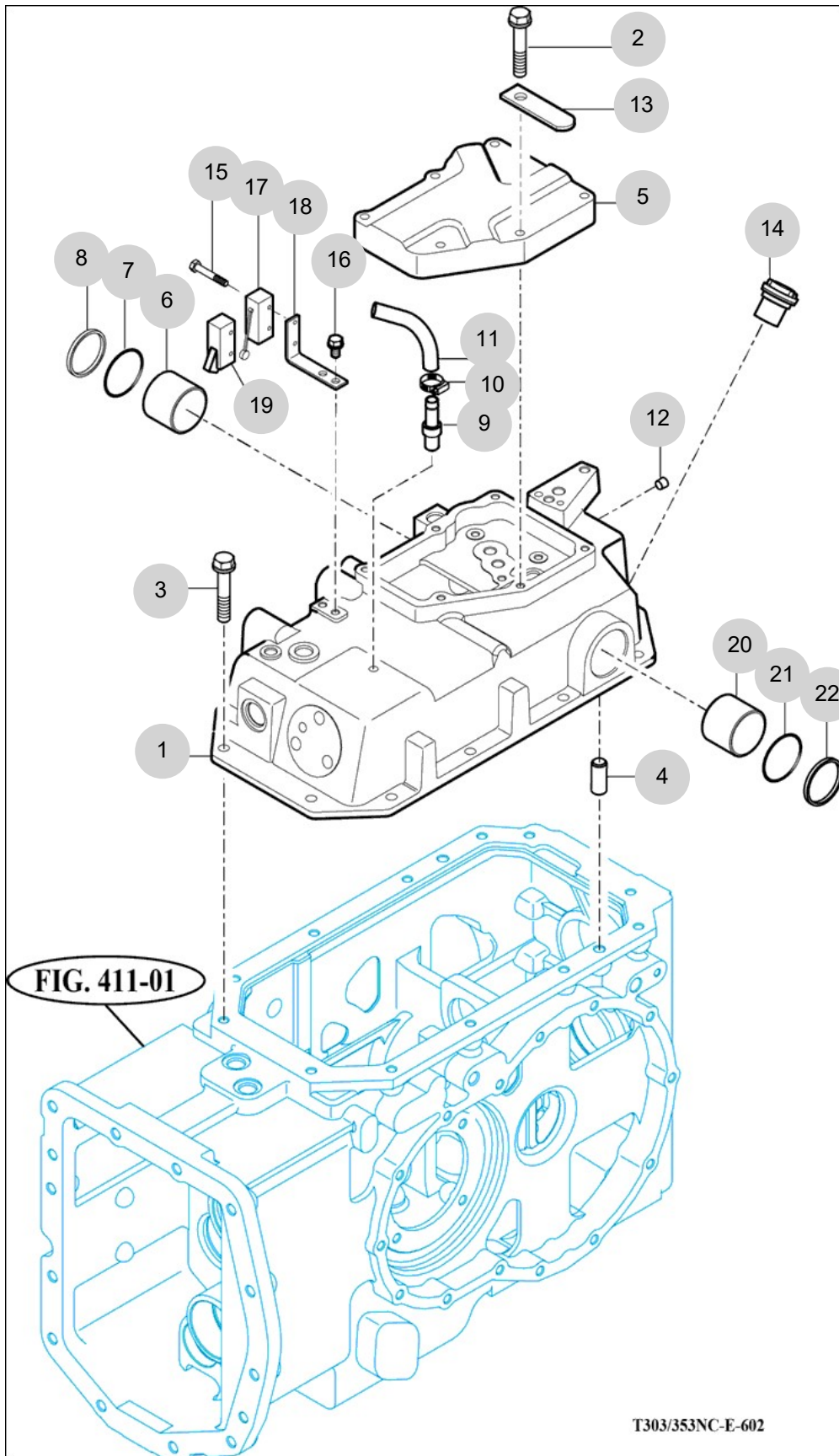
FIG 602

CYLINDER CASE

년/월
Year/Month

2022-12

T474NH-B



NOTE

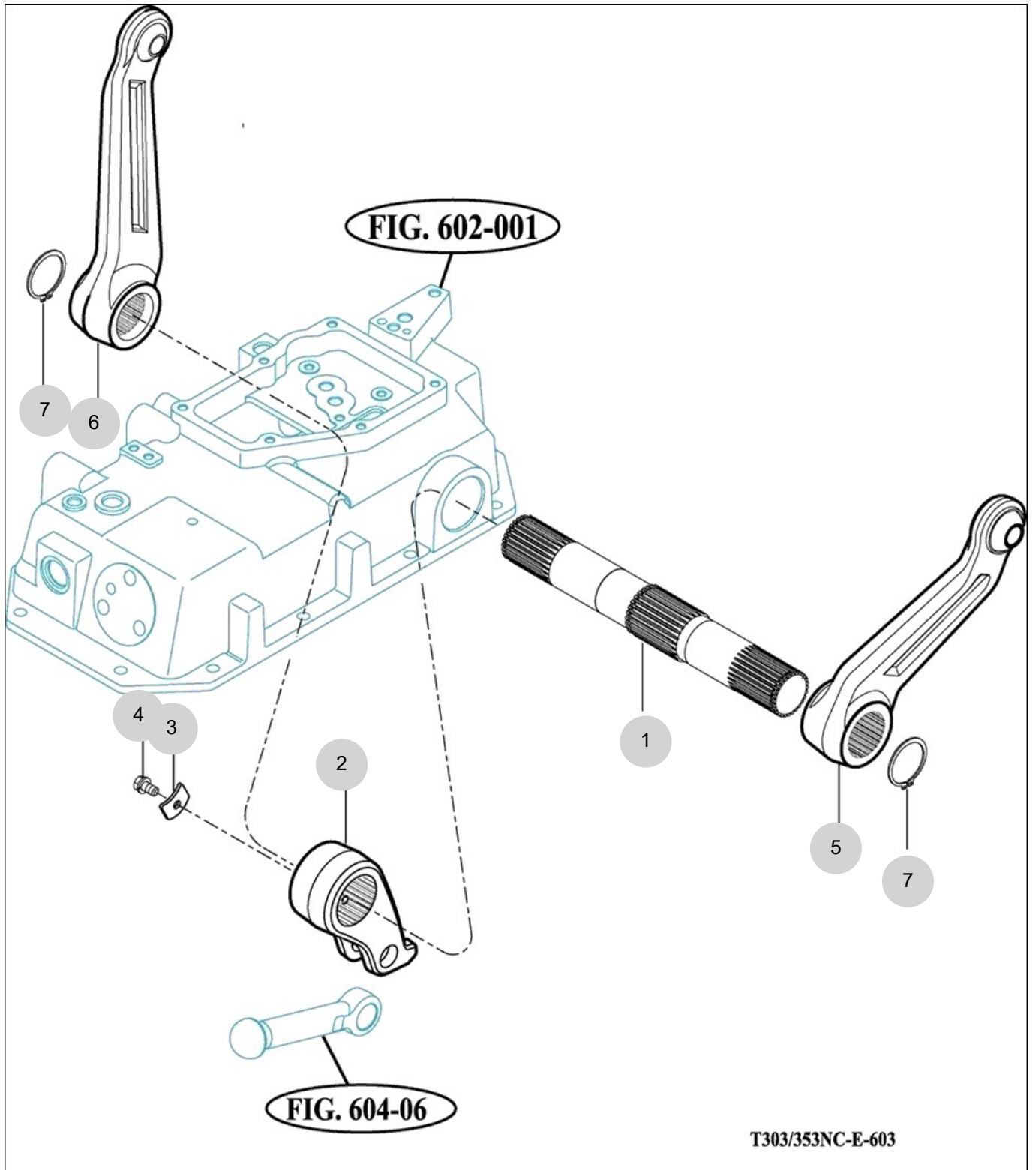
FIG 603

T474NH-B

LIFT ARM

년/월
Year/Month

2022-12



NOTE

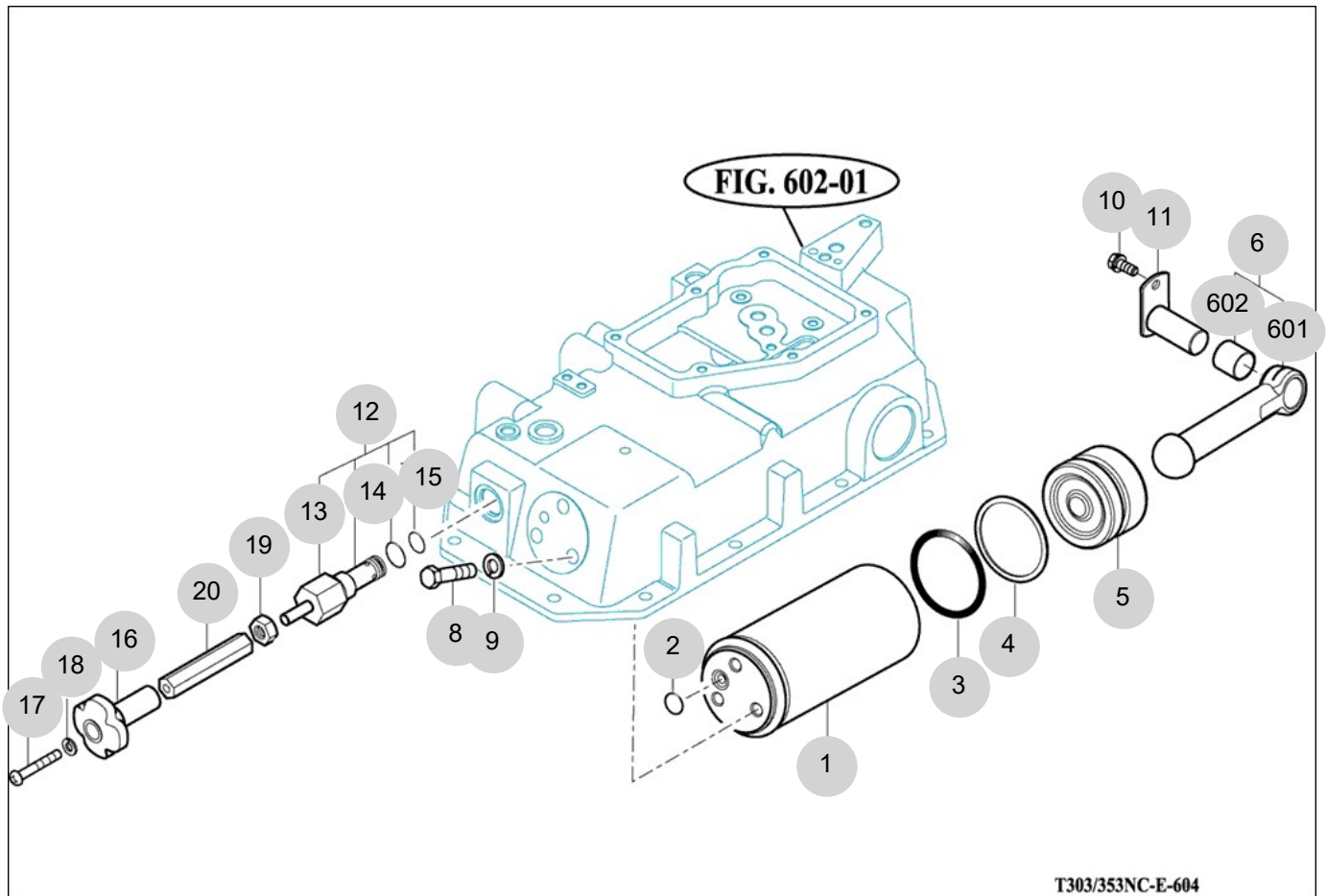
FIG 604

T474NH-B

CYLINDER

년/월
Year/Month

2022-12



NOTE

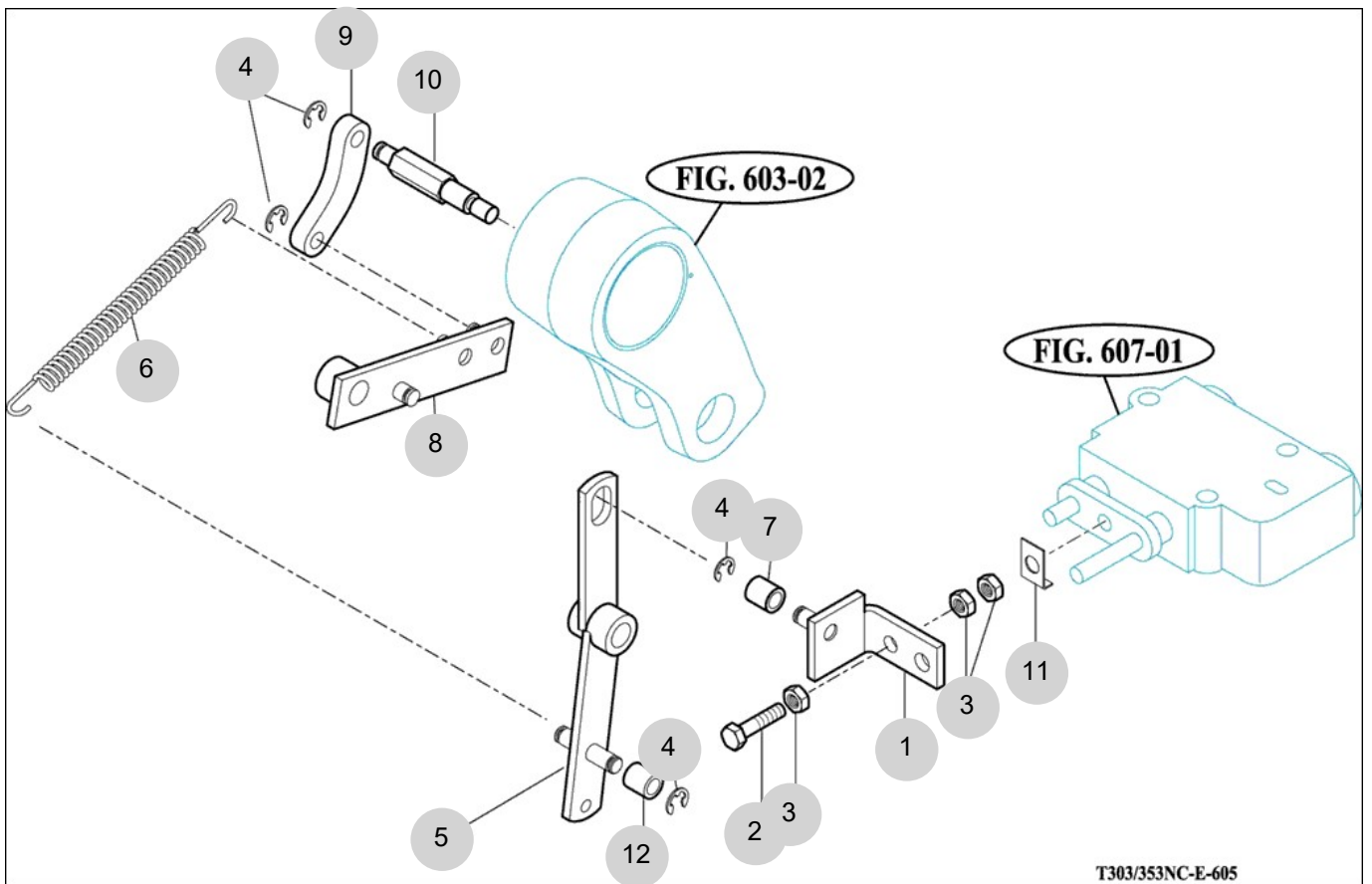
FIG 605

T474NH-B

POSITION LINK (1)

년/월
Year/Month

2022-12



NOTE

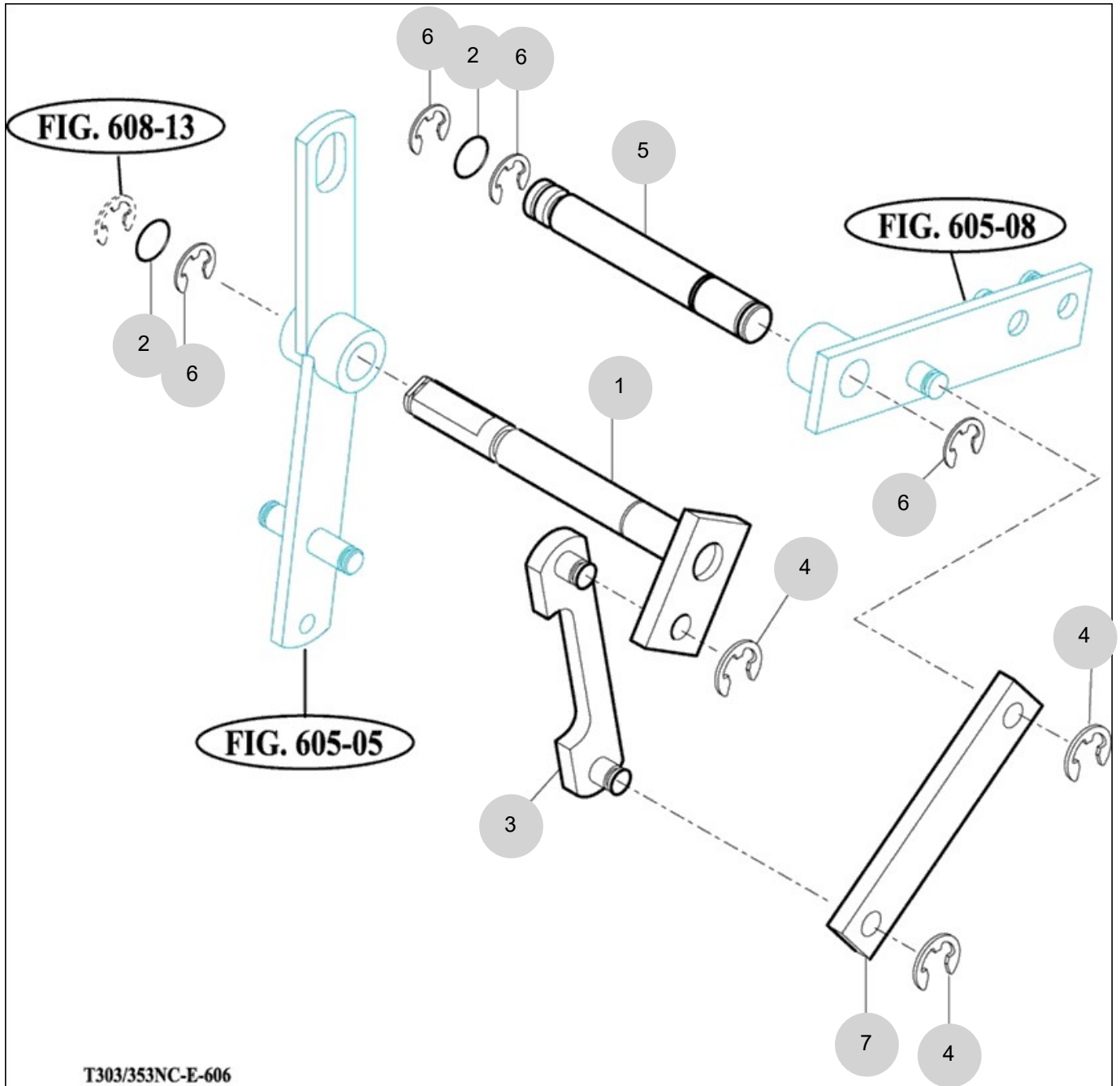
FIG 606

T474NH-B

POSITION LINK (2)

년/월
Year/Month

2022-12



NOTE

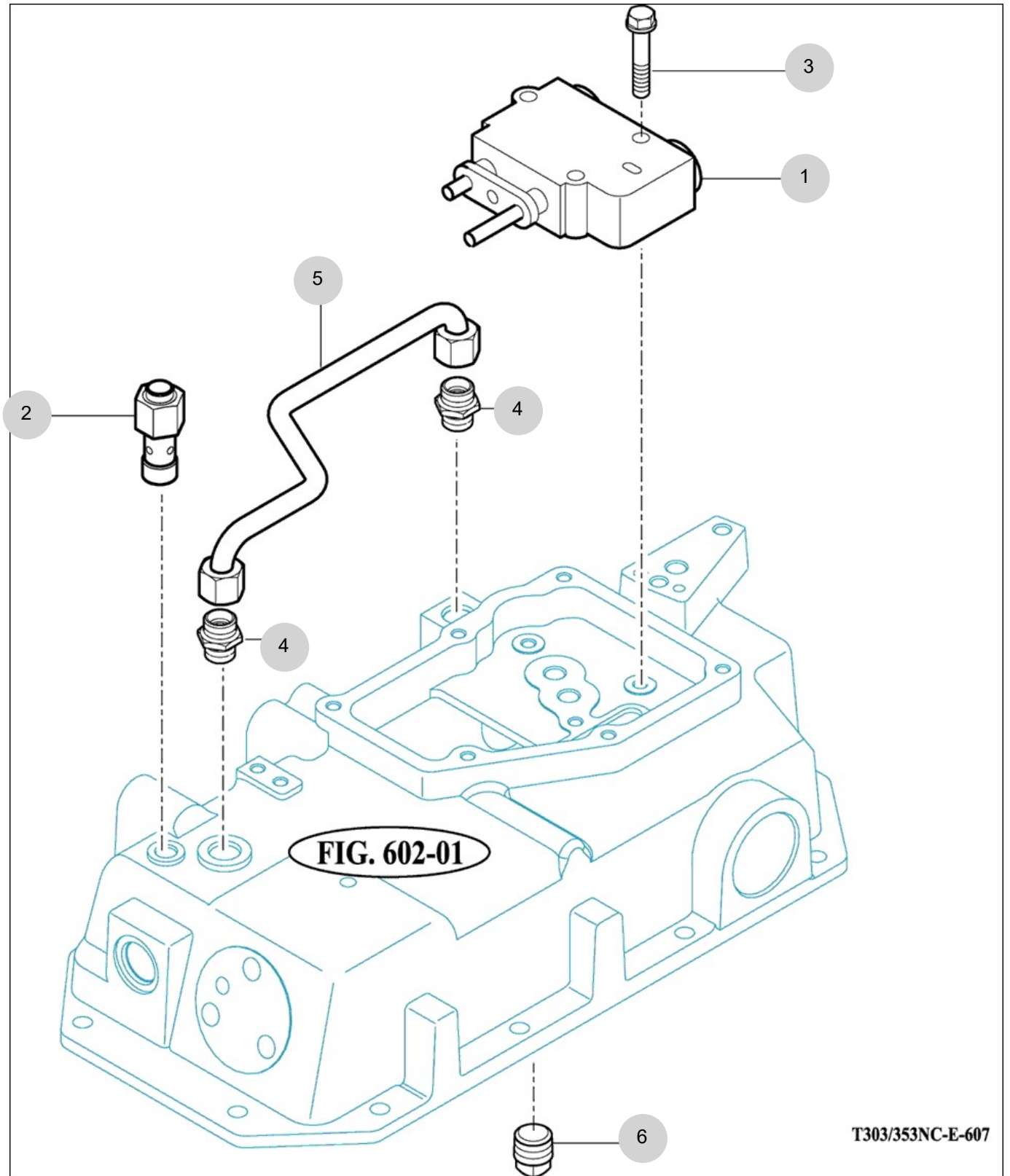
FIG 607

T474NH-B

CONTROL VALVE

년/월
Year/Month

2022-12



NOTE

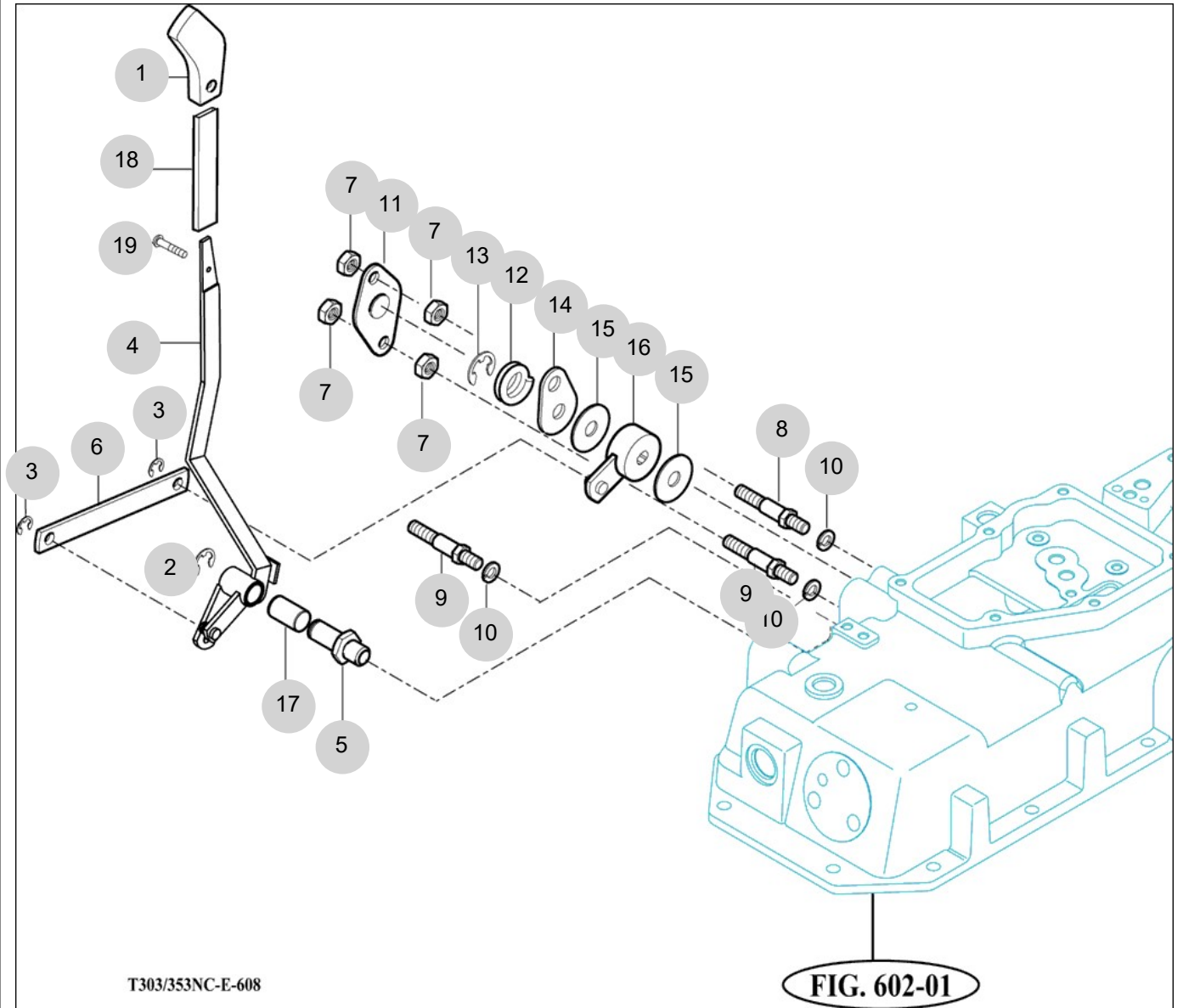
FIG 608

T474NH-B

POSITION LEVER

년/월
Year/Month

2022-12



NOTE

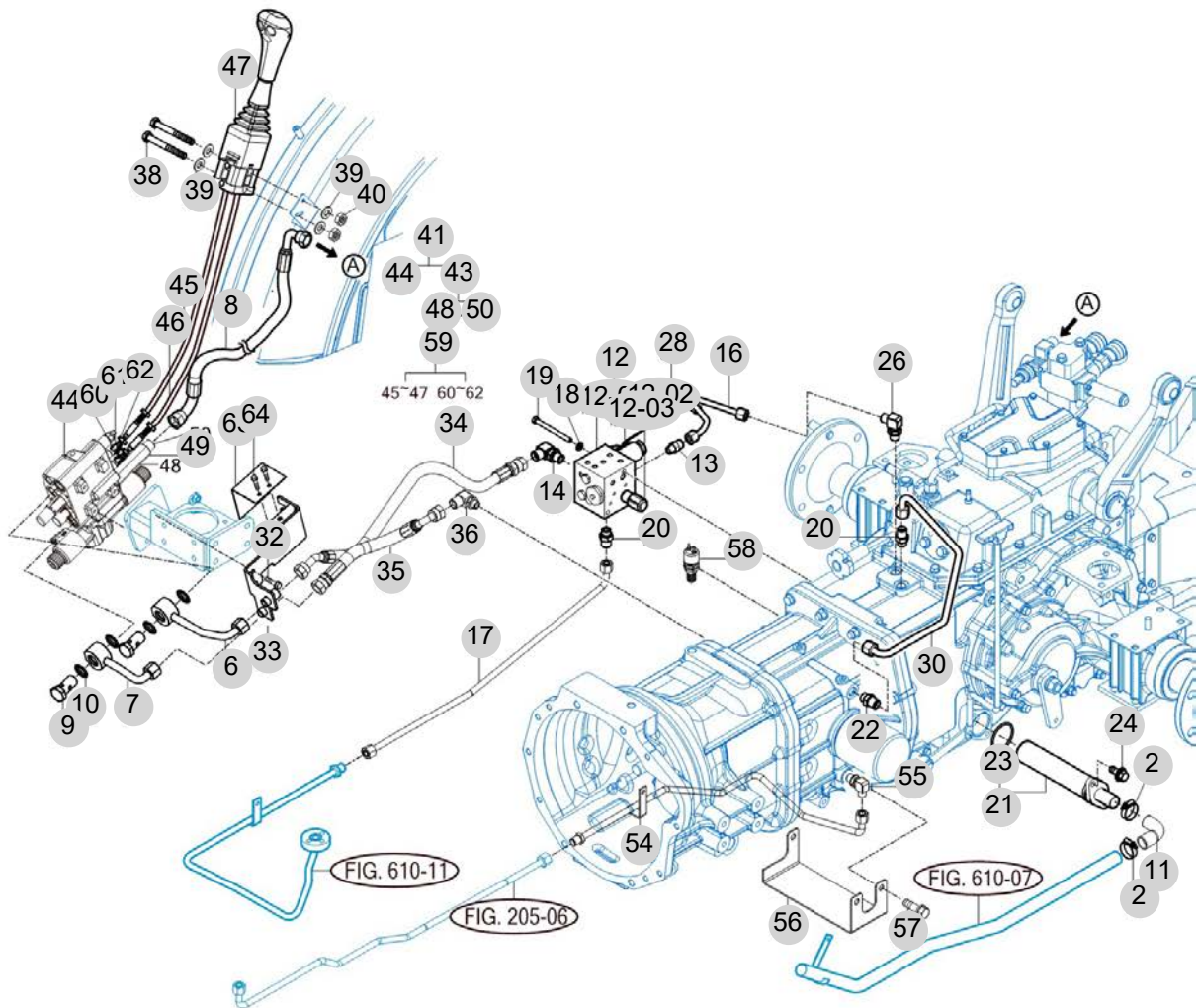
FIG 609

T474NH-B

HYDRAULIC PIPE (1)[SAP 가져오기]에서 생성
함.

년/월
Year/Month

2022-12



NOTE

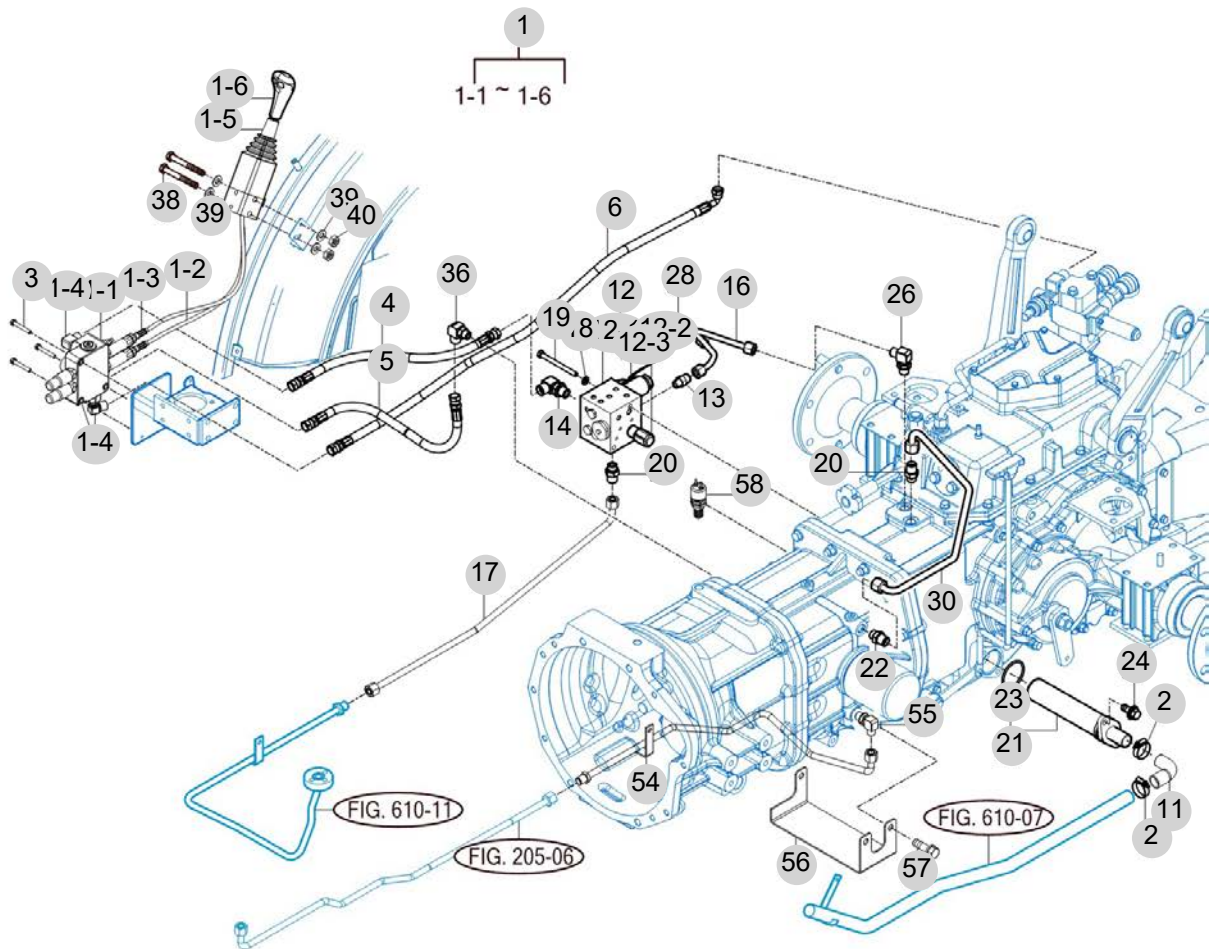
FIG 609

HYDRAULIC PIPE (1)

년/월
Year/Month

2022-12

T474NH-B



NOTE

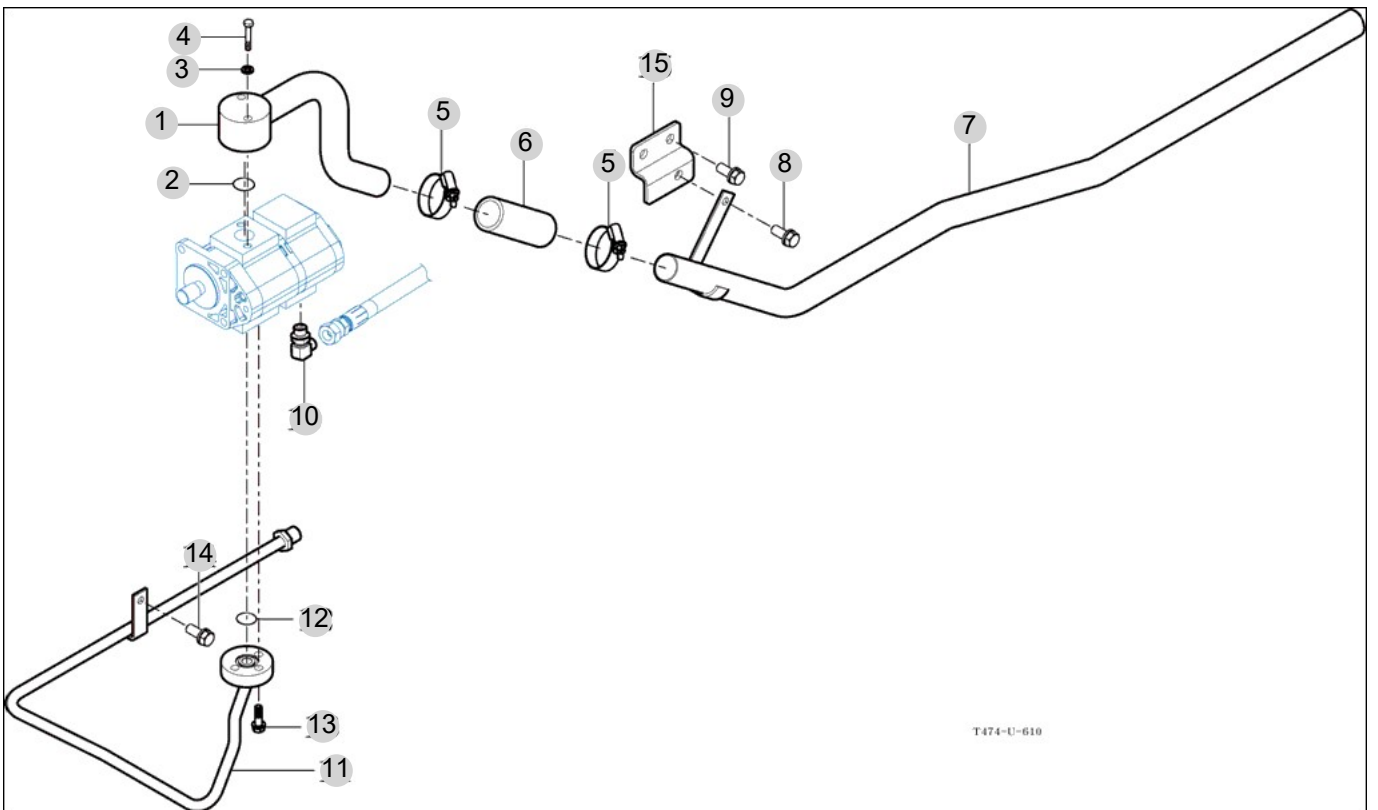
FIG 610

T474NH-B

HYDRAULIC PIPE (2)

년/월
Year/Month

2022-12



T474-U-610

NOTE

FIG 611

T474NH-B

EXTERIOR HYD VALVE

년/월
Year/Month

2022-12

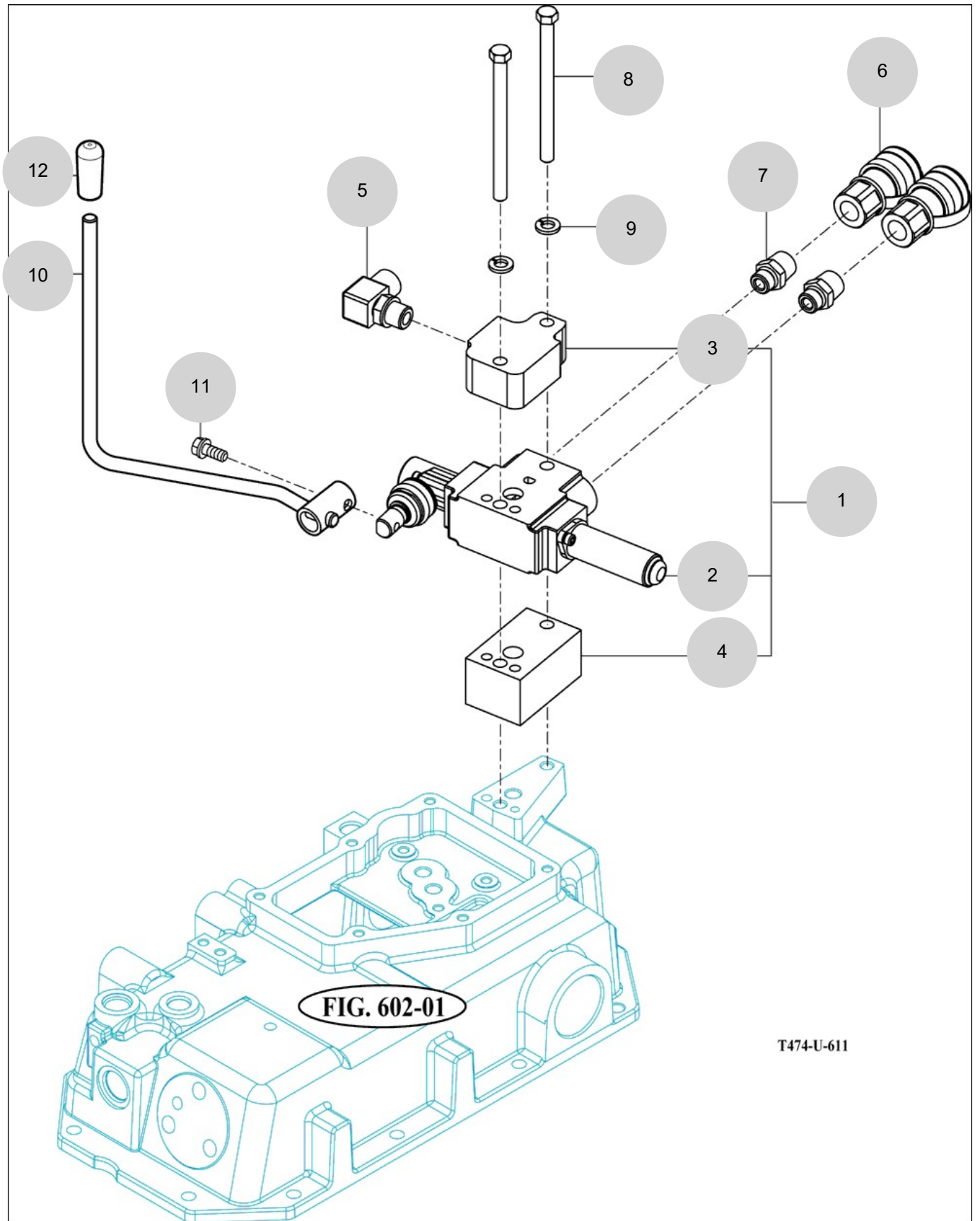


FIG. 602-01

T474-U-611

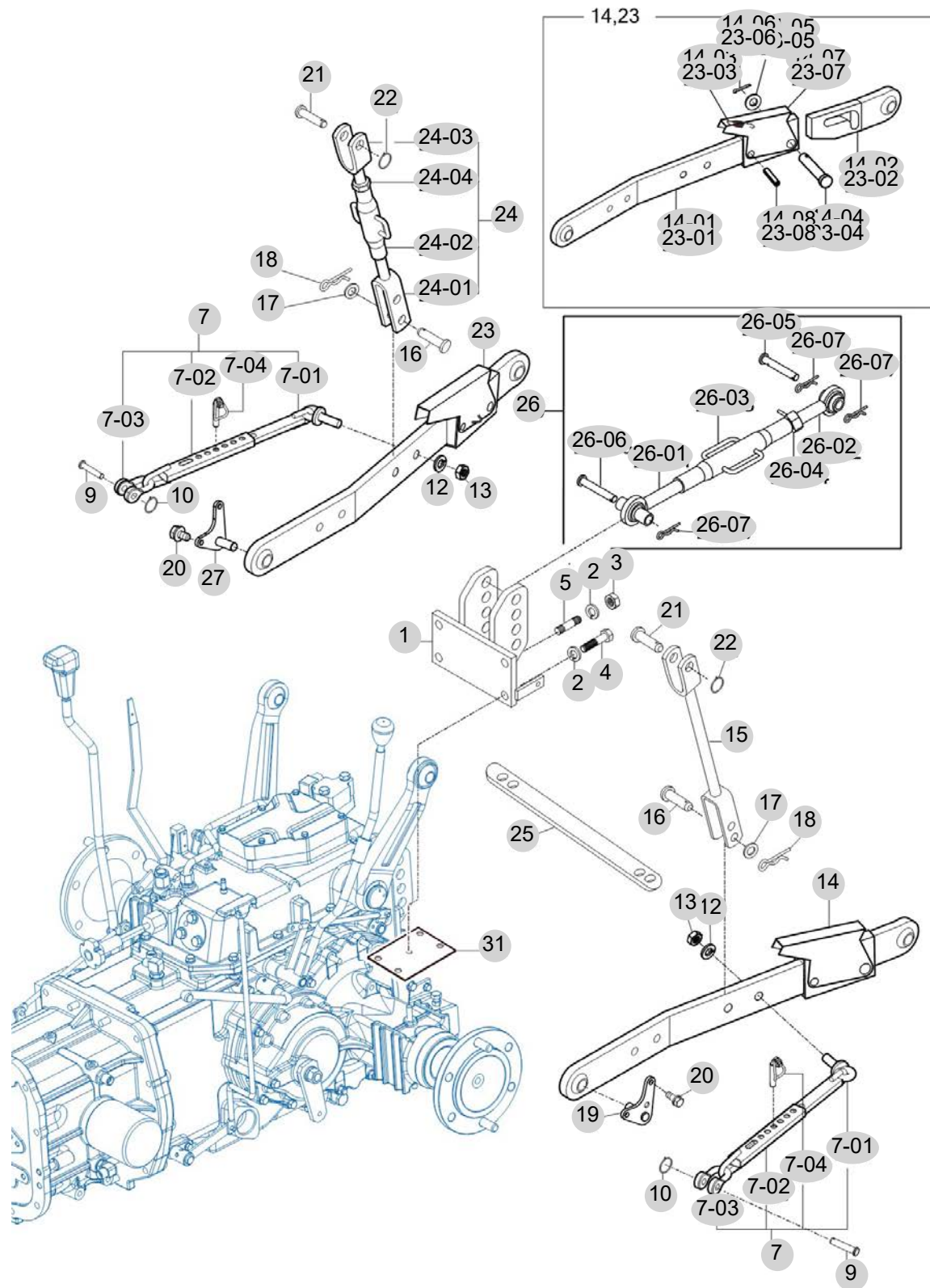
NOTE

FIG 612

3-POINT LINK

년/월
Year/Month

2022-12



NOTE

FIG 612		3-POINT LINK					년/월 Year/Month		
							2022-12		
T474NH-B		KEY NO	PART NO	DESCRIPTION	SPEC	QTY	REPAIR	EFFECTIVE DATE	REMARKS
612	1	16703172002GB	BRACKET COMP , TOP LINK			1			
612	2	V4011600140	WASHER , SPRING	M14		4			
612	3	V3043600140	NUT , HEX/2	M14		2			
612	4	V2014614035	BOLT , HEX			2			
612	5	V2514414030	BOLT , STUD/2	M14X30		2			
612	7	10525142500	CHAIN ASSY , CHECK			2			
612	7-01	10525142520	BAR COMP, CHECK			2			
612	7-02	10525142510	SOCKET COMP , CHECK			2			
612	7-03	16705142520	SHACKLE , CHECK CHAIN			2			
612	7-04	17705254200	PIN	M14		2			
612	9	79636110030	PIN , 12X48			2			
612	10	16735240060	Spring			2			
612	12	V4011600160	WASHER , SPRING	M16		2			
612	13	V3013600160	NUT , HEX/2	M16		2			
612	14	10525262300GB	LINK ASSY , LH LOWER			1			
612	14	10525262301GB	LOWER LINK ASSY , LH			1			
612	14-01	10525262310	LINK SUB, LOWER LH/FR			1			
612	14-02	10525262320	LINK SUB , LOWER LH/RR			1			
612	14-03	15155262330	SPRING , EXTENSION			1			
612	14-04	15155262340	PIN , 22X56			1			
612	14-05	V4111600220	WASHER , PLAIN	M22		1			
612	14-06	V5001940035	PIN , SPLIT	4X35		1			
612	14-07	15155262350	GRIP			1			
612	14-08	15155262360	PIN , SPRING			1			
612	15	10525243000GB	ROD ASSY , LIFT			1			
612	16	15605260014	PIN , 16X51			2			
612	17	V4111600160	WASHER , PLAIN	M16		2			
612	18	V5601600160	PIN , SNAP			2			
612	19	12385142200	PIN COMP , LH			2			
612	20	V2173612030	BOLT , HEX/S	M12X30		4			
612	21	16735243500	PIN			2			
612	22	16735240060	Spring			2			
612	23	10525262200GB	LINK ASSY , RH LOWER			1			
612	23	10525262201GB	LOWER LINK ASSY , RH			1			
612	23-01	10525262210	LINK SUB, LOWER RH/FR			1			
612	23-02	10525262220	LINK SUB , LOWER RH/RR			1			
612	23-03	15155262330	SPRING , EXTENSION			1			
612	23-04	15155262340	PIN , 22X56			1			
612	23-05	V4111600220	WASHER , PLAIN	M22		1			
612	23-06	V5001940035	PIN , SPLIT	4X35		1			
612	23-07	15155262350	GRIP			1			
612	23-08	15155262360	PIN , SPRING			1			
612	24	10525244000GB	ROD ASSY , RH LIFT			1			
612	24-01	10525145200	FORK COMP , LOW			1			
612	24-02	16705145100	SLIP COMP			1			
NOTE									

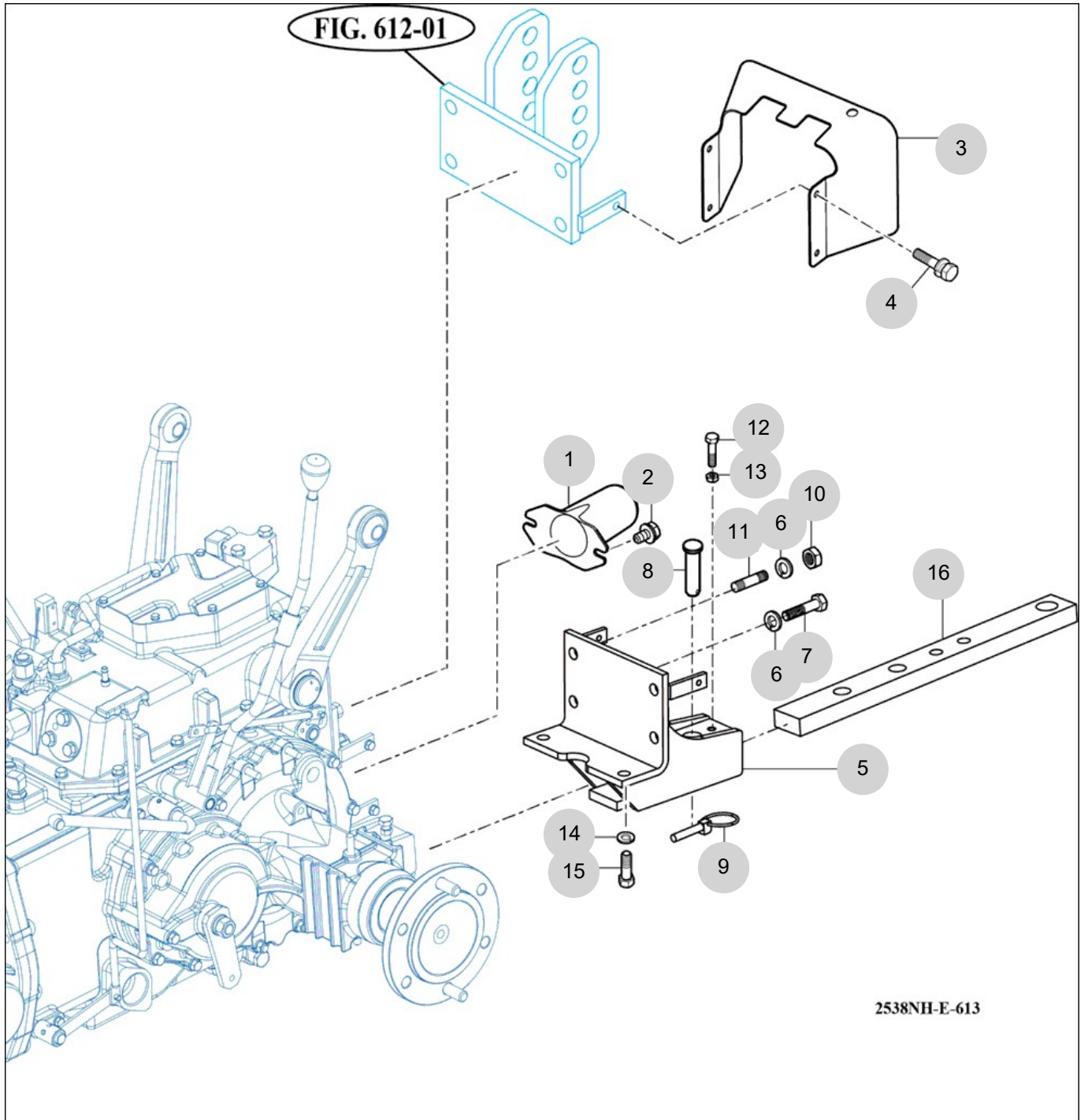
FIG 613

HITCH & COVER

년/월
Year/Month

2022-12

T474NH-B



NOTE

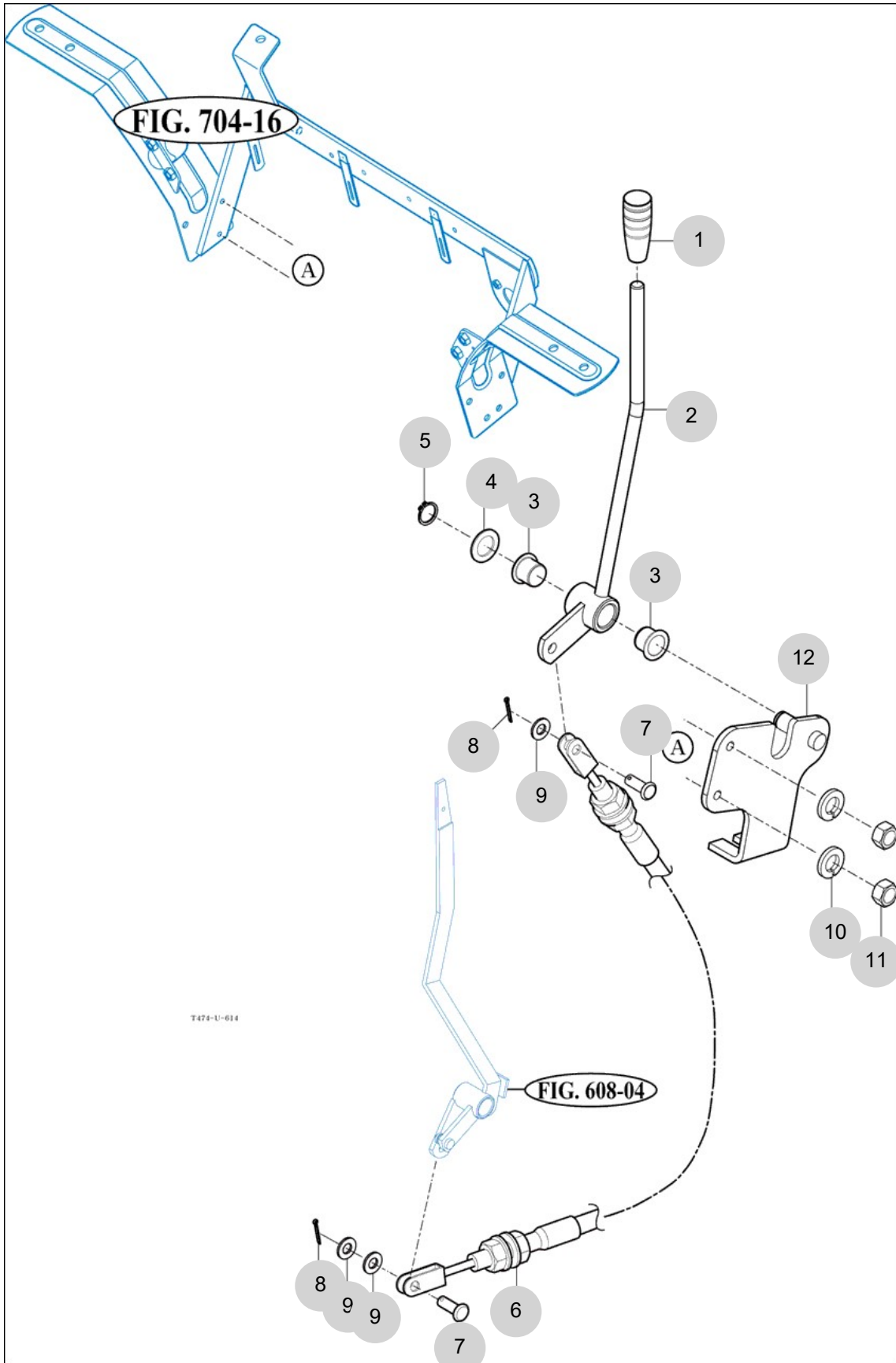
FIG 614

EXTERIOR POSITION LEVER

년/월
Year/Month

T474NH-B

2022-12



NOTE

7. Sheet Metal & Cabin PART NO. T7

FIG 701 HOOD FRAME	211
FIG 702 HOOD	214
FIG 703 EXTENSION COVER	217
FIG 704 FENDER & REAR FRAME	219
FIG 705 DASHPANEL	222
FIG 706 FLOOR PANEL	224
FIG 707 SEAT	226
FIG 708 FRONT & REAR MOUNTING[SAP 가져오기]에서 생성함.	228
FIG 708 FRONT & REAR MOUNTING	230
FIG 709 ROPS	232

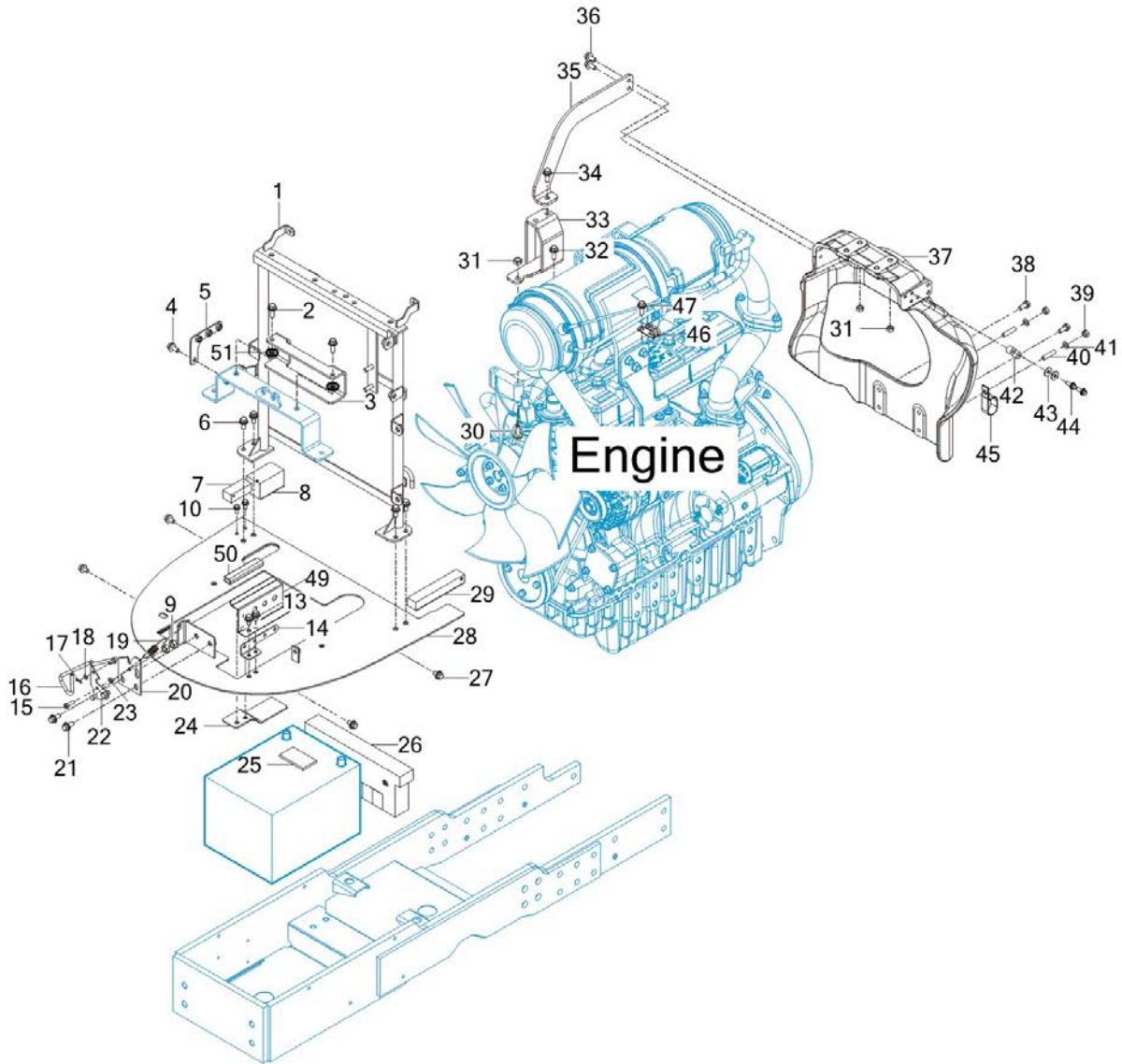
FIG 701

HOOD FRAME

년/월
Year/Month

T474NH-B

2022-12



NOTE

FIG 701		HOOD FRAME						년/월 Year/Month	
								2022-12	
T474NH-B		KEY NO	PART NO	DESCRIPTION	SPEC	QTY	REPAIR	EFFECTIVE DATE	REMARKS
701	1	13831031100GB	FRAME COMP , FRONT			1			
701	2	V2183608020	BOLT , HEX/SP	M8X20		2			
701	2	V2183608030	BOLT , HEX/SP	M8X30		2			
701	3	13831811400GB	BRACKET , BATTERY FIX			1			
701	4	V2183608020	BOLT , HEX/SP	M8X20		1			
701	5	13831613200GB	BRACKET COMP , RELAY			1			
701	6	V2183608020	BOLT , HEX/SP	M8X20		4			
701	7	13831030700	INSULATOR , B			1			
701	8	13831030800	INSULATOR , C			1			
701	9	V3013600060	NUT .HEX NORMAL /2	M6		2			
701	10	V2123606016	BOLT , HEX /SP	M6X16		2			
701	13	V2183606016	BOLT , HEX/SP	M6X16		2			
701	14	13831613400GB	BRACKET , FUSE			1			
701	15	V2323606020	BOLT , C/R HEX/SP	M6X20		1			
701	16	18366024300	ROD COMP, OPEN			1			
701	17	V5001925020	PIN D2.5x20	2.5X20		1			
701	18	V4111600060	WASHER , PLAIN	M6		1			
701	19	14143120020	SPRING , TENSION 53	D=1.2		1			
701	19	11106020010	SPRING , TENSION 40			1			
701	20	11106024210	STAY , HOOD B			1			
701	21	V2183608020	BOLT , HEX/SP	M8X20		2			
701	22	11106024100	STAY COMP , HOOD A			1			
701	23	V4111600060	WASHER , PLAIN	M6		1			
701	24	13831052200GB	BRACKET COMP , COVER			1			
701	25	13151112011	INSULATOR , 40X70	T=5		1			
701	26	13831030500	INSULATE , GRILL PLATE			1			
701	27	V2183608016	BOLT , HEX/SP	M8X16		4			
701	28	13831052101GB	PLATE COMP , GRILL			1			
701	29	13831030600	INSULATOR , A			1			
701	30	V2173610055	BOLT , HEX/S	M10X55		1			
701	31	V3042600100	NUT , HEX/2	M10		3			
701	32	V2183610025	BOLT , HEX/SP	M10X25		1			
701	33	13801712100GB	STAND COMP			1			
701	34	V2183608025	BOLT , HEX/SP	M8X25		1			
701	35	13831811200GB	STRUT BAR			1			
701	36	V2183608020	BOLT , HEX/SP	M8X20		2			
701	37	13831811100GB	E/G REAR SUPPORTER			1			
701	38	V2173608025	BOLT , HEX/S	M8X25		2			
701	39	V3042600080	NUT , HEX/2	M8		2			
701	40	V2513408025	BOLT , STUD/2	M8X25		2			
701	41	V4011600080	WASHER , SPRING	M8		2			
701	42	13831811300	SPACER			2			
701	43	V4111600060	WASHER , PLAIN	M6		2			
701	44	V2113606040	BOLT , HEX /S	M6X40		2			
701	45	14441010161	CLAMP , RADIATOR HOSE	1X1X1		1			
NOTE									

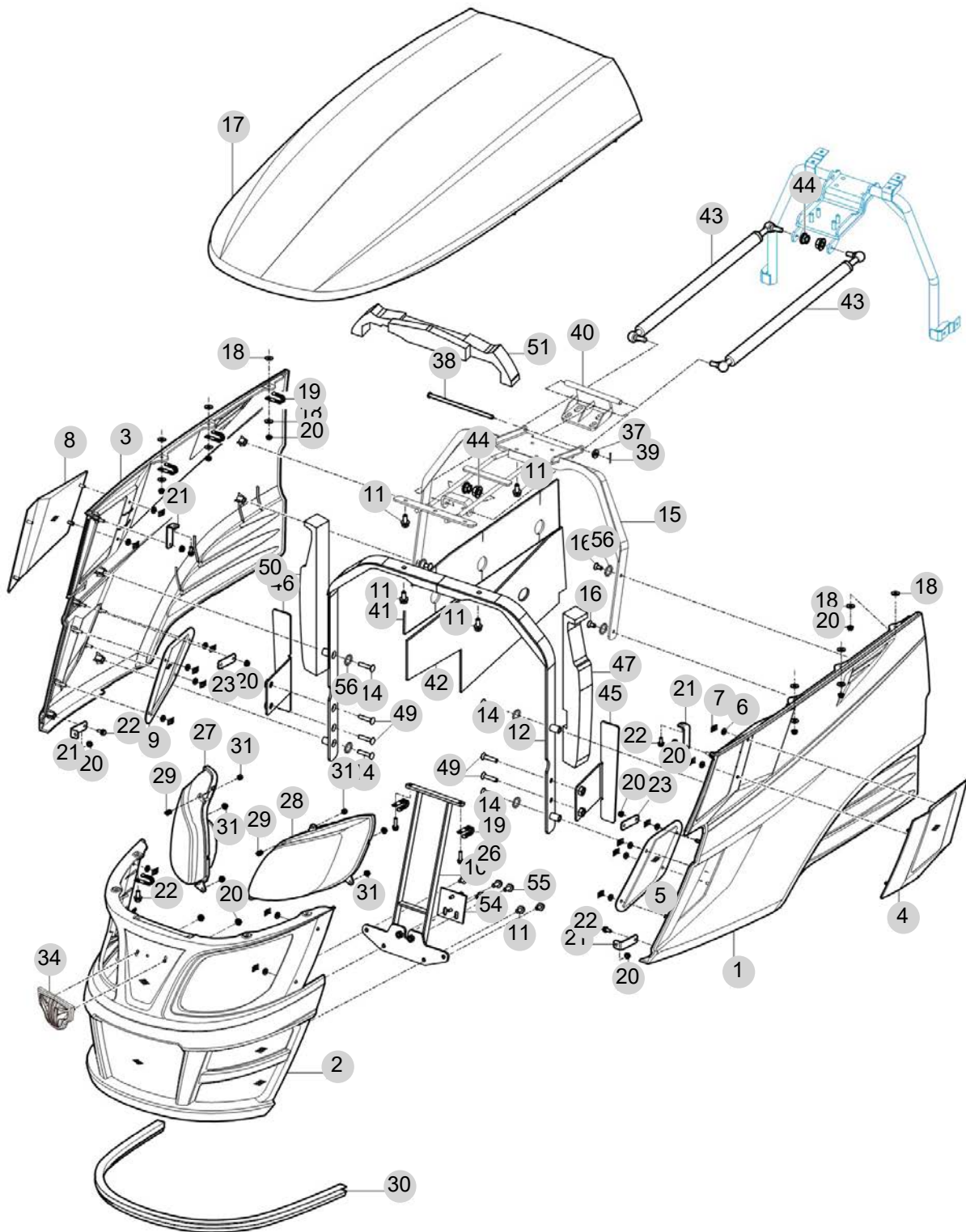
FIG 702

HOOD

년/월
Year/Month

2022-12

T474NH-B



NOTE

FIG 702		HOOD					년/월 Year/Month		
							2022-12		
T474NH-B		KEY NO	PART NO	DESCRIPTION	SPEC	QTY	REPAIR	EFFECTIVE DATE	REMARKS
702	1	17406203301SR	COVER COMP , SIDE/LH			1			
702	1	17406203302SR	COVER COMP , SIDE/LH			1			
702	1	17406203303SR	COVER COMP , SIDE/LH			1			
702	2	17406203200GB	GRILLE COMP			1			
702	2	17406203201GB	GRILLE COMP			1			
702	3	17406203401SR	COVER COMP , SIDE/RH			1			
702	3	17406203402SR	COVER COMP , SIDE/RH			1			
702	3	17406203403SR	COVER COMP , SIDE/RH			1			
702	4	17406203500GB	NET , UPR/LH			1			
702	5	17406203600GB	NET , LOW/LH			1			
702	6	14446010150	WASHER , NET			22			
702	7	V3501600060	NUT, PUSH-ON SPRING	M6		22			
702	8	17406203700GB	NET , UPR/RH			1			
702	9	17406203800GB	NET , LOW/RH			1			
702	10	18366202500GB	PIN COMP , HOOD LOCK			1			
702	11	V2183608020	BOLT , HEX/SP	M8X20		13			
702	12	13836202300GB	FRAME COMP , FR			1			
702	14	V1122608040	SCREW , C/R FLAT	M8X40		4			
702	15	17406202700GB	FRAME COMP , HOOD/RR			1			
702	15	11866202700GB	FRAME COMP , HOOD/RR			1			
702	15	13836202701GB	FRAME COMP , HOOD/RR			1			
702	16	V1122608016	SCREW , C/R FLAT	M8X16		4			
702	17	17406203101SR	HOOD COMP			1			
702	17	17406203102SR	HOOD COMP			1			
702	17	17406203103SR	HOOD COMP			1			
702	18	35605033020	WASHER , WIRE WITHDRAWAL	T=1.6		12			
702	19	37371720090	CLAMP , W/HARNES			6			
702	20	V3802600060	NUT , HEX FLANGE	M6		16			
702	21	17406203010GB	PLATE , UPR/SIDE			4			
702	21	17406203011GB	PLATE , UPR/SIDE			4			
702	21	17406203010GB	PLATE , UPR/SIDE			4			
702	22	V2123606016	BOLT , HEX /SP	M6X16		8			
702	23	17406203020GB	PLATE , MID/SIDE			2			
702	26	V2123606025	BOLT , HEX /SP	M6X25		2			
702	27	17406525001	HEAD LAMP ASSY , RH			1			
702	27	17406525002	HEAD LAMP ASSY , RH			1			
702	28	17406524001	HEAD LAMP ASSY , LH			1			
702	28	17406524002	HEAD LAMP ASSY , LH			1			
702	29	36108010080	SPRING , ENTRANCE FOR SEED(HC016)	D=1.6		2			
702	30	17406203900	INSULATOR , HOOD			1			
702	31	19027210060	NUT , NYLON , M6	M6XP1		6			
702	34	19959010010	EMBLEM	1X1X1		1			
702	34	19959010011	EMBLEM			1			
702	34	17406212000	EMBLEM ASSY , V5			1			
702	35	V4111600060	WASHER , PLAIN	M6		2			
NOTE									

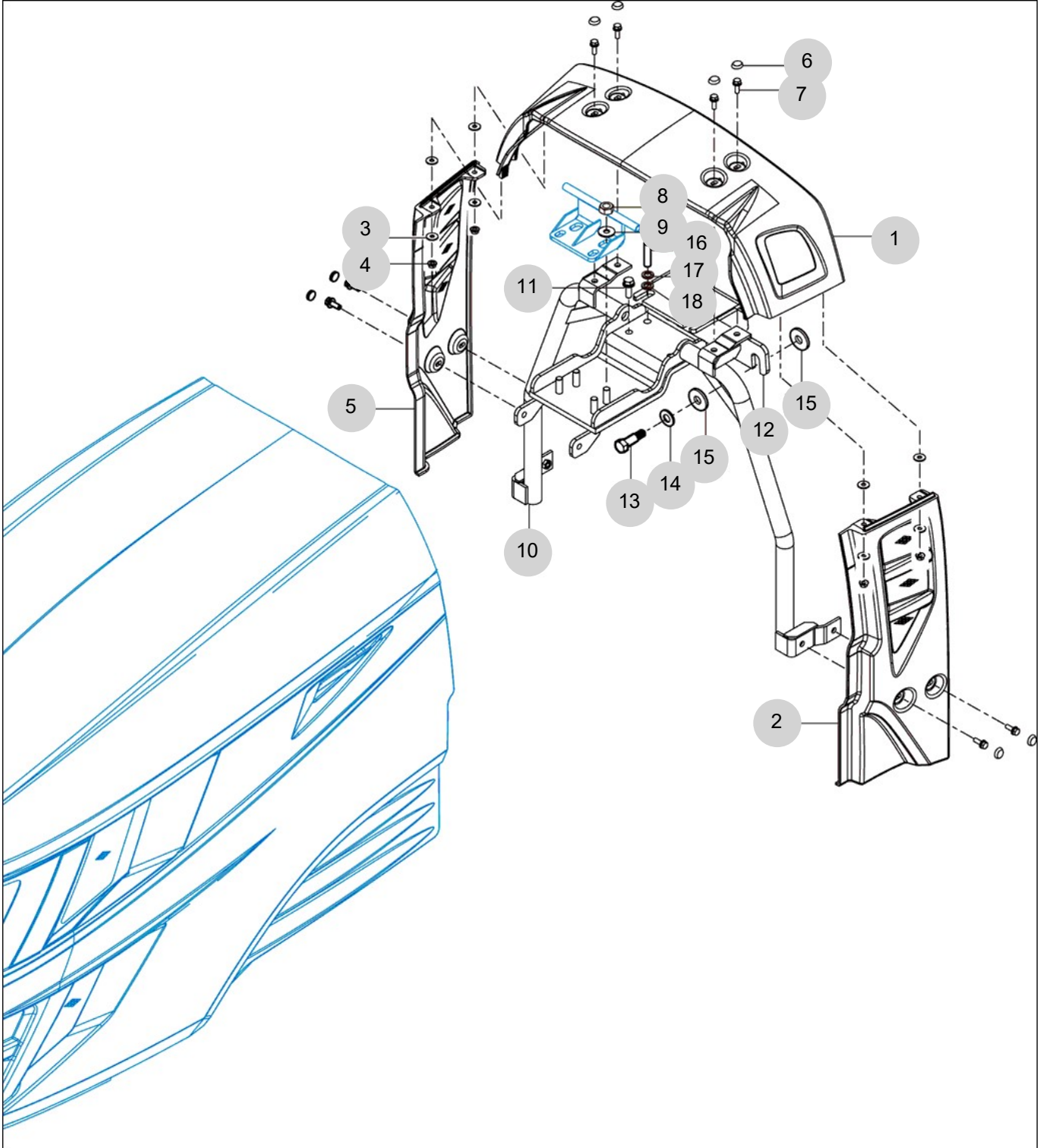
FIG 703

EXTENSION COVER

년/월
Year/Month

2022-12

T474NH-B



NOTE

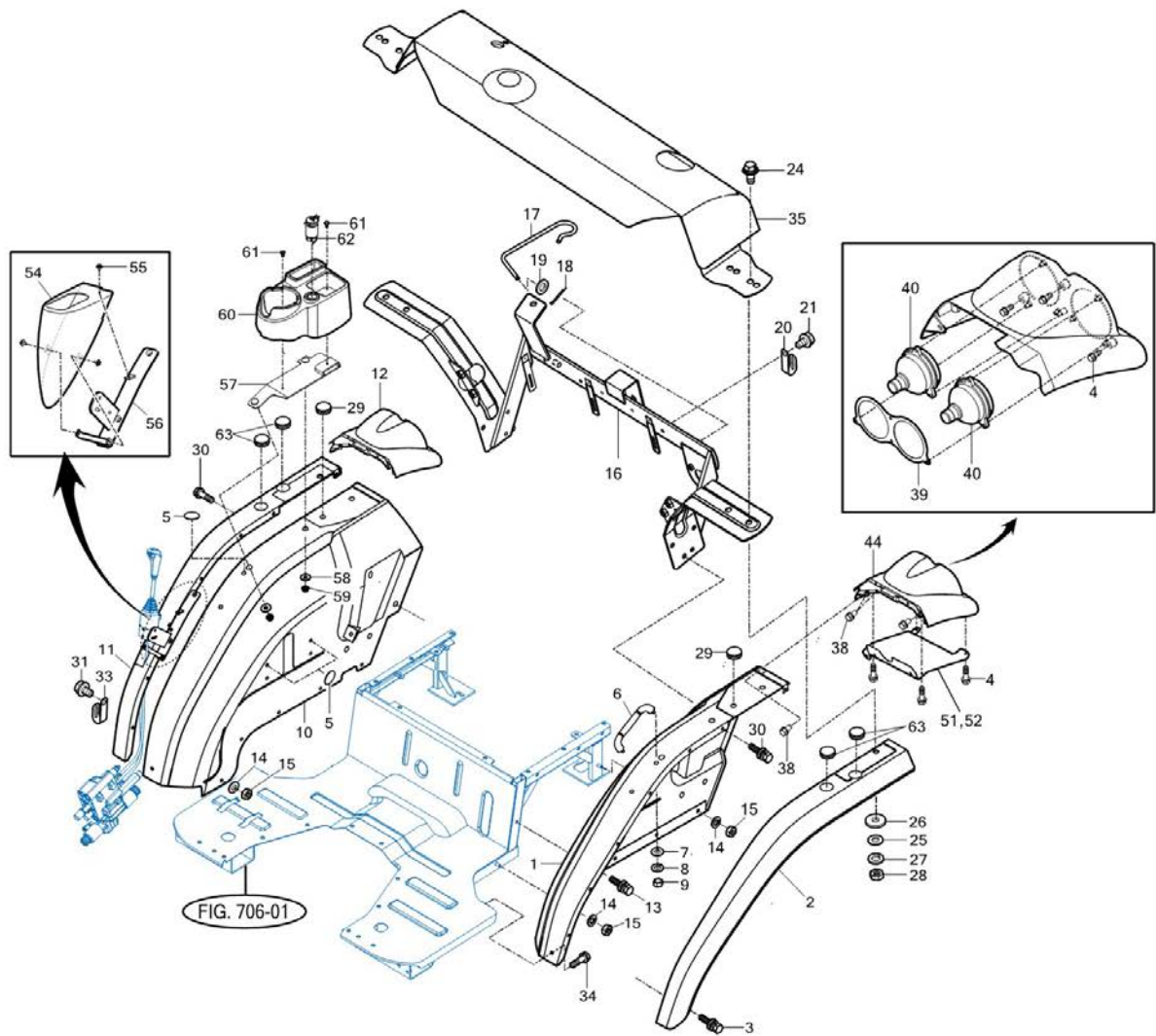
FIG 704

T474NH-B

FENDER & REAR FRAME

년/월
Year/Month

2022-12



NOTE

FIG 704		FENDER & REAR FRAME					년/월 Year/Month		
							2022-12		
T474NH-B		KEY NO	PART NO	DESCRIPTION	SPEC	QTY	REPAIR	EFFECTIVE DATE	REMARKS
704	1	14726063502SR	FENDER COMP , LH	1X1X1	1				
704	2	12656060040SR	FENDER , LH		1				
704	2	12656060041SR	FENDER , LH		1				
704	3	V2193606016	BOLT , HEX/SPL	M6X16	12				
704	4	V2123606012	BOLT , HEX /SP	M6X12	14				
704	5	16606070031	CAP , 9		10				
704	6	14726071101	GRIP COMP		1				
704	7	35602010150	WASHER , BIND SHAFT	T=2.3	2				
704	8	V4011600080	WASHER , SPRING	M8	2				
704	9	V3042600080	NUT , HEX/2	M8	2				
704	10	14726063602SR	FENDER COMP , RH	1X1X1	1				
704	11	10526060020SR	FENDER , RH MUD GUIDE		1				
704	11	10526060021SR	FENDER , RH MUD GUIDE		1				
704	12	13016060030	COVER , RH RR LAMP	1X1X1	1				
704	13	V2183608020	BOLT , HEX/SP	M8X20	8				
704	14	V4011600080	WASHER , SPRING	M8	4				
704	15	V3042600080	NUT , HEX/2	M8	4				
704	16	14977035400SR	FRAME COMP , RR FUEL TANK	1X1X1	1				
704	17	14885251100	HOOK , TOPLINK	D=5	1				
704	18	V5001920015	PIN , SPLIT	2X15	1				
704	19	V4111600060	WASHER , PLAIN	M6	1				
704	20	14256210040	CLAMP , 9		1				
704	21	V2123606012	BOLT , HEX /SP	M6X12	1				
704	24	V2173612035	BOLT , HEX/S	M12X35	4				
704	25	V4111600120	WASHER , PLAIN	M12	6				
704	26	36217020030	WASHER , PULLEY	T=4.5	4				
704	27	V4011600120	WASHER , SPRING	M12	6				
704	28	V3043600120	NUT , HEX/2	M12	6				
704	29	14326510210	CAP , RUBBER 20	1X1X1	2				
704	30	V2183608020	BOLT , HEX/SP	M8X20	2				
704	31	V2183608020	BOLT , HEX/SP	M8X20	1				
704	33	14256210040	CLAMP , 9		1				
704	34	V2183608035	BOLT , HEX/SP	M8X35	2				
704	35	14777036302SR	COVER COMP , TANK		1				
704	35	14777036303SR	COVER COMP , TANK		1				
704	38	V2193606020	BOLT , HEX/SPL	M6X20	12				
704	39	13016061300	FIX PLATE , RR LAMP	T=1.6	2				
704	40	17687023401	LAMP ASSY . STOP		4				
704	40	17687023401	LAMP ASSY . STOP	1X1X1	2				
704	44	13016060020	COVER , LH RR LAMP	1X1X1	1				
704	51	13016062000GB	PLATE COMP , LH RR LAMPCOVER	T=1.6	1				
704	52	13016063000GB	PLATE COMP , RH RR LAMPCOVER	T=1.6	1				
704	54	13015300010	COVER , JOYSTICK	1X1X1	1				
704	55	V2193606016	BOLT , HEX/SPL	M6X16	3				
704	56	13015302200SR	BRACKET COMP , JOYSTICK	1X1X1	1				
NOTE									

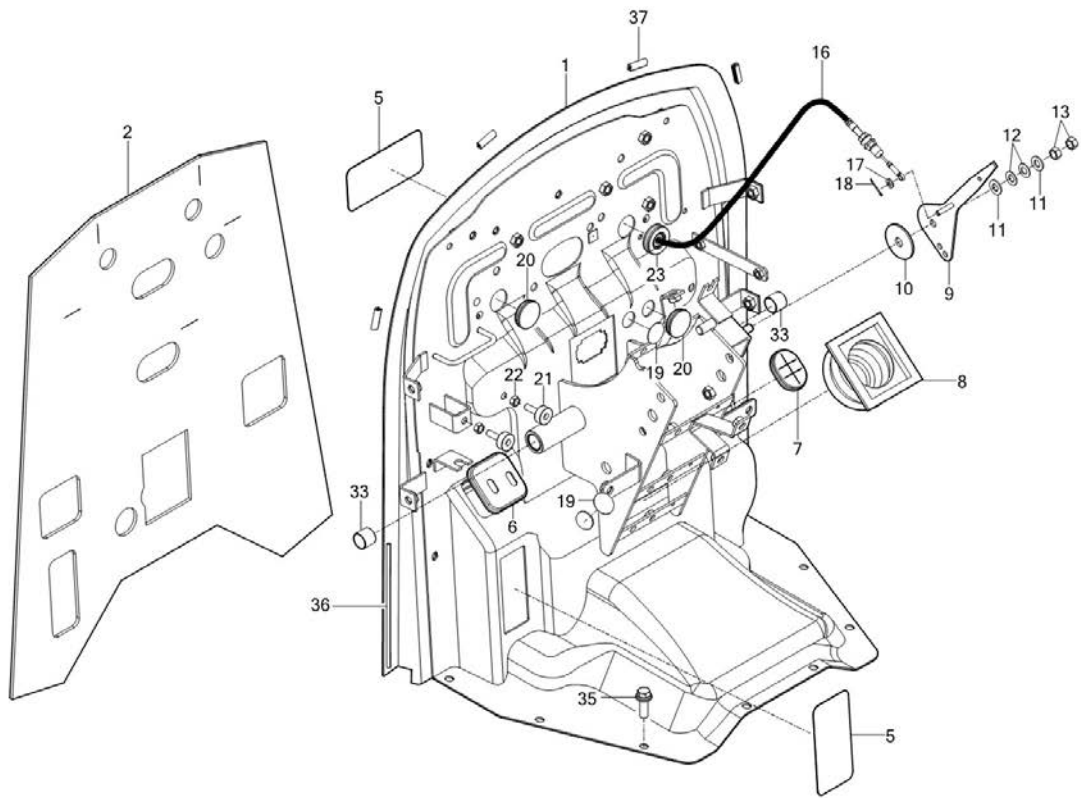
FIG 705

T474NH-B

DASHBOARD

년/월
Year/Month

2022-12



NOTE

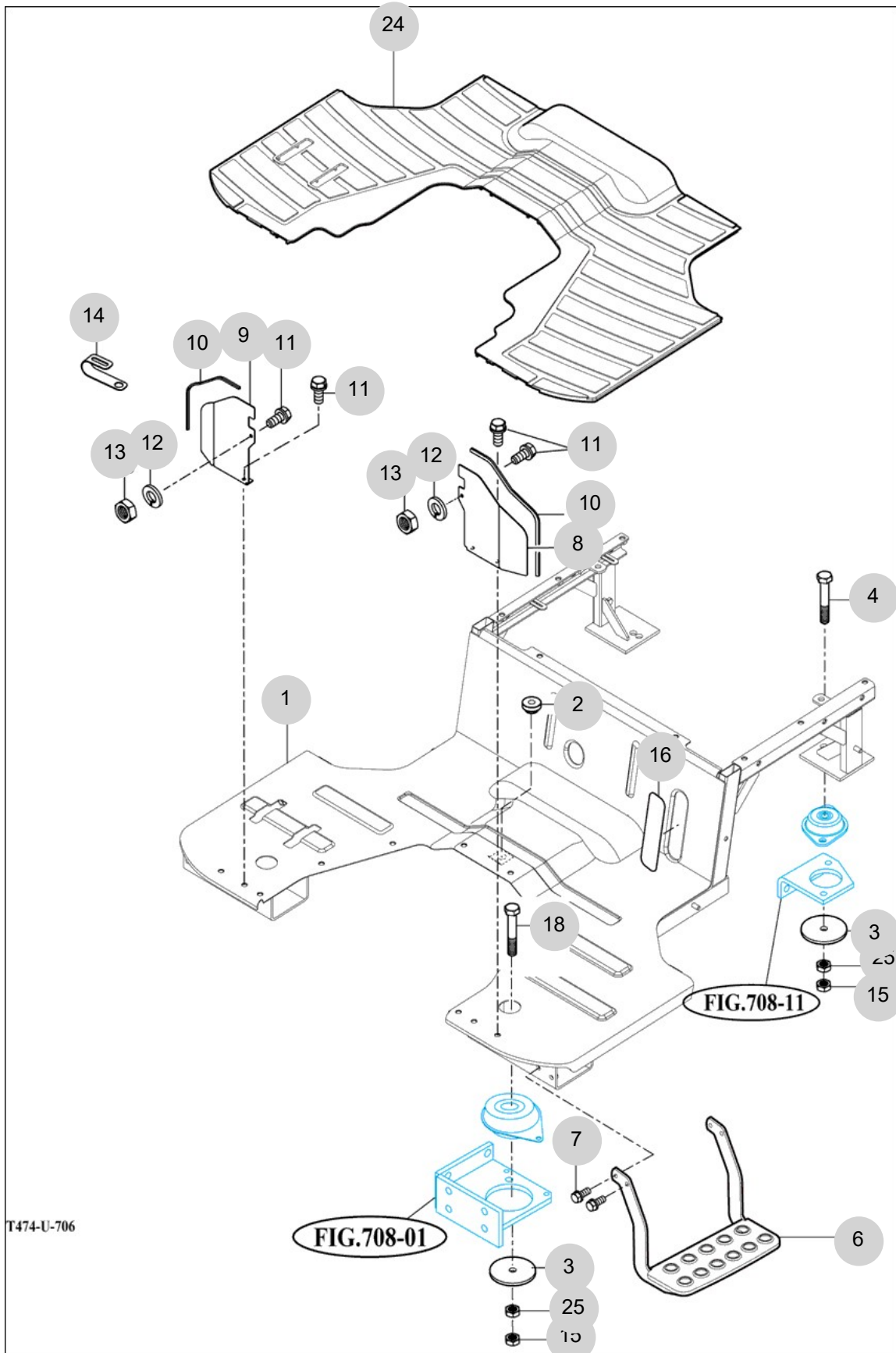
FIG 706

T474NH-B

FLOOR PANEL

년/월
Year/Month

2022-12



NOTE

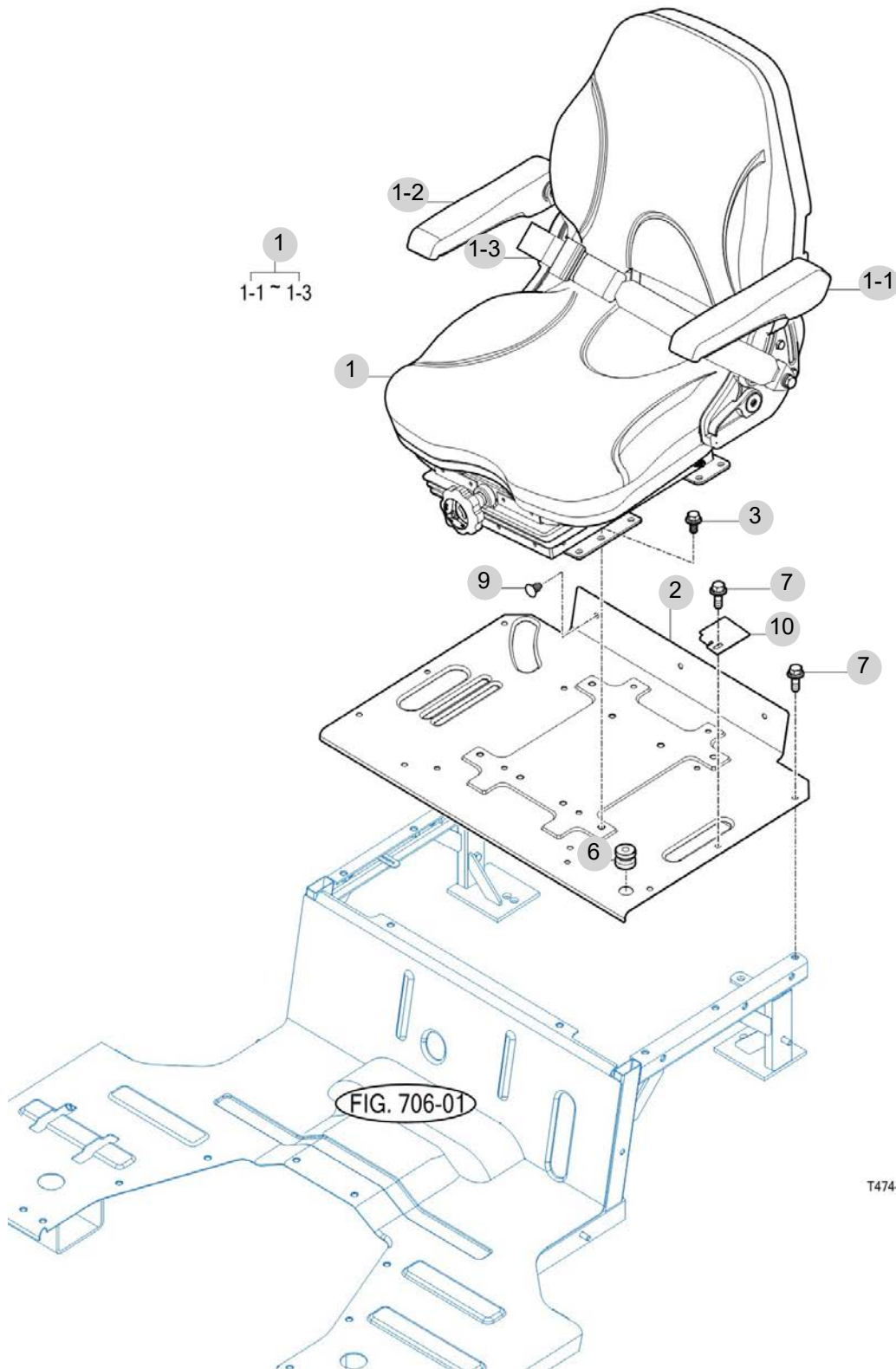
FIG 707

T474NH-B

SEAT

년/월
Year/Month

2022-12



NOTE

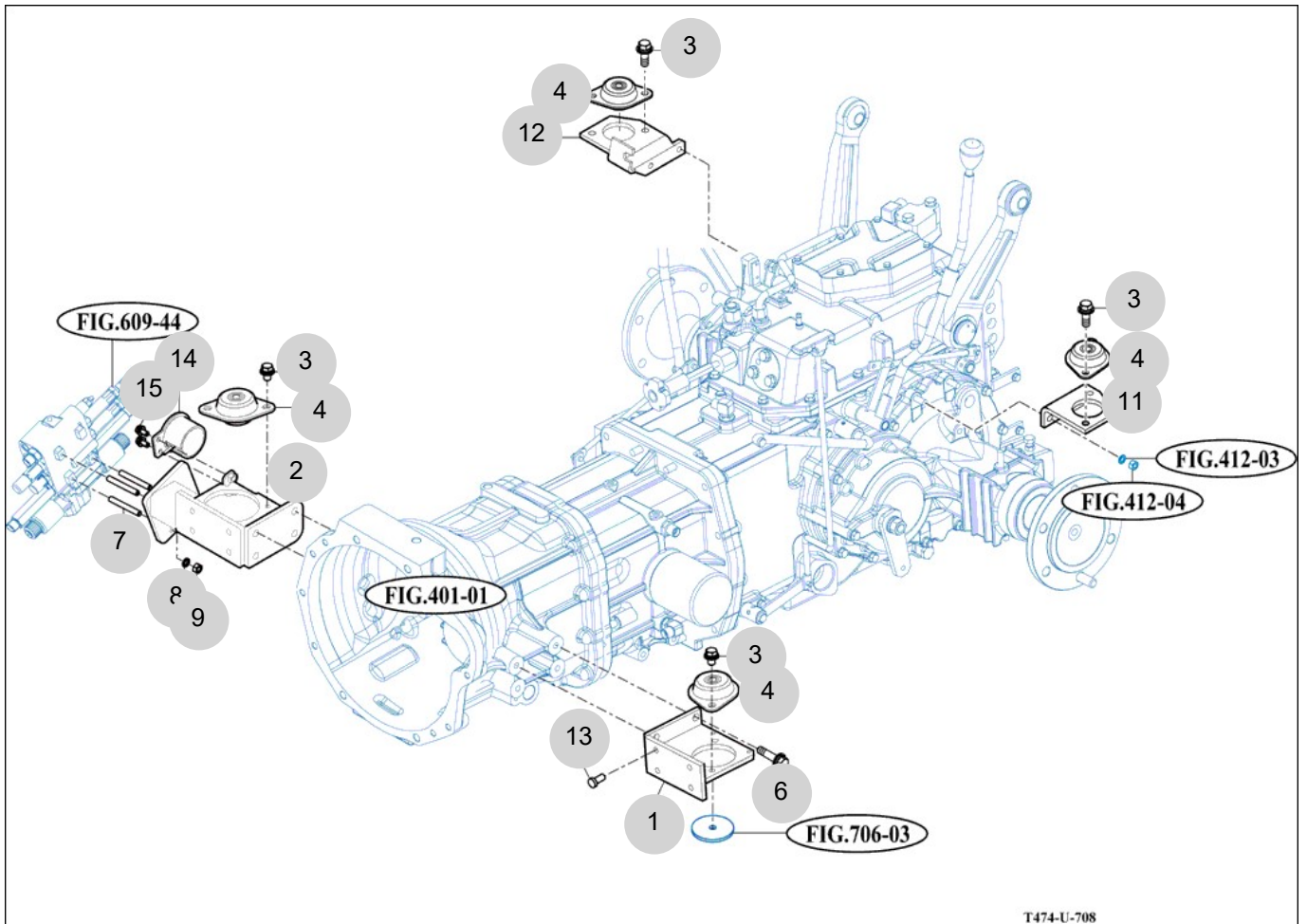
FIG 708

T474NH-B

FRONT & REAR MOUNTING[SAP 가져오기]에서 생성함.

년/월
Year/Month

2022-12



T474-U-708

NOTE

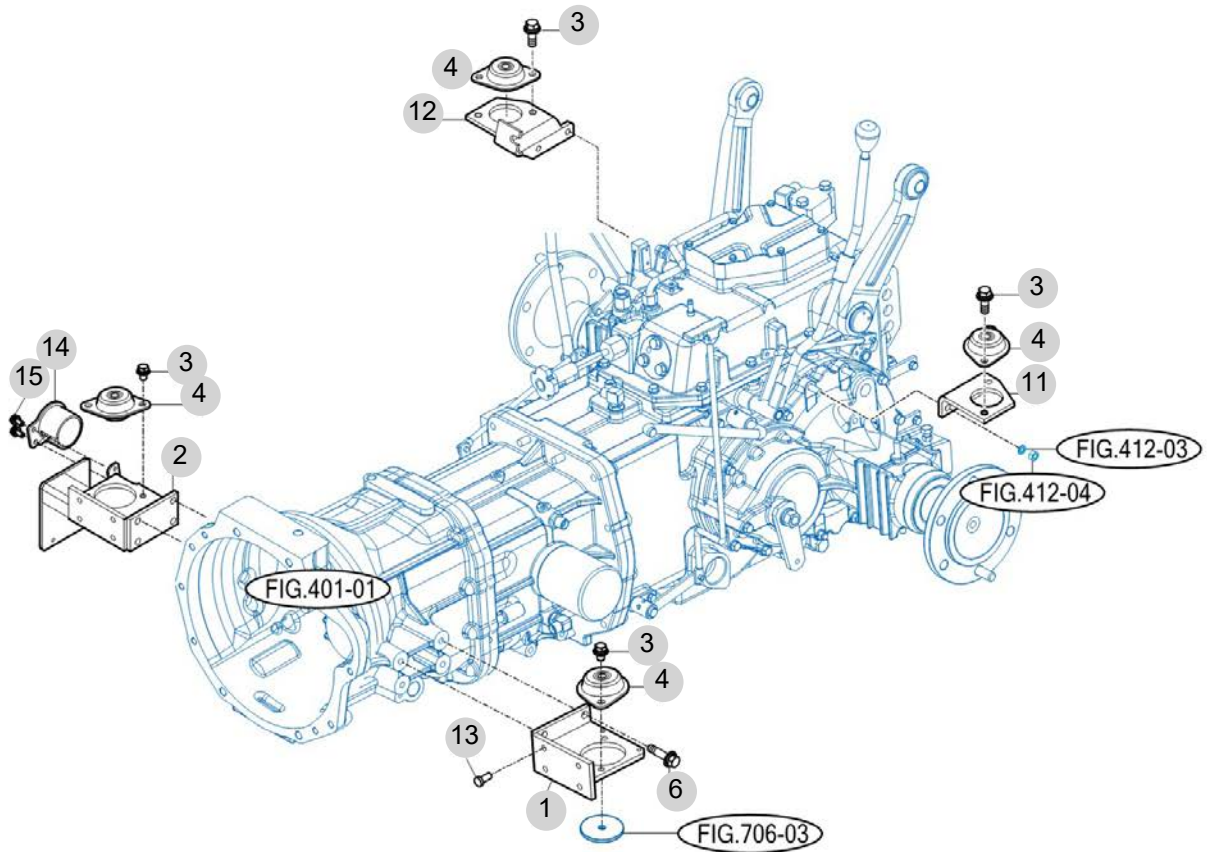
FIG 708

T474NH-B

FRONT & REAR MOUNTING

년/월
Year/Month

2022-12



T474NH-B-U-708

NOTE

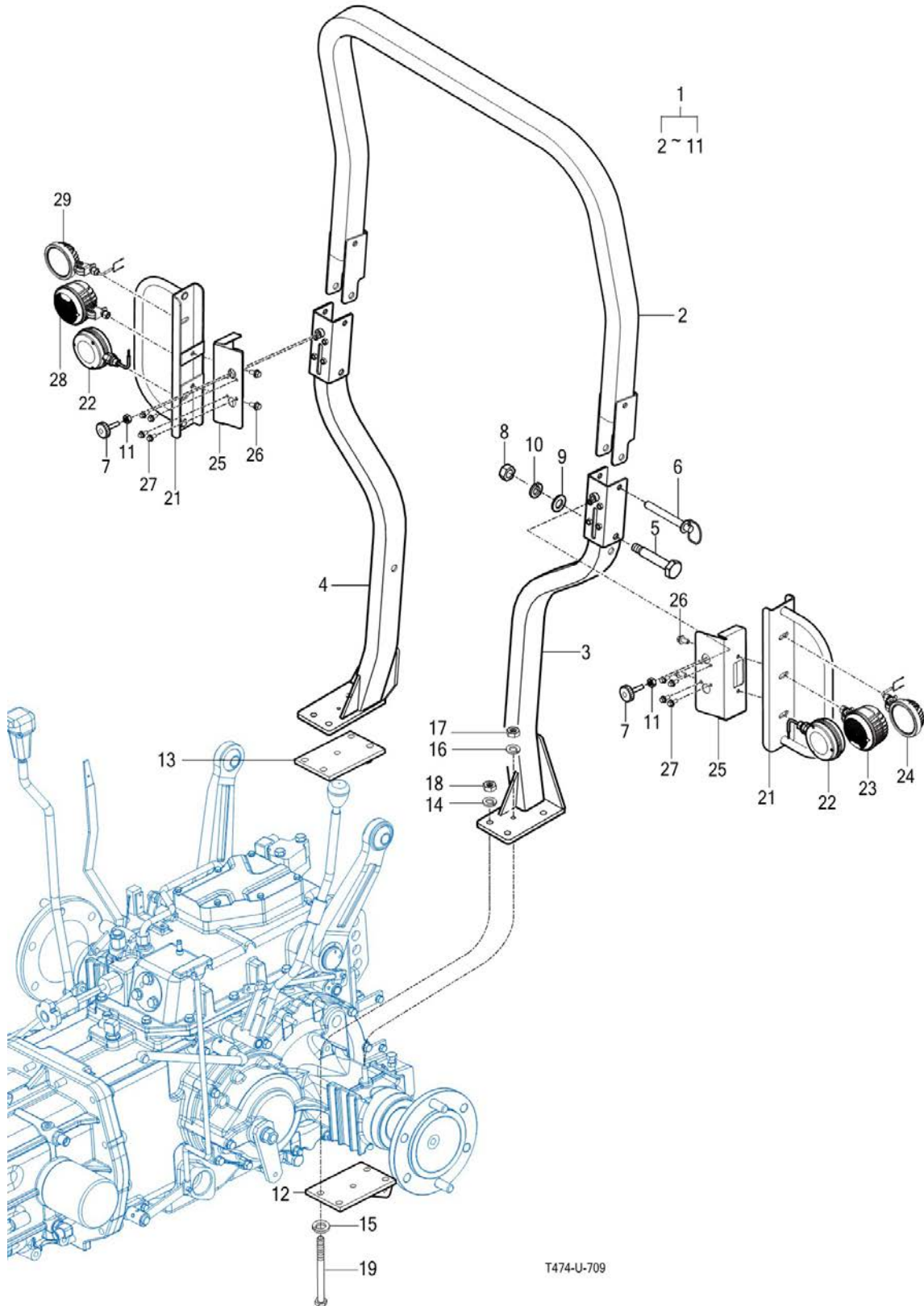
FIG 709

T474NH-B

ROPS

년/월
Year/Month

2022-12



NOTE

8. Electrical System PART NO. T8

FIG 801 BATTERY & MOUNTING	235
FIG 802 LAMP	237
FIG 803 INSTRUMENT PANEL	239
FIG 804 ELECTRIC SYSTEM	241
FIG 805 HARNESS	243

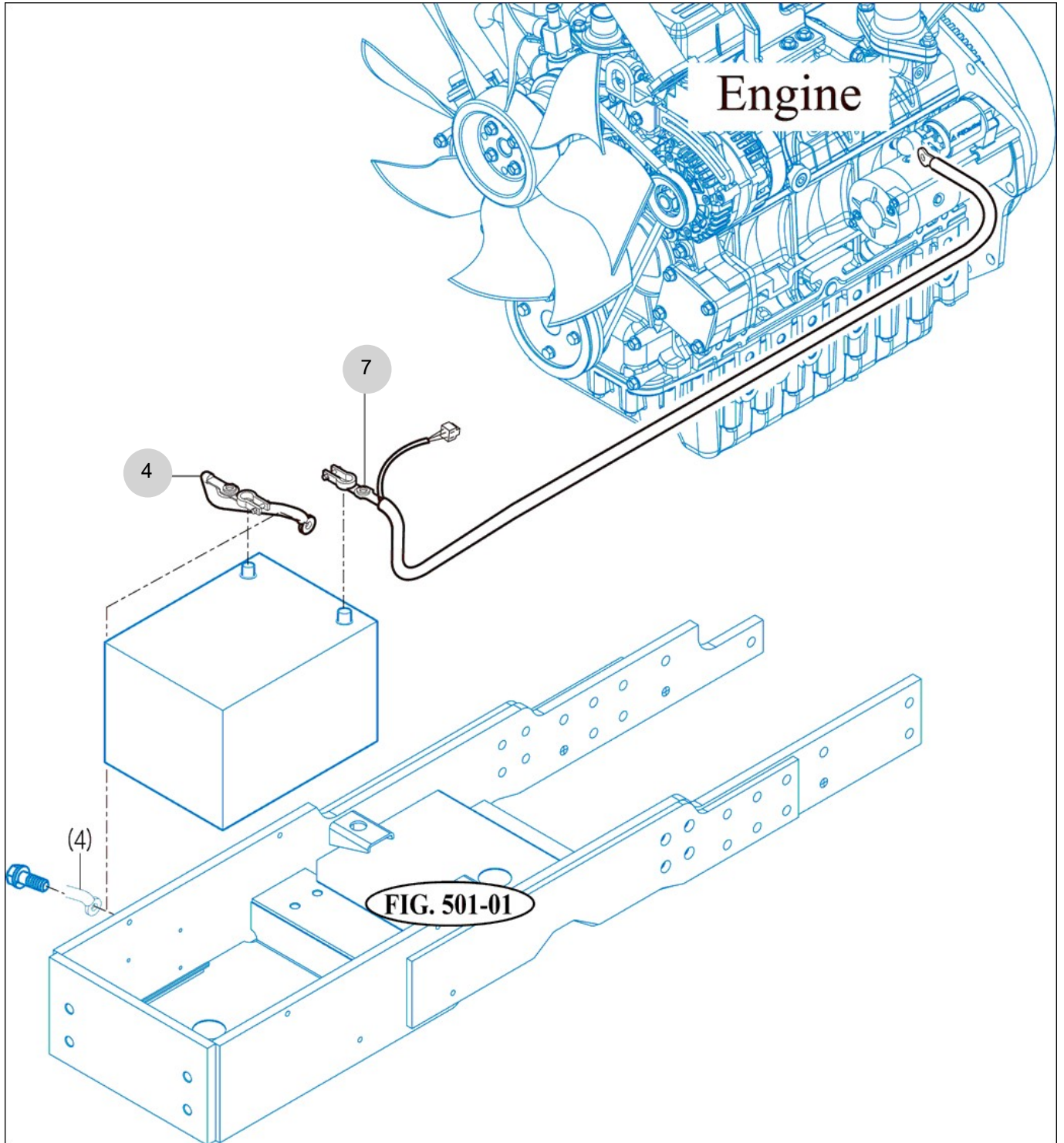
FIG 801

T474NH-B

BATTERY & MOUNTING

년/월
Year/Month

2022-12



NOTE

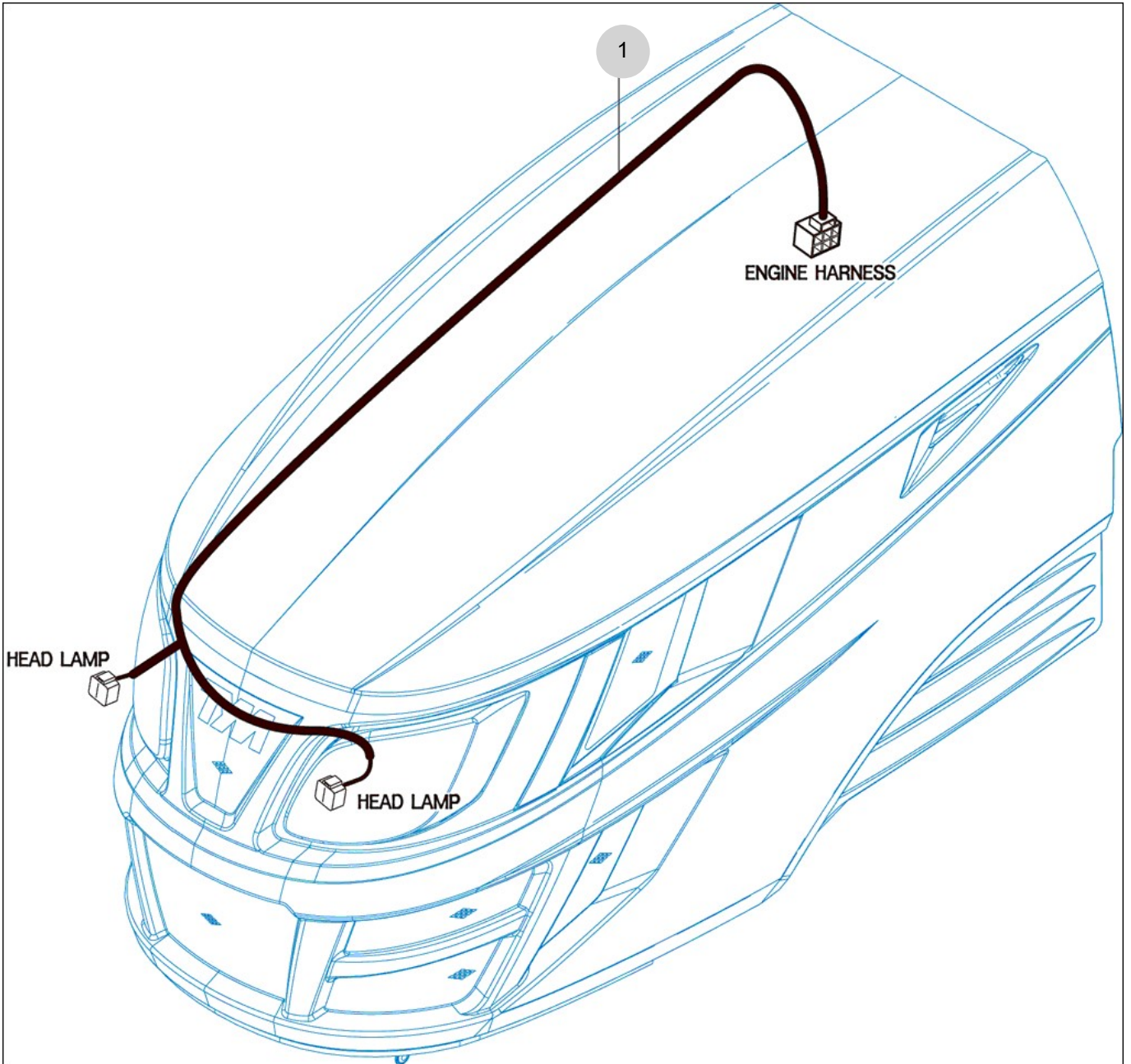
FIG 802

T474NH-B

LAMP

년/월
Year/Month

2022-12



NOTE

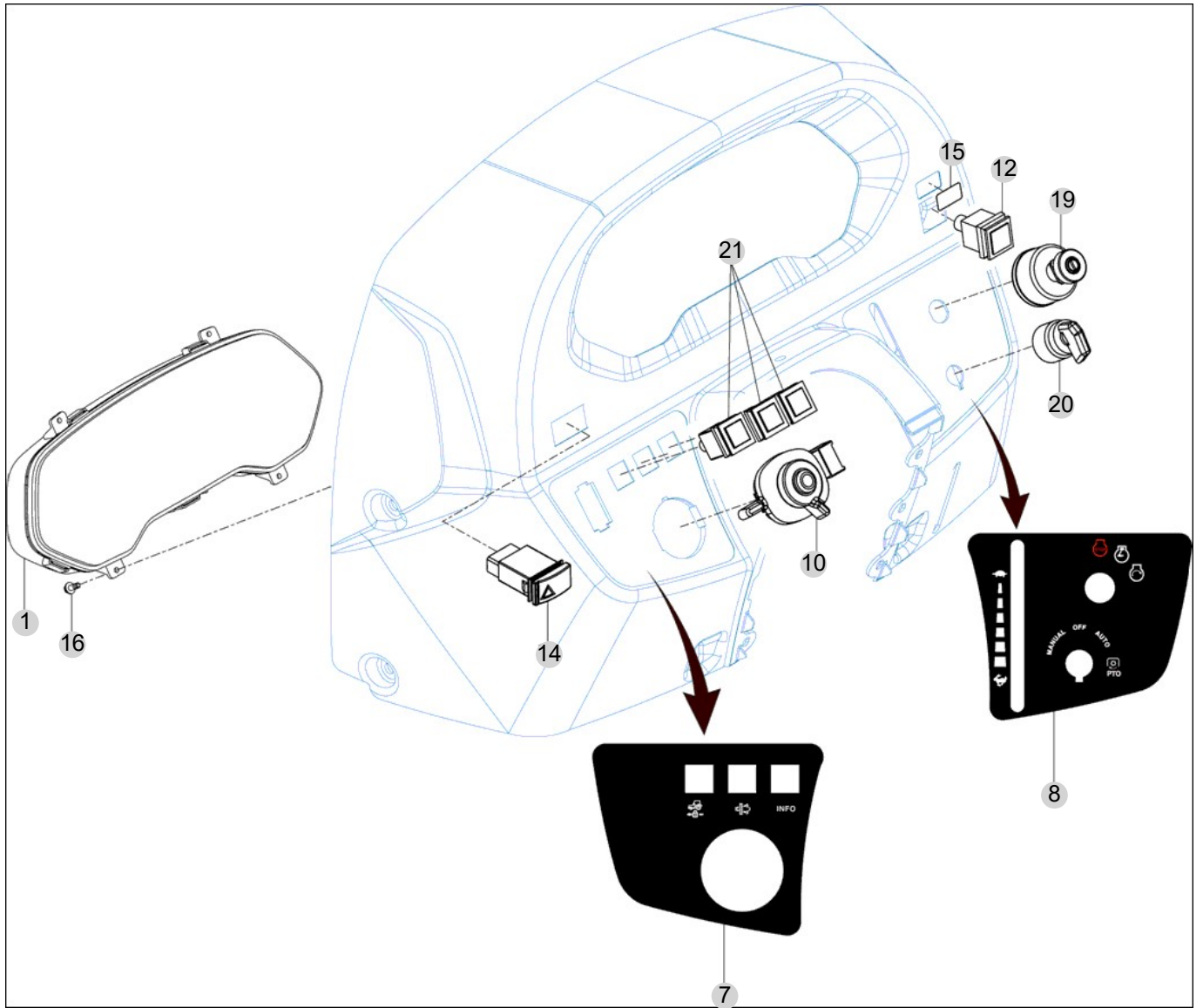
FIG 803

INSTRUMENT PANEL

년/월
Year/Month

T474NH-B

2022-12



NOTE

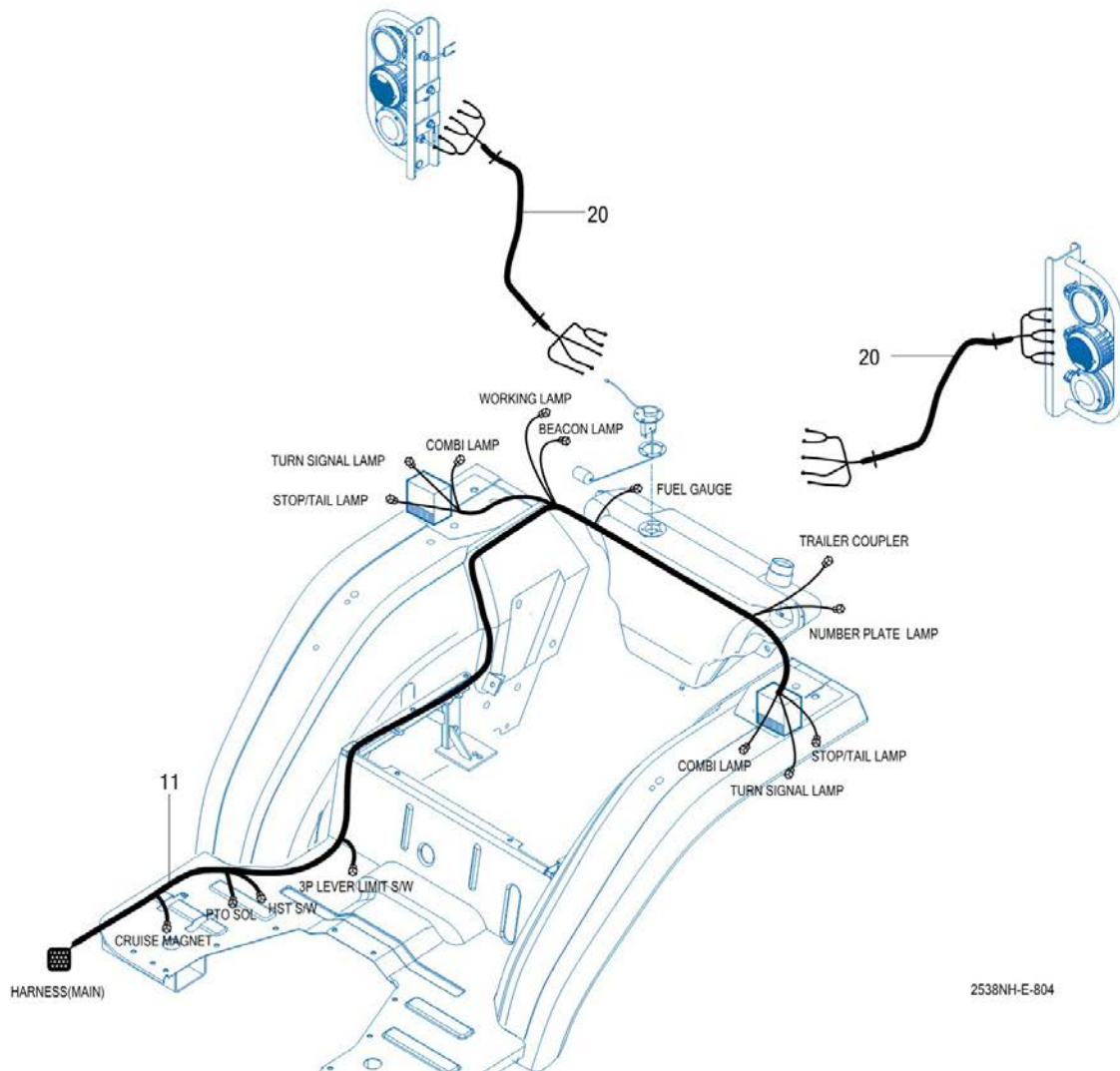
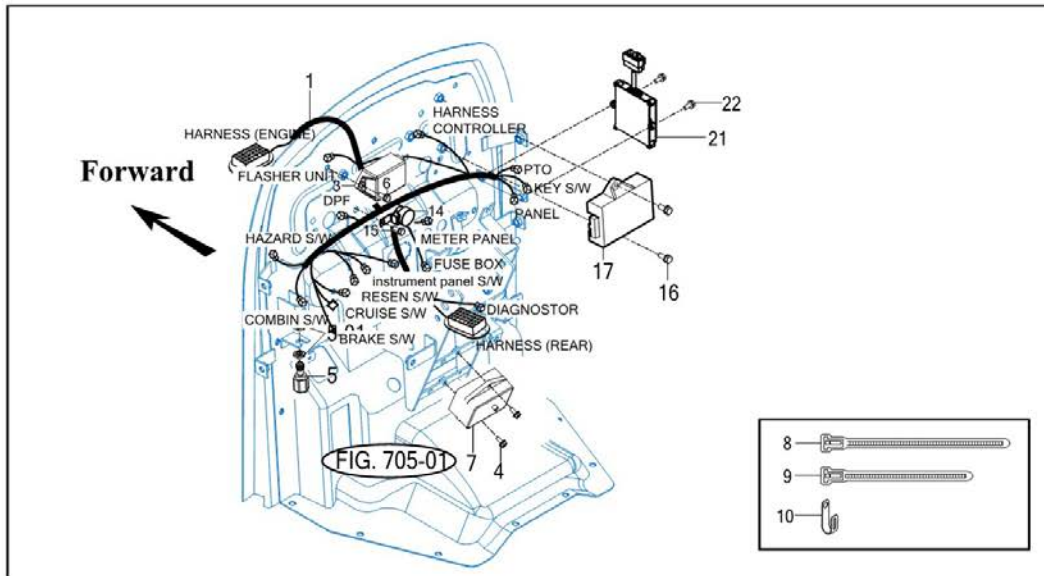
FIG 804

ELECTRIC SYSTEM

년/월
Year/Month

2022-12

T474NH-B



2538NH-E-804

NOTE

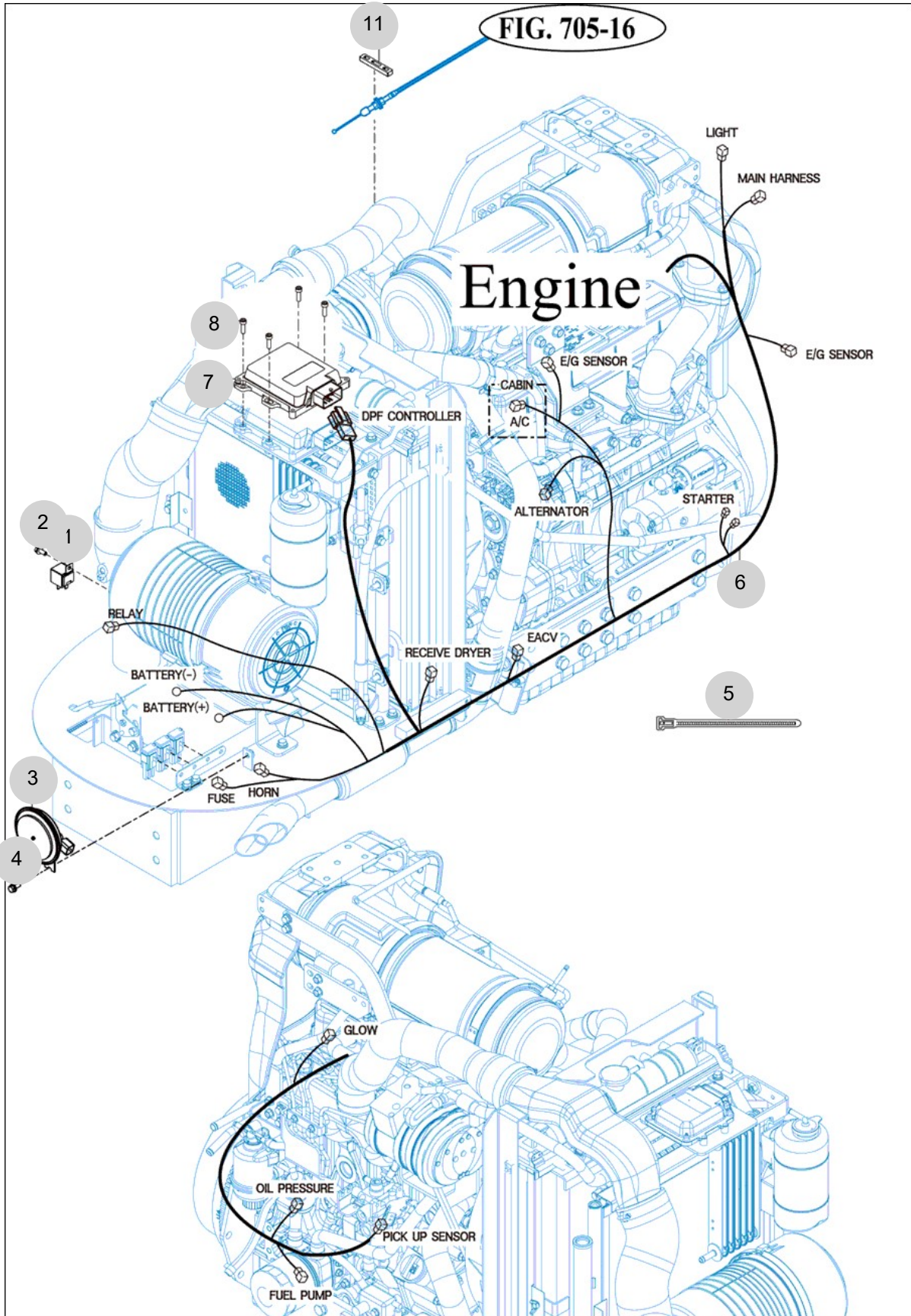
FIG 805

HARNESS

년/월
Year/Month

T474NH-B

2022-12



NOTE

9. Label/Option PART NO. T9

FIG 901 TOOL & ACCESSORY	246
FIG 902 LABEL	248
FIG 902 LABEL	250
FIG 903 OPTION	252

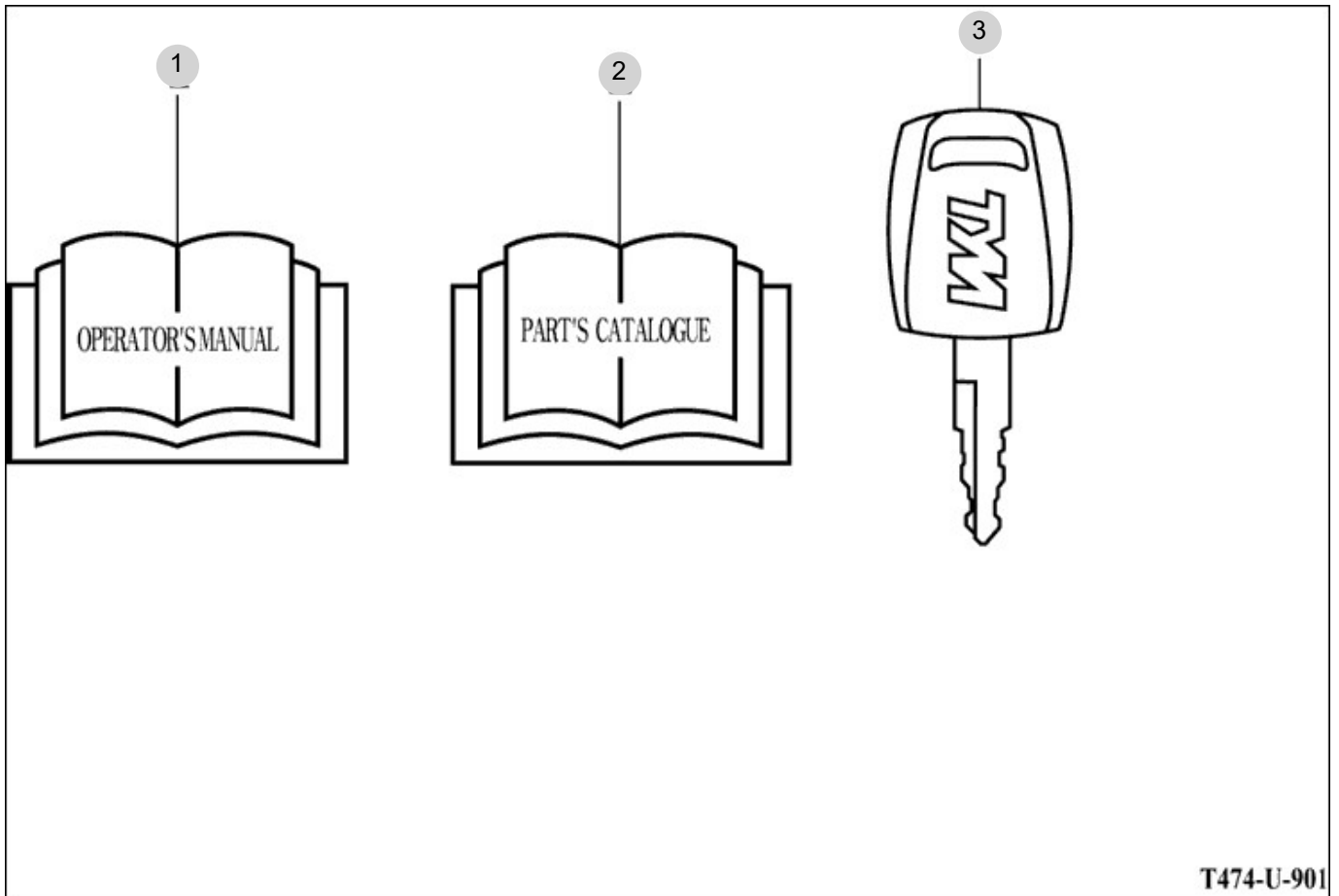
FIG 901

T474NH-B

TOOL & ACCESSORY

년/월
Year/Month

2022-12



T474-U-901

NOTE

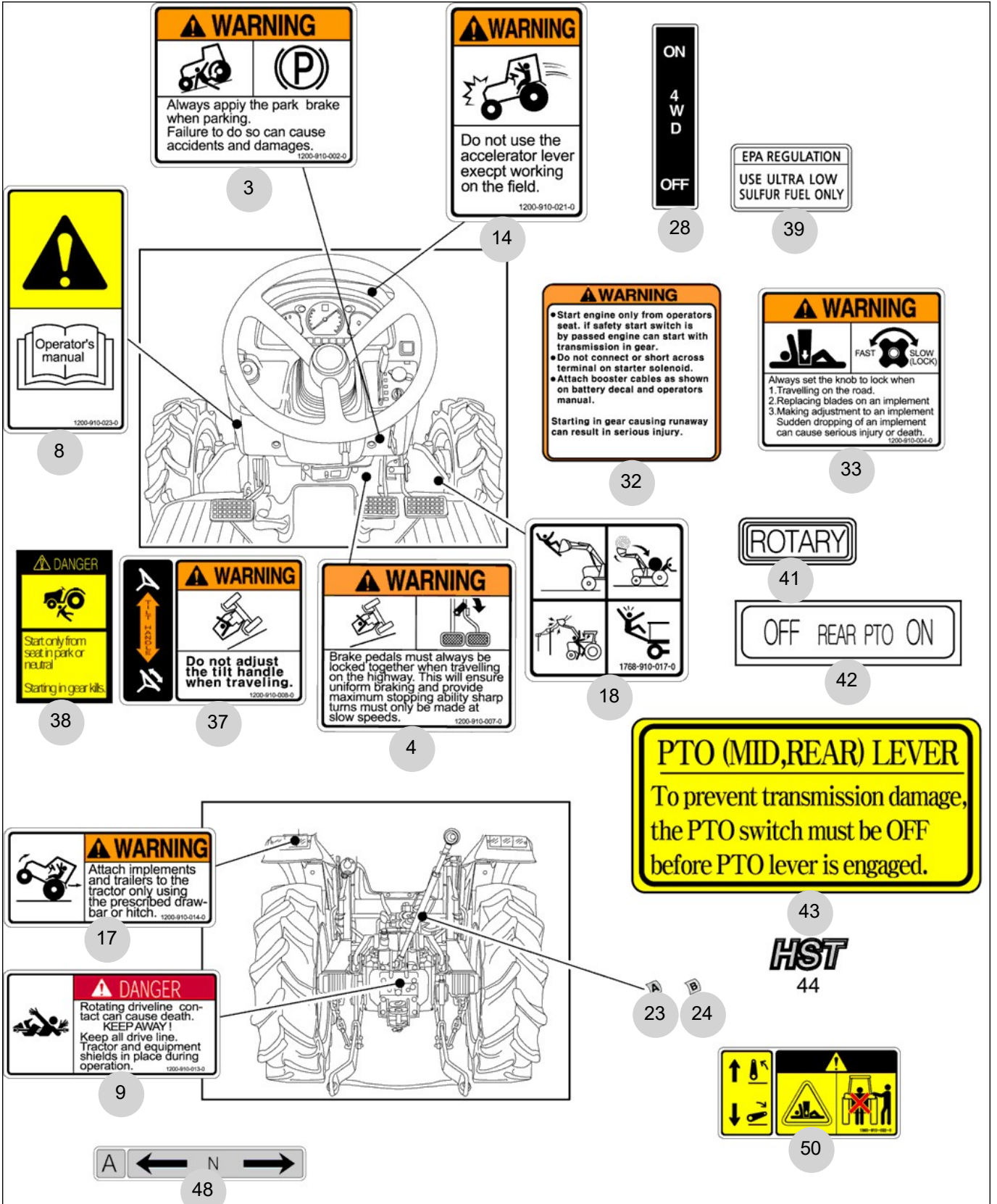
FIG 902

LABEL

년/월
Year/Month

T474NH-B

2022-12



NOTE

FIG 903

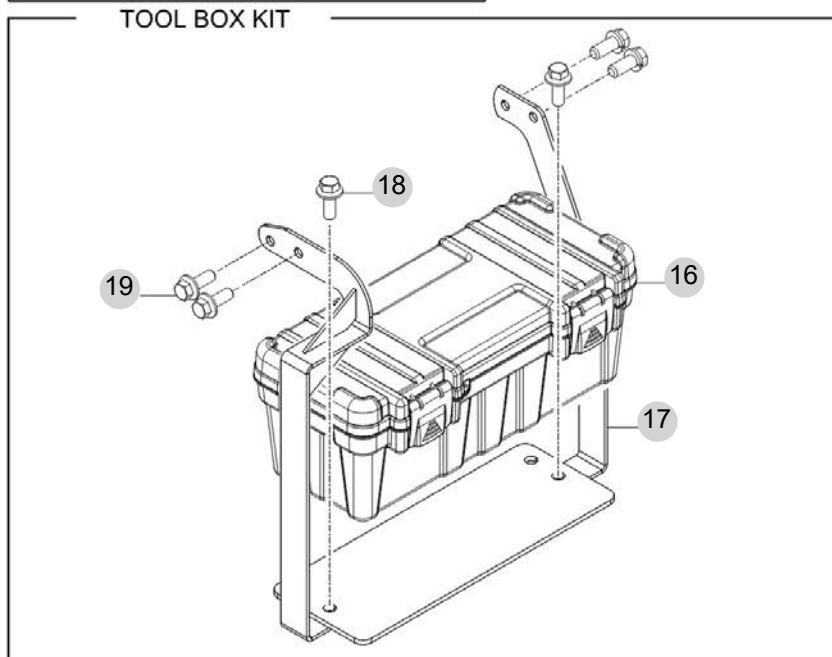
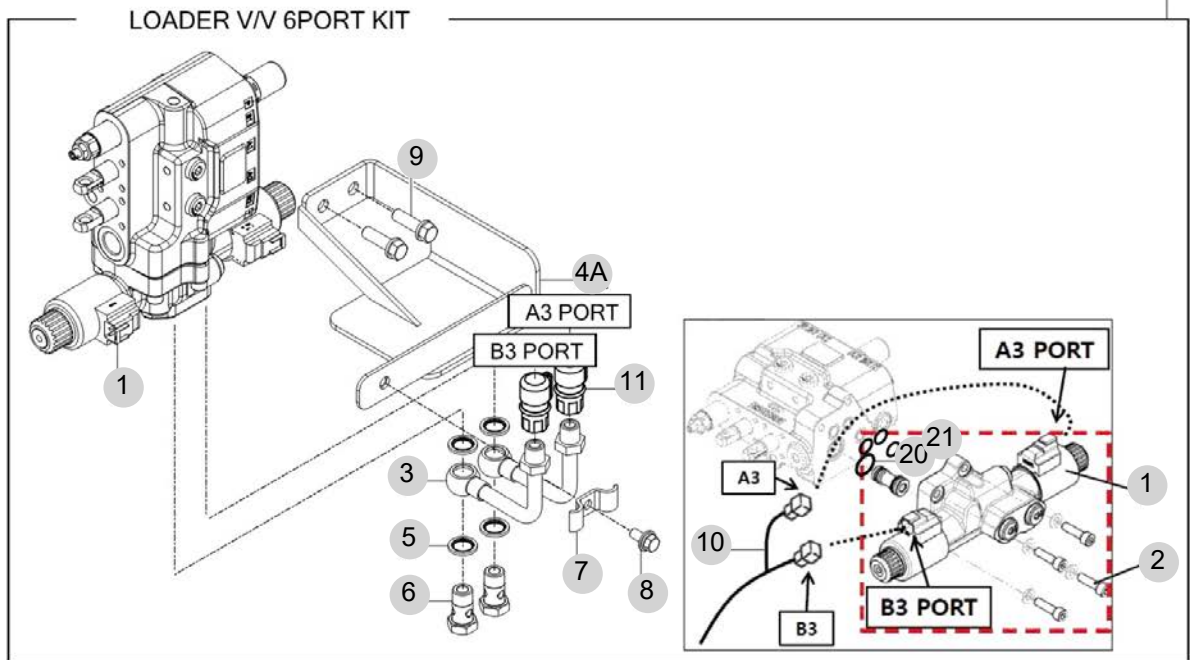
OPTION

년/월
Year/Month

T474NH-B

2022-12

A



15

NOTE

