

Parts Catalogue

T474NC



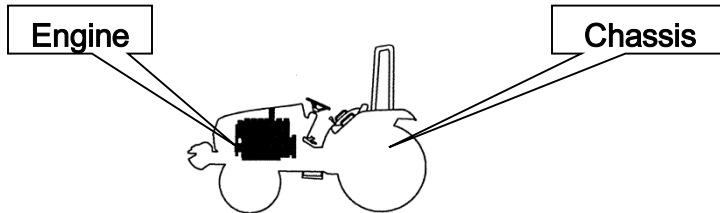
Important tips of Parts Catalogue

We thank you for your purchasing our product, manufactured under strict quality control, by gathering plenty of experiences and new technology, designed for a comfort and pleasant work.

1. Part Composition

This catalogue deals with engine and chassis.

Detailed classifications are listed in the following page.



2. For locating parts easily, Please Note:

A. If you know the assembly where the part is used.

-Refer to the relevant figure from the identifying group symbol illustration,

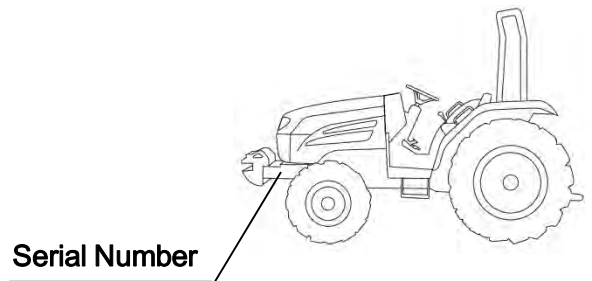
-Locate the relevant chapter

-Refer to the particular chapter desired.

3. For ordering parts

To obtain spare parts please contact your nearest dealer and give him the details listed below.

- ① Tractor Model : Tractor
- ② Tractor Serial Number : W050000
- ③ Part Number : 16001032000
- ④ Description : Air cleaner assembly
- ⑤ Quantity required: 1



4. For ordering PARTS CATALOGUE

This is Priced item and one is to order the same on part No. 13219400020

This supersedes all our editions.

Note) When replacing parts, please use original spare parts to be sure of the performance and the longer life of the product

※ The information in this catalogue may at any time be modified without a prior notice for the improvement of performance, please consult our spare parts dept. for the detailed inquiry.

5. How to use parts catalogue

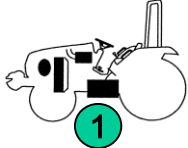
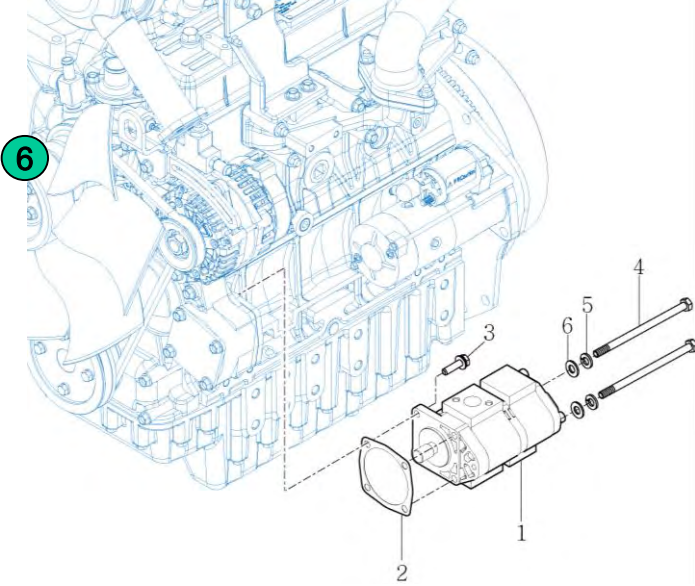
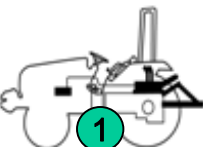
FIG 601 2	3 GEAR PUMP	P1 4	YEAR 5 2018	
				
NOTE	13			

FIG 601 2 T474NC	3 GEAR PUMP	P1 4	YEAR 5 2018				
KEY NO.	PART NO.	DESCRIPTION	SPEC.	QTY.	REPAIR	EFFECTIVE DATE	REMARKS
601 001	13801006100	PUMP SUB ASSY, GEAR		1			
601 002	14045030060	PACKING, OIL PUMP		1			
601 003	V2183608040	BOLT , HEX/SP	M8X40	2			
601 004	V201 70	BOLT , HEX	M9	10	11	12	14
601 005	V4011600080	WASHER , SPRING	M8	2			
601 006	V4111600080	WASHER , PLAIN	M8	2			
NOTE	13						

- ① Group Indication : Indicate the relevant location of the part with a symbol illustration.
- ② Figure Number: Indicate the relevant section of the machine with a figure number.
- ③ Section Name : Indicate the section name of the machine
- ④ Section Page : Page number of the section in this catalogue.
- ⑤ Date : Show the Year of the section made or updated

⑥ Key number : Indicating number of each parts in the illustration.

⑦ Part Number : Unique part number maintained in our system

The part number starting with V or M means it is TYM s standard part

The alphabet at the end of part number means the status of material or the color of paint

Legend : M:Machining, DG:Dark Gray, BR:Bright Red, SW:Summer White, PB:Pure Black, GB:Glossy Black, SR:Super Red, MS:Metallic Silver DD:Heat proof Black, TY: Tangerine Yellow etc.

⑧ Description : Description of a part, Abbreviation means as follows.

- Indicate the mixture condition of a part

ASSY : Assembly with a mixture of several parts, so can be broke up retaining their original form

COMP : Assembly with a mixture of several parts, but can not be broke up retaining their original form

SUB : mean the same as ASSY but used in lower level in aid.

SET : Part consist of ASSY, COMP, and part(s) as a group

- Indicate the location of a part

LH: Left, RH: Right, FR: Front, RR: Rear, UPR: Upper, LOW: Lower

⑨ Type : Type of the standard items like bolt or nut

⑩ Quantity : Total quantity of the part referred to in the page.

Symbol below indicate options. So, show the quantity of each option.

Note) AR means as requested quantity.

⑪ Repair Parts consumption frequency class: indicate the level of a part in aid of stocking spares, anticipating the service requirements.

A :Fast moving part(frequently required)

B :Medium moving part (sometimes required)

C :Slow moving part(rarely required)

⑫ Modification :

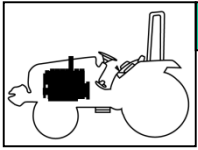
Year/Month~ : From which the change starts

~ Year/Month : To which the part installed

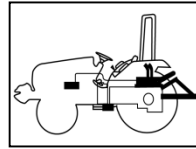
⑬ Notes : explain some reference data

⑭ Remark : indicate reference data or abbreviation in the content.

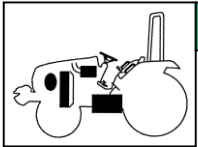
ENGINEERING GROUP INDEX



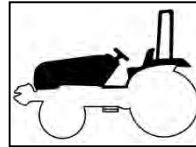
1 ENGINE



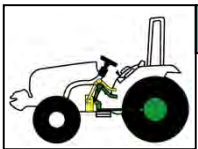
6 HYDRAULICS & 3-POINT LINK



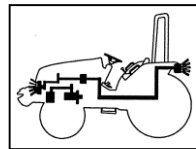
2 ENGINE ACCESSORIES & CONTROL



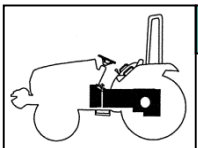
7 SHEET METAL & ROPS



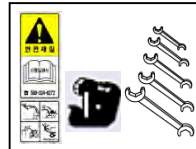
3 CLUTCH, BRAKE, STEERING



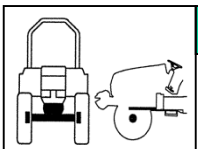
8 ELECTRICALS & HARNESS



4 TRANSMISSION & REAR AXLE



9 WEIGHT, LABEL, TOOLS



5 FRONT AXLE, SUPPORTER & DRIVE SHAFT

067 020	12305180020
077 036	12403160020
036 005	13022250030
037 010	13022250131
041 005	13022250232
046 002	13022250333

10 NUMERICAL INDEX

CONTENTS

ENGINE

1 ENGINE

FIG 101	CYLINDER BLOCK	04
FIG 102	OILJET ASS'Y OPTION	06
FIG 103	CRANK SHAFT	08
FIG 104	PISTON	10
FIG 105	CYLINDER HEAD	12
FIG 106	ROCKER LEVER	14
FIG 107	HEAD COVER	16
FIG 108	GEAR CASE	18
FIG 109	IDLE GEAR	20
FIG 110	CAM SHAFT	22
FIG 111	OIL PUMP	24
FIG 112	HYD. PUMP DRIVE	26
FIG 113	2ND BALANCE	28
FIG 114	OIL PAN	30
FIG 115	INTAKE MANIFOLD	32
FIG 116	EXHAUST MANIFOLD	34
FIG 117	DPF SUPPORT OPTION	36
FIG 118	TURBOCHARGER PLUMBING OPTION	38
FIG 119	BREATHER	40
FIG 120	FUEL INJECTION PUMP	42
FIG 121	FUEL INJECTION VALVE	44
FIG 122	FUEL PIPE ASS'Y	46
FIG 123	OIL FILTER	48
FIG 124	OIL COOLER	50
FIG 125	OIL GAUGUE	52
FIG 126	OIL FILLER CAP	54
FIG 127	COOLING WATER PUMP	56
FIG 128	CRANK SHAFT PULLEY	58
FIG 129	V-PULLEY	60
FIG 130	COOLING FAN	62
FIG 131	FLYWHEEL HOUSING	64

FIG 132 FLYWHEEL -----66
FIG 133 GLOW PLUG ASS'Y OPTION -----68
FIG 134 STARTING MOTOR -----70
FIG 135 FUEL FILTER BRACKET ASSoY -----72
FIG 136 ALTERNATOR -----74
FIG 137 V-BELT -----76
FIG 138 FUEL FILTER -----78
FIG 139 DPF SUPPORT -----80
FIG 140 DATAPLATE -----82
FIG 141 NAME PLATE, STARTING MOTOR -----84
FIG 142 DPF ASSoY -----86
FIG 143 LIFT ASSoY -----88

CHASSIS

2 ENGINE ACCESSORIES & CONTROL

FIG 201 AIR CLEANER-----	94
FIG 202 RADIATOR-----	96
FIG 203 MUFFLER-----	98
FIG 204 FUEL TANK & FILTER-----	100
FIG 205 ACCELERATOR-----	102

3 CLUTCH,BRAKE,STEERING

FIG 301 CLUTCH PEDAL-----	108
FIG 302 FLYWHEEL & CLUTCH-----	110
FIG 303 BRAKE PEDAL-----	112
FIG 304 BRAKE-----	114
FIG 306 FRONT WHEEL MOUNTING-----	116
FIG 307 REAR WHEEL MOUNTING-----	118
FIG 308 STEERING WHEEL-----	120
FIG 309 STEERING VALVE & PARKING-----	122
FIG 310 STEERING CYLINDER-----	124

4 TRANSMISSION & REAR AXLE

FIG 401 TRANSMISSION FRONT CASE-----	130
FIG 402 INPUT METAL-----	132
FIG 403 INPUT GEAR-----	134
FIG 404 4WD DRIVE GEAR-----	136
FIG 405 MAIN CHANGE GEARS & REVERSE GEARS-----	138
FIG 406 SUB CHANGE GEARS-----	140
FIG 407 PINION GEARS-----	142

FIG 408 P.T.O DRIVE SHAFT-----	144
FIG 409 P.T.O CHANGE GEARS-----	146
FIG 410 DIFF LOCK-----	148
FIG 411 TRANSMISSION REAR CASE-----	150
FIG 412 REAR AXLE HOUSINGS (1)-----	152
FIG 413 REAR AXLE HOUSINGS (2)-----	154
FIG 414 MAIN CHANGE LEVER-----	156
FIG 415 SUB CHANGE LEVER-----	158
FIG 416 REVERSE LINK-----	160
FIG 417 REVERSE CHANGE LEVER -----	162
FIG 418 4WD CHANGE LEVER-----	164

5 FRONT AXLE

FIG 501 FRONT AXLE BRACKET-----	170
FIG 502 FRONT DIFFERENTIAL GEARS & SHAFT-----	172
FIG 503 FRONT AXLE HOUSING-----	174
FIG 504 FRONT GEAR CASE (1)-----	176
FIG 505 FRONT GEAR CASE (2)-----	178

6 HYDRAULICS & 3-POINT LINK

FIG 601 GEAR PUMP-----	184
FIG 602 CYLINDER CASE-----	186
FIG 603 LIFT ARM-----	188
FIG 604 CYLINDER-----	190
FIG 605 POSITION LINK (1)-----	192
FIG 606 POSITION LINK (2)-----	194
FIG 607 CONTROL VALVE-----	196
FIG 608 POSITION LEVER-----	198
FIG 609 HYDRAULIC PIPE (1)-----	200
FIG 610 HYDRAULIC PIPE (2)-----	202
FIG 611 EXTERIOR HYD.VALVE-----	204

FIG 612 3-POINT LINK-----	206
FIG 613 HITCH & COVER-----	208
FIG 614 EXTERIOR POSITION LEVER-----	210

7 SHEET METAL & R.O.P.S

FIG 701 HOOD FRAME-----	216
FIG 702 HOOD-----	218
FIG 703 EXTENSION COVER-----	220
FIG 704 FENDER & REAR FRAME-----	222
FIG 705 DASH PANEL-----	226
FIG 706 FLOOR PANEL-----	228
FIG 707 SEAT-----	230
FIG 708 FRONT & REAR MOUNTING-----	232
FIG 709 ROPS-----	234

8 ELECTRICALS & HARNESS

FIG 801 BATTERY & MOUNTING-----	240
FIG 802 LAMP-----	242
FIG 803 INSTRUMENT PANEL-----	244
FIG 804 ELECTRIC SYSTEM-----	246
FIG 805 HARNESS -----	248

9 WEIGHT,LABEL,TOOLS

FIG 901 TOOL & ACCESSORY-----	254
FIG 902 LABEL-----	256
FIG 903 OPTION-----	260
FIG 904 EXTERIOR HYD. VALVE (4PORT KIT-OPTION)-----	260-1

10 NUMERICAL INDEX

ENGINE-----	265
CHASSIS-----	268

ENGINE

1 ENGINE

FIG 101	CYLINDER BLOCK	04
FIG 102	OILJET ASS'Y OPTION	06
FIG 103	CRANK SHAFT	08
FIG 104	PISTON	10
FIG 105	CYLINDER HEAD	12
FIG 106	ROCKER LEVER	14
FIG 107	HEAD COVER	16
FIG 108	GEAR CASE	18
FIG 109	IDLE GEAR	20
FIG 110	CAM SHAFT	22
FIG 111	OIL PUMP	24
FIG 112	HYD. PUMP DRIVE	26
FIG 113	2ND BALANCE	28
FIG 114	OIL PAN	30
FIG 115	INTAKE MANIFOLD	32
FIG 116	EXHAUST MANIFOLD	34
FIG 117	DPF SUPPORT OPTION	36
FIG 118	TURBOCHARGER PLUMBING OPTION	38
FIG 119	BREATHER	40
FIG 120	FUEL INJECTION PUMP	42
FIG 121	FUEL INJECTION VALVE	44
FIG 122	FUEL PIPE ASS'Y	46
FIG 123	OIL FILTER	48
FIG 124	OIL COOLER	50
FIG 125	OIL GAUGUE	52
FIG 126	OIL FILLER CAP	54
FIG 127	COOLING WATER PUMP	56
FIG 128	CRANK SHAFT PULLEY	58
FIG 129	V-PULLEY	60
FIG 130	COOLING FAN	62
FIG 131	FLYWHEEL HOUSING	64

FIG 132 FLYWHEEL -----66
FIG 133 GLOW PLUG ASS'Y OPTION -----68
FIG 134 STARTING MOTOR -----70
FIG 135 FUEL FILTER BRACKET ASSoY -----72
FIG 136 ALTERNATOR -----74
FIG 137 V-BELT -----76
FIG 138 FUEL FILTER -----78
FIG 139 DPF SUPPORT -----80
FIG 140 DATAPLATE -----82
FIG 141 NAME PLATE, STARTING MOTOR -----84
FIG 142 DPF ASSoY -----86
FIG 143 LIFT ASSoY -----88

CHASSIS

2 ENGINE ACCESSORIES & CONTROL

FIG 201 AIR CLEANER-----	94
FIG 202 RADIATOR-----	96
FIG 203 MUFFLER-----	98
FIG 204 FUEL TANK & FILTER-----	100
FIG 205 ACCELERATOR-----	102

3**CLUTCH,BRAKE,STEERING**

FIG 301 CLUTCH PEDAL-----	108
FIG 302 FLYWHEEL & CLUTCH-----	110
FIG 303 BRAKE PEDAL-----	112
FIG 304 BRAKE-----	114
FIG 306 FRONT WHEEL MOUNTING-----	116
FIG 307 REAR WHEEL MOUNTING-----	118
FIG 308 STEERING WHEEL-----	120
FIG 309 STEERING VALVE & PARKING-----	122
FIG 310 STEERING CYLINDER-----	124

4**TRANSMISSION & REAR AXLE**

FIG 401 TRANSMISSION FRONT CASE-----	130
FIG 402 INPUT METAL-----	132
FIG 403 INPUT GEAR-----	134
FIG 404 4WD DRIVE GEAR-----	136
FIG 405 MAIN CHANGE GEARS & REVERSE GEARS-----	138
FIG 406 SUB CHANGE GEARS-----	140
FIG 407 PINION GEARS-----	142
FIG 408 P.T.O DRIVE SHAFT-----	144
FIG 409 P.T.O CHANGE GEARS-----	146
FIG 410 DIFF LOCK-----	148
FIG 411 TRANSMISSION REAR CASE-----	150
FIG 412 REAR AXLE HOUSINGS (1)-----	152
FIG 413 REAR AXLE HOUSINGS (2)-----	154
FIG 414 MAIN CHANGE LEVER-----	156
FIG 415 SUB CHANGE LEVER-----	158
FIG 416 REVERSE LINK-----	160
FIG 417 REVERSE CHANGE LEVER -----	162
FIG 418 4WD CHANGE LEVER-----	164

5 FRONT AXLE

FIG 501 FRONT AXLE BRACKET-----170
FIG 502 FRONT DIFFERENTIAL GEARS & SHAFT-----172
FIG 503 FRONT AXLE HOUSING-----174
FIG 504 FRONT GEAR CASE (1)-----176
FIG 505 FRONT GEAR CASE (2)-----178

6 HYDRAULICS & 3-POINT LINK

FIG 601 GEAR PUMP-----	184
FIG 602 CYLINDER CASE-----	186
FIG 603 LIFT ARM-----	188
FIG 604 CYLINDER-----	190
FIG 605 POSITION LINK (1)-----	192
FIG 606 POSITION LINK (2)-----	194
FIG 607 CONTROL VALVE-----	196
FIG 608 POSITION LEVER-----	198
FIG 609 HYDRAULIC PIPE (1)-----	200
FIG 610 HYDRAULIC PIPE (2)-----	202
FIG 611 EXTERIOR HYD.VALVE-----	204
FIG 612 3-POINT LINK-----	206
FIG 613 HITCH & COVER-----	208
FIG 614 EXTERIOR POSITION LEVER-----	210

7**SHEET METAL & R.O.P.S**

FIG 701 HOOD FRAME-----	216
FIG 702 HOOD-----	218
FIG 703 EXTENSION COVER-----	220
FIG 704 FENDER & REAR FRAME-----	222
FIG 705 DASHPANEL-----	226
FIG 706 FLOOR PANEL-----	228
FIG 707 SEAT-----	230
FIG 708 FRONT & REAR MOUNTING-----	232
FIG 709 ROPS-----	234

8

ELECTRICALS & HARNESS

FIG 801 BATTERY & MOUNTING-----240
FIG 802 LAMP-----242
FIG 803 INSTRUMENT PANEL-----244
FIG 804 ELECTRIC SYSTEM-----246
FIG 805 HARNESS -----248

9

WEIGHT,LABEL,TOOLS

FIG 901 TOOL & ACCESSORY-----254
FIG 902 LABEL-----256
FIG 903 OPTION-----260
FIG 904 EXTERIOR HYD. VALVE (4PORT KIT-OPTION)-----260-1

ENGINE-----265
CHASSIS-----268

FIG 101

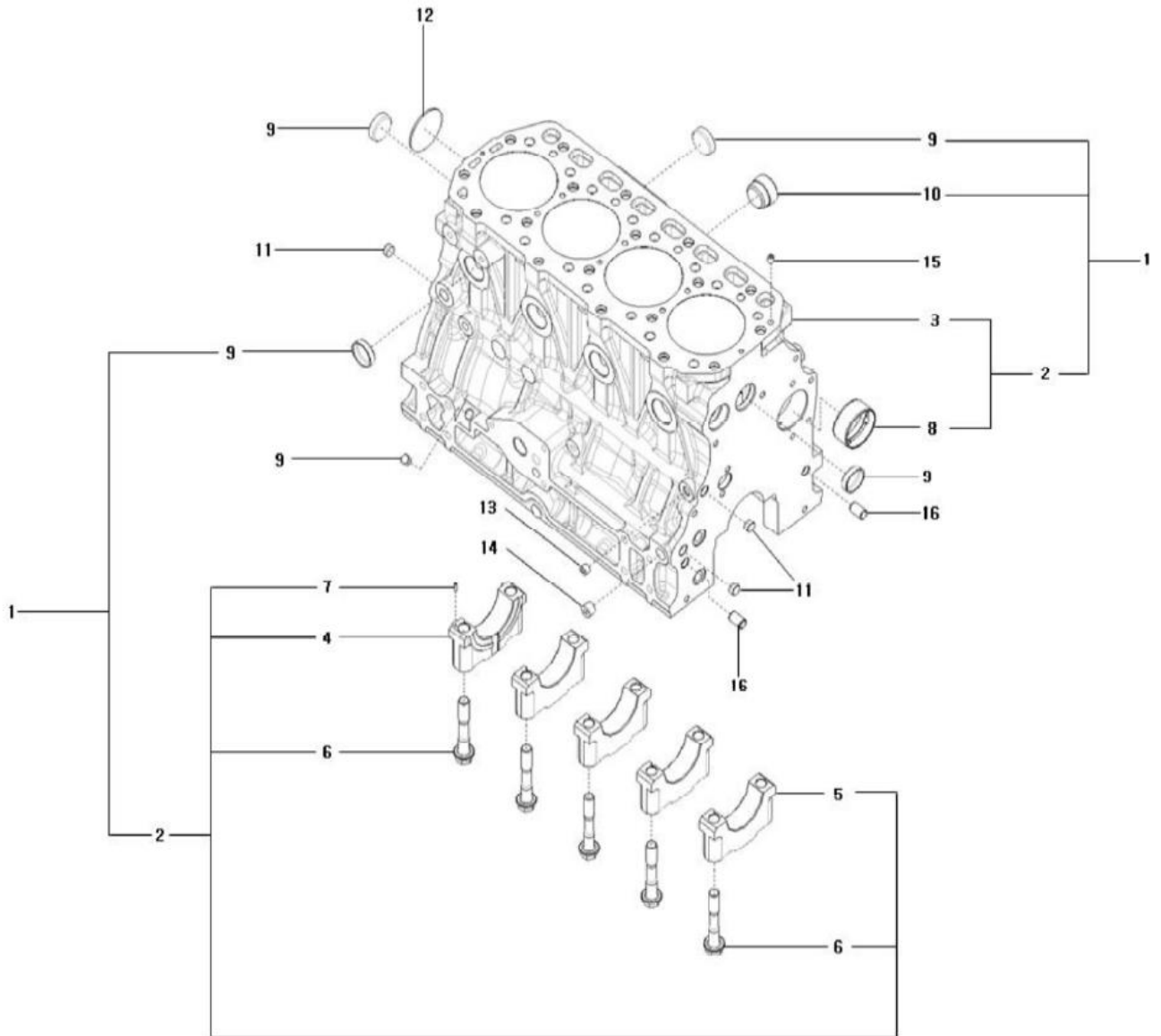
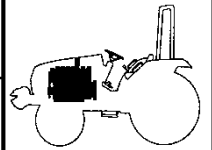
T474NC

CYLINDER BLOCK

P1

YEAR

2018



NOTE

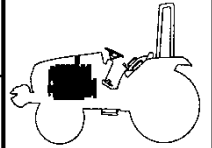
FIG 102

OILJET ASS'Y OPTION

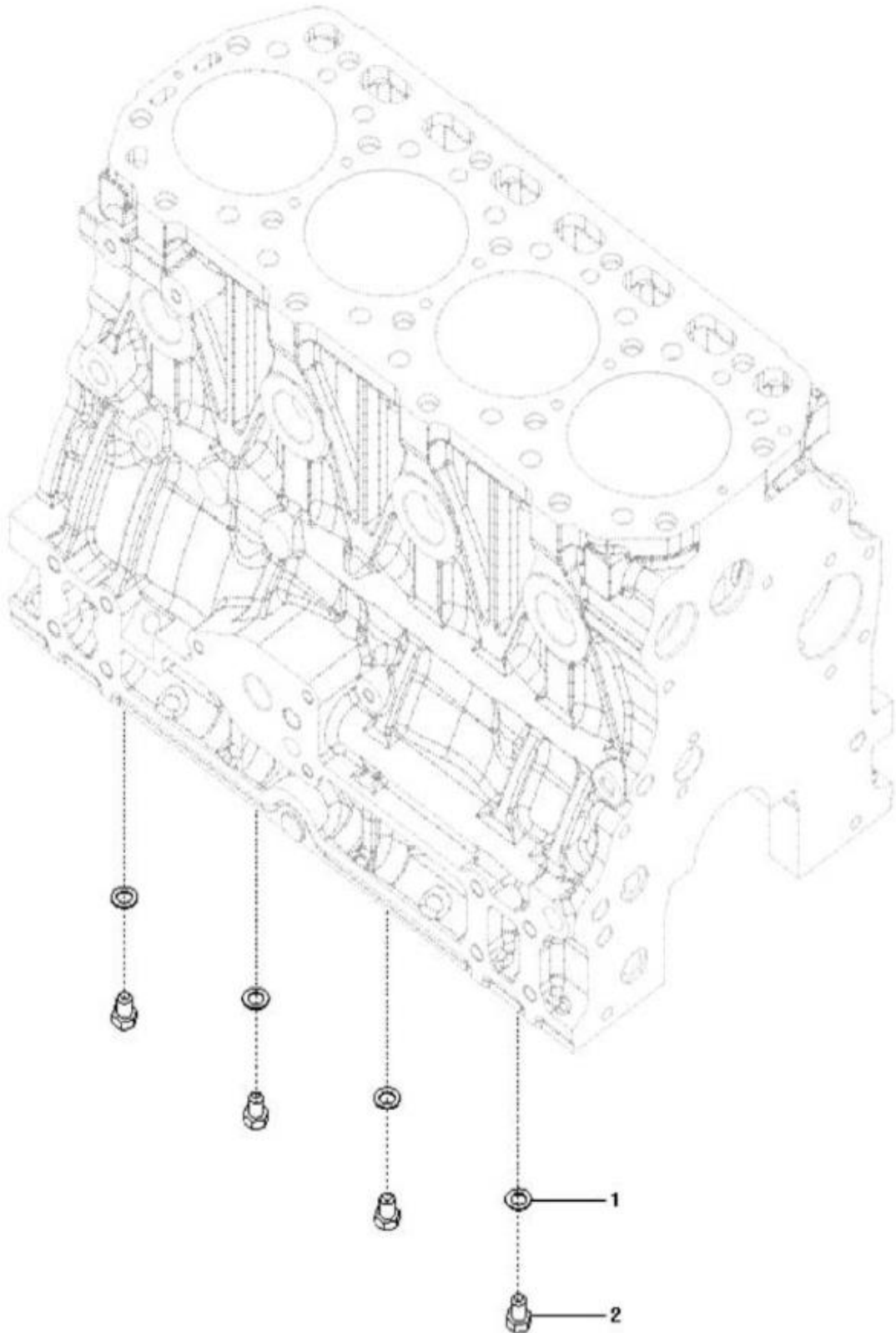
P1

YEAR

2018



T474NC



NOTE

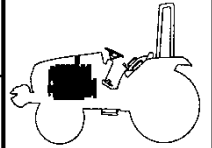
FIG 103

CRANK SHAFT

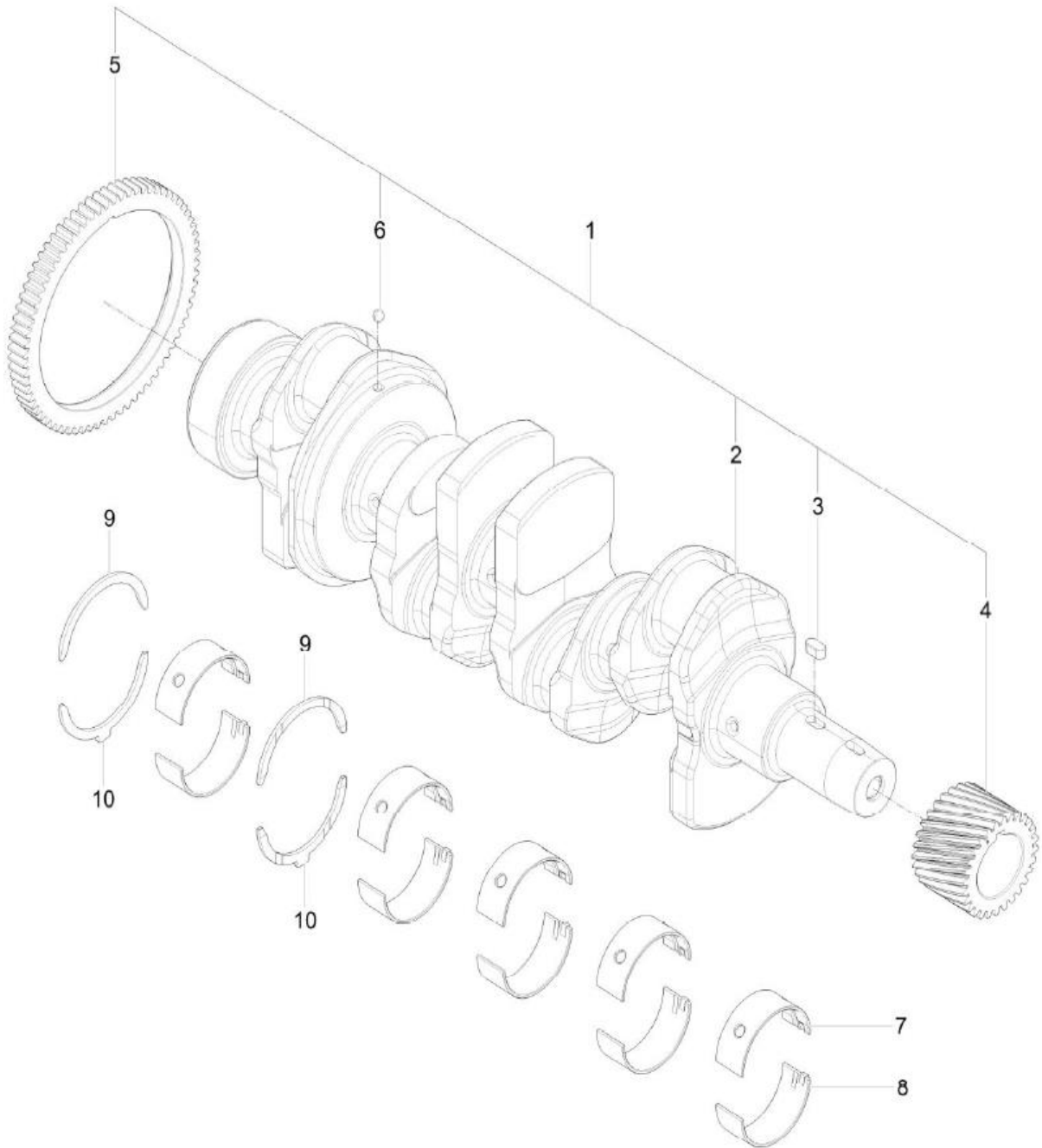
P1

YEAR

2018



T474NC



NOTE

FIG 104

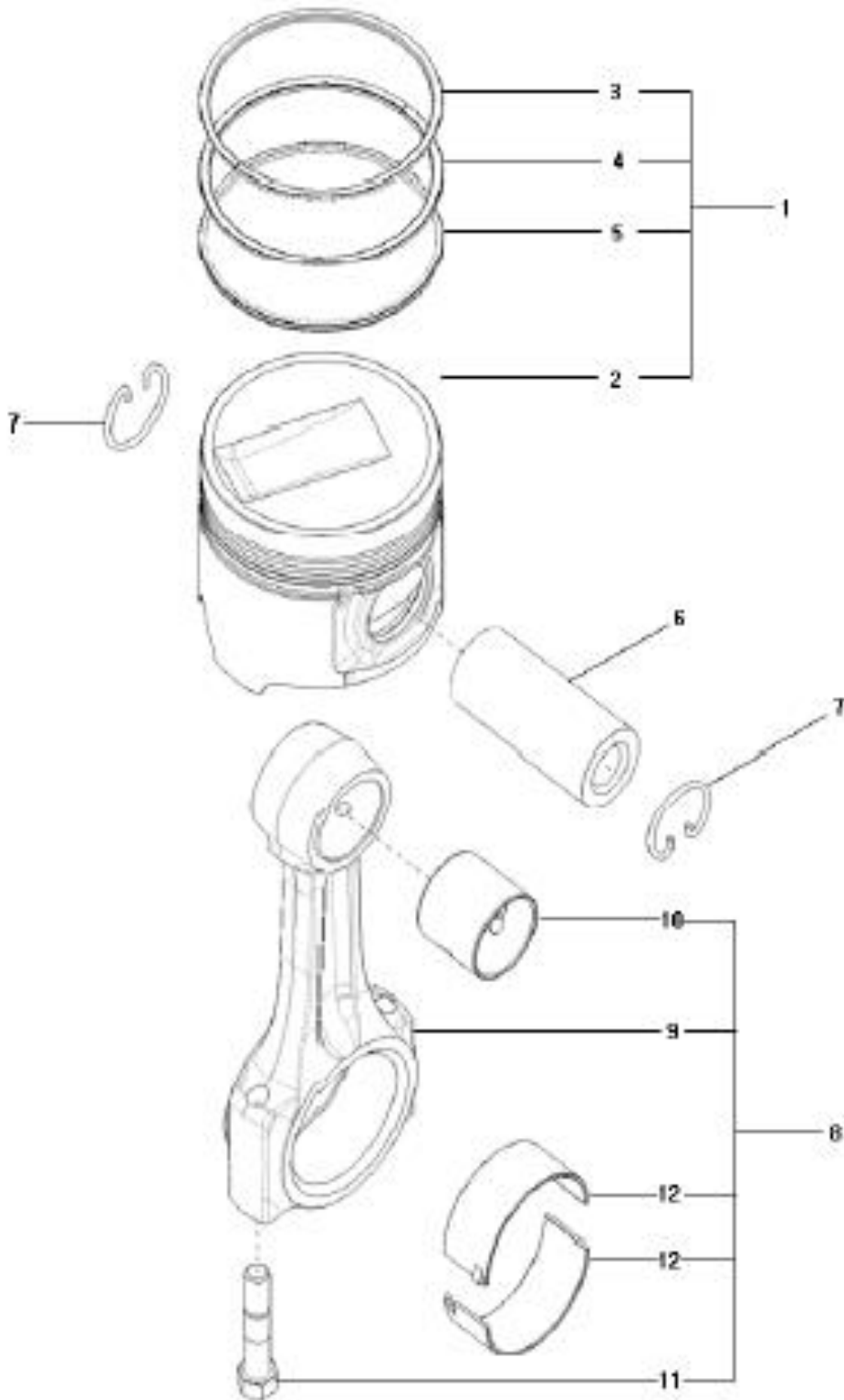
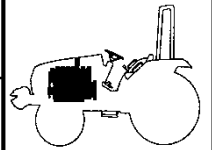
T474NC

PISTON

P1

YEAR

2018



NOTE

FIG 105

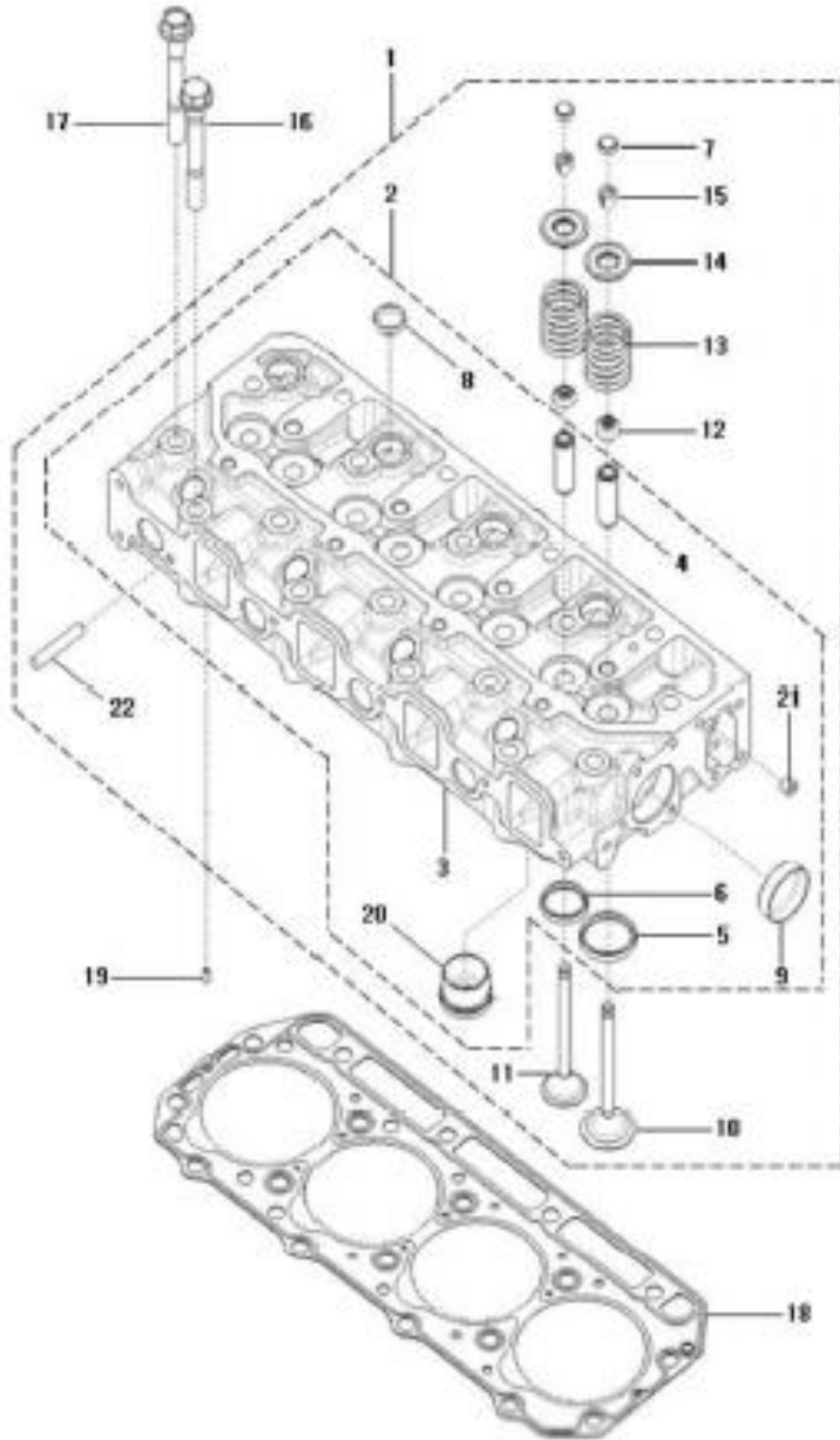
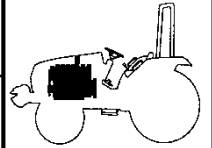
T474NC

CYLINDER HEAD

P1

YEAR

2018



NOTE

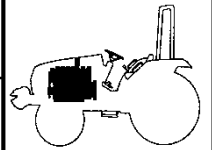
FIG 106

ROCKER LEVER

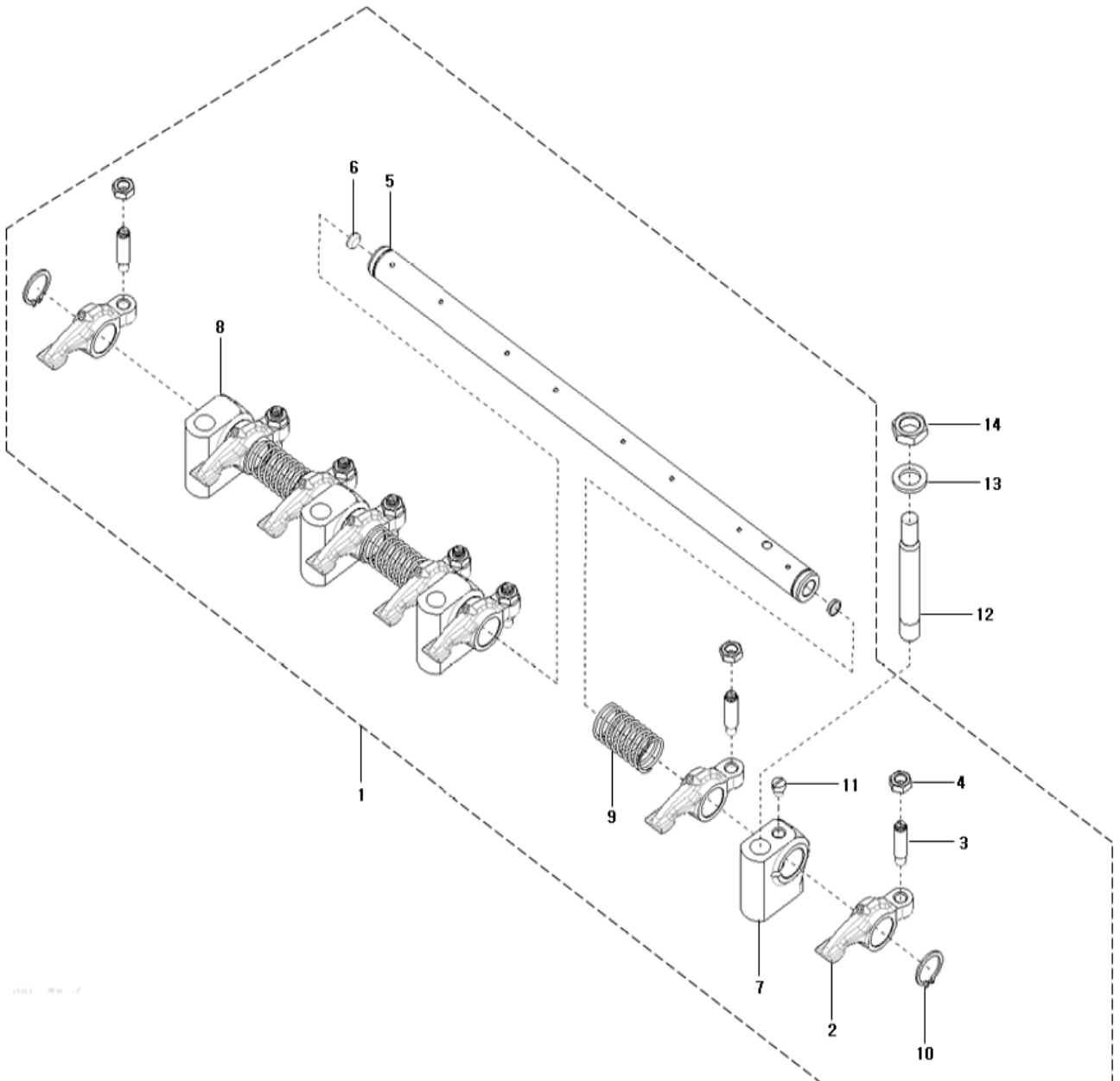
P1

YEAR

2018



T474NC



NOTE

FIG 107

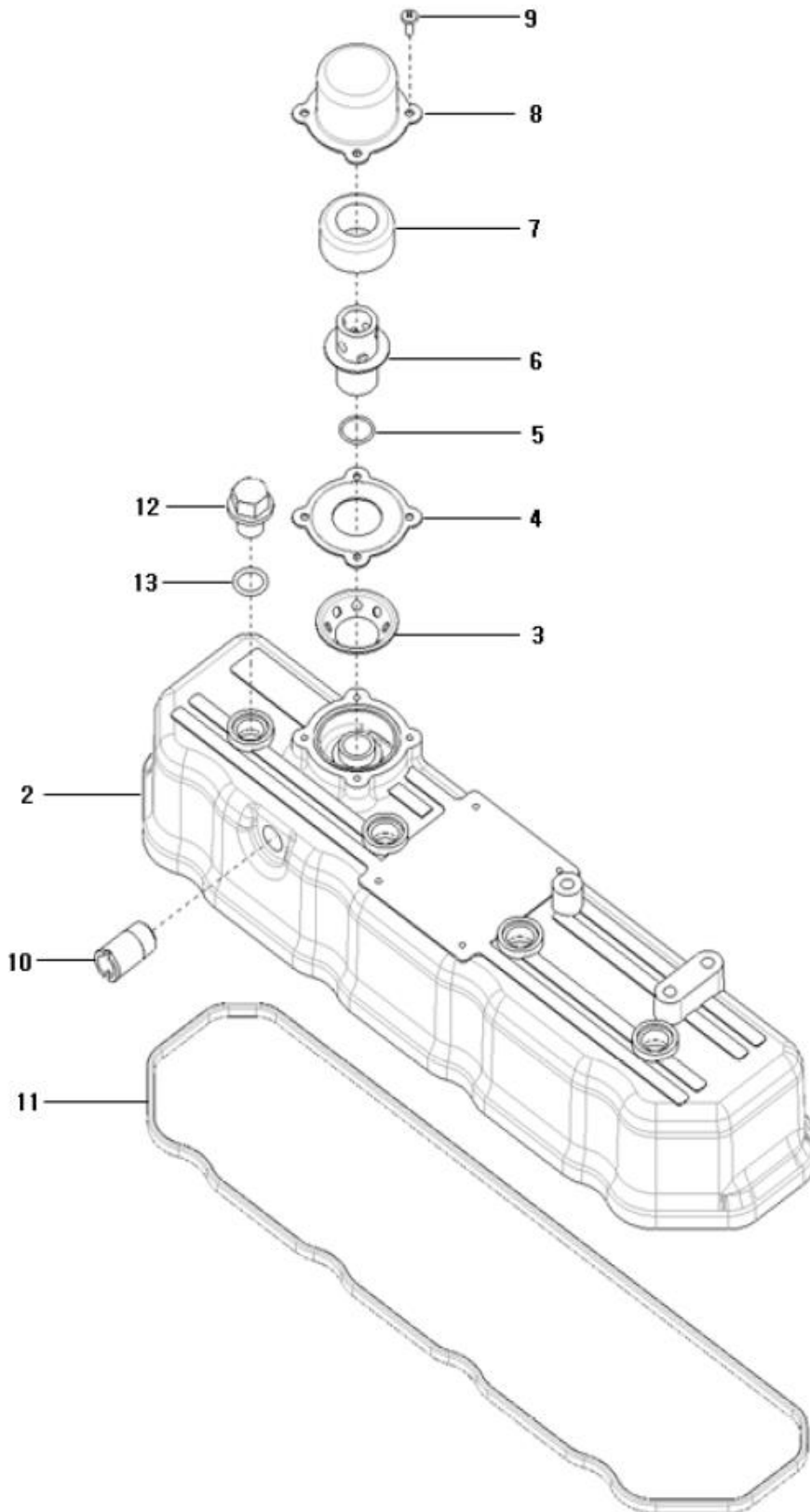
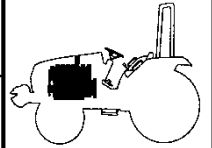
T474NC

HEAD COVER

P1

YEAR

2018



NOTE

FIG 108

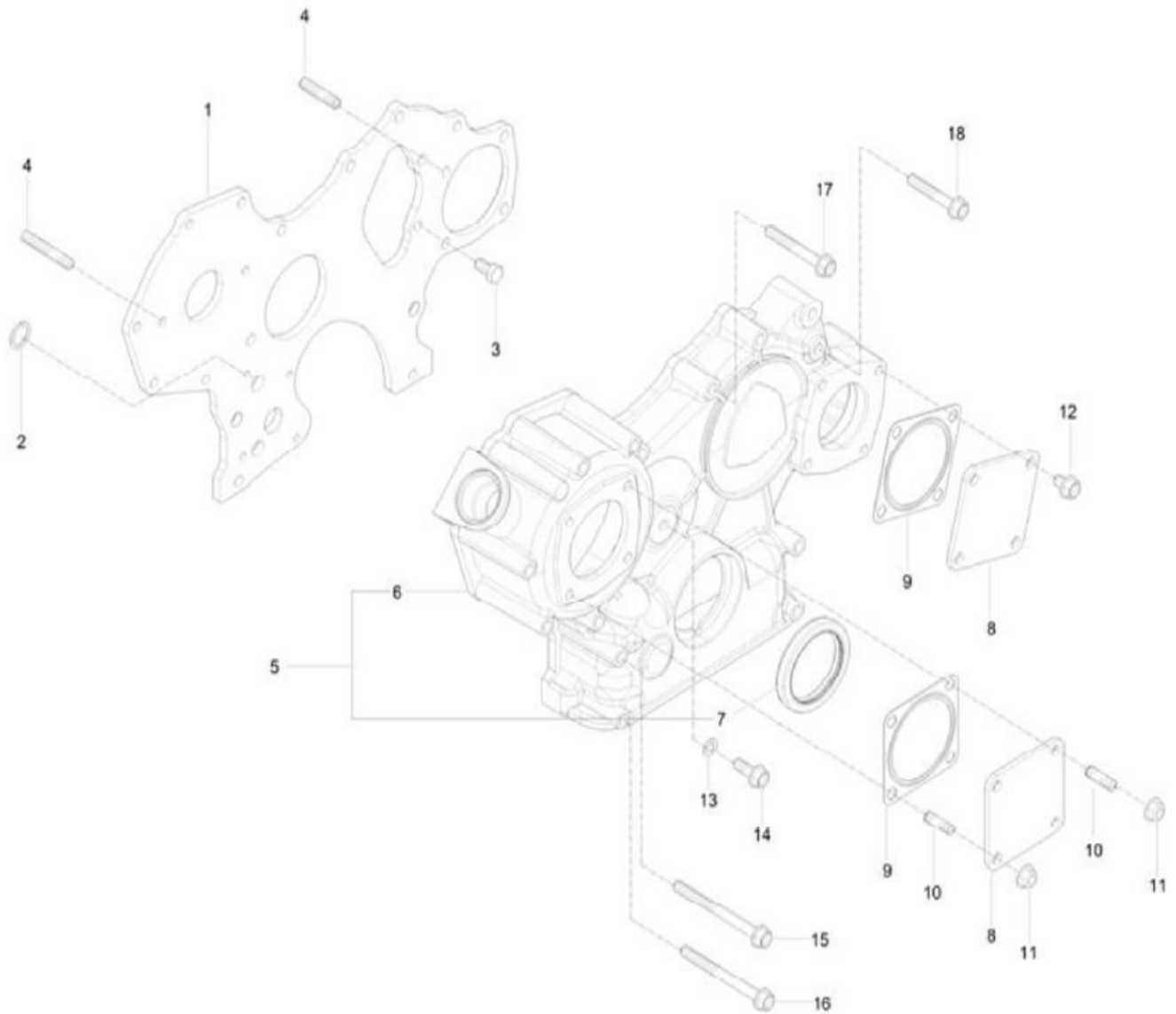
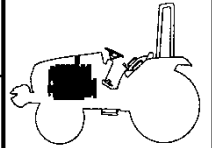
T474NC

GEAR CASE

P1

YEAR

2018



NOTE

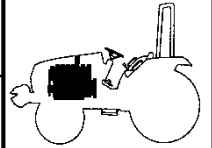
FIG 109

IDLE GEAR

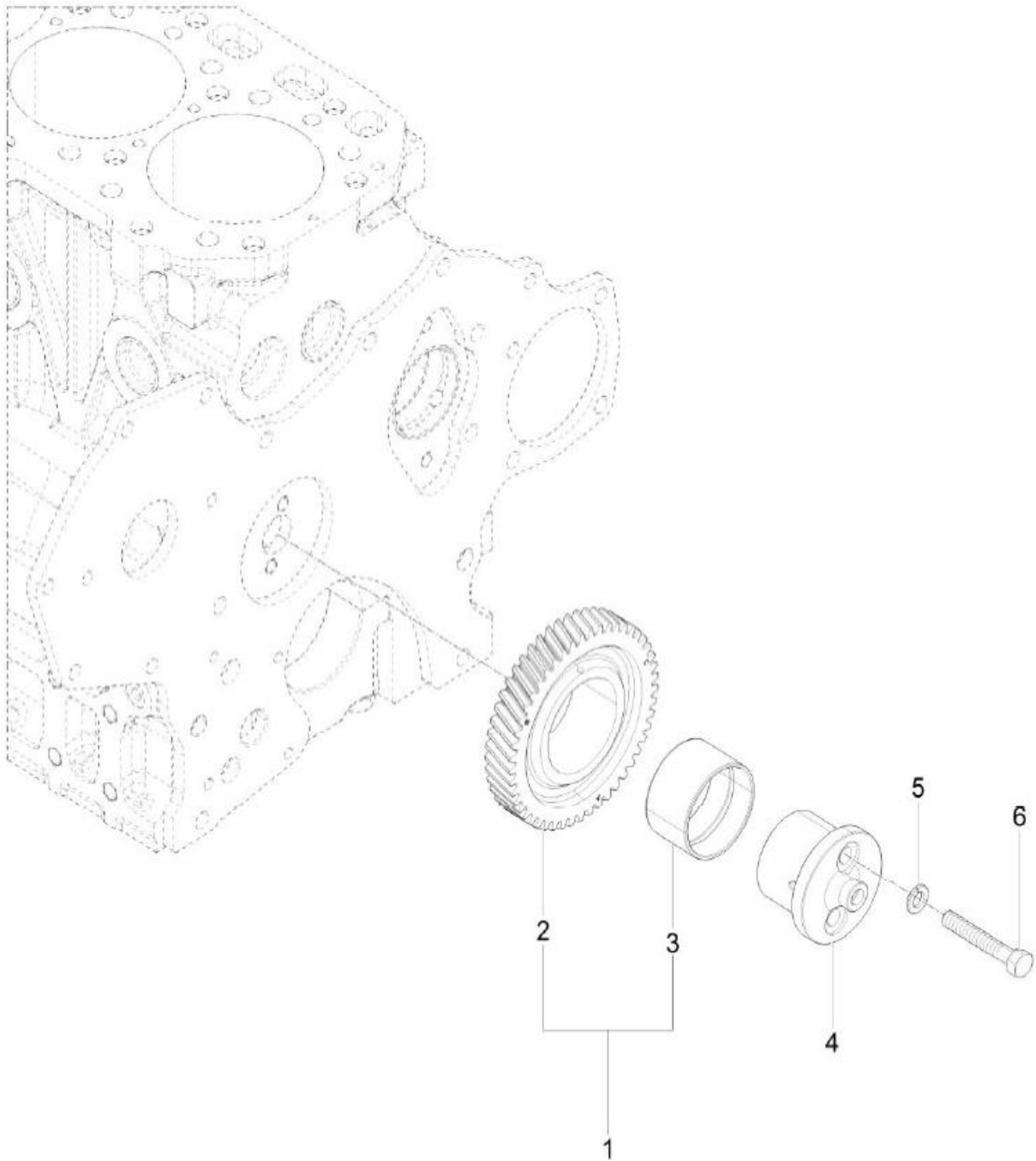
P1

YEAR

2018



T474NC



NOTE

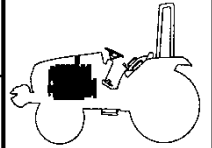
FIG 110

CAM SHAFT

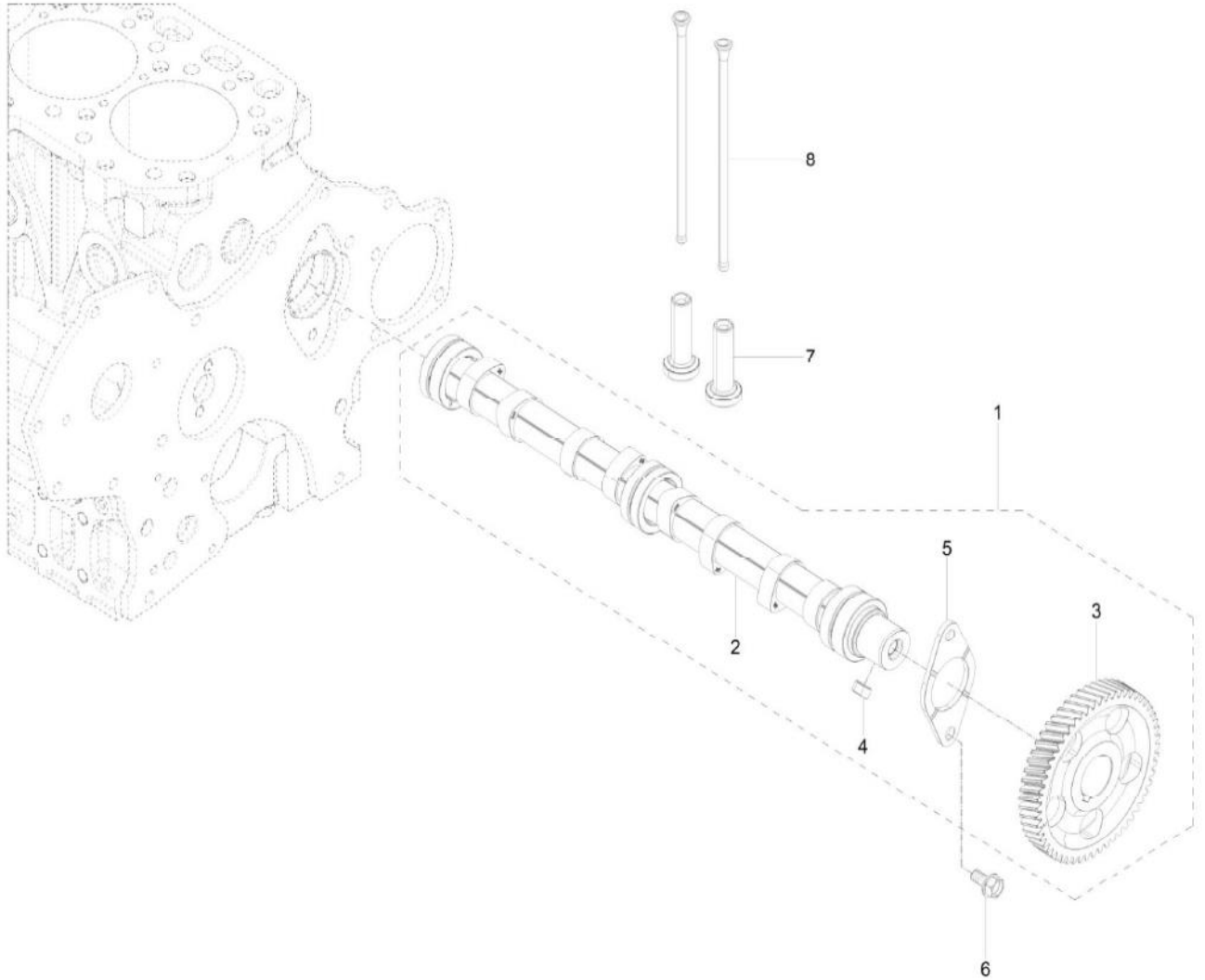
P1

YEAR

2018



T474NC



NOTE

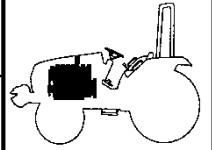
FIG 111

OIL PUMP

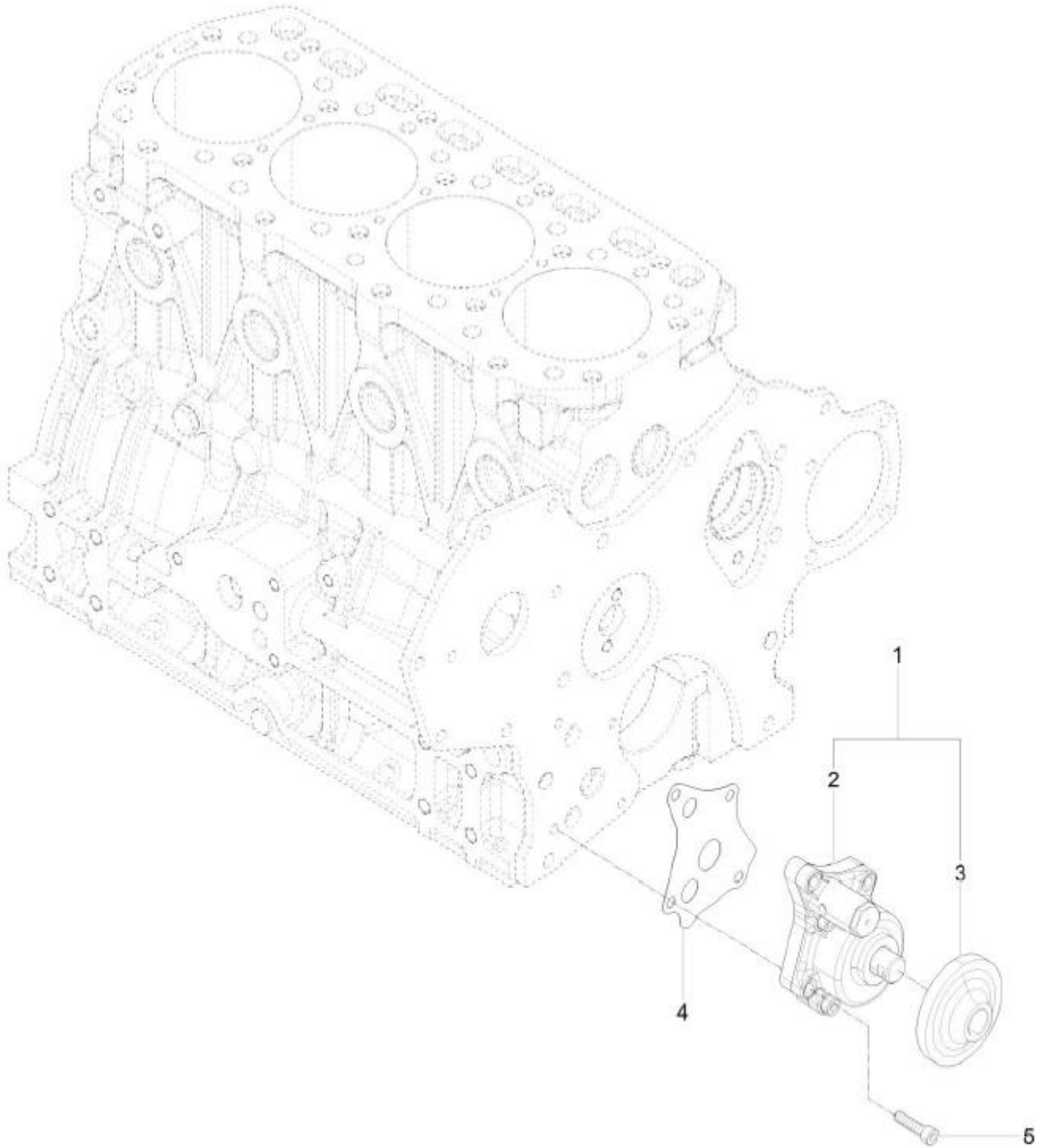
P1

YEAR

2018



T474NC



NOTE

FIG 112

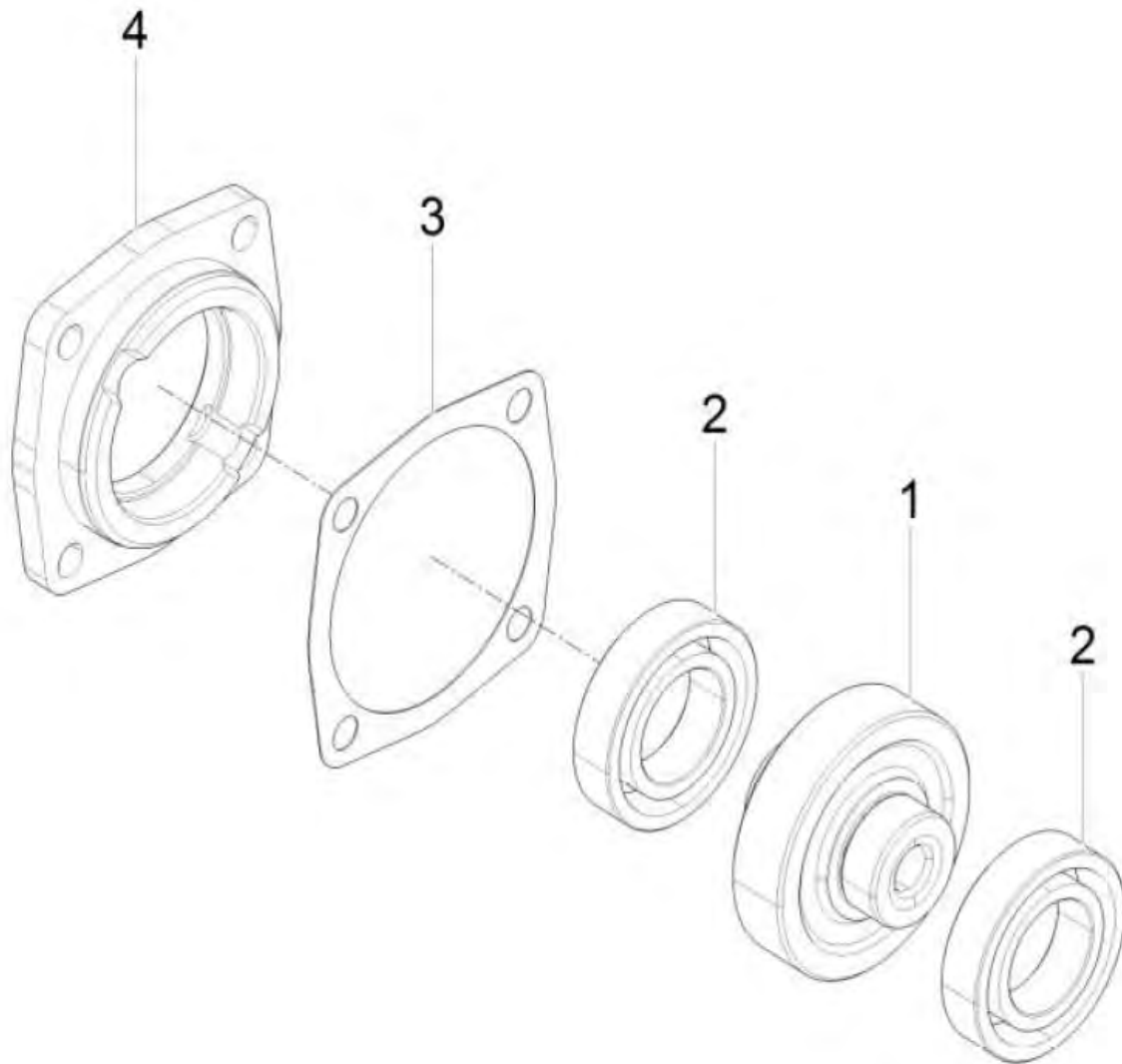
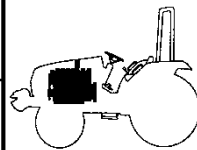
T474NC

HYD. PUMP DRIVE

P1

YEAR

2018



NOTE

FIG 113

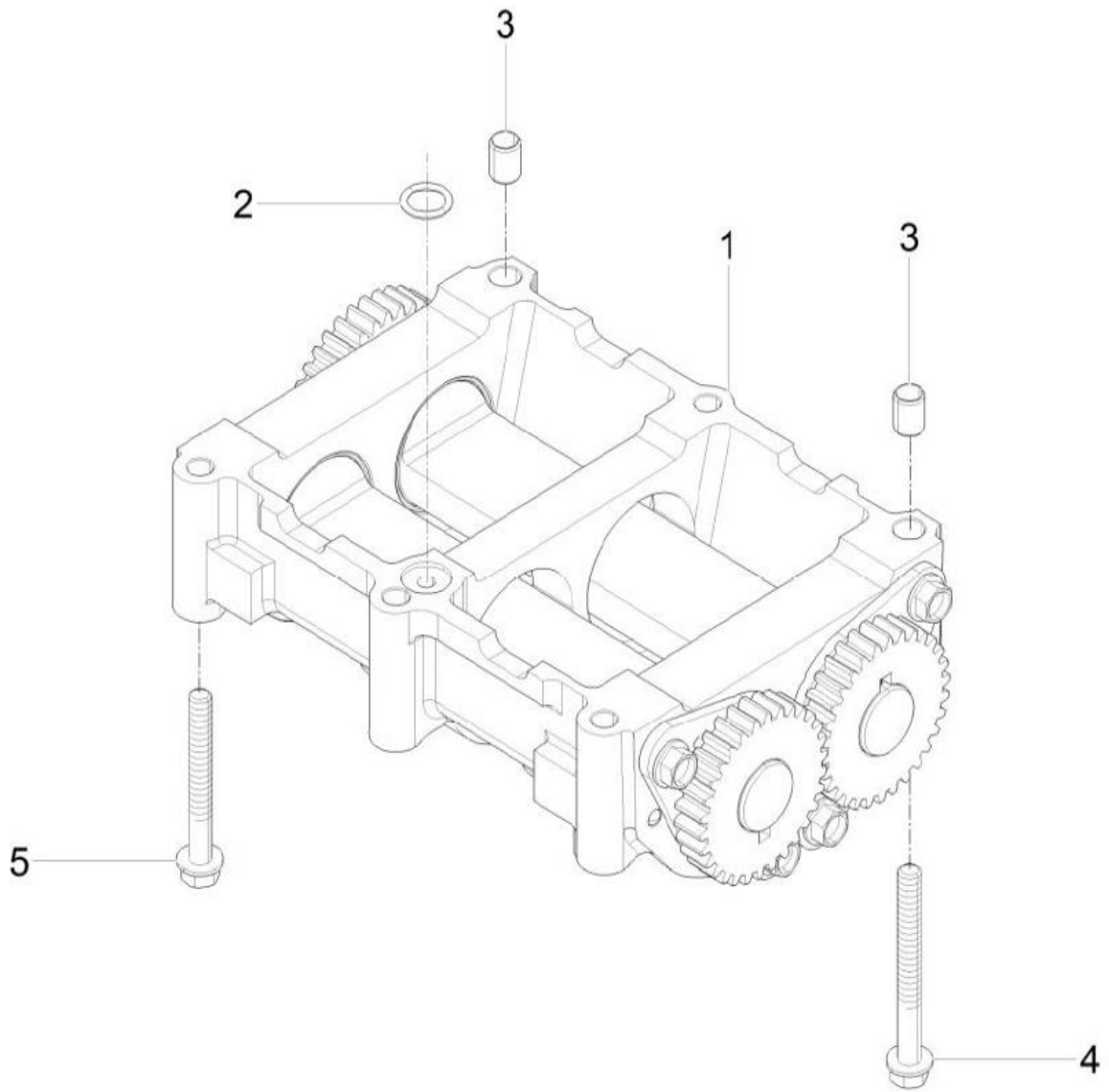
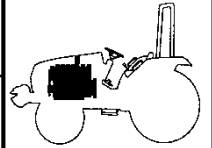
T474NC

2ND BALANCE

P1

YEAR

2018



NOTE

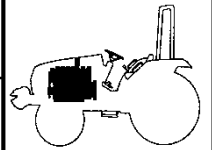
FIG 114

OIL PAN

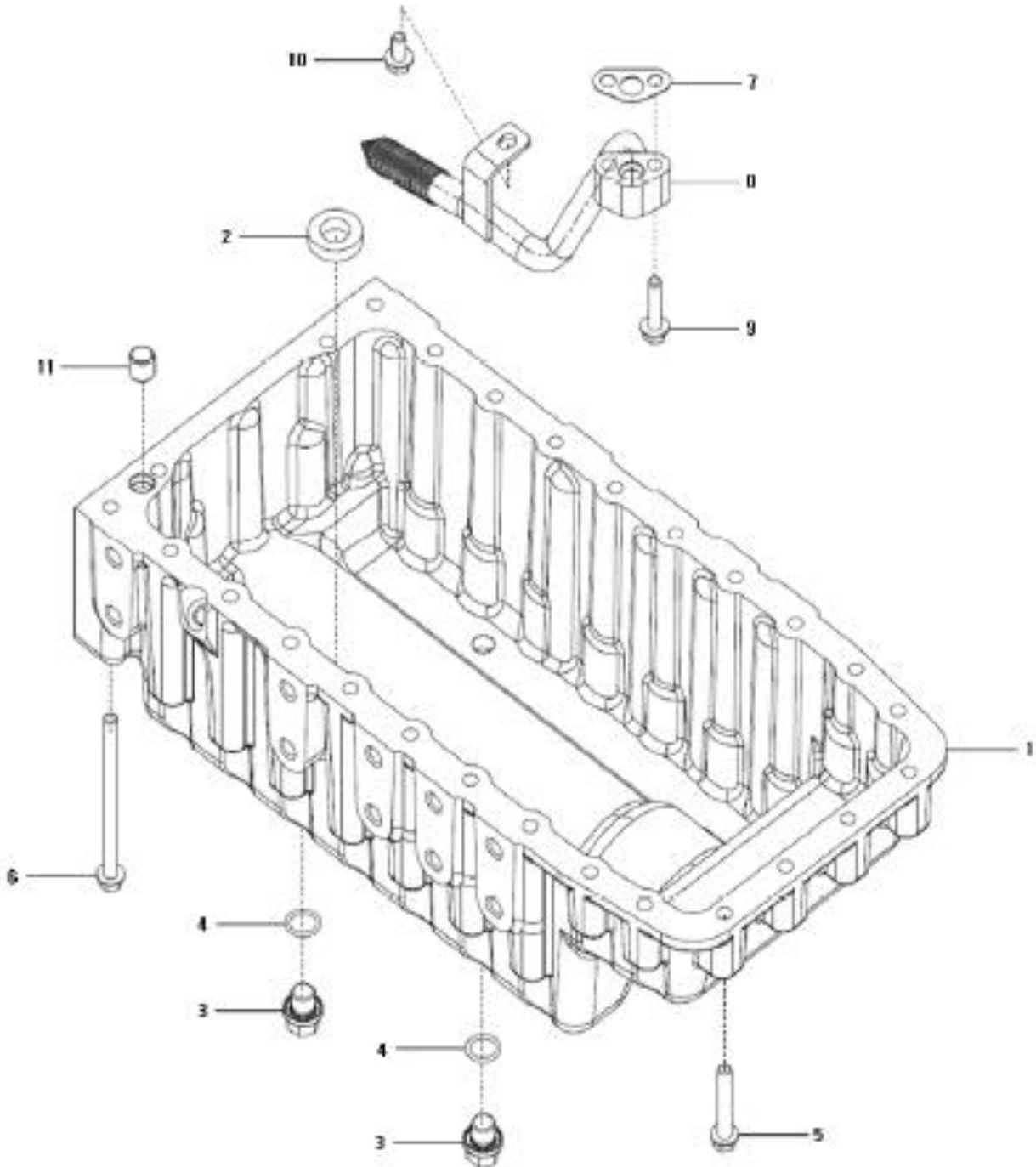
P1

YEAR

2018



T474NC



NOTE

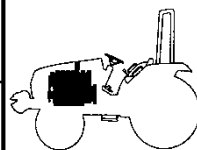
FIG 115

INTAKE MANIFOLD

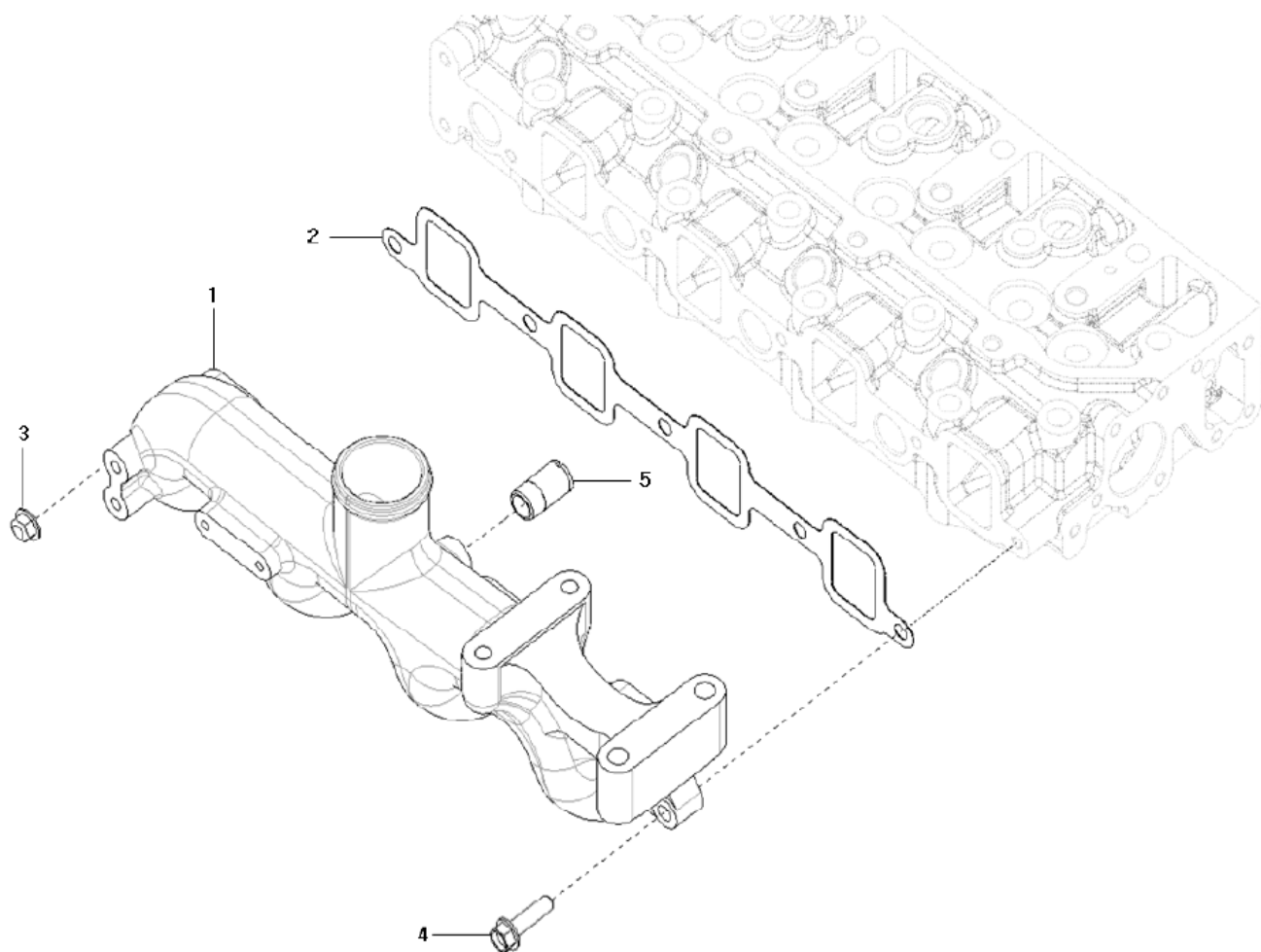
P1

YEAR

2018



T474NC



NOTE

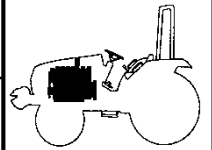
FIG 116

EXHAUST MANIFOLD

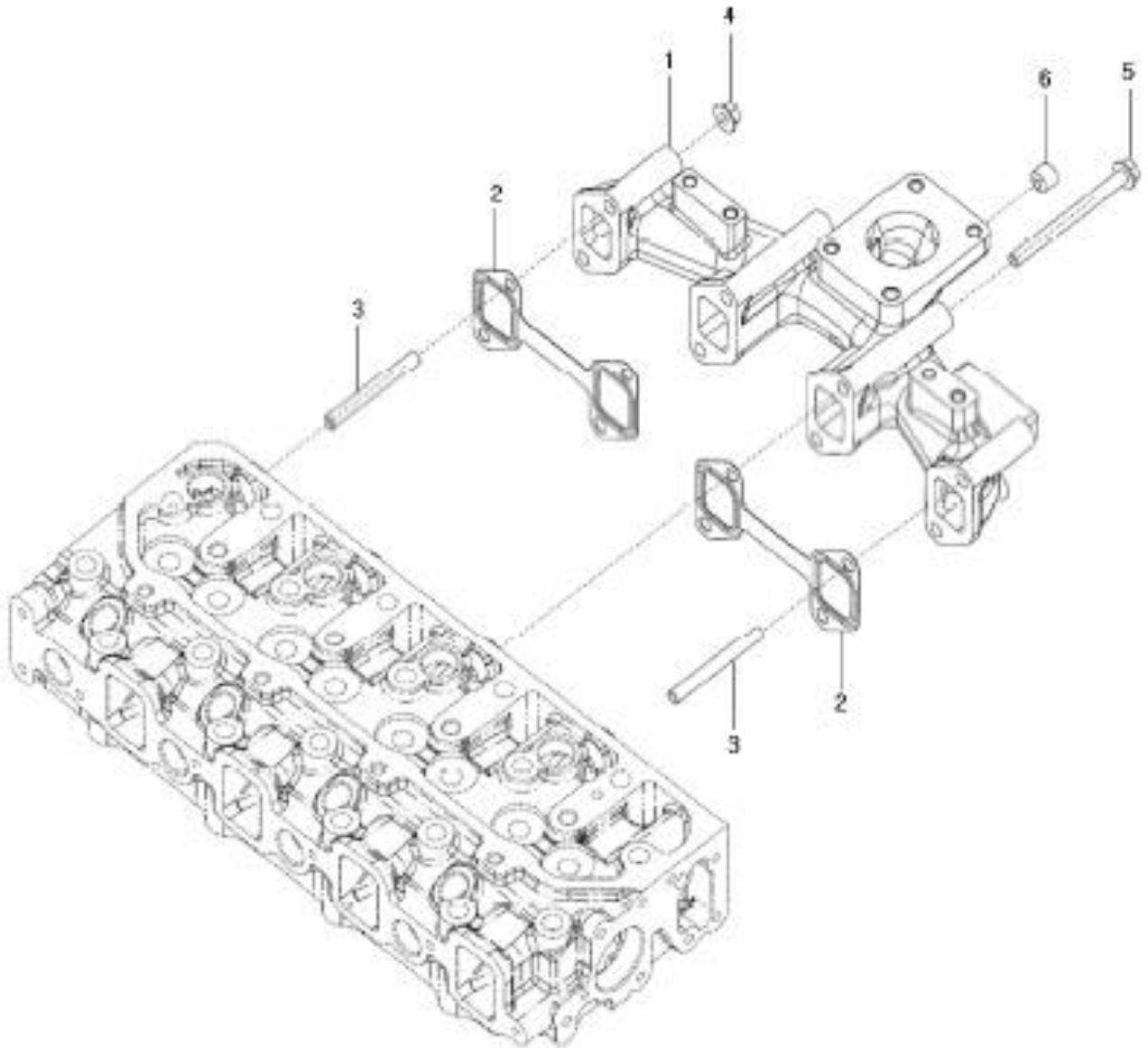
P1

YEAR

2018



T474NC



NOTE

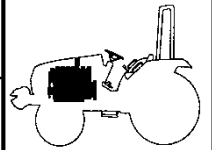
FIG 117

DPF SUPPORT OPTION

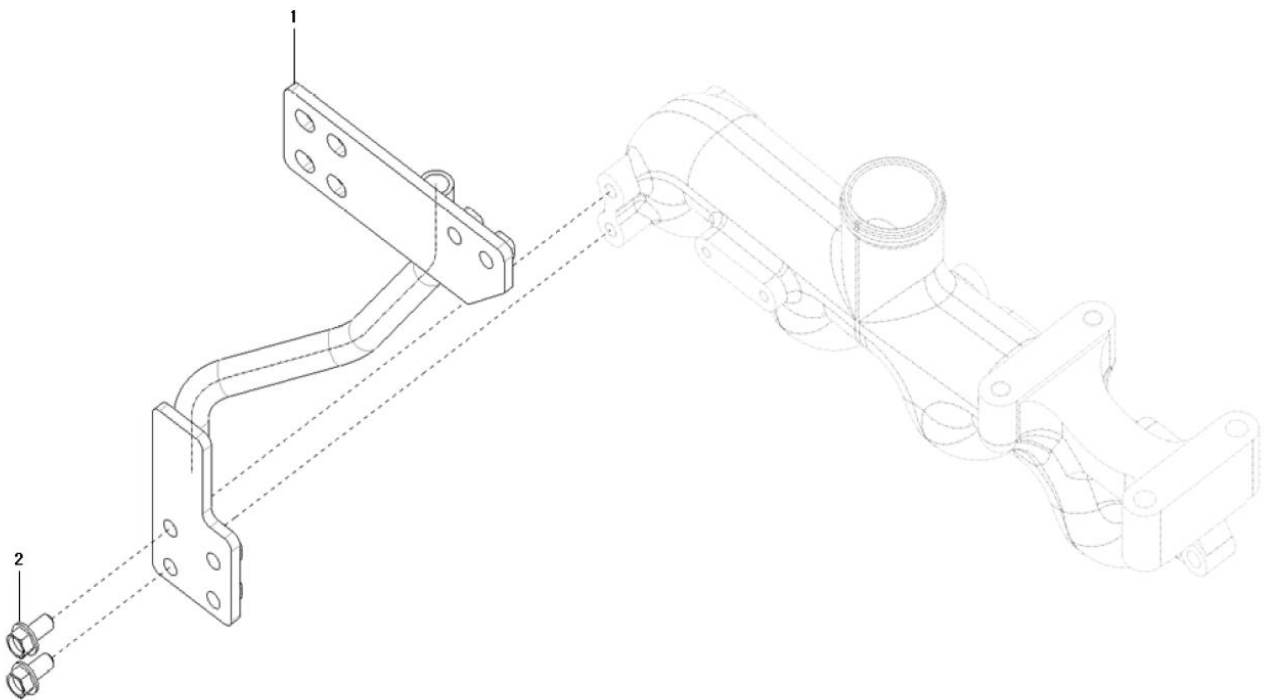
P1

YEAR

2018



T474NC



NOTE

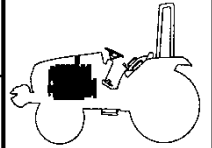
FIG 118

TURBOCHARGER PLUMBING OPTION

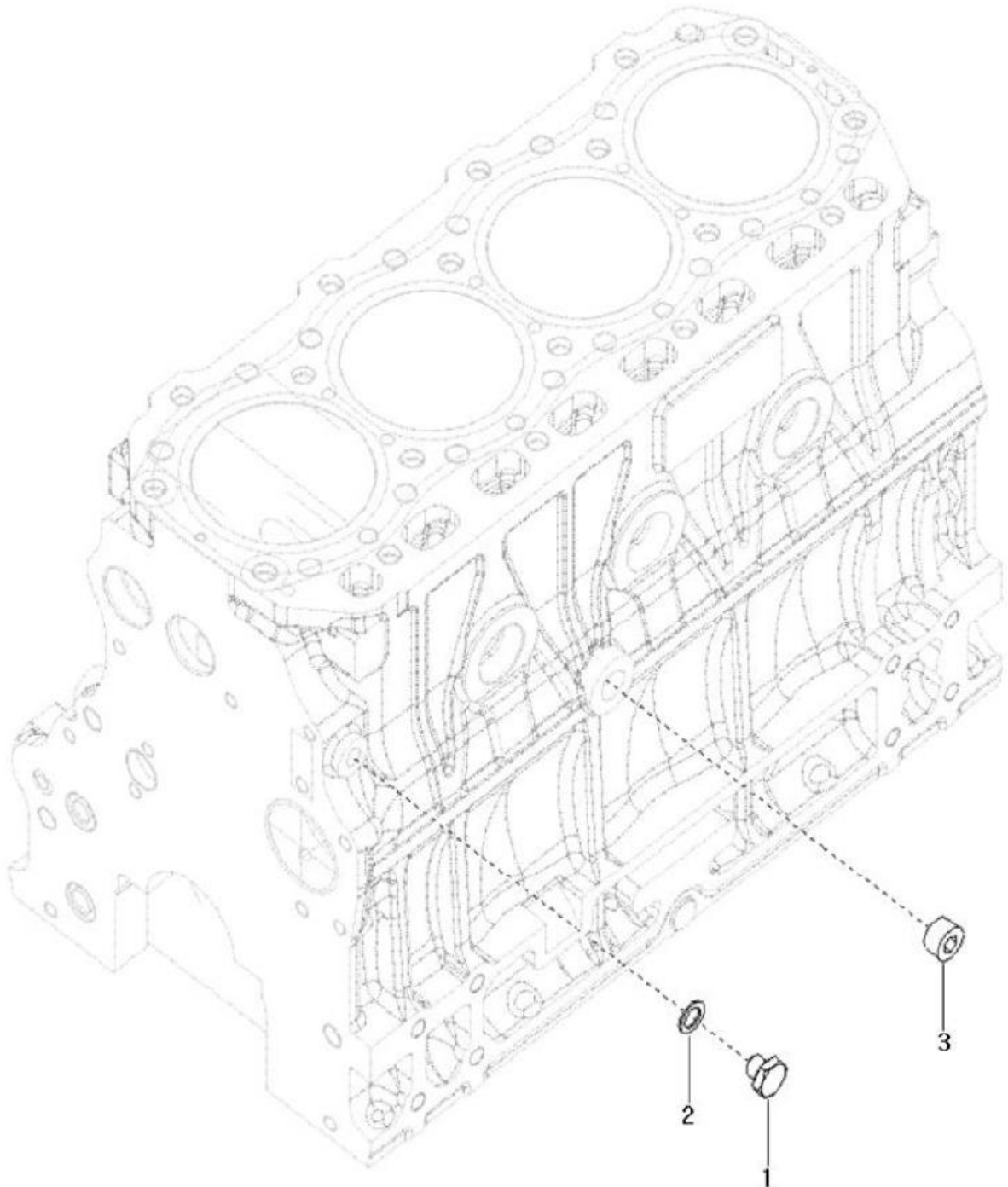
P1

YEAR

2018



T474NC



NOTE

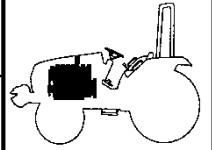
FIG 119

BREATHER

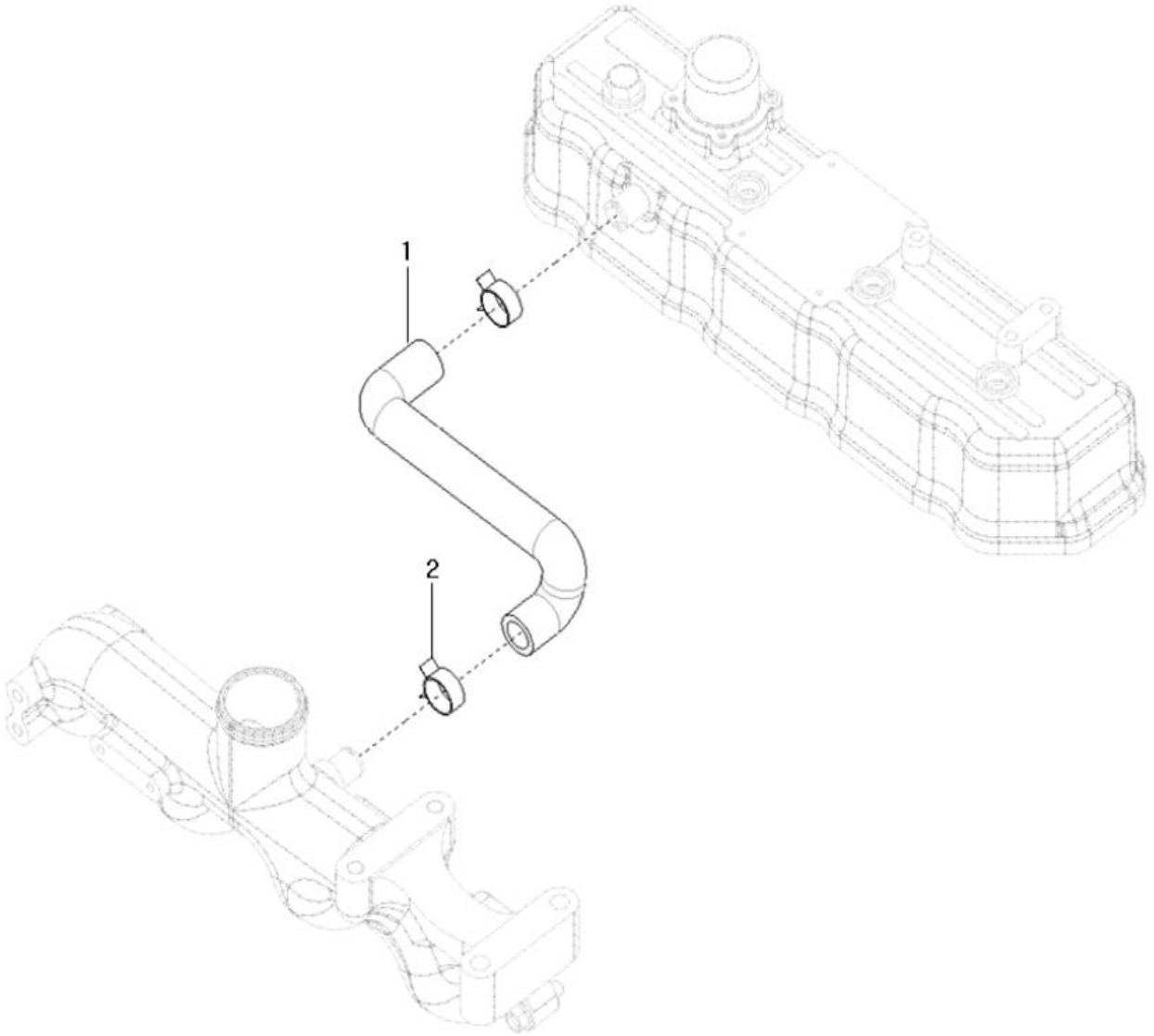
P1

YEAR

2018



T474NC



NOTE

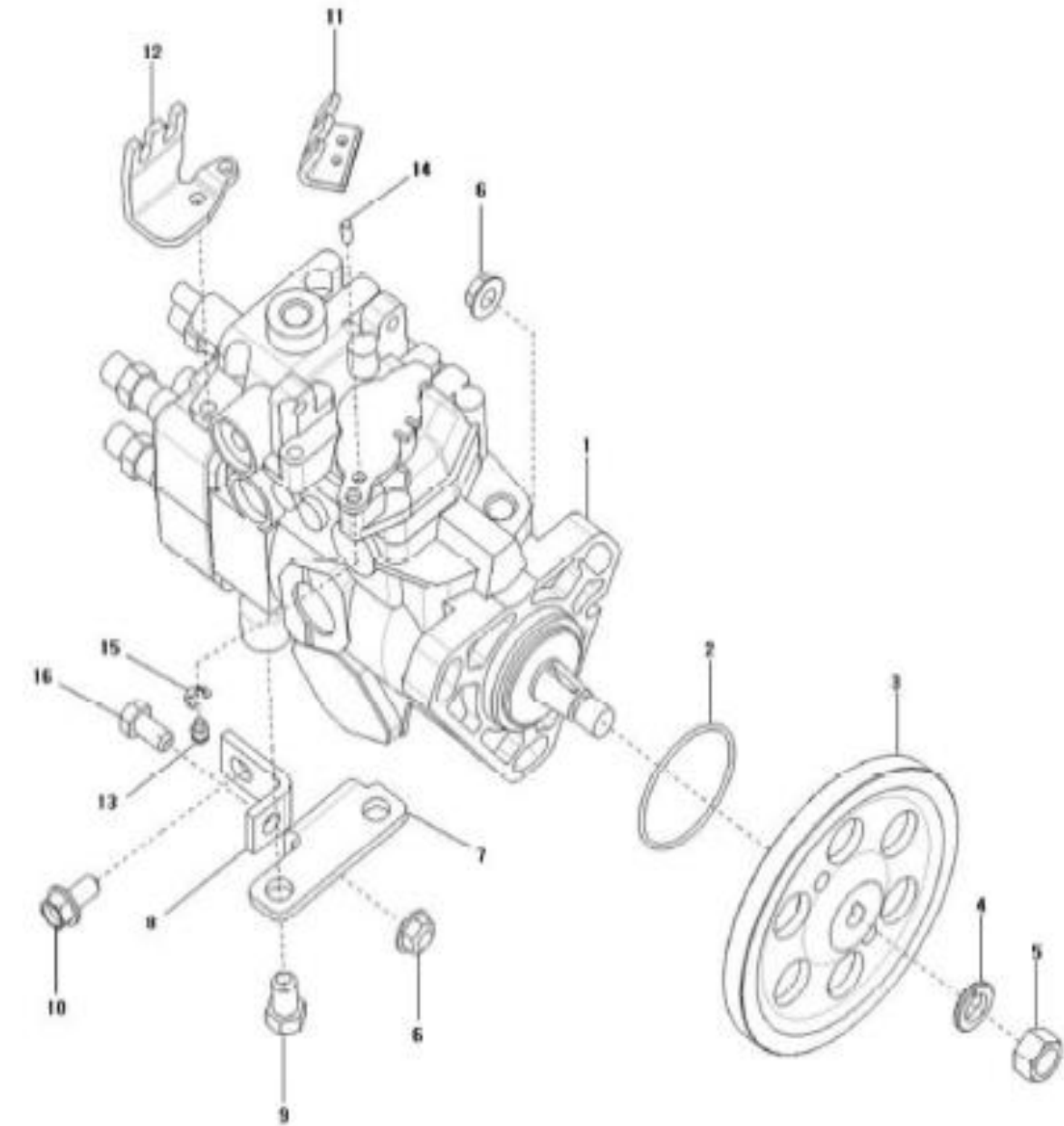
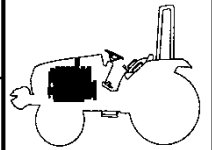
FIG 120

FUEL INJECTION PUMP

P1

YEAR

2018



NOTE

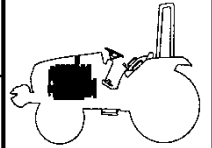
FIG 121

FUEL INJECTION VALVE

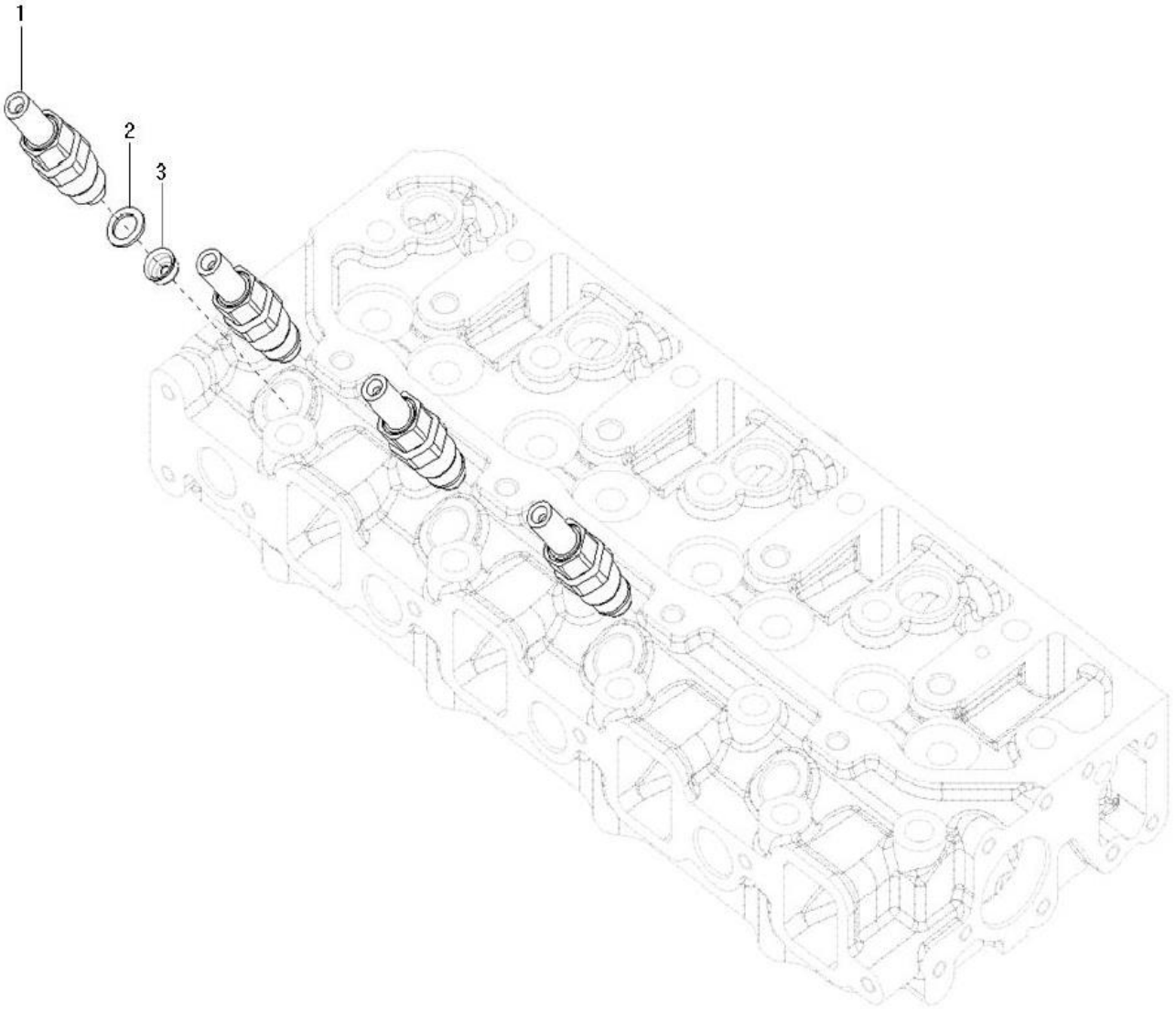
P1

YEAR

2018



T474NC



NOTE

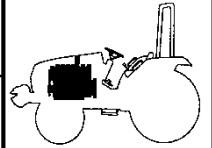
FIG 122

FUEL PIPE ASS'Y

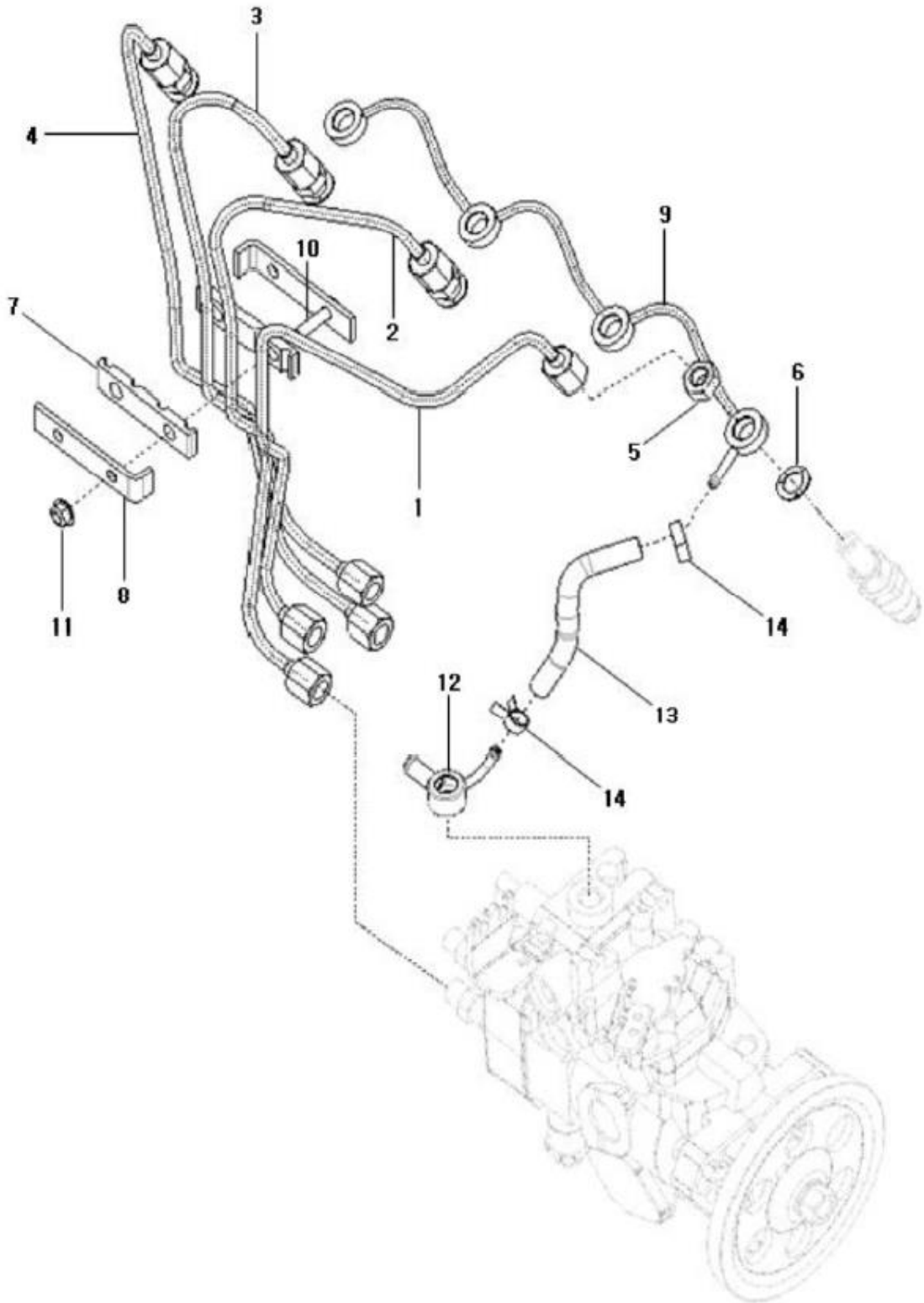
P1

YEAR

2018



T474NC



NOTE

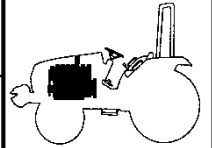
FIG 123

OIL FILTER

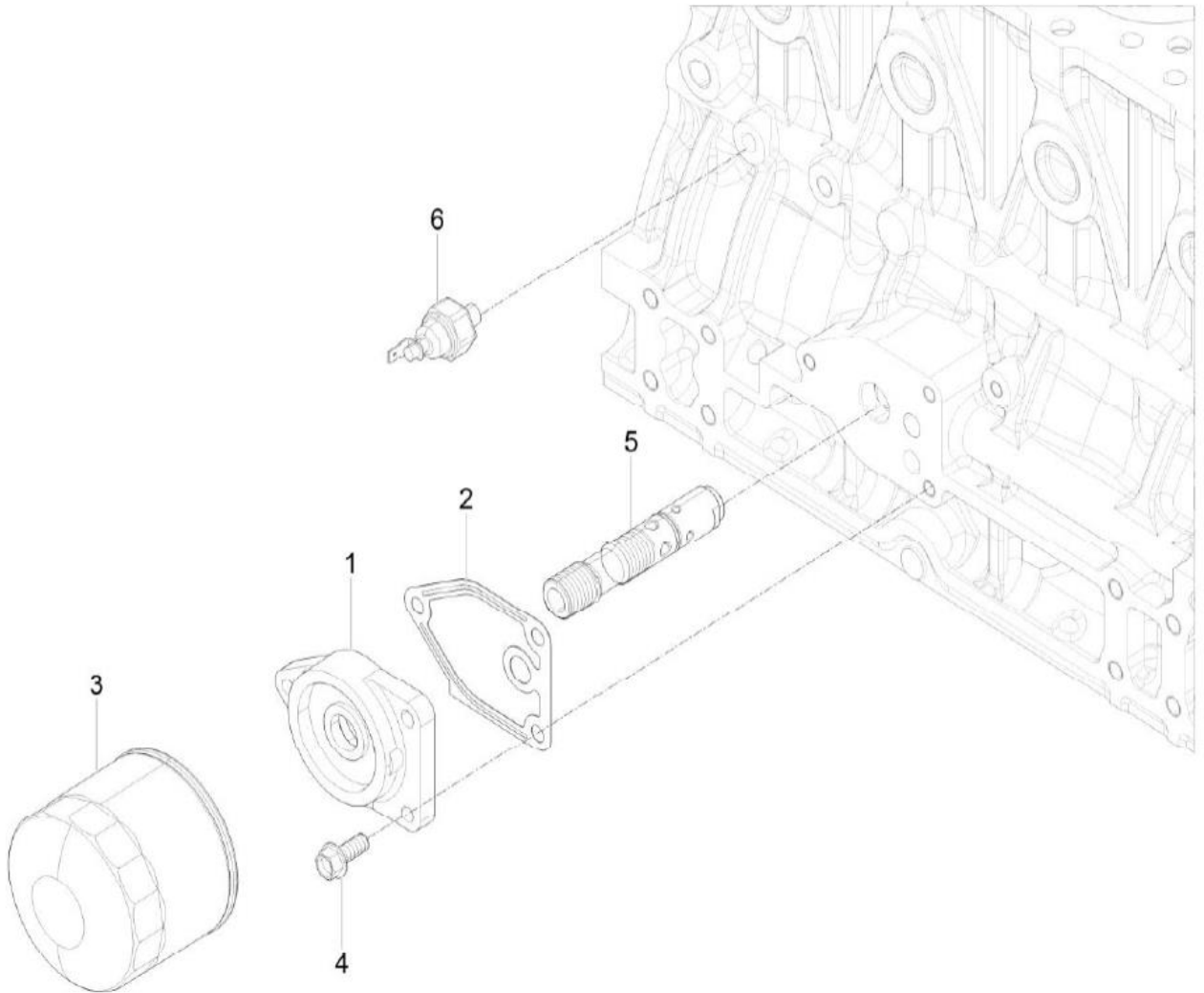
P1

YEAR

2018



T474NC



NOTE

FIG 124

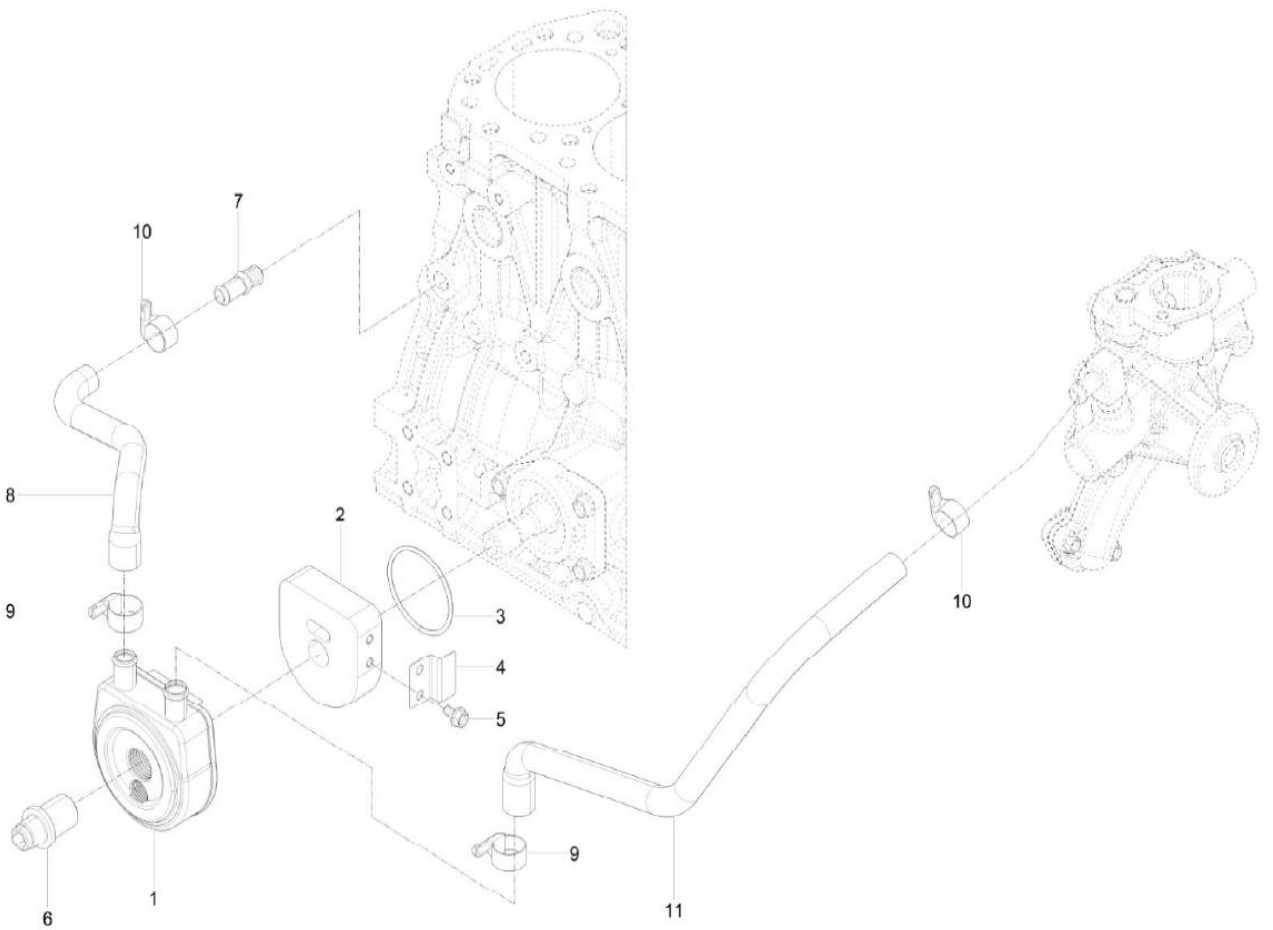
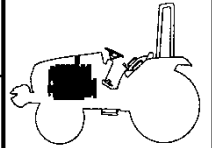
T474NC

OIL COOLER

P1

YEAR

2018



NOTE

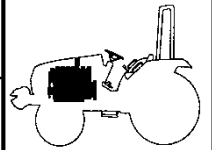
FIG 125

OIL GAUGUE

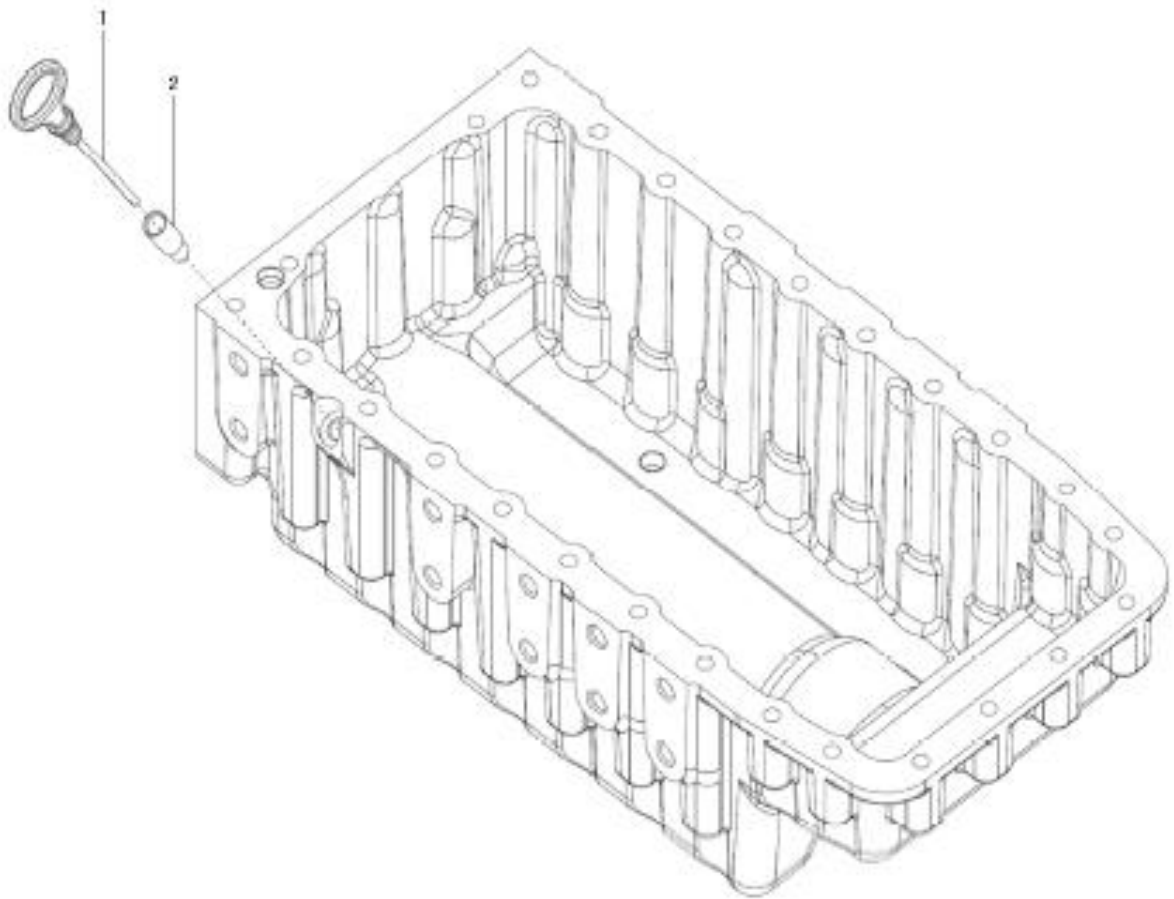
P1

YEAR

2018



T474NC



NOTE

FIG 126

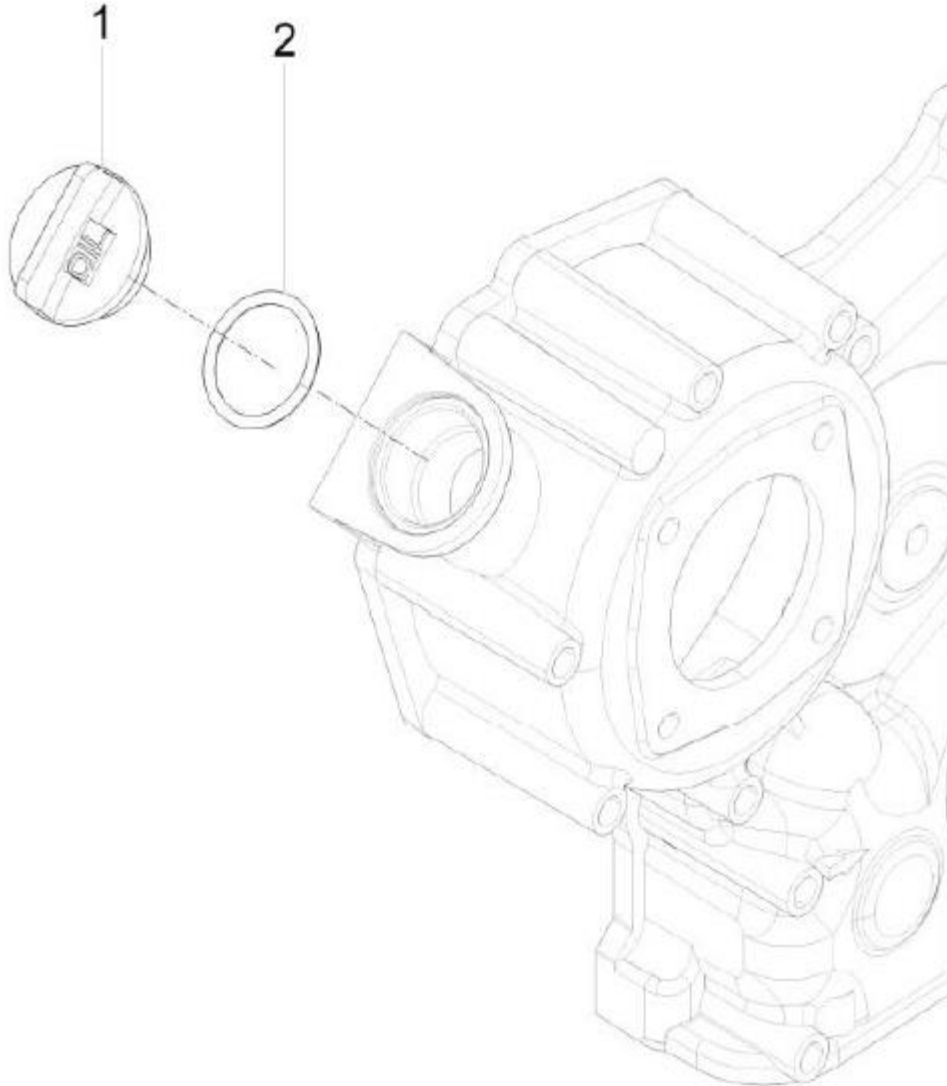
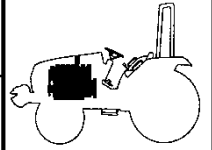
T474NC

OIL FILLER CAP

P1

YEAR

2018



NOTE

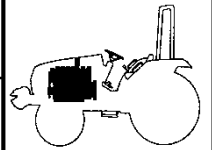
FIG 127

COOLING WATER PUMP

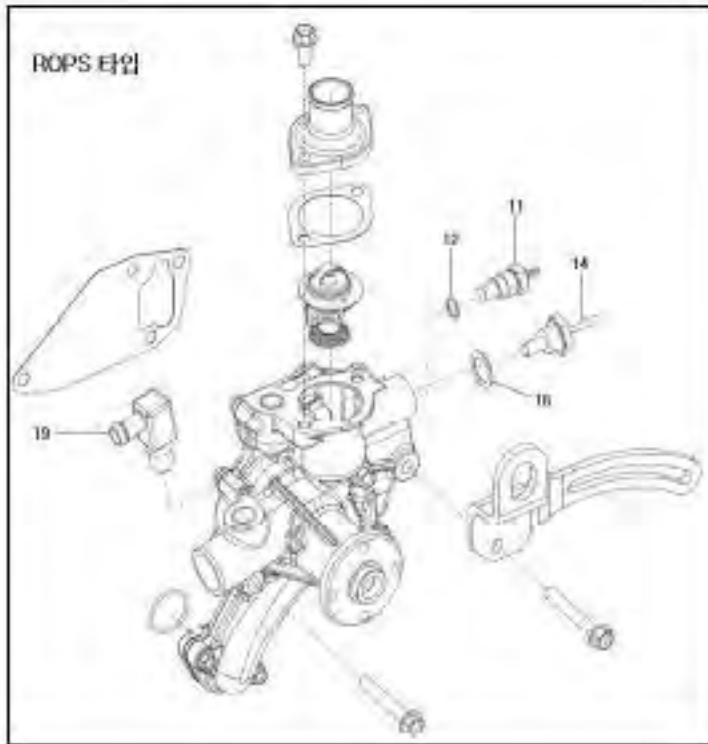
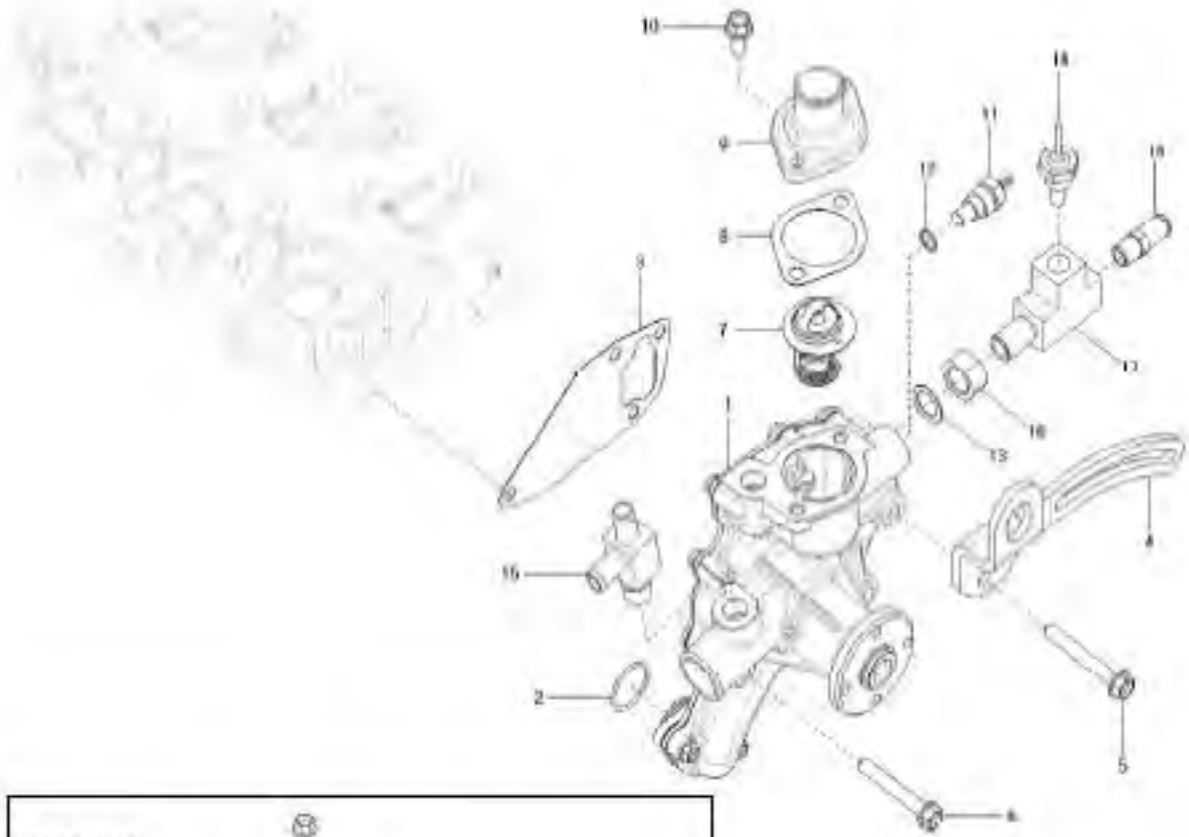
P1

YEAR

2018



T474NC



NOTE

FIG 128

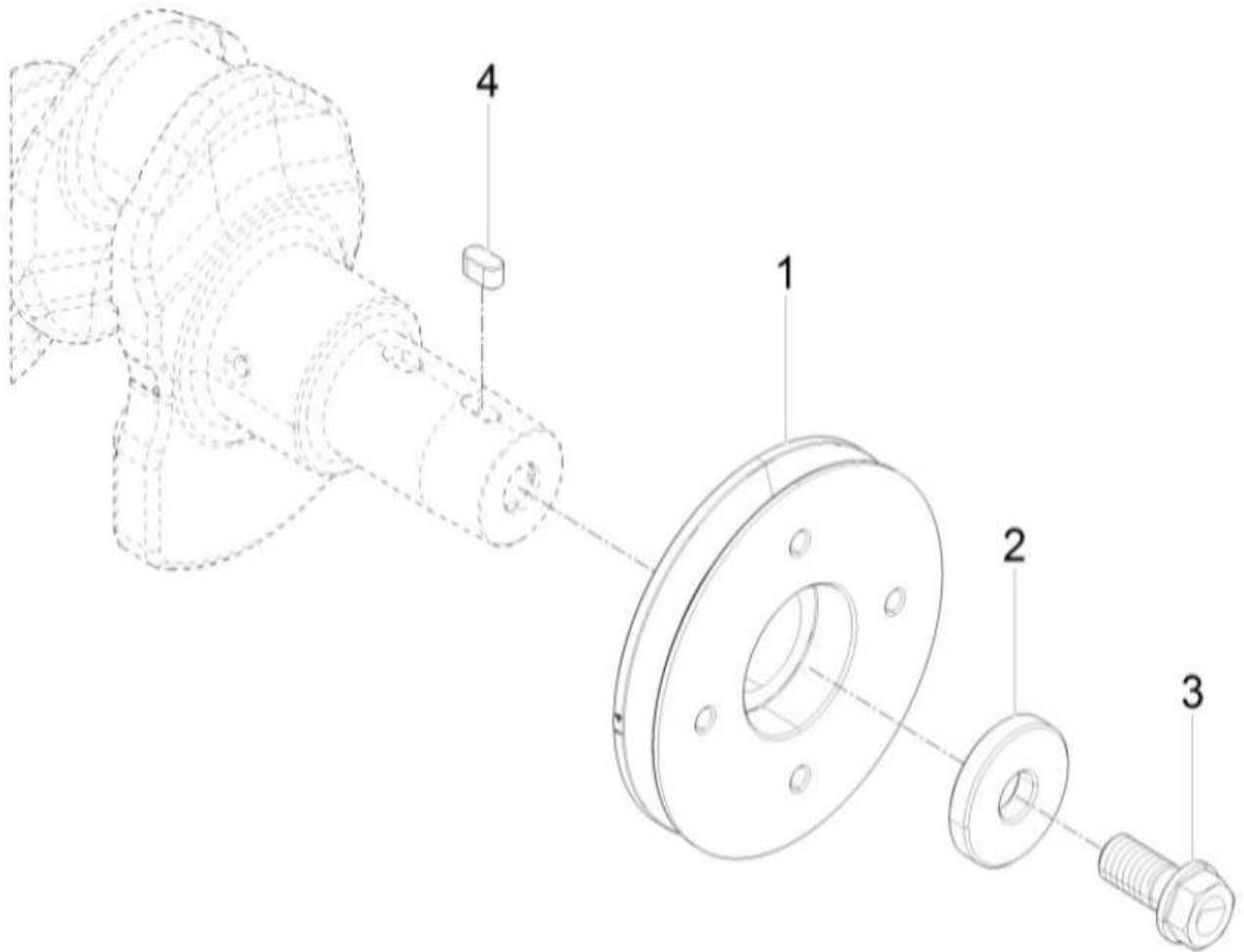
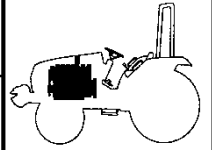
T474NC

CRANK SHAFT PULLEY

P1

YEAR

2018



NOTE

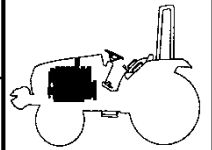
FIG 129

V-PULLEY

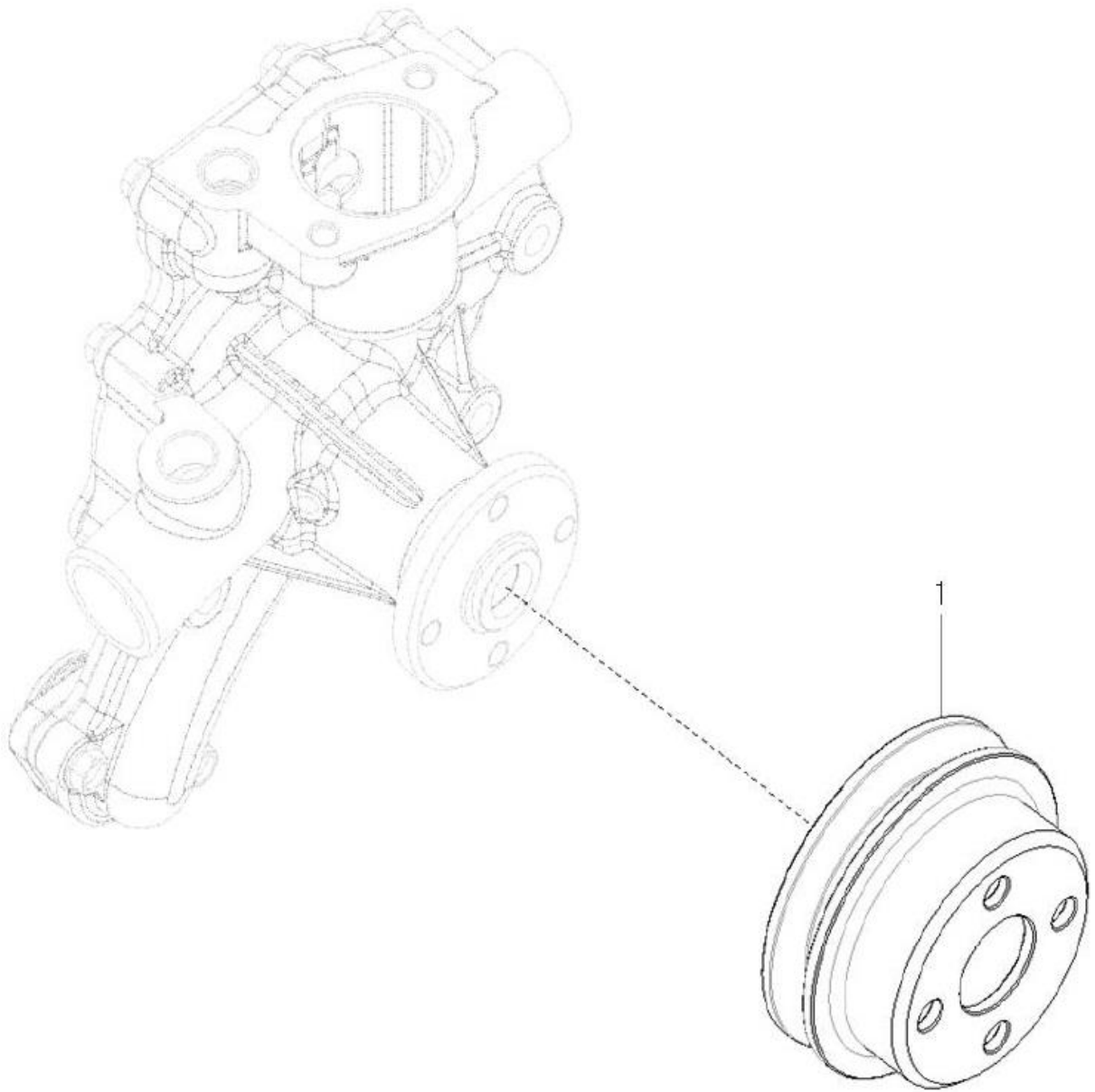
P1

YEAR

2018



T474NC



NOTE

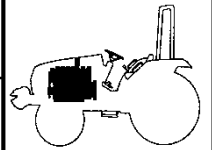
FIG 130

COOLING FAN

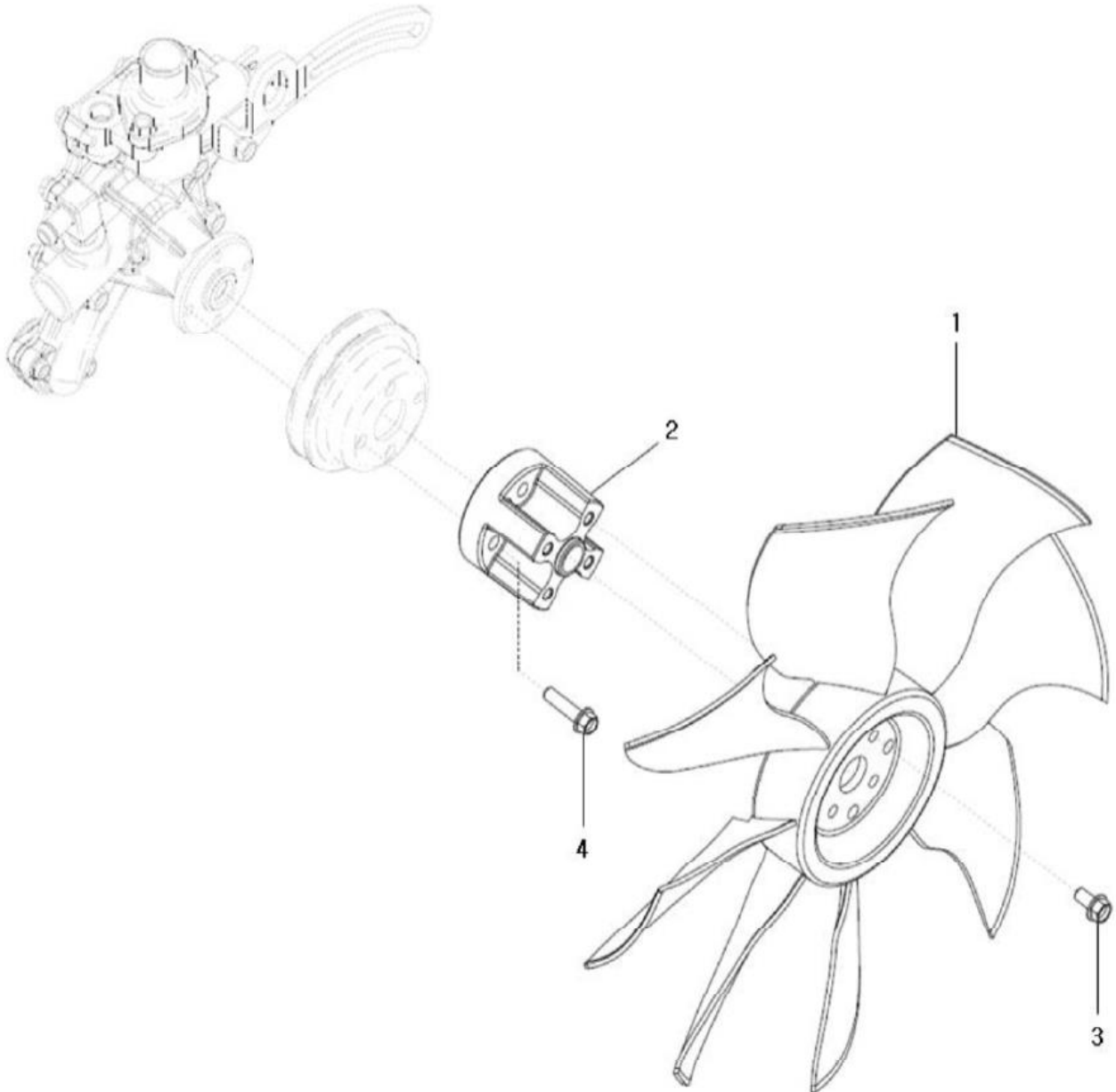
P1

YEAR

2018



T474NC



NOTE

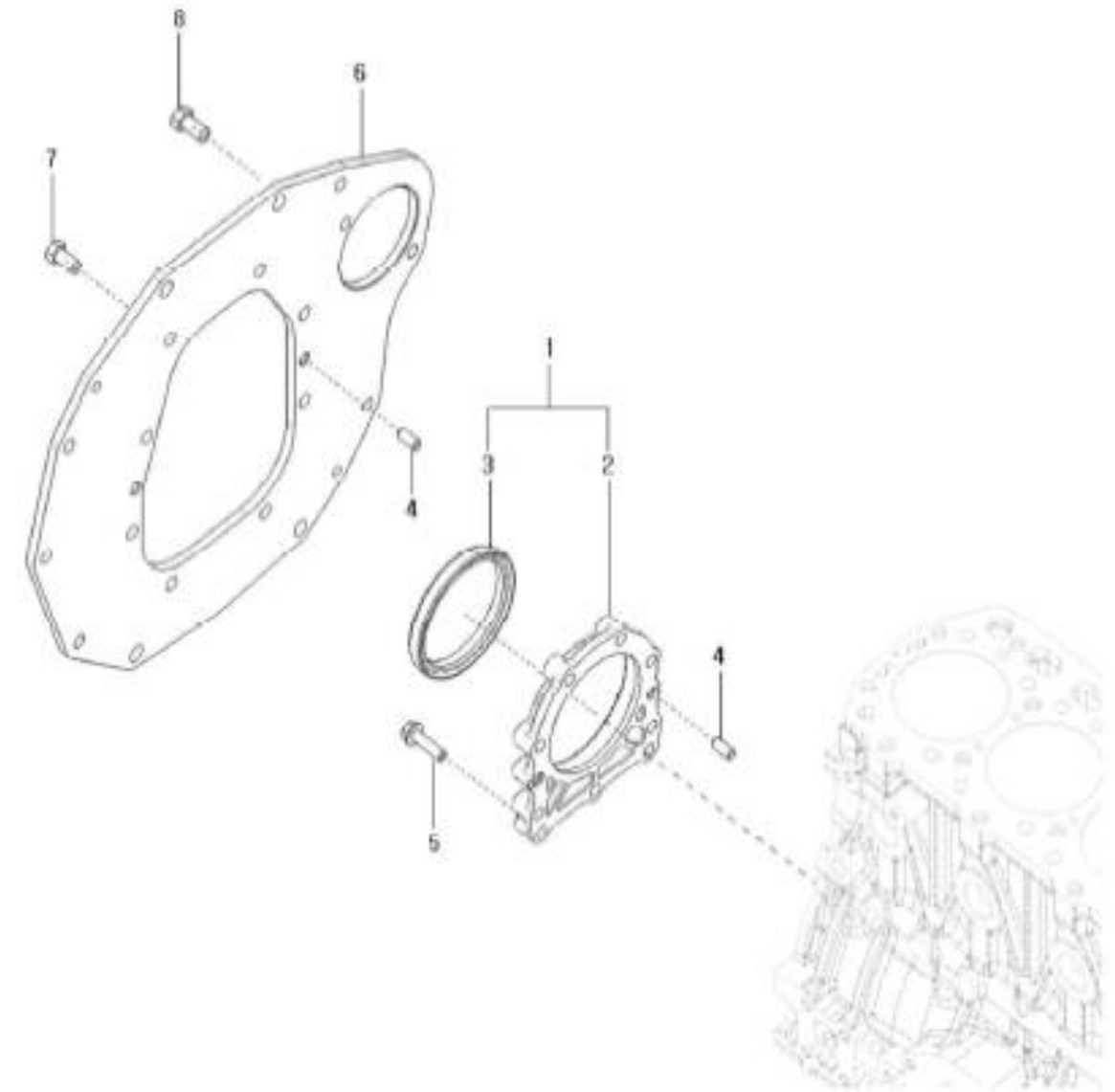
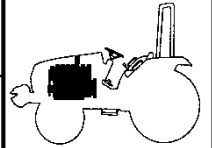
FIG 131

FLYWHEEL HOUSING

P1

YEAR

2018



NOTE

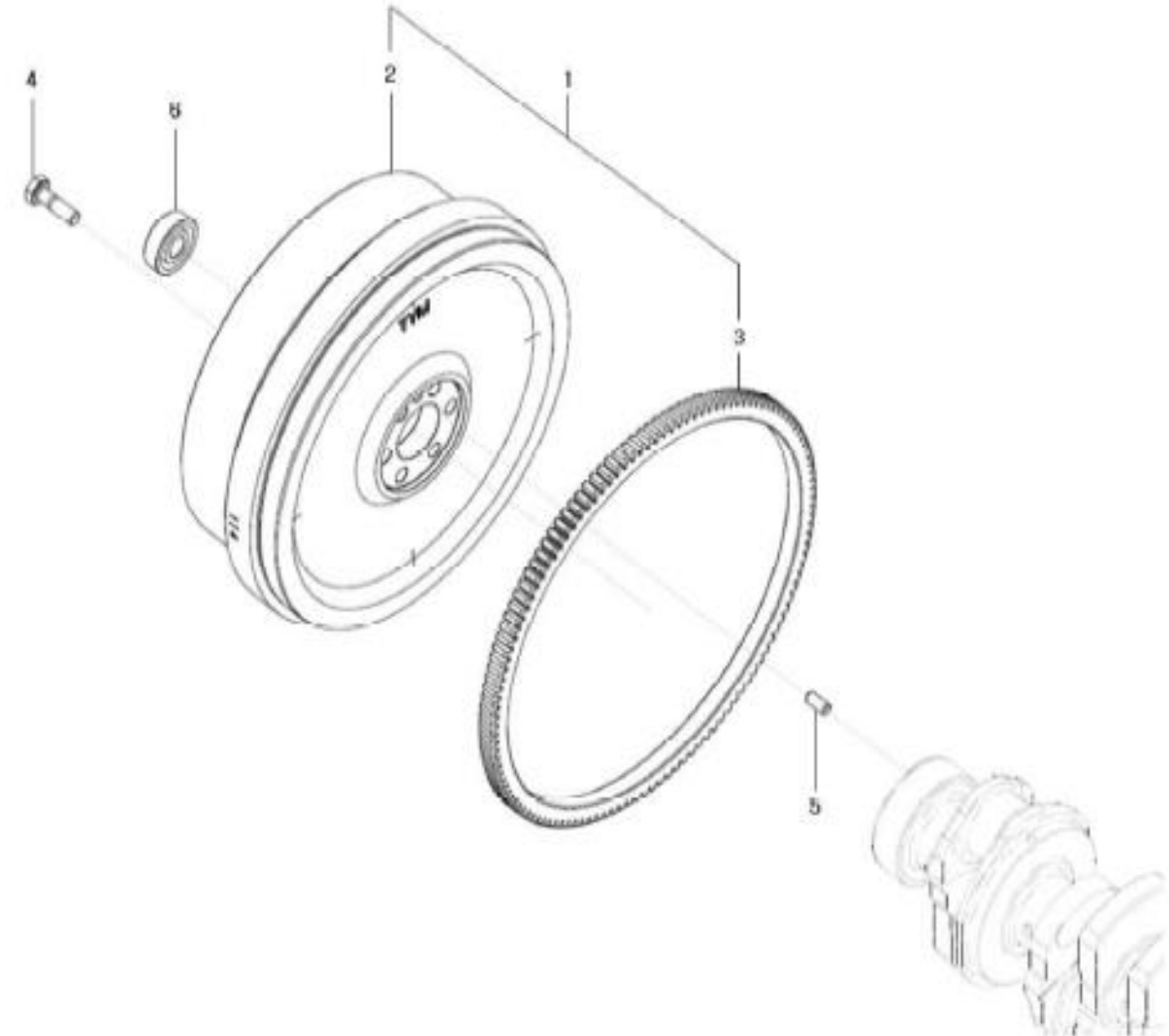
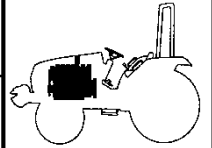
FIG 132

FLYWHEEL

P1

YEAR

2018



NOTE

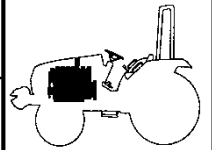
FIG 133

GLOW PLUG ASS'Y OPTION

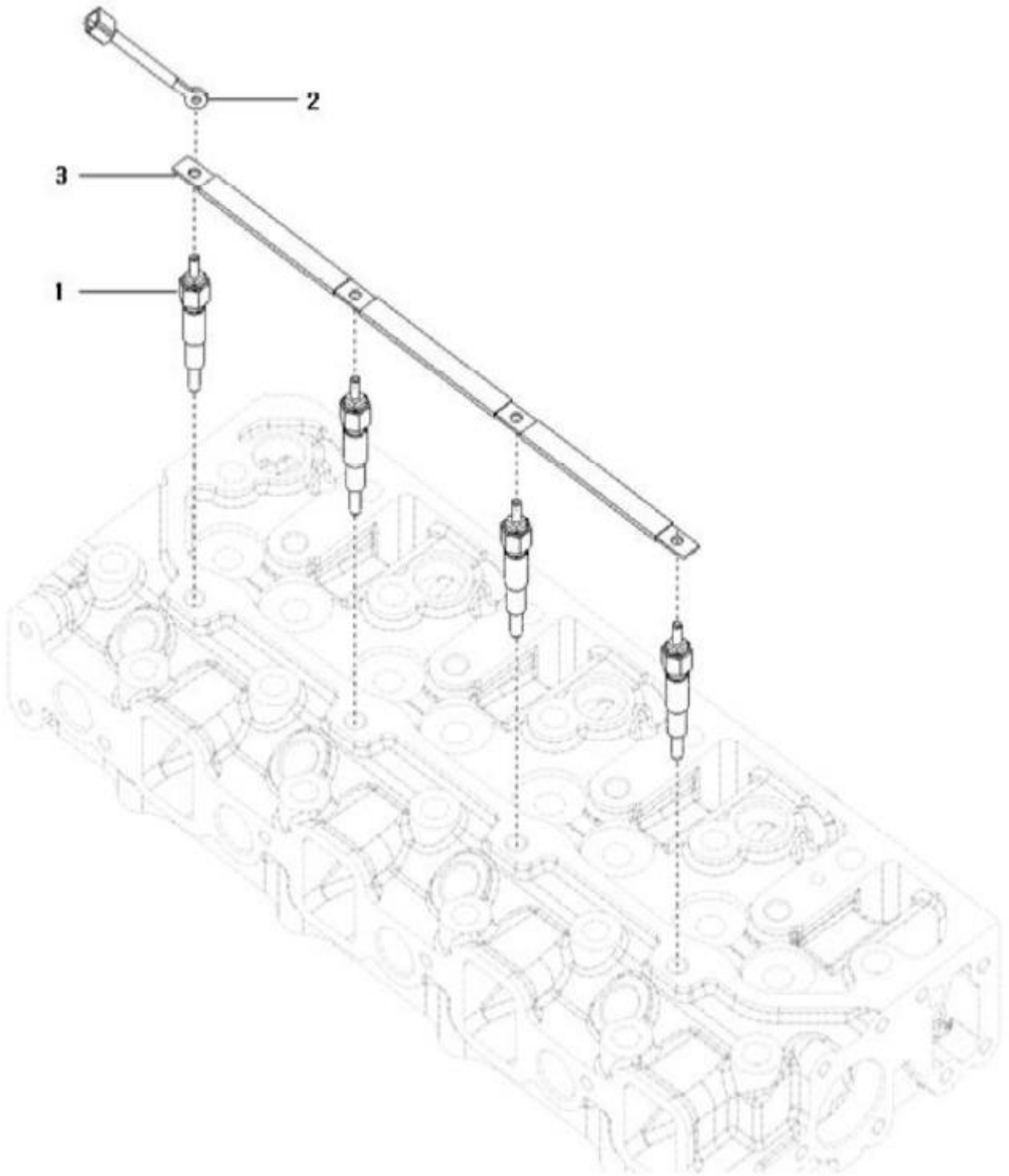
P1

YEAR

2018



T474NC



NOTE

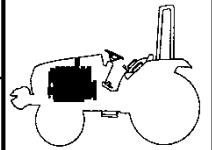
FIG 134

STARTING MOTOR

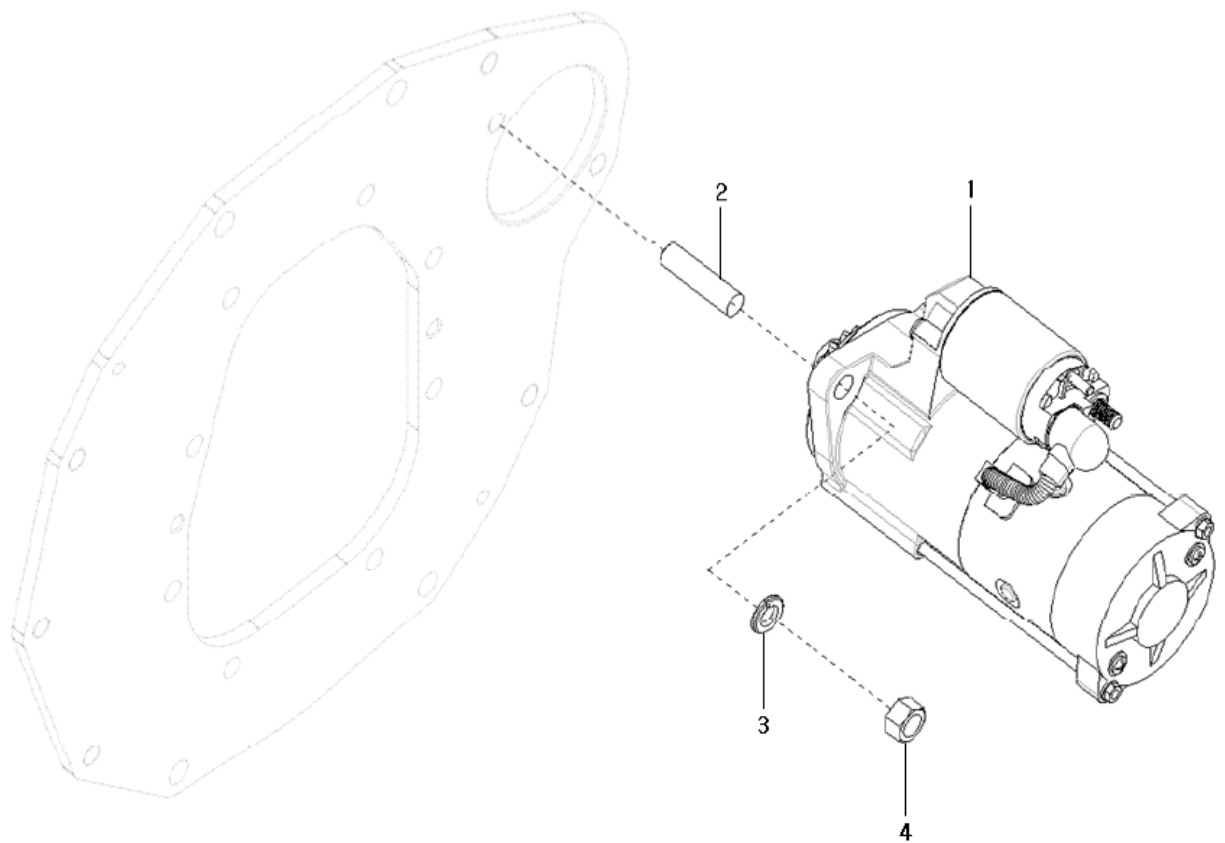
P1

YEAR

2018



T474NC



NOTE

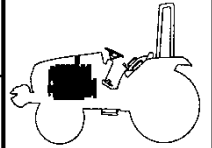
FIG 135

FUEL FILTER BRACKET ASS'Y

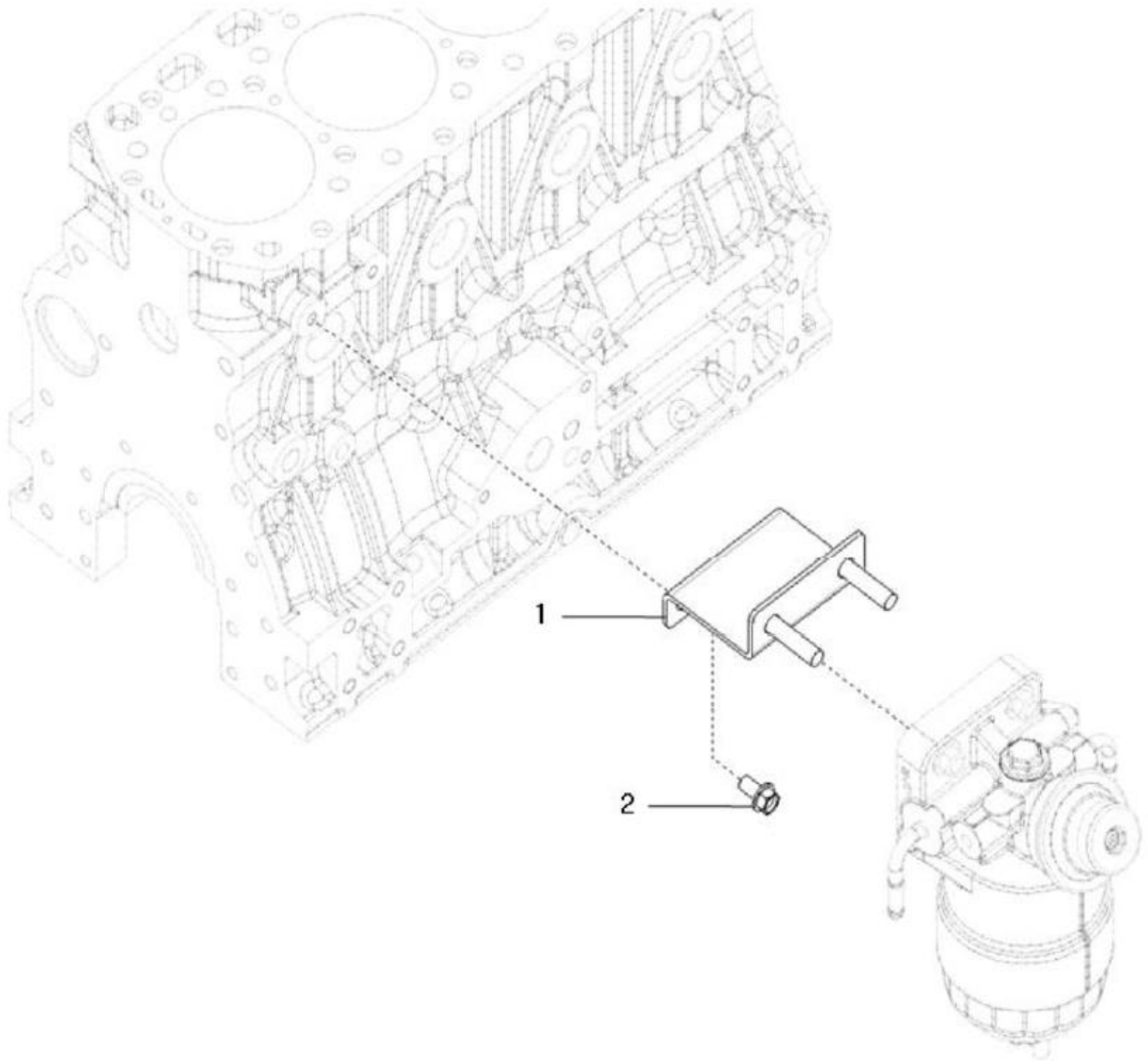
P1

YEAR

2018



T474NC



NOTE

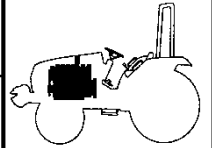
FIG 136

ALTERNATOR

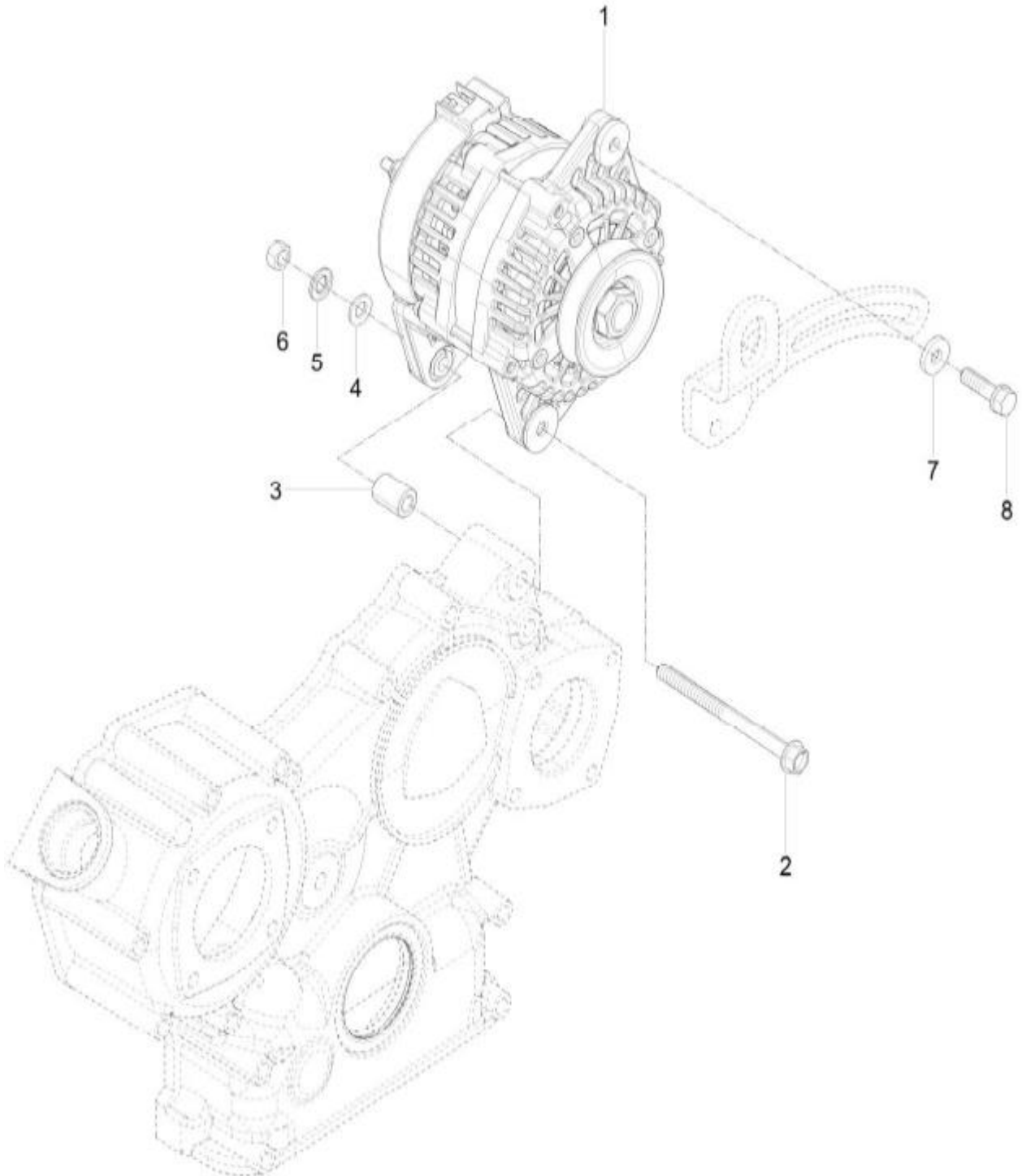
P1

YEAR

2018



T474NC



NOTE

FIG 137

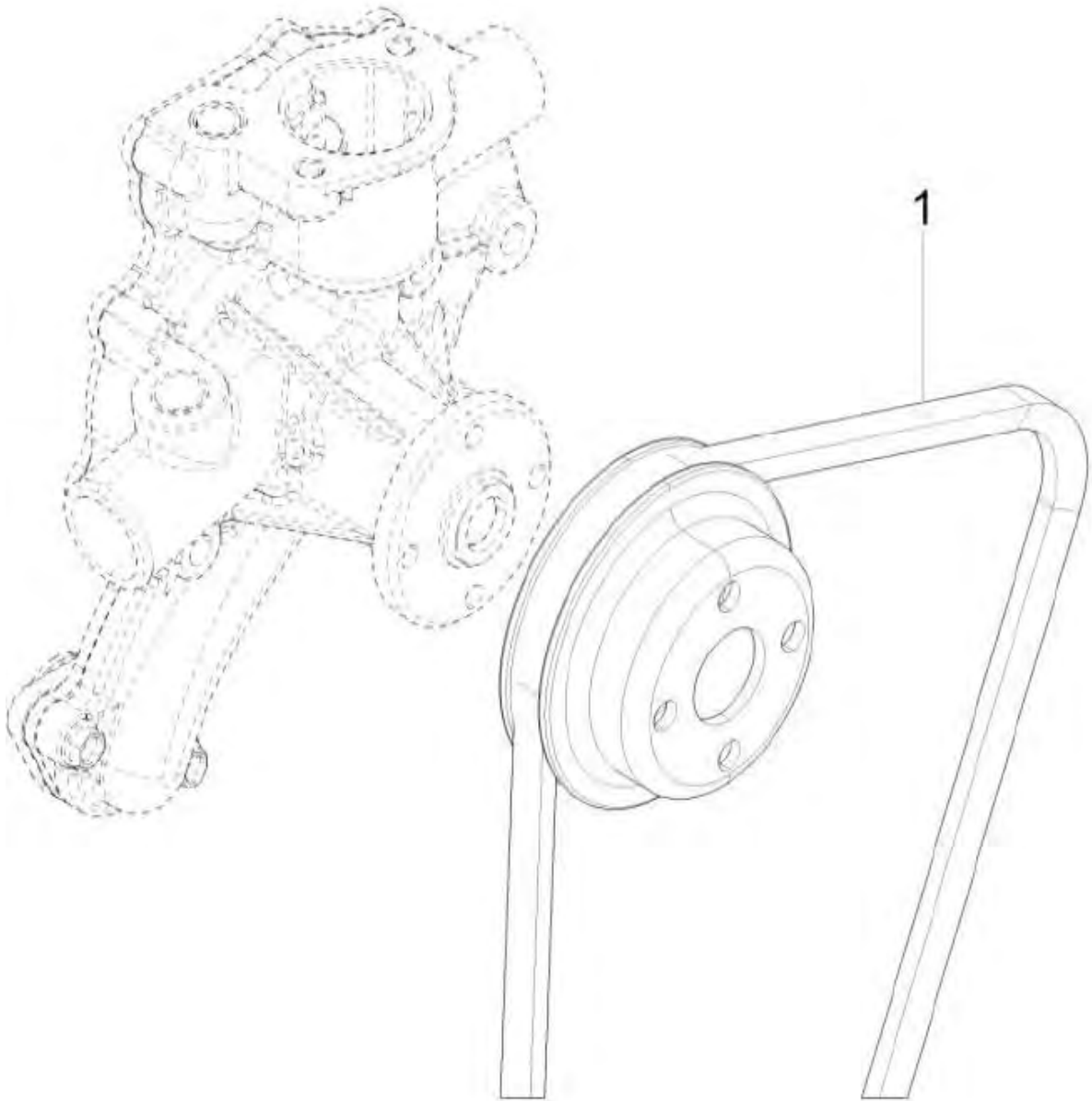
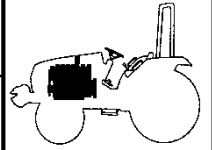
T474NC

V-BELT

P1

YEAR

2018



NOTE

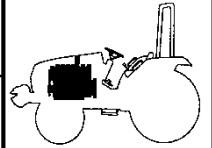
FIG 138

FUEL FILTER

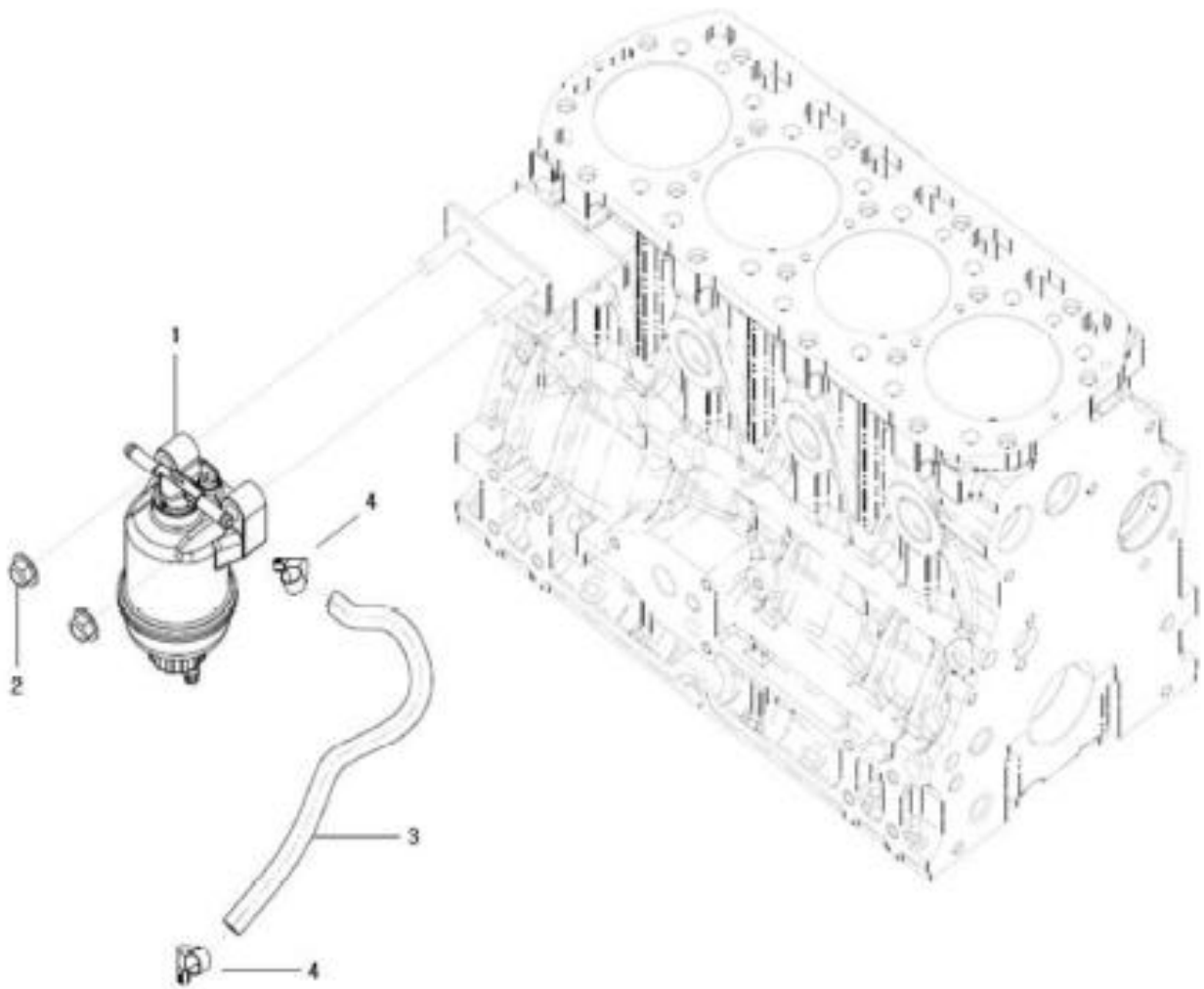
P1

YEAR

2018



T474NC



NOTE

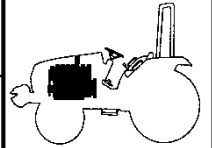
FIG 139

DPF SUPPORT

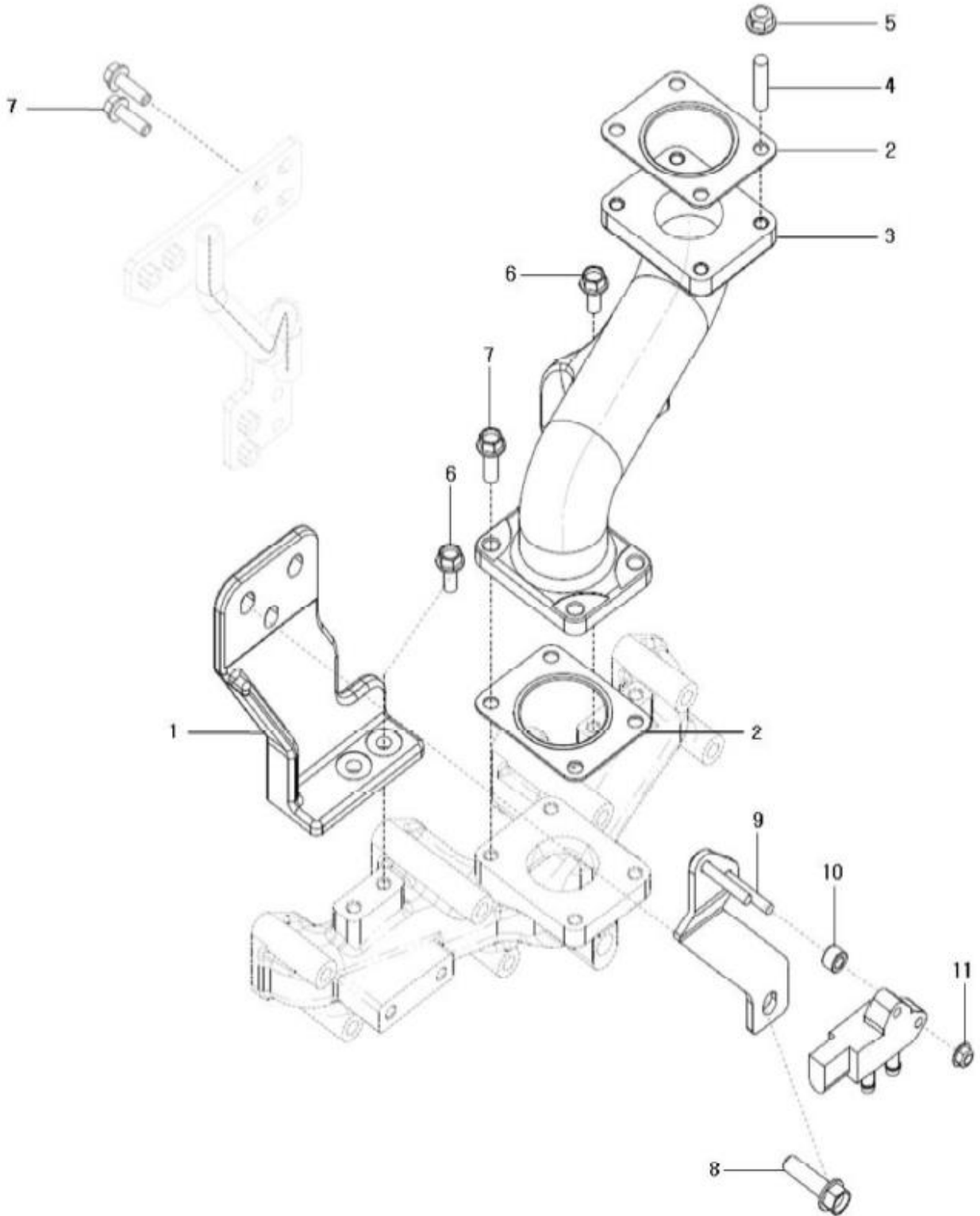
P1

YEAR

2018



T474NC



NOTE

FIG 140

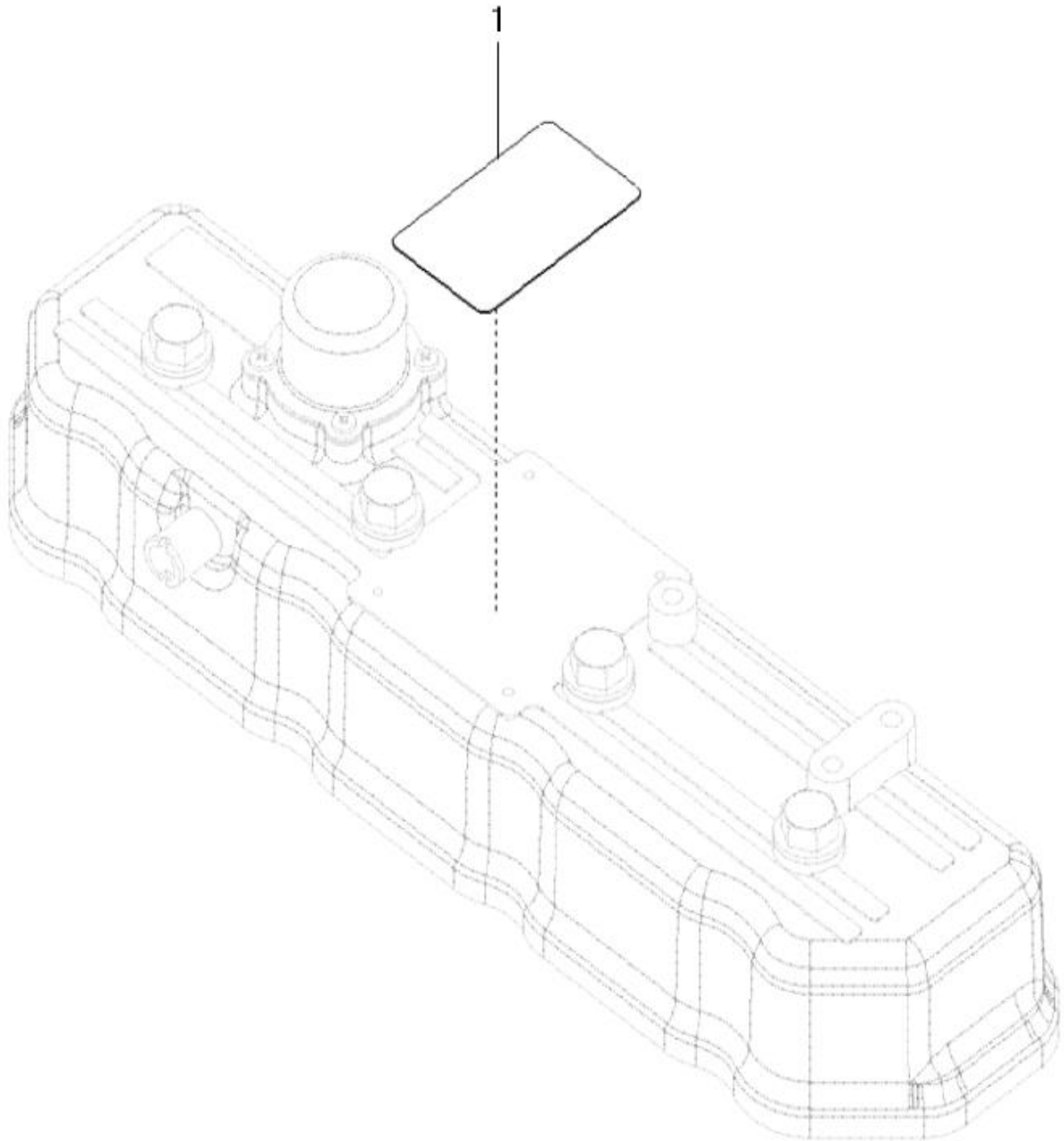
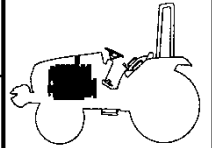
T474NC

DATAPLATE

P1

YEAR

2018



NOTE

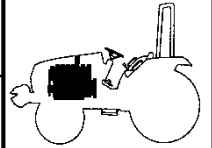
FIG 141

NAME PLATE, STARTING MOTOR

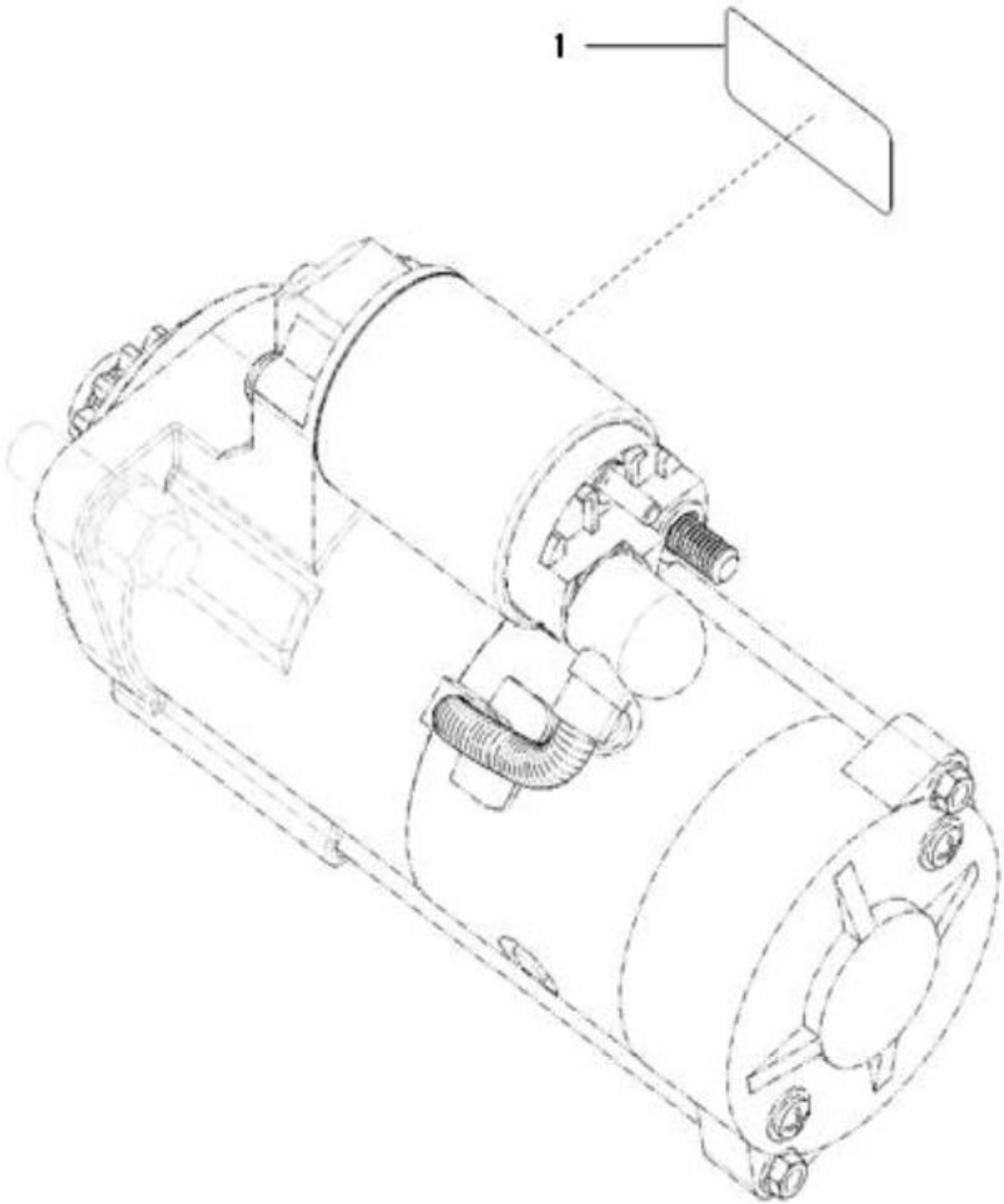
P1

YEAR

2018



T474NC



NOTE

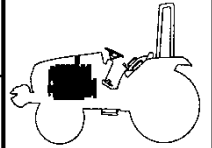
FIG 142

DPF ASS'Y

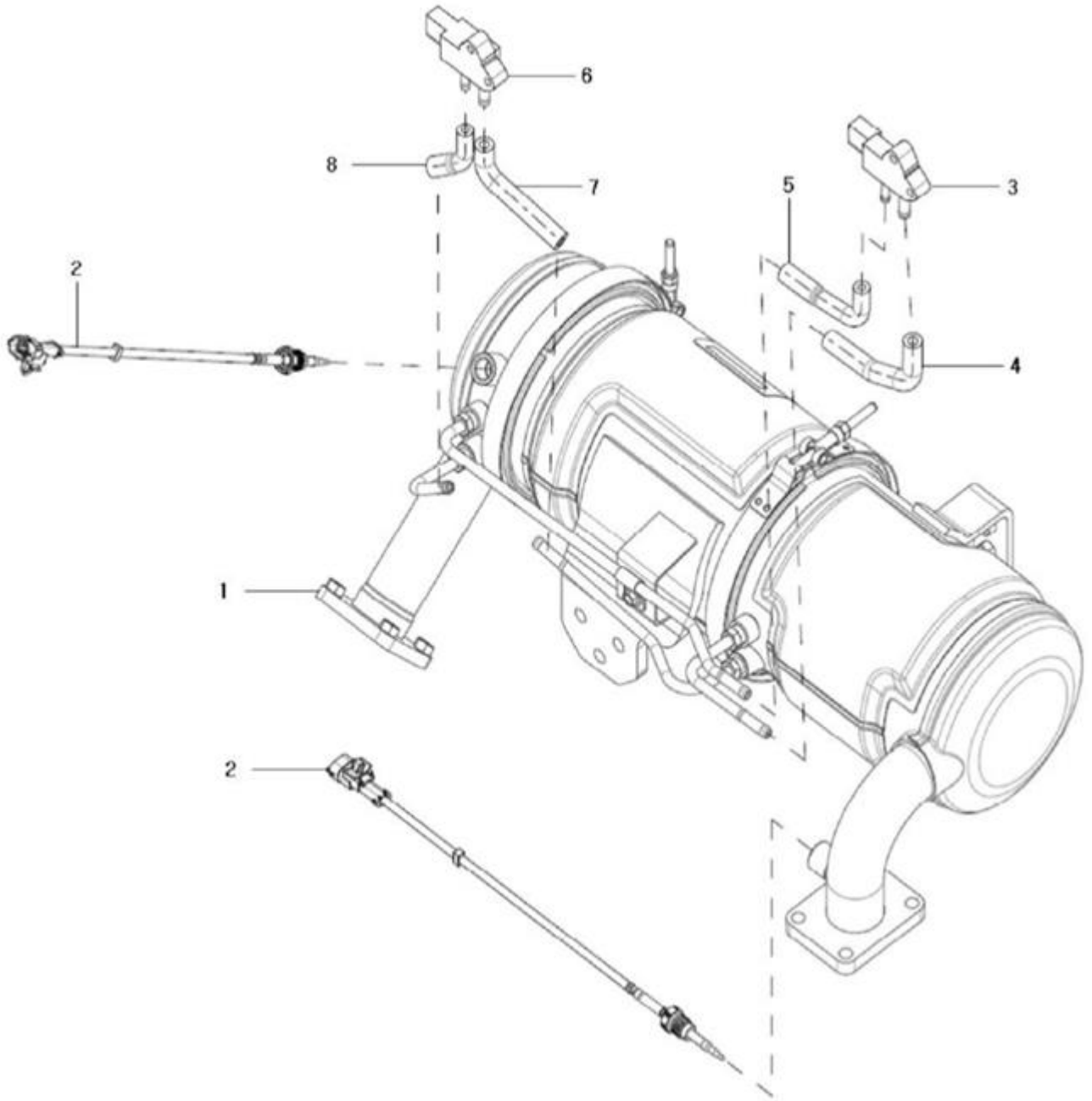
P1

YEAR

2018



T474NC



NOTE

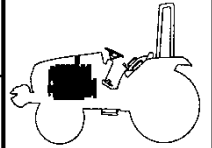
FIG 143

LIFT ASS'Y

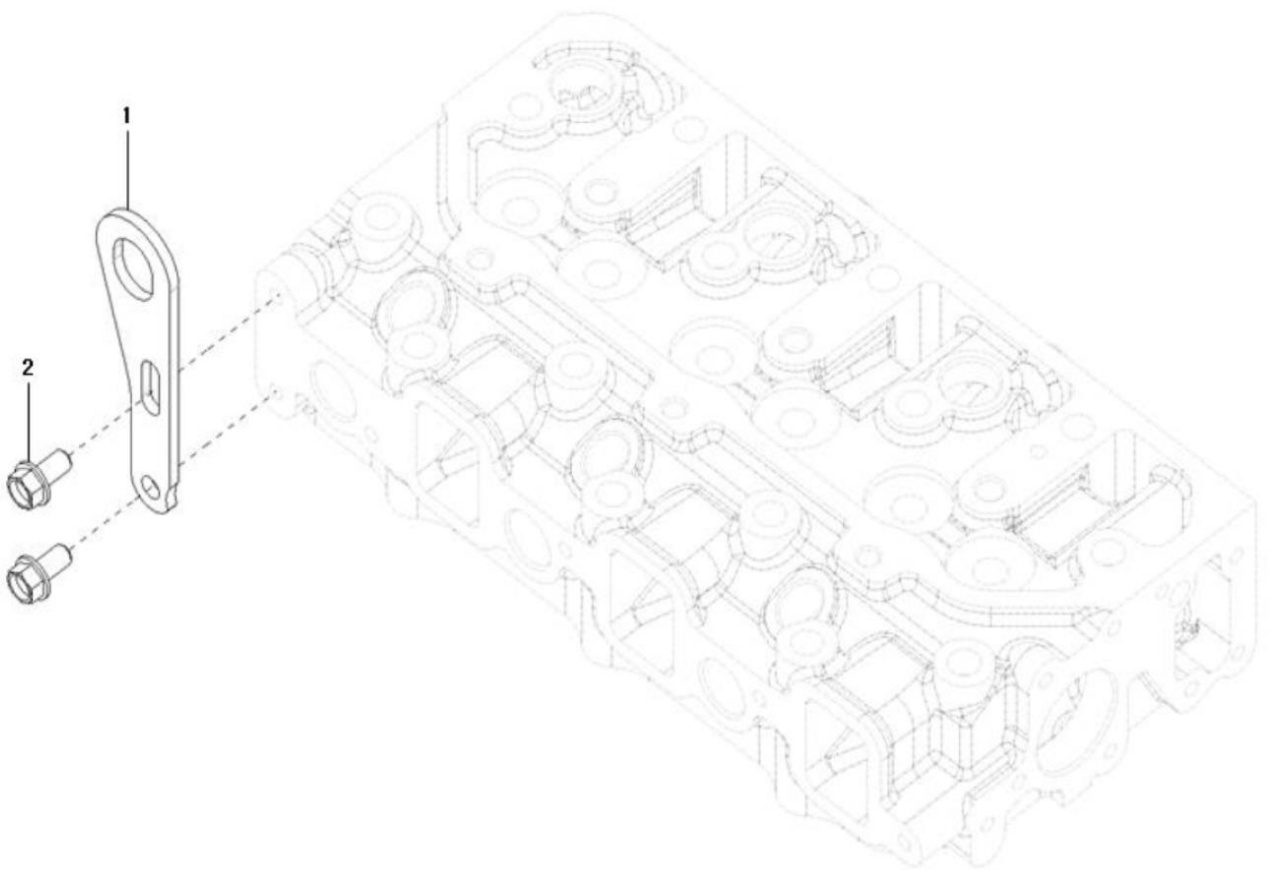
P1

YEAR

2018



T474NC



NOTE

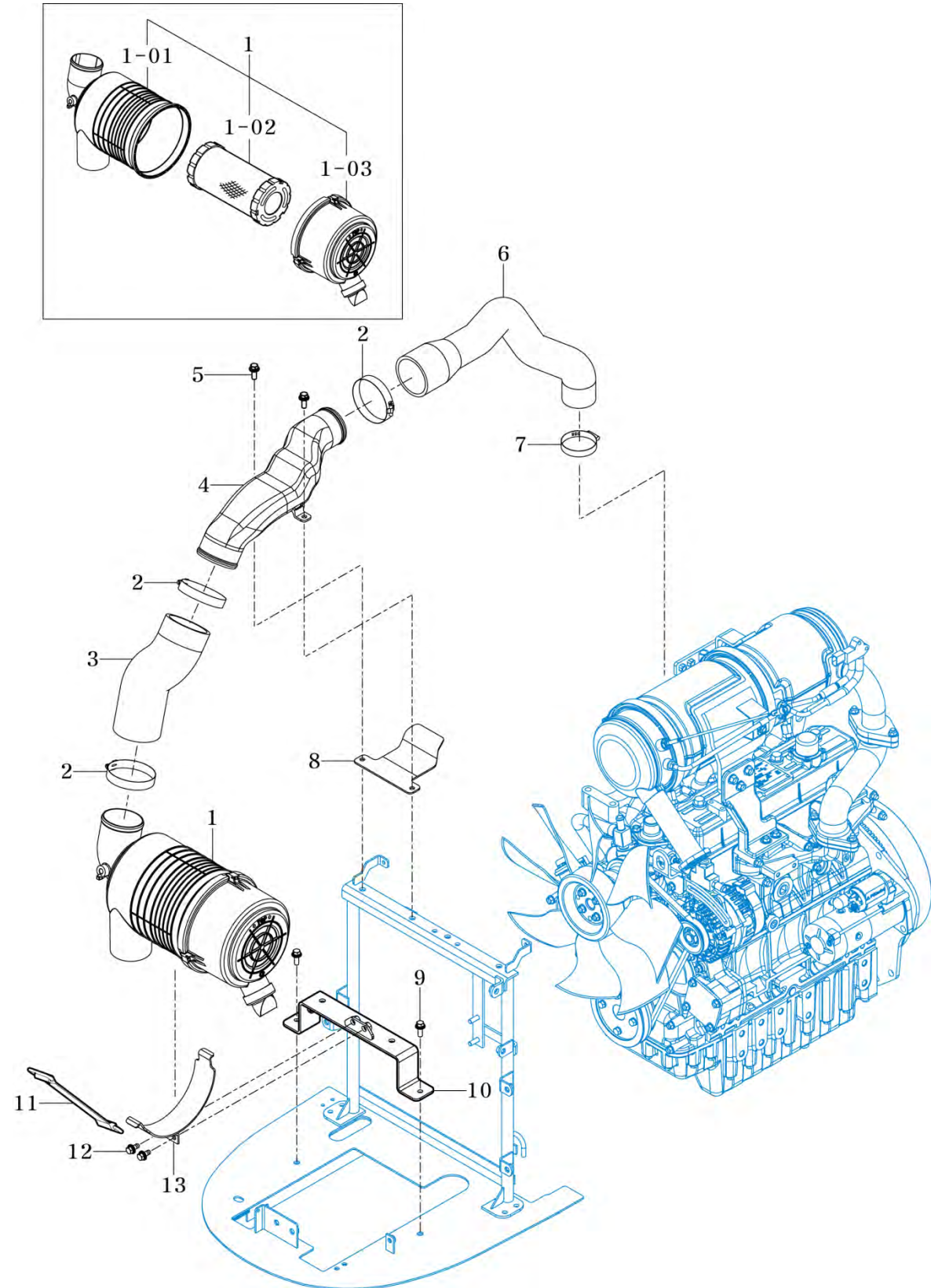
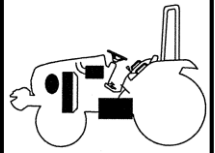
FIG 201

AIR CLEANER

P1

YEAR

2018



NOTE

FIG 202

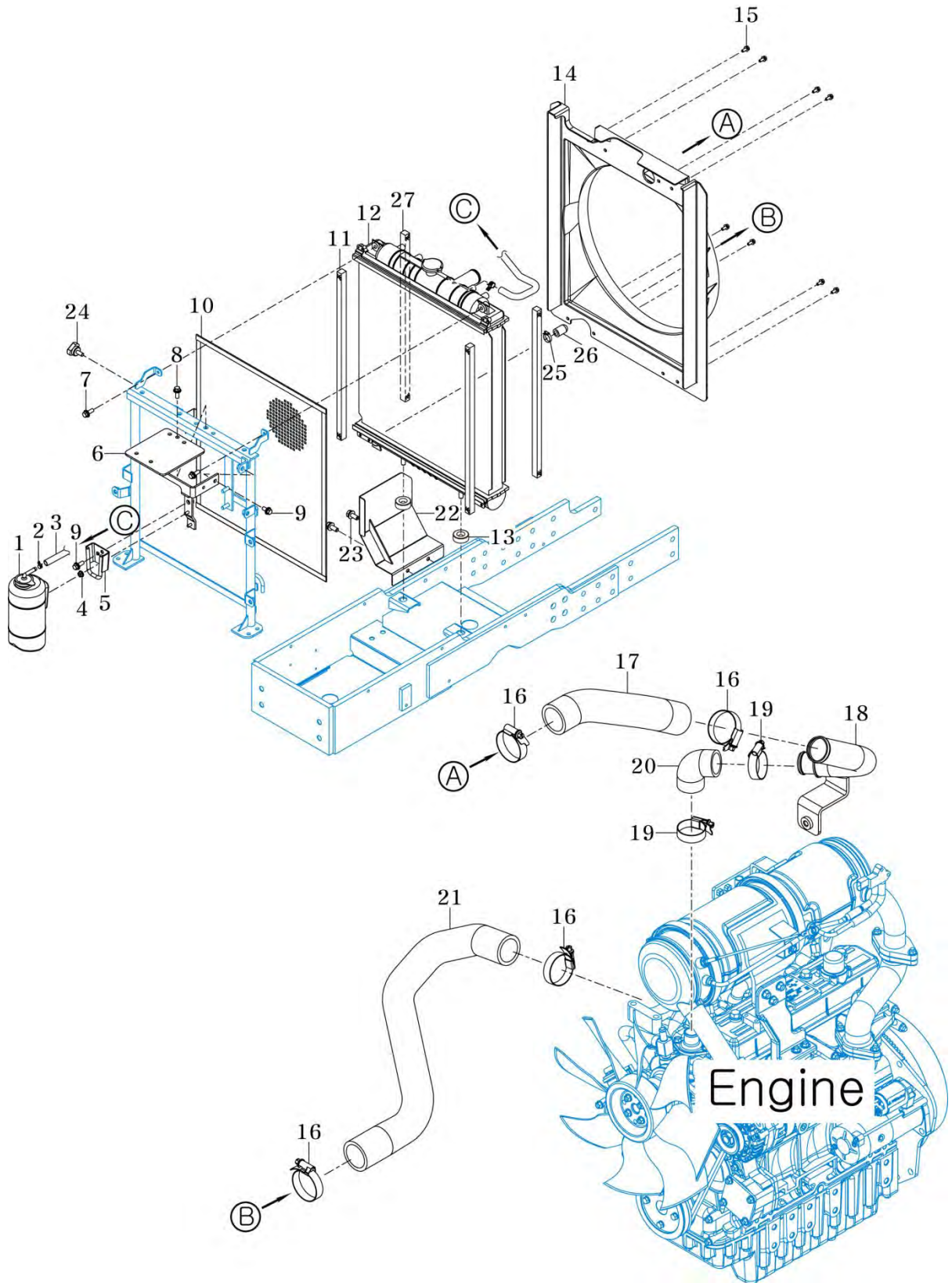
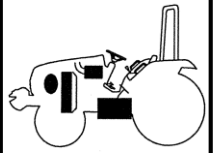
T474NC

RADIATOR

P1

YEAR

2018



NOTE

FIG 203

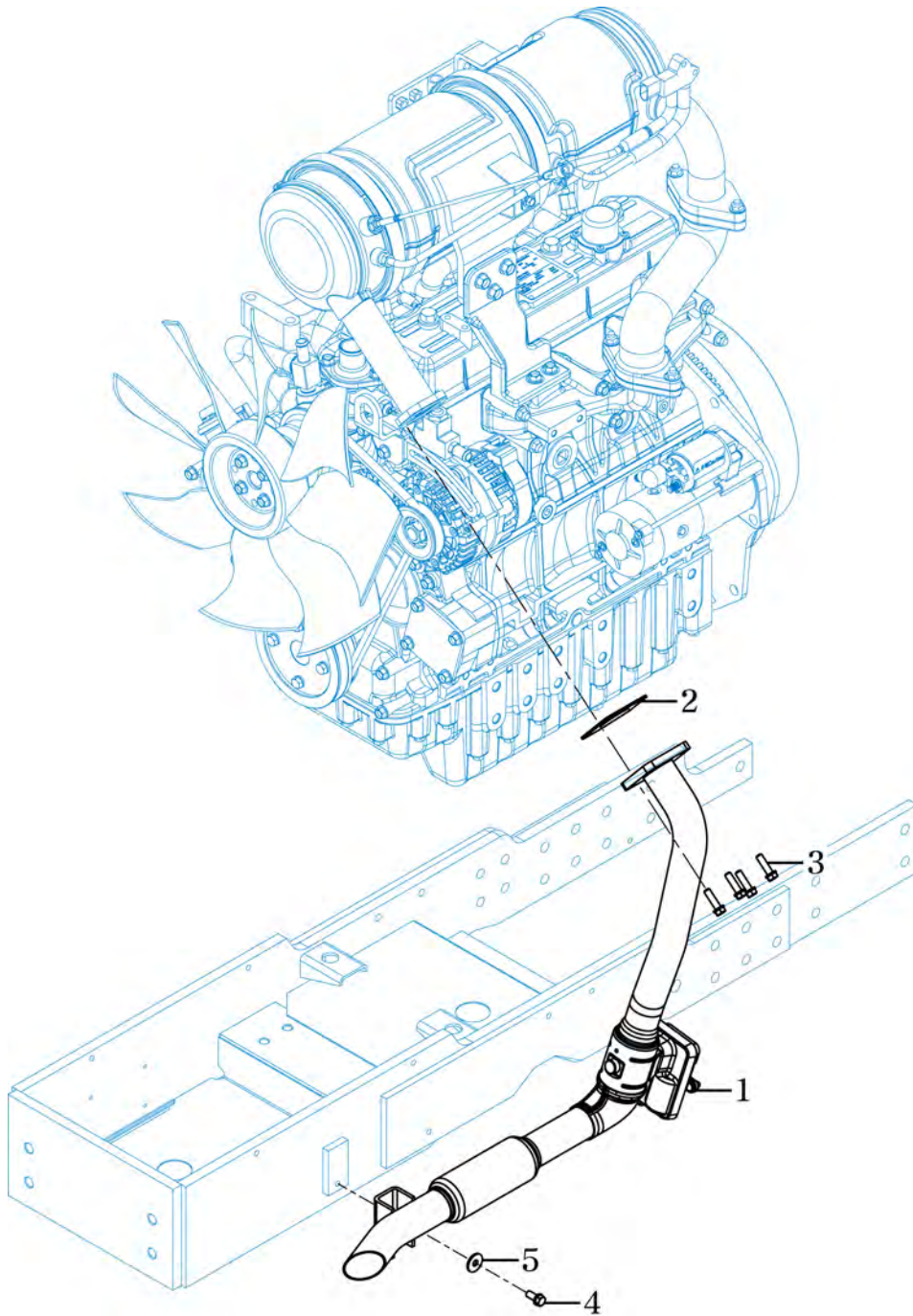
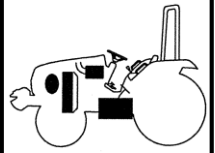
T474NC

MUFFLER

P1

YEAR

2018



T474-U-203

NOTE

FIG 204

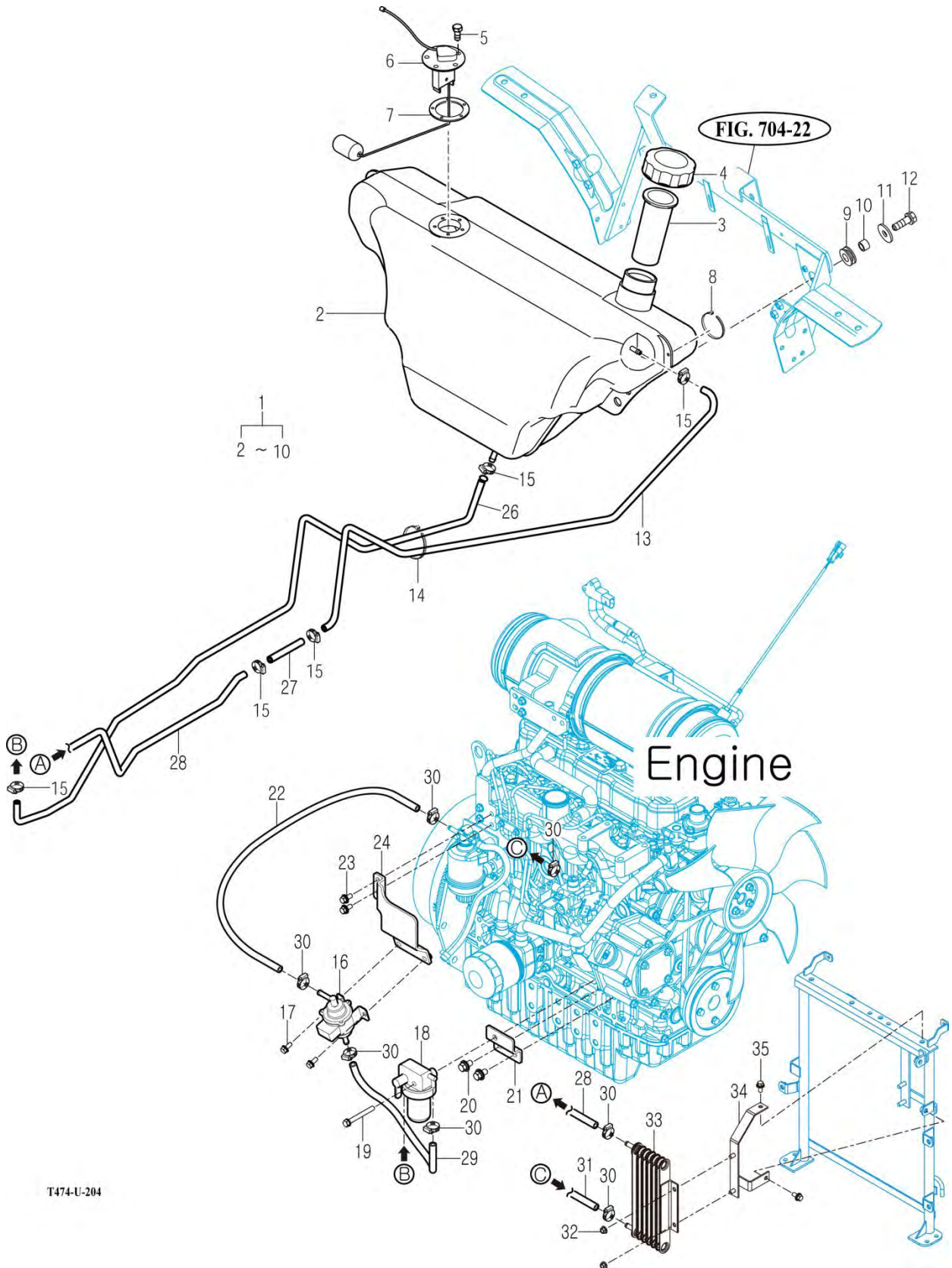
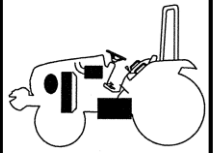
T474NC

FUEL TANK & FILTER

P1

YEAR

2018



T474-U-204

NOTE

FIG 205

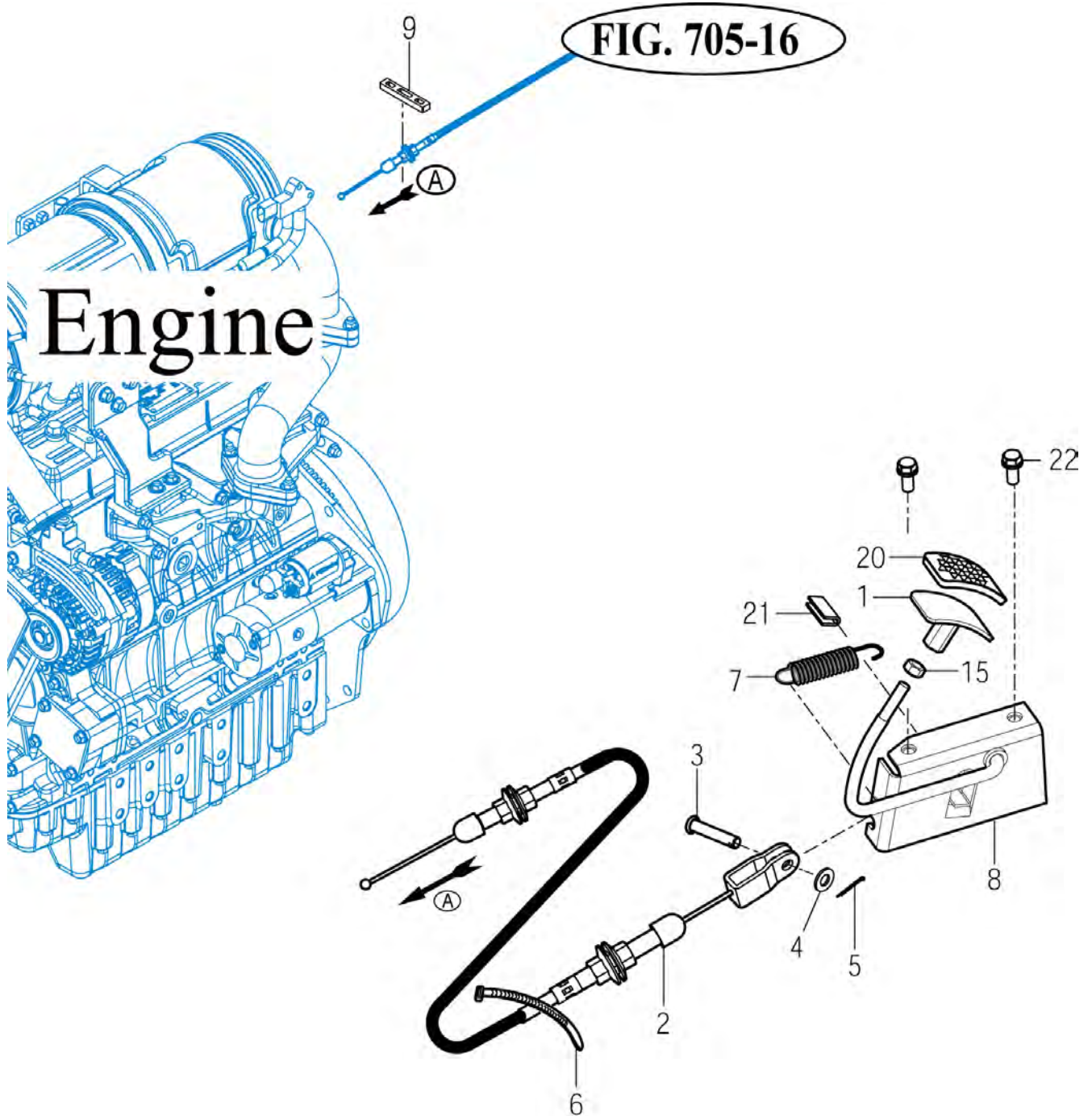
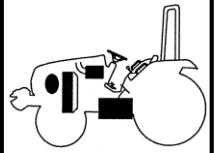
T474NC

ACCELERATOR

P1

YEAR

2018



2540NC-E-205

NOTE

FIG 301

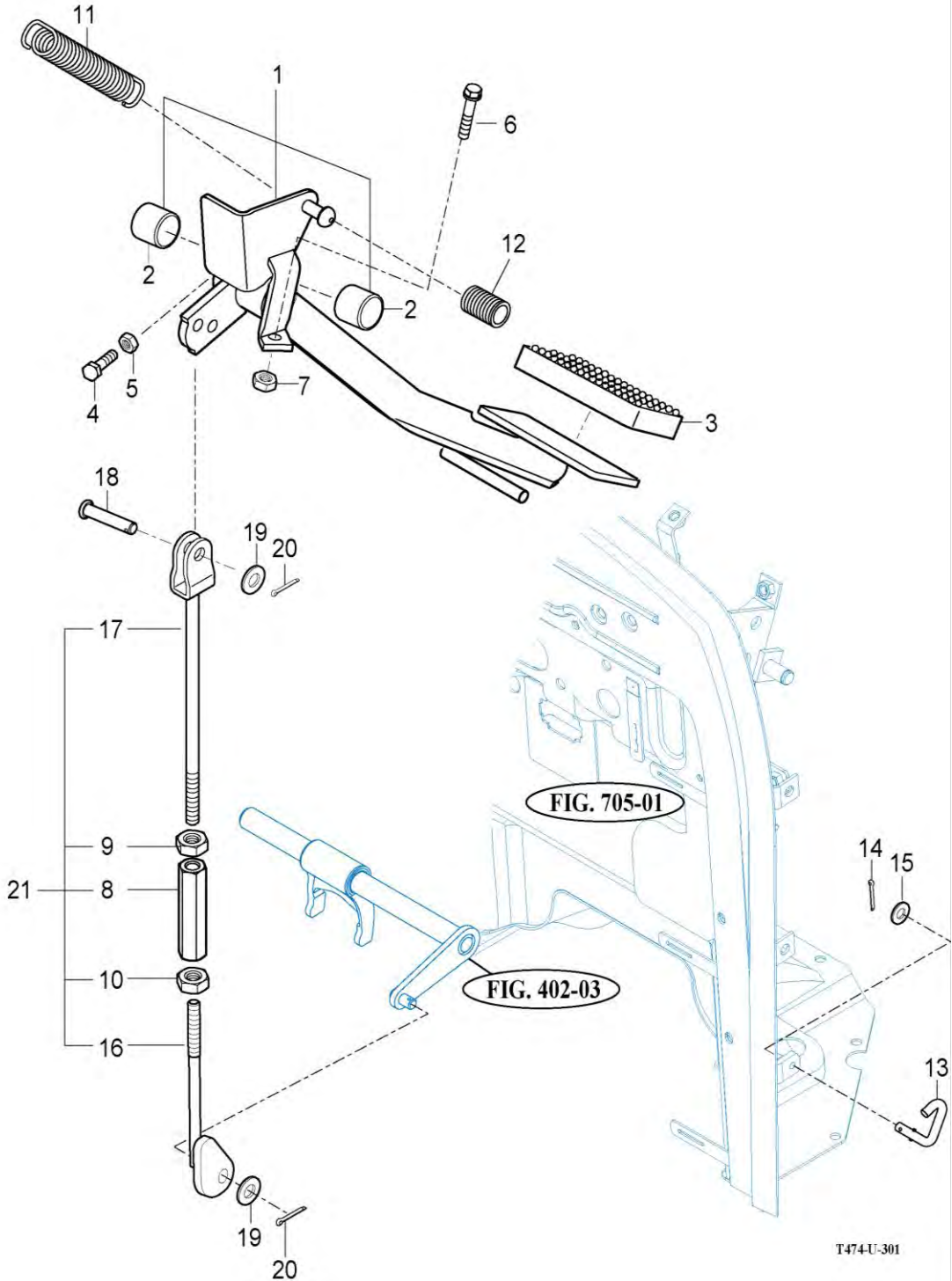
T474NC

CLUTCH PEDAL

P1

YEAR

2018



T474-U-301

NOTE

FIG 302

FLYWHEEL & CLUTCH

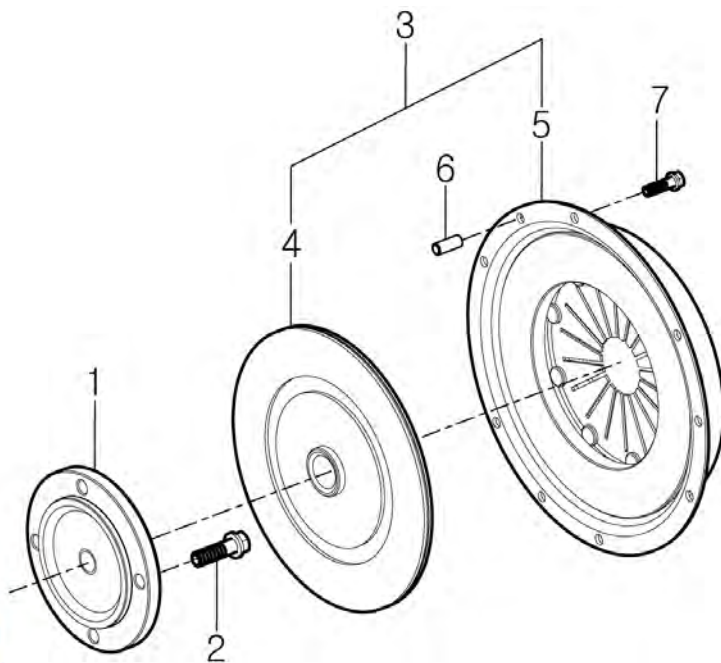
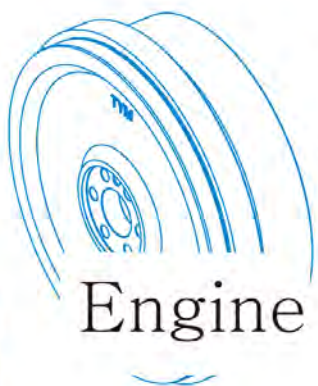
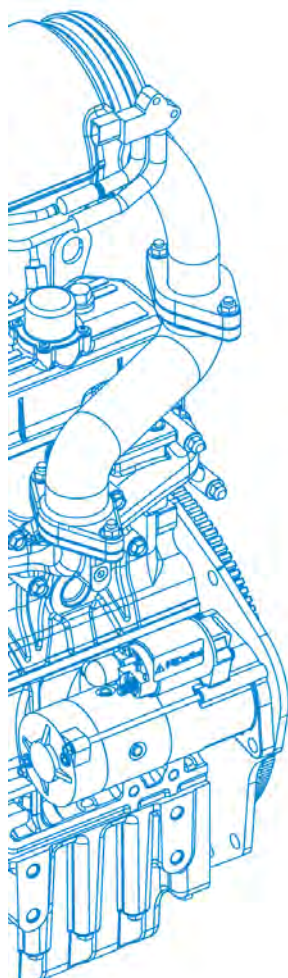
P1

YEAR

2018



T474NC



T474-U-302

NOTE

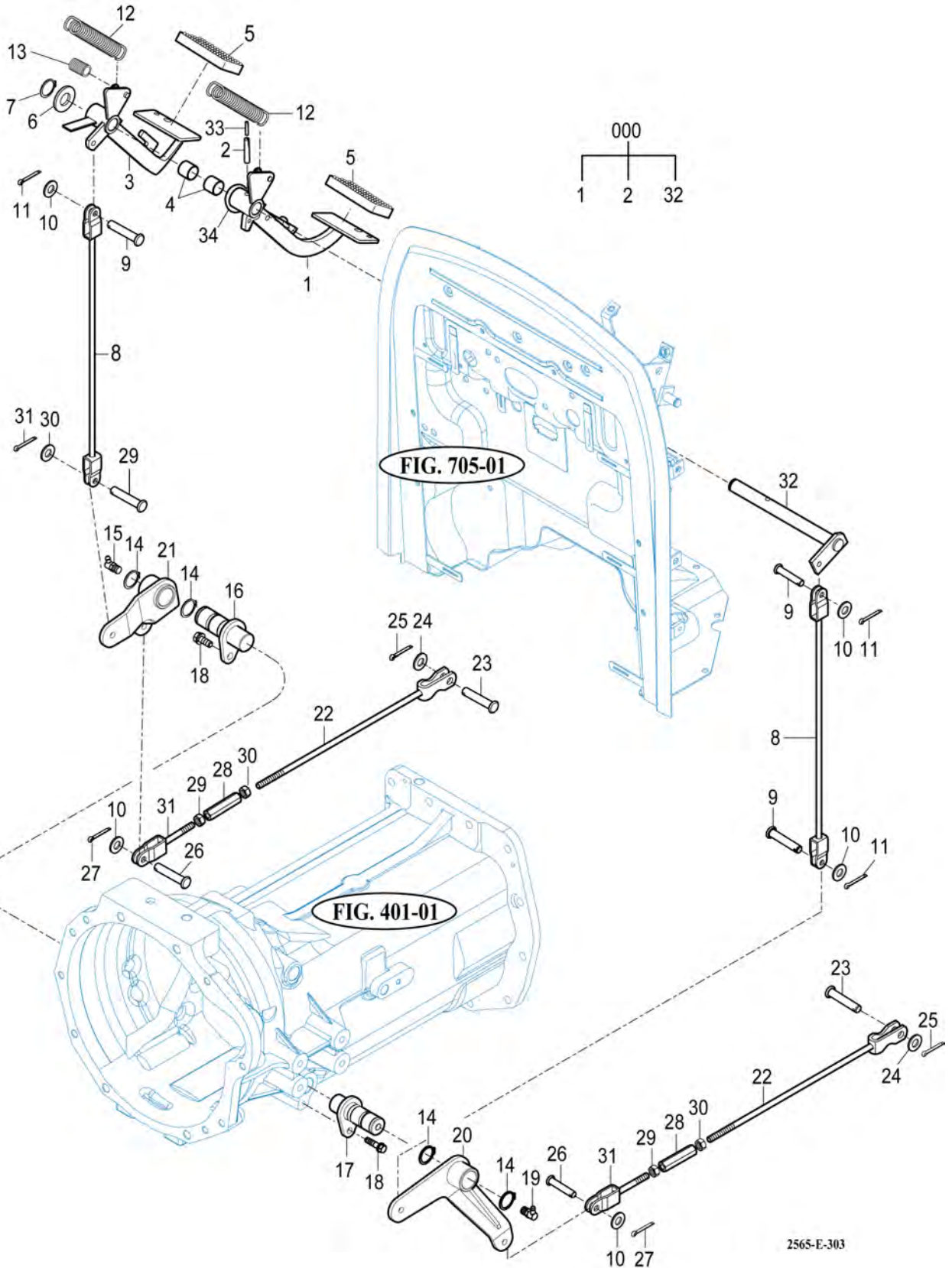
FIG 303

BRAKE PEDAL

P1

YEAR

2018



NOTE

FIG 304

T474NC

BRAKE

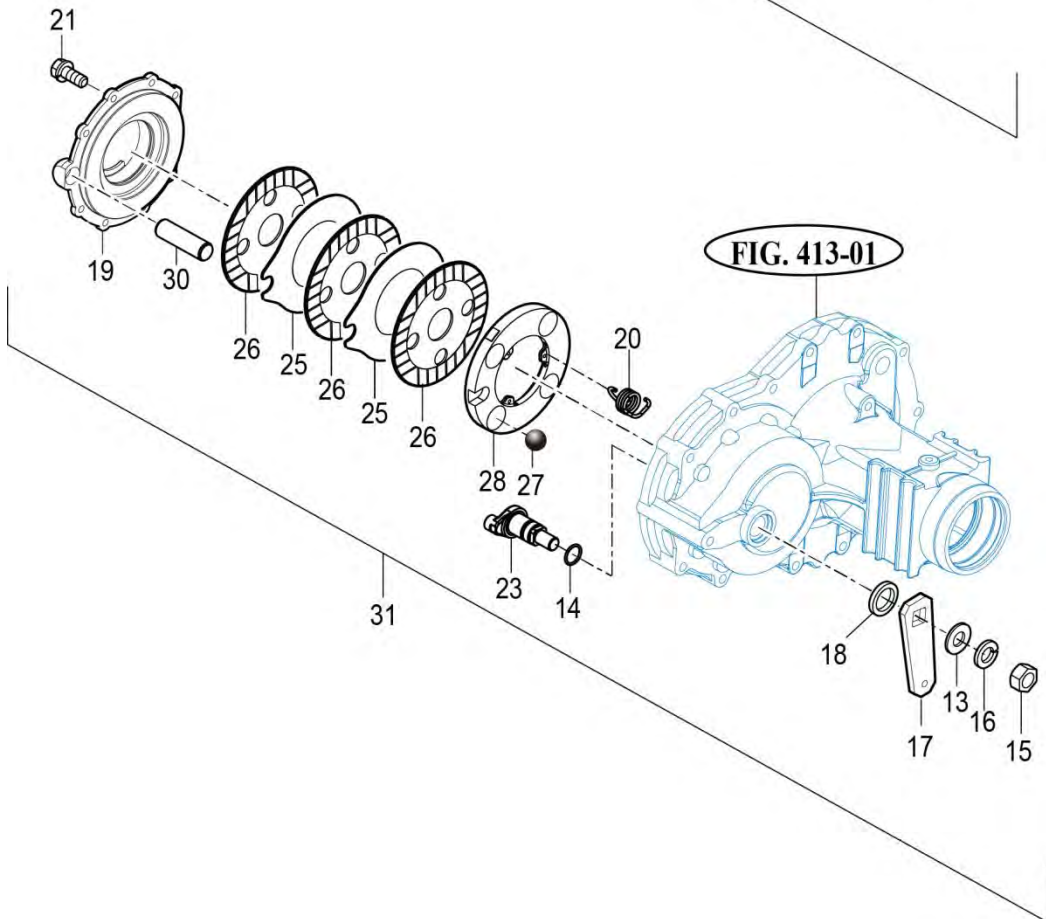
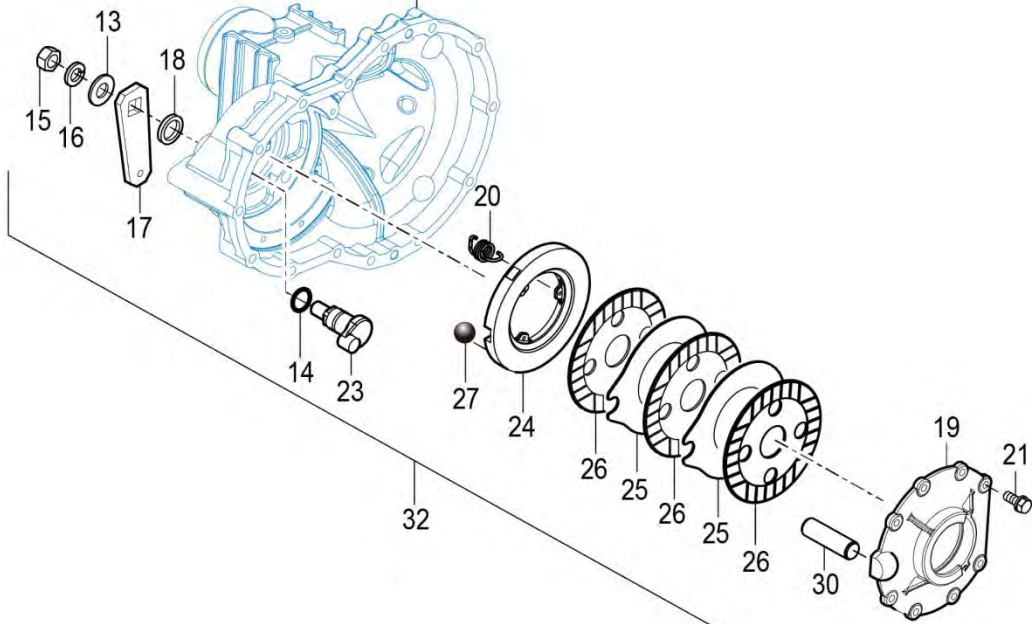
P1

YEAR

2018



FIG. 413-01



NOTE

FIG 306

FRONT WHEEL MOUNTING

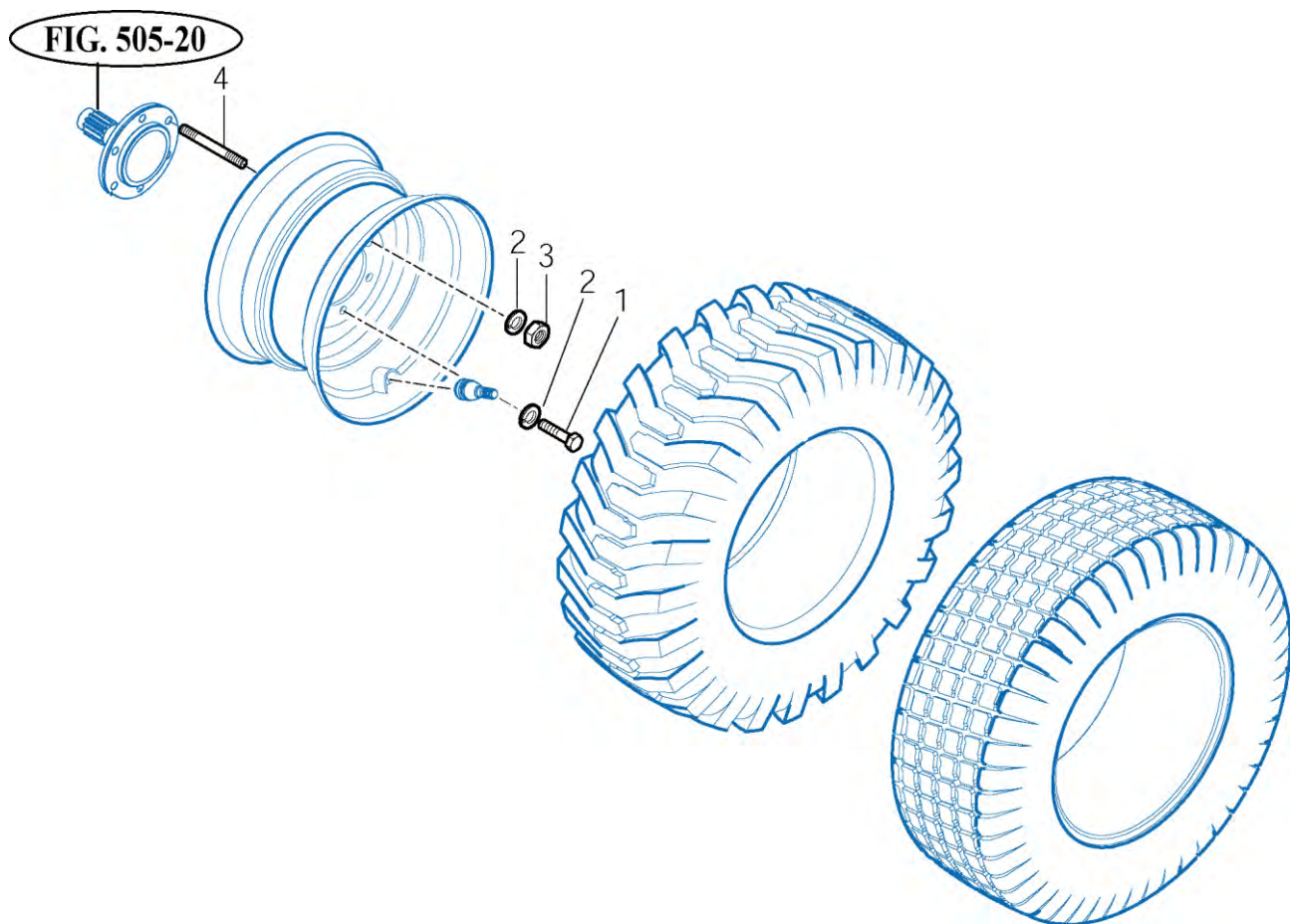
P1

YEAR

2018



T474NC



NOTE

FIG 307

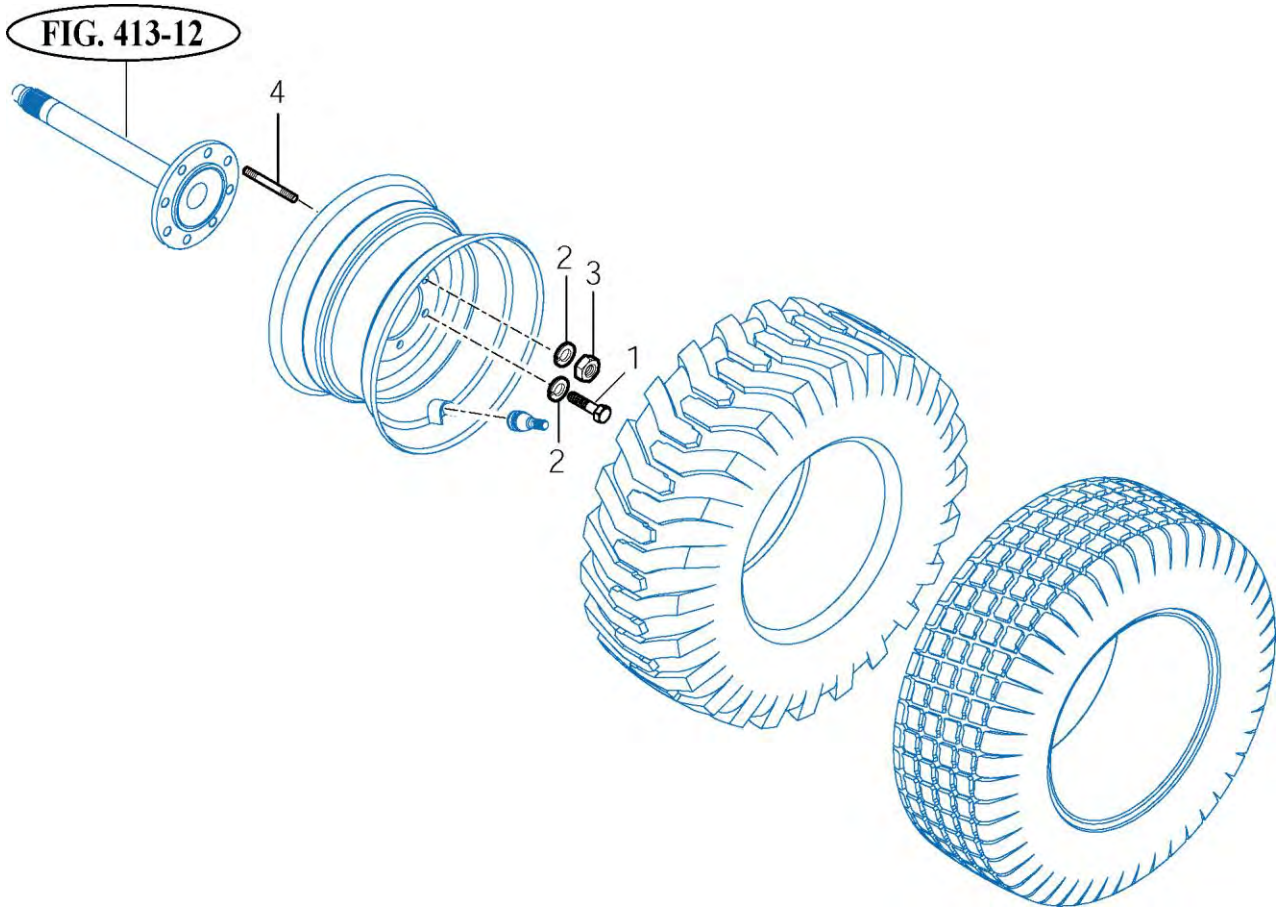
T474NC

REAR WHEEL MOUNTING

P1

YEAR

2018



NOTE

FIG 308

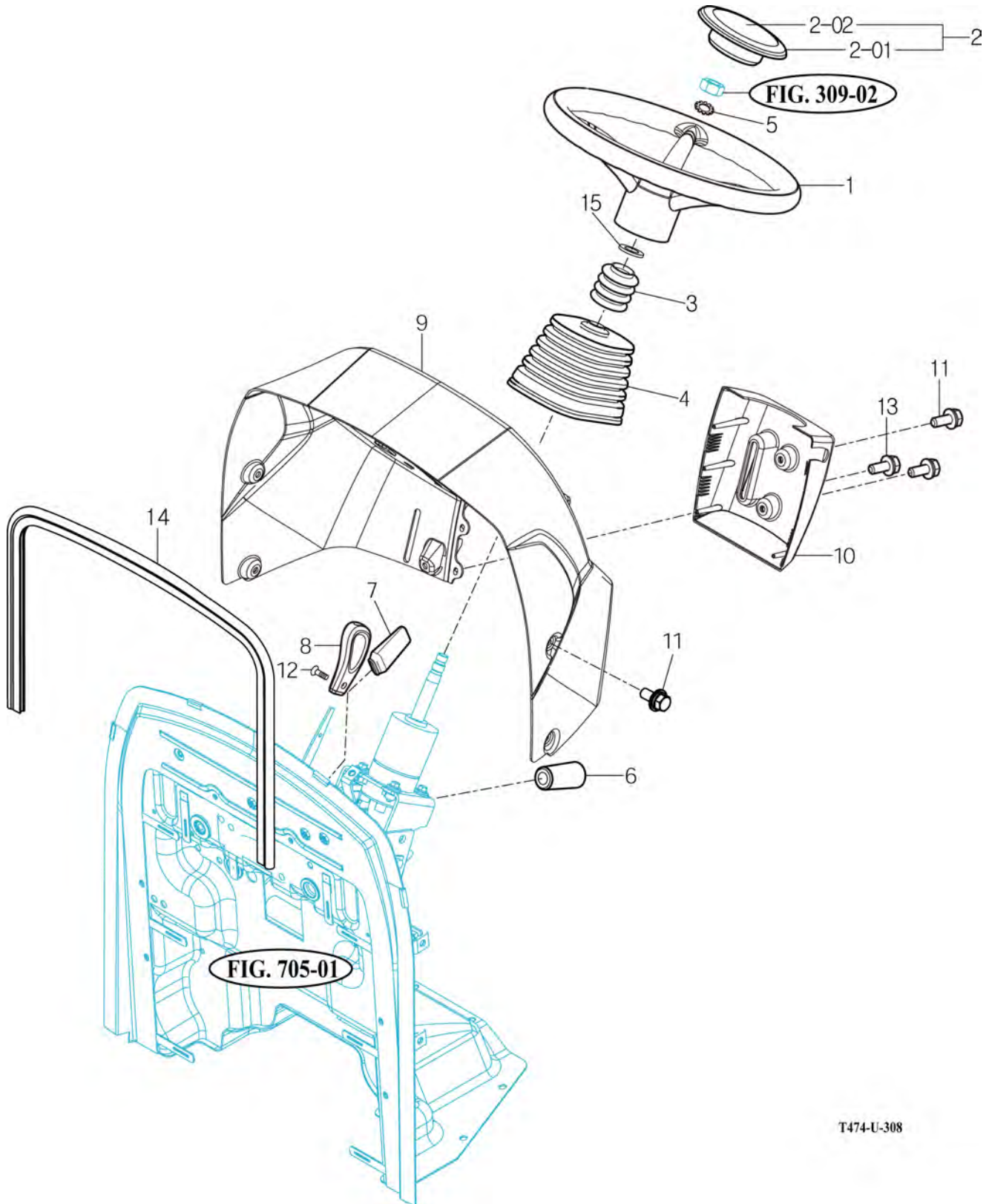
T474NC

STEERING WHEEL

P1

YEAR

2018



T474-U-308

NOTE

FIG 309

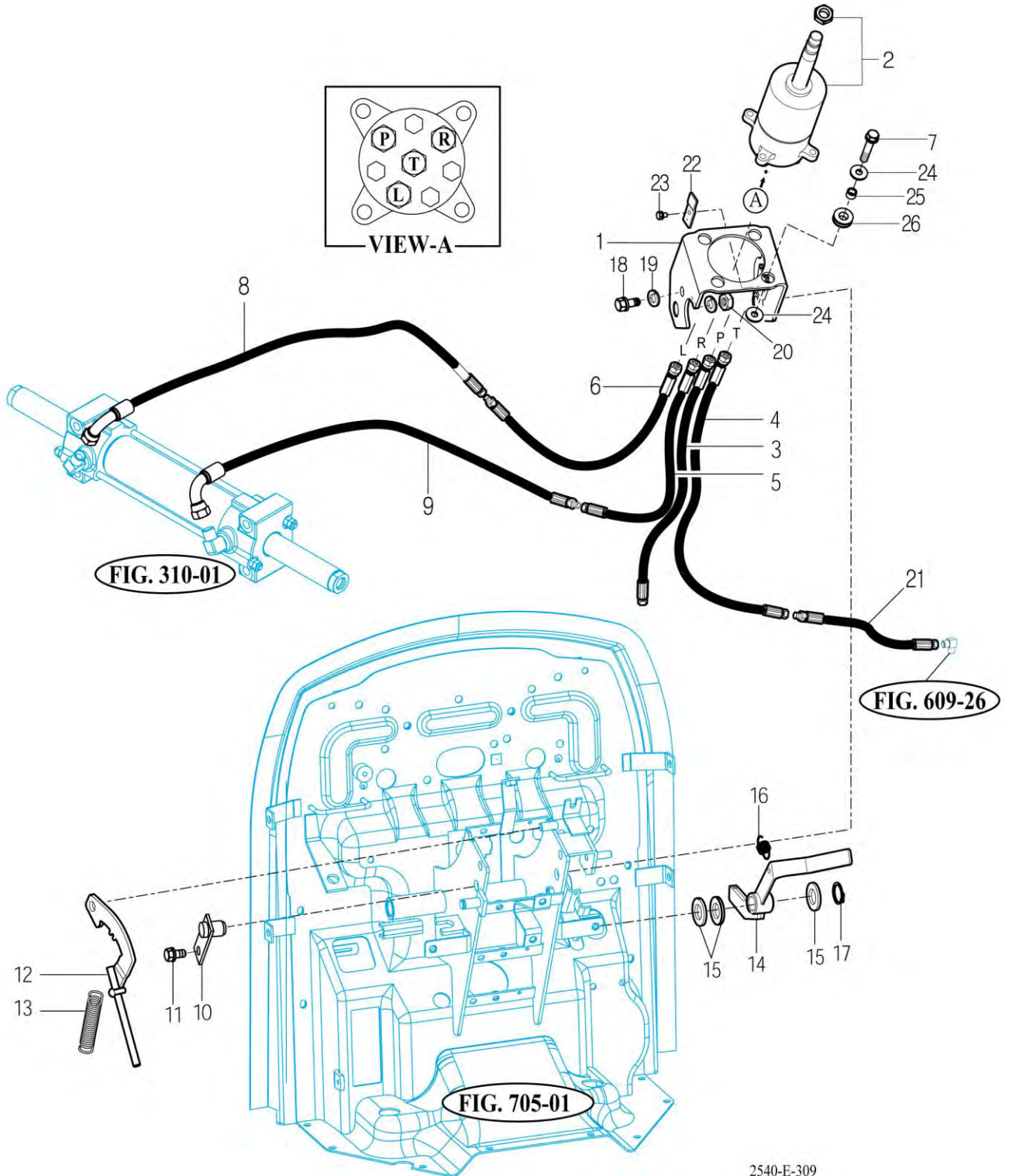
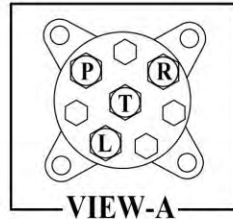
T474NC

STEERING VALVE & PARKING

P1

YEAR

2018



2540-E-309

NOTE

FIG 310

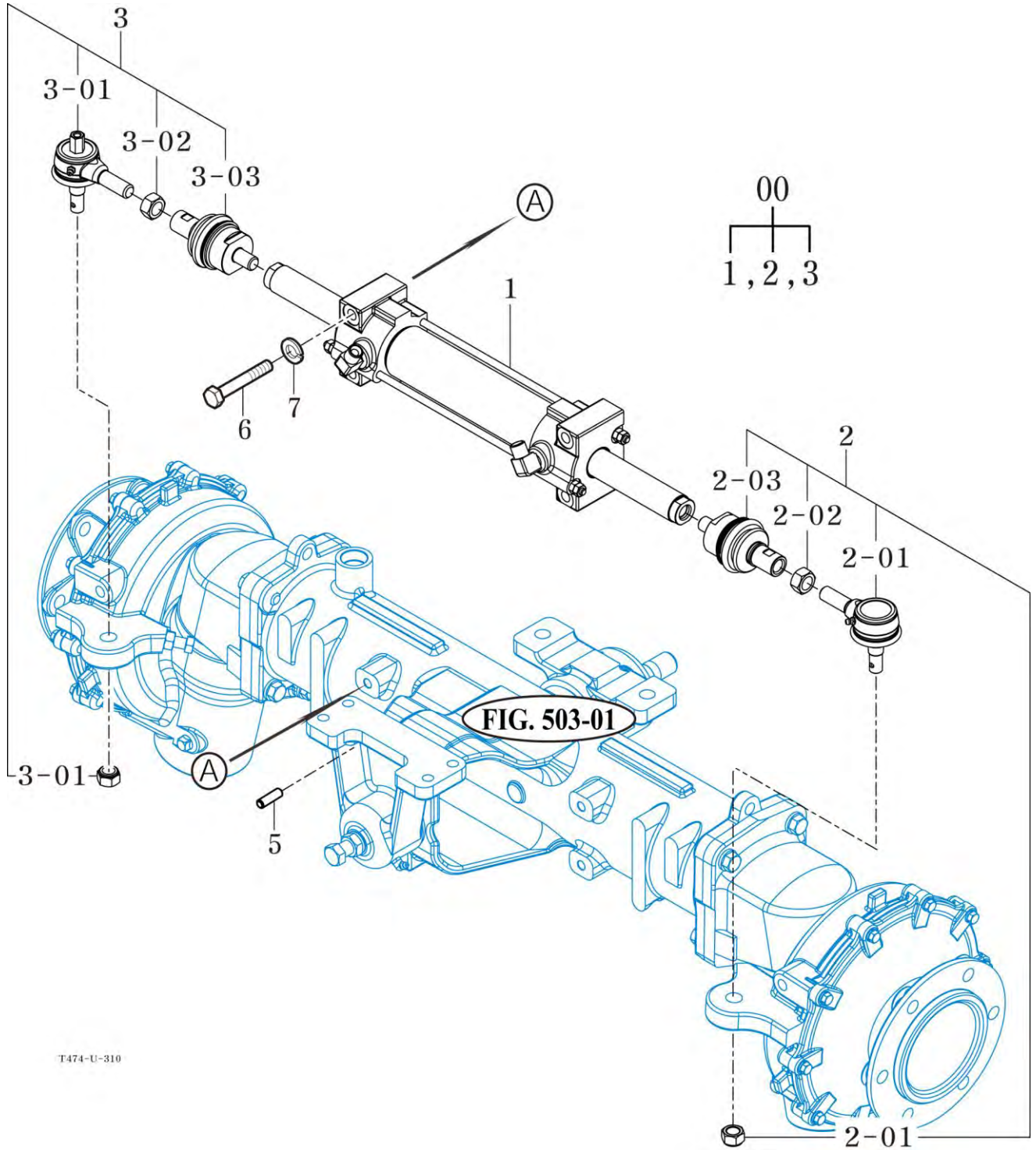
T474NC

STEERING CYLINDER

P1

YEAR

2018



T474-U-310

NOTE

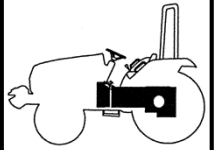
FIG 401

TRANSMISSION FRONT CASE

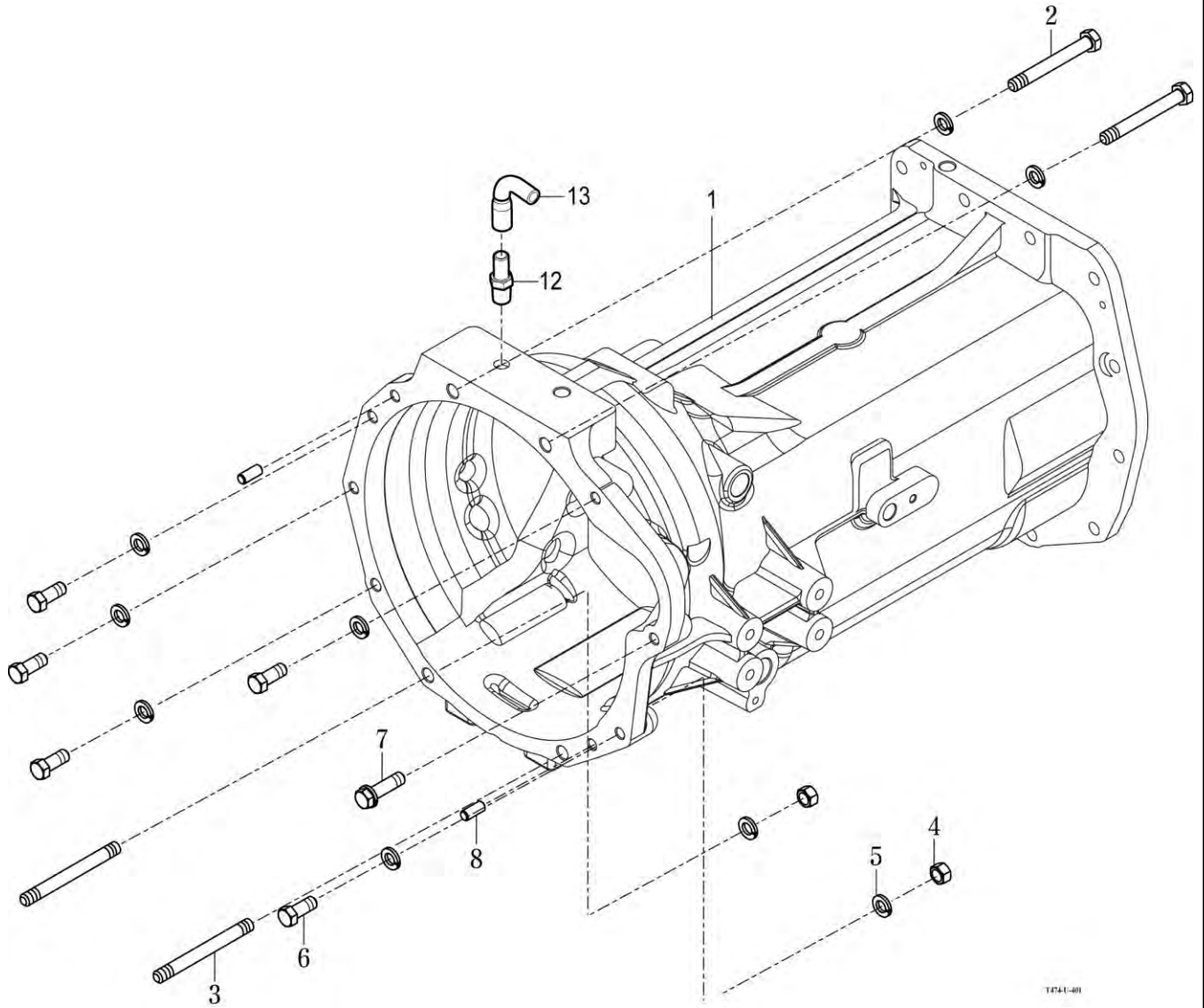
P1

YEAR

2018



T474NC



T4741-001

NOTE

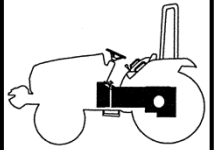
FIG 402

INPUT METAL

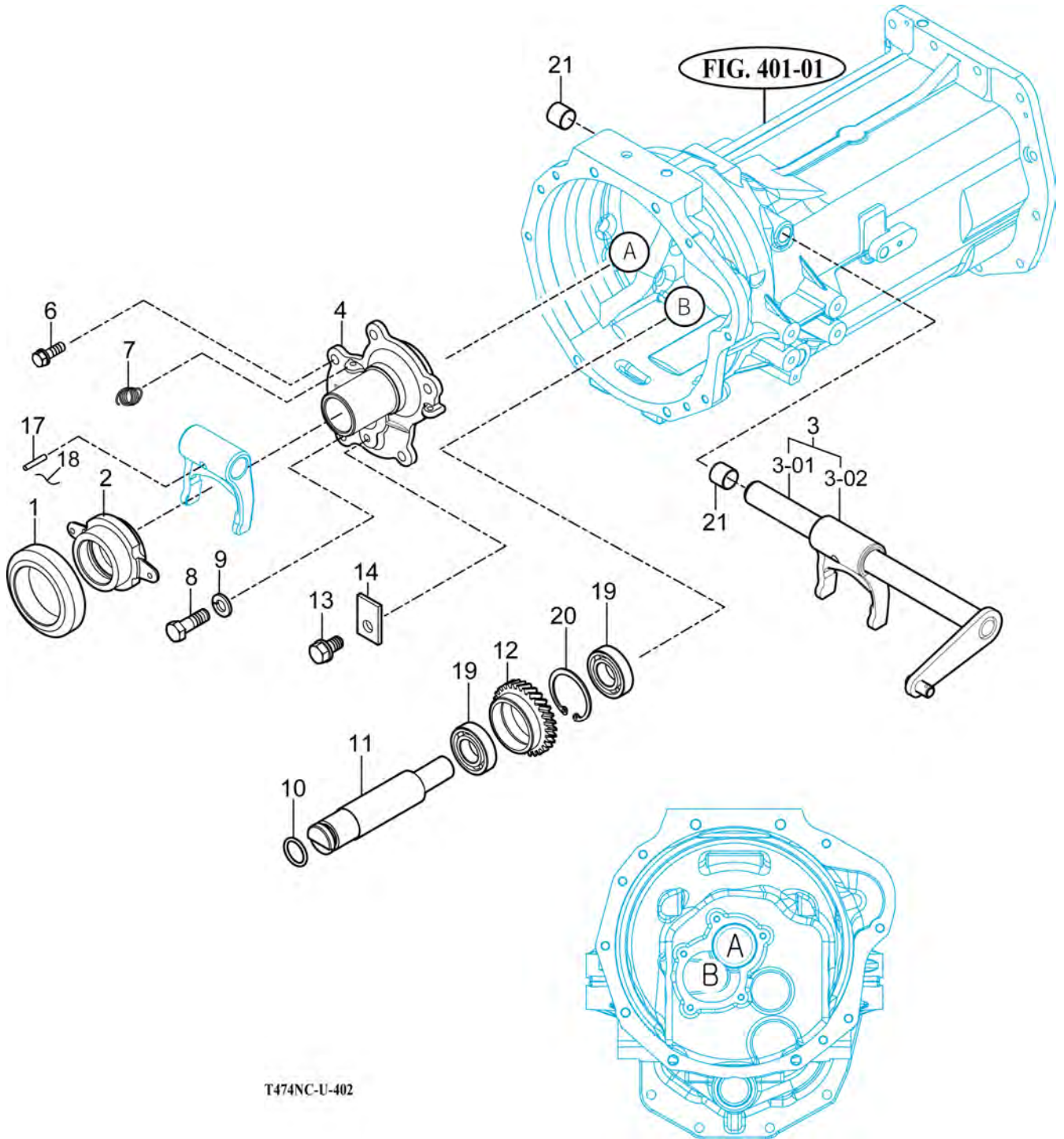
P1

YEAR

2018



T474NC



T474NC-U-402

NOTE

FIG 403

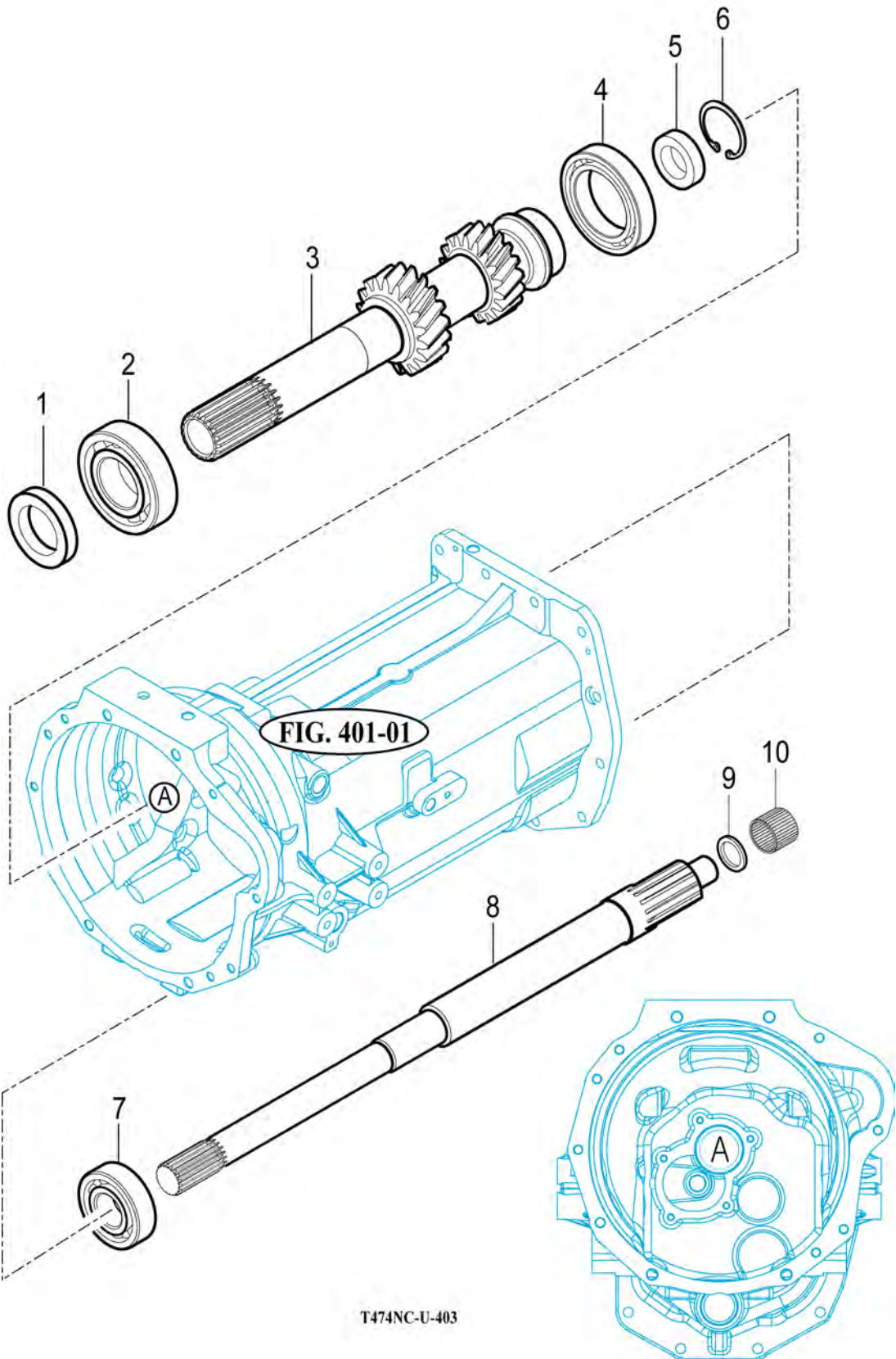
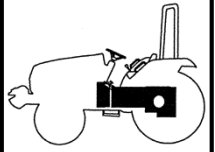
INPUT GEAR

T474NC

P1

YEAR

2018



T474NC-U-403

NOTE

FIG 404

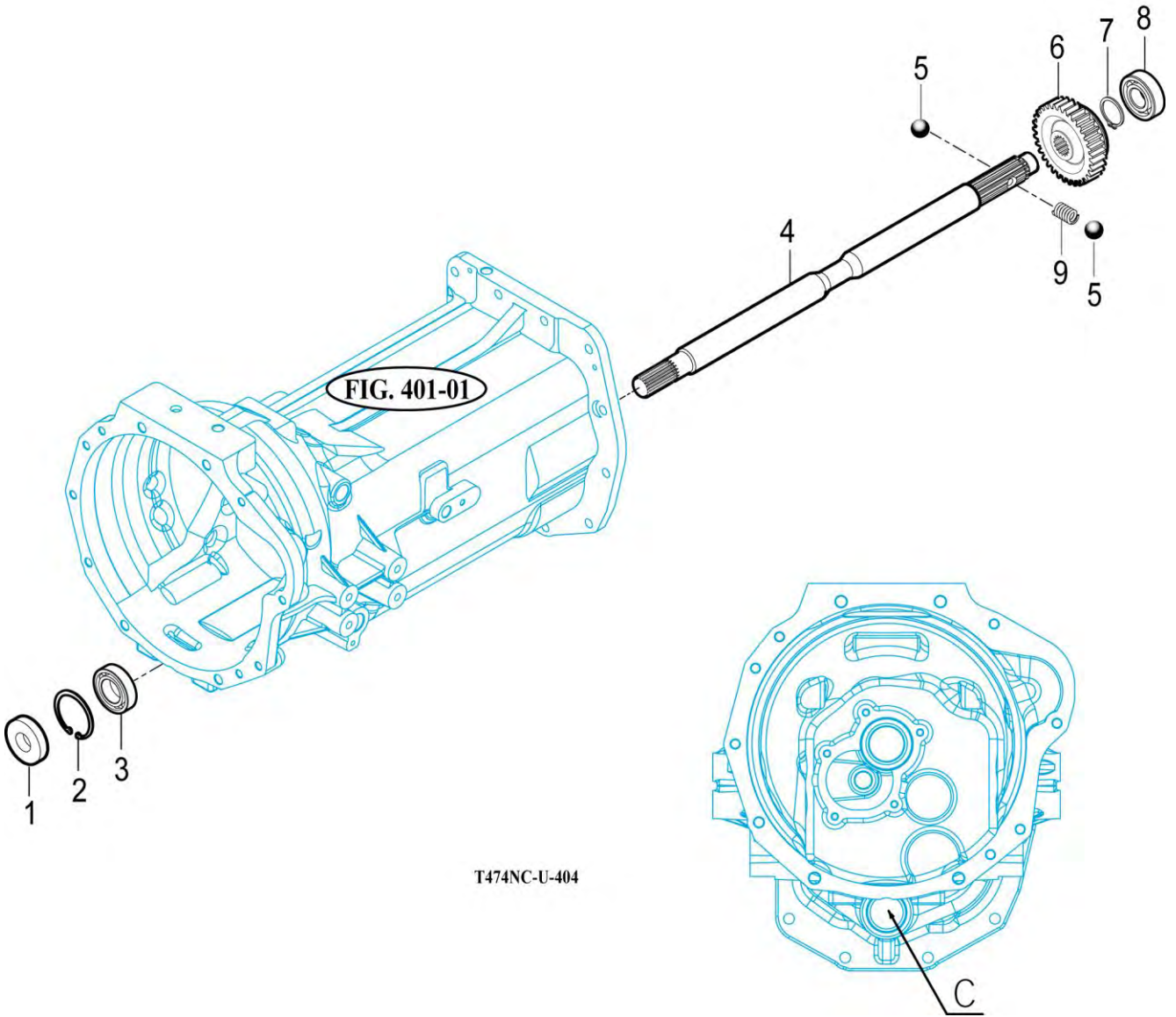
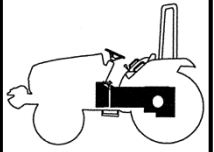
T474NC

4WD DRIVE GEAR

P1

YEAR

2018



NOTE

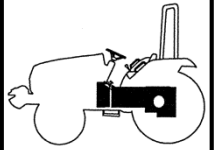
FIG 405

MAIN CHANGE GEARS & REVERSE GEARS

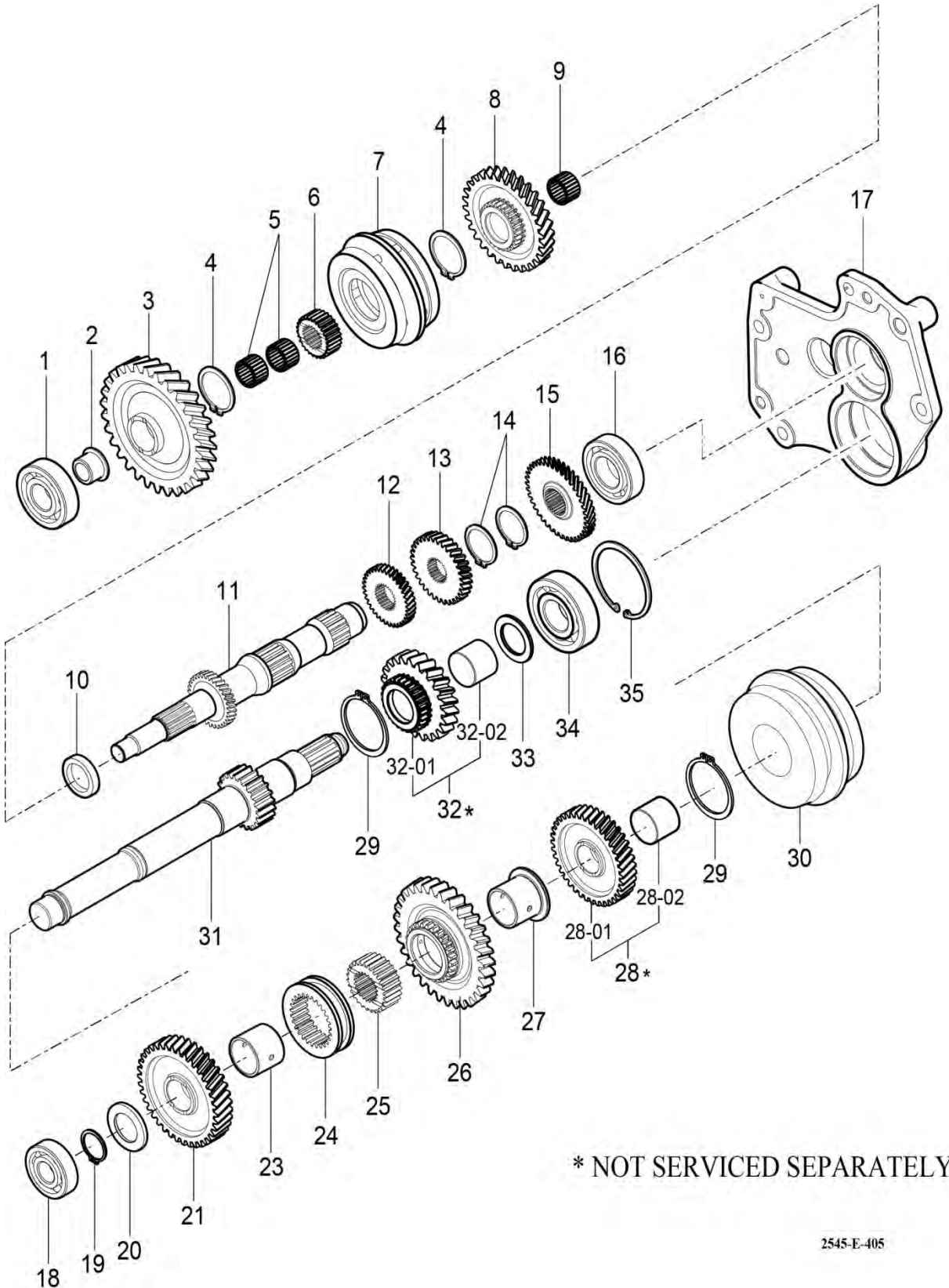
P1

YEAR

2018



T474NC



* NOT SERVICED SEPARATELY

2545-E-405

NOTE

FIG 406

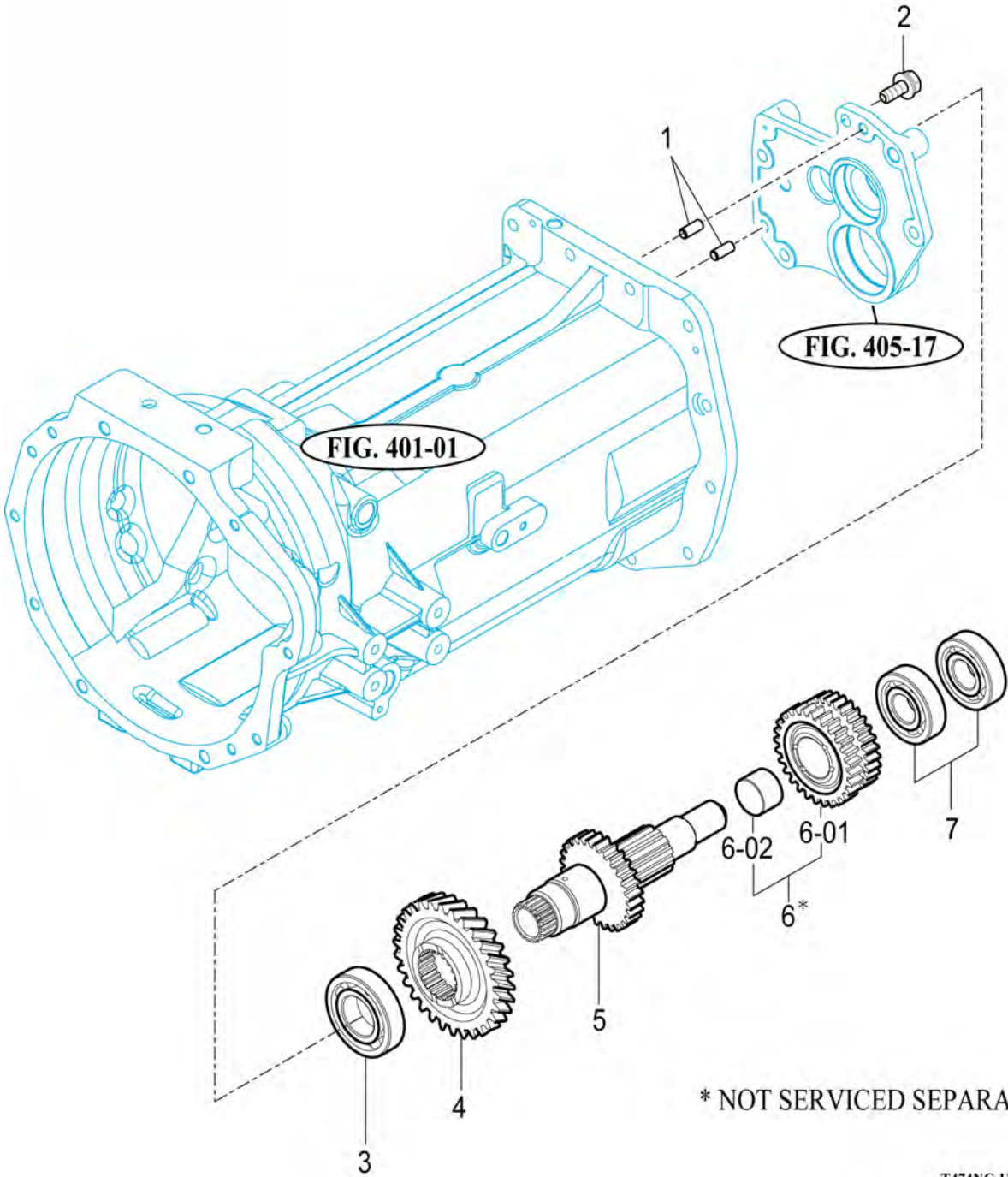
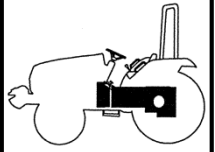
T474NC

SUB CHANGE GEARS

P1

YEAR

2018



* NOT SERVICED SEPARATELY

T474NC-U-406

NOTE

FIG 407

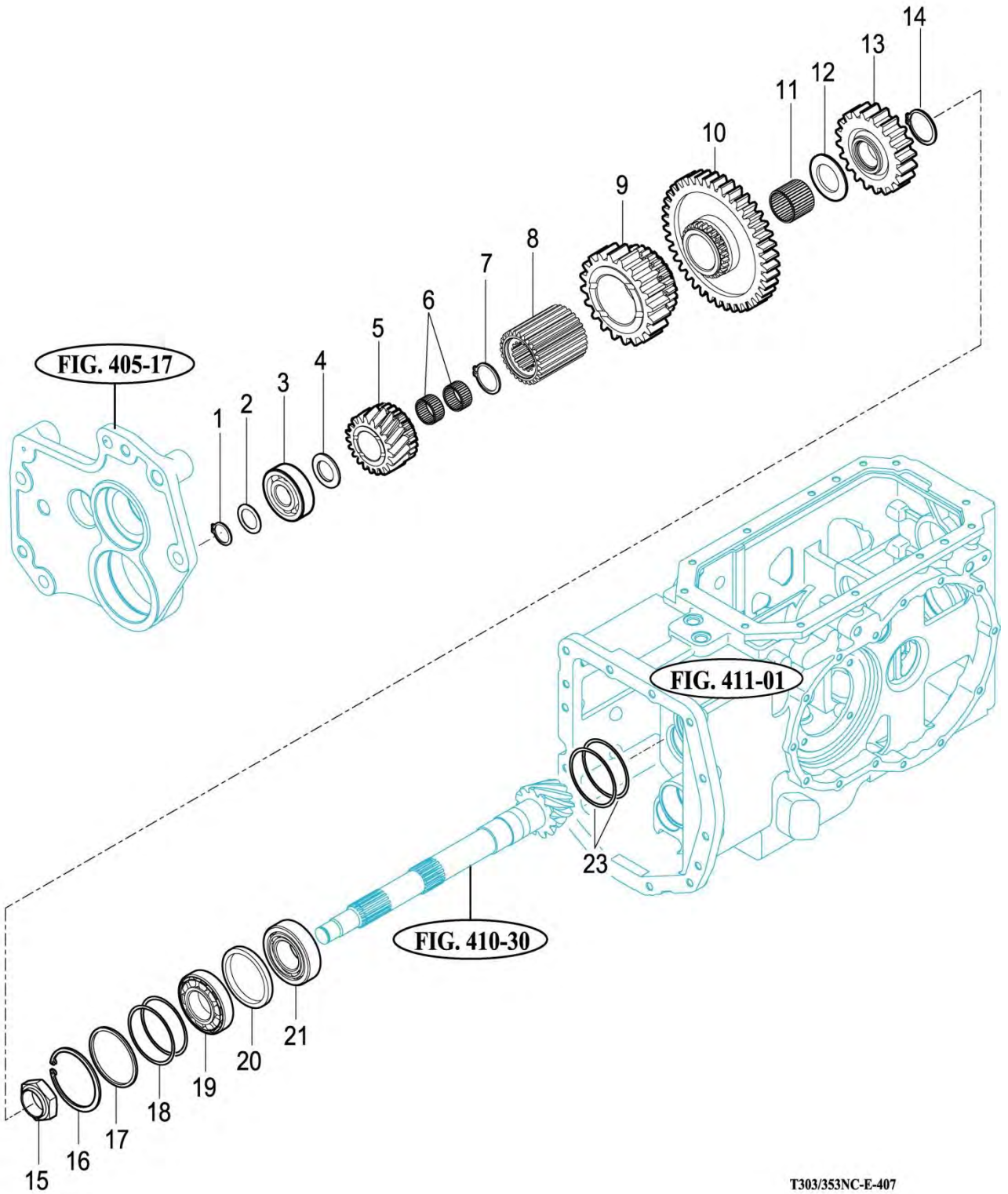
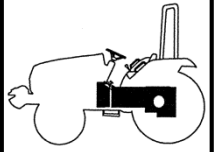
T474NC

PINION GEARS

P1

YEAR

2018



T303/353NC-E-407

NOTE

FIG 408

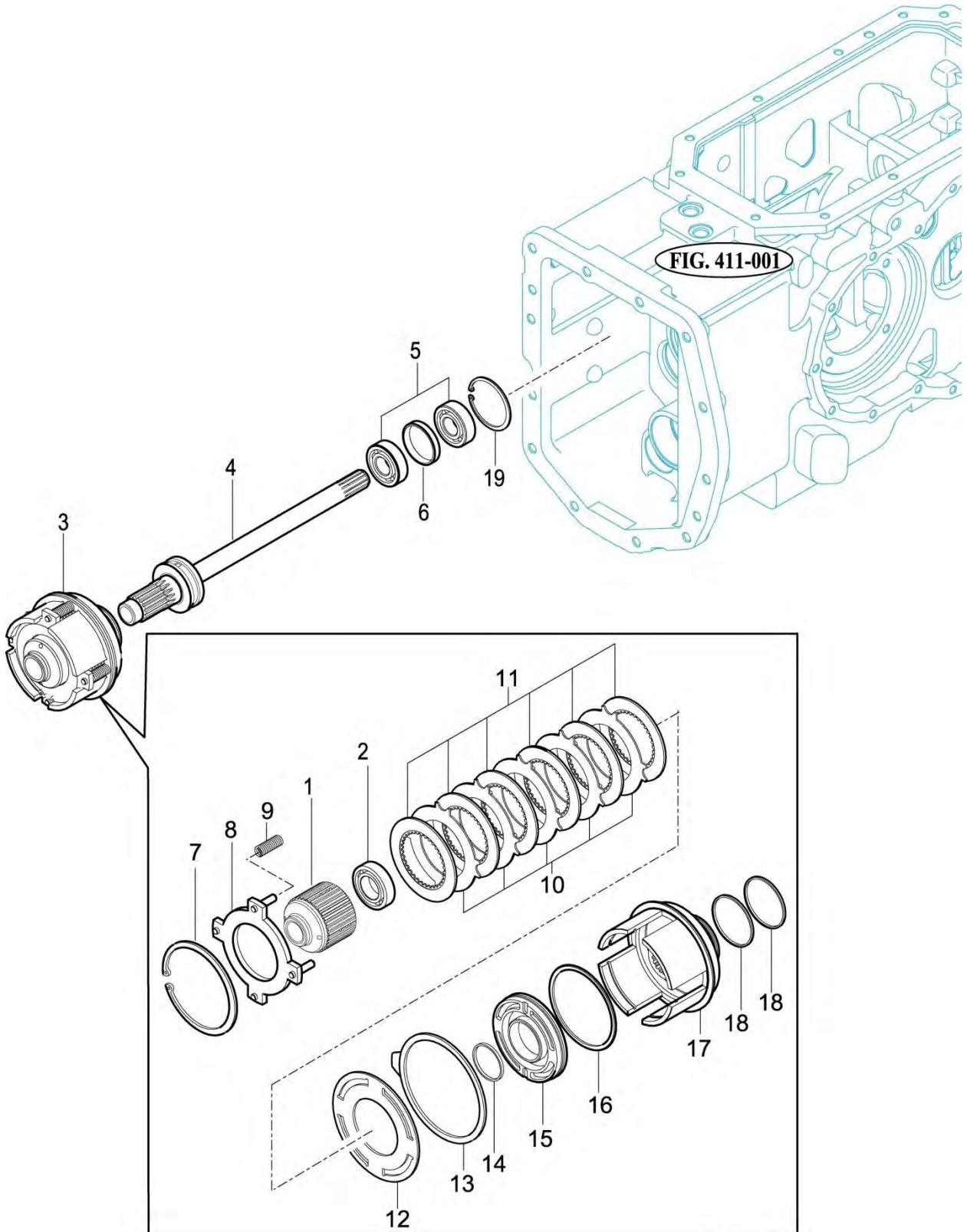
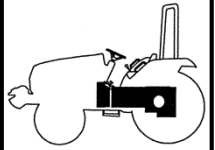
T474NC

P.T.O DRIVE SHAFT

P1

YEAR

2018



T303/353NC-E-408

NOTE

FIG 409

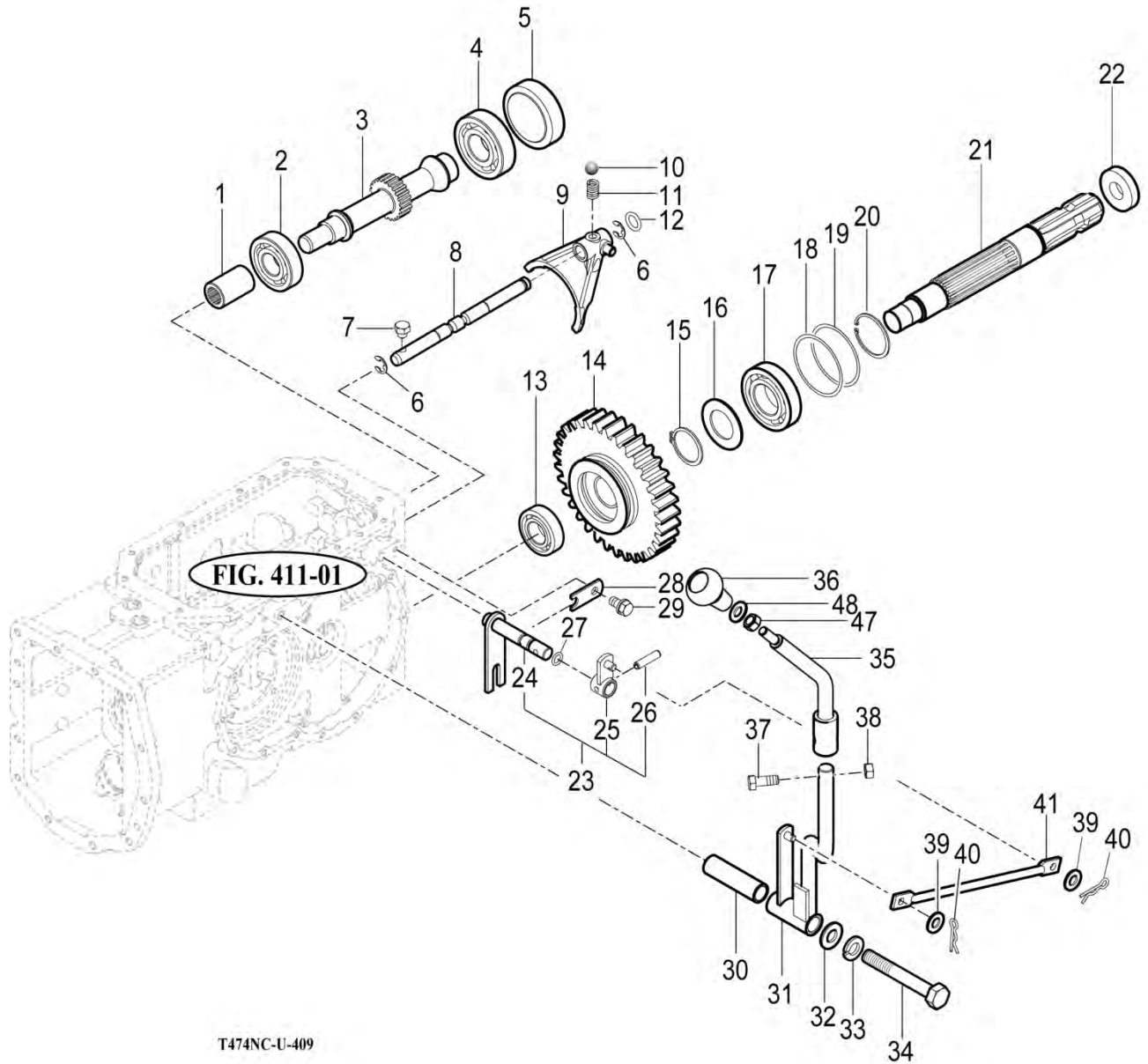
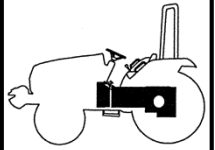
T474NC

P.T.O. CHANGE GEARS

P1

YEAR

2018



NOTE

FIG 410

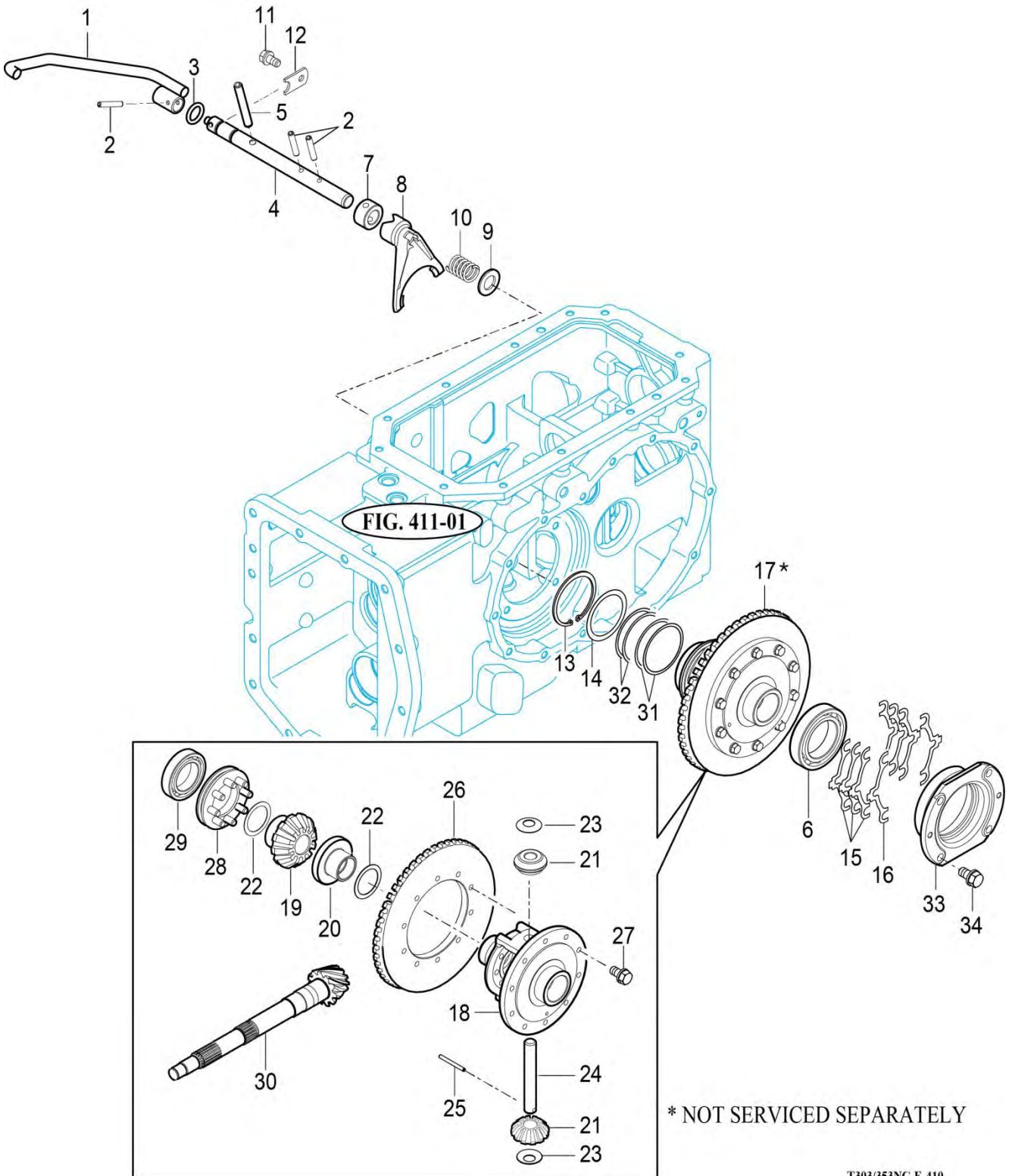
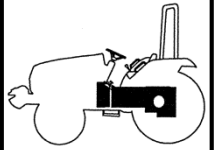
T474NC

DIFF LOCK

P1

YEAR

2018



* NOT SERVICED SEPARATELY

T303/353NC-E-410

NOTE

FIG 411

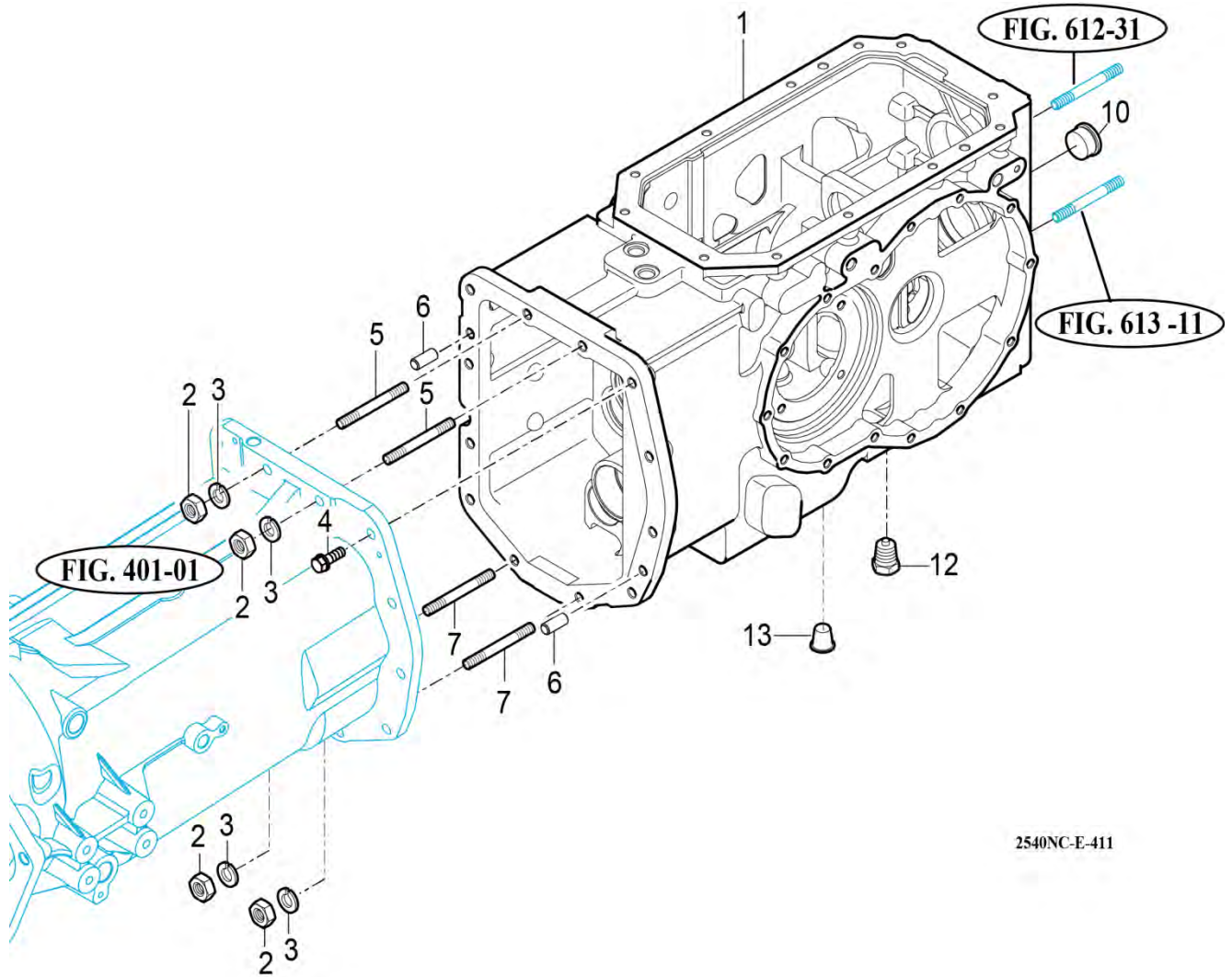
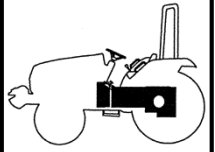
T474NC

TRANSMISSION REAR CASE

P1

YEAR

2018



2540NC-E-411

NOTE

FIG 412

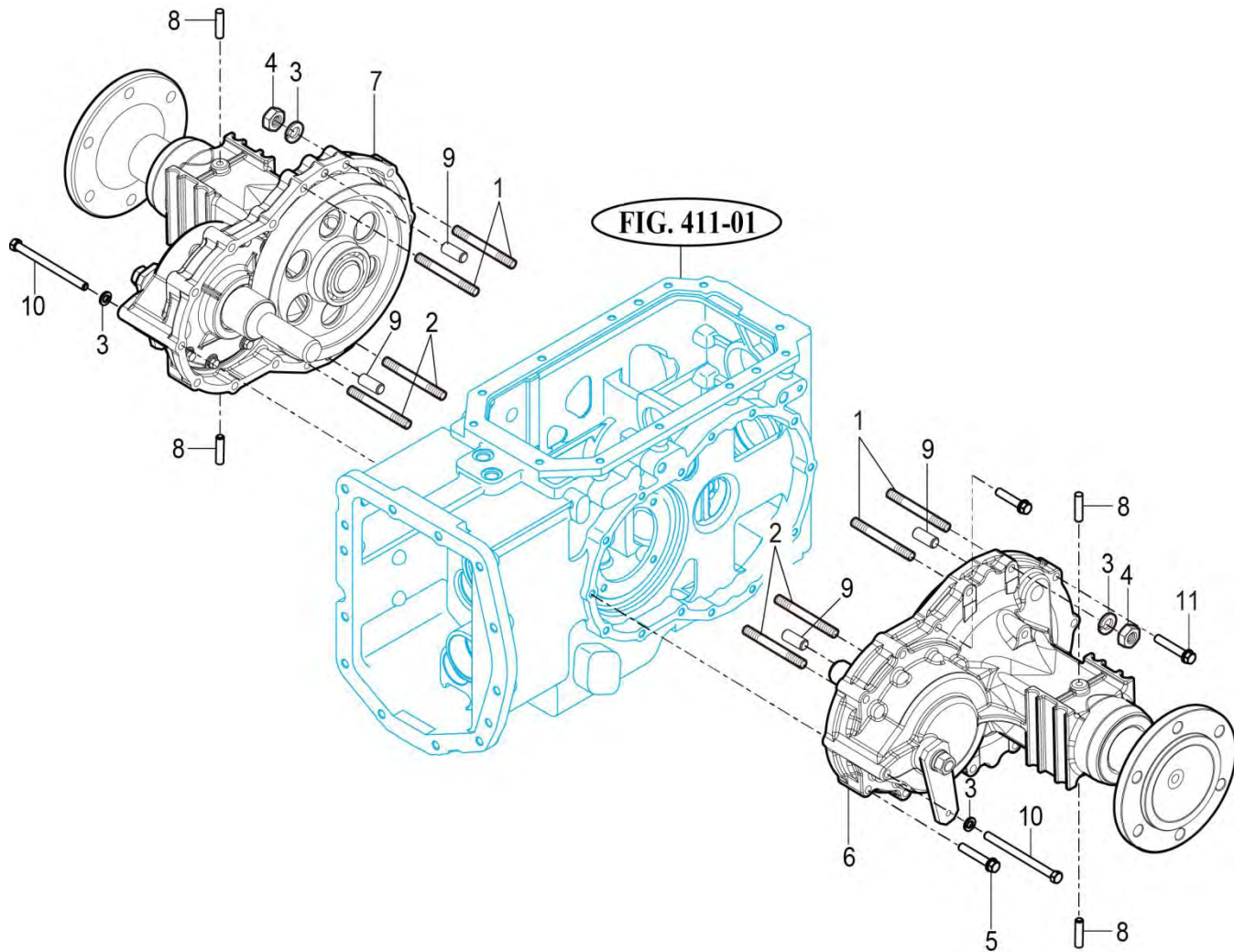
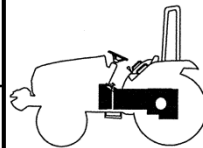
T474NC

REAR AXLE HOUSINGS (1)

P1

YEAR

2018



2545NC-E-412

NOTE

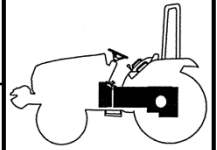
FIG 413

REAR AXLE HOUSINGS (2)

P1

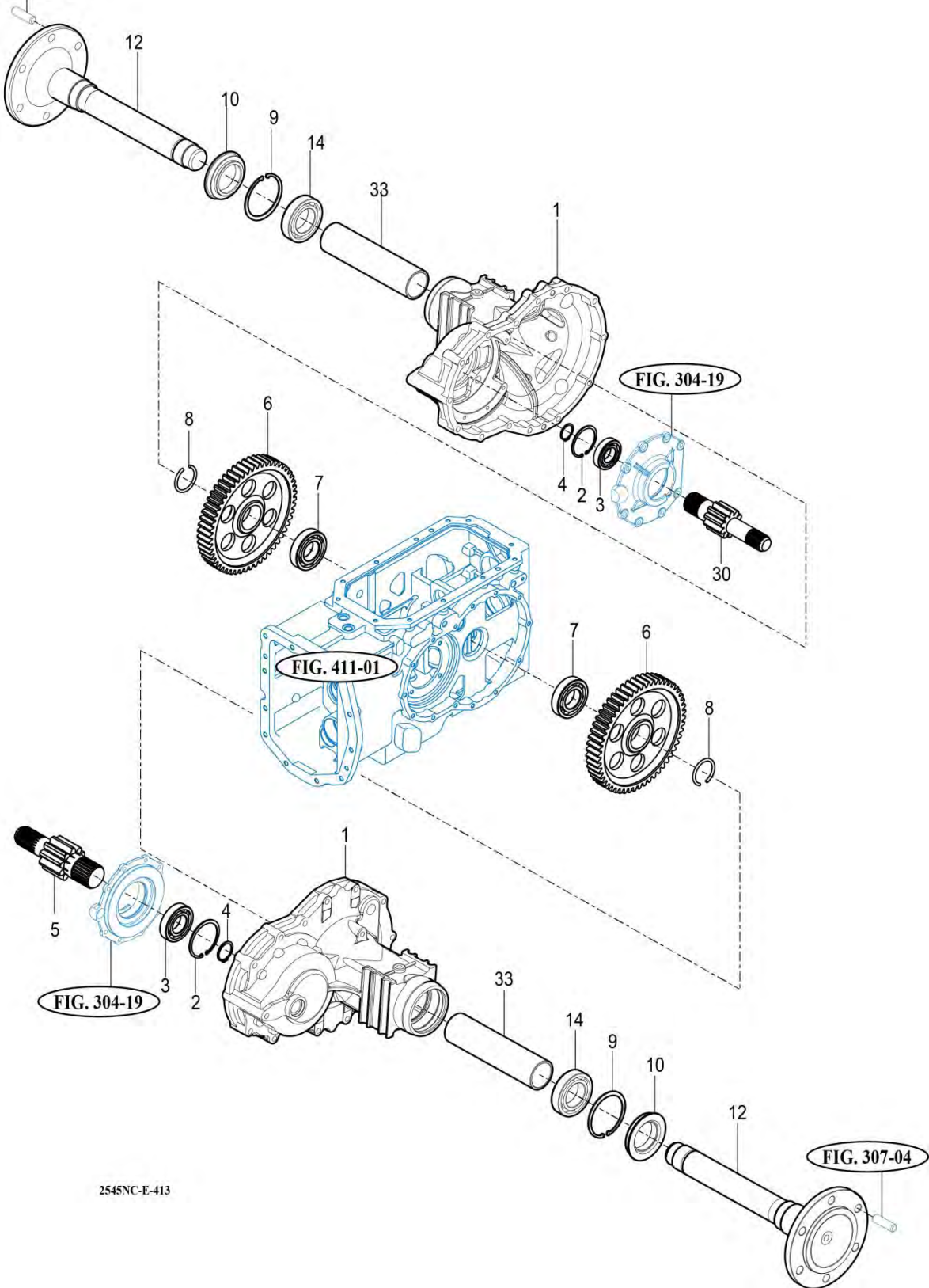
YEAR

2018



T474NC

FIG. 307-04



2545NC-E-413

NOTE

FIG 414

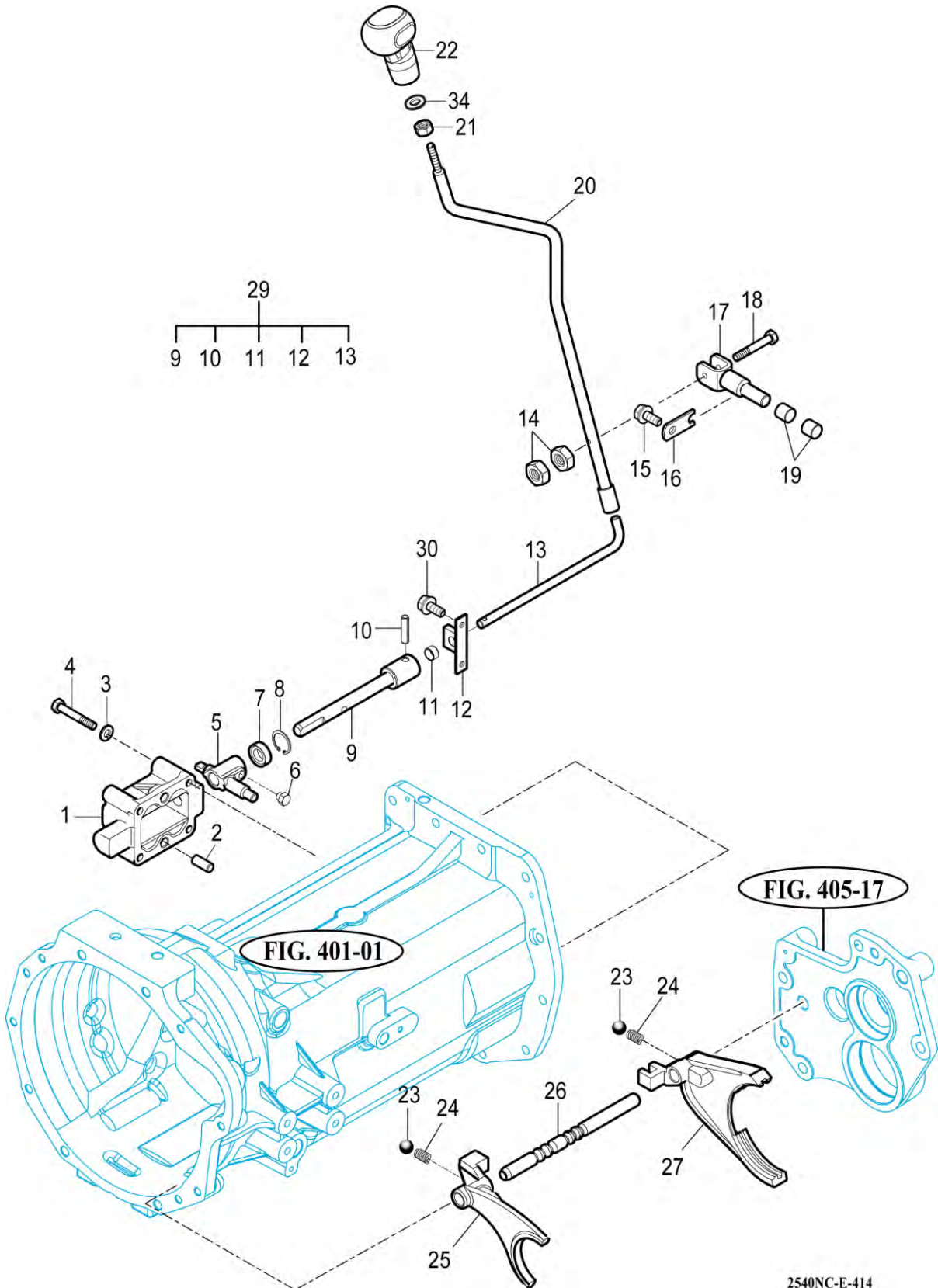
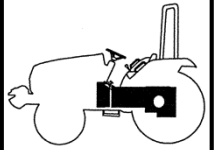
T474NC

MAIN CHANGE LEVER

P1

YEAR

2018



2540NC-E-414

NOTE

FIG 415

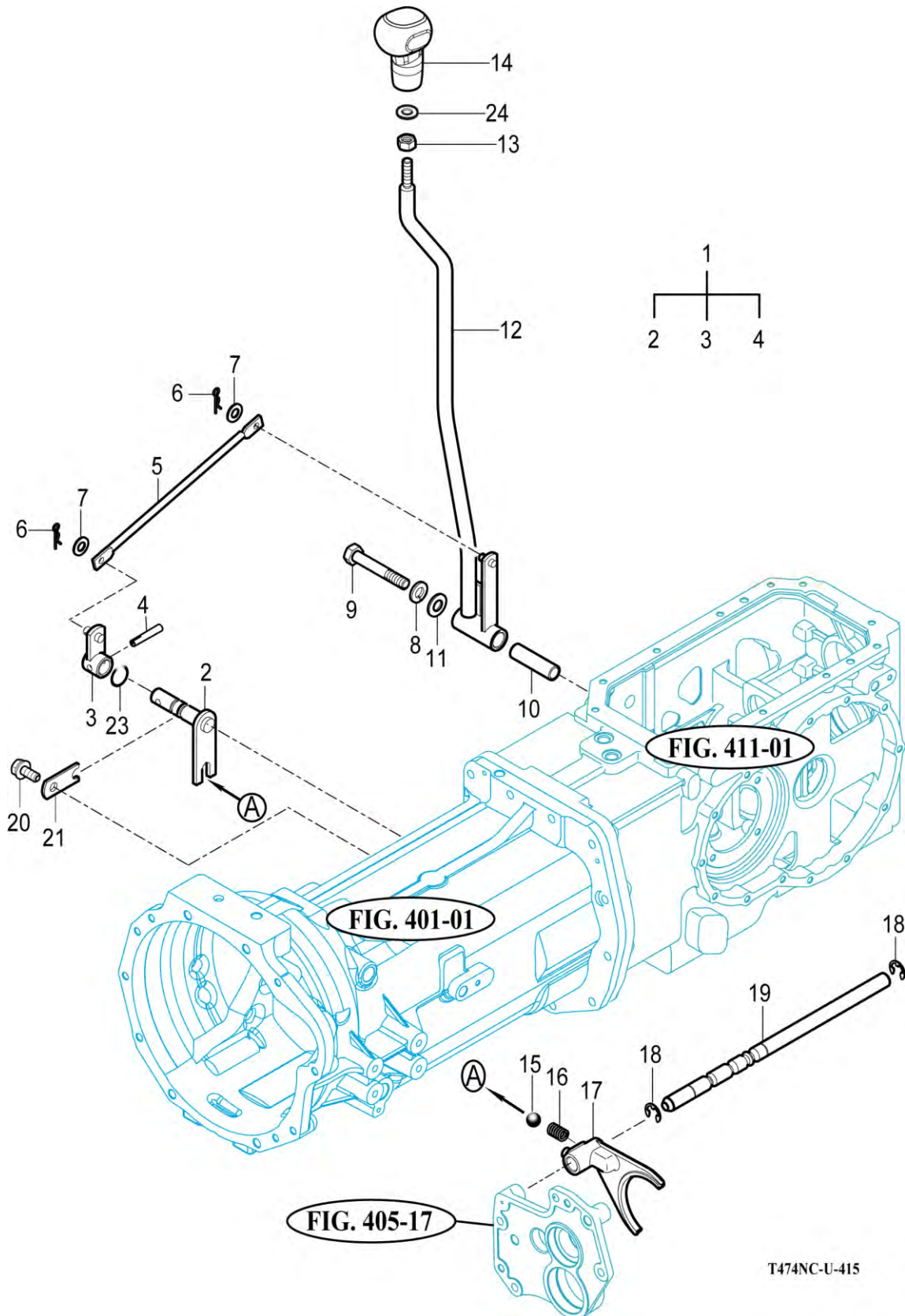
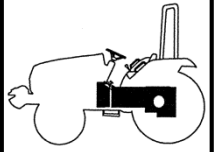
T474NC

SUB CHANGE LEVER

P1

YEAR

2018



NOTE

FIG 416

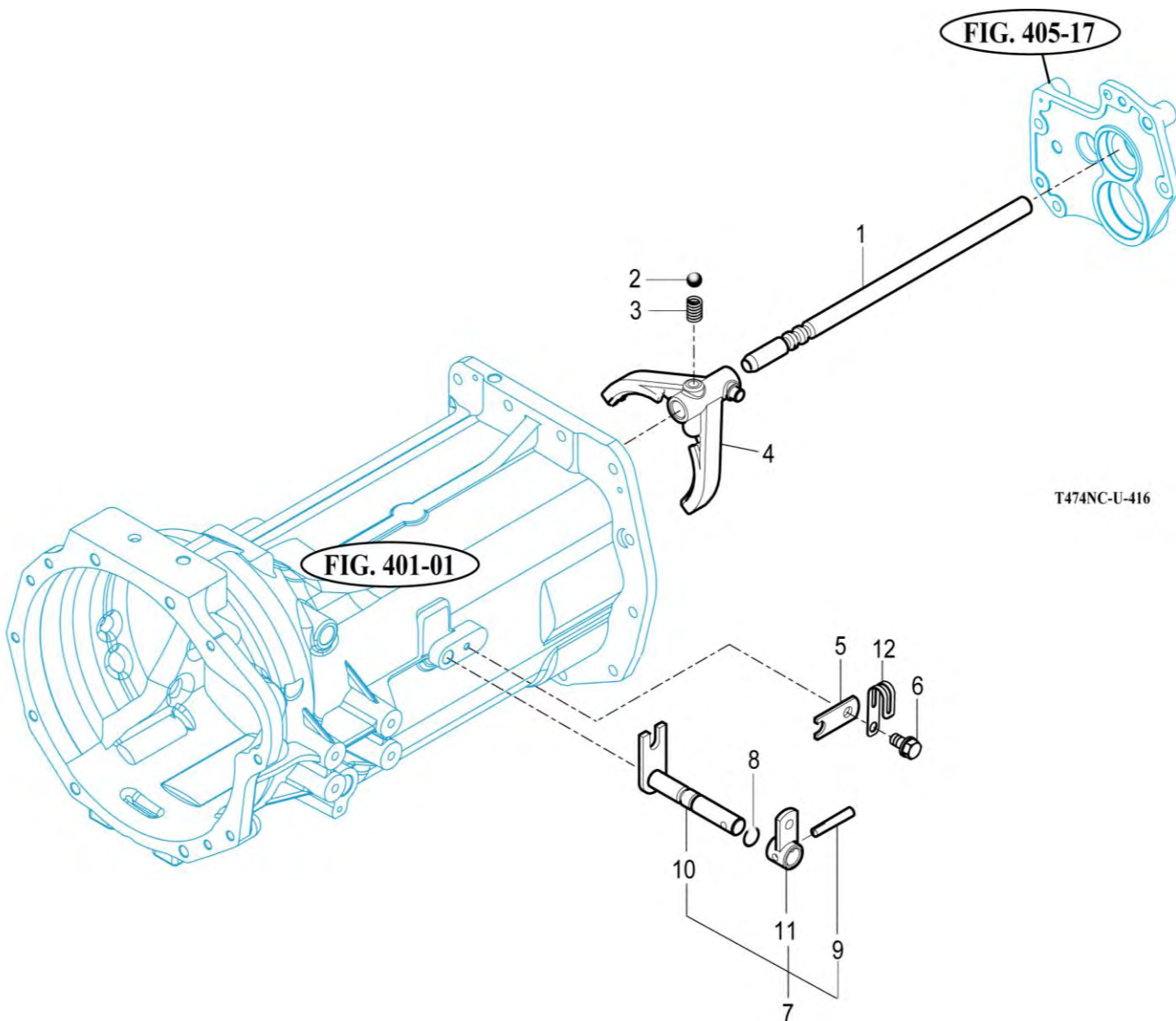
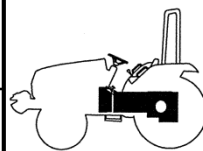
T474NC

REVERSE LINK

P1

YEAR

2018



T474NC-U-416

NOTE

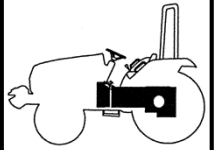
FIG 417

REVERSE CHANGE LEVER

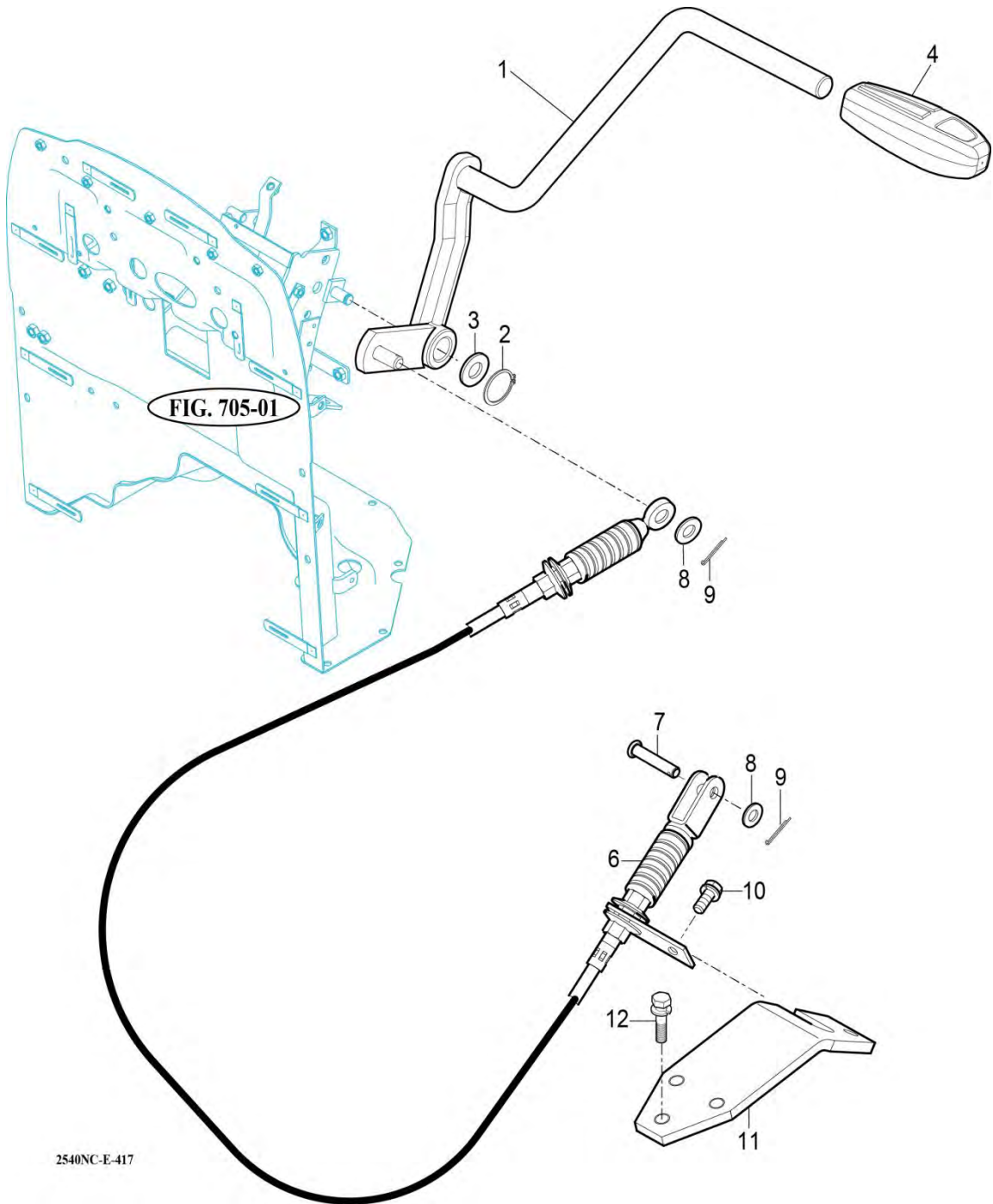
P1

YEAR

2018



T474NC



NOTE

FIG 418

T474NC

4WD CHANGE LEVER

P1

YEAR

2018

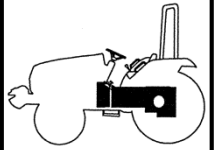
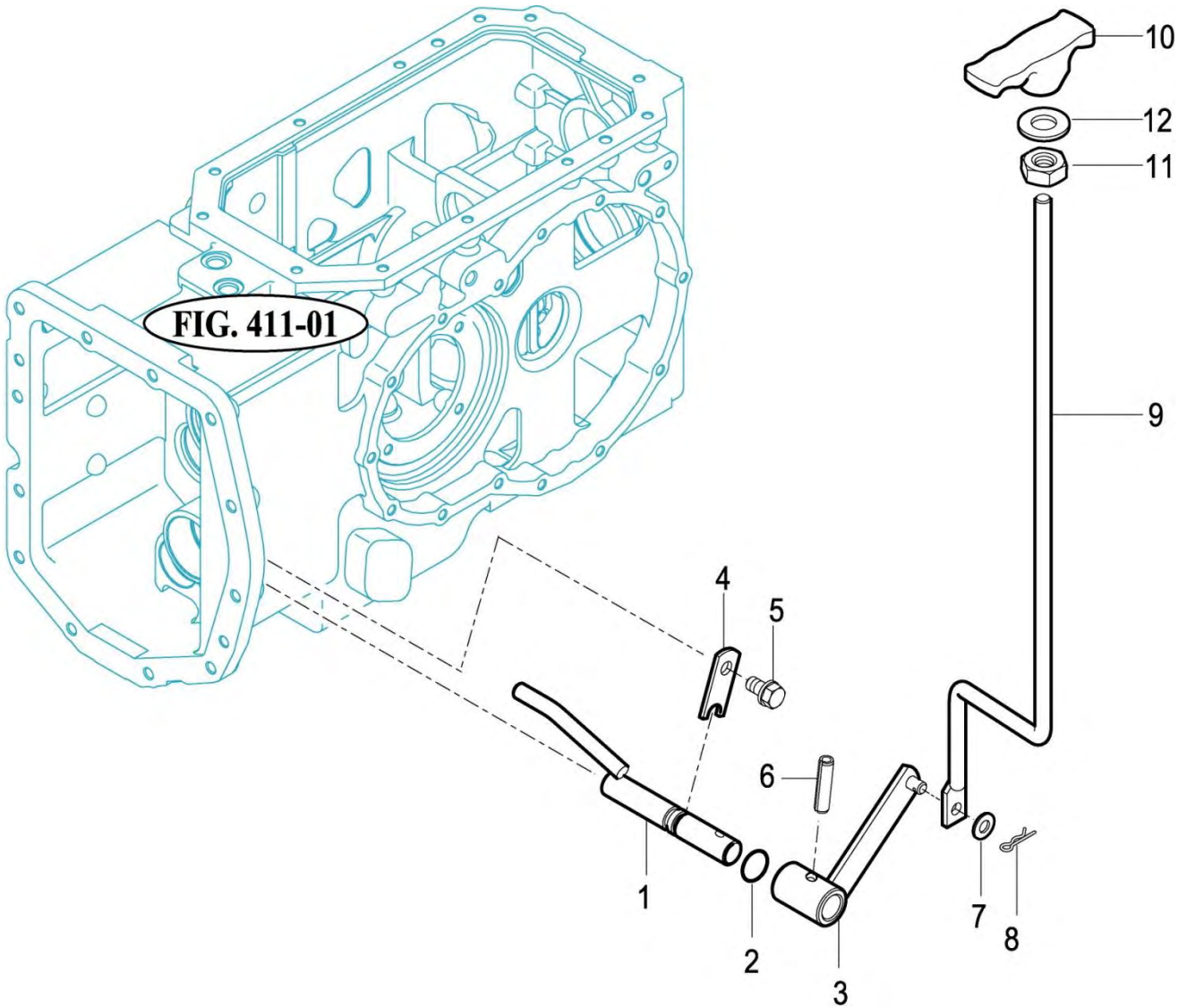


FIG. 411-01



T303/353NC-E-418

NOTE

FIG 501

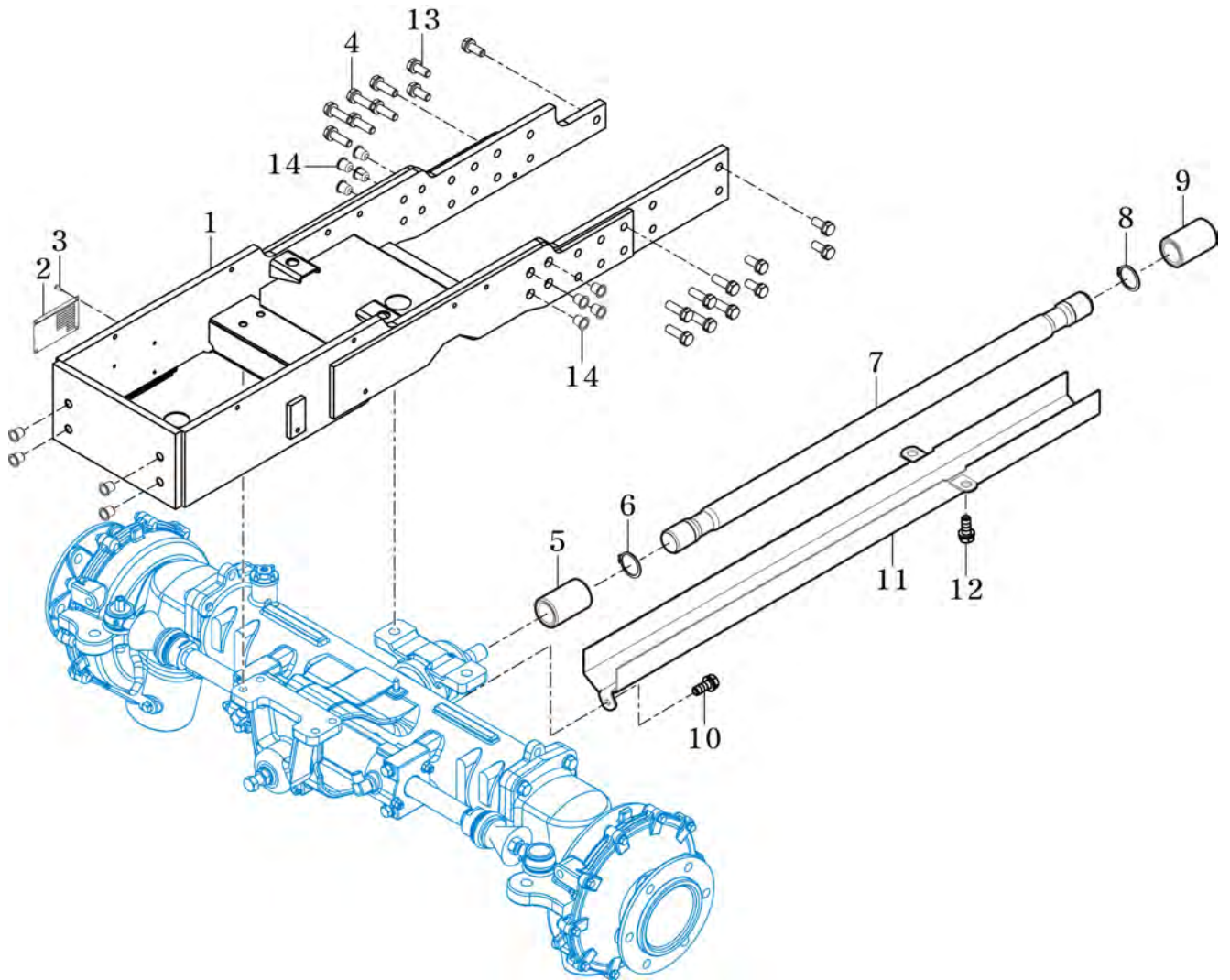
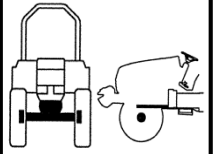
T474NC

FRONT AXLE BRACKET

P1

YEAR

2018



NOTE

FIG 502

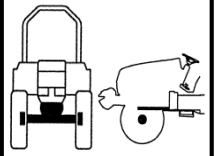
T474NC

FRONT DIFF. GEARS & SHAFT

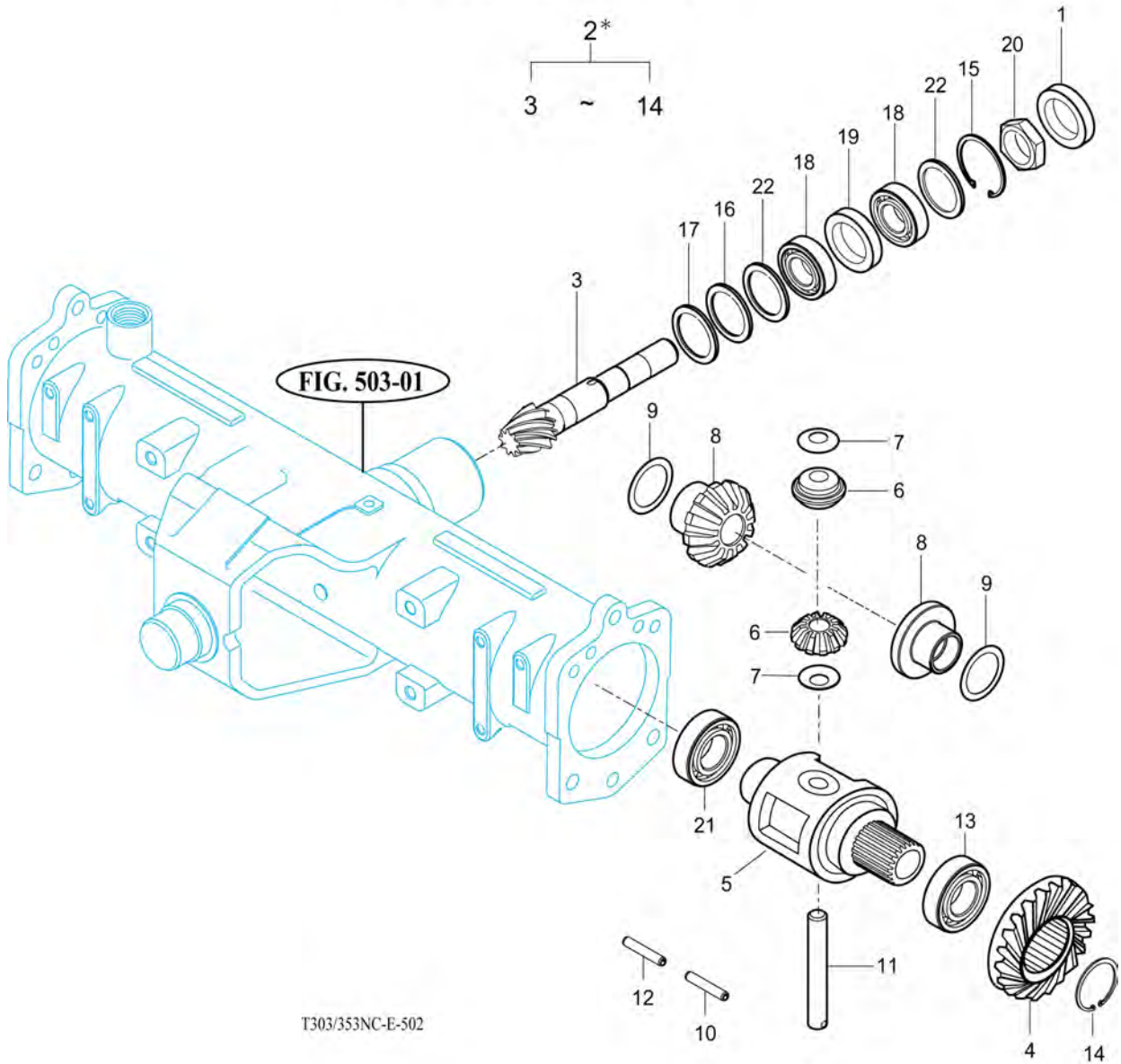
P1

YEAR

2018



* NOT SERVICED SEPARATELY



T303/353NC-E-502

NOTE

FIG 503

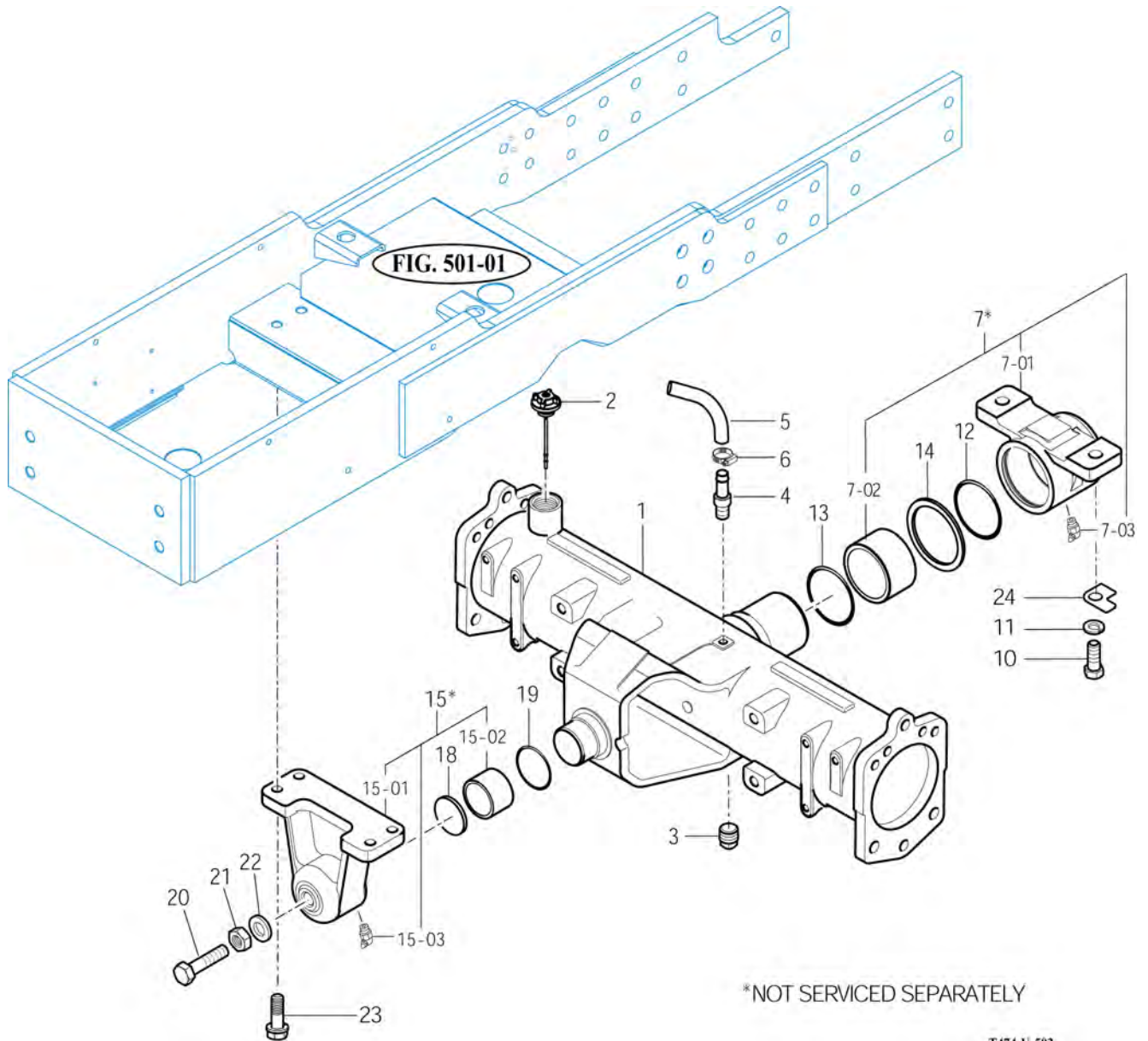
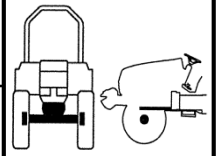
T474NC

FRONT AXLE HOUSING

P1

YEAR

2018



NOTE

FIG 504

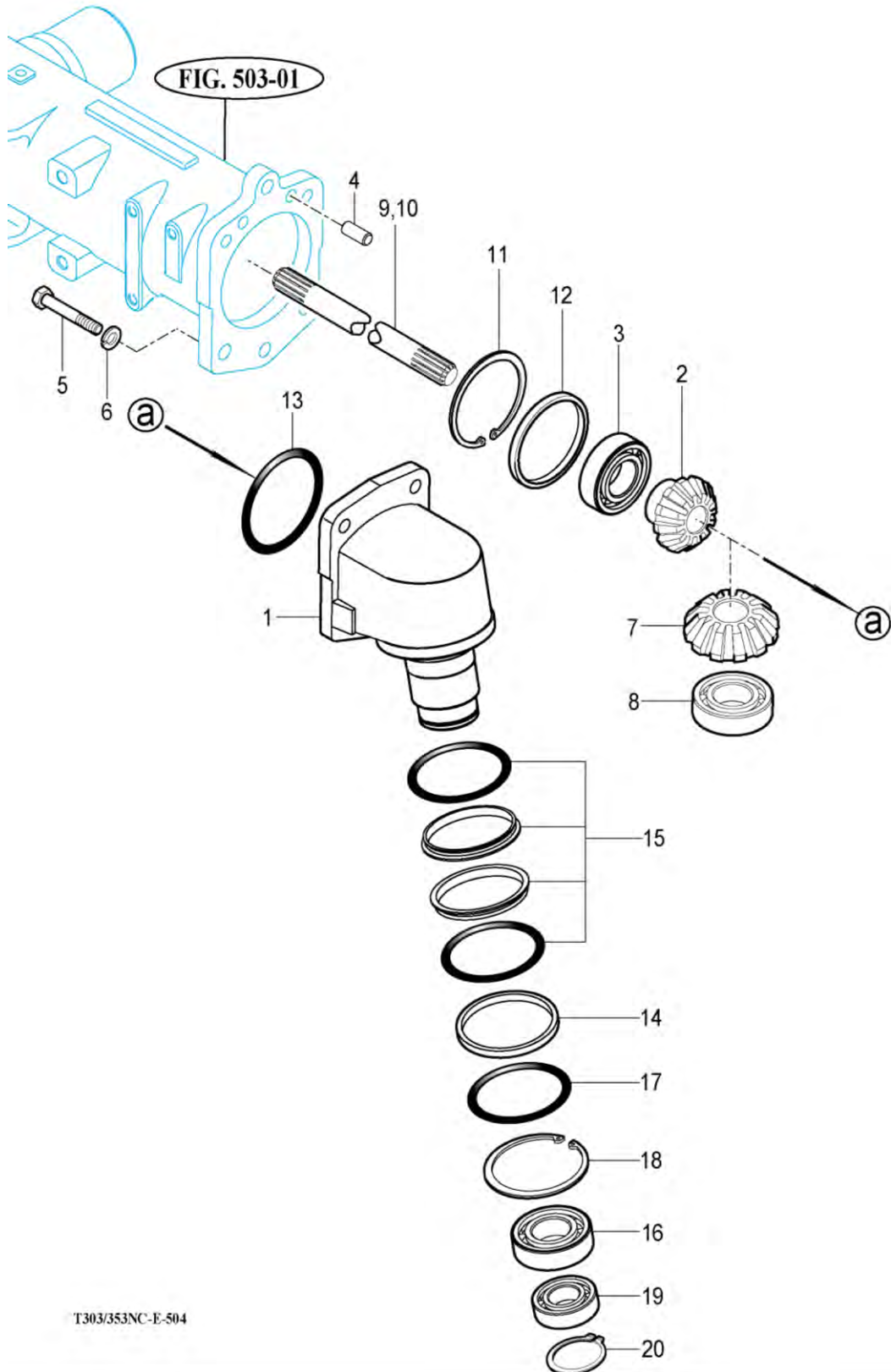
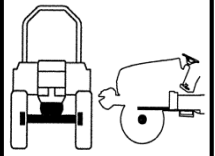
T474NC

FRONT GEAR CASE (1)

P1

YEAR

2018



T303/353NC-E-504

NOTE

FIG 505

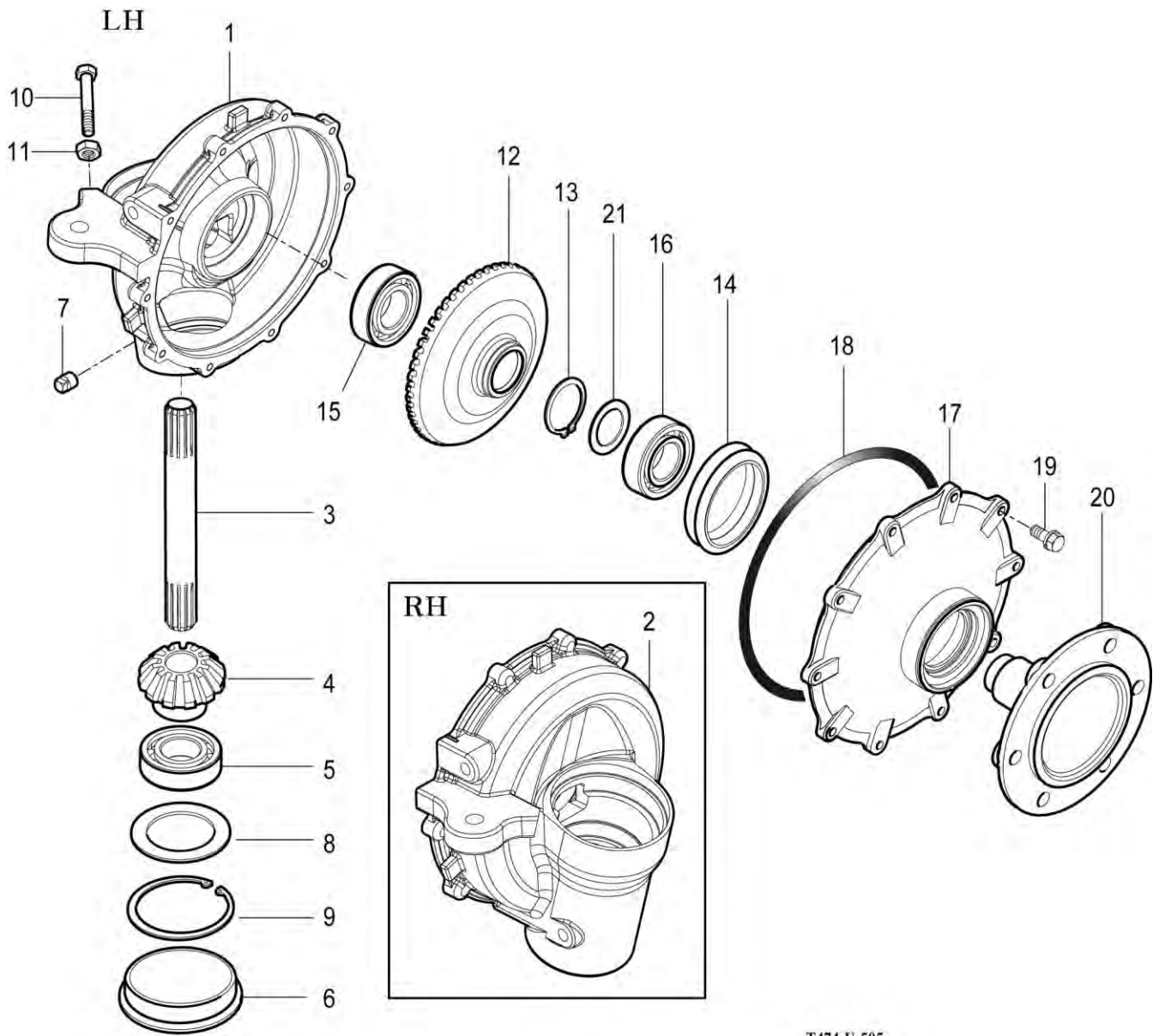
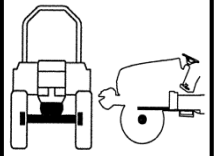
T474NC

FRONT GEAR CASE (2)

P1

YEAR

2018



T474-U-505

NOTE

FIG 601

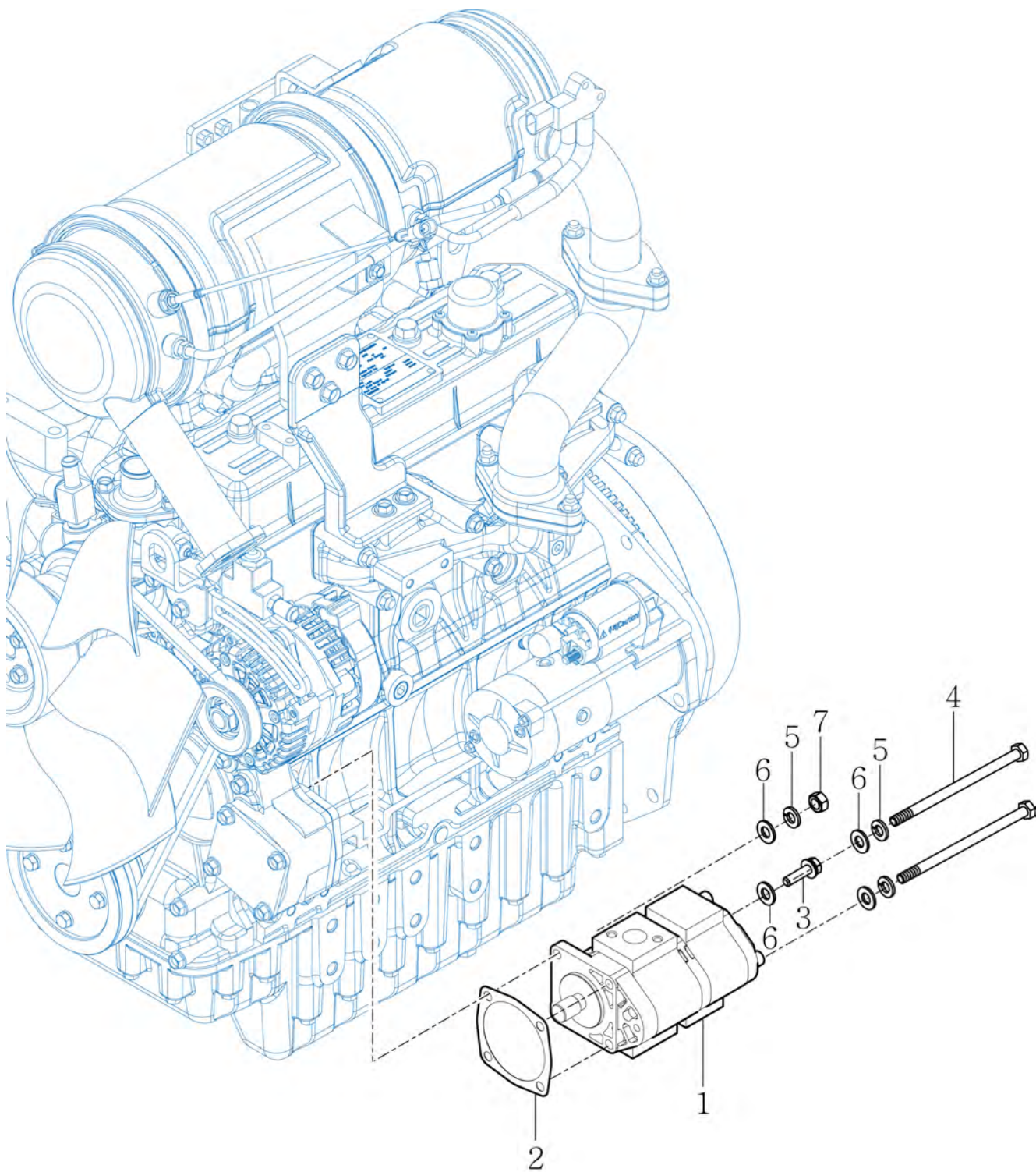
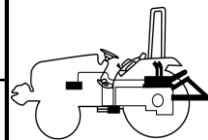
T474NC

GEAR PUMP

P1

YEAR

2018



NOTE

FIG 602

T474NC

CYLINDER CASE

P1

YEAR

2018

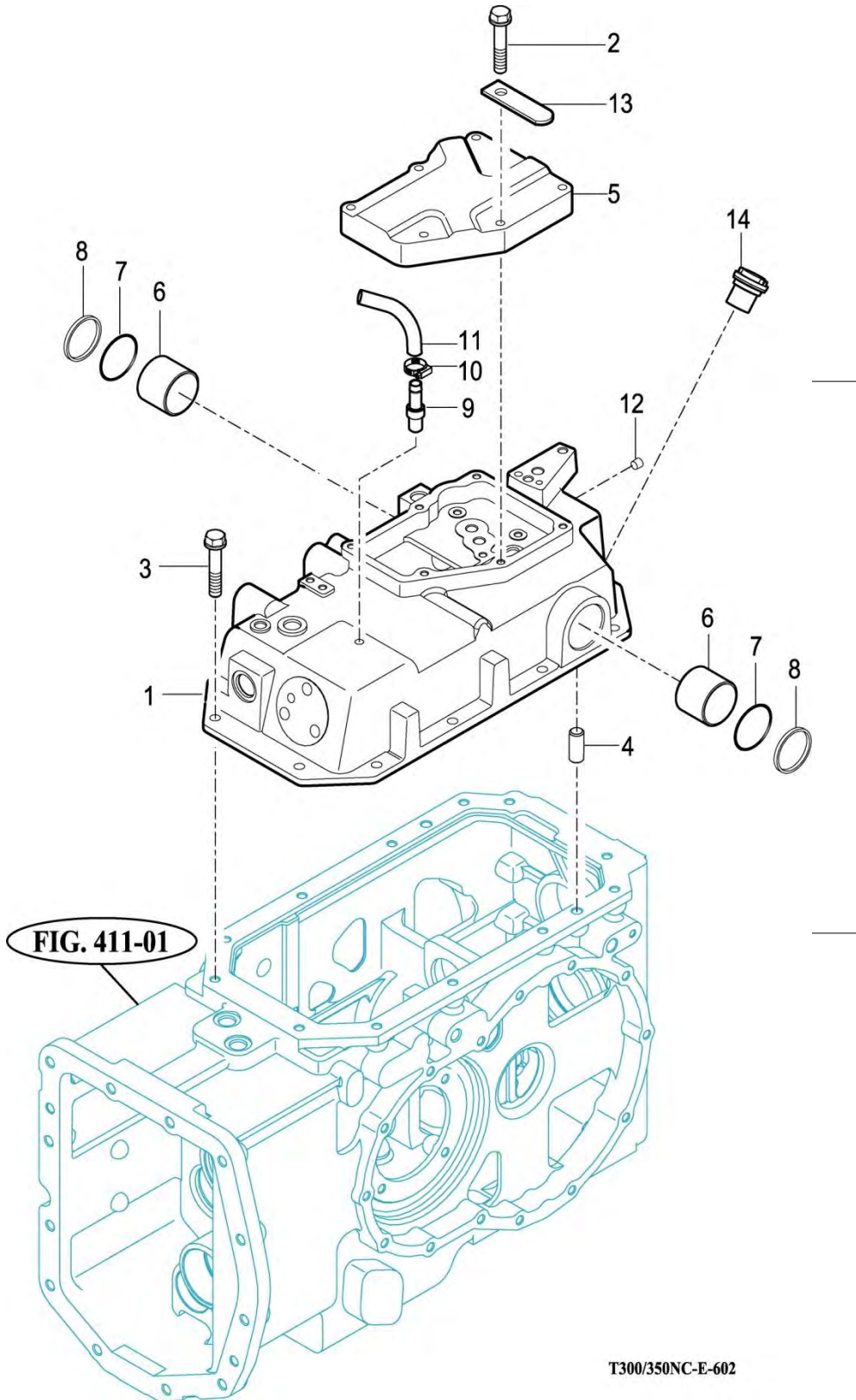
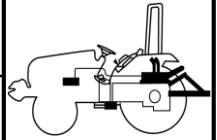


FIG. 411-01

T300/350NC-E-602

NOTE

FIG 603

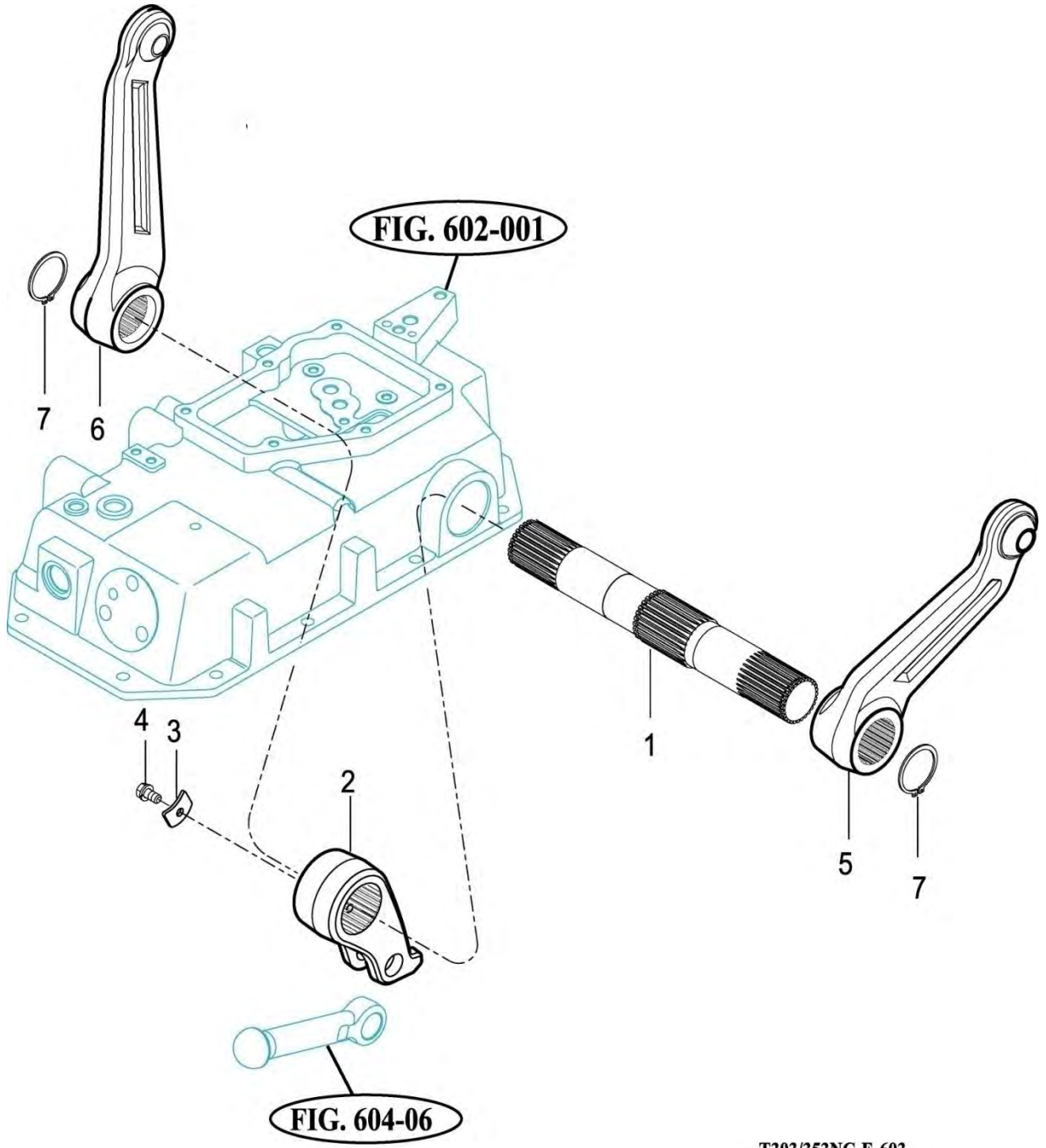
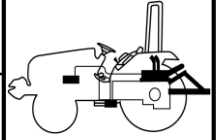
T474NC

LIFT ARM

P1

YEAR

2018



T303/353NC-E-603

NOTE

FIG 604

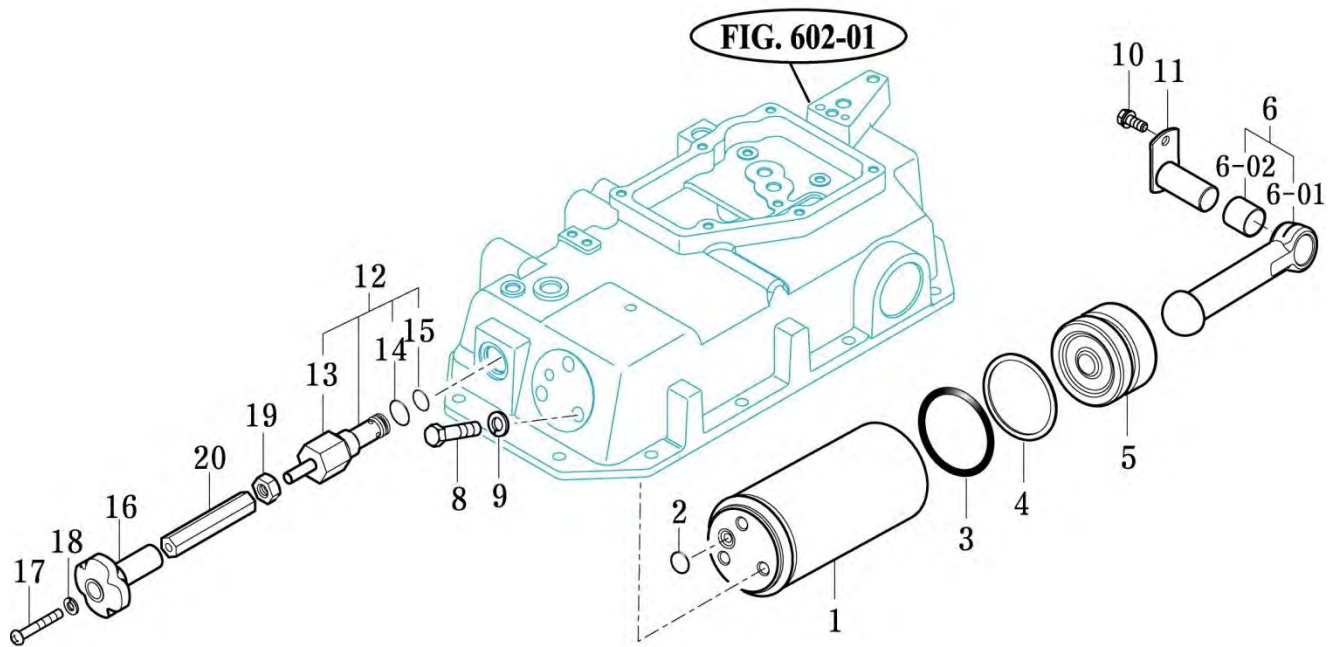
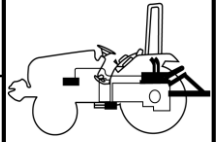
T474NC

CYLINDER

P1

YEAR

2018



T303/353NC-E-604

NOTE

FIG 605

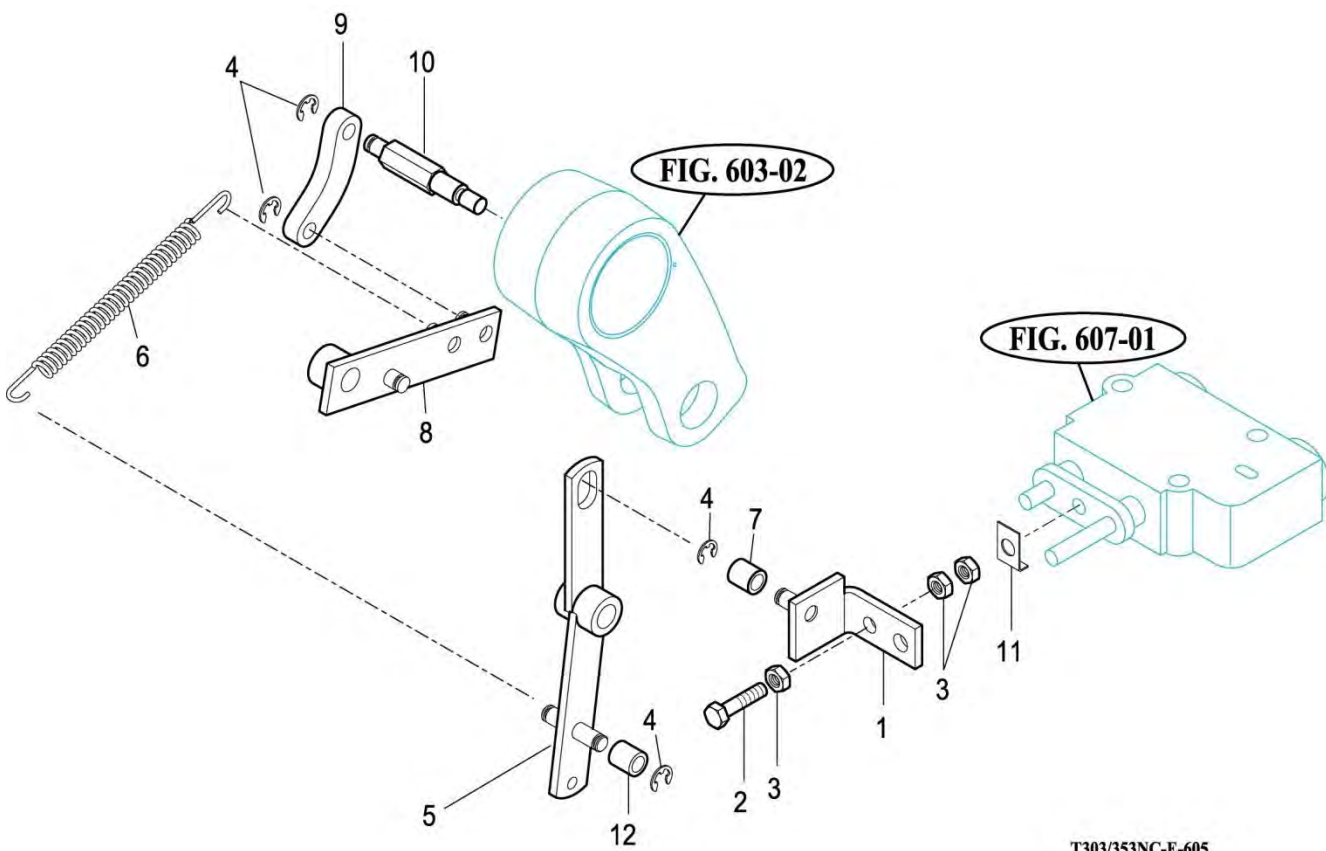
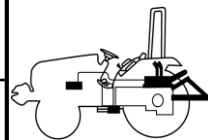
T474NC

POSITION LINK (1)

P1

YEAR

2018



T303/353NC-E-605

NOTE

FIG 606

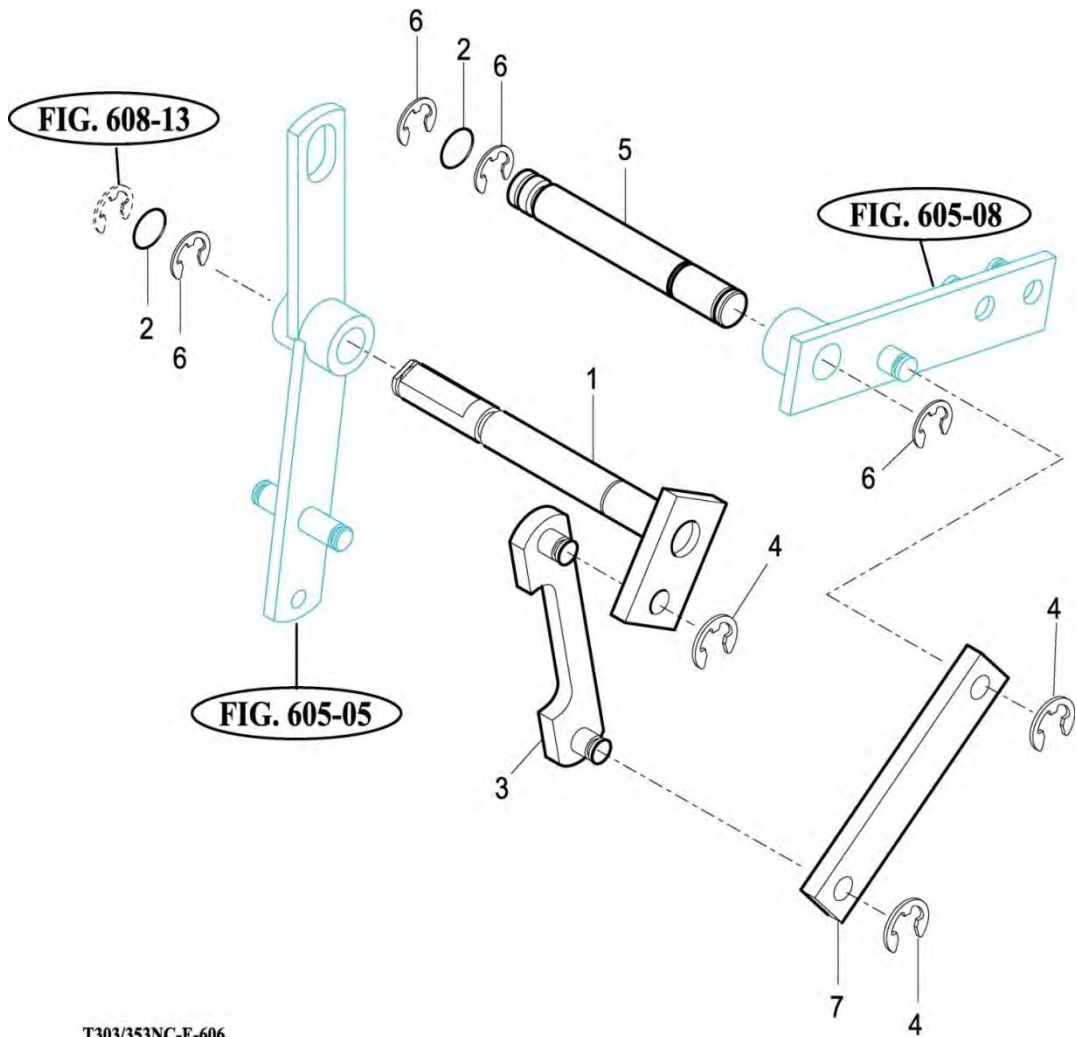
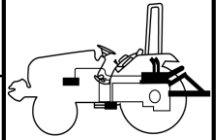
T474NC

POSITION LINK (2)

P1

YEAR

2018



T303/353NC-E-606

NOTE

FIG 607

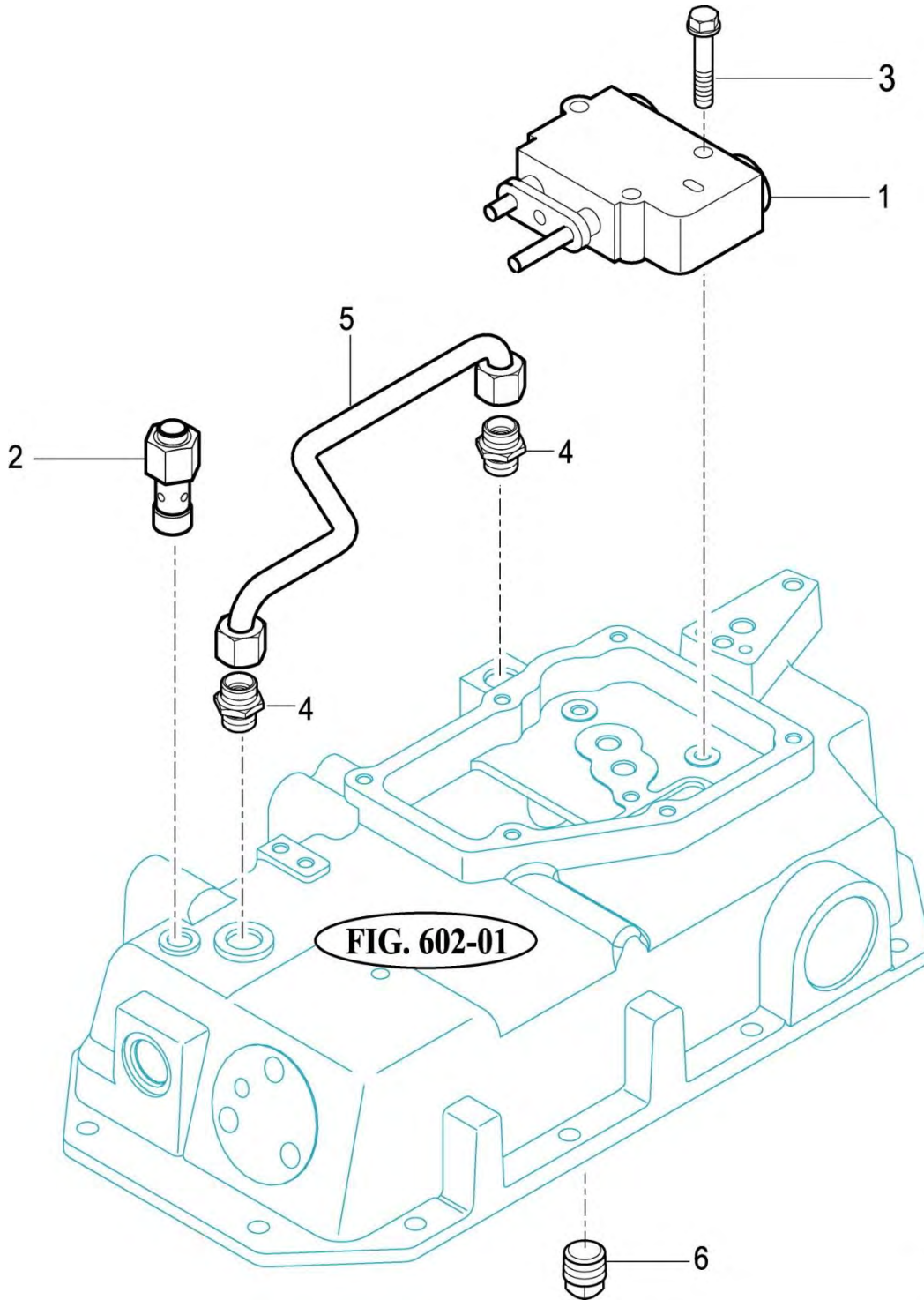
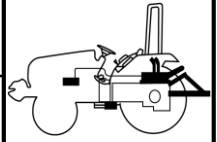
T474NC

CONTROL VALVE

P1

YEAR

2018



T303/353NC-E-607

NOTE

FIG 608

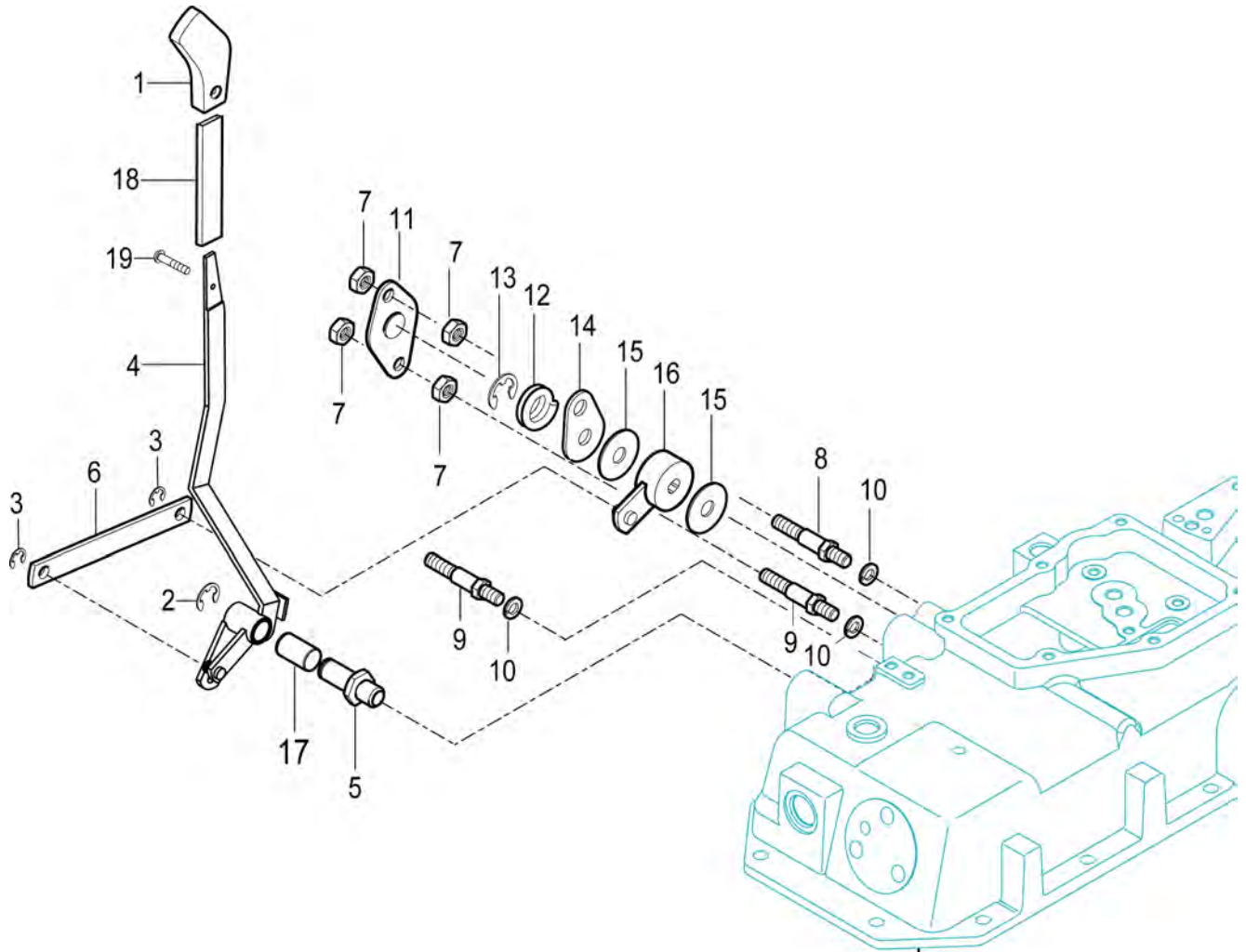
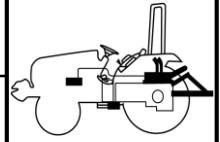
T474NC

POSITION LEVER

P1

YEAR

2018



T303/353NC-E-608

FIG. 602-01

NOTE

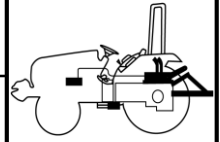
FIG 609

HYDRAULIC PIPE (1)

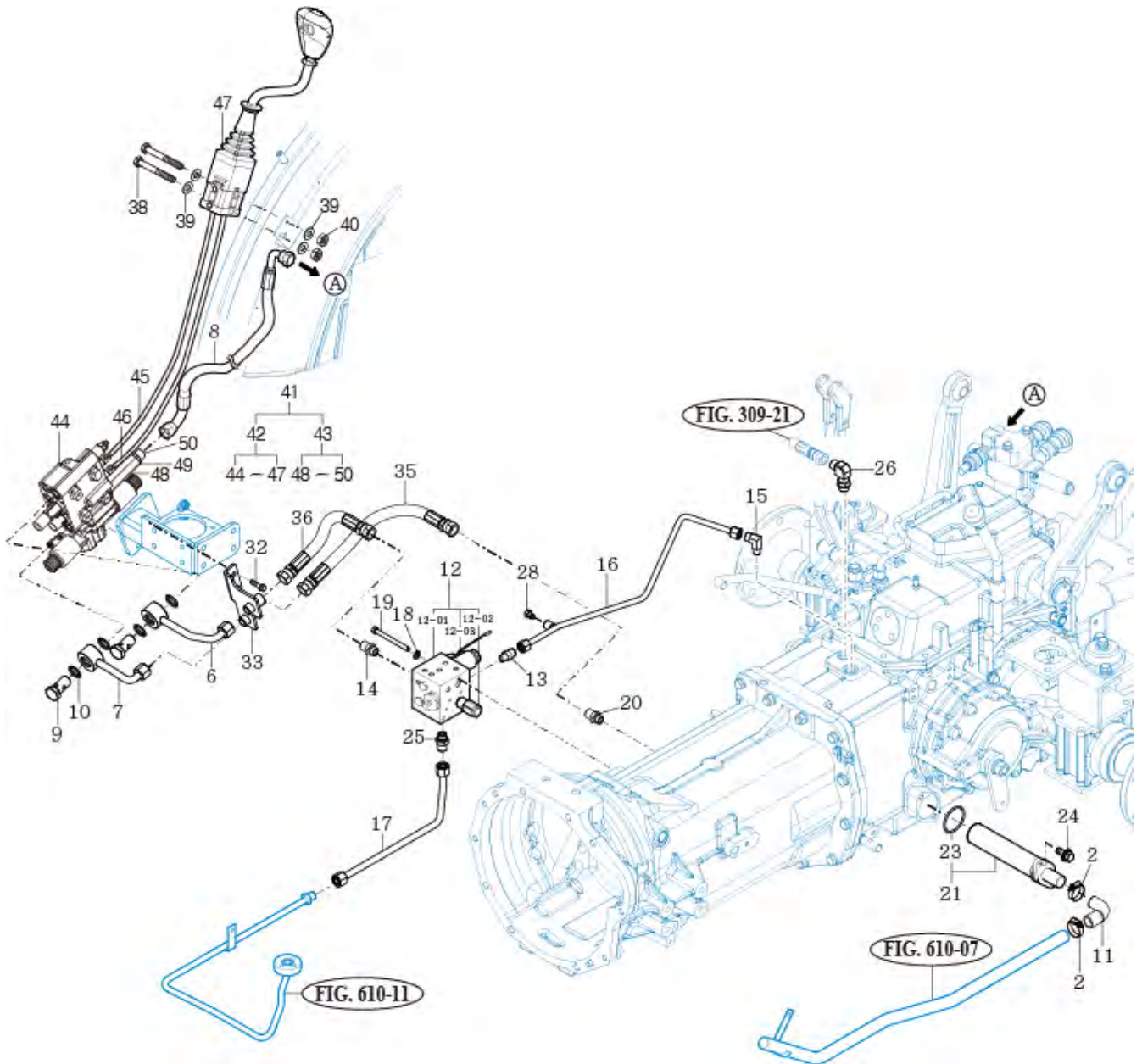
P1

YEAR

2018



T474NC



NOTE

FIG 610

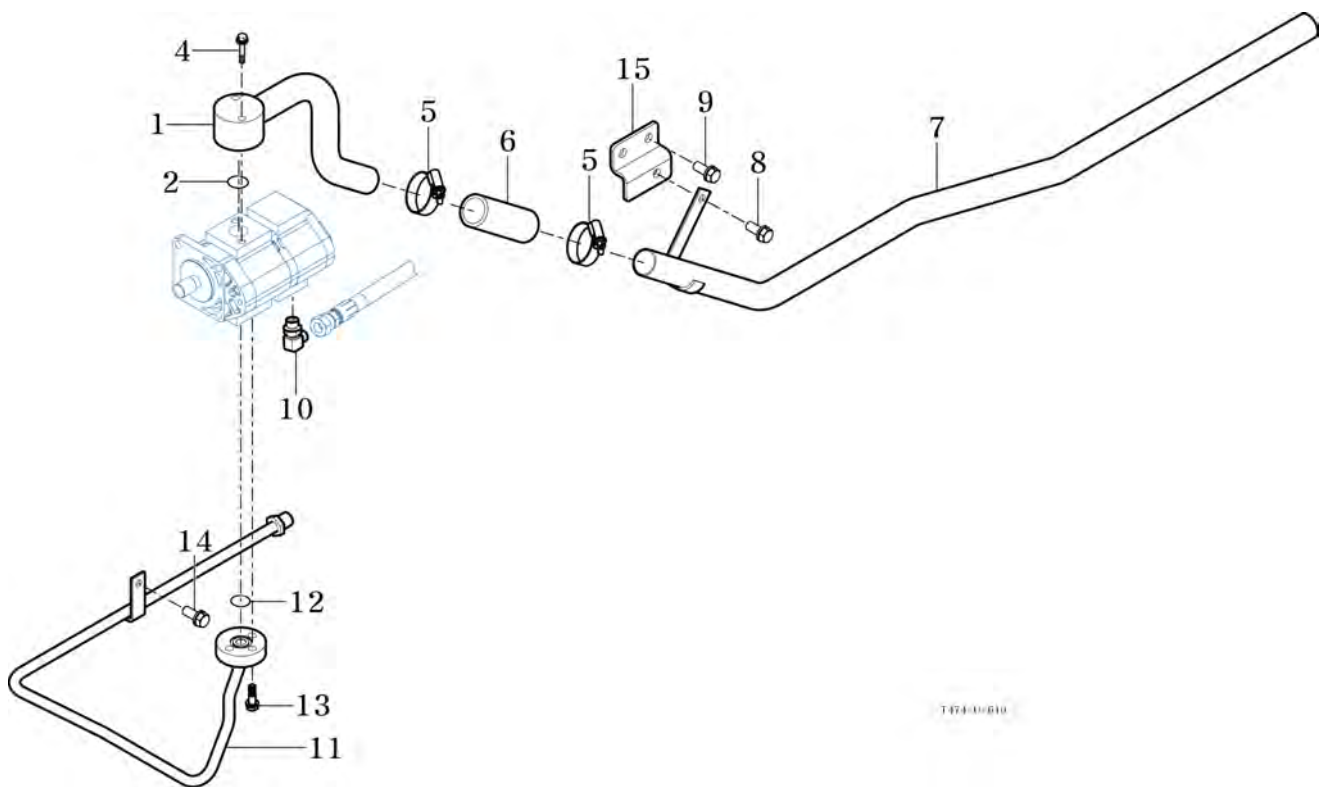
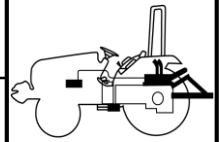
T474NC

HYDRAULIC PIPE (2)

P1

YEAR

2018



T474-010

NOTE

FIG 611

T474NC

EXTERIOR HYD. VALVE

P1

YEAR

2018

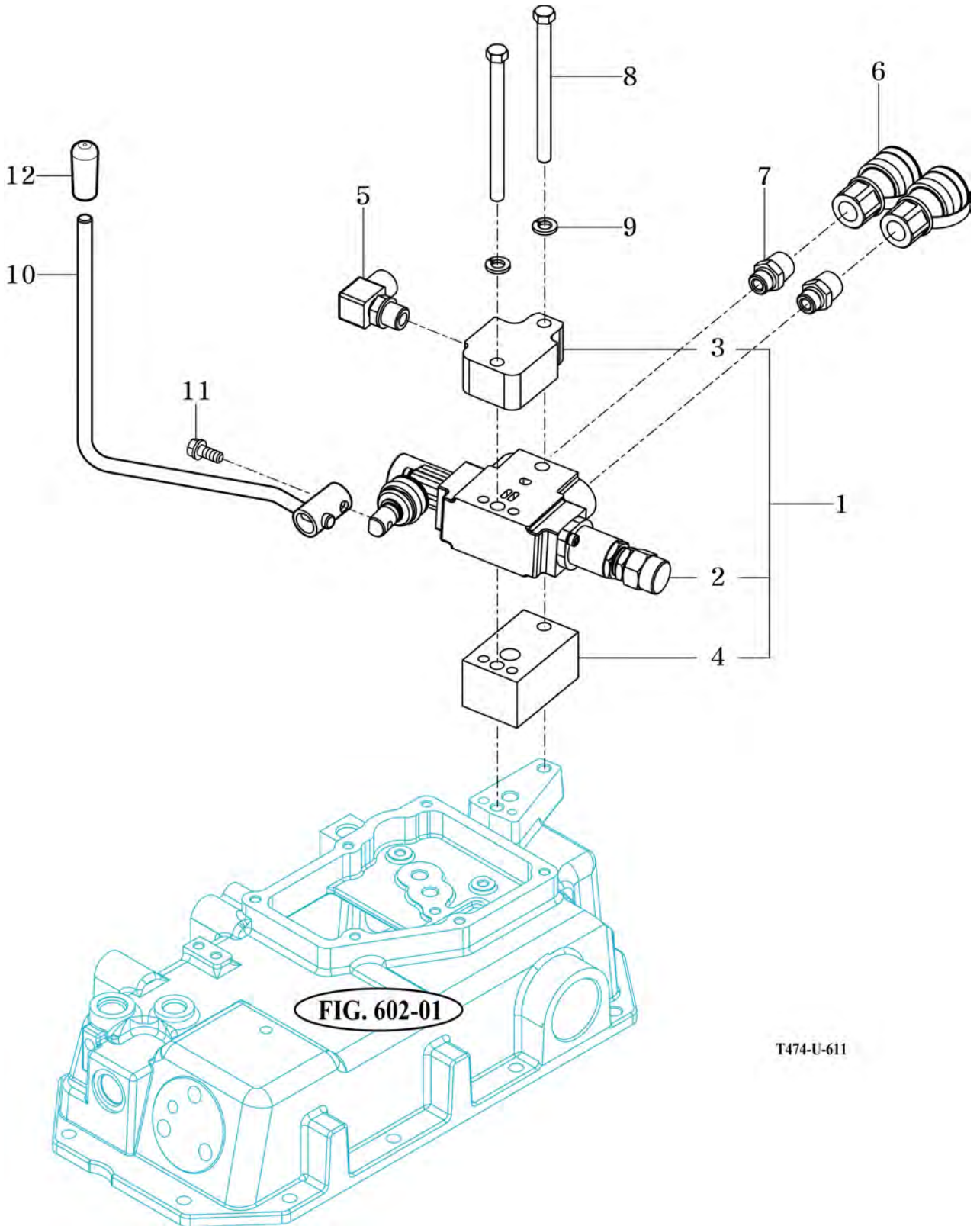
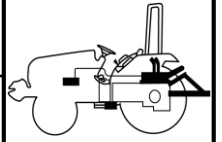


FIG. 602-01

T474-U-611

NOTE

FIG 612

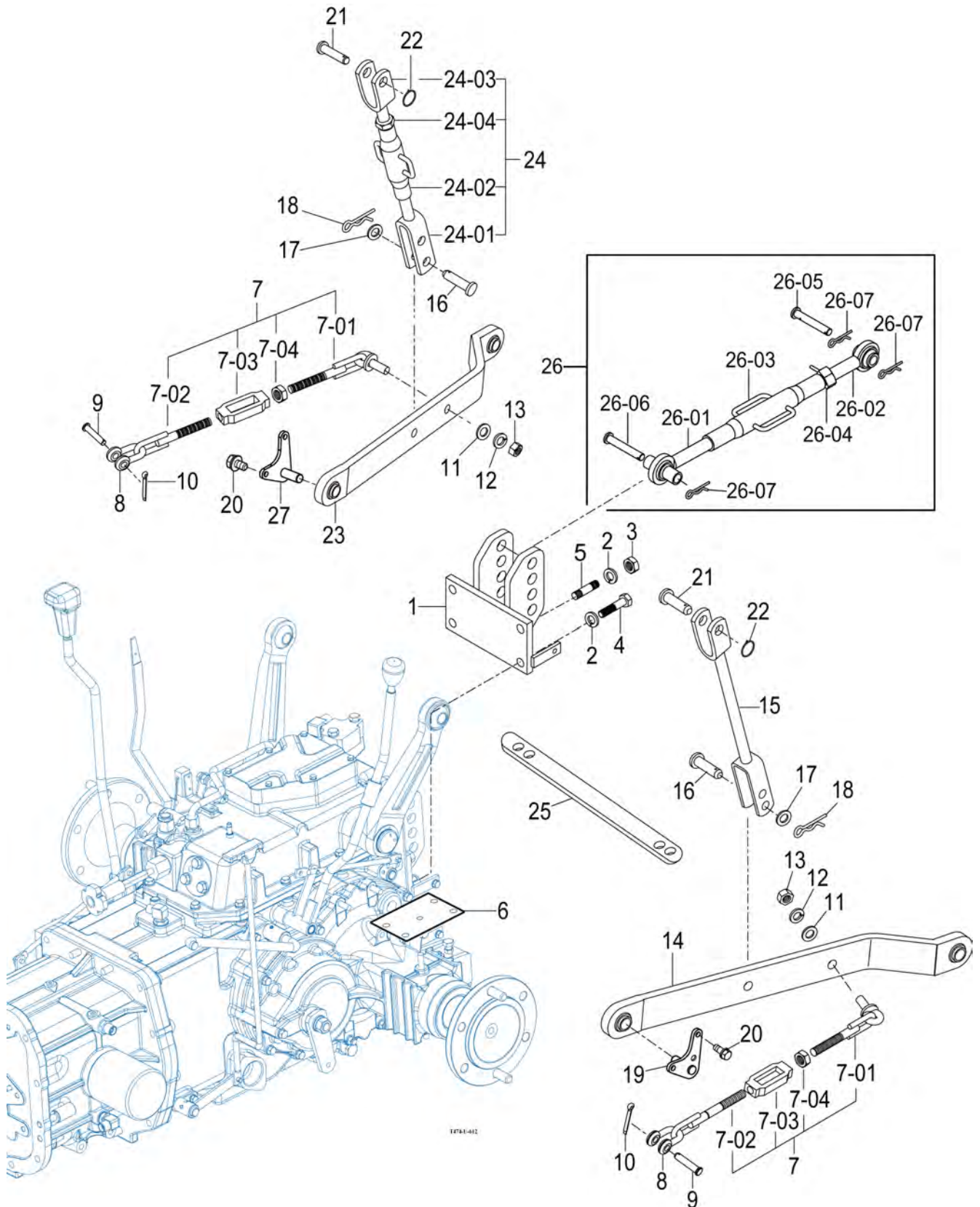
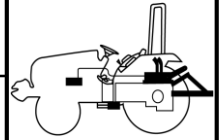
T474NC

3-POINT LINK

P1

YEAR

2018



NOTE

FIG 613

T474NC

HITCH & COVER

P1

YEAR

2018

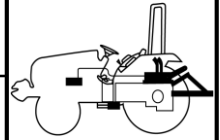
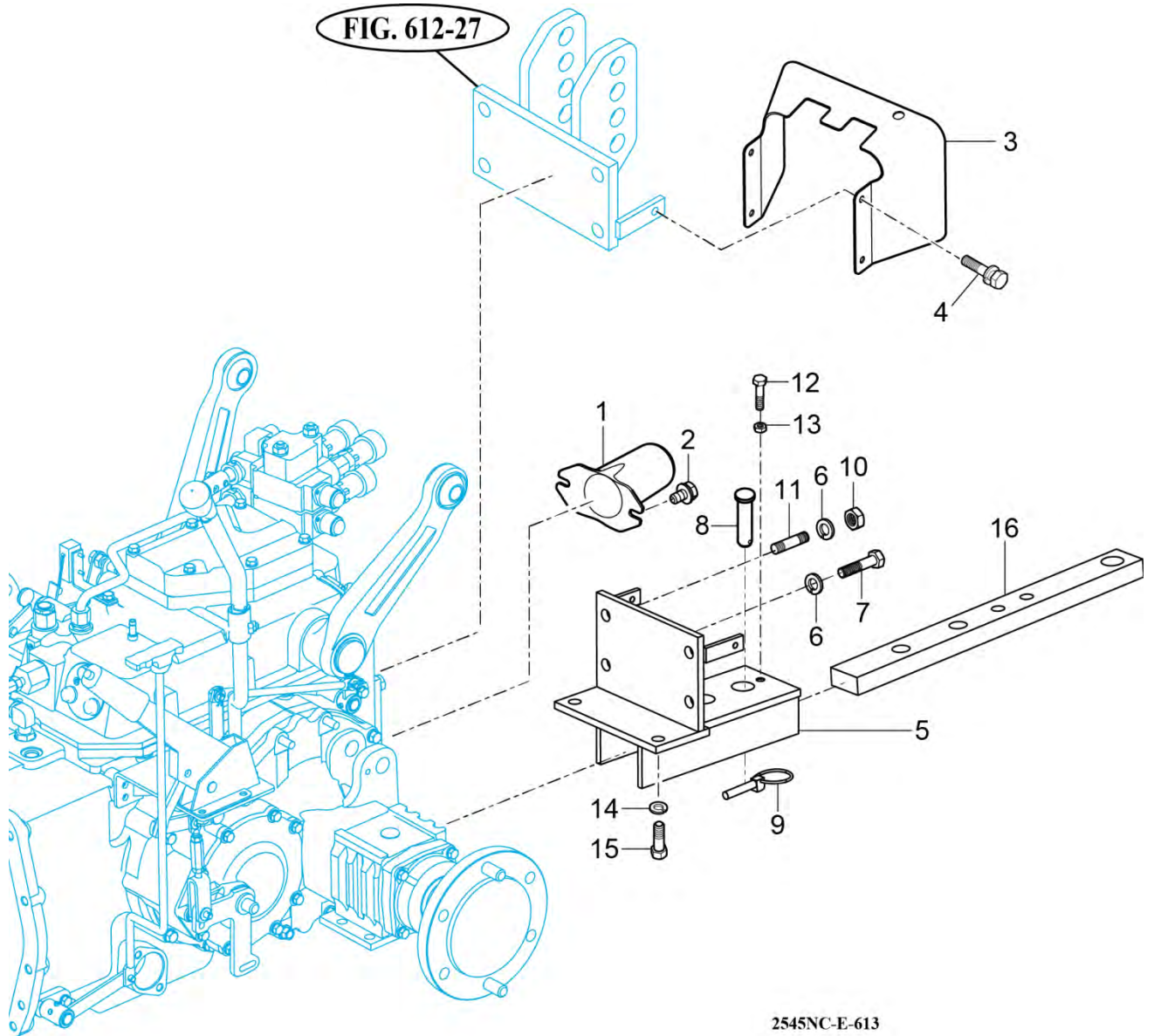


FIG. 612-27



2545NC-E-613

NOTE

FIG 614

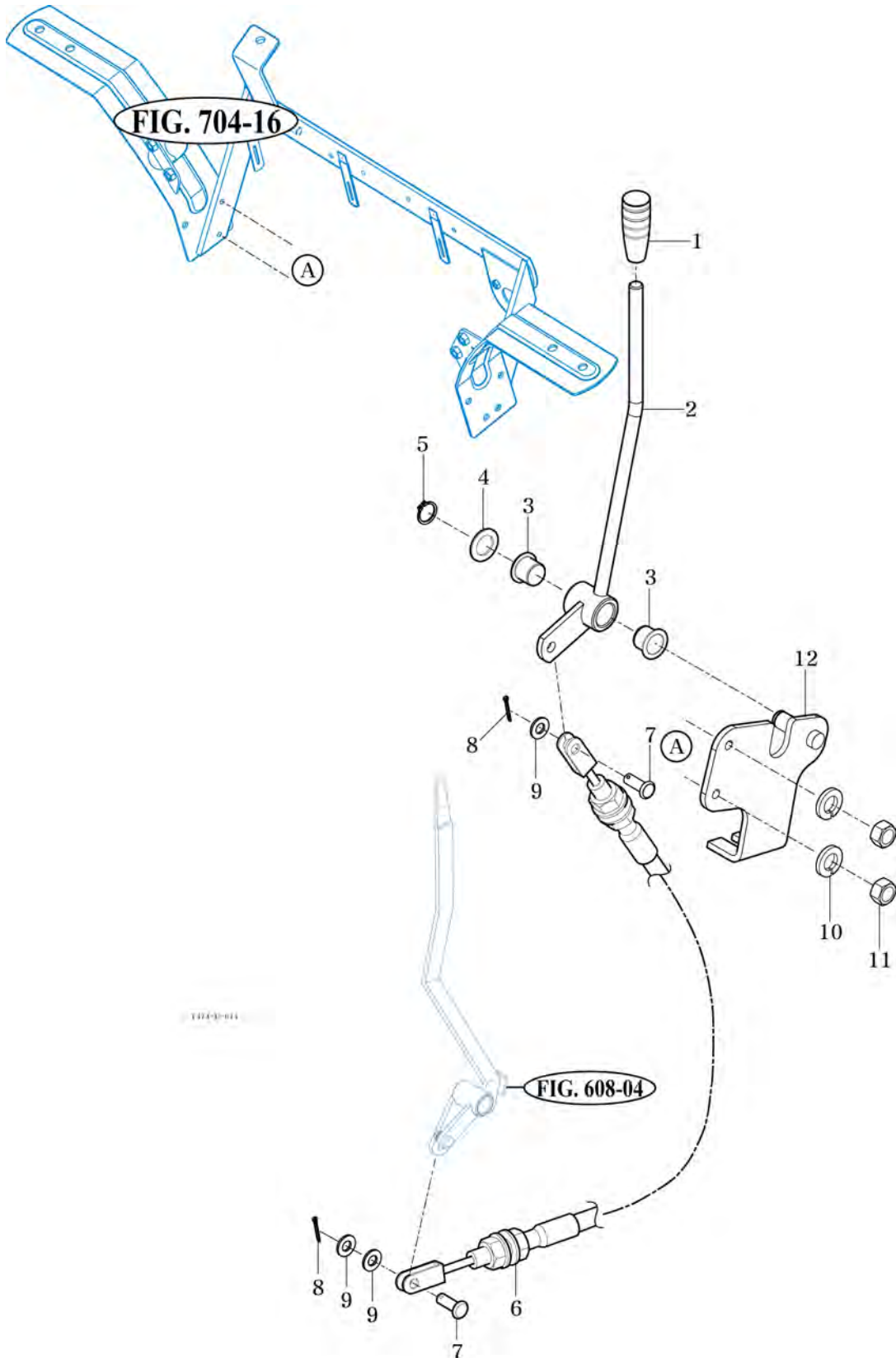
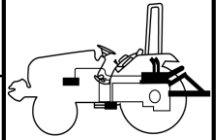
T474NC

EXTERIOR POSITION LEVER

P1

YEAR

2018



NOTE

FIG 701

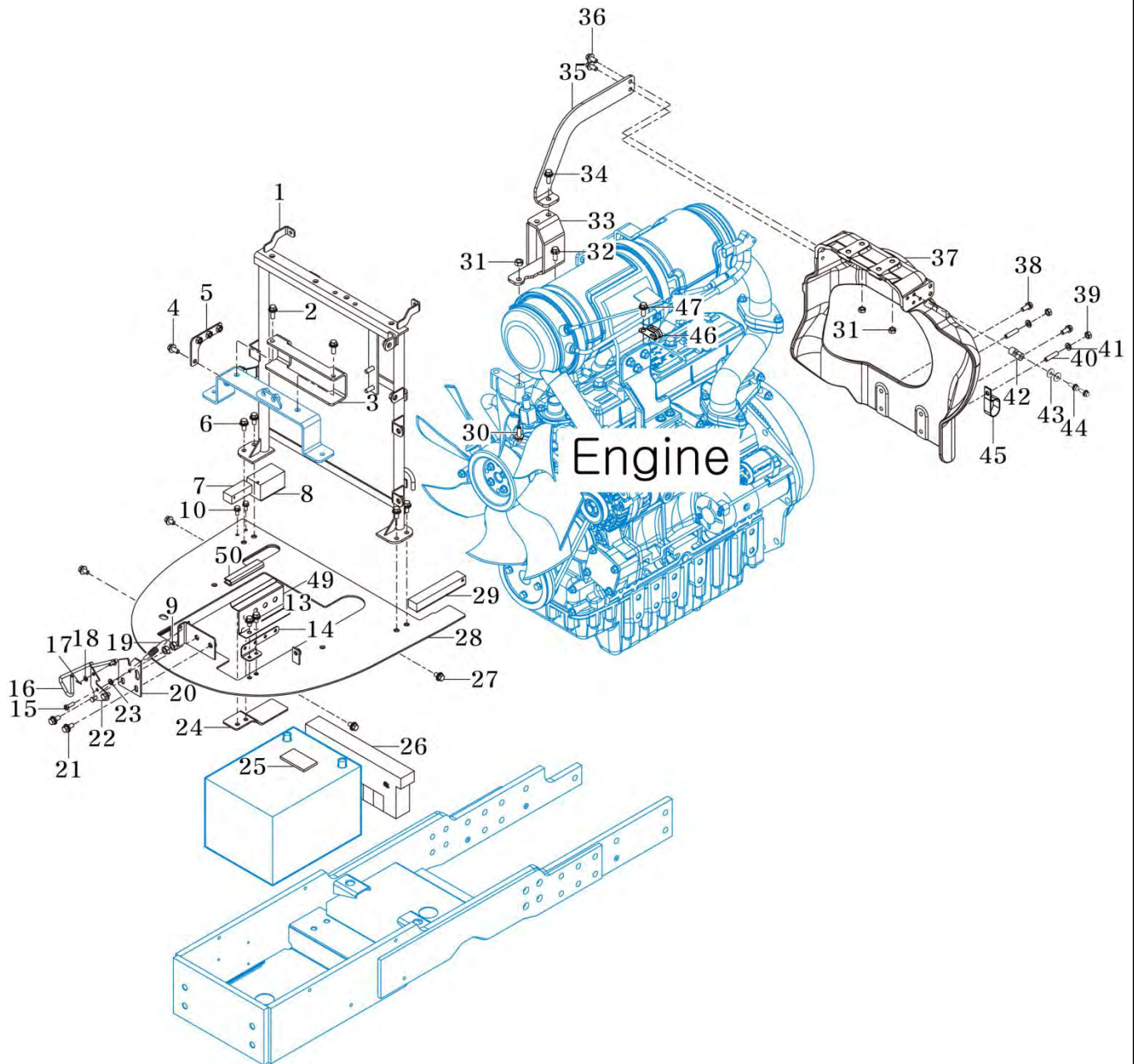
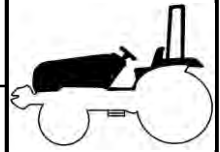
T474NC

HOOD FRAME

P1

YEAR

2018



NOTE

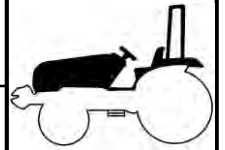
FIG 702

HOOD

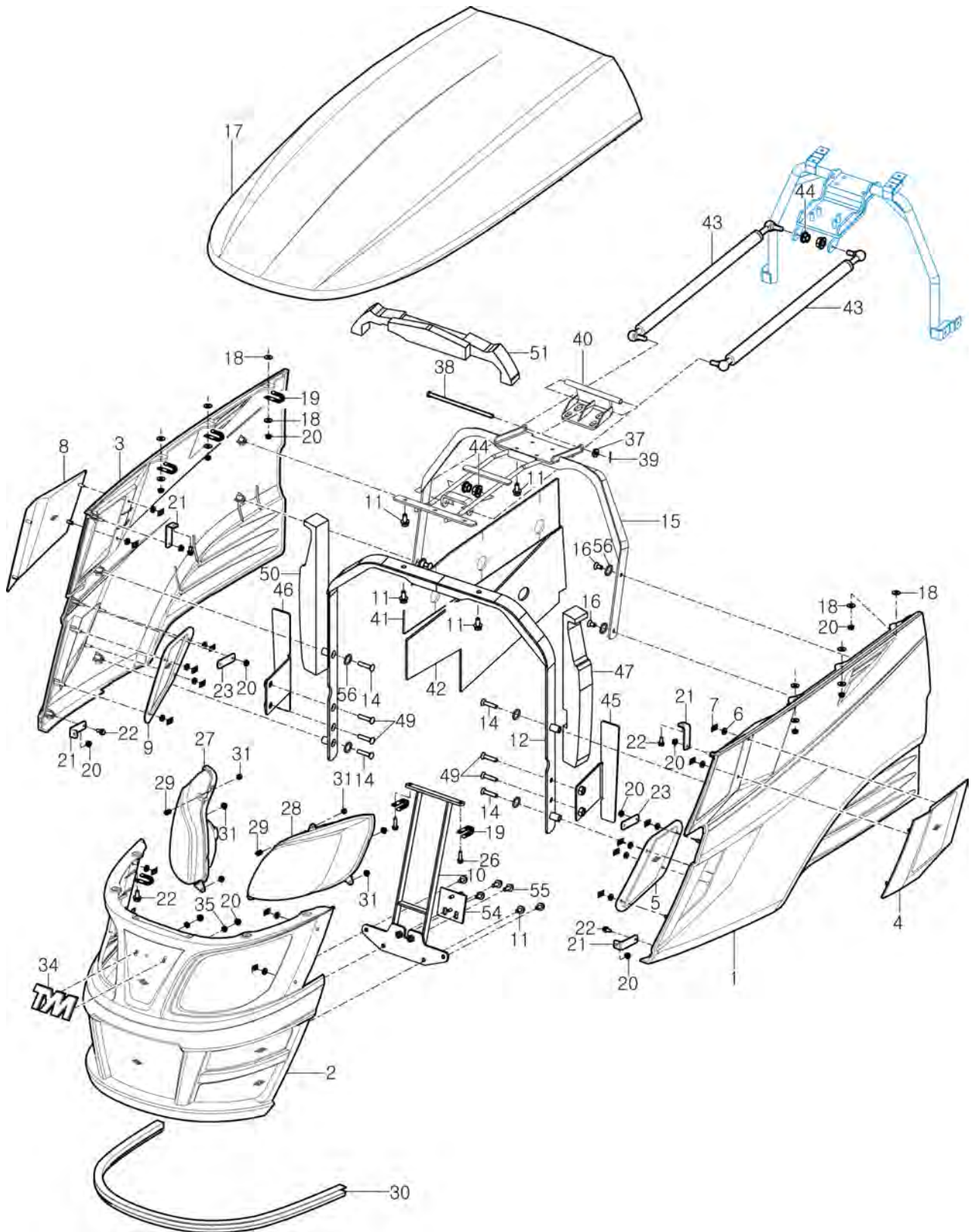
P1

YEAR

2018



T474NC



NOTE

FIG 703

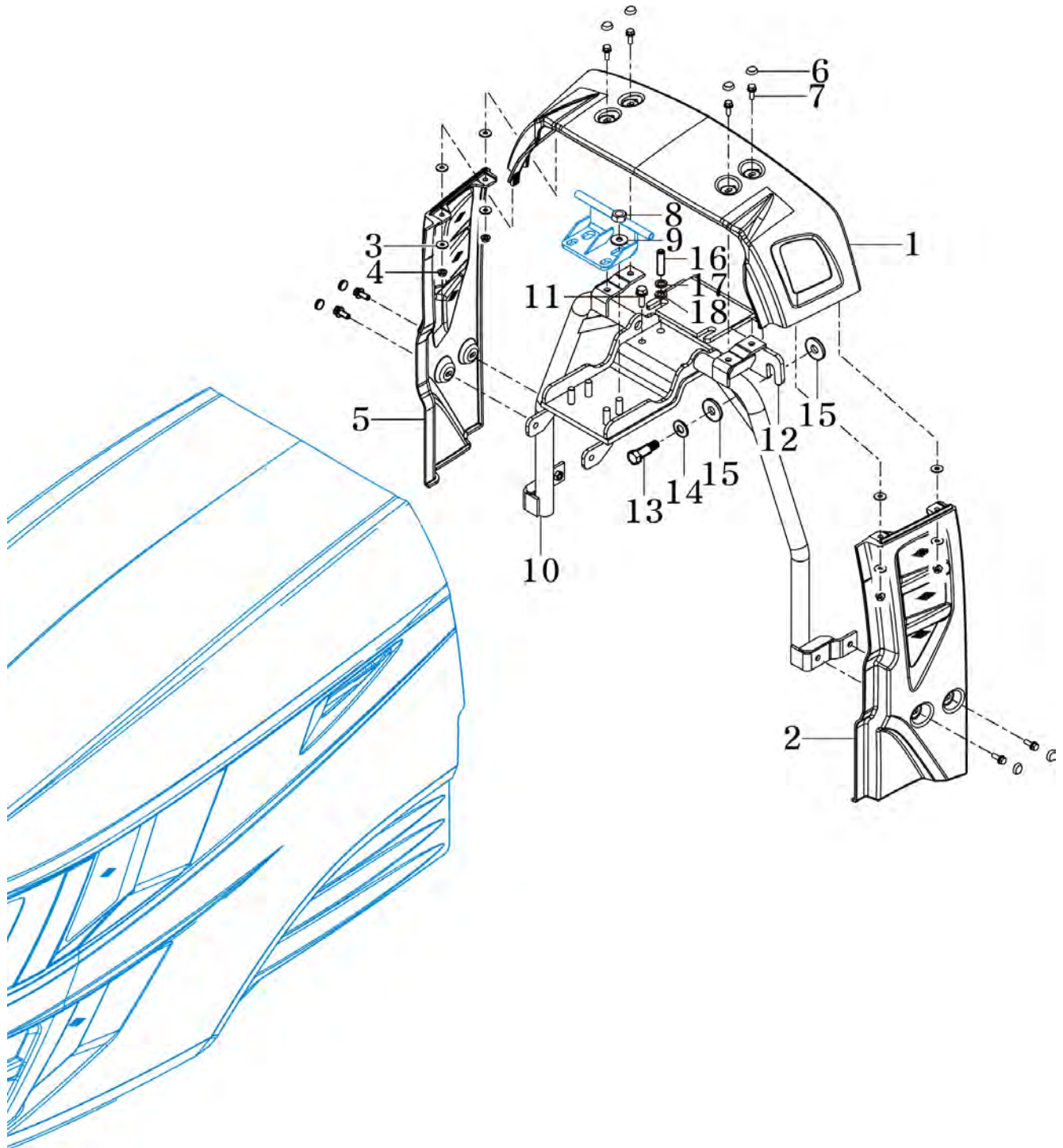
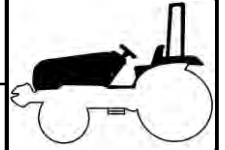
T474NC

EXTENSION COVER

P1

YEAR

2018



NOTE

FIG 704

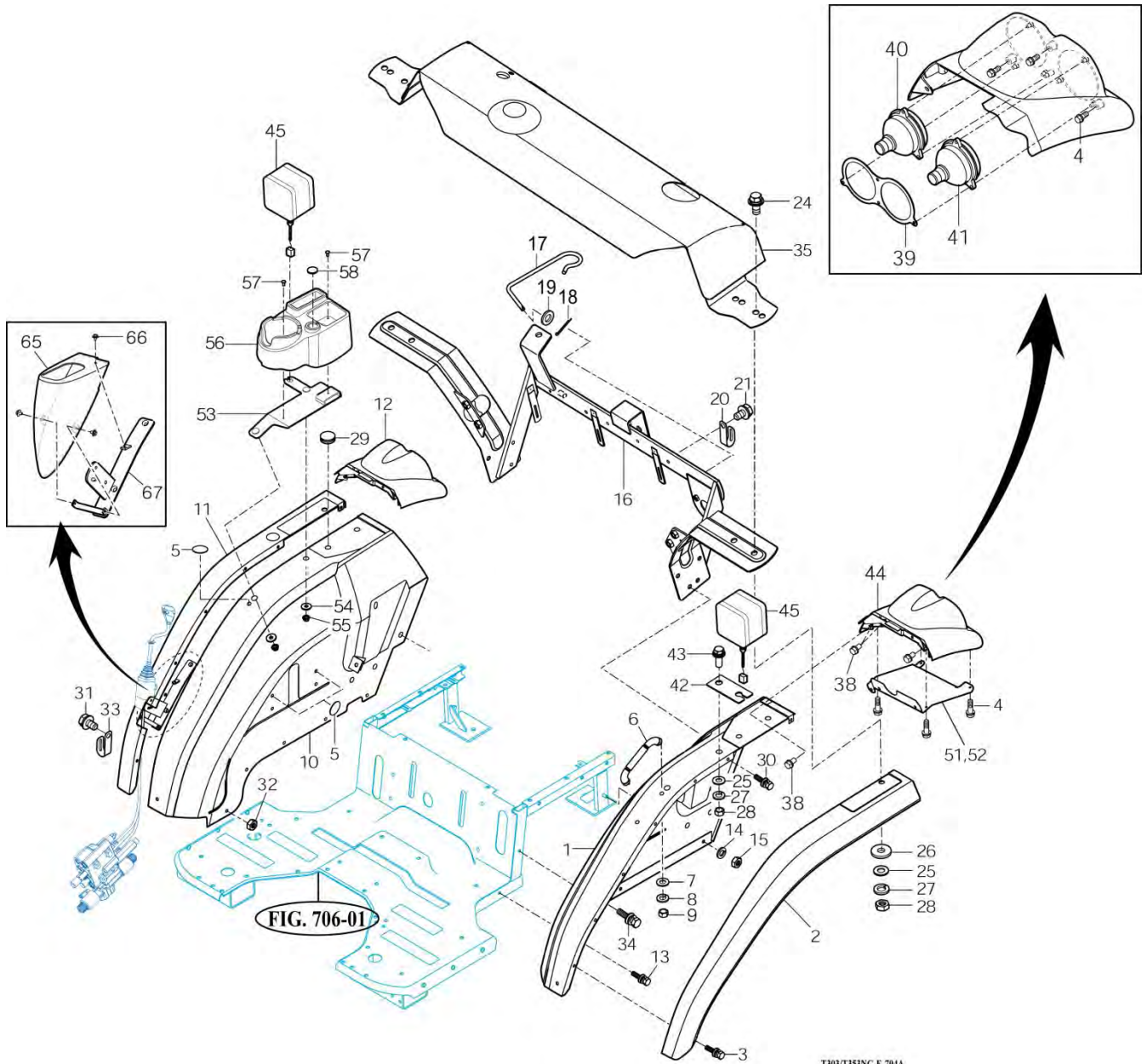
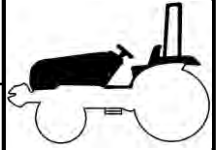
T474NC

FENDER & REAR FRAME

P1

YEAR

2018



NOTE

FIG 704

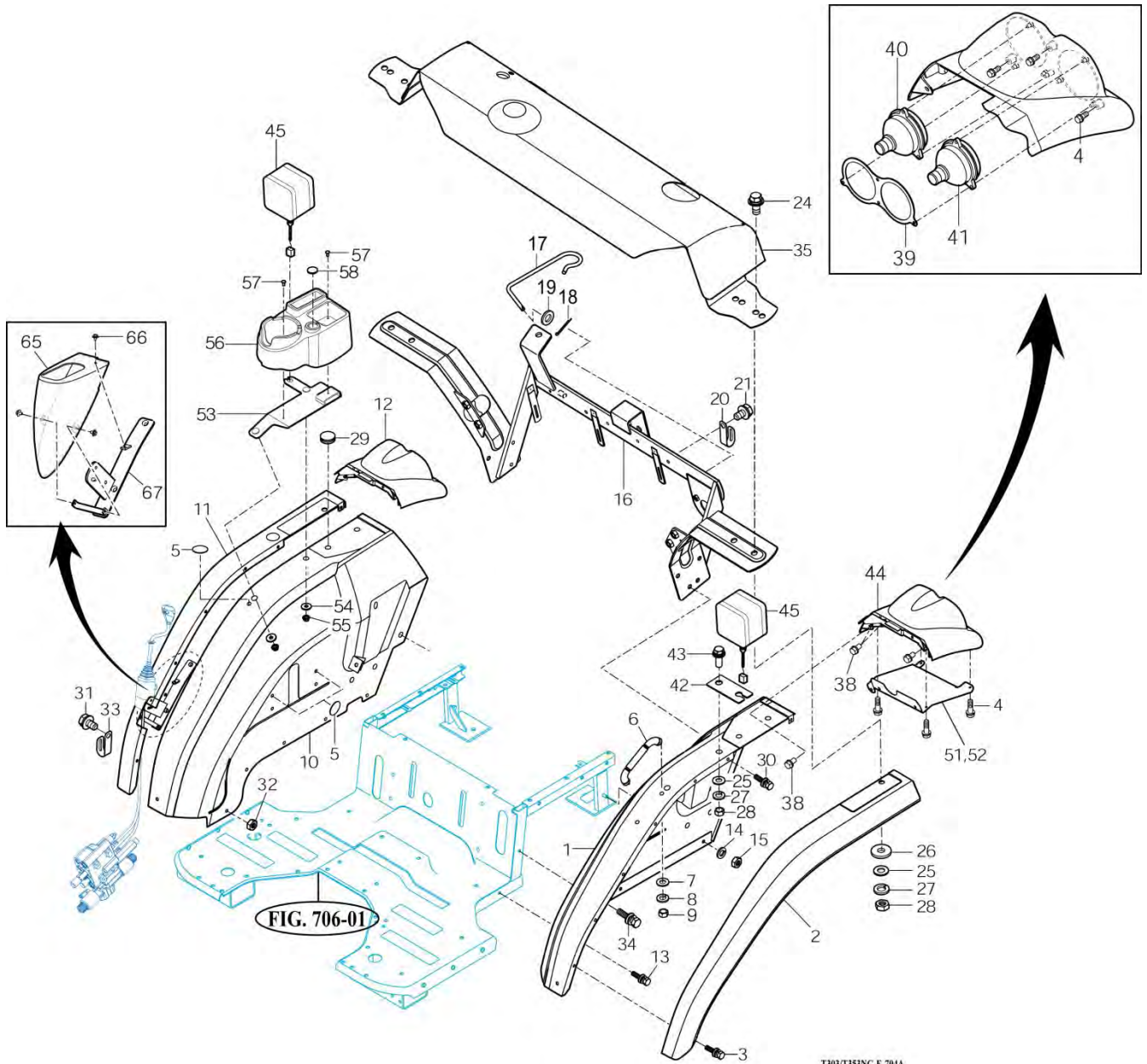
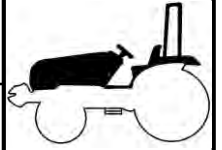
T474NC

FENDER & REAR FRAME

P2

YEAR

2018



NOTE

FIG 705

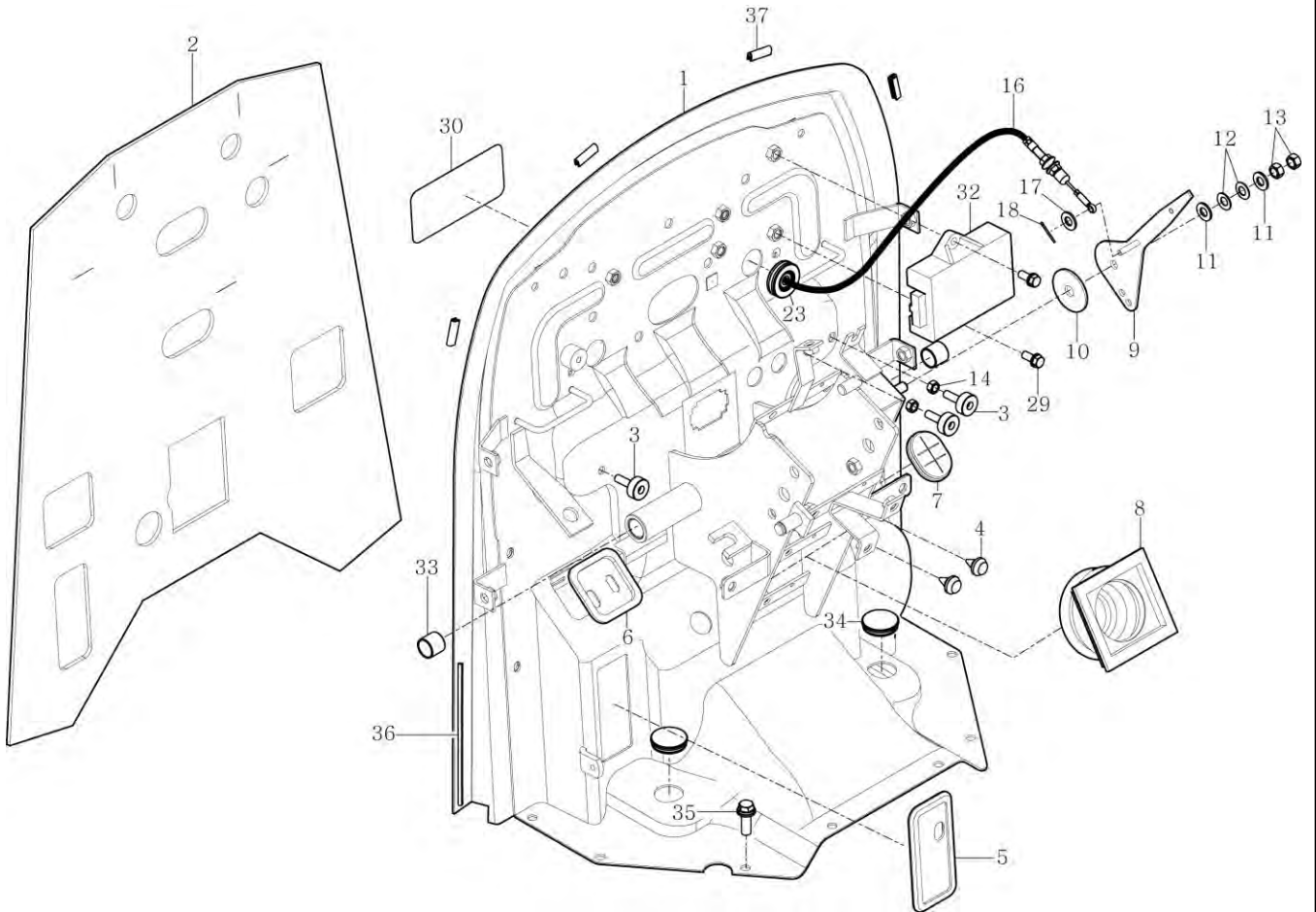
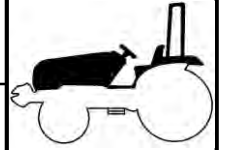
T474NC

DASHBOARD

P1

YEAR

2018



NOTE

FIG 706

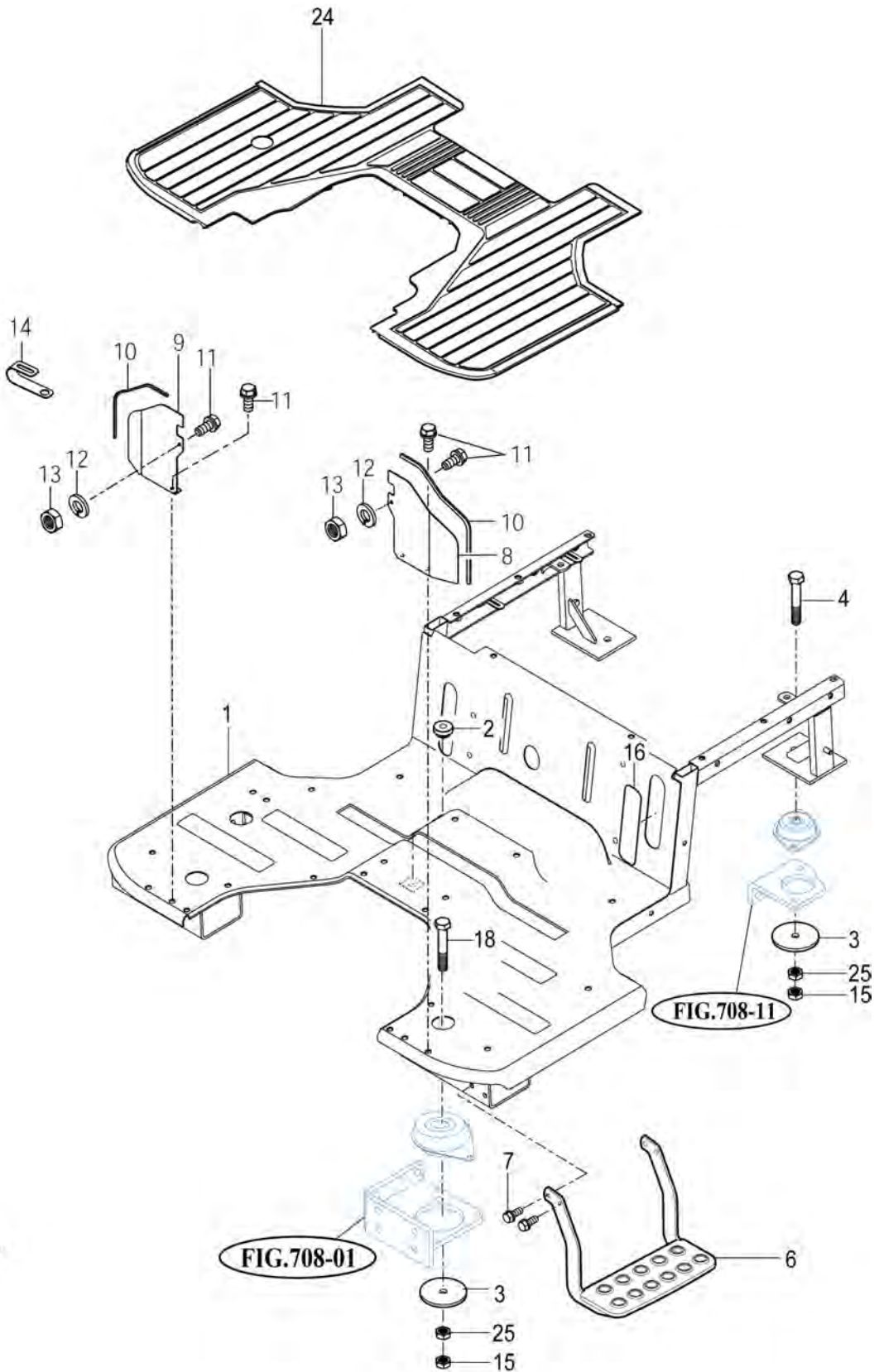
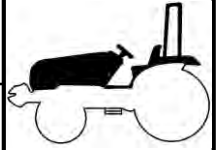
T474NC

FLOOR PANEL

P1

YEAR

2018



T474-U-706

FIG.708-01

FIG.708-11

NOTE

FIG 707

T474NC

SEAT

P1

YEAR

2018

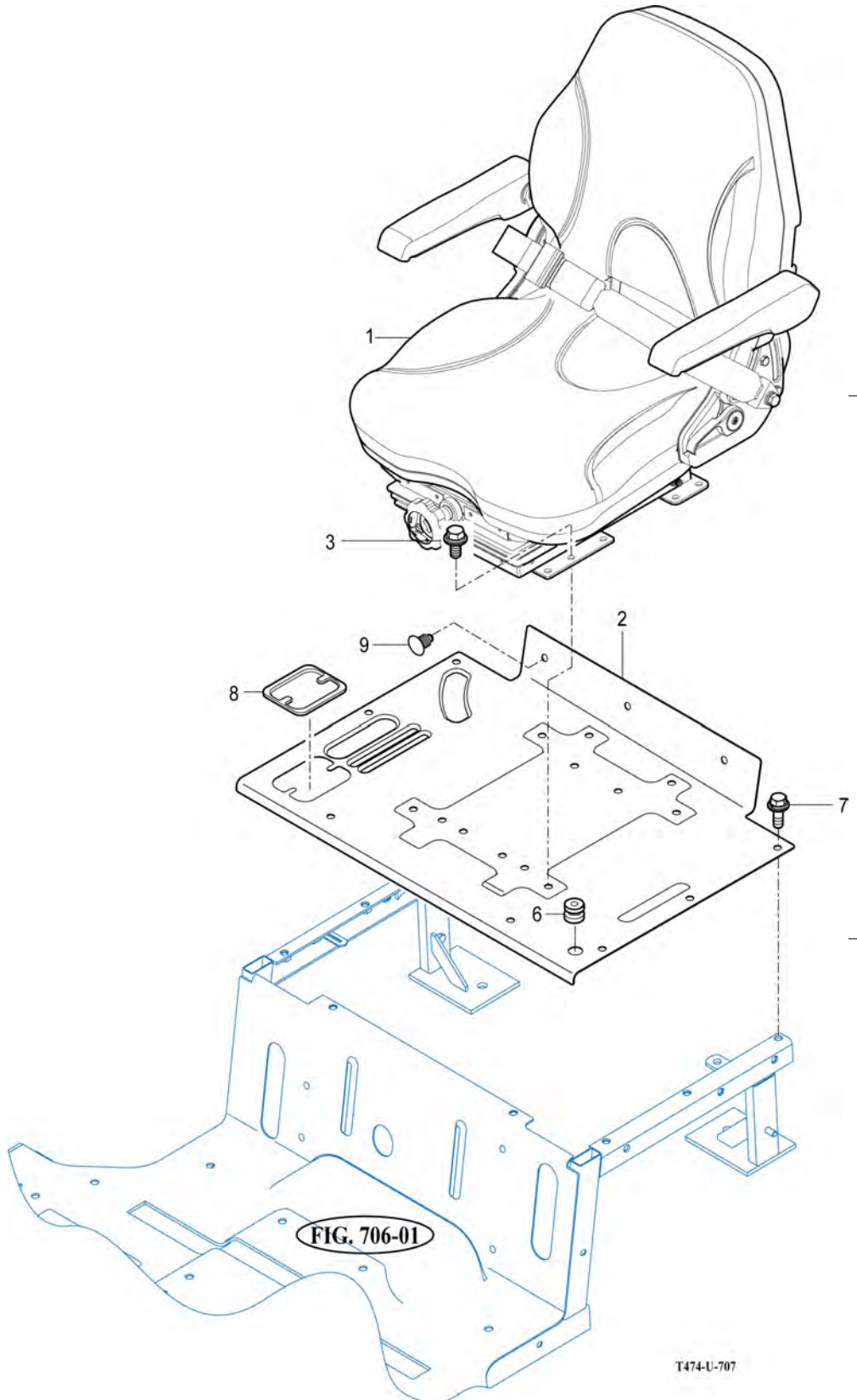
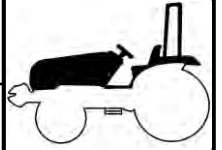


FIG. 706-01

T474-U-707

NOTE

FIG 708

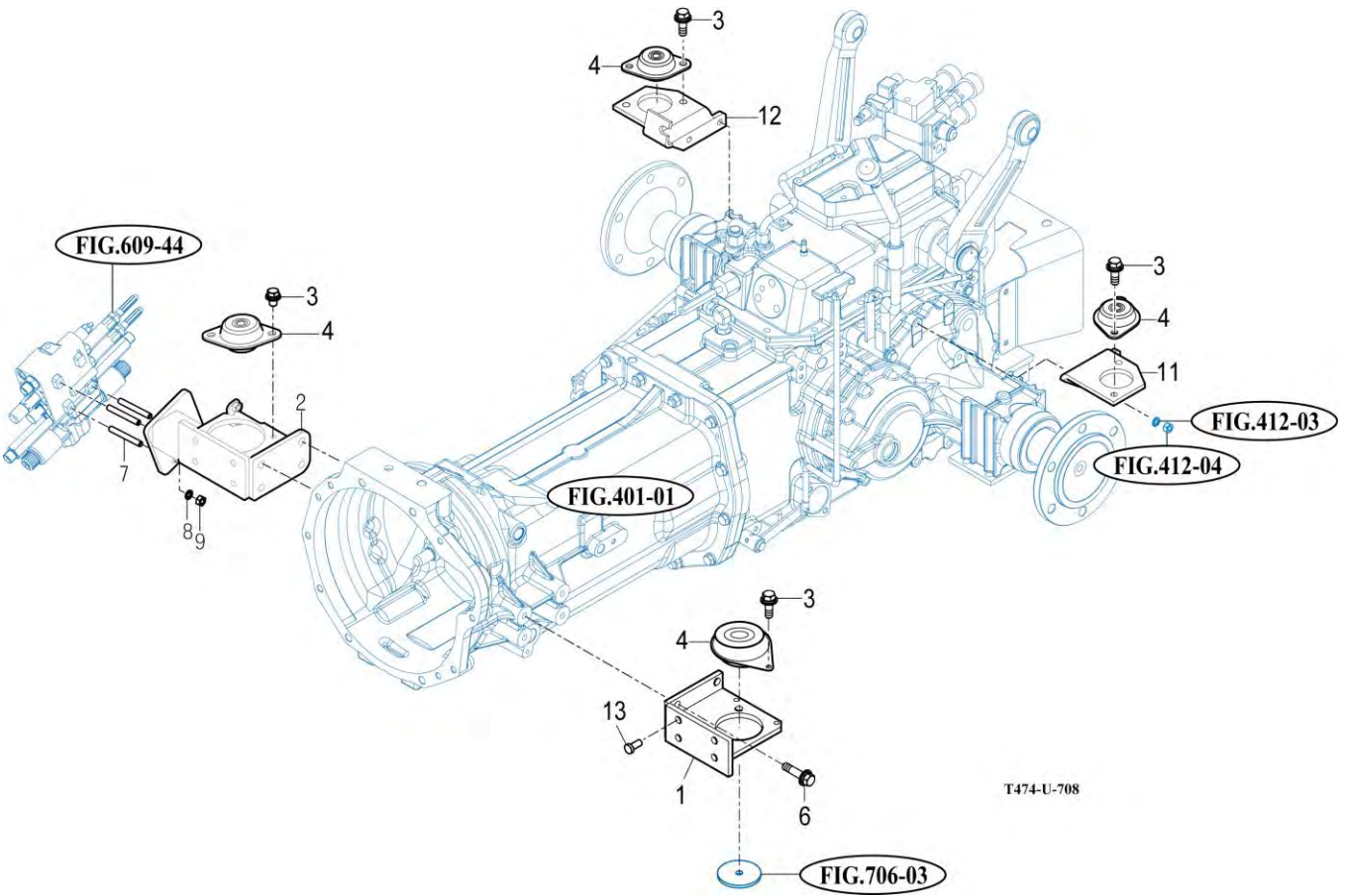
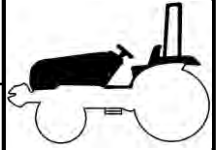
T474NC

FRONT & REAR MOUNTING

P1

YEAR

2018



T474-U-708

NOTE

FIG 709

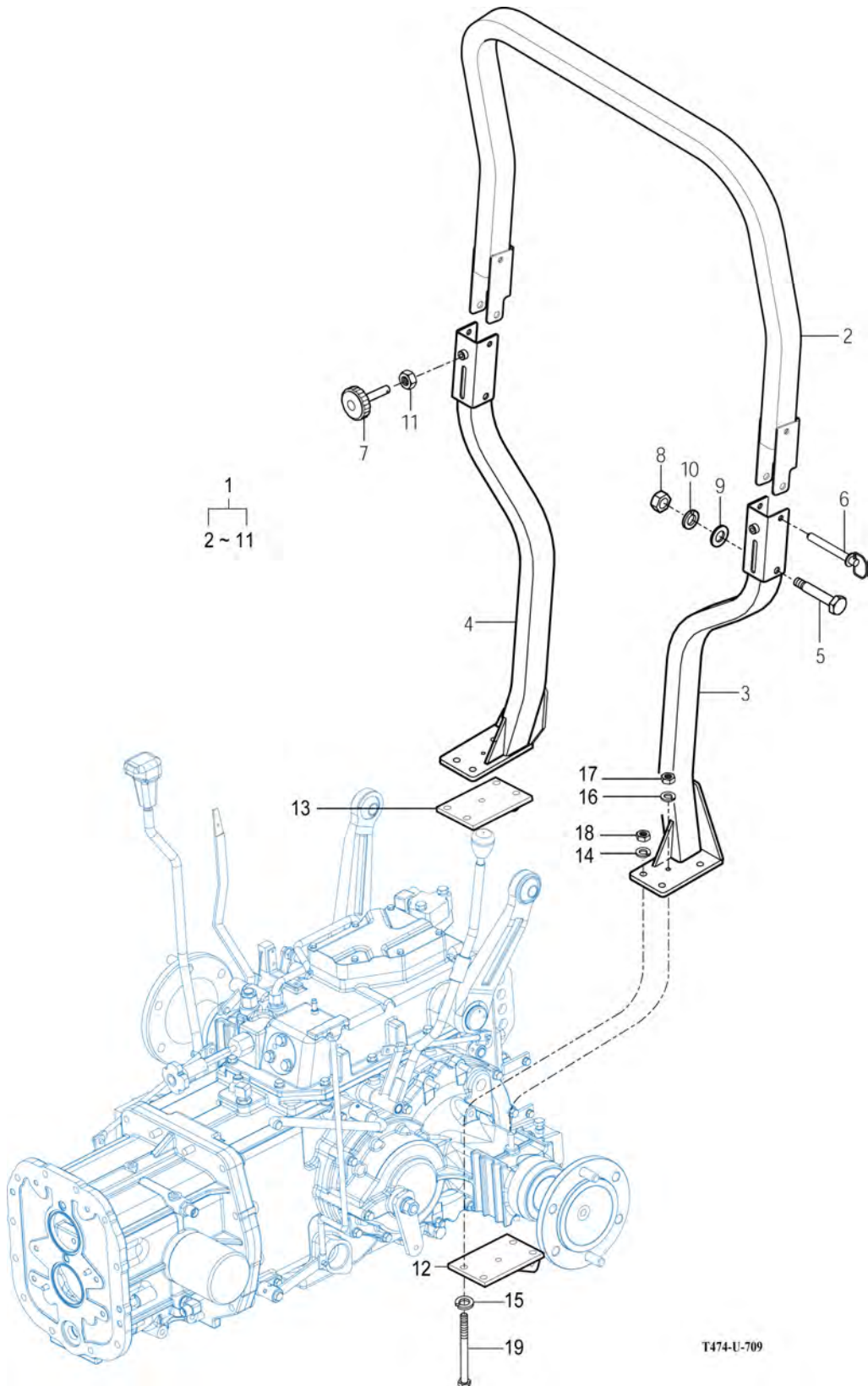
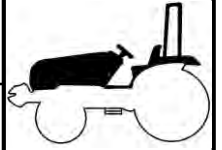
T474NC

ROPS

P1

YEAR

2018



T474-U-709

NOTE

FIG 801

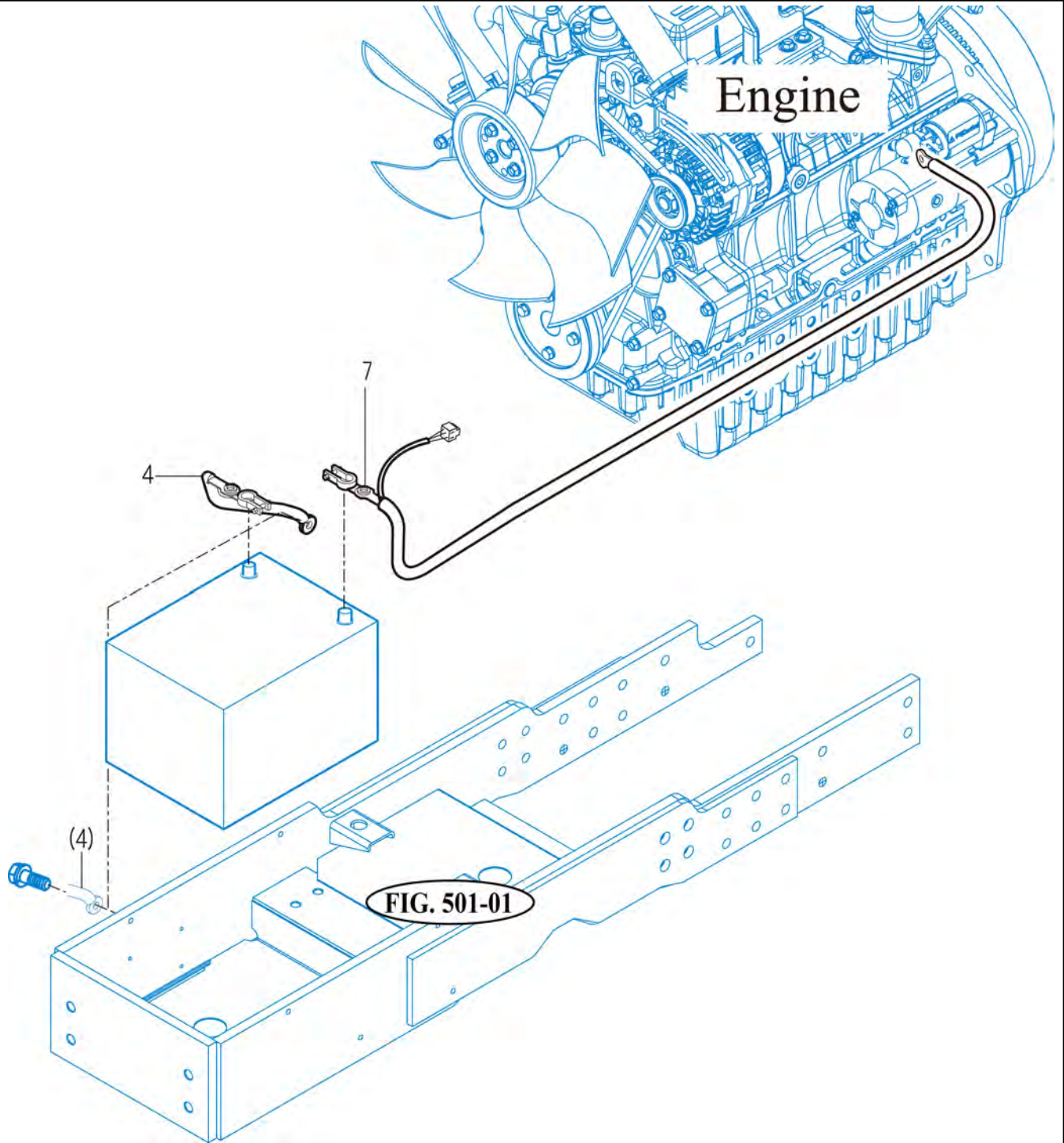
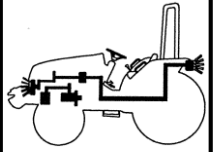
T474NC

BATTERY & MOUNTING

P1

YEAR

2018



NOTE

FIG 802

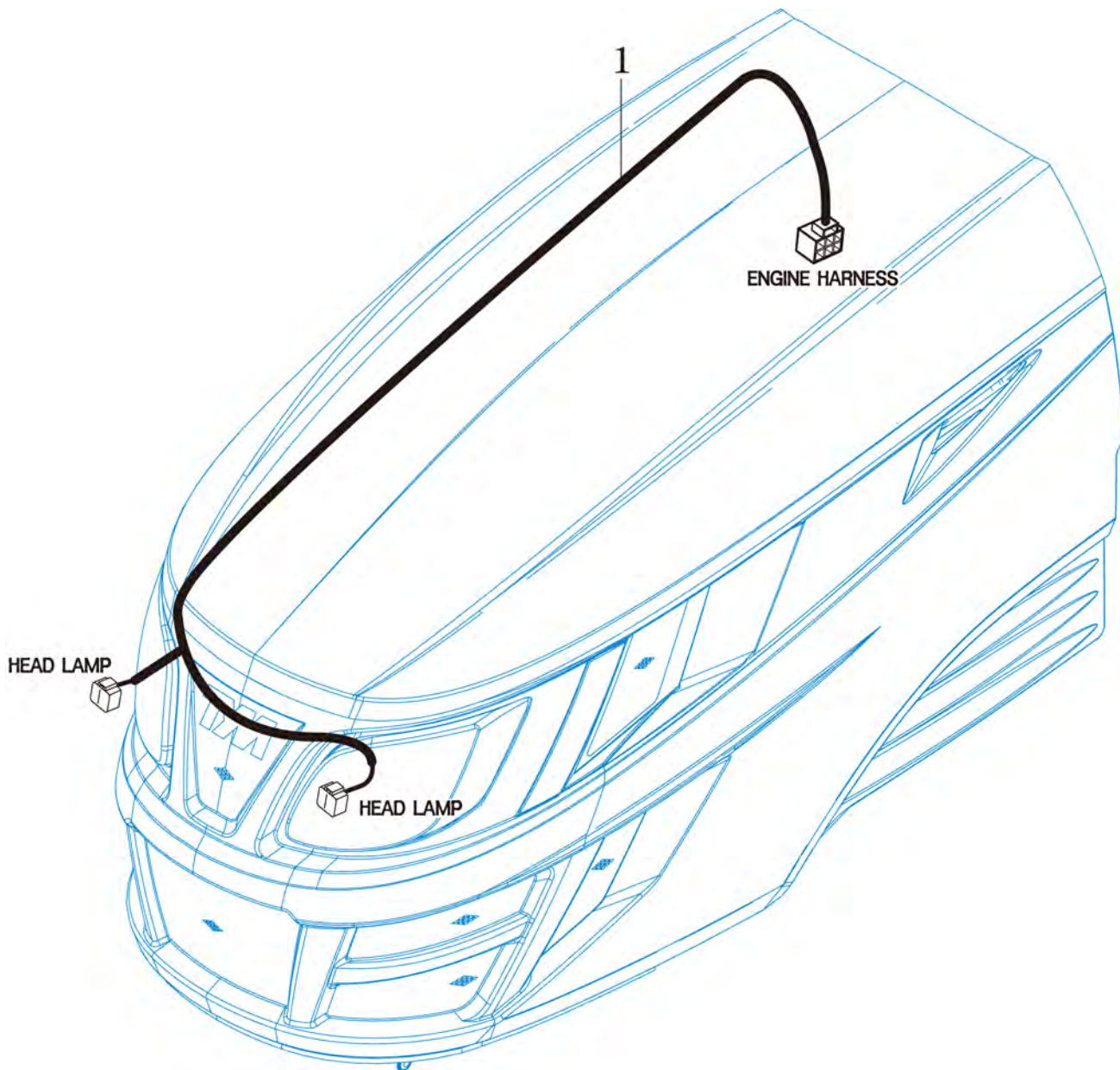
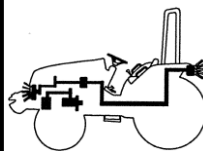
T474NC

LAMP

P1

YEAR

2018



NOTE

FIG 803

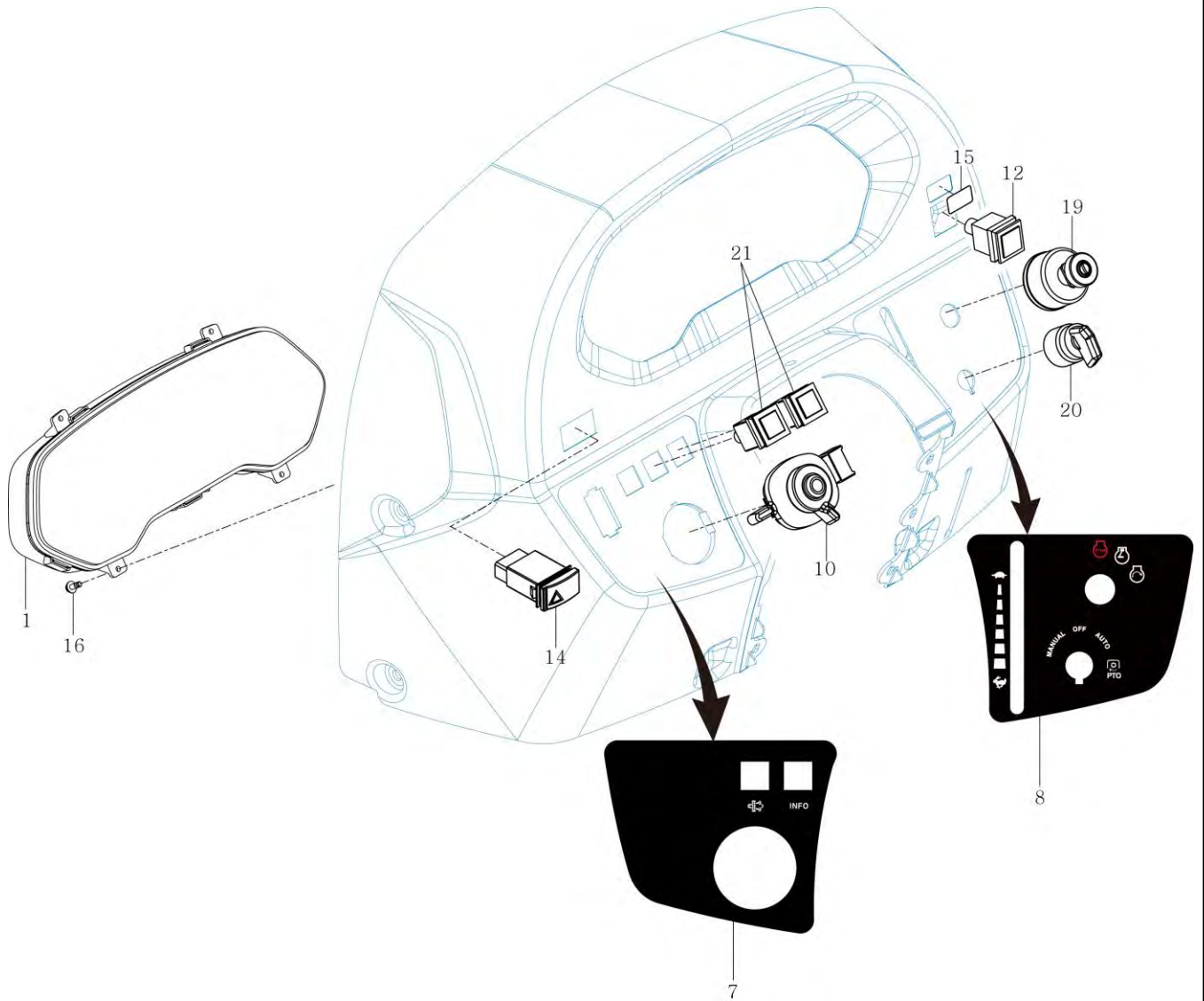
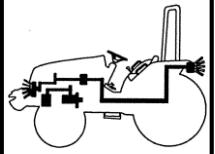
T474NC

INSTRUMENT PANEL

P1

YEAR

2018



NOTE

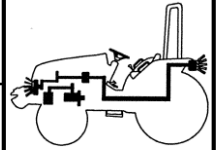
FIG 804

ELECTRIC SYSTEM

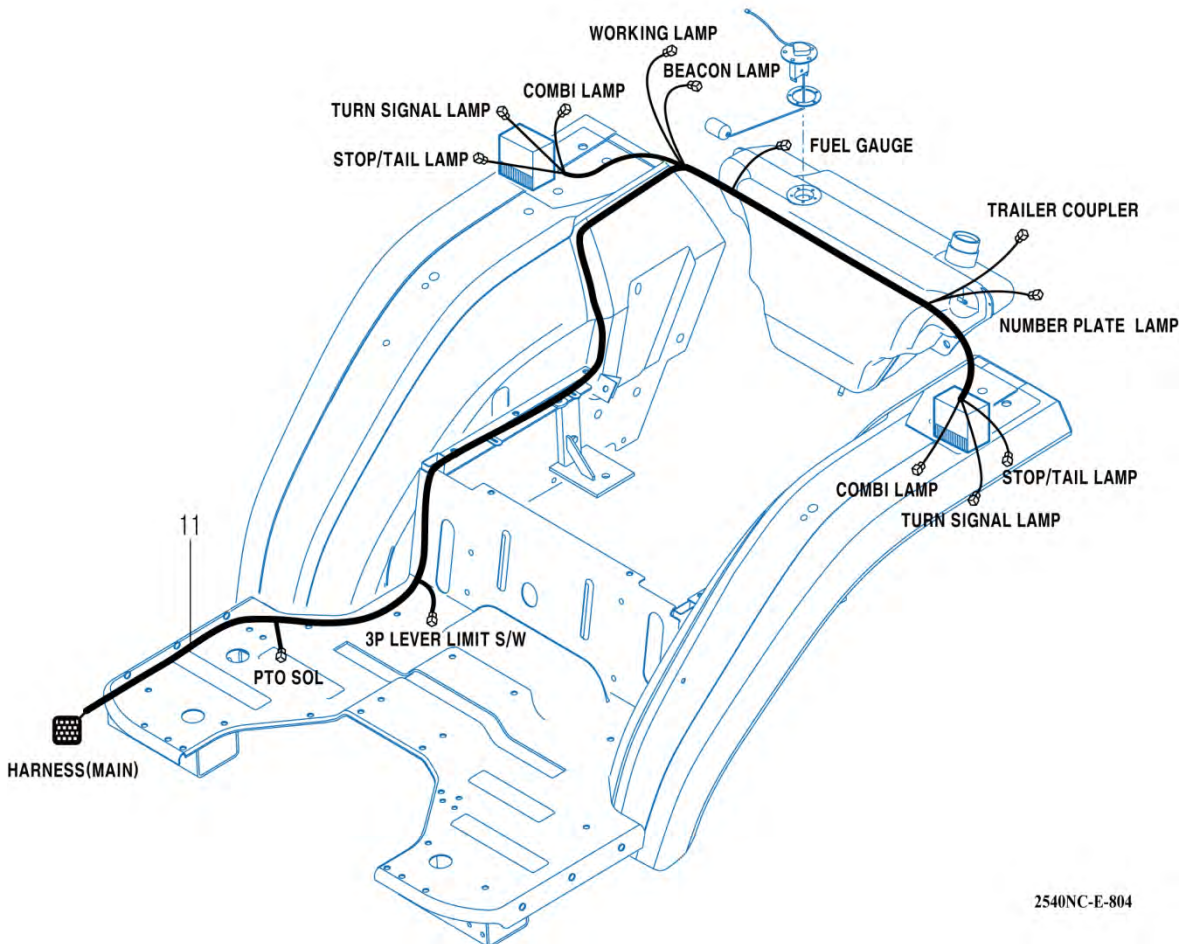
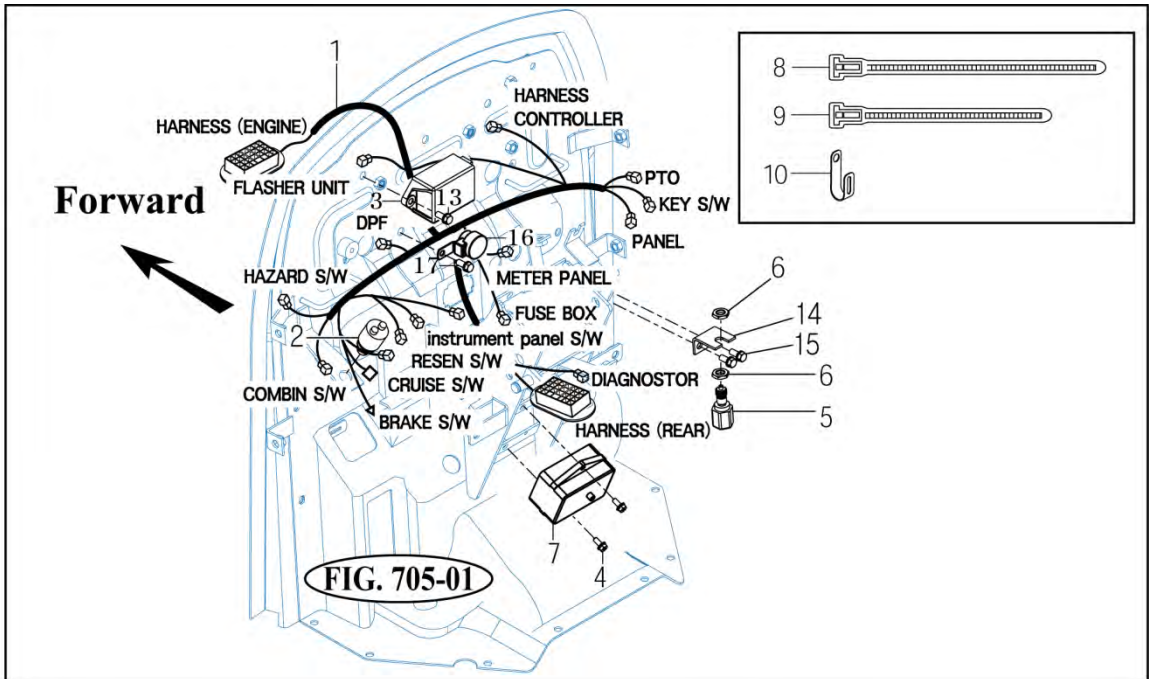
P1

YEAR

2018



T474NC



2540NC-E-804

NOTE

FIG 805

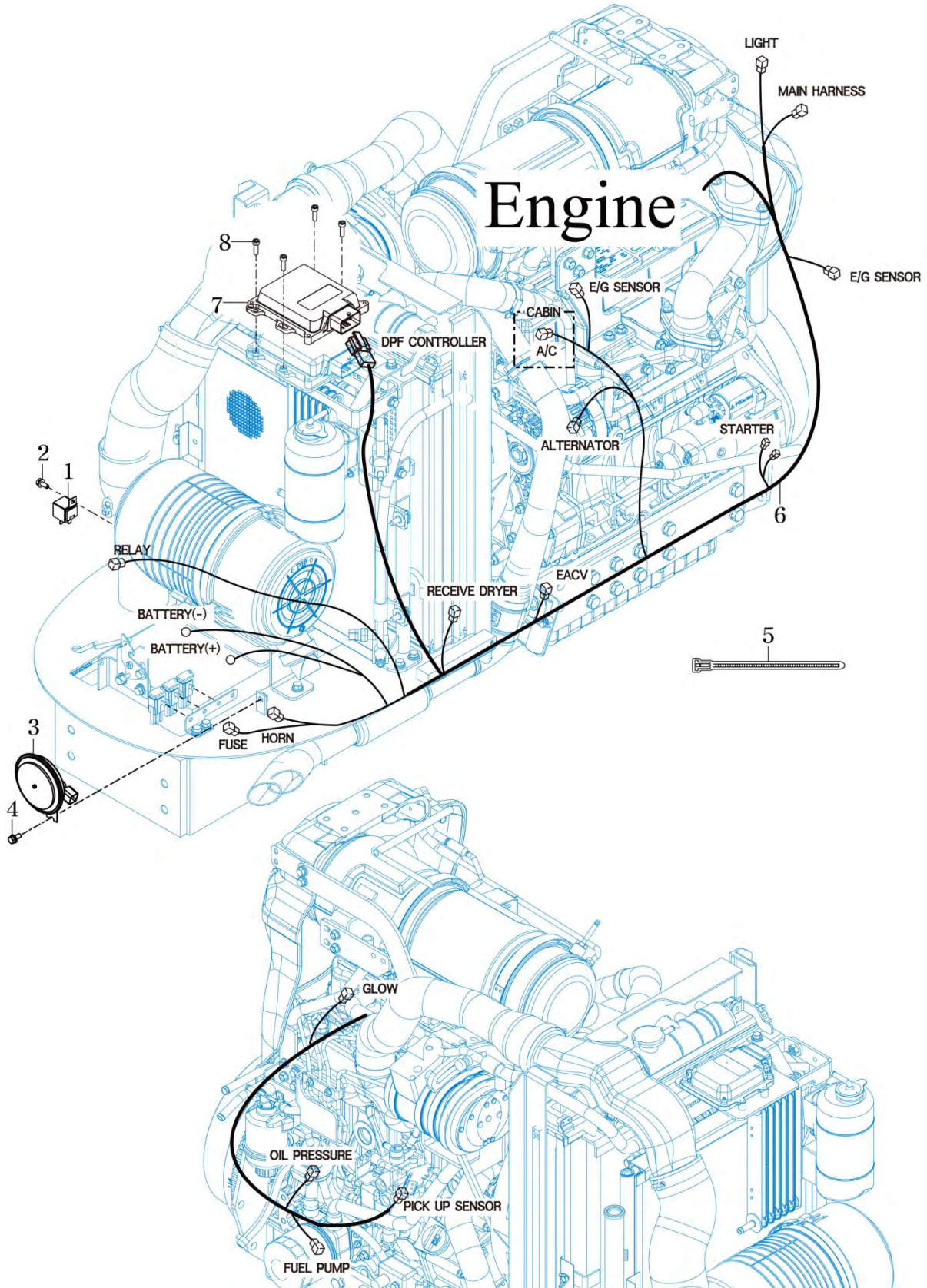
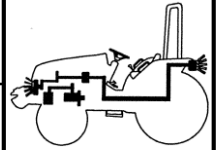
T474NC

HARNESS

P1

YEAR

2018



NOTE

FIG 901

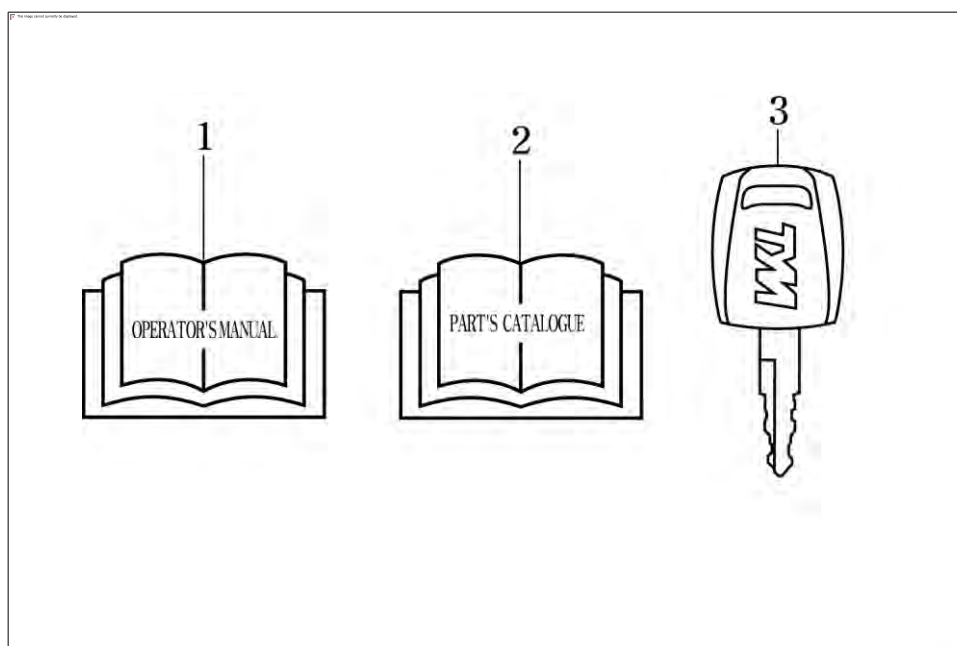
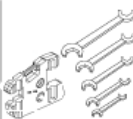
T474NC

TOOL & ACCESSORY

P1

YEAR

2018



T474-U-901

NOTE

FIG 902

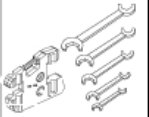
T474NC

LABEL

P1

YEAR

2018



DANGER

This Tractor may tip over unexpectedly and quicker than an operator is able to jump free

1. Never operate a tractor without a proper Roll over Protection Structure (ROPS)
2. Always wear your seat belt when operating this tractor equipped with roll over protection.
3. Never pull from above or from the rear axle.
4. Do not operate the tractor on steep slopes or near drop offs
5. Avoid sharp high speed turns

Serious injury or death may result from tractor upsets.

1200-904-501-0

27

WARNING

Death or injury may result if this tractor over turns with the ROPS in the folded down position. Operate this tractor with the ROPS folded down only when necessary. Do not wear seat belt if operated with ROPS folded down

1200-904-502-0

26

WARNING

Work in ventilated Area.

1200-910-003-0

11

DANGER

Do not ride except operator.

1200-910-004-0

12

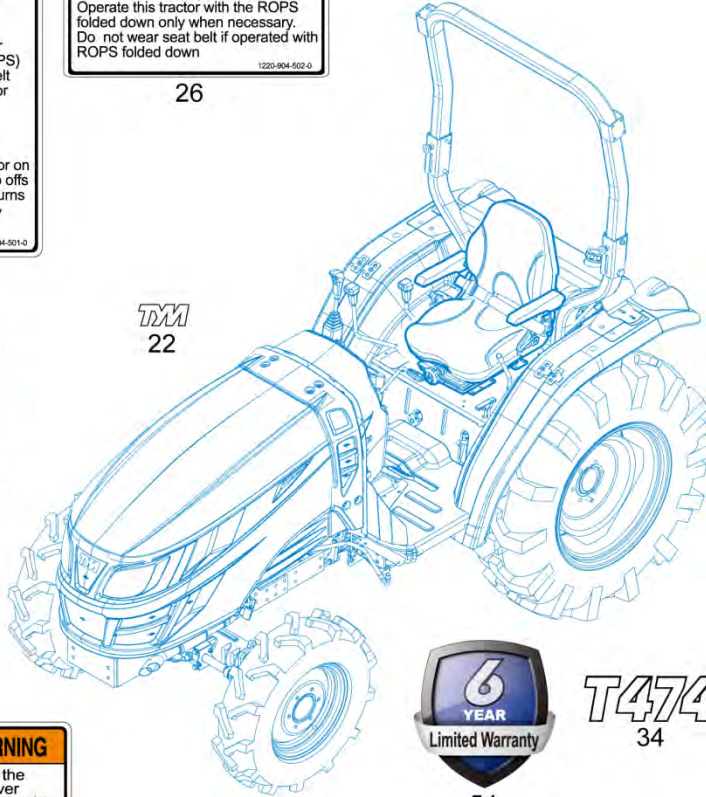
The DPF filter has reached its maximum life. It should be replaced with the correct model (DPF) for your engine model (906, 907) with a maximum mass of 14000g. Consult your local dealer.

40

WARNING

Additions, alterations, cracking, damage or corrosion to this structure may adversely affect the performance of the ROPS.

36



TM 22

WARNING

Do not refuel the tractor while smoking or near naked flame or sparks. Always stop engine before refueling tractors.

1200-910-005-0

15

WARNING

Do not use the sub shift lever at "H" position when driving backward.

1200-910-001-0

10



54

T474

34



29



20



21

WARNING

Never use the diff lock at high speed or on the road as this can cause rollover and injury.

1200-910-009-0

16



2

WARNING

Do not remove radiator cap while engine is hot. Hot steam will injure you.

1200-910-015-0

7

WARNING

Always fasten Your seat belt.

1200-910-010-0

13

CAUTION

Keep hands and clothing away from rotating fan and belts to prevent serious injury.

1200-910-012-0

6

CAUTION

Do not touch while the system is hot. It cause serious burns

1200-910-024-0

5



19

WARNING

Push the button to lock position with joystick lever is neutral whenever the implement is not operation.

1788-910-009-0

25



47

DPF regeneration procedure

When DPF lamp on and beep, follow below

Do this	Operate (about 30min)	Complete
1. Park outside safe location		
2. Stop all functions.		
3. Parking brake ON.		
4. Engine clutch pedal (Mechanical)		
5. Press the regen button		
6. Must remain with the vehicle		

Lamp off

DPF + EGT ON + Button blinking

For further details, consult your Operator's Manual 188-188-001

49

NOTE

FIG 902

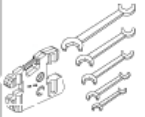
T474NC

LABEL

P2

YEAR

2018



WARNING

Always apply the park brake when parking. Failure to do so can cause accidents and damages.

1200-910-009-0

3

WARNING

Do not use the accelerator lever except working on the field.

1200-910-021-0

14

ON
4WD
OFF

28

EPA REGULATION
USE ULTRA LOW SULFUR FUEL ONLY

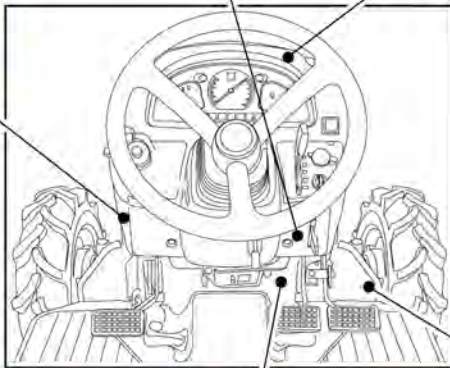
39

WARNING

Operator's manual

000-919-021-0

8



WARNING

- Start engine only from operators seat. If safety start switch is bypassed engine can start with transmission in gear.
- Do not connect or short across terminal on starter solenoid.
- Attach booster cables as shown on battery decal and operators manual.

Starting in gear causing runaway can result in serious injury.

32

WARNING

Always set the knob to lock when:
1. Traveling on the road.
2. Replacing blades on an implement.
3. Making adjustment to an implement.
Sudden dropping of an implement can cause serious injury or death.

1200-910-064-0

33

DANGER

Start only from seat in park or neutral.
Starting in gear kills.

38

WARNING

Do not adjust the tilt handle when traveling.

1200-910-088-0

37

WARNING

Brake pedals must always be locked together when travelling on the highway. This will ensure uniform braking and provide maximum stopping ability sharp turns must only be made at slow speeds.

1200-910-007-0

4

1788-910-017-0

18

ROTARY

41

OFF REAR PTO ON

42

PTO (MID,REAR) LEVER

To prevent transmission damage, the PTO switch must be OFF before PTO lever is engaged.

43

WARNING

Attach implements and trailers to the tractor only using the prescribed draw-bar or hitch.

1200-910-044-0

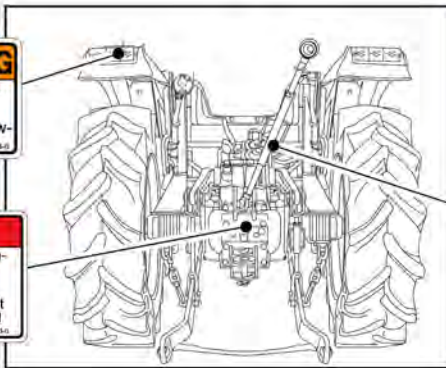
17

DANGER

Rotating driveline contact can cause death. KEEP AWAY!
Keep all drive line, Tractor and equipment shields in place during operation.

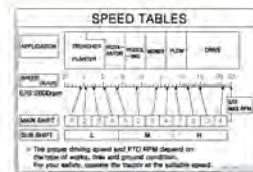
1200-910-021-0

9



23

24



44

A ← N →

48

← N →

45

50

WARNING

Stay clear of raised boom and bucket.

1200-910-007-0

46

NOTE

FIG 903

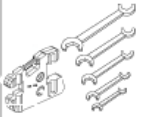
T474NC

OPTION

P1

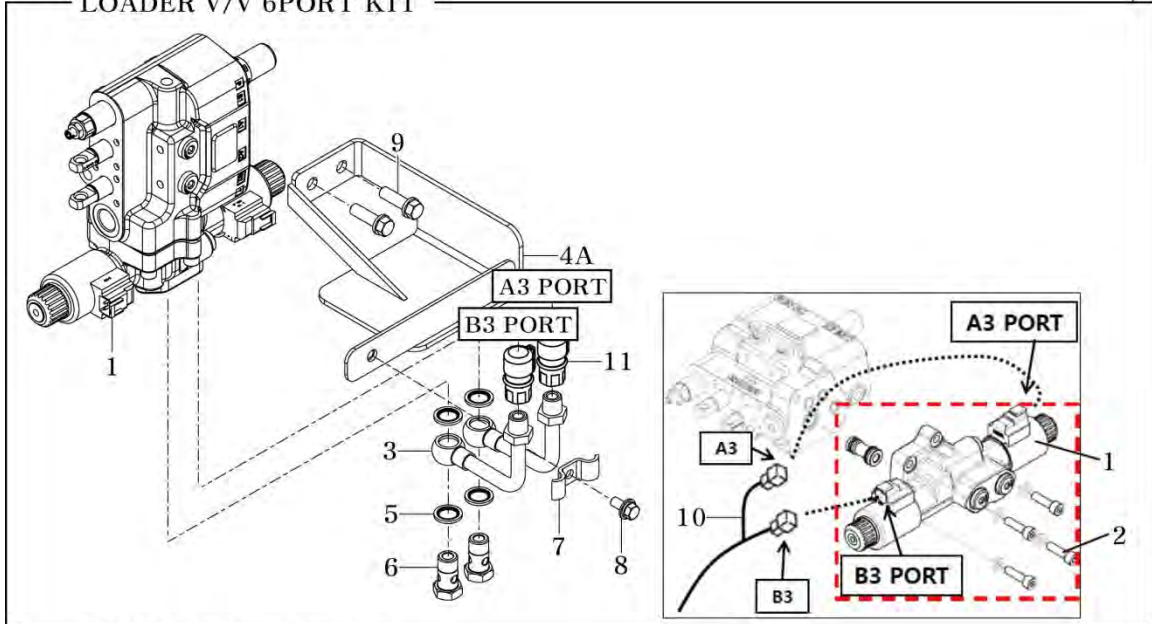
YEAR

2018

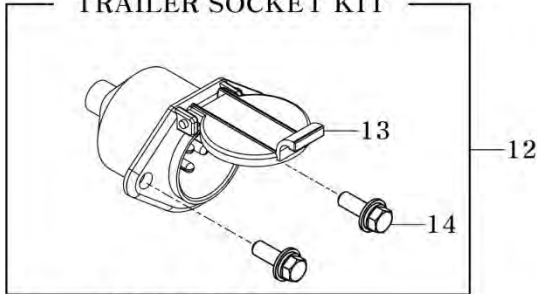


0A

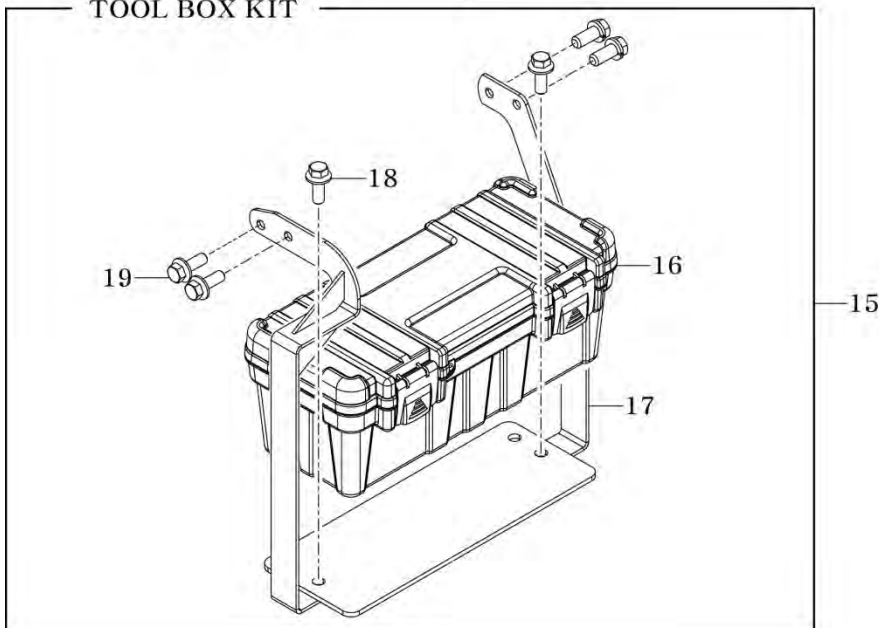
LOADER V/V 6PORT KIT



TRAILER SOCKET KIT



TOOL BOX KIT



NOTE

FIG 904

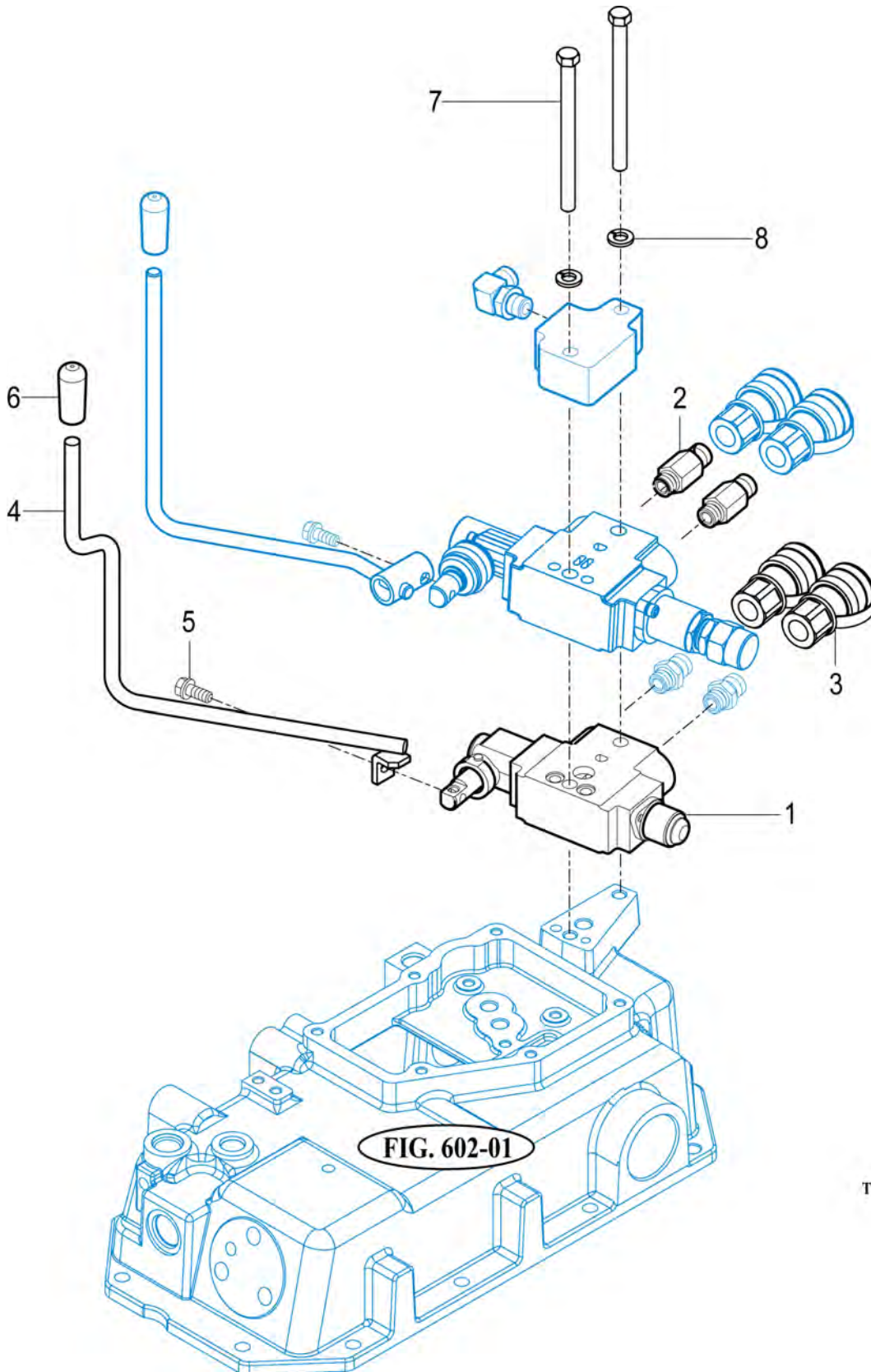
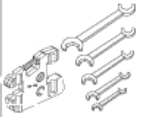
T474NC

EXTERIOR HYD. VALVE (4PORT KIT-OPTION)

P1

YEAR

2018



TE48-K-611

NOTE