

T754SC

Parts Catalog

목 차

0. TRACTOR KIT PART NO. TK1

FIG 000 TRAILER SOCKET KIT	7
FIG 002 EXTERNAL POSITION LEVER KIT	9

1. Engine PART NO. EG

FIG 00 EG	12
FIG 01 0512 4184, 0512 4259, 0512 4281, 0512 4051	14
FIG 02 0512 4368	16
FIG 05 0512 4036, 0512 4130, 0512 4238, 0512 4321	18
FIG 06 0512 4003	20
FIG 07 0512 4005	22
FIG 08 0512 4312, 0512 4050, 0512 4246	24
FIG 09 0512 4044, 0512 4320	26
FIG 10 0512 4284	28
FIG 11 0512 4004, 0512 4045, 0512 4046	30
FIG 14 0512 4027	32
FIG 15 0512 4120, 0506 4400, 0512 4000	34
FIG 16 0512 4261	36
FIG 17 0512 4052	38
FIG 19 0512 4047	40
FIG 20 0512 4224	42
FIG 21 0512 4009, 0512 4008, 0512 4299	44
FIG 22 0512 4345, 0512 4392	46
FIG 27 0511 8909	48
FIG 37 0512 4331	50
FIG 38 0512 4055	52
FIG 41 0512 4143, 0512 4058, 0512 4097, 0512 4257	54
FIG 43 0512 4384	56
FIG 44 0512 4062, 0512 4256, 0512 4393, 0512 4400	58
FIG 48-1 0511 7723, 0512 4011, 0512 4098, 0512 4127, 0512 4292	60
FIG 48-2 0512 4128, 0512 4293, 0512 4334, 0512 4338, 0512 4343	62

FIG 51 0512 4060, 0512 4104, 0512 4300, 0512 4329	64
FIG 63 0512 4010	66
FIG 83 0512 4176, 0512 4180, 0512 4251, 0512 4337, 0512 4339, 0512	68
FIG 90 0512 4355	70

2. Engine Accessories PART NO. T2

FIG 201 AIR CLEANER	73
FIG 202 RADIATOR	75
FIG 203 MUFFLER & EXHAUST PIPE	78
FIG 204 FUEL TANK	81
FIG 205 FUEL FILTER & FUEL PUMP	83
FIG 206 OIL COOLER	85

3. Clutch/Brake/Steering PART NO. T3

FIG 301 CLUTCH	88
FIG 302 CLUTCH PEDAL	90
FIG 303 BRAKE PEDAL & LINK	93
FIG 304 FRONT WHEEL	95
FIG 305 REAR WHEEL	97
FIG 306 POWER STEERING WHEEL	99
FIG 307 POWER STEERING VALVE	101
FIG 308 POWER STEERING CYLINDER	103
FIG 309 HAND BRAKE & BRAKE	105

4. Transmission PART NO. T4

FIG 401 CASE , RR TRANSMISSION	108
FIG 402 SUB CHANGE GEARS	110
FIG 403 REAR DIFFERENTIAL GEARS	112
FIG 404 P.T.O CHANGE GEARS	114
FIG 405 P.T.O CHANGE SHIFTER	116
FIG 406 HOUSING , RR AXLE	118
FIG 407 P.T.O DRIVE SHAFT	120
FIG 408 CREEP CHANGE	122
FIG 409 INPUT & COUNTER GEARS	124
FIG 410 CHANGE GEARS	126

FIG 411 REVERSE GEARS	128
FIG 412 MAIN CHANGE LEVER	130
FIG 413 SUB CHANGE LEVER	132
FIG 414 TRANSMISSION MID CASE	134
FIG 415 SUB CHANGE SHIFTER	136
FIG 416 4WD CHANGE LEVER	138
FIG 417 TRANSMISSION FRONT CASE	140
FIG 418 DRIVE GEARS(US)	142

5. Front Axle PART NO. T5

FIG 501 FRONT AXLE SUPPORT	145
FIG 502 FRONT DRIVE SHAFT	147
FIG 503 FRONT AXLE HOUSING	149
FIG 504 FRONT DIFFERENTIAL GEAR	151
FIG 505 FRONT GEAR CASE (1)	153
FIG 506 FRONT GEAR CASE (2)	155
FIG 507 FRONT GEAR CASE (3)	157

6. Hydraulic/3P-Link PART NO. T6

FIG 601 CYLINDER CASE	160
FIG 602 LIFT ARM	162
FIG 603 CYLINDER	164
FIG 604 POSITION LINK	166
FIG 605 CONTROL VALVE	168
FIG 606 DRAFT LINK	170
FIG 607 POSITION & DRAFT LEVER	172
FIG 608 EXTERIOR HYD. VALVE	175
FIG 609 HYDRAULIC PIPE	177
FIG 610 JOYSTICK	179
FIG 611 HITCH & 3-POINT LINK	181
FIG 612 LOWER LINK & LIFT ROD	184
FIG 613 HYDRAULIC HOSE	186

7. Sheet Metal & Cabin PART NO. T7

FIG 701 HOOD	189
--------------	-----

FIG 702 FRONT FRAME	191
FIG 703 SIDE SUPPORT & FRAME HOOD	193
FIG 704 LEVER COVER & STEP	196
FIG 705 FRONT & REAR MOUNTING	198
FIG 706 SEAT & MAT	200
FIG 709 DOOR	202
FIG 710 FRONT GLASS	205
FIG 711 SIDE GLASS	207
FIG 712 REAR GLASS	209
FIG 713 SUB FENDER & COVER	211
FIG 714 MIRROR	213
FIG 715 HEATER & AIR-CON	215
FIG 715-2 HEATER & AIR-CON	217
FIG 716 FENDER COVER	219
FIG 717 ROOF	221
FIG 718 CABIN INTERIOR	223

8. Electrical System PART NO. T8

FIG 801 BATTERY & MOUNTING	226
FIG 802 HARNESS	228
FIG 803 LIGHT & BACK LAMP	230
FIG 804 INSTRUMENT PANEL	232
FIG 805 ELECTRIC SYSTEM (1)	234
FIG 806 ELECTRIC SYSTEM (2)	236

9. Label/Option PART NO. T9

FIG 901 TOOL & ACCESSORY	239
FIG 903 LABEL	241

0. TRACTOR KIT PART NO. TK1

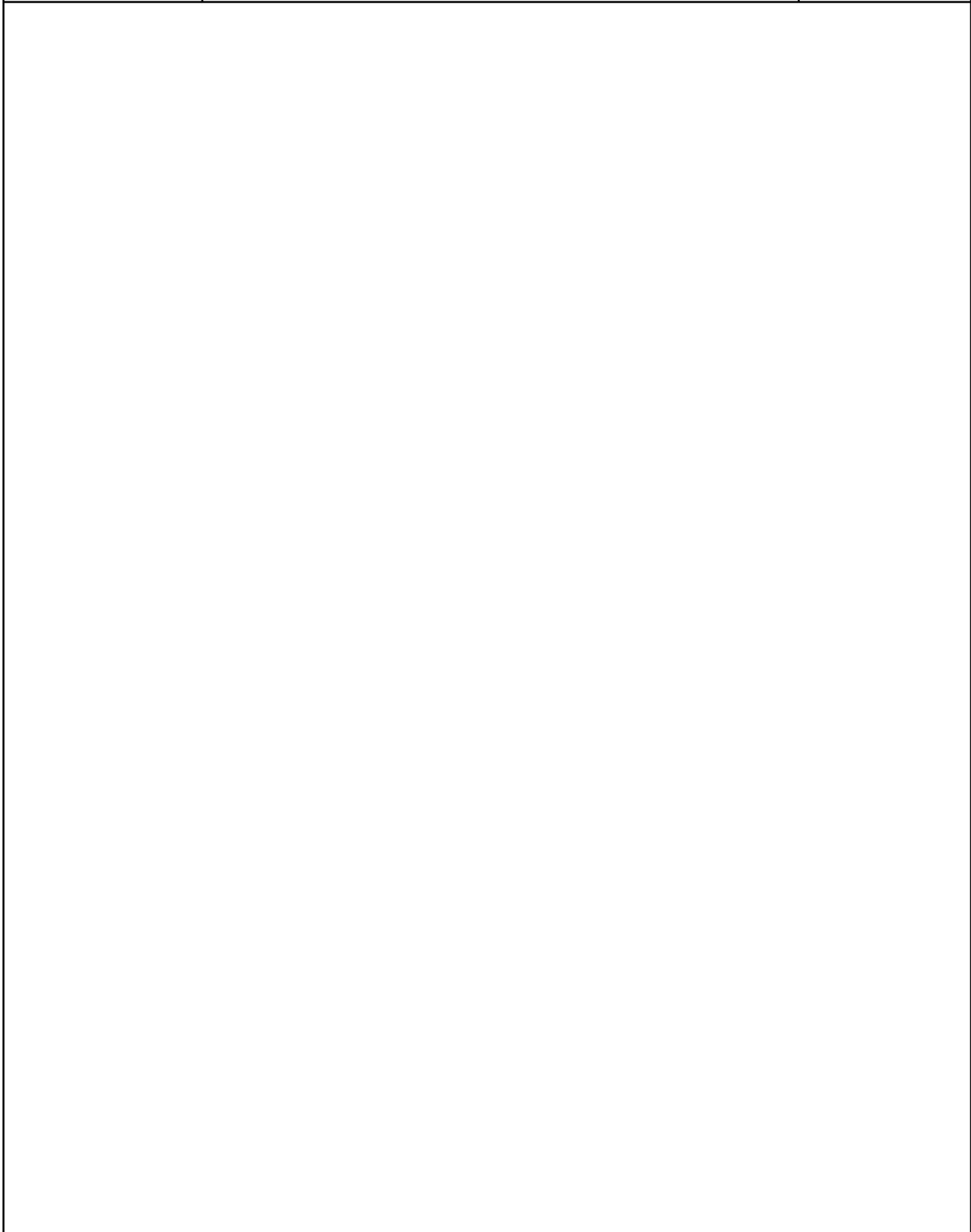
FIG 000 TRAILER SOCKET KIT

7

FIG 002 EXTERNAL POSITION LEVER KIT

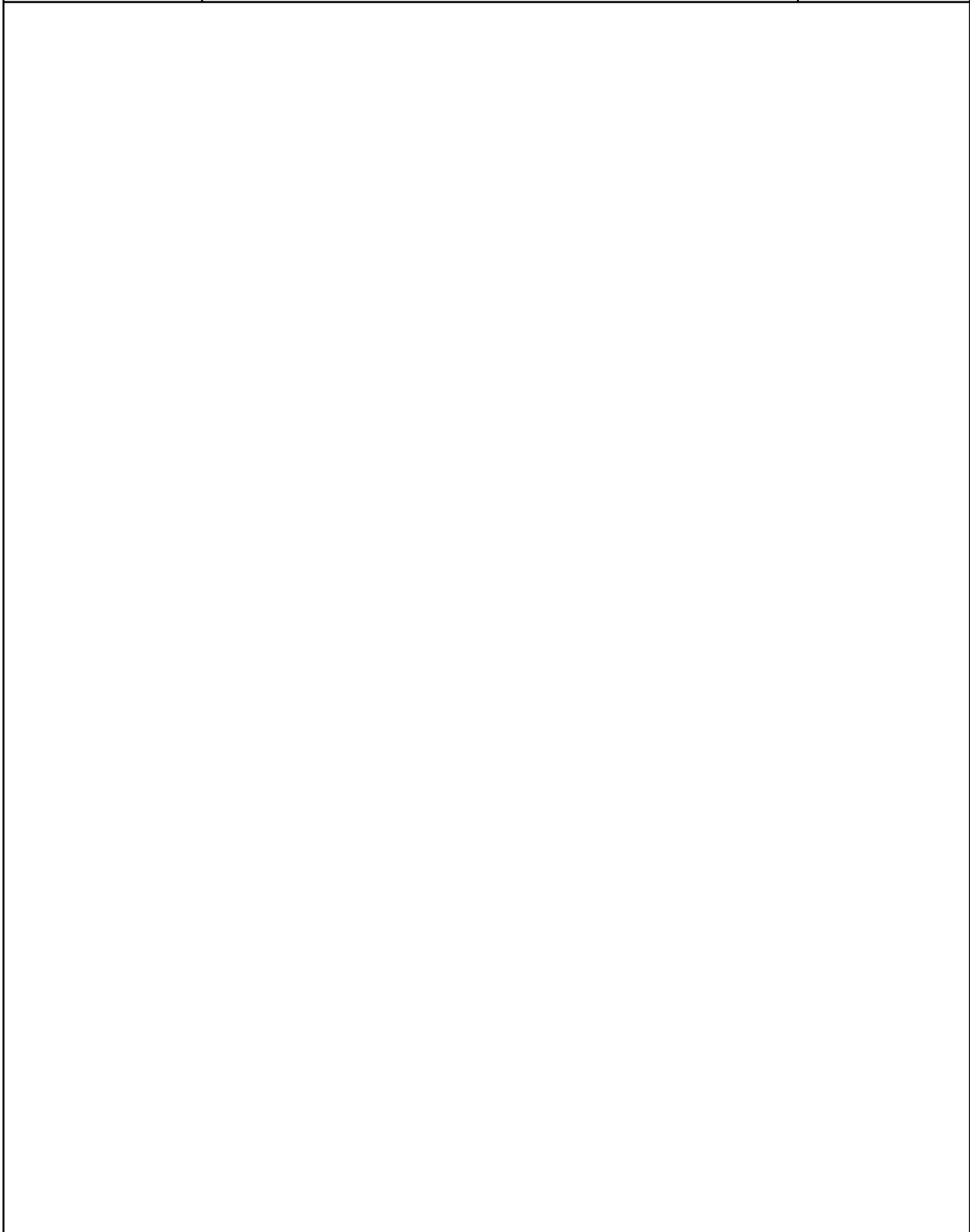
9

FIG 000 T754SC	TRAILER SOCKET KIT	년/월 Year/Month 2022-12
-------------------	--------------------	------------------------------



NOTE	
------	--

FIG 002 T754SC	EXTERNAL POSITION LEVER KIT	년/월 Year/Month 2022-12
-------------------	-----------------------------	------------------------------



NOTE	
------	--

1. Engine PART NO. EG

FIG 00 EG	12
FIG 01 0512 4184, 0512 4259, 0512 4281, 0512 4051	14
FIG 02 0512 4368	16
FIG 05 0512 4036, 0512 4130, 0512 4238, 0512 4321	18
FIG 06 0512 4003	20
FIG 07 0512 4005	22
FIG 08 0512 4312, 0512 4050, 0512 4246	24
FIG 09 0512 4044, 0512 4320	26
FIG 10 0512 4284	28
FIG 11 0512 4004, 0512 4045, 0512 4046	30
FIG 14 0512 4027	32
FIG 15 0512 4120, 0506 4400, 0512 4000	34
FIG 16 0512 4261	36
FIG 17 0512 4052	38
FIG 19 0512 4047	40
FIG 20 0512 4224	42
FIG 21 0512 4009, 0512 4008, 0512 4299	44
FIG 22 0512 4345, 0512 4392	46
FIG 27 0511 8909	48
FIG 37 0512 4331	50
FIG 38 0512 4055	52
FIG 41 0512 4143, 0512 4058, 0512 4097, 0512 4257	54
FIG 43 0512 4384	56
FIG 44 0512 4062, 0512 4256, 0512 4393, 0512 4400	58
FIG 48-1 0511 7723, 0512 4011, 0512 4098, 0512 4127, 0512 4292	60
FIG 48-2 0512 4128, 0512 4293, 0512 4334, 0512 4338, 0512 4343	62
FIG 51 0512 4060, 0512 4104, 0512 4300, 0512 4329	64
FIG 63 0512 4010	66
FIG 83 0512 4176, 0512 4180, 0512 4251, 0512 4337, 0512 4339, 0512	68
FIG 90 0512 4355	70

FIG 00 T754SC	EG	년/월 Year/Month 2022-12
------------------	----	------------------------------

--	--

NOTE	
------	--

FIG 01

T754SC

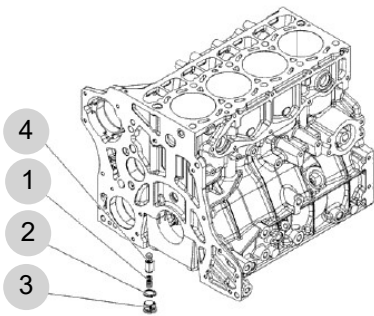
0512 4184, 0512 4259, 0512 4281, 0512 4051

년/월
Year/Month

2022-12

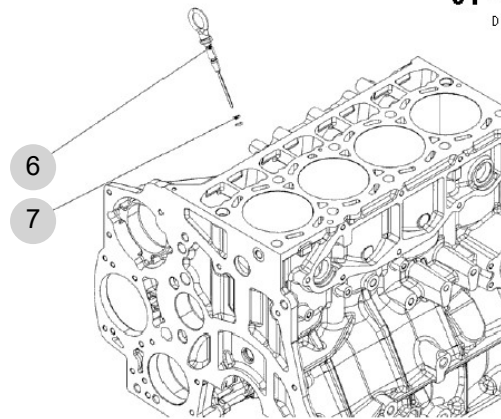
01 - 0512 4051

PRESSURESTAT



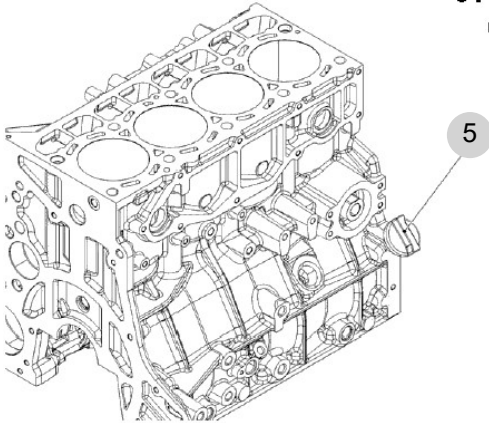
01 - 0512 4259

DIPSTICK



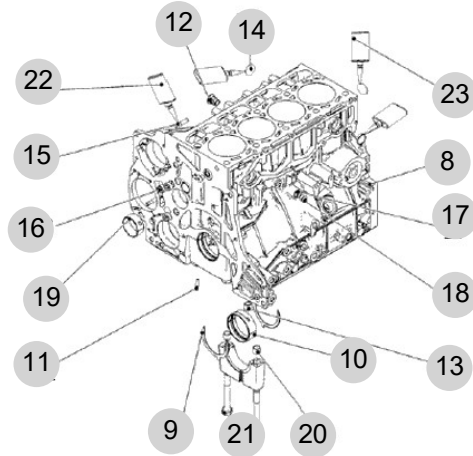
01 - 0512 4184

FILLER CAP



01 - 0512 4281

CRANKCASE



NOTE

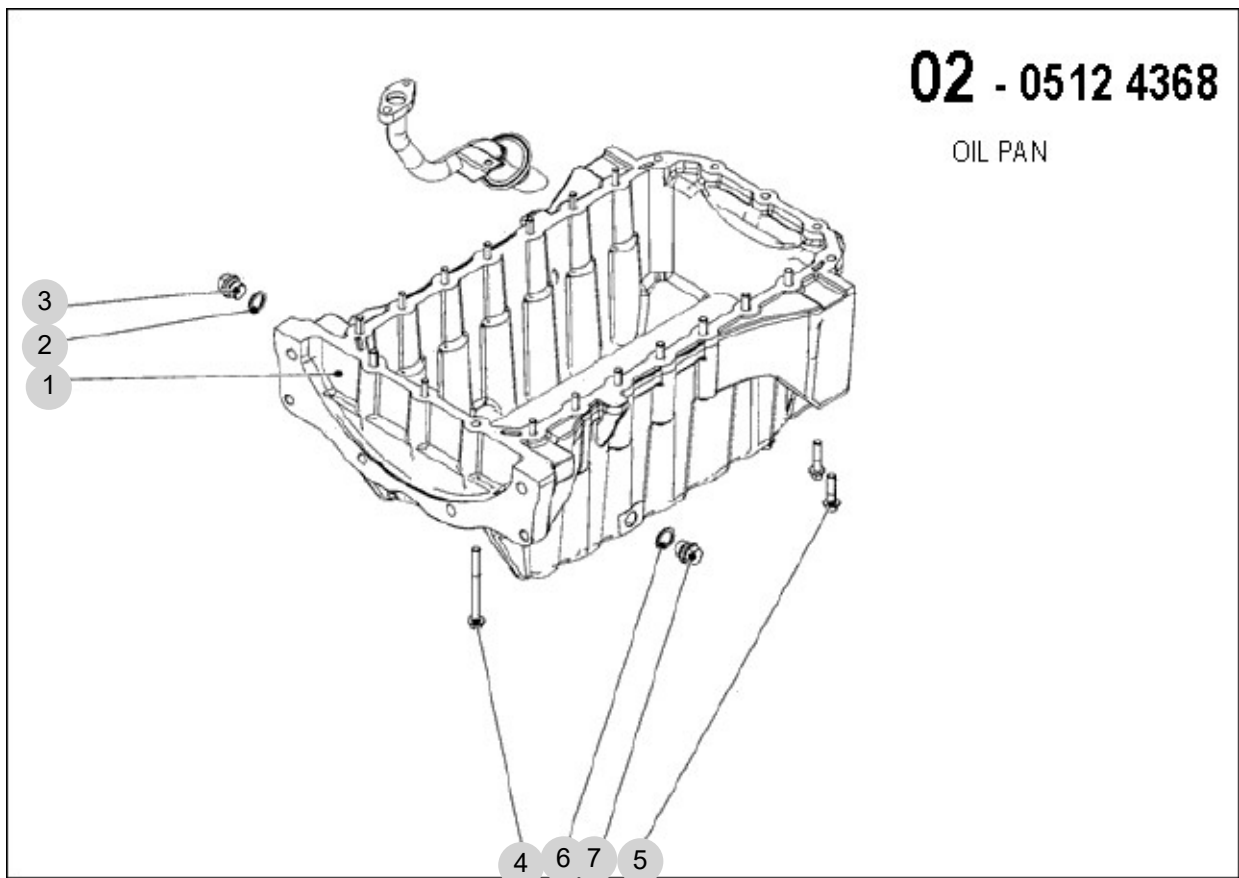
FIG 02

0512 4368

년/월
Year/Month

2022-12

T754SC



NOTE

FIG 05

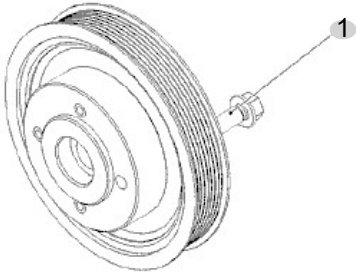
T754SC

0512 4036, 0512 4130, 0512 4238, 0512 4321

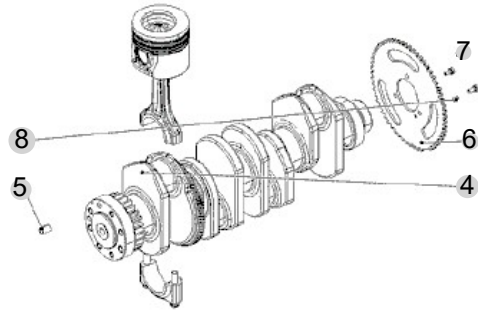
년/월
Year/Month

2022-12

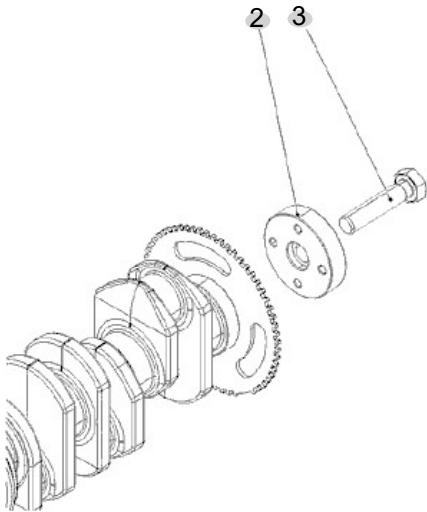
05 - 0512 4036
FASTENINGS



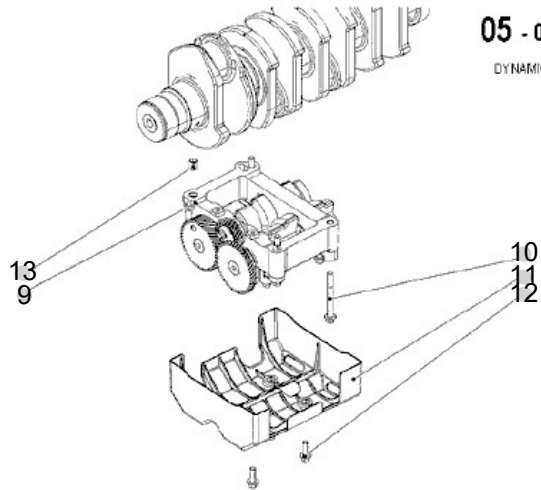
05 - 0512 4238
CRANKSHAFT



05 - 0512 4130
CRANKSHAFT ACCESS.



05 - 0512 4321
DYNAMIC BALANCER



NOTE

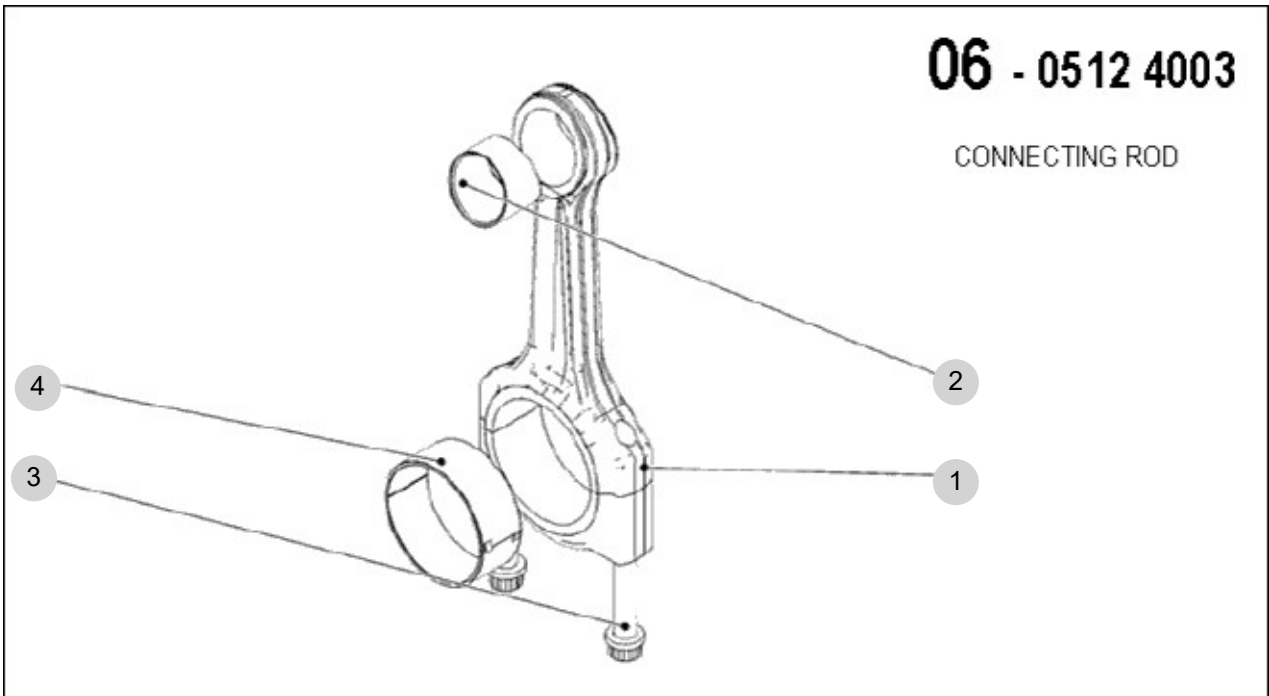
FIG 06

T754SC

0512 4003

년/월
Year/Month

2022-12



NOTE

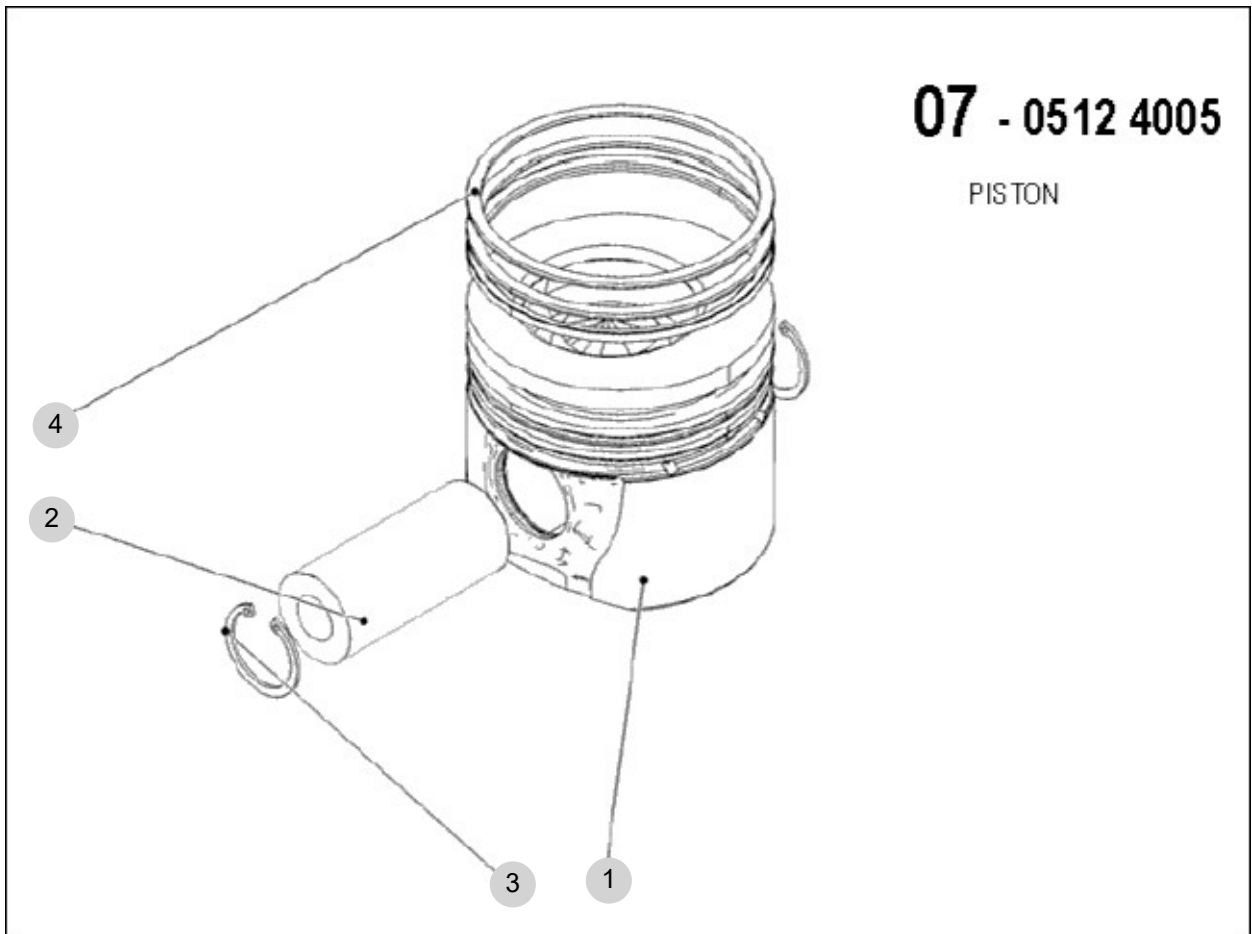
FIG 07

T754SC

0512 4005

년/월
Year/Month

2022-12



NOTE

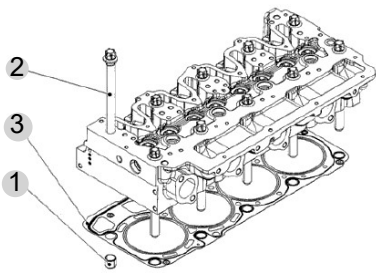
FIG 08

T754SC

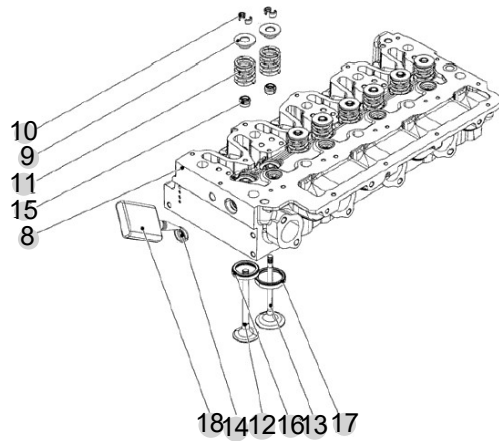
0512 4312, 0512 4050, 0512 4246

년/월
Year/Month

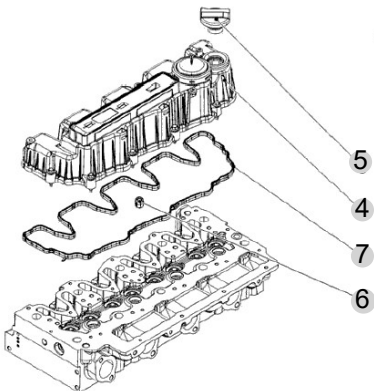
2022-12



08 - 0512 4050
FASTENINGS



08 - 0512 4312
CYLINDER HEAD



08 - 0512 4246
VALVE MECHAN COVER

NOTE

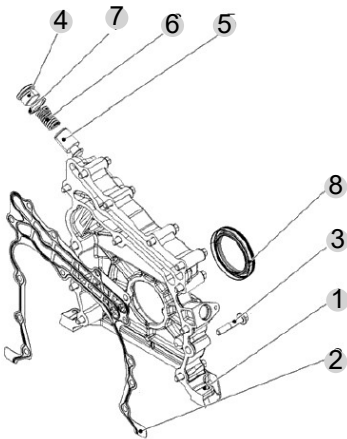
FIG 09

T754SC

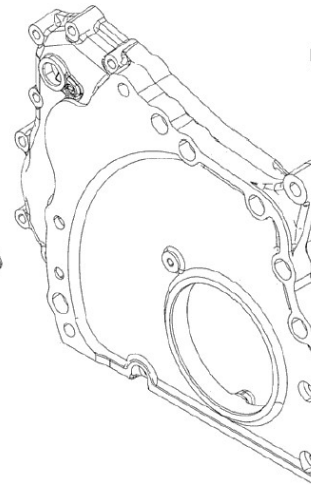
0512 4044, 0512 4320

년/월
Year/Month

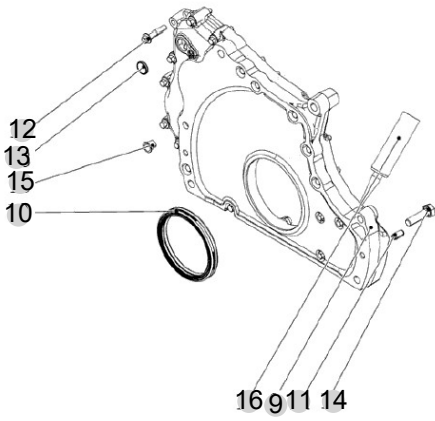
2022-12



09 - 0512 4044
FRONT COVER



09 - 0512 4406
SEALING RING



09 - 0512 4320
GEARCASE

NOTE

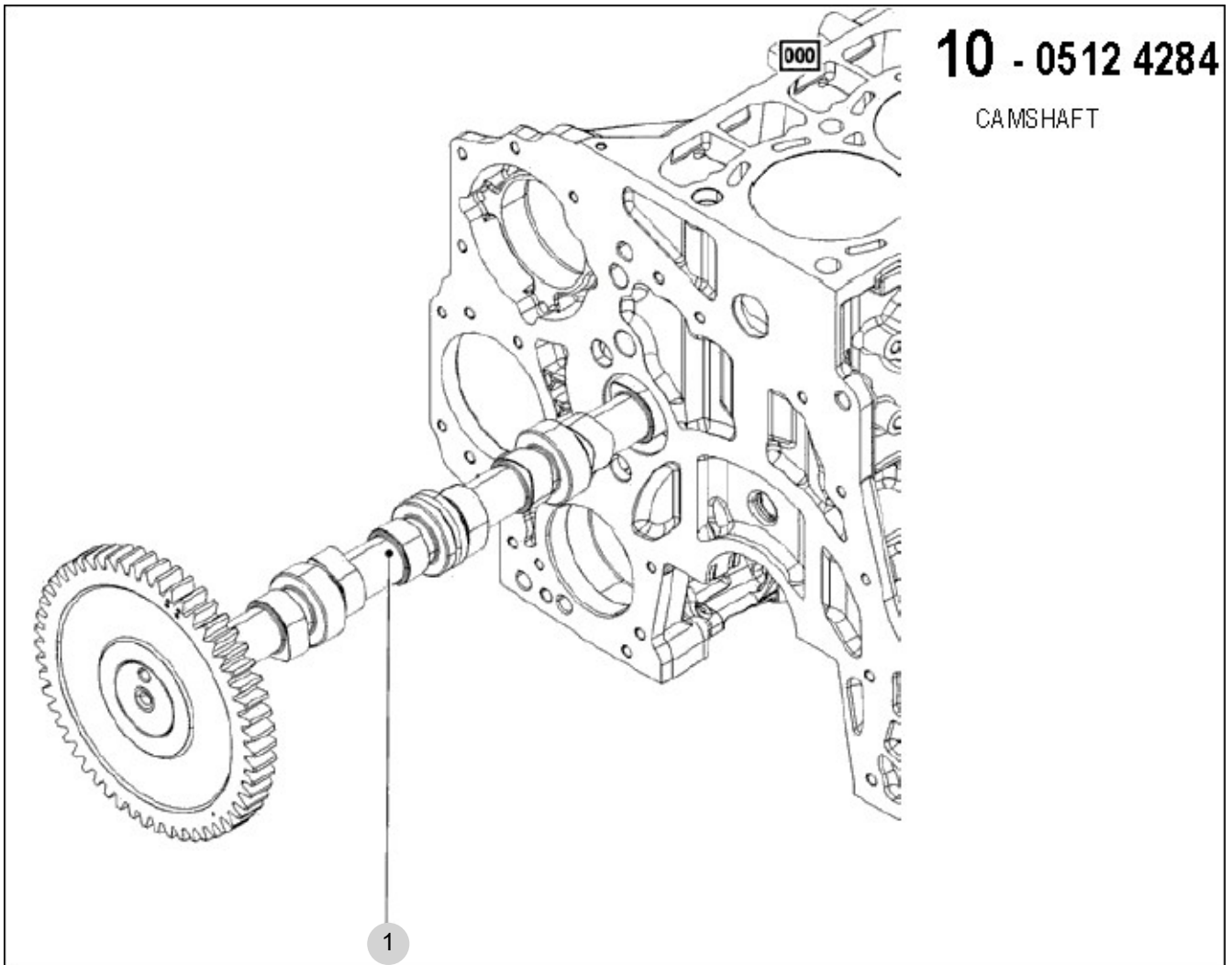
FIG 10

0512 4284

년/월
Year/Month

2022-12

T754SC



NOTE

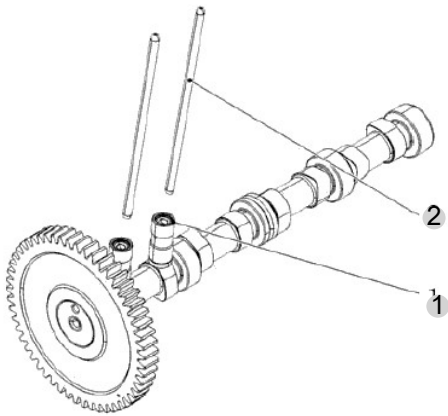
FIG 11

0512 4004, 0512 4045, 0512 4046

년/월
Year/Month

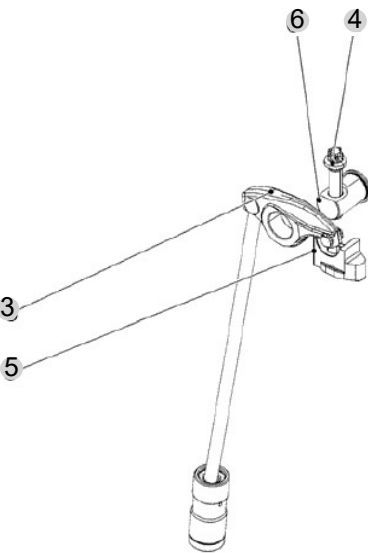
2022-12

T754SC



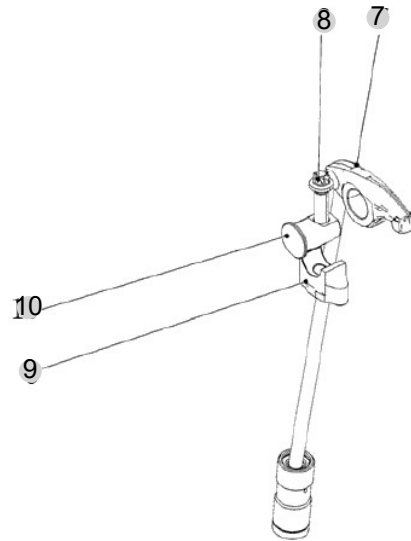
11 - 0512 4004

VALVE DRIVE



11 - 0512 4045

ROCKER ARM OUTLET



11 - 0512 4046

ROCKER ARM INLET

NOTE

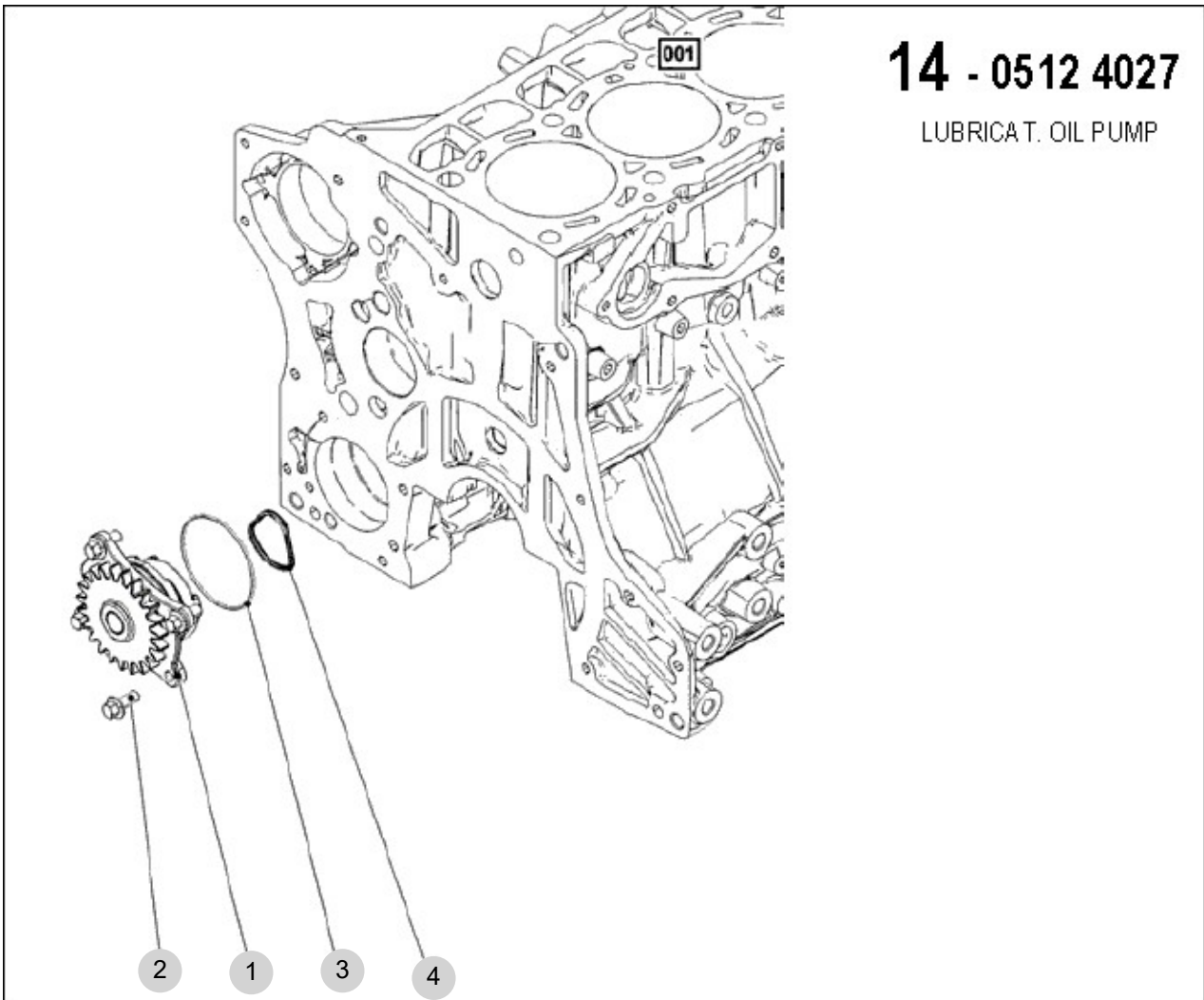
FIG 14

0512 4027

년/월
Year/Month

2022-12

T754SC



NOTE

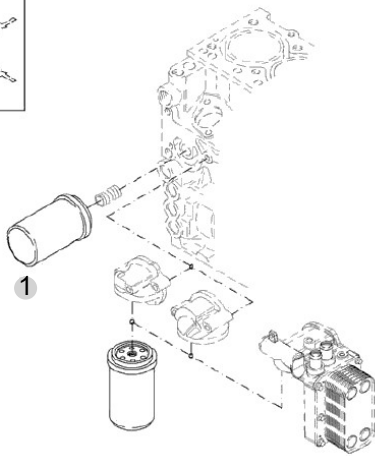
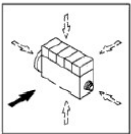
FIG 15

T754SC

0512 4120, 0506 4400, 0512 4000

년/월
Year/Month

2022-12

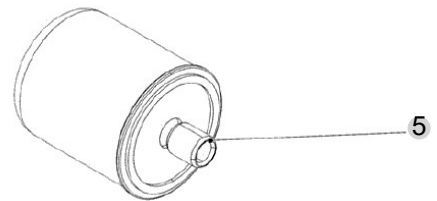


15 - 0506 4400

LUBRIC. OIL FILTER

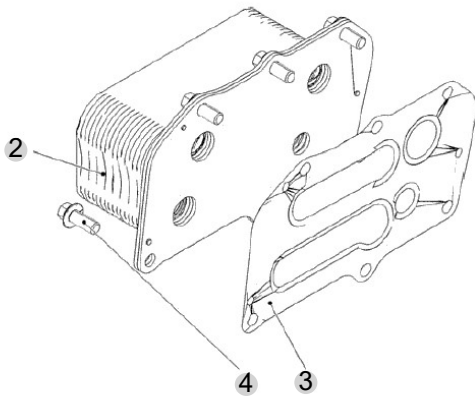
15 - 0512 4120

OIL FILTER ASSY



15 - 0512 4000

OIL COOLER



NOTE

FIG 16

T754SC

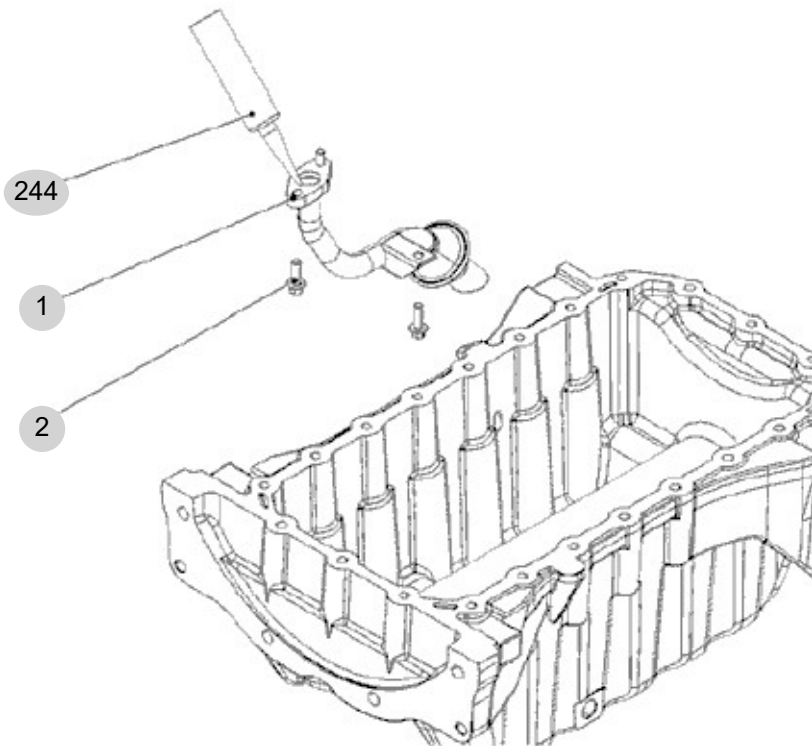
0512 4261

년/월
Year/Month

2022-12

16 - 0512 4261

OIL SUCTION PIPE



NOTE

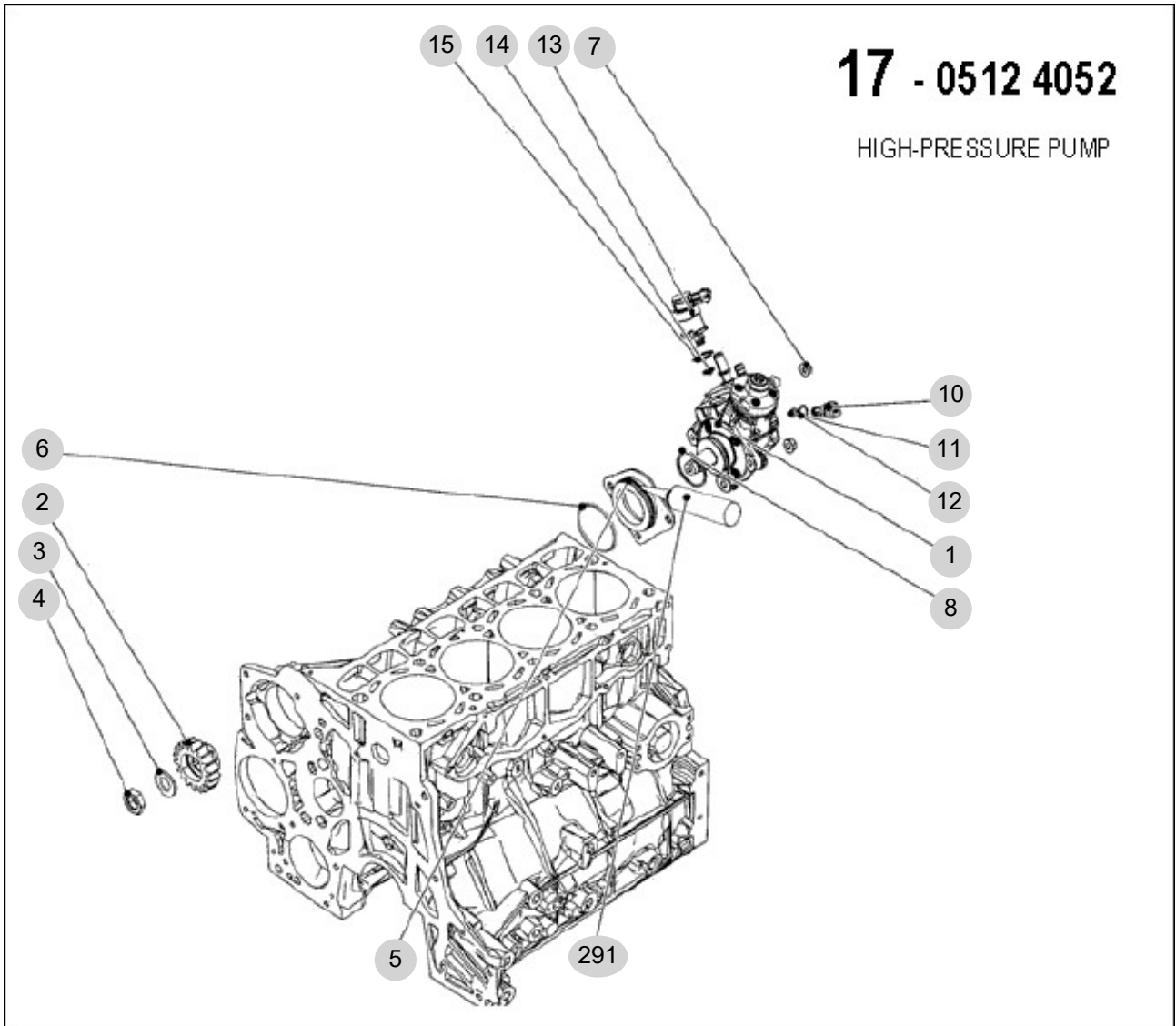
FIG 17

0512 4052

년/월
Year/Month

2022-12

T754SC



NOTE

FIG 19

0512 4047

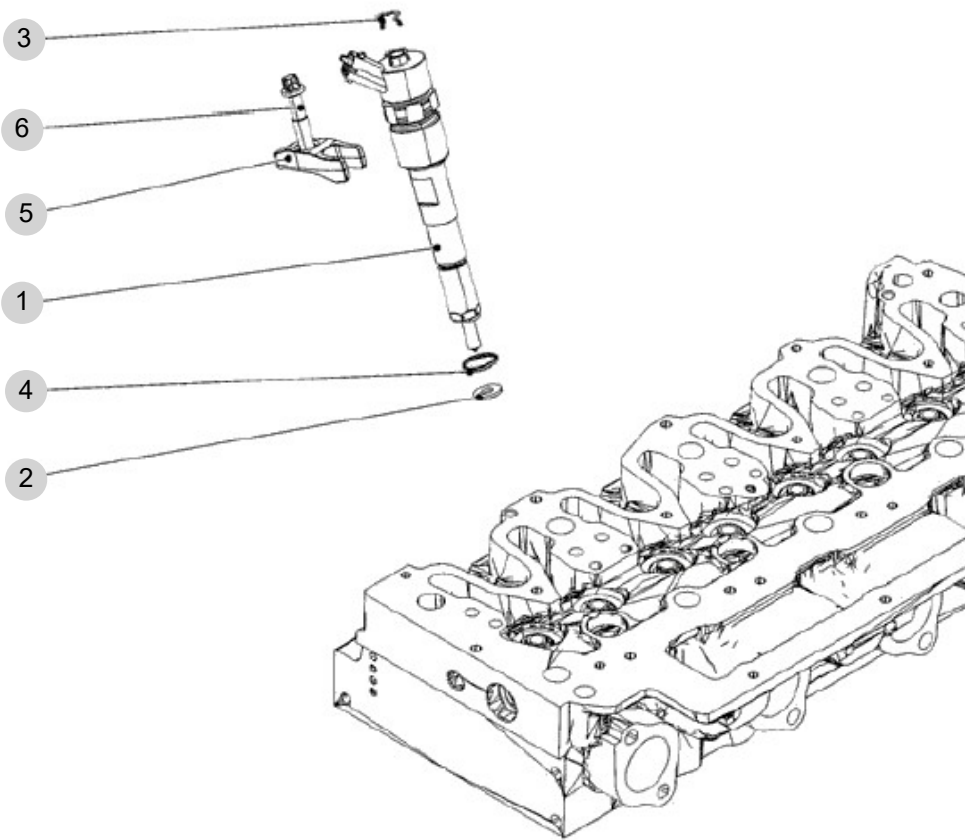
년/월
Year/Month

2022-12

T754SC

19 - 0512 4047

FUEL INJECTOR



NOTE

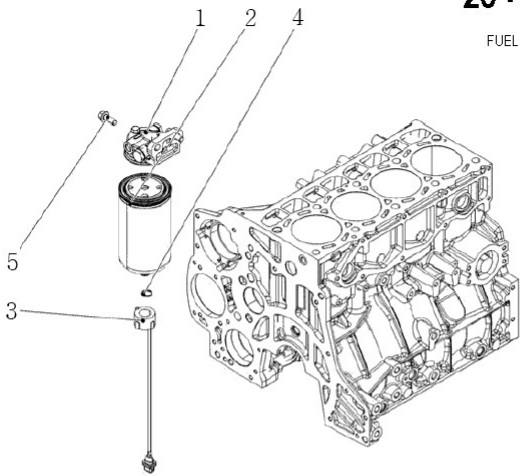
FIG 20

T754SC

0512 4224

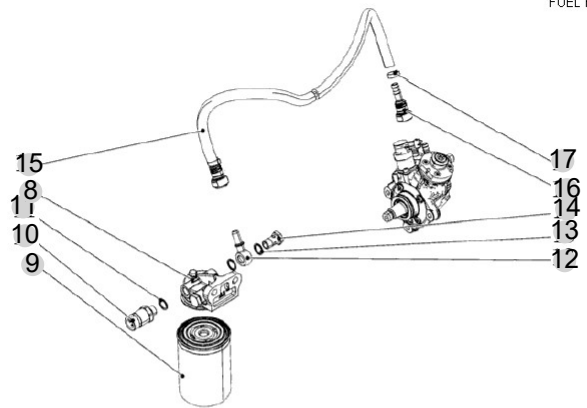
년/월
Year/Month

2022-12



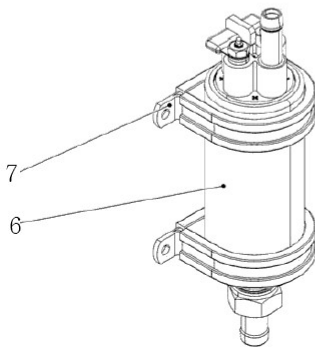
20 - 0512 4064

FUEL PREFILTER



20 - 0512 4224

FUEL FILTER



20 - 0512 4140

FUEL SUPPLY PUMP

NOTE

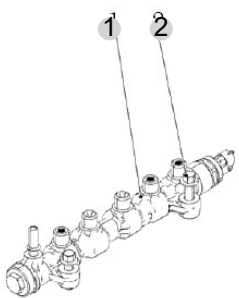
FIG 21

T754SC

0512 4009, 0512 4008, 0512 4299

년/월
Year/Month

2022-12

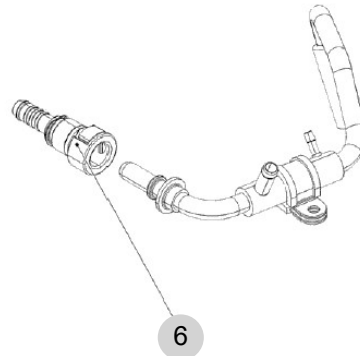


21 - 0512 4008

RAIL

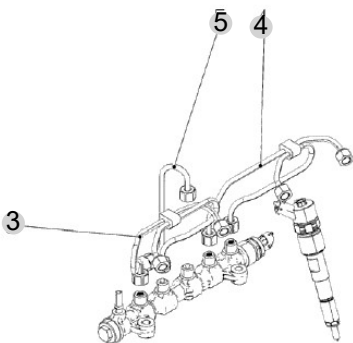
21 - 0512 4286

QUICK-CLUTCHCOUP.



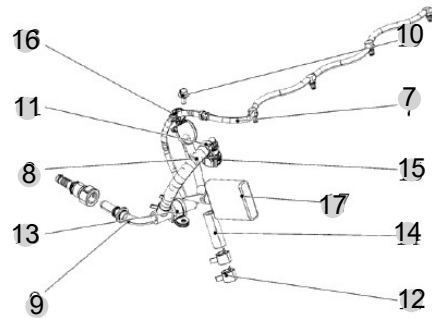
21 - 0512 4009

HIGH PRESSURE PIPE



21 - 0512 4299

FUEL LINE



NOTE

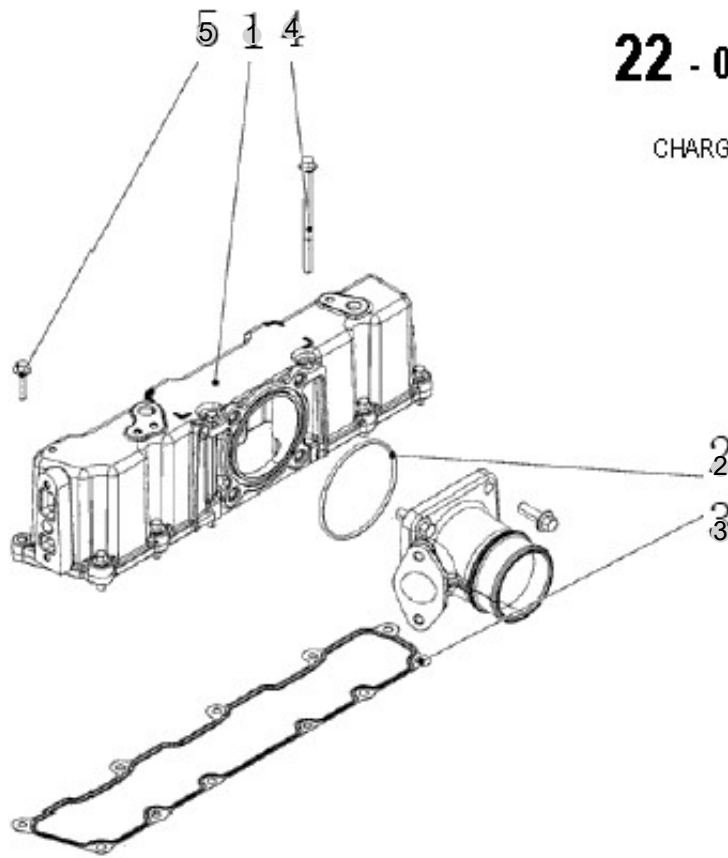
FIG 22

0512 4345, 0512 4392

년/월
Year/Month

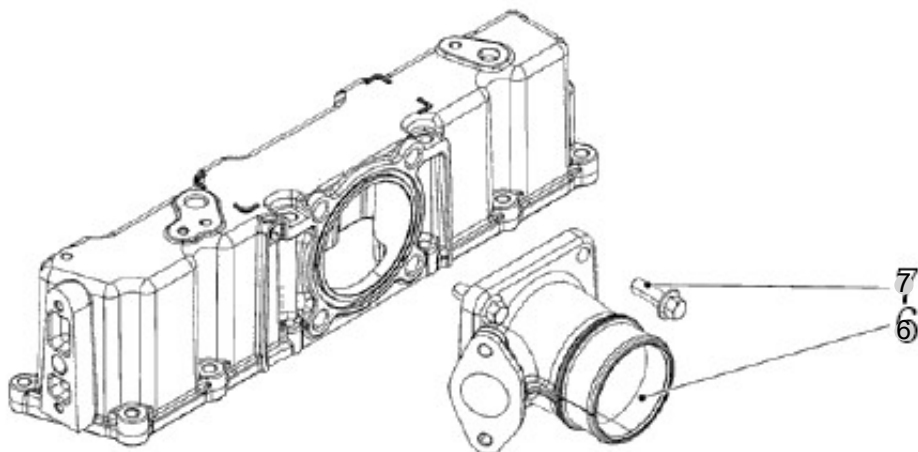
2022-12

T754SC



22 - 0512 4392

CHARGE AIR ELBOW



NOTE

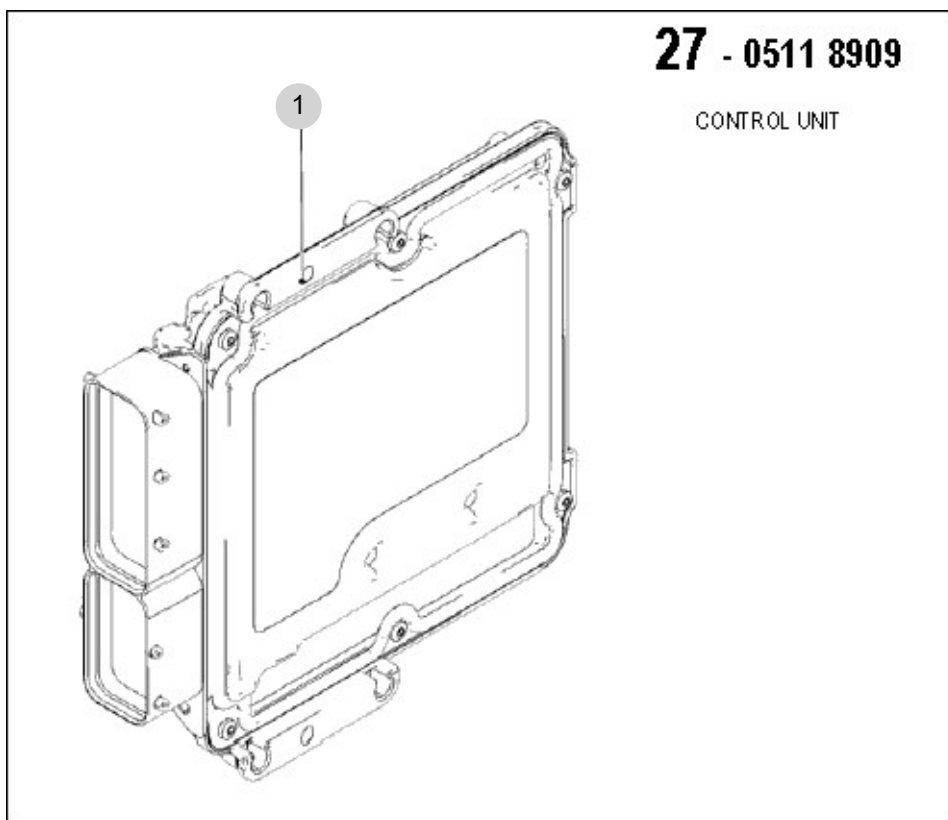
FIG 27

0511 8909

년/월
Year/Month

2022-12

T754SC



NOTE

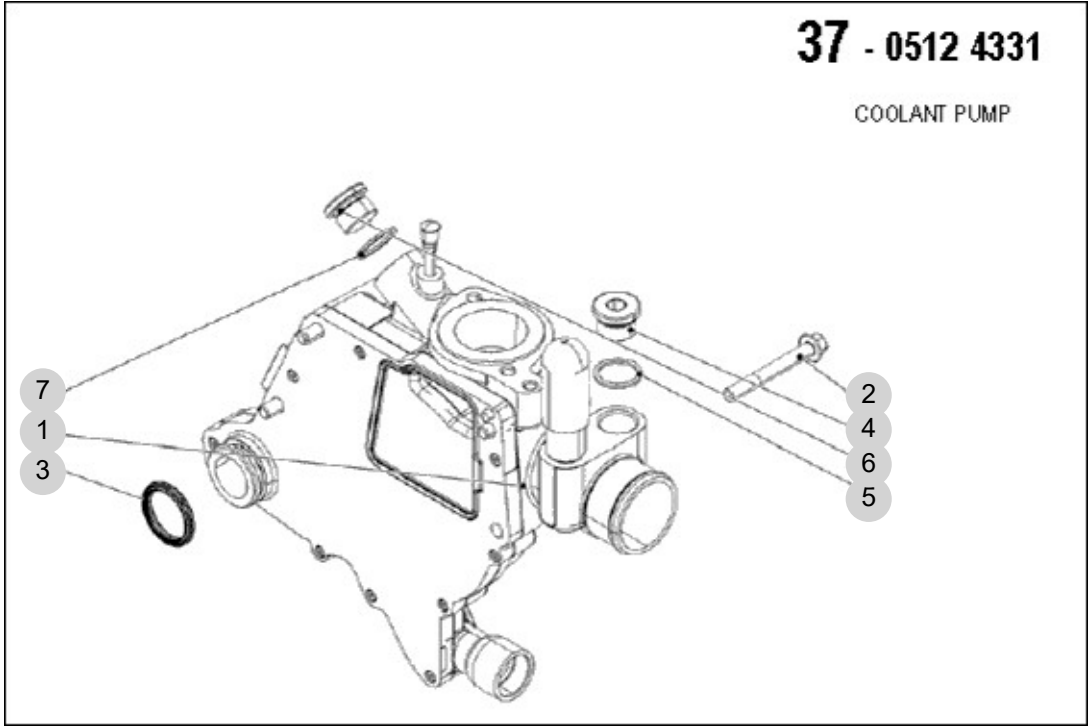
FIG 37

0512 4331

년/월
Year/Month

2022-12

T754SC



NOTE

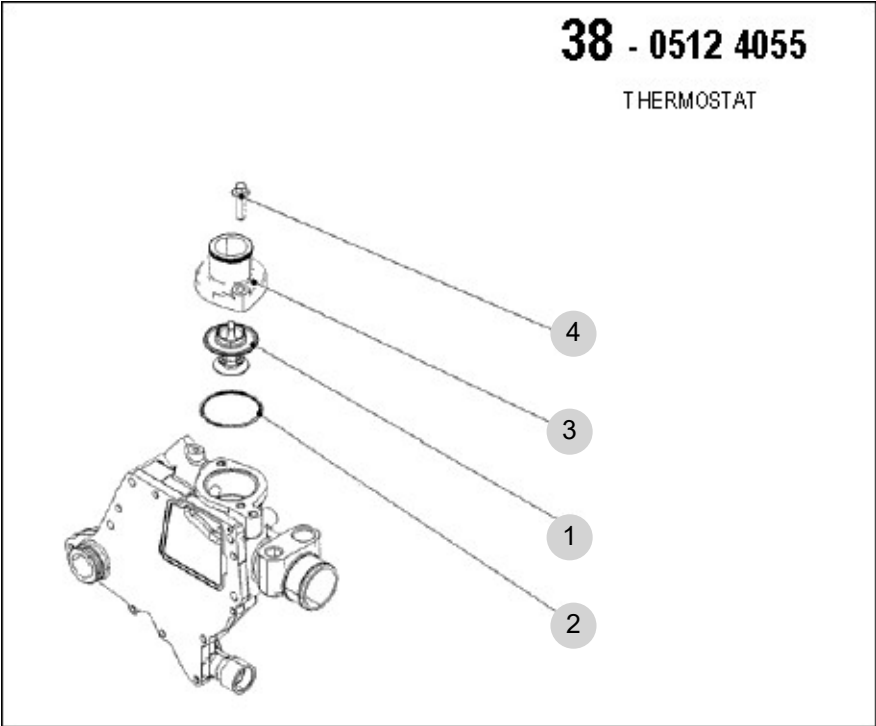
FIG 38

0512 4055

년/월
Year/Month

2022-12

T754SC



NOTE

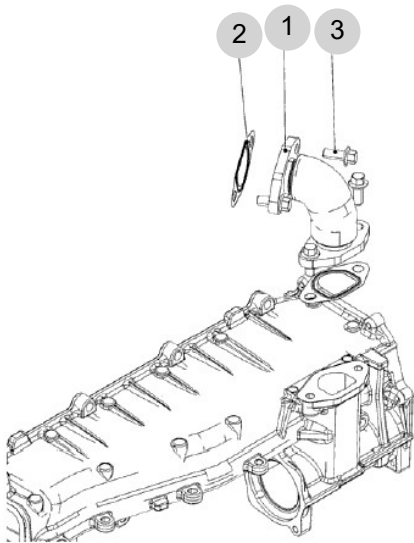
FIG 41

T754SC

0512 4143, 0512 4058, 0512 4097, 0512 4257

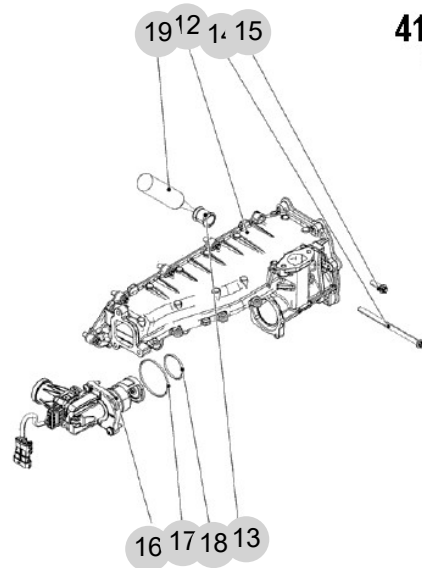
년/월
Year/Month

2022-12



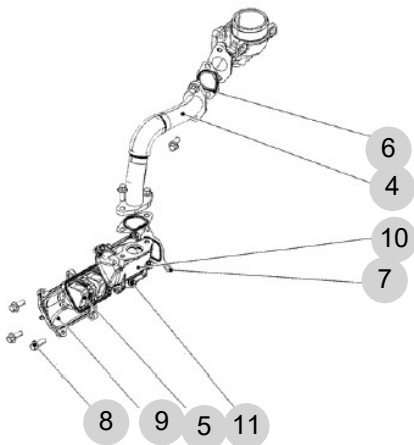
41 - 0512 4058

PIPELINE/LEAD



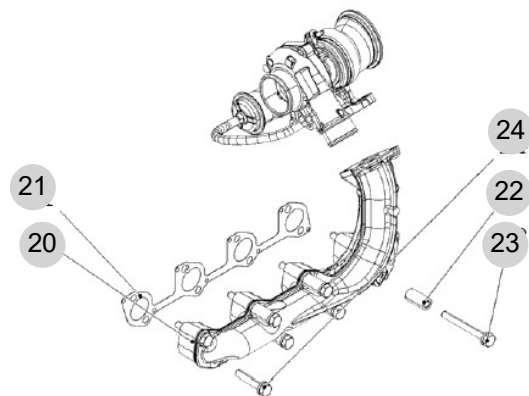
41 - 0512 4143

EGR-MODULE



41 - 0512 4097

PIPELINE/LEAD



41 - 0512 4257

EXHAUST MANIFOLD

NOTE

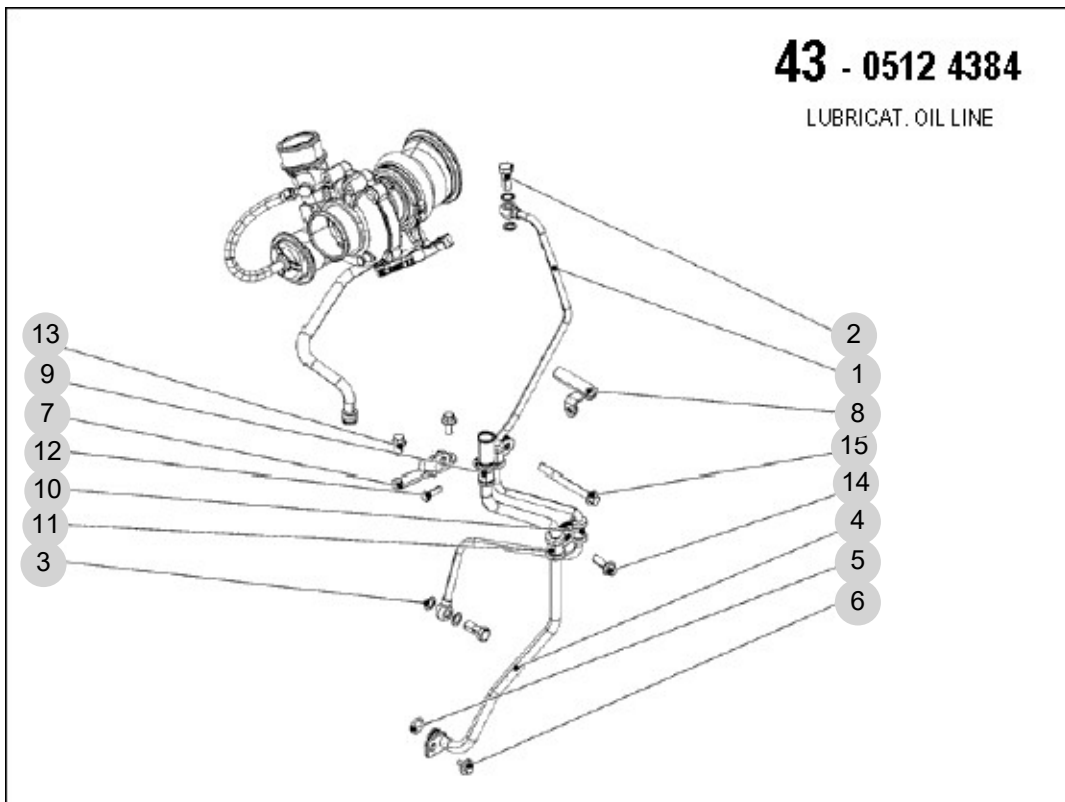
FIG 43

0512 4384

년/월
Year/Month

2022-12

T754SC



NOTE

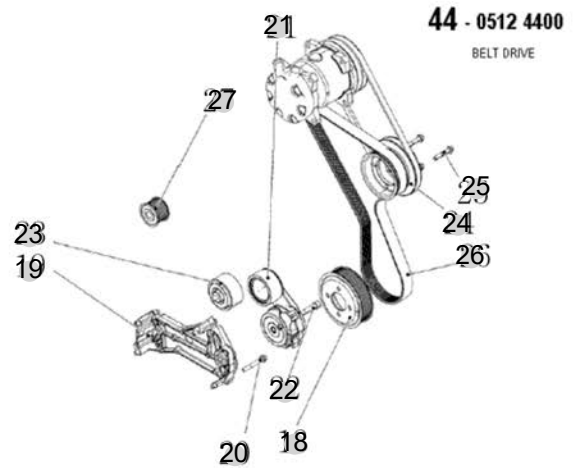
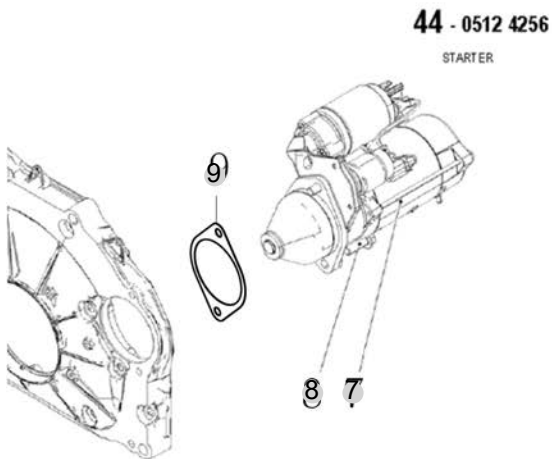
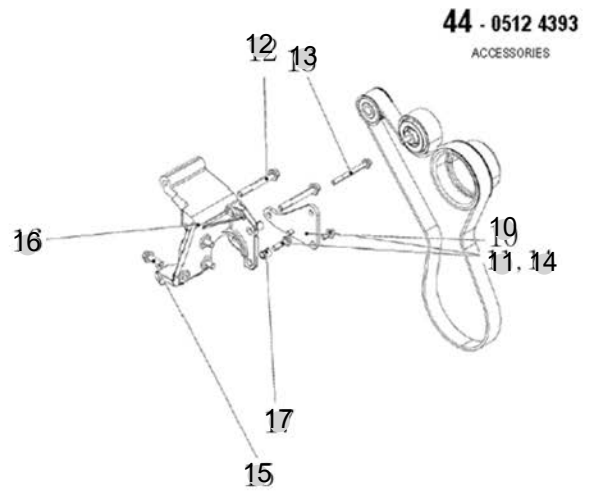
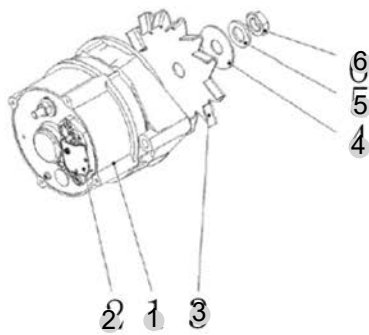
FIG 44

T754SC

0512 4062, 0512 4256, 0512 4393, 0512 4400

년/월
Year/Month

2022-12



NOTE

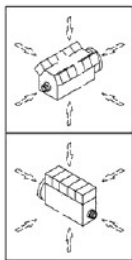
FIG 48-1

0511 7723, 0512 4011, 0512 4098, 0512 4127,
0512 4292

년/월
Year/Month

2022-12

T754SC



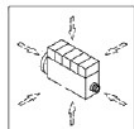
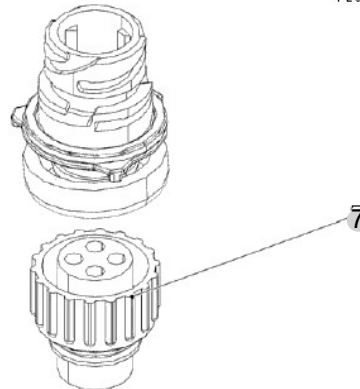
48 - 0511 7723

ATTACHMENT PLUG



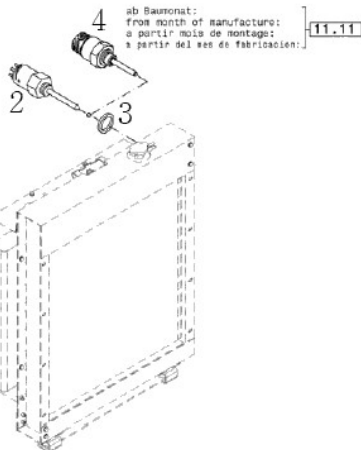
48 - 0512 4098

PLUG-IN CONNECTOR



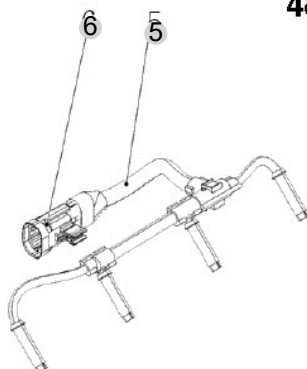
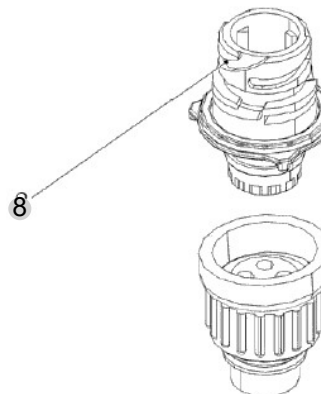
48 - 0511 8568

LEVEL SWITCH



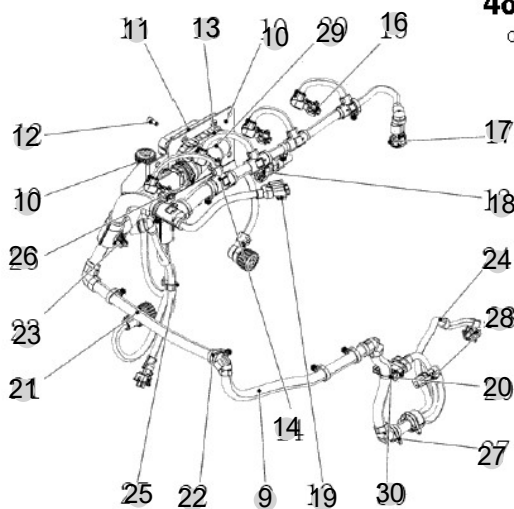
48 - 0512 4127

PLUG-IN CONNECTOR



48 - 0512 4011

CABLE HARNESS



48 - 0512 4292

CABLE HARNESS

NOTE

FIG 48-2

T754SC

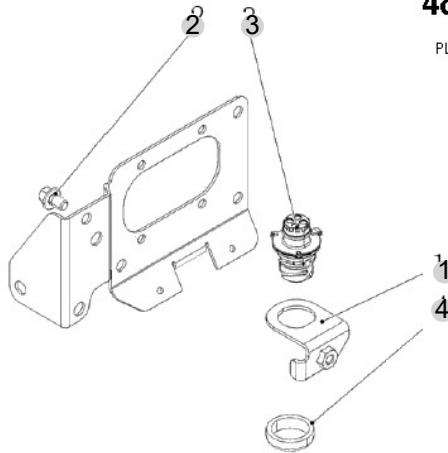
0512 4128, 0512 4293, 0512 4334, 0512 4338,
0512 4343

년/월
Year/Month

2022-12

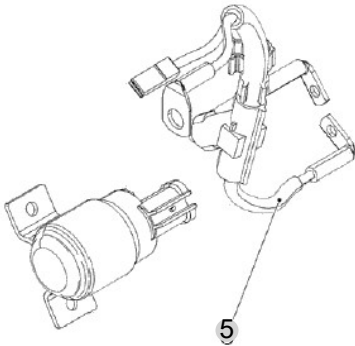
48 - 0512 4128

PLUG-IN CONNECTOR



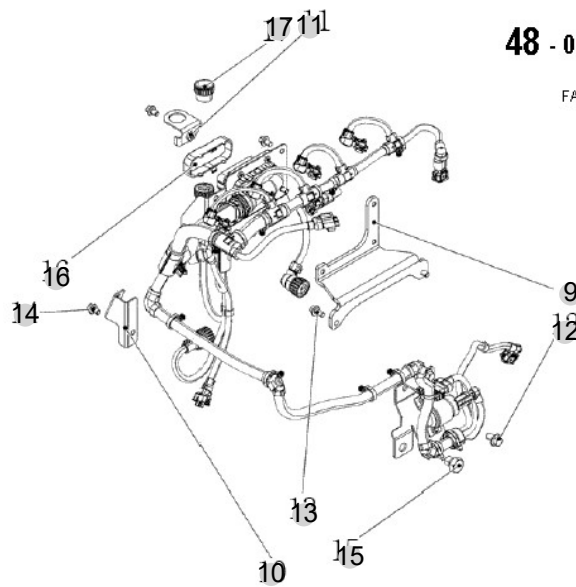
48 - 0512 4293

CONNECTING PIPE



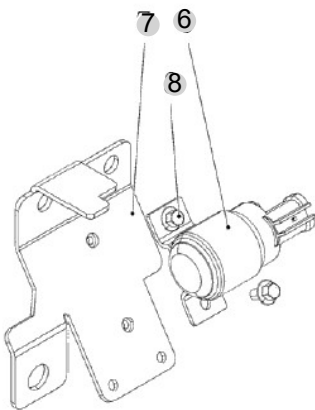
48 - 0512 4338

FASTENINGS



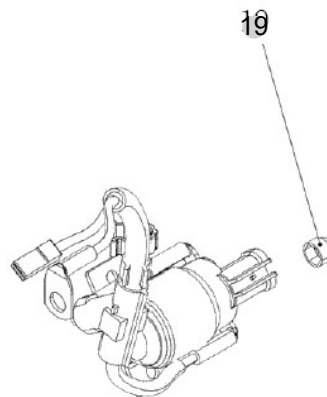
48 - 0512 4334

RELAY



48 - 0512 4343

PROTECTING CAP



NOTE

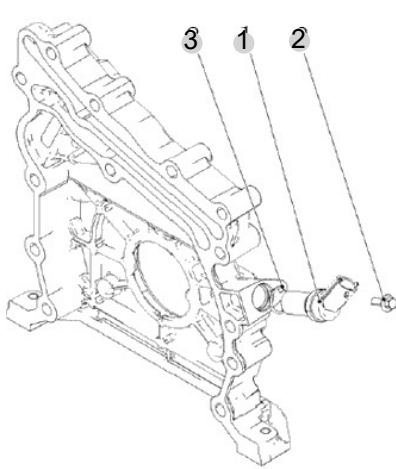
FIG 51

0512 4060, 0512 4104, 0512 4300, 0512 4329

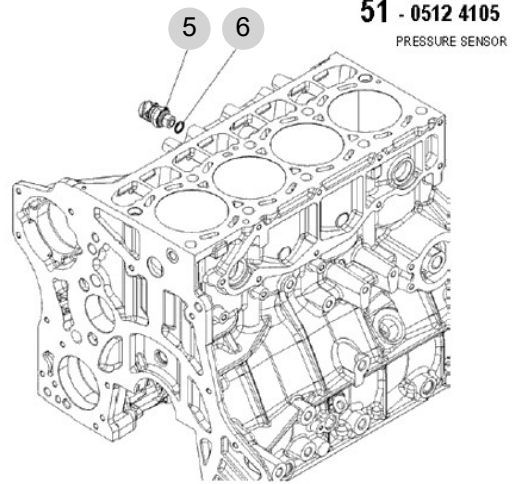
년/월
Year/Month

2022-12

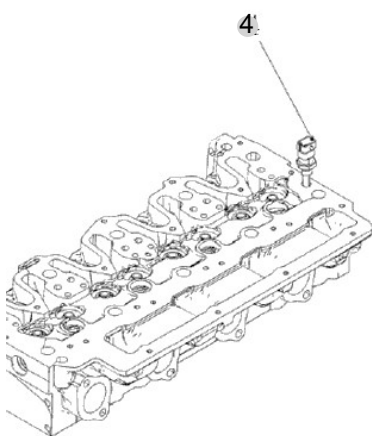
T754SC



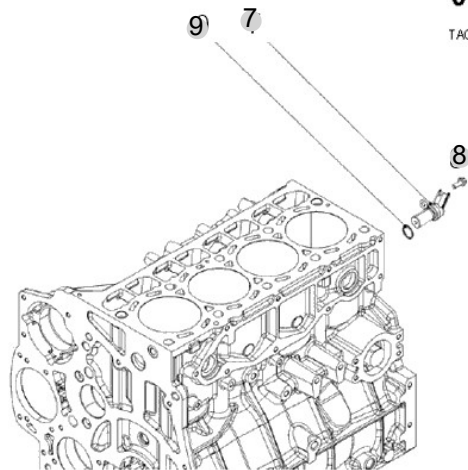
51 - 0512 4060
TACHO-GENERATOR



51 - 0512 4105
PRESSURE SENSOR

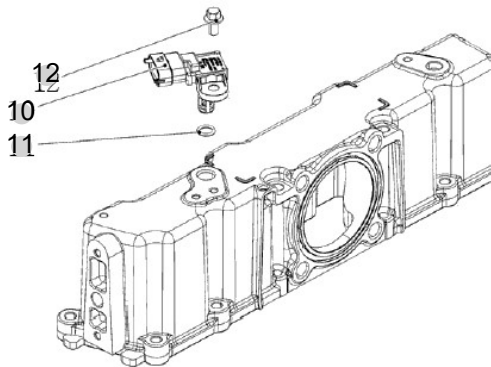


51 - 0512 4104
TEMPER. TRANSMITTER



51 - 0512 4300
TACHO-GENERATOR

51 - 0512 4329
SENSOR



NOTE

FIG 63

0512 4010

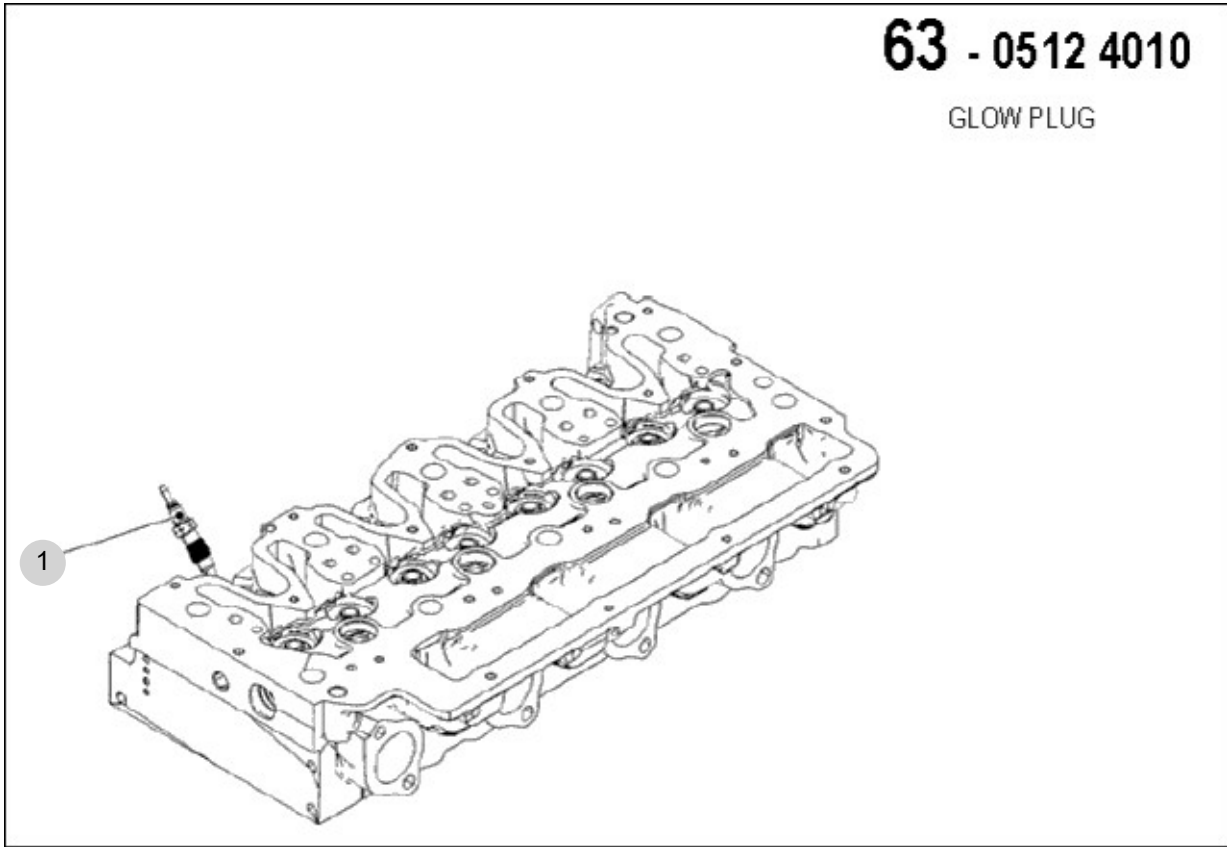
년/월
Year/Month

2022-12

T754SC

63 - 0512 4010

GLOW PLUG



NOTE

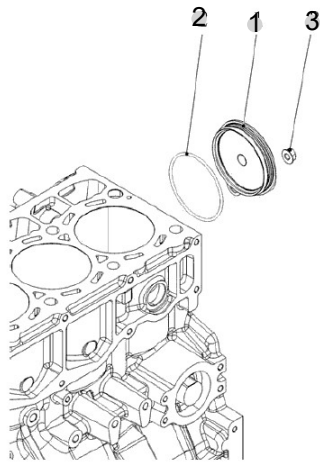
FIG 83

T754SC

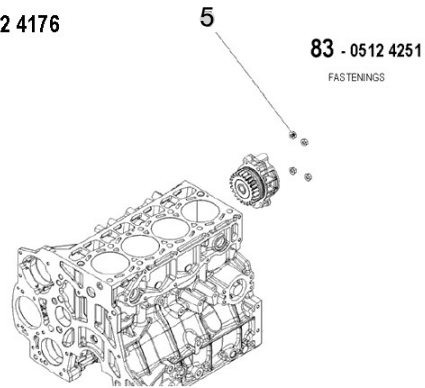
0512 4176, 0512 4180, 0512 4251, 0512 4337,
0512 4339, 0512

년/월
Year/Month

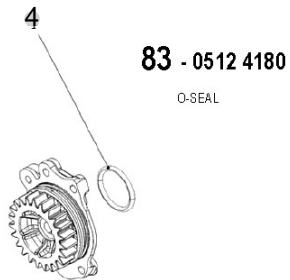
2022-12



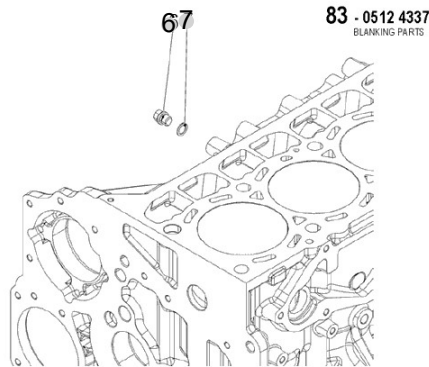
83 - 0512 4176
COVER



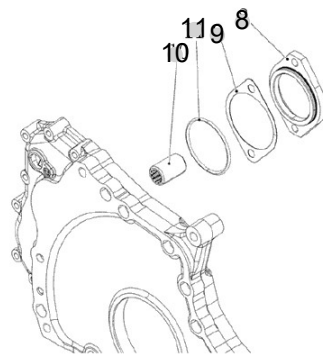
83 - 0512 4251
FASTENINGS



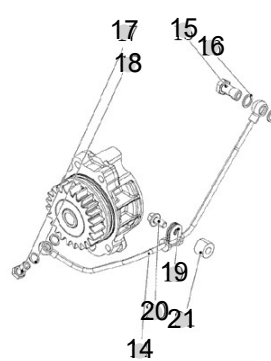
83 - 0512 4180
O-SEAL



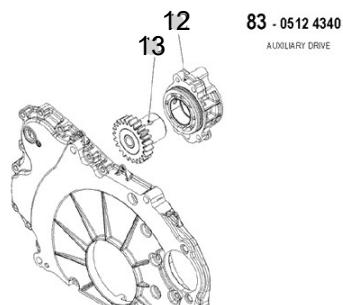
83 - 0512 4337
BLANKING PARTS



83 - 0512 4339
ADAPTERFLANSCH



83 - 0512 4344
LUBRICAT. OIL LINE



83 - 0512 4340
AUXILIARY DRIVE

NOTE

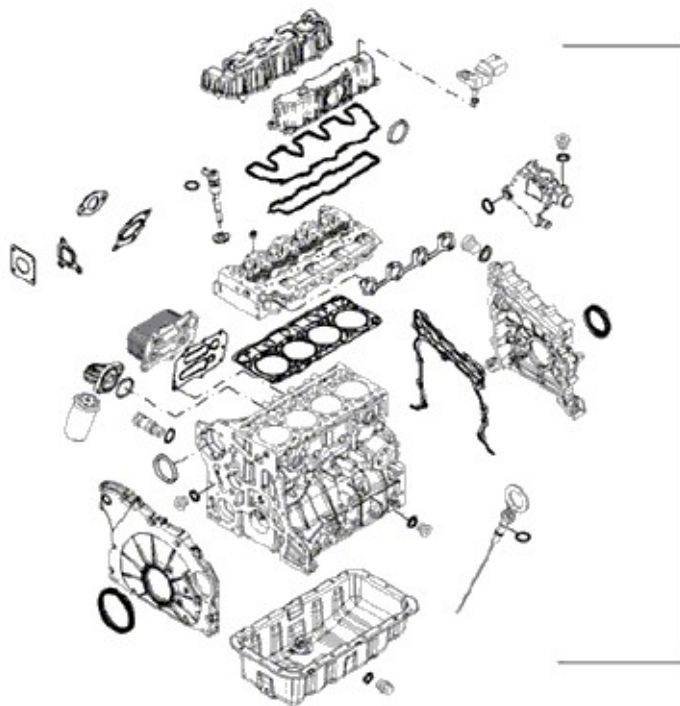
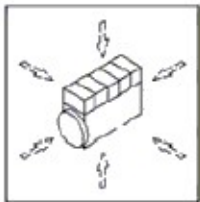
FIG 90

T754SC

0512 4355

년/월
Year/Month

2022-12



90 - 0512 4355

GASKET SET

1

NOTE

2. Engine Accessories PART NO. T2

FIG 201 AIR CLEANER	73
FIG 202 RADIATOR	75
FIG 203 MUFFLER & EXHAUST PIPE	78
FIG 204 FUEL TANK	81
FIG 205 FUEL FILTER & FUEL PUMP	83
FIG 206 OIL COOLER	85

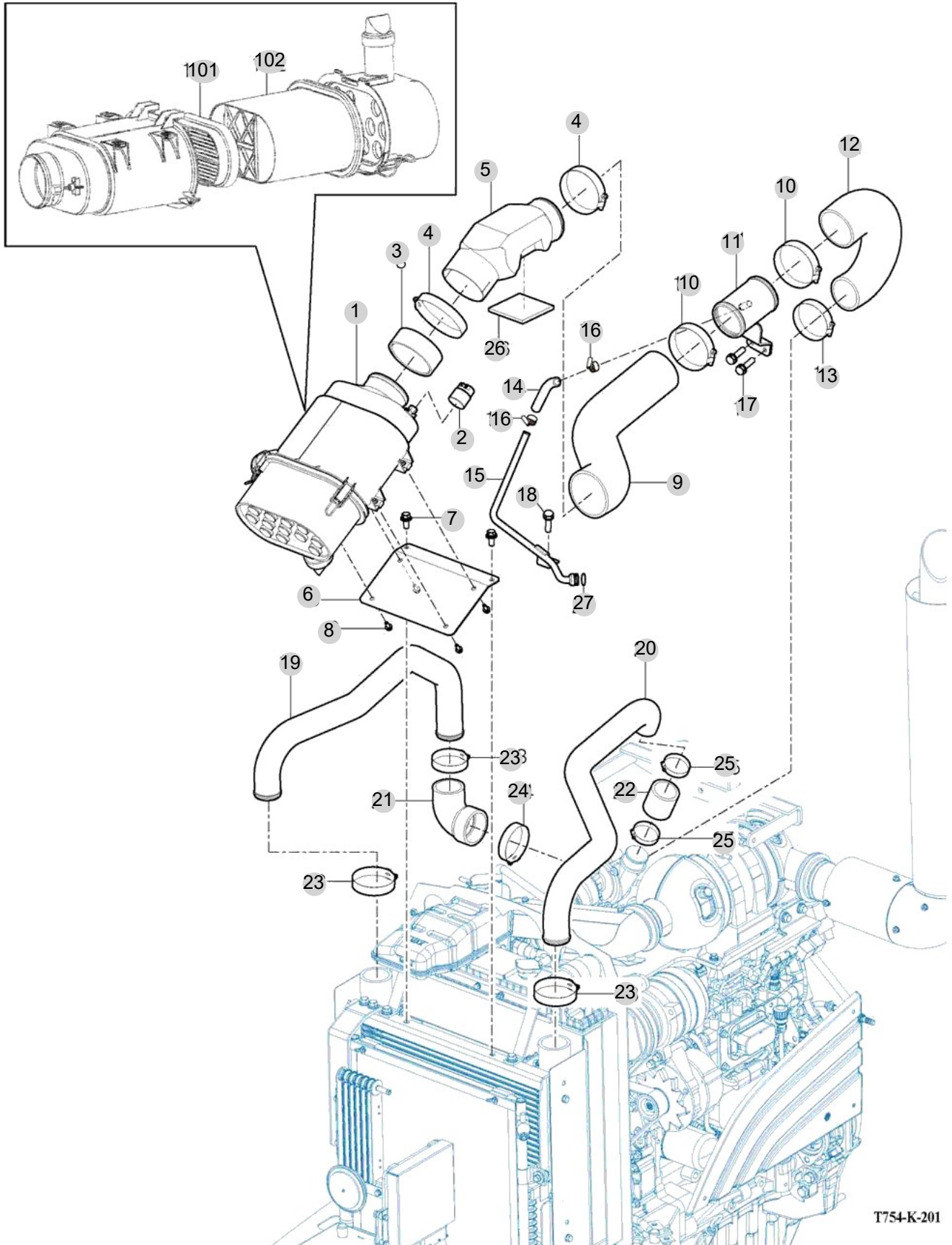
FIG 201

AIR CLEANER

년/월
Year/Month

2022-12

T754SC



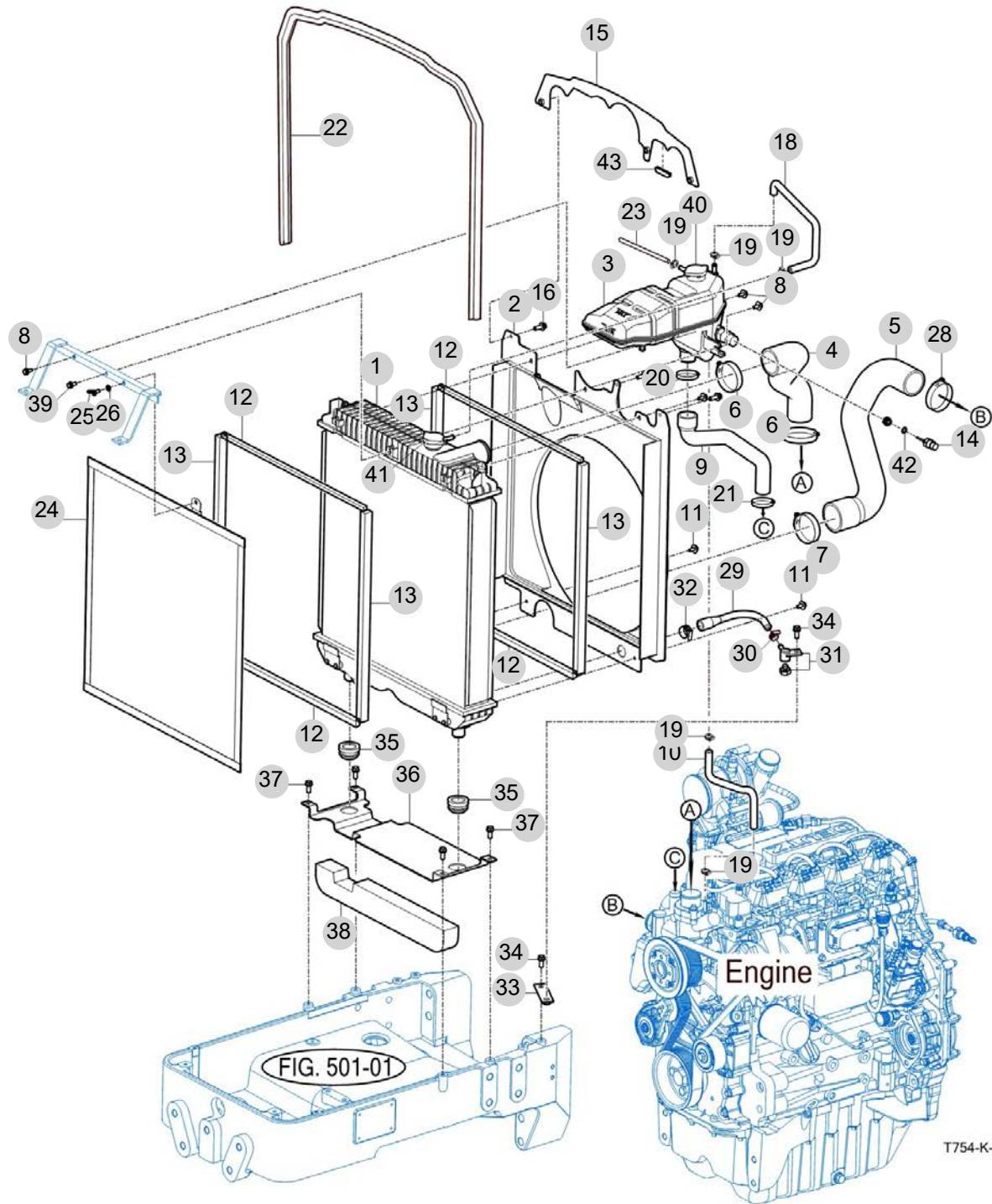
NOTE

FIG 202

RADIATOR

년/월
Year/Month

2022-12



NOTE

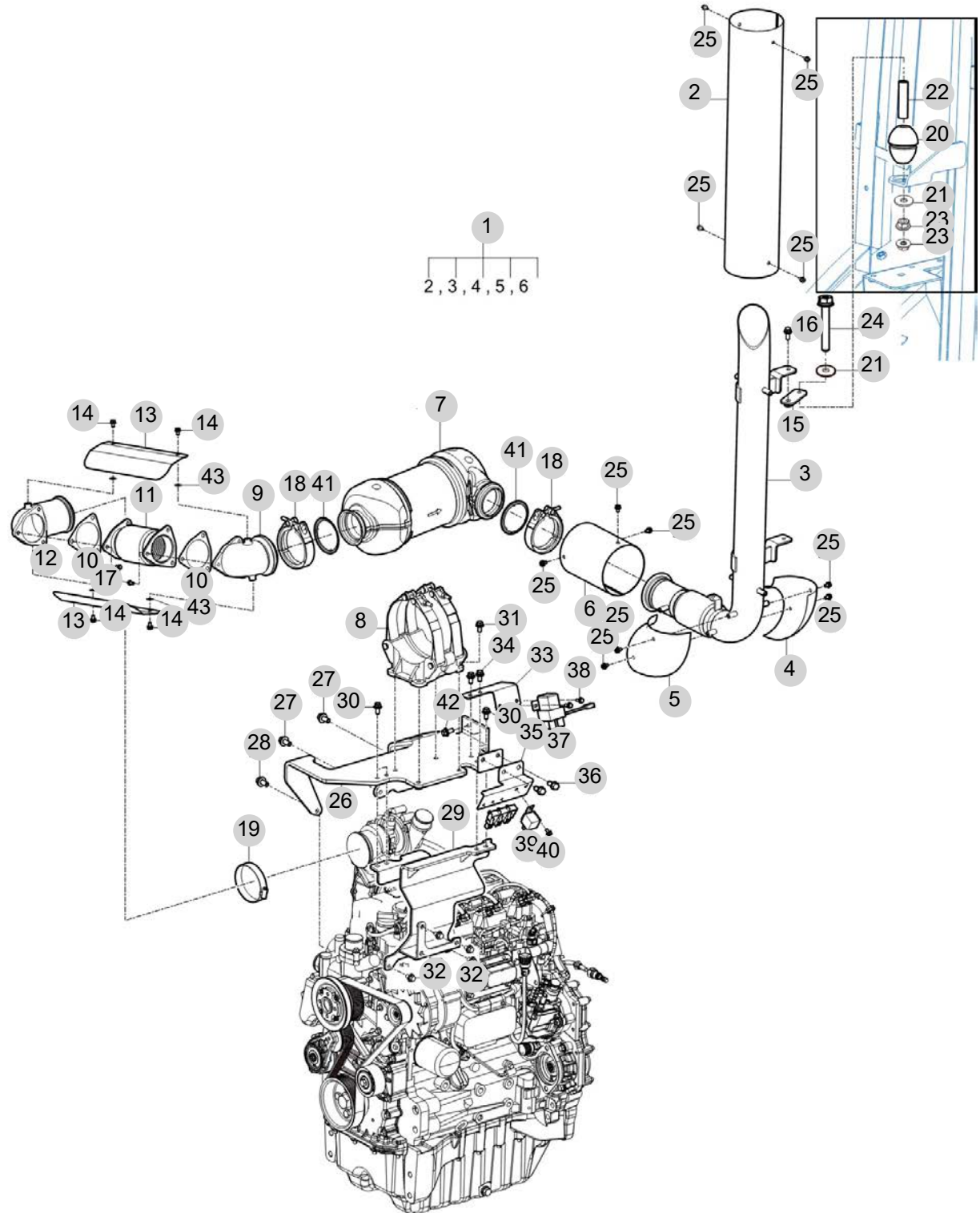
FIG 202		RADIATOR						년/월 Year/Month	
								2022-12	
T754SC									
KEY NO	PART NO	DESCRIPTION	SPEC	QTY	REPAIR	EFFECTIVE DATE	REMARKS		
202	1	18021042500	RADIATOR ASSY						
202	2	18021042201	SHROUD						
202	3	18021041002	RESERVE TANK						
202	3	18021041003	RESERVOIR TANK						
202	4	18021040010	HOSE , RADIATOR INLET						
202	5	18021040020	HOSE , RADIATOR/OUTLET						
202	6	18027090600	BAND CLAMP 60 EMBO TYPE						
202	7	18027090700	BAND CLAMP 70 EMBO TYPE						
202	8	V2193606025	BOLT , HEX/SPL	M6X25					
202	9	18021040030	HOSE ID22						
202	10	18028200081	HOSE 290						
202	11	V2193606016	BOLT , HEX/SPL	M6X16					
202	12	16601042340	SPONGE , 495						
202	13	10011042360	SPONGE , 20X15						
202	14	04218100	LEVEL SWITCH						
202	15	18021042300GB	PLATE COMP , SEAL C						
202	16	V2123606016	BOLT , HEX /SP	M6X16					
202	18	18021040041	HOSE RD TANK						
202	19	14501410050	BAND CLAMP 16						
202	19	18027090160	BAND CLAMP 16 EMBO TYPE						
202	20	14241010050	WIRE CLAMP 42						
202	20	18027090500	BAND CLAMP 50 EMBO TYPE						
202	21	18027090400	BAND CLAMP 40 EMBO TYPE						
202	22	10031040320	INSULATOR						
202	23	18021040050	HOSE , BREATHER 500						
202	24	17811042300GB	NET COMP , RADIATOR						
202	25	V2712606012	BOLT , WING	M6X12					
202	26	V4111600060	WASHER , PLAIN	M6					
202	28	18027090600	BAND CLAMP 60 EMBO TYPE						
202	29	19021040091	HOSE(210)						
202	30	37481850030	BAND CLAMP 18						
202	31	15231041000	CONNECTOR						
202	32	37681850160	BAND CLAMP 25						
202	32	18027090250	BAND CLAMP 25 EMBO TYPE						
202	33	16991041100GB	PLATE COMP , CONNECTOR						
202	34	V2183608025	BOLT , HEX/SP	M8X25					
202	35	19021040020	CUSHION RADIATOR						
202	36	17131142100GB	SUPPORT , RADIATOR						
202	37	V2183608020	BOLT , HEX/SP	M8X20					
202	38	18021040500	INSULATOR , RADIATOR						
202	39	V2323606016	BOLT , C/R HEX/SP	M6X16					
202	40	13011042110	CAP 0.9bar						
202	41	18021042110	CAP ASSY OKPa						
202	42	1148836	SEALING RING						
202	42	01148836	SEALING RING						
NOTE									

FIG 203

MUFFLER & EXHAUST PIPE

년/월
Year/Month

2022-12



NOTE

FIG 203 T754SC		MUFFLER & EXHAUST PIPE					년/월 Year/Month	
							2022-12	
KEY NO	PART NO	DESCRIPTION	SPEC	QTY	REPAIR	EFFECTIVE DATE	REMARKS	
203	1	18021061001	EXHAUST PIPE ASSY			1		
203	1	18021061002	EXHAUST PIPE ASSY			1		
203	1	18021061003	EXHAUST PIPE ASSY			1		
203	7	04603915	CATALYST ax rd 90(DOC)			1		
203	7	04605726	CATALYST ax rd 90(DOC)			1		
203	8	04604243	BRACKET (DOC MOUNT)			1		
203	8	04605741	BRACKET (DOC MOUNT)			1		
203	9	18021061600DD	ELBOW / DOC			1		
203	10	18021061800	GASKET , BELLOWS			2		
203	11	18021061700DD	BELLOWS COMP			1		
203	12	18021061500DD	ELBOW / TC			1		
203	13	18021062100DD	PLATE , INSULATOR			1		
203	13	18021062400DD	PLATE COMP , INSULATION			1		
203	14	V2123606016	BOLT , HEX /SP	M6X16		4		
203	15	18021061900GB	CONNECTOR COMP			1		
203	16	V2183608020	BOLT , HEX/SP	M8X20		1		
203	17	V2173608020	BOLT , HEX/S	M8X20		6		
203	18	04603585	CLIP			1		
203	18	04607110	CLIP			2		
203	19	04602018	CLIP			1		
203	20	18501058010	RUBBER, VIBRATION			2		
203	21	35605033020	WASHER , WIRE WITHDRAWAL			4		
203	22	18501058020	SPACER			2		
203	23	V3802600060	NUT , HEX FLANGE	M6		4		
203	24	V2053606080	BOLT , HEX C/R	M6X80		2		
203	25	V2327006012	BOLT , C/R HEX/SP	M6X12		11		
203	26	18021051502GB	BRACKET COMP , DOC			1		
203	26	18021051503GB	BRACKET COMP , DOC			1		
203	27	V2183608025	BOLT , HEX/SP			6		
203	27	V2183608025	BOLT , HEX/SP	M8X25		2		
203	28	V2183608025	BOLT , HEX/SP	M8X25		1		
203	29	18021052500GB	BRACKET COMP , DOC SIDE			1		
203	30	V2183608030	BOLT , HEX/SP	M8X30		4		
203	31	V2183608035	BOLT , HEX/SP	M8X35		4		
203	32	V2183608020	BOLT , HEX/SP	M8X20		5		
203	33	18021051601GB	BKT COMP , GLOW RELAY			1		
203	34	V2183608025	BOLT , HEX/SP	M8X25		2		
203	35	18021052101GB	BKT COMP , FUSE			1		
203	36	V2183608025	BOLT , HEX/SP	M8X25		2		
203	37	10036802800	RELAY ASSY , GLOW			1		
203	38	V2123606016	BOLT , HEX /SP	M6X16		2		
203	39	11616212900	RELAY 5P			1		
203	40	V2123606016	BOLT , HEX /SP			1		
203	41	04600004	GASKET DOC			2		
203	42	V2183608025	BOLT , HEX/SP			2		
NOTE								

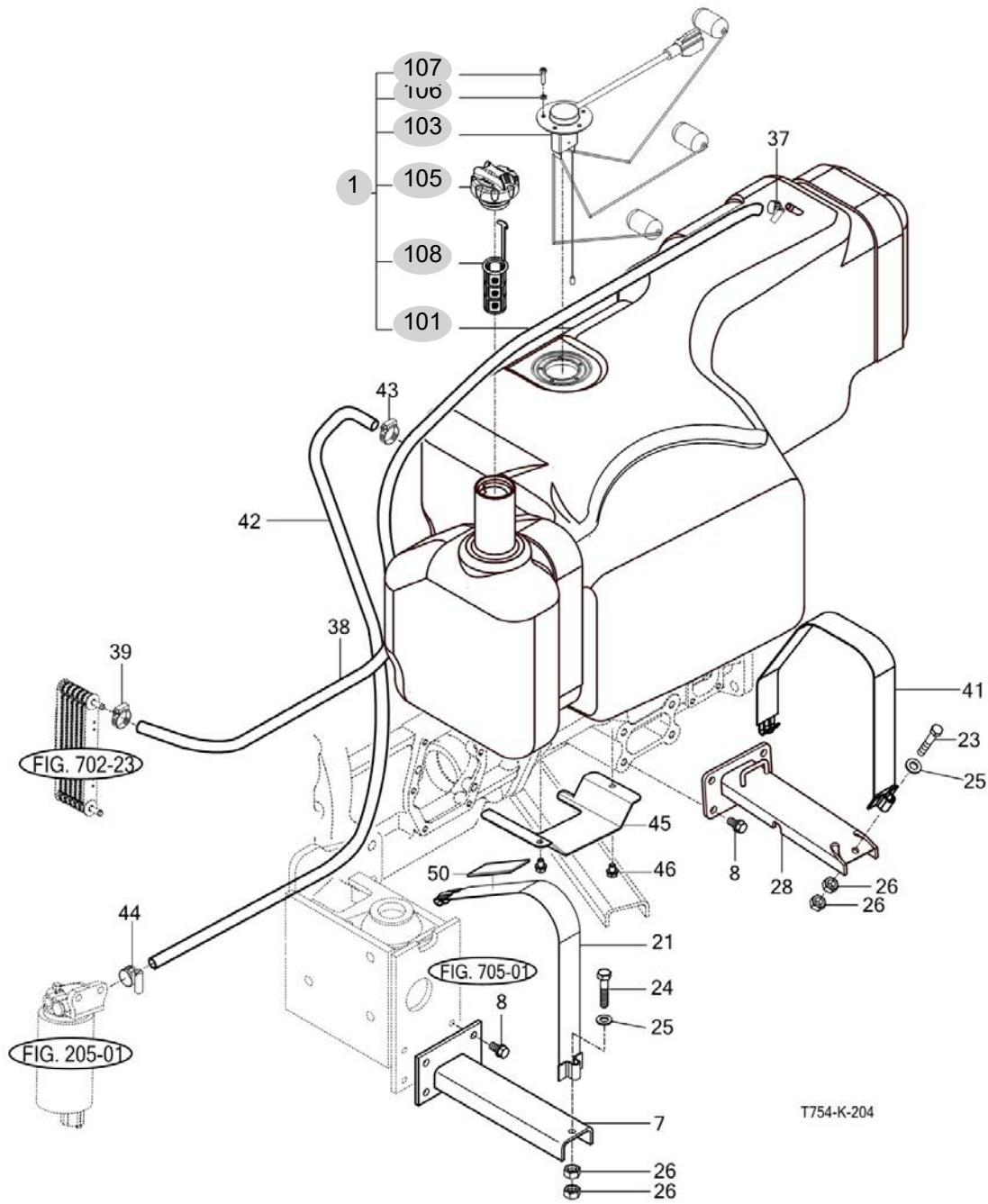
FIG 204

T754SC

FUEL TANK

년/월
Year/Month

2022-12



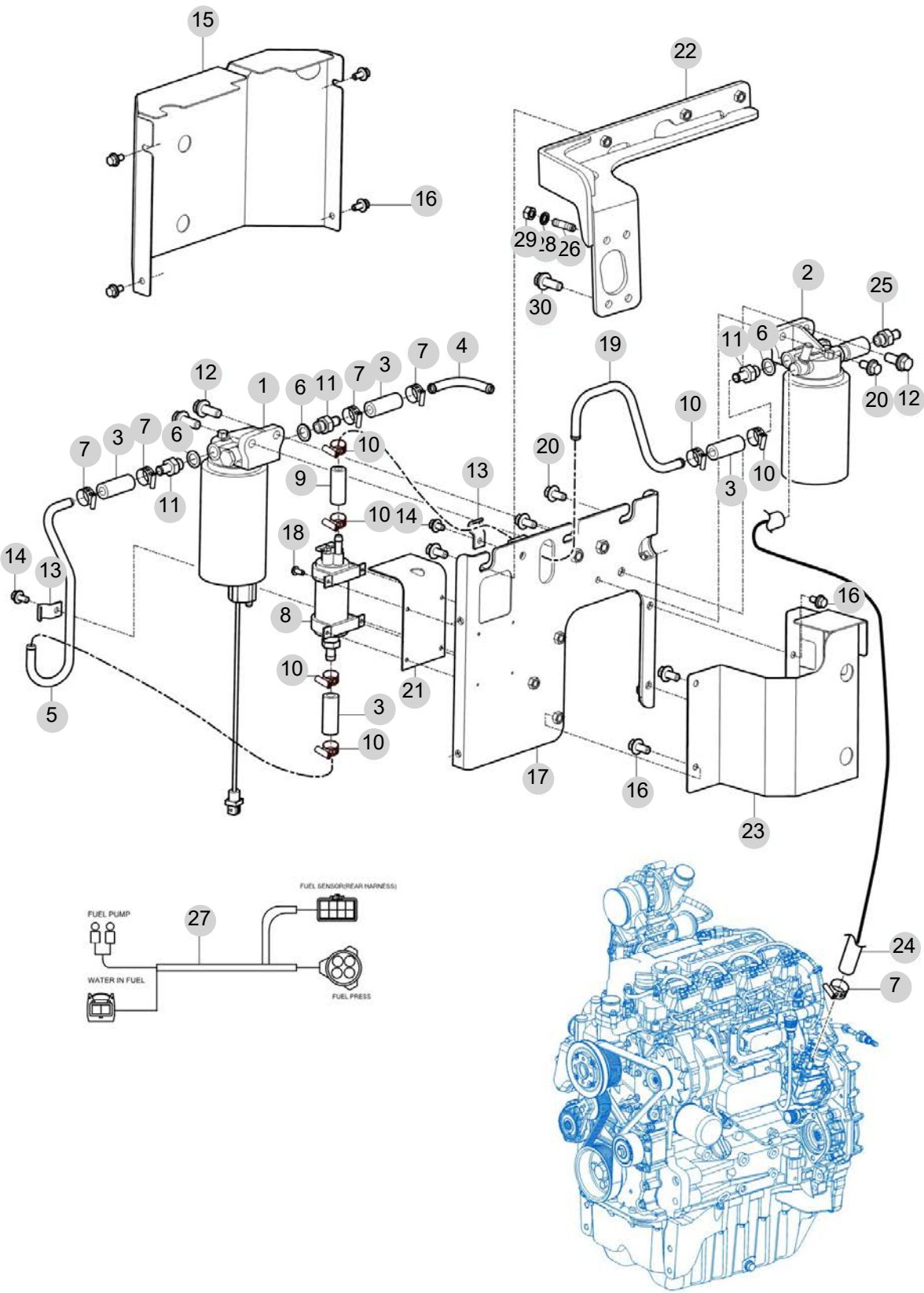
NOTE

FIG 205

FUEL FILTER & FUEL PUMP

년/월
Year/Month

2022-12



NOTE

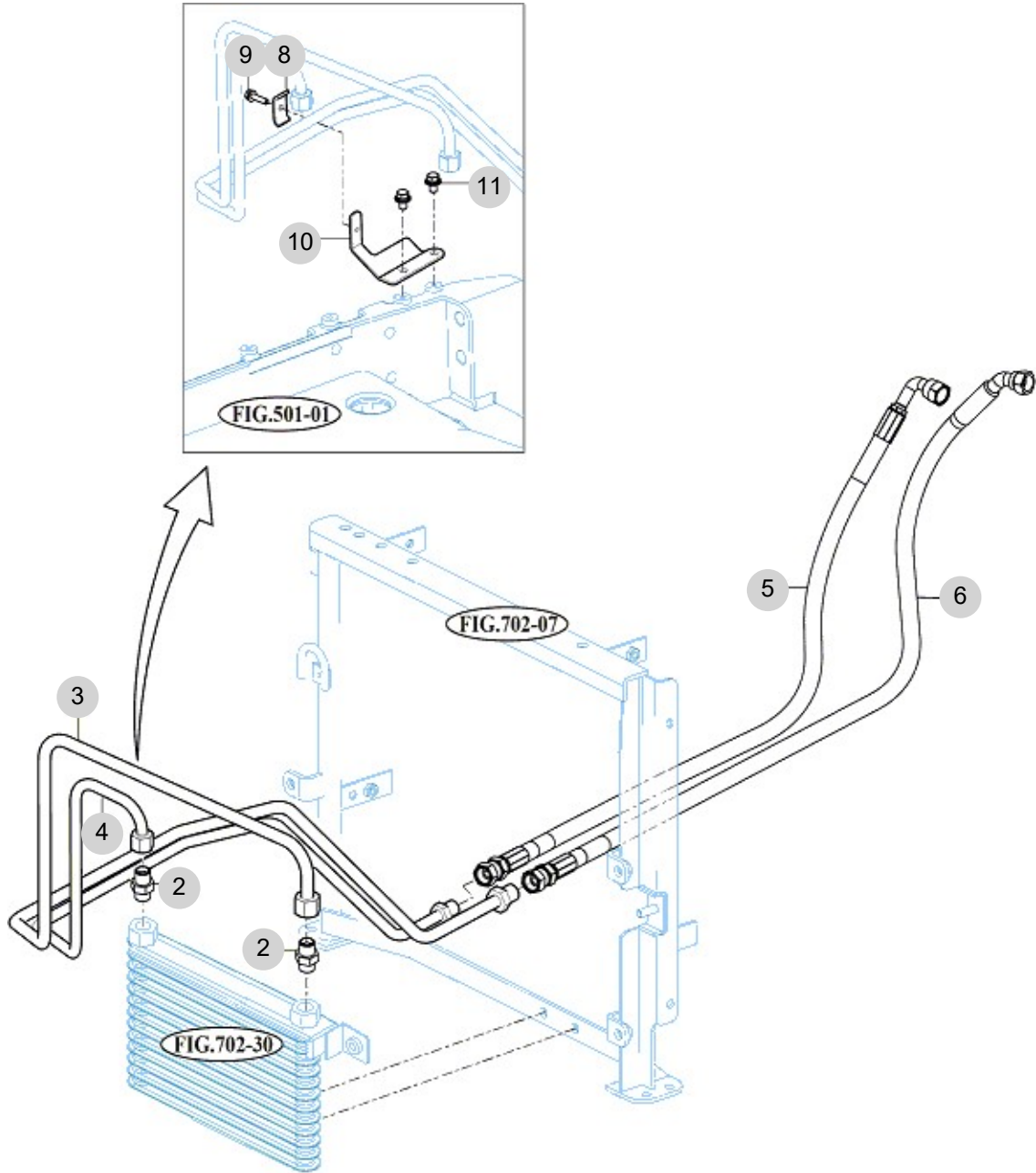
FIG 206

T754SC

OIL COOLER

년/월
Year/Month

2022-12



X750QP-K-207

NOTE

3. Clutch/Brake/Steering PART NO. T3

FIG 301 CLUTCH	88
FIG 302 CLUTCH PEDAL	90
FIG 303 BRAKE PEDAL & LINK	93
FIG 304 FRONT WHEEL	95
FIG 305 REAR WHEEL	97
FIG 306 POWER STEERING WHEEL	99
FIG 307 POWER STEERING VALVE	101
FIG 308 POWER STEERING CYLINDER	103
FIG 309 HAND BRAKE & BRAKE	105

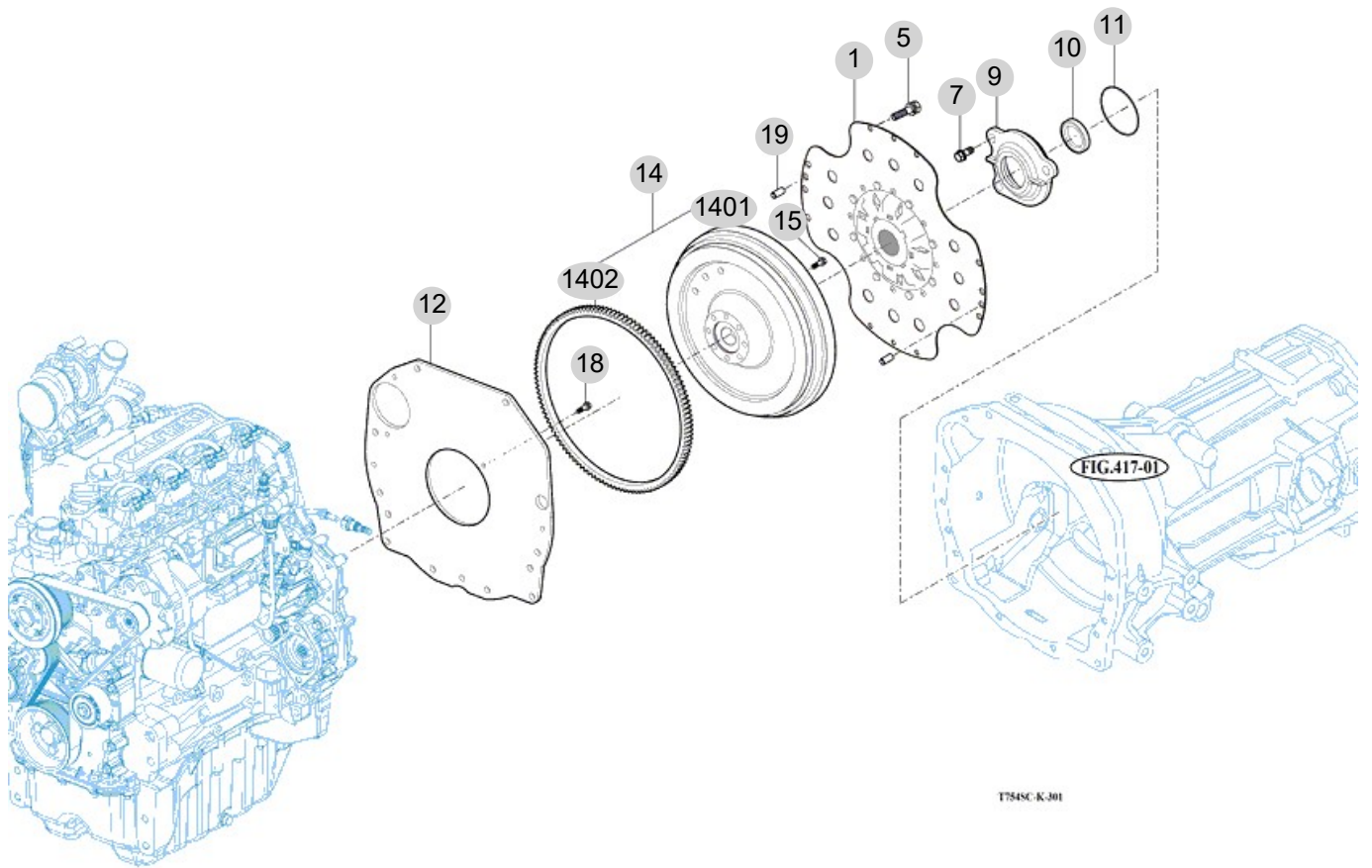
FIG 301

T754SC

CLUTCH

년/월
Year/Month

2022-12



NOTE

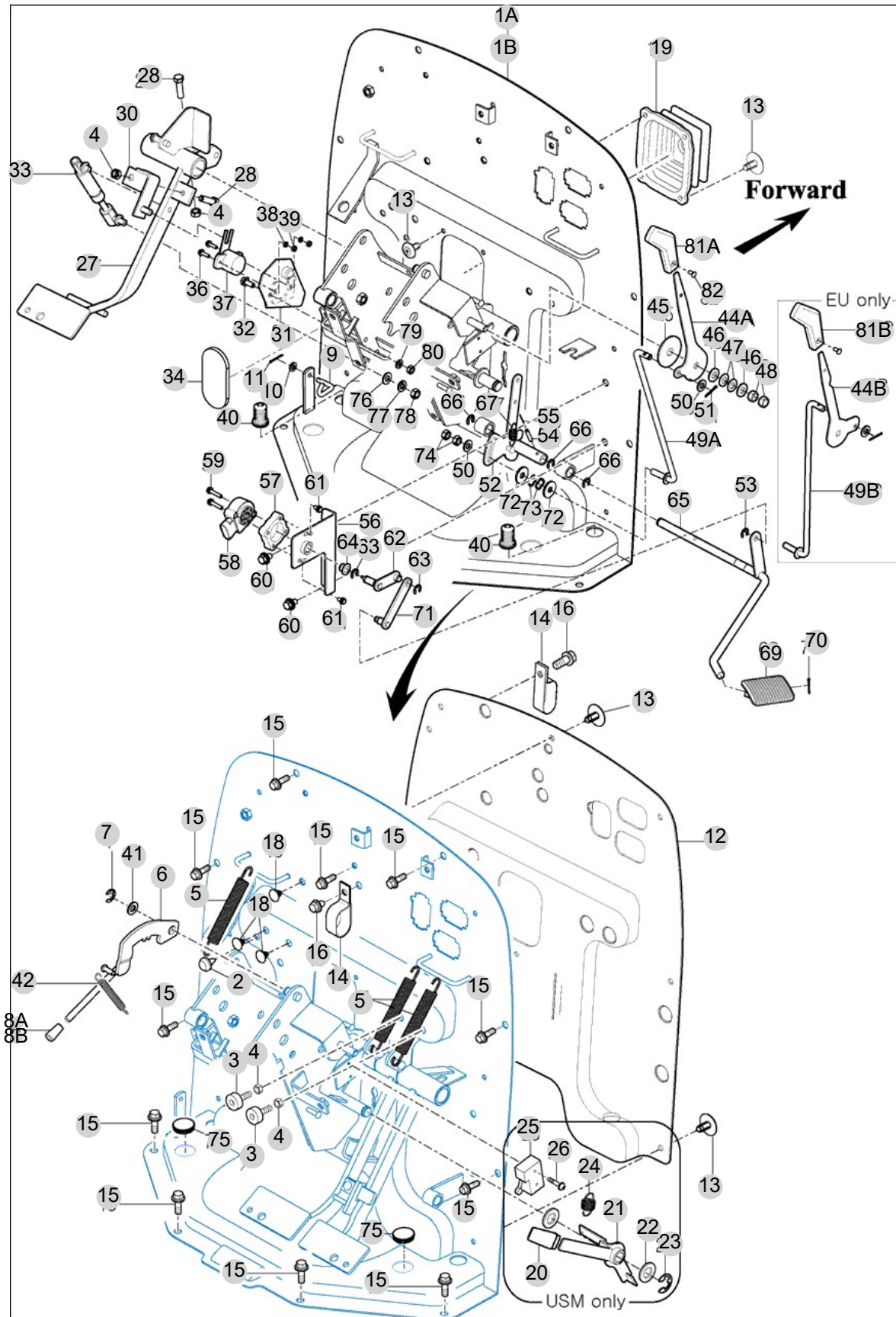
FIG 302

CLUTCH PEDAL

년/월
Year/Month

2022-12

T754SC



NOTE

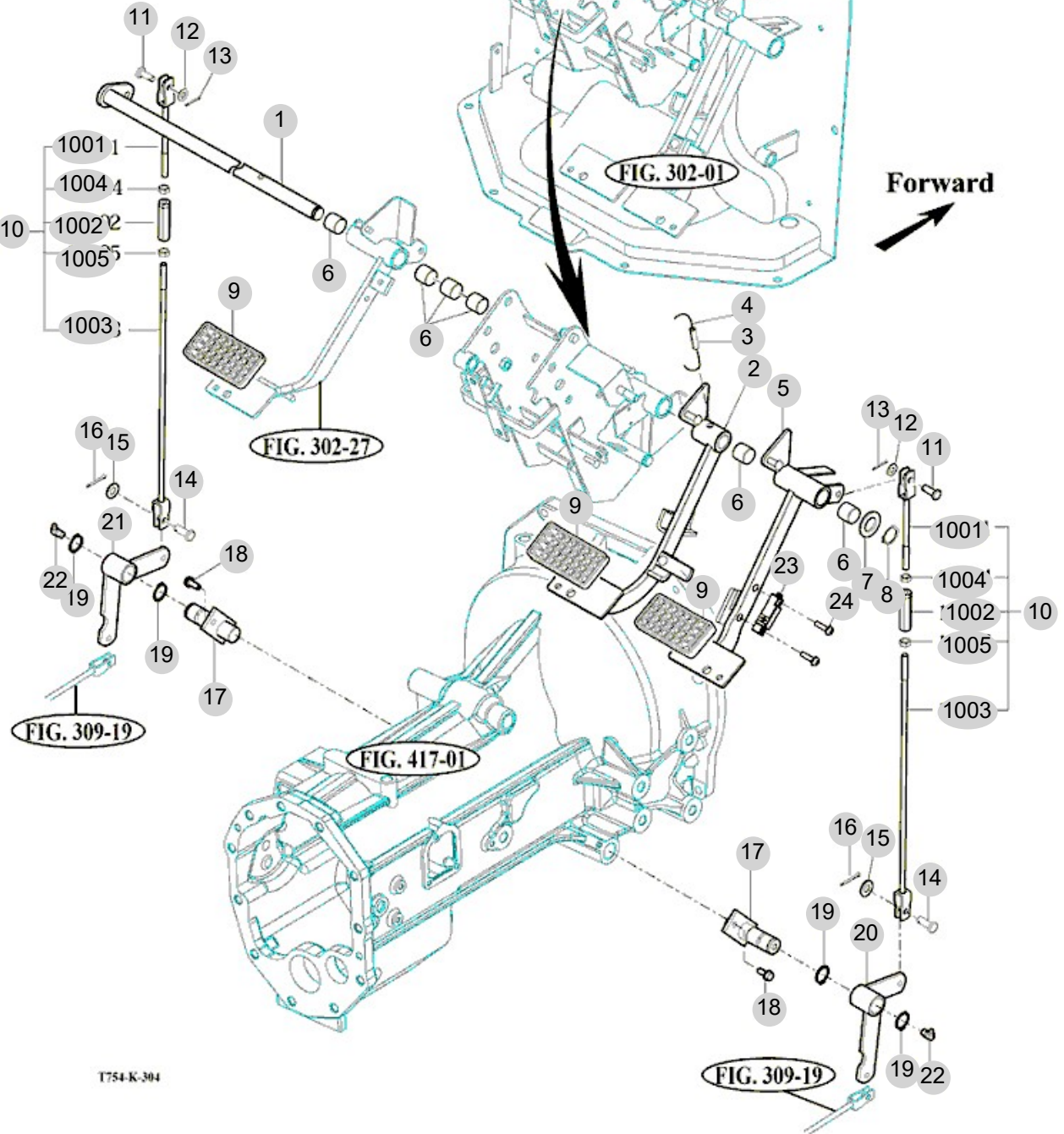
FIG 302		CLUTCH PEDAL						년/월 Year/Month	
								2022-12	
T754SC		KEY NO	PART NO	DESCRIPTION	SPEC	QTY	REPAIR	EFFECTIVE DATE	REMARKS
302	1A	15736304200GB	PANEL COMP , DASH			1			
302	2	14326160020	RUBBER , CUSHION	1X1X1		1			
302	3	14216020051	RUBBER , CUSHION B	1X1X1		2			
302	4	V3043600080	NUT , HEX/2	M8		4			
302	5	14041200080	RETURN SPRING , CLUTCH	HL2000공용		3			
302	6	14724042401GB	LEVER COMP , TILT	1X1X1		1			
302	7	V7081400090	E-RING	9		1			
302	8A	21615250020	GRIP , LEVER/RED			1			
302	9	15441230050	ROD	D=5.25 5.3		1			
302	10	V4111600060	WASHER , PLAIN	M6		1			
302	11	V5001920020	PIN , SPLIT	2X20		1			
302	12	18027071991	INSULATOR,DASH			1			
302	13	17686040020	RIVET SET , black	SV625		13			
302	14	14441010161	CLAMP , RADIATOR HOSE	1X1X1		2			
302	15	V2183608016	BOLT , HEX/SP	M8X16		10			
302	16	V2183608020	BOLT , HEX/SP	M8X20		2			
302	18	15276040020	CLIP , TRIM	1X1X1		3			
302	19	19996300010	BOOT,STEERING/HOSE	T=1.5		1			
302	20	34523030020	GRIP , THROTTLE	1X1X1		1			
302	21	14523293301GB	LEVER COMP,PARKING	1X1X1		1			
302	22	V4111600160	WASHER , PLAIN	M16		1			
302	23	V7081400150	E-RING	15		1			
302	24	14321200040	SPRING , TENSION 31	D=1.2		1			
302	25	16756214701	SWITCH ASSY , SAFETY	1X1X1		1			
302	26	V1222604025	SCREW , C/R PAN/SP	M4X25		2			
302	27	19991332100GB	PEDAL COMP , CLUTCH	340*100*150		1			
302	28	V2013608030	BOLT , HEX	M8X30		2			
302	30	14541332400	PLATE COMP , SENSOR PIN	1X1X1		1			
302	31	14546303400	PLATE COMP , SENSOR	1X1X1		1			
302	32	V2113606016	BOLT , HEX /S	M6X16		1			
302	33	14541332200	DAMPER ASSY , CLUTCH	1X1X1		1			
302	34	14546301230	INSULATOR , CLUTCH PEDAL	1X1X1		1			
302	36	V1222604016	SCREW , C/R PAN/SP	M4X16		2			
302	37	14545300020	POTENTIOMETER ASSY	1X1X1		1			
302	38	V4011600040	WASHER , SPRING	M4		2			
302	39	V3002600040	NUT , HEX/1	M4		2			
302	40	14521160090	BOOT , BRAKE ROD	1X1X1		2			
302	41	V4111600120	WASHER , PLAIN	M12		1			
302	42	16001200080	RETURN SPRING , BRAKE	1X1X1		1			
302	44A	19991162111	PLATE , THROTTLE LEVER			1			
302	45	14141170050	LINING , 13X50X3	T=3		1			
302	46	V4111600100	WASHER , PLAIN	M10		2			
302	47	14527060010	WASHER , JERBSI SPRING/10	M10		1			
302	48	V3342600100	NUT , HEX FINE/2	M10		1			
302	49A	17461162500	ROD COMP , THROTTLE			1			
NOTE									

FIG 303

BRAKE PEDAL & LINK

년/월
Year/Month

2022-12



T754-K-304

NOTE

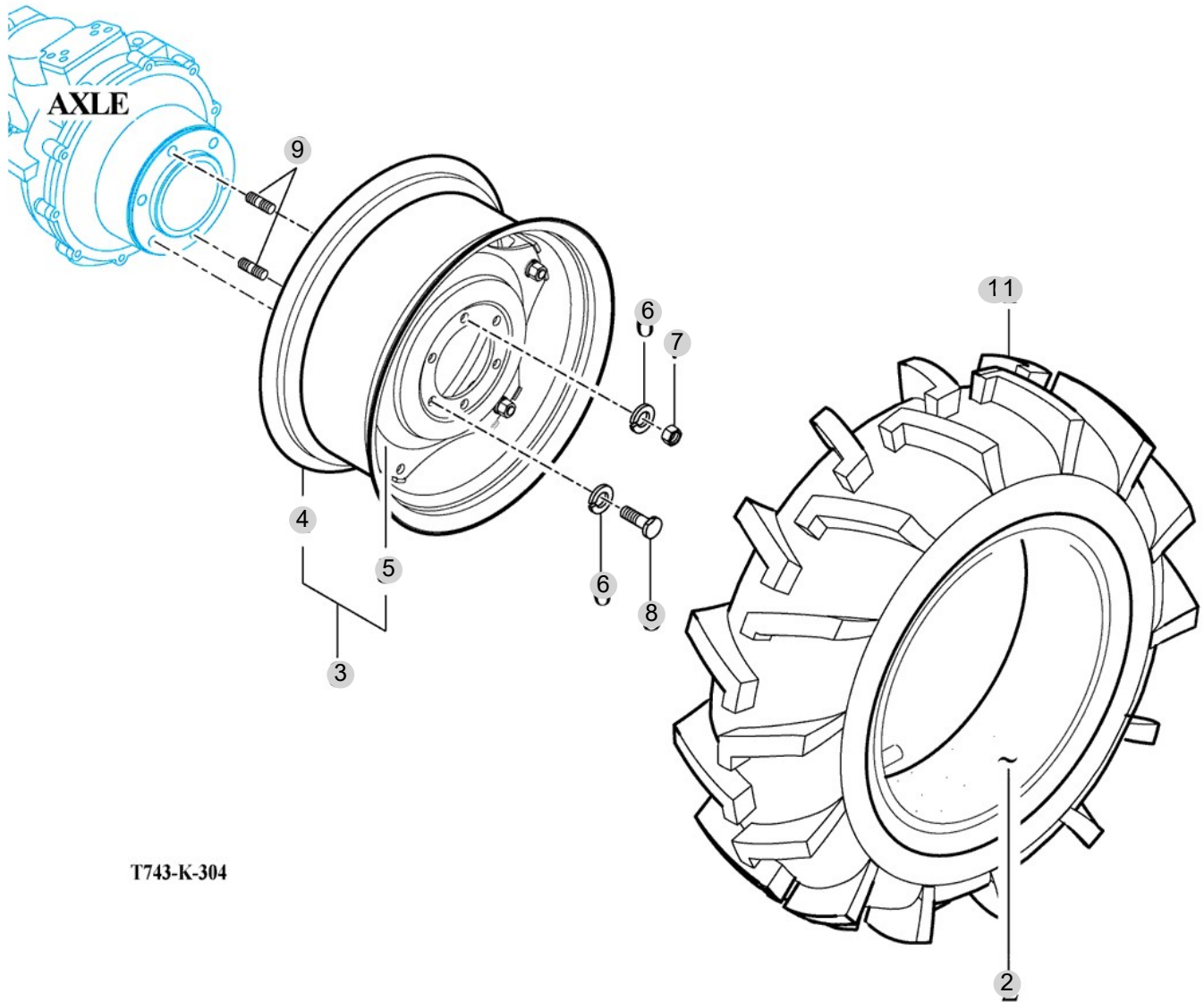
FIG 304

FRONT WHEEL

년/월
Year/Month

T754SC

2022-12



T743-K-304

NOTE

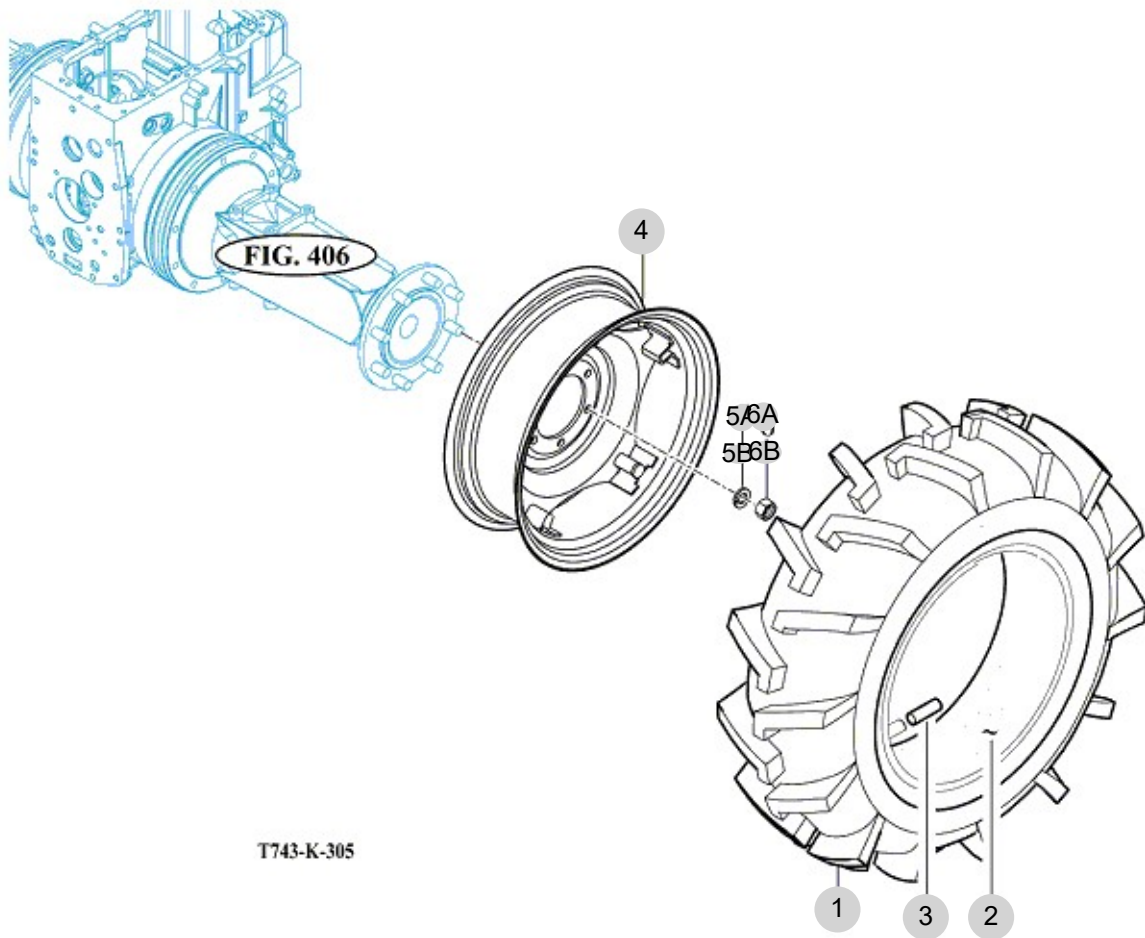
FIG 305

T754SC

REAR WHEEL

년/월
Year/Month

2022-12



NOTE

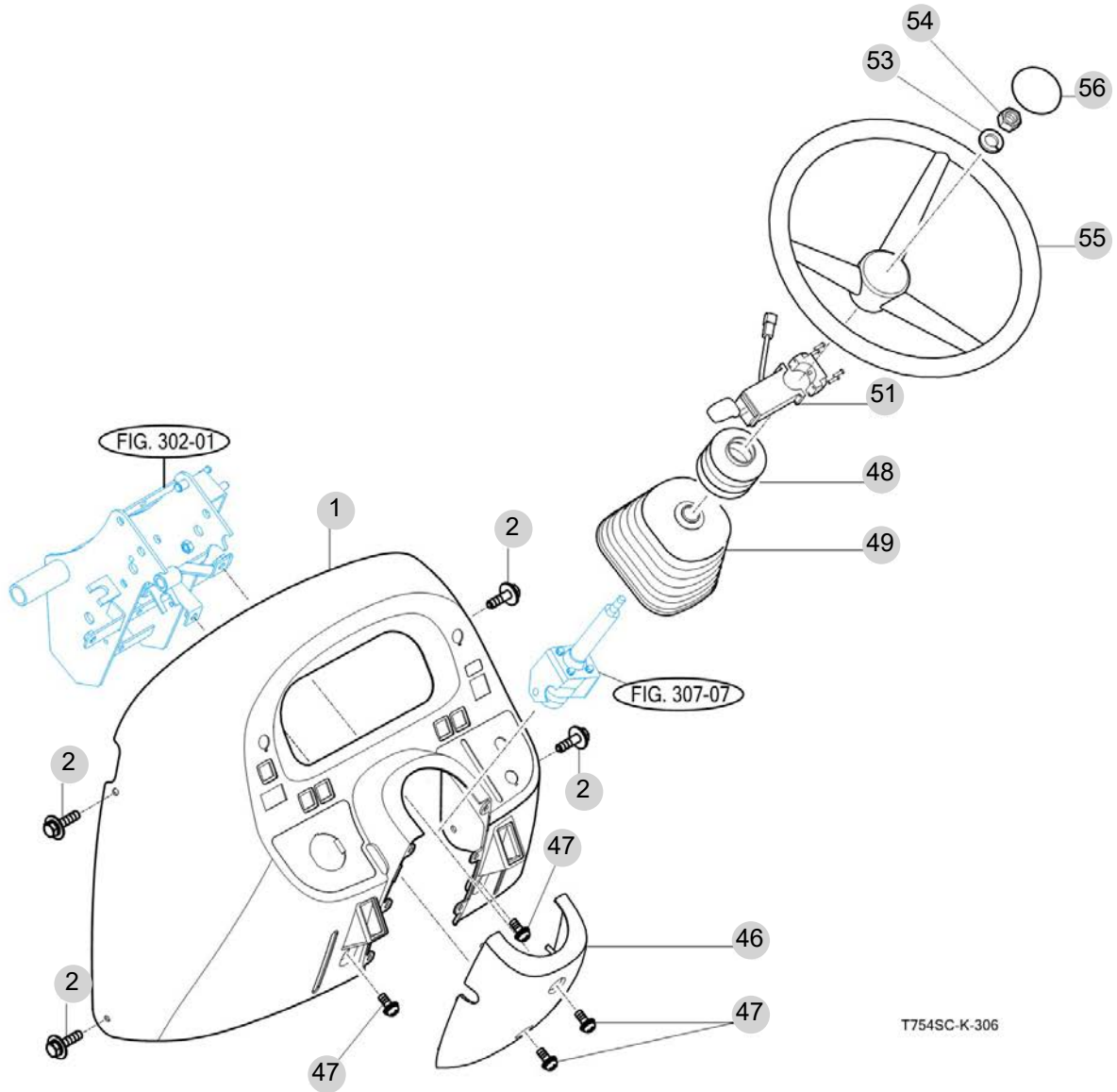
FIG 306

T754SC

POWER STEERING WHEEL

년/월
Year/Month

2022-12



T754SC-K-306

NOTE

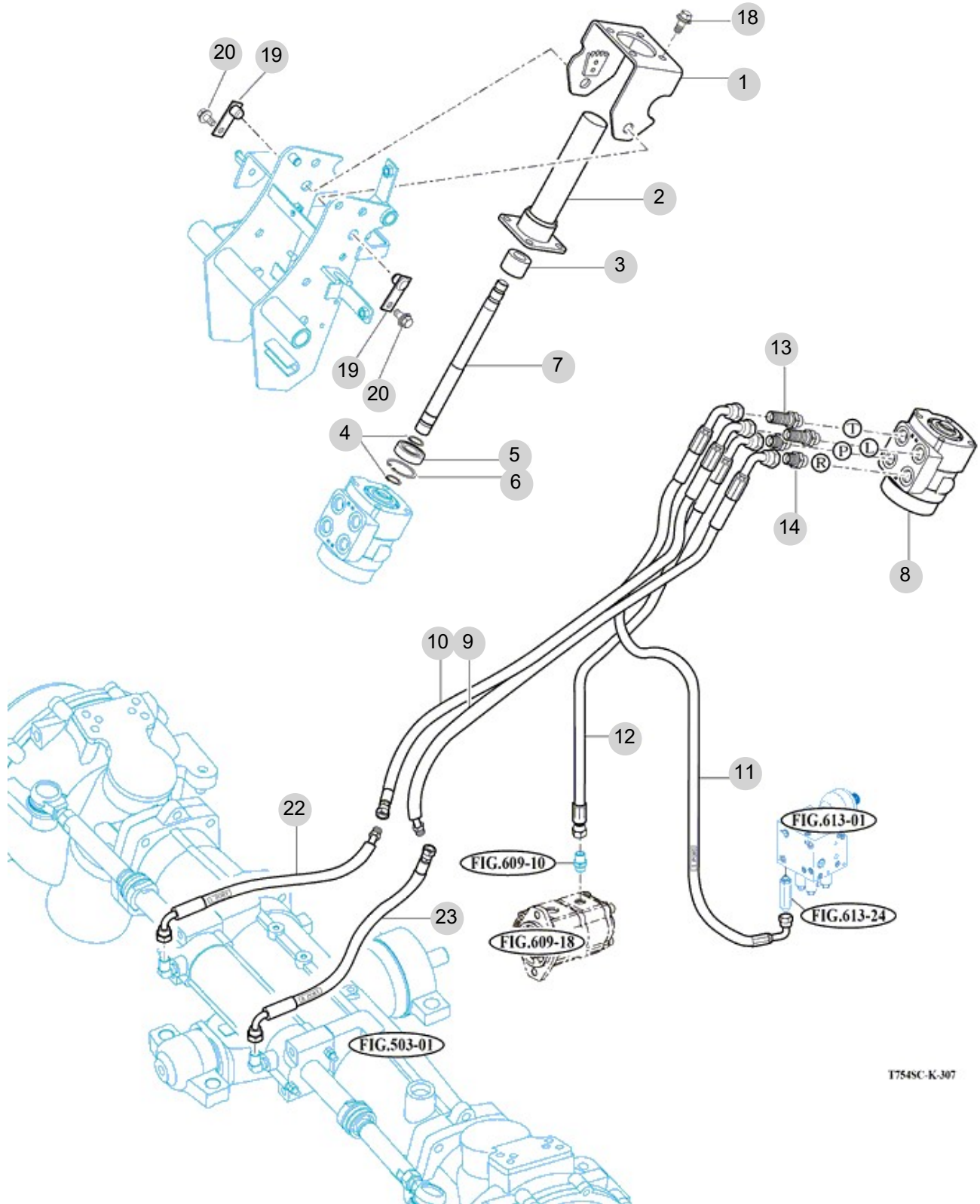
FIG 307

T754SC

POWER STEERING VALVE

년/월
Year/Month

2022-12



T754SC-K-307

NOTE

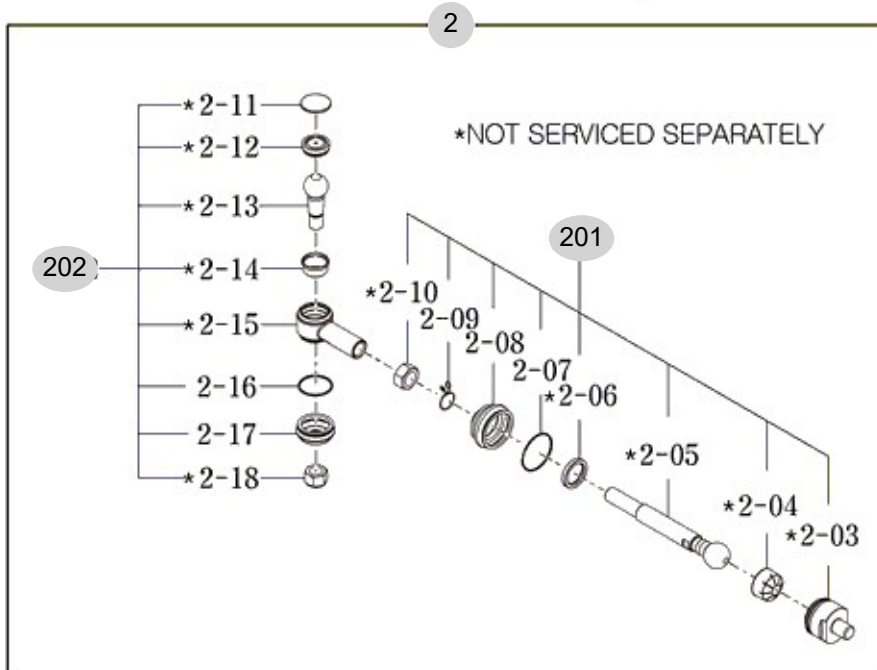
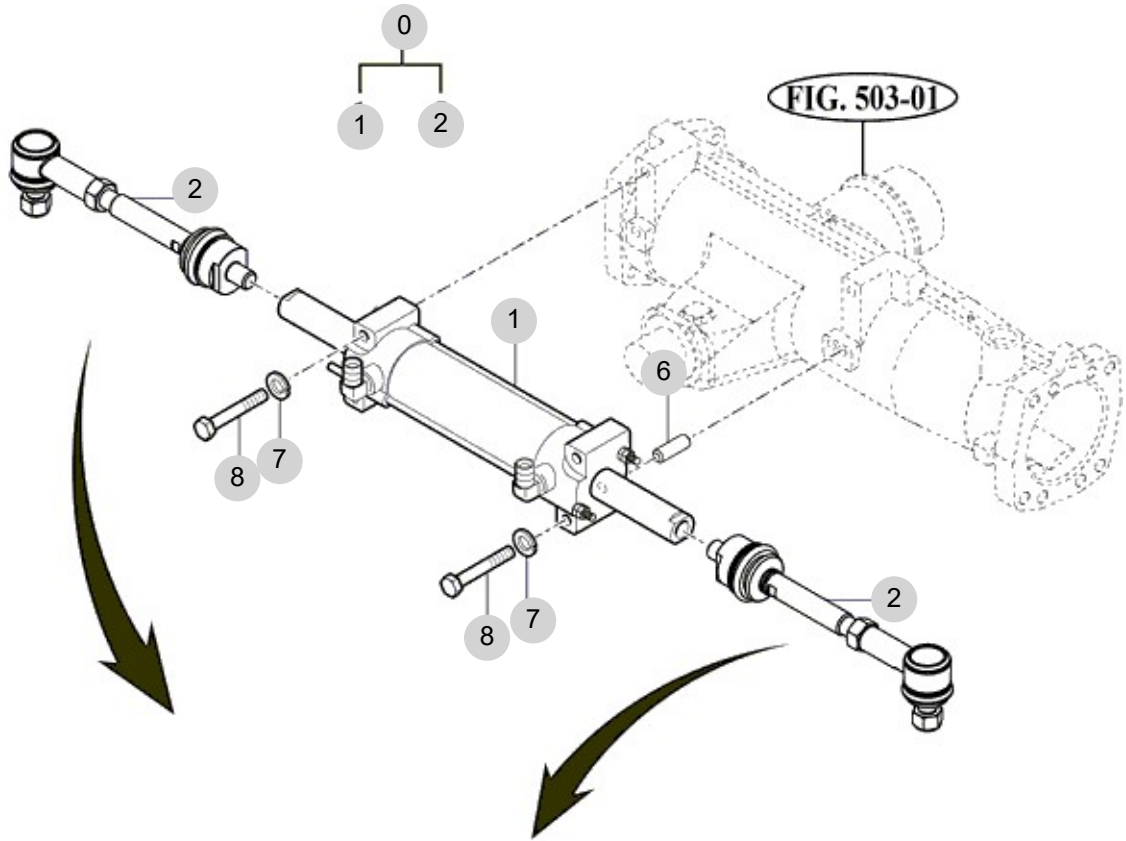
FIG 308

POWER STEERING CYLINDER

년/월
Year/Month

2022-12

T754SC



TX553/653/703-K.309

NOTE

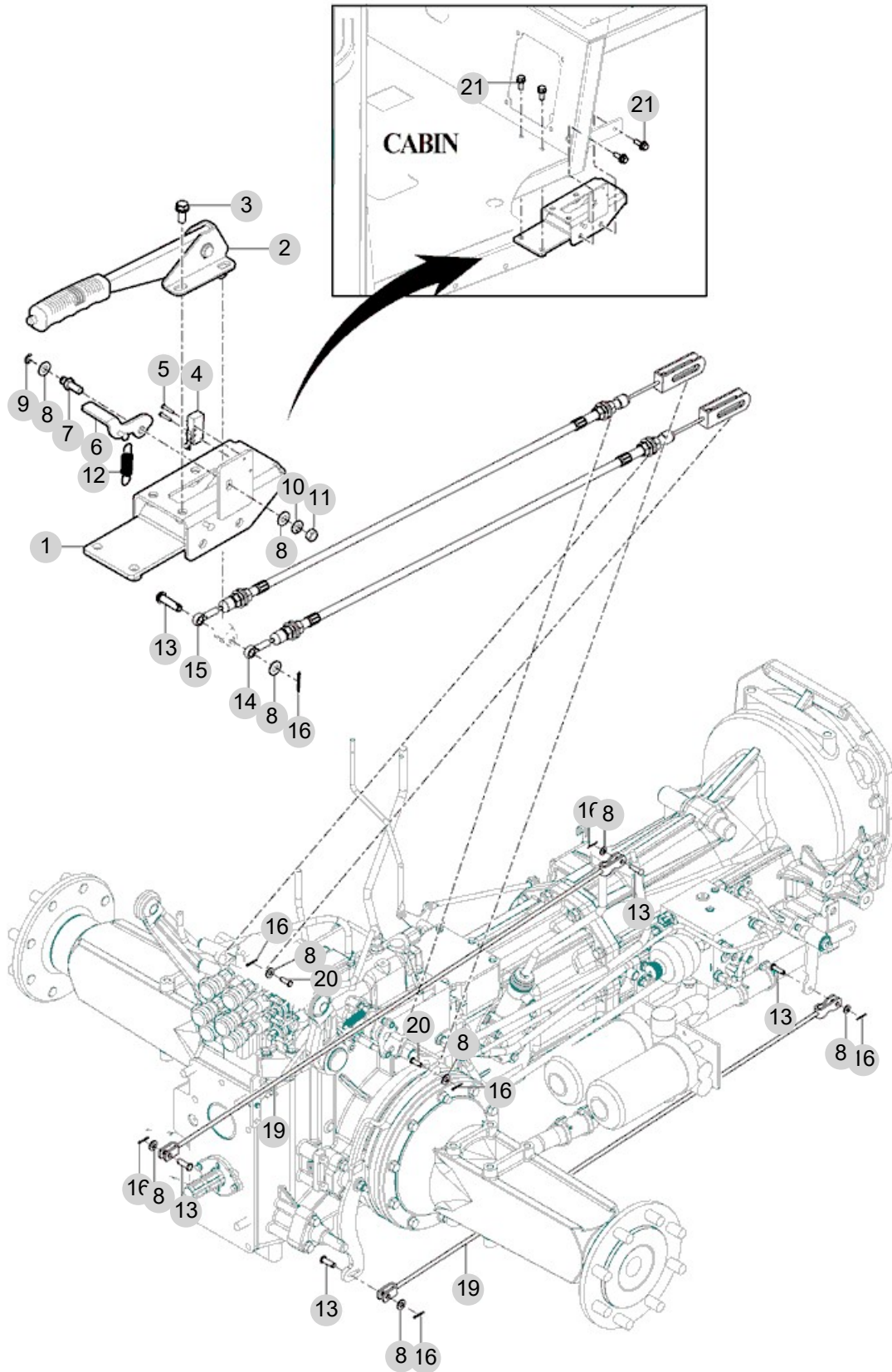
FIG 309

HAND BRAKE & BRAKE

년/월
Year/Month

2022-12

T754SC



NOTE

4. Transmission PART NO. T4

FIG 401 CASE , RR TRANSMISSION	108
FIG 402 SUB CHANGE GEARS	110
FIG 403 REAR DIFFERENTIAL GEARS	112
FIG 404 P.T.O CHANGE GEARS	114
FIG 405 P.T.O CHANGE SHIFTER	116
FIG 406 HOUSING , RR AXLE	118
FIG 407 P.T.O DRIVE SHAFT	120
FIG 408 CREEP CHANGE	122
FIG 409 INPUT & COUNTER GEARS	124
FIG 410 CHANGE GEARS	126
FIG 411 REVERSE GEARS	128
FIG 412 MAIN CHANGE LEVER	130
FIG 413 SUB CHANGE LEVER	132
FIG 414 TRANSMISSION MID CASE	134
FIG 415 SUB CHANGE SHIFTER	136
FIG 416 4WD CHANGE LEVER	138
FIG 417 TRANSMISSION FRONT CASE	140
FIG 418 DRIVE GEARS(US)	142

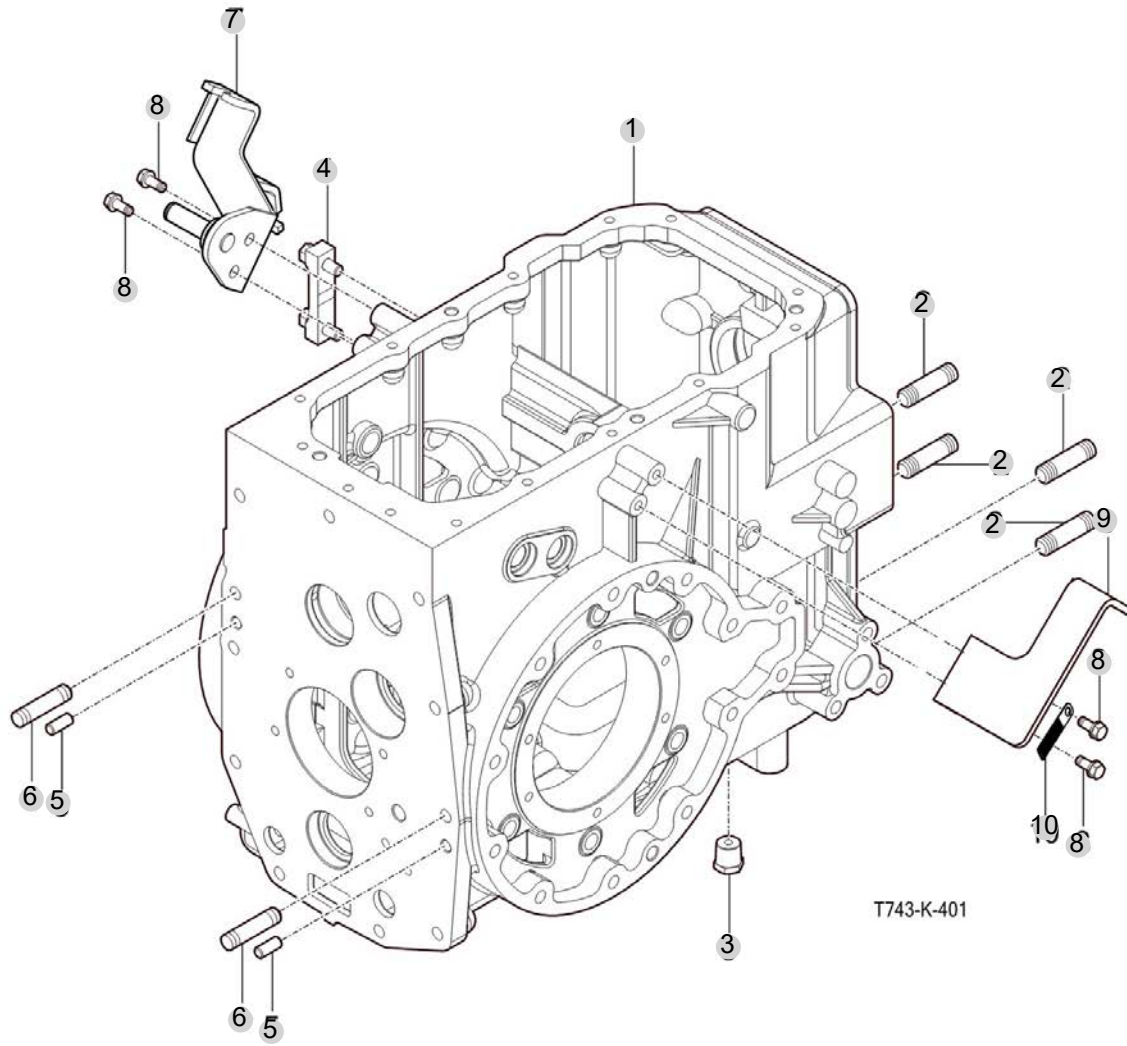
FIG 401

T754SC

CASE , RR TRANSMISSION

년/월
Year/Month

2022-12



T743-K-401

NOTE

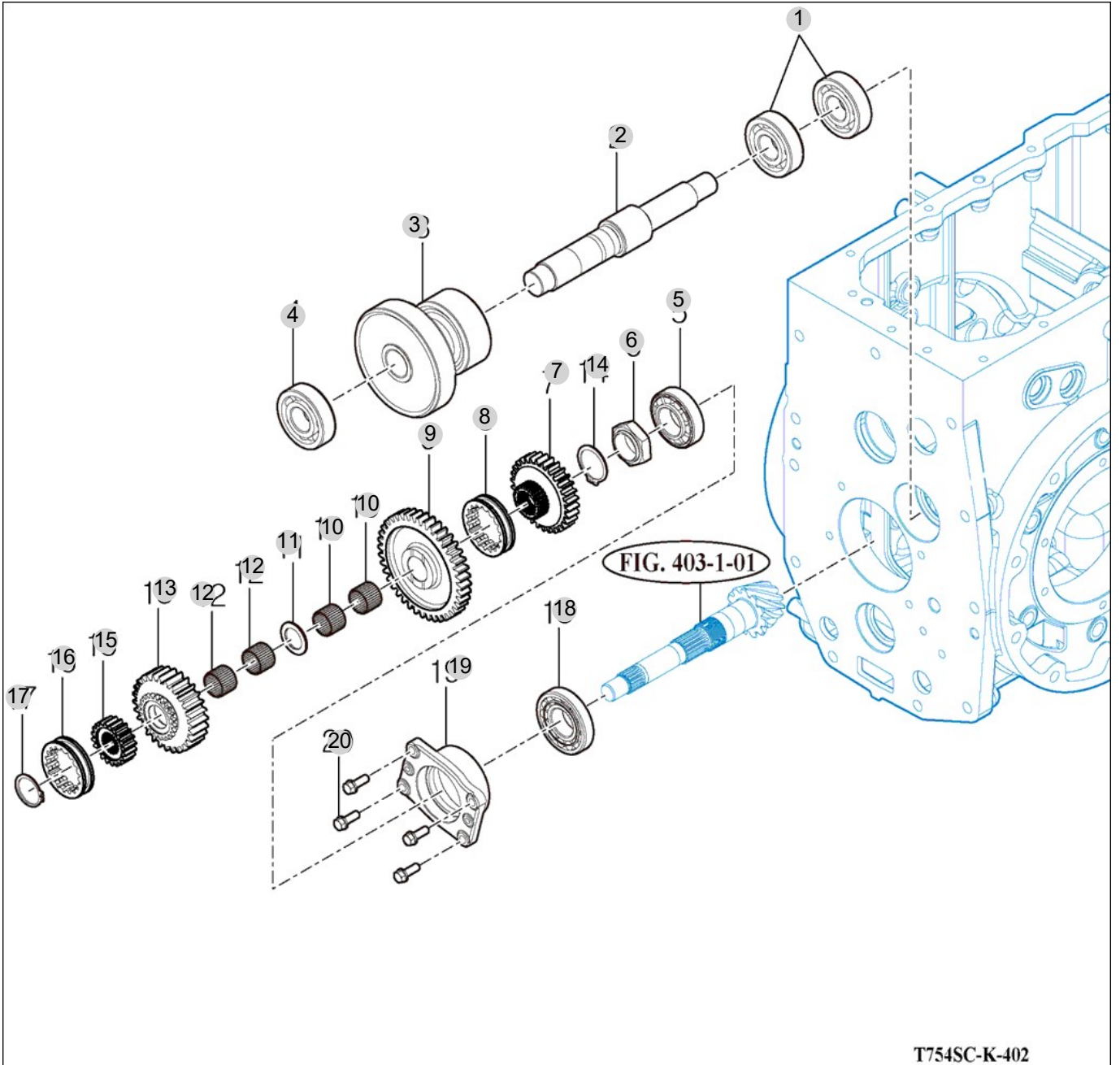
FIG 402

T754SC

SUB CHANGE GEARS

년/월
Year/Month

2022-12



T754SC-K-402

NOTE

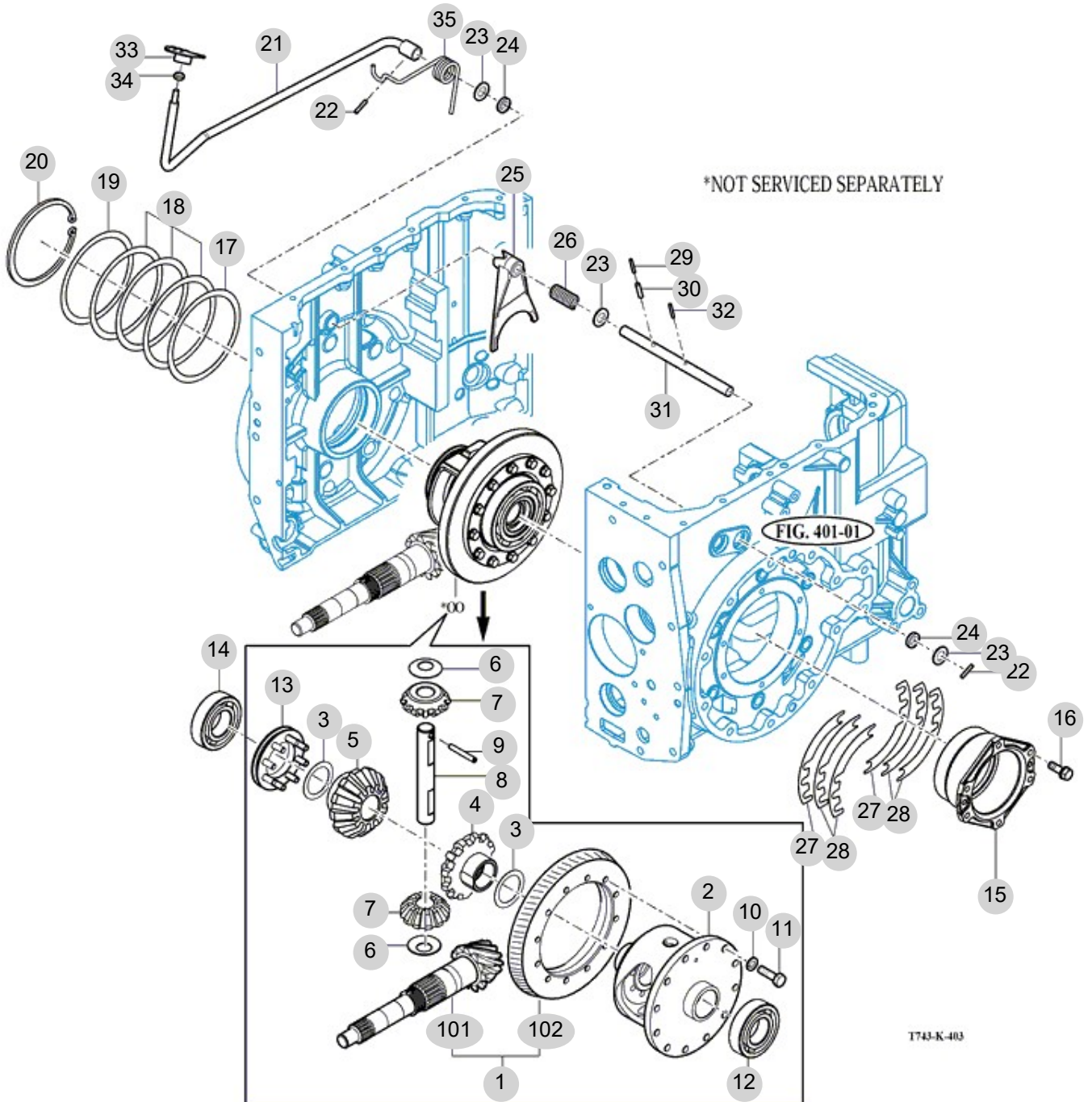
FIG 403

REAR DIFFERENTIAL GEARS

년/월
Year/Month

T754SC

2022-12



NOTE

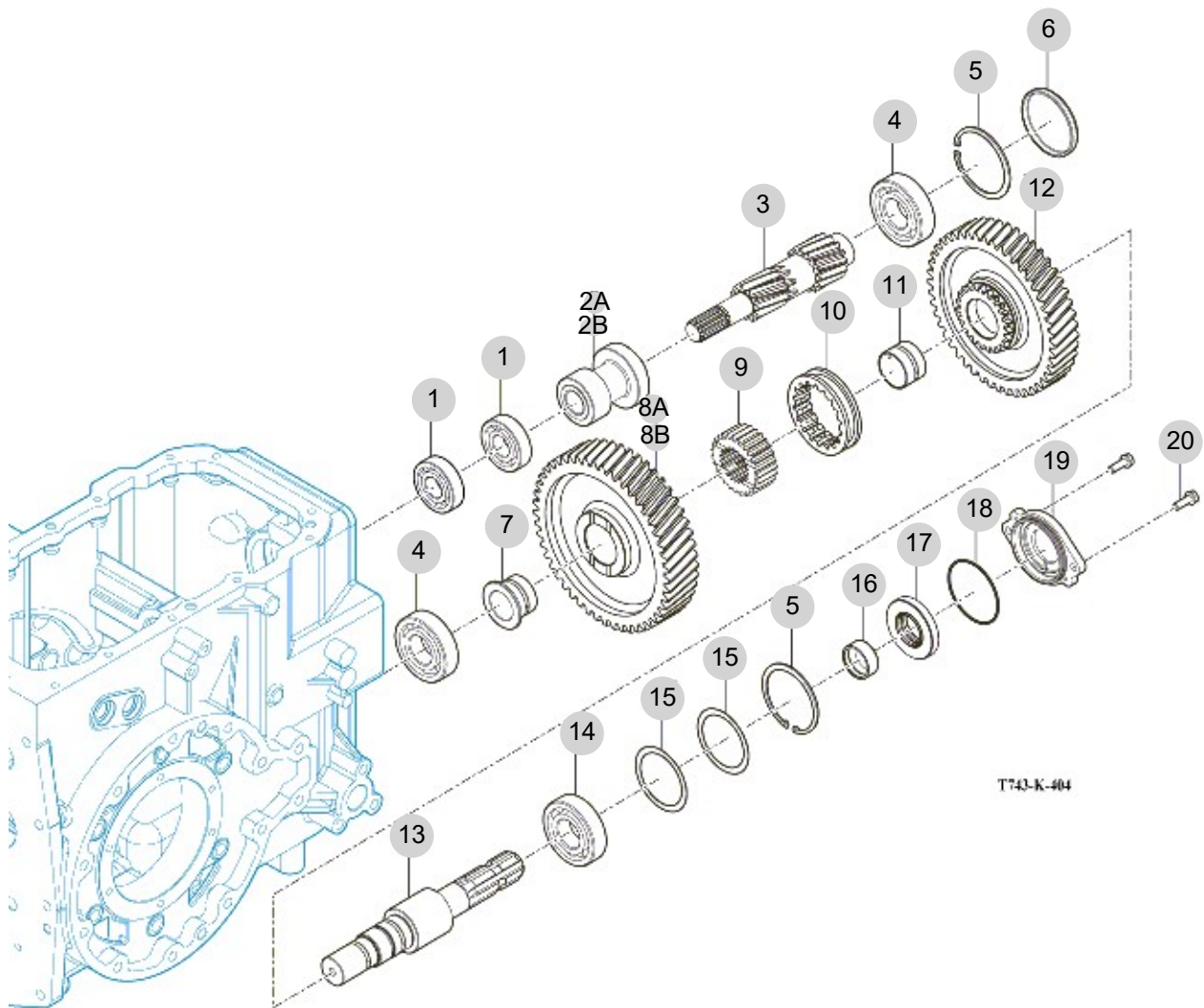
FIG 404

T754SC

P.T.O CHANGE GEARS

년/월
Year/Month

2022-12



NOTE

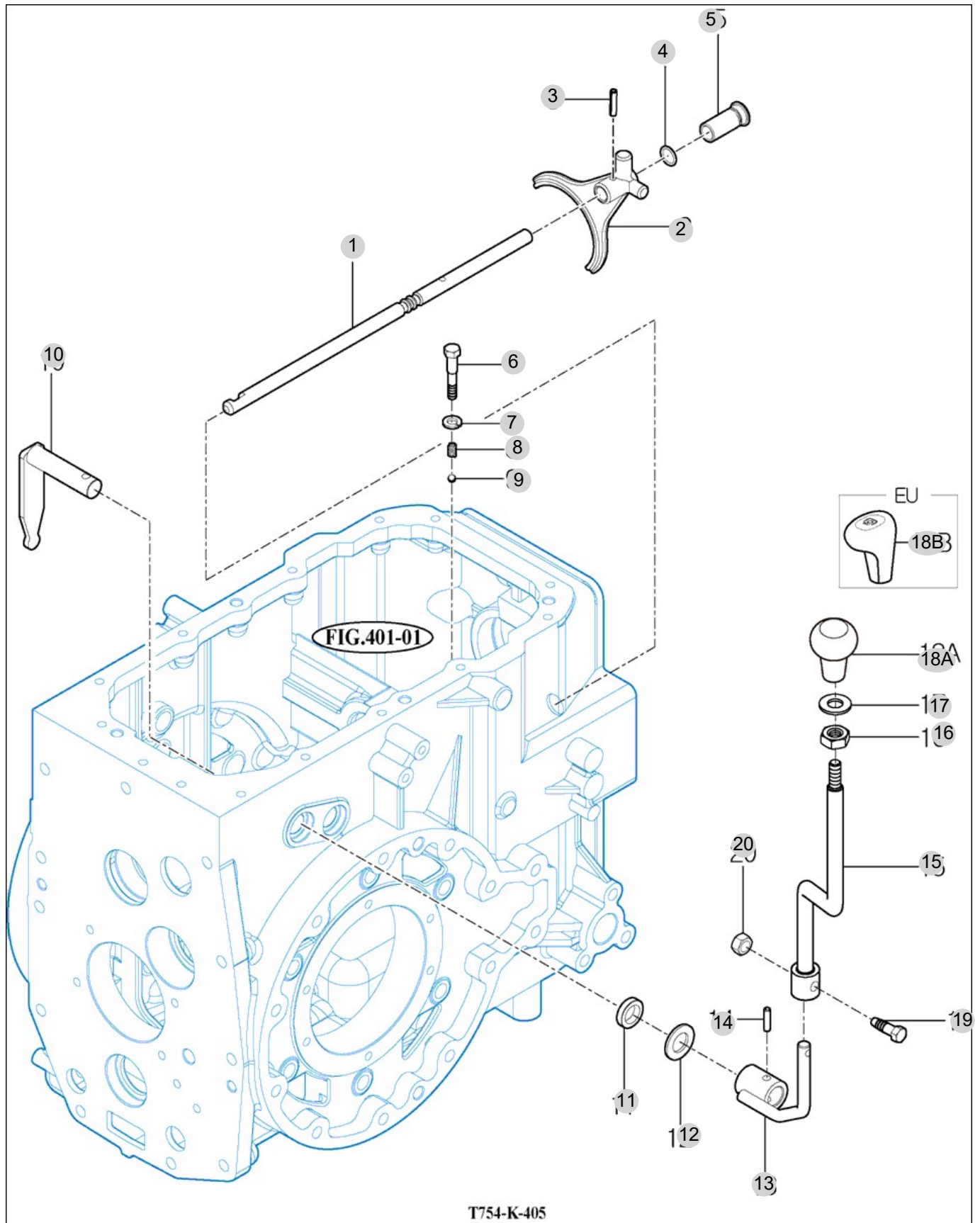
FIG 405

P.T.O CHANGE SHIFTER

년/월
Year/Month

2022-12

T754SC



NOTE

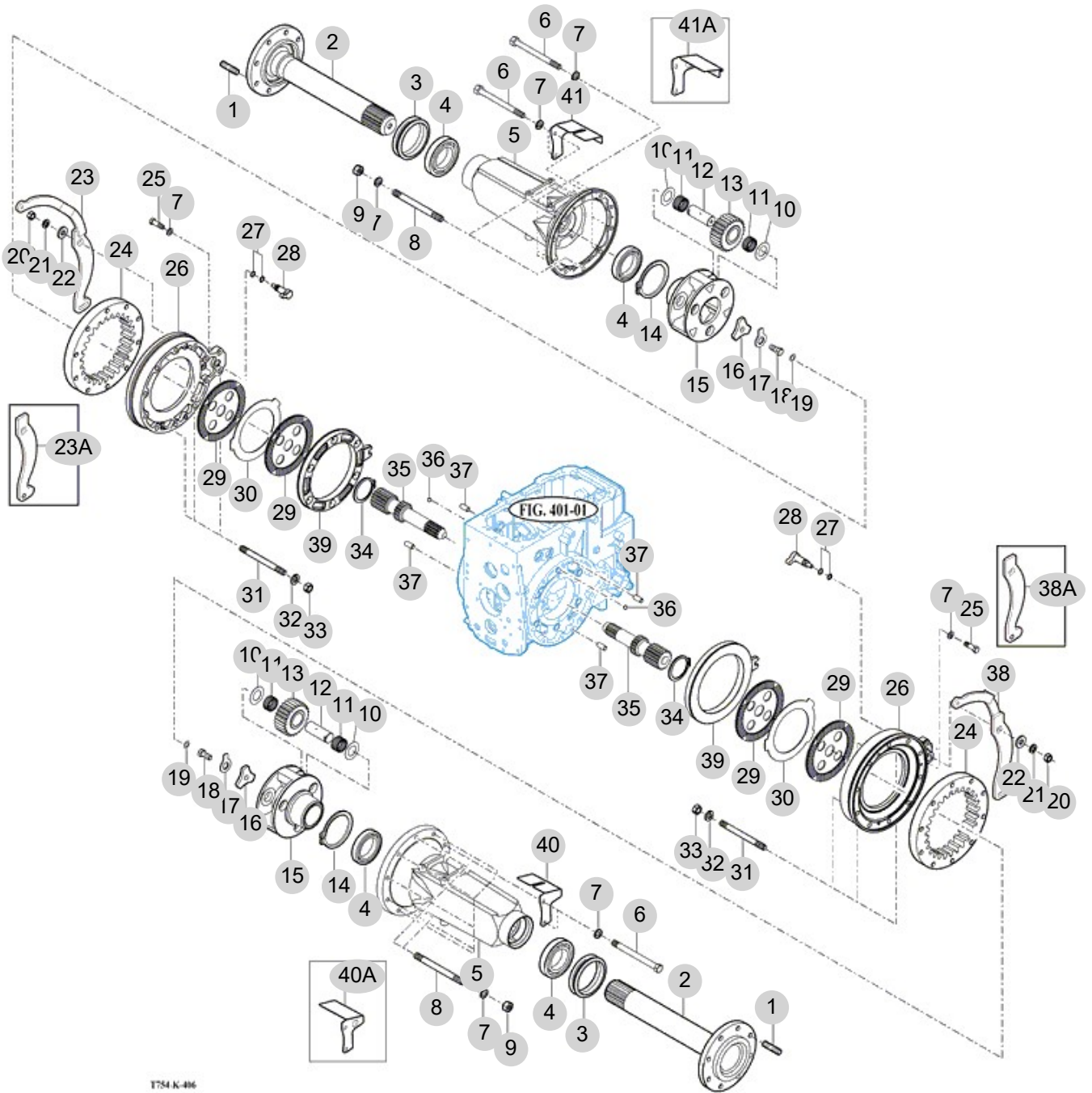
FIG 406

T754SC

HOUSING , RR AXLE

년/월
Year/Month

2022-12



T754 K-406

NOTE

FIG 406 T754SC	HOUSING , RR AXLE	년/월 Year/Month
		2022-12

KEY NO	PART NO	DESCRIPTION	SPEC	QTY	REPAIR	EFFECTIVE DATE	REMARKS
406	1	17973040050	BOLT , STUD	16			
406	2	10012450022	SHAFT, RR WHEEL	2			
406	3	17973041000	SEAL ASSY , MECHANICAL	2			
406	4	V6321132012	BEARING , TAPER-ROLLER(32012J)	32012DJ	4		
406	5	10012450013M	AXLE HOUSING, RR	2			
406	6	V2014614125	BOLT , HEX	M14X125	16		
406	7	V4011600140	WASHER , SPRING	M14	24		
406	8	V2514414130	BOLT , STUD/2	M14X130	4		
406	9	V3043600140	NUT , HEX/2		4		
406	10	10012470040	COLLAR , 31X58X1		12		
406	11	V6544304220	BEARING , NEEDLE.ROLLER-K304220		12		
406	12	10012470061	PIN30X83		6		
406	13	10012470051	GEAR , SPUR 25T		6		
406	14	V7041401250	C-RING , SHAFT		2		
406	15	10012470031M	CARRIER , PLANET		2		
406	16	19022470070	WASHER , STOP		2		
406	17	19022470081	STOPPER		2		
406	18	10012470070	BOLT, HEX FINE		2		
406	19	V7201024022	O-RING , P		2		
406	20	V3043600120	NUT , HEX/2	M12	2		
406	21	V4011600120	WASHER , SPRING		2		
406	22	14723270061	WASHER , 13X30X4		2		
406	23A	18053270010	ARM, BRAKE		1		
406	24	10012470021	GEAR , RING65T		2		
406	25	V2013614045	BOLT , HEX		4		
406	26	10012480031M	CASE, BRAKE		2		
406	27	V7201024018	O-RING , P		4		
406	28	10012480040M	CAM , BRAKE		2		
406	29	10012482100	PLATE COMP.DISC		4		
406	30	10012480020	PLATE , SEPARATE	T=3.2	2		
406	31	V2513408080	BOLT , STUD/2	M8X80	6		
406	32	V4011600080	WASHER , SPRING	M8	6		
406	33	V3042600080	NUT , HEX/2	M8	6		
406	34	V7041400650	C-RING , SHAFT	65	2		
406	35	10012470010	GEAR , SPUR13T		2		
406	36	V6802000019	BALL , STEEL	19/32	12		
406	37	V5201012025	PIN , PARALLEL/A	12X25	4		
406	38A	18053270010	ARM, BRAKE		1		
406	39	10012480011M	METAL, BRAKE		2		
406	40A	10013272100GB	COVER COMP, LH BRAKE		1		
406	41A	10013272200GB	COVER COMP, RH BRAKE		1		

NOTE	
------	--

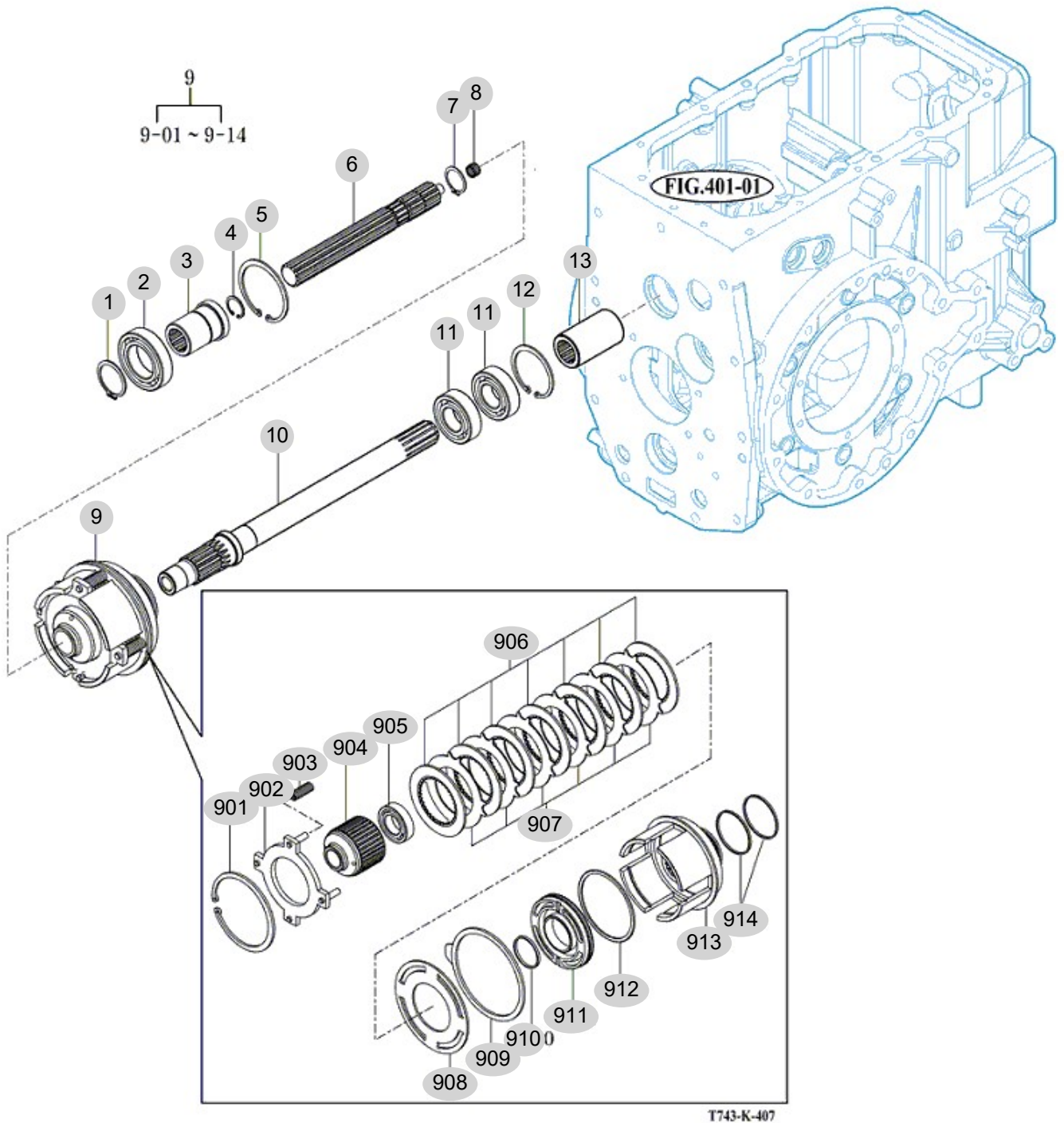
FIG 407

P.T.O DRIVE SHAFT

년/월
Year/Month

2022-12

T754SC



NOTE

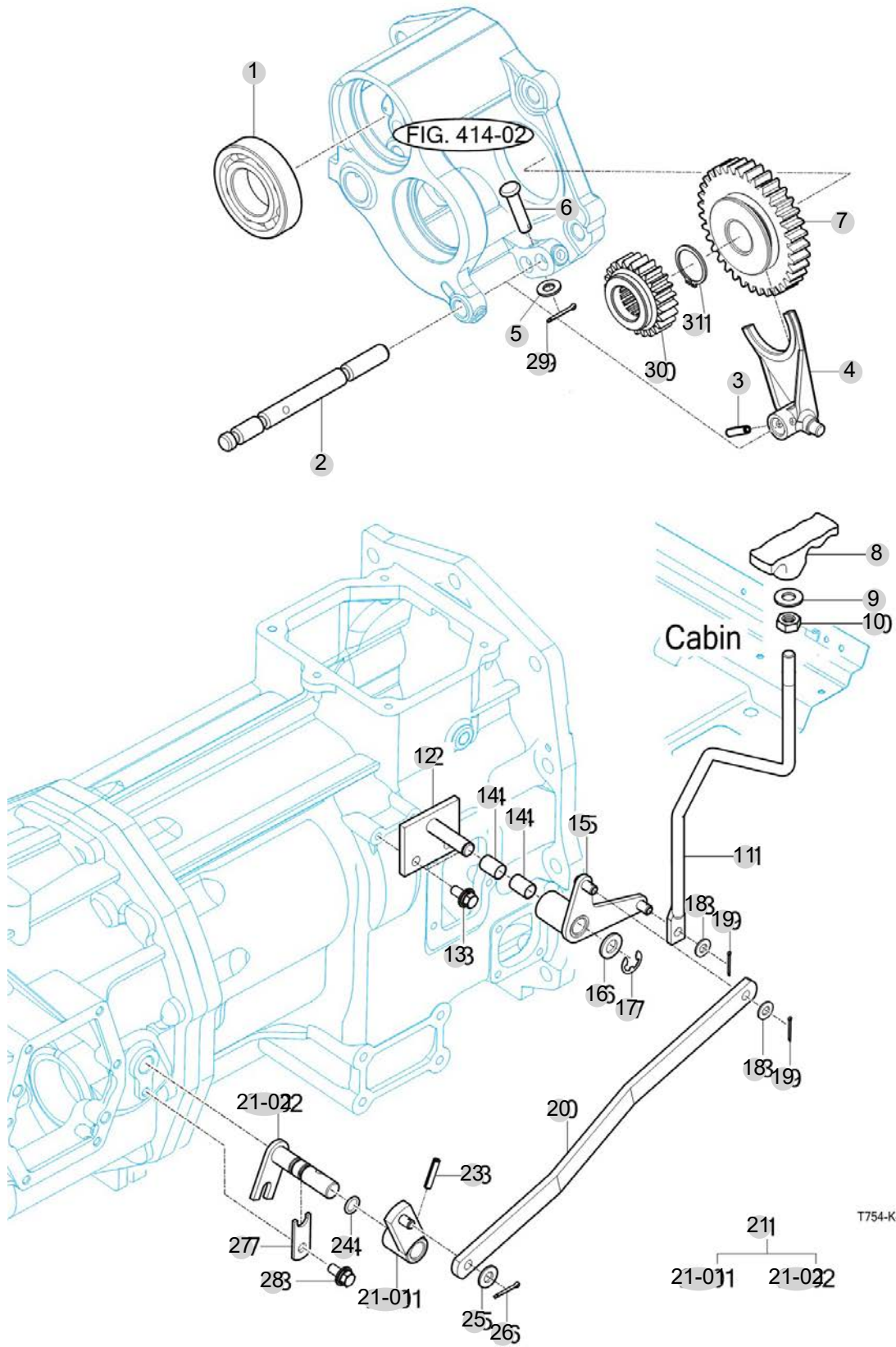
FIG 408

T754SC

CREEP CHANGE

년/월
Year/Month

2022-12



NOTE

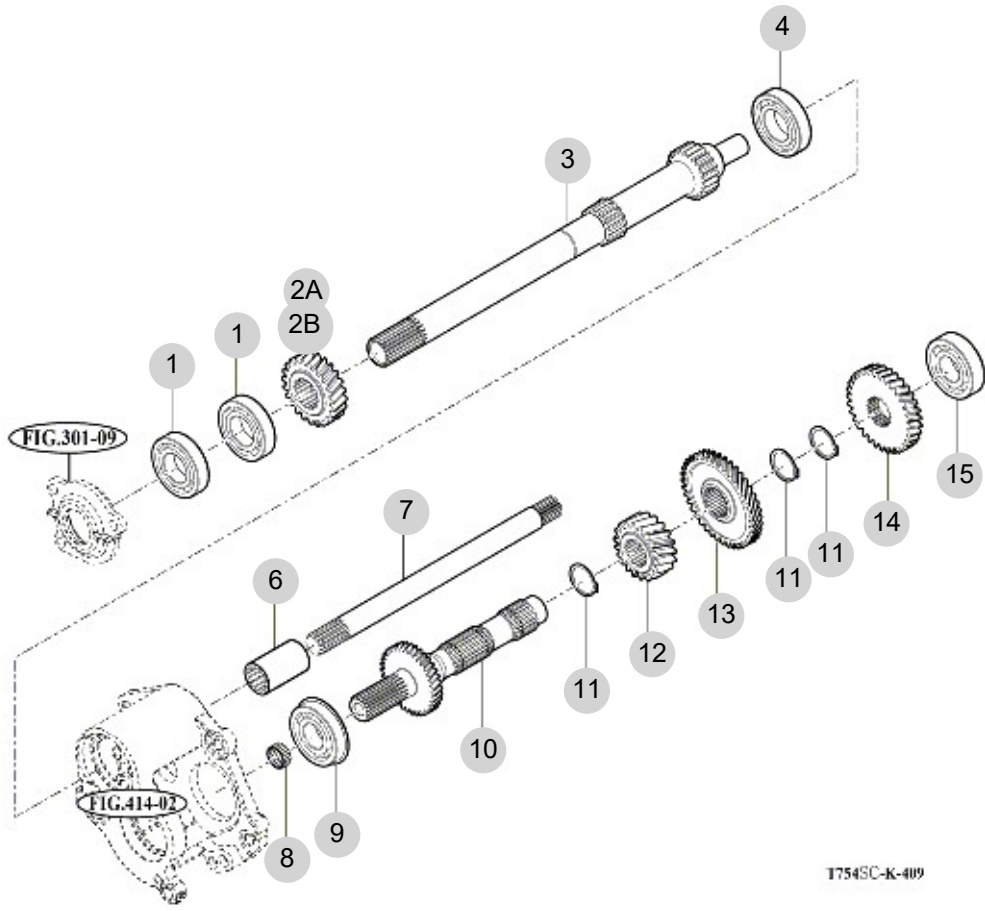
FIG 409

T754SC

INPUT & COUNTER GEARS

년/월
Year/Month

2022-12



NOTE

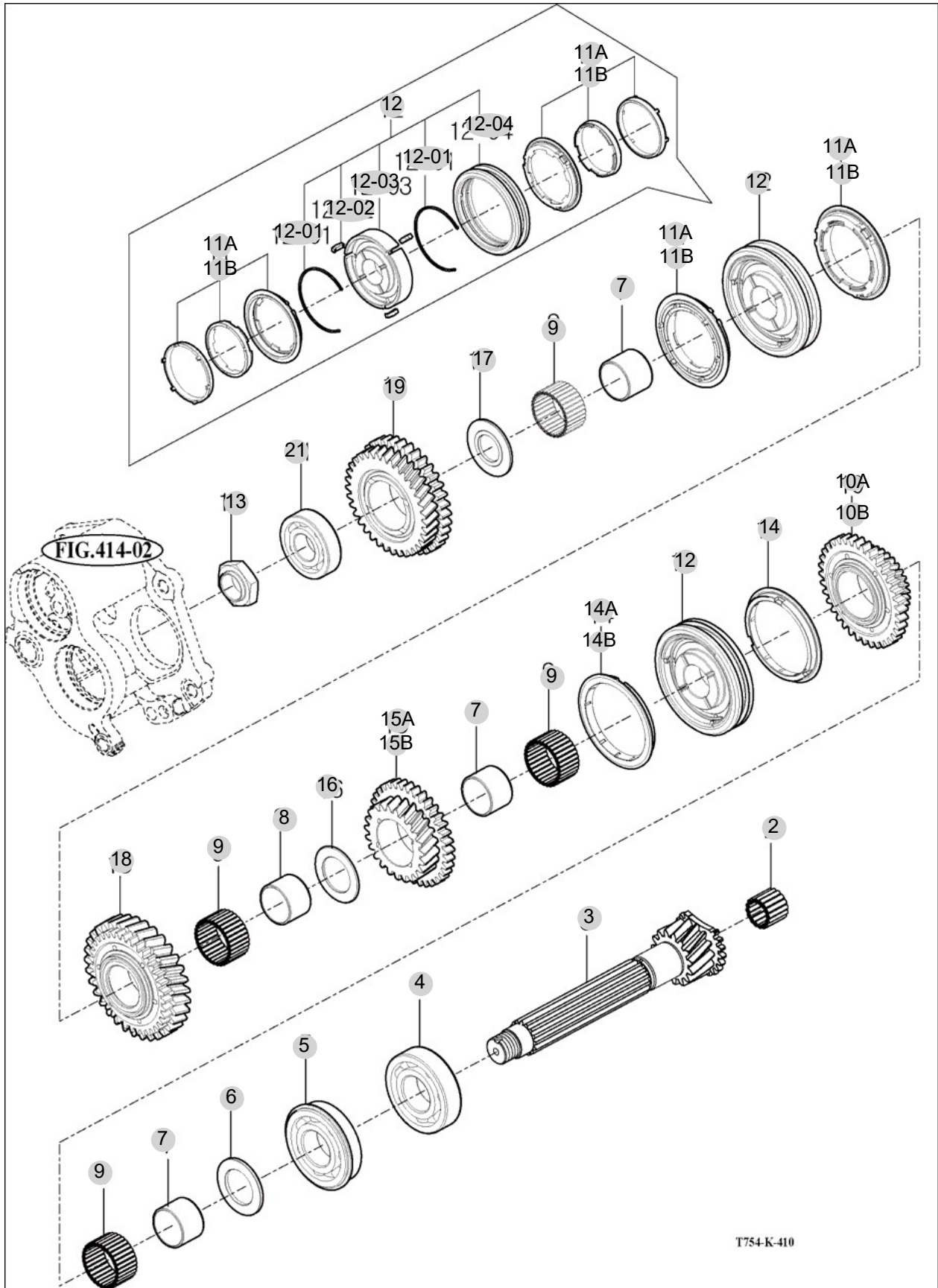
FIG 410

CHANGE GEARS

년/월
Year/Month

T754SC

2022-12



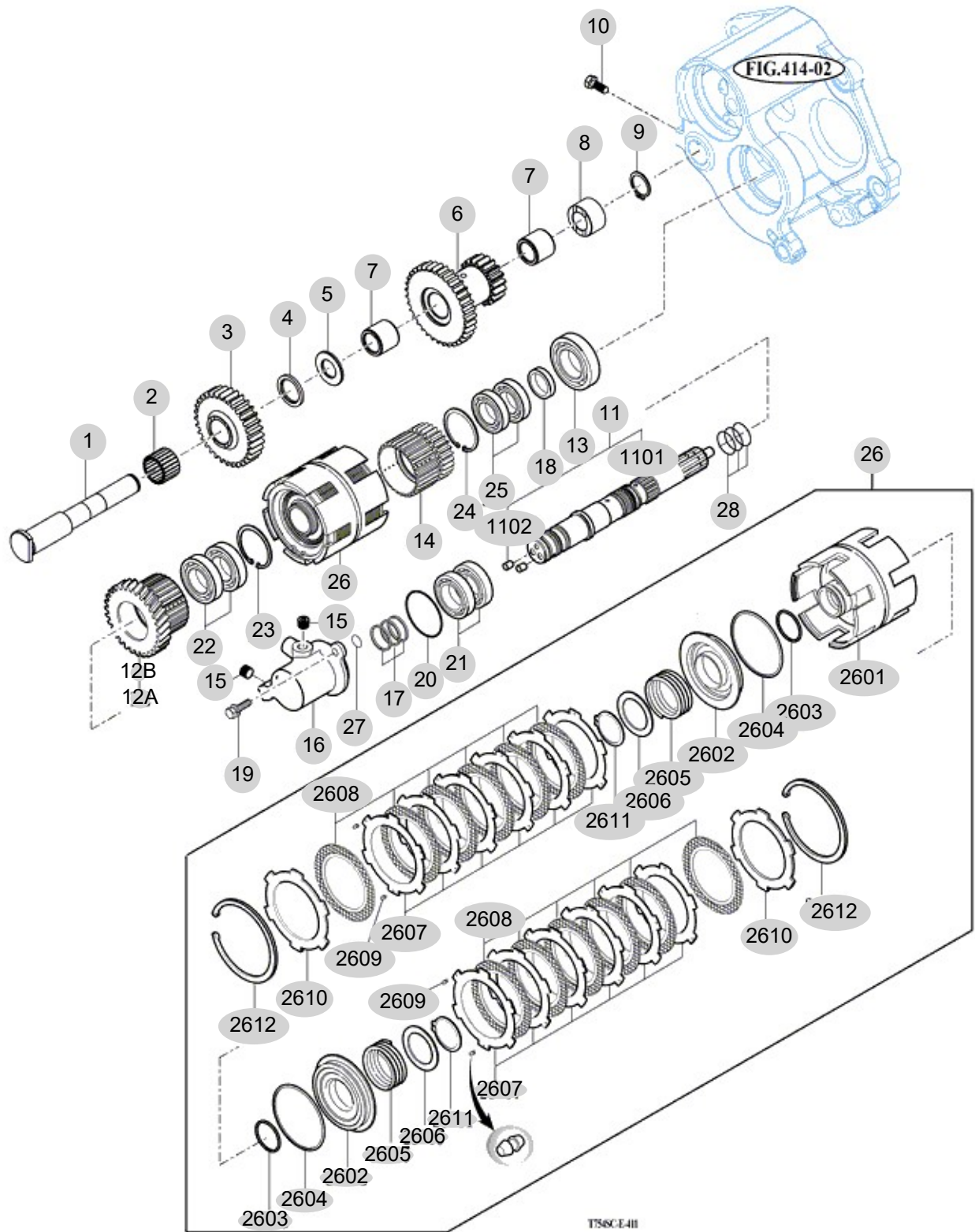
NOTE

FIG 411

REVERSE GEARS

년/월
Year/Month

2022-12



NOTE

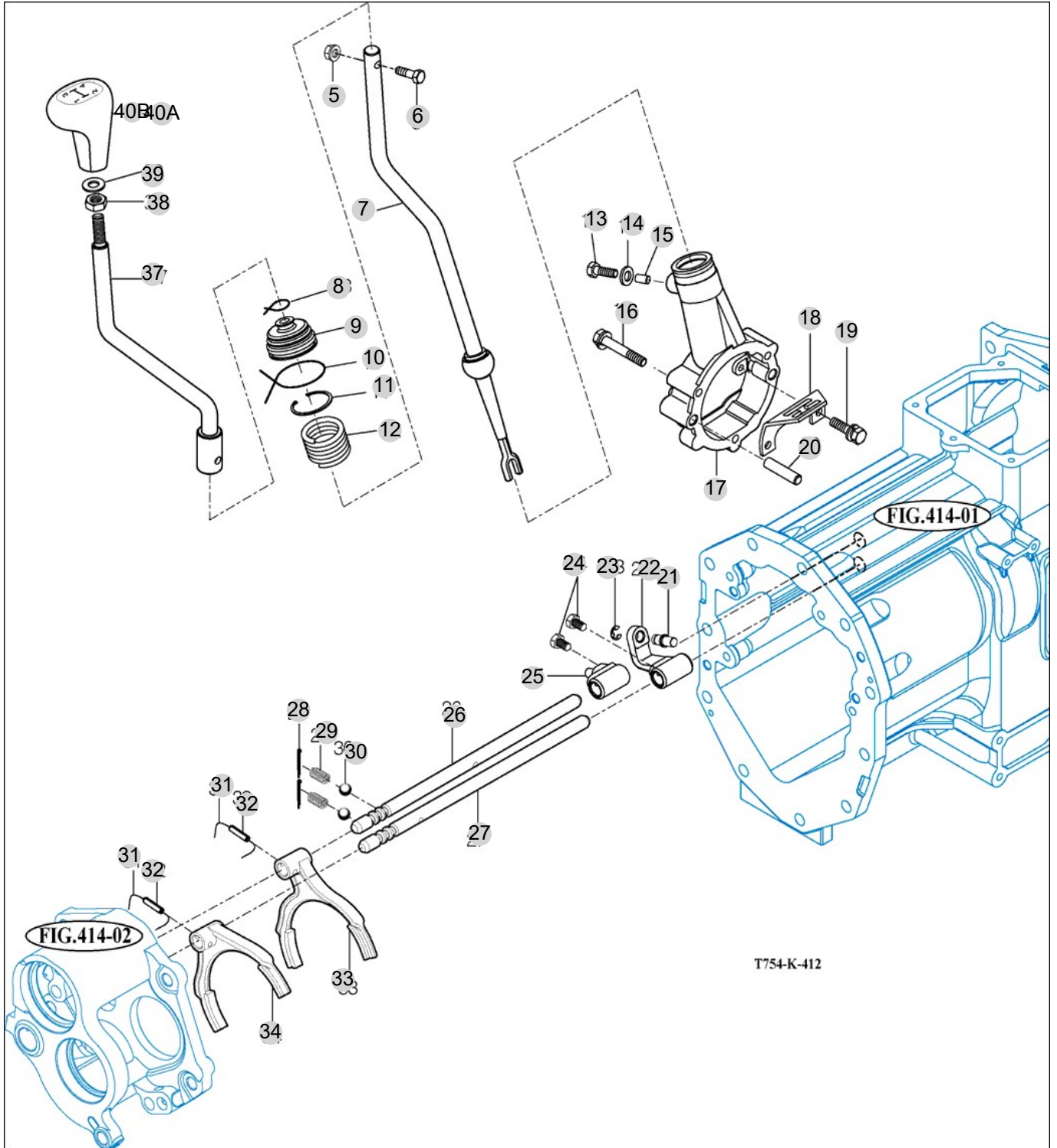
FIG 412

MAIN CHANGE LEVER

년/월
Year/Month

2022-12

T754SC



NOTE

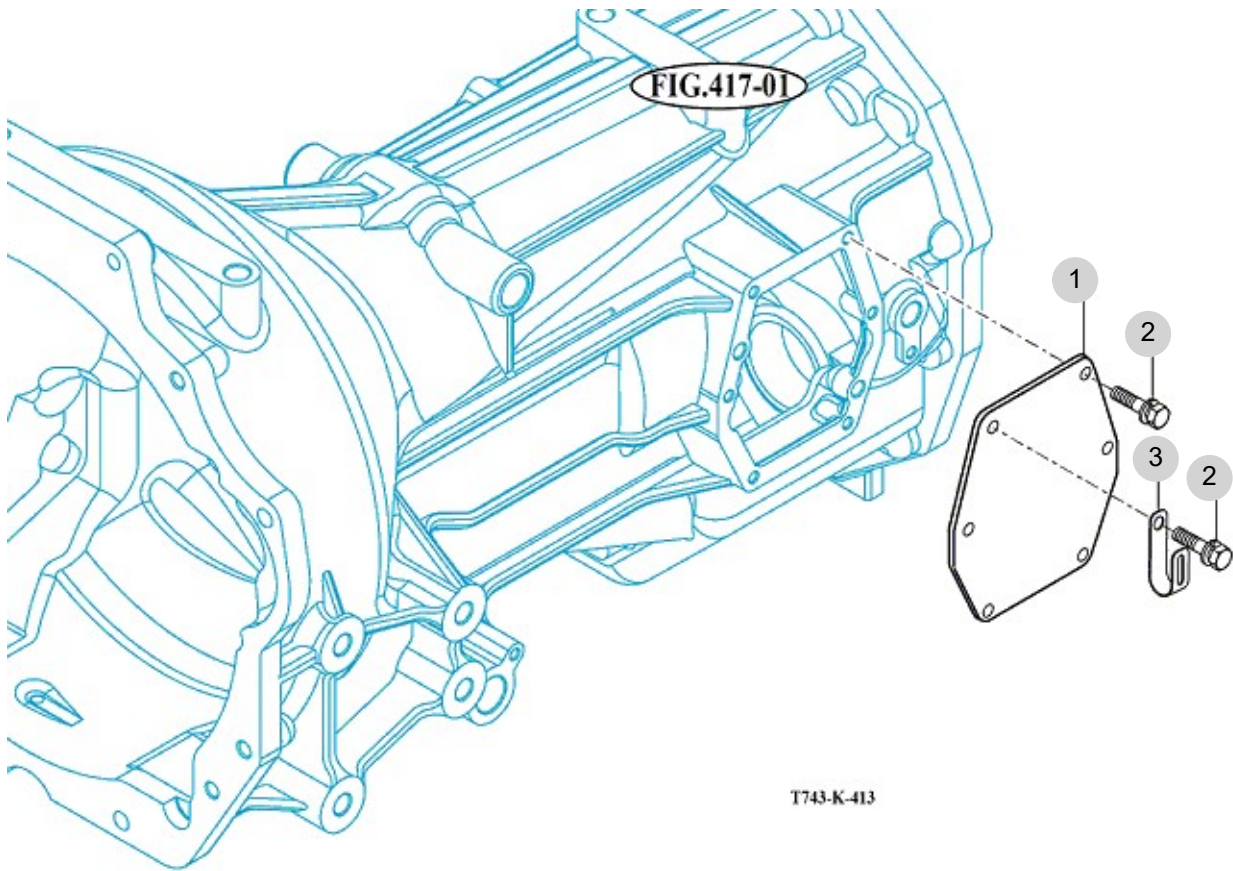
FIG 413

T754SC

SUB CHANGE LEVER

년/월
Year/Month

2022-12



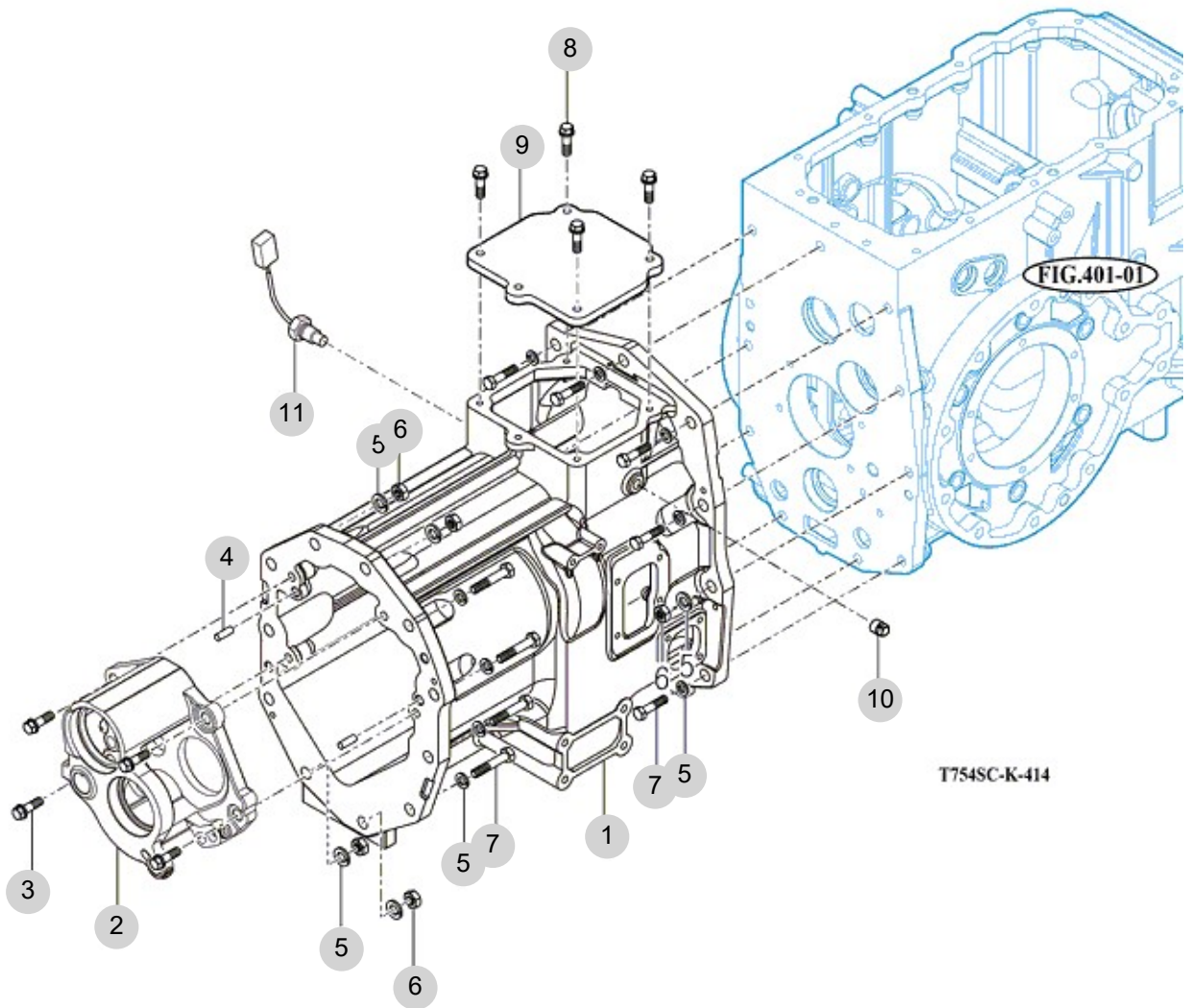
NOTE

FIG 414

TRANSMISSION MID CASE

년/월
Year/Month

2022-12



NOTE

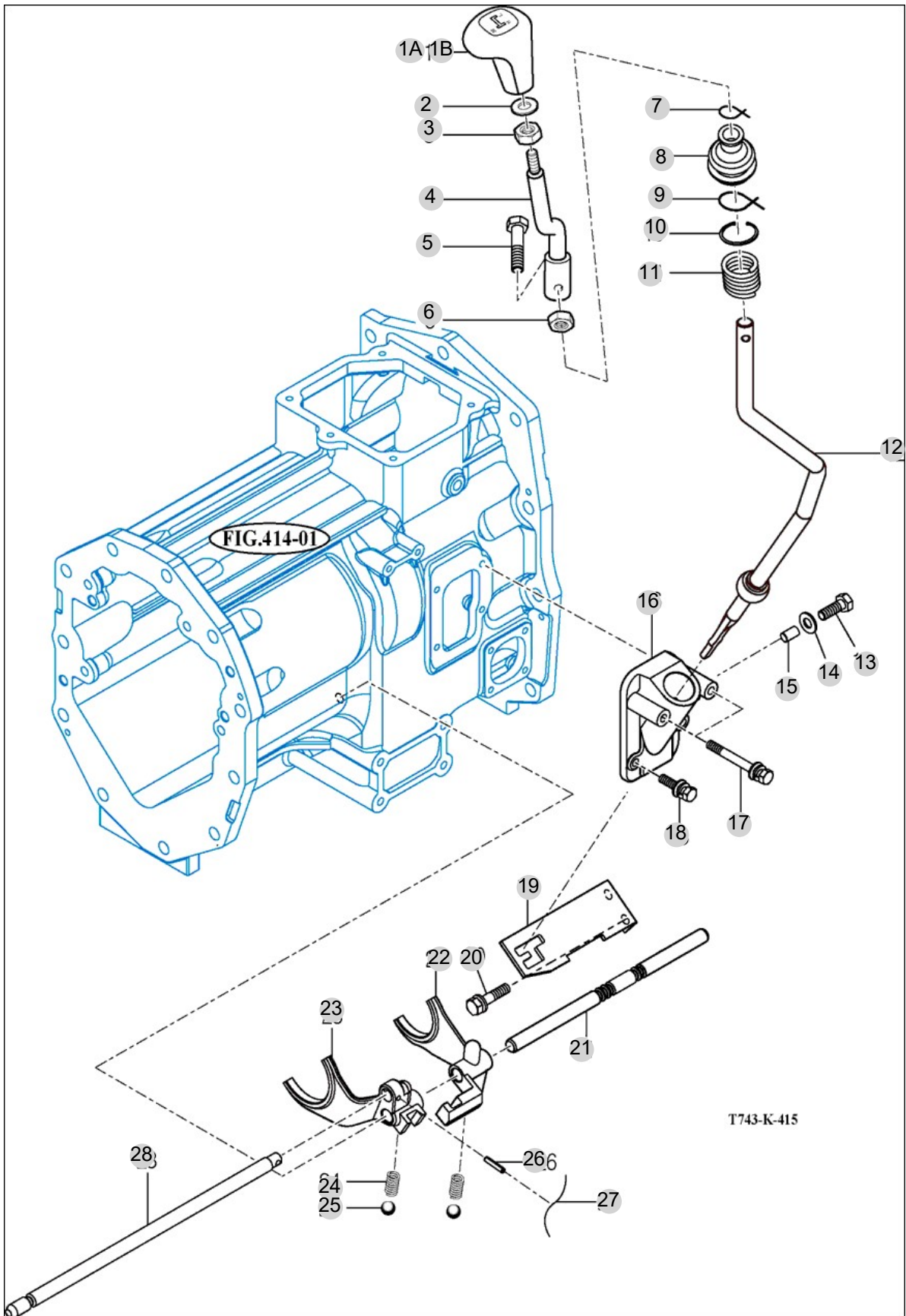
FIG 415

SUB CHANGE SHIFTER

년/월
Year/Month

2022-12

T754SC



NOTE

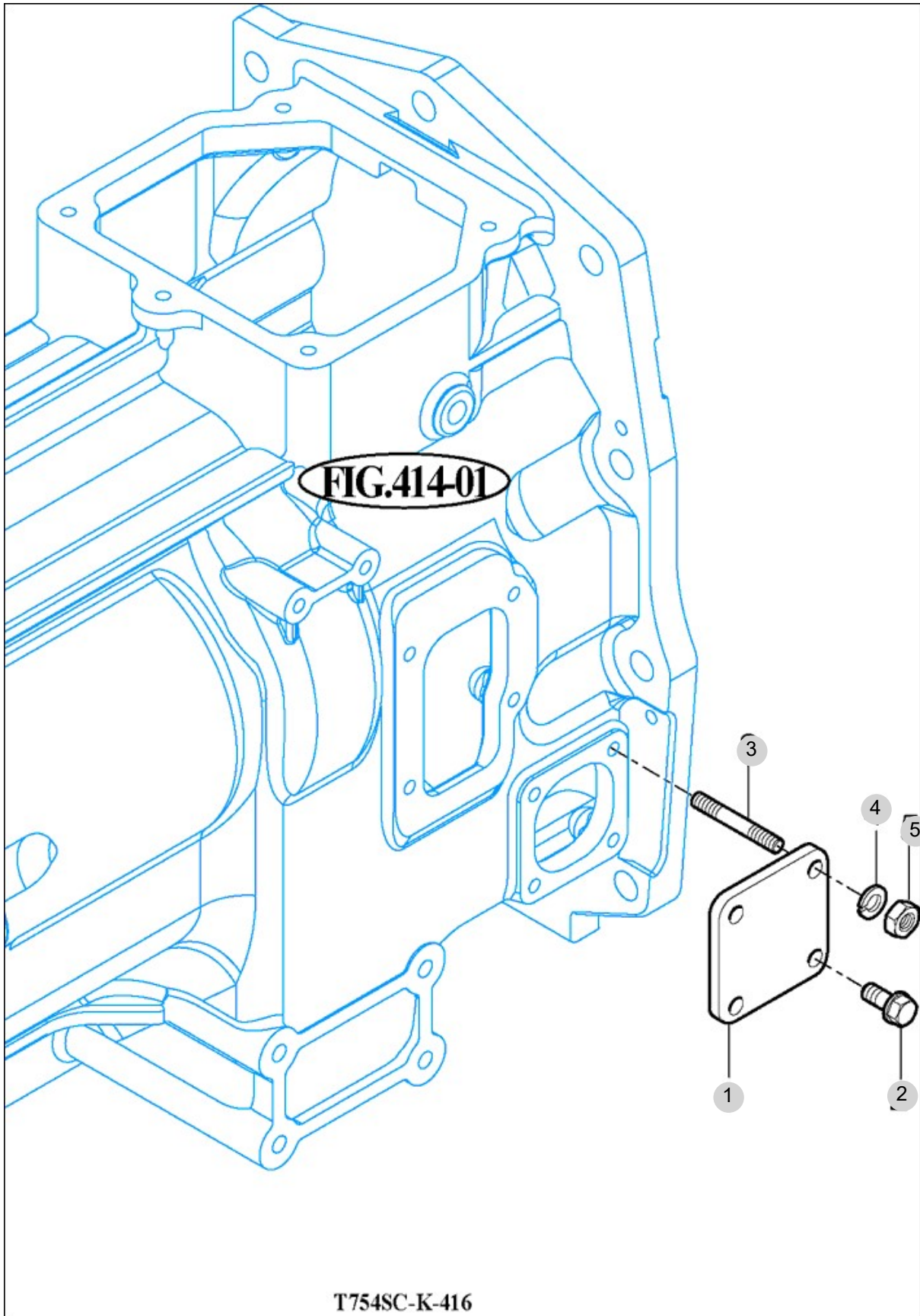
FIG 416

4WD CHANGE LEVER

년/월
Year/Month

T754SC

2022-12



NOTE

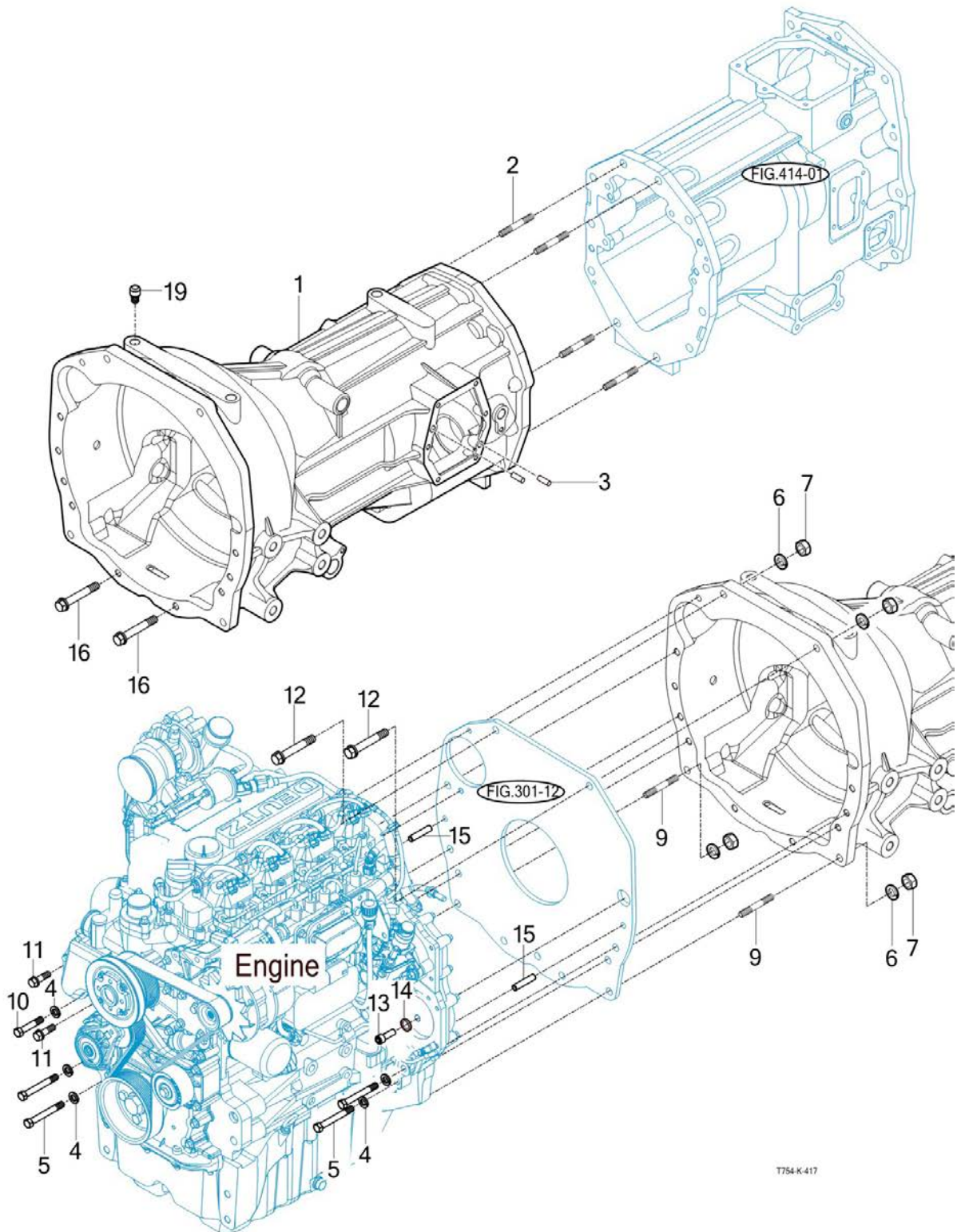
FIG 417

TRANSMISSION FRONT CASE

년/월
Year/Month

2022-12

T754SC



T754-K-417

NOTE

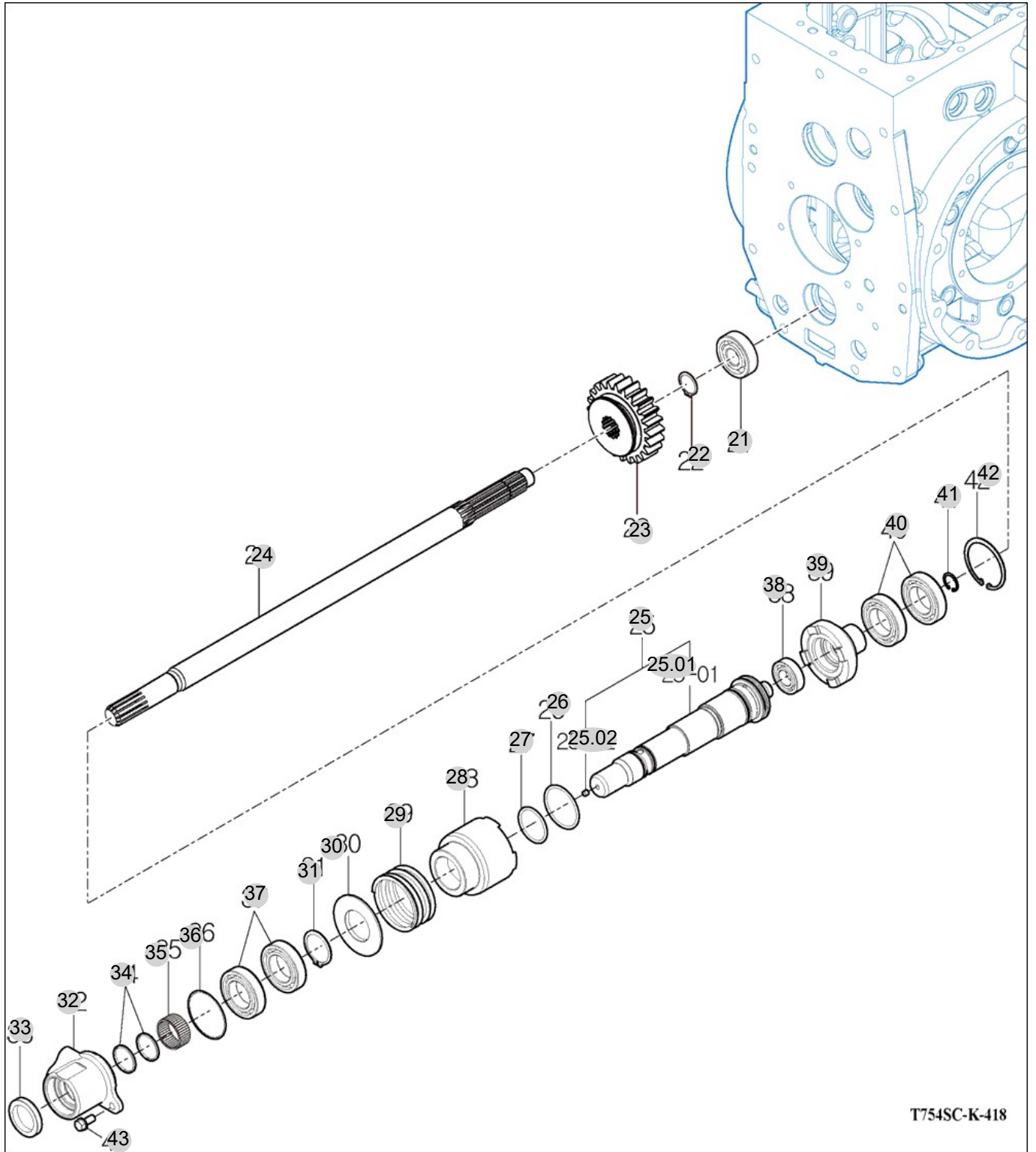
FIG 418

DRIVE GEARS(US)

년/월
Year/Month

2022-12

T754SC



T754SC-K-418

NOTE

5. Front Axle PART NO. T5

FIG 501 FRONT AXLE SUPPORT	145
FIG 502 FRONT DRIVE SHAFT	147
FIG 503 FRONT AXLE HOUSING	149
FIG 504 FRONT DIFFERENTIAL GEAR	151
FIG 505 FRONT GEAR CASE (1)	153
FIG 506 FRONT GEAR CASE (2)	155
FIG 507 FRONT GEAR CASE (3)	157

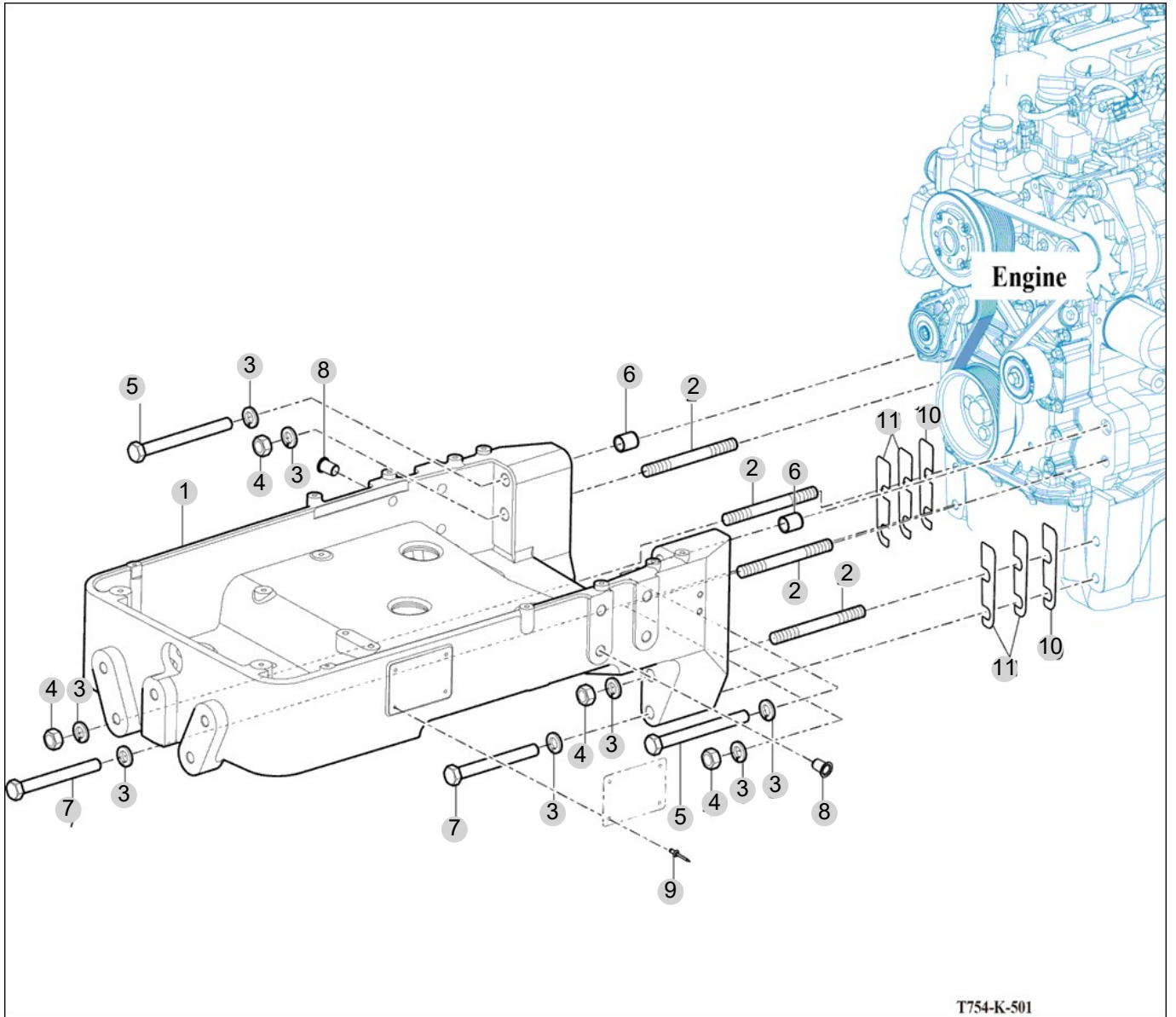
FIG 501

FRONT AXLE SUPPORT

년/월
Year/Month

2022-12

T754SC



NOTE

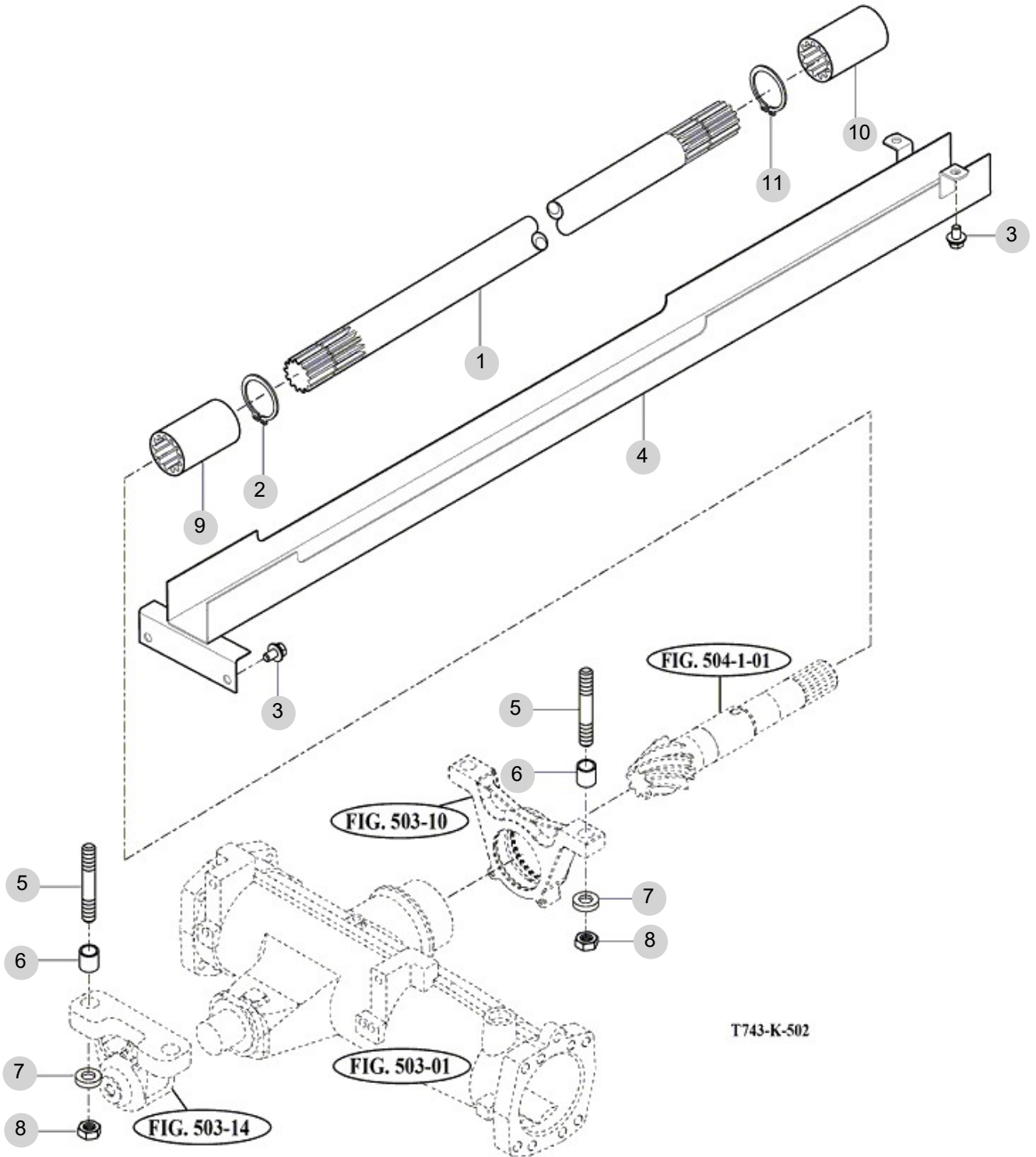
FIG 502

FRONT DRIVE SHAFT

년/월
Year/Month

T754SC

2022-12



NOTE

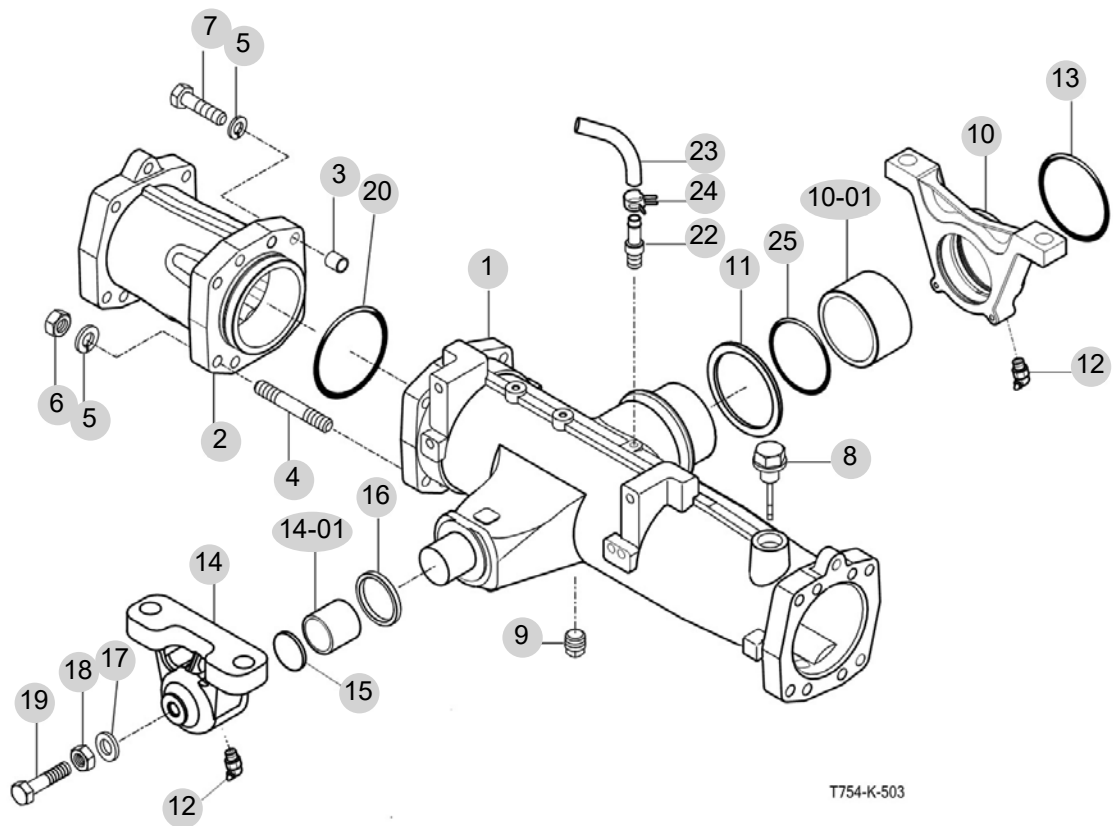
FIG 503

FRONT AXLE HOUSING

년/월
Year/Month

2022-12

T754SC



T754-K-503

NOTE

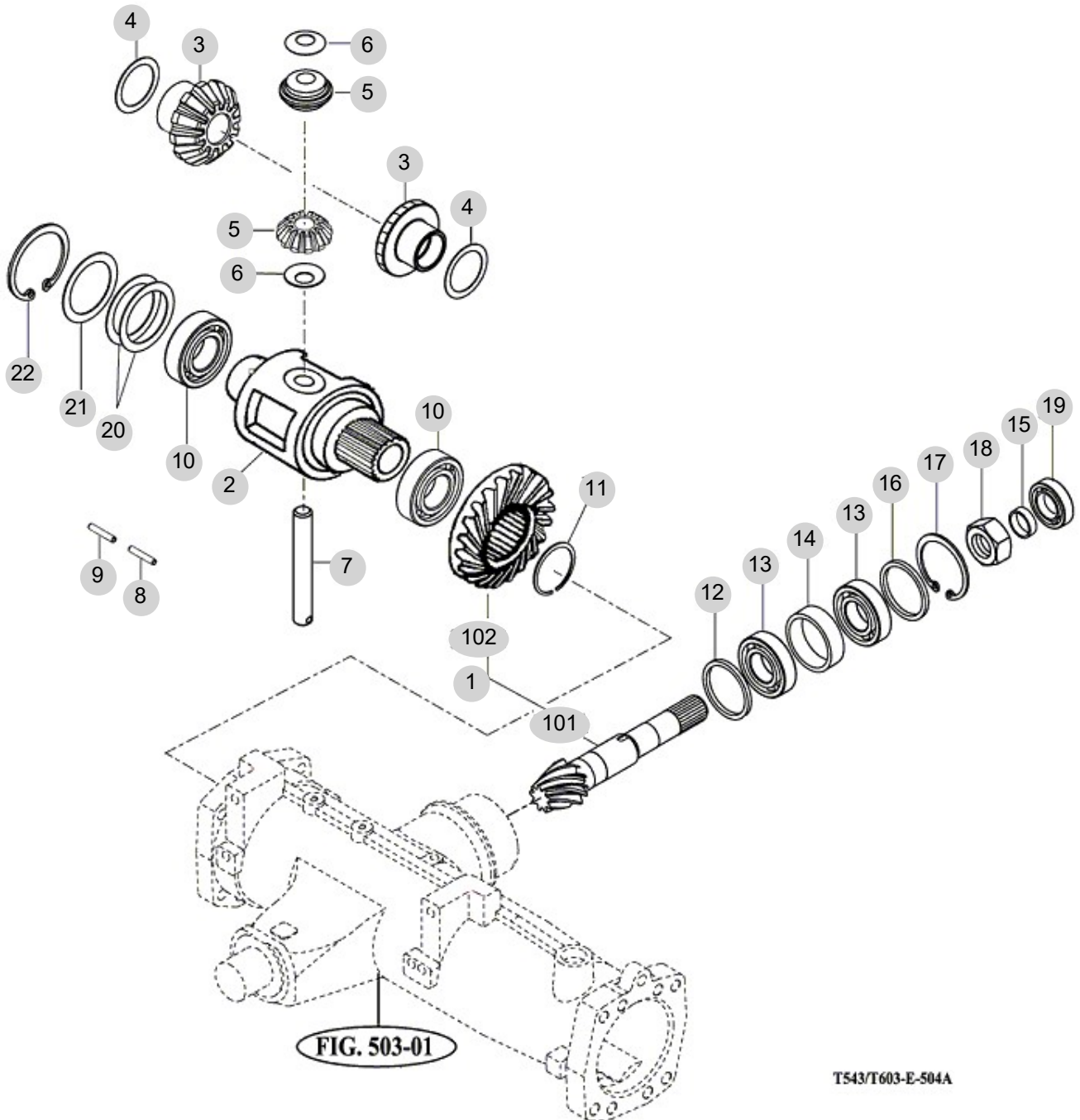
FIG 504

FRONT DIFFERENTIAL GEAR

년/월
Year/Month

2022-12

T754SC



NOTE

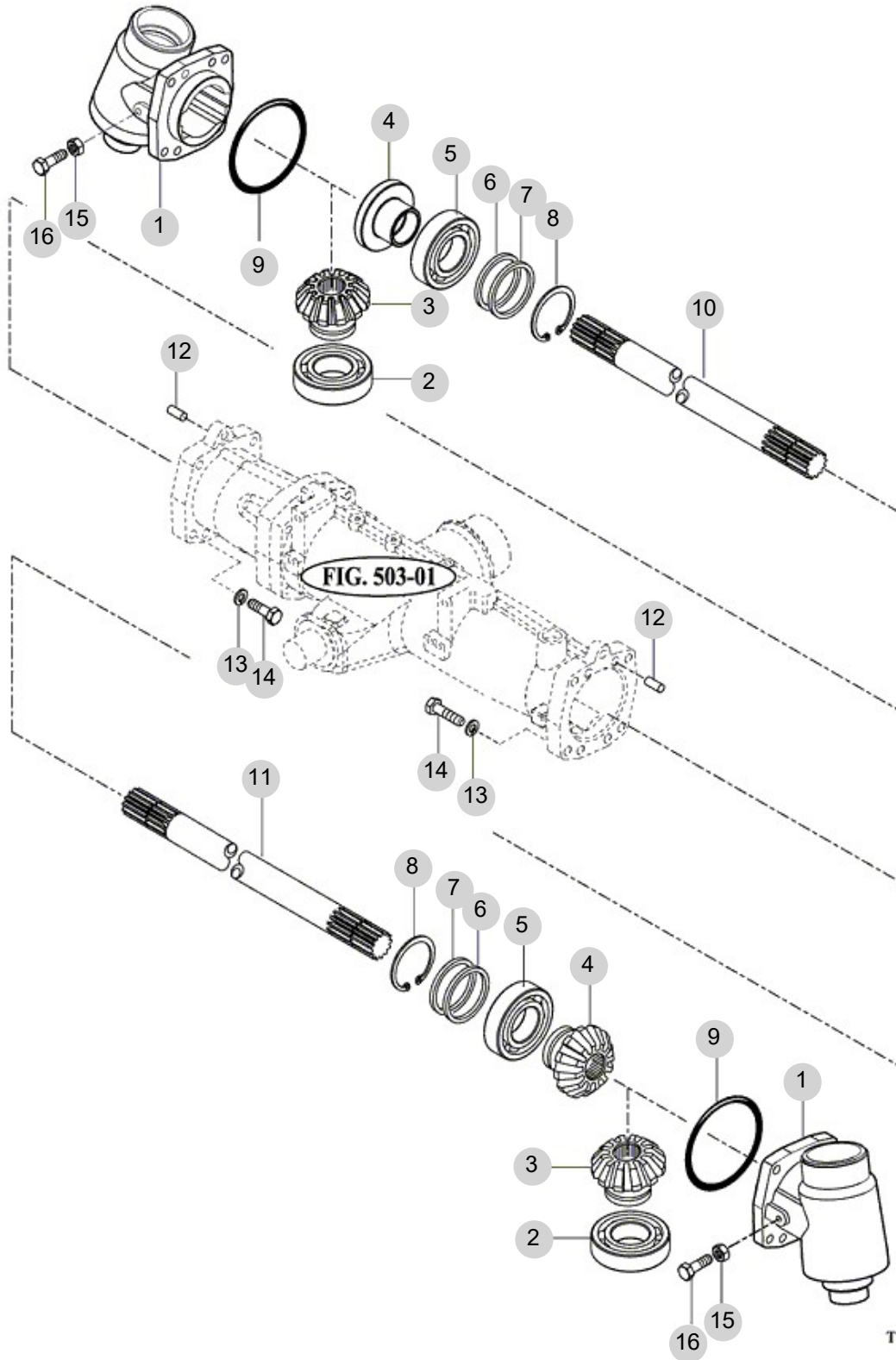
FIG 505

T754SC

FRONT GEAR CASE (1)

년/월
Year/Month

2022-12



T543/T603-E-505A

NOTE

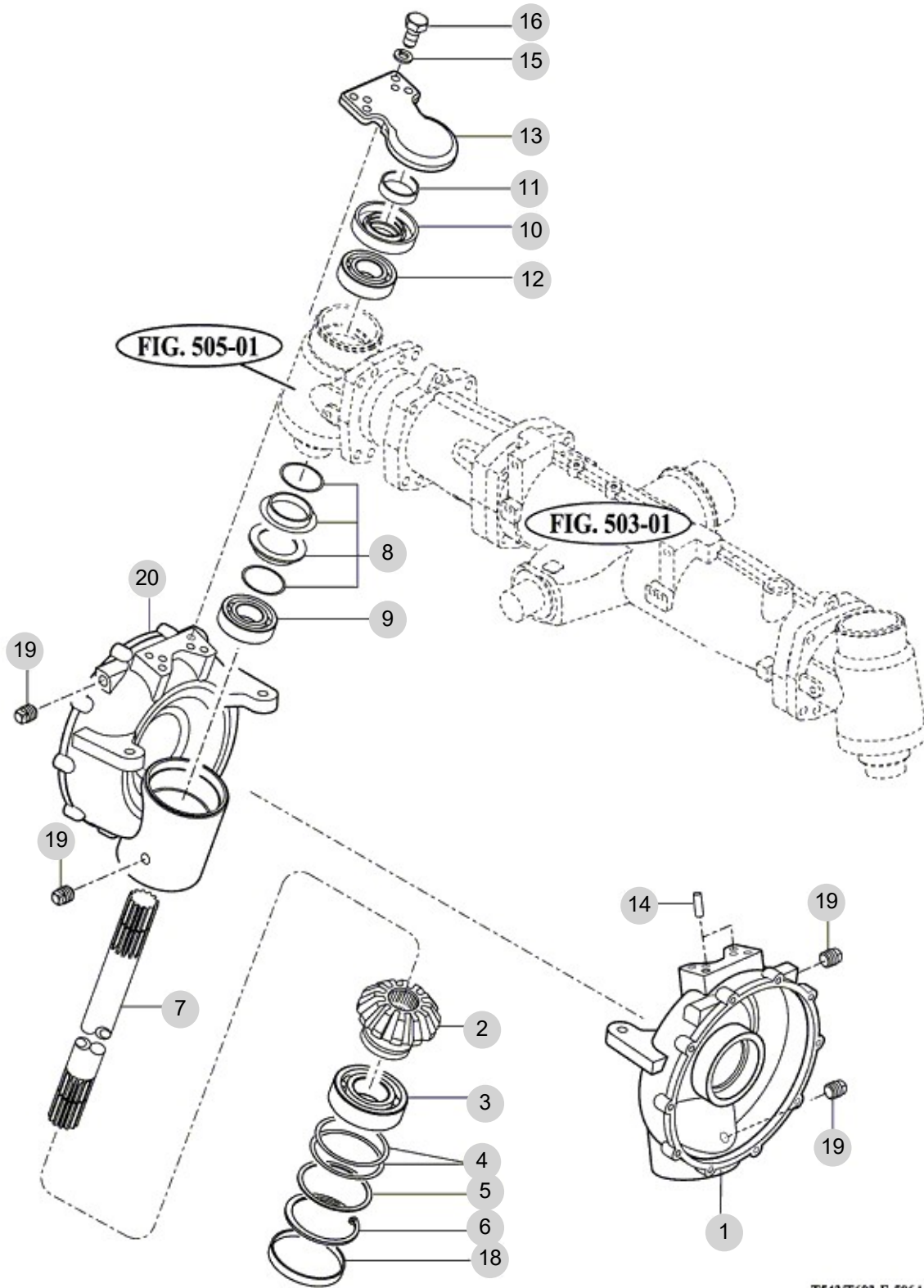
FIG 506

T754SC

FRONT GEAR CASE (2)

년/월
Year/Month

2022-12



T543/T603-E-506A

NOTE

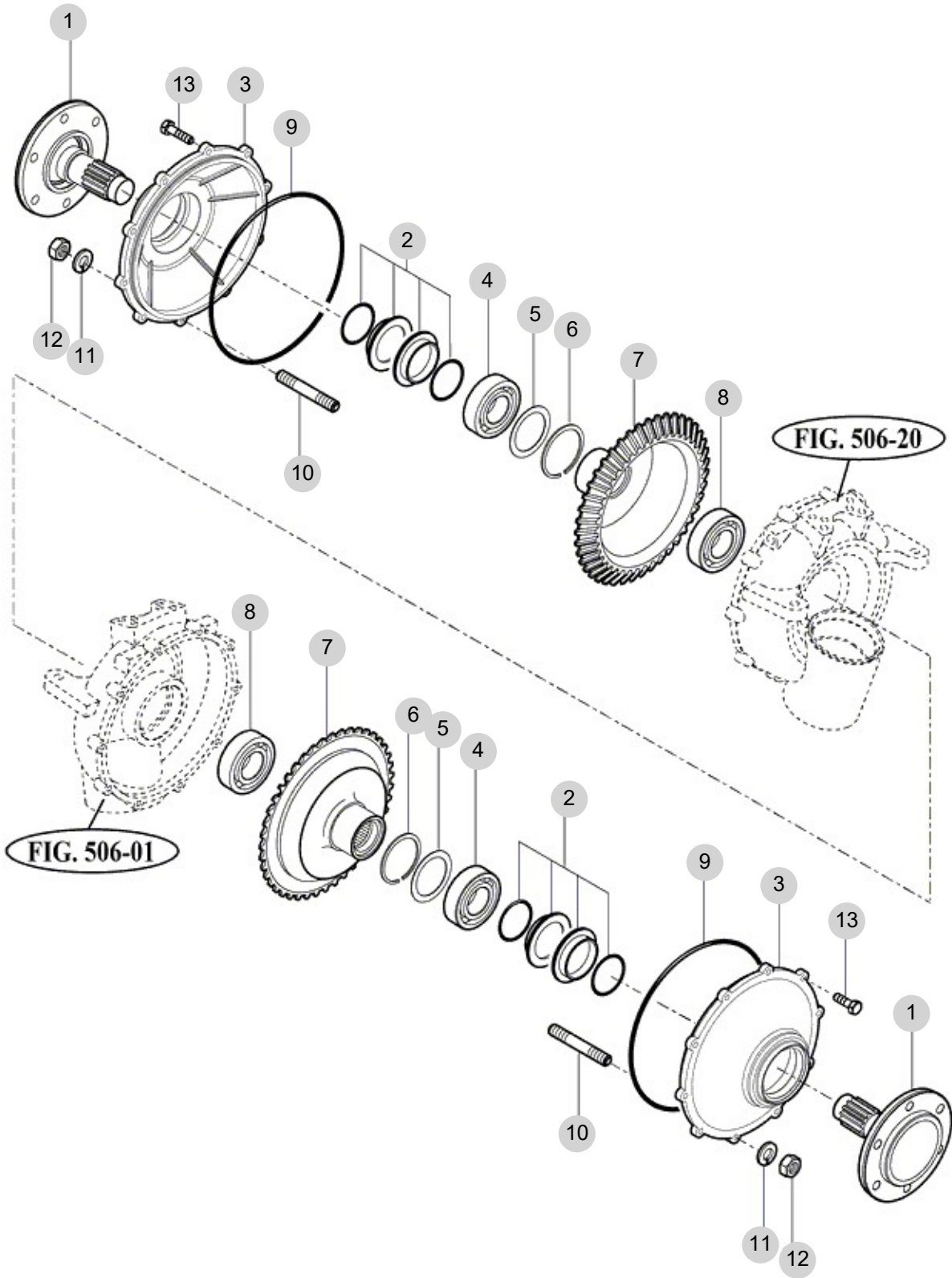
FIG 507

T754SC

FRONT GEAR CASE (3)

년/월
Year/Month

2022-12



T754-E-507

NOTE

6. Hydraulic/3P-Link PART NO. T6

FIG 601 CYLINDER CASE	160
FIG 602 LIFT ARM	162
FIG 603 CYLINDER	164
FIG 604 POSITION LINK	166
FIG 605 CONTROL VALVE	168
FIG 606 DRAFT LINK	170
FIG 607 POSITION & DRAFT LEVER	172
FIG 608 EXTERIOR HYD. VALVE	175
FIG 609 HYDRAULIC PIPE	177
FIG 610 JOYSTICK	179
FIG 611 HITCH & 3-POINT LINK	181
FIG 612 LOWER LINK & LIFT ROD	184
FIG 613 HYDRAULIC HOSE	186

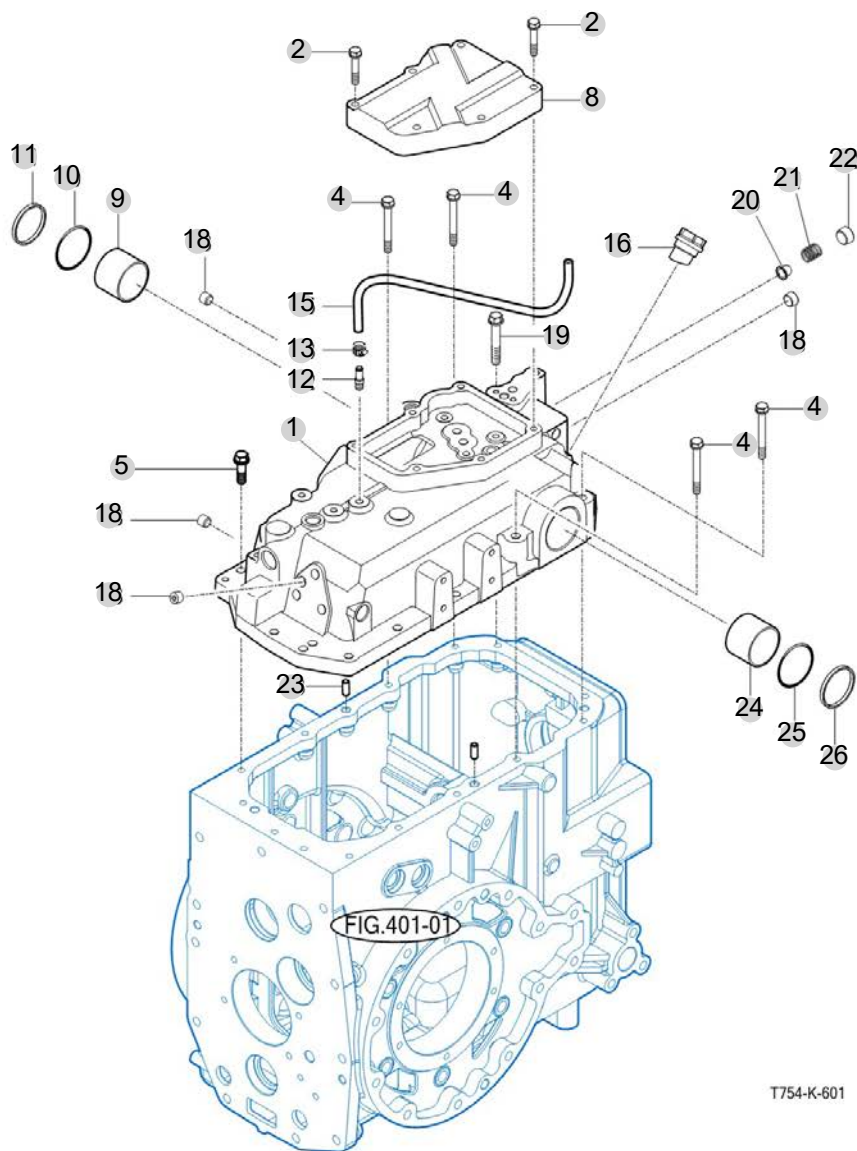
FIG 601

T754SC

CYLINDER CASE

년/월
Year/Month

2022-12



NOTE

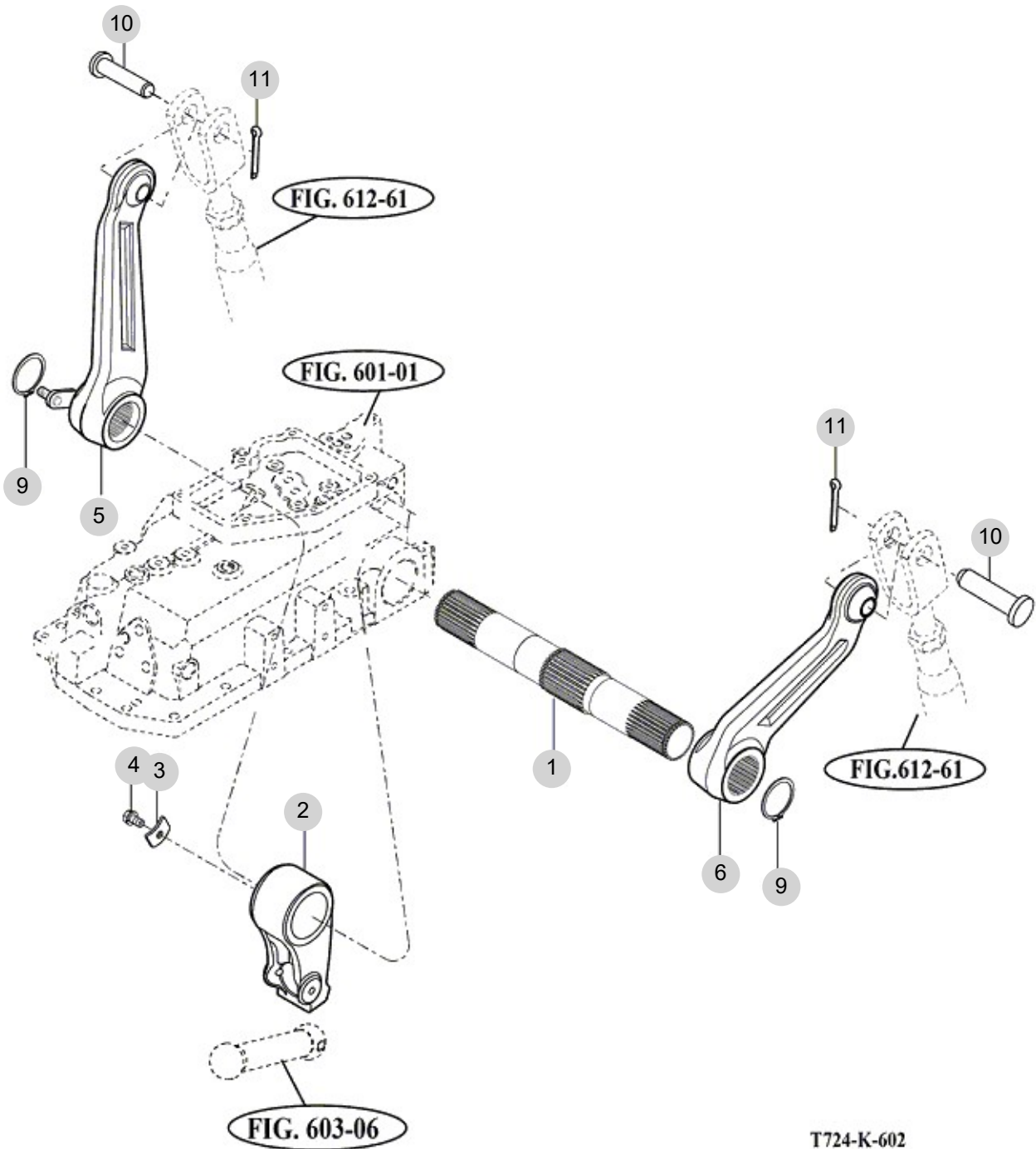
FIG 602

T754SC

LIFT ARM

년/월
Year/Month

2022-12



T724-K-602

NOTE

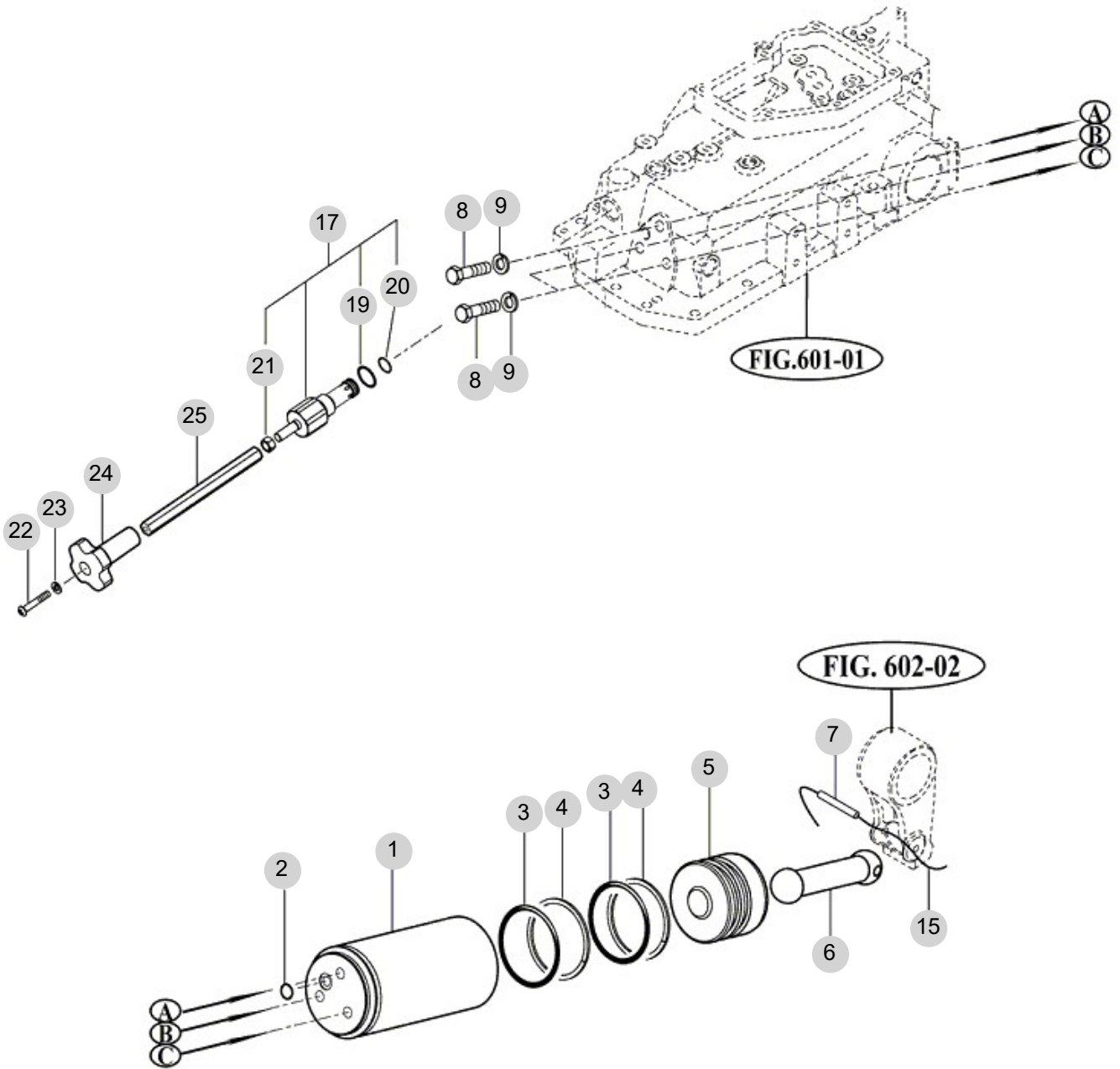
FIG 603

T754SC

CYLINDER

년/월
Year/Month

2022-12



T543/T603-E-603A

NOTE

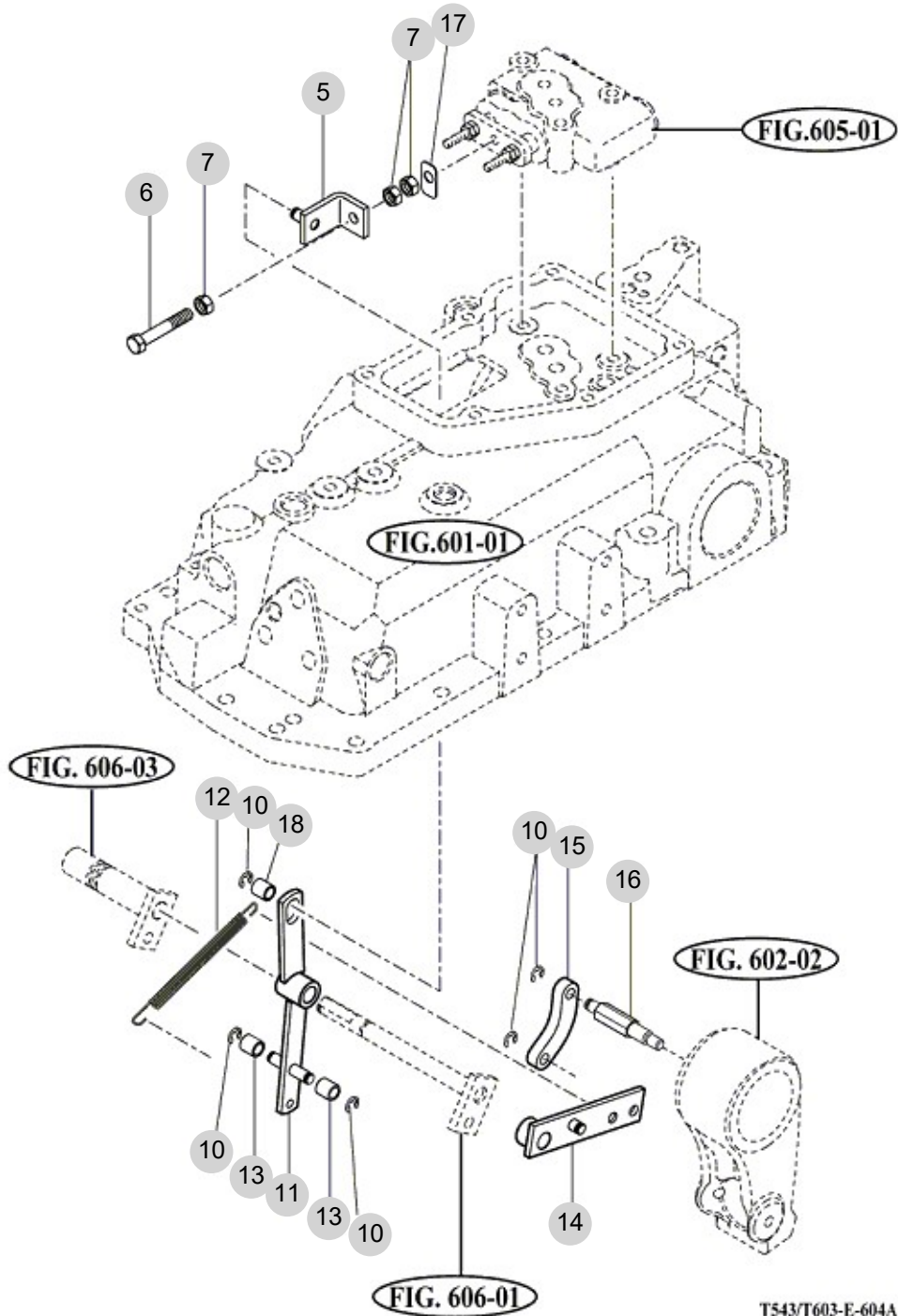
FIG 604

T754SC

POSITION LINK

년/월
Year/Month

2022-12



T543/T603-E-604A

NOTE

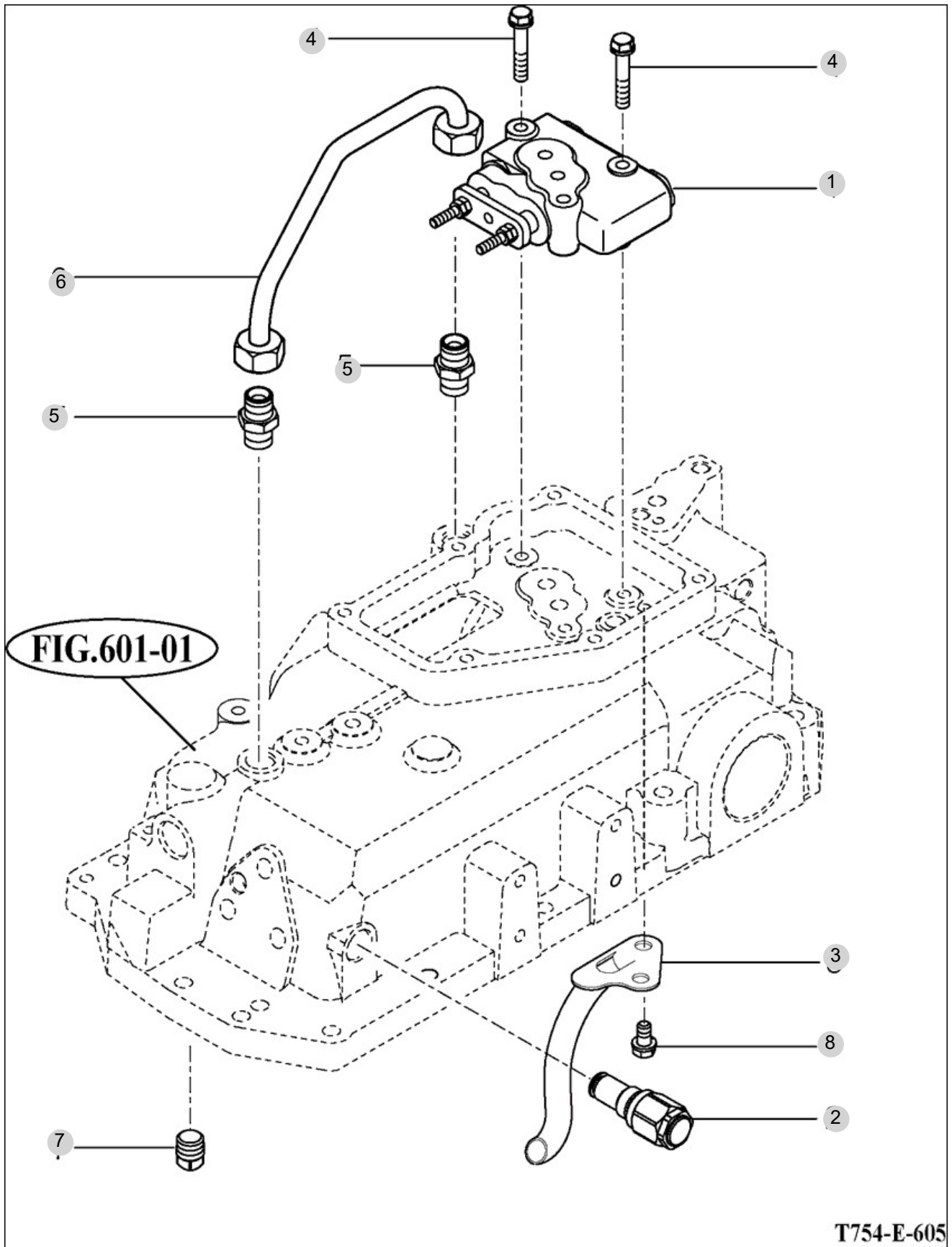
FIG 605

CONTROL VALVE

년/월
Year/Month

2022-12

T754SC



NOTE

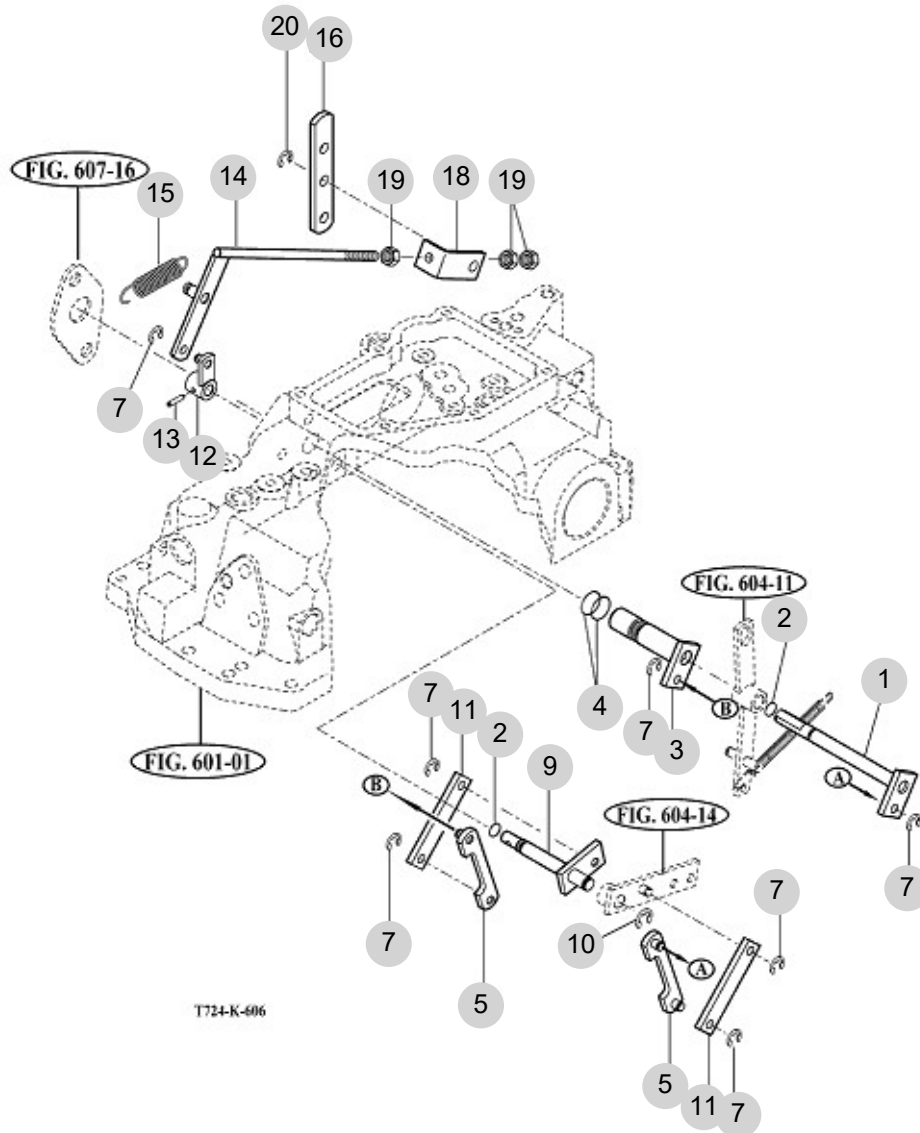
FIG 606

T754SC

DRAFT LINK

년/월
Year/Month

2022-12



NOTE

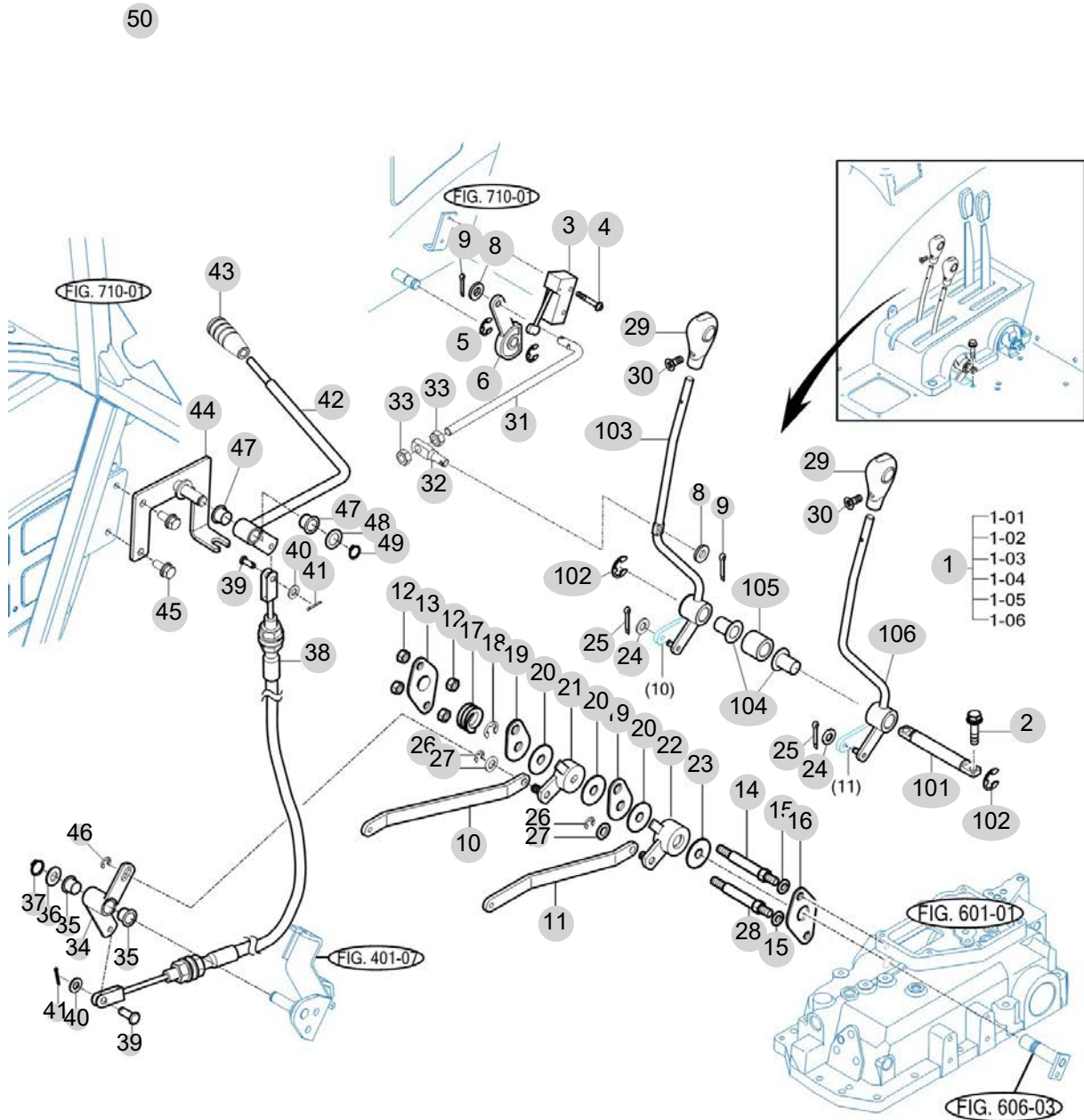
FIG 607

T754SC

POSITION & DRAFT LEVER

년/월
Year/Month

2022-12



T754-K-607

NOTE

FIG 607		POSITION & DRAFT LEVER					년/월 Year/Month		
							2022-12		
T754SC		KEY NO	PART NO	DESCRIPTION	SPEC	QTY	REPAIR	EFFECTIVE DATE	REMARKS
607	1	19997092101	REVER SUB , POSITION/DRAFT	1X1X1	1				
607	101	14527092110	SHAFT	D=16	1				
607	102	V7081400150	E-RING	15	2				
607	103	19997092201GB	LEVER COMP , POSITION	400*50*100	1				
607	104	14527092120	BUSH, NYLON/16X18X27	1X1X1	2				
607	105	14527092251	COLLER , SPACE	D=30	1				
607	106	19997092301GB	LEVER COMP , DRAFT	400*50*100	1				
607	2	V2183608020	BOLT , HEX/SP	M8X20	2				
607	3	16606742301	SWITCH ASSY . LIMIT		1				
607	4	V1222604025	SCREW , C/R PAN/SP	M4X25	2				
607	5	V7081400080	E-RING	8	2				
607	6	14527090020	CAM , SENSER	1X1X1	1				
607	8	V4111600060	WASHER , PLAIN	M6	2				
607	9	V5001920020	PIN , SPLIT	2X20	2				
607	10	18015070120	PLATE , POSITION	19X6T	1				
607	11	18015070140	PLATE , DRAFTER	19X6T	1				
607	12	V3043600100	NUT , HEX/2	M10	4				
607	13	17995070140	PLATE , C	3.2T	1				
607	14	17995070150	BOLT , SUPPORT	H14X108.9	1				
607	15	V4011600100	WASHER , SPRING	M10	2				
607	16	17995070170	PLATE , D	3.2TX90X50	1				
607	17	17995070180	SPRING	33X23	1				
607	18	V7081400120	E-RING	12	1				
607	19	17995070200	PLATE , A	3.2TX40X62	2				
607	20	17995070211	PLATE , FRICTION	13X40X2T	3				
607	20	13835070210	PLATE , FRICTION		3				
607	21	14525070221	ARM COMP , POSITION	1X1X1	1				
607	22	14525070230	ARM COMP , DRAFT LEVER		1				
607	23	17995070241	PLATE , FRICTION	21*40*2T	1				
607	23	13835070220	PLATE , FRICTION		1				
607	24	V4111600060	WASHER , PLAIN	M6	2				
607	25	V5001920020	PIN , SPLIT	2X20	2				
607	26	V7081400080	E-RING	8	2				
607	27	V4111600100	WASHER , PLAIN	M10	2				
607	28	17995070340	BOLT , SUPPORT		1				
607	29	19027592011	KNOB , AUX LEVER	1X1X1	2				
607	30	V1122804012	SCREW , C/R FLAT	M4X12	2				
607	31	19997090010	ROD,SWITCH	6*150*28	1				
607	32	19997090210	PIN , POSITION ROD	10.6*32*8	1				
607	33	V3002600060	NUT , HEX/1	M6	2				
607	34	18025070500GB	ARM COMP , AUX POSITION		1				
607	35	15602870024	BUSH , 16X24X15		2				
607	36	36212110030	WASHER , TENSION ARM	T=1.6	2				
607	37	V7041400160	C-RING , SHAFT	16	2				
607	38	18175070700	CABLE, EXTERNAL POSITION ASSY		1				
NOTE									

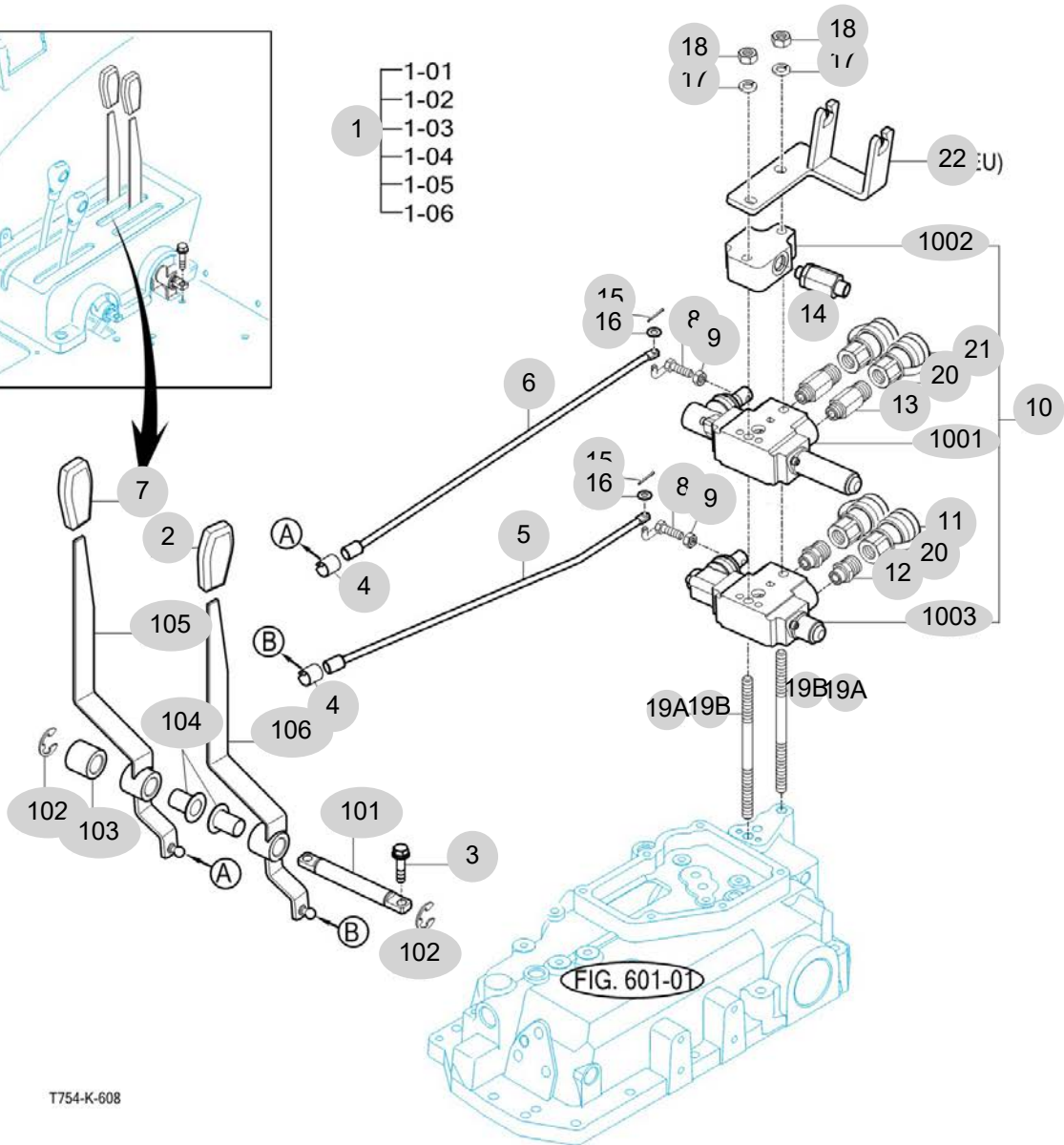
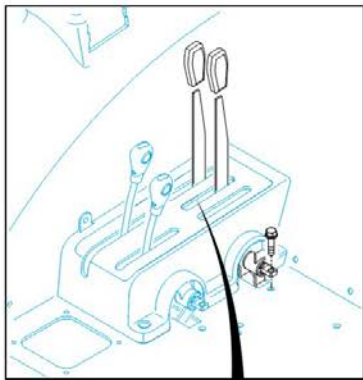
FIG 608

EXTERIOR HYD. VALVE

년/월
Year/Month

2022-12

T754SC



T754-K-608

NOTE

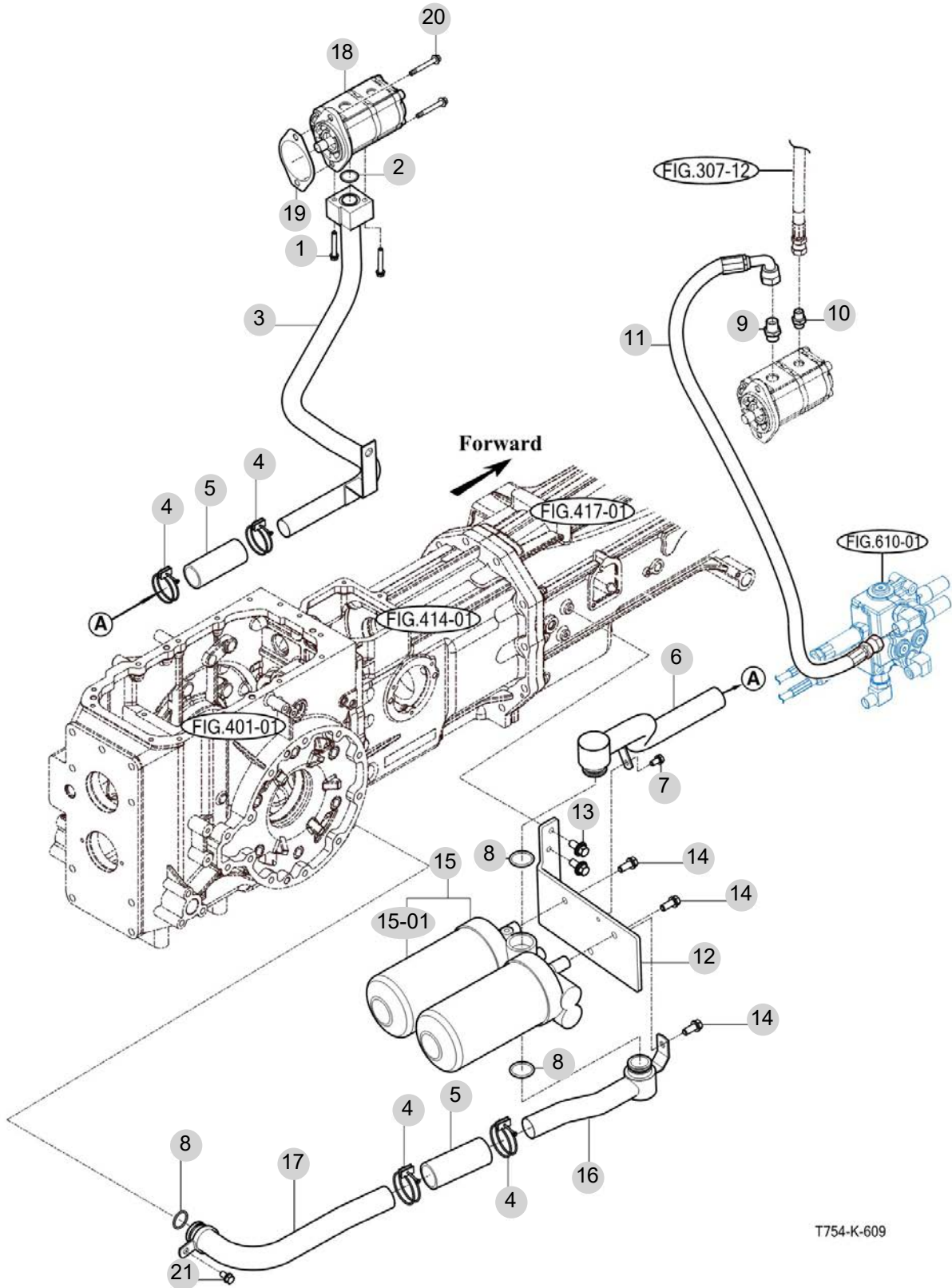
FIG 609

HYDRAULIC PIPE

년/월
Year/Month

2022-12

T754SC



T754-K-609

NOTE

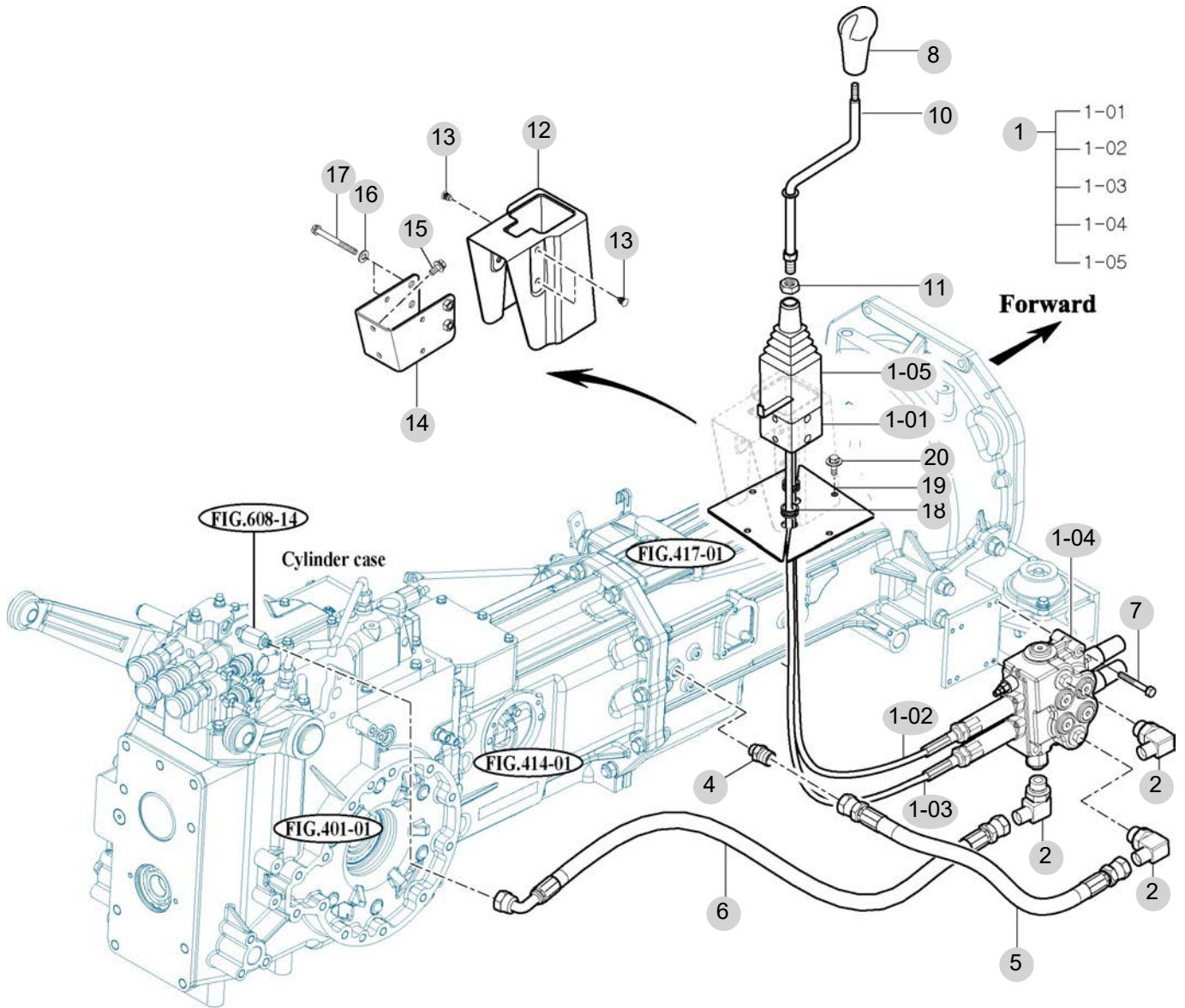
FIG 610

JOYSTICK

년/월
Year/Month

2022-12

T754SC



NOTE

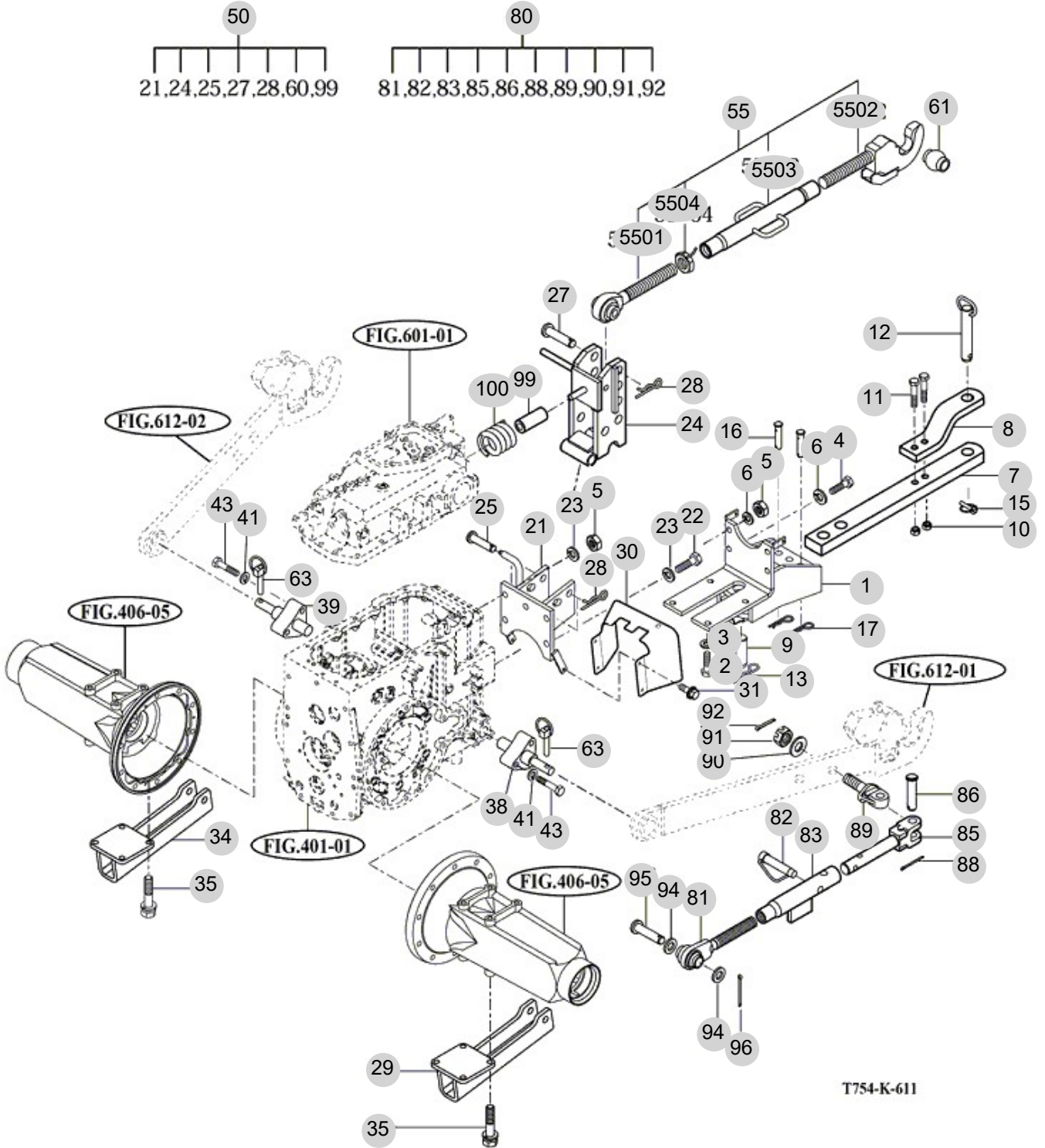
FIG 611

HITCH & 3-POINT LINK

년/월
Year/Month

2022-12

T754SC



NOTE

FIG 611		HITCH & 3-POINT LINK						년/월 Year/Month	
								2022-12	
T754SC		KEY NO	PART NO	DESCRIPTION	SPEC	QTY	REPAIR	EFFECTIVE DATE	REMARKS
611	1	18015202000GB	BRACKET COMP , DRAW BAR/SWING	246*20*440	1				
611	2	V2013614035	BOLT , HEX	M14X35	4				
611	3	V4011600140	WASHER , SPRING	M14	4				
611	4	V2013616035	BOLT , HEX	M16X35	2				
611	5	V3043600160	NUT , HEX/2	M16	4				
611	6	V4011600160	WASHER , SPRING	M16	4				
611	7	17332470010GB	LINK , DRAW BAR SWING	65X35X660	1				
611	8	18992470020GB	LINK , HITCH	1X1X1	1				
611	9	17332472010	PIN , DRAWBAR	D=28	1				
611	10	15189240160	NUT , NYLON , M16	1X1X1	2				
611	11	V2004616080	BOLT , HEX	M16X80	2				
611	12	S0973063031	PIN ASSY	D=19	2				
611	13	V2173610020	BOLT , HEX/S		1				
611	13	S2169908420	PIN , SNAP/28	1X1X1	1				
611	15	14215020020	PIN , LINK		1				
611	16	15645220011	PIN , 19X86	D=19	2				
611	17	14445140051	PIN , 19	D=4.5	2				
611	21	18015222000GB	BRACKET COMP	1X1X1	1				
611	22	V2013616035	BOLT , HEX	M16X35	3				
611	23	V4011600080	WASHER , SPRING	M8	5				
611	24	17975222102GB	LINK COMP	13.0X18.3X23.4	1				
611	25	15645250010	PIN , 19X122	D=19	2				
611	27	15645220020	PIN , 19X95	D=19	1				
611	28	14445140051	PIN , 19	D=4.5	3				
611	29	18015254101GB	BRACKET COMP		1				
611	30	13605200012GB	COVER , SHIELD	1X1X1	1				
611	31	V2183608016	BOLT , HEX/SP	M8X16	4				
611	34	18015254101GB	BRACKET COMP		1				
611	35	V2013614030	BOLT , HEX	M14X30	8				
611	38	17975252710	PIN , LOWER LINK		1				
611	39	17975252810	PIN , LOWER LINK	1X1X1	1				
611	41	V4011600140	WASHER , SPRING	M14	6				
611	43	V2013614060	BOLT , HEX	M14X60	6				
611	50	18015200500	BRACKET ASSY	1X1X1	1				
611	55	17995201002GB	LINK ASSY . TOP LINK	1X1X1	1				
611	5501	17995201300	ROD COMP , RH	1X1X1	1				
611	5502	17995201101	ROD COMP , LH		1				
611	5503	17995201202	SLEEVE COMP	1X1X1	1				
611	5504	17995201400	NUT , LOCK M12	육각 B=30	1				
611	61	17995201500	BALL , TOP LINK	1X1X1	1				
611	63	14215020020	PIN , LINK		2				
611	80	18025253000GB	LINK ASSY , ADJUSTER		2				
611	81	17995253102	ROD ASSY , TIE	1X1X1	2				
611	82	17995253200	PIN COMP	1X1X1	4				
611	83	17995253302GB	SLEEVE COMP	1X1X1	4				
NOTE									

FIG 612

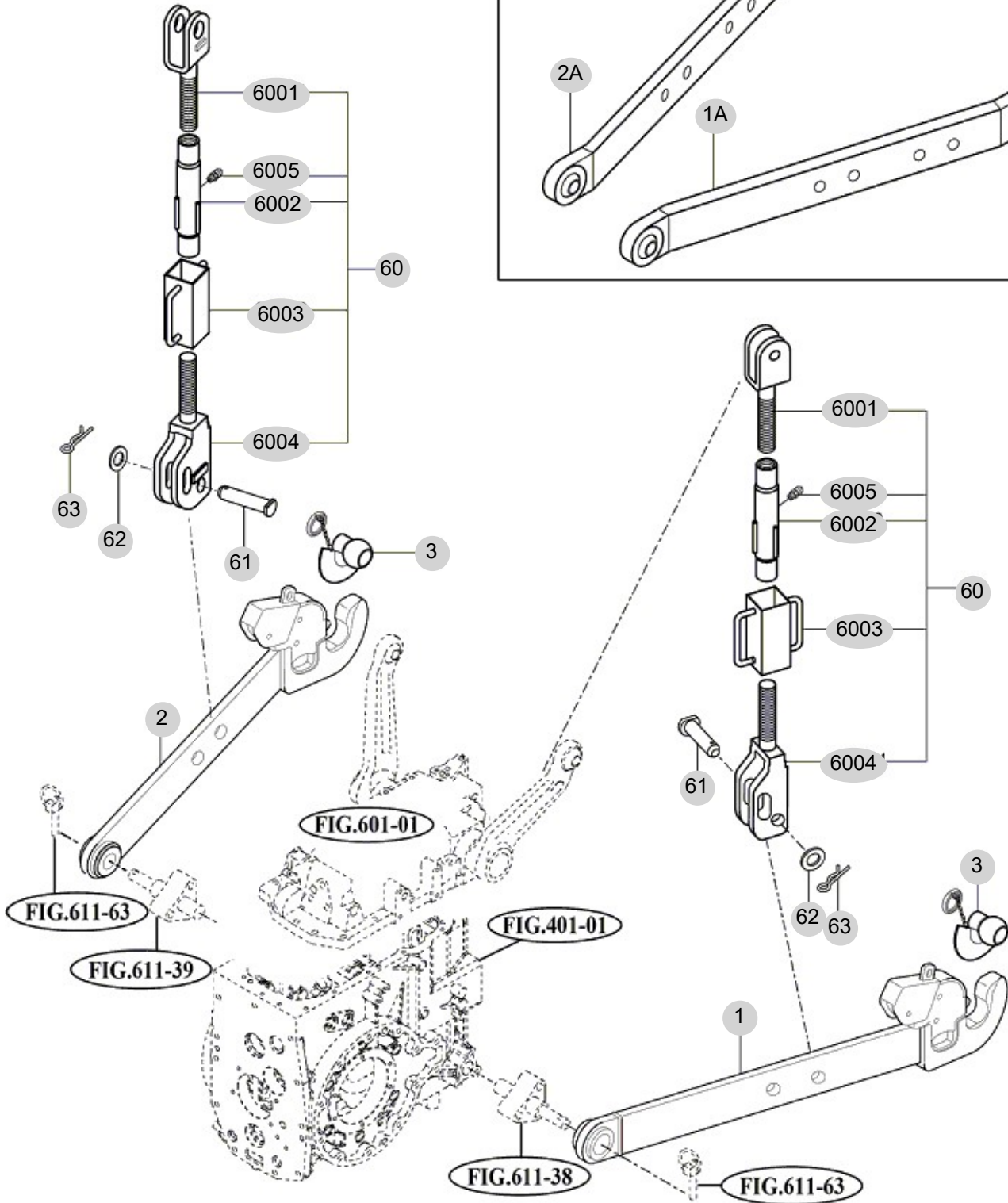
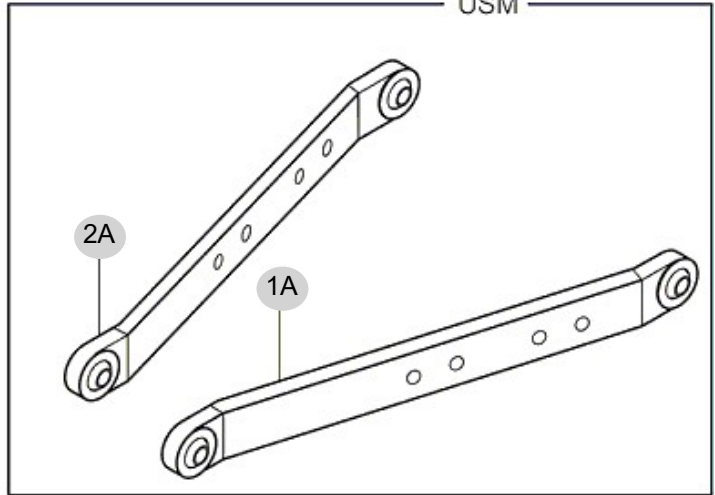
LOWER LINK & LIFT ROD

년/월
Year/Month

2022-12

T754SC

USM



T754-K-612

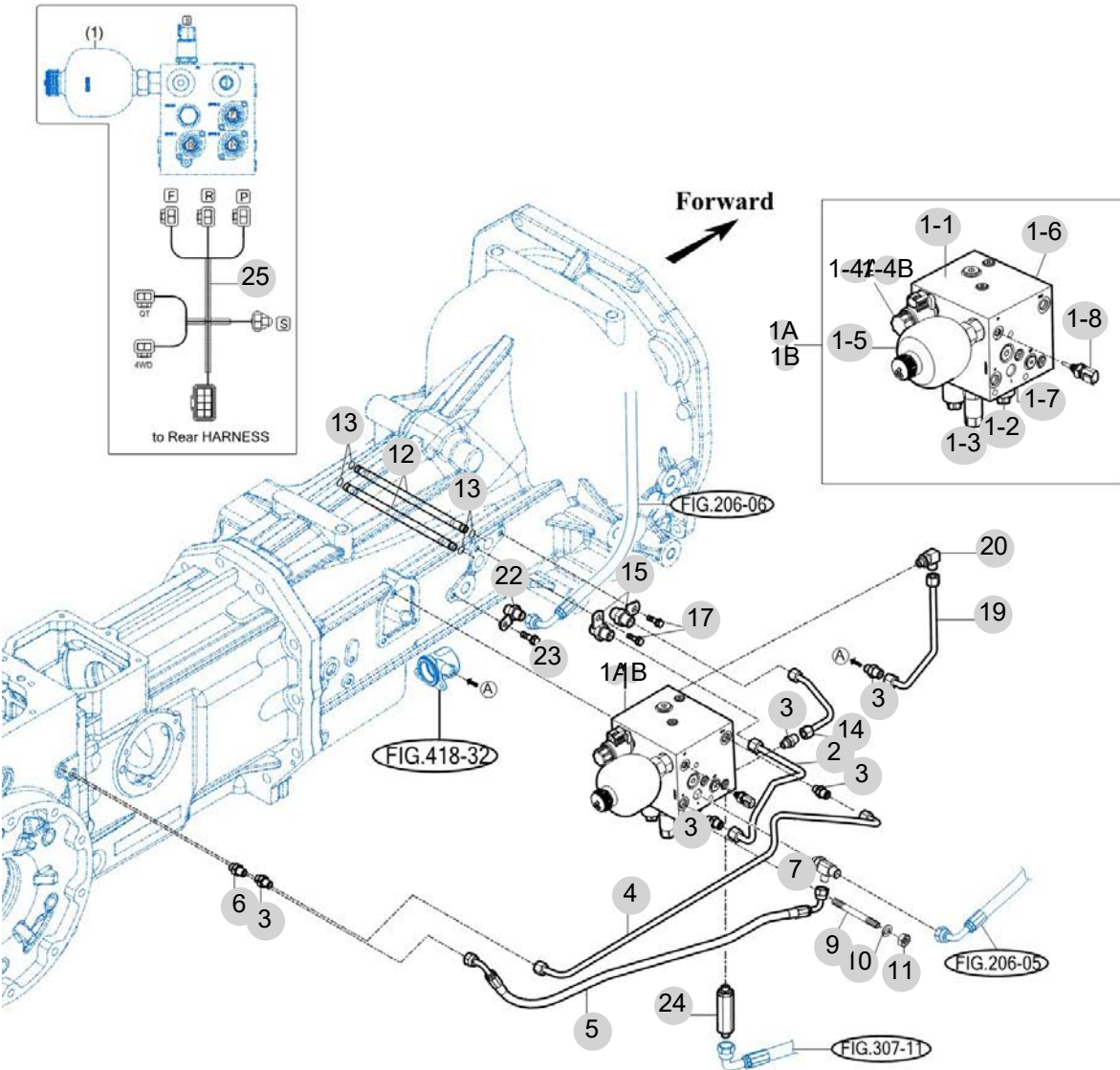
NOTE

FIG 613

HYDRAULIC HOSE

년/월
Year/Month

2022-12



T754SC-K-613

NOTE

7. Sheet Metal & Cabin PART NO. T7

FIG 701 HOOD	189
FIG 702 FRONT FRAME	191
FIG 703 SIDE SUPPORT & FRAME HOOD	193
FIG 704 LEVER COVER & STEP	196
FIG 705 FRONT & REAR MOUNTING	198
FIG 706 SEAT & MAT	200
FIG 709 DOOR	202
FIG 710 FRONT GLASS	205
FIG 711 SIDE GLASS	207
FIG 712 REAR GLASS	209
FIG 713 SUB FENDER & COVER	211
FIG 714 MIRROR	213
FIG 715 HEATER & AIR-CON	215
FIG 715-2 HEATER & AIR-CON	217
FIG 716 FENDER COVER	219
FIG 717 ROOF	221
FIG 718 CABIN INTERIOR	223

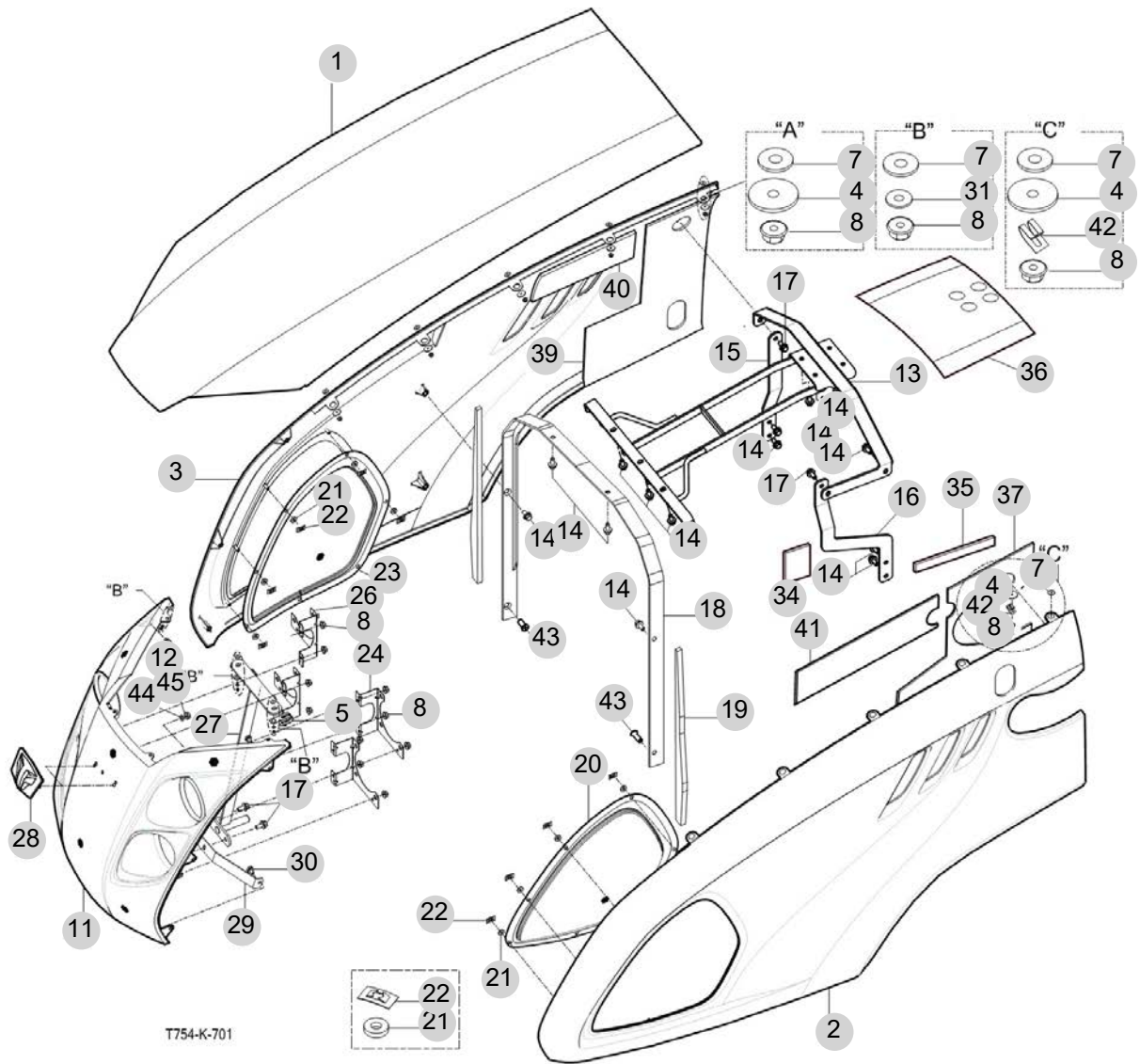
FIG 701

T754SC

HOOD

년/월
Year/Month

2022-12



NOTE

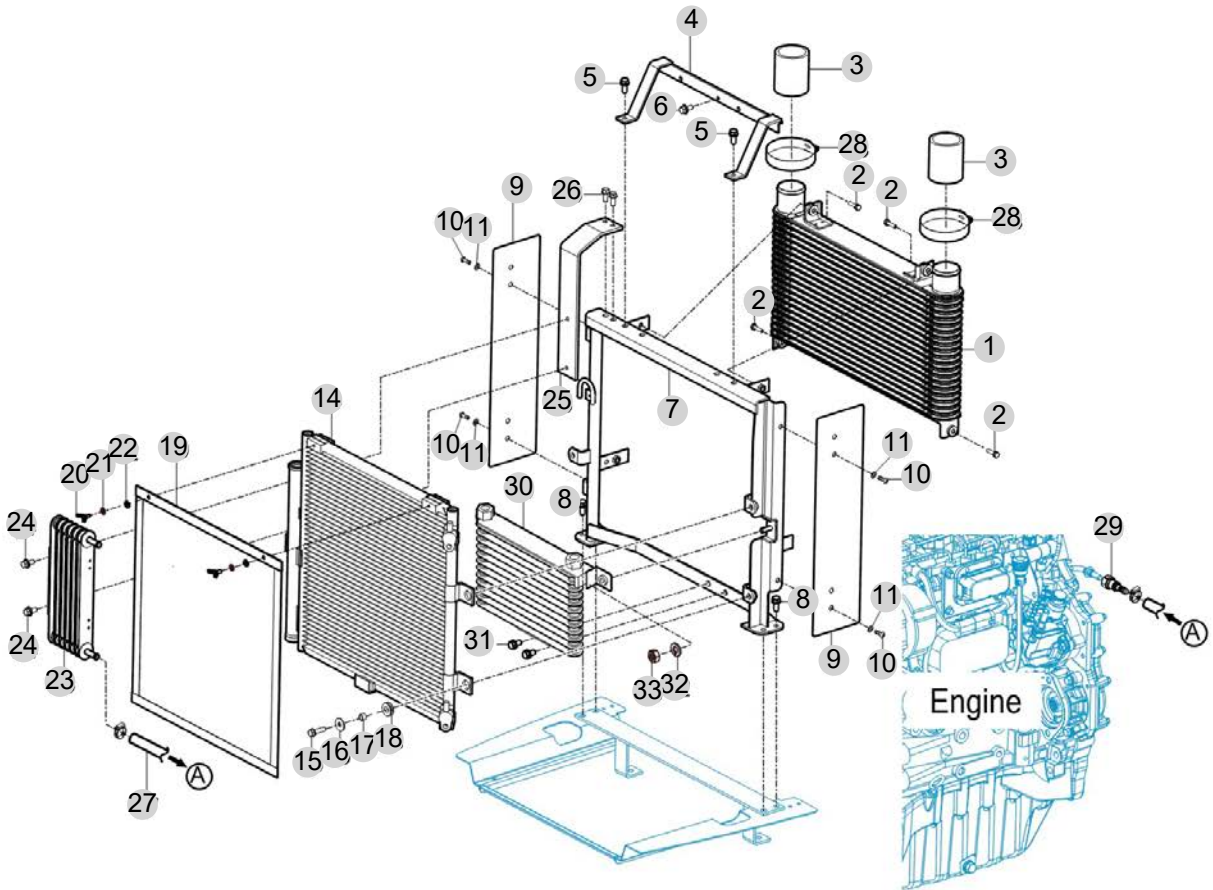
FIG 701 T754SC		HOOD						년/월 Year/Month
								2022-12
KEY NO	PART NO	DESCRIPTION	SPEC	QTY	REPAIR	EFFECTIVE DATE	REMARKS	
701	1	17136112100SR	HOOD COVER COMP	1253.6X542.4X347.5	1			
701	2	17136112201SR	PANEL COMP , LH SIDE		1			
701	3	17136112300SR	PANEL COMP , RH SIDE	1338.7X764.9X120	1			
701	4	19026112050	WASHER , 6X30X2.3	T=2.3	10			
701	5	14256210040	CLAMP , 9		2			
701	7	35605033020	WASHER , WIRE WITHDRAWAL	T=1.6	14			
701	8	V3802600060	NUT , HEX FLANGE	M6	28			
701	11	17136112401GB	COVER COMP , FRONT GRILLE	548X521.6X382.6	1			
701	12	V2193606016	BOLT , HEX/SPL	M6X16	4			
701	13	18026112500GB	FRAME COMP , HOOD		1			
701	14	V2183608016	BOLT , HEX/SP	M8X16	16			
701	15	17136112090GB	PLATE , RH	344X32X33	1			
701	16	17136112081GB	PLATE , LH	177X344X33	1			
701	17	V2183608020	BOLT , HEX/SP	M8X20	4			
701	18	10016112701GB	FRONT FRAME COMP, HOOD	1X1X1	1			
701	19	17136112060	INSULATOR , SIDE PANEL	520X29.5X12	2			
701	20	17136112032GB	GRILLE , LH		1			
701	21	14446010150	WASHER , NET		14			
701	22	V3501600060	NUT, PUSH-ON SPRING	M6	14			
701	23	17136112042GB	GRILLE , RH		1			
701	24	17136410010GB	PLATE , LH LAMP	129X124X46.2	2			
701	26	17136410020GB	PLATE , RH LAMP	129X124X46.2	2			
701	27	17136112601GB	PIN COMP , HOOD/LOCK	116X404X192	1			
701	28	19959010010	EMBLEM	1X1X1	1			
701	29	17136112800GB	BRACKET , GRILL	1*1*1	1			
701	30	V2193606020	BOLT , HEX/SPL	M6X20	2			
701	31	V4111600060	WASHER , PLAIN	M6	6			
701	34	17136110500	INSULATOR , A	120*80*10	1			
701	35	17136110600	INSULATOR , C	1280*32*10	1			
701	36	17136110800	INSULATOR , D	450*333*5	1			
701	37	17826110030	INSULATOR , LH/SIDE		1			
701	39	17136110022	INSULATOR , RH COVER	413X534*5	1			
701	40	17136110060	INSULATOR , F	500X208*5	1			
701	41	17136110070	INSULATOR , G	500X208*5	1			
701	42	37371720090	CLAMP , W/HARNESS		5			
701	43	V1122808020	SCREW , C/R FLAT	M8X20	2			
701	44	V4111600060	WASHER , PLAIN		2			
701	45	V3802600060	NUT , HEX FLANGE		2			
NOTE								

FIG 702

FRONT FRAME

년/월
Year/Month

2022-12



T754-K-702

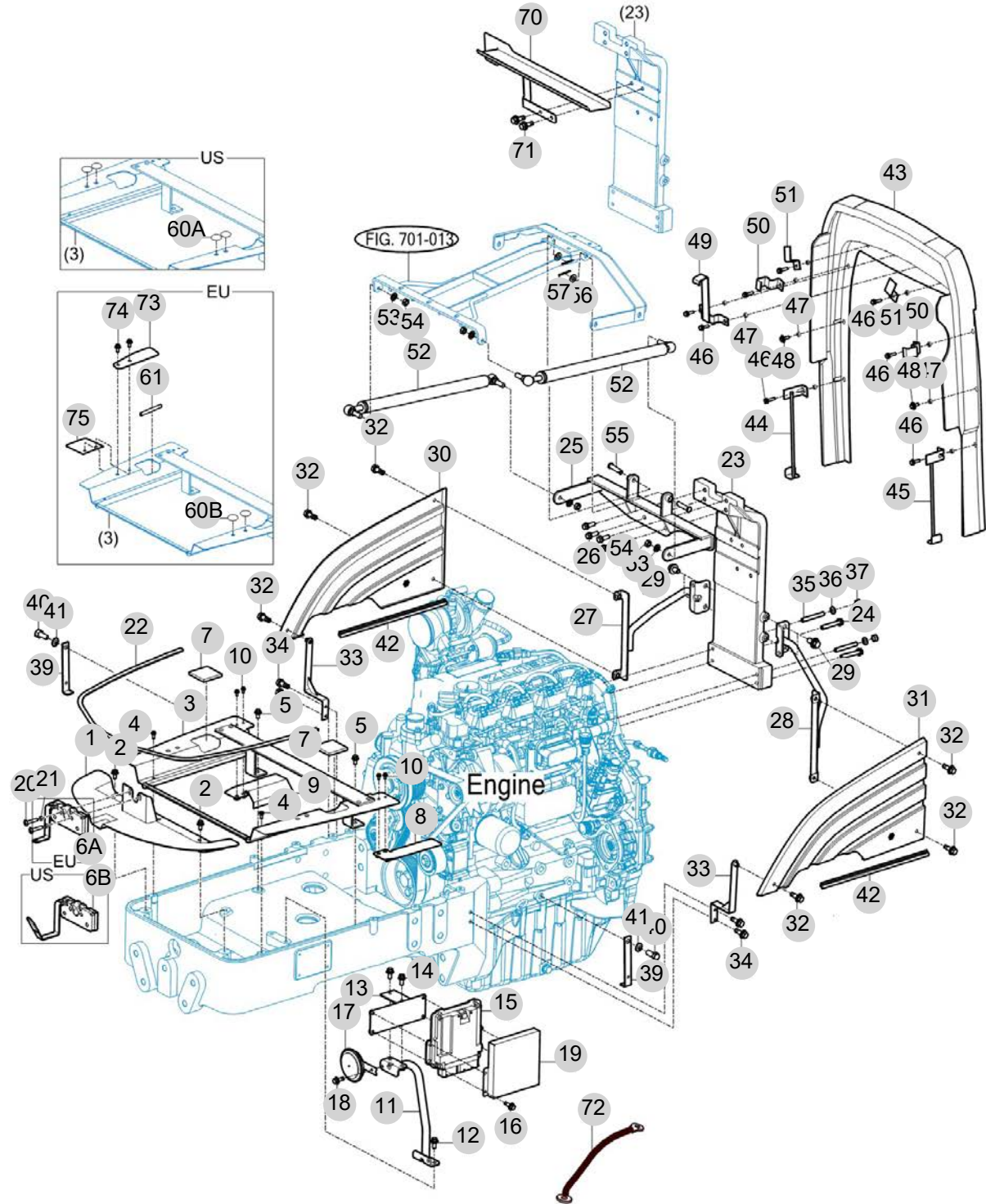
NOTE

FIG 703

SIDE SUPPORT & FRAME HOOD

년/월
Year/Month

2022-12



T754-K-703

NOTE

FIG 703		SIDE SUPPORT & FRAME HOOD					년/월 Year/Month		
							2022-12		
T754SC		KEY NO	PART NO	DESCRIPTION	SPEC	QTY	REPAIR	EFFECTIVE DATE	REMARKS
703	1	18014103101GB	PLATE COMP, LOW/FR			1			
703	2	V2173608020	BOLT , HEX/S	M8X20		2			
703	3	18026022102GB	FRAME COMP , BETTERY			1			
703	4	V2113606016	BOLT , HEX /S	M6X16		2			
703	5	V2183608020	BOLT , HEX/SP	M8X20		2			
703	6B	17136014800	LOCK COMP , HOOD			1			
703	7	10031040020	INSULATOR , RADIATOR	T=10		2			
703	8	17136012400GB	COVER COMP , LH	170X64X37		1			
703	9	17136012300GB	COVER COMP , RH	170X64X37		1			
703	10	V2123606012	BOLT , HEX /SP	M6X12		4			
703	11	18021051100	ECU STAND COMP			1			
703	11	18021051100GB	ECU STAND COMP			1			
703	12	V2184610025	BOLT , HEX/SP	M10X25		2			
703	13	18021051200	BRACKET COMP , ECU			1			
703	13	18021051200GB	BRACKET COMP , ECU			1			
703	14	V2184608020	BOLT , HEX/SP	M8X20		2			
703	15	02959610	CONTROL UNIT (ECU)			1			
703	16	V2123606025	BOLT , HEX /SP	M6X25		4			
703	17	13266212003	HORN			1			
703	18	V2123606016	BOLT , HEX /SP	M6X16		1			
703	19	18021025200GB	COVER , ECU			1			
703	20	V2053606035	BOLT , HEX C/R	M6X35		2			
703	21	V3802600060	NUT , HEX FLANGE	M6		2			
703	22	10034100010	INSULATOR, HOOD			1			
703	23	18026050011GB	HOOD SUPPORT			1			
703	24	V2173608050	BOLT . HEX/S	M8X50		2			
703	25	17136052102GB	HINGE COMP , HOOD			1			
703	25	17136052103GB	HINGE COMP , HOOD			1			
703	26	V2173610035	BOLT , HEX/S	M10X35		4			
703	27	18026022500GB	STAY COMP , RH			1			
703	28	18026022400GB	STAY COMP , LH			1			
703	29	V2183610020	BOLT , HEX/SP	M10X20		4			
703	30	17136113021GB	SUPPORT , RH SIDE			1			
703	31	17136113011GB	SUPPORT , LH SIDE			1			
703	32	V2123806012	BOLT . HEX /SP	M6X12		6			
703	33	18026022600GB	FRAME COMP , SIDE			2			
703	34	V2183608020	BOLT , HEX/SP	M8X20		4			
703	35	V2513408050	BOLT , STUD/2	M8X50		2			
703	36	V4011600080	WASHER , SPRING	M8		2			
703	37	V3042600080	NUT , HEX/2	M8		2			
703	38	14541063080	SEAL , LH	1X1X1		1			
703	39	18024050010GB	BRACKET , STEERING HOSE			2			
703	40	V2013614030	BOLT , HEX	M14X30		2			
703	41	V4011600140	WASHER , SPRING	M14		2			
703	42	17136040050	INSULATOR , SUPPORT			2			
NOTE									

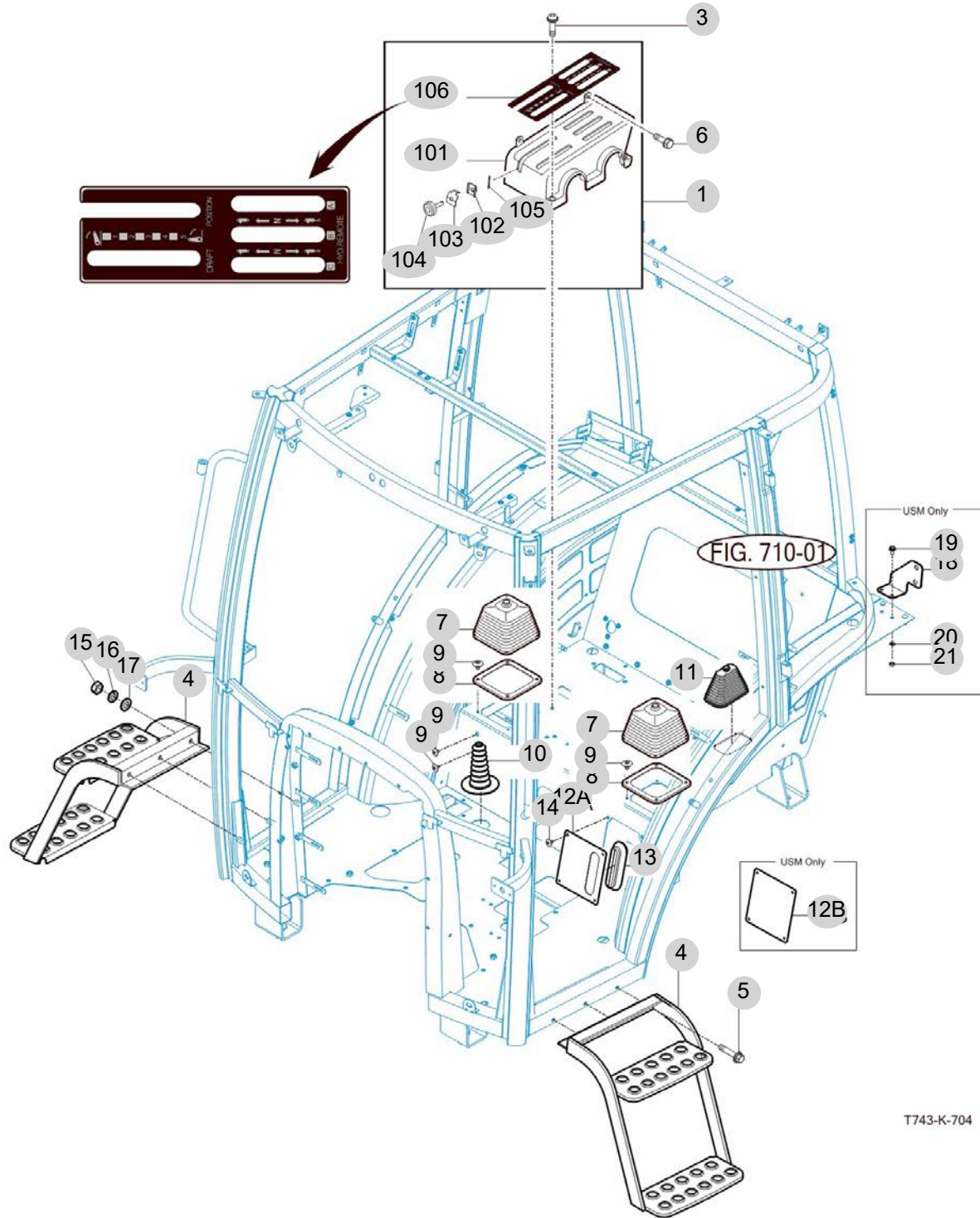
FIG 704

T754SC

LEVER COVER & STEP

년/월
Year/Month

2022-12



T743-K-704

NOTE

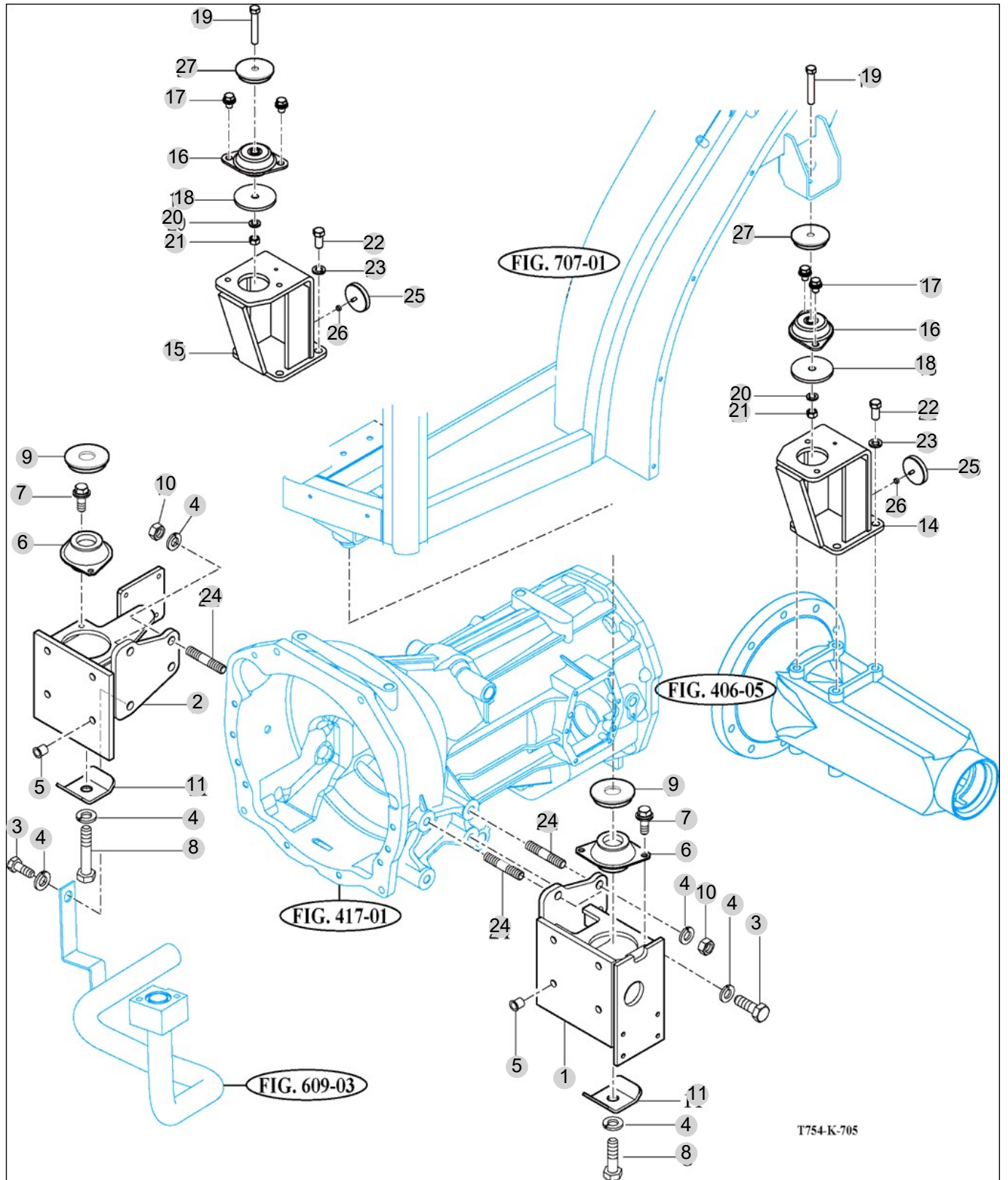
FIG 705

T754SC

FRONT & REAR MOUNTING

년/월
Year/Month

2022-12



NOTE

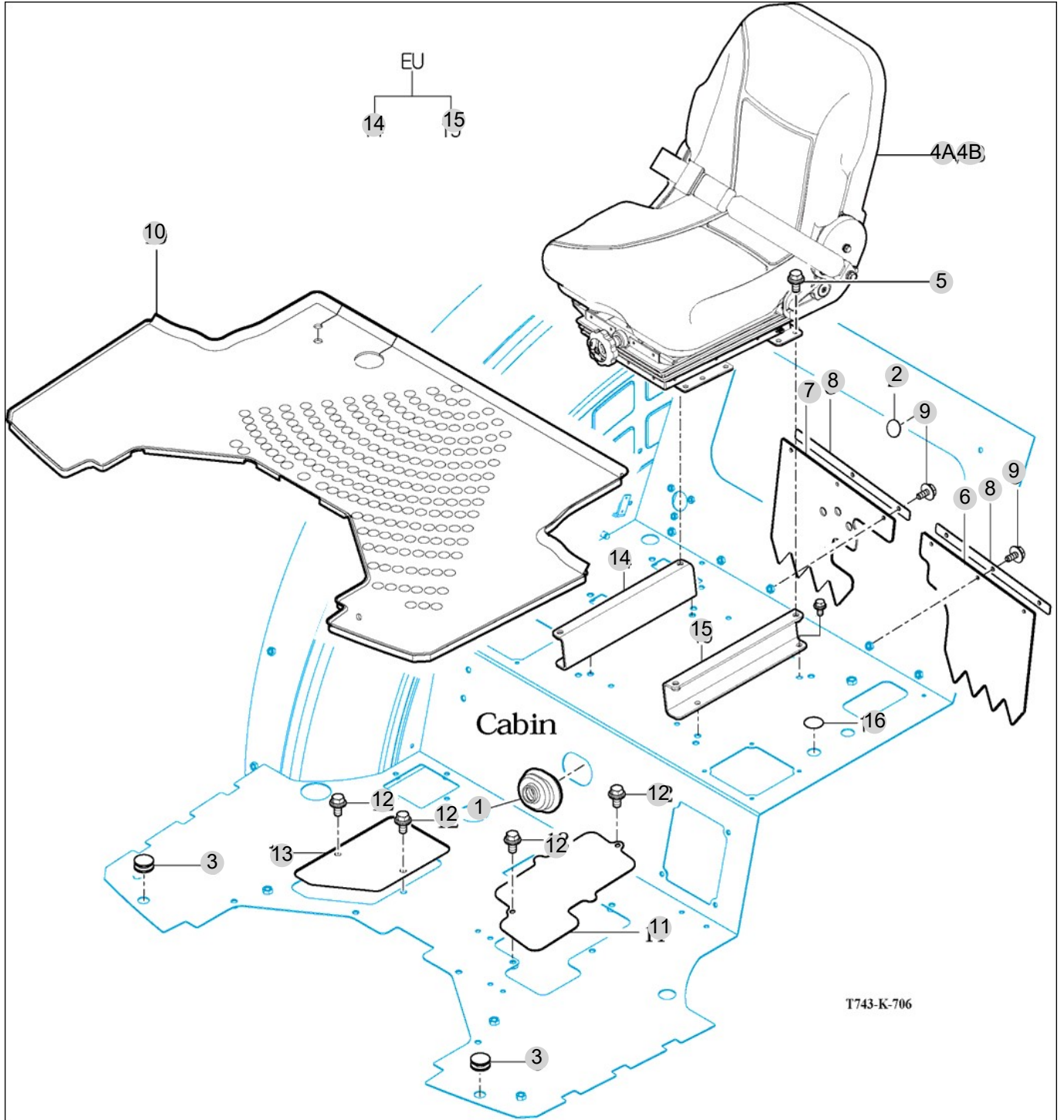
FIG 706

SEAT & MAT

년/월
Year/Month

2022-12

T754SC



NOTE

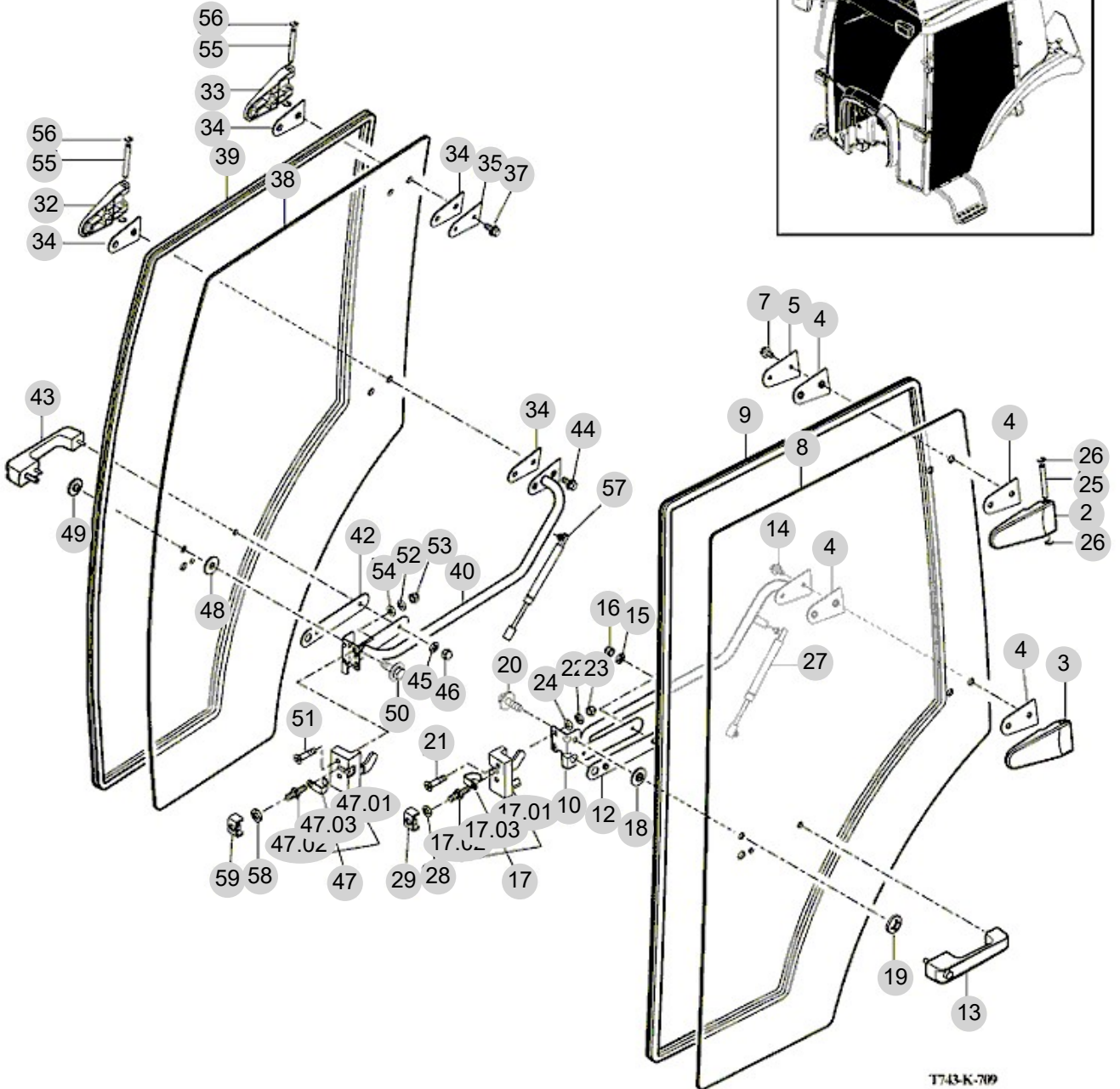
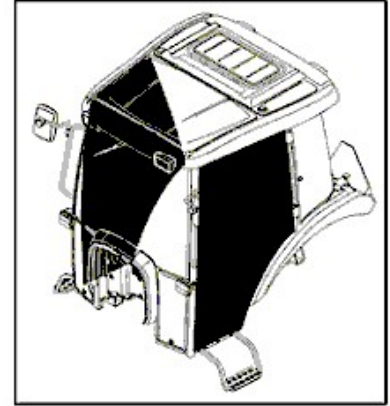
FIG 709

DOOR

년/월
Year/Month

T754SC

2022-12



T743-K-709

NOTE

FIG 709		DOOR					년/월 Year/Month		
							2022-12		
T754SC		KEY NO	PART NO	DESCRIPTION	SPEC	QTY	REPAIR	EFFECTIVE DATE	REMARKS
709	2	14527052300	HINGE COMP , UPR/LH			1			
709	3	14527052400	HINGE COMP , UPR/RH			1			
709	4	14527052110	GASKET , DOOR HINGE			4			
709	5	14527052120GB	PLATE , DOOR HINGE			1			
709	7	V2183608020	BOLT , HEX/SP	M8X20		2			
709	8	14527052131	GLASS , LH/ DOOR	6t		1			
709	9	14527052140	INSULATOR/DOOR			1			
709	10	14527052500GB	GUIDE COMP ,LH/ DOOR			1			
709	12	14527052150	GASKET,DOOR GRIP			1			
709	13	14527052600	GRIP ASSY, LOCK/HANDLE			1			
709	14	V2183608020	BOLT , HEX/SP	M8X20		2			
709	15	V4011600060	WASHER , SPRING	M6		2			
709	16	V3402700060	NUT , HEX CAP	M6		2			
709	17	14527052700	LOCK SET , LH/DOOR			1			
709	1701	14527052710	LOCK ASSY, LH/DOOR			1			
709	1702	14527052720	STRIKER			1			
709	1703	14527052730	GUARD			1			
709	18	15817401130	GROMMET , 13X17X02			1			
709	19	14527042500	NUT COMP , GLASS			1			
709	20	V2193606012	BOLT , HEX/SPL	M6X12		1			
709	21	V1122608040	SCREW , C/R FLAT	M8X40		2			
709	22	V4011600080	WASHER , SPRING	M8		2			
709	23	V3412700080	NUT , SMALL CAP	M8		2			
709	24	V4111600080	WASHER , PLAIN			2			
709	25	14527041110	PIN, HINGE DOOR	D=8		2			
709	26	V7082400070	E-RING	7		4			
709	27	14527301080	DAMPER ASSY , DOOR	20KG		1			
709	28	V4011600100	WASHER , SPRING	M10		1			
709	29	14527062500GB	BRACKET COMP , DOOR LOCK			1			
709	32	14527052300	HINGE COMP , UPR/LH			1			
709	33	14527052400	HINGE COMP , UPR/RH			1			
709	34	14527052110	GASKET , DOOR HINGE			4			
709	35	14527052120GB	PLATE , DOOR HINGE			1			
709	37	V2183608020	BOLT , HEX/SP	M8X20		2			
709	38	14527053131	GLASS , RH/ DOOR	6t		1			
709	39	14527052140	INSULATOR/DOOR			1			
709	40	14527053500GB	GUIDE COMP ,RH/DOOR			1			
709	42	14527052150	GASKET,DOOR GRIP			1			
709	43	14527052600	GRIP ASSY, LOCK/HANDLE			1			
709	44	V2183608020	BOLT , HEX/SP	M8X20		2			
709	45	V4011600060	WASHER , SPRING	M6		2			
709	46	V3402700060	NUT , HEX CAP	M6		2			
709	47	14527053700	LOCK SET , RH/DOOR			1			
709	4701	14527053710	LOCK ASSY, RH/DOOR			1			
709	4702	14527052720	STRIKER			1			
NOTE									

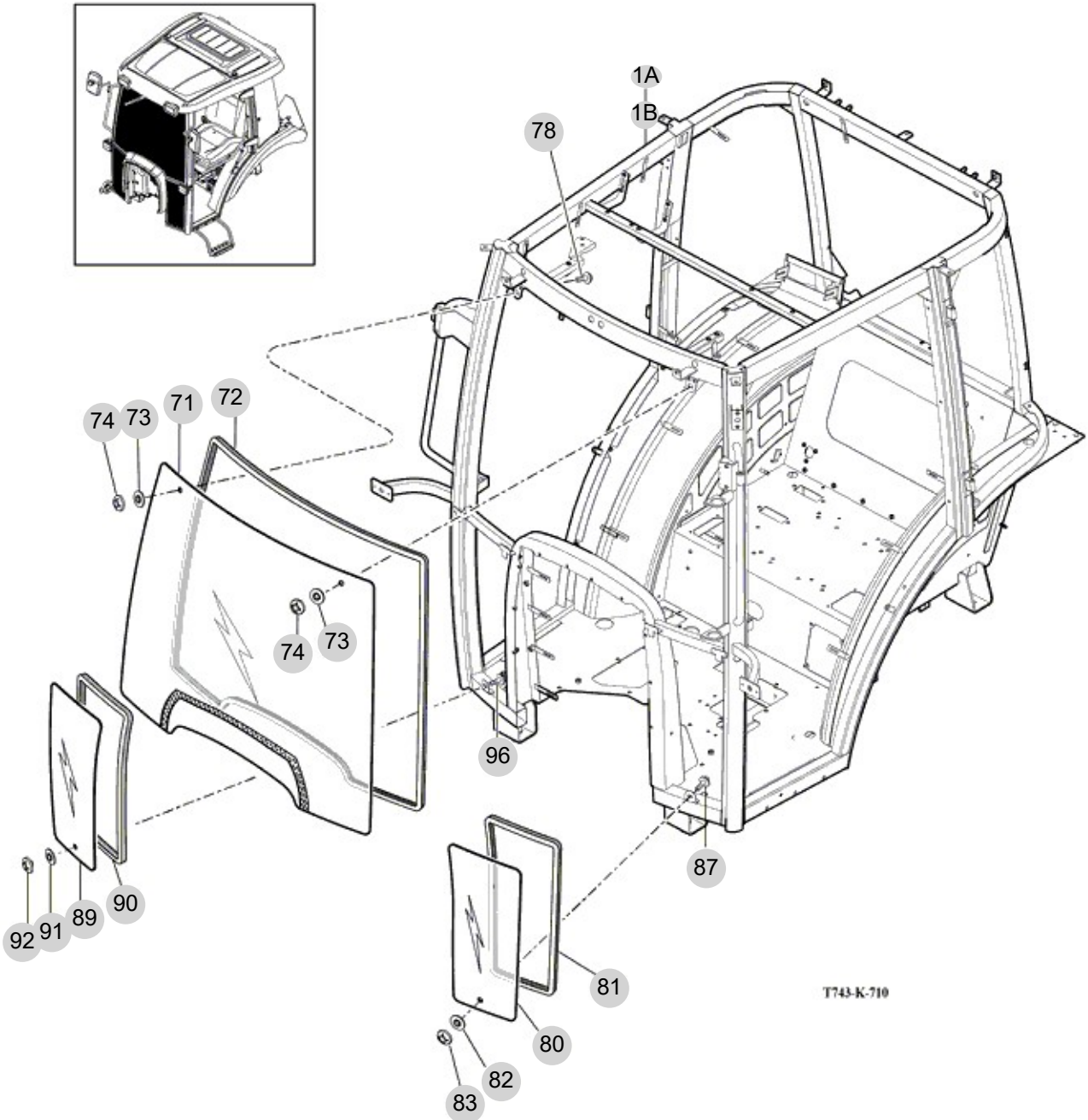
FIG 710

FRONT GLASS

년/월
Year/Month

2022-12

T754SC



NOTE

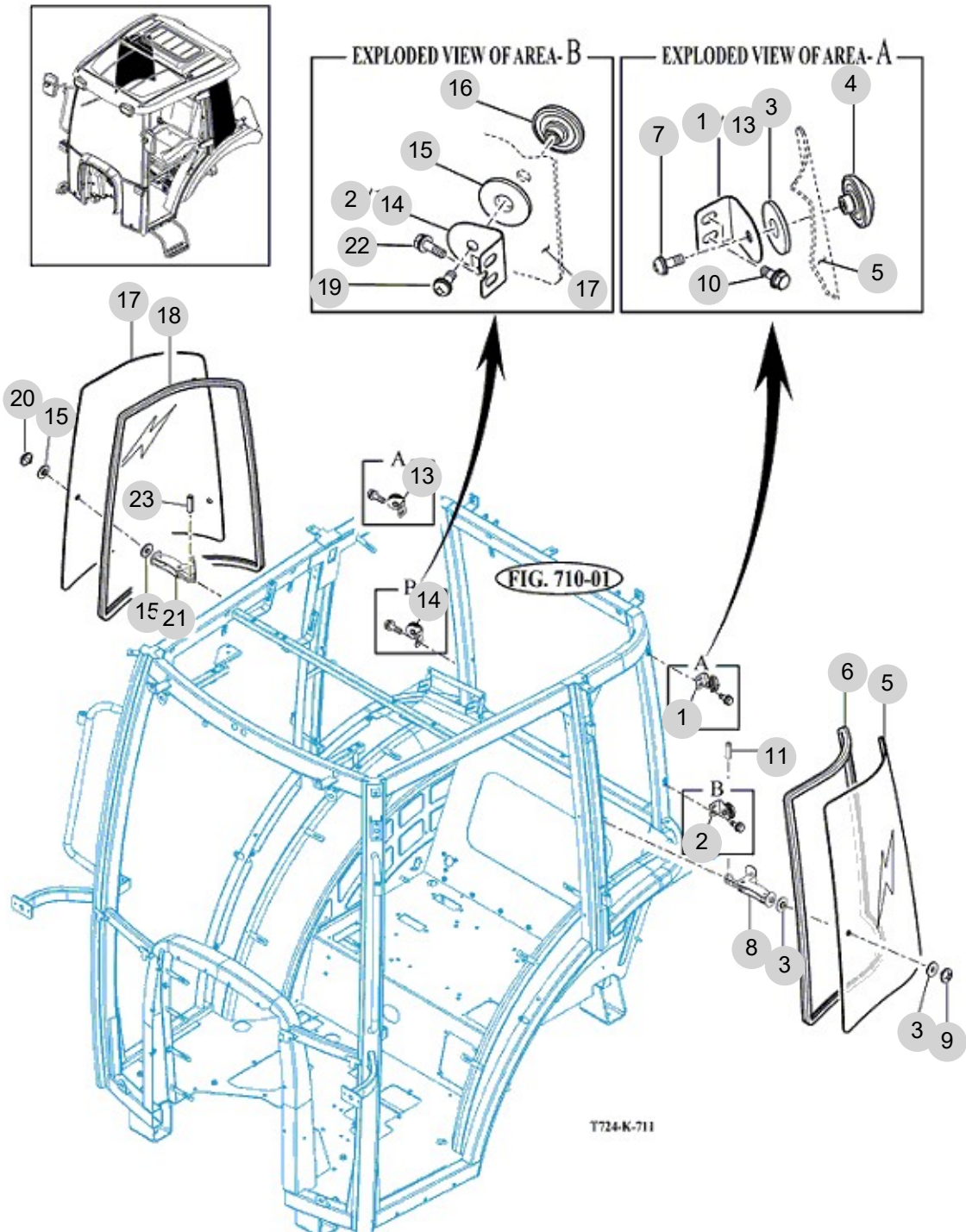
FIG 711

T754SC

SIDE GLASS

년/월
Year/Month

2022-12



NOTE

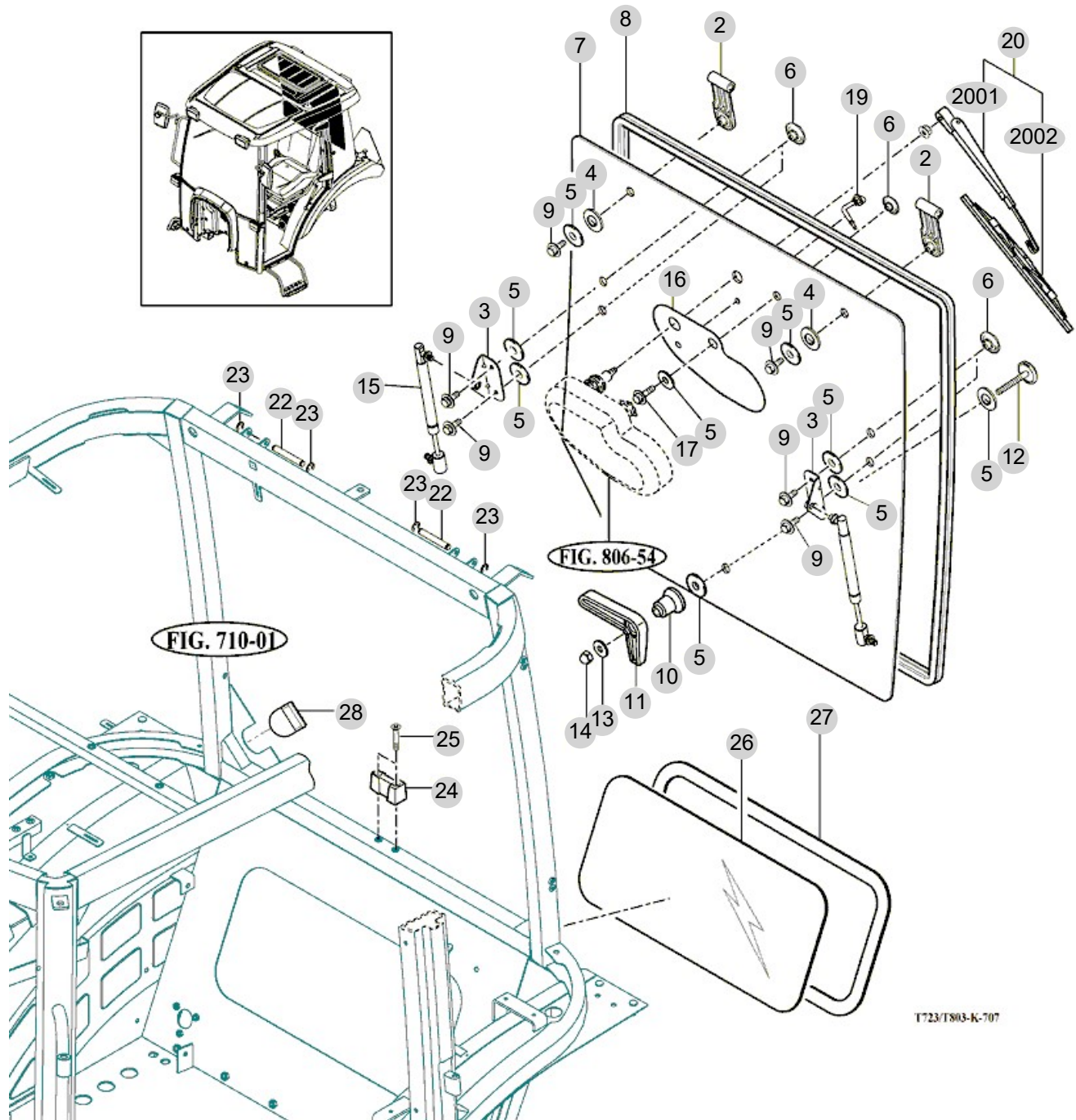
FIG 712

REAR GLASS

년/월
Year/Month

T754SC

2022-12



NOTE

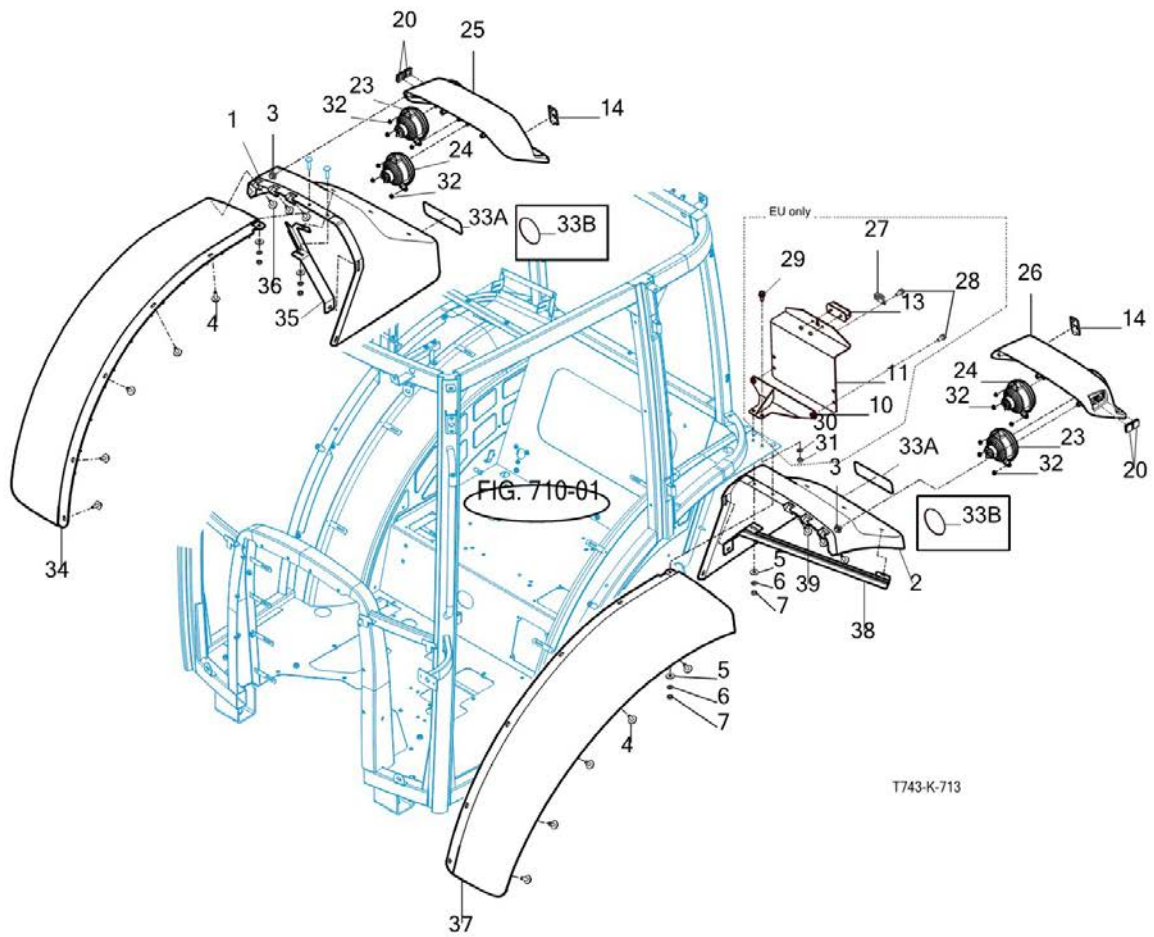
FIG 713

T754SC

SUB FENDER & COVER

년/월
Year/Month

2022-12



NOTE

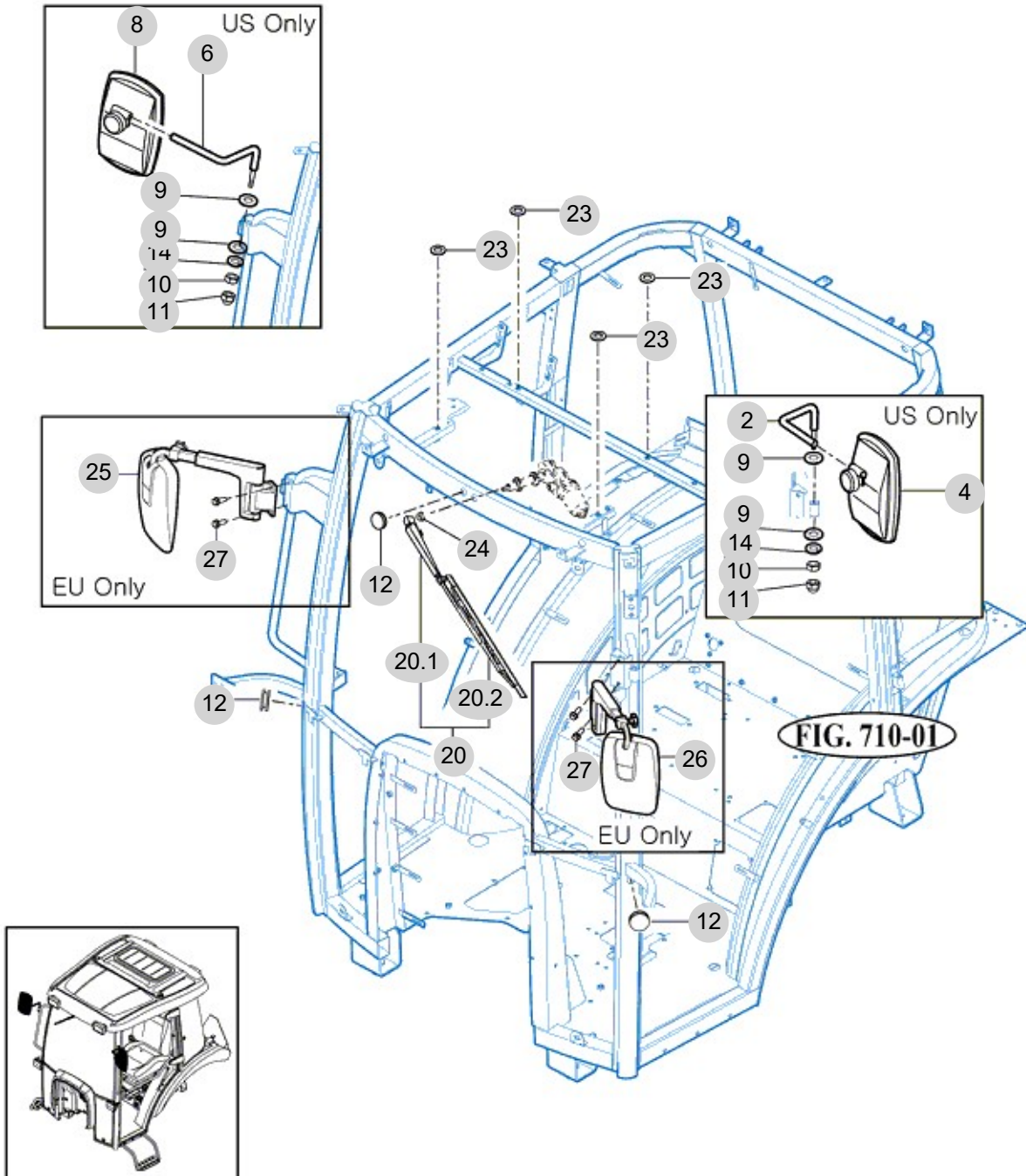
FIG 714

MIRROR

년/월
Year/Month

2022-12

T754SC



T743-K-714

NOTE

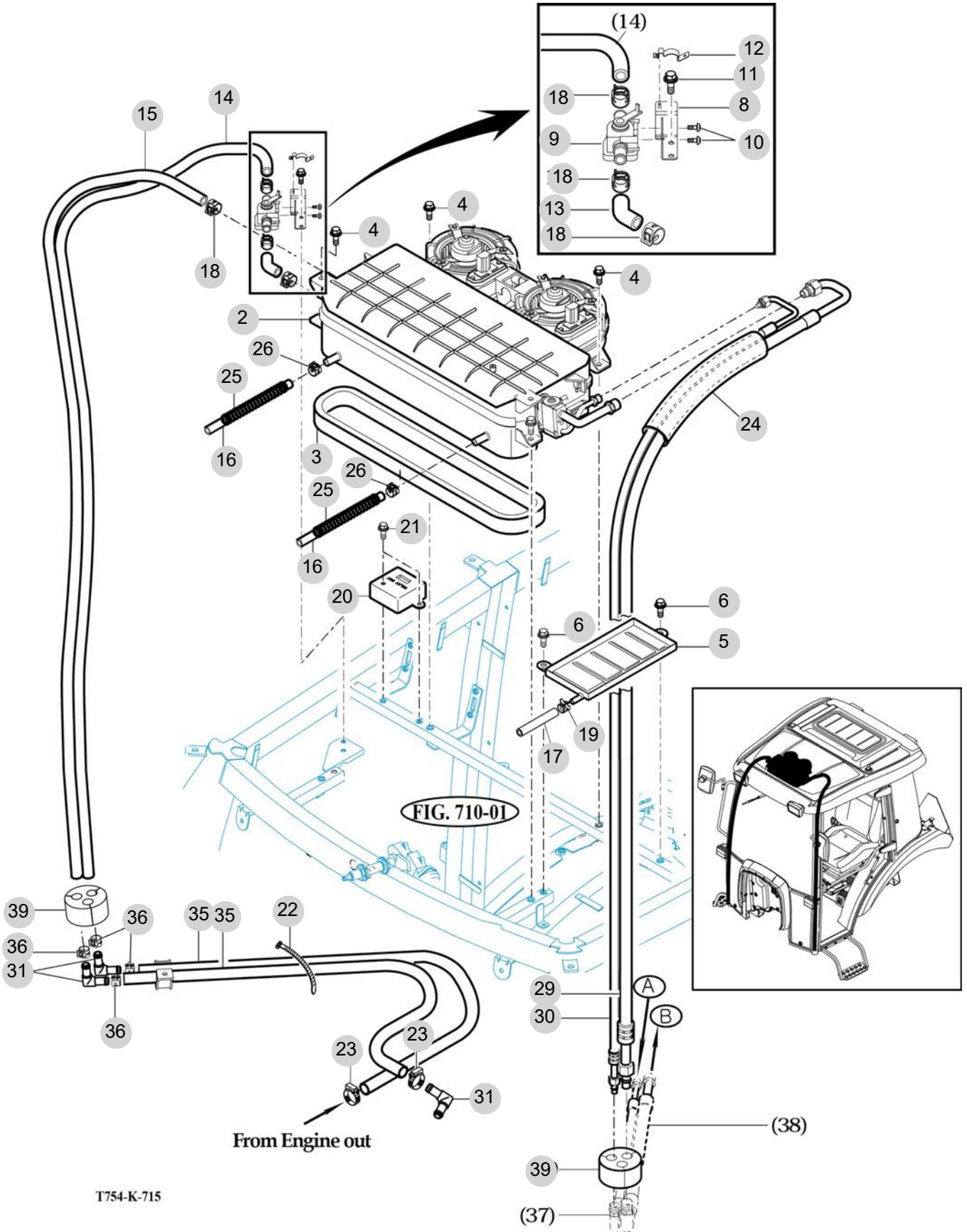
FIG 715

HEATER & AIR-CON

년/월
Year/Month

2022-12

T754SC



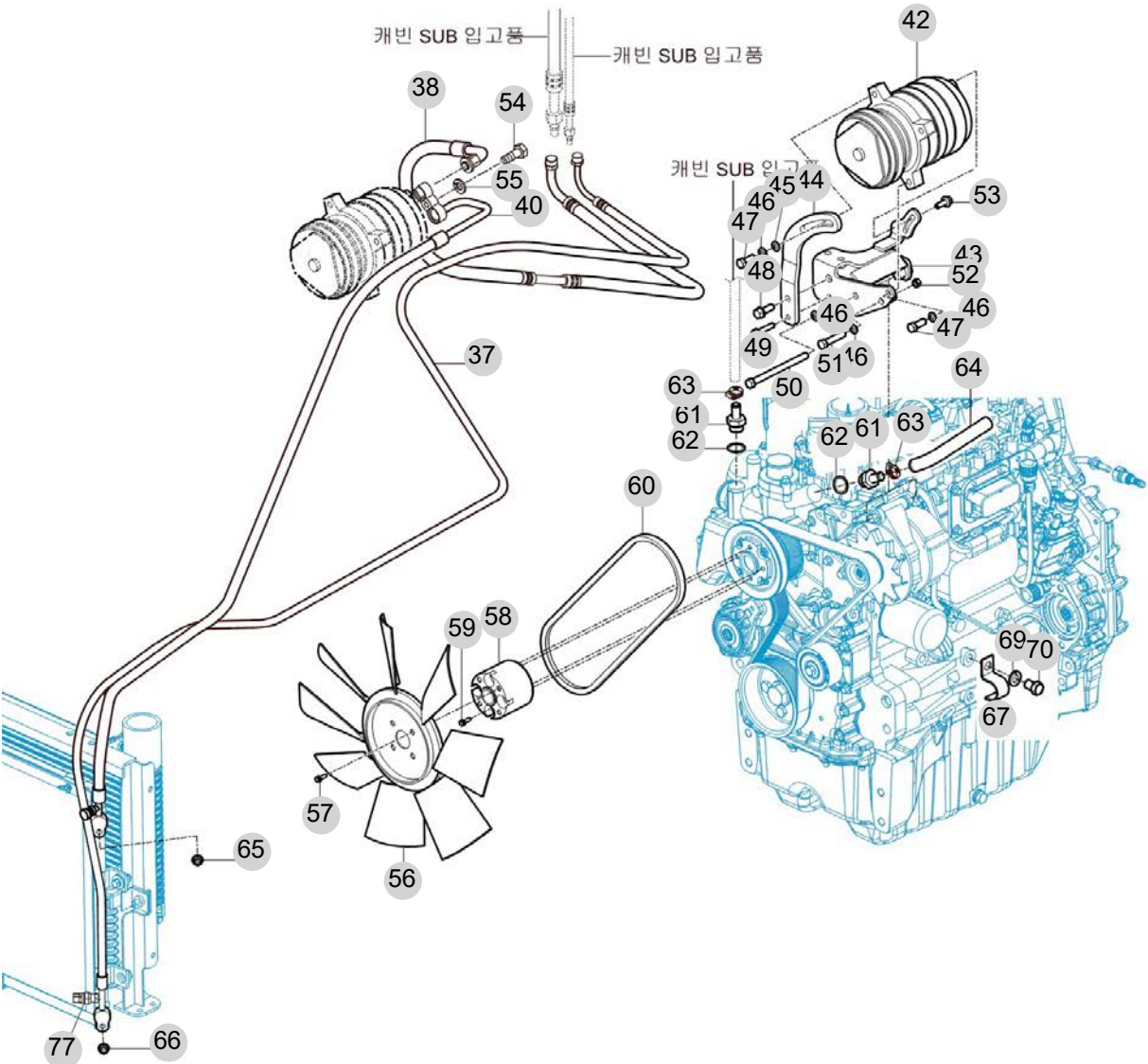
NOTE

FIG 715-2

HEATER & AIR-CON

년/월
Year/Month

2022-12



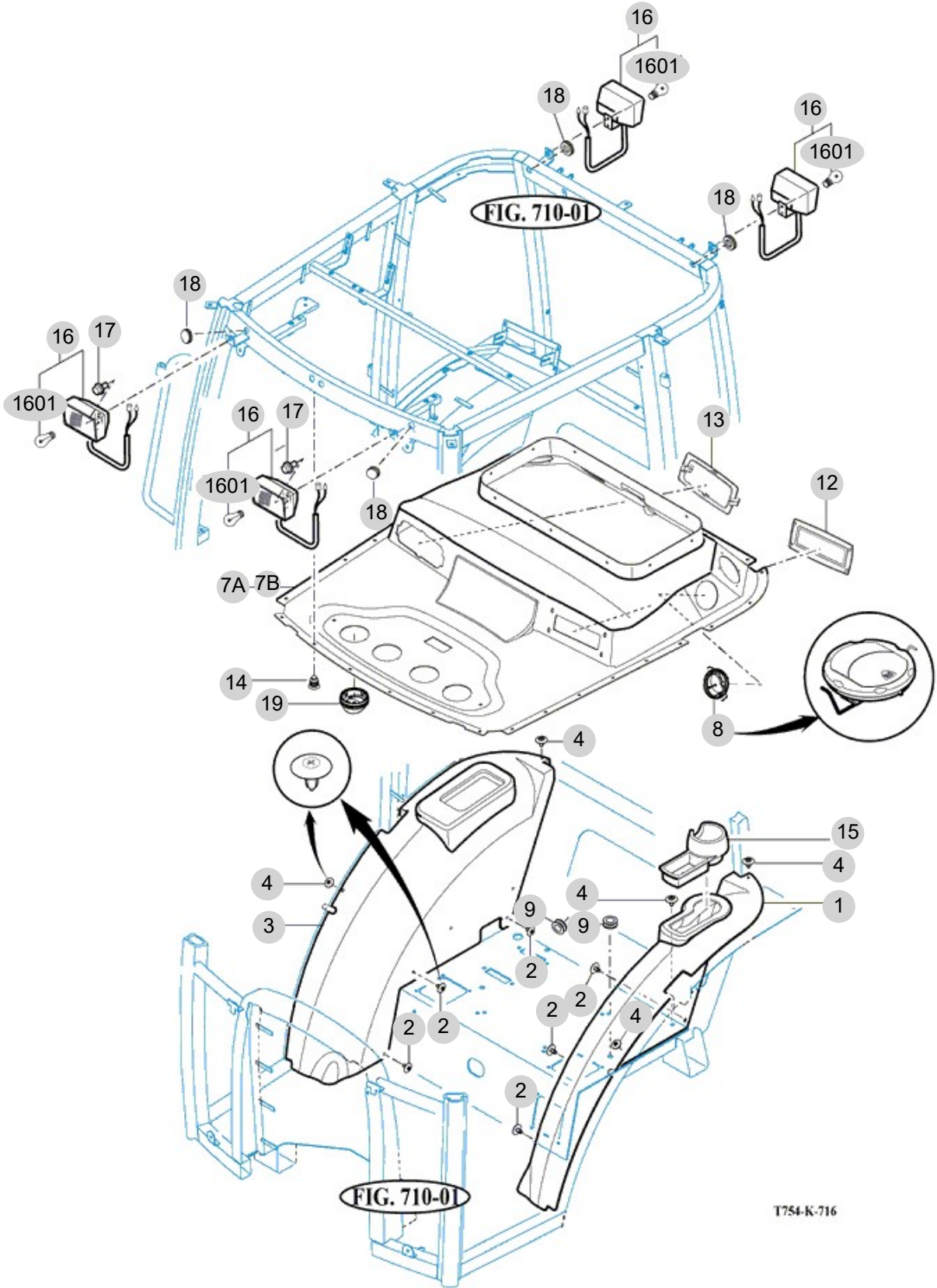
NOTE

FIG 716

FENDER COVER

년/월
Year/Month

2022-12



NOTE

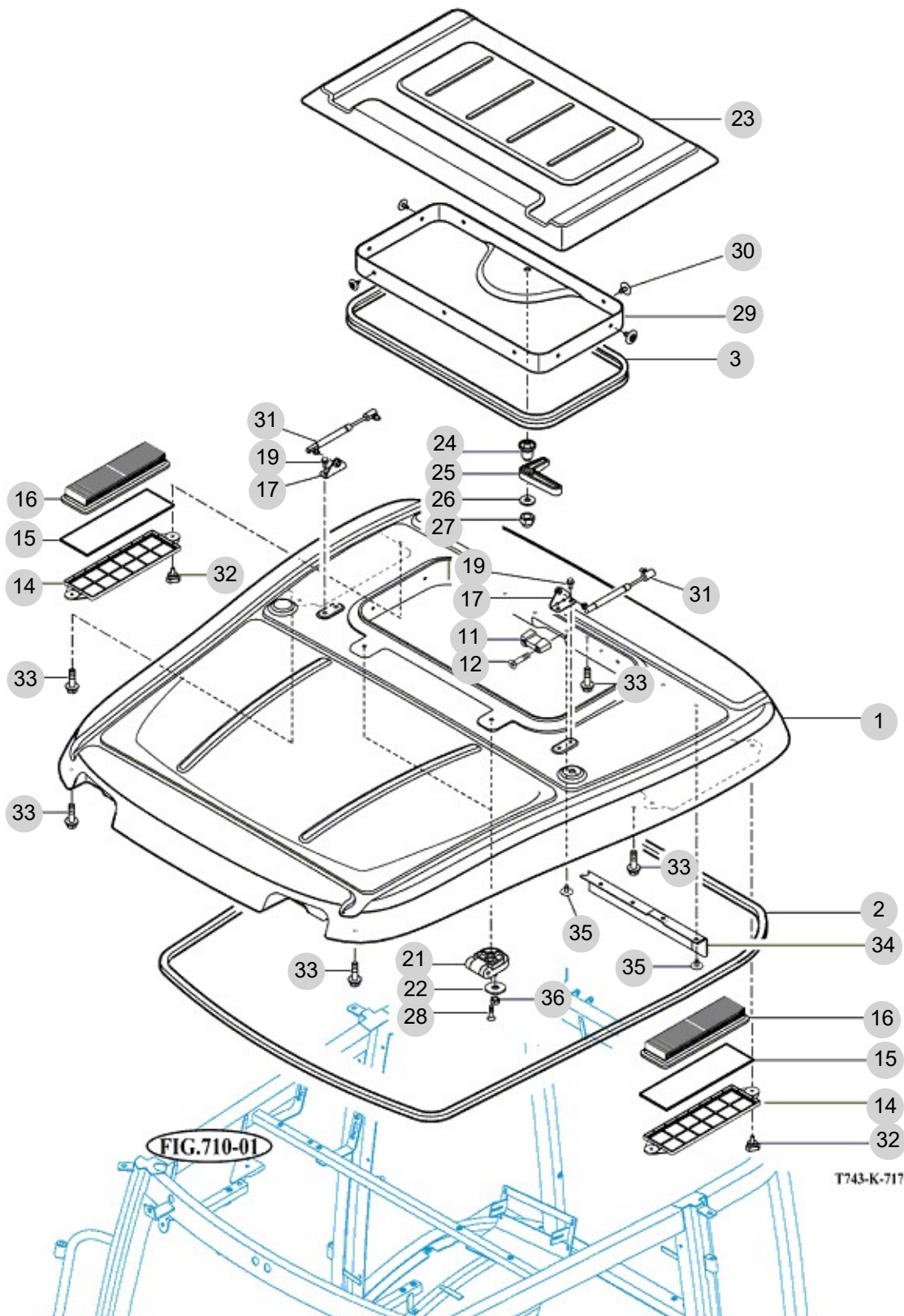
FIG 717

T754SC

ROOF

년/월
Year/Month

2022-12



NOTE

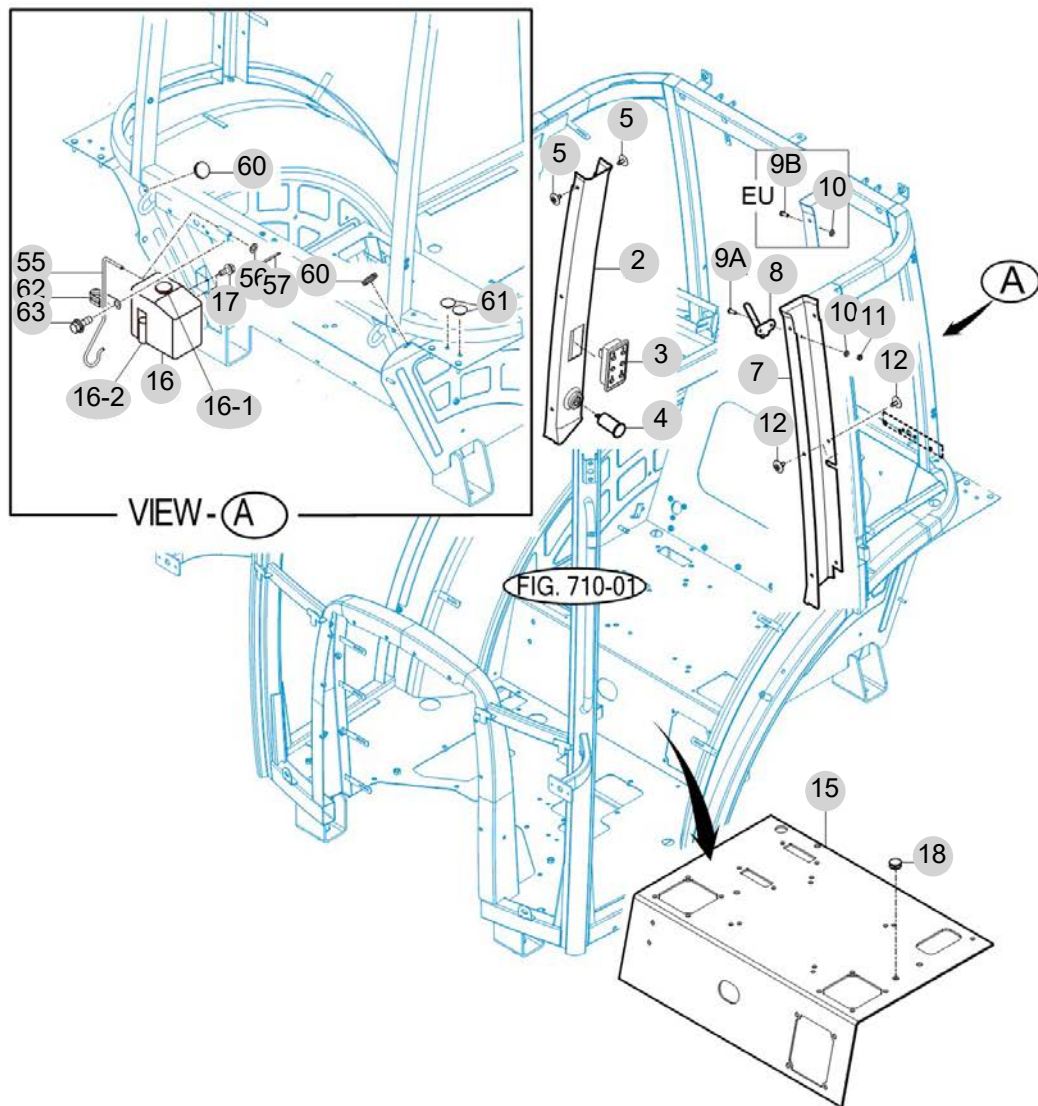
FIG 718

CABIN INTERIOR

년/월
Year/Month

T754SC

2022-12



T724-K-718

NOTE

8. Electrical System PART NO. T8

FIG 801 BATTERY & MOUNTING	226
FIG 802 HARNESS	228
FIG 803 LIGHT & BACK LAMP	230
FIG 804 INSTRUMENT PANEL	232
FIG 805 ELECTRIC SYSTEM (1)	234
FIG 806 ELECTRIC SYSTEM (2)	236

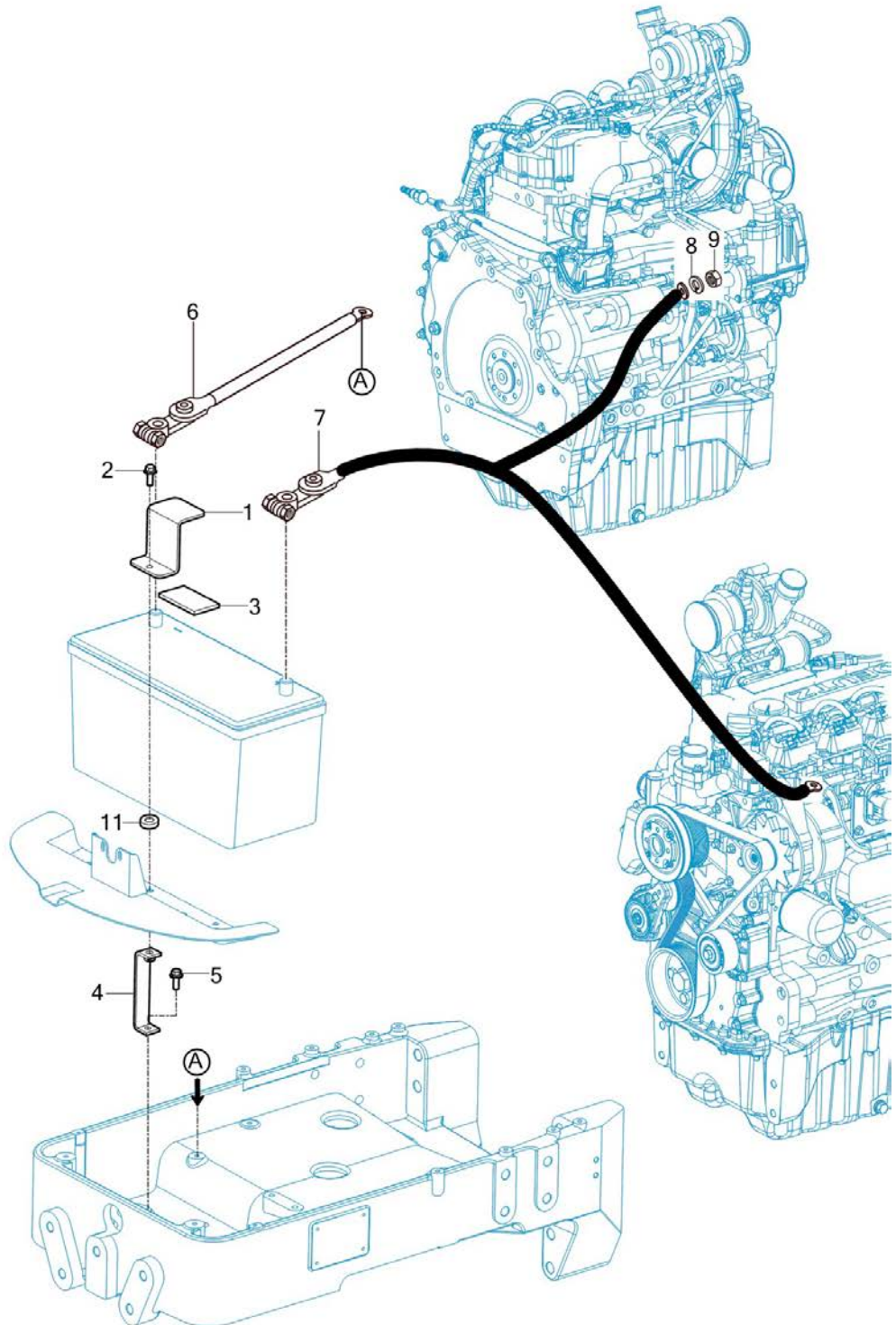
FIG 801

BATTERY & MOUNTING

년/월
Year/Month

2022-12

T754SC



NOTE

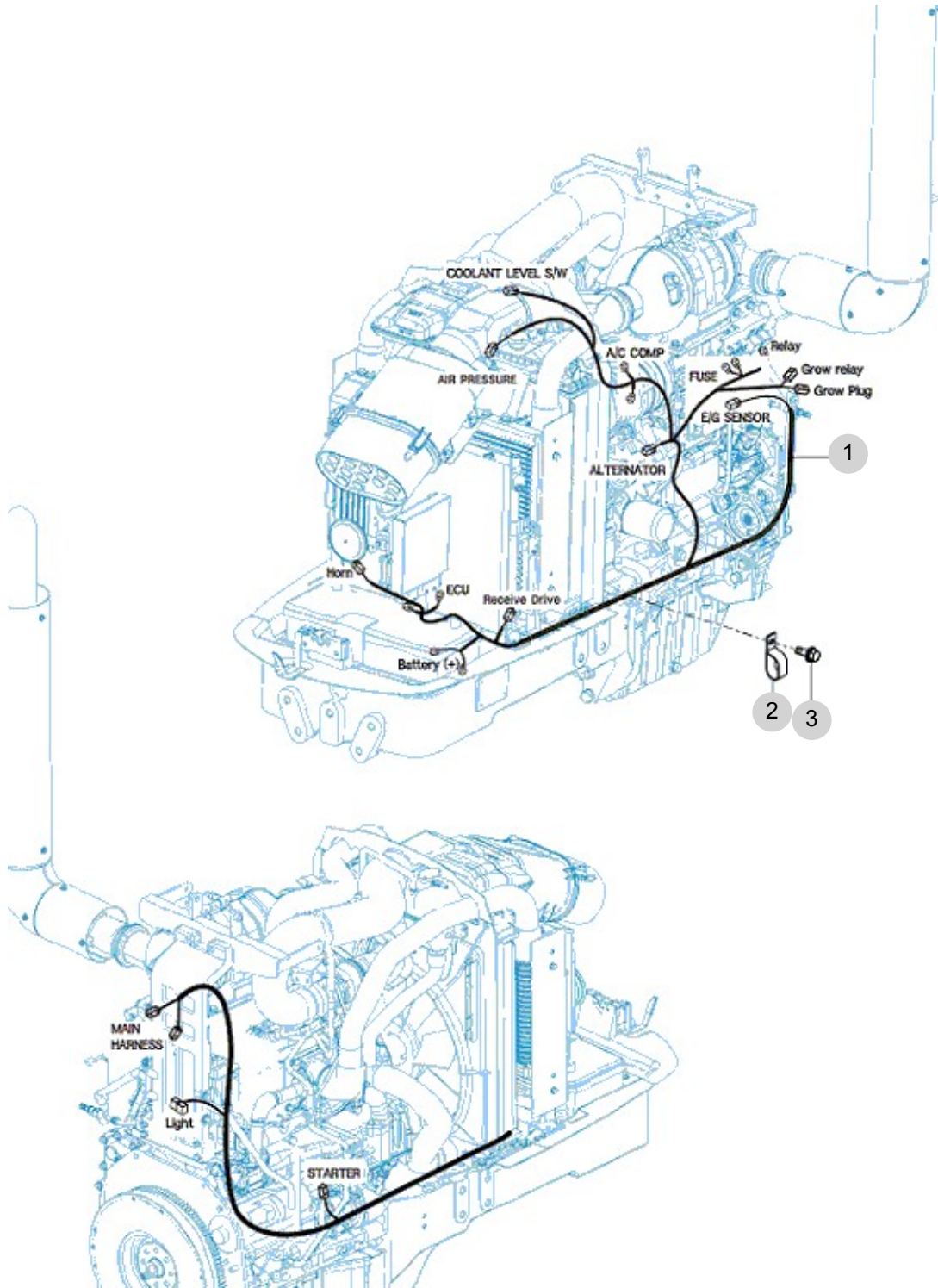
FIG 802

HARNESS

년/월
Year/Month

T754SC

2022-12



NOTE

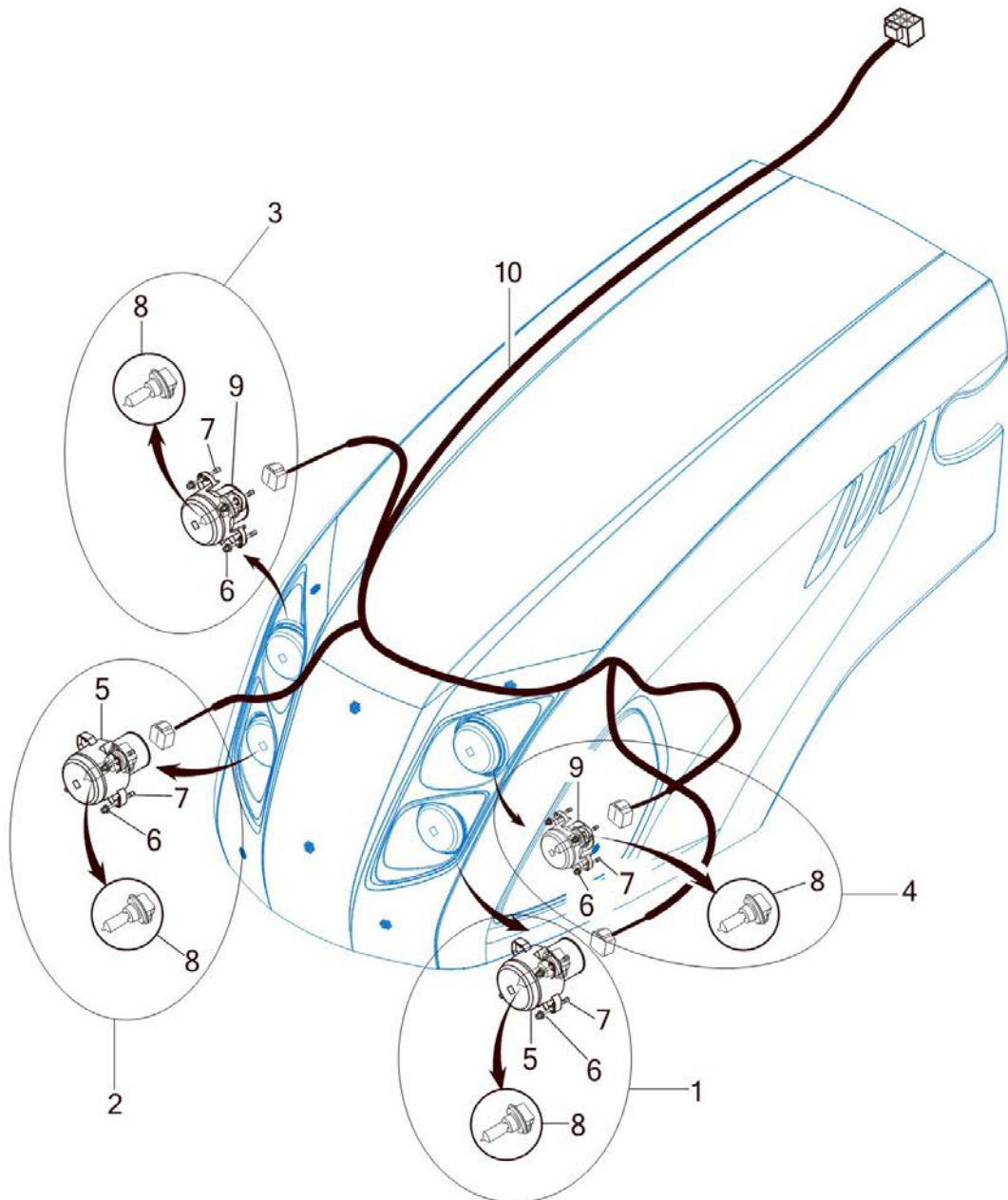
FIG 803

LIGHT & BACK LAMP

년/월
Year/Month

2022-12

T754SC



T754_US

NOTE

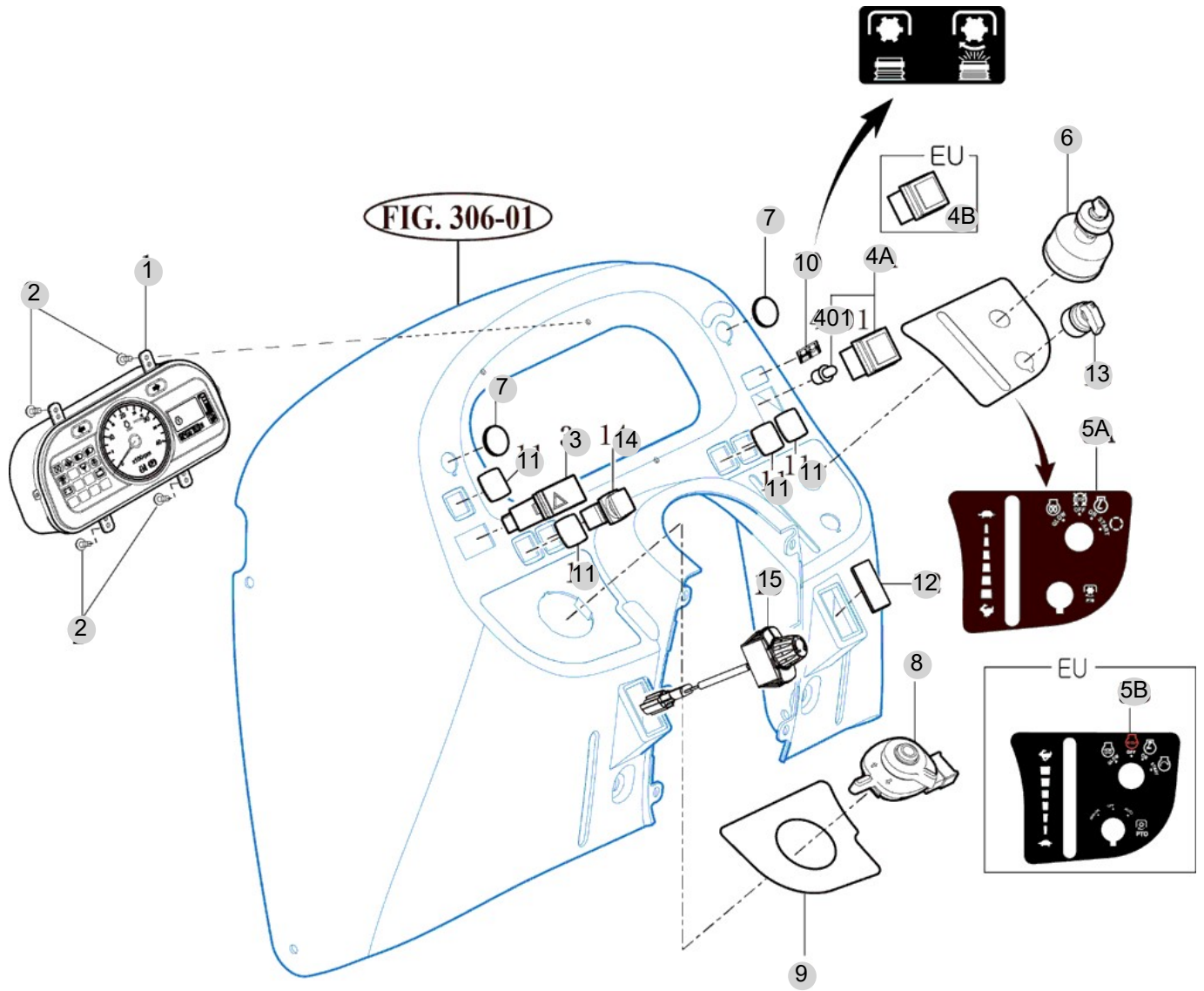
FIG 804

INSTRUMENT PANEL

년/월
Year/Month

T754SC

2022-12



T754-K-804

NOTE

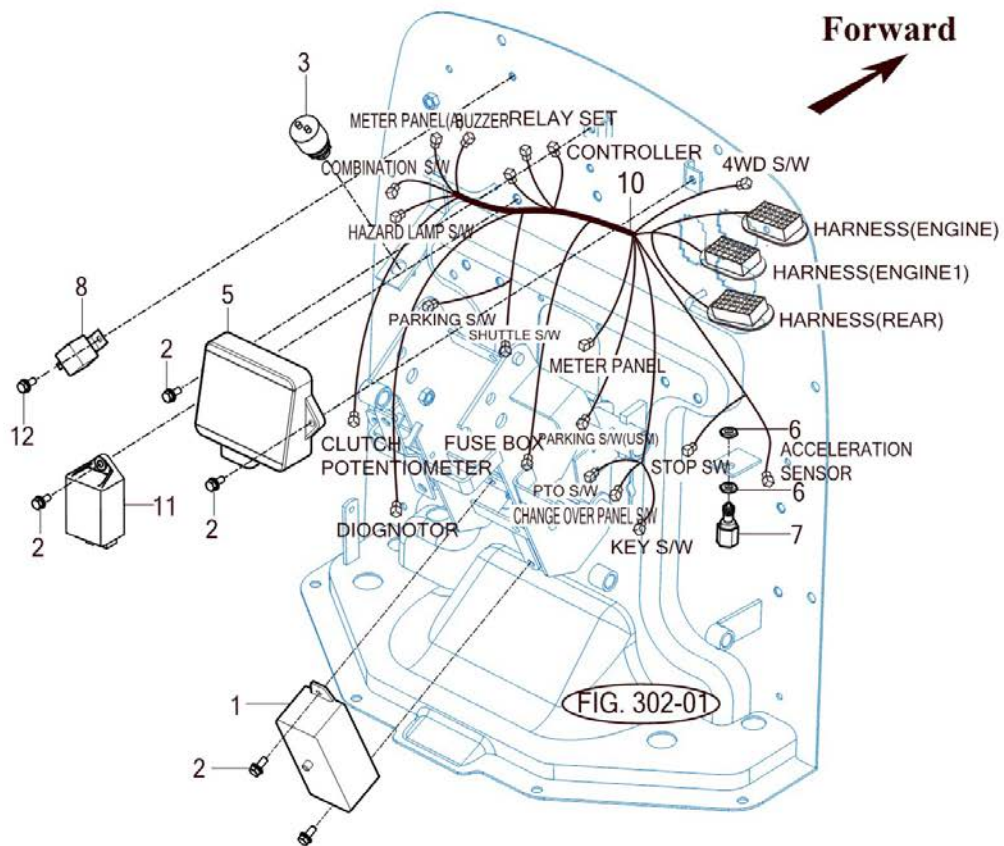
FIG 805

T754SC

ELECTRIC SYSTEM (1)

년/월
Year/Month

2022-12



T754SC_US-K-805

NOTE

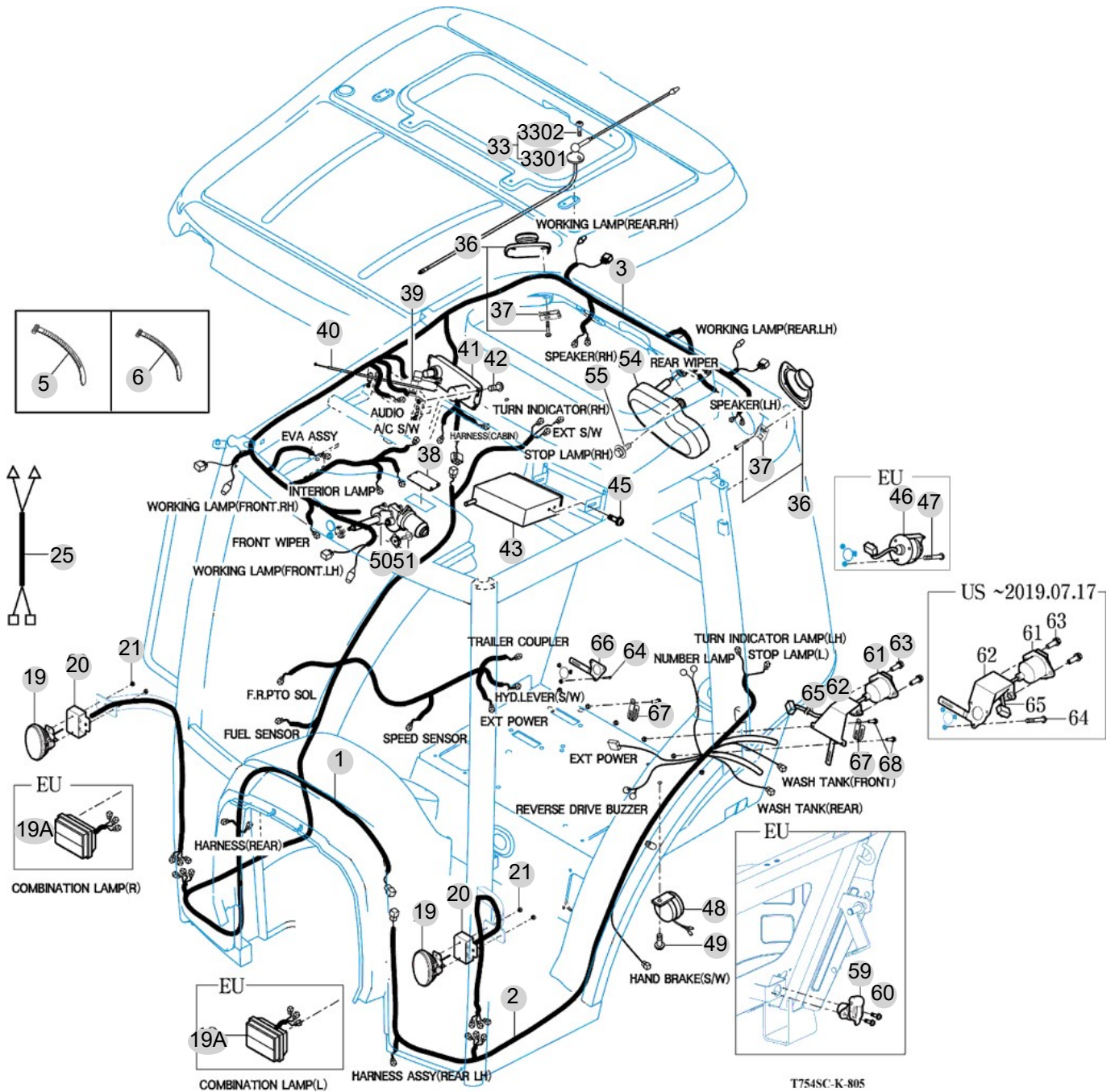
FIG 806

ELECTRIC SYSTEM (2)

년/월
Year/Month

T754SC

2022-12



NOTE

FIG 806 T754SC		ELECTRIC SYSTEM (2)					년/월 Year/Month	
							2022-12	
KEY NO	PART NO	DESCRIPTION	SPEC	QTY	REPAIR	EFFECTIVE DATE	REMARKS	
806	1	18176683101	HARNESS ASSY , REAR		1			
806	1	18176683102	HARNESS ASSY , REAR		1			
806	2	18016683204	HARNESS ASSY , REAR LH		1			
806	3	14527024906	HARNESS ,CABIN		1			
806	5	13424020060	CABLE TIE , 300	1X1X1	5			
806	6	13764020030	CABLE TIE , 140		5			
806	19	11446562000	LAMP ASSY , FR		2			
806	19	11446562001	LAMP ASSY , FR TURN SIGNAL		2			
806	20	18026562000GB	BRACKET COMP , SIDE LAMP		2			
806	21	V3802600050	NUT , HEX FLANGE	M5	4			
806	25	11446682120	HARNESS ASSY, LAMP CONECT		2			
806	33	14527072300	ANTENNA ASSY	1X1X1	1			
806	3301	14527072310	ANTENNA	1X1X1	1			
806	3302	V1907004020	SCREW , TAPPING C/R PAN	M4X20	2			
806	36	14527025501	SPEAKER ASSY		2			
806	37	14527073120	SPRING NUT, SCREW	M4	8			
806	38	16997024500	LAMP ASSY , ROOM	12V 10W	1			
806	39	17687025300	CLIP , CABLE	1X1X1	1			
806	40	14527082230	CABLE ASSY, WATER VALVE	1X1X1	1			
806	41	14527082220	CONTROLLER ASSY, AIR CON	1X1X1	1			
806	42	V1112605012	SCREW , C/R PAN	M5X12	4			
806	43	17817024804	CD PLAYER ASSY		1			
806	43	10547024801	BLUETOOTH PLAYER ASSY		1			
806	45	V1222605016	SCREW , C/R PAN/SP	M5X16	2			
806	48	34522812402	BUZZER ASSY		1			
806	49	V2183608020	BOLT , HEX/SP	M8X20	1			
806	50	14527062600	MOTOR ASSY, FR/ WIPER	1X1X1	1			
806	50	14527062600	MOTOR ASSY, FR/ WIPER		1			
806	50	14527062601	MOTOR ASSY, FR/ WIPER		1			
806	51	V2193606020	BOLT , HEX/SPL	M6X20	1			
806	54	16997032000	MOTOR ASSY , WIPER		1			
806	54	16997032000	MOTOR ASSY , WIPER		1			
806	54	16997032001	MOTOR ASSY , WIPER		1			
806	55	V2193606020	BOLT , HEX/SPL	M6X20	1			
806	61	13307028201	SOCKET ASSY , TRAILER		1			
806	62	11467028100GB	BRACKET COMP , SOCKET		1			
806	63	V2183608020	BOLT , HEX/SP	M8X20	2			
806	64	V1222805016	SCREW , C/R PAN/SP	M5X16	3			
806	65	11436683200	HARNESS ASSY , TRAILER		1			
806	66	11467028200GB	BRACKET COMP , BLOCK		1			
806	67	37371720090	CLAMP , W/HARNESS		2			
806	68	V2123606020	BOLT , HEX /SP	M6X20	2			
NOTE								

9. Label/Option PART NO. T9

FIG 901 TOOL & ACCESSORY

239

FIG 903 LABEL

241

FIG 903-2 LABEL

243

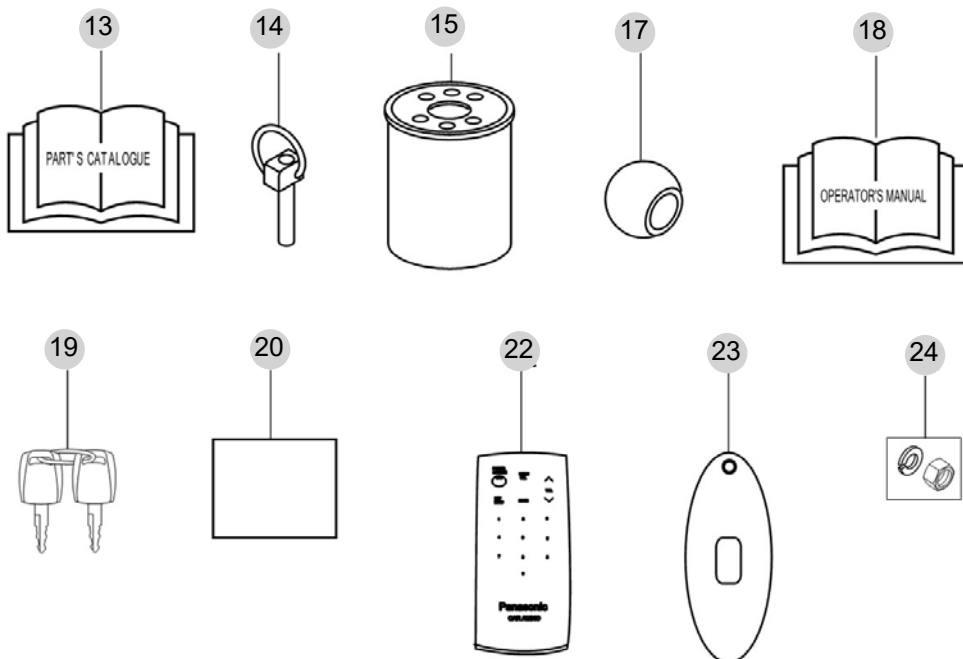
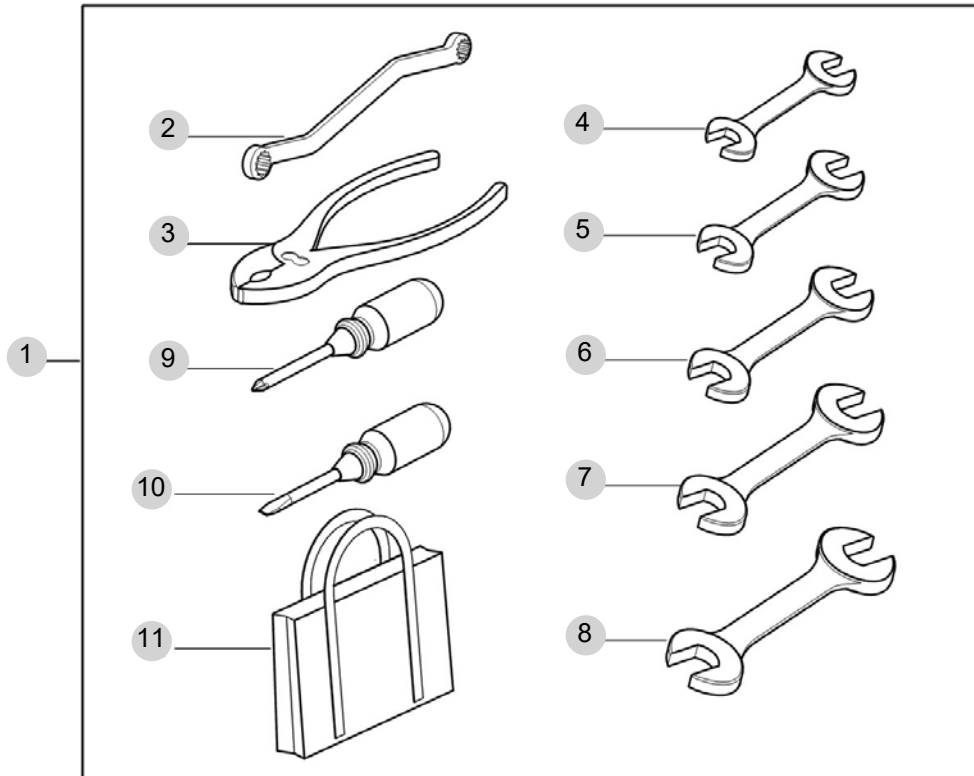
FIG 901

T754SC

TOOL & ACCESSORY

년/월
Year/Month

2022-12



T754-E-901

NOTE

FIG 903

LABEL

년/월
Year/Month

T754SC

2022-12

Inner/Outer air Ventilation

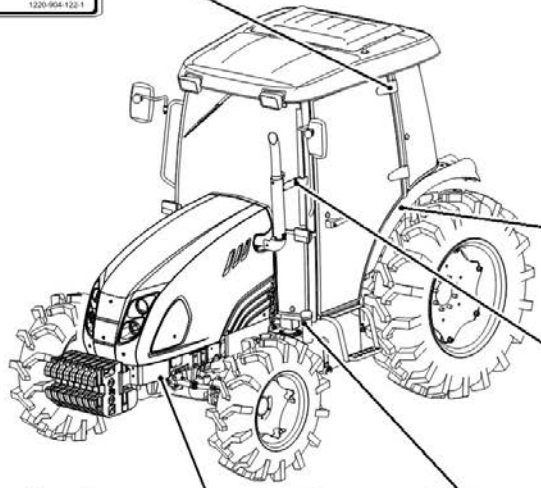
- When grills of rear and both sides are opened, inner air will ventilate in.
- For effective use, open it when operate heater or air conditioner and close when ventilate fresh air.

1220-904-122-1

18

T754
51

TYM
90



⚠ DANGER

Do not ride except operator.

1200-910-016-0

6

⚠ CAUTION

Do not touch while the system is hot. It cause serious burns

1200-910-024-6

33

TYM-USA, Inc.
Waukegan, Illinois, U.S.A.

MODEL

Product Identification Number

MADE IN KOREA

32B

TYM CORPORATION

VIN

SU TYPE APPROVAL NUMBER

CATEGORY	TOTAL		
	A1	A2	A3
B-1	T-1	T-2	T-3
B-2			
B-3			
B-4			

32A

⚠ WARNING

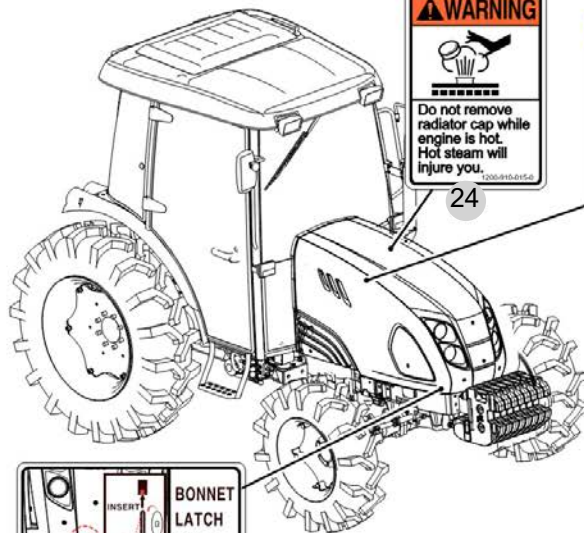
Do not refuel the tractor while smoking or near naked flame or sparks. always stop engine before refueling tractors.

1200-910-025-6

17



93



⚠ WARNING

Do not remove radiator cap while engine is hot. Hot steam will injure you.

1200-910-017-6

24

⚠ CAUTION

Keep hands and clothing away from rotating fan and belts to prevent serious injury.

1200-910-012-0

23

BONNET LATCH OPEN

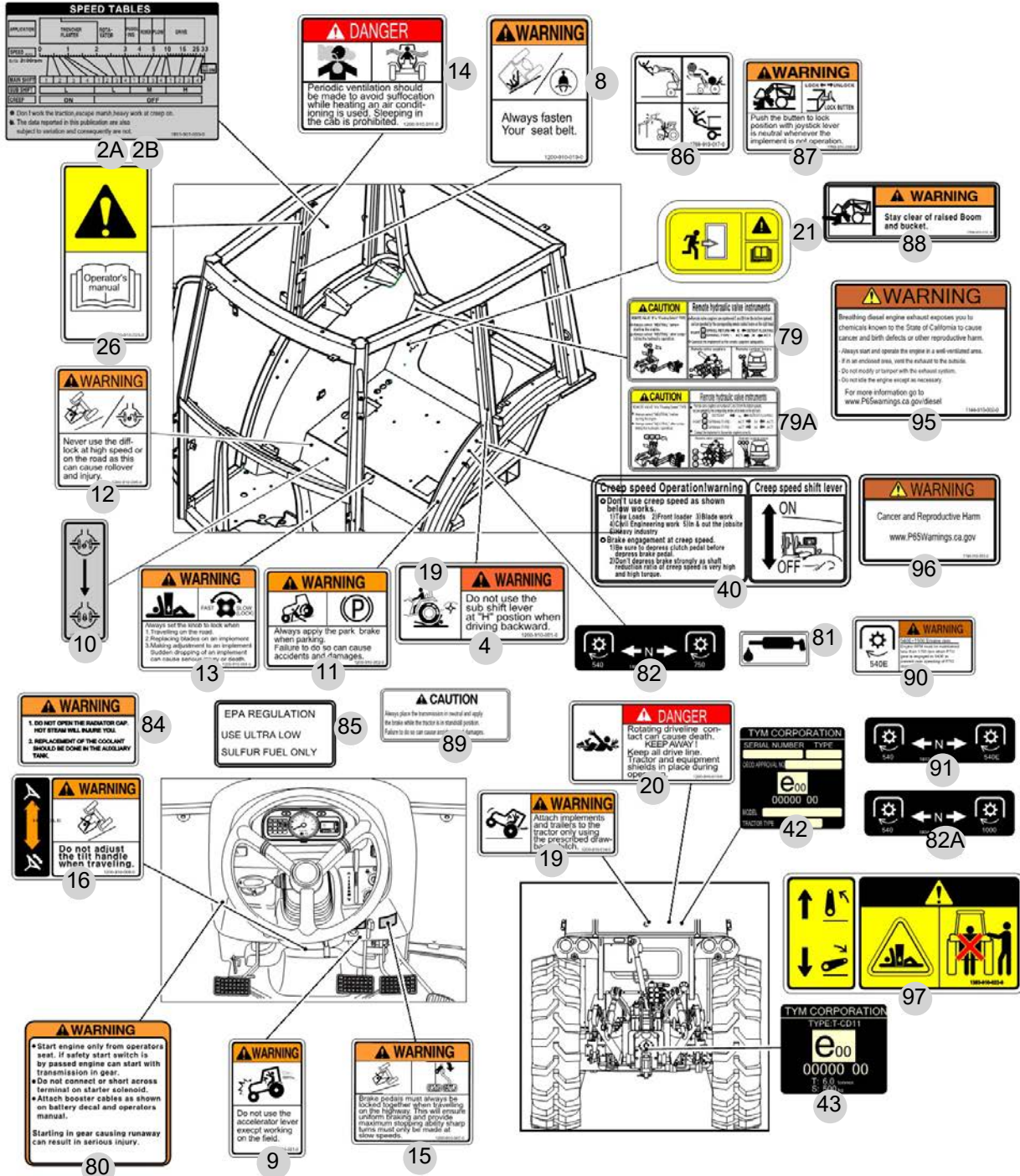
INSERT

OPEN

1200-904-122-1

94

NOTE



NOTE

