

FIG 001

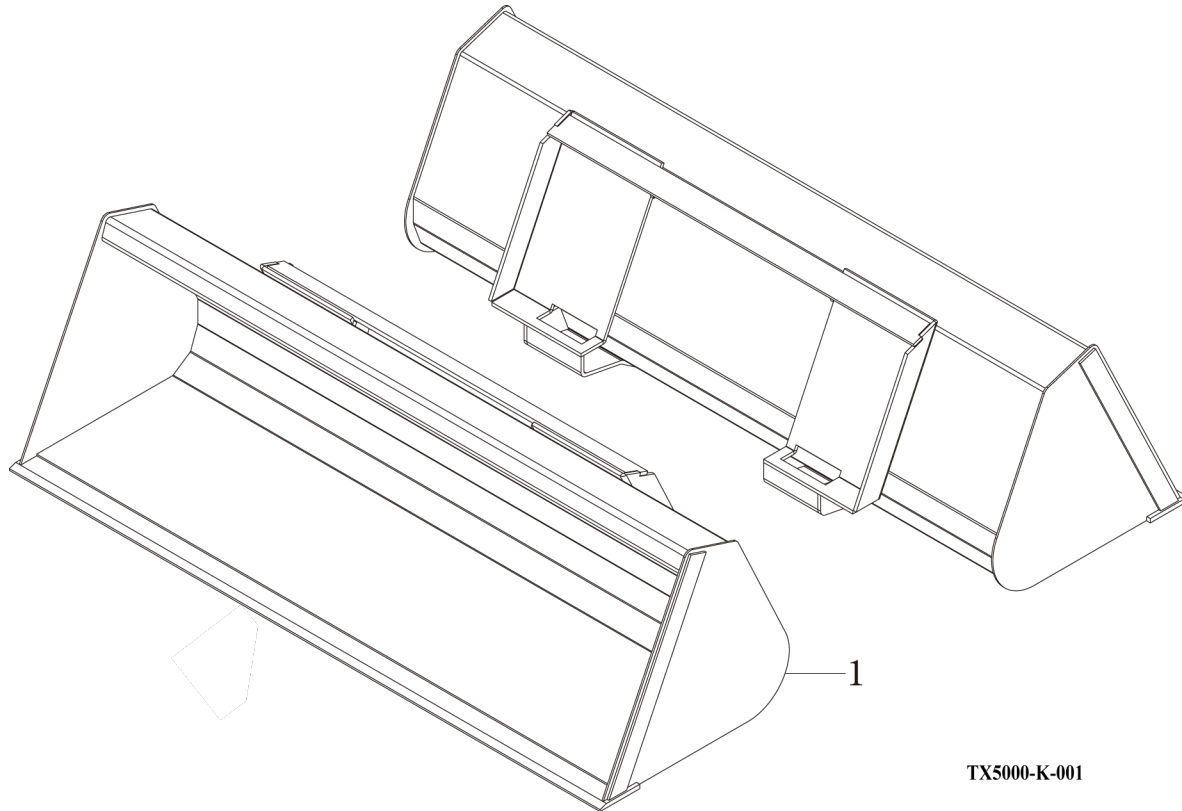
TX55

BUCKET

P1

Year / Month

2020 / 07



TX5000-K-001

FIG 002

TX55

QUICK ATTACHMENT ASS'Y

P1

Year / Month

2020 / 07

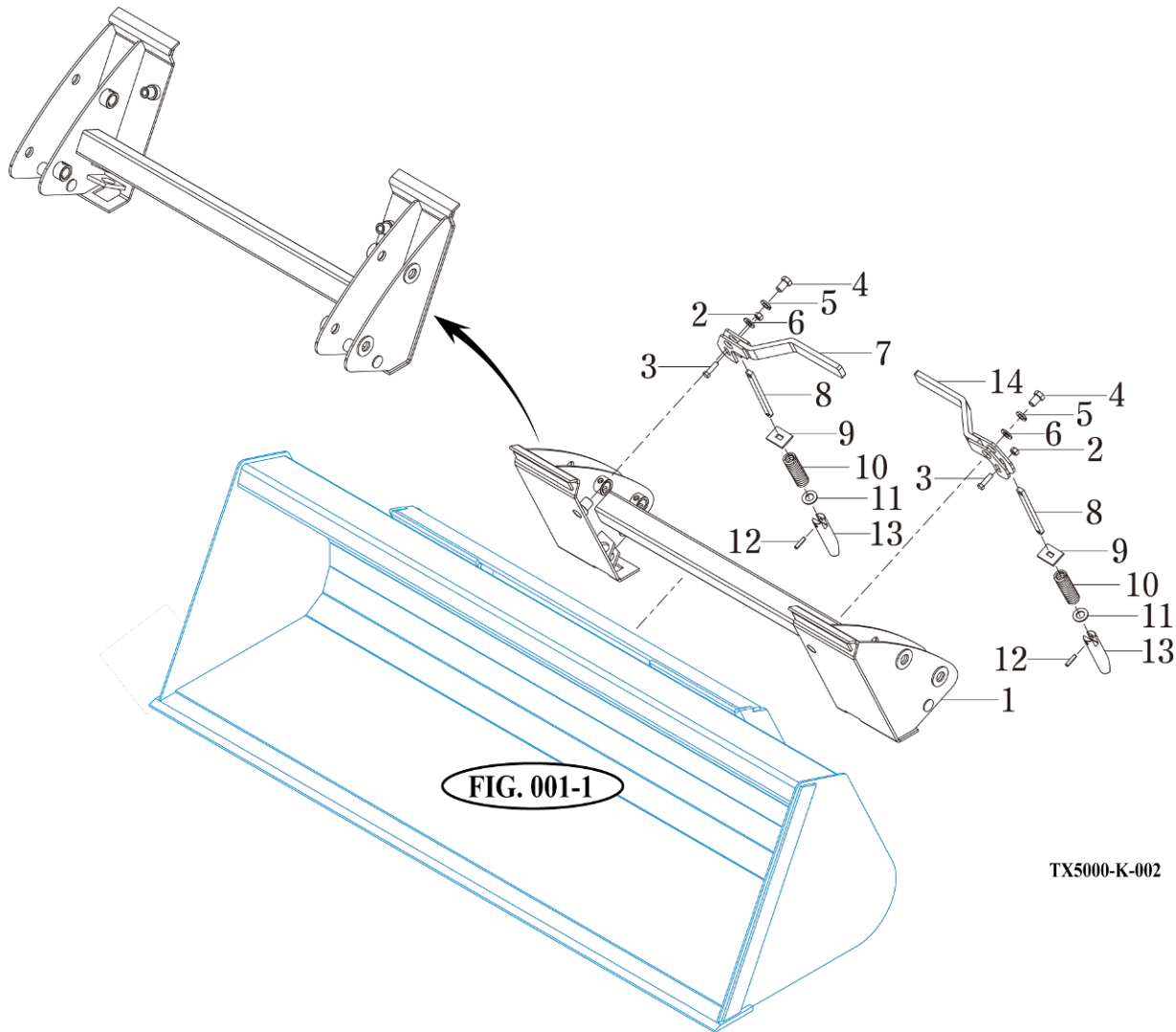


FIG. 001-1

TX5000-K-002

FIG 003

TX55

MOUNTING FRAME ASS'Y

P1

Year / Month

2020 / 07

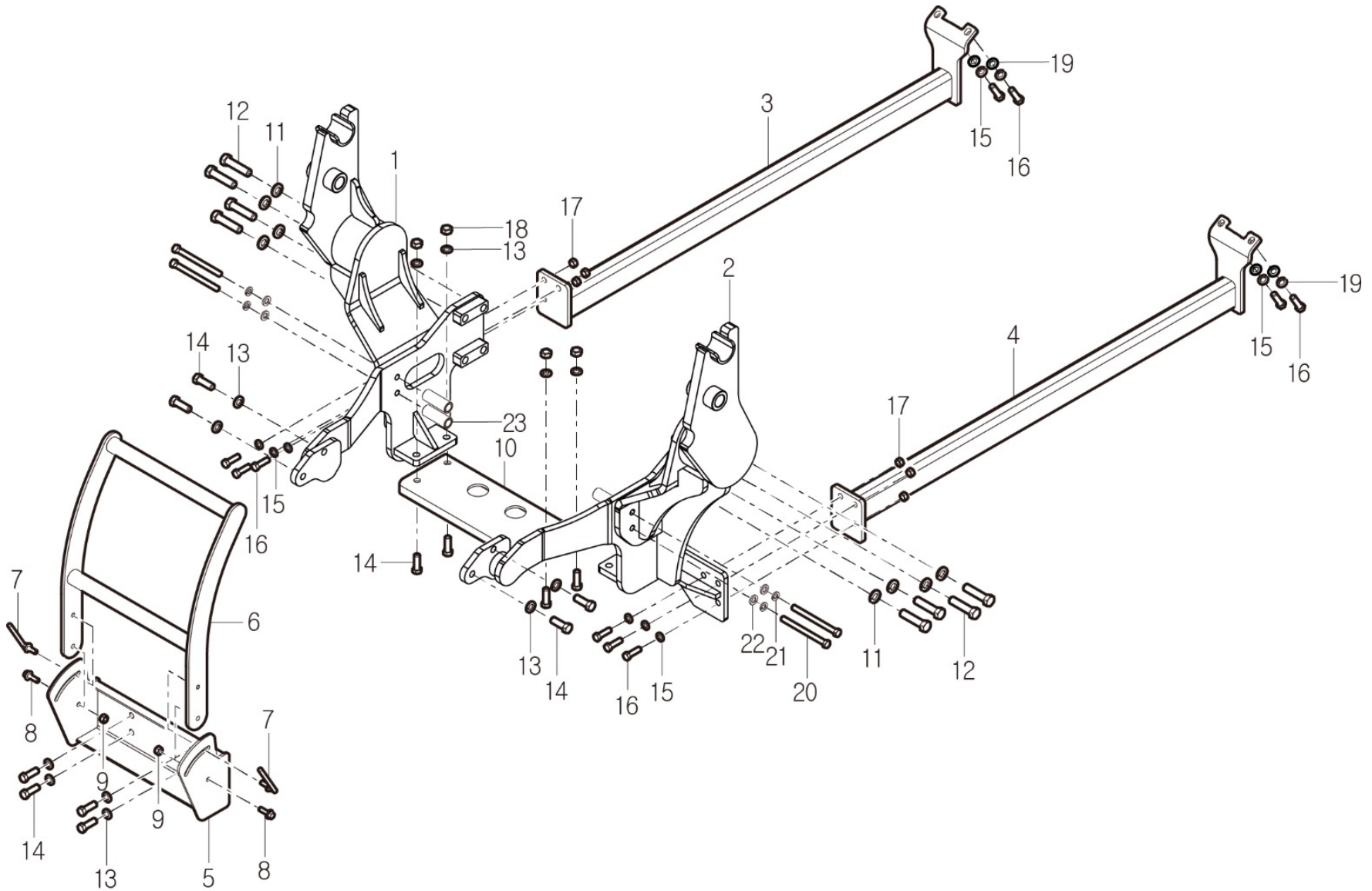



FIG 003		MOUNTING FRAME ASSEMBLY			P1	Year/Month 2020/07	
KEY NO.		PART NO.	DESCRIPSTION	SPEC.	QTY.	EFFECTIVE DATE	REMARKS
003	001	86011002006GB	MOUNTING FRAME COMP RH		1		< Accessory >
003	002	86011001006GB	MOUNTING FRAME COMPLH		1		
003	003	86001005003GB	REAR FRAME COMP RH		1		
003	004	86001004003GB	REAR FRAME COMPLH		1		
003	005	86001006100GB	BRACKET COMP,GRILL GUARD		1		
003	006	86011006200GB	GRILL GUARD COMP		1		
003	007	85401006062	LEVER BOLT		2		
003	008	V2183610035	BOLT, HEX/SP	M10X35	2		
003	009	85402003130	U NUT	M10	2		
003	010	86001003001GB	CROSS BAR COMP	6.0T	1		
003	011	V4011600160	WASHER, SPRING	M16	8		
003	012	V2014616065	BOLT, HEX	M16X65	8		
003	013	V4011600140	WASHER, SPRING	M14	12		
003	014	V2014614040	BOLT, HEX	M14X40	12		
003	015	V4011600120	WASHER, SPRING	M12	10		
003	016	V2014612040	BOLT, HEX	M12X40	10		
003	017	V3043600120	NUT, HEX/2	M12	6		
003	018	V3043600140	NUT, HEX/2	M14	4		
003	019	V4111600120	WASHER, PLAIN	M12	4		
003	020	V2014612180	BOLT, HEX	M12X180	4		
003	021	V4011600120	WASHER, SPRING	M12	4		
003	022	V4111600120	WASHER, PLAIN	M12	4		
003	023	86011007010	SPACE , MOUNT		4		

FIG 004

TX55

BOOM ASS'Y

P1

Year / Month

2020 / 07

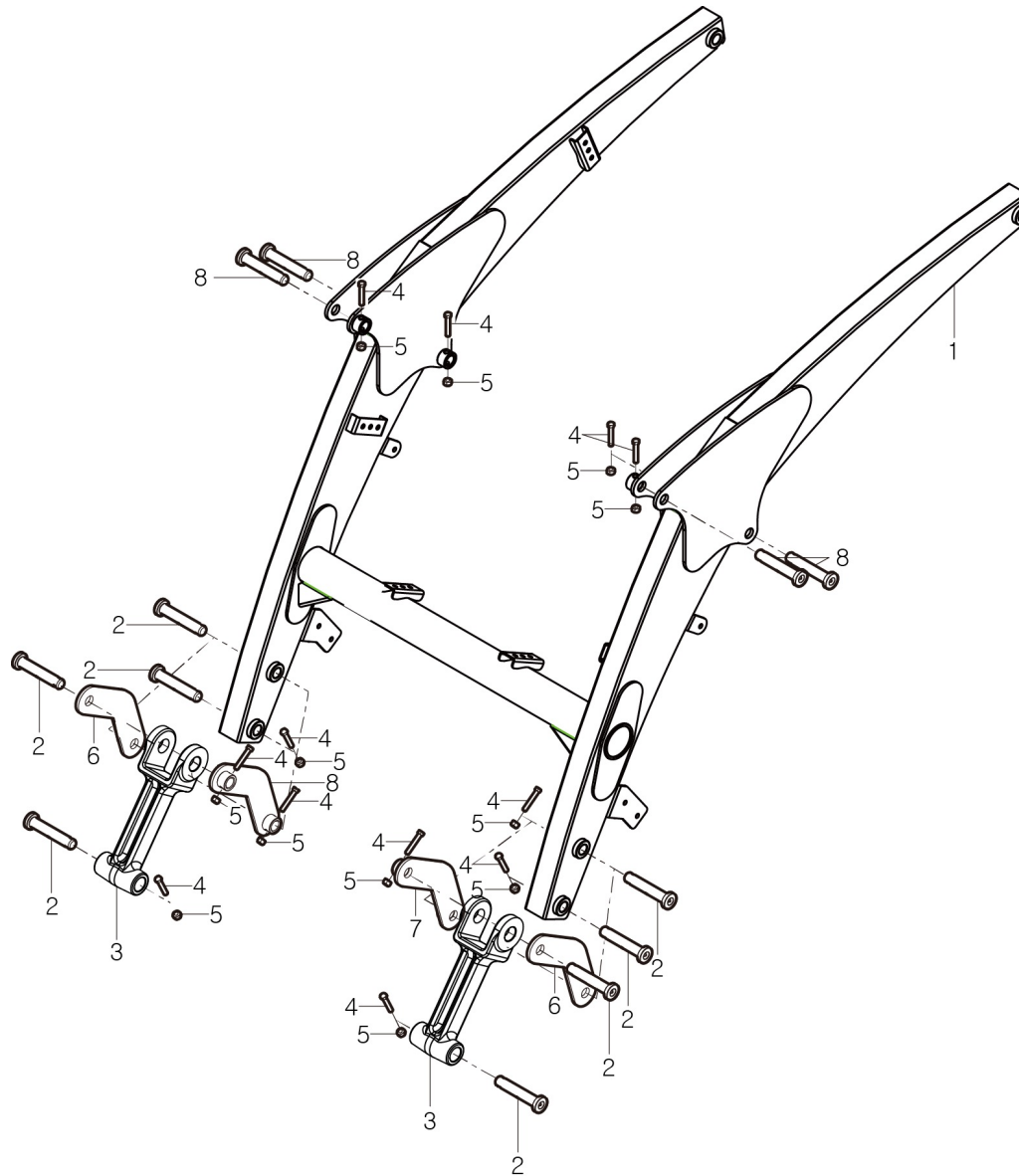


FIG 005

TX55

POST ASSEMBLY

P1

Year / Month

2020 / 07

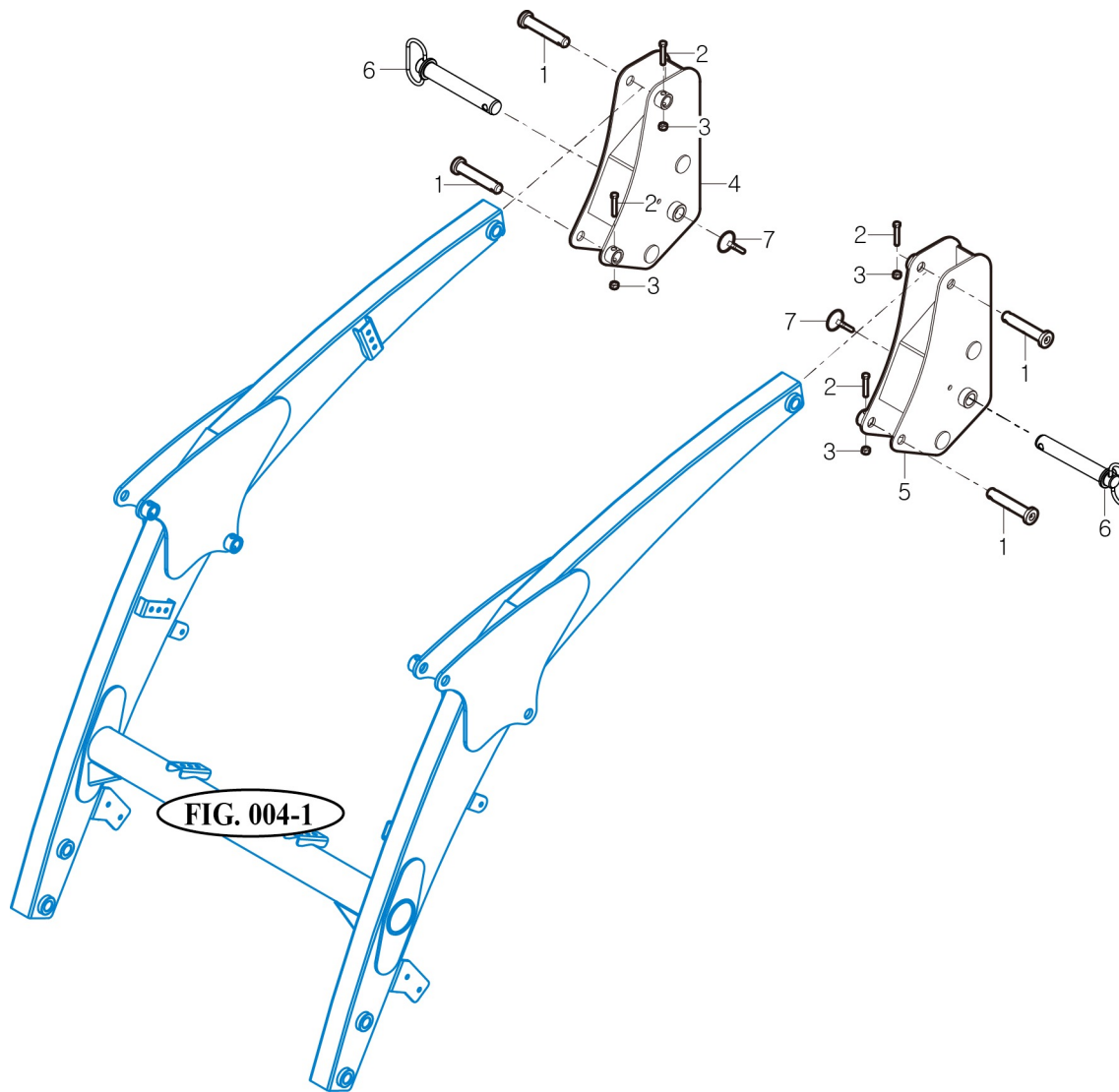


FIG. 004-1

FIG 006

TX55

STAND & SAFETY BAR

P1

Year / Month

2020 / 07

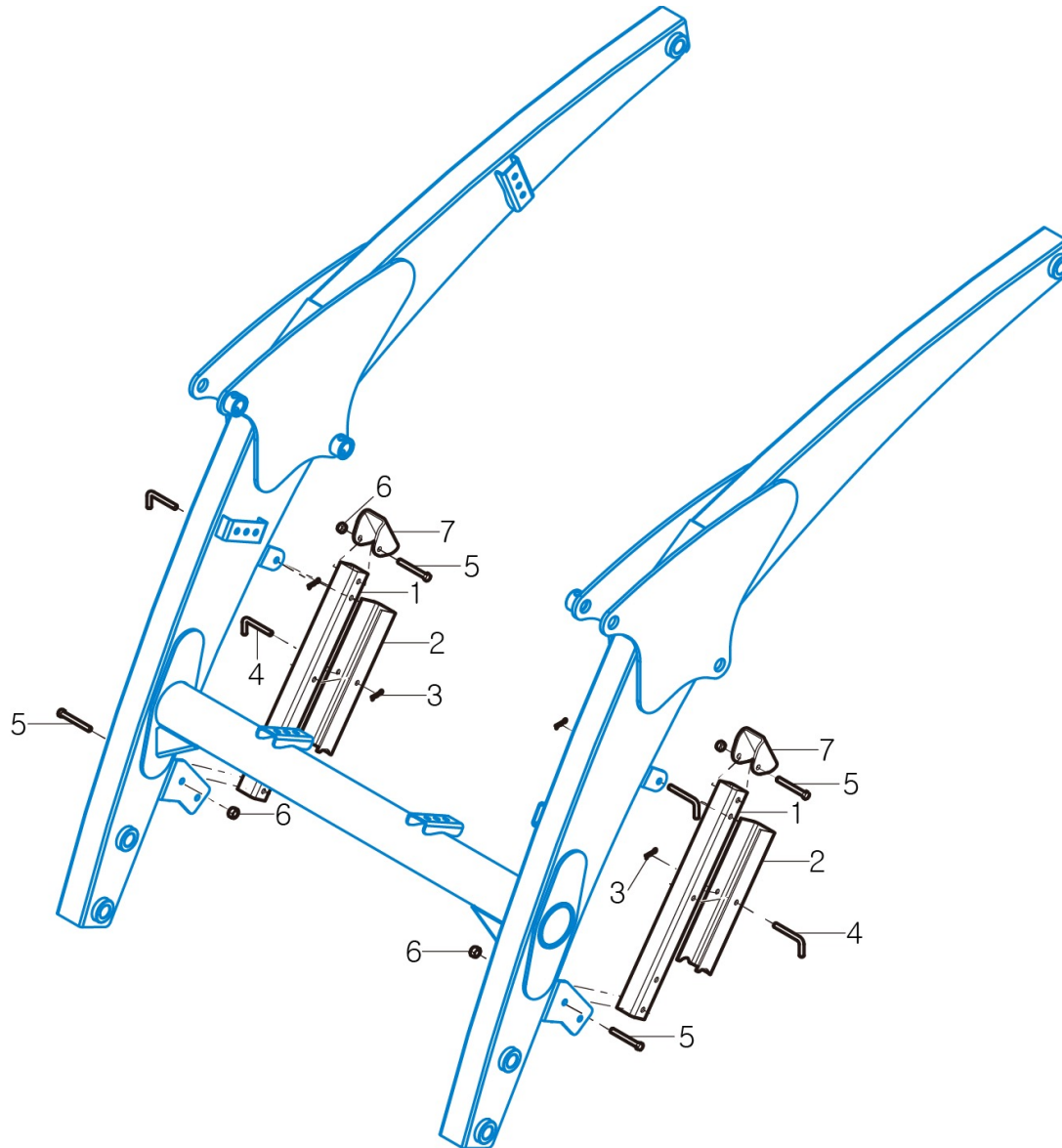


FIG 007

TX55

LOADER VALVE

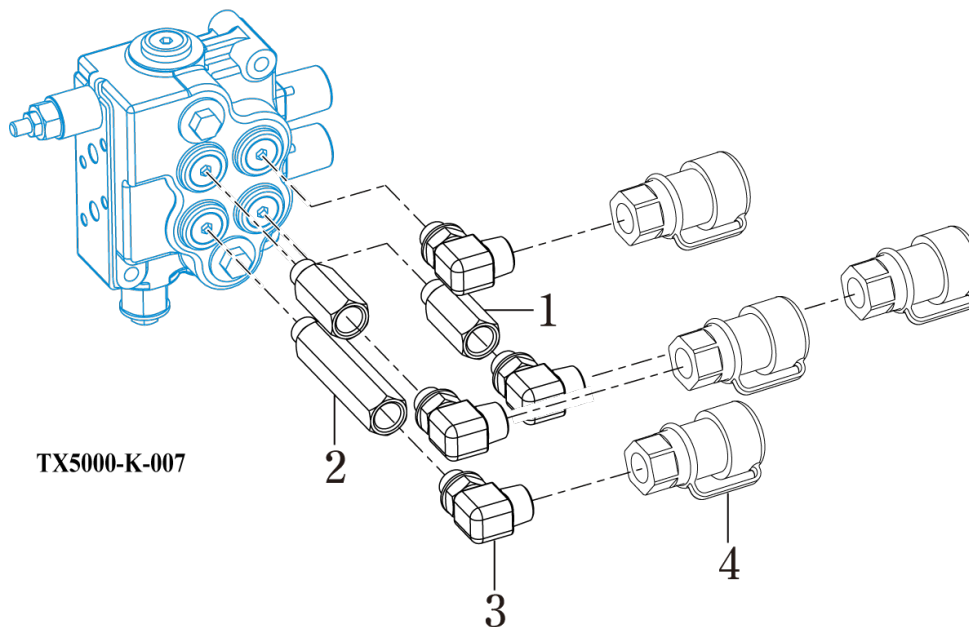
P1

Year / Month

2020 / 07



Loader V/V



TX5000-K-007

FIG 008

TX55

HYDRAULIC PIPING ASSEMBLY

P1

Year / Month

2020 / 07

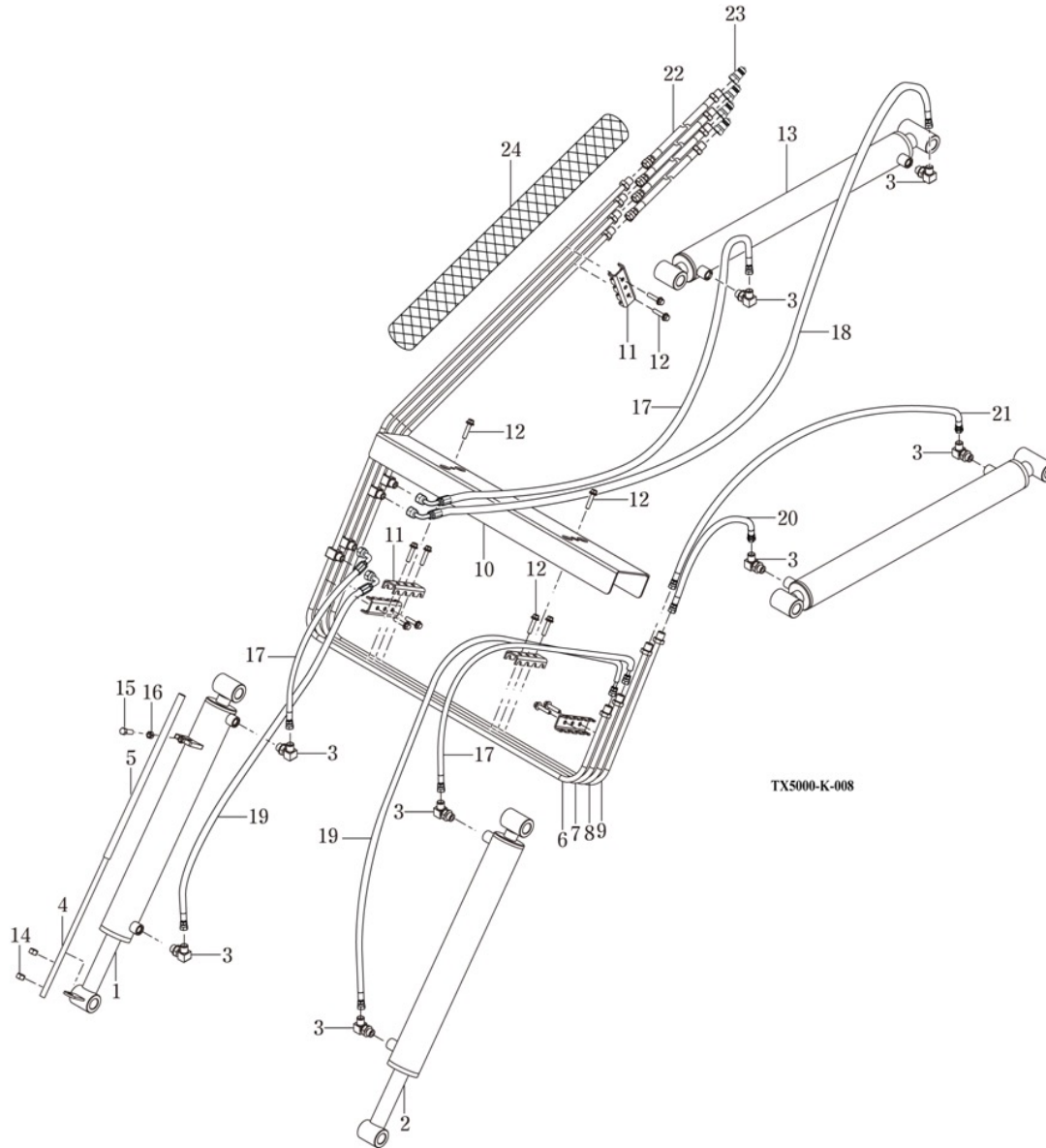



FIG 008		HYDRAULIC PIPING ASSEMBLY			P1	Year/Month 2020/07	
KEY NO.		PART NO.	DESCRIPSTION	SPEC.	QTY.	EFFECTIVE DATE	REMARKS
008	001	86003002001	BUCKET CYLINDER RH	D65XD35	1		
008	002	86003001001	BUCKET CYLINDER LH	D65XD35	1		
008	003	36313530021	ADAPT		8		
008	004	86003000292	STUD	D12	1		< Accessory >
008	005	85403000302	GUIDE	D15.9X1.6	1		
008	006	86003000031	PIPE COMP, A		1		
008	007	86003000041	PIPE COMP, B		1		
008	008	86003000051	PIPE COMP, C		1		
008	009	86003000061	PIPE COMP, D		1		
008	010	86003000020SR	COVER, PIPE	3.2T	1		
008	011	85403000011	BRACKET, PIPE	3.2T	5		
008	012	V2183608040	BOLT, HEX/SP	M8X40	12		
008	013	86003003001	BOOM CYLINDER	D60XD35	2		
008	014	V3043600120	NUT, HEX/2	M12	2		< Accessory >
008	015	V2014610030	BOLT, HEX	M10X30	1		
008	016	V3043600100	NUT, HEX/2	M10	1		
008	017	86003004010	HYD,HOSE 390 / 90°	PF3/8	3		
008	018	86703000370	HYD,HOSE 1050 / 90°	PF3/8	1		
008	019	86003004020	HYD,HOSE 450 / 90°	PF3/8	2		
008	020	86003004041	HYD,HOSE 550	PF3/8	1		
008	021	86003004072	HYD,HOSE 1000	PF3/8	1		
008	022	86003004081	HYD,HOSE 1800	PF3/8	4		
008	023	V7740010801	NIPPLE	PT1/2	4		
008	024	86503004050	HOSE COVER		1		

FIG 009

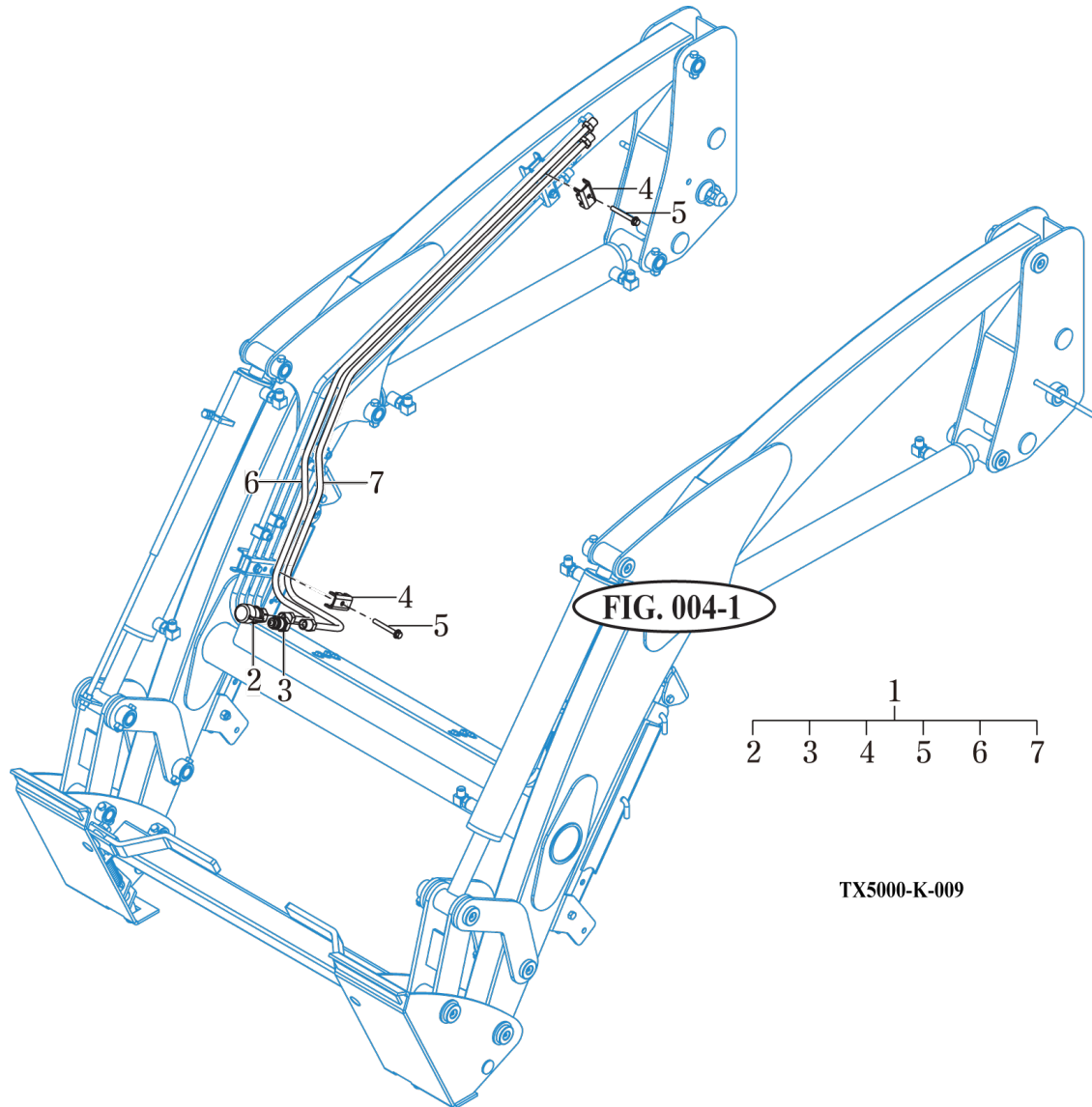
TX55

3RD FUNCTION PIPE KIT

P1

Year / Month

2020 / 07



TX5000-K-009

FIG 010

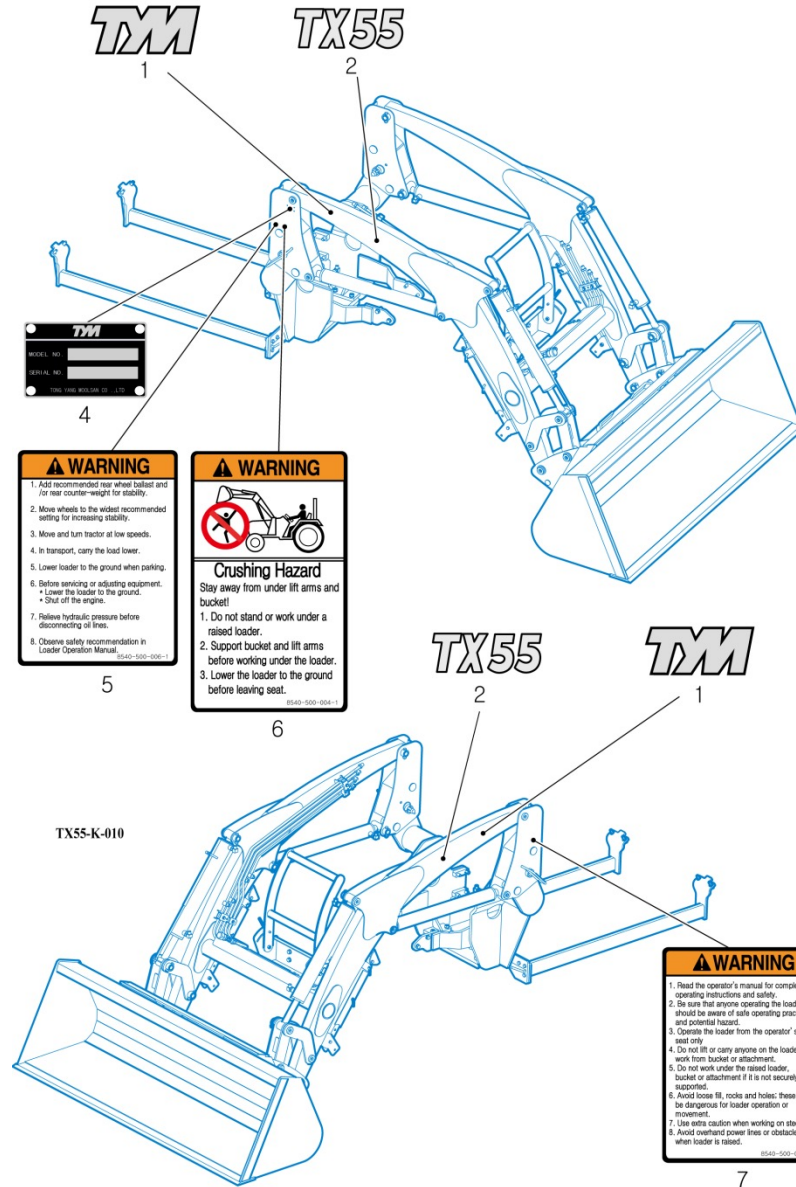
TX55

DECAL

P1

Year / Month

2020 / 07



TMM

TX55



WARNING

1. Add recommended rear wheel ballast and/or rear counter-weight for stability.
2. Move wheels to the widest recommended setting for increasing stability.
3. Move and turn tractor at low speeds.
4. In transport, carry the load lower.
5. Lower loader to the ground when parking.
6. Before servicing or adjusting equipment:
 - Lower the loader to the ground.
 - Shut off the engine.
7. Relieve hydraulic pressure before disconnecting oil lines.
8. Observe safety recommendation in Loader Operation Manual.

8540-500-002-1

WARNING

Crushing Hazard
Stay away from under lift arms and bucket!

1. Do not stand or work under a raised loader.
2. Support bucket and lift arms before working under the loader.
3. Lower the loader to the ground before leaving seat.

8540-500-004-1

TX55

TMM

WARNING

1. Read the operator's manual for complete operating instructions and safety.
2. Be sure that anyone operating the loader should be aware of safe operating practices and potential hazards.
3. Operate the loader from the operator's seat only.
4. Do not lift or carry anyone on the loader or work from bucket or attachment.
5. Do not work under the raised loader, bucket or attachment if it is not securely supported.
6. Avoid loose fit, rocks and holes; these can be dangerous for loader operation or movement.
7. Use extra caution when working on steep hills.
8. Avoid overhead power lines or obstacles when loader is raised.

8540-500-005-1

WARNING

NEVER USE FRONT END LOADER FOR TOWING OPERATIONS.

8540-500-008-1

DANGER

INSTALL SAFETY PROP BEFORE WORKING UNDER RAISED STRUCTURE

8540-500-009-1

TX55-K-010

