

# 5520CH(AC02112) TRACTOR

## Parts Catalogue



# CONTENTS

GROUP NO	GROUP NAME	PAGE
G. ENGINE		
A01_021	CYLINDER BLOCK	6
A02_005	DRIVE PULLY	8
A03_004	CRANK SHAFT PULLEY	10
A04_005	GLOW PLUG ASS'Y OPTION	12
A05_005	CRANK SHAFT ASS'Y OPTION	14
A06_006	BREATHER OPTION	16
A07_005	CAMSHAFT	18
A08_006	ALTERNATOR	20
A09_007	COOLING WATER PUMP	22
A10_008	COOLING FAN SPACER	24
A11_007	INJECTOR	26
A12_016	FUEL INJECTON	28
A13_005	PLUMBING, FUEL	30
A14_003	FUEL FILTER BRACKET	33
A16_018	FUEL FILTER ASS'Y OPTION	35
A17_008	INTAKE MANIFOLD ASS'Y OPTION	37
A18_011	FLYWHEEL	39
A19_009	FLYWHEEL HOUSING	41
A20_011	HEAD, CYLINDER	43
A21_004	HEAD COVER	45
A23_008	TURBOCHARGER SUPPORT ASS'Y OPTION	47
A24_003	TURBOCHARGER	49
A25_003	OIL JET ASS'Y OPTION	51
A26_005	COOLER, ENGINE OIL	53
A27_010	OIL PAN ASS'Y OPTION	55
A28_001	PUMP, LUBRICATING OIL	57
A29_005	FILTER, LUBRICATING OIL	59
A30_003	FRONT GEAR ACCESSORY DRIVE	61
A31_007	PISTON	63
A32_003	LEVER, LOCKER	65
A33_011	EXHAUST MANIFOLD	67
A35_002	IDLE GEAR	69
A36_004	COVER, FRONT GEAR	71
A37_001	BALANCE ASS'Y	73

# CONTENTS

GROUP NO	GROUP NAME	PAGE
<b>G. ENGINE</b>		
A38_007	GAUGE, OIL LEVEL	75
A39_001	OIL FILLER CAP	77
A40_003	LIFT ASS'Y OPTION	79
A41_001	COMP,DRIVE PULLEY ASS'Y OPTION	81
A42_003	MOTER, STARTIONS	83
A44_010	DPF MOUNTING OPTION	85
A45_012	DPF	87
A48_006	V-BELT	89
A50_001	COMPRESSOR BRACKET ASS'Y	91
A51_003	INTAKE HOSE ASSY OPTION	93
A52_003	CCV ASSY	95
<b>B. ENGINE ACCESSORIES</b>		
B01010	FUEL TANK	97
B02020	RADIATOR	99
B03010	AIR CLEANER	101
B05011	ACCELERATOR LEVER	103
<b>C. CLUTCH, BREAK, LEVER</b>		
C01050	PTO DAMPER	105
C02010	BRAKE PEDAL	107
C02050	PARKING BRAKE	109
C03010	HYD SHIFT TRANSMISSION PEDAL	111
C04000	LEVER ASS'Y	114
<b>D. HYDRAULIC</b>		
D01010	HYDRAULIC PUMP	116
D01040	HYDRAULIC FILTER	118
D01041	HYDRAULIC FILTER/LINE	120
D02010	STEERING WHEEL	122
D02030	PST HOSE	124
D02040	PST CYLINDER	126
D03010	OIL COOLER	128
D03030	FRONT SCV	130
D03060	REAR SCV LEVER	132
<b>E. FRONT AXLE</b>		
E01010	FRONT AXLE CASE	134

# CONTENTS

GROUP NO	GROUP NAME	PAGE
E. FRONT AXLE		
E01013	FRONT AXLE CASE/SPACER	136
E01030	GEAR CASE, FRONT WHEEL	138
E01071	FRONT 1ST SHAFT	141
E01080	TIE ROD	143
F. TRANSMISSION		
F01011	FLY WHEEL HOUSING	145
F01030	REAR AXLE HOUSING	147
F01040	REAR AXLE CASE	149
F01050	HYD SHIFT TRANSMISSION HOUSING	151
F01060	PTO COVER	153
F03030	HYD SHIFT TRANSMISSION GEAR	155
F03040	RANGE SHIFT DRIVE SHAFT	157
F03050	RANGE SHIFT DRIVEN SHAFT	159
F04010	FRONT WHEEL DRIVE SHAFT	161
F04030	FRONT WHEEL DRIVE IDLE SHAFT	163
F05020	DIFFERENTIAL ASS'Y	165
F06030	BRAKE	168
F06031	SUPPORT, BRAKE	170
F06033	BRAKE LINK	172
F07030	PTO DRIVE SHAFT	174
F07050	PTO VALVE	176
F07070	PTO SHAFT	178
F08022	RANGE SHIFT FORK	180
F10010	HYD. CYLINDER CASE	182
F10020	LIFT ARM	184
F10030	SAFTY VALVE	186
F10040	STOP VALVE	188
F10064	POSITION CONTROL LEVER	190
F10070	POSITION/DRAFT SHAFT	192
F10100	BRACKET, TOP LINK	194
F10120	REAR SCV	196
F11050	RANGE SHIFT LEVER	199
F11070	PTO SHIFT GEAR LEVER	201
F11120	4WD LEVER	203

# CONTENTS

GROUP NO	GROUP NAME	PAGE
<b>G. SHEET METAL, CABIN</b>		
G01020	BONNET	205
G01040	LATCHING DEVICE, BONNET	207
G01060	FIXED BRACKET, BONNET	209
G01080	BRACKET, FRONT AXLE	211
G01100	PROPELLER SHAFT	213
G02010	CABIN FRAME	215
G02011	PILLAR COVER	217
G02020	DASH BOARD	219
G02030	SIDE-VIEW MIRROR	221
G02050	DOOR	223
G02071	FRONT WINDOWS	225
G02072	REAR WINDOWS	227
G02131	ROOF/OUTER	229
G02132	ROOF/INNER	231
G02140	DRIVER'S SEAT	233
G02160	FLOOR PLATE	235
G02181	FENDER COVER/LH	237
G02182	FENDER COVER/RH	239
G02190	FENDER ASS'Y	241
G03010	AIR CONDITIONER	243
G03020	A/C DUCT	245
G03091	COMPRESSOR	247
G03092	TENSION PULLY	249
G05020	TOP LINK	251
G05030	LOWER LINK	253
G05050	LIFT LINK/LH,RH	255
G05070	DRAWBAR	257
G05090	PTO COVER	259
<b>H. ELECTRICALS, HARNESS</b>		
H01030	BATTERY	261
H02022	COMBINATION LAMP/RR	263
H03041	MISSION HARNESS	265
H03050	HARNESS	267
H04030	INSTRUMENT PANEL	269

# CONTENTS

GROUP NO	GROUP NAME	PAGE
H. ELECTRICALS, HARNESS		
H04050	SWITCH/DASHBOARD	271
H04090	HORN	273
H05040	WASHER LIQUID TANK	275
I. WEIGHT, TOOLS, TIRE		
I03031	LABEL, CABIN	277
I03032	LABEL, CABIN	279

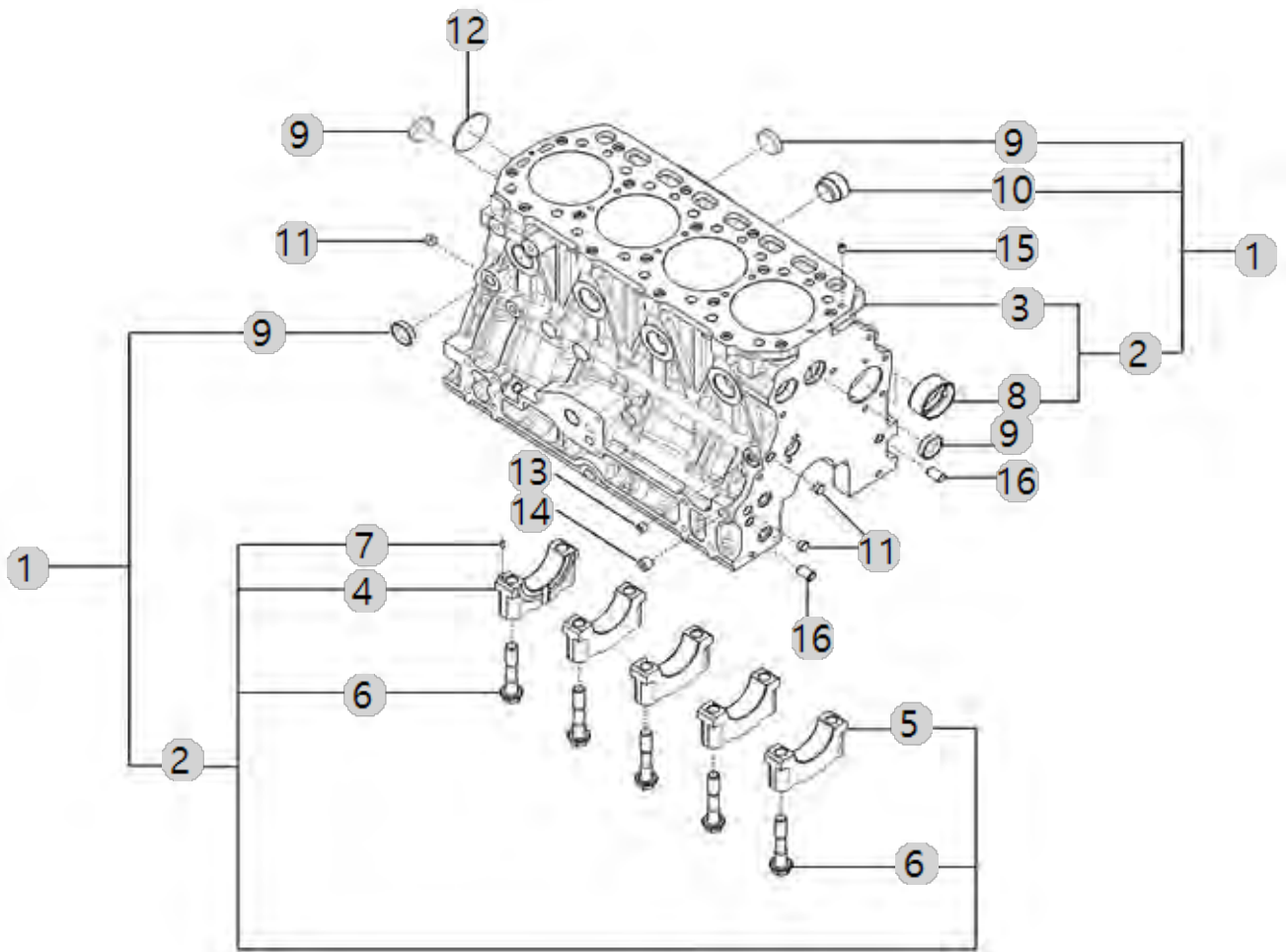
A01\_021

A2300T11-UTC\_4  
(AB00247)

### CYLINDER BLOCK

Year/Month

2023-01-18







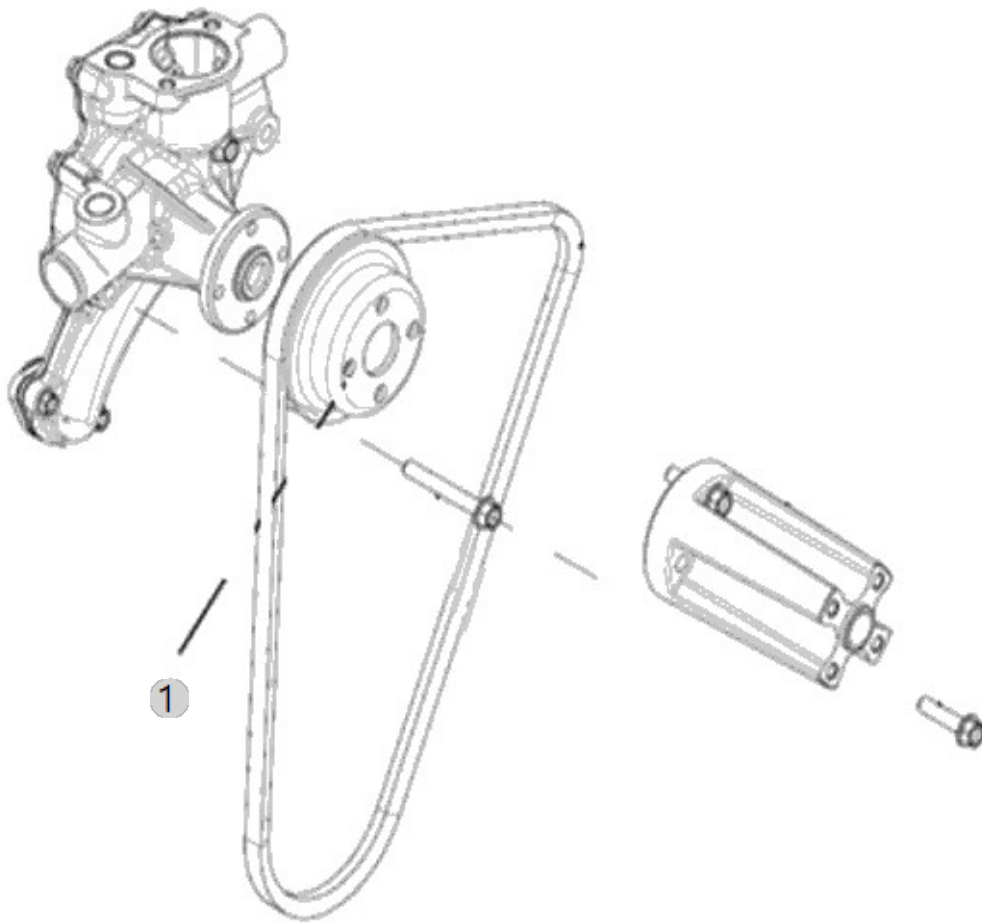
A02\_005

A2300T11-UTC\_4  
(AB00247)

# DRIVE PULLEY

Year/Month

2023-01-18





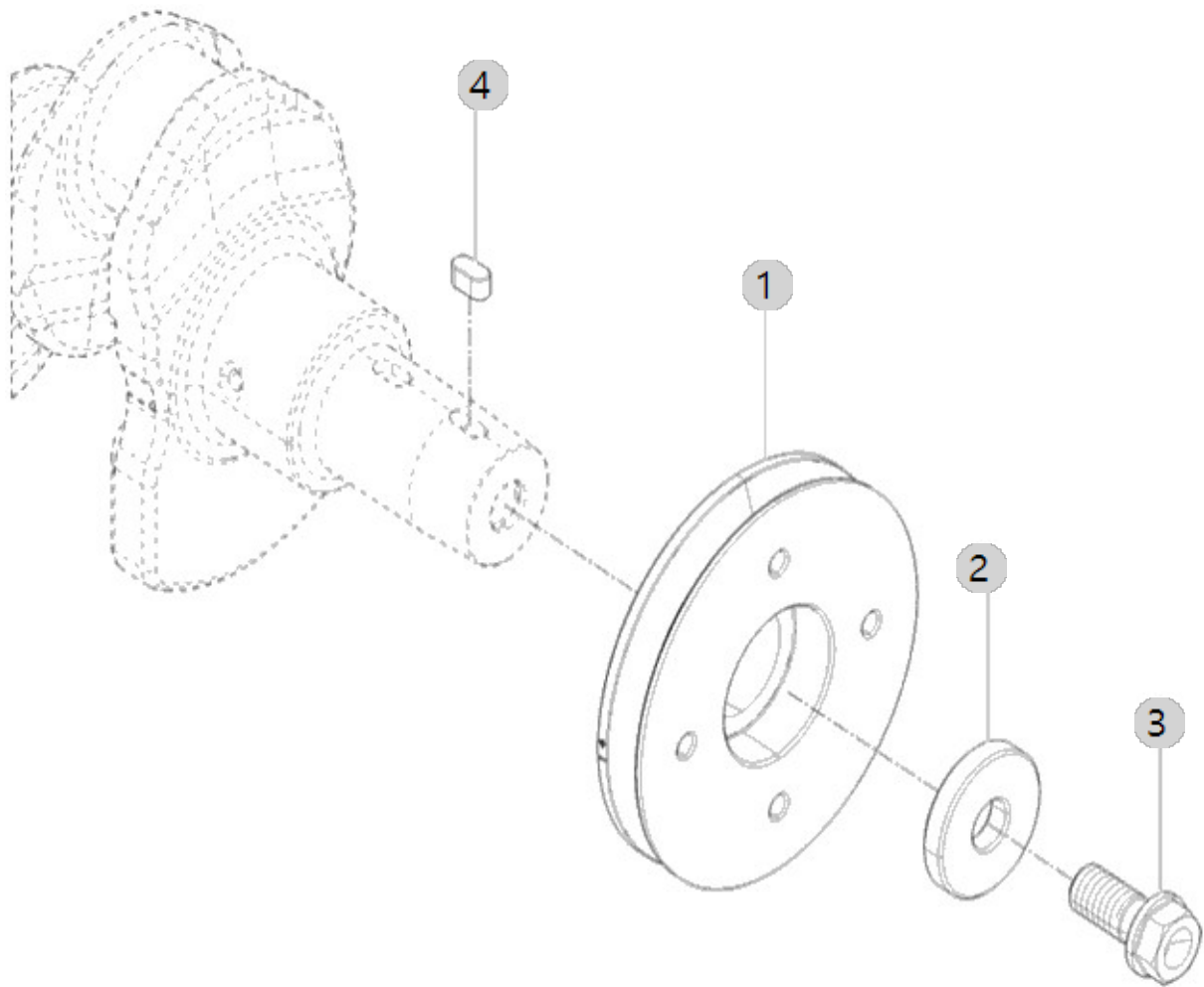
A03\_004

A2300T11-UTC\_4  
(AB00247)

# CRANK SHAFT PULLEY

Year/Month

2023-01-18





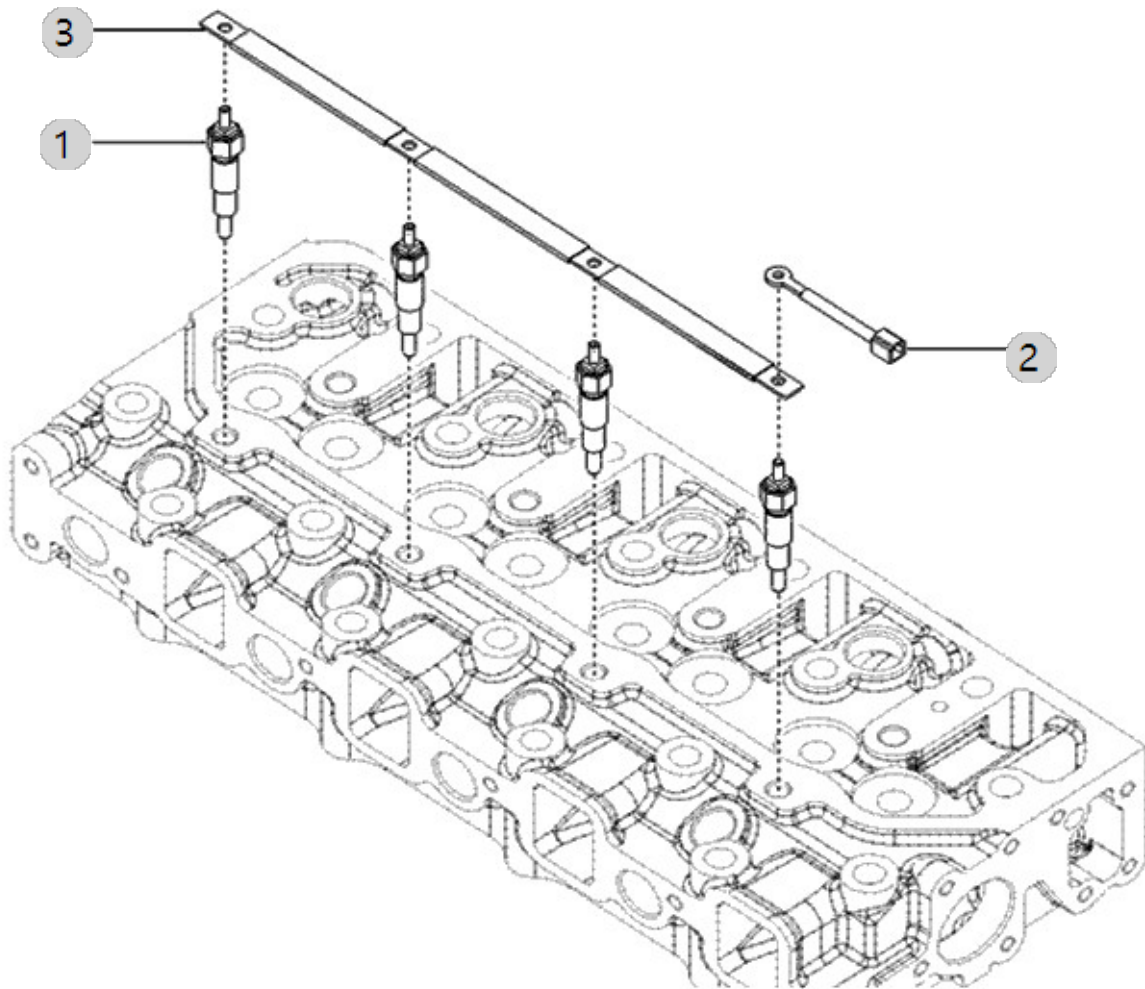
A04\_005

A2300T11-UTC\_4  
(AB00247)

### GLOW PLUG ASS'Y OPTION

Year/Month

2023-01-18





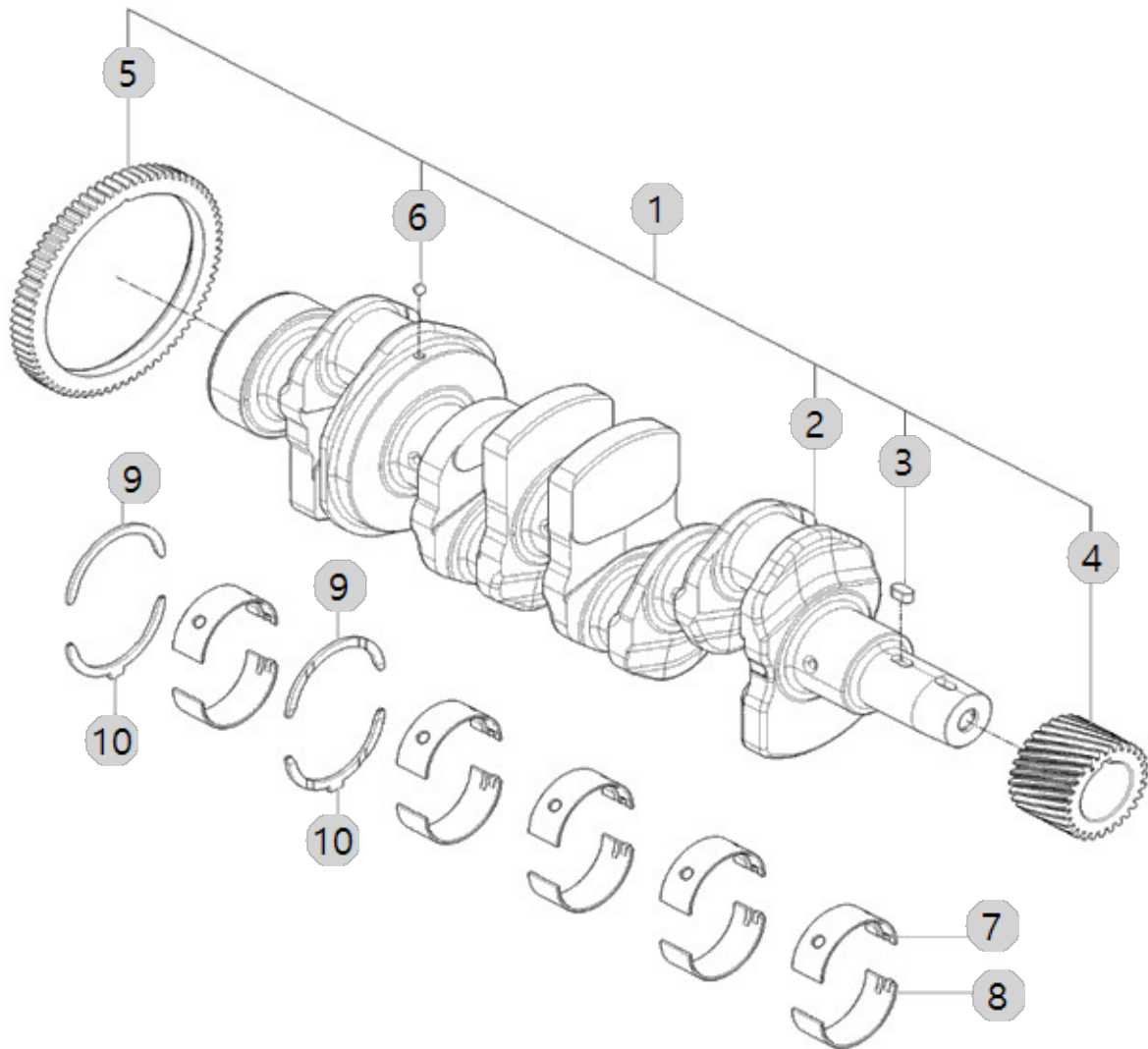
A05\_005

A2300T11-UTC\_4  
(AB00247)

### CRANK SHAFT ASS'Y OPTION

Year/Month

2023-01-18







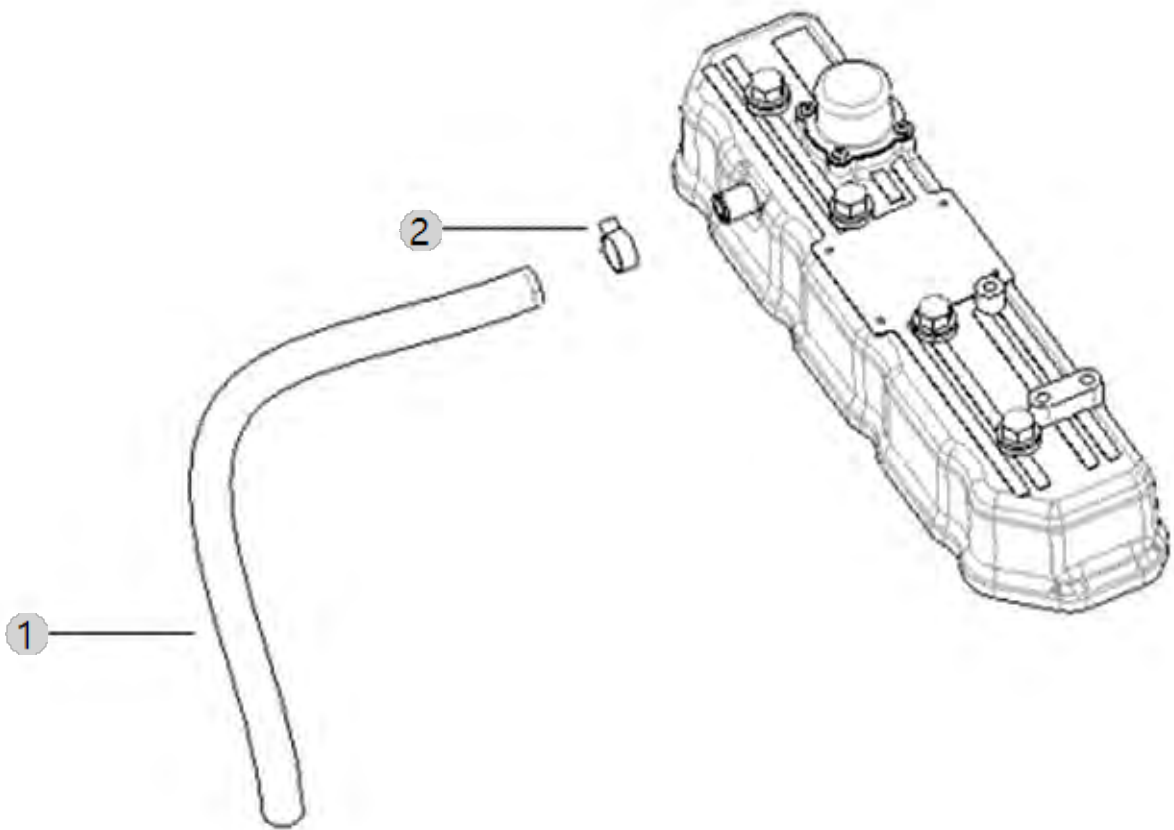
A06\_006

A2300T11-UTC\_4  
(AB00247)

BREATHER OPTION

Year/Month

2023-01-18





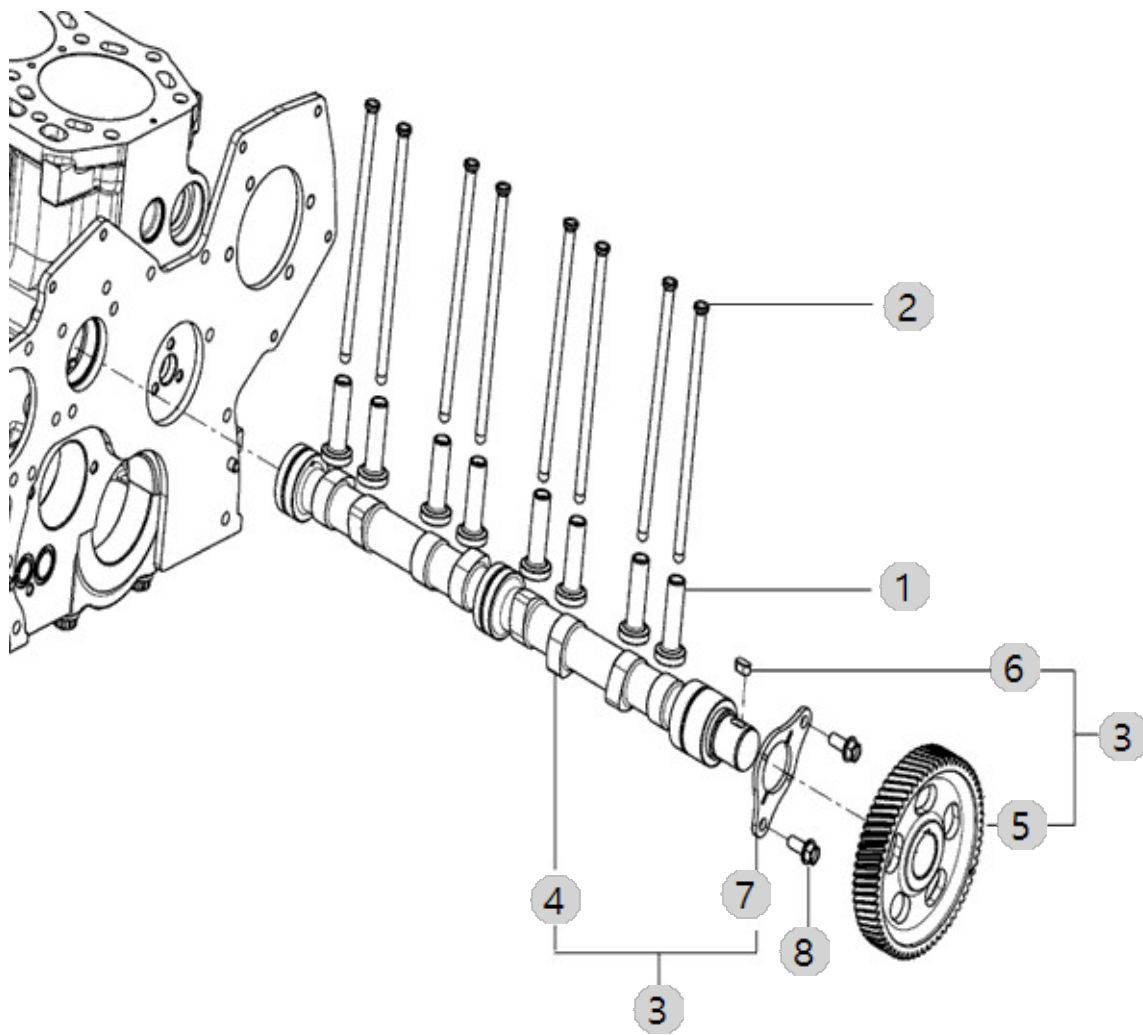
A07\_005

A2300T11-UTC\_4  
(AB00247)

# CAMSHAFT

Year/Month

2023-01-18





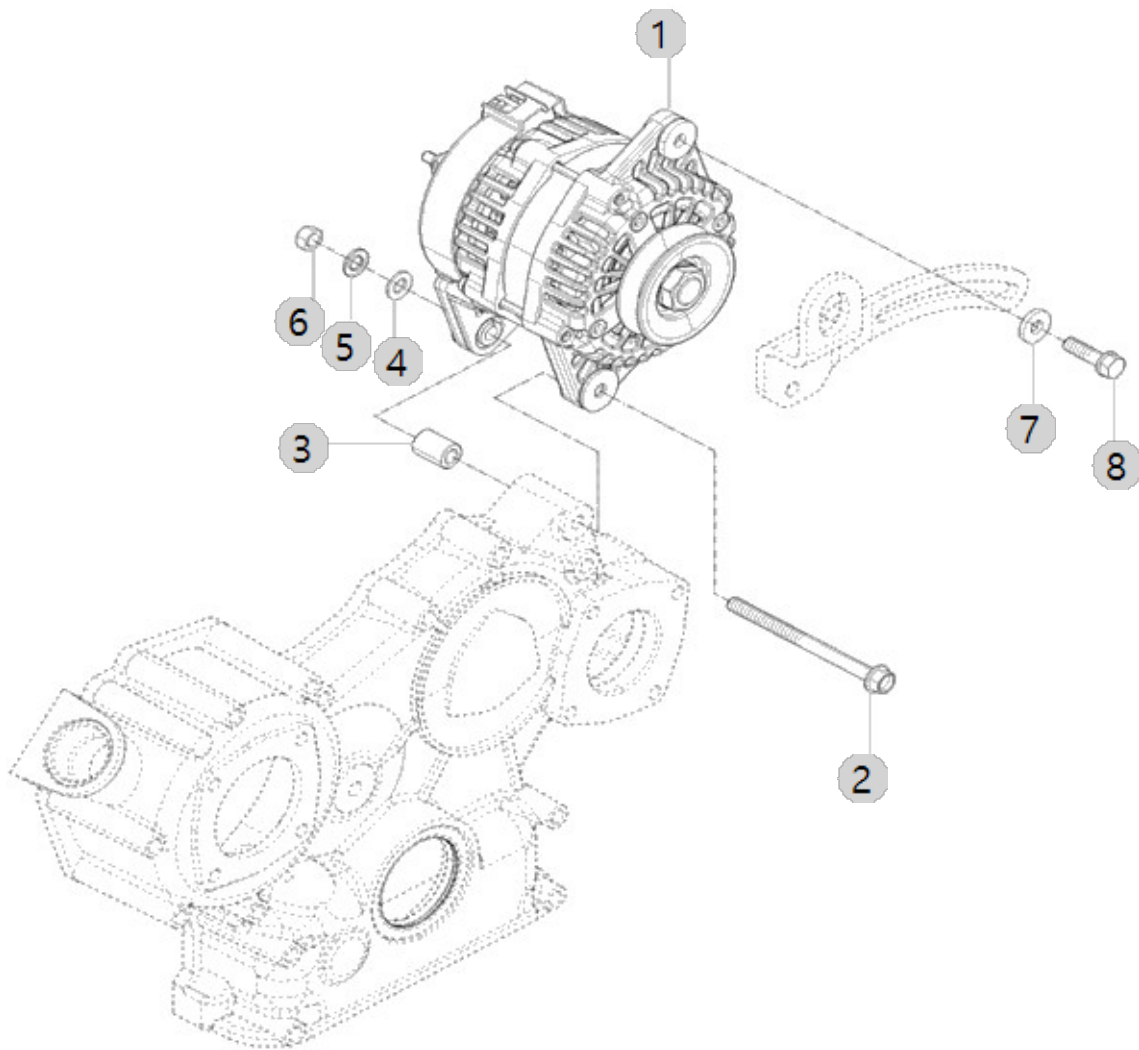
A08\_006

A2300T11-UTC\_4  
(AB00247)

# ALTERNATOR

Year/Month

2023-01-18





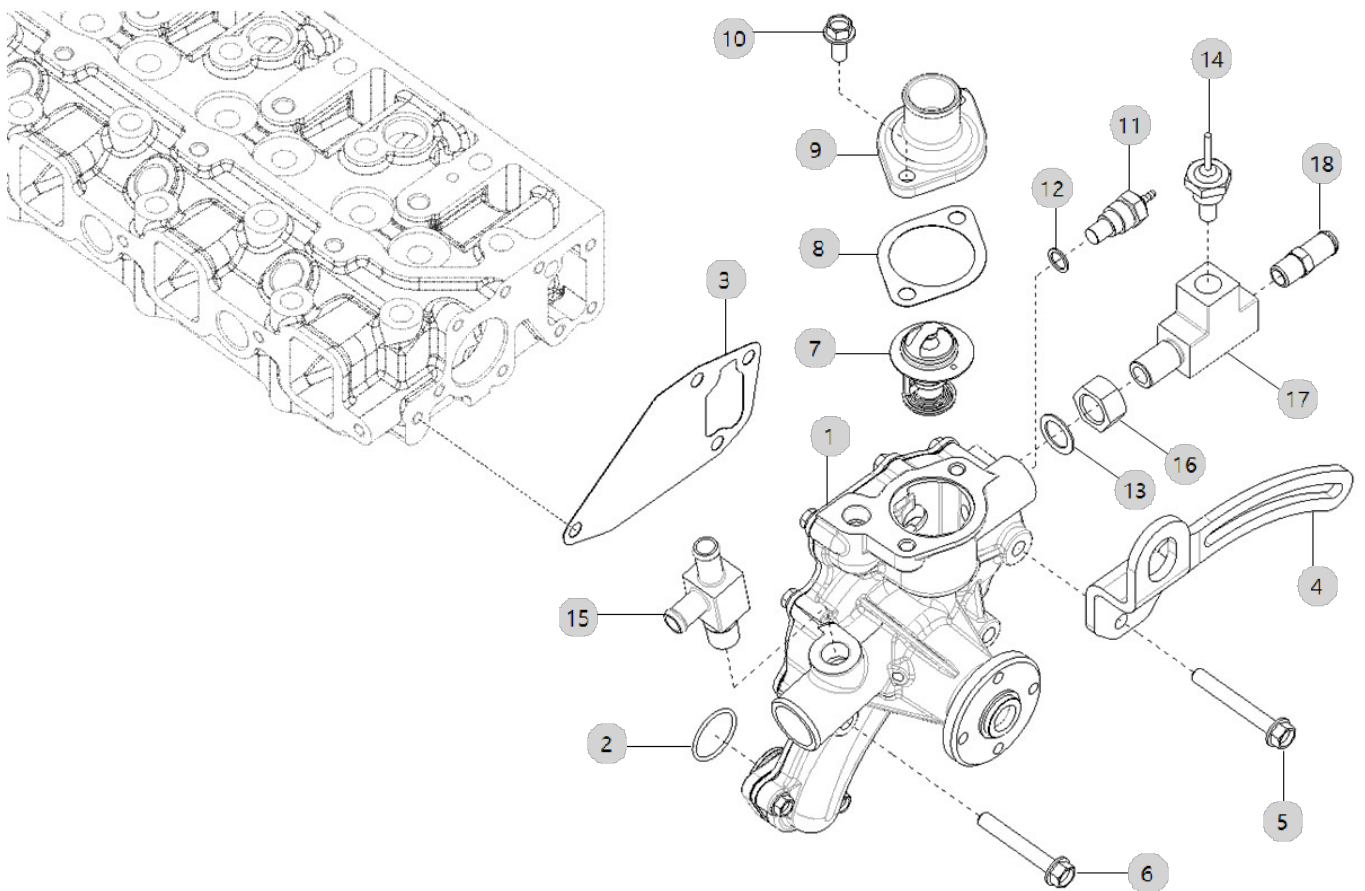
A09\_007

A2300T11-UTC\_4  
(AB00247)

# COOLING WATER PUMP

Year/Month

2023-01-18







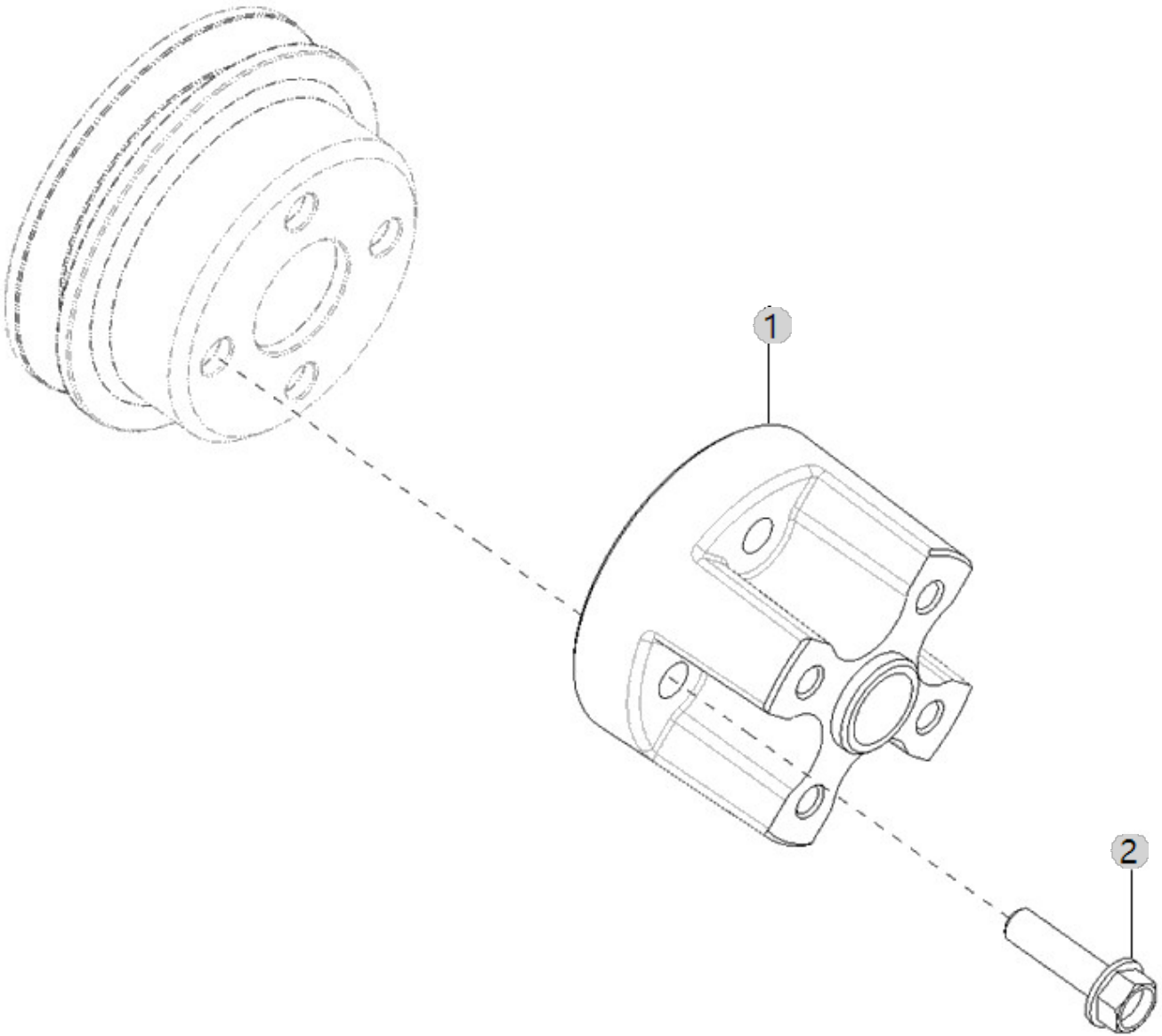
A10\_008

A2300T11-UTC\_4  
(AB00247)

COOLING FAN SPACER

Year/Month

2023-01-18





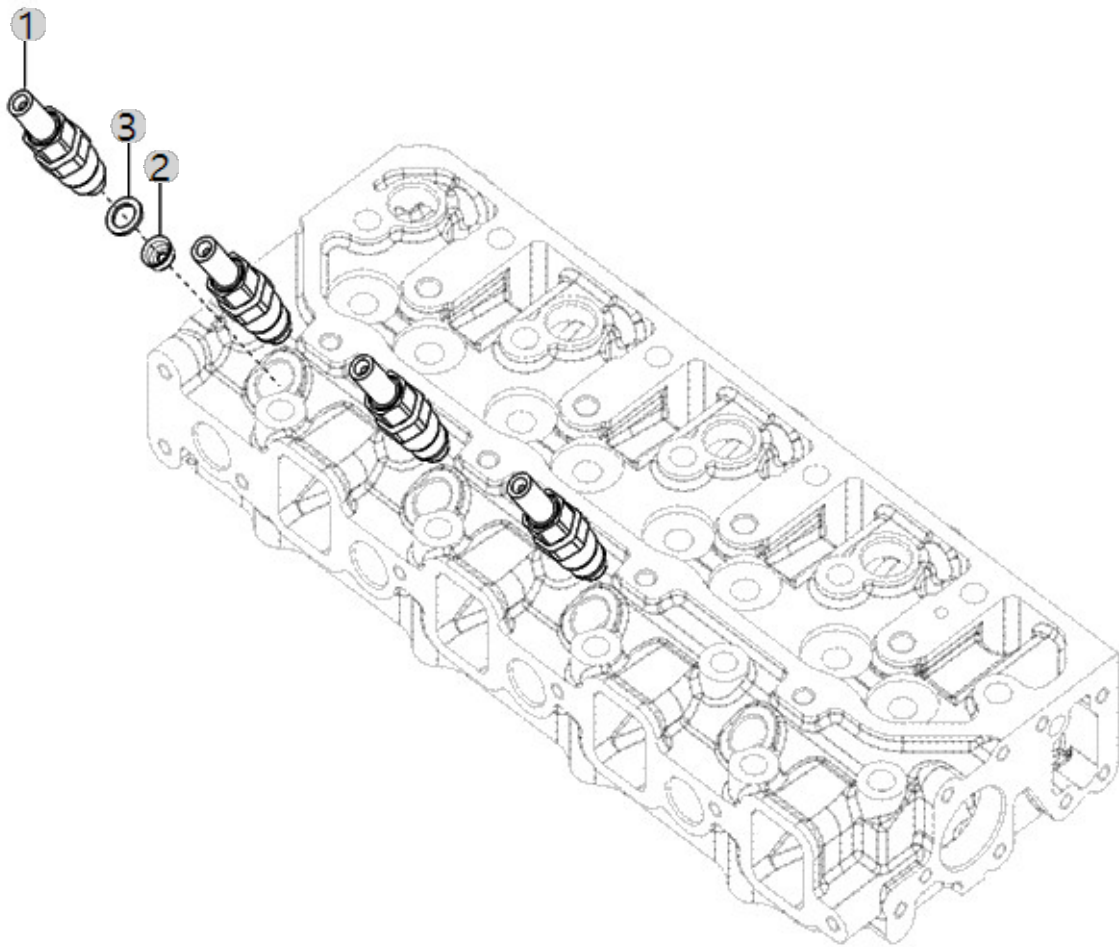
A11\_007

A2300T11-UTC\_4  
(AB00247)

# INJECTOR

Year/Month

2023-01-18





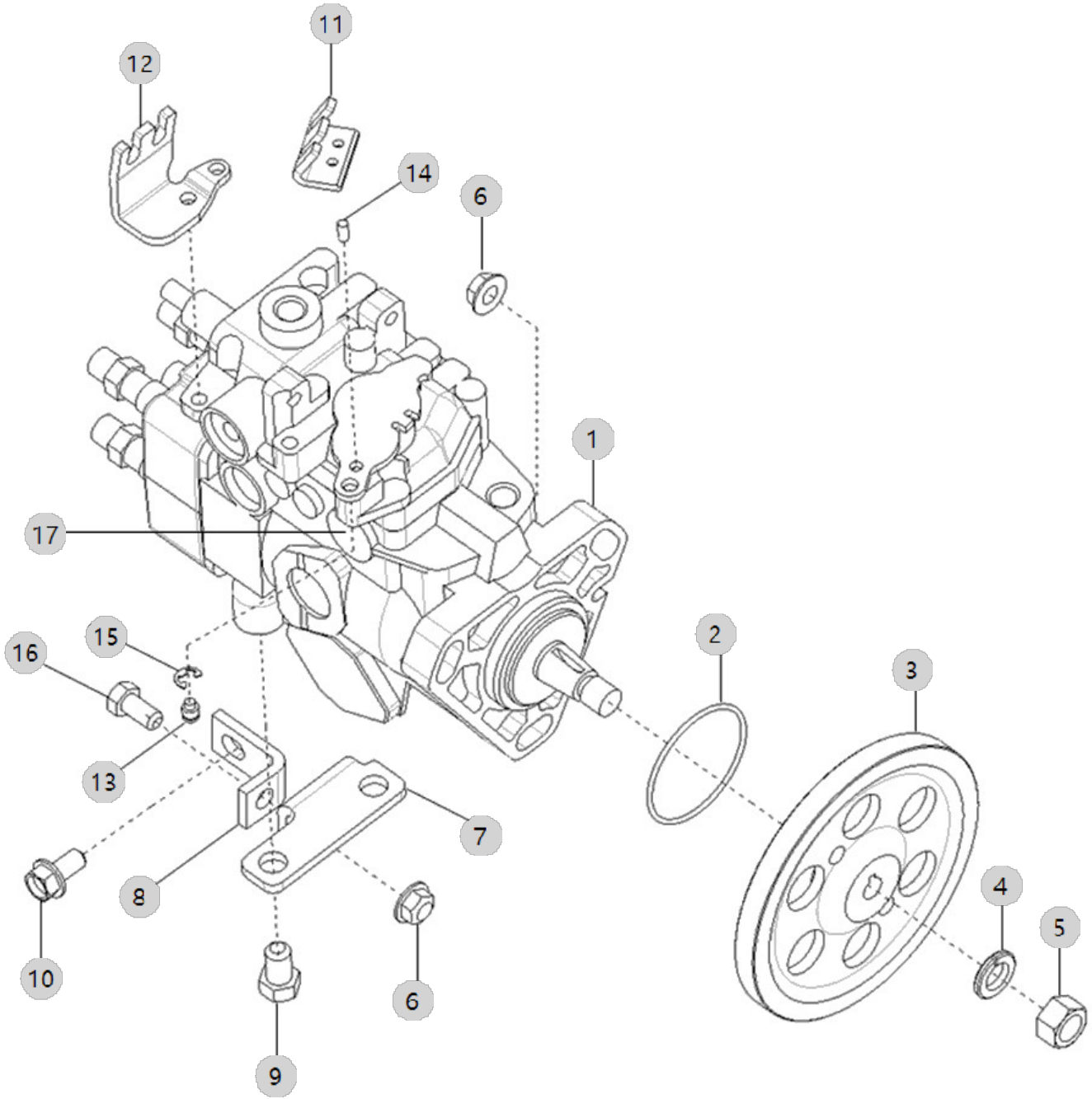
A12\_016

A2300T11-UTC\_4  
(AB00247)

# FUEL INJECTOR

Year/Month

2023-01-18



A12_016 A2300T11-UTC_4 (AB00247)		FUEL INJECTON			Year/Month 2023-01-18	
순번 (NO)	부품번호 (PART NO)	품명 (PART NAME)	품명 (PART NAME)	수량 (QTY)	규격 (SPEC)	비고 (REMARK)
1	EA00000786B	연료분사펌프조합	FUEL INJECTION PUMP	1		
1	EA00000786A	연료분사펌프조합	FUEL INJECTION PUMP (A2300T1)	1		
2	24311-000500	O링	O-RING, DYNAMIC (Φ50)	1	P50	
3	HRA070080DB3	연료분사펌프기어	GEAR,FUELPUMP	1		
3	HRA070080DC3	연료분사펌프기어	GEAR,FUEL PUMP	1		
3	HRA070080DB3	연료분사펌프기어	GEAR,FUELPUMP	1		
4	22217-120000	스프링와셔	WASHER, SPRING (Φ 12)	1	M12	
5	26716-120002	295,ALL,육각너트	HEXA NUT295	1	M12X1.75	
6	26367-080002	259, 육각플랜지너트	HEX FLANGE NUT (Φ8)	4	M8XP1.25	
7	HRA130020DA4	296,A202322,VE지지브라켓(A)	BRACKET(B),PUMP	1	T 4.5	
7	HRA130020DA4	296,A202322,VE지지브라켓(A)	BRACKET(B),PUMP	1	T 4.5	
7	HRA130020DB4	VE지지브라켓(A)	BRACKET,PUMP	1	T 4.5	
8	HRA130030DA4	297,A202322,VE지지브라켓(B)	BRACKET(A),PUMP	1	T 4.5	
8	HRA130030DA4	297,A202322,VE지지브라켓(B)	BRACKET(A),PUMP	1	T 4.5	
8	HRA130030DB4	VE지지브라켓(B)	BRACKET,PUMP	1	T 4.5	
9	26116-100162	육각보울트	SCREW,HEXAGONHEADCAP	2	M10X1.5X16	
10	26106-080162	플랜지볼트8X16	SCREW,HEXFLANGEHEADCAP	1	M8XP1.25X16	
11	EA00004970B	후크-액셀레버	LEVER, HOOK,ACCEL	1		
11	EA00004970A	후크-액셀레버	LEVER, HOOK,ACCEL	1		
12	EA00004263B	써포트(액셀레버)	SUPPORT(ACCELERATOR LEVER)	1	T4.0	
12	EA00004263A	써포트(액셀레버)	SUPPORT(ACCELERATOR LEVER)	1	T4.0	
13	HRA1300702A9	고정핀	PIN	1		
13	HRA1300702A9	고정핀	PIN	1		
13	HRA1300702A9	고정핀	PIN	1		
14	EA00002103A	핀	PIN	1	N4	
15	22272-000050	E형스냅링5	RING, CIRCLIP (Φ 05)	1	D5	
16	26116-080162	육각볼트	SCREW,HEXAGONHEADCAP	1	M8X1.25X16	
17	EA00003768A	픽업센서	PICKUP SENSOR	1		

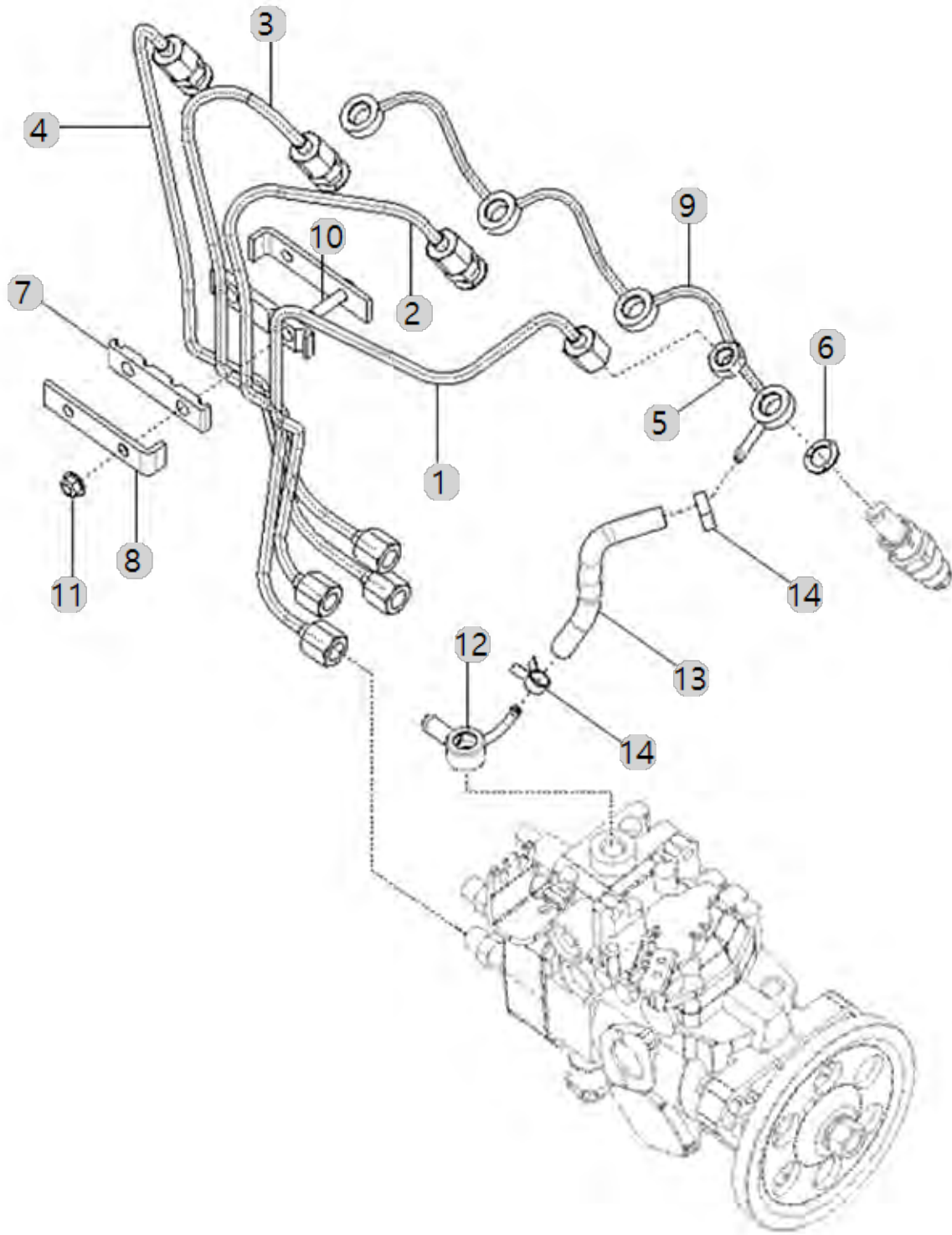
A13\_005

A2300T11-UTC\_4  
(AB00247)

PLUMBING, FUEL

Year/Month

2023-01-18



A13_005 A2300T11-UTC_4 (AB00247)		PLUMBING, FUEL				Year/Month 2023-01-18
순번 (NO)	부품번호 (PART NO)	품명 (PART NAME)	품명 (PART NAME)	수량 (QTY)	규격 (SPEC)	비고 (REMARK)
1	HRA150050DB0	299,A202322,연료파이프조합(A)	PIPE ASSY, FUEL SUPPLY A	1		
1	HRA150050DB0	299,A202322,연료파이프조합(A)	PIPE ASSY, FUEL SUPPLY A	1		
1	HRA150050DC0	연료파이프조합(A)	TUBE,INJECTOR FUEL SUPPLY	1		
1	HRA150050DB0	299,A202322,연료파이프조합(A)	PIPE ASSY, FUEL SUPPLY A	1		
2	HRA150060DB0	300,A202322,연료파이프조합(B)	PIPE ASSY, FUEL SUPPLY (B)	1		
2	HRA150060DC0	연료파이프조합(B)	TUBE,INJECTOR FUEL SUPPLY	1		
2	HRA150060DB0	300,A202322,연료파이프조합(B)	PIPE ASSY, FUEL SUPPLY (B)	1		
2	HRA150060DB0	300,A202322,연료파이프조합(B)	PIPE ASSY, FUEL SUPPLY (B)	1		
3	HRA150070DB0	301,A202322,연료파이프조합(C)	PIPE ASSY, FUEL SUUPPLY C	1		
3	HRA150070DB0	301,A202322,연료파이프조합(C)	PIPE ASSY, FUEL SUUPPLY C	1		
3	HRA150070DC0	연료파이프조합(C)	TUBE,INJECTOR FUEL SUPPLY	1		
3	HRA150070DB0	301,A202322,연료파이프조합(C)	PIPE ASSY, FUEL SUUPPLY C	1		
4	HRA150080DB0	302,A202322,연료파이프조합(D)	PIPE ASSY, FUEL SUPPLY D	1		
4	HRA150080DB0	302,A202322,연료파이프조합(D)	PIPE ASSY, FUEL SUPPLY D	1		
4	HRA150080DB0	302,A202322,연료파이프조합(D)	PIPE ASSY, FUEL SUPPLY D	1		
4	HRA150080DC0	연료파이프조합(D)	TUBE,INJECTOR FUEL SUPPLY	1		
5	HK13450000A4	육각고정너트	NUT,REGULARHEXAGON	4	M12X1.5	
5	HK13450000A4	육각고정너트	NUT,REGULARHEXAGON	4	M12X1.5	
5	HK13450000A4	육각고정너트	NUT,REGULARHEXAGON	4	M12X1.5	
5	HK13450000A4	육각고정너트	NUT,REGULARHEXAGON	4	M12X1.5	
6	HK13440000A4	306,ALL,패킹(조인트)(와류실)	GASKET,FUELMANIFOLD	4		
6	HK13440000A4	306,ALL,패킹(조인트)(와류실)	GASKET,FUELMANIFOLD	4		
6	HK13440000A4	306,ALL,패킹(조인트)(와류실)	GASKET,FUELMANIFOLD	4		
6	HK13440000A4	306,ALL,패킹(조인트)(와류실)	GASKET,FUELMANIFOLD	4		
7	HRA1502700A4	462,ALL,브래킷고무	RUBBER,BRACKET	2		
7	HRA1502700A4	462,ALL,브래킷고무	RUBBER,BRACKET	2		
7	HRA1502700A4	462,ALL,브래킷고무	RUBBER,BRACKET	2		
7	HRA1502700A4	462,ALL,브래킷고무	RUBBER,BRACKET	2		
8	HRA1502800A4	브래킷판	CLAMP,TUBE	2	T 3.2	
8	HRA1502800A4	브래킷판	CLAMP,TUBE	1	T 3.2	
8	HRA1502800A4	브래킷판	CLAMP,TUBE	1	T 3.2	
8	HRA1502800A4	브래킷판	CLAMP,TUBE	1	T 3.2	
8	HRA1502800B4	브래킷판	CLAMP,TUBE	2	T 3.2	
9	HRA1500900C3	퇴유파이프조합	PIPE ASSY, FUEL RETURN	1		
9	HRA1500900D3	퇴유파이프조합	PIPE ASSY, FUEL	1		
9	HRA1500900C3	퇴유파이프조합	PIPE ASSY, FUEL RETURN	1		
9	HRA1500900C3	퇴유파이프조합	PIPE ASSY, FUEL RETURN	1		
10	HRA1502600B4	브래킷(연료파이프)	BRACKET,PIPE	1		
10	HRA1502600B4	브래킷(연료파이프)	BRACKET,PIPE	1		
10	HRA1502600B4	브래킷(연료파이프)	BRACKET,PIPE	1		
10	HRA1502600B4	브래킷(연료파이프)	BRACKET,PIPE	1		
11	26367-060002	플랜지너트	Nut, Hexa (Φ6)	2	M6XP1.0	
11	26367-060002	플랜지너트	Nut, Hexa (Φ6)	2	M6XP1.0	
11	26367-060002	플랜지너트	Nut, Hexa (Φ6)	2	M6XP1.0	
11	26367-060002	플랜지너트	Nut, Hexa (Φ6)	2	M6XP1.0	





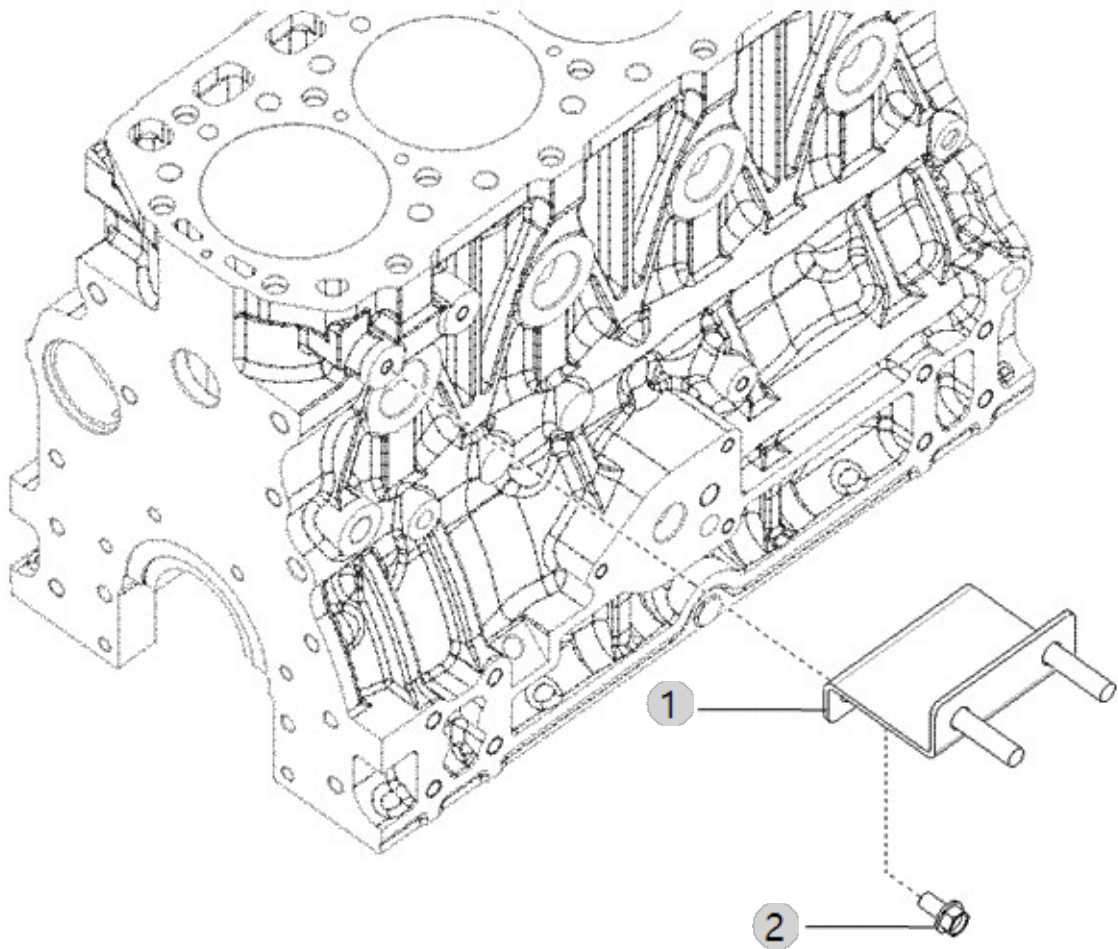
A14\_003

A2300T11-UTC\_4  
(AB00247)

### FUEL FILTER BRACKET

Year/Month

2023-01-18





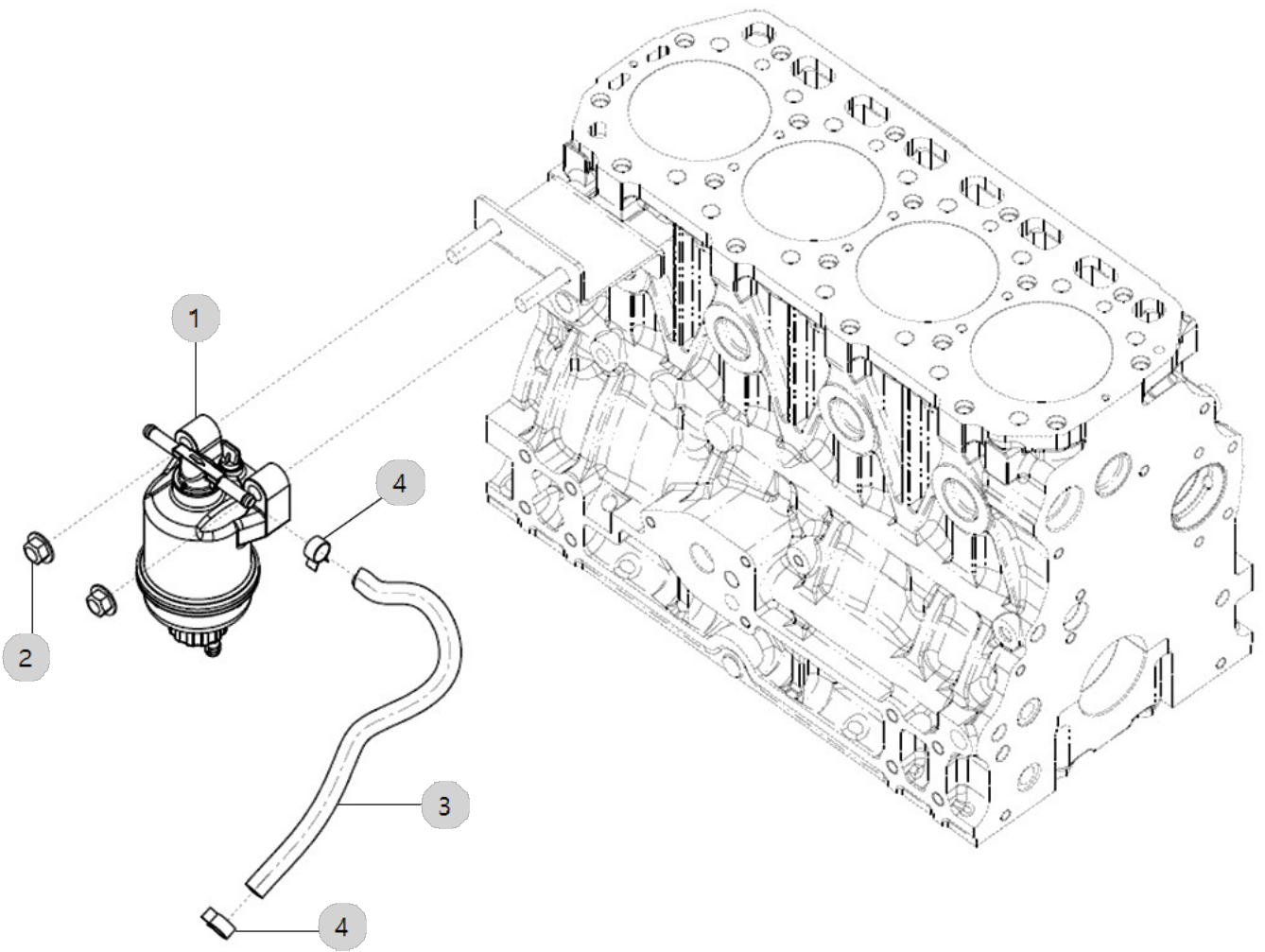
A16\_018

A2300T11-UTC\_4  
(AB00247)

FUEL FILTER ASS'Y OPTION

Year/Month

2023-01-18





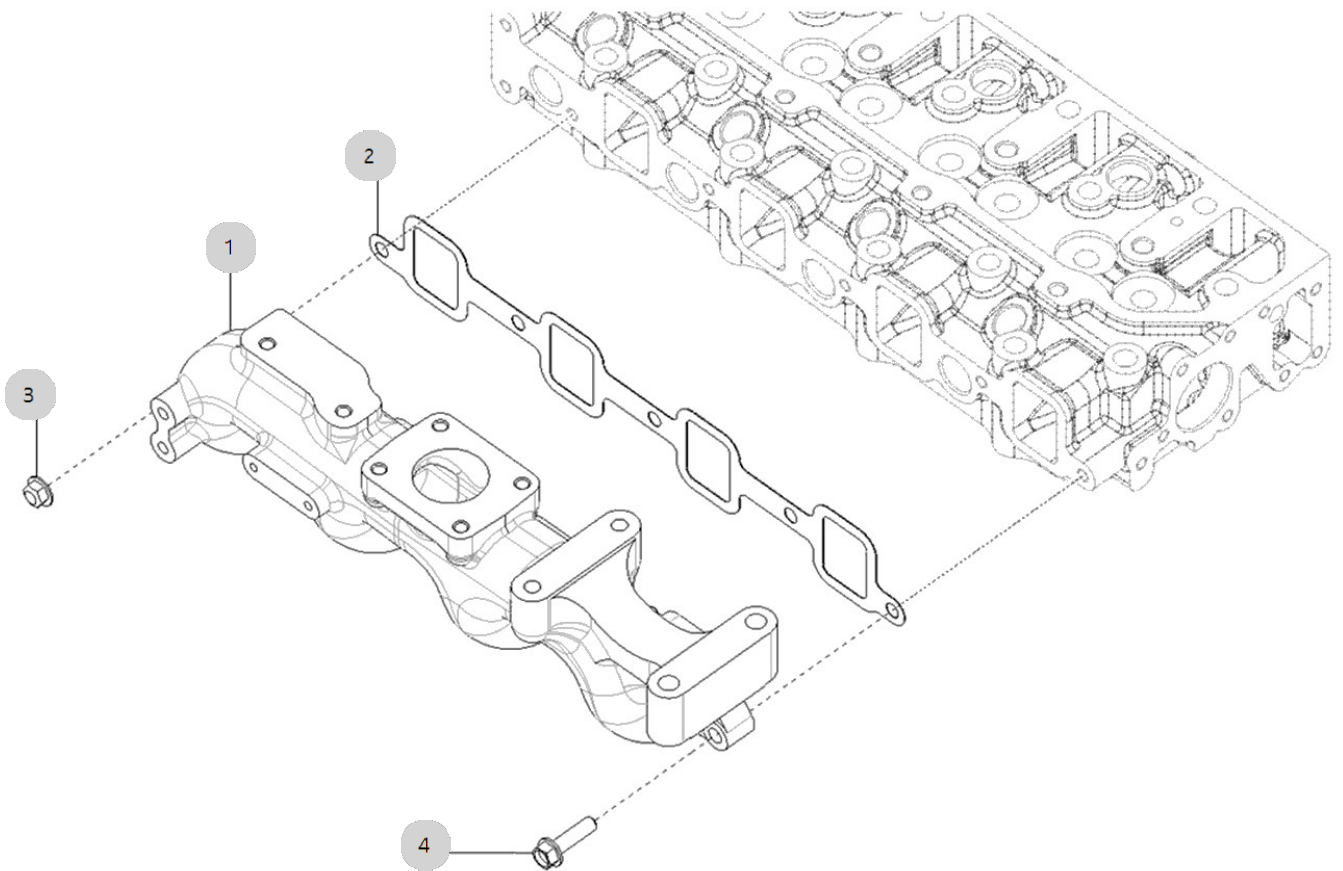
A17\_008

A2300T11-UTC\_4  
(AB00247)

### INTAKE MANIFOLD ASS'Y OPTION

Year/Month

2023-01-18





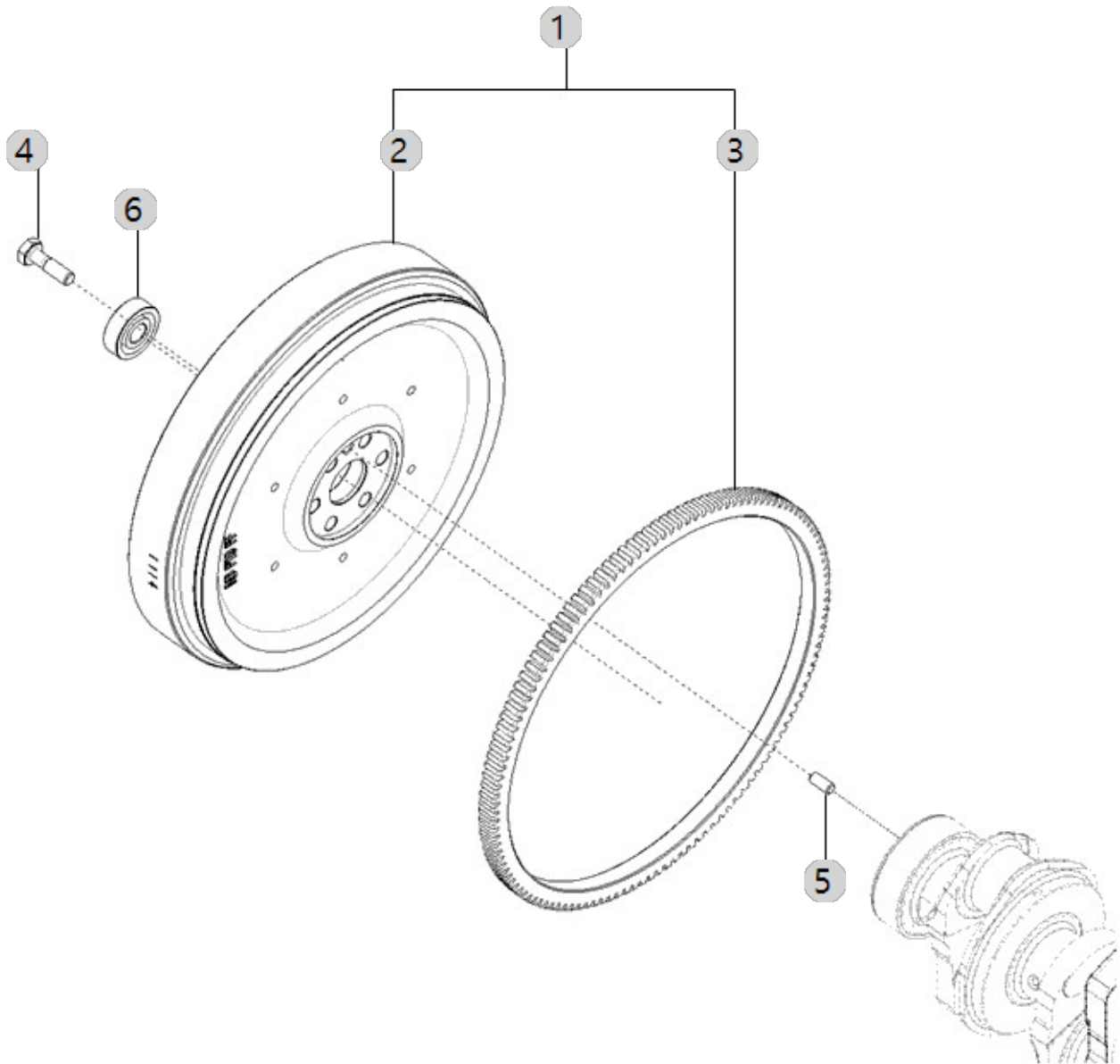
A18\_011

A2300T11-UTC\_4  
(AB00247)

# FLYWHEEL

Year/Month

2023-01-18







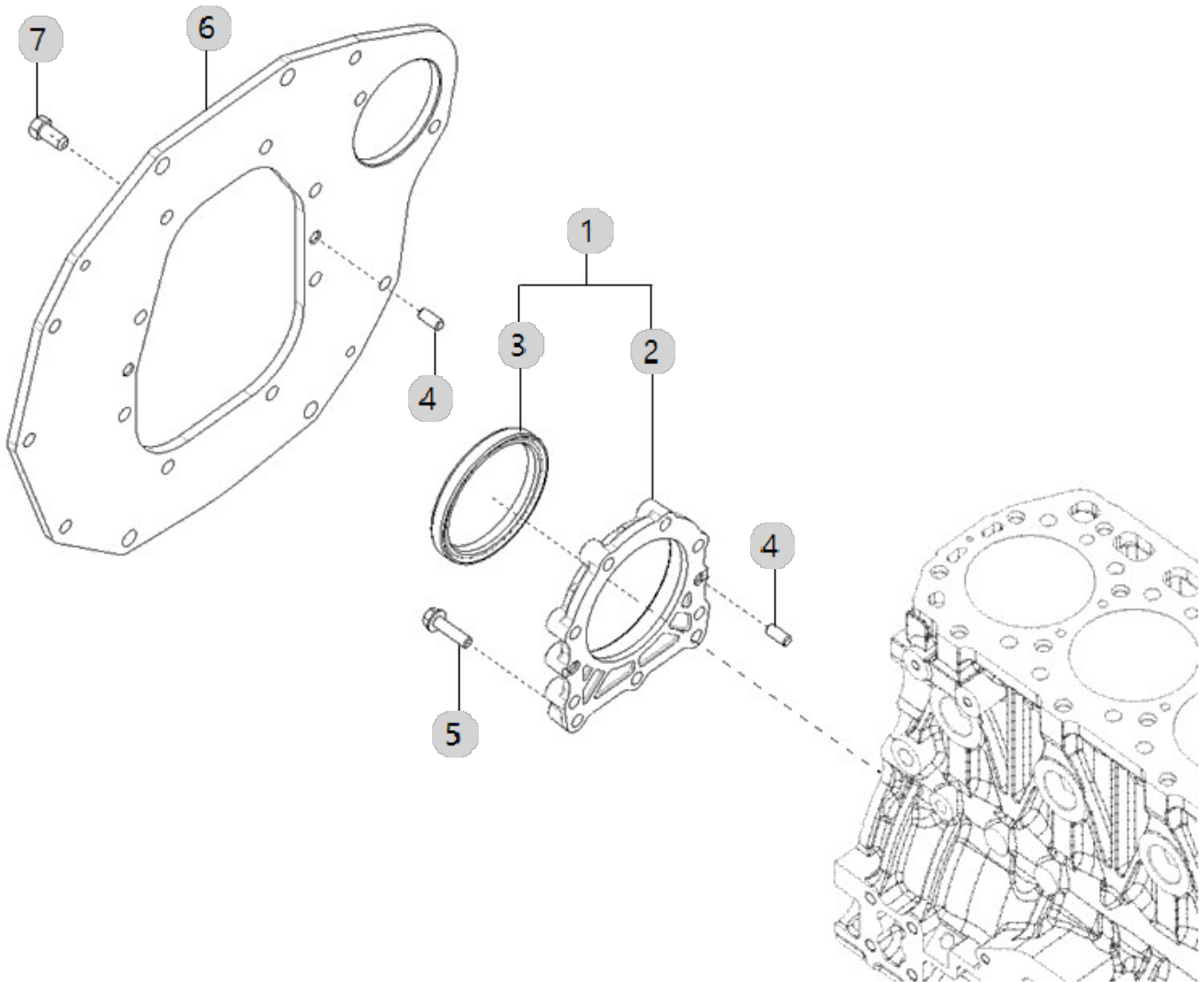
A19\_009

A2300T11-UTC\_4  
(AB00247)

# FLYWHEEL HOUSING

Year/Month

2023-01-18





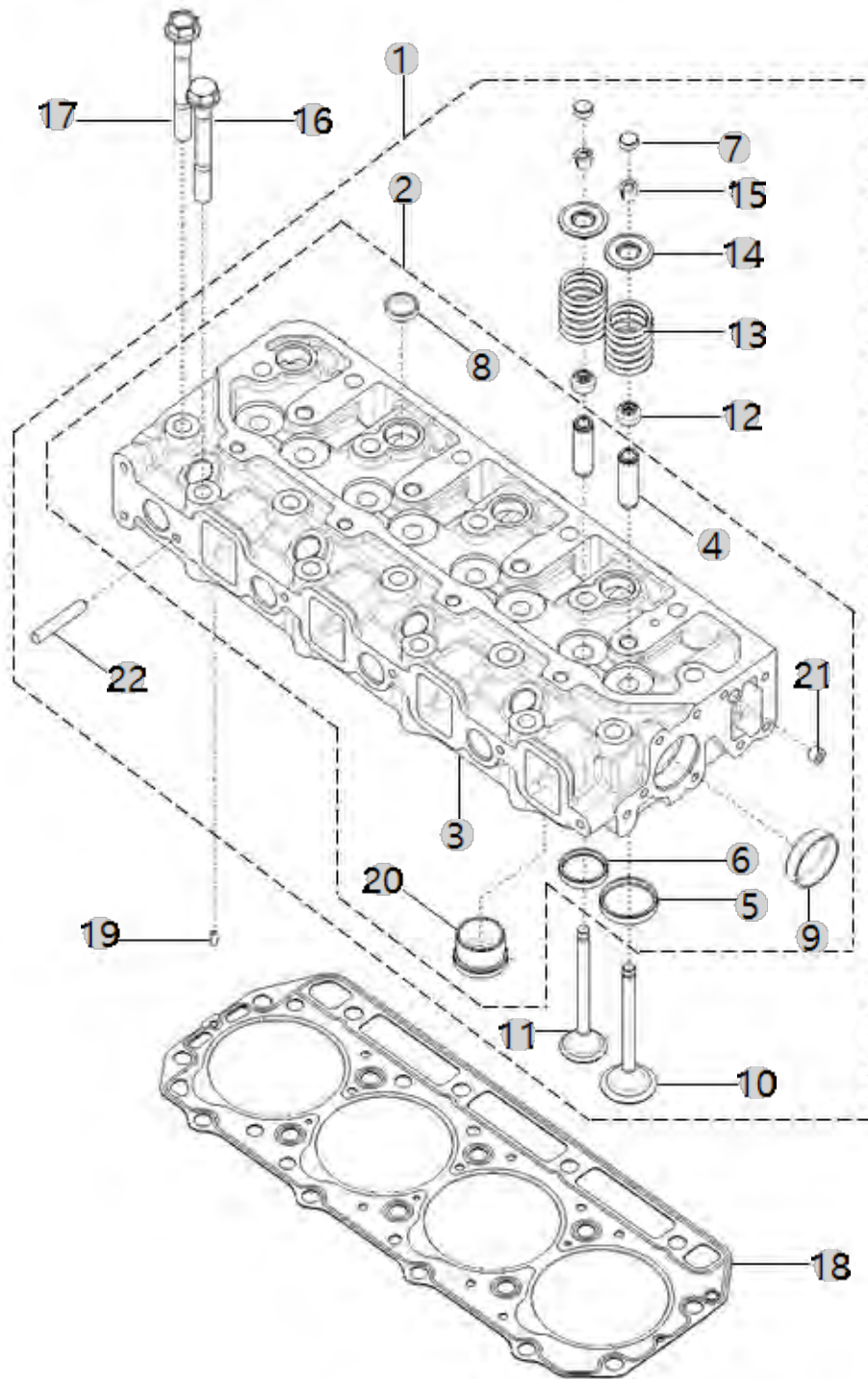
A20\_011

A2300T11-UTC\_4  
(AB00247)

# HEAD, CYLINDER

Year/Month

2023-01-18



<b>A20_011</b> A2300T11-UTC_4 (AB00247)	<b>HEAD, CYLINDER</b>	Year/Month 2023-01-18
---	-----------------------	--------------------------

순번 (NO)	부품번호 (PART NO)	품명 (PART NAME)	품명 (PART NAME)	수량 (QTY)	규격 (SPEC)	비고 (REMARK)
1	EA00004718A	실린더헤드조합-A2300T15-KTR_4	CYLINDER HEAD ASSY	1		
2	EA00000635A	실린더헤드조합	HEAD, CYLINDER	1	NONE	
3	HRU220100MB0	실린더헤드(소재)	HEAD, CYLINDER	1		
3	HRU220100MC0	실린더헤드(소재)	HEAD, CYLINDER	1		
4	HRA0400103C4	배기밸브가이드	GUIDEVALVE STEM	8	D13/D8	
4	HRA0400103C4	배기밸브가이드	GUIDEVALVE STEM	4	D13/D8	
4	HRA0400103B4	배기밸브가이드	GUIDE, VALVESTEM	4		
5	HRA0400104B4	흡기밸브시트	SEAT, ENGINEINTAKEVALVE	4		
6	HRA0400105B4	배기밸브시트	SEAT, ENGINE EXHAUST VALVE	4		
7	HK03680000B4	344, ALL, 밸브캡	CAP, VALVE	8		
8	27241-220000	캡형플러그 22	PLUG, EXPANSION	8		
9	27241-400000	캡형플러그 40 (335, ALL, PLUG40)	PLUG (D40)	2		
10	HRA0400200A4	337, ALL, 흡기밸브	VALVE, INTAKE	4		
11	HRA0400300A4	338, ALL, 배기밸브	VALVE, EXHAUST	4		
12	HA03070000A4	340, ALL, 밸브축시일	SEAL, VALVESTEM	8		
13	HRA0400700A4	341, ALL, 밸브스프링	SPRING, VALVE	8		
14	HRA0400800A4	342, ALL, 밸브스프링리테이너	RETAINER, VALVESPRING	8		
15	HRA0400900A4	343, ALL, 밸브스프링코터	COTTER, VALVE	16		
16	HRA0100700A4	347, ALL, 볼트(실린더헤드)	SCREW, HEXFLANGEHEADCAP	4	M11X1.5X92	
17	HRA0100500A4	실린더헤드 볼트	SCREW, HEXFLANGEHEADCAP	14	M11X1.5	
18	HRU0100400A2	헤드가스켓 -A2300	GASKET, CYLINDER HEAD (A2300)	1		
18	HRU0100400B2	헤드가스켓	GASKET, CYLINDER HEAD	1	T1.28	
19	22312-040100	평행핀	PIN, DOWEL (4-10)	2	D4X10	
20	EA00000083A	예연소실	PRE-CHAMBER	4		
21	23871-010000	테이퍼플러그	PLUG	1	PT1/8	
22	26216-080352	심음볼트(1.5D)	BOLT, STUD 8 X 35	1	M8X1.25X35	

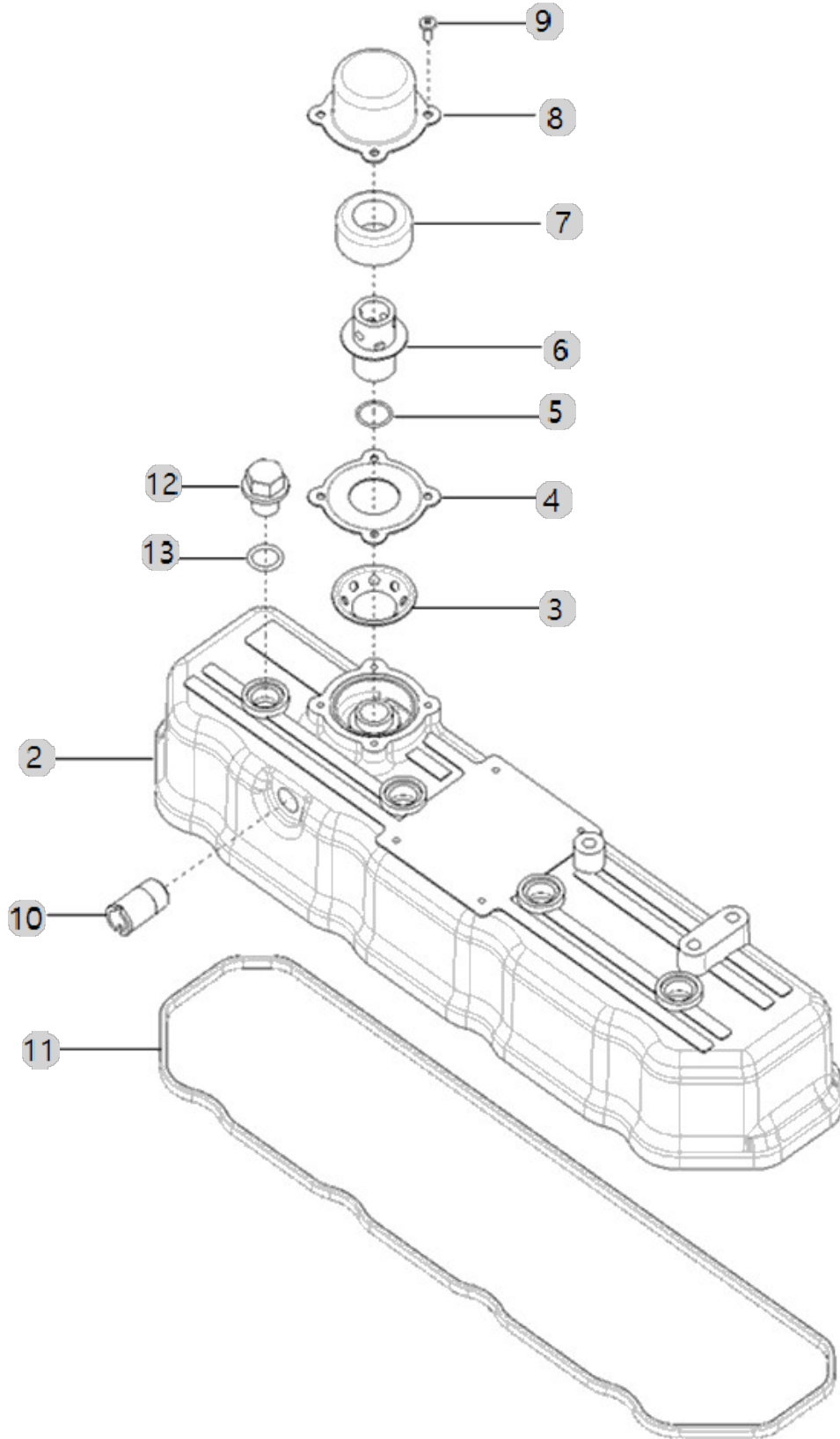
A21\_004

A2300T11-UTC\_4  
(AB00247)

# HEAD COVER

Year/Month

2023-01-18



A21_004 A2300T11-UTC_4 (AB00247)		HEAD COVER				Year/Month 2023-01-18
순번 (NO)	부품번호 (PART NO)	품 명 (PART NAME)	품 명 (PART NAME)	수량 (QTY)	규격 (SPEC)	비고 (REMARK)
1	EA00004727A	헤드커버조합부	HEAD COVER ASS'Y OPTION	1		
2	HRA0402300E0	헤드커버	COVER, VALVE	1	-	
2	HRA0402300F0	헤드커버	COVER, VALVE	1	-	
3	HRA0403900A4	592,ALL,브리더조절판	PLATE,BREATHERAJUSTING	1	T1.2	
3	HRA0403900B4	브리더조절판	PLATE,BREATHER ADJUSTING	1	T1.2	
4	HRA0403800A4	브리더 커버 가스켓	GASKET,BREATHER	1	T0.5	
5	24341-000160	O-링(S형)	O-RING, FIX (Φ16)	1	S10	
6	HRA0403700A4	590,ALL,가이드조합	Valve, Pressure Relief	1		
6	HRA0403700B4	가이드조합	VALVE,PRESSURE RELIEF	1		
7	HC03720000B4	배플	BAFFLE	1	17MMX155M	
8	HRA0403600A4	589,ALL,브리더커버	COVER,BREATHER	1	T1.2	
8	HRA0403600B4	브리더커버	COVER,BREATHER	1	T1.2	
9	26587-040102	245,ALL,스크로우(3X54X10)	SCREW,FILLISTERHEADCAP	4	M4X10	
10	HRA0404000A4	597,A14172023,연결관	TUBE,BREATHER	1	D17.3XT2.3	
11	HRA0402400B3	헤드커버패킹-A2300	GASKET,HEAD COVER	1		
12	HA03520000B4	440,ALL,상부커버캡	NUT,HEXAGONCAP	4		
13	24311-000140	운동용O링	SEAL,ORING	4	P14	

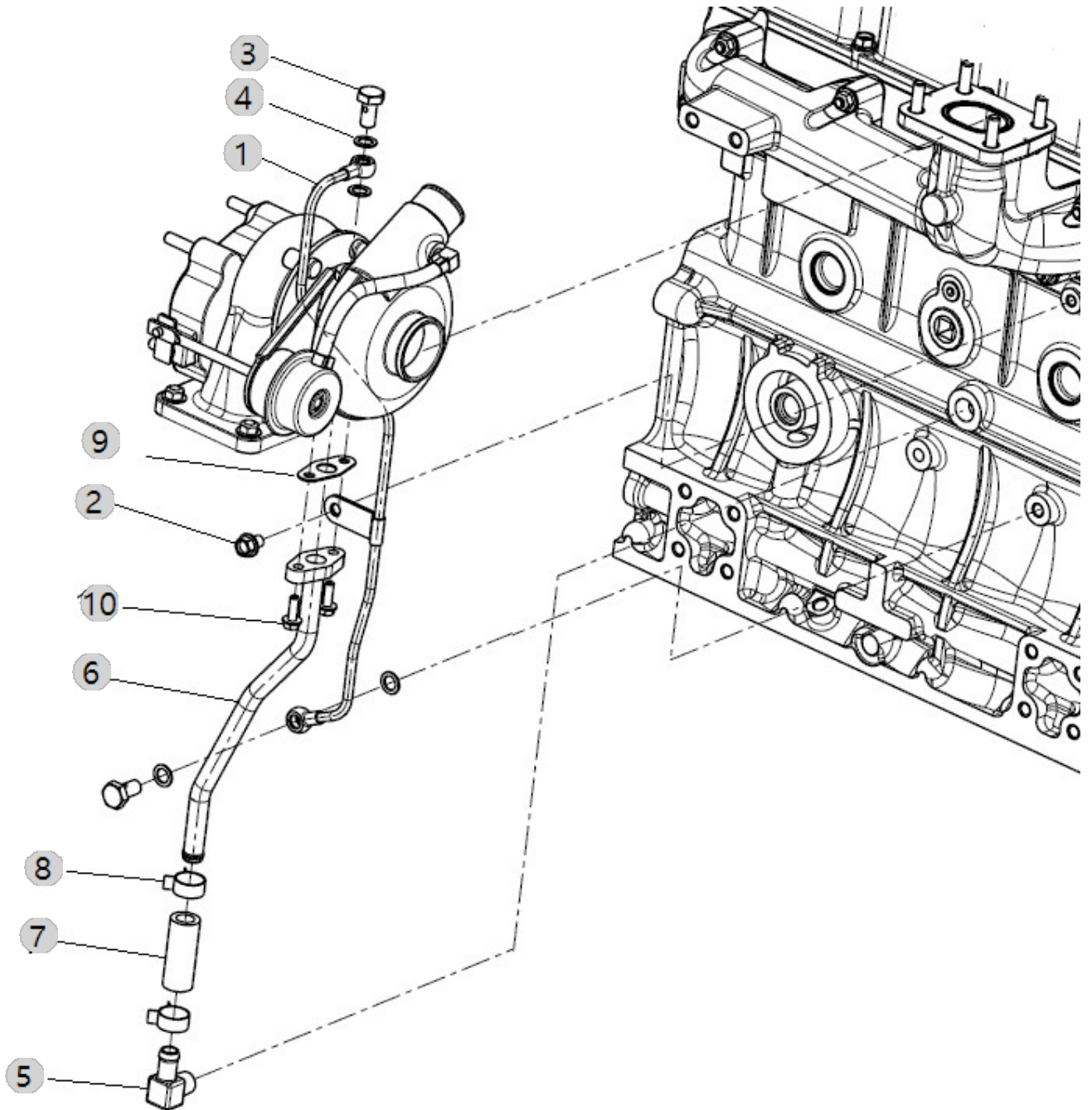
A23\_008

A2300T11-UTC\_4  
(AB00247)

TURBOCHARGER SUPPORT ASS'Y OPTION

Year/Month

2023-01-18







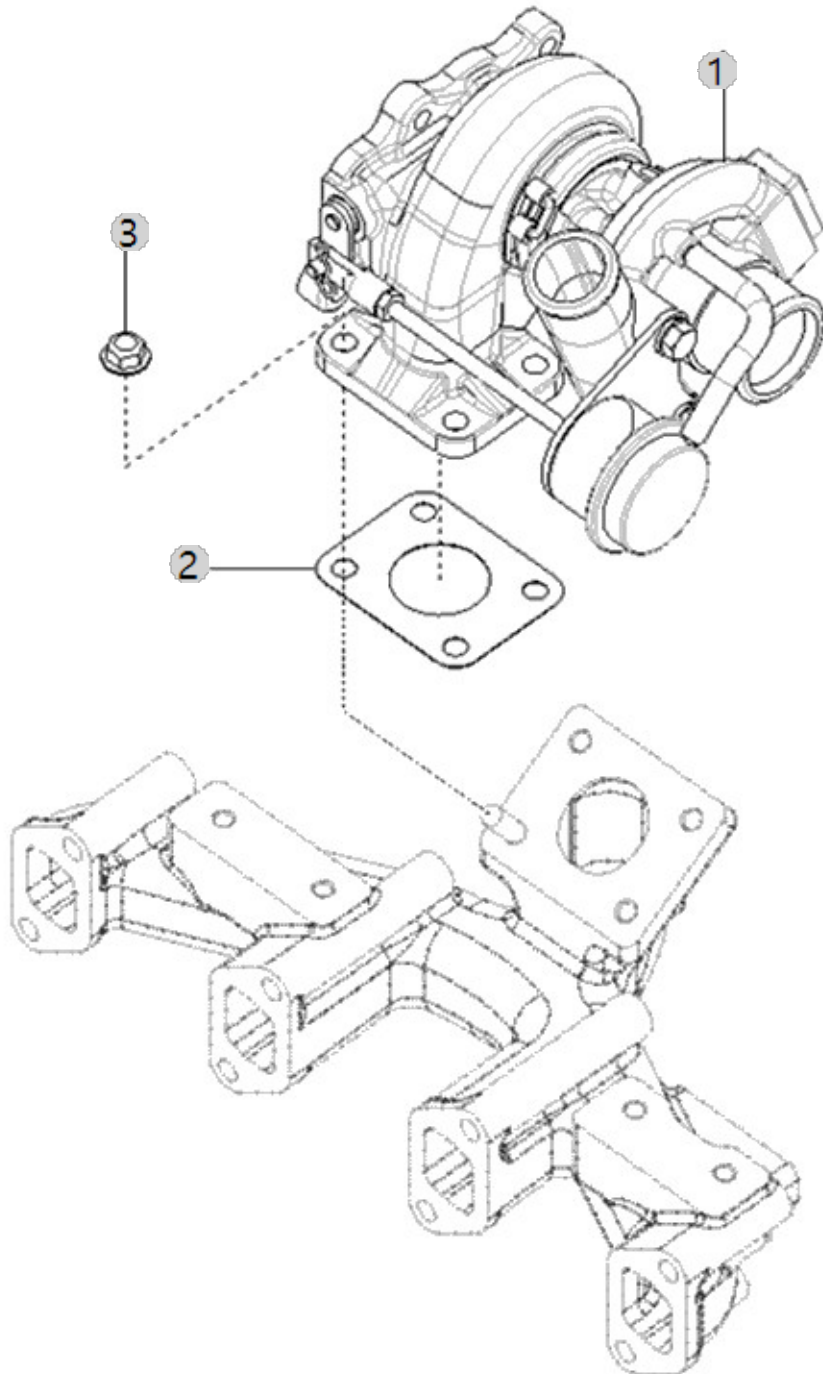
A24\_003

A2300T11-UTC\_4  
(AB00247)

# TURBOCHARGER

Year/Month

2023-01-18





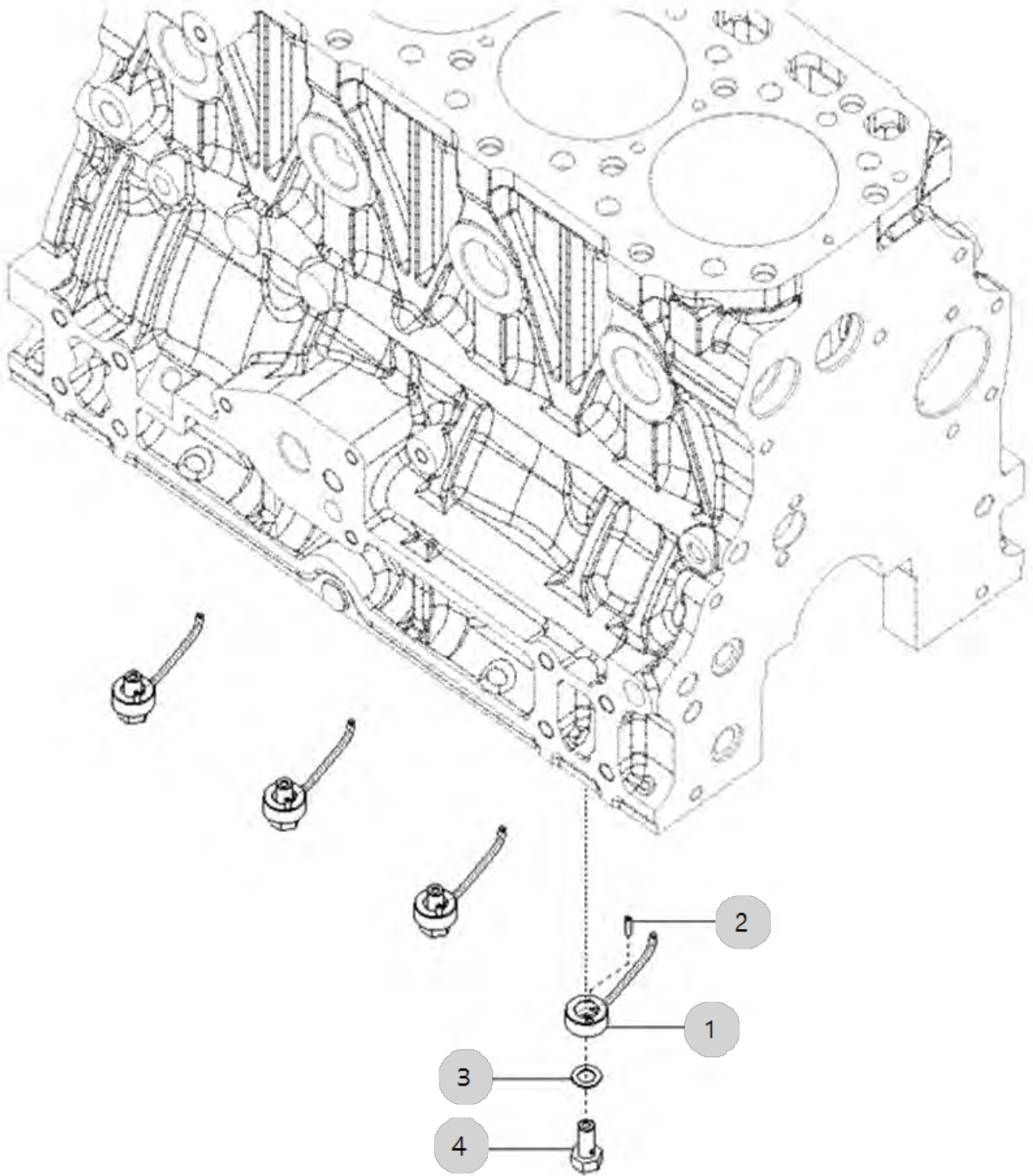
A25\_003

A2300T11-UTC\_4  
(AB00247)

OIL JET ASS'Y OPTION

Year/Month

2023-01-18





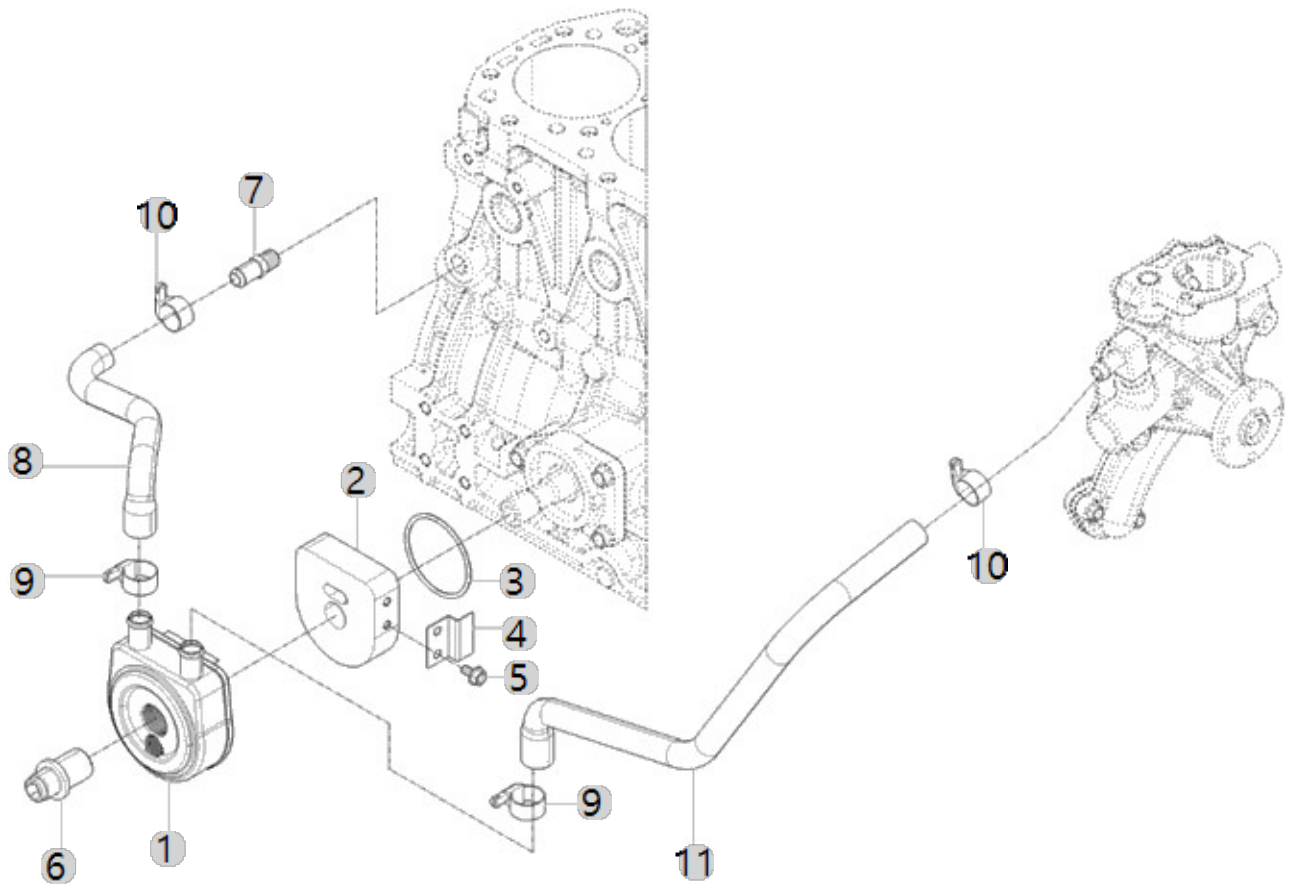
A26\_005

A2300T11-UTC\_4  
(AB00247)

### COOLER, ENGINE OIL

Year/Month

2023-01-18





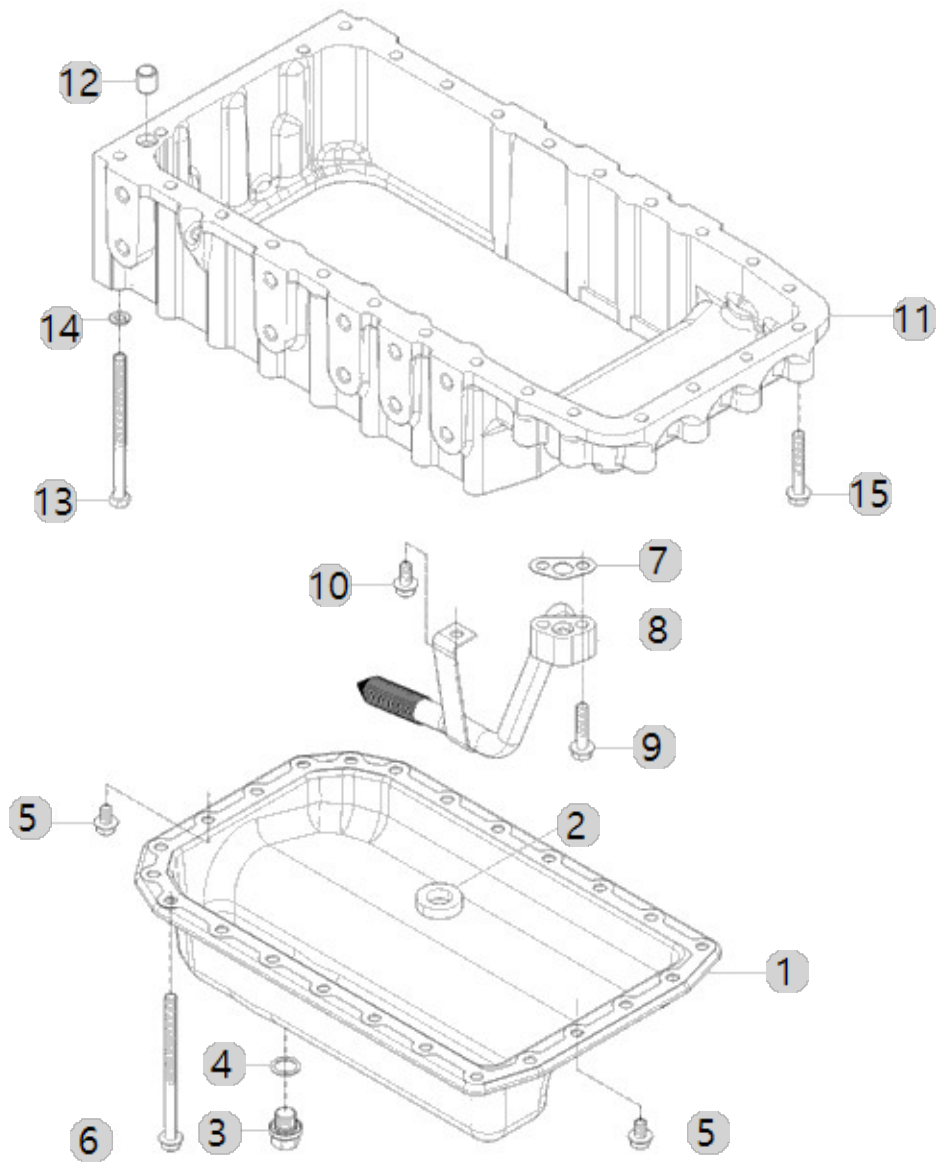
A27\_010

A2300T11-UTC\_4  
(AB00247)

OIL PAN ASS'Y OPTION

Year/Month

2023-01-18







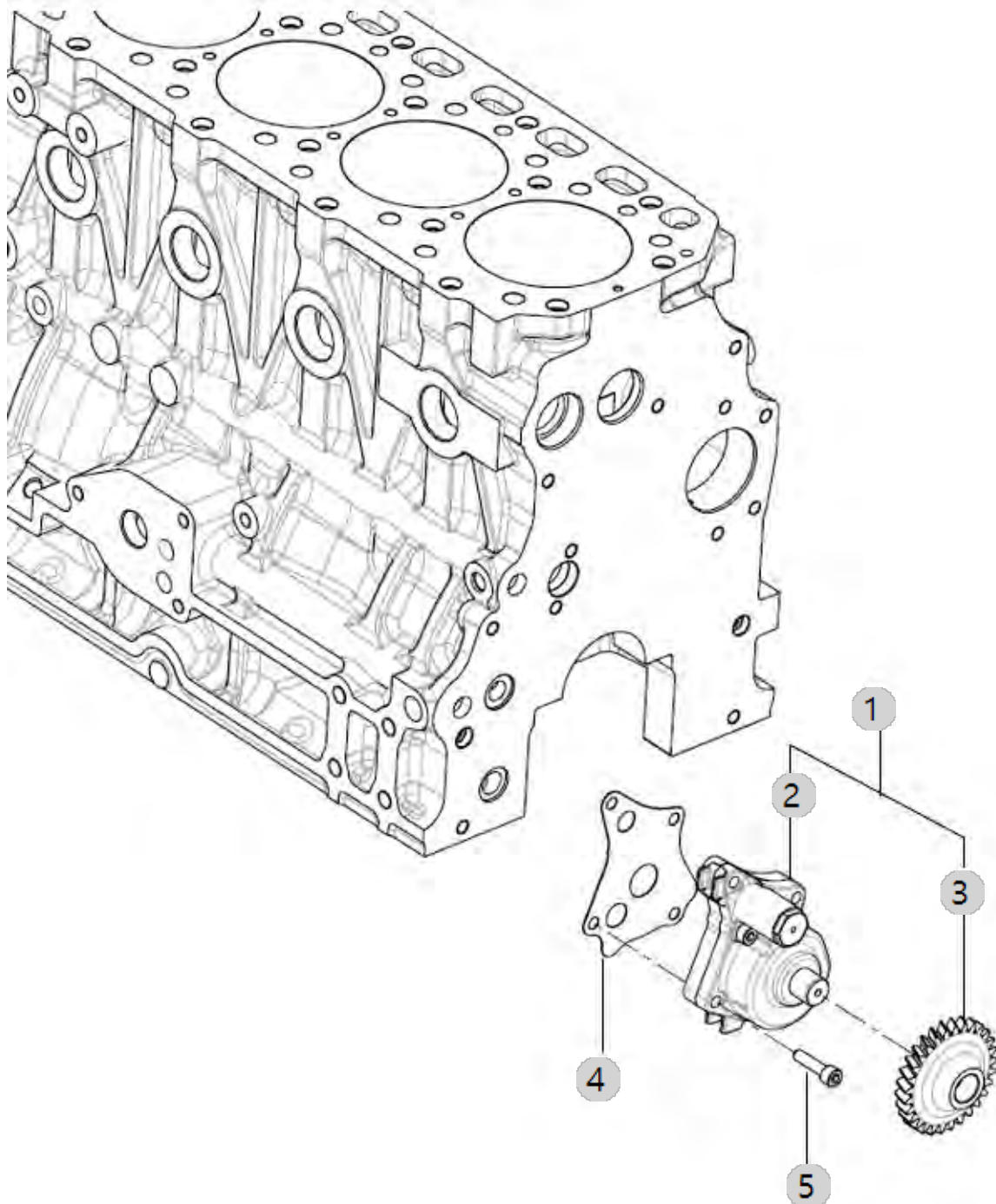
A28\_001

A2300T11-UTC\_4  
(AB00247)

### PUMP, LUBRICATING OIL

Year/Month

2023-01-18





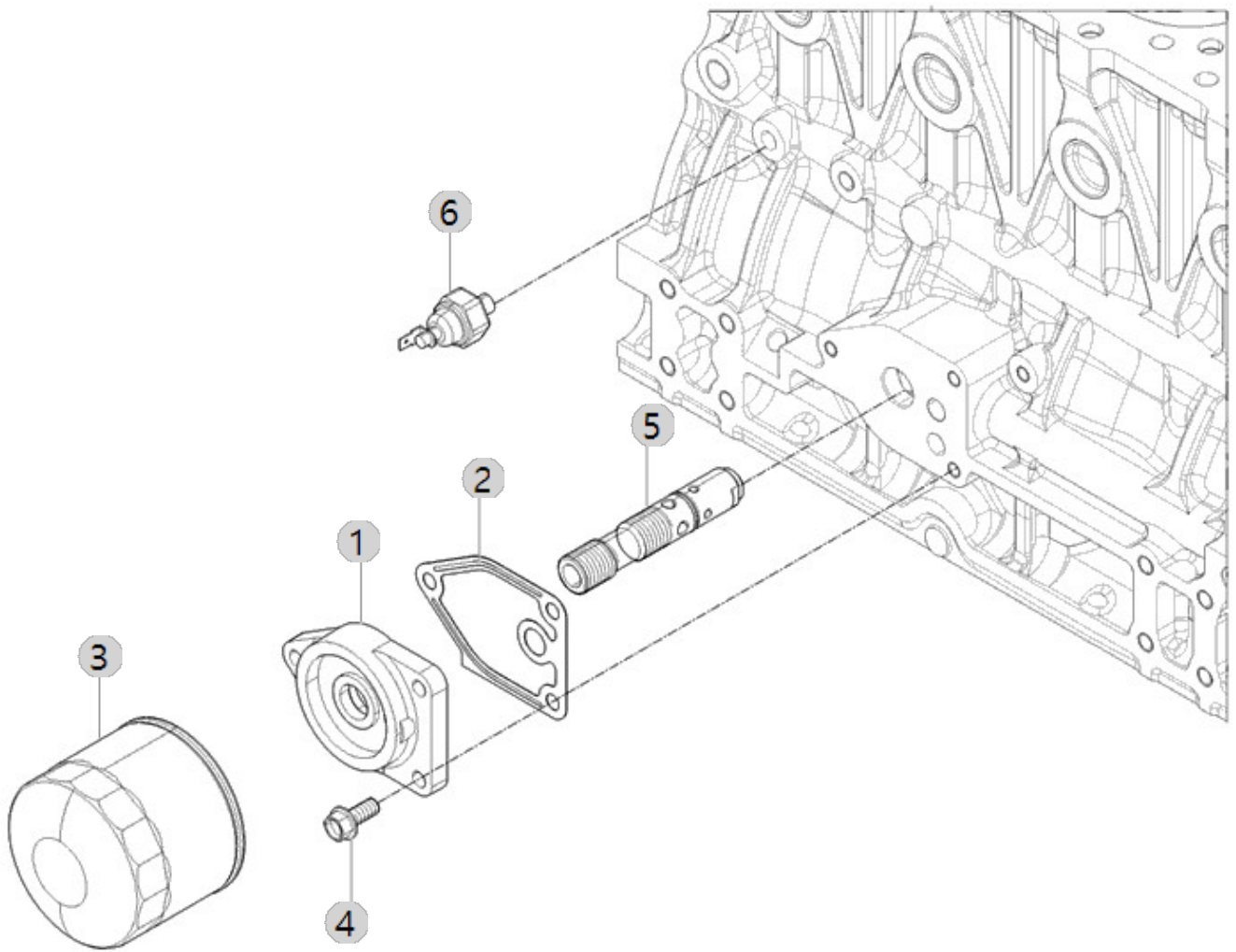
A29\_005

A2300T11-UTC\_4  
(AB00247)

FILTER, LUBRICATING OIL

Year/Month

2023-01-18





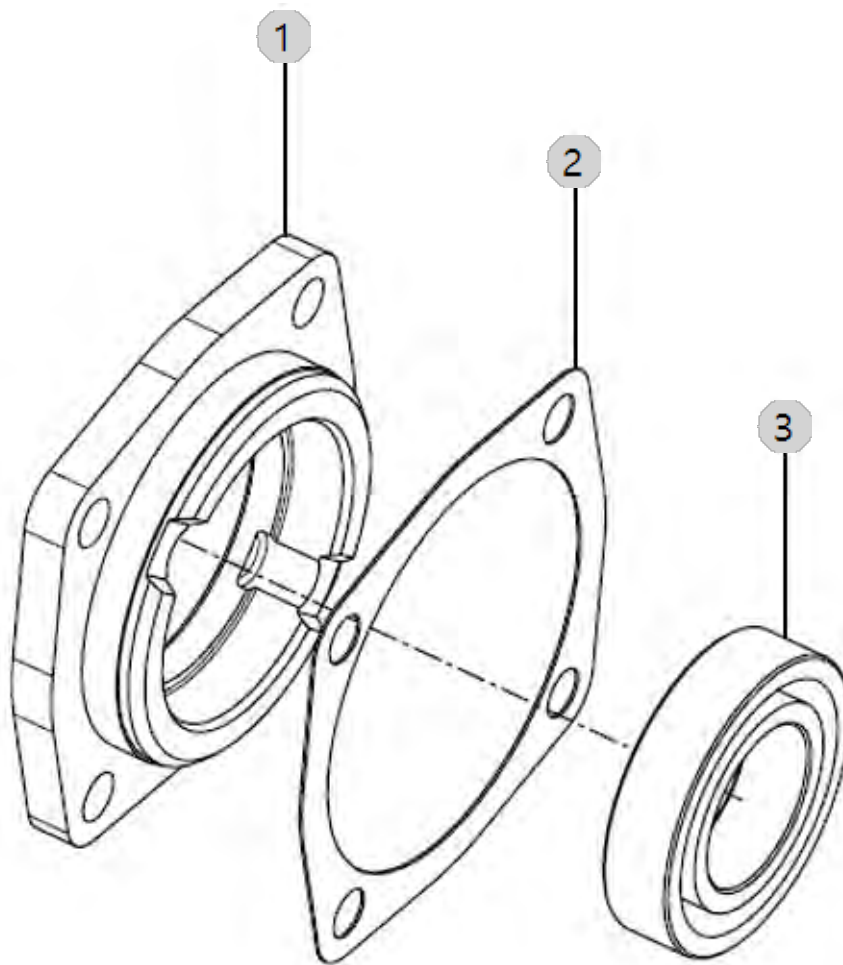
A30\_003

A2300T11-UTC\_4  
(AB00247)

FRONT GEAR ACCESSORY DRIVE

Year/Month

2023-01-18





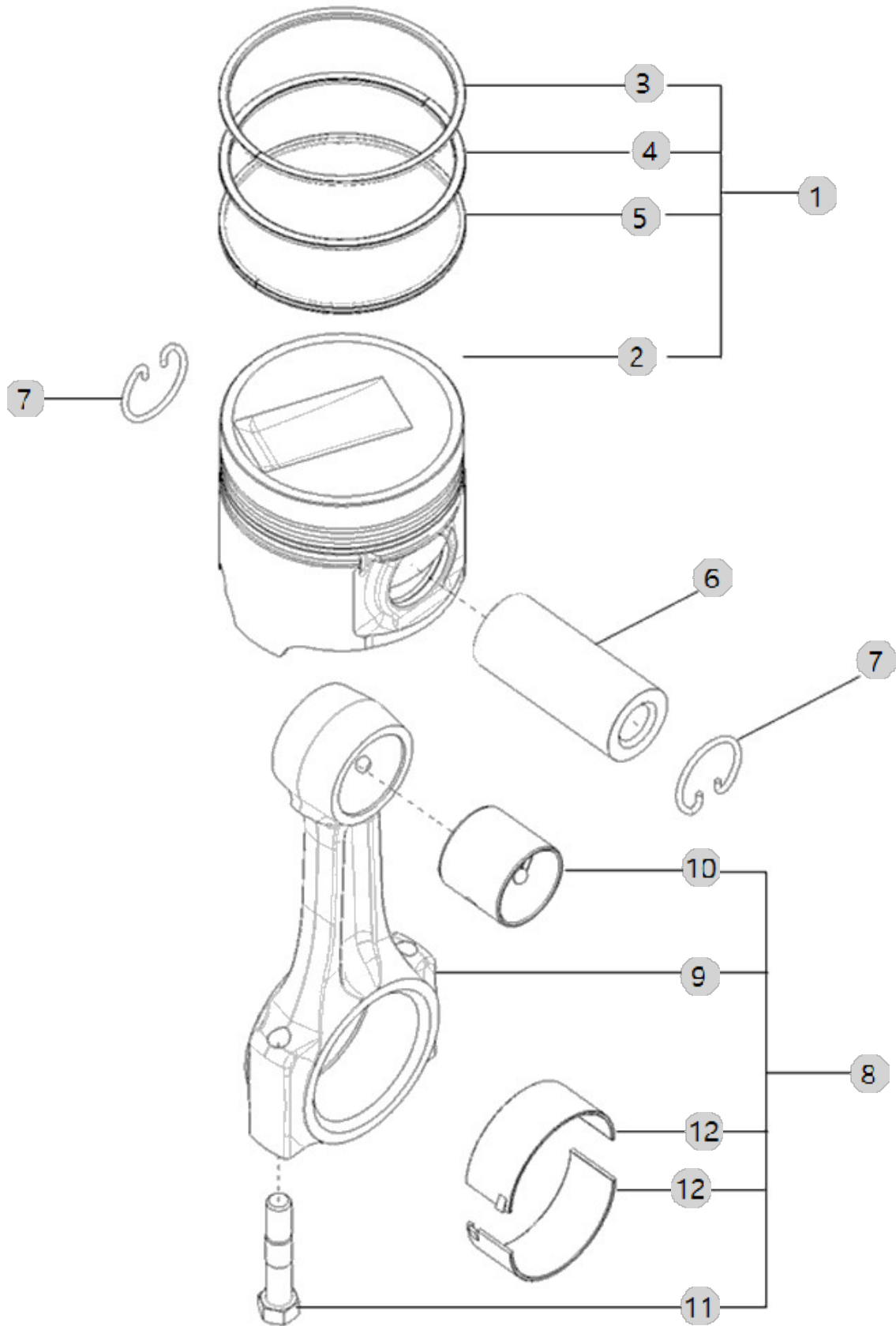
A31\_007

A2300T11-UTC\_4  
(AB00247)

# PISTON

Year/Month

2023-01-18







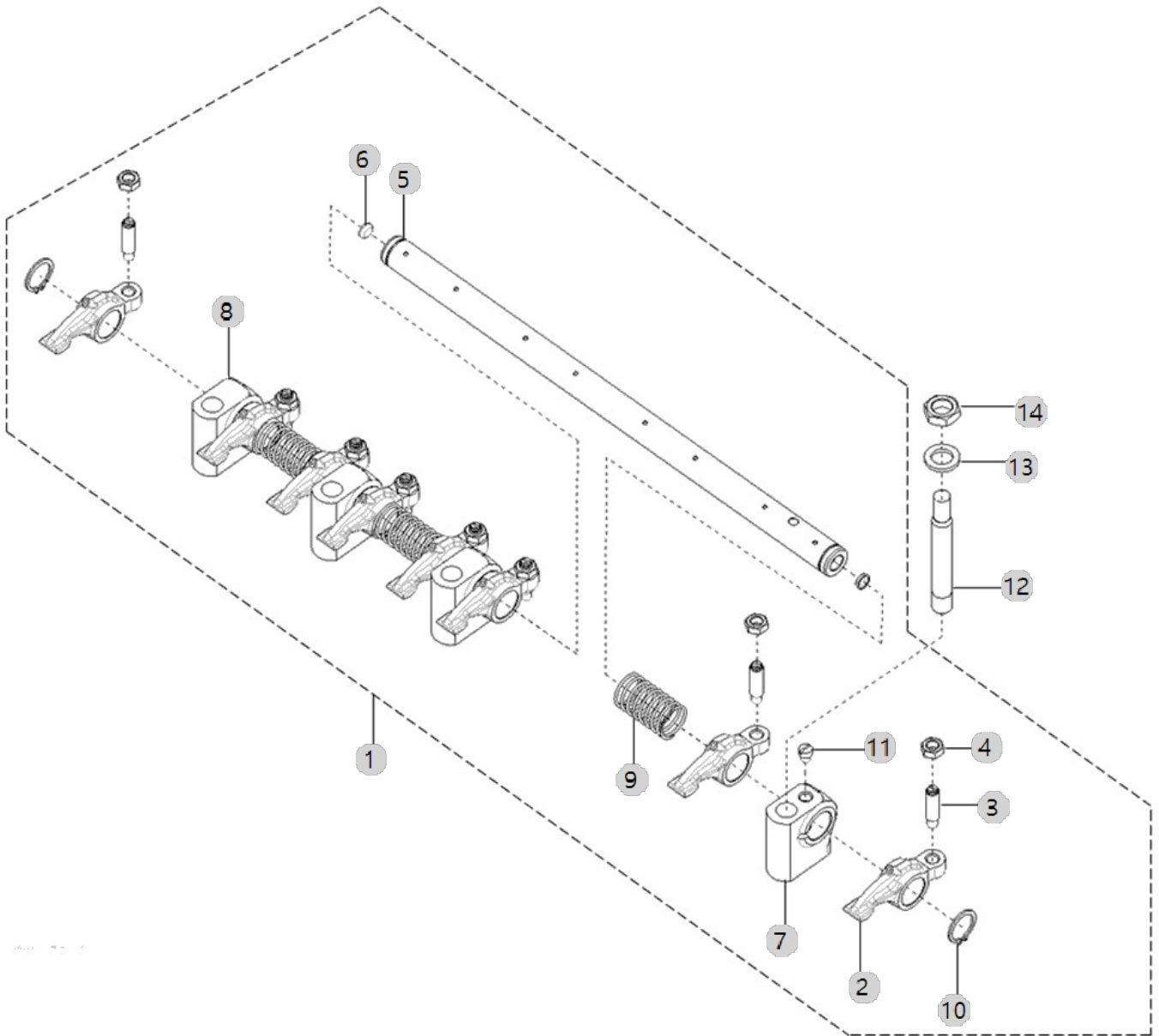
A32\_003

A2300T11-UTC\_4  
(AB00247)

LEVER, LOCKER

Year/Month

2023-01-18





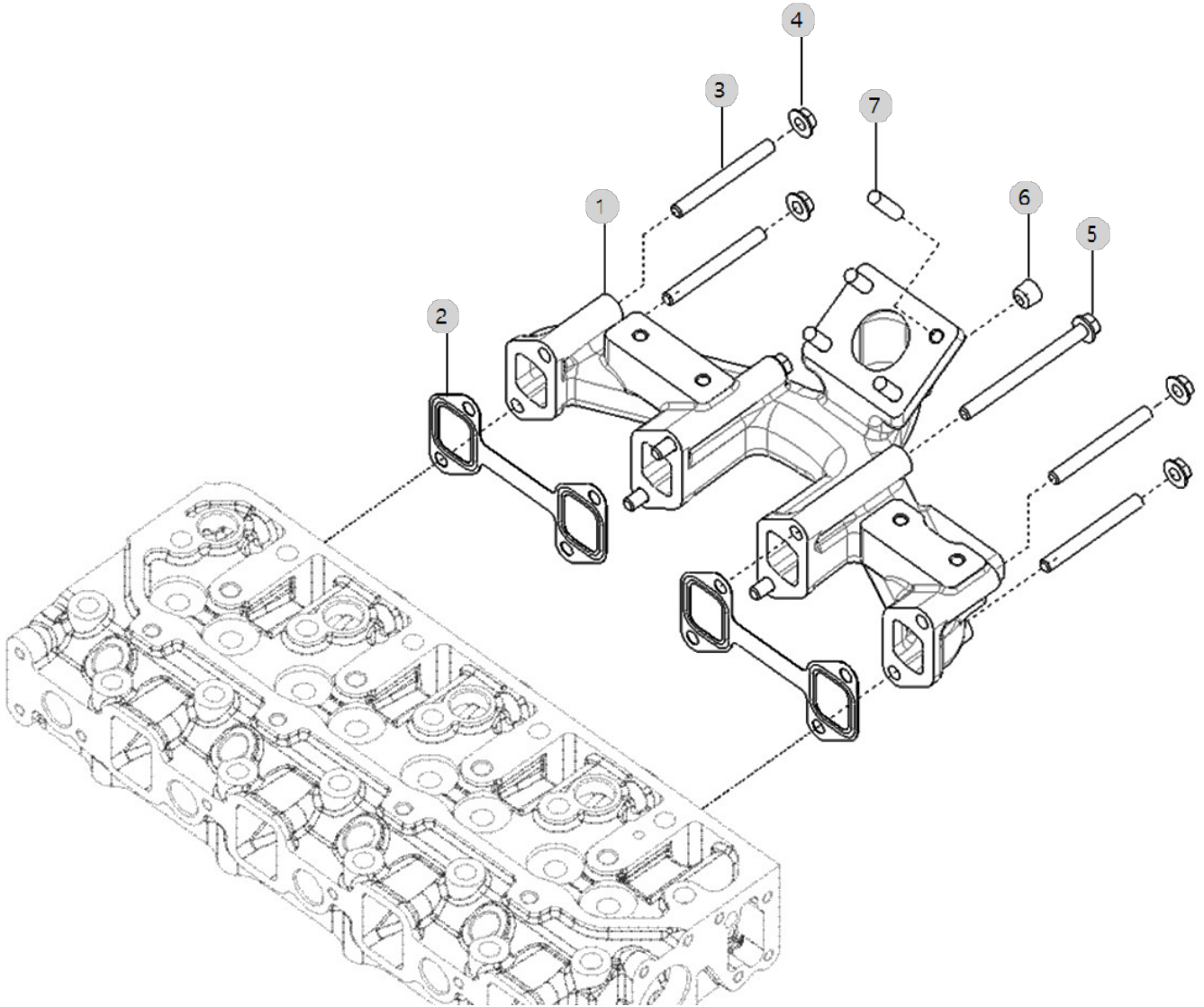
A33\_011

A2300T11-UTC\_4  
(AB00247)

# EXHAUST MANIFOLD

Year/Month

2023-01-18





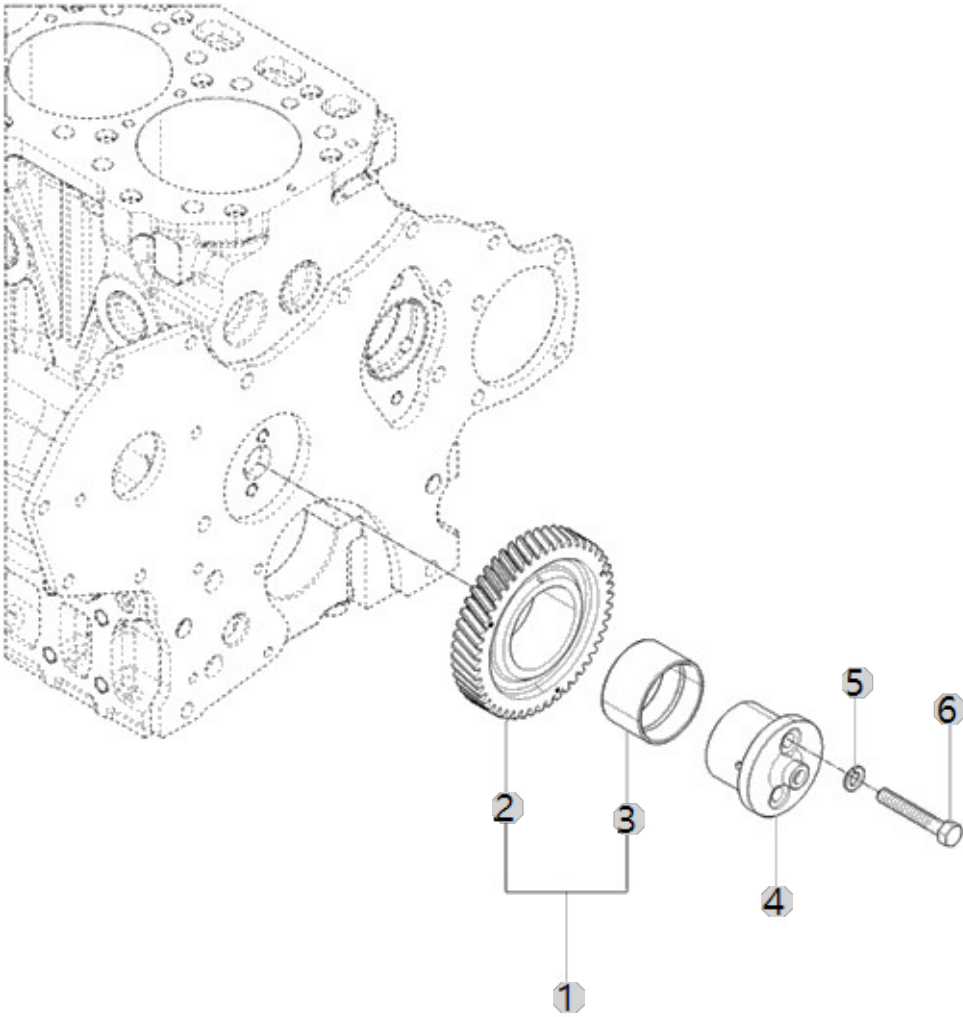
A35\_002

A2300T11-UTC\_4  
(AB00247)

# IDLE GEAR

Year/Month

2023-01-18





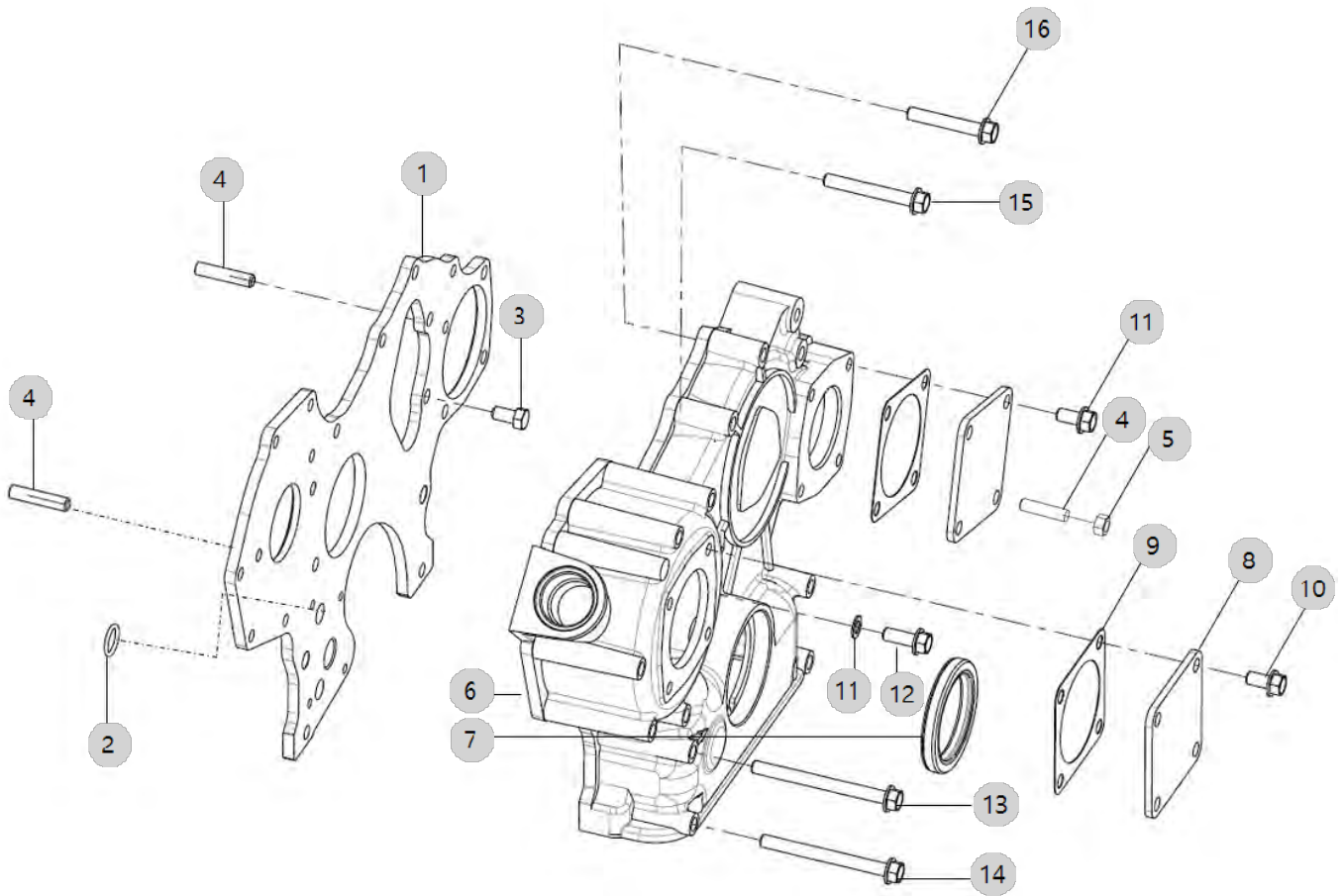
A36\_004

A2300T11-UTC\_4  
(AB00247)

### COVER, FRONT GEAR

Year/Month

2023-01-18







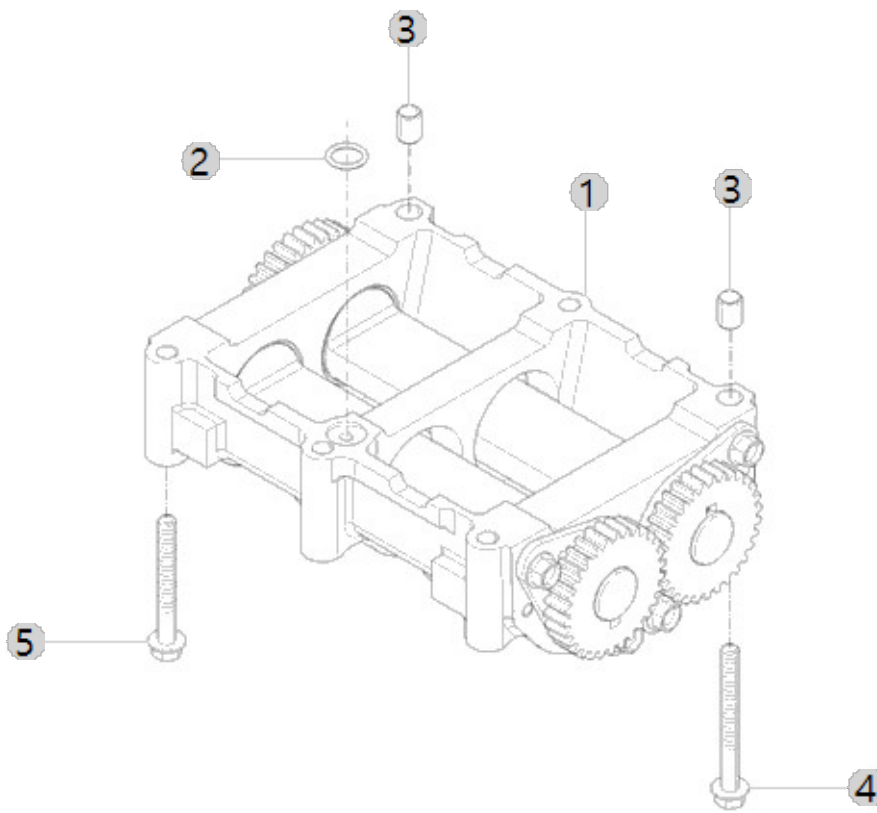
A37\_001

A2300T11-UTC\_4  
(AB00247)

### BALANCE ASS'Y

Year/Month

2023-01-18





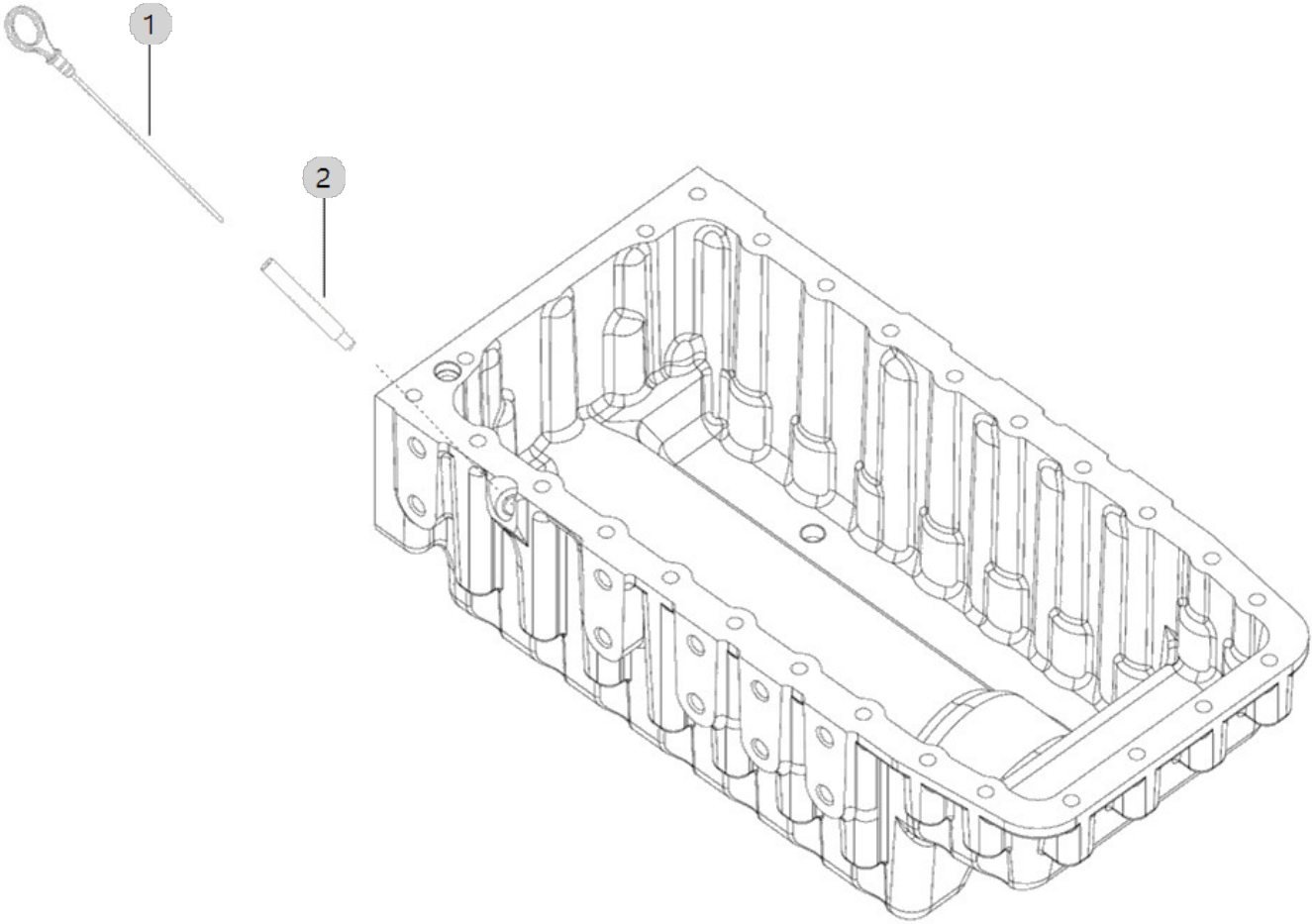
A38\_007

A2300T11-UTC\_4  
(AB00247)

GAUGE, OIL LEVEL

Year/Month

2023-01-18





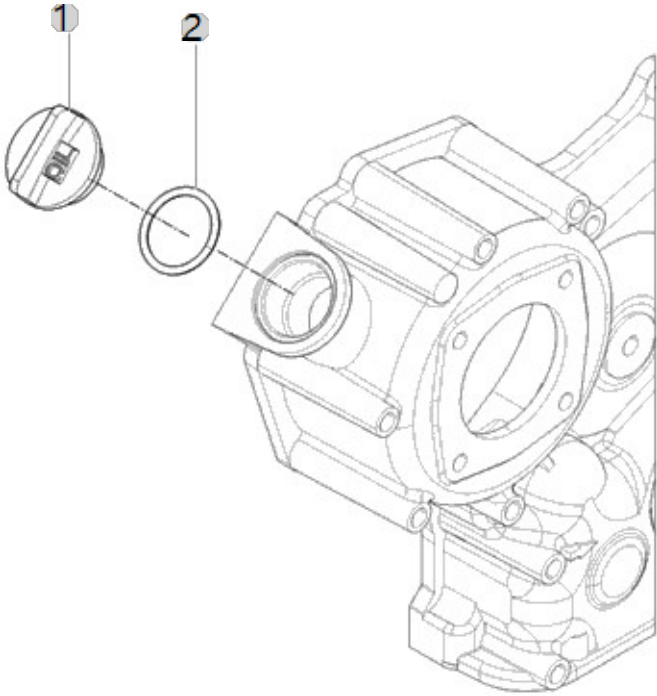
A39\_001

A2300T11-UTC\_4  
(AB00247)

OIL FILLER CAP

Year/Month

2023-01-18





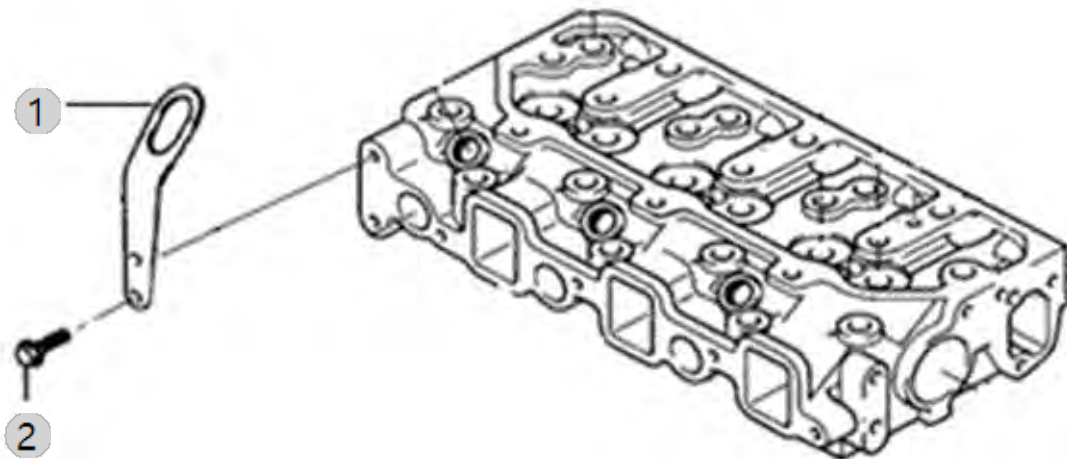
A40\_003

A2300T11-UTC\_4  
(AB00247)

LIFT ASS'Y OPTION

Year/Month

2023-01-18







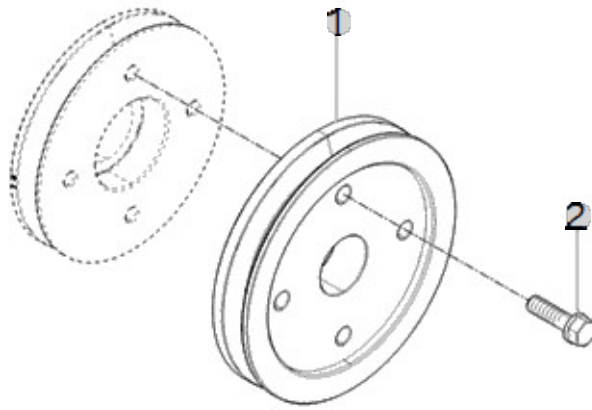
A41\_001

A2300T11-UTC\_4  
(AB00247)

COMP,DRIVE PULLEY ASS'Y OPTION

Year/Month

2023-01-18





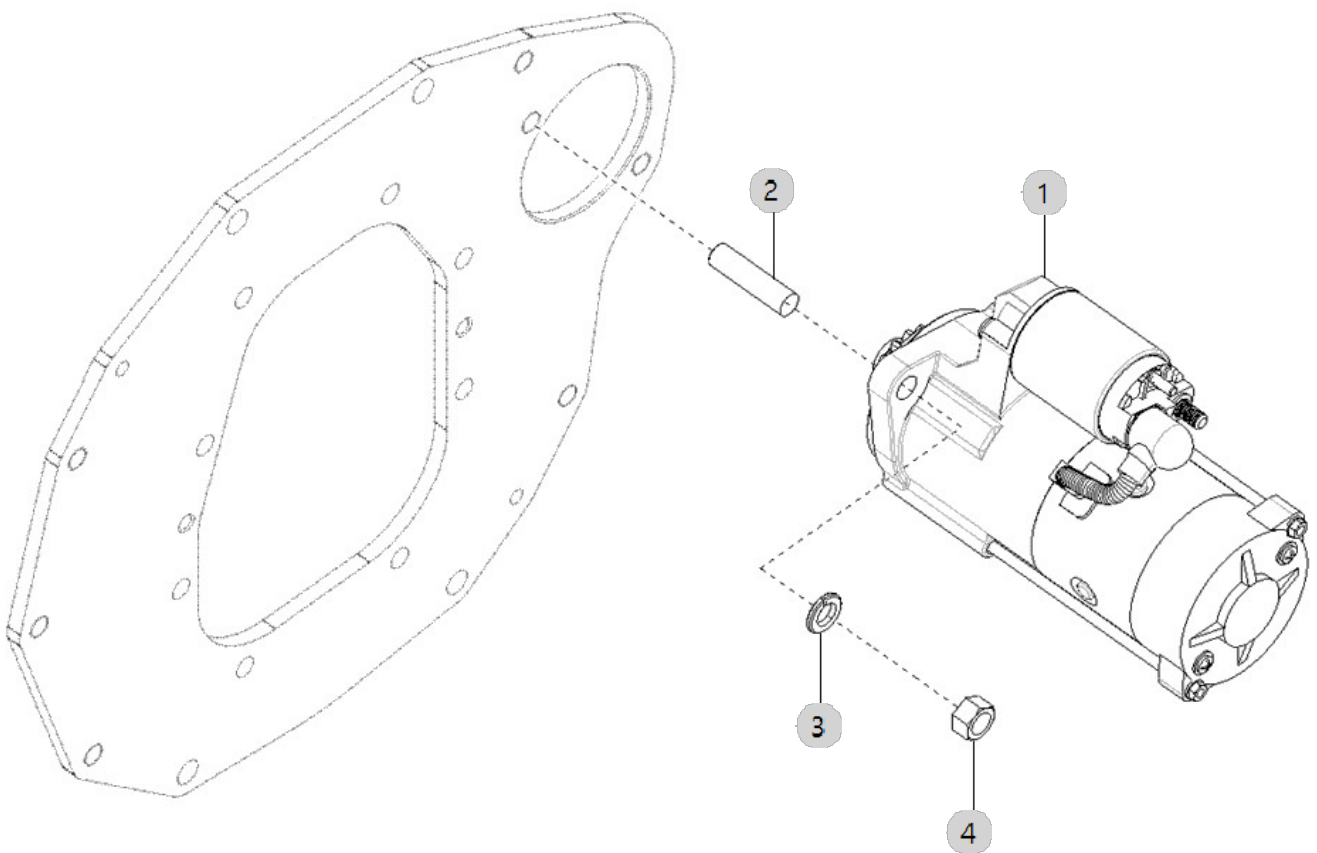
A42\_003

A2300T11-UTC\_4  
(AB00247)

# MOTER, STARTIONS

Year/Month

2023-01-18





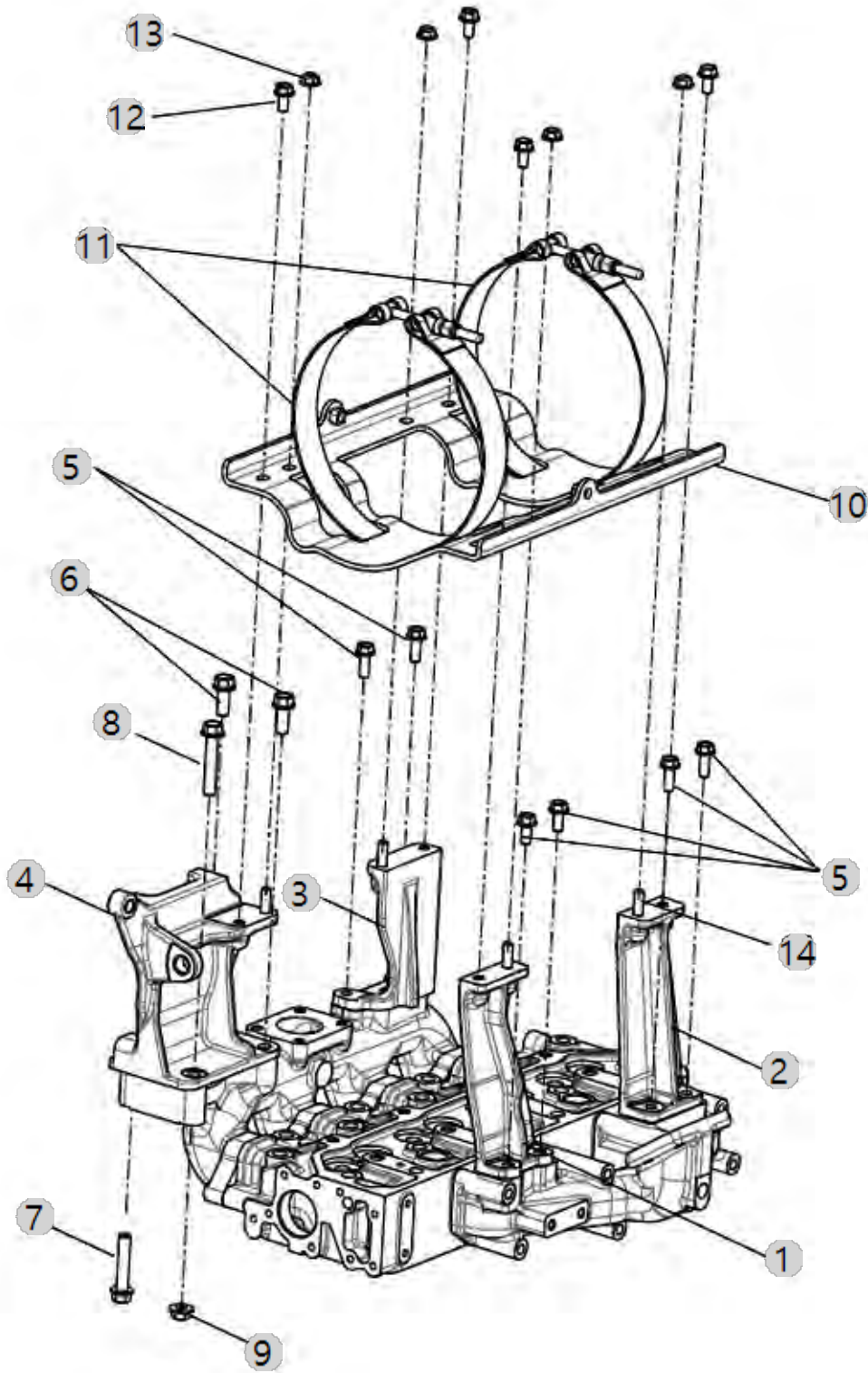
A44\_010

A2300T11-UTC\_4  
(AB00247)

### DPF MOUNTING OPTION

Year/Month

2023-01-18





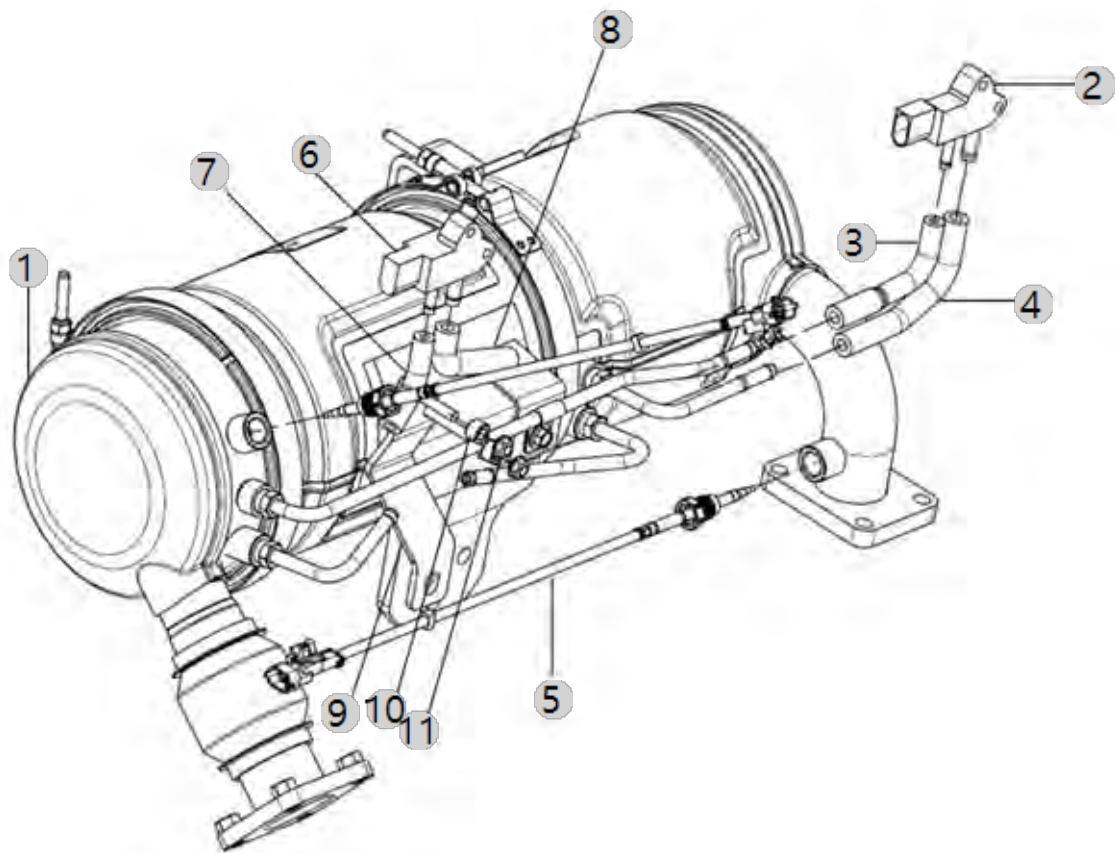
A45\_012

A2300T11-UTC\_4  
(AB00247)

DPF

Year/Month

2023-01-18







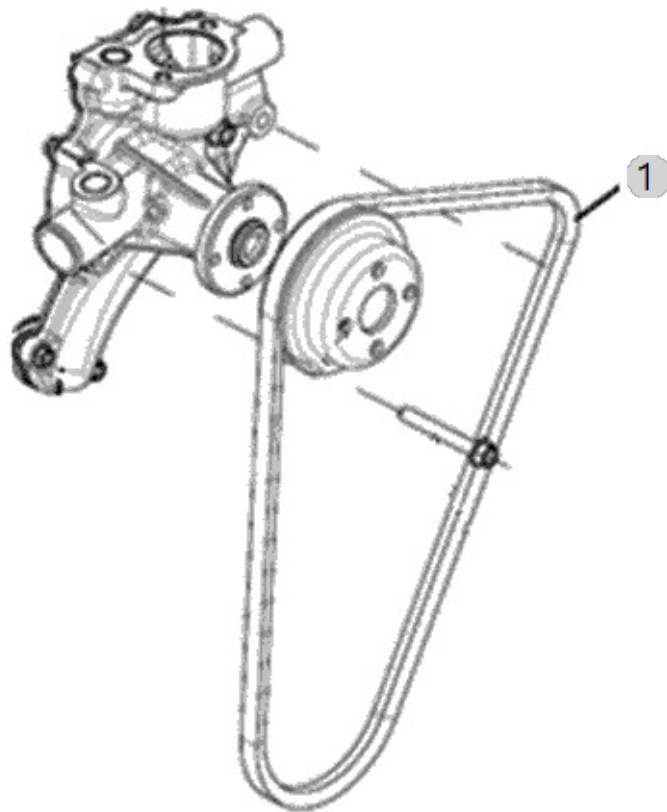
A48\_006

A2300T11-UTC\_4  
(AB00247)

V-BELT

Year/Month

2023-01-18





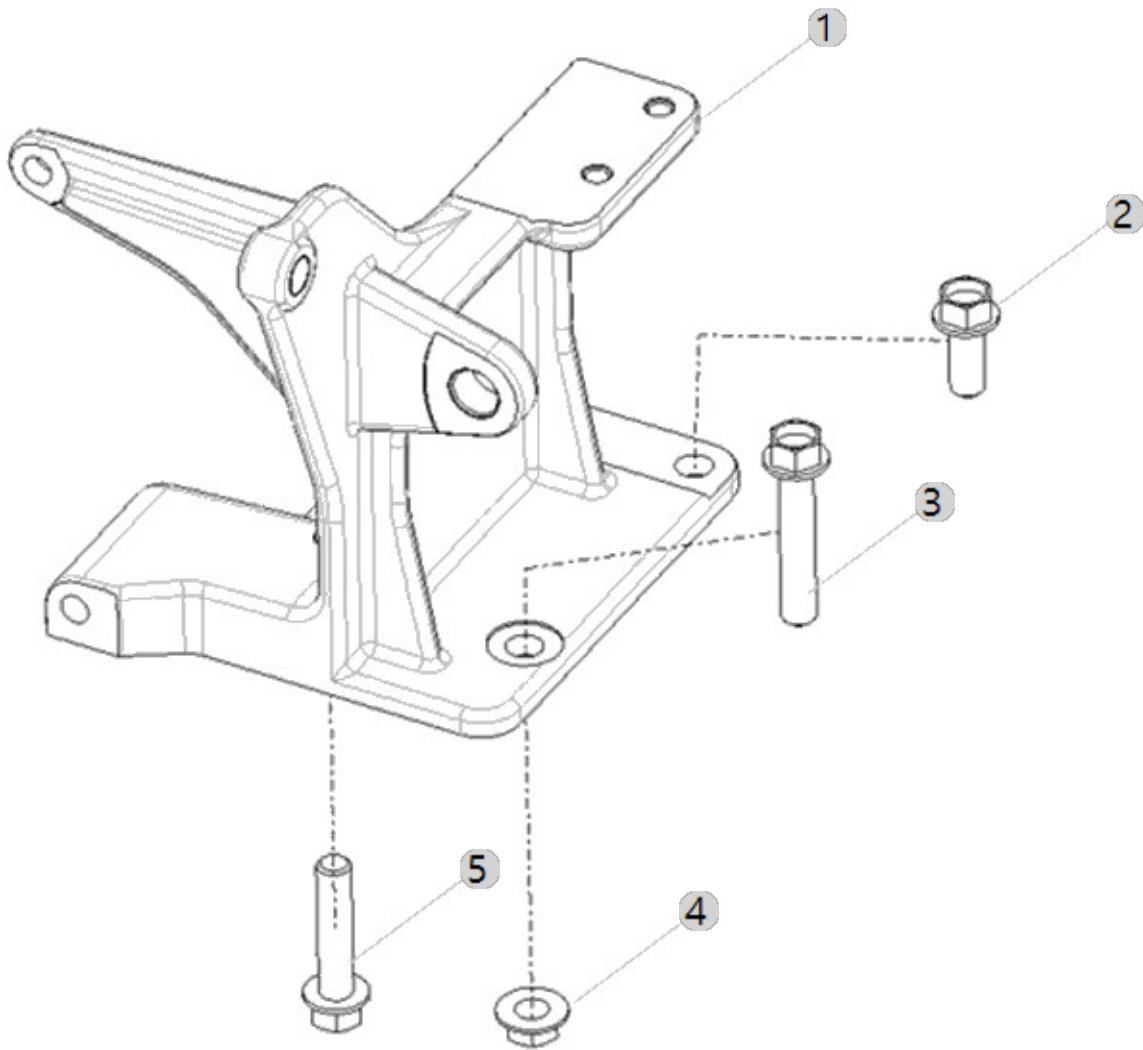
A50\_001

A2300T11-UTC\_4  
(AB00247)

### COMPRESSOR BRACKET ASS'Y

Year/Month

2023-01-18





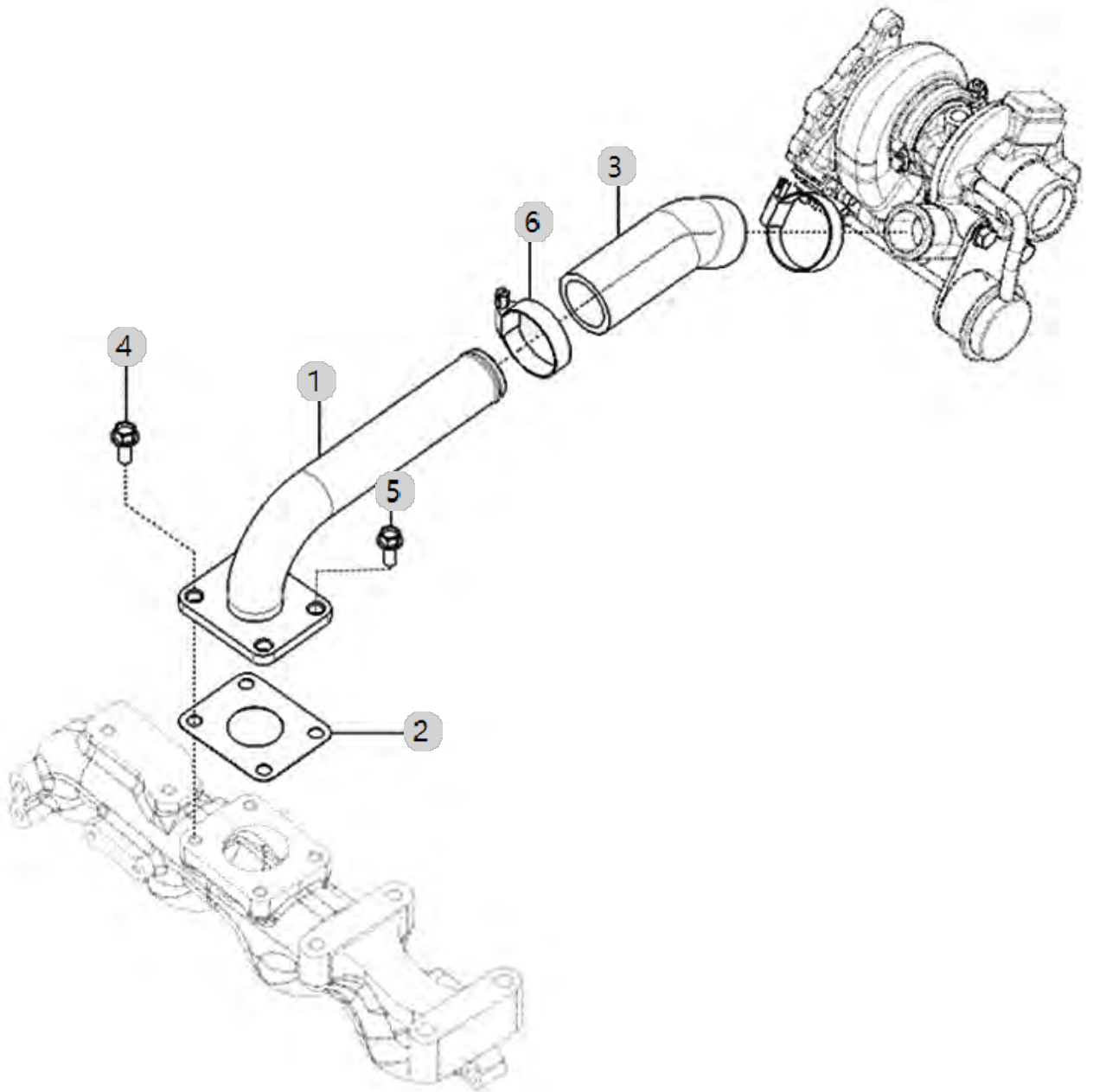
A51\_003

A2300T11-UTC\_4  
(AB00247)

### INTAKE HOSE ASSY OPTION

Year/Month

2023-01-18





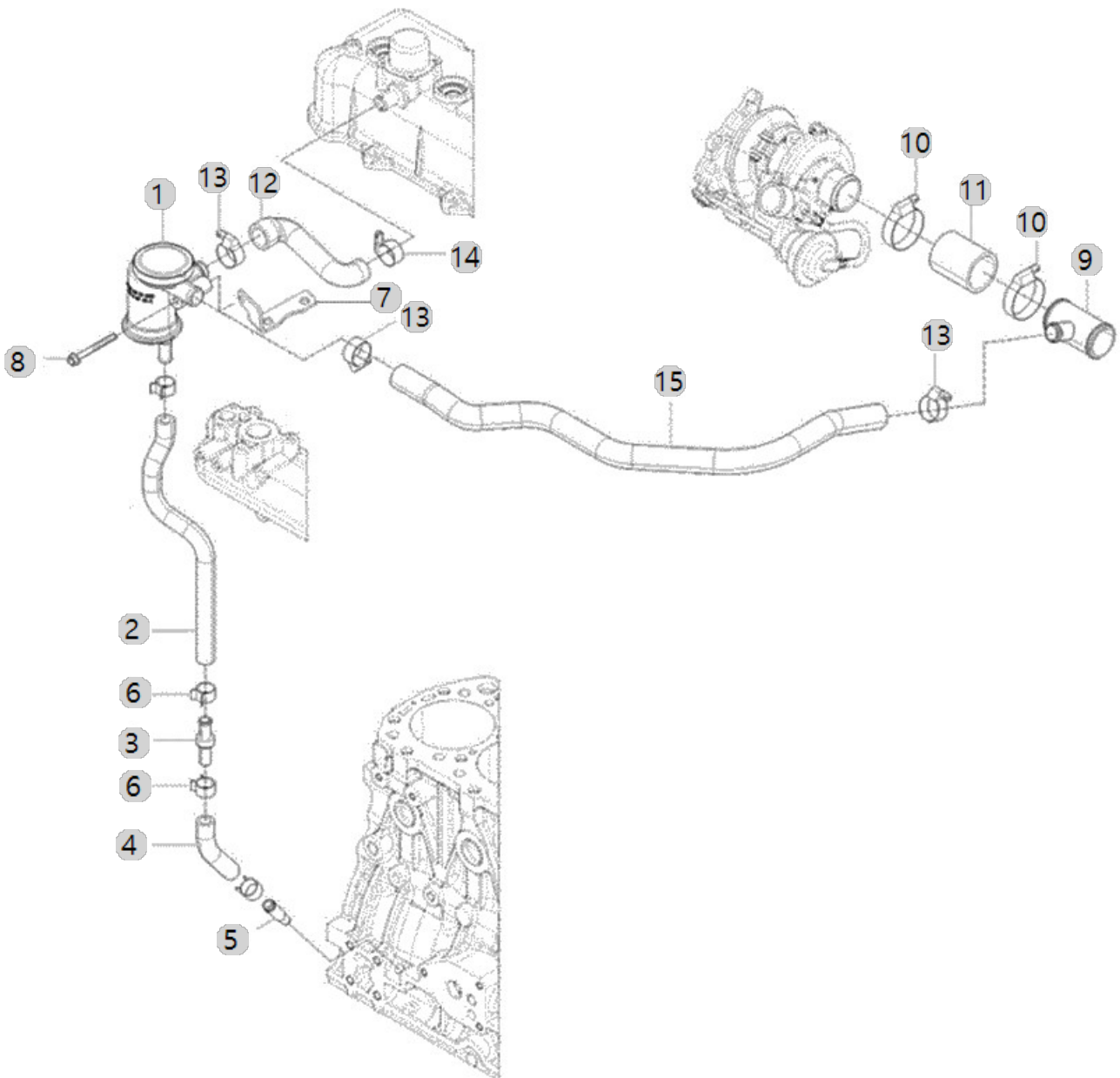
A52\_003

A2300T11-UTC\_4  
(AB00247)

### CCV ASSY

Year/Month

2023-01-18





A52_003 A2300T11-UTC_4 (AB00247)		CCV ASSY			Year/Month 2023-01-18	
순번 (NO)	부품번호 (PART NO)	품명 (PART NAME)	품명 (PART NAME)	수량 (QTY)	규격 (SPEC)	비고 (REMARK)
1	EA00004206A	CCV조합	CCV	1		
2	EA00006349A	오일드레인호스(A)	OIL DRAIN HOSE(A)	1		
3	EA00004203A	체크밸브	CHECK VALVE HOSE A	1		
4	EA00004498C	오일 드레인 호스(B)	OIL DRAIN HOSE(B)	1		
5	EA00004502B	가이드(오일드레인)	GUIDE(OIL DRAIN)	1		
5	EA00004502C	가이드(오일드레인)	GUIDE(OIL DRAIN)	1		
6	EA00006189A	Cobra클램프(Ø19)	COBRA CLAMP	4		
7	EA00006347A	CCV브래킷	CCV BRACKET	1		
8	26106-060652	육각플랜지볼트	HEX FLANGE BOLT	1		
9	EA00006351A	브리더조인트	BREATHER JOINT	1		
10	23000-048000	호스클램프	CLAMP,HOSE	2	D48	
11	EA00004491A	호스(조인트)	HOSE(JOINT)	1		
12	EA00006385A	브리더호스(CCV)	BREATHER HOSE(CCV)	1		
13	23000-028000	호스클램프28	Clamp, Hose (Φ28)	3		
14	23000-022000	호오스클립	CLAMP,HOSE	1	D22	
15	EA00006353A	리턴호스	RETURN HOSE	1		

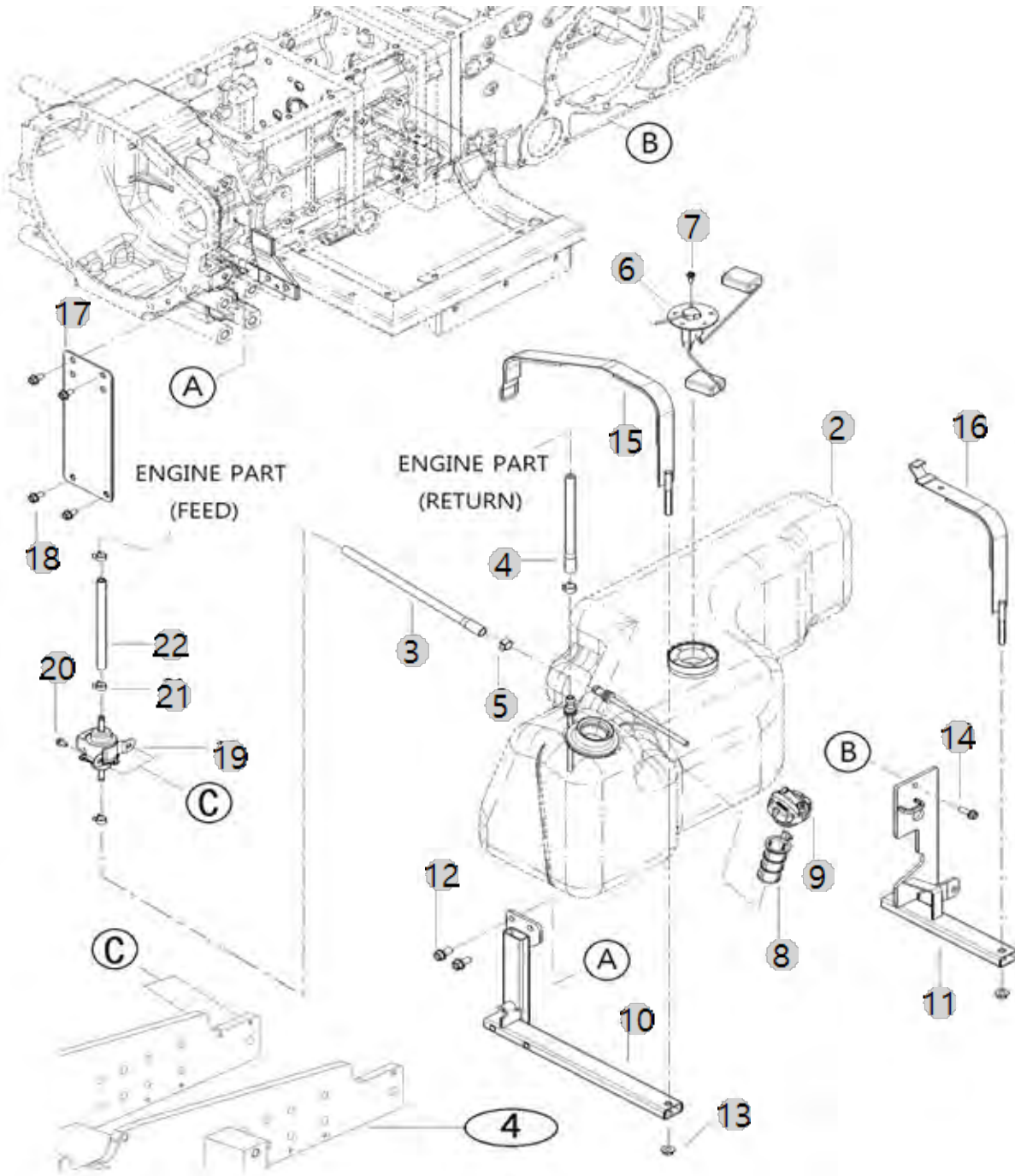
B01010

5520CH(AC02112)

FUEL TANK

Year/Month

2023-01-18





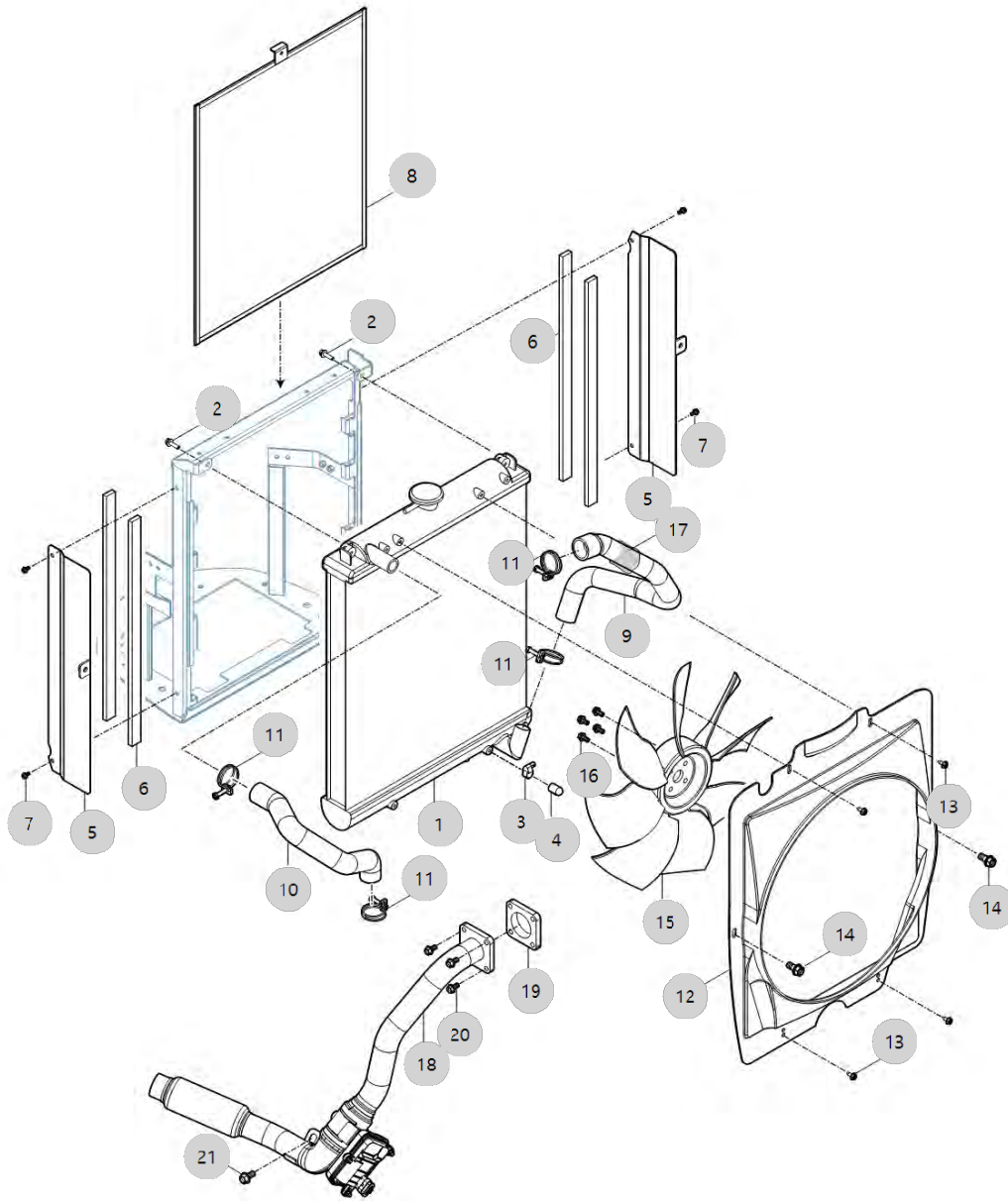
B02020

5520CH(AC02112)

# RADIATOR

Year/Month

2023-01-18



B02020	RADIATOR	Year/Month
5520CH(AC02112)		2023-01-18

순번 (NO)	부품번호 (PART NO)	품명 (PART NAME)	품명 (PART NAME)	수량 (QTY)	규격 (SPEC)	비고 (REMARK)
1	EA00003972A	라디에이터(3.5mm피치)	RADIATOR	1		
2	26014-060252	와셔조립육각볼트(+SW,PW)	Bolt, Hexa (6-25)	2	M06X1.00X02	
3	23000-016000	호스클립	Clip, Hose (Φ16)	1	D16	
4	HRC1201200A4	오일쿨러캡	CAP,COOLER	1		
5	TA00049446B	라디에이터브래킷 조합	BRACKET ASS'Y, RADIATOR	2		
5	TA00049446A	라디에이터브래킷 조합	BRACKET ASS'Y, RADIATOR	2		
6	TA00036707A	시일(RD)	SEAL(RD)	4		
7	26106-060162	육각플랜지 볼트	HEXFLANGE BOLT	4	M6XP1.0X16	
8	TA00024833B	방진망	NET	1		
8	TA00024833C	방진망 조합	DUSTPROOF NET ASS'Y	1		
9	TA00025609C	냉각수 호스 (B)	HOSE IN COOLING	1		
10	TA00060727A	냉각수호스A	COOLING WATER HOSE A	1		
11	23010-038000	호스밴드	HOSEBAND	4	D38	
12	TA00032760F	슈라우드	SHROUD	1		
13	HRA1203200A4	태핑나사	TAPPINGSCREW	4		
14	26106-080162	플랜지볼트8X16	SCREW,HEXFLANGEHEADCAP	2	M8XP1.25X16	
15	TA00043900A	냉각팬	FAN	1		
16	26106-080162	플랜지볼트8X16	SCREW,HEXFLANGEHEADCAP	4	M8XP1.25X16	
17	TA00036163C	냉각수 호스A 방열판	GUIDE(L),FOOT REST	3		
18	EA00005796B	전자식배기밸브ASS'Y(20(S))	ELECTRONIC EXHAUST VALVE ASS'Y	1		
18	EA00005796C	전자식배기밸브ASS'Y(20(S))	ELECTRONIC EXHAUST VALVE ASS'Y	1		
19	EA00004235A	가스켓(TC_IN)	GASKET(TC_IN)	1		
20	26106-080252	육각플랜지볼트	SCREW,HEXFLANGEHEADCAP	4	M8XP1.25X25	
21	26106-080122	육각플랜지볼트	Bolt, Hexa (8-12)	1	M8XP1.25X12	

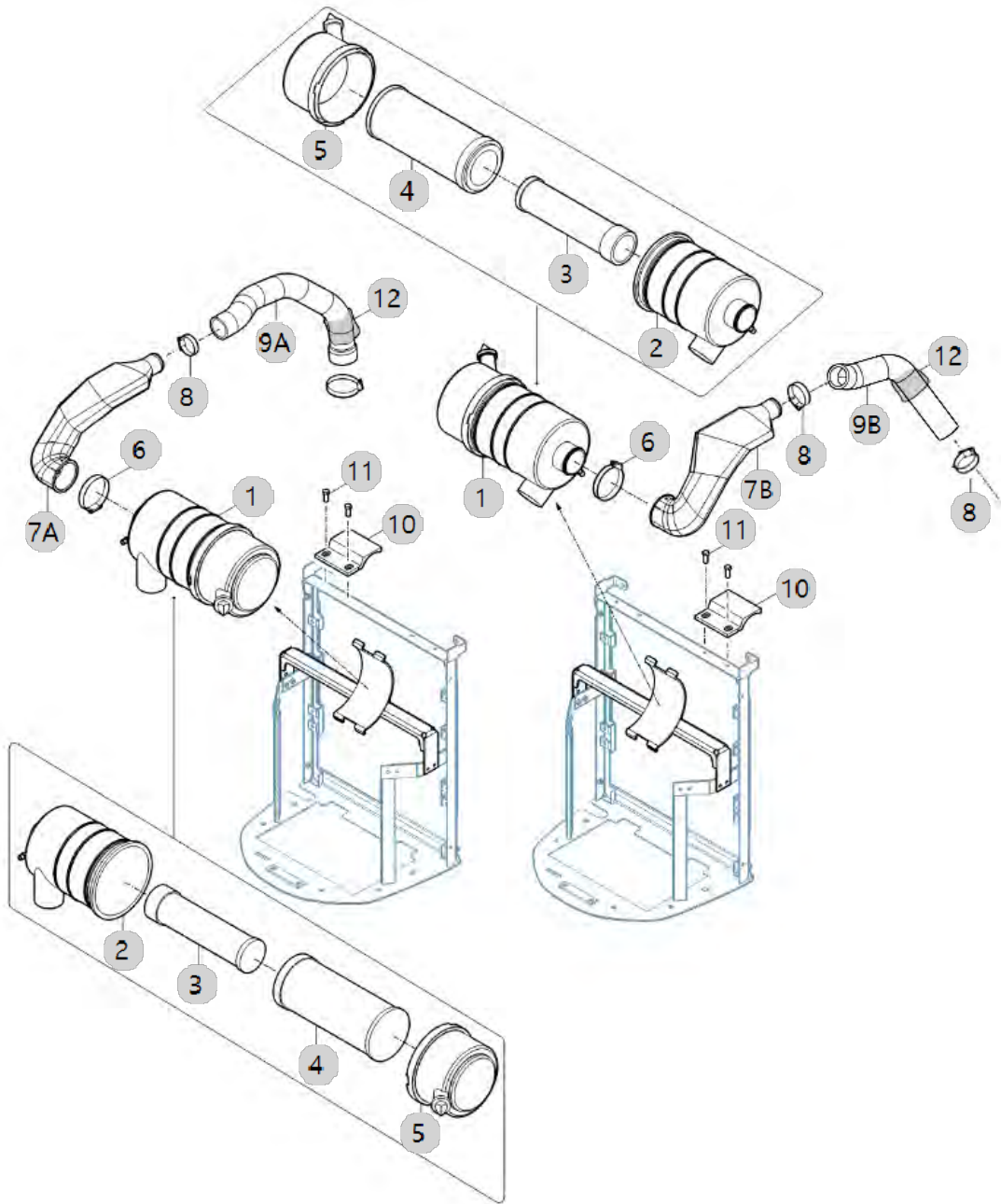
B03010

5520CH(AC02112)

# AIR CLEANER

Year/Month

2023-01-18





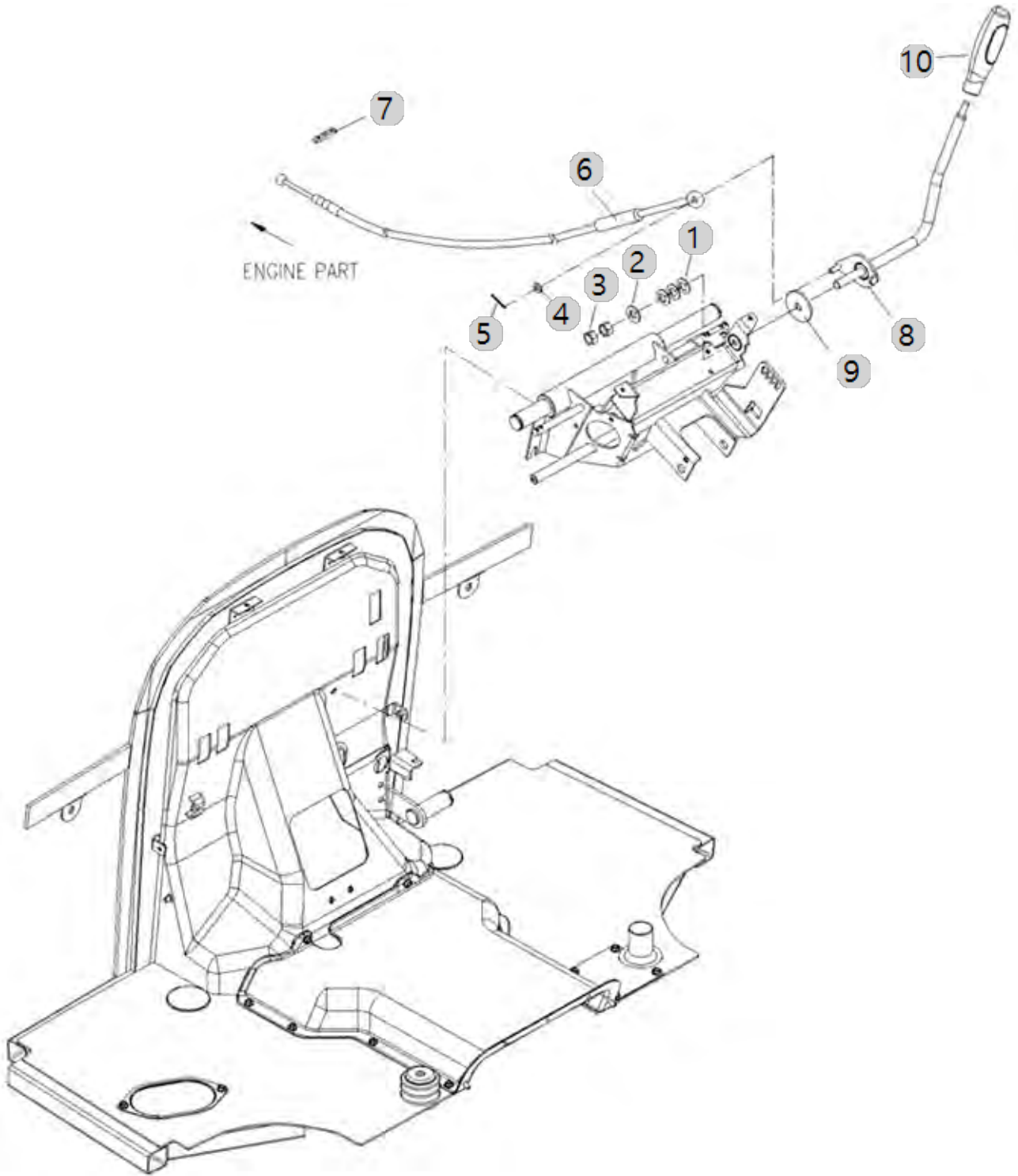
B05011

5520CH(AC02112)

### ACCELERATOR LEVER

Year/Month

2023-01-18







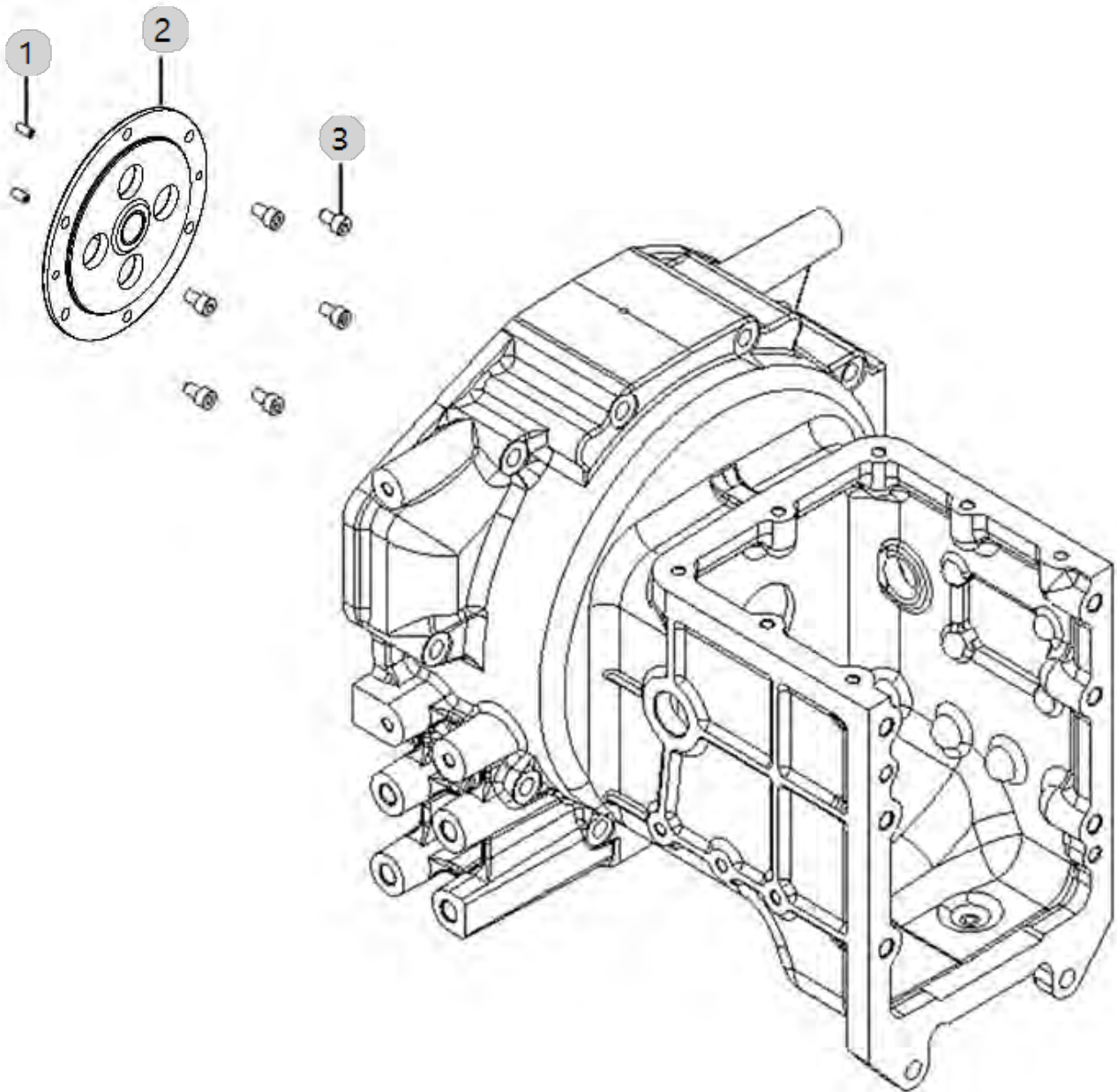
C01050

5520CH(AC02112)

# PTO DAMPER

Year/Month

2023-01-18





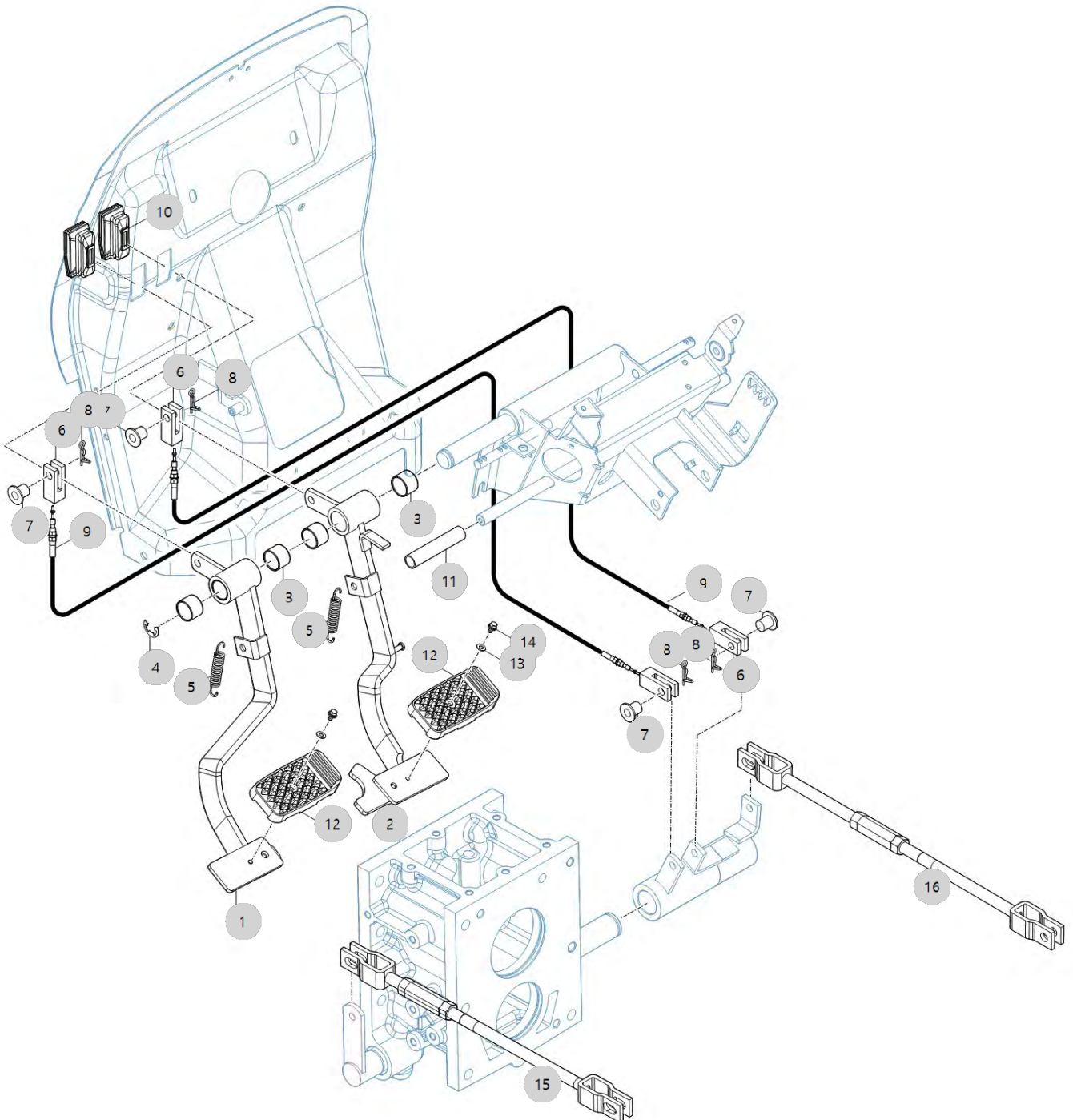
C02010

5520CH(AC02112)

# BRAKE PEDAL

Year/Month

2023-01-18





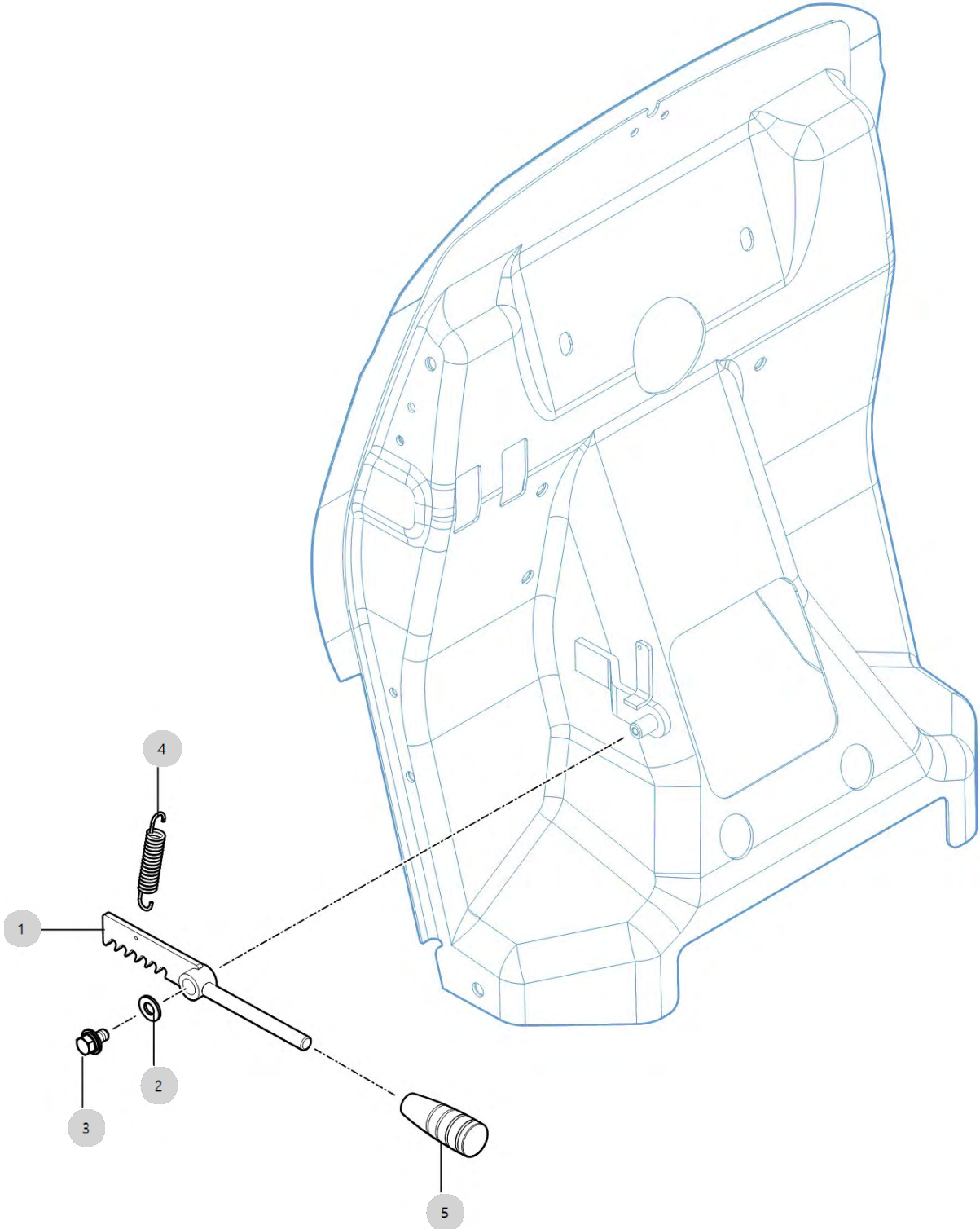
C02050

5520CH(AC02112)

PARKING BRAKE

Year/Month

2023-01-18





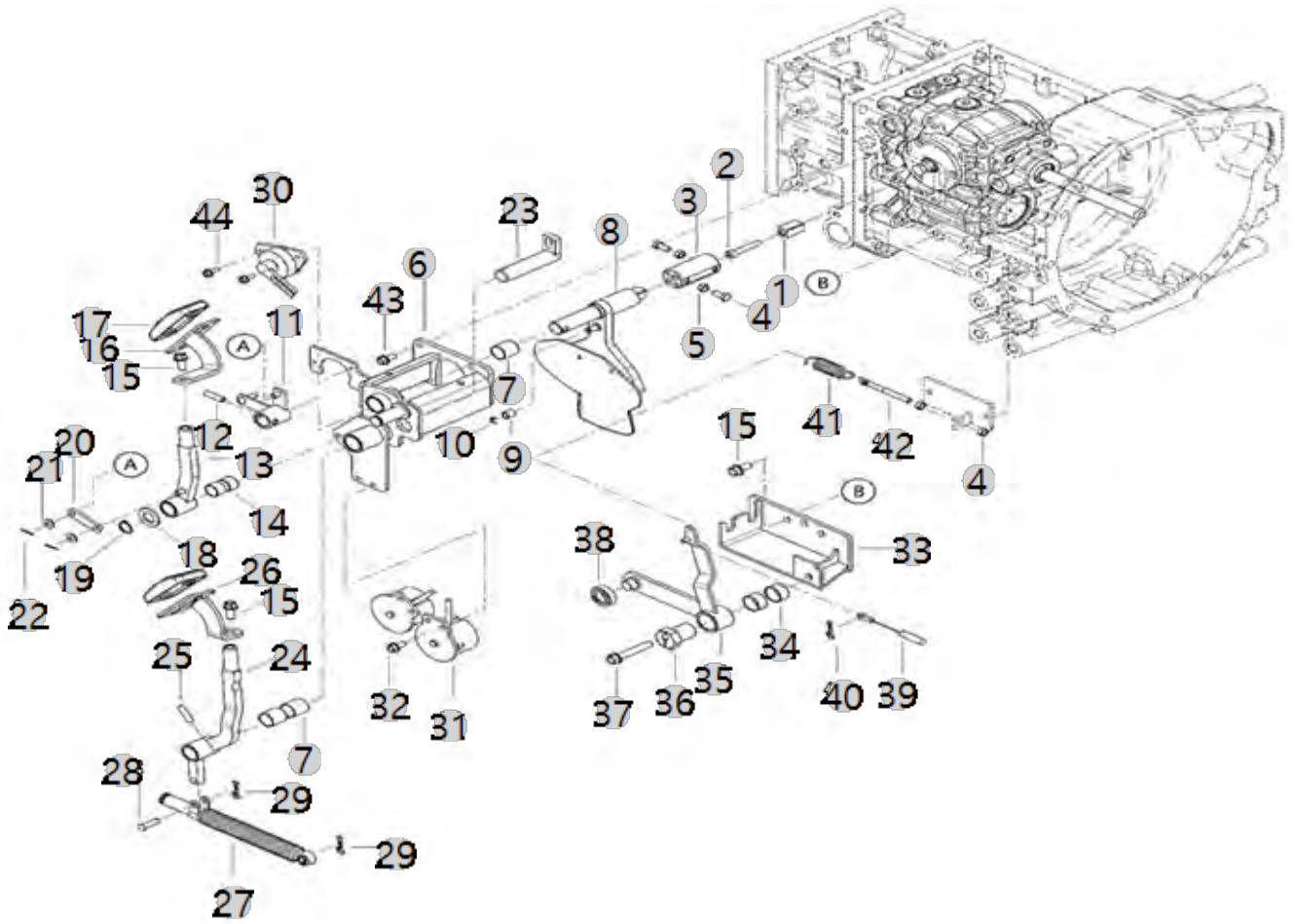
C03010

5520CH(AC02112)

HYD SHIFT TRANSMISSION PEDAL

Year/Month

2023-01-18





C03010 5520CH(AC02112)	HYD SHIFT TRANSMISSION PEDAL	Year/Month
		2023-01-18

순번 (NO)	부품번호 (PART NO)	품명 (PART NAME)	품명 (PART NAME)	수량 (QTY)	규격 (SPEC)	비고 (REMARK)
1	TA00040896D	HST 축	HST SHAFT	1		
2	26453-080452	육각구멍볼이볼트	BOLT	1		
3	TA00039621B	연결조인트(cabin)	JOINT	1		
4	26116-080182	CAPSCREW(19M7139)	CAPSCREW(19M7139)	2	M8X1.25X18	
5	26716-080002	육각너트	NUT,HEX (D8)	4	M8xP1.25	
6	TA00044797D	HST페달 브래킷조합	BRACKET ASS'Y, HST PEDAL	1		
6	TA00044797B	HST페달 브래킷조합	BRACKET ASSY, HST PEDAL	1		
7	24550-022250	드라이부시	BUSH	3		
8	TA00044792C	전진페달 축 조합	PEDAL ASSY, FRONT	1		
8	TA00044792D	전진페달 축 조합	SHAFT ASS'Y, FORWARD PEDAL	1		
9	TA00033126A	롤러	ROLLER	1		
10	22272-000060	SNAP RING	RING, CIRCLIP (Φ 06)	1	D6	
11	TA00044804A	전진페달축	SAHFT	1		
11	TA00044804B	전진페달축	SHAFT, FORWARD PEDAL	1		
12	22351-080030	스프링핀	PIN, SPRING (8-30)	1		
13	TA00044802A	전진페달 조합	PEDAL ASS'Y(F)	1		
13	TA00044802B	전진페달 조합	FORWARD PEDAL ASS'Y	1		
14	24550-019150	드라이부시	BUSH	2		
15	26106-100202	육각플랜지볼트	HEX BOLT, (10-20)	4	M10XP1.5X20	
16	TA00050506B	전진페달조합(F)	FORWARD PEDAL ASS'Y, F	1		
16	TA00050506A	전진페달조합(F)	PEADAL ASSY, FRONT	1		
17	TA00001508A	전후진페달커버	PEDAL COVER	2		
18	22133-180000	평와셔	WASHER	1	18	
19	22242-000190	축용스냅링19	SNAP RING, SHAFT (Φ 19)	1	D19	
20	TA00040409B	플레이트	PLATE	1		
21	22137-080000	와셔8	WASHER, PLAIN (Φ 08)	2	M8	
22	22417-160180	할핀1.6X18	PIN , COTTER (1-18)	2	D1.6X18	
23	TA00044834A	후진페달축 조합	SHAFT ASSY	1		
24	TA00044806C	후진페달 조합	PEDAL ASS'Y(R)	1		
24	TA00044806B	후진페달 조합	PEDAL ASS'Y(R)	1		
25	22351-080030	스프링핀	PIN, SPRING (8-30)	1		
26	TA00050508B	후진페달조합(R)	PEADAL ASSY, REAR	1		
27	RA00007052A	오일댐퍼(한일)	OIL DAMPER(HANIL)	1		
28	22486-080240	두부핀	HEAD PIN	1	D8X24	
29	RR51230000D4	빠짐방지 스냅핀 10	PIN 10, COME-OFF SNAP	2	D1.8	
30	TCD9110000B2	스위치(FR)	SWITCH ASS'Y	1		
30	TCD9110000D2	스위치(FR)	SWITCH(FR)	1		
31	HA00000037A	전자석	CRUISE MAGNET	2		
32	26106-080162	플랜지볼트8X16	SCREW,HEXFLANGEHEADCAP	4	M8XP1.25X16	
33	TA00044862B	와이어 브래킷(캐빈)	BRACKET ASS'Y	1		
33	TA00044862A	와이어 브래킷(캐빈)	BRACKET ASSY	1		
34	24550-025150	BUSH25X15	BUSH 25X15	2	25X15	
35	TA00044859B	중립조절 브래킷	BRACKET ASSY	1		
36	TA00001830D	축	SHAFT	1	D36	
37	26106-100602	육각플랜지볼트	BOLT	1		



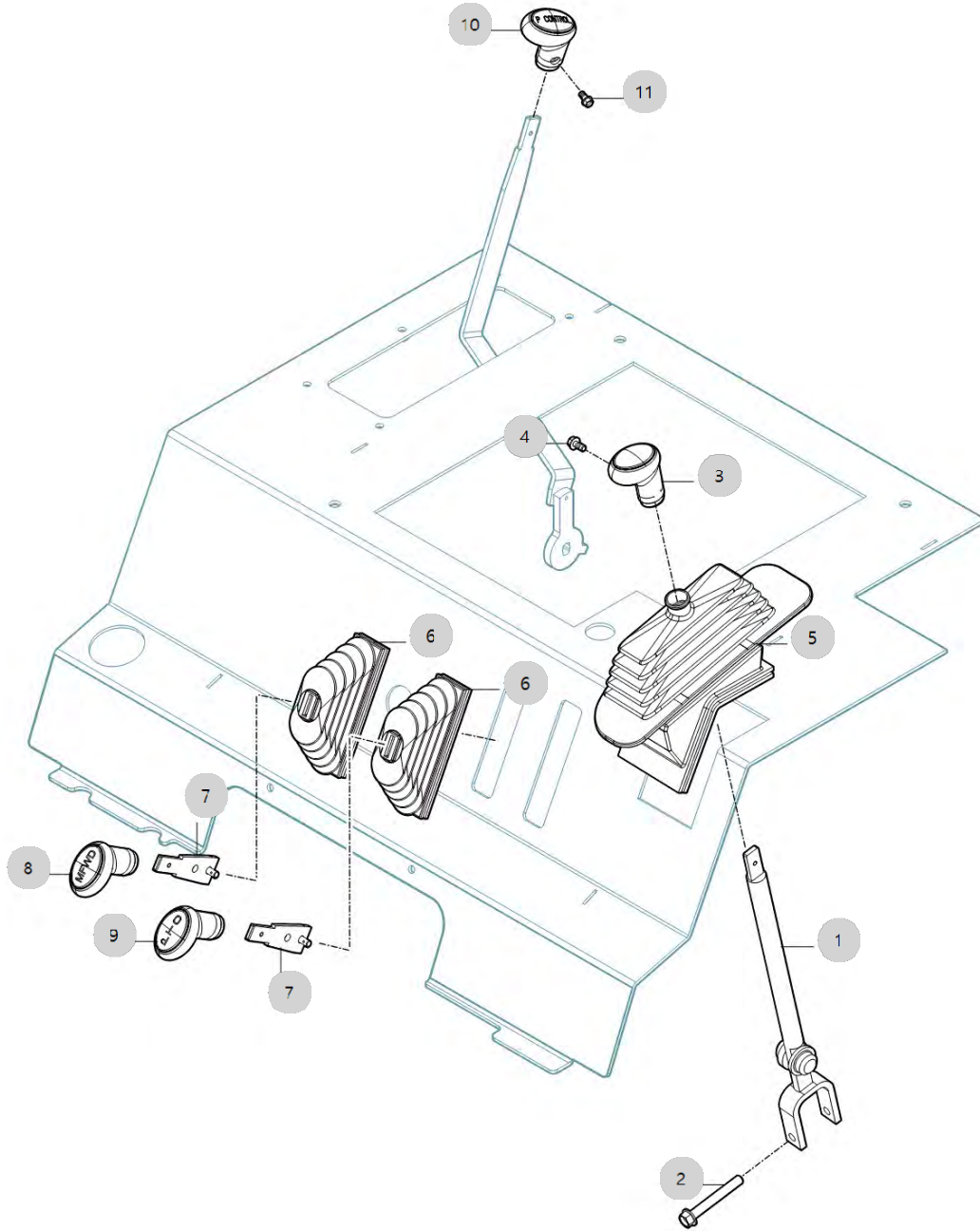
C04000

5520CH(AC02112)

LEVER ASS'Y

Year/Month

2023-01-18





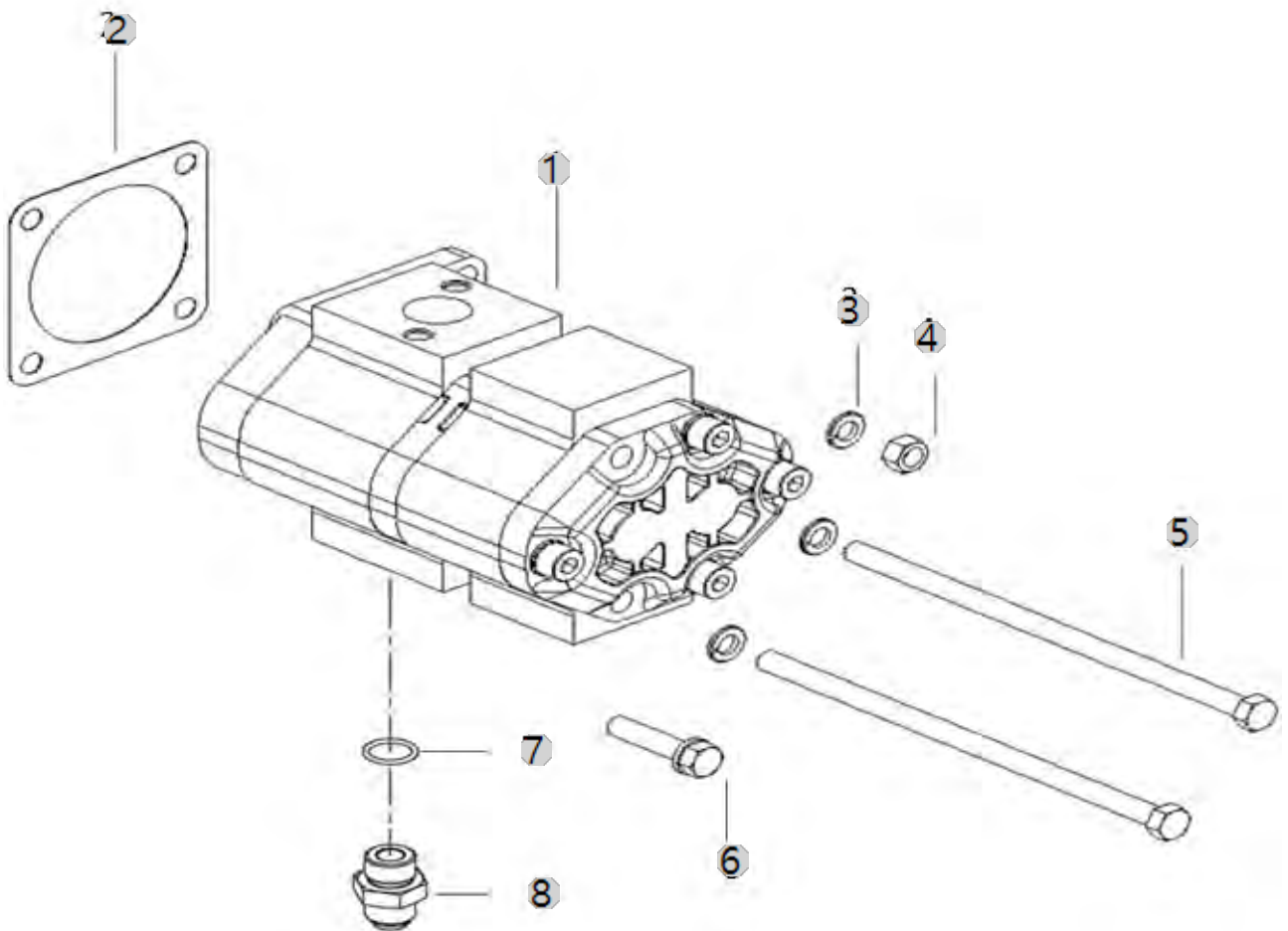
D01010

5520CH(AC02112)

HYDRAULIC PUMP

Year/Month

2023-01-18





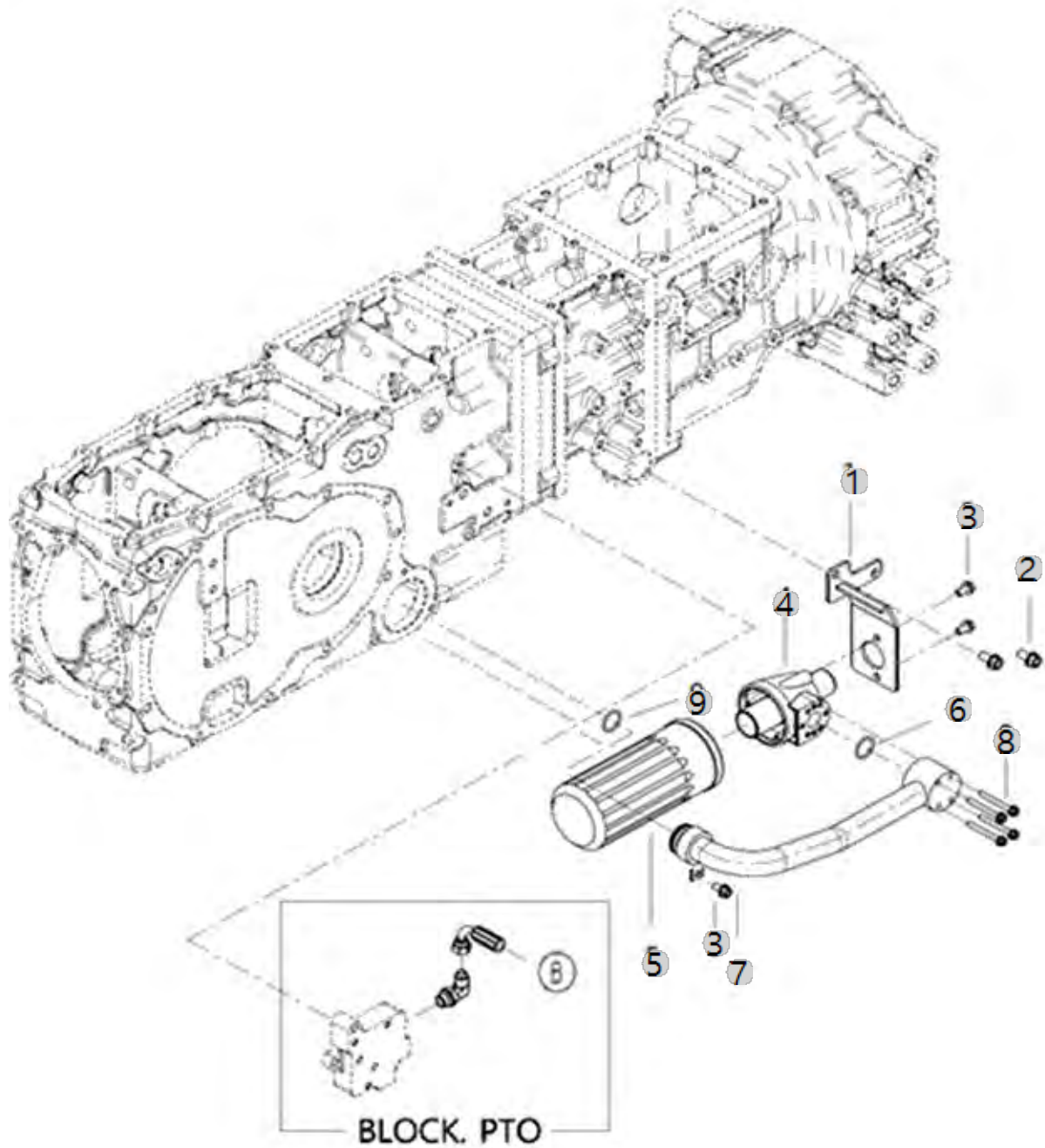
D01040

5520CH(AC02112)

# HYDRAULIC FILTER

Year/Month

2023-01-18







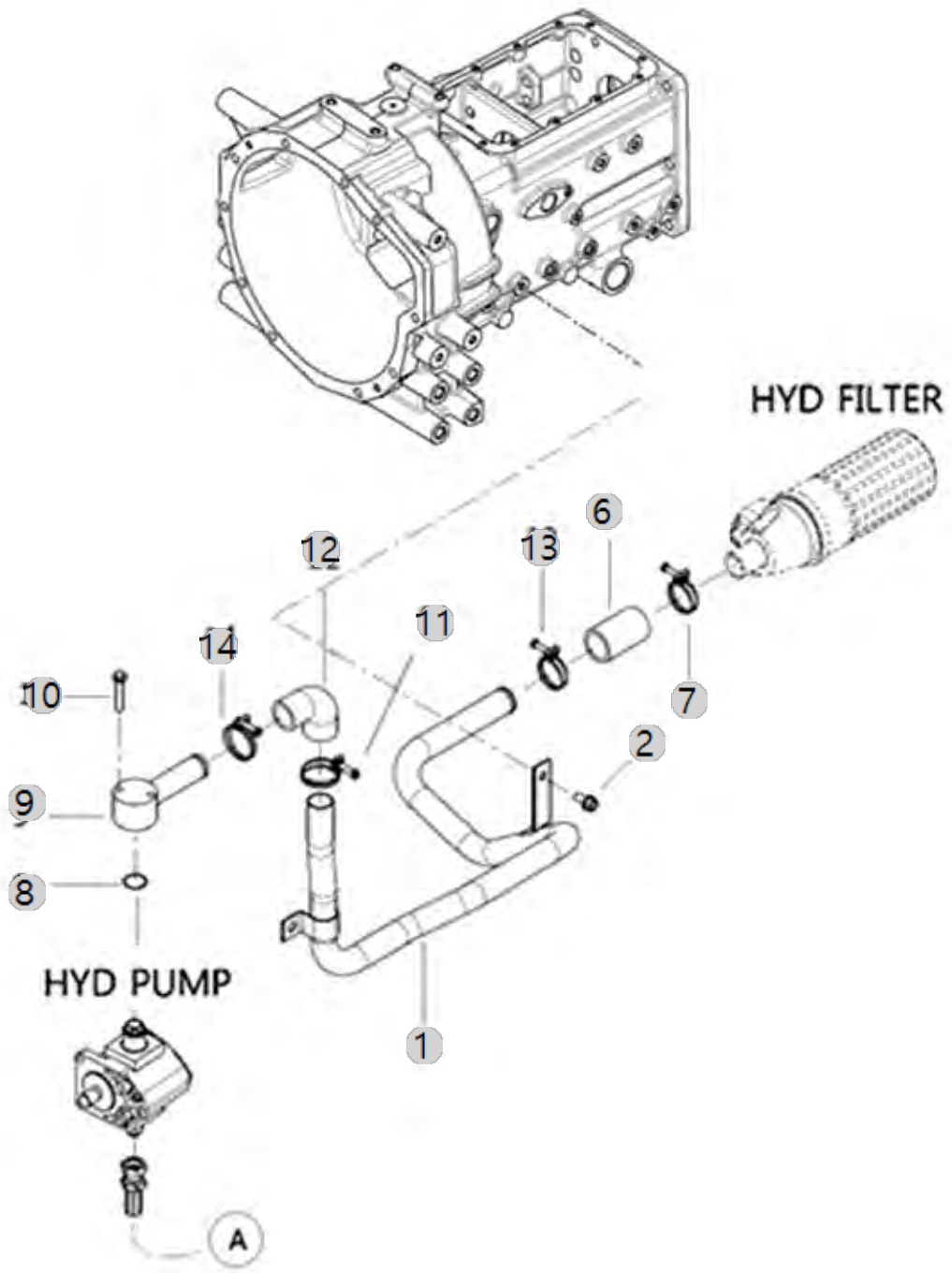
D01041

5520CH(AC02112)

HYDRAULIC FILTER/LINE

Year/Month

2023-01-18





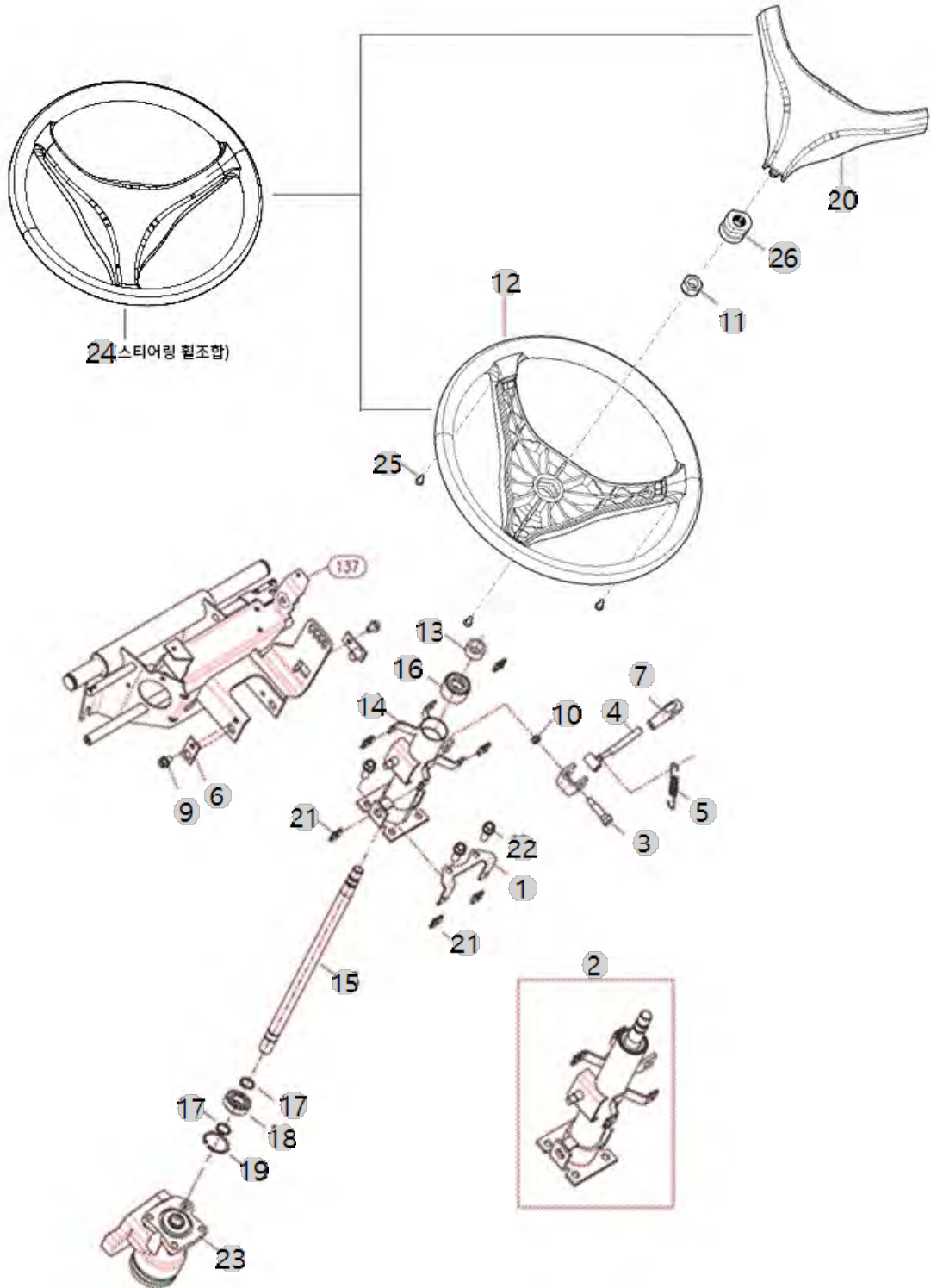
D02010

5520CH(AC02112)

# STEERING WHEEL

Year/Month

2023-01-18





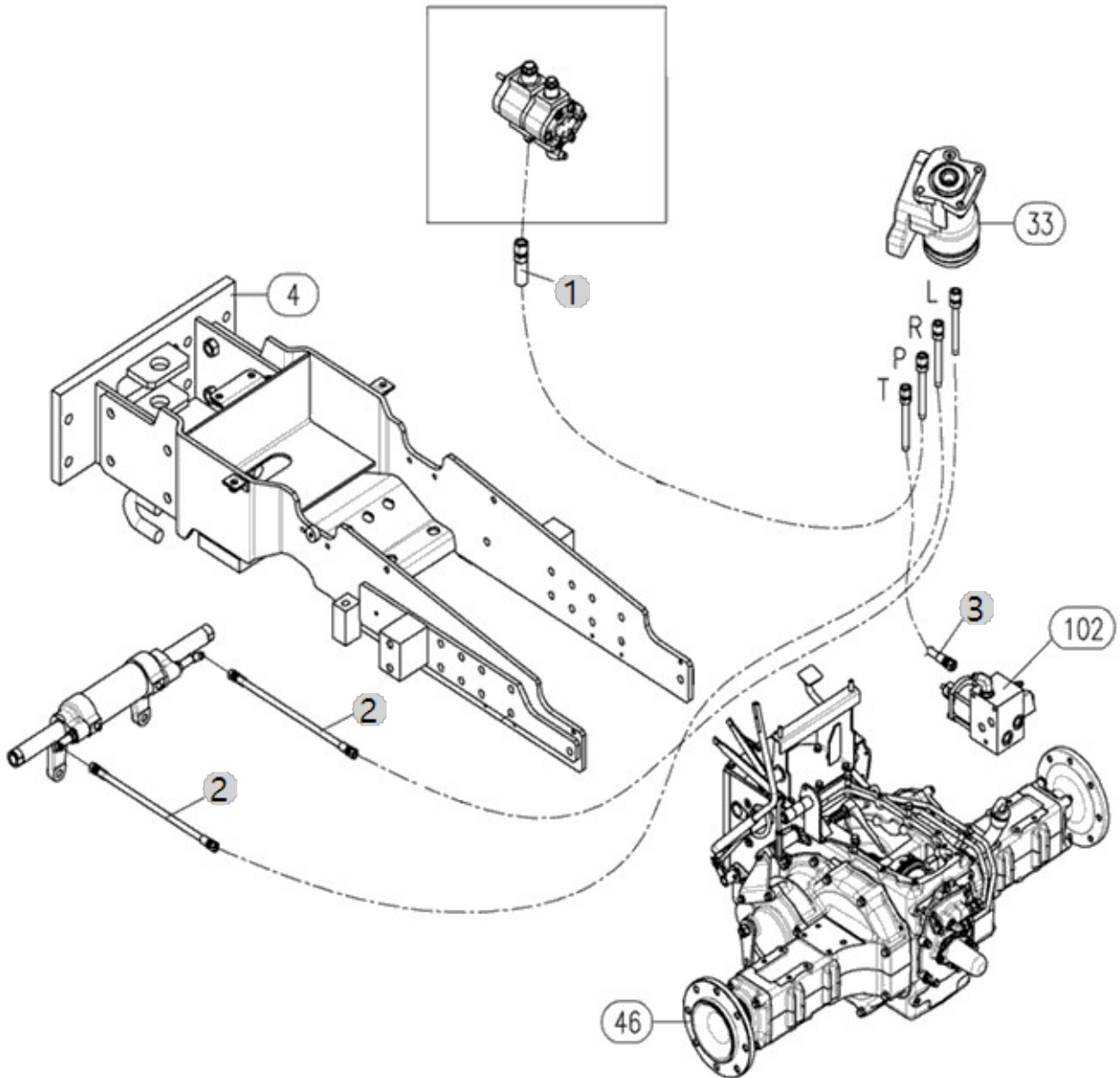
D02030

PST HOSE

Year/Month

5520CH(AC02112)

2023-01-18





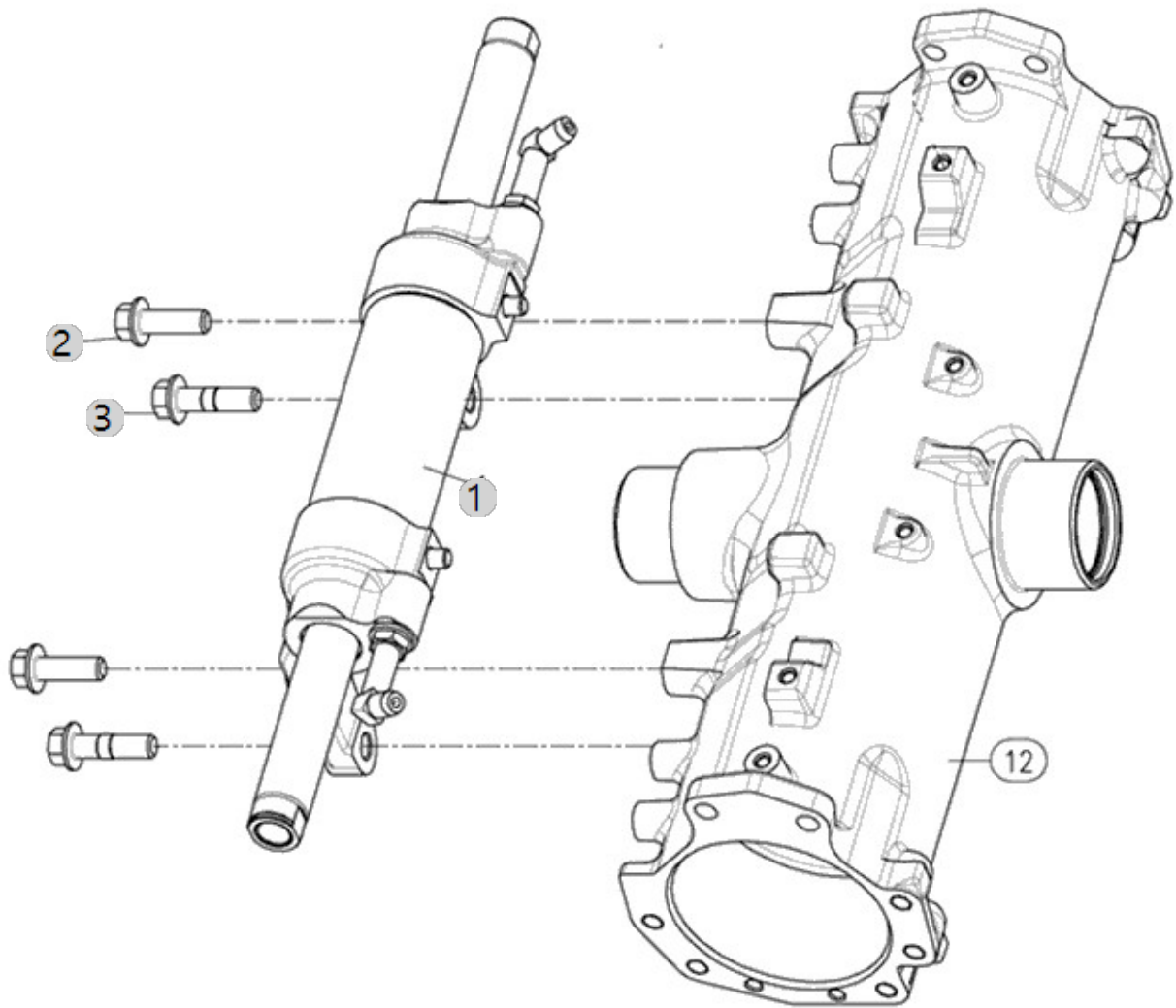
D02040

5520CH(AC02112)

### PST CYLINDER

Year/Month

2023-01-18







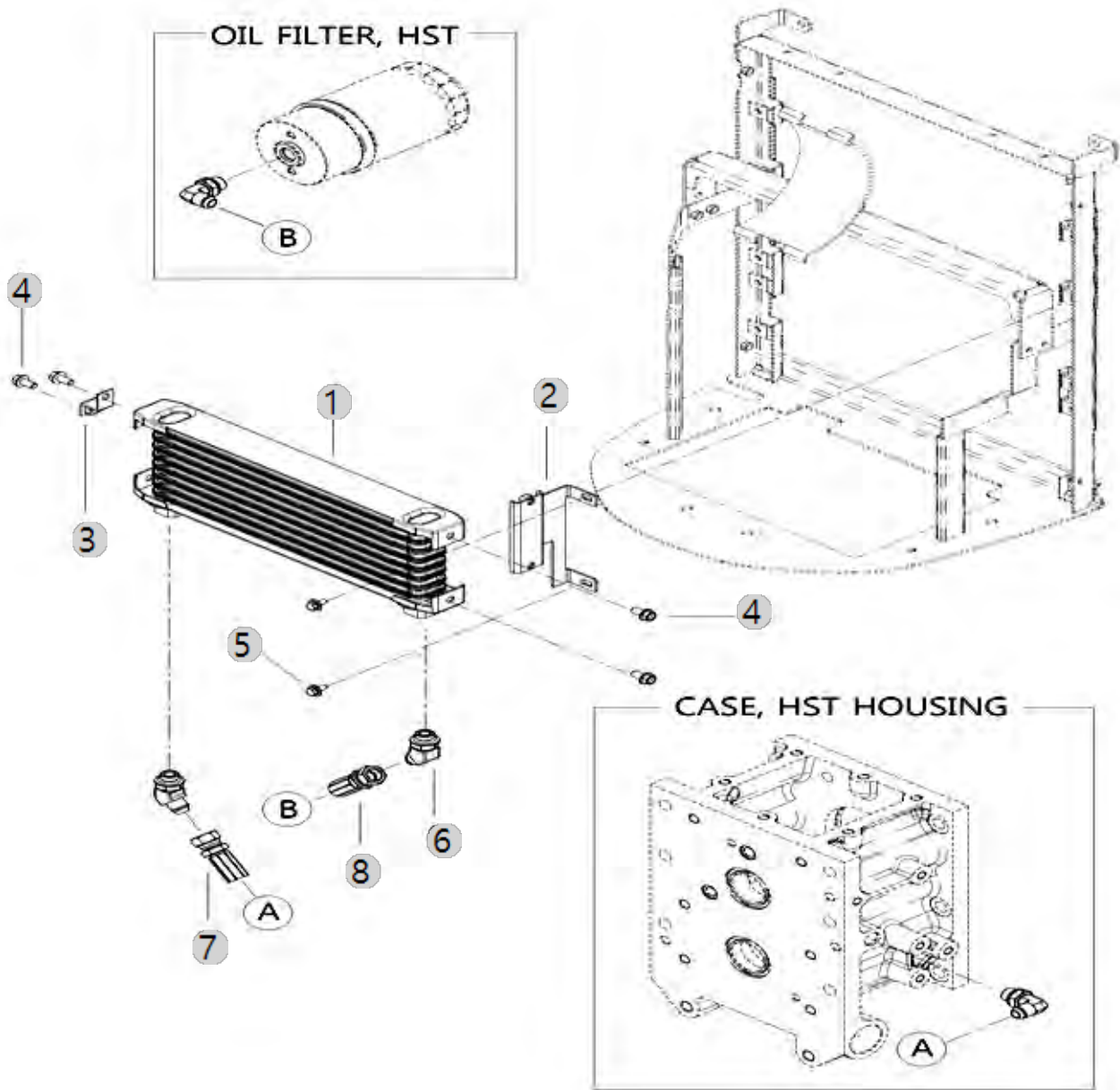
D03010

5520CH(AC02112)

# OIL COOLER

Year/Month

2023-01-18





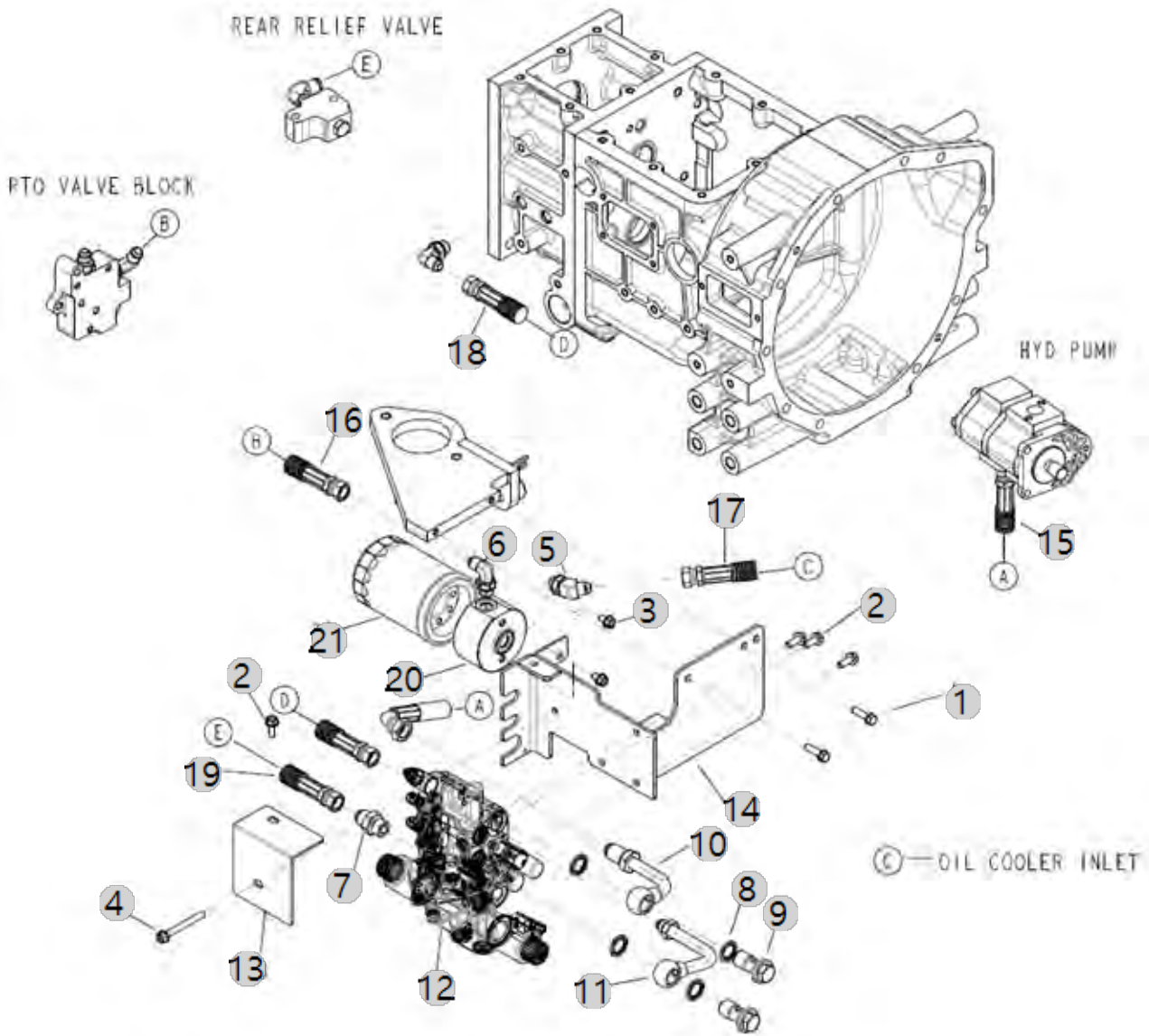
D03030

5520CH(AC02112)

FRONT SCV

Year/Month

2023-01-18



D03030 5520CH(AC02112)	FRONT SCV	Year/Month
		2023-01-18

순번 (NO)	부품번호 (PART NO)	품명 (PART NAME)	품명 (PART NAME)	수량 (QTY)	규격 (SPEC)	비고 (REMARK)
1	26013-080302	와셔조립육각볼트(+SW)	HEX BOLT W/WASHER	2	M8XP1.25X30	
2	26106-080202	육각플랜지볼트	SQR FLANGE BOLT	4	M8XP1.25X20	
3	26106-080122	육각플랜지볼트	Bolt, Hexa (8-12)	2	M8XP1.25X12	
4	26106-080702	볼트	SCREW,HEXFLANGEHEADCAP	1		
5	FT33060000B4	45도 어댑터(3/8)	45ELBOW[3/8]	1		
6	CEE4050000B4	자리부착엘보3/8	ELBOW(3/8)	1		
7	CVE4020000B4	니플1/2	NIPPLE 1/2	1		
8	TA00048907A	본디드실(PF1/2)	BONDED SEAL(PF1/2)	4		
9	TA00054422A	중공볼트(PF1/2)	BOLT(PF1/2)	2		
9	TA00054422B	중공볼트(PF1/2)	BOLT(PF1/2)	2		
10	TA00063012A	F-SCV_P_파이프	F-SCV_P_PIPE	1		
11	TA00054353A	F-SCV_T_파이프	F-SCV_T_PIPE	1		
12A	TA00062427A	SCV조합	SCV ASSY	1		
12B	TA00062428A	SCV조합(3F)	SCV ASSY	1		
13	TA00054187C	보호커버	COVER	1		
13	TA00054187B	보호커버	COVER	1		
14	TA00062146A	SCV브래킷조합	SCV BRACKET ASSY	1		
14	TA00062146B	SCV브래킷조합	SCV BRACKET ASSY	1		
15	TA00063016A	고압호스 전 1/2	HOSE	1		
16	TA00063063A	유압호스(PTO_필터)	HOSE	1		
17	TA00063052A	오일쿨러호스3/8(우)	OIL COOLER INLET HOSE	1		
18	TA00063017A	고압호스 1/2	HOSE	1		
19	TA00063062A	유압호스(SCV_T)	HOSE	1		
20	TA00043718A	필터커버(HST)	COVER, FILTER	1		
21	TA00043153B	HST OIL 필터	HST OIL FILTER	1		
21	TA00043153A	HST 유압 필터	FILTER, HST OIL (new)	1		

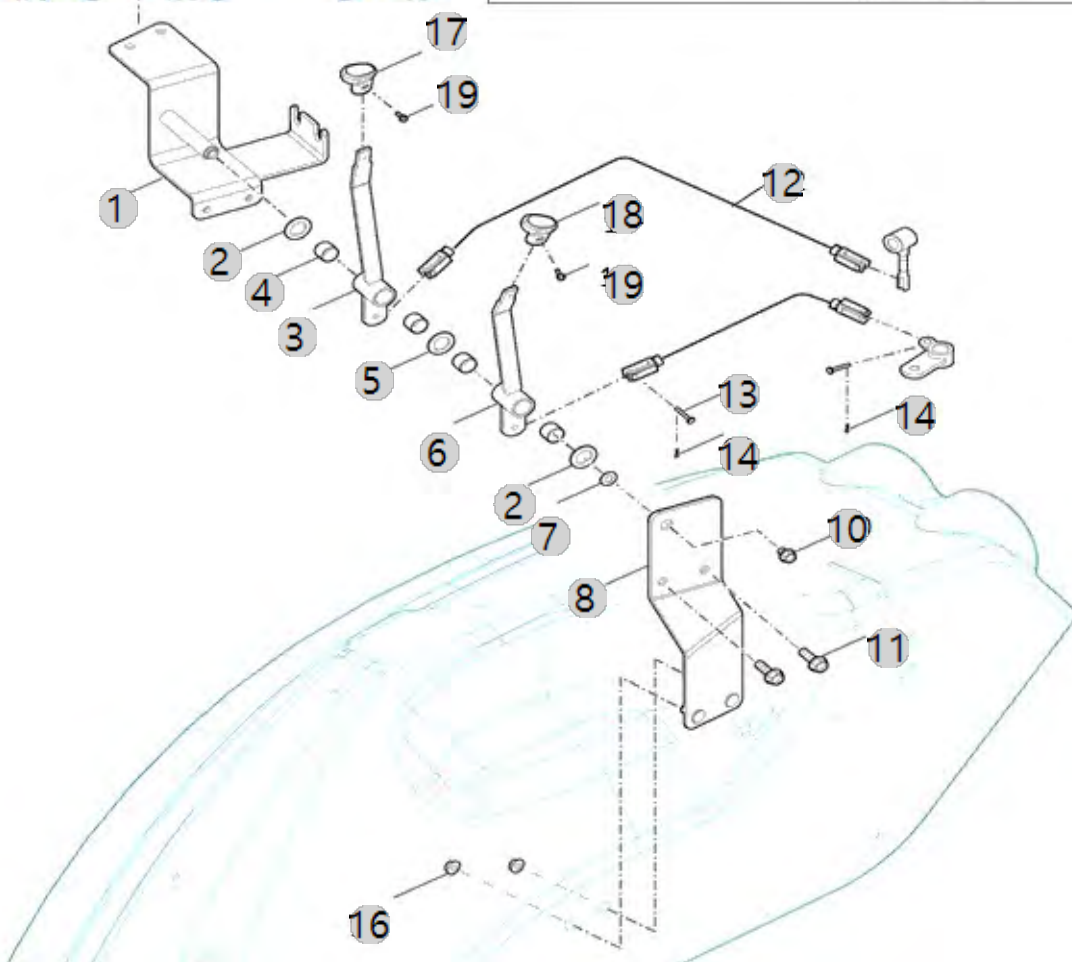
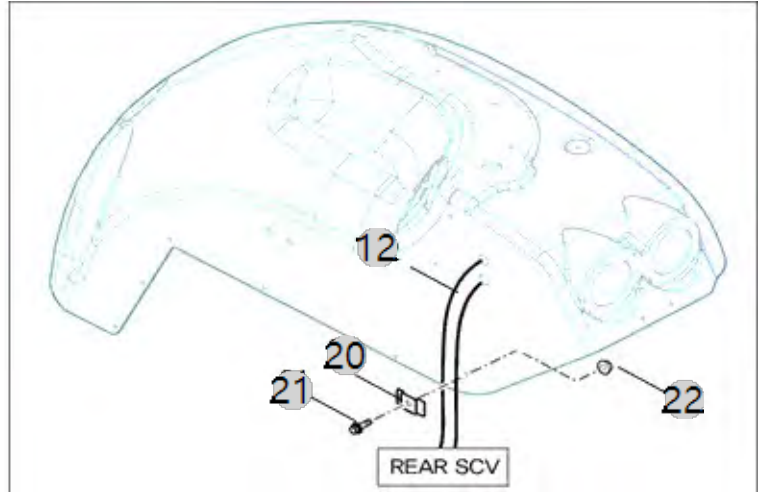
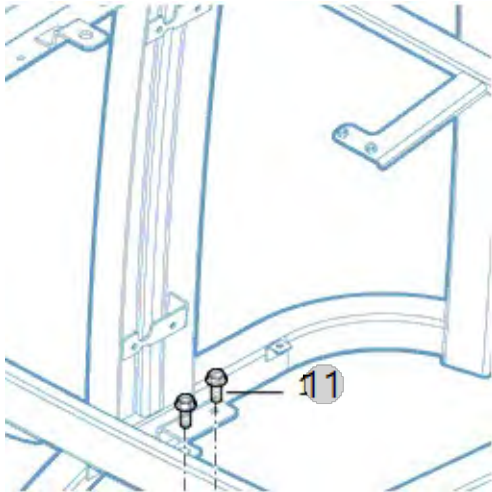
D03060

# REAR SCV LEVER

Year/Month

5520CH(AC02112)

2023-01-18



D03060 5520CH(AC02112)	REAR SCV LEVER	Year/Month
		2023-01-18

순번 (NO)	부품번호 (PART NO)	품명 (PART NAME)	품명 (PART NAME)	수량 (QTY)	규격 (SPEC)	비고 (REMARK)
1	TA00028676A	scv 레버 브래킷 조합	SCV LEVER BRACKET ASS'Y	1		
2	TTB119000A4	플레이트	PLATE	2	3.0T	
3	TA00028682A	SCV 레버 1 조합	SCV LEVER 1 ASS'Y	1		
4	24550-018200	드라이부시	DRY BUSH	4	18X20	
5	TA00045507A	칼라	COLLOR	1		
6	TA00028685A	SCV 레버 2 조합	SCV LEVER 2 ASS'Y	1		
7	TA00028679A	축	SHAFT	1		
8	TA00028680A	SCV 레버 브래킷 A 조합	SCV LEVER BRACKET A ASS'Y	1		
10	26106-080122	육각플랜지볼트	Bolt, Hexa (8-12)	1	M8XP1.25X12	
11	26106-080252	육각플랜지볼트	SCREW,HEXFLANGEHEADCAP	4	M8XP1.25X25	
12	TA00036186A	SCV와이어	WIRE, REAR REMOTE	2		
13	22486-060140	두부핀	PIN, HEAD	4	D6X14	
14	22360-060000	스냅핀	PIN, SNAP (6Φ)	4	D6	
15	TA00015989A	클레비스(SCV)	CLEVIS	2	19X19	
16	26367-080002	259, 육각플랜지너트	HEX FLANGE NUT (Φ8)	2	M8XP1.25	
17	TA00022057A	SCV 1 노브조합	KNOB ASS'Y, SCV 1	1	-	
18	TA00022059A	SCV 2 노브조합	KNOB ASS'Y, SCV 2	1	-	
19	26023-040102	와셔조립납비작은나사(SW+PW)	SCREW W/WASHER	2	M4X10	
20	FB97250000B4	클램프	CLAMP	1		
21	26106-080252	육각플랜지볼트	SCREW,HEXFLANGEHEADCAP	1	M8XP1.25X25	
22	26367-080002	259, 육각플랜지너트	HEX FLANGE NUT (Φ8)	1	M8XP1.25	

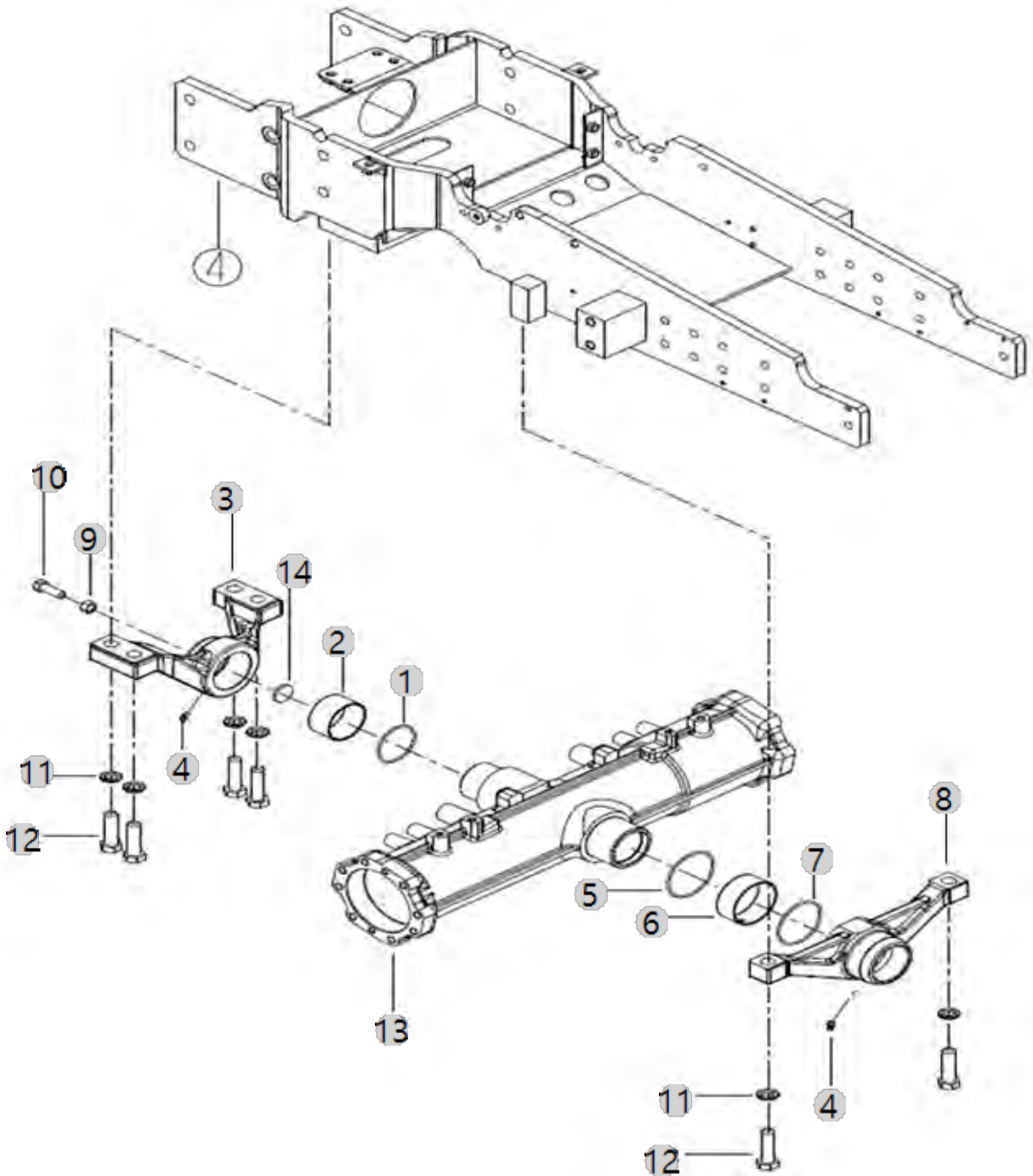
E01010

FRONT AXLE CASE

Year/Month

5520CH(AC02112)

2023-01-18







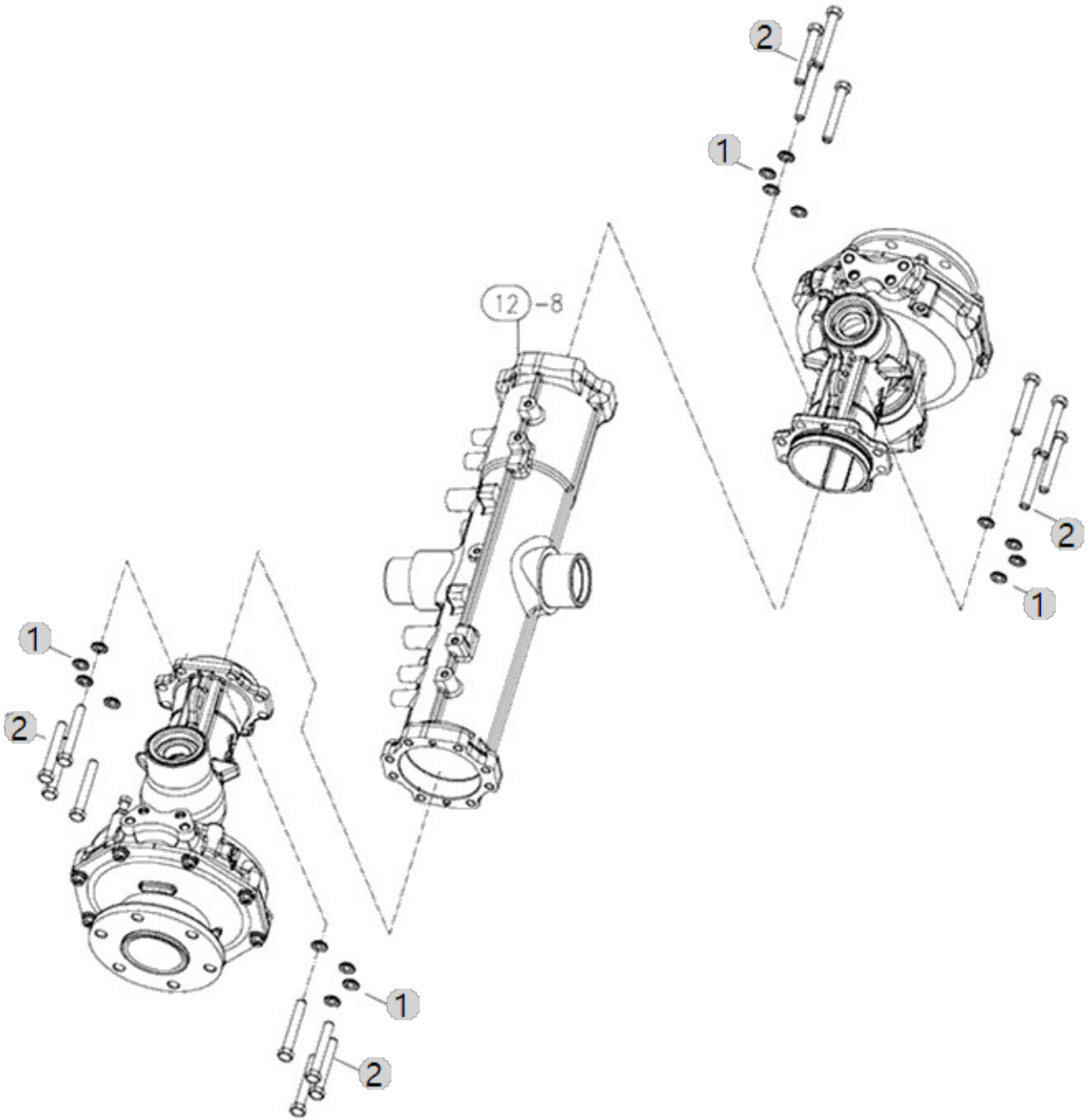
E01013

5520CH(AC02112)

FRONT AXLE CASE/SPACER

Year/Month

2023-01-18





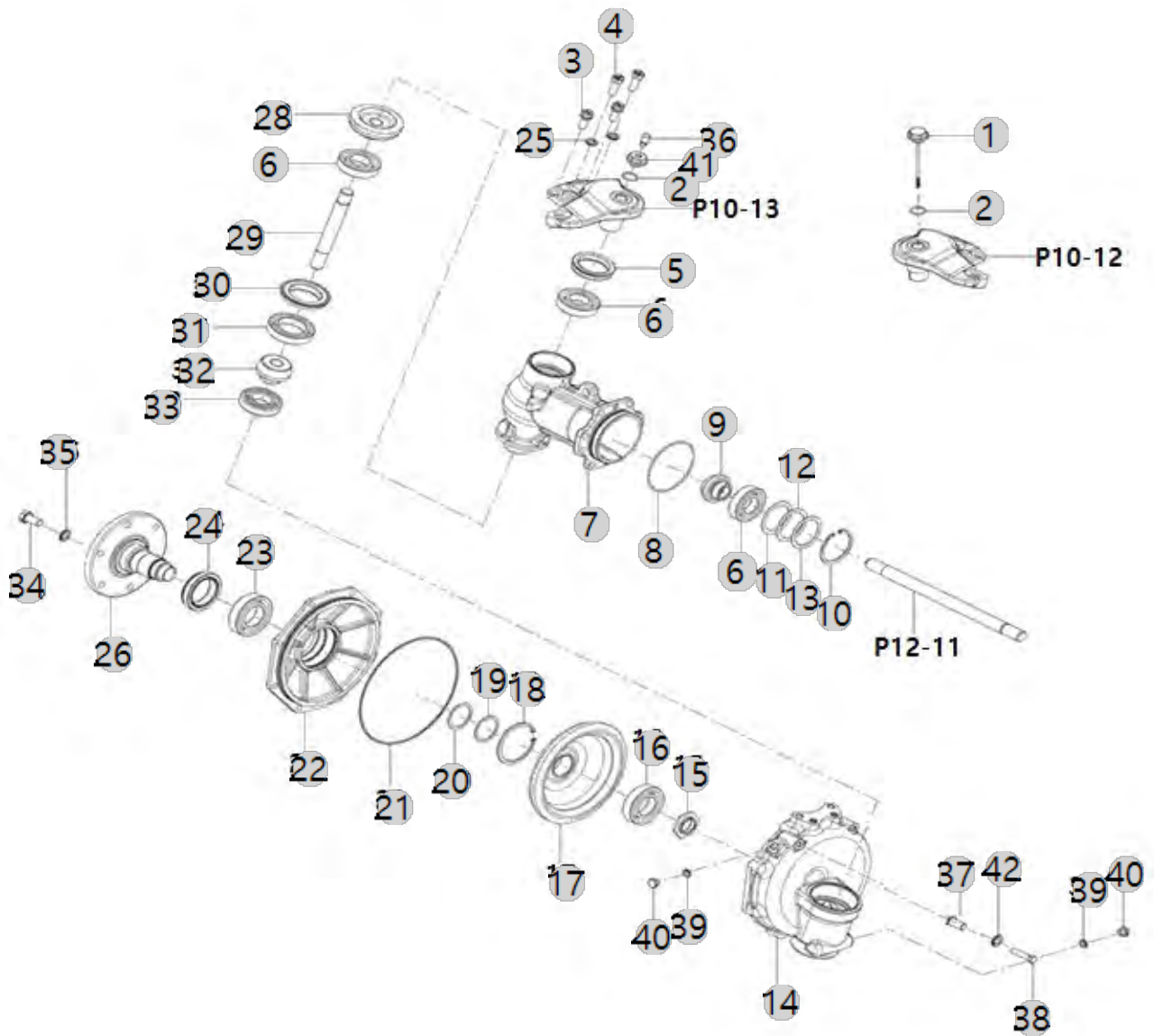
E01030

GEAR CASE, FRONT WHEEL

Year/Month

5520CH(AC02112)

2023-01-18



E01030		GEAR CASE, FRONT WHEEL				Year/Month
5520CH(AC02112)						2023-01-18
순번 (NO)	부품번호 (PART NO)	품명 (PART NAME)	품명 (PART NAME)	수량 (QTY)	규격 (SPEC)	비고 (REMARK)
1	TA00033805A	검유봉	OIL GUAGE	1		
2	24311-000220	O-RING1AP-22.0	O-RING, DYNAMIC (Φ22)	2	1A P22.0	
3	TA00033468C	와셔조립육각볼트	BOLT W/ WASHER	4		
4	TA00033475B	리머볼트	SPACER	4		
5	FE78010000B	오일실 (특수) 55x72x13.5	OIL SEAL (55X72X13.5)	2	55X72X13.5	
6	24101-062074	볼베어링6207	BALL BEARING (#6207)	6	#6207	
7	TA00048728A	프런트기어케이스(20)	CASE, FRONT GEAR	2		
8	24321-001050	O-링	O-RING	2		
9	TA00033461B	전1축피니언9T	PINION, FRONT 1ST SHAFT	2		
9	TA00033461A	전1축피니언9T	PINION, FRONT 1ST SHAFT	2		
10	22252-000720	구멍용스냅링72	RING, CIRCLIP (Φ 72)	2	D72	
11	TA00033489A	심 0.2T	SHIM 0.2T	2		
12	TA00033488A	심 0.3T	SHIM 0.3T	2		
13	TA00033487A	심 0.5T	SHIM 0.5T	2		
14	TA00033458C	프런트기어박스	GEAR BOX, FRONT	2		
14	TA00033458B	프런트기어박스	GEAR BOX, FRONT	2		
15	TA00033481A	로크너트	LOCK NUT	2		
16	24101-062084	볼베어링6208	Bearing, Ball (#6208)	2	#6208	
17	TA00033474A	베벨기어 49T	GEAR, BEVEL 49T	2		
18	22252-000850	써클립85H	RING, CIRCLIP (Φ 85)	2		
19	TA00033486A	심 0.2T	SHIM 0.2T	1		
20	TA00033485A	심 0.5T	SHIM 0.5T	1		
21	TA00033939A	O링	O RING	2		
22	TA00033459C	프런트베어링케이스	BEARING CASE, FRONT	2		
22	TA00033459B	프런트베어링케이스	BEARING CASE, FRONT	1		
23	24101-062094	볼베어링6209	BALL BEARING (#6209)	2	#6209	
24	TA00041352A	오일실	OILSEAL (AO26 TYPE)	2		
25	22217-120000	스프링와셔	WASHER, SPRING (Φ 12)	2	M12	
26	TA00033460C	프런트스핀들	SPINDLE, FRONT	2		
26	TA00033460E	프런트스핀들	SPINDLE, FRONT	2		
26	TA00033460B	프런트스핀들	SPINDLE, FRONT	2		
26	TA00033460D	프런트스핀들	SPINDLE, FRONT	2		
27	TA00033469B	와셔조립육각볼트	BOLT W/ WASHER	16		
28	TA00033463A	전2축기어	FRONT 2ND AXLE LH	2		
29	TA00033464A	전2축	FRONT 2ND SHAFT	2		
30	TC60110000A3	오일실(AJ)	SEAL, OIL	2		
31	24101-060104	볼베어링6010	Bearing, Ball (#6010)	2	#6010	
32	TA00033473A	베벨기어 11T	GEAR, BEVEL 11T	2		
33	TT63050000A4	베어링TMB207	BEARING	2	TMB207	
34	TD23120000B4	프런트 허브 볼트(M14X28)	BOLT	12	M14XP1.5	
35	22217-140000	스프링와셔14	WASHER, SPRING (Φ 14)	12	M14	
36	TA00049842B	에어브리더(STEEL)	AIR BREATHER	1		
36	TA00049842A	에어브리더(STEEL)	AIR BREATHER	1		
37	TA00058614A	스톱퍼(35.5)	STOPPER(35.5)	2		
38	26112-100502	SUB TO 26116-100502	SUB TO 26116-100502	2		



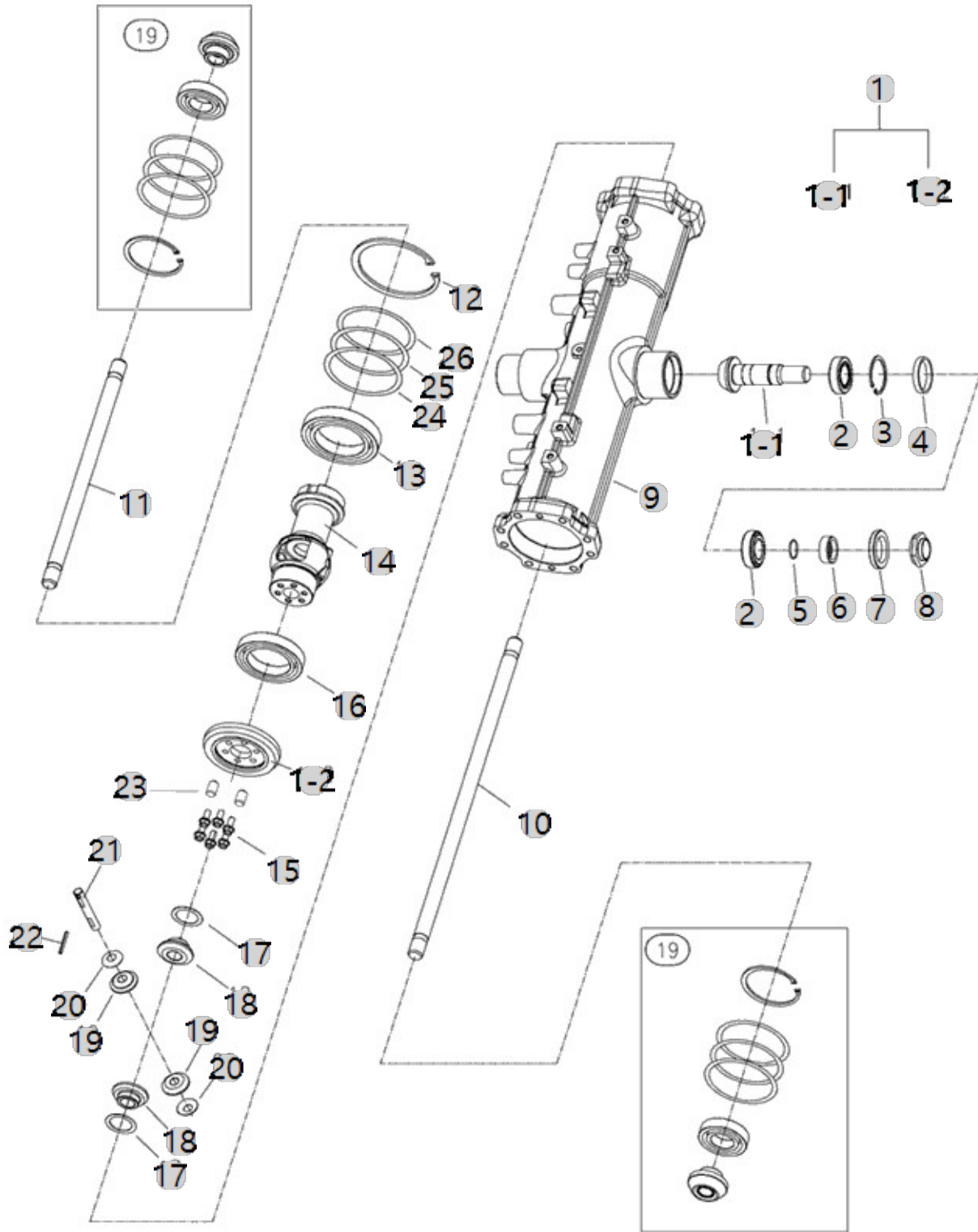
E01071

5520CH(AC02112)

# FRONT 1ST SHAFT

Year/Month

2023-01-18





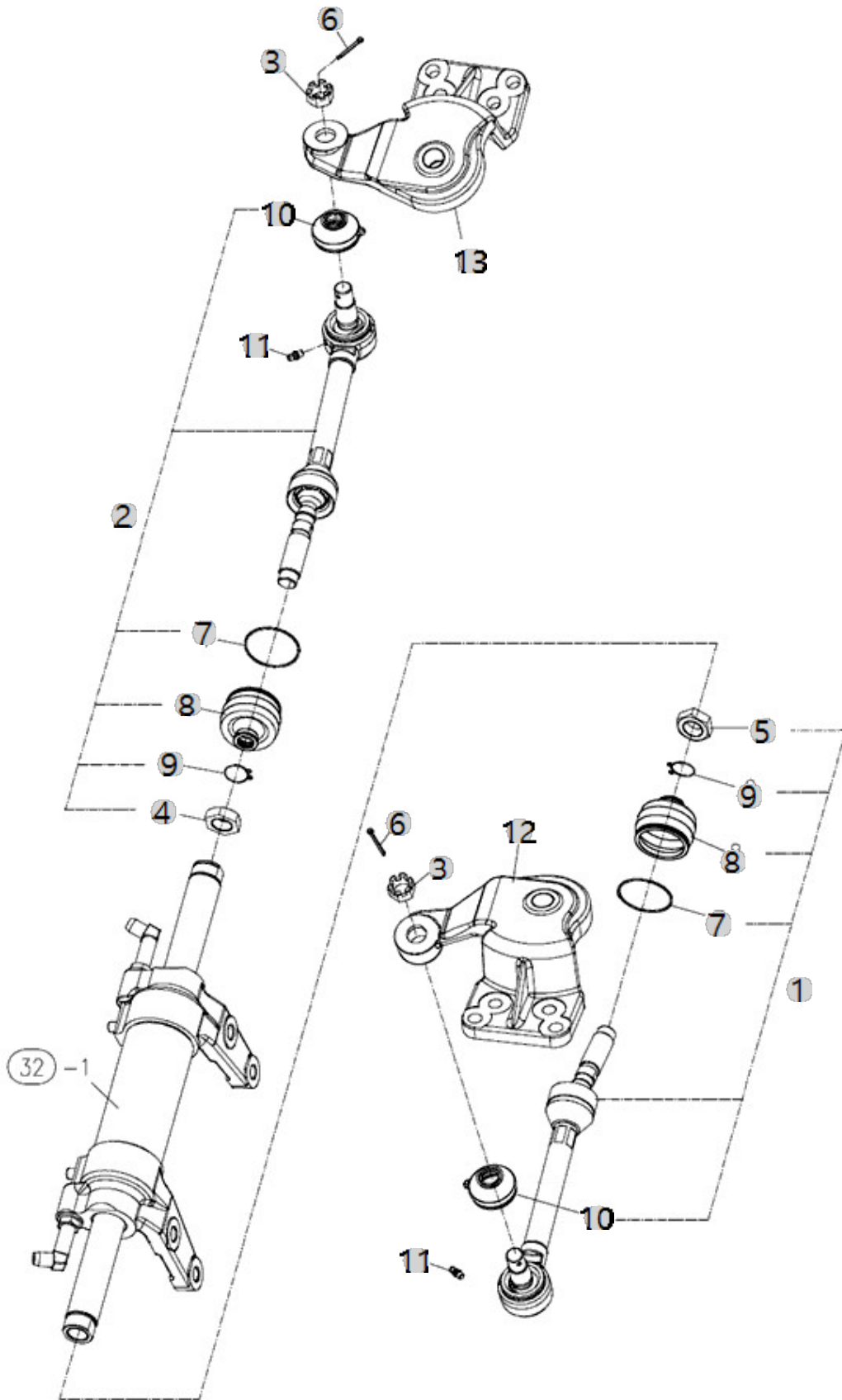
E01080

5520CH(AC02112)

TIE ROD

Year/Month

2023-01-18







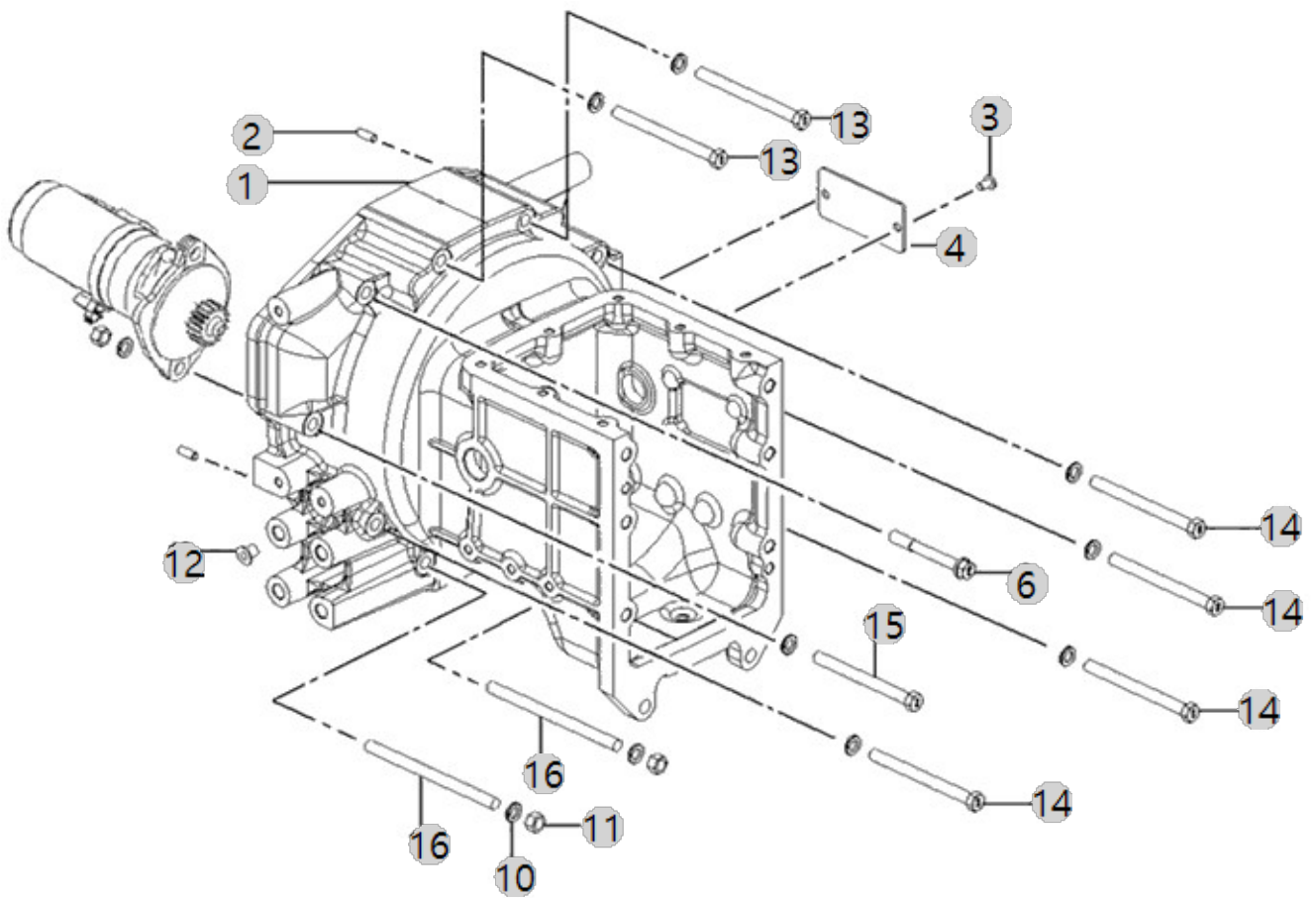
F01011

20CH TM(US)  
\_RANGE4(AC01737)

# FLY WHEEL HOUSING

Year/Month

2023-01-18



F01011 20CH TM(US) _RANGE4(AC01737)	FLY WHEEL HOUSING	Year/Month
		2023-01-18

순번 (NO)	부품번호 (PART NO)	품 명 (PART NAME)	품 명 (PART NAME)	수량 (QTY)	규격 (SPEC)	비고 (REMARK)
1	TA00000502F	플라이 휠 하우스	FLY WHEEL HOUSING	1	NONE	
1	TA00000502G	플라이 휠 하우스	FLY WHEEL HOUSING	1	NONE	
2	22312-080180	평행핀	PIN, DOWEL (8-18)	2	D8X18	
3	26013-080162	와셔조립육각볼트(+SW)	Bolt, Hexa (8-16)	2	M8XP1.25X16	
4	TA00044885B	스프링 브래킷	SPRING BRACKET	1		
6	FB36380000B4	와셔조립육각볼트(+SW)	HEX BOLT WITH WASHER	1	M12XP1.75X1	
10	22217-120000	스프링와셔	WASHER, SPRING (Φ 12)	10	M12	
11	26716-120002	295,ALL,육각너트	HEXA NUT295	5	M12X1.75	
12	FB08090000A4	플러그15	PLUG	8		
13	TZ3605Y000B3	볼트 M12xP1.75x140	BOLT	2	M12XP1.75X1	
14	TZ3605H000B3	볼트M12XP1.75X135	BOLT	4	M12XP1.75X1	
15	TZ3622Y000B3	볼트M12XP1.75X110	BOLT.M12*110	1	M12XP1.75X1	
16	TZ3606Y000B4	심음볼트 M12xP1.75x160	STUD	2	M12XP1.75X1	

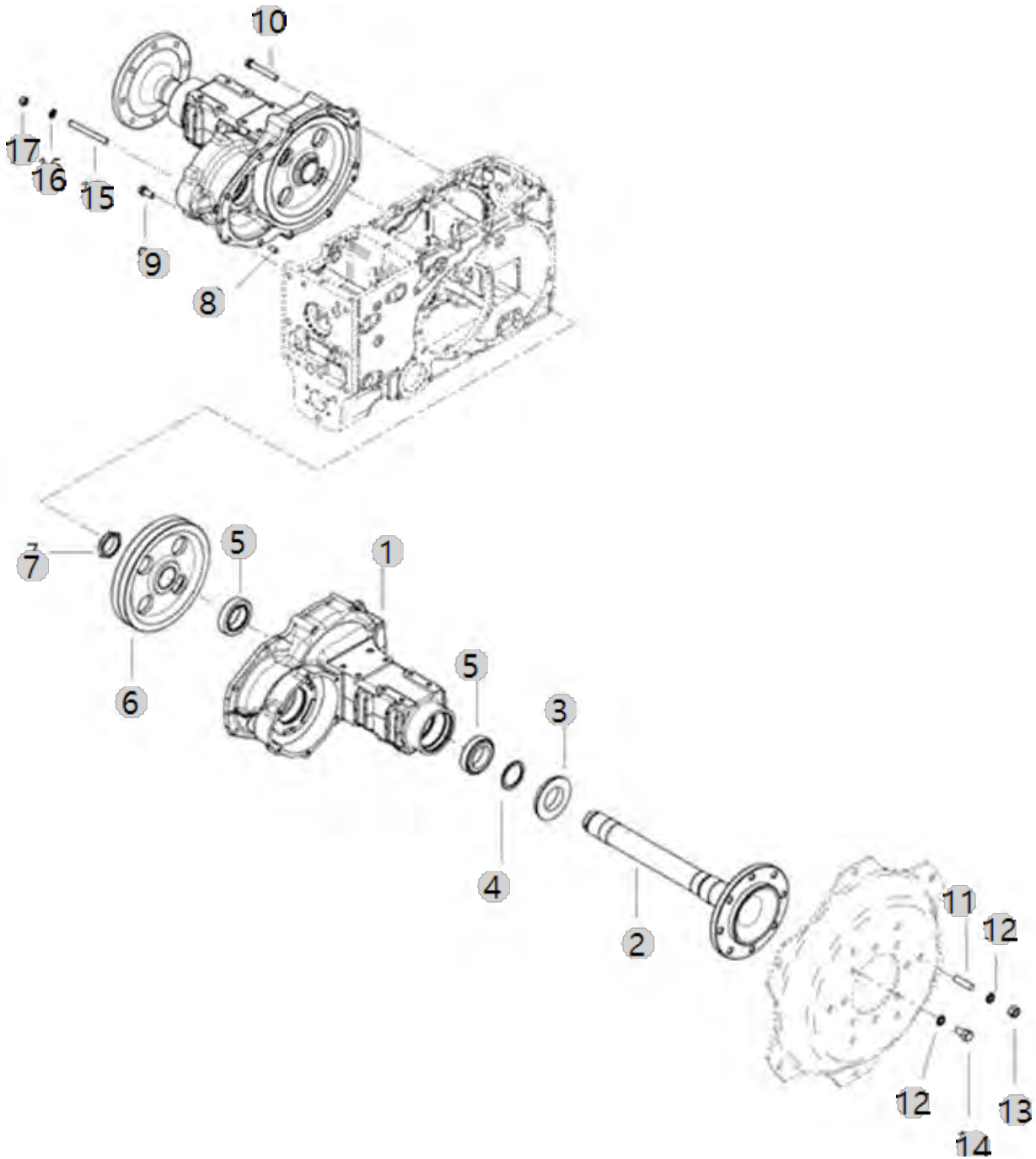
F01030

20CH TM(US)  
\_RANGE4(AC01737)

REAR AXLE HOUSING

Year/Month

2023-01-18



F01030 20CH TM(US) _RANGE4(AC01737)	REAR AXLE HOUSING		Year/Month
			2023-01-18

순번 (NO)	부품번호 (PART NO)	품명 (PART NAME)	품명 (PART NAME)	수량 (QTY)	규격 (SPEC)	비고 (REMARK)
1	TA00032604E	후차축 하우징(좌)	REAR HOUSING	2		
2	TA00032595B	후차축	SHAFT	2		
3	TA00033423A	오일실(후차축)	SEAL, OIL (REAR AXLE)	2		
4	TA00033424A	간격판(후차축)	SPACER, REAR AXLE	2		
5	24141-320110	테이퍼롤러베어링	BEARING	4	NONE	
6	TA00032602A	후차축 기어LH	GEAR(L)	1		
6	TA00033829A	후차축기어 RH	GEAR R, REAR AXLE	1		
7	TA00032594C	락너트(K5,DYNAQ)	ROCK NUT	2		
8	22312-100180	평행핀	PIN, DOWEL (10-18)	4	D10X18	
9	26013-120302	와셔조립육각볼트(+SW)	HEX BOLT W/WASHER	8	M12XP1.75X3	
10	26013-120852	와셔조립육각볼트	BOLT	12		
11	TT85150000B4	심음볼트	BOLT	4	M14XP1.5	
12	TB29430000B4	와셔	WASHER	16		
13	TB29420000B4	너트	NUT M14	4	육각22X20	
14	TB29440000B4	육각볼트	BOLTM14X35	12	M14X35	
15	26216-120902	심음보울트12X90	STUD BOLT	4	M12X90	
16	22217-120000	스프링와셔	WASHER, SPRING (Φ 12)	4	M12	
17	26716-120002	295,ALL,육각너트	HEXA NUT295	4	M12X1.75	

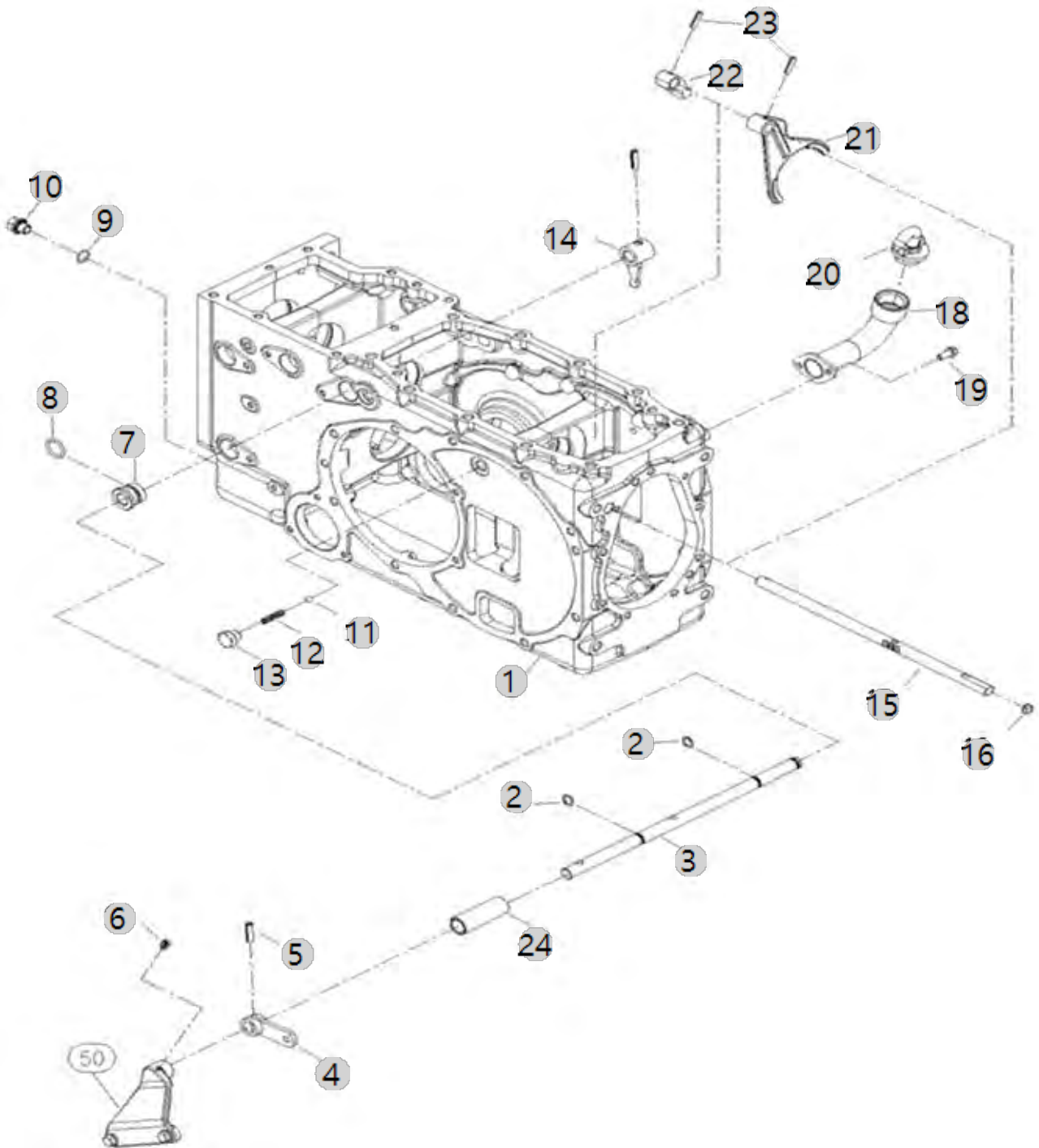
F01040

20CH TM(US)  
\_RANGE4(AC01737)

REAR AXLE CASE

Year/Month

2023-01-18



<b>F01040</b> 20CH TM(US) _RANGE4(AC01737)	<b>REAR AXLE CASE</b>	Year/Month
		2023-01-18

순번 (NO)	부품번호 (PART NO)	품명 (PART NAME)	품명 (PART NAME)	수량 (QTY)	규격 (SPEC)	비고 (REMARK)
1	TA00054685C	후차축케이스(4단)	REAR CASE(4SHIFT)	1		
2	TN46180000A4	O-링	O-RING	2		
3	TA00019204A	PTO변속레버축	SHAFT PTO SHIFT LEVER	1	D17	
4	TA00046939B	PTO 변속 레버	LAVER, PTO	1		
5	22351-080030	스프링핀	PIN, SPRING (8-30)	2		
6	TN46380000A4	그리스니플	GREASENIPPLE	1		
7	TA00019206A	변속축 홀더	HOLDER	1	D34	
8	24311-000240	O-RING495-24	O-RING, DYNAMIC (Φ24)	1	1A P24.0	
9	TA00036405A	본디드실(M20)	BONDED SEAL	1		
10	TA00065959A	마그넷 플러그	PLUG, MAGNET	1		
11	24190-100001	강구5/16	Ball, Steel (5/16)	1	5/16"	
12	TA00048409B	포크 스프링	SPRING, FORK	1		
13	TN46330000C4	볼트(PTO포크축)	BOLT	1	M16X15	
14	TN46160000A4	PTO시프터아암	ARM, SHIFTER	1		
15	NT46750000A3	PTO변속포크축	FORK SHAFT, PTO SHIFT	1		
16	27260-150000	시일캡 D15	Cap, Seal (d=15mm)	2	D15	
18	NT46420000C3	오일주입구	OILINTAKEASSY	1		
19	26013-080202	와셔조립육각볼트(+SW)	Bolt, Hexa (8-20)	2	M8XP1.25X20	
20	FT80370000A4	주유구캡	CAP,INTAKE	1		
21	NT46100000C3	PTO변속포크3단	SHAFT,P.T.OFORK3-	1		
22	TN46110000A4	시프터보스(3-4)	SHIFTER	1		
23	22351-060025	SPRINGPIN6X25	PIN, SPRING (6-25)	2	D6X25	
24	TA00019205A	칼라	COLLAR	1	D27.2X5T	

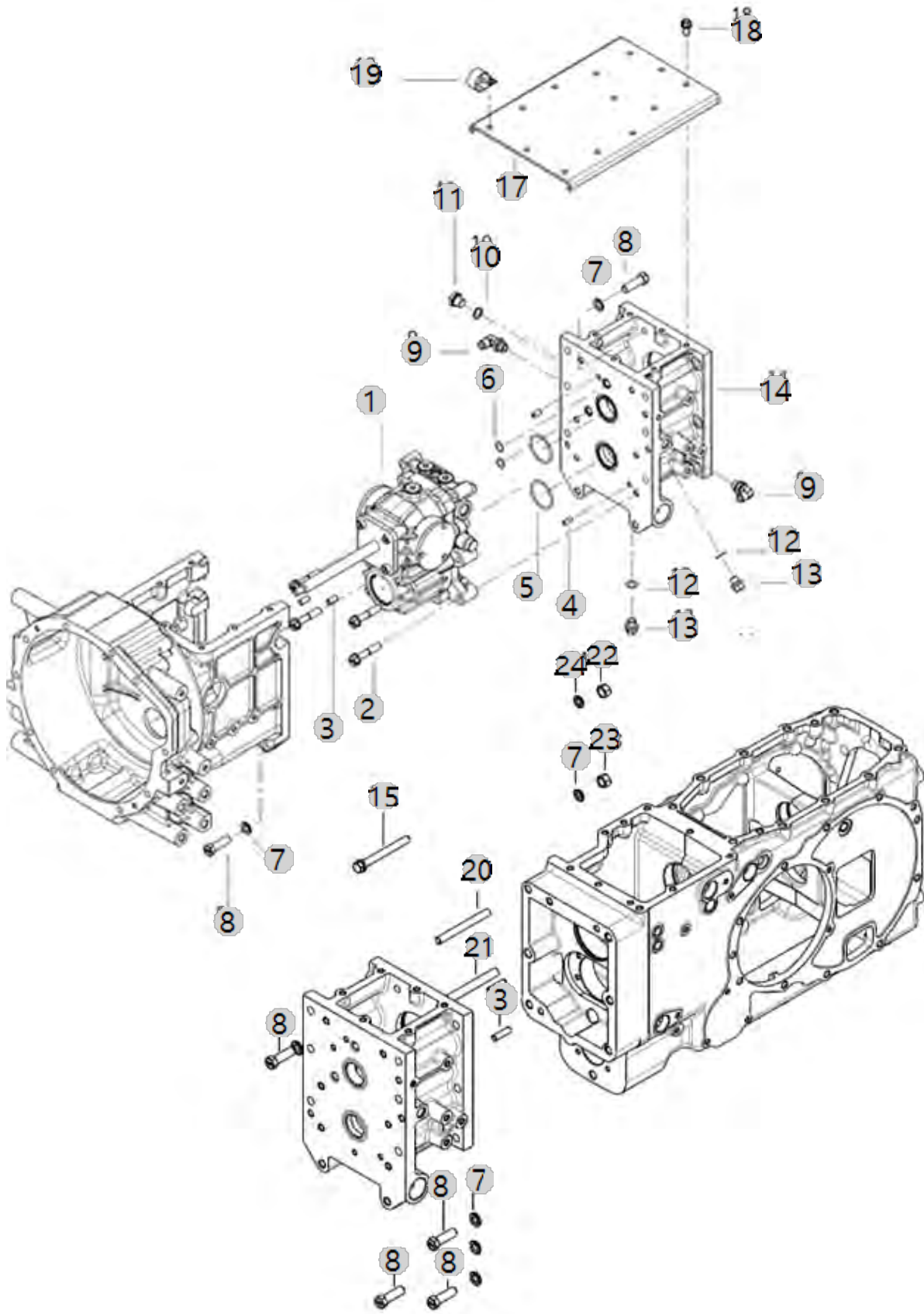
F01050

20CH TM(US)  
\_RANGE4(AC01737)

HYD SHIFT TRANSMISSION HOUSING

Year/Month

2023-01-18







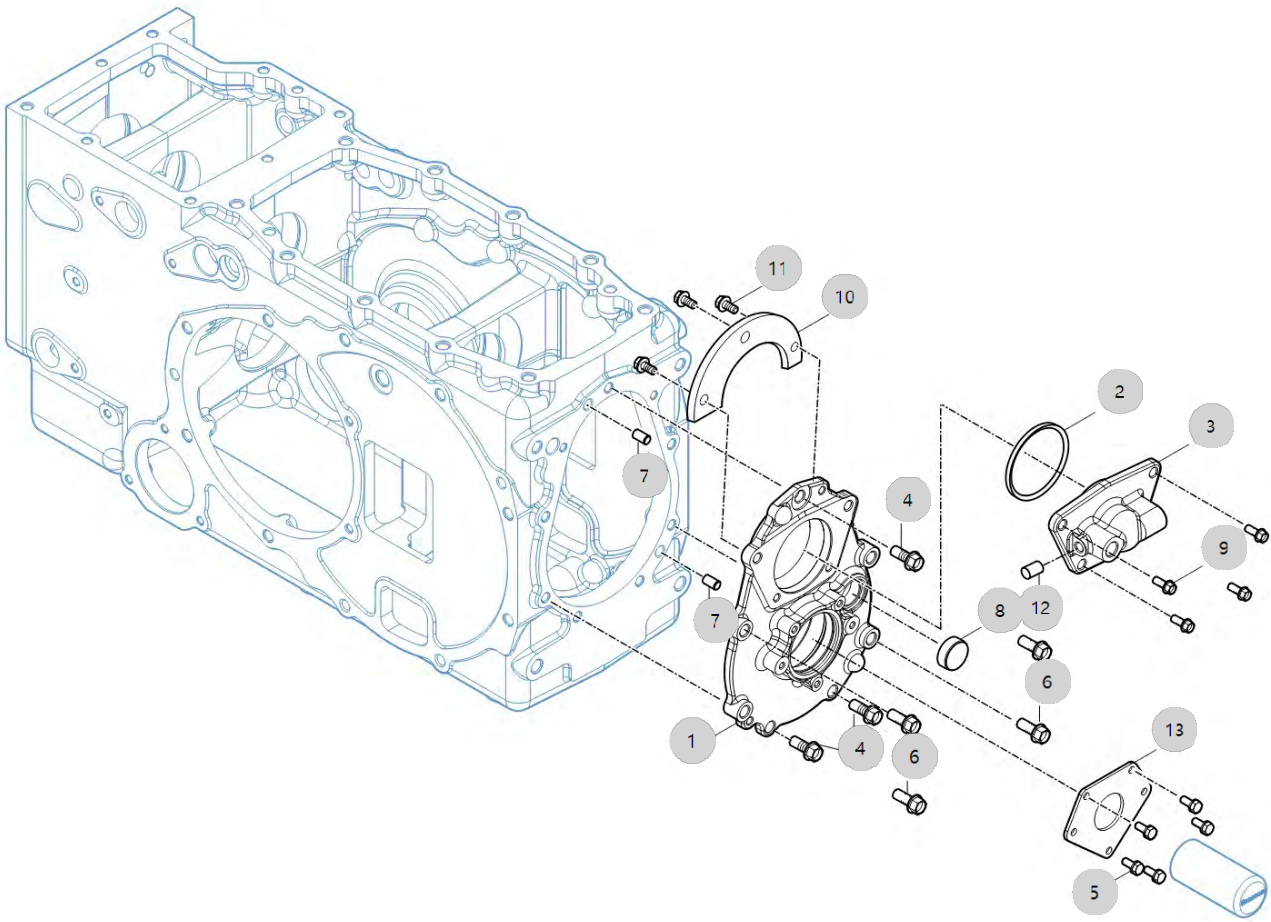
F01060

20CH TM(US)  
\_RANGE4(AC01737)

PTO COVER

Year/Month

2023-01-18





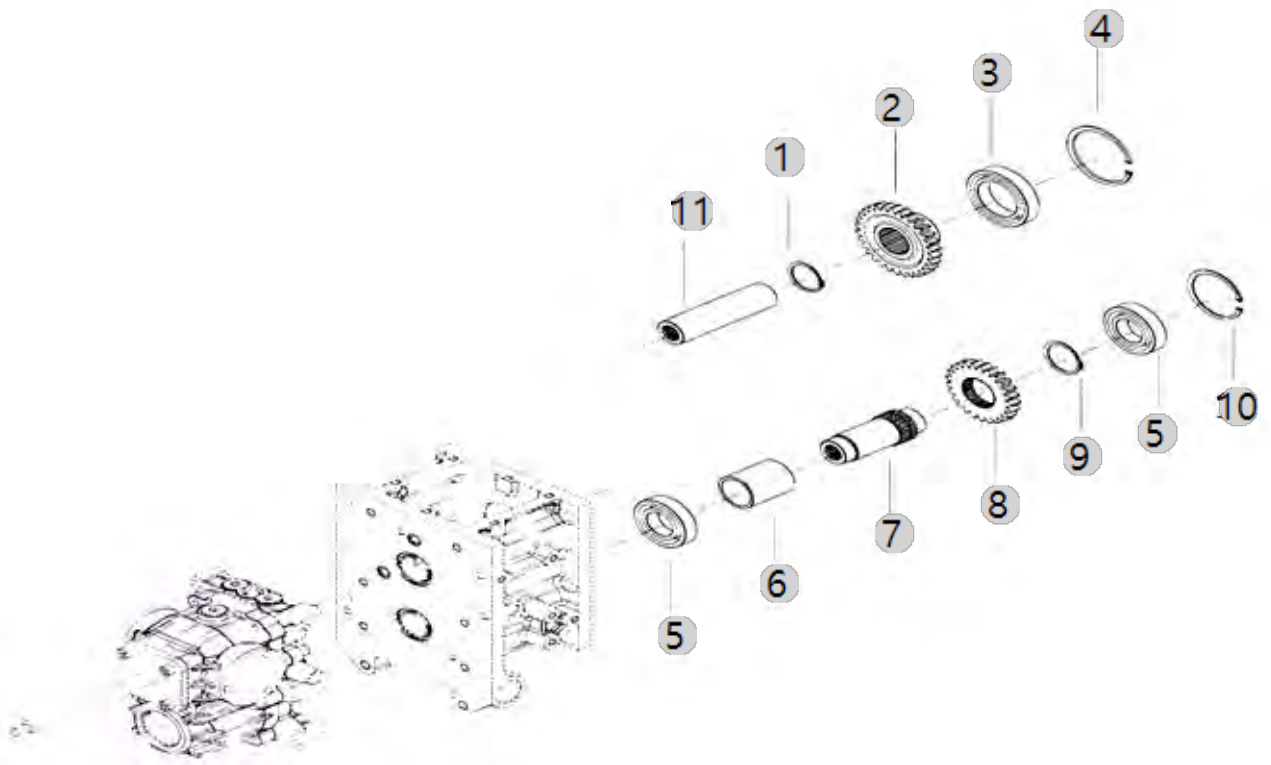
F03030

20CH TM(US)  
\_RANGE4(AC01737)

### HYD SHIFT TRANSMISSION GEAR

Year/Month

2023-01-18





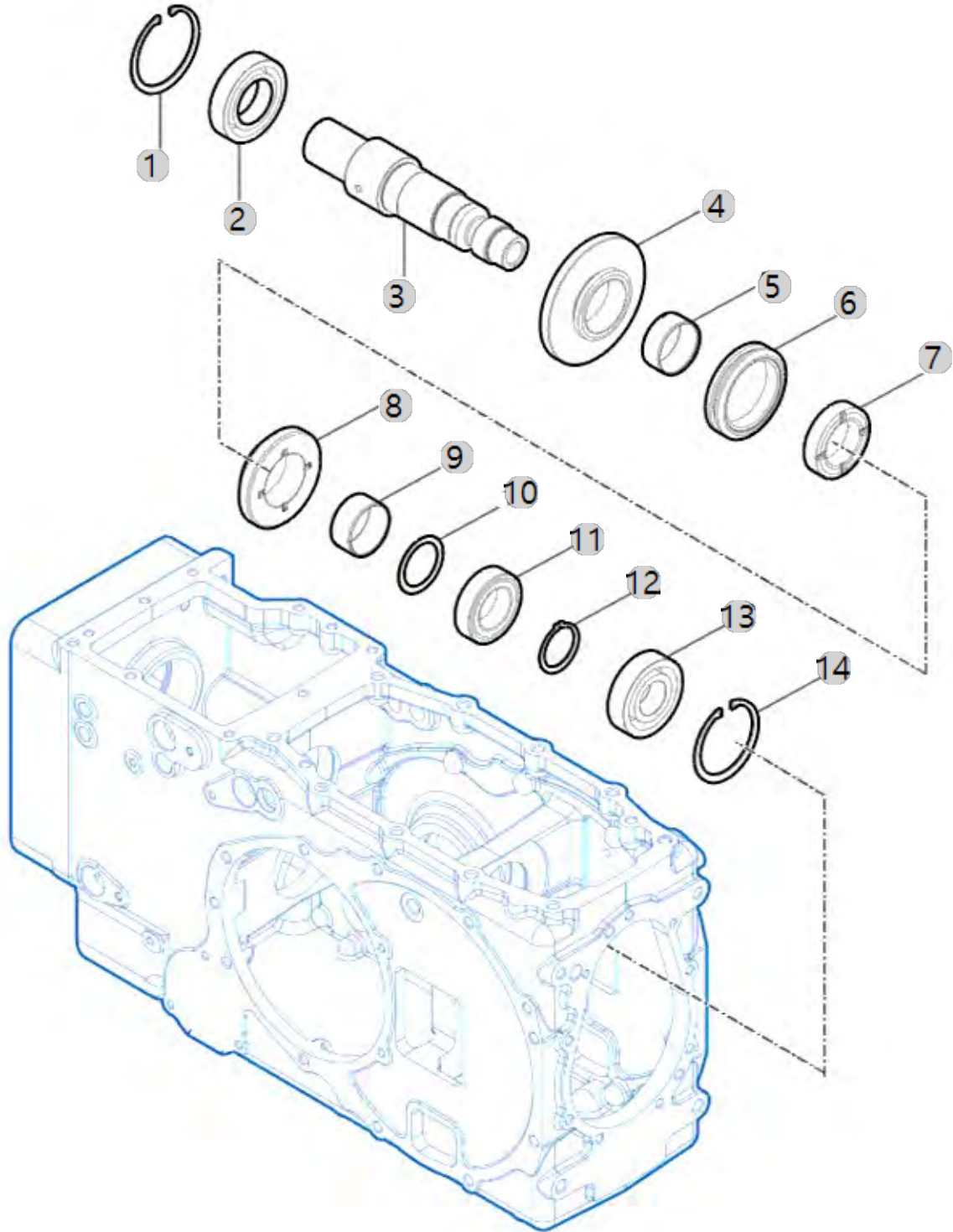
F03040

20CH TM(US)  
\_RANGE4(AC01737)

### RANGE SHIFT DRIVE SHAFT

Year/Month

2023-01-18





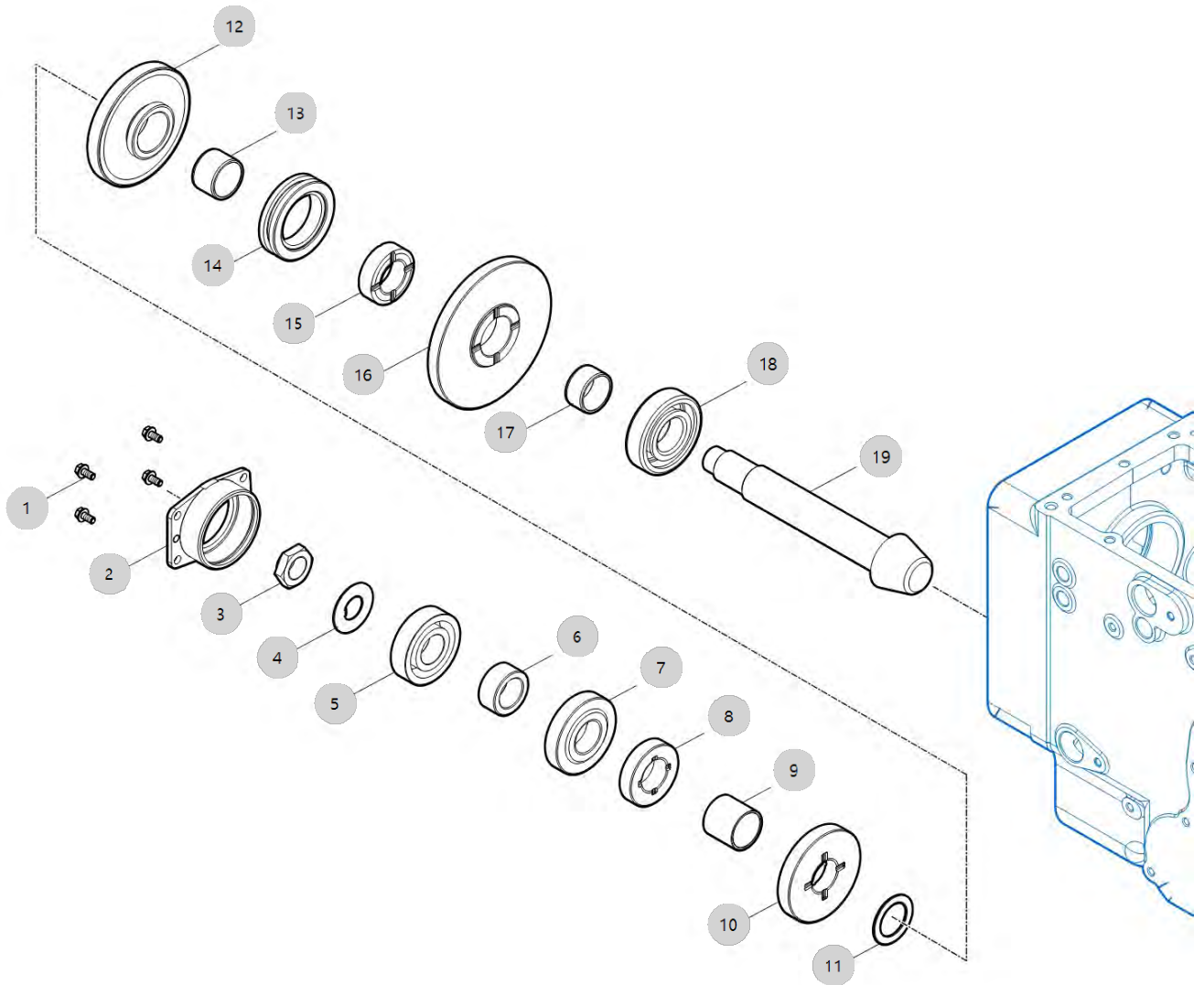
F03050

20CH TM(US)  
\_RANGE4(AC01737)

RANGE SHIFT DRIVEN SHAFT

Year/Month

2023-01-18





F03050		RANGE SHIFT DRIVEN SHAFT				Year/Month
20CH TM(US) _RANGE4(AC01737)						2023-01-18
순번 (NO)	부품번호 (PART NO)	품명 (PART NAME)	품명 (PART NAME)	수량 (QTY)	규격 (SPEC)	비고 (REMARK)
1	26013-080202	와셔조립육각볼트(+SW)	Bolt, Hexa (8-20)	4	M8XP1.25X20	
2	TN43150000A3	베어링케이스	CASEBEARING	1		
3	TN43110000B4	로크너트	LOCKNUT	1	M24X2.0	
4	TT57020000A4	턱볼이와셔	WASHER	1	T1.2	
5	24101-063064	볼베어링6306	Bearing, Ball (#6306)	1	#6306	DEL.20220323
6	TA00054917A	칼라	COLLOR	1		
7	TA00054528A	전륜구동기어	4WD_DRIVE_GEAR	1		
8	TA00054481A	부변속4단피동기어	SUB SHIFT 4TH DRIVEN GEAR	1		
9	TA00054484A	스페이서	SPACER	1		
10	TA00054480A	부변속3단피동기어	SUB SHIFT 3RD DRIVEN GEAR	1		
11	TA00054483B	칼라	COLLOR	1		
12	TA00054479D	부변속2단피동기어	SUB SHIFT 2ND DRIVEN GEAR	1		
13	TA00054482B	부시	BUSH	1		
14	TA00054486D	슬리브	SLEEVE(1-2)	1		
15	TA00054485B	허브(1-2단)	HUB(1-2)	1		
16	TA00054478D	부변속1단피동기어	SUB SHIFT 1ST DRIVEN GEAR	1		
17	TA00054920B	부시(1단)	BUSH 1	1		
18	TT78020000A3	베어링NJ307R	BEARINGNJ307R	1	NJ307R	
19	TA00054487B	카운터축	COUNTER SHAFT	1		

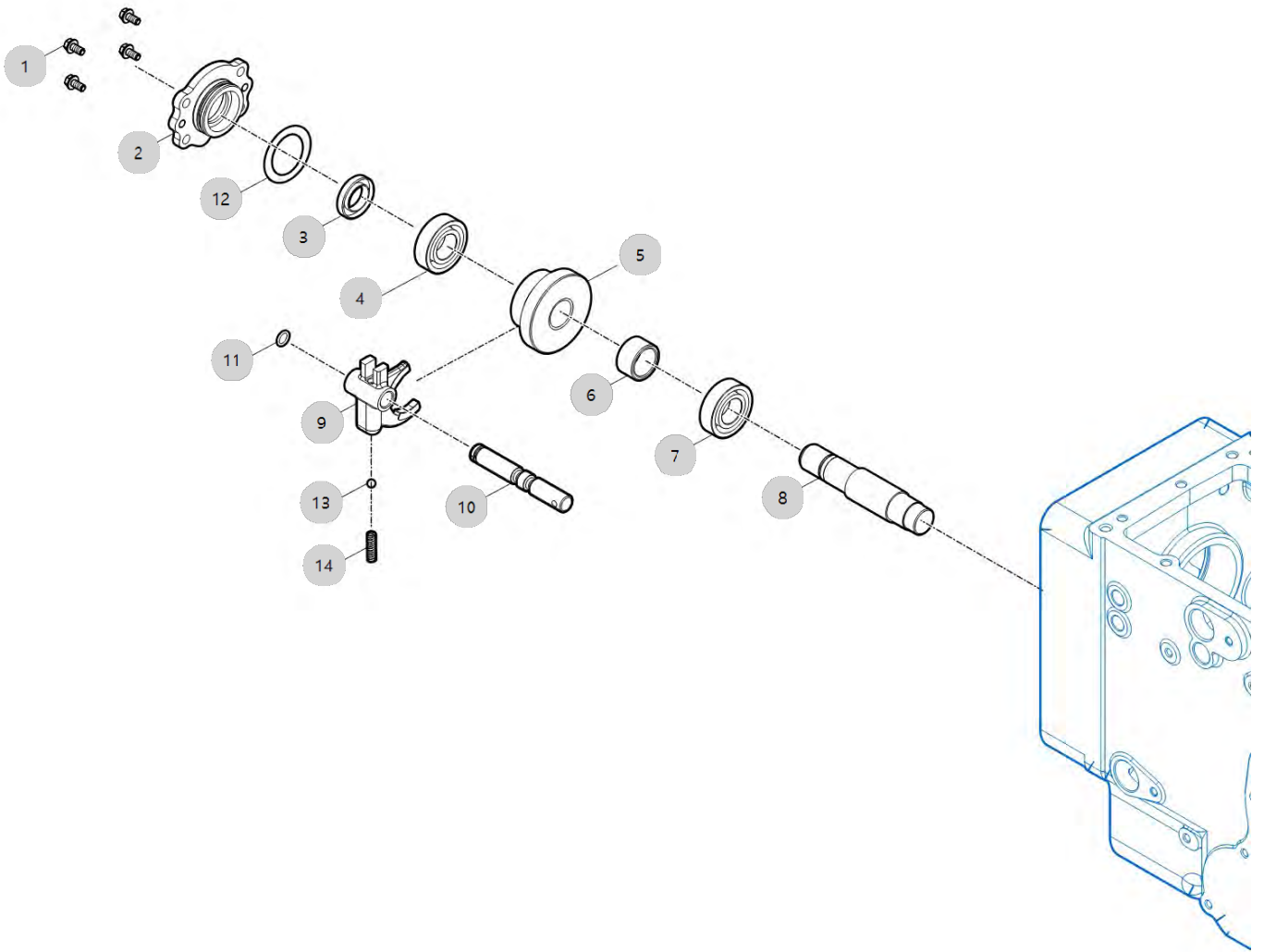
F04010

20CH TM(US)  
\_RANGE4(AC01737)

# FRONT WHEEL DRIVE SHAFT

Year/Month

2023-01-18





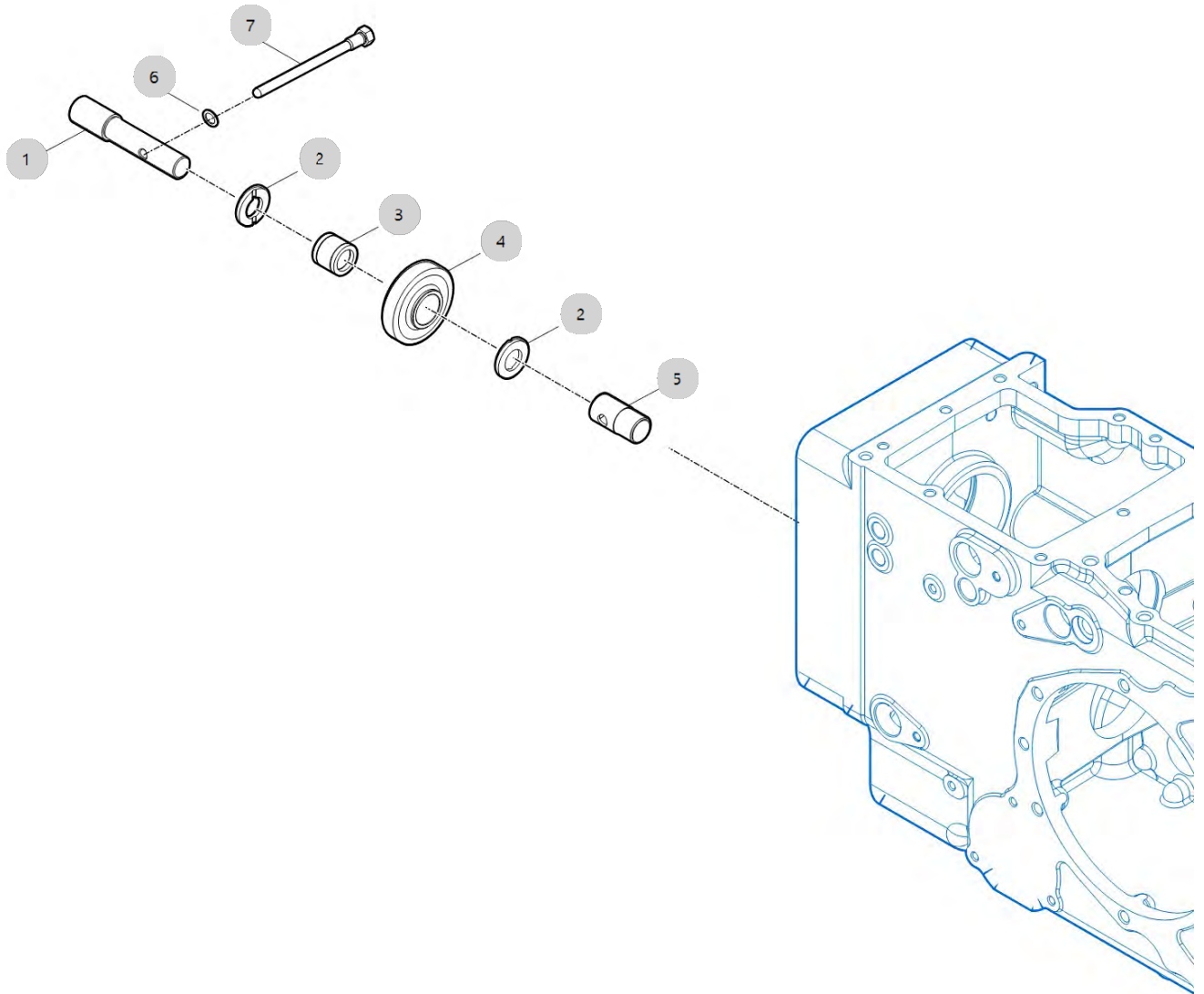
F04030

20CH TM(US)  
\_RANGE4(AC01737)

### FRONT WHEEL DRIVE IDLE SHAFT

Year/Month

2023-01-18





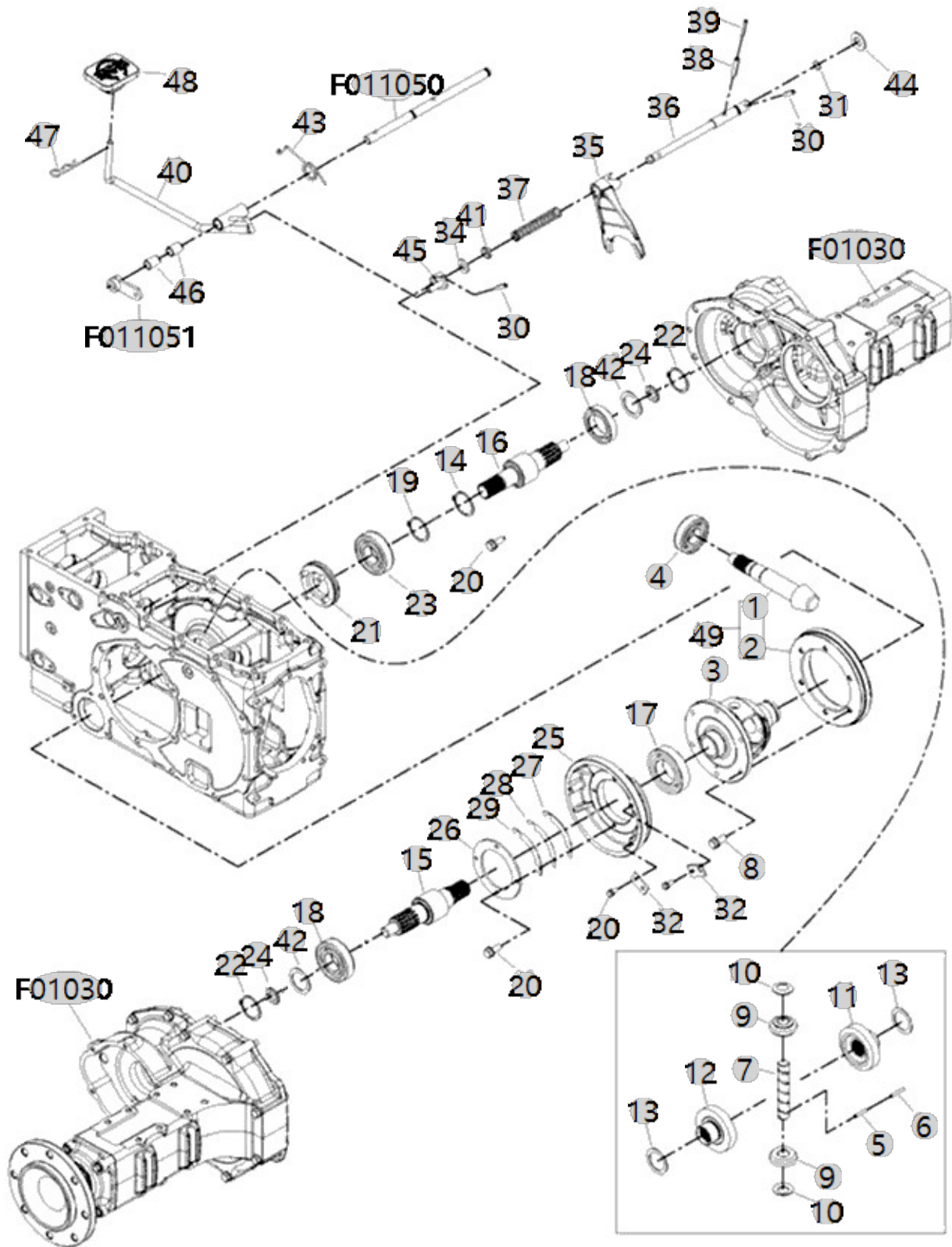
F05020

20CH TM(US)  
\_RANGE4(AC01737)

DIFFERENTIAL ASS'Y

Year/Month

2023-01-18



F05020 20CH TM(US) _RANGE4(AC01737)		DIFFERENTIAL ASS'Y				Year/Month
						2023-01-18
순번 (NO)	부품번호 (PART NO)	품명 (PART NAME)	품명 (PART NAME)	수량 (QTY)	규격 (SPEC)	비고 (REMARK)
1	TA00054487C	카운터축	COUNTER SHAFT	1		
2	TN49520000D2	링기어	RINGGEAR	1		
3	TN49030000E2	차동케이스	CASE,DIFFERENTIAL	1		
4	TT78020000A3	베어링NJ307R	BEARINGNJ307R	1	NJ307R	DEL.20220323
5	22312-060360	평행핀	PIN, DOWEL (6-36)	1	D6X36	
6	22351-060032	스프링핀	PIN, SPRING (6-32)	1	D6X32	
7	TF64080000A4	피니언축	PINIONSHAFT	1		
8	TF64090000B4	볼트	BOLT	6		
9	TF64100000B3	차동피니언	PINION	2		
10	TF64110000A4	피니언라이너	PINIONLINER	2	T1.0	
11	TF64120000A3	차동사이드기어(A)	DIFF.SIDEGEAR(A)	1		
12	TF64130000A3	차동사이드기어(B)	DIFF.SIDEGEAR(B)	1		
13	TF64140000B4	사이드기어라이너	SIDEGEARLINER	2		
14	22252-000800	구멍용스냅링80	RING, CIRCLIP (Φ 80)	1	D80	
15	TA00032603E	파이널 피니언(좌)	FINAL PINION(L)	1		
16	TA00032596E	파이널 피니언(우)	FINAL PINION(R)	1		
17	24101-062114	볼베어링6211	Bearing, Ball (#6211)	1	#6211	
18	TF64190000A4	베어링6308HL1	BALL BEARING (#6308HL1) -> TF64190000A3	2	NJ307R	DEL.20220323
19	22242-000500	축용스냅링50	SNAP RING, SHAFT (Φ50)	1	D50	
20	26013-080202	와셔조립육각볼트(+SW)	Bolt, Hexa (8-20)	4	M8XP1.25X20	
21	TF64250000B3	데프록스러스트	THRUST, DIFF-LOCK ASSY	1		
22	22252-000900	구멍용스냅링90	RING, CIRCLIP (Φ 90)	2	D90	
23	24101-060104	볼베어링6010	Bearing, Ball (#6010)	1	#6010	
24	22242-000400	축용스냅링40	SNAP RING, SHAFT (Φ 40)	2	D40	
25	TN49550000B2	캐리어	CARRIOR	1		
26	TN49590000A4	리테이너	RETAINER	1		
27	TZ49560000A4	심A(0.5)	SHIMA	3		
28	TZ49570000A4	심B(0.3)	SHIMB	3		
29	TZ49580000A4	심C(0.1)	SHIMC	2		
30	22351-080032	스프링핀	PIN, SPRING (8-32)	2	D8X32	
31	24311-000160	O-링 P 16	O-RING, DYNAMIC (Φ16)	1	P16	
32	TB32360000A4	리테이너	RETAINER	2	T4.5X25X50	
34	TN49380000A4	와셔	WASHER	1	T4.2X30X30	
35	TN49400000B2	차동포크	FORKDIFFERENTIALLOCK	1		
36	TA00027271B	포크축	SHAFT	1		
36	TA00027271C	포크축	SHAFT	1		
37	TN49430000A4	스프링	SPRING	1	D4.0	
38	22351-080040	스프링핀8X40	PIN, SPRING (8-40)	1	D8X40	DEL.20221012
39	22351-050040	스프링핀5X40	PIN, SPRING (5-04)	1	D5X40	DEL.20221012
40	TA00027273B	차동페달조합	DIFFERENTIAL PEDAL	1	NONE	
40	TA00027273C	차동페달조합	DIFFERENTIAL PEDAL ASS'Y	1	NONE	
41	24421-152507	오일실TC152507	Seal, Oil (#15-25-07)	1	TC15X25X7	
42	TA00044074A	스페이서(50X40X3T)	SPACER (50x40x3T)	2		
43	TA00027363A	토션스프링	TORSION SPRING	1	D4	
44	TF69090000B4	스위치브라켓	COLLAR	1		





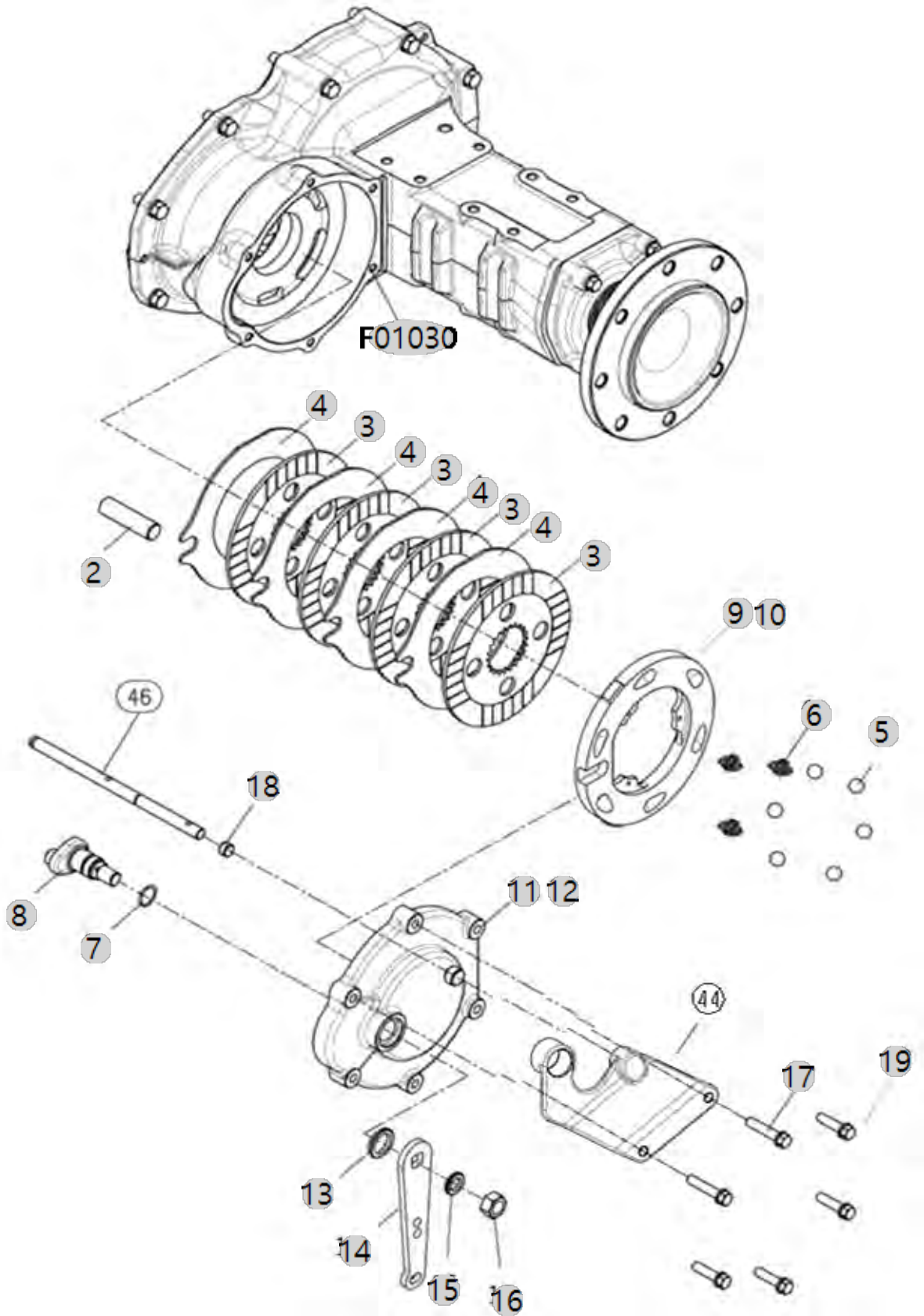
F06030

20CH TM(US)  
\_RANGE4(AC01737)

BRAKE

Year/Month

2023-01-18





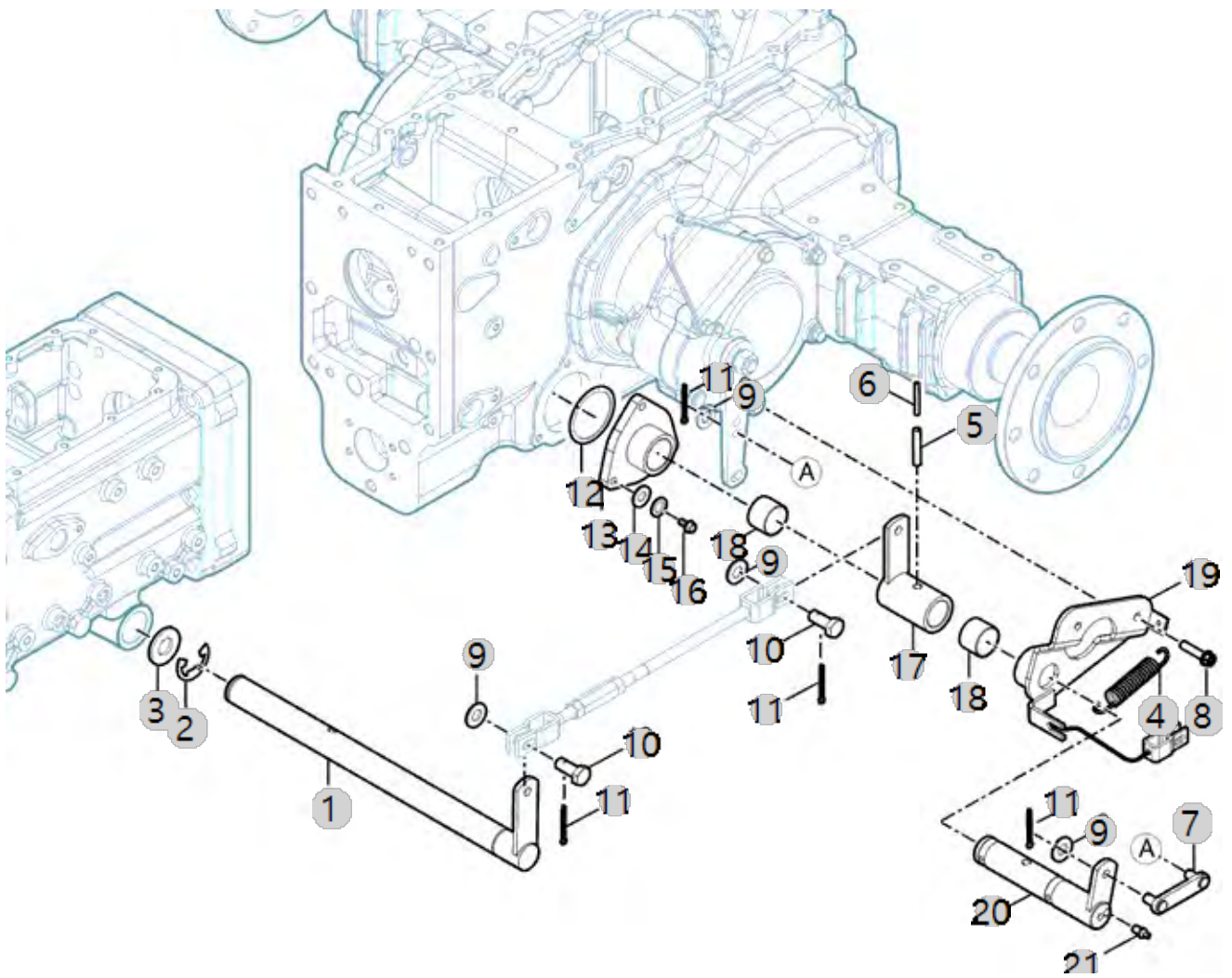
F06031

20CH TM(US)  
\_RANGE4(AC01737)

SUPPORT, BRAKE

Year/Month

2023-01-18



F06031 20CH TM(US) _RANGE4(AC01737)	SUPPORT, BRAKE	Year/Month
		2023-01-18

순번 (NO)	부품번호 (PART NO)	품명 (PART NAME)	품명 (PART NAME)	수량 (QTY)	규격 (SPEC)	비고 (REMARK)
1	TA00044825A	브레이크 축	SAHFT, BRAKE	1		
1	TA00044825B	브레이크 축	SAHFT, BRAKE	1		
2	22272-000240	스냅링	RING, CIRCLIP (Φ 24)	1	D24	
3	TB35120000C4	와셔 B	WASHER-B	1	2.3T	
4	FEB0150000B	본네트 고정 스프링	SPRING	1	D1.8	
5	22351-080050	스프링핀	PIN, SPRING (8-50)	1		DEL.20221012
6	22351-050050	스프링핀	PIN, SPRING (5-05)	1		DEL.20221012
7	TA00035965B	브레이크로드	BRAKE ROD	1		
8	FEB0150000C	본네트 고정 스프링	SPRING	1	D1.8	
9	22137-100000	평와셔 10	WASHER, PLAIN (Φ 10)	4	M10	
10	TT41090000B4	두부핀 10x23	PIN10X23	2	D10	
11	22417-200300	할핀	PIN , COTTER (2-30)	4	D2.0X30	
12	24321-000850	O링(G85)	ORING(G85)	1	G85	
13	TA00035983A	브레이크 서포트A	BRAKE SUPPORT B	1		
14	22137-080000	와셔8	WASHER, PLAIN (Φ 08)	3	M8	
15	22217-080000	스프링와셔8	WASHER, SPRING (Φ 08)	3	M8	
16	26116-080252	볼트7T(8X25)	BOLT7T(8X25)	3	M8X1.25X25	
17	TA00035988B	브레이크 암	BRAKE ARM	1		
17	TA00035988C	브레이크 암	BRAKE ARM	1		
18	TB26240000A4	부시	BUSH	2	32X38X25	
19	TA00035977B	브레이크 서포트 A	BRAKE SUPPORT ASSY	1		
20	TA00035985C	브레이크 축 A	BRAKE SHAFT A	1		
20	TA00035985D	브레이크 축 A	BRAKE SHAFT A	1		
21	24764-020000	그리스니플	GREASENIPPLE	1	PT1/8	

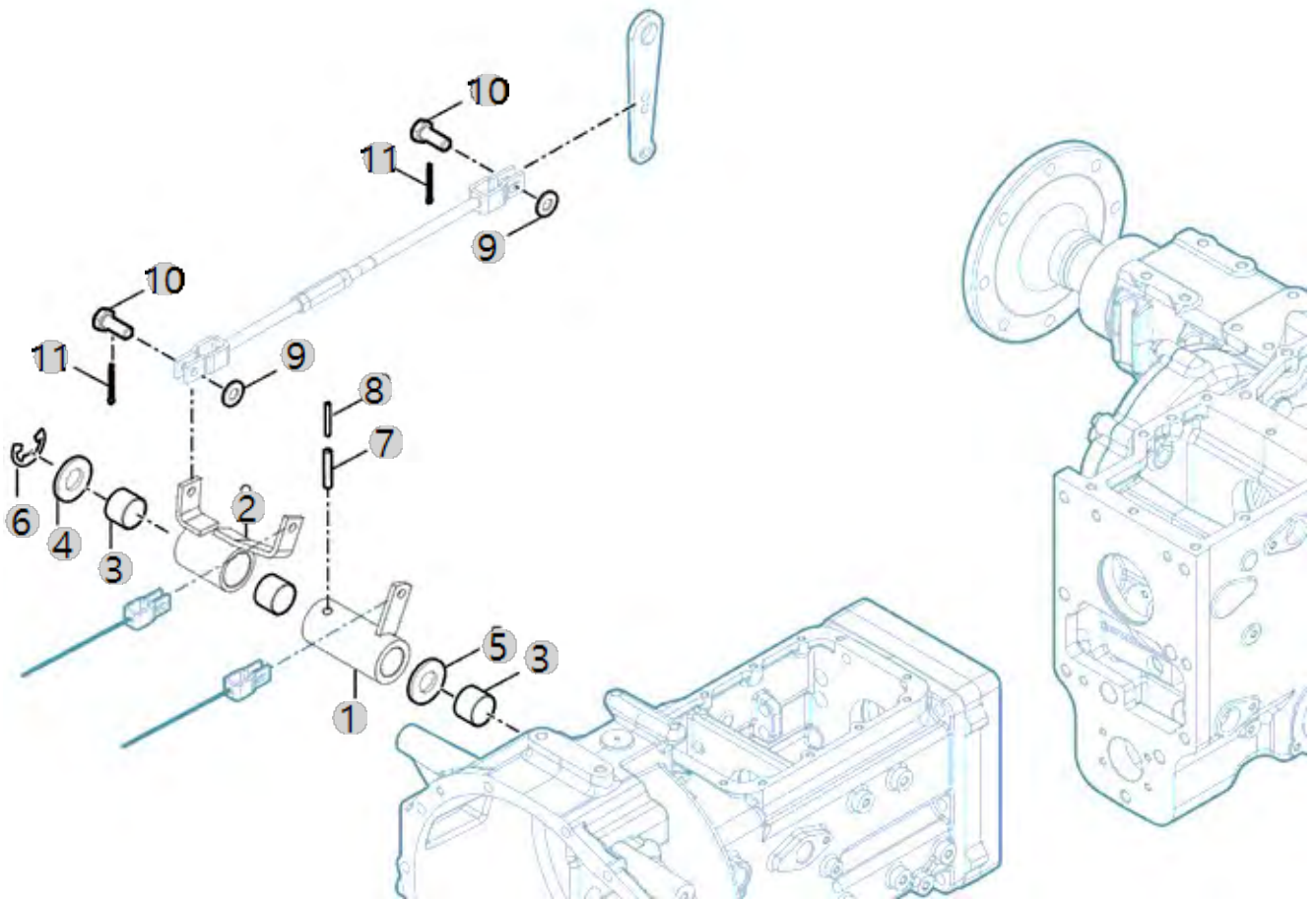
F06033

20CH TM(US)  
\_RANGE4(AC01737)

BRAKE LINK

Year/Month

2023-01-18





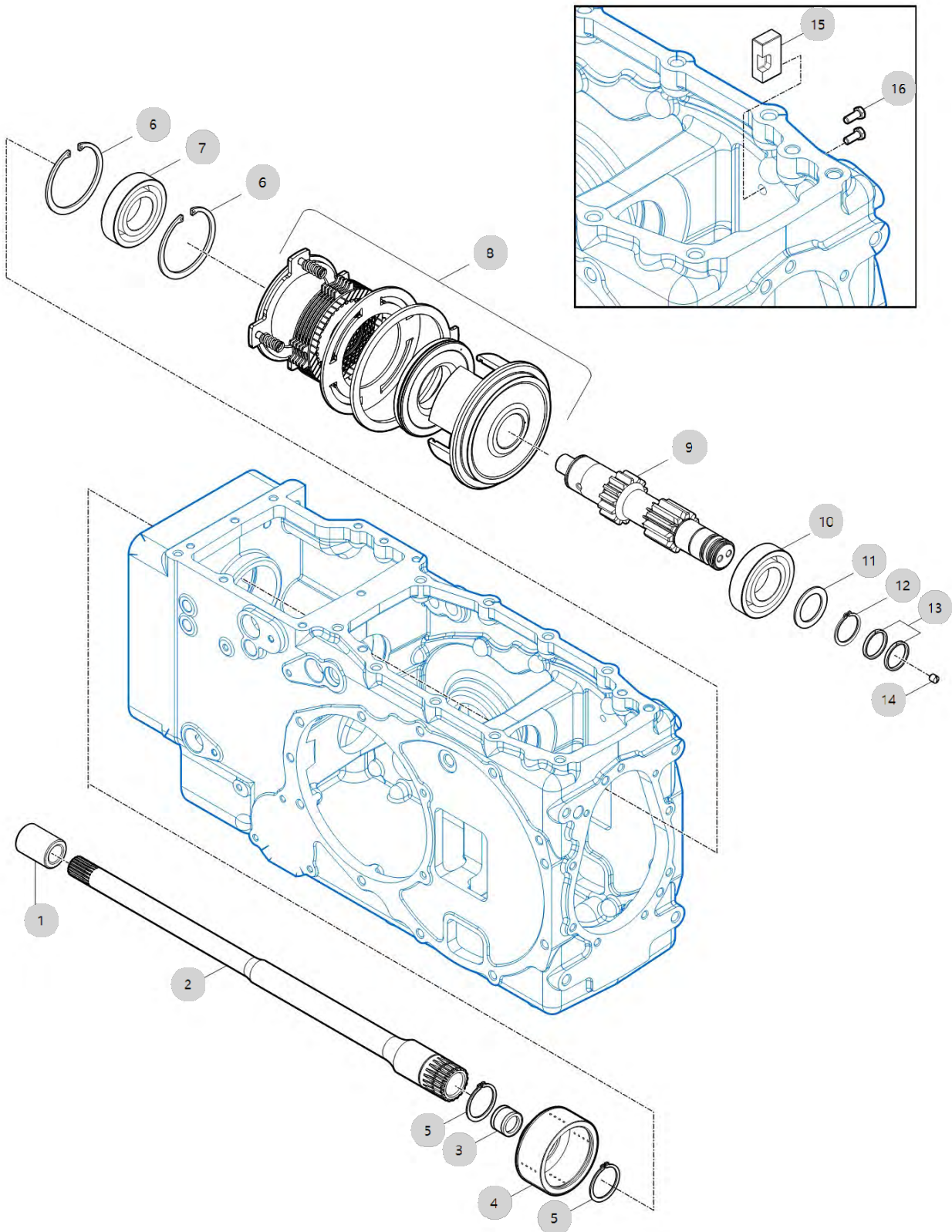
F07030

20CH TM(US)  
\_RANGE4(AC01737)

# PTO DRIVE SHAFT

Year/Month

2023-01-18



F07030 20CH TM(US) _RANGE4(AC01737)	PTO DRIVE SHAFT				Year/Month
					2023-01-18

순번 (NO)	부품번호 (PART NO)	품명 (PART NAME)	품명 (PART NAME)	수량 (QTY)	규격 (SPEC)	비고 (REMARK)
1	TN4520000A4	조인트	JOINT	1		
2	TA00015848A	PTO연결축(HST)20	PTO SHAFT(HST)	1		
3	24161-182417	니들베어링	Bearing, Needle (#18-24-17)	1	KT182417	
4	NT4548000A3	PTO커플링	PTO COUPLING	1		
5	22242-000350	축용스냅링35	SNAP RING, SHAFT (Φ 35)	2	D35	
6	22252-000720	구멍용스냅링72	RING, CIRCLIP (Φ 72)	2	D72	
7	24101-062074	볼베어링6207	BALL BEARING (#6207)	1	#6207	DEL.20220323
8	TA00026514D	PTO클러치팩	PTO CLUTCH PACK	1		
9	NT4592000A2	PTO변속축	SHAFT, PTO SHIFT	1		
10	24101-063064	볼베어링6306	Bearing, Ball (#6306)	1	#6306	DEL.20220323
11	TN4552000A4	칼라	COLLAR	1		
12	22242-000300	축용스냅링30	SNAP RING, SHAFT (Φ 30)	1	D30	
13	TT64070000B4	시일링	SEAL RING	2	26X30X3	
14	TT64080000A4	멈춤나사 M7X1	RETAININGSCREWM7X1	1	M7XP1.0	
15	NT45980000A4	브레이크잡이	BRAKE HOLDER	1		
16	26013-080252	와셔조립육각볼트(+SW)	Bolt, Hexa (8-25)	2	M8XP1.25X25	



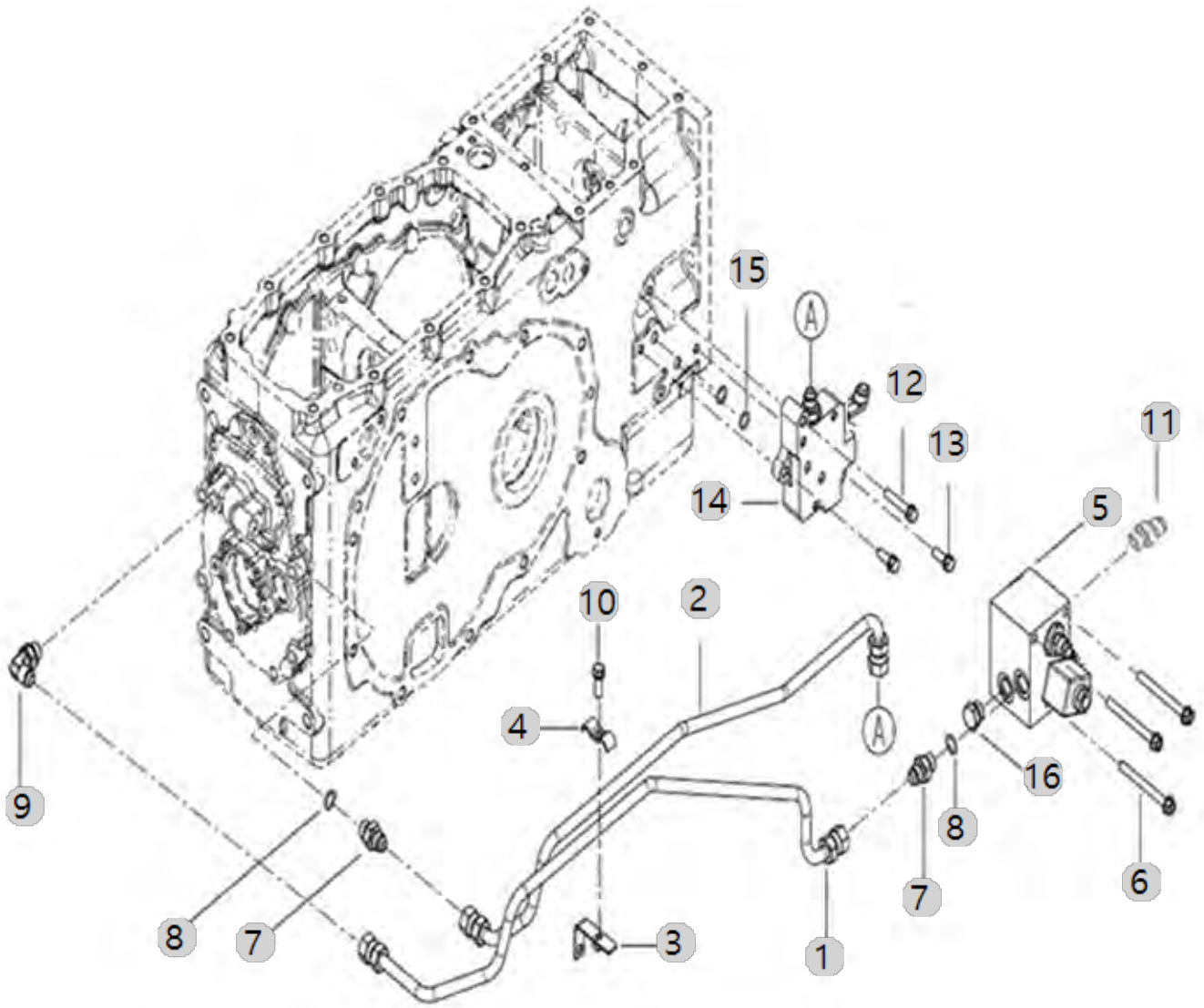
F07050

20CH TM(US)  
\_RANGE4(AC01737)

### PTO VALVE

Year/Month

2023-01-18





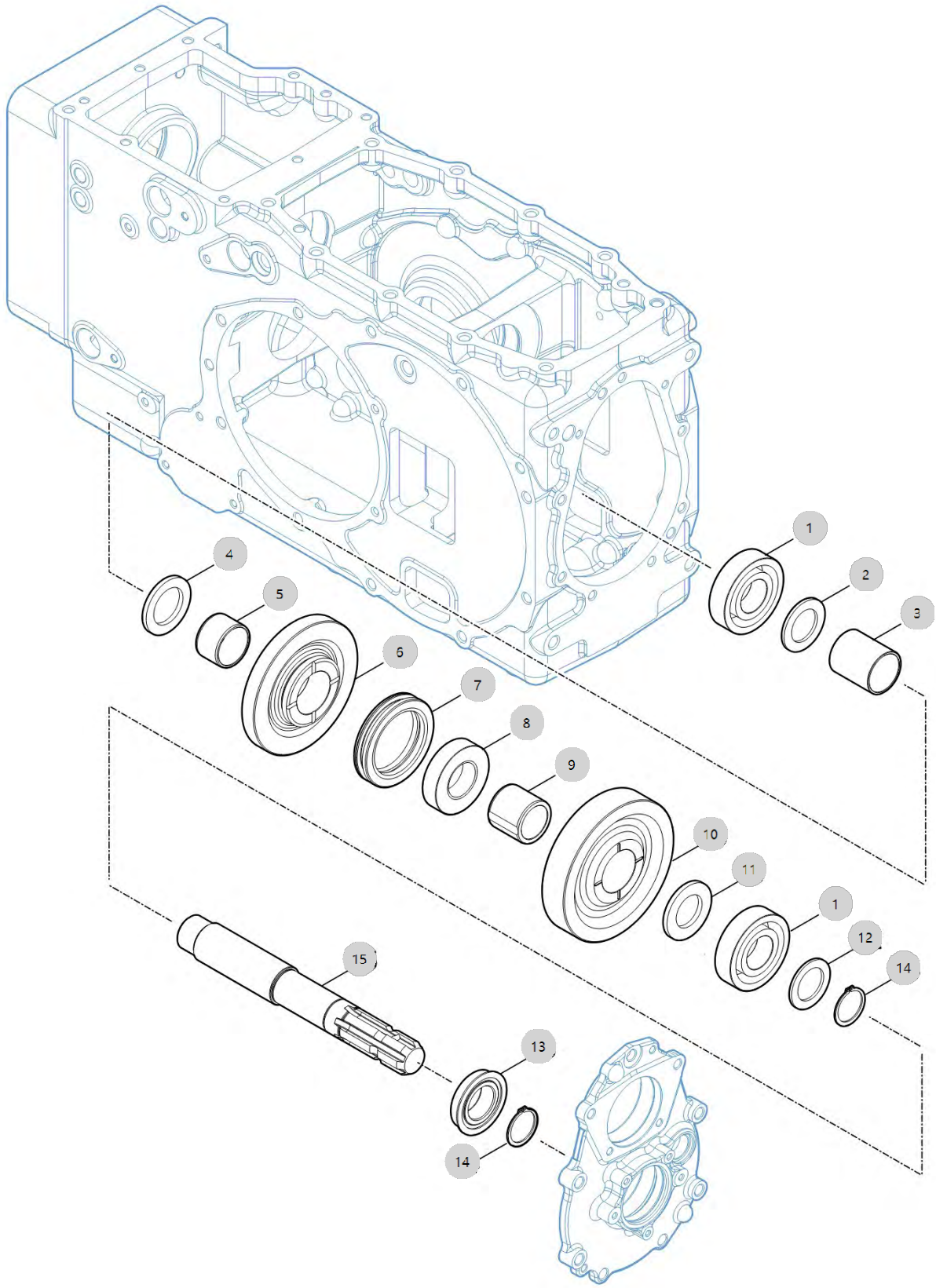
F07070

20CH TM(US)  
\_RANGE4(AC01737)

PTO SHAFT

Year/Month

2023-01-18





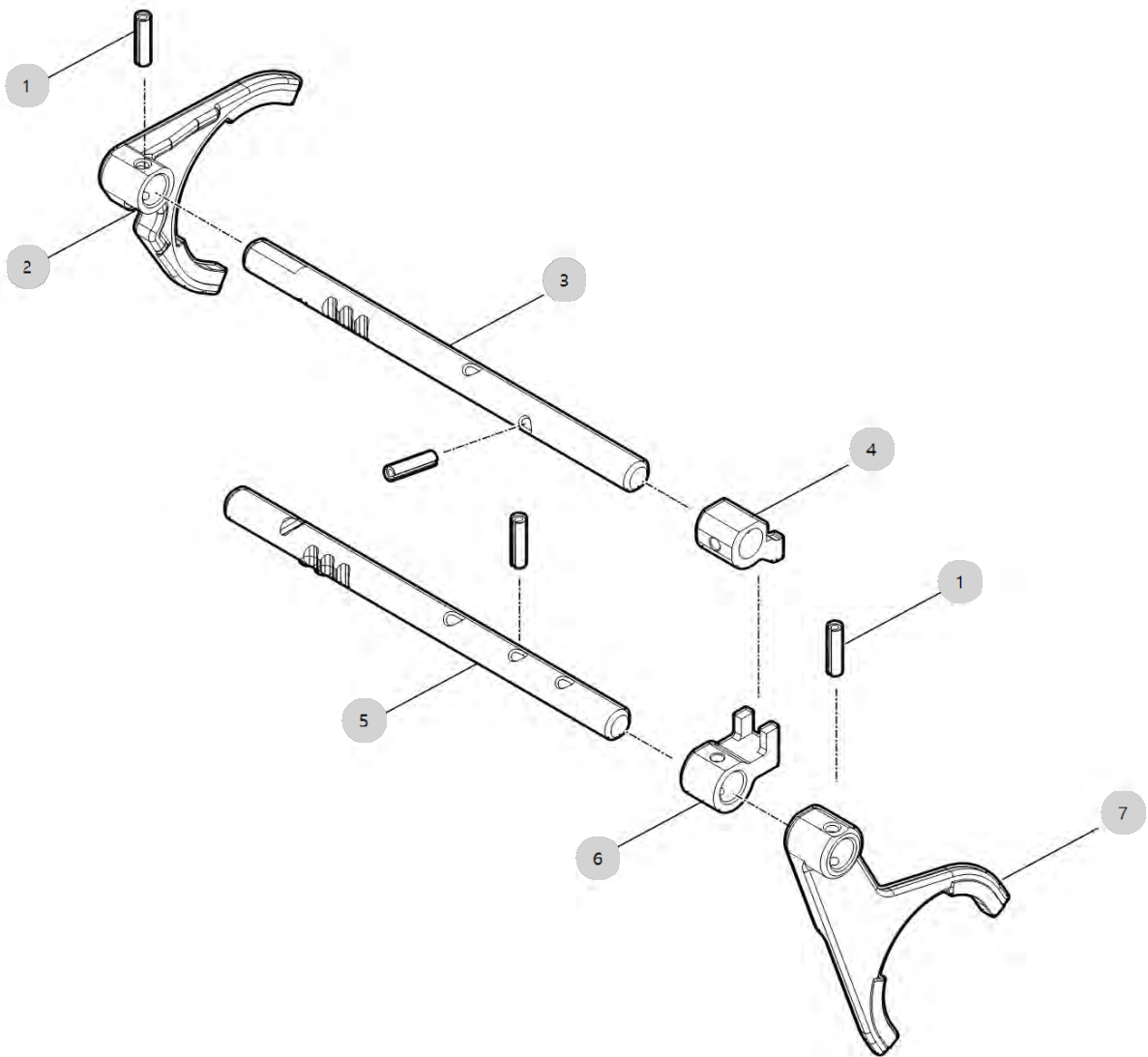
F08022

20CH TM(US)  
\_RANGE4(AC01737)

RANGE SHIFT FORK

Year/Month

2023-01-18





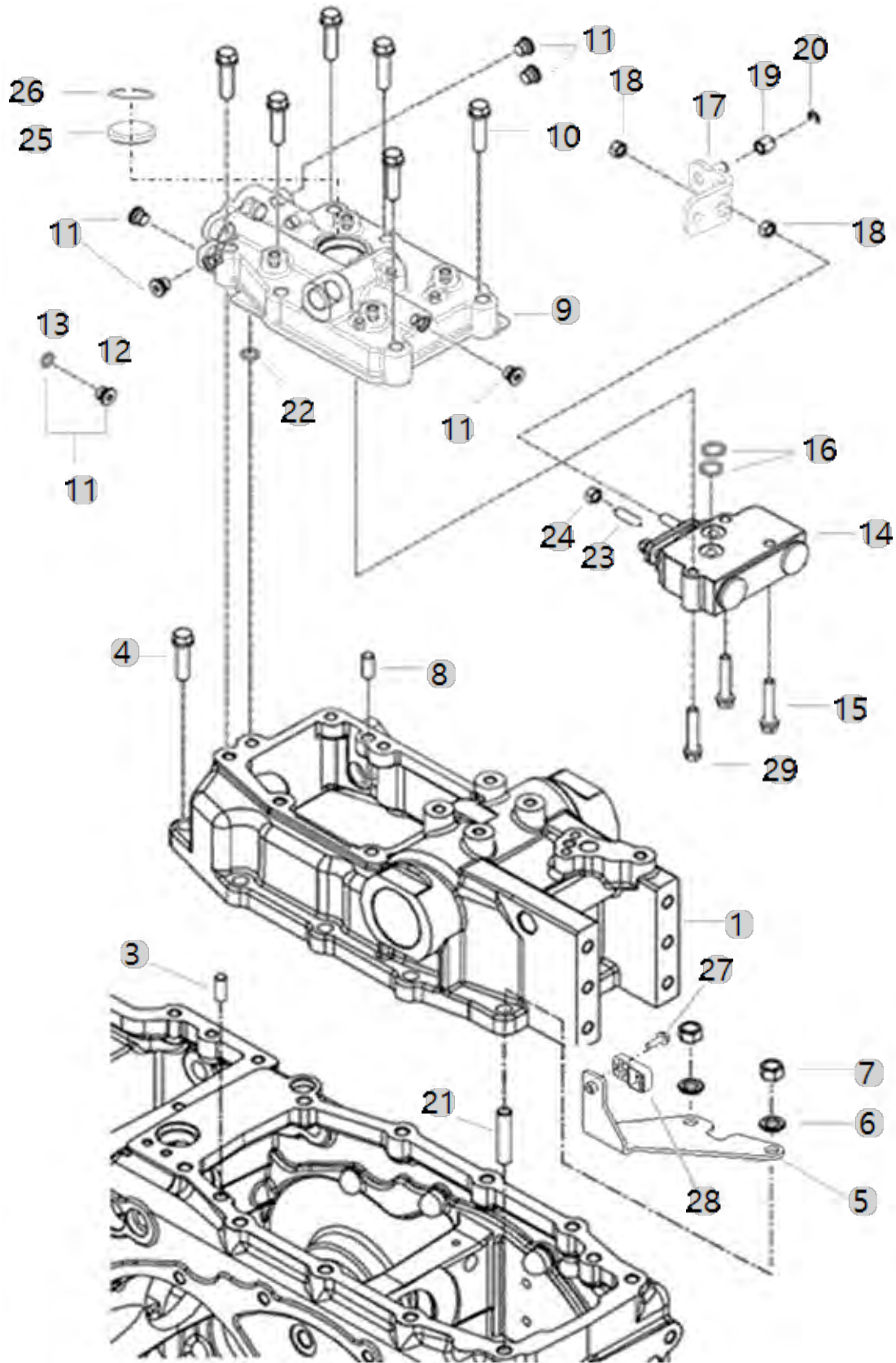
F10010

20CH TM(US)  
\_RANGE4(AC01737)

HYD. CYLINDER CASE

Year/Month

2023-01-18







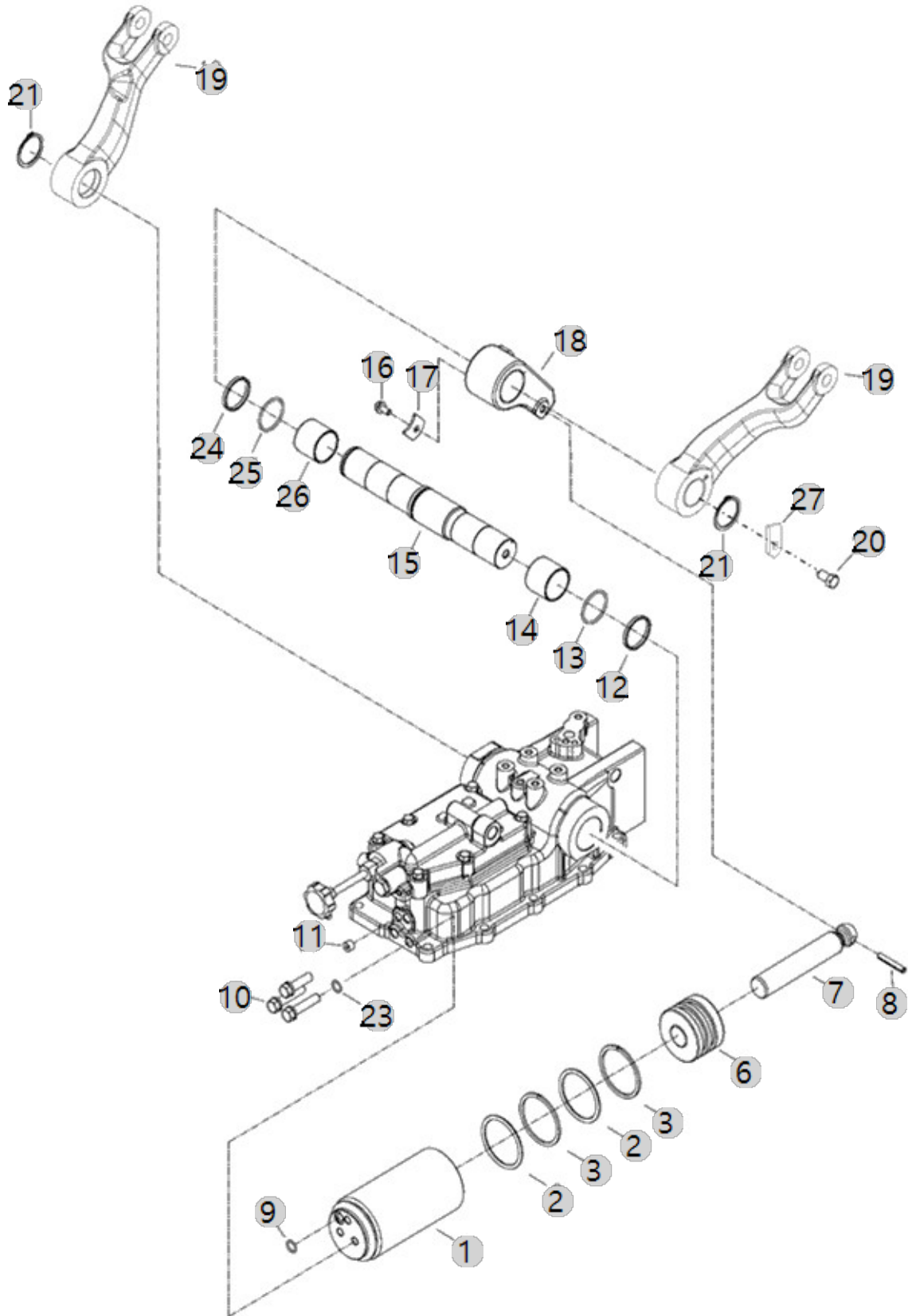
F10020

20CH TM(US)  
\_RANGE4(AC01737)

LIFT ARM

Year/Month

2023-01-18





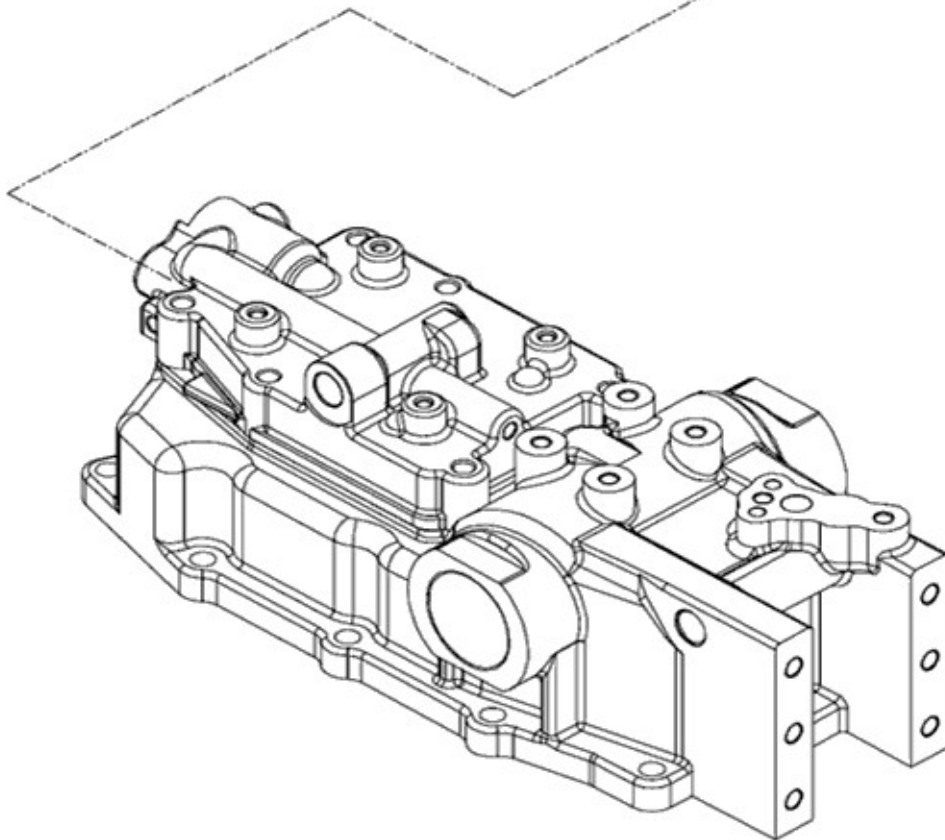
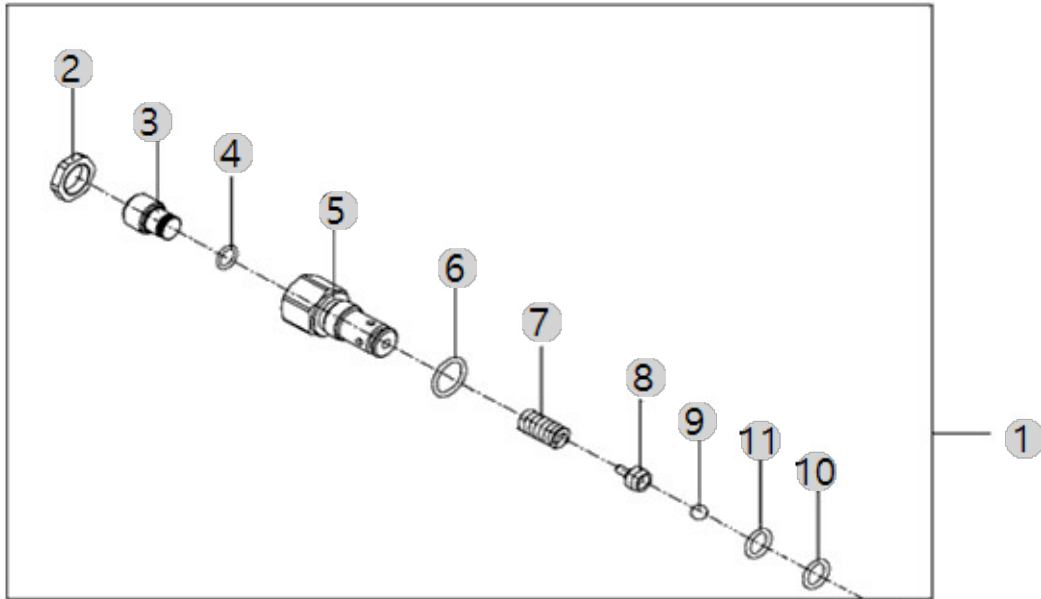
F10030

20CH TM(US)  
\_RANGE4(AC01737)

SAFTY VALVE

Year/Month

2023-01-18





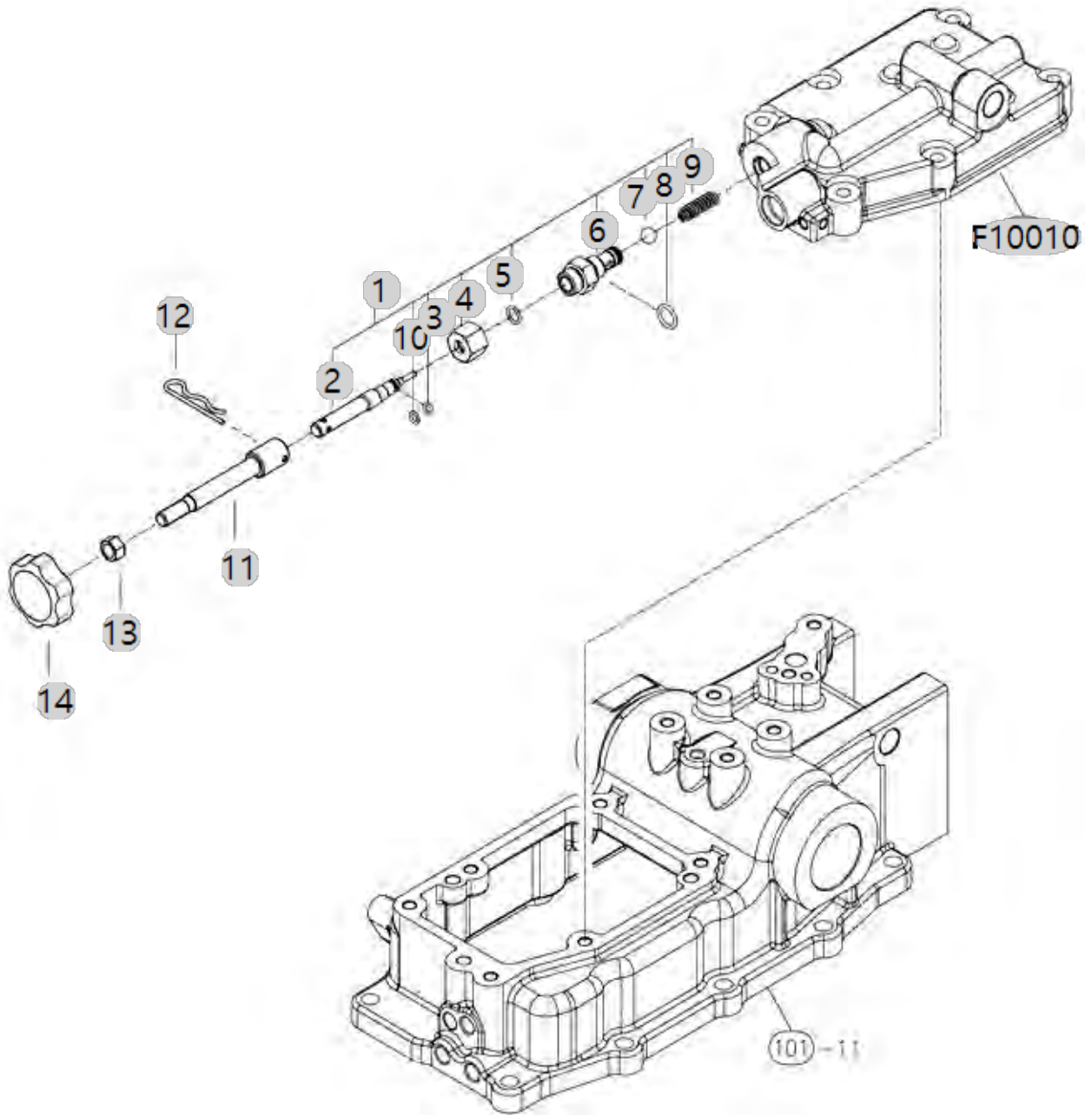
F10040

20CH TM(US)  
\_RANGE4(AC01737)

STOP VALVE

Year/Month

2023-01-18





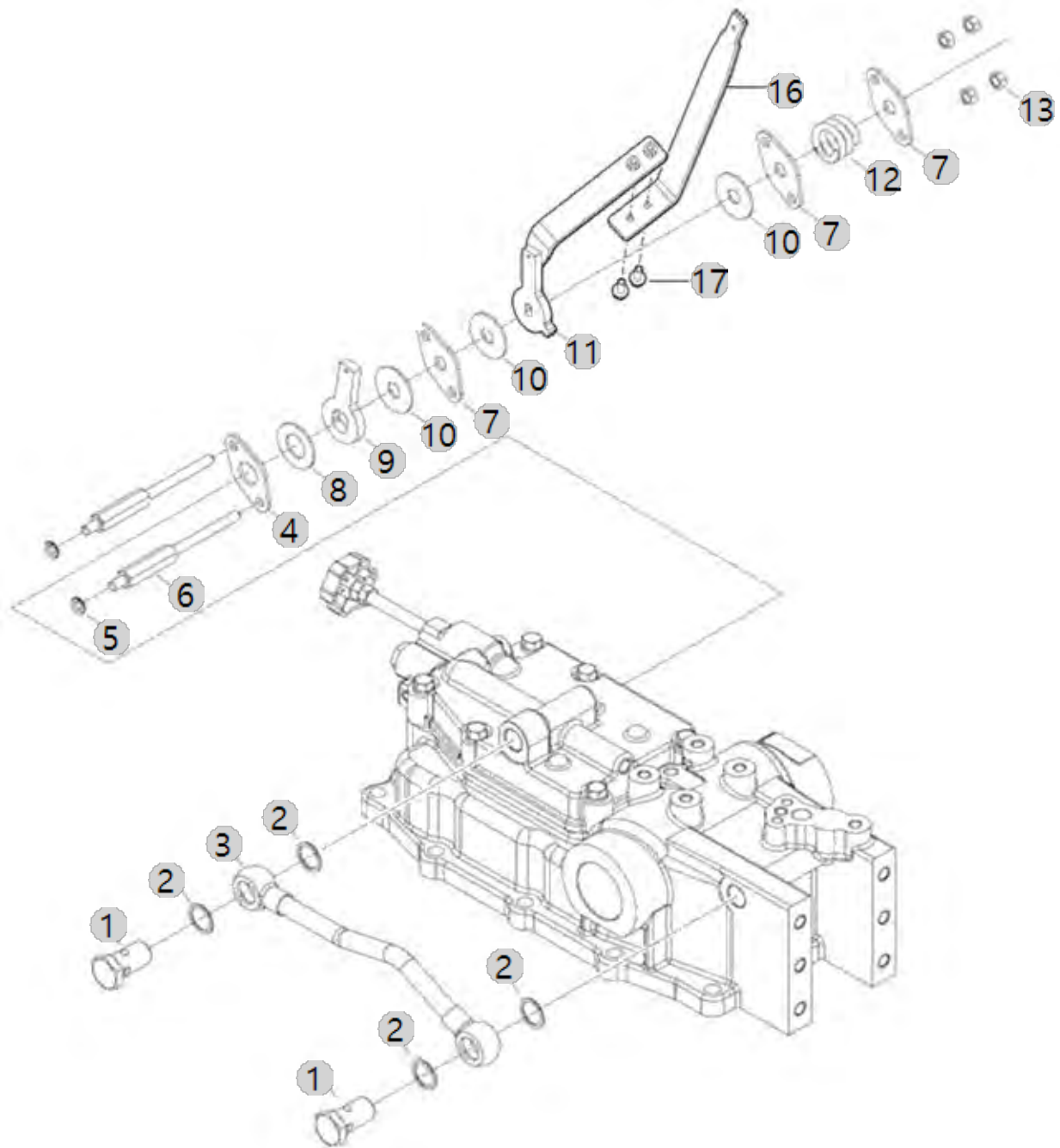
F10064

20CH TM(US)  
\_RANGE4(AC01737)

POSITION CONTROL LEVER

Year/Month

2023-01-18







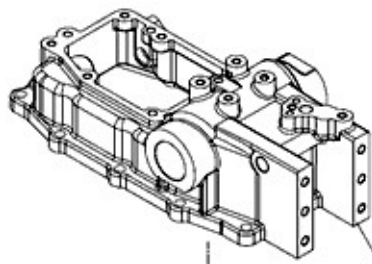
F10070

20CH TM(US)  
\_RANGE4(AC01737)

POSITION/DRAFT SHAFT

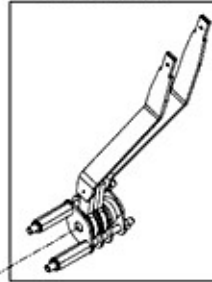
Year/Month

2023-01-18

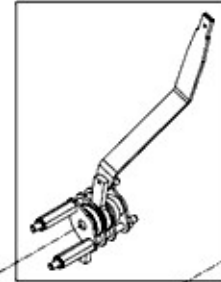


F10010

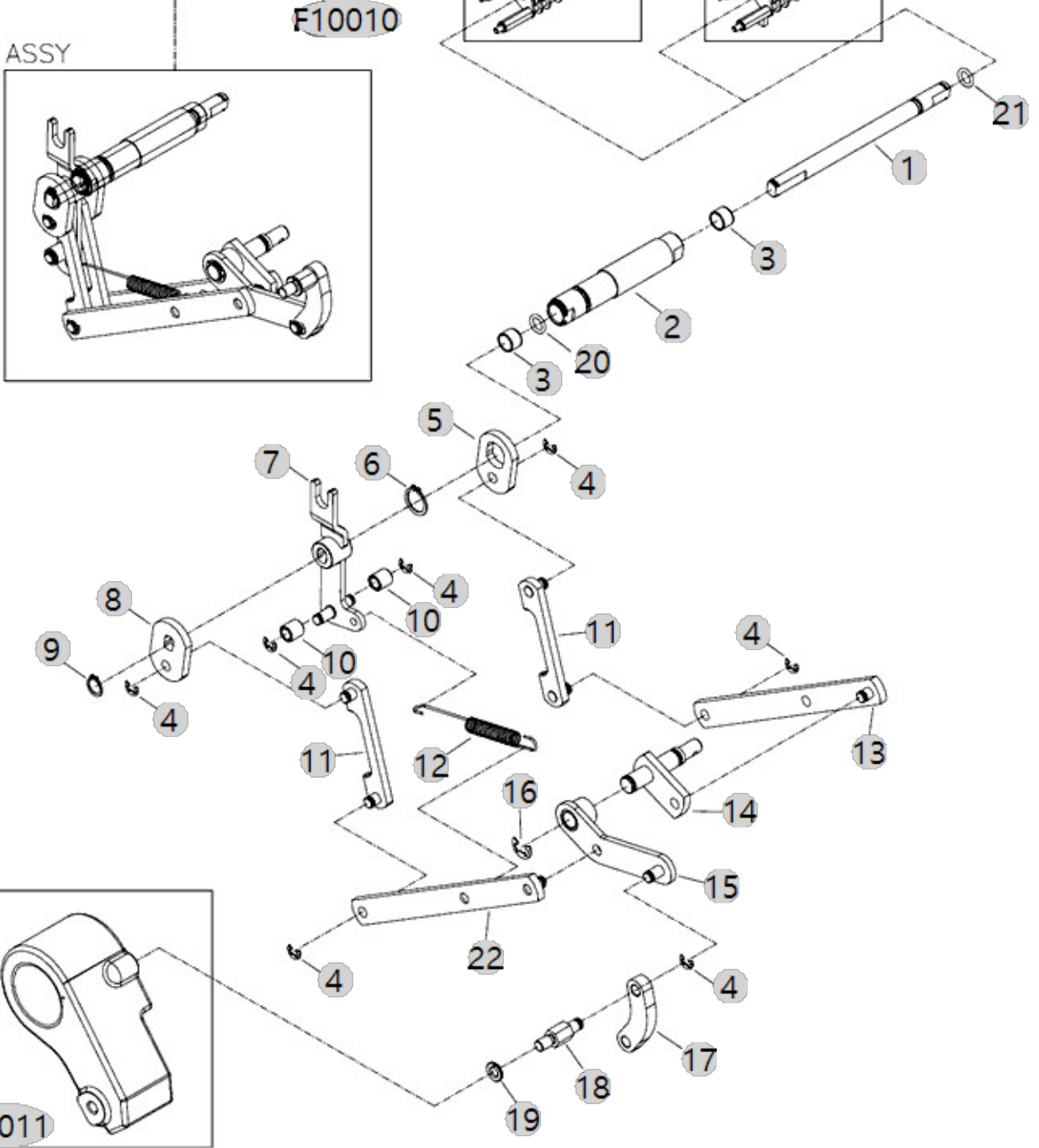
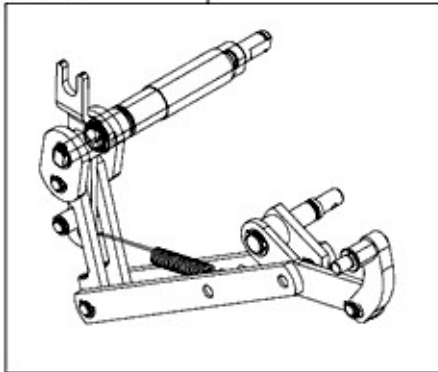
POSITION  
& DRAFT



POSITION



ASSY



F10011



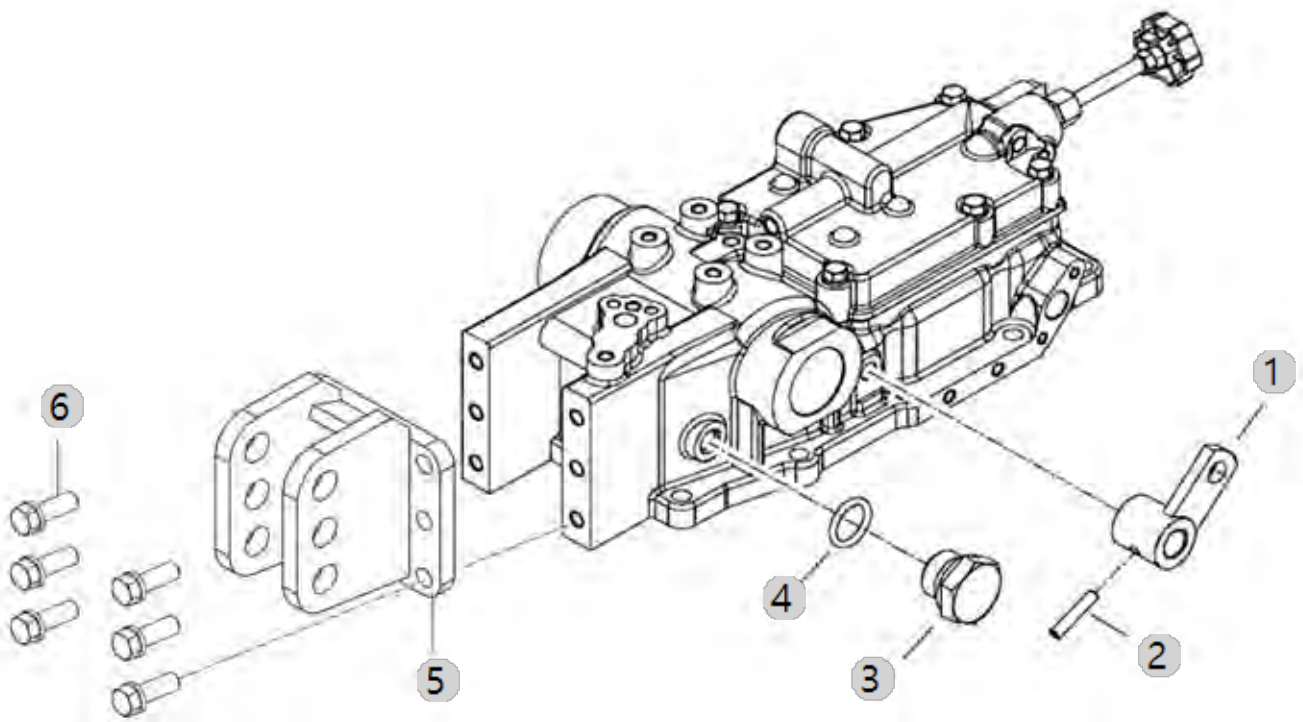
F10100

20CH TM(US)  
\_RANGE4(AC01737)

BRACKET, TOP LINK

Year/Month

2023-01-18





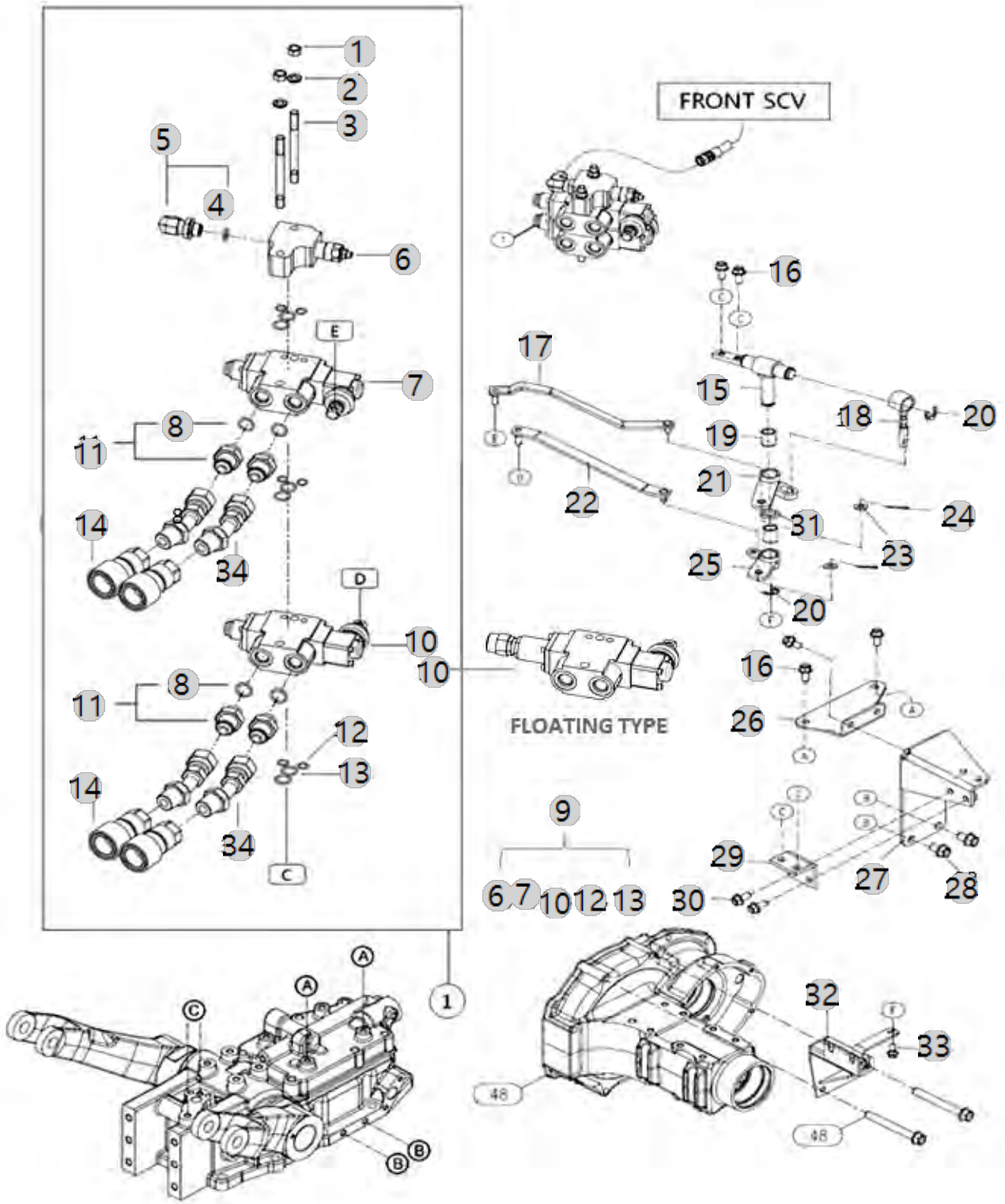
F10120

20CH TM(US)  
\_RANGE4(AC01737)

REAR SCV

Year/Month

2023-01-18



<b>F10120</b> 20CH TM(US) _RANGE4(AC01737)	<b>REAR SCV</b>	Year/Month
		2023-01-18

순번 (NO)	부품번호 (PART NO)	품명 (PART NAME)	품명 (PART NAME)	수량 (QTY)	규격 (SPEC)	비고 (REMARK)
1	26716-100002	육각너트	Nut, Hexa (Φ10)	2	M10XP1.5	
2	22217-100000	스프링와셔	WASHER, SPRING (Φ 10)	2	M10	
3	TA00034089A	심음 볼트	BOLT	2		
3	TA00034089B	심음 볼트	BOLT	2		
3	TA00034089C	심음 볼트	BOLT	2		
4	24311-000140	운동용O링	SEAL,ORING	1	P14	
5	TA00035078A	90도 엘보 (PF3/8-1/2)	ELBOW	1		
5	TA00035078B	90도 엘보 (PF3/8-1/2)	ELBOW	1		
6	TA00033977B	컨트롤 릴리프	COVER RELIEF	1		
6	TA00033977C	컨트롤 릴리프	COVER RELIEF	1		
7	TA00037393A	SCV2(D)	SCV2(D)	1		
8	24311-000160	O-링 P 16	O-RING, DYNAMIC (Φ16)	4	P16	
9	TA00037386B	PTO2 SCV조합(캐빈용)	SCV TOTAL ASS'Y(DETENT)	1		
9	TA00037386D	PTO2 SCV조합(캐빈용)	PTO2 SCV TOTAL ASS'Y(DETENT)	1		
10	TA00028226A	SCV 1	REAR SCV 1	1		
10	TA00028226C	SCV 1	SCV 1	1		
11	TA00042245C	아댑터(PF1/2)	ADAPTER	4		
12	24311-000100	O-링1AP10.0	O-RING, DYNAMIC (Φ10)	6	P10	
13	24311-000160	O-링 P 16	O-RING, DYNAMIC (Φ16)	6	P16	
14	FBA3150000A3	조인트(1/2")	QUICK COUPLER (1/2")	2		
14	FBA3150000B3	조인트암(1/2")	"ARM, JOINT(1/2")"	4		
15	TA00034042D	축 조합	SHAFT ASS'Y	1		
16	26106-080162	플랜지볼트8X16	SCREW,HEXFLANGEHEADCAP	4	M8XP1.25X16	
17	TA00036297B	링크 2 조합	LINK ASSY 2	1		
17	TA00036297C	링크 2 조합	LINK ASSY 2	1		
18	TA00036917B	SCV_ROD_B	SCV_ROD_B	1		
18	TA00036917C	SCV_ROD_B	SCV_ROD_B	1		
19	24550-016200	드라이부시16X20	DRY BUSH 16X20	2		
20	22272-000120	E형스냅링12	RING, CIRCLIP (Φ 12)	3	D12	
21	TA00037361B	보스A조합(캐빈)	BOSS_A_ASS'Y	1		
21	TA00037361C	보스A조합(캐빈)	BOSS_A_ASS'Y	1		
22	TA00034019A	링크1조합	LINK 1 ASS'Y	1		
22	TA00034019B	링크1조합	LINK 1 ASS'Y	1		
23	22137-080000	와셔8	WASHER, PLAIN (Φ 08)	4	M8	
24	22417-200200	할핀	PIN , COTTER (2-20)	4	D1.8	
25	TA00037363A	보스B조합(캐빈)	BOSS_B_ASSY	1		
25	TA00037363B	보스B조합(캐빈)	BOSS_B_ASSY	1		
25	TA00037363C	보스B조합(캐빈)	BOSS_B_ASSY	1		
26	TA00036443B	브래킷	BRACKET	1		
26	TA00036443C	브래킷	BRACKET	1		
27	TA00036941A	SCV 고정 레버 브래킷 조합	HOLDING BRACKET, SCV LEVER	1		
27	TA00036941B	SCV 고정 레버 브래킷 조합	HOLDING BRACKET, SCV LEVER	1		
28	26106-100162	플랜지볼트M10X16	SCREW,HEXFLANGEHEADCAP	2	M10XP1.5X16	
29	TA00036949B	고정브라켓	BRACKET	1		
30	26106-080182	444,ALL,플랜지볼트	SCREW,HEXFLANGEHEADCAP	4		



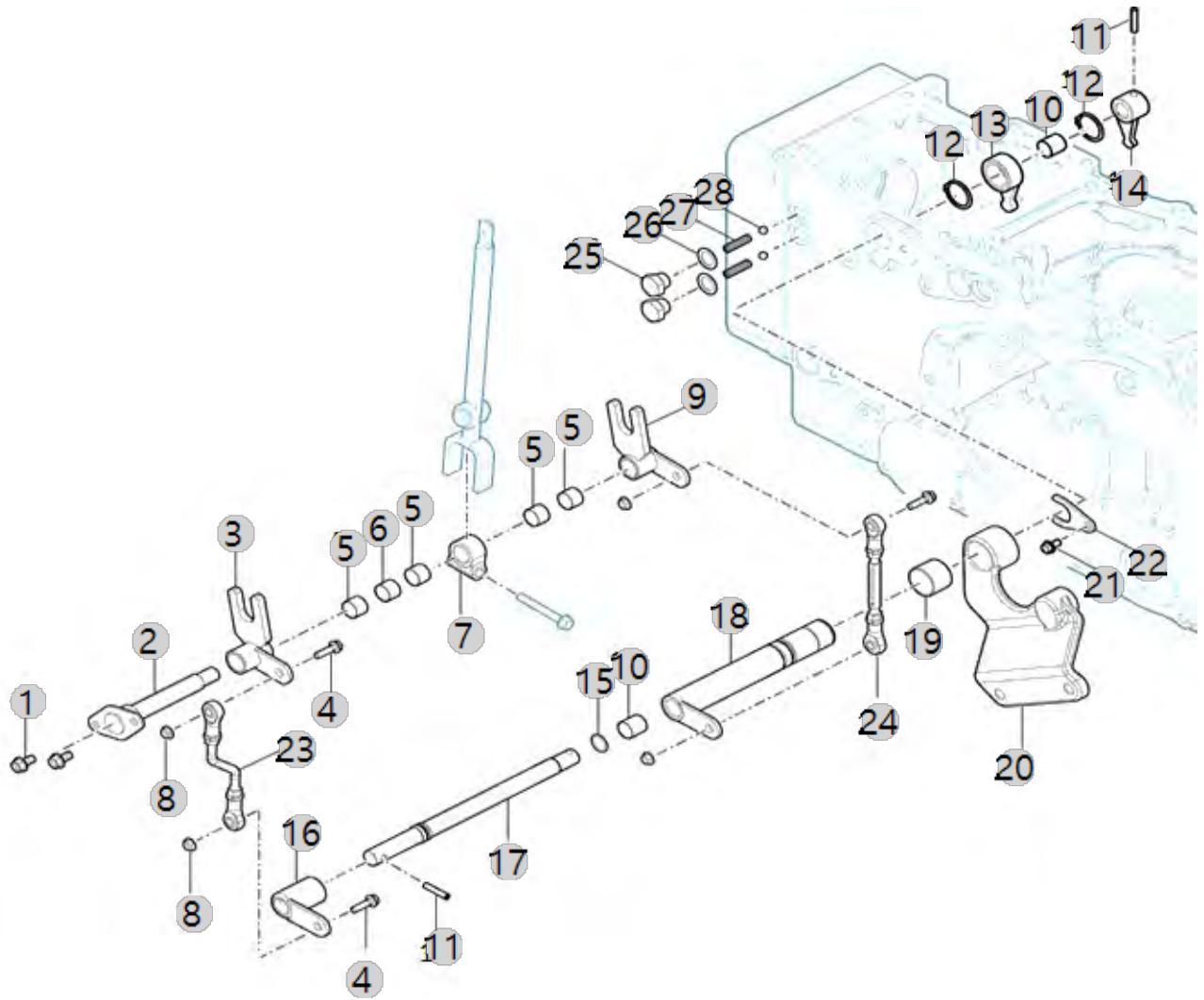
F11050

20CH TM(US)  
\_RANGE4(AC01737)

RANGE SHIFT LEVER

Year/Month

2023-01-18







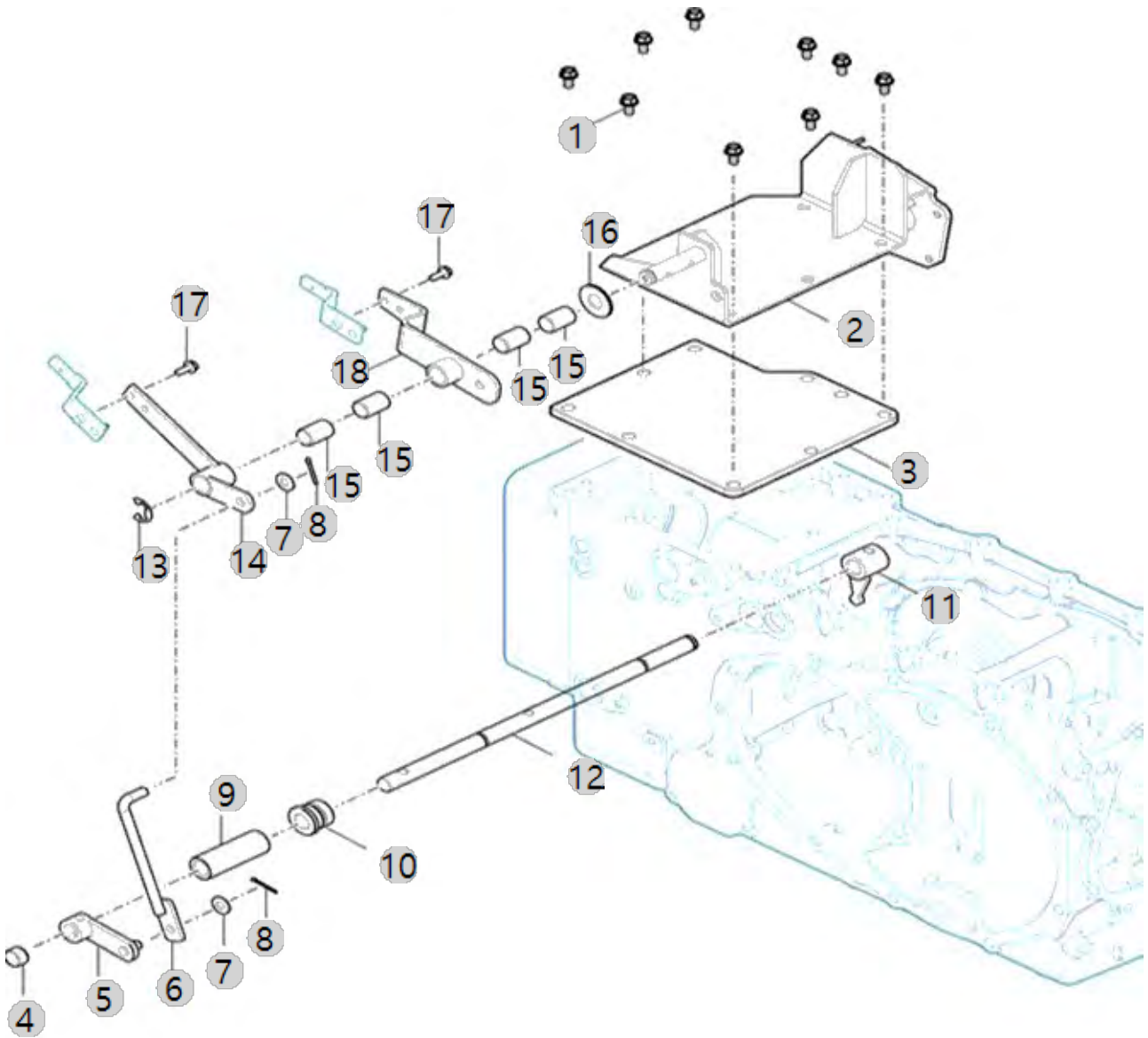
F11070

20CH TM(US)  
\_RANGE4(AC01737)

### PTO SHIFT GEAR LEVER

Year/Month

2023-01-18





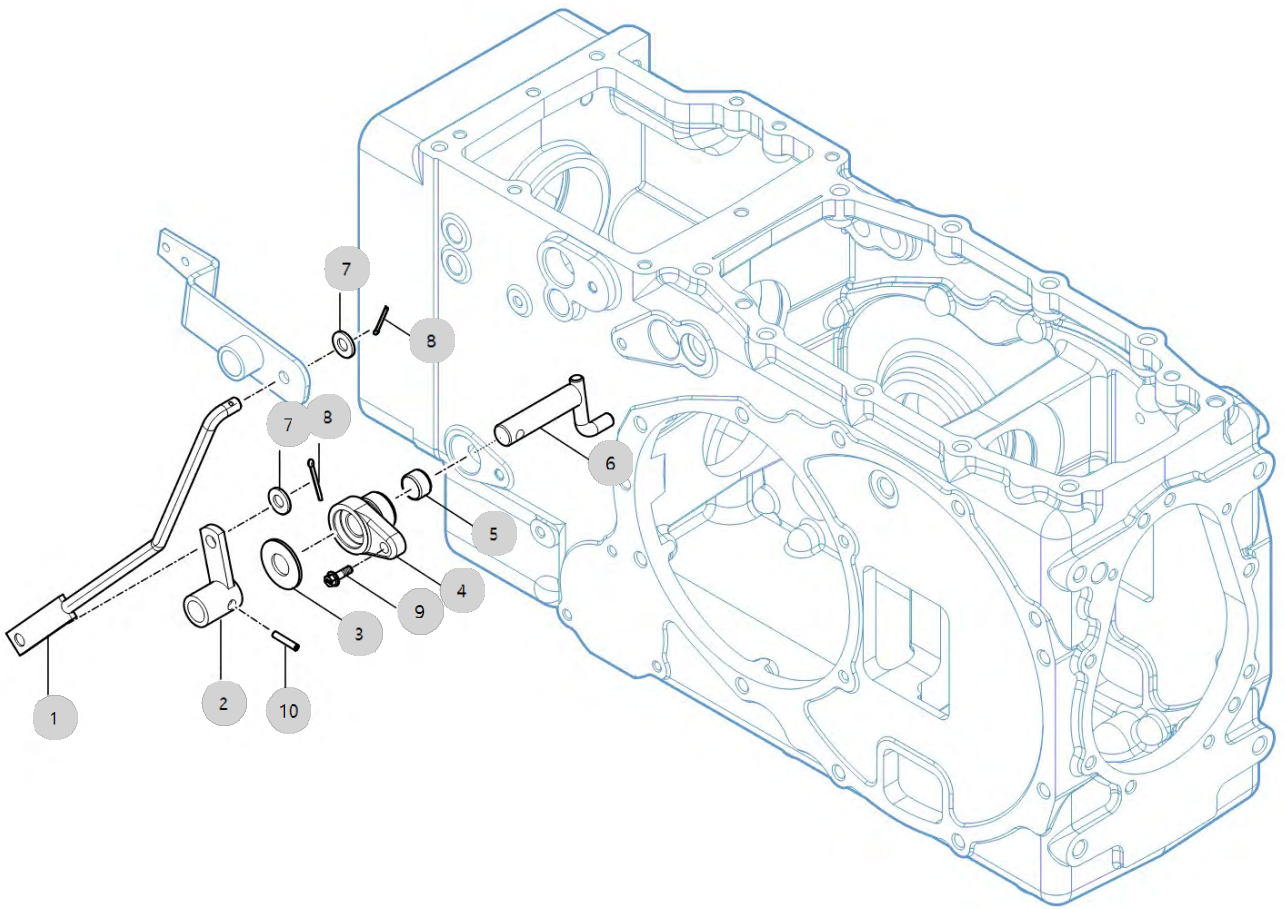
F11120

20CH TM(US)  
\_RANGE4(AC01737)

4WD LEVER

Year/Month

2023-01-18





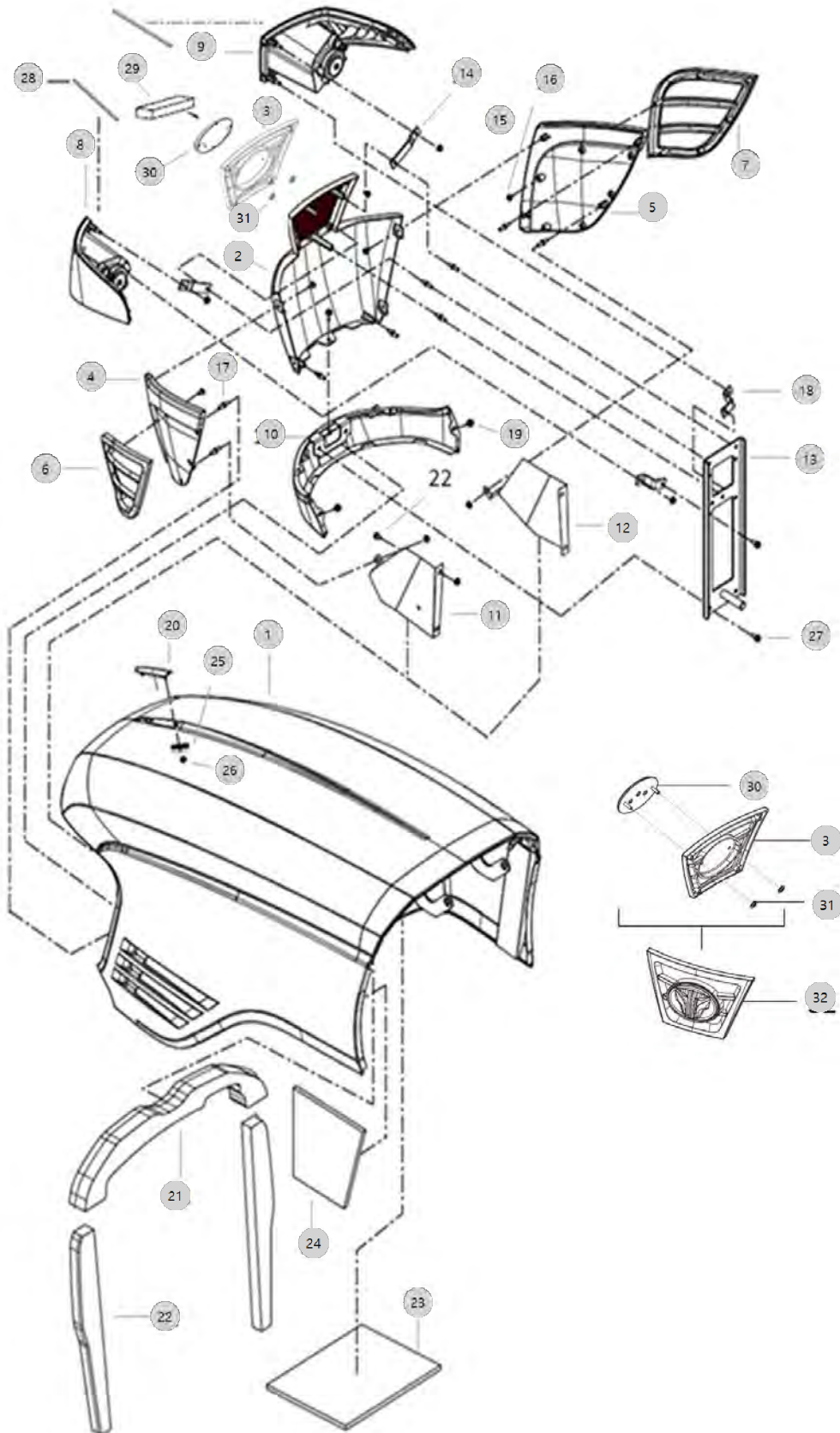
G01020

5520CH(AC02112)

BONNET

Year/Month

2023-01-18



G01020		BONNET				Year/Month
5520CH(AC02112)						2023-01-18
순번 (NO)	부품번호 (PART NO)	품명 (PART NAME)	품명 (PART NAME)	수량 (QTY)	규격 (SPEC)	비고 (REMARK)
1	TA00072438A	본네트 프레임 조합	BONNET FRAME ASS'Y	1		
2	TA00042483B	프런트마스크(좌)	FRONT MASK, LH	1		
3	TA00052249B	프런트 마스크 그릴(전)	GRILL, FRONT MASK	1		
4	TA00042483B	프런트마스크(좌)	FRONT MASK, LH	1		
5	TA00042485B	프런트마스크(우)	FRONT MASK, RH	1		
6	TA00042484C	프런트마스크 그릴(좌)	FRONT MASK GRIL, LH	1		
7	TA00042486C	프런트마스크 그릴(우)	FRONT MASK GRIL, RH	1		
8	HA00001143E	전조등조합L	HEAD LAMP(L)	1		
9	HA00001144E	전조등조합R	HEAD LAMP(R)	1		
10	TA00072395A	후드(하)조합	HOOD(UNDER) ASSY	1		
11	TA00045591A	타공망조합(좌)	WIRE NETTING ASS'Y(L)	1		
11	TA00045591B	타공망조합(좌)	WIRE NETTING ASS'Y(L)	1		
12	TA00045592B	타공망조합(우)	WIRE NETTING ASS'Y(R)	1		
12	TA00045592A	타공망조합(우)	WIRE NETTING ASS'Y(R)	1		
13	TA00053541C	지지브라켓조합(25유립)	BRACKET ASS'Y	1		
13	TA00053541B	지지브라켓조합(25유립)	BRACKET ASSY	1		
14	TA00044134A	램프 고정 브라켓 A	LAMP BRACKET A	2		
15	26367-060002	플랜지너트	Nut, Hexa (Φ6)	21	M6XP1.0	
16	22587-480124	냄비머리태핑나사	TAPPING SCREW	20	4.8X12	
17	TA00001332C	인서트볼트 M6	INSERT BOLT(M6)	9	M6	
17	TA00001332B	인서트볼트 M6	INSERT BOLT(M6)	17	M6	
18	TA00044136A	램프 고정 브라켓 B	LAMP BRACKET B	2		
19	26106-060162	육각플랜지 볼트	HEXFLANGE BOLT	11	M6XP1.0X16	
20	TA00020285A	엠블렘	EMBLEM	1		
21	TA00036482B	스폰지	SEAL	1		
22	TA00044322A	본네트 실(SIDE)	SEAL, BONNET	2		
23	TA00020835A	방열판(하)	HEAT INSULATOR, HOOD	1		
24	TA00020834A	방열판(상)	HEAT INSULATOR, HOOD	1		
25	TTD6440000A4	쿠션고무	CUSHION, RUBBER	2		
26	TB41290000B4	평너트	NUT	2	0.4T	
26	TB41290000D4	평너트	NUT	2	0.4T	
26	TB41290000C4	평너트	NUT	2	0.4T	
27	26106-080162	플랜지볼트8X16	SCREW,HEXFLANGEHEADCAP	3	M8XP1.25X16	
28	TA00055321A	전조등 실	HEADL LAMP SEAL	2		
29	TA00055322A	프런트 마스크 실	FRONT MASK, SEAL	1		
30	TA00020285A	엠블렘	EMBLEM	1		
31	FE06040000A	푸시 너트 6	NUT 6, PUSH	2	0.4T	
32	TA00072764A	TYM엠블렘 조합	EMBLEM ASS'Y	1		

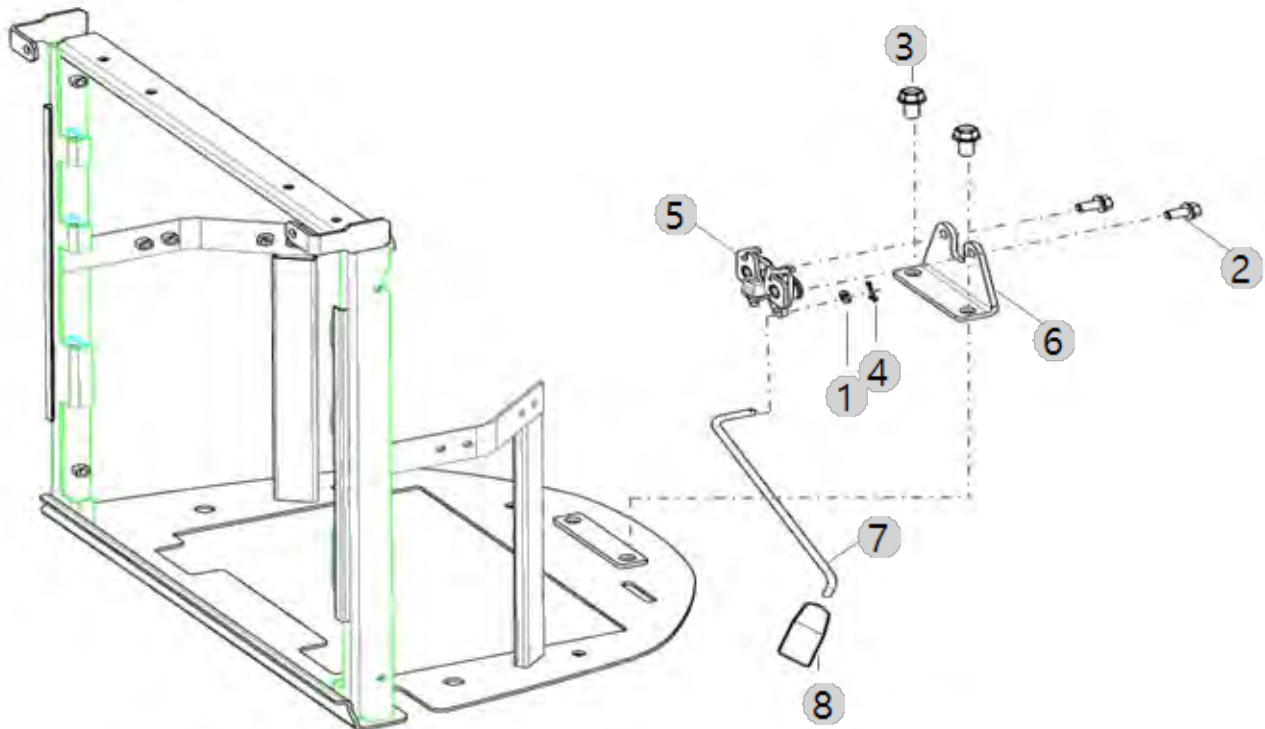
G01040

LATCHING DEVICE, BONNET

Year/Month

5520CH(AC02112)

2023-01-18







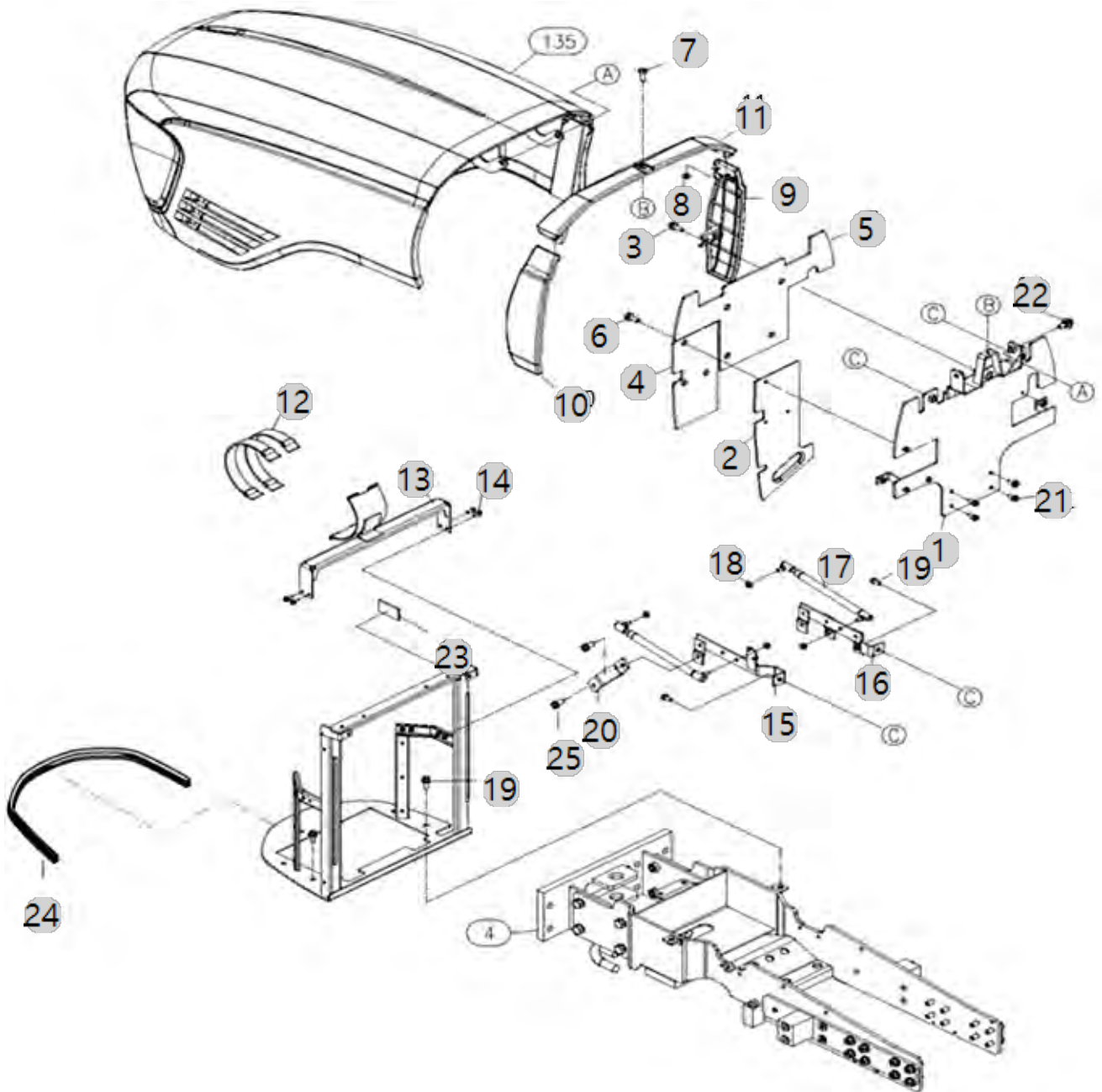
G01060

FIXED BRACKET, BONNET

Year/Month

5520CH(AC02112)

2023-01-18



G01060		FIXED BRACKET, BONNET				Year/Month
5520CH(AC02112)						2023-01-18
순번 (NO)	부품번호 (PART NO)	품명 (PART NAME)	품명 (PART NAME)	수량 (QTY)	규격 (SPEC)	비고 (REMARK)
1	TA00028152G	막이판 조합	PLATE ASS'Y	1	-	
1	TA00028152F	막이판 조합	PLATE ASS'Y	1	-	
2	TA00028165C	플레이트	PLATE	1	2.3T	
2	TA00028165B	플레이트	PLATE	1	2.3T	
3	26106-080162	플랜지볼트8X16	SCREW,HEXFLANGEHEADCAP	2	M8XP1.25X16	
4	TA00028206B	막이판 스폰지 B (좌)	SPONGE B	1	5T	
5	TA00028205A	막이판 스폰지 A	SPONGE A	1	T5.0	
6	26106-060142	육각플랜지볼트	BOLT	3	M6X1.0X14	
7	26106-060120	육각플랜지볼트	HEX FLANGE BOLT	1		
8	26367-060002	플랜지너트	Nut, Hexa (Φ6)	4	M6XP1.0	
9	TA00072442A	후부 본네트 R	REAR BONNET R	1		
9	TA00062359A	후부분네트R	REAR BONNET_R	1		
10	TA00072441A	후부 본네트 L	REAR BONNET L	1		
10	TA00062358A	후부분네트L	REAR BONNET_L	1		
11	TA00072440A	후부 본네트	REAR BONNET	1		
11	TA00062357A	후부분네트	REAR BONNET	1		
12	TZD6890000A4	에어클리너취부밴드	BAND,AIRCLEANERHOLDING	2		
12	TZD6890000B4	에어클리너 취부 밴드	BAND, AIR CLEANER	2		
13	TA00025580C	에어 클리너 브래킷 조합	BRACKET AIR-CLEANER ASS'Y	1	-	
13	TA00025580E	에어 클리너 브래킷 조합	BRACKET AIR-CLEANER ASS'Y	1	-	
13	TA00025580D	에어 클리너 브래킷 조합	BRACKET AIR-CLEANER ASS'Y	1	-	
14	26106-060162	육각플랜지 볼트	HEXFLANGEbolt	8	M6XP1.0X16	
15	TA00034874D	브래킷 조합 (좌)	BRACKET A	1		
15	TA00034874C	브래킷 조합 (좌)	BRACKET A	1		
16	TA00034873D	브래킷 조합	BRACKET ASS'Y	1		
16	TA00034873C	브래킷 조합	BRACKET ASS'Y	1		
17	TA00023455B	가스 스프링	GAS SPRING	2	NONE	
18	26367-080002	259, 육각플랜지너트	HEX FLANGE NUT (Φ8)	4	M8XP1.25	
19	26106-100202	육각플랜지볼트	HEX BOLT, (10-20)	6	M10XP1.5X20	
20	TA00035176B	연결 브래킷	BRACKET	1		
20	TA00035176A	연결 브래킷	BRACKET	1		
21	26106-080182	444,ALL,플랜지볼트	SCREW,HEXFLANGEHEADCAP	4		
22	TA00022981B	본네트취부볼트	BONNET BOLT	2	M10XP1.5	
23	TA00031097A	흡기파이프 방진고무	RUBBER	1	6.0T	
24	TA00038101A	스트립	STRIP	1	A	
25	26106-080162	플랜지볼트8X16	SCREW,HEXFLANGEHEADCAP	2	M8XP1.25X16	

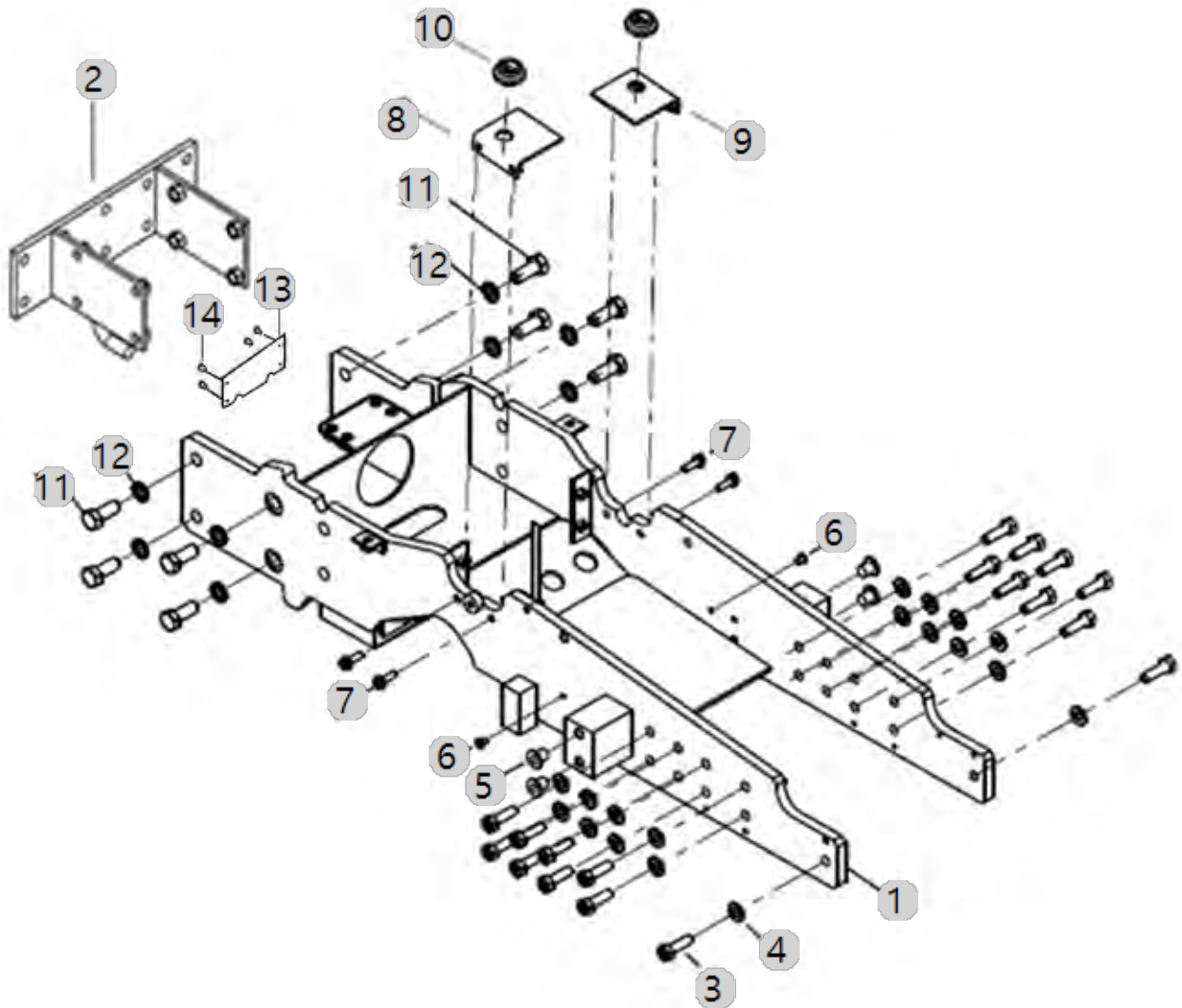
G01080

5520CH(AC02112)

BRACKET, FRONT AXLE

Year/Month

2023-01-18





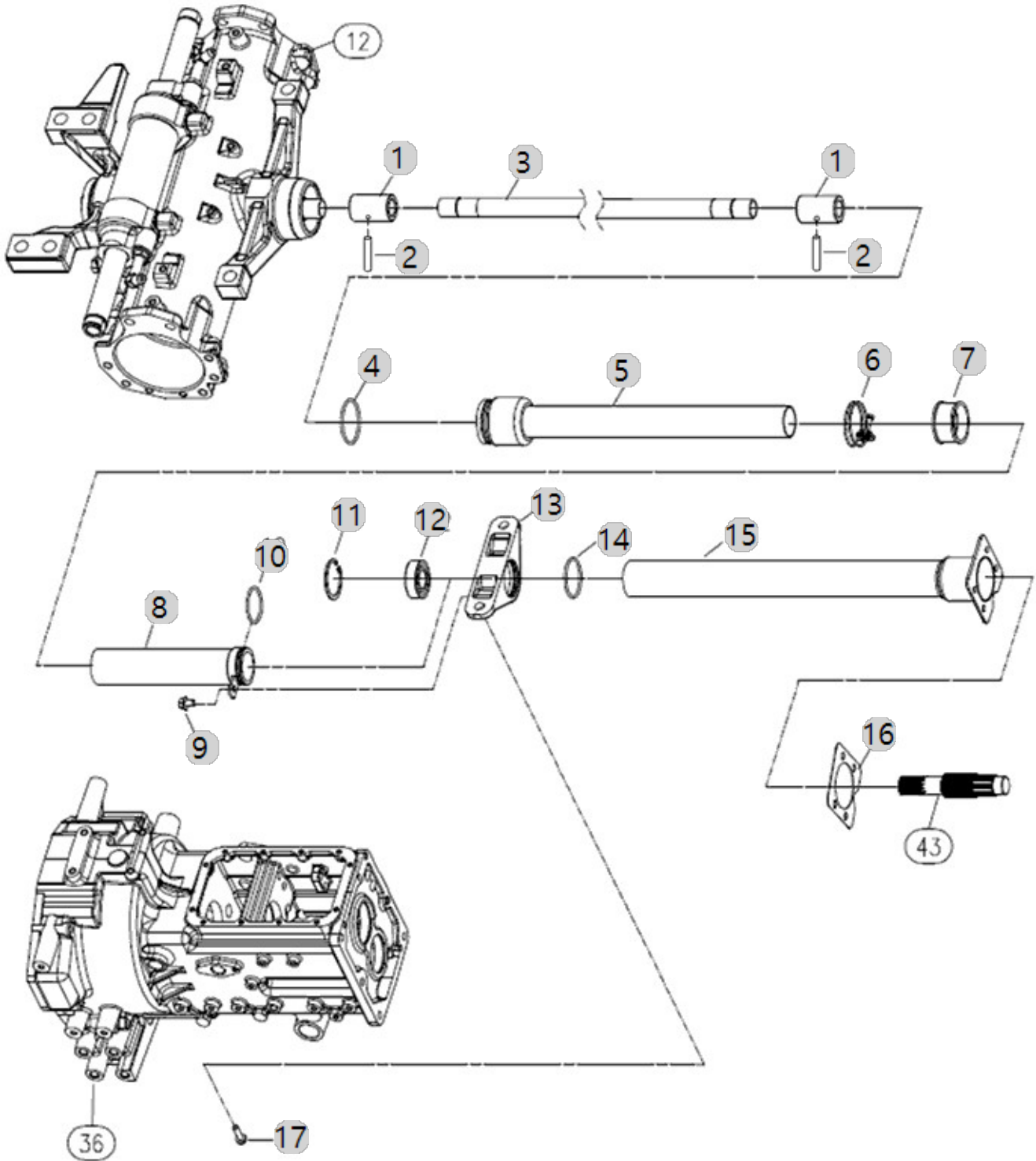
G01100

5520CH(AC02112)

# PROPELLER SHAFT

Year/Month

2023-01-18



G01100 5520CH(AC02112)		PROPELLER SHAFT				Year/Month 2023-01-18
순번 (NO)	부품번호 (PART NO)	품명 (PART NAME)	품명 (PART NAME)	수량 (QTY)	규격 (SPEC)	비고 (REMARK)
1	NT15080000B4	커플링 R	COUPLING(R)	2	D35	
2	22351-040036	스프링핀	SPRING PIN	2	D4X36	
3	TA00015872C	프로펠라축	SHAFT	1	D25	
4	24321-000550	O-링	SEAL,O-RING	1	1A G55.0	
5	TC62110100B3	축커버(전)	SHAFT COVER, FRONT	1	NONE	
5	TC62110100A3	축커버(전)	COVER SHAFT (FRONT)	1		
6	23010-055000	클램프	HOSEBAND55	1	D55	
7	TC62020000A4	부츠(축커버)	BOOTS,SHAFT COVER	1		
8	TA00031873B	축 커버 (전) 후 조합	COVER SHAFT (FRONT) REAR ASS'Y	1	-	
8	TA00031873A	축 커버 (전) 후 조합	COVER SHAFT (FRONT) REAR	1	-	
9	26106-080122	육각플랜지볼트	Bolt, Hexa (8-12)	1	M8XP1.25X12	
10	24321-000450	O링(G형)	O-RING, DYNAMIC (Φ45)	1	G45	
11	22252-000520	CIRCLIP52	RING, CIRCLIP (Φ 52)	1	D52(구멍용)	
12	24104-062054	볼베어링6205UU	BALL BEARING (#6205UU)	1	#6205UU	
13	TA00042166C	베어링 홀더	BEARING HOLDER	1		
13	TA00042166B	베어링 홀더	BEARING HOLDER	1		
14	24321-000500	O링(G형)	O-RING (D50)	1	G50	
15	TA00031871C	축 커버(후) 20	COVER SHAFT (REAR)	1	-	
15	TA00031871B	축 커버(후) 20	COVER SHAFT (REAR)	1	-	
16	TN23070000B4	축 커버 패킹	SHAFT, PACKING COVER	1	0.5T	
16	TN23070000A4	축커버패킹	PACKINGCOVER	1	T0.5	
17	26106-120252	육각플랜지볼트	HEX FLANGE BOLT	2		

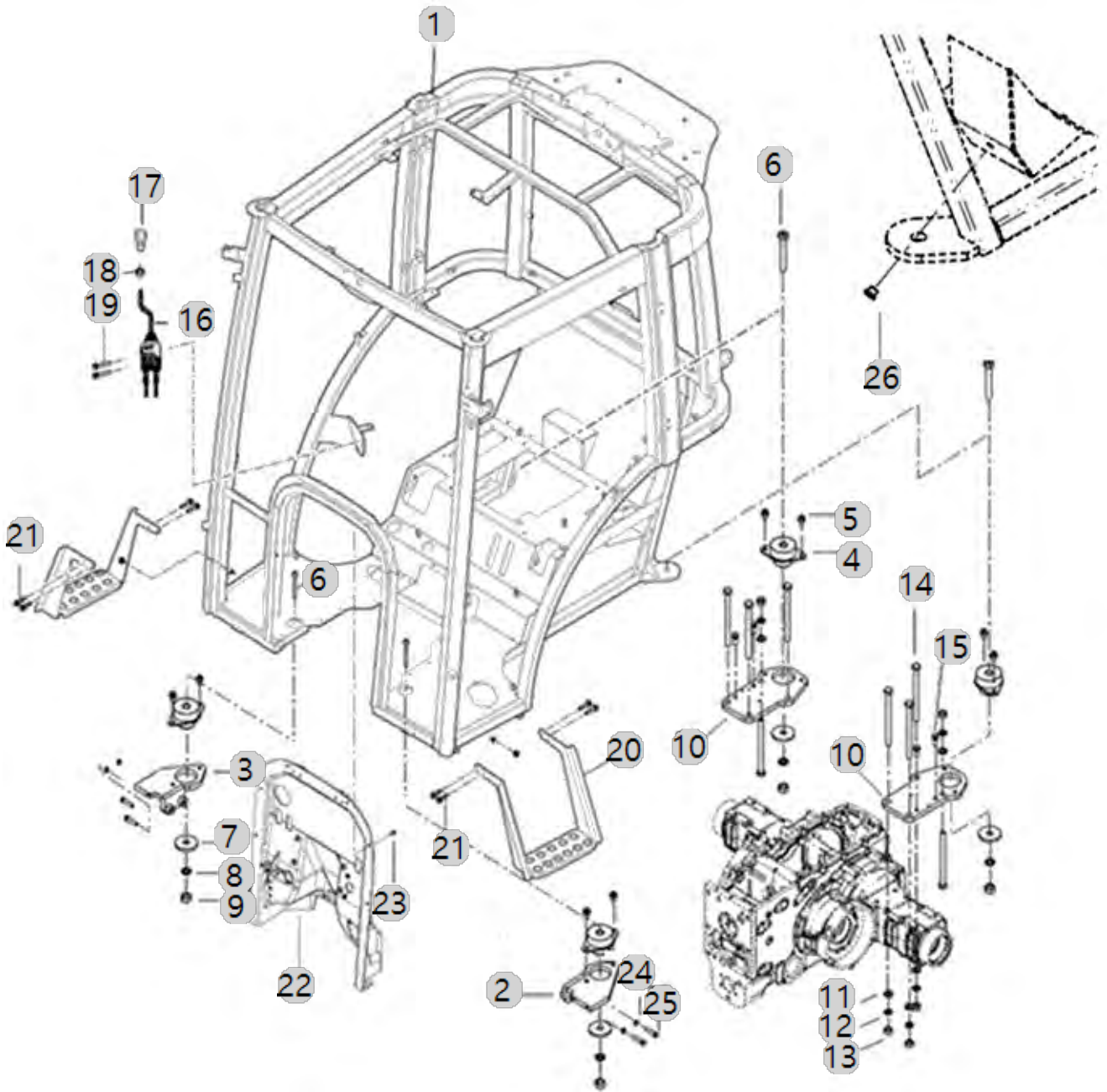
G02010

CABIN FRAME

Year/Month

5520CH(AC02112)

2023-01-18





G02010 5520CH(AC02112)	CABIN FRAME	Year/Month 2023-01-18
---------------------------	-------------	--------------------------

순번 (NO)	부품번호 (PART NO)	품명 (PART NAME)	품명 (PART NAME)	수량 (QTY)	규격 (SPEC)	비고 (REMARK)
1	TA00072438A	본넷 프레임 조합	BONNET FRAME ASSY	1		
2	TA00035953A	방진 고무 지지대 앞 조합 (좌)_	SUPPORT ASSY	1		
2	TA00035953B	방진 고무 지지대 앞 조합 (좌)_	SUPPORT ASS'Y	1		
3	TA00063583A	방진고무지지대앞(우)_4H	BRACKET, FRONT(R)	1		
3	TA00063583B	방진고무지지대앞(우)_4H	BRACKET, FRONT(R)	1		
4	TA00017825B	방진고무조합	CUSHION RUBBER, FRONT	4		
5	26106-120202	육각플랜지볼트	BOLT	8		
6	FTK1320000C4	캐빈취부볼트	BOLT	4	M20XP2.0X12	
6	FTK1320000B4	캐빈취부볼트	BOLT	4	M20XP2.0X12	
7	TH51050000B4	와셔	WASHER	4	8T	
8	22217-200000	스프링 와셔	WASHER, SPRING (Φ 20)	4	M20 X 60 X P	
9	26716-200002	육각너트	NUT	4	M20XP2.5	
10	TA00027276C	캐빈 취부 브래킷 후	BRACKET REAR	2	16T	
10	TA00027276B	캐빈 취부 브래킷 후	BRACKET REAR	2	16T	
11	22137-160000	와셔	WASHER, PLAIN (Φ 16)	8	M16	
12	22217-160000	스프링와셔	WASHER, SPRING (Φ 16)	8	M16	
13	26716-160002	육각너트	NUT	8	M16XP2.0	
14	TTF8170000B4	볼트	BOLT	8	M16X2.0	
15	26013-120302	와셔조립육각볼트(+SW)	HEX BOLT W/WASHER	4	M12XP1.75X3	
15	26013-120302	와셔조립육각볼트(+SW)	HEX BOLT W/WASHER	6	M12XP1.75X3	
16	TA00062981B	조이스틱 조합	JOY-STICK ASSY	1		
17	TA00055377A	그립조합	GRIP COMP , JOYSTICK	2		
18	26737-140002	너트(세목)	NUT	1		
19	26106-080802	572,A1417,플랜지볼트8X80	SCREW,HEXFLANGEHEADCAP	2	M8X1.25X80	
20	TA00072966A	발판조합_C	STEP ASS'Y	2		
20	TA00072996A	보조발판관계(20C)	STEP ASSY	1		
21	26106-080202	육각플랜지볼트	SQR FLANGE BOLT	8	M8XP1.25X20	
22	TA00044891F	방풍판 조합(HST)	HEAT INSULATOR ASS'Y	1		
22	TA00044891G	방풍판 조합(HST)	WINDSHIELD ASS'Y(HST)	1		
23	26106-060162	육각플랜지 볼트	HEXFLANBOLT	8	M6XP1.0X16	
24	22217-100000	스프링와셔	WASHER, SPRING (Φ 10)	4	M10	
25	CA00001686A	육각볼트M10X45	BOLT HEXAGON M10X45	4		
25	CA00001686B	육각볼트M10X45	BOLT HEXAGON M10X45	4	M10X45(10.9T	
26	TB18040000A4	플러그	PLUG13	1	D13	

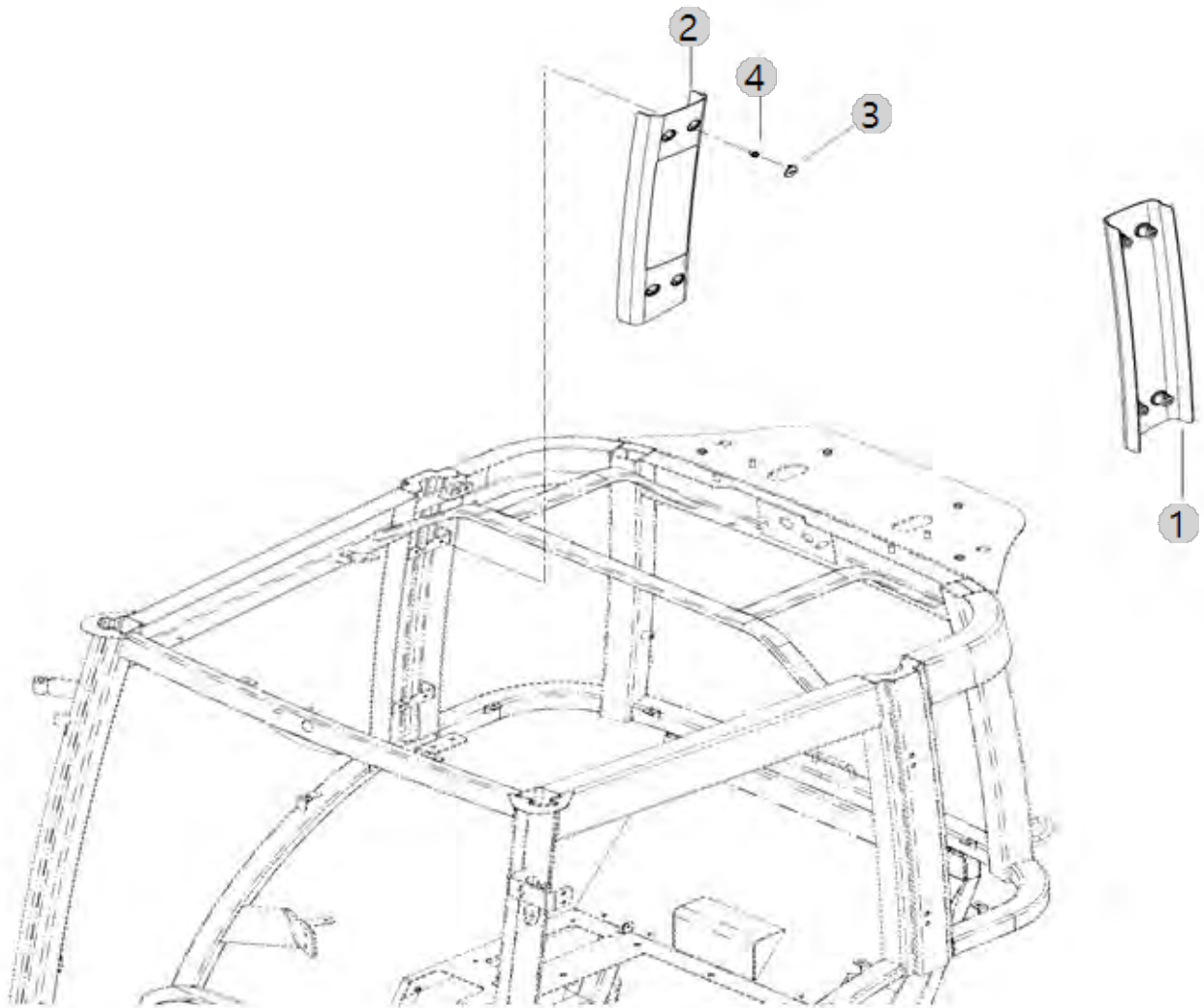
G02011

5520CH(AC02112)

PILLAR COVER

Year/Month

2023-01-18





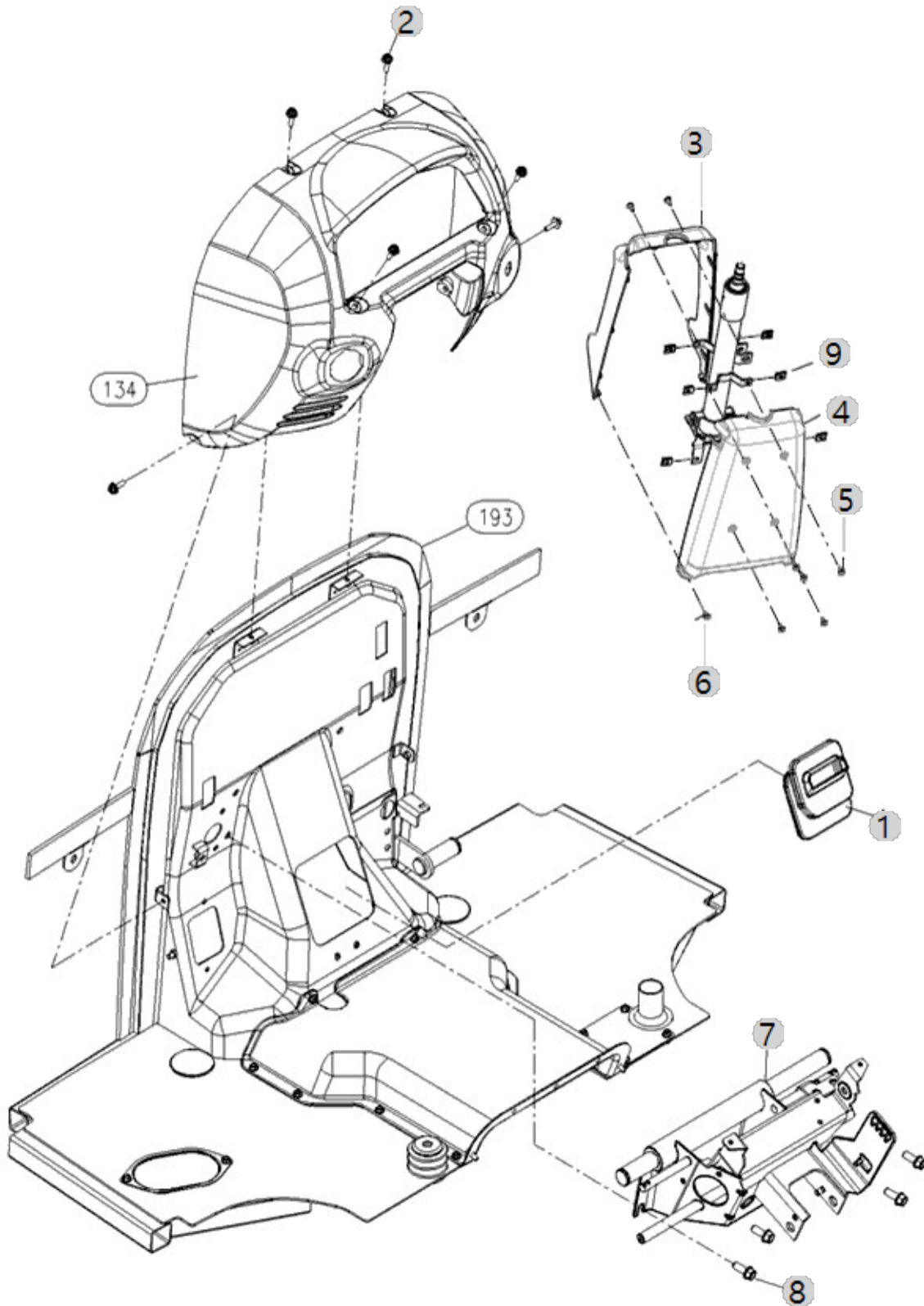
G02020

DASH BOARD

Year/Month

5520CH(AC02112)

2023-01-18



G02020 5520CH(AC02112)	DASH BOARD				Year/Month	
					2023-01-18	

순번 (NO)	부품번호 (PART NO)	품 명 (PART NAME)	품 명 (PART NAME)	수량 (QTY)	규격 (SPEC)	비고 (REMARK)
1	TA00002039A	PST 부츠	PST BOOT	1	NONE	
2	TCE9020000C4	볼트(BC)6x20	BOLT(BC)	6	M6XP1.0X25	
3	TA00047998B	컬럼커버_전(실버)	COLUMN COVER F	1		
4	TA00047997B	컬럼커버_후(실버)	COLUMN COVER R	1		
5	TTD7100000A4	(+)자 홈볼이 탭핑 나사	CROSSRECESSED TAPPING SCREW	4	M5X25	
6	TTD7090000B4	(+)자 홈볼이 탭핑 나사	CROSS RECESSED HEAD TAPPING SCREW	4	M5X16	
6	TTD7090000C4	(+)자 홈볼이 탭핑 나사	CROSS RECESSED HEAD TAPPING SCREW	4	M5X16	
7	TA00001262F	컬럼 스테이 조합	STAY ASS'Y, COLUMN	1	-	
7	TA00001262E	컬럼 스테이 조합	STAY ASS'Y, COLUMN	1	-	
8	26106-100202	육각플랜지볼트	HEX BOLT, (10-20)	4	M10XP1.5X20	
9	TTD7110000B4	스피드 너트 5008	SPEED NUT NS5008	6	0.7T	
9	TTD7110000C4	스피드 너트 5008	SPEED NUT NS5008	6	0.7T	

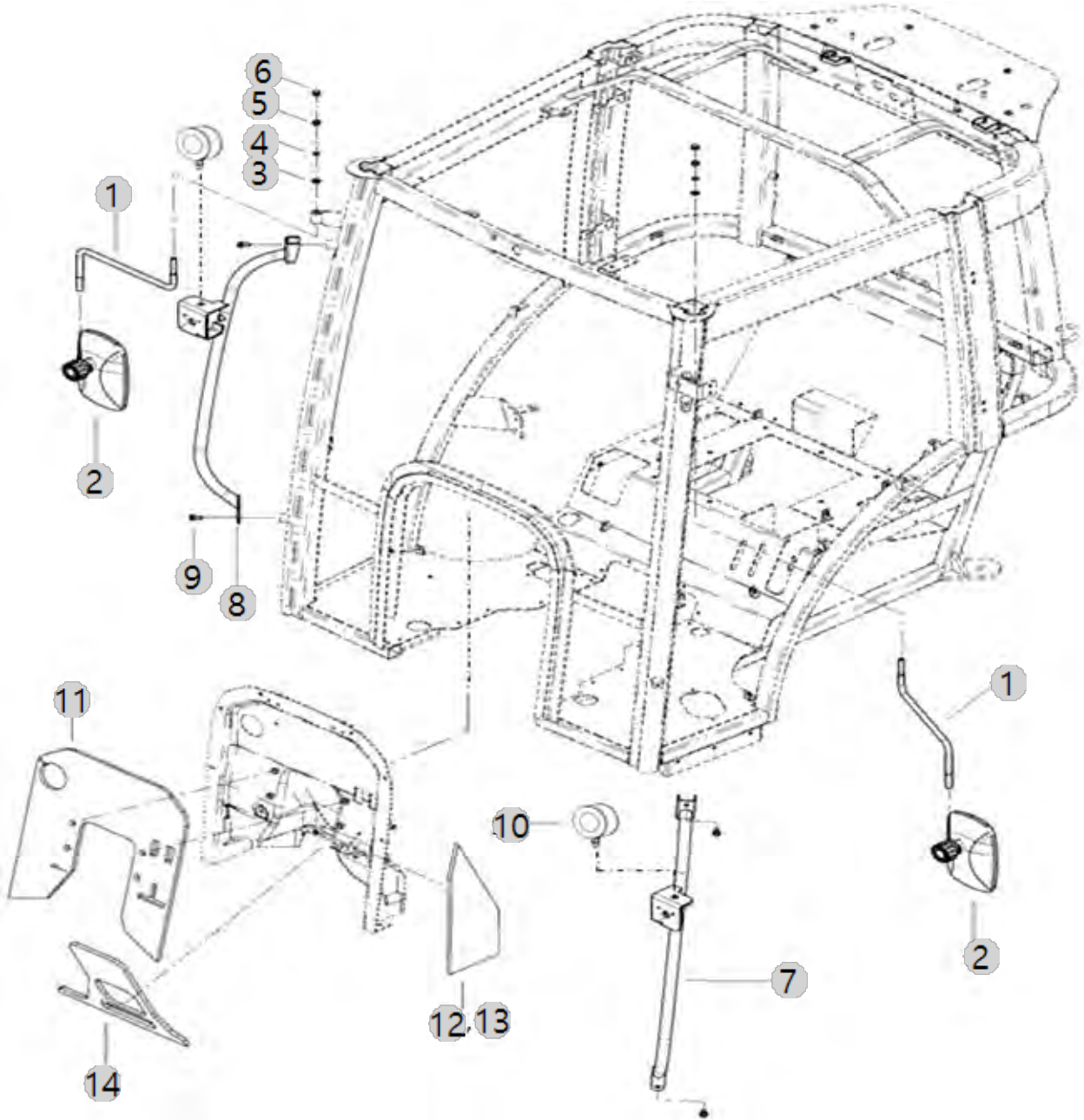
G02030

5520CH(AC02112)

SIDE-VIEW MIRROR

Year/Month

2023-01-18



G02030 5520CH(AC02112)	SIDE-VIEW MIRROR	Year/Month
		2023-01-18

순번 (NO)	부품번호 (PART NO)	품명 (PART NAME)	품명 (PART NAME)	수량 (QTY)	규격 (SPEC)	비고 (REMARK)
1	TA00028657C	백미러 스테이 봉	REARVIEW MIRROR ROD	2		
1	TA00028657B	백미러 스테이 봉	BACK MIRROR BOSE	2		
2	TCF5170000B3	백미러	SIDE MIRROR	2		
3	22117-100000	평와셔(소형)	WASHER, PLAIN (Φ 10)	2	M10	
4	22217-100000	스프링와셔	WASHER, SPRING (Φ 10)	2	M10	
5	26716-100002	육각너트	Nut, Hexa (Φ10)	2	M10XP1.5	
6	26656-100002	육각캡너트	CAP NUT, HEX	2	M10	
7	TA00045948C	손잡이 조합 L	GRIP ASS'Y, LH	1		
7	TA00045948B	외측 손잡이 조합 L	ASS'Y, GRIP	1		
8	TA00045951C	손잡이 조합 R	GRIP ASS'Y, RH	1		
8	TA00045951B	손잡이 조합 R	ASS'Y, GRIP	1		
9	26106-080202	육각플랜지볼트	SQR FLANGE BOLT	4	M8XP1.25X20	
10	HA00001757A	전면 방향지시등조합(복미)	REAR COMBI LAMP R	2		
11	TA00040399F	방풍판 흡음재(CABIN)	SPONGE	1		
12	TA00041266C	방풍판 흡음재(CABIN)3	SPONGE	1		
13	TA00041270C	방풍판 흡음재(CABIN)4	SPONGE	1		
14	TA00040404C	방풍판 흡음재(CABIN)2	SPONGE	1		

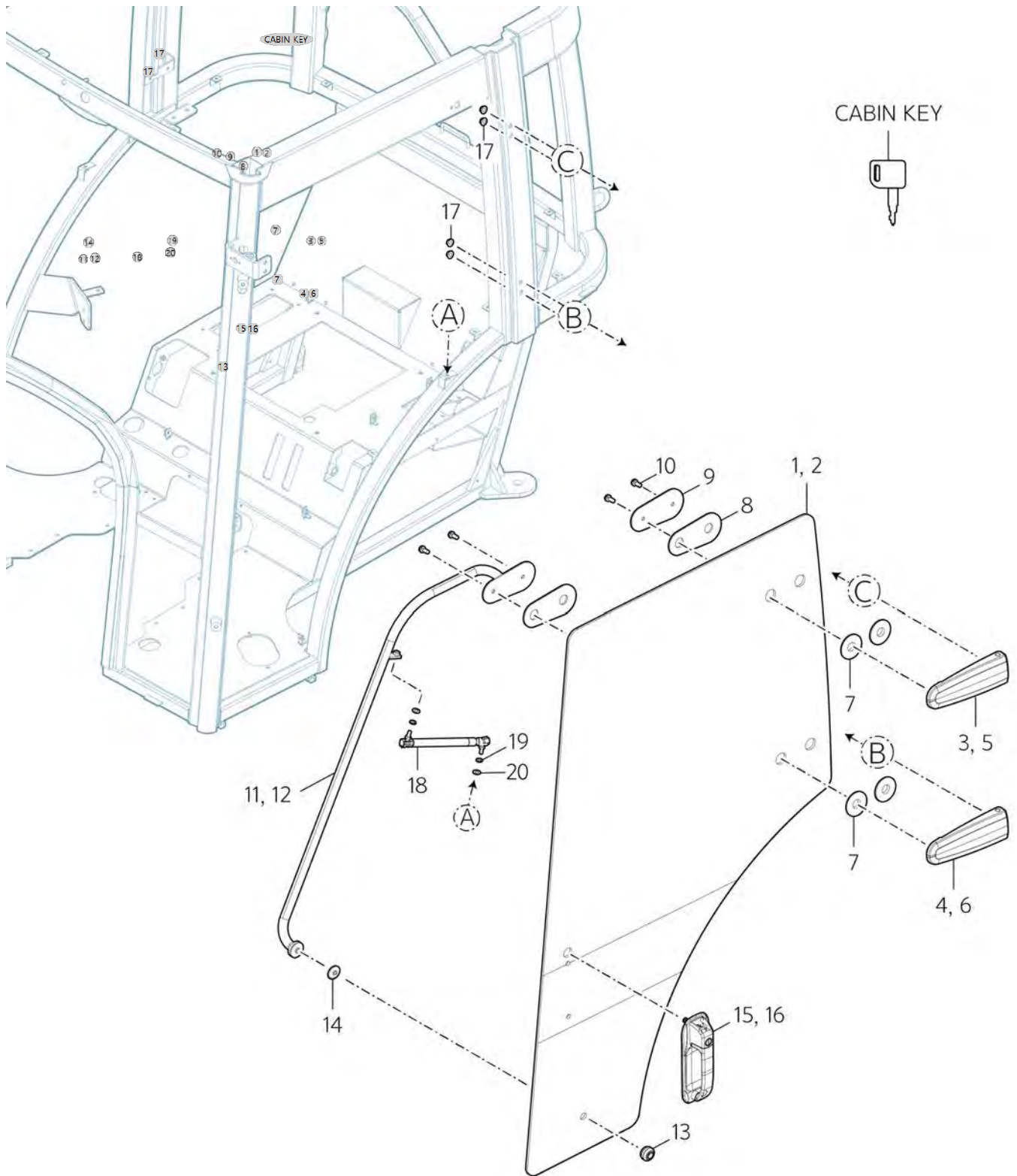
G02050

DOOR

Year/Month

5520CH(AC02112)

2023-01-18







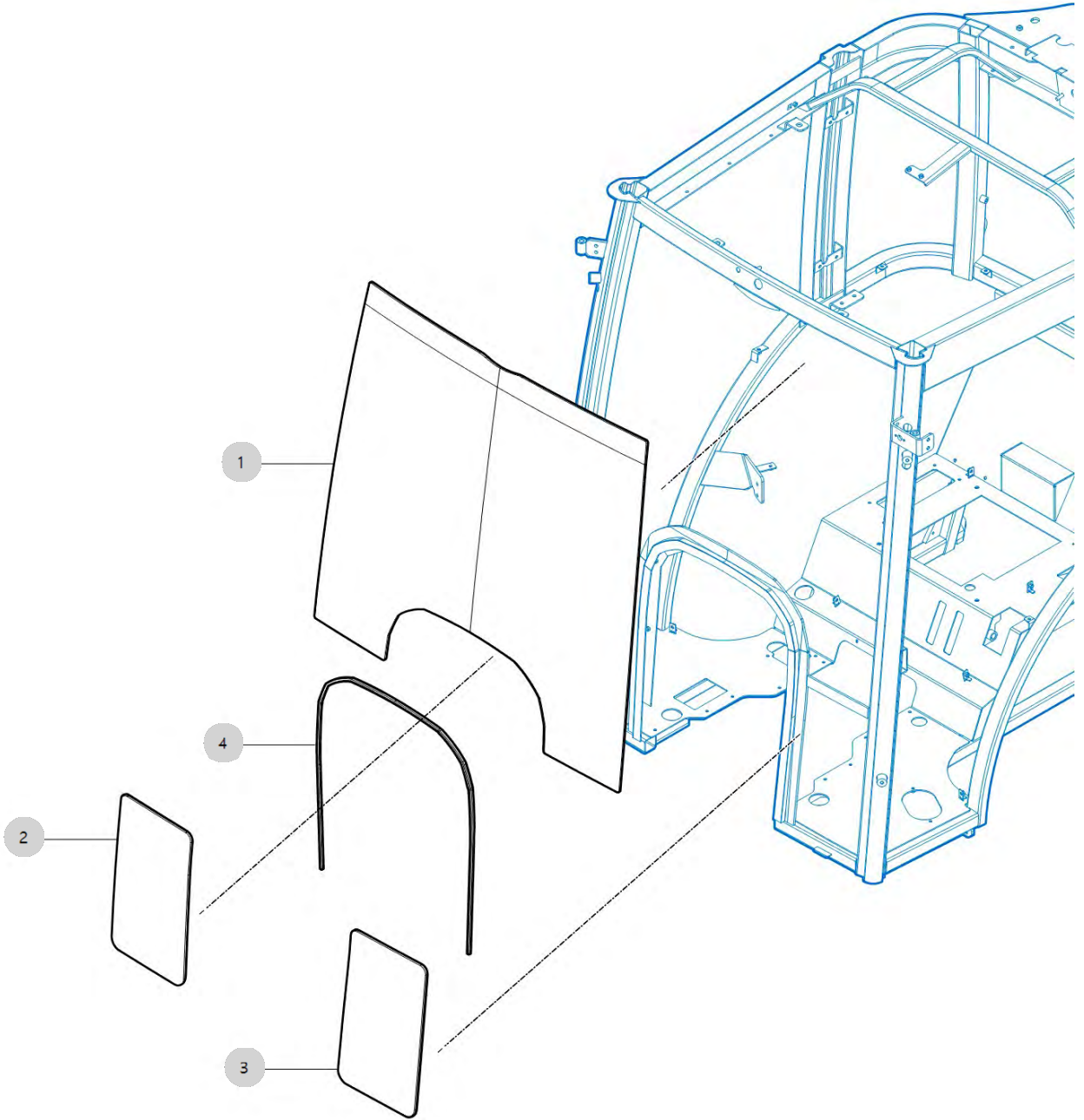
G02071

FRONT WINDOWS

Year/Month

2023-01-18

5520CH(AC02112)





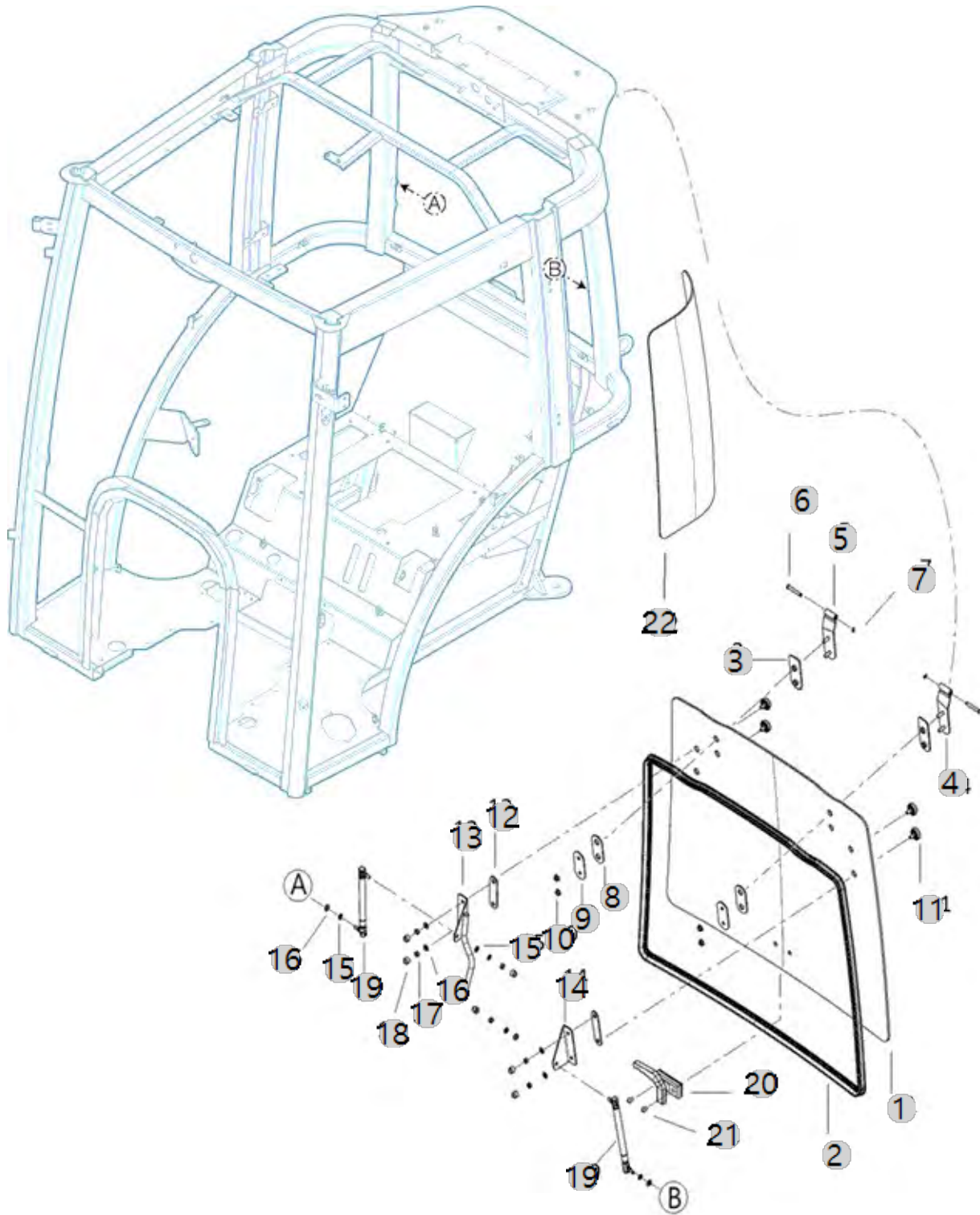
G02072

REAR WINDOWS

Year/Month

5520CH(AC02112)

2023-01-18





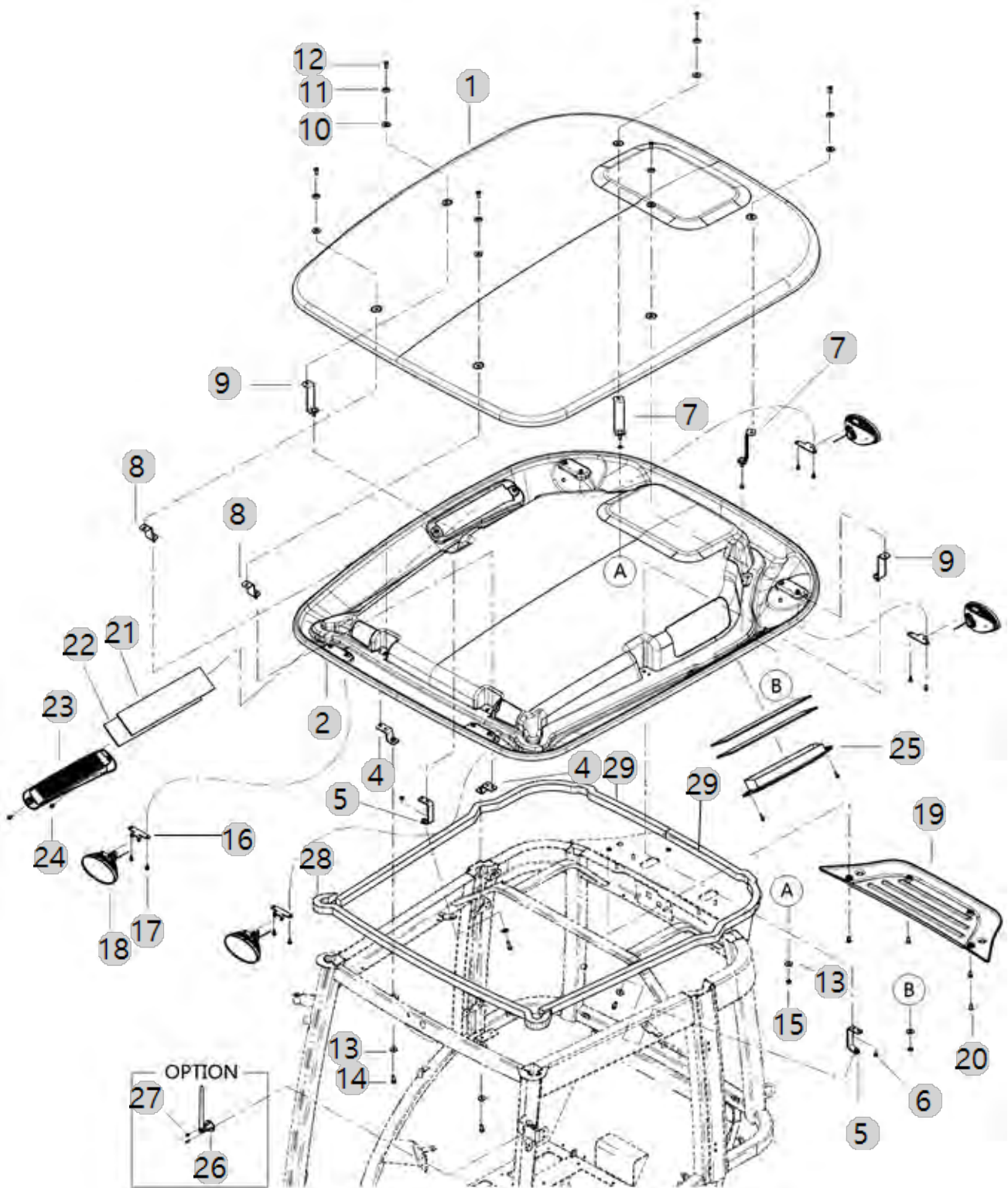
G02131

ROOF/OUTER

Year/Month

5520CH(AC02112)

2023-01-18





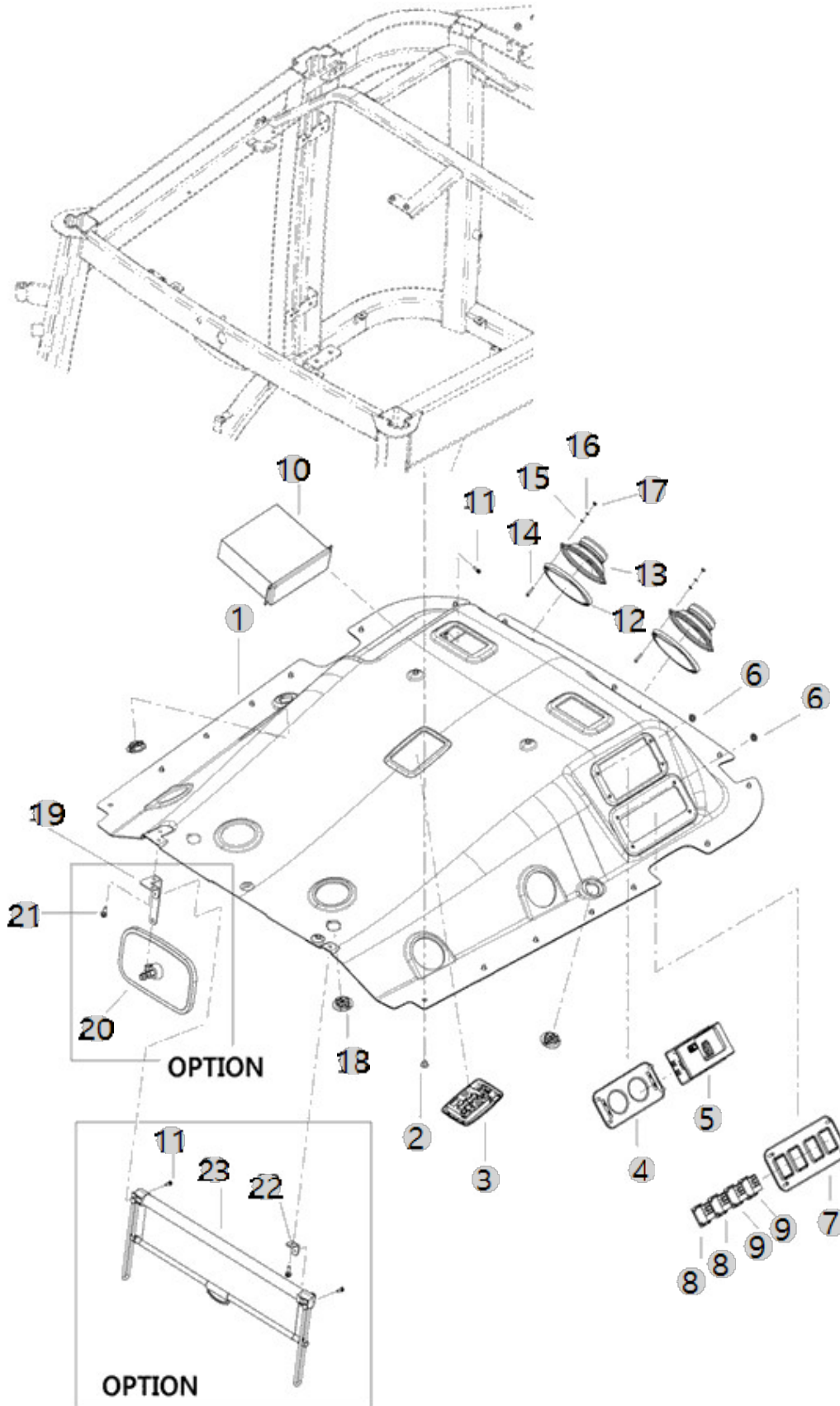
G02132

ROOF/INNER

Year/Month

5520CH(AC02112)

2023-01-18





G02132 5520CH(AC02112)	ROOF/INNER	Year/Month
		2023-01-18

순번 (NO)	부품번호 (PART NO)	품명 (PART NAME)	품명 (PART NAME)	수량 (QTY)	규격 (SPEC)	비고 (REMARK)
1	TA00045970D	천장	CEILING	1		
2	TA00044734A	화스너	FASTENER	22		
3	HA00001248A	실내등	INDOOR LAMP	1		
4	TA00047000B	AC 커버	COVER	1		
5	TA00047004B	에어컨 컨트롤러	AIR CONDITIONER CONTROLLER	1		
6	TB41290000D4	평너트	NUT	8	0.4T	
6	TB41290000C4	평너트	NUT	8	0.4T	
6	TB41290000B4	평너트	NUT	8	0.4T	
7	TA00048244A	스위치커버(4구)	COVER	1		
8	HA00000870A	전방와이퍼스위치	FRONT WIPER SWITCH	2		
9	THA4324000A9	ON,OFF스위치	SWITCH,ON-OFF	2		
10	HA00001084A	오디오(블루투스)	AUDIO	1		
11	26023-040162	와셔조립남비작은나사(SW+PW)	SCREW	6	M4X16	
12	TA00028767A	스피커 커버	SPEAKER COVER	2		
13	TA00020684A	스피커	SPEAKER	2		
14	26557-040302	(+)자홈남비작은나사	+SCREW	8	M4XP0.7X30	
15	22117-040000	평와셔(소형)	WASHER, PLAIN (Φ 04)	8	M4	
16	22217-040000	스프링와셔4	WASHER, SPRING (Φ 04)	8	M4	
17	26717-040002	육각너트	NUT	8	M4XP0.7	
18	TA00046126A	캡	CAP	4		
19	TA00047758B	룸미러 브래킷	BRACKET	1		
19	TA00047758C	룸미러 브래킷	BRACKET	1		
20	TA00018228A	룸미러	ROOM MIRROR	1		
21	26557-060202	(+)자홈남비작은나사	SCREW	4	M6XP1.0X20	
22	TA00047759A	스크린 고정 브래킷	BRACKET	1		
23	TA00017802A	썬바이저	SUN VIRSOR	1		

G02140

5520CH(AC02112)

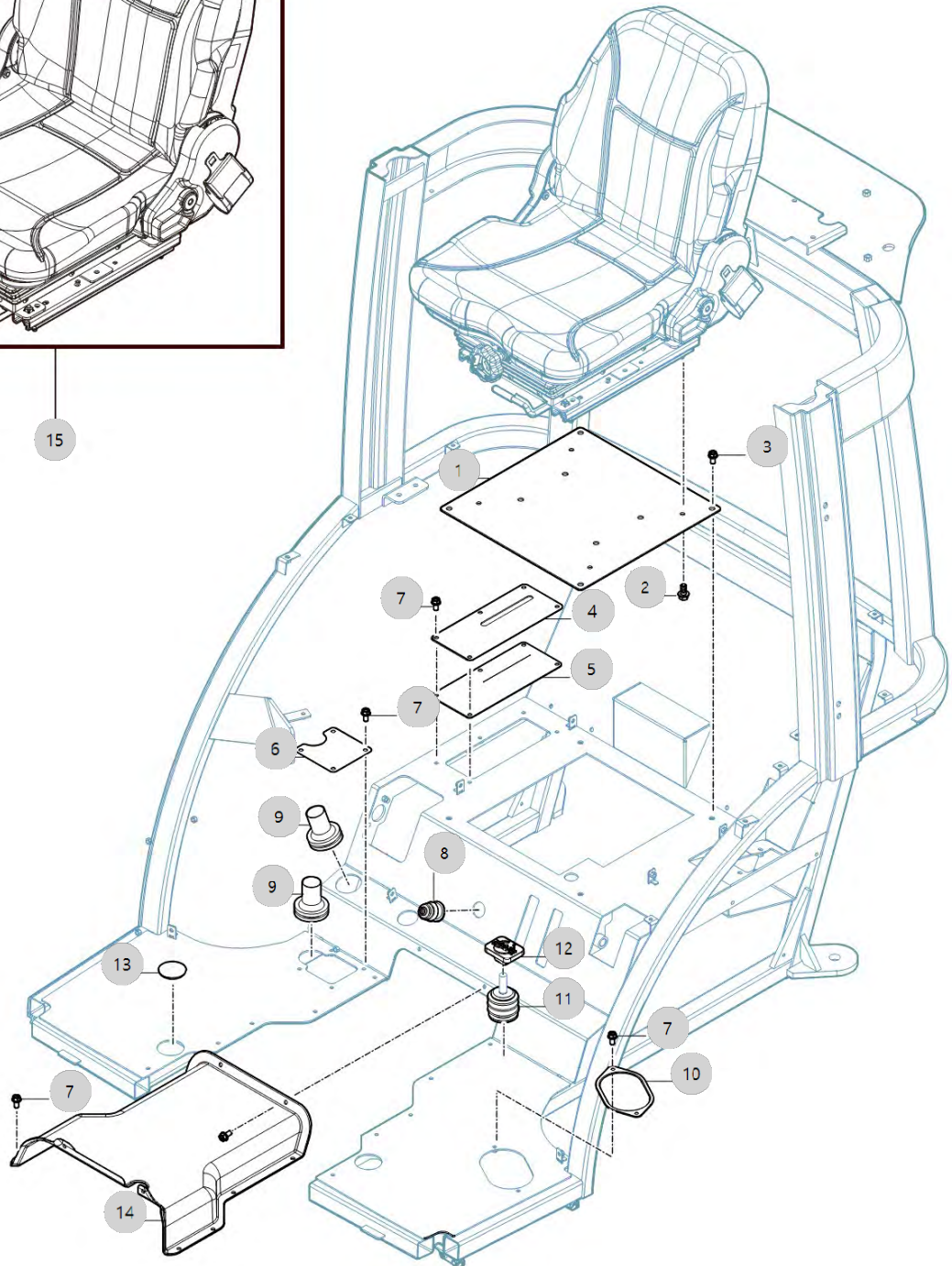
# DRIVER'S SEAT

Year/Month

2023-01-18



15





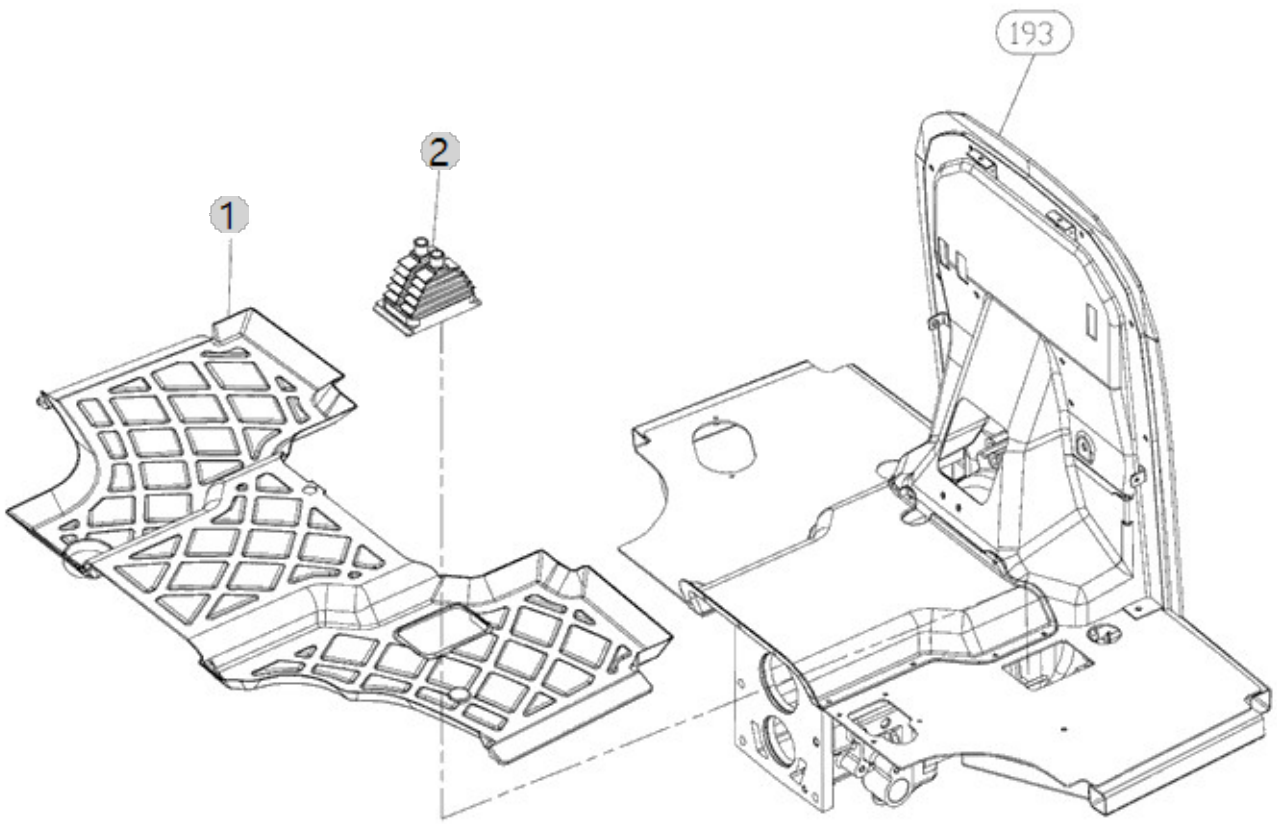
G02160

5520CH(AC02112)

FLOOR PLATE

Year/Month

2023-01-18





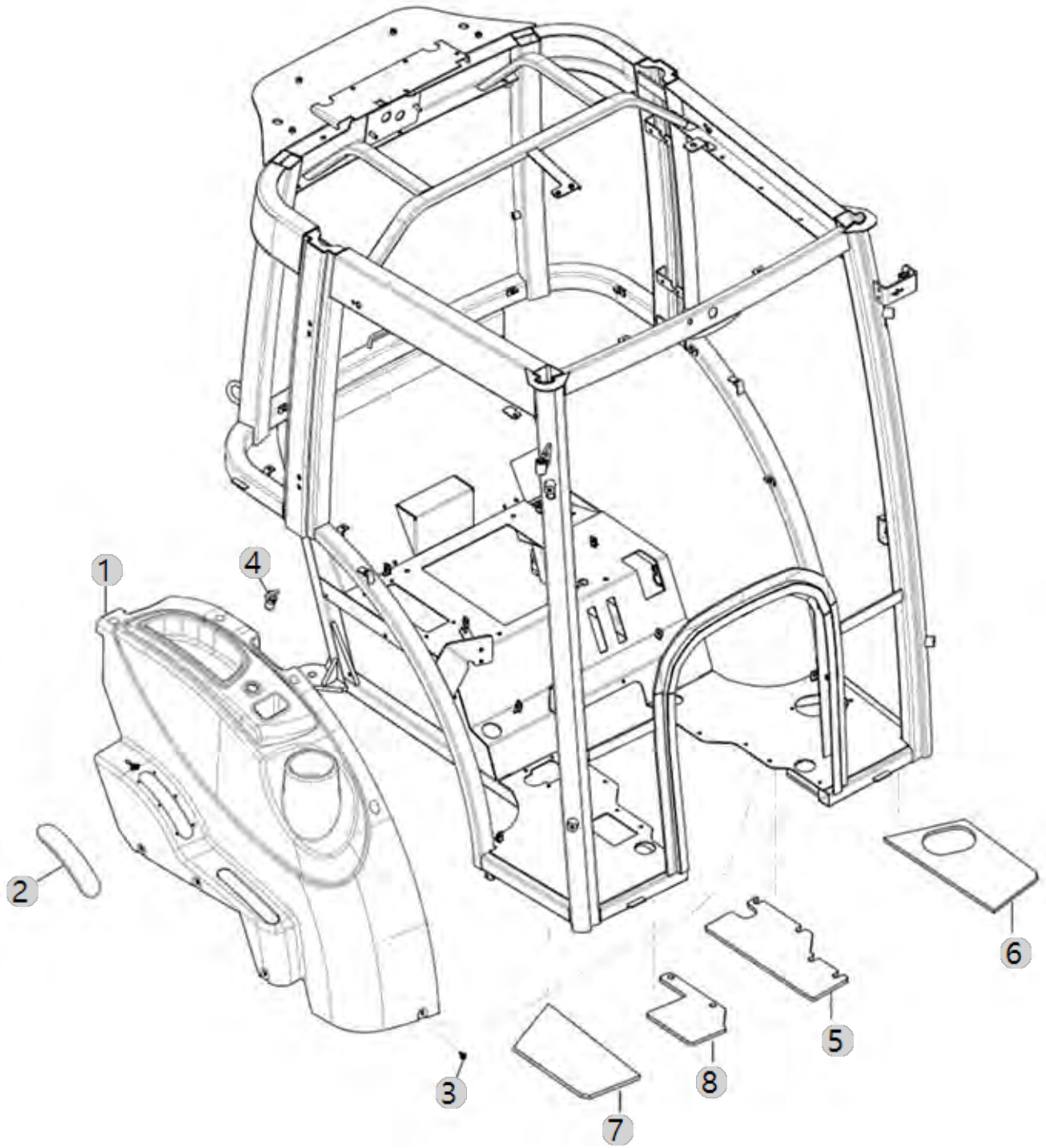
G02181

5520CH(AC02112)

FENDER COVER/LH

Year/Month

2023-01-18





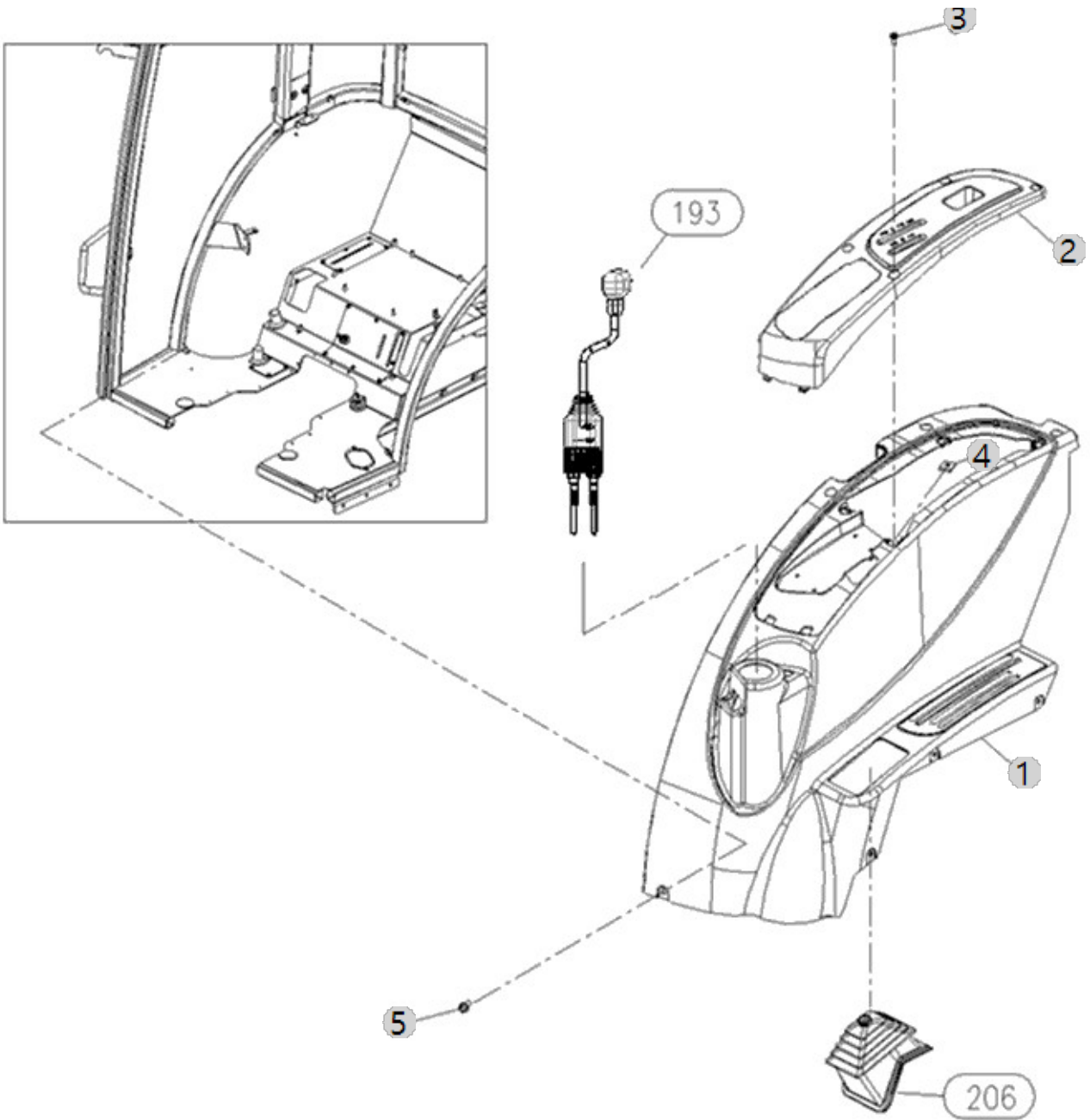
G02182

FENDER COVER/RH

Year/Month

5520CH(AC02112)

2023-01-18







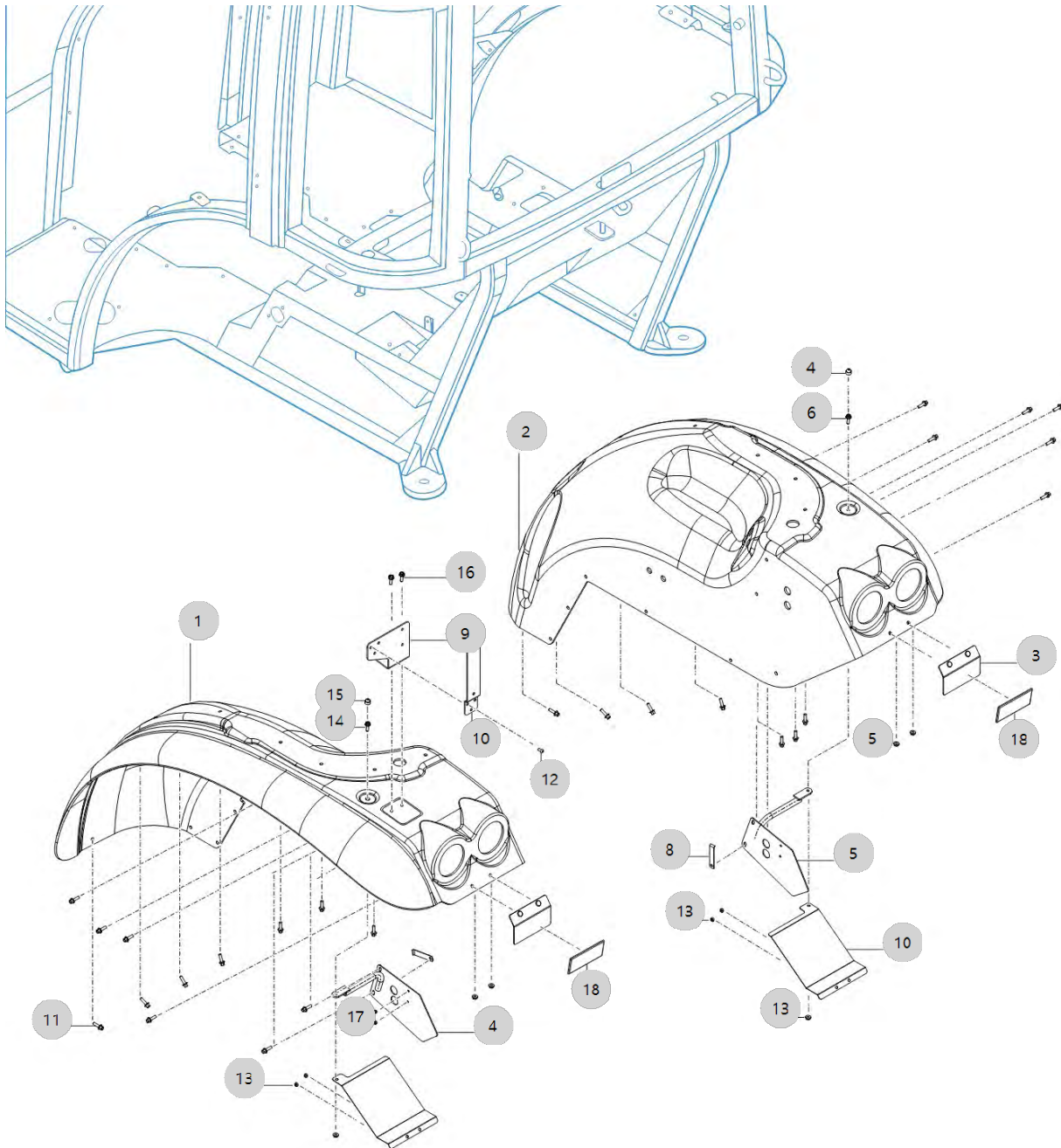
G02190

5520CH(AC02112)

FENDER ASS'Y

Year/Month

2023-01-18



G02190		FENDER ASS'Y				Year/Month
5520CH(AC02112)						2023-01-18
순번 (NO)	부품번호 (PART NO)	품명 (PART NAME)	품명 (PART NAME)	수량 (QTY)	규격 (SPEC)	비고 (REMARK)
1	TA00072427A	휠더L	FENDER L	1		
2	TA00072431A	휠더R	FENDER R	1		
3	TA00060650B	리플렉터 브라킷	BRACKET, REFLECTOR	2		
4	TA00062259B	휠더 지지브라킷 조합L	FENDER SUPPORT BRACKET L	1		
4	TA00062259A	휠더 지지브라킷 조합L	FENDER SUPPORT BRACKET L	1		
5	TA00062263B	휠더 지지브라킷 조합R	FENDER SUPPORT BRACKET R	1		
5	TA00062263A	휠더 지지브라킷 조합R	FENDER SUPPORT BRACKET R	1		
6	TA00062265B	커버L	COVE, LEFT	1		
6	TA00062265A	커버L	COVE, LEFT	1		
7	TA00062266A	커버R	COVE, RIGHT	1		
7	TA00062266B	커버R	COVE, RIGHT	1		
8	TCD5310000B4	배선클램프C	CLAMP_C_WIRE	2		
9	TA00072433A	저속차량 표지판 브라킷 조합	BRACKET ASS'Y : NUMBER PLATE	1		
10	TZE1040003D3	SMV 브라킷조합	SMV BRACKET ASS'Y	1		
10	TZE1040003C3	SMV 브라킷조합	SMV BRACKET ASS'Y	1		
11	THA4929000A9	직결프스25L	SCREW	26		
12	26106-060142	육각플랜지볼트	BOLT	3	M6X1.0X14	
13	26367-060002	플랜지너트	Nut, Hexa (Φ6)	6	M6XP1.0	
14	26106-060202	육각플랜지볼트(6*20)	HEXFLANGE BOLT	2	M6X1.0X20	
15	TNA4303000A4	캡너트	CONTROL VALVE OPERATE ARM	2		
16	26106-080162	플랜지볼트8X16	SCREW,HEXFLANGEHEADCAP	2	M8XP1.25X16	
17	TA00020103A	인서트 너트 M6	NUT	2		
18	TA00065617A	리플렉터(50X121)	REFLECTOR(50X121)	2		
19	TA00032694B	브레이크 커버	COVER, BRAKE	1		
19	TA00032694B	브레이크 커버	COVER, BRAKE	1		
20	26106-060142	육각플랜지볼트	BOLT	1	M6X1.0X14	

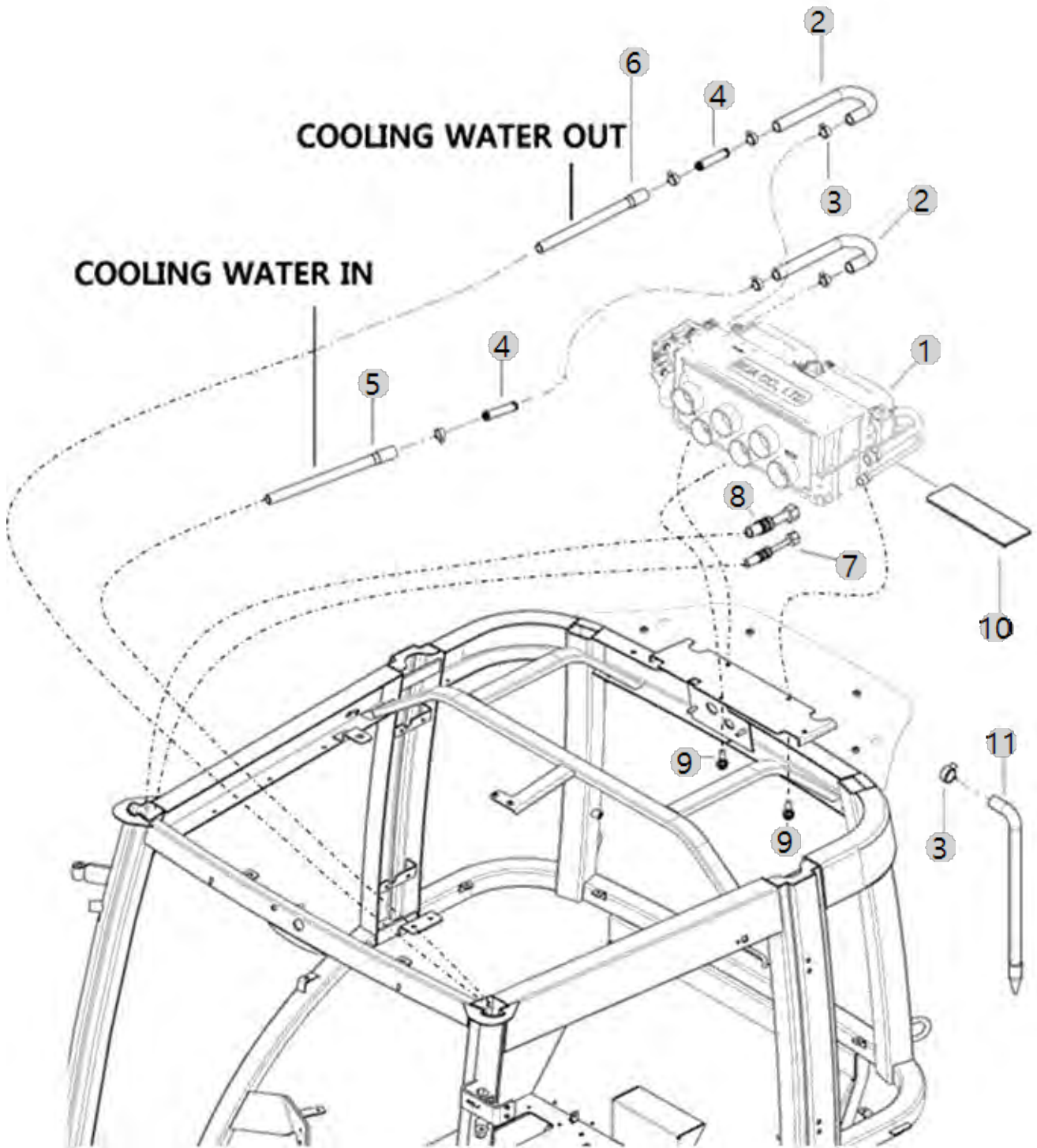
G03010

AIR CONDITIONER

Year/Month

5520CH(AC02112)

2023-01-18





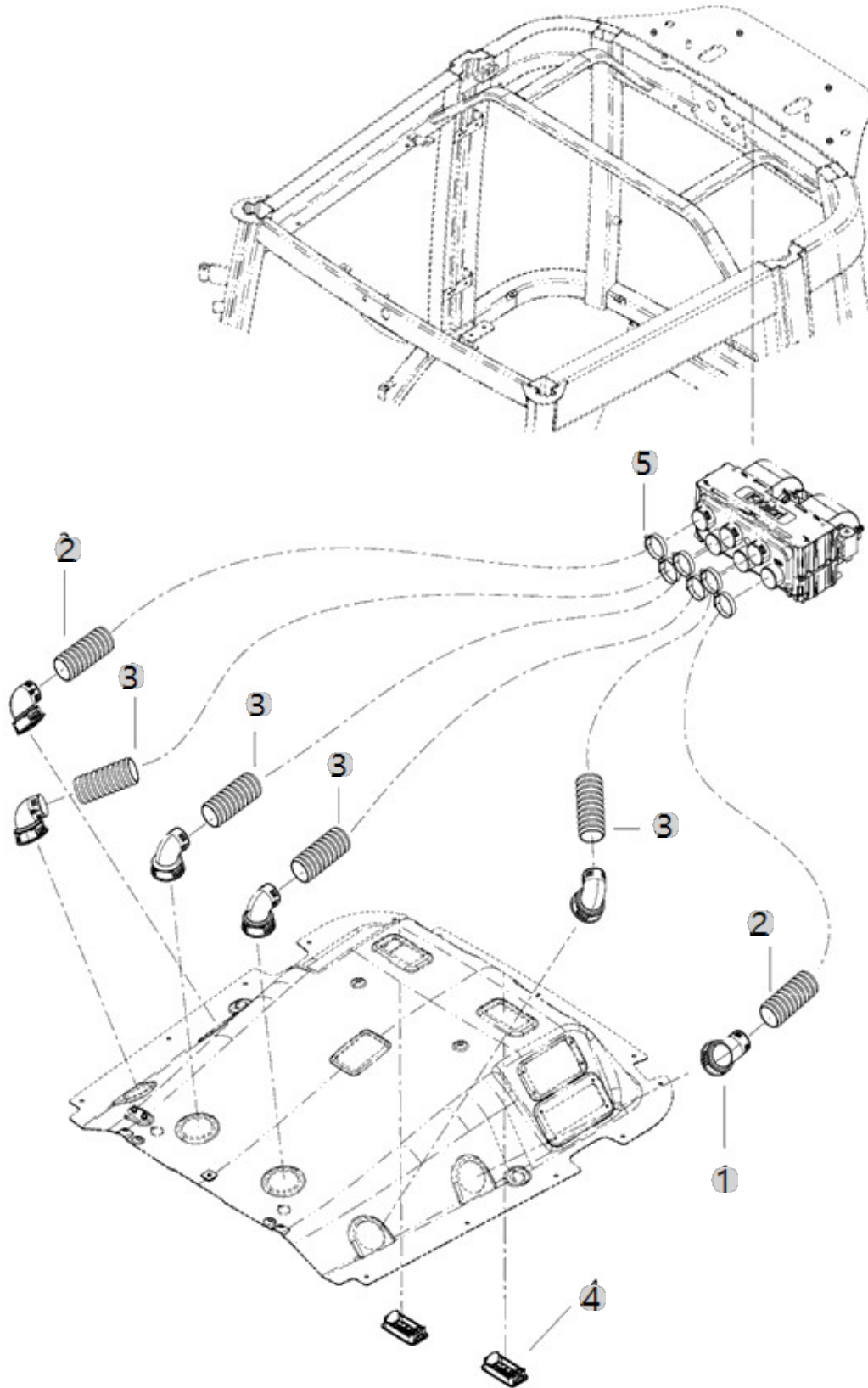
G03020

A/C DUCT

Year/Month

5520CH(AC02112)

2023-01-18





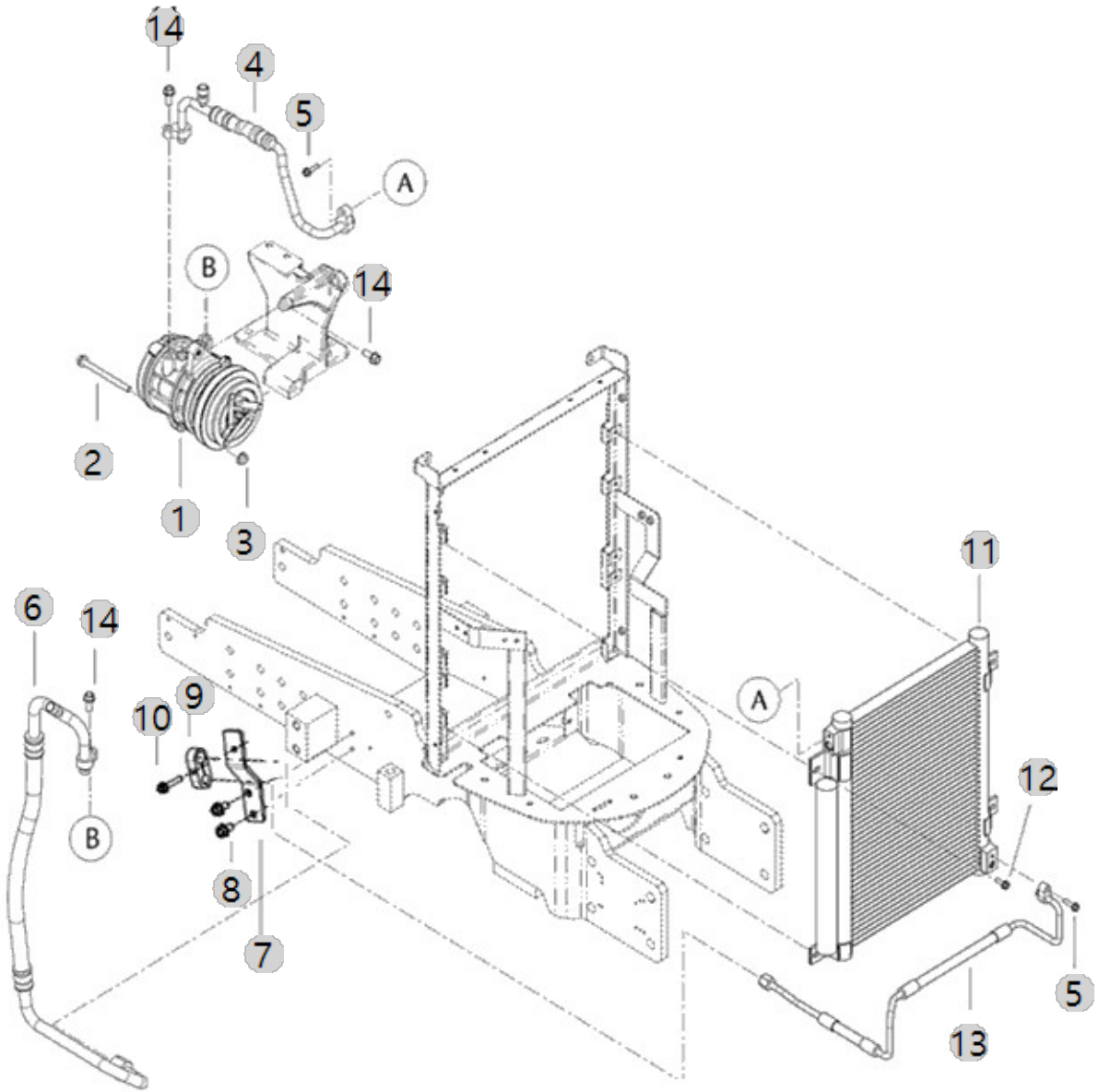
G03091

5520CH(AC02112)

# COMPRESSOR

Year/Month

2023-01-18







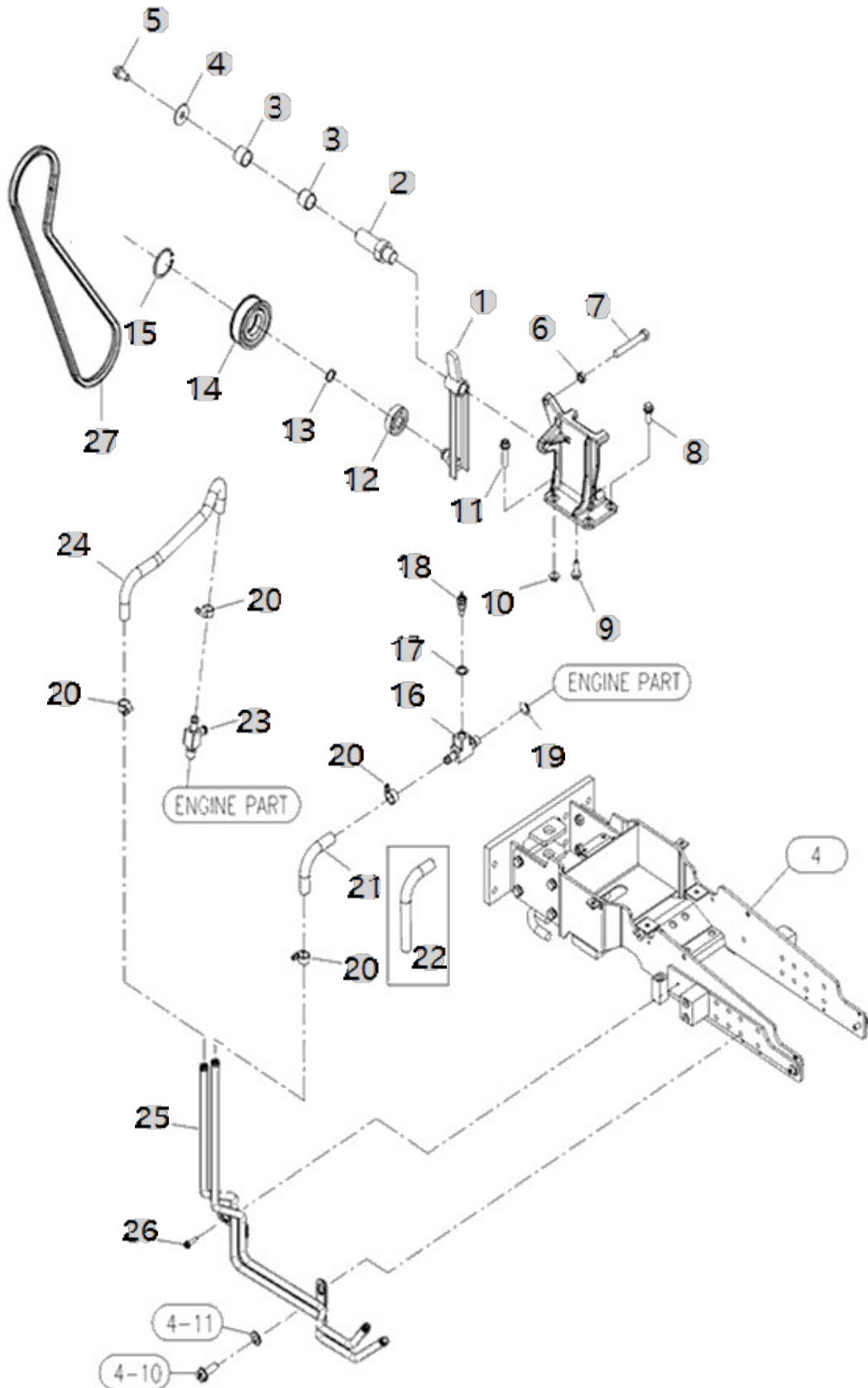
G03092

5520CH(AC02112)

### TENSION PULLEY

Year/Month

2023-01-18



G03092 5520CH(AC02112)	TENSION PULLY	Year/Month
		2023-01-18

순번 (NO)	부품번호 (PART NO)	품명 (PART NAME)	품명 (PART NAME)	수량 (QTY)	규격 (SPEC)	비고 (REMARK)
1	TA00054374B	텐션암 조합	TENSION ARM ASSY	1		
1	TA00034850C	텐션암 조합	TENSION ARM	1		
2	TA00021764E	텐션축	SHAFT	1	O.D25X67	
2	TA00021764B	텐션축	SHAFT	1	O.D25X67	
3	24550-018150	드라이부시	DRY BUSH	2		
4	22157-080000	평와셔8(대형)	WASHER, PLAIN (Φ 08)	1	M8	
5	26013-080162	와셔조립육각볼트(+SW)	Bolt, Hexa (8-16)	1	M8XP1.25X16	
6	26777-120002	육각고정너트(세목)	NUT	1	M12XP1.25	
7	TA00022828B	스토퍼볼트	STOPPER BOLT	1	M12XP1.25	
8	26106-100252	육각플랜지볼트	SCREW,HEXFLANGEHEADCAP	2	M10XP1.5X25	
9	26106-100452	육각플랜지볼트	HEX FLANGE BOLT	1	M10X1.5X40	
10	26367-100002	263,ALL,고정너트(우나사)	NUT,HEXAGONFLANGE	1	M10X1025	
11	26106-100552	육각플랜지볼트	BOLT	1	M10X1.5X55	
12	24104-063044	볼베어링6304UU	BALLBEARING	1		
13	22242-000200	축용스냅링20	SNAP RING, SHAFT (Φ 20)	1	D20(축용)	
14	TA00023184B	아이들러	IDLER	1	D92	
15	22252-000520	CIRCLIP52	RING, CIRCLIP (Φ 52)	1	D52(구멍용)	
16	TA00025596A	T-조인트 -> FLW5100000A3	T-JOINT	1		
17	23414-160000	동패킹	WASHER,SEALING	2	M16	
18	HH12190000A	수온센서	WATER SENSER	1		
19	23414-160000	동패킹	WASHER,SEALING	2	M16	
20	23000-022000	호오스클립	CLAMP,HOSE	4	D22	
21	TA00025598C	히터호스 A	HEATER HOSE A	1		
23	FLW5110000A	T조인트	T JOINT	1		
24	TA00025597A	히터 호스 B	HEATER HOSE B	1	NONE	
25	TA00037544D	히터파이프 조합	HEATER PIPE ASSY	1		
25	TA00037544E	히터파이프 조합	HEATER PIPE ASSY	1		
26	26015-060162	와셔조립육각볼트(S+PW)	BOLT	1	M6XP1.0X16	
27	TA00047448A	V-벨트 REC A55.5 (동일)	V-BELT	1		

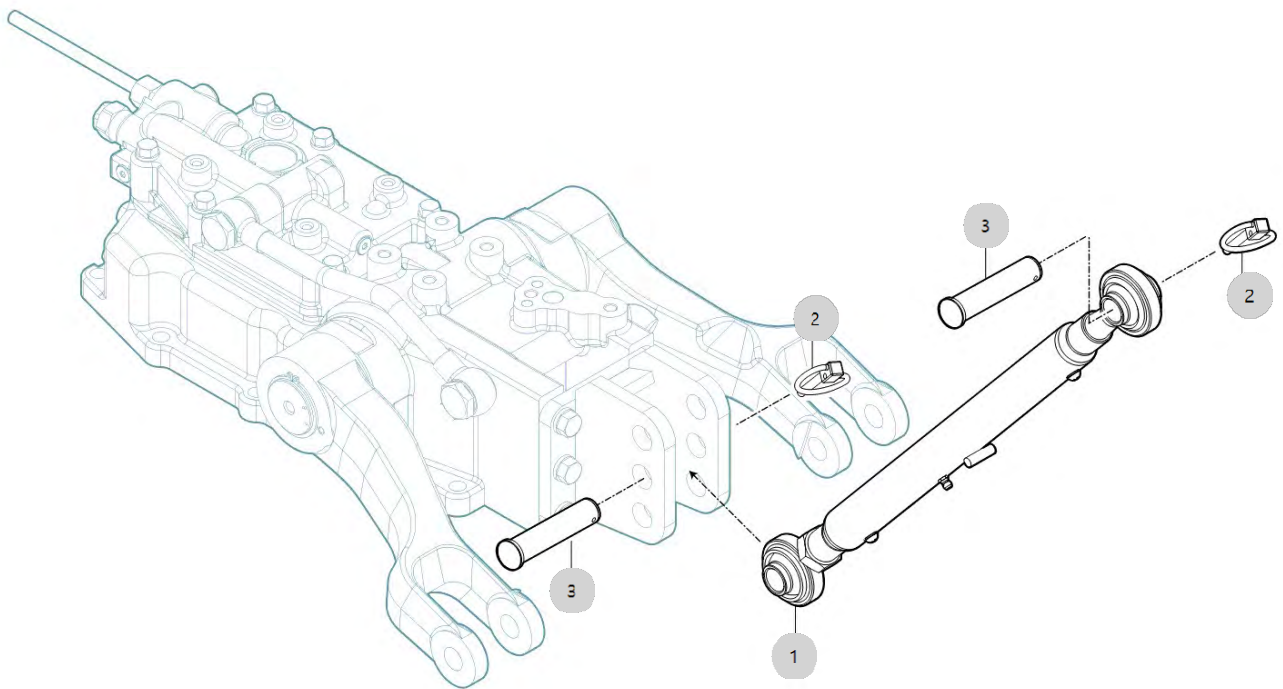
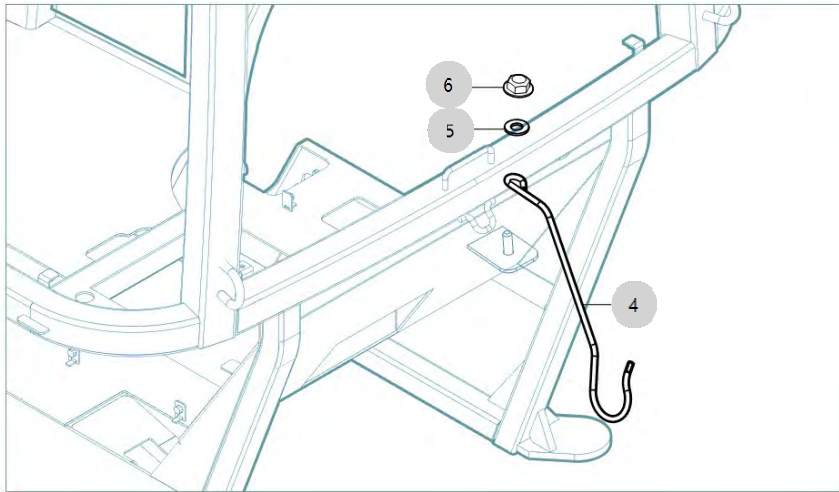
G05020

5520CH(AC02112)

TOP LINK

Year/Month

2023-01-18





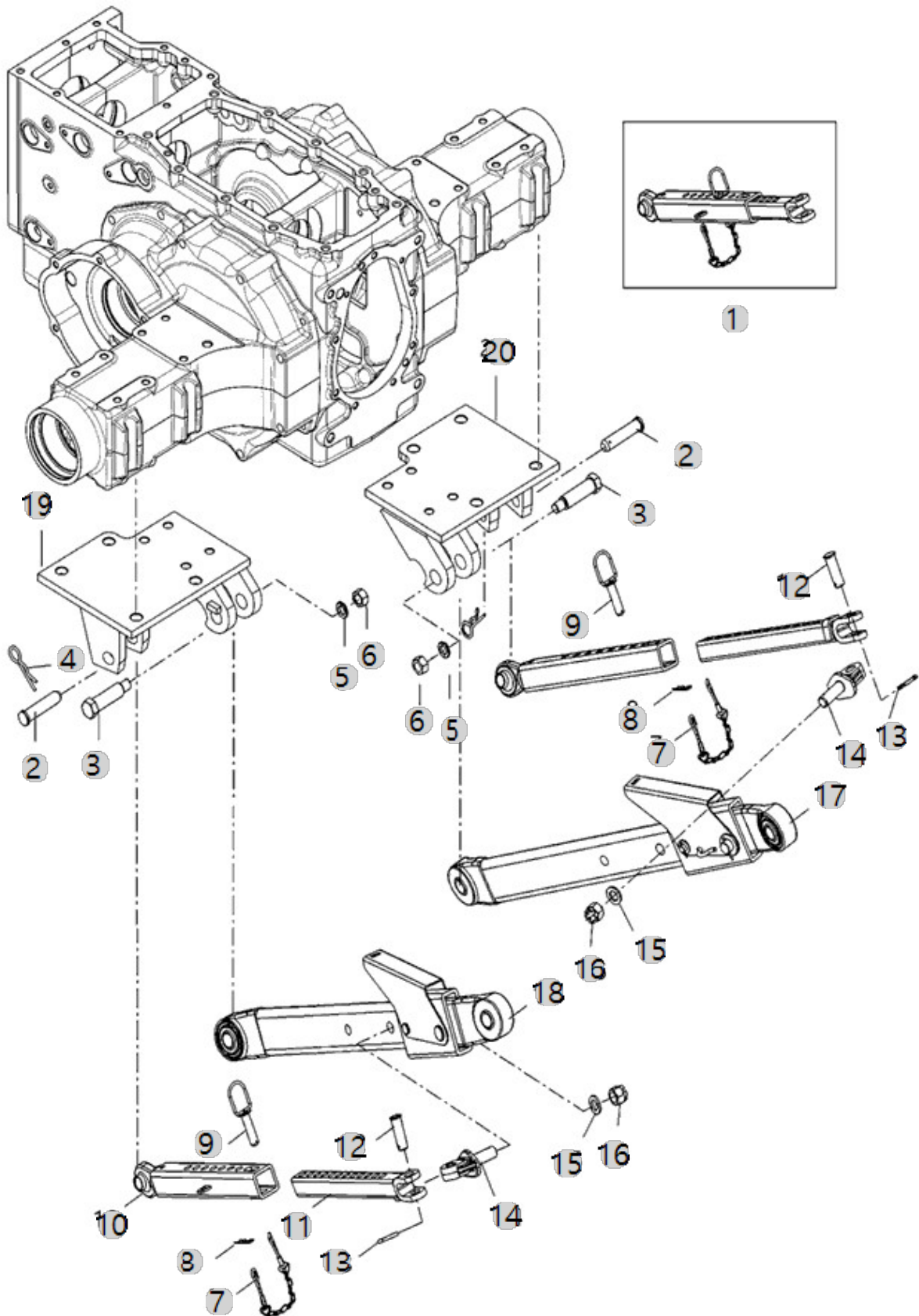
G05030

LOWER LINK

Year/Month

5520CH(AC02112)

2023-01-18





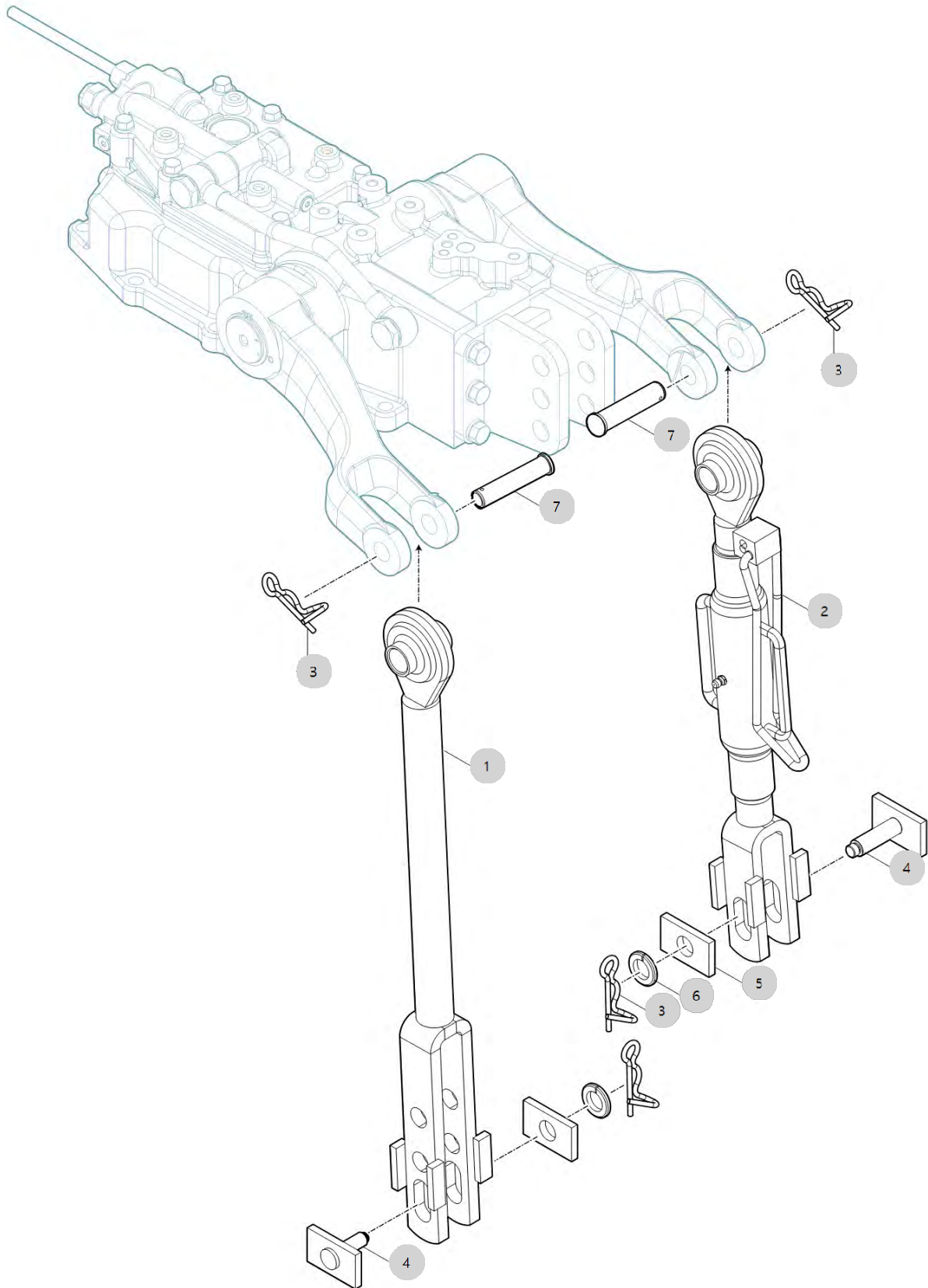
G05050

LIFT LINK/LH,RH

Year/Month

5520CH(AC02112)

2023-01-18







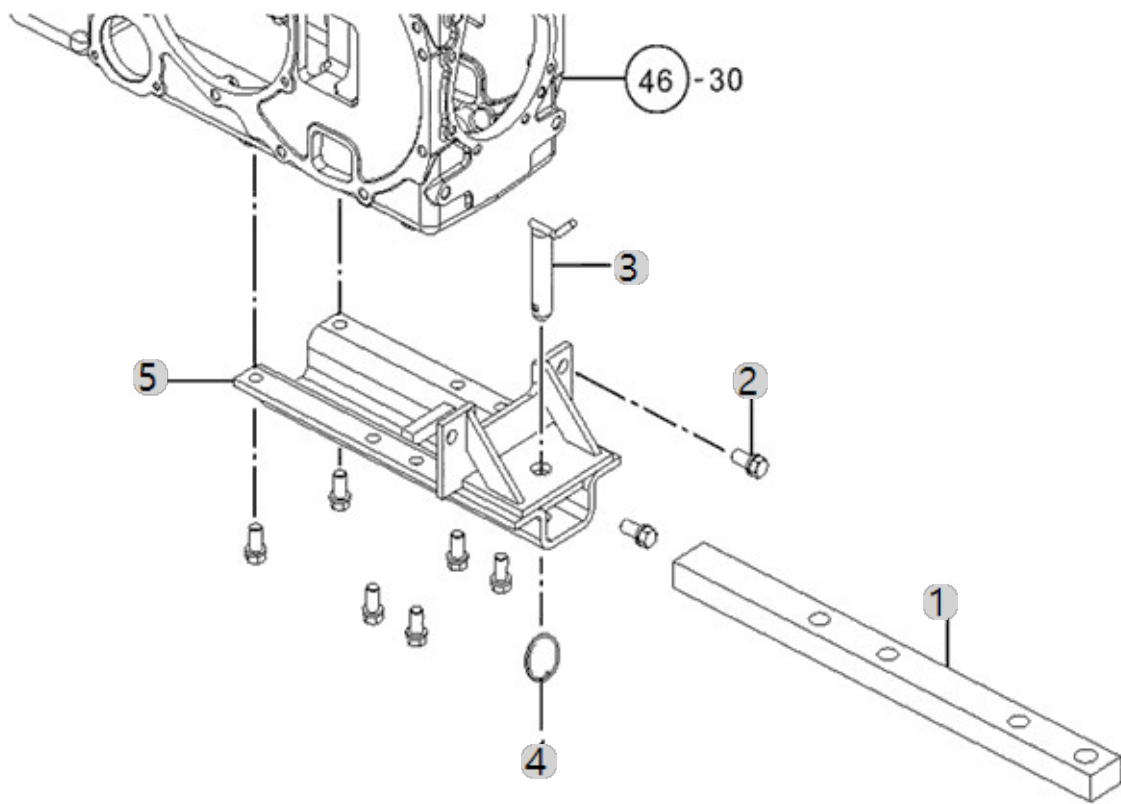
G05070

DRAWBAR

Year/Month

5520CH(AC02112)

2023-01-18





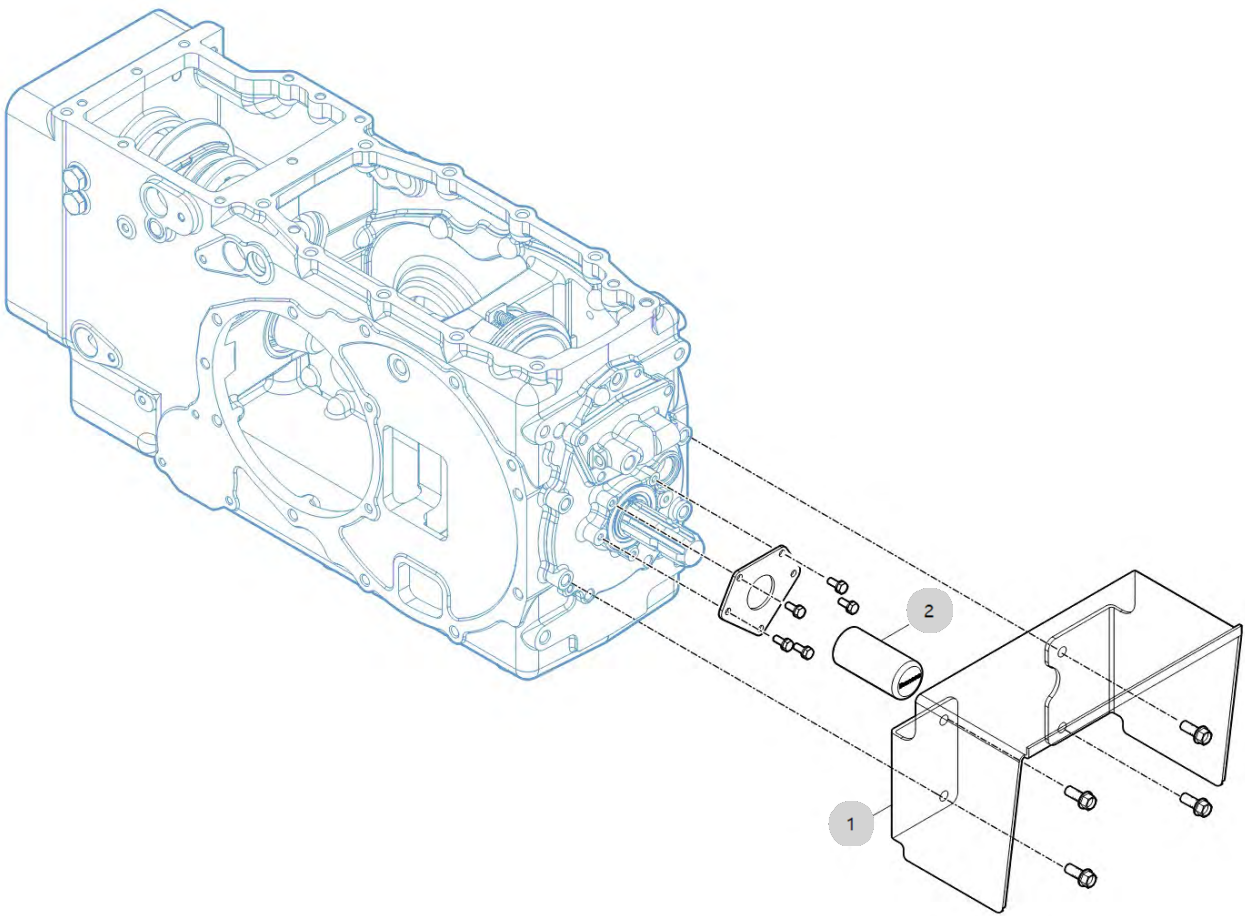
G05090

PTO COVER

Year/Month

5520CH(AC02112)

2023-01-18





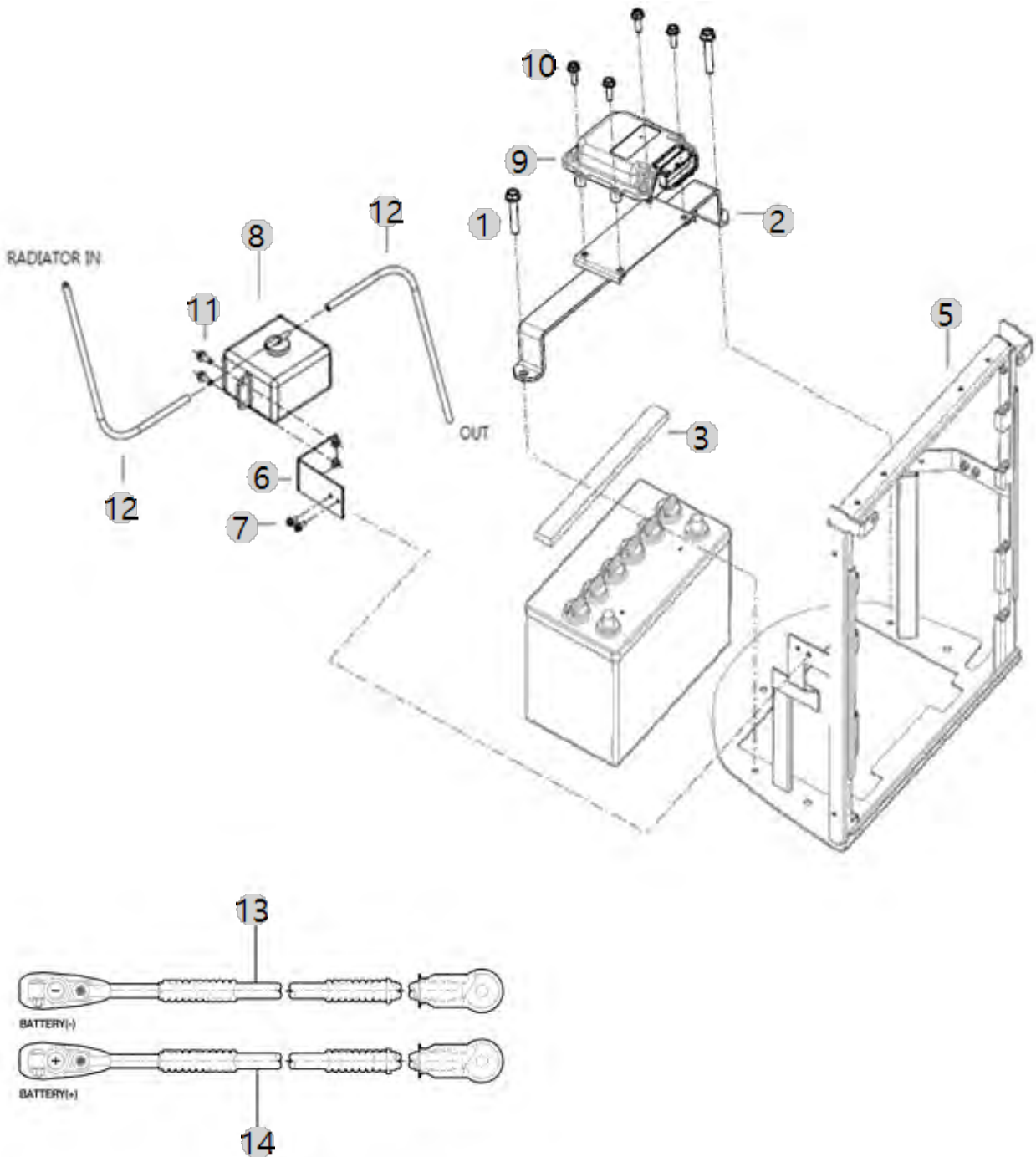
H01030

5520CH(AC02112)

BATTERY

Year/Month

2023-01-18





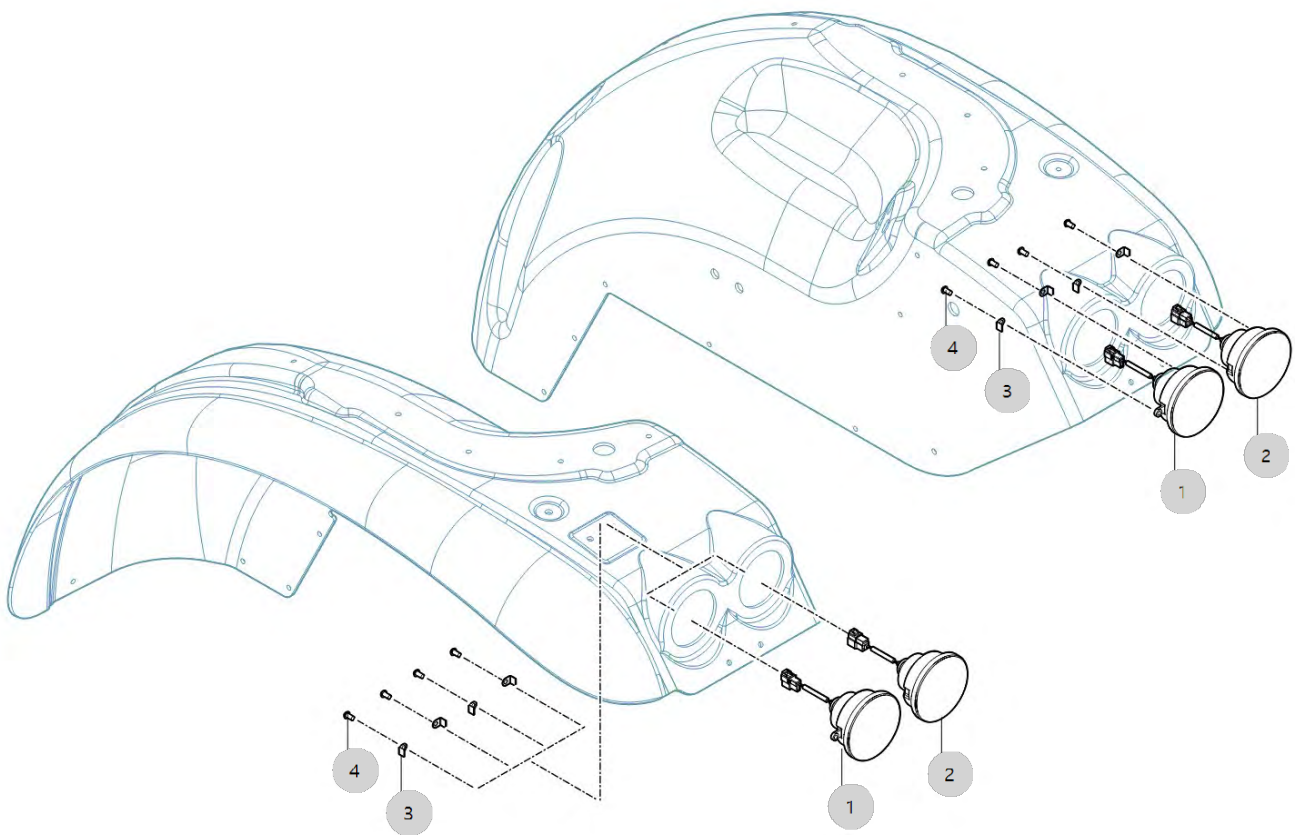
H02022

5520CH(AC02112)

COMBINATION LAMP/RR

Year/Month

2023-01-18







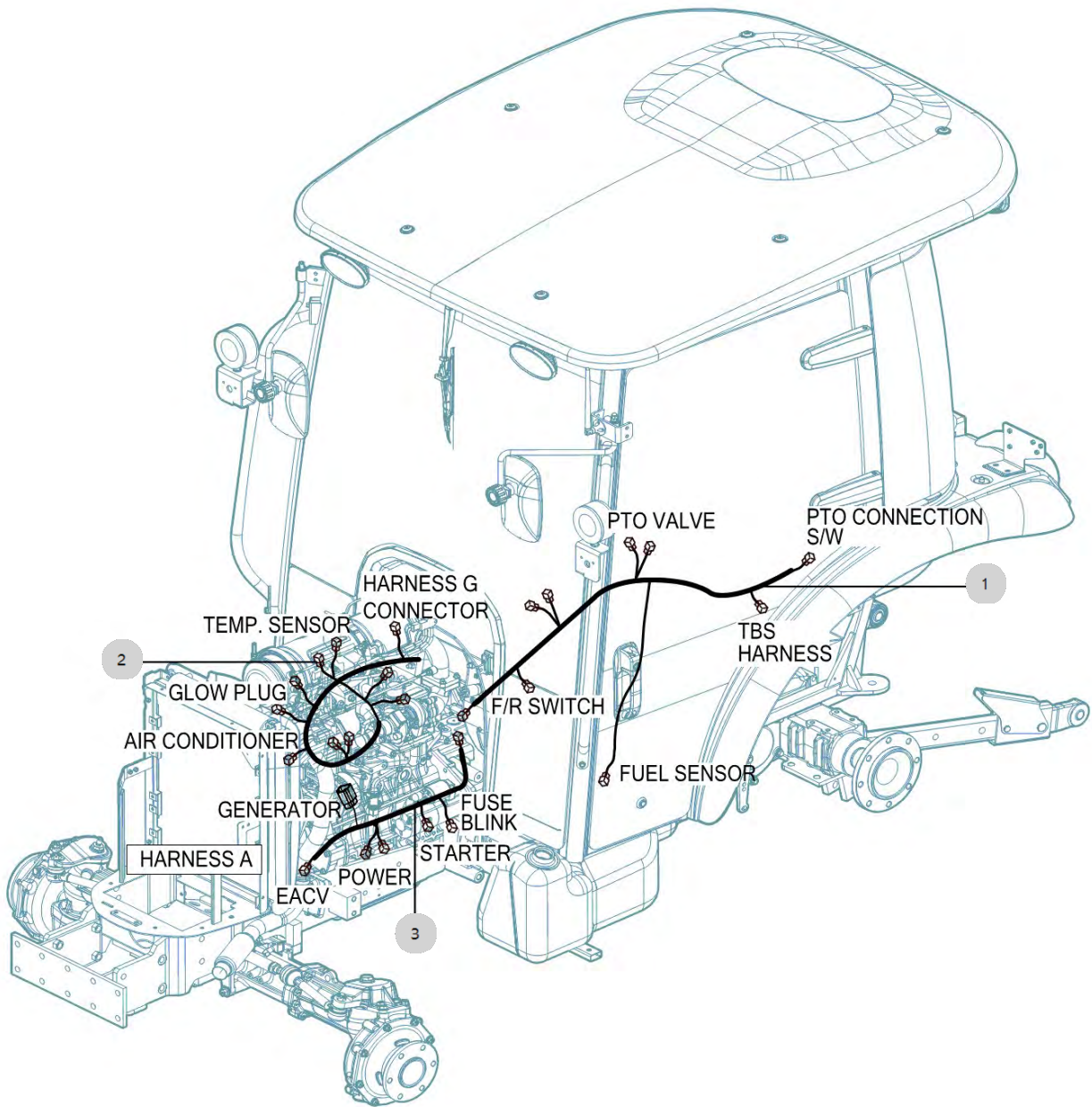
H03041

5520CH(AC02112)

# MISSION HARNESS

Year/Month

2023-01-18





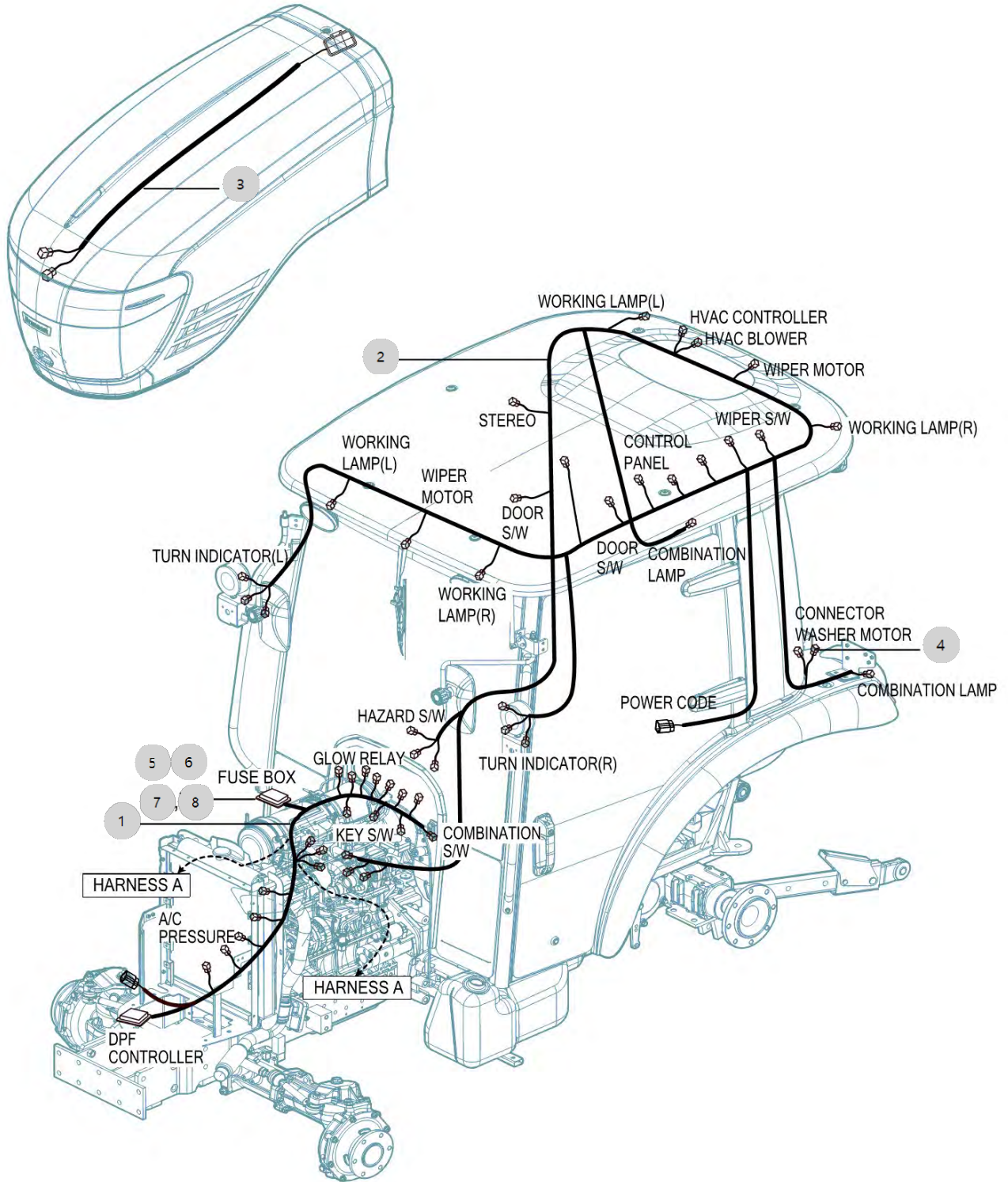
H03050

5520CH(AC02112)

# HARNESS

Year/Month

2023-01-18



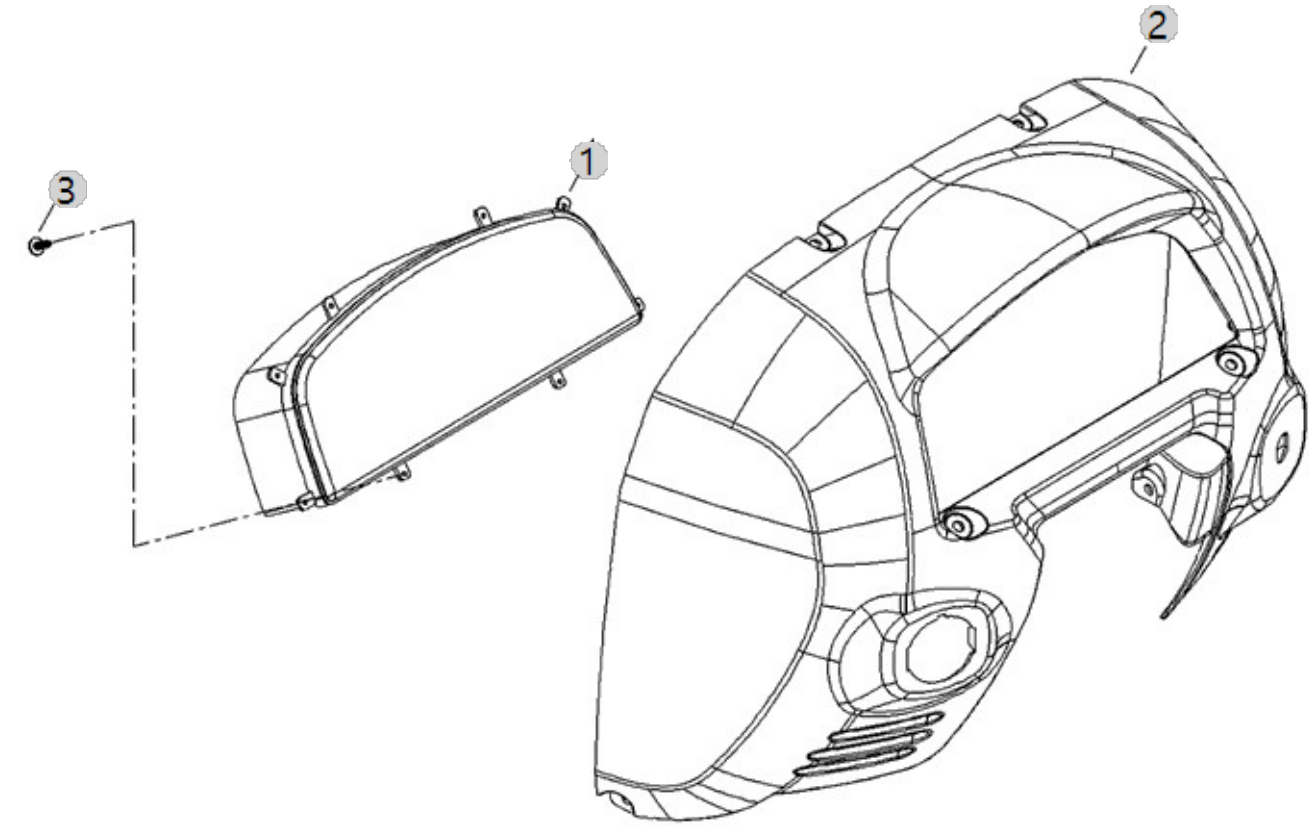


H04030

INSTRUMENT PANEL

Year/Month

2023-01-18





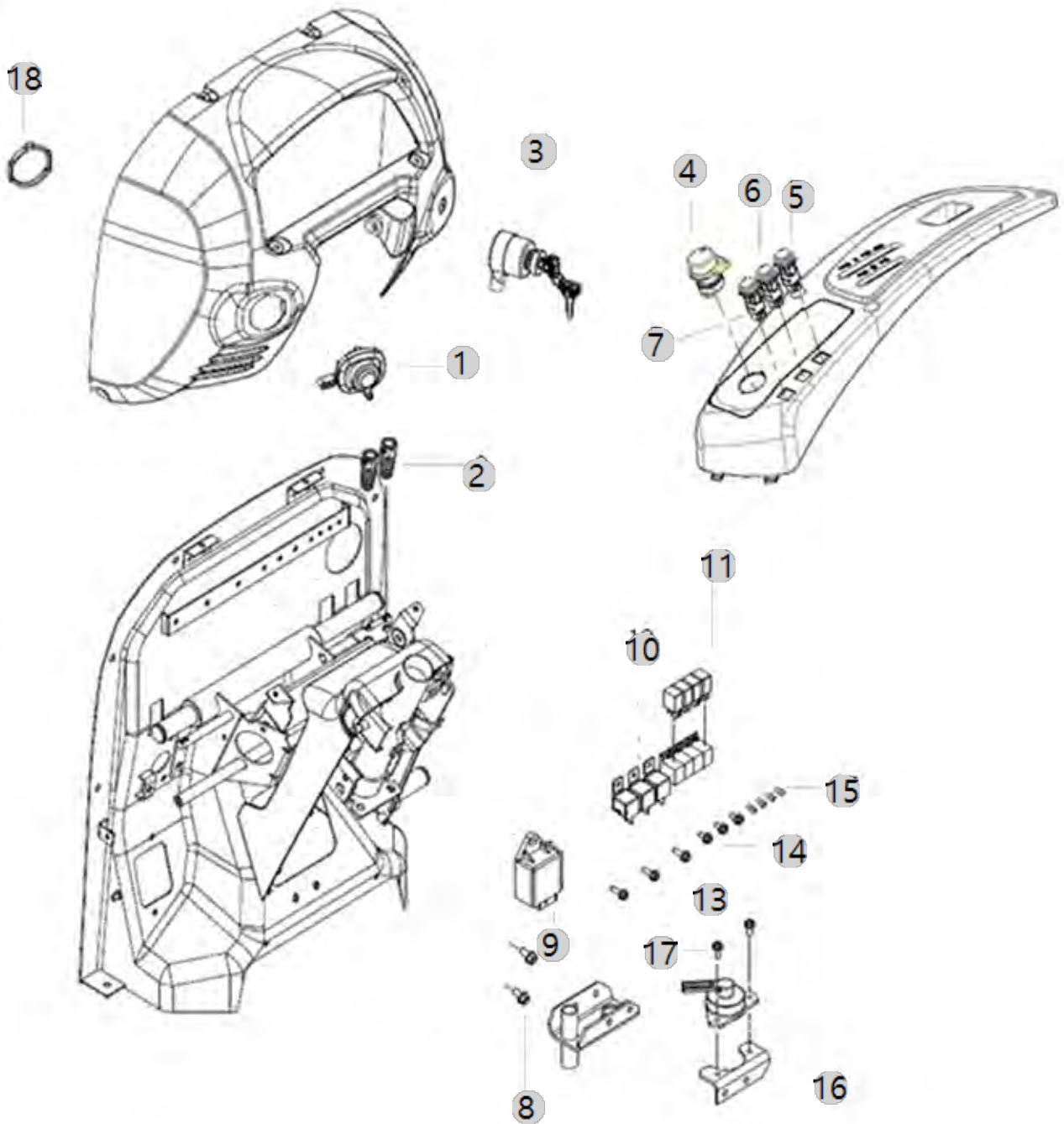
H04050

5520CH(AC02112)

SWITCH/DASHBOARD

Year/Month

2023-01-18







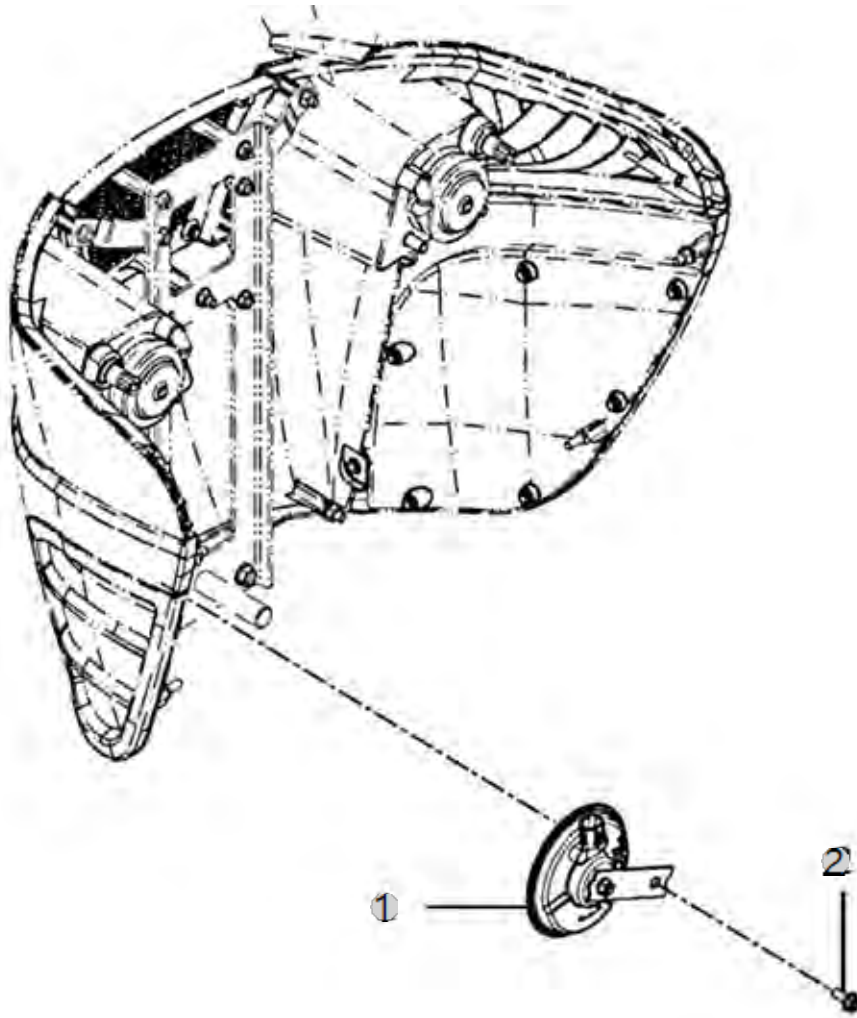
H04090

5520CH(AC02112)

HORN

Year/Month

2023-01-18





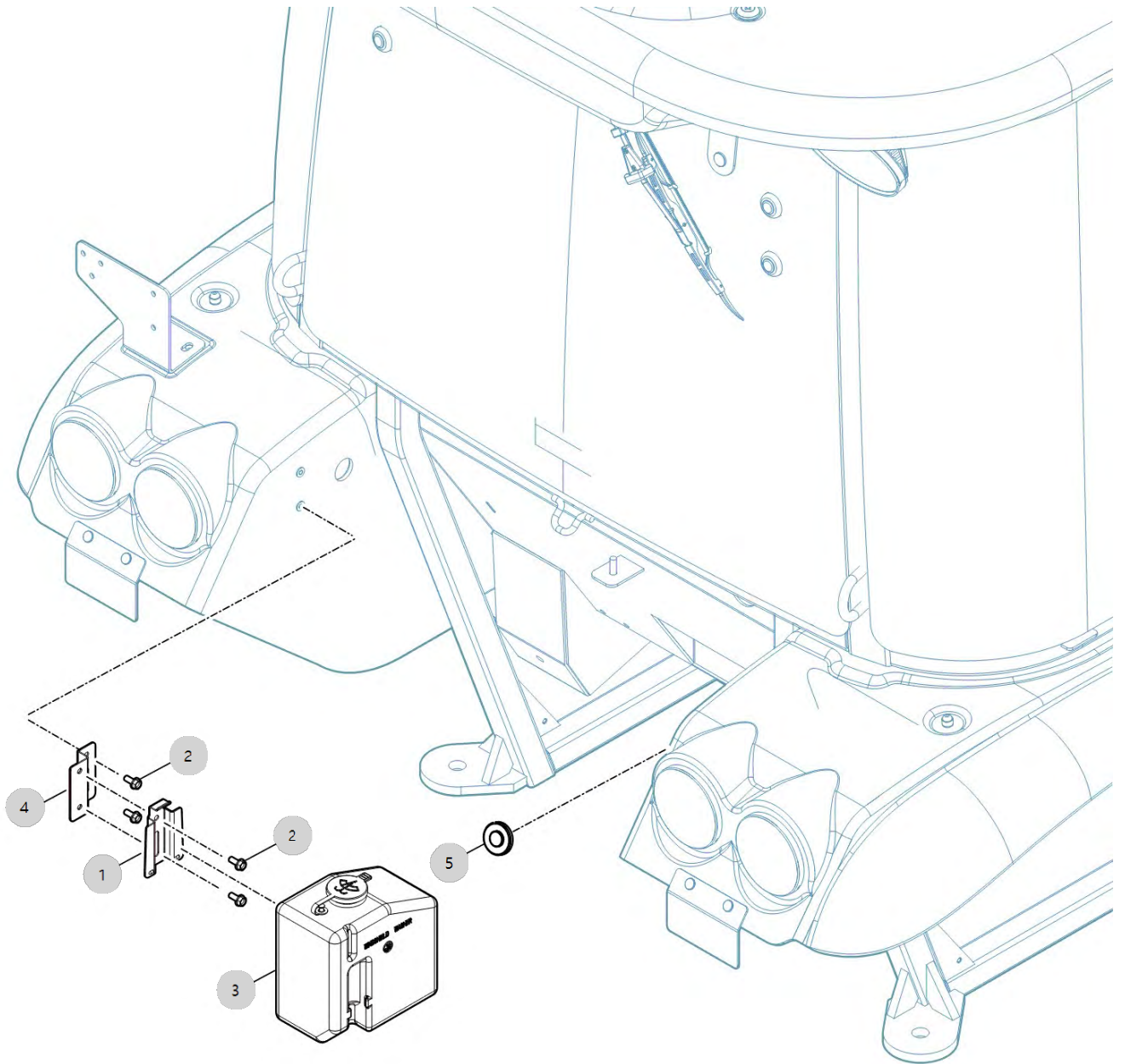
H05040

5520CH(AC02112)

# WASHER LIQUID TANK

Year/Month

2023-01-18





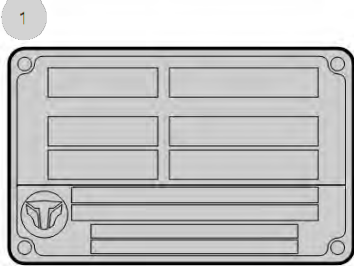
I03031

5520CH(AC02112)

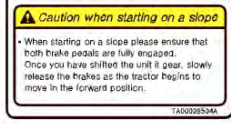
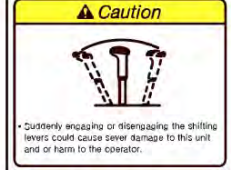
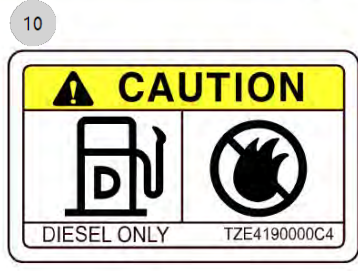
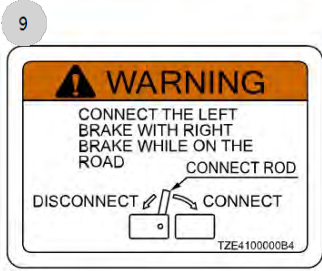
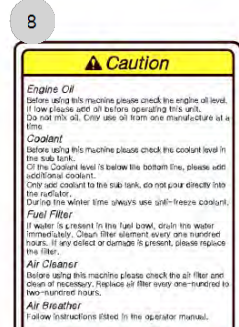
LABEL, CABIN

Year/Month

2023-01-18



2-1 4820Ch  
 2-2 5520Ch  
 2-3 5820Ch





103032

5520CH(AC02112)

LABEL, CABIN

Year/Month

2023-01-18

1

**Warning**

- Work in ventilated area. Do not work long hours air conditioner, because it makes exhaust air. If you don't have an air cleaner, open the door and get outside air into the area.

**Caution**

Before operating the machine please read the operator manual to the user. If necessary be to consult the tractor. Always check the oil, coolant, and fuel before leaving the unit.

**Starting**

- Do not use a screwdriver or any other tool to jump the starter as a means of starting this unit.
- The operator should not start this unit from the operator's station. Starting this unit anywhere other than the operator's platform can cause serious injury.
- When starting this unit it is critical to ensure that main shift lever, range shift lever, and PTO shift lever are all in the neutral position.
- While operating this unit always ensure that safety devices are being used correctly. The machine always wear your seat belt and ensure that the LSA cover is installed.
- Never start this unit while others are inside it. Only start and operate this unit once others are at a safe distance. This includes starting, operating implements, operating a loader, or using a backhoe.
- After starting this unit allow the tractor to idle five minutes with the job lever and the PTO lever in the neutral position.
- In cold weather allow the glow plugs to cycle through one time before trying to start this unit.

**Driving**

- When turning on a slope or uneven surface please reduce your speed.
- When traveling downhill please shift into low range before you begin moving.
- Do not operate this unit in narrow or unsafe places: the potential for roll over could exist in these conditions.
- When driving a steep slope, always go in reverse.
- While driving the tractor make sure that the two brake pedals are latched together, and do not engage differential lock while moving.
- The operator should be the only person on the tractor. Carrying passengers on the tractor or implement can cause serious injury.
- Do not sleep, or stand on LSA cover at anytime. Do not suddenly stop, turn, or jump the clutch on this unit at anytime.
- While operating on a public road, always abide by the law.

**Operating**

- Use caution in wet conditions, turning suddenly can cause the tractor to become skid.
- When operating this unit, always maintain a safe working distance from others.

**Parking**

When parking the tractor make sure all implements or attachments are on the ground before turning off the engine. This includes the front end loader.

- When parking on a slope always apply the parking brake, and chock the tires.

**Servicing**

- Before servicing this machine always turn the engine off first.
- When working electrical components always disconnect the negative terminal of the battery.
- For information regarding service tasks or service help, please contact your local dealer.
- Always allow time for the radiator coolant to cool and relieve pressure before removing the radiator cap.

**Caution**

Lock the joystick. Release joystick.

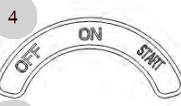
- When the joystick is not being used, always put it in the locked position.

TA0006501A

2



3



**CAUTION**

TO AVOID PERSONAL INJURY:

- Read and understand the operator's manual before operation.
- Before starting the engine, make sure that everyone is at a safe distance from the tractor and that the PTO is OFF.
- Do not allow passengers on the tractor at any time.
- Before allowing other people to use the tractor, have them read the operator's manual.
- Check the tightness of all nuts and bolts regularly.
- Keep all shields in place and stay away from all moving parts.
- Lock the two brake pedals together before driving on the road.
- Slow down for turns, or rough roads, or when operating individual brakes.
- On public roads use SAE warning and hazard lights, if required by local traffic and safety regulations.
- Pull only from the drawbar.
- Before dismounting lower the implement, set the parking brake, stop the engine and remove the key.

TZES00083

6

**WARNING**

Breathing diesel engine exhaust exposes you to chemicals known to the state of California to cause cancer and birth defects or other reproductive harm.

- Always start and operate the engine in a well-ventilated area.
- If in an enclosed area, vent the exhaust to the outside.
- Do not modify or tamper with the exhaust system.
- Do not idle the engine except as necessary.

For more information go to [www.P65Warnings.ca.gov/diesel](http://www.P65Warnings.ca.gov/diesel).

**WARNING** Cancer and Reproductive Harm - [www.P65Warnings.ca.gov](http://www.P65Warnings.ca.gov).

TA0006067A

7

**WARNING**

TO AVOID PERSONAL INJURY OR DEATH FROM ROLL-OVER:

- TYM recommends the use of a Roll-Over Protective Structures (ROPS) and seat belt in almost all applications.
- Remove the ROPS only when it substantially interferes with operation or built-in to a safety risk. (Examples include work in orchards and vineyards.) ALWAYS REINSTALL IT BEFORE USING THE TRACTOR IN OTHER APPLICATIONS.
- Never use just the seat belt just for ROPS. They must be used together. For further details, consult your Operator's Manual or your local dealer.

TZES100003

10

**WARNING**

TO AVOID PERSONAL INJURY:

- Attach pulled or towed loads to the drawbar only.
- Use the 3-point hitch only with equipment designed for 3-point hitch usage.

TZES1200084

9

**WARNING**

TO AVOID PERSONAL INJURY:

- Keep PTO shield in place at all times.
- Do not operate the PTO at speeds faster than the speed recommended by the implement manufacturer.
- For towing PTO-driven implements set drawbar at towing position. (see operator's manual)
- Keep hands, feet and clothing away.

TZES1010084

8



11

How to use rear remote

Lever: A1, A2, B1, B2

Rear Remote Connection: A1, A2, B1, B2

TA00037417A

12

**ROPS MODEL: KMCA03**  
**SERIAL NUMBER:**

THIS ROPS WAS MANUFACTURED BY TYM CORPORATION. FOR TYM CORPORATION AND WAS TESTED IN ACCORDANCE WITH OECD CODE4. IT WAS DESIGNED FOR A MAXIMUM ENGINE HORSEPOWER OF 58HP AND FITS TYM 5835 TRACTOR.

THIS DECAL MUST BE KEPT INTACT AT ALL TIMES

TA00072303A MADE IN KOREA

13





