

T254NC

Parts Catalog

# 목 차

---

## 0. TRACTOR KIT PART NO. TK1

FIG 001 VALVE KIT, AUX 7

## 1. Engine PART NO. EG

FIG 100 ENGINE 10  
FIG 101 CYLINDER BLOCK 12  
FIG 102 GEAR HOUSING 14  
FIG 103 OIL SUMP 16  
FIG 104 CYLINDER HEAD & BONNET 18  
FIG 106 CAMSHAFT & DRIVING GEAR 21  
FIG 107 CRANKSHAFT & PISTON 23  
FIG 108 LUB.OIL SYSTEM 25  
FIG 109 COOLING WATER SYSTEM 27  
FIG 110 FUEL INJECTION PUMP 29  
FIG 111 GOVERNOR 31  
FIG 112 FUEL INJECTION VALVE 33  
FIG 113 FUEL FILTER 35  
FIG 114 STARTING MOTOR 37  
FIG 115 GENERATOR 39  
FIG 116 GASKET SET 41

## 2. Engine Accessories PART NO. T2

FIG 201 AIR CLEANER 44  
FIG 202 RADIATOR 46  
FIG 203 MUFFLER 49  
FIG 204 FUEL TANK & FUEL LINE 51  
FIG 205 ACCELERATOR(2015.11.05~) 53  
FIG 206 FUEL FILTER 55  
FIG 207 ENGINE MOUNTING 57

## 3. Clutch/Brake/Steering PART NO. T3

FIG 301 FLYWHEEL COVER 60

FIG 302 BRAKE	62
FIG 303 CLUTCH,BRAKE PEDAL & LINKAGE	64
FIG 304 ACCELERATOR PEDAL & CABLE	66
FIG 305 DASH COVER	68
FIG 306 STEERING VALVE	70
FIG 307 STEERING CYLINDER	72
FIG 308 STEERING WHEEL	74
FIG 309 TIRE	76

#### 4. Transmission PART NO. T4

FIG 401 INPUT SHAFT	79
FIG 402 INPUT GEAR	81
FIG 403 MAIN SHIFT GEAR	83
FIG 404 RANGE GEAR	85
FIG 405 4WD DRIVE GEAR	87
FIG 406 P.T.O DRIVE SHAFT	89
FIG 407 P.T.O SHAFT	91
FIG 408 MID P.T.O GEAR	93
FIG 409 DIFF LOCK	95
FIG 410 MID TRANSMISSION CASE	97
FIG 411 REAR TRANSMISSION CASE	99
FIG 412 REAR AXLE HOUSING	101
FIG 413 MAIN SHIFT LEVER	103
FIG 414 RANGE SHIFT LEVER	105
FIG 415 P.T.O CHANGE LEVER	107
FIG 416 4WD CHANGE LEVER	109
FIG 417 TRANSMISSION MOUNTING	111

#### 5. Front Axle PART NO. T5

FIG 501 FRONT DRIVE SHAFT	114
FIG 502 FRONT DIFFERENTIAL GEAR	116
FIG 503 FRONT AXLE HOUSING	118
FIG 504 FRONT GEAR CASE (1)	120
FIG 505 FRONT GEAR CASE (2)	122

#### 6. Hydraulic/3P-Link PART NO. T6

FIG 601 CYLINDER CASE	125
-----------------------	-----

FIG 602 LIFT ARM	127
FIG 603 FLOW CONTROL VALVE	129
FIG 604 MAIN CONTROL VALVE	131
FIG 605 HYDRAULIC SUB	133
FIG 606 HITCH & 3-POINT LINKAGE	135
FIG 607 HITCH & COVER	137

## 7. Sheet Metal & Cabin PART NO. T7

FIG 701 BONNET	140
FIG 701-2 BONNET	142
FIG 702 FLOOR	144
FIG 703 SEAT	146
FIG 704 ROPS	148
FIG 705 LEVER COVER & FENDER	150
FIG 706 REARVIEW MIRRORS	152
FIG 707 FRONT GLASS	154
FIG 708 DOOR-LH	156
FIG 709 DOOR-RH	158
FIG 710 REAR GLASS	160
FIG 711 ROOF	162
FIG 712 WORKING LAMP & FENDER COVER	164
FIG 713 HEATER SUB	166
FIG 714 REAR WPER KIT(OPTION)	168

## 8. Electrical System PART NO. T8

FIG 801 BATTERY MOUNTING	171
FIG 802 INSTRUMENT PANEL	173
FIG 803 HARNESS	175
FIG 804 HARNESS	177
FIG 805 HARNESS	179

## 9. Label/Option PART NO. T9

FIG 901 TOOL & ACCESSORY	182
FIG 902 LABEL	184
FIG 903 LABEL	186

0. TRACTOR KIT PART NO. TK1

FIG 001 VALVE KIT, AUX

7

FIG 001 T254NC	VALVE KIT, AUX	년/월 Year/Month
		2022-12

--	--

NOTE	
------	--



## 1. Engine PART NO. EG

FIG 100 ENGINE	10
FIG 101 CYLINDER BLOCK	12
FIG 102 GEAR HOUSING	14
FIG 103 OIL SUMP	16
FIG 104 CYLINDER HEAD & BONNET	18
FIG 106 CAMSHAFT & DRIVING GEAR	21
FIG 107 CRANKSHAFT & PISTON	23
FIG 108 LUB.OIL SYSTEM	25
FIG 109 COOLING WATER SYSTEM	27
FIG 110 FUEL INJECTION PUMP	29
FIG 111 GOVERNOR	31
FIG 112 FUEL INJECTION VALVE	33
FIG 113 FUEL FILTER	35
FIG 114 STARTING MOTOR	37
FIG 115 GENERATOR	39
FIG 116 GASKET SET	41



FIG 100 T254NC	ENGINE	년/월 Year/Month
		2022-12

--	--

NOTE	
------	--

<b>FIG 100</b> T254NC		<b>ENGINE</b>						년/월 Year/Month	REMARKS
								2022-12	
KEY NO		PART NO	DESCRIPTION	SPEC	QTY	REPAIR	EFFECTIVE DATE	REMARKS	
100	1	11111011001	ENGINE , 3TNV80F-NXDKTF		1				
NOTE									

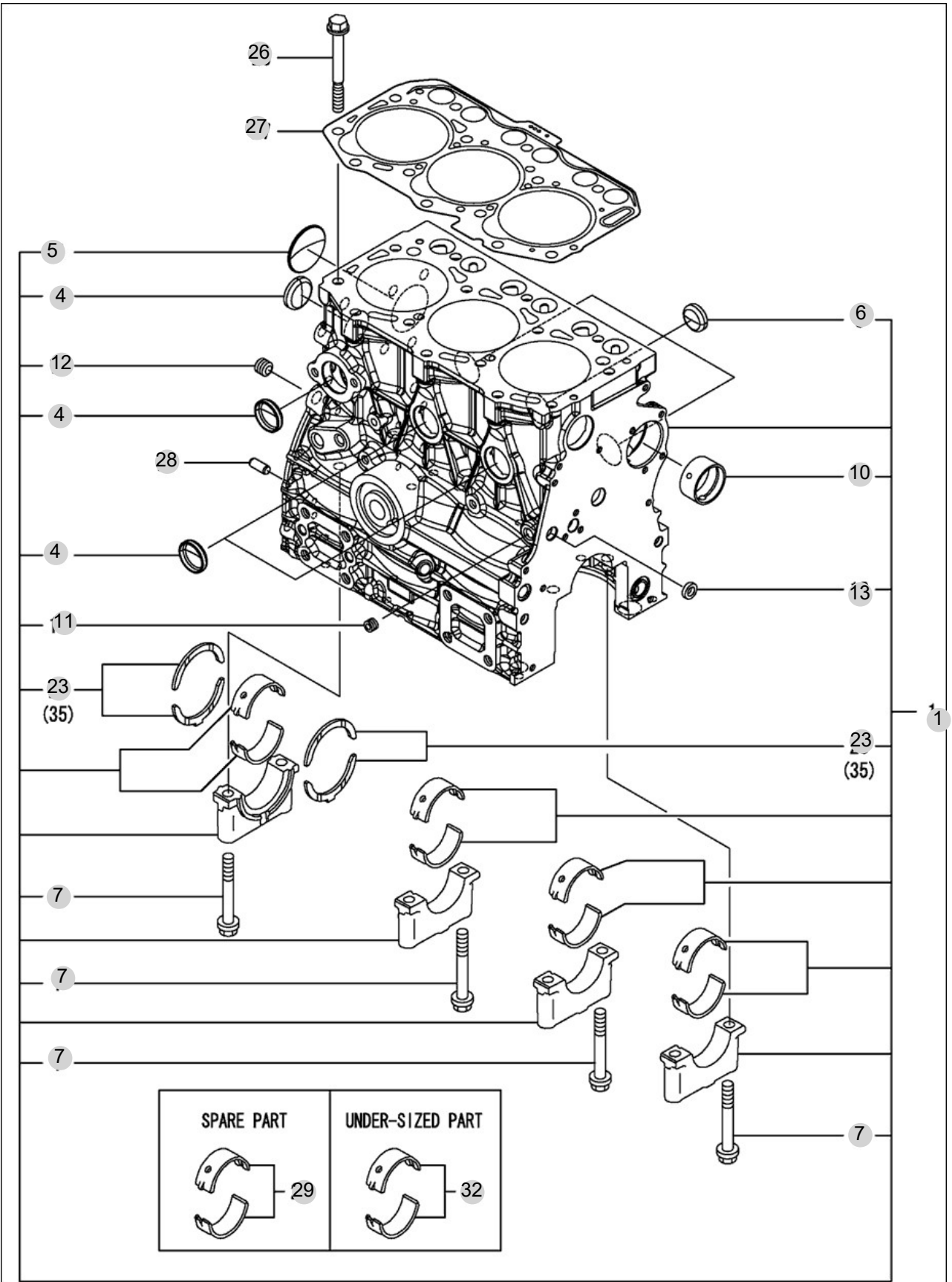
FIG 101

CYLINDER BLOCK

년/월  
Year/Month

2022-12

T254NC



NOTE



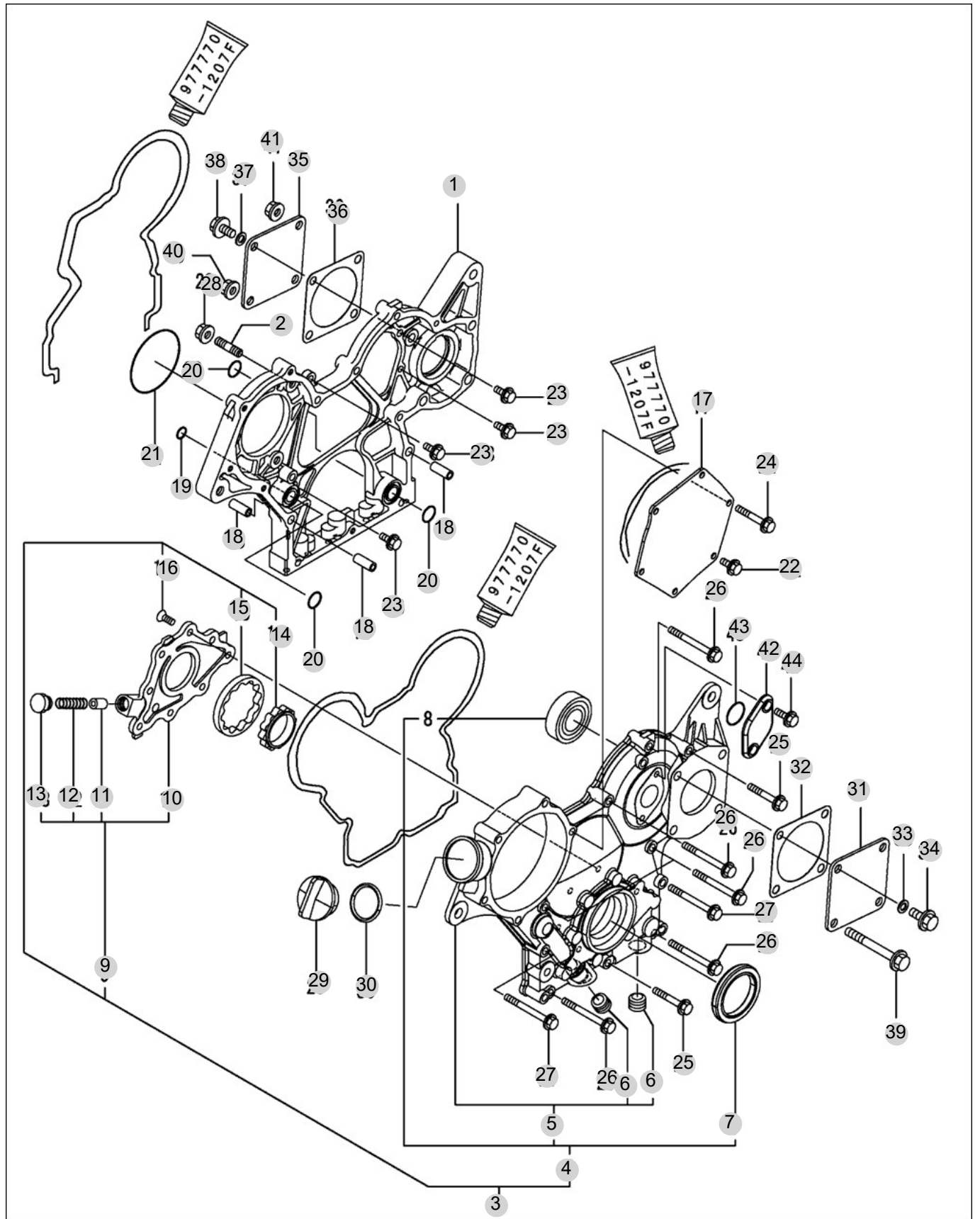
FIG 102

GEAR HOUSING

년/월  
Year/Month

2022-12

T254NC



NOTE

FIG 102		GEAR HOUSING					년/월 Year/Month		
							2022-12		
T254NC		KEY NO	PART NO	DESCRIPTION	SPEC	QTY	REPAIR	EFFECTIVE DATE	REMARKS
102	1	119740-01501	CASE, GEAR			1			
102	2	119717-01570	STUD			3			
102	3	119751-01590	COVER ASSY, GEAR CASE			1			
102	4	719751-01500	COVER ASSY, GEAR CASE			1			
102	5	119751-01521	COVER, GEAR CASE			1			
102	6	23876-030000	PLUG, R03			2			
102	7	119717-01800	SEAL, OIL			1			
102	8	24101-062024	BEARING, BALL 6202			1			
102	9	119717-32100	COVER ASSY			1			
102	10	119717-32080	COVER			1			
102	11	129900-32130	VALVE, RELIEF			1			
102	12	129001-32320	SPRING			1			
102	13	129001-32330	PLUG			1			
102	14	119717-32110	ROTOR, INNER			1			
102	15	119717-32120	ROTOR, OUTER			1			
102	16	119802-32130	SCREW, M6X16			8			
102	17	119717-01750	COVER			1			
102	18	119660-01911	PIPE, KNOCK			4			
102	19	119624-32040	O-RING, P12.0			1			
102	20	119717-32050	O-RING, P17.0			3			
102	21	121850-51960	O-RING			1			
102	22	26106-060122	BOLT, M6X12 PLATED			1			
102	23	26106-060162	BOLT, M6X16 PLATED			4			
102	24	26106-060402	BOLT, M6X40 PLATED			4			
102	25	26106-060402	BOLT, M6X40 PLATED			2			
102	26	26106-060602	BOLT, M6X60 PLATED			7			
102	27	26106-060652	BOLT, M6X65 PLATED			2			
102	28	26306-080002	NUT, M8			3			
102	29	124160-01751	COVER, FILLER			1			
102	30	24311-000320	O-RING, 1AP32.0			1			
102	31	124240-01871	COVER			1			
102	32	129C26-01890	GASKET, HO-P			1			
102	33	22190-080002	WASHER, SEAL 8			1			
102	34	26106-080122	BOLT, M8X12 PLATED			1			
102	35	124240-01871	COVER			1			
102	36	129C26-01890	GASKET, HO-P			1			
102	37	22190-080002	WASHER, SEAL 8			1			
102	38	26106-080142	BOLT, M8X14 PLATED			1			
102	39	26106-080702	BOLT, M8X70 PLATED			3			
102	40	26306-080002	NUT, M8			1			
102	41	26306-080002	NUT, M8			2			
102	42	121023-01551	COVER			1			
102	43	24341-000240	O-RING, 1AS24.0			1			
102	44	26106-060162	BOLT, M6X16 PLATED			2			
NOTE									

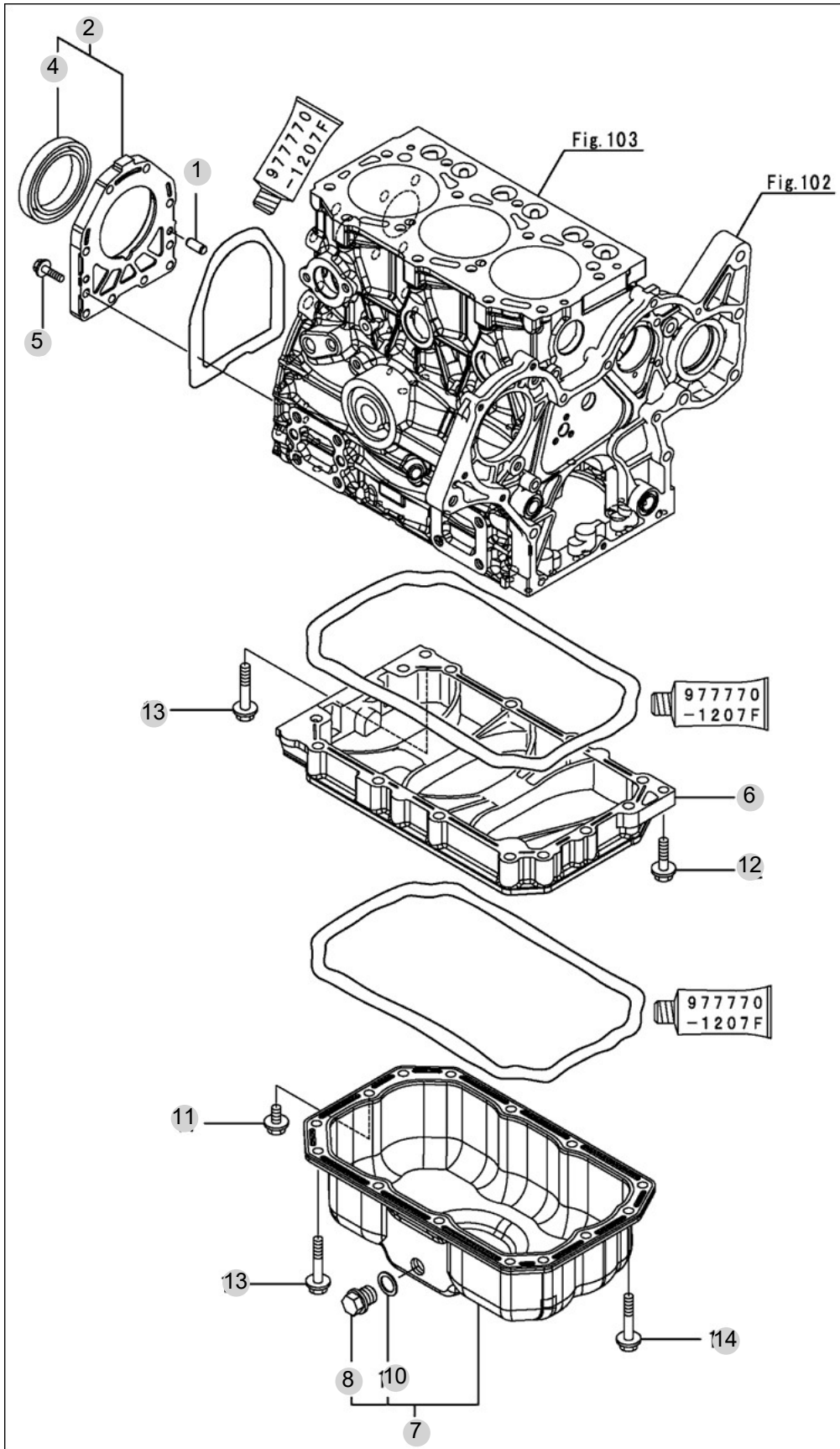
FIG 103

T254NC

OIL SUMP

년/월  
Year/Month

2022-12



NOTE





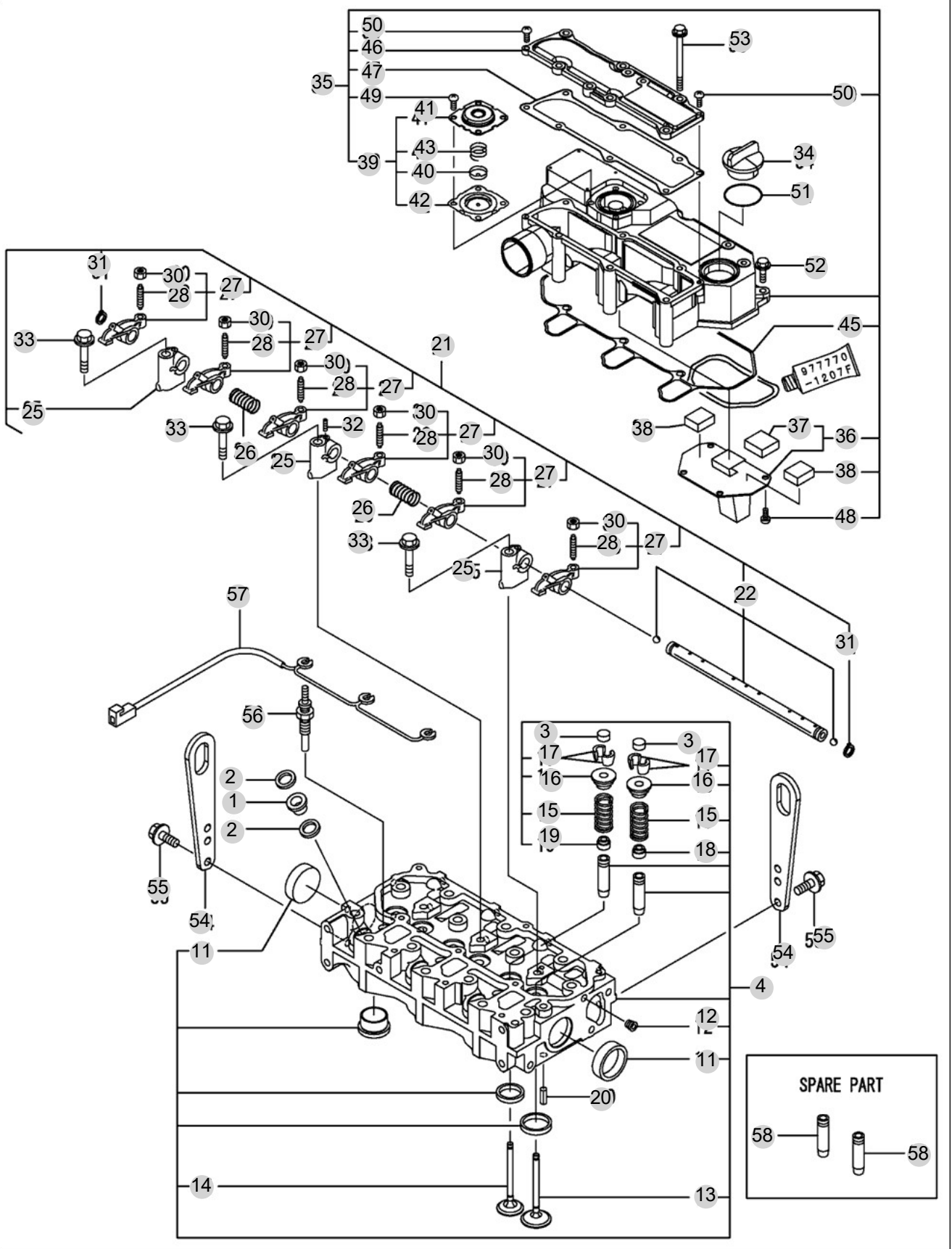
FIG 104

CYLINDER HEAD & BONNET

년/월  
Year/Month

2022-12

T254NC



NOTE

FIG 104 T254NC		CYLINDER HEAD & BONNET					년/월 Year/Month	
							2022-12	
KEY NO	PART NO	DESCRIPTION	SPEC	QTY	REPAIR	EFFECTIVE DATE	REMARKS	
104	1	129901-11450	PROTECTOR, NOZZLE		3			
104	2	119600-11460	GASKET, NOZZLE		6			
104	3	105010-11490	CAP, VALVE		6			
104	4	119E10-11750	HEAD ASSY, CYLINDER		1			
104	11	119285-11990	PLUG, 35		2			
104	12	23876-005000	PLUG, R005		1			
104	13	119E10-11100	VALVE, SUCTION		3			
104	14	119E10-11110	VALVE, EXHAUST		3			
104	15	119717-11131	SPRING, VALVE		6			
104	16	129508-11180	RETAINER, SPRING		6			
104	17	119717-11190	COTTER		12			
104	18	119717-11340	SEAL, VALVE STEM		3			
104	19	119717-11350	SEAL, VALVE STEM		3			
104	20	22351-060012	PIN, SPRING 6.0X12		2			
104	21	119717-11200	SUPPORT ASSY, ARM		1			
104	22	119717-11240	SHAFT ASSY, ROCKER		1			
104	25	119717-11260	SUPPORT, ROCKER ARM		3			
104	26	119620-11280	SPRING		2			
104	27	119717-11650	ARM, ROCKER		6			
104	28	129150-11230	SCREW, VALVE ADJUST		6			
104	30	129150-11750	NUT, M8		6			
104	31	22242-000120	RING, 12		2			
104	32	26979-050162	SCREW, M5X16		1			
104	33	26106-080402	BOLT, M8X 40 PLATED		3			
104	34	124160-01751	COVER, FILLER		1			
104	35	119717-11381	BONNET ASSY, HEAD		1			
104	36	119717-03031	PLATE		1			
104	37	119717-03070	BAFFLE, BREATHER		1			
104	38	119717-03070	BAFFLE, BREATHER		2			
104	39	119802-03100	DIAPHRAGM ASSY		1			
104	40	119802-03110	PLATE		1			
104	41	119802-03121	COVER, DIAPHRAGM		1			
104	42	119802-03131	DIAPHRAGM		1			
104	43	119802-03141	SPRING, DIAPHRAGM		1			
104	45	119718-11310	GASKET, BONNET		1			
104	46	119717-11320	COVER, BONNET		1			
104	47	119717-11331	GASKET		1			
104	48	22857-500100	SCREW, 5X10		4			
104	49	22857-500100	SCREW, 5X10		4			
104	50	22857-500160	SCREW, 5X16		2			
104	51	24311-000320	O-RING, 1AP32.0		1			
104	52	26106-060202	BOLT, M6X20 PLATED		3			
104	53	26106-060752	BOLT, M6X75 PLATED		6			
104	54	129900-07900	LIFTER		2			
104	55	26106-080162	BOLT, M8X 16 PLATED		4			
NOTE								



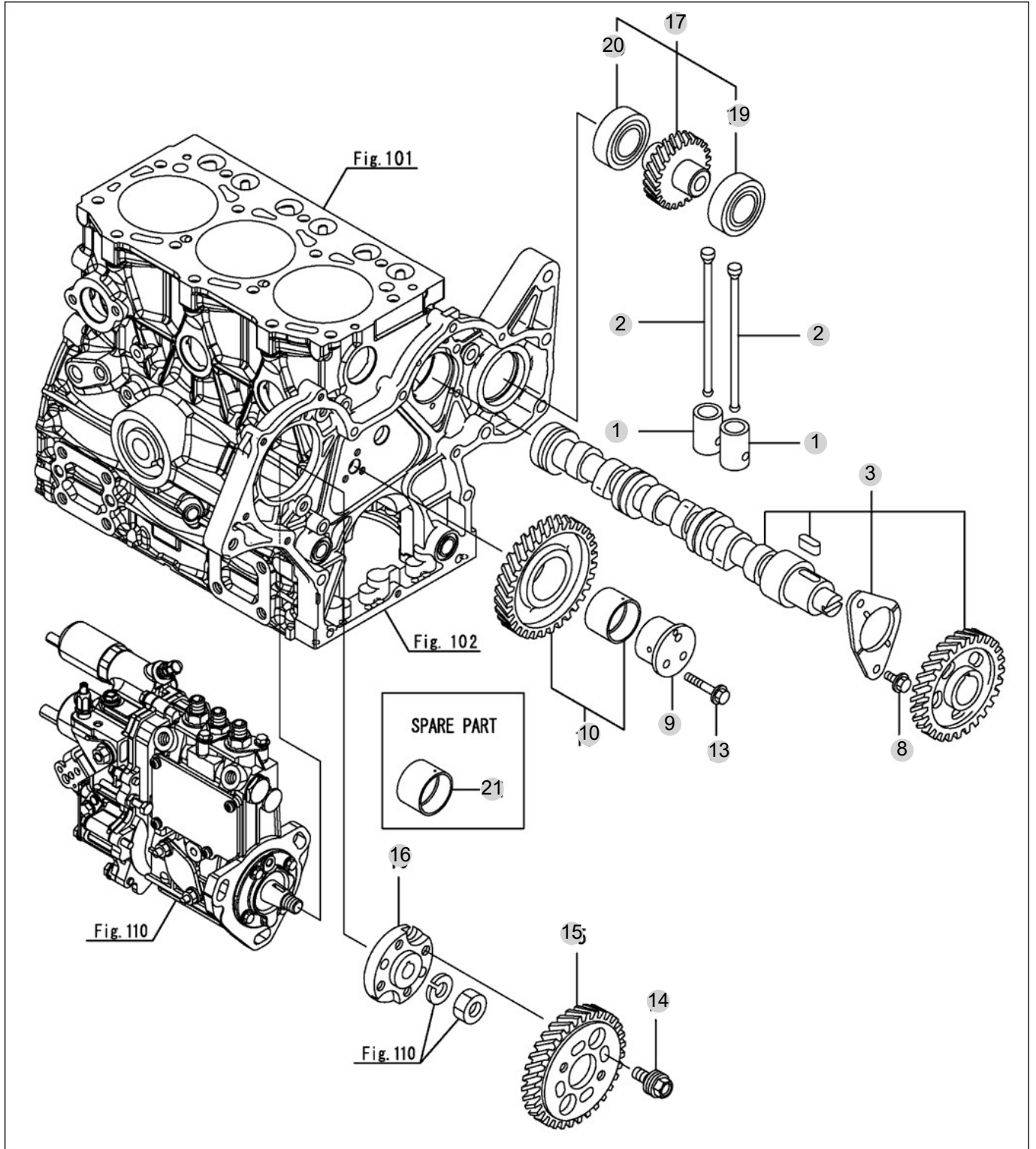
FIG 106

CAMSHAFT & DRIVING GEAR

년/월  
Year/Month

2022-12

T254NC



NOTE



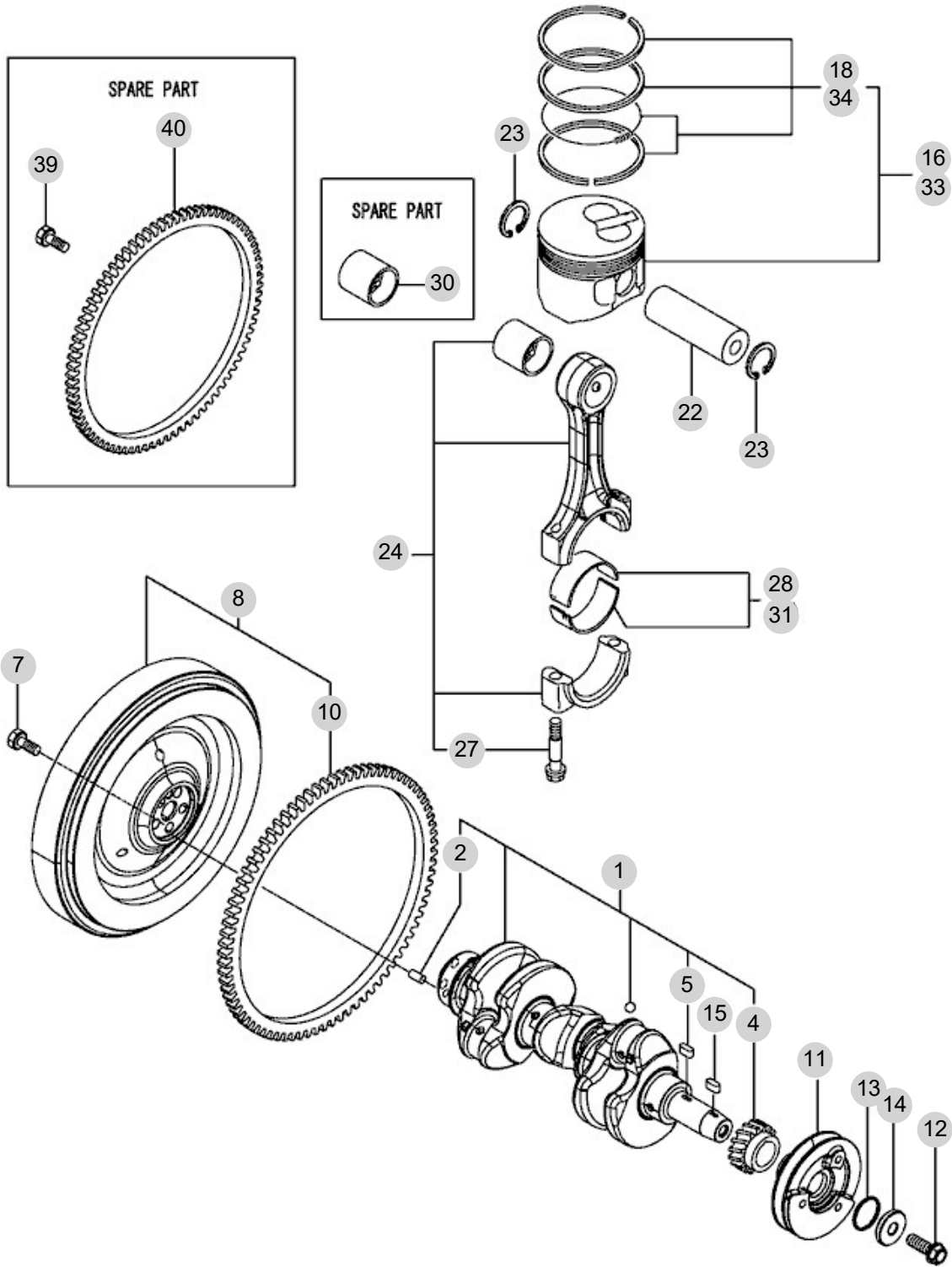
FIG 107

CRANKSHAFT & PISTON

년/월  
Year/Month

2022-12

T254NC



NOTE



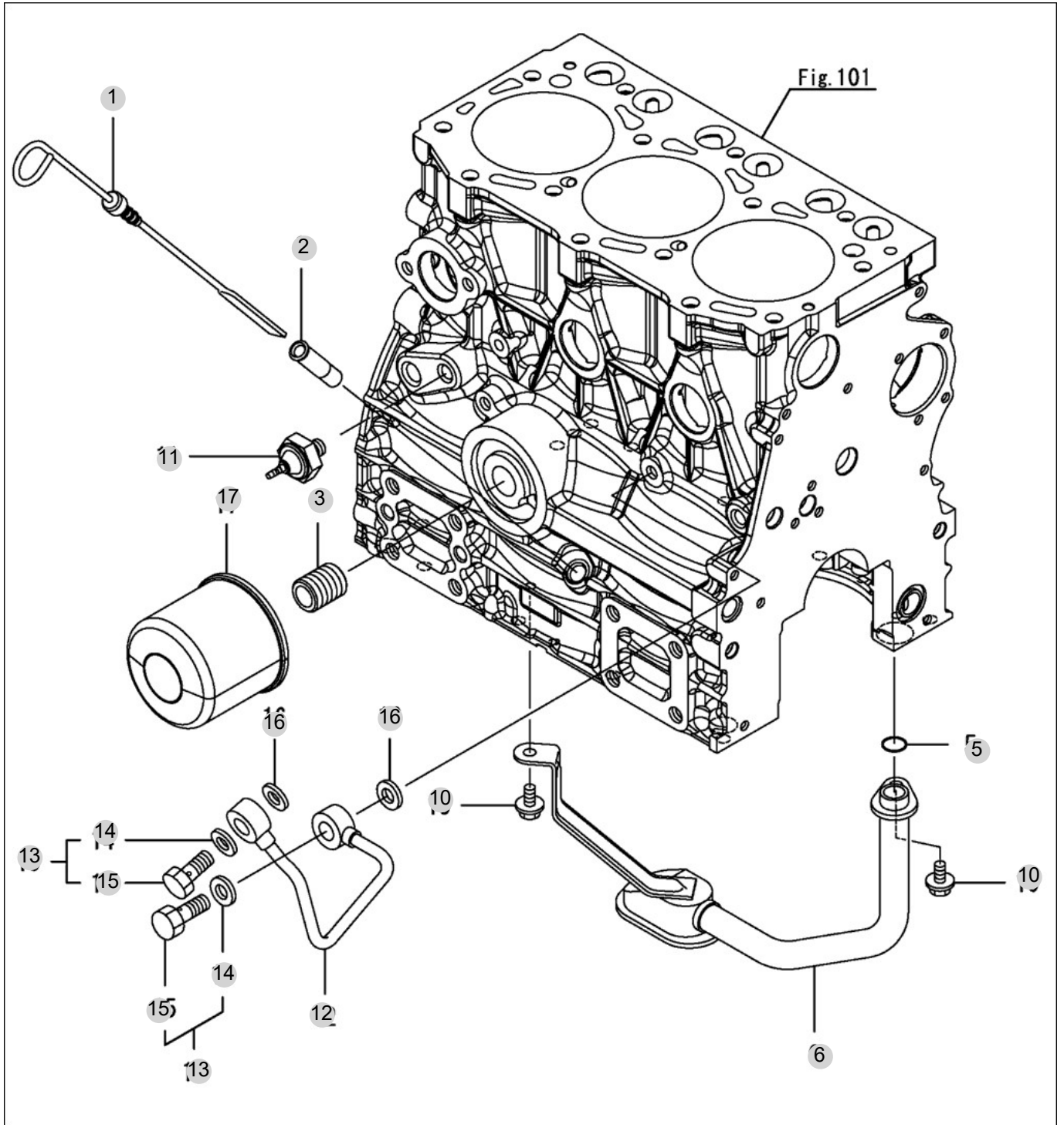
FIG 108

LUB.OIL SYSTEM

년/월  
Year/Month

2022-12

T254NC



NOTE





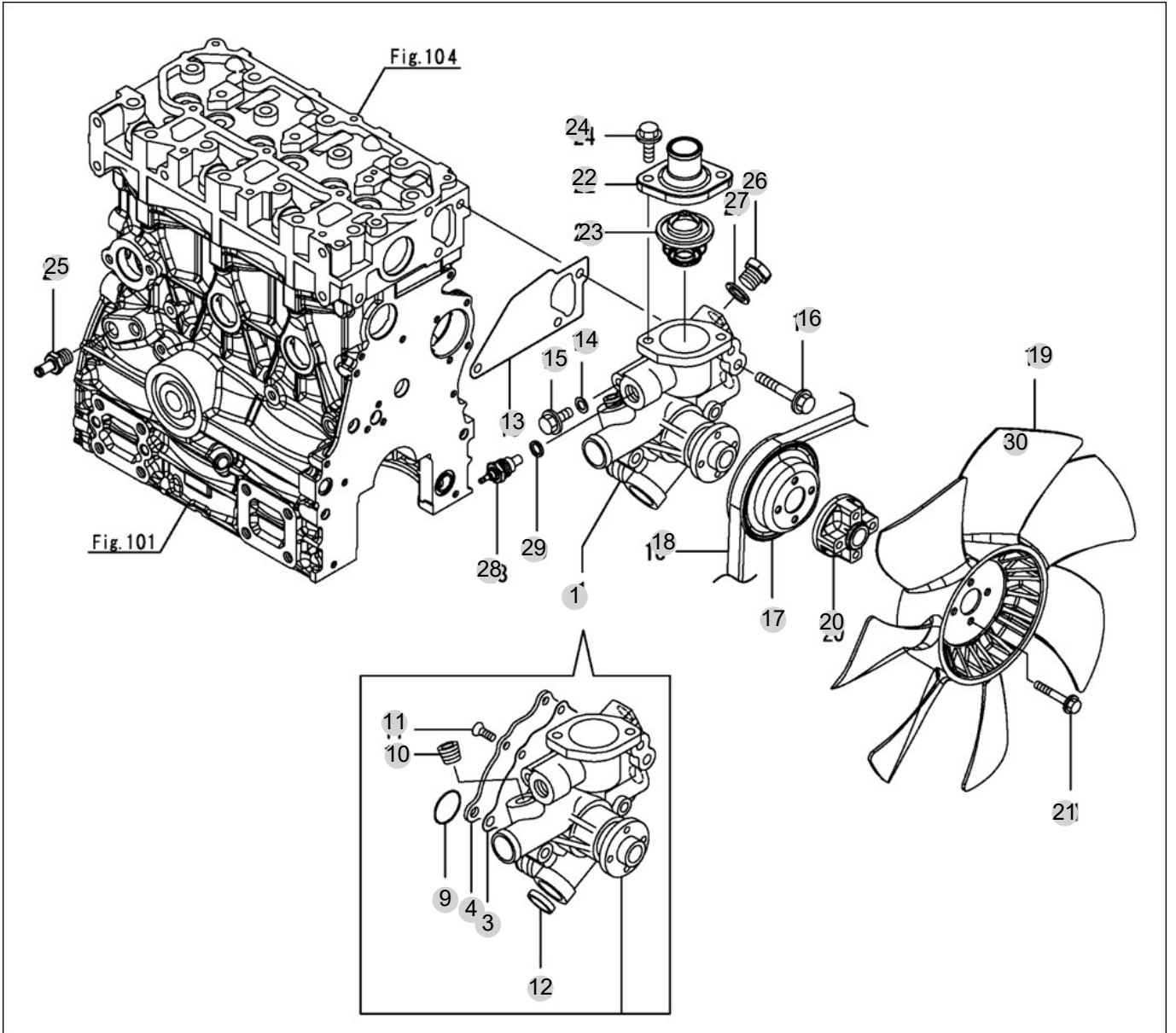
FIG 109

COOLING WATER SYSTEM

년/월  
Year/Month

2022-12

T254NC



NOTE



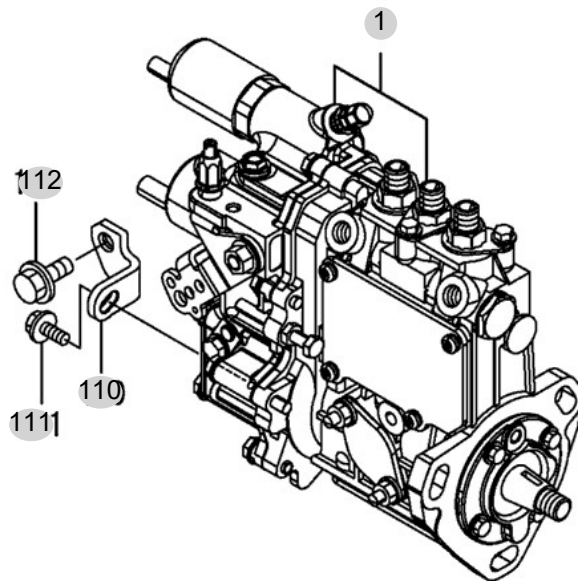
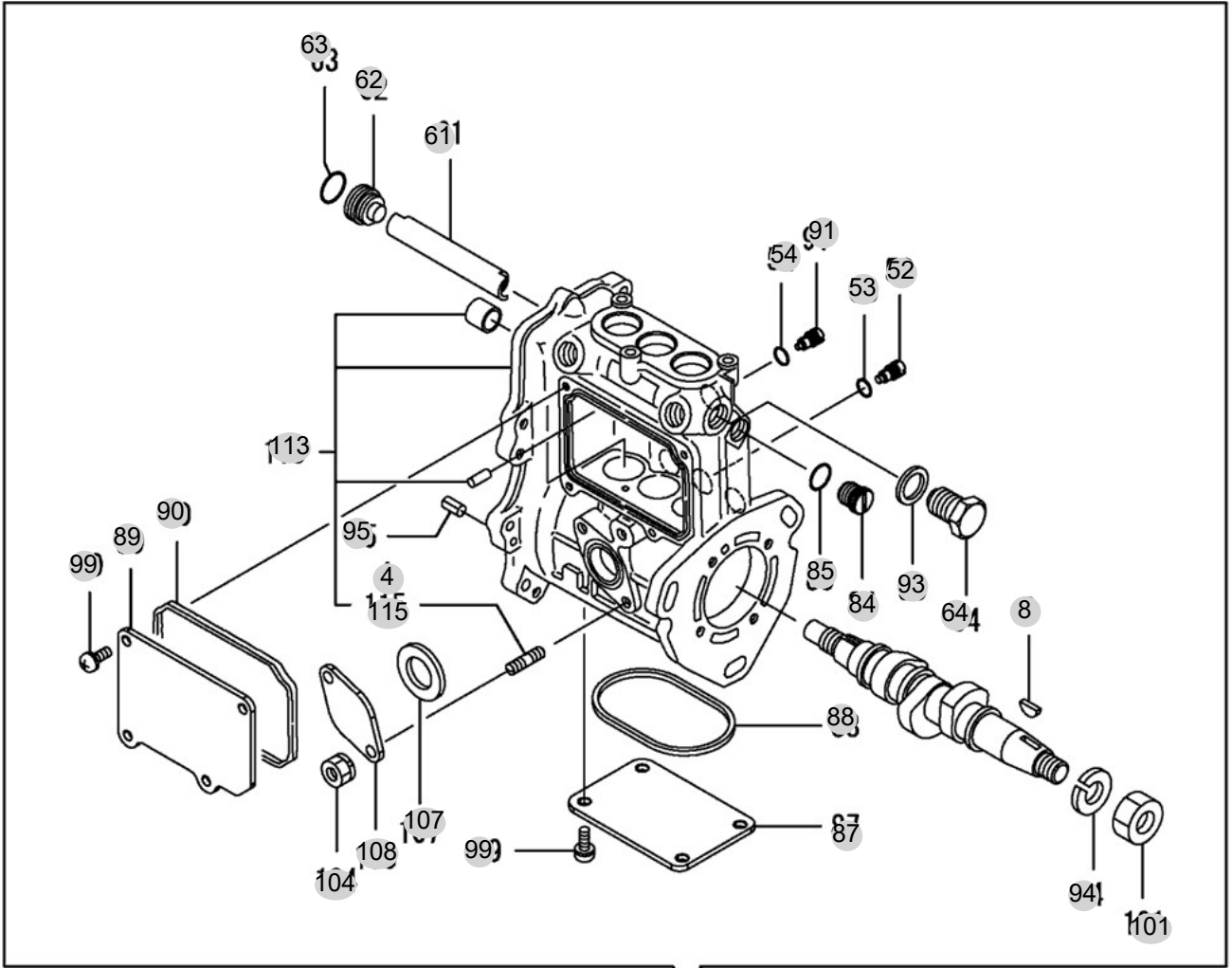
FIG 110

FUEL INJECTION PUMP

년/월  
Year/Month

2022-12

T254NC



NOTE



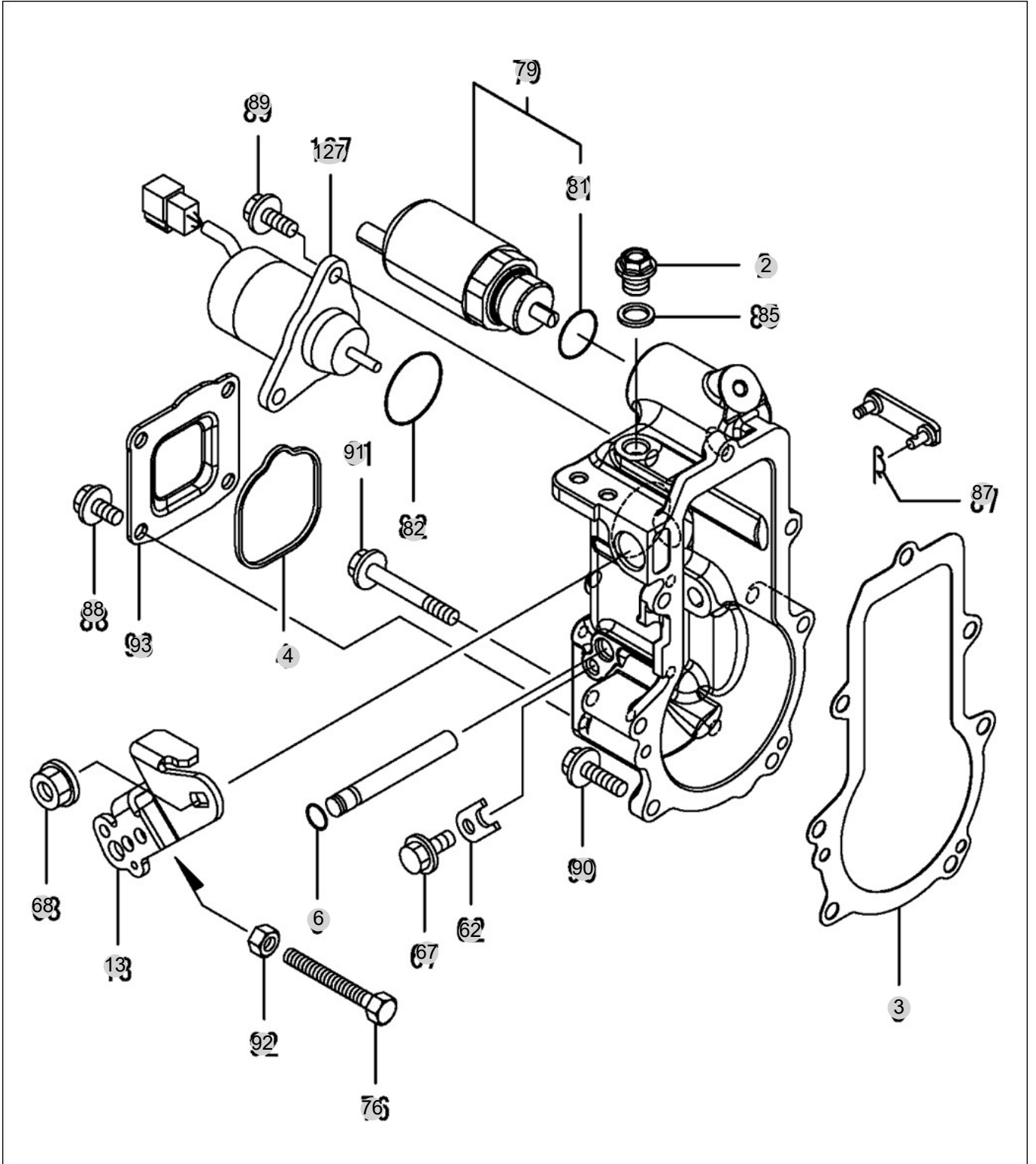
FIG 111

GOVERNOR

년/월  
Year/Month

2022-12

T254NC



NOTE



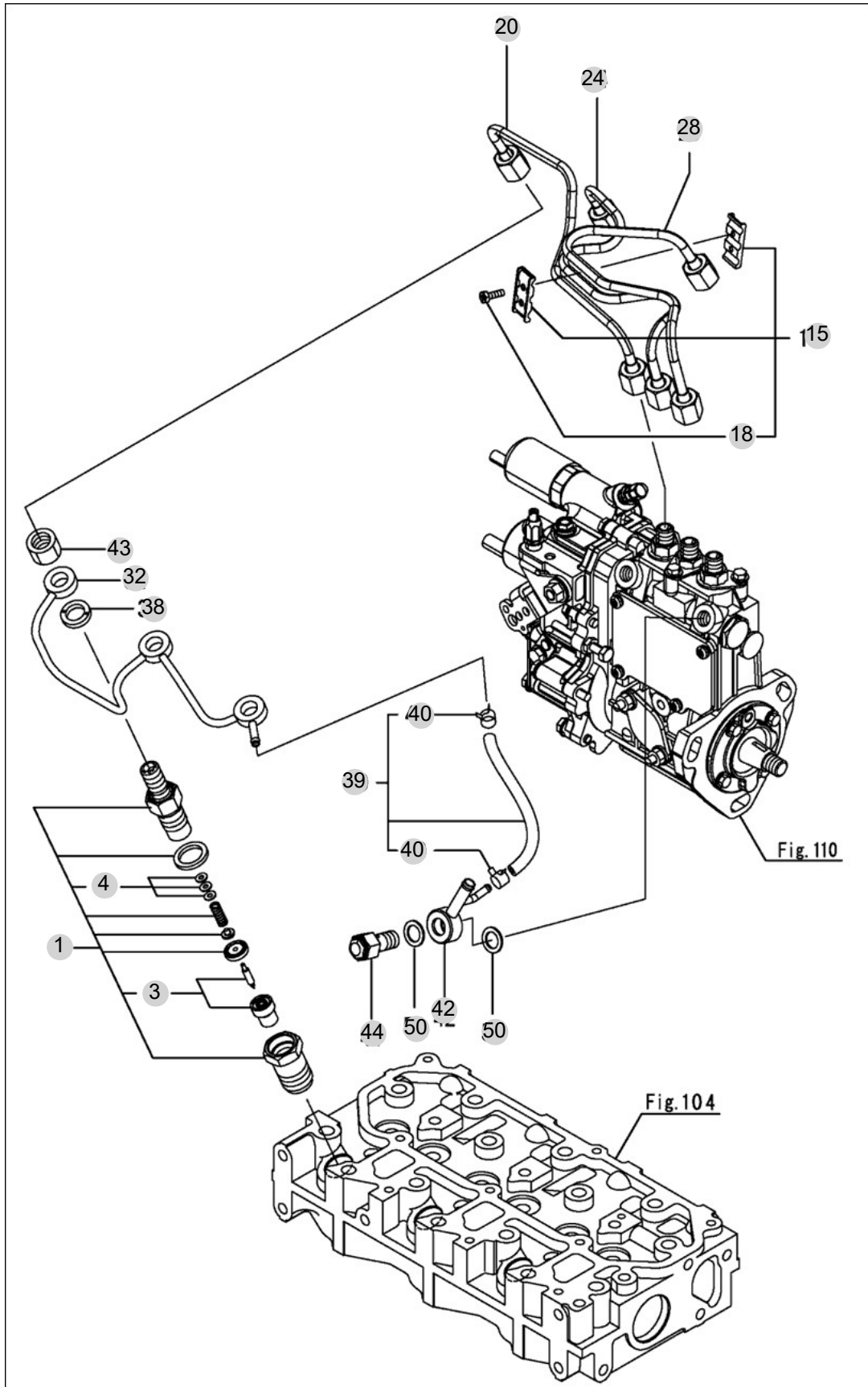
FIG 112

T254NC

FUEL INJECTION VALVE

년/월  
Year/Month

2022-12



NOTE





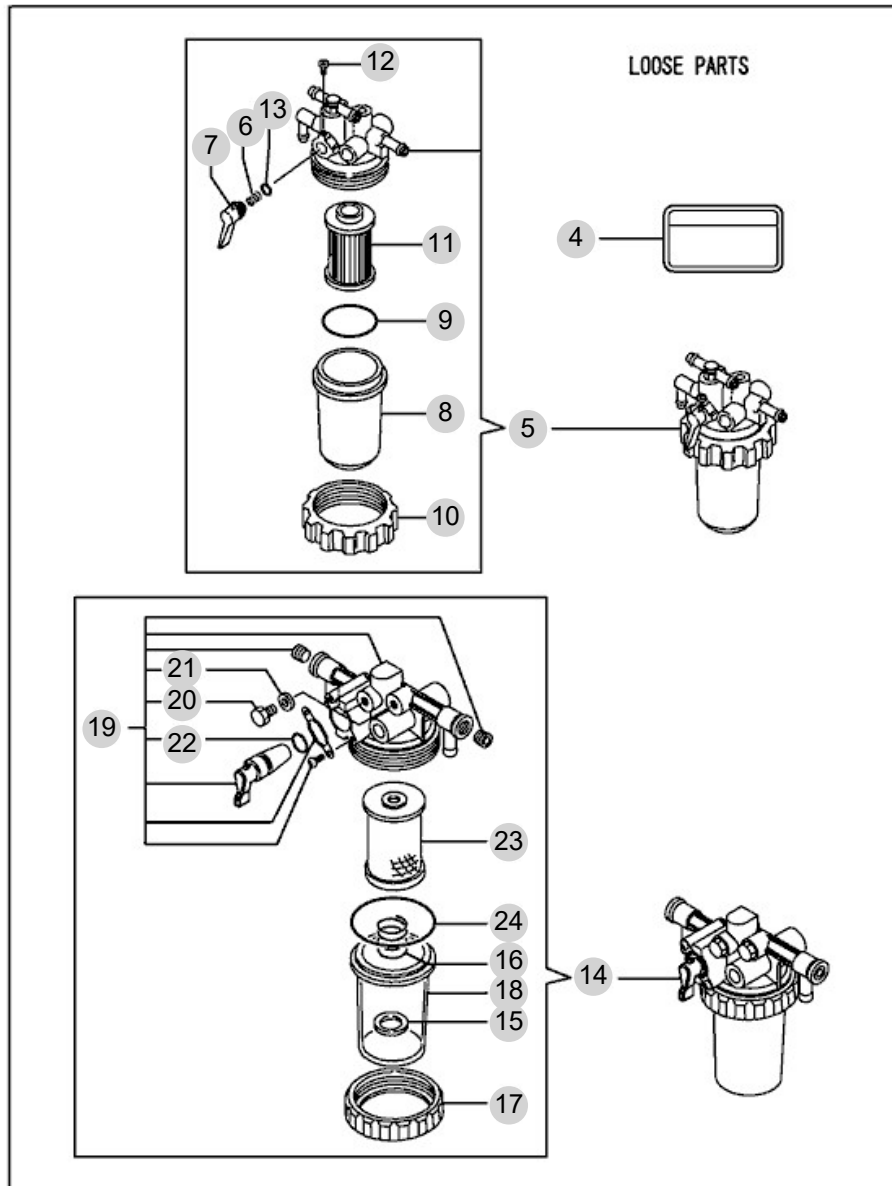
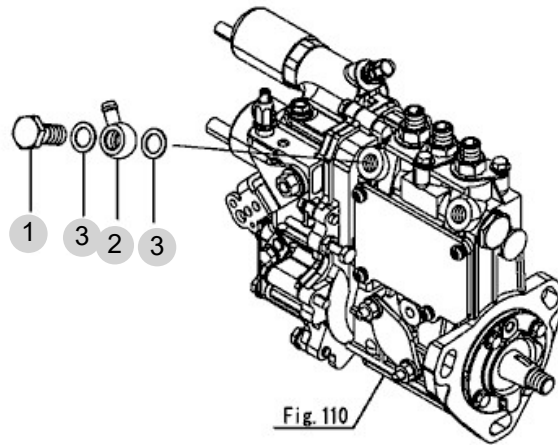
FIG 113

FUEL FILTER

년/월  
Year/Month

T254NC

2022-12



NOTE



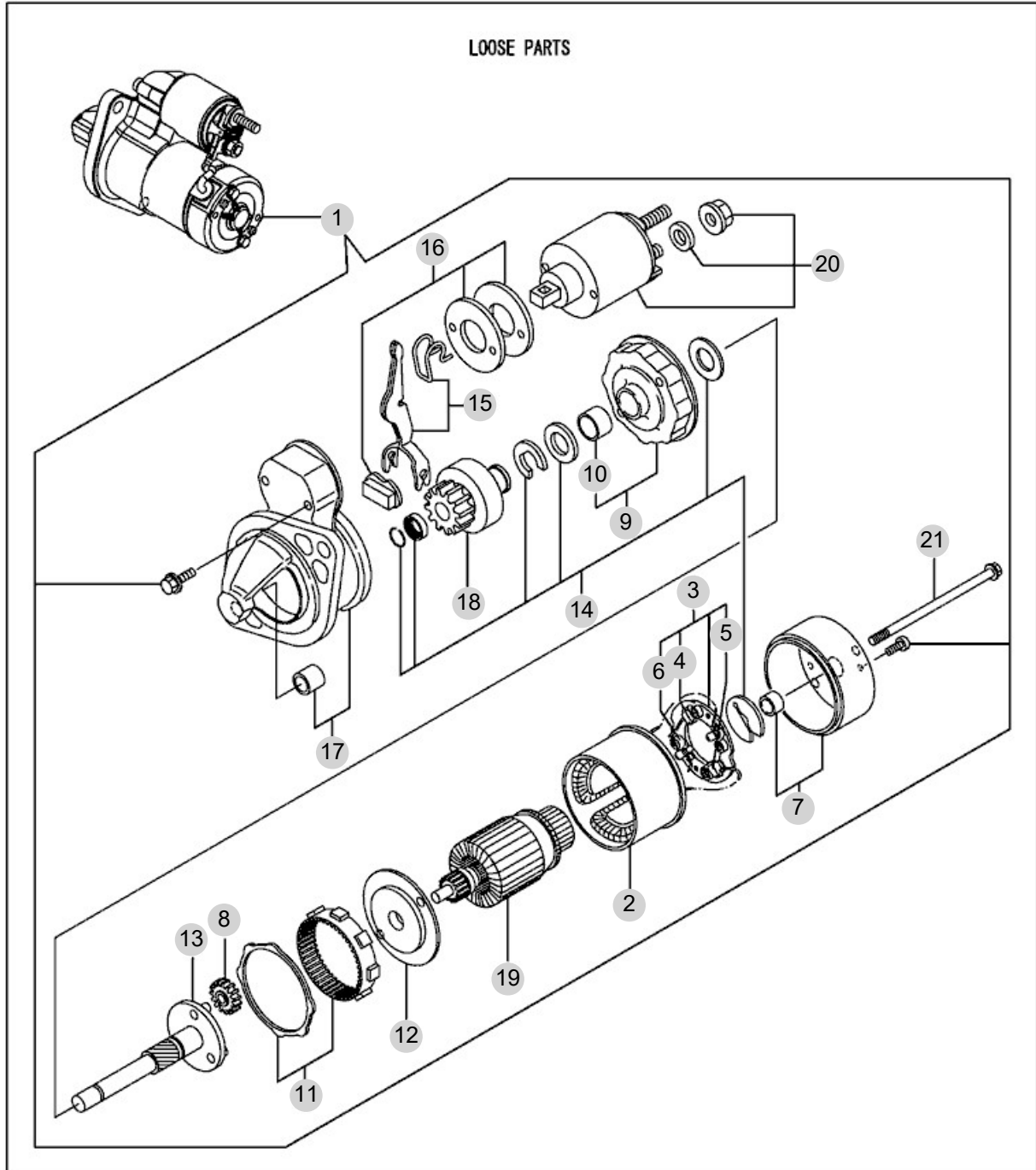
FIG 114

STARTING MOTOR

년/월  
Year/Month

2022-12

T254NC



NOTE



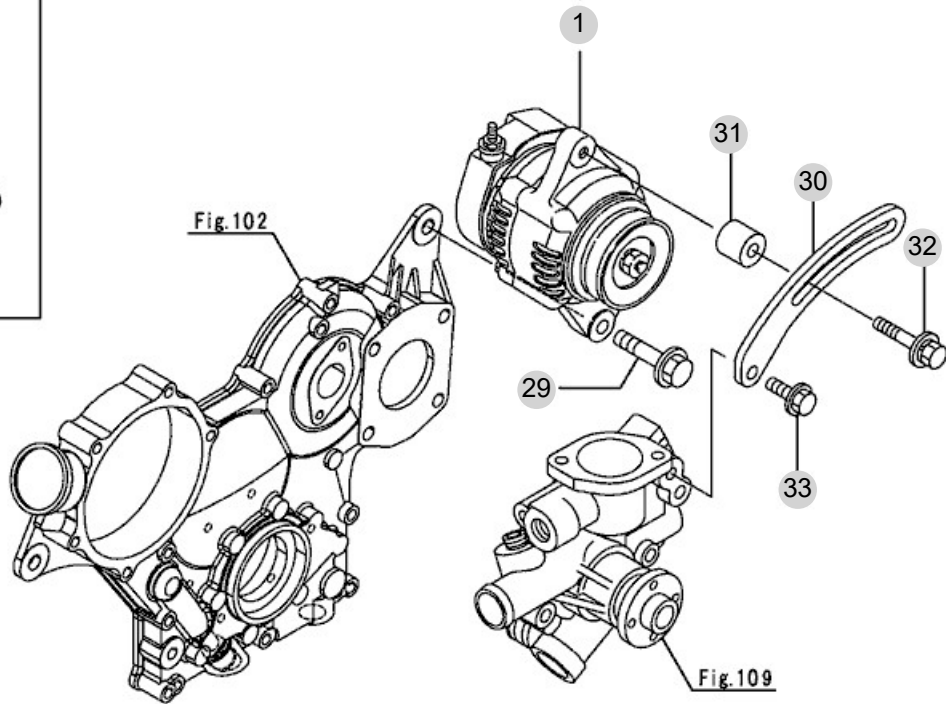
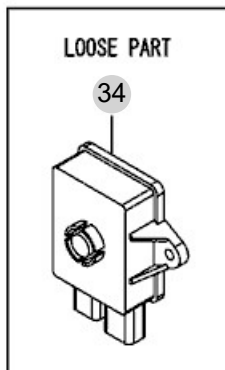
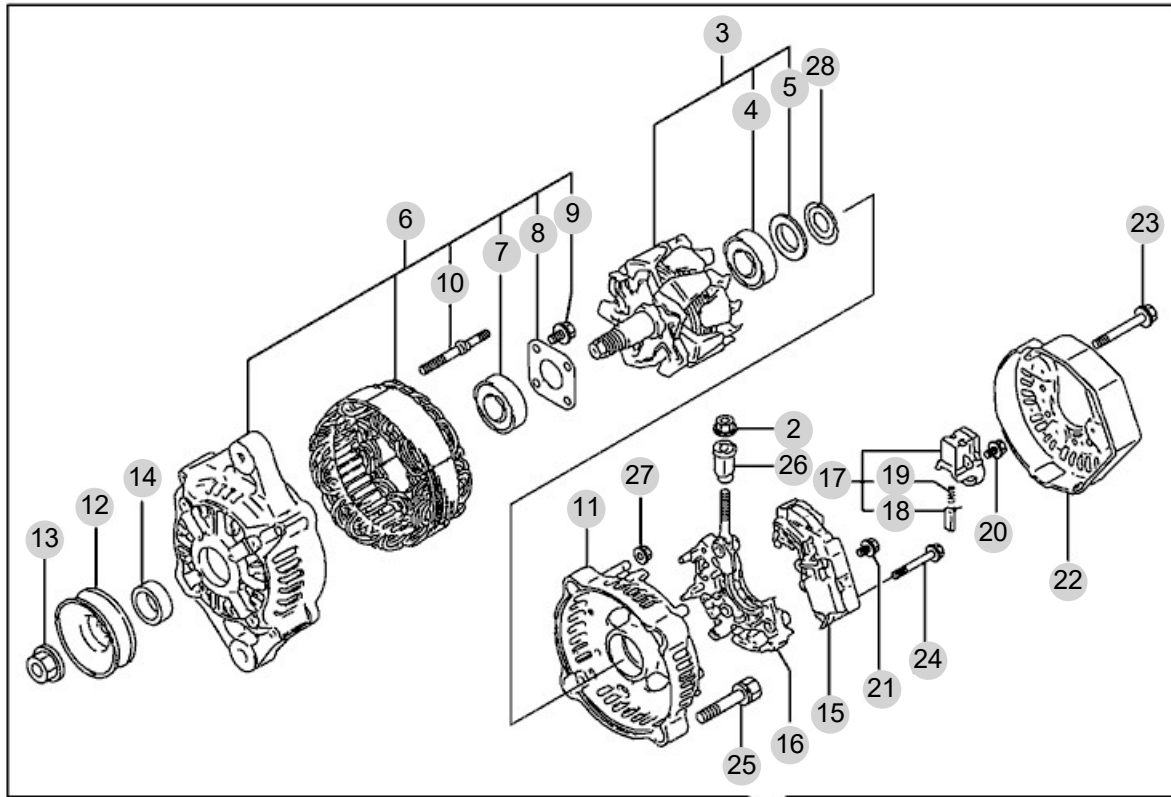
FIG 115

GENERATOR

년/월  
Year/Month

2022-12

T254NC



NOTE



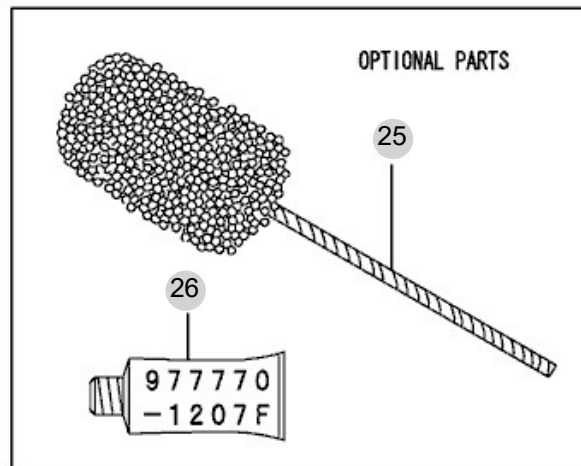
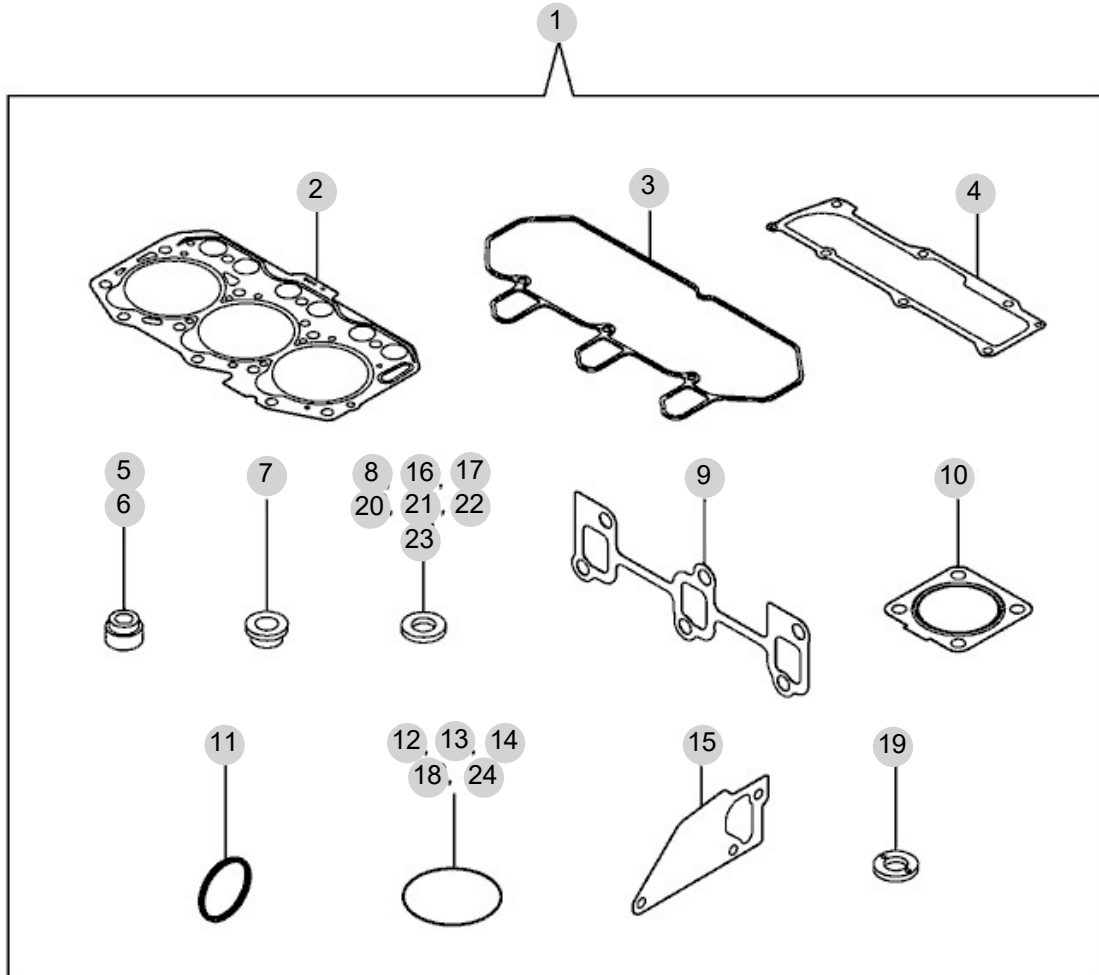
FIG 116

GASKET SET

년/월  
Year/Month

2022-12

T254NC



NOTE





## 2. Engine Accessories PART NO. T2

FIG 201 AIR CLEANER	44
FIG 202 RADIATOR	46
FIG 203 MUFFLER	49
FIG 204 FUEL TANK & FUEL LINE	51
FIG 205 ACCELERATOR(2015.11.05~)	53
FIG 206 FUEL FILTER	55
FIG 207 ENGINE MOUNTING	57

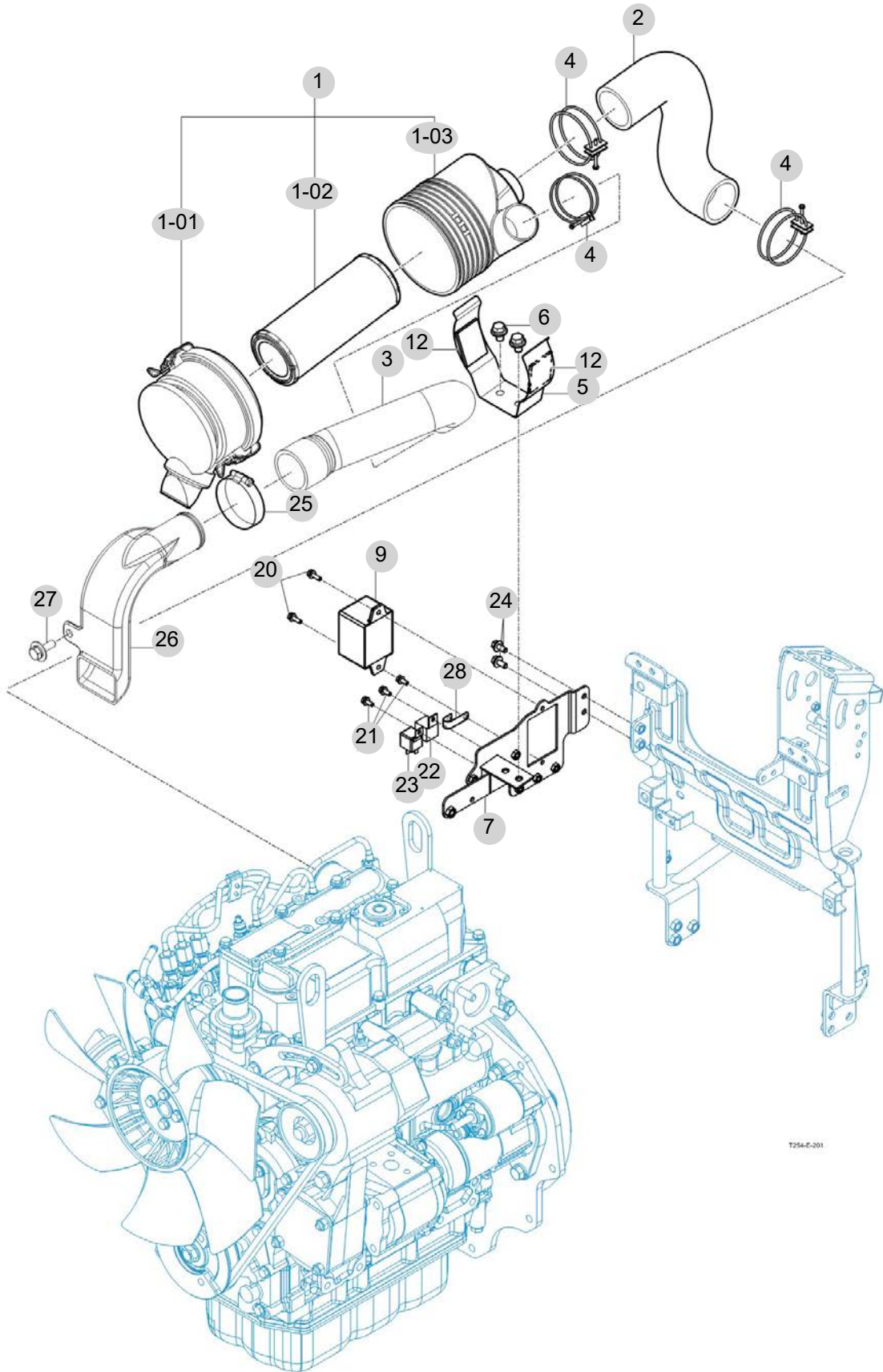
FIG 201

AIR CLEANER

년/월  
Year/Month

2022-12

T254NC



NOTE



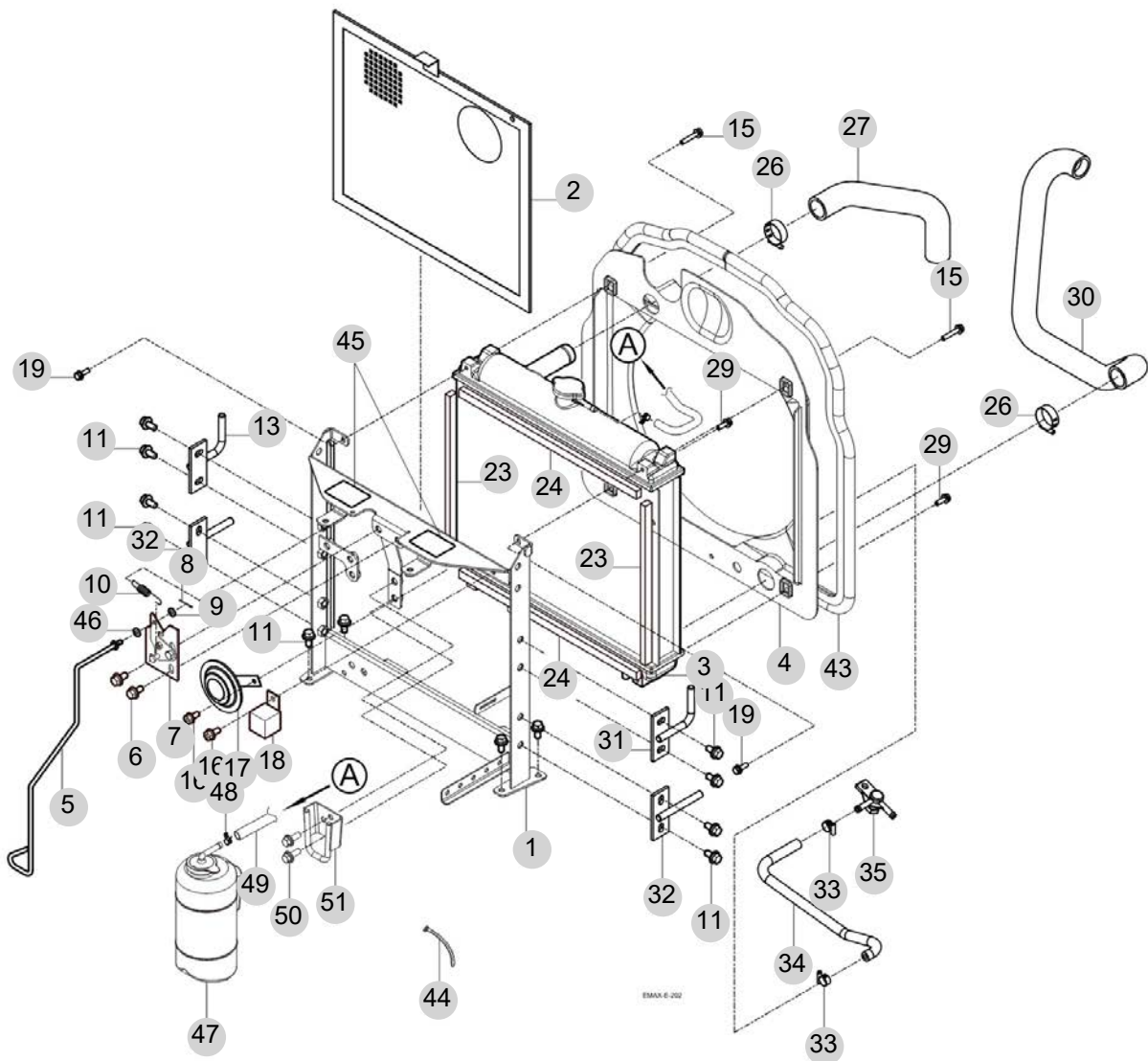
FIG 202

T254NC

RADIATOR

년/월  
Year/Month

2022-12



NOTE

FIG 202		RADIATOR					년/월 Year/Month		
							2022-12		
T254NC		KEY NO	PART NO	DESCRIPTION	SPEC	QTY	REPAIR	EFFECTIVE DATE	REMARKS
202	1	11116011200GB	FRAME COMP , FRONT			1			
202	1	11116011201GB	FRAME COMP , FRONT			1			
202	1	11116091200GB	FRAME COMP , FRONT			1			
202	1	11116091200GB	FRAME COMP , FRONT			1			
202	1	11116081200GB	FRAME COMP , FRONT			1			
202	2	11101042310GB	NET COMP , RADIATOR			1			
202	3	11111042000	RADIATOR COMP			1			
202	4	11111042200	SHROUD COMP			1			
202	4	11111040050	SHROUD			1			
202	4	11111050050	SHROUD			1			
202	5	11106024300	ROD COMP , OPEN			1			
202	5	11136024300	ROD COMP , OPEN			1			
202	5	11136024301	ROD COMP , OPEN			1			
202	6	V2183608020	BOLT , HEX/SP	M8X20		2			
202	7	11106024500	STAY SUB , HOOD			1			
202	7	11106024501	STAY SUB , HOOD			1			
202	7	11106024501	STAY SUB , HOOD			1			
202	8	V5001925020	PIN D2.5x20			1			
202	9	V4111600060	WASHER , PLAIN	M6		1			
202	10	14143120020	SPRING , TENSION 53			1			
202	10	11106020010	SPRING , TENSION 40			1			
202	11	V2183608020	BOLT , HEX/SP	M8X20		14			
202	12	11106013800	PIN COMP , FRONT LO RH			1			
202	13	11116013600	PIN COMP , FRONT UP RH			1			
202	13	11116013601	PIN COMP , FRONT UP RH			1			
202	13	11116013601	PIN COMP , FRONT UP RH			1			
202	14	21575070110	BOLT , GRIP(M6)			1			
202	15	V2193606020	BOLT , HEX/SPL	M6X20		2			
202	15	V2123606020	BOLT , HEX /SP	M6X20		2			
202	15	V2123606035	BOLT , HEX /SP	M6X35		2			
202	15	V2123606025	BOLT , HEX /SP	M6X25		2			
202	16	V2323606016	BOLT , C/R HEX/SP	M6X16		2			
202	16	V2323606016	BOLT , C/R HEX/SP	M6X16		3			
202	17	13266212002	HORN			1			
202	17	13266212003	HORN			1			
202	17	13266212003	HORN			1			
202	18	17686641110	RELAY , PREHEAT			1			
202	19	V2323606016	BOLT , C/R HEX/SP	M6X16		2			
202	20	11116012100GB	PLATE , FIX/LH			1			
202	21	14726110301	CUSHION , RUBBER			2			
202	22	14726010031	SPRING , HOOD CUSHION			2			
202	23	11101042390	SPONGE , 314			2			
202	24	11101042350	SPONGE , 410			4			
202	24	11101042350	SPONGE , 410			2			
202	25	18501042350	SPONGE , 295			2			
NOTE									



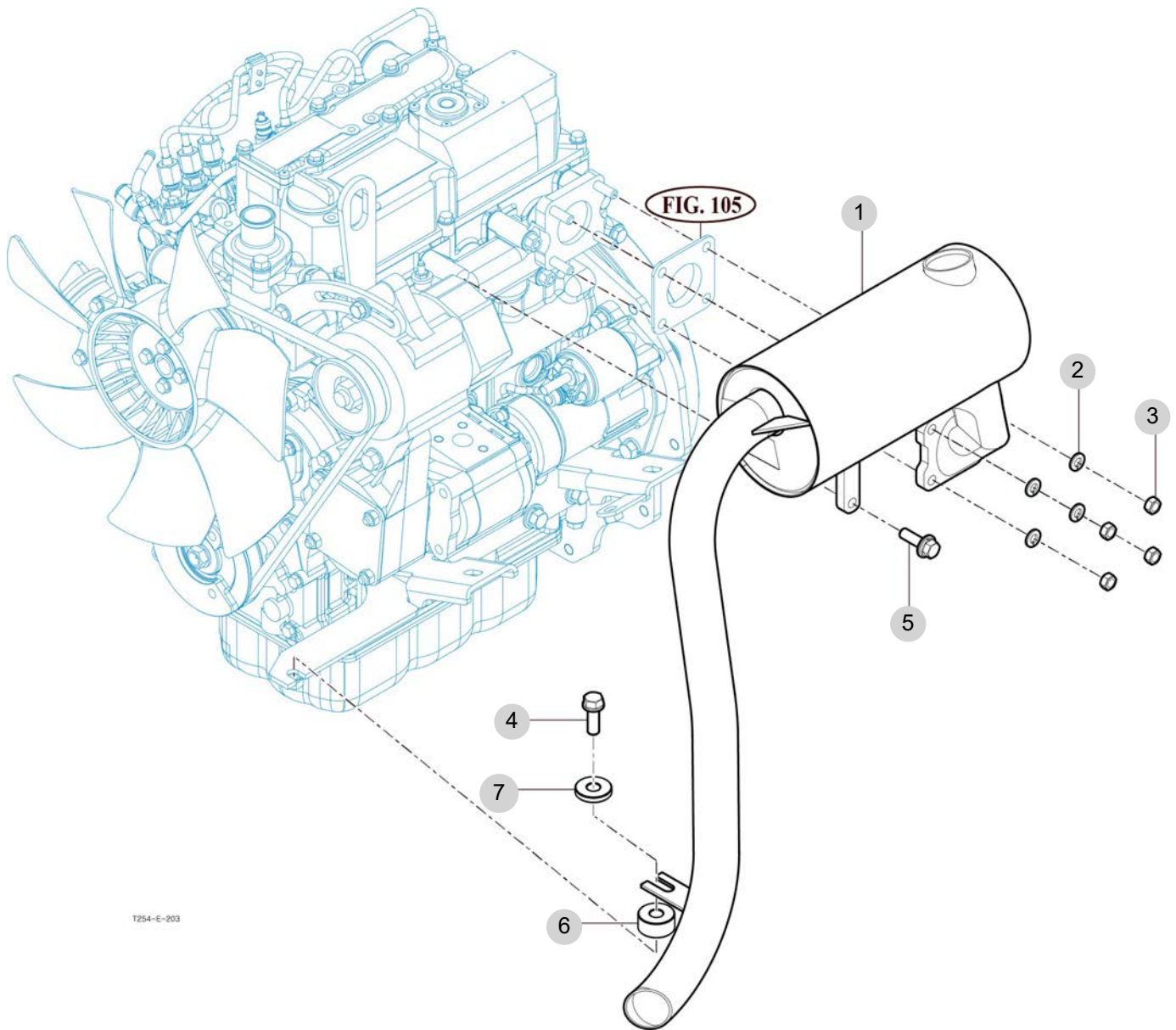
FIG 203

T254NC

MUFFLER

년/월  
Year/Month

2022-12



NOTE





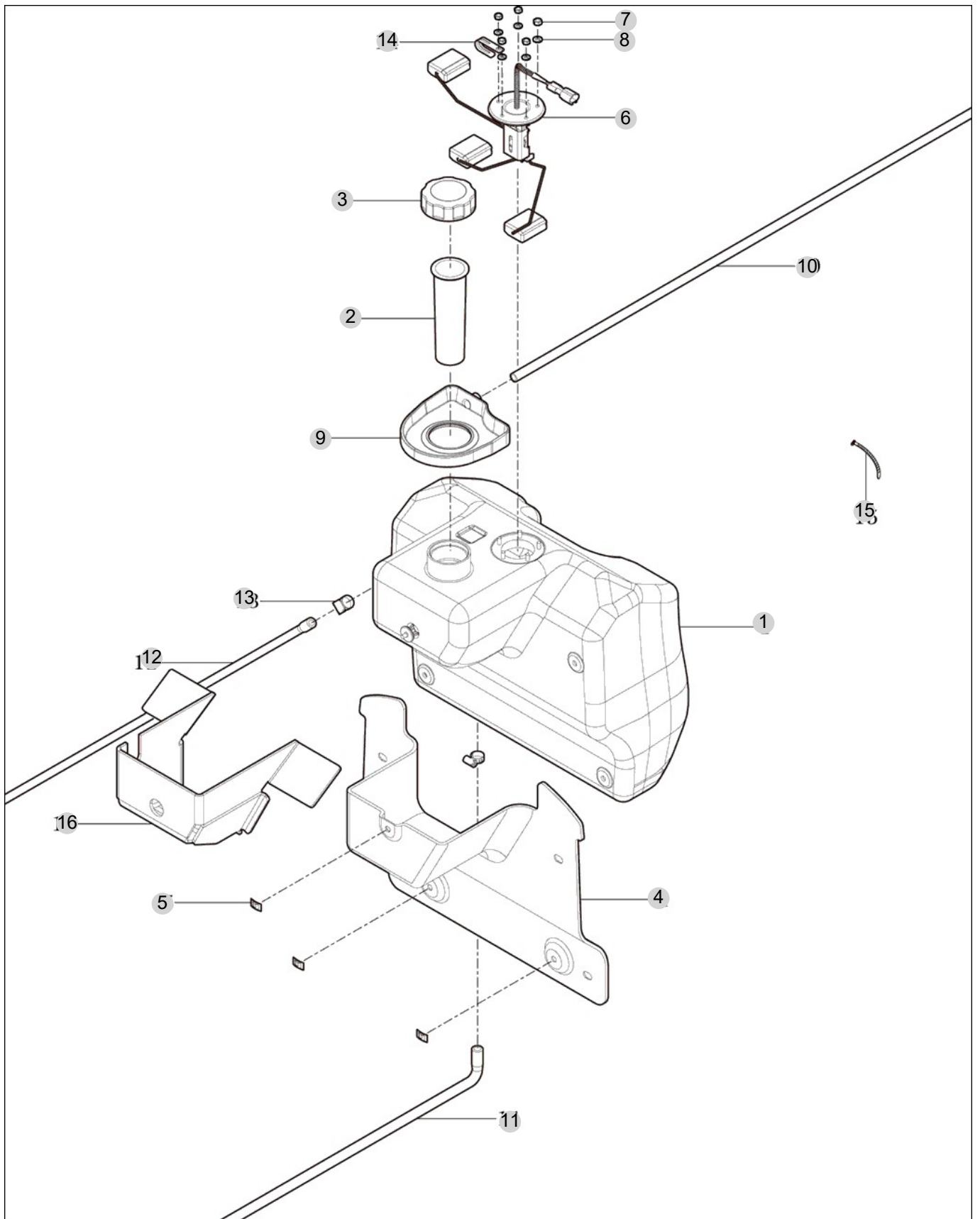
FIG 204

FUEL TANK & FUEL LINE

년/월  
Year/Month

2022-12

T254NC



NOTE



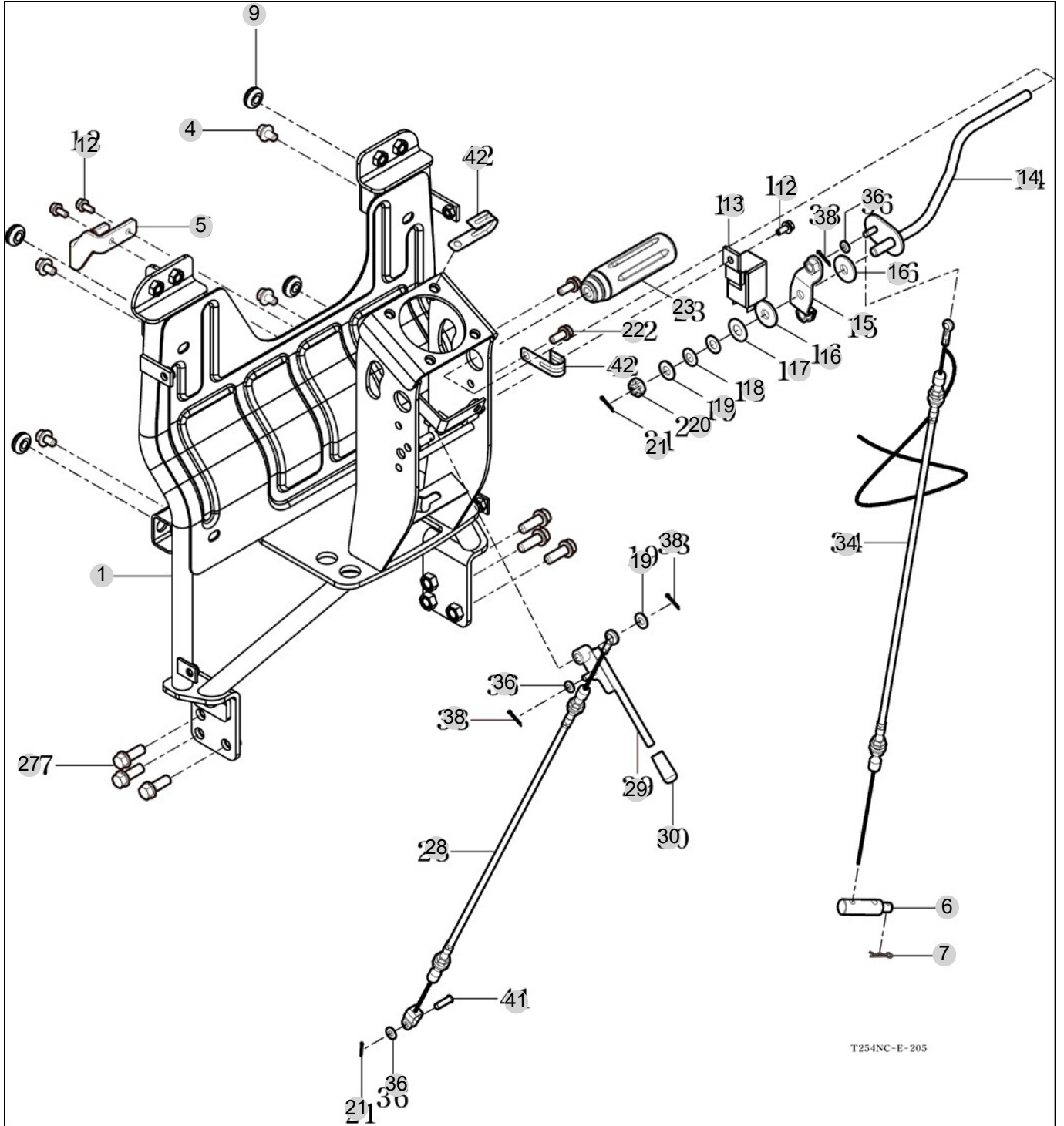
FIG 205

ACCELERATOR(2015.11.05~)

년/월  
Year/Month

2022-12

T254NC



NOTE



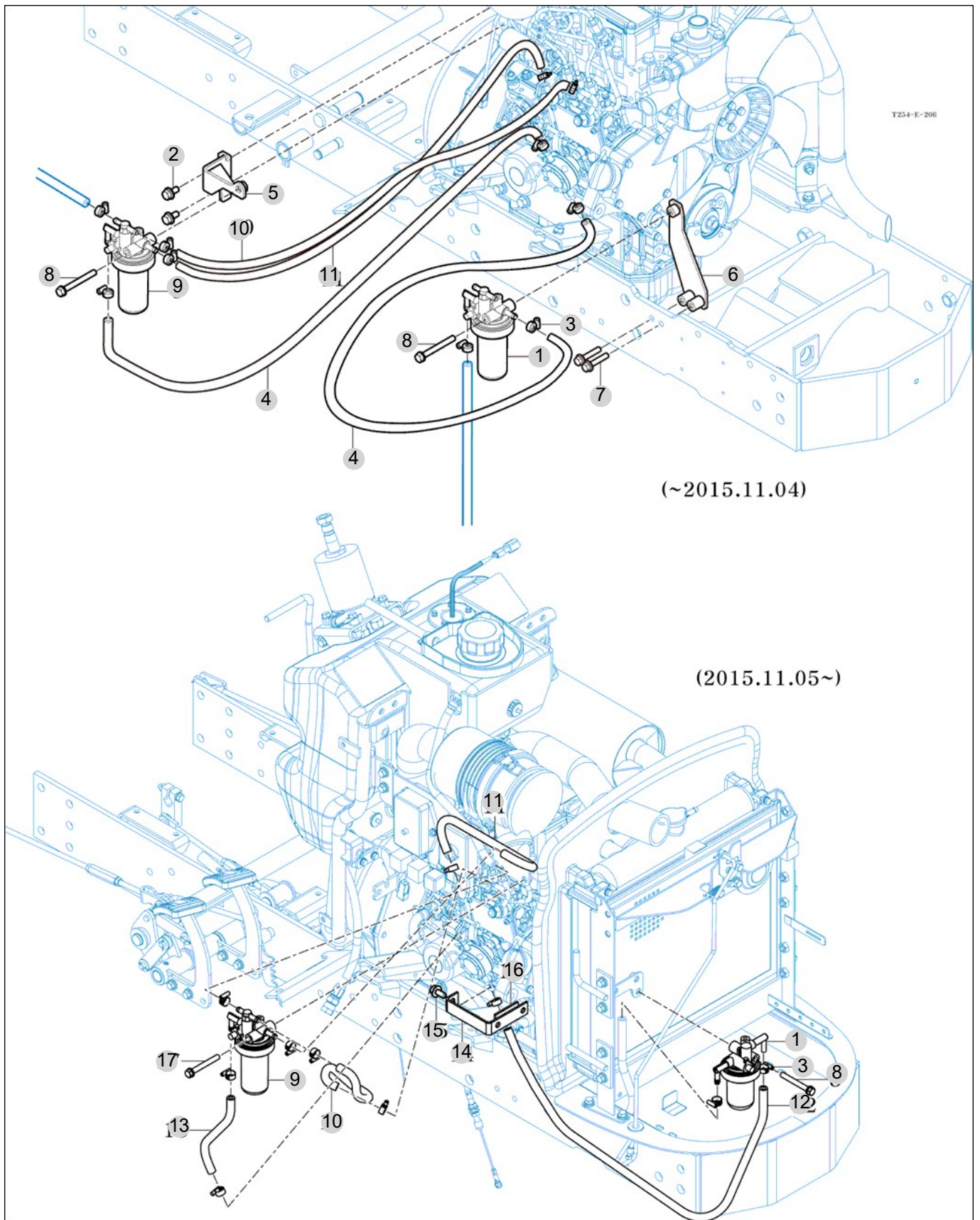
FIG 206

FUEL FILTER

년/월  
Year/Month

T254NC

2022-12



NOTE



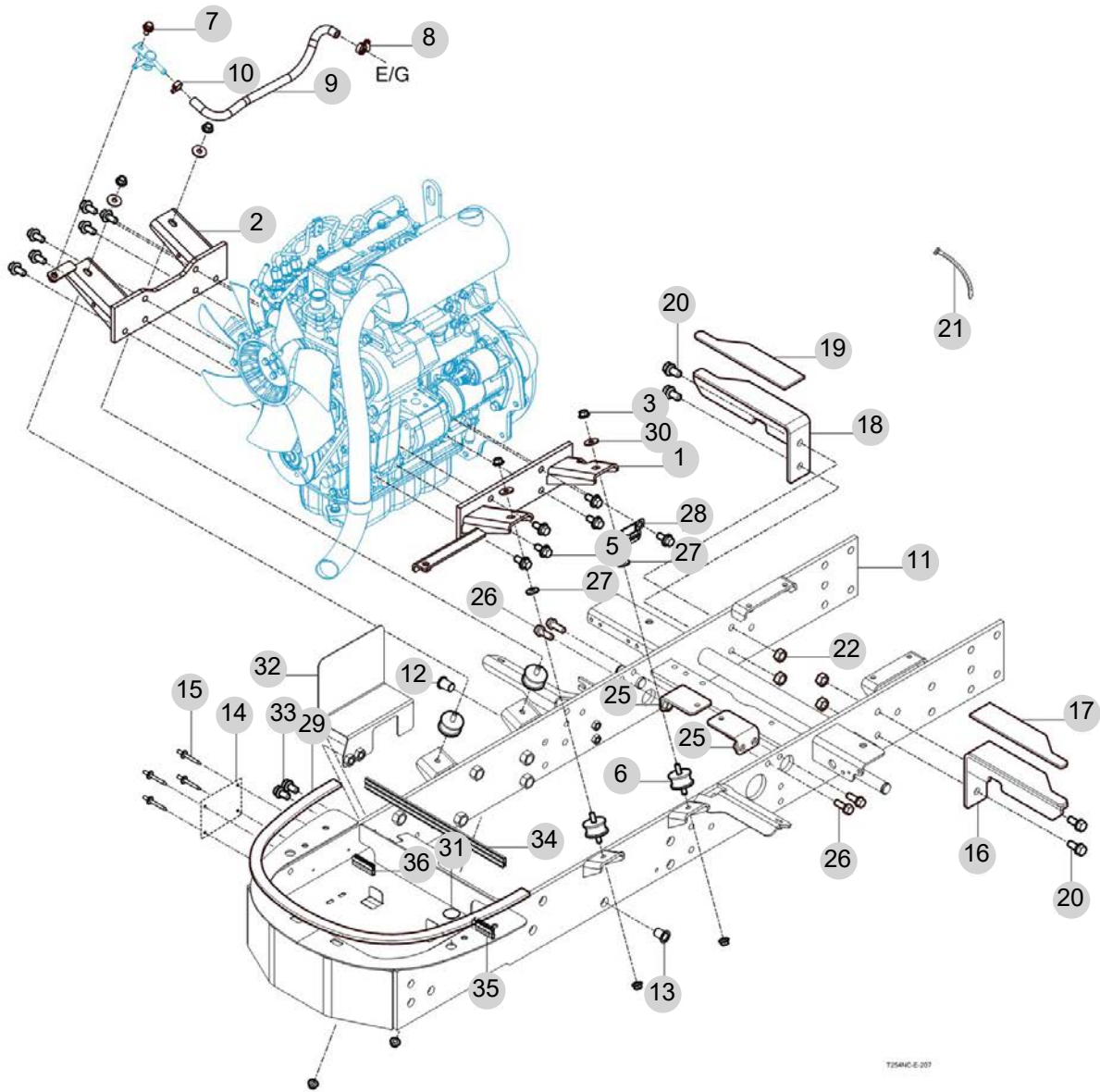
FIG 207

ENGINE MOUNTING

년/월  
Year/Month

2022-12

T254NC



NOTE





### 3. Clutch/Brake/Steering PART NO. T3

FIG 301 FLYWHEEL COVER	60
FIG 302 BRAKE	62
FIG 303 CLUTCH,BRAKE PEDAL & LINKAGE	64
FIG 304 ACCELERATOR PEDAL & CABLE	66
FIG 305 DASH COVER	68
FIG 306 STEERING VALVE	70
FIG 307 STEERING CYLINDER	72
FIG 308 STEERING WHEEL	74
FIG 309 TIRE	76

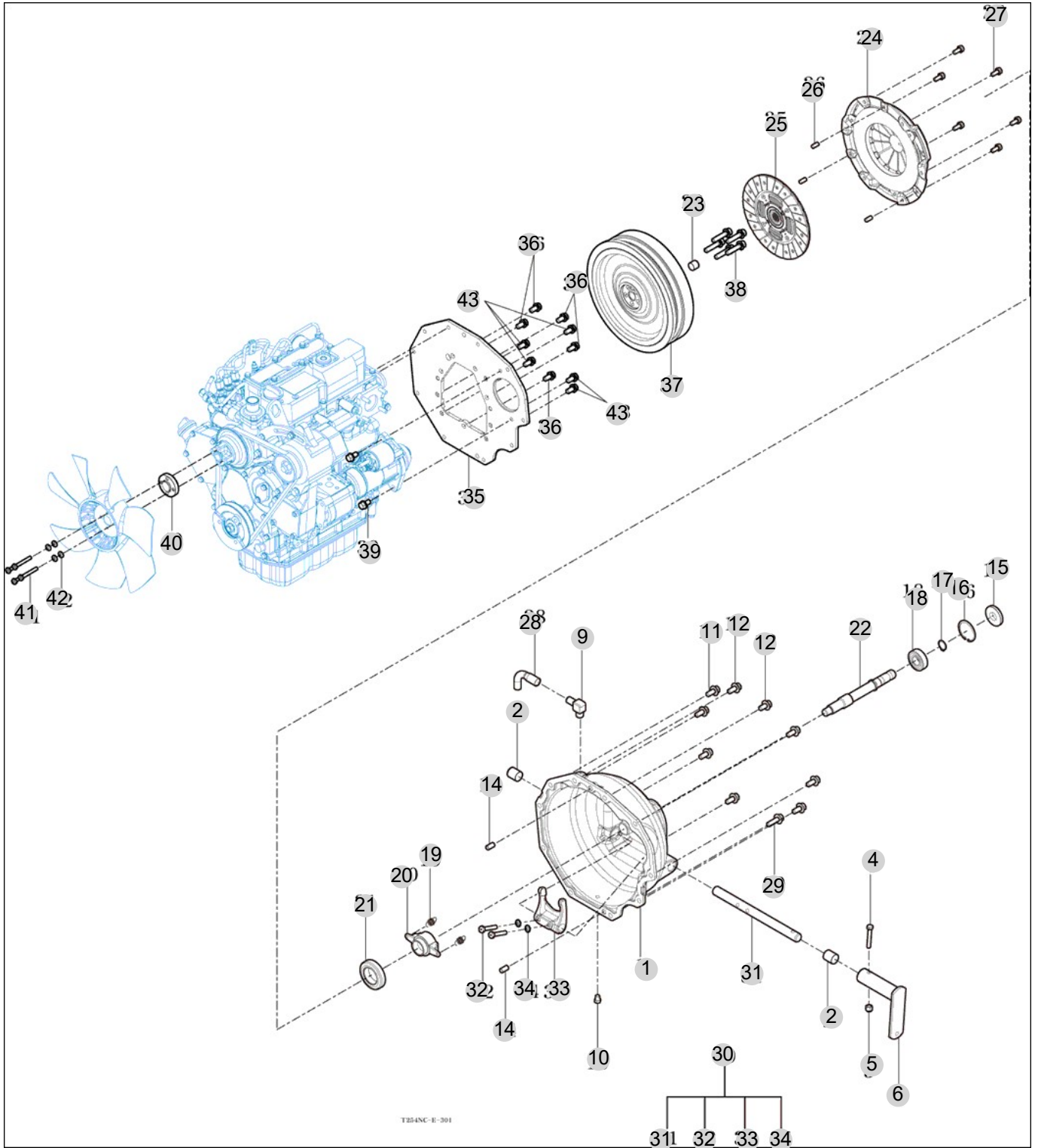
FIG 301

FLYWHEEL COVER

년/월  
Year/Month

2022-12

T254NC



NOTE



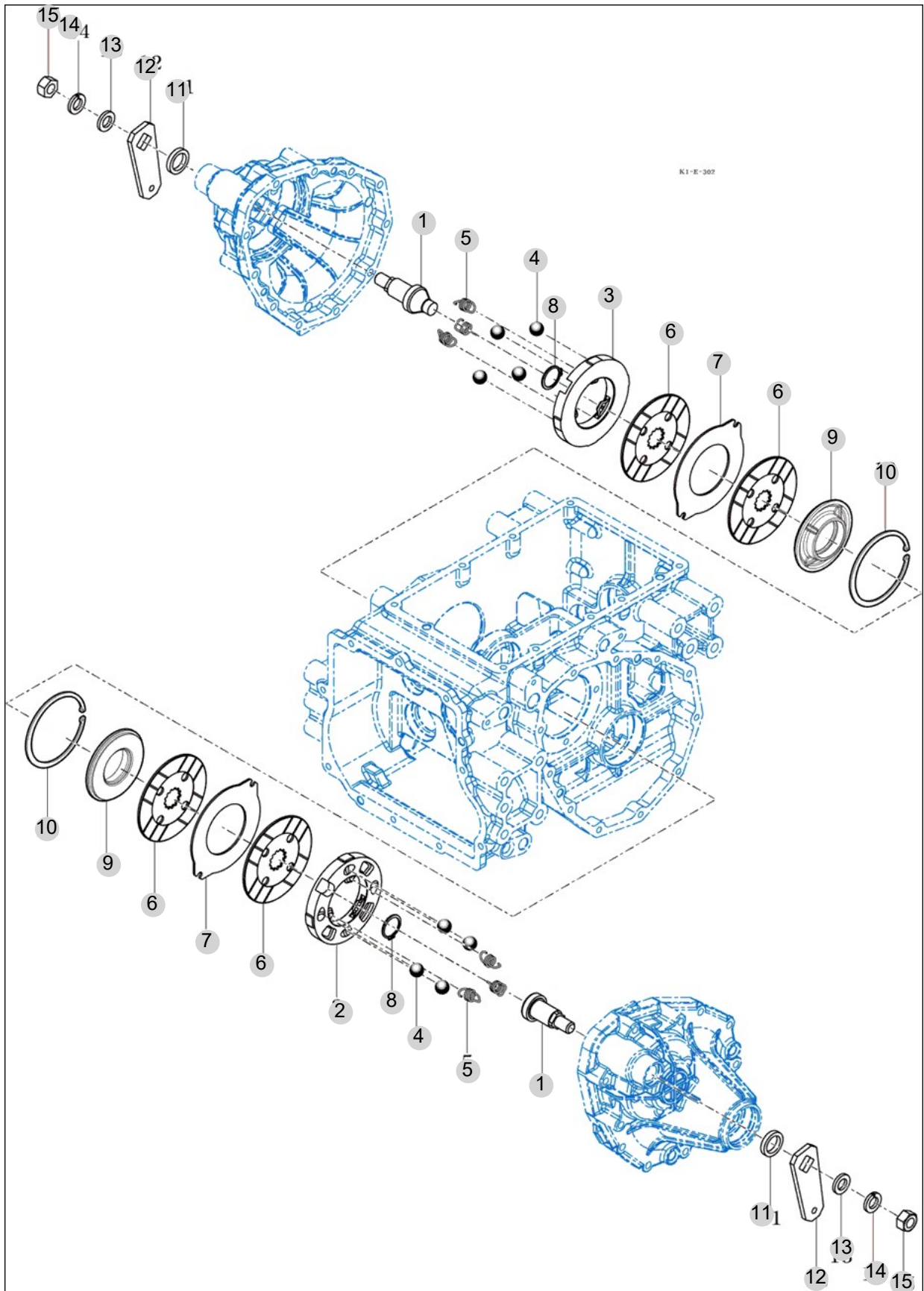
FIG 302

BRAKE

년/월  
Year/Month

T254NC

2022-12



NOTE



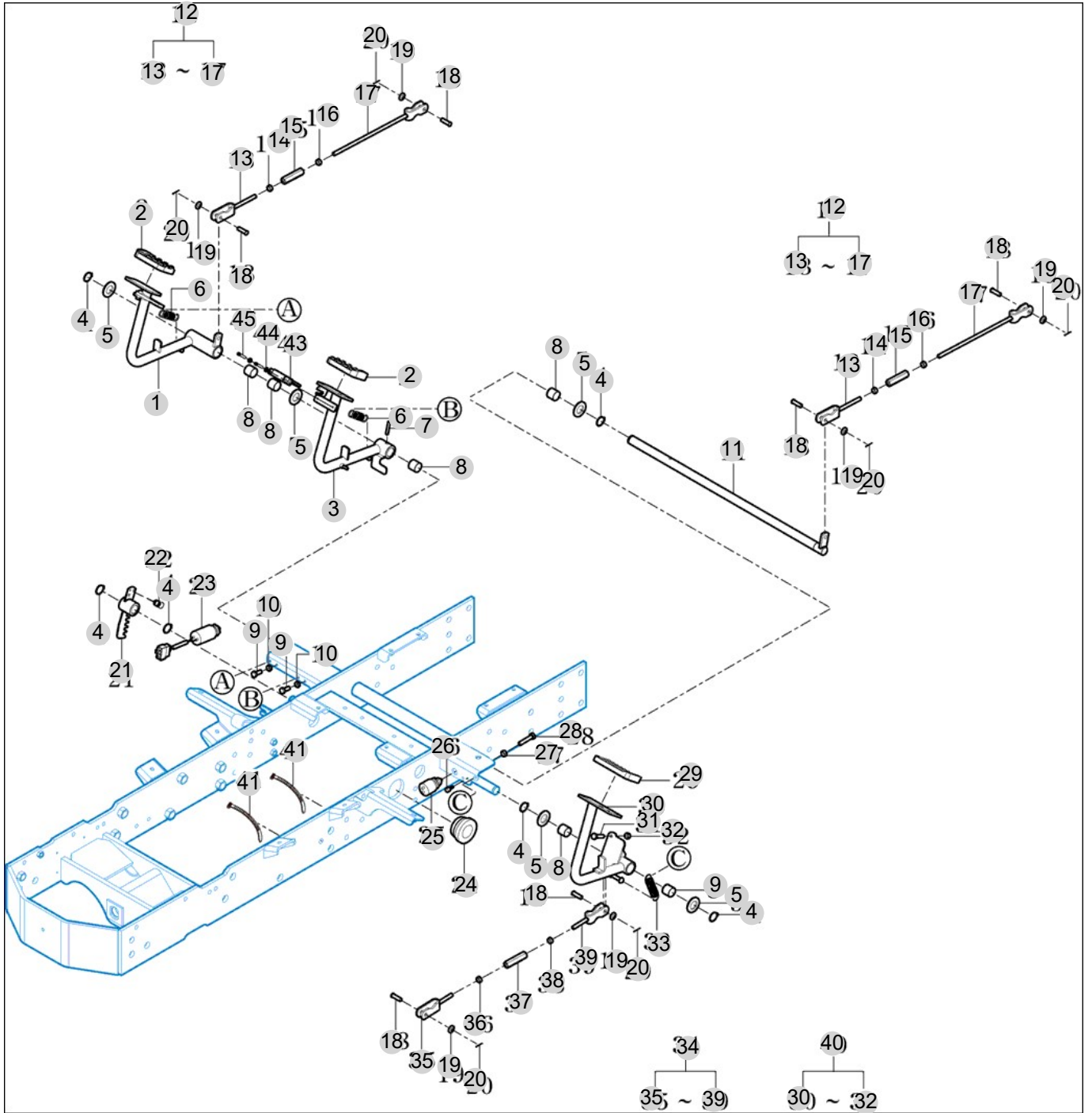
FIG 303

CLUTCH, BRAKE PEDAL & LINKAGE

년/월  
Year/Month

2022-12

T254NC



NOTE

FIG 303		CLUTCH,BRAKE PEDAL & LINKAGE					년/월 Year/Month		
							2022-12		
T254NC		KEY NO	PART NO	DESCRIPTION	SPEC	QTY	REPAIR	EFFECTIVE DATE	REMARKS
303	1	11503283200GB	PEDAL COMP , BRAKE RH			1			
303	2	11503280020	PAD , BRAKE			2			
303	3	11503283100GB	PEDAL COMP , BRAKE LH			1			
303	4	V7041400200	C-RING , SHAFT	20		6			
303	5	V4111600200	WASHER , PLAIN	M20		5			
303	6	35822210090	SPRING , HE070	D=2.6		2			
303	7	V5801406032	PIN , SPRING	6X32		1			
303	8	11102320030	BUSH , 20X23X20			6			
303	9	V2013608020	BOLT , HEX	M8X20		2			
303	10	V3052600080	NUT , HEX/3	M8		2			
303	11	11503282100	ARM COMP , BRAKE			1			
303	12	11103284000	ROD ASSY , BRAKE			2			
303	13	11103284200	ROD COMP , HOOK RH			2			
303	14	V3043600080	NUT , HEX/2	M8		2			
303	15	16601220020	TURNBUCKLE , M8 L60			2			
303	16	15601320073	NUT , HEX LH	"2종,M8"		2			
303	17	11103284100	ROD COMP , HOOK			2			
303	18	21443370020	PIN , 08X25	D=8		6			
303	19	V4111600080	WASHER , PLAIN	M8		6			
303	20	V5001920015	PIN , SPLIT	2X15		6			
303	21	11503286200	RACHET COMP , PARKING			1			
303	22	11102320020	SPRING(66)			1			
303	22	13153280040	SPRING , PARKING	D=1.4		1			
303	23	13153285001	SWITCH ASSY , BRAKE	1X1X1		1			
303	24	11501300030	MOUNTING RUBBER , CLUTCH			1			
303	25	15606642500	SWITCH SET , PUSH			1			
303	25	18716642500	SWITCH SET , PUSH			1			
303	26	21004100070	STOPPER , ARM/CARRYING	HS80도		1			
303	27	V3042600080	NUT , HEX/2	M8		1			
303	28	V2013608040	BOLT , HEX	M8X40		1			
303	29	13153280050	PAD	1X1X1		1			
303	30	11501332100GB	PEDAL COMP , CLUTCH			1			
303	30	11501332100	PEDAL COMP , CLUTCH			1			
303	31	V2013608030	BOLT , HEX	M8X30		1			
303	32	V3042600080	NUT , HEX/2	M8		1			
303	33	11501330010	SPRING , RETURN			1			
303	34	11501305000	ROD ASSY , CLUTCH			1			
303	35	11501305200	ROD COMP , RH			1			
303	36	V3043600080	NUT , HEX/2	M8		1			
303	37	16601220020	TURNBUCKLE , M8 L60			1			
303	38	15601320073	NUT , HEX LH	"2종,M8"		1			
303	39	11501305100	ROD COMP , LH			1			
303	40	11501332000	PEDAL SUB , CLUTCH			1			
303	40	11501332000GB	PEDAL SUB , CLUTCH			1			
303	42	14216210380	CABLE TIE , 200			1			
NOTE									



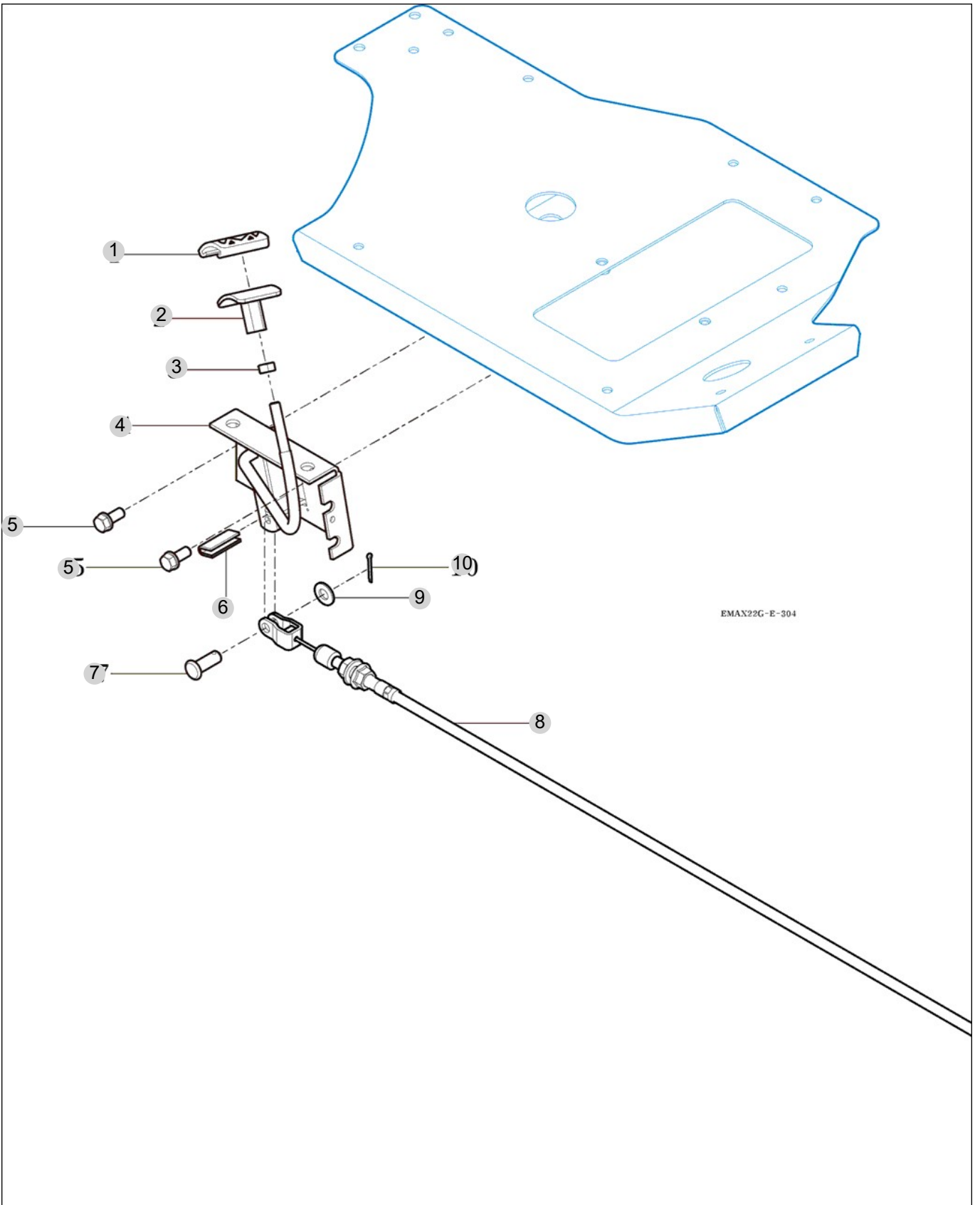
FIG 304

T254NC

ACCELERATOR PEDAL & CABLE

년/월  
Year/Month

2022-12



EMAX22G-E-304

NOTE



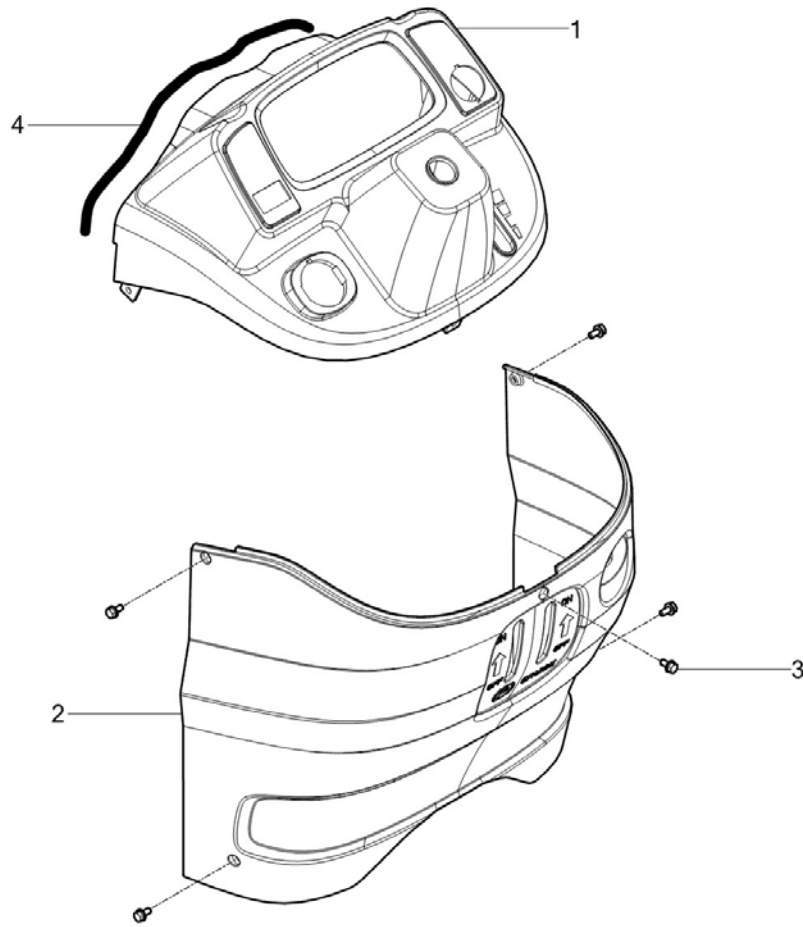
FIG 305

T254NC

DASH COVER

년/월  
Year/Month

2022-12



NOTE



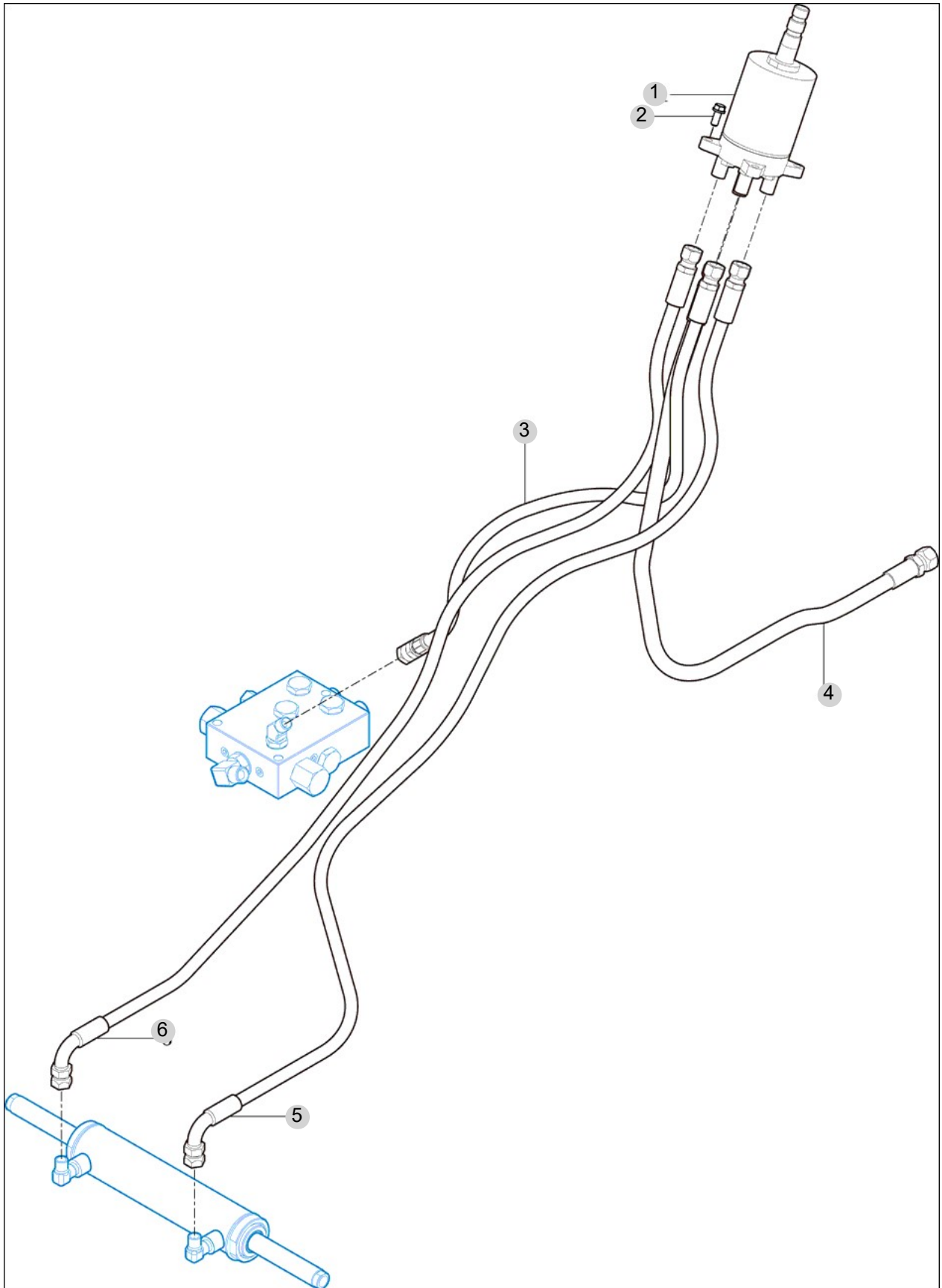
FIG 306

STEERING VALVE

년/월  
Year/Month

T254NC

2022-12



NOTE



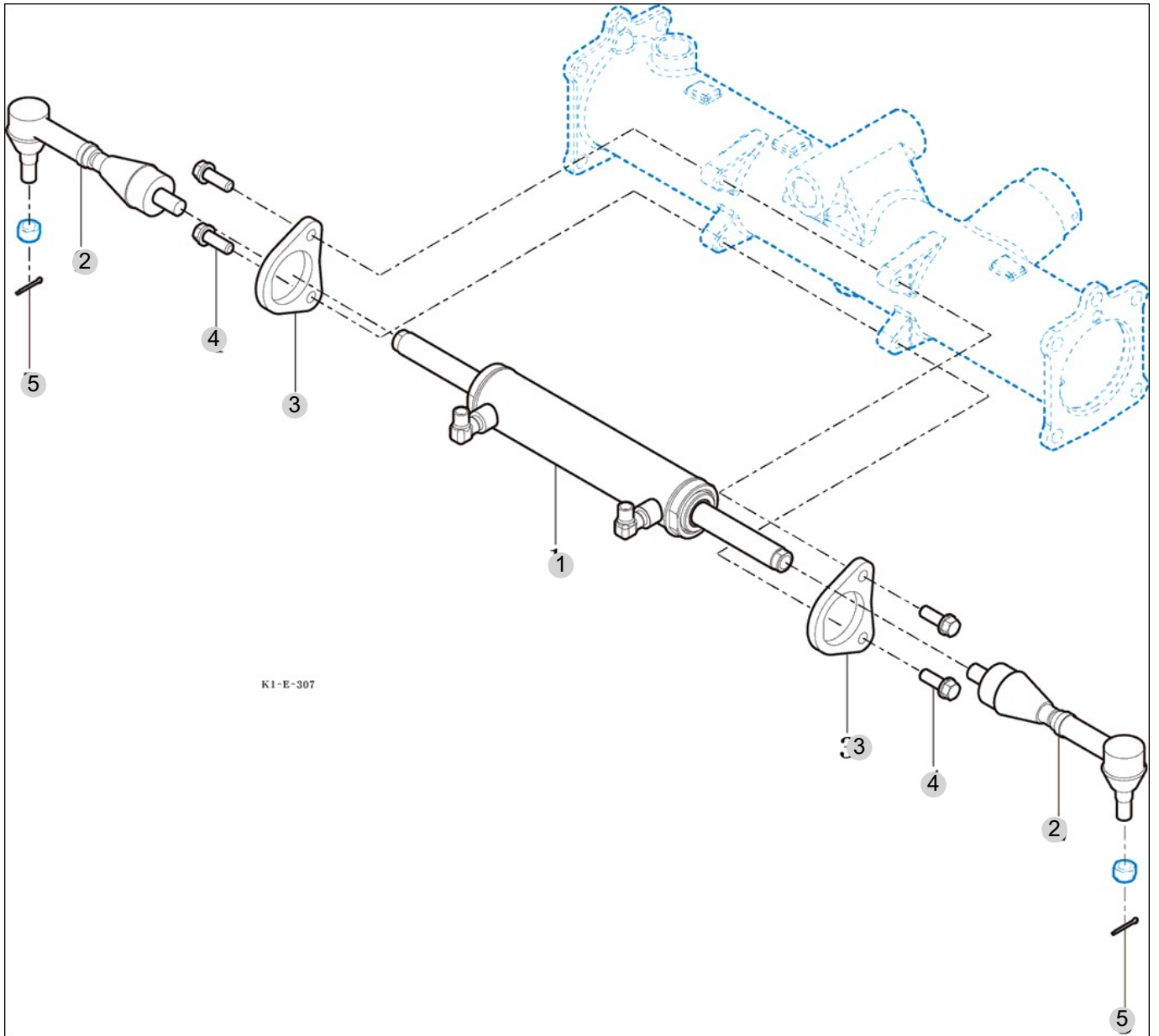
FIG 307

T254NC

STEERING CYLINDER

년/월  
Year/Month

2022-12



NOTE





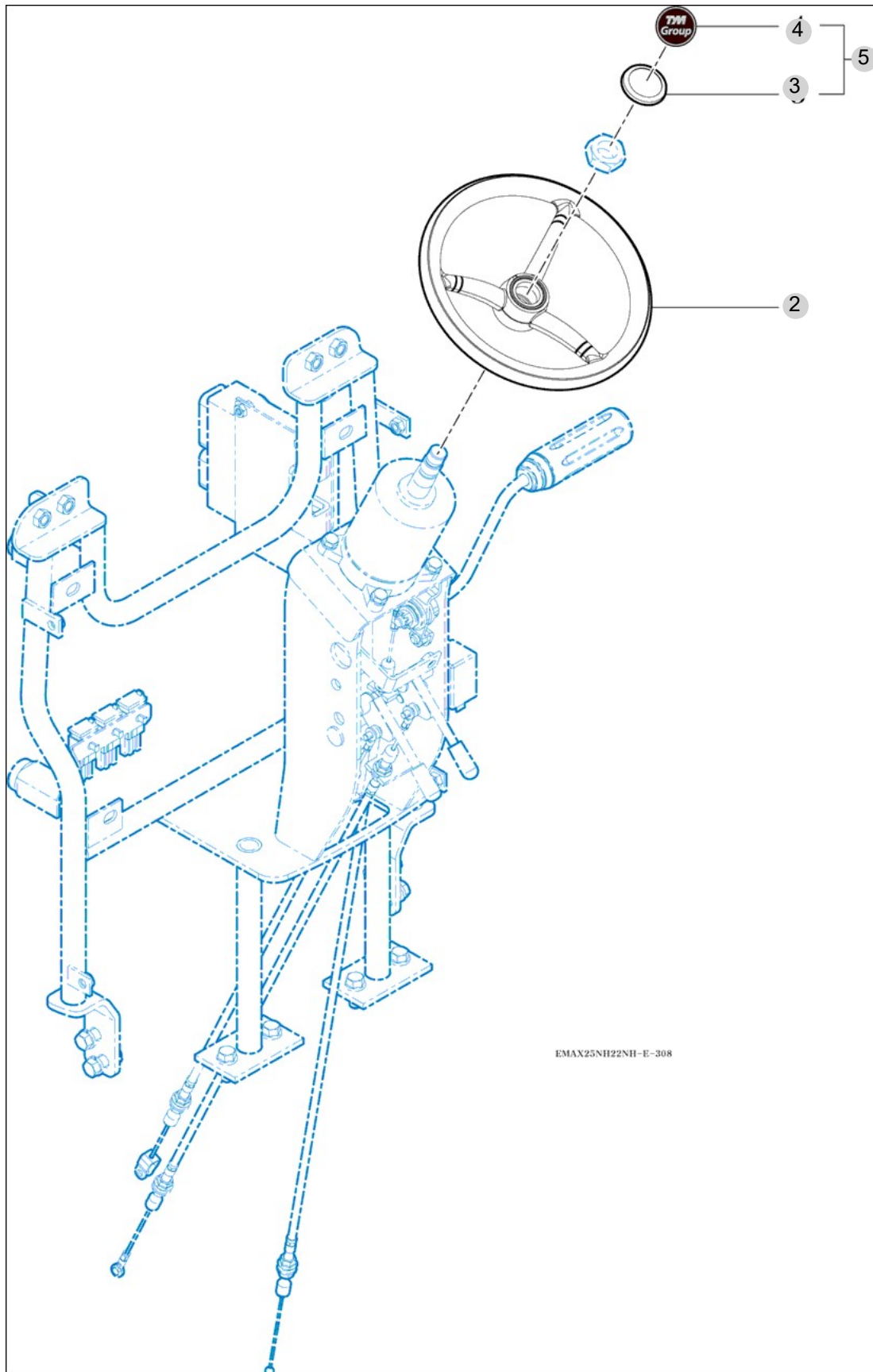
FIG 308

### STEERING WHEEL

년/월  
Year/Month

T254NC

2022-12



EMAX25NH22NH-E-308

NOTE



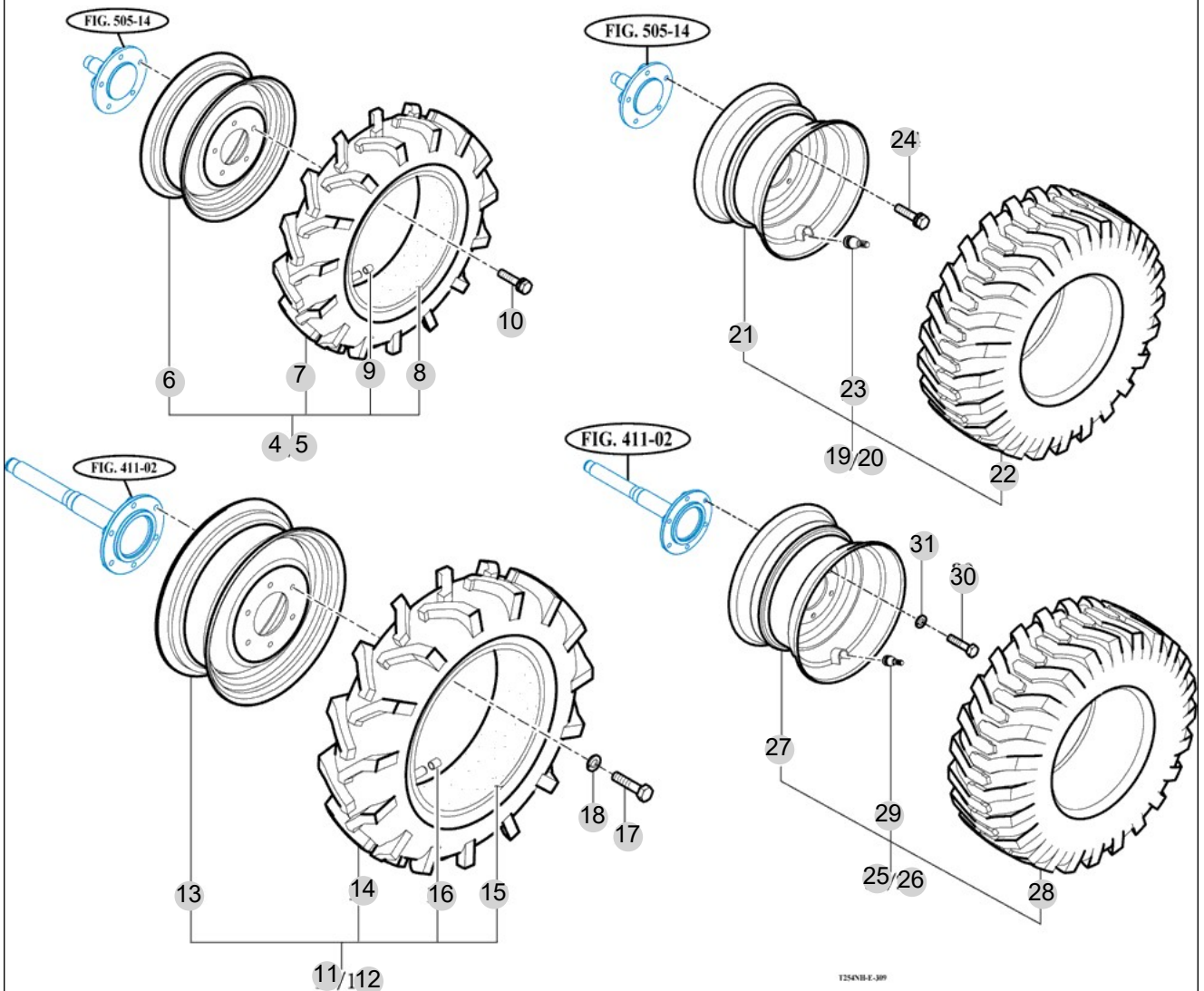
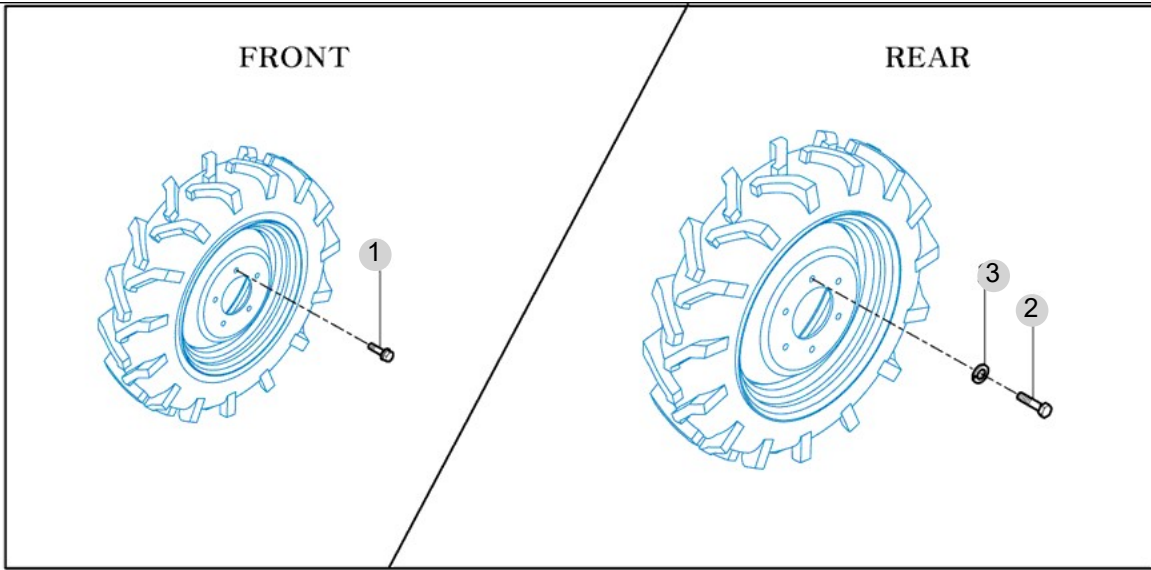
FIG 309

TIRE

년/월  
Year/Month

T254NC

2022-12



NOTE



## 4. Transmission PART NO. T4

FIG 401 INPUT SHAFT	79
FIG 402 INPUT GEAR	81
FIG 403 MAIN SHIFT GEAR	83
FIG 404 RANGE GEAR	85
FIG 405 4WD DRIVE GEAR	87
FIG 406 P.T.O DRIVE SHAFT	89
FIG 407 P.T.O SHAFT	91
FIG 408 MID P.T.O GEAR	93
FIG 409 DIFF LOCK	95
FIG 410 MID TRANSMISSION CASE	97
FIG 411 REAR TRANSMISSION CASE	99
FIG 412 REAR AXLE HOUSING	101
FIG 413 MAIN SHIFT LEVER	103
FIG 414 RANGE SHIFT LEVER	105
FIG 415 P.T.O CHANGE LEVER	107
FIG 416 4WD CHANGE LEVER	109
FIG 417 TRANSMISSION MOUNTING	111

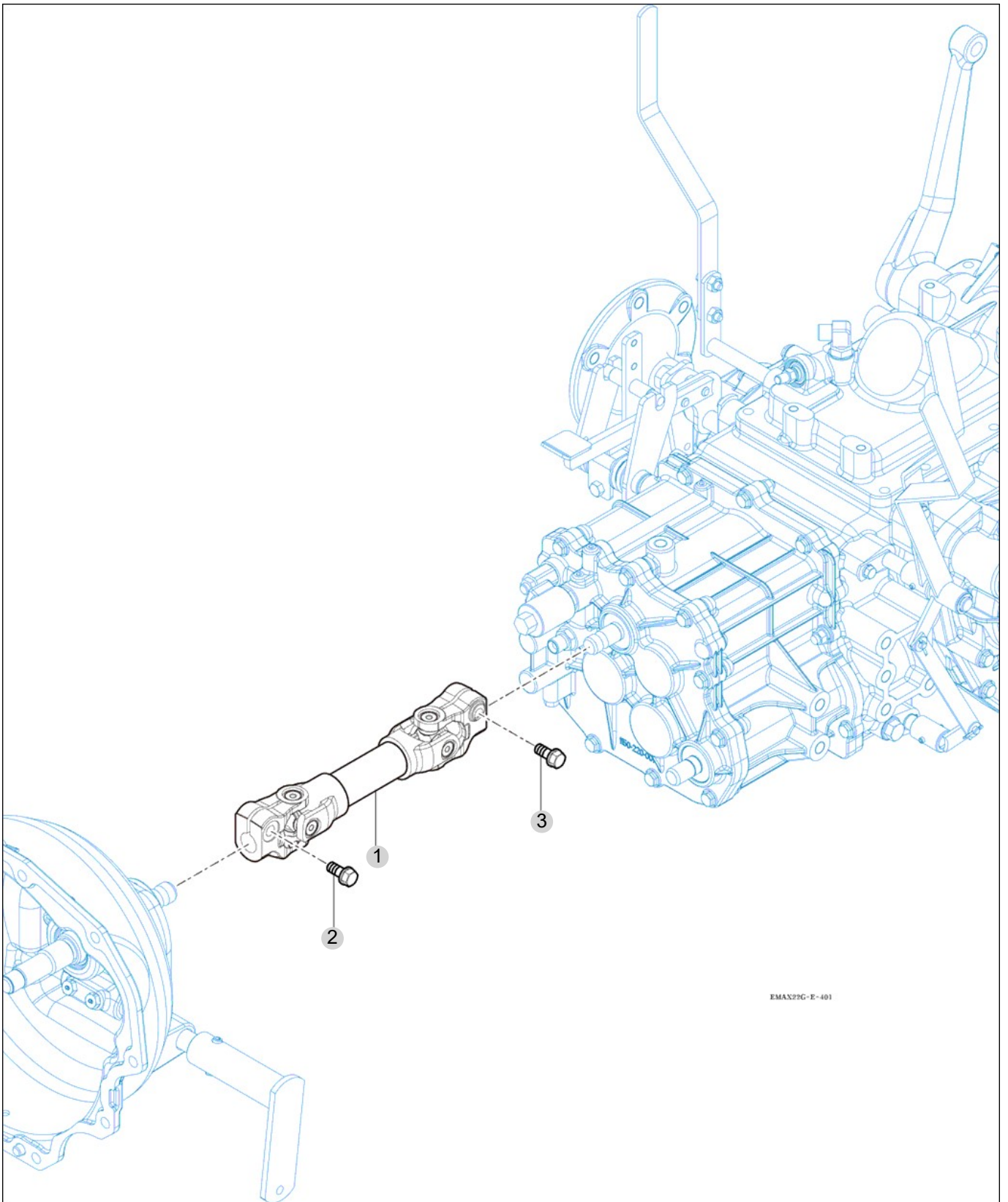
FIG 401

INPUT SHAFT

년/월  
Year/Month

T254NC

2022-12



EMAX22G-E-401

NOTE



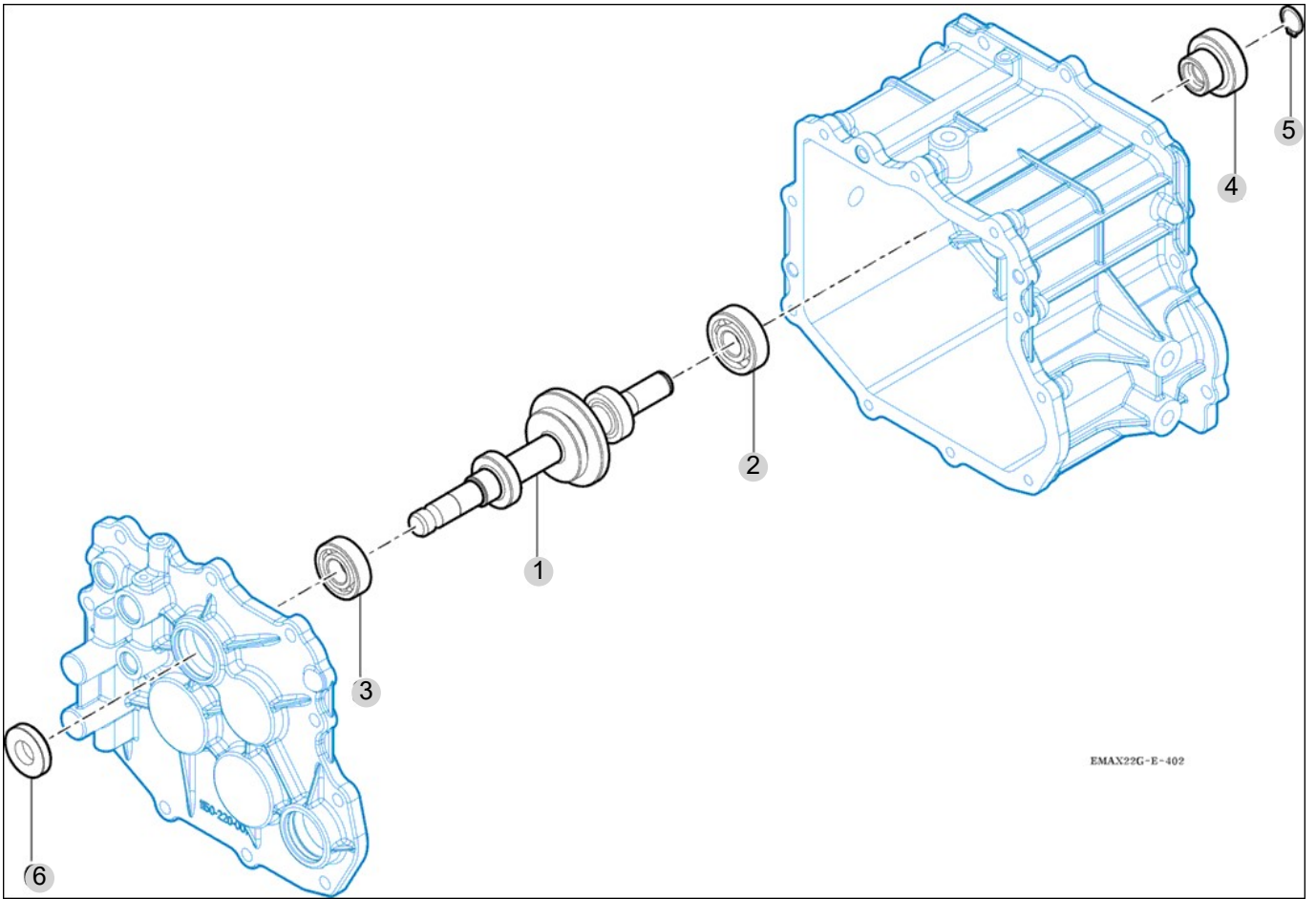
FIG 402

T254NC

INPUT GEAR

년/월  
Year/Month

2022-12



NOTE





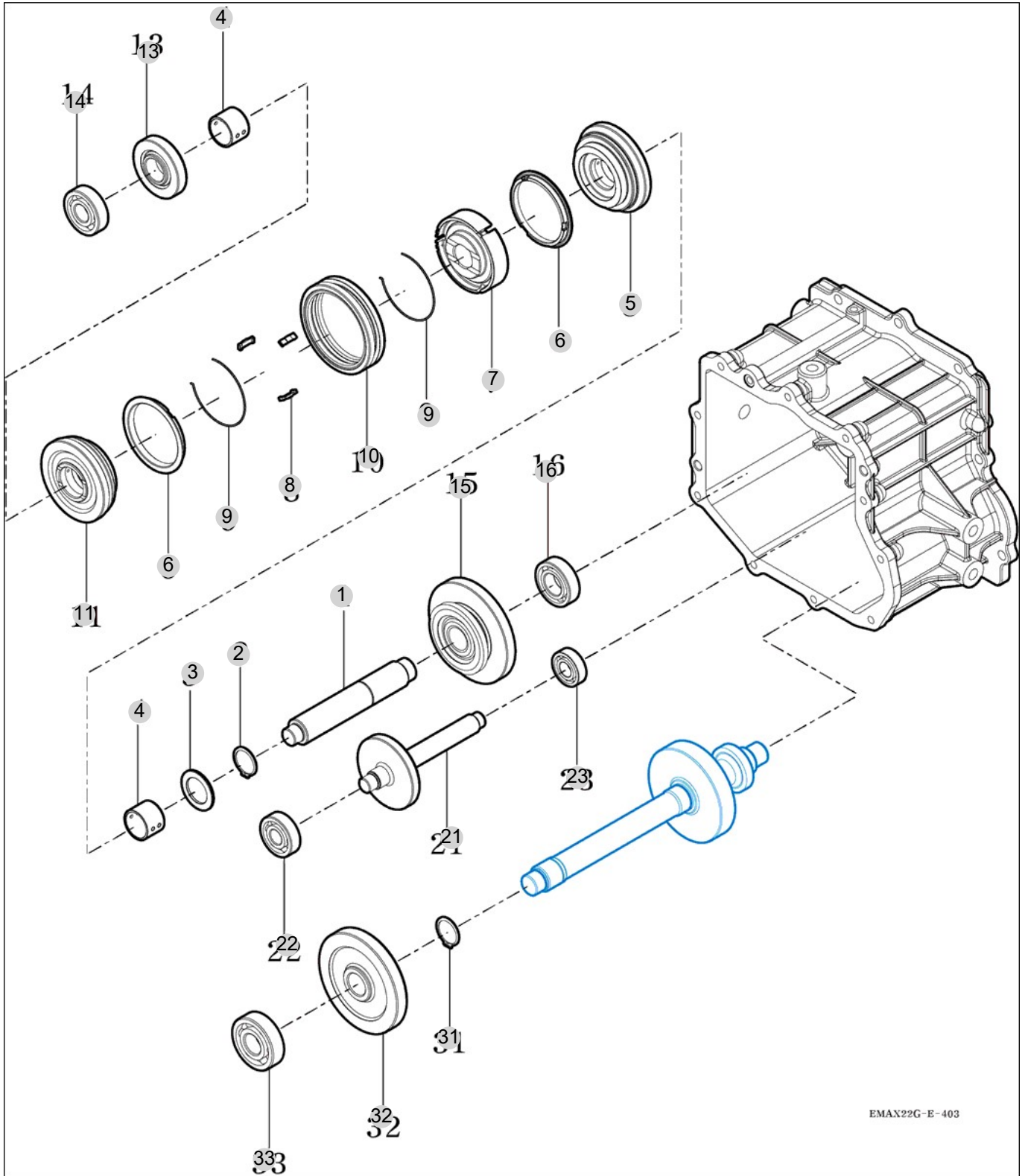
FIG 403

MAIN SHIFT GEAR

년/월  
Year/Month

2022-12

T254NC



EMAX22G-E-403

NOTE



FIG 404

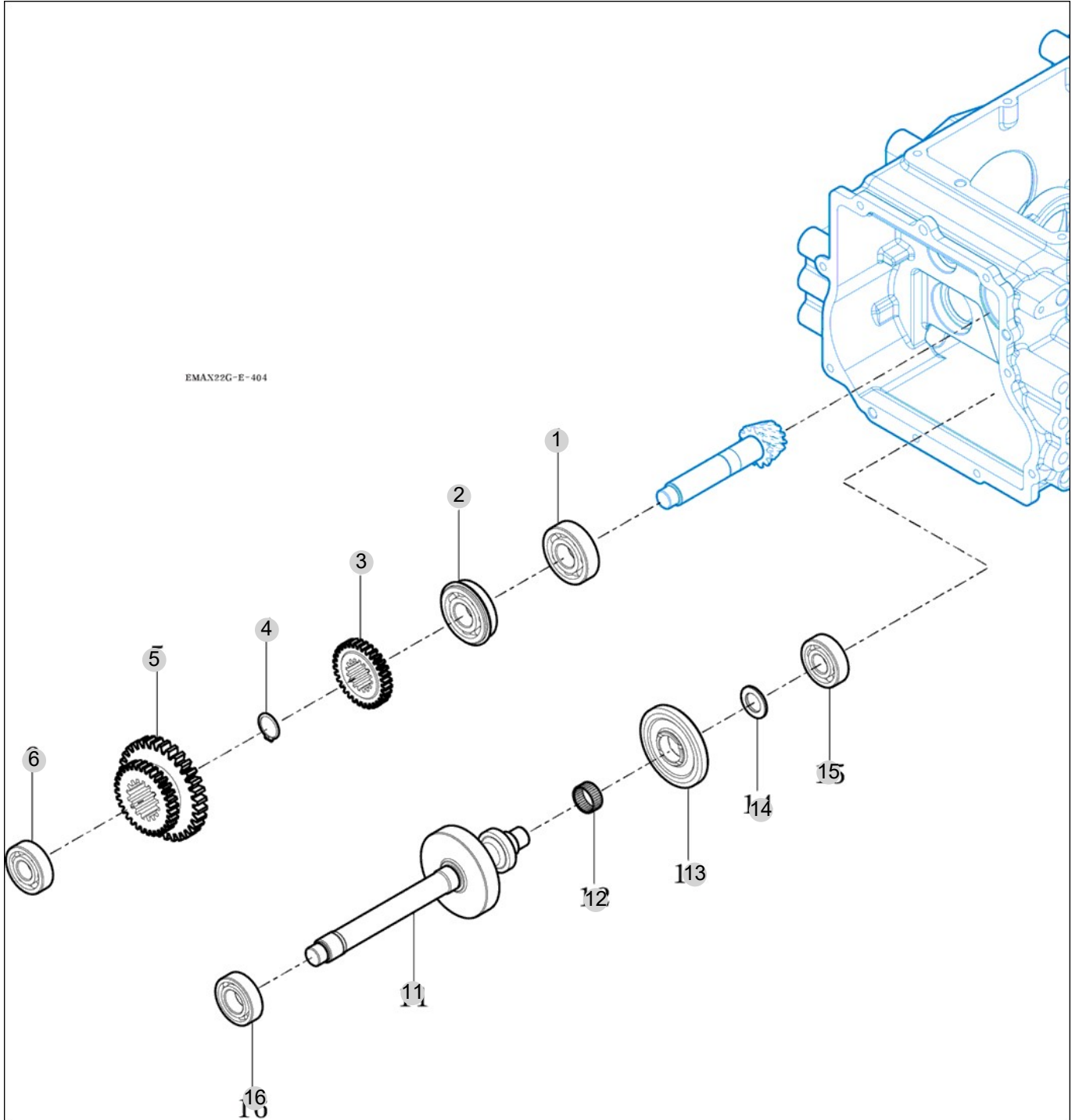
T254NC

RANGE GEAR

년/월  
Year/Month

2022-12

EMAN22G-E-404



NOTE



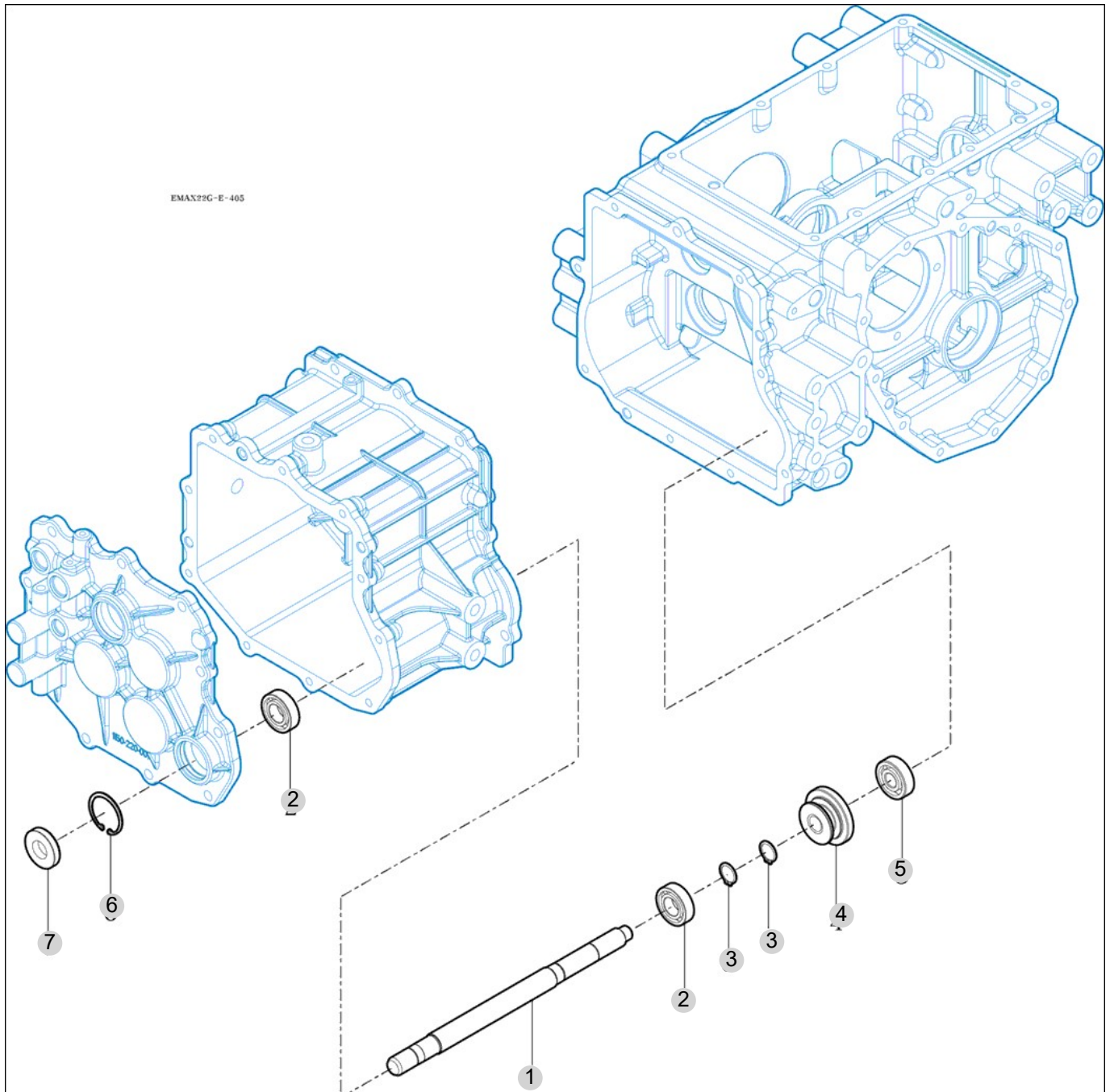
FIG 405

4WD DRIVE GEAR

년/월  
Year/Month

T254NC

2022-12



NOTE



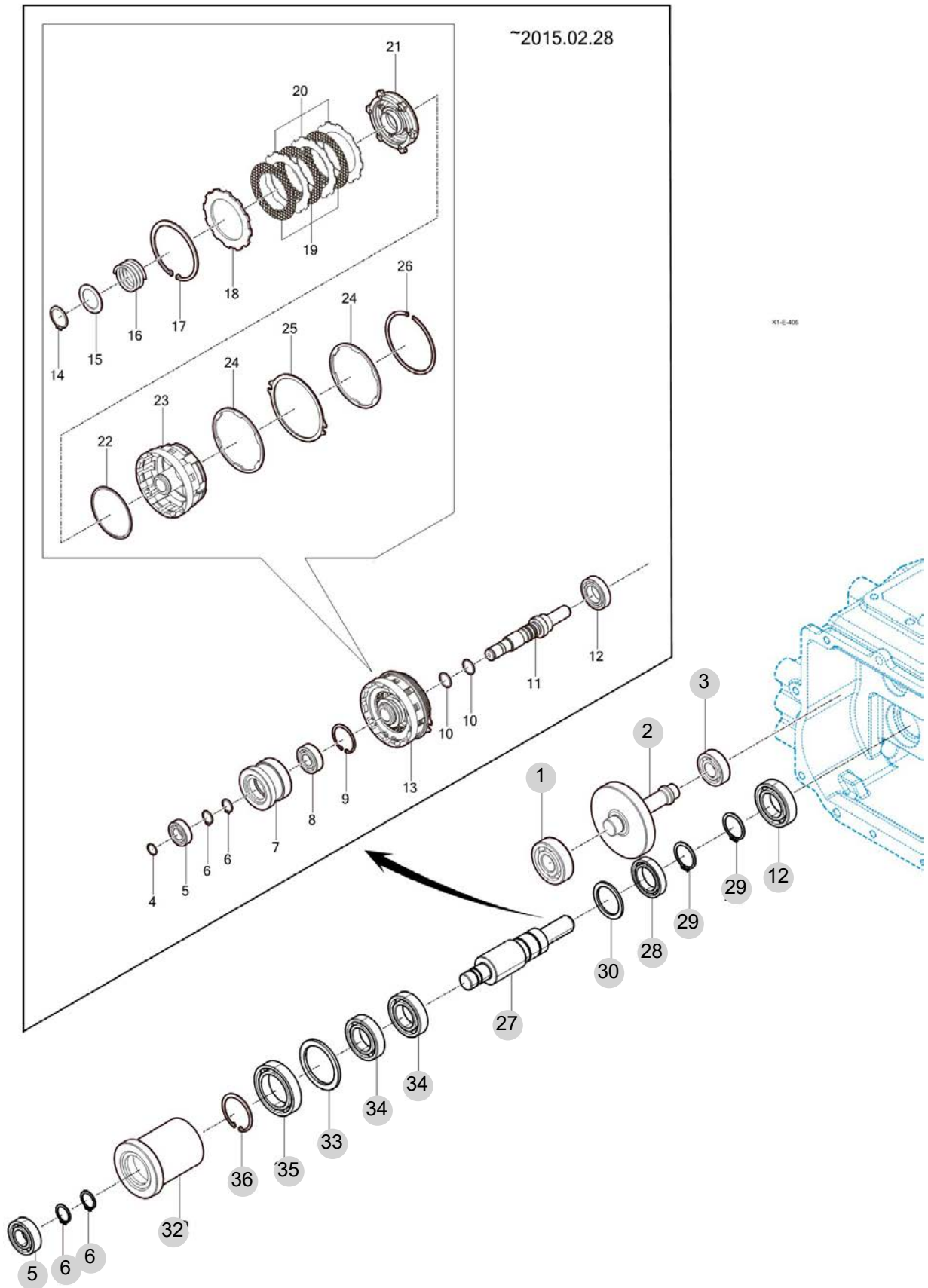
FIG 406

P.T.O DRIVE SHAFT

년/월  
Year/Month

T254NC

2022-12



NOTE





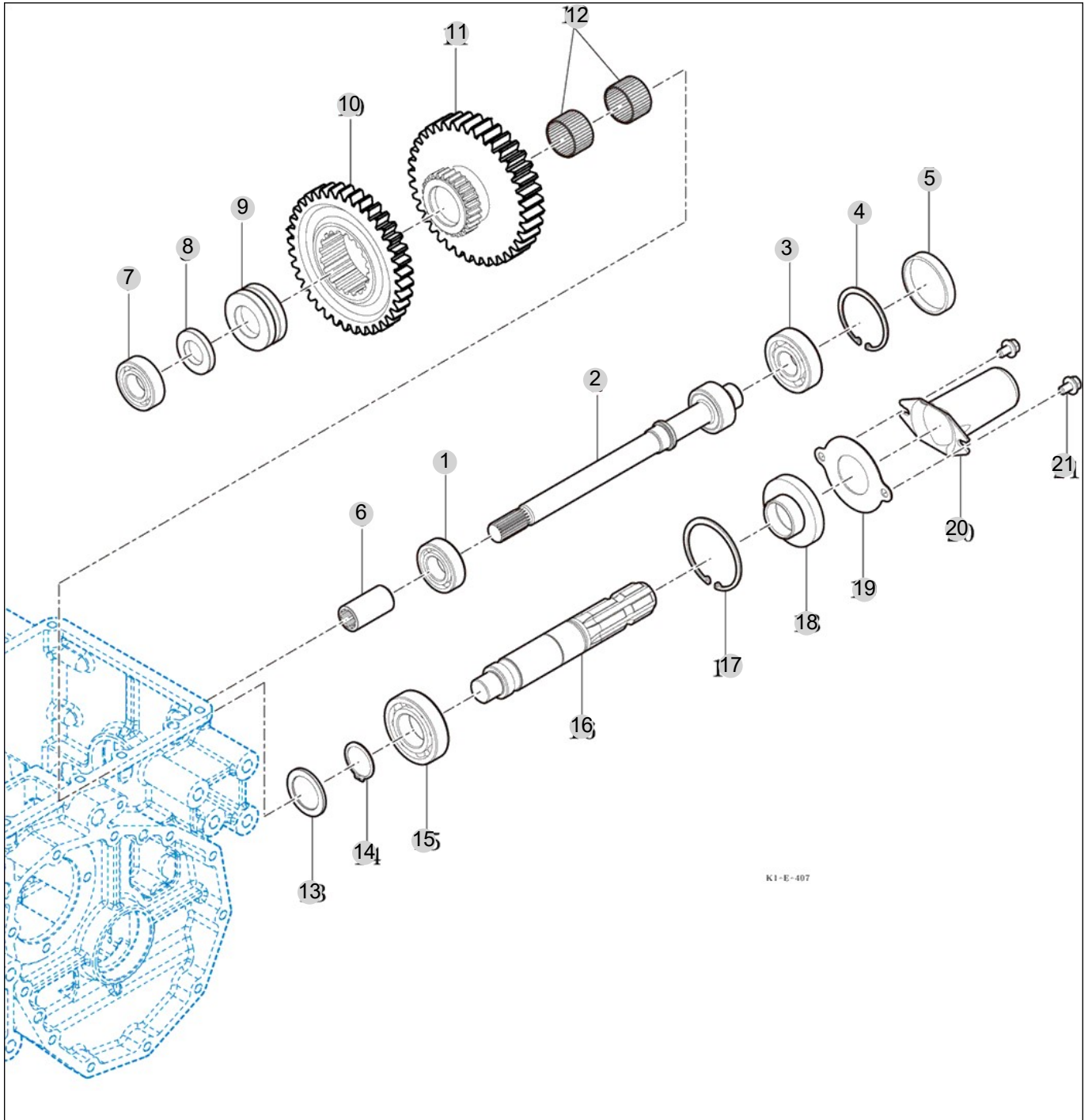
FIG 407

T254NC

P.T.O SHAFT

년/월  
Year/Month

2022-12



NOTE



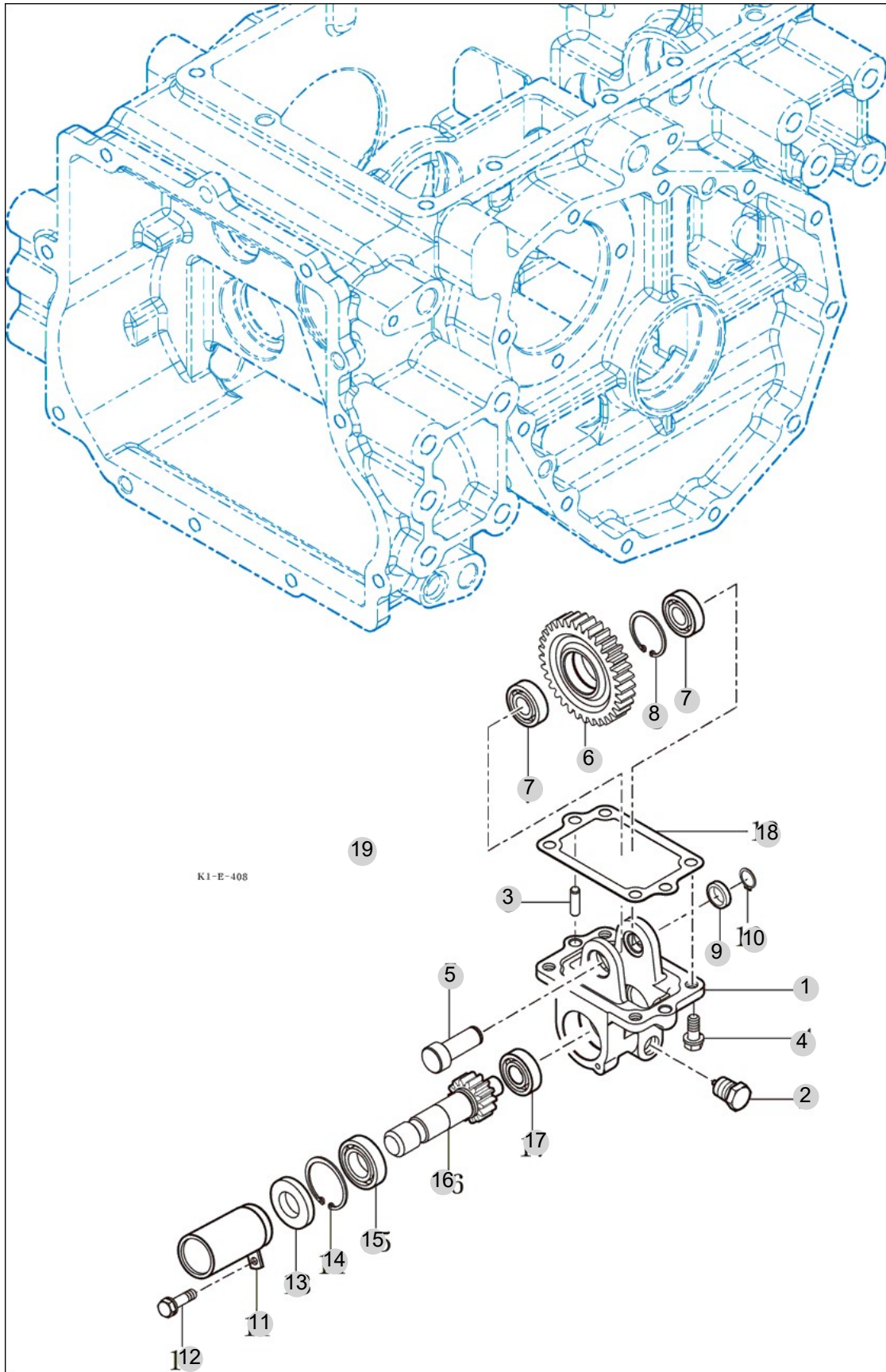
FIG 408

MID P.T.O GEAR

년/월  
Year/Month

T254NC

2022-12



NOTE



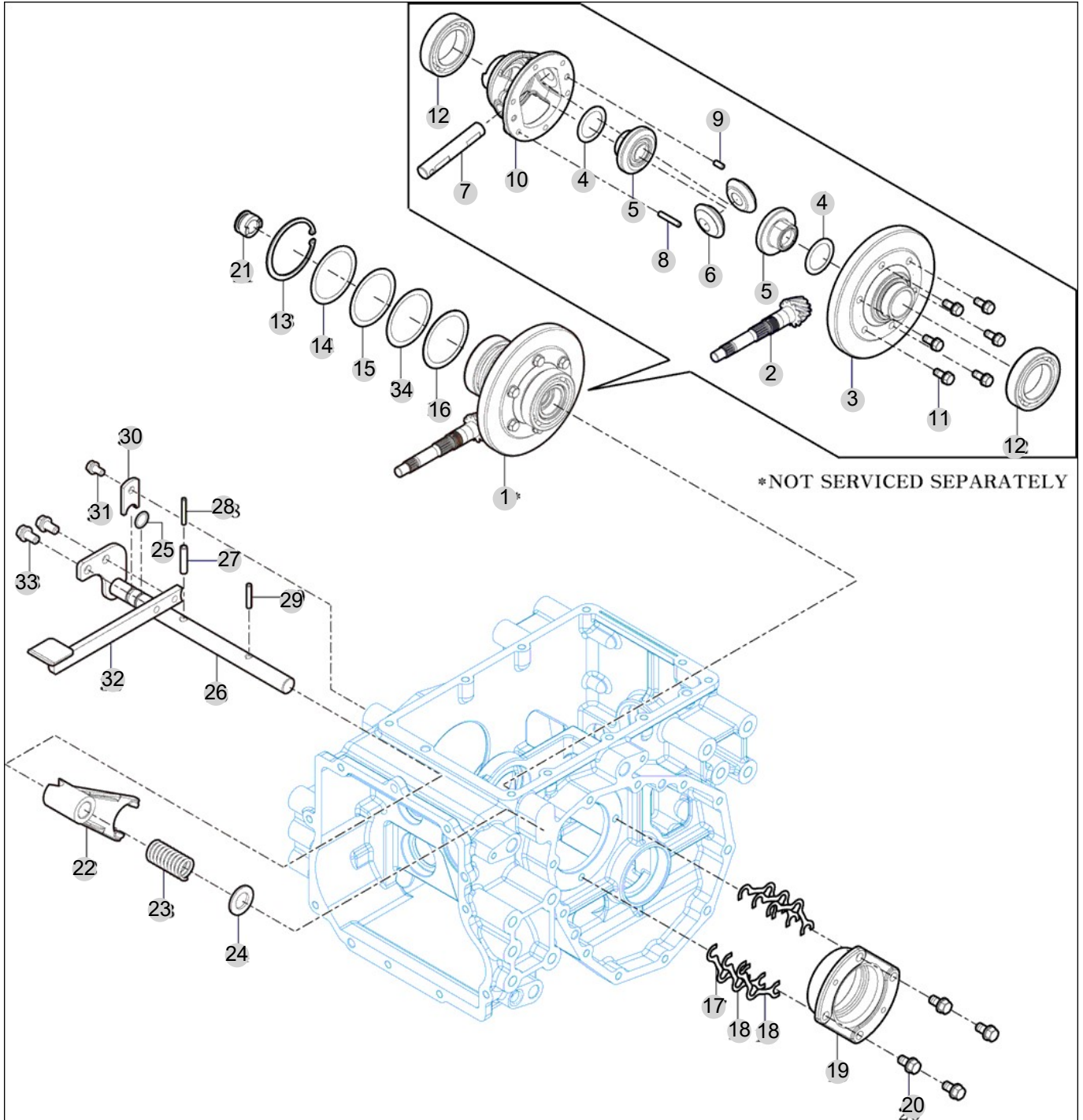
FIG 409

DIFF LOCK

년/월  
Year/Month

2022-12

T254NC



NOTE



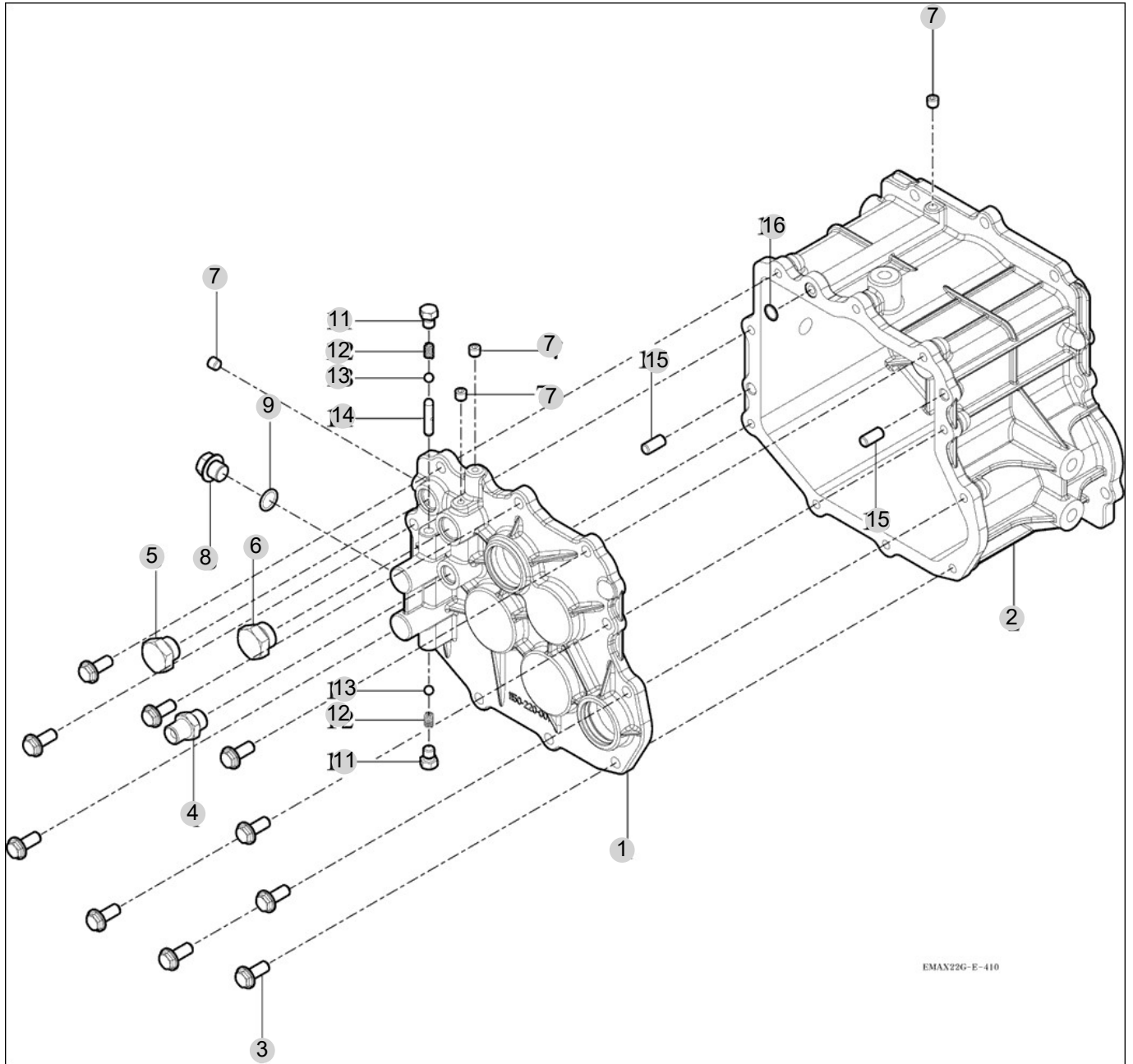
FIG 410

T254NC

MID TRANSMISSION CASE

년/월  
Year/Month

2022-12



NOTE





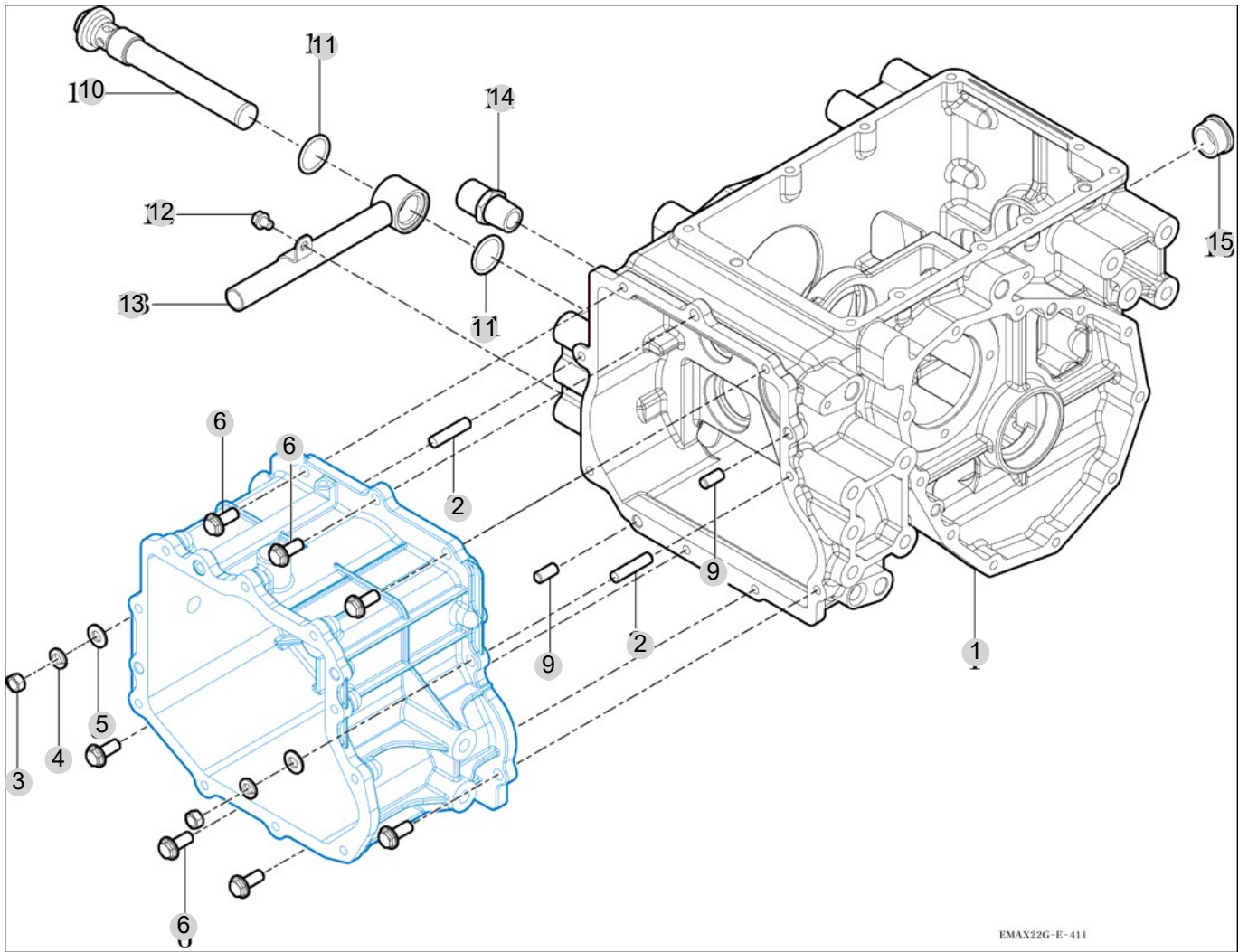
FIG 411

REAR TRANSMISSION CASE

년/월  
Year/Month

2022-12

T254NC



NOTE



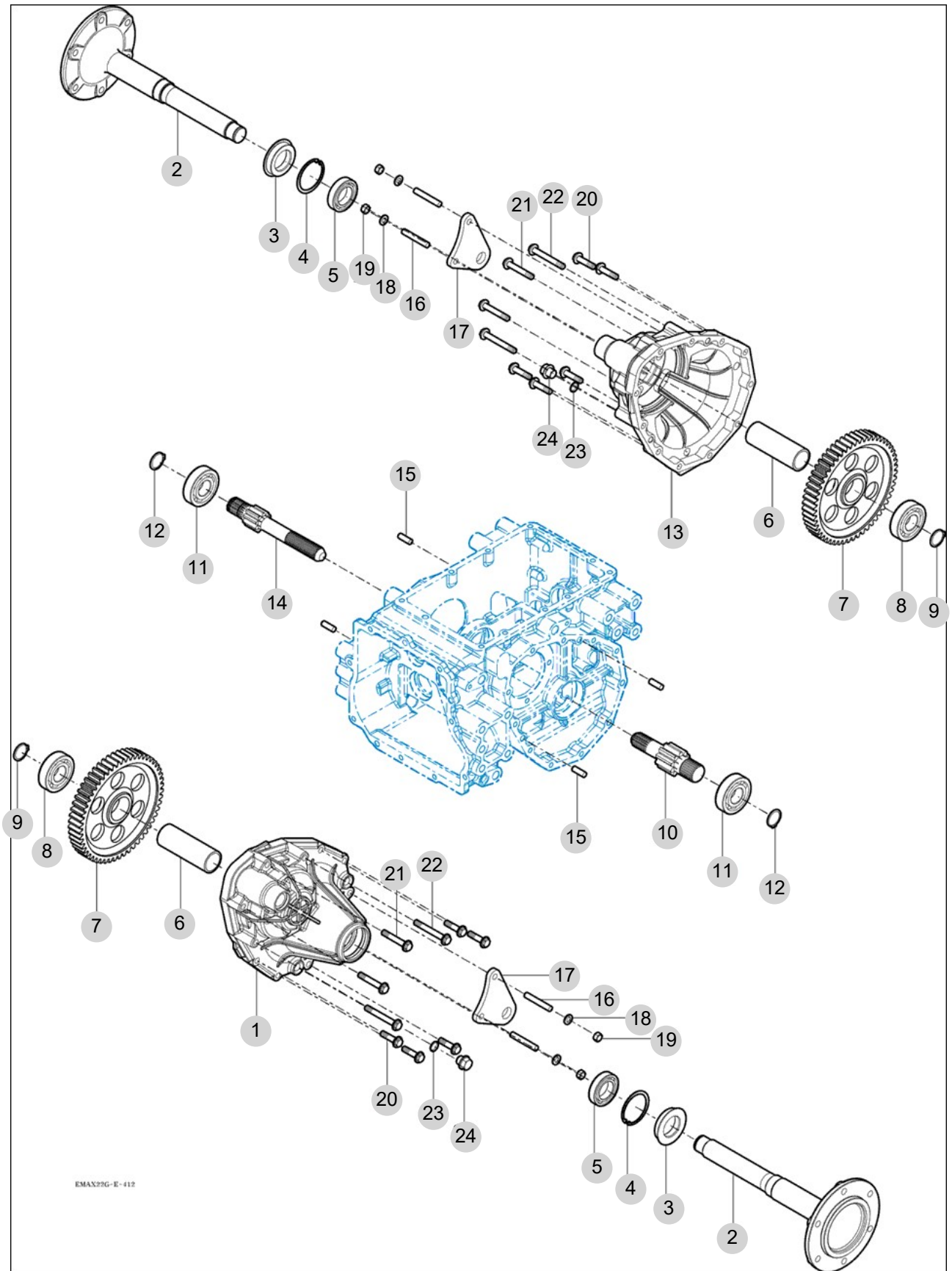
FIG 412

REAR AXLE HOUSING

년/월  
Year/Month

2022-12

T254NC



EMAX22G-E-412

NOTE



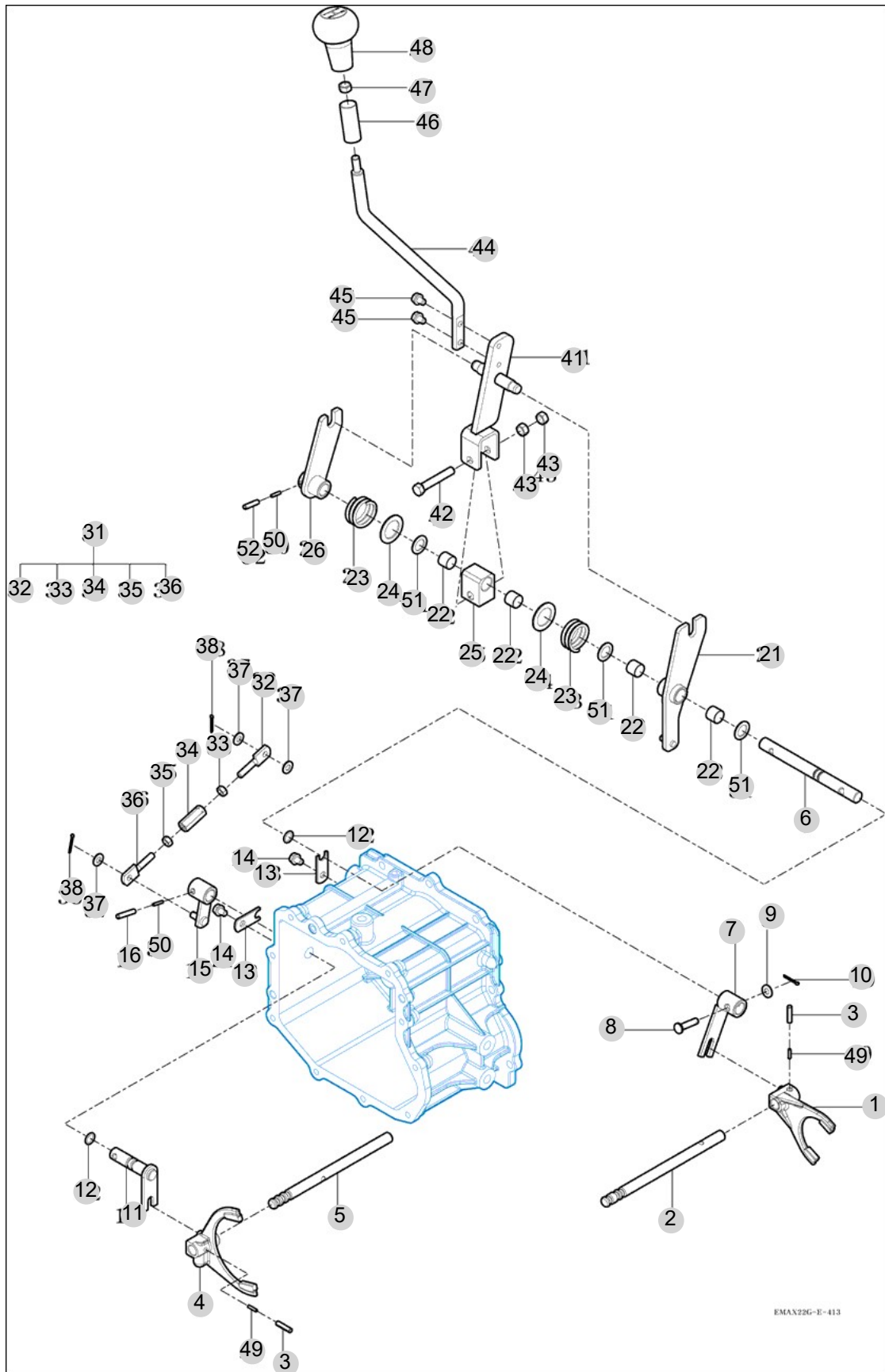
FIG 413

T254NC

MAIN SHIFT LEVER

년/월  
Year/Month

2022-12



EMAX32G-E-413

NOTE

FIG 413 T254NC		MAIN SHIFT LEVER					년/월 Year/Month	
							2022-12	
KEY NO	PART NO	DESCRIPTION	SPEC	QTY	REPAIR	EFFECTIVE DATE	REMARKS	
413	1	11502350010M	FORK , MAIN 1-3			1		
413	2	11502350031	STAY , MAIN 1-3			1		
413	3	V5801406025	PIN , SPRING	6X25		2		
413	4	11502350020M	FORK , MAIN 2-R			1		
413	5	11502350041	STAY , MAIN 2-R			1		
413	6	11502350051	SHAFT , LEVER			1		
413	7	11502352100	HOOK COMP , MAIN 1-3			1		
413	8	11502350060	PIN , 8X29			1		
413	9	V4111600080	WASHER , PLAIN	M8		1		
413	10	V5001925020	PIN D2.5x20	2.5X20		1		
413	11	11502353100	HOOK COMP , MAIN 2-R			1		
413	12	V7201024012	O-RING , P	P12		2		
413	13	16702230371	PLATE	T=3		2		
413	14	V2173608012	BOLT , HEX/S	M8X12		2		
413	15	11502353200	ARM COMP , MAIN 2-R			1		
413	16	V5801406032	PIN , SPRING	6X32		1		
413	21	11502353300	LINK COMP , MAIN 2-R			1		
413	22	15603142910	BUSH , 16X18X15	LFB-1615		4		
413	23	11502350090	SPRING , HC20			2		
413	24	15642750070	WASHER , 27X40X2	T=2.3		2		
413	25	11502350120	HUB , MAIN			1		
413	26	11502352301	LINK COMP , MAIN 1-3			1		
413	31	11502355000	ROD ASSY , MAIN			1		
413	32	11502355100	LOD COMP , LH			1		
413	33	15601320073	NUT , HEX LH	"2종,M8"		1		
413	34	11502355010	TURNBUCKLE , M8 L38			1		
413	35	V3042600080	NUT , HEX/2	M8		1		
413	36	11502355200	ROD COMP , RH			1		
413	37	V4111600080	WASHER , PLAIN	M8		3		
413	38	V5001925020	PIN D2.5x20	2.5X20		2		
413	41	11502354202	LEVER COMP , MAIN			1		
413	42	V2013610060	BOLT , HEX	M10X60		1		
413	43	V3042600100	NUT , HEX/2	M10		2		
413	44	11502360010GB	LEVER , MAIN			1		
413	45	V2173608020	BOLT , HEX/S	M8X20		2		
413	46	11503160030	TUBE			1		
413	47	V3342600100	NUT , HEX FINE/2	M10		1		
413	48	11502442400	GRIP COMP , MAIN SHIFTER			1		
413	49	11502350140	PIN , SPRING			2		
413	50	11502350150	PIN , SPRING			2		
413	51	11502350110	WASHER			3		
413	52	V5801406032	PIN , SPRING	6X32		1		
NOTE								

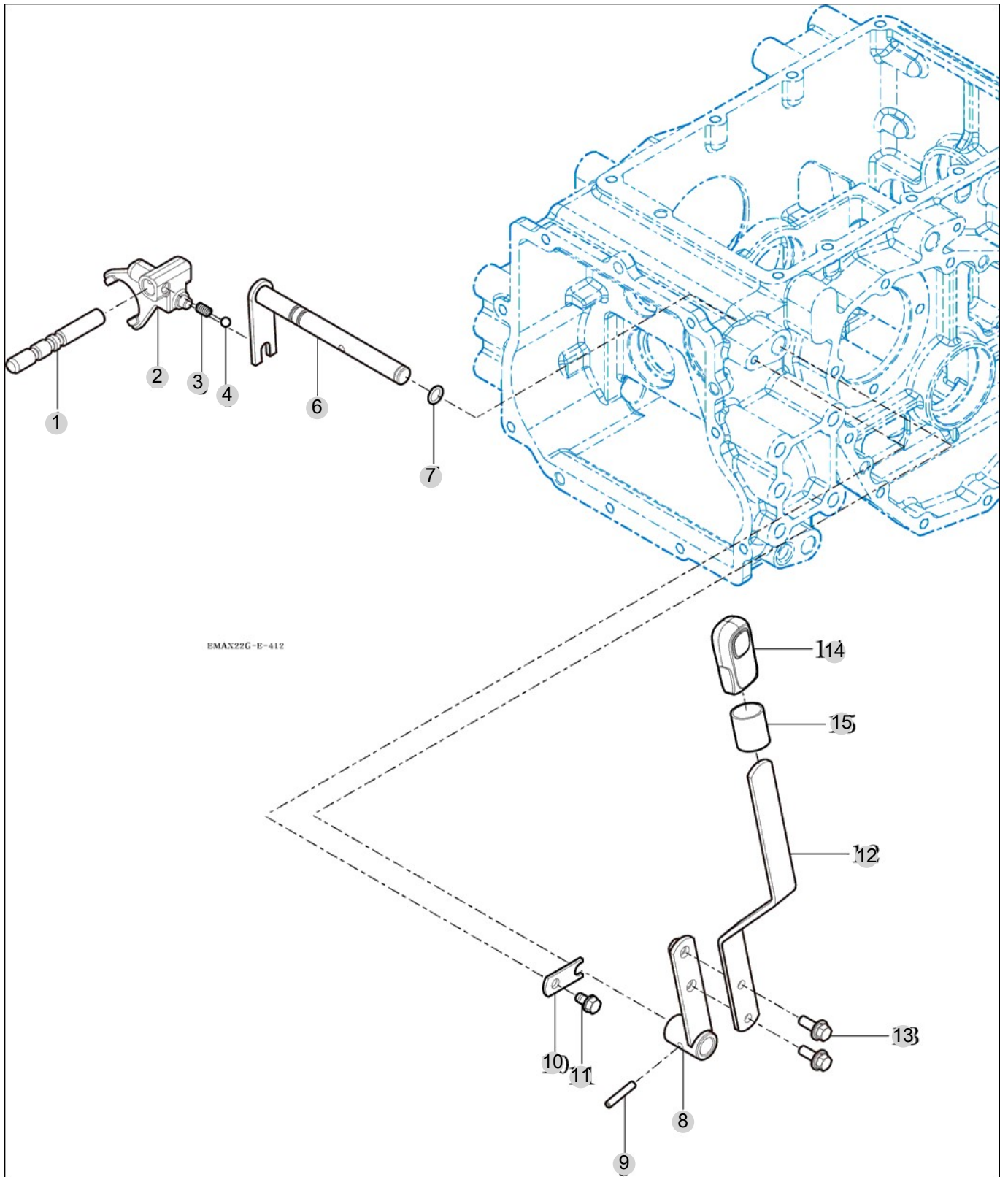
FIG 414

RANGE SHIFT LEVER

년/월  
Year/Month

2022-12

T254NC



NOTE





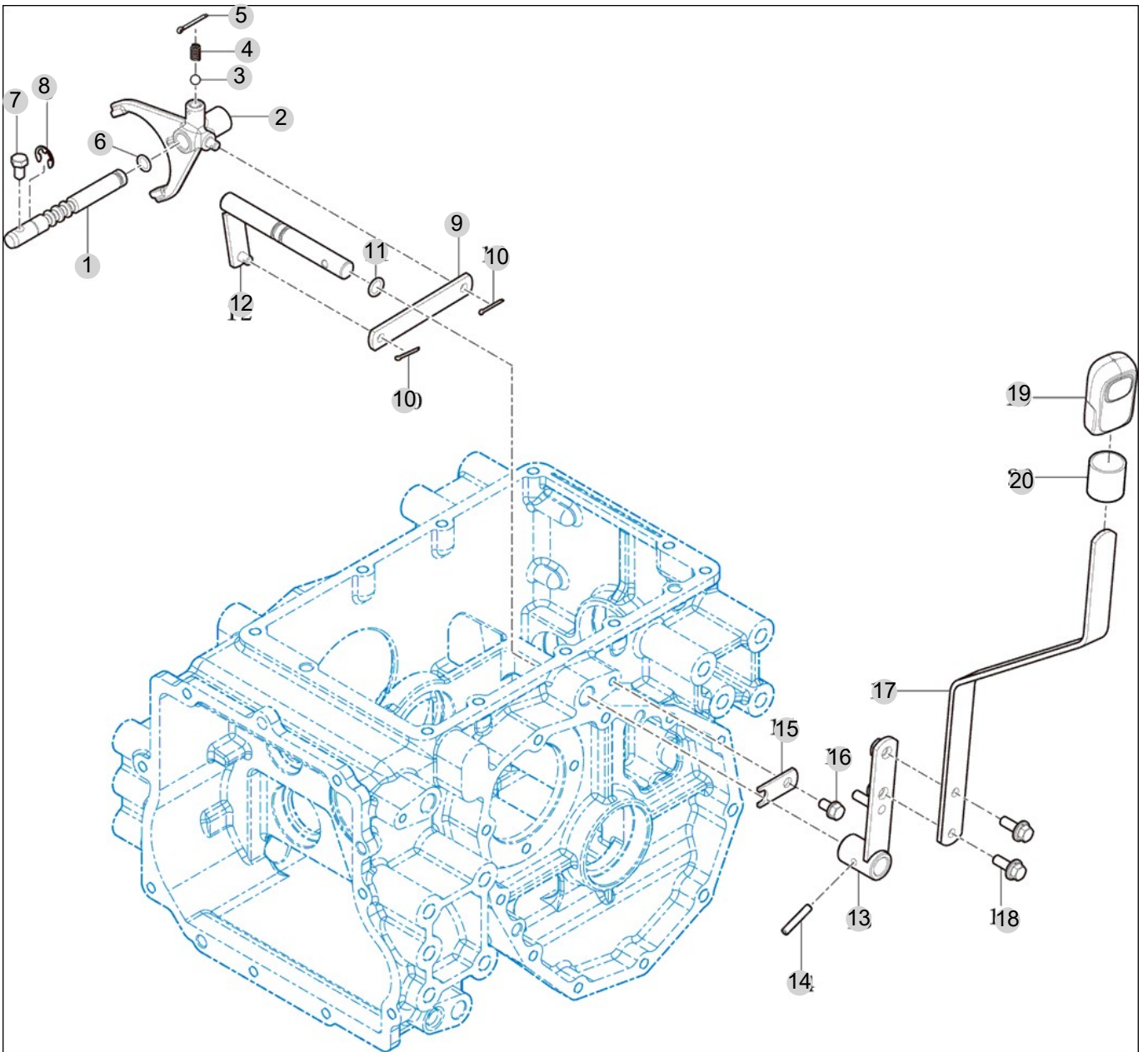
FIG 415

T254NC

P.T.O CHANGE LEVER

년/월  
Year/Month

2022-12



NOTE



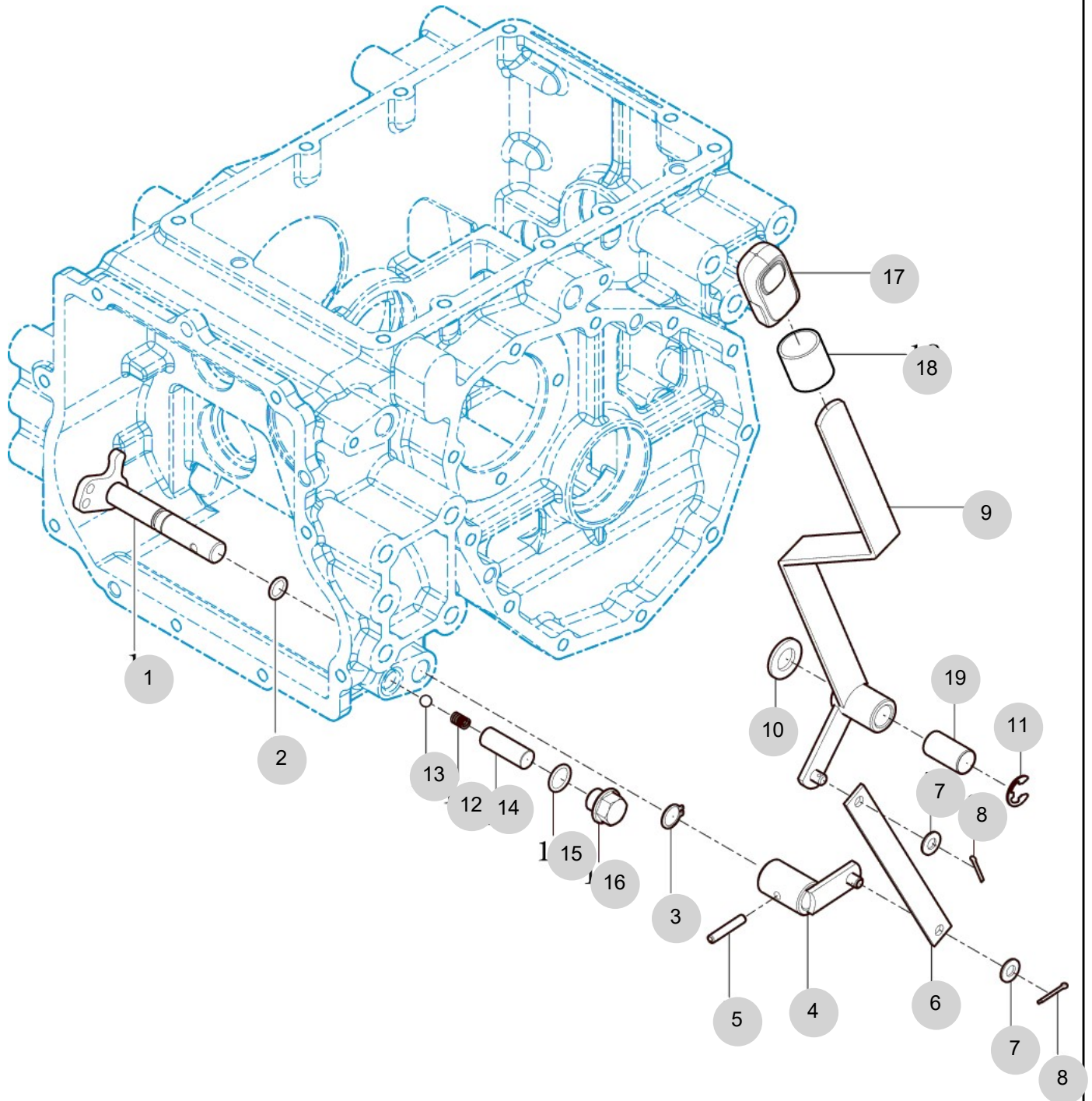
FIG 416

4WD CHANGE LEVER

년/월  
Year/Month

2022-12

T254NC



NOTE



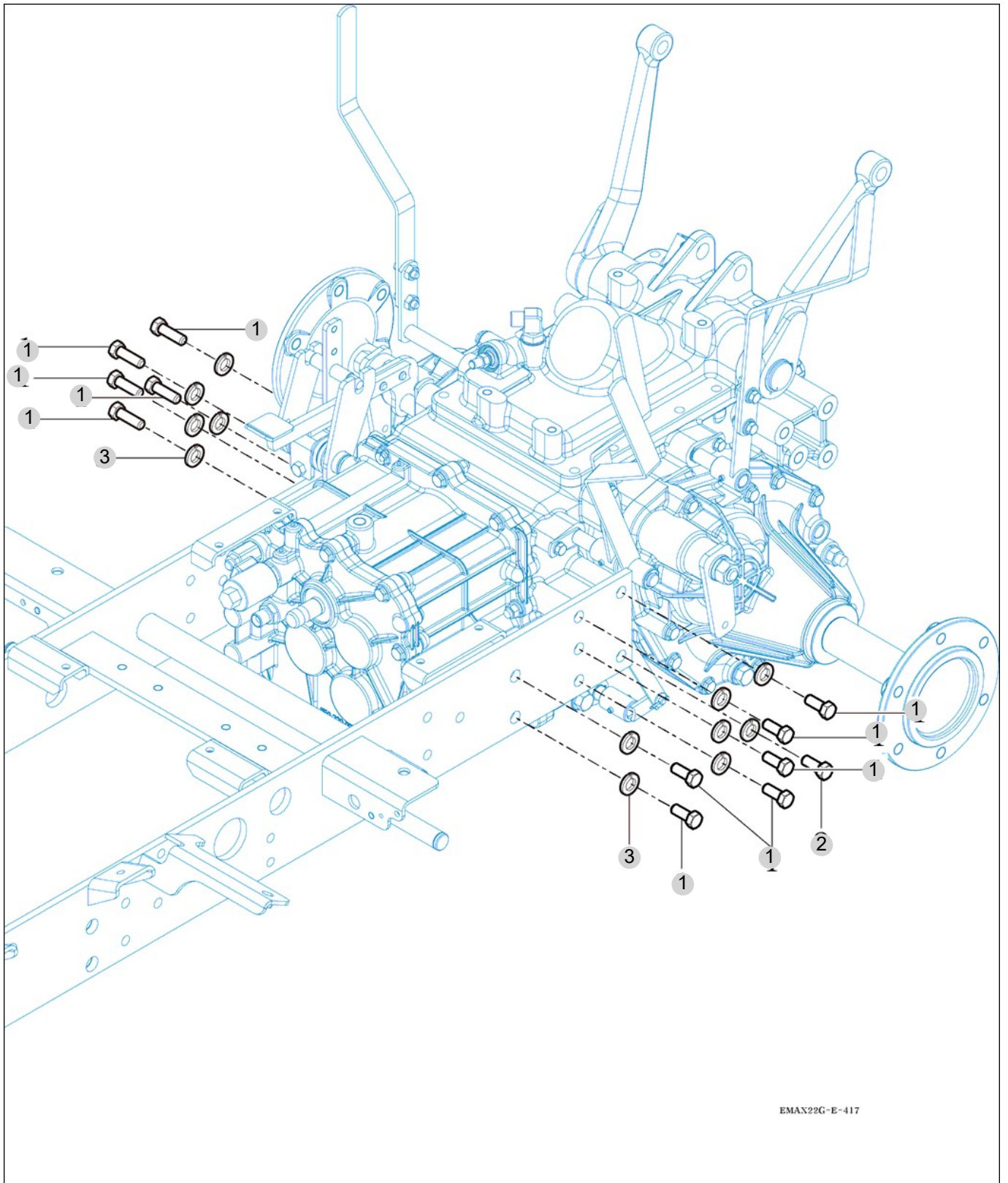
FIG 417

TRANSMISSION MOUNTING

년/월  
Year/Month

T254NC

2022-12



EMAX22G-E-417

NOTE



## 5. Front Axle PART NO. T5

FIG 501 FRONT DRIVE SHAFT	114
FIG 502 FRONT DIFFERENTIAL GEAR	116
FIG 503 FRONT AXLE HOUSING	118
FIG 504 FRONT GEAR CASE (1)	120
FIG 505 FRONT GEAR CASE (2)	122



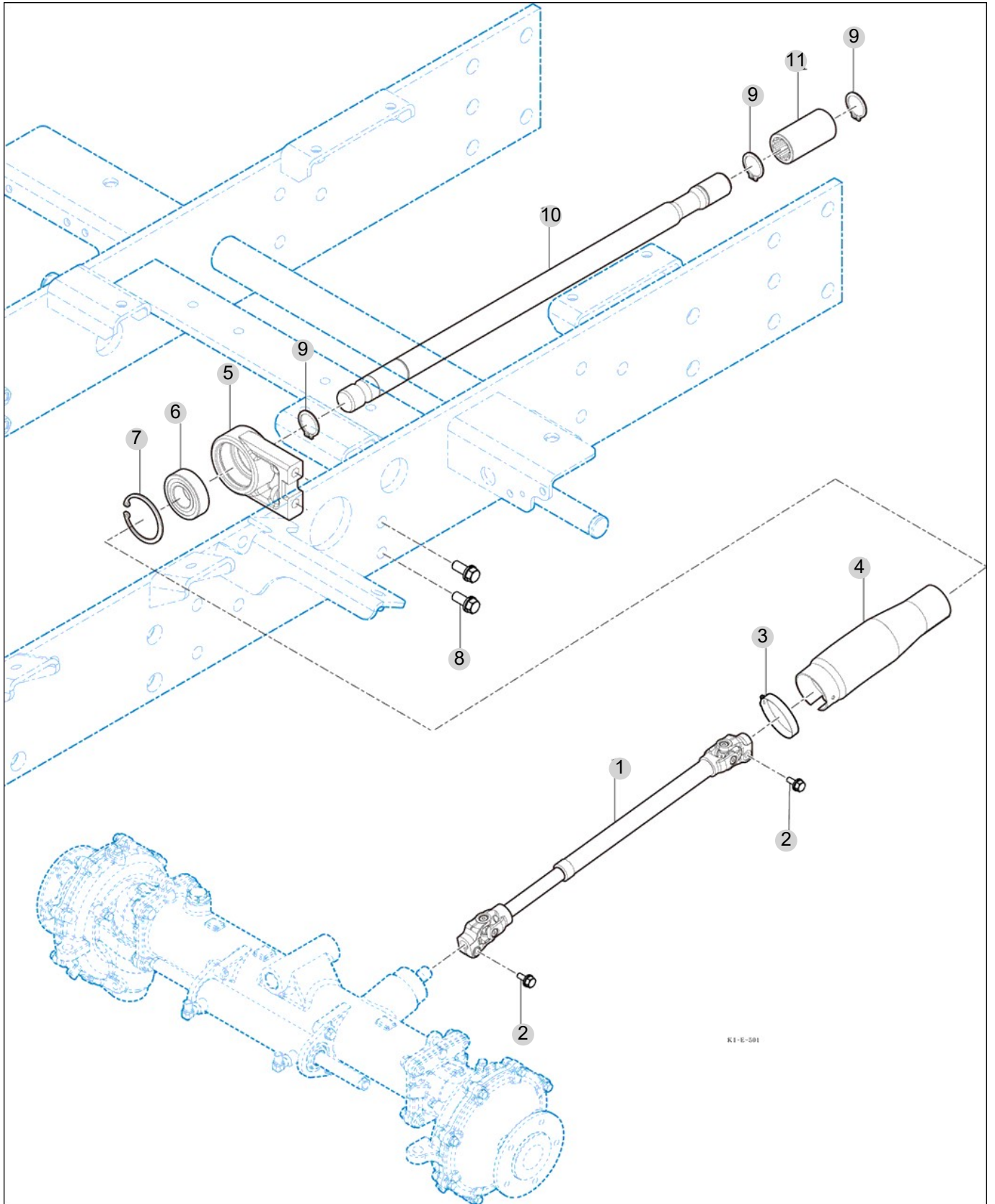
FIG 501

FRONT DRIVE SHAFT

년/월  
Year/Month

T254NC

2022-12



K1-E-501

NOTE



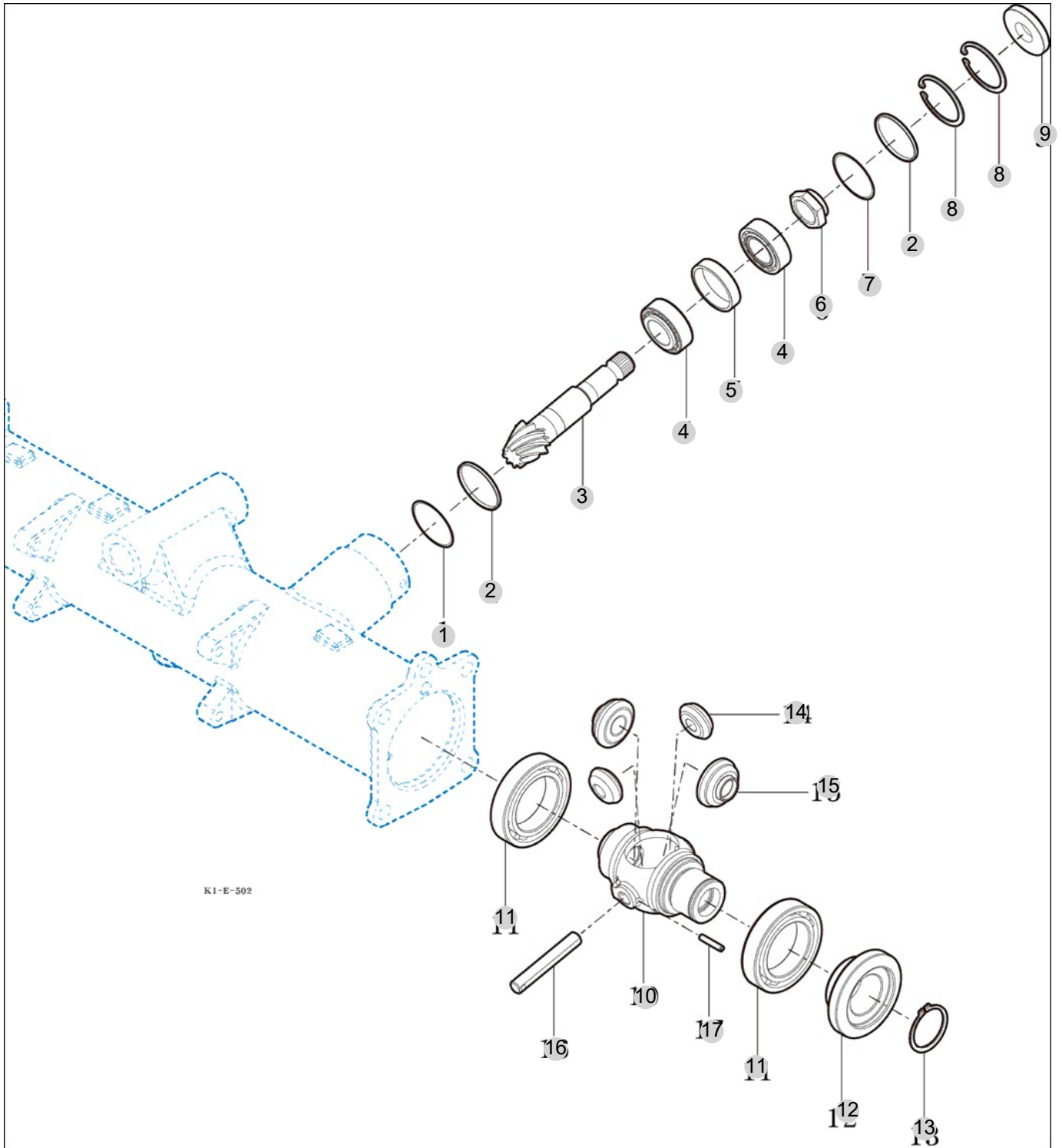
FIG 502

T254NC

FRONT DIFFERENTIAL GEAR

년/월  
Year/Month

2022-12



NOTE



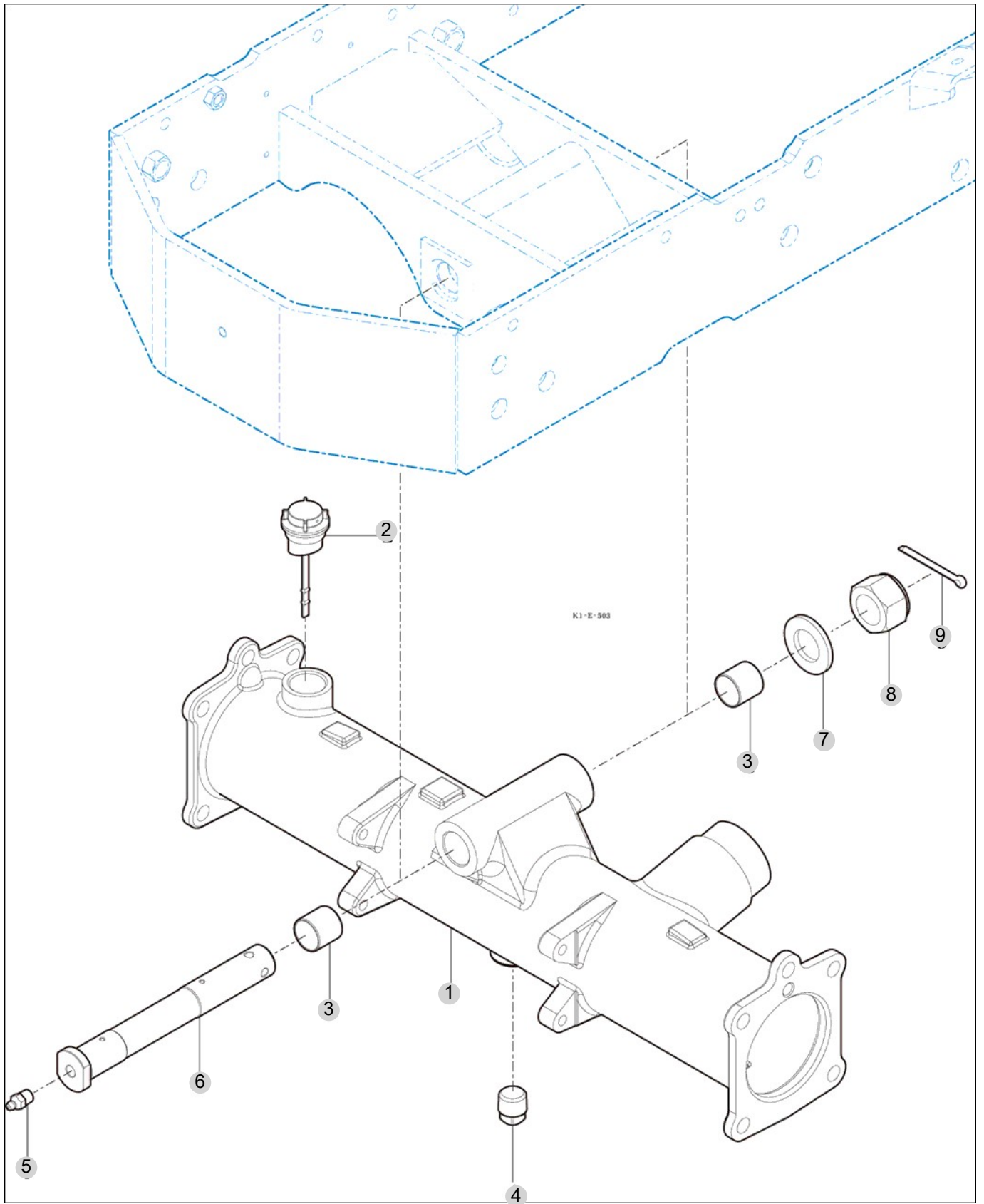
FIG 503

FRONT AXLE HOUSING

년/월  
Year/Month

T254NC

2022-12



NOTE

FIG 503		FRONT AXLE HOUSING						년/월 Year/Month
T254NC								2022-12
KEY NO	PART NO	DESCRIPTION	SPEC	QTY	REPAIR	EFFECTIVE DATE	REMARKS	
503	1	11104120010M	AXLE HOUSING , FRONT		1			
503	2	11104125100	CAP ASSY , OIL		1			
503	3	11104120030	BUSH , 24X27X25		2			
503	4	V7811600008	PLUG , SQUARE	R1/2	1			
503	5	V7611500000	NIPPLE , GREASE/A-PT		1			
503	6	11104072111	PIN		1			
503	7	V4111600240	WASHER , PLAIN	M24	1			
503	8	11104072120	NYLON NUT , M24XP2.0		1			
503	9	V5001950050	PIN , SPLIT	5X50	1			
NOTE								

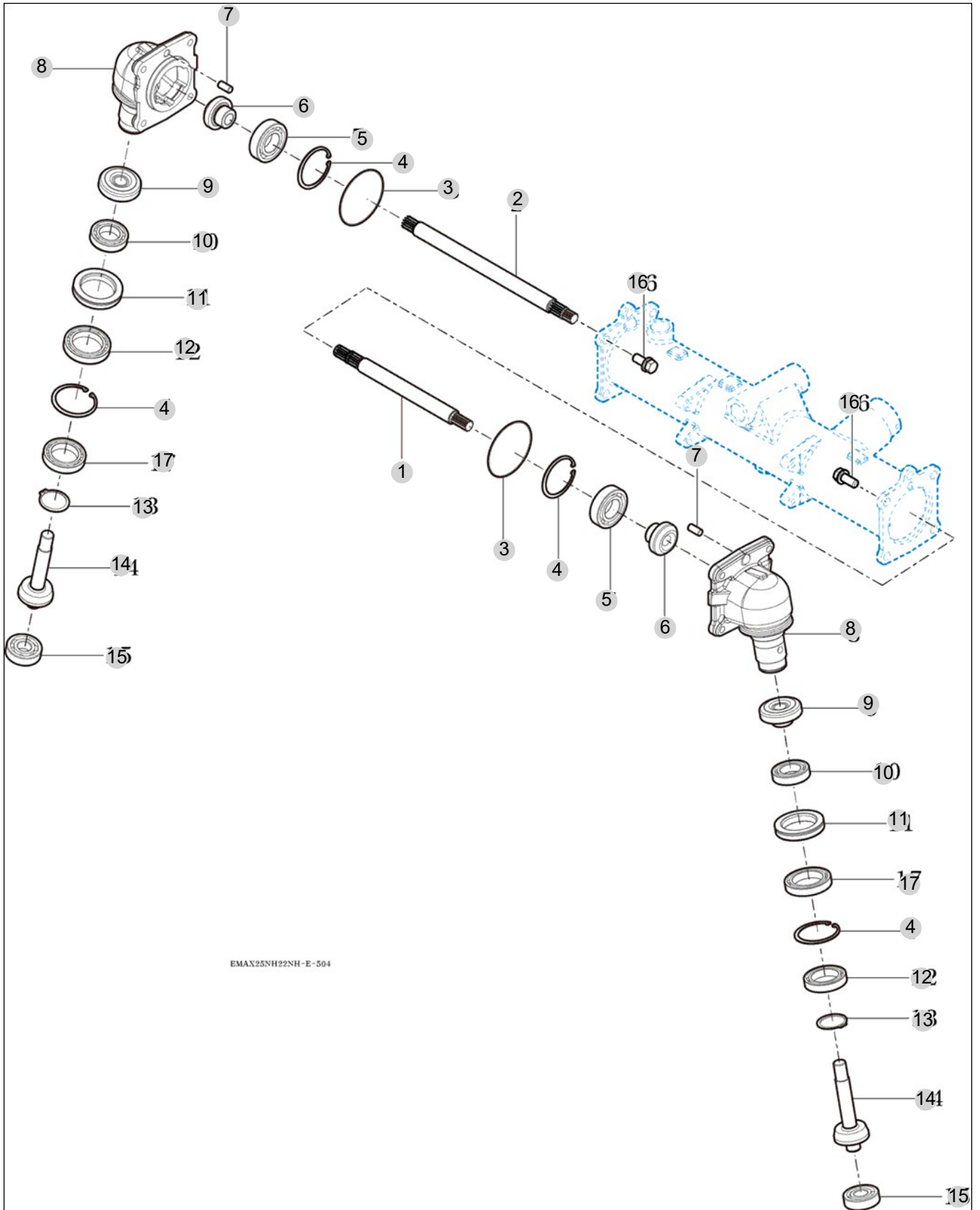
FIG 504

FRONT GEAR CASE (1)

년/월  
Year/Month

2022-12

T254NC



EMAX25NH22NH-E-504

NOTE





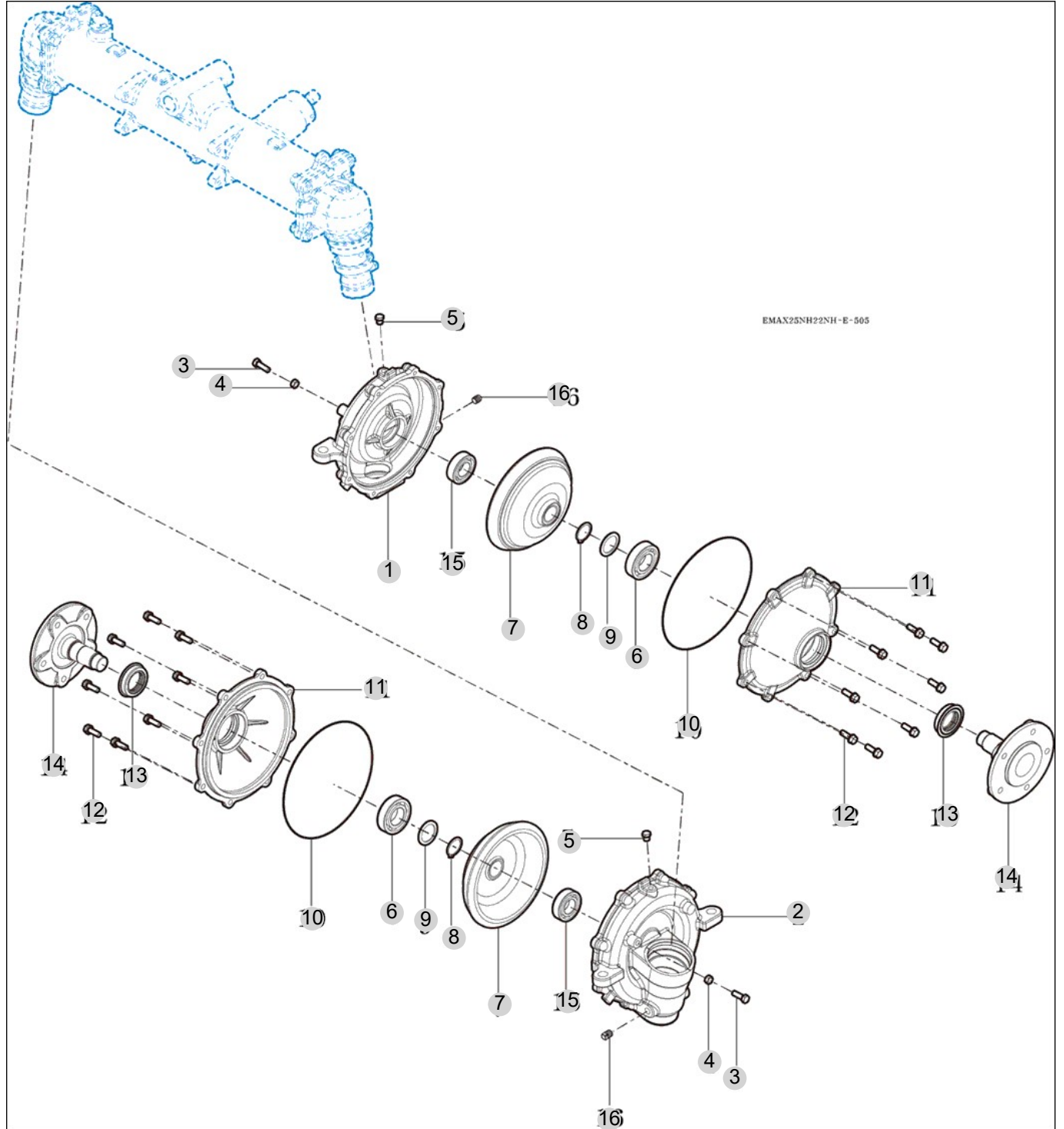
FIG 505

FRONT GEAR CASE (2)

년/월  
Year/Month

2022-12

T254NC



NOTE



## 6. Hydraulic/3P-Link PART NO. T6

FIG 601 CYLINDER CASE	125
FIG 602 LIFT ARM	127
FIG 603 FLOW CONTROL VALVE	129
FIG 604 MAIN CONTROL VALVE	131
FIG 605 HYDRAULIC SUB	133
FIG 606 HITCH & 3-POINT LINKAGE	135
FIG 607 HITCH & COVER	137

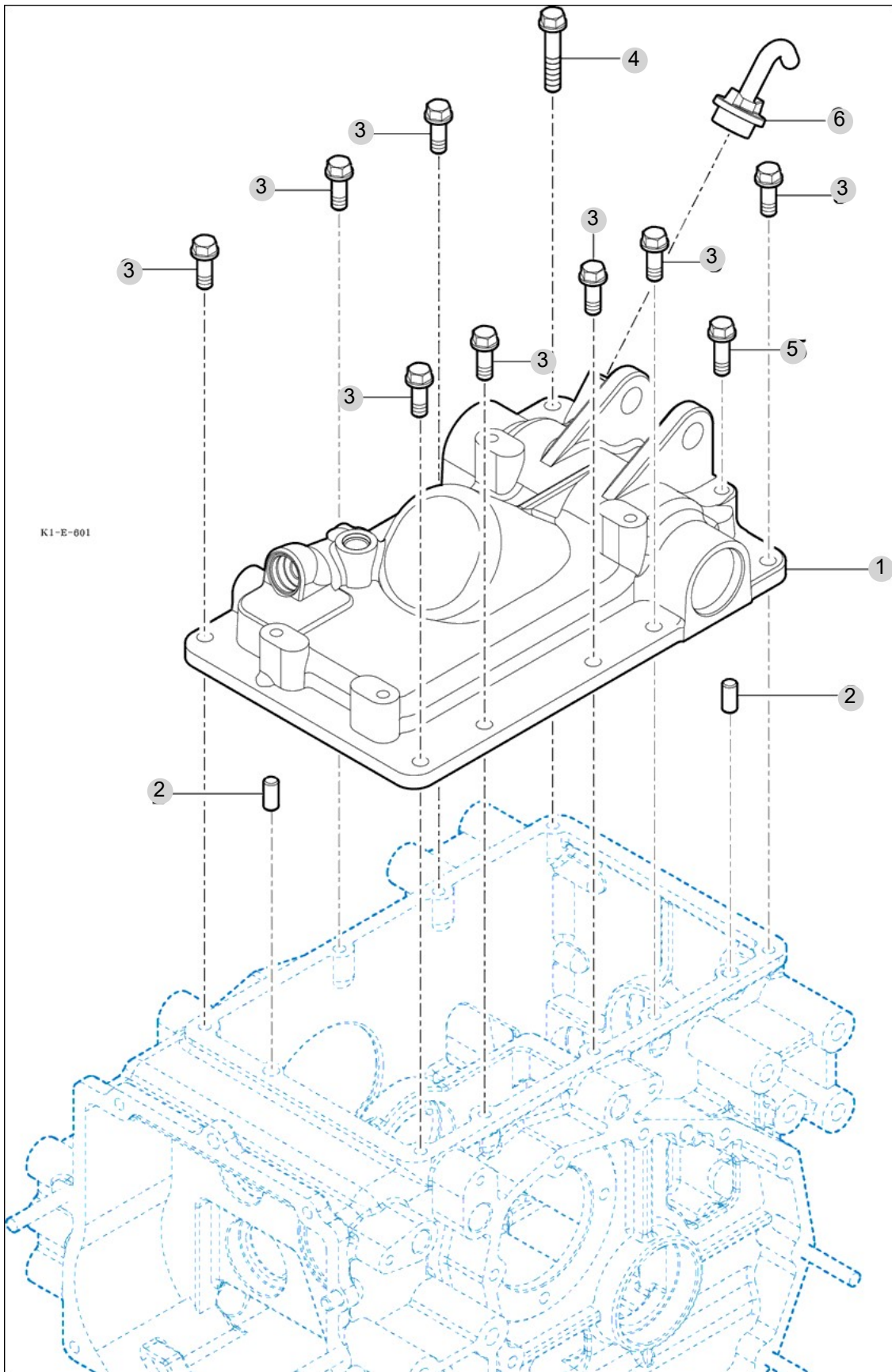
FIG 601

CYLINDER CASE

년/월  
Year/Month

T254NC

2022-12



NOTE



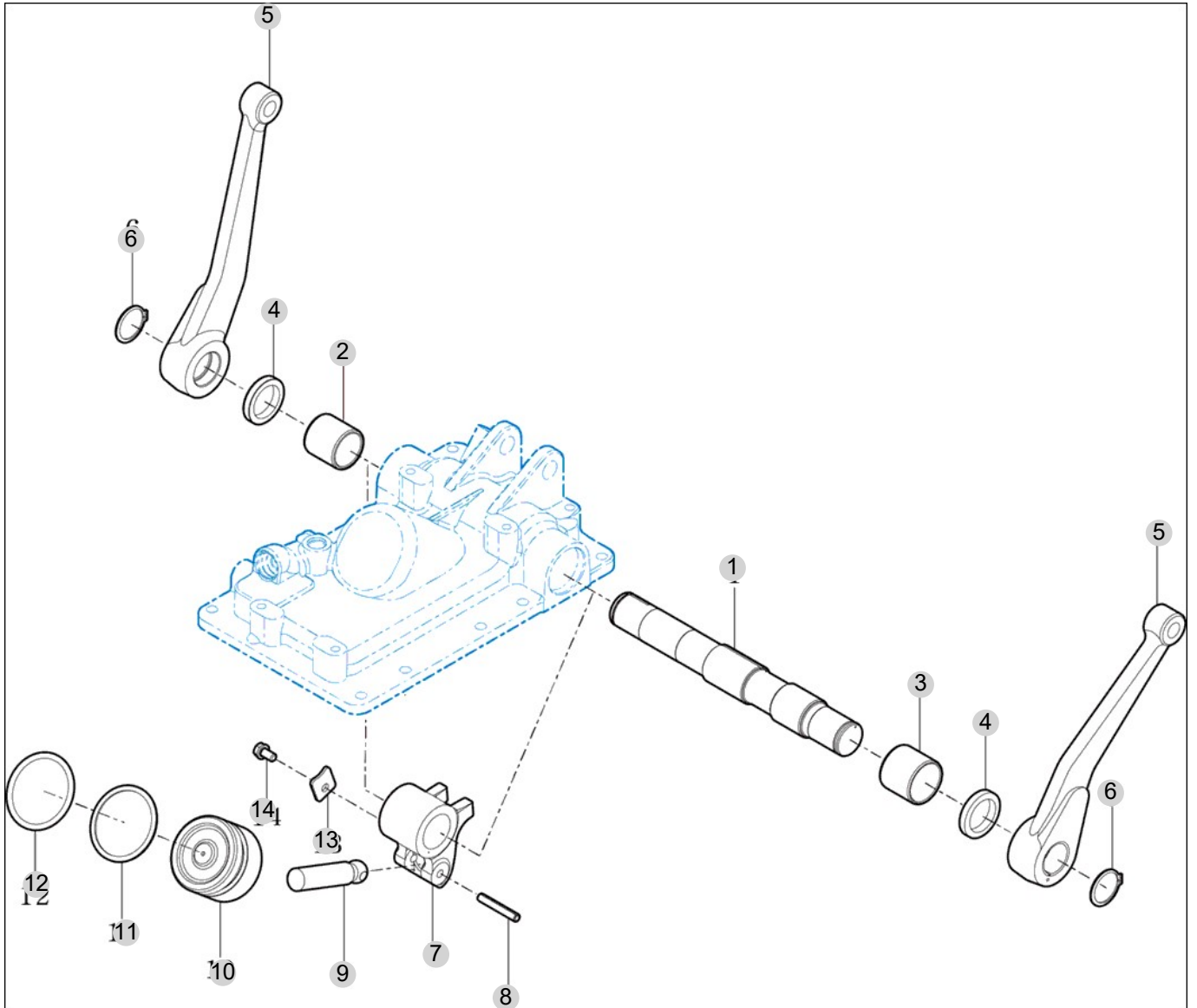
FIG 602

T254NC

LIFT ARM

년/월  
Year/Month

2022-12



NOTE



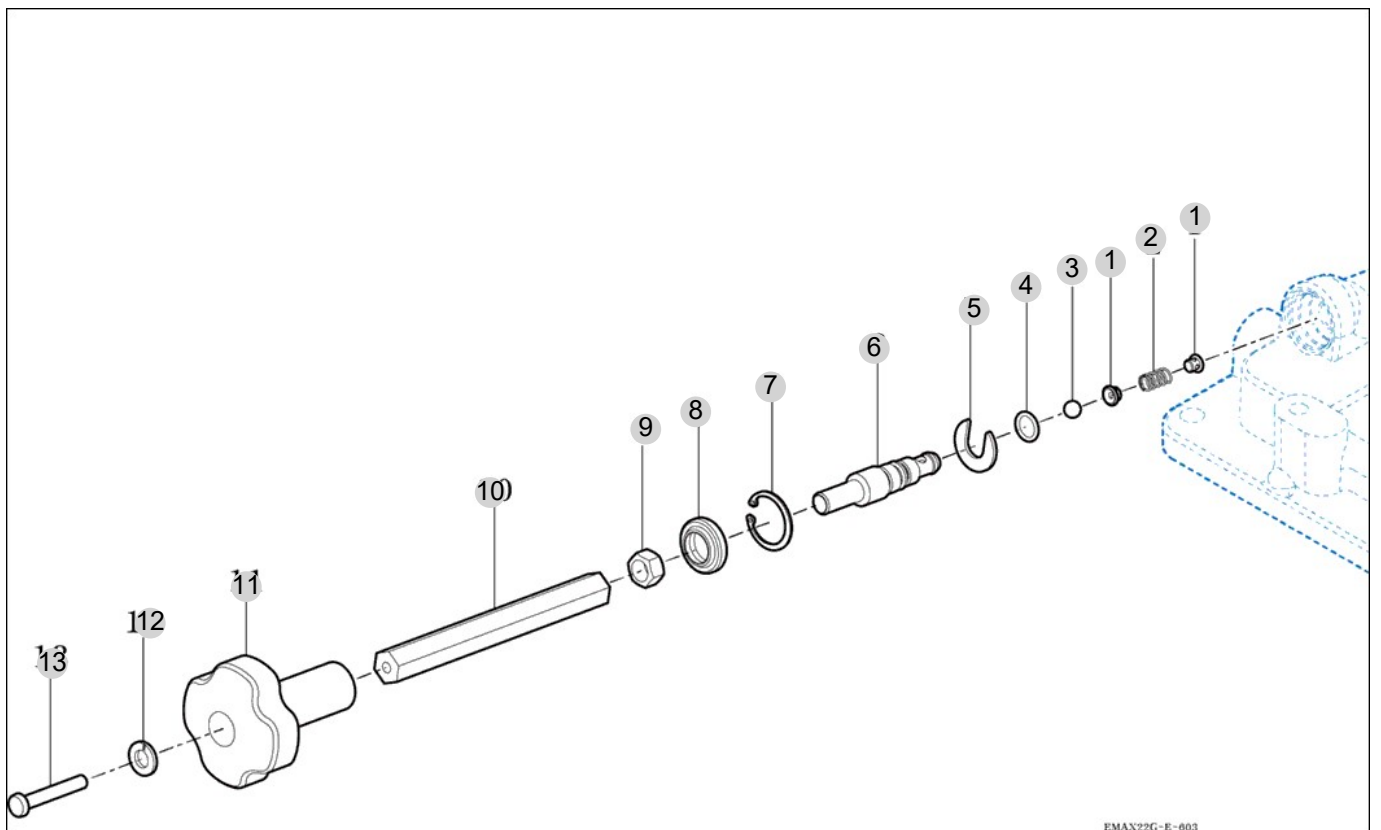
FIG 603

T254NC

FLOW CONTROL VALVE

년/월  
Year/Month

2022-12



EMAS22G-E-603

NOTE





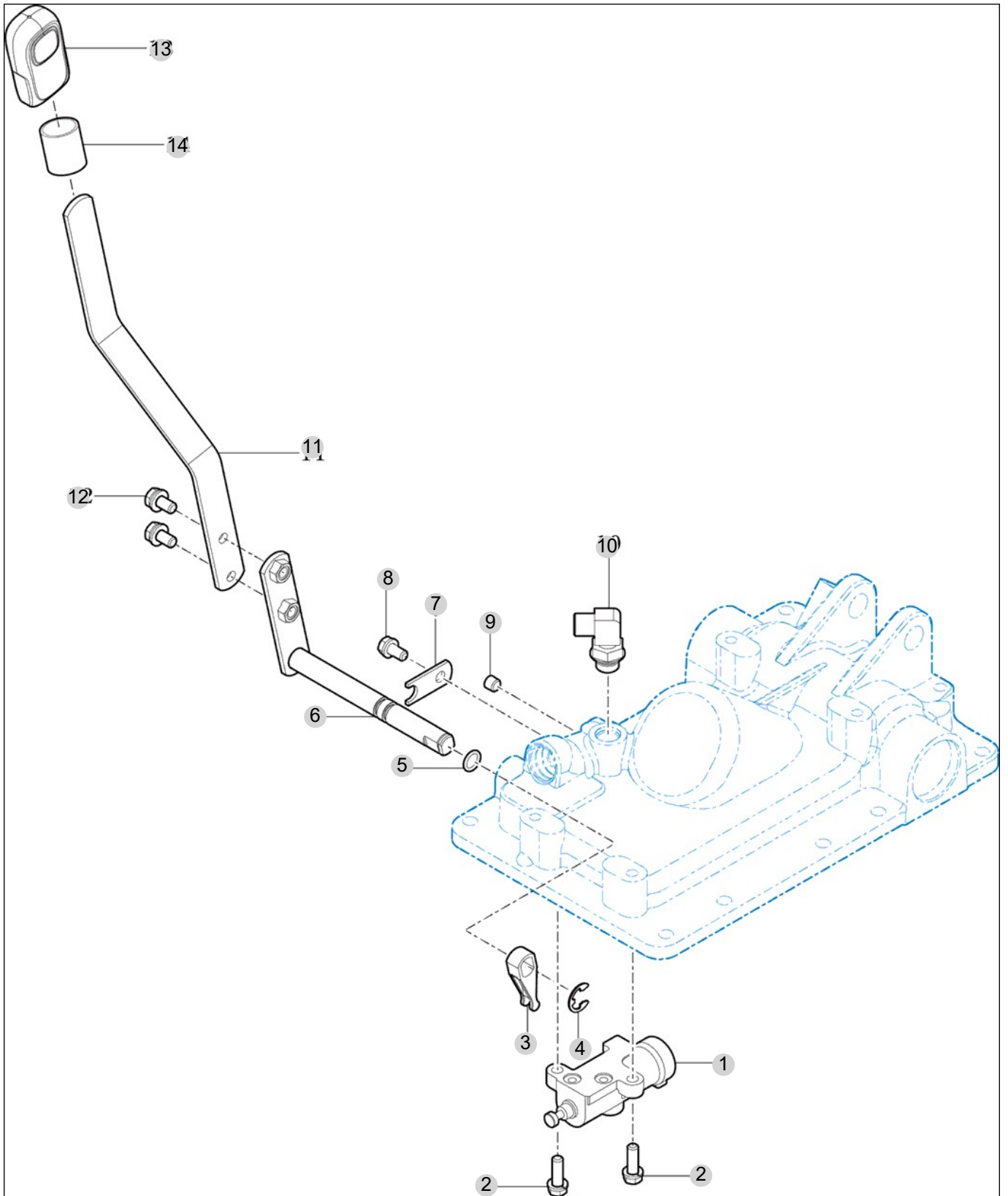
FIG 604

MAIN CONTROL VALVE

년/월  
Year/Month

2022-12

T254NC



NOTE



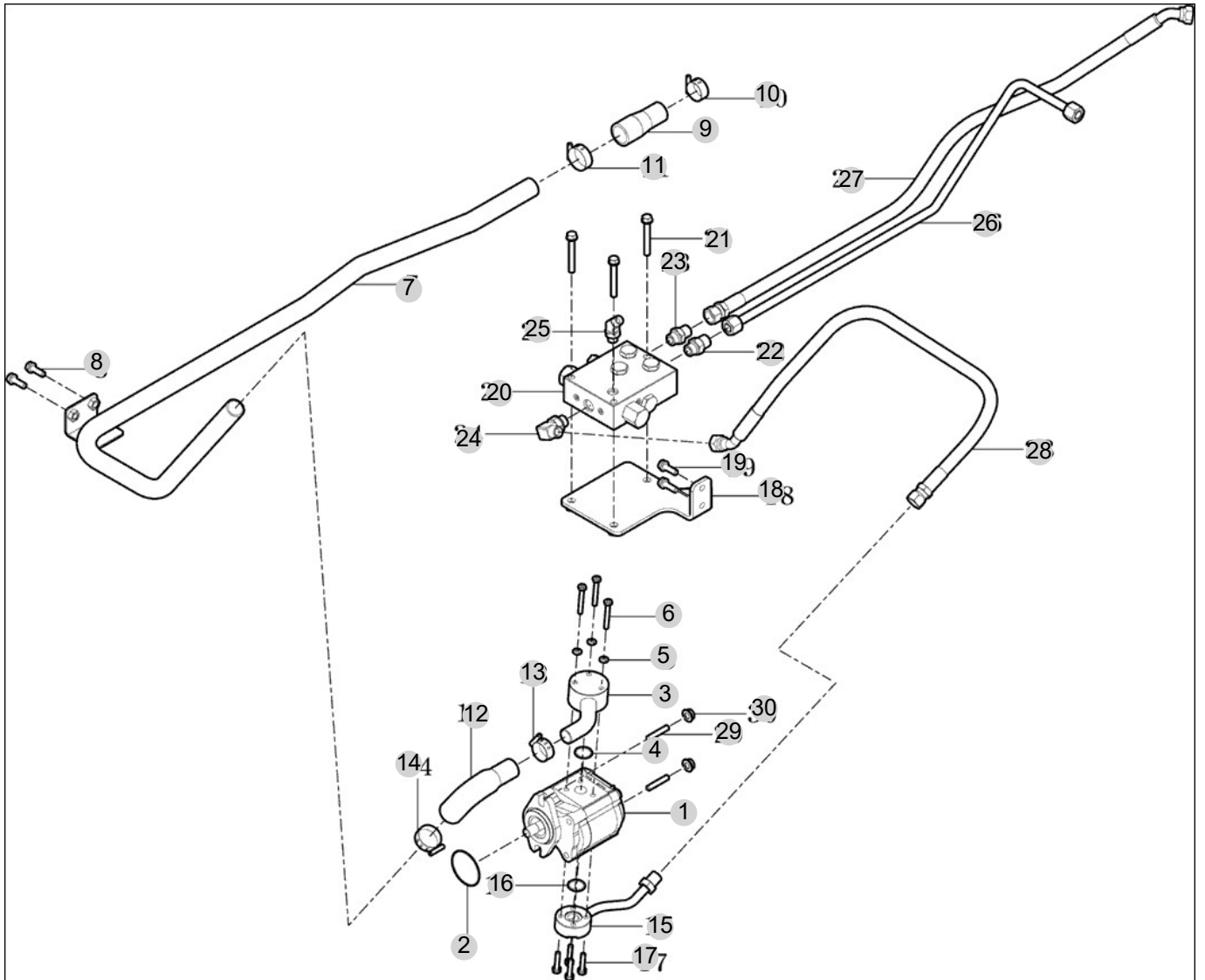
FIG 605

HYDRAULIC SUB

년/월  
Year/Month

T254NC

2022-12



NOTE



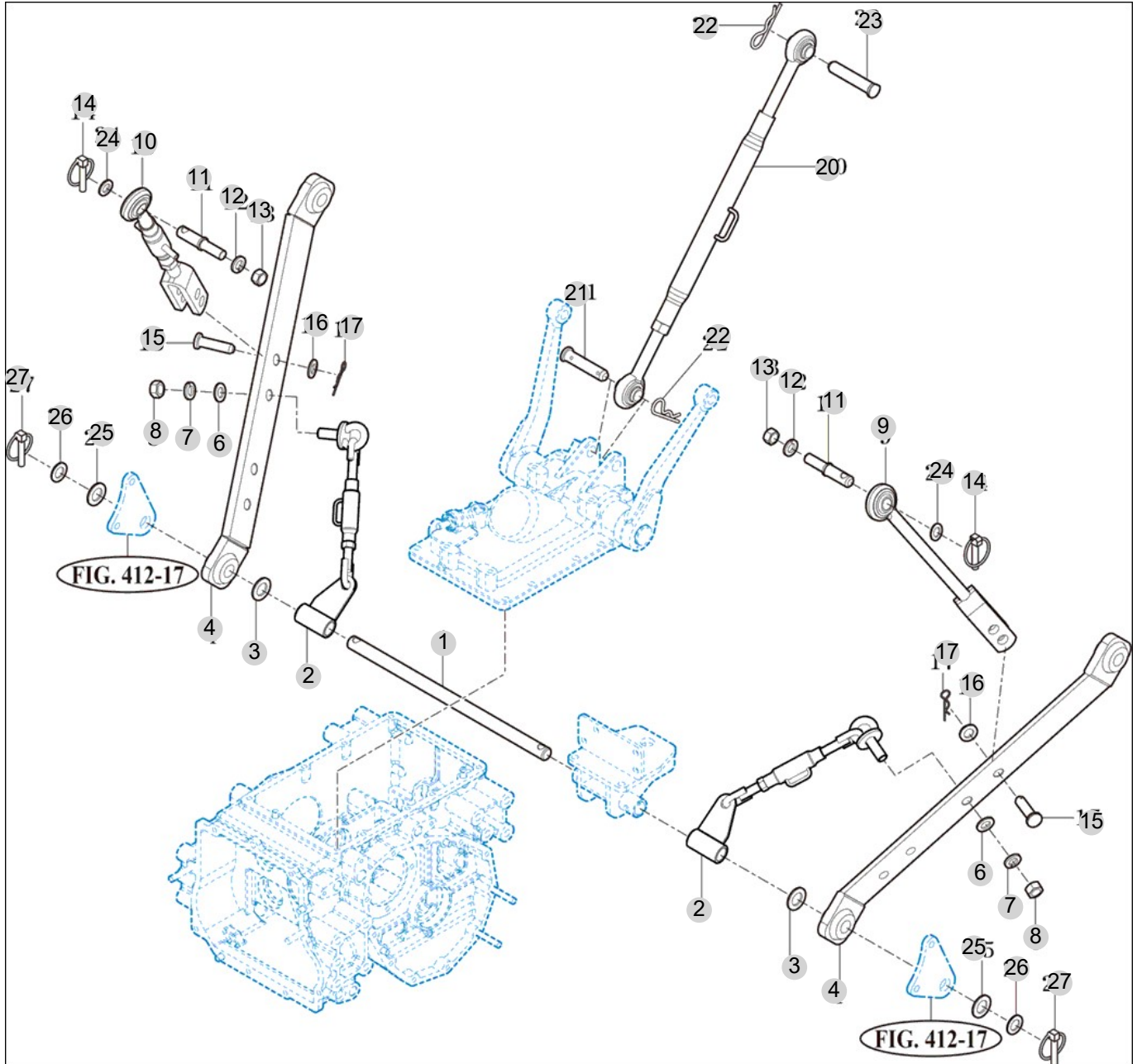
FIG 606

HITCH & 3-POINT LINKAGE

년/월  
Year/Month

T254NC

2022-12



NOTE



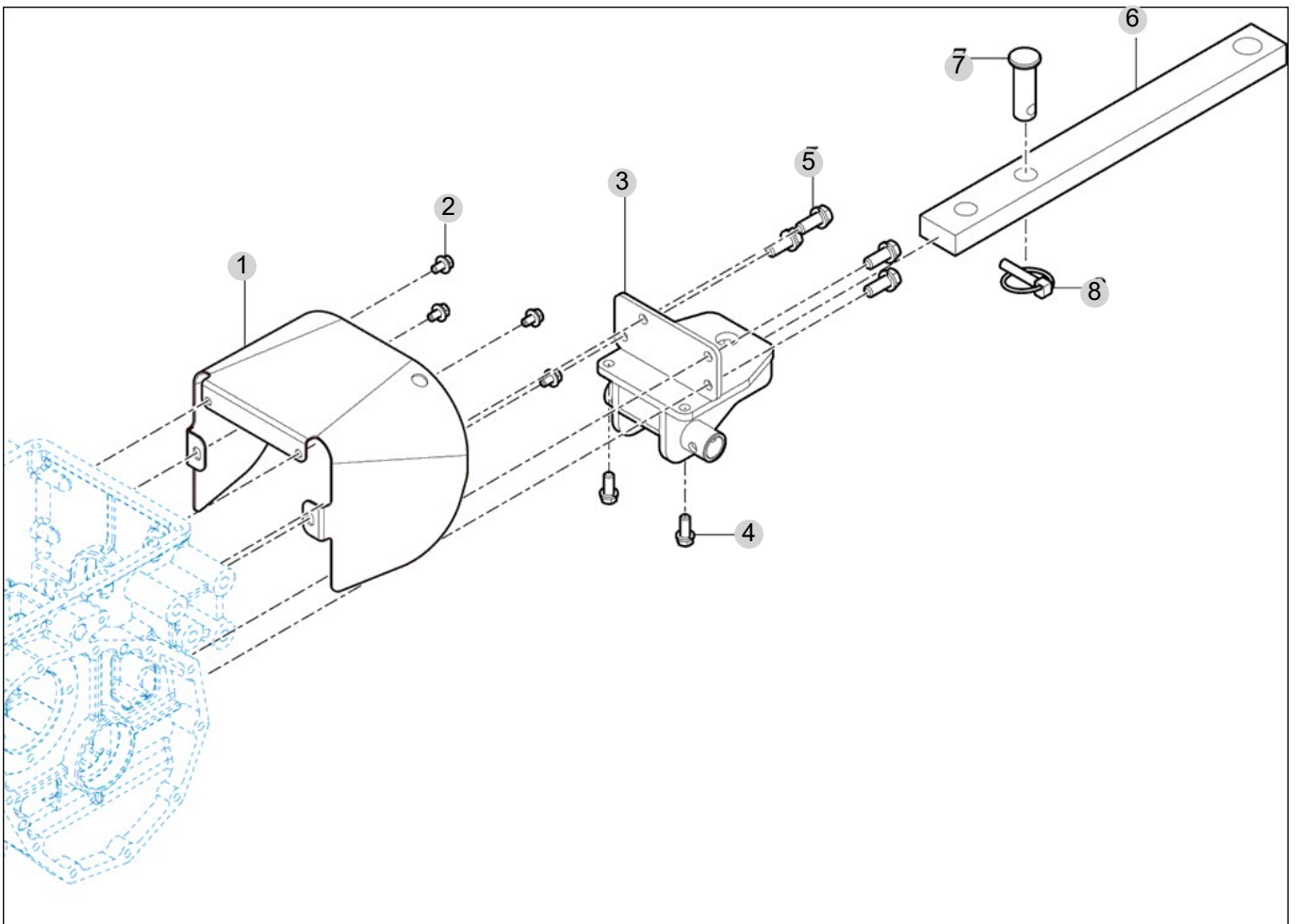
FIG 607

T254NC

HITCH & COVER

년/월  
Year/Month

2022-12



NOTE



FIG 607 T254NC		HITCH & COVER						년/월 Year/Month	REMARKS
								2022-12	
KEY NO	PART NO	DESCRIPTION	SPEC	QTY	REPAIR	EFFECTIVE DATE			
607	1	11105201010GB	SHIELD, PTO				1		
607	2	V2183608016	BOLT , HEX/SP	M8X16			4		
607	3	11105212101GB	BRACKET COMP , DRAWBAR				1		
607	4	V2173610025	BOLT , HEX/S	M10X25			2		
607	5	V2013612030	BOLT , HEX				4		
607	5	V2173612030	BOLT , HEX/S	M12X30			4		
607	6	11105210011GB	BAR , DRAW				1		
607	7	11105210020	PIN , 22X55				1		
607	8	14215020020	PIN , LINK				1		
NOTE									

## 7. Sheet Metal & Cabin PART NO. T7

FIG 701 BONNET	140
FIG 701-2 BONNET	142
FIG 702 FLOOR	144
FIG 703 SEAT	146
FIG 704 ROPS	148
FIG 705 LEVER COVER & FENDER	150
FIG 706 REARVIEW MIRRORS	152
FIG 707 FRONT GLASS	154
FIG 708 DOOR-LH	156
FIG 709 DOOR-RH	158
FIG 710 REAR GLASS	160
FIG 711 ROOF	162
FIG 712 WORKING LAMP & FENDER COVER	164
FIG 713 HEATER SUB	166
FIG 714 REAR WPER KIT(OPTION)	168

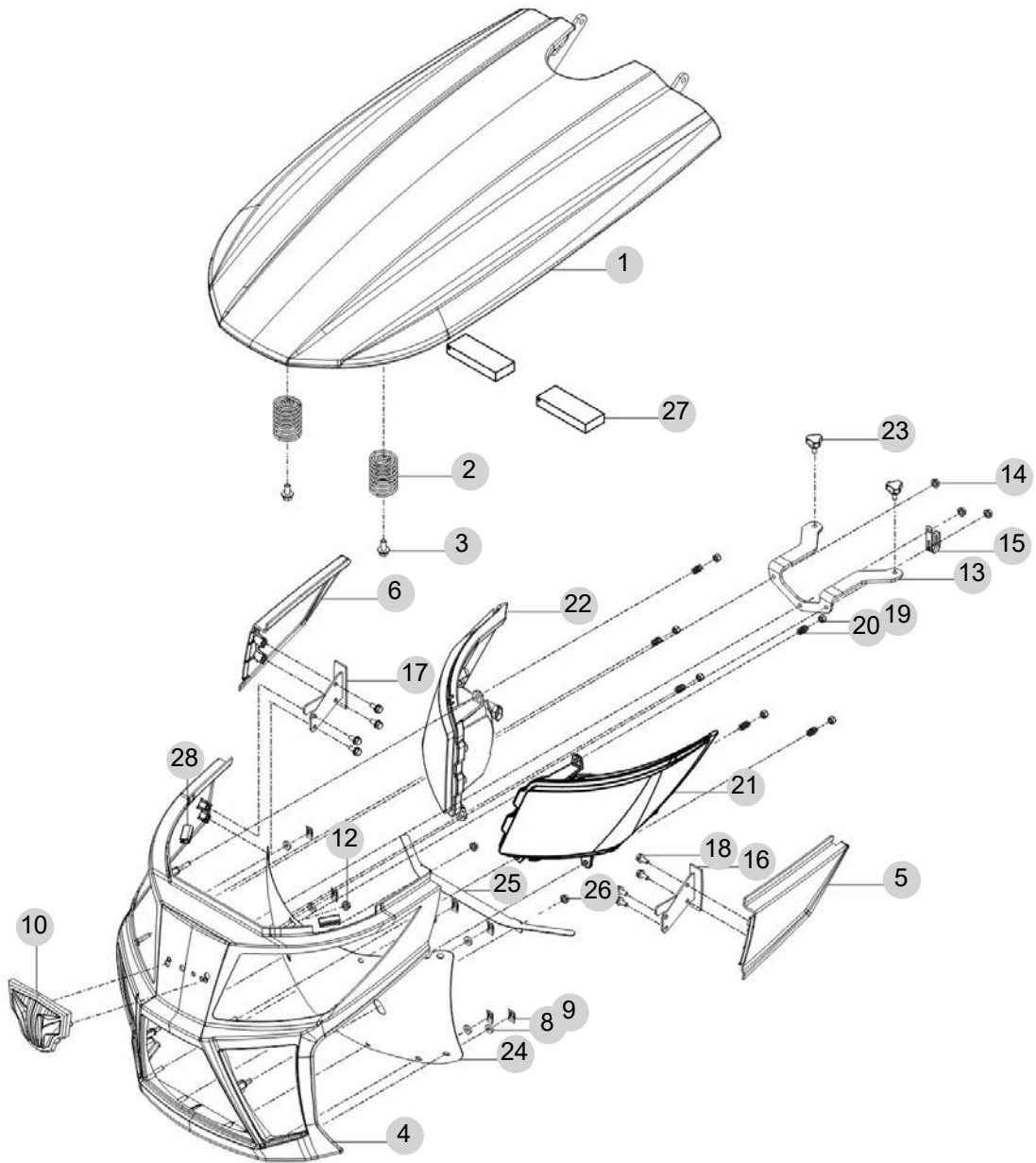
FIG 701

T254NC

BONNET

년/월  
Year/Month

2022-12



NOTE



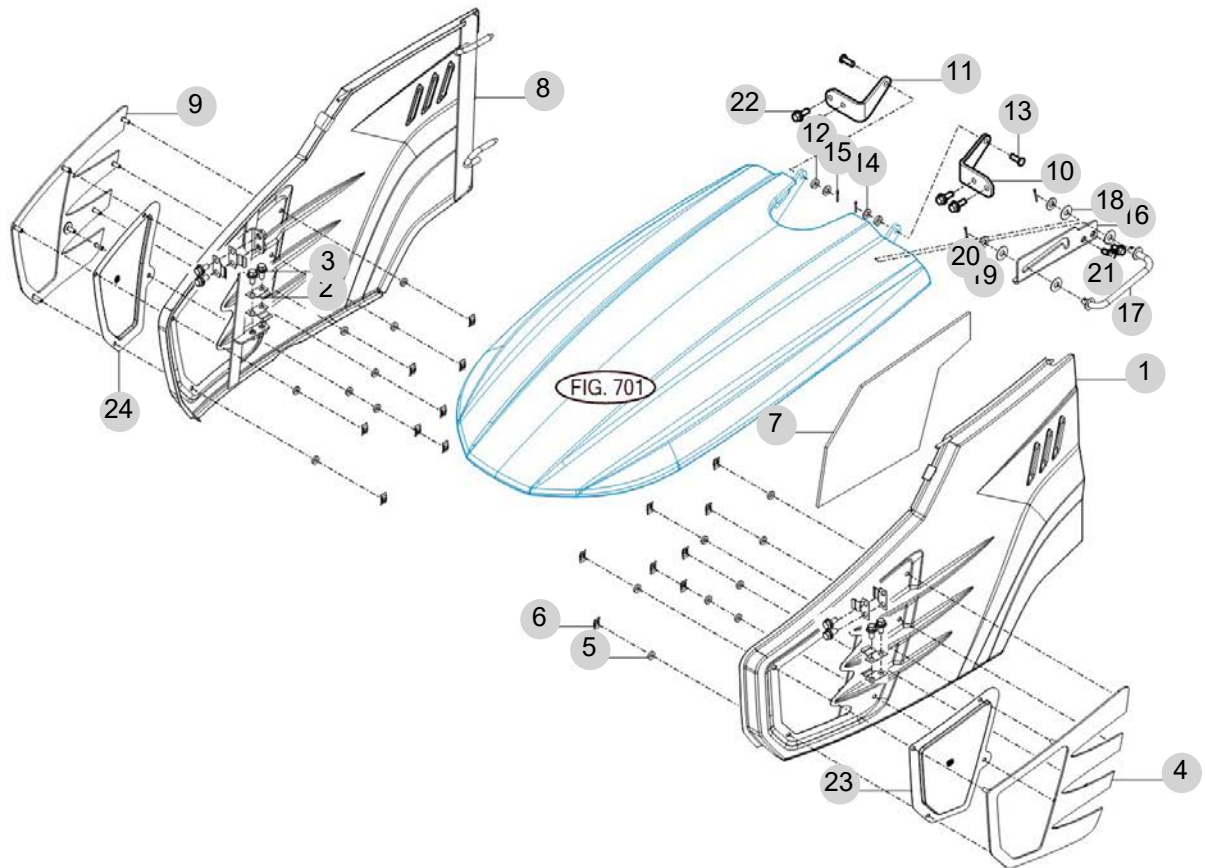
FIG 701-2

T254NC

BONNET

년/월  
Year/Month

2022-12



NOTE



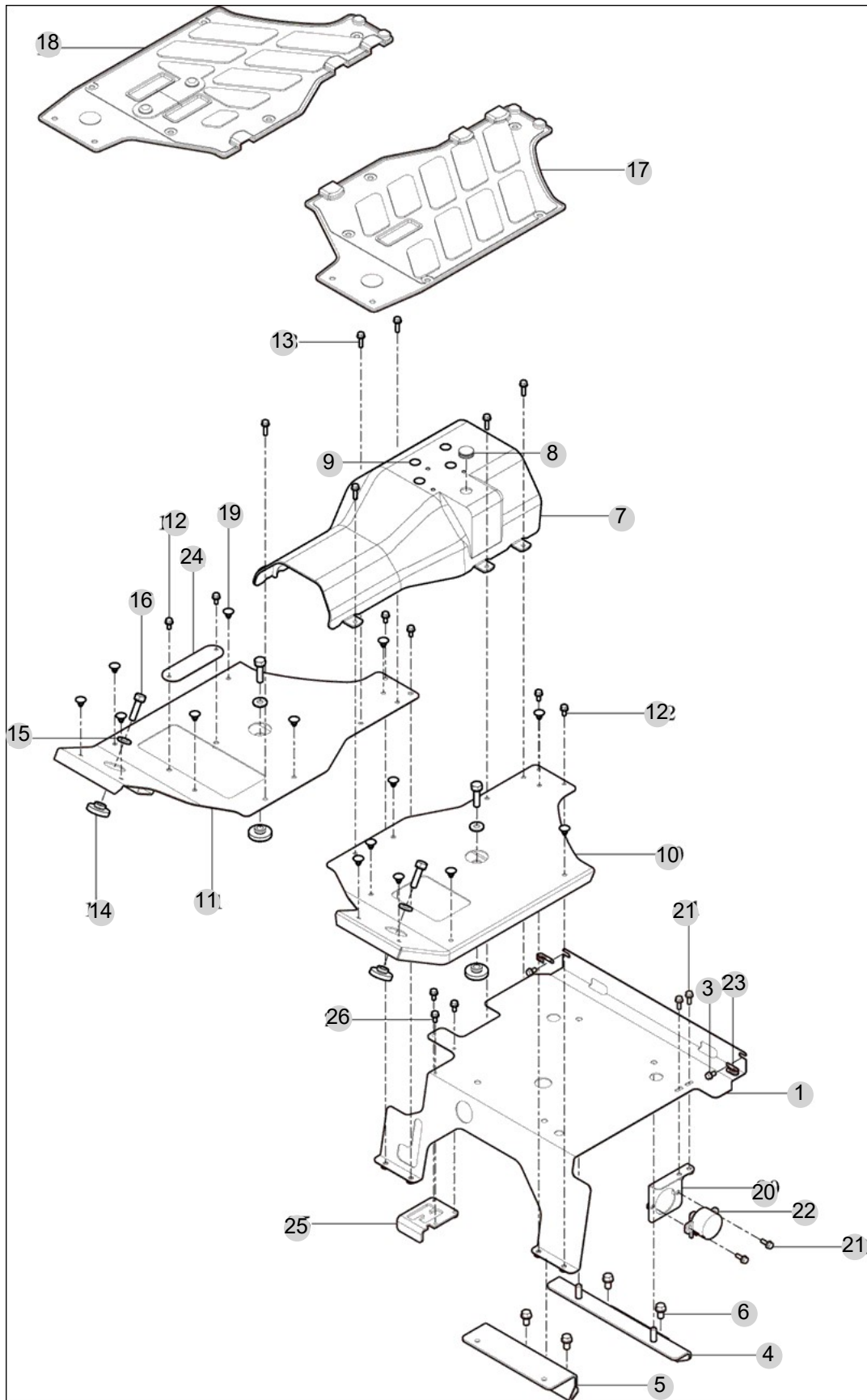
FIG 702

FLOOR

년/월  
Year/Month

2022-12

T254NC



NOTE





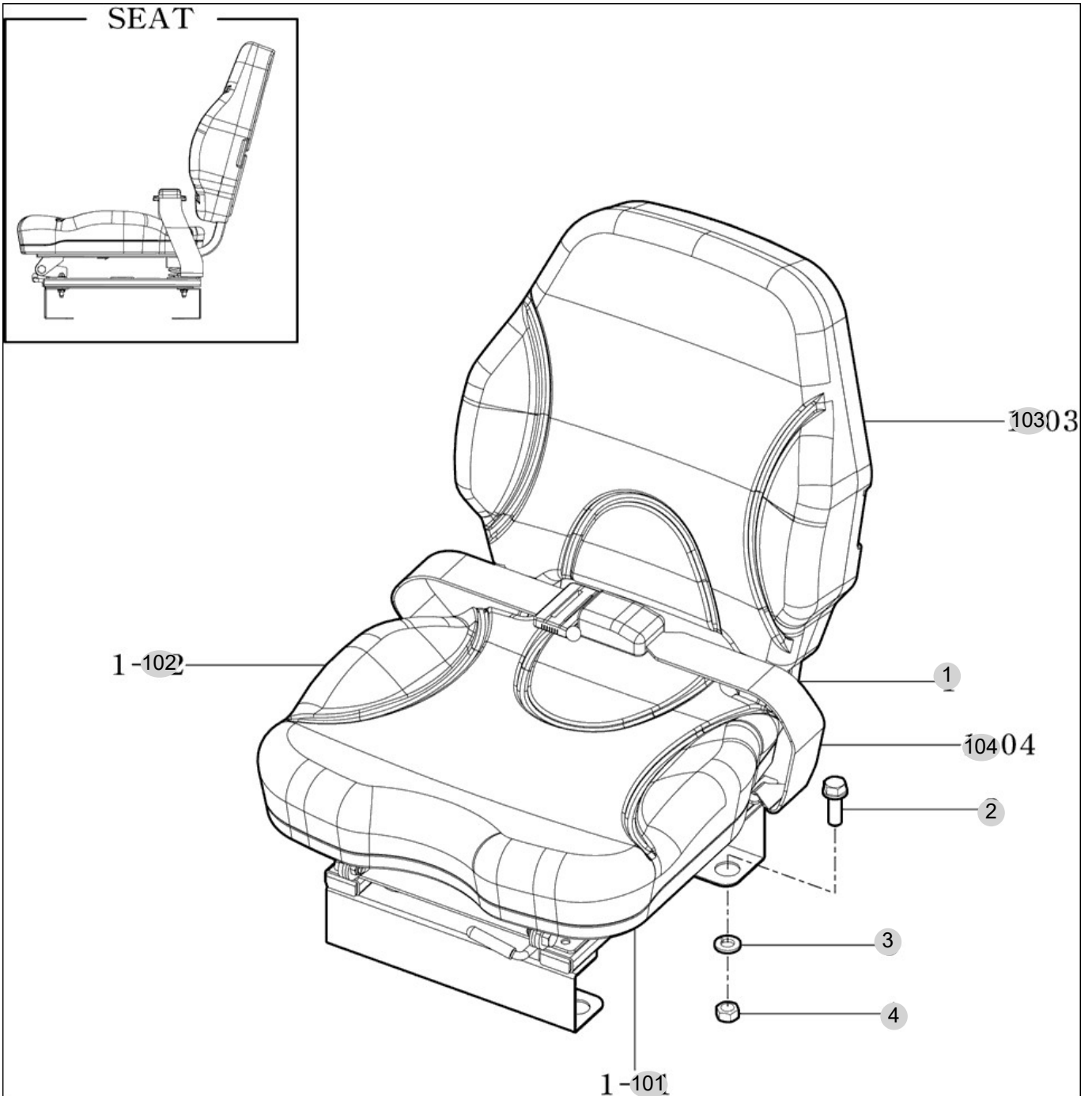
FIG 703

T254NC

SEAT

년/월  
Year/Month

2022-12



NOTE



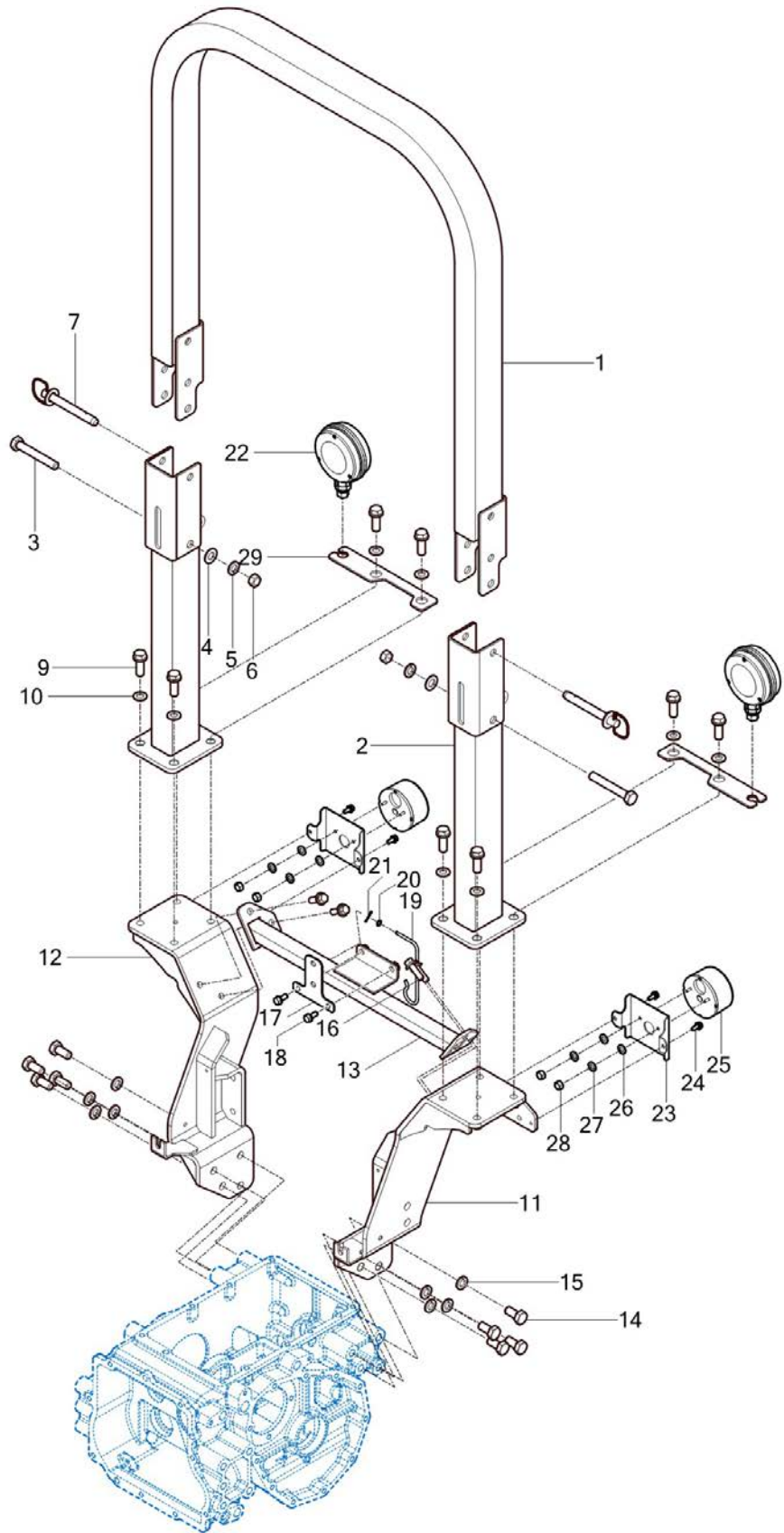
FIG 704

T254NC

ROPS

년/월  
Year/Month

2022-12



NOTE



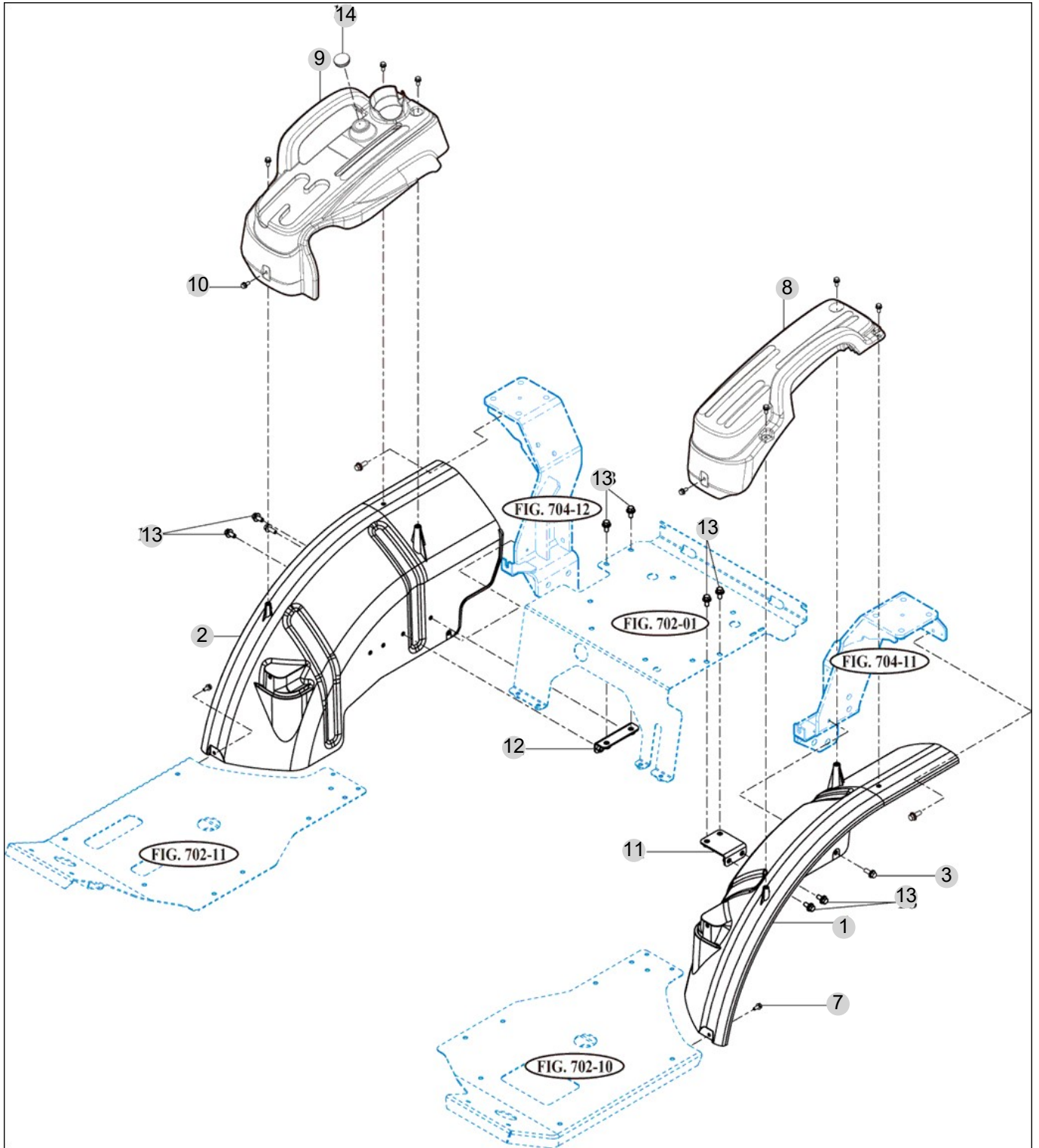
FIG 705

LEVER COVER & FENDER

년/월  
Year/Month

2022-12

T254NC



NOTE



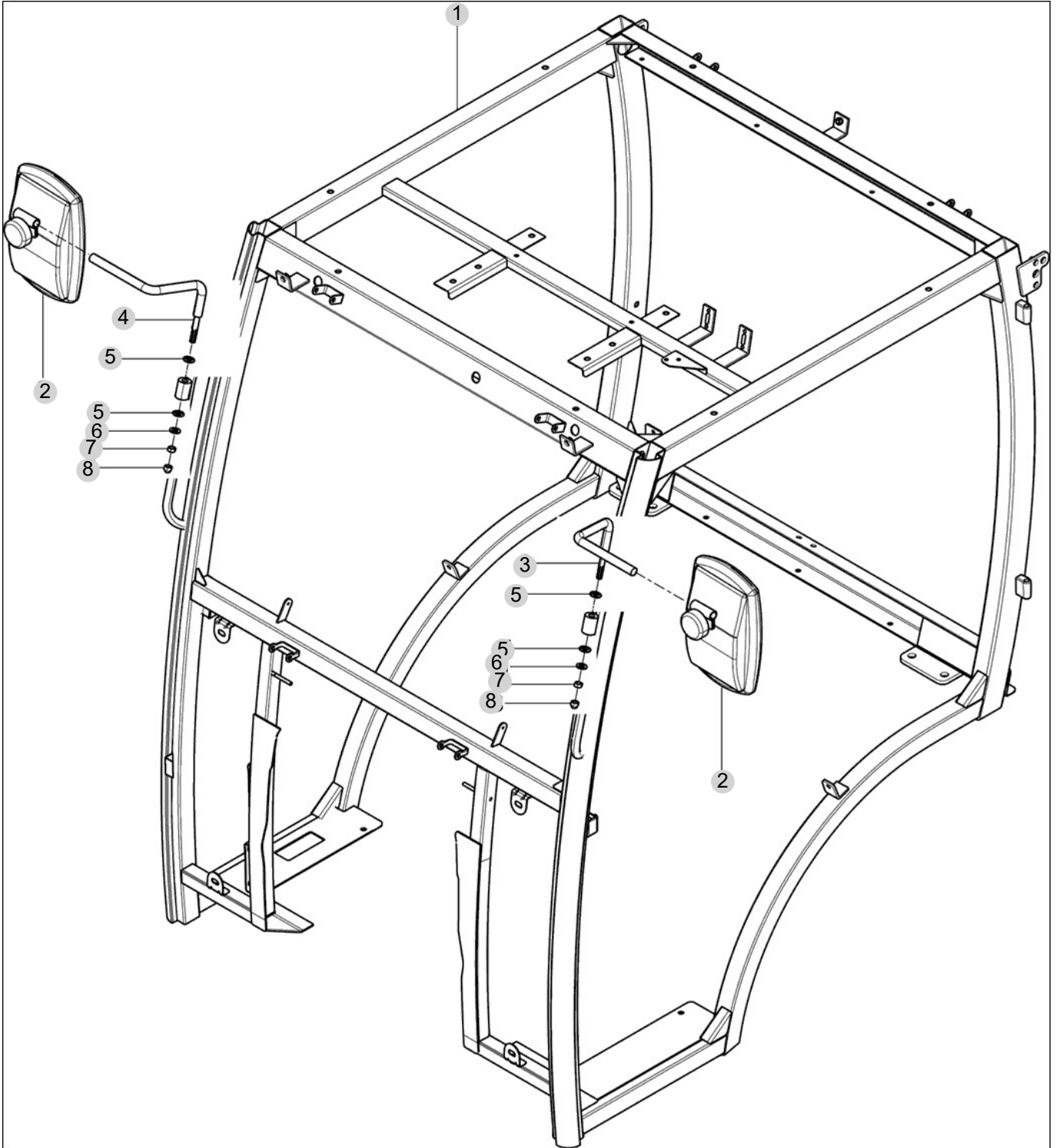
FIG 706

T254NC

REARVIEW MIRRORS

년/월  
Year/Month

2022-12



NOTE





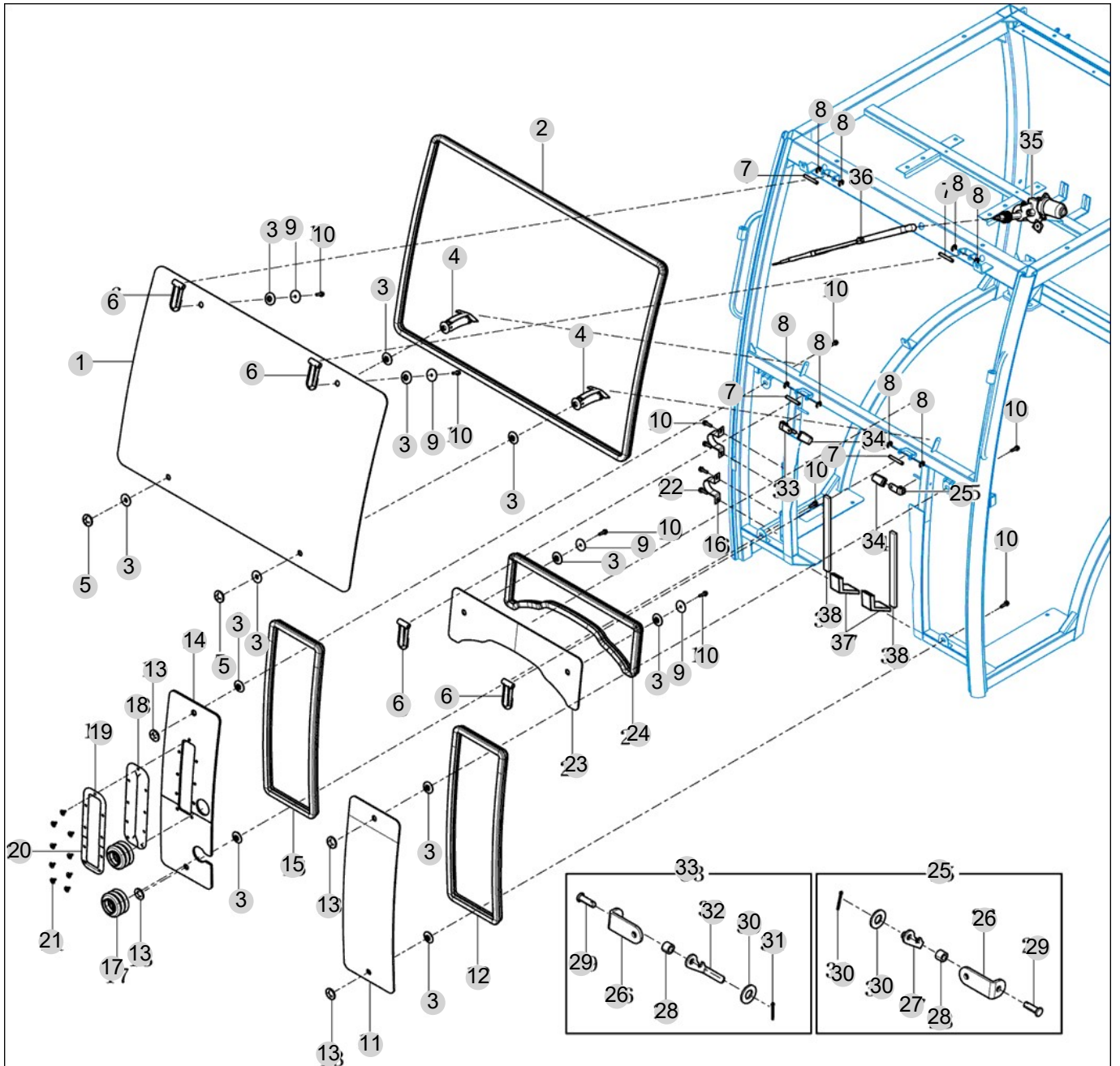
FIG 707

FRONT GLASS

년/월  
Year/Month

T254NC

2022-12



NOTE



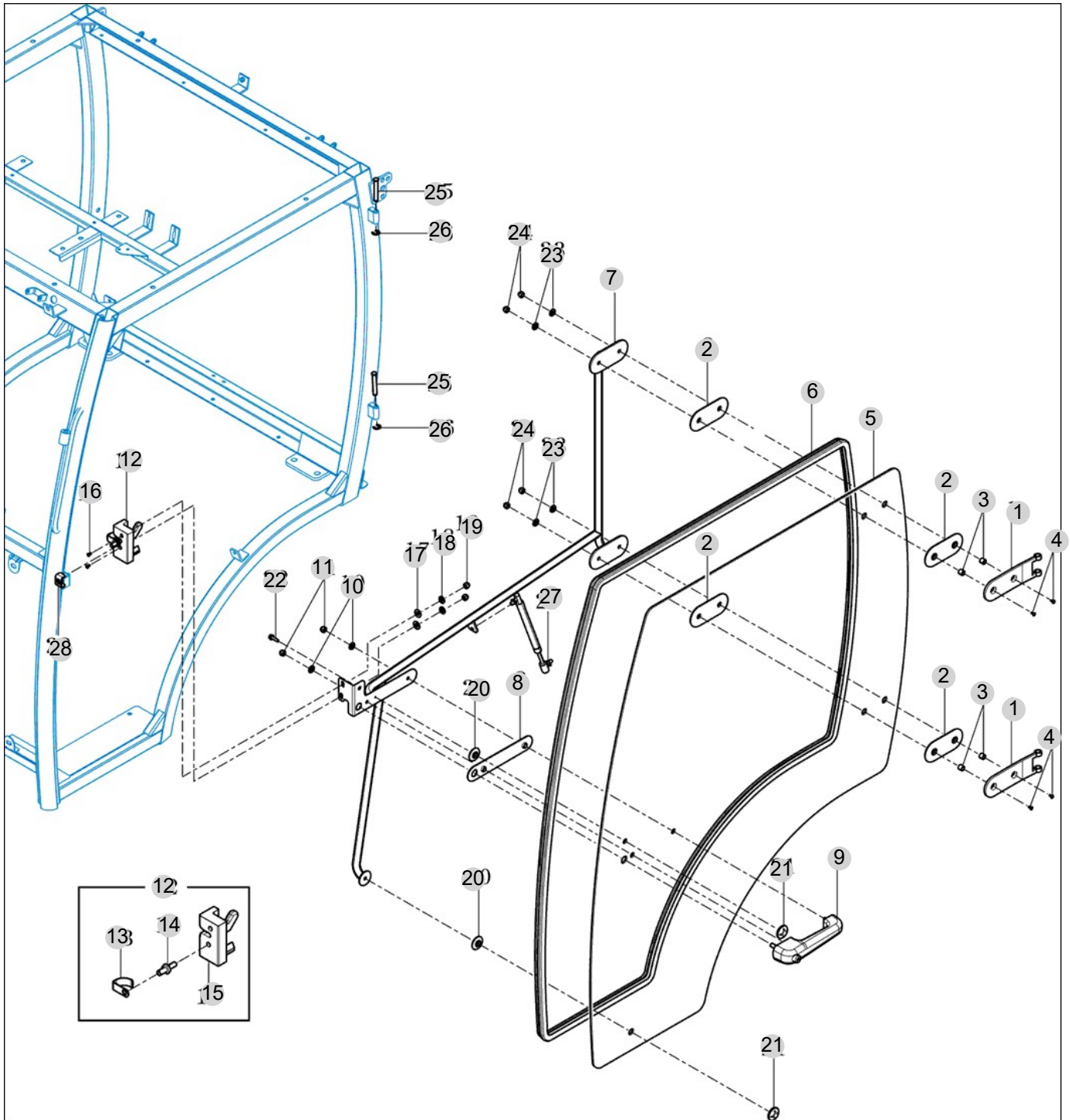
FIG 708

DOOR-LH

년/월  
Year/Month

T254NC

2022-12



NOTE



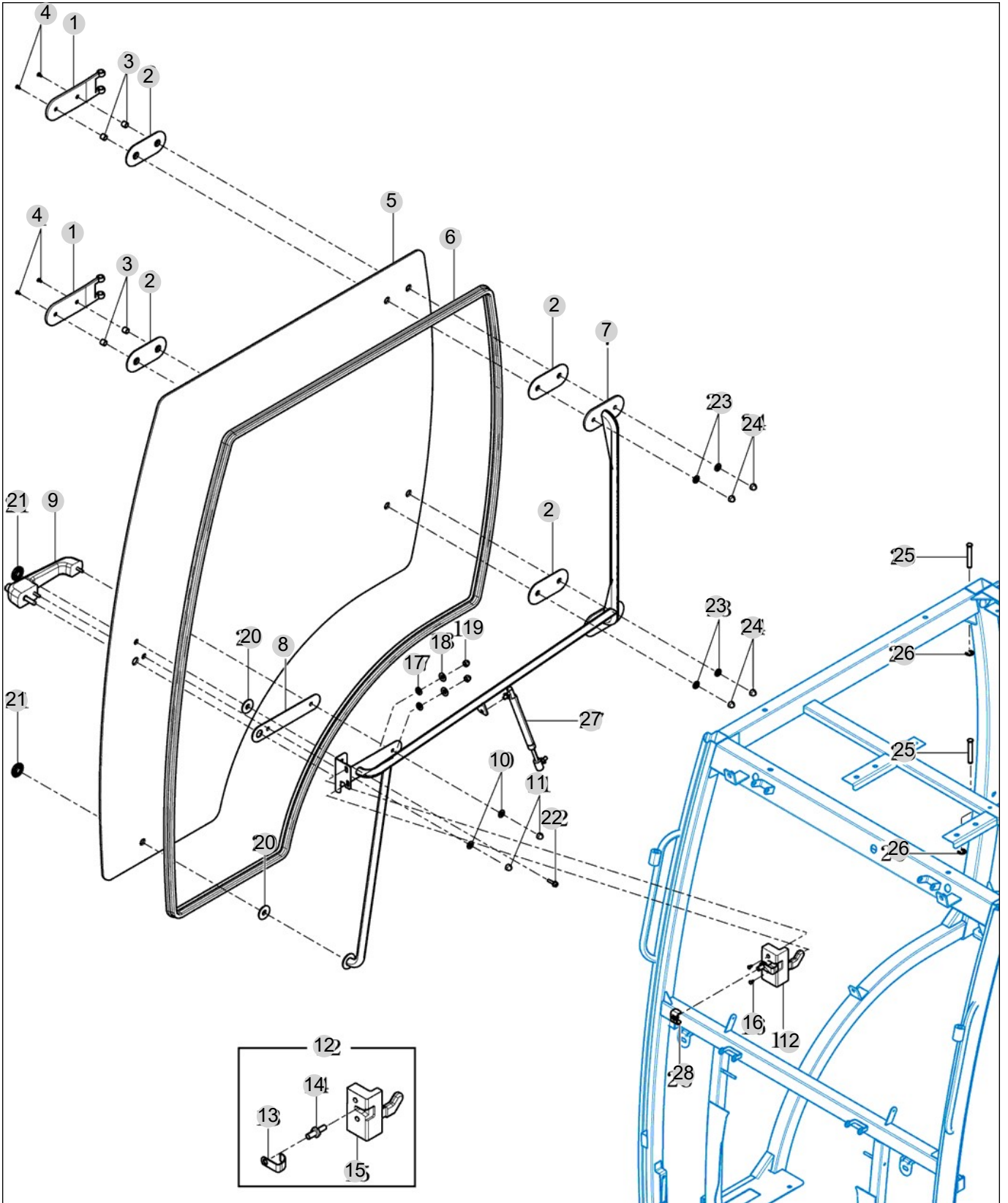
FIG 709

DOOR-RH

년/월  
Year/Month

T254NC

2022-12



NOTE



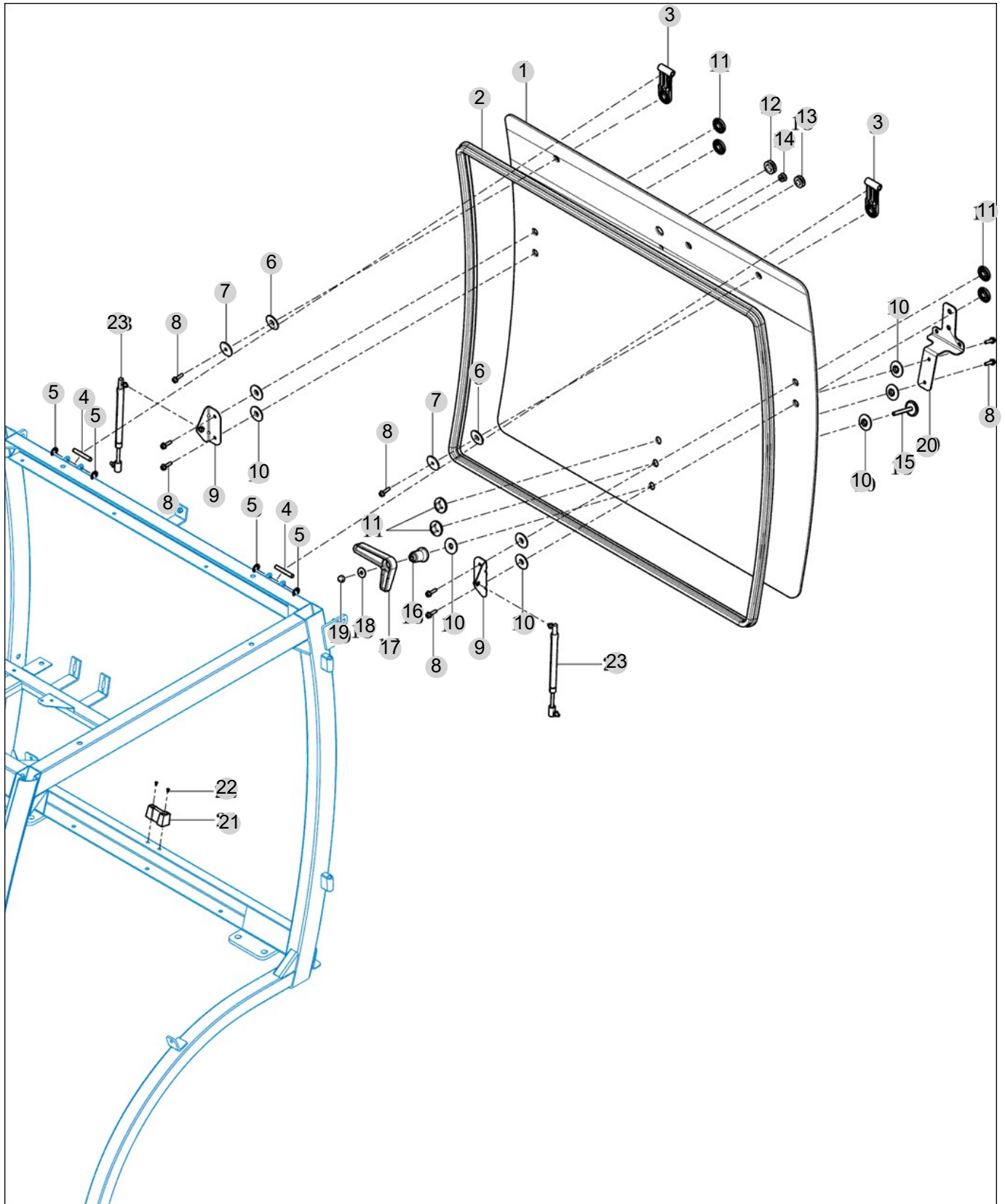
FIG 710

REAR GLASS

년/월  
Year/Month

2022-12

T254NC



NOTE





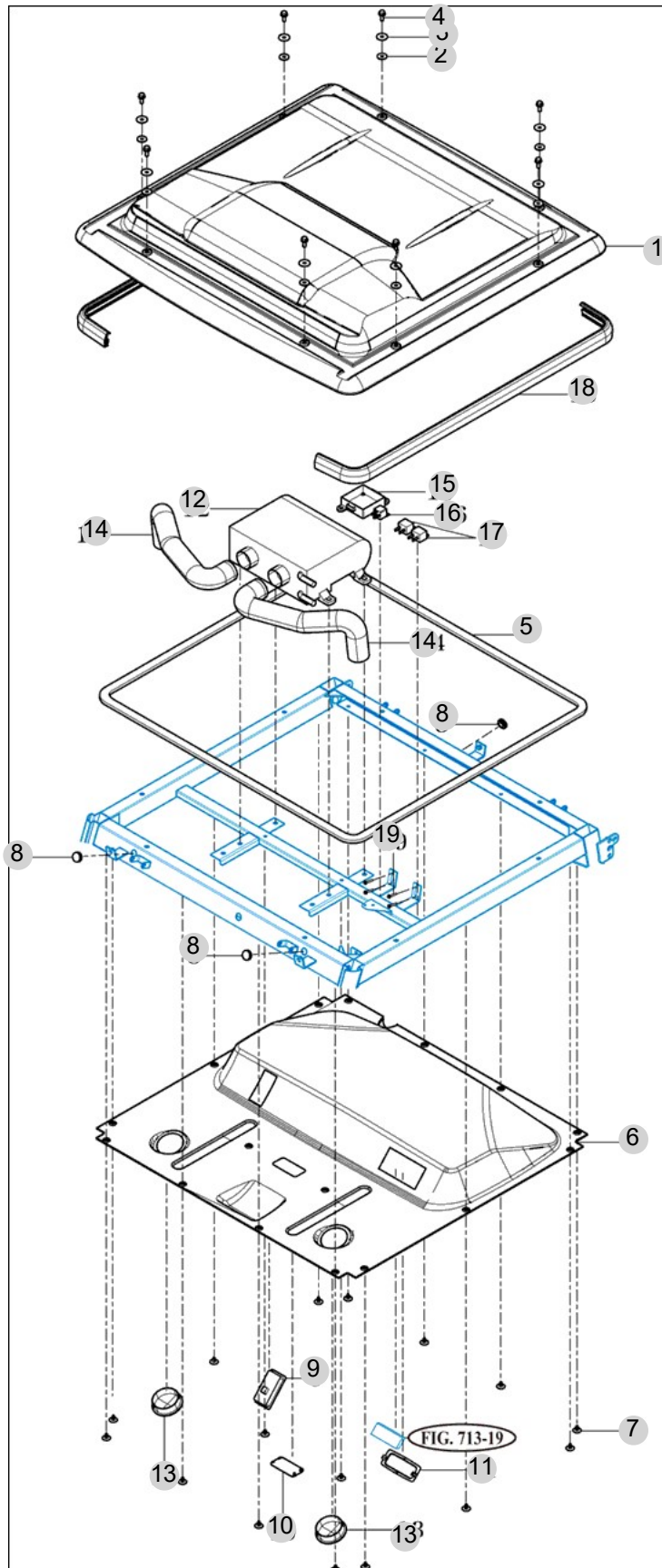
FIG 711

T254NC

ROOF

년/월  
Year/Month

2022-12



NOTE

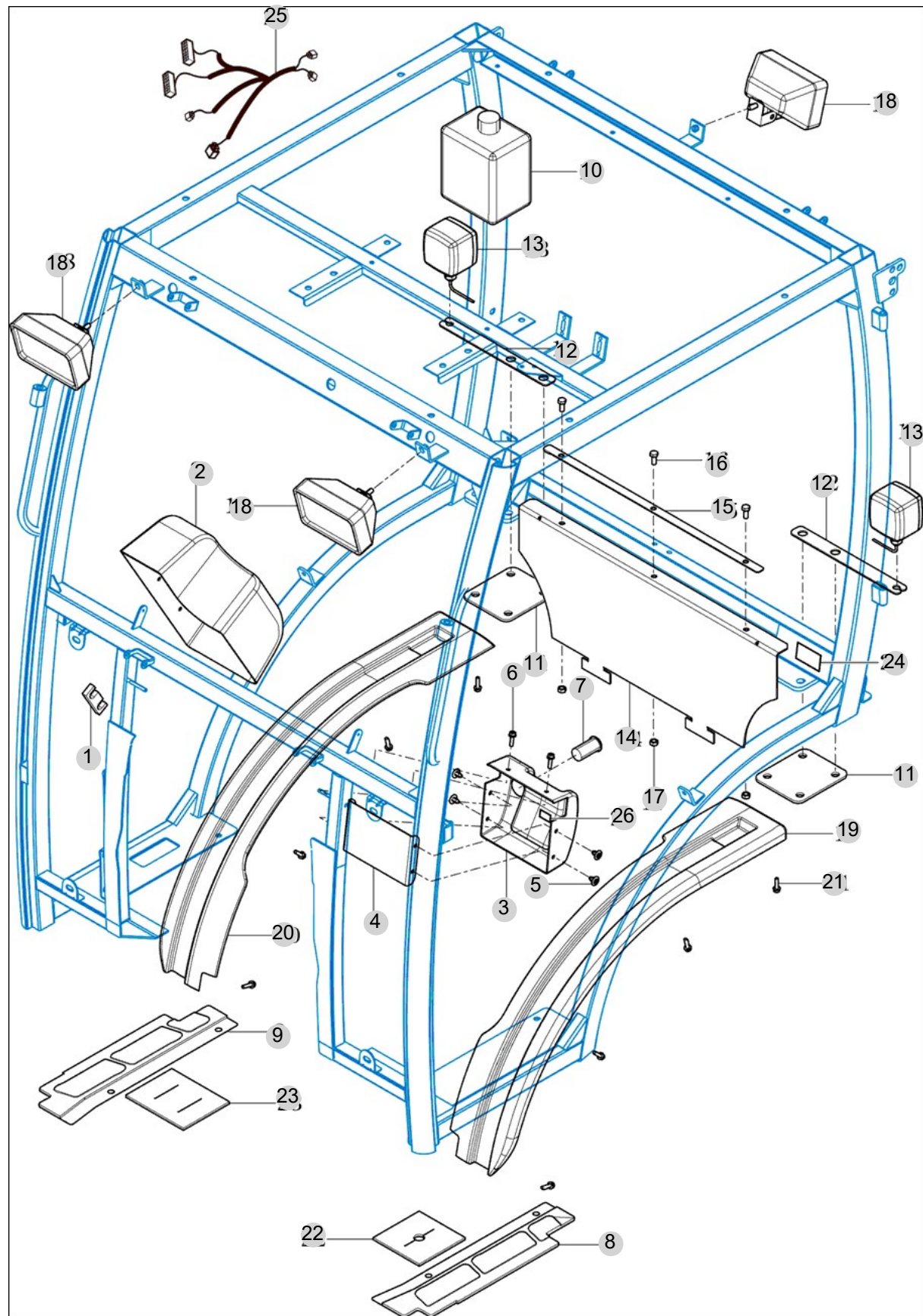


FIG 712

WORKING LAMP & FENDER COVER

년/월  
Year/Month

2022-12



NOTE



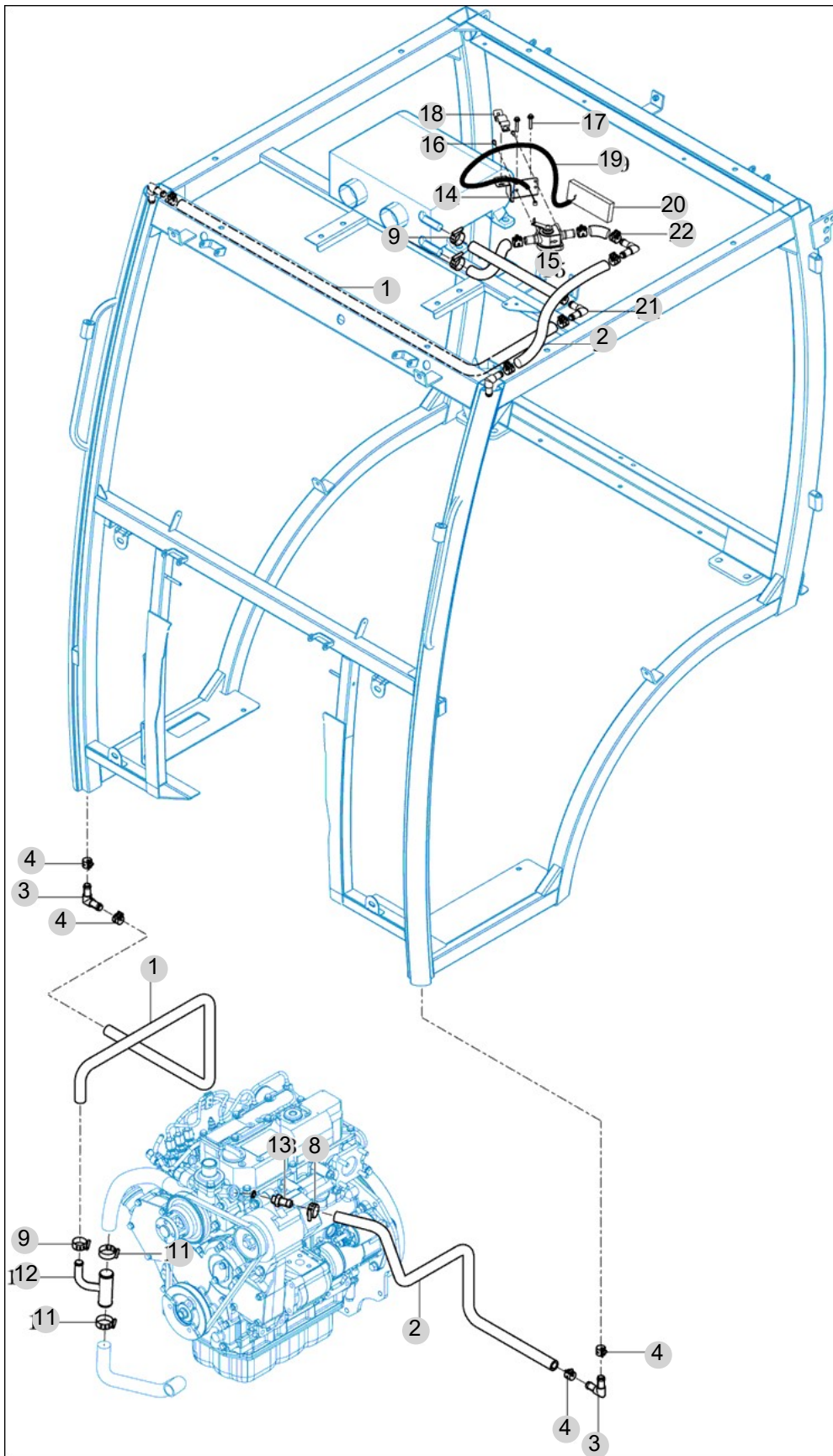
FIG 713

HEATER SUB

년/월  
Year/Month

T254NC

2022-12



NOTE



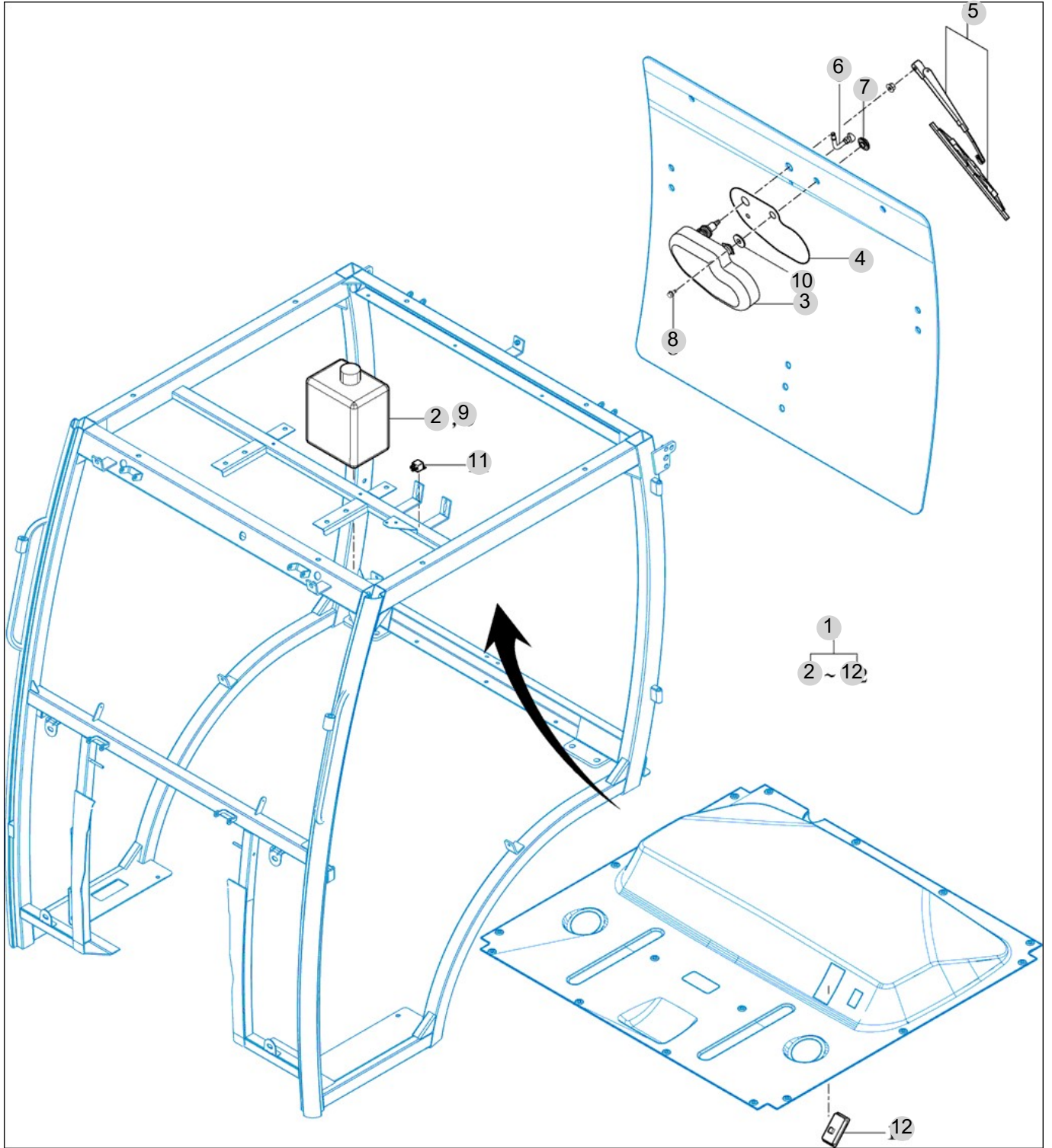
FIG 714

REAR WPER KIT(OPTION)

년/월  
Year/Month

T254NC

2022-12



NOTE





## 8. Electrical System PART NO. T8

FIG 801 BATTERY MOUNTING	171
FIG 802 INSTRUMENT PANEL	173
FIG 803 HARNESS	175
FIG 804 HARNESS	177
FIG 805 HARNESS	179

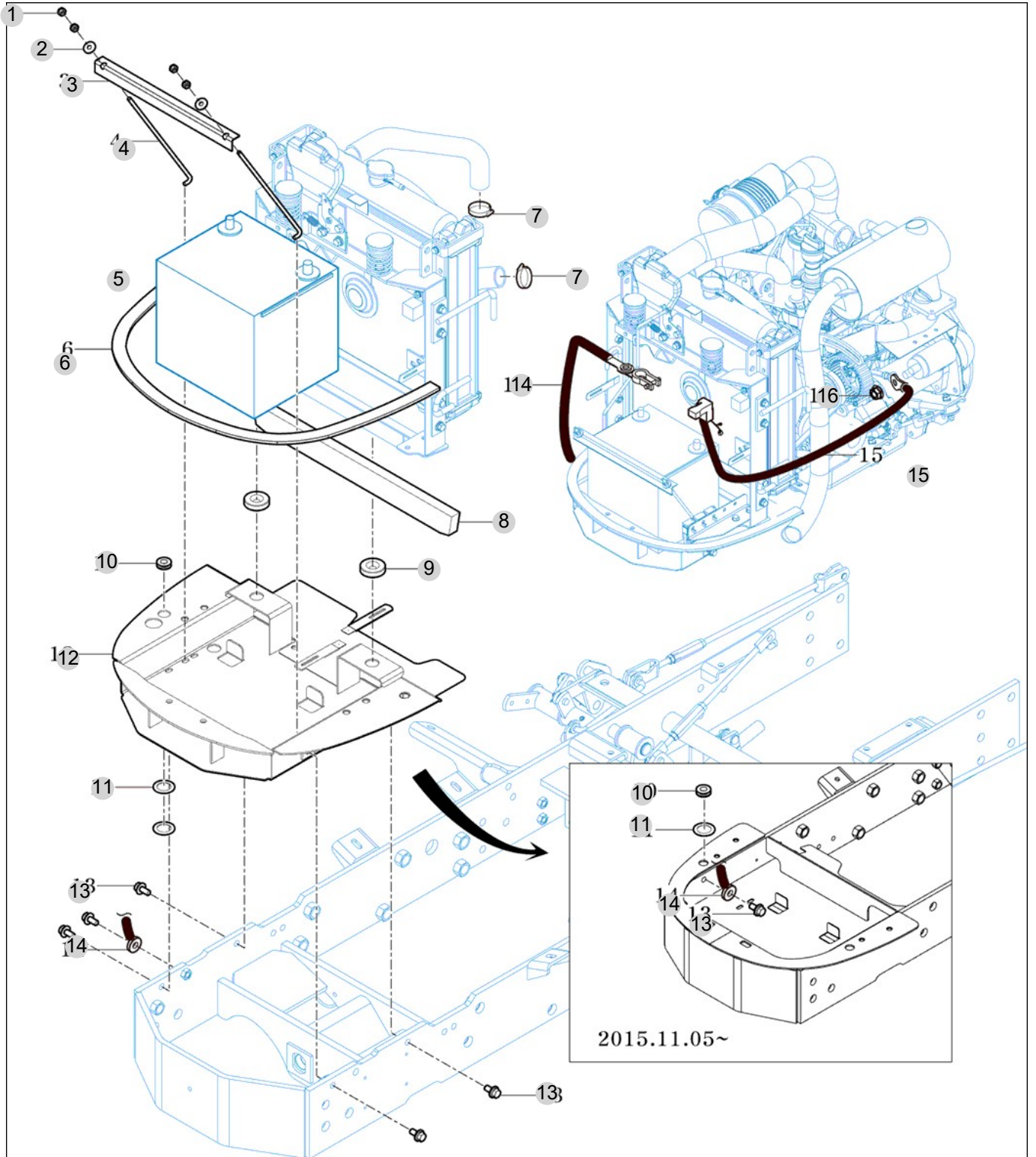
FIG 801

BATTERY MOUNTING

년/월  
Year/Month

T254NC

2022-12



NOTE



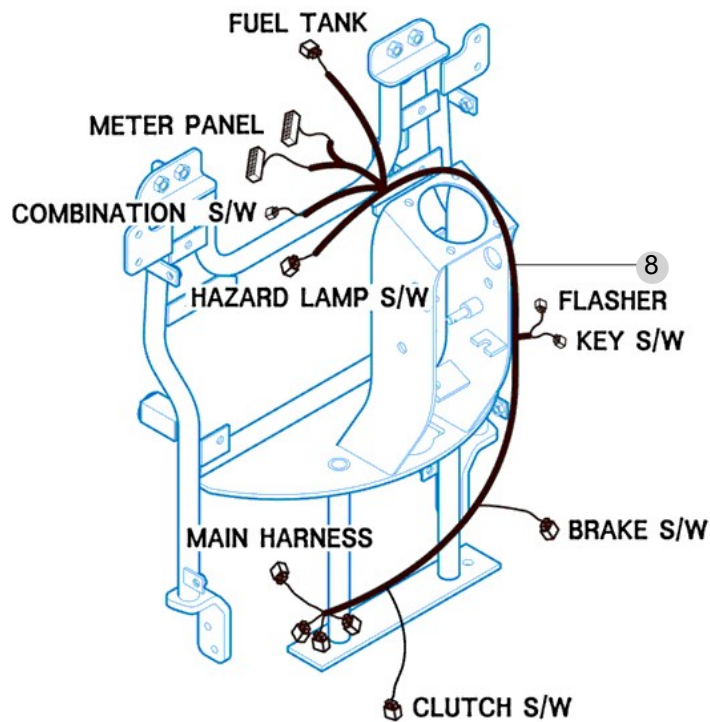
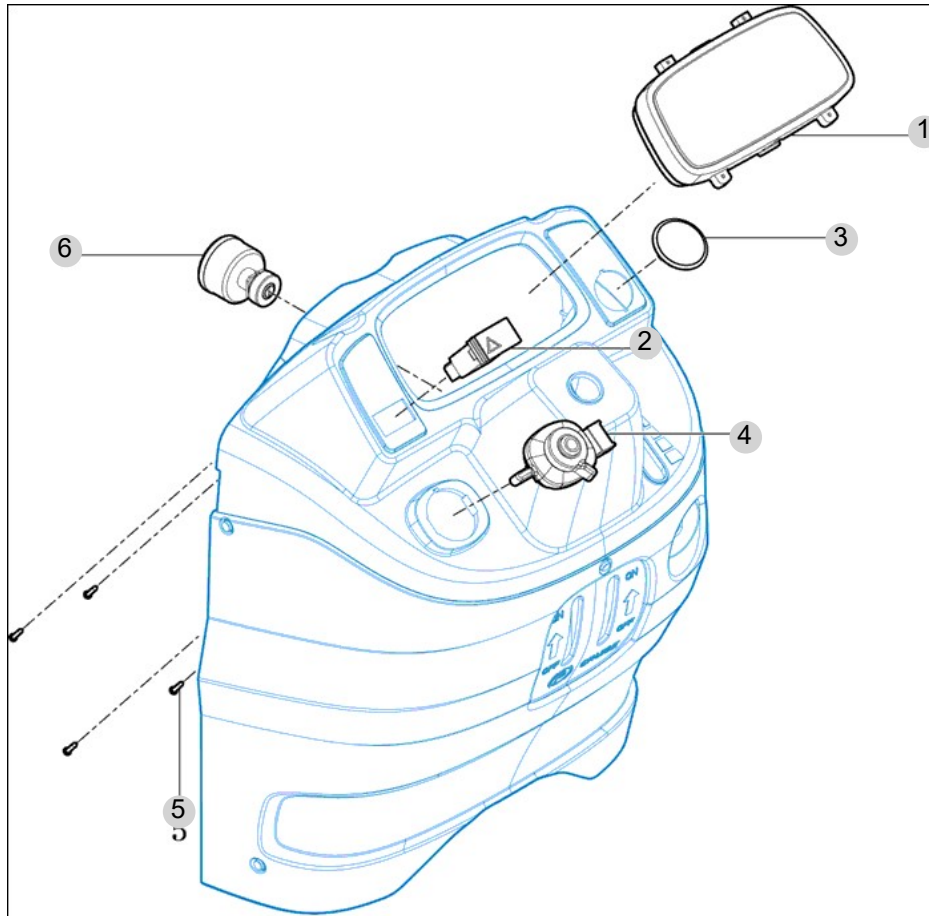
FIG 802

INSTRUMENT PANEL

년/월  
Year/Month

2022-12

T254NC



NOTE



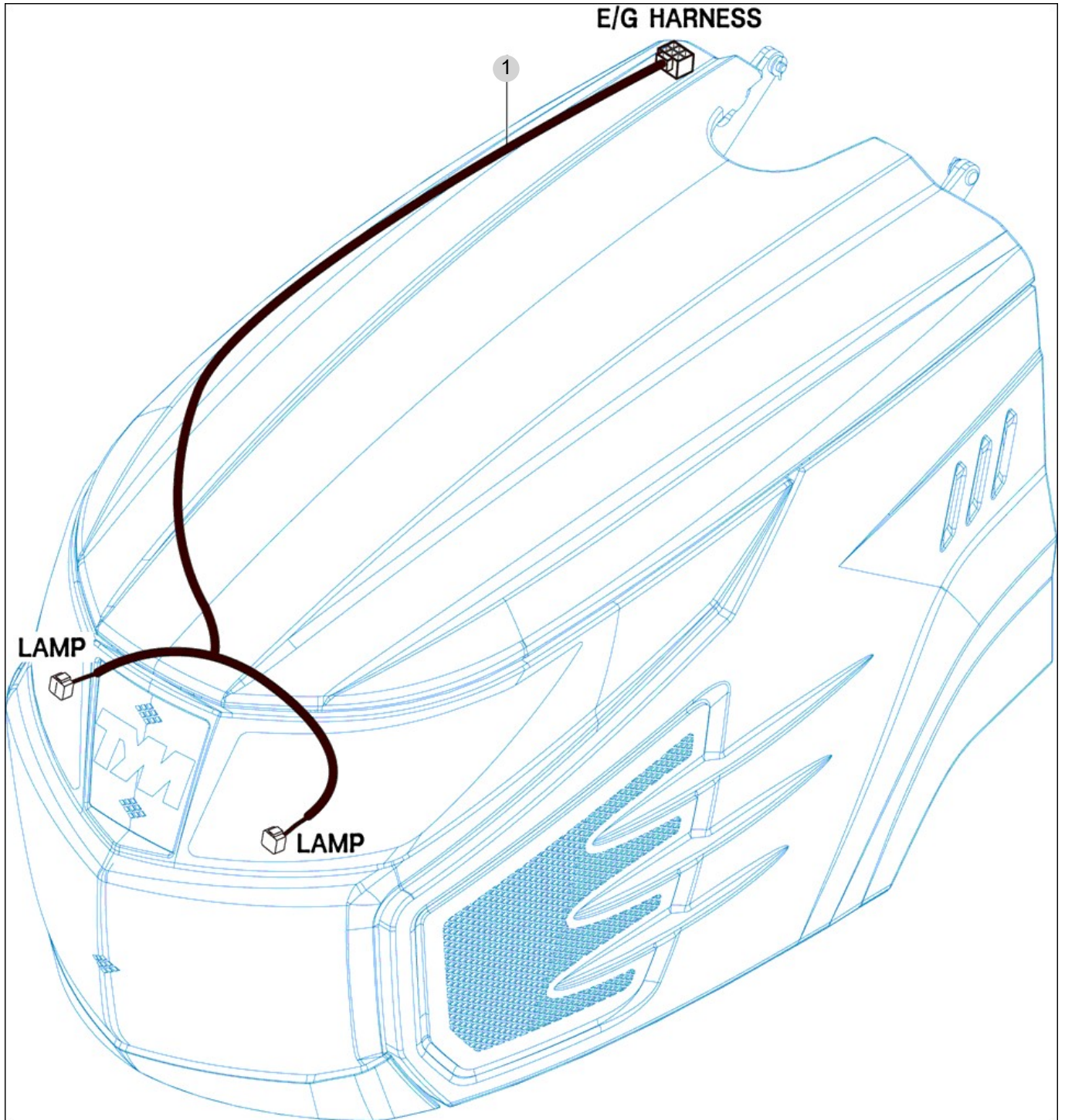
FIG 803

HARNESS

년/월  
Year/Month

T254NC

2022-12



NOTE



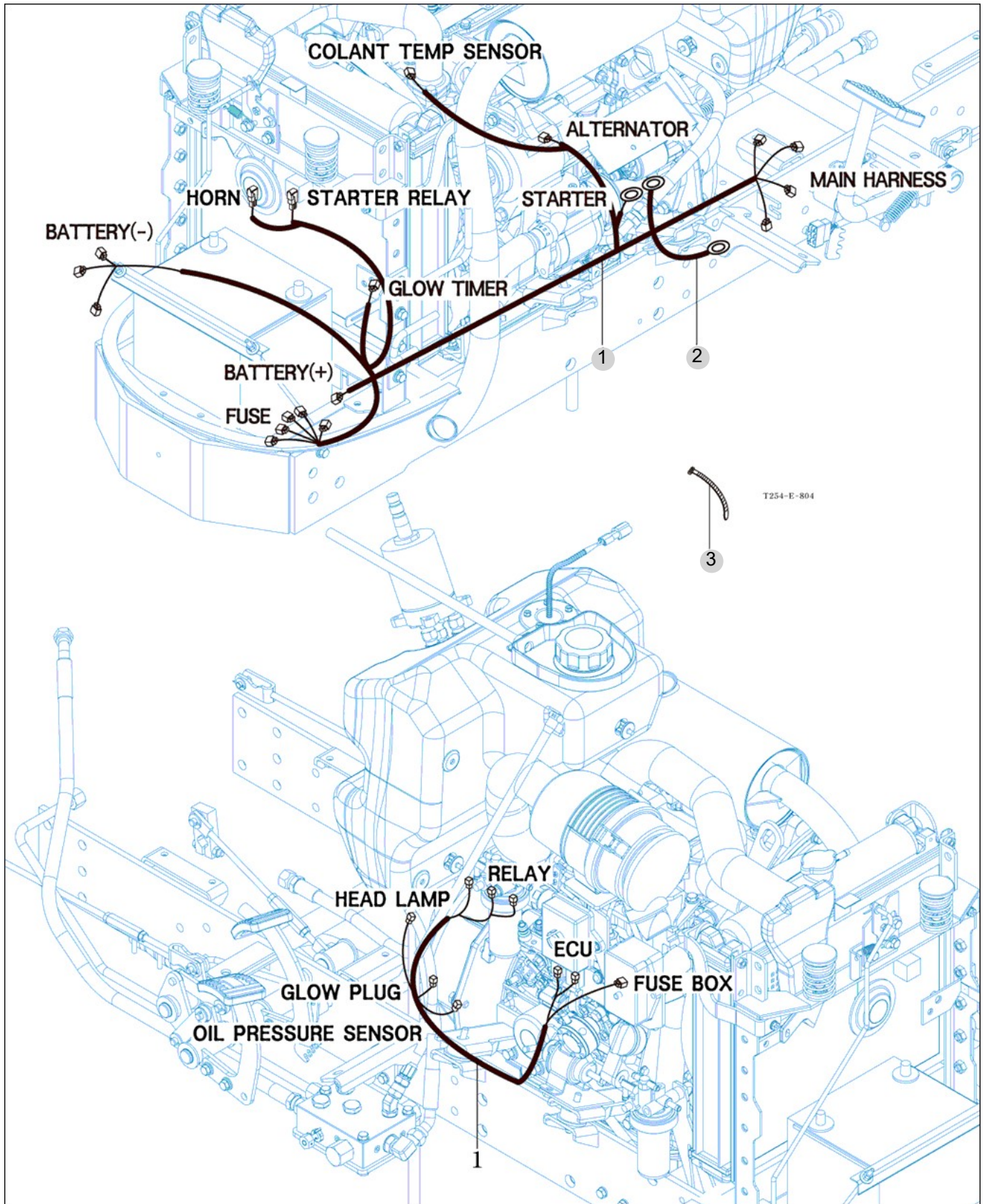
FIG 804

HARNESS

년/월  
Year/Month

2022-12

T254NC



NOTE





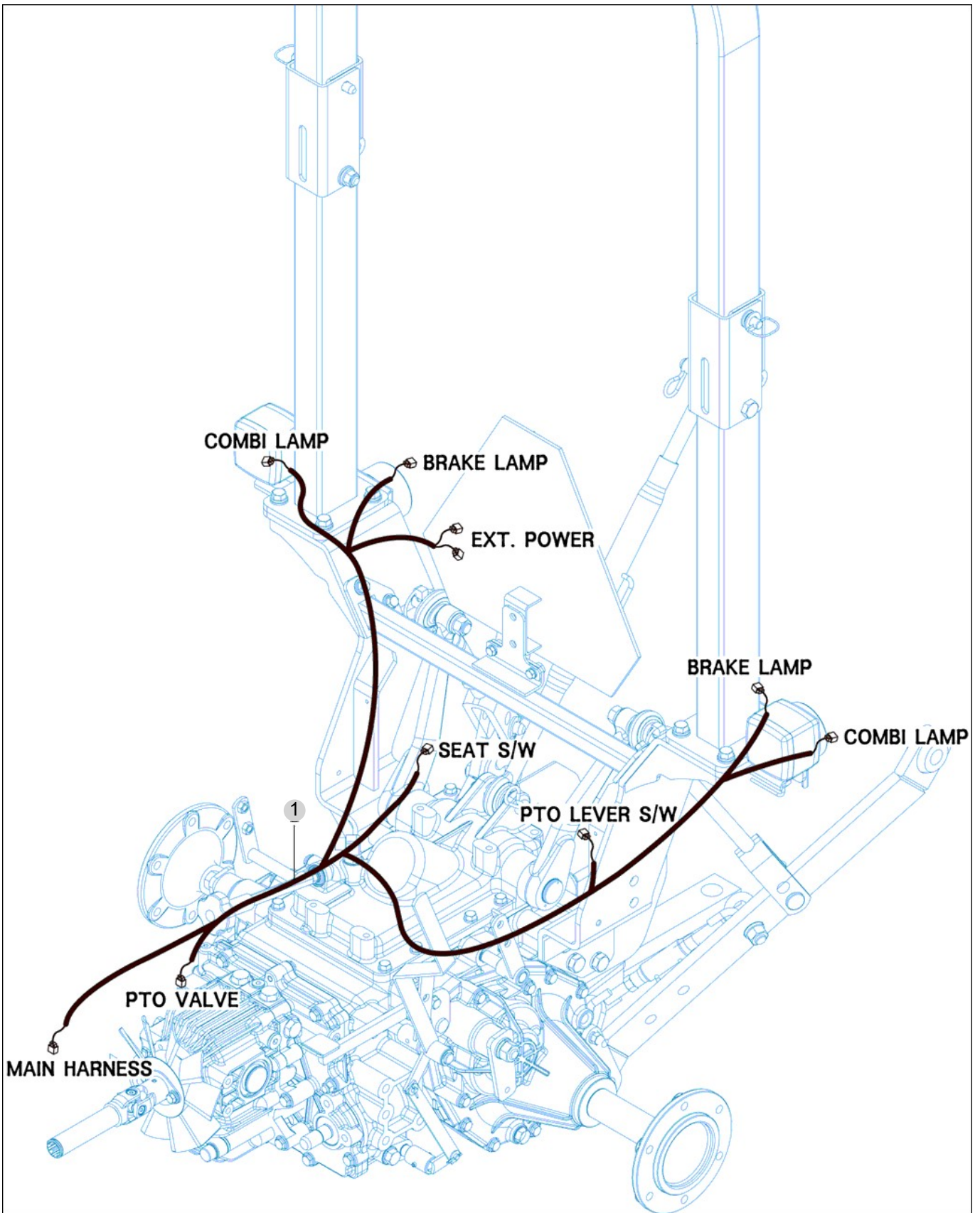
FIG 805

HARNESS

년/월  
Year/Month

T254NC

2022-12



NOTE



## 9. Label/Option PART NO. T9

FIG 901 TOOL & ACCESSORY	182
FIG 902 LABEL	184
FIG 903 LABEL	186
FIG 905 AUXILIARY VALVE KIT	188

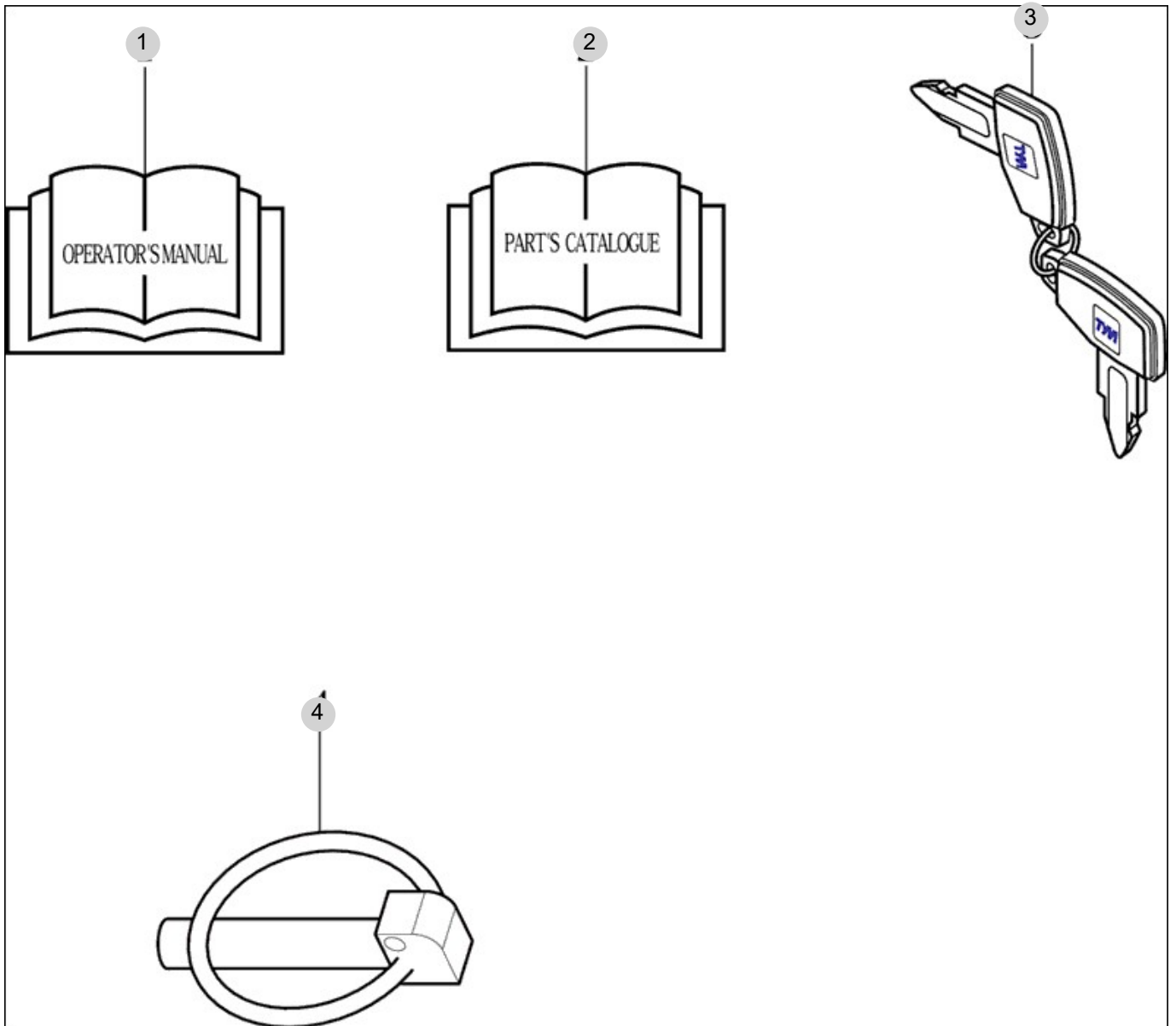
FIG 901

T254NC

TOOL & ACCESSORY

년/월  
Year/Month

2022-12



NOTE



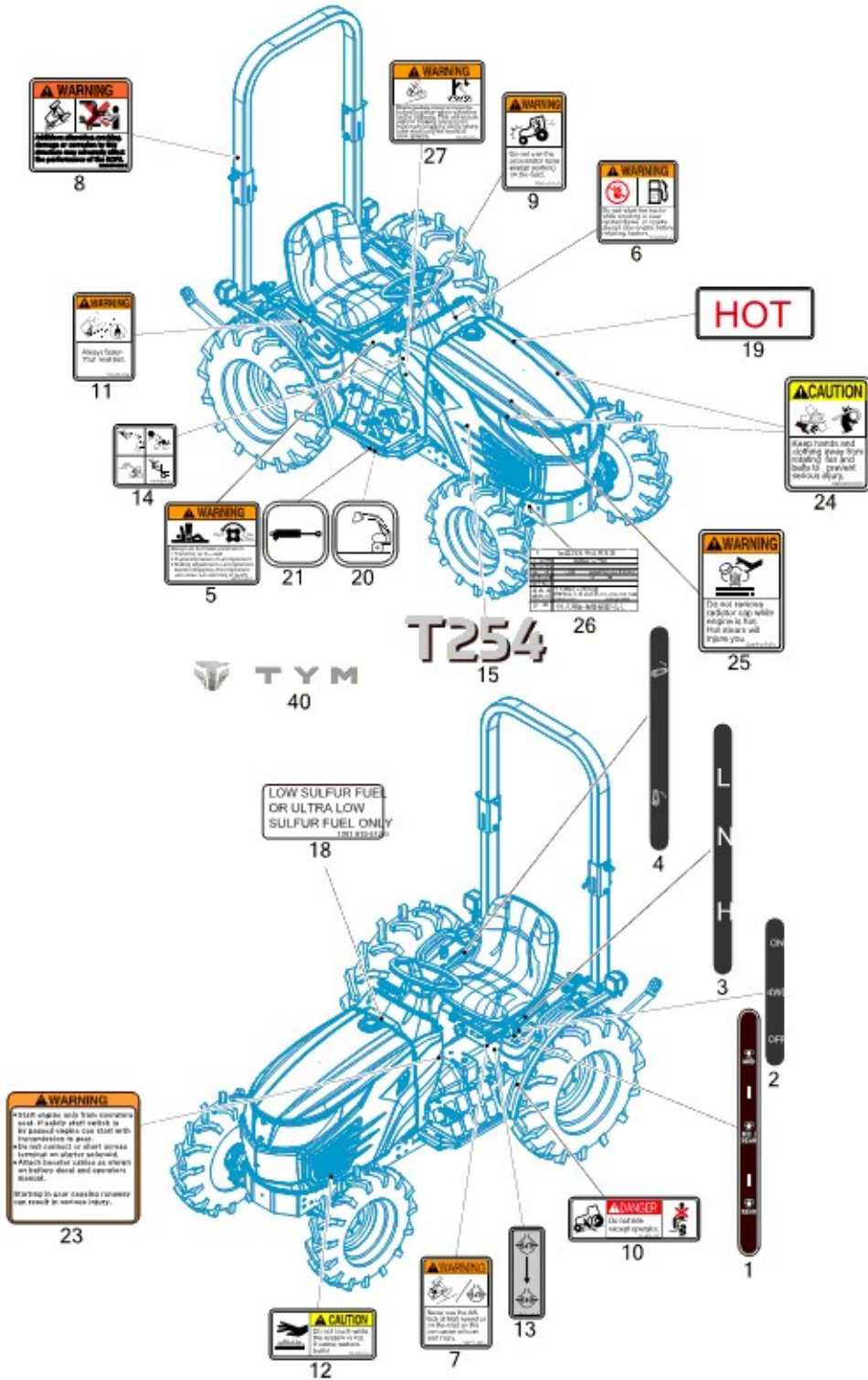
FIG 902

T254NC

LABEL

년/월  
Year/Month

2022-12



NOTE





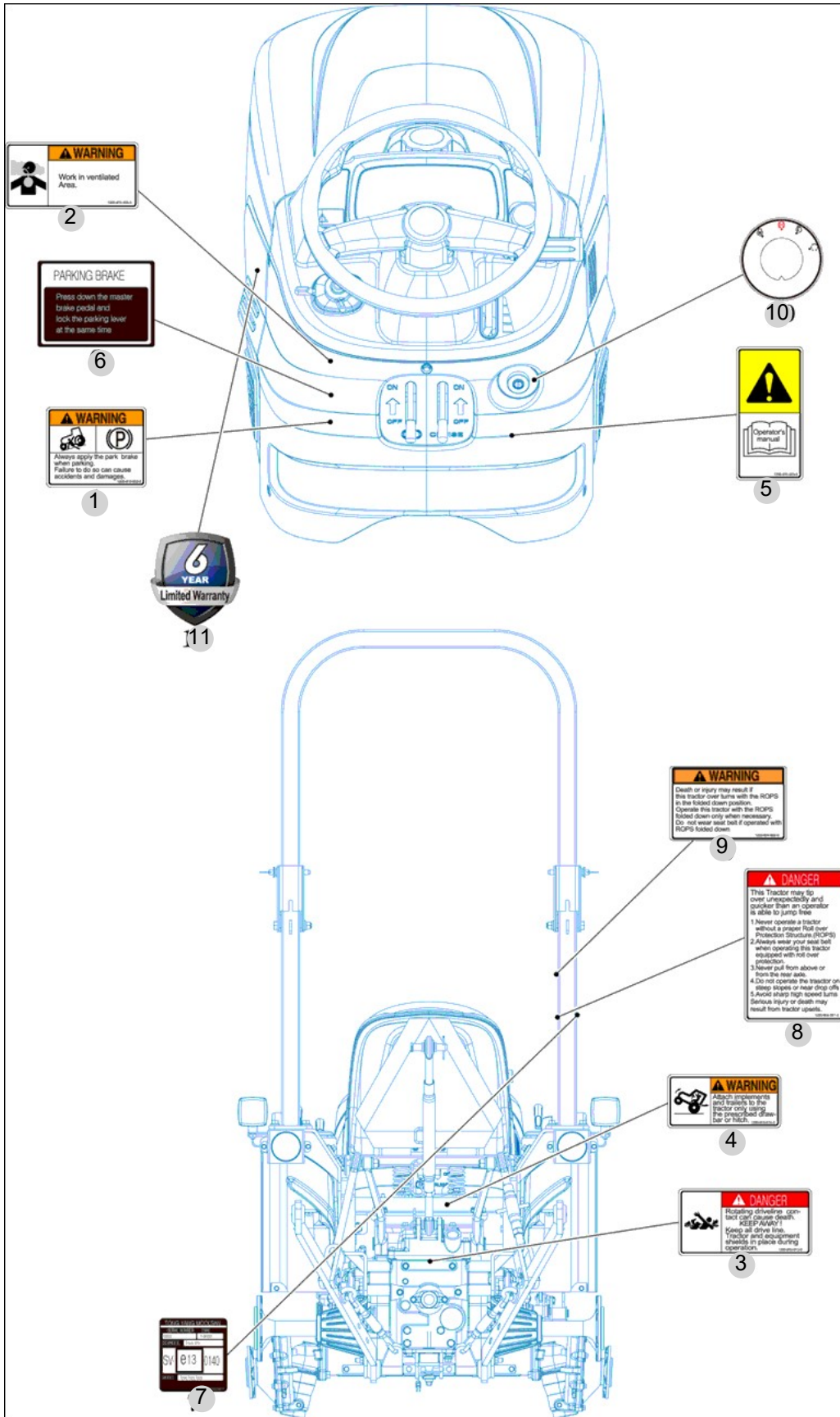
FIG 903

T254NC

LABEL

년/월  
Year/Month

2022-12



NOTE



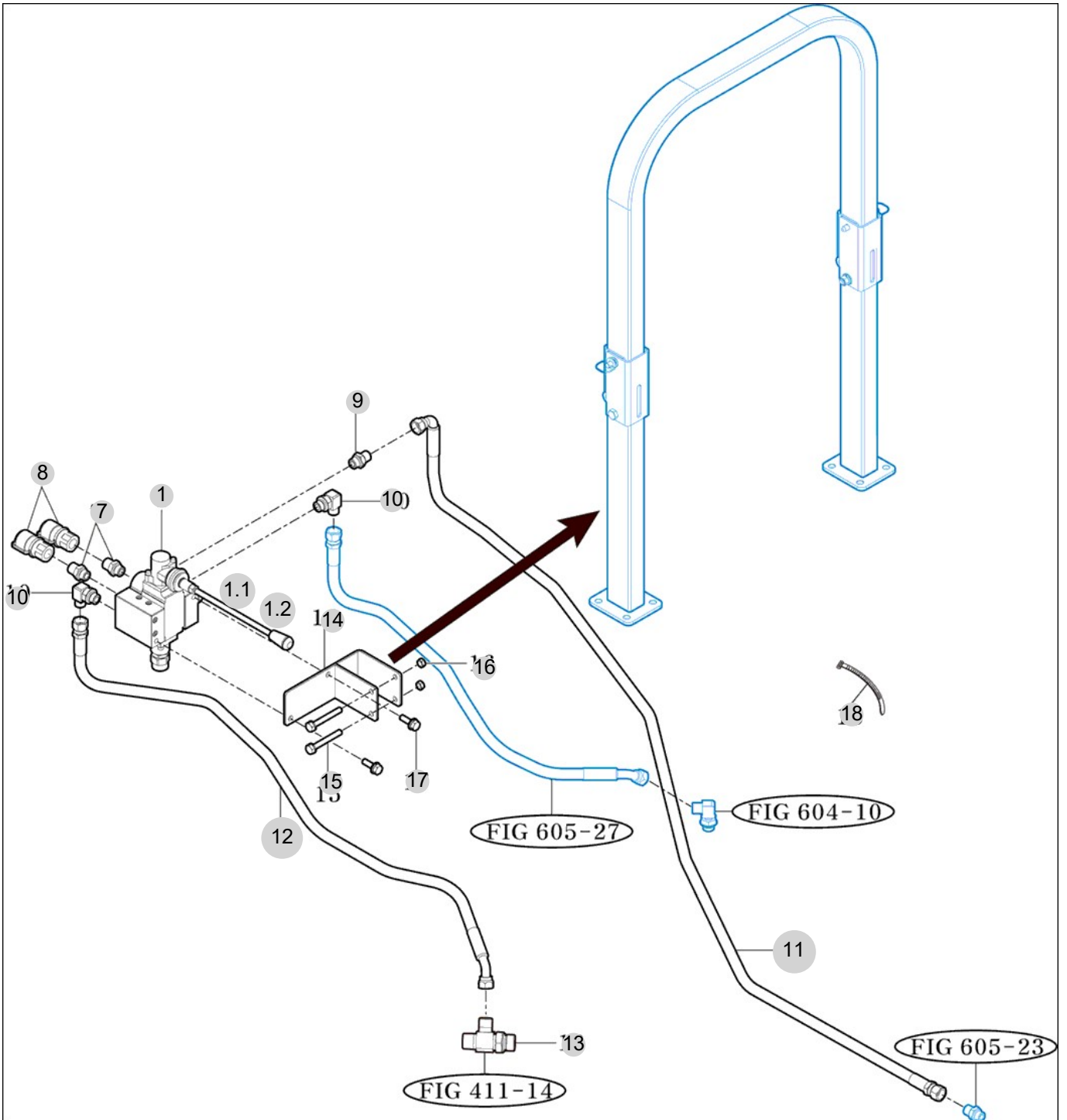
FIG 905

T254NC

AUXILIARY VALVE KIT

년/월  
Year/Month

2022-12



NOTE

