

4820C(AC02107) TRACTOR

Parts Catalogue



CONTENTS

GROUP NO	GROUP NAME	PAGE
G. ENGINE		
A01_007	CYLINDER BLOCK	6
A02_005	DRIVE PULLY	8
A03_004	CRANK SHAFT PULLEY	10
A04_005	GLOW PLUG ASS'Y OPTION	12
A05_005	CRANK SHAFT ASS'Y OPTION	14
A06_004	BREATHER OPTION	16
A07_005	CAMSHAFT	18
A08_006	ALTERNATOR	20
A09_007	COOLING WATER PUMP	22
A10_008	COOLING FAN SPACER	24
A11_007	INJECTOR	26
A12_014	FUEL INJECTON	28
A13_005	PLUMBING, FUEL	30
A14_003	FUEL FILTER BRACKET	33
A16_018	FUEL FILTER ASS'Y OPTION	35
A17_012	INTAKE MANIFOLD ASS'Y OPTION	37
A18_011	FLYWHEEL	39
A19_009	FLYWHEEL HOUSING	41
A20_010	HEAD, CYLINDER	43
A21_004	HEAD COVER	45
A23_009	TURBOCHARGER SUPPORT ASS'Y OPTION	47
A25_002	OIL JET ASS'Y OPTION	49
A26_005	COOLER, ENGINE OIL	51
A27_010	OIL PAN ASS'Y OPTION	53
A28_001	PUMP, LUBRICATING OIL	55
A29_005	FILTER, LUBRICATING OIL	57
A30_003	FRONT GEAR ACCESSORY DRIVE	59
A31_007	PISTON	61
A32_003	LEVER, LOCKER	63
A33_013	EXHAUST MANIFOLD	65
A35_002	IDLE GEAR	67
A36_004	COVER, FRONT GEAR	69
A37_001	BALANCE ASS'Y	71
A38_007	GAUGE, OIL LEVEL	73

CONTENTS

GROUP NO	GROUP NAME	PAGE
G. ENGINE		
A39_001	OIL FILLER CAP	75
A40_003	LIFT ASS'Y OPTION	77
A41_001	COMP,DRIVE PULLEY ASS'Y OPTION	79
A42_003	MOTER, STARTIONS	81
A43_001	DPF SUPPORT OPTION	83
A44_006	DPF MOUNTING OPTION	85
A45_012	DPF	87
A48_006	V-BELT	89
A50_001	COMPRESSOR BRACKET ASS'Y	91
B. ENGINE ACCESSORIES		
B01010	FUEL TANK	93
B02020	RADIATOR	95
B03010	AIR CLEANER	97
B05011	LEVER ACCELERATOR	99
C. CLUTCH, BREAK, LEVER		
C01010	CLUTCH DISC & COVER	101
C01020	CLUTCH RELEASE	103
C01030	CLUTCH PEDAL	105
C02010	BRAKE PEDAL	107
C02063	BRAKE LEVER	109
C04000	LEVER&PEDAL ASS'Y	111
C04010	SHUTTLE LEVER	113
C04031	MAIN SHIFT LEVER	115
D. HYDRAULIC		
D01010	HYD PUMP	117
D01040	HYD FILTER	119
D01041	HYDRAULIC FILTER/LINE	121
D02010	STEERING WHEEL	123
D02030	P.S.T HOSE	125
D02040	P.S.T CYLINDER	127
D03030	FRONT SCV	129
D03060	REAR SCV LEVER	131
E. FRONT AXLE		
E01010	FRONT AXLE CASE	133

CONTENTS

GROUP NO	GROUP NAME	PAGE
E. FRONT AXLE		
E01013	FRONT AXLE CASE/SPACER	135
E01020	SHAFT COVER	137
E01030	GEAR CASE, FRONT AXLE	139
E01071	FRONT 1ST SHAFT	141
E01080	TIE ROD	143
F. TRANSMISSION		
F01010	CLUTCH HOUSING	145
F01020	TRANSMISSION CASE	147
F01030	REAR AXLE HOUSING	150
F01040	REAR AXLE CASE	152
F01060	PTO COVER	154
F02060	REVERSE IDLE SHAFT	156
F03010	MAIN SHIFT SHAFT	158
F03020	MAIN SHIFT DRIVEN SHAFT	160
F03040	RANGE SHIFT DRIVE SHAFT	162
F03050	RANGE SHIFT DRIVEN SHAFT	164
F04010	FRONT WHEEL DRIVE SHAFT	166
F04030	FRONT WHEEL DRIVE IDLE SHAFT	168
F05020	REAR DIFFERENTIAL	170
F06030	BRAKE	173
F06031	SUPPORT, BRAKE	175
F06033	BRAKE LINK	177
F07000	GEAR,IND PTO SPEED CHANGE	179
F07030	PTO DRIVE SHAFT	182
F07050	PTO VALVE	184
F07070	PTO SHAFT	186
F08022	RANGE SHIFT FORK	188
F10010	HYD CYLINDER CASE	190
F10020	LIFT ARM	192
F10030	SAFTY VALVE	194
F10040	STOP VALVE	196
F10064	POSITION CONTROL LEVER	198
F10072	POSITION SHAFT	200
F10100	BRACKET, TOP LINK	202

CONTENTS

GROUP NO	GROUP NAME	PAGE
F. TRANSMISSION		
F10120	REAR SCV	204
F11020	RANGE SHIFT LEVER	207
F11030	PTO SHIFT GEAR LEVER	209
F11060	DIFF. LOCK PEDAL	211
F11080	4WD LEVER	213
G. SHEET METAL, CABIN		
G01020	BONNET	215
G01040	LATCHING DEVICE, BONNET	217
G01060	FIXED BRACKET, BONNET	219
G01080	BRACKET, FRONT ALXE	221
G02010	CABIN FREAM	223
G02011	PILLAR COVER	225
G02020	DASH BOARD	227
G02030	SIDE-VIEW MIRROR	229
G02050	DOOR	231
G02071	FRONT WINDOWS	233
G02072	REAR WINDOWS	235
G02131	ROOF/OUTER	237
G02132	ROOF/INNER	239
G02140	DRIVER'S SEAT	241
G02150	FLOOR MAT	243
G02181	FENDER COVER/LH	245
G02182	FENDER COVER/RH	247
G02190	FENDER ASS'Y	249
G03010	AIR CONDITIONER	251
G03020	A/C DUCT	253
G03091	COMPRESSOR	255
G03092	TENSION PULLY	257
G05020	TOP LINK	259
G05030	LOWER LINK	261
G05050	LIFT LINK	263
G05070	DRAWBAR	265
G05090	PTO COVER	267
H. ELECTRICALS, HARNESS		

CONTENTS

GROUP NO	GROUP NAME	PAGE
H. ELECTRICALS, HARNESS		
H01030	BATTERY	269
H02022	COMBINATION LAMP/RR	271
H03041	MISSION HARNESS	273
H03050	CABIN HARNESS	275
H04030	INSTRUMENT PANEL	277
H04050	SWITCH	279
H04090	HORN	281
H05040	WASHER TANK	283
I. WEIGHT, TOOLS, TIRE		
I03031	LABEL, CABIN/LH	285
I03032	LABEL, CABIN/RH	287

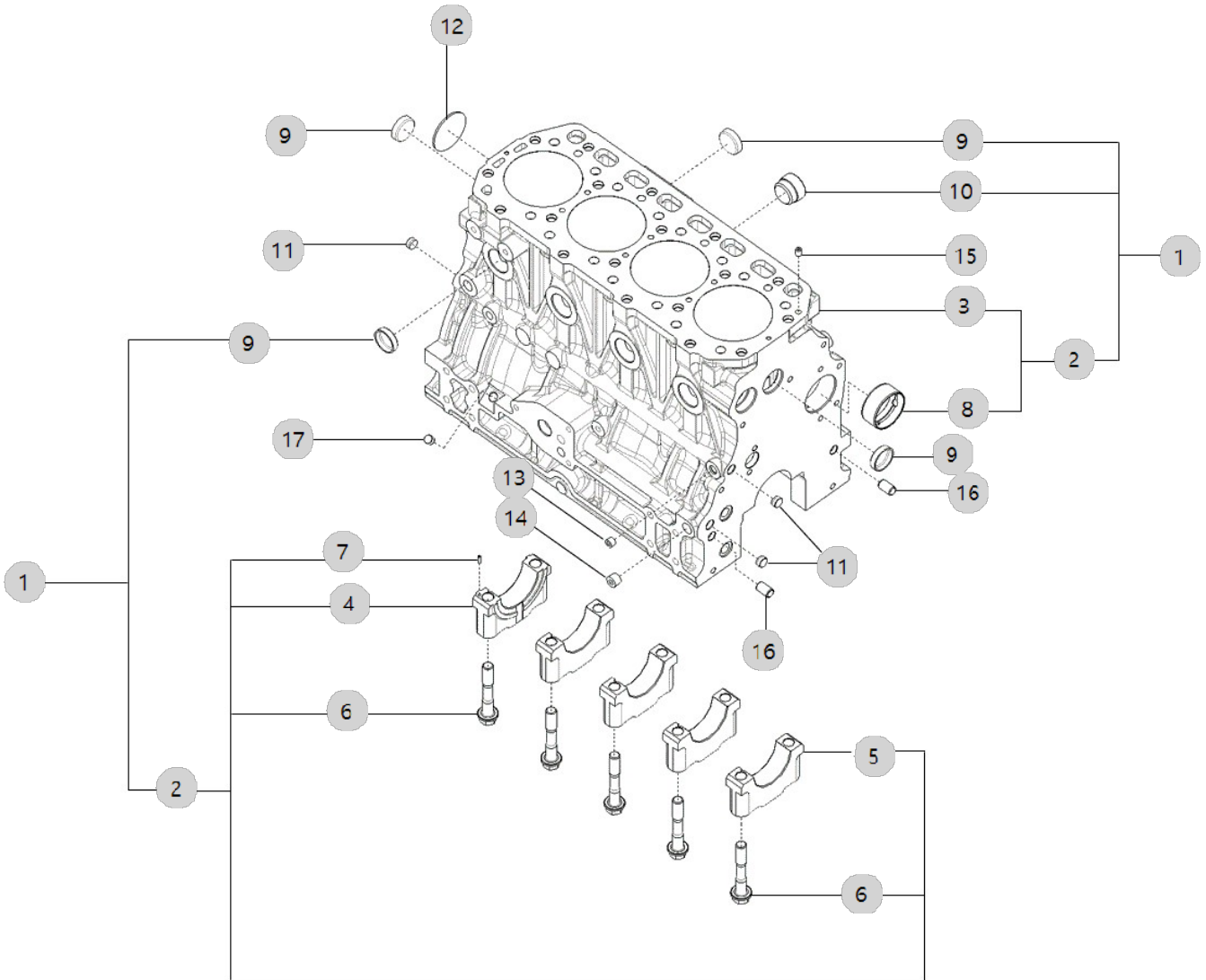
A01_007

A2300N3-UTC_4
(AB00246)

CYLINDER BLOCK

Year/Month

2022-12-15



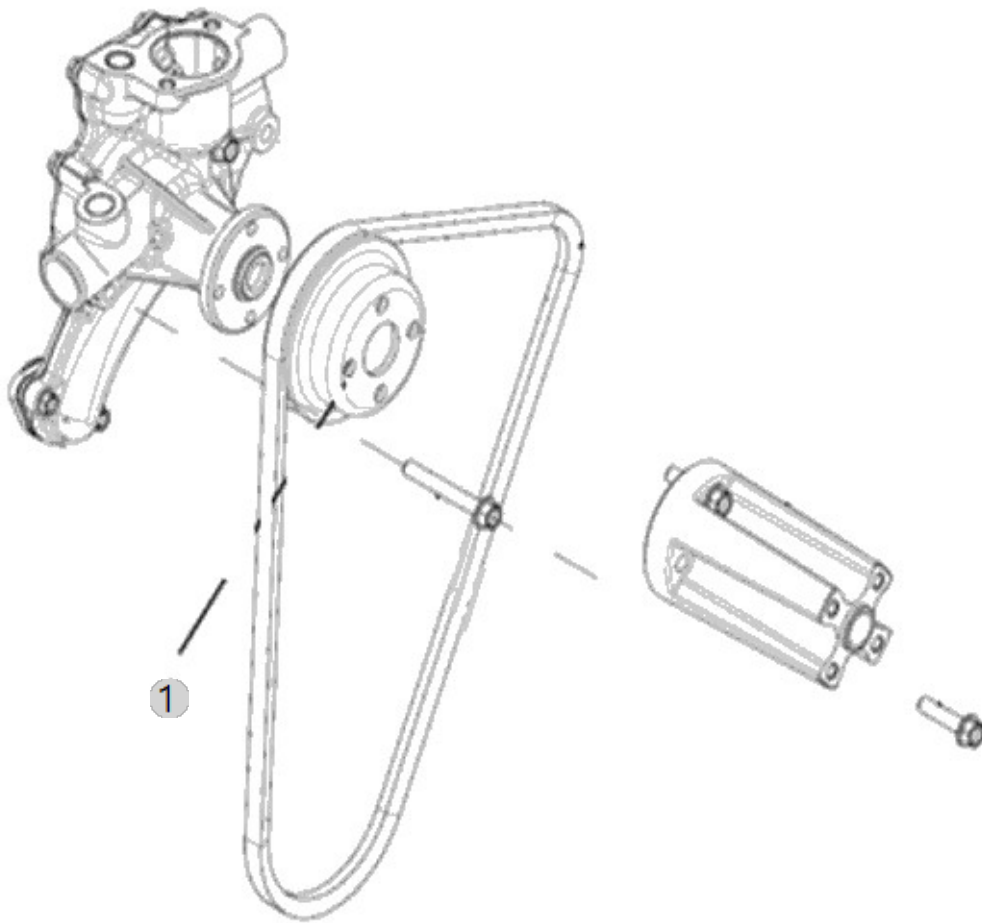
A02_005

A2300N3-UTC_4
(AB00246)

DRIVE PULLY

Year/Month

2022-12-15



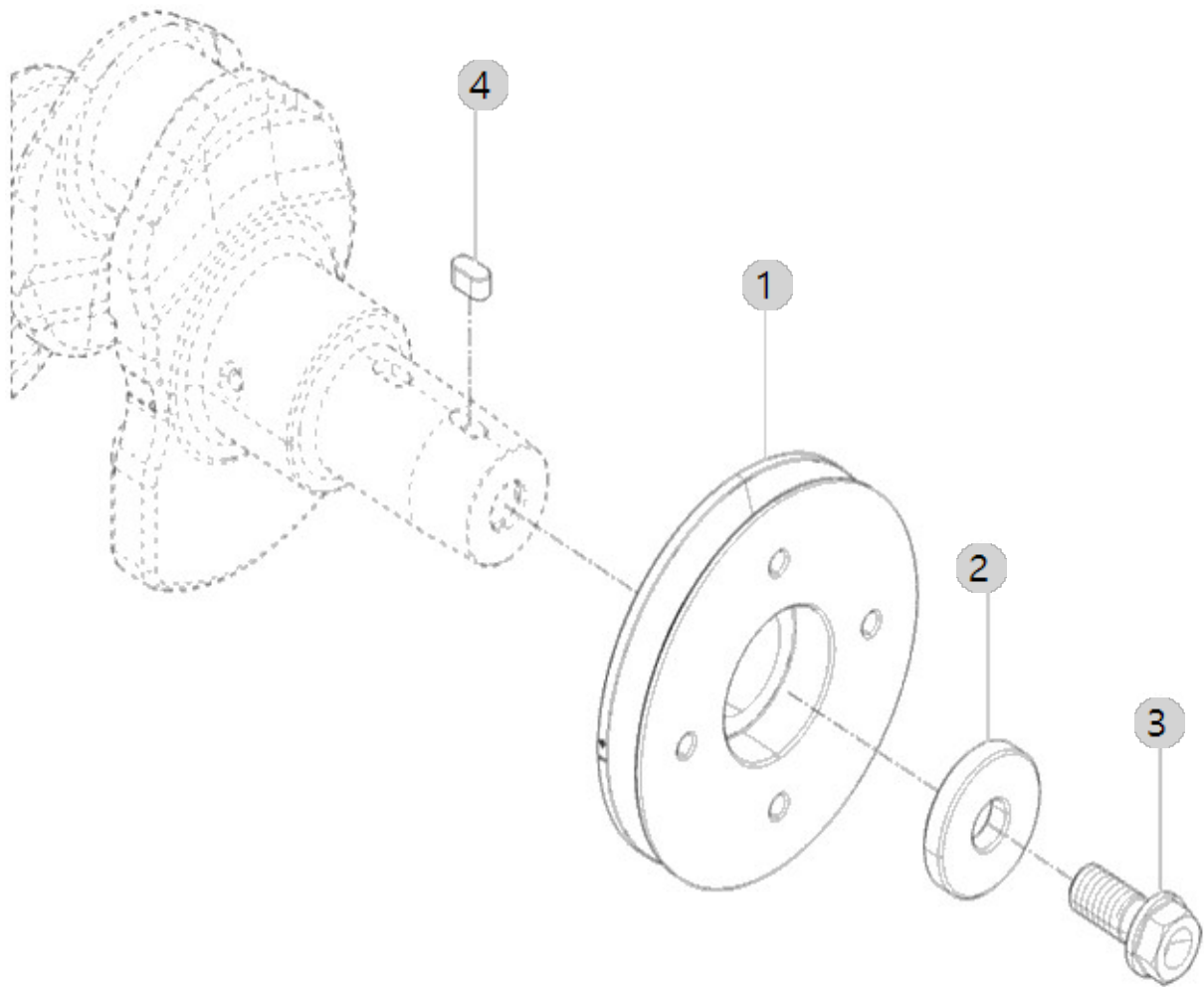
A03_004

A2300N3-UTC_4
(AB00246)

CRANK SHAFT PULLEY

Year/Month

2022-12-15



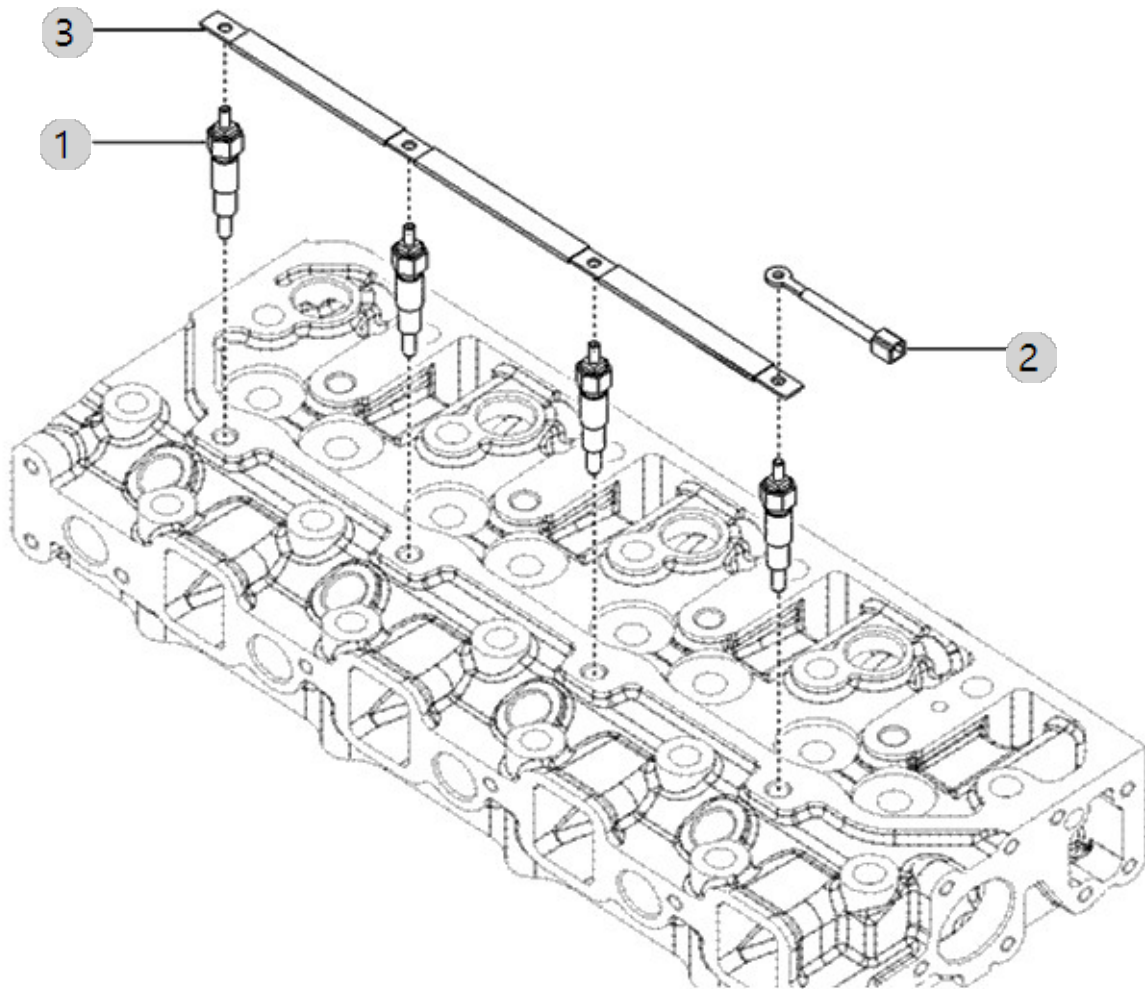
A04_005

A2300N3-UTC_4
(AB00246)

GLOW PLUG ASS'Y OPTION

Year/Month

2022-12-15



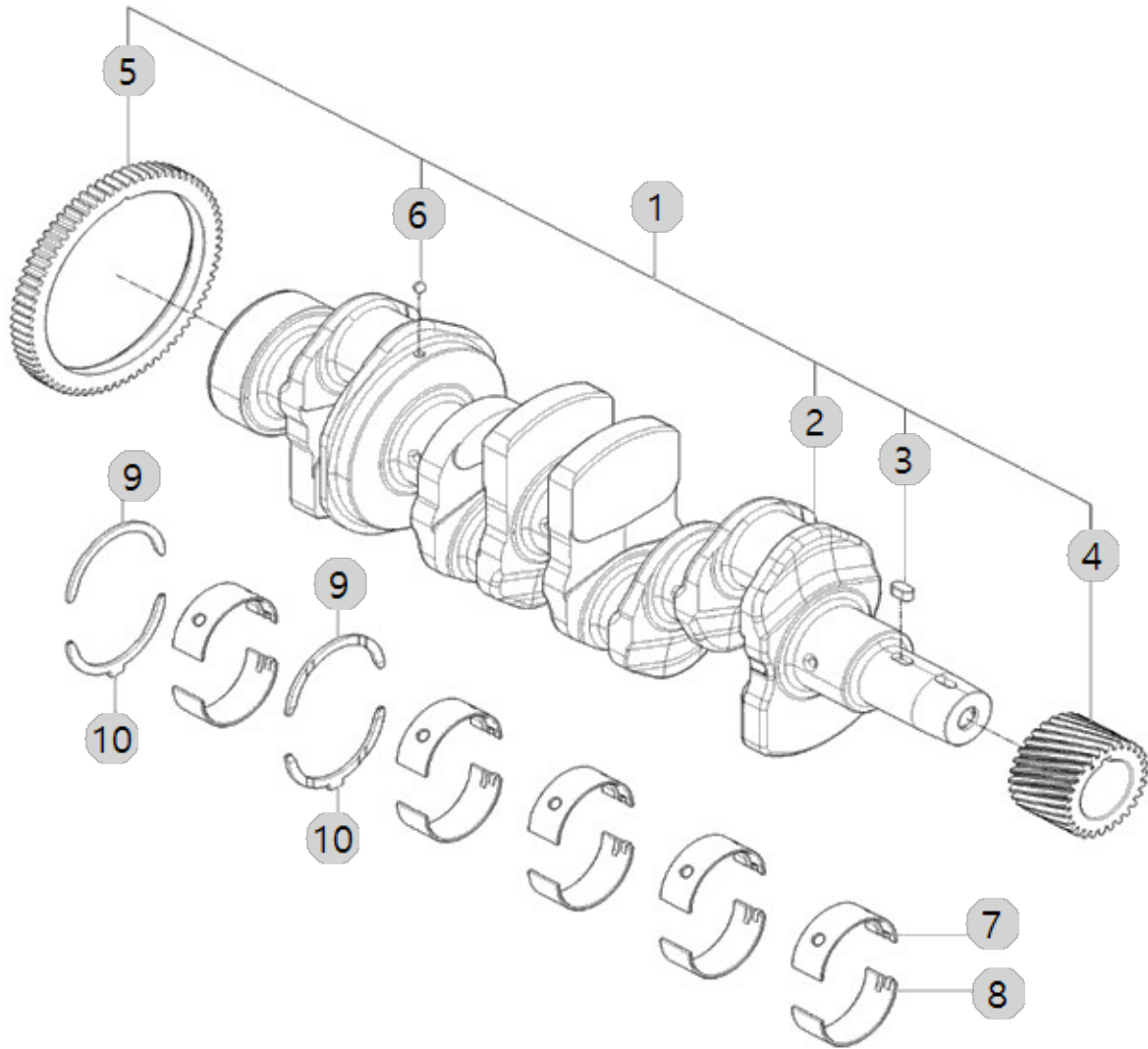
A05_005

A2300N3-UTC_4
(AB00246)

CRANK SHAFT ASS'Y OPTION

Year/Month

2022-12-15



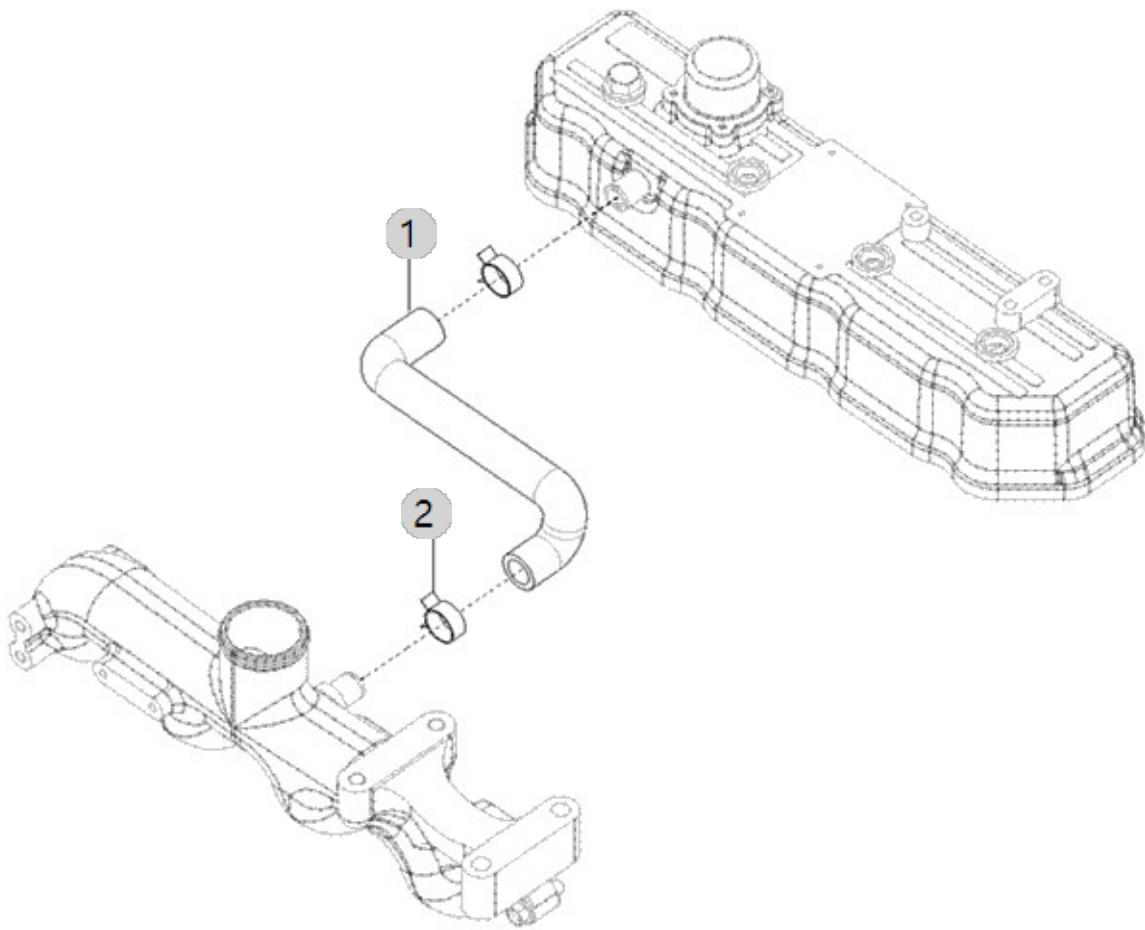
A06_004

A2300N3-UTC_4
(AB00246)

BREATHER OPTION

Year/Month

2022-12-15



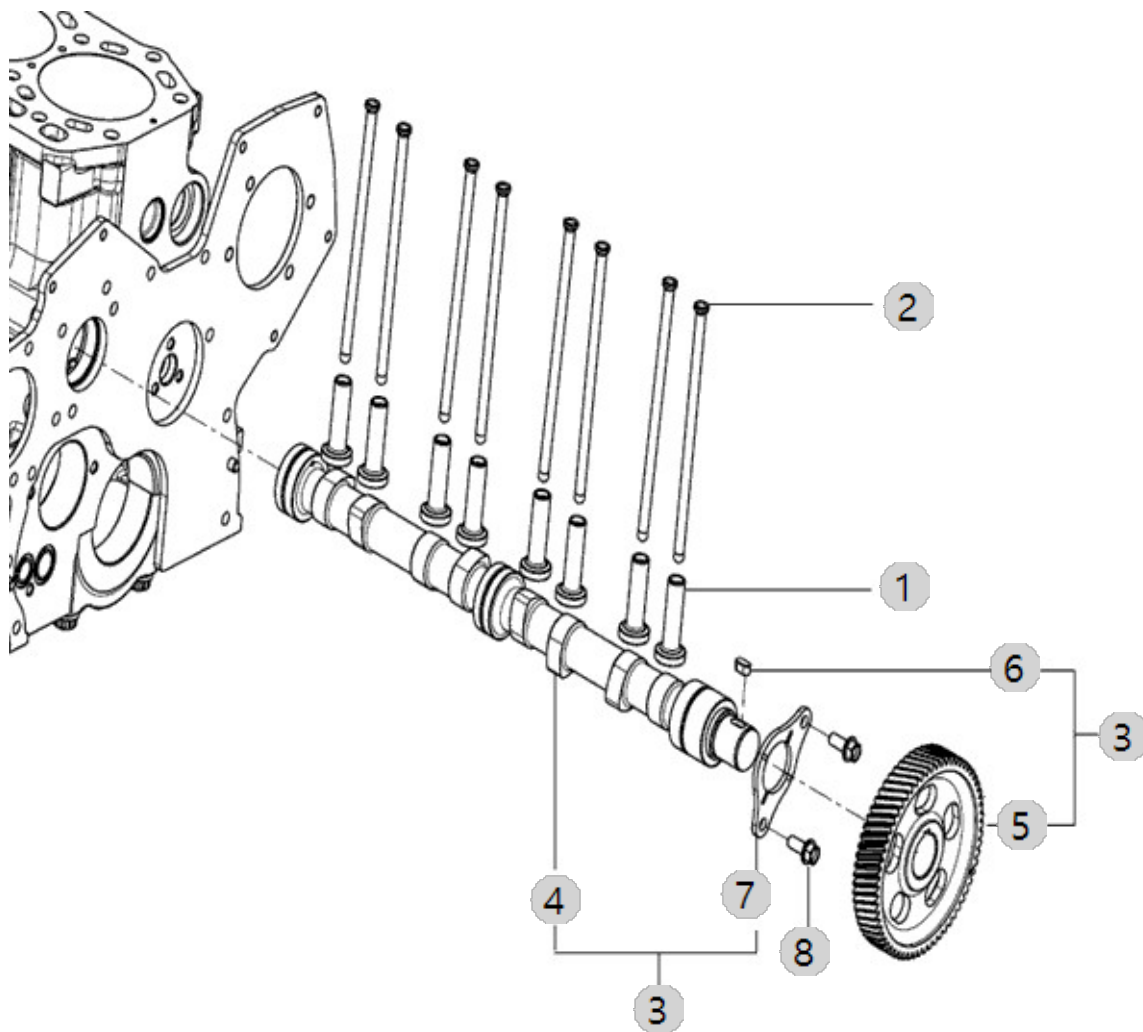
A07_005

A2300N3-UTC_4
(AB00246)

CAMSHAFT

Year/Month

2022-12-15



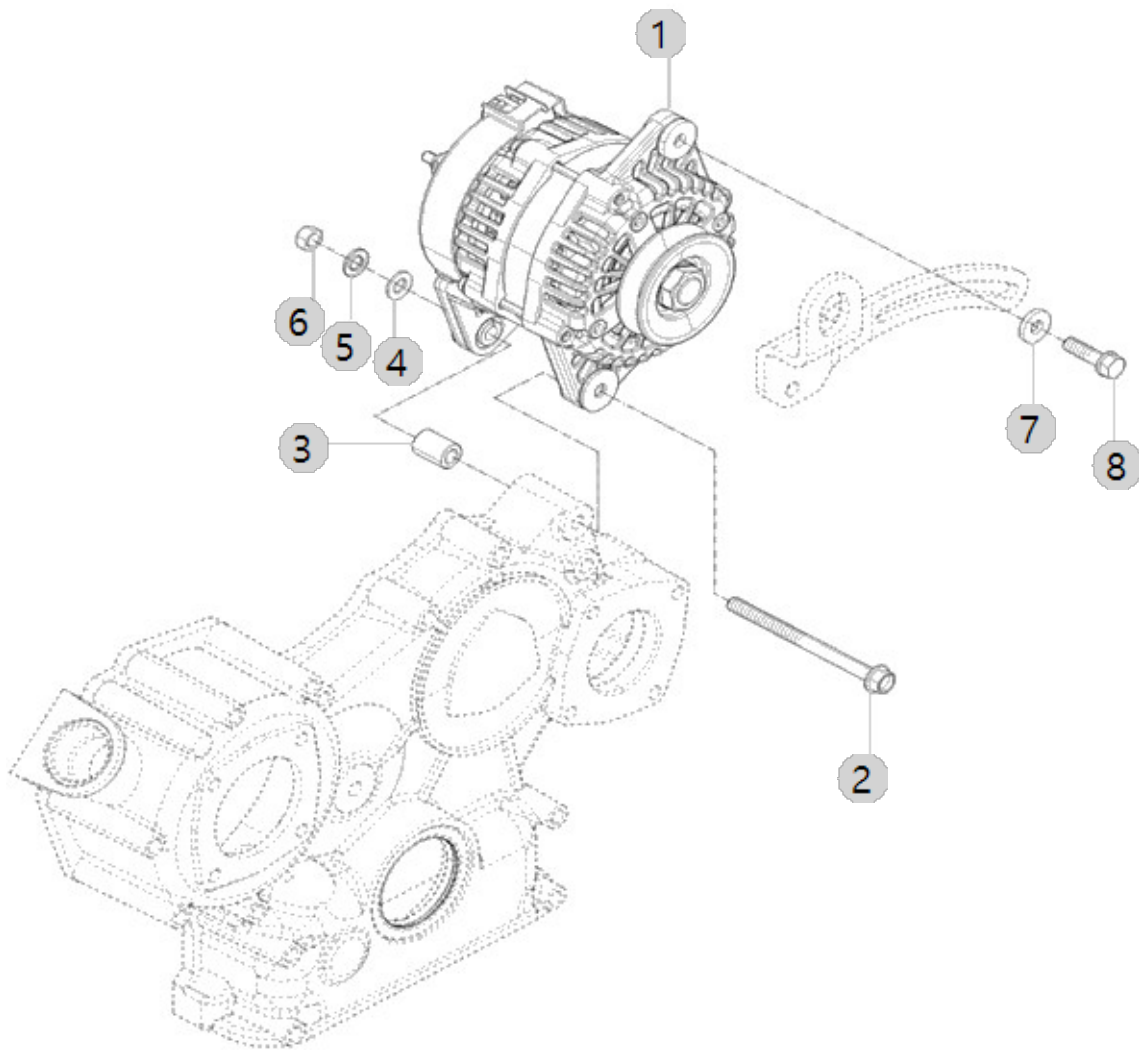
A08_006

A2300N3-UTC_4
(AB00246)

ALTERNATOR

Year/Month

2022-12-15



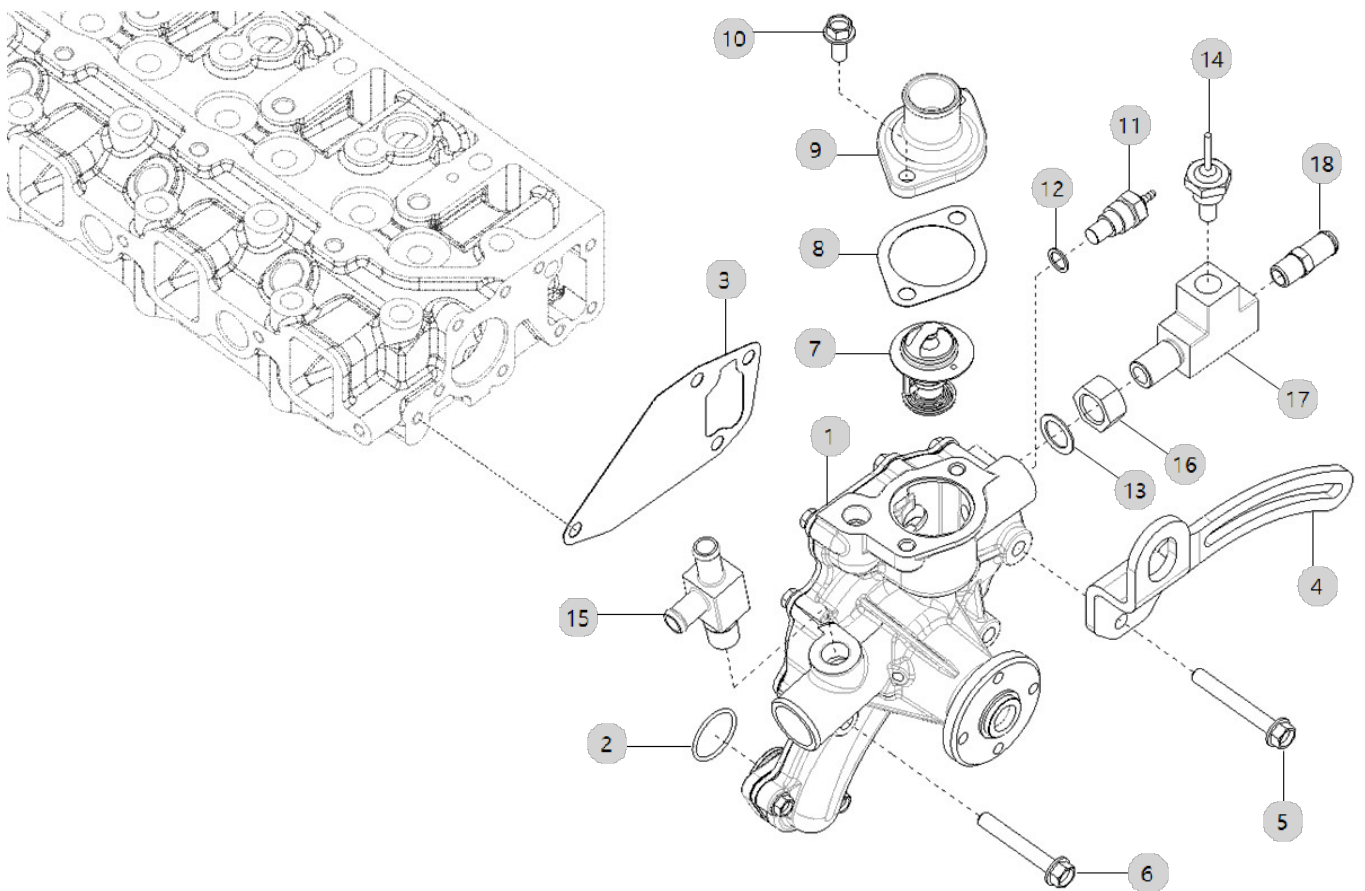
A09_007

A2300N3-UTC_4
(AB00246)

COOLING WATER PUMP

Year/Month

2022-12-15



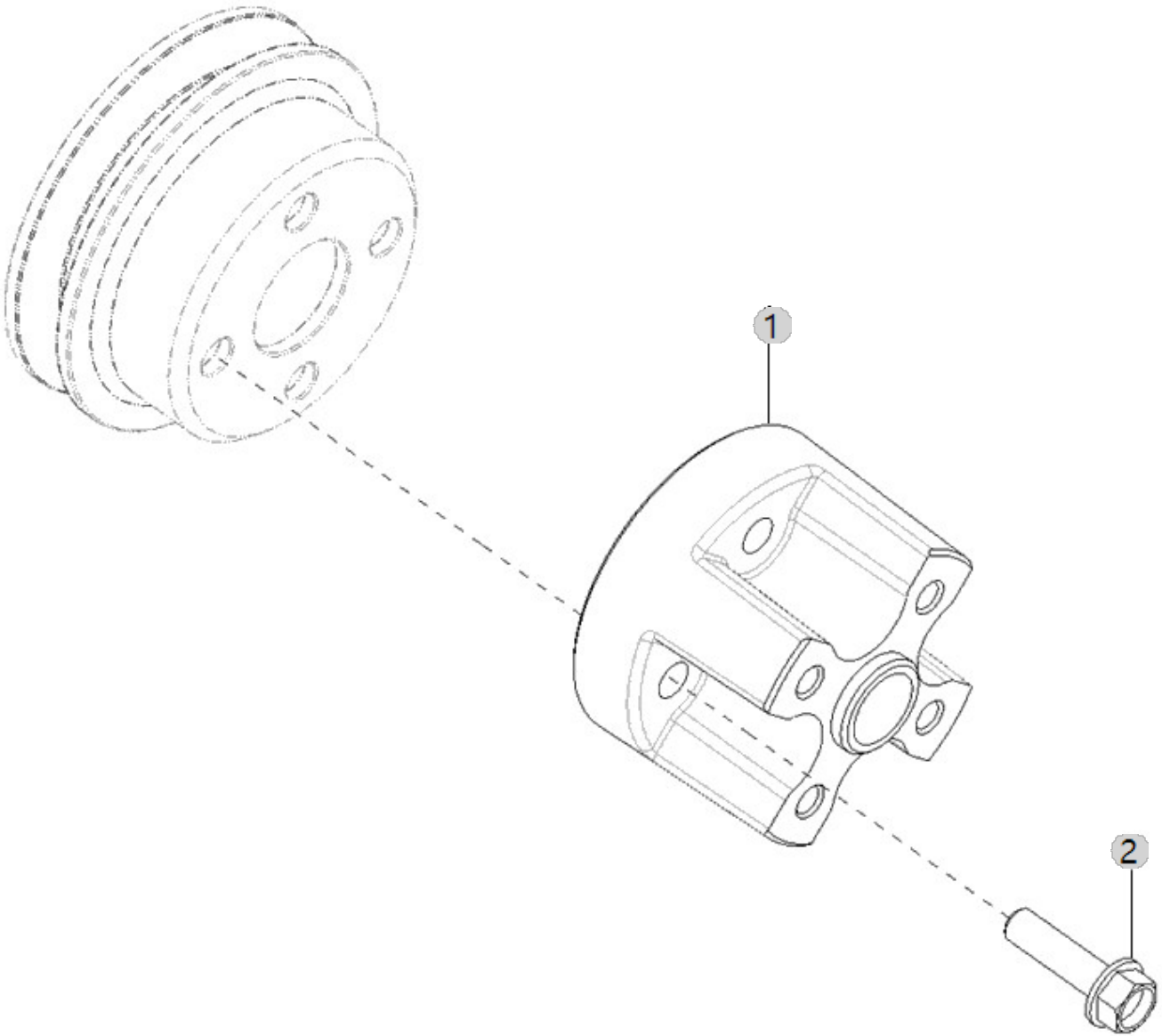
A10_008

A2300N3-UTC_4
(AB00246)

COOLING FAN SPACER

Year/Month

2022-12-15



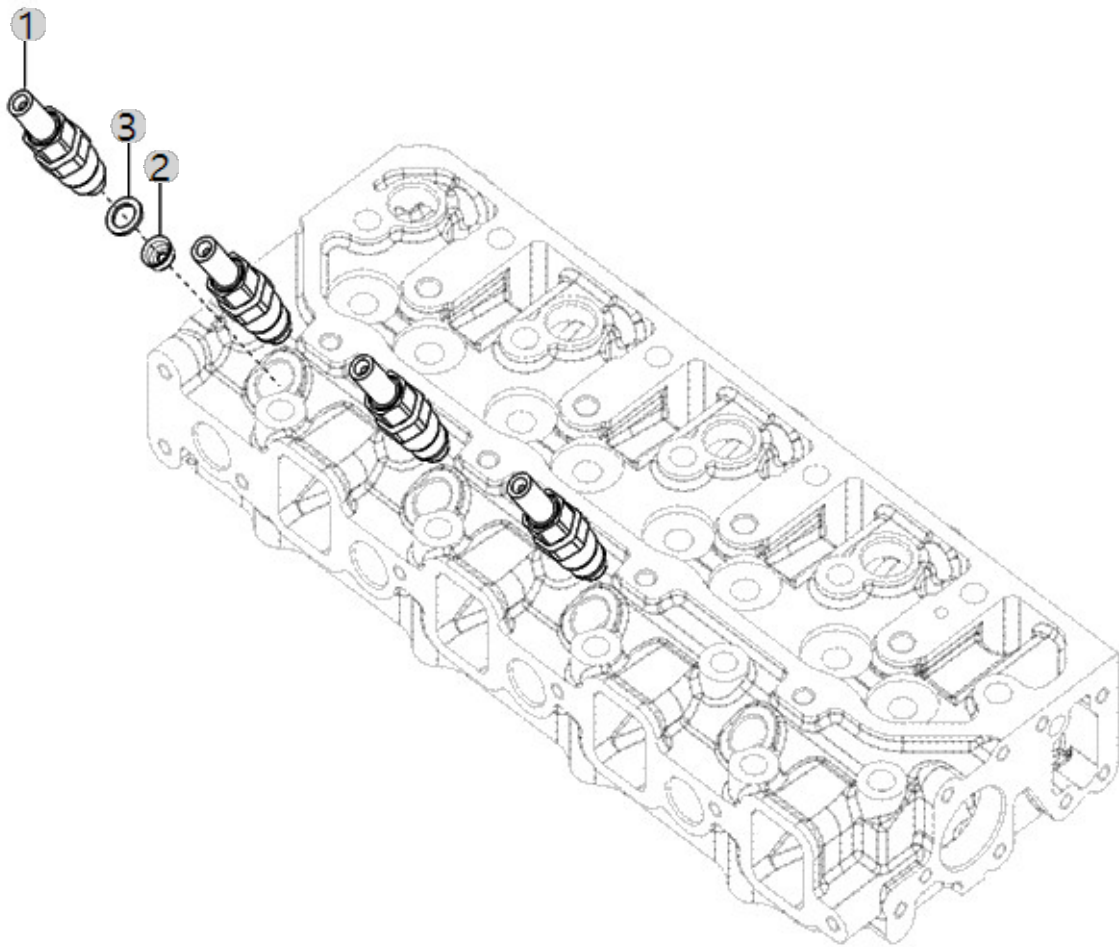
A11_007

A2300N3-UTC_4
(AB00246)

INJECTOR

Year/Month

2022-12-15



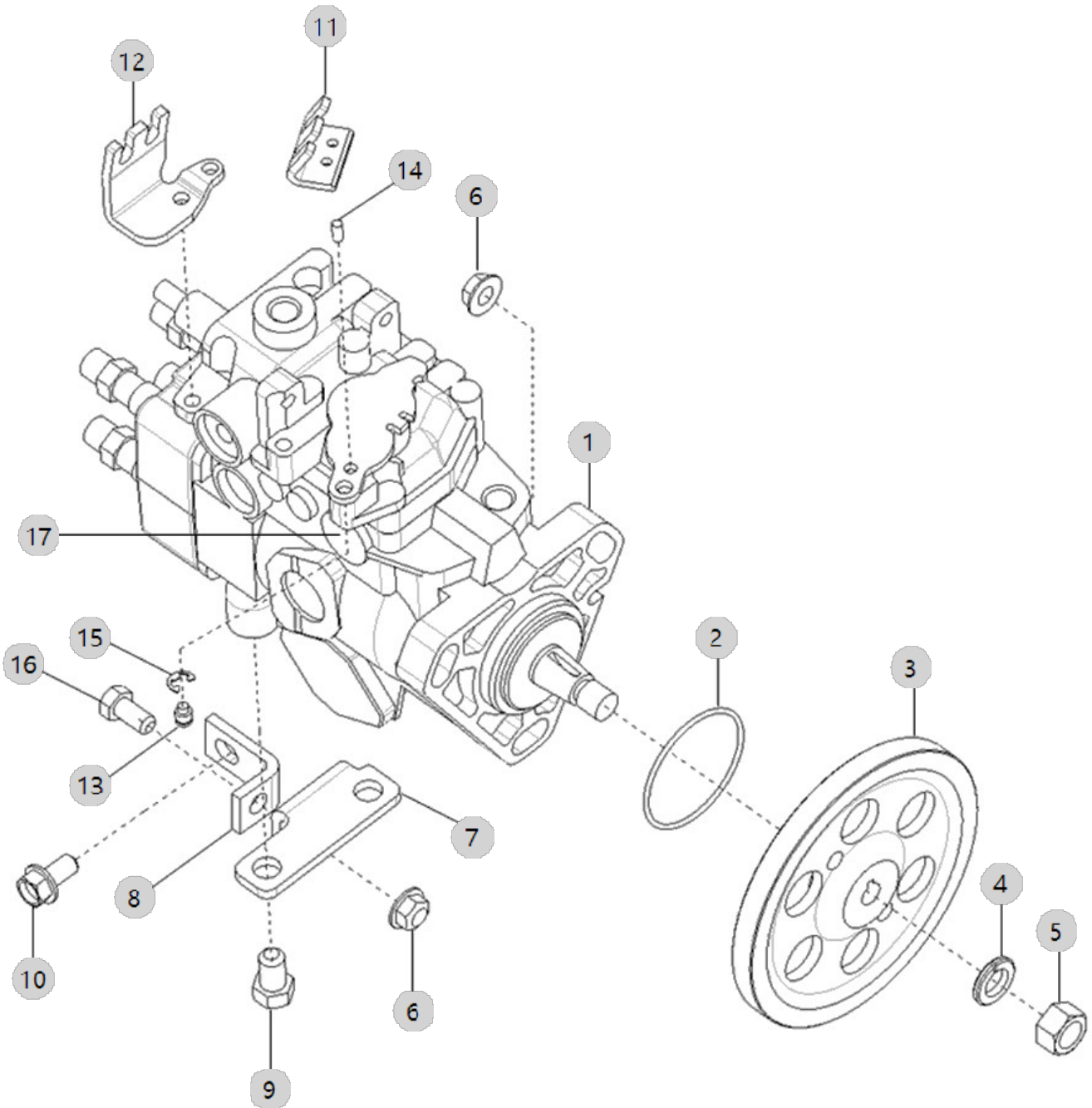
A12_014

A2300N3-UTC_4
(AB00246)

FUEL INJECTOR

Year/Month

2022-12-15



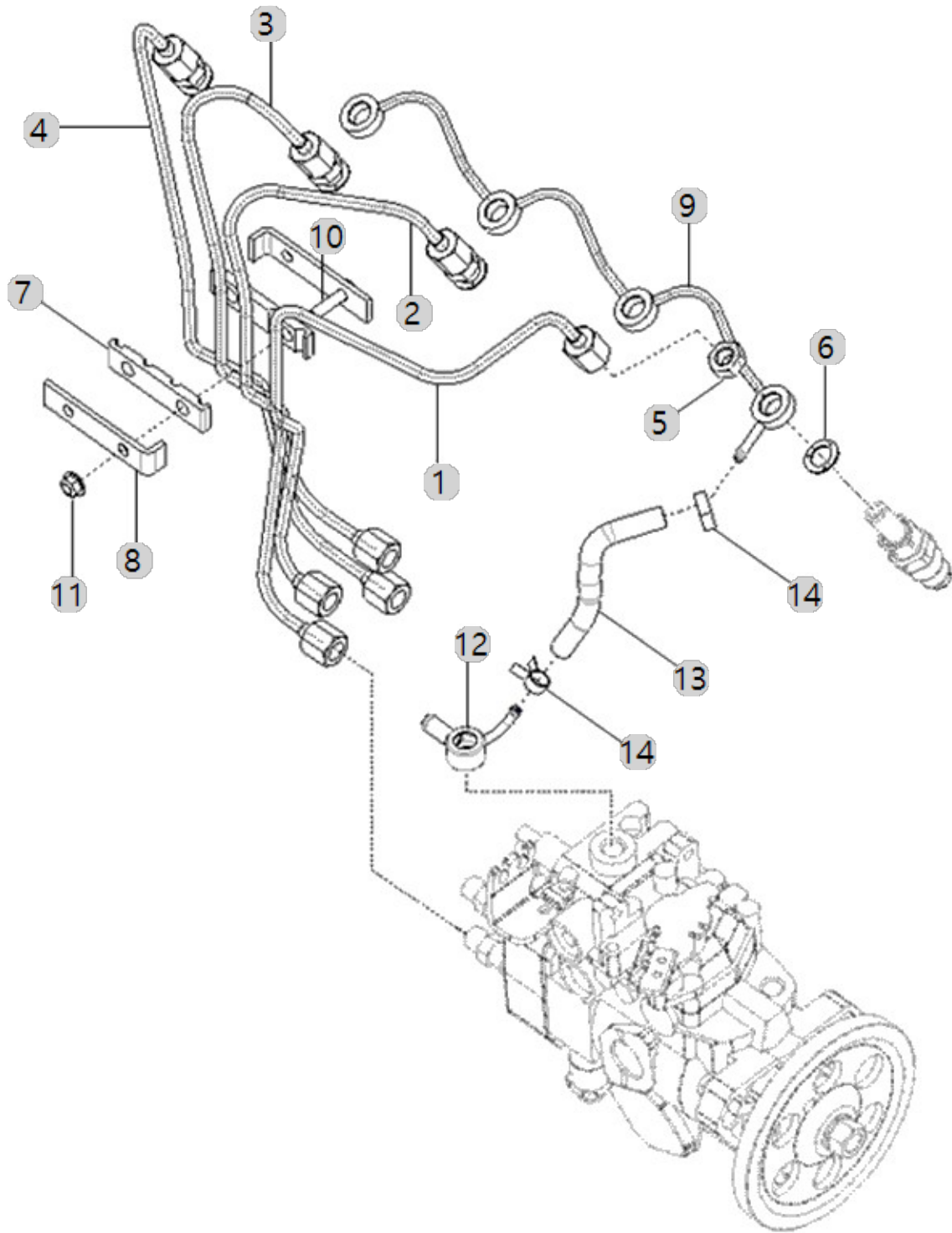
A13_005

A2300N3-UTC_4
(AB00246)

PLUMBING, FUEL

Year/Month

2022-12-15



A13_005 A2300N3-UTC_4 (AB00246)		PLUMBING, FUEL				Year/Month 2022-12-15
순번 (NO)	부품번호 (PART NO)	품명 (PART NAME)	품명 (PART NAME)	수량 (QTY)	규격 (SPEC)	비고 (REMARK)
1	HRA150050DB0	299,A202322,연료파이프조합(A)	PIPE ASSY, FUEL SUPPLY A	1		
1	HRA150050DC0	연료파이프조합(A)	TUBE,INJECTOR FUEL SUPPLY	1		
1	HRA150050DB0	299,A202322,연료파이프조합(A)	PIPE ASSY, FUEL SUPPLY A	1		
1	HRA150050DB0	299,A202322,연료파이프조합(A)	PIPE ASSY, FUEL SUPPLY A	1		
2	HRA150060DB0	300,A202322,연료파이프조합(B)	PIPE ASSY, FUEL SUPPLY (B)	1		
2	HRA150060DB0	300,A202322,연료파이프조합(B)	PIPE ASSY, FUEL SUPPLY (B)	1		
2	HRA150060DB0	300,A202322,연료파이프조합(B)	PIPE ASSY, FUEL SUPPLY (B)	1		
2	HRA150060DC0	연료파이프조합(B)	TUBE,INJECTOR FUEL SUPPLY	1		
3	HRA150070DB0	301,A202322,연료파이프조합(C)	PIPE ASSY, FUEL SUUPPLY C	1		
3	HRA150070DC0	연료파이프조합(C)	TUBE,INJECTOR FUEL SUPPLY	1		
3	HRA150070DB0	301,A202322,연료파이프조합(C)	PIPE ASSY, FUEL SUUPPLY C	1		
3	HRA150070DB0	301,A202322,연료파이프조합(C)	PIPE ASSY, FUEL SUUPPLY C	1		
4	HRA150080DB0	302,A202322,연료파이프조합(D)	PIPE ASSY, FUEL SUPPLY D	1		
4	HRA150080DB0	302,A202322,연료파이프조합(D)	PIPE ASSY, FUEL SUPPLY D	1		
4	HRA150080DC0	연료파이프조합(D)	TUBE,INJECTOR FUEL SUPPLY	1		
4	HRA150080DB0	302,A202322,연료파이프조합(D)	PIPE ASSY, FUEL SUPPLY D	1		
5	HK13450000A4	육각고정너트	NUT,REGULARHEXAGON	4	M12X1.5	
5	HK13450000A4	육각고정너트	NUT,REGULARHEXAGON	4	M12X1.5	
5	HK13450000A4	육각고정너트	NUT,REGULARHEXAGON	4	M12X1.5	
5	HK13450000A4	육각고정너트	NUT,REGULARHEXAGON	4	M12X1.5	
6	HK13440000A4	306,ALL,패킹(조인트)(와류실)	GASKET,FUELMANIFOLD	4		
6	HK13440000A4	306,ALL,패킹(조인트)(와류실)	GASKET,FUELMANIFOLD	4		
6	HK13440000A4	306,ALL,패킹(조인트)(와류실)	GASKET,FUELMANIFOLD	4		
6	HK13440000A4	306,ALL,패킹(조인트)(와류실)	GASKET,FUELMANIFOLD	4		
7	HRA1502700A4	462,ALL,브래킷고무	RUBBER,BRACKET	2		
7	HRA1502700A4	462,ALL,브래킷고무	RUBBER,BRACKET	2		
7	HRA1502700A4	462,ALL,브래킷고무	RUBBER,BRACKET	2		
7	HRA1502700A4	462,ALL,브래킷고무	RUBBER,BRACKET	2		
8	HRA1502800A4	브래킷판	CLAMP,TUBE	1	T 3.2	
8	HRA1502800A4	브래킷판	CLAMP,TUBE	1	T 3.2	
8	HRA1502800A4	브래킷판	CLAMP,TUBE	2	T 3.2	
8	HRA1502800A4	브래킷판	CLAMP,TUBE	1	T 3.2	
8	HRA1502800B4	브래킷판	CLAMP,TUBE	2	T 3.2	
9	HRA1500900C3	퇴유파이프조합	PIPE ASSY, FUEL RETURN	1		
9	HRA1500900C3	퇴유파이프조합	PIPE ASSY, FUEL RETURN	1		
9	HRA1500900C3	퇴유파이프조합	PIPE ASSY, FUEL RETURN	1		
9	HRA1500900D3	퇴유파이프조합	PIPE ASSY, FUEL	1		
10	HRA1502600B4	브래킷(연료파이프)	BRACKET,PIPE	1		
10	HRA1502600B4	브래킷(연료파이프)	BRACKET,PIPE	1		
10	HRA1502600B4	브래킷(연료파이프)	BRACKET,PIPE	1		
10	HRA1502600B4	브래킷(연료파이프)	BRACKET,PIPE	1		
11	26367-060002	플랜지너트	Nut, Hexa (Φ6)	2	M6XP1.0	
11	26367-060002	플랜지너트	Nut, Hexa (Φ6)	2	M6XP1.0	
11	26367-060002	플랜지너트	Nut, Hexa (Φ6)	2	M6XP1.0	
11	26367-060002	플랜지너트	Nut, Hexa (Φ6)	2	M6XP1.0	

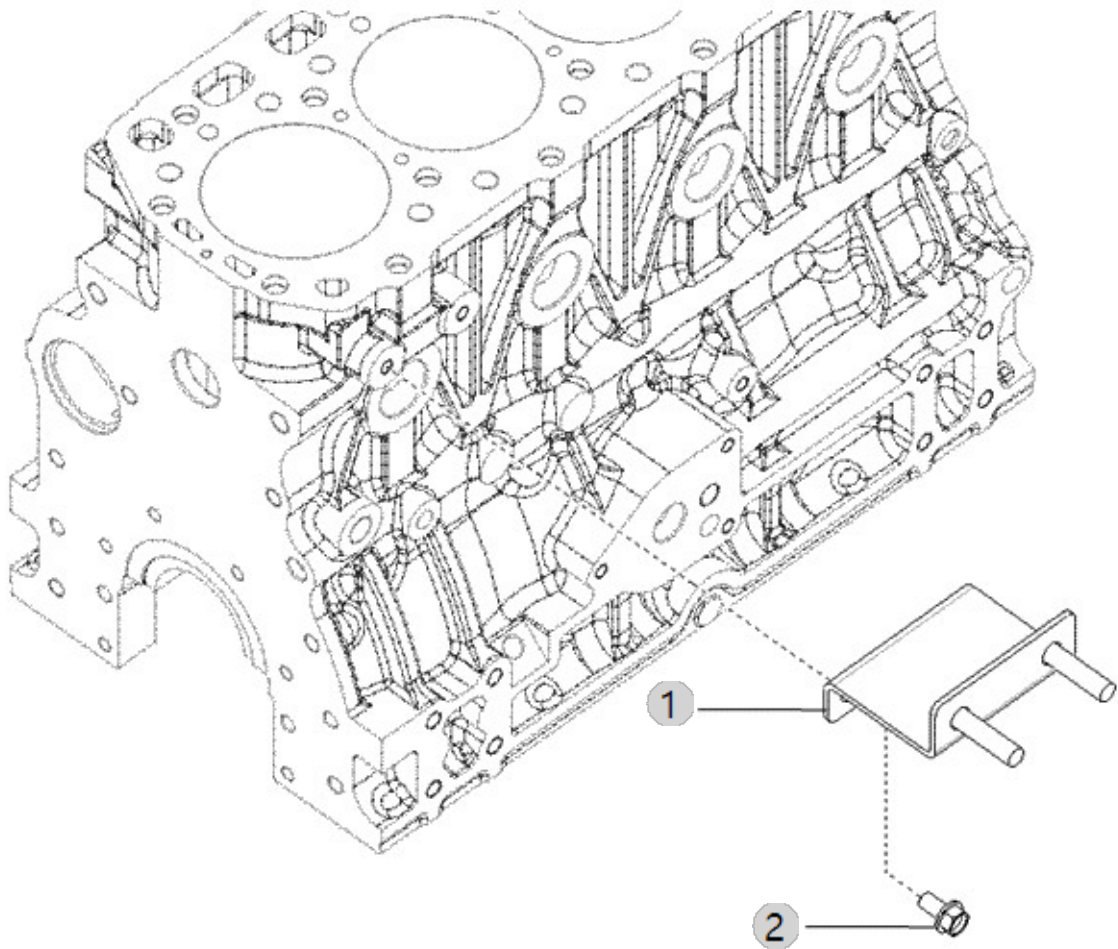
A14_003

A2300N3-UTC_4
(AB00246)

FUEL FILTER BRACKET

Year/Month

2022-12-15



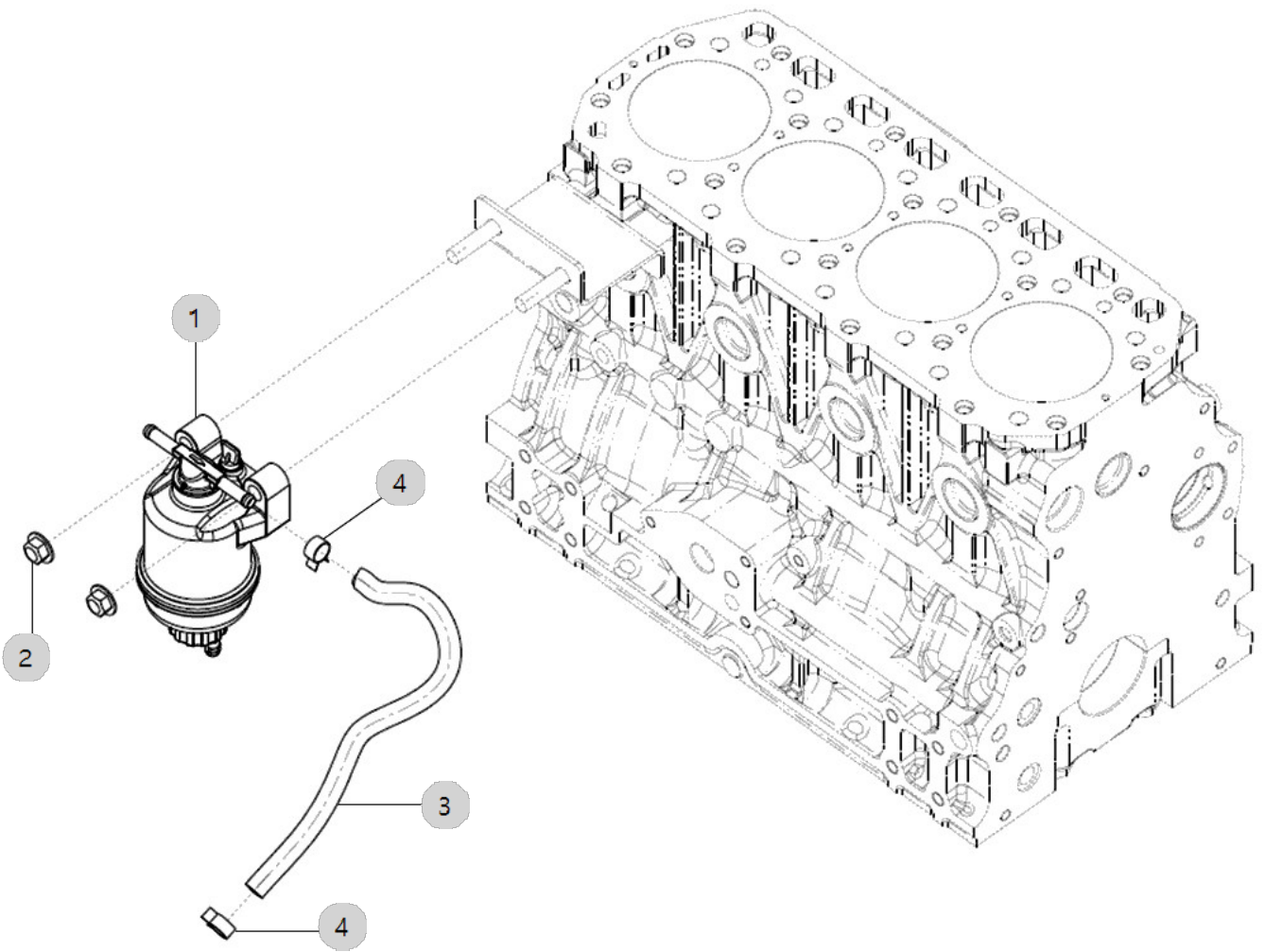
A16_018

A2300N3-UTC_4
(AB00246)

FUEL FILTER ASS'Y OPTION

Year/Month

2022-12-15



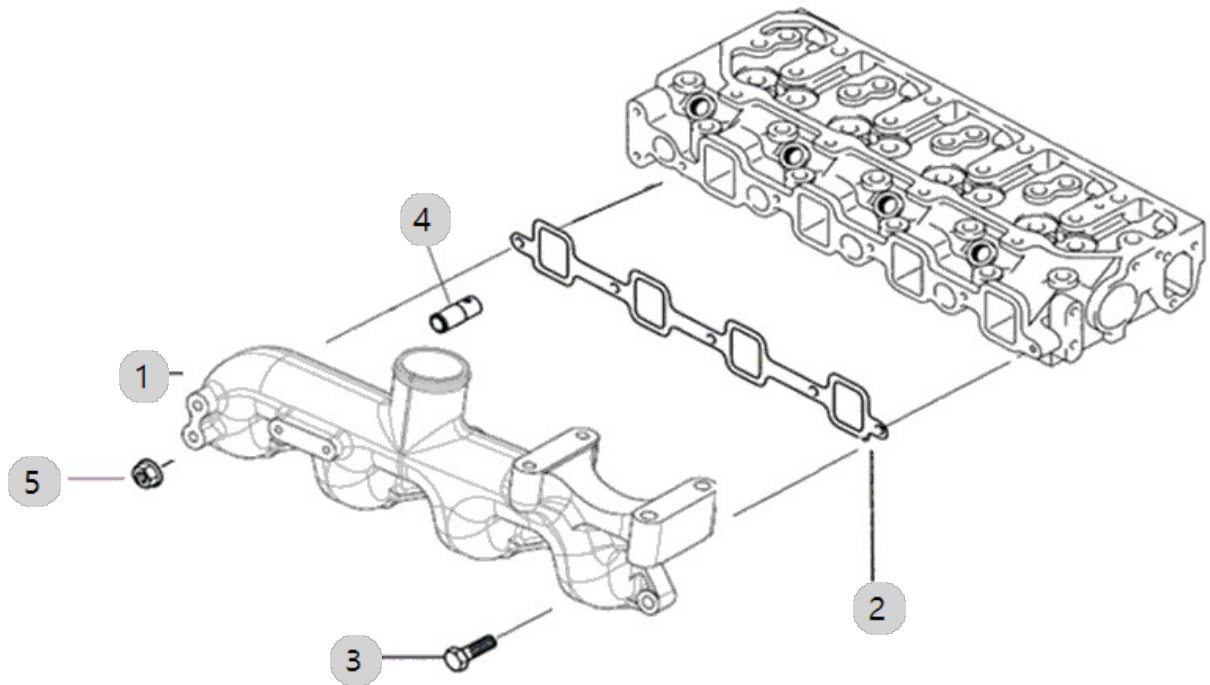
A17_012

A2300N3-UTC_4
(AB00246)

INTAKE MANIFOLD ASS'Y OPTION

Year/Month

2022-12-15



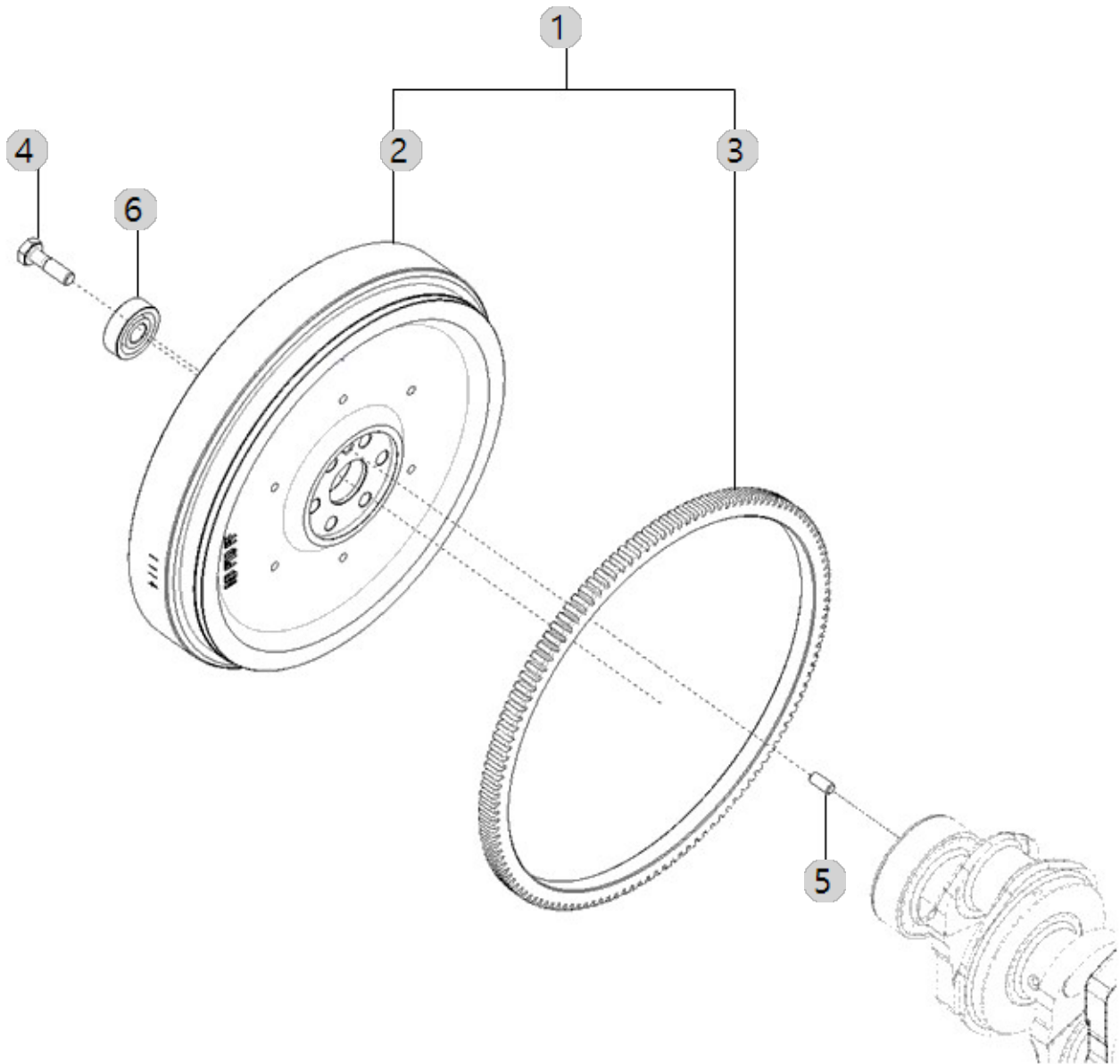
A18_011

A2300N3-UTC_4
(AB00246)

FLYWHEEL

Year/Month

2022-12-15



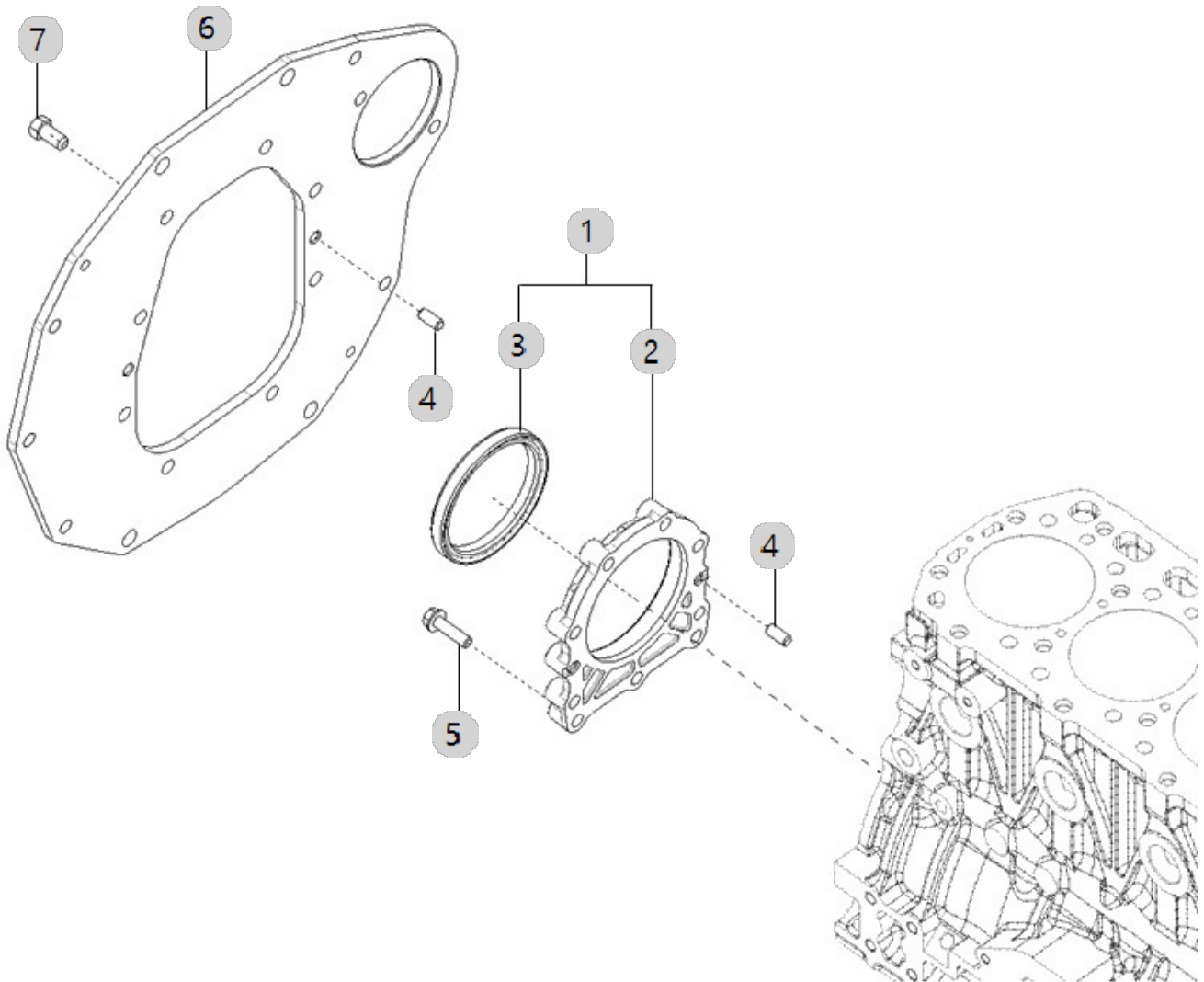
A19_009

A2300N3-UTC_4
(AB00246)

FLYWHEEL HOUSING

Year/Month

2022-12-15



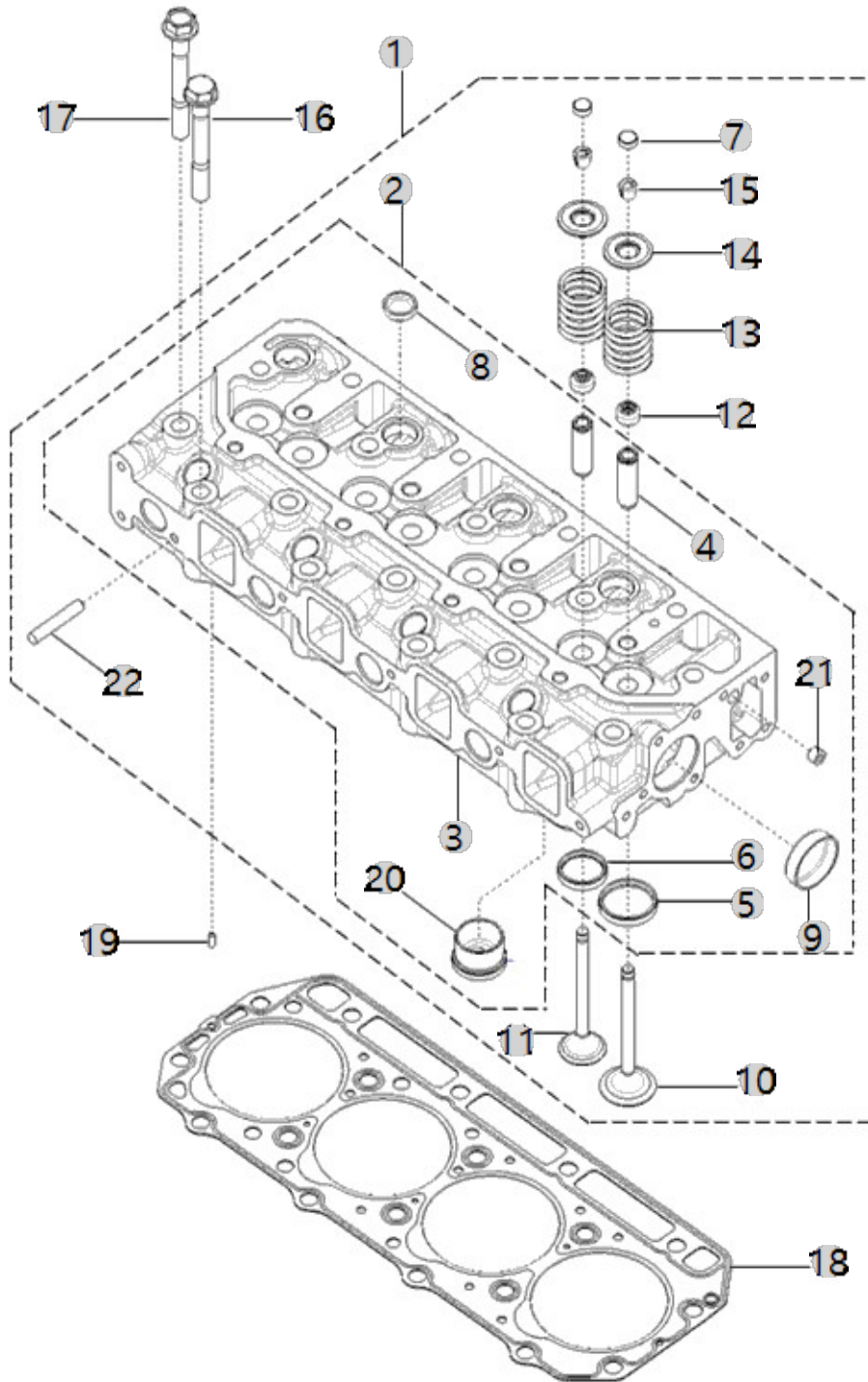
A20_010

A2300N3-UTC_4
(AB00246)

HEAD, CYLINDER

Year/Month

2022-12-15



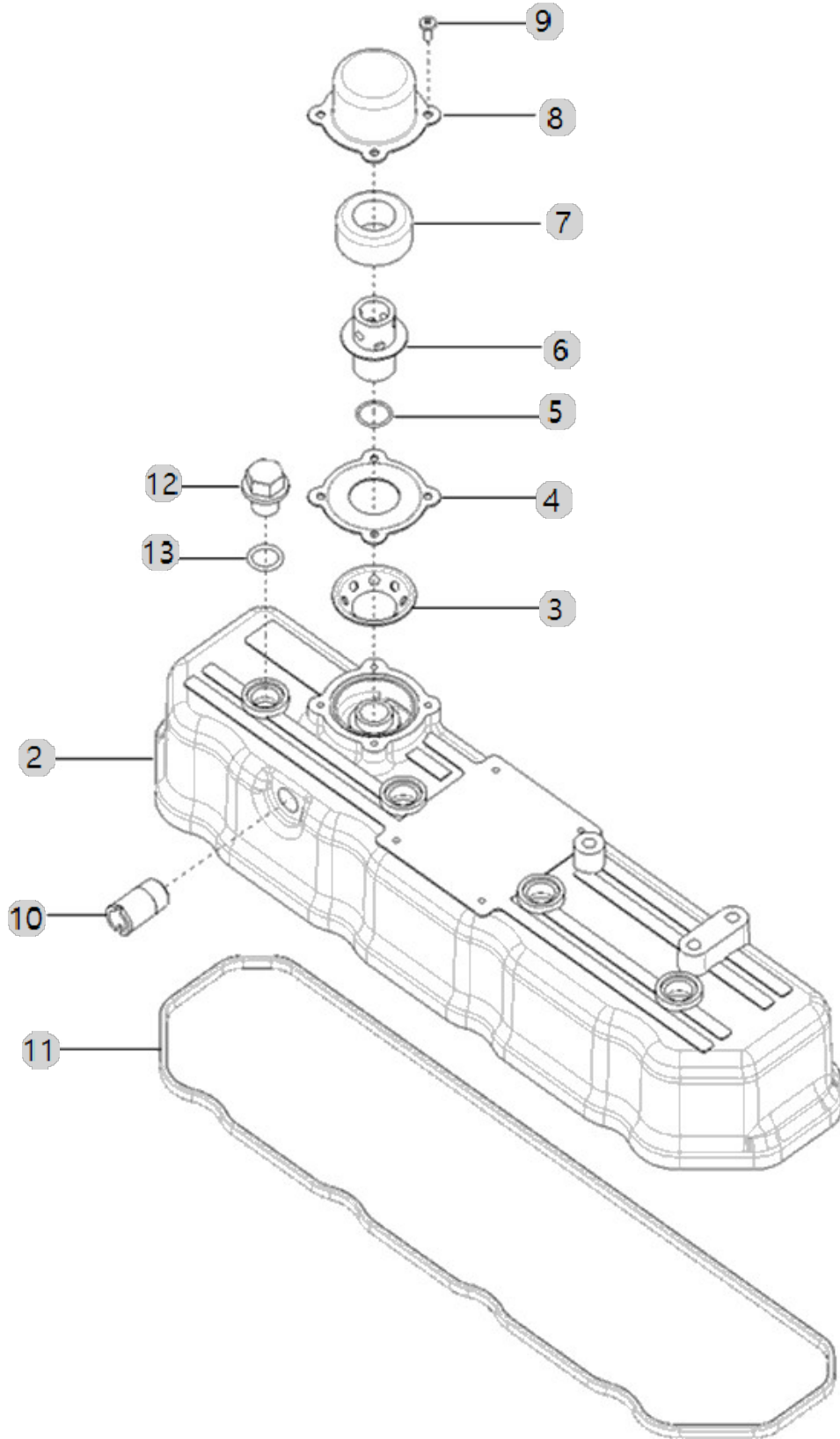
A21_004

A2300N3-UTC_4
(AB00246)

HEAD COVER

Year/Month

2022-12-15



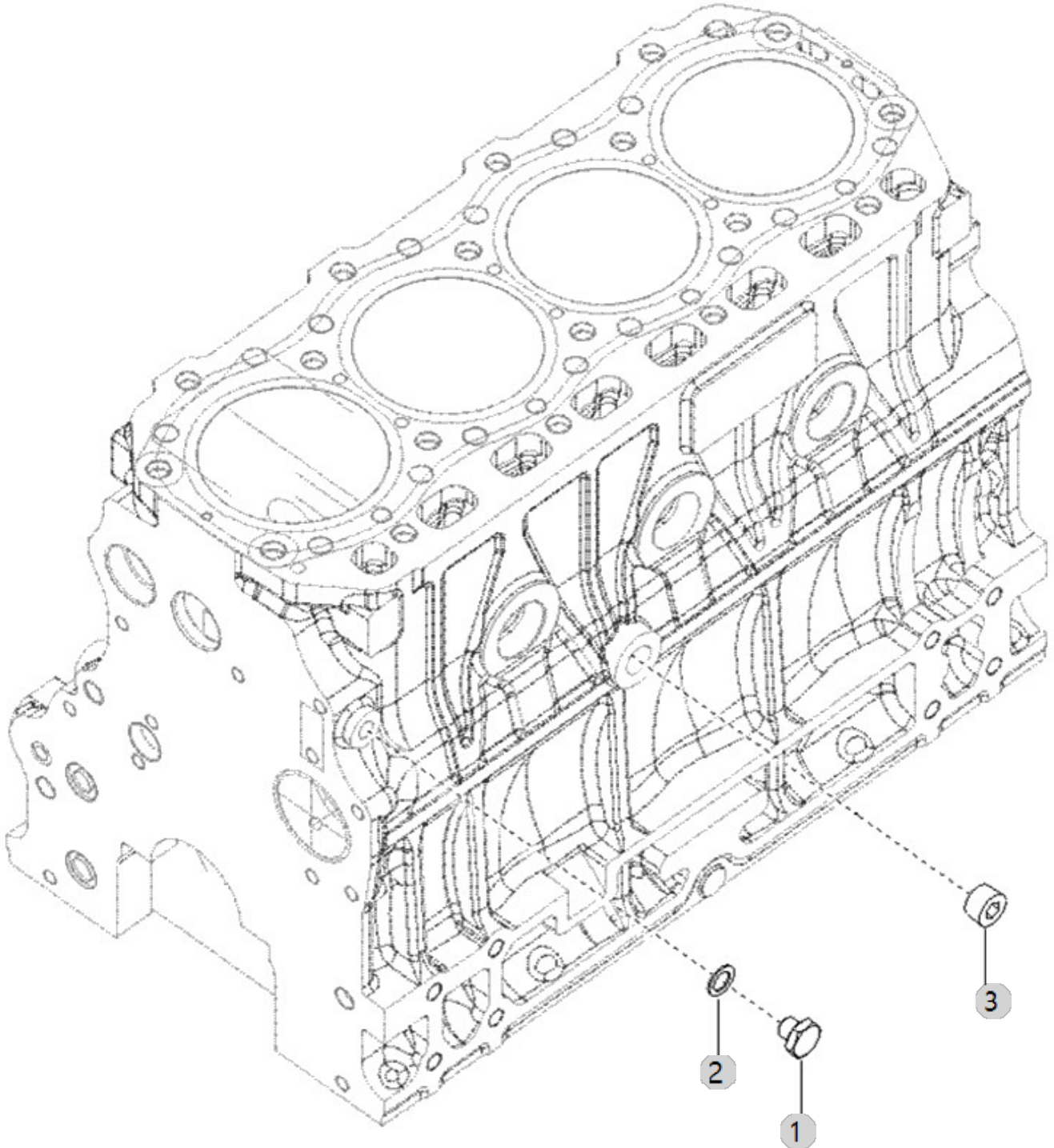
A23_009

A2300N3-UTC_4
(AB00246)

TURBOCHARGER SUPPORT ASS'Y OPTION

Year/Month

2022-12-15



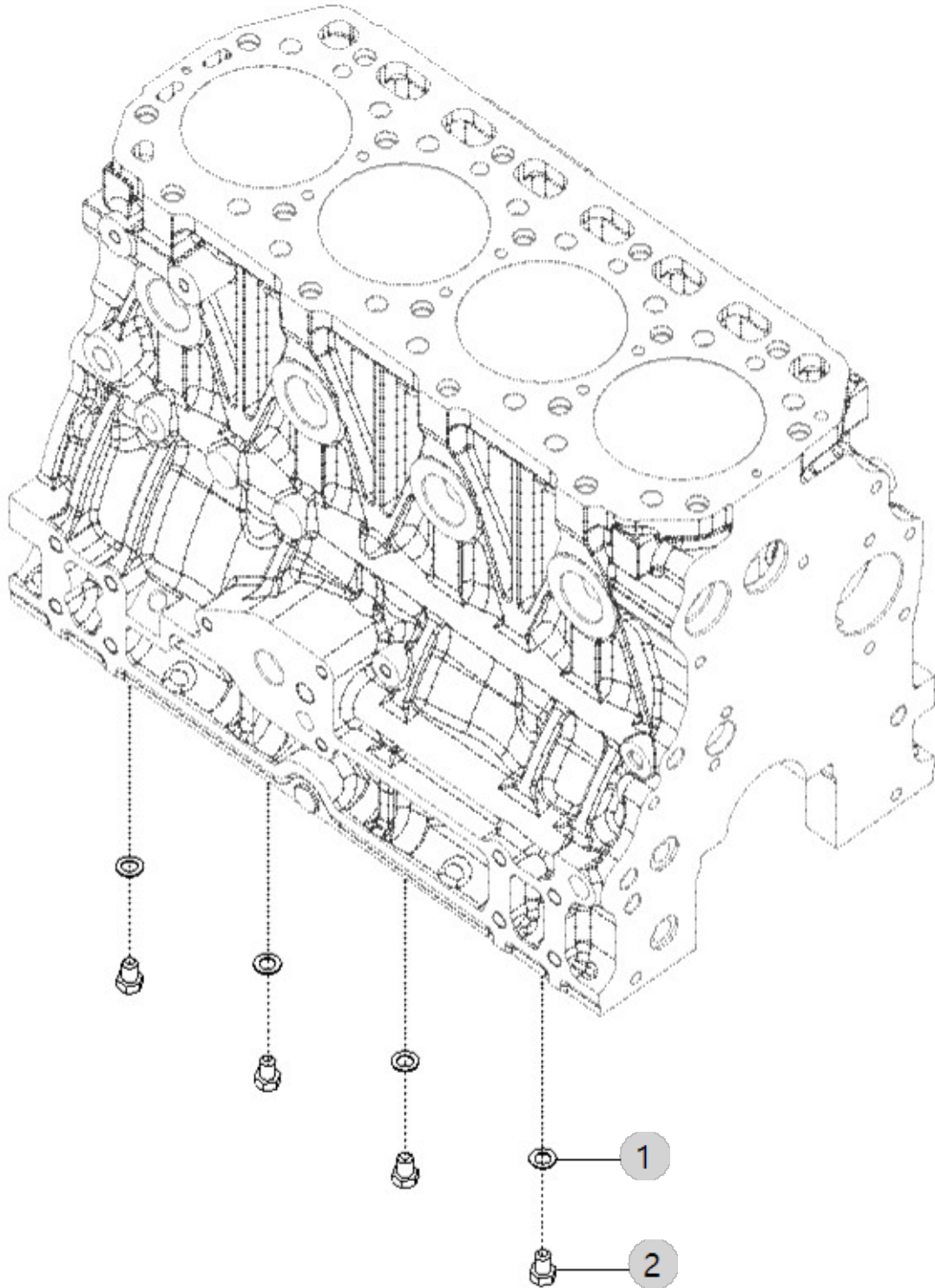
A25_002

A2300N3-UTC_4
(AB00246)

OIL JET ASS'Y OPTION

Year/Month

2022-12-15



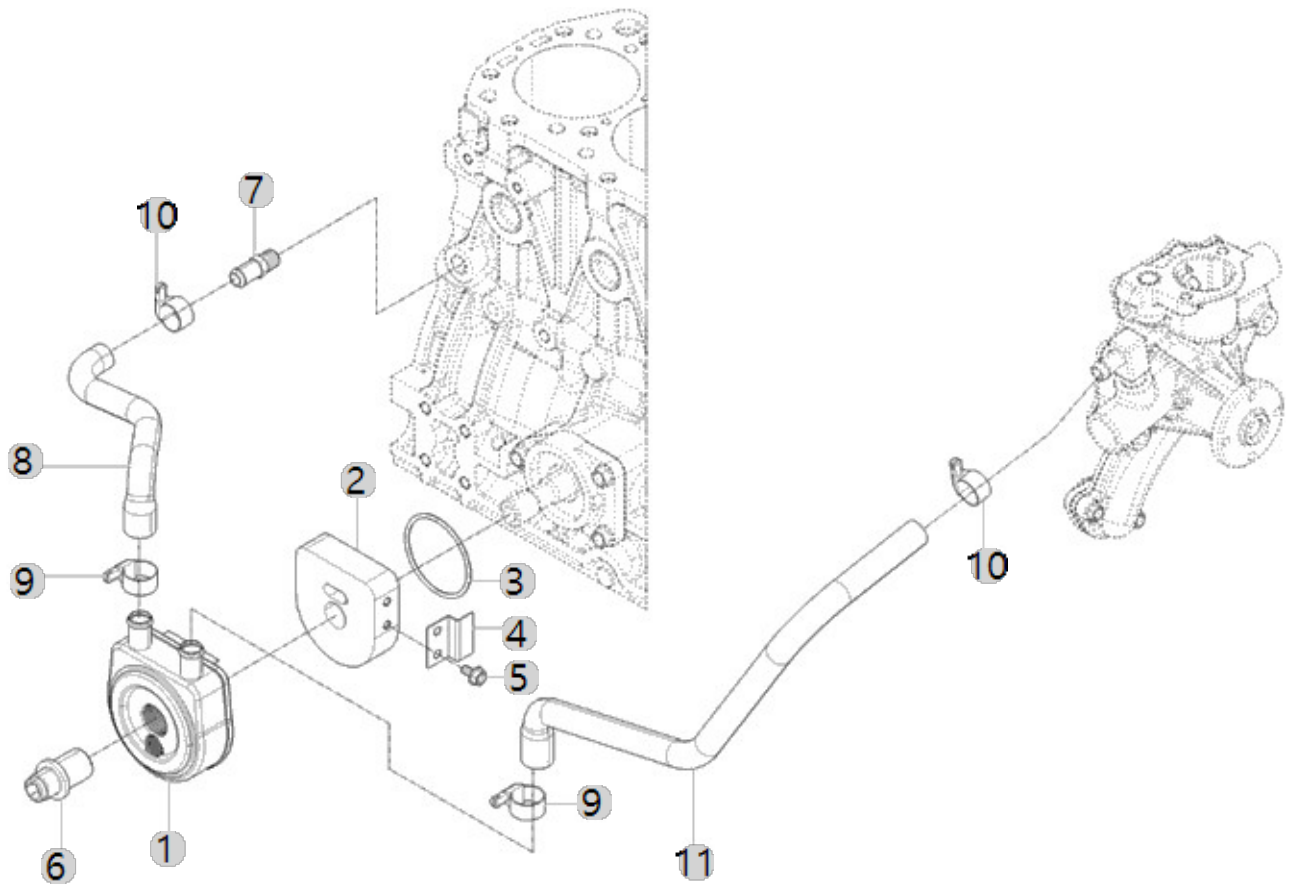
A26_005

A2300N3-UTC_4
(AB00246)

COOLER, ENGINE OIL

Year/Month

2022-12-15



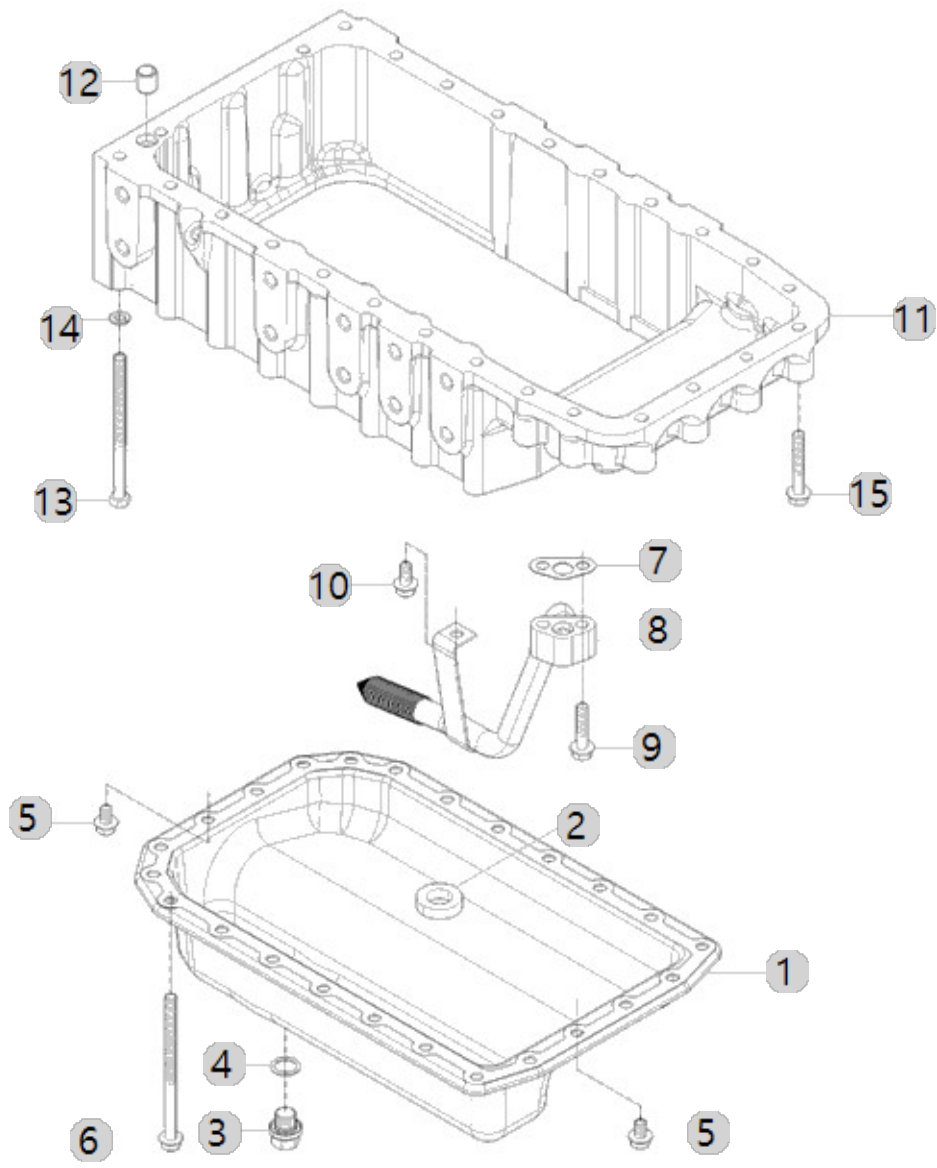
A27_010

A2300N3-UTC_4
(AB00246)

OIL PAN ASS'Y OPTION

Year/Month

2022-12-15



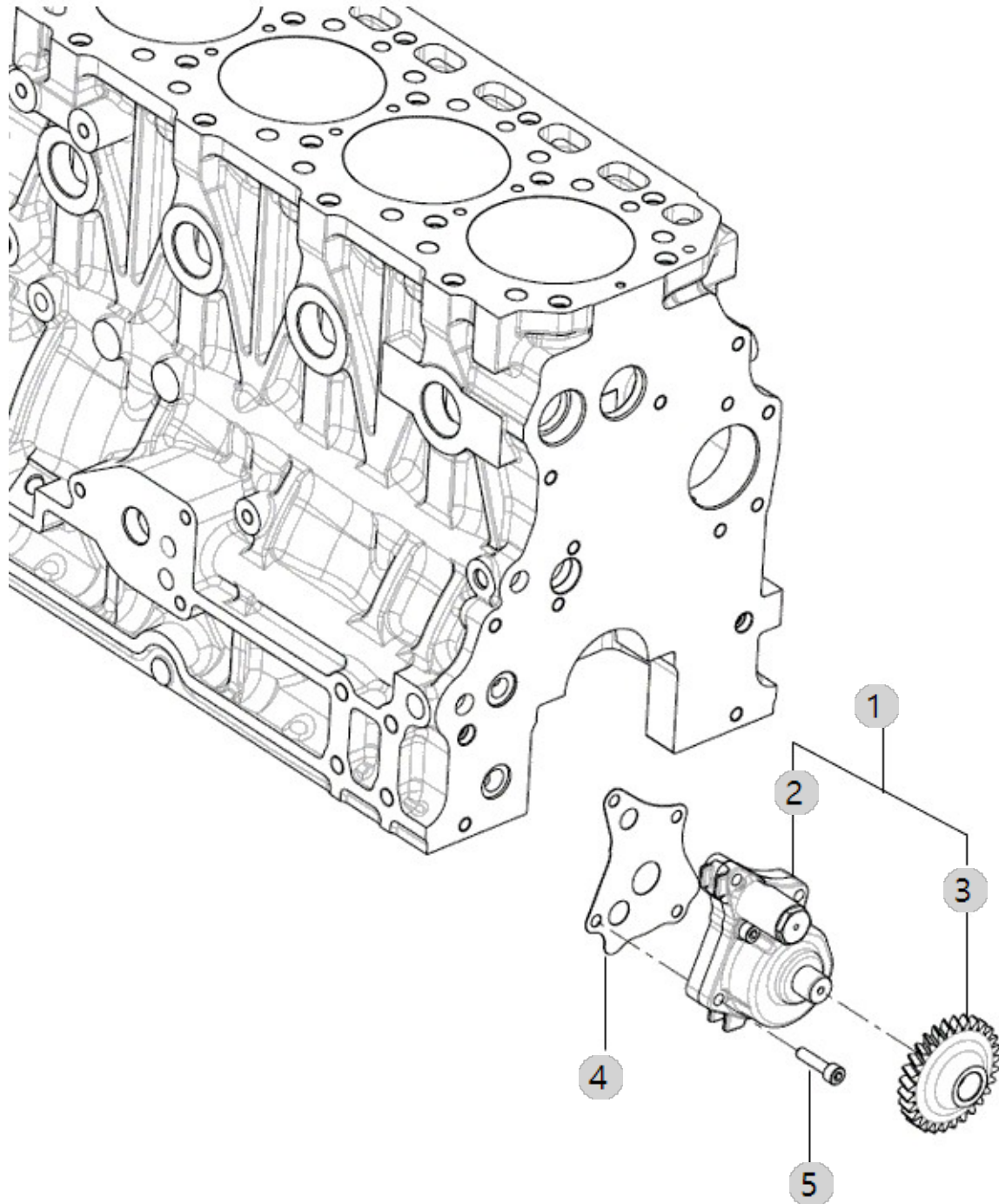
A28_001

A2300N3-UTC_4
(AB00246)

PUMP, LUBRICATING OIL

Year/Month

2022-12-15



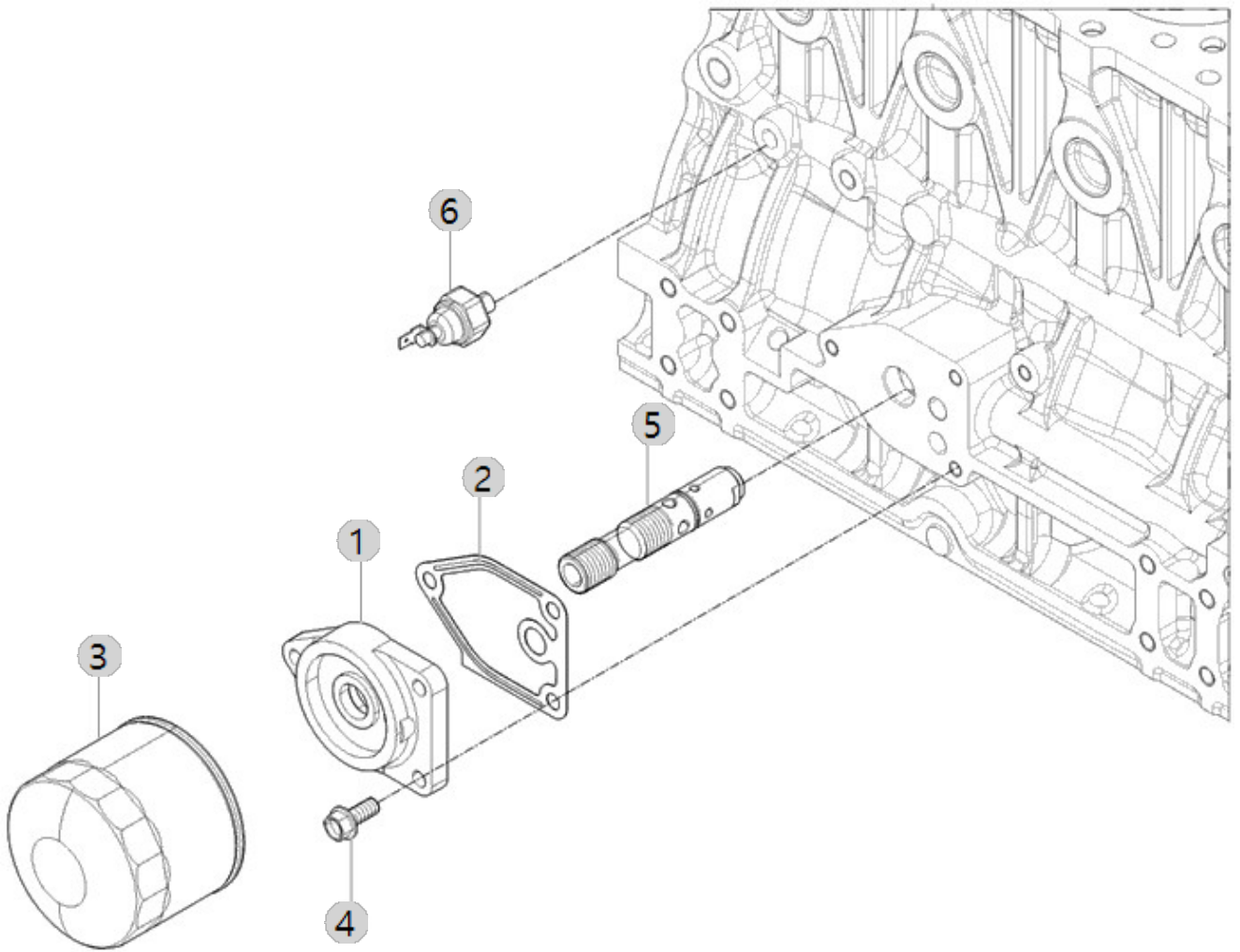
A29_005

A2300N3-UTC_4
(AB00246)

FILTER, LUBRICATING OIL

Year/Month

2022-12-15



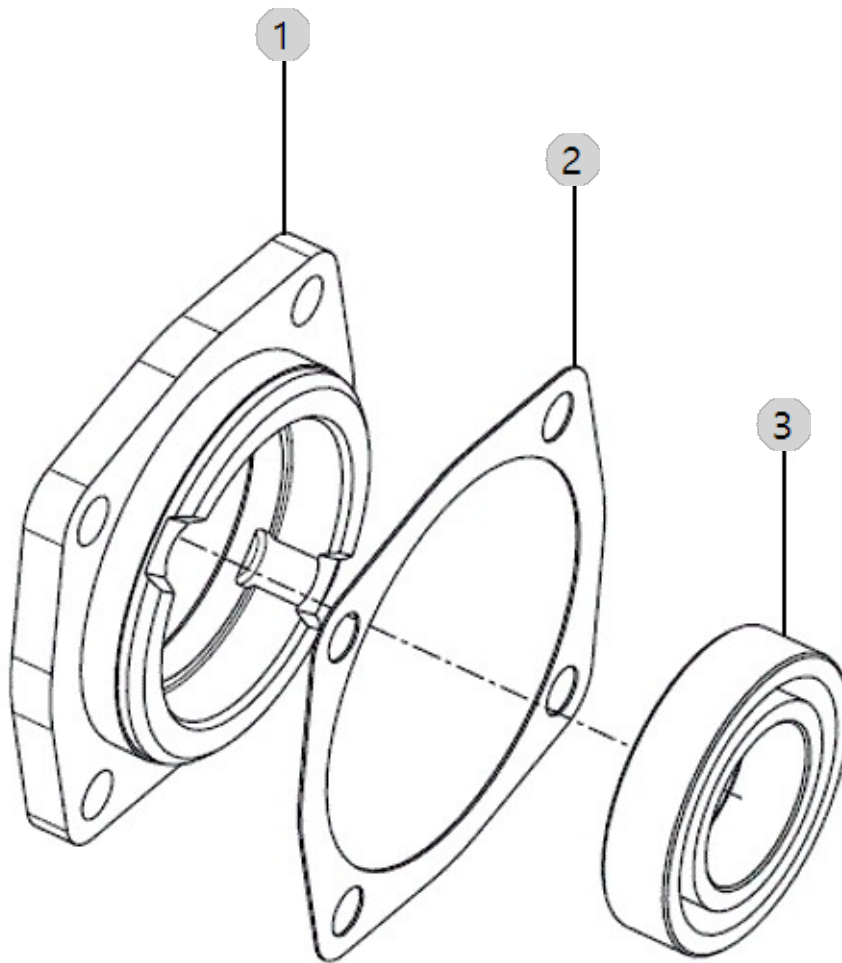
A30_003

A2300N3-UTC_4
(AB00246)

FRONT GEAR ACCESSORY DRIVE

Year/Month

2022-12-15



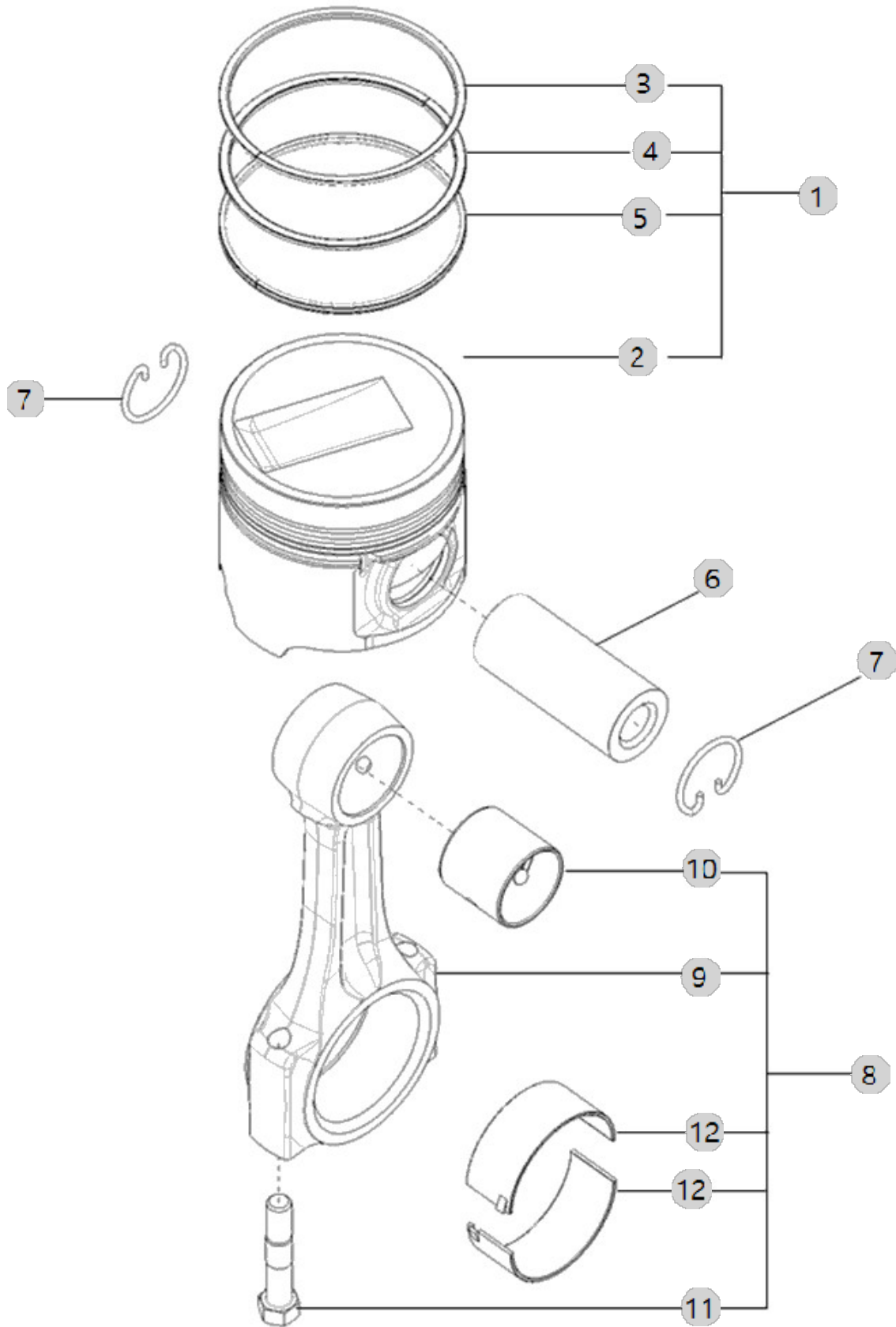
A31_007

A2300N3-UTC_4
(AB00246)

PISTON

Year/Month

2022-12-15



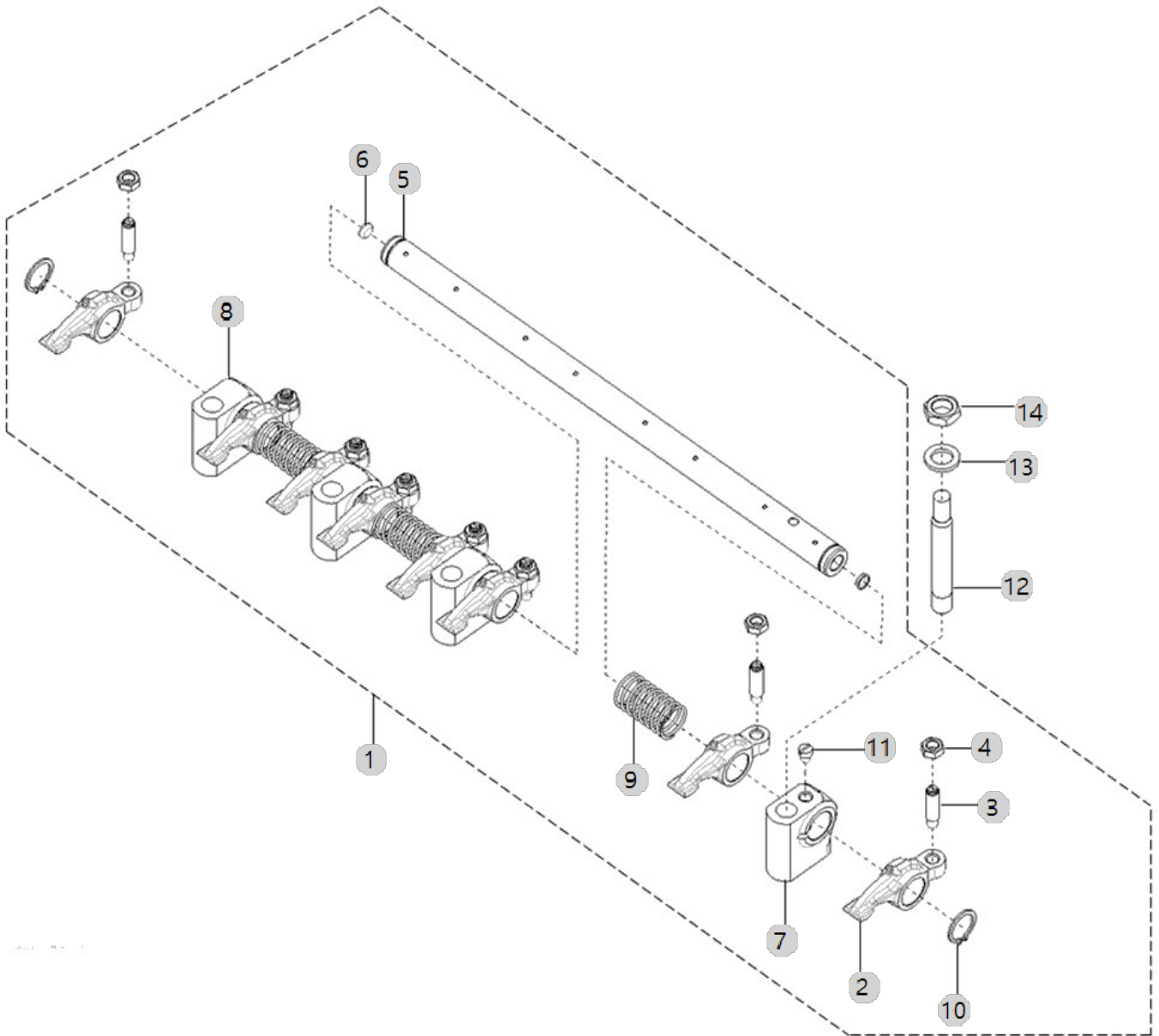
A32_003

A2300N3-UTC_4
(AB00246)

LEVER, LOCKER

Year/Month

2022-12-15



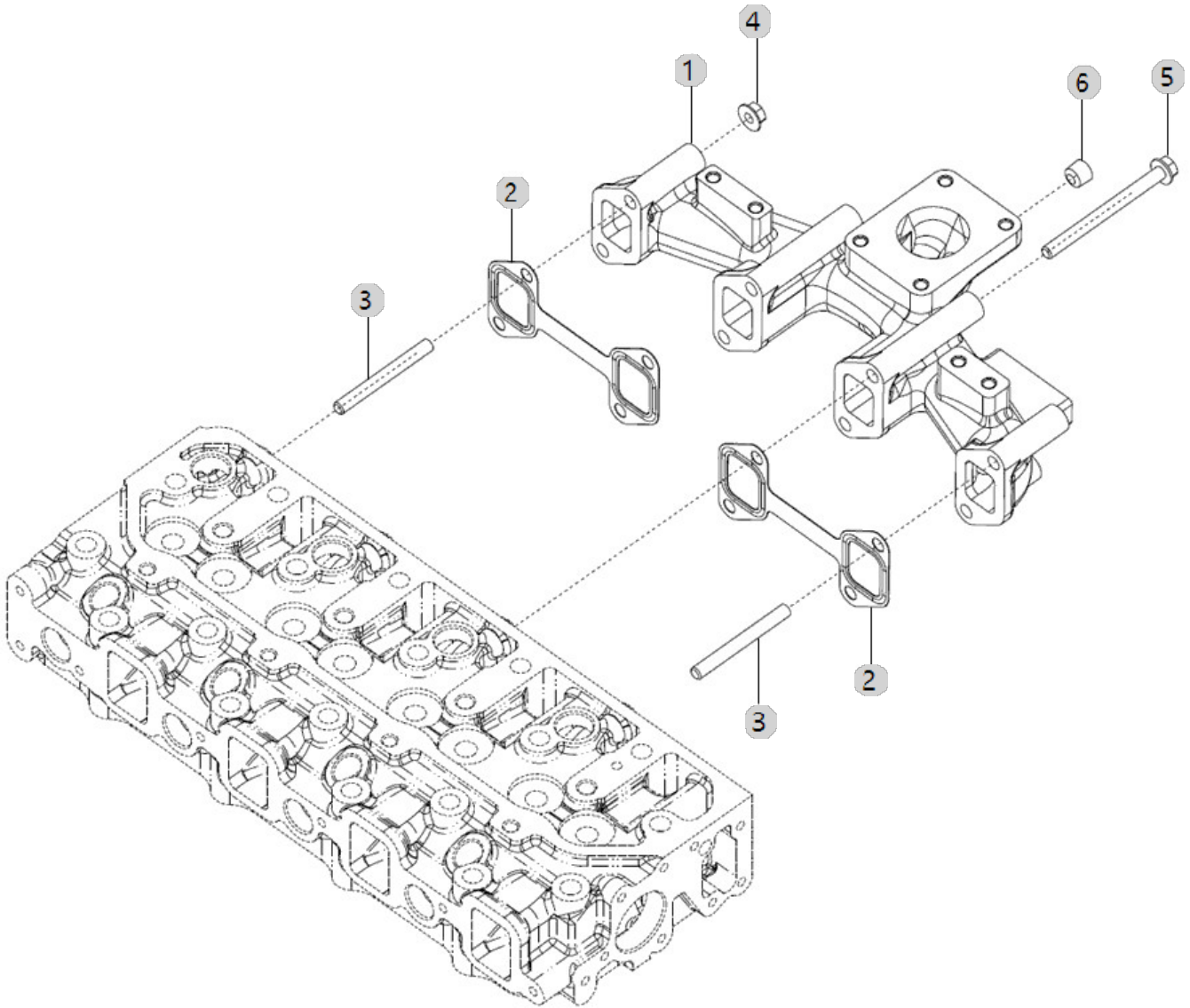
A33_013

A2300N3-UTC_4
(AB00246)

EXHAUST MANIFOLD

Year/Month

2022-12-15



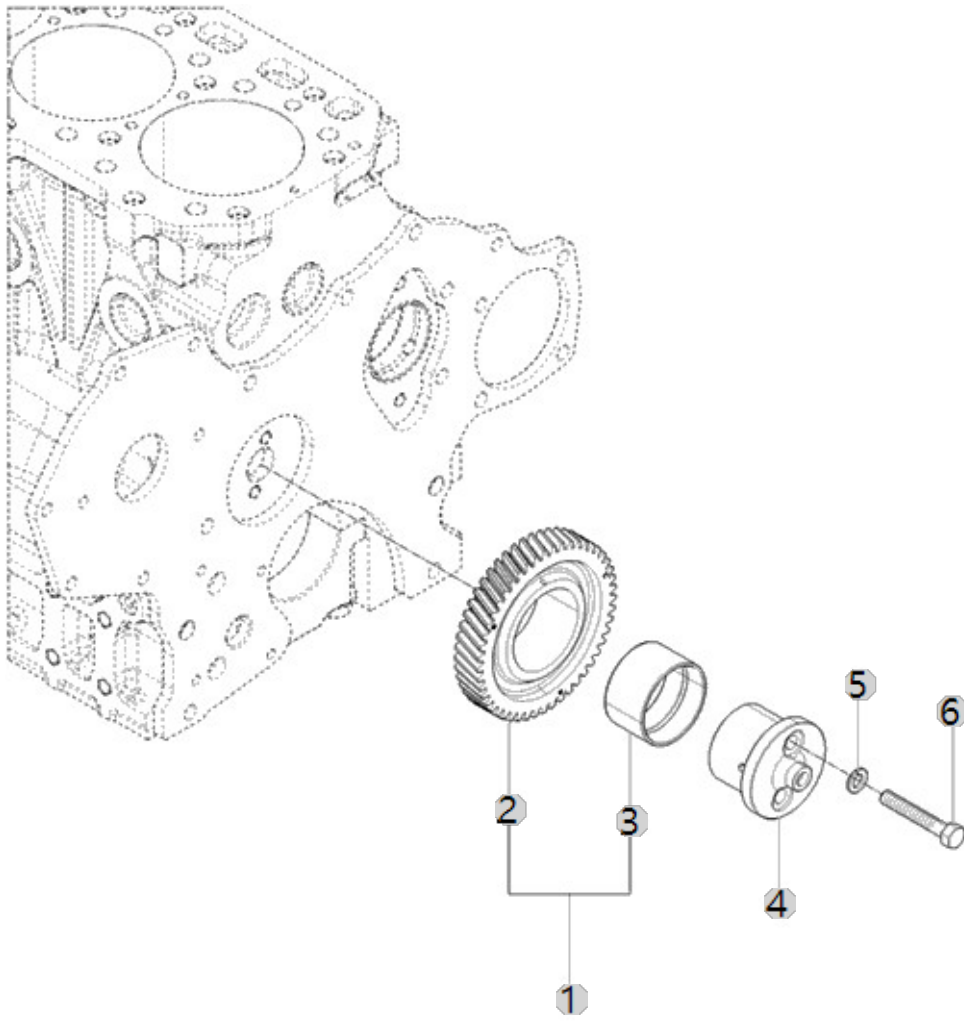
A35_002

A2300N3-UTC_4
(AB00246)

IDLE GEAR

Year/Month

2022-12-15



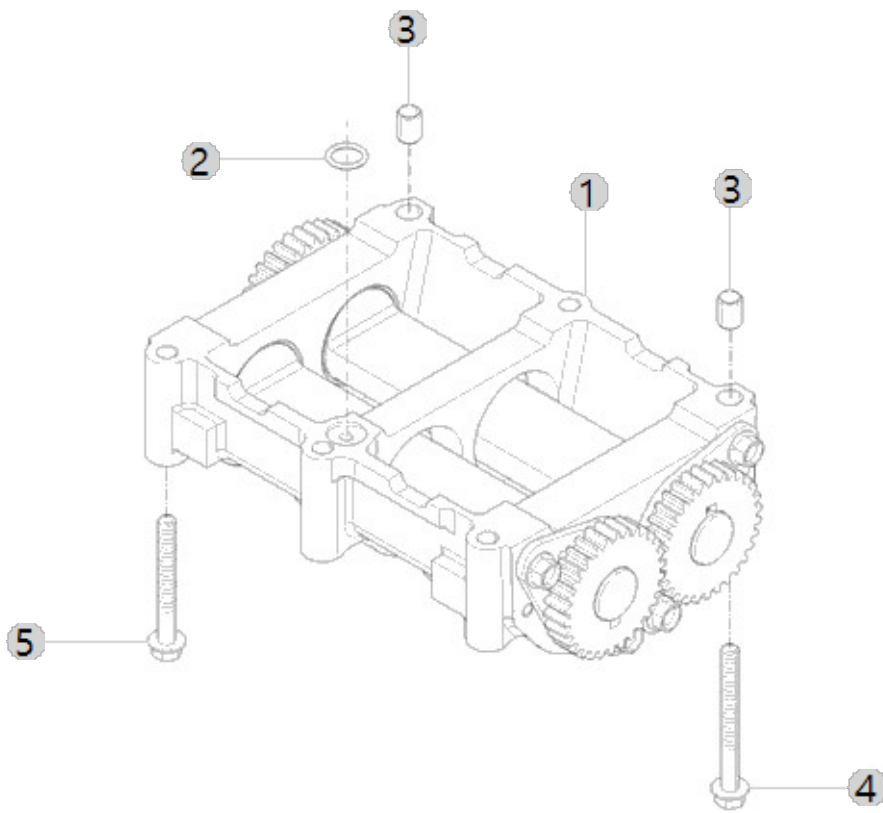
A37_001

A2300N3-UTC_4
(AB00246)

BALANCE ASS'Y

Year/Month

2022-12-15



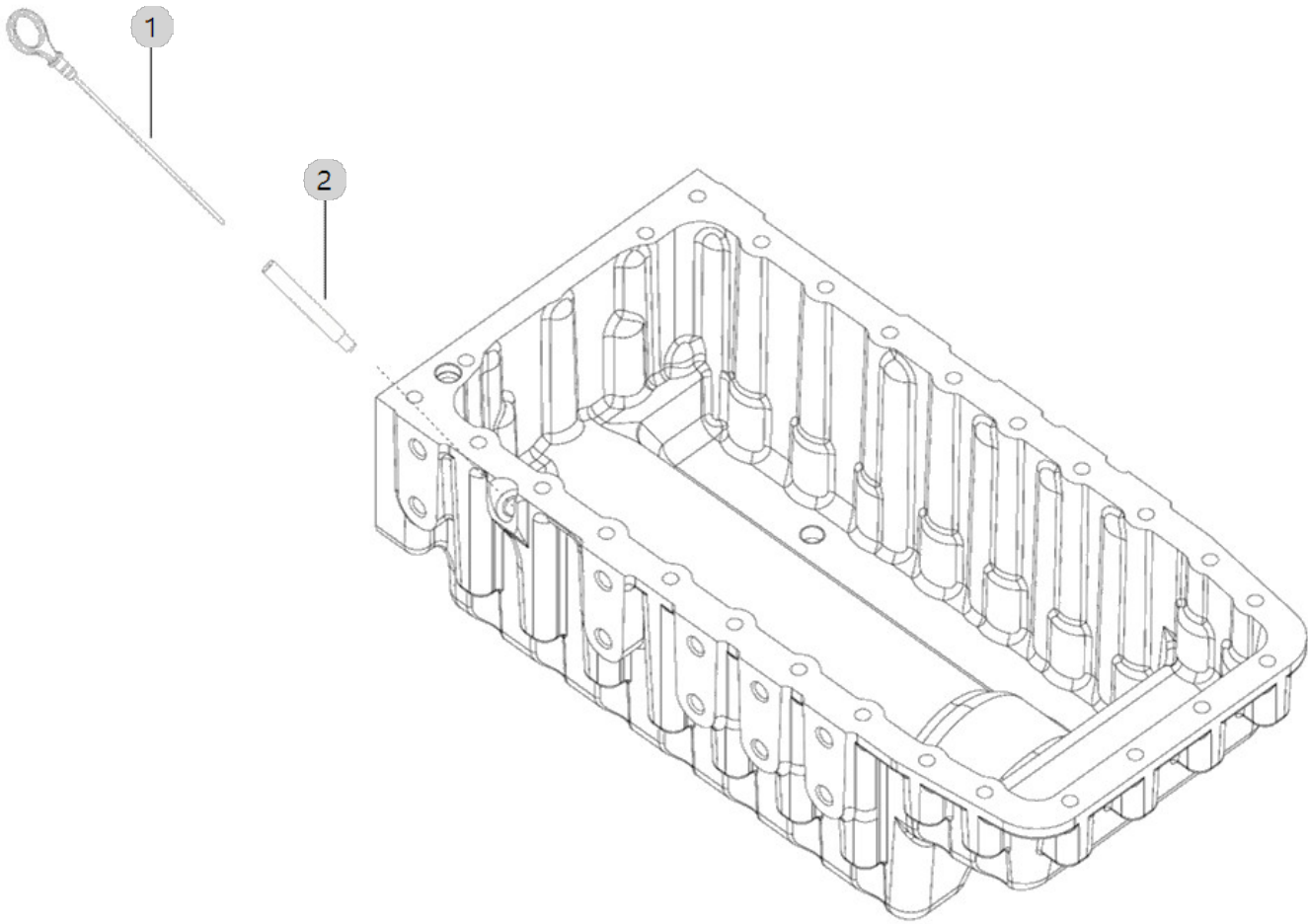
A38_007

A2300N3-UTC_4
(AB00246)

GAUGE, OIL LEVEL

Year/Month

2022-12-15



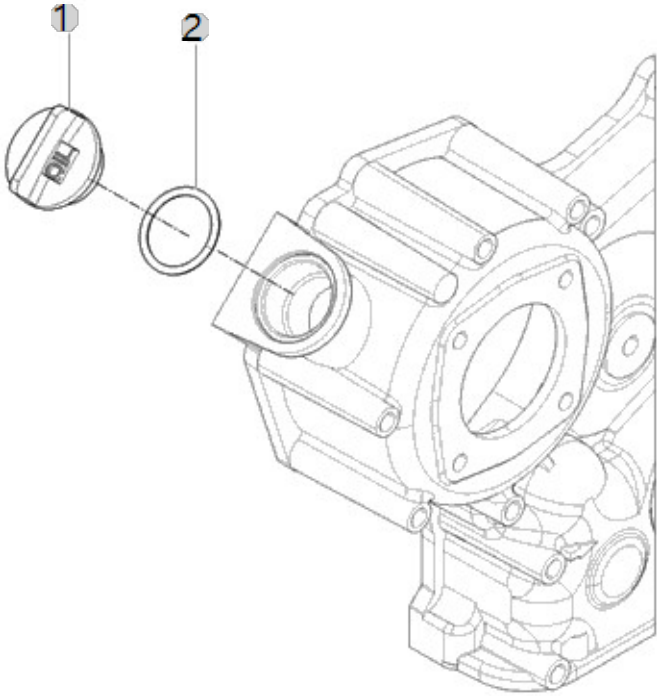
A39_001

A2300N3-UTC_4
(AB00246)

OIL FILLER CAP

Year/Month

2022-12-15



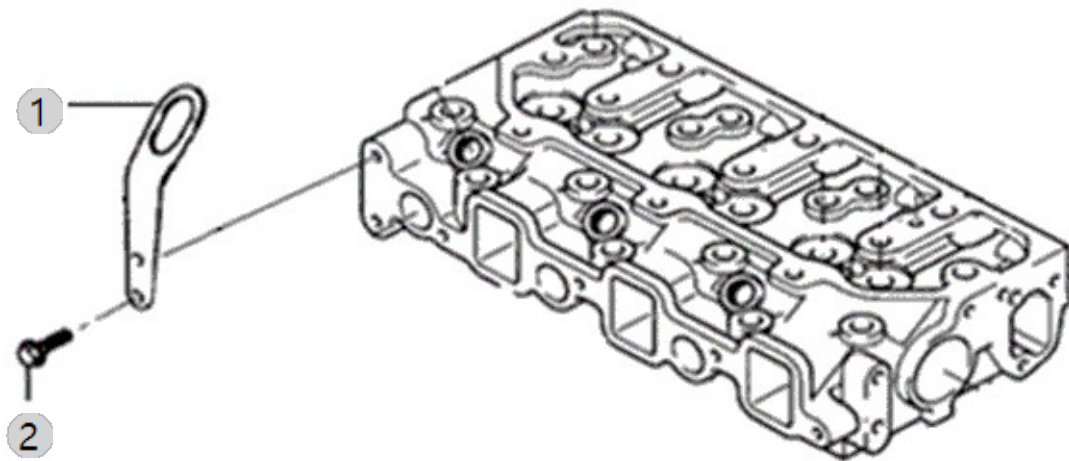
A40_003

A2300N3-UTC_4
(AB00246)

LIFT ASS'Y OPTION

Year/Month

2022-12-15



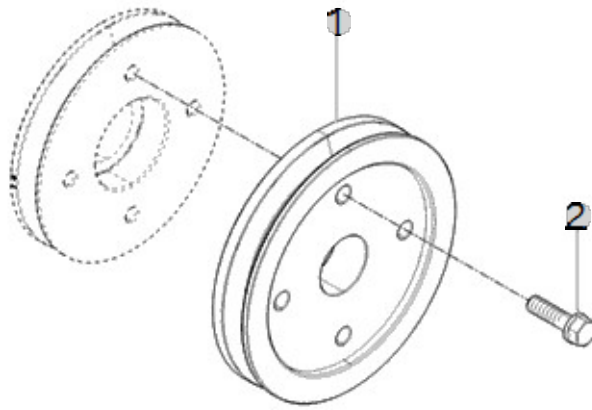
A41_001

A2300N3-UTC_4
(AB00246)

COMP,DRIVE PULLEY ASS'Y OPTION

Year/Month

2022-12-15



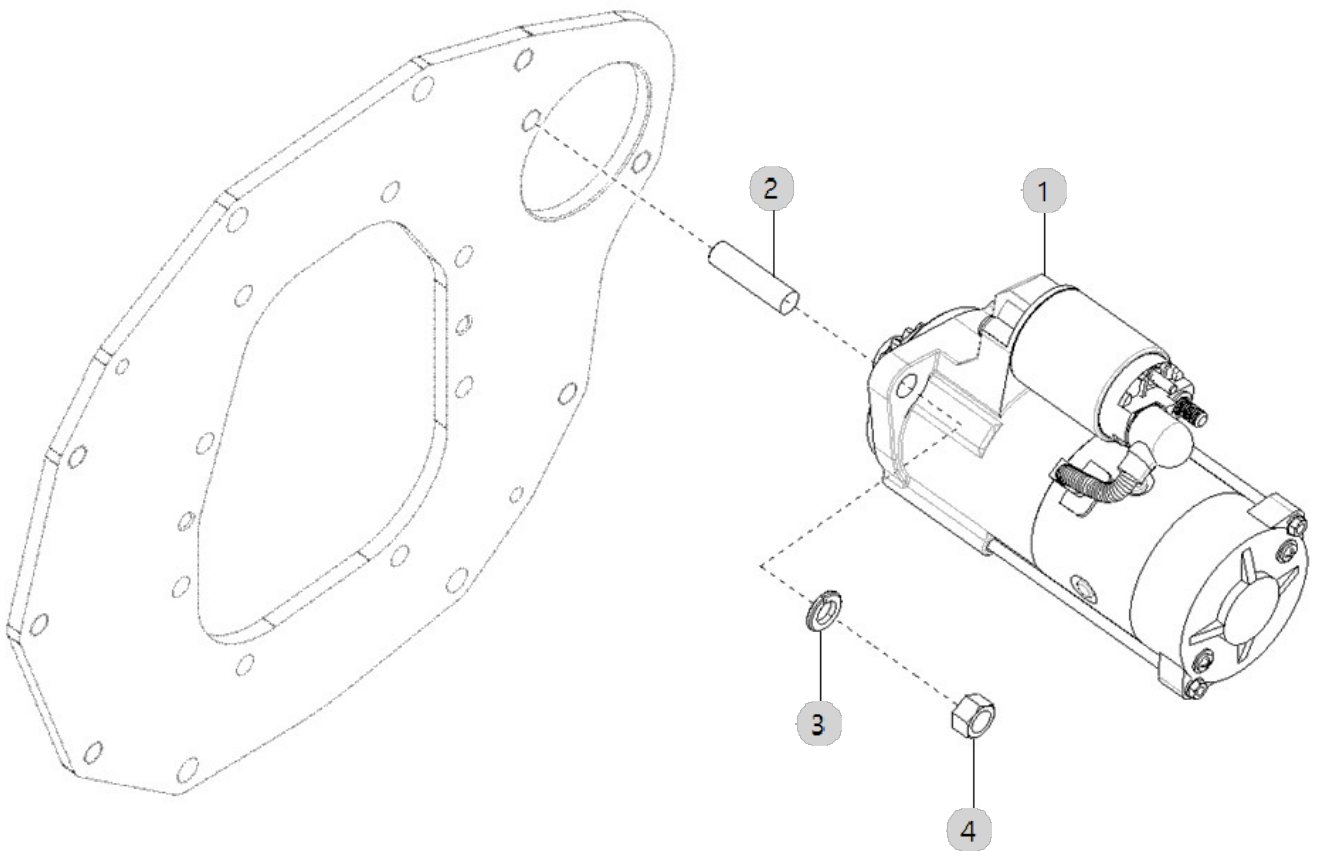
A42_003

A2300N3-UTC_4
(AB00246)

MOTER, STARTIONS

Year/Month

2022-12-15



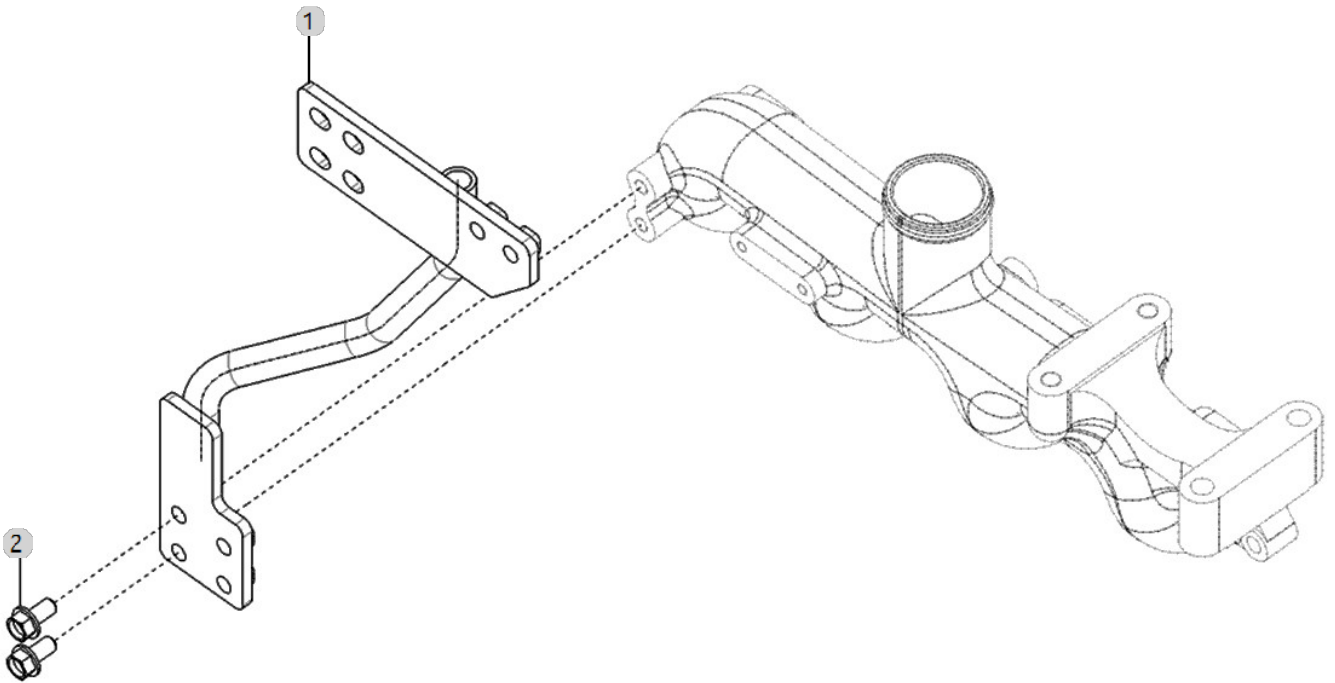
A43_001

A2300N3-UTC_4
(AB00246)

DPF SUPPORT OPTION

Year/Month

2022-12-15



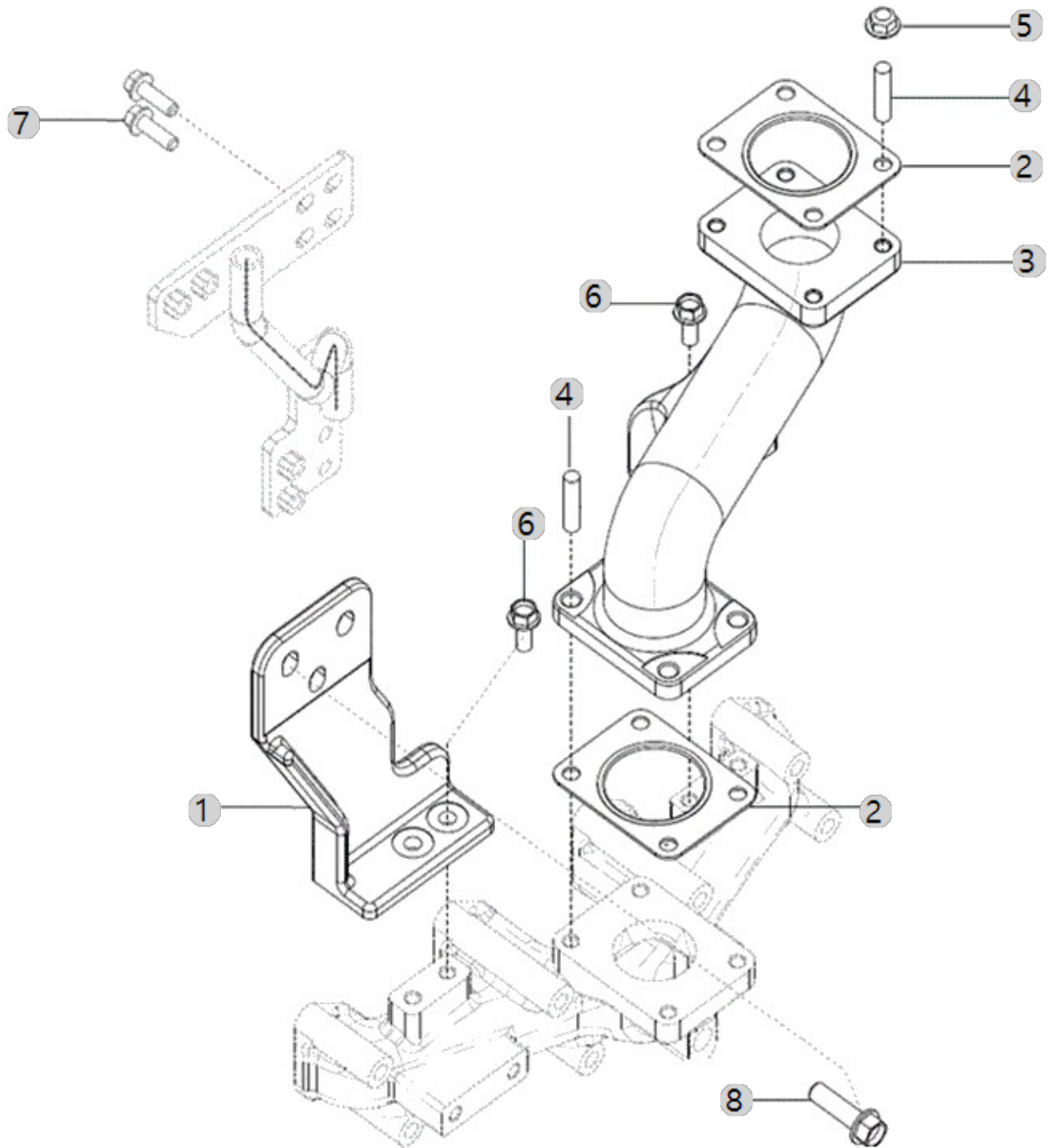
A44_006

A2300N3-UTC_4
(AB00246)

DPF MOUNTING OPTION

Year/Month

2022-12-15



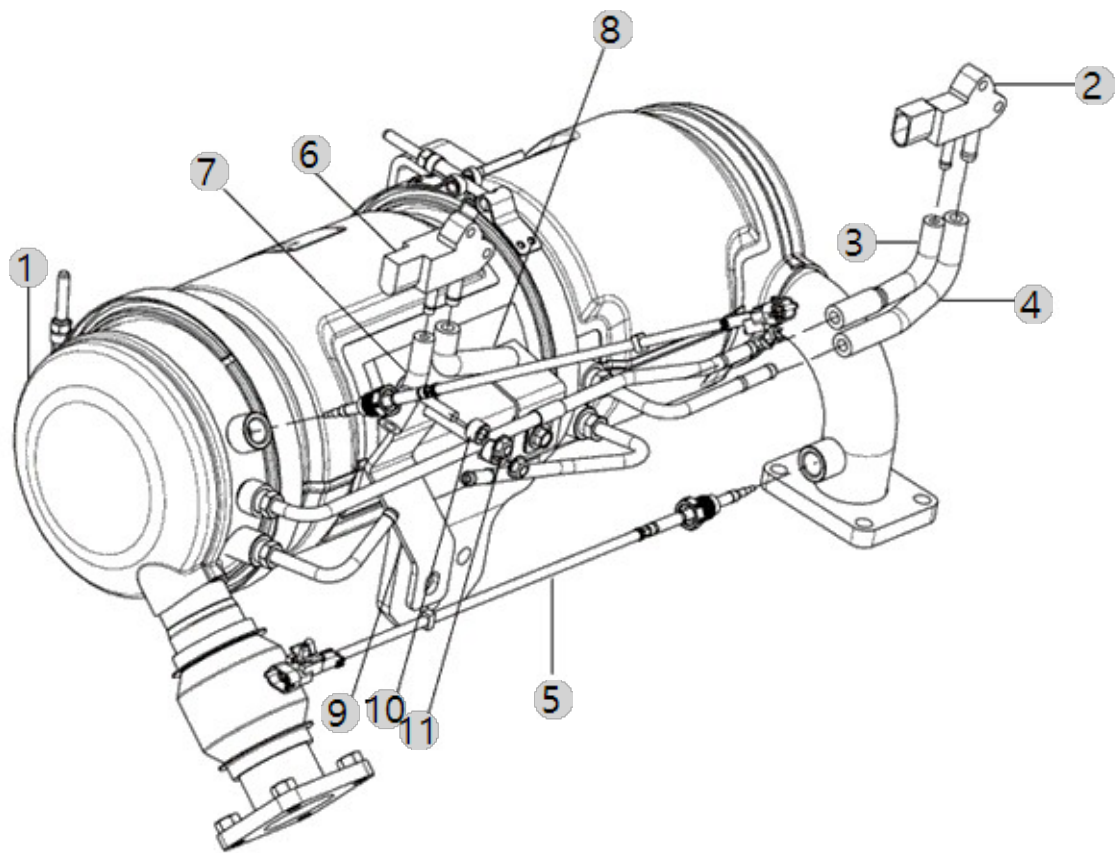
A45_012

A2300N3-UTC_4
(AB00246)

DPF

Year/Month

2022-12-15



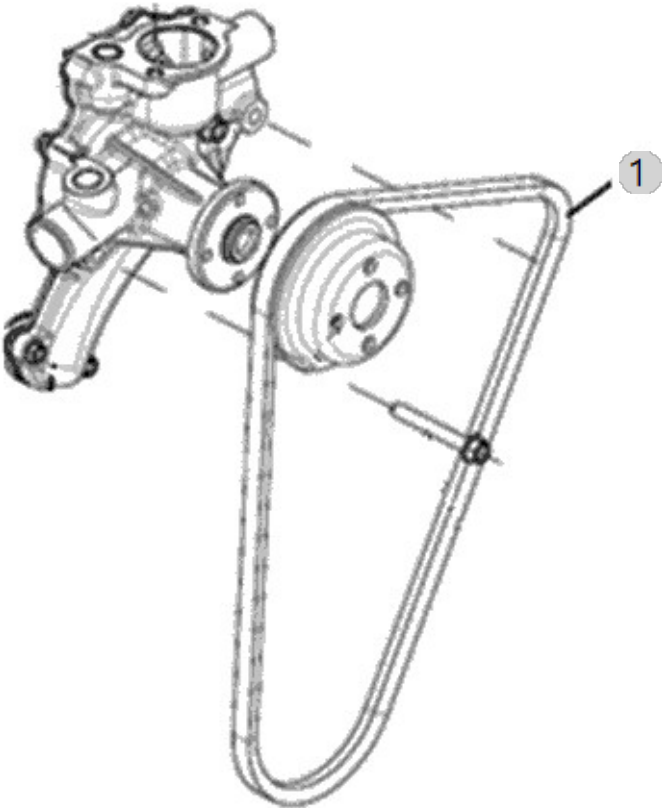
A48_006

A2300N3-UTC_4
(AB00246)

V-BELT

Year/Month

2022-12-15



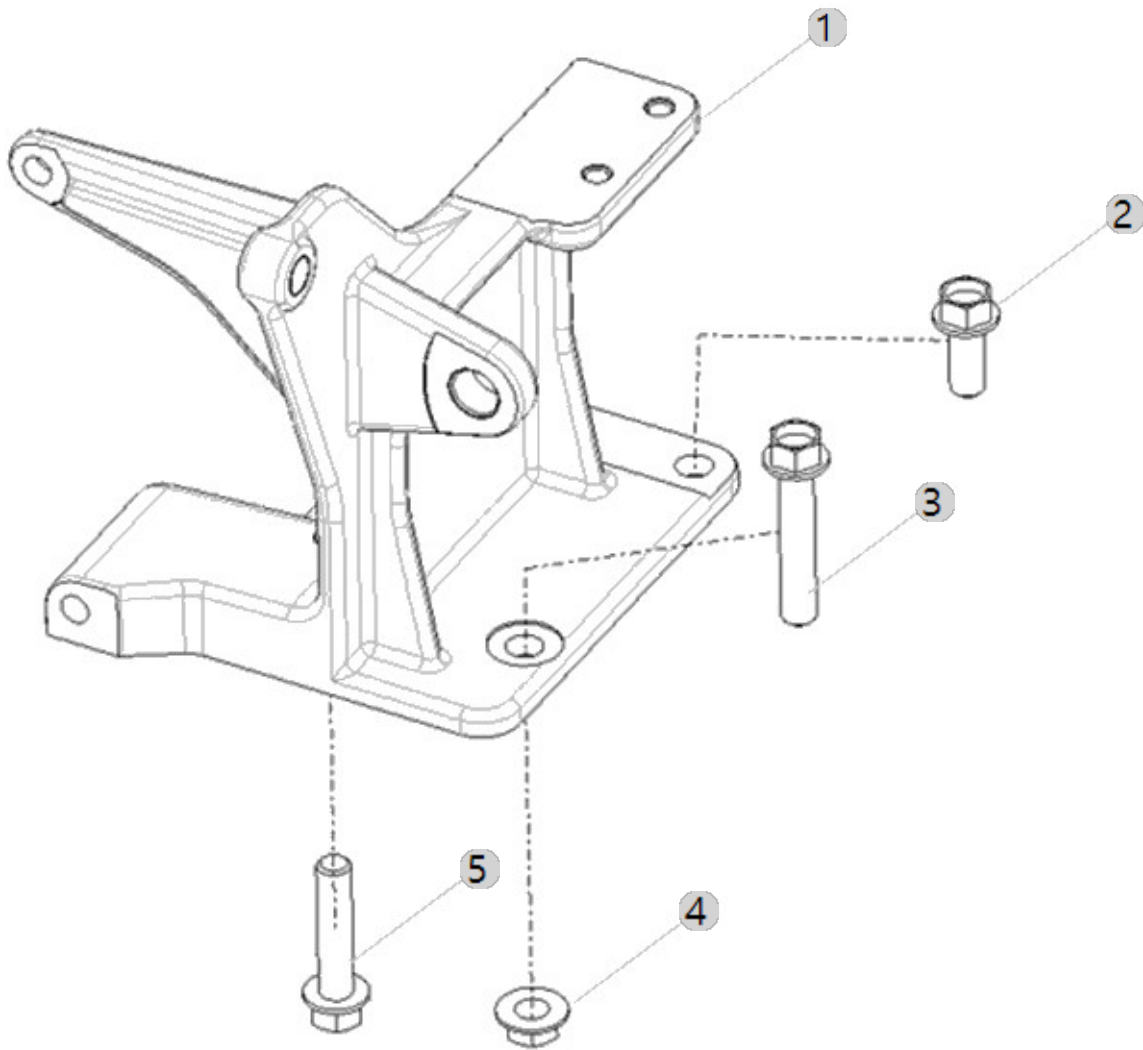
A50_001

A2300N3-UTC_4
(AB00246)

COMPRESSOR BRACKET ASS'Y

Year/Month

2022-12-15



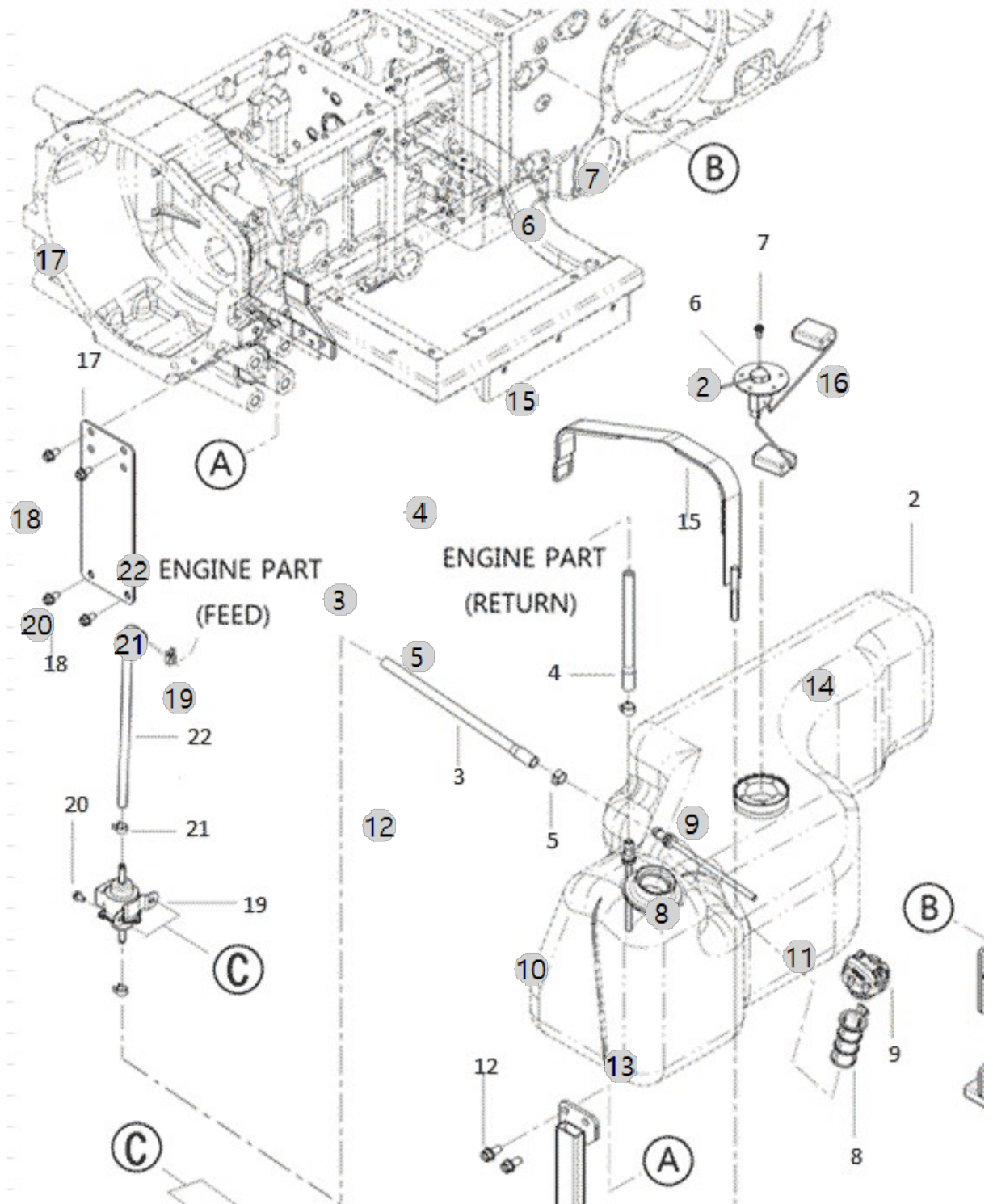
B01010

Year/Month

4820C(AC02107)

FUEL TANK

2022-12-15



B01010		FUEL TANK				Year/Month
4820C(AC02107)						2022-12-15
순번 (NO)	부품번호 (PART NO)	품명 (PART NAME)	품명 (PART NAME)	수량 (QTY)	규격 (SPEC)	비고 (REMARK)
1	TA00037917C	연료탱크 총조합	FUEL TANK ASSY	1		
1	TA00037917B	연료탱크 총조합	FUEL TANK ASSY	1		
2	TA00035291D	연료탱크조합	FUEL TANK ASSY	1		
2	TA00035291C	연료탱크조합	FUEL TANK ASSY	1		
2	TA00035291B	연료탱크조합	FUEL TANK ASSY	1		
3	TA00036178B	연료호스(850)조합	FUEL LINE(1000)	1		
3	TA00036178C	연료호스(850)조합	FUEL LINE(1000)	1		
4	TA00036175B	연료호스(1100)조합	FUEL LINE(1100)	1		
4	TA00036175C	연료호스(1100)조합	FUEL LINE(1100)	1		
5	23080-015000	호스클램프	Clamp, Hose (Φ15)	2	D15	
6	HA00000855A	연료센서(EXCELLENT)	FUEL SENSOR	1		
7	26106-050142	육각플랜지볼트	HEX FLANGE BOLT (5-14)	5		
8	TA00056576A	연료여과망	FUEL TANK STRAINER	1		
9	TA00037880A	주유구 캡	FUEL CAP	1		
10	TA00035817C	연료탱크전방서포트	TANK SUPPORT ASSY	1		
10	TA00035817E	연료탱크전방서포트	TANK SUPPORT, FRONT	1		
10	TA00035817G	연료탱크전방서포트	FUEL TANK SUPPORT ASSY	1		
10	TA00035817D	연료탱크전방서포트	TANK SUPPORT ASSY	1		
10	TA00035817F	연료탱크전방서포트	FUEL TANK SUPPORT ASSY	1		
10	TA00035817I	연료탱크전방서포트	FUEL TANK SUPPORT ASSY	1		
11	TA00054743C	연료탱크후방서포트(4단)	FUEL TANK REAR SUPPORT	1		
11	TA00054743A	연료탱크후방서포트(4단)	FUEL TANK REAR SUPPORT	1		
12	26106-100202	육각플랜지볼트	HEX BOLT, (10-20)	6	M10XP1.5X20	
13	26367-100002	263,ALL,고정너트(우나사)	NUT,HEXAGONFLANGE	2	M10X1025	
14	26106-080252	육각플랜지볼트	SCREW,HEXFLANGEHEADCAP	1	M8XP1.25X25	
15	TA00035957C	전방밴드조합	FRONT BAND ASSY	1		
15	TA00035957E	전방밴드조합	FRONT BAND ASSY	1		
15	TA00035957B	전방밴드조합	FRONT BAND ASSY	1		
15	TA00035957D	전방밴드조합	FRONT BAND ASSY	1		
15	TA00035957G	전방밴드조합	FRONT BAND ASSY	1		
16	TA00035974B	후방밴드조합	BAND REAR ASSY	1		
16	TA00035974D	후방밴드조합	FUEL TANK BAND, REAR	1		
16	TA00035974H	후방밴드조합	BAND REAR ASSY	1		
16	TA00035974F	후방밴드조합	BAND REAR ASSY	1		
16	TA00035974C	후방밴드조합	BAND REAR ASSY	1		
16	TA00035974E	후방밴드조합	BAND REAR ASSY	1		
17	TA00035811B	연료탱크 커버	COVER	1		
17	TA00035811D	연료탱크 커버	FUEL TANK COVER	1		
17	TA00035811C	연료탱크 커버	COVER	1		
18	26106-080162	플랜지볼트 8X16	SCREW,HEXFLANGEHEADCAP	4	M8XP1.25X16	
19	HF20190000A2	피드펌프	PUMP ASSY, FUEL FEED	1		
20	26106-060122	육각플랜지볼트	HEX BOLT (6-12)	2	M6XP1.0X12	
21	23080-013000	호스 클립	Clamp, Hose (Φ13)	2	D13	
22	TA00055012C	연료호스(PF)	HOSE, FUEL	1		
22	TA00055012B	연료호스(PF)	HOSE, FUEL	1		

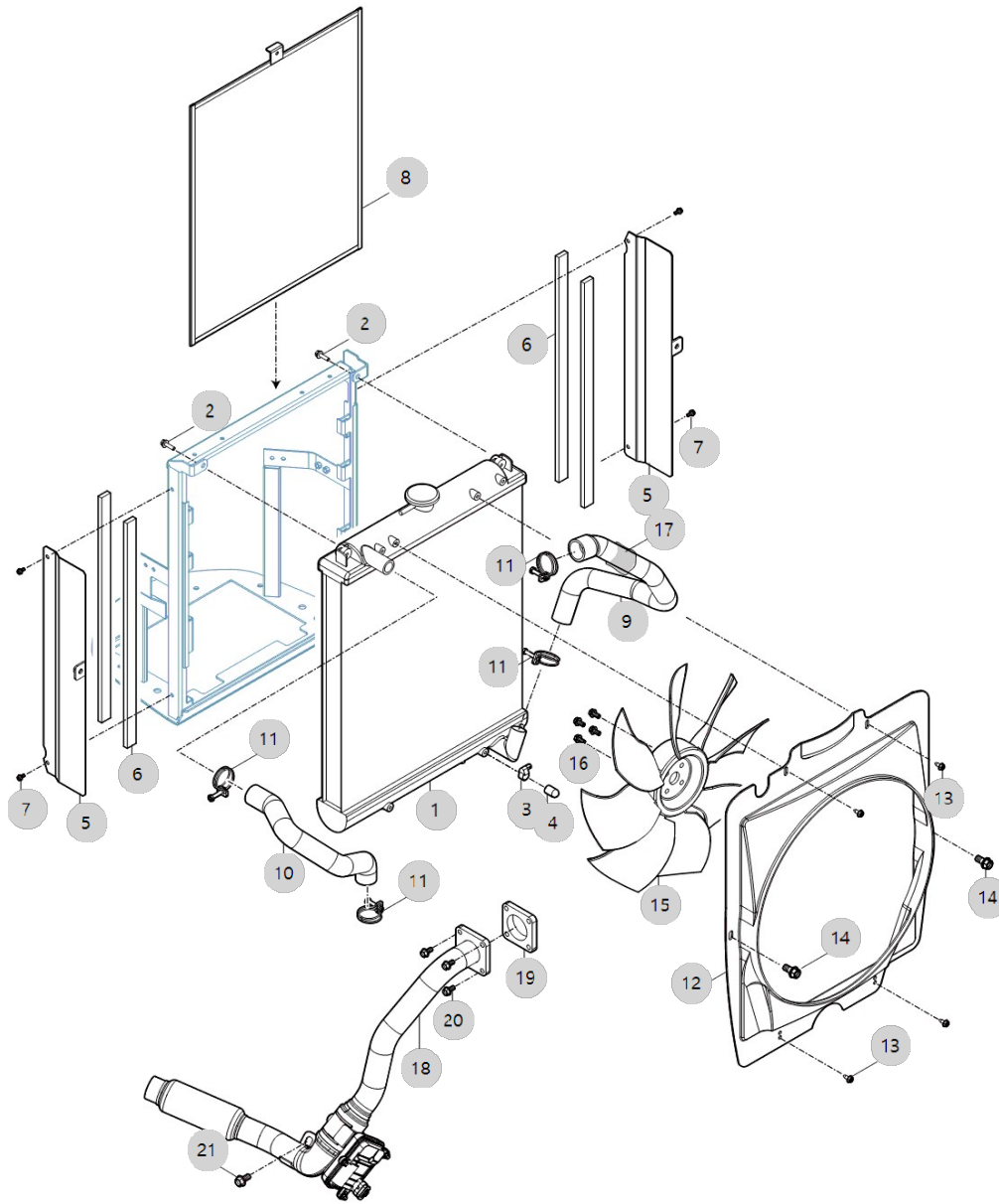
B02020

4820C(AC02107)

RADIATOR

Year/Month

2022-12-15



B02020 4820C(AC02107)	RADIATOR	Year/Month
		2022-12-15

순번 (NO)	부품번호 (PART NO)	품명 (PART NAME)	품명 (PART NAME)	수량 (QTY)	규격 (SPEC)	비고 (REMARK)
1	EA00003972A	라디에이터(3.5mm피치)	RADIATOR	1		
2	26014-060252	와셔조립육각볼트(+SW,PW)	Bolt, Hexa (6-25)	2	M06X1.00X02	
3	23000-016000	호스클립	Clip, Hose (Φ16)	1	D16	
4	HRC1201200A4	오일쿨러캡	CAP,COOLER	1		
5	TA00049446B	라디에이터브래킷 조합	BRACKET ASS'Y, RADIATOR	2		
5	TA00049446A	라디에이터브래킷 조합	BRACKET ASS'Y, RADIATOR	2		
6	TA00036707A	시일(RD)	SEAL(RD)	4		
7	26106-060162	육각플랜지 볼트	HEXFLANGE BOLT	4	M6XP1.0X16	
8	TA00024833C	방진망 조합	DUSTPROOF NET ASS'Y	1		
8	TA00024833B	방진망	NET	1		
9	TA00025609C	냉각수 호스 (B)	HOSE IN COOLING	1		
10	TA00060727A	냉각수호스A	COOLING WATER HOSE A	1		
11	23010-038000	호스밴드	HOSEBAND	4	D38	
12	TA00032760F	슈라우드	SHROUD	1		
13	HRA1203200A4	태핑나사	TAPPINGSCREW	4		
14	26106-080162	플랜지볼트8X16	SCREW,HEXFLANGEHEADCAP	2	M8XP1.25X16	
15	TA00043900A	냉각팬	FAN	1		
16	26106-080162	플랜지볼트8X16	SCREW,HEXFLANGEHEADCAP	4	M8XP1.25X16	
17	TA00036163C	냉각수 호스A 방열판	GUIDE(L),FOOT REST	3		
18	EA00005796C	전자식배기밸브ASS'Y(20(S))	ELECTRONIC EXHAUST VALVE ASS'Y	1		
18	EA00005796B	전자식배기밸브ASS'Y(20(S))	ELECTRONIC EXHAUST VALVE ASS'Y	1		
19	EA00004235A	가스켓(TC_IN)	GASKET(TC_IN)	1		
20	26106-080252	육각플랜지볼트	SCREW,HEXFLANGEHEADCAP	4	M8XP1.25X25	
21	26106-080122	육각플랜지볼트	Bolt, Hexa (8-12)	1	M8XP1.25X12	

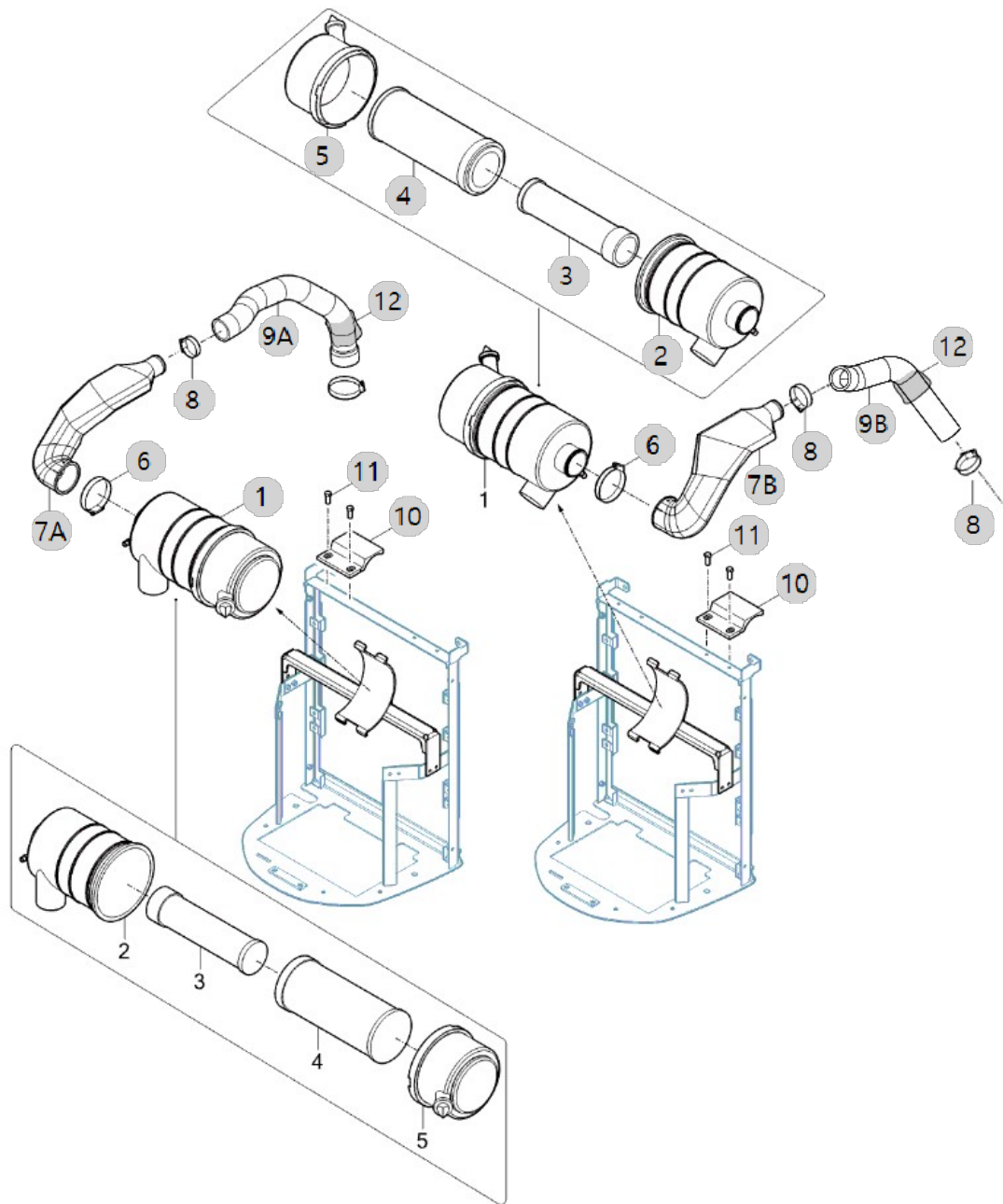
B03010

Year/Month

4820C(AC02107)

AIR CLEANER

2022-12-15



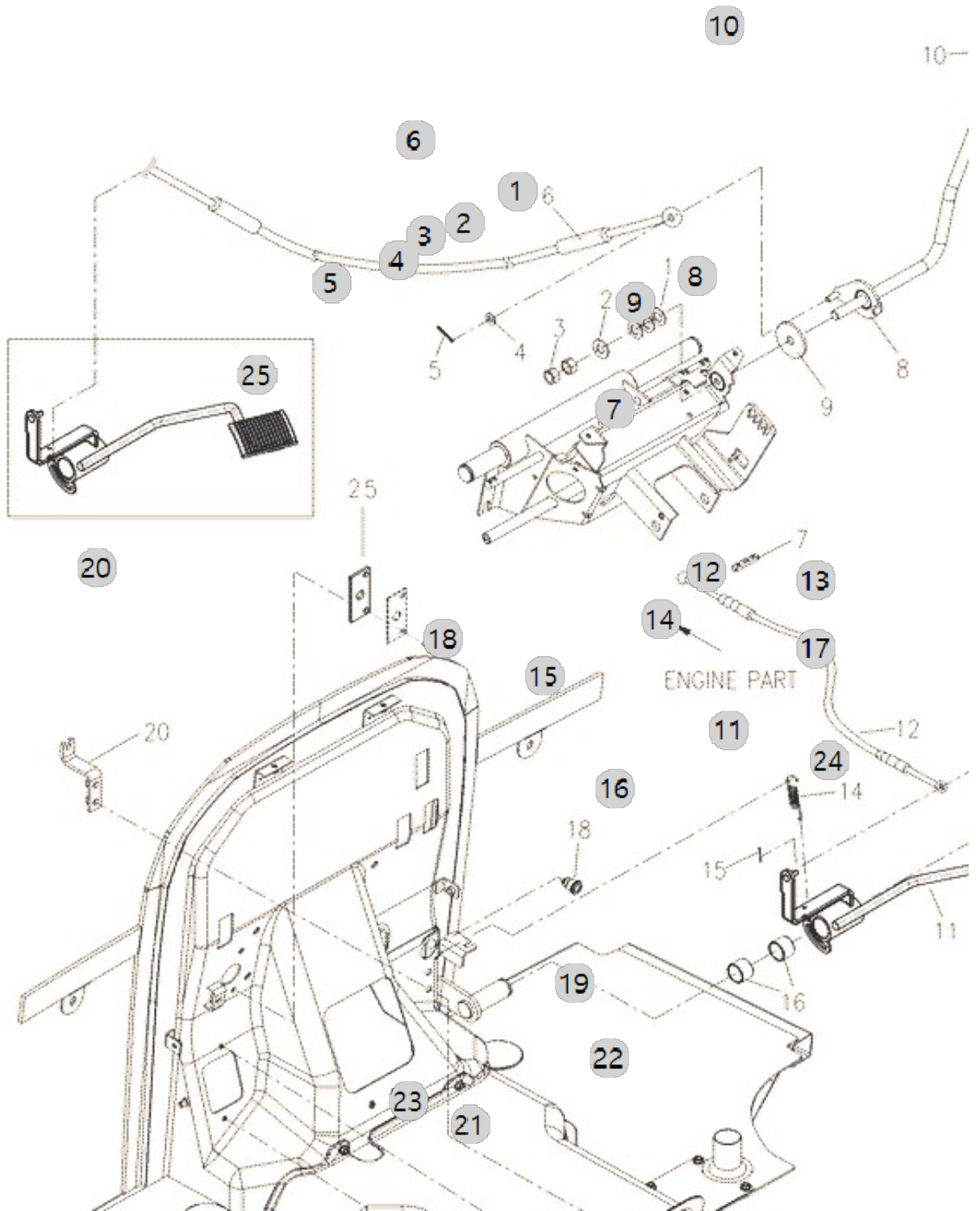
B05011

Year/Month

4820C(AC02107)

LEVER ACCELERATOR

2022-12-15



B05011 4820C(AC02107)	LEVER ACCELERATOR	Year/Month
		2022-12-15

순번 (NO)	부품번호 (PART NO)	품명 (PART NAME)	품명 (PART NAME)	수량 (QTY)	규격 (SPEC)	비고 (REMARK)
1	TC45010000A4	접시형스프링와셔10	SPRINGWASHER10	3		
2	22137-060000	평와셔	WASHER , PLAIN	1	M6	
3	26716-100002	육각너트	Nut, Hexa (Φ10)	1	M10XP1.5	
4	22137-100000	평와셔 10	WASHER, PLAIN (Φ 10)	1	M10	
5	22417-160180	할핀1.6X18	PIN , COTTER (1-18)	1	D1.6X18	
6	TA00030582B	엑셀 와이어 조합	WIRE ACCELERATOR	1		
7	TC45040000A4	고무(와이어이탈방지)	RUBBER	1		
8	TA00022978B	레버(엑셀)	ACCELERATION LEVER ASSY	1		
8	TA00022978D	레버(엑셀)	ACCELERATION LEVER ASS'Y	1		
8	TA00022978C	레버(엑셀)	ACCELERATION LEVER ASSY	1		
9	TC45060000B4	마찰판	FRICTIONPLATE	1	10.1X40X3	
10	TA00056003A	엑셀 손잡이 노브 조합	KNOD, ACCELERATOR	1		
11	TA00028617B	악셀 페달 조합	PEDAL ACCELERATION ASS'Y	1		
11	TA00028617D	악셀 페달 조합	PEDAL ACCELERATOR ASS'Y	1		
11	TA00028617C	악셀 페달 조합	PEDAL ACCELERATION ASS'Y	1		
12	TA00029575B	엑셀 페달 와이어	ACCELERATOR WIRE, PEDAL	1		
13	22137-060000	평와셔	WASHER , PLAIN	1	M6	
14	RA00002397B	예비묘대스프링	SPRING, SPARE SEEDLING TRAY	1	D2	
14	RA00002397C	예비묘대스프링	SPRING, SPARE SEEDLING TRAY	1	D2	
15	22417-160180	할핀1.6X18	PIN , COTTER (1-18)	1	D1.6X18	
16	24550-025200	드라이부시	BUSH, DRY	2	25X20	
17	22272-000190	E형스냅링	RING, CIRCLIP (Φ 19)	1	D19	
18	TA00048755A	엑셀 와이어 그로멧	GROMMET	1		
19	26106-080162	플랜지볼트8X16	SCREW, HEXFLANGEHEADCAP	2	M8XP1.25X16	
20	FT01320000B4	와이어브래킷B	BRACKET B, WIRE	1		
20	FT01320000C4	와이어브래킷B	BRACKET B, WIRE	1		
21	TA00017501B	커버	COVER	1	0.8T	
21	TA00017501C	커버	COVER	1	0.8T	
22	26106-060122	육각플랜지볼트	HEX BOLT (6-12)	2	M6XP1.0X12	
23	TA00034679B	고무판	PLATE, RUBBER	1		
23	TA00034679C	고무판	PLATE, RUBBER	1		
24	TA00039370A	엑셀페달	PEDAL ACCELERATION	1		
25	TA00034695B	클러치 안전스위치 고무판	PLATE, RUBBER	1		

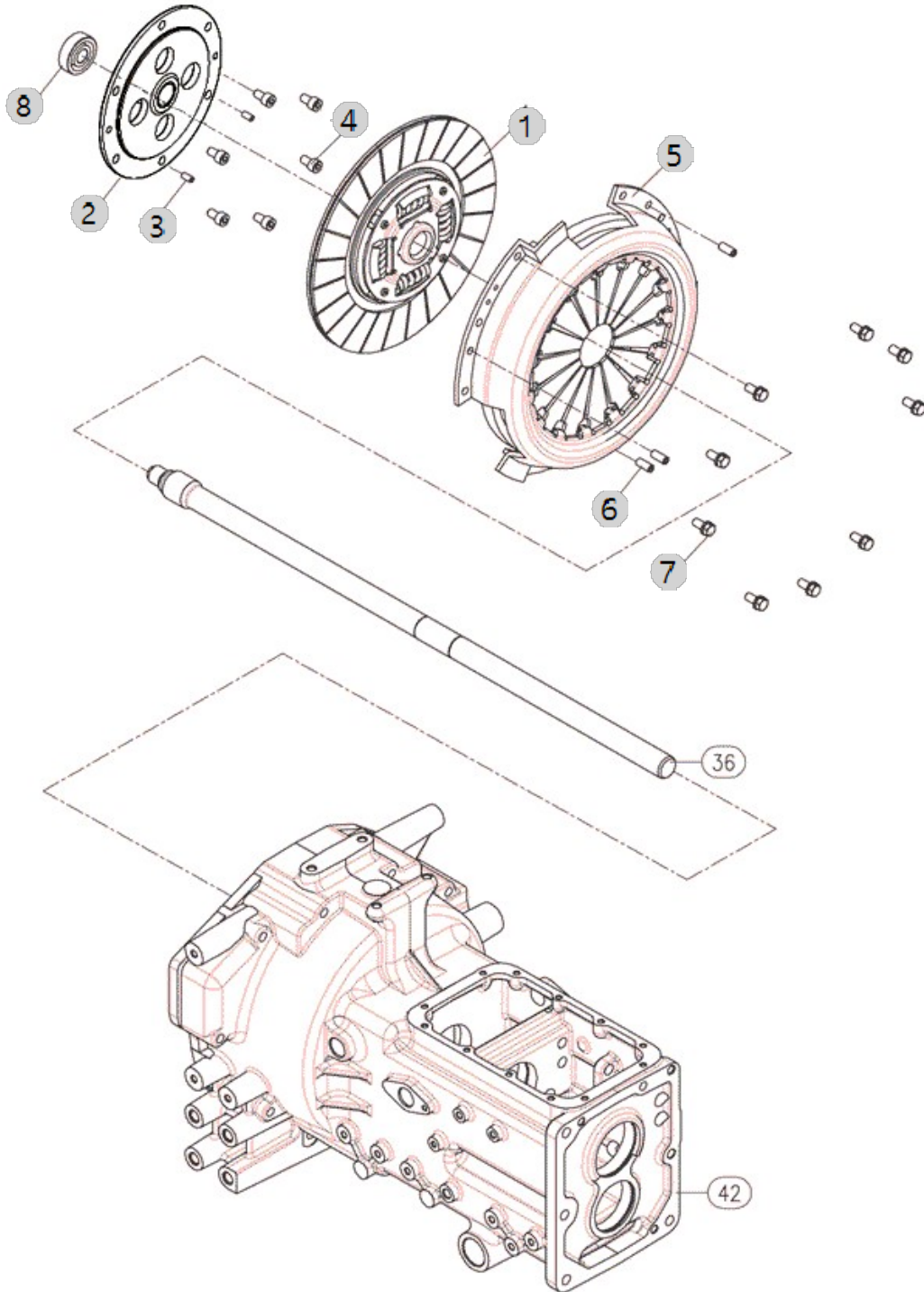
C01010

Year/Month

4820C(AC02107)

CLUTCH DISC & COVER

2022-12-15



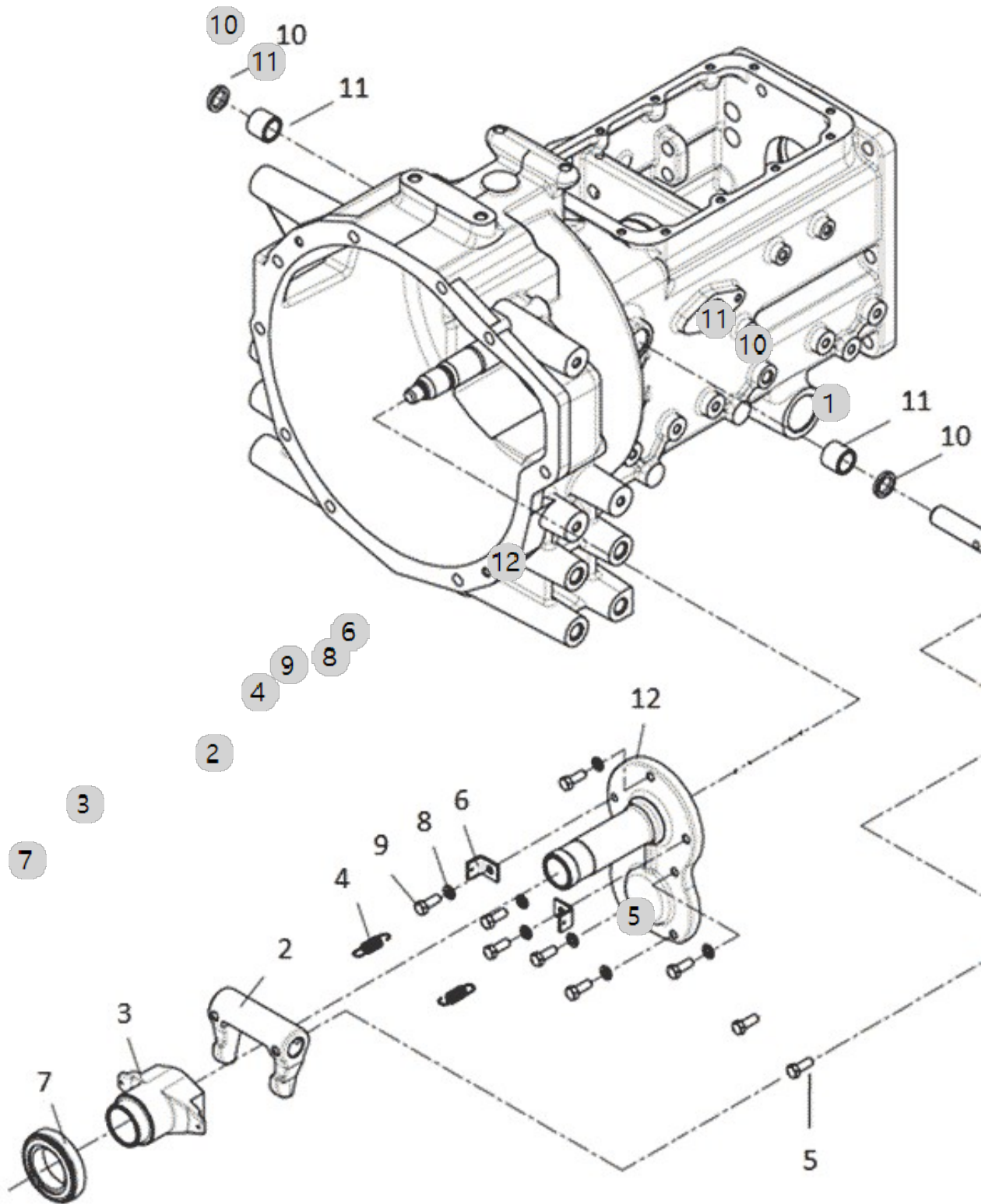
C01020

Year/Month

4820C(AC02107)

CLUTCH RELEASE

2022-12-15



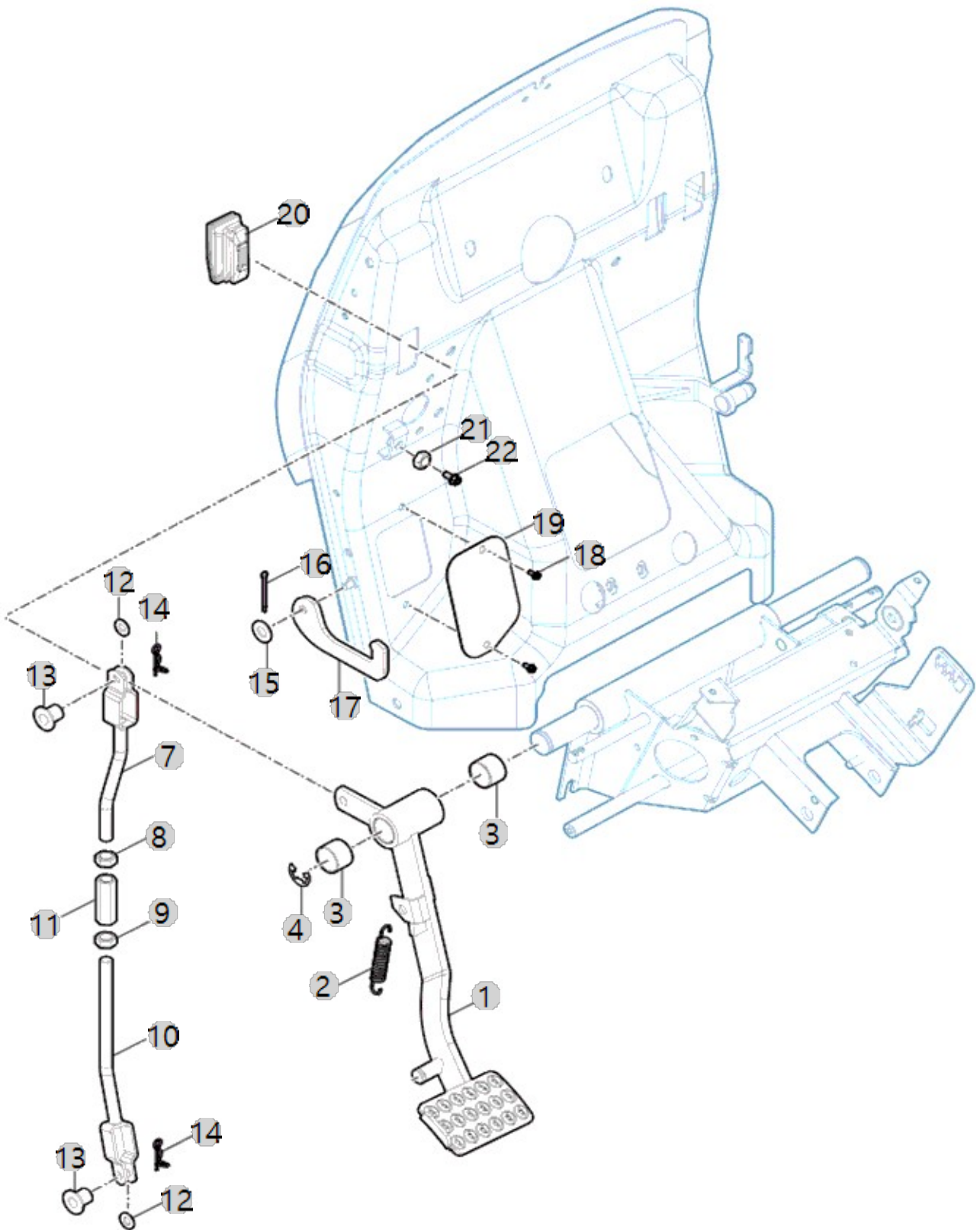
C01030

Year/Month

4820C(AC02107)

CLUTCH PEDAL

2022-12-15



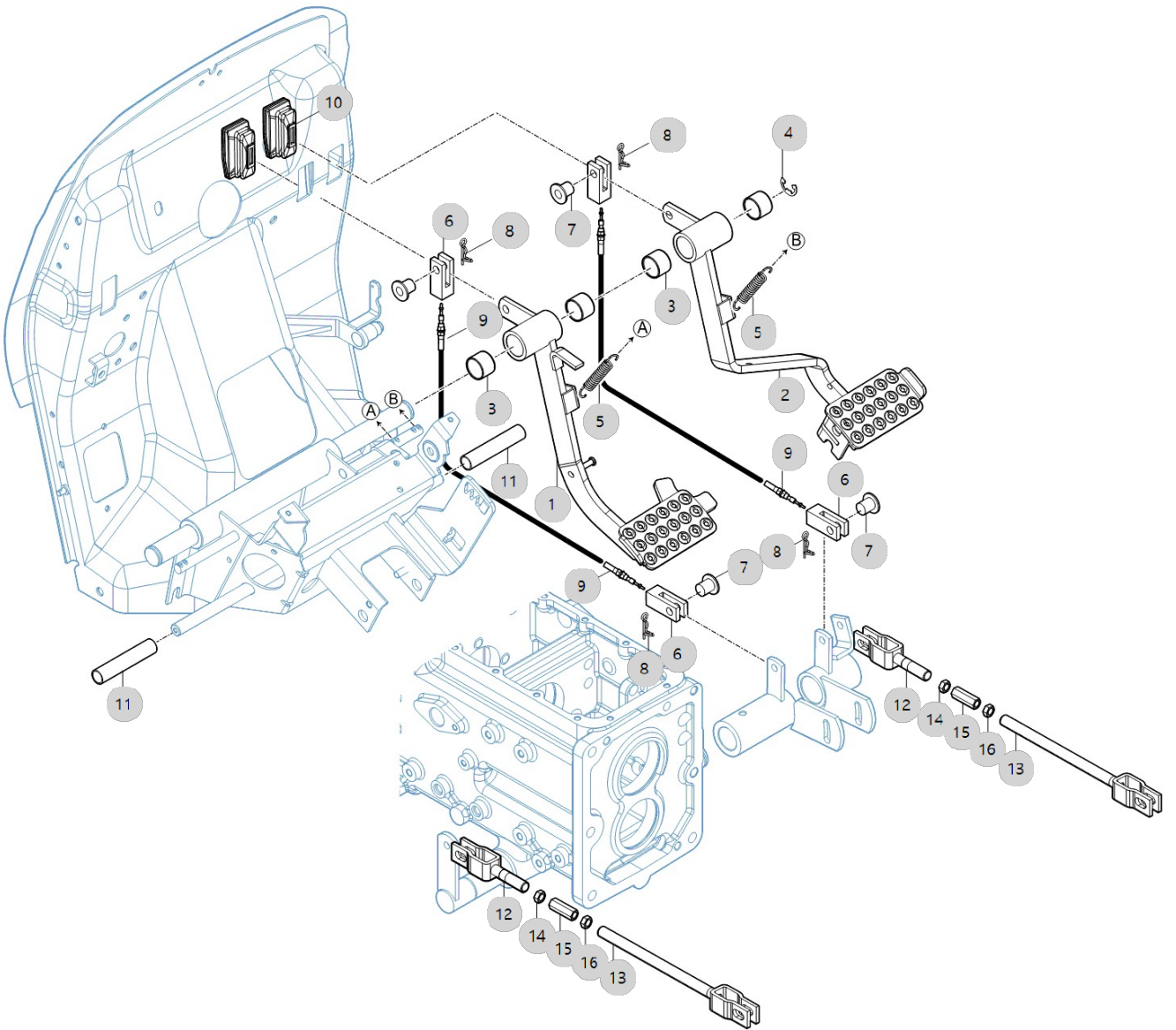
C02010

4820C(AC02107)

BRAKE PEDAL

Year/Month

2022-12-15



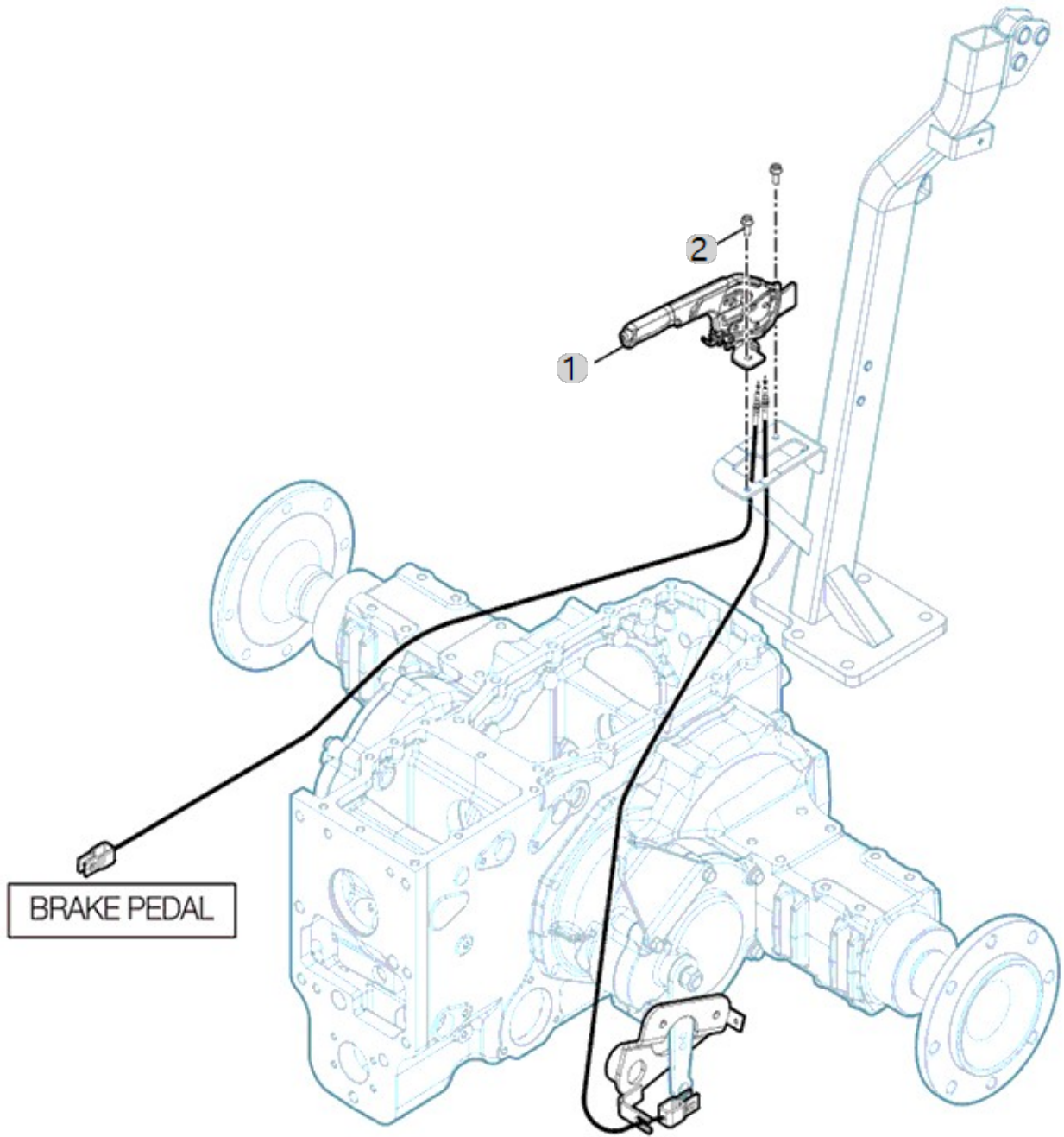
C02063

Year/Month

4820C(AC02107)

BRAKE LEVER

2022-12-15



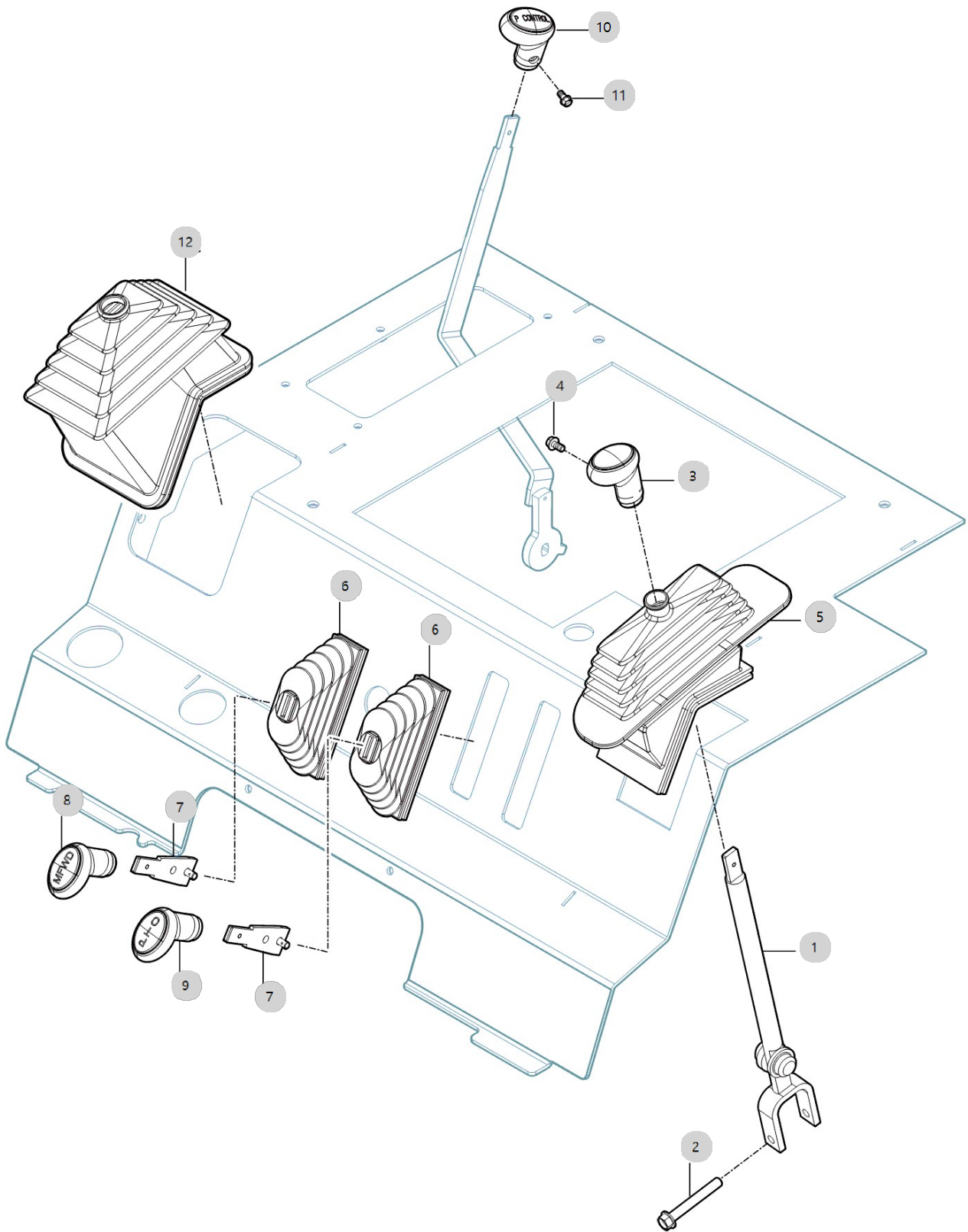
C04000

Year/Month

4820C(AC02107)

LEVER&PEDAL ASS'Y

2022-12-15



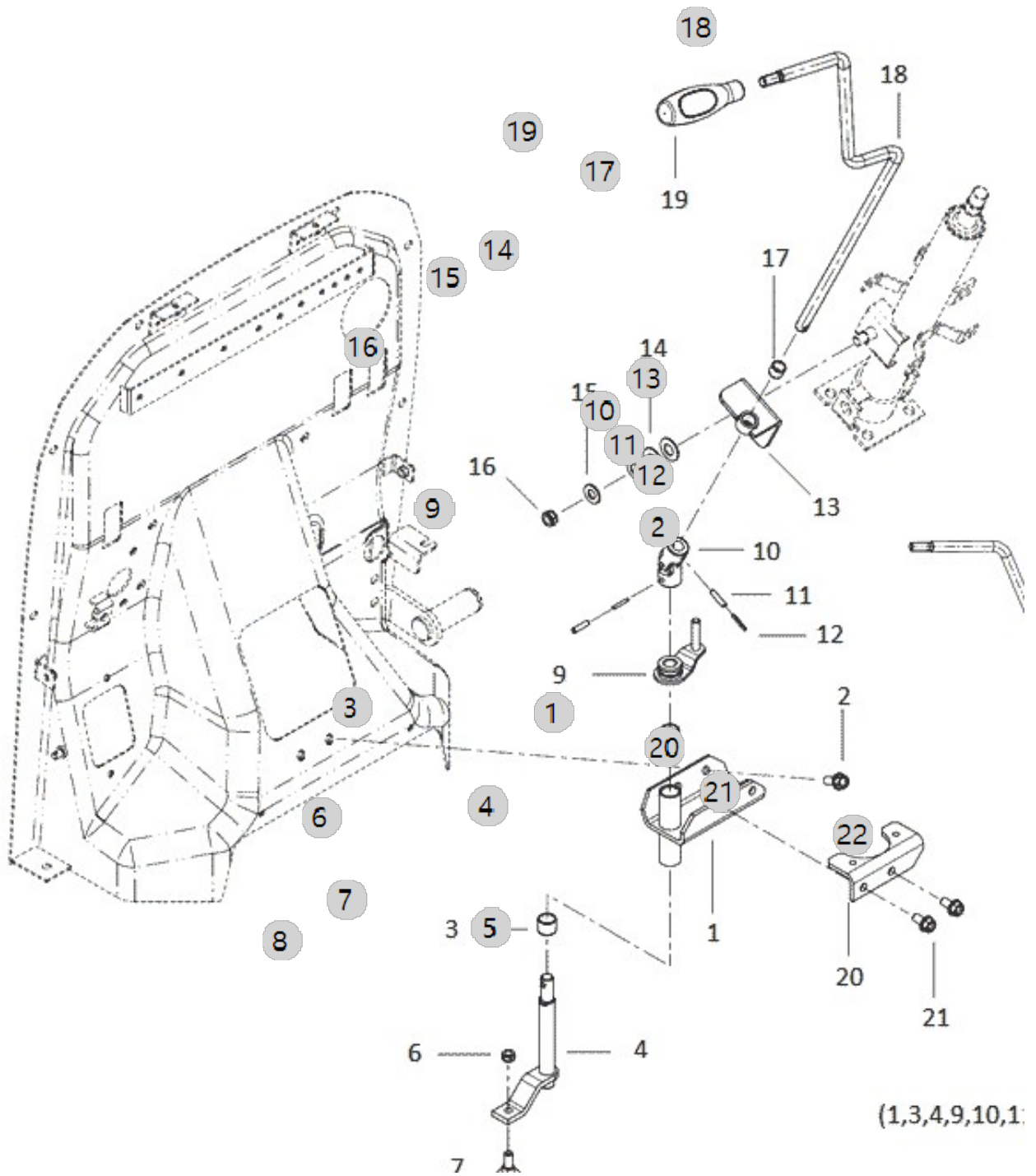
C04010

Year/Month

4820C(AC02107)

SHUTTLE LEVER

2022-12-15



(1,3,4,9,10,11)

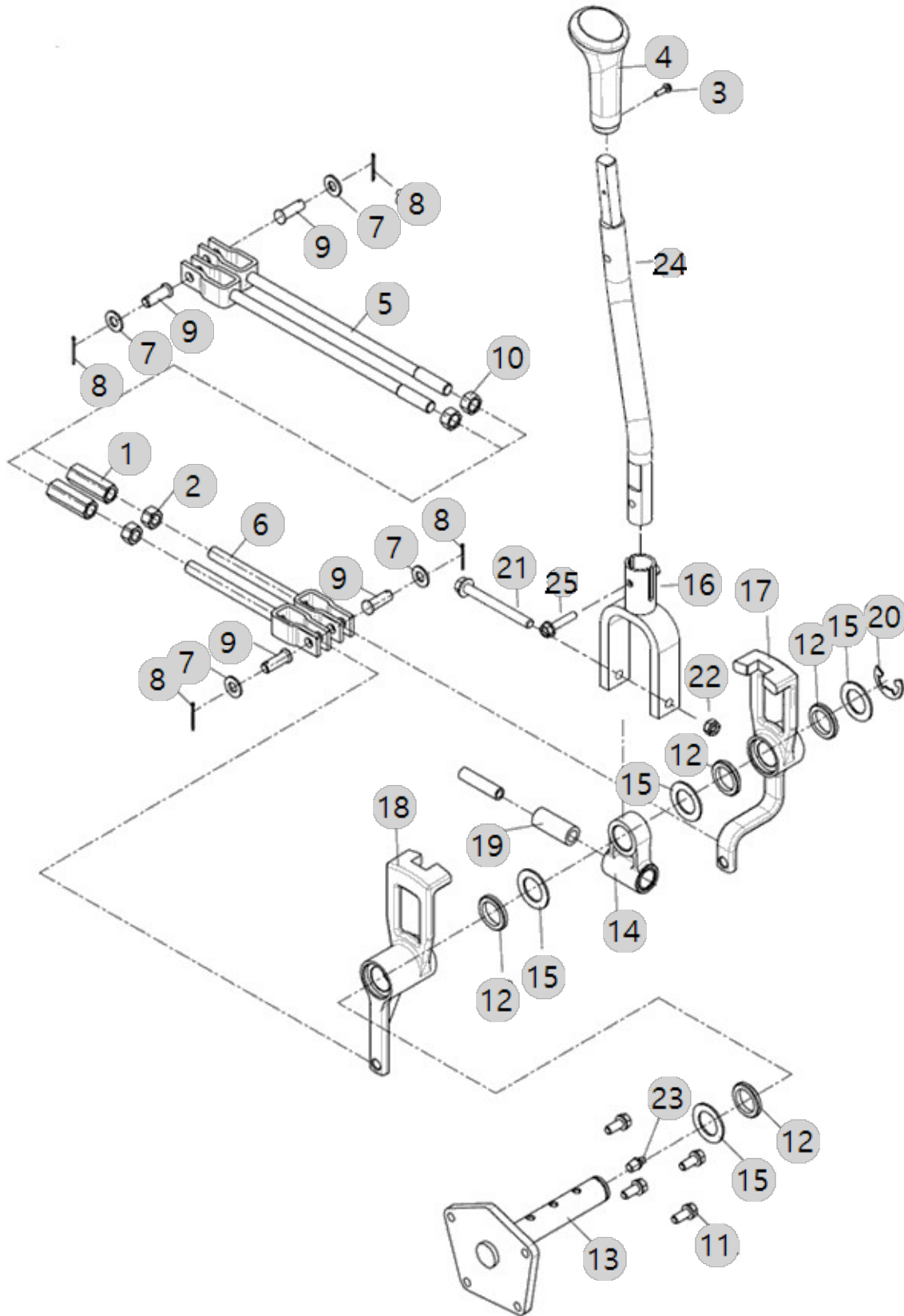
C04031

Year/Month

4820C(AC02107)

MAIN SHIFT LEVER

2022-12-15



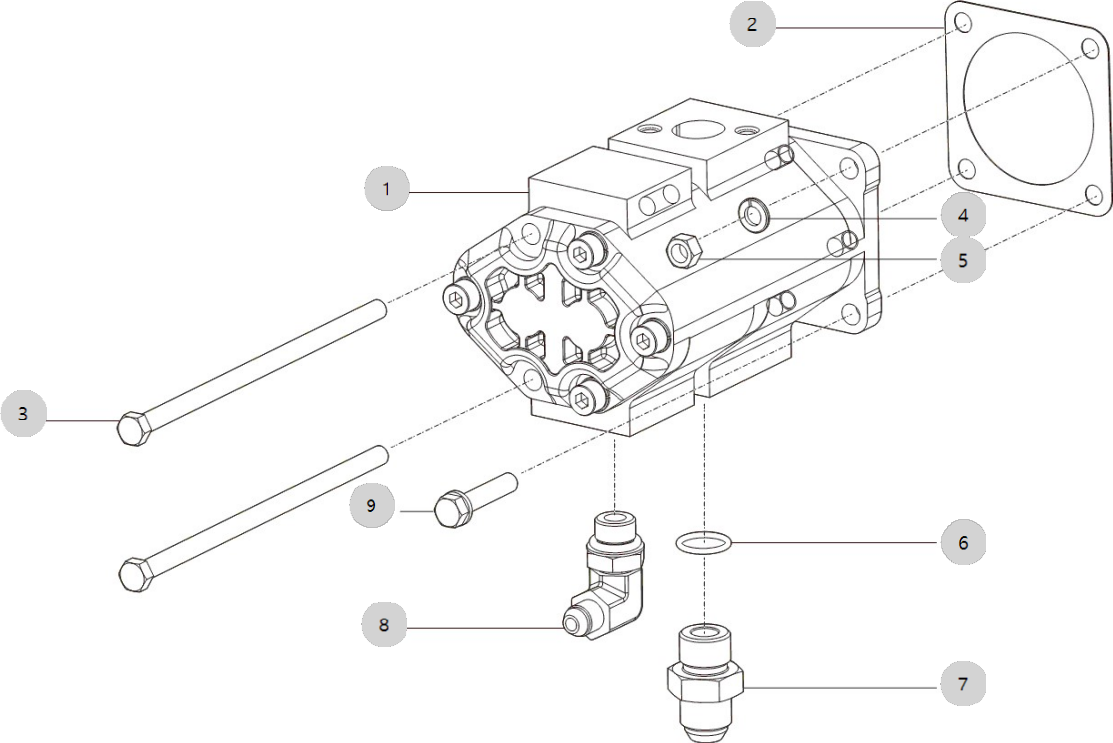
D01010

4820C(AC02107)

HYD PUMP

Year/Month

2022-12-15



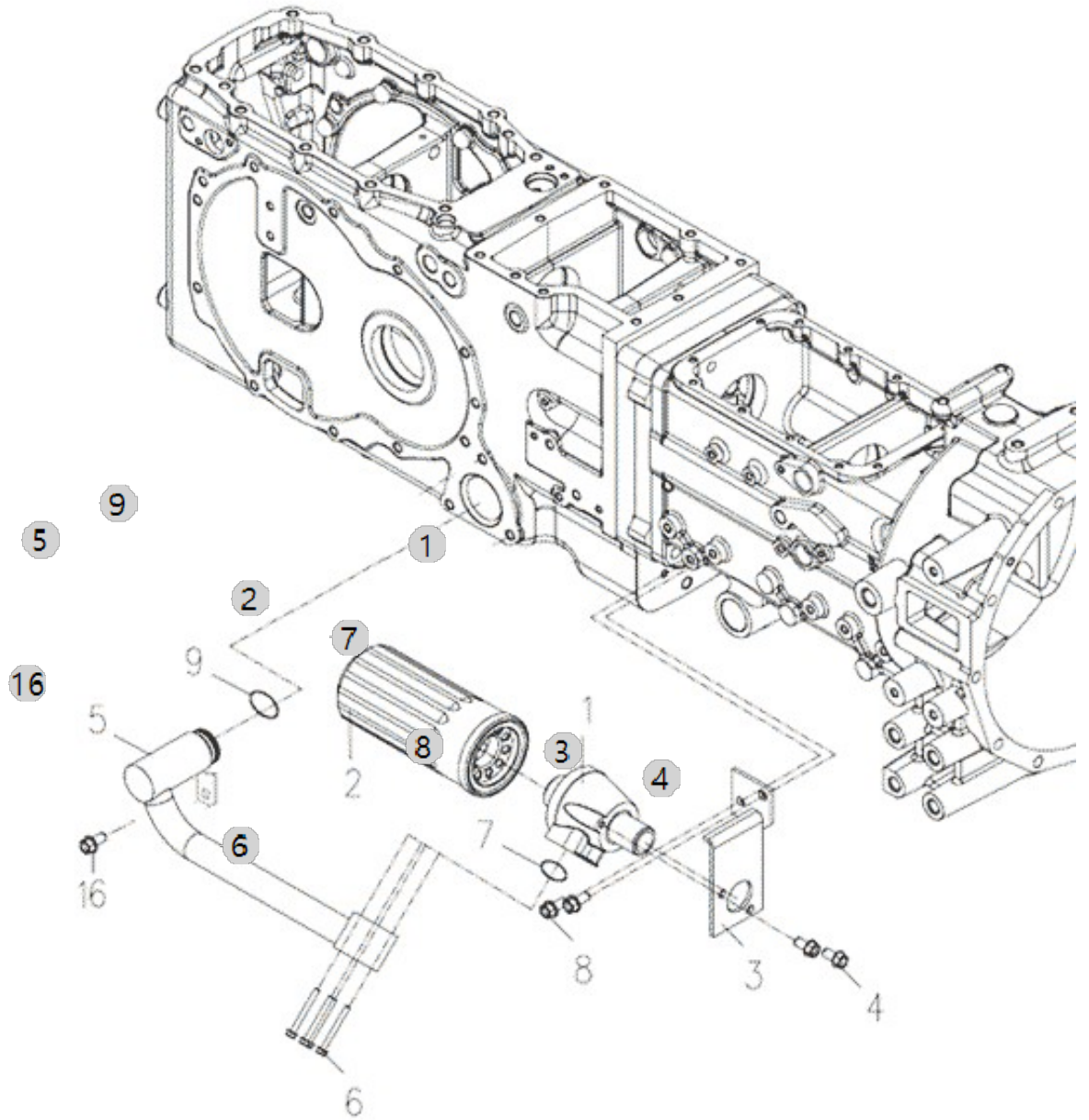
D01040

Year/Month

4820C(AC02107)

HYD FILTER

2022-12-15



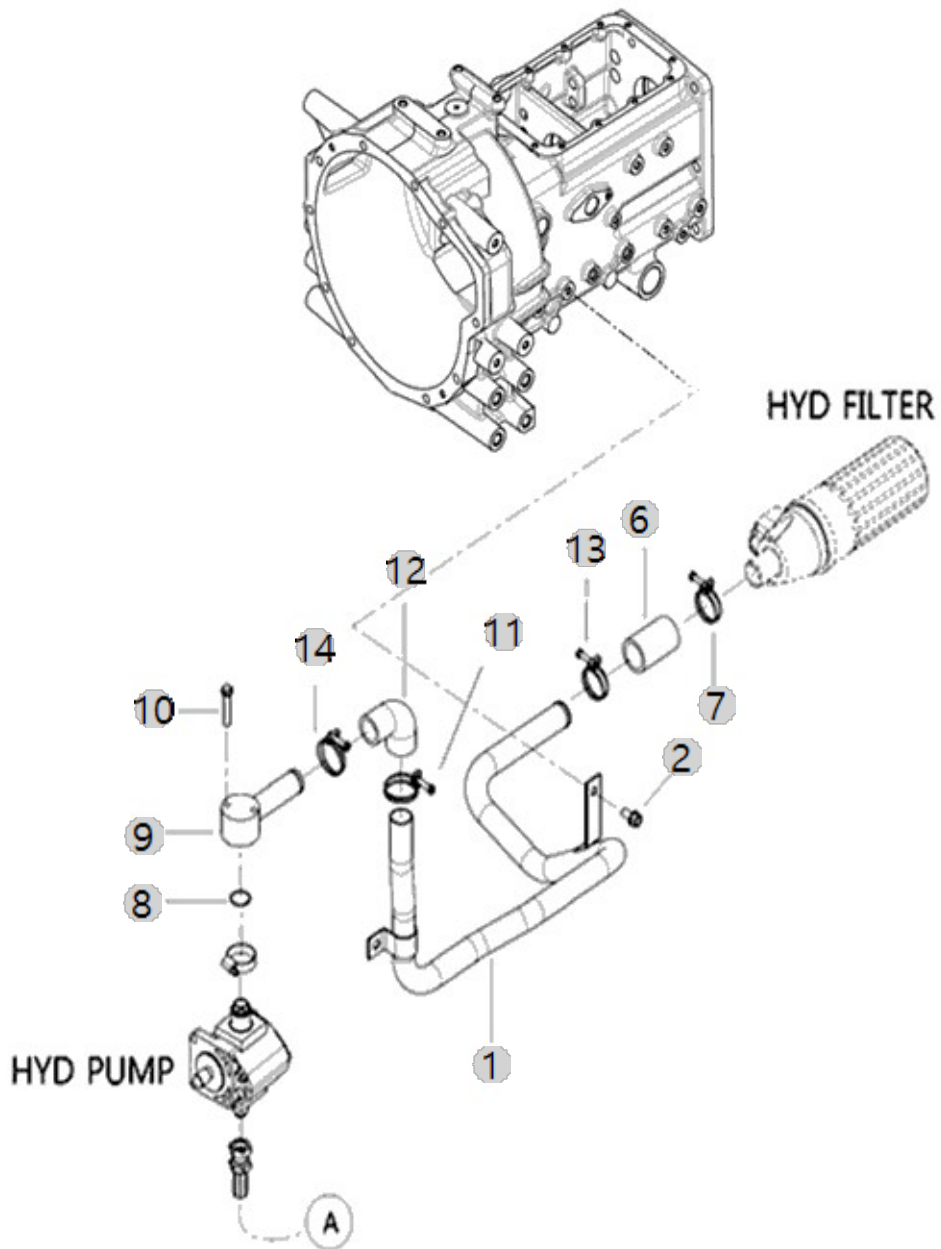
D01041

Year/Month

4820C(AC02107)

HYDRAULIC FILTER/LINE

2022-12-15



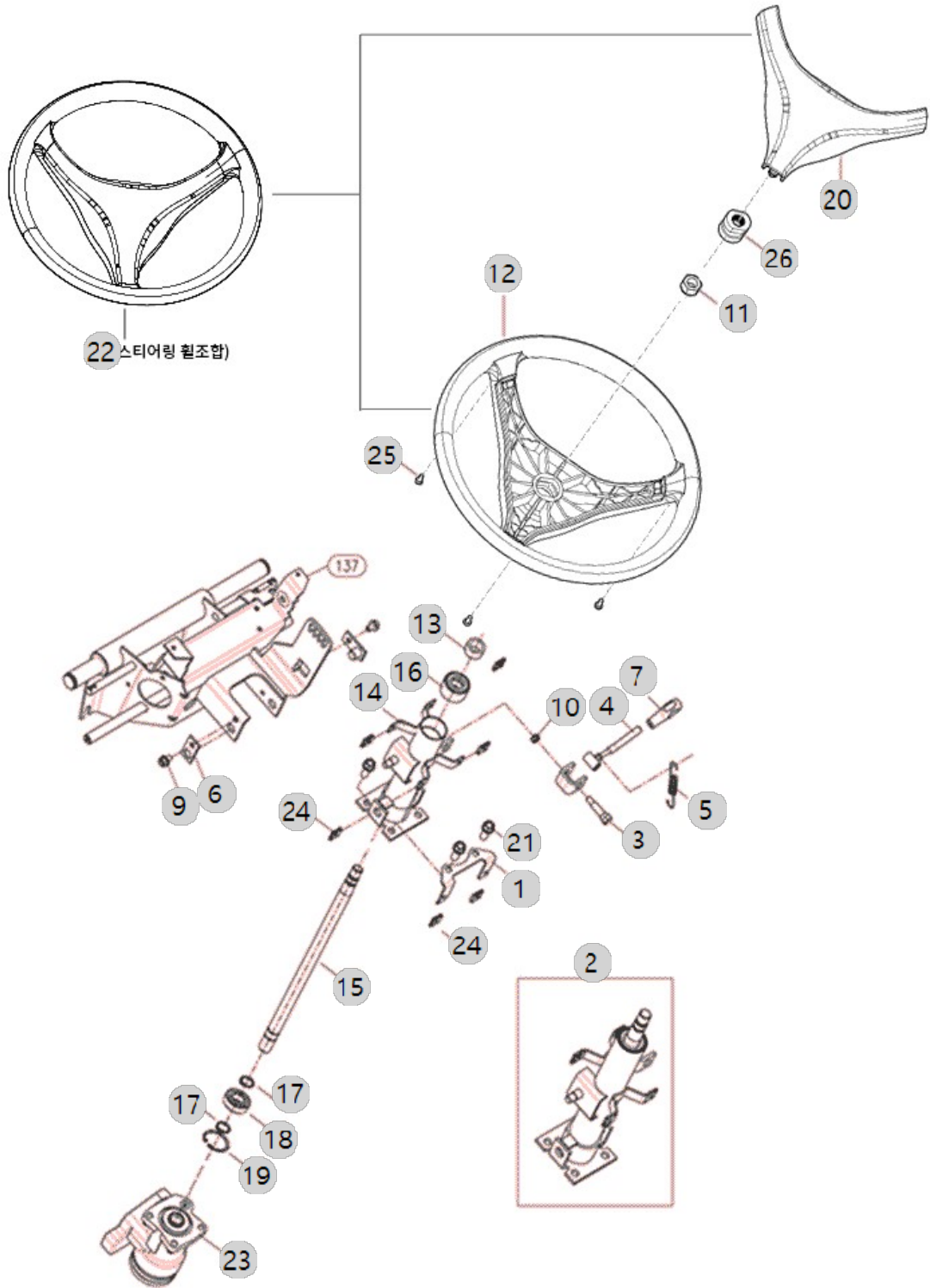
D02010

4820C(AC02107)

STEERING WHEEL

Year/Month

2022-12-15



D02010 4820C(AC02107)	STEERING WHEEL	Year/Month
		2022-12-15

순번 (NO)	부품번호 (PART NO)	품명 (PART NAME)	품명 (PART NAME)	수량 (QTY)	규격 (SPEC)	비고 (REMARK)
1	TC65010000B4	브래킷(컬럼커버R)	BRACKET(COLUMCOVERR)	1	2.3T	
2	TA00058976B	컬럼조합	COLUMN ASS'Y	1		
2	TA00058976D	컬럼조합	COLUMN ASS'Y	1		
2	TA00058976C	컬럼조합	COLUMN ASS'Y	1		
2	TA00058976E	컬럼조합	COLUMN ASS'Y	1		
3	TC65030000B4	틸트레버핀	TILTLEVERPIN	1		
4	TC65040000B4	틸트레버	TILTLEVER	1	NONE	
5	TC65050000A4	틸트스프링	TILTSPRING	1		
6	TC65060000B4	틸트핀조합	TILTPINASS'Y	2		
7	TA00015785A	스탠드 손잡이	LEVER, STAND	1		
9	26106-080122	육각플랜지볼트	Bolt, Hexa (8-12)	2	M8XP1.25X12	
10	26347-080002	U너트	Unut	1	M8XP1.25	
11	TA00048436B	U너트(M16XP1.5)	U-NUT	1		
12	TA00048049B	스티어링 휠	STEERING WHEEL	1		
13	TC65130000A4	커버(축)	COVER,SHAFT	1		
14	NT0141A100C2	스티어링컬럼	STEERING COLUMN	1		
14	NT0141A100B2	스티어링컬럼	STEERINGCOLUMN	1		
14	NT0141A100D2	스티어링컬럼	STEERING COLUMN	1		
15	TA00054109C	스티어링축(수출)	SHAFT, STEERING	1		
15	TA00054109B	스티어링축(수출)	SHAFT, STEERING	1		
16	TC65020400A9	컬럼부츠	COLUMNBUSH	1		
17	22242-000200	축용스냅링20	SNAP RING, SHAFT (Φ 20)	2	D20(축용)	
18	TA00060975A	캡 로올러	CAP ROLLER	1		
19	22252-000450	구멍용스냅링45	RING, CIRCLIP (Φ 45)	1	D45	
20	TA00048050B	커버	COVER	1		
21	26136-100252	육각플랜지볼트(세목)	SCREW, HEX FLANGE HEAD CAP	3	M10X25	
22	TA00048048C	스티어링 휠조합	STEERING WHEEL ASS'Y	1		
22	TA00048048B	스티어링 휠조합	STEERING WHEEL ASS'Y	1		
23	NT33010000D3	PST 밸브	P.S.TVALVE	1	NONE	
23	NT33010000B3	pst 밸브	P.S.TVALVE	1	NONE	
24	TTD7110000B4	스피드 너트 5008	SPEED NUT NS5008	6	0.7T	
24	TTD7110000C4	스피드 너트 5008	SPEED NUT NS5008	6	0.7T	
25	22587-480124	냄비머리태핑나사	TAPPING SCREW	3	4.8X12	
26	TA00048051A	인서트	INSERT	1		

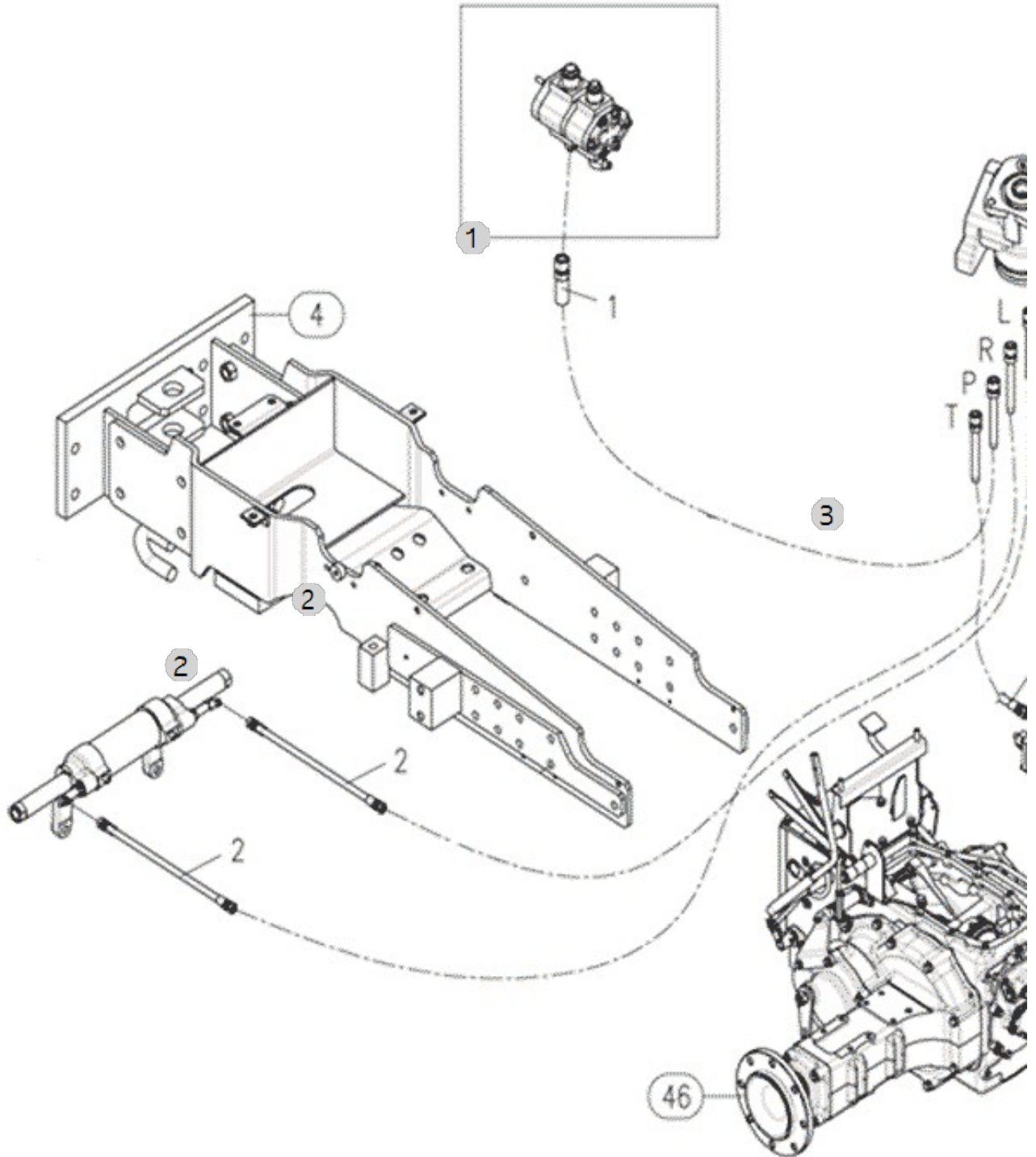
D02030

Year/Month

4820C(AC02107)

P.S.T HOSE

2022-12-15



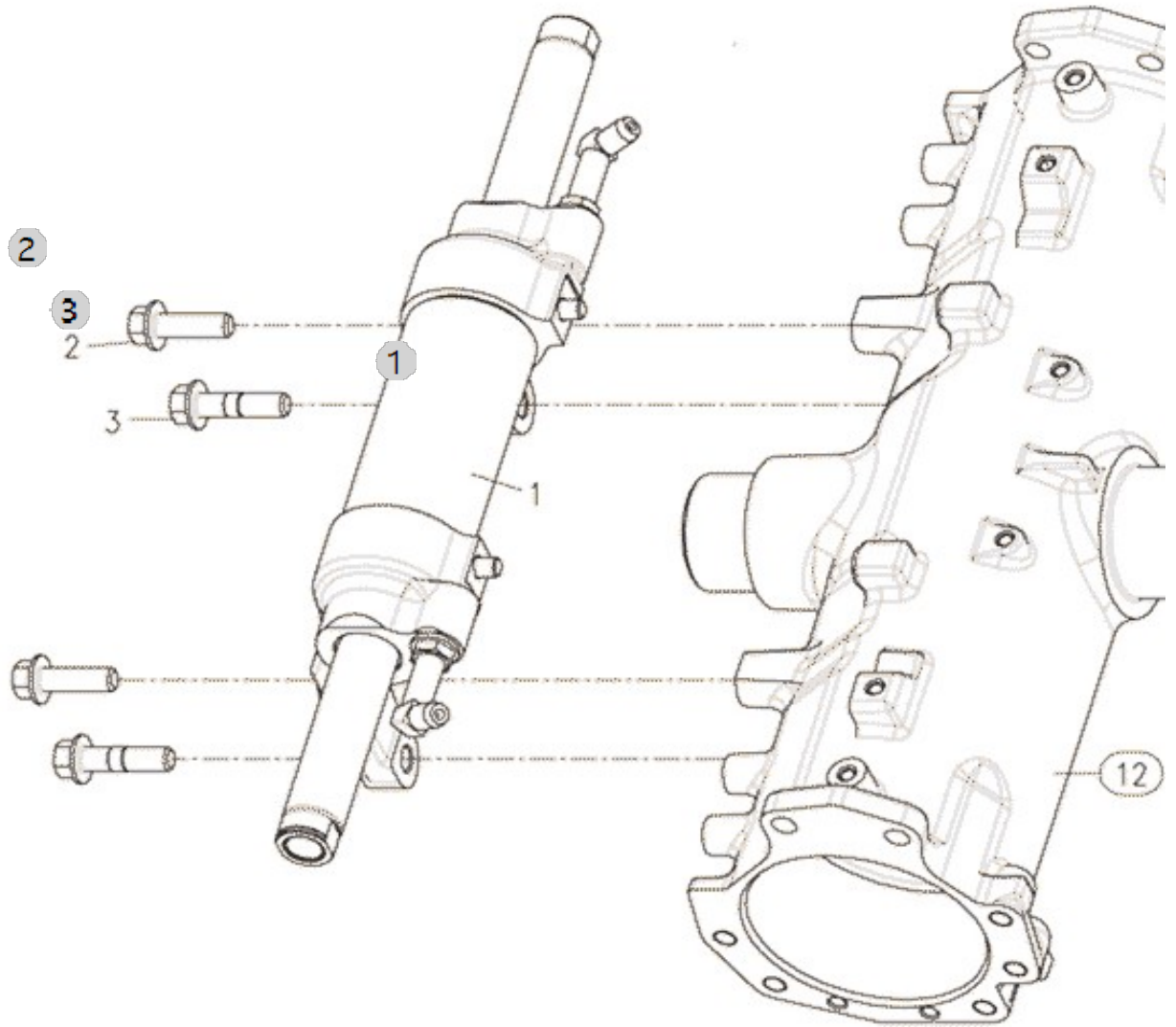
D02040

Year/Month

4820C(AC02107)

P.S.T CYLINDER

2022-12-15



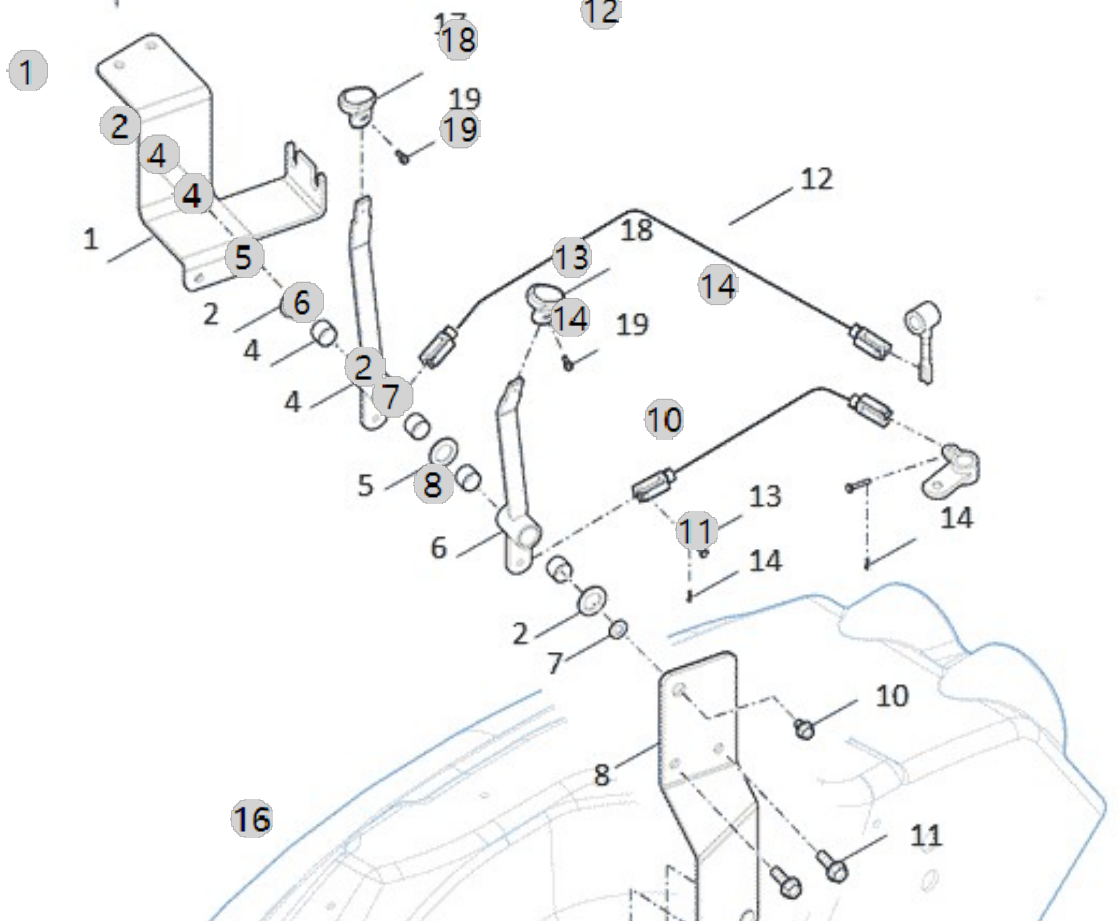
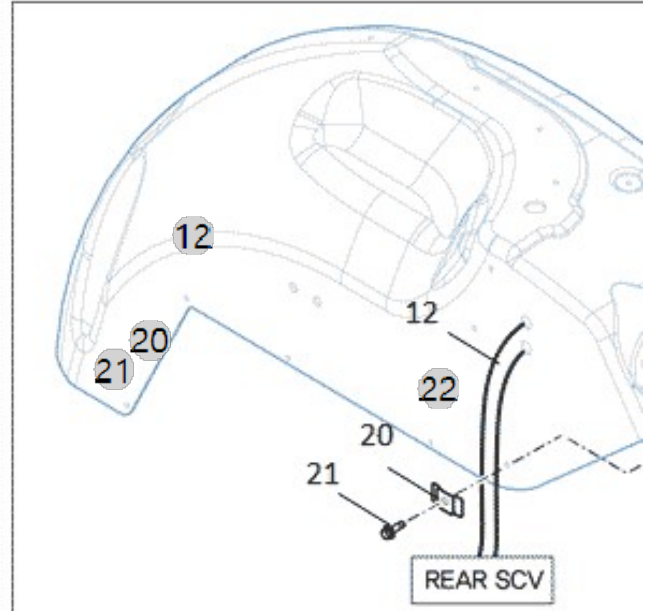
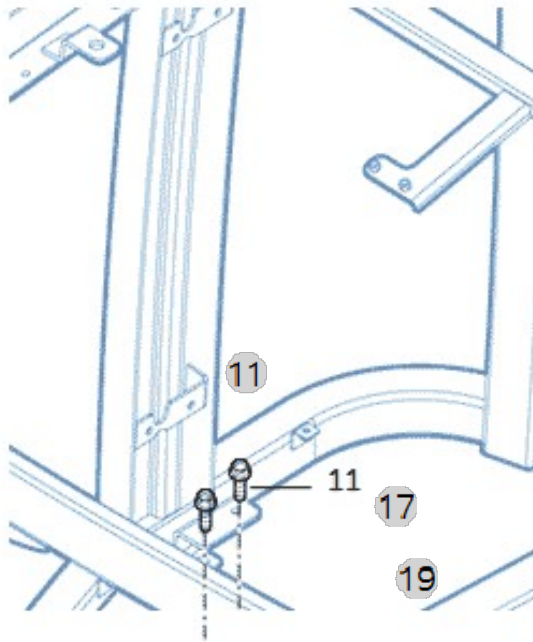
D03060

Year/Month

4820C(AC02107)

REAR SCV LEVER

2022-12-15



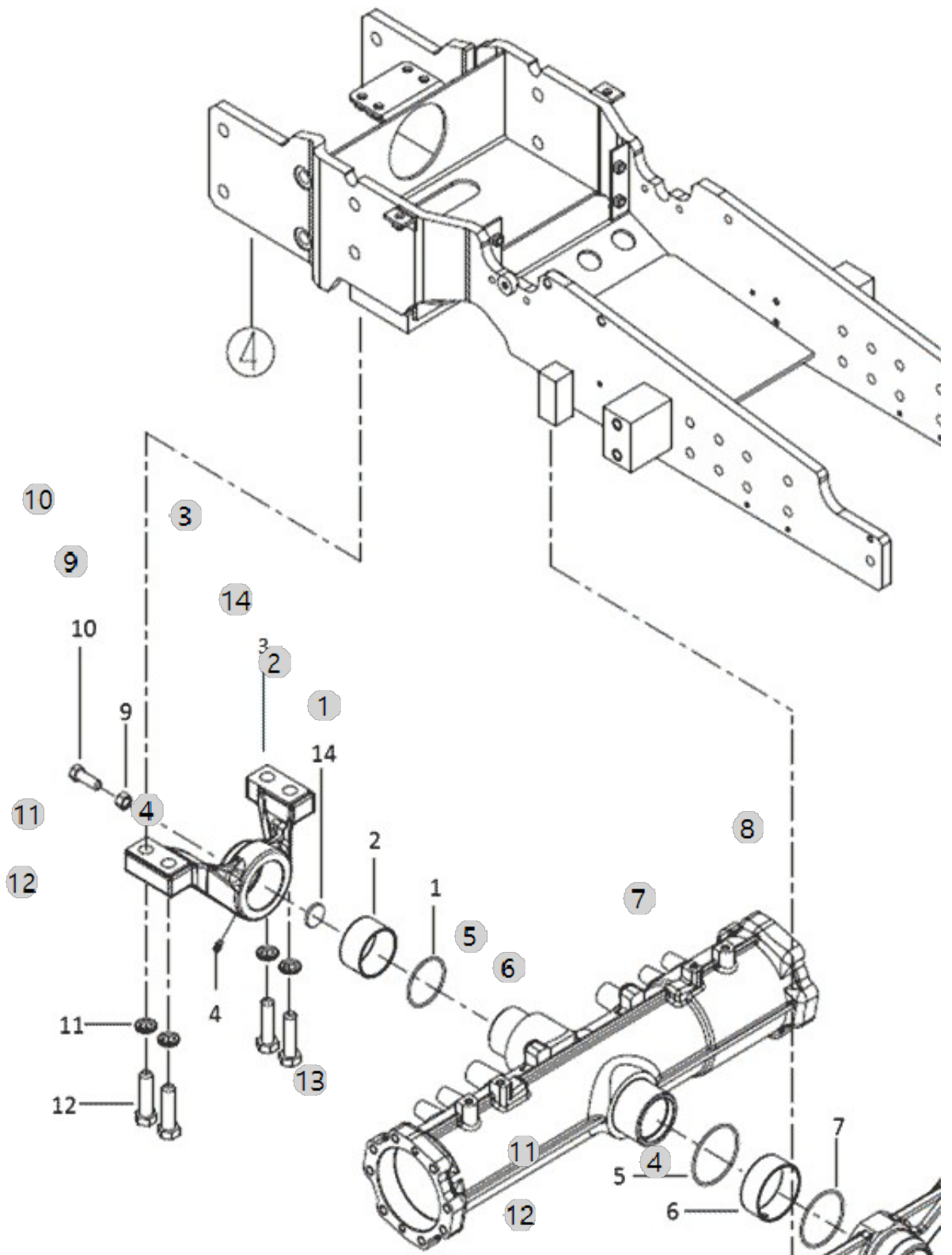
E01010

Year/Month

4820C(AC02107)

FRONT AXLE CASE

2022-12-15



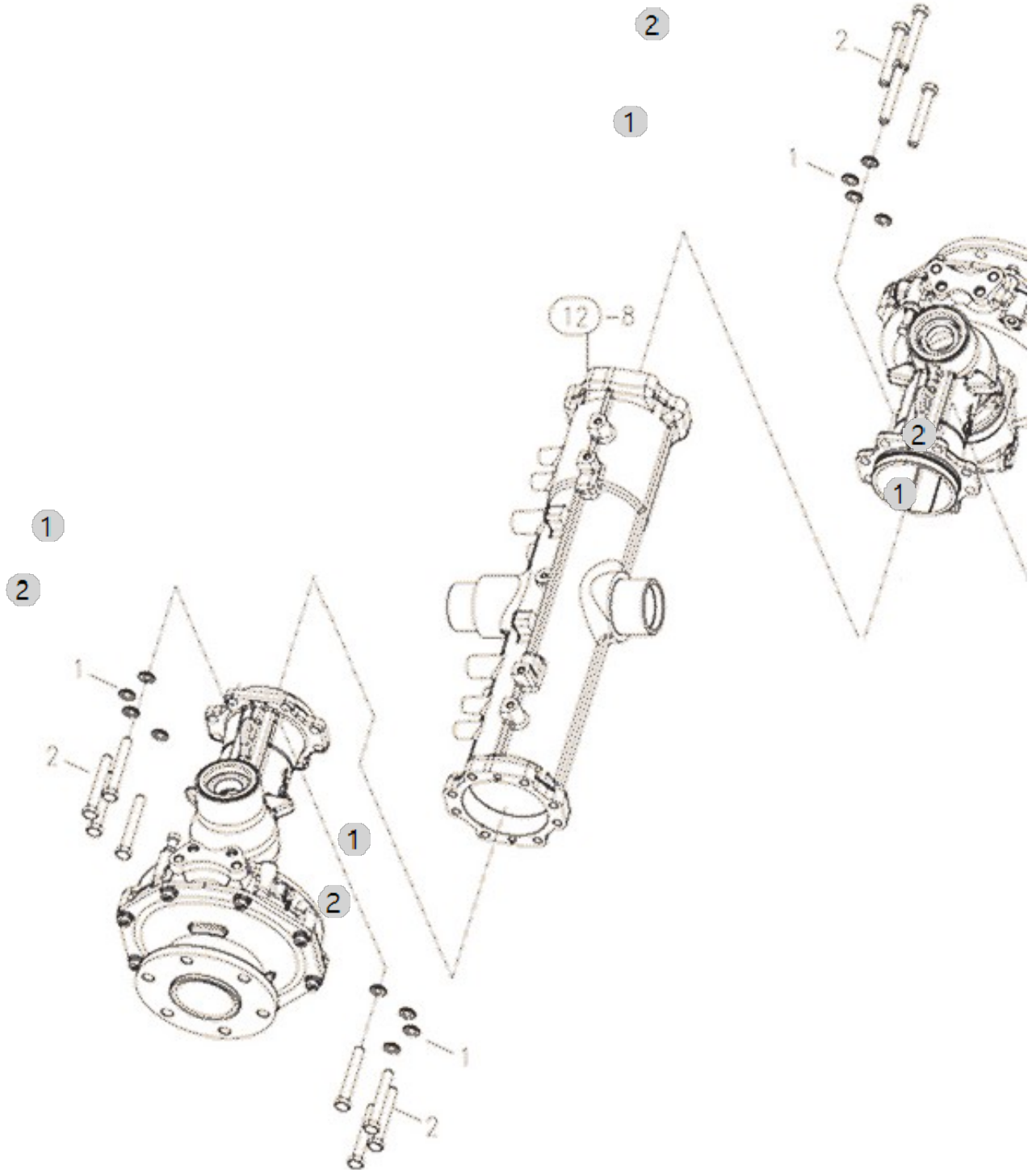
E01013

4820C(AC02107)

FRONT AXLE CASE/SPACER

Year/Month

2022-12-15



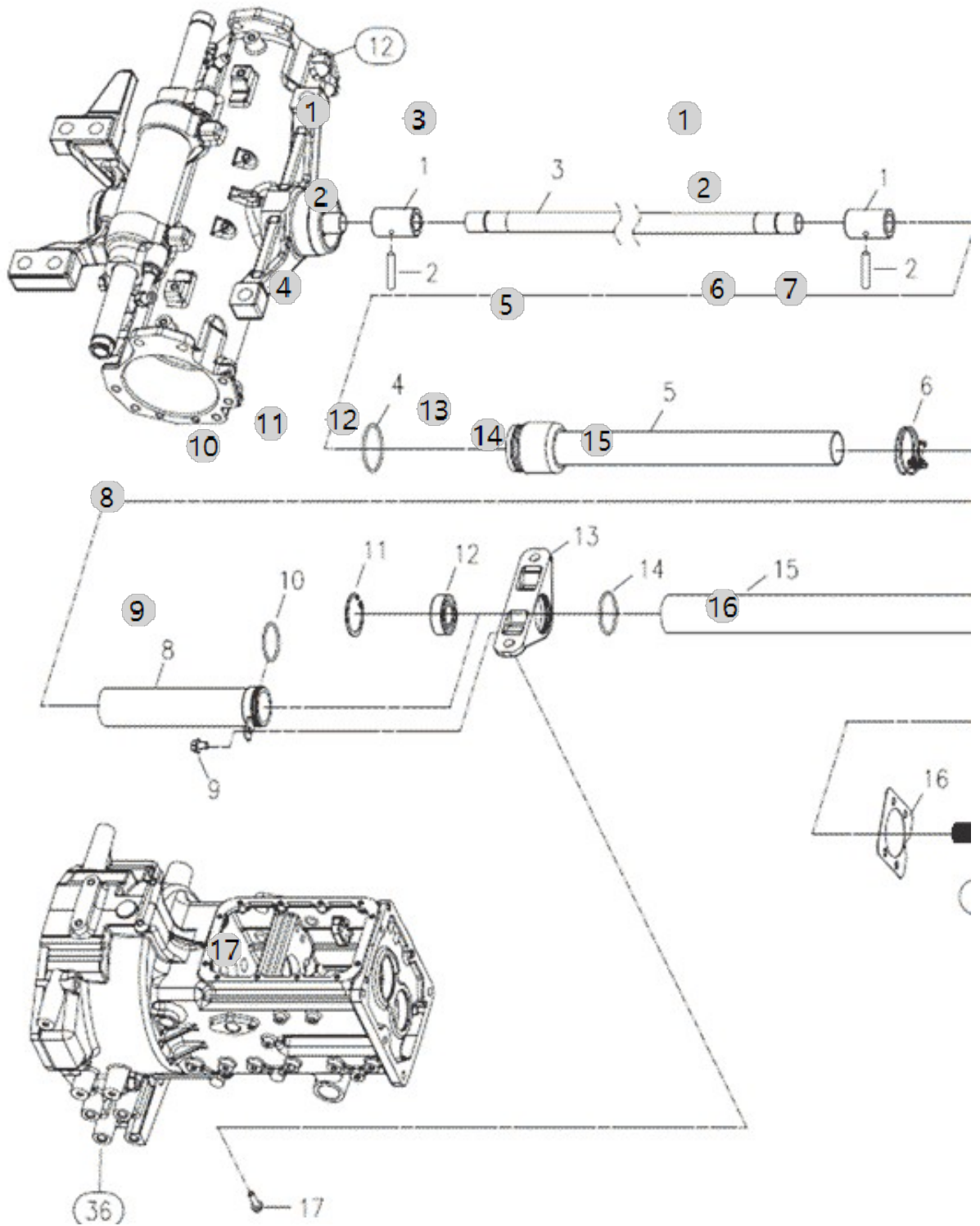
E01020

Year/Month

4820C(AC02107)

SHAFT COVER

2022-12-15



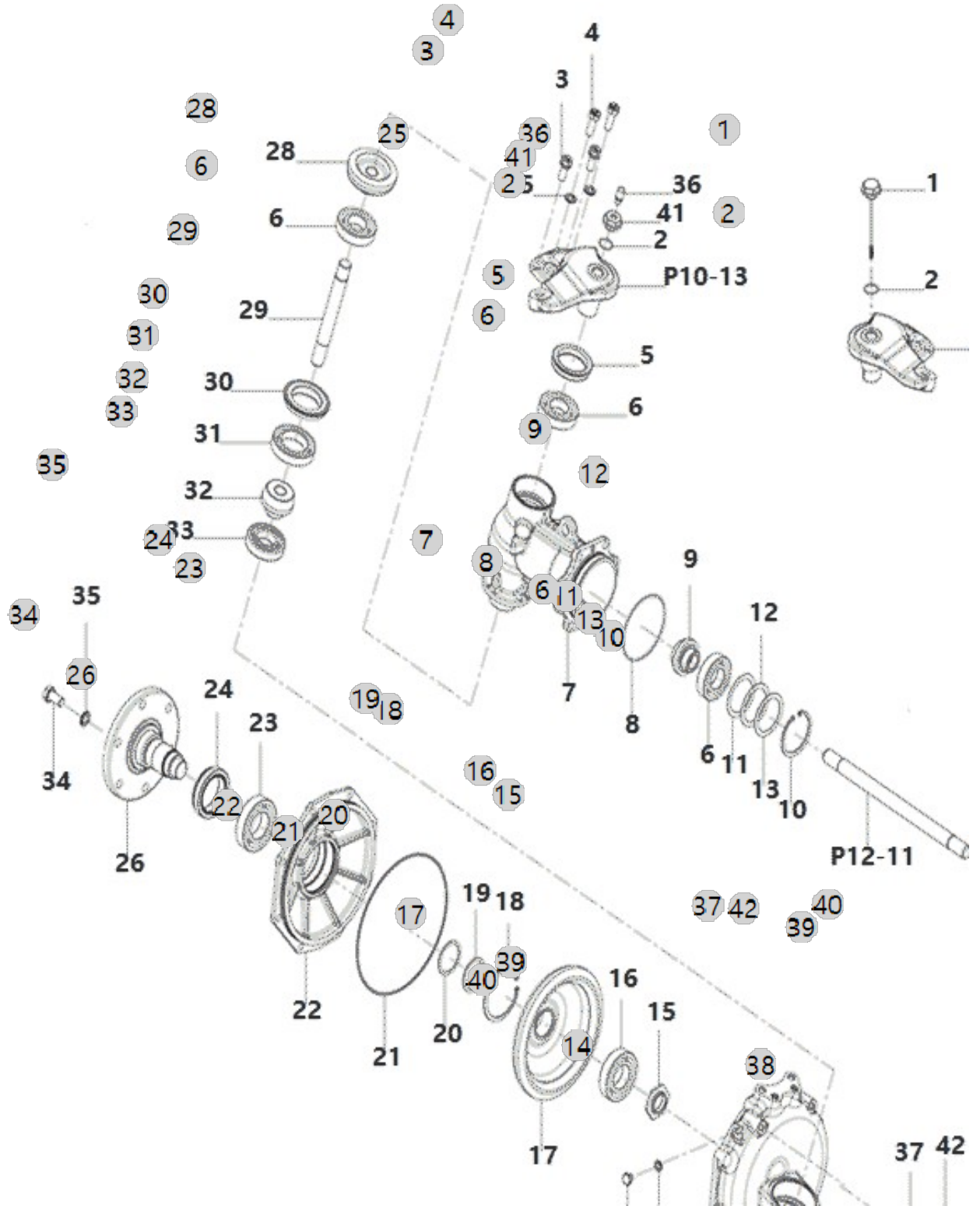
E01030

Year/Month

4820C(AC02107)

GEAR CASE, FRONT AXLE

2022-12-15



E01030		GEAR CASE, FRONT AXLE				Year/Month
4820C(AC02107)						2022-12-15
순번 (NO)	부품번호 (PART NO)	품명 (PART NAME)	품명 (PART NAME)	수량 (QTY)	규격 (SPEC)	비고 (REMARK)
1	TA00033805A	검유봉	OIL GUAGE	1		
2	24311-000220	O-RING1AP-22.0	O-RING, DYNAMIC (Φ22)	2	1A P22.0	
3	TA00033468C	와셔조립육각볼트	BOLT W/ WASHER	4		
4	TA00033475B	리머볼트	SPACER	4		
5	FE78010000B	오일실 (특수) 55x72x13.5	OIL SEAL (55X72X13.5)	2	55X72X13.5	
6	24101-062074	볼베어링6207	BALL BEARING (#6207)	6	#6207	
7	TA00048728A	프런트기어케이스(20)	CASE, FRONT GEAR	2		
8	24321-001050	O-링	O-RING	2		
9	TA00033461B	전1축피니언9T	PINION, FRONT 1ST SHAFT	2		
10	22252-000720	구멍용스냅링72	RING, CIRCLIP (Φ 72)	2	D72	
11	TA00033489A	심 0.2T	SHIM 0.2T	2		
12	TA00033488A	심 0.3T	SHIM 0.3T	2		
13	TA00033487A	심 0.5T	SHIM 0.5T	2		
14	TA00033458C	프런트기어박스	GEAR BOX, FRONT	2		
15	TA00033481A	로크너트	LOCK NUT	2		
16	24101-062084	볼베어링6208	Bearing, Ball (#6208)	2	#6208	
17	TA00033474A	베벨기어 49T	GEAR, BEVEL 49T	2		
18	22252-000850	써클립85H	RING, CIRCLIP (Φ 85)	2		
19	TA00033486A	심 0.2T	SHIM 0.2T	1		
20	TA00033485A	심 0.5T	SHIM 0.5T	1		
21	TA00033939A	O링	O RING	2		
22	TA00033459C	프런트베어링케이스	BEARING CASE, FRONT	1		
23	24101-062094	볼베어링6209	BALL BEARING (#6209)	2	#6209	
24	TA00041359A	오일실	OILSEAL	2		
25	22217-120000	스프링와셔	WASHER, SPRING (Φ 12)	2	M12	
26	TA00033460C	프런트스핀들	SPINDLE, FRONT	2		
26	TA00033460E	프런트스핀들	SPINDLE, FRONT	2		
26	TA00033460D	프런트스핀들	SPINDLE, FRONT	2		
27	TA00033469B	와셔조립육각볼트	BOLT W/ WASHER	16		
28	TA00033463A	전2축기어	FRONT 2ND AXLE LH	2		
29	TA00033464A	전2축	FRONT 2ND SHAFT	2		
30	TC60110000A3	오일실(AJ)	SEAL, OIL	2		
31	24101-060104	볼베어링6010	Bearing, Ball (#6010)	2	#6010	
32	TA00033473A	베벨기어 11T	GEAR, BEVEL 11T	2		
33	TT63050000A4	베어링TMB207	BEARING	2	TMB207	
34	TD23120000B4	프런트 허브 볼트(M14X28)	BOLT	12	M14XP1.5	
35	22217-140000	스프링와셔14	WASHER, SPRING (Φ 14)	12	M14	
36	TA00049842B	에어브리더(STEEL)	AIR BREATHER	1		
36	TA00049842A	에어브리더(STEEL)	AIR BREATHER	1		
37	TA00058614A	스톱퍼(35.5)	STOPPER(35.5)	2		
38	26112-100502	SUB TO 26116-100502	SUB TO 26116-100502	2		
39	22190-100000	실와셔	WASHER	4	M10	
40	23887-100002	플러그(미터)	SCREW,HEXAGONHEADCAP	4	M10	
41	TA00049843B	에어브리더 플러그	ADAPTHER	1		
42	22217-100000	스프링와셔	WASHER, SPRING (Φ 10)	2	M10	

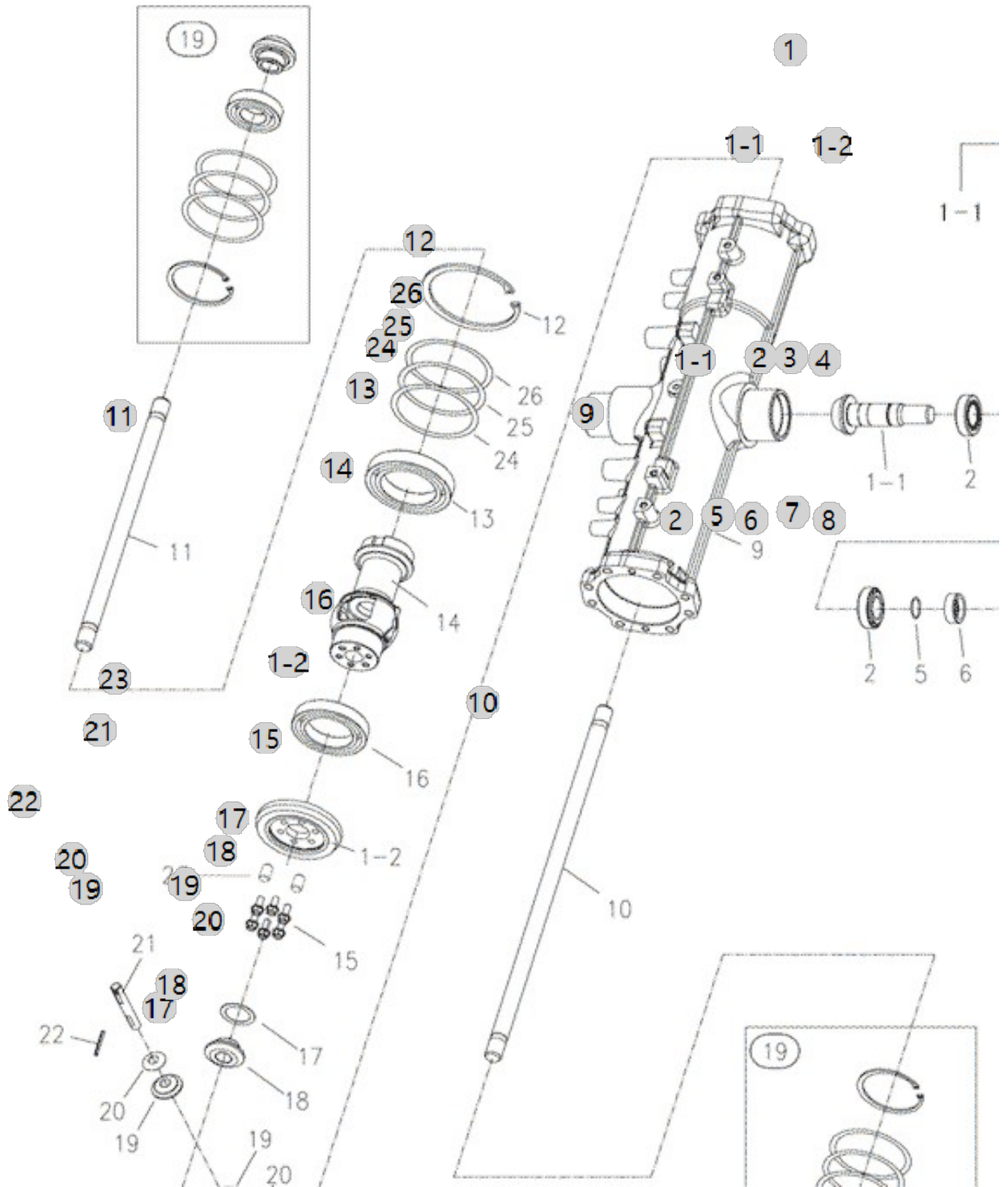
E01071

Year/Month

4820C(AC02107)

FRONT 1ST SHAFT

2022-12-15



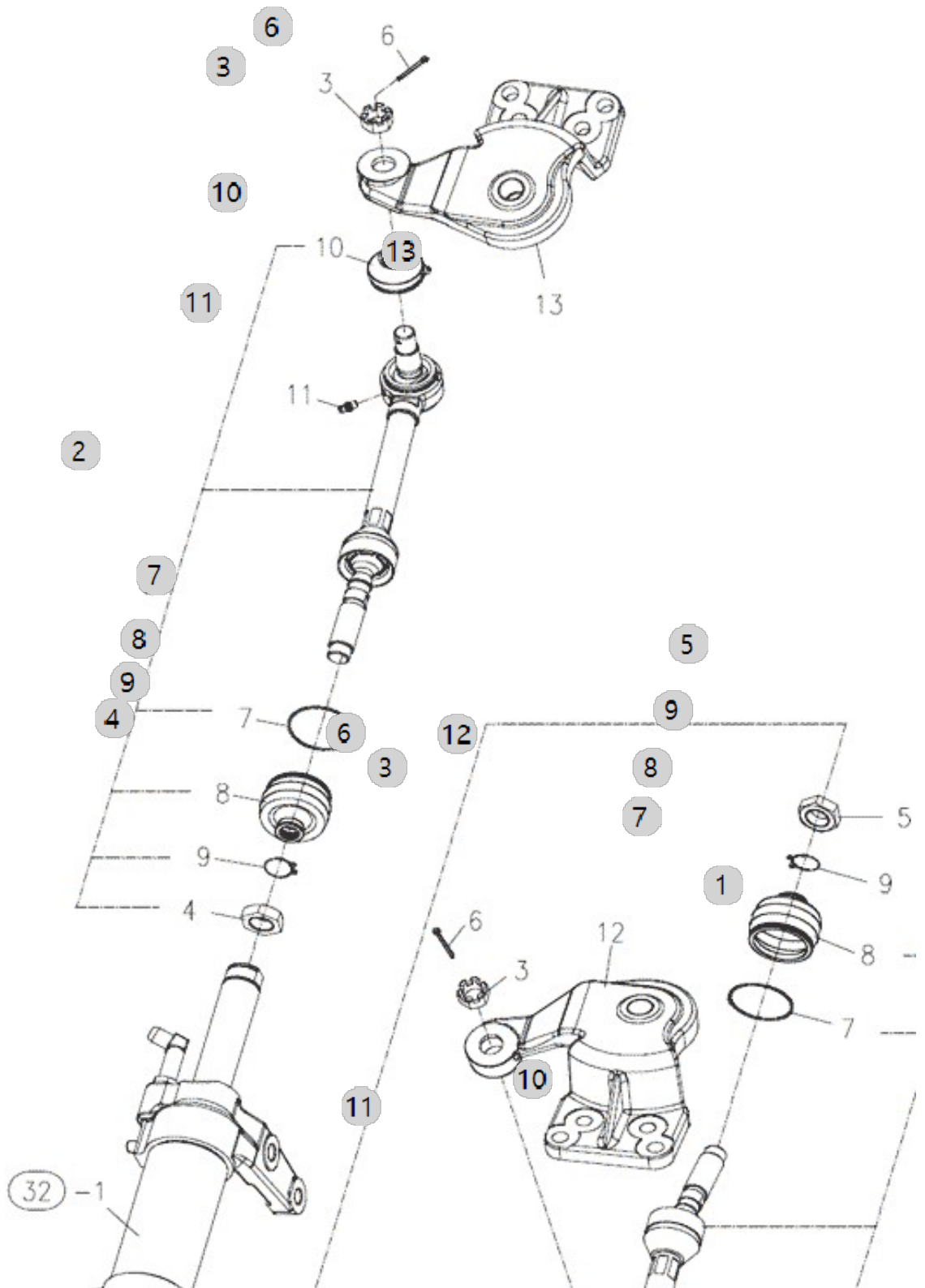
E01080

4820C(AC02107)

TIE ROD

Year/Month

2022-12-15



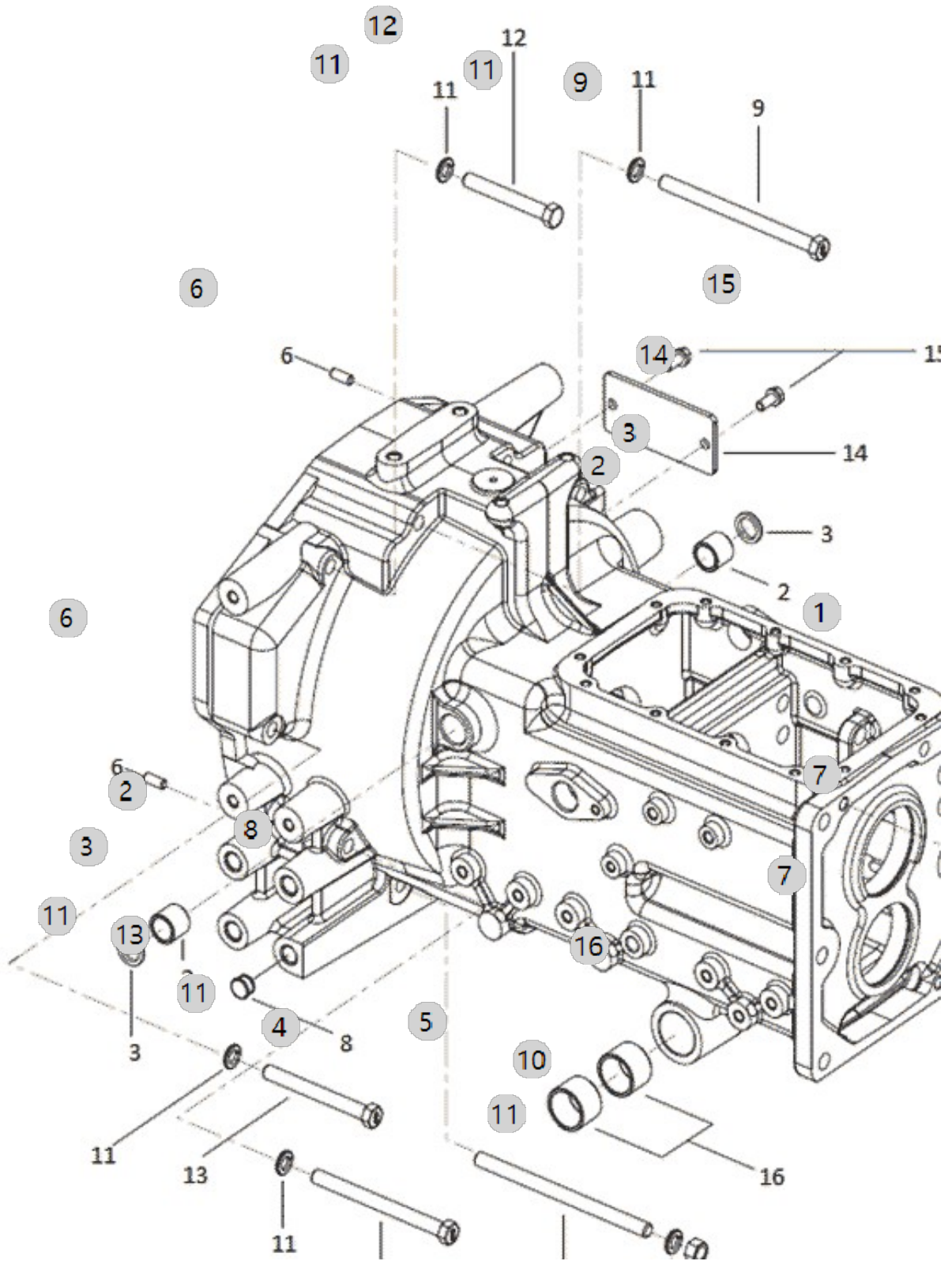
F01010

20C TM(US)_RANGE4
(AC01736)

CLUTCH HOUSING

Year/Month

2022-12-15



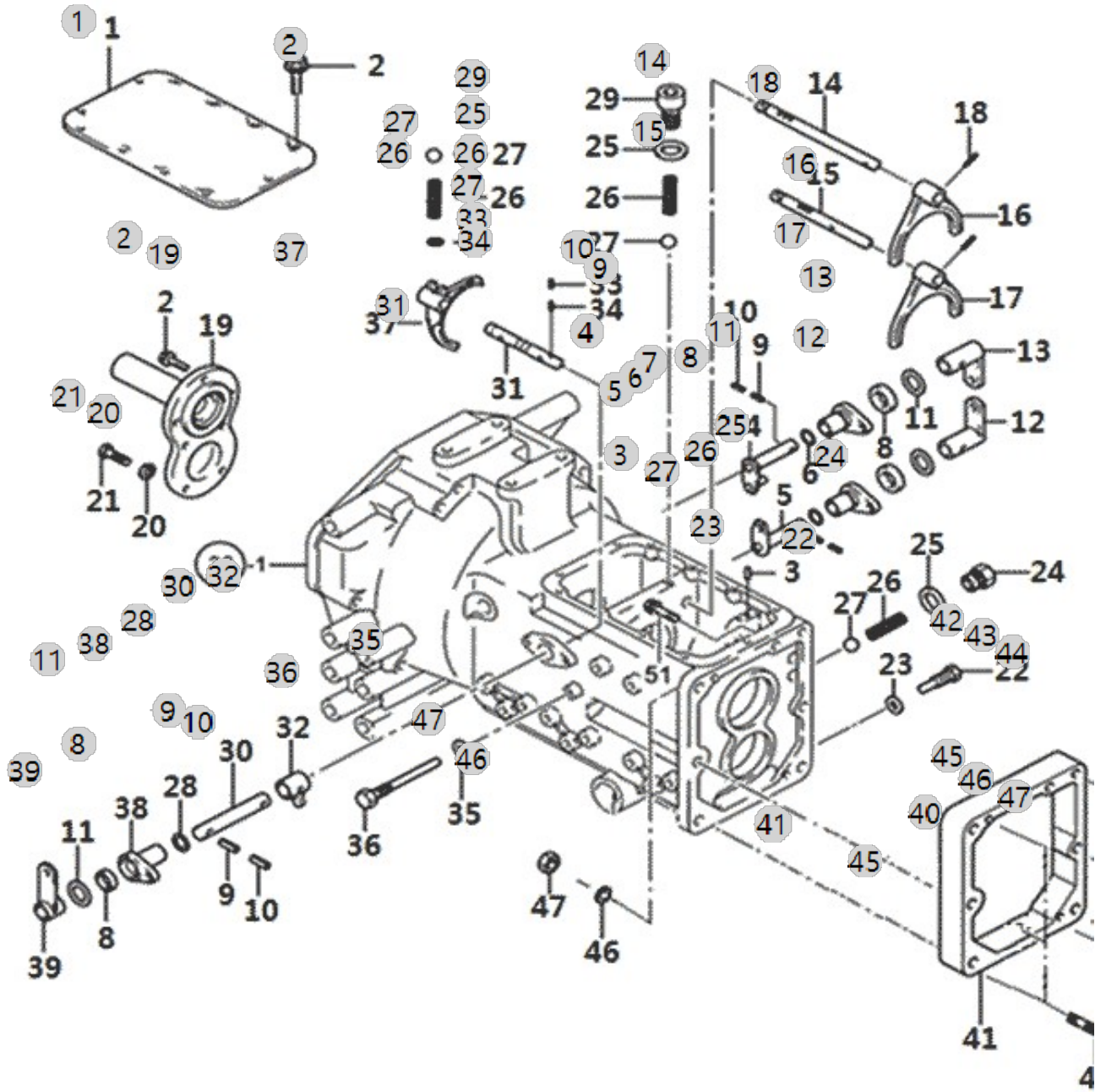
F01020

20C TM(US)_RANGE4
(AC01736)

TRANSMISSION CASE

Year/Month

2022-12-15



F01020 20C TM(US)_RANGE4 (AC01736)		TRANSMISSION CASE				Year/Month 2022-12-15
순번 (NO)	부품번호 (PART NO)	품명 (PART NAME)	품명 (PART NAME)	수량 (QTY)	규격 (SPEC)	비고 (REMARK)
1	NT41010000C3	미션상커버	UPPERCOVER,T/M	1	9.0T	
2	26013-080252	와셔조립육각볼트(+SW)	Bolt, Hexa (8-25)	19	M8XP1.25X25	
3	TN41070000A4	더블기어방지핀	PIN	1		
4	NT41080000A4	주변속시프터레버(3-4)	LEVER3-4	1		
4	NT41080000B4	주변속시프터레버(3-4)	MAIN SHIFTER LEVER-4	1		
5	NT41600000A4	주변속시프터레버(1-2)	LEVER[1ST-2ND],MAINSHIFT	1		
5	NT41600000B4	주변속시프터레버(1-2)	LEVER(1ST-2ND),MAIN SHIFT	1		
6	24311-000210	361,A22,O-RING1AP-21.0	O-RING, DYNAMIC (Φ21)	3	P21	
7	TN41100000A4	주변속시프터홀더	HOLDERMAINSHIFT	2		
8	24421-173007	오일실TC173007	Seal, Oil (#17-30-07)	3	TC17X30X7	
9	22351-080028	스프링핀8X28	PIN, SPRING (8-28)	2	D8X28	
10	22351-050028	스프링핀5X28	PIN, SPRING (5-02)	2	D5X28	DEL.20221012
11	TT65120000A4	칼라B	COLLARB	3	T2.3X45X45	
12	NT41130000B4	주변속아암3-4단	ARM(3-4), MAIN SHIFT	1		
12	NT41130000C4	주변속아암3-4단	ARM(3-4), MAIN SHIFT	1		
13	NT41140000A4	주변속아암(1-2)	ARM(1-2),MAINSHIFT	1		
13	NT41140000B4	주변속아암(1-2)	ARM(1-2),MAINSHIFT	1		
14	NT41150000A3	주변속3-4단포크축	FORKSHAFT[3-4],MAINSHIFT	1	D15	
15	NT41160000A3	주변속1-2단포크축	FORKSHAFT(1-2),MAINSHIFT	1	D15	
16	TN41170000C3	주변속포오크(1-2)	FORK1ST~2ND,MAINSHIFT	1		
16	TN41170000D3	주변속포오크(1-2)	FORK1ST~2ND,MAINSHIFT	1		
17	TN41180000C3	주변속포오크(3-4)	FORK3-4MAINSHAFT	1		
17	TN41180000D3	주변속포오크(3-4)	FORK3-4MAINSHAFT	1		
18	22351-060030	스프링핀	PIN, SPRING (6-30)	2		
19	NT41580000B2	주축오일실케이스_4기통	OIL SEAL CASE	1		
19	NT41580000A2	주축오일실케이스_4기통	oil seal case	1		
19	NT41580000C2	주축오일실케이스_4기통	OIL SEAL CASE	1		
20	22217-080000	스프링와셔8	WASHER, SPRING (Φ 08)	5	M8	
21	26116-080222	볼트7T(8X22)	BOLT7T(8X22)	5	M8X1.25X22	
22	TN41250000A4	단붙이고정볼트	FIXINGBOLT	1		
22	TN41250000B4	단붙이고정볼트	FIXINGBOLT	1		
23	23414-100000	429,A202322,패킹10	PLAIN WASHER (D10)	1	M10	
24	NT41270000A4	캡볼트	CAPBOLT	1		
24	NT41270000B4	캡 볼트	CAPBOLT	1		
25	23414-160000	동패킹	WASHER,SEALING	2	M16	
26	TT42020000A4	스프링	SPRING	3		
27	24190-100001	강구5/16	Ball, Steel (5/16)	3	5/16"	
28	24311-000110	O-링 495-11	O-RING, DYNAMIC (Φ11)	1	P11	
29	23871-010000	테이퍼플러그	PLUG	1	PT1/8	
30	NT41350000A4	축(셔틀체인지)	SHAFT, SHUTTLE CHANGE	1		
30	NT41350000B4	축(셔틀체인지)	SHAFTSHUTTLECHANGE	1	D17	
31	TN41360000A3	셔틀시프터포오크축	SHAFTSH.FORK	1	D15X127	
32	NT41380000A4	셔틀샤프트레버	LEVERSHUTTLESHAFT	1		
32	NT41380000B4	셔틀시프트레버	LEVER SHUTTLE SHAFT	1		
33	22351-060025	SPRINGPIN6X25	PIN, SPRING (6-25)	2	D6X25	

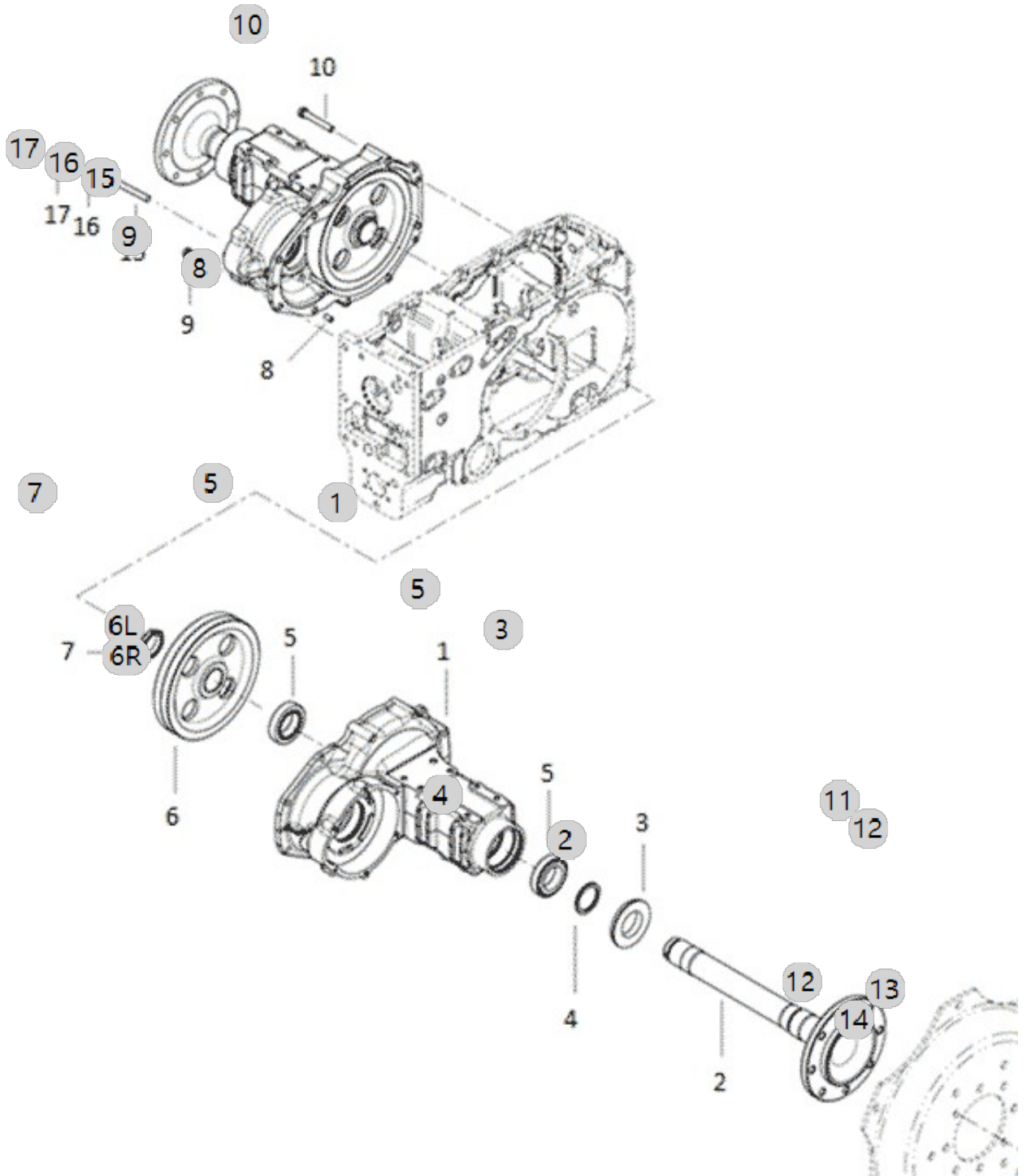
F01030

20C TM(US)_RANGE4
(AC01736)

REAR AXLE HOUSING

Year/Month

2022-12-15



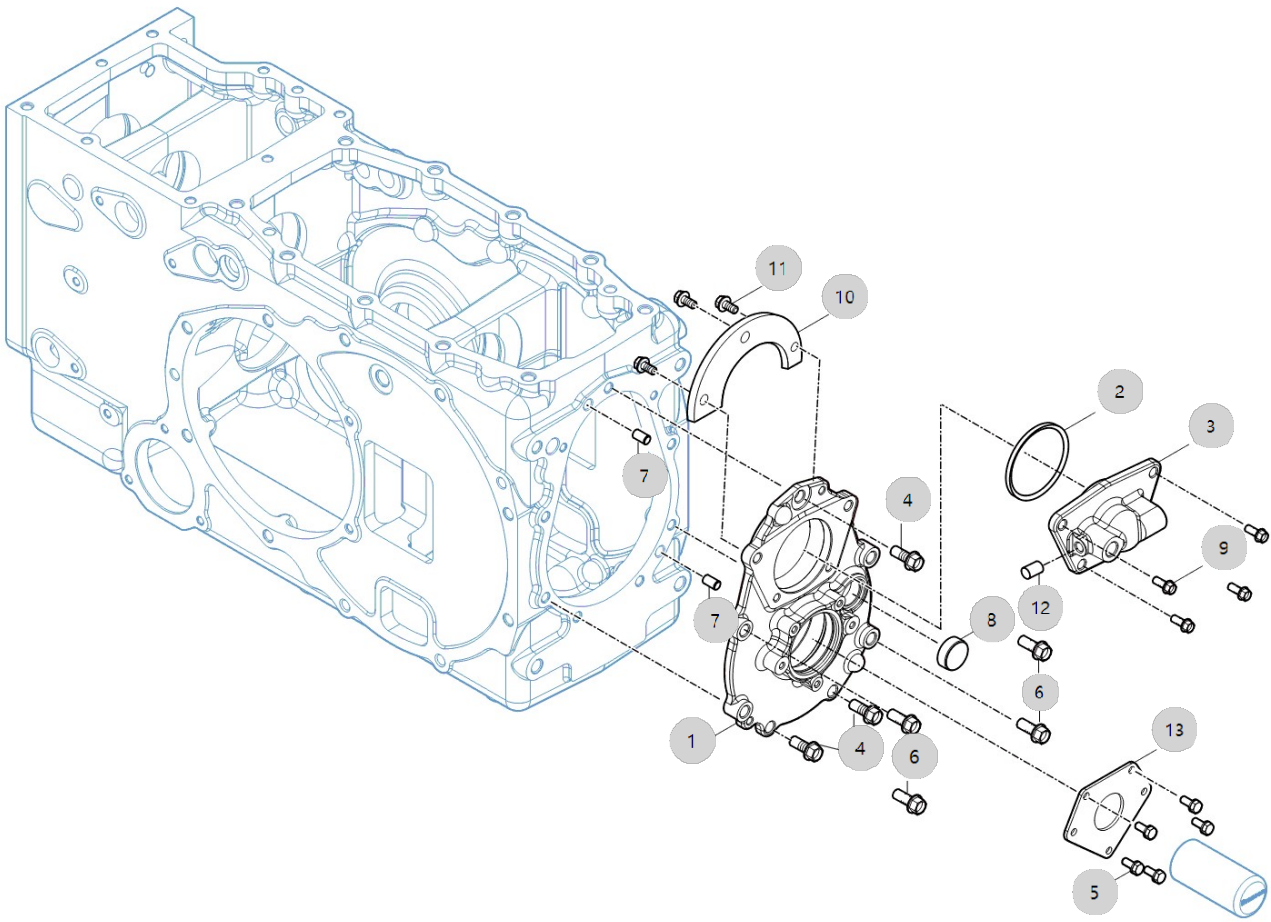
F01060

20C TM(US)_RANGE4
(AC01736)

PTO COVER

Year/Month

2022-12-15



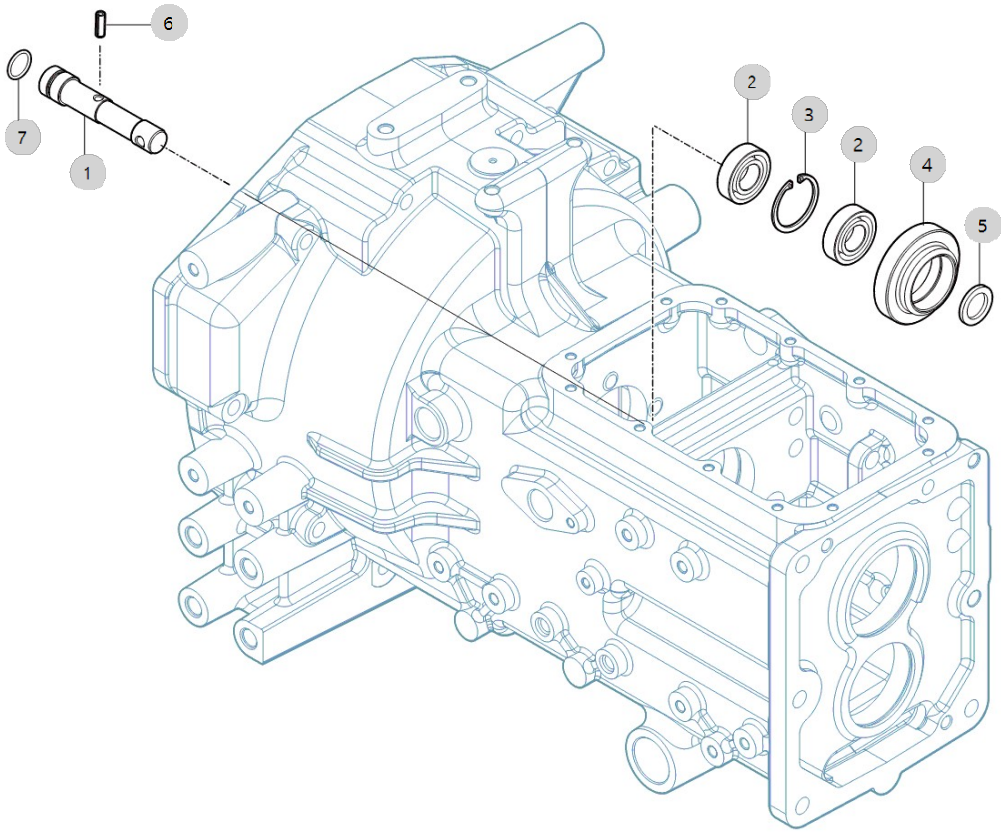
F02060

20C TM(US)_RANGE4
(AC01736)

REVERSE IDLE SHAFT

Year/Month

2022-12-15



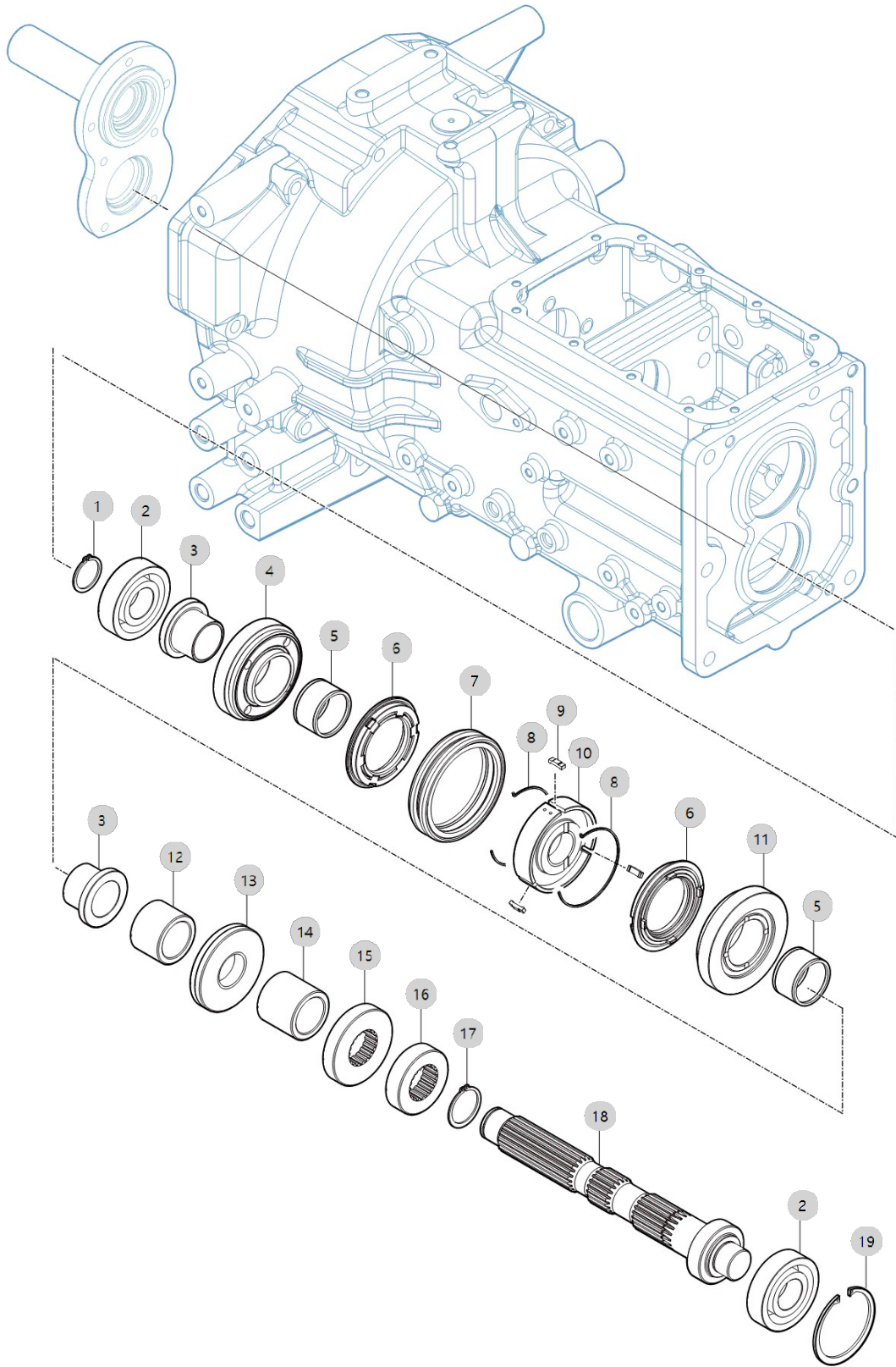
F03010

20C TM(US)_RANGE4
(AC01736)

MAIN SHIFT SHAFT

Year/Month

2022-12-15



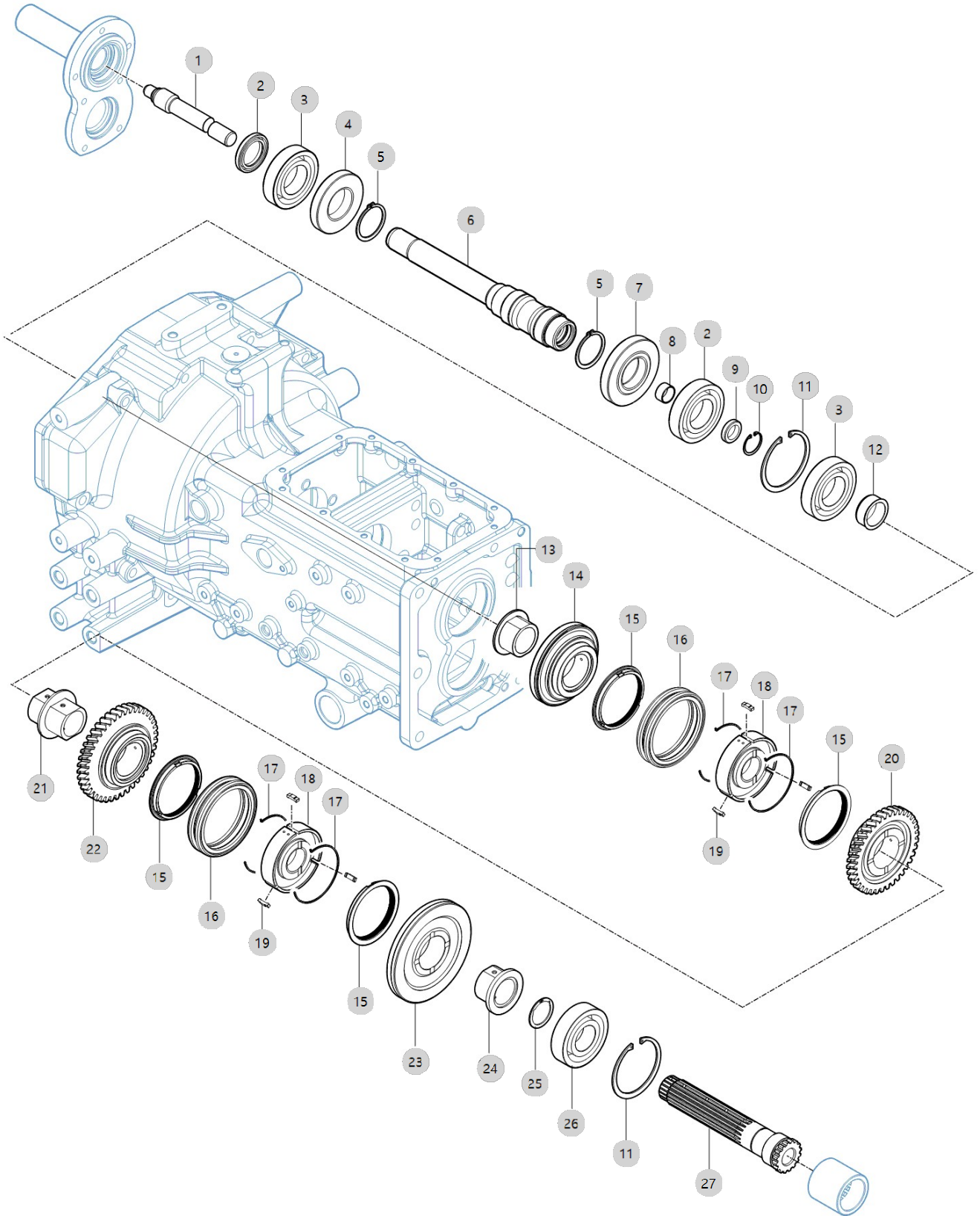
F03020

20C TM(US)_RANGE4
(AC01736)

MAIN SHIFT DRIVEN SHAFT

Year/Month

2022-12-15



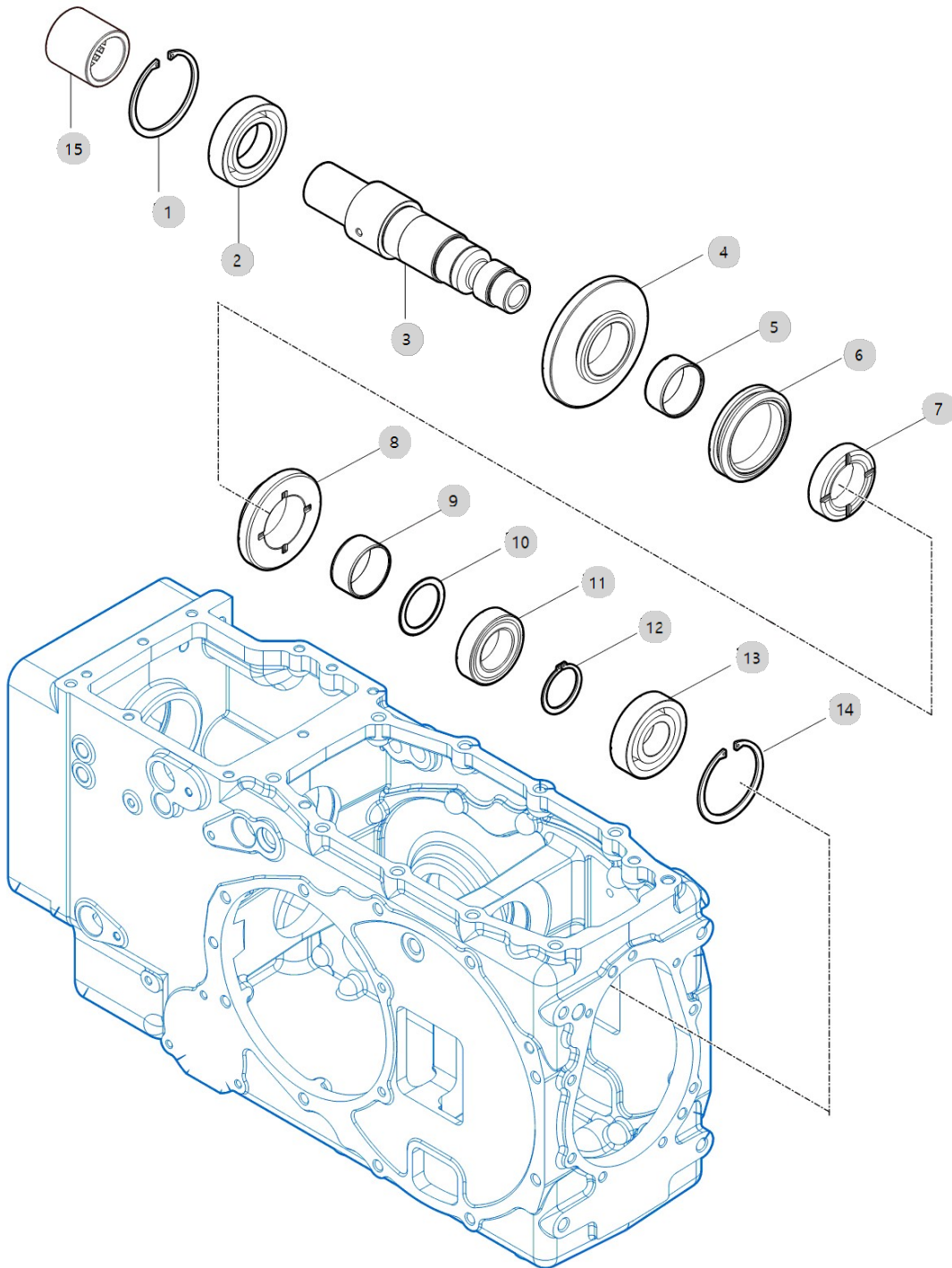
F03040

20C TM(US)_RANGE4
(AC01736)

RANGE SHIFT DRIVE SHAFT

Year/Month

2022-12-15



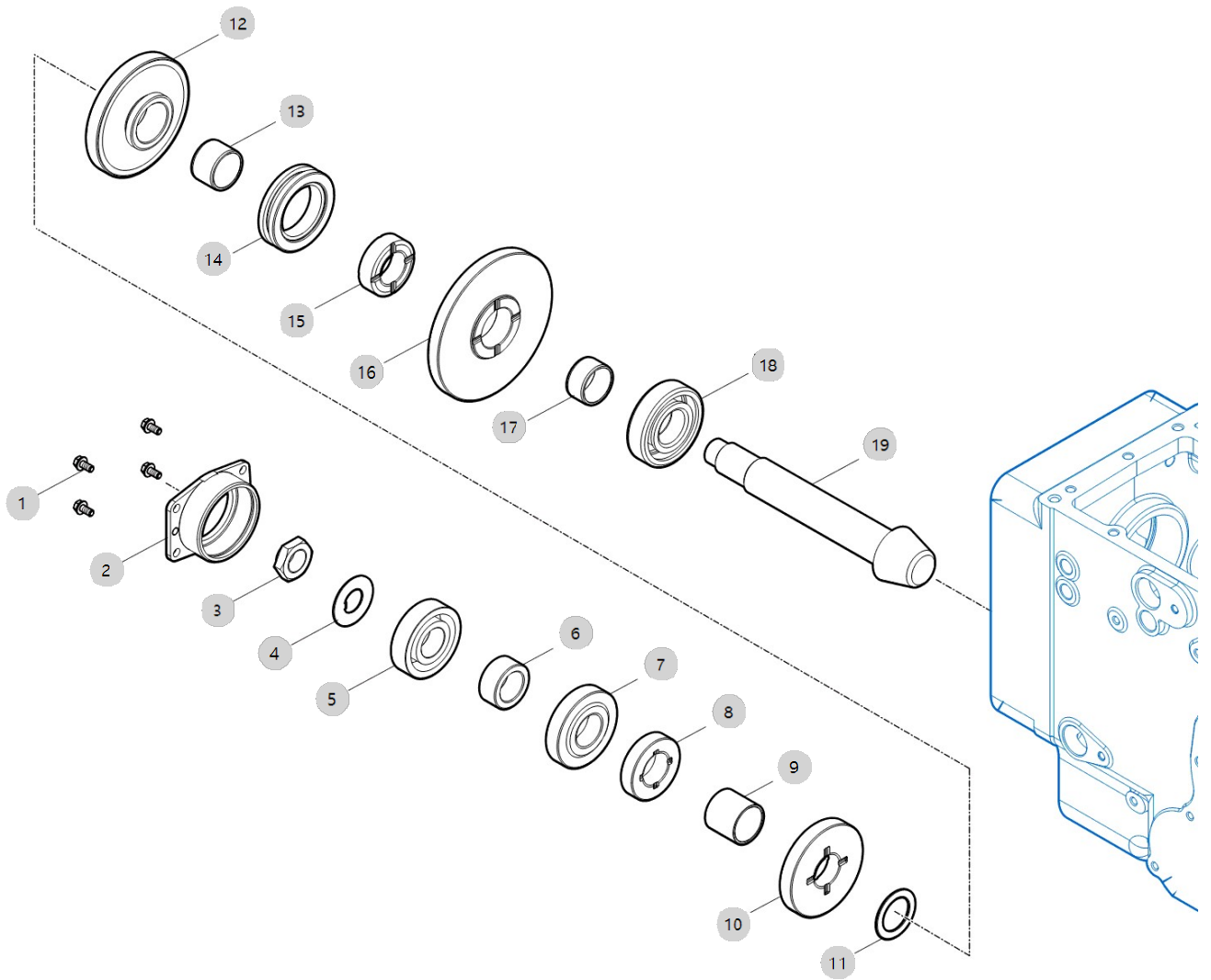
F03050

20C TM(US)_RANGE4
(AC01736)

RANGE SHIFT DRIVEN SHAFT

Year/Month

2022-12-15



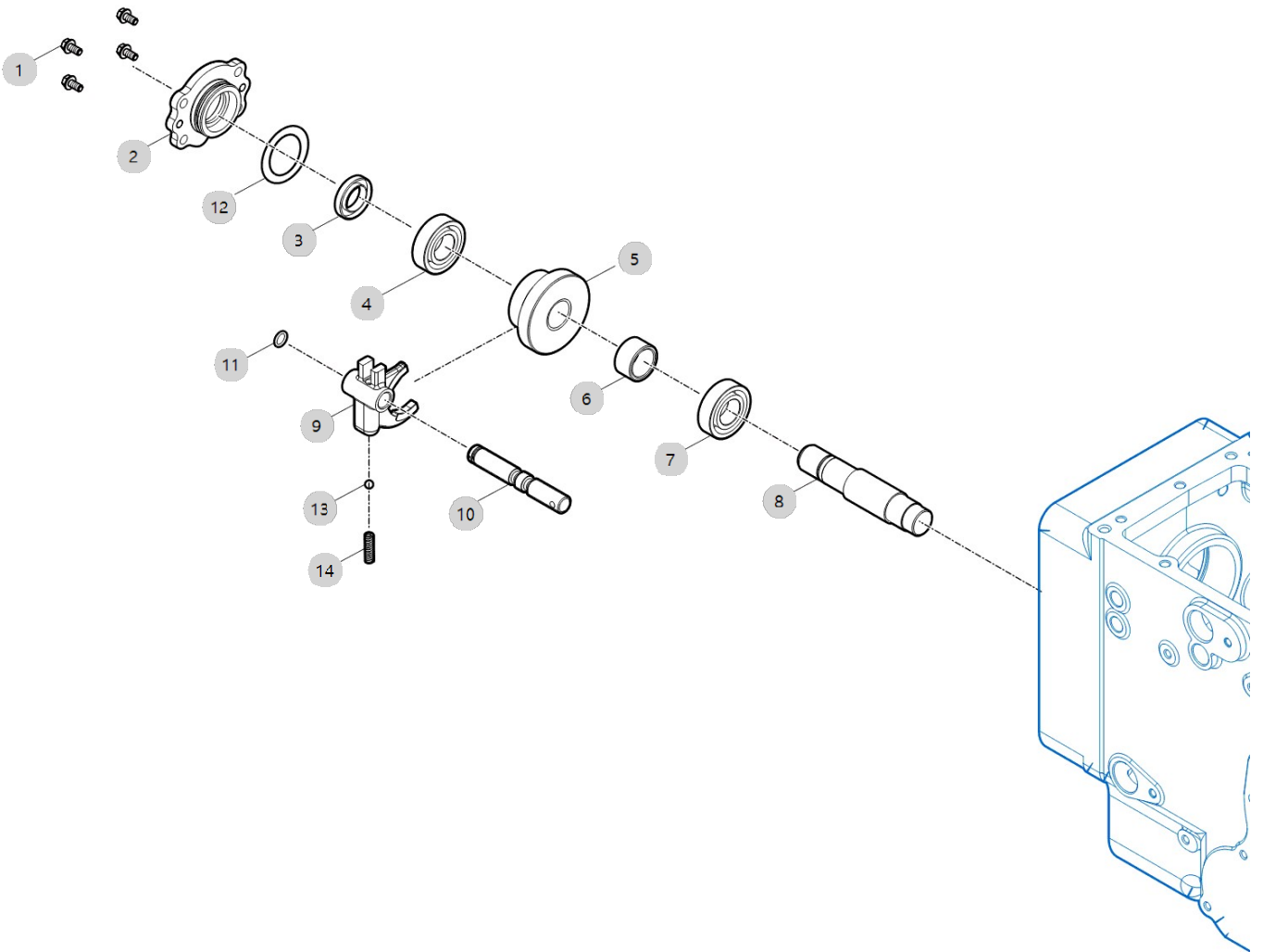
F04010

20C TM(US)_RANGE4
(AC01736)

FRONT WHEEL DRIVE SHAFT

Year/Month

2022-12-15



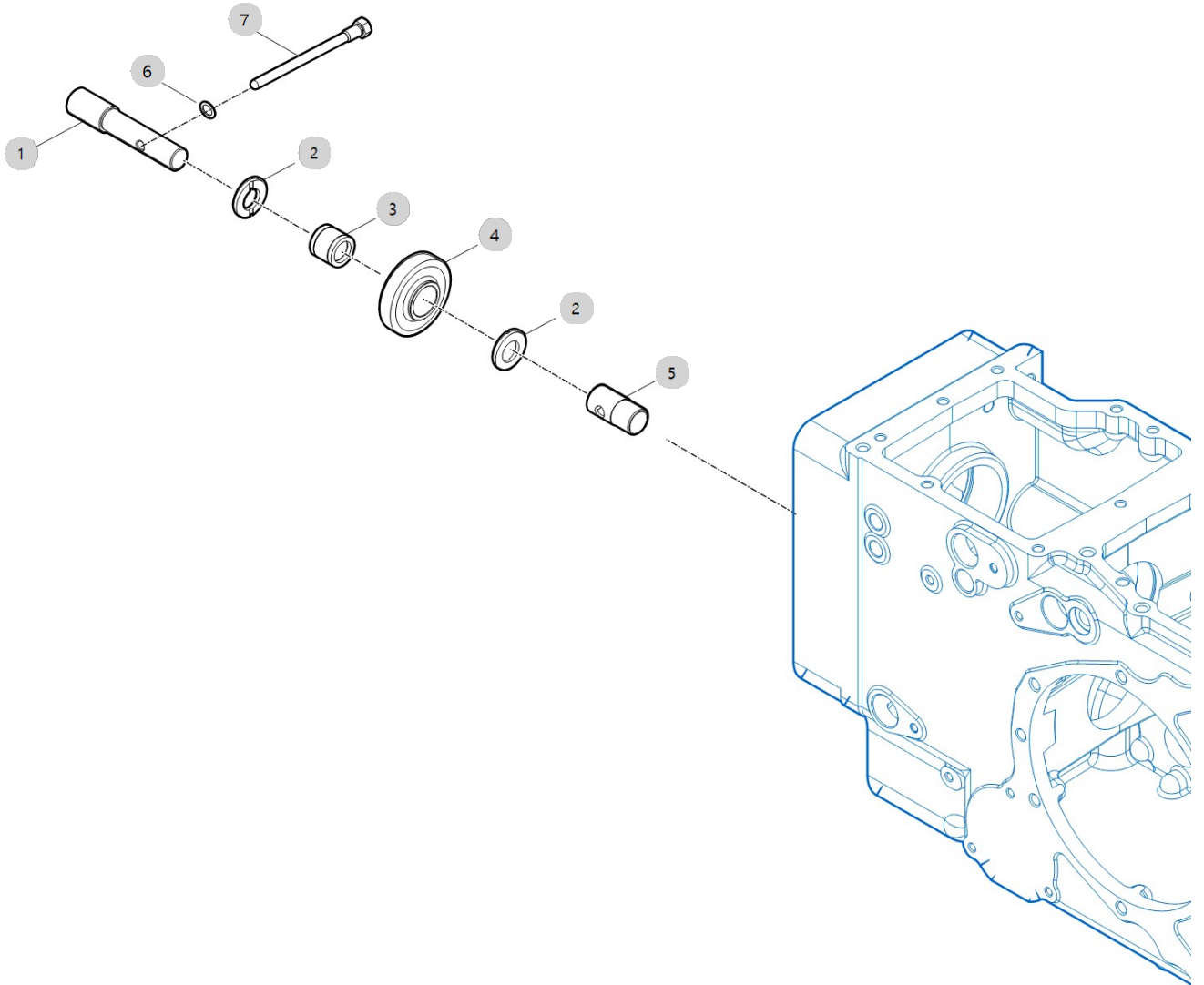
F04030

20C TM(US)_RANGE4
(AC01736)

FRONT WHEEL DRIVE IDLE SHAFT

Year/Month

2022-12-15



F05020 20C TM(US)_RANGE4 (AC01736)		REAR DIFFERENTIAL				Year/Month 2022-12-15
순번 (NO)	부품번호 (PART NO)	품명 (PART NAME)	품명 (PART NAME)	수량 (QTY)	규격 (SPEC)	비고 (REMARK)
1	TA00054487B	카운터축	COUNTER SHAFT	1		
1	TA00054487C	카운터축	COUNTER SHAFT	1		
2	TN49520000D2	링기어	RINGGEAR	1		
3	TN49030000E2	차동케이스	CASE,DIFFERENTIAL	1		
4	TT78020000A3	베어링NJ307R	BEARINGNJ307R	1	NJ307R	DEL.20220323
5	22312-060360	평행핀	PIN, DOWEL (6-36)	1	D6X36	
6	22351-060032	스프링핀	PIN, SPRING (6-32)	1	D6X32	
7	TF64080000A4	피니언축	PINIONSHAFT	1		
8	TF64090000A4	볼트	BOLT	6	M10X1.25X25	
8	TF64090000B4	볼트	BOLT	6		
9	TF64100000B3	차동피니언	PINION	2		
10	TF64110000A4	피니언라이너	PINIONLINER	2	T1.0	
11	TF64120000A3	차동사이드기어(A)	DIFF.SIDEGEAR(A)	1		
12	TF64130000A3	차동사이드기어(B)	DIFF.SIDEGEAR(B)	1		
13	TF64140000B4	사이드기어라이너	SIDEGEARLINER	2		
15	TA00032603B	파이널 기어(좌)	FINAL PINION(L)	1		
15	TA00032603D	파이널 기어(좌)	FINAL PINION(L)	1		
15	TA00032603C	파이널 기어(좌)	FINAL PINION(L)	1		
15	TA00032603E	파이널 피니언(좌)	FINAL PINION(L)	1		
16	TA00032596C	파이널 피니언(우)	FINAL PINION(R)	1		
16	TA00032596B	파이널 피니언(우)	FINAL PINION(R)	1		
16	TA00032596D	파이널 피니언(우)	FINAL PINION(R)	1		
16	TA00032596E	파이널 피니언(우)	FINAL PINION(R)	1		
17	24101-062114	볼베어링6211	Bearing, Ball (#6211)	1	#6211	
18	TF64190000A4	베어링6308HL1	BALL BEARING (#6308HL1) -> TF64190000A3	2	NJ307R	DEL.20220323
19	22242-000500	축용스냅링50	SNAP RING, SHAFT (Φ50)	1	D50	
21	TF64250000B3	데프록스리스트	THRUST, DIFF-LOCK ASSY	1		
22	22252-000900	구멍용스냅링90	RING, CIRCLIP (Φ 90)	1	D90	
23	24101-060102	볼베어링6010	BALL BEARING (#6010)	1		DEL.20220323
24	22242-000400	축용스냅링40	SNAP RING, SHAFT (Φ 40)	1	D40	
25	TN49550000B2	캐리어	CARRIOR	1		
26	TN49590000A4	리테이너	RETAINER	1		
27	TZ49560000A4	심A(0.5)	SHIMA	3		
28	TZ49570000A4	심B(0.3)	SHIMB	3		
29	TZ49580000A4	심C(0.1)	SHIMC	2		
30	22351-080032	스프링핀	PIN, SPRING (8-32)	1	D8X32	
31	24311-000160	O-링 P 16	O-RING, DYNAMIC (Φ16)	1	P16	
32	TB32360000A4	리테이너	RETAINER	2	T4.5X25X50	
34	TN49380000A4	와셔	WASHER	1	T4.2X30X30	
35	TN49400000B2	차동포크	FORKDIFFERENTIALLOCK	1		
36	TN49410000B3	포크축	SHAFT,DIFFLOCKFORK	1		
36	TN49410000C3	포크축	FORK SHAFT	1		
37	TN49430000A4	스프링	SPRING	1	D4.0	
38	22351-080040	스프링핀8X40	PIN, SPRING (8-40)	1	D8X40	DEL.20221012
39	22351-050040	스프링핀5X40	PIN, SPRING (5-04)	1	D5X40	DEL.20221012

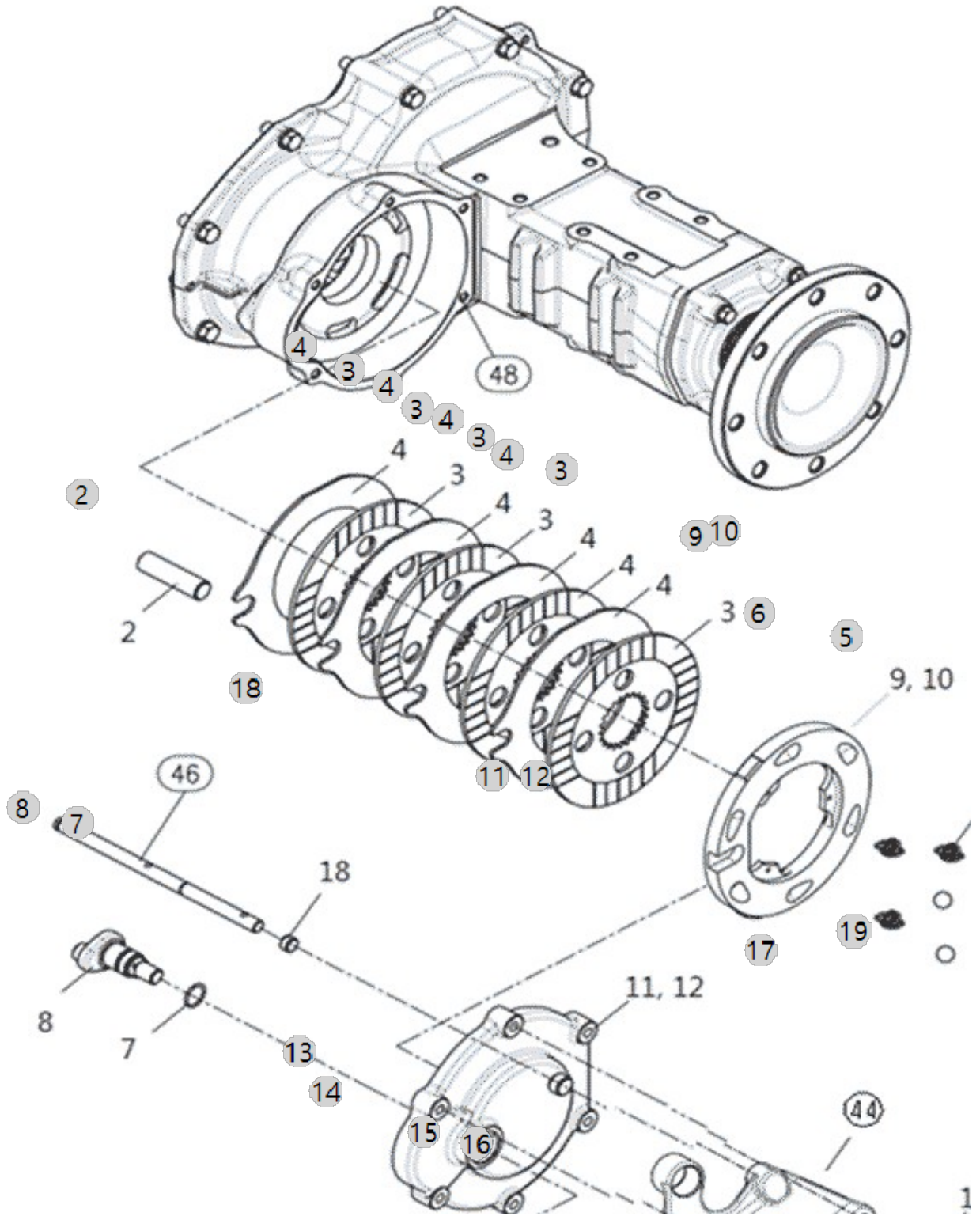
F06030

20C TM(US)_RANGE4
(AC01736)

BRAKE

Year/Month

2022-12-15



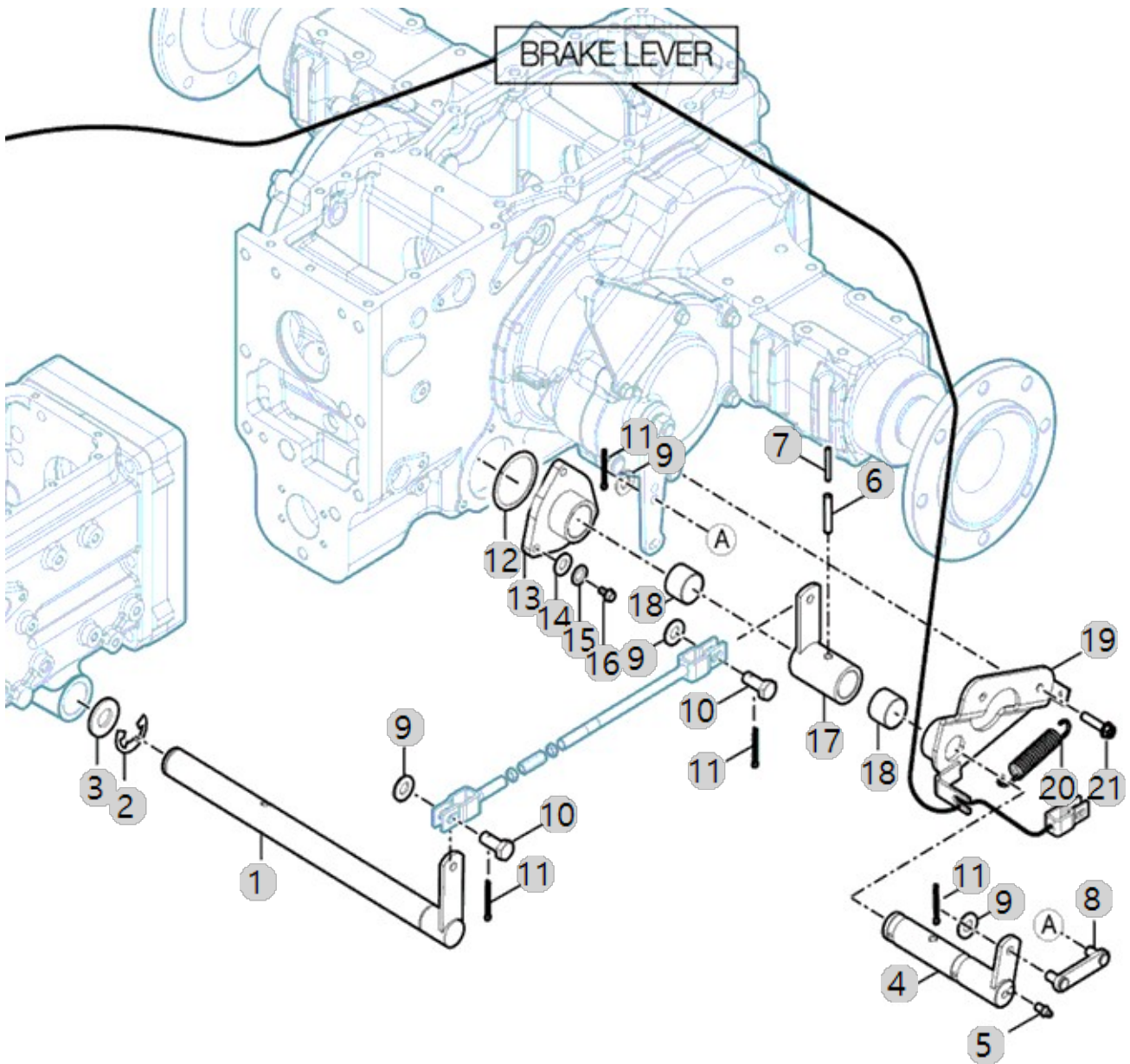
F06031

20C TM(US)_RANGE4
(AC01736)

SUPPORT, BRAKE

Year/Month

2022-12-15



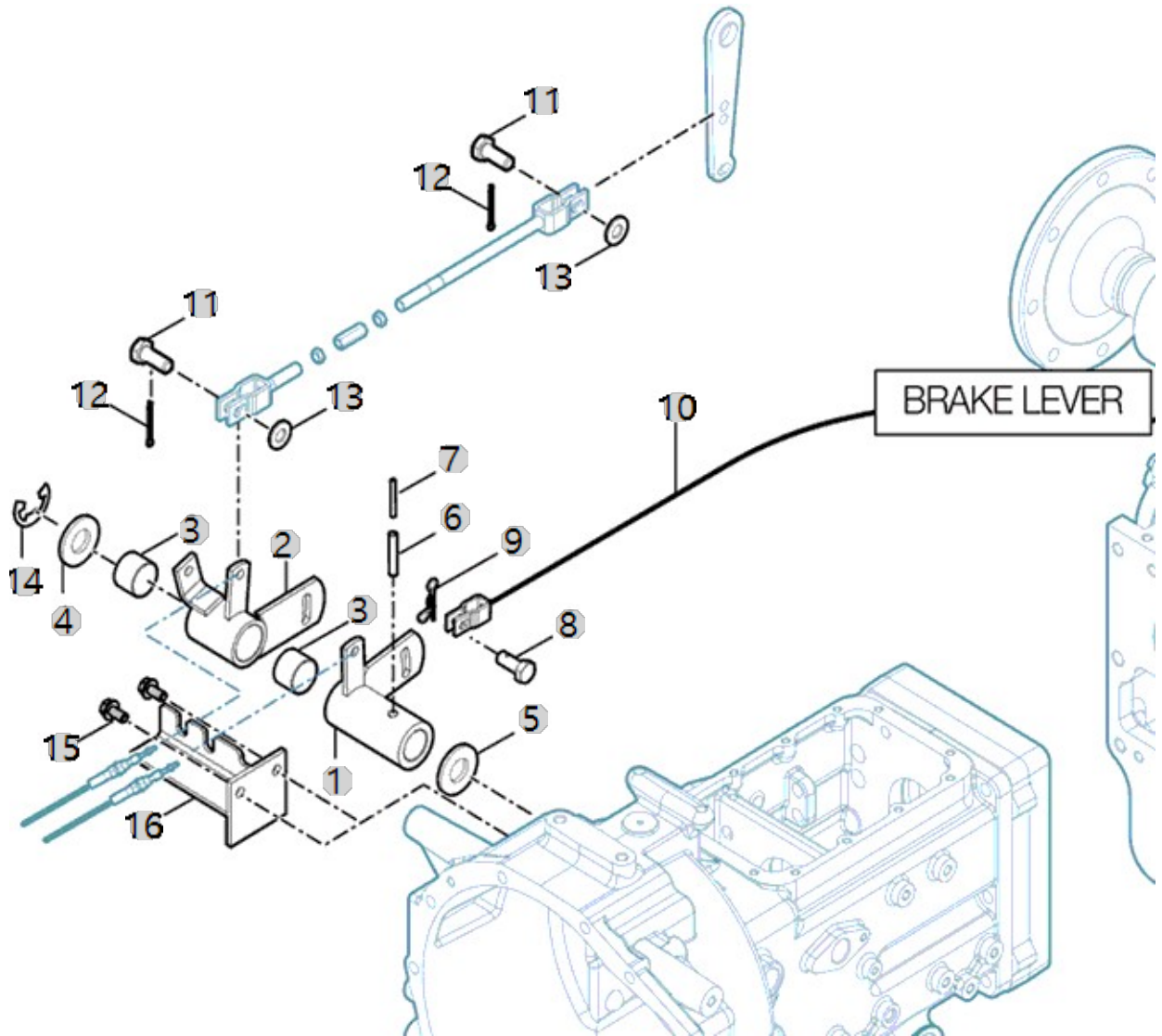
F06033

20C TM(US)_RANGE4
(AC01736)

BRAKE LINK

Year/Month

2022-12-15



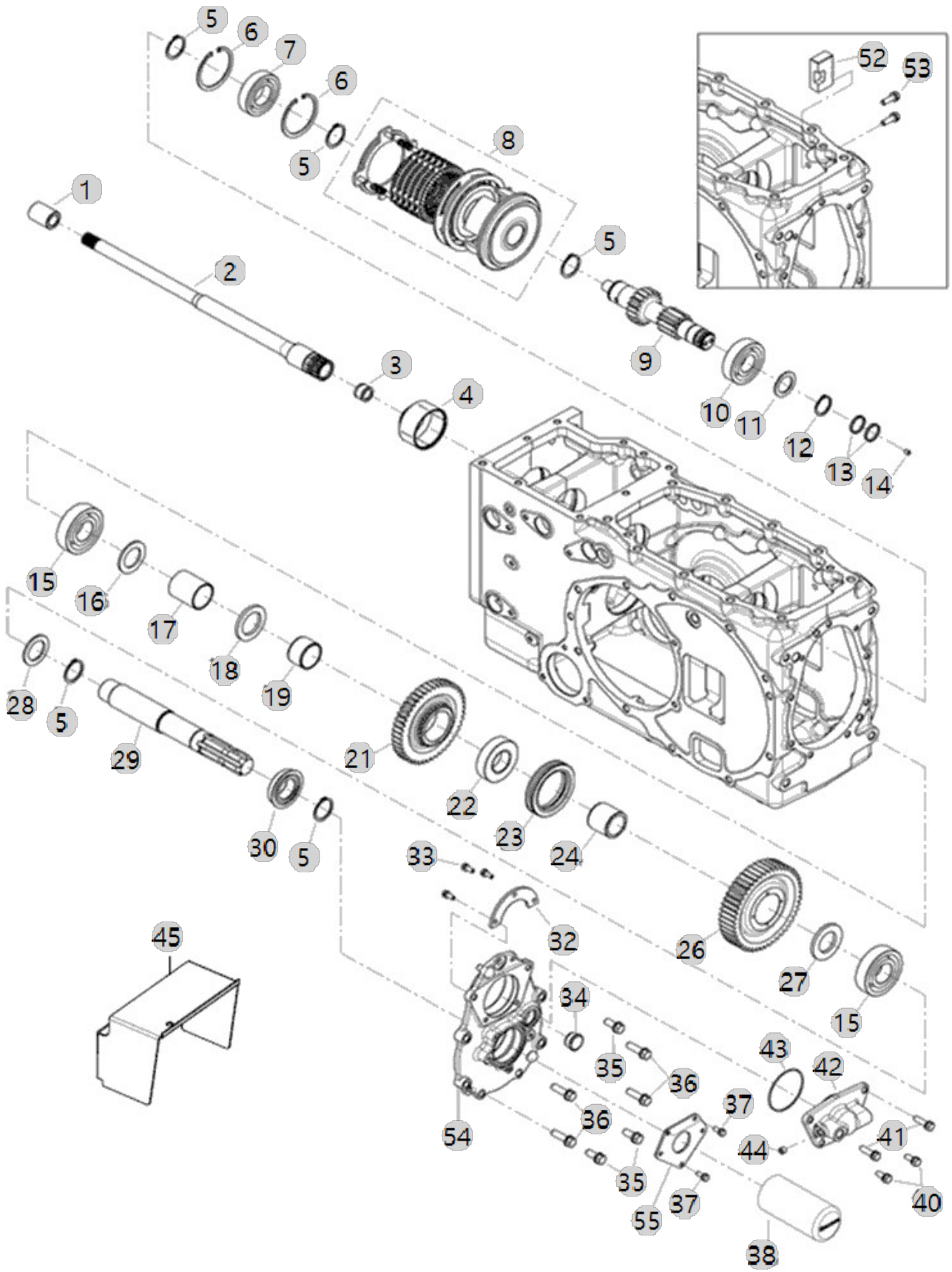
F07000

20C TM(US)_RANGE4
(AC01736)

GEAR,IND PTO SPEED CHANGE

Year/Month

2022-12-15



F07000 20C TM(US)_RANGE4 (AC01736)		GEAR,IND PTO SPEED CHANGE				Year/Month 2022-12-15
순번 (NO)	부품번호 (PART NO)	품명 (PART NAME)	품명 (PART NAME)	수량 (QTY)	규격 (SPEC)	비고 (REMARK)
1	TN4520000A4	조인트	JOINT	1		
2	TZ4522000C	PTO연결축	SHAFT,P.T.O DRIVE	1		
3	24161-182417	니들베어링	Bearing, Neddle (#18-24-17)	1	KT182417	
4	NT4548000A3	PTO커플링	PTO COUPLING	1		
5	22242-000350	축용스냅링35	SNAP RING, SHAFT (Φ 35)	5	D35	
6	22252-000720	구멍용스냅링72	RING, CIRCLIP (Φ 72)	2	D72	
7	24101-062074	볼베어링6207	BALL BEARING (#6207)	1	#6207	
8	TA00026514C	PTO클러치팩	PTO CLUTCH PACK	1		
8	TA00026514B	PTO클러치팩	PTO CLUTCH PACK	1		
8	TA00026514D	PTO클러치팩	PTO CLUTCH PACK	1		
9	NT4592000A2	PTO변속축	SHAFT, PTO SHIFT	1		
10	24101-063064	볼베어링6306	Bearing, Ball (#6306)	1	#6306	
11	TN4552000A4	칼라	COLLAR	1		
12	22242-000300	축용스냅링30	SNAP RING, SHAFT (Φ 30)	1	D30	
13	TT64070000B4	시일링	SEAL RING	2	26X30X3	
14	TT64080000A4	멈춤나사 M7X1	RETAININGSCREWM7X1	1	M7XP1.0	
15	24101-063074	볼베어링6307	Bearing, Ball (#6307)	2	#6307	
16	NT45670000B4	스러스트와셔	THRUST WASHER	1	3.0T	
17	NT45680000B4	스페이셔	SPACER	1	D45XT2.6	
18	NT45440000B4	칼라	COLLAR	1		
18	NT45440000C4	칼라	COLLAR	1		
19	TA00033210A	니들부시D	NEEDLE BUSH D	2		
21	TA00033211C	PTO기어46T	GEAR 46T, PTO	1		
21	TA00033211A	PTO기어46T	GEAR 46T, PTO	1		
21	TA00033211B	PTO기어46T	GEAR 46T, PTO	1		
22	TZ45100000B3	PTO허브	HUB,P.T.O	2		
22	TZ45100000A3	PTO허브	HUB,P.T.O	2		
23	TZ45110000C4	PTO슬리브	SLEEVE,P.T.O	2		
23	TZ45110000B4	PTO슬리브	SLEEVE,P.T.O	2		
24	TA00033209A	니들부시B	NEEDLE BUSH B	1		
26	TA00033212B	PTO기어49T	GEAR 49T, PTO	1		
26	TA00033212A	PTO기어49T	GEAR 49T, PTO	1		
26	TA00033212C	PTO기어49T	GEAR 49T, PTO	1		
27	TZ45140000B4	칼라	COLLAR	1	5T	
27	TZ45140000A4	칼라	COLLAR	1		
28	TN45120000A4	와셔	WASHER	1	T3.0X60X60	
29	NT45130000B3	PTO축	shaft, PTO	1		
30	TT62040000A3	PTO 오일실 QLF35X60X19	PTO OIL SEAL QLF35X60X19	1	35X60X19	
32	NT45640000A4	베어링커버	Bearing Cover	1		
33	26013-060162	와셔조립육각볼트(+SW)	Bolt, Hexa (6-16)	3	M6XP1.0X16	
34	TCA8130000A4	검유창	SIGHTGLASS -> NT45690000A4	1		
35	26013-100252	와셔조립육각볼트(+SW)	SCREW, CAPTIVE WASHER CAP	3	M10X1.50X02	
36	26013-100352	볼트	Bolt, Hexa (10-35)	4		
37	26013-060162	와셔조립육각볼트(+SW)	Bolt, Hexa (6-16)	3	M6XP1.0X16	
38	TA00046868A	PTO축커버	COVER, PTO	1		

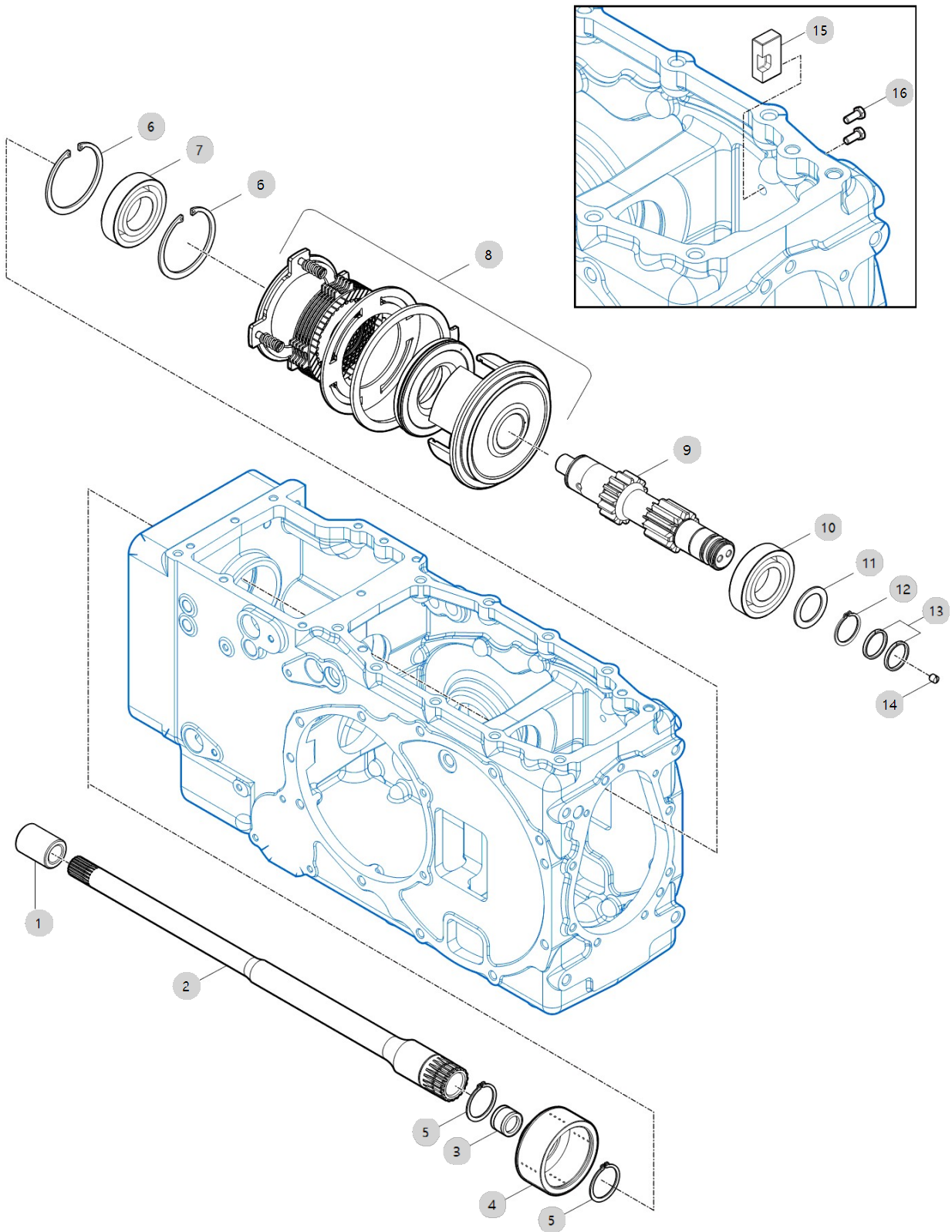
F07030

20C TM(US)_RANGE4
(AC01736)

PTO DRIVE SHAFT

Year/Month

2022-12-15



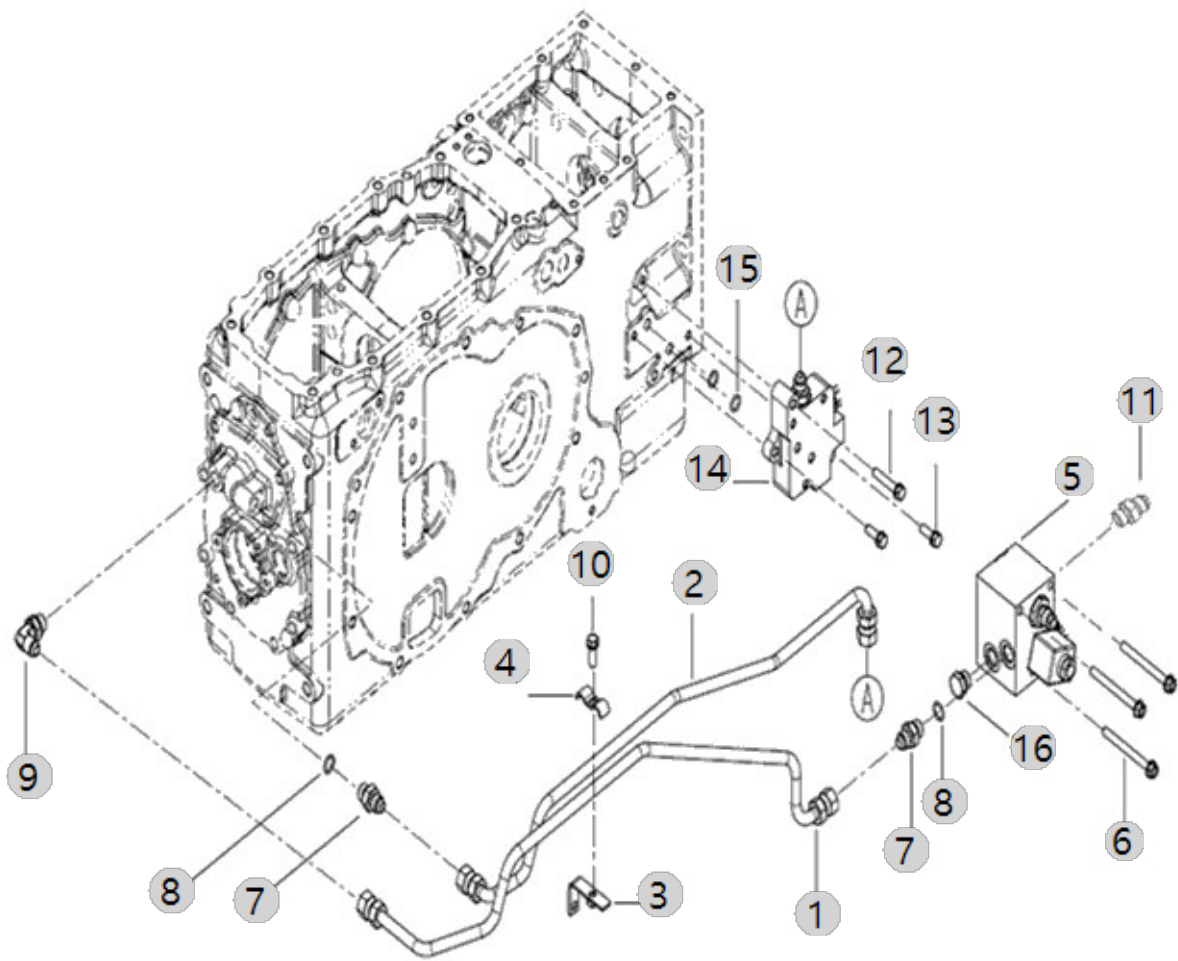
F07050

20C TM(US)_RANGE4
(AC01736)

PTO VALVE

Year/Month

2022-12-15



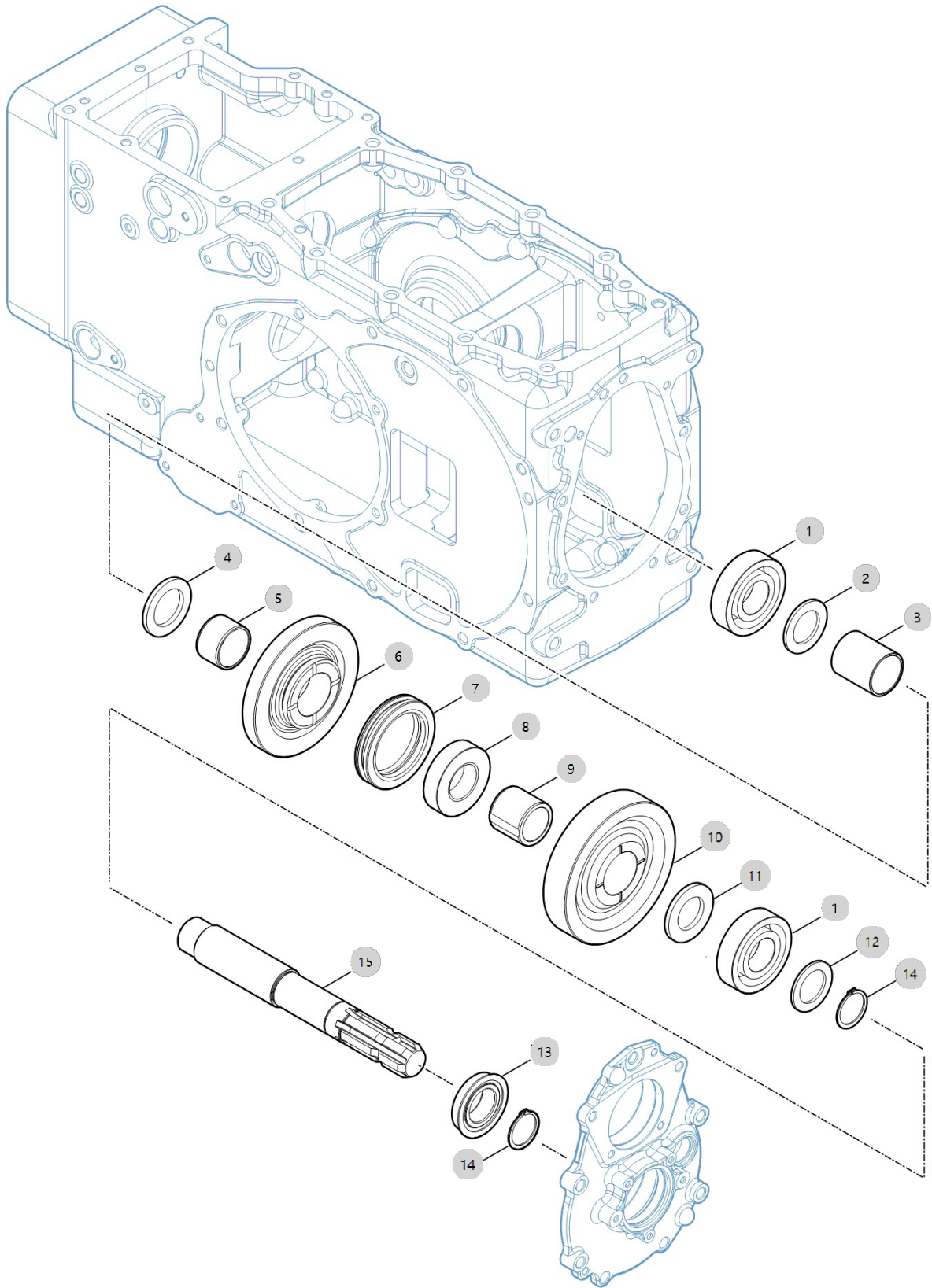
F07070

20C TM(US)_RANGE4
(AC01736)

PTO SHAFT

Year/Month

2022-12-15



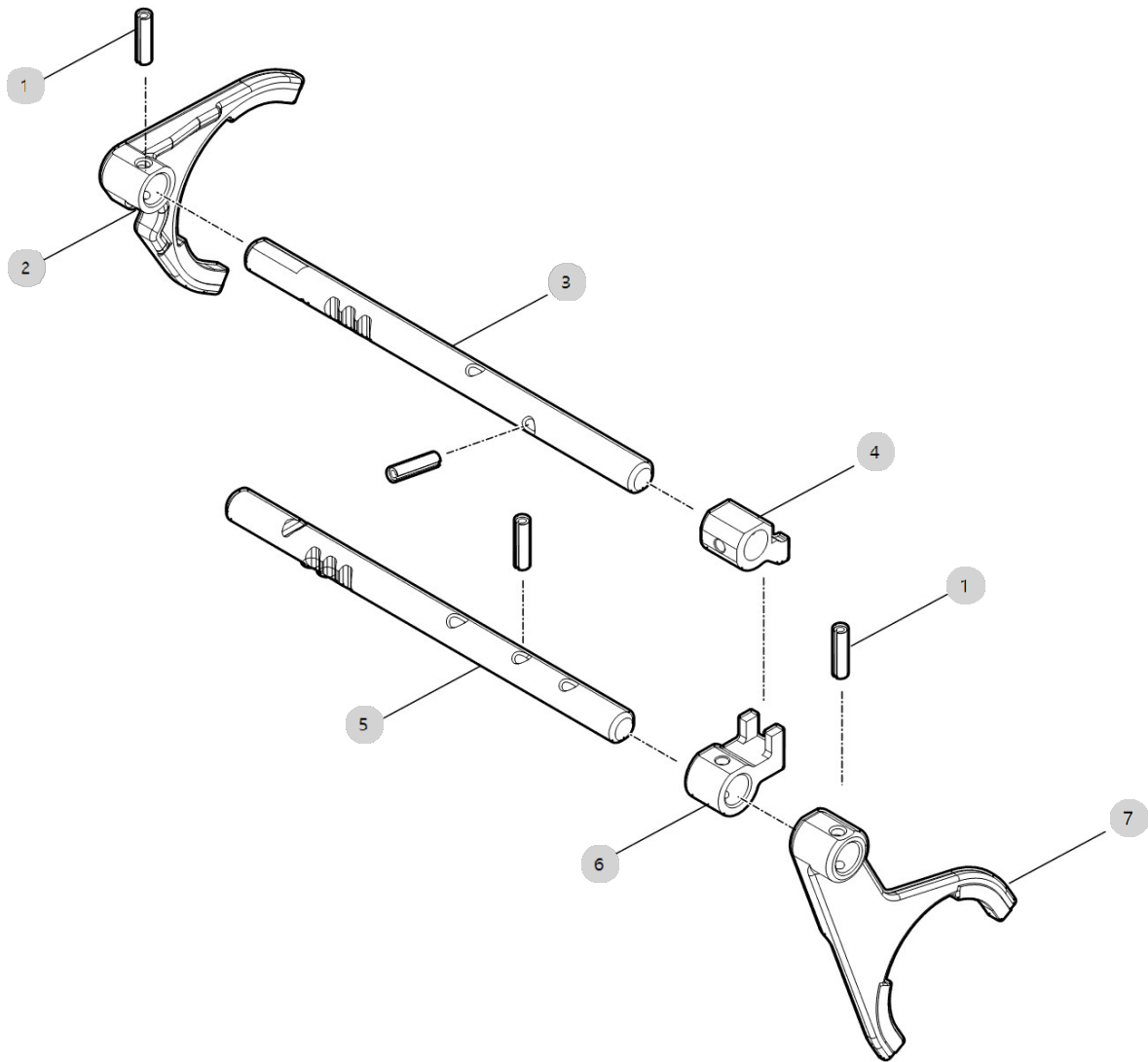
F08022

20C TM(US)_RANGE4
(AC01736)

RANGE SHIFT FORK

Year/Month

2022-12-15



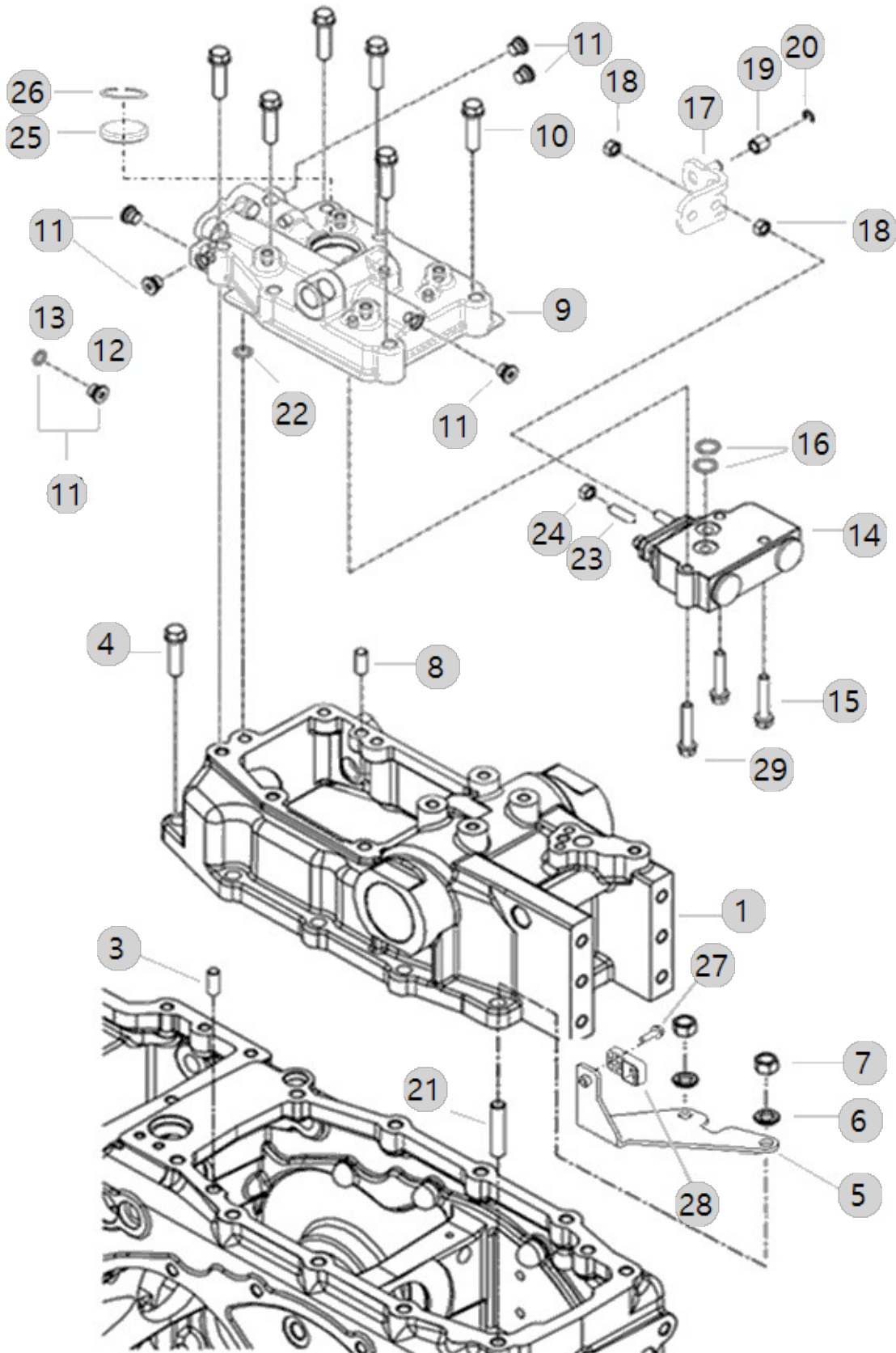
F10010

20C TM(US)_RANGE4
(AC01736)

HYD CYLINDER CASE

Year/Month

2022-12-15



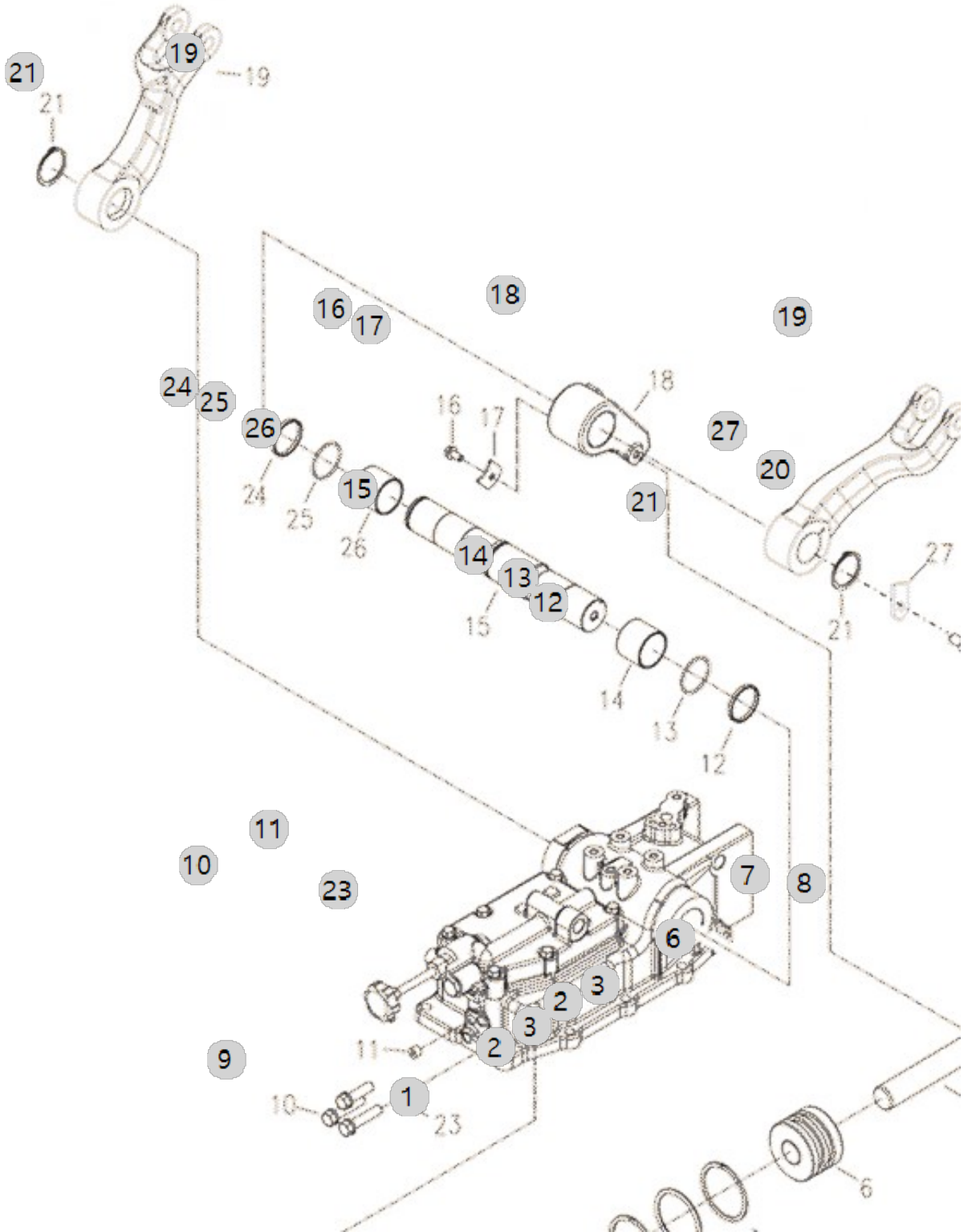
F10020

20C TM(US)_RANGE4
(AC01736)

LIFT ARM

Year/Month

2022-12-15



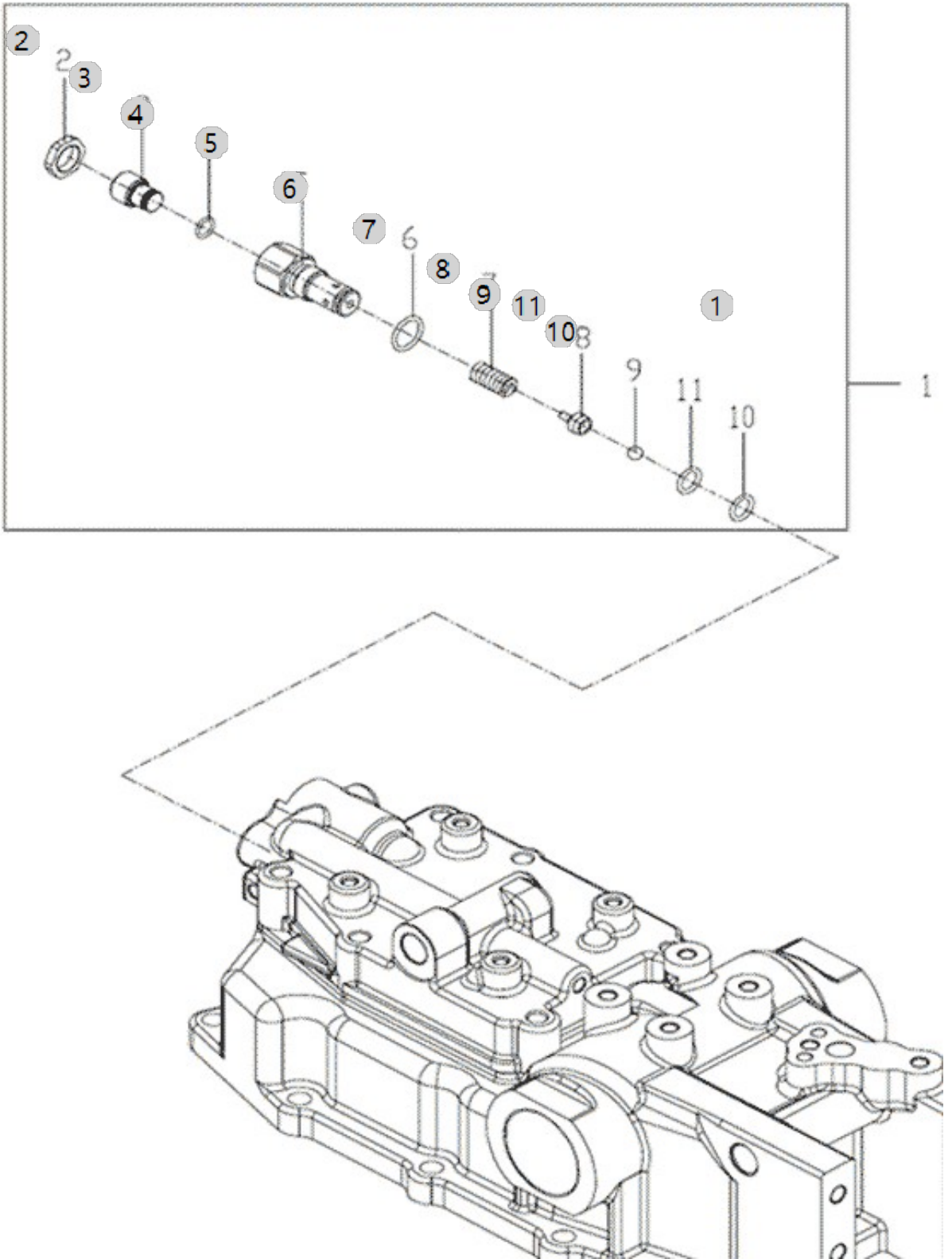
F10030

20C TM(US)_RANGE4
(AC01736)

SAFTY VALVE

Year/Month

2022-12-15



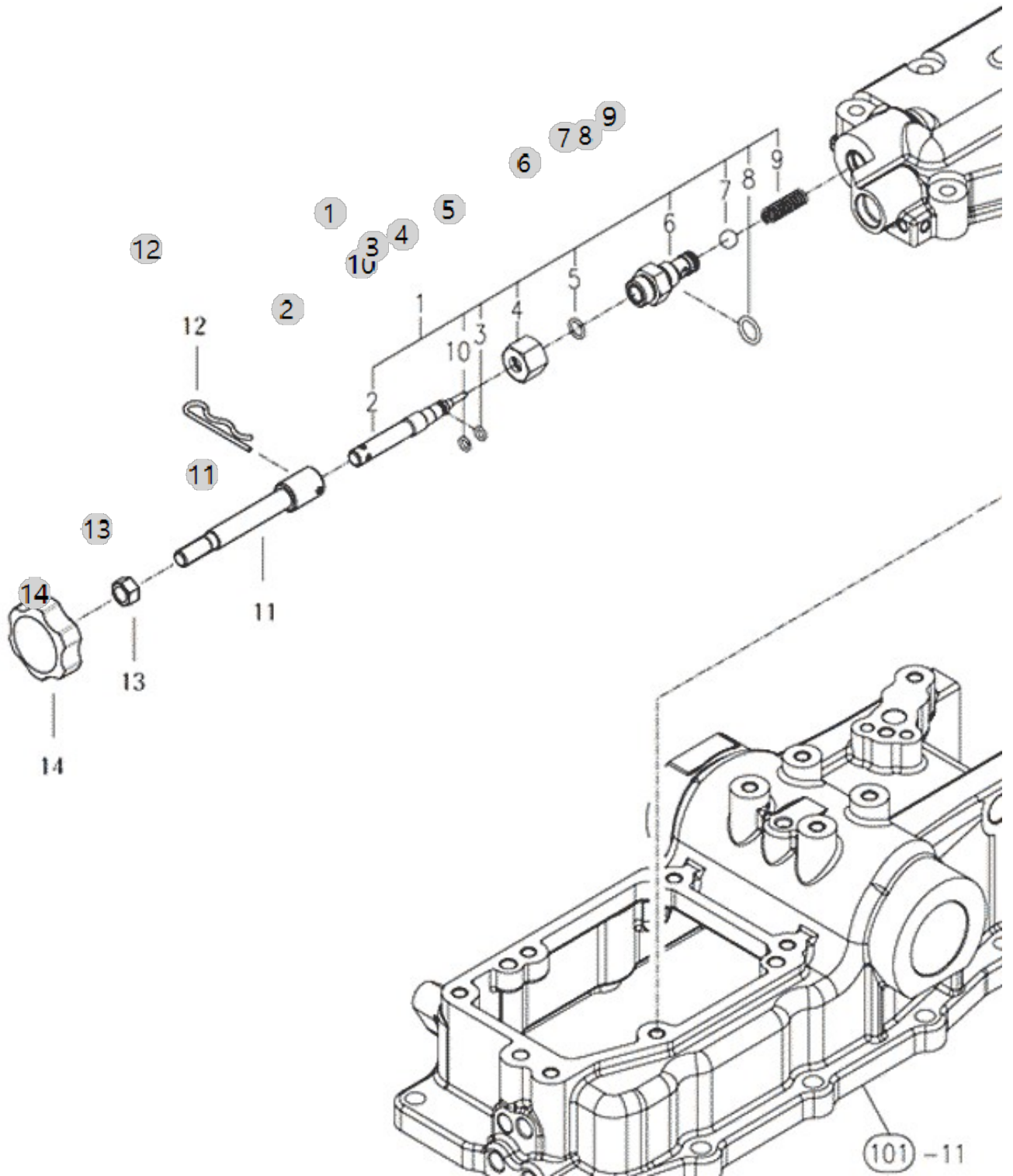
F10040

20C TM(US)_RANGE4
(AC01736)

STOP VALVE

Year/Month

2022-12-15



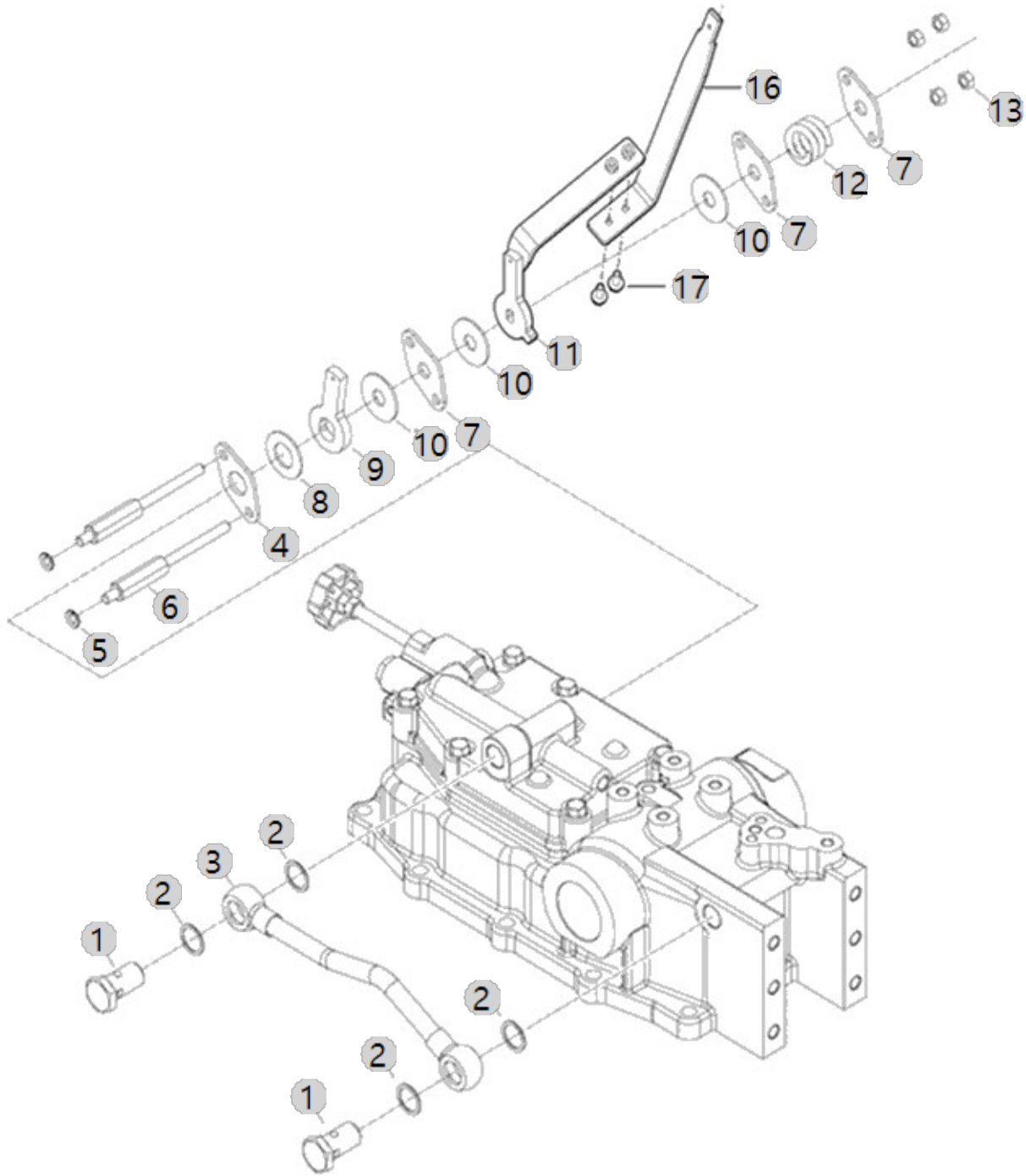
F10064

20C TM(US)_RANGE4
(AC01736)

POSITION CONTROL LEVER

Year/Month

2022-12-15



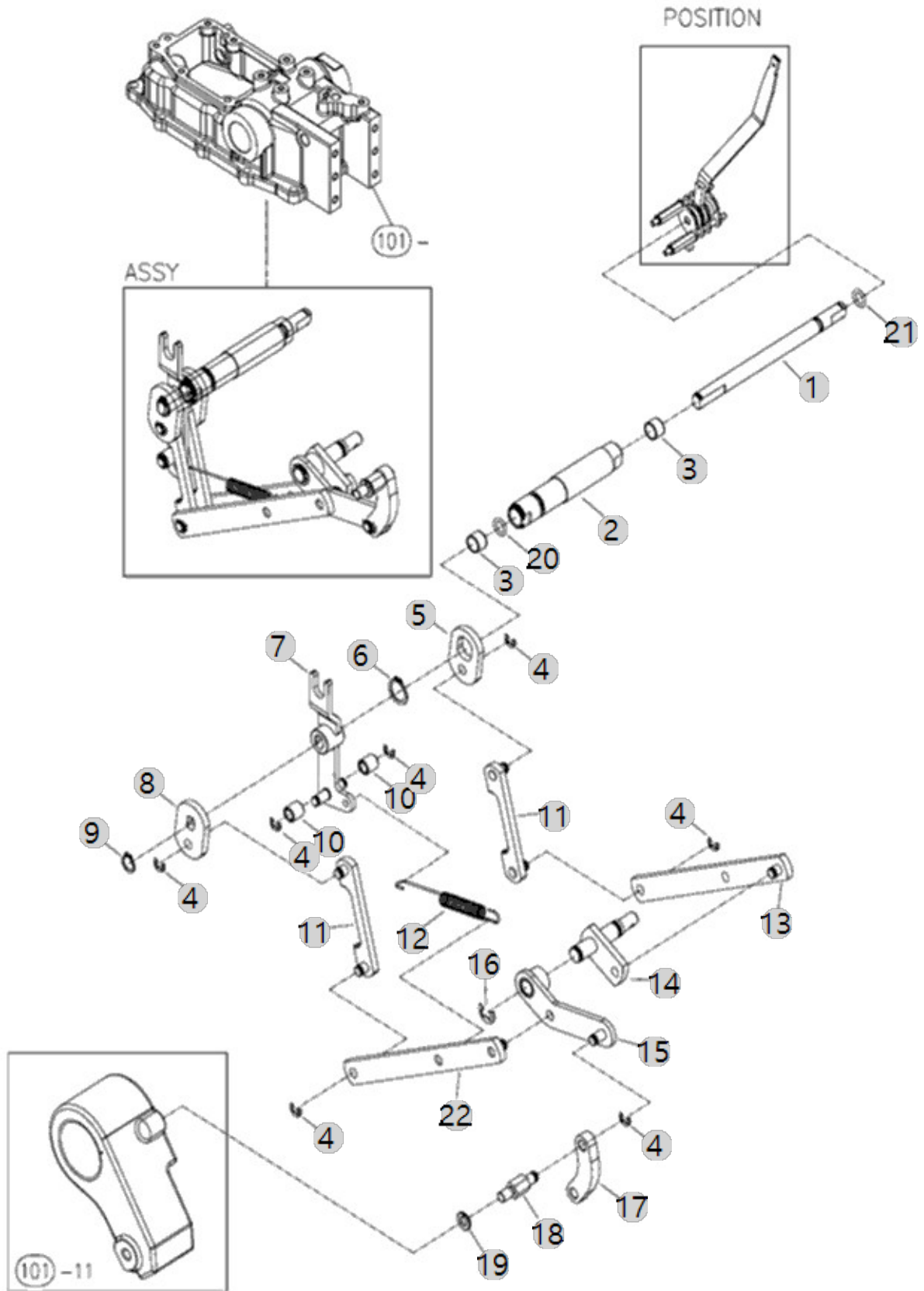
F10072

20C TM(US)_RANGE4
(AC01736)

POSITION SHAFT

Year/Month

2022-12-15



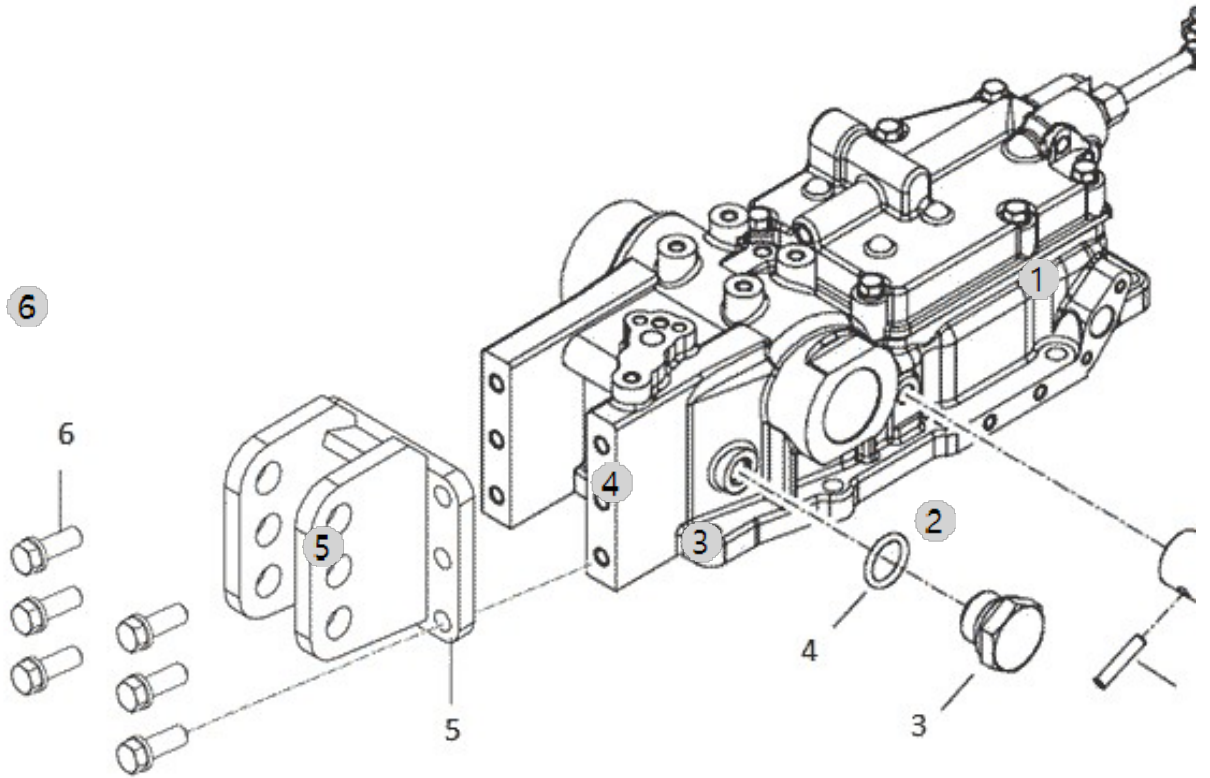
F10100

20C TM(US)_RANGE4
(AC01736)

BRACKET, TOP LINK

Year/Month

2022-12-15



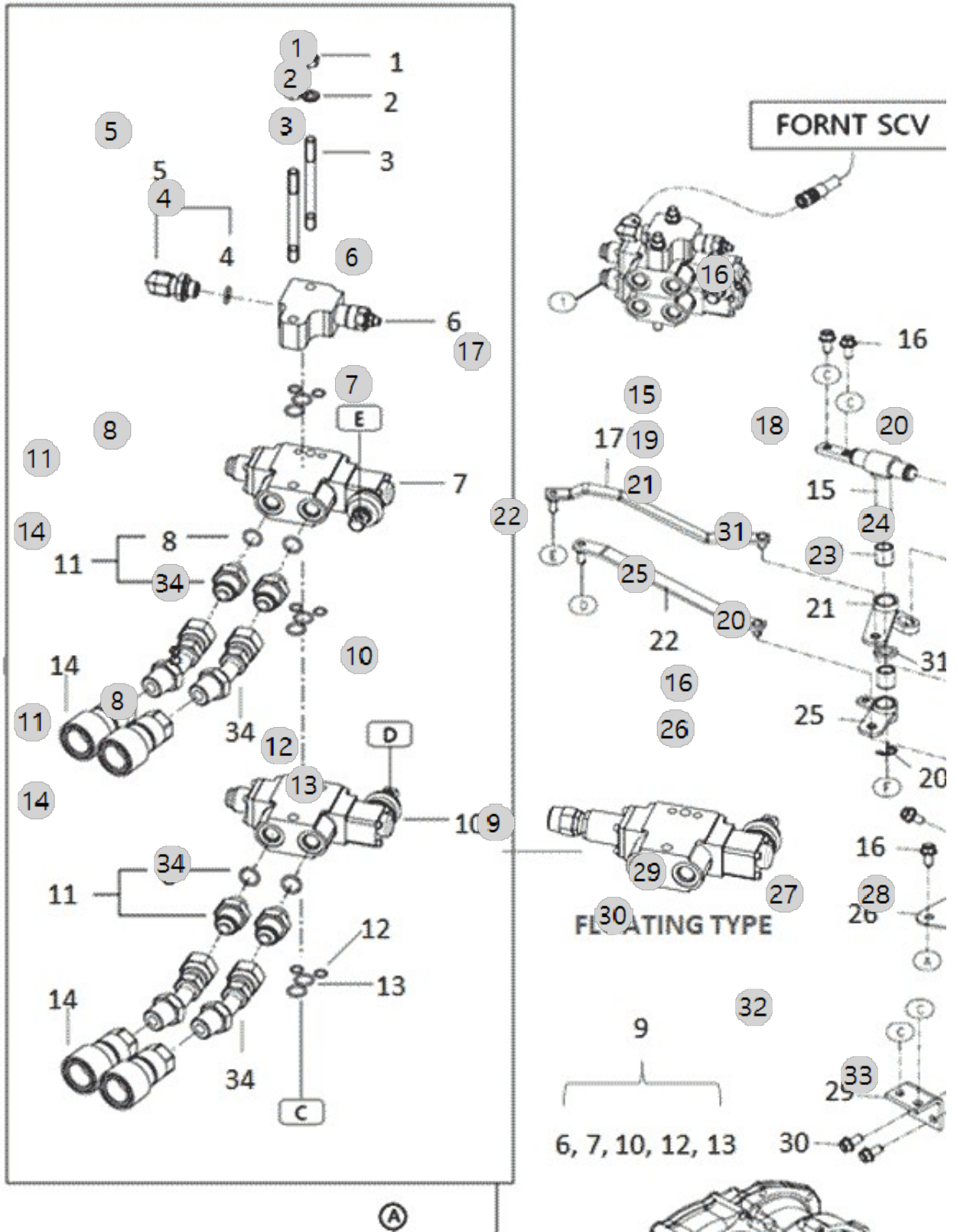
F10120

20C TM(US)_RANGE4
(AC01736)

REAR SCV

Year/Month

2022-12-15



F10120 20C TM(US)_RANGE4 (AC01736)		REAR SCV				Year/Month 2022-12-15
순번 (NO)	부품번호 (PART NO)	품명 (PART NAME)	품명 (PART NAME)	수량 (QTY)	규격 (SPEC)	비고 (REMARK)
1	26716-100002	육각너트	Nut, Hexa (Φ10)	1	M10XP1.5	
2	22217-100000	스프링와셔	WASHER, SPRING (Φ 10)	2	M10	
3	TA00034089A	심음 볼트	BOLT	2		
3	TA00034089B	심음 볼트	BOLT	2		
4	24311-000140	441.ALL.O-RINGP-14	O-RING, DYNAMIC (Φ14)	2	P14	
5	TA00035078A	90도 엘보 (PF3/8-1/2)	ELBOW	1		
5	TA00035078B	90도 엘보 (PF3/8-1/2)	ELBOW	1		
6	TA00033977B	컨트롤 릴리프	COVER RELIEF	1		
6	TA00033977C	컨트롤 릴리프	COVER RELIEF	1		
7	TA00037393A	SCV2(D)	SCV2(D)	1		
8	24311-000160	O-링 P 16	O-RING, DYNAMIC (Φ16)	1	P16	
9	TA00037386C	PTO2 SCV조합(캐빈용)	PTO2 SCV TOTAL ASS'Y(DETENT)	4		
9	TA00037386B	PTO2 SCV조합(캐빈용)	SCV TOTAL ASS'Y(DETENT)	4		
9	TA00037386D	PTO2 SCV조합(캐빈용)	PTO2 SCV TOTAL ASS'Y(DETENT)	4		
10	TA00028226B	SCV 1	SCV	1		
10	TA00028226A	SCV 1	REAR SCV 1	1		
10	TA00028226C	SCV 1	SCV 1	1		
10	TA00048561A	SCV(FLOATING)	SCV(FLOATING)	1		
10	TA00048561C	SCV(FLOATING)	SCV(FLOATING)	1		
10	TA00048561B	SCV(FLOATING)	SCV(FLOATING)	1		
11	TA00042245B	아댑터(PF1/2)	ADAPTER	4		
11	TA00042245C	아댑터(PF1/2)	ADAPTER	4		
12	24311-000100	O-링1AP10.0	O-RING, DYNAMIC (Φ10)	6	P10	
13	24311-000160	O-링 P 16	O-RING, DYNAMIC (Φ16)	6	P16	
14	FBA3150000A4	조인트(1/2")	ARM, JOINT(1/2") -> FBA3150000A3	4		
14	FBA3150000B3	조인트암(1/2")	"ARM, JOINT(1/2")"	4		
15	TA00034042B	축 조합	SHAFT ASS'Y	1		
15	TA00034042C	축 조합	SHAFT ASS'Y	1		
15	TA00034042D	축 조합	SHAFT ASS'Y	1		
16	26106-080162	플랜지볼트8X16	SCREW,HEXFLANGEHEADCAP	4	M8XP1.25X16	
17	TA00034039A	링크 2 조합	LINK 2 ASS'Y	1		
18	TA00036917A	SCV_ROD_B	SCV_ROD_B	1		
18	TA00036917B	SCV_ROD_B	SCV_ROD_B	1		
18	TA00036917C	SCV_ROD_B	SCV_ROD_B	1		
19	24550-016200	드라이부시16X20	DRY BUSH 16X20	2		
20	22272-000120	E형스냅링12	RING, CIRCLIP (Φ 12)	3	D12	
21	TA00037361B	보스A조합(캐빈)	BOSS_A_ASS'Y	1		
21	TA00037361C	보스A조합(캐빈)	BOSS_A_ASS'Y	1		
22	TA00034019A	링크1조합	LINK 1 ASS'Y	1		
22	TA00034019B	링크1조합	LINK 1 ASS'Y	1		
23	22137-080000	와셔8	WASHER, PLAIN (Φ 08)	4	M8	
24	22417-200200	할핀	PIN , COTTER (2-20)	4	D1.8	
25	TA00037363A	보스B조합(캐빈)	BOSS_B_ASS'Y	1		
25	TA00037363B	보스B조합(캐빈)	BOSS_B_ASS'Y	1		
25	TA00037363C	보스B조합(캐빈)	BOSS_B_ASS'Y	1		

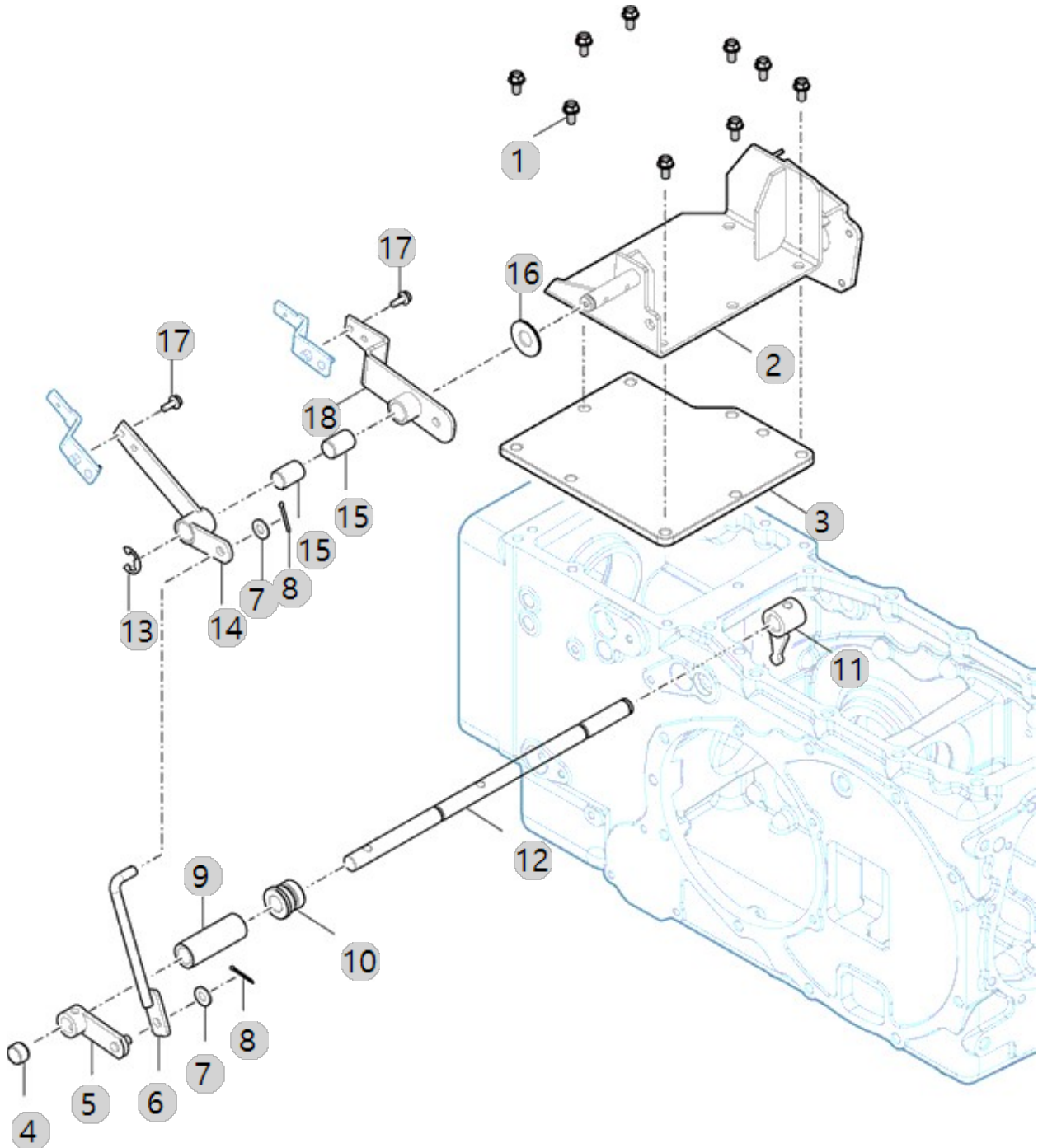
F11030

20C TM(US)_RANGE4
(AC01736)

PTO SHIFT GEAR LEVER

Year/Month

2022-12-15



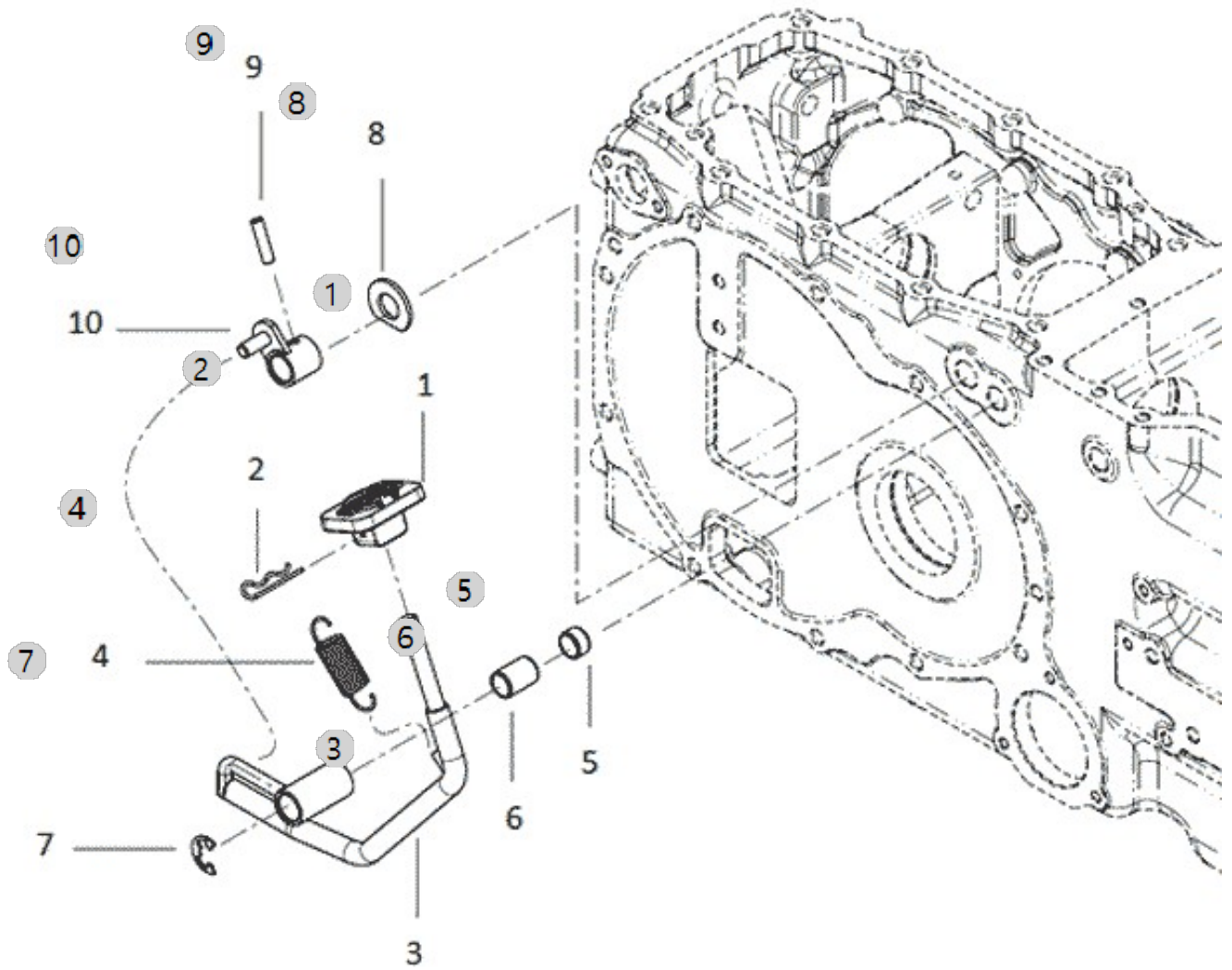
F11060

20C TM(US)_RANGE4
(AC01736)

DIFF. LOCK PEDAL

Year/Month

2022-12-15



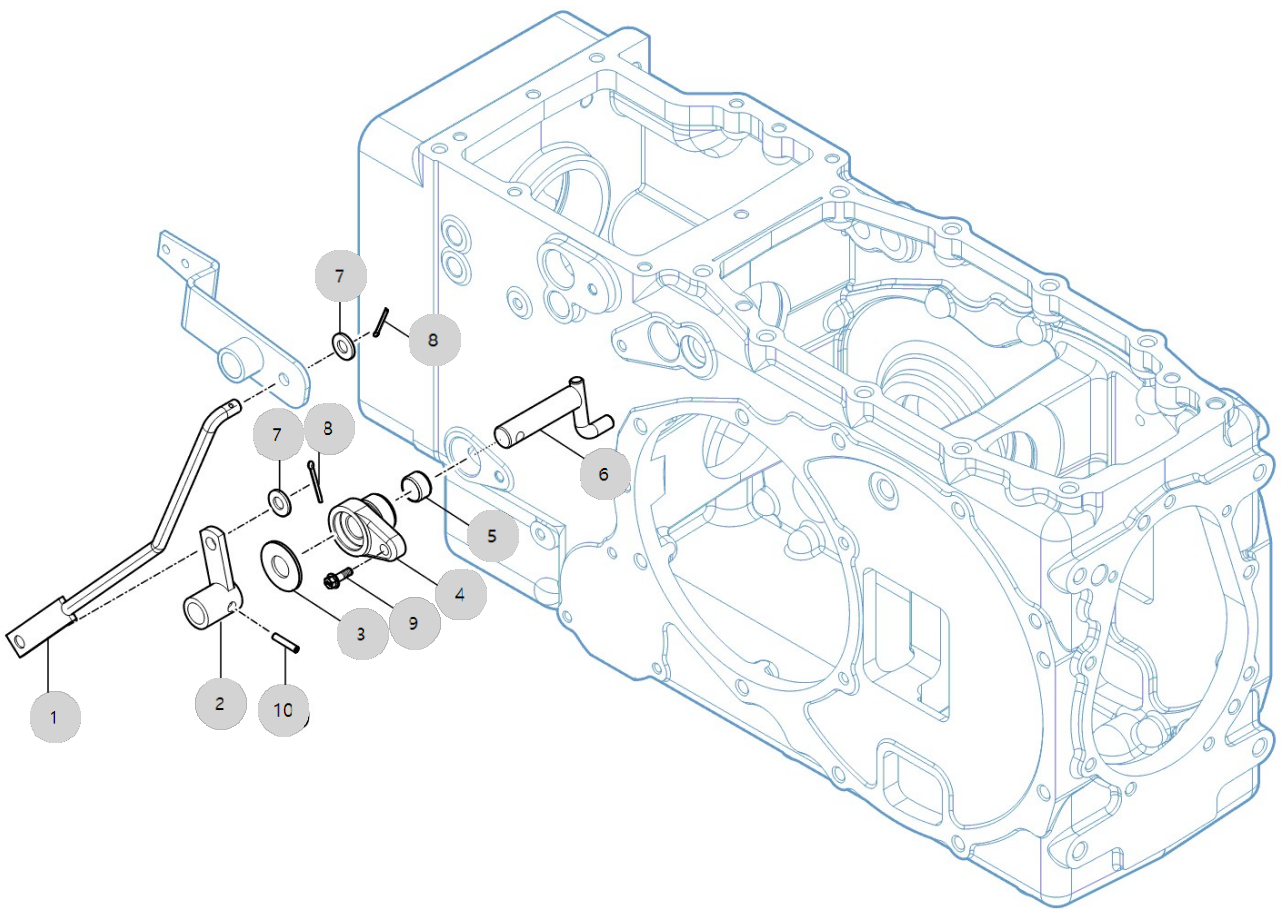
F11080

20C TM(US)_RANGE4
(AC01736)

4WD LEVER

Year/Month

2022-12-15



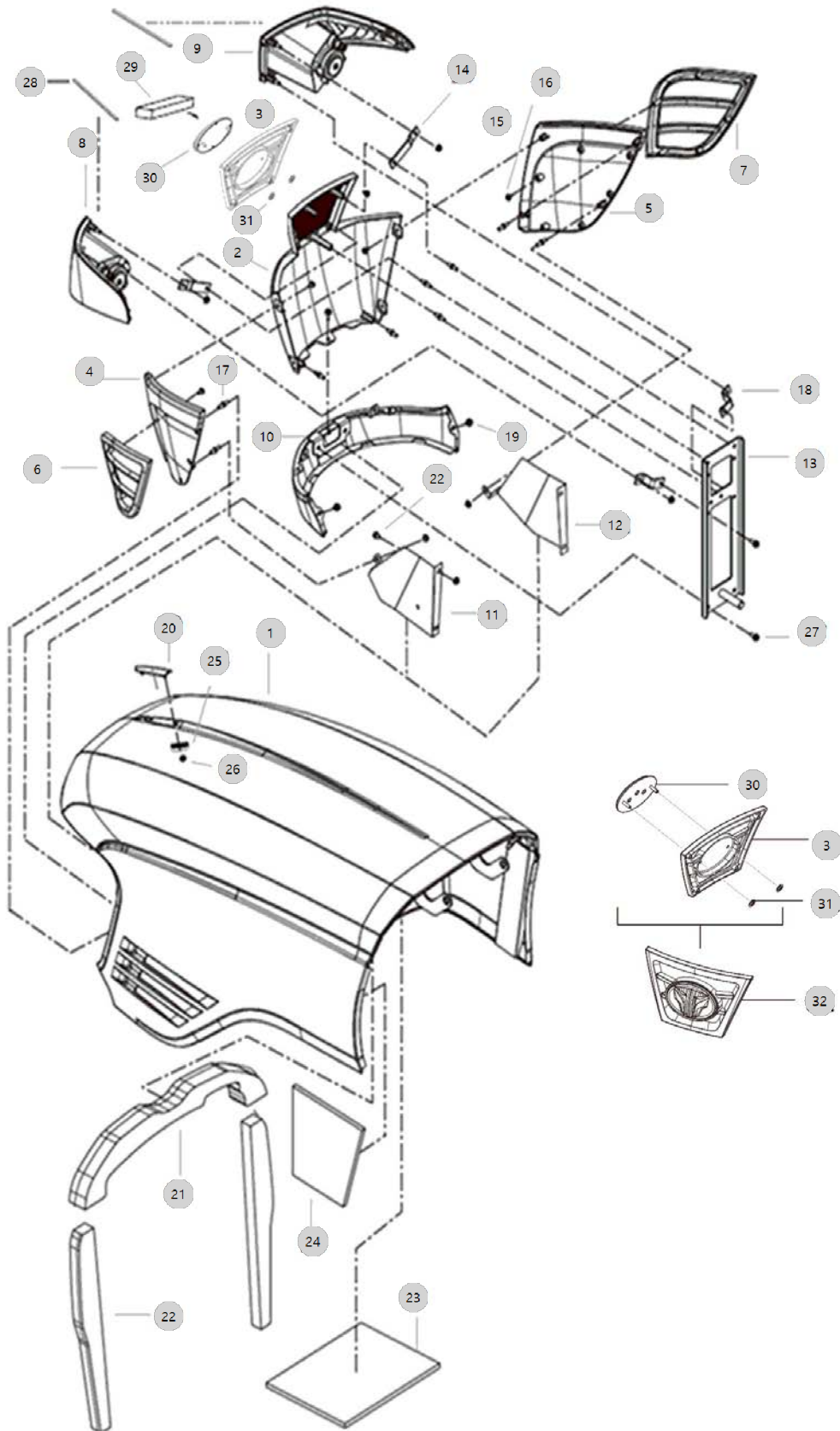
G01020

Year/Month

4820C(AC02107)

BONNET

2022-12-15



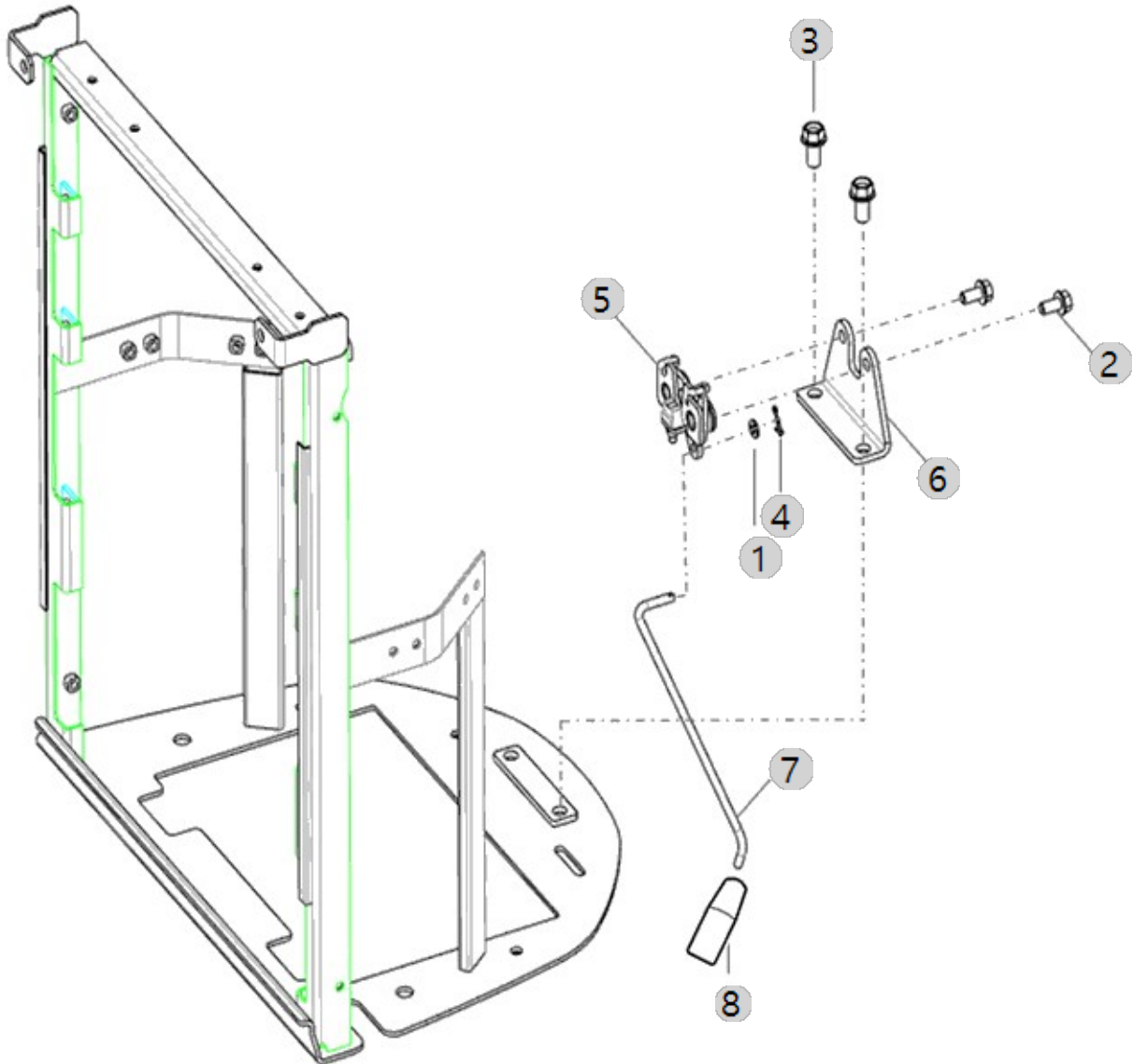
G01040

Year/Month

4820C(AC02107)

LATCHING DEVICE, BONNET

2022-12-15



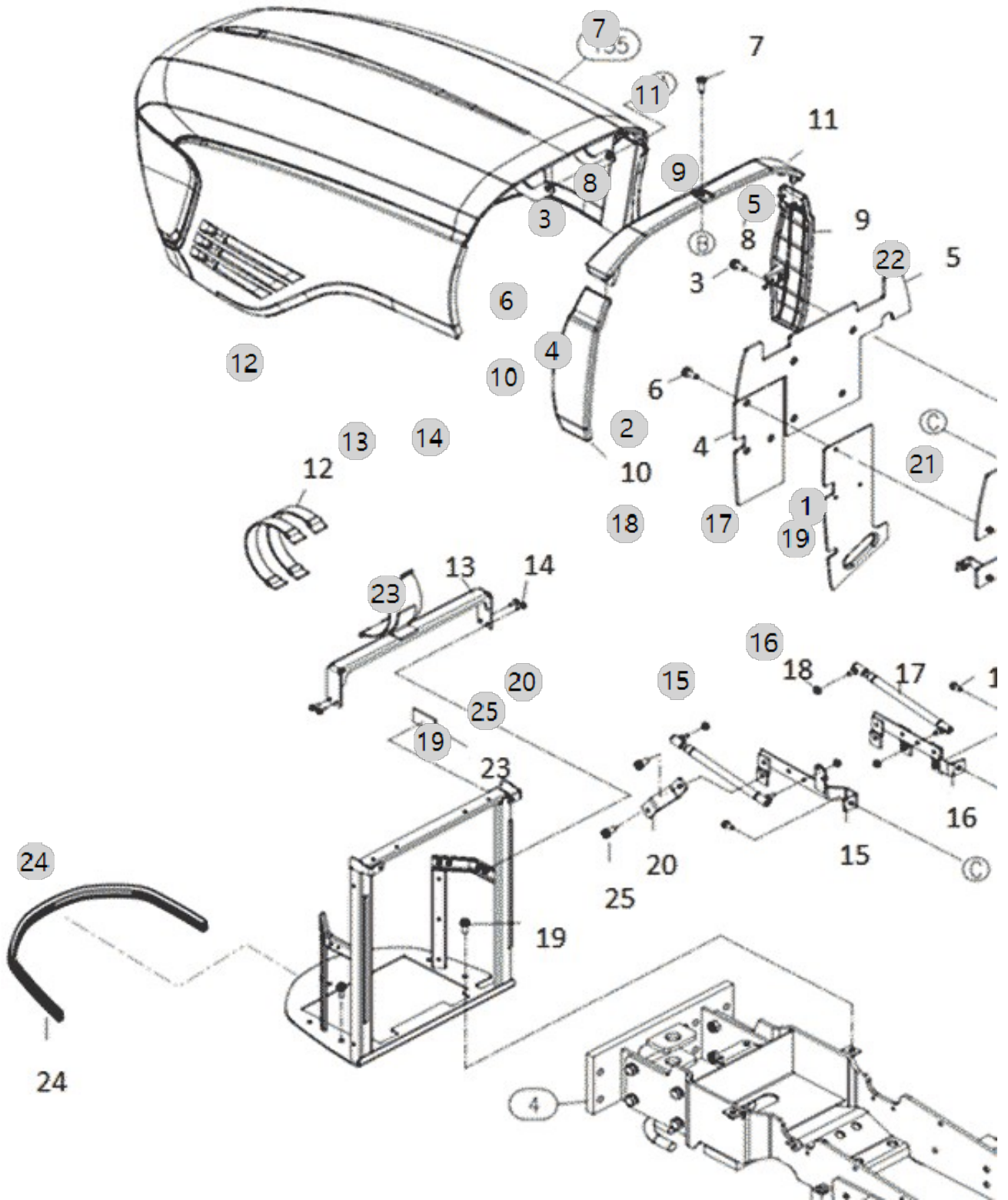
G01060

FIXED BRACKET, BONNET

Year/Month

4820C(AC02107)

2022-12-15



G01060 4820C(AC02107)		FIXED BRACKET, BONNET				Year/Month 2022-12-15
순번 (NO)	부품번호 (PART NO)	품명 (PART NAME)	품명 (PART NAME)	수량 (QTY)	규격 (SPEC)	비고 (REMARK)
1	TA00028152B	막이판 조합	PLATE ASS'Y	1	-	
1	TA00028152E	막이판 조합	PLATE ASS'Y	1	-	
1	TA00028152G	막이판 조합	PLATE ASS'Y	1	-	
1	TA00028152D	막이판 조합	PLATE ASS'Y	1	-	
1	TA00028152F	막이판 조합	PLATE ASS'Y	1	-	
2	TA00028165C	플레이트	PLATE	1	2.3T	
2	TA00028165B	플레이트	PLATE	1	2.3T	
3	26106-080162	플랜지볼트8X16	SCREW,HEXFLANGEHEADCAP	2	M8XP1.25X16	
4	TA00028206B	막이판 스폰지 B (좌)	SPONGE B	1	5T	
5	TA00028205A	막이판 스폰지 A	SPONGE A	1	T5.0	
6	26106-060142	육각플랜지볼트	BOLT	3	M6X1.0X14	
7	26106-060120	육각플랜지볼트	HEX FLANGE BOLT	1		
8	26367-060002	플랜지너트	Nut, Hexa (Φ6)	4	M6XP1.0	
9	TA00028652D	후부 본네트 R	REAR BONNET R	1		
9	TA00028652C	후부 본네트 R	REAR BONNET R	1		
10	TA00028651C	후부 본네트 L	REAR BONNET L	1		
10	TA00028651D	후부 본네트 L	REAR BONNET L	1		
11	TA00028650C	후부 본네트	REAR BONNET	1		
11	TA00028650D	후부 본네트	REAR BONNET	1		
12	TZD6890000B4	에어클리너 취부 밴드	BAND, AIR CLEANER	2		
12	TZD6890000A4	에어클리너취부밴드	BAND,AIRCLEANERHOLDING	2		
13	TA00025580C	에어 클리너 브래킷 조합	BRACKET AIR-CLEANER ASS'Y	1	-	
13	TA00025580E	에어 클리너 브래킷 조합	BRACKET AIR-CLEANER ASS'Y	1	-	
13	TA00025580B	에어 클리너 브래킷 조합	BRACKET AIR-CLEANER ASS'Y	1	-	
13	TA00025580D	에어 클리너 브래킷 조합	BRACKET AIR-CLEANER ASS'Y	1	-	
14	26106-060162	육각플랜지 볼트	HEXFLANGEBOLT	8	M6XP1.0X16	
15	TA00034874C	브래킷 조합 (좌)	BRACKET A	1		
15	TA00034874B	브래킷 조합 (좌)	BRACKET A	1		
15	TA00034874D	브래킷 조합 (좌)	BRACKET A	1		
16	TA00034873B	브래킷 조합	BRACKET ASS'Y	1		
16	TA00034873D	브래킷 조합	BRACKET ASS'Y	1		
16	TA00034873C	브래킷 조합	BRACKET ASS'Y	1		
17	TA00023455B	가스 스프링	GAS SPRING	2	NONE	
18	26367-080002	259, 육각플랜지너트	HEX FLANGE NUT (Φ8)	4	M8XP1.25	
19	26106-100202	육각플랜지볼트	HEX BOLT, (10-20)	6	M10XP1.5X20	
20	TA00035176A	연결 브래킷	BRACKET	1		
20	TA00035176B	연결 브래킷	BRACKET	1		
21	26106-080182	444,ALL,플랜지볼트	SCREW,HEXFLANGEHEADCAP	4		
22	TA00022981B	본네트취부볼트	BONNET BOLT	2	M10XP1.5	
23	TA00031097A	흡기파이프 방진고무	RUBBER	1	6.0T	
24	TA00038101A	스트립	STRIP	1	A	
25	26106-080162	플랜지볼트8X16	SCREW,HEXFLANGEHEADCAP	2	M8XP1.25X16	

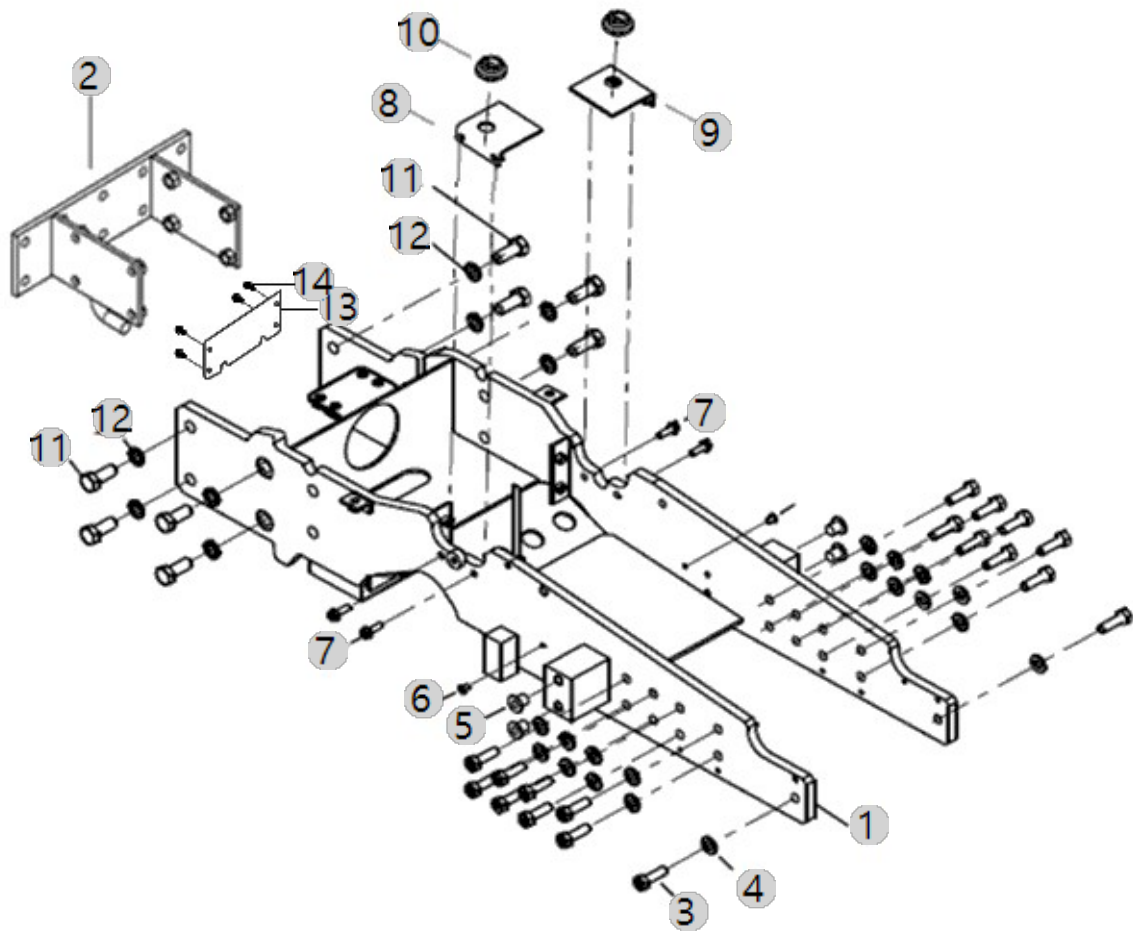
G01080

Year/Month

4820C(AC02107)

BRACKET, FRONT ALXE

2022-12-15



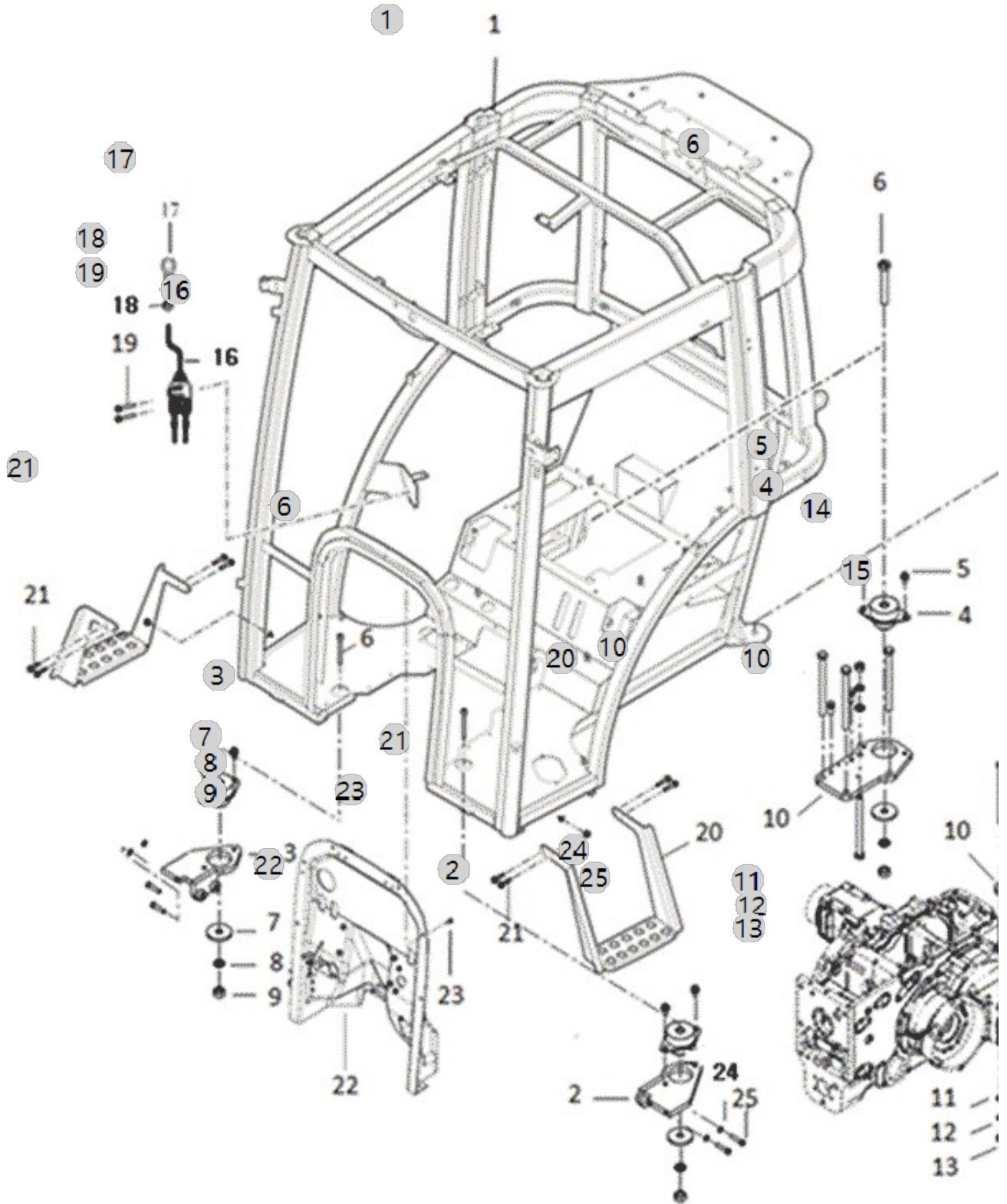
G02010

Year/Month

4820C(AC02107)

CABIN FREAM

2022-12-15



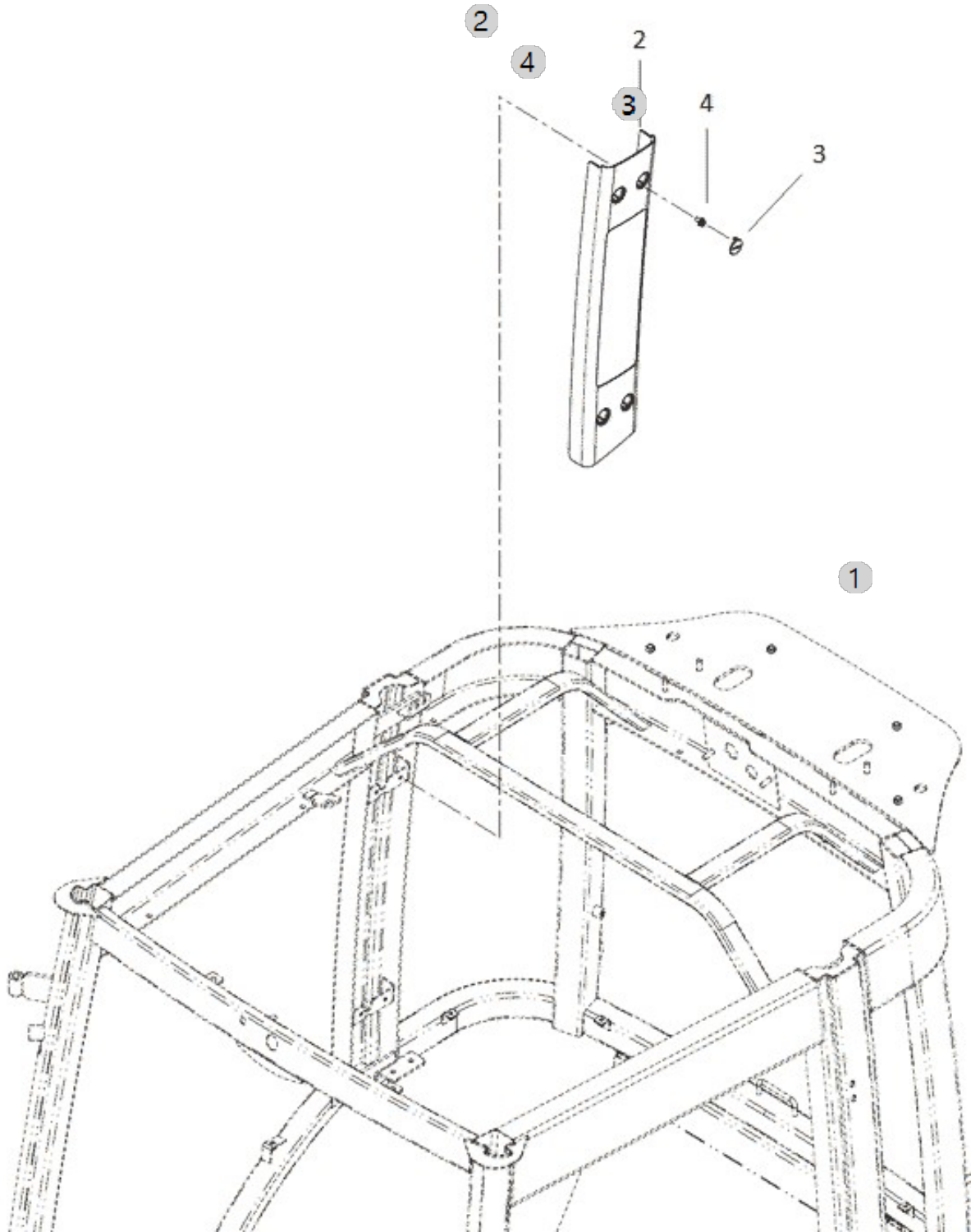
G02011

Year/Month

4820C(AC02107)

PILLAR COVER

2022-12-15



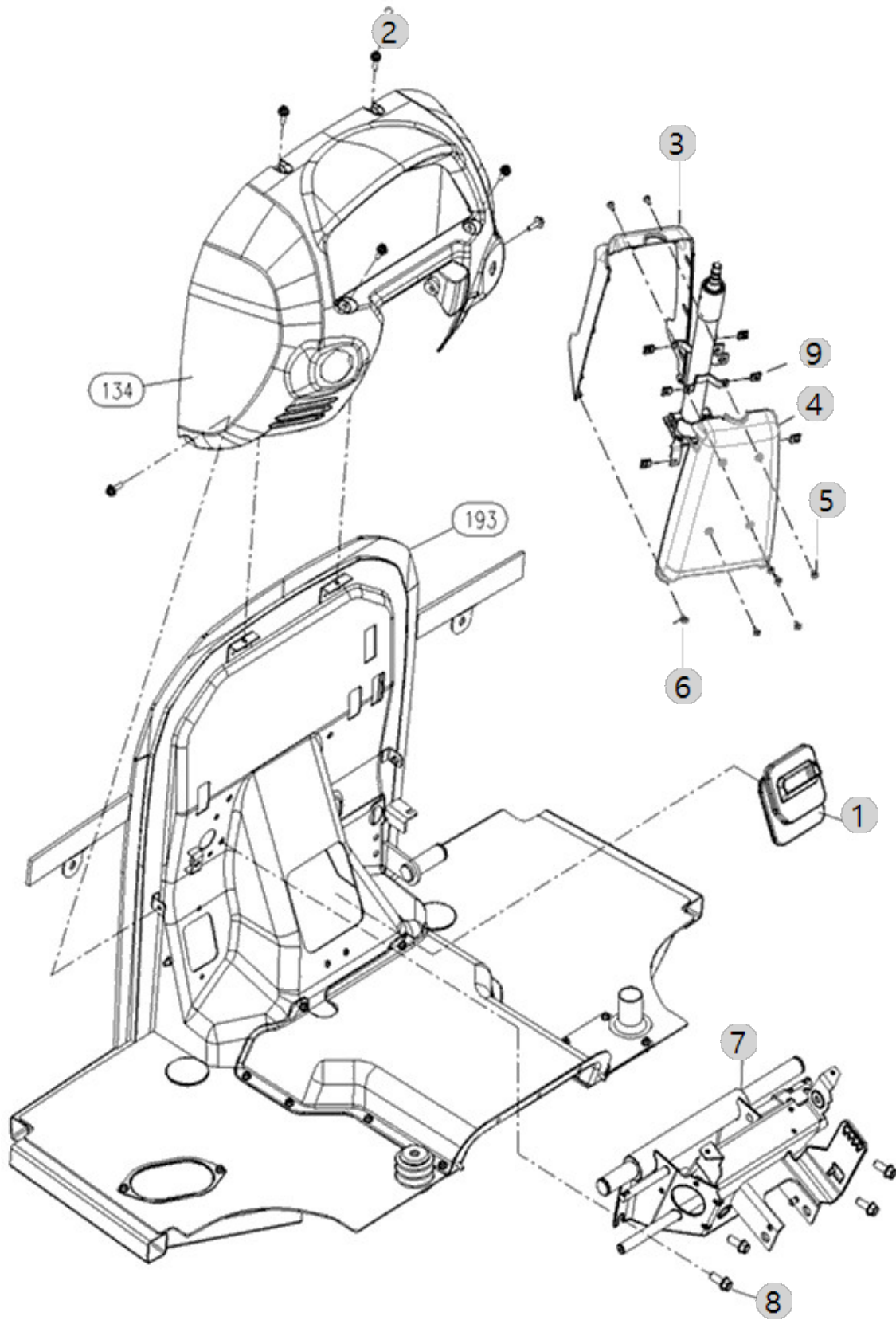
G02020

Year/Month

4820C(AC02107)

DASH BOARD

2022-12-15



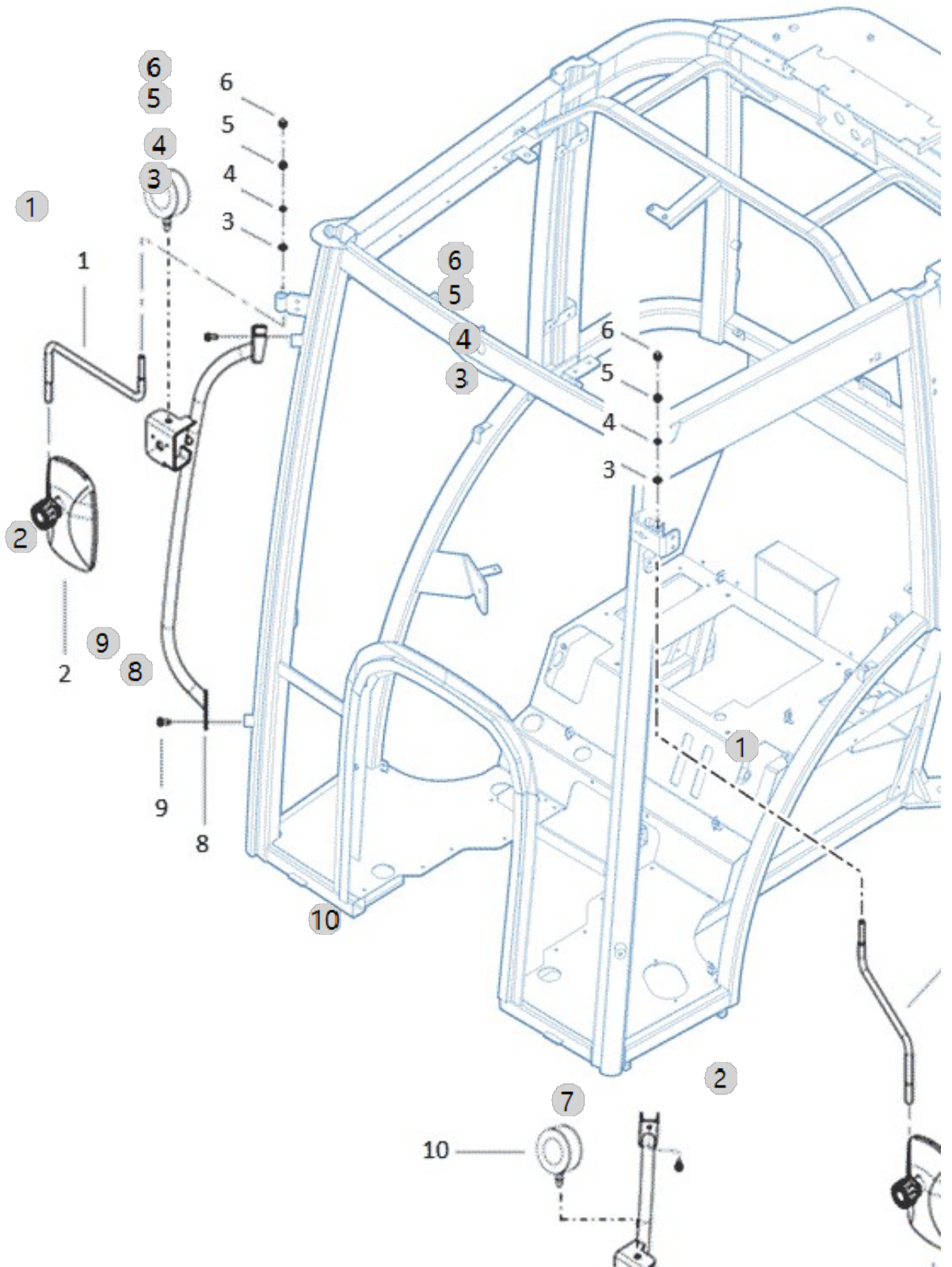
G02030

Year/Month

4820C(AC02107)

SIDE-VIEW MIRROR

2022-12-15



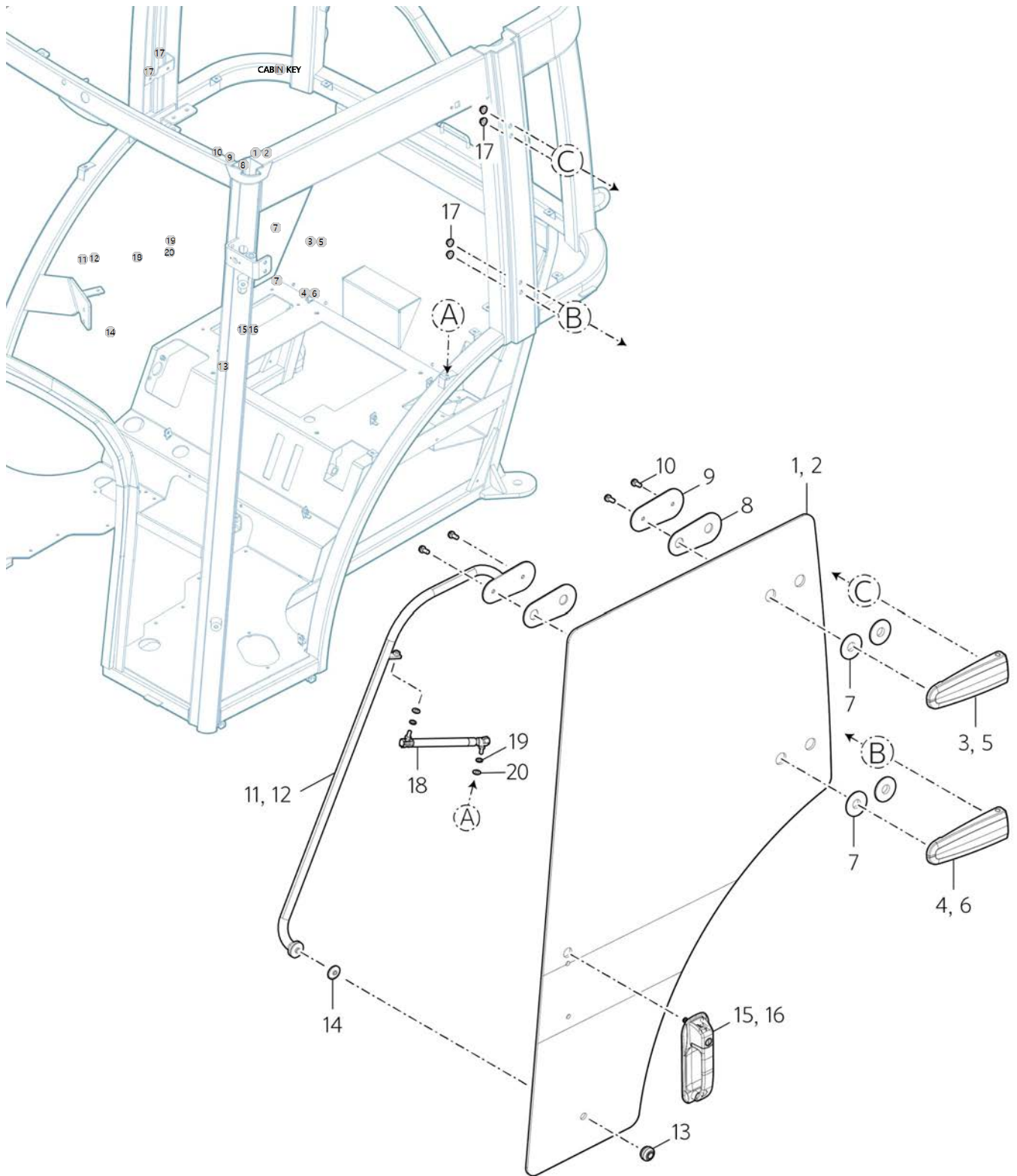
G02050

Year/Month

4820C(AC02107)

DOOR

2022-12-15



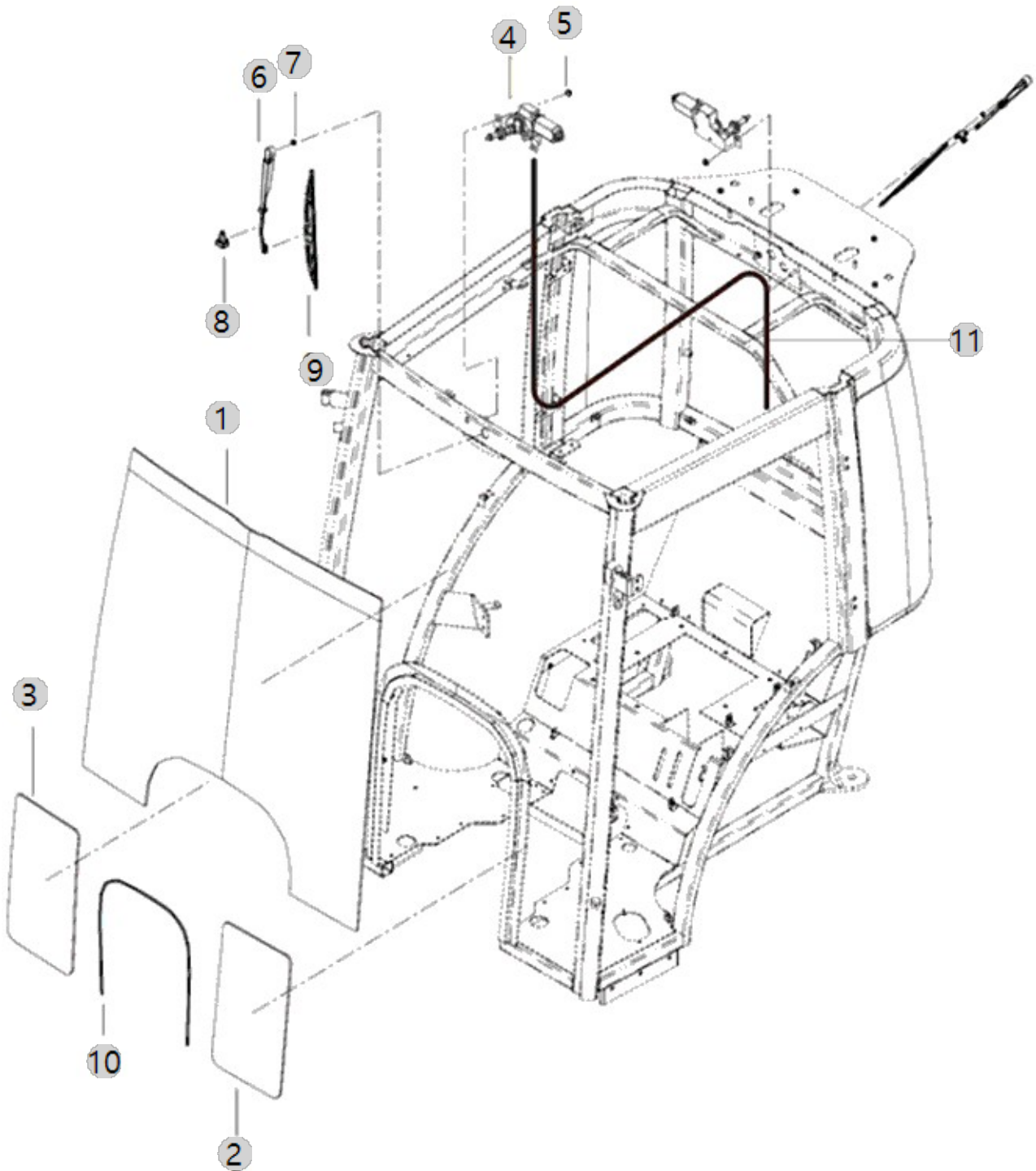
G02071

Year/Month

4820C(AC02107)

FRONT WINDOWS

2022-12-15



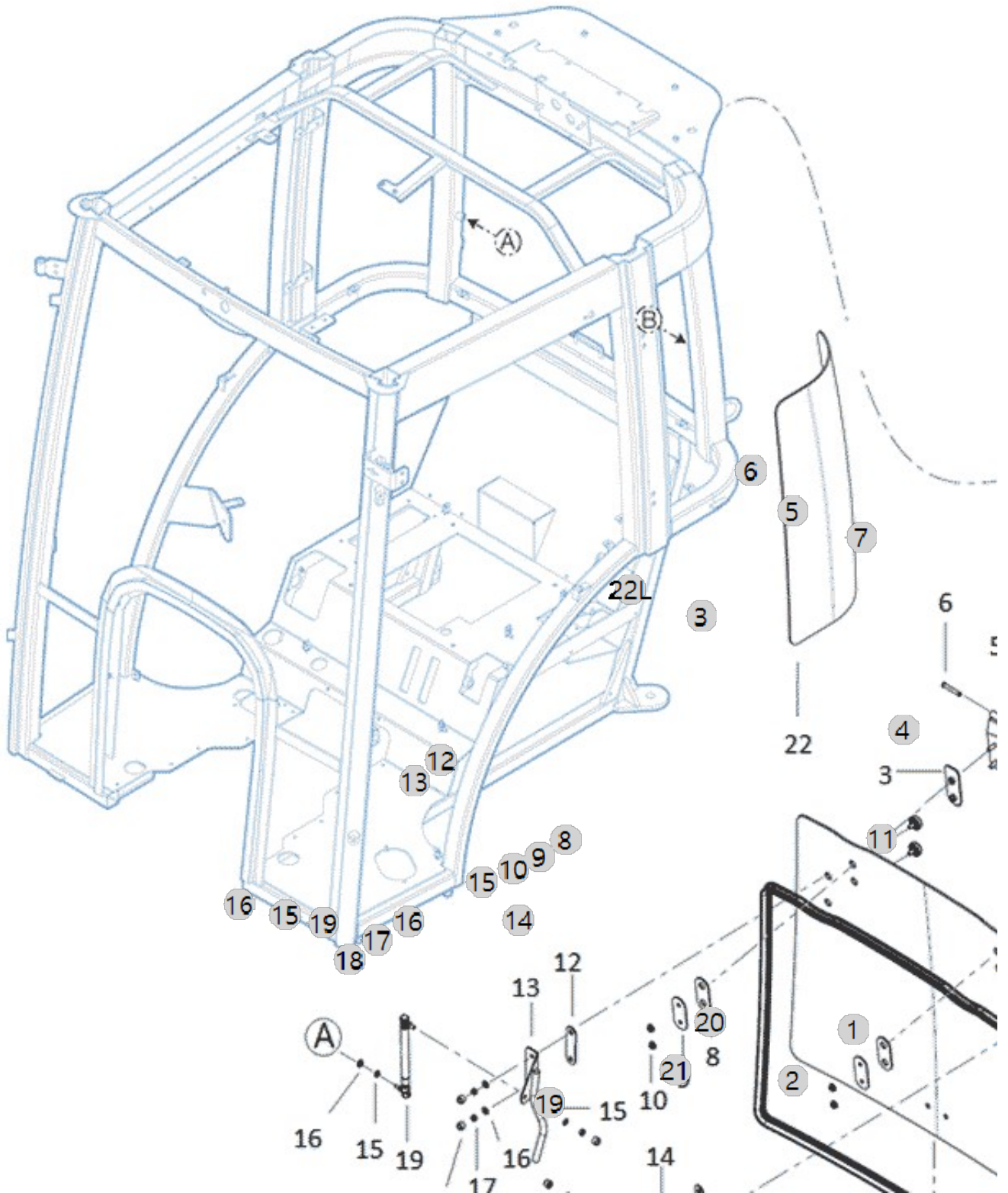
G02072

Year/Month

4820C(AC02107)

REAR WINDOWS

2022-12-15



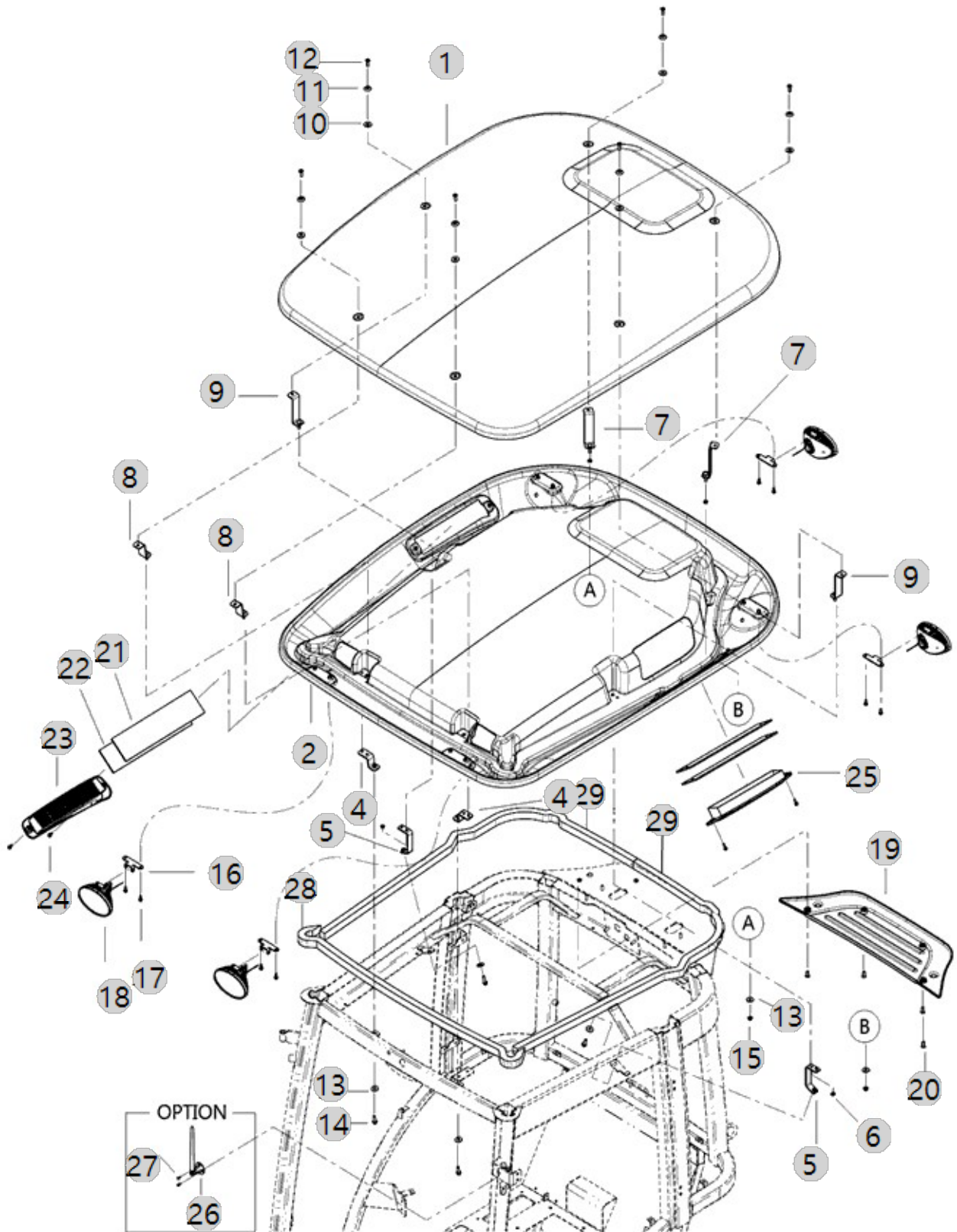
G02131

Year/Month

4820C(AC02107)

ROOF/OUTER

2022-12-15



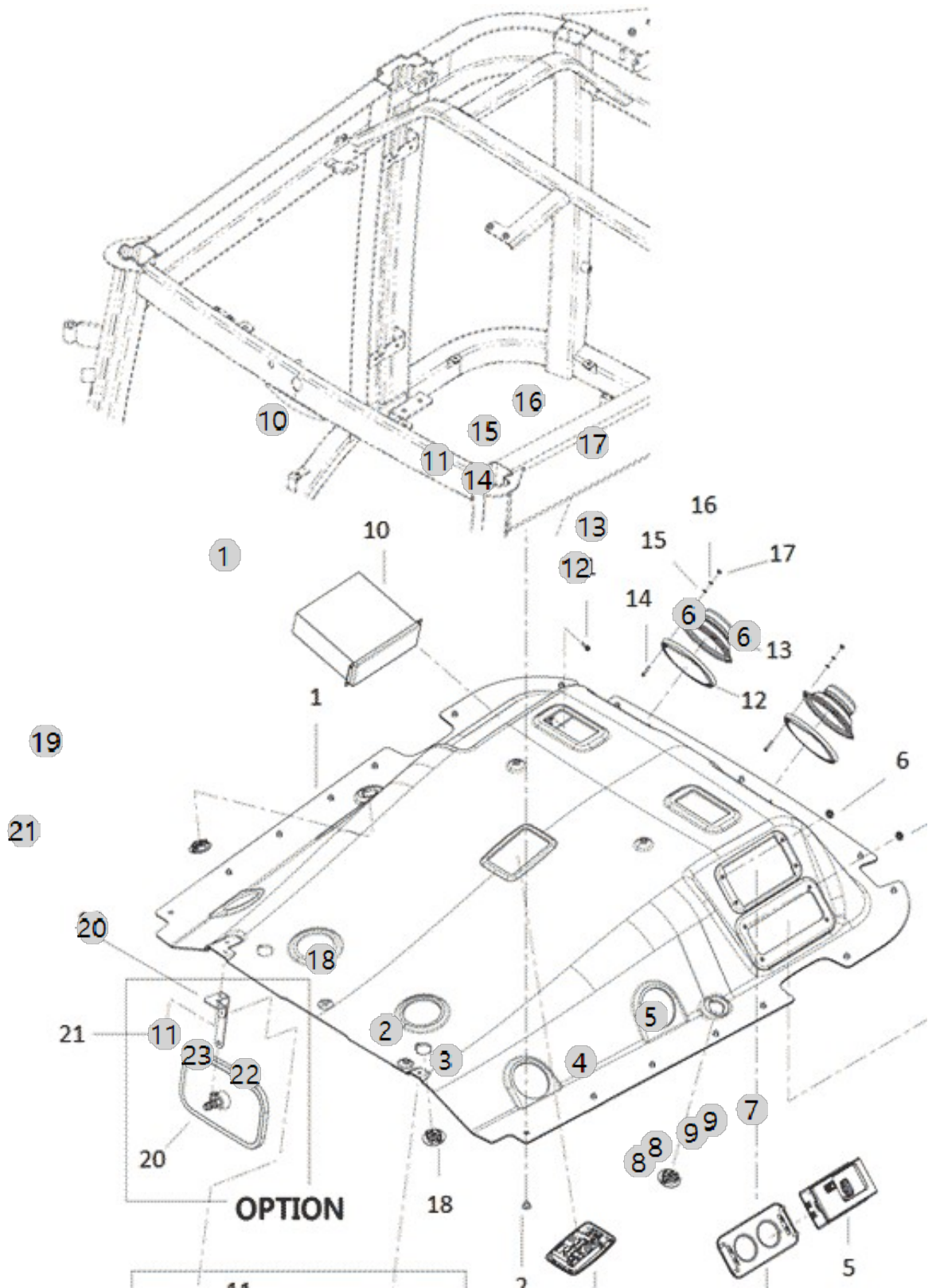
G02132

Year/Month

4820C(AC02107)

ROOF/INNER

2022-12-15



G02140

Year/Month

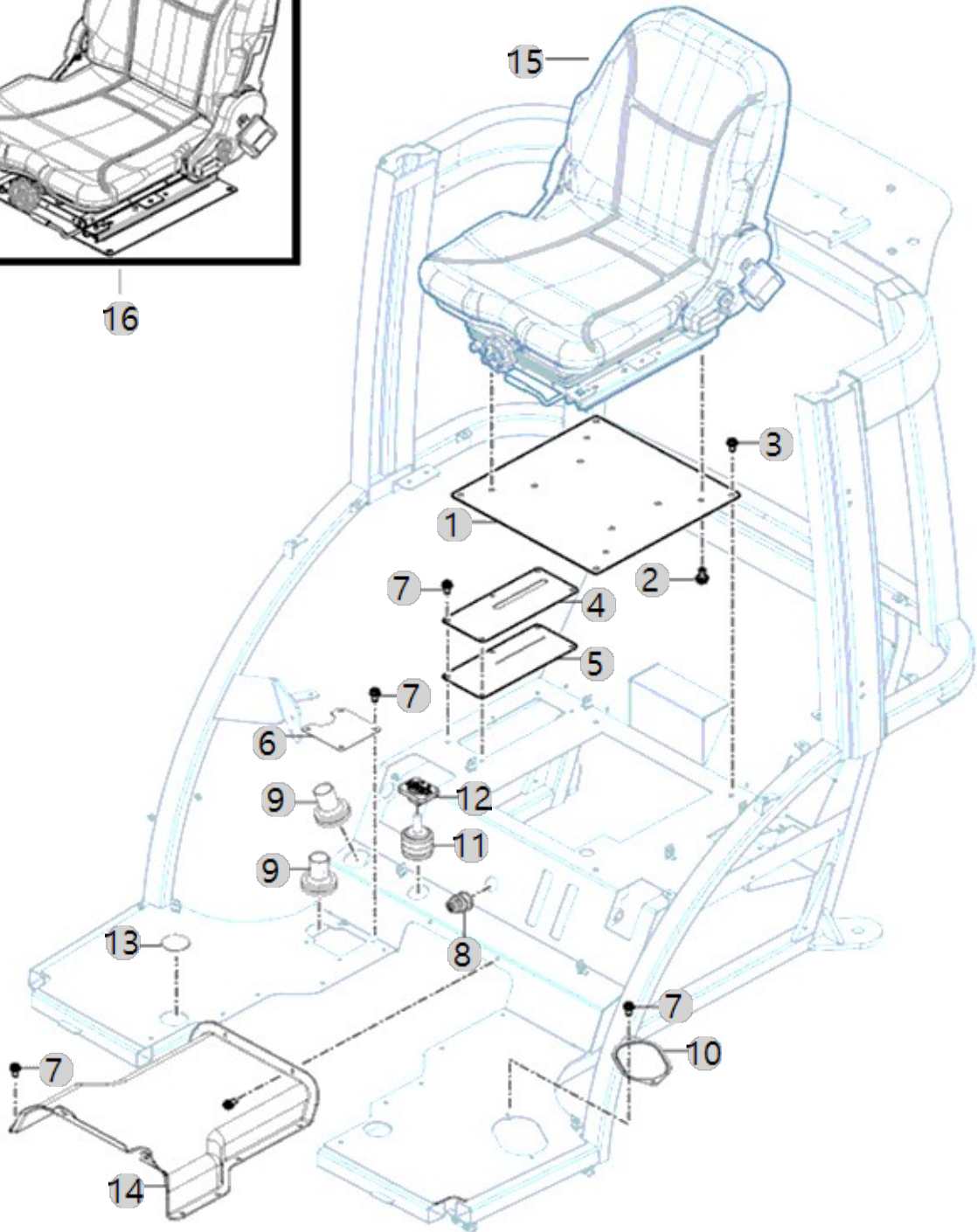
4820C(AC02107)

DRIVER'S SEAT

2022-12-15



16



15

1

3

7

2

4

5

7

6

9

12

9

11

13

8

7

10

7

14

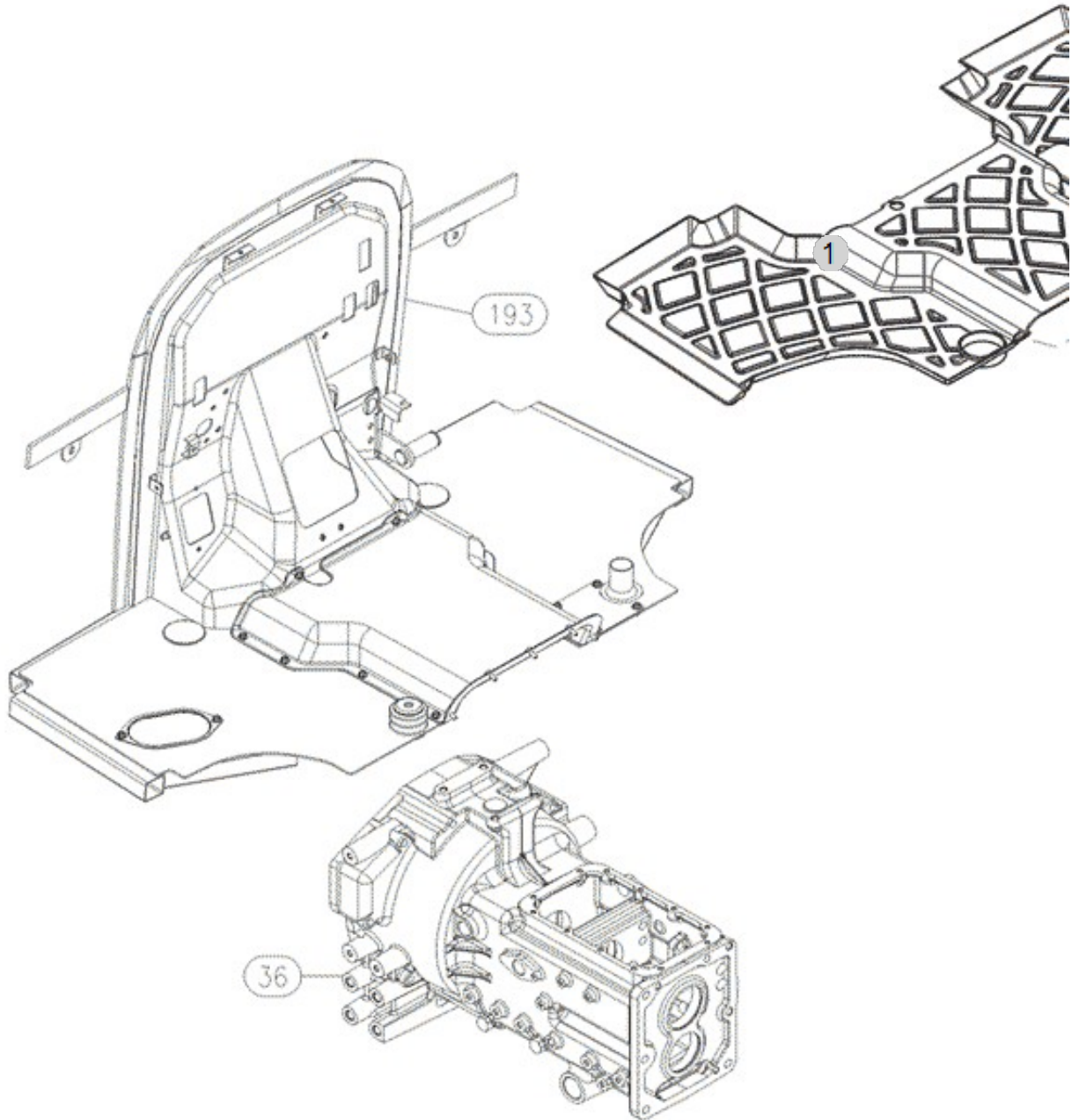
G02150

Year/Month

4820C(AC02107)

FLOOR MAT

2022-12-15



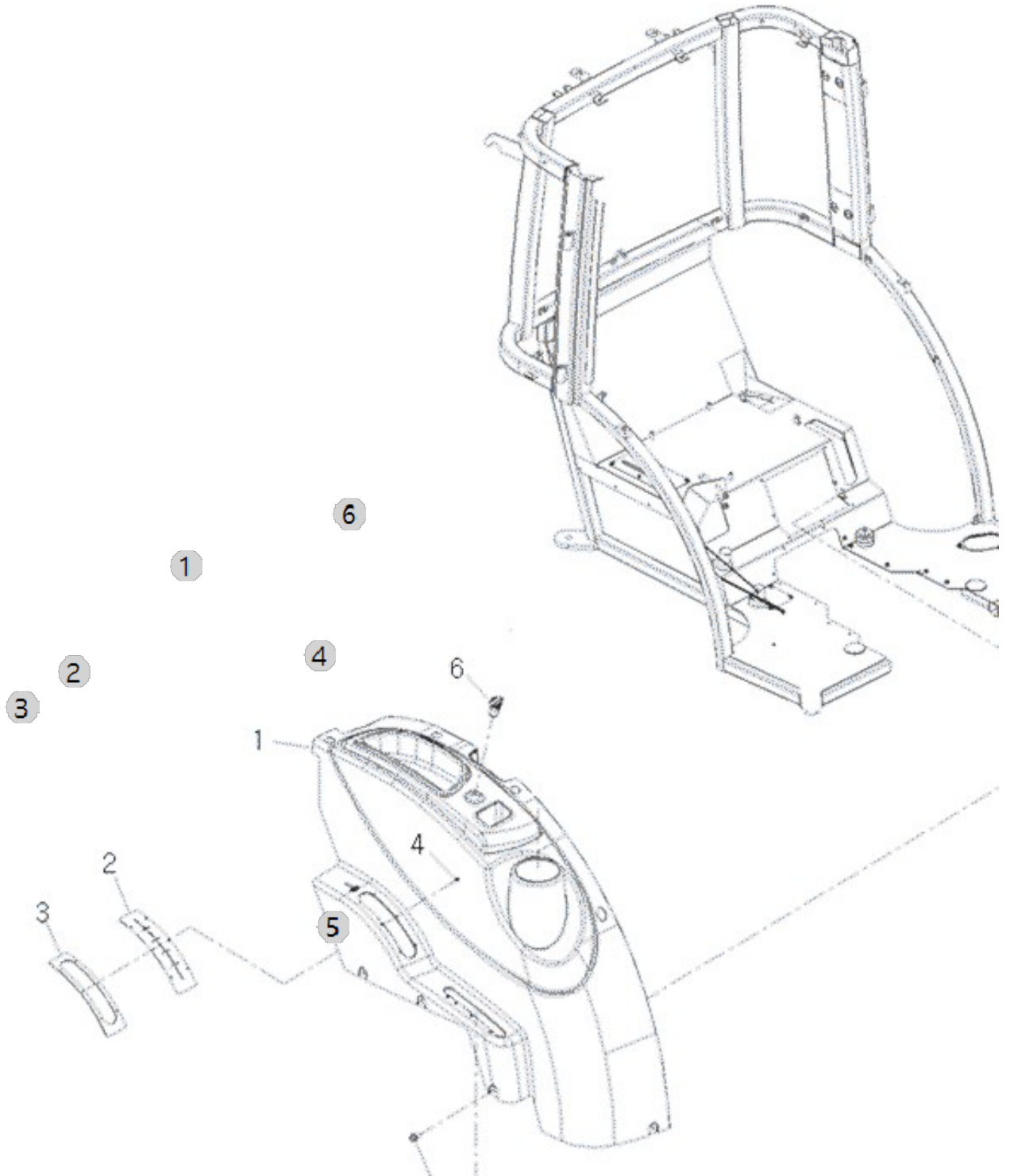
G02181

Year/Month

4820C(AC02107)

FENDER COVER/LH

2022-12-15



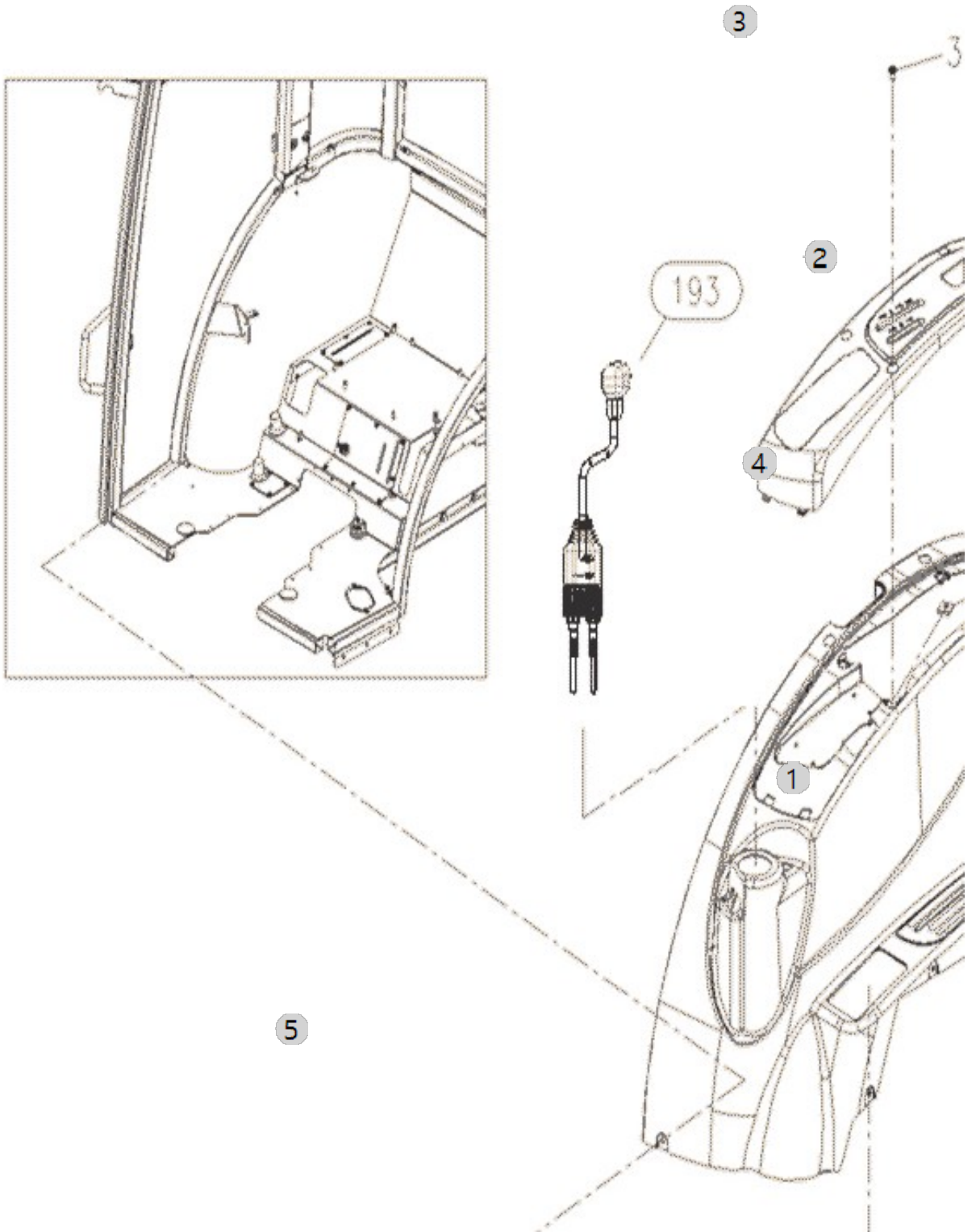
G02182

Year/Month

4820C(AC02107)

FENDER COVER/RH

2022-12-15



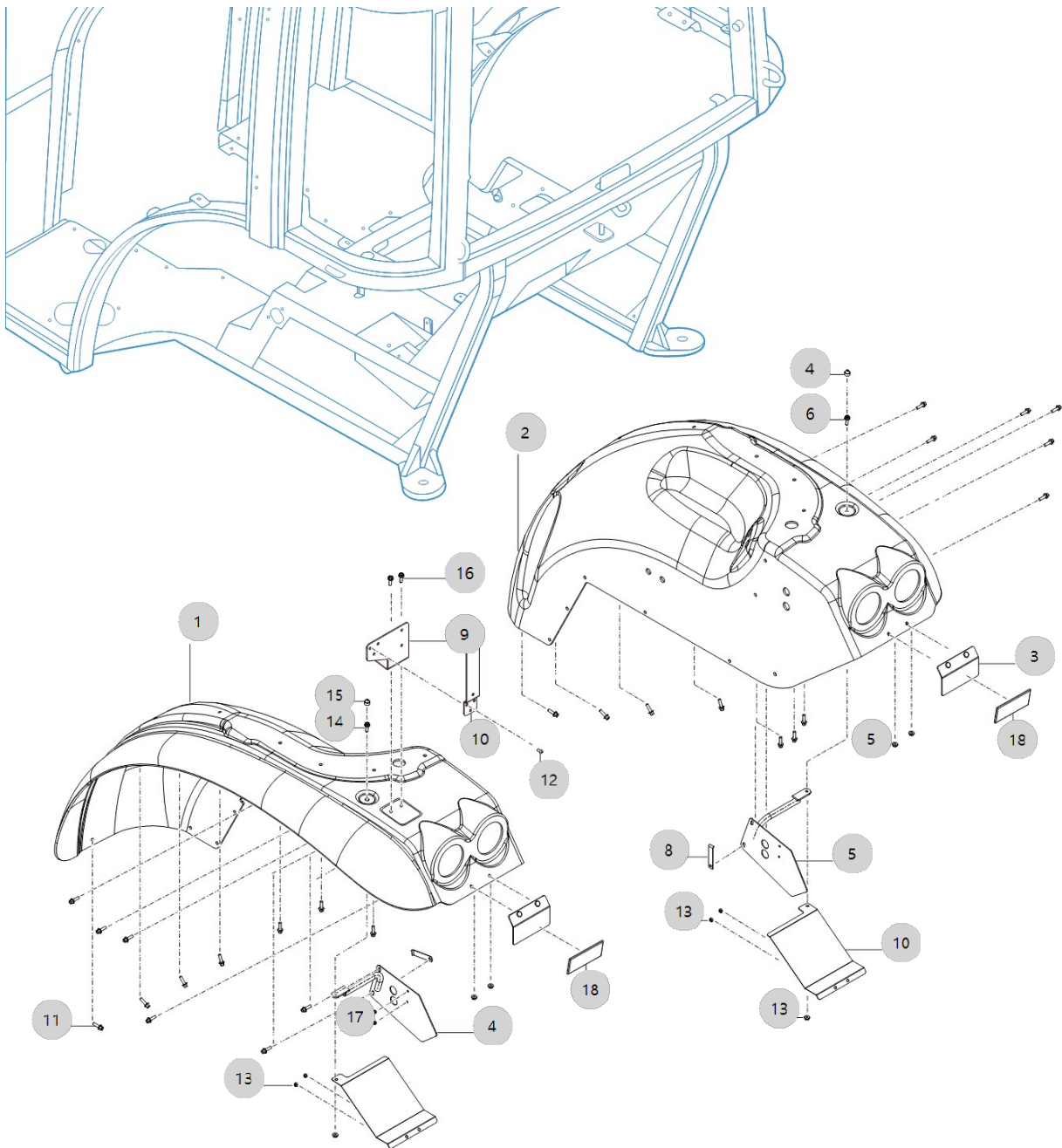
G02190

Year/Month

4820C(AC02107)

FENDER ASS'Y

2022-12-15



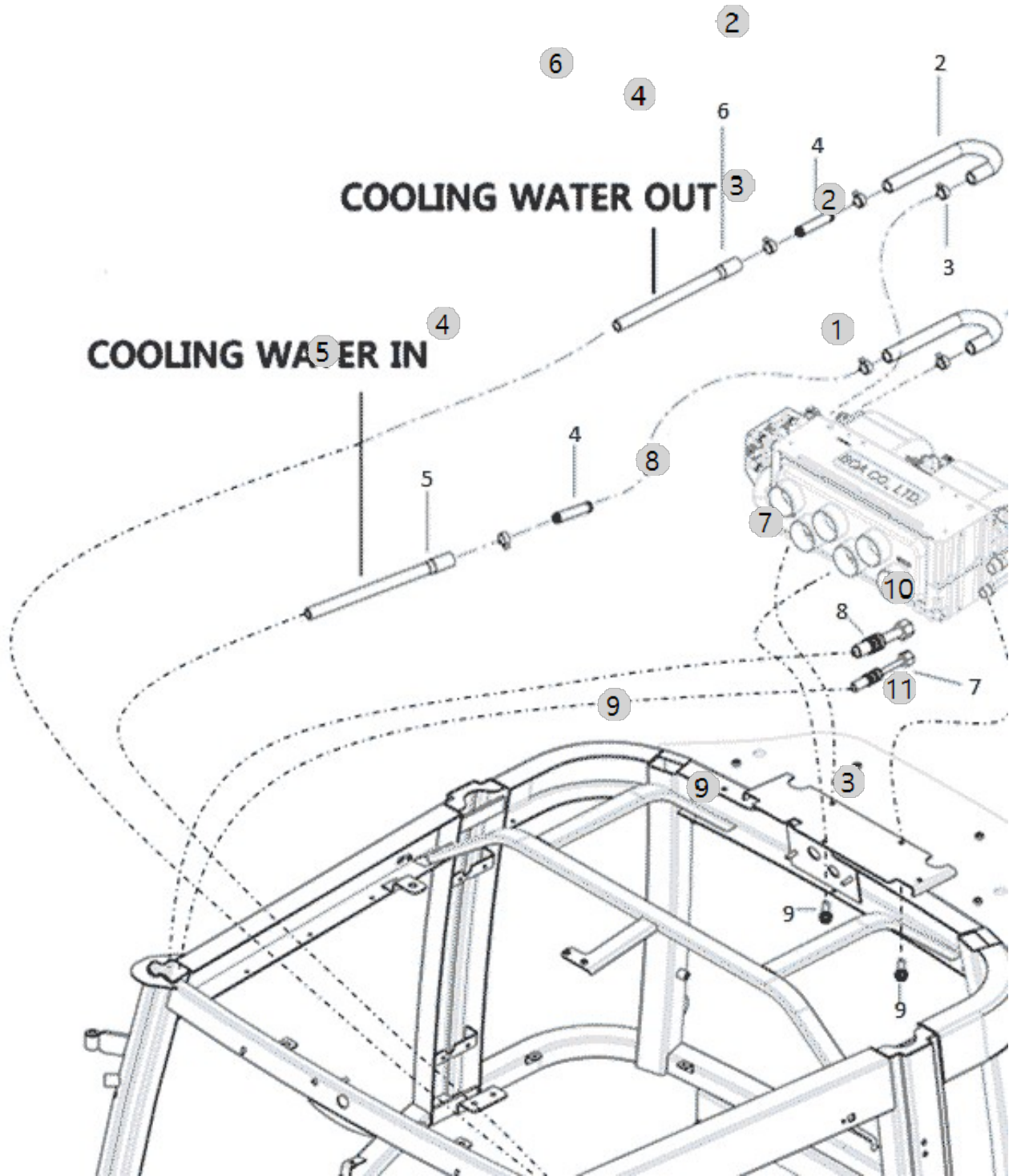
G03010

Year/Month

4820C(AC02107)

AIR CONDITIONER

2022-12-15



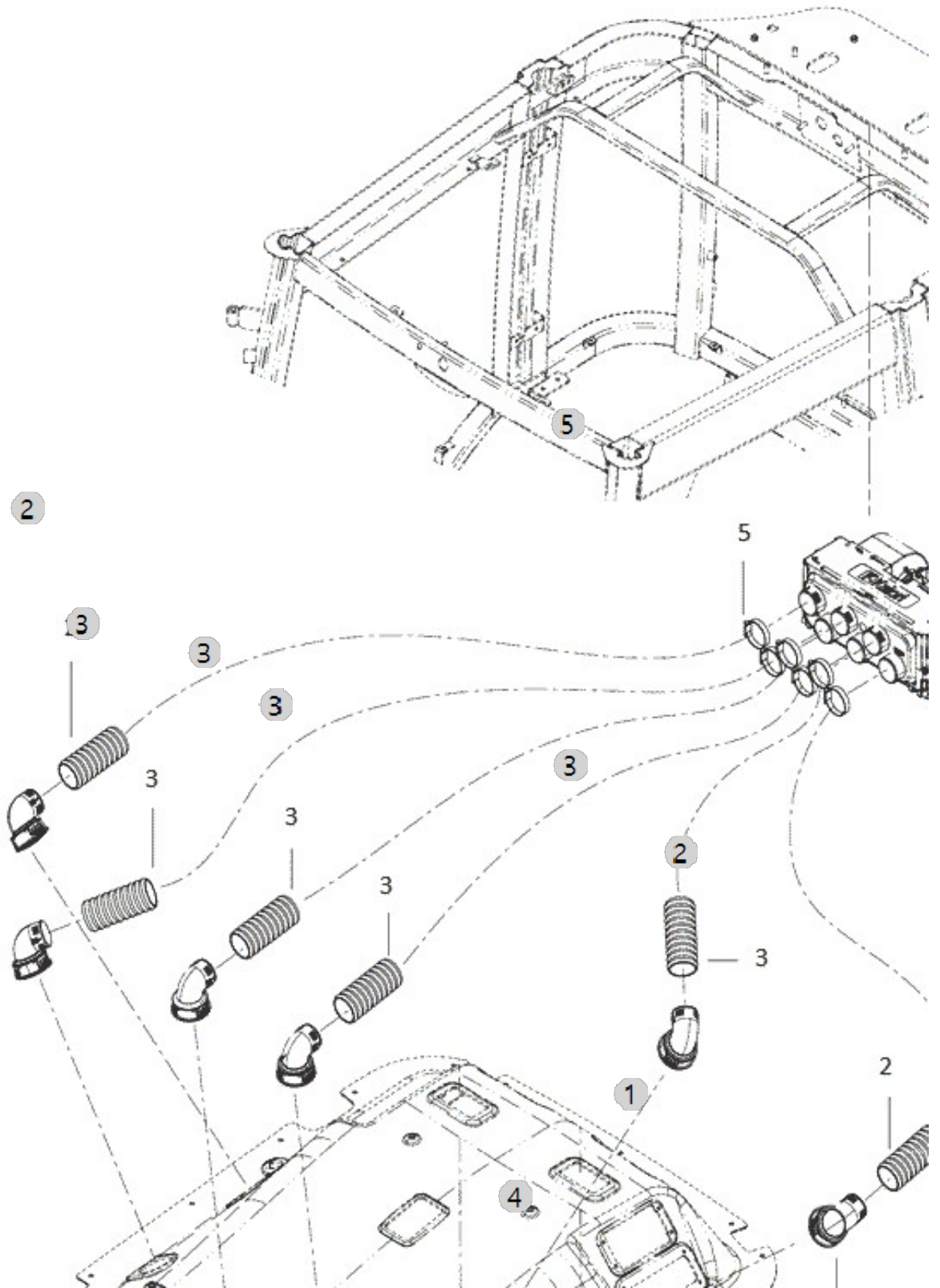
G03020

Year/Month

4820C(AC02107)

A/C DUCT

2022-12-15



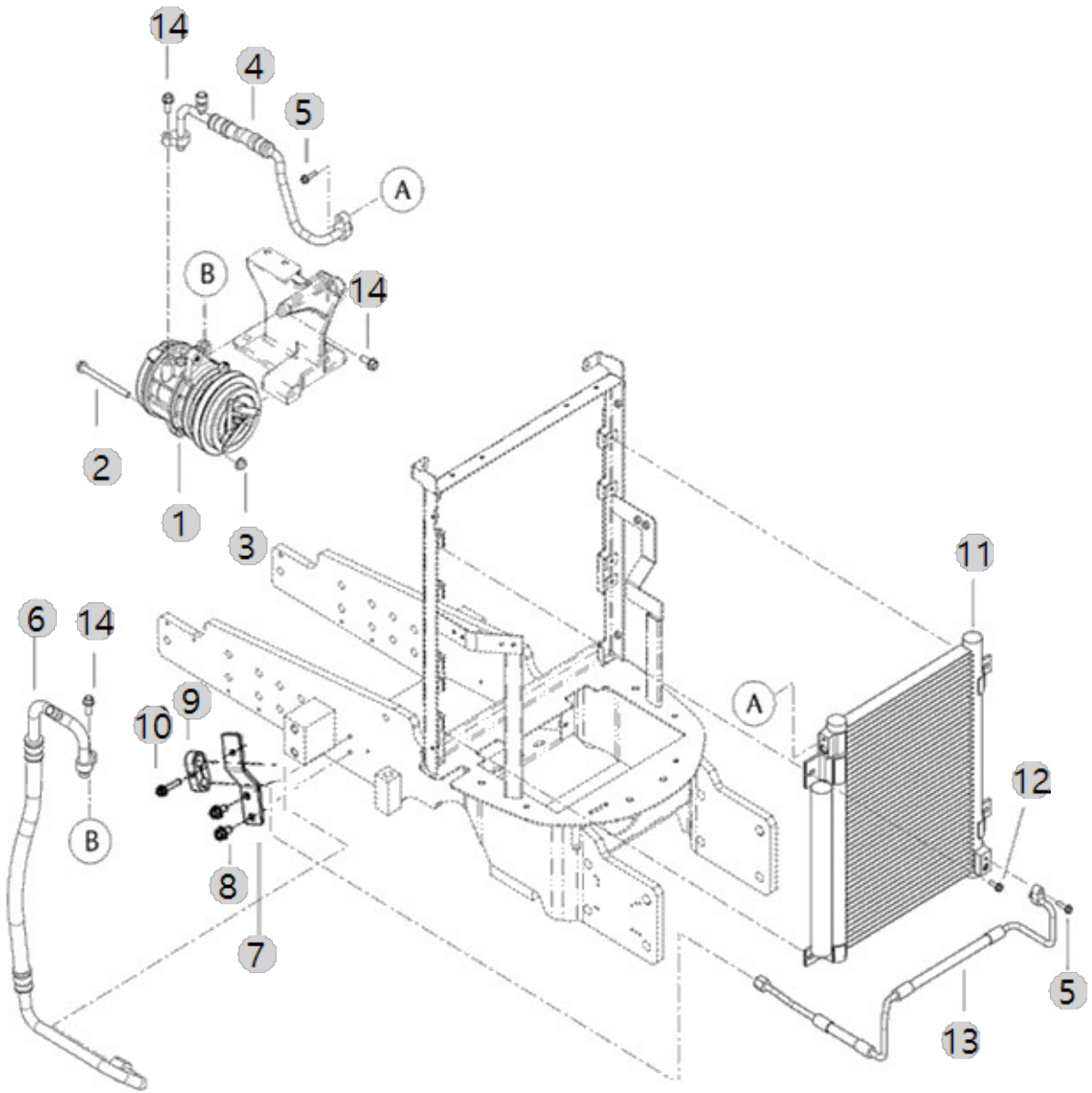
G03091

Year/Month

4820C(AC02107)

COMPRESSOR

2022-12-15



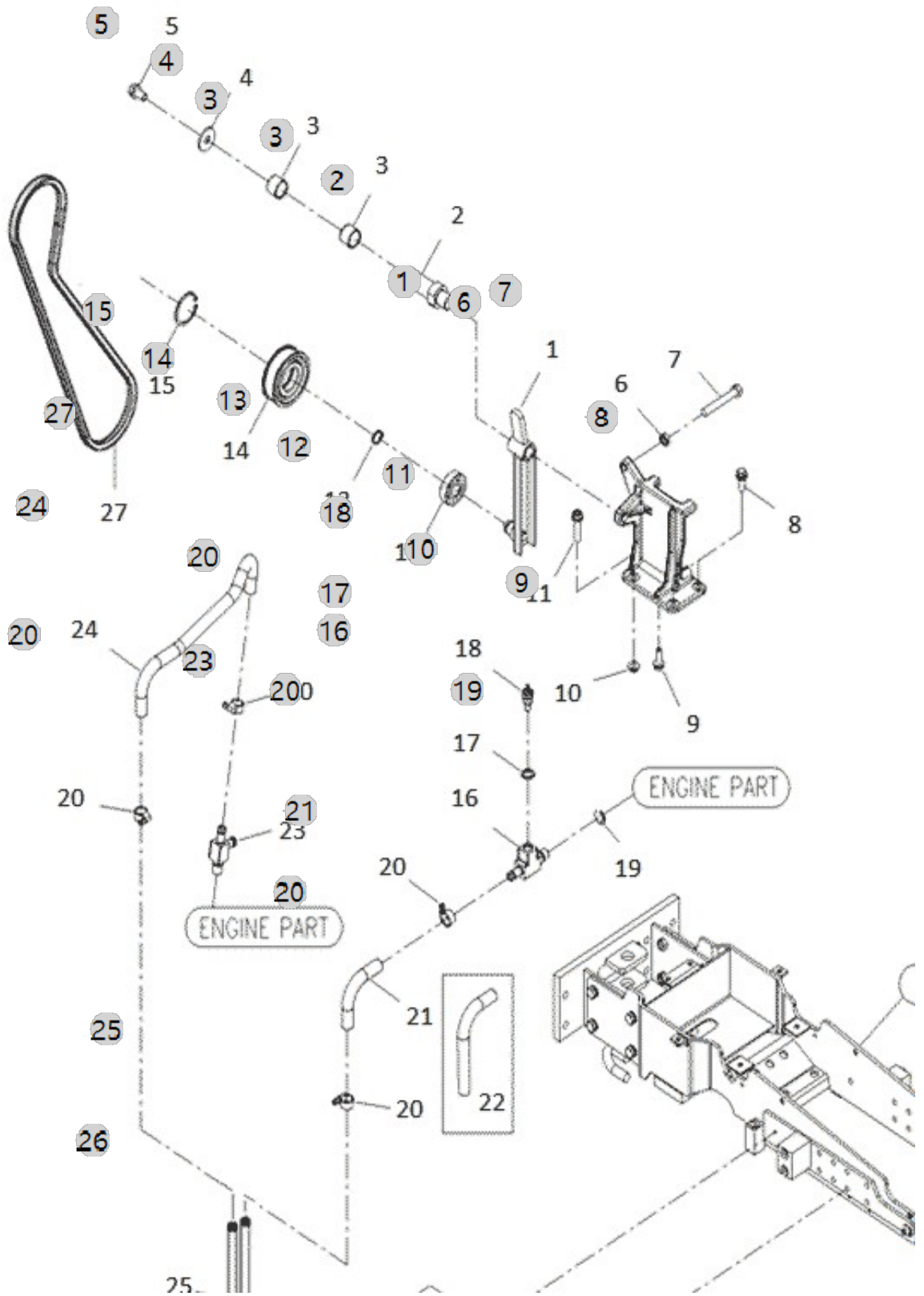
G03092

Year/Month

4820C(AC02107)

TENSION PULLEY

2022-12-15



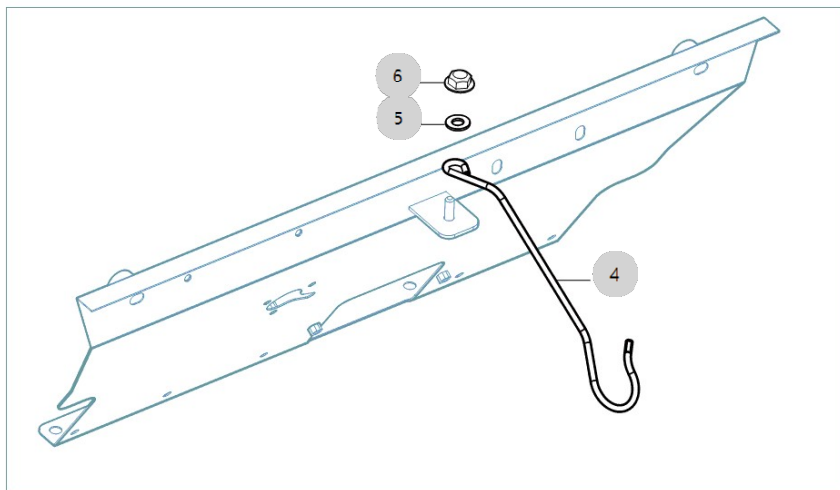
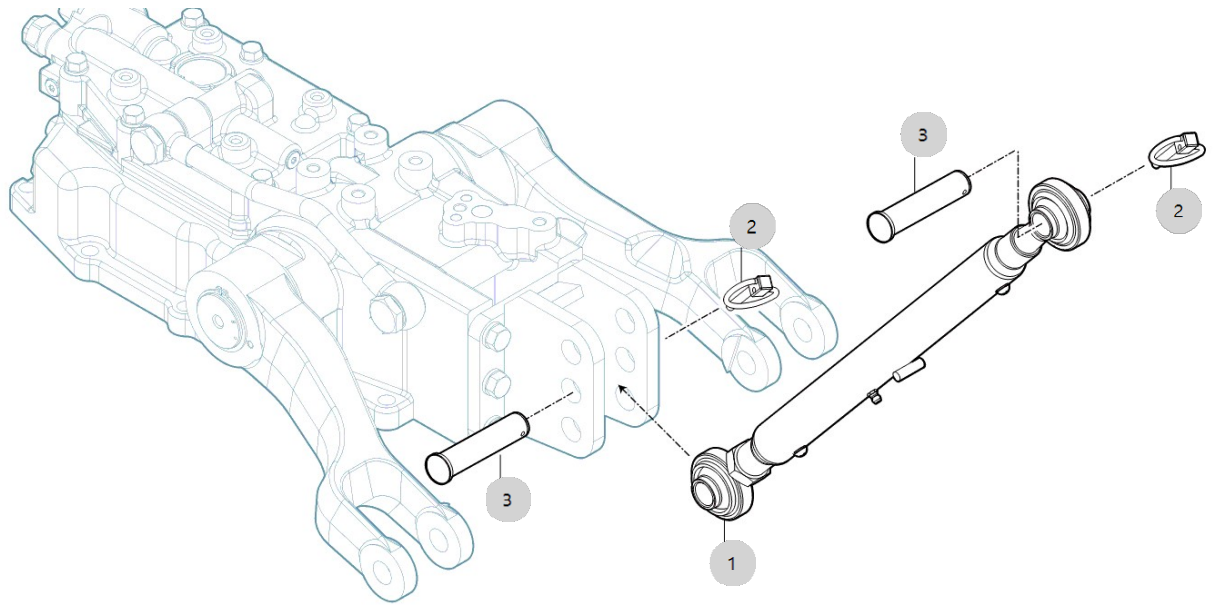
G05020

Year/Month

4820C(AC02107)

TOP LINK

2022-12-15



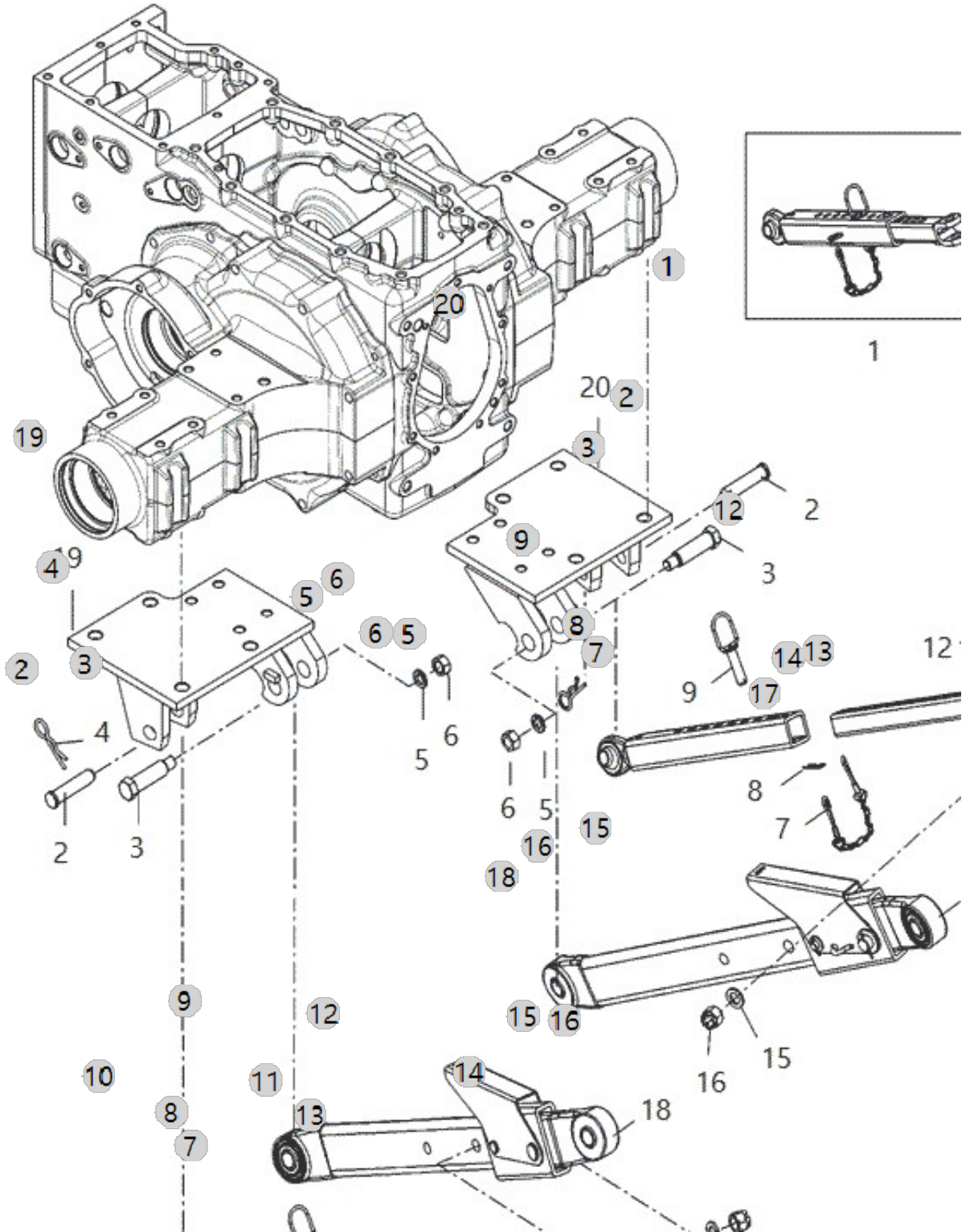
G05030

Year/Month

4820C(AC02107)

LOWER LINK

2022-12-15



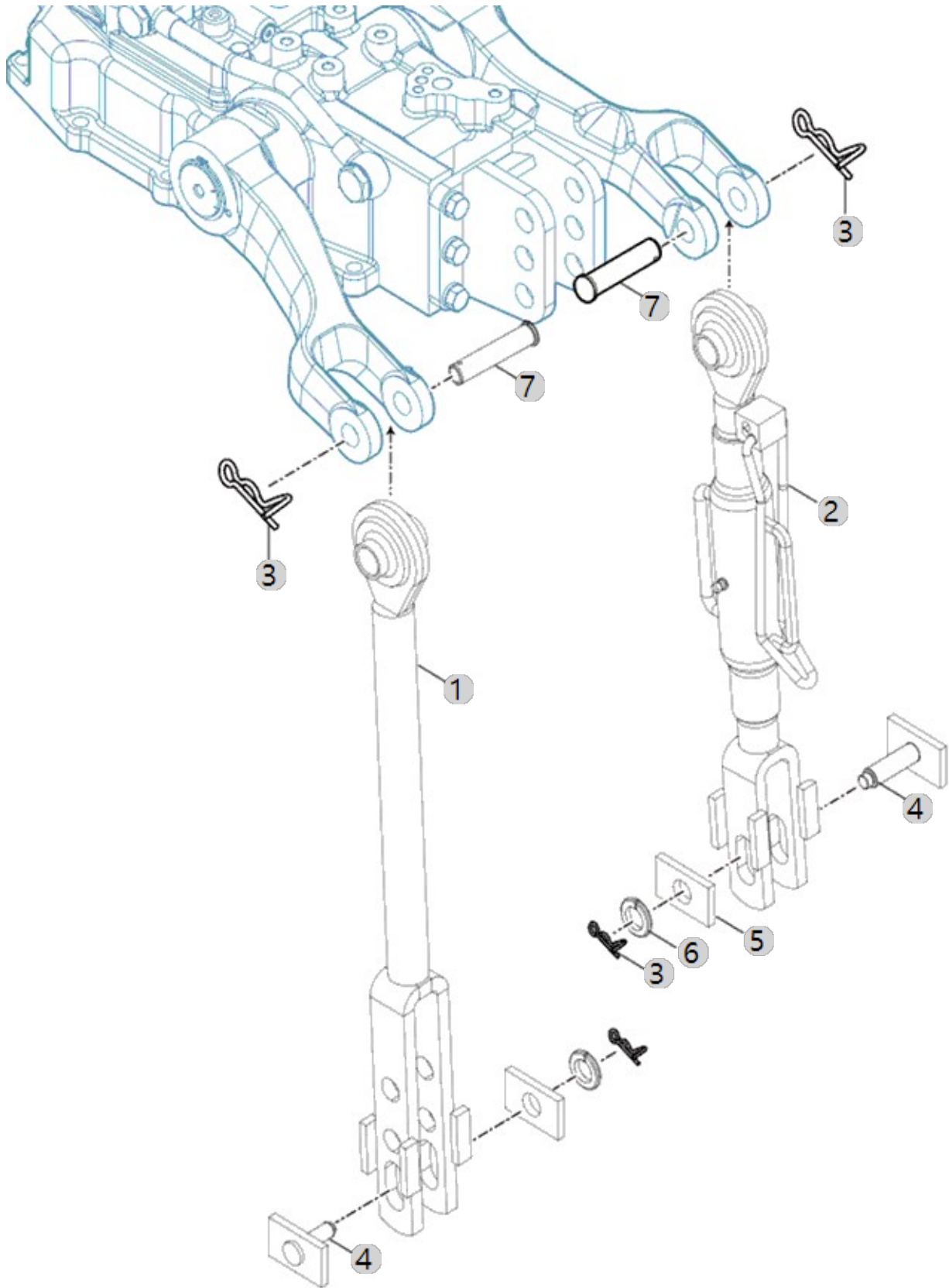
G05050

Year/Month

4820C(AC02107)

LIFT LINK

2022-12-15



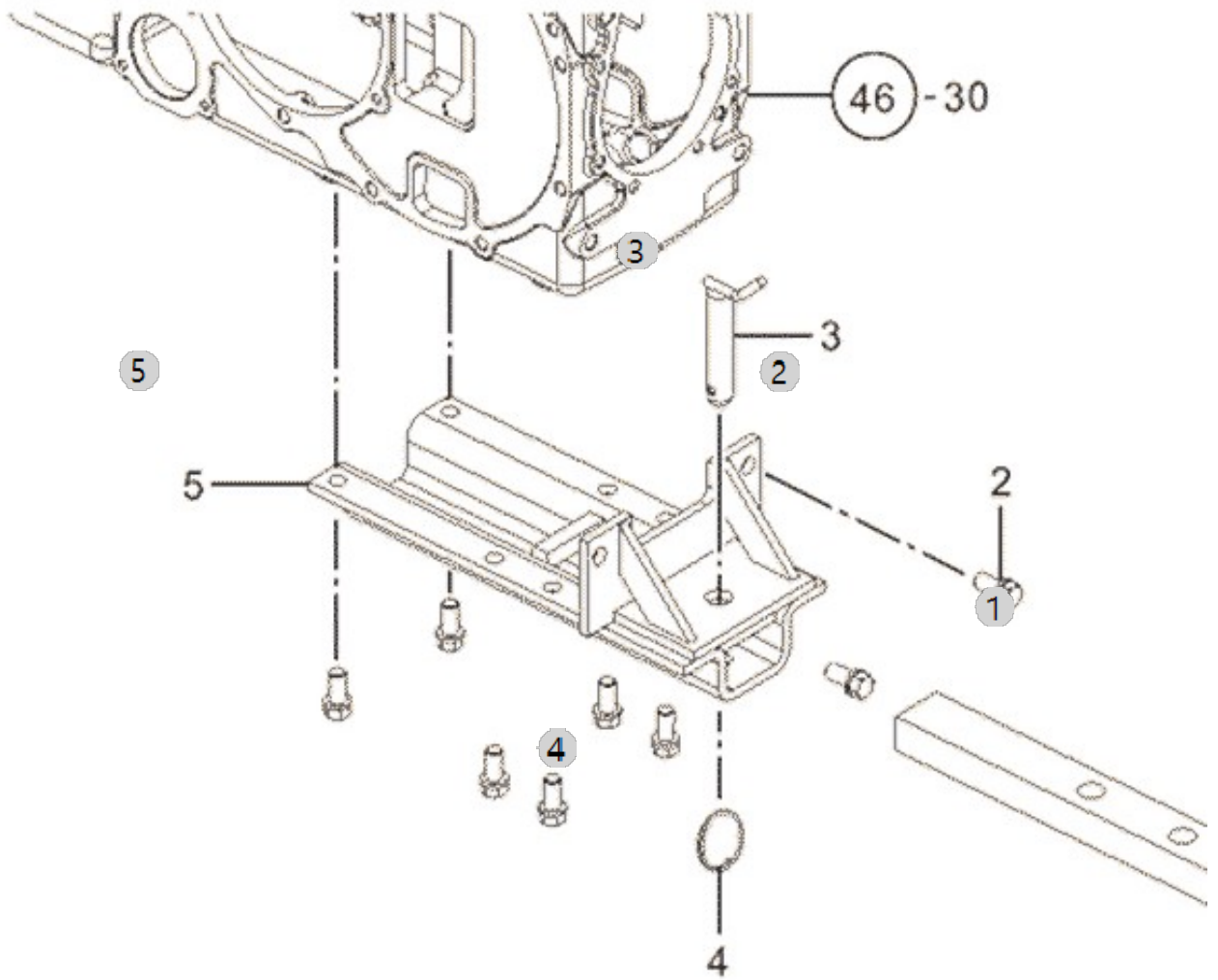
G05070

Year/Month

4820C(AC02107)

DRAWBAR

2022-12-15



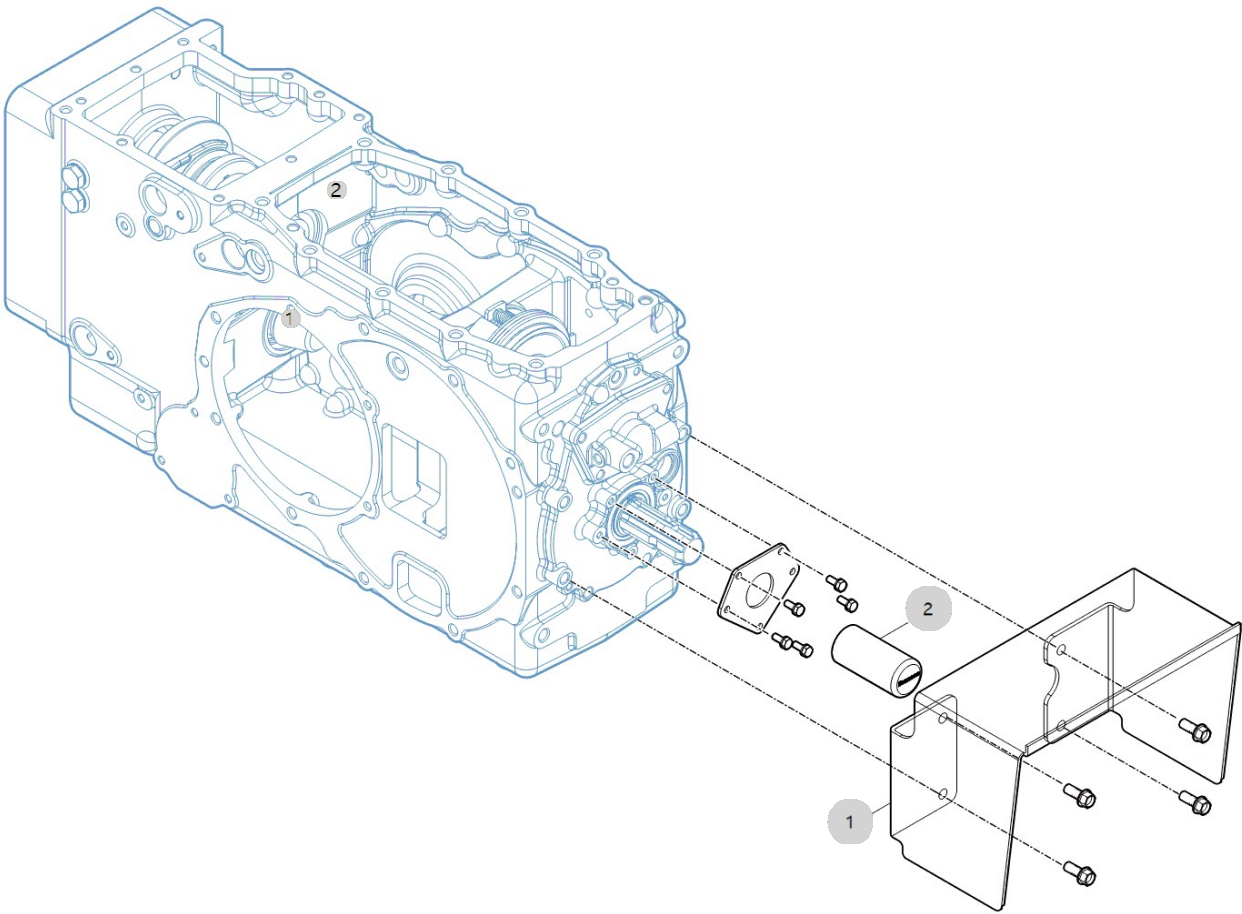
G05090

4820C(AC02107)

PTO COVER

Year/Month

2022-12-15



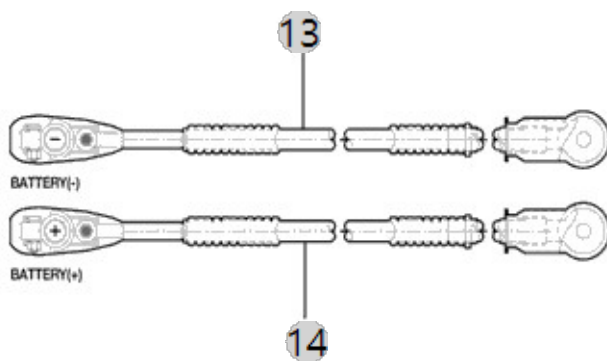
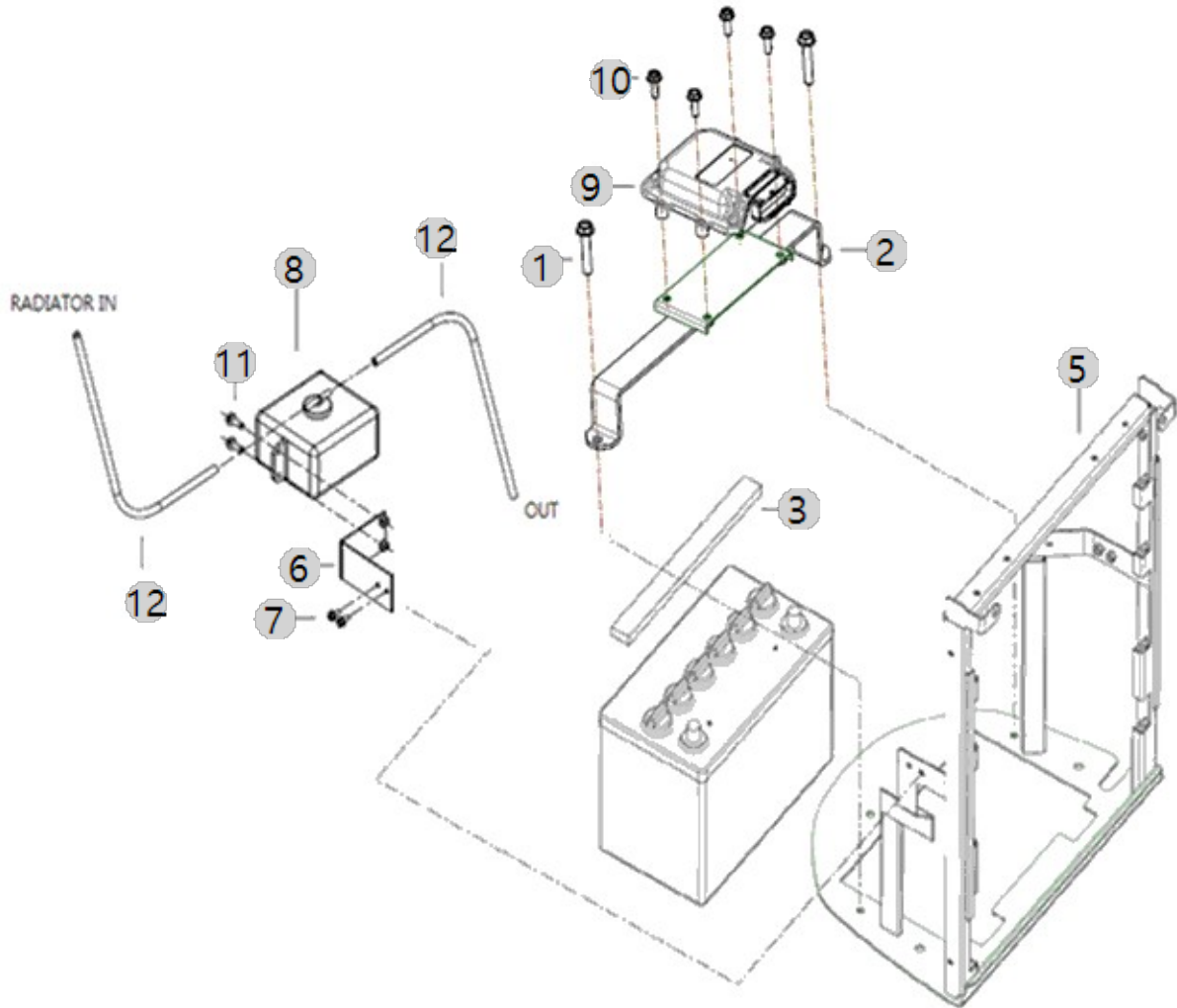
H01030

4820C(AC02107)

BATTERY

Year/Month

2022-12-15



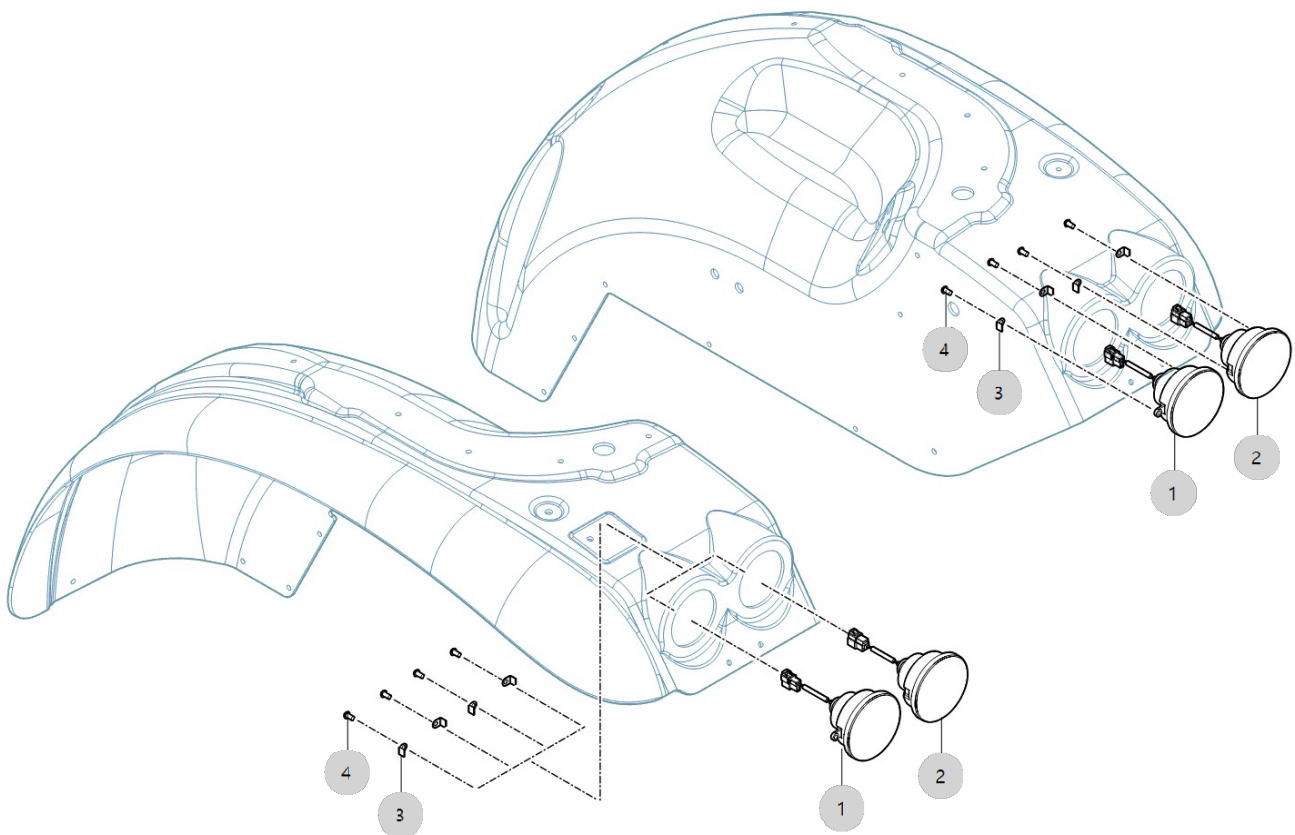
H02022

Year/Month

4820C(AC02107)

COMBINATION LAMP/RR

2022-12-15



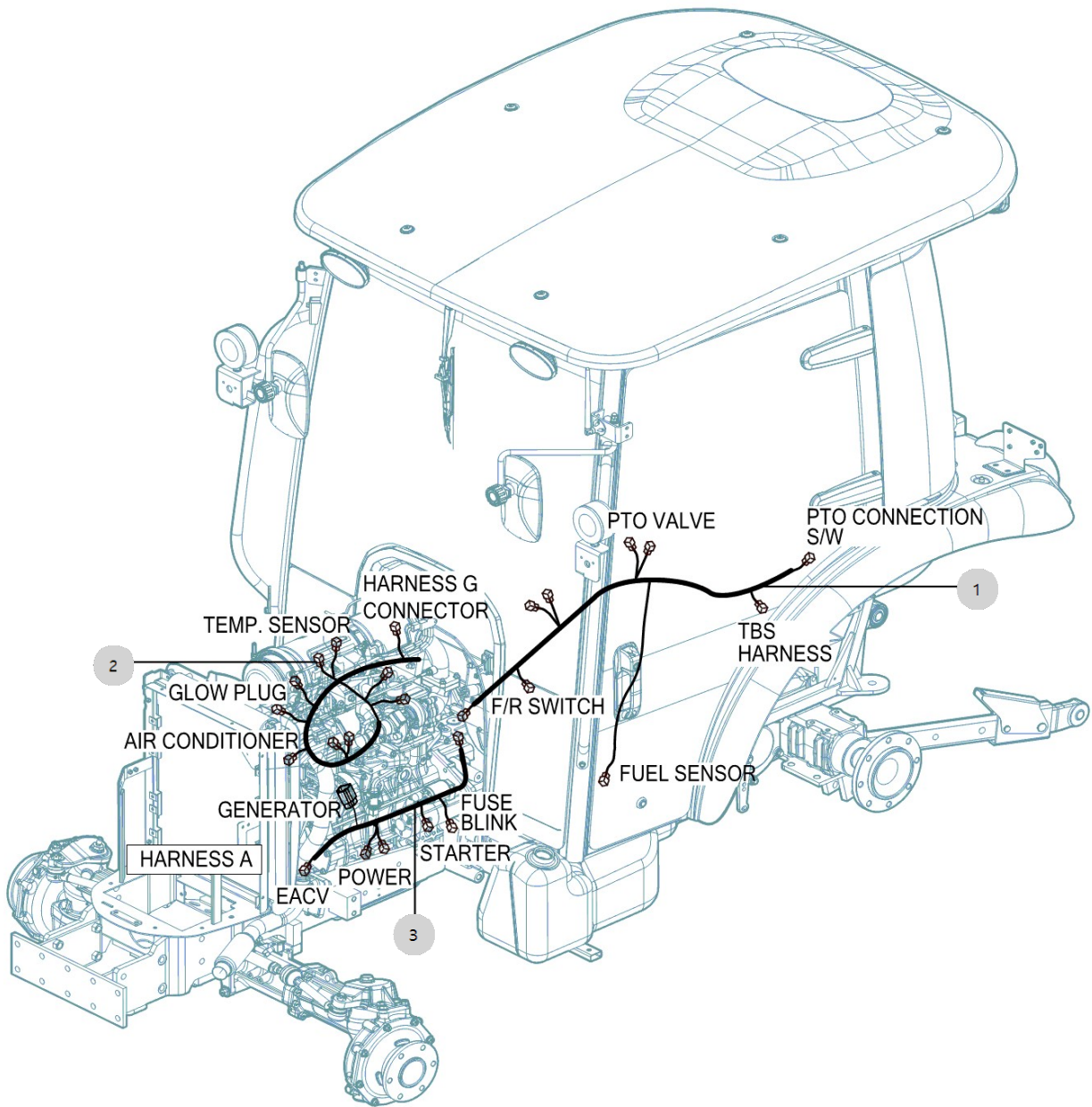
H03041

Year/Month

4820C(AC02107)

MISSION HARNESS

2022-12-15



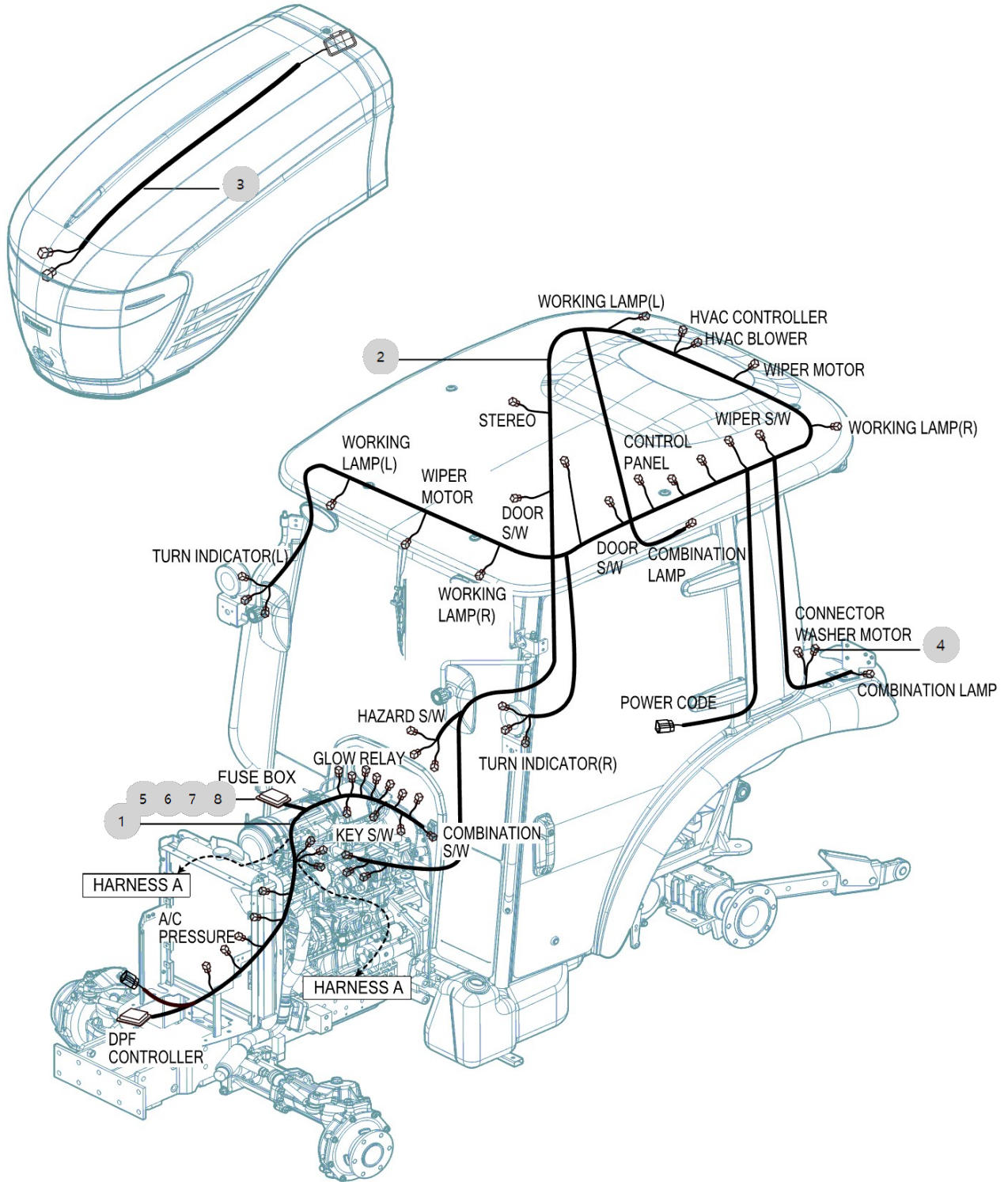
H03050

Year/Month

4820C(AC02107)

CABIN HARNESS

2022-12-15



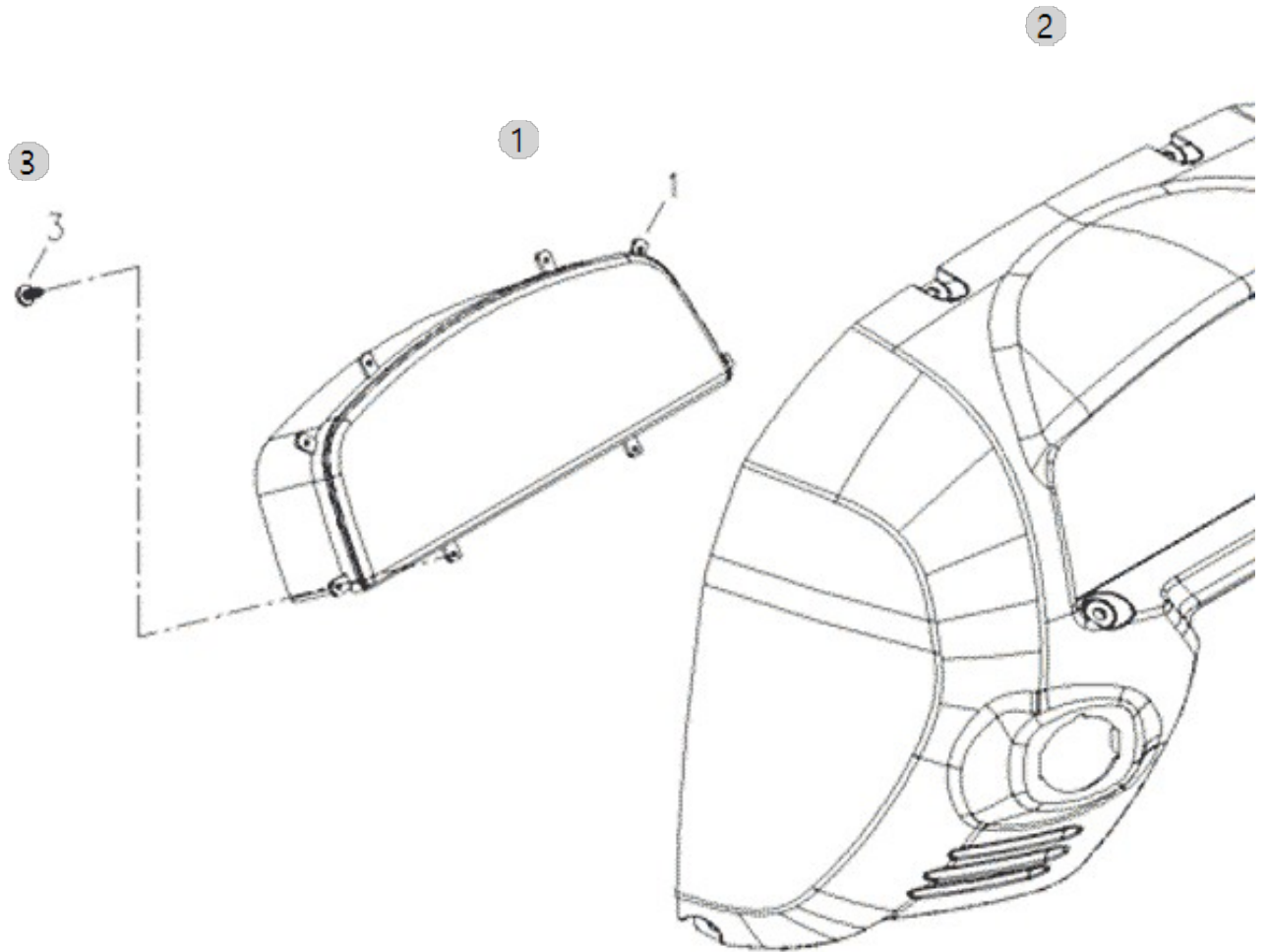
H04030

Year/Month

4820C(AC02107)

INSTRUMENT PANEL

2022-12-15



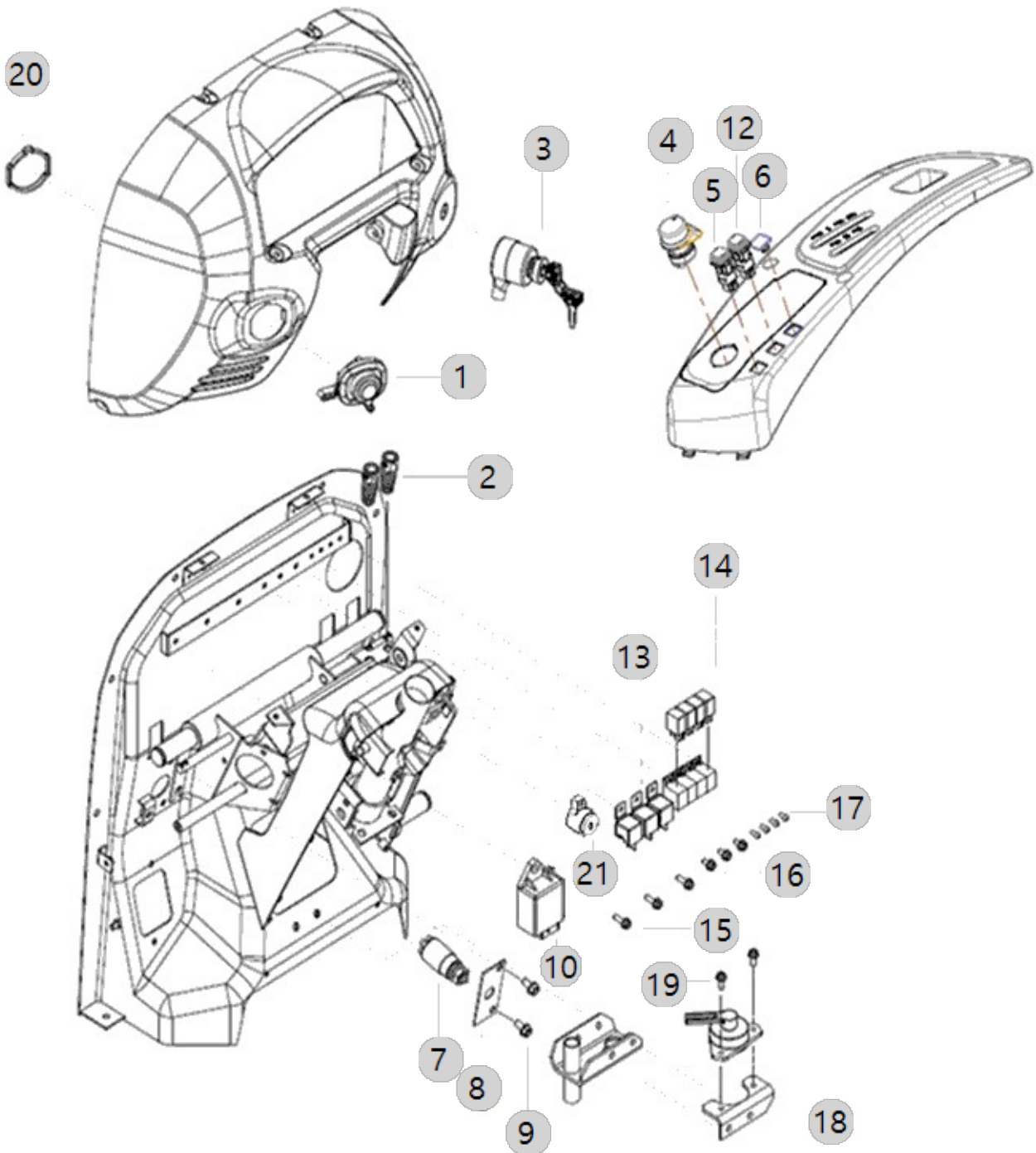
H04050

Year/Month

4820C(AC02107)

SWITCH

2022-12-15



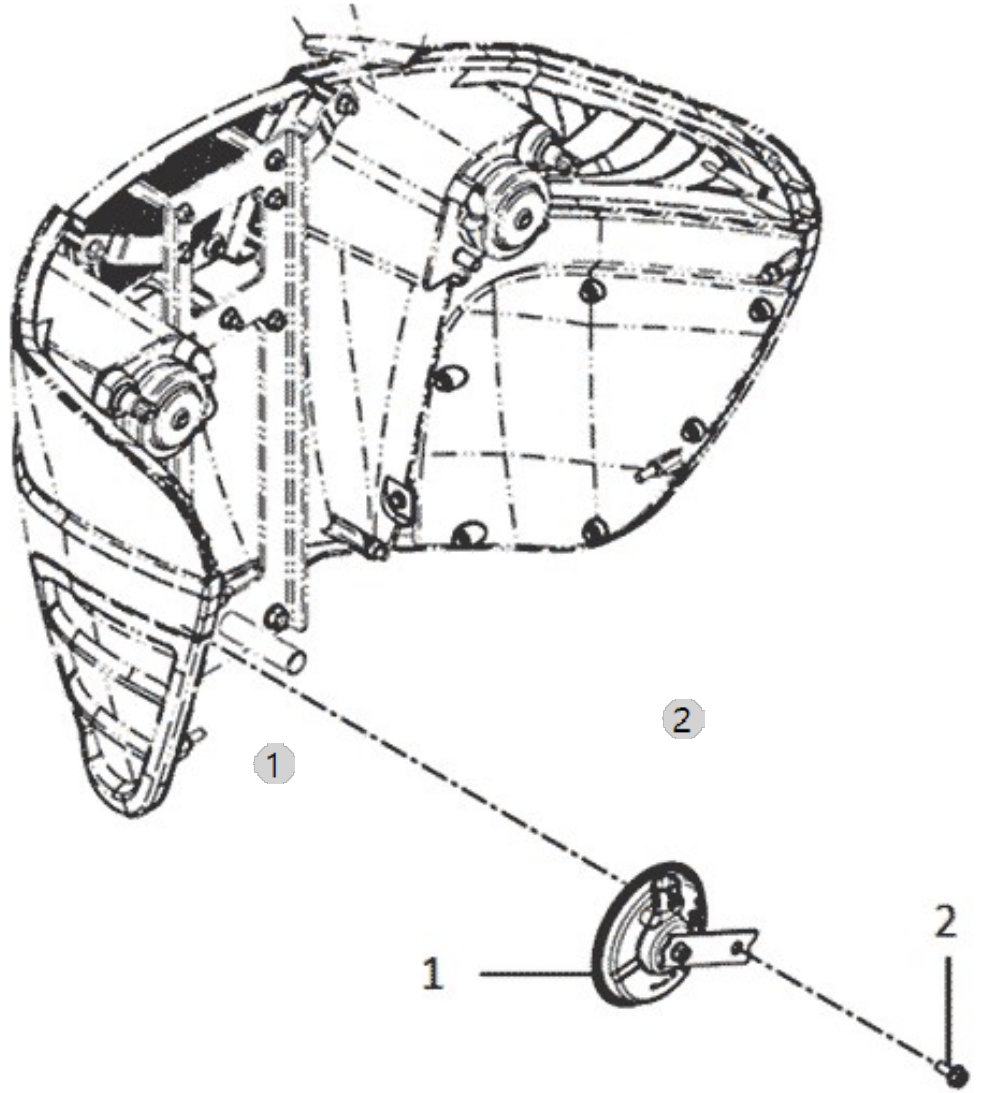
H04090

Year/Month

4820C(AC02107)

HORN

2022-12-15



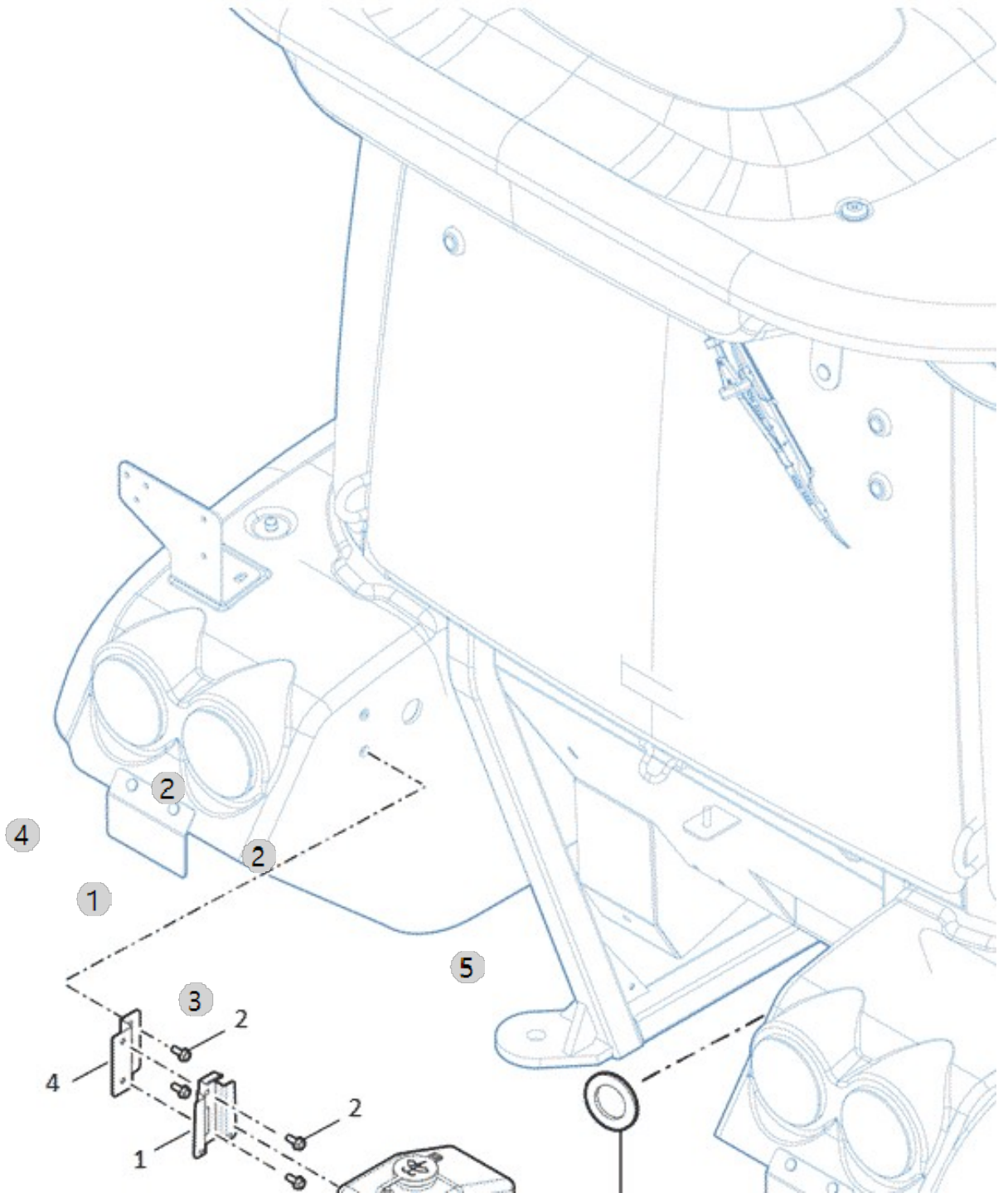
H05040

Year/Month

4820C(AC02107)

WASHER TANK

2022-12-15



103032

4820C(AC02107)

LABEL, CABIN/RH

Year/Month

2022-12-15

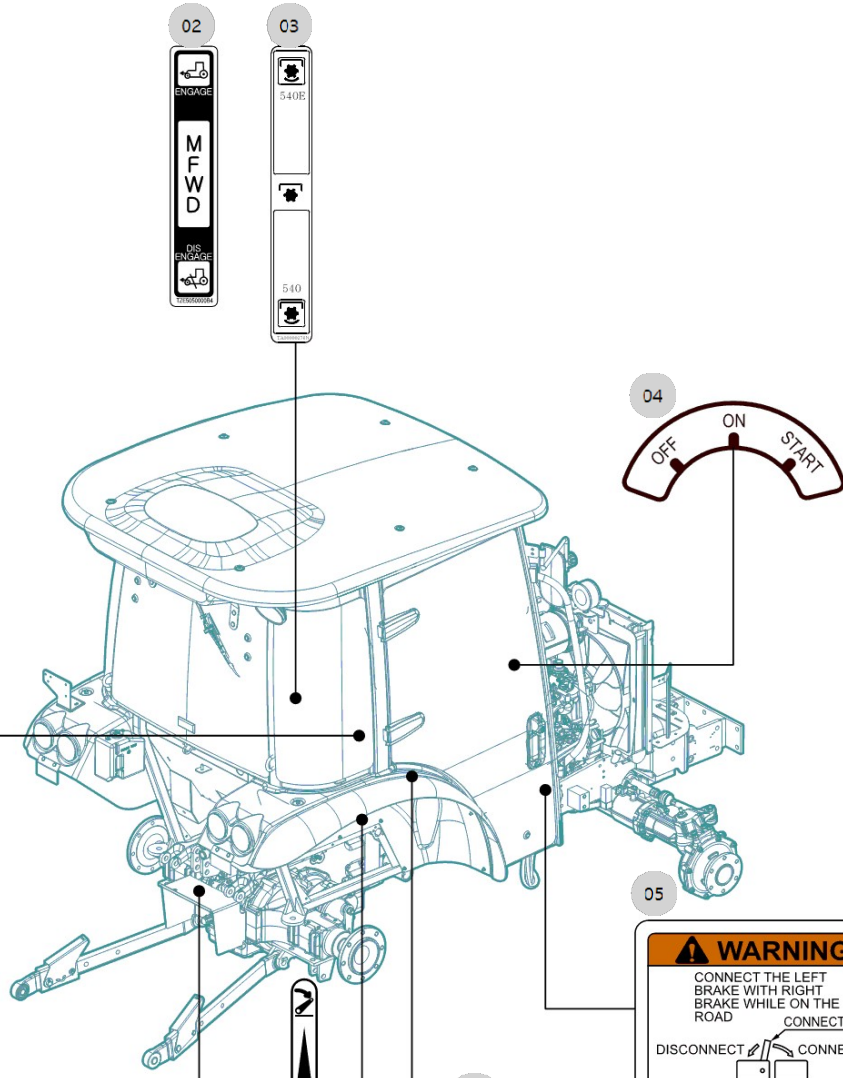
01

Warning

- Work in ventilated area. Do not work long hours air conditioner, because it make recirculate air. If you don't have an air cleaner, open the door and get outside air into the area.

Caution

Before operating this tractor please read the operator manual in that you fully understand how to operate the machine. Always read the 0, 1, 2, 3, 4, 5, 6, 7, 8, 9, 10, 11, 12, 13, 14, 15, 16, 17, 18, 19, 20, 21, 22, 23, 24, 25, 26, 27, 28, 29, 30, 31, 32, 33, 34, 35, 36, 37, 38, 39, 40, 41, 42, 43, 44, 45, 46, 47, 48, 49, 50, 51, 52, 53, 54, 55, 56, 57, 58, 59, 60, 61, 62, 63, 64, 65, 66, 67, 68, 69, 70, 71, 72, 73, 74, 75, 76, 77, 78, 79, 80, 81, 82, 83, 84, 85, 86, 87, 88, 89, 90, 91, 92, 93, 94, 95, 96, 97, 98, 99, 100, 101, 102, 103, 104, 105, 106, 107, 108, 109, 110, 111, 112, 113, 114, 115, 116, 117, 118, 119, 120, 121, 122, 123, 124, 125, 126, 127, 128, 129, 130, 131, 132, 133, 134, 135, 136, 137, 138, 139, 140, 141, 142, 143, 144, 145, 146, 147, 148, 149, 150, 151, 152, 153, 154, 155, 156, 157, 158, 159, 160, 161, 162, 163, 164, 165, 166, 167, 168, 169, 170, 171, 172, 173, 174, 175, 176, 177, 178, 179, 180, 181, 182, 183, 184, 185, 186, 187, 188, 189, 190, 191, 192, 193, 194, 195, 196, 197, 198, 199, 200, 201, 202, 203, 204, 205, 206, 207, 208, 209, 210, 211, 212, 213, 214, 215, 216, 217, 218, 219, 220, 221, 222, 223, 224, 225, 226, 227, 228, 229, 230, 231, 232, 233, 234, 235, 236, 237, 238, 239, 240, 241, 242, 243, 244, 245, 246, 247, 248, 249, 250, 251, 252, 253, 254, 255, 256, 257, 258, 259, 260, 261, 262, 263, 264, 265, 266, 267, 268, 269, 270, 271, 272, 273, 274, 275, 276, 277, 278, 279, 280, 281, 282, 283, 284, 285, 286, 287, 288, 289, 290, 291, 292, 293, 294, 295, 296, 297, 298, 299, 300, 301, 302, 303, 304, 305, 306, 307, 308, 309, 310, 311, 312, 313, 314, 315, 316, 317, 318, 319, 320, 321, 322, 323, 324, 325, 326, 327, 328, 329, 330, 331, 332, 333, 334, 335, 336, 337, 338, 339, 340, 341, 342, 343, 344, 345, 346, 347, 348, 349, 350, 351, 352, 353, 354, 355, 356, 357, 358, 359, 360, 361, 362, 363, 364, 365, 366, 367, 368, 369, 370, 371, 372, 373, 374, 375, 376, 377, 378, 379, 380, 381, 382, 383, 384, 385, 386, 387, 388, 389, 390, 391, 392, 393, 394, 395, 396, 397, 398, 399, 400, 401, 402, 403, 404, 405, 406, 407, 408, 409, 410, 411, 412, 413, 414, 415, 416, 417, 418, 419, 420, 421, 422, 423, 424, 425, 426, 427, 428, 429, 430, 431, 432, 433, 434, 435, 436, 437, 438, 439, 440, 441, 442, 443, 444, 445, 446, 447, 448, 449, 450, 451, 452, 453, 454, 455, 456, 457, 458, 459, 460, 461, 462, 463, 464, 465, 466, 467, 468, 469, 470, 471, 472, 473, 474, 475, 476, 477, 478, 479, 480, 481, 482, 483, 484, 485, 486, 487, 488, 489, 490, 491, 492, 493, 494, 495, 496, 497, 498, 499, 500, 501, 502, 503, 504, 505, 506, 507, 508, 509, 510, 511, 512, 513, 514, 515, 516, 517, 518, 519, 520, 521, 522, 523, 524, 525, 526, 527, 528, 529, 530, 531, 532, 533, 534, 535, 536, 537, 538, 539, 540, 541, 542, 543, 544, 545, 546, 547, 548, 549, 550, 551, 552, 553, 554, 555, 556, 557, 558, 559, 560, 561, 562, 563, 564, 565, 566, 567, 568, 569, 570, 571, 572, 573, 574, 575, 576, 577, 578, 579, 580, 581, 582, 583, 584, 585, 586, 587, 588, 589, 590, 591, 592, 593, 594, 595, 596, 597, 598, 599, 600, 601, 602, 603, 604, 605, 606, 607, 608, 609, 610, 611, 612, 613, 614, 615, 616, 617, 618, 619, 620, 621, 622, 623, 624, 625, 626, 627, 628, 629, 630, 631, 632, 633, 634, 635, 636, 637, 638, 639, 640, 641, 642, 643, 644, 645, 646, 647, 648, 649, 650, 651, 652, 653, 654, 655, 656, 657, 658, 659, 660, 661, 662, 663, 664, 665, 666, 667, 668, 669, 670, 671, 672, 673, 674, 675, 676, 677, 678, 679, 680, 681, 682, 683, 684, 685, 686, 687, 688, 689, 690, 691, 692, 693, 694, 695, 696, 697, 698, 699, 700, 701, 702, 703, 704, 705, 706, 707, 708, 709, 710, 711, 712, 713, 714, 715, 716, 717, 718, 719, 720, 721, 722, 723, 724, 725, 726, 727, 728, 729, 730, 731, 732, 733, 734, 735, 736, 737, 738, 739, 740, 741, 742, 743, 744, 745, 746, 747, 748, 749, 750, 751, 752, 753, 754, 755, 756, 757, 758, 759, 760, 761, 762, 763, 764, 765, 766, 767, 768, 769, 770, 771, 772, 773, 774, 775, 776, 777, 778, 779, 780, 781, 782, 783, 784, 785, 786, 787, 788, 789, 790, 791, 792, 793, 794, 795, 796, 797, 798, 799, 800, 801, 802, 803, 804, 805, 806, 807, 808, 809, 810, 811, 812, 813, 814, 815, 816, 817, 818, 819, 820, 821, 822, 823, 824, 825, 826, 827, 828, 829, 830, 831, 832, 833, 834, 835, 836, 837, 838, 839, 840, 841, 842, 843, 844, 845, 846, 847, 848, 849, 850, 851, 852, 853, 854, 855, 856, 857, 858, 859, 860, 861, 862, 863, 864, 865, 866, 867, 868, 869, 870, 871, 872, 873, 874, 875, 876, 877, 878, 879, 880, 881, 882, 883, 884, 885, 886, 887, 888, 889, 890, 891, 892, 893, 894, 895, 896, 897, 898, 899, 900, 901, 902, 903, 904, 905, 906, 907, 908, 909, 910, 911, 912, 913, 914, 915, 916, 917, 918, 919, 920, 921, 922, 923, 924, 925, 926, 927, 928, 929, 930, 931, 932, 933, 934, 935, 936, 937, 938, 939, 940, 941, 942, 943, 944, 945, 946, 947, 948, 949, 950, 951, 952, 953, 954, 955, 956, 957, 958, 959, 960, 961, 962, 963, 964, 965, 966, 967, 968, 969, 970, 971, 972, 973, 974, 975, 976, 977, 978, 979, 980, 981, 982, 983, 984, 985, 986, 987, 988, 989, 990, 991, 992, 993, 994, 995, 996, 997, 998, 999, 1000.



11

WARNING

TO AVOID PERSONAL INJURY:

- Attach pulled or towed loads to the drawbar only.
- Use the 3-point hitch only with equipment designed for 3-point hitch usage.

TZE512000B4

10

WARNING

TO AVOID PERSONAL INJURY:

- Keep PTO shield in place at all times.
- Do not operate the PTO at speeds faster than the speed recommended by the implement manufacturer.
- For towing PTO-driven implements set drawbar at towing position. (see operator's manual)
- Keep hands, feet and clothing away.

TA001056A

06

WARNING

CONNECT THE LEFT BRAKE WITH RIGHT BRAKE WHILE ON THE ROAD

DISCONNECT CONNECT TZE410000B4

07

CAUTION

TO AVOID PERSONAL INJURY:

- Read and understand the operator's manual before operation.
- Before starting the engine, make sure that everyone is at a safe distance from the tractor and that the PTO is OFF.
- Do not allow passengers on the tractor at any time.
- Before allowing other people to use the tractor, have them read the operator's manual.
- Check the tightness of all nuts and bolts regularly.
- Keep all hands, feet and clothing away from all moving parts.
- Lock the rear brake pedal (optional) before driving on the road.
- Slow down for turns or rough roads, or when negotiating individual brakes.
- Do not make road use (S&P) unless and where it is required by local traffic and safety regulations.
- Put only front foot on pedal.
- Before dismounting lower the implement, set the parking brake, stop the engine and remove the key.

TZ020023

07

WARNING

Breathing diesel engine exhaust exposes you to chemicals known to the state of California to cause cancer and birth defects or other reproductive harm.

- Always start and operate the engine in a well-ventilated area.
- If in an enclosed area, vent the exhaust to the outside.
- Do not modify or tamper with the exhaust system.
- Do not idle the engine except as necessary.

For more information go to www.P65warnings.ca.gov/diesel

TA001056A

WARNING Cancer and Reproductive Harm - www.P65Warnings.ca.gov

08

WARNING

TO AVOID PERSONAL INJURY OR DEATH FROM ROLL-OVER:

- BRANSON recommends the use of a Roll-Over Protective Structure (ROPS) and seat belt in almost all applications.
- Remove the ROPS only when it is authorized to be removed with operator or seat present in a safety area. (Examples include work in orchards and vineyards, ALTHOUGH RENTAL, IT BEFORE USING THE TRACTOR IN OTHER APPLICATIONS.)
- Never use just the seat belt or just the ROPS. They must be used together. For further details, consult your Operator's Manual or your local dealer.

TZ010090

