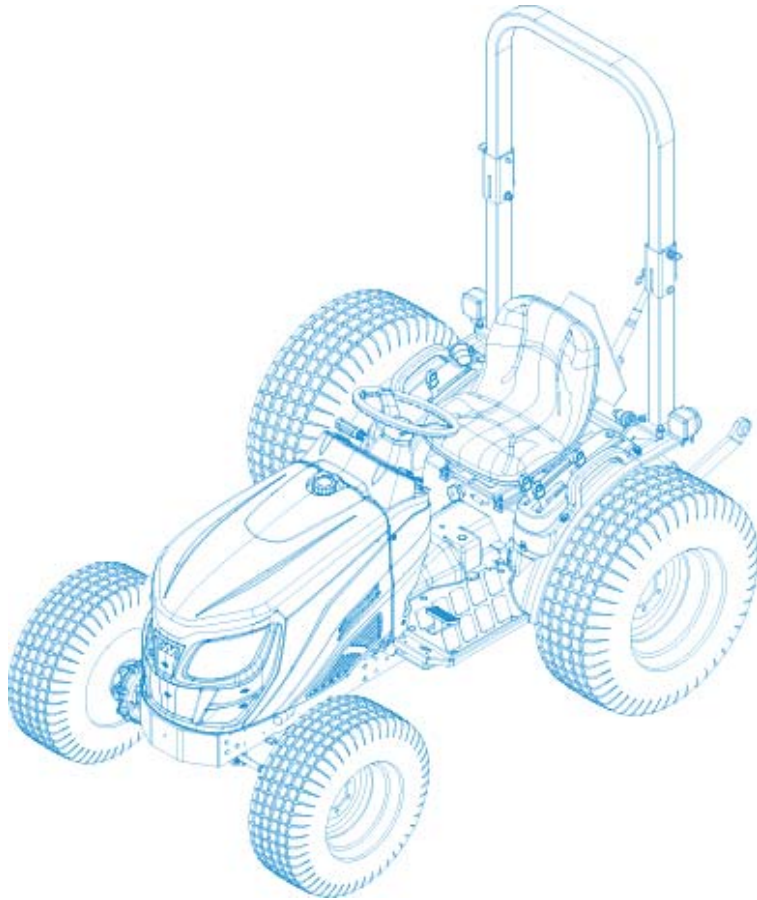


Parts Catalogue

T254NH



제 작 일	2014.
작 성	
검 토	
승 인	

TVM 동양물산 기계사업부

Printed : 2014 Version
Part number of this book: 11119120030

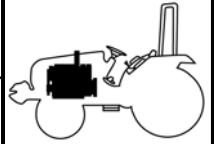
FIG 101

CYLINDER BLOCK

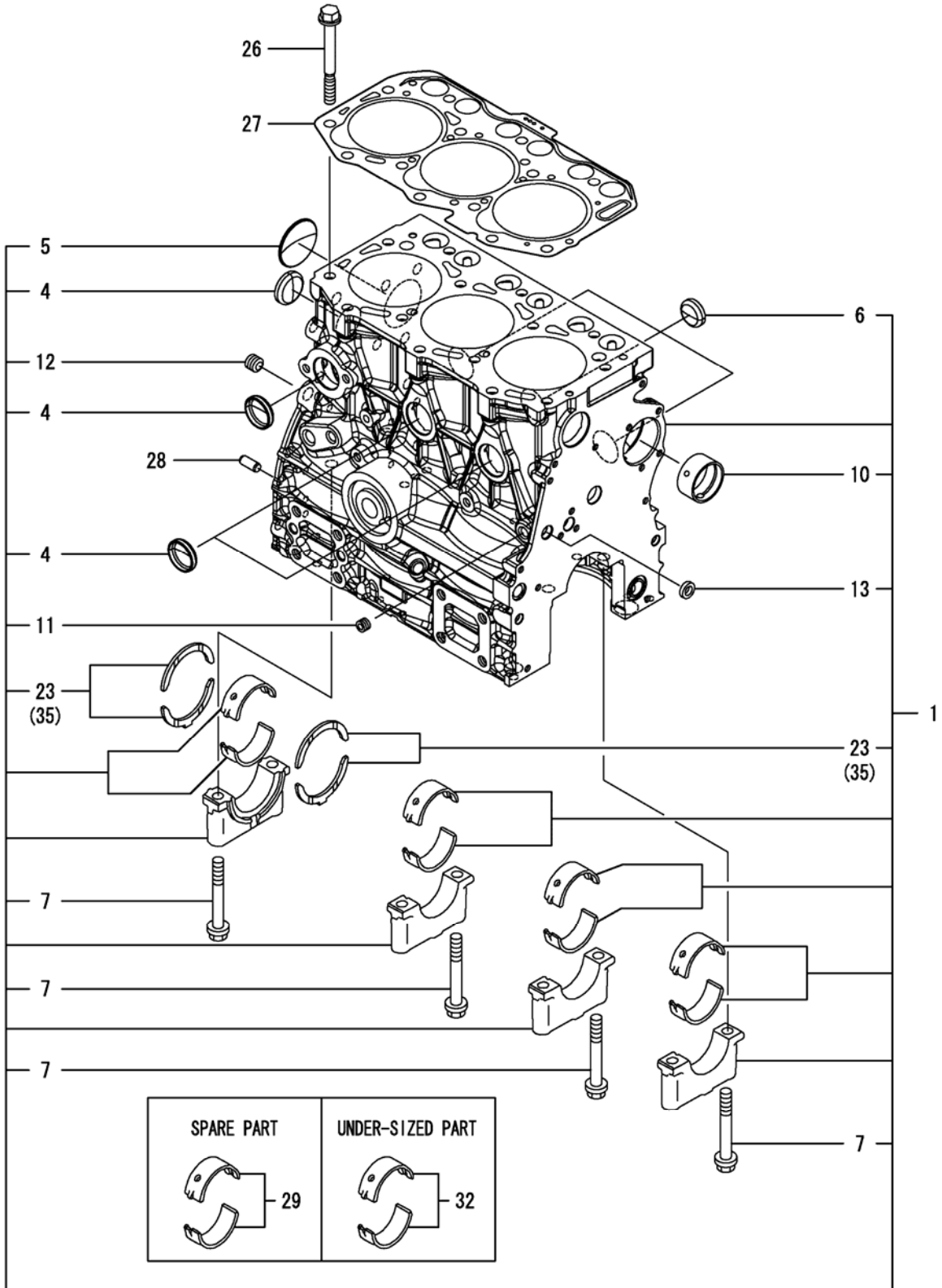
P1

Year

2014



T254NH



NOTE

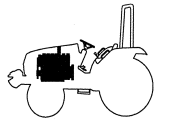
<p>FIG 101</p> <p>T254NH</p>		<p>CYLINDER BLOCK</p>				<p>P1</p>	<p>Year / Month</p>	
							<p>2014 / 03</p>	
KEY NO.	PART NO.	DESCRIPTION	SPEC.	QTY.	REPAIR	E/G SERIAL NO	REMARKS	
101	001	119E00-01560	BLOCK ASSY, CYLINDER					
101	004	105311-01090	PLUG, 30	4				
101	005	119623-01250	PLUG, 45	1				
101	006	119285-01990	PLUG, 25	3				
101	007	119620-02020	BOLT, METAL CAP	8				
101	010	119717-02411	BUSH, CAMSHAFT	1				
101	011	124060-01050	PLUG, PT1/8	1				
101	012	124160-01910	PLUG, PT1/4	1				
101	013	27241-120000	PLUG, 12	1				
101	023	119717-02930	BEARING, THRUST	2				
101	026	119810-01200	BOLT, HEAD	14				
101	027	119E10-01330	GASKET SET, HEAD	1				
101	028	129100-01580	PIN, 8X16	2				
101	029	719717-02901	BEARING, MAIN	4				
101	032	719717-02911	BEARING, 0.25 US	4				
101	035	119810-02941	BEARING, THRUST 0.25	2				
NOTE	(1)Spare parts. (2)Under-sized (U.S.=0.25) parts. (3)Over-sized (O.S.=0.25) parts.							

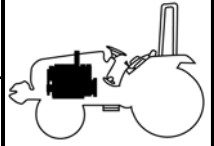
FIG 102

GEAR HOUSING

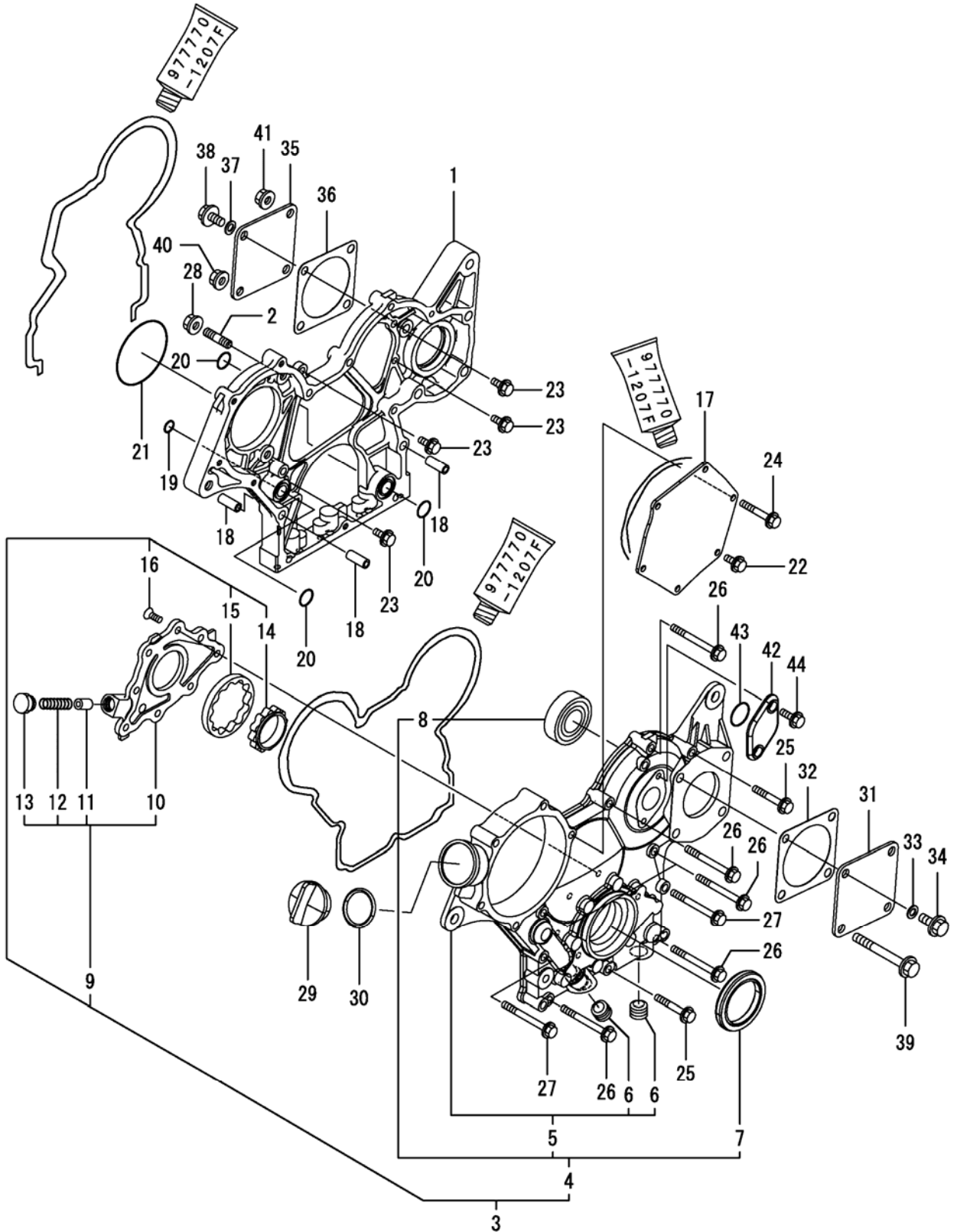
P1

Year

2014



T254NH



NOTE


FIG 102		GEAR HOUSING			P1	Year / Month	
T254NH						2014 / 03	
KEY NO.	PART NO.	DESCRIPTION	SPEC.	QTY.	REPAIR	E/G SERIAL NO	REMARKS
102	001	119740-01501	CASE, GEAR				
102	002	119717-01570	STUD				
102	003	119751-01590	COVER ASSY,GEAR CASE				
102	004	719751-01500	COVER ASSY,GEAR CASE				
102	005	119751-01521	COVER, GEAR CASE				
102	006	23876-030000	PLUG, R03				
102	007	119717-01800	SEAL, OIL				
102	008	24101-062024	BEARING, BALL 6202				
102	009	119717-32100	COVER ASSY				
102	010	119717-32080	COVER				
102	011	129900-32130	VALVE, RELIEF				
102	012	129001-32320	SPRING				
102	013	129001-32330	PLUG				
102	014	119717-32110	ROTOR, INNER				
102	015	119717-32120	ROTOR, OUTER				
102	016	119802-32130	SCREW, M6X16				
102	017	119717-01750	COVER				
102	018	119660-01911	PIPE, KNOCK				
102	019	119624-32040	O-RING, P12.0				
102	020	119717-32050	O-RING, P17.0				
102	021	121850-51960	O-RING				
102	022	26106-060122	BOLT, M6X12 PLATED				
102	023	26106-060162	BOLT, M6X16 PLATED				
102	024	26106-060402	BOLT, M6X40 PLATED				
102	025	26106-060402	BOLT, M6X40 PLATED				
102	026	26106-060602	BOLT, M6X60 PLATED				
102	027	26106-060652	BOLT, M6X65 PLATED				
102	028	26306-080002	NUT, M8				
102	029	124160-01751	COVER, FILLER				
102	030	24311-000320	O-RING, 1AP32.0				
102	031	124240-01871	COVER				
102	032	129C26-01890	GASKET, HO-P				
102	033	22190-080002	WASHER, SEAL 8				
102	034	26106-080122	BOLT, M8X12 PLATED				
102	035	124240-01871	COVER				
102	036	129C26-01890	GASKET, HO-P				
102	037	22190-080002	WASHER, SEAL 8				
102	038	26106-080142	BOLT, M8X14 PLATED				
102	039	26106-080702	BOLT, M8X70 PLATED				
102	040	26306-080002	NUT, M8				
102	041	26306-080002	NUT, M8				
102	042	121023-01551	COVER				
102	043	24341-000240	O-RING, 1AS24.0				
102	044	26106-060162	BOLT, M6X16 PLATED				
NOTE							

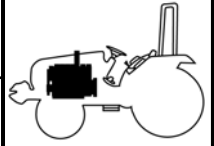
FIG 103

OIL SUMP

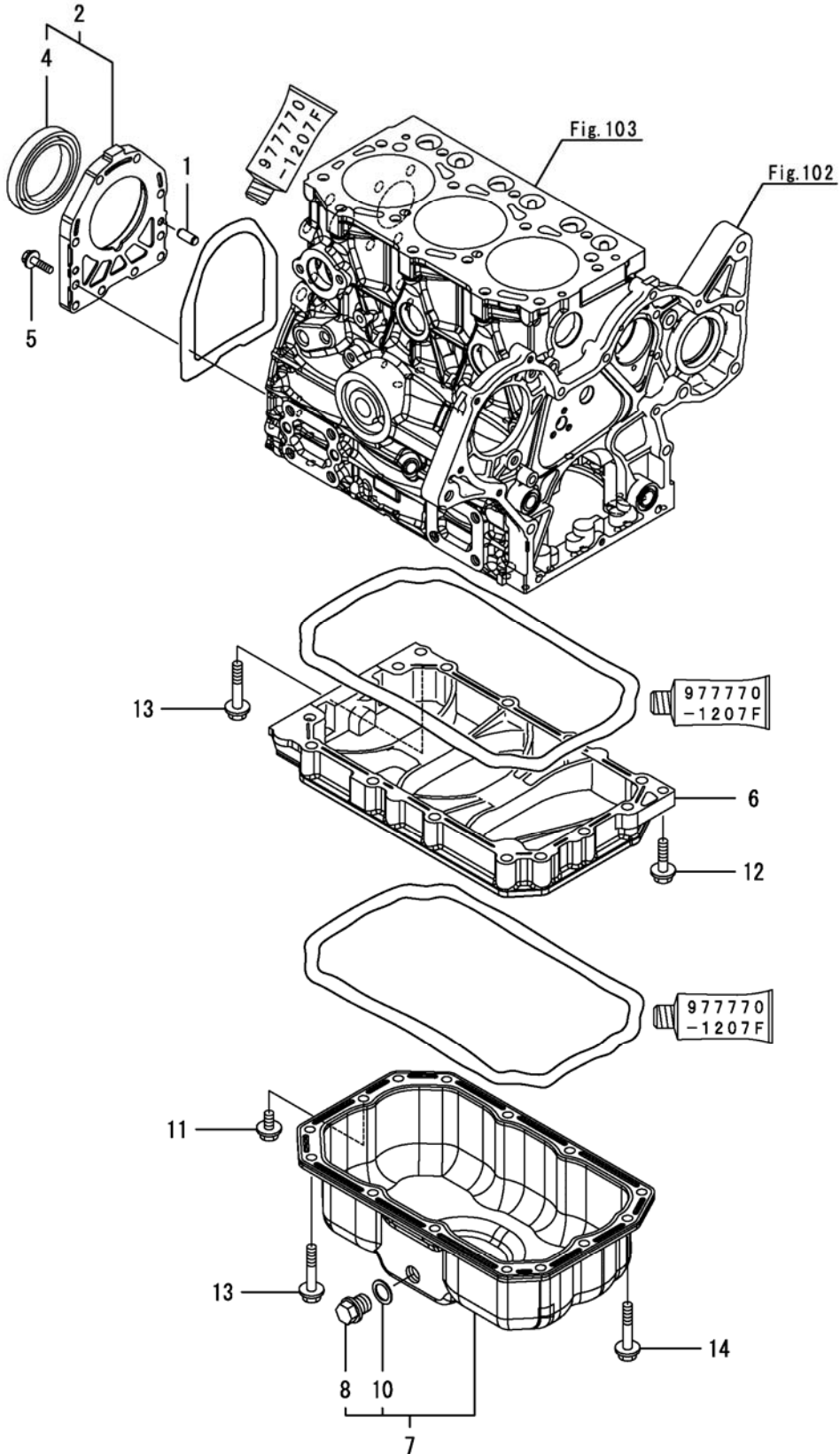
P1

Year

2014



T254NH



NOTE

FIG 104

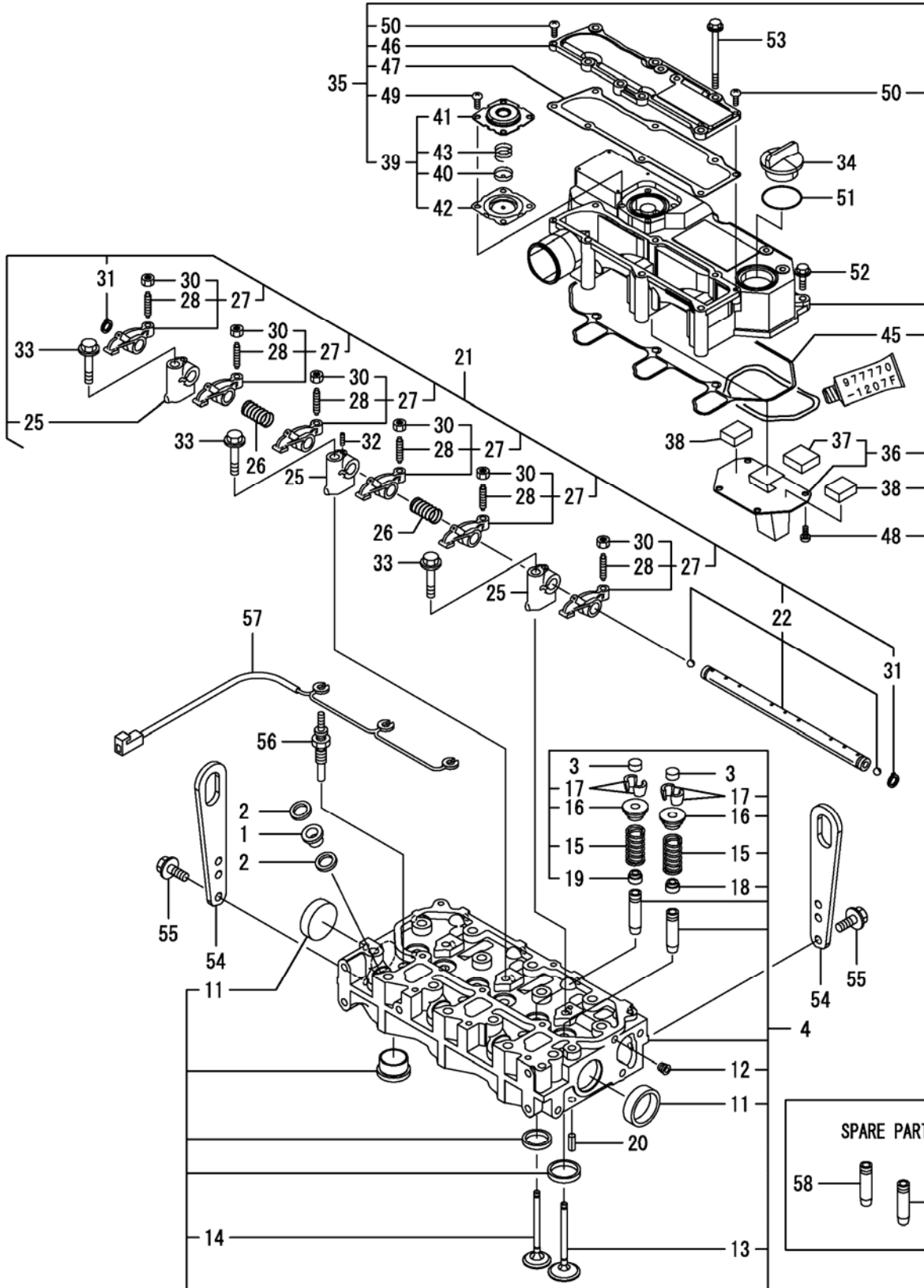
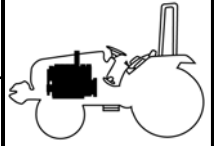
CYLINDER HEAD & BONNET

T254NH

P1

Year

2014



NOTE

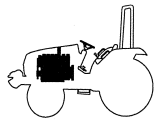
FIG 104		CYLINDER HEAD & BONNET			P1	Year / Month	
T254NH						2014 / 03	
KEY NO.	PART NO.	DESCRIPTION	SPEC.	QTY.	REPAIR	E/G SERIAL NO	REMARKS
104	001	129901-11450	PROTECTOR, NOZZLE		3		
104	002	119600-11460	GASKET, NOZZLE		6		
104	003	105010-11490	CAP, VALVE		6		
104	004	119E10-11750	HEAD ASSY, CYLINDER		1		
104	011	119285-11990	PLUG, 35		2		
104	012	23876-005000	PLUG, R005		1		
104	013	119E10-11100	VALVE, SUCTION		3		
104	014	119E10-11110	VALVE, EXHAUST		3		
104	015	119717-11131	SPRING, VALVE		6		
104	016	129508-11180	RETAINER, SPRING		6		
104	017	119717-11190	COTTER		12		
104	018	119717-11340	SEAL, VALVE STEM		3		
104	019	119717-11350	SEAL, VALVE STEM		3		
104	020	22351-060012	PIN, SPRING 6.0X12		2		
104	021	119717-11200	SUPPORT ASSY, ARM		1		
104	022	119717-11240	SHAFT ASSY, ROCKER		1		
104	025	119717-11260	SUPPORT, ROCKER ARM		3		
104	026	119620-11280	SPRING		2		
104	027	119717-11650	ARM, ROCKER		6		
104	028	129150-11230	SCREW, VALVE ADJUST		6		
104	030	129150-11750	NUT, M8		6		
104	031	22242-000120	RING, 12		2		
104	032	26979-050162	SCREW, M5X16		1		
104	033	26106-080402	BOLT, M8X 40 PLATED		3		
104	034	124160-01751	COVER, FILLER		1		
104	035	119717-11381	BONNET ASSY, HEAD		1		
104	036	119717-03031	PLATE		1		
104	037	119717-03070	BAFFLE, BREATHER		1		
104	038	119717-03070	BAFFLE, BREATHER		2		
104	039	119802-03100	DIAPHRAGM ASSY		1		
104	040	119802-03110	PLATE		1		
104	041	119802-03121	COVER, DIAPHRAGM		1		
104	042	119802-03131	DIAPHRAGM		1		
104	043	119802-03141	SPRING, DIAPHRAGM		1		
104	045	119718-11310	GASKET, BONNET		1		
104	046	119717-11320	COVER, BONNET		1		
104	047	119717-11331	GASKET		1		
104	048	22857-500100	SCREW, 5X10		4		
104	049	22857-500100	SCREW, 5X10		4		
104	050	22857-500160	SCREW, 5X16		2		
104	051	24311-000320	O-RING, 1AP32.0		1		
104	052	26106-060202	BOLT, M6X20 PLATED		3		
104	053	26106-060752	BOLT, M6X75 PLATED		6		
104	054	129900-07900	LIFTER		2		
104	055	26106-080162	BOLT, M8X16 PLATED		4		
104	056	119717-77801	PLUG, GLOW		3		
104	057	119717-77820	CONNECTOR, GLOW PLUG		1		
104	058	119717-11800	GUIDE, VALVE		6		
NOTE	(1)Spare parts.						

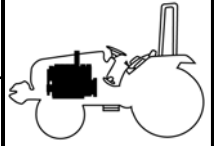
FIG 105

EXHAUST MANIFOLD

P1

Year

2014



T254NH

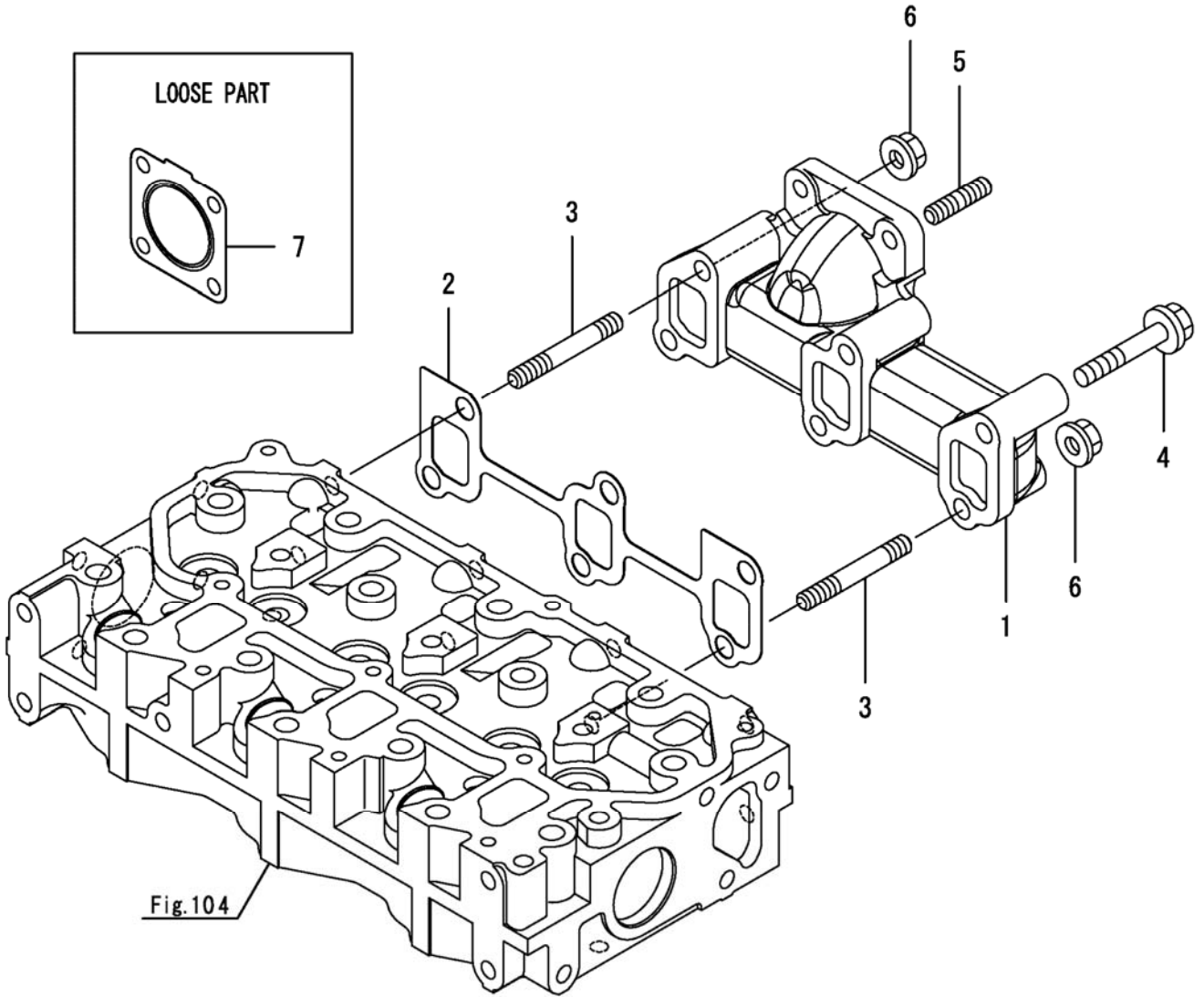
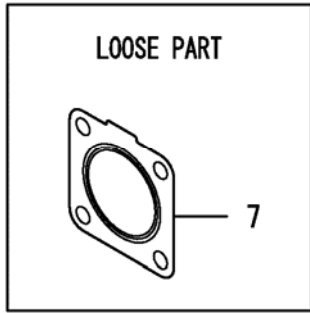


Fig.104

NOTE

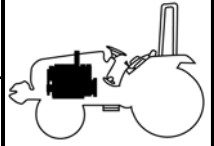
FIG 106

CAMSHAFT & DRIVING GEAR

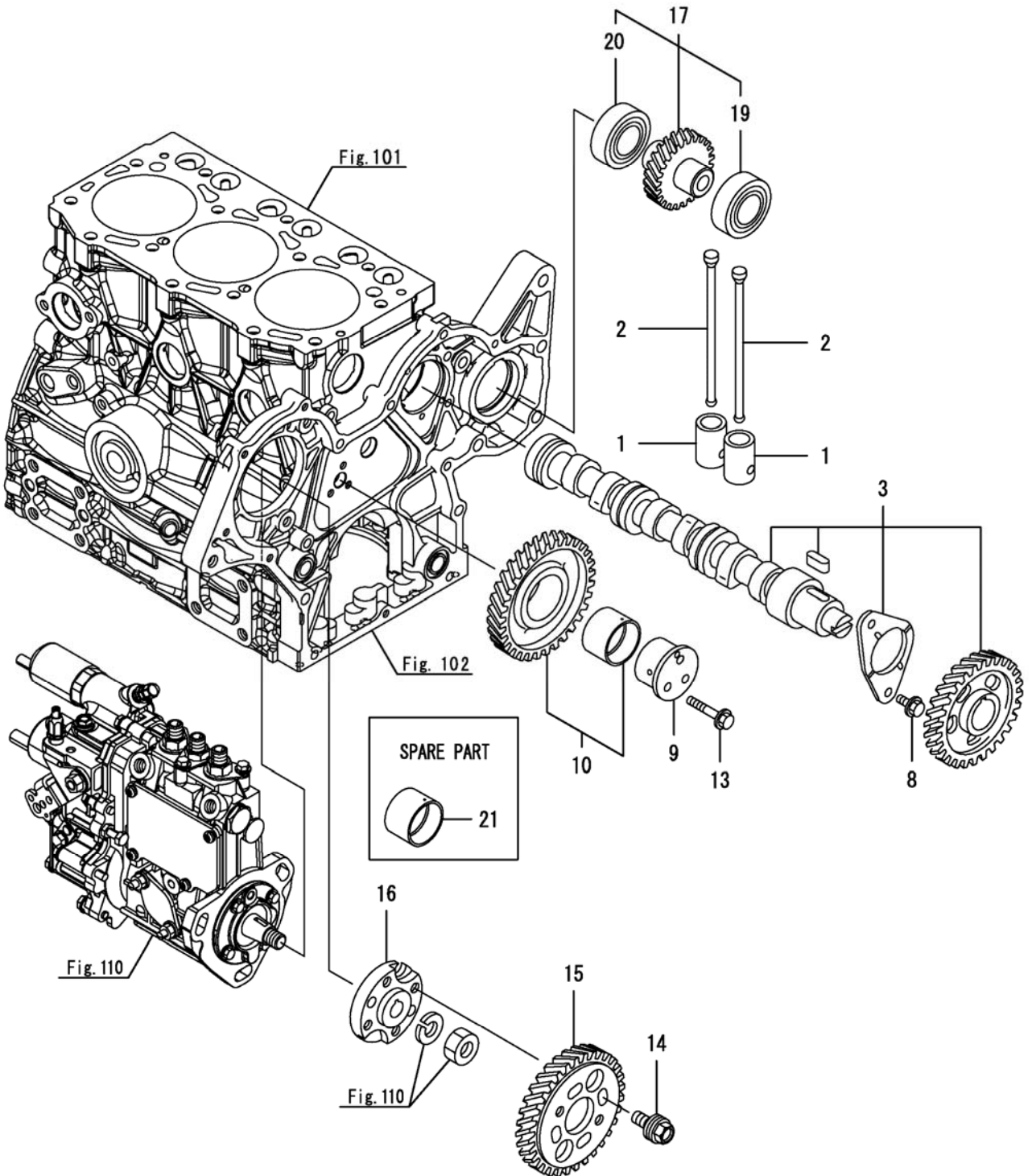
P1

Year

2014



T254NH



NOTE

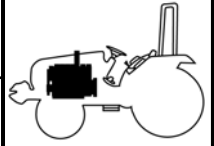
FIG 107

CRANKSHAFT & PISTON

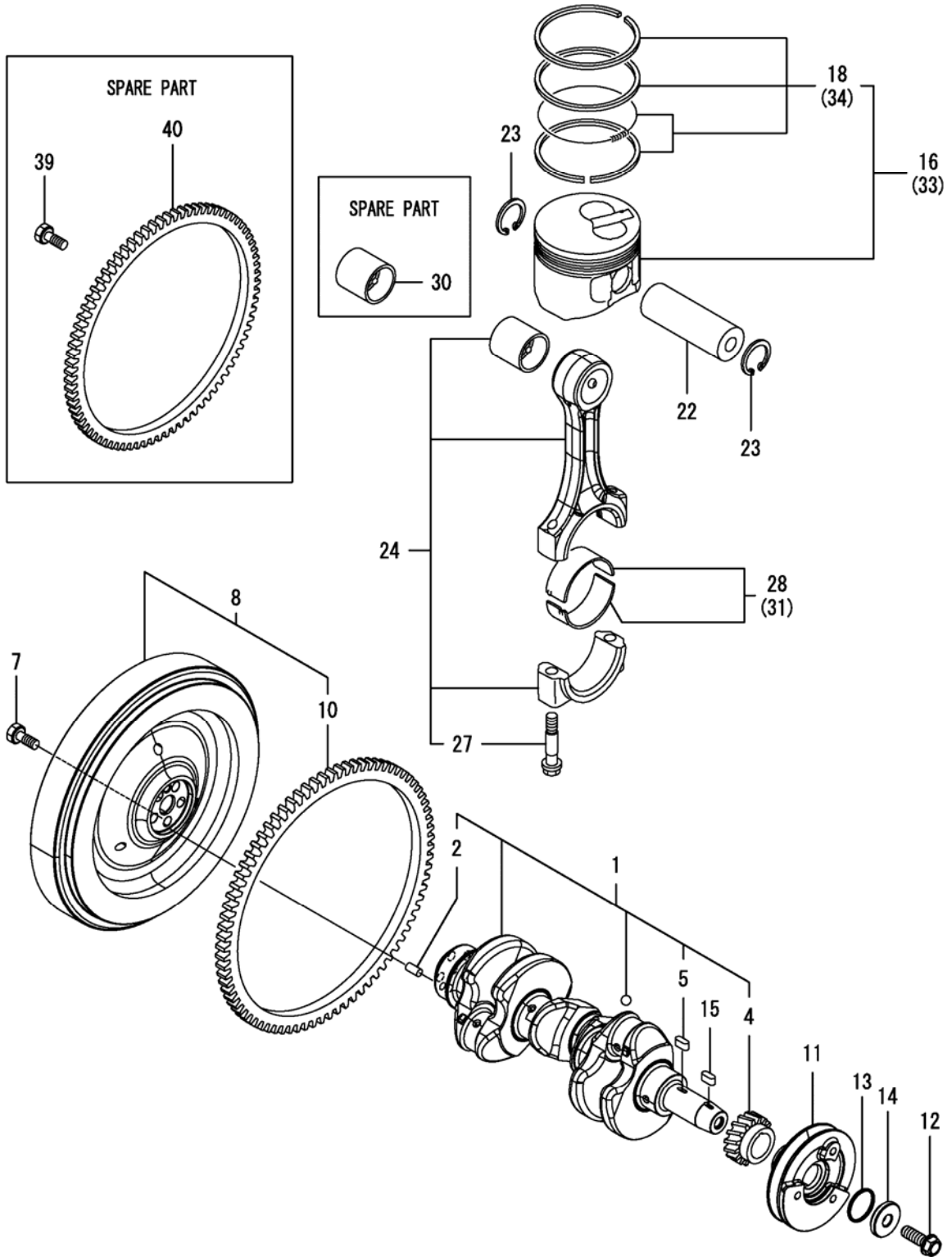
P1

Year

2014



T254NH



NOTE

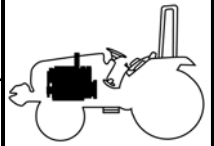
FIG 108

LUB. OIL SYSTEM

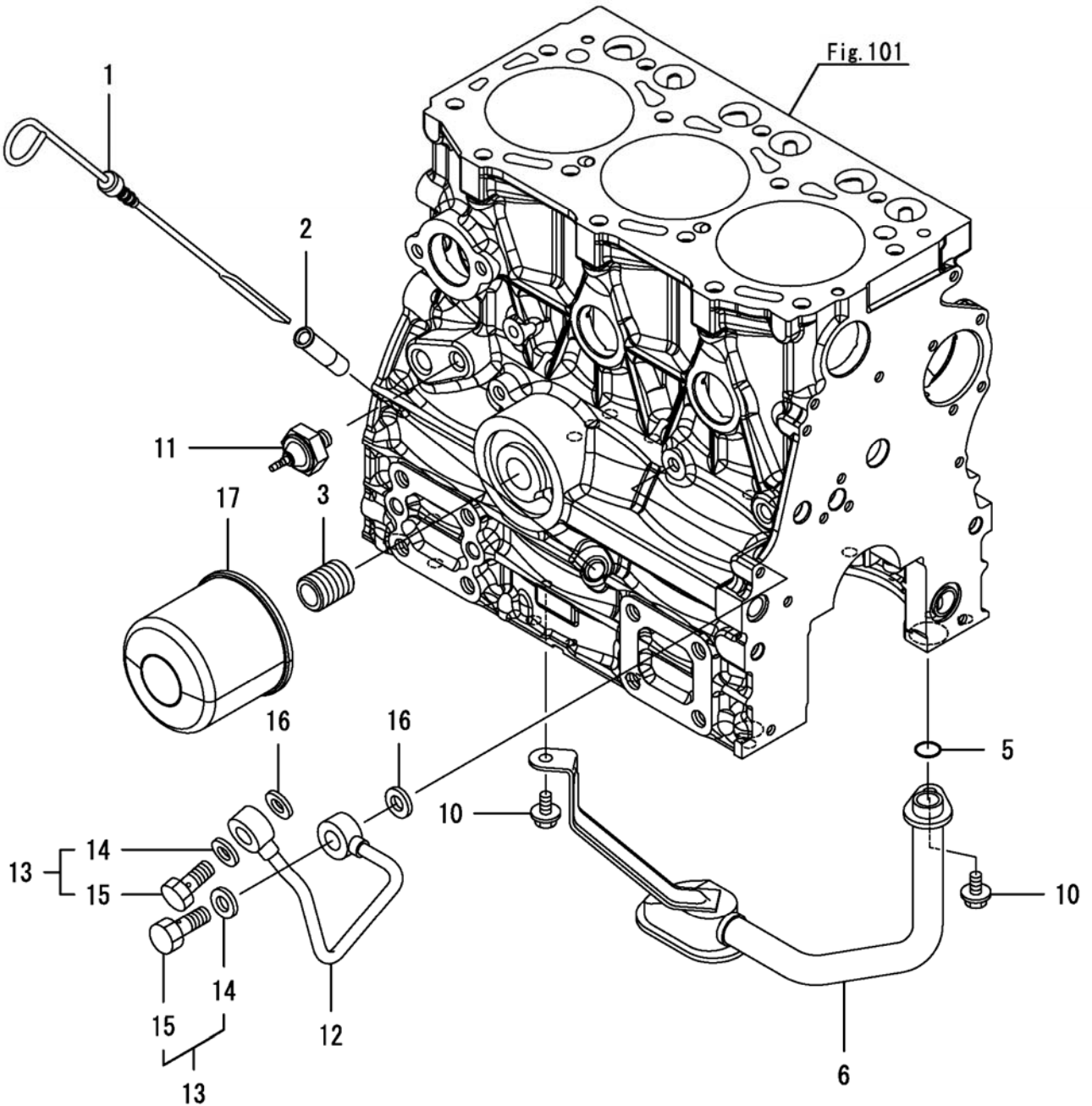
P1

Year

2014



T254NH



NOTE

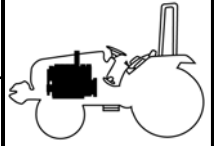
FIG 109

COOLING WATER SYSTEM

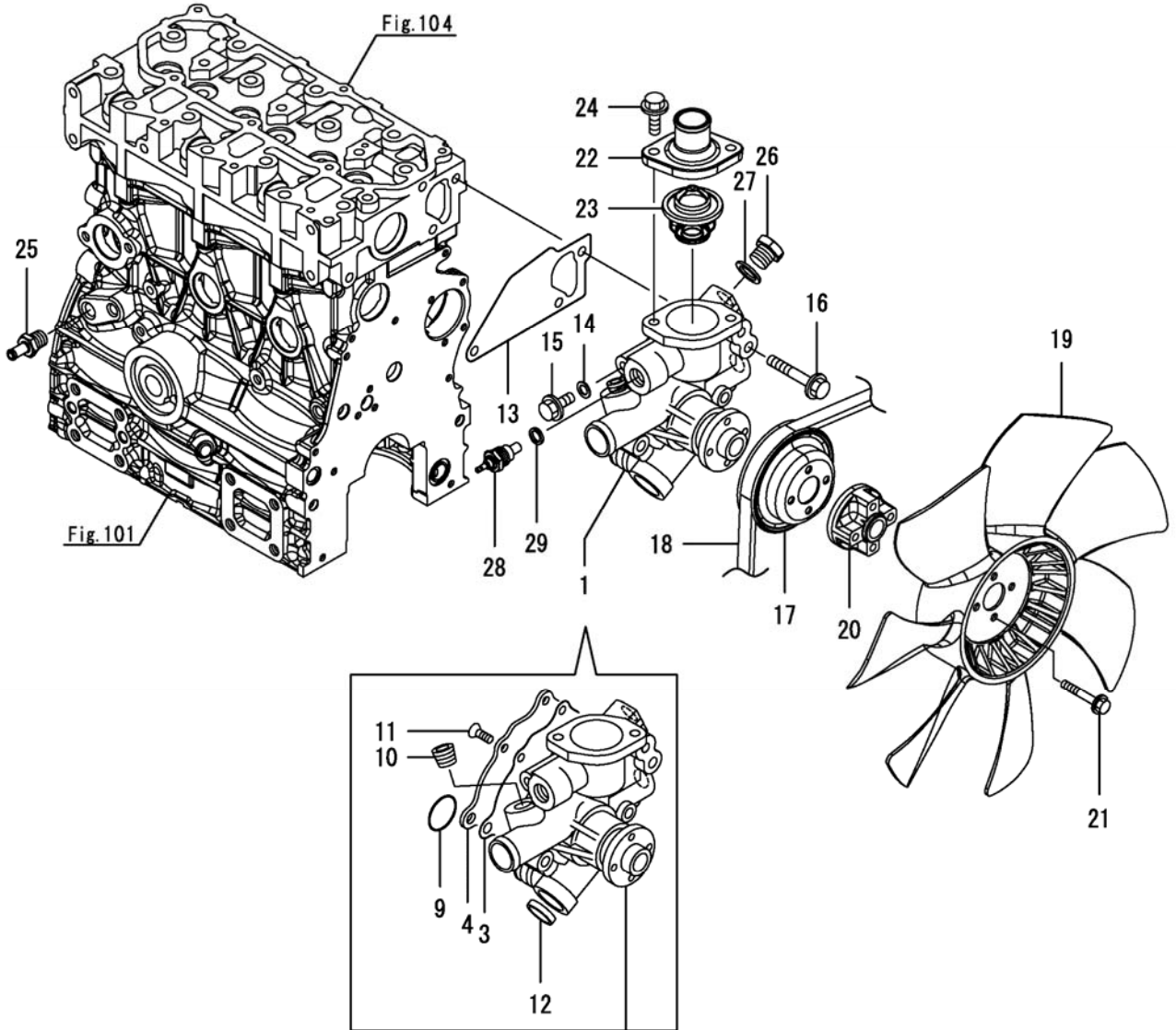
P1

Year

2014



T254NH



NOTE

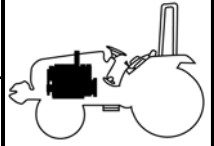
FIG 110

FUEL INJECTION PUMP

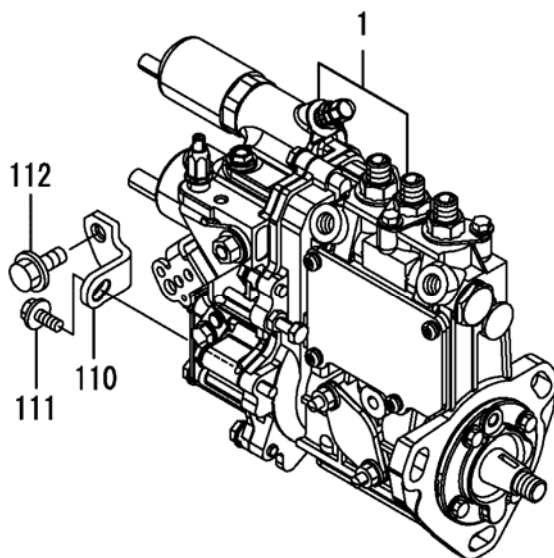
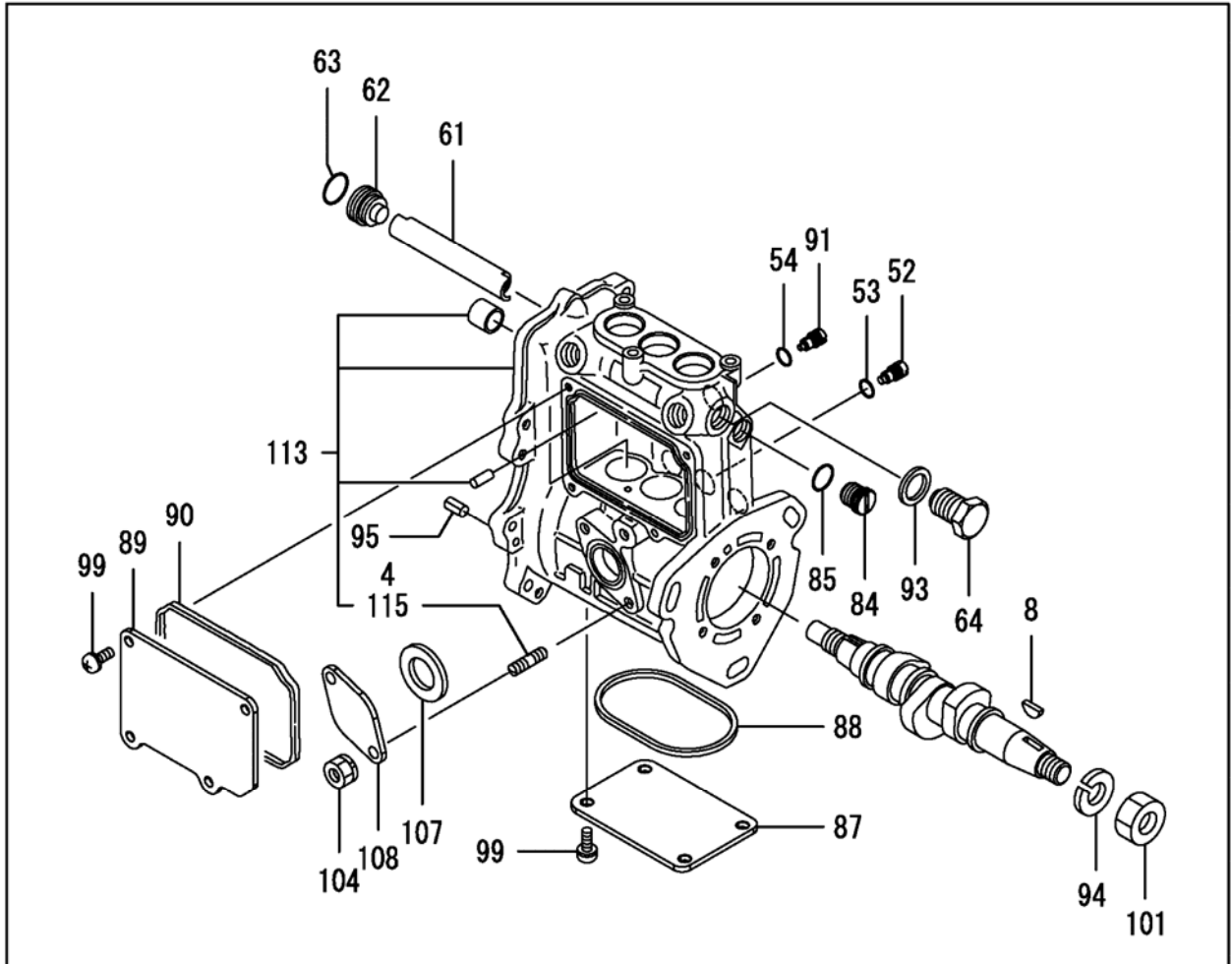
P1

Year

2014



T254NH



NOTE

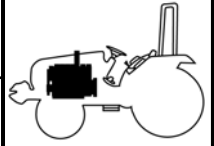
FIG 111

GOVERNOR

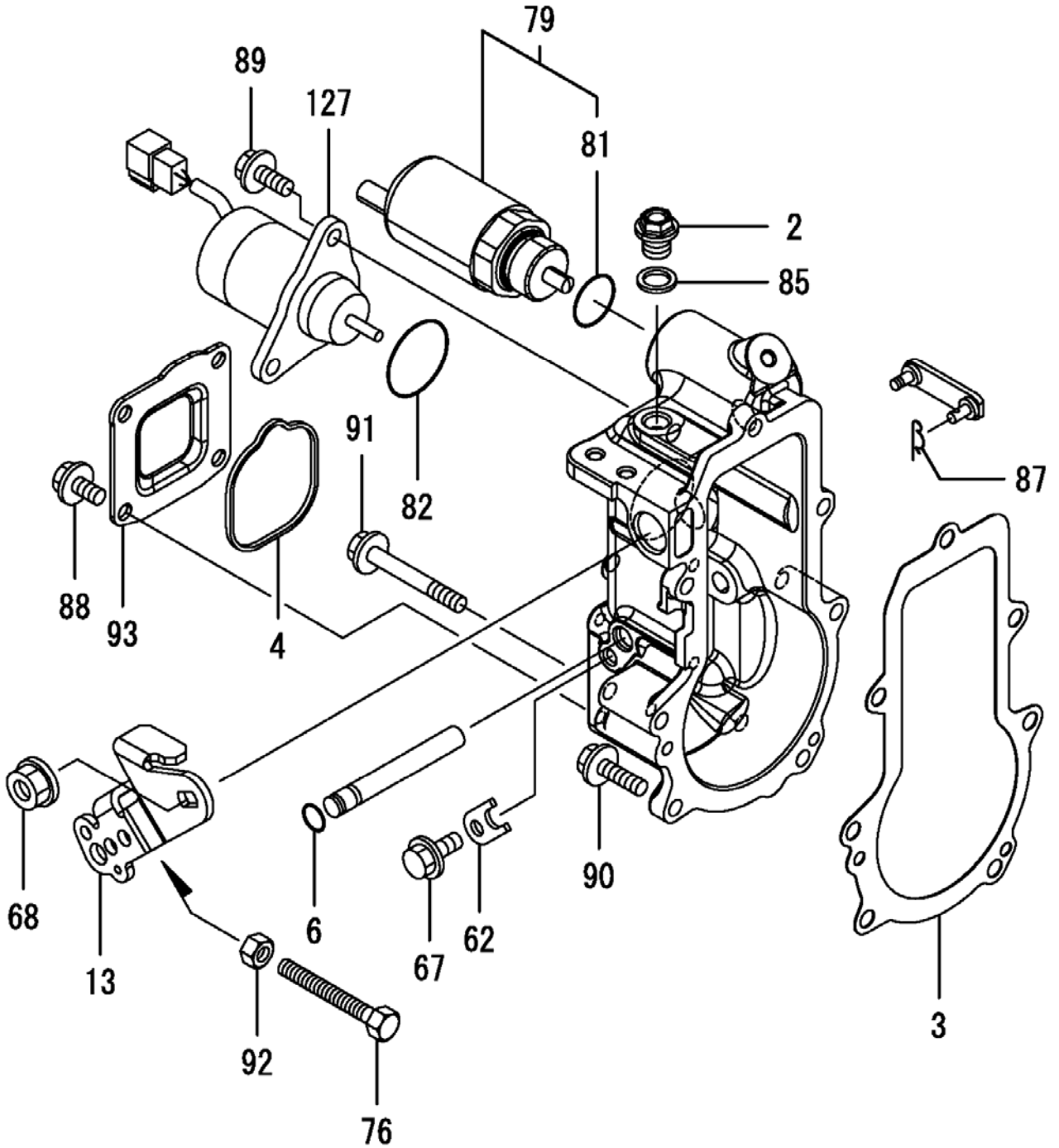
P1

Year

2014



T254NH



NOTE

FIG 111		GOVERNOR			P1	Year / Month	
T254NH						2014 / 03	
KEY NO.	PART NO.	DESCRIPTION	SPEC.	QTY.	REPAIR	E/G SERIAL NO	REMARKS
111	002	119717-51930	PLUG,M10				
111	003	119717-61050	GASKET				
111	004	119717-61070	GASKET				
111	006	129155-51280	O-RING, S6				
111	013	119515-61440	LEVER, CONTROL				
111	062	119660-61901	RETAINER, SHAFT				
111	067	26106-060102	BOLT, M6X10 PLATED				
111	068	26366-080002	NUT, M8				
111	076	129155-61460	BOLT, IDLE				
111	079	119C00-61900	SOLENOID, POWER CONT				
111	081	24357-240200	PACKING, 24020				
111	082	158552-61900	O-RING				
111	085	22190-100002	WASHER, SEAL 10				
111	087	22372-040000	PIN, SNAP 4				
111	088	26106-060102	BOLT, M6X10 PLATED				
111	089	26106-060142	BOLT, M6X14 PLATED				
111	090	26106-060202	BOLT, M6X20 PLATED				
111	091	26106-060452	BOLT, M6X45 PLATED				
111	092	26756-060002	NUT, LOCK M6				
111	093	119717-61060	COVER, GOVERNOR CASE				
111	127	119233-77932	SOLENOID, STOP				
NOTE * This figure(Governor) is incorporated in the Fuel Injection Pump(Fig.110).							

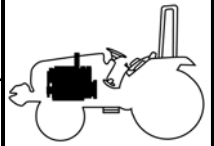
FIG 112

FUEL INJECTION VALVE

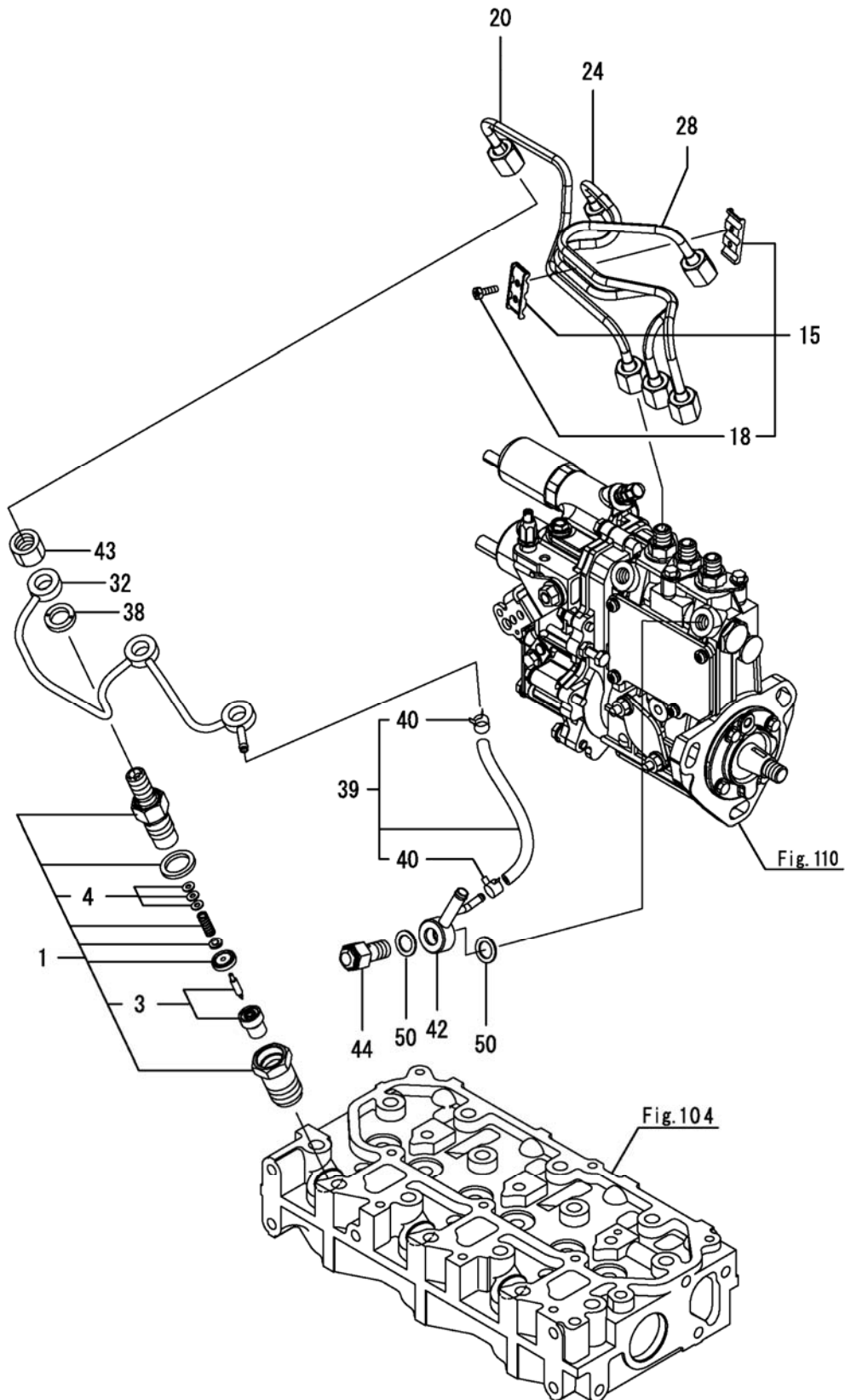
P1

Year

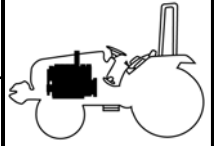
2014



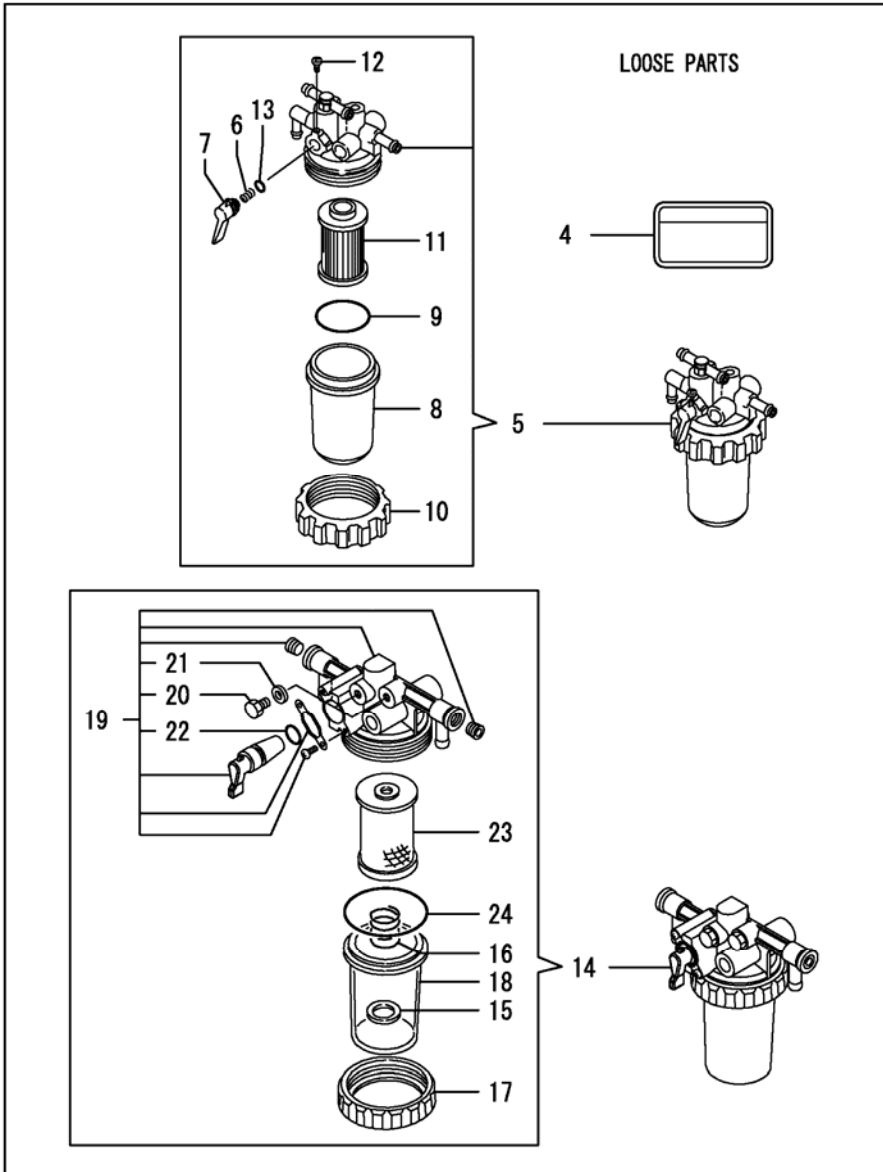
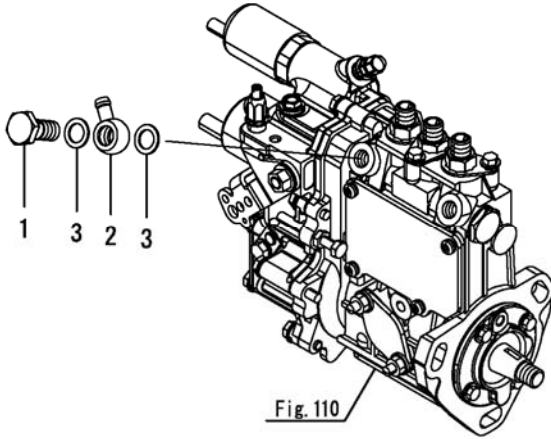
T254NH



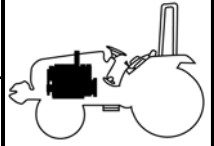
NOTE



T254NH

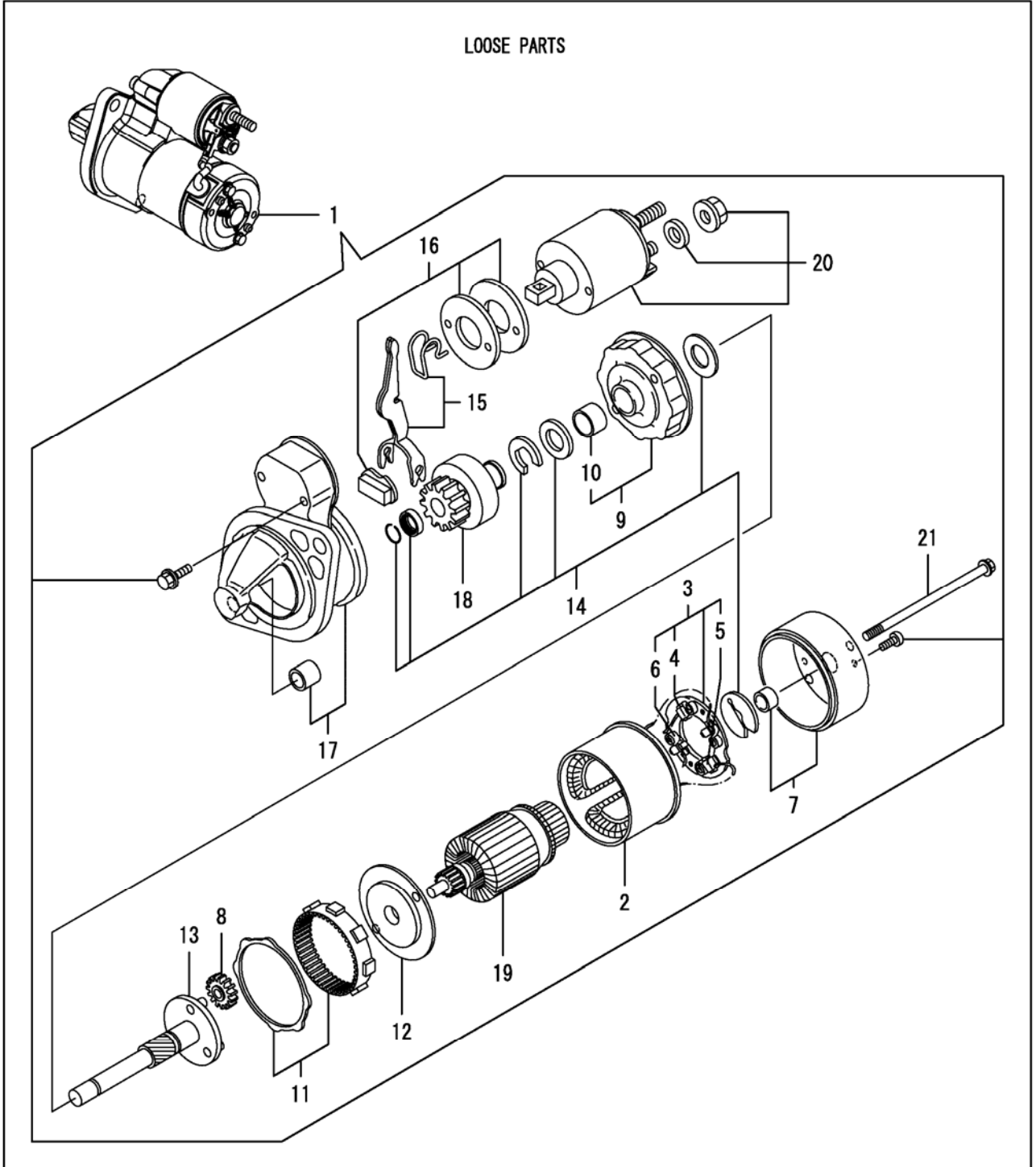


NOTE



T254NH

LOOSE PARTS



NOTE

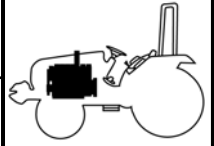
FIG 115

GENERATOR

P1

Year

2014



T254NH

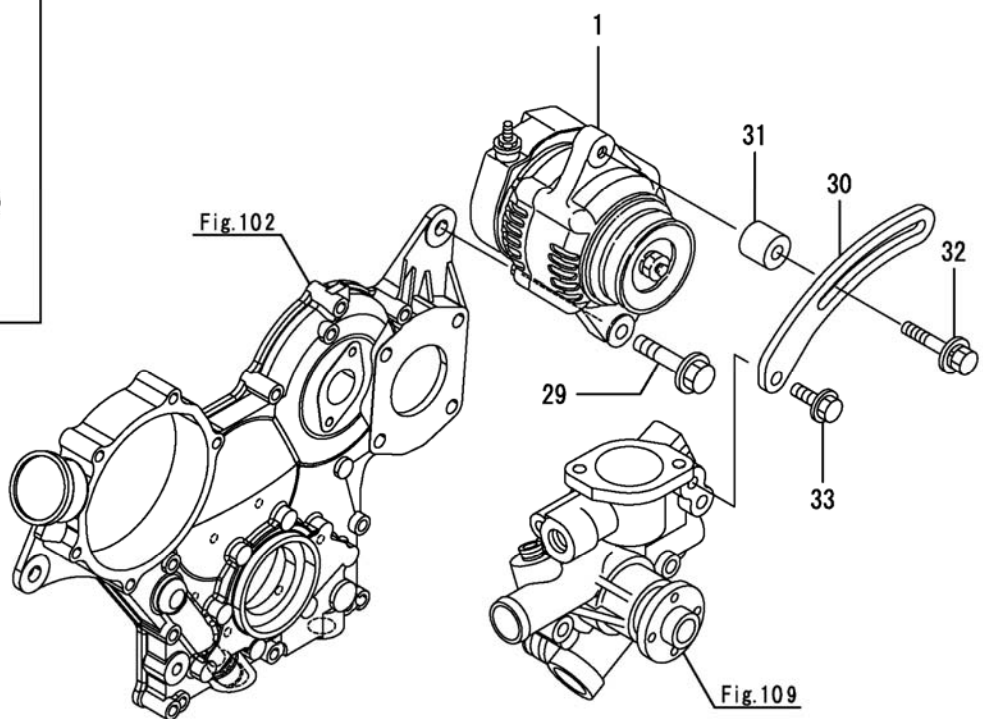
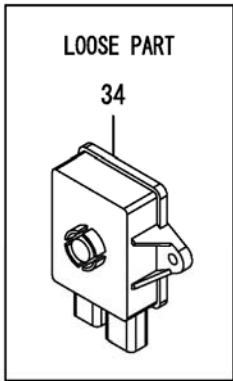
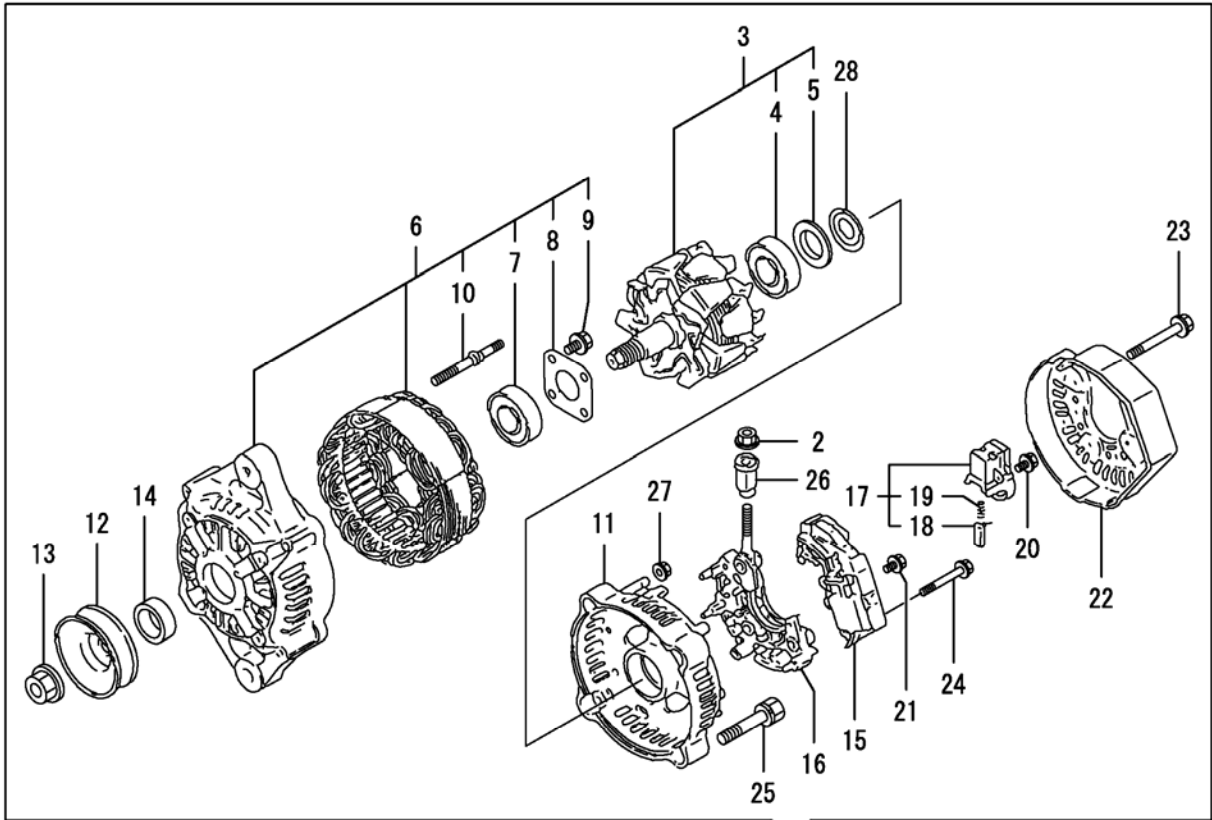


Fig.102

Fig.109

NOTE

FIG 116

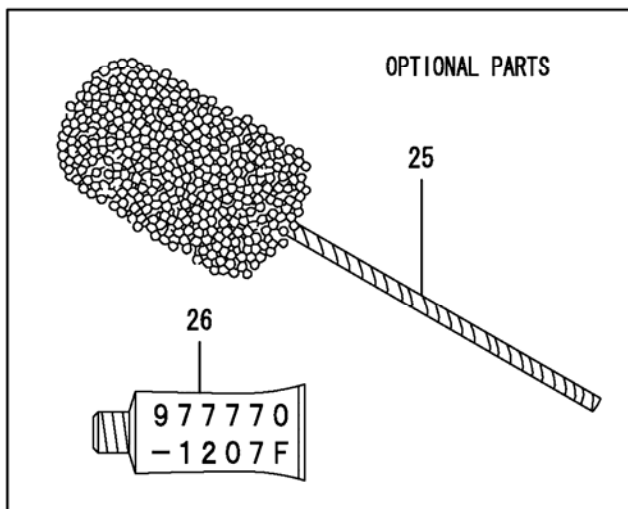
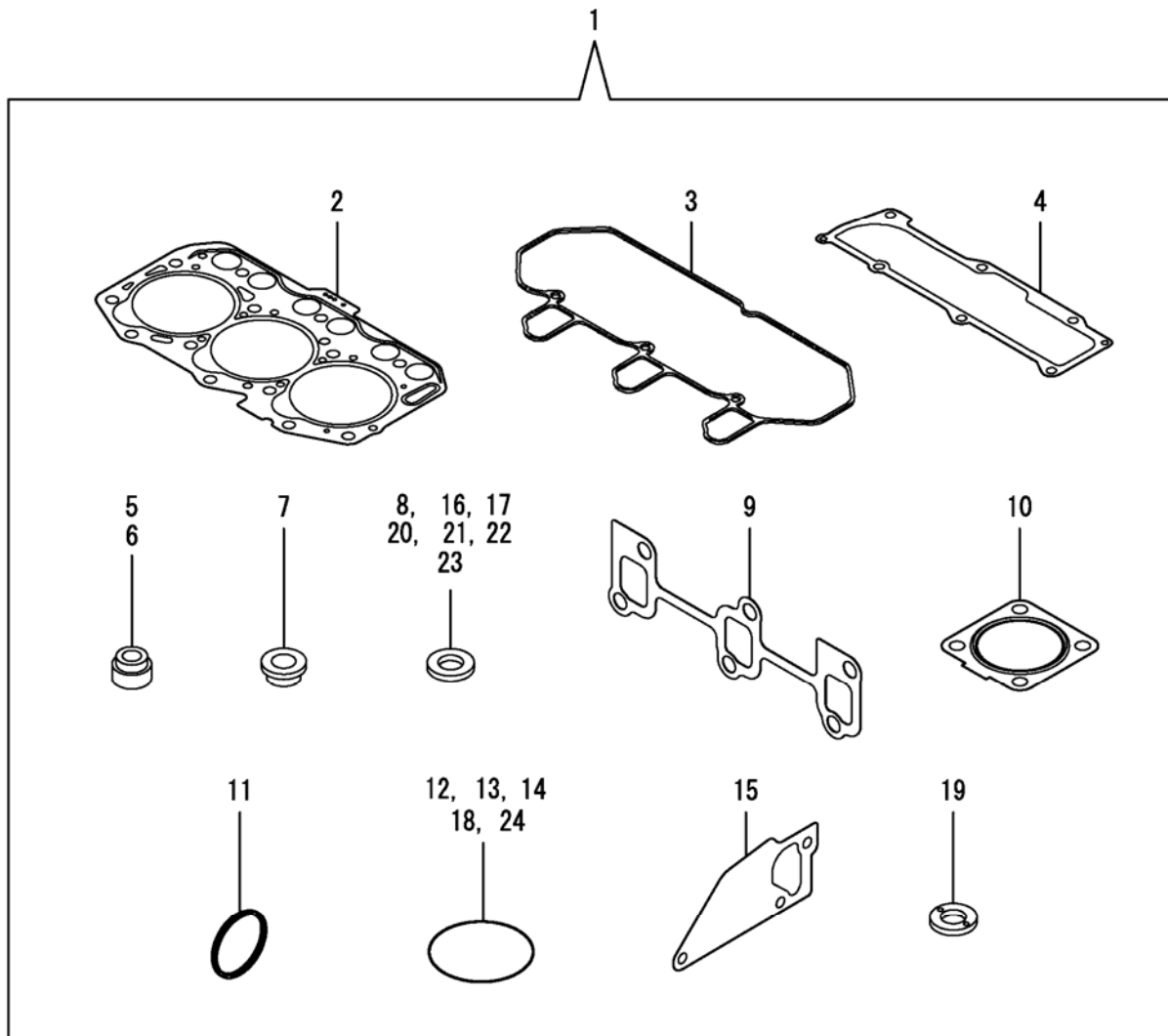
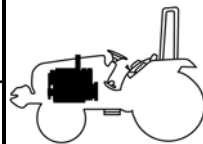
T254NH

GASKET SET

P1

Year

2014



NOTE

FIG 201

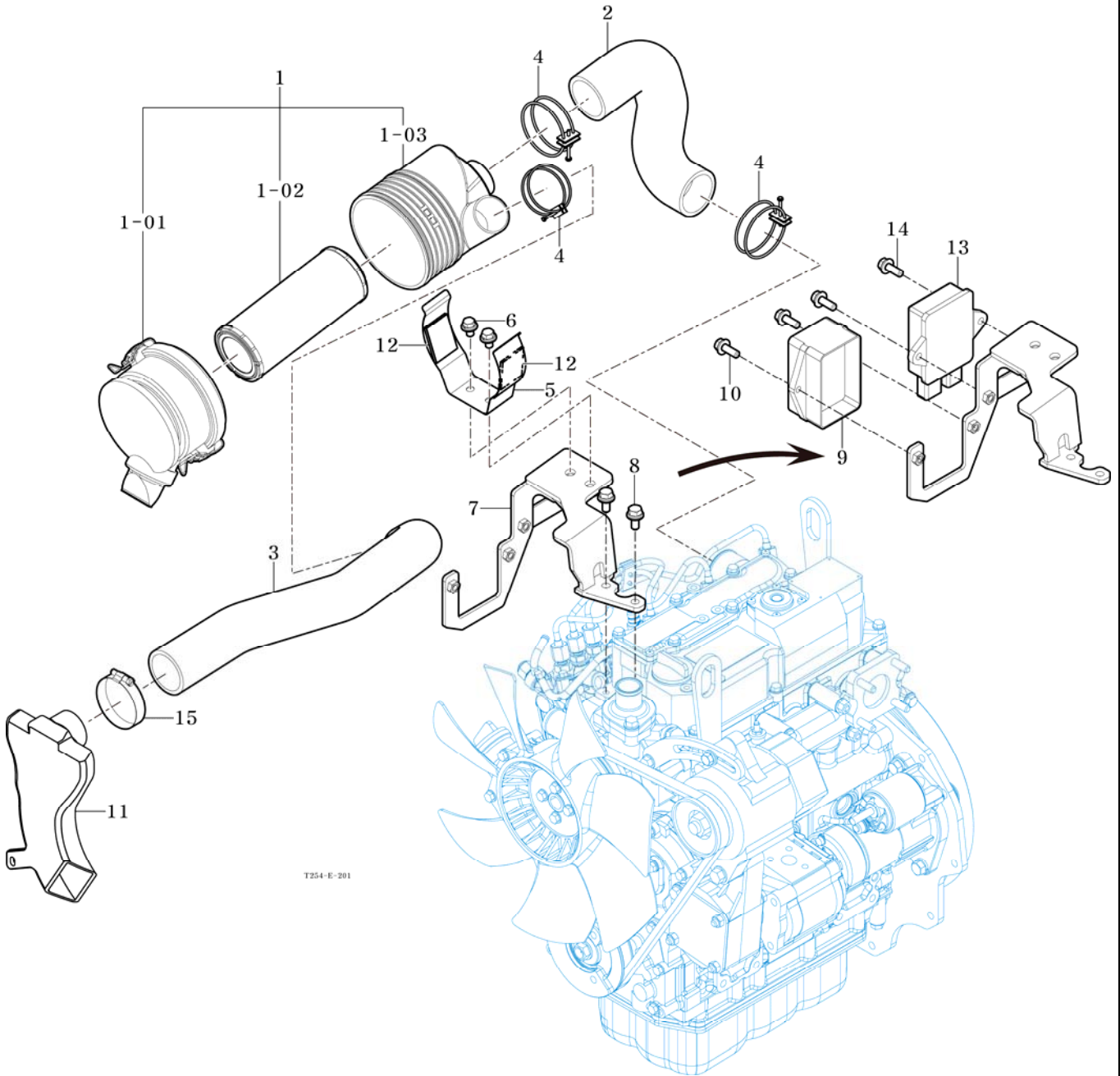
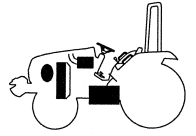
T254NH

AIR CLEANER

P1

Year

2014



T254-E-201

NOTE

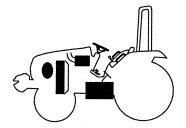
FIG 202

RADIATOR

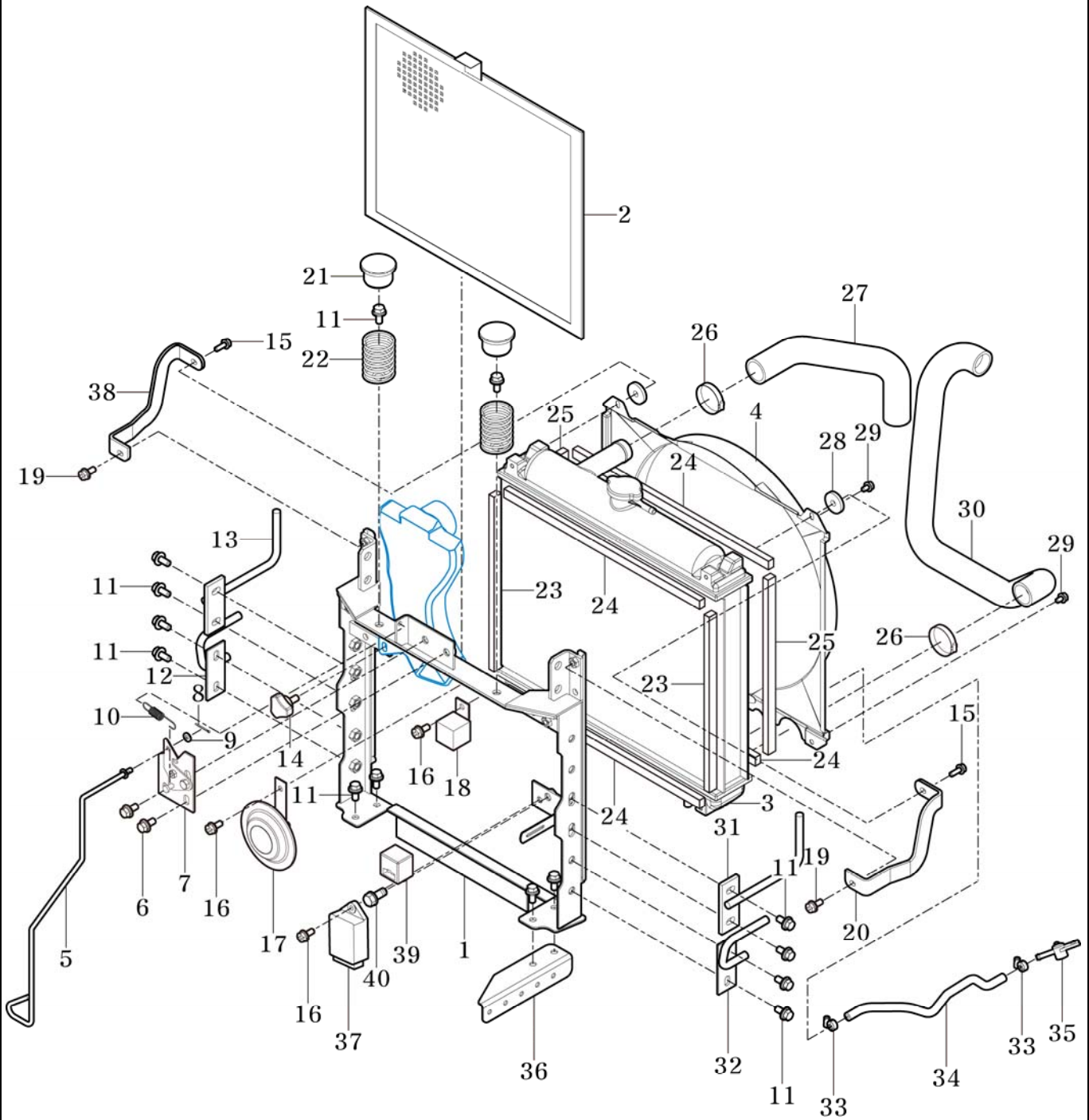
P1

Year

2014



T254NH



T254-E-202

NOTE

FIG 203

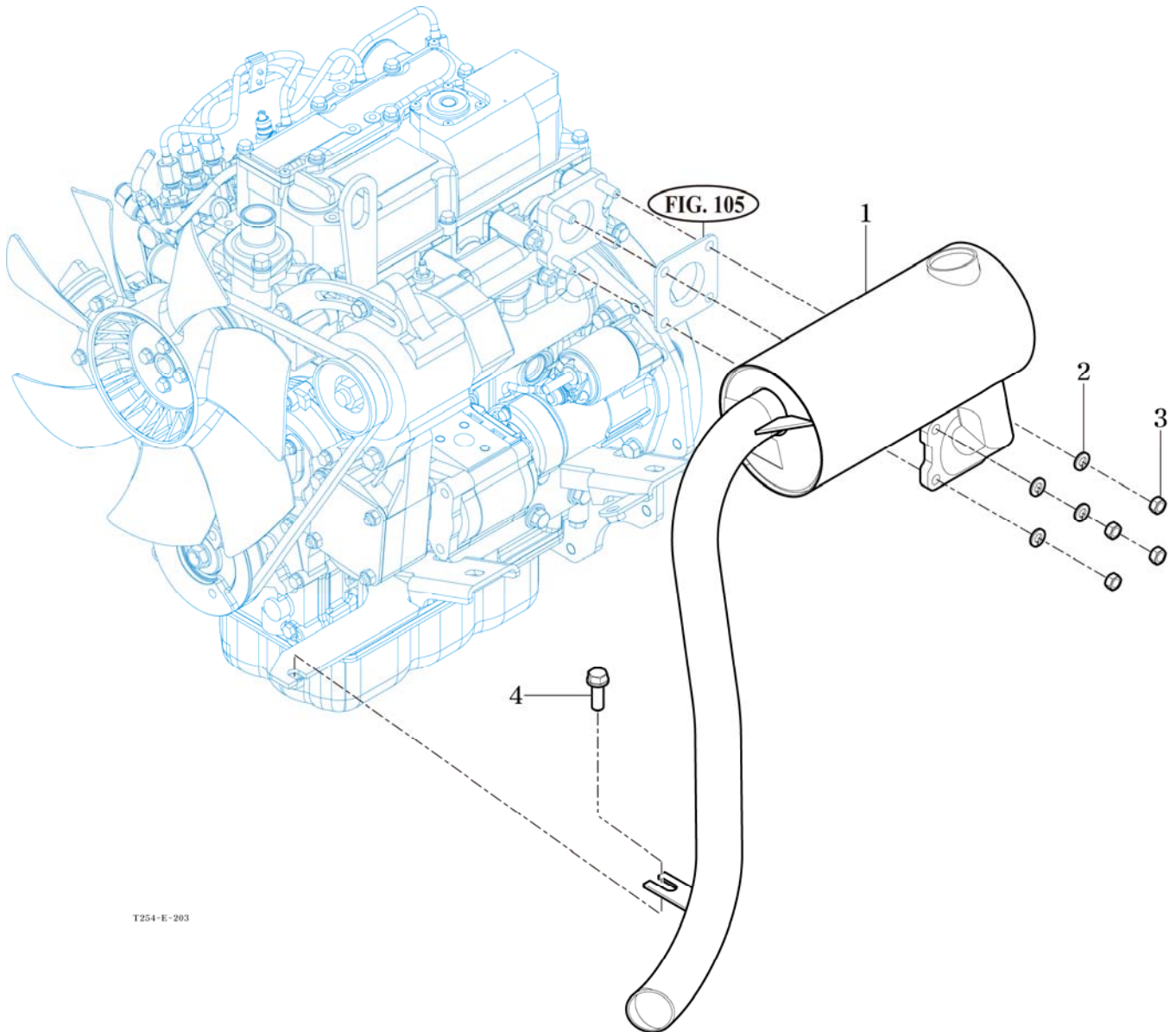
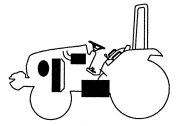
T254NH

MUFFLER

P1

Year

2014



T254-E-203

NOTE

FIG 204

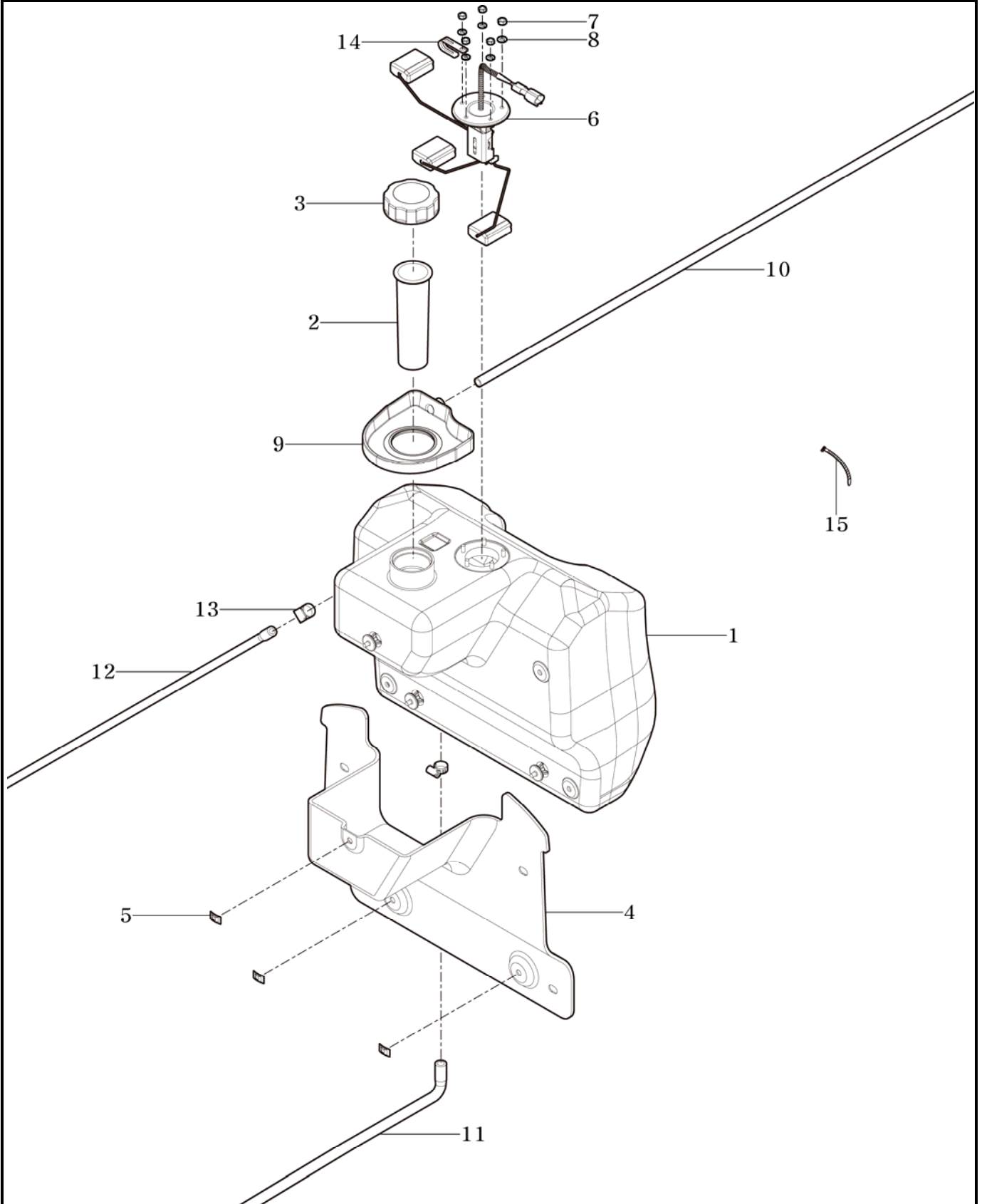
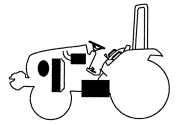
T254NH

FUEL TANK & FUEL LINE

P1

Year

2014



NOTE

FIG 206

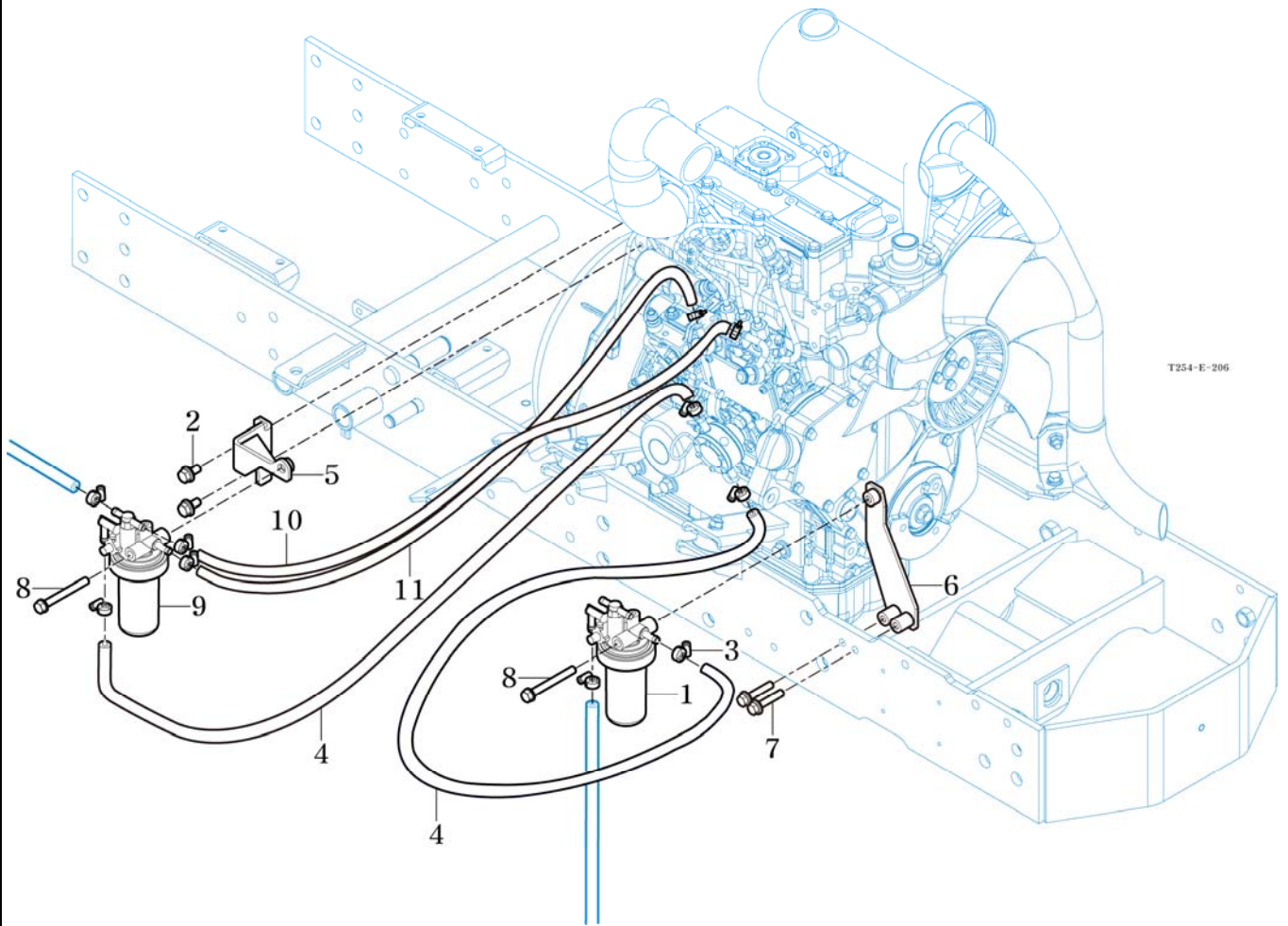
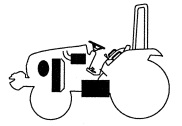
T254NH

FUEL FILTER

P1

Year

2014



NOTE

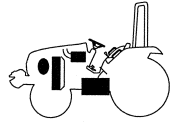
FIG 207

ENGINE MOUNTING

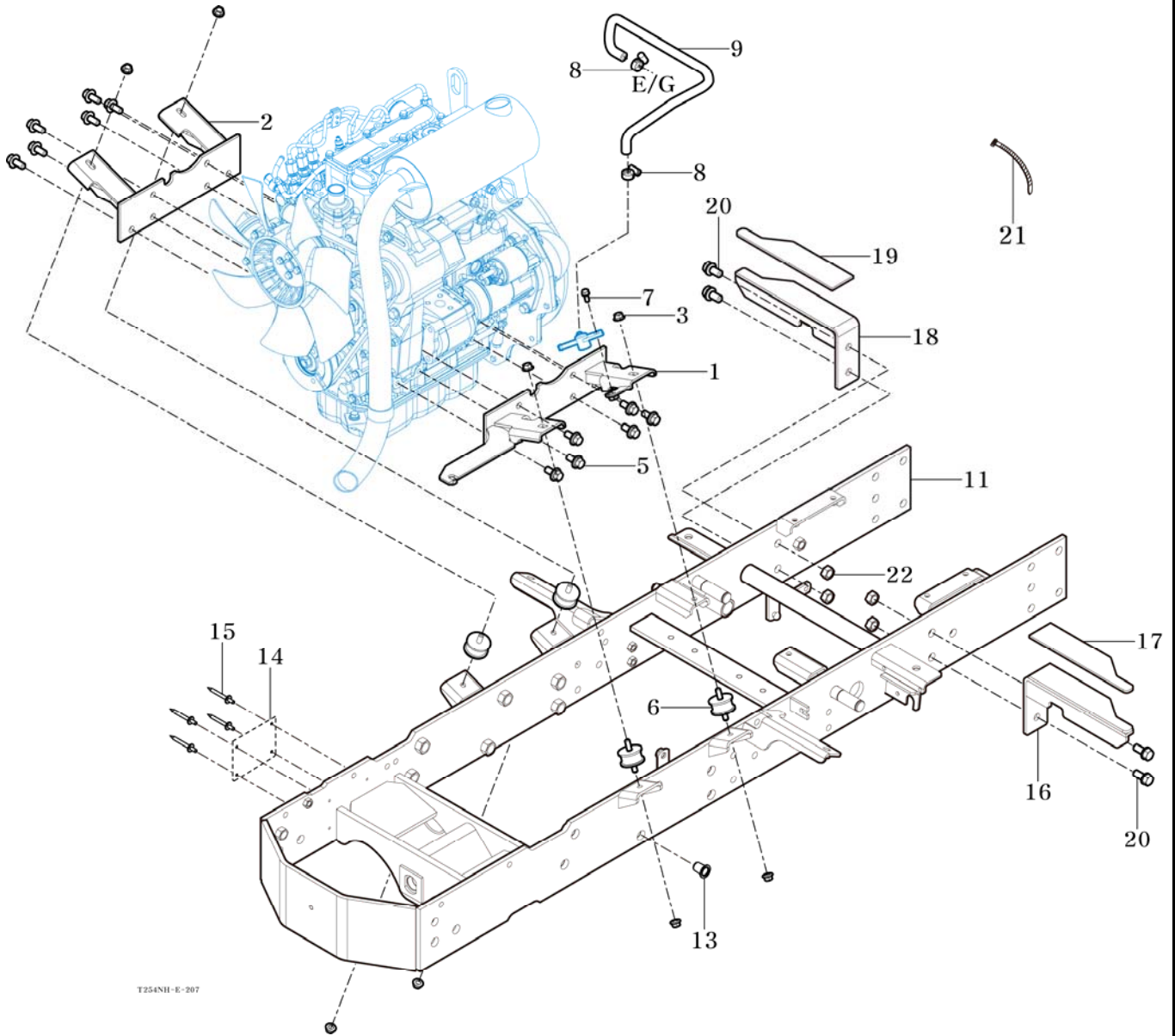
P1

Year

2014



T254NH



T254NH-E-207

NOTE

FIG 301

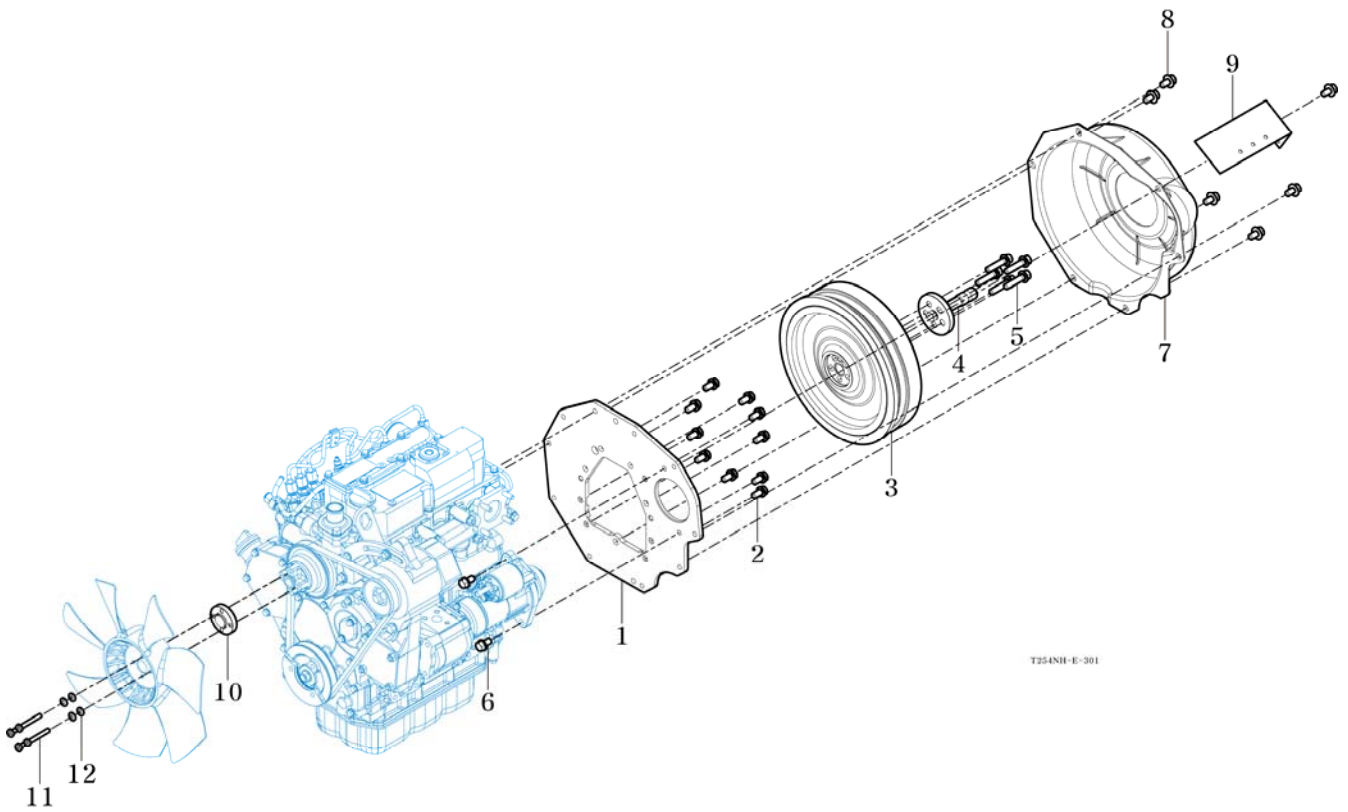
T254NH

FLYWHEEL COVER

P1

Year

2014



T254NH-E-301

NOTE

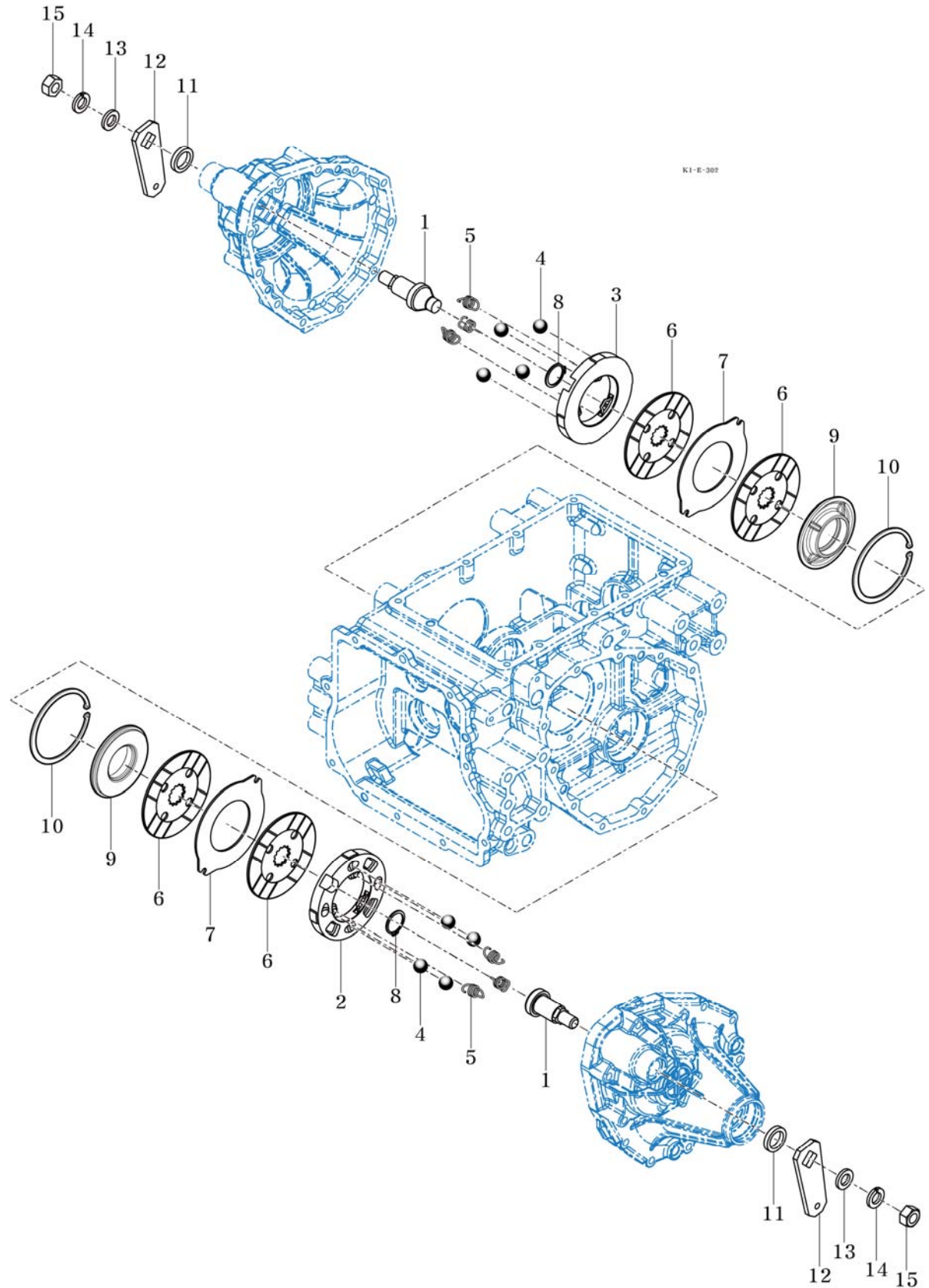
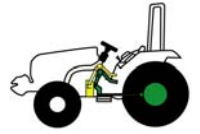
FIG 302

BRAKE

P1

Year

2014



NOTE

FIG 303

BRAKE PEDAL & LINKAGE

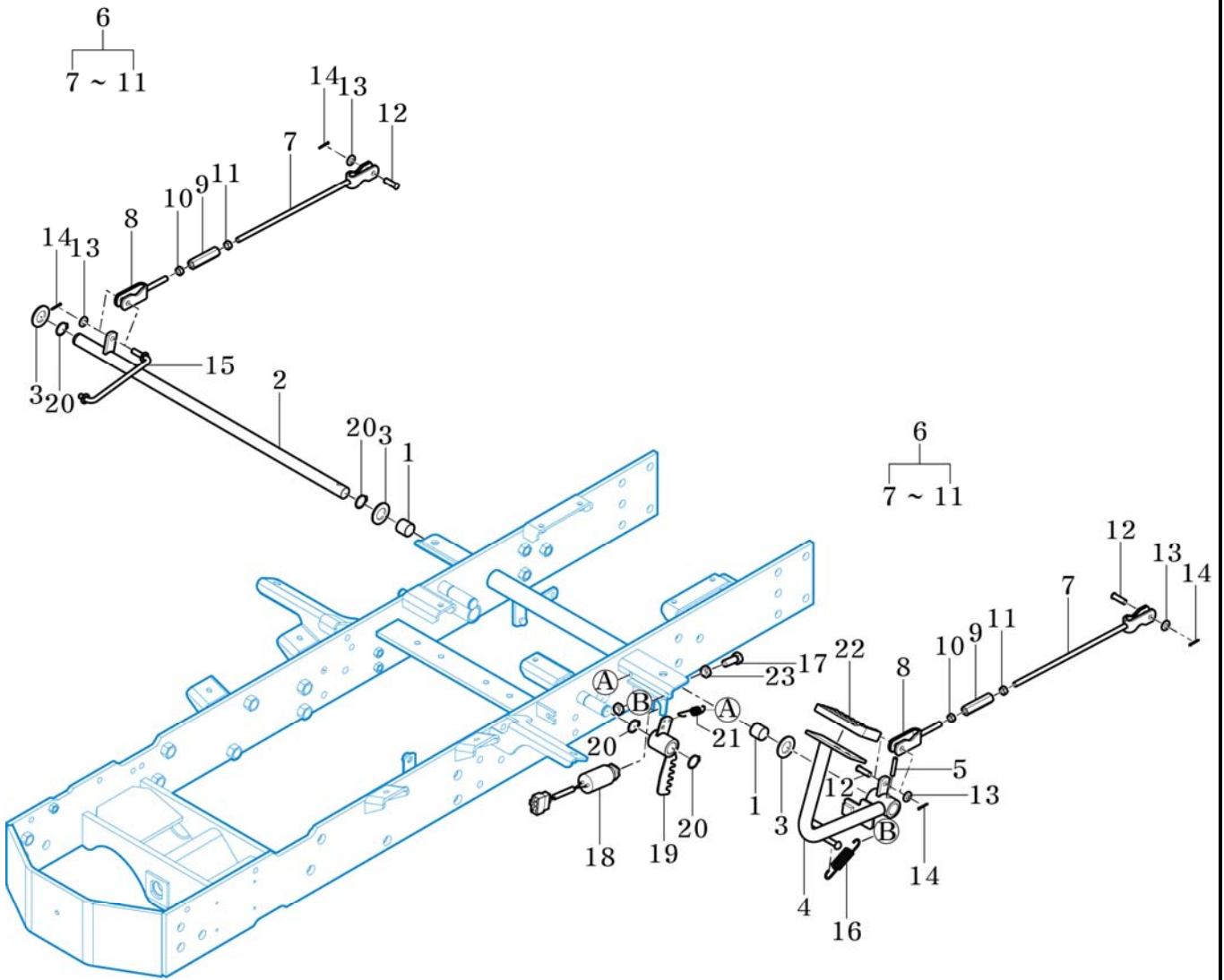
P1

Year

2014



T254NH



EMAX25NH22NH-E-304

NOTE

FIG 304

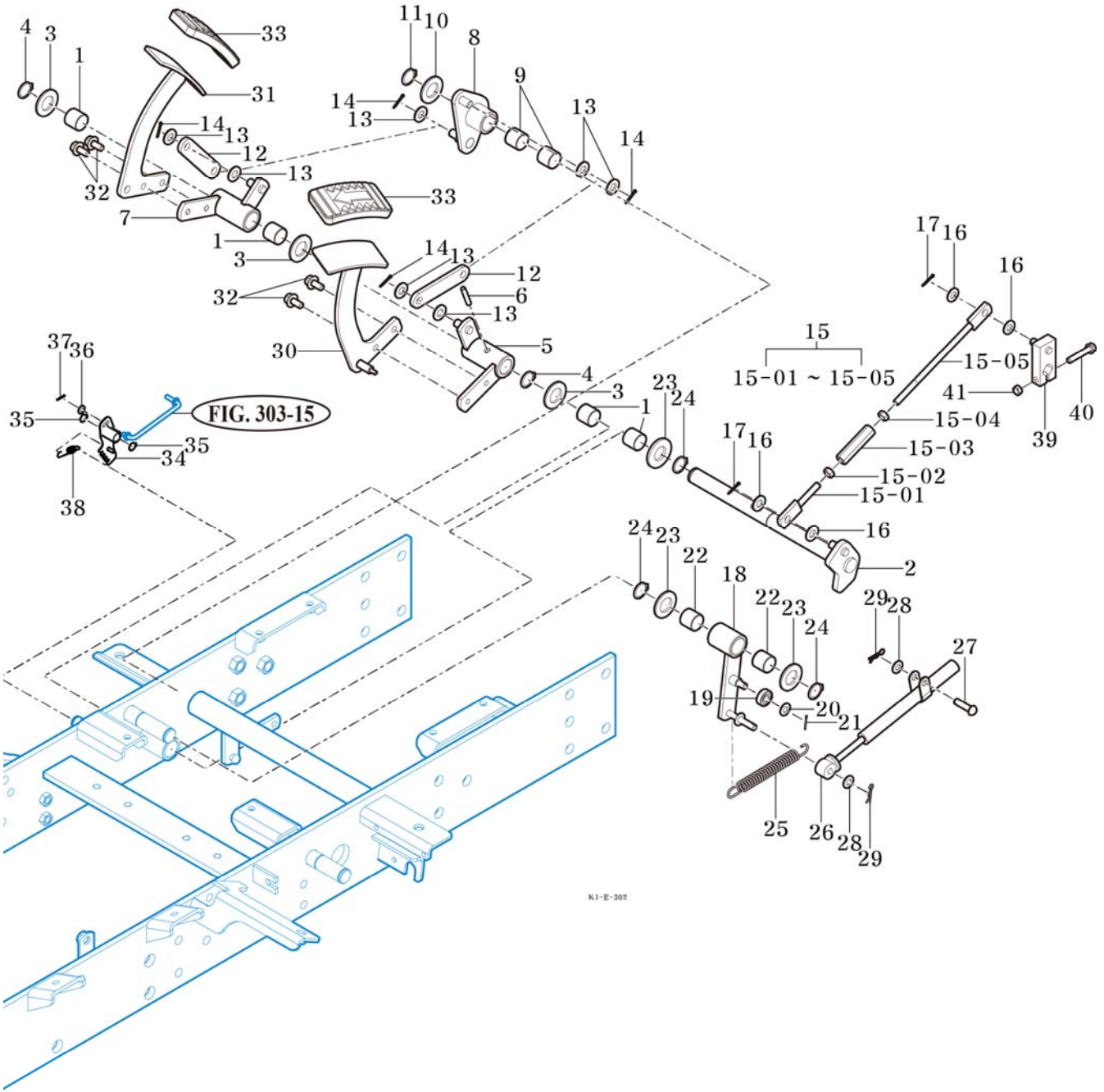
SPEED CONTROL

T254NH

P1

Year

2014



K1-E-302

NOTE

FIG 305

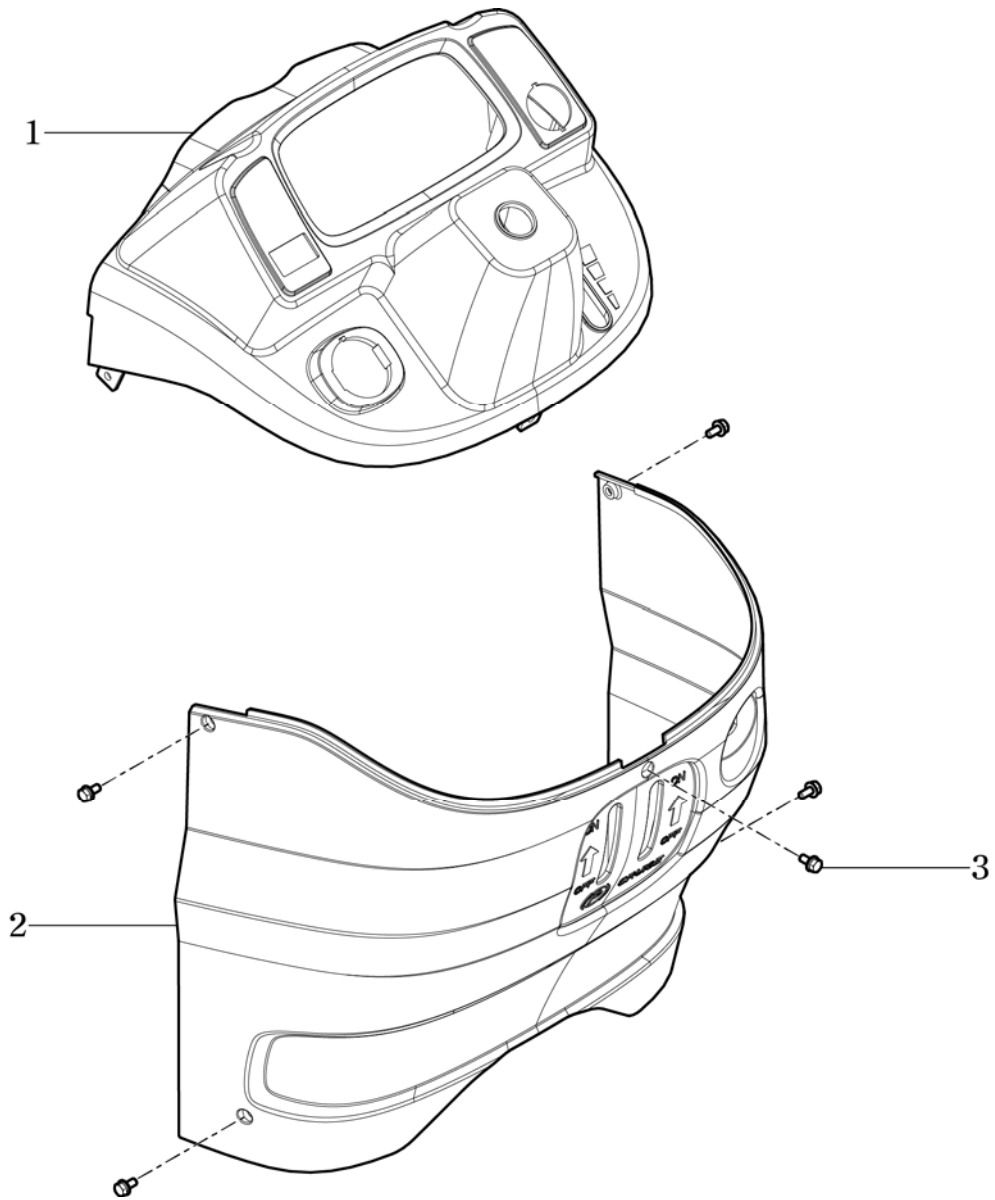
T254NH

DASH COVER

P1

Year

2014



NOTE

FIG 306

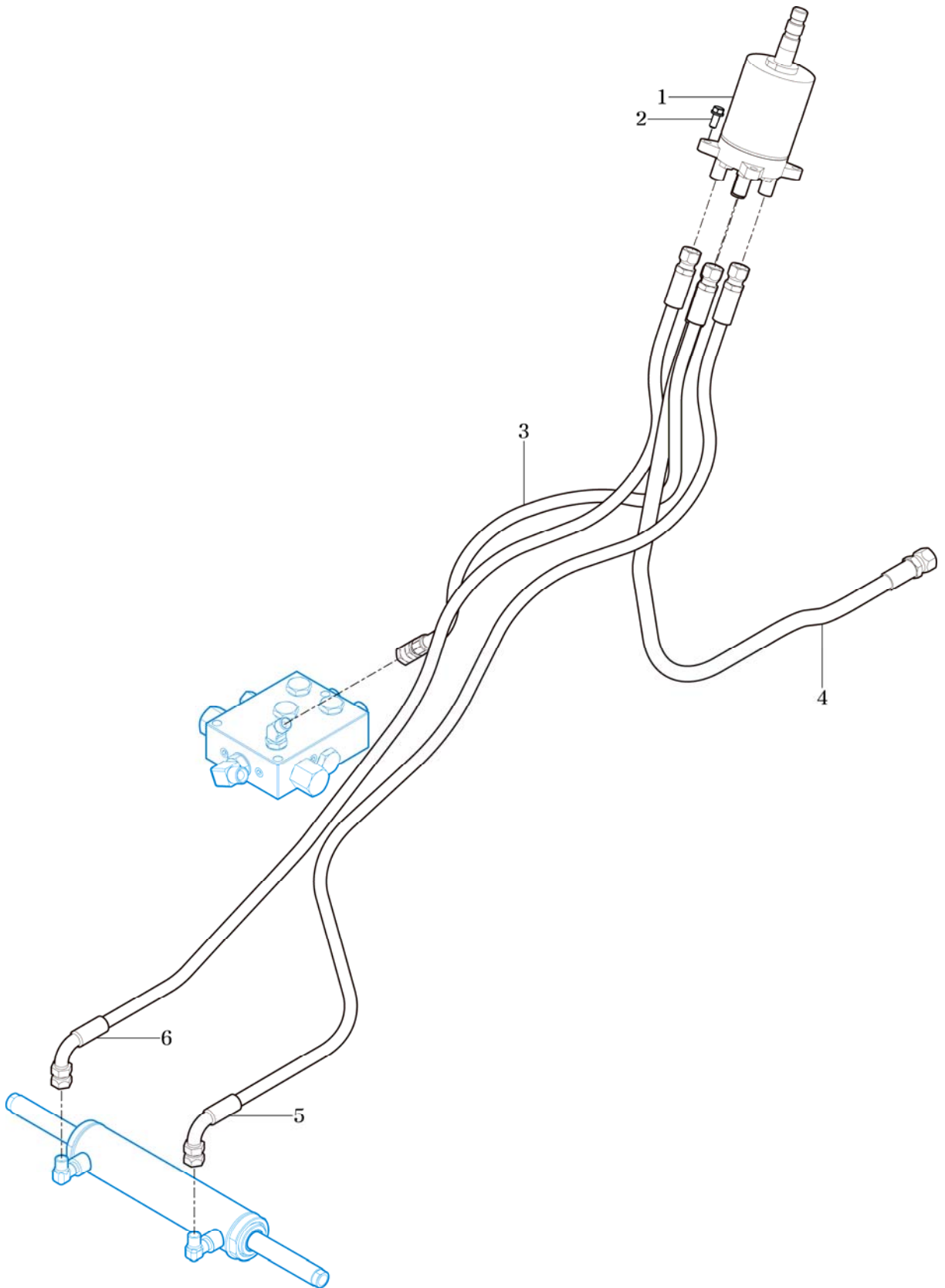
T254NH

STEERING VALVE

P1

Year

2014



NOTE

FIG 307

STEERING CYLINDER

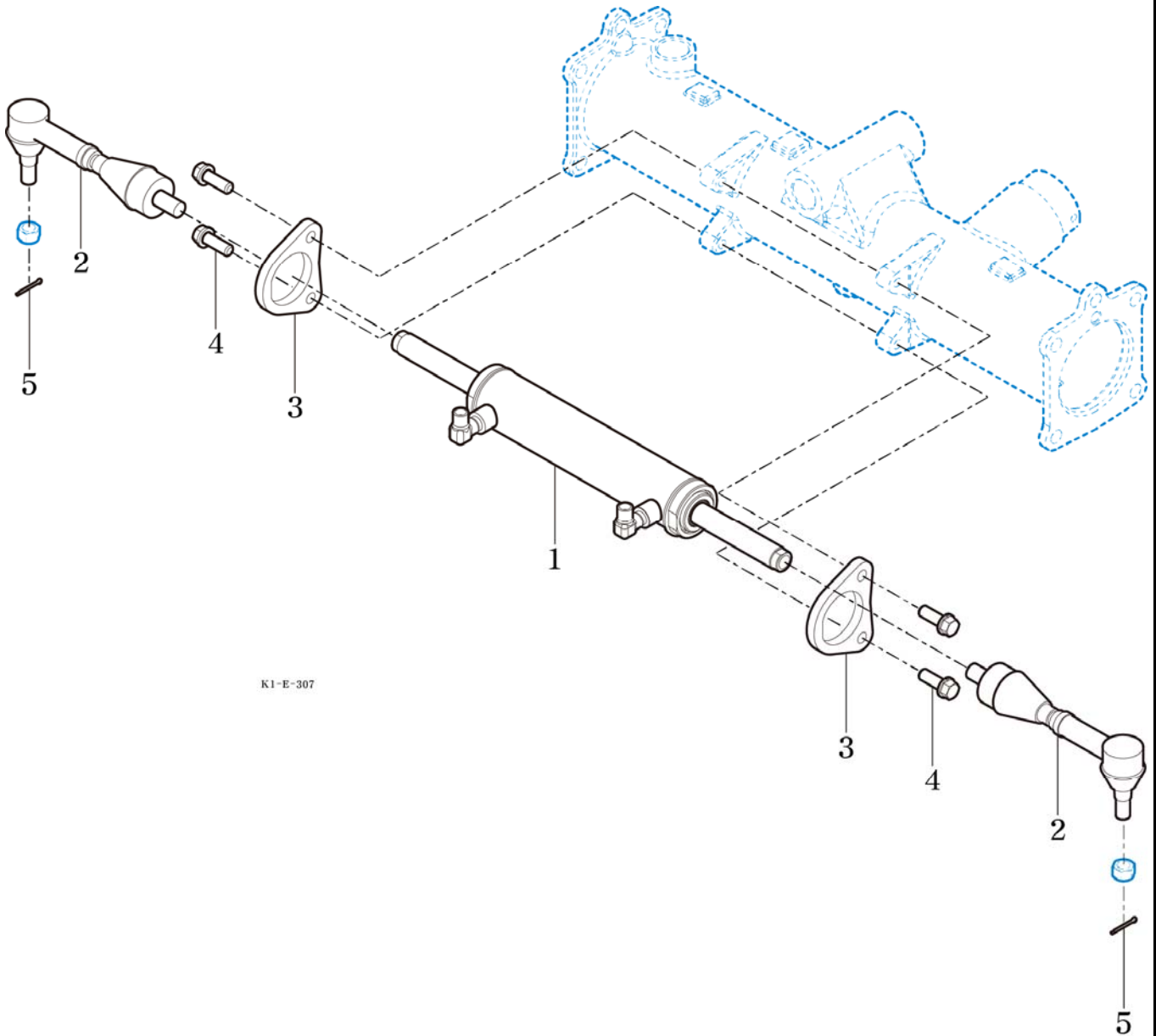
P1

Year

2014



T254NH



NOTE

FIG 308

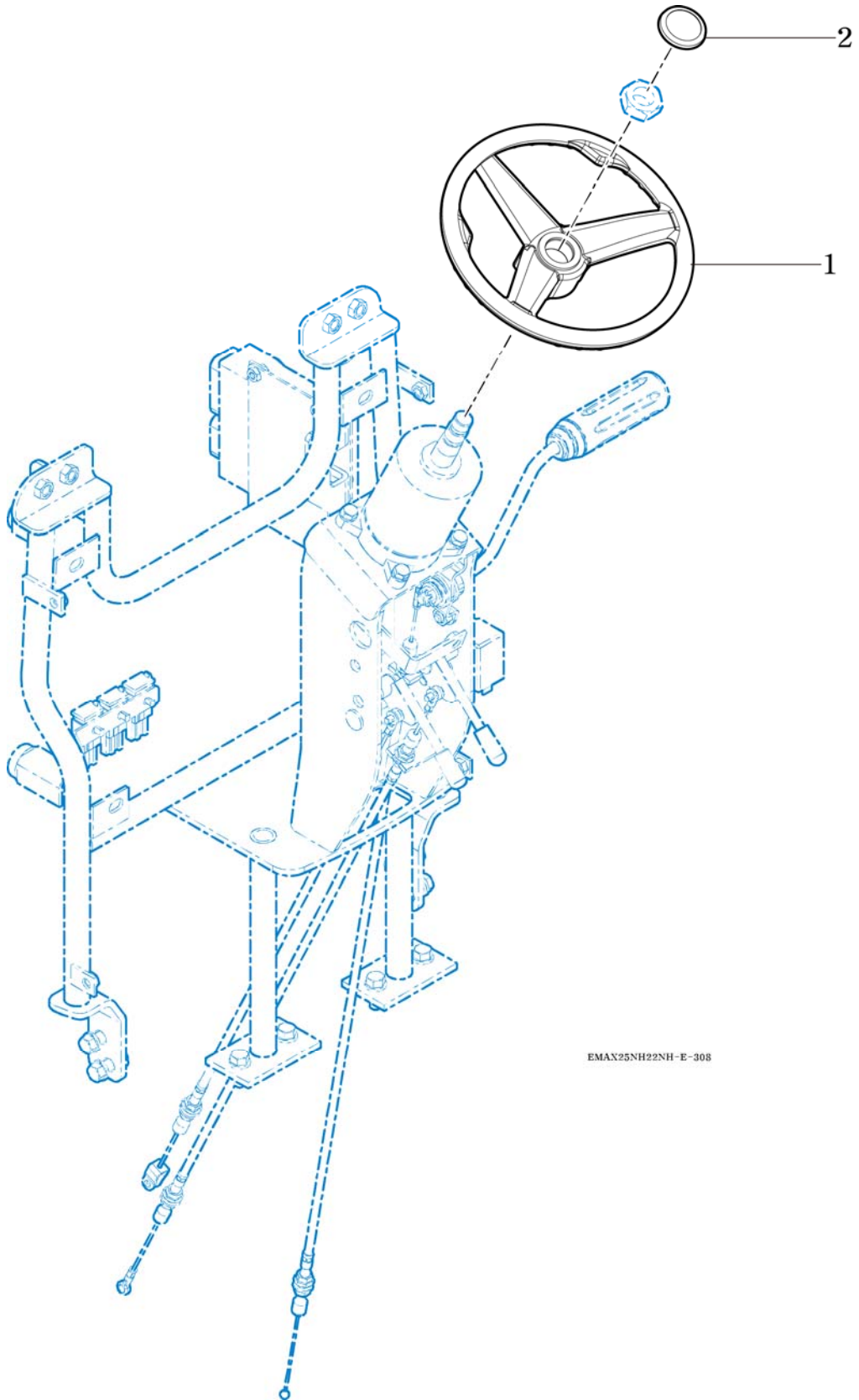
T254NH

STEERING WHEEL

P1

Year

2014



EMAX25NH22NH-E-308

NOTE

FIG 309

T254NH

WHEEL

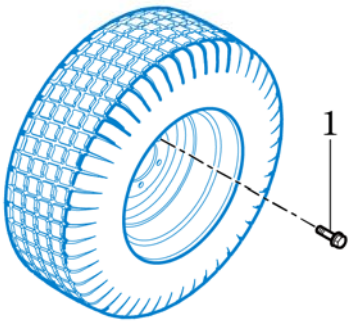
P1

Year

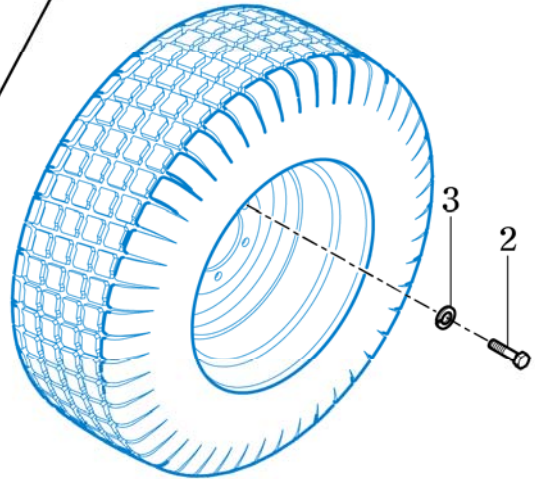
2014



FRONT



REAR



EMAN25NH22NH-E-309

NOTE

FIG 401

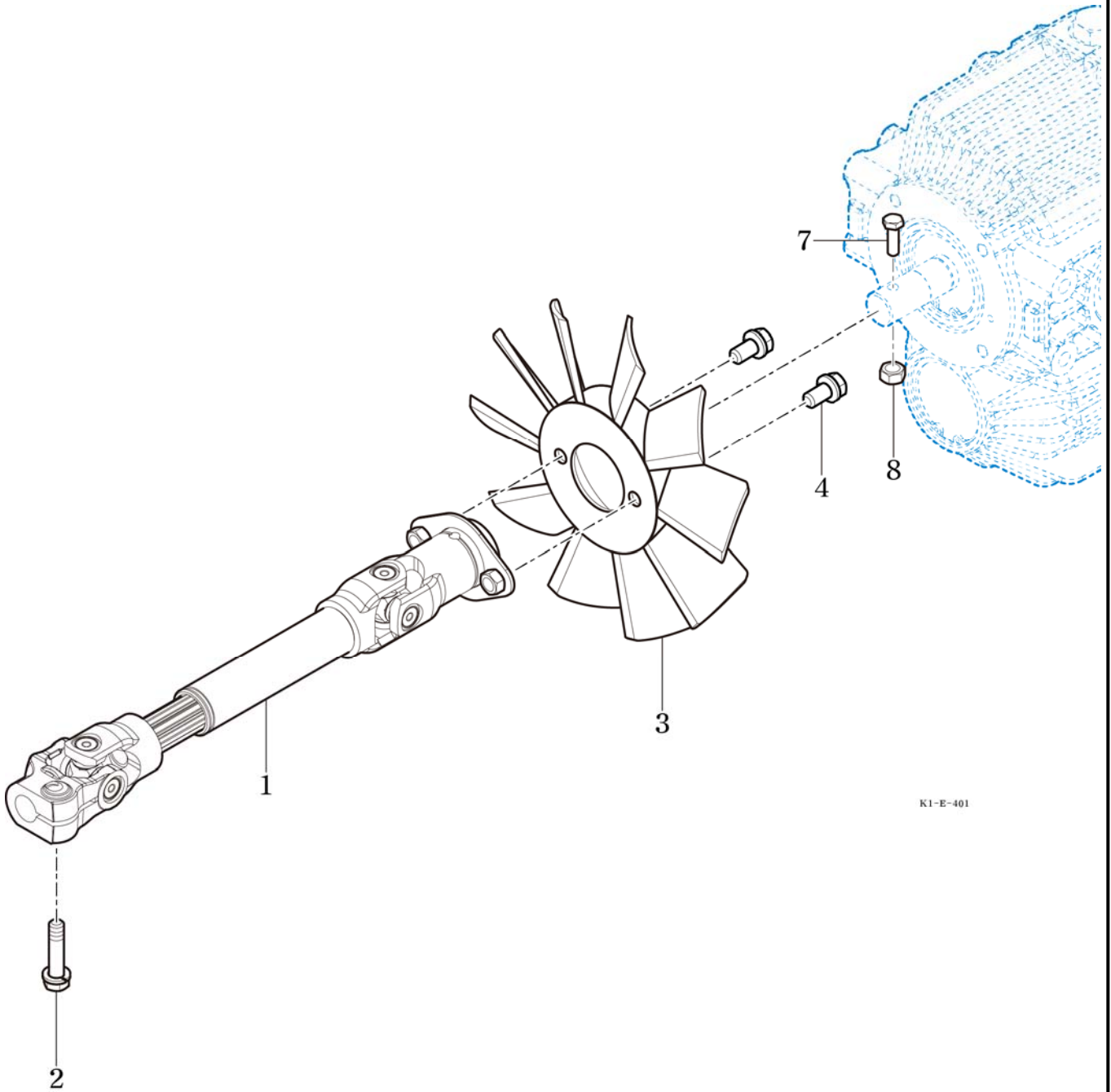
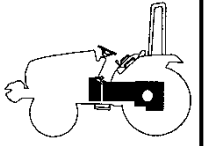
T254NH

INPUT SHAFT

P1

Year

2014



K1-E-401

NOTE

FIG 402

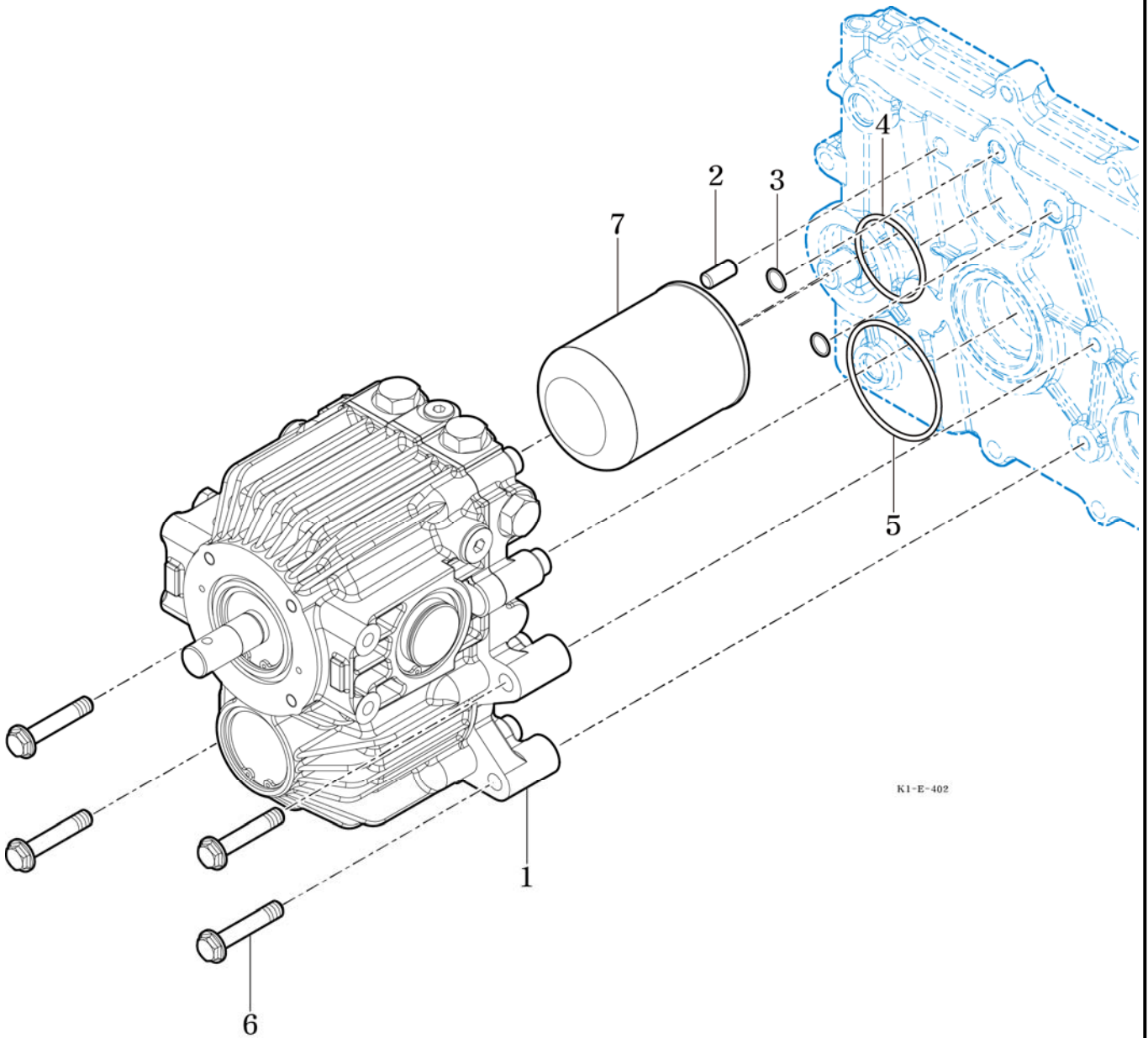
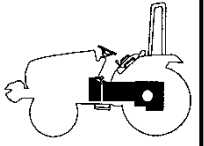
T254NH

HST

P1

Year

2014



K1-E-402

NOTE

FIG 403

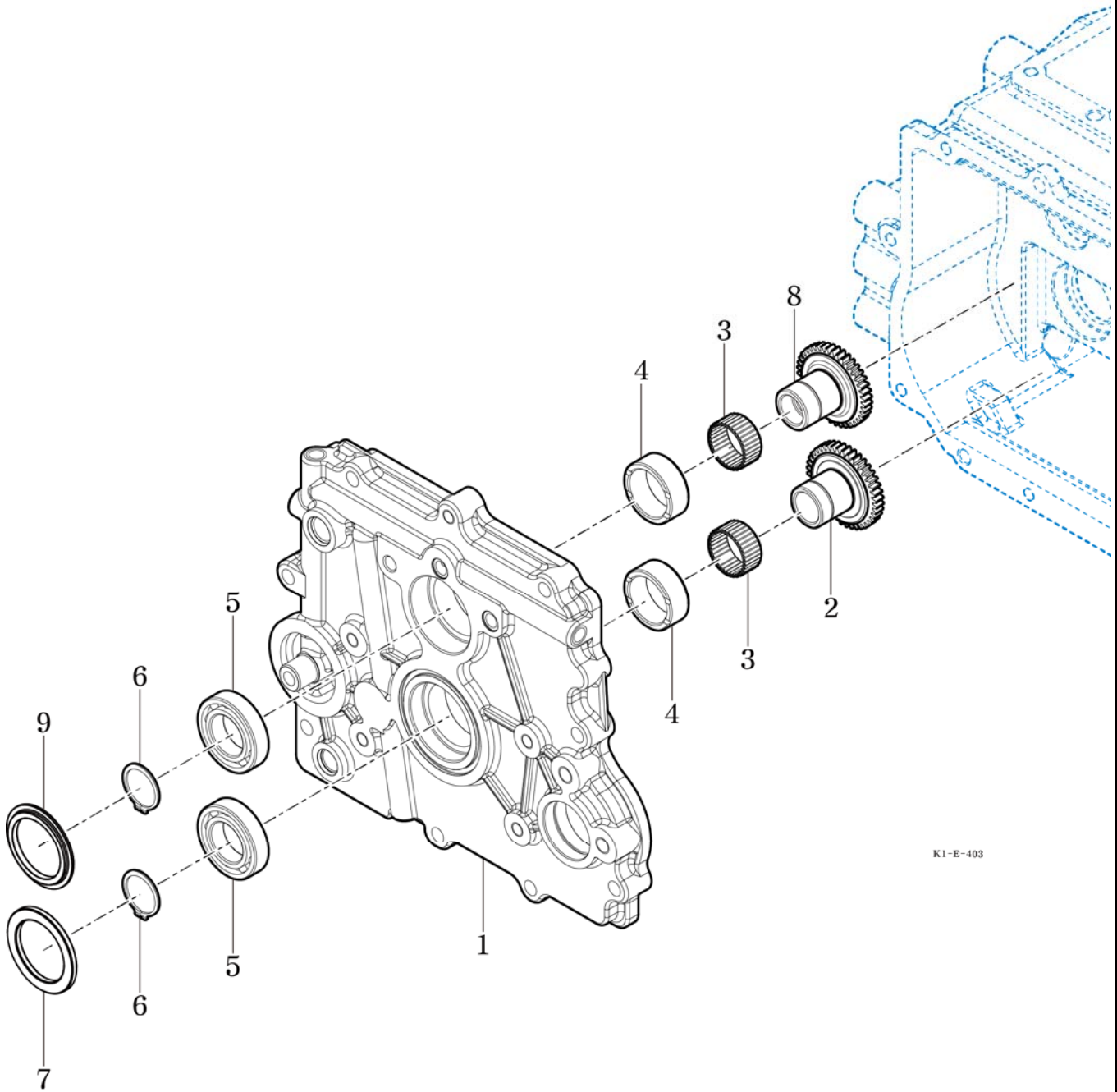
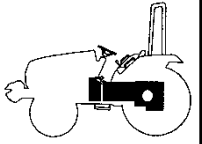
T254NH

INPUT GEAR

P1

Year

2014



K1-E-403

NOTE

FIG 404

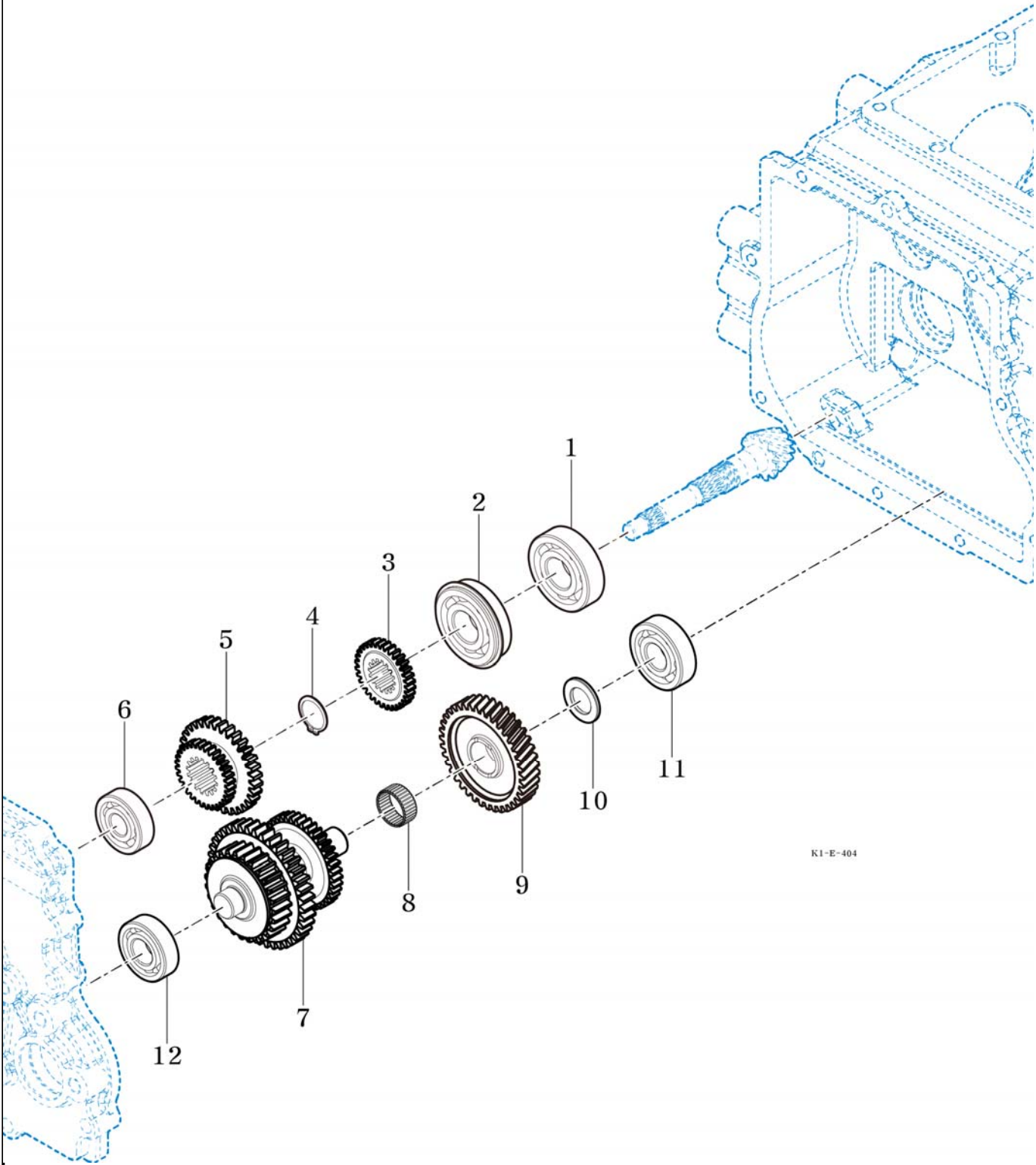
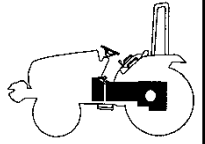
T254NH

RANGE GEAR

P1

Year

2014



K1-E-404

NOTE

FIG 405

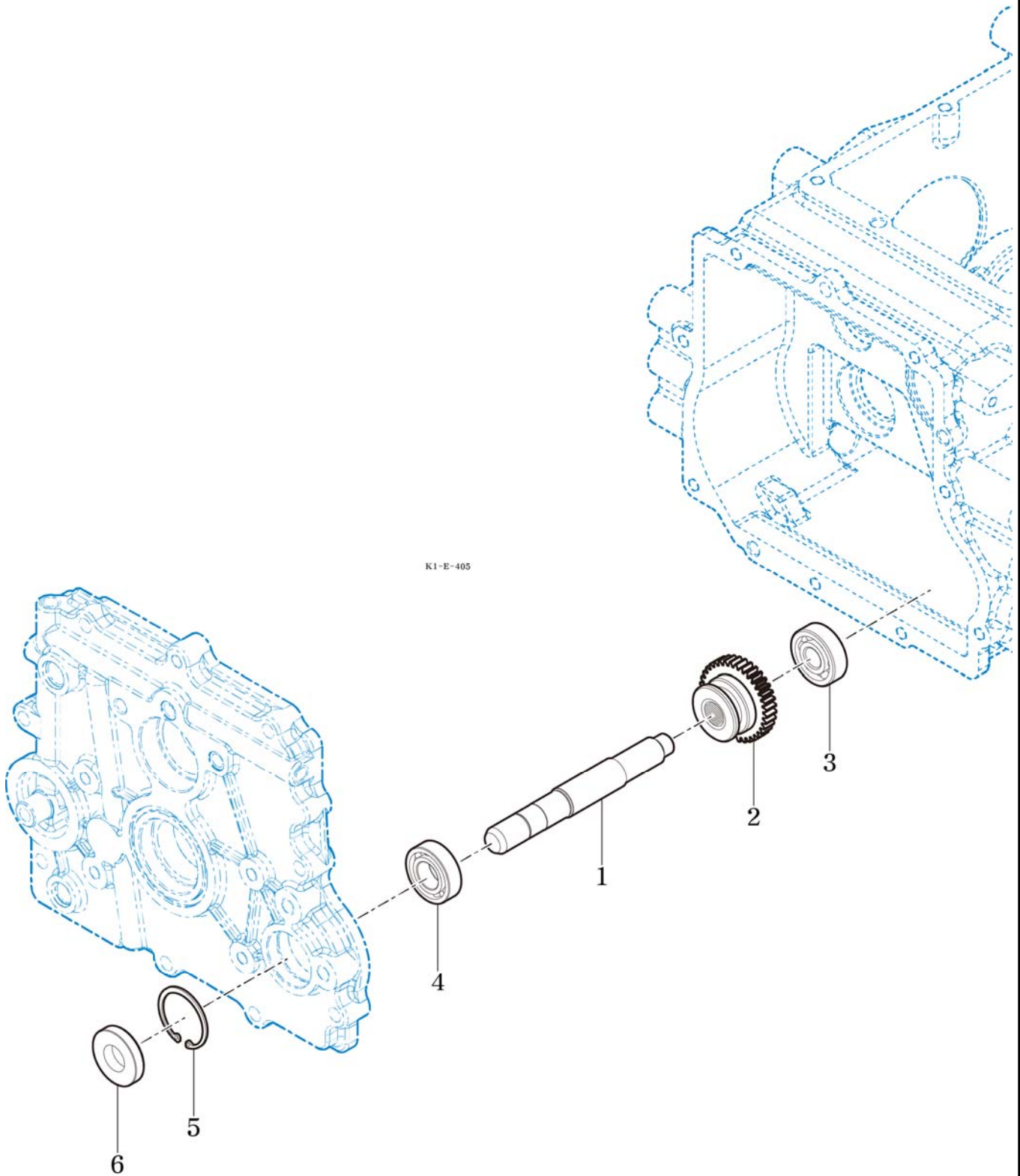
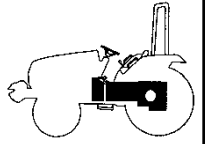
T254NH

4WD DRIVE GEAR

P1

Year

2014



NOTE

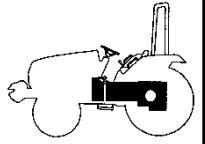
FIG 406

P.T.O DRIVE SHAFT

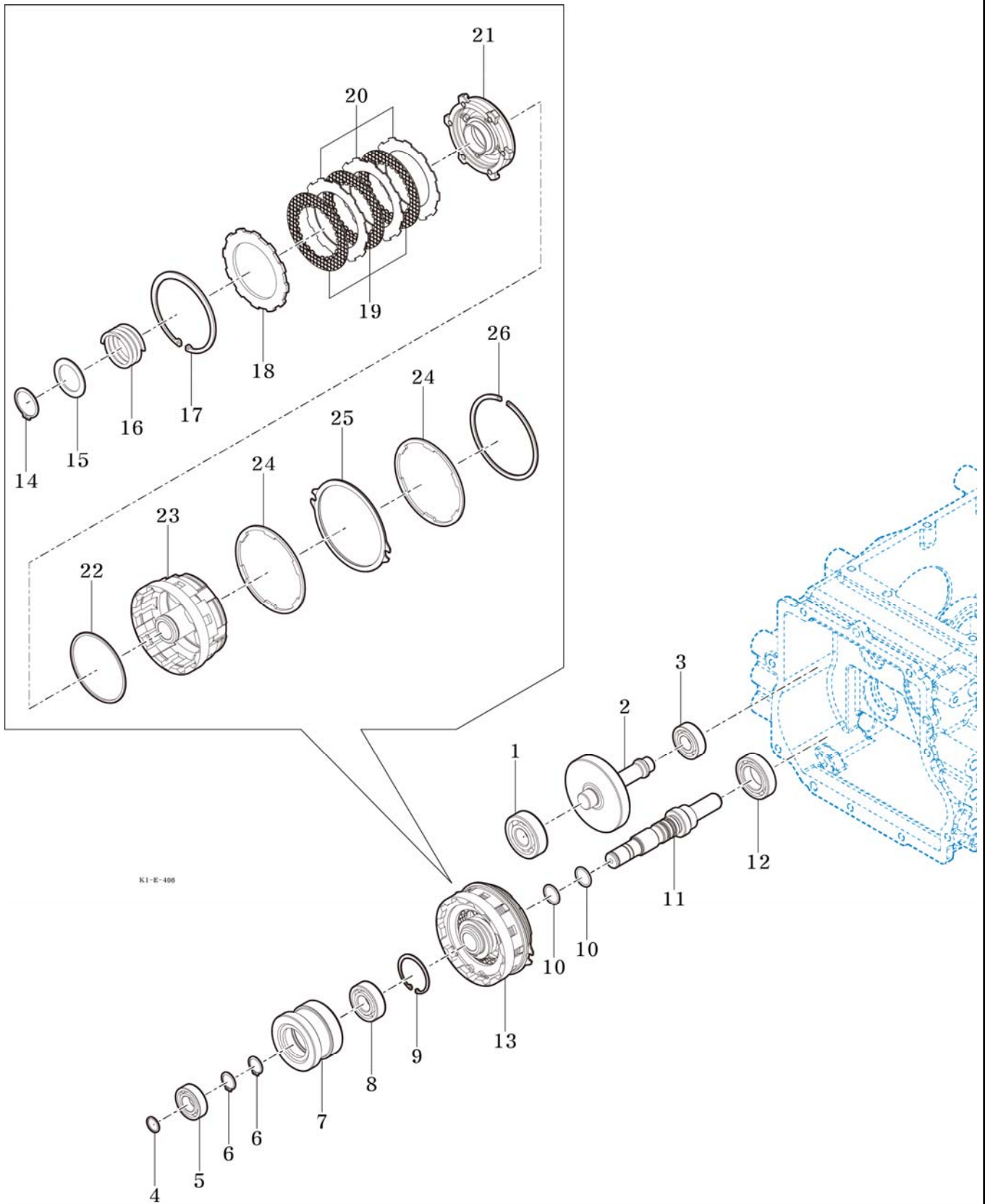
P1

Year

2014



T254NH



NOTE

FIG 407

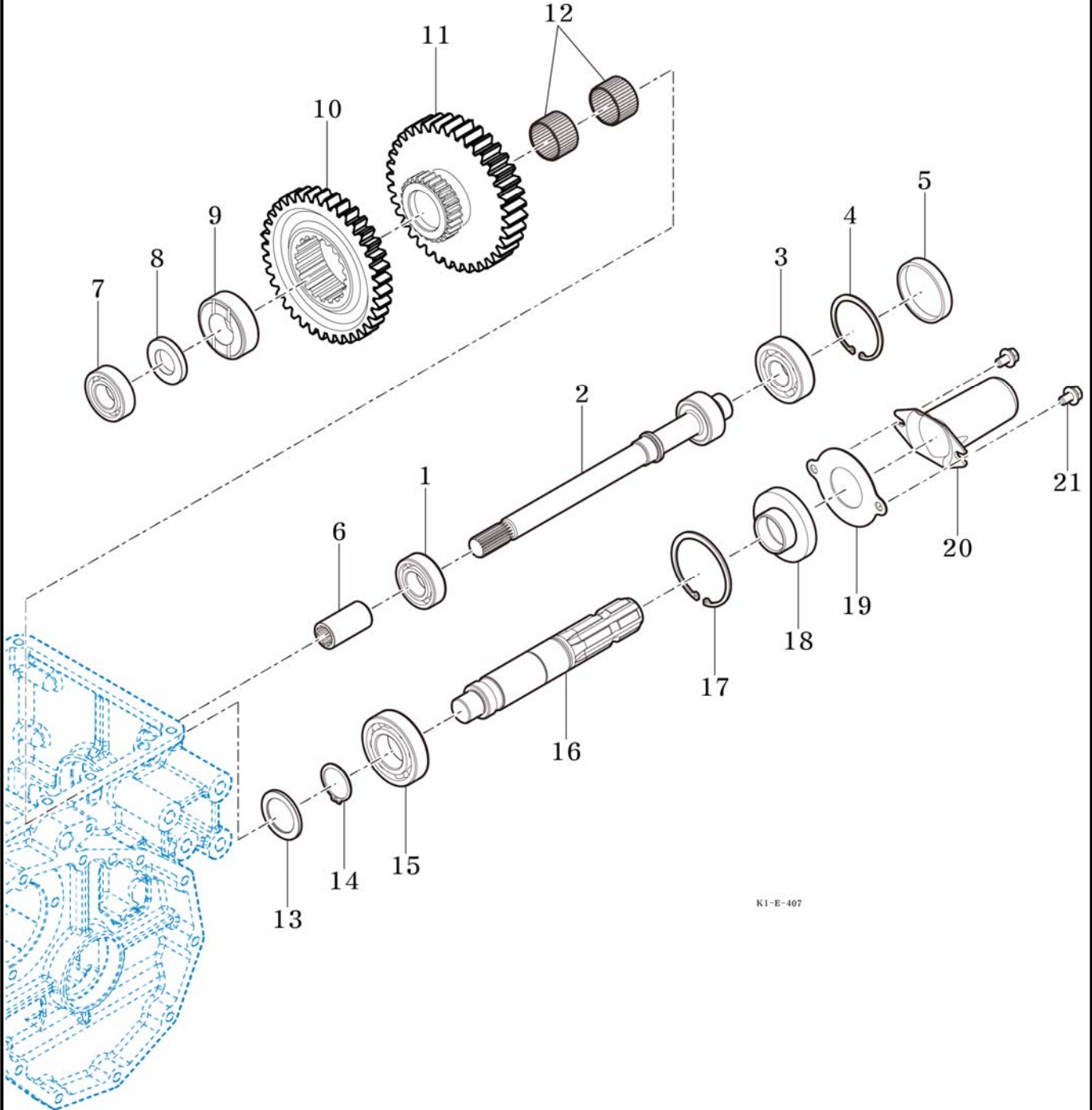
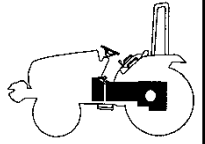
T254NH

P.T.O SHAFT

P1

Year

2014



K1-E-407

NOTE

FIG 407 T254NH	P.T.O SHAFT	P1	Year	
			2014	

KEY NO.	PART NO.	DESCRIPSTION	SPEC.	QTY.	REPAIR	EFFECTIVE DATE	REMARKS
407	001	V6001106205	BEARING , BALL	6205	1		
407	002	11202520011	SHAFT , PTO COUNT		1		
407	003	V6001106305	BEARING , BALL	6305	1		
407	004	V7051400620	C-RING , HOLE	62	1		
407	005	14443140080	SEAL , 62		1	C	
407	006	14211340190	COUPLING		1		
407	007	V6001106205	BEARING , BALL	6205	1		
407	008	11102530040	WASHER , 25X40X7		1		
407	009	15642730052	HUB , 35X62X20		1		
407	010	13152530031	GEAR , SPUR 41T		1		
407	011	11202530021	GEAR , PTO 50T		1		
407	012	V6544354026	BEARING , NEEDLE CAGED	KT354026	2		
407	013	19022160031	COLLAR , 35X50X4		1		
407	014	V7041400350	C-RING , SHAFT	35	1		
407	015	V6001106207	BEARING , BALL	6207	1		
407	016	11102530010	SHAFT , PTO		1		
407	017	V7051400720	C-RING , HOLE	72	1		
407	018	16322732000	SEAL ASSY , OIL		1	C	
407	019	16322730040	COVER		1		
407	020	14443140091	CAP , PTO SHAFT		1		
407	021	V2183608016	BOLT , HEX/SP	M8X16	2		

NOTE	
------	--

FIG 408

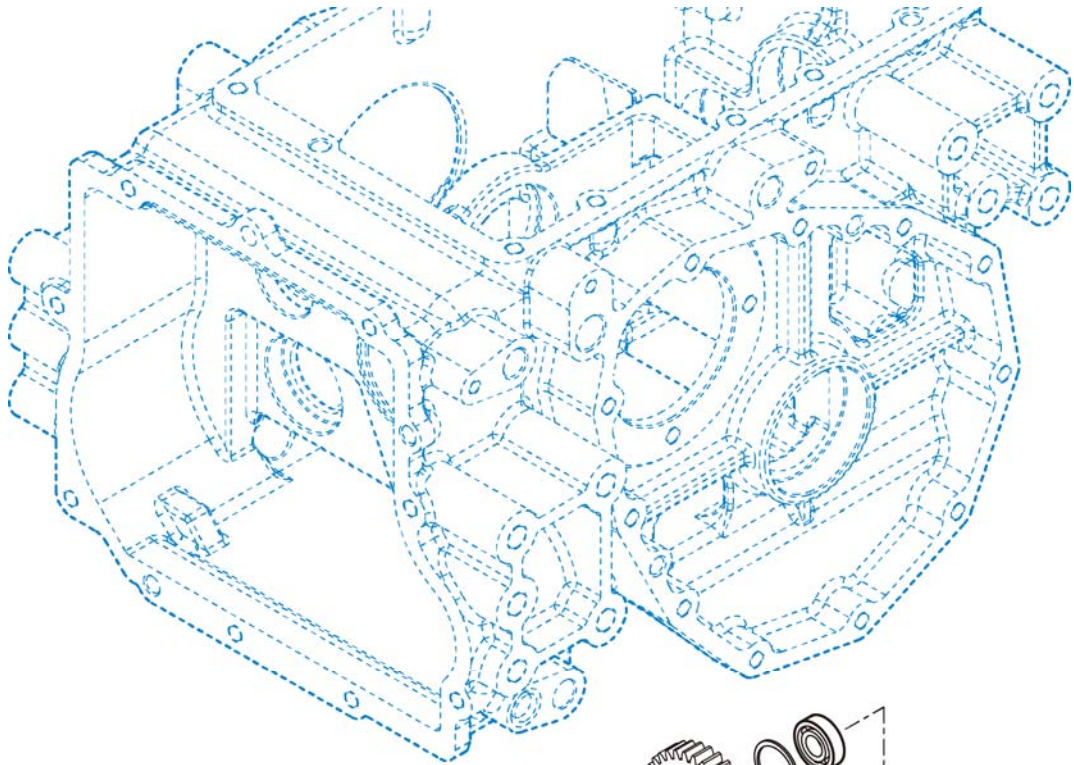
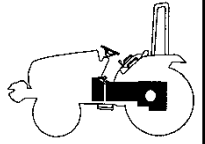
T254NH

MID P.T.O GEAR

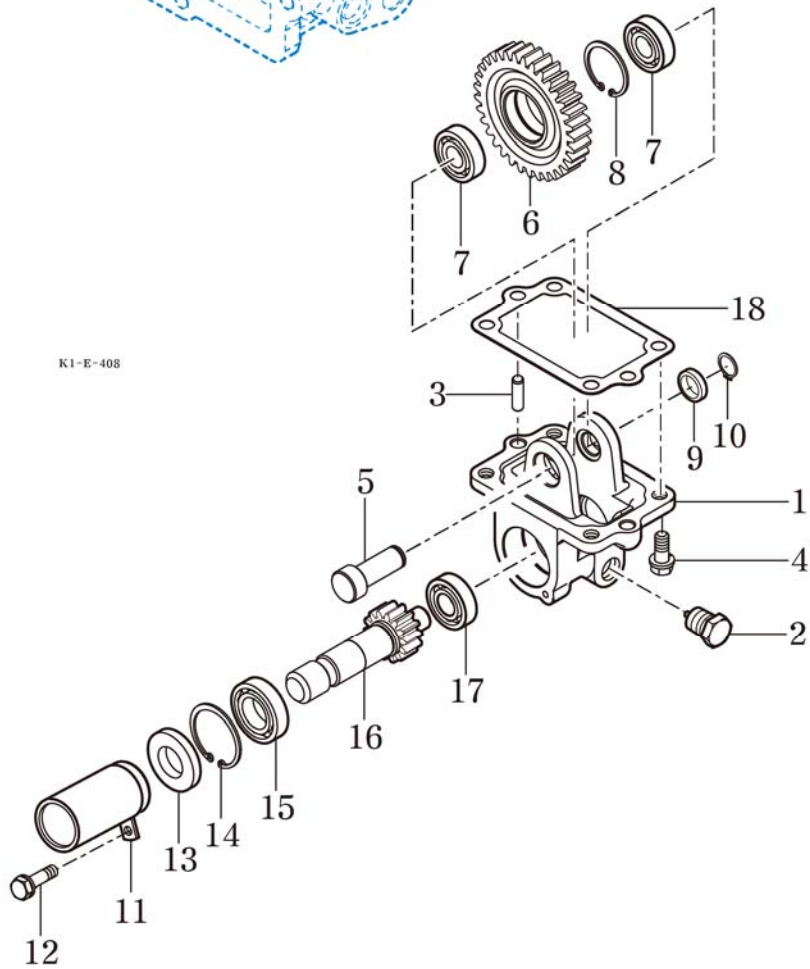
P1

Year

2014



K1-E-408



NOTE

FIG 409

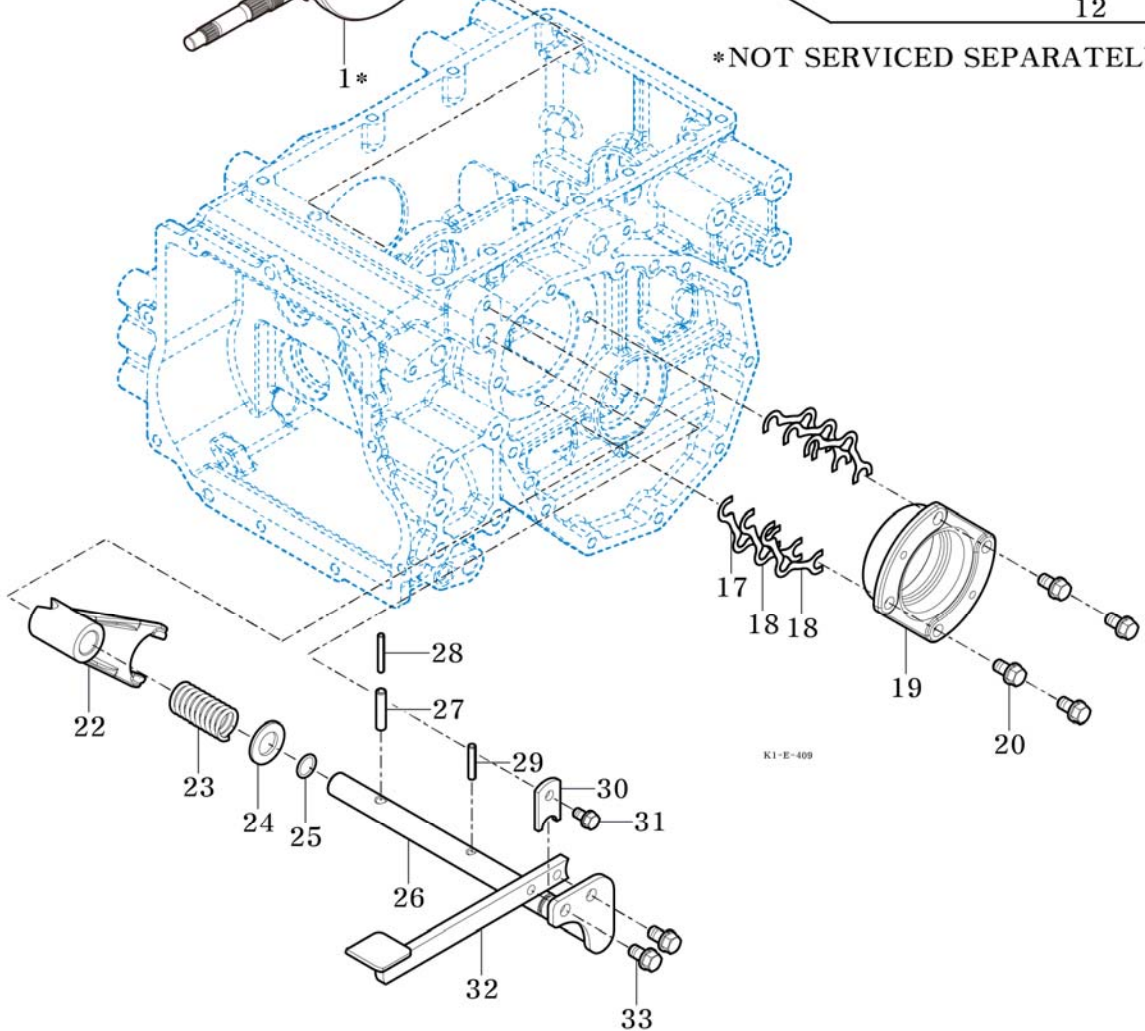
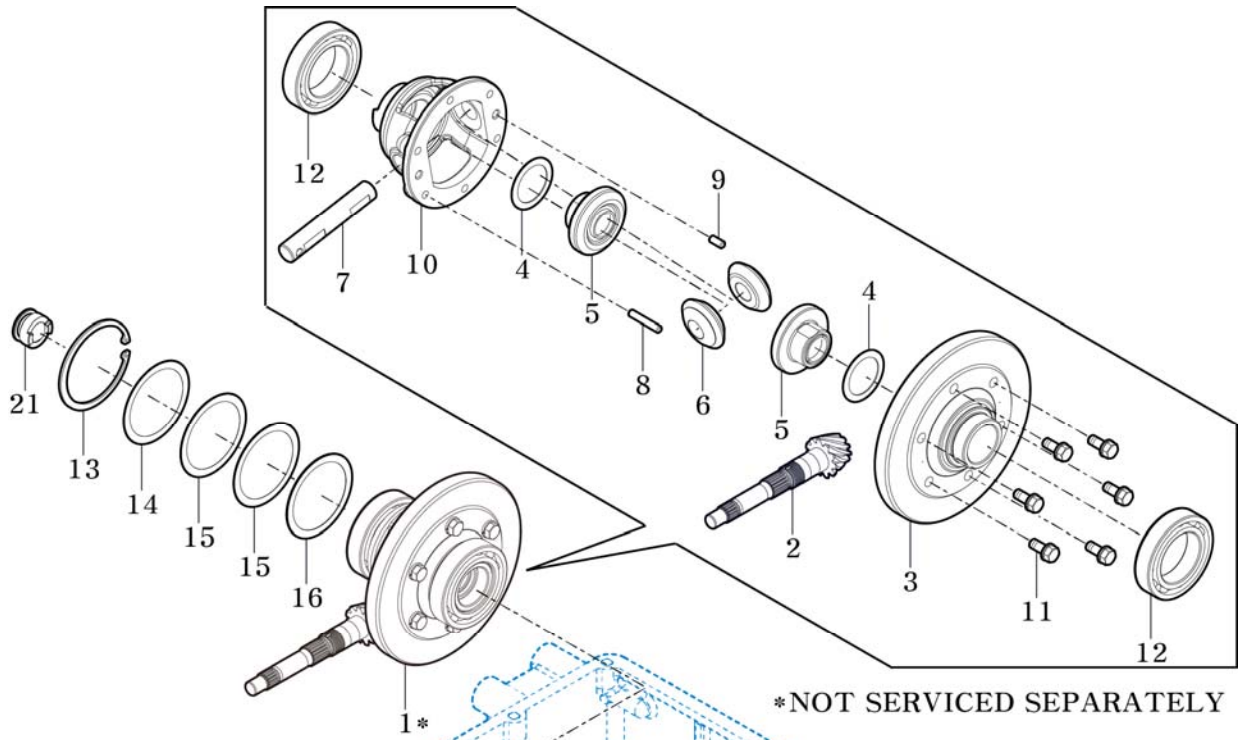
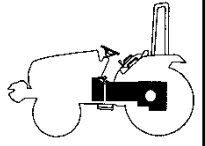
T254NH

DIFF LOCK

P1

Year

2014



NOTE

FIG 410

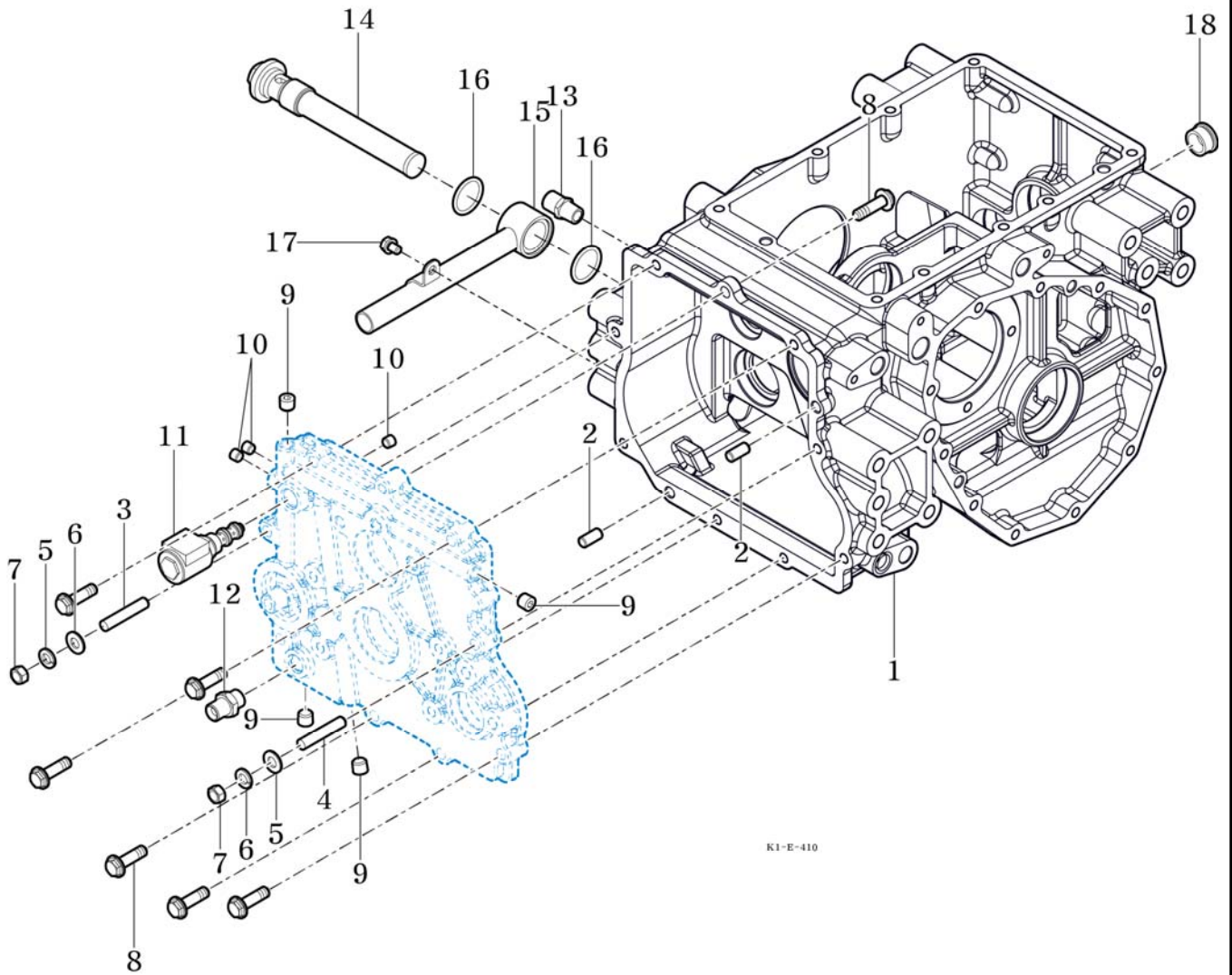
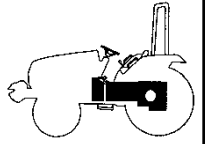
T254NH

REAR TRANSMISSION CASE

P1

Year

2014



K1-E-410

NOTE

FIG 411

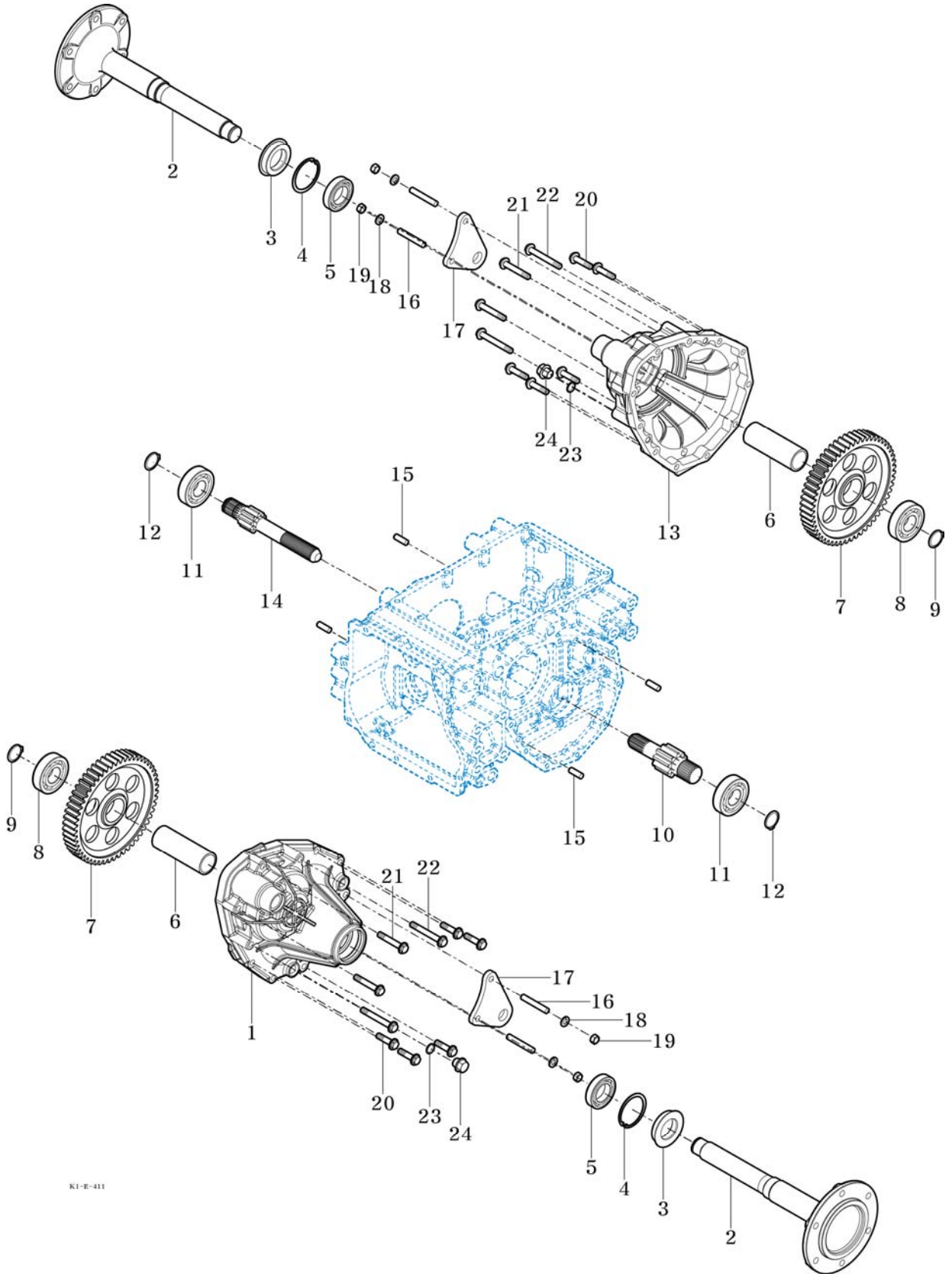
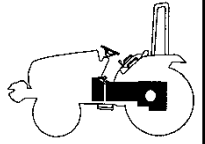
REAR AXLE HOUSING

T254NH

P1

Year

2014



NOTE

FIG 412

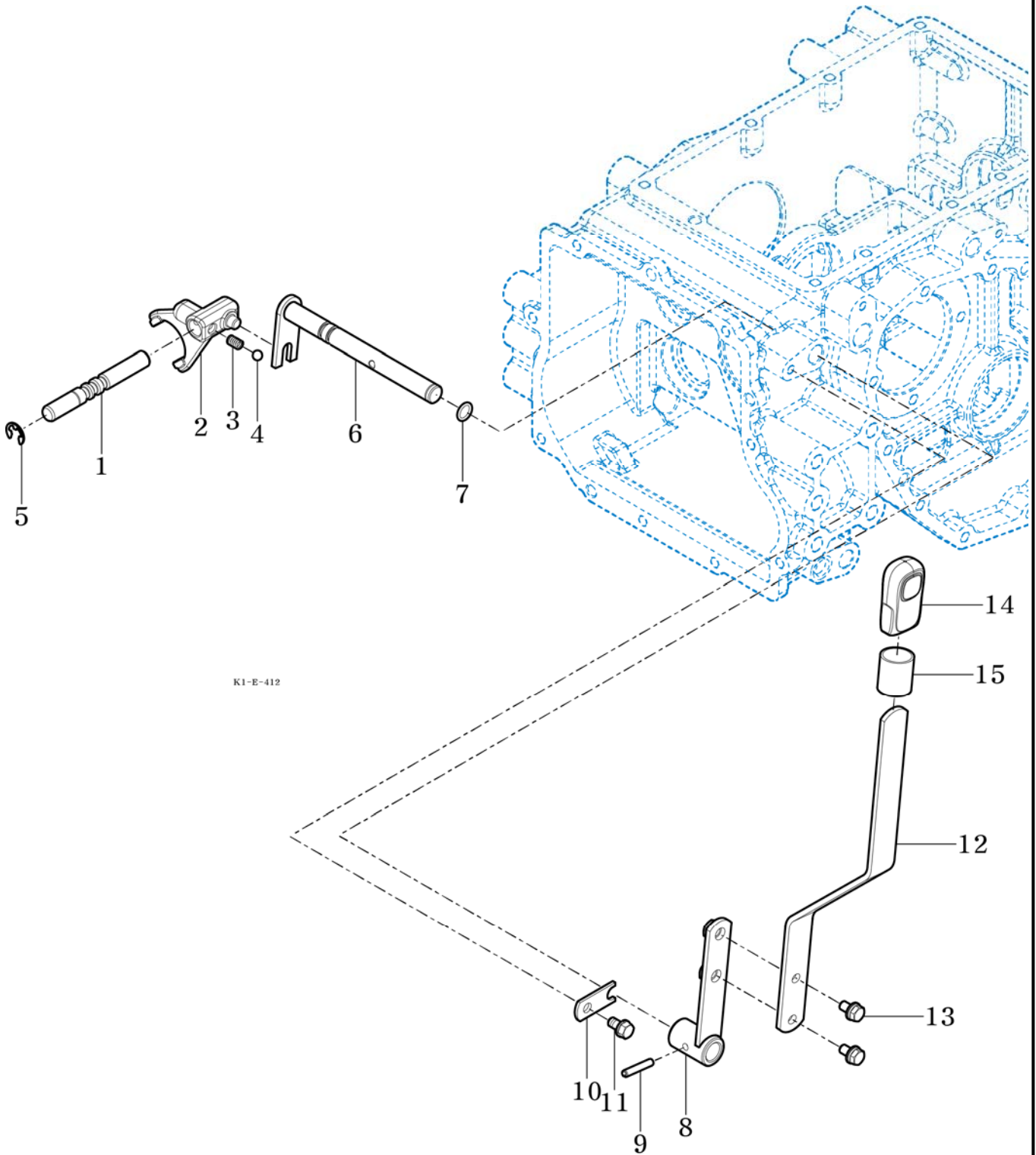
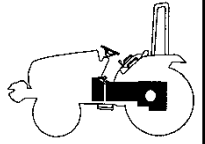
T254NH

RANGE SHIFT LEVER

P1

Year

2014



NOTE

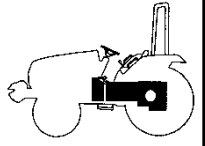
FIG 413

P.T.O CHANGE LEVER

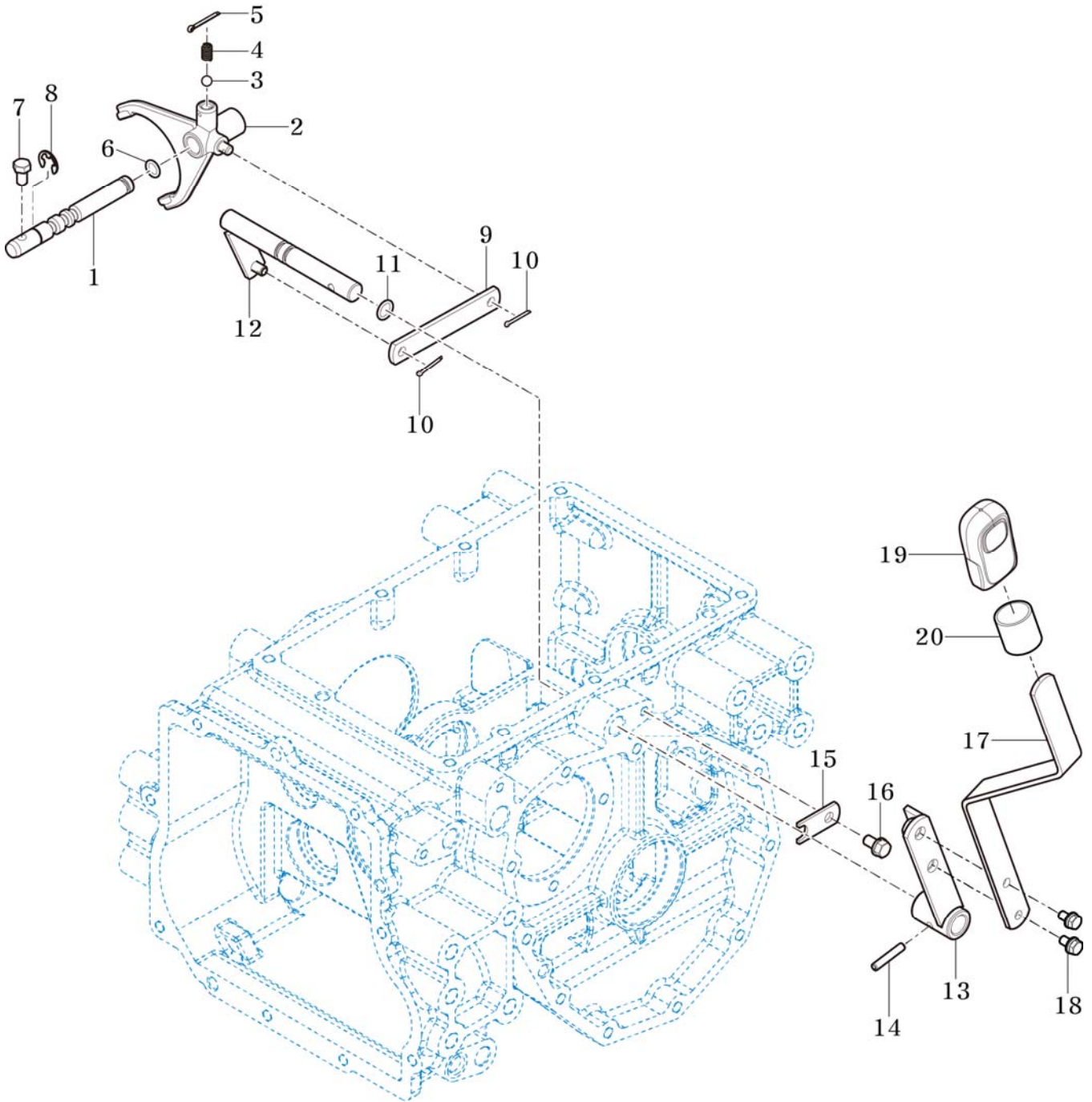
P1

Year

2014



T254NH



NOTE

FIG 414

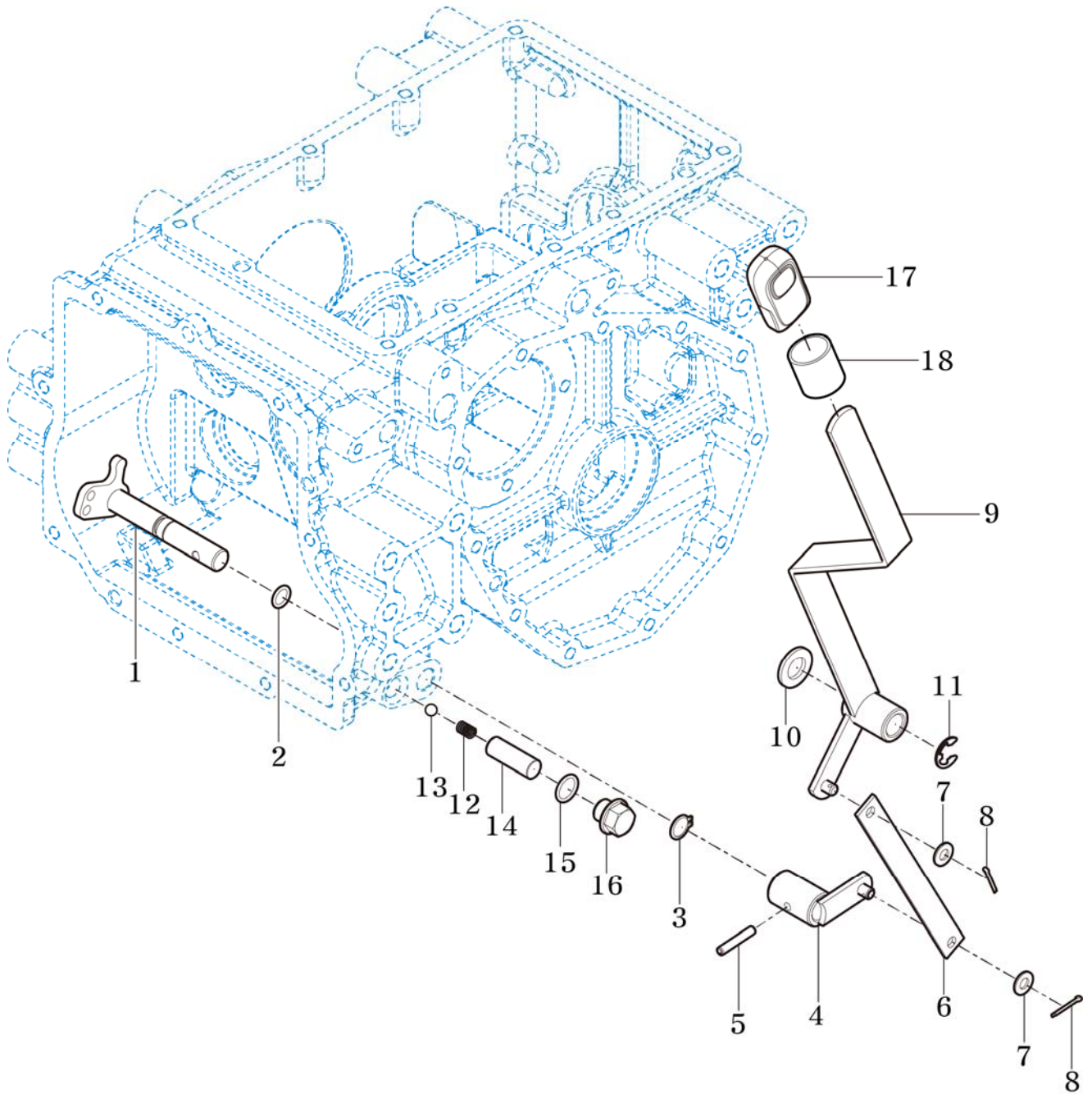
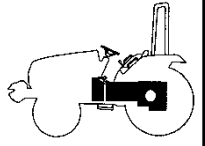
4WD CHANGE LEVER

T254NH

P1

Year

2014



NOTE

FIG 414

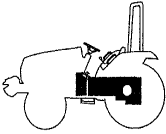
T254NH

4WD CHANGE LEVER

P1

Year

2014



KEY NO.	PART NO.	DESCRIPSTION	SPEC.	QTY.	REPAIR	EFFECTIVE DATE	REMARKS
414 001	11102632100	FORK COMP , 4WD		1			
414 002	V7201024012	O-RING , P	1A , P12	1			
414 003	V7041400160	C-RING , SHAFT	16	1			
414 004	11102632200	ARM COMP , 4WD		1			
414 005	V5801406032	PIN , SPRING	6X32	1			
414 006	11102630010GB	LINK , 4WD		1			
414 007	V4111600080	WASHER , PLAIN	M8	2			
414 008	V5001925020	PIN , SPLIT	2.5X20	2			
414 009	11102633100GB	LEVER COMP , 4WD		1			
414 010	V4111600160	WASHER , PLAIN	M16	1			
414 011	V7081400120	E-RING		1			
414 012	V6802000010	BALL , STEEL	5/16	1			
414 013	13022250030	SPRING , SHIFTER		1			
414 014	11102630020	GUIDE , BALL		1			
414 015	V7201024016	O-RING , P	1A , P16	1			
414 016	11102400020	PLUG , M16		1			
414 017	11106073030	KNOB , 4WD		1			
414 018	11103160020	TUBE		1			

NOTE

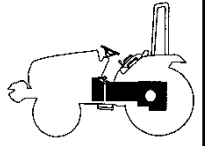
FIG 415

TRANSMISSION MOUNTING

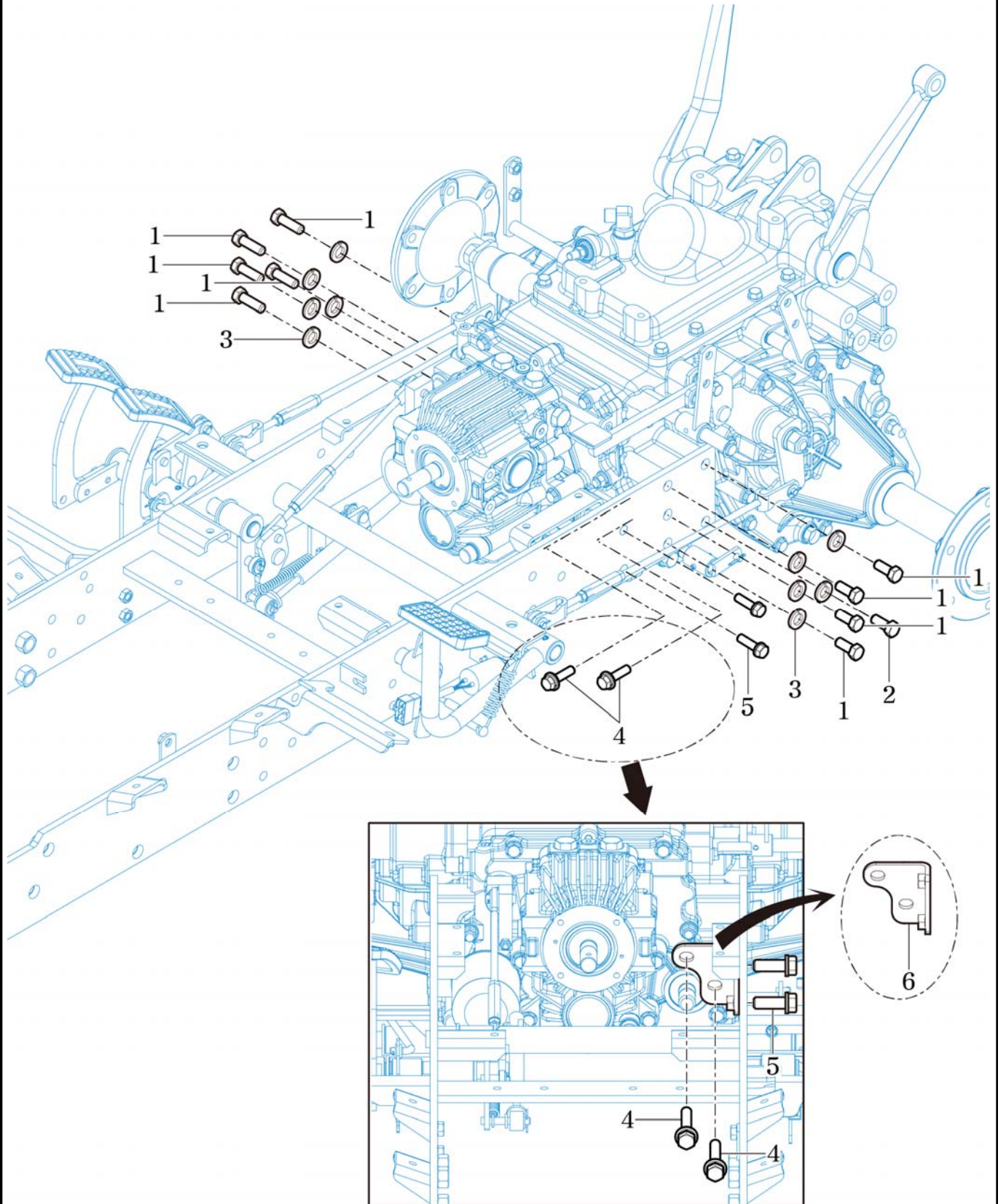
P1

Year

2014



T254NH



NOTE

FIG 501

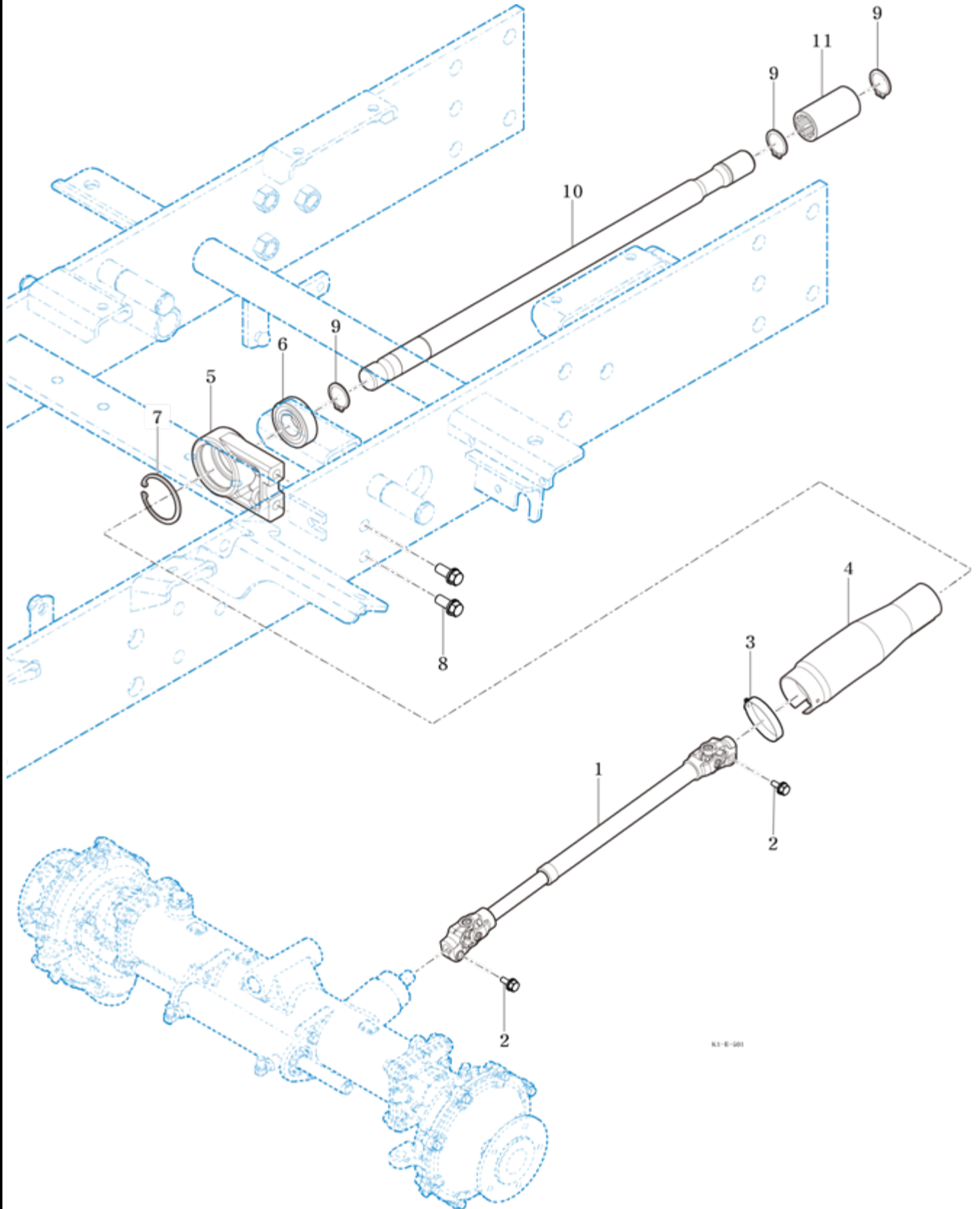
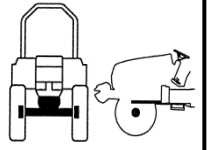
T254NH

FRONT DRIVE SHAFT

P1

Year

2014



NOTE

FIG 502

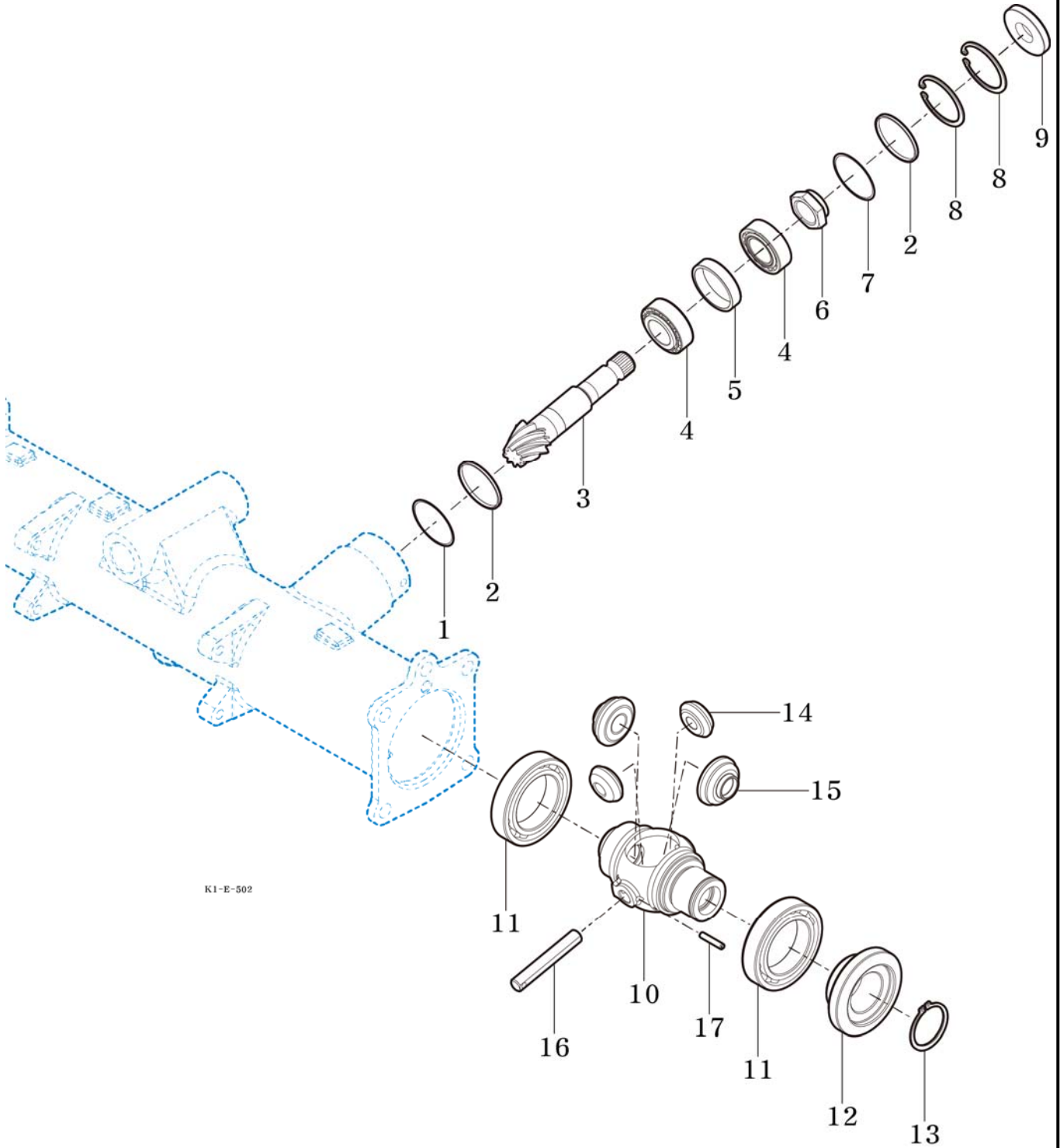
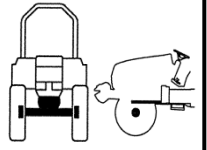
T254NH

FRONT DIFFERENTIAL GEAR

P1

Year

2014



K1-E-502

NOTE

FIG 503

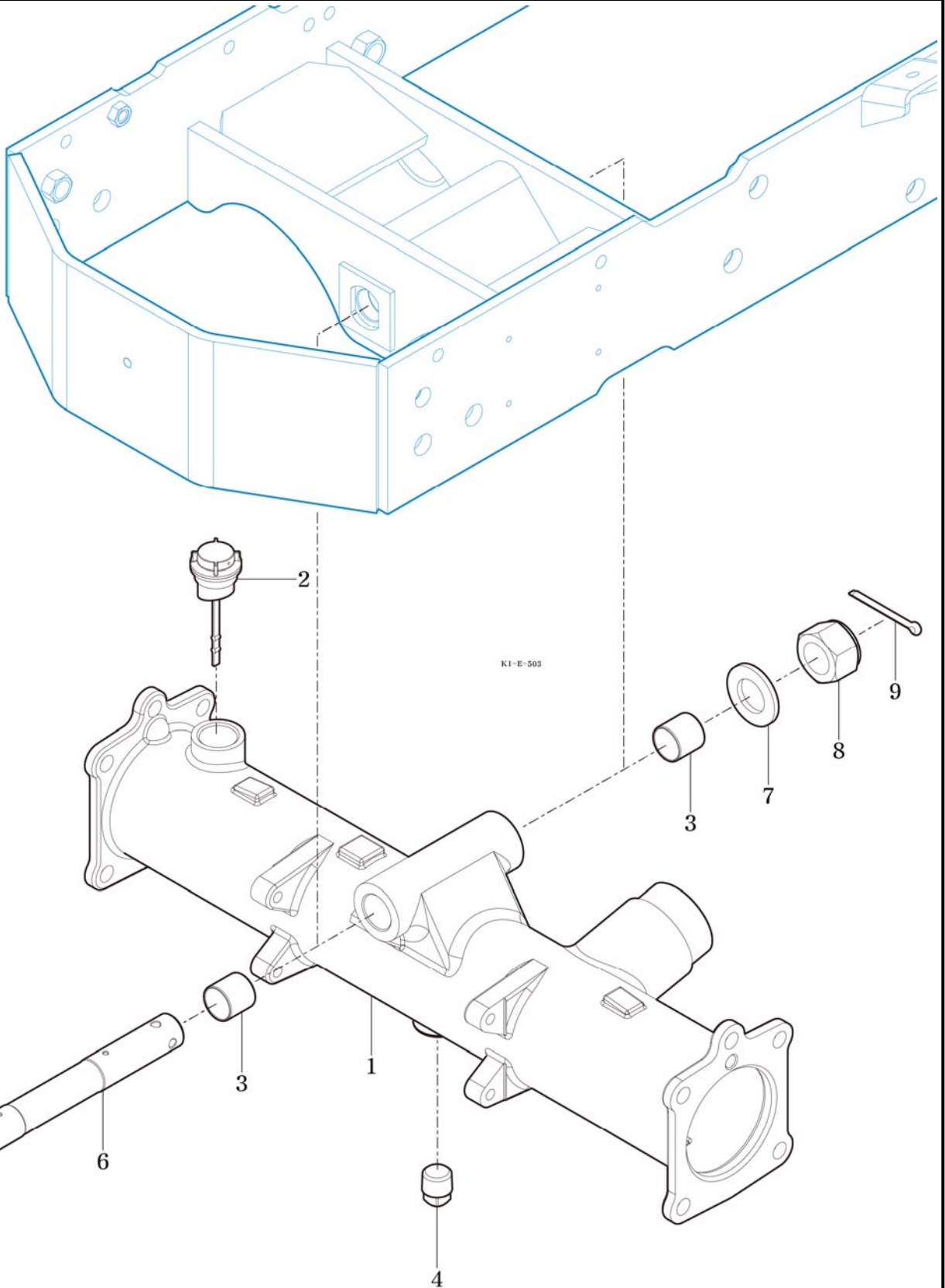
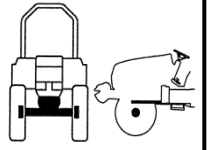
FRONT AXLE HOUSING

T254NH

P1

Year

2014



NOTE

FIG 504

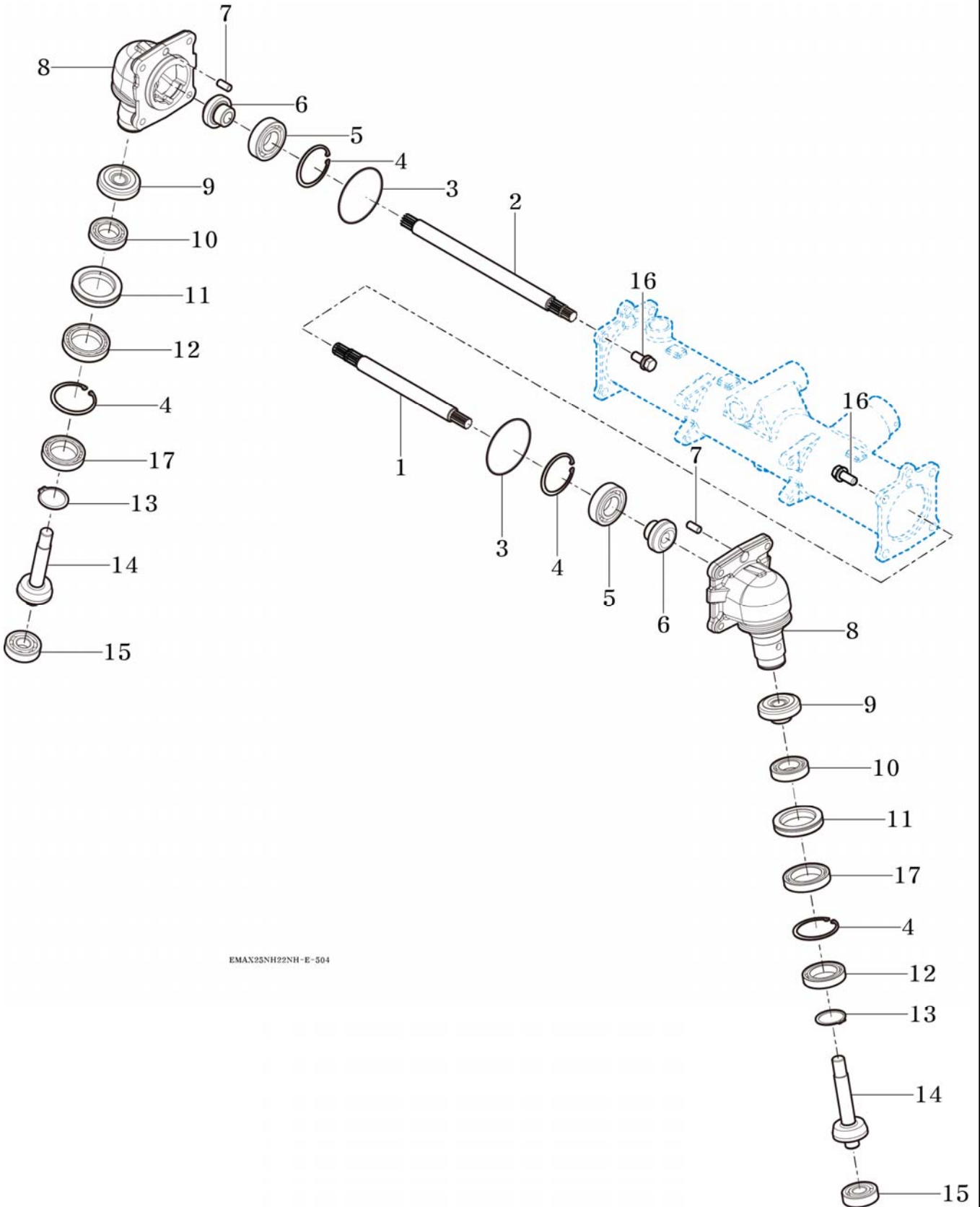
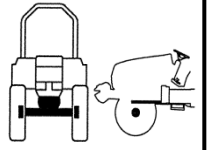
FRONT GEAR CASE (1)

T254NH

P1

Year

2014



EMAX25NH22NH-E-504

NOTE

FIG 505

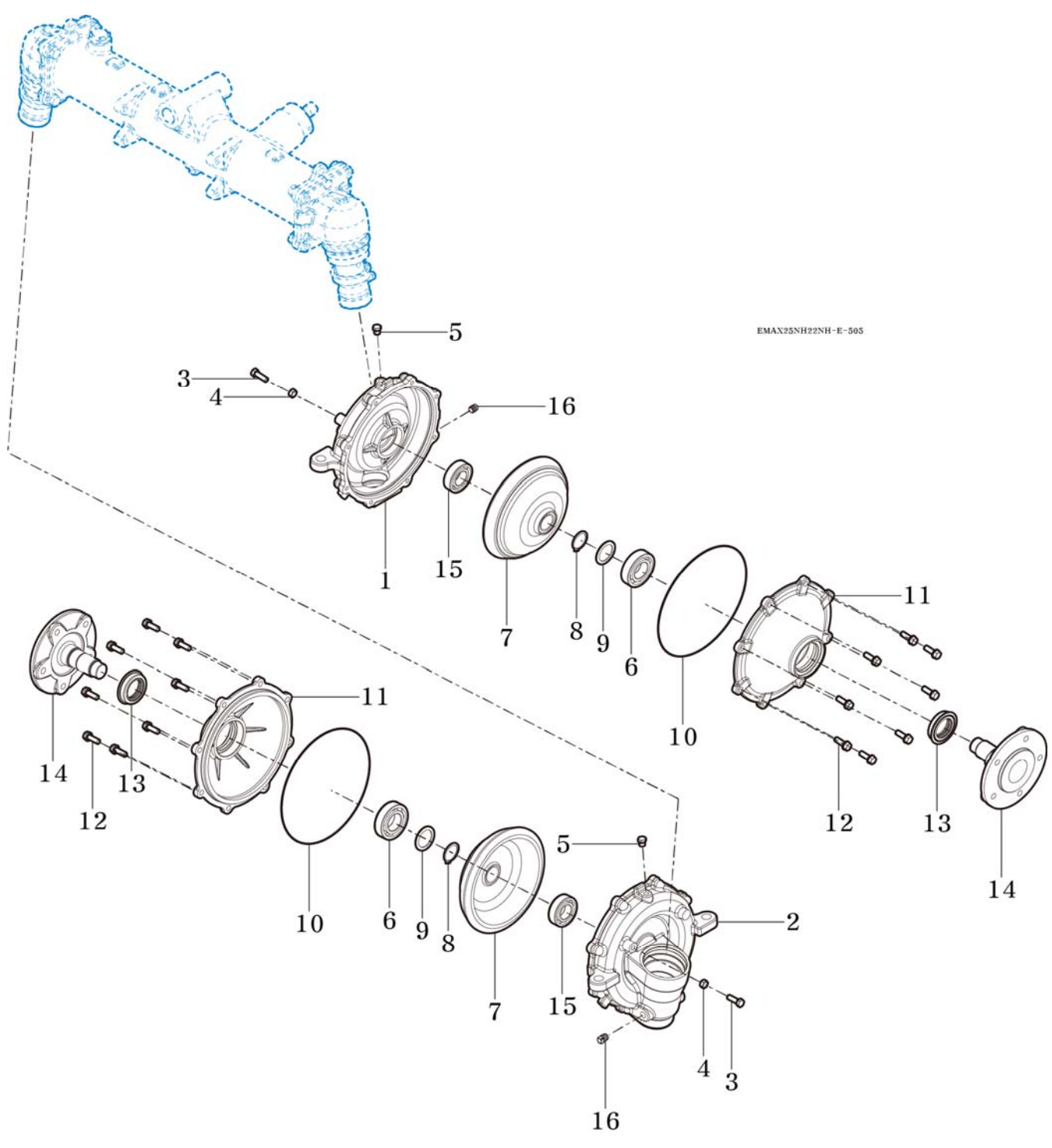
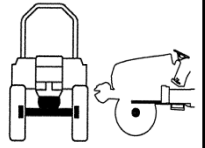
FRONT GEAR CASE (2)

T254NH

P1

Year

2014



NOTE

FIG 601

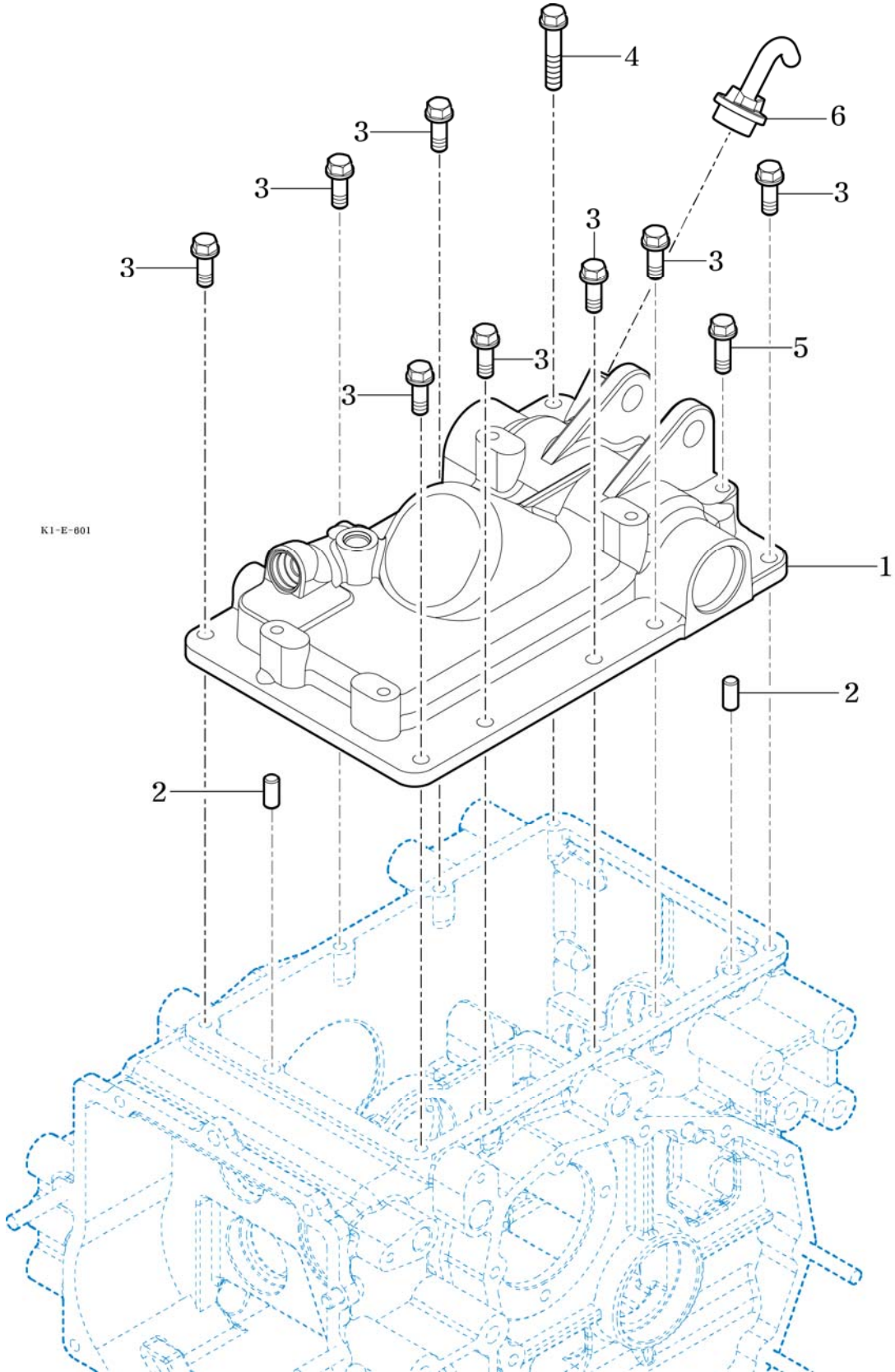
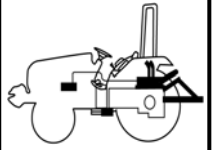
T254NH

CYLINDER CASE

P1

Year

2014



NOTE

FIG 602

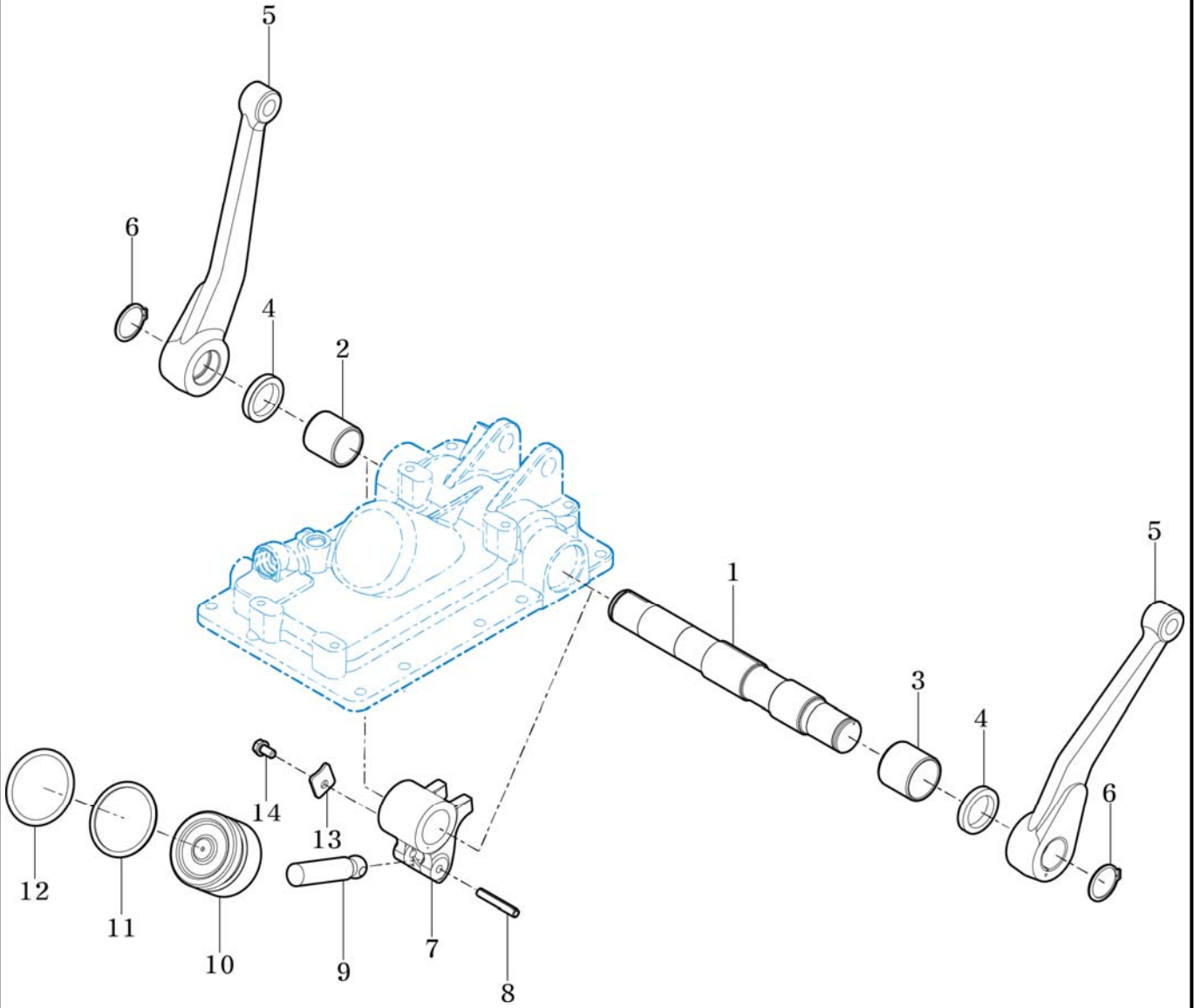
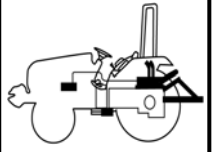
T254NH

LIFT ARM

P1

Year

2014



NOTE

FIG 603

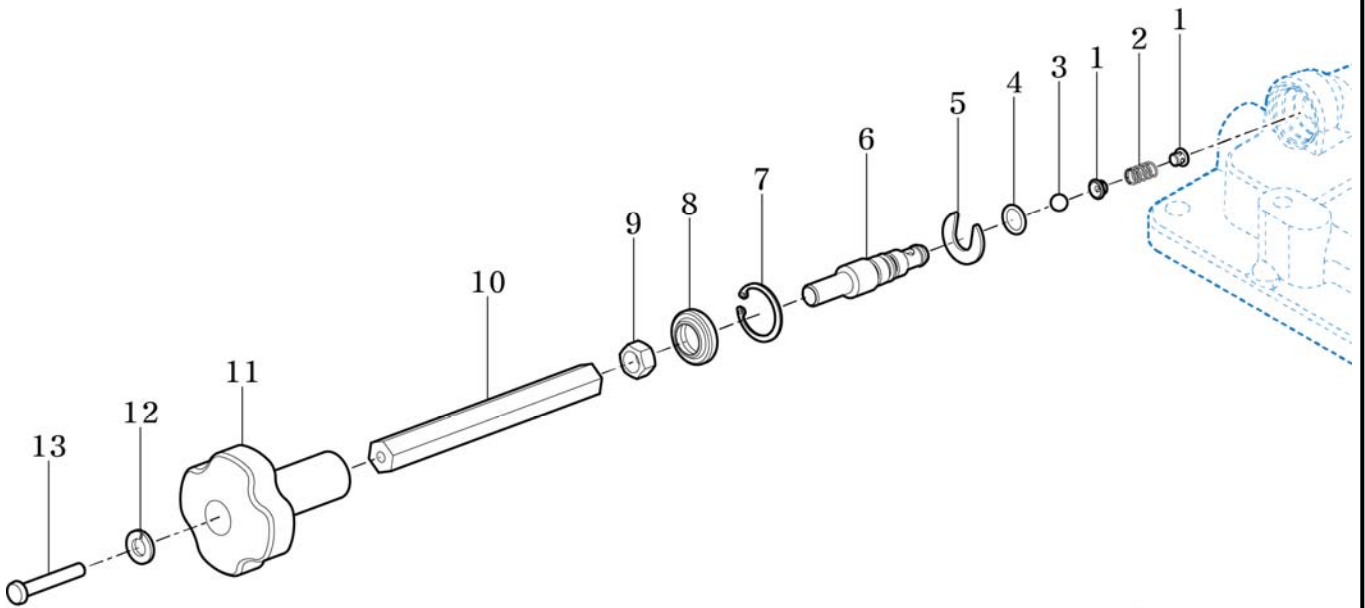
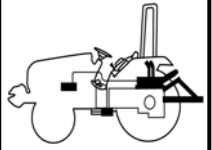
T254NH

FLOW CONTROL VALVE

P1

Year

2014



EMAX22G-E-603

NOTE

FIG 604

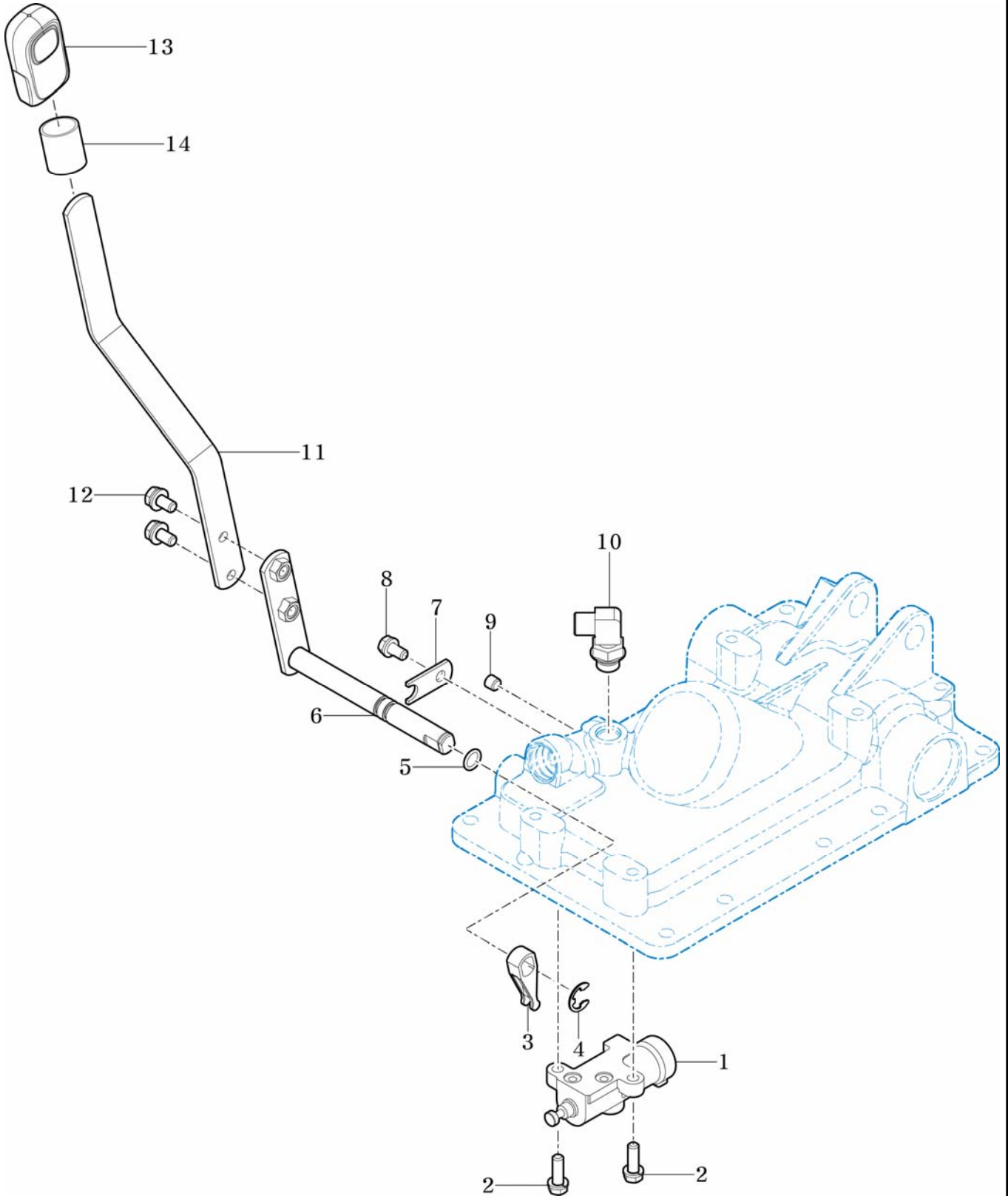
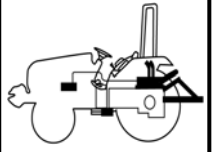
T254NH

MAIN CONTROL VALVE

P1

Year

2014



NOTE

FIG 605

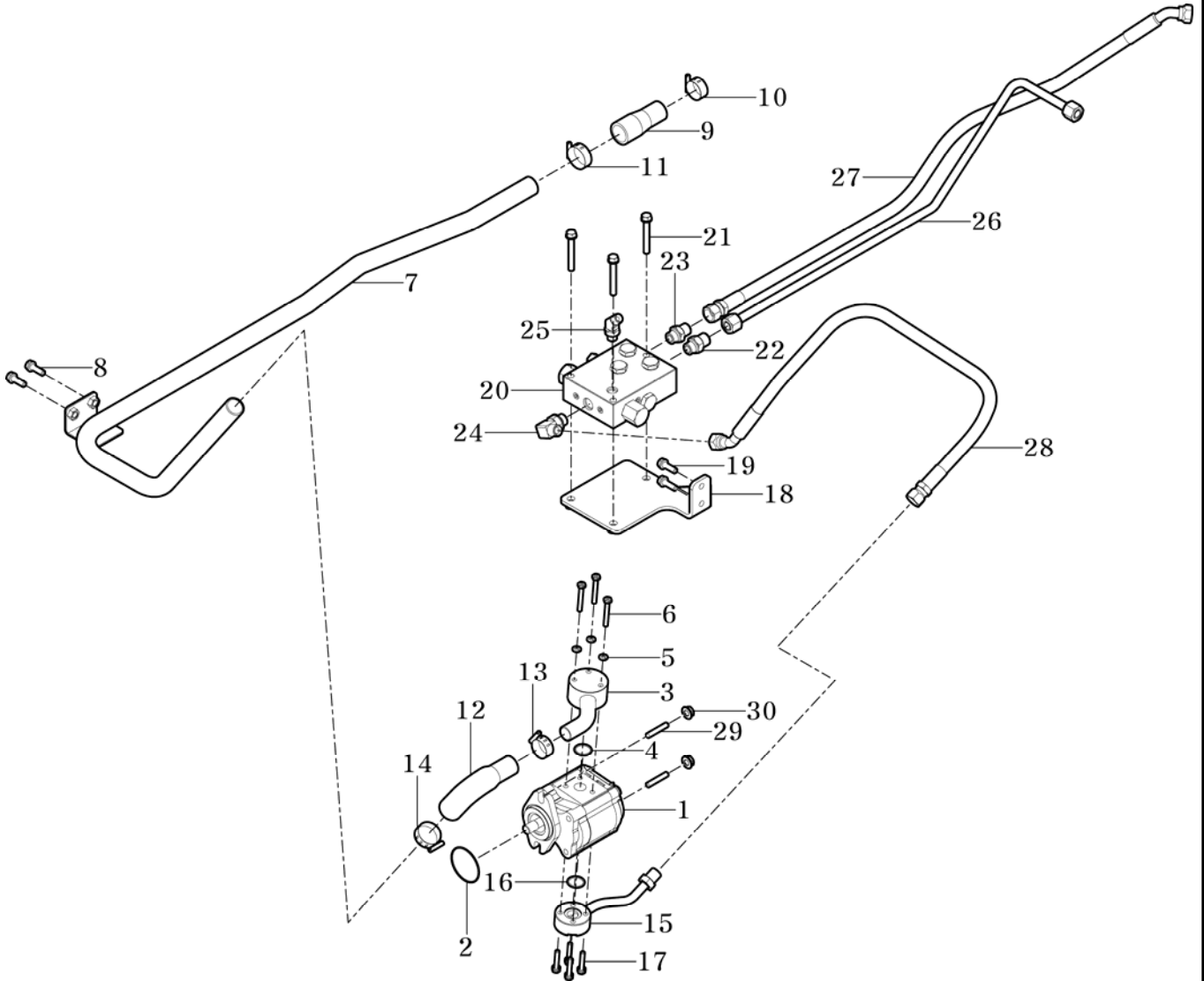
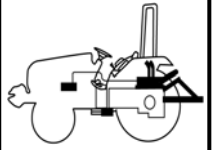
T254NH

HYDRAULIC SUB

P1

Year

2014



NOTE

FIG 606

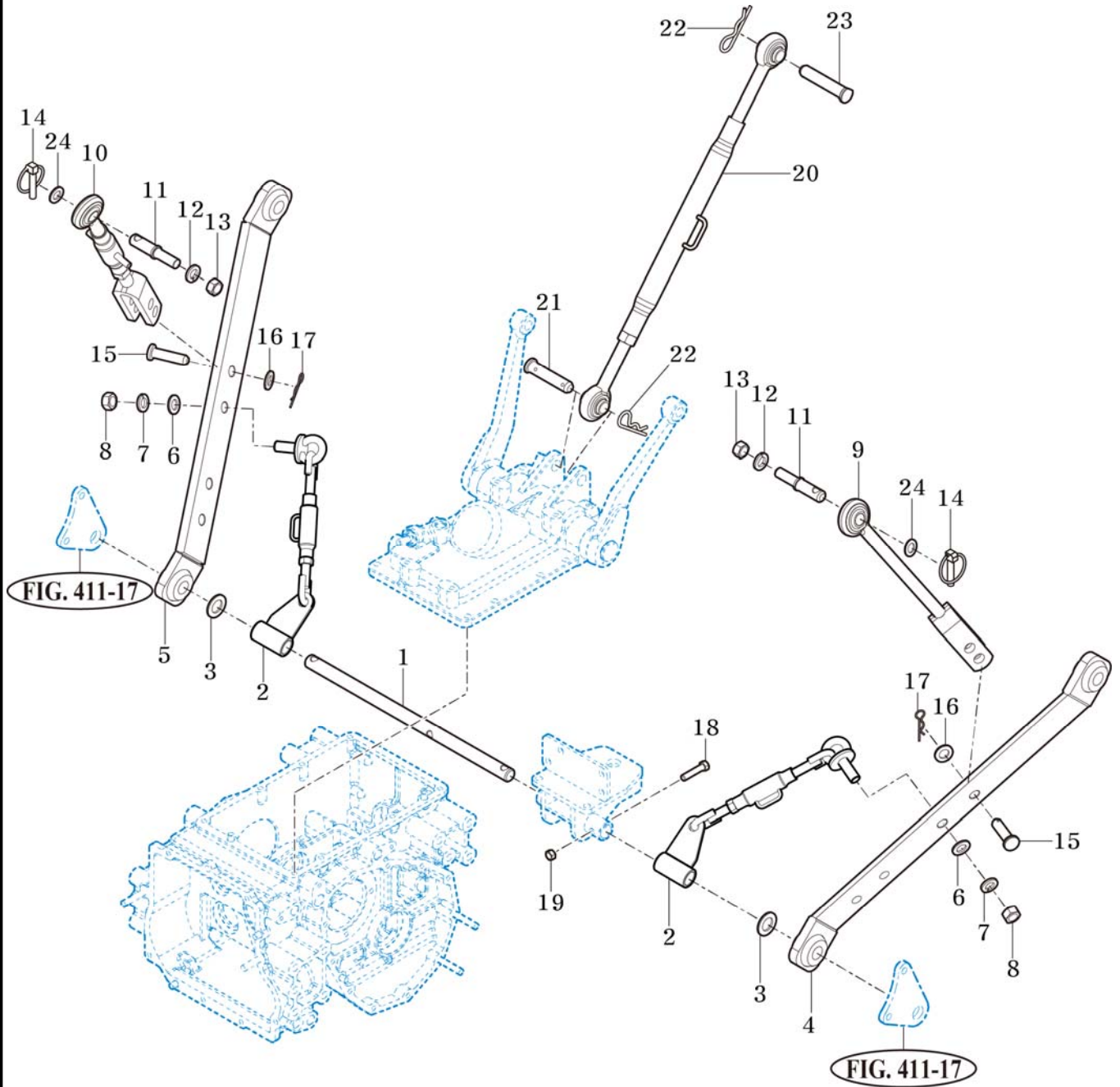
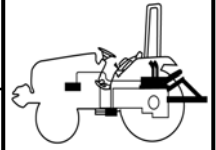
T254NH

HITCH & 3-POINT LINKAGE

P1

Year

2014



NOTE

FIG 607

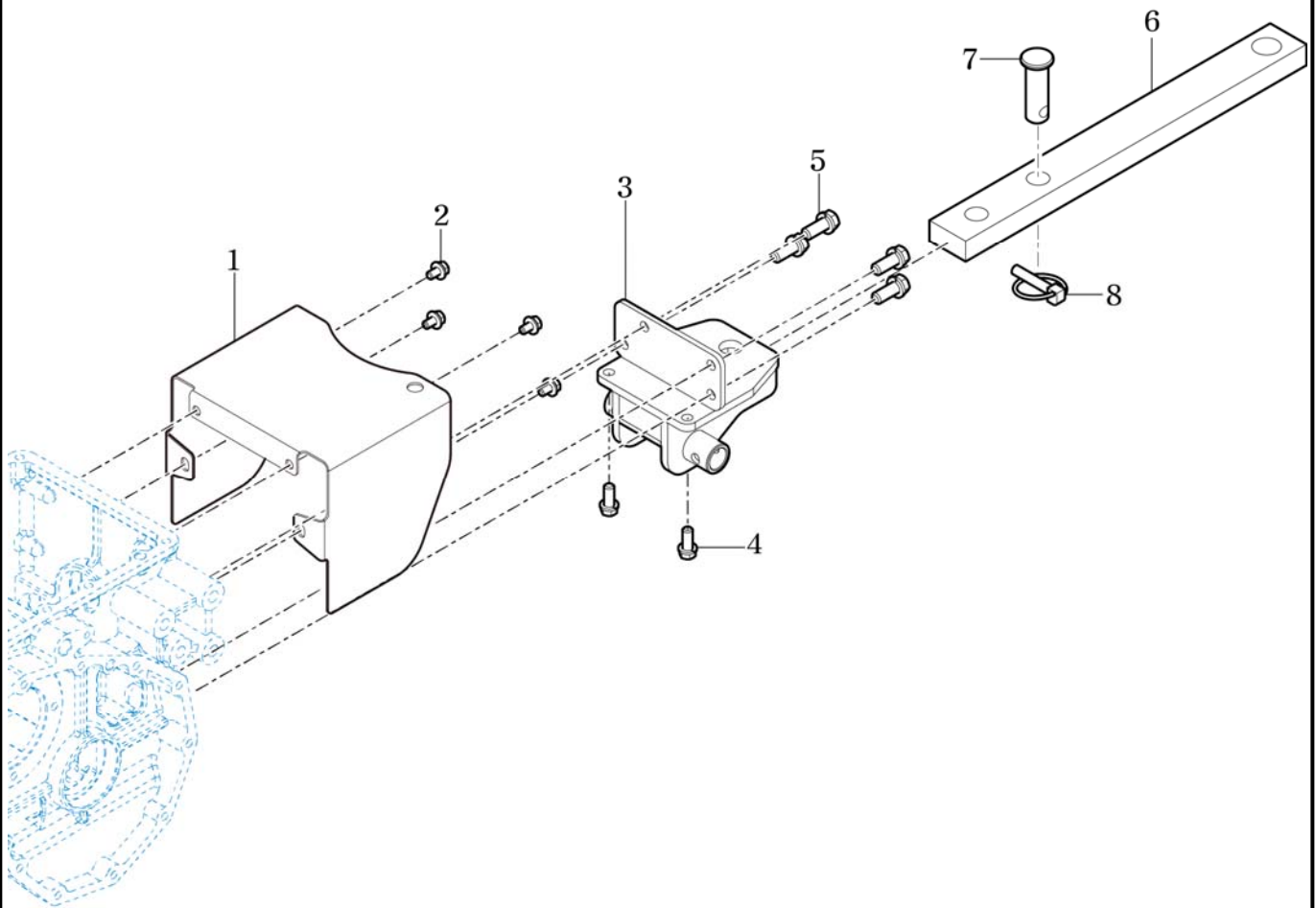
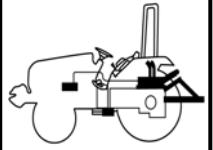
T254NH

HITCH & COVER

P1

Year

2014



NOTE

FIG 701

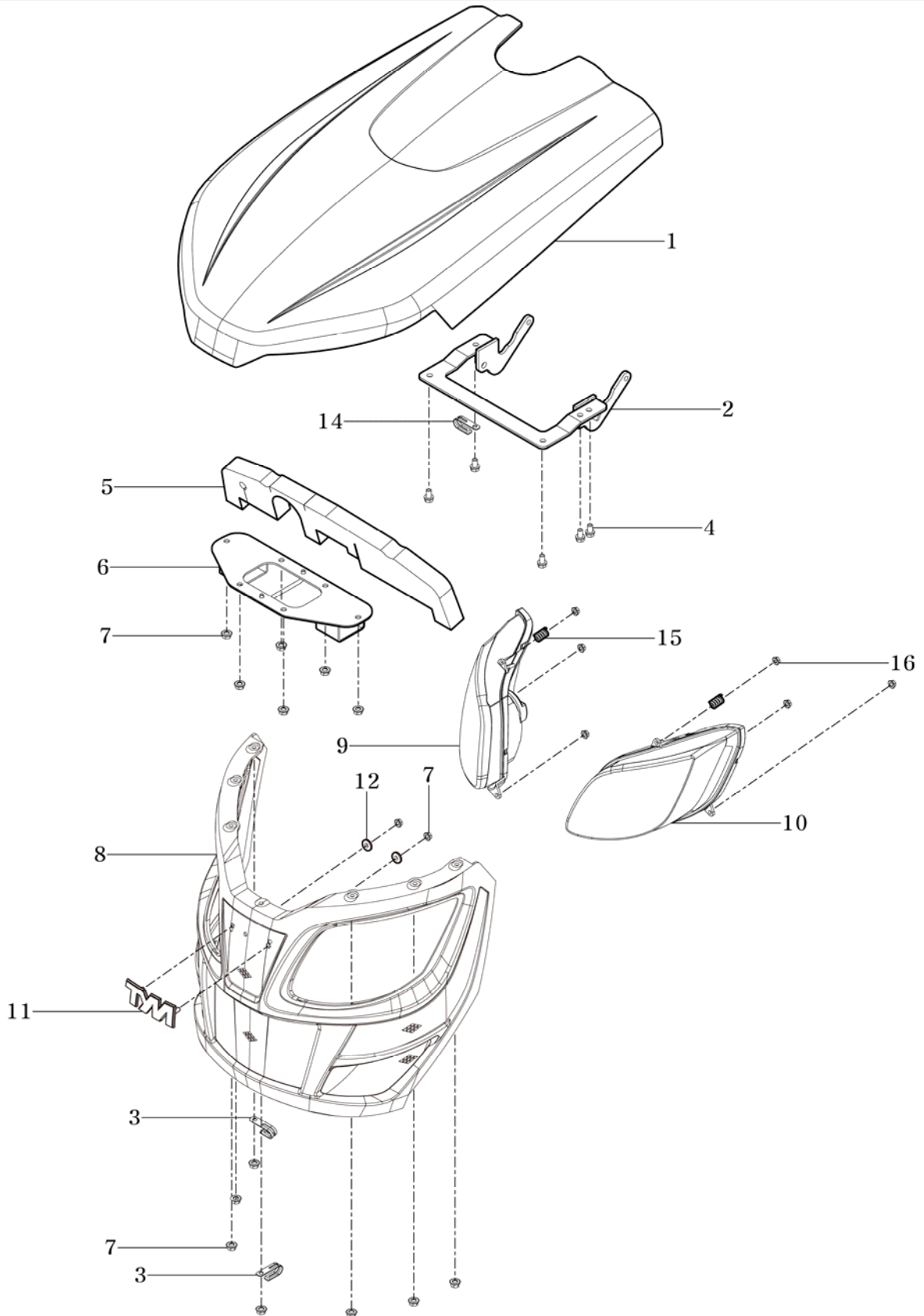
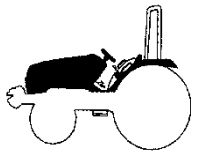
T254NH

BONNET

P1

Year

2014



NOTE

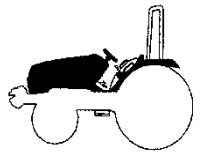
FIG 701

BONNET

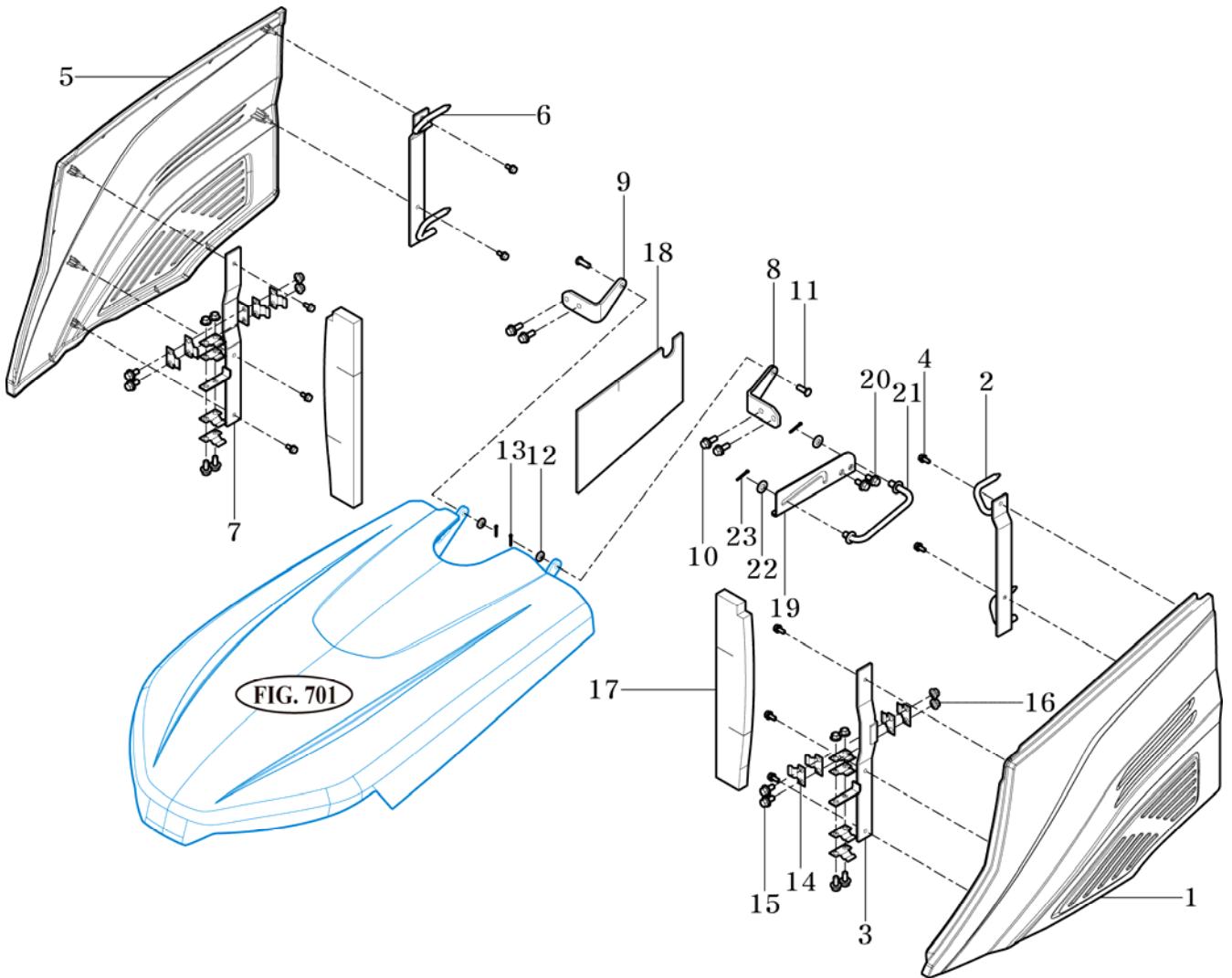
P2

Year

2014



T254NH



NOTE

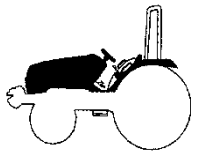
FIG 702

FLOOR

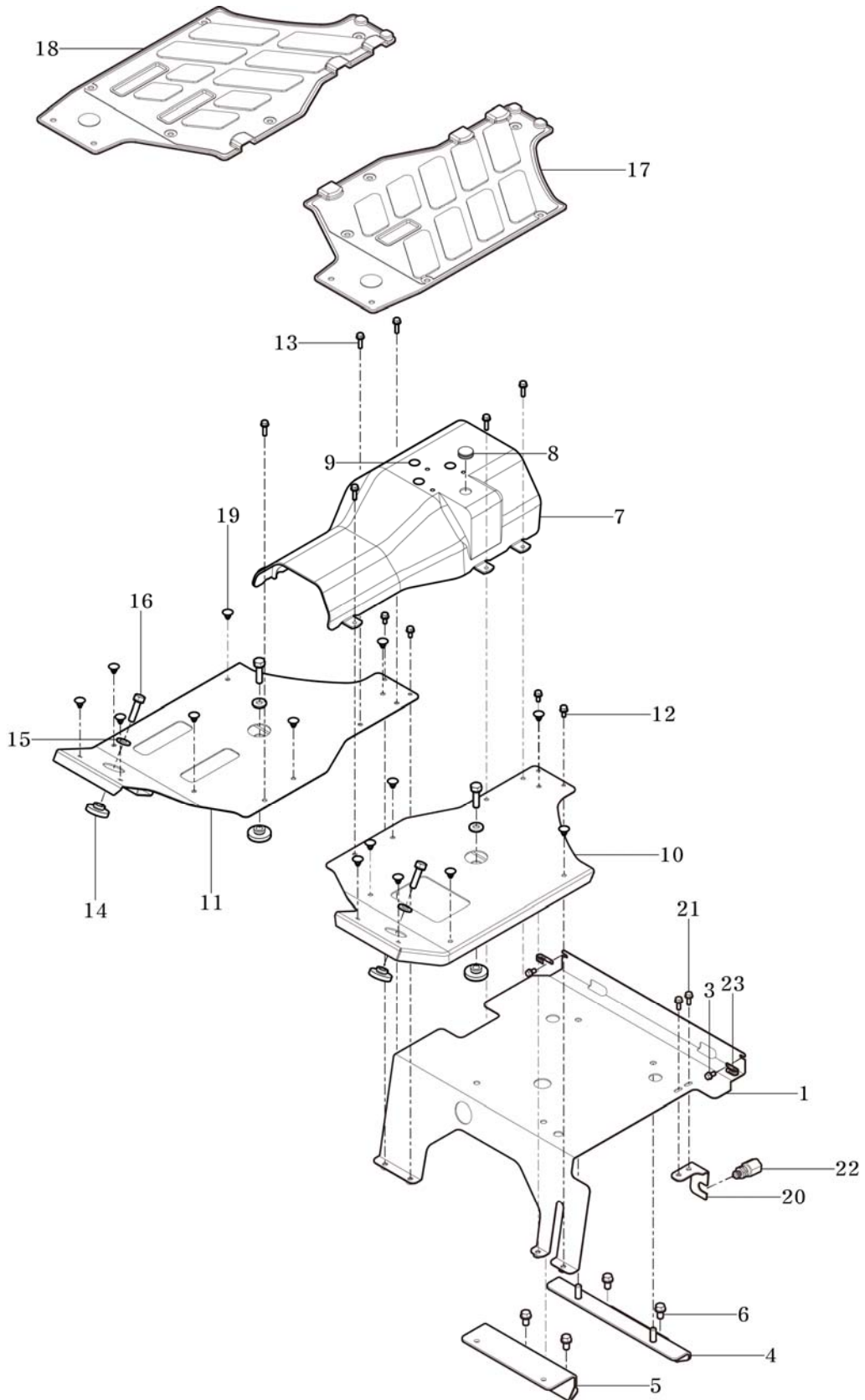
P1

Year

2014



T254NH



NOTE

FIG 703

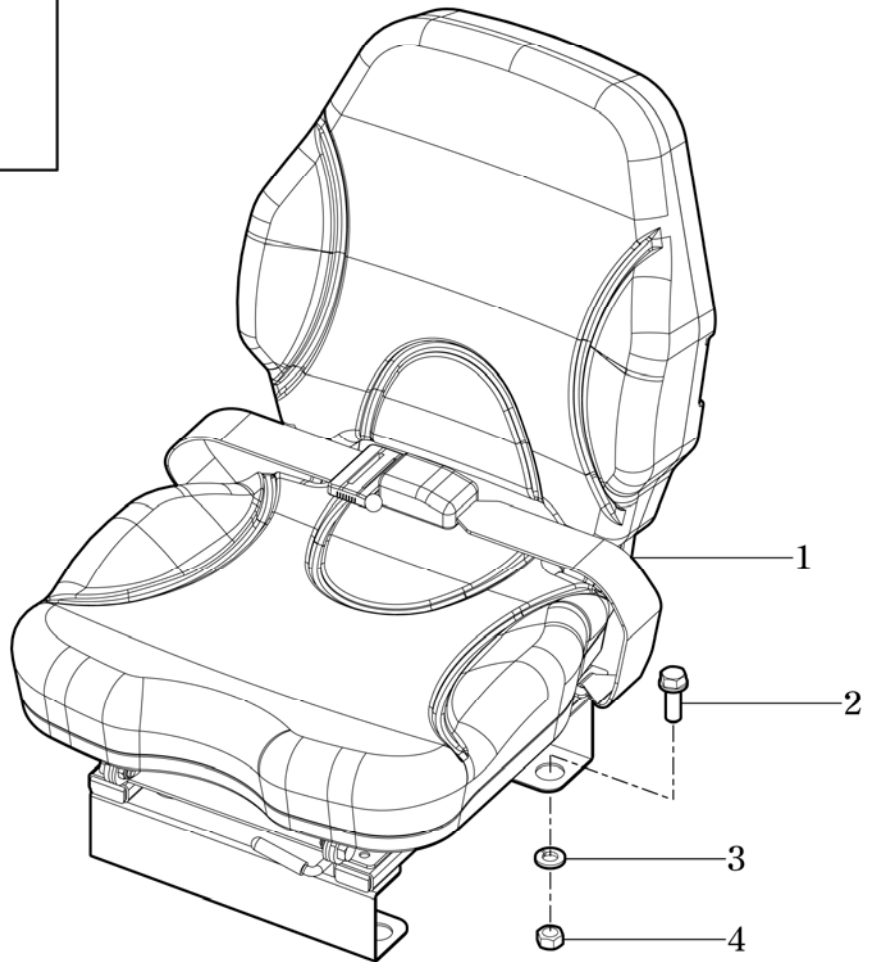
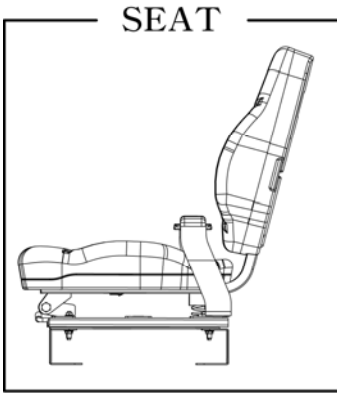
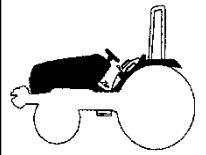
T254NH

SEAT

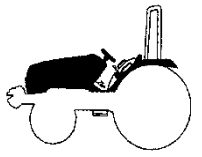
P1

Year

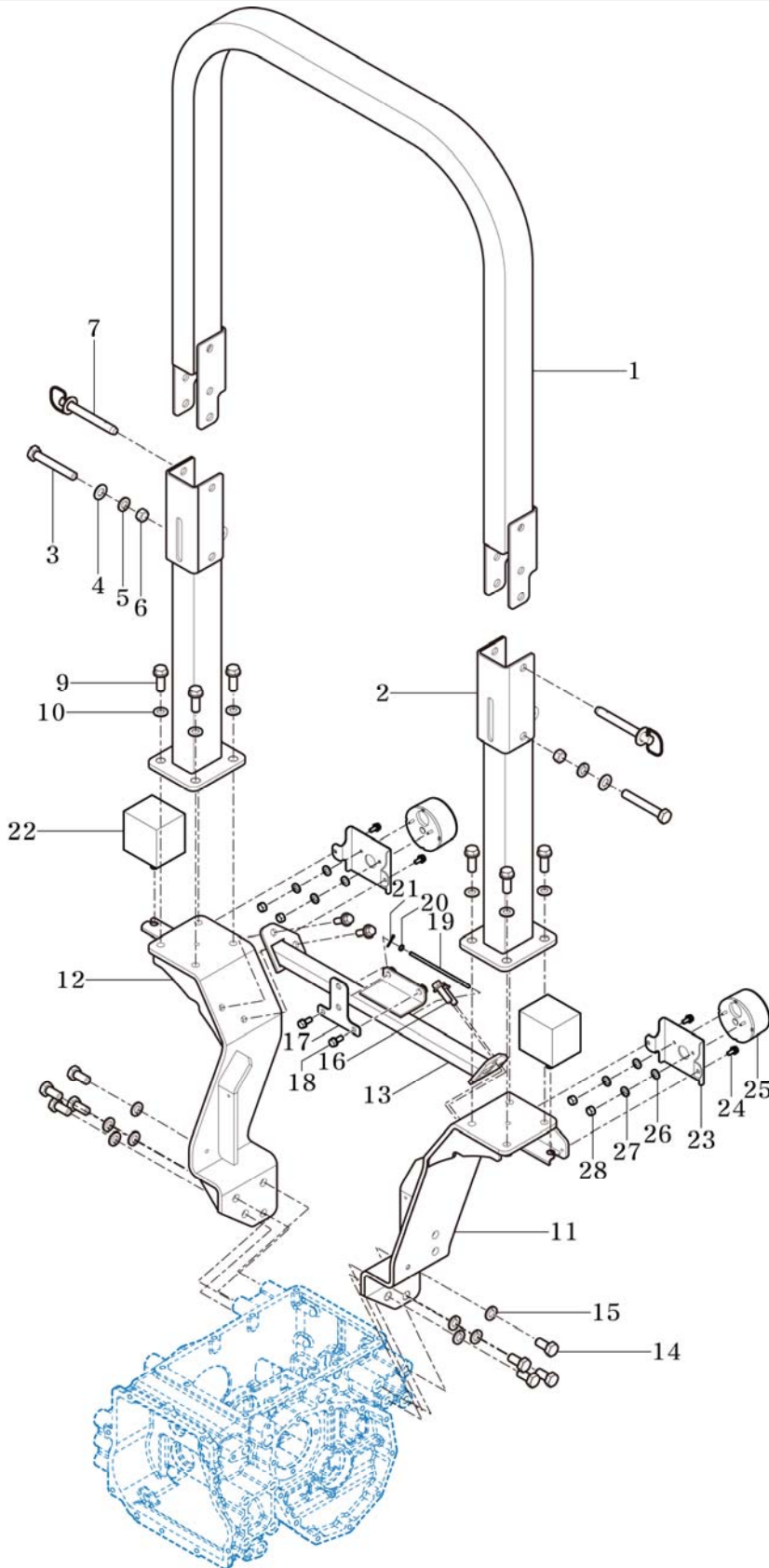
2014



NOTE



T254NH



NOTE

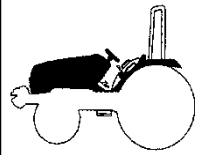
FIG 705

LEVER COVER & FENDER

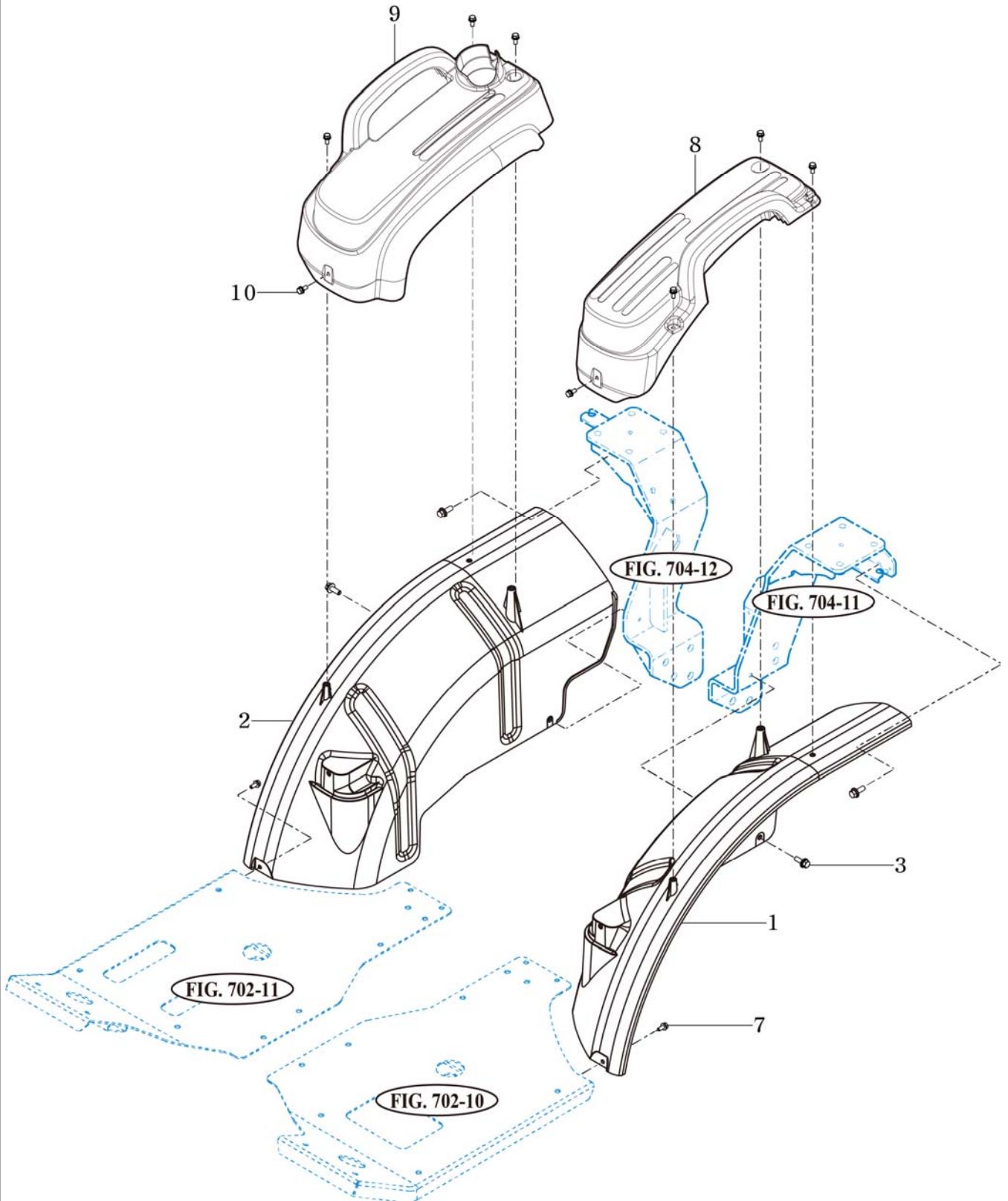
P1

Year

2014



T254NH



NOTE

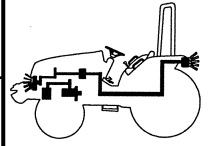
FIG 801

BATTERY MOUNTING

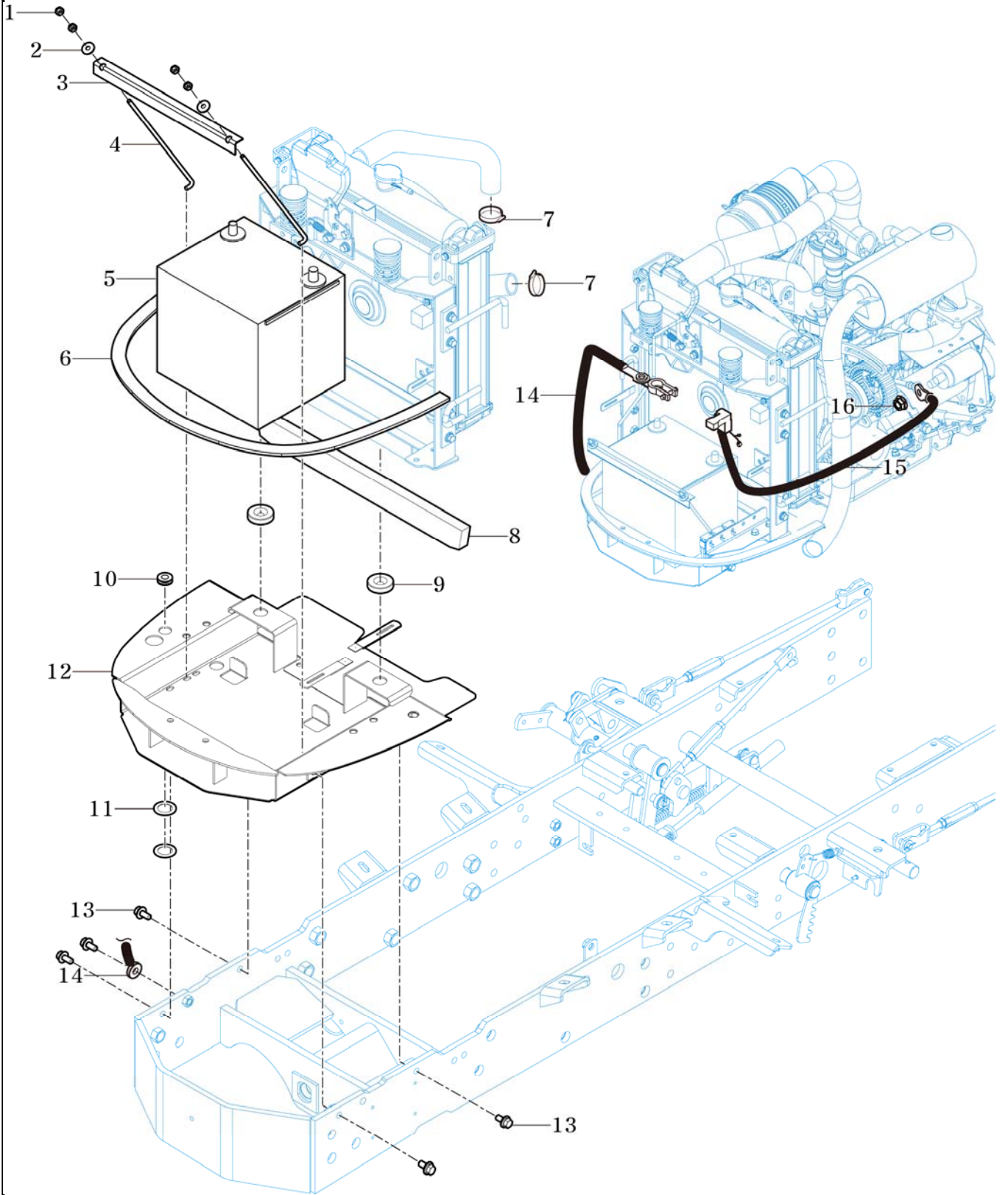
P1

Year

2014



T254NH



NOTE

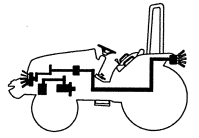
FIG 802

INSTRUMENT PANEL

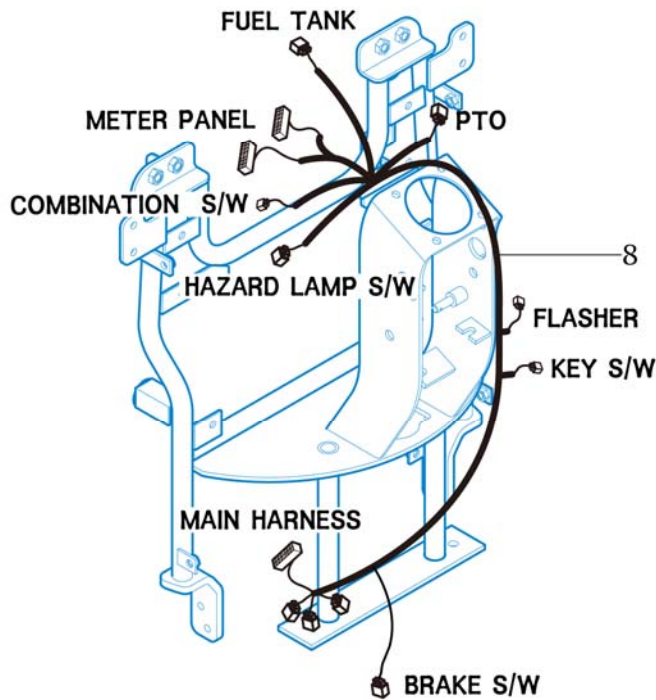
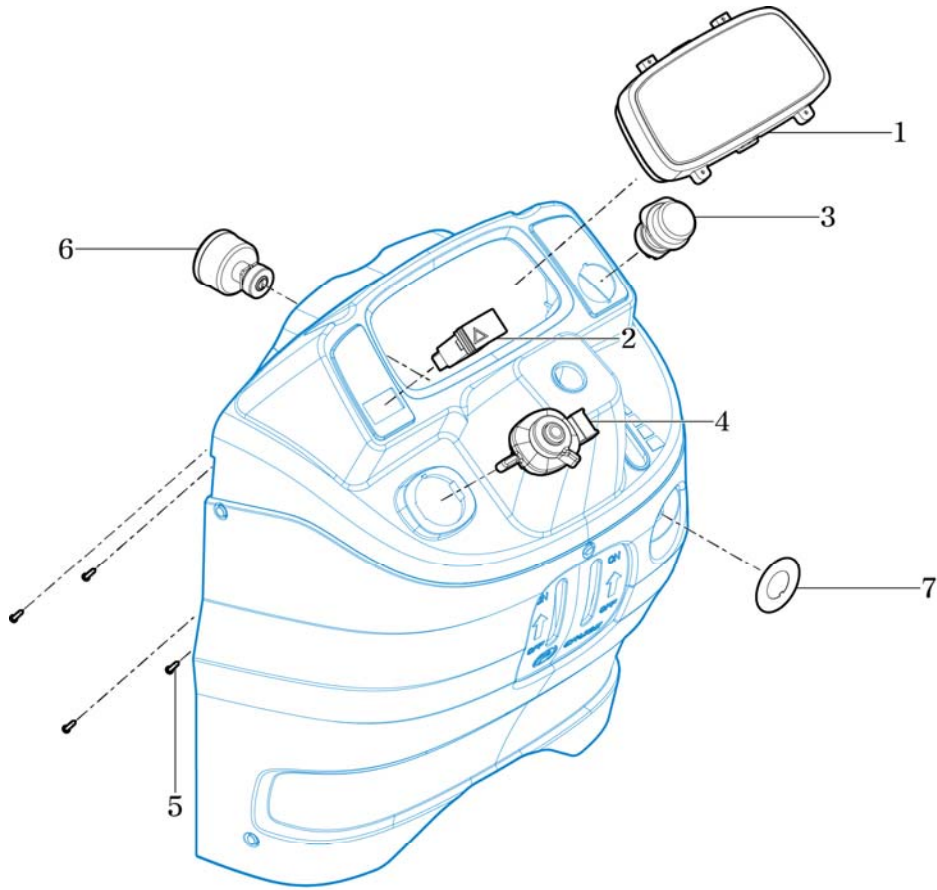
P1

Year

2014



T254NH



NOTE

FIG 803

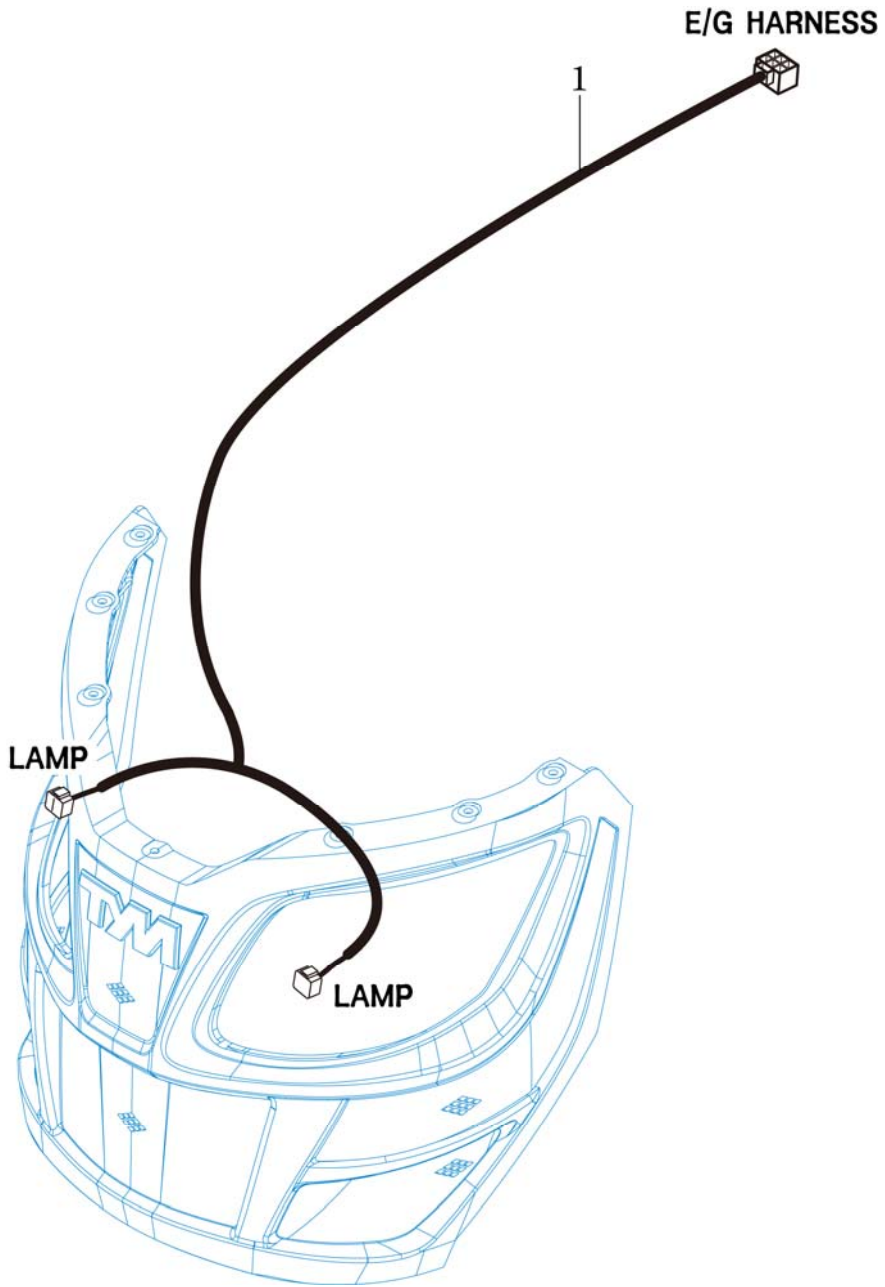
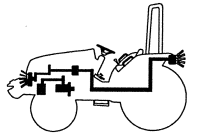
T254NH

HARNESS

P1

Year

2014



NOTE

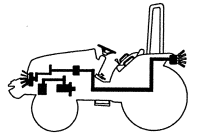
FIG 804

HARNESS

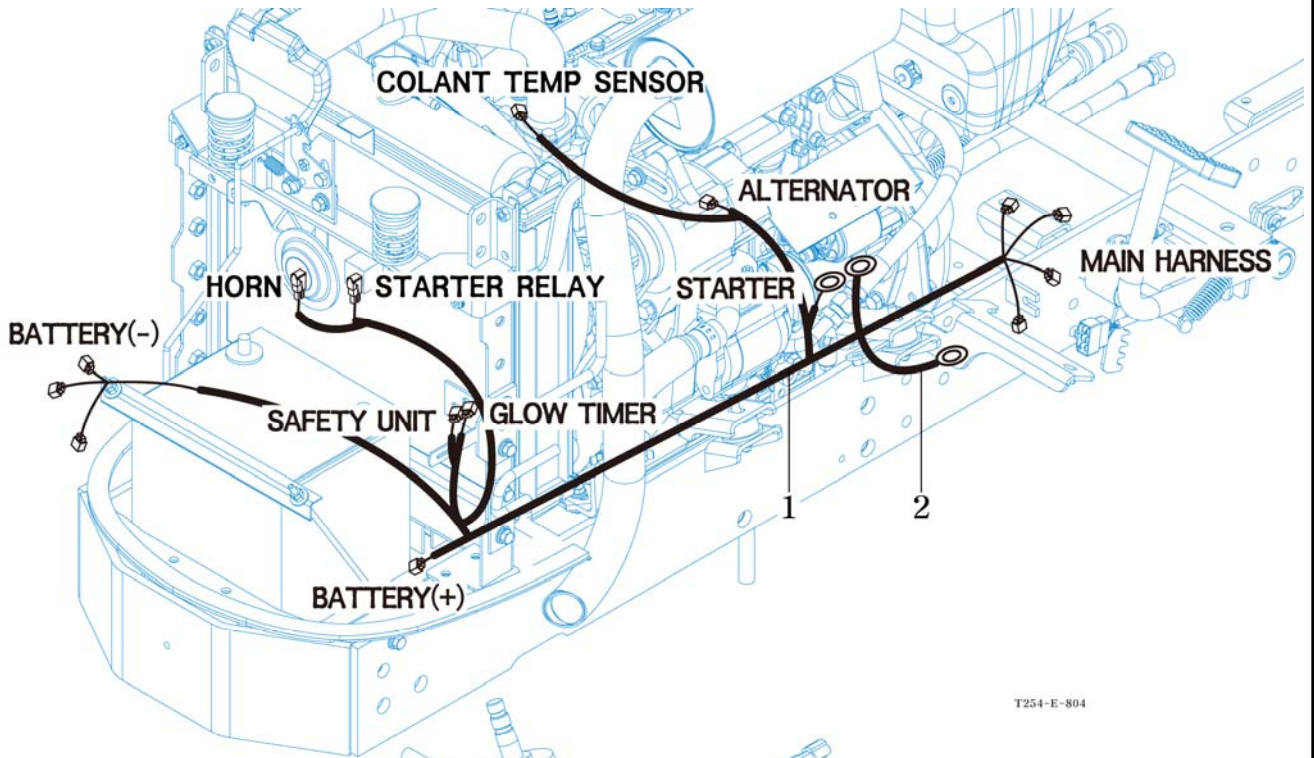
P1

Year

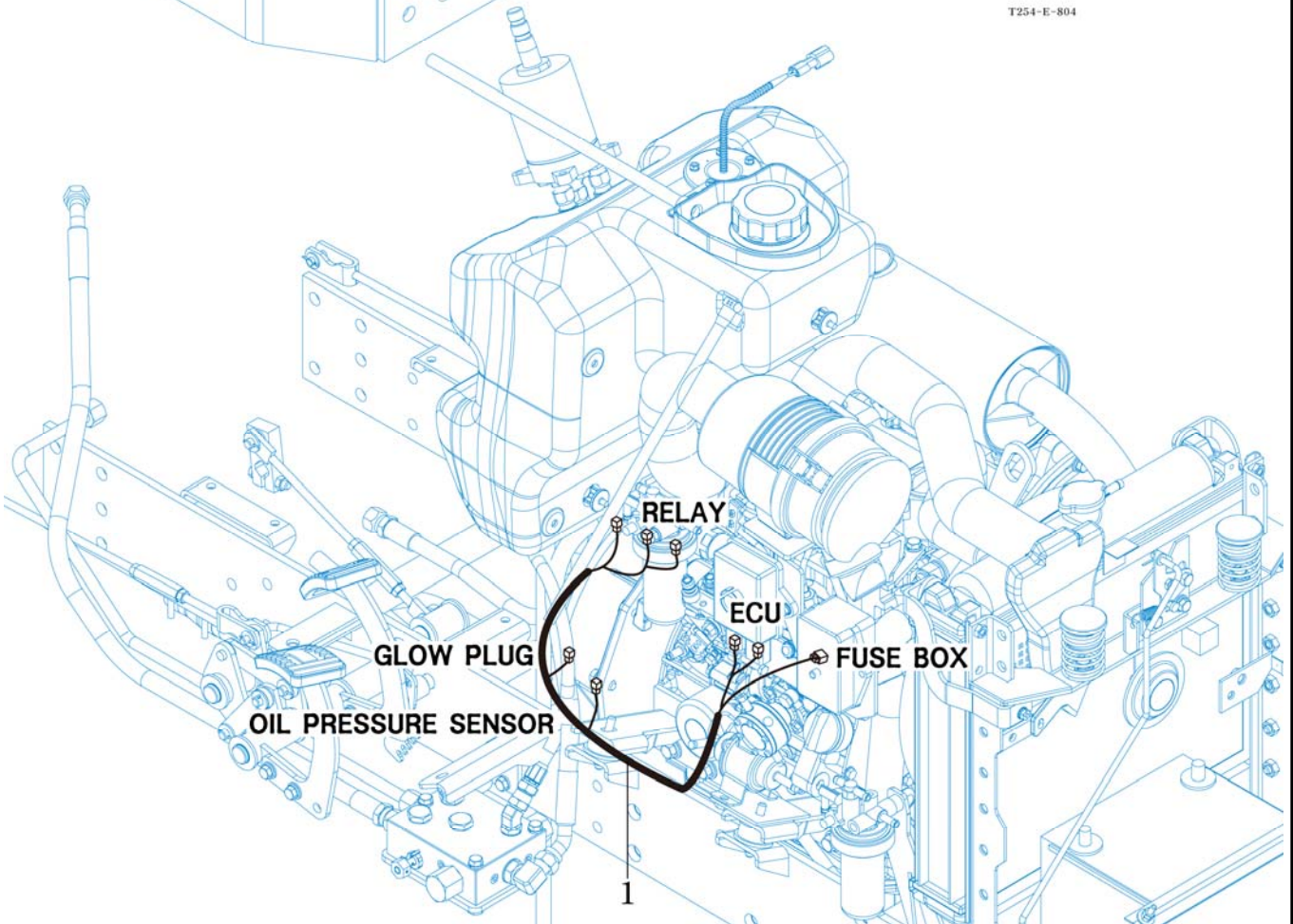
2014



T254NH



T254-E-804



NOTE

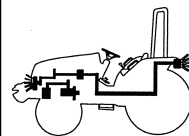
FIG 805

HARNESS

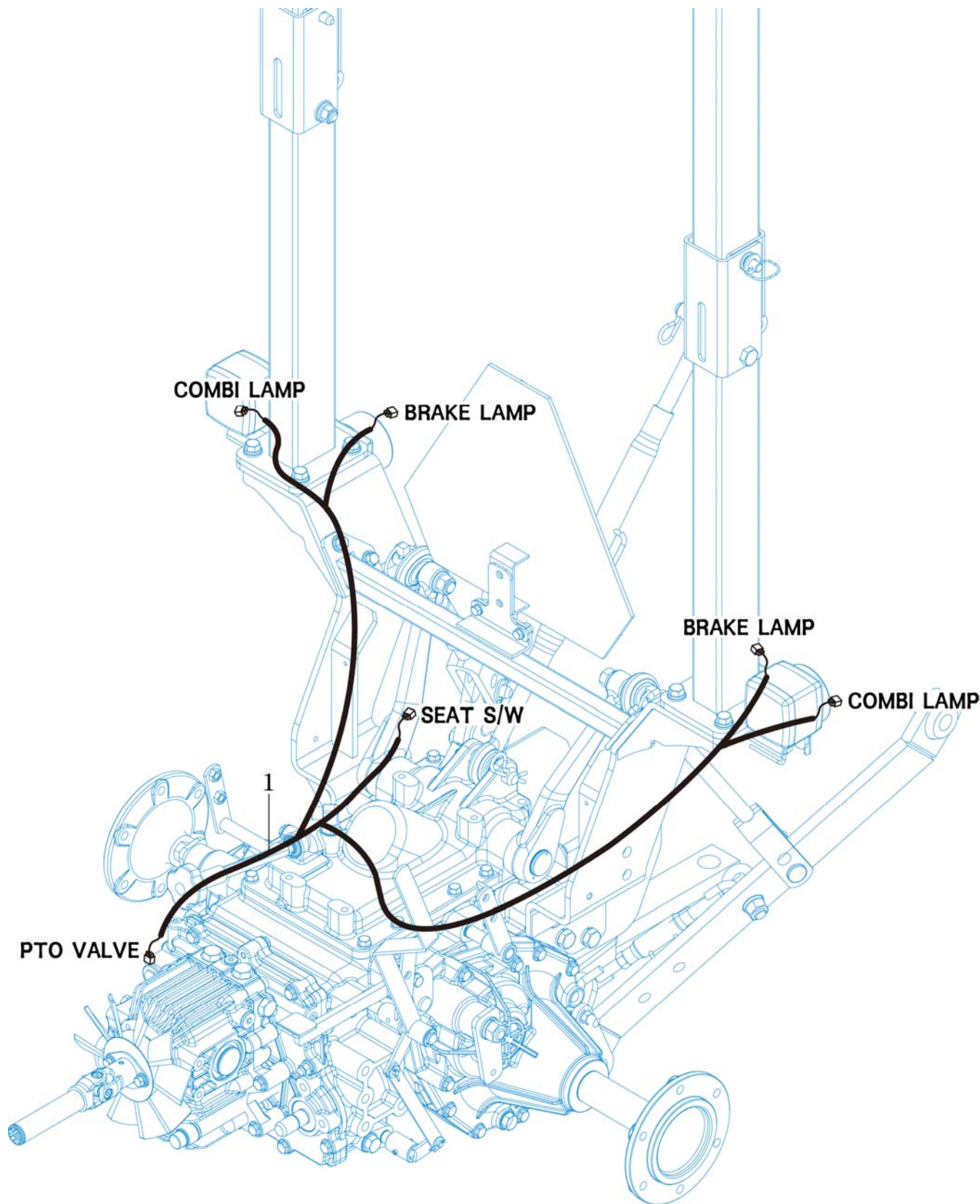
P1

Year

2014



T254NH



NOTE

FIG 901

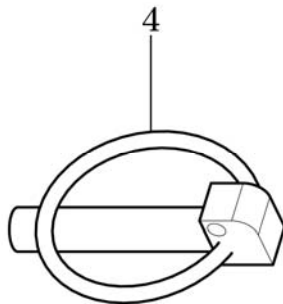
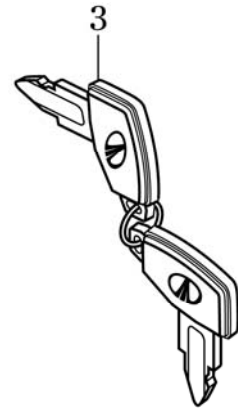
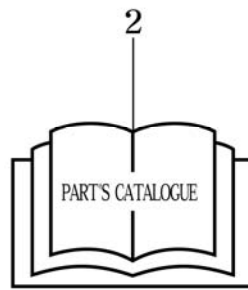
T254NH

TOOL & ACCESSORY

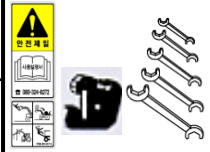
P1

Year

2014



NOTE



T254NH



8



9



6



11



14



5



21



20



26

HOT

19



24



25

HST T254

16

T254

15

LOW SULFUR FUEL OR ULTRA LOW SULFUR FUEL ONLY

18

HST

16

T254

15



23



17



12



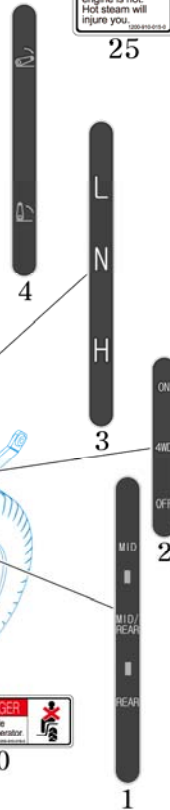
7



13



10



4

L

N

H

ON

4WD

OFF

MID

MID-REAR

REAR

1



T254NH

PARKING BRAKE
Press down the master brake pedal and lock the parking lever at the same time.

6

WARNING
Always set the park brake when parking. Failure to do so can cause accidents and damages.

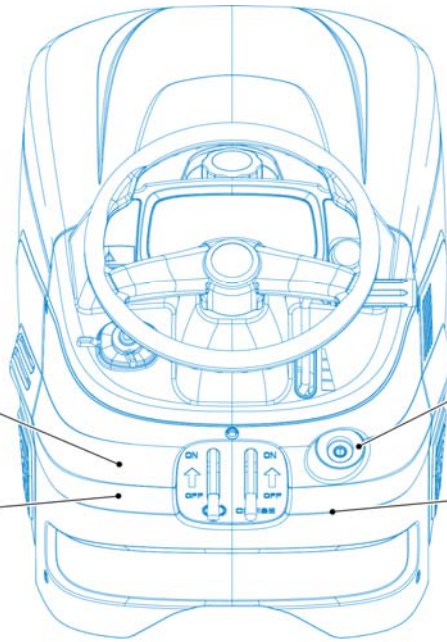
1



10



5



WARNING
Work in ventilated Area.

2

WARNING
Death or injury may result if the tractor over turns with the ROPS in the folded down position. Operate this tractor with the ROPS folded down only when necessary. Do not wear seat belt if operated with ROPS folded down.

9

⚠ DANGER
This Tractor may tip over unexpectedly and buckle than the operator is able to jump free.
1. Never operate a tractor without a proper full over Protection Structure (ROPS).
2. Always wear your seat belt when operating this tractor equipped with roll over protection.
3. Never pull from above or from the rear seat.
4. Do not operate the tractor on level slopes or near drop offs.
5. Avoid sharp high speed turns. Serious injury or death may result from tractor spins.

8

WARNING
Adjust implements and trailers to the tractor only using the prescribed offset of hitch.

4

⚠ DANGER
Rotating driveline contact can cause death. KEEP AWAY! Keep all drive line tractor and equipment shields in place during operation.

3

The ROPS here will protect you in the event of a ROPS failure. Do not operate the tractor with the ROPS folded down. Do not wear seat belt if operated with ROPS folded down.

7

